



Australian Government

IP Australia

AUSTRALIAN OFFICIAL JOURNAL

OF

DESIGNS

Did you know a searchable version of this journal is now available online?

It's FREE and EASY to SEARCH.

Find it on our website (www.ipaustralia.gov.au)

by using the "Journals" link on the home page.

This Page Left Intentionally Blank

Contents

General Information & Notices

**Proceedings Under the Designs Act 1906 preserved as a result of the provisions of Chapter 12
Part 2 of the Designs Act 2003**

Extension of Period of Registration of Designs	2296
Extensions of Time Granted	2296
Registrations Ceased	2296

Proceedings Under the Designs Act 2003

Applications Lapsed	2305
Applications Lodged	2300
Applications Withdrawn	2305
Certificate of Examination	2307
Extension of Period of Registration of Design	2306
Extension of Time Granted Under Section 137	2306
Names Registered - Alterations and Amendments	2306
Publication and Registration Proceedings	
Designs Registered 349854 to 350094.....	2308
Registrations Ceased	2306
Subsequent Owners Registered	2306

This Page Left Intentionally Blank

For information on the following please see our website www.ipaustralia.gov.au or contact our Customer Service Network on 1300651010

[Editorial enquiries](#)

[Contact information](#)

[Freedom of Information ACT](#)

[Professional Standards Board](#)

[Sales](#)

[Requests for Information under Section 194 \(c\)](#)

[Country Codes](#)

[Trade Mark and Designs Hearing Sessions](#)

[INID \(Internationally agreed Numbers for the Identification of Data\)](#)

“INID” NUMBERS in use on Australian Design Documents

“INID” is an acronym for “Internationally agreed Numbers for the Identification of Data”.

(10) Data concerning the registration/renewal

- (11) Serial number of the registration and/or number of the design document
- (12) Plain language designation of the kind of published document
- (19) Identification, using the two-letter code according to WIPO Standard ST.3, of the authority publishing or registering the industrial design

(20) Data concerning the application

- (21) Serial number of the application
- (22) Date of filing of the application
- (24) Date from which the industrial design right has effect

(30) Data relating to priority under the Paris Convention

- (31) Serial number assigned to the priority application
- (32) Date of filing of the priority application
- (33) Two-letter code, according to WIPO Standard ST.3, identifying the authority with which the priority application was made

(40) Date(s) of making information available to the public

- (45) Date of publication of the registered industrial design by printing or similar process, or making it available to the public by any other means

(50) Miscellaneous Information

- (51) International Classification for Industrial Designs (class and subclass of the Locarno Classification)
- (54) Designation of article(s) or product(s) covered by the industrial design or title of the industrial design
- (55) Reproduction of the industrial design (e.g., drawing, photograph) and explanations relating to the reproduction
- (56) List of prior art documents, if separate from descriptive text
- (57) Description of characteristic features of the industrial design including indication of colours

(60) References to other legally related application(s) and registration(s)

- (62) Serial number(s) and, if available, filing date(s) of application(s), registration(s) or document(s) related by division
- (66) Serial number(s) of the application, or the registration, of the design(s) which is (are) a variant(s) of the present one

(70) Identification of parties concerned with the application or registration

- (71) Name(s) and address(es) of the applicant(s)
- (72) Name(s) of the creator(s) if known to be such
- (74) Name(s) and address(es) of the representative(s)

This Page Left Intentionally Blank

Nil notices for this journal issue.

Proceedings under the Designs Act 1906 preserved as a result of the provisions of Chapter 12 Part 2 of the Designs Act 2003.

This Page Left Intentionally Blank

Applications Lapsed

There were no Applications Lapsed under this section

Extension of Period of Registration of Designs

1st Period (Section 27A(8))

2nd Period (Section 27A(12))

3rd Period (Section 27A(13))

148325	149457	149458
149459	149460	149486
149494	149495	149496
149497	149498	149664
149677	149682	149683
149684	149729	149756
149759	149760	149892
150032	150117	150141
150184	150354	150355
150356	150406	150407
150474	150496	150546
150819	150843	150918
150919	150996	150999
151211	151212	151250
151484	151532	151607
151708	151953	152578
153381	153652	154189

Registrations Ceased

Note: Some of the following Registrations may have been previously advertised as ceased. In this instance, the previous advertisement still prevails.

131098	131416	132523
132524	132545	132557
132558	132651	132702
132703	132718	132780
132889	132890	133123
134090	134161	134246
134251	135927	136386
136412	136413	136414
136415	136416	139054
139207	147997	148082
148083	148204	148205
148256	148627	148681
149095	149229	

Extensions of time granted

Applications lodged for extension of time have been granted.

146504 **Donaldson Company Inc.** An An Extension of time to extend a registration has been granted to 12/08/2012

This Page Left Intentionally Blank

Proceedings under the Designs Act 2003.

This Page Left Intentionally Blank

Applications Lodged

Lodgement information is in the following order: **Applicant's Name**; International Classification, Name of Product, Lodgement Date and **Design Number**. If the applicant claims an earlier priority date under an International Convention, the Convention Country and the associated filing date are shown in parentheses before the Lodgement Date. Divisional information will also appear in parentheses before the Lodgement Date.

lululemon athletica canada inc.; 02-02C, Shorts, (US, 01 Feb 2013) 24 Jul 2013	13536/2013	Bell, Norman Brett; 12-10, Trailer, 31 Jul 2013	13676/2013
Aktiebolaget Electrolux; 15-05, Vacuum cleaner, (EM, 08 Feb 2013) 30 Jul 2013	13639/2013	Bell, Norman Brett; 12-16NES, Cover, 31 Jul 2013	13675/2013
Aluminium Specialities Group Pty Limited; 25-01K, Extrusion, 21 Jun 2013	13463/2013	Boot Bananas Limited; 28-99, Deodoriser, (EM, 29 Jan 2013) 29 Jul 2013	13630/2013
Aluminium Specialities Group Pty Limited; 25-01K, Extrusion, 21 Jun 2013	13464/2013	Bose Corporation; 14-01, Set of headphones and battery pack, (US, 24 Jan 2013) 23 Jul 2013	13510/2013
Ames True Temper Australia Pty Ltd; 08-01, Spade, 23 Jul 2013	13503/2013	Brand Developers Ltd; 07-03, Knife, 31 Jul 2013	13671/2013
Ames True Temper Australia Pty Ltd; 08-01, Shovel, 23 Jul 2013	13508/2013	Brand Developers Ltd; 07-03, Knife, 31 Jul 2013	13674/2013
Ames True Temper Australia Pty Ltd; 08-01, Shovel, 23 Jul 2013	13509/2013	Brand Developers Ltd; 07-03, Knife, 31 Jul 2013	13672/2013
Ames True Temper Australia Pty Ltd; 08-01, Shovel, 23 Jul 2013	13506/2013	Bridgestone Corporation; 12-15B, Automobile tyre, (JP, 30 Jan 2013) 29 Jul 2013	13629/2013
Ames True Temper Australia Pty Ltd; 08-01, Shovel, 23 Jul 2013	13507/2013	Building Code & Bushfire Hazard Solutions Pty Ltd; 29-02, Production made emergency door warning card, 25 Jul 2013	13551/2013
Ames True Temper Australia Pty Ltd; 08-01, Shovel, 23 Jul 2013	13504/2013	Bulgari Horlogerie SA; 10-07, Wristwatch, (WO, 28 Jan 2013) 25 Jul 2013	13544/2013
Architectural Window Systems Pty Ltd; 25-01K, An extrusion, 25 Jul 2013	13561/2013	CamelBak Products, LLC; 07-01F, Pitcher lid, (US, 06 Feb 2013) 30 Jul 2013	13646/2013
Architectural Window Systems Pty Ltd; 25-01K, An extrusion, 25 Jul 2013	13560/2013	CamelBak Products, LLC; 07-01F, Pitcher, (US, 06 Feb 2013) 30 Jul 2013	13644/2013
Architectural Window Systems Pty Ltd; 25-01K, An extrusion, 25 Jul 2013	13562/2013	CamelBak Products, LLC; 07-01F, Pitcher body, (US, 06 Feb 2013) 30 Jul 2013	13649/2013
Arlec Australia Pty Ltd; 13-03E, A switch, 25 Feb 2013	10873/2013	CamelBak Products, LLC; 07-01F, Filter housing for a water filtration pitcher, (US, 07 Feb 2013) 30 Jul 2013	13647/2013
Asahi Beverages Australia Pty Ltd; 09-01NES, Bottle, 31 Jul 2013	13677/2013	Caton, Krystal; 09-05, A Re-sealable pouch, 24 Jul 2013	13539/2013
Asahi Group Holdings, Ltd.; 09-01NES, Bottle, 01 Aug 2013	13693/2013	Centor Design Pty Ltd; 25-02B, Sliding door sill, 23 Jul 2013	13511/2013
ABB AB; 14-02, Display screen, (EM, 28 Jan 2013) 24 Jul 2013	13517/2013	Centor Design Pty Ltd; 25-02B, Sliding door sill, 23 Jul 2013	13512/2013
ABB AB; 14-02, Display screen, (EM, 28 Jan 2013) 24 Jul 2013	13519/2013	Checkmate International Pty Ltd; 06-04NES, Shelving, 19 Jul 2013	13472/2013
ABB AB; 14-02, Display screen, (EM, 28 Jan 2013) 24 Jul 2013	13515/2013	Checkmate International Pty Ltd; 06-04NES, Shelving, 19 Jul 2013	13473/2013
ABB AB; 14-02, Display screen, (EM, 28 Jan 2013) 24 Jul 2013	13516/2013		

Chilewich Sultan LLC; 99-00, Mod, 30 Jul 2013	13640/2013	David Penn Consulting Pty Limited; 28-03NES, Dental appliance, 23 Jul 2013	13499/2013
Concave Global Pty Ltd;Neophitou, Andrew; 02-04NES, Shoe, 23 Jul 2013	13584/2013	Double Dip Limited; 07-01F, Sauce Holder, (NZ, 29 Jan 2013) 29 Jul 2013	13618/2013
Connor, Jodie Melinda; 21-01A, Teddy bear, 01 Aug 2013	13692/2013	Dyson Technology Limited; 15-05, A vacuum cleaner head, (EM, 06 Feb 2013) 25 Jul 2013	13559/2013
Creative Products Enterprises Pty Limited; 02-03, 07-01B, Combination wearable hat, bowl and dish, 23 Jul 2013	13513/2013	Dyson Technology Limited; 15-05, Part of a hand dryer, 24 Jul 2013	13524/2013
Crown Packaging Technology, Inc; 09-03L, Container, (EM, 01 Feb 2013) 26 Jul 2013	13594/2013	Dyson Technology Limited; 15-05, Part of a vacuum cleaner, (EM, 18 Feb 2013) 30 Jul 2013	13652/2013
Crown Packaging Technology, Inc; 09-03L, Container, (EM, 01 Feb 2013) 26 Jul 2013	13595/2013	Dyson Technology Limited; 15-05, Vacuum cleaner, (EM, 18 Feb 2013) 30 Jul 2013	13642/2013
Crown Packaging Technology, Inc; 09-03L, Container, (EM, 01 Feb 2013) 26 Jul 2013	13592/2013	Dyson Technology Limited; 15-05, Vacuum cleaner, (EM, 18 Feb 2013) 30 Jul 2013	13643/2013
Crown Packaging Technology, Inc; 09-03L, Container, (EM, 01 Feb 2013) 26 Jul 2013	13593/2013	Dyson Technology Limited; 15-05, Part of a vacuum cleaner, (EM, 18 Feb 2013) 30 Jul 2013	13650/2013
CARECLIA PTY PTD; 25-02B, An extendable screen door, 28 Jul 2013	13611/2013	Dyson Technology Limited; 15-05, Part of a vacuum cleaner, (EM, 18 Feb 2013) 30 Jul 2013	13648/2013
CH Packaging Pty Ltd; 09-05, Grab n Go packaging product easy fill and display, 29 Jul 2013	13635/2013	Dyson Technology Limited; 13-02, Battery pack, (EM, 18 Feb 2013) 30 Jul 2013	13645/2013
COMPAGNIE GENERALE DES ETABLISSEMENTS MICHELIN;Michelin Rechere et Technique S.A; 12-15C, A tyre, (FR, 15 Feb 2013) 25 Jul 2013	13555/2013	Dyson Technology Limited; 15-05, A vacuum cleaner head, (EM, 06 Feb 2013) 25 Jul 2013	13574/2013
COMPAGNIE GENERALE DES ETABLISSEMENTS MICHELIN;Michelin Rechere et Technique S.A; 12-15C, A tyre, (FR, 15 Feb 2013) 25 Jul 2013	13556/2013	Dyson Technology Limited; 15-05, A vacuum cleaner head, (EM, 06 Feb 2013) 25 Jul 2013	13577/2013
COMPAGNIE GENERALE DES ETABLISSEMENTS MICHELIN;Michelin Rechere et Technique S.A; 12-15C, A tyre, (FR, 15 Feb 2013) 25 Jul 2013	13556/2013	Dyson Technology Limited; 15-05, A vacuum cleaner head, (EM, 06 Feb 2013) 25 Jul 2013	13575/2013
CUB Pty Ltd; 09-01H, Bottle, 30 Jul 2013	13653/2013	Dyson Technology Limited; 15-05, Part of a hand dryer, (EM, 01 Feb 2013) 24 Jul 2013	13522/2013
Dai, Alex; 13-02, Cover lid of lead-acid battery, 01 Aug 2013	13684/2013	Dyson Technology Limited; 15-05, A vacuum cleaner, (EM, 18 Feb 2013) 25 Jul 2013	13569/2013
Dart Industries Inc.; 07-01NES, Cover for a container, (US, 15 Mar 2013) 24 Jul 2013	13540/2013	DEAN ORFORD PTY. LTD.; 15-07, Refrigeration package, 24 Jul 2013	13541/2013
Dart Industries Inc.; 07-01B, Bowl, (US, 05 Mar 2013) 24 Jul 2013	13537/2013	EcoSmart Stone Pty Ltd; 08-08B, Spacer (1), 01 Aug 2013	13694/2013
Dart Industries Inc.; 07-01A, Plate, (US, 05 Mar 2013) 24 Jul 2013	13538/2013	Electrolux Home Products Pty Limited; 15-99, Trim component for an appliance, 29 Jul 2013	13634/2013
David Penn Consulting Pty Limited; 28-03NES, Dental appliance, 23 Jul 2013	13500/2013	Engwerda, Joshua; 07-07A, Ice vessel, 25 Jul 2013	13580/2013
		Engwerda, Joshua; 07-07A, Ice vessel, 25 Jul 2013	13581/2013

Flow Control LLC.; 15-02, Utility pump, (US, 28 Jan 2013) 28 Jun 2013	13065/2013	Honda Motor Co., Ltd.; 15-01, An internal-combustion engine, (JP, 25 Jan 2013) 23 Jul 2013	13493/2013
Forever New Clothing Pty Ltd; 03-01B, Carrybag, 25 Jun 2013	13056/2013	Honda Motor Co., Ltd.; 15-01, An internal-combustion engine, (JP, 25 Jan 2013) 23 Jul 2013	13494/2013
Forever New Clothing Pty Ltd; 26-02, Lantern, (Divisional of 15491/2012) 25 Jun 2013	13057/2013	Huffy Corporation; 12-11, Three-wheeled vehicle, (US, 01 Feb 2013) 30 Jul 2013	13638/2013
Forever New Clothing Pty Ltd; 02-02C, Article of clothing, (Divisional of 15484/2012) 25 Jun 2013	13054/2013	Hypro EU Ltd.;Syngenta Participations AG; 23-01D, Spray nozzle, (US, 21 Jan 2013) 22 Jul 2013	13478/2013
Forever New Clothing Pty Ltd; 02-02C, Article of clothing, (GB, 30 Aug 2012) (Divisional of 15083/2012) 05 Jul 2013	13296/2013	Jelly Belly Candy Company; 14-99, Ornamental UPC code/barcode, (US, 09 Nov 2012) (Divisional of 12110/2013) 18 Jul 2013	13474/2013
Forever New Clothing Pty Ltd; 02-02C, Article of clothing, 25 Jun 2013	13055/2013	Julius Blum GmbH; 07-07NES, Furniture Part (Cutlery Insert), (EP, 11 Feb 2013) 26 Jul 2013	13600/2013
Forever New Clothing Pty Ltd; 02-02C, Article of clothing, (Divisional of 15484/2012) 25 Jun 2013	13052/2013	Julius Blum GmbH; 07-07NES, Furniture Part (Cutlery Insert), (EP, 11 Feb 2013) 26 Jul 2013	13601/2013
Forever New Clothing Pty Ltd; 02-02C, Article of clothing, 25 Jun 2013	13053/2013	Julius Blum GmbH; 07-99NES, Furniture part (cutlery insert), (EM, 11 Feb 2013) 26 Jul 2013	13596/2013
Freedman Electronics Pty. Ltd.; 14-01, Microphone, (US, 22 Jan 2013) 19 Jul 2013	13455/2013	Julius Blum GmbH; 07-07NES, Furniture Part (Cutlery Insert), (EP, 11 Feb 2013) 26 Jul 2013	13602/2013
Freedman Electronics Pty. Ltd.; 14-03A, Mount, (US, 22 Jan 2013) 19 Jul 2013	13456/2013	Julius Blum GmbH; 07-07NES, Furniture Part (Cutlery Insert), (EP, 11 Feb 2013) 26 Jul 2013	13598/2013
Freeman, Tom;Nguyen, Moana; 07-04, A strainer, 25 Jul 2013	13552/2013	Julius Blum GmbH; 07-07NES, Furniture Part (Cutlery Insert), (EP, 11 Feb 2013) 26 Jul 2013	13599/2013
Fromberg, David; 19-08, Wine bottle label, 30 Jul 2013	13657/2013	Kadtec Pty Ltd; 15-09, Milling disc, 22 Jul 2013	13470/2013
Gamma Illumination Pty Ltd; 26-05A, Light fitting, 23 Jul 2013	13496/2013	Kadtec Pty Ltd; 15-09, Milling tooth, 22 Jul 2013	13471/2013
Gamma Illumination Pty Ltd; 26-05A, Light fitting, 23 Jul 2013	13497/2013	Keunen, David Arthur; 12-16M, Spinning disc rotor via magnetics, 26 Jul 2013	13603/2013
Gant-Thompson, Robert Ian; 08-05A, A bush rake or Mcleod tool, 22 Jul 2013	13481/2013	Koch, Jared Lucas; 08-08NES, Magnet holder, 25 Jul 2013	13563/2013
Gant-Thompson, Robert Ian; 08-05A, A bush rake or Mcleod tool, 22 Jul 2013	13482/2013	KHN Solutions; 10-04, Breathalyzer mouthpiece, (US, 16 Apr 2013) 29 Jul 2013	13633/2013
Gant-Thompson, Robert Ian; 08-05A, A bush rake or Mcleod tool, 22 Jul 2013	13480/2013	KHN Solutions; 10-04, Breathalyzer, (US, 31 Jan 2013) 29 Jul 2013	13632/2013
Handelsonderneming Pragma B.V.; 25-03, Play house, 19 Jul 2013	13462/2013	KYOCERA Document Solutions Inc.; 14-02, Toner cartridge, (JP, 26 Mar 2013) 19 Jul 2013	13454/2013
Hansgrohe SE; 23-02B, Hand shower, (EM, 07 Feb 2013) 01 Aug 2013	13687/2013		
Hansgrohe SE; 23-02B, Head shower, (EM, 07 Feb 2013) 01 Aug 2013	13689/2013		
Hemara, Apirana David; 02-06, Protective handwrap for boxing/MMA, 22 Jul 2013	13485/2013		

KYOCERA Document Solutions Inc.; 14-02, Toner cartridge, (JP, 26 Mar 2013) 19 Jul 2013	13453/2013	Michelin Rechere et Technique S.A.;COMPAGNIE GENERALE DES ETABLISSEMENTS MICHELIN; 12-15C, A tyre, (FR, 15 Feb 2013) 25 Jul 2013	13556/2013
La Montre Hermes S.A.; 10-07, Watch dial, (CH, 07 Feb 2013) 26 Jul 2013	13597/2013	Michelin Rechere et Technique S.A.;COMPAGNIE GENERALE DES ETABLISSEMENTS MICHELIN; 12-15C, A tyre, (FR, 15 Feb 2013) 25 Jul 2013	13555/2013
Labstyle Innovation Ltd.; 24-01, Glucose meter, (US, 24 Jan 2013) 18 Jul 2013	13440/2013	MSD Consumer Care, Inc.; 02-04B, Cushioning device, (US, 31 Jan 2013) 23 Jul 2013	13495/2013
Laser Computer Services Pty Ltd; 06-13NES, Sleeve for a weight-bearing blanket, 29 Jul 2013	13628/2013	NanoGrid Limited Hong Kong; 26-05E, LED bulb, (US, 19 Feb 2013) 31 Jul 2013	13678/2013
Laser Computer Services Pty Ltd; 06-13B, Insert for a weight bearing blanket sleeve, 29 Jul 2013	13624/2013	Nelson, Mark Charles; 07-01D, Glasses - drinkware, 21 Jul 2013	13467/2013
Laser Computer Services Pty Ltd; 06-13NES, Sleeve for a weight-bearing blanket, 29 Jul 2013	13631/2013	Neophitou, Andrew;Concave Global Pty Ltd; 02-04NES, Shoe, 23 Jul 2013	13584/2013
Laser Computer Services Pty Ltd; 06-13NES, Insert for a weight bearing blanket sleeve, 29 Jul 2013	13627/2013	Nguyen, Moana;Freeman, Tom; 07-04, A strainer, 25 Jul 2013	13552/2013
Lifeloc Technologies, Inc.; 10-04, A calibration station, (US, 31 Jan 2013) 30 Jul 2013	13641/2013	Oakley, Inc.; 16-06, Eyeglasses, (US, 31 Jan 2013) 24 Jul 2013	13528/2013
Lucas, Kain;Ute Australia Pty. Ltd.; 06-04NES, Storage furniture, 01 Aug 2013	13683/2013	OBERTHUR FIDUCIAIRE SAS; 19-08, Bank note, (EM, 22 Jan 2013) 22 Jul 2013	13483/2013
Lucidity Enterprise Co., Ltd; 26-05D, Cover lens for an automotive lamp, 24 Jul 2013	13542/2013	OBERTHUR FIDUCIAIRE SAS; 19-08, Bank note, (EM, 22 Jan 2013) 22 Jul 2013	13484/2013
Luminous Star Technology Ltd; 16-06, Optical lens, 23 Jul 2013	13501/2013	Phoenix Industries Pty Ltd; 23-01H, Mixer tap, 19 Jul 2013	13490/2013
Lyson Trading Pty Ltd; 09-03M, Plastic flattened pyramid container, 25 Jul 2013	13578/2013	Pipelion Pty Ltd; 08-08L, Pipe hanger, 24 Jul 2013	13535/2013
LG Electronics Inc.; 14-03B, Television receiver, (KR, 24 Jan 2013) 24 Jul 2013	13523/2013	Pipelion Pty Ltd; 23-01A, Pipe end fitting, 24 Jul 2013	13532/2013
LG Electronics Inc.; 14-03B, Television receiver, (KR, 24 Jan 2013) 24 Jul 2013	13530/2013	Pipelion Pty Ltd; 23-01A, Pipe joiner, 24 Jul 2013	13533/2013
LG Electronics Inc.; 14-03B, Television receiver, (KR, 24 Jan 2013) 24 Jul 2013	13531/2013	Pipelion Pty Ltd; 23-01A, Pipe joiner with take off, 24 Jul 2013	13534/2013
LG Electronics Inc.; 14-03B, Television receiver, (KR, 24 Jan 2013) 24 Jul 2013	13527/2013	Quantax Pty Ltd; 09-07C, 23-01A, Seal and cap assembly for cable bolt, 22 Jul 2013	13479/2013
Maisey, Dean Frank; 22-01, An adjustable muzzle brake for a rifle, (NZ, 27 May 2013) 28 Jul 2013	13610/2013	Rapid Resource Solutions Pty. Ltd.;Watkins, Todd; 12-16M, Brake disc rotors, 19 Jul 2013	13461/2013
Maserati S.p.A.; 12-08, 21-01C, Car; toy-car, (WO, 28 Jan 2013) 26 Jul 2013	13605/2013	Reckitt Benckiser (Brands) Limited; 28-03NES, Skin treatment article, (EM, 23 Jan 2013) 23 Jul 2013	13502/2013
Mercorella Group of Companies Pty Ltd; 09-03H, A clip for joining containers, 26 Jul 2013	13606/2013	Reckitt Benckiser (Brands) Limited; 13-03D, Reservoir for plug in dispenser, (EM, 30 Jan 2013) 30 Jul 2013	13658/2013

Reckitt Benckiser (Brands) Limited; 13-03D, Reservoir for plug in dispenser, (EM, 30 Jan 2013) 30 Jul 2013	13659/2013	Societe des Produits Nestle S.A.; 07-02L, A coffee machine, (CH, 02 May 2013) 01 Aug 2013	13685/2013
Reckitt Benckiser (Brands) Limited; 13-03D, Plug in dispenser for volatile formulations, (EM, 30 Jan 2013) 30 Jul 2013	13655/2013	Societe des Produits Nestle S.A.; 07-02L, A coffee machine, (CH, 02 May 2013) 01 Aug 2013	13686/2013
Reckitt Benckiser (Brands) Limited; 09-01A, Plug in dispenser for volatile formulations, (EM, 30 Jan 2013) 30 Jul 2013	13651/2013	Societe des Produits Nestle S.A.; 09-05, A capsule, (CH, 07 Feb 2013) 31 Jul 2013	13667/2013
Reckitt Benckiser (Brands) Limited; 13-03D, Plug in dispenser for volatile formulations, (EM, 30 Jan 2013) 30 Jul 2013	13656/2013	Societe des Produits Nestle S.A.; 09-05, 07-02L, 09-03L, A capsule, (CH, 07 Feb 2013) 31 Jul 2013	13669/2013
Reckitt Benckiser (Brands) Limited; 28-03NES, Skin treatment article, (EM, 23 Jan 2013) 23 Jul 2013	13505/2013	Spaceleft Pty Ltd; 06-03B, Table, 19 Jul 2013	13465/2013
Red Bull GmbH; 15-07, Refrigerator, (EM, 30 Jan 2013) 24 Jul 2013	13529/2013	Spantec Systems Pty Limited; 25-02A, Pier cap, 31 Jul 2013	13665/2013
Rhino Rack Australia Pty Limited; 14-99, Cam buckle cover, 31 Jul 2013	13661/2013	Spantec Systems Pty Limited; 25-02A, Pier base, 31 Jul 2013	13666/2013
RC02 Washington, Inc.; 09-01NES, Bottle, (US, 22 Jan 2013) 22 Jul 2013	13475/2013	Staples the Office Superstore, LLC; 19-04, Notebook, (US, 27 Feb 2013) 25 Jul 2013	13557/2013
S. C. Johnson & Son, Inc.; 09-01A, Aerosol bottle, (US, 25 Jan 2013) 25 Jul 2013	13570/2013	Staples the Office Superstore, LLC; 19-04, Notebook spine opening, (US, 27 Feb 2013) 25 Jul 2013	13558/2013
S. C. Johnson & Son, Inc.; 09-01A, Aerosol bottle, (US, 25 Jan 2013) 25 Jul 2013	13568/2013	Staples the Office Superstore, LLC; 19-04, Notebook pocket, (US, 27 Feb 2013) 25 Jul 2013	13579/2013
S. C. Johnson & Son, Inc.; 09-01A, Aerosol bottle, (US, 25 Jan 2013) 25 Jul 2013	13573/2013	Staples the Office Superstore, LLC; 19-04, Notebook spine window, (US, 27 Feb 2013) 25 Jul 2013	13554/2013
S. C. Johnson & Son, Inc.; 09-01A, Aerosol bottle, (US, 25 Jan 2013) 25 Jul 2013	13566/2013	Staples the Office Superstore, LLC; 19-04, Notebook pocket buttons, (US, 27 Feb 2013) 25 Jul 2013	13576/2013
S. C. Johnson & Son, Inc.; 09-01A, Aerosol bottle, (US, 25 Jan 2013) 25 Jul 2013	13567/2013	Staples the Office Superstore, LLC; 19-04, Notebook spine hinge, (US, 27 Feb 2013) 25 Jul 2013	13572/2013
S. C. Johnson & Son, Inc.; 09-01A, Aerosol bottle, (US, 25 Jan 2013) 25 Jul 2013	13564/2013	Staples the Office Superstore, LLC; 19-04, Notebook spine hinge, (US, 27 Feb 2013) 25 Jul 2013	13571/2013
Sadowsky, Nick; 26-05D, Pendant light, 23 Jul 2013	13514/2013	Stevens, Clarence Edward; 25-02H, Caravan awning holddown clips, 24 Jul 2013	13520/2013
Samsung Electronics Co., Ltd; 09-01H, Bottle, 30 Jul 2013	13654/2013	Studform Pty Ltd; 25-02E, Ceiling tee clip, 26 Jul 2013	13607/2013
Samsung Electronics Co., Ltd.; 14-01, Display screen with icon for an electronic device, (KR, 22 Feb 2013) 01 Aug 2013	13690/2013	Studform Pty Ltd; 25-01K, Movable wall angle bracket extrusion, 26 Jul 2013	13609/2013
Samsung Electronics Co., Ltd.; 14-01, Display screen with icon for an electronic device, (KR, 22 Feb 2013) 01 Aug 2013	13691/2013	Studform Pty Ltd; 25-01K, Fixed wall angle bracket extrusion, 26 Jul 2013	13608/2013
Scuglia, Paul; 11-02E, A statue, 25 Jul 2013	13565/2013	Sulzer Pumpen AG; 15-02, Pump housing, (US, 05 Apr 2013) 31 Jul 2013	13664/2013

Syngenta Participations AG;Hypro EU Ltd.; 23-01D, Spray nozzle, (US, 21 Jan 2013) 22 Jul 2013	13478/2013	Tully Enterprises Pty Ltd; 25-02NES, A framework for a pit cover, 24 Jul 2013	13526/2013
SEB; 07-02N, Electric fryer, (EM, 19 Feb 2013) 23 Jul 2013	13498/2013	Tully Enterprises Pty Ltd; 25-02NES, A framework for a pit cover, 24 Jul 2013	13525/2013
Taiwan Fu Hsing Industrial Co. Ltd; 08-06, Lever, (CN, 10 Jun 2013) 22 Jul 2013	13476/2013	Unilever PLC; 99-00, Instructions for emptying pouch, (EM, 19 Feb 2013) 01 Aug 2013	13688/2013
Talley Group Limited; 99-00, , (Divisional of 11982/2013) 24 Jul 2013	13521/2013	Ute Australia Pty. Ltd.;Lucas, Kain; 06-04NES, Storage furniture, 01 Aug 2013	13683/2013
Technicolor Delivery Technologies; 14-03A, 14-02, Telephone set with removable tablet, (EM, 23 Jul 2013) 26 Jul 2013	13587/2013	UNI-PRO Painting Equipment Pty Ltd; 08-05L, Paint pot, 22 Jul 2013	13477/2013
Technicolor Delivery Technologies; 14-03A, 14-02, Telephone set with removable tablet, (EM, 23 Jul 2013) 26 Jul 2013	13591/2013	Vehicle Development Corporation Pty Ltd; 12-16NES, Vehicle dashboard, (US, 29 Jan 2013) 29 Jul 2013	13619/2013
The Coca-Cola Company; 09-01NES, Drink bottles, (US, 25 Jan 2013) 25 Jul 2013	13553/2013	Victor Equipment Company; 10-04, Gas pressure regulator, (US, 29 Jan 2013) 29 Jul 2013	13625/2013
The Coca-Cola Company; 09-01NES, Bottle, (US, 05 Nov 2012) 23 Jul 2013	13492/2013	Victor Equipment Company; 10-04, Gauge face for a gas pressure regulator, (US, 29 Apr 2013) 29 Jul 2013	13623/2013
The Coca-Cola Company; 07-02L, 31-00, Beverage dispenser, (US, 01 Feb 2013) 31 Jul 2013	13670/2013	Victor Equipment Company; 23-01NES, Knob and bonnet for a gas pressure regulator, (US, 29 Jan 2013) 29 Jul 2013	13626/2013
The Coca-Cola Company; 07-02L, 31-00, Beverage dispenser, (US, 01 Feb 2013) 31 Jul 2013	13668/2013	Watkins, Todd;Rapid Resource Solutions Pty. Ltd.; 12-16M, Brake disc rotors, 19 Jul 2013	13461/2013
The Gillette Company; 28-03A, Hand held device, (US, 20 Feb 2013) 23 Jul 2013	13491/2013	Young, Peter James; 11-03, Badges, medals, pins, 31 Jul 2013	13679/2013
The Stanley Works Israel Ltd.; 08-06, Handle, (EM, 13 Feb 2013) 26 Jul 2013	13604/2013	Yupoong, Inc.; 02-03, Cap, (KR, 15 May 2013) 19 Jul 2013	13457/2013
The Stanley Works Israel Ltd.; 12-02, Trolley, (EM, 30 Jan 2013) 22 Jul 2013	13468/2013	Yupoong, Inc.; 02-03, Cap, (KR, 15 May 2013) 19 Jul 2013	13458/2013
The Stanley Works Israel Ltd.; 03-01D, Toolbox, (EM, 30 Jan 2013) 22 Jul 2013	13469/2013	Yupoong, Inc.; 02-03, Crown panel, (KR, 15 May 2013) 19 Jul 2013	13459/2013
		Zhang, Weikai; 21-01B, A model, 31 Jul 2013	13673/2013
		Zurcas, George; 07-06A, Stubby holder, 20 Jul 2013	13466/2013

Applications Withdrawn

10286 / 2013 (24-99) 10287 / 2013 (24-99)
12425 / 2013 (02-02B)

Applications Lapsed

12865 / 2013 (07-01C)

Extension of Period of Registration of Designs

321048	321325	321703
321829	321930	321931
321932	321934	321984
321986	321987	321988
321994	321995	322000
322001	322085	322094
322096	322111	322145
322146	322147	322162
322163	322189	322270
322290	322342	322343
322349	322350	322383
322384	322385	322386
322405	322409	322410
322420	322421	322436
322437	322438	322439
322440	322441	322442
322443	322455	322464
322472	322474	322493
322509	322510	322566
322625	322713	322714
322715	322727	322728
322740	322779	322856
322858	322859	322861
322863	322864	322886
322926	322927	322928
322929	322930	322931
322932	322954	323005
323029	323030	323063
323191	323388	323406
323408	323409	323410
323411	323508	323509
323515	323620	323717
323718	323794	323871
323895	323901	323902
323903	323984	324004
324005	324006	324416
326208	326209	

Registrations Ceased

317649	317650	319152
319153	319154	319155
319156	319186	319187
319200	319201	319202
319203	319204	319205
319206	319207	319208
319209	319211	319239
319241	319279	319280
319281	319282	319288
319289	319300	319307

319318	319319	319320
319331	319342	319343
319348	319455	319456
319500	319504	319509
319742	319756	319757
319758	319759	319760
319780	319781	319782
320043	320098	320114
320116	320130	320131
320292	320637	320638
320778	331897	344396
344397	344398	344554
344555	345465	

Extensions of time granted under Section 137

Applications lodged under section 137 for extension of time have been granted.

- 343911 **Thundershirt, LLC**
- 350099 **Fuselage Design Pty Ltd**
- 16056/2012 **AFI (WA) Pty Ltd**
- 16546/2012 **Sven Roehrs**
- 16759/2012 **Sven Roehrs**
- 10520/2013 **Steelfinne Fabrications Pty. Ltd.**
- 10643/2013 **Pro-Tactical Pty Ltd**
- 11271/2013 **Kevin Micheal McDonnell**
- 11284/2013 **Vuly Pty Ltd**
- 11588/2013 **Spyros Georgiou**
- 12309/2013 **Alex Gort-Barten**

Subsequent Owners Registered

(The name in parentheses is that of the subsequent owner)

- 322729 (**Fusion HVAC Pty Limited**) KAIP Pty Limited
- 347279 (**Fusion HVAC Pty Limited**) KAIP Pty Limited

Names Registered - Alterations and Amendments

(The name in parentheses is that of the subsequent applicant)

- 346677 (**King Furniture Australia Pty Ltd**) King Furniture (Australia) Pty Ltd
- 337448 (**EJ Australia Pty Ltd**) Havestock Pty Ltd
- 345130 (**PFG Group Pty Ltd**) Plastic Fabrications Pty Ltd

Certificate(s) of Examination

Examination of the following Design Registration(s) has been completed. Infringement proceedings may now be commenced.

342131	12-07	29/07/2013
343393	08-08L	24/07/2013
343911	30-01	29/07/2013
345060	03-01NES	05/08/2013
346415	13-03D	25/07/2013
346416	13-03D	25/07/2013
346743	09-07A	30/07/2013
346921	02-04B	29/07/2013
346922	02-04NES	29/07/2013
347538	26-05E	25/07/2013
347540	28-03NES	02/08/2013
348309	15-99	26/07/2013
348313	15-99	26/07/2013
348445	09-99	04/08/2013
348446	09-99	04/08/2013
348447	09-99	05/08/2013

Publication and Registration Proceedings

Designs Registered

This section provides a concordance between design number and registration number of Designs covered in this journal. It also shows the main class and registration date.

This section covers Registration numbers 349854 to 350094 .

The registration number shown below should be used in all future correspondence.

Design Number	Registration Number	International Classification Code (IDC)	Registration Date	Design Number	Registration Number	International Classification Code (IDC)	Registration Date
15138/2012	349860	21-02F	23/07/2013	12231/2013	350011	14-01	01/08/2013
15974/2012	349893	17-04	26/07/2013	12232/2013	350012	14-01	01/08/2013
16057/2012	349894	31-00	26/07/2013	12252/2013	350013	14-03A	01/08/2013
10873/2013	349941	13-03E	30/07/2013	12253/2013	350014	14-03A	01/08/2013
10959/2013	350033	14-01	01/08/2013	12266/2013	349900	14-01	26/07/2013
11130/2013	349861	06-09	23/07/2013	12267/2013	349901	14-01	26/07/2013
11131/2013	349862	06-09	23/07/2013	12268/2013	349902	14-01	26/07/2013
11179/2013	349859	12-08	23/07/2013	12269/2013	349903	14-01	26/07/2013
11244/2013	349888	23-01A	24/07/2013	12270/2013	349932	14-01	29/07/2013
11305/2013	349895	14-02	26/07/2013	12271/2013	349933	14-01	29/07/2013
11403/2013	349880	15-04	24/07/2013	12272/2013	349934	14-01	29/07/2013
11435/2013	349881	09-07A	24/07/2013	12273/2013	349935	14-01	29/07/2013
11481/2013	349999	26-05D	31/07/2013	12274/2013	349936	14-01	29/07/2013
11654/2013	350000	06-02	31/07/2013	12275/2013	349937	14-01	29/07/2013
11738/2013	349883	25-02B	24/07/2013	12277/2013	349938	14-01	29/07/2013
11739/2013	349882	25-99	24/07/2013	12278/2013	349939	14-01	29/07/2013
11766/2013	349863	19-08	23/07/2013	12313/2013	349943	14-01	30/07/2013
11788/2013	350002	12-04	31/07/2013	12314/2013	349944	14-01	30/07/2013
11795/2013	350001	08-05P	31/07/2013	12317/2013	350007	14-01	31/07/2013
11898/2013	349896	14-03B	26/07/2013	12319/2013	349975	14-01	31/07/2013
11944/2013	349884	12-05	24/07/2013	12320/2013	349940	14-01	29/07/2013
11947/2013	349897	05-06NES	26/07/2013	12321/2013	350006	14-01	31/07/2013
11948/2013	349885	09-03M	24/07/2013	12322/2013	350005	14-01	31/07/2013
11950/2013	350003	09-01NES	31/07/2013	12341/2013	349976	14-01	31/07/2013
11955/2013	349898	13-03D	26/07/2013	12342/2013	349904	14-01	29/07/2013
11958/2013	349899	13-03D	26/07/2013	12343/2013	349905	14-01	29/07/2013
11982/2013	349942	09-07A	30/07/2013	12344/2013	349977	14-01	31/07/2013
11983/2013	349930	05-06NES	29/07/2013	12345/2013	350008	14-01	31/07/2013
11993/2013	349931	03-01NES	29/07/2013	12370/2013	349891	24-02	25/07/2013
11998/2013	349886	25-02C	24/07/2013	12384/2013	350067	10-06	02/08/2013
12050/2013	350068	09-01NES	02/08/2013	12385/2013	349945	03-01NES	30/07/2013
12051/2013	350069	09-01NES	02/08/2013	12387/2013	349906	09-01NES	29/07/2013
12098/2013	349890	08-07	25/07/2013	12420/2013	349946	03-01NES	30/07/2013
12110/2013	350004	14-99	31/07/2013	12435/2013	349978	26-05E	31/07/2013
12135/2013	350034	28-03NES	01/08/2013	12532/2013	349947	15-06	30/07/2013
12136/2013	350035	28-03NES	01/08/2013	12533/2013	349868	06-01D	24/07/2013
12137/2013	350036	28-03NES	01/08/2013	12537/2013	349869	21-01L	24/07/2013
12177/2013	349887	24-01	24/07/2013	12584/2013	349907	09-07C	29/07/2013
12212/2013	349865	13-03NES	24/07/2013	12585/2013	349908	08-05M	29/07/2013
12213/2013	349866	13-03NES	24/07/2013	12603/2013	349979	30-05	31/07/2013
12214/2013	349867	13-03NES	24/07/2013	12608/2013	349956	12-12	30/07/2013
12215/2013	349974	07-01NES	30/07/2013	12609/2013	349957	06-01NES	30/07/2013
12222/2013	350037	14-01	01/08/2013	12610/2013	349958	12-12	30/07/2013
12223/2013	350038	14-01	01/08/2013	12611/2013	349959	03-03	30/07/2013
12224/2013	350039	14-01	01/08/2013	12612/2013	349960	12-12	30/07/2013
12225/2013	350040	14-01	01/08/2013	12613/2013	349961	03-03	30/07/2013
12226/2013	350041	14-01	01/08/2013	12614/2013	349962	12-12	30/07/2013
12227/2013	350042	14-01	01/08/2013	12615/2013	349963	12-12	30/07/2013
12228/2013	350043	14-01	01/08/2013	12643/2013	350015	09-03M	01/08/2013
12229/2013	350010	14-01	01/08/2013	12646/2013	349980	14-03E	31/07/2013

Publication and Registration Proceedings - Designs Registered cont'd

Design Number	Registration Number	International Classification Code (IDC)	Registration Date	Design Number	Registration Number	International Classification Code (IDC)	Registration Date
12657/2013	349909	12-05	29/07/2013	12923/2013	350026	14-01	01/08/2013
12674/2013	349981	21-01L	31/07/2013	12924/2013	349985	14-01	31/07/2013
12676/2013	349892	09-03F	25/07/2013	12926/2013	349986	14-01	31/07/2013
12703/2013	350016	08-08K	01/08/2013	12927/2013	349987	07-06A	31/07/2013
12744/2013	349889	06-01E	24/07/2013	12928/2013	349988	12-16C	31/07/2013
12781/2013	350017	24-01	01/08/2013	12929/2013	349989	12-08	31/07/2013
12782/2013	350018	24-01	01/08/2013	12930/2013	349990	26-06	31/07/2013
12805/2013	349870	09-01A	24/07/2013	12931/2013	350009	12-08	31/07/2013
12806/2013	349871	26-05C	24/07/2013	12933/2013	349991	26-06	31/07/2013
12807/2013	349872	26-05C	24/07/2013	12934/2013	349992	12-16C	31/07/2013
12808/2013	349873	06-04NES	24/07/2013	12935/2013	349993	26-04	31/07/2013
12816/2013	349948	09-01NES	30/07/2013	12936/2013	349994	23-04	31/07/2013
12817/2013	349949	09-01NES	30/07/2013	12937/2013	349920	14-01	29/07/2013
12818/2013	349950	09-01NES	30/07/2013	12938/2013	349921	14-01	29/07/2013
12819/2013	349854	14-02	23/07/2013	12939/2013	349922	14-01	29/07/2013
12820/2013	349855	14-02	23/07/2013	12940/2013	349923	14-01	29/07/2013
12821/2013	349864	09-01NES	23/07/2013	12943/2013	350027	22-05	01/08/2013
12823/2013	349982	09-01NES	31/07/2013	12944/2013	350080	22-05	05/08/2013
12828/2013	350019	12-16NES	01/08/2013	12945/2013	349924	14-01	29/07/2013
12832/2013	350020	23-03E	01/08/2013	12946/2013	349925	14-01	29/07/2013
12866/2013	349874	21-01B	24/07/2013	12947/2013	349926	14-01	29/07/2013
12867/2013	349875	21-01B	24/07/2013	12948/2013	349971	14-01	30/07/2013
12868/2013	349876	21-01B	24/07/2013	12949/2013	349972	14-01	30/07/2013
12869/2013	349877	21-01B	24/07/2013	12950/2013	349973	14-01	30/07/2013
12870/2013	349878	21-01B	24/07/2013	12952/2013	350028	22-05	01/08/2013
12871/2013	349879	21-01B	24/07/2013	12953/2013	349995	14-01	31/07/2013
12877/2013	349910	19-06	29/07/2013	12954/2013	349996	14-01	31/07/2013
12878/2013	349954	25-01D	30/07/2013	12955/2013	349997	14-01	31/07/2013
12879/2013	349955	25-01D	30/07/2013	12956/2013	349998	14-01	31/07/2013
12886/2013	349911	25-01F	29/07/2013	12957/2013	350029	14-01	01/08/2013
12889/2013	349983	22-01	31/07/2013	12958/2013	350030	14-01	01/08/2013
12892/2013	349984	22-01	31/07/2013	12961/2013	350031	21-02C	01/08/2013
12893/2013	349969	25-01F	30/07/2013	12964/2013	349927	10-07	29/07/2013
12896/2013	349970	14-01	30/07/2013	12965/2013	349928	10-07	29/07/2013
12897/2013	349951	15-05	30/07/2013	12966/2013	349929	09-01NES	29/07/2013
12898/2013	349952	15-05	30/07/2013	12971/2013	349856	04-02	23/07/2013
12899/2013	349953	15-05	30/07/2013	12972/2013	349857	04-02	23/07/2013
12900/2013	349964	14-01	30/07/2013	12973/2013	349858	09-01NES	23/07/2013
12901/2013	349965	25-01K	30/07/2013	12974/2013	350032	02-02B	01/08/2013
12902/2013	349966	25-01K	30/07/2013	12976/2013	350044	14-02	01/08/2013
12903/2013	349967	25-01K	30/07/2013	12977/2013	350078	14-02	02/08/2013
12904/2013	349968	25-01K	30/07/2013	12978/2013	350075	14-02	02/08/2013
12905/2013	349912	14-01	29/07/2013	12979/2013	350050	14-02	02/08/2013
12906/2013	349913	14-01	29/07/2013	12980/2013	350074	26-05E	02/08/2013
12907/2013	350021	19-08	01/08/2013	12981/2013	350052	07-02E	02/08/2013
12908/2013	349914	14-01	29/07/2013	12982/2013	350049	14-02	02/08/2013
12909/2013	349915	14-01	29/07/2013	12983/2013	350077	14-02	02/08/2013
12910/2013	350022	19-08	01/08/2013	12984/2013	350048	14-02	02/08/2013
12911/2013	349916	14-01	29/07/2013	12985/2013	350047	14-02	02/08/2013
12912/2013	350023	14-01	01/08/2013	12986/2013	350046	14-02	02/08/2013
12913/2013	349917	14-01	29/07/2013	12987/2013	350045	14-02	02/08/2013
12914/2013	349918	14-01	29/07/2013	12991/2013	350076	14-02	02/08/2013
12916/2013	350024	14-01	01/08/2013	12992/2013	350073	14-02	02/08/2013
12917/2013	349919	14-01	29/07/2013	12993/2013	350072	14-02	02/08/2013
12922/2013	350025	14-01	01/08/2013	12994/2013	350071	14-02	02/08/2013

Publication and Registration Proceedings - Designs Registered cont'd

Design Number	Registration Number	International Classification Code (IDC)	Registration Date	Design Number	Registration Number	International Classification Code (IDC)	Registration Date
12995/2013	350070	14-02	02/08/2013	13016/2013	350053	14-02	02/08/2013
12996/2013	350055	24-02	02/08/2013	13021/2013	350082	06-01E	06/08/2013
12997/2013	350056	24-02	02/08/2013	13022/2013	350083	14-02	06/08/2013
12998/2013	350057	24-02	02/08/2013	13023/2013	350084	14-02	06/08/2013
13002/2013	350058	06-03C	02/08/2013	13024/2013	350085	14-02	06/08/2013
13004/2013	350059	25-04	02/08/2013	13025/2013	350086	14-02	06/08/2013
13005/2013	350060	25-04	02/08/2013	13028/2013	350087	14-02	06/08/2013
13006/2013	350061	25-04	02/08/2013	13029/2013	350088	14-02	06/08/2013
13007/2013	350079	14-02	02/08/2013	13030/2013	350089	06-01F	06/08/2013
13008/2013	350051	14-01	02/08/2013	13031/2013	350090	06-01F	06/08/2013
13009/2013	350062	14-01	02/08/2013	13032/2013	350091	06-01F	06/08/2013
13010/2013	350063	14-01	02/08/2013	13033/2013	350092	31-00	06/08/2013
13011/2013	350064	14-01	02/08/2013	13037/2013	350093	28-03NES	06/08/2013
13012/2013	350065	14-01	02/08/2013	13038/2013	350094	21-01N	06/08/2013
13013/2013	350066	14-01	02/08/2013				
13014/2013	350054	14-02	02/08/2013				
13015/2013	350081	07-05B	05/08/2013				

Publication and Registration Proceedings

Class Listing of Designs Published or Registered

The following section shows an International Classification Code listing of the Registered or Published Designs covered in this supplement.

Classification	Registration Number	Design Number	Classification	Registration Number	Design Number
02-02B	350032	12974/2013	10-07	349927	12964/2013
03-01NES	349931	11993/2013	10-07	349928	12965/2013
03-01NES	349945	12385/2013	12-04	350002	11788/2013
03-01NES	349946	12420/2013	12-05	349884	11944/2013
03-03	349959	12611/2013	12-05	349909	12657/2013
03-03	349961	12613/2013	12-08	349859	11179/2013
04-02	349856	12971/2013	12-08	349989	12929/2013
04-02	349857	12972/2013	12-08	350009	12931/2013
05-06NES	349897	11947/2013	12-12	349956	12608/2013
05-06NES	349930	11983/2013	12-12	349958	12610/2013
06-01D	349868	12533/2013	12-12	349960	12612/2013
06-01E	349889	12744/2013	12-12	349962	12614/2013
06-01E	350082	13021/2013	12-12	349963	12615/2013
06-01F	350089	13030/2013	12-16C	349988	12928/2013
06-01F	350090	13031/2013	12-16C	349992	12934/2013
06-01F	350091	13032/2013	12-16NES	350019	12828/2013
06-01NES	349957	12609/2013	13-03D	349898	11955/2013
06-02	350000	11654/2013	13-03D	349899	11958/2013
06-03C	350058	13002/2013	13-03E	349941	10873/2013
06-04NES	349873	12808/2013	13-03NES	349865	12212/2013
06-09	349861	11130/2013	13-03NES	349866	12213/2013
06-09	349862	11131/2013	13-03NES	349867	12214/2013
07-01NES	349974	12215/2013	14-01	349900	12266/2013
07-02E	350020	12832/2013	14-01	349901	12267/2013
07-02E	350052	12981/2013	14-01	349902	12268/2013
07-05B	350081	13015/2013	14-01	349903	12269/2013
07-06A	349987	12927/2013	14-01	349904	12342/2013
08-05M	349908	12585/2013	14-01	349905	12343/2013
08-05P	350001	11795/2013	14-01	349912	12905/2013
08-07	349890	12098/2013	14-01	349913	12906/2013
08-08K	350016	12703/2013	14-01	349914	12908/2013
08-08L	350001	11795/2013	14-01	349915	12909/2013
09-01A	349870	12805/2013	14-01	349916	12911/2013
09-01NES	349858	12973/2013	14-01	349917	12913/2013
09-01NES	349864	12821/2013	14-01	349918	12914/2013
09-01NES	349906	12387/2013	14-01	349919	12917/2013
09-01NES	349929	12966/2013	14-01	349920	12937/2013
09-01NES	349948	12816/2013	14-01	349921	12938/2013
09-01NES	349949	12817/2013	14-01	349922	12939/2013
09-01NES	349950	12818/2013	14-01	349923	12940/2013
09-01NES	349982	12823/2013	14-01	349924	12945/2013
09-01NES	350003	11950/2013	14-01	349925	12946/2013
09-01NES	350068	12050/2013	14-01	349926	12947/2013
09-01NES	350069	12051/2013	14-01	349932	12270/2013
09-03F	349892	12676/2013	14-01	349933	12271/2013
09-03M	349885	11948/2013	14-01	349934	12272/2013
09-03M	350015	12643/2013	14-01	349935	12273/2013
09-03NES	350004	12110/2013	14-01	349936	12274/2013
09-07A	349881	11435/2013	14-01	349937	12275/2013
09-07A	349942	11982/2013	14-01	349938	12277/2013
09-07C	349907	12584/2013	14-01	349939	12278/2013
10-06	349979	12603/2013	14-01	349940	12320/2013
10-06	350067	12384/2013	14-01	349943	12313/2013

Registration Proceedings - Class Listing of Designs Published or Registered cont'd

Classification	Registration Number	Design Number	Classification	Registration Number	Design Number
14-01	349944	12314/2013	14-01	350076	12991/2013
14-01	349964	12900/2013	14-01	350077	12983/2013
14-01	349970	12896/2013	14-01	350078	12977/2013
14-01	349971	12948/2013	14-01	350079	13007/2013
14-01	349972	12949/2013	14-01	350083	13022/2013
14-01	349973	12950/2013	14-01	350084	13023/2013
14-01	349975	12319/2013	14-01	350085	13024/2013
14-01	349976	12341/2013	14-01	350086	13025/2013
14-01	349977	12344/2013	14-01	350087	13028/2013
14-01	349985	12924/2013	14-01	350088	13029/2013
14-01	349986	12926/2013	14-02	349854	12819/2013
14-01	349995	12953/2013	14-02	349855	12820/2013
14-01	349996	12954/2013	14-02	349895	11305/2013
14-01	349997	12955/2013	14-02	349900	12266/2013
14-01	349998	12956/2013	14-02	349901	12267/2013
14-01	350005	12322/2013	14-02	349902	12268/2013
14-01	350006	12321/2013	14-02	349903	12269/2013
14-01	350007	12317/2013	14-02	349904	12342/2013
14-01	350008	12345/2013	14-02	349905	12343/2013
14-01	350010	12229/2013	14-02	349912	12905/2013
14-01	350011	12231/2013	14-02	349913	12906/2013
14-01	350012	12232/2013	14-02	349914	12908/2013
14-01	350023	12912/2013	14-02	349915	12909/2013
14-01	350024	12916/2013	14-02	349916	12911/2013
14-01	350025	12922/2013	14-02	349917	12913/2013
14-01	350026	12923/2013	14-02	349918	12914/2013
14-01	350029	12957/2013	14-02	349919	12917/2013
14-01	350030	12958/2013	14-02	349920	12937/2013
14-01	350033	10959/2013	14-02	349921	12938/2013
14-01	350037	12222/2013	14-02	349922	12939/2013
14-01	350038	12223/2013	14-02	349923	12940/2013
14-01	350039	12224/2013	14-02	349924	12945/2013
14-01	350040	12225/2013	14-02	349925	12946/2013
14-01	350041	12226/2013	14-02	349926	12947/2013
14-01	350042	12227/2013	14-02	349932	12270/2013
14-01	350043	12228/2013	14-02	349933	12271/2013
14-01	350044	12976/2013	14-02	349934	12272/2013
14-01	350045	12987/2013	14-02	349935	12273/2013
14-01	350046	12986/2013	14-02	349936	12274/2013
14-01	350047	12985/2013	14-02	349937	12275/2013
14-01	350048	12984/2013	14-02	349938	12277/2013
14-01	350049	12982/2013	14-02	349939	12278/2013
14-01	350050	12979/2013	14-02	349940	12320/2013
14-01	350051	13008/2013	14-02	349943	12313/2013
14-01	350053	13016/2013	14-02	349944	12314/2013
14-01	350054	13014/2013	14-02	349964	12900/2013
14-01	350062	13009/2013	14-02	349970	12896/2013
14-01	350063	13010/2013	14-02	349971	12948/2013
14-01	350064	13011/2013	14-02	349972	12949/2013
14-01	350065	13012/2013	14-02	349973	12950/2013
14-01	350066	13013/2013	14-02	349985	12924/2013
14-01	350070	12995/2013	14-02	349986	12926/2013
14-01	350071	12994/2013	14-02	349995	12953/2013
14-01	350072	12993/2013	14-02	349996	12954/2013
14-01	350073	12992/2013	14-02	349997	12955/2013
14-01	350075	12978/2013	14-02	349998	12956/2013

Registration Proceedings - Class Listing of Designs Published or Registered cont'd

Classification	Registration Number	Design Number	Classification	Registration Number	Design Number
14-02	350012	12232/2013	14-03E	349917	12913/2013
14-02	350013	12252/2013	14-03E	349918	12914/2013
14-02	350014	12253/2013	14-03E	349919	12917/2013
14-02	350023	12912/2013	14-03E	349920	12937/2013
14-02	350024	12916/2013	14-03E	349921	12938/2013
14-02	350025	12922/2013	14-03E	349922	12939/2013
14-02	350026	12923/2013	14-03E	349923	12940/2013
14-02	350029	12957/2013	14-03E	349924	12945/2013
14-02	350030	12958/2013	14-03E	349925	12946/2013
14-02	350038	12223/2013	14-03E	349926	12947/2013
14-02	350040	12225/2013	14-03E	349932	12270/2013
14-02	350044	12976/2013	14-03E	349933	12271/2013
14-02	350045	12987/2013	14-03E	349934	12272/2013
14-02	350046	12986/2013	14-03E	349935	12273/2013
14-02	350047	12985/2013	14-03E	349936	12274/2013
14-02	350048	12984/2013	14-03E	349937	12275/2013
14-02	350049	12982/2013	14-03E	349938	12277/2013
14-02	350050	12979/2013	14-03E	349939	12278/2013
14-02	350051	13008/2013	14-03E	349940	12320/2013
14-02	350053	13016/2013	14-03E	349944	12314/2013
14-02	350054	13014/2013	14-03E	349964	12900/2013
14-02	350062	13009/2013	14-03E	349970	12896/2013
14-02	350063	13010/2013	14-03E	349971	12948/2013
14-02	350064	13011/2013	14-03E	349972	12949/2013
14-02	350065	13012/2013	14-03E	349973	12950/2013
14-02	350066	13013/2013	14-03E	349980	12646/2013
14-02	350070	12995/2013	14-03E	349995	12953/2013
14-02	350071	12994/2013	14-03E	349996	12954/2013
14-02	350072	12993/2013	14-03E	349997	12955/2013
14-02	350073	12992/2013	14-03E	349998	12956/2013
14-02	350075	12978/2013	14-03E	350012	12232/2013
14-02	350076	12991/2013	14-03E	350024	12916/2013
14-02	350077	12983/2013	14-03E	350029	12957/2013
14-02	350078	12977/2013	14-03E	350030	12958/2013
14-02	350079	13007/2013	14-03E	350038	12223/2013
14-02	350083	13022/2013	14-03E	350040	12225/2013
14-02	350084	13023/2013	14-03E	350044	12976/2013
14-02	350085	13024/2013	14-03E	350045	12987/2013
14-02	350086	13025/2013	14-03E	350046	12986/2013
14-02	350087	13028/2013	14-03E	350047	12985/2013
14-02	350088	13029/2013	14-03E	350048	12984/2013
14-03A	349931	11993/2013	14-03E	350049	12982/2013
14-03A	350013	12252/2013	14-03E	350050	12979/2013
14-03A	350014	12253/2013	14-03E	350053	13016/2013
14-03B	349896	11898/2013	14-03E	350054	13014/2013
14-03E	349900	12266/2013	14-03E	350070	12995/2013
14-03E	349901	12267/2013	14-03E	350071	12994/2013
14-03E	349902	12268/2013	14-03E	350072	12993/2013
14-03E	349903	12269/2013	14-03E	350073	12992/2013
14-03E	349904	12342/2013	14-03E	350075	12978/2013
14-03E	349905	12343/2013	14-03E	350076	12991/2013
14-03E	349912	12905/2013	14-03E	350077	12983/2013
14-03E	349913	12906/2013	14-03E	350078	12977/2013
14-03E	349914	12908/2013	14-03E	350079	13007/2013
14-03E	349915	12909/2013	14-03E	350083	13022/2013
14-03E	349916	12911/2013	14-03E	350084	13023/2013

Registration Proceedings - Class Listing of Designs Published or Registered cont'd

Classification	Registration Number	Design Number	Classification	Registration Number	Design Number
14-03E	350085	13024/2013	24-02	350056	12997/2013
14-03E	350086	13025/2013	24-02	350057	12998/2013
14-03E	350087	13028/2013	25-01D	349954	12878/2013
14-03E	350088	13029/2013	25-01D	349955	12879/2013
14-99	350004	12110/2013	25-01F	349911	12886/2013
15-04	349880	11403/2013	25-01F	349969	12893/2013
15-05	349951	12897/2013	25-01G	349954	12878/2013
15-05	349952	12898/2013	25-01G	349955	12879/2013
15-05	349953	12899/2013	25-01K	349965	12901/2013
15-06	349947	12532/2013	25-01K	349966	12902/2013
17-04	349893	15974/2012	25-01K	349967	12903/2013
19-06	349910	12877/2013	25-01K	349968	12904/2013
19-08	349863	11766/2013	25-02B	349883	11738/2013
19-08	350021	12907/2013	25-02C	349886	11998/2013
19-08	350022	12910/2013	25-04	350059	13004/2013
21-01B	349874	12866/2013	25-04	350060	13005/2013
21-01B	349875	12867/2013	25-04	350061	13006/2013
21-01B	349876	12868/2013	25-99	349882	11739/2013
21-01B	349877	12869/2013	26-04	349993	12935/2013
21-01B	349878	12870/2013	26-05C	349871	12806/2013
21-01B	349879	12871/2013	26-05C	349872	12807/2013
21-01L	349869	12537/2013	26-05D	349999	11481/2013
21-01L	349981	12674/2013	26-05E	349978	12435/2013
21-01N	350094	13038/2013	26-05E	350074	12980/2013
21-02C	350031	12961/2013	26-06	349990	12930/2013
21-02F	349860	15138/2012	26-06	349991	12933/2013
22-01	349983	12889/2013	28-03NES	349856	12971/2013
22-01	349984	12892/2013	28-03NES	349857	12972/2013
22-05	350027	12943/2013	28-03NES	350034	12135/2013
22-05	350028	12952/2013	28-03NES	350035	12136/2013
22-05	350080	12944/2013	28-03NES	350036	12137/2013
23-01A	349888	11244/2013	28-03NES	350093	13037/2013
23-03E	350020	12832/2013	29-02	350017	12781/2013
23-04	349994	12936/2013	30-05	349979	12603/2013
24-01	349887	12177/2013	31-00	349894	16057/2012
24-01	350017	12781/2013	31-00	350092	13033/2013
24-01	350018	12782/2013			
24-02	349891	12370/2013			
24-02	350055	12996/2013			

(21) Design Number: **12819/2013**

(22) Date of Filing Application: **19 June 2013**

(24) Date from which industrial property rights may have effect: **19 June 2013**

(54) Product in respect of which the design is registered: **Data storage apparatus**

(51) International Design Classification: **14-02**

(74) Name(s) of Attorney(s): **Corrs Chambers Westgarth**

(71) Name(s) and Address(s) of Applicant(s):

**Knightsbridge Cybersystems GmbH
Palais Kinsky Freyung 4 Stiege 1 3 OG/Top 16 Vienna 1010 Austria**

(72) Name(s) of Designer(s): **Lewis Daniels**

(45) Registration Date: **23 July 2013**

(30) Convention priority data:

(31) Number
2156240-0001

(32) Date
19 Dec 2012

(33) Country
**OFFICE FOR HARMONISATION IN
THE INTERNAL MARKET (OHIM)**

(56) Related Art Documents: **Not Applicable**

(57) Statement of Newness and Distinctiveness: **Nil**



(21) Design Number: **12820/2013**

(22) Date of Filing Application: **19 June 2013**

(24) Date from which industrial property rights may have effect: **19 June 2013**

(54) Product in respect of which the design is registered: **Data storage apparatus**

(51) International Design Classification: **14-02**

(74) Name(s) of Attorney(s): **Corrs Chambers Westgarth**

(71) Name(s) and Address(s) of Applicant(s):

**Knightsbridge Cybersystems GmbH
Palais Kinsky Freyung 4 Stiege 1 3 OG/Top 16 Vienna 1010 Austria**

(72) Name(s) of Designer(s): **Lewis Daniels**

(45) Registration Date: **23 July 2013**

(30) Convention priority data:

(31) Number
2156240-0002

(32) Date
19 Dec 2012

(33) Country
**OFFICE FOR HARMONISATION IN
THE INTERNAL MARKET (OHIM)**

(56) Related Art Documents: **Not Applicable**

(57) Statement of Newness and Distinctiveness: **Nil**



(21) Design Number: **12971/2013**

(22) Date of Filing Application: **26 June 2013**

(24) Date from which industrial property rights may have effect: **26 June 2013**

(54) Product in respect of which the design is registered: **Mascara brush head**

(51) International Design Classification: **04-02, 28-03NES**

(74) Name(s) of Attorney(s): **PHILLIPS ORMONDE FITZPATRICK**

(71) Name(s) and Address(s) of Applicant(s):

ELC Management LLC

155 Pinelawn Road Suite 345 South Melville New York 11747 United States of America

(72) Name(s) of Designer(s): **Jacob Christophe and Herve F. Bouix**

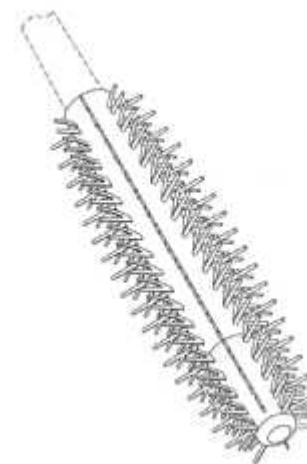
(45) Registration Date: **23 July 2013**

(30) Convention priority data:

(31) Number	(32) Date	(33) Country
29/440,795	27 Dec 2012	UNITED STATES OF AMERICA

(56) Related Art Documents: **Not Applicable**

(57) Statement of Newness and Distinctiveness: **Those features of the mascara brush head depicted in the representations that are new and distinctive are the shape and/or configuration. The features shown in broken line is not part of the design and is to be disregarded when considering the overall impression of the design.**



(21) Design Number: **12972/2013**

(22) Date of Filing Application: **26 June 2013**

(24) Date from which industrial property rights may have effect: **26 June 2013**

(54) Product in respect of which the design is registered: **Mascara brush head**

(51) International Design Classification: **04-02, 28-03NES**

(74) Name(s) of Attorney(s): **PHILLIPS ORMONDE FITZPATRICK**

(71) Name(s) and Address(s) of Applicant(s):

ELC Management LLC

155 Pinelawn Road Suite 345 South Melville New York 11747 United States of America

(72) Name(s) of Designer(s): **Jacob Christophe and Herve F. Bouix**

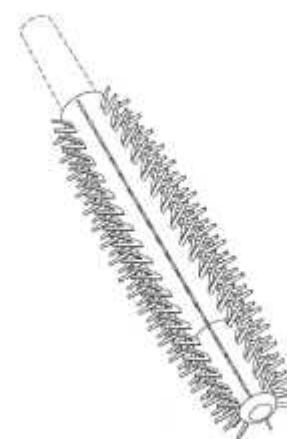
(45) Registration Date: **23 July 2013**

(30) Convention priority data:

(31) Number	(32) Date	(33) Country
29/440,800	27 Dec 2012	UNITED STATES OF AMERICA

(56) Related Art Documents: **Not Applicable**

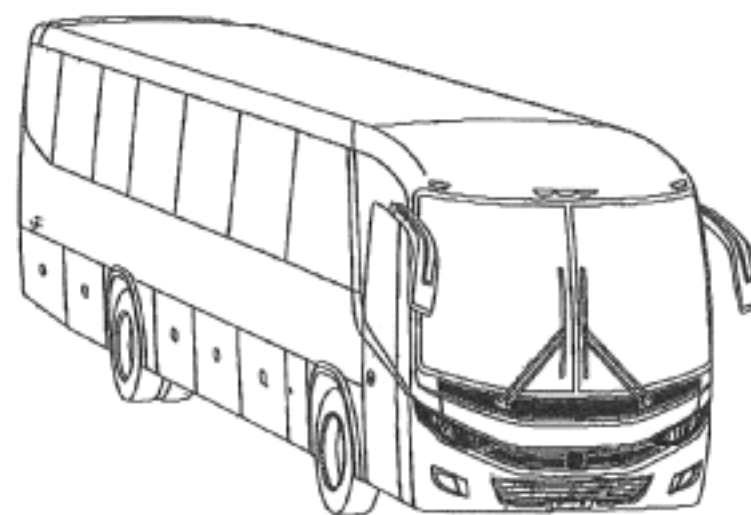
(57) Statement of Newness and Distinctiveness: **Those features of the mascara brush head depicted in the representations that are new and distinctive are the shape and/or configuration. The feature shown in broken line is not part of the design and is to be disregarded when considering the overall impression of the design.**



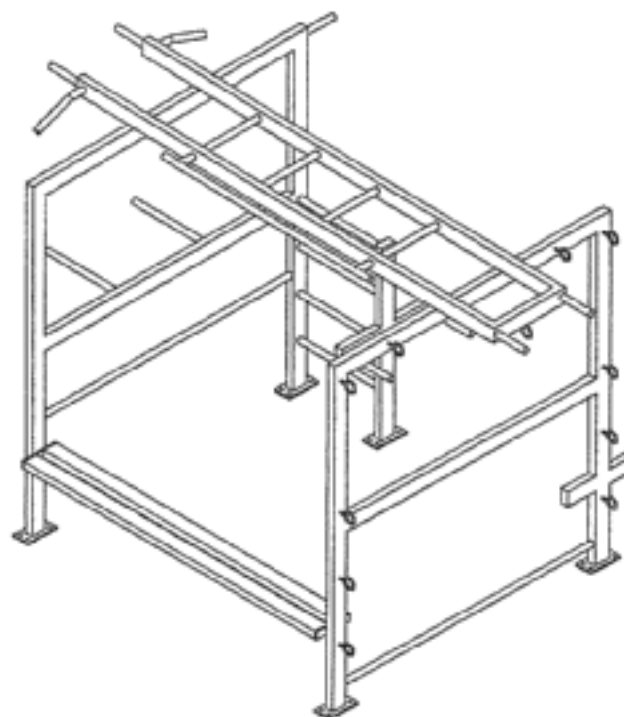
(21) Design Number: **12973/2013**
(22) Date of Filing Application: **26 June 2013**
(24) Date from which industrial property rights may have effect: **26 June 2013**
(54) Product in respect of which the design is registered: **A bottle**
(51) International Design Classification: **09-01NES**
(74) Name(s) of Attorney(s): **Franke Hyland**
(71) Name(s) and Address(s) of Applicant(s):
LD&D Australia Pty Ltd
737 Bourke St Docklands VIC 3008 Australia
(72) Name(s) of Designer(s): **Paul O'Loughlin and Alastair Kenvyn and Ralf Huempel and Siobhan McCrory and Kate Everitt**
(45) Registration Date: **23 July 2013**
(56) Related Art Documents: **Not Applicable**
(57) Statement of Newness and Distinctiveness: **Nil**



(21) Design Number: **11179/2013**
(22) Date of Filing Application: **12 March 2013**
(24) Date from which industrial property rights may have effect: **12 March 2013**
(54) Product in respect of which the design is registered: **A bus**
(51) International Design Classification: **12-08**
(74) Name(s) of Attorney(s): **PIPERS**
(71) Name(s) and Address(s) of Applicant(s):
MARCOPOLO S.A.
Avenida Marcopolo No 280 Caxias do Sul RS Brazil
(72) Name(s) of Designer(s): **Edson Dalle Mainieri**
(45) Registration Date: **23 July 2013**
(30) Convention priority data:
(31) Number (32) Date (33) Country
302012004726-9 12 Sep 2012 BRAZIL
(56) Related Art Documents: **Not Applicable**
(57) Statement of Newness and Distinctiveness: **The design is to be applied to a DESIGN APPLIED TO A BODY OF A BUS and the novelty resides in the features of shape and configuration of the DESIGN APPLIED TO A BODY OF A BUS as shown in the accompanying representations.**



- (21) Design Number: **15138/2012**
(22) Date of Filing Application: **17 October 2012**
(24) Date from which industrial property rights may have effect: **17 October 2012**
(54) Product in respect of which the design is registered: **Exercise equipment**
(51) International Design Classification: **21-02F**
(74) Name(s) of Attorney(s): **Halfords IP**
(71) Name(s) and Address(s) of Applicant(s):
Exquisite & Co Pty Ltd
16 Stonybrook Tce Bella Vista NSW 2153 Australia
(72) Name(s) of Designer(s): **Christian Nasr**
(45) Registration Date: **23 July 2013**
(56) Related Art Documents: **Not Applicable**
(57) Statement of Newness and Distinctiveness: **Newness and Distinctiveness resides in the shape and or configuration of exercise equipment and or exercise equipment frame being as depicted in the accompanying representations.**



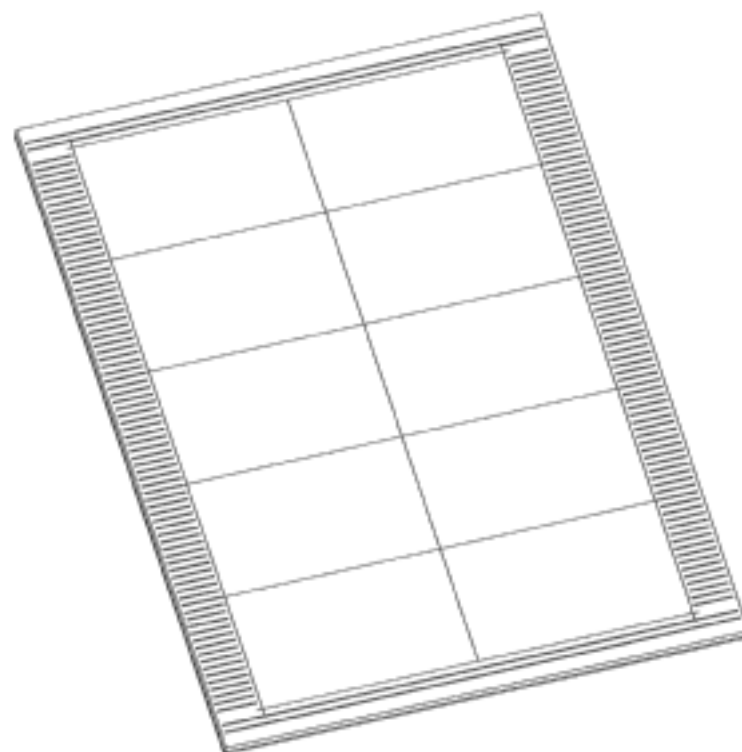
- (21) Design Number: **11130/2013**
(22) Date of Filing Application: **08 March 2013**
(24) Date from which industrial property rights may have effect: **08 March 2013**
(54) Product in respect of which the design is registered: **Pillow top spring mattress**
(51) International Design Classification: **06-09**
(74) Name(s) of Attorney(s):
(71) Name(s) and Address(s) of Applicant(s):
Fast & Save Pty Ltd
Fy 2 29-31 Graham Ct Hoppers Crossing VIC 3029 Australia
(72) Name(s) of Designer(s): **Thanh Trieu Nguyen**
(45) Registration Date: **23 July 2013**
(56) Related Art Documents: **Not Applicable**
(57) Statement of Newness and Distinctiveness: **Square pattern pillow top, thick side foam with curly indentation line, (white or dark grey on side foam)**



- (21) Design Number: **11131/2013**
(22) Date of Filing Application: **08 March 2013**
(24) Date from which industrial property rights may have effect: **08 March 2013**
(54) Product in respect of which the design is registered: **Pillow top spring mattress**
(51) International Design Classification: **06-09**
(74) Name(s) of Attorney(s):
(71) Name(s) and Address(s) of Applicant(s):
Fast & Save Pty Ltd
Fy 2 29-31 Graham Ct Hoppers Crossing VIC 3029 Australia
(72) Name(s) of Designer(s): **Thanh Trieu Nguyen**
(45) Registration Date: **23 July 2013**
(56) Related Art Documents: **Not Applicable**
(57) Statement of Newness and Distinctiveness: **Distinctive paramid pillow top, side fabric indentation line with white or dark grey colour.**



- (21) Design Number: **11766/2013**
(22) Date of Filing Application: **15 April 2013**
(24) Date from which industrial property rights may have effect: **15 April 2013**
(54) Product in respect of which the design is registered: **Print media**
(51) International Design Classification: **19-08**
(74) Name(s) of Attorney(s): **Shelston IP**
(71) Name(s) and Address(s) of Applicant(s):
Avery Dennison Corporation
150 North Orange Grove Blvd Pasadena California 91103-3596 United States of America
(72) Name(s) of Designer(s): **Le-Hoa Hong and Laura Rocio Meza Sanchez and Linda Francis and Angie Chiao**
(45) Registration Date: **23 July 2013**
(30) Convention priority data:
(31) Number (32) Date (33) Country
29/434900 17 Oct 2012 UNITED STATES OF AMERICA
(56) Related Art Documents: **Not Applicable**
(57) Statement of Newness and Distinctiveness: **Nil**

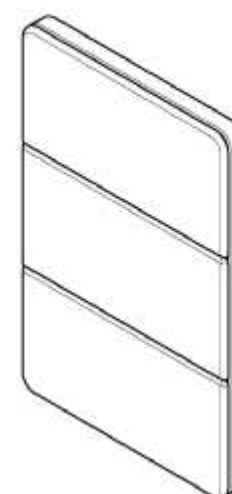


(21) Design Number: **12821/2013**
(22) Date of Filing Application: **19 June 2013**
(24) Date from which industrial property rights may have effect: **19 June 2013**
(54) Product in respect of which the design is registered: **Bottle**
(51) International Design Classification: **09-01NES**
(74) Name(s) of Attorney(s): **FB Rice**
(71) Name(s) and Address(s) of Applicant(s):
SAVERGLASS
3 rue de la Gare Feuquieres 60960 France
(72) Name(s) of Designer(s): **Jokin Arregui Letamendi**
(45) Registration Date: **23 July 2013**
(30) Convention priority data:
(31) Number (32) Date (33) Country
**002213694-0001 04 Apr 2013 OFFICE FOR HARMONISATION IN
THE INTERNAL MARKET (OHIM)**



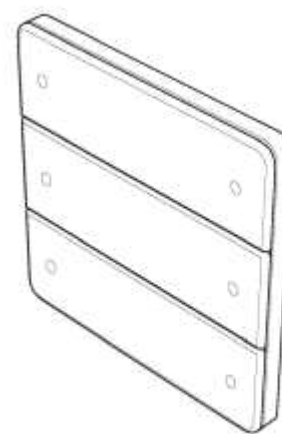
(56) Related Art Documents: **Not Applicable**
(57) Statement of Newness and Distinctiveness: **Newness and distinctiveness reside in the visual features of a bottle as shown in the representations, excluding those features shown in dashed lines, the bottle having a vertical, stout body with an elliptical cross-section, a short neck protruding upwardly from an upper part of the body, and joining the shoulders of the bottle by a rounded portion having a large radius. When viewed from the front, the shoulders are slightly narrower than the base, and the body tapers gradually from the base towards the shoulders, with the neck joining the sides of the body through protruding convex shoulders forming vertical ribs which extends towards the bottom and merge into the base. The bottle is slightly rounded where the body meets the bottom.**

(21) Design Number: **12212/2013**
(22) Date of Filing Application: **14 May 2013**
(24) Date from which industrial property rights may have effect: **14 May 2013**
(54) Product in respect of which the design is registered: **Control panel**
(51) International Design Classification: **13-03NES**
(74) Name(s) of Attorney(s): **FB Rice**
(71) Name(s) and Address(s) of Applicant(s):
Koninklijke Philips Electronics N.V.
High Tech Campus 5 Eindhoven 5656 AE The Netherlands
(72) Name(s) of Designer(s): **Andrew Larkin and Abraham Antonius Arnoldus Bos and James Hiok Kheng Ng and Jinyoung Song and Simon Barnacoat and Tomas Luis Ortiz Ferrer**
(45) Registration Date: **24 July 2013**
(30) Convention priority data:
(31) Number (32) Date (33) Country
**002135897-0003 14 Nov 2012 OFFICE FOR HARMONISATION IN
THE INTERNAL MARKET (OHIM)**

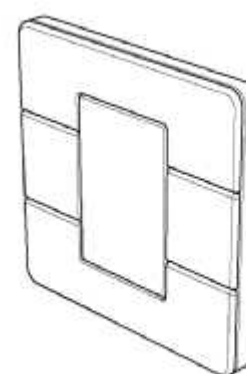


(56) Related Art Documents: **Not Applicable**
(57) Statement of Newness and Distinctiveness: **Newness and distinctiveness reside in the features of shape and configuration of the design as shown in the representations.**

(21) Design Number: **12213/2013**
(22) Date of Filing Application: **14 May 2013**
(24) Date from which industrial property rights may have effect: **14 May 2013**
(54) Product in respect of which the design is registered: **Control panel**
(51) International Design Classification: **13-03NES**
(74) Name(s) of Attorney(s): **FB Rice**
(71) Name(s) and Address(s) of Applicant(s):
Koninklijke Philips Electronics N.V.
High Tech Campus 5 Eindhoven 5656 AE The Netherlands
(72) Name(s) of Designer(s): **Andrew Larkin and Abraham Antonius Arnoldus Bos and James Hiok Kheng Ng and Jinyoung Song and Simon Barnacoat and Tomas Luis Ortiz Ferrer**
(45) Registration Date: **24 July 2013**
(30) Convention priority data:
(31) Number (32) Date (33) Country
002135897-0001 14 Nov 2012 WORLD INTELLECTUAL PROPERTY ORGANIZATION (WIPO)
(56) Related Art Documents: **Not Applicable**
(57) Statement of Newness and Distinctiveness: **Newness and distinctiveness reside in the features of shape and configuration of the design as shown in the representations.**



(21) Design Number: **12214/2013**
(22) Date of Filing Application: **14 May 2013**
(24) Date from which industrial property rights may have effect: **14 May 2013**
(54) Product in respect of which the design is registered: **Control panel**
(51) International Design Classification: **13-03NES**
(74) Name(s) of Attorney(s): **FB Rice**
(71) Name(s) and Address(s) of Applicant(s):
Koninklijke Philips Electronics N.V.
High Tech Campus 5 Eindhoven 5656 AE The Netherlands
(72) Name(s) of Designer(s): **Andrew Larkin and Abraham Antonius Arnoldus Bos and James Hiok Kheng Ng and Jinyoung Song and Simon Barnacoat and Tomas Luis Ortiz Ferrer**
(45) Registration Date: **24 July 2013**
(30) Convention priority data:
(31) Number (32) Date (33) Country
002135897-0002 14 Nov 2012 OFFICE FOR HARMONISATION IN THE INTERNAL MARKET (OHIM)
(56) Related Art Documents: **Not Applicable**
(57) Statement of Newness and Distinctiveness: **Newness and distinctiveness reside in the features of shape and configuration of the design as shown in the representations.**



(21) Design Number: **12533/2013**
(22) Date of Filing Application: **31 May 2013**
(24) Date from which industrial property rights may have effect: **31 May 2013**
(54) Product in respect of which the design is registered: **Vehicle seat suspension base**
(51) International Design Classification: **06-01D**
(74) Name(s) of Attorney(s): **PHILLIPS ORMONDE FITZPATRICK**
(71) Name(s) and Address(s) of Applicant(s):
Bose Corporation
The Mountain MS 40 Framingham Massachusetts 01701-9168 United States of America
(72) Name(s) of Designer(s): **Steven A. Silverstein**
(45) Registration Date: **24 July 2013**
(30) Convention priority data:
(31) Number (32) Date (33) Country
29/440,464 21 Dec 2012 UNITED STATES OF AMERICA



(56) Related Art Documents: **Not Applicable**
(57) Statement of Newness and Distinctiveness: **Those features of the vehicle seat suspension base depicted in the representations that are new and distinctive are the shape and/or configuration. The features shown in broken lines are not part of the design and are to be disregarded when considering the overall impression of the design. The representation shown in Fig.8 may or may not form part of the design.**

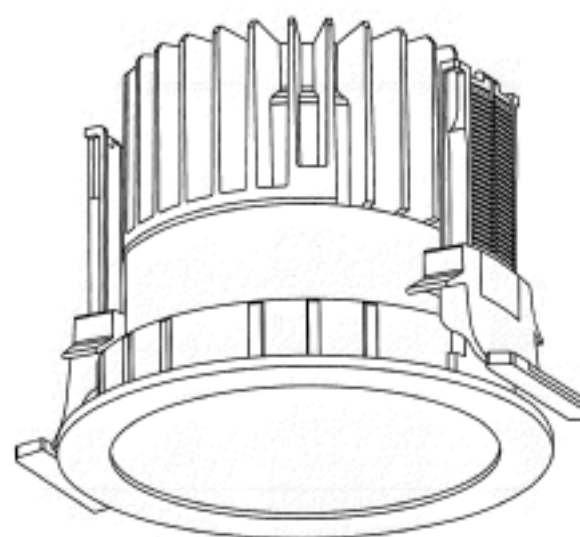
(21) Design Number: **12537/2013**
(22) Date of Filing Application: **31 May 2013**
(24) Date from which industrial property rights may have effect: **31 May 2013**
(54) Product in respect of which the design is registered: **Game board**
(51) International Design Classification: **21-01L**
(74) Name(s) of Attorney(s):
(71) Name(s) and Address(s) of Applicant(s):
Paul Britten
9 Gordon St Wyndham NSW 2550 Australia
(72) Name(s) of Designer(s): **Paul Britten**
(45) Registration Date: **24 July 2013**
(56) Related Art Documents: **Not Applicable**
(57) Statement of Newness and Distinctiveness: **Nil**



(21) Design Number: **12805/2013**
(22) Date of Filing Application: **14 June 2013**
(24) Date from which industrial property rights may have effect: **14 June 2013**
(54) Product in respect of which the design is registered: **Bottle**
(51) International Design Classification: **09-01A**
(74) Name(s) of Attorney(s): **Freehills Patent Attorneys**
(71) Name(s) and Address(s) of Applicant(s):
Method Products, Inc.
637 Commercial Street Suite 300 San Francisco California 94111 United States of America
(72) Name(s) of Designer(s): **Francis J. Handy**
(45) Registration Date: **24 July 2013**
(30) Convention priority data:
(31) Number (32) Date (33) Country
29/439933 17 Dec 2012 UNITED STATES OF AMERICA
(56) Related Art Documents: **Not Applicable**
(57) Statement of Newness and Distinctiveness: **Newness and distinctiveness resides in the features of shape and configuration illustrated in the accompanying representations.**



(21) Design Number: **12806/2013**
(22) Date of Filing Application: **18 June 2013**
(24) Date from which industrial property rights may have effect: **18 June 2013**
(54) Product in respect of which the design is registered: **Recessed luminaire**
(51) International Design Classification: **26-05C**
(74) Name(s) of Attorney(s): **SPRUSON & FERGUSON**
(71) Name(s) and Address(s) of Applicant(s):
Zumtobel Lighting GmbH
Grevenmarschstrasse 74-78 32657 Lemgo Germany
(72) Name(s) of Designer(s): **Christopher Redfern**
(45) Registration Date: **24 July 2013**
(30) Convention priority data:
(31) Number (32) Date (33) Country
001 355 283 20 Dec 2012 OFFICE FOR HARMONISATION IN THE INTERNAL MARKET (OHIM)
(56) Related Art Documents: **Not Applicable**
(57) Statement of Newness and Distinctiveness: **Newness and distinctiveness is claimed in the features of shape and/or configuration of a recessed luminaire as illustrated in the accompanying representations.**



(21) Design Number: **12807/2013**

(22) Date of Filing Application: **18 June 2013**

(24) Date from which industrial property rights may have effect: **18 June 2013**

(54) Product in respect of which the design is registered: **Recessed luminaire**

(51) International Design Classification: **26-05C**

(74) Name(s) of Attorney(s): **SPRUSON & FERGUSON**

(71) Name(s) and Address(s) of Applicant(s):

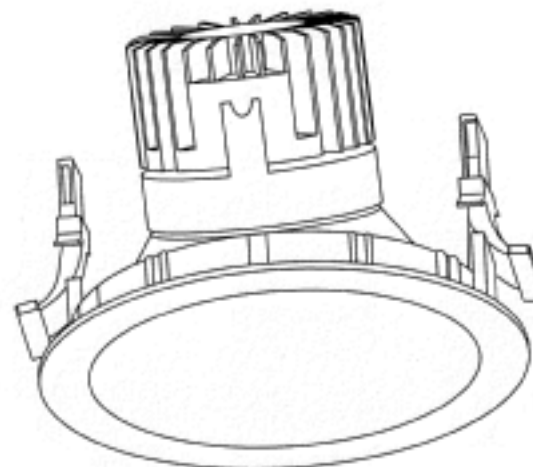
Zumtobel Lighting GmbH
Grevenmarschstrasse 74-78 32657 Lemgo Germany

(72) Name(s) of Designer(s): **Christopher Redfern**

(45) Registration Date: **24 July 2013**

(30) Convention priority data:

(31) Number	(32) Date	(33) Country
001 355 283	20 Dec 2012	OFFICE FOR HARMONISATION IN THE INTERNAL MARKET (OHIM)



(56) Related Art Documents: **Not Applicable**

(57) Statement of Newness and Distinctiveness: **Newness and distinctiveness is claimed in the features of shape and/or configuration of a recessed luminaire as illustrated in the accompanying representations.**

(21) Design Number: **12808/2013**

(22) Date of Filing Application: **18 June 2013**

(24) Date from which industrial property rights may have effect: **18 June 2013**

(54) Product in respect of which the design is registered: **A storage unit**

(51) International Design Classification: **06-04NES**

(74) Name(s) of Attorney(s): **SPRUSON & FERGUSON**

(71) Name(s) and Address(s) of Applicant(s):

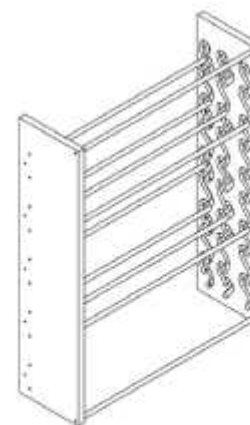
Geoffrey Malcolm Wickett
11 Grafton Avenue Naremburn NSW 2065 Australia

(72) Name(s) of Designer(s): **Geoffrey Malcolm Wickett**

(45) Registration Date: **24 July 2013**

(56) Related Art Documents: **Not Applicable**

(57) Statement of Newness and Distinctiveness: **Newness and distinctiveness is claimed in the features of shape and/or configuration of a storage unit as illustrated in the accompanying representations.**



(21) Design Number: **12866/2013**
(22) Date of Filing Application: **23 June 2013**
(24) Date from which industrial property rights may have effect: **23 June 2013**
(54) Product in respect of which the design is registered: **Torso of toy figurine**
(51) International Design Classification: **21-01B**
(74) Name(s) of Attorney(s):
(71) Name(s) and Address(s) of Applicant(s):

MEGA Brands, Inc.
4505 Hickmore Montreal Quebec H4T 1K4 Canada

(72) Name(s) of Designer(s): **Mark Stosiak and Martin Boudreault**

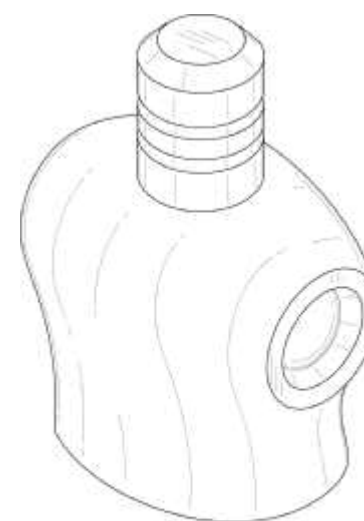
(45) Registration Date: **24 July 2013**

(30) Convention priority data:

(31) Number	(32) Date	(33) Country
29/448,613	13 Mar 2013	UNITED STATES OF AMERICA

(56) Related Art Documents: **Not Applicable**

(57) Statement of Newness and Distinctiveness: **Particular regard is made to the features of shape and configuration of the Torso of Toy Figurine as shown in the accompanying representations as being new and distinctive. The discontinuous lines are for environmental and illustrative purposes only and are not part of the design.**



(21) Design Number: **12867/2013**
(22) Date of Filing Application: **23 June 2013**
(24) Date from which industrial property rights may have effect: **23 June 2013**
(54) Product in respect of which the design is registered: **Leg of toy figurine**
(51) International Design Classification: **21-01B**
(74) Name(s) of Attorney(s):
(71) Name(s) and Address(s) of Applicant(s):

MEGA Brands, Inc.
4505 Hickmore Montreal Quebec H4T 1K4 Canada

(72) Name(s) of Designer(s): **Mark Stosiak and Martin Boudreault**

(45) Registration Date: **24 July 2013**

(30) Convention priority data:

(31) Number	(32) Date	(33) Country
29/448,626	13 Mar 2013	UNITED STATES OF AMERICA

(56) Related Art Documents: **Not Applicable**

(57) Statement of Newness and Distinctiveness: **Particular regard is made to the features of shape and configuration of the Leg of Toy Figurine as shown in the accompanying representations as being new and distinctive. The discontinuous lines are for environmental and illustrative purposes only and are not part of the design.**



(21) Design Number: **12868/2013**
(22) Date of Filing Application: **23 June 2013**
(24) Date from which industrial property rights may have effect: **23 June 2013**
(54) Product in respect of which the design is registered: **Toy figurine head**
(51) International Design Classification: **21-01B**
(74) Name(s) of Attorney(s):
(71) Name(s) and Address(s) of Applicant(s):

MEGA Brands, Inc.
4505 Hickmore Montreal Quebec H4T 1K4 Canada

(72) Name(s) of Designer(s): **Mark Stosiak and Martin Boudreault**

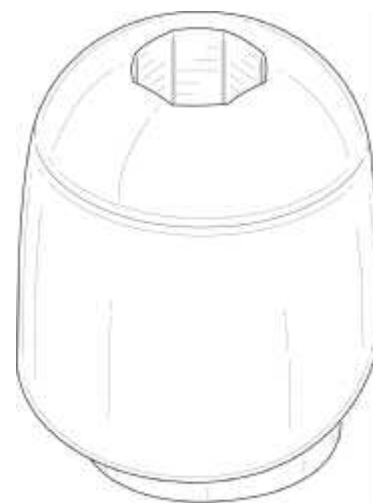
(45) Registration Date: **24 July 2013**

(30) Convention priority data:

(31) Number	(32) Date	(33) Country
29/448,672	13 Mar 2013	UNITED STATES OF AMERICA

(56) Related Art Documents: **Not Applicable**

(57) Statement of Newness and Distinctiveness: **Particular regard is made to the features of shape and configuration of the Toy Figurine Head as shown in the accompanying representations as being new and distinctive. The discontinuous lines are for environmental and illustrative purposes only and are not part of the design.**



(21) Design Number: **12869/2013**
(22) Date of Filing Application: **23 June 2013**
(24) Date from which industrial property rights may have effect: **23 June 2013**
(54) Product in respect of which the design is registered: **Foot of toy figurine**
(51) International Design Classification: **21-01B**
(74) Name(s) of Attorney(s):
(71) Name(s) and Address(s) of Applicant(s):

MEGA Brands, Inc.
4505 Hickmore Montreal Quebec H4T 1K4 Canada

(72) Name(s) of Designer(s): **Mark Stosiak and Martin Boudreault**

(45) Registration Date: **24 July 2013**

(30) Convention priority data:

(31) Number	(32) Date	(33) Country
29/448,657	13 Mar 2013	UNITED STATES OF AMERICA

(56) Related Art Documents: **Not Applicable**

(57) Statement of Newness and Distinctiveness: **Particular regard is made to the features of shape and configuration of the Foot of Toy Figurine as shown in the accompanying representations as being new and distinctive. The discontinuous lines are for environmental and illustrative purposes only and are not part of the design.**



(21) Design Number: **12870/2013**
(22) Date of Filing Application: **23 June 2013**
(24) Date from which industrial property rights may have effect: **23 June 2013**
(54) Product in respect of which the design is registered: **Arm of toy figurine**
(51) International Design Classification: **21-01B**
(74) Name(s) of Attorney(s):
(71) Name(s) and Address(s) of Applicant(s):

MEGA Brands, Inc.
4505 Hickmore Montreal Quebec H4T 1K4 Canada

(72) Name(s) of Designer(s): **Mark Stosiak and Martin Boudreault**

(45) Registration Date: **24 July 2013**

(30) Convention priority data:

(31) Number	(32) Date	(33) Country
29/448,613	13 Mar 2013	UNITED STATES OF AMERICA

(56) Related Art Documents: **Not Applicable**

(57) Statement of Newness and Distinctiveness: **Particular regard is made to the features of shape and configuration of the Arm of Toy Figurine as shown in the accompanying representations as being new and distinctive. The discontinuous lines are for environmental and illustrative purposes only and are not part of the design.**



(21) Design Number: **12871/2013**
(22) Date of Filing Application: **23 June 2013**
(24) Date from which industrial property rights may have effect: **23 June 2013**
(54) Product in respect of which the design is registered: **Toy figurine head**
(51) International Design Classification: **21-01B**
(74) Name(s) of Attorney(s):
(71) Name(s) and Address(s) of Applicant(s):

MEGA Brands, Inc.
4505 Hickmore Montreal Quebec H4T 1K4 Canada

(72) Name(s) of Designer(s): **Emilie Provencher and Francois Hamel and Marie Lafontaine-Lacasse**

(45) Registration Date: **24 July 2013**

(30) Convention priority data:

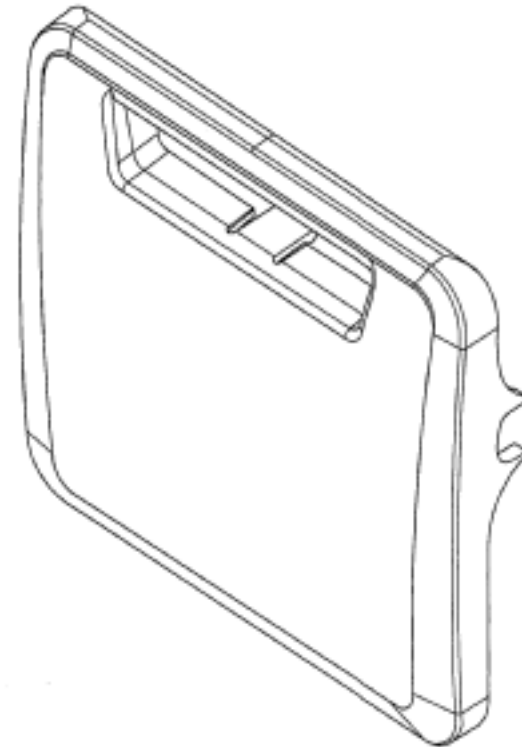
(31) Number	(32) Date	(33) Country
29/449,723	15 Mar 2013	UNITED STATES OF AMERICA

(56) Related Art Documents: **Not Applicable**

(57) Statement of Newness and Distinctiveness: **Particular regard is made to the shape and configuration of the Toy Figurine Head shown within full outline in the A Figs as being new and distinctive. The discontinuous lines (not the dashed lines) are for environmental and illustrative purposes only and are not part of the design. The A Figs are only provided for emphasizing the relative visual features of the design that are new and distinctive and are not to detract from the design as a whole as Figs 1, 2, 3, 4, 5, and 6.**



- (21) Design Number: **11403/2013**
(22) Date of Filing Application: **19 March 2013**
(24) Date from which industrial property rights may have effect: **19 March 2013**
(54) Product in respect of which the design is registered: **Protective hood for a controller**
(51) International Design Classification: **15-04**
(74) Name(s) of Attorney(s): **Davies Collison Cave**
(71) Name(s) and Address(s) of Applicant(s):
Orica International Pte Ltd
78 Shenton Way #06-15 Tower 2 079120 Singapore
(72) Name(s) of Designer(s): **Nick Harrison and Gretta Jensen and Peter Condie and Owen Bawden and Neil Davidson and Ben Cramp and Anton Lee See**
(45) Registration Date: **24 July 2013**
(56) Related Art Documents: **Not Applicable**
(57) Statement of Newness and Distinctiveness: **Nil**



- (21) Design Number: **11435/2013**
(22) Date of Filing Application: **21 March 2013**
(24) Date from which industrial property rights may have effect: **21 March 2013**
(54) Product in respect of which the design is registered: **Sprinkle cap with mesh fitment**
(51) International Design Classification: **09-07A**
(74) Name(s) of Attorney(s):
(71) Name(s) and Address(s) of Applicant(s):
Ramela Pty Ltd
6 Sarton Rd Clayton VIC 3168 Australia
(72) Name(s) of Designer(s): **Sheila Gurevich**
(45) Registration Date: **24 July 2013**
(56) Related Art Documents: **Not Applicable**
(57) Statement of Newness and Distinctiveness: **The Sprinkle cap is uniquely developed as a cylindrical dome combined with a mesh panel insert that will be attached to a base cup or jar of varied size and shape. The mesh panel insert sits with the lower lip of the metal/polymer extrusion. The distinctive dome shape allows the dusting of cocoa powder, flour, drinking chocolate, and icing sugar directly beneath it with less mess and waste. The sprinkle cap can be made from various materials such as plastic and stainless steel and varied colours.**



(21) Design Number: **11739/2013**
(22) Date of Filing Application: **12 April 2013**
(24) Date from which industrial property rights may have effect: **12 April 2013**
(54) Product in respect of which the design is registered: **A door seal**
(51) International Design Classification: **25-99**
(74) Name(s) of Attorney(s):
(71) Name(s) and Address(s) of Applicant(s):

Conqueror International Limited
9 Francella Street Bromley Christchurch 8062 New Zealand

(72) Name(s) of Designer(s): **Trevor James Bills**

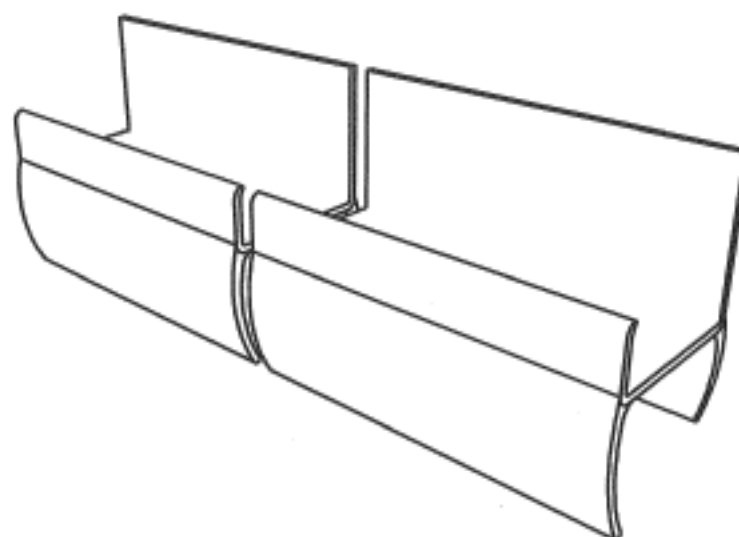
(45) Registration Date: **24 July 2013**

(30) Convention priority data:

(31) Number	(32) Date	(33) Country
416896	18 Oct 2012	NEW ZEALAND

(56) Related Art Documents: **Not Applicable**

(57) Statement of Newness and Distinctiveness: **The design is to be applied to a door seal of indefinite length and constant cross section, and the novelty resides in the features of shape and configuration as shown in the accompanying representations.**



(21) Design Number: **11738/2013**
(22) Date of Filing Application: **12 April 2013**
(24) Date from which industrial property rights may have effect: **12 April 2013**
(54) Product in respect of which the design is registered: **A door panel**
(51) International Design Classification: **25-02B**
(74) Name(s) of Attorney(s):
(71) Name(s) and Address(s) of Applicant(s):

Conqueror International Limited
9 Francella Street Bromley Christchurch 8062 New Zealand

(72) Name(s) of Designer(s): **Trevor James Bills and Huiguo Chen**

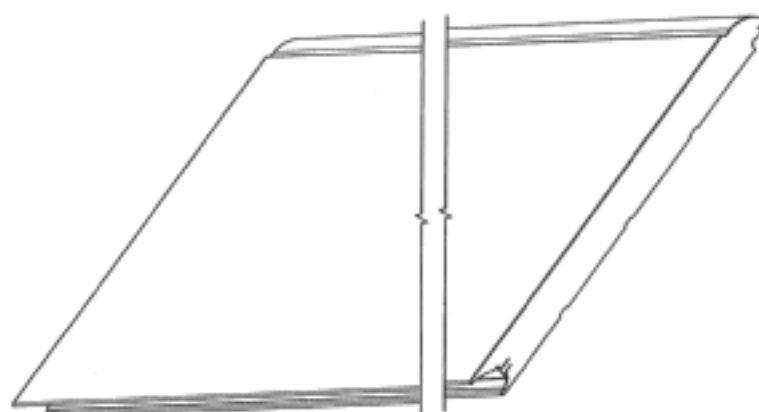
(45) Registration Date: **24 July 2013**

(30) Convention priority data:

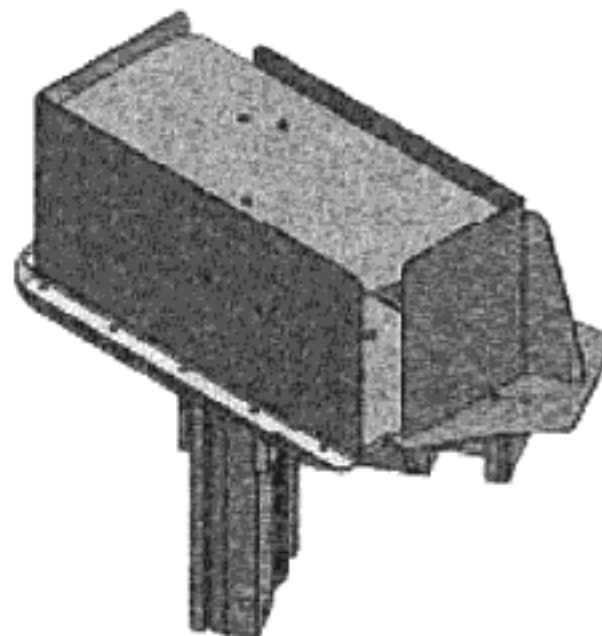
(31) Number	(32) Date	(33) Country
416897	18 Oct 2012	NEW ZEALAND

(56) Related Art Documents: **Not Applicable**

(57) Statement of Newness and Distinctiveness: **The design is to be applied to a door panel of indefinite length and constant cross section, and the novelty resides in the features of shape and configuration as shown in the accompanying representations. The holes shown in the rear perspective view and rear view are disclaimed from the design as shown in the blue wash.**



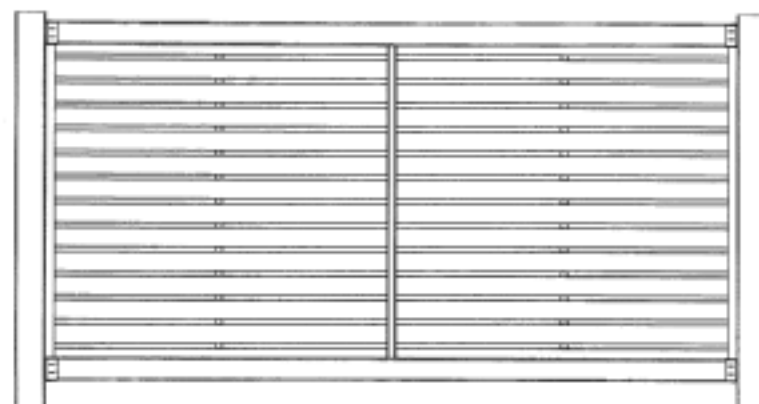
(21) Design Number: **11944/2013**
(22) Date of Filing Application: **26 April 2013**
(24) Date from which industrial property rights may have effect: **26 April 2013**
(54) Product in respect of which the design is registered: **A gripper**
(51) International Design Classification: **12-05**
(74) Name(s) of Attorney(s): **SPRUSON & FERGUSON**
(71) Name(s) and Address(s) of Applicant(s):
Adaptapack Pty Limited
4/1 River Road West Parramatta NSW 2150 Australia
(72) Name(s) of Designer(s): **Sam Walls**
(45) Registration Date: **24 July 2013**
(56) Related Art Documents: **Not Applicable**
(57) Statement of Newness and Distinctiveness: **Newness and distinctiveness is claimed in the features of shape and/or configuration of a gripper as illustrated in the accompanying representations.**



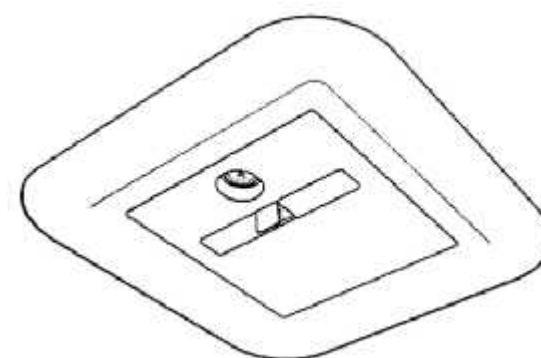
(21) Design Number: **11948/2013**
(22) Date of Filing Application: **26 April 2013**
(24) Date from which industrial property rights may have effect: **26 April 2013**
(54) Product in respect of which the design is registered: **A box**
(51) International Design Classification: **09-03M**
(74) Name(s) of Attorney(s): **Cotters Patent & Trade Mark Attorneys**
(71) Name(s) and Address(s) of Applicant(s):
TRW Intellectual Property Corp.
12025 Tech Center Drive Livonia Michigan 48150 United States of America
(72) Name(s) of Designer(s): **Jennifer Reid**
(45) Registration Date: **24 July 2013**
(30) Convention priority data:
(31) Number (32) Date (33) Country
**002129809 02 Nov 2012 OFFICE FOR HARMONISATION IN
THE INTERNAL MARKET (OHIM)**
(56) Related Art Documents: **Not Applicable**
(57) Statement of Newness and Distinctiveness: **Newness and distinctiveness is claimed in the features of pattern and/or ornamentation and shape and/or configuration of a box as illustrated in the accompanying representations.**



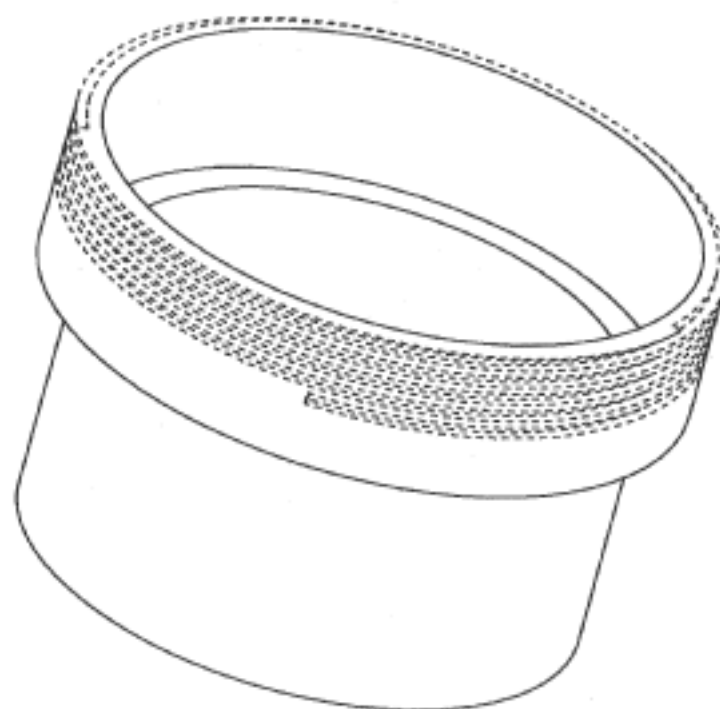
- (21) Design Number: **11998/2013**
(22) Date of Filing Application: **30 April 2013**
(24) Date from which industrial property rights may have effect: **30 April 2013**
(54) Product in respect of which the design is registered: **Fence**
(51) International Design Classification: **25-02C**
(74) Name(s) of Attorney(s): **Shelston IP**
(71) Name(s) and Address(s) of Applicant(s):
Glenn Thomas
Unit 14 No. 26 Tupia Street Botany New South Wales 2029 Australia
Lee Thomas
Unit 14 No. 26 Tupia Street Botany New South Wales 2029 Australia
(72) Name(s) of Designer(s): **Glenn Thomas and Lee Thomas**
(45) Registration Date: **24 July 2013**
(56) Related Art Documents: **Not Applicable**
(57) Statement of Newness and Distinctiveness: **Newness and distinctiveness reside in the features of shape and/or configuration of a FENCE as illustrated in the accompanying representations.**



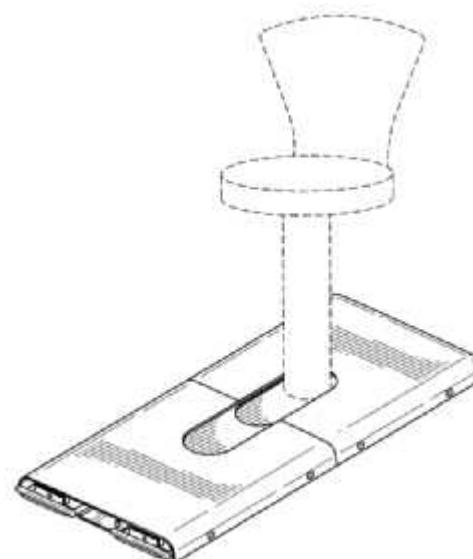
- (21) Design Number: **12177/2013**
(22) Date of Filing Application: **10 May 2013**
(24) Date from which industrial property rights may have effect: **10 May 2013**
(54) Product in respect of which the design is registered: **Medical apparatus for relaxation and practical purposes**
(51) International Design Classification: **24-01**
(74) Name(s) of Attorney(s): **FB Rice**
(71) Name(s) and Address(s) of Applicant(s):
Koninklijke Philips Electronics N.V.
High Tech Campus 5 Eindhoven 5656 AE The Netherlands
(72) Name(s) of Designer(s): **Joseph Stuyfzand and Thomas Schaper**
(45) Registration Date: **24 July 2013**
(30) Convention priority data:
(31) Number (32) Date (33) Country
**002134510-0001 12 Nov 2012 OFFICE FOR HARMONISATION IN
THE INTERNAL MARKET (OHIM)**
(56) Related Art Documents: **Not Applicable**
(57) Statement of Newness and Distinctiveness: **Newness and distinctiveness reside in the features of shape and configuration of the design, as shown in the representations.**



- (21) Design Number: **11244/2013**
(22) Date of Filing Application: **13 March 2013**
(24) Date from which industrial property rights may have effect: **13 March 2013**
(54) Product in respect of which the design is registered: **Plumbing component for a cleanout**
(51) International Design Classification: **23-01A**
(74) Name(s) of Attorney(s):
(71) Name(s) and Address(s) of Applicant(s):
Angelo Ieraci
168 Seventh Avenue Inglewood WA 6052 Australia
(72) Name(s) of Designer(s): **Angelo Ieraci**
(45) Registration Date: **24 July 2013**
(56) Related Art Documents: **Not Applicable**
(57) Statement of Newness and Distinctiveness: **In considering the newness and distinctiveness of the plumbing component, no regard is to be had to the features shown in broken lines.**



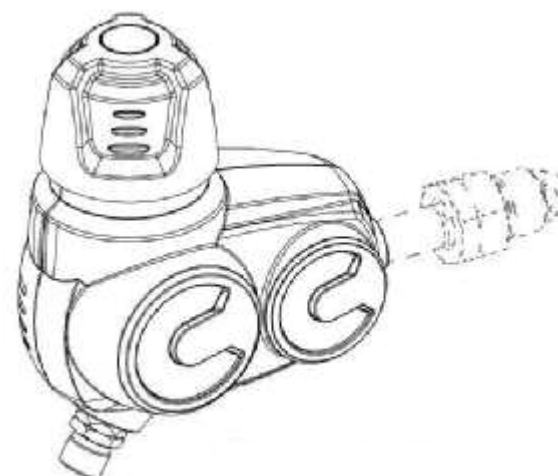
- (21) Design Number: **12744/2013**
(22) Date of Filing Application: **14 June 2013**
(24) Date from which industrial property rights may have effect: **14 June 2013**
(54) Product in respect of which the design is registered: **Adjustable seat base**
(51) International Design Classification: **06-01E**
(74) Name(s) of Attorney(s): **Shelston IP**
(71) Name(s) and Address(s) of Applicant(s):
Stylgame S.r.l.
Via G. Cardorna 5/A Spilimbergo (PN) 33097 Italy
(72) Name(s) of Designer(s): **Luigi Iulita**
(45) Registration Date: **24 July 2013**
(30) Convention priority data:
(31) Number (32) Date (33) Country
**002154286 17 Dec 2012 OFFICE FOR HARMONISATION IN
THE INTERNAL MARKET (OHIM)**
(56) Related Art Documents: **Not Applicable**
(57) Statement of Newness and Distinctiveness: **Newness and distinctiveness reside in the shape and configuration of a design for an Adjustable Seat Base as illustrated in the accompanying drawings. The features shown in broken line are illustrative only and do not form any part of the design.**



(21) Design Number: **12098/2013**
(22) Date of Filing Application: **03 May 2013**
(24) Date from which industrial property rights may have effect: **03 May 2013**
(54) Product in respect of which the design is registered: **Dreambaby multi-use latch**
(51) International Design Classification: **08-07**
(74) Name(s) of Attorney(s): **Thomsons Lawyers**
(71) Name(s) and Address(s) of Applicant(s):
Elbee Pty Ltd
PO BOX 2022 Bondi Junction NSW 1355 Australia
(72) Name(s) of Designer(s): **Carolyn Ziegler**
(45) Registration Date: **25 July 2013**
(56) Related Art Documents: **Not Applicable**
(57) Statement of Newness and Distinctiveness: **Newness and distinctiveness is claimed for shape and configuration of the multi-use latch as illustrated in the accompanying representations.**



(21) Design Number: **12370/2013**
(22) Date of Filing Application: **22 May 2013**
(24) Date from which industrial property rights may have effect: **22 May 2013**
(54) Product in respect of which the design is registered: **Regulator**
(51) International Design Classification: **24-02**
(74) Name(s) of Attorney(s): **Cullens Patent and Trade Mark Attorneys**
(71) Name(s) and Address(s) of Applicant(s):
African Oxygen Limited
Afrox House 23 Webber Street Selby Johannesburg Gauteng South Africa
(72) Name(s) of Designer(s): **Roberto Maria Marcello Dionisio and Radoslav Jovanovic**
(45) Registration Date: **25 July 2013**
(30) Convention priority data:
(31) Number (32) Date (33) Country
A2012/02158 30 Nov 2012 SOUTH AFRICA
(56) Related Art Documents: **Not Applicable**
(57) Statement of Newness and Distinctiveness: **The new and distinct features are the features of shape and configuration of the regulator as shown in the representations. The shape and configuration of the stem shown in dashed outline in the representations does not form part of the new and distinctive features of the design.**



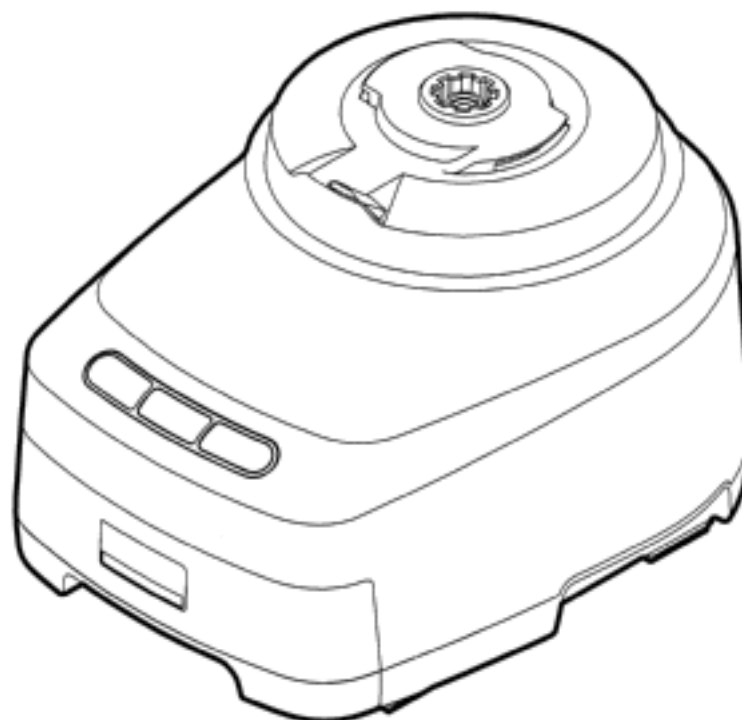
- (21) Design Number: **12676/2013**
(22) Date of Filing Application: **11 June 2013**
(24) Date from which industrial property rights may have effect: **11 June 2013**
(54) Product in respect of which the design is registered: **Plastic muffin 4 pack container**
(51) International Design Classification: **09-03F**
(74) Name(s) of Attorney(s):
(71) Name(s) and Address(s) of Applicant(s):
Lyson Trading Pty Ltd
U11 25-33 Alfred Rd Chipping Norton NSW 2170 Australia
(72) Name(s) of Designer(s): **Khai Ly**
(45) Registration Date: **25 July 2013**
(56) Related Art Documents: **Not Applicable**
(57) Statement of Newness and Distinctiveness: **The container is cut in such a way that the sides can fold into a carry handle.**



- (21) Design Number: **15974/2012**
(22) Date of Filing Application: **30 November 2012**
(24) Date from which industrial property rights may have effect: **30 November 2012**
(54) Product in respect of which the design is registered: **Percussion musical instrument**
(51) International Design Classification: **17-04**
(74) Name(s) of Attorney(s):
(71) Name(s) and Address(s) of Applicant(s):
Matthew John Mannigel Armstrong
11 Renmark St Duffy ACT 2611 Australia
(72) Name(s) of Designer(s): **Matthew John Mannigel Armstrong**
(45) Registration Date: **26 July 2013**
(56) Related Art Documents: **Not Applicable**
(57) Statement of Newness and Distinctiveness: **The shape and configuration of the musical instrument Colour and surface patterning of materials is not part of the design specification. The tubes are indefinitely variable in length.**



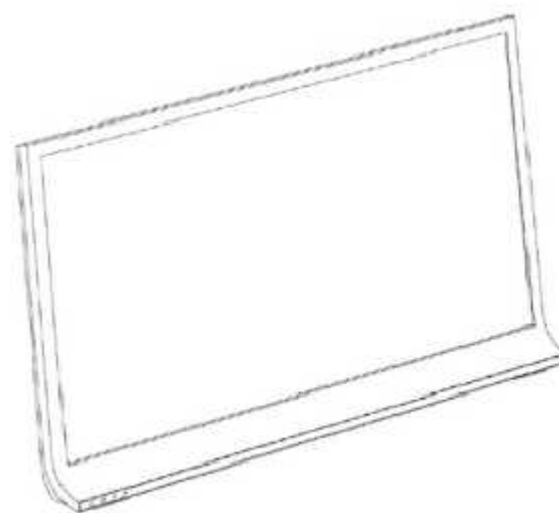
(21) Design Number: **16057/2012**
(22) Date of Filing Application: **04 December 2012**
(24) Date from which industrial property rights may have effect: **04 December 2012**
(54) Product in respect of which the design is registered: **Food processor base**
(51) International Design Classification: **31-00**
(74) Name(s) of Attorney(s): **Freehills Patent Attorneys**
(71) Name(s) and Address(s) of Applicant(s):
Sunbeam Corporation Limited
U 5&6 13 Lord St Botany NSW 2019 Australia
(72) Name(s) of Designer(s): **Scott Nash**
(45) Registration Date: **26 July 2013**
(56) Related Art Documents: **Not Applicable**
(57) Statement of Newness and Distinctiveness: **Newness and distinctiveness is claimed in the features of shape and/or configuration of a food processor base as shown in the accompanying drawings.**



(21) Design Number: **11305/2013**
(22) Date of Filing Application: **15 March 2013**
(24) Date from which industrial property rights may have effect: **15 March 2013**
(54) Product in respect of which the design is registered: **In vivo tubular support device**
(51) International Design Classification: **14-02**
(74) Name(s) of Attorney(s): **Davies Collison Cave**
(71) Name(s) and Address(s) of Applicant(s):
Matheny ENTERprises, LLC
5957 Davenhill Drive Plano Texas 75093 United States of America
(72) Name(s) of Designer(s): **Keith E. Matheny**
(45) Registration Date: **26 July 2013**
(30) Convention priority data:
(31) Number (32) Date (33) Country
29/432554 17 Sep 2012 UNITED STATES OF AMERICA
(56) Related Art Documents: **Not Applicable**
(57) Statement of Newness and Distinctiveness: **Newness and distinctiveness is claimed in the visual features shown in solid lines in the representations.**



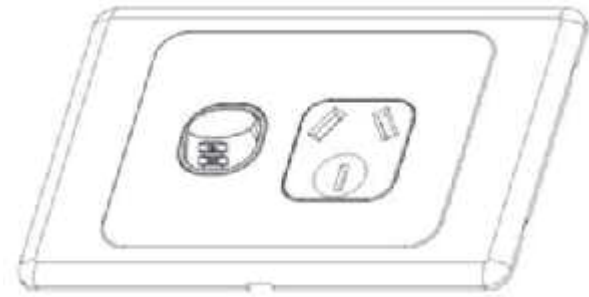
(21) Design Number: **11898/2013**
(22) Date of Filing Application: **23 April 2013**
(24) Date from which industrial property rights may have effect: **23 April 2013**
(54) Product in respect of which the design is registered: **Television set**
(51) International Design Classification: **14-03B**
(74) Name(s) of Attorney(s): **Davies Collison Cave**
(71) Name(s) and Address(s) of Applicant(s):
Sharp Kabushiki Kaisha
22-22 Nagaike-cho Abeno-ku Osaka 545-8522 Japan
(72) Name(s) of Designer(s): **Keiichi Koyama and Noriaki Itai and Tohru Otani**
and Tomohiko Satoh and Yap Kai Wen and Yusuke Totsuka
(45) Registration Date: **26 July 2013**
(30) Convention priority data:
(31) Number (32) Date (33) Country
2012-026603 01 Nov 2012 JAPAN
(56) Related Art Documents: **Not Applicable**
(57) Statement of Newness and Distinctiveness: **Nil**



(21) Design Number: **11947/2013**
(22) Date of Filing Application: **26 April 2013**
(24) Date from which industrial property rights may have effect: **26 April 2013**
(54) Product in respect of which the design is registered: **A packaging element for brake pads**
(51) International Design Classification: **05-06NES**
(74) Name(s) of Attorney(s): **Cotters Patent & Trade Mark Attorneys**
(71) Name(s) and Address(s) of Applicant(s):
TRW Intellectual Property Corp.
12025 Tech Center Drive Livonia Michigan 48150 United States of America
(72) Name(s) of Designer(s): **Jennifer Reid**
(45) Registration Date: **26 July 2013**
(30) Convention priority data:
(31) Number (32) Date (33) Country
002129809 02 Nov 2012 OFFICE FOR HARMONISATION IN THE INTERNAL MARKET (OHIM)
(56) Related Art Documents: **Not Applicable**
(57) Statement of Newness and Distinctiveness: **Newness and distinctiveness is claimed in the features of pattern and/or ornamentation of a packaging element as illustrated in the accompanying representations, wherein the product has a pattern that repeats itself, and a single repeating unit of the pattern is shown in figure 1 of the accompanying representations.**



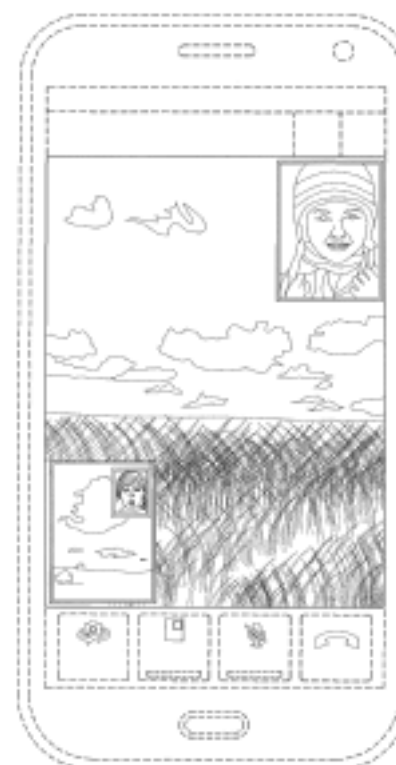
(21) Design Number: **11955/2013**
(22) Date of Filing Application: **26 April 2013**
(24) Date from which industrial property rights may have effect: **26 April 2013**
(54) Product in respect of which the design is registered: **Single power point**
(51) International Design Classification: **13-03D**
(74) Name(s) of Attorney(s): **Davies Collison Cave**
(71) Name(s) and Address(s) of Applicant(s):
Arlec Australia Pty Ltd
Building 3 31-41 Joseph St Blackburn North VIC 3130 Australia
(72) Name(s) of Designer(s): **Kar Lun Tam and Monvids Puika**
(45) Registration Date: **26 July 2013**
(56) Related Art Documents: **Not Applicable**
(57) Statement of Newness and Distinctiveness: **Nil**



(21) Design Number: **11958/2013**
(22) Date of Filing Application: **26 April 2013**
(24) Date from which industrial property rights may have effect: **26 April 2013**
(54) Product in respect of which the design is registered: **Single switch and double switch**
(51) International Design Classification: **13-03D**
(74) Name(s) of Attorney(s): **Davies Collison Cave**
(71) Name(s) and Address(s) of Applicant(s):
Arlec Australia Pty Ltd
Building 3 31-41 Joseph St Blackburn VIC 3130 Australia
(72) Name(s) of Designer(s): **Hip Shing and Monvids Puika**
(45) Registration Date: **26 July 2013**
(56) Related Art Documents: **Not Applicable**
(57) Statement of Newness and Distinctiveness: **Nil**



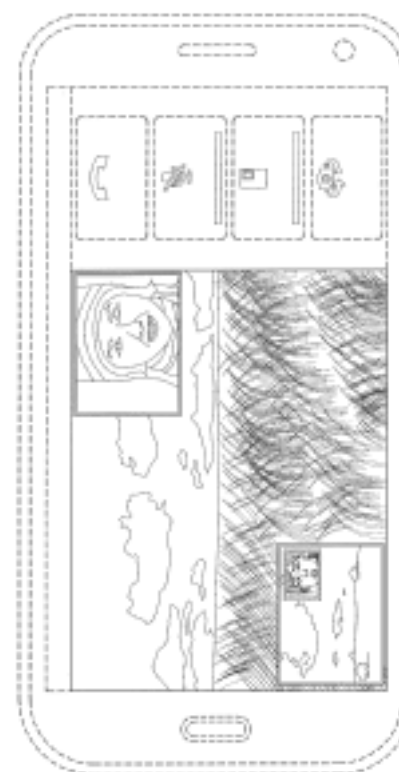
- (21) Design Number: **12266/2013**
(22) Date of Filing Application: **14 May 2013**
(24) Date from which industrial property rights may have effect: **14 May 2013**
(54) Product in respect of which the design is registered: **Display screen for an electronic device**
(51) International Design Classification: **14-01, 14-02, 14-03E**
(74) Name(s) of Attorney(s): **Wrays**
(71) Name(s) and Address(s) of Applicant(s):
Samsung Electronics Co., Ltd.
129 Samsung-ro Yeongtong-gu Suwon-si Gyeonggi-do 443-742 Republic of Korea
(72) Name(s) of Designer(s): **Yong-Chae Jung**
(45) Registration Date: **26 July 2013**
(30) Convention priority data:
(31) Number (32) Date (33) Country
30-2013-0009540 23 Feb 2013 REPUBLIC OF KOREA
(56) Related Art Documents: **Not Applicable**
(57) Statement of Newness and Distinctiveness: **Newness and distinctiveness is claimed in the features of pattern and/or ornamentation of the Display Screen For An Electronic Device as shown in the accompanying representations: namely, the features depicted in Figure 1 by solid lines. The features depicted by broken lines in Figure 1 are for illustrative purposes only and form no part of the claimed design. Figure 2 is for illustrative purposes only showing example images on the display screen in combination with the features depicted by solid lines in Figure 1.**



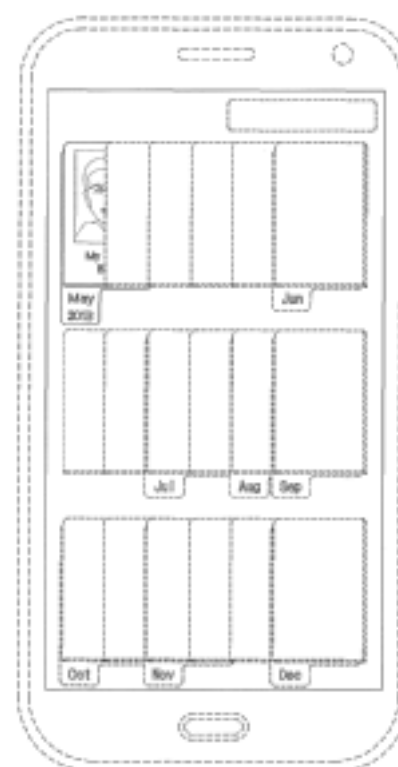
- (21) Design Number: **12267/2013**
(22) Date of Filing Application: **14 May 2013**
(24) Date from which industrial property rights may have effect: **14 May 2013**
(54) Product in respect of which the design is registered: **Display screen for an electronic device**
(51) International Design Classification: **14-01, 14-02, 14-03E**
(74) Name(s) of Attorney(s): **Wrays**
(71) Name(s) and Address(s) of Applicant(s):
Samsung Electronics Co., Ltd.
129 Samsung-ro Yeongtong-gu Suwon-si Gyeonggi-do 443-742 Republic of Korea
(72) Name(s) of Designer(s): **Hee-Kyung Jeon and Cho-Hyang Ma**
(45) Registration Date: **26 July 2013**
(30) Convention priority data:
(31) Number (32) Date (33) Country
30-2013-0012838 13 Mar 2013 REPUBLIC OF KOREA
(56) Related Art Documents: **Not Applicable**
(57) Statement of Newness and Distinctiveness: **Newness and distinctiveness is claimed in the features of pattern and/or ornamentation of the Display Screen For An Electronic Device as shown in the accompanying representations: namely, the features depicted in Figure 1 by solid lines. The features depicted by broken lines in Figure 1 are for illustrative purposes only and form no part of the claimed design. Figure 2 is for illustrative purposes only showing example images on the display screen in combination with the features depicted by solid lines in Figure 1.**



- (21) Design Number: **12268/2013**
(22) Date of Filing Application: **14 May 2013**
(24) Date from which industrial property rights may have effect: **14 May 2013**
(54) Product in respect of which the design is registered: **Display screen for an electronic device**
(51) International Design Classification: **14-01, 14-02, 14-03E**
(74) Name(s) of Attorney(s): **Wrays**
(71) Name(s) and Address(s) of Applicant(s):
Samsung Electronics Co., Ltd.
129 Samsung-ro Yeongtong-gu Suwon-si Gyeonggi-do 443-742 Republic of Korea
(72) Name(s) of Designer(s): **Yong-Chae Jung**
(45) Registration Date: **26 July 2013**
(30) Convention priority data:
(31) Number (32) Date (33) Country
30-2013-0009610 23 Feb 2013 REPUBLIC OF KOREA
(56) Related Art Documents: **Not Applicable**
(57) Statement of Newness and Distinctiveness: **Newness and distinctiveness is claimed in the features of pattern and/or ornamentation of the Display Screen For An Electronic Device as shown in the accompanying representations: namely, the features depicted in Figure 1 by solid lines. The features depicted by broken lines in Figure 1 are for illustrative purposes only and form no part of the claimed design. Figure 2 is for illustrative purposes only show in example images on the display screen in combination with the features depicted by solid lines in Figure 1.**



- (21) Design Number: **12269/2013**
(22) Date of Filing Application: **14 May 2013**
(24) Date from which industrial property rights may have effect: **14 May 2013**
(54) Product in respect of which the design is registered: **Display screen for an electronic device**
(51) International Design Classification: **14-01, 14-02, 14-03E**
(74) Name(s) of Attorney(s): **Wrays**
(71) Name(s) and Address(s) of Applicant(s):
Samsung Electronics Co., Ltd.
129 Samsung-ro Yeongtong-gu Suwon-si Gyeonggi-do 443-742 Republic of Korea
(72) Name(s) of Designer(s): **Hee-Kyung Jeon and Ji-Young Moon**
(45) Registration Date: **26 July 2013**
(30) Convention priority data:
(31) Number (32) Date (33) Country
30-2013-0009542 23 Feb 2013 REPUBLIC OF KOREA
(56) Related Art Documents: **Not Applicable**
(57) Statement of Newness and Distinctiveness: **Newness and distinctiveness is claimed in the features of pattern and/or ornamentation of the Display Screen For An Electronic Device as shown in the accompanying representations: namely, the features depicted in Figure 1 by solid lines. The features depicted by broken lines in Figure 1 are for illustrative purposes only and form no part of the claimed design. Figure 2 to 4 are for illustrative purposes only showing example images on the display screen in combination with the features depicted by solid lines in Figure 1, with Figure 3 showing images of Figure 2 in a zoomed out condition, and Figure 4 showing images of Figure 3 in a zoomed out condition.**



(21) Design Number: **12342/2013**
(22) Date of Filing Application: **17 May 2013**
(24) Date from which industrial property rights may have effect: **17 May 2013**
(54) Product in respect of which the design is registered: **Display screen for an electronic device**

(51) International Design Classification: **14-01, 14-02, 14-03E**

(74) Name(s) of Attorney(s): **Wrays**

(71) Name(s) and Address(s) of Applicant(s):

Samsung Electronics Co., Ltd
129 Samsung-ro Yeongtong-gu Suwon-si Gyeonggi-do 443-742 Republic of Korea

(72) Name(s) of Designer(s): **Cho-Hyang Ma**

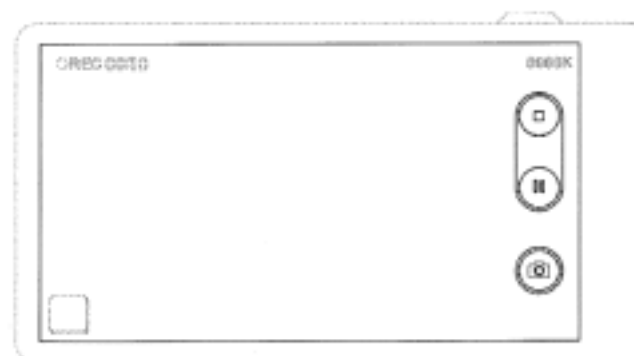
(45) Registration Date: **29 July 2013**

(30) Convention priority data:

(31) Number	(32) Date	(33) Country
30-2013-0009565	23 Feb 2013	REPUBLIC OF KOREA

(56) Related Art Documents: **Not Applicable**

(57) Statement of Newness and Distinctiveness: **Newness and distinctiveness is claimed in the features of pattern and/or ornamentation of the Display Screen For An Electronic Device as shown in the accompanying representations: namely, the features depicted in Figure 1 by solid lines. The features depicted by broken lines in Figure 1 are for illustrative purposes only and form no part of the claimed design. Figure 2 is for illustrative purposes only showing example images on the display screen in combination with the features depicted by the solid lines in Figure 1.**



(21) Design Number: **12343/2013**
(22) Date of Filing Application: **17 May 2013**
(24) Date from which industrial property rights may have effect: **17 May 2013**
(54) Product in respect of which the design is registered: **Display screen for an electronic device**

(51) International Design Classification: **14-01, 14-02, 14-03E**

(74) Name(s) of Attorney(s): **Wrays**

(71) Name(s) and Address(s) of Applicant(s):

Samsung Electronics Co., Ltd
129 Samsung-ro Yeongtong-gu Suwon-si Gyeonggi-do 443-742 Republic of Korea

(72) Name(s) of Designer(s): **Cho-Hyang Ma**

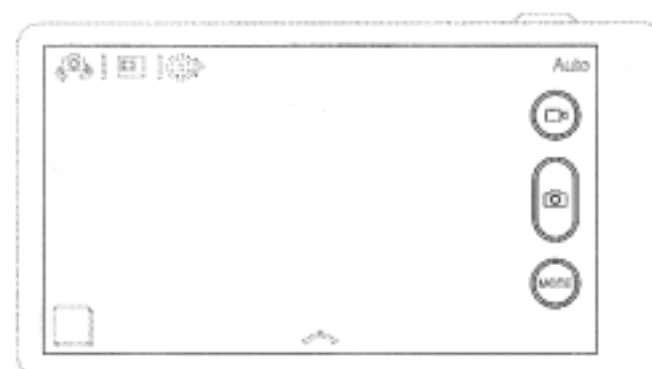
(45) Registration Date: **29 July 2013**

(30) Convention priority data:

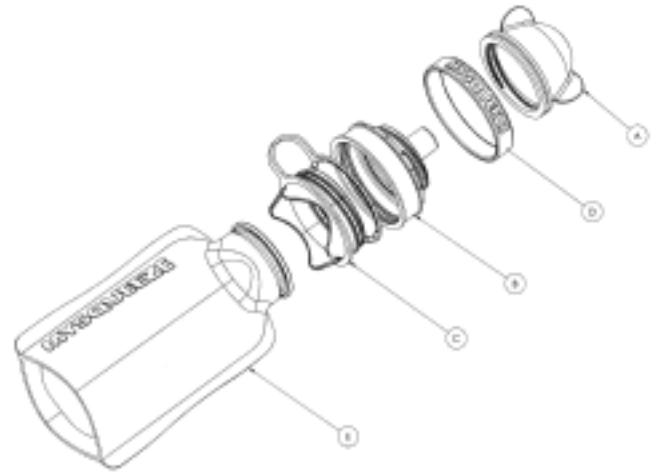
(31) Number	(32) Date	(33) Country
30-2013-0009564	23 Feb 2013	REPUBLIC OF KOREA

(56) Related Art Documents: **Not Applicable**

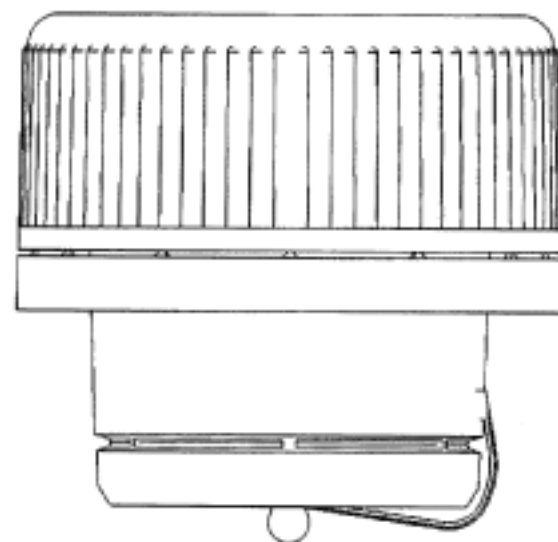
(57) Statement of Newness and Distinctiveness: **Newness and distinctiveness is claimed in the features of pattern and/or ornamentation of the Display Screen For An Electronic Device as shown in the accompanying representations: namely, the features depicted in Figure 1 by solid lines. The features depicted by broken lines in Figure 1 are for illustrative purposes only and form no part of the claimed design. Figure 2 is for illustrative purposes only showing example images on the display screen in combination with the features depicted by the solid lines in Figure 1.**



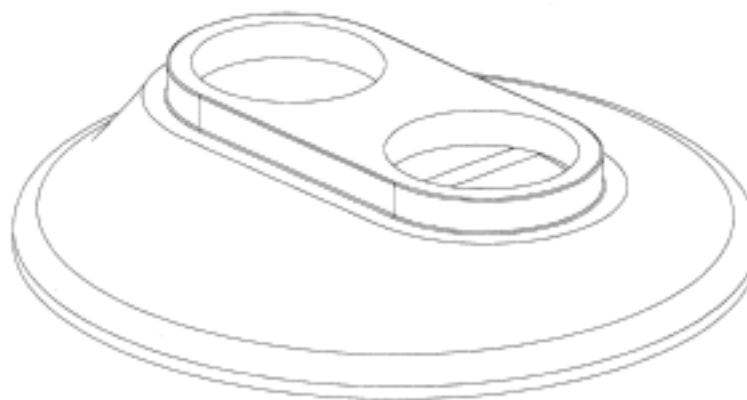
- (21) Design Number: **12387/2013**
(22) Date of Filing Application: **23 May 2013**
(24) Date from which industrial property rights may have effect: **23 May 2013**
(54) Product in respect of which the design is registered: **Container with screw cap**
(51) International Design Classification: **09-01NES**
(74) Name(s) of Attorney(s):
(71) Name(s) and Address(s) of Applicant(s):
Tracy Lynne Brown
15 Karawatha Dr Mountain Creek QLD 4557 Australia
(72) Name(s) of Designer(s): **Tracy Lynne Brown and Neil Waldbaum**
(45) Registration Date: **29 July 2013**
(56) Related Art Documents: **Not Applicable**
(57) Statement of Newness and Distinctiveness: **Newness and distinctiveness resides in the visual features, including shape and configuration, of the product as shown in the accompanying representations.**



- (21) Design Number: **12584/2013**
(22) Date of Filing Application: **04 June 2013**
(24) Date from which industrial property rights may have effect: **04 June 2013**
(54) Product in respect of which the design is registered: **Cap of a container for a package**
(51) International Design Classification: **09-07C**
(74) Name(s) of Attorney(s): **WATERMARK PATENT AND TRADE MARKS ATTORNEYS**
(71) Name(s) and Address(s) of Applicant(s):
Rie Makita
Oaza Wada Matsumoto-shi Nagano-ken 390-0826 Japan
(72) Name(s) of Designer(s): **Rie Makita**
(45) Registration Date: **29 July 2013**
(56) Related Art Documents: **Not Applicable**
(57) Statement of Newness and Distinctiveness: **Nil**



(21) Design Number: **12585/2013**
(22) Date of Filing Application: **04 June 2013**
(24) Date from which industrial property rights may have effect: **04 June 2013**
(54) Product in respect of which the design is registered: **Ceramic orifice ring for molten glass**
(51) International Design Classification: **08-05M**
(74) Name(s) of Attorney(s):
(71) Name(s) and Address(s) of Applicant(s):
Pyrotek Pty Ltd
29-31 South Link Dandenong South VIC 3175 Australia
(72) Name(s) of Designer(s): **Brendt Halliday**
(45) Registration Date: **29 July 2013**
(56) Related Art Documents: **Not Applicable**
(57) Statement of Newness and Distinctiveness: **The boss is significantly longer than a typical part. The extended boss is 15mm in length compared to standard 8mm boss. The extended boss design changes the geometry of the glass that flows through it.**



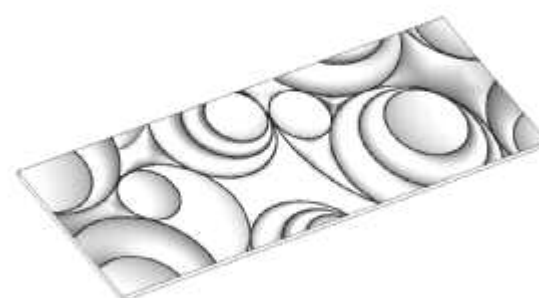
(21) Design Number: **12657/2013**
(22) Date of Filing Application: **07 June 2013**
(24) Date from which industrial property rights may have effect: **07 June 2013**
(54) Product in respect of which the design is registered: **Directional button for lifting devices**
(51) International Design Classification: **12-05**
(74) Name(s) of Attorney(s): **Ashurst Australia**
(71) Name(s) and Address(s) of Applicant(s):
Kone Corporation
Kartanontie 1 00330 Helsinki Finland
(72) Name(s) of Designer(s): **Niklas Lofberg and Timo Tiainen and Maija Pursiainen and Rauno Hatakka**
(45) Registration Date: **29 July 2013**
(30) Convention priority data:
(31) Number (32) Date (33) Country
**002164954-001 11 Jan 2013 OFFICE FOR HARMONISATION IN
THE INTERNAL MARKET (OHIM)**
(56) Related Art Documents: **Not Applicable**
(57) Statement of Newness and Distinctiveness: **Nil**



(21) Design Number: **12877/2013**
(22) Date of Filing Application: **24 June 2013**
(24) Date from which industrial property rights may have effect: **24 June 2013**
(54) Product in respect of which the design is registered: **Adhesive stick**
(51) International Design Classification: **19-06**
(74) Name(s) of Attorney(s): **PETER MAXWELL & ASSOCIATES**
(71) Name(s) and Address(s) of Applicant(s):
Dinko Jurcevic
Burgwiesenstrasse 5 Koln 51067 Germany
(72) Name(s) of Designer(s): **Dinko Jurcevic**
(45) Registration Date: **29 July 2013**
(30) Convention priority data:
(31) Number (32) Date (33) Country
002161539-0001 03 Jan 2013 OFFICE FOR HARMONISATION IN
THE INTERNAL MARKET (OHIM)
(56) Related Art Documents: **Not Applicable**
(57) Statement of Newness and Distinctiveness: **Newness and distinctiveness is claimed in the shape and/or configuration of an ADHESIVE STICK as illustrated by the unbroken lines in the accompanying representations.**



(21) Design Number: **12886/2013**
(22) Date of Filing Application: **24 June 2013**
(24) Date from which industrial property rights may have effect: **24 June 2013**
(54) Product in respect of which the design is registered: **A tile**
(51) International Design Classification: **25-01F**
(74) Name(s) of Attorney(s): **Allens Patent & Trade Mark Attorneys**
(71) Name(s) and Address(s) of Applicant(s):
Everstone International Pty Ltd
20 Princes Rd E Auburn NSW 2144 Australia
(72) Name(s) of Designer(s): **John Zeng**
(45) Registration Date: **29 July 2013**
(56) Related Art Documents: **Not Applicable**
(57) Statement of Newness and Distinctiveness: **Newness and distinctiveness is claimed in the features of shape and/or configuration of a tile as shown in the attached representations. The upper surface of the tile has raised ridges arranged to delineate the offset circle formations shown in the representations.**



(21) Design Number: **12905/2013**
(22) Date of Filing Application: **24 June 2013**
(24) Date from which industrial property rights may have effect: **24 June 2013**
(54) Product in respect of which the design is registered: **Display screen for an electronic device**
(51) International Design Classification: **14-01, 14-02, 14-03E**
(74) Name(s) of Attorney(s): **Wrays**
(71) Name(s) and Address(s) of Applicant(s):
Samsung Electronics Co., Ltd
129 Samsung-ro Yeongtong-gu Suwon-si Gyeonggi-do 443-742 Republic of Korea
(72) Name(s) of Designer(s): **Joo-Hyung Lee**
(45) Registration Date: **29 July 2013**
(30) Convention priority data:
(31) Number (32) Date (33) Country
30-2013-0001471 09 Jan 2013 REPUBLIC OF KOREA
(56) Related Art Documents: **Not Applicable**
(57) Statement of Newness and Distinctiveness: **Newness and distinctiveness is claimed in the features of pattern and/or ornamentation of the Display Screen For An Electronic Device as shown in the accompanying representations. The features shown in broken lines are for illustrative purposes only and do not form part of the claimed design.**



(21) Design Number: **12906/2013**
(22) Date of Filing Application: **24 June 2013**
(24) Date from which industrial property rights may have effect: **24 June 2013**
(54) Product in respect of which the design is registered: **Display screen for an electronic device**
(51) International Design Classification: **14-01, 14-02, 14-03E**
(74) Name(s) of Attorney(s): **Wrays**
(71) Name(s) and Address(s) of Applicant(s):
Samsung Electronics Co., Ltd
129 Samsung-ro Yeongtong-gu Suwon-si Gyeonggi-do 443-742 Republic of Korea
(72) Name(s) of Designer(s): **Sang-Hyun Park and Jae-Myoung Lee**
(45) Registration Date: **29 July 2013**
(30) Convention priority data:
(31) Number (32) Date (33) Country
30-2013-0001472 09 Jan 2013 REPUBLIC OF KOREA
(56) Related Art Documents: **Not Applicable**
(57) Statement of Newness and Distinctiveness: **Newness and distinctiveness is claimed in the features of pattern and/or ornamentation of the Display Screen For An Electronic Device as shown in the accompanying representations. The features shown in broken lines are for illustrative purposes only and do not form part of the claimed design.**



(21) Design Number: **12908/2013**
(22) Date of Filing Application: **24 June 2013**
(24) Date from which industrial property rights may have effect: **24 June 2013**
(54) Product in respect of which the design is registered: **Display screen for an electronic device**

(51) International Design Classification: **14-01, 14-02, 14-03E**

(74) Name(s) of Attorney(s): **Wrays**

(71) Name(s) and Address(s) of Applicant(s):

Samsung Electronics Co., Ltd
129 Samsung-ro Yeongtong-gu Suwon-si Gyeonggi-do 443-742 Republic of Korea

(72) Name(s) of Designer(s): **Cheol-Hoon Kang**

(45) Registration Date: **29 July 2013**

(30) Convention priority data:

(31) Number	(32) Date	(33) Country
30-2013-0001469	09 Jan 2013	REPUBLIC OF KOREA

(56) Related Art Documents: **Not Applicable**

(57) Statement of Newness and Distinctiveness: **Newness and distinctiveness is claimed in the features of pattern and/or ornamentation of the Display Screen For An Electronic Device as shown in the accompanying representations. The features shown in broken lines are for illustrative purposes only and do not form part of the claimed design.**



(21) Design Number: **12909/2013**
(22) Date of Filing Application: **24 June 2013**
(24) Date from which industrial property rights may have effect: **24 June 2013**
(54) Product in respect of which the design is registered: **Display screen for an electronic device**

(51) International Design Classification: **14-01, 14-02, 14-03E**

(74) Name(s) of Attorney(s): **Wrays**

(71) Name(s) and Address(s) of Applicant(s):

Samsung Electronics Co., Ltd
129 Samsung-ro Yeongtong-gu Suwon-si Gyeonggi-do 443-742 Republic of Korea

(72) Name(s) of Designer(s): **Bomi Lee**

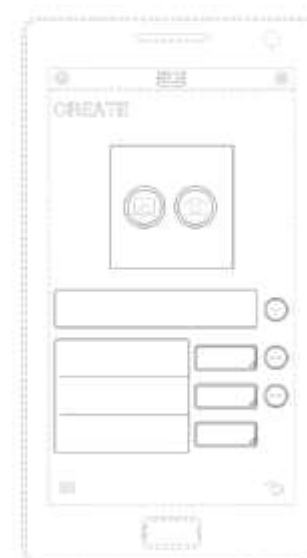
(45) Registration Date: **29 July 2013**

(30) Convention priority data:

(31) Number	(32) Date	(33) Country
30-2013-0001466	09 Jan 2013	REPUBLIC OF KOREA

(56) Related Art Documents: **Not Applicable**

(57) Statement of Newness and Distinctiveness: **Newness and distinctiveness is claimed in the features of pattern and/or ornamentation of the Display Screen For An Electronic Device as shown in the accompanying representations. The features shown in broken lines are for illustrative purposes only and do not form part of the claimed design.**



(21) Design Number: **12911/2013**

(22) Date of Filing Application: **24 June 2013**

(24) Date from which industrial property rights may have effect: **24 June 2013**

(54) Product in respect of which the design is registered: **Display screen for an electronic device**

(51) International Design Classification: **14-01, 14-02, 14-03E**

(74) Name(s) of Attorney(s): **Wrays**

(71) Name(s) and Address(s) of Applicant(s):

Samsung Electronics Co., Ltd
129 Samsung-ro Yeongtong-gu Suwon-si Gyeonggi-do 443-742 Republic of Korea

(72) Name(s) of Designer(s): **Seung-Hyuck Heo**

(45) Registration Date: **29 July 2013**

(30) Convention priority data:

(31) Number	(32) Date	(33) Country
30-2013-0001437	09 Jan 2013	REPUBLIC OF KOREA

(56) Related Art Documents: **Not Applicable**

(57) Statement of Newness and Distinctiveness: **Newness and distinctiveness is claimed in the features of pattern and/or ornamentation of the Display Screen For An Electronic Device as shown in the accompanying representations. The features shown in broken lines are for illustrative purposes only and do not form part of the claimed design.**



(21) Design Number: **12913/2013**

(22) Date of Filing Application: **24 June 2013**

(24) Date from which industrial property rights may have effect: **24 June 2013**

(54) Product in respect of which the design is registered: **Display screen for an electronic device**

(51) International Design Classification: **14-01, 14-02, 14-03E**

(74) Name(s) of Attorney(s): **Wrays**

(71) Name(s) and Address(s) of Applicant(s):

Samsung Electronics Co., Ltd
129 Samsung-ro Yeongtong-gu Suwon-si Gyeonggi-do 443-742 Republic of Korea

(72) Name(s) of Designer(s): **Seung-Hyuck Heo**

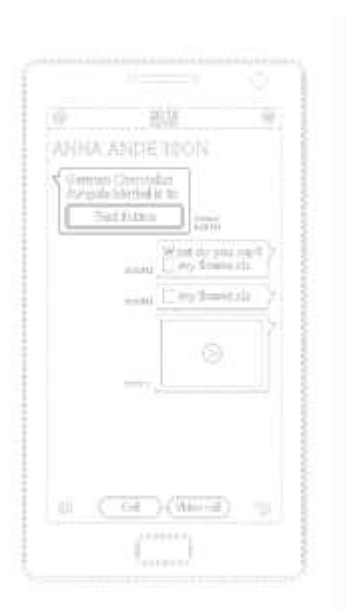
(45) Registration Date: **29 July 2013**

(30) Convention priority data:

(31) Number	(32) Date	(33) Country
30-2013-001465	09 Jan 2013	REPUBLIC OF KOREA

(56) Related Art Documents: **Not Applicable**

(57) Statement of Newness and Distinctiveness: **Newness and distinctiveness is claimed in the features of pattern and/or ornamentation of the Display Screen For An Electronic Device as shown in the accompanying representations. The features shown in broken lines are for illustrative purposes only and do not form part of the claimed design.**



(21) Design Number: **12914/2013**
(22) Date of Filing Application: **24 June 2013**
(24) Date from which industrial property rights may have effect: **24 June 2013**
(54) Product in respect of which the design is registered: **Display screen for an electronic device**

(51) International Design Classification: **14-01, 14-02, 14-03E**

(74) Name(s) of Attorney(s): **Wrays**

(71) Name(s) and Address(s) of Applicant(s):

Samsung Electronics Co., Ltd
129 Samsung-ro Yeongtong-gu Suwon-si Gyeonggi-do 443-742 Republic of Korea

(72) Name(s) of Designer(s): **Bomi Lee**

(45) Registration Date: **29 July 2013**

(30) Convention priority data:

(31) Number	(32) Date	(33) Country
30-2013-0001475	09 Jan 2013	REPUBLIC OF KOREA

(56) Related Art Documents: **Not Applicable**

(57) Statement of Newness and Distinctiveness: **Newness and distinctiveness is claimed in the features of pattern and/or ornamentation of the Display Screen For An Electronic Device as shown in the accompanying representations. The features shown in broken lines are for illustrative purposes only and do not form part of the claimed design.**



(21) Design Number: **12917/2013**
(22) Date of Filing Application: **24 June 2013**
(24) Date from which industrial property rights may have effect: **24 June 2013**
(54) Product in respect of which the design is registered: **Display screen for an electronic device**

(51) International Design Classification: **14-01, 14-02, 14-03E**

(74) Name(s) of Attorney(s): **Wrays**

(71) Name(s) and Address(s) of Applicant(s):

Samsung Electronics Co., Ltd
129 Samsung-ro Yeongtong-gu Suwon-si Gyeonggi-do 443-742 Republic of Korea

(72) Name(s) of Designer(s): **Seung-Hyuck Heo and Sang-Hyun Park**

(45) Registration Date: **29 July 2013**

(30) Convention priority data:

(31) Number	(32) Date	(33) Country
30-2013-0001444	09 Jan 2013	REPUBLIC OF KOREA

(56) Related Art Documents: **Not Applicable**

(57) Statement of Newness and Distinctiveness: **Newness and distinctiveness is claimed in the features of pattern and/or ornamentation of the Display Screen For An Electronic Device as shown in the accompanying representations. The features shown in broken lines are for illustrative purposes only and do not form part of the claimed design.**



(21) Design Number: **12937/2013**

(22) Date of Filing Application: **25 June 2013**

(24) Date from which industrial property rights may have effect: **25 June 2013**

(54) Product in respect of which the design is registered: **Display screen for an electronic device**

(51) International Design Classification: **14-01, 14-02, 14-03E**

(74) Name(s) of Attorney(s): **Wrays**

(71) Name(s) and Address(s) of Applicant(s):

Samsung Electronics Co., Ltd
129 Samsung-ro Yeongtong-gu Suwon-si Gyeonggi-do 443-742 Republic of Korea

(72) Name(s) of Designer(s): **Min-Hyung Kim and Beom-Seok Kim and Pill-Kyoung Moon and Sang-Jin Han**

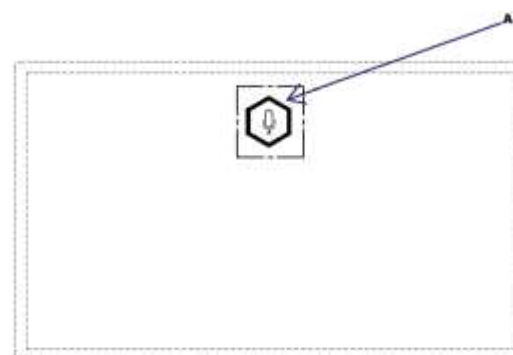
(45) Registration Date: **29 July 2013**

(30) Convention priority data:

(31) Number	(32) Date	(33) Country
30-2013-0000770	05 Jan 2013	REPUBLIC OF KOREA

(56) Related Art Documents: **Not Applicable**

(57) Statement of Newness and Distinctiveness: **Newness and distinctiveness is claimed in the features of pattern and/or ornamentation of the Display Screen For An Electronic Device as shown in the accompanying representations and referenced by an A in Figure 1. The features shown in broken lines are for illustrative purposes only and do not form part of the claimed design.**



(21) Design Number: **12938/2013**

(22) Date of Filing Application: **25 June 2013**

(24) Date from which industrial property rights may have effect: **25 June 2013**

(54) Product in respect of which the design is registered: **Display screen for an electronic device**

(51) International Design Classification: **14-01, 14-02, 14-03E**

(74) Name(s) of Attorney(s): **Wrays**

(71) Name(s) and Address(s) of Applicant(s):

Samsung Electronics Co., Ltd
129 Samsung-ro Yeongtong-gu Suwon-si Gyeonggi-do 443-742 Republic of Korea

(72) Name(s) of Designer(s): **Joo-Hyung Lee**

(45) Registration Date: **29 July 2013**

(30) Convention priority data:

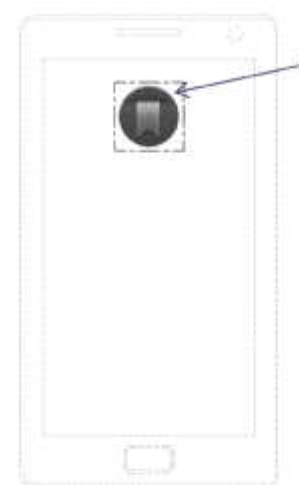
(31) Number	(32) Date	(33) Country
30-2013-0001392	09 Jan 2013	REPUBLIC OF KOREA

(56) Related Art Documents: **Not Applicable**

(57) Statement of Newness and Distinctiveness: **Newness and distinctiveness is claimed in the features of pattern and/or ornamentation of the Display Screen For An Electronic Device as shown in the accompanying representations. The features shown in broken lines are for illustrative purposes only and do not form part of the claimed design.**



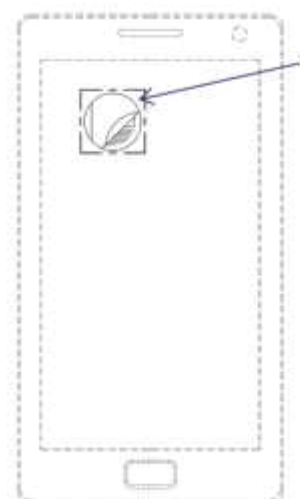
(21) Design Number: **12939/2013**
(22) Date of Filing Application: **25 June 2013**
(24) Date from which industrial property rights may have effect: **25 June 2013**
(54) Product in respect of which the design is registered: **Display screen for an electronic device**
(51) International Design Classification: **14-01, 14-02, 14-03E**
(74) Name(s) of Attorney(s): **Wrays**
(71) Name(s) and Address(s) of Applicant(s):
Samsung Electronics Co., Ltd
129 Samsung-ro Yeongtong-gu Suwon-si Gyeonggi-do 443-742 Republic of Korea
(72) Name(s) of Designer(s): **Sang-Hyun Park**
(45) Registration Date: **29 July 2013**
(30) Convention priority data:
(31) Number (32) Date (33) Country
30-2013-0001417 09 Jan 2013 REPUBLIC OF KOREA
(56) Related Art Documents: **Not Applicable**
(57) Statement of Newness and Distinctiveness: **Newness and distinctiveness is claimed in the features of pattern and/or ornamentation of the Display Screen For An Electronic Device as shown in the accompanying representations and referenced by an A in Figure 1. The features shown in broken lines are for illustrative purposes only and do not form part of the claimed design.**



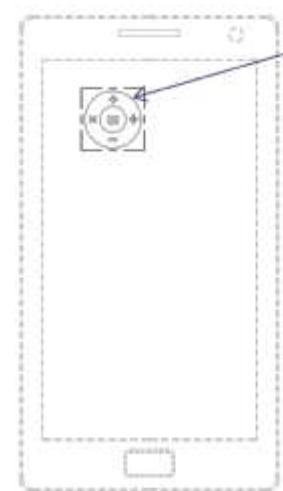
(21) Design Number: **12940/2013**
(22) Date of Filing Application: **25 June 2013**
(24) Date from which industrial property rights may have effect: **25 June 2013**
(54) Product in respect of which the design is registered: **Display screen for an electronic device**
(51) International Design Classification: **14-01, 14-02, 14-03E**
(74) Name(s) of Attorney(s): **Wrays**
(71) Name(s) and Address(s) of Applicant(s):
Samsung Electronics Co., Ltd
129 Samsung-ro Yeongtong-gu Suwon-si Gyeonggi-do 443-742 Republic of Korea
(72) Name(s) of Designer(s): **Sang-Hyun Park**
(45) Registration Date: **29 July 2013**
(30) Convention priority data:
(31) Number (32) Date (33) Country
30-2013-0001407 09 Jan 2013 REPUBLIC OF KOREA
(56) Related Art Documents: **Not Applicable**
(57) Statement of Newness and Distinctiveness: **Newness and distinctiveness is claimed in the features of pattern and/or ornamentation of the Display Screen For An Electronic Device as shown in the accompanying representations and referenced by an A in Figure 1. The features shown in broken lines are for illustrative purposes only and do not form part of the claimed design.**



(21) Design Number: **12945/2013**
(22) Date of Filing Application: **25 June 2013**
(24) Date from which industrial property rights may have effect: **25 June 2013**
(54) Product in respect of which the design is registered: **Display screen for an electronic device**
(51) International Design Classification: **14-01, 14-02, 14-03E**
(74) Name(s) of Attorney(s): **Wrays**
(71) Name(s) and Address(s) of Applicant(s):
Samsung Electronics Co., Ltd
129 Samsung-ro Yeongtong-gu Suwon-si Gyeonggi-do 443-742 Republic of Korea
(72) Name(s) of Designer(s): **Sang-Hyun Park**
(45) Registration Date: **29 July 2013**
(30) Convention priority data:
(31) Number (32) Date (33) Country
30-2013-0001452 09 Jan 2013 REPUBLIC OF KOREA
(56) Related Art Documents: **Not Applicable**
(57) Statement of Newness and Distinctiveness: **Newness and distinctiveness is claimed in the features of pattern and/or ornamentation of the Display Screen For An Electronic Device as shown in the accompanying representations and referenced by an A in Figure 1. The features shown in broken lines are for illustrative purposes only and do not form part of the claimed design.**



(21) Design Number: **12946/2013**
(22) Date of Filing Application: **25 June 2013**
(24) Date from which industrial property rights may have effect: **25 June 2013**
(54) Product in respect of which the design is registered: **Display screen for an electronic device**
(51) International Design Classification: **14-01, 14-02, 14-03E**
(74) Name(s) of Attorney(s): **Wrays**
(71) Name(s) and Address(s) of Applicant(s):
Samsung Electronics Co., Ltd
129 Samsung-ro Yeongtong-gu Suwon-si Gyeonggi-do 443-742 Republic of Korea
(72) Name(s) of Designer(s): **Sang-Hyun Park**
(45) Registration Date: **29 July 2013**
(30) Convention priority data:
(31) Number (32) Date (33) Country
30-2013-0001450 09 Jan 2013 REPUBLIC OF KOREA
(56) Related Art Documents: **Not Applicable**
(57) Statement of Newness and Distinctiveness: **Newness and distinctiveness is claimed in the features of pattern and/or ornamentation of the Display Screen For An Electronic Device as shown in the accompanying representations and referenced by an A in Figure 1. The features shown in broken lines are for illustrative purposes only and do not form part of the claimed design.**



(21) Design Number: **12947/2013**

(22) Date of Filing Application: **25 June 2013**

(24) Date from which industrial property rights may have effect: **25 June 2013**

(54) Product in respect of which the design is registered: **Display screen for an electronic device**

(51) International Design Classification: **14-01, 14-02, 14-03E**

(74) Name(s) of Attorney(s): **Wrays**

(71) Name(s) and Address(s) of Applicant(s):

Samsung Electronics Co., Ltd
129 Samsung-ro Yeongtong-gu Suwon-si Gyeonggi-do 443-742 Republic of Korea

(72) Name(s) of Designer(s): **Sang-Hyun Park**

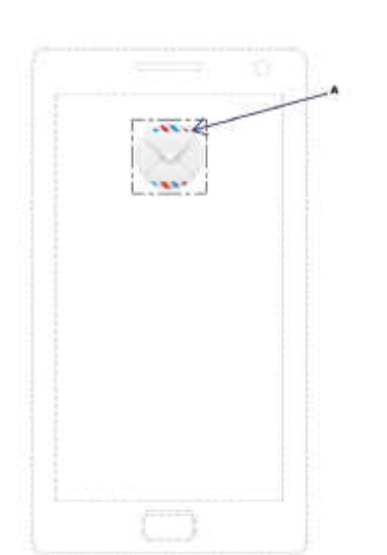
(45) Registration Date: **29 July 2013**

(30) Convention priority data:

(31) Number	(32) Date	(33) Country
30-2013-0001405	09 Jan 2013	REPUBLIC OF KOREA

(56) Related Art Documents: **Not Applicable**

(57) Statement of Newness and Distinctiveness: **Newness and distinctiveness is claimed in the features of pattern and/or ornamentation of the Display Screen For An Electronic Device as shown in the accompanying representations and referenced by an A in Figure 1. The features shown in broken lines are for illustrative purposes only and do not form part of the claimed design.**



(21) Design Number: **12964/2013**

(22) Date of Filing Application: **26 June 2013**

(24) Date from which industrial property rights may have effect: **26 June 2013**

(54) Product in respect of which the design is registered: **Watch case**

(51) International Design Classification: **10-07**

(74) Name(s) of Attorney(s): **WATERMARK PATENT AND TRADE MARKS ATTORNEYS**

(71) Name(s) and Address(s) of Applicant(s):

Swatch AG (Swatch SA) (Swatch Ltd)
Jakob-Staempfli-Strasse 94 Biel/Bienne BE 2502 Switzerland

(72) Name(s) of Designer(s): **Raphael Waecker**

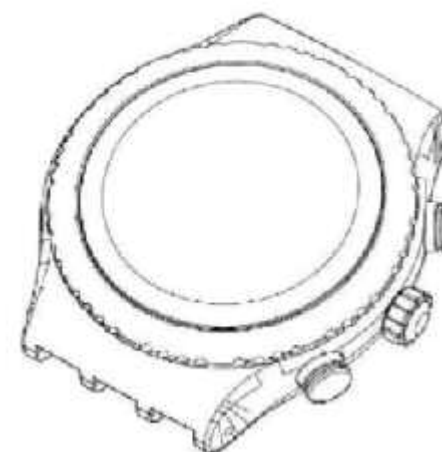
(45) Registration Date: **29 July 2013**

(30) Convention priority data:

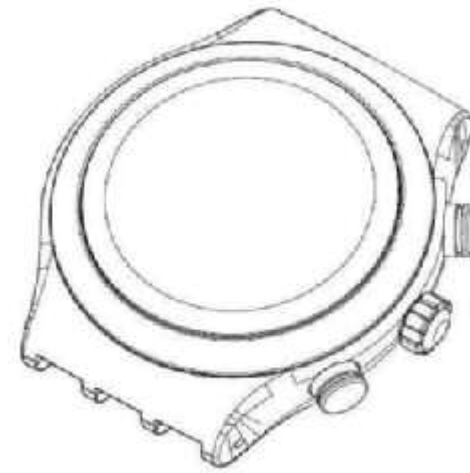
(31) Number	(32) Date	(33) Country
DM/080 165	08 Feb 2013	WORLD INTELLECTUAL PROPERTY ORGANIZATION (WIPO)

(56) Related Art Documents: **Not Applicable**

(57) Statement of Newness and Distinctiveness: **Nil**



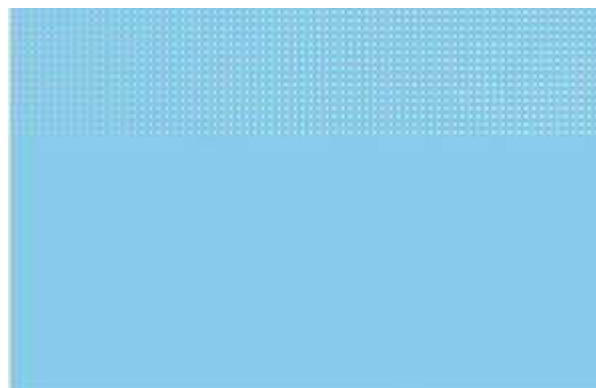
(21) Design Number: **12965/2013**
(22) Date of Filing Application: **26 June 2013**
(24) Date from which industrial property rights may have effect: **26 June 2013**
(54) Product in respect of which the design is registered: **Watch case**
(51) International Design Classification: **10-07**
(74) Name(s) of Attorney(s): **WATERMARK PATENT AND TRADE MARKS ATTORNEYS**
(71) Name(s) and Address(s) of Applicant(s):
Swatch AG (Swatch SA) (Swatch Ltd)
Jakob-Staempfli-Strasse 94 Biel/Bienne BE 2502 Switzerland
(72) Name(s) of Designer(s): **Raphael Waecker**
(45) Registration Date: **29 July 2013**
(30) Convention priority data:
(31) Number (32) Date (33) Country
DM/080 165 08 Feb 2013 WORLD INTELLECTUAL PROPERTY ORGANIZATION (WIPO)
(56) Related Art Documents: **Not Applicable**
(57) Statement of Newness and Distinctiveness: **Nil**



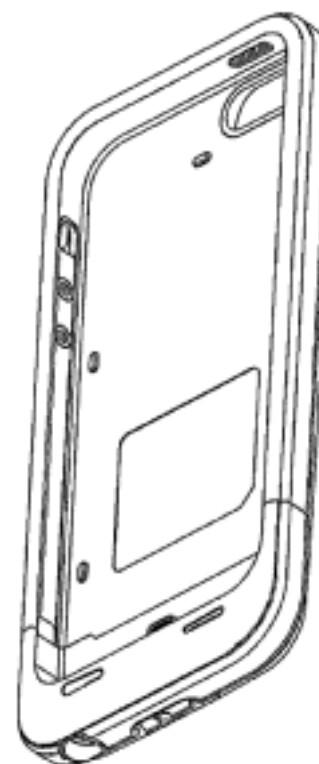
(21) Design Number: **12966/2013**
(22) Date of Filing Application: **26 June 2013**
(24) Date from which industrial property rights may have effect: **26 June 2013**
(54) Product in respect of which the design is registered: **A bottle**
(51) International Design Classification: **09-01NES**
(74) Name(s) of Attorney(s): **Franke Hyland**
(71) Name(s) and Address(s) of Applicant(s):
LD&D Australia Pty Ltd
737 Bourke St Docklands VIC 3008 Australia
(72) Name(s) of Designer(s): **Paul O'Loughlin and Alastair Kenvyn and Ralf Huempel and Siobhan McCrory and Kate Everitt**
(45) Registration Date: **29 July 2013**
(56) Related Art Documents: **Not Applicable**
(57) Statement of Newness and Distinctiveness: **Nil**



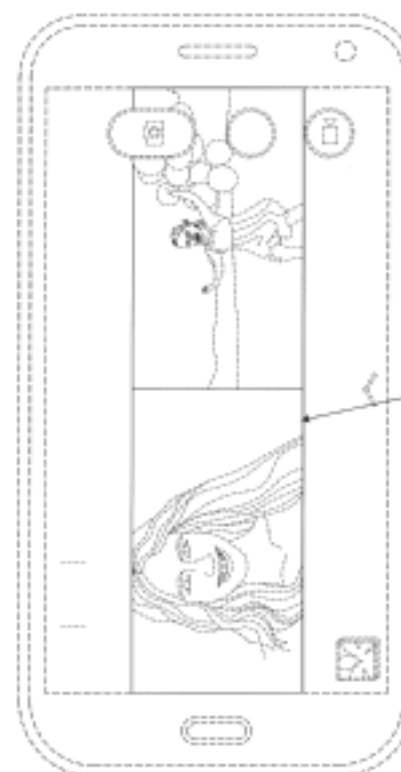
(21) Design Number: **11983/2013**
(22) Date of Filing Application: **29 April 2013**
(24) Date from which industrial property rights may have effect: **29 April 2013**
(54) Product in respect of which the design is registered: **Sheet material**
(51) International Design Classification: **05-06NES**
(74) Name(s) of Attorney(s): **Davies Collison Cave**
(71) Name(s) and Address(s) of Applicant(s):
Eppendorf AG
Barkhausenweg 1 Hamburg 22339 Germany
(72) Name(s) of Designer(s): **Ralph Ehinger**
(45) Registration Date: **29 July 2013**
(30) Convention priority data:
(31) Number (32) Date (33) Country
402012005034.2 01 Nov 2012 GERMANY
(56) Related Art Documents: **Not Applicable**
(57) Statement of Newness and Distinctiveness: **Newness and distinctiveness is claimed in the colour and pattern applied to the product as shown in the representations.**



(21) Design Number: **11993/2013**
(22) Date of Filing Application: **29 April 2013**
(24) Date from which industrial property rights may have effect: **29 April 2013**
(54) Product in respect of which the design is registered: **Battery case for mobile device**
(51) International Design Classification: **03-01NES, 14-03A**
(74) Name(s) of Attorney(s): **Allens Patent & Trade Mark Attorneys**
(71) Name(s) and Address(s) of Applicant(s):
Mophie, Inc.
2850 Red Hill Ave Suite 140 Santa Ana CA 92705 United States of America
(72) Name(s) of Designer(s): **Nguyen To and Jiayong Ye and William Hasbrook and Sean Stuck**
(45) Registration Date: **29 July 2013**
(30) Convention priority data:
(31) Number (32) Date (33) Country
29/435,908 30 Oct 2012 UNITED STATES OF AMERICA
(56) Related Art Documents: **Not Applicable**
(57) Statement of Newness and Distinctiveness: **Newness and distinctiveness is claimed in the shape and/or configuration of a battery case for a mobile device shown in the accompanying representations. The portions indicated in broken lines in certain of the representations, showing a mobile device inserted in the battery case, are for illustrative purposes only, form no part of the claimed design, and are to be disregarded in considering which features are new and distinctive.**



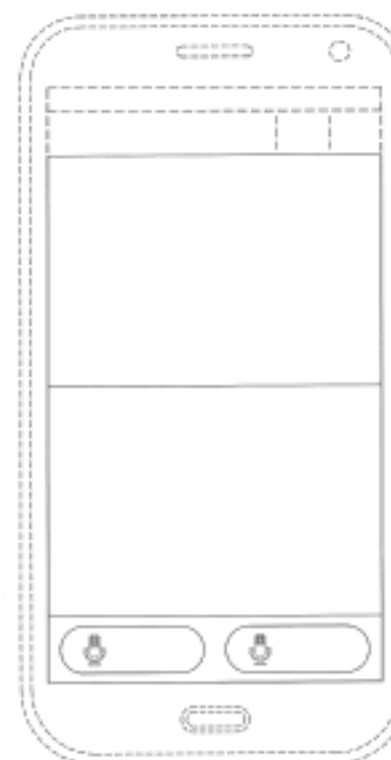
- (21) Design Number: **12270/2013**
(22) Date of Filing Application: **14 May 2013**
(24) Date from which industrial property rights may have effect: **14 May 2013**
(54) Product in respect of which the design is registered: **Display screen for an electronic device**
(51) International Design Classification: **14-01, 14-02, 14-03E**
(74) Name(s) of Attorney(s): **Wrays**
(71) Name(s) and Address(s) of Applicant(s):
Samsung Electronics Co., Ltd.
129 Samsung-ro Yeongtong-gu Suwon-si Gyeonggi-do 443-742 Republic of Korea
(72) Name(s) of Designer(s): **Ji-Hye Myung and So-Ra Kim and Seung-Kyung Lim**
(45) Registration Date: **29 July 2013**
(30) Convention priority data:
(31) Number (32) Date (33) Country
30-2013-0009605 23 Feb 2013 REPUBLIC OF KOREA
(56) Related Art Documents: **Not Applicable**
(57) Statement of Newness and Distinctiveness: **Newness and distinctiveness is claimed in the features of pattern and/or ornamentation of the Display Screen For An Electronic Device as shown in Figure 1 of the accompanying representations: namely, the features depicted in Figure 1 by solid lines and referenced by an A. The features depicted by broken lines in Figure 1 are for illustrative purposes only and do not form part of the claimed design. Figure 2 is for illustrative purposes only showing example images on the display screen in combination with the two screen sections features depicted by solid lines in Figure 1.**



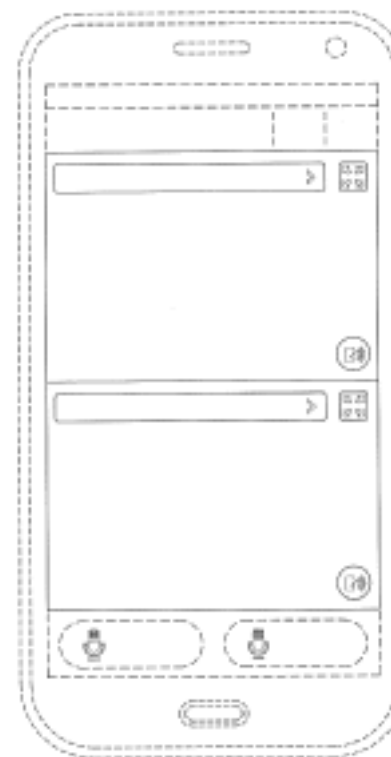
- (21) Design Number: **12271/2013**
(22) Date of Filing Application: **14 May 2013**
(24) Date from which industrial property rights may have effect: **14 May 2013**
(54) Product in respect of which the design is registered: **Display screen for an electronic device**
(51) International Design Classification: **14-01, 14-02, 14-03E**
(74) Name(s) of Attorney(s): **Wrays**
(71) Name(s) and Address(s) of Applicant(s):
Samsung Electronics Co., Ltd.
129 Samsung-ro Yeongtong-gu Suwon-si Gyeonggi-do 443-742 Republic of Korea
(72) Name(s) of Designer(s): **Sun-Ho Kim**
(45) Registration Date: **29 July 2013**
(30) Convention priority data:
(31) Number (32) Date (33) Country
30-2013-000953 23 Feb 2013 REPUBLIC OF KOREA
(56) Related Art Documents: **Not Applicable**
(57) Statement of Newness and Distinctiveness: **Newness and distinctiveness is claimed in the features of pattern and/or ornamentation of the Display Screen For An Electronic Device as shown in Figure 1 of the accompanying representations: namely, the rectangle depicted in Figure 1 by solid lines and referenced by an A, and the lock icon depicted in Figure 1 by solid lines and referenced by a B. The features depicted by broken lines in Figure 1 are for illustrative purposes only and do not form part of the claimed design. Figure 2 is for illustrative purposes only showing example images on the display screen in combination with the rectangle depicted by solid lines and the lock icon depicted by solid lines in Figure 1.**



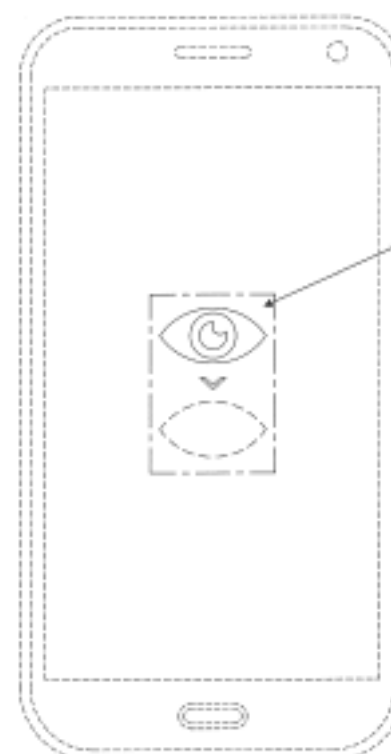
- (21) Design Number: **12272/2013**
(22) Date of Filing Application: **14 May 2013**
(24) Date from which industrial property rights may have effect: **14 May 2013**
(54) Product in respect of which the design is registered: **Display screen for an electronic device**
(51) International Design Classification: **14-01, 14-02, 14-03E**
(74) Name(s) of Attorney(s): **Wrays**
(71) Name(s) and Address(s) of Applicant(s):
Samsung Electronics Co., Ltd.
129 Samsung-ro Yeongtong-gu Suwon-si Gyeonggi-do 443-742 Republic of Korea
(72) Name(s) of Designer(s): **Eun-Sil Lim and Jee-Yeun Wang and Wan-Soo Lim**
(45) Registration Date: **29 July 2013**
(30) Convention priority data:
(31) Number (32) Date (33) Country
30-2013-0009602 23 Feb 2013 REPUBLIC OF KOREA
(56) Related Art Documents: **Not Applicable**
(57) Statement of Newness and Distinctiveness: **Newness and distinctiveness is claimed in the features of pattern and/or ornamentation of the Display Screen For An Electronic Device as shown in the accompanying representations: namely, the features depicted in Figure 1 by solid lines. The features depicted by broken lines in Figure 1 are for illustrative purposes only and form no part of the claimed design. Figure 2 is for illustrative purposes only showing example images on the display screen in combination with the features depicted by solid lines in Figure 1.**



- (21) Design Number: **12273/2013**
(22) Date of Filing Application: **14 May 2013**
(24) Date from which industrial property rights may have effect: **14 May 2013**
(54) Product in respect of which the design is registered: **Display screen for an electronic device**
(51) International Design Classification: **14-01, 14-02, 14-03E**
(74) Name(s) of Attorney(s): **Wrays**
(71) Name(s) and Address(s) of Applicant(s):
Samsung Electronics Co., Ltd.
129 Samsung-ro Yeongtong-gu Suwon-si Gyeonggi-do 443-742 Republic of Korea
(72) Name(s) of Designer(s): **Jee-Yeun Wang and Eun-Sil Lim and Wan-Soo Lim**
(45) Registration Date: **29 July 2013**
(30) Convention priority data:
(31) Number (32) Date (33) Country
30-2013-0009603 23 Feb 2013 REPUBLIC OF KOREA
(56) Related Art Documents: **Not Applicable**
(57) Statement of Newness and Distinctiveness: **Newness and distinctiveness is claimed in the features of pattern and/or ornamentation of the Display Screen For An Electronic Device as shown in the accompanying representations: namely, the features depicted in Figure 1 by solid lines. The features depicted by broken lines in Figure 1 are for illustrative purposes only and form no part of the claimed design. Figure 2 is for illustrative purposes only showing example images on the display screen in combination with the features depicted by solid lines in Figure 1.**



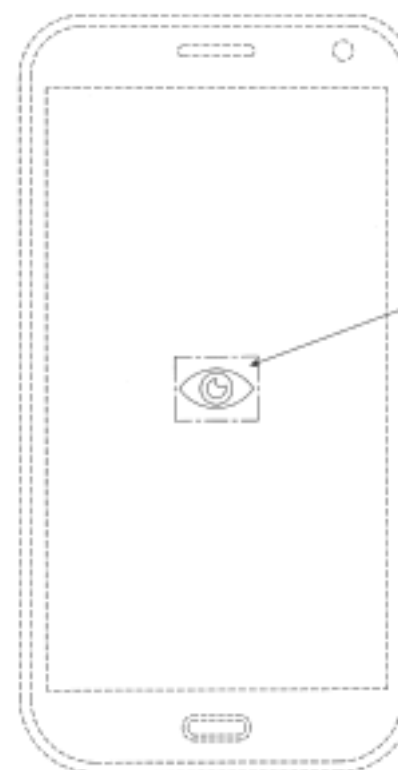
(21) Design Number: **12274/2013**
(22) Date of Filing Application: **14 May 2013**
(24) Date from which industrial property rights may have effect: **14 May 2013**
(54) Product in respect of which the design is registered: **Display screen with icon for an electronic device**
(51) International Design Classification: **14-01, 14-02, 14-03E**
(74) Name(s) of Attorney(s): **Wrays**
(71) Name(s) and Address(s) of Applicant(s):
Samsung Electronics Co., Ltd.
129 Samsung-ro Yeongtong-gu Suwon-si Gyeonggi-do 443-742 Republic of Korea
(72) Name(s) of Designer(s): **Ji-Hye Myung and Seock-Hyun Yu**
(45) Registration Date: **29 July 2013**
(30) Convention priority data:
(31) Number (32) Date (33) Country
30-2013-0009588 23 Feb 2013 REPUBLIC OF KOREA
(56) Related Art Documents: **Not Applicable**
(57) Statement of Newness and Distinctiveness: **Newness and distinctiveness is claimed in the features of pattern and/or ornamentation of the Display Screen With Icon For An Electronic Device as shown in the accompanying representations: namely, the solid line eye with arrow pointing to dashed line eye icon depicted in Figure 1 and referenced by an A. The features depicted by broken lines (other than the dashed line eye component of the icon) in Figure 1 are for illustrative purposes only and form no part of the claimed design. Figure 3 is for illustrative purposes only showing example images on the display screen in combination with the icon depicted in Figure 1.**



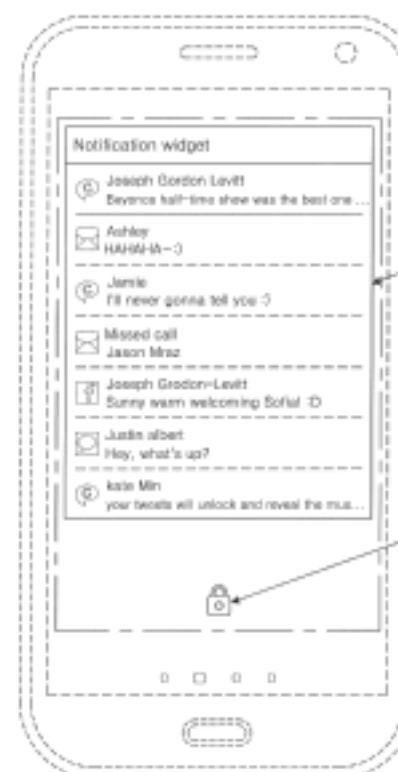
(21) Design Number: **12275/2013**
(22) Date of Filing Application: **14 May 2013**
(24) Date from which industrial property rights may have effect: **14 May 2013**
(54) Product in respect of which the design is registered: **Display screen for an electronic device**
(51) International Design Classification: **14-01, 14-02, 14-03E**
(74) Name(s) of Attorney(s): **Wrays**
(71) Name(s) and Address(s) of Applicant(s):
Samsung Electronics Co., Ltd.
129 Samsung-ro Yeongtong-gu Suwon-si Gyeonggi-do 443-742 Republic of Korea
(72) Name(s) of Designer(s): **Ho-Young Lee and Ji-Young Moon and Min-Ju Kim**
(45) Registration Date: **29 July 2013**
(30) Convention priority data:
(31) Number (32) Date (33) Country
30-2013-0009545 23 Feb 2013 REPUBLIC OF KOREA
(56) Related Art Documents: **Not Applicable**
(57) Statement of Newness and Distinctiveness: **Newness and distinctiveness is claimed in the features of pattern and/or ornamentation of the Display Screen For An Electronic Device as shown in the accompanying representations: namely, the features depicted in Figures 1, 2 and 3 by solid lines. The features depicted by broken lines in Figures 1, 2 and 3 are for illustrative purposes only and form no part of the claimed design. Figure 4 is for illustrative purposes only showing example images on the display screen in combination with the features depicted by solid lines in Figures 1, 2 and 3.**



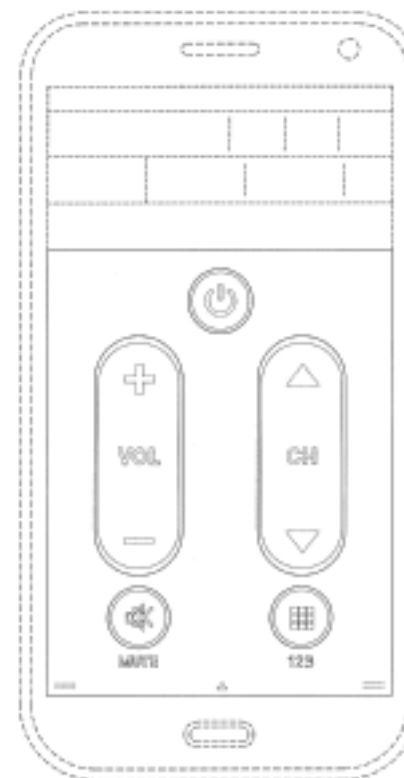
(21) Design Number: **12277/2013**
(22) Date of Filing Application: **14 May 2013**
(24) Date from which industrial property rights may have effect: **14 May 2013**
(54) Product in respect of which the design is registered: **Display screen with icon for an electronic device**
(51) International Design Classification: **14-01, 14-02, 14-03E**
(74) Name(s) of Attorney(s): **Wrays**
(71) Name(s) and Address(s) of Applicant(s):
Samsung Electronics Co., Ltd.
129 Samsung-ro Yeongtong-gu Suwon-si Gyeonggi-do 443-742 Republic of Korea
(72) Name(s) of Designer(s): **Ji-Hye Myung and Seock-Hyun Yu**
(45) Registration Date: **29 July 2013**
(30) Convention priority data:
(31) Number (32) Date (33) Country
30-2013-0009587 23 Feb 2013 REPUBLIC OF KOREA
(56) Related Art Documents: **Not Applicable**
(57) Statement of Newness and Distinctiveness: **Newness and distinctiveness is claimed in the features of pattern and/or ornamentation of the Display Screen With Icon For An Electronic Device as shown in the accompanying representations: namely, the open eye icon depicted in Figure 1 by solid lines and referenced by an A. The features depicted by broken lines in Figure 1 are for illustrative purposes only and form no part of the claimed design. Figure 3 is for illustrative purposes only showing example images on the display screen in combination with the open eye icon depicted in Figure 1.**



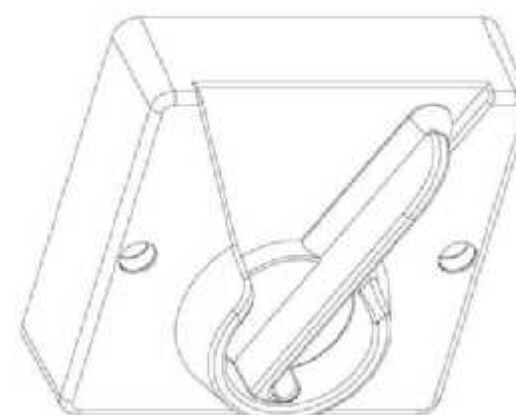
(21) Design Number: **12278/2013**
(22) Date of Filing Application: **14 May 2013**
(24) Date from which industrial property rights may have effect: **14 May 2013**
(54) Product in respect of which the design is registered: **Display screen for an electronic device**
(51) International Design Classification: **14-01, 14-02, 14-03E**
(74) Name(s) of Attorney(s): **Wrays**
(71) Name(s) and Address(s) of Applicant(s):
Samsung Electronics Co., Ltd.
129 Samsung-ro Yeongtong-gu Suwon-si Gyeonggi-do 443-742 Republic of Korea
(72) Name(s) of Designer(s): **Sun-Ho Kim**
(45) Registration Date: **29 July 2013**
(30) Convention priority data:
(31) Number (32) Date (33) Country
30-2013-0009507 23 Feb 2013 REPUBLIC OF KOREA
(56) Related Art Documents: **Not Applicable**
(57) Statement of Newness and Distinctiveness: **Newness and distinctiveness is claimed in the features of pattern and/or ornamentation of the Display Screen For An Electronic Device as shown in Figure 1 of the accompanying representations: namely, the list screen depicted in Figure 1 by solid lines and referenced by an A, and the lock icon depicted in Figure 1 by solid lines and referenced by a B. The features depicted by broken lines and the text and associated characters and marks in Figure 1 are for illustrative purposes only and do not form part of the claimed design. Figure 2 is for illustrative purposes only showing example images on the display screen in combination with the list screen depicted by solid lines and the lock icon depicted by solid lines in Figure 1.**



- (21) Design Number: **12320/2013**
(22) Date of Filing Application: **15 May 2013**
(24) Date from which industrial property rights may have effect: **15 May 2013**
(54) Product in respect of which the design is registered: **Display screen for an electronic device**
(51) International Design Classification: **14-01, 14-02, 14-03E**
(74) Name(s) of Attorney(s): **Wrays**
(71) Name(s) and Address(s) of Applicant(s):
Samsung Electronics Co., Ltd
129 Samsung-ro Yeongtong-gu Suwon-si Gyeonggi-do 443-742 Republic of Korea
(72) Name(s) of Designer(s): **Yong-Chae Jung and Min-Hae Kim and Hyo-Jin Bae**
(45) Registration Date: **29 July 2013**
(30) Convention priority data:
(31) Number (32) Date (33) Country
30-2013-0009592 23 Feb 2013 REPUBLIC OF KOREA
(56) Related Art Documents: **Not Applicable**
(57) Statement of Newness and Distinctiveness: **Newness and distinctiveness is claimed in the features of pattern and/or ornamentation of the Display Screen For An Electronic Device as shown in the accompanying representations: namely, the features depicted in Figure 1 by solid lines. The features depicted by broken lines in Figure 1 are for illustrative purposes only and form no part of the claimed design. Figure 2 is for illustrative purposes only showing example images on the display screen in combination with the features depicted in Figure 1.**



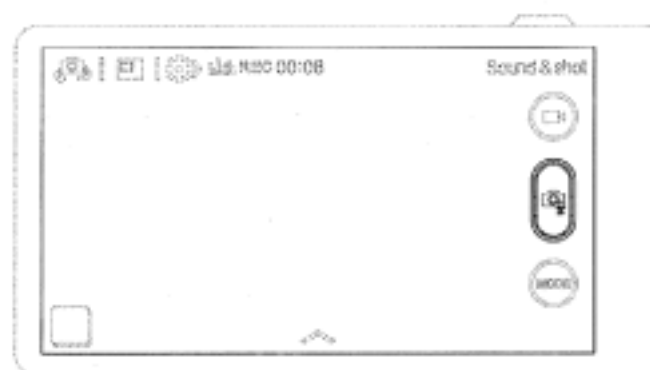
- (21) Design Number: **10873/2013**
(22) Date of Filing Application: **25 February 2013**
(24) Date from which industrial property rights may have effect: **25 February 2013**
(54) Product in respect of which the design is registered: **A switch**
(51) International Design Classification: **13-03E**
(74) Name(s) of Attorney(s): **Davies Collison Cave**
(71) Name(s) and Address(s) of Applicant(s):
Arlec Australia Pty Ltd
Building 3 31-41 Joseph St Blackburn North VIC 3130 Australia
(72) Name(s) of Designer(s): **Monvids Puika and Kar Lun Tam**
(45) Registration Date: **30 July 2013**
(56) Related Art Documents: **Not Applicable**
(57) Statement of Newness and Distinctiveness: **Nil**



(21) Design Number: **11982/2013**
(22) Date of Filing Application: **29 April 2013**
(24) Date from which industrial property rights may have effect: **29 April 2013**
(54) Product in respect of which the design is registered: **Spray device**
(51) International Design Classification: **09-07A**
(74) Name(s) of Attorney(s): **Davies Collison Cave**
(71) Name(s) and Address(s) of Applicant(s):
Talley Group Limited
Abbey Park Industrial Estate Premier Way Romsey Hampshire SO51
9DQ United Kingdom
(72) Name(s) of Designer(s): **Christopher Peter Evans and John James Henry**
Evans
(45) Registration Date: **30 July 2013**
(30) Convention priority data:
(31) Number (32) Date (33) Country
001349930-0001 31 Oct 2012 OFFICE FOR HARMONISATION IN
THE INTERNAL MARKET (OHIM)
(56) Related Art Documents: **Not Applicable**
(57) Statement of Newness and Distinctiveness: **Nil**



(21) Design Number: **12313/2013**
(22) Date of Filing Application: **16 May 2013**
(24) Date from which industrial property rights may have effect: **16 May 2013**
(54) Product in respect of which the design is registered: **Display screen for an**
electronic device
(51) International Design Classification: **14-01, 14-02**
(74) Name(s) of Attorney(s): **Wrays**
(71) Name(s) and Address(s) of Applicant(s):
Samsung Electronics Co., Ltd
129 Samsung-ro Yeongtong-gu Suwon-si Gyeonggi-do 443-742 Republic
of Korea
(72) Name(s) of Designer(s): **Hee-Kyung Jeon and Cho-Hyang Ma and Min-**
Young Chang
(45) Registration Date: **30 July 2013**
(30) Convention priority data:
(31) Number (32) Date (33) Country
30-2013-0009496 23 Feb 2013 REPUBLIC OF KOREA
(56) Related Art Documents: **Not Applicable**
(57) Statement of Newness and Distinctiveness: **Newness and distinctiveness**
is claimed in the features of pattern and/or ornamentation of the
Display Screen For An Electronic Device as shown in the accompanying
representations: namely, the features depicted in Figure 1 by solid lines.
The features depicted by broken lines in Figure 1 are for illustrative
purposes only and form no part of the claimed design.



(21) Design Number: **12314/2013**
(22) Date of Filing Application: **16 May 2013**
(24) Date from which industrial property rights may have effect: **16 May 2013**
(54) Product in respect of which the design is registered: **Display screen with icon for an electronic device**

(51) International Design Classification: **14-01, 14-02, 14-03E**

(74) Name(s) of Attorney(s): **Wrays**

(71) Name(s) and Address(s) of Applicant(s):

Samsung Electronics Co., Ltd
129 Samsung-ro Yeongtong-gu Suwon-si Gyeonggi-do 443-742 Republic of Korea

(72) Name(s) of Designer(s): **Min-Hae Kim and Min-Kyung Cho**

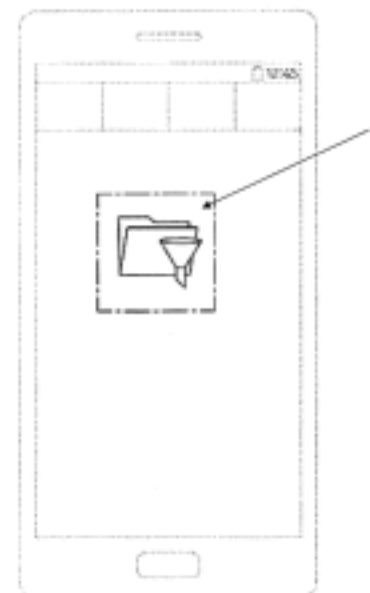
(45) Registration Date: **30 July 2013**

(30) Convention priority data:

(31) Number	(32) Date	(33) Country
30-2013-0009530	23 Feb 2013	REPUBLIC OF KOREA

(56) Related Art Documents: **Not Applicable**

(57) Statement of Newness and Distinctiveness: **Newness and distinctiveness is claimed in the features of pattern and/or ornamentation of the Display Screen with Icon for an Electronic Device as shown in the accompanying representations: namely, the icon depicted in Figure 1 by solid lines and referenced by an A. The features depicted by broken lines in Figure 1 are for illustrative purposes only and form no part of the claimed design.**



(21) Design Number: **12385/2013**
(22) Date of Filing Application: **22 May 2013**
(24) Date from which industrial property rights may have effect: **22 May 2013**
(54) Product in respect of which the design is registered: **Battery case for a mobile device**

(51) International Design Classification: **03-01NES**

(74) Name(s) of Attorney(s): **Allens Patent & Trade Mark Attorneys**

(71) Name(s) and Address(s) of Applicant(s):

Mophie, Inc.
2850 Red Hill Ave Suite 140 Santa Ana CA 92705 United States of America

(72) Name(s) of Designer(s): **Andrew Namminga**

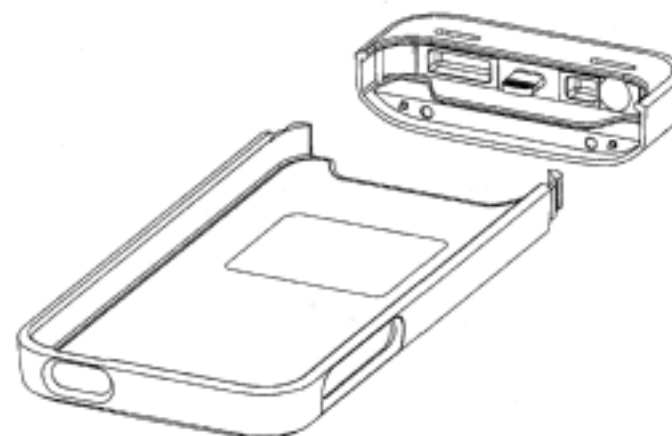
(45) Registration Date: **30 July 2013**

(30) Convention priority data:

(31) Number	(32) Date	(33) Country
29/438,697	30 Nov 2012	UNITED STATES OF AMERICA

(56) Related Art Documents: **Not Applicable**

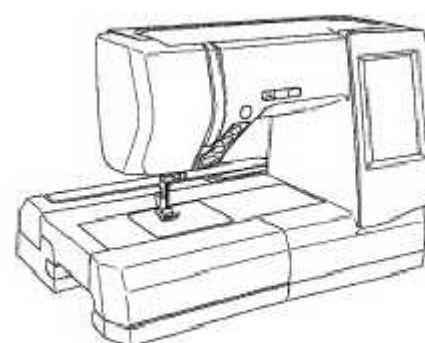
(57) Statement of Newness and Distinctiveness: **Newness and distinctiveness is claimed in the shape and/or configuration of a battery case for a mobile device shown in the accompanying representations. The portions indicated in broken lines in certain of the representations, showing a mobile device inserted in the battery case, are for illustrative purposes only, form no part of the claimed design, and are to be disregarded in considering which features are new and distinctive.**



(21) Design Number: **12420/2013**
(22) Date of Filing Application: **24 May 2013**
(24) Date from which industrial property rights may have effect: **24 May 2013**
(54) Product in respect of which the design is registered: **Case for an electronic device**
(51) International Design Classification: **03-01NES**
(74) Name(s) of Attorney(s): **Wrays**
(71) Name(s) and Address(s) of Applicant(s):
Samsung Electronics Co., Ltd.
129 Samsung-ro Yeongtong-gu Suwon-si Gyeonggi-do 443-742 Republic of Korea
(72) Name(s) of Designer(s): **Yoon-Young Kim**
(45) Registration Date: **30 July 2013**
(30) Convention priority data:
(31) Number (32) Date (33) Country
30-2013-0012861 13 Mar 2013 REPUBLIC OF KOREA
(56) Related Art Documents: **Not Applicable**
(57) Statement of Newness and Distinctiveness: **Newness and distinctiveness is claimed in the features of shape and/or configuration of the Case For An Electronic Device as shown in the accompanying representations. The features depicted by broken lines are for illustrative purposes only and form no part of the claimed design.**



(21) Design Number: **12532/2013**
(22) Date of Filing Application: **31 May 2013**
(24) Date from which industrial property rights may have effect: **31 May 2013**
(54) Product in respect of which the design is registered: **Sewing machine**
(51) International Design Classification: **15-06**
(74) Name(s) of Attorney(s): **Davies Collison Cave**
(71) Name(s) and Address(s) of Applicant(s):
Janome Sewing Machine Company Limited
1463 Hazama-Machi Hachioji-Shi Tokyo 192-0363 Japan
(72) Name(s) of Designer(s): **Hideki Muto**
(45) Registration Date: **30 July 2013**
(30) Convention priority data:
(31) Number (32) Date (33) Country
2012-031176 21 Dec 2012 JAPAN
(56) Related Art Documents: **Not Applicable**
(57) Statement of Newness and Distinctiveness: **Nil**



(21) Design Number: **12816/2013**
(22) Date of Filing Application: **19 June 2013**
(24) Date from which industrial property rights may have effect: **19 June 2013**
(54) Product in respect of which the design is registered: **Bottle**
(51) International Design Classification: **09-01NES**
(74) Name(s) of Attorney(s): **Franke Hyland**
(71) Name(s) and Address(s) of Applicant(s):
Goodman Fielder Limited
T2 39 Delhi Rd North Ryde NSW 2113 Australia
(72) Name(s) of Designer(s): **James McDermid and Steven Orlowski**
(45) Registration Date: **30 July 2013**
(56) Related Art Documents: **Not Applicable**
(57) Statement of Newness and Distinctiveness: **Nil**



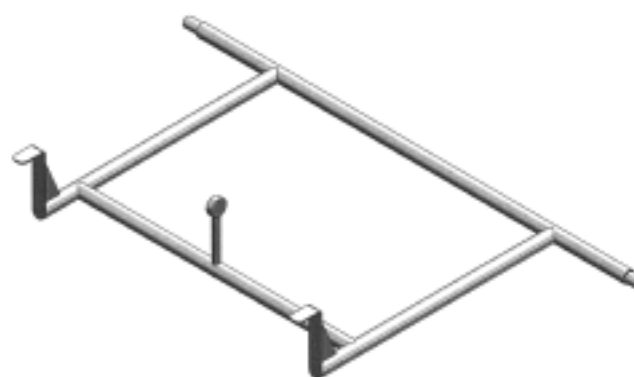
(21) Design Number: **12817/2013**
(22) Date of Filing Application: **19 June 2013**
(24) Date from which industrial property rights may have effect: **19 June 2013**
(54) Product in respect of which the design is registered: **Bottle**
(51) International Design Classification: **09-01NES**
(74) Name(s) of Attorney(s): **Franke Hyland**
(71) Name(s) and Address(s) of Applicant(s):
Goodman Fielder Limited
T2 39 Delhi Rd North Ryde NSW 2113 Australia
(72) Name(s) of Designer(s): **James McDermid and Steven Orlowski**
(45) Registration Date: **30 July 2013**
(56) Related Art Documents: **Not Applicable**
(57) Statement of Newness and Distinctiveness: **Nil**



(21) Design Number: **12818/2013**
(22) Date of Filing Application: **19 June 2013**
(24) Date from which industrial property rights may have effect: **19 June 2013**
(54) Product in respect of which the design is registered: **Bottle**
(51) International Design Classification: **09-01NES**
(74) Name(s) of Attorney(s): **Franke Hyland**
(71) Name(s) and Address(s) of Applicant(s):
Goodman Fielder Limited
T2 39 Delhi Rd North Ryde NSW 2113 Australia
(72) Name(s) of Designer(s): **James McDermid and Steven Orlowski**
(45) Registration Date: **30 July 2013**
(56) Related Art Documents: **Not Applicable**
(57) Statement of Newness and Distinctiveness: **Nil**



(21) Design Number: **12897/2013**
(22) Date of Filing Application: **20 June 2013**
(24) Date from which industrial property rights may have effect: **20 June 2013**
(54) Product in respect of which the design is registered: **Lift device for dishwasher baskets**
(51) International Design Classification: **15-05**
(74) Name(s) of Attorney(s): **Freehills Patent Attorneys**
(71) Name(s) and Address(s) of Applicant(s):
Granuldisk AB
Jagershillgatan 15 Malmo 213 75 Sweden
(72) Name(s) of Designer(s): **Per Ovesen**
(45) Registration Date: **30 July 2013**
(30) Convention priority data:
(31) Number (32) Date (33) Country
002177758-0001 04 Feb 2013 OFFICE FOR HARMONISATION IN THE INTERNAL MARKET (OHIM)
(56) Related Art Documents: **Not Applicable**
(57) Statement of Newness and Distinctiveness: **Newness and distinctiveness resides in the shape and configuration of the lift device for dishwasher basket as shown in the accompanying representations.**



(21) Design Number: **12898/2013**

(22) Date of Filing Application: **20 June 2013**

(24) Date from which industrial property rights may have effect: **20 June 2013**

(54) Product in respect of which the design is registered: **Dish rack for dishwasher**

(51) International Design Classification: **15-05**

(74) Name(s) of Attorney(s): **Freehills Patent Attorneys**

(71) Name(s) and Address(s) of Applicant(s):

Granuldisk AB

Jagershillgatan 15 Malmo 213 75 Sweden

(72) Name(s) of Designer(s): **Mats Jonsson**

(45) Registration Date: **30 July 2013**

(30) Convention priority data:

(31) Number

(32) Date

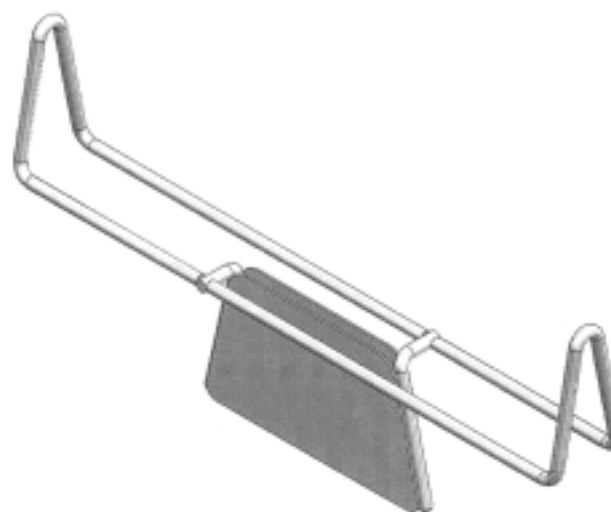
(33) Country

002173781-0001 28 Jan 2013

**OFFICE FOR HARMONISATION IN
THE INTERNAL MARKET (OHIM)**

(56) Related Art Documents: **Not Applicable**

(57) Statement of Newness and Distinctiveness: **Newness and distinctiveness of the design resides in the features of shape and configuration of the dish rack for dishwashers as shown in the accompanying representations.**



(21) Design Number: **12899/2013**

(22) Date of Filing Application: **20 June 2013**

(24) Date from which industrial property rights may have effect: **20 June 2013**

(54) Product in respect of which the design is registered: **Dish rack for dishwasher**

(51) International Design Classification: **15-05**

(74) Name(s) of Attorney(s): **Freehills Patent Attorneys**

(71) Name(s) and Address(s) of Applicant(s):

Granuldisk AB

Jagershillgatan 15 Malmo 213 75 Sweden

(72) Name(s) of Designer(s): **Mats Jonsson**

(45) Registration Date: **30 July 2013**

(30) Convention priority data:

(31) Number

(32) Date

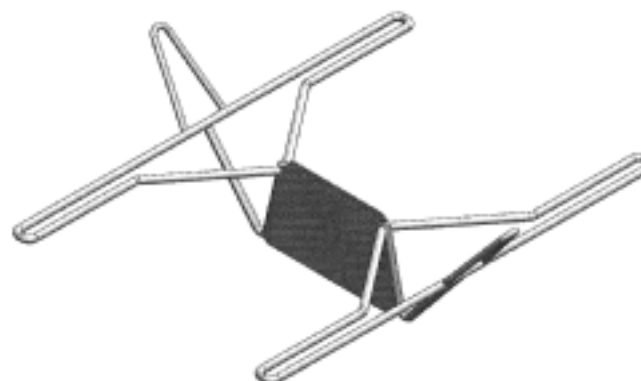
(33) Country

002173765-0001 28 Jan 2013

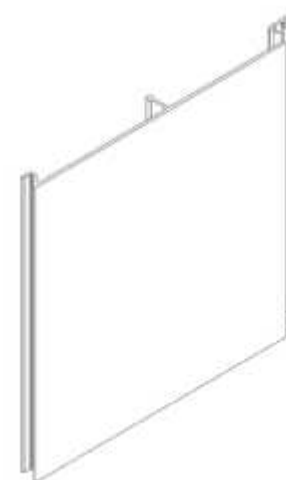
**OFFICE FOR HARMONISATION IN
THE INTERNAL MARKET (OHIM)**

(56) Related Art Documents: **Not Applicable**

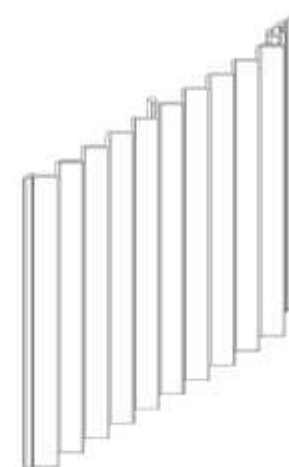
(57) Statement of Newness and Distinctiveness: **Newness and distinctiveness of the design resides in the features of shape and configuration of the dish rack for dishwashers as shown in the accompanying representations.**



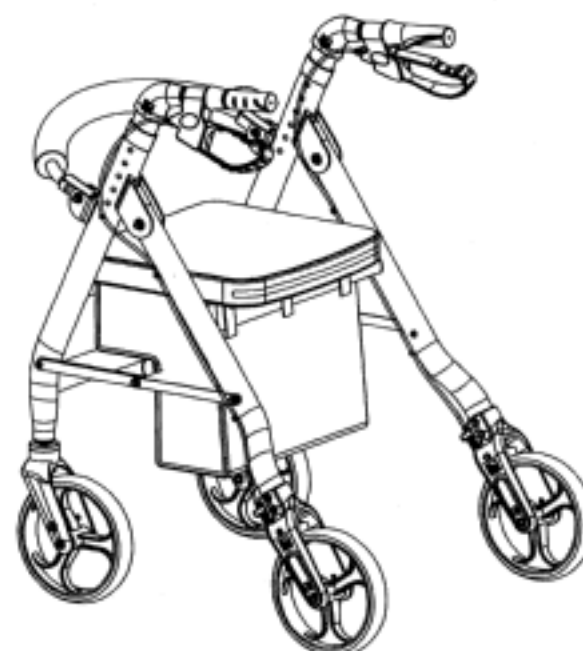
- (21) Design Number: **12878/2013**
(22) Date of Filing Application: **24 June 2013**
(24) Date from which industrial property rights may have effect: **24 June 2013**
(54) Product in respect of which the design is registered: **Flat aluminium interlocking wall cladding panel**
(51) International Design Classification: **25-01D, 25-01G**
(74) Name(s) of Attorney(s):
(71) Name(s) and Address(s) of Applicant(s):
Aluminium Industries of Australia Pty Ltd
160 Ordish Rd Dandenong South VIC 3175 Australia
(72) Name(s) of Designer(s): **Tracey Coad**
(45) Registration Date: **30 July 2013**
(56) Related Art Documents: **Not Applicable**
(57) Statement of Newness and Distinctiveness: **The flat aluminium cladding panel, features an interlocking area that houses a pvc expansion fin seal to provide weathering and reduce creaking. The 200mm wide panels are self mating and join seamlessly. The flat panel can be combined together with our 'V' groove panel to also join seamlessly. The panel has a fixing leg which has a return to reduce water tracking and capillary action over the face.**



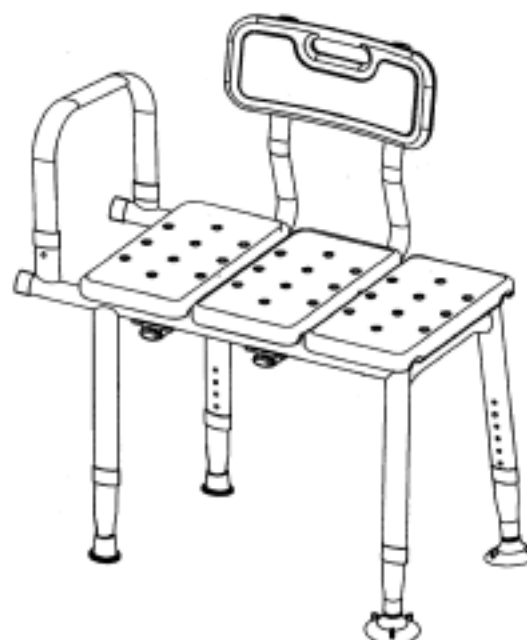
- (21) Design Number: **12879/2013**
(22) Date of Filing Application: **24 June 2013**
(24) Date from which industrial property rights may have effect: **24 June 2013**
(54) Product in respect of which the design is registered: **Vgroove aluminium interlocking wall cladding panel**
(51) International Design Classification: **25-01D, 25-01G**
(74) Name(s) of Attorney(s):
(71) Name(s) and Address(s) of Applicant(s):
Aluminium Industries of Australia Pty Ltd
160 Ordish Rd Dandenong South VIC 3175 Australia
(72) Name(s) of Designer(s): **Tracey Coad**
(45) Registration Date: **30 July 2013**
(56) Related Art Documents: **Not Applicable**
(57) Statement of Newness and Distinctiveness: **The 'V' groove aluminium wall cladding panel, features an interlocking area that houses a pvc expansion fin seal to provide weathering and reduce creaking. The 200mm wide panels are self mating and join seamlessly. The 'V' groove panel can be combined together with our flat panel to also join seamlessly. The panel has a fixing leg which has a return to reduce water tracking and capillary action over the face.**



- (21) Design Number: **12608/2013**
(22) Date of Filing Application: **06 June 2013**
(24) Date from which industrial property rights may have effect: **06 June 2013**
(54) Product in respect of which the design is registered: **Invalid walker**
(51) International Design Classification: **12-12**
(74) Name(s) of Attorney(s):
(71) Name(s) and Address(s) of Applicant(s):
Mohamed Ismail Cajee
88 Parramatta Rd Underwood QLD 4119 Australia
(72) Name(s) of Designer(s): **Mohammed Ismail Cajee**
(45) Registration Date: **30 July 2013**
(56) Related Art Documents: **Not Applicable**
(57) Statement of Newness and Distinctiveness: **Oval tubing used in construction, rear outward curving leg frame for maximum walking space, permanently aligned press button height adjustment, collapsible frame and I-shape storage container for maximum storage.**



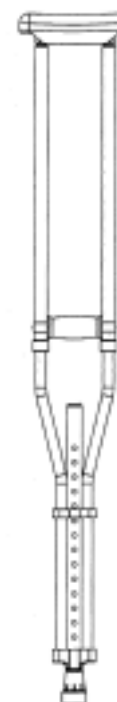
- (21) Design Number: **12609/2013**
(22) Date of Filing Application: **06 June 2013**
(24) Date from which industrial property rights may have effect: **06 June 2013**
(54) Product in respect of which the design is registered: **Invalid seat for bath**
(51) International Design Classification: **06-01NES**
(74) Name(s) of Attorney(s):
(71) Name(s) and Address(s) of Applicant(s):
Mohamed Ismail Cajee
88 Parramatta Rd Underwood QLD 4119 Australia
(72) Name(s) of Designer(s): **Mohammed Ismail Cajee**
(45) Registration Date: **30 July 2013**
(56) Related Art Documents: **Not Applicable**
(57) Statement of Newness and Distinctiveness: **Oval tubing used in construction, load bearing frame for stabilization to abut wall, load bearing on lip on bath tub and permanently aligned press button height adjustable.**



- (21) Design Number: **12610/2013**
(22) Date of Filing Application: **06 June 2013**
(24) Date from which industrial property rights may have effect: **06 June 2013**
(54) Product in respect of which the design is registered: **Wheel chair cross-over invalid walker**
(51) International Design Classification: **12-12**
(74) Name(s) of Attorney(s):
(71) Name(s) and Address(s) of Applicant(s):
Mohamed Ismail Cajee
88 Parramatta Rd Underwood QLD 4119 Australia
(72) Name(s) of Designer(s): **Mohammed Ismail Cajee**
(45) Registration Date: **30 July 2013**
(56) Related Art Documents: **Not Applicable**
(57) Statement of Newness and Distinctiveness: **Wheel chair converts to four wheel invalid walker, oval tubing used in construction, swinging foot support which is removable, push button height adjustable handles and cross bracing so that wheel chair cross-over invalid walker is collapsible.**



- (21) Design Number: **12611/2013**
(22) Date of Filing Application: **06 June 2013**
(24) Date from which industrial property rights may have effect: **06 June 2013**
(54) Product in respect of which the design is registered: **Crutch**
(51) International Design Classification: **03-03**
(74) Name(s) of Attorney(s):
(71) Name(s) and Address(s) of Applicant(s):
Mohamed Ismail Cajee
88 Parramatta Rd Underwood QLD 4119 Australia
(72) Name(s) of Designer(s): **Mohammed Ismail Cajee**
(45) Registration Date: **30 July 2013**
(56) Related Art Documents: **Not Applicable**
(57) Statement of Newness and Distinctiveness: **Automated height adjustment for hand grip and automated length adjustment to accommodate various users height.**



- (21) Design Number: **12612/2013**
(22) Date of Filing Application: **06 June 2013**
(24) Date from which industrial property rights may have effect: **06 June 2013**
(54) Product in respect of which the design is registered: **Invalid walker with seat**
(51) International Design Classification: **12-12**
(74) Name(s) of Attorney(s):
(71) Name(s) and Address(s) of Applicant(s):
Mohammed Ismail Cajee
88 Parramatta Rd Underwood QLD 4119 Australia
(72) Name(s) of Designer(s): **Mohammed Ismail Cajee**
(45) Registration Date: **30 July 2013**
(56) Related Art Documents: **Not Applicable**
(57) Statement of Newness and Distinctiveness: **Dual screw-in height adjustment, swing-back arm supports, extendable arm supports with hand brakes, lifting seat cover for storage and removable storage container under lifting seat cover.**



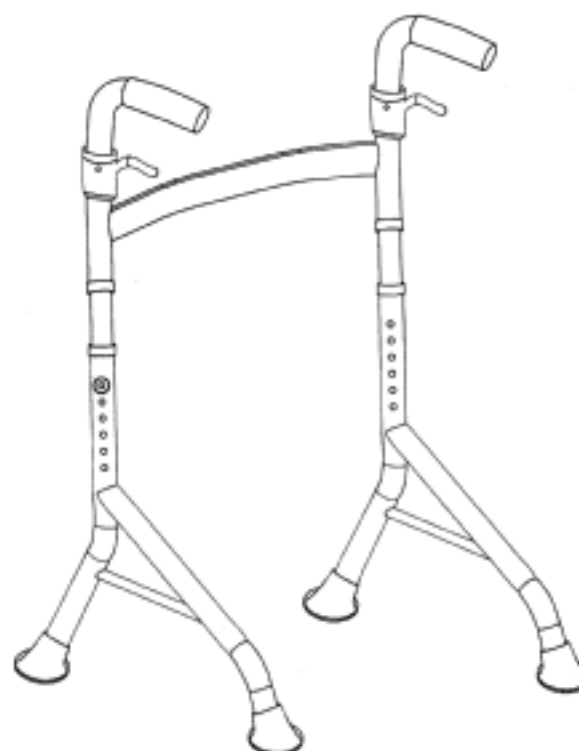
- (21) Design Number: **12613/2013**
(22) Date of Filing Application: **06 June 2013**
(24) Date from which industrial property rights may have effect: **06 June 2013**
(54) Product in respect of which the design is registered: **Walking stick**
(51) International Design Classification: **03-03**
(74) Name(s) of Attorney(s):
(71) Name(s) and Address(s) of Applicant(s):
Mohammed Ismail Cajee
88 Parramatta Rd Underwood QLD 4119 Australia
(72) Name(s) of Designer(s): **Mohammed Ismail Cajee**
(45) Registration Date: **30 July 2013**
(56) Related Art Documents: **Not Applicable**
(57) Statement of Newness and Distinctiveness: **Forearm support constructed in walking stick to increase stability and push button height adjustable.**



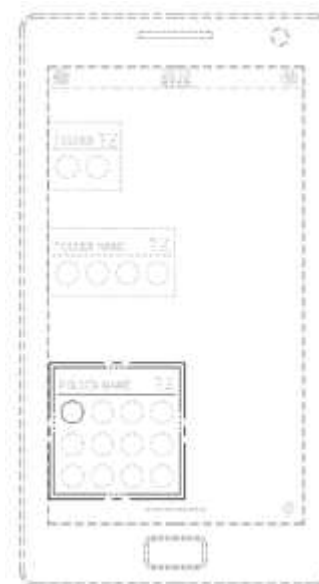
- (21) Design Number: **12614/2013**
(22) Date of Filing Application: **06 June 2013**
(24) Date from which industrial property rights may have effect: **06 June 2013**
(54) Product in respect of which the design is registered: **Invalid walker**
(51) International Design Classification: **12-12**
(74) Name(s) of Attorney(s):
(71) Name(s) and Address(s) of Applicant(s):
Mohammed Ismail Cajee
88 Parramatta Rd Underwood QLD 4119 Australia
(72) Name(s) of Designer(s): **Mohammed Ismail Cajee**
(45) Registration Date: **30 July 2013**
(56) Related Art Documents: **Not Applicable**
(57) Statement of Newness and Distinctiveness: **Oval tubing used in construction, rear fixed wheels with hand brakes, swivel front wheels, extendable arm supports with permanently aligned press button height adjustment and collapsible frame.**



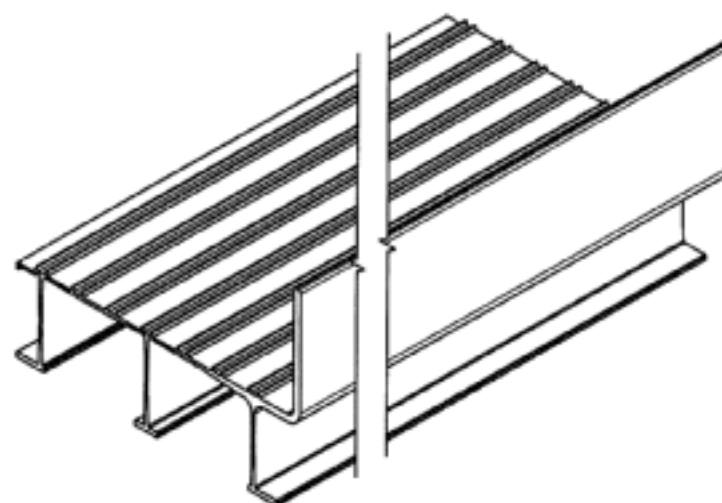
- (21) Design Number: **12615/2013**
(22) Date of Filing Application: **06 June 2013**
(24) Date from which industrial property rights may have effect: **06 June 2013**
(54) Product in respect of which the design is registered: **Invalid walking frame**
(51) International Design Classification: **12-12**
(74) Name(s) of Attorney(s):
(71) Name(s) and Address(s) of Applicant(s):
Mohammed Ismail Cajee
88 Parramatta Rd Underwood QLD 4119 Australia
(72) Name(s) of Designer(s): **Mohammed Ismail Cajee**
(45) Registration Date: **30 July 2013**
(56) Related Art Documents: **Not Applicable**
(57) Statement of Newness and Distinctiveness: **Oval tubing used in construction, trigger-finger folding system so walker collapses flat, a-frame leg supports and push button leg height adjustment.**



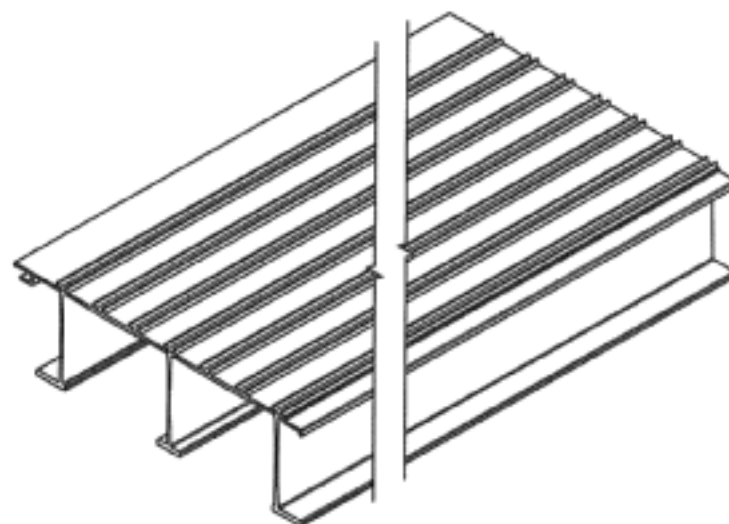
- (21) Design Number: **12900/2013**
(22) Date of Filing Application: **24 June 2013**
(24) Date from which industrial property rights may have effect: **24 June 2013**
(54) Product in respect of which the design is registered: **Display screen for an electronic device**
(51) International Design Classification: **14-01, 14-02, 14-03E**
(74) Name(s) of Attorney(s): **Wrays**
(71) Name(s) and Address(s) of Applicant(s):
Samsung Electronics Co., Ltd
129 Samsung-ro Yeongtong-gu Suwon-si Gyeonggi-do 443-742 Republic of Korea
(72) Name(s) of Designer(s): **Young-Rim Kim**
(45) Registration Date: **30 July 2013**
(30) Convention priority data:
(31) Number (32) Date (33) Country
30-2013-0001453 09 Jan 2013 REPUBLIC OF KOREA
(56) Related Art Documents: **Not Applicable**
(57) Statement of Newness and Distinctiveness: **Newness and distinctiveness is claimed in the features of pattern and/or ornamentation of the Display Screen For An Electronic Device as shown in the accompanying representations. The features shown in broken lines are for illustrative purposes only and do not form part of the claimed design.**



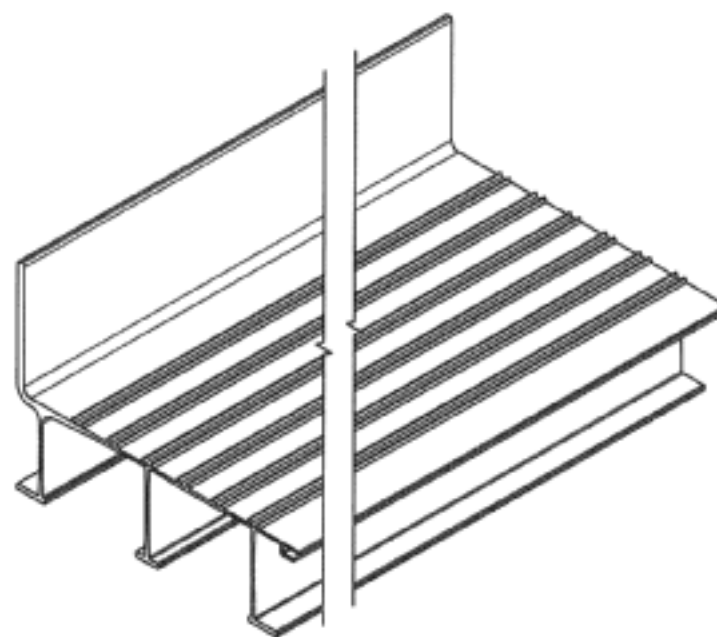
- (21) Design Number: **12901/2013**
(22) Date of Filing Application: **20 June 2013**
(24) Date from which industrial property rights may have effect: **20 June 2013**
(54) Product in respect of which the design is registered: **Extrusion**
(51) International Design Classification: **25-01K**
(74) Name(s) of Attorney(s): **Freehills Patent Attorneys**
(71) Name(s) and Address(s) of Applicant(s):
Aluminium Specialties Group Pty Limited
108-112 Toongabbie Rd Toongabbie NSW 2146 Australia
(72) Name(s) of Designer(s): **Cliff Evans**
(45) Registration Date: **30 July 2013**
(56) Related Art Documents: **Not Applicable**
(57) Statement of Newness and Distinctiveness: **Newness and distinctiveness resides in the features of shape and/or configuration of an extrusion of indefinite length as shown in the accompanying representations.**



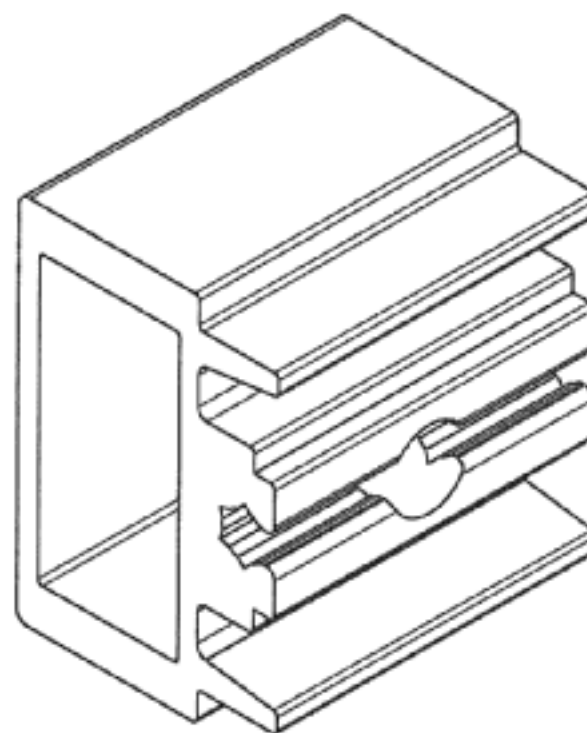
- (21) Design Number: **12902/2013**
(22) Date of Filing Application: **20 June 2013**
(24) Date from which industrial property rights may have effect: **20 June 2013**
(54) Product in respect of which the design is registered: **Extrusion**
(51) International Design Classification: **25-01K**
(74) Name(s) of Attorney(s): **Freehills Patent Attorneys**
(71) Name(s) and Address(s) of Applicant(s):
Aluminium Specialities Group Pty Limited
108-112 Toongabbie Rd Toongabbie NSW 2146 Australia
(72) Name(s) of Designer(s): **Cliff Evans**
(45) Registration Date: **30 July 2013**
(56) Related Art Documents: **Not Applicable**
(57) Statement of Newness and Distinctiveness: **Newness and distinctiveness resides in the features of shape and/or configuration of an extrusion of indefinite length as shown in the accompanying representations.**



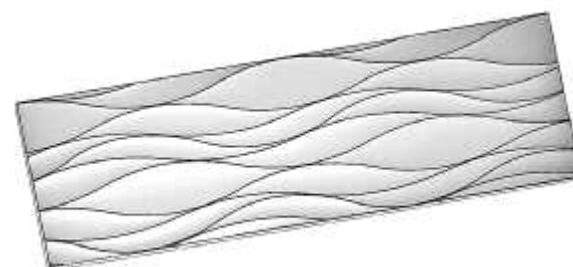
- (21) Design Number: **12903/2013**
(22) Date of Filing Application: **20 June 2013**
(24) Date from which industrial property rights may have effect: **20 June 2013**
(54) Product in respect of which the design is registered: **Extrusion**
(51) International Design Classification: **25-01K**
(74) Name(s) of Attorney(s): **Freehills Patent Attorneys**
(71) Name(s) and Address(s) of Applicant(s):
Aluminium Specialities Group Pty Limited
108-112 Toongabbie Rd Toongabbie NSW 2146 Australia
(72) Name(s) of Designer(s): **Cliff Evans**
(45) Registration Date: **30 July 2013**
(56) Related Art Documents: **Not Applicable**
(57) Statement of Newness and Distinctiveness: **Newness and distinctiveness resides in the features of shape and/or configuration of an extrusion of indefinite length as shown in the accompanying representations.**



- (21) Design Number: **12904/2013**
(22) Date of Filing Application: **20 June 2013**
(24) Date from which industrial property rights may have effect: **20 June 2013**
(54) Product in respect of which the design is registered: **Construction element**
(51) International Design Classification: **25-01K**
(74) Name(s) of Attorney(s): **Freehills Patent Attorneys**
(71) Name(s) and Address(s) of Applicant(s):
Aluminium Specialities Group Pty Limited
108-112 Toongabbie Rd Toongabbie NSW 2146 Australia
(72) Name(s) of Designer(s): **Andy Nguyen**
(45) Registration Date: **30 July 2013**
(56) Related Art Documents: **Not Applicable**
(57) Statement of Newness and Distinctiveness: **Newness and distinctiveness resides in the features of shape and/or configuration of a construction element as shown in the accompanying representations.**



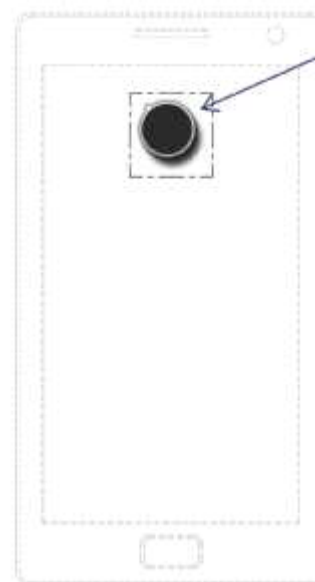
- (21) Design Number: **12893/2013**
(22) Date of Filing Application: **24 June 2013**
(24) Date from which industrial property rights may have effect: **24 June 2013**
(54) Product in respect of which the design is registered: **A tile**
(51) International Design Classification: **25-01F**
(74) Name(s) of Attorney(s): **Allens Patent & Trade Mark Attorneys**
(71) Name(s) and Address(s) of Applicant(s):
Everstone International Pty Ltd
20 Princes Rd E Auburn NSW 2144 Australia
(72) Name(s) of Designer(s): **John Zeng**
(45) Registration Date: **30 July 2013**
(56) Related Art Documents: **Not Applicable**
(57) Statement of Newness and Distinctiveness: **Newness and distinctiveness is claimed in the features of shape and configuration of a tile as shown in the attached representations. The upper surface of the tile has raised ridges arranged to delineate the offset wave formations shown in the representations.**



- (21) Design Number: **12896/2013**
(22) Date of Filing Application: **24 June 2013**
(24) Date from which industrial property rights may have effect: **24 June 2013**
(54) Product in respect of which the design is registered: **Display screen for an electronic device**
(51) International Design Classification: **14-01, 14-02, 14-03E**
(74) Name(s) of Attorney(s): **Wrays**
(71) Name(s) and Address(s) of Applicant(s):
Samsung Electronics Co., Ltd
129 Samsung-ro Yeongtong-gu Suwon-si Gyeonggi-do 443-742 Republic of Korea
(72) Name(s) of Designer(s): **Sang-Hyun Park and Seung-Hyuck Heo**
(45) Registration Date: **30 July 2013**
(30) Convention priority data:
(31) Number (32) Date (33) Country
30-2013-0001473 09 Jan 2013 REPUBLIC OF KOREA
(56) Related Art Documents: **Not Applicable**
(57) Statement of Newness and Distinctiveness: **Newness and distinctiveness is claimed in the features of pattern and/or ornamentation of the Display Screen For An Electronic Device as shown in the accompanying representations. The features shown in broken lines are for illustrative purposes only and do not form part of the claimed design.**



- (21) Design Number: **12948/2013**
(22) Date of Filing Application: **25 June 2013**
(24) Date from which industrial property rights may have effect: **25 June 2013**
(54) Product in respect of which the design is registered: **Display screen for an electronic device**
(51) International Design Classification: **14-01, 14-02, 14-03E**
(74) Name(s) of Attorney(s): **Wrays**
(71) Name(s) and Address(s) of Applicant(s):
Samsung Electronics Co., Ltd
129 Samsung-ro Yeongtong-gu Suwon-si Gyeonggi-do 443-742 Republic of Korea
(72) Name(s) of Designer(s): **Sang-Hyun Park**
(45) Registration Date: **30 July 2013**
(30) Convention priority data:
(31) Number (32) Date (33) Country
30-2013-0001411 09 Jan 2013 REPUBLIC OF KOREA
(56) Related Art Documents: **Not Applicable**
(57) Statement of Newness and Distinctiveness: **Newness and distinctiveness is claimed in the features of pattern and/or ornamentation of the Display Screen For An Electronic Device as shown in the accompanying representations and referenced by an A in Figure 1. The features shown in broken lines are for illustrative purposes only and do not form part of the claimed design.**



(21) Design Number: **12949/2013**

(22) Date of Filing Application: **25 June 2013**

(24) Date from which industrial property rights may have effect: **25 June 2013**

(54) Product in respect of which the design is registered: **Display screen for an electronic device**

(51) International Design Classification: **14-01, 14-02, 14-03E**

(74) Name(s) of Attorney(s): **Wrays**

(71) Name(s) and Address(s) of Applicant(s):

Samsung Electronics Co., Ltd
129 Samsung-ro Yeongtong-gu Suwon-si Gyeonggi-do 443-742 Republic of Korea

(72) Name(s) of Designer(s): **Sang-Hyun Park**

(45) Registration Date: **30 July 2013**

(30) Convention priority data:

(31) Number	(32) Date	(33) Country
30-2013-0001423	09 Jan 2013	REPUBLIC OF KOREA

(56) Related Art Documents: **Not Applicable**

(57) Statement of Newness and Distinctiveness: **Newness and distinctiveness is claimed in the features of pattern and/or ornamentation of the Display Screen For An Electronic Device as shown in the accompanying representations and referenced by an A in Figure 1. The features shown in broken lines are for illustrative purposes only and do not form part of the claimed design.**



(21) Design Number: **12950/2013**

(22) Date of Filing Application: **25 June 2013**

(24) Date from which industrial property rights may have effect: **25 June 2013**

(54) Product in respect of which the design is registered: **Display screen for an electronic device**

(51) International Design Classification: **14-01, 14-02, 14-03E**

(74) Name(s) of Attorney(s): **Wrays**

(71) Name(s) and Address(s) of Applicant(s):

Samsung Electronics Co., Ltd
129 Samsung-ro Yeongtong-gu Suwon-si Gyeonggi-do 443-742 Republic of Korea

(72) Name(s) of Designer(s): **Bomi Lee**

(45) Registration Date: **30 July 2013**

(30) Convention priority data:

(31) Number	(32) Date	(33) Country
30-2013-0001445	09 Jan 2013	REPUBLIC OF KOREA

(56) Related Art Documents: **Not Applicable**

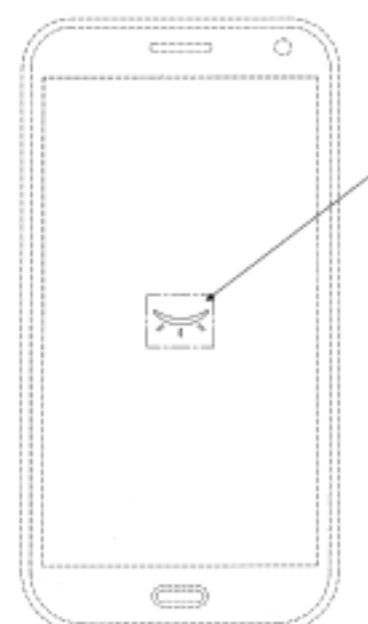
(57) Statement of Newness and Distinctiveness: **Newness and distinctiveness is claimed in the features of pattern and/or ornamentation of the Display Screen For An Electronic Device as shown in the accompanying representations. The features shown in broken lines are for illustrative purposes only and do not form part of the claimed design.**



(21) Design Number: **12215/2013**
(22) Date of Filing Application: **14 May 2013**
(24) Date from which industrial property rights may have effect: **14 May 2013**
(54) Product in respect of which the design is registered: **Container**
(51) International Design Classification: **07-01NES**
(74) Name(s) of Attorney(s): **FB Rice**
(71) Name(s) and Address(s) of Applicant(s):
Hutzler Manufacturing Co., Inc.
4 Grace Way Canaan Connecticut 06018 United States of America
(72) Name(s) of Designer(s): **William Kolano**
(45) Registration Date: **30 July 2013**
(30) Convention priority data:
(31) Number (32) Date (33) Country
29/446630 26 Feb 2013 UNITED STATES OF AMERICA
(56) Related Art Documents: **Not Applicable**
(57) Statement of Newness and Distinctiveness: **Newness and distinctiveness reside in the features of the design as shown in the representations.**



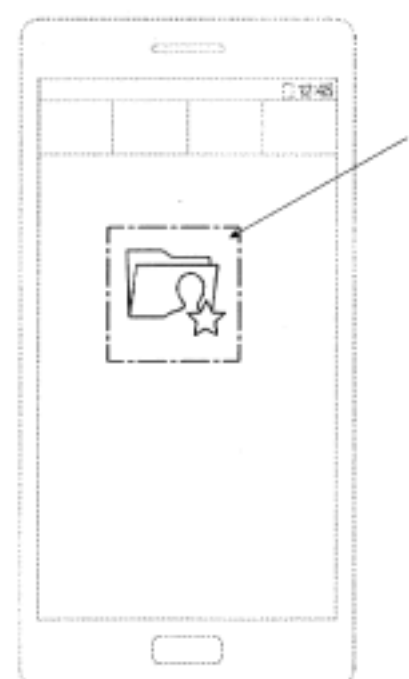
(21) Design Number: **12319/2013**
(22) Date of Filing Application: **15 May 2013**
(24) Date from which industrial property rights may have effect: **15 May 2013**
(54) Product in respect of which the design is registered: **Display screen with icon for an electronic device**
(51) International Design Classification: **14-01**
(74) Name(s) of Attorney(s): **Wrays**
(71) Name(s) and Address(s) of Applicant(s):
Samsung Electronics Co., Ltd
129 Samsung-ro Yeongtong-gu Suwon-si Gyeonggi-do 443-742 Republic of Korea
(72) Name(s) of Designer(s): **Ji-Hye Myung and Seock-Hyun Yu**
(45) Registration Date: **31 July 2013**
(30) Convention priority data:
(31) Number (32) Date (33) Country
30-2013-0009501 23 Feb 2013 REPUBLIC OF KOREA
(56) Related Art Documents: **Not Applicable**
(57) Statement of Newness and Distinctiveness: **Newness and distinctiveness is claimed in the features of pattern and/or ornamentation of the Display Screen With Icon For An Electronic Device as shown in the accompanying representations: namely, the closed eye icon depicted in Figure 1 by solid lines and referenced by an A. The features depicted by broken lines in Figure 1 are for illustrative purposes only and form no part of the claimed design.**



- (21) Design Number: **12341/2013**
(22) Date of Filing Application: **17 May 2013**
(24) Date from which industrial property rights may have effect: **17 May 2013**
(54) Product in respect of which the design is registered: **Display screen for an electronic device**
(51) International Design Classification: **14-01**
(74) Name(s) of Attorney(s): **Wrays**
(71) Name(s) and Address(s) of Applicant(s):
Samsung Electronics Co., Ltd
129 Samsung-ro Yeongtong-gu Suwon-si Gyeonggi-do 443-742 Republic of Korea
(72) Name(s) of Designer(s): **Dong-Kyu Lim**
(45) Registration Date: **31 July 2013**
(30) Convention priority data:
(31) Number (32) Date (33) Country
30-2013-0009562 23 Feb 2013 REPUBLIC OF KOREA
(56) Related Art Documents: **Not Applicable**
(57) Statement of Newness and Distinctiveness: **Newness and distinctiveness is claimed in the features of pattern and/or ornamentation of the Display Screen For An Electronic Device as shown in the accompanying representations: namely, the features depicted in Figure 1 by solid lines. The features depicted by broken lines in Figure 1 are for illustrative purposes only and form no part of the claimed design.**



- (21) Design Number: **12344/2013**
(22) Date of Filing Application: **17 May 2013**
(24) Date from which industrial property rights may have effect: **17 May 2013**
(54) Product in respect of which the design is registered: **Display screen for an electronic device**
(51) International Design Classification: **14-01**
(74) Name(s) of Attorney(s): **Wrays**
(71) Name(s) and Address(s) of Applicant(s):
Samsung Electronics Co., Ltd
129 Samsung-ro Yeongtong-gu Suwon-si Gyeonggi-do 443-742 Republic of Korea
(72) Name(s) of Designer(s): **Min-Hae Kim and Min-Kyung Cho**
(45) Registration Date: **31 July 2013**
(30) Convention priority data:
(31) Number (32) Date (33) Country
30-2013-0009494 23 Feb 2013 REPUBLIC OF KOREA
(56) Related Art Documents: **Not Applicable**
(57) Statement of Newness and Distinctiveness: **Newness and distinctiveness is claimed in the features of pattern and/or ornamentation of the Display Screen with Icon for an Electronic Device as shown in the accompanying representations: namely, the icon depicted in Figure 1 by solid lines and referenced by an A. The features depicted by broken lines in Figure 1 are for illustrative purposes only and form no part of the claimed design.**



(21) Design Number: **12435/2013**
(22) Date of Filing Application: **27 May 2013**
(24) Date from which industrial property rights may have effect: **27 May 2013**
(54) Product in respect of which the design is registered: **LED downlight**
(51) International Design Classification: **26-05E**
(74) Name(s) of Attorney(s): **FB Rice**
(71) Name(s) and Address(s) of Applicant(s):

Koninklijke Philips N.V.
High Tech Campus 5 5656 AE Eindhoven Netherlands

(72) Name(s) of Designer(s): **Robin Bo Cai**

(45) Registration Date: **31 July 2013**

(30) Convention priority data:

(31) Number	(32) Date	(33) Country
002143933-0001	28 Nov 2012	OFFICE FOR HARMONISATION IN THE INTERNAL MARKET (OHIM)

(56) Related Art Documents: **Not Applicable**

(57) Statement of Newness and Distinctiveness: **Newness and distinctiveness reside in features of shape and configuration of the design as shown in the representations.**



(21) Design Number: **12603/2013**
(22) Date of Filing Application: **05 June 2013**
(24) Date from which industrial property rights may have effect: **05 June 2013**
(54) Product in respect of which the design is registered: **A whip**
(51) International Design Classification: **30-05, 10-06**
(74) Name(s) of Attorney(s): **Actuate IP**
(71) Name(s) and Address(s) of Applicant(s):

Amy Elizabeth Smith
65 McCulloch Rd Tooradin VIC 3980 Australia

(72) Name(s) of Designer(s): **Amy Elizabeth Smith**

(45) Registration Date: **31 July 2013**

(56) Related Art Documents: **Not Applicable**

(57) Statement of Newness and Distinctiveness: **Newness and distinctiveness is claimed in the features of shape and/or configuration of the whip, as illustrated in the accompanying representations.**



(21) Design Number: **12646/2013**
(22) Date of Filing Application: **07 June 2013**
(24) Date from which industrial property rights may have effect: **07 June 2013**
(54) Product in respect of which the design is registered: **Mobile phone**
(51) International Design Classification: **14-03E**
(74) Name(s) of Attorney(s): **Davies Collison Cave**
(71) Name(s) and Address(s) of Applicant(s):
Neonode Inc.
2350 Mission College Boulevard Suite 190 Santa Clara California 95054
United States of America
(72) Name(s) of Designer(s): **Stefan Wennerstrom and Thomas Schaad**
(45) Registration Date: **31 July 2013**
(30) Convention priority data:
(31) Number (32) Date (33) Country
29/441356 03 Jan 2013 UNITED STATES OF AMERICA
(56) Related Art Documents: **Not Applicable**
(57) Statement of Newness and Distinctiveness: **Nil**



(21) Design Number: **12674/2013**
(22) Date of Filing Application: **04 June 2013**
(24) Date from which industrial property rights may have effect: **04 June 2013**
(54) Product in respect of which the design is registered: **Wooden engraved chessboard**
(51) International Design Classification: **21-01L**
(74) Name(s) of Attorney(s):
(71) Name(s) and Address(s) of Applicant(s):
Henry Gurner Pearson
48 Riverside Drive FULHAM SA 5024
(72) Name(s) of Designer(s): **Henry Gurner Pearson**
(45) Registration Date: **31 July 2013**
(56) Related Art Documents: **Not Applicable**
(57) Statement of Newness and Distinctiveness: **Opposing chess players are referred to as "white" and "black". The two L shaped borders of the board are similarly of "white" and "black" timber (this will more readily identify the players) also, reference letters and numbers are appropriately engraved (and filled) to facilitate ease of recording play.**



(21) Design Number: **12823/2013**
(22) Date of Filing Application: **19 June 2013**
(24) Date from which industrial property rights may have effect: **19 June 2013**
(54) Product in respect of which the design is registered: **Bottle**
(51) International Design Classification: **09-01NES**
(74) Name(s) of Attorney(s): **FB Rice**
(71) Name(s) and Address(s) of Applicant(s):
SAVERGLASS
3 rue de la Gare Feuquieres 60960 France
(72) Name(s) of Designer(s): **Jokin Arregui Letamendi**
(45) Registration Date: **31 July 2013**
(30) Convention priority data:
(31) Number (32) Date (33) Country
002213686-0001 04 Apr 2013 OFFICE FOR HARMONISATION IN
THE INTERNAL MARKET (OHIM)



(56) Related Art Documents: **Not Applicable**
(57) Statement of Newness and Distinctiveness: **Newness and distinctiveness reside in the features of a bottle as shown in the representations, excluding those features shown in dashed lines, the bottle having a tall elongated body with an elliptical cross-section, and a short neck protruding upwardly from an upper part of the body and joining the shoulders of the bottle by a rounded portion having a large radius. When viewed from the front, the shoulders are slightly narrower than the base, and the body tapers gradually from the base towards the shoulders, with the neck joining the sides of the body through protruding convex shoulders forming vertical ribs which extend towards the bottom and merge into the base. The bottle is slightly rounded where the body meets the bottom.**

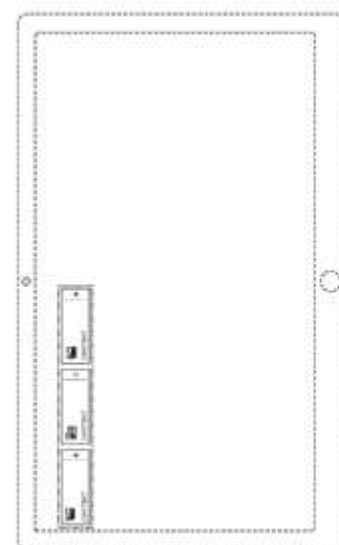
(21) Design Number: **12889/2013**
(22) Date of Filing Application: **24 June 2013**
(24) Date from which industrial property rights may have effect: **12 March 2013**
(54) Product in respect of which the design is registered: **Buttstock**
(51) International Design Classification: **22-01**
(74) Name(s) of Attorney(s): **Griffith Hack**
(71) Name(s) and Address(s) of Applicant(s):
RA Brands, L.L.C.
870 Remington Drive Madison NC 27025-0700 United States of America
(72) Name(s) of Designer(s): **M. Brent Jarboe**
(45) Registration Date: **31 July 2013**
(62) Divisional of: **349731**
(56) Related Art Documents: **Not Applicable**
(57) Statement of Newness and Distinctiveness: **Newness and distinctiveness resides in the visual features including shape and configuration of the product as shown means of solid lines in the attached drawings. Those parts shown by means of dashed lines have been included for illustrative purposes only.**



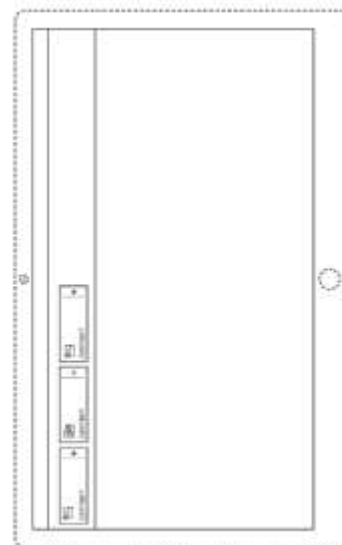
(21) Design Number: **12892/2013**
(22) Date of Filing Application: **24 June 2013**
(24) Date from which industrial property rights may have effect: **12 March 2013**
(54) Product in respect of which the design is registered: **Buttstock**
(51) International Design Classification: **22-01**
(74) Name(s) of Attorney(s): **Griffith Hack**
(71) Name(s) and Address(s) of Applicant(s):
RA Brands, L.L.C.
870 Remington Drive Madison NC 27025-0700 United States of America
(72) Name(s) of Designer(s): **M. Brent Jarboe**
(45) Registration Date: **31 July 2013**
(62) Divisional of: **349731**
(56) Related Art Documents: **Not Applicable**
(57) Statement of Newness and Distinctiveness: **Newness and distinctiveness resides in the visual features including shape and configuration of the product as shown means of solid lines in the attached drawings. Those parts shown by means of dashed lines have been included for illustrative purposes only.**



(21) Design Number: **12924/2013**
(22) Date of Filing Application: **25 June 2013**
(24) Date from which industrial property rights may have effect: **25 June 2013**
(54) Product in respect of which the design is registered: **Display screen with graphical user interface**
(51) International Design Classification: **14-01, 14-02**
(74) Name(s) of Attorney(s): **Shelston IP**
(71) Name(s) and Address(s) of Applicant(s):
Microsoft Corporation
One Microsoft Way Redmond Washington 98052 United States of America
(72) Name(s) of Designer(s): **Wayne Higgins**
(45) Registration Date: **31 July 2013**
(30) Convention priority data:
(31) Number (32) Date (33) Country
29/450569 19 Mar 2013 UNITED STATES OF AMERICA
(56) Related Art Documents: **Not Applicable**
(57) Statement of Newness and Distinctiveness: **The figure is a front view of a display screen with graphical user interface. The features shown in broken outline are for contextual purposes only and do not form part of the design. The alphabetic letters depicted are shown by way of example only and may be substituted by other symbols.**



(21) Design Number: **12926/2013**
(22) Date of Filing Application: **25 June 2013**
(24) Date from which industrial property rights may have effect: **25 June 2013**
(54) Product in respect of which the design is registered: **Display screen with graphical user interface**
(51) International Design Classification: **14-01, 14-02**
(74) Name(s) of Attorney(s): **Shelston IP**
(71) Name(s) and Address(s) of Applicant(s):
Microsoft Corporation
One Microsoft Way Redmond Washington 98052 United States of America
(72) Name(s) of Designer(s): **Wayne Higgins**
(45) Registration Date: **31 July 2013**
(30) Convention priority data:
(31) Number (32) Date (33) Country
29/450568 19 Mar 2013 UNITED STATES OF AMERICA
(56) Related Art Documents: **Not Applicable**
(57) Statement of Newness and Distinctiveness: **The figure is a front view of a display screen with graphical user interface. The features shown in broken outline are for contextual purposes only and do not form part of the design. The alphabetic letters depicted are shown by way of example only and may be substituted by other symbols.**



(21) Design Number: **12927/2013**
(22) Date of Filing Application: **25 June 2013**
(24) Date from which industrial property rights may have effect: **25 June 2013**
(54) Product in respect of which the design is registered: **Novelty cricket bat beverage holder**
(51) International Design Classification: **07-06A**
(74) Name(s) of Attorney(s):
(71) Name(s) and Address(s) of Applicant(s):
Galvag Pty Limited
PO BOX 76 Port Macquarie NSW 2444 Australia
(72) Name(s) of Designer(s): **Paul Gallagher and Seth Vagg**
(45) Registration Date: **31 July 2013**
(56) Related Art Documents: **Not Applicable**
(57) Statement of Newness and Distinctiveness: **Monopoly is claimed in the shape and configuration of a cricket bat beverage holder as illustrated including the support nodules located on the bottom side of the bat and the circular cut out beverage holders located therein.**



- (21) Design Number: **12928/2013**
(22) Date of Filing Application: **25 June 2013**
(24) Date from which industrial property rights may have effect: **25 June 2013**
(54) Product in respect of which the design is registered: **Rear bumper for an automobile**
(51) International Design Classification: **12-16C**
(74) Name(s) of Attorney(s): **SPRUSON & FERGUSON**
(71) Name(s) and Address(s) of Applicant(s):
Toyota Jidosha Kabushiki Kaisha
1 Toyota-cho Toyota-shi Aichi-Ken 471-8571 Japan
(72) Name(s) of Designer(s): **Byungkang Cho and Junichi Toura**
(45) Registration Date: **31 July 2013**
(30) Convention priority data:
(31) Number (32) Date (33) Country
2012-031531 26 Dec 2012 JAPAN
(56) Related Art Documents: **Not Applicable**
(57) Statement of Newness and Distinctiveness: **Newness and distinctiveness is claimed in the features of shape and/or configuration of a rear bumper for an automobile as illustrated in the accompanying representations, apart from attachment lugs.**



- (21) Design Number: **12929/2013**
(22) Date of Filing Application: **25 June 2013**
(24) Date from which industrial property rights may have effect: **25 June 2013**
(54) Product in respect of which the design is registered: **Automobile**
(51) International Design Classification: **12-08**
(74) Name(s) of Attorney(s): **SPRUSON & FERGUSON**
(71) Name(s) and Address(s) of Applicant(s):
Toyota Jidosha Kabushiki Kaisha
1 Toyota-cho Toyota-shi Aichi-Ken 471-8571 Japan
(72) Name(s) of Designer(s): **Byungkang Cho and Junichi Toura and Jin Won Kim and Michio Tada**
(45) Registration Date: **31 July 2013**
(30) Convention priority data:
(31) Number (32) Date (33) Country
2012-031528 26 Dec 2012 JAPAN
(56) Related Art Documents: **Not Applicable**
(57) Statement of Newness and Distinctiveness: **Newness and distinctiveness is claimed in the features of the shape and/or configuration of an automobile as illustrated in the accompanying representations, apart from the Toyota emblems.**



- (21) Design Number: **12930/2013**
(22) Date of Filing Application: **25 June 2013**
(24) Date from which industrial property rights may have effect: **25 June 2013**
(54) Product in respect of which the design is registered: **Rear combination lamp for an automobile**
(51) International Design Classification: **26-06**
(74) Name(s) of Attorney(s): **SPRUSON & FERGUSON**
(71) Name(s) and Address(s) of Applicant(s):
Toyota Jidosha Kabushiki Kaisha
1 Toyota-cho Toyota-shi Aichi-Ken 471-8571 Japan
(72) Name(s) of Designer(s): **Byungkang Cho and Junichi Toura**
(45) Registration Date: **31 July 2013**
(30) Convention priority data:
(31) Number (32) Date (33) Country
2012-031532 26 Dec 2012 JAPAN
(56) Related Art Documents: **Not Applicable**
(57) Statement of Newness and Distinctiveness: **Newness and distinctiveness is claimed in the features of shape and/or configuration of a rear combination lamp for an automobile as illustrated in the accompanying representations, apart from attachment lugs.**



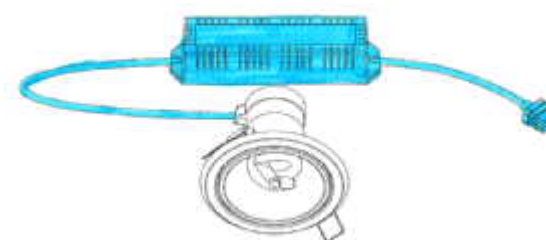
- (21) Design Number: **12933/2013**
(22) Date of Filing Application: **25 June 2013**
(24) Date from which industrial property rights may have effect: **25 June 2013**
(54) Product in respect of which the design is registered: **Front combination lamp for an automobile**
(51) International Design Classification: **26-06**
(74) Name(s) of Attorney(s): **SPRUSON & FERGUSON**
(71) Name(s) and Address(s) of Applicant(s):
Toyota Jidosha Kabushiki Kaisha
1 Toyota-cho Toyota-shi Aichi-Ken 471-8571 Japan
(72) Name(s) of Designer(s): **Byungkang Cho**
(45) Registration Date: **31 July 2013**
(30) Convention priority data:
(31) Number (32) Date (33) Country
2012-031534 26 Dec 2012 JAPAN
(56) Related Art Documents: **Not Applicable**
(57) Statement of Newness and Distinctiveness: **Newness and distinctiveness is claimed in the features of the shape and/or configuration of a front combination lamp for an automobile as illustrated in the accompanying representations, apart from attachment lugs.**



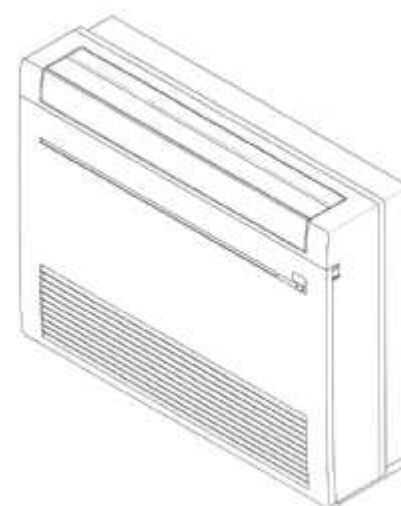
(21) Design Number: **12934/2013**
(22) Date of Filing Application: **25 June 2013**
(24) Date from which industrial property rights may have effect: **25 June 2013**
(54) Product in respect of which the design is registered: **Front bumper for an automobile**
(51) International Design Classification: **12-16C**
(74) Name(s) of Attorney(s): **SPRUSON & FERGUSON**
(71) Name(s) and Address(s) of Applicant(s):
Toyota Jidosha Kabushiki Kaisha
1 Toyota-cho Toyota-shi Aichi-Ken 471-8571 Japan
(72) Name(s) of Designer(s): **Byungkang Cho and Junichi Toura**
(45) Registration Date: **31 July 2013**
(30) Convention priority data:
(31) Number (32) Date (33) Country
2012-031533 26 Dec 2012 JAPAN
(56) Related Art Documents: **Not Applicable**
(57) Statement of Newness and Distinctiveness: **Newness and distinctiveness is claimed in the features of shape and/or configuration of a front bumper for an automobile as illustrated in the accompanying representations, apart from attachment lugs.**



(21) Design Number: **12935/2013**
(22) Date of Filing Application: **25 June 2013**
(24) Date from which industrial property rights may have effect: **25 June 2013**
(54) Product in respect of which the design is registered: **Light fitting**
(51) International Design Classification: **26-04**
(74) Name(s) of Attorney(s): **James & Wells**
(71) Name(s) and Address(s) of Applicant(s):
Intellectual Property Energy Mad Limited
C/- Grant Thornton New Zealand Limited L1 The Antarctic Attraction 38
Orchard Road Christchurch Airport 8053 New Zealand
(72) Name(s) of Designer(s): **Thomas William MacKenzie**
(45) Registration Date: **31 July 2013**
(30) Convention priority data:
(31) Number (32) Date (33) Country
417257 30 Jan 2013 NEW ZEALAND
(56) Related Art Documents: **Not Applicable**
(57) Statement of Newness and Distinctiveness: **The design is to be applied to a light fitting and the novelty resides in features of shape and configuration of the article, all as shown in the accompanying representations. Novelty is disclaimed in the parts marked with blue wash.**



- (21) Design Number: **12936/2013**
(22) Date of Filing Application: **25 June 2013**
(24) Date from which industrial property rights may have effect: **25 June 2013**
(54) Product in respect of which the design is registered: **Air conditioner**
(51) International Design Classification: **23-04**
(74) Name(s) of Attorney(s): **Griffith Hack**
(71) Name(s) and Address(s) of Applicant(s):
Mitsubishi Electric Corporation
7-3 02 Chome Marunochi Chiyoda-Ku Tokyo-To 100-8310 Australia
(72) Name(s) of Designer(s): **Kenji Ishida and Takayuki Nishiguchi and Azumi Shimada**
(45) Registration Date: **31 July 2013**
(30) Convention priority data:
(31) Number (32) Date (33) Country
2013-000787 18 Jan 2013 JAPAN
(56) Related Art Documents: **Not Applicable**
(57) Statement of Newness and Distinctiveness: **Newness and distinctiveness resides in the visual features, including shape and configuration, of an AIR CONDITIONER as shown in solid outline in the accompanying drawings. Figures 7/9, 8/9 and 9/9 are provided to shown in-use views of the AIR CONDITIONER, and are for illustrative purposes only, with the features in dotted outline not forming part of the design.**



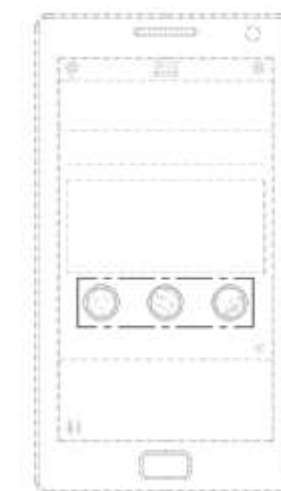
- (21) Design Number: **12953/2013**
(22) Date of Filing Application: **25 June 2013**
(24) Date from which industrial property rights may have effect: **25 June 2013**
(54) Product in respect of which the design is registered: **Display screen for an electronic device**
(51) International Design Classification: **14-01, 14-02, 14-03E**
(74) Name(s) of Attorney(s): **Wrays**
(71) Name(s) and Address(s) of Applicant(s):
Samsung Electronics Co., Ltd
129 Samsung-ro Yeongtong-gu Suwon-si Gyeonggi-do 443-742 Republic of Korea
(72) Name(s) of Designer(s): **Hyun-Jung Kim**
(45) Registration Date: **31 July 2013**
(30) Convention priority data:
(31) Number (32) Date (33) Country
30-2013-0001443 09 Jan 2013 REPUBLIC OF KOREA
(56) Related Art Documents: **Not Applicable**
(57) Statement of Newness and Distinctiveness: **Newness and distinctiveness is claimed in the features of pattern and/or ornamentation of the Display Screen For An Electronic Device as shown in the accompanying representations. The features shown in broken lines are for illustrative purposes only and do not form part of the claimed design.**



- (21) Design Number: **12954/2013**
(22) Date of Filing Application: **25 June 2013**
(24) Date from which industrial property rights may have effect: **25 June 2013**
(54) Product in respect of which the design is registered: **Display screen for an electronic device**
(51) International Design Classification: **14-01, 14-02, 14-03E**
(74) Name(s) of Attorney(s): **Wrays**
(71) Name(s) and Address(s) of Applicant(s):
Samsung Electronics Co., Ltd
416 Maetan-Dong Yeongtong-Gu Suwon-Si Gyeonggi-Do Republic of Korea
(72) Name(s) of Designer(s): **Sang-Hyun Park and Seung-Hyuck Heo**
(45) Registration Date: **31 July 2013**
(30) Convention priority data:
(31) Number (32) Date (33) Country
30-2013-0001448 09 Jan 2013 REPUBLIC OF KOREA
(56) Related Art Documents: **Not Applicable**
(57) Statement of Newness and Distinctiveness: **Newness and distinctiveness is claimed in the features of pattern and/or ornamentation of the Display Screen For An Electronic Device as shown in the accompanying representations. The features shown in broken lines are for illustrative purposes only and do not form part of the claimed design.**



- (21) Design Number: **12955/2013**
(22) Date of Filing Application: **25 June 2013**
(24) Date from which industrial property rights may have effect: **25 June 2013**
(54) Product in respect of which the design is registered: **Display screen for an electronic device**
(51) International Design Classification: **14-01, 14-02, 14-03E**
(74) Name(s) of Attorney(s): **Wrays**
(71) Name(s) and Address(s) of Applicant(s):
Samsung Electronics Co., Ltd
129 Samsung-ro Yeongtong-gu Suwon-si Gyeonggi-do 443-742 Republic of Korea
(72) Name(s) of Designer(s): **Sang-Hyun Park and Yoon-Ju Cho**
(45) Registration Date: **31 July 2013**
(30) Convention priority data:
(31) Number (32) Date (33) Country
30-2013-0001454 09 Jan 2013 REPUBLIC OF KOREA
(56) Related Art Documents: **Not Applicable**
(57) Statement of Newness and Distinctiveness: **Newness and distinctiveness is claimed in the features of pattern and/or ornamentation of the Display Screen For An Electronic Device as shown in the accompanying representations. The features shown in broken lines are for illustrative purposes only and do not form part of the claimed design.**



(21) Design Number: **12956/2013**

(22) Date of Filing Application: **25 June 2013**

(24) Date from which industrial property rights may have effect: **25 June 2013**

(54) Product in respect of which the design is registered: **Display screen for an electronic device**

(51) International Design Classification: **14-01, 14-02, 14-03E**

(74) Name(s) of Attorney(s): **Wrays**

(71) Name(s) and Address(s) of Applicant(s):

Samsung Electronics Co., Ltd
129 Samsung-ro Yeongtong-gu Suwon-si Gyeonggi-do 443-742 Republic of Korea

(72) Name(s) of Designer(s): **Seung-Hyuck Heo and Sang-Hyun Park**

(45) Registration Date: **31 July 2013**

(30) Convention priority data:

(31) Number	(32) Date	(33) Country
30-2013-0001394	09 Jan 2013	REPUBLIC OF KOREA

(56) Related Art Documents: **Not Applicable**

(57) Statement of Newness and Distinctiveness: **Newness and distinctiveness is claimed in the features of pattern and/or ornamentation of the Display Screen For An Electronic Device as shown in the accompanying representations. The features shown in broken lines are for illustrative purposes only and do not form part of the claimed design.**



(21) Design Number: **11481/2013**

(22) Date of Filing Application: **25 March 2013**

(24) Date from which industrial property rights may have effect: **25 March 2013**

(54) Product in respect of which the design is registered: **Glide light**

(51) International Design Classification: **26-05D**

(74) Name(s) of Attorney(s):

(71) Name(s) and Address(s) of Applicant(s):

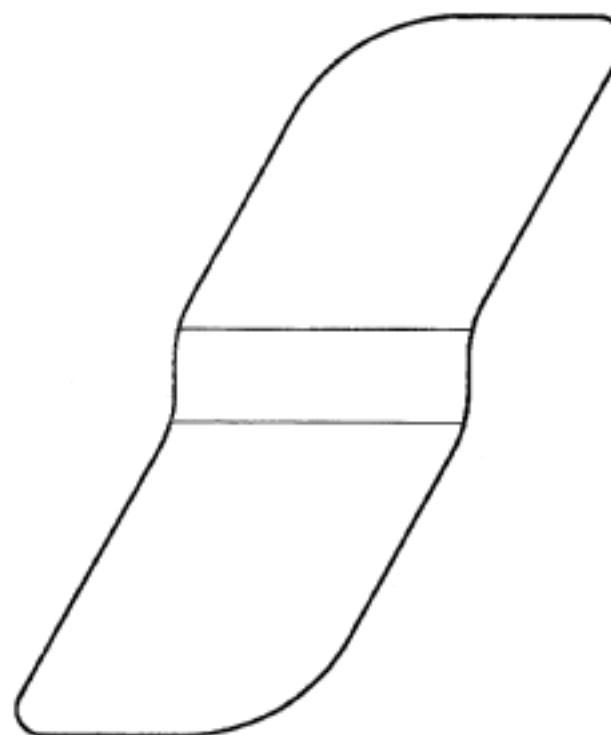
Andrew John Grigor
70 Doncaster Ave Kensington NSW 2033 Australia

(72) Name(s) of Designer(s): **Andrew John Grigor**

(45) Registration Date: **31 July 2013**

(56) Related Art Documents: **Not Applicable**

(57) Statement of Newness and Distinctiveness: **Newness and distinctiveness of the glide light lies in the shape and/or configuration thereof as shown in the accompanying drawings.**



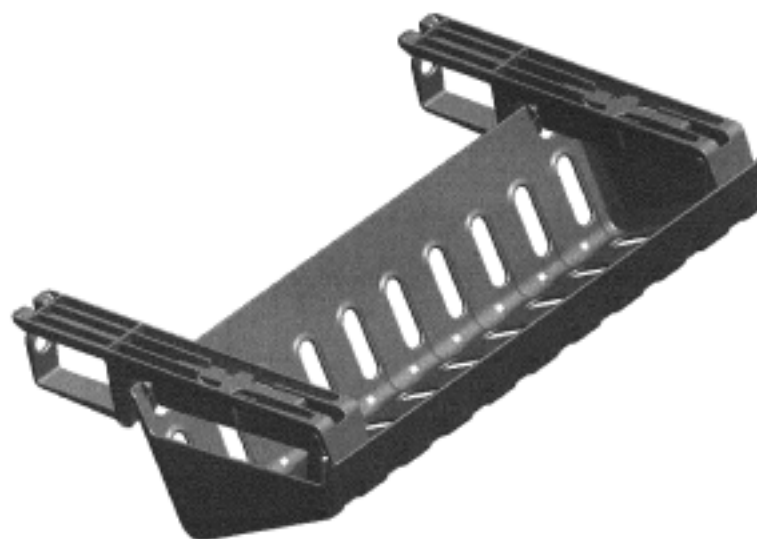
- (21) Design Number: **11654/2013**
(22) Date of Filing Application: **08 April 2013**
(24) Date from which industrial property rights may have effect: **08 April 2013**
(54) Product in respect of which the design is registered: **leather bed**
(51) International Design Classification: **06-02**
(74) Name(s) of Attorney(s):
(71) Name(s) and Address(s) of Applicant(s):
Fast & Save Pty Ltd
Fy 2 29-31 Graham Ct Hoppers Crossing VIC 3029 Australia
(72) Name(s) of Designer(s): **Thanh Trieu Nguyen**
(45) Registration Date: **31 July 2013**
(56) Related Art Documents: **Not Applicable**
(57) Statement of Newness and Distinctiveness: **Genuine modern design leather bed, unique head board, indentation button on head board and along external side frame and foot frame.**



- (21) Design Number: **11795/2013**
(22) Date of Filing Application: **16 April 2013**
(24) Date from which industrial property rights may have effect: **16 April 2013**
(54) Product in respect of which the design is registered: **Blasting Implement for Use in Mining**
(51) International Design Classification: **08-05P, 08-08L**
(74) Name(s) of Attorney(s): **Wrays**
(71) Name(s) and Address(s) of Applicant(s):
Universal Pulse Trading 212 (Pty) Ltd
591 Besembiesie Road Magalieskruin Pretoria 0150 South Africa
(72) Name(s) of Designer(s): **Charles Kerr Chisholm**
(45) Registration Date: **31 July 2013**
(56) Related Art Documents: **Not Applicable**
(57) Statement of Newness and Distinctiveness: **Newness and distinctiveness are claimed in the features of shape and/or configuration of a blasting accessory, substantially as shown in the representations.**



(21) Design Number: **11788/2013**
(22) Date of Filing Application: **16 April 2013**
(24) Date from which industrial property rights may have effect: **16 April 2013**
(54) Product in respect of which the design is registered: **A cable basket**
(51) International Design Classification: **12-04**
(74) Name(s) of Attorney(s): **PETER MAXWELL & ASSOCIATES**
(71) Name(s) and Address(s) of Applicant(s):
Steelcase Werndl AG
Georg-Aicher-Strasse 7 Nendlbeg 6 Prutting Bavaria 83134 Germany
(72) Name(s) of Designer(s): **Karl-Heinz Muller and John Small**
(45) Registration Date: **31 July 2013**
(30) Convention priority data:
(31) Number (32) Date (33) Country
001351142-0001 31 Oct 2012 OFFICE FOR HARMONISATION IN
THE INTERNAL MARKET (OHIM)
(56) Related Art Documents: **Not Applicable**
(57) Statement of Newness and Distinctiveness: **Newness and distinctiveness is claimed in the shape and/or configuration of a cable basket as illustrated by the unbroken lines in the accompanying representations.**



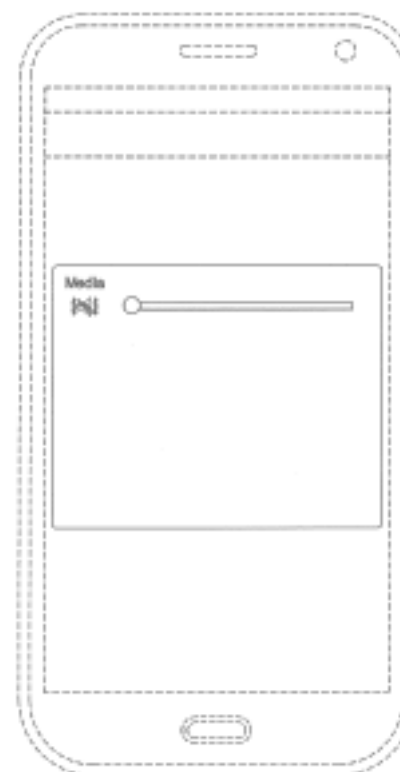
(21) Design Number: **11950/2013**
(22) Date of Filing Application: **26 April 2013**
(24) Date from which industrial property rights may have effect: **26 April 2013**
(54) Product in respect of which the design is registered: **Bottle**
(51) International Design Classification: **09-01NES**
(74) Name(s) of Attorney(s): **PHILLIPS ORMONDE FITZPATRICK**
(71) Name(s) and Address(s) of Applicant(s):
The Coca-Cola Company
One Coca-Cola Plaza N.W. Atlanta Georgia 30313 United States of America
(72) Name(s) of Designer(s): **Judy Guo and Miguel Angel Cabra Apalatequi and Wildred Kenneth Castillo and Gerald Reid Harris and Ricardo Filipe Figueiroa Monteiro and Sterling Lane Steward**
(45) Registration Date: **31 July 2013**
(30) Convention priority data:
(31) Number (32) Date (33) Country
29/436,363 05 Nov 2012 UNITED STATES OF AMERICA
(56) Related Art Documents: **Not Applicable**
(57) Statement of Newness and Distinctiveness: **Those features of the bottle depicted in the representations that are new and distinctive are the shape and/or configuration. The uneven-length broken lines represent boundaries of the claimed design that form no part of the design. The even-length broken lines are not part of the design and are to be disregarded when considering the overall impression of the design. The bottle may be entirely transparent, translucent or opaque.**



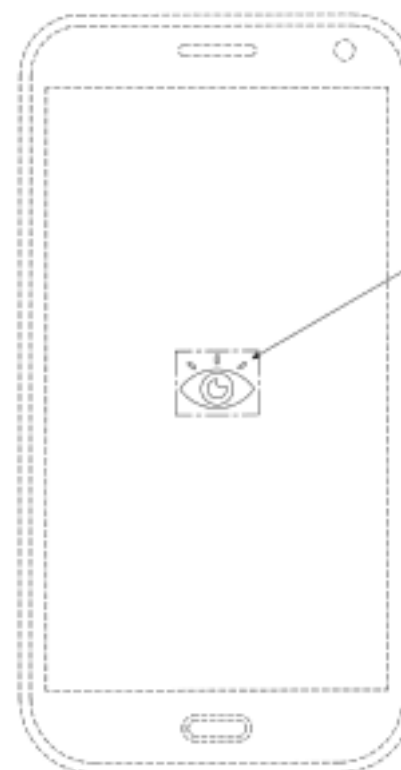
- (21) Design Number: **12110/2013**
(22) Date of Filing Application: **06 May 2013**
(24) Date from which industrial property rights may have effect: **06 May 2013**
(54) Product in respect of which the design is registered: **Ornamental UPC Code/
Barcode**
(51) International Design Classification: **14-99, 09-03NES**
(74) Name(s) of Attorney(s): **PHILLIPS ORMONDE FITZPATRICK**
(71) Name(s) and Address(s) of Applicant(s):
Jelly Belly Candy Company
One Jelly Belly Lane Fairfield California 94533 United States of America
(72) Name(s) of Designer(s): **Ryan Mitchell Schader**
(45) Registration Date: **31 July 2013**
(30) Convention priority data:
(31) Number (32) Date (33) Country
29/436,941 09 Nov 2012 UNITED STATES OF AMERICA
(56) Related Art Documents: **Not Applicable**
(57) Statement of Newness and Distinctiveness: **Newness and distinctiveness resides in the ornamental feature applied to packaging, in the form of a UPC Code/barcode where the design resides in the shape of the UPC Code/barcode periphery as shown in the representations. The features shown in broken lines are not part of the design and are to be disregarded when considering the overall impression of the design, as are the relative size, location and orientation of the ornamental barcode feature in relation to the packaging which, in the representations provided, is illustrative only. The barcode periphery may or may not be defined by a solid line.**



- (21) Design Number: **12322/2013**
(22) Date of Filing Application: **15 May 2013**
(24) Date from which industrial property rights may have effect: **15 May 2013**
(54) Product in respect of which the design is registered: **Display screen for an
electronic device**
(51) International Design Classification: **14-01**
(74) Name(s) of Attorney(s): **Wrays**
(71) Name(s) and Address(s) of Applicant(s):
Samsung Electronics Co., Ltd
**129 Samsung-ro Yeongtong-gu Suwon-si Gyeonggi-do 443-742 Republic
of Korea**
(72) Name(s) of Designer(s): **Jee-Yeun Wang and Ho-Young Lee**
(45) Registration Date: **31 July 2013**
(30) Convention priority data:
(31) Number (32) Date (33) Country
30-2013-0012743 13 Mar 2013 REPUBLIC OF KOREA
(56) Related Art Documents: **Not Applicable**
(57) Statement of Newness and Distinctiveness: **Newness and distinctiveness is claimed in the features of pattern and/or ornamentation of the Display Screen For An Electronic Device as shown in the accompanying representations: namely, the features depicted in Figure 1 by solid lines. The features depicted by broken lines in Figure 1 are for illustrative purposes only and form no part of the claimed design.**



(21) Design Number: **12321/2013**
(22) Date of Filing Application: **15 May 2013**
(24) Date from which industrial property rights may have effect: **15 May 2013**
(54) Product in respect of which the design is registered: **Display screen with icon for an electronic device**
(51) International Design Classification: **14-01**
(74) Name(s) of Attorney(s): **Wrays**
(71) Name(s) and Address(s) of Applicant(s):
Samsung Electronics Co., Ltd
129 Samsung-ro Yeongtong-gu Suwon-si Gyeonggi-do 443-742 Republic of Korea
(72) Name(s) of Designer(s): **Seock-Hyun Yu and Ji-Hye Myung**
(45) Registration Date: **31 July 2013**
(30) Convention priority data:
(31) Number (32) Date (33) Country
30-2013-0009502 23 Feb 2013 REPUBLIC OF KOREA
(56) Related Art Documents: **Not Applicable**
(57) Statement of Newness and Distinctiveness: **Newness and distinctiveness is claimed in the features of pattern and/or ornamentation of the Display Screen With Icon For An Electronic Device as shown in the accompanying representations: namely, the open eye with eyebrow icon depicted in Figure 1 by solid lines and referenced by an A. The features depicted by broken lines in Figure 1 are for illustrative purposes only and form no part of the claimed design.**



(21) Design Number: **12317/2013**
(22) Date of Filing Application: **16 May 2013**
(24) Date from which industrial property rights may have effect: **16 May 2013**
(54) Product in respect of which the design is registered: **Display screen for an electronic device**
(51) International Design Classification: **14-01**
(74) Name(s) of Attorney(s): **Wrays**
(71) Name(s) and Address(s) of Applicant(s):
Samsung Electronics Co., Ltd
129 Samsung-ro Yeongtong-gu Suwon-si Gyeonggi-do 443-742 Republic of Korea
(72) Name(s) of Designer(s): **Min-Jee Jou**
(45) Registration Date: **31 July 2013**
(30) Convention priority data:
(31) Number (32) Date (33) Country
30-2013-0009560 23 Feb 2013 REPUBLIC OF KOREA
(56) Related Art Documents: **Not Applicable**
(57) Statement of Newness and Distinctiveness: **Newness and distinctiveness is claimed in the features of pattern and/or ornamentation of the Display Screen for an Electronic Device as shown in the accompanying representations: namely, the icon depicted in Figure 1 by solid lines. The features depicted by broken lines in Figure 1 are for illustrative purposes only and form no part of the claimed design.**



(21) Design Number: **12345/2013**

(22) Date of Filing Application: **17 May 2013**

(24) Date from which industrial property rights may have effect: **17 May 2013**

(54) Product in respect of which the design is registered: **Display screen for an electronic device**

(51) International Design Classification: **14-01**

(74) Name(s) of Attorney(s): **Wrays**

(71) Name(s) and Address(s) of Applicant(s):

Samsung Electronics Co., Ltd
129 Samsung-ro Yeongtong-gu Suwon-si Gyeonggi-do 443-742 Republic of Korea

(72) Name(s) of Designer(s): **Dong-Kyu Lim**

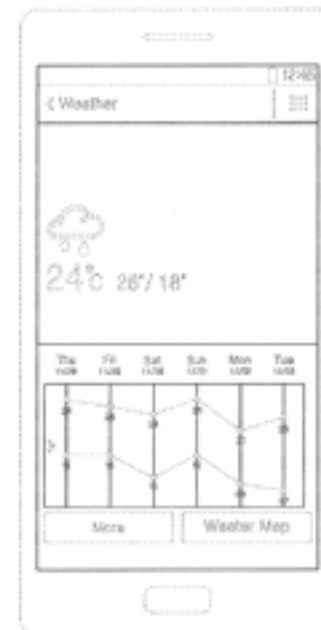
(45) Registration Date: **31 July 2013**

(30) Convention priority data:

(31) Number	(32) Date	(33) Country
30-2013-0009559	23 Feb 2013	REPUBLIC OF KOREA

(56) Related Art Documents: **Not Applicable**

(57) Statement of Newness and Distinctiveness: **Newness and distinctiveness is claimed in the features of pattern and/or ornamentation of the Display Screen For An Electronic Device as shown in the accompanying representations: namely, the features depicted in Figure 1 by solid lines. The features depicted by broken lines in Figure 1 are for illustrative purposes only and form no part of the claimed design.**



(21) Design Number: **12931/2013**

(22) Date of Filing Application: **25 June 2013**

(24) Date from which industrial property rights may have effect: **25 June 2013**

(54) Product in respect of which the design is registered: **Automobile**

(51) International Design Classification: **12-08**

(74) Name(s) of Attorney(s): **SPRUSON & FERGUSON**

(71) Name(s) and Address(s) of Applicant(s):

Toyota Jidosha Kabushiki Kaisha
1 Toyota-cho Toyota-shi Aichi-Ken 471-8571 Japan

(72) Name(s) of Designer(s): **Byungkang Cho and Junichi Toura**

(45) Registration Date: **31 July 2013**

(30) Convention priority data:

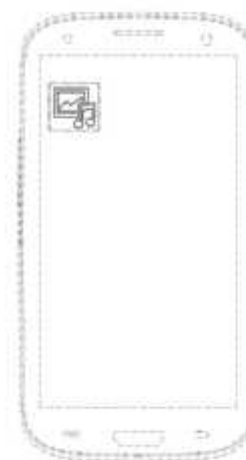
(31) Number	(32) Date	(33) Country
2012-031535	26 Dec 2012	JAPAN

(56) Related Art Documents: **Not Applicable**

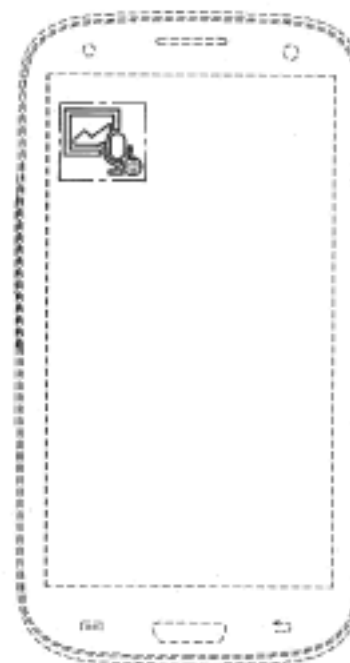
(57) Statement of Newness and Distinctiveness: **Newness and distinctiveness is claimed in the features of shape and/or configuration of an automobile that are illustrated in dense colours in the additional views of the accompanying representations, apart from the Toyota emblems.**



- (21) Design Number: **12229/2013**
(22) Date of Filing Application: **15 May 2013**
(24) Date from which industrial property rights may have effect: **15 May 2013**
(54) Product in respect of which the design is registered: **Display screen with icon for an electronic device**
(51) International Design Classification: **14-01**
(74) Name(s) of Attorney(s): **Griffith Hack**
(71) Name(s) and Address(s) of Applicant(s):
Samsung Electronics Co., Ltd.
129 Samsung-ro Yeongtong-gu Suwon-si Gyeonggi-do 443-742 Republic of Korea
(72) Name(s) of Designer(s): **Cho-Hyang Ma and Jee-Yeun Wang and Hee-Kyung Jeon**
(45) Registration Date: **01 August 2013**
(30) Convention priority data:
(31) Number (32) Date (33) Country
30-2013-0021028 22 Apr 2013 REPUBLIC OF KOREA
(56) Related Art Documents: **Not Applicable**
(57) Statement of Newness and Distinctiveness: **Newness and Distinctiveness resides in the visual features, including the shape, configuration and ornamentation of those parts of the product shown by means of solid lines in the attached representations.**



- (21) Design Number: **12231/2013**
(22) Date of Filing Application: **15 May 2013**
(24) Date from which industrial property rights may have effect: **15 May 2013**
(54) Product in respect of which the design is registered: **Display screen with icon for an electronic device**
(51) International Design Classification: **14-01**
(74) Name(s) of Attorney(s): **Griffith Hack**
(71) Name(s) and Address(s) of Applicant(s):
Samsung Electronics Co., Ltd.
129 Samsung-ro Yeongtong-gu Suwon-si Gyeonggi-do 443-742 Republic of Korea
(72) Name(s) of Designer(s): **Cho-Hyang Ma and Jee-Yeun Wang and Hee-Kyung Jeon**
(45) Registration Date: **01 August 2013**
(30) Convention priority data:
(31) Number (32) Date (33) Country
30-2013-0021029 22 Apr 2013 REPUBLIC OF KOREA
(56) Related Art Documents: **Not Applicable**
(57) Statement of Newness and Distinctiveness: **Newness and Distinctiveness resides in the visual features, including the shape, configuration and ornamentation of those parts of the product shown by means of solid lines in the attached representations.**



(21) Design Number: **12232/2013**
(22) Date of Filing Application: **15 May 2013**
(24) Date from which industrial property rights may have effect: **15 May 2013**
(54) Product in respect of which the design is registered:
(51) International Design Classification: **14-01, 14-02, 14-03E**
(74) Name(s) of Attorney(s): **Griffith Hack**
(71) Name(s) and Address(s) of Applicant(s):
Samsung Electronics Co., Ltd.
129 Samsung-ro Yeongtong-gu Suwon-si Gyeonggi-do 443-742 Republic of Korea
(72) Name(s) of Designer(s): **Min-Hee Kang**
(45) Registration Date: **01 August 2013**
(30) Convention priority data:
(31) Number (32) Date (33) Country
30-2013-0021687 24 Apr 2013 REPUBLIC OF KOREA
(56) Related Art Documents: **Not Applicable**
(57) Statement of Newness and Distinctiveness: **Newness and Distinctiveness resides in the visual features, including the shape, configuration and ornamentation of those parts of the product shown by means of solid lines in the attached representations.**



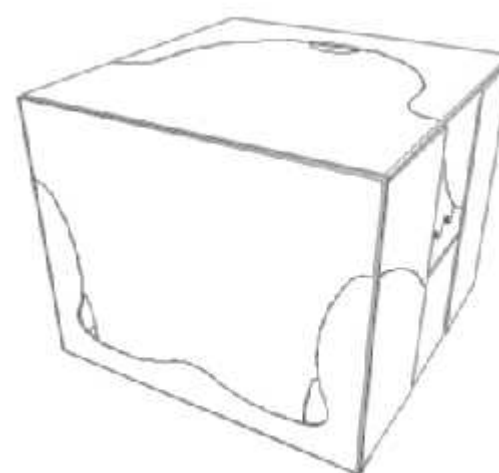
(21) Design Number: **12252/2013**
(22) Date of Filing Application: **15 May 2013**
(24) Date from which industrial property rights may have effect: **15 May 2013**
(54) Product in respect of which the design is registered: **Electronic device**
(51) International Design Classification: **14-03A, 14-02**
(74) Name(s) of Attorney(s): **Wrays**
(71) Name(s) and Address(s) of Applicant(s):
Samsung Electronics Co., Ltd.
129 Samsung-ro Yeongtong-gu Suwon-si Gyeonggi-do 443-742 Republic of Korea
(72) Name(s) of Designer(s): **Min-Hyook Lee and Hyoung-Shin Park and Kwan-Ue Hong and Jong-Bo Jung and Gi-Young Lee**
(45) Registration Date: **01 August 2013**
(30) Convention priority data:
(31) Number (32) Date (33) Country
30-2013-000652 06 Feb 2013 REPUBLIC OF KOREA
(56) Related Art Documents: **Not Applicable**
(57) Statement of Newness and Distinctiveness: **Newness and distinctiveness is claimed in the features of shape and/or configuration of the Electronic Device as shown in the accompanying representations. The features depicted by broken lines are for illustrative purposes only and form no part of the claimed design.**



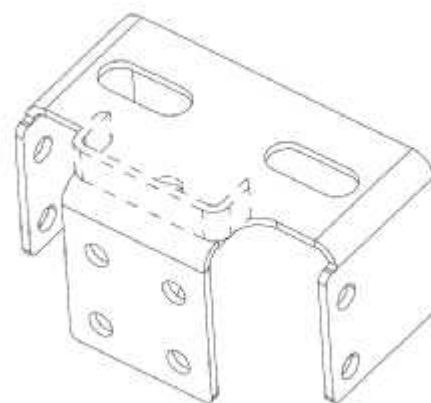
- (21) Design Number: **12253/2013**
(22) Date of Filing Application: **15 May 2013**
(24) Date from which industrial property rights may have effect: **15 May 2013**
(54) Product in respect of which the design is registered: **Electronic device**
(51) International Design Classification: **14-03A, 14-02**
(74) Name(s) of Attorney(s): **Wrays**
(71) Name(s) and Address(s) of Applicant(s):
Samsung Electronics Co., Ltd.
129 Samsung-ro Yeongtong-gu Suwon-si Gyeonggi-do 443-742 Republic of Korea
(72) Name(s) of Designer(s): **Min-Hyouk Lee and Hyoung-Shin Park and Kwan-Ue Hong and Jong-Bo Jung and Gi-Young Lee**
(45) Registration Date: **01 August 2013**
(30) Convention priority data:
(31) Number (32) Date (33) Country
30-2013-0006494 06 Feb 2013 REPUBLIC OF KOREA
(56) Related Art Documents: **Not Applicable**
(57) Statement of Newness and Distinctiveness: **Newness and distinctiveness is claimed in the features of shape and/or configuration of the Electronic Device as shown in the accompanying representations. The features depicted by broken lines are for illustrative purposes only and form no part of the claimed design.**



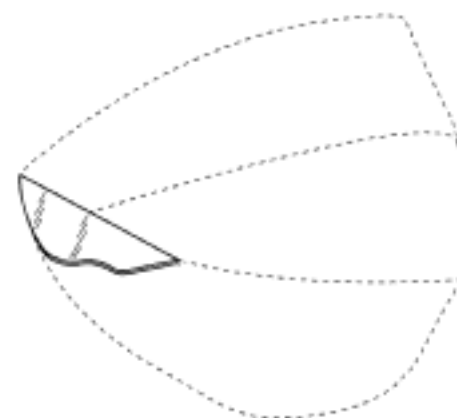
- (21) Design Number: **12643/2013**
(22) Date of Filing Application: **07 June 2013**
(24) Date from which industrial property rights may have effect: **07 June 2013**
(54) Product in respect of which the design is registered: **Blank for forming a container**
(51) International Design Classification: **09-03M**
(74) Name(s) of Attorney(s): **Davies Collison Cave**
(71) Name(s) and Address(s) of Applicant(s):
Visy R & D Pty Ltd
2 Southbank Boulevard Southbank VIC 3006 Australia
(72) Name(s) of Designer(s): **Caleb Alexander Duncan Hart Christie**
(45) Registration Date: **01 August 2013**
(56) Related Art Documents: **Not Applicable**
(57) Statement of Newness and Distinctiveness: **The features of shape and configuration of the blank shown in the accompanying representations are considered to be new and distinctive.**



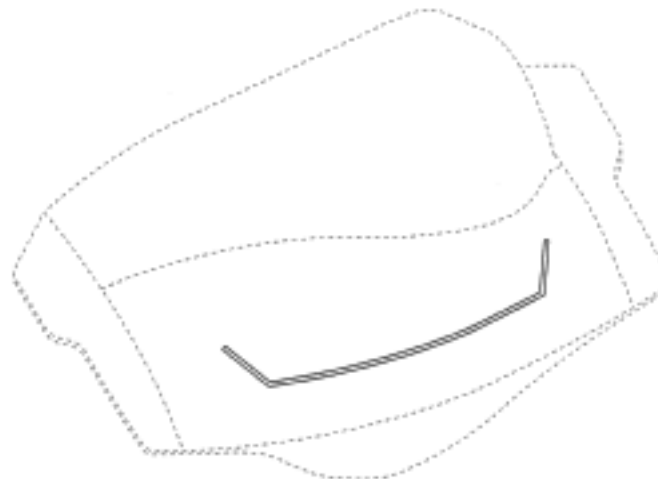
- (21) Design Number: **12703/2013**
(22) Date of Filing Application: **13 June 2013**
(24) Date from which industrial property rights may have effect: **13 June 2013**
(54) Product in respect of which the design is registered: **Bracket**
(51) International Design Classification: **08-08K**
(74) Name(s) of Attorney(s): **Allens Patent & Trade Mark Attorneys**
(71) Name(s) and Address(s) of Applicant(s):
Wilson Transformer Company Pty Ltd
310 Springvale Rd Glen Waverley VIC 3150 Australia
(72) Name(s) of Designer(s): **Neil Jeffery and Edward Wilson and Guy Barnsley**
(45) Registration Date: **01 August 2013**
(56) Related Art Documents: **Not Applicable**
(57) Statement of Newness and Distinctiveness: **Newness and distinctiveness is claimed in the shape and/or configuration of a bracket shown in solid lines in the accompanying representations.**



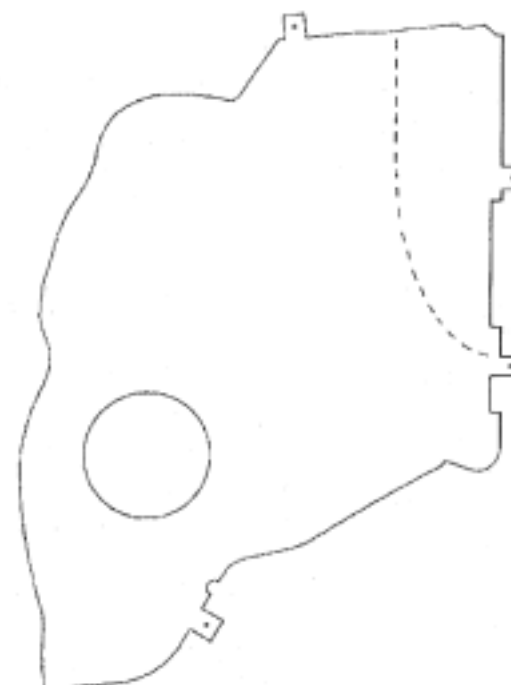
- (21) Design Number: **12781/2013**
(22) Date of Filing Application: **13 June 2013**
(24) Date from which industrial property rights may have effect: **13 June 2013**
(54) Product in respect of which the design is registered: **Respiratory mask having flange outline**
(51) International Design Classification: **24-01, 29-02**
(74) Name(s) of Attorney(s): **Freehills Patent Attorneys**
(71) Name(s) and Address(s) of Applicant(s):
3M Innovative Properties Company
3M Center Post Office Box 33427 Saint Paul Minnesota 55133-3427
United States of America
(72) Name(s) of Designer(s): **Dean Roy Duffy**
(45) Registration Date: **01 August 2013**
(30) Convention priority data:
(31) Number (32) Date (33) Country
29/440780 27 Dec 2012 UNITED STATES OF AMERICA
(56) Related Art Documents: **Not Applicable**
(57) Statement of Newness and Distinctiveness: **Newness and distinctiveness reside in the features of shape and/or configuration shown in solid lines in the representations.**



- (21) Design Number: **12782/2013**
(22) Date of Filing Application: **13 June 2013**
(24) Date from which industrial property rights may have effect: **13 June 2013**
(54) Product in respect of which the design is registered: **Respiratory mask with weld line**
(51) International Design Classification: **24-01**
(74) Name(s) of Attorney(s): **Freehills Patent Attorneys**
(71) Name(s) and Address(s) of Applicant(s):
3M Innovative Properties Company
3M Center Post Office Box 33427 Saint Paul Minnesota 55133-3427
United States of America
(72) Name(s) of Designer(s): **Dean Roy Duffy**
(45) Registration Date: **01 August 2013**
(30) Convention priority data:
(31) Number (32) Date (33) Country
29/440788 27 Dec 2012 UNITED STATES OF AMERICA
(56) Related Art Documents: **Not Applicable**
(57) Statement of Newness and Distinctiveness: **Newness and distinctiveness reside in the features of shape and/or configuration shown in solid lines in the representations.**



- (21) Design Number: **12828/2013**
(22) Date of Filing Application: **19 June 2013**
(24) Date from which industrial property rights may have effect: **19 June 2013**
(54) Product in respect of which the design is registered: **Air intake system**
(51) International Design Classification: **12-16NES**
(74) Name(s) of Attorney(s):
(71) Name(s) and Address(s) of Applicant(s):
Christopher Leigh Finnin
47A Cooper St Campbellfield VIC 3061 Australia
(72) Name(s) of Designer(s): **Christopher Leigh Finnin**
(45) Registration Date: **01 August 2013**
(56) Related Art Documents: **Not Applicable**
(57) Statement of Newness and Distinctiveness: **Modular Air Intake System to suit current model vehicles that promotes strong laminar flow without utilising an over radiator pipe and unshrouded enclosed pod filter.**



(21) Design Number: **12832/2013**

(22) Date of Filing Application: **19 June 2013**

(24) Date from which industrial property rights may have effect: **19 June 2013**

(54) Product in respect of which the design is registered: **Barbecue or firepit**

(51) International Design Classification: **23-03E, 07-02E**

(74) Name(s) of Attorney(s):

(71) Name(s) and Address(s) of Applicant(s):

David Rees Williams

9 Townfield Bardfield Road Thaxted Dunmow Essex CM6 2JU United Kingdom

(72) Name(s) of Designer(s): **David Rees Williams**

(45) Registration Date: **01 August 2013**

(30) Convention priority data:

(31) Number	(32) Date	(33) Country
4029249	28 Mar 2013	UNITED KINGDOM

(56) Related Art Documents: **Not Applicable**

(57) Statement of Newness and Distinctiveness: **A new design of folding Barbecue or Firepit comprised of a truncated triangular prism having one open face with a hinge at each of the edges not parallel to the surface the Barbecue rests on and additionally a hinge bisecting each of the congruent bases. A stand for the above similarly comprised of an open wire frame truncated triangular prism and hinge arrangement. The design consists of the shape and configuration as shown in the drawings.**



(21) Design Number: **12907/2013**

(22) Date of Filing Application: **24 June 2013**

(24) Date from which industrial property rights may have effect: **24 June 2013**

(54) Product in respect of which the design is registered: **A label**

(51) International Design Classification: **19-08**

(74) Name(s) of Attorney(s): **Franke Hyland**

(71) Name(s) and Address(s) of Applicant(s):

Goodman Fielder Limited

T2 39 Delhi Rd North Ryde NSW 2113 Australia

(72) Name(s) of Designer(s): **Christopher Reay**

(45) Registration Date: **01 August 2013**

(56) Related Art Documents: **Not Applicable**

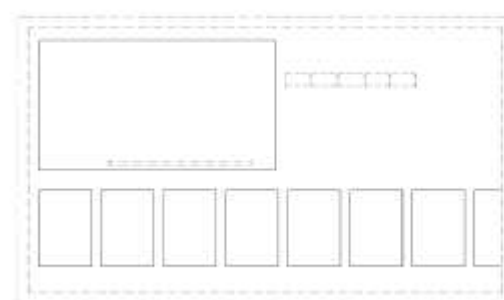
(57) Statement of Newness and Distinctiveness: **Newness and distinctiveness is claimed in relation to the arrangement of graphic elements on a label as per the representations.**



- (21) Design Number: **12910/2013**
(22) Date of Filing Application: **24 June 2013**
(24) Date from which industrial property rights may have effect: **24 June 2013**
(54) Product in respect of which the design is registered: **A label**
(51) International Design Classification: **19-08**
(74) Name(s) of Attorney(s): **Franke Hyland**
(71) Name(s) and Address(s) of Applicant(s):
Goodman Fielder Limited
T2 39 Delhi Rd North Ryde NSW 2113 Australia
(72) Name(s) of Designer(s): **Christopher Reay**
(45) Registration Date: **01 August 2013**
(56) Related Art Documents: **Not Applicable**
(57) Statement of Newness and Distinctiveness: **Newness and distinctiveness is claimed in relation to the arrangement of graphic elements on a label as per the representations.**



- (21) Design Number: **12912/2013**
(22) Date of Filing Application: **24 June 2013**
(24) Date from which industrial property rights may have effect: **24 June 2013**
(54) Product in respect of which the design is registered: **Display screen for an electronic device**
(51) International Design Classification: **14-01, 14-02**
(74) Name(s) of Attorney(s): **Wrays**
(71) Name(s) and Address(s) of Applicant(s):
Samsung Electronics Co., Ltd
129 Samsung-ro Yeongtong-gu Suwon-si Gyeonggi-do 443-742 Republic of Korea
(72) Name(s) of Designer(s): **Jang-Won Seo and Yong-Hwan Kwon and Ji-Eun Kim and Ji-Hong Kim and Hye-Ryung Kim and Se-Ran Seon and Woo-Seok Hwang**
(45) Registration Date: **01 August 2013**
(30) Convention priority data:
(31) Number (32) Date (33) Country
30-2013-0000646 04 Jan 2013 REPUBLIC OF KOREA
(56) Related Art Documents: **Not Applicable**
(57) Statement of Newness and Distinctiveness: **Newness and distinctiveness is claimed in the features of pattern and/or ornamentation of the Display Screen For An Electronic Device as shown in the accompanying representations. The features shown in broken lines are for illustrative purposes only and do not form part of the claimed design.**



(21) Design Number: **12916/2013**

(22) Date of Filing Application: **24 June 2013**

(24) Date from which industrial property rights may have effect: **24 June 2013**

(54) Product in respect of which the design is registered: **Display screen for an electronic device**

(51) International Design Classification: **14-01, 14-02, 14-03E**

(74) Name(s) of Attorney(s): **Wrays**

(71) Name(s) and Address(s) of Applicant(s):

Samsung Electronics Co., Ltd
129 Samsung-ro Yeongtong-gu Suwon-si Gyeonggi-do 443-742 Republic of Korea

(72) Name(s) of Designer(s): **Young-Rim Kim**

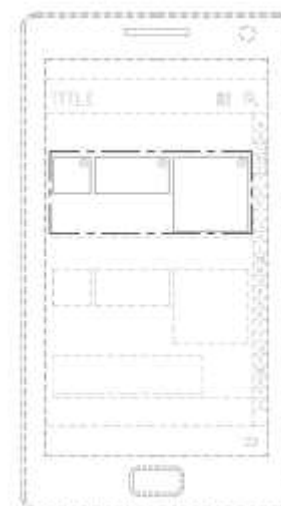
(45) Registration Date: **01 August 2013**

(30) Convention priority data:

(31) Number	(32) Date	(33) Country
30-2013-0001422	09 Jan 2013	REPUBLIC OF KOREA

(56) Related Art Documents: **Not Applicable**

(57) Statement of Newness and Distinctiveness: **Newness and distinctiveness is claimed in the features of pattern and/or ornamentation of the Display Screen For An Electronic Device as shown in the accompanying representations. The features shown in broken lines are for illustrative purposes only and do not form part of the claimed design.**



(21) Design Number: **12922/2013**

(22) Date of Filing Application: **25 June 2013**

(24) Date from which industrial property rights may have effect: **25 June 2013**

(54) Product in respect of which the design is registered: **Display screen with graphical user interface**

(51) International Design Classification: **14-01, 14-02**

(74) Name(s) of Attorney(s): **Shelston IP**

(71) Name(s) and Address(s) of Applicant(s):

Microsoft Corporation
One Microsoft Way Redmond Washington 98052 United States of America

(72) Name(s) of Designer(s): **Wayne Higgins and Ted Cyrek and Michael McCormack**

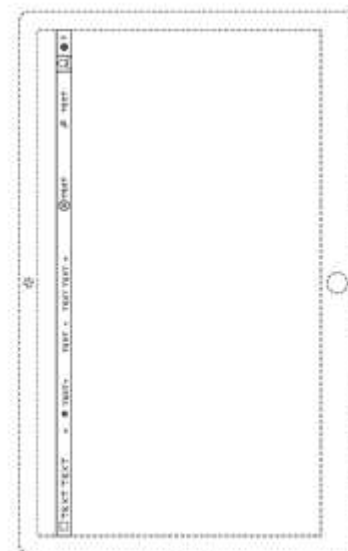
(45) Registration Date: **01 August 2013**

(30) Convention priority data:

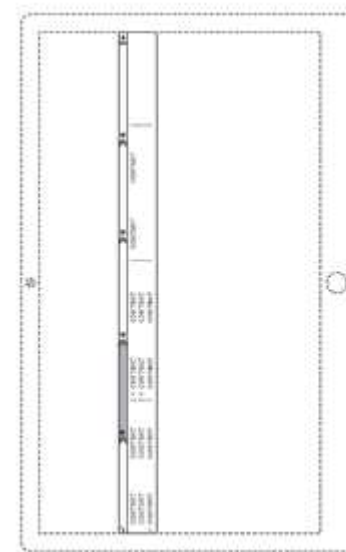
(31) Number	(32) Date	(33) Country
29/450565	19 Mar 2013	UNITED STATES OF AMERICA

(56) Related Art Documents: **Not Applicable**

(57) Statement of Newness and Distinctiveness: **The figure is a front view of a display screen with graphical user interface. The features shown in broken outline are for contextual purposes only and do not form part of the design. The alphabetic letters depicted are shown by way of example only and may be substituted by other symbols.**



(21) Design Number: **12923/2013**
(22) Date of Filing Application: **25 June 2013**
(24) Date from which industrial property rights may have effect: **25 June 2013**
(54) Product in respect of which the design is registered: **Display screen with graphical user interface**
(51) International Design Classification: **14-01, 14-02**
(74) Name(s) of Attorney(s): **Shelston IP**
(71) Name(s) and Address(s) of Applicant(s):
Microsoft Corporation
One Microsoft Way Redmond Washington 98052 United States of America
(72) Name(s) of Designer(s): **Wayne Higgins and Anastasia Paushkina**
(45) Registration Date: **01 August 2013**
(30) Convention priority data:
(31) Number (32) Date (33) Country
29/450566 19 Mar 2013 UNITED STATES OF AMERICA



(56) Related Art Documents: **Not Applicable**
(57) Statement of Newness and Distinctiveness: **The figure is a front view of a display screen with graphical user interface. The features shown in broken outline are for contextual purposes only and do not form part of the design. The alphabetic letters depicted are shown by way of example only and may be substituted by other symbols.**

(21) Design Number: **12943/2013**
(22) Date of Filing Application: **25 June 2013**
(24) Date from which industrial property rights may have effect: **25 June 2013**
(54) Product in respect of which the design is registered: **Fishing line guide ring**
(51) International Design Classification: **22-05**
(74) Name(s) of Attorney(s): **SPRUSON & FERGUSON**
(71) Name(s) and Address(s) of Applicant(s):
Globeride, Inc.
14-16 Maesawa 3-chome Higashikurume-shi Tokyo 203-8511 Japan
(72) Name(s) of Designer(s): **Masaru Akiba and Kunio Tayama and Michitaka Kurata**
(45) Registration Date: **01 August 2013**
(30) Convention priority data:
(31) Number (32) Date (33) Country
2012-031608 26 Dec 2012 JAPAN

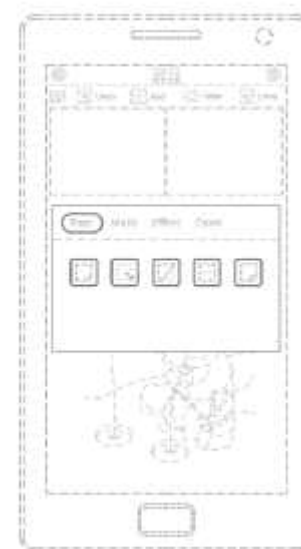


(56) Related Art Documents: **Not Applicable**
(57) Statement of Newness and Distinctiveness: **Newness and distinctiveness is claimed in the features of shape and/or configuration and pattern and/or ornamentation of a fishing line guide ring as illustrated in the accompanying representations.**

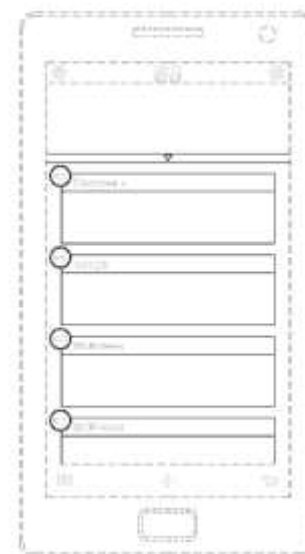
(21) Design Number: **12952/2013**
(22) Date of Filing Application: **25 June 2013**
(24) Date from which industrial property rights may have effect: **25 June 2013**
(54) Product in respect of which the design is registered: **Fishing line guide ring**
(51) International Design Classification: **22-05**
(74) Name(s) of Attorney(s): **SPRUSON & FERGUSON**
(71) Name(s) and Address(s) of Applicant(s):
Globeride, Inc.
14-16 Maesawa 3-chome Higashikurume-shi Tokyo 203-8511 Japan
(72) Name(s) of Designer(s): **Masaru Akiba and Kunio Tayama and Michitaka Kurata**
(45) Registration Date: **01 August 2013**
(30) Convention priority data:
(31) Number (32) Date (33) Country
2012-031620 26 Dec 2012 JAPAN
(56) Related Art Documents: **Not Applicable**
(57) Statement of Newness and Distinctiveness: **Newness and distinctiveness is claimed in the features of shape and/or configuration of a fishing line guide ring as illustrated in the accompanying representations.**



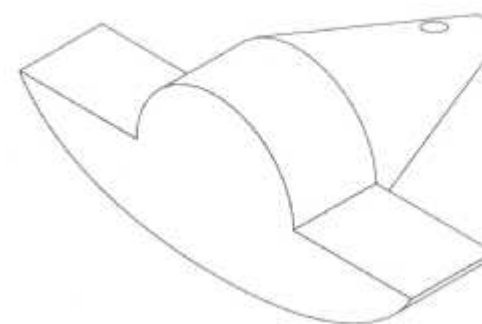
(21) Design Number: **12957/2013**
(22) Date of Filing Application: **25 June 2013**
(24) Date from which industrial property rights may have effect: **25 June 2013**
(54) Product in respect of which the design is registered: **Display screen for an electronic device**
(51) International Design Classification: **14-01, 14-02, 14-03E**
(74) Name(s) of Attorney(s): **Wrays**
(71) Name(s) and Address(s) of Applicant(s):
Samsung Electronics Co., Ltd
129 Samsung-ro Yeongtong-gu Suwon-si Gyeonggi-do 443-742 Republic of Korea
(72) Name(s) of Designer(s): **Joo-Hyung Lee**
(45) Registration Date: **01 August 2013**
(30) Convention priority data:
(31) Number (32) Date (33) Country
30-2013-0001410 09 Jan 2013 REPUBLIC OF KOREA
(56) Related Art Documents: **Not Applicable**
(57) Statement of Newness and Distinctiveness: **Newness and distinctiveness is claimed in the features of pattern and/or ornamentation of the Display Screen For An Electronic Device as shown in the accompanying representations. The features shown in broken lines are for illustrative purposes only and do not form part of the claimed design.**



(21) Design Number: **12958/2013**
(22) Date of Filing Application: **25 June 2013**
(24) Date from which industrial property rights may have effect: **25 June 2013**
(54) Product in respect of which the design is registered: **Display screen for an electronic device**
(51) International Design Classification: **14-01, 14-02, 14-03E**
(74) Name(s) of Attorney(s): **Wrays**
(71) Name(s) and Address(s) of Applicant(s):
Samsung Electronics Co., Ltd
129 Samsung-ro Yeongtong-gu Suwon-si Gyeonggi-do 443-742 Republic of Korea
(72) Name(s) of Designer(s): **Bomi Lee**
(45) Registration Date: **01 August 2013**
(30) Convention priority data:
(31) Number (32) Date (33) Country
30-2013-0001424 09 Jan 2013 REPUBLIC OF KOREA
(56) Related Art Documents: **Not Applicable**
(57) Statement of Newness and Distinctiveness: **Newness and distinctiveness is claimed in the features of pattern and/or ornamentation of the Display Screen For An Electronic Device as shown in the accompanying representations. The features shown in broken lines are for illustrative purposes only and do not form part of the claimed design.**



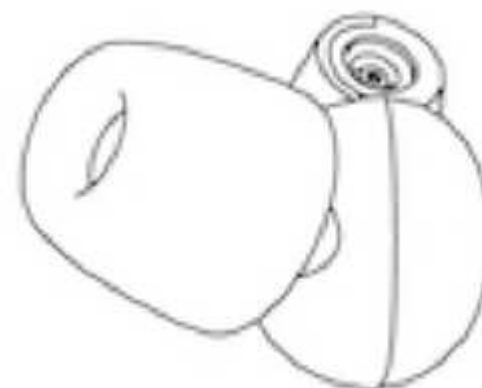
(21) Design Number: **12961/2013**
(22) Date of Filing Application: **26 June 2013**
(24) Date from which industrial property rights may have effect: **26 June 2013**
(54) Product in respect of which the design is registered: **A golf putter head**
(51) International Design Classification: **21-02C**
(74) Name(s) of Attorney(s): **Actuate IP**
(71) Name(s) and Address(s) of Applicant(s):
Star Globe Pty Ltd
13 Manhattan CI Point Cook VIC 3030 Australia
(72) Name(s) of Designer(s): **Paul Sussich**
(45) Registration Date: **01 August 2013**
(56) Related Art Documents: **Not Applicable**
(57) Statement of Newness and Distinctiveness: **Newness and distinctiveness is claimed in the shape and/or configuration of the golf putter head as illustrated in the accompanying representations.**



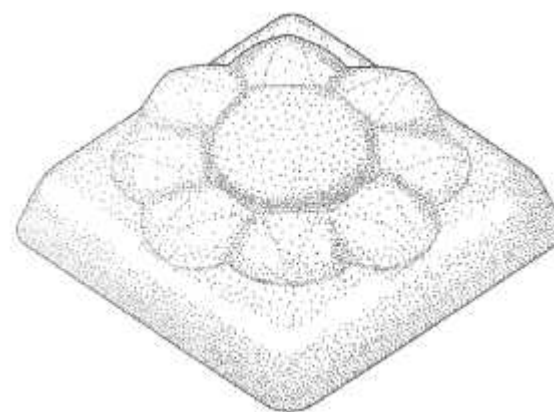
- (21) Design Number: **12974/2013**
(22) Date of Filing Application: **26 June 2013**
(24) Date from which industrial property rights may have effect: **26 June 2013**
(54) Product in respect of which the design is registered: **Vest**
(51) International Design Classification: **02-02B**
(74) Name(s) of Attorney(s): **Griffith Hack**
(71) Name(s) and Address(s) of Applicant(s):
Celia Kakoschke
58 Kendall St Spring Gully VIC 3550 Australia
(72) Name(s) of Designer(s): **Celia Kakoschke**
(45) Registration Date: **01 August 2013**
(56) Related Art Documents: **Not Applicable**
(57) Statement of Newness and Distinctiveness: **Newness and distinctiveness resides in the "hook and loop" patches positioned on the front of the vest as shown in the front view. The "in situ" features including the wearer and the padded beverage cans as shown in the front perspective view do not form part of the design.**



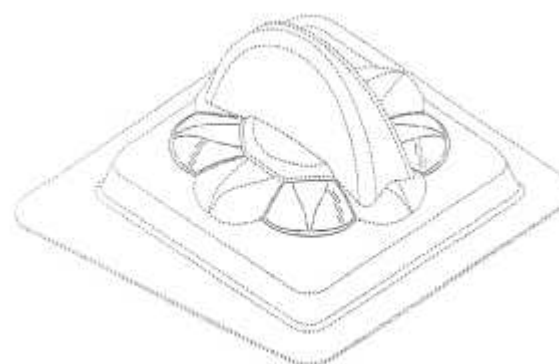
- (21) Design Number: **10959/2013**
(22) Date of Filing Application: **28 February 2013**
(24) Date from which industrial property rights may have effect: **28 February 2013**
(54) Product in respect of which the design is registered: **Modular In-Ear Headphones**
(51) International Design Classification: **14-01**
(74) Name(s) of Attorney(s): **Elliptic Legal & Patent Services**
(71) Name(s) and Address(s) of Applicant(s):
Audiofly Pty Ltd
U9/23 Gibberd Rd Balcatta WA 6021 Australia
(72) Name(s) of Designer(s): **David Matthew Thompson and Iain Finlay and Matthew Rowett**
(45) Registration Date: **01 August 2013**
(56) Related Art Documents: **Not Applicable**
(57) Statement of Newness and Distinctiveness: **Novelty is separately claimed in the shape and configuration of each of the earbuds and its related connecting cable as shown in the accompanying representations. Parts shown in dotted lines are not considered part of either design.**



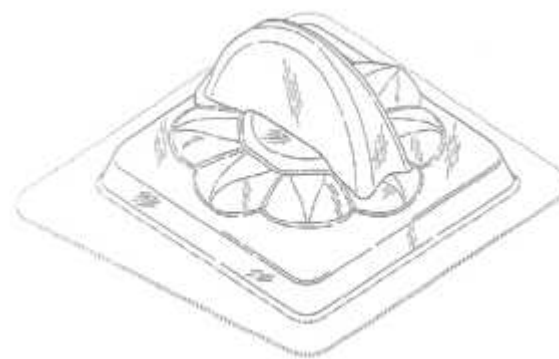
(21) Design Number: **12135/2013**
(22) Date of Filing Application: **08 May 2013**
(24) Date from which industrial property rights may have effect: **08 May 2013**
(54) Product in respect of which the design is registered: **Toilet cleaning composition**
(51) International Design Classification: **28-03NES**
(74) Name(s) of Attorney(s): **SPRUSON & FERGUSON**
(71) Name(s) and Address(s) of Applicant(s):
S. C. Johnson & Son, Inc.
1525 Howe Street Racine Wisconsin 53403-2236 United States of America
(72) Name(s) of Designer(s): **Douglas A. Soller and William J. Rice and Cory J. Nelson and Michael E. Klinkhammer**
(45) Registration Date: **01 August 2013**
(30) Convention priority data:
(31) Number (32) Date (33) Country
29/436885 09 Nov 2012 UNITED STATES OF AMERICA
(56) Related Art Documents: **Not Applicable**
(57) Statement of Newness and Distinctiveness: **Newness and distinctiveness is claimed in the features of shape and/or configuration of a toilet cleaning composition as illustrated in the accompanying representations.**



(21) Design Number: **12136/2013**
(22) Date of Filing Application: **08 May 2013**
(24) Date from which industrial property rights may have effect: **08 May 2013**
(54) Product in respect of which the design is registered: **Toilet cleaning applicator**
(51) International Design Classification: **28-03NES**
(74) Name(s) of Attorney(s): **SPRUSON & FERGUSON**
(71) Name(s) and Address(s) of Applicant(s):
S. C. Johnson & Son, Inc.
1525 Howe Street Racine Wisconsin 53403 United States of America
(72) Name(s) of Designer(s): **Douglas A. Soller and William J. Rice and Cory J. Nelson and Michael E. Klinkhammer**
(45) Registration Date: **01 August 2013**
(30) Convention priority data:
(31) Number (32) Date (33) Country
29/436885 09 Nov 2012 UNITED STATES OF AMERICA
(56) Related Art Documents: **Not Applicable**
(57) Statement of Newness and Distinctiveness: **Newness and distinctiveness is claimed in those features of shape and/or configuration of a toilet cleaning applicator illustrated in continuous lines in the accompanying representations.**



(21) Design Number: **12137/2013**
(22) Date of Filing Application: **08 May 2013**
(24) Date from which industrial property rights may have effect: **08 May 2013**
(54) Product in respect of which the design is registered: **Toilet cleaning applicator**
(51) International Design Classification: **28-03NES**
(74) Name(s) of Attorney(s): **SPRUSON & FERGUSON**
(71) Name(s) and Address(s) of Applicant(s):
S. C. Johnson & Son, Inc.
1525 Howe Street Racine Wisconsin 53403 United States of America
(72) Name(s) of Designer(s): **Douglas A. Soller and William J. Rice and Cory J. Nelson and Michael E. Klinkhammer**
(45) Registration Date: **01 August 2013**
(30) Convention priority data:
(31) Number (32) Date (33) Country
29/436885 09 Nov 2012 UNITED STATES OF AMERICA
(56) Related Art Documents: **Not Applicable**
(57) Statement of Newness and Distinctiveness: **Newness and distinctiveness is claimed in those features of shape and/or configuration of a toilet cleaning applicator illustrated in continuous lines in the accompanying representations.**



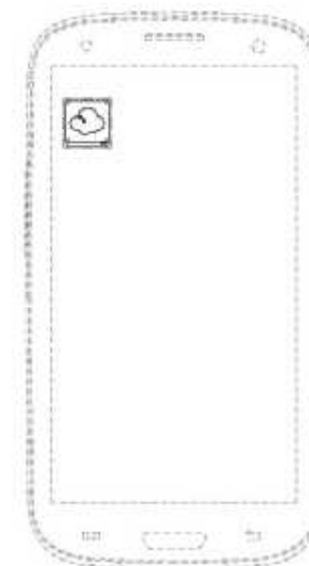
(21) Design Number: **12222/2013**
(22) Date of Filing Application: **15 May 2013**
(24) Date from which industrial property rights may have effect: **15 May 2013**
(54) Product in respect of which the design is registered: **Display screen with icon for an electronic device**
(51) International Design Classification: **14-01**
(74) Name(s) of Attorney(s): **Griffith Hack**
(71) Name(s) and Address(s) of Applicant(s):
Samsung Electronics Co., Ltd
129 Samsung-ro Yeongtong-gu Suwon-si Gyeonggi-do 443-742 Republic of Korea
(72) Name(s) of Designer(s): **Seung-Myung Lee and So-Ra Kim**
(45) Registration Date: **01 August 2013**
(30) Convention priority data:
(31) Number (32) Date (33) Country
30-2013-0009321 22 Feb 2013 REPUBLIC OF KOREA
(56) Related Art Documents: **Not Applicable**
(57) Statement of Newness and Distinctiveness: **Newness and Distinctiveness resides in the visual features, including the shape, configuration and ornamentation of those parts of the product shown by means of solid lines in the attached representations.**



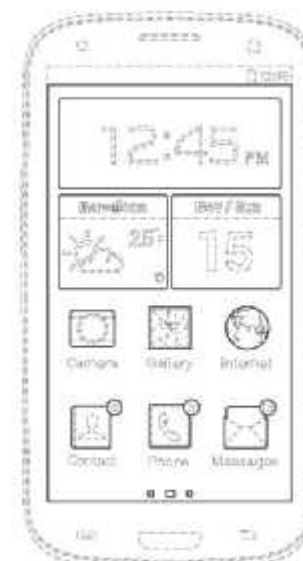
- (21) Design Number: **12223/2013**
(22) Date of Filing Application: **15 May 2013**
(24) Date from which industrial property rights may have effect: **15 May 2013**
(54) Product in respect of which the design is registered: **Display screen with icon for an electronic device**
(51) International Design Classification: **14-01, 14-02, 14-03E**
(74) Name(s) of Attorney(s): **Griffith Hack**
(71) Name(s) and Address(s) of Applicant(s):
Samsung Electronics Co., Ltd.
129 Samsung-ro Yeongtong-gu Suwon-si Gyeonggi-do 443-742 Republic of Korea
(72) Name(s) of Designer(s): **Eun-Sun Chae and Min-Hee Lee**
(45) Registration Date: **01 August 2013**
(30) Convention priority data:
(31) Number (32) Date (33) Country
30-2013-0009193 22 Feb 2013 REPUBLIC OF KOREA
(56) Related Art Documents: **Not Applicable**
(57) Statement of Newness and Distinctiveness: **Newness and Distinctiveness resides in the visual features, including the shape, configuration and ornamentation of those parts of the product shown by means of solid lines in the attached representations.**



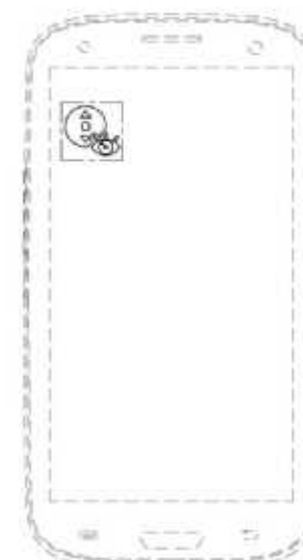
- (21) Design Number: **12224/2013**
(22) Date of Filing Application: **15 May 2013**
(24) Date from which industrial property rights may have effect: **15 May 2013**
(54) Product in respect of which the design is registered: **Display screen with icon for an electronic device**
(51) International Design Classification: **14-01**
(74) Name(s) of Attorney(s): **Griffith Hack**
(71) Name(s) and Address(s) of Applicant(s):
Samsung Electronics Co., Ltd.
129 Samsung-ro Yeongtong-gu Suwon-si Gyeonggi-do 443-742 Republic of Korea
(72) Name(s) of Designer(s): **Soo-Jung Bae**
(45) Registration Date: **01 August 2013**
(30) Convention priority data:
(31) Number (32) Date (33) Country
30-2013-0009330 22 Feb 2013 REPUBLIC OF KOREA
(56) Related Art Documents: **Not Applicable**
(57) Statement of Newness and Distinctiveness: **Newness and Distinctiveness resides in the visual features, including the shape, configuration and ornamentation of those parts of the product shown by means of solid lines in the attached representations.**



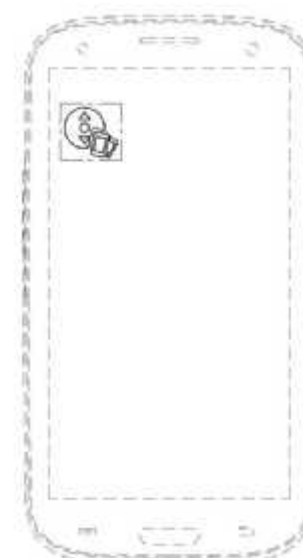
- (21) Design Number: **12225/2013**
(22) Date of Filing Application: **15 May 2013**
(24) Date from which industrial property rights may have effect: **15 May 2013**
(54) Product in respect of which the design is registered: **Display screen with icon for an electronic device**
(51) International Design Classification: **14-01, 14-02, 14-03E**
(74) Name(s) of Attorney(s): **Griffith Hack**
(71) Name(s) and Address(s) of Applicant(s):
Samsung Electronics Co., Ltd.
129 Samsung-ro Yeongtong-gu Suwon-si Gyeonggi-do 443-742 Republic of Korea
(72) Name(s) of Designer(s): **Min-Soo Kwon**
(45) Registration Date: **01 August 2013**
(30) Convention priority data:
(31) Number (32) Date (33) Country
30-2013-0009195 22 Feb 2013 REPUBLIC OF KOREA
(56) Related Art Documents: **Not Applicable**
(57) Statement of Newness and Distinctiveness: **Newness and Distinctiveness resides in the visual features, including the shape, configuration and ornamentation of those parts of the product shown by means of solid lines in the attached representations.**



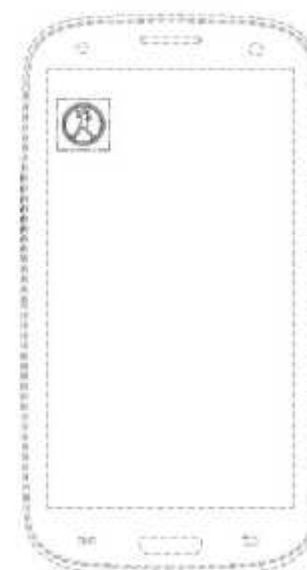
- (21) Design Number: **12226/2013**
(22) Date of Filing Application: **15 May 2013**
(24) Date from which industrial property rights may have effect: **15 May 2013**
(54) Product in respect of which the design is registered: **Display screen with icon for an electronic device**
(51) International Design Classification: **14-01**
(74) Name(s) of Attorney(s): **Griffith Hack**
(71) Name(s) and Address(s) of Applicant(s):
Samsung Electronics Co., Ltd.
129 Samsung-ro Yeongtong-gu Suwon-si Gyeonggi-do 443-742 Republic of Korea
(72) Name(s) of Designer(s): **Ji-Hye Myung and Bo-Hyun Sim and Seock-Hyun Yu and Jin-Young Jeon and Jin-Ki Jung**
(45) Registration Date: **01 August 2013**
(30) Convention priority data:
(31) Number (32) Date (33) Country
30-2013-0015493 27 Mar 2013 REPUBLIC OF KOREA
(56) Related Art Documents: **Not Applicable**
(57) Statement of Newness and Distinctiveness: **Newness and Distinctiveness resides in the visual features, including the shape, configuration and ornamentation of those parts of the product shown by means of solid lines in the attached representations.**



- (21) Design Number: **12227/2013**
(22) Date of Filing Application: **15 May 2013**
(24) Date from which industrial property rights may have effect: **15 May 2013**
(54) Product in respect of which the design is registered: **Display screen with icon for an electronic device**
(51) International Design Classification: **14-01**
(74) Name(s) of Attorney(s): **Griffith Hack**
(71) Name(s) and Address(s) of Applicant(s):
Samsung Electronics Co., Ltd.
129 Samsung-ro Yeongtong-gu Suwon-si Gyeonggi-do 443-742 Republic of Korea
(72) Name(s) of Designer(s): **Ji-Hye Myung and Bo-Hyun Sim and Seock-Hyun Yu and Jin-Young Jeon and Jin-Ki Jung**
(45) Registration Date: **01 August 2013**
(30) Convention priority data:
(31) Number (32) Date (33) Country
30-2013-0015494 27 Mar 2013 REPUBLIC OF KOREA
(56) Related Art Documents: **Not Applicable**
(57) Statement of Newness and Distinctiveness: **Newness and Distinctiveness resides in the visual features, including the shape, configuration and ornamentation of those parts of the product shown by means of solid lines in the attached representations.**



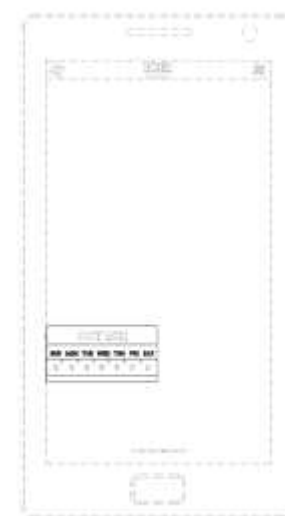
- (21) Design Number: **12228/2013**
(22) Date of Filing Application: **15 May 2013**
(24) Date from which industrial property rights may have effect: **15 May 2013**
(54) Product in respect of which the design is registered: **Display screen with icon for an electronic device**
(51) International Design Classification: **14-01**
(74) Name(s) of Attorney(s): **Griffith Hack**
(71) Name(s) and Address(s) of Applicant(s):
Samsung Electronics Co., Ltd.
129 Samsung-ro Yeongtong-gu Suwon-si Gyeonggi-do 443-742 Republic of Korea
(72) Name(s) of Designer(s): **Heui-Cheon Yang and Yun-Ji Yoo and Seo-Young Yoon and Hyo-Sang Bang**
(45) Registration Date: **01 August 2013**
(30) Convention priority data:
(31) Number (32) Date (33) Country
30-2013-0017974 08 Apr 2013 REPUBLIC OF KOREA
(56) Related Art Documents: **Not Applicable**
(57) Statement of Newness and Distinctiveness: **Newness and Distinctiveness resides in the visual features, including the shape, configuration and ornamentation of those parts of the product shown by means of solid lines in the attached representations.**



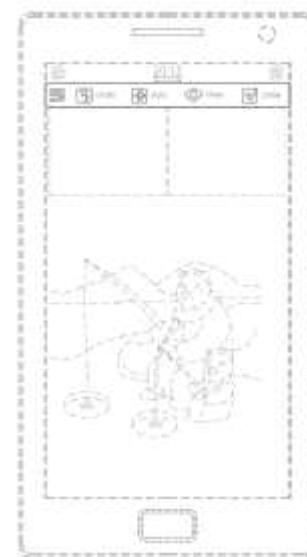
(21) Design Number: **12976/2013**
(22) Date of Filing Application: **26 June 2013**
(24) Date from which industrial property rights may have effect: **26 June 2013**
(54) Product in respect of which the design is registered: **Display screen for an electronic device**
(51) International Design Classification: **14-02, 14-01, 14-03E**
(74) Name(s) of Attorney(s): **Wrays**
(71) Name(s) and Address(s) of Applicant(s):
Samsung Electronics Co., Ltd
129 Samsung-ro Yeongtong-gu Suwon-si Gyeonggi-do 443-742 Republic of Korea
(72) Name(s) of Designer(s): **Sang-Hyun Park**
(45) Registration Date: **01 August 2013**
(30) Convention priority data:
(31) Number (32) Date (33) Country
30-2013-0001441 09 Jan 2013 REPUBLIC OF KOREA
(56) Related Art Documents: **Not Applicable**
(57) Statement of Newness and Distinctiveness: **Newness and distinctiveness is claimed in the features of pattern and/or ornamentation of the Display Screen For An Electronic Device as shown in the accompanying representations. The features shown in broken lines are for illustrative purposes only and do not form part of the claimed design.**



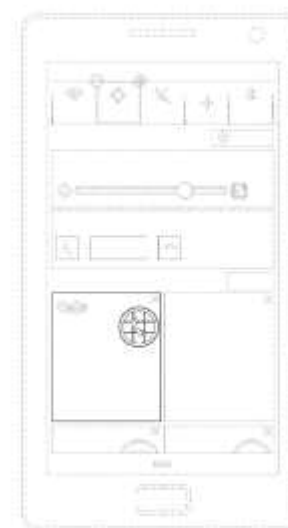
(21) Design Number: **12987/2013**
(22) Date of Filing Application: **26 June 2013**
(24) Date from which industrial property rights may have effect: **26 June 2013**
(54) Product in respect of which the design is registered: **Display screen for an electronic device**
(51) International Design Classification: **14-02, 14-01, 14-03E**
(74) Name(s) of Attorney(s): **Wrays**
(71) Name(s) and Address(s) of Applicant(s):
Samsung Electronics Co., Ltd
129 Samsung-ro Yeongtong-gu Suwon-si Gyeonggi-do 443-742 Republic of Korea
(72) Name(s) of Designer(s): **Joong-Hun Kwon**
(45) Registration Date: **02 August 2013**
(30) Convention priority data:
(31) Number (32) Date (33) Country
30-2013-0001406 09 Jan 2013 REPUBLIC OF KOREA
(56) Related Art Documents: **Not Applicable**
(57) Statement of Newness and Distinctiveness: **Newness and distinctiveness is claimed in the features of pattern and/or ornamentation of the Display Screen For An Electronic Device as shown in the accompanying representations. The features shown in broken lines are for illustrative purposes only and do not form part of the claimed design.**



(21) Design Number: **12986/2013**
(22) Date of Filing Application: **26 June 2013**
(24) Date from which industrial property rights may have effect: **26 June 2013**
(54) Product in respect of which the design is registered: **Display screen for an electronic device**
(51) International Design Classification: **14-02, 14-01, 14-03E**
(74) Name(s) of Attorney(s): **Wrays**
(71) Name(s) and Address(s) of Applicant(s):
Samsung Electronics Co., Ltd
129 Samsung-ro Yeongtong-gu Suwon-si Gyeonggi-do 443-742 Republic of Korea
(72) Name(s) of Designer(s): **Joo-Hyung Lee**
(45) Registration Date: **02 August 2013**
(30) Convention priority data:
(31) Number (32) Date (33) Country
30-2013-0001416 09 Jan 2013 REPUBLIC OF KOREA
(56) Related Art Documents: **Not Applicable**
(57) Statement of Newness and Distinctiveness: **Newness and distinctiveness is claimed in the features of pattern and/or ornamentation of the Display Screen For An Electronic Device as shown in the accompanying representations. The features shown in broken lines are for illustrative purposes only and do not form part of the claimed design.**



(21) Design Number: **12985/2013**
(22) Date of Filing Application: **26 June 2013**
(24) Date from which industrial property rights may have effect: **26 June 2013**
(54) Product in respect of which the design is registered: **Display screen for an electronic device**
(51) International Design Classification: **14-02, 14-01, 14-03E**
(74) Name(s) of Attorney(s): **Wrays**
(71) Name(s) and Address(s) of Applicant(s):
Samsung Electronics Co., Ltd
129 Samsung-ro Yeongtong-gu Suwon-si Gyeonggi-do 443-742 Republic of Korea
(72) Name(s) of Designer(s): **Joo-Hyung Lee**
(45) Registration Date: **02 August 2013**
(30) Convention priority data:
(31) Number (32) Date (33) Country
30-2013-0001438 09 Jan 2013 REPUBLIC OF KOREA
(56) Related Art Documents: **Not Applicable**
(57) Statement of Newness and Distinctiveness: **Newness and distinctiveness is claimed in the features of pattern and/or ornamentation of the Display Screen For An Electronic Device as shown in the accompanying representations. The features shown in broken lines are for illustrative purposes only and do not form part of the claimed design.**



(21) Design Number: **12984/2013**

(22) Date of Filing Application: **26 June 2013**

(24) Date from which industrial property rights may have effect: **26 June 2013**

(54) Product in respect of which the design is registered: **Display screen for an electronic device**

(51) International Design Classification: **14-02, 14-01, 14-03E**

(74) Name(s) of Attorney(s): **Wrays**

(71) Name(s) and Address(s) of Applicant(s):

Samsung Electronics Co., Ltd
129 Samsung-ro Yeongtong-gu Suwon-si Gyeonggi-do 443-742 Republic of Korea

(72) Name(s) of Designer(s): **Jang-Won Seo and Yong-Hwan Kwon and Ji-Eun Kim and Ji-Hong Kim and Hye-Ryung Kim and Se-Ran Jeon and Woo-Seok Hwang**

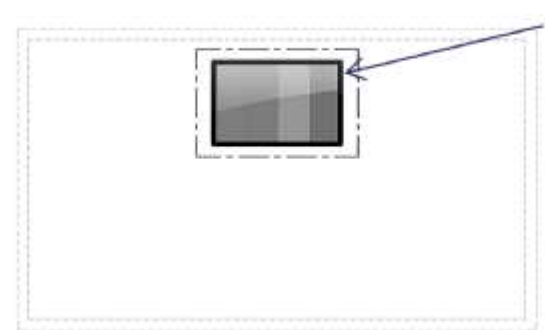
(45) Registration Date: **02 August 2013**

(30) Convention priority data:

(31) Number	(32) Date	(33) Country
30-2013-0000651	04 Jan 2013	REPUBLIC OF KOREA

(56) Related Art Documents: **Not Applicable**

(57) Statement of Newness and Distinctiveness: **Newness and distinctiveness is claimed in the features of pattern and/or ornamentation of the Display Screen For An Electronic Device as shown in the accompanying representations and referenced by an A in Figure 1. The features shown in broken lines are for illustrative purposes only and do not form part of the claimed design.**



(21) Design Number: **12982/2013**

(22) Date of Filing Application: **26 June 2013**

(24) Date from which industrial property rights may have effect: **26 June 2013**

(54) Product in respect of which the design is registered: **Display screen for an electronic device**

(51) International Design Classification: **14-02, 14-01, 14-03E**

(74) Name(s) of Attorney(s): **Wrays**

(71) Name(s) and Address(s) of Applicant(s):

Samsung Electronics Co., Ltd
129 Samsung-ro Yeongtong-gu Suwon-si Gyeonggi-do 443-742 Republic of Korea

(72) Name(s) of Designer(s): **Sang-Hyun Park**

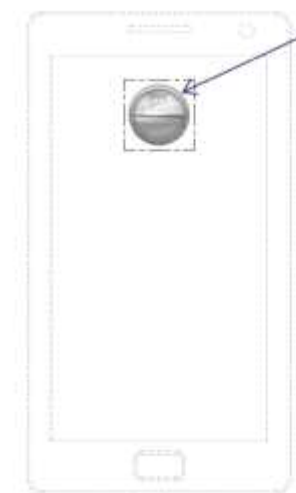
(45) Registration Date: **02 August 2013**

(30) Convention priority data:

(31) Number	(32) Date	(33) Country
30-2013-0001415	09 Jan 2013	REPUBLIC OF KOREA

(56) Related Art Documents: **Not Applicable**

(57) Statement of Newness and Distinctiveness: **Newness and distinctiveness is claimed in the features of pattern and/or ornamentation of the Display Screen For An Electronic Device as shown in the accompanying representations and referenced by an A in Figure 1. The features shown in broken lines are for illustrative purposes only and do not form part of the claimed designs.**



(21) Design Number: **12979/2013**

(22) Date of Filing Application: **26 June 2013**

(24) Date from which industrial property rights may have effect: **26 June 2013**

(54) Product in respect of which the design is registered: **Display screen for an electronic device**

(51) International Design Classification: **14-02, 14-01, 14-03E**

(74) Name(s) of Attorney(s): **Wrays**

(71) Name(s) and Address(s) of Applicant(s):

Samsung Electronics Co., Ltd
129 Samsung-ro Yeongtong-gu Suwon-si Gyeonggi-do 443-742 Republic of Korea

(72) Name(s) of Designer(s): **Sang-Hyun Park and Yoon-Ju Cho**

(45) Registration Date: **02 August 2013**

(30) Convention priority data:

(31) Number	(32) Date	(33) Country
30-2013-0001440	09 Jan 2013	REPUBLIC OF KOREA

(56) Related Art Documents: **Not Applicable**

(57) Statement of Newness and Distinctiveness: **Newness and distinctiveness is claimed in the features of pattern and/or ornamentation of the Display Screen For An Electronic Device as shown in the accompanying representations. The features shown in broken lines are for illustrative purposes only and do not form part of the claimed design.**



(21) Design Number: **13008/2013**

(22) Date of Filing Application: **27 June 2013**

(24) Date from which industrial property rights may have effect: **27 June 2013**

(54) Product in respect of which the design is registered: **Display screen for an electronic device**

(51) International Design Classification: **14-01, 14-02**

(74) Name(s) of Attorney(s): **Wrays**

(71) Name(s) and Address(s) of Applicant(s):

Samsung Electronics Co., Ltd
129 Samsung-ro Yeongtong-gu Suwon-si Gyeonggi-do 443-742 Republic of Korea

(72) Name(s) of Designer(s): **Dae-Hyun Kim and Pill-Kyoung Moon and Joo-Sun Moon and Chang-Soo Lee**

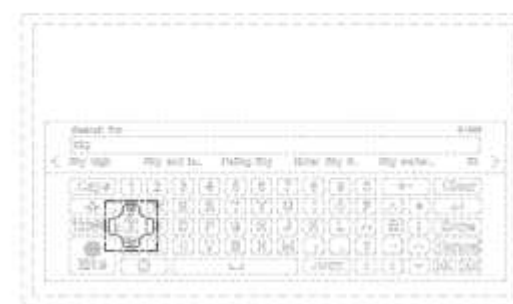
(45) Registration Date: **02 August 2013**

(30) Convention priority data:

(31) Number	(32) Date	(33) Country
30-2013-0000643	04 Jan 2013	REPUBLIC OF KOREA

(56) Related Art Documents: **Not Applicable**

(57) Statement of Newness and Distinctiveness: **Newness and distinctiveness is claimed in the features of pattern and/or ornamentation of the Display Screen For An Electronic Device as shown in the accompanying representations. The features shown in broken lines are for illustrative purposes only and do not form part of the claimed design.**



(21) Design Number: **12981/2013**
(22) Date of Filing Application: **26 June 2013**
(24) Date from which industrial property rights may have effect: **26 June 2013**
(54) Product in respect of which the design is registered: **Electric grill**
(51) International Design Classification: **07-02E**
(74) Name(s) of Attorney(s): **Banki Haddock Fiora**
(71) Name(s) and Address(s) of Applicant(s):

Pi-Design AG
Kantonsstrasse 100 Triengen CH - 6234 Switzerland

(72) Name(s) of Designer(s): **Jorgen Bodum**

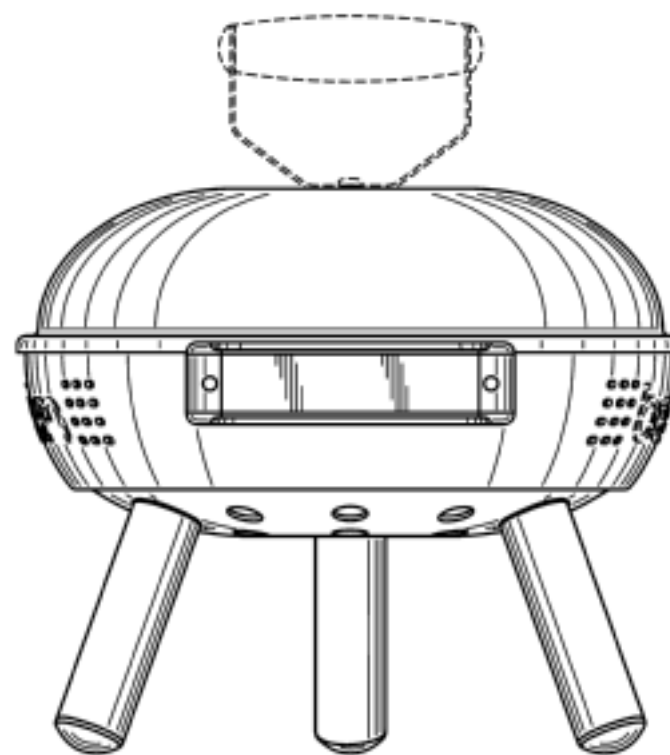
(45) Registration Date: **02 August 2013**

(30) Convention priority data:

(31) Number	(32) Date	(33) Country
DM/080135	12 Feb 2013	WORLD INTELLECTUAL PROPERTY ORGANIZATION (WIPO)

(56) Related Art Documents: **Not Applicable**

(57) Statement of Newness and Distinctiveness: **The visual features of the electric grill depicted in the representations that are new and distinctive are the shape and/or configuration, excluding those portions shown in broken lines. No protection is claimed for the handle of the lid, the word "bodum" on the sidewall of the housing, and the electrical connector of the grill, shown in broken lines.**



(21) Design Number: **13016/2013**
(22) Date of Filing Application: **27 June 2013**
(24) Date from which industrial property rights may have effect: **27 June 2013**
(54) Product in respect of which the design is registered: **Display screen for an electronic device**
(51) International Design Classification: **14-02, 14-01, 14-03E**
(74) Name(s) of Attorney(s): **Wrays**
(71) Name(s) and Address(s) of Applicant(s):

Samsung Electronics Co., Ltd
129 Samsung-ro Yeongtong-gu Suwon-si Gyeonggi-do 443-742 Republic of Korea

(72) Name(s) of Designer(s): **Jang-Won Seo and Yong-Hwan Kwon and Ji-Eun Kim and Ji-Hong Kim and Hye-Ryung Kim and Se-Ran Jeon and Woo-Seok Hwang**

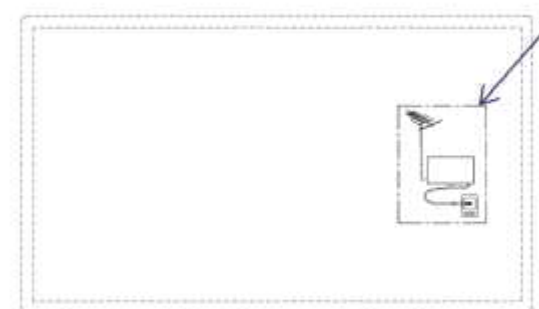
(45) Registration Date: **02 August 2013**

(30) Convention priority data:

(31) Number	(32) Date	(33) Country
30-2013-0000421	04 Jan 2013	REPUBLIC OF KOREA

(56) Related Art Documents: **Not Applicable**

(57) Statement of Newness and Distinctiveness: **Newness and distinctiveness is claimed in the features of pattern and/or ornamentation of the Display Screen For An Electronic Device as shown in the accompanying representations and referenced by an A in Figure 1. The features shown in broken lines are for illustrative purposes only and do not form part of the claimed design.**



(21) Design Number: **13014/2013**

(22) Date of Filing Application: **27 June 2013**

(24) Date from which industrial property rights may have effect: **27 June 2013**

(54) Product in respect of which the design is registered: **Display screen for an electronic device**

(51) International Design Classification: **14-02, 14-01, 14-03E**

(74) Name(s) of Attorney(s): **Wrays**

(71) Name(s) and Address(s) of Applicant(s):

Samsung Electronics Co., Ltd
129 Samsung-ro Yeongtong-gu Suwon-si Gyeonggi-do 443-742 Republic of Korea

(72) Name(s) of Designer(s): **Jang-Won Seo and Yong-Hwan Kwon and Ji-Eun Kim and Ji-Hong Kim and Hye-Ryung Kim and Se-Ran Jeon and Woo-Seok Hwang**

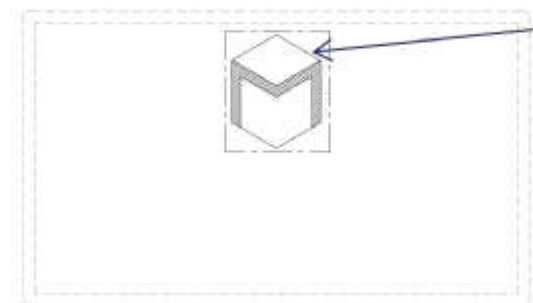
(45) Registration Date: **02 August 2013**

(30) Convention priority data:

(31) Number	(32) Date	(33) Country
30-2013-0000721	05 Jan 2013	REPUBLIC OF KOREA

(56) Related Art Documents: **Not Applicable**

(57) Statement of Newness and Distinctiveness: **Newness and distinctiveness is claimed in the features of pattern and/or ornamentation of the Display Screen For An Electronic Device as shown in the accompanying representations and referenced by an A in Figure 1. The features shown in broken lines are for illustrative purposes only and do not form part of the claimed design.**



(21) Design Number: **12996/2013**

(22) Date of Filing Application: **27 June 2013**

(24) Date from which industrial property rights may have effect: **27 June 2013**

(54) Product in respect of which the design is registered: **Drug delivery assembly**

(51) International Design Classification: **24-02**

(74) Name(s) of Attorney(s): **Shelston IP**

(71) Name(s) and Address(s) of Applicant(s):

Insuline Medical Ltd.
70 Pinksker Street PO BOX 10299 Petach-Tikva 49002 Israel

(72) Name(s) of Designer(s): **Ron Nagar and Gabriel Bitton and Elisha Amir and Gadi Amit and Brandon Warren and Barbara A. Stettler**

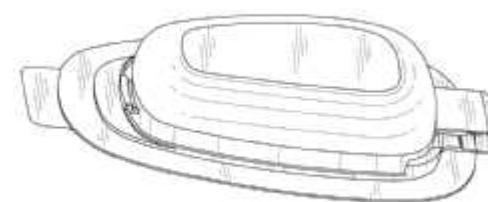
(45) Registration Date: **02 August 2013**

(30) Convention priority data:

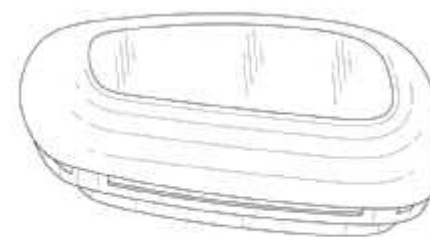
(31) Number	(32) Date	(33) Country
29/440941	28 Dec 2012	UNITED STATES OF AMERICA

(56) Related Art Documents: **Not Applicable**

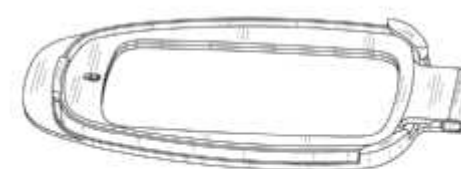
(57) Statement of Newness and Distinctiveness: **Newness and distinctiveness reside in the visual features of the Drug Delivery Assembly as shown in the representations. The shape and configuration of the Adhesive Element marked as component "C" in Fig 1 is illustrative only and does not form part of the design.**



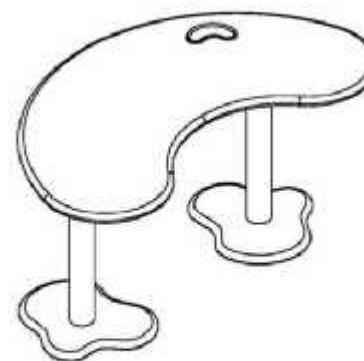
(21) Design Number: **12997/2013**
(22) Date of Filing Application: **27 June 2013**
(24) Date from which industrial property rights may have effect: **27 June 2013**
(54) Product in respect of which the design is registered: **Drug delivery assembly control unit**
(51) International Design Classification: **24-02**
(74) Name(s) of Attorney(s): **Shelston IP**
(71) Name(s) and Address(s) of Applicant(s):
Insuline Medical Ltd.
70 Pinksker Street PO BOX 10299 Petach-Tikva 49002 Israel
(72) Name(s) of Designer(s): **Ron Nagar and Gabriel Bitton and Elisha Amir and Gadi Amit and Brandon Warren and Barbara A. Stettler**
(45) Registration Date: **02 August 2013**
(30) Convention priority data:
(31) Number (32) Date (33) Country
29/440941 28 Dec 2012 UNITED STATES OF AMERICA
(56) Related Art Documents: **Not Applicable**
(57) Statement of Newness and Distinctiveness: **Nil**



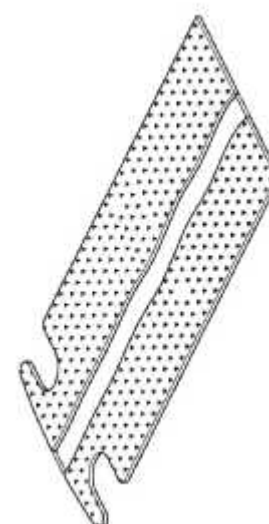
(21) Design Number: **12998/2013**
(22) Date of Filing Application: **27 June 2013**
(24) Date from which industrial property rights may have effect: **27 June 2013**
(54) Product in respect of which the design is registered: **Drug delivery assembly injection window**
(51) International Design Classification: **24-02**
(74) Name(s) of Attorney(s): **Shelston IP**
(71) Name(s) and Address(s) of Applicant(s):
Insuline Medical Ltd.
70 Pinksker Street PO BOX 10299 Petach-Tikva 49002 Israel
(72) Name(s) of Designer(s): **Ron Nagar and Gabriel Bitton and Elisha Amir and Gadi Amit and Brandon Warren and Barbara A. Stettler**
(45) Registration Date: **02 August 2013**
(30) Convention priority data:
(31) Number (32) Date (33) Country
29/440941 28 Dec 2012 UNITED STATES OF AMERICA
(56) Related Art Documents: **Not Applicable**
(57) Statement of Newness and Distinctiveness: **Nil**



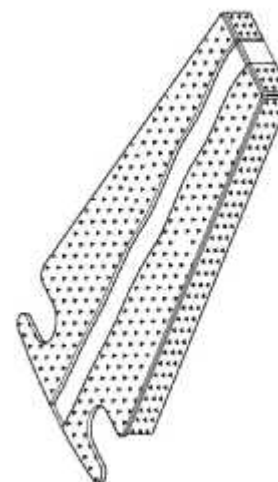
- (21) Design Number: **13002/2013**
(22) Date of Filing Application: **27 June 2013**
(24) Date from which industrial property rights may have effect: **27 June 2013**
(54) Product in respect of which the design is registered: **Table**
(51) International Design Classification: **06-03C**
(74) Name(s) of Attorney(s): **Griffith Hack**
(71) Name(s) and Address(s) of Applicant(s):
Nizar Makdesi
19A Severn St Balwyn North VIC 3104 Australia
(72) Name(s) of Designer(s): **Nizar Makdesi**
(45) Registration Date: **02 August 2013**
(56) Related Art Documents: **Not Applicable**
(57) Statement of Newness and Distinctiveness: **Newness and distinctiveness resides in the visual features, including shape and configuration of the product as shown in the accompanying representations.**



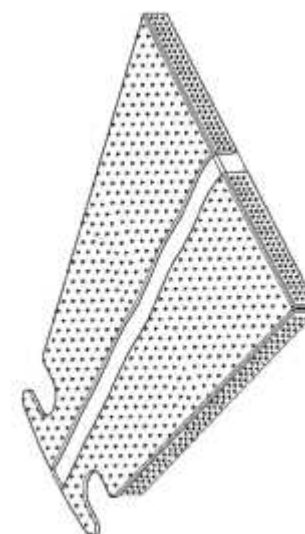
- (21) Design Number: **13004/2013**
(22) Date of Filing Application: **27 June 2013**
(24) Date from which industrial property rights may have effect: **27 June 2013**
(54) Product in respect of which the design is registered: **A lap plate for scaffolding**
(51) International Design Classification: **25-04**
(74) Name(s) of Attorney(s): **Shelston IP**
(71) Name(s) and Address(s) of Applicant(s):
4 Ken Pty Ltd
24 Byrne St Auburn NSW 2144 Australia
(72) Name(s) of Designer(s): **Kenneth Alan Cox**
(45) Registration Date: **02 August 2013**
(56) Related Art Documents: **Not Applicable**
(57) Statement of Newness and Distinctiveness: **Newness and distinctiveness reside in the features of shape and/or configuration of a lap plate for scaffolding of substantially indefinite width, as illustrated in the accompanying representations.**



- (21) Design Number: **13005/2013**
(22) Date of Filing Application: **27 June 2013**
(24) Date from which industrial property rights may have effect: **27 June 2013**
(54) Product in respect of which the design is registered: **A lap plate for scaffolding**
(51) International Design Classification: **25-04**
(74) Name(s) of Attorney(s): **Shelston IP**
(71) Name(s) and Address(s) of Applicant(s):
4 Ken Pty Ltd
24 Byrne St Auburn NSW 2144 Australia
(72) Name(s) of Designer(s): **Kenneth Alan Cox**
(45) Registration Date: **02 August 2013**
(56) Related Art Documents: **Not Applicable**
(57) Statement of Newness and Distinctiveness: **Newness and distinctiveness reside in the features of shape and/or configuration of a lap plate for scaffolding of substantially indefinite width, as illustrated in the accompanying representations.**



- (21) Design Number: **13006/2013**
(22) Date of Filing Application: **27 June 2013**
(24) Date from which industrial property rights may have effect: **27 June 2013**
(54) Product in respect of which the design is registered: **A lap plate for scaffolding**
(51) International Design Classification: **25-04**
(74) Name(s) of Attorney(s): **Shelston IP**
(71) Name(s) and Address(s) of Applicant(s):
4 Ken Pty Ltd
24 Byrne St Auburn NSW 2144 Australia
(72) Name(s) of Designer(s): **Kenneth Alan Cox**
(45) Registration Date: **02 August 2013**
(56) Related Art Documents: **Not Applicable**
(57) Statement of Newness and Distinctiveness: **Newness and distinctiveness reside in the features of shape and/or configuration of a lap plate for scaffolding of substantially indefinite width, as illustrated in the accompanying representations.**



(21) Design Number: **13009/2013**

(22) Date of Filing Application: **27 June 2013**

(24) Date from which industrial property rights may have effect: **27 June 2013**

(54) Product in respect of which the design is registered: **Display screen for an electronic device**

(51) International Design Classification: **14-01, 14-02**

(74) Name(s) of Attorney(s): **Wrays**

(71) Name(s) and Address(s) of Applicant(s):

Samsung Electronics Co., Ltd
129 Samsung-ro Yeongtong-gu Suwon-si Gyeonggi-do 443-742 Republic of Korea

(72) Name(s) of Designer(s): **Jang-Won Seo and Yong-Hwan Kwon and Ji-Eun Kim and Ji-Hong Kim and Hye-Ryung Kim and Se-Ran Jeon and Woo-Seok Hwang**

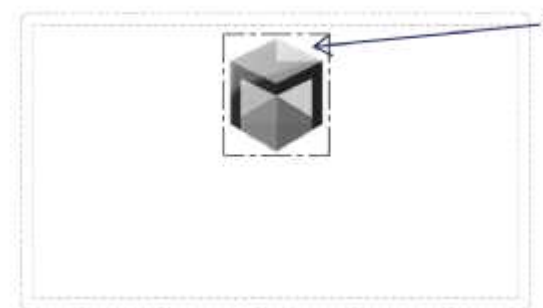
(45) Registration Date: **02 August 2013**

(30) Convention priority data:

(31) Number	(32) Date	(33) Country
30-2013-0000719	05 Jan 2013	REPUBLIC OF KOREA

(56) Related Art Documents: **Not Applicable**

(57) Statement of Newness and Distinctiveness: **Newness and distinctiveness is claimed in the features of pattern and/or ornamentation of the Display Screen For An Electronic Device as shown in the accompanying representations and referenced by an A in Figure 1. The features shown in broken lines are for illustrative purposes only and do not form part of the claimed design.**



(21) Design Number: **13010/2013**

(22) Date of Filing Application: **27 June 2013**

(24) Date from which industrial property rights may have effect: **27 June 2013**

(54) Product in respect of which the design is registered: **Display screen for an electronic device**

(51) International Design Classification: **14-01, 14-02**

(74) Name(s) of Attorney(s): **Wrays**

(71) Name(s) and Address(s) of Applicant(s):

Samsung Electronics Co., Ltd
129 Samsung-ro Yeongtong-gu Suwon-si Gyeonggi-do 443-742 Republic of Korea

(72) Name(s) of Designer(s): **Jang-Won Seo and Yong-Hwan Kwon and Ji-Eun Kim and Ji-Hong Kim and Hye-Ryung Kim and Se-Ran Jeon and Woo-Seok Hwang**

(45) Registration Date: **02 August 2013**

(30) Convention priority data:

(31) Number	(32) Date	(33) Country
30-2013-0000671	04 Jan 2013	REPUBLIC OF KOREA

(56) Related Art Documents: **Not Applicable**

(57) Statement of Newness and Distinctiveness: **Newness and distinctiveness is claimed in the features of pattern and/or ornamentation of the Display Screen For An Electronic Device as shown in the accompanying representations. The features shown in broken lines are for illustrative purposes only and do not form part of the claimed design.**



(21) Design Number: **13011/2013**

(22) Date of Filing Application: **27 June 2013**

(24) Date from which industrial property rights may have effect: **27 June 2013**

(54) Product in respect of which the design is registered: **Display screen for an electronic device**

(51) International Design Classification: **14-01, 14-02**

(74) Name(s) of Attorney(s): **Wrays**

(71) Name(s) and Address(s) of Applicant(s):

Samsung Electronics Co., Ltd
129 Samsung-ro Yeongtong-gu Suwon-si Gyeonggi-do 443-742 Republic of Korea

(72) Name(s) of Designer(s): **Jang-Won Seo and Yong-Hwan Kwon and Ji-Eun Kim and Ji-Hong Kim and Hye-Ryung Kim and Se-Ran Jeon and Woo-Seok Hwang**

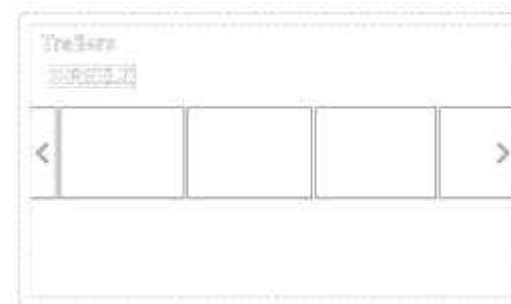
(45) Registration Date: **02 August 2013**

(30) Convention priority data:

(31) Number (32) Date (33) Country
30-2013-0000644 04 Jan 2013 REPUBLIC OF KOREA

(56) Related Art Documents: **Not Applicable**

(57) Statement of Newness and Distinctiveness: **Newness and distinctiveness is claimed in the features of pattern and/or ornamentation of the Display Screen For An Electronic Device as shown in the accompanying representations. The features shown in broken lines are for illustrative purposes only and do not form part of the claimed design.**



(21) Design Number: **13012/2013**

(22) Date of Filing Application: **27 June 2013**

(24) Date from which industrial property rights may have effect: **27 June 2013**

(54) Product in respect of which the design is registered: **Display screen for an electronic device**

(51) International Design Classification: **14-01, 14-02**

(74) Name(s) of Attorney(s): **Wrays**

(71) Name(s) and Address(s) of Applicant(s):

Samsung Electronics Co., Ltd
129 Samsung-ro Yeongtong-gu Suwon-si Gyeonggi-do 443-742 Republic of Korea

(72) Name(s) of Designer(s): **Jang-Won Seo and Yong-Hwan Kwon and Ji-Eun Kim and Ji-Hong Kim and Hye-Ryung Kim and Se-Ran Jeon and Woo-Seok Hwang**

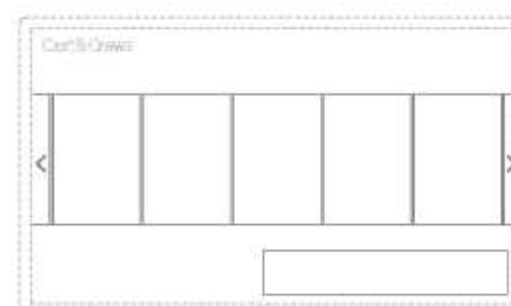
(45) Registration Date: **02 August 2013**

(30) Convention priority data:

(31) Number (32) Date (33) Country
30-2013-0000437 04 Jan 2013 REPUBLIC OF KOREA

(56) Related Art Documents: **Not Applicable**

(57) Statement of Newness and Distinctiveness: **Newness and distinctiveness is claimed in the features of pattern and/or ornamentation of the Display Screen For An Electronic Device as shown in the accompanying representations. The features shown in broken lines are for illustrative purposes only and do not form part of the claimed design.**



(21) Design Number: **13013/2013**

(22) Date of Filing Application: **27 June 2013**

(24) Date from which industrial property rights may have effect: **27 June 2013**

(54) Product in respect of which the design is registered: **Display screen for an electronic device**

(51) International Design Classification: **14-01, 14-02**

(74) Name(s) of Attorney(s): **Wrays**

(71) Name(s) and Address(s) of Applicant(s):

Samsung Electronics Co., Ltd
129 Samsung-ro Yeongtong-gu Suwon-si Gyeonggi-do 443-742 Republic of Korea

(72) Name(s) of Designer(s): **Jang-Won Seo and Yong-Hwan Kwon and Ji-Eun Kim and Ji-Hong Kim and Hye-Ryung Kim and Se-Ran Jeon and Woo-Seok Hwang**

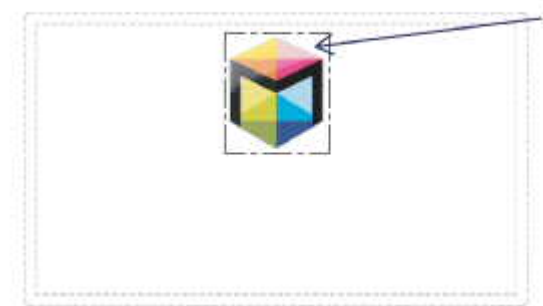
(45) Registration Date: **02 August 2013**

(30) Convention priority data:

(31) Number	(32) Date	(33) Country
30-2013-0000720	05 Jan 2013	REPUBLIC OF KOREA

(56) Related Art Documents: **Not Applicable**

(57) Statement of Newness and Distinctiveness: **Newness and distinctiveness is claimed in the features of pattern and/or ornamentation of the Display Screen For An Electronic Device as shown in the accompanying representations and referenced by an A in Figure 1. The features shown in broken lines are for illustrative purposes only and do not form part of the claimed design.**



(21) Design Number: **12384/2013**

(22) Date of Filing Application: **22 May 2013**

(24) Date from which industrial property rights may have effect: **22 May 2013**

(54) Product in respect of which the design is registered: **Traffic cone**

(51) International Design Classification: **10-06**

(74) Name(s) of Attorney(s): **Madderns**

(71) Name(s) and Address(s) of Applicant(s):

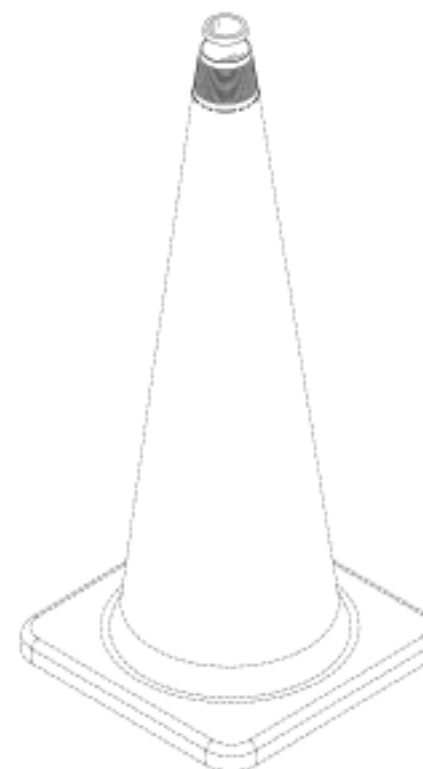
Wen-Nan Kuo
N0.144-1 Shangliao Road Taliao Siang Taiwan

(72) Name(s) of Designer(s): **Wen-Nan Kuo**

(45) Registration Date: **02 August 2013**

(56) Related Art Documents: **Not Applicable**

(57) Statement of Newness and Distinctiveness: **Newness and distinctiveness resides in the features represented with solid lines in the representations, not dashed lines.**



- (21) Design Number: **12050/2013**
(22) Date of Filing Application: **03 May 2013**
(24) Date from which industrial property rights may have effect: **03 May 2013**
(54) Product in respect of which the design is registered: **Container**
(51) International Design Classification: **09-01NES**
(74) Name(s) of Attorney(s): **TJ IP Patents, Trade Marks & Designs**
(71) Name(s) and Address(s) of Applicant(s):
Maynard & Harris Group Limited
London Road Beccles Suffolk NR34 8TS United Kingdom
(72) Name(s) of Designer(s): **Paul Tricker**
(45) Registration Date: **02 August 2013**
(56) Related Art Documents: **Not Applicable**
(57) Statement of Newness and Distinctiveness: **Newness and distinctiveness reside in the shape and or configuration of the container as illustrated in the accompanying drawings.**



- (21) Design Number: **12051/2013**
(22) Date of Filing Application: **03 May 2013**
(24) Date from which industrial property rights may have effect: **03 May 2013**
(54) Product in respect of which the design is registered: **Container**
(51) International Design Classification: **09-01NES**
(74) Name(s) of Attorney(s): **TJ IP Patents, Trade Marks & Designs**
(71) Name(s) and Address(s) of Applicant(s):
Maynard & Harris Group Limited
London Road Beccles Suffolk NR34 8TS United Kingdom
(72) Name(s) of Designer(s): **Paul Tricker**
(45) Registration Date: **02 August 2013**
(56) Related Art Documents: **Not Applicable**
(57) Statement of Newness and Distinctiveness: **Newness and distinctiveness reside in the shape, colour and or configuration of the container as illustrated in the accompanying drawings. When considering the design the recycling symbol, letters and numbers shown on the bottom of the container on the view from below are to be disregarded. The solid purple colour of the container is defined as Pantone PMS8802C, which is from Metallic Coated book. Any blotches or lighter coloured patches on the representations are to be disregarded as printing anomalies as the bottle is intended to be a consistent colour.**



(21) Design Number: **12995/2013**

(22) Date of Filing Application: **26 June 2013**

(24) Date from which industrial property rights may have effect: **26 June 2013**

(54) Product in respect of which the design is registered: **Display screen for an electronic device**

(51) International Design Classification: **14-02, 14-01, 14-03E**

(74) Name(s) of Attorney(s): **Wrays**

(71) Name(s) and Address(s) of Applicant(s):

Samsung Electronics Co., Ltd
129 Samsung-ro Yeongtong-gu Suwon-si Gyeonggi-do 443-742 Republic of Korea

(72) Name(s) of Designer(s): **Jang-Won Seo and Yong-Hwan Kwon and Ji-Eun Kim and Ji-Hong Kim and Hye-Ryung Kim and Se-Ran Jeon and Woo-Seok Kwang**

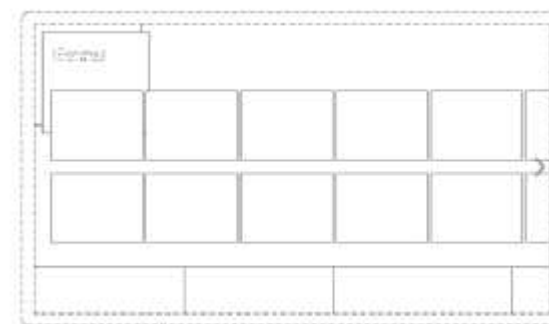
(45) Registration Date: **02 August 2013**

(30) Convention priority data:

(31) Number (32) Date (33) Country
30-2013-0000672 04 Jan 2013 REPUBLIC OF KOREA

(56) Related Art Documents: **Not Applicable**

(57) Statement of Newness and Distinctiveness: **Newness and distinctiveness is claimed in the features of pattern and/or ornamentation of the Display Screen For An Electronic Device as shown in the accompanying representations. The features shown in broken lines are for illustrative purposes only and do not form part of the claimed design.**



(21) Design Number: **12994/2013**

(22) Date of Filing Application: **26 June 2013**

(24) Date from which industrial property rights may have effect: **26 June 2013**

(54) Product in respect of which the design is registered: **Display screen for an electronic device**

(51) International Design Classification: **14-02, 14-01, 14-03E**

(74) Name(s) of Attorney(s): **Wrays**

(71) Name(s) and Address(s) of Applicant(s):

Samsung Electronics Co., Ltd
129 Samsung-ro Yeongtong-gu Suwon-si Gyeonggi-do 443-742 Republic of Korea

(72) Name(s) of Designer(s): **Jang-Won Seo and Yong-Hwan Kwon and Ji-Eun Kim and Ji-Hong Kim and Hye-Ryung Kim and Se-Ran Jeon and Woo-Seok Hwang**

(45) Registration Date: **02 August 2013**

(30) Convention priority data:

(31) Number (32) Date (33) Country
30-2013-0000769 05 Jan 2013 REPUBLIC OF KOREA

(56) Related Art Documents: **Not Applicable**

(57) Statement of Newness and Distinctiveness: **Newness and distinctiveness is claimed in the features of pattern and/or ornamentation of the Display Screen For An Electronic Device as shown in the accompanying representations. The features shown in broken lines are for illustrative purposes only and do not form part of the claimed design.**



(21) Design Number: **12993/2013**
(22) Date of Filing Application: **26 June 2013**
(24) Date from which industrial property rights may have effect: **26 June 2013**
(54) Product in respect of which the design is registered: **Display screen for an electronic device**
(51) International Design Classification: **14-02, 14-01, 14-03E**
(74) Name(s) of Attorney(s): **Wrays**
(71) Name(s) and Address(s) of Applicant(s):

Samsung Electronics Co., Ltd
129 Samsung-ro Yeongtong-gu Suwon-si Gyeonggi-do 443-742 Republic of Korea

(72) Name(s) of Designer(s): **Seung-Hyuck Heo and Sang-Hyun Park**

(45) Registration Date: **02 August 2013**

(30) Convention priority data:

(31) Number	(32) Date	(33) Country
30-2013-0001396	09 Jan 2013	REPUBLIC OF KOREA

(56) Related Art Documents: **Not Applicable**

(57) Statement of Newness and Distinctiveness: **Newness and distinctiveness is claimed in the features of pattern and/or ornamentation of the Display Screen For An Electronic Device as shown in the accompanying representations. The features shown in broken lines are for illustrative purposes only and do not form part of the claimed design.**



(21) Design Number: **12992/2013**
(22) Date of Filing Application: **26 June 2013**
(24) Date from which industrial property rights may have effect: **26 June 2013**
(54) Product in respect of which the design is registered: **Display screen for an electronic device**
(51) International Design Classification: **14-02, 14-01, 14-03E**
(74) Name(s) of Attorney(s): **Wrays**
(71) Name(s) and Address(s) of Applicant(s):

Samsung Electronics Co., Ltd
129 Samsung-ro Yeongtong-gu Suwon-si Gyeonggi-do 443-742 Republic of Korea

(72) Name(s) of Designer(s): **Young-Rim Kim and Sang-Hyun Park**

(45) Registration Date: **02 August 2013**

(30) Convention priority data:

(31) Number	(32) Date	(33) Country
30-2013-0001397	09 Jan 2013	REPUBLIC OF KOREA

(56) Related Art Documents: **Not Applicable**

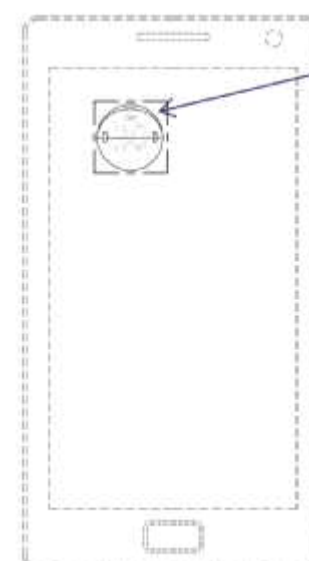
(57) Statement of Newness and Distinctiveness: **Newness and distinctiveness is claimed in the features of pattern and/or ornamentation of the Display Screen For An Electronic Device as shown in the accompanying representations. The features shown in broken lines are for illustrative purposes only and do not form part of the claimed design.**



(21) Design Number: **12980/2013**
(22) Date of Filing Application: **26 June 2013**
(24) Date from which industrial property rights may have effect: **26 June 2013**
(54) Product in respect of which the design is registered: **LED work lamp**
(51) International Design Classification: **26-05E**
(74) Name(s) of Attorney(s): **Davies Collison Cave**
(71) Name(s) and Address(s) of Applicant(s):
Scangrip A/S
Rytterhaven 9 Svendborg 5700 Denmark
(72) Name(s) of Designer(s): **Nikolaj Poffler**
(45) Registration Date: **02 August 2013**
(30) Convention priority data:
(31) Number (32) Date (33) Country
002221044 16 Apr 2013 OFFICE FOR HARMONISATION IN
THE INTERNAL MARKET (OHIM)
(56) Related Art Documents: **Not Applicable**
(57) Statement of Newness and Distinctiveness: **Nil**



(21) Design Number: **12978/2013**
(22) Date of Filing Application: **26 June 2013**
(24) Date from which industrial property rights may have effect: **26 June 2013**
(54) Product in respect of which the design is registered: **Display screen for an electronic device**
(51) International Design Classification: **14-02, 14-01, 14-03E**
(74) Name(s) of Attorney(s): **Wrays**
(71) Name(s) and Address(s) of Applicant(s):
Samsung Electronics Co., Ltd
129 Samsung-ro Yeongtong-gu Suwon-si Gyeonggi-do 443-742 Republic of Korea
(72) Name(s) of Designer(s): **Sang-Hyun Park**
(45) Registration Date: **02 August 2013**
(30) Convention priority data:
(31) Number (32) Date (33) Country
30-2013-0001447 09 Jan 2013 REPUBLIC OF KOREA
(56) Related Art Documents: **Not Applicable**
(57) Statement of Newness and Distinctiveness: **Newness and distinctiveness is claimed in the features of pattern and/or ornamentation of the Display Screen For An Electronic Device as shown in the accompanying representations and referenced by an A in Figure 1. The features shown in broken lines are for illustrative purposes only and do not form part of the claimed design.**



(21) Design Number: **12991/2013**

(22) Date of Filing Application: **26 June 2013**

(24) Date from which industrial property rights may have effect: **26 June 2013**

(54) Product in respect of which the design is registered: **Display screen for an electronic device**

(51) International Design Classification: **14-02, 14-01, 14-03E**

(74) Name(s) of Attorney(s): **Wrays**

(71) Name(s) and Address(s) of Applicant(s):

Samsung Electronics Co., Ltd
129 Samsung-ro Yeongtong-gu Suwon-si Gyeonggi-do 443-742 Republic of Korea

(72) Name(s) of Designer(s): **Young-Rim Kim**

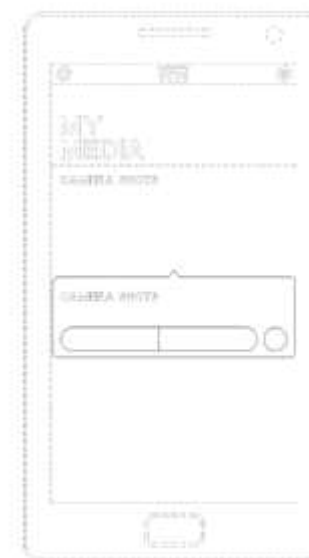
(45) Registration Date: **02 August 2013**

(30) Convention priority data:

(31) Number	(32) Date	(33) Country
30-2013-0001399	09 Jan 2013	REPUBLIC OF KOREA

(56) Related Art Documents: **Not Applicable**

(57) Statement of Newness and Distinctiveness: **Newness and distinctiveness is claimed in the features of pattern and/or ornamentation of the Display Screen For An Electronic Device as shown in the accompanying representations. The features shown in broken lines are for illustrative purposes only and do not form part of the claimed design.**



(21) Design Number: **12983/2013**

(22) Date of Filing Application: **26 June 2013**

(24) Date from which industrial property rights may have effect: **26 June 2013**

(54) Product in respect of which the design is registered: **Display screen for an electronic device**

(51) International Design Classification: **14-02, 14-01, 14-03E**

(74) Name(s) of Attorney(s): **Wrays**

(71) Name(s) and Address(s) of Applicant(s):

Samsung Electronics Co., Ltd
129 Samsung-ro Yeongtong-gu Suwon-si Gyeonggi-do 443-742 Republic of Korea

(72) Name(s) of Designer(s): **Min-Hyung Kim and Pill-Kyoung Moon**

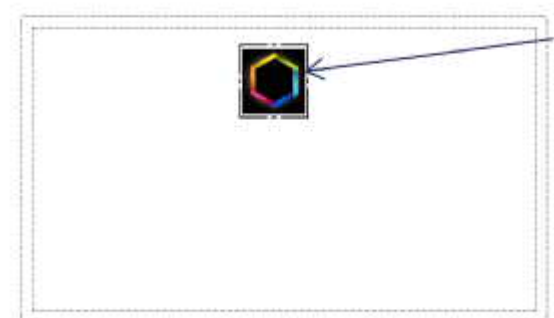
(45) Registration Date: **02 August 2013**

(30) Convention priority data:

(31) Number	(32) Date	(33) Country
30-2013-0000761	05 Jan 2013	REPUBLIC OF KOREA

(56) Related Art Documents: **Not Applicable**

(57) Statement of Newness and Distinctiveness: **Newness and distinctiveness is claimed in the features of pattern and/or ornamentation of the Display Screen For An Electronic Device as shown in the accompanying representations and referenced by an A in Figure 1. The features shown in broken lines are for illustrative purposes only and do not form part of the claimed designs.**



(21) Design Number: **12977/2013**
(22) Date of Filing Application: **26 June 2013**
(24) Date from which industrial property rights may have effect: **26 June 2013**
(54) Product in respect of which the design is registered: **Display screen for an electronic device**

(51) International Design Classification: **14-02, 14-01, 14-03E**

(74) Name(s) of Attorney(s): **Wrays**

(71) Name(s) and Address(s) of Applicant(s):

Samsung Electronics Co., Ltd
129 Samsung-ro Yeongtong-gu Suwon-si Gyeonggi-do 443-742 Republic of Korea

(72) Name(s) of Designer(s): **Sang-Hyun Park**

(45) Registration Date: **02 August 2013**

(30) Convention priority data:

(31) Number	(32) Date	(33) Country
30-2013-0001442	09 Jan 2013	REPUBLIC OF KOREA

(56) Related Art Documents: **Not Applicable**

(57) Statement of Newness and Distinctiveness: **Newness and distinctiveness is claimed in the features of pattern and/or ornamentation of the Display Screen For An Electronic Device as shown in the accompanying representations. The features shown in broken lines are for illustrative purposes only and do not form part of the claimed design.**



(21) Design Number: **13007/2013**
(22) Date of Filing Application: **27 June 2013**
(24) Date from which industrial property rights may have effect: **27 June 2013**
(54) Product in respect of which the design is registered: **Display screen for an electronic device**

(51) International Design Classification: **14-02, 14-01, 14-03E**

(74) Name(s) of Attorney(s): **Wrays**

(71) Name(s) and Address(s) of Applicant(s):

Samsung Electronics Co., Ltd
129 Samsung-ro Yeongtong-gu Suwon-si Gyeonggi-do 443-742 Republic of Korea

(72) Name(s) of Designer(s): **Jang-Won Seo and Yong-Hwan Kwon and Ji-Eun Kim and Ji-Hong Kim and Hye-Ryung Kim and Se-Ran Jeon and Woo-Seok Hwang**

(45) Registration Date: **02 August 2013**

(30) Convention priority data:

(31) Number	(32) Date	(33) Country
30-2013-0000668	04 Jan 2013	REPUBLIC OF KOREA

(56) Related Art Documents: **Not Applicable**

(57) Statement of Newness and Distinctiveness: **Newness and distinctiveness is claimed in the features of pattern and/or ornamentation of the Display Screen For An Electronic Device as shown in the accompanying representations. The features shown in broken lines are for illustrative purposes only and do not form part of the claimed design.**



(21) Design Number: **12944/2013**

(22) Date of Filing Application: **25 June 2013**

(24) Date from which industrial property rights may have effect: **25 June 2013**

(54) Product in respect of which the design is registered: **Fishing line guide ring**

(51) International Design Classification: **22-05**

(74) Name(s) of Attorney(s): **SPRUSON & FERGUSON**

(71) Name(s) and Address(s) of Applicant(s):

Globeride, Inc.

14-16 Maesawa 3-chome Higashikurume-shi Tokyo 203-8511 Japan

(72) Name(s) of Designer(s): **Masaru Akiba and Kunio Tayama and Michitaka Kurata**

(45) Registration Date: **05 August 2013**

(30) Convention priority data:

(31) Number	(32) Date	(33) Country
2012-031615	26 Dec 2012	JAPAN

(56) Related Art Documents: **Not Applicable**

(57) Statement of Newness and Distinctiveness: **Newness and distinctiveness is claimed in the features of shape and/or configuration and pattern and/or ornamentation of a fishing line guide ring as illustrated in the accompanying representations.**



(21) Design Number: **13015/2013**

(22) Date of Filing Application: **27 June 2013**

(24) Date from which industrial property rights may have effect: **27 June 2013**

(54) Product in respect of which the design is registered: **A laundry tub**

(51) International Design Classification: **07-05B**

(74) Name(s) of Attorney(s): **SPRUSON & FERGUSON**

(71) Name(s) and Address(s) of Applicant(s):

Caroma Industries Limited

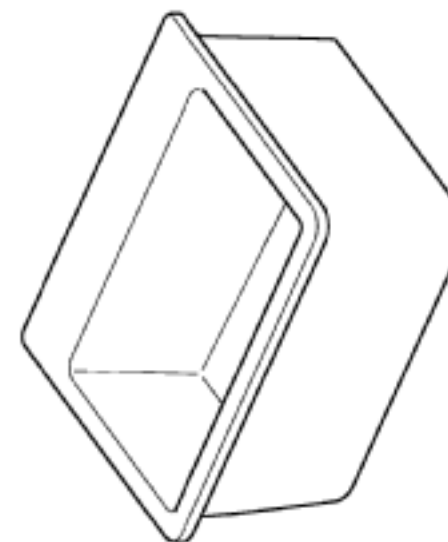
L2 HQ South Tower 520 Wickham St Fortitude Valley QLD 4006 Australia

(72) Name(s) of Designer(s): **Stephen John Cummings and Vincent Kai Hong Ho and Luke Anthony Di Michiel**

(45) Registration Date: **05 August 2013**

(56) Related Art Documents: **Not Applicable**

(57) Statement of Newness and Distinctiveness: **Newness and distinctiveness is claimed in the features of shape and/or configuration of a laundry tub as illustrated in the accompanying representations.**



(21) Design Number: **13021/2013**

(22) Date of Filing Application: **27 June 2013**

(24) Date from which industrial property rights may have effect: **27 June 2013**

(54) Product in respect of which the design is registered: **Chair**

(51) International Design Classification: **06-01E**

(74) Name(s) of Attorney(s): **Golja Haines & Friend**

(71) Name(s) and Address(s) of Applicant(s):

Cerantola S.p.A

Via Giorgione 2 Franzione Ramon Loria TV 31037 Italy

(72) Name(s) of Designer(s): **Paolo Scagnellato and Jeremiah Ferrarese**

(45) Registration Date: **06 August 2013**

(30) Convention priority data:

(31) Number
002208504

(32) Date
25 Mar 2013

(33) Country
**OFFICE FOR HARMONISATION IN
THE INTERNAL MARKET (OHIM)**

(56) Related Art Documents: **Not Applicable**

(57) Statement of Newness and Distinctiveness: **Newness and distinctiveness resides in the shape and configuration of a chair as illustrated in the accompanying representations.**



(21) Design Number: **13022/2013**

(22) Date of Filing Application: **27 June 2013**

(24) Date from which industrial property rights may have effect: **27 June 2013**

(54) Product in respect of which the design is registered: **Display screen for an electronic device**

(51) International Design Classification: **14-02, 14-01, 14-03E**

(74) Name(s) of Attorney(s): **Wrays**

(71) Name(s) and Address(s) of Applicant(s):

Samsung Electronics Co., Ltd

129 Samsung-ro Yeongtong-gu Suwon-si Gyeonggi-do 443-742 Republic of Korea

(72) Name(s) of Designer(s): **Jang-Won Seo and Yong-Hwan Kwon and Ji-Eun Kim and Ji-Hong Kim and Hye-Ryung Kim and Se-Ran Jeon and Woo-Seok Hwang**

(45) Registration Date: **06 August 2013**

(30) Convention priority data:

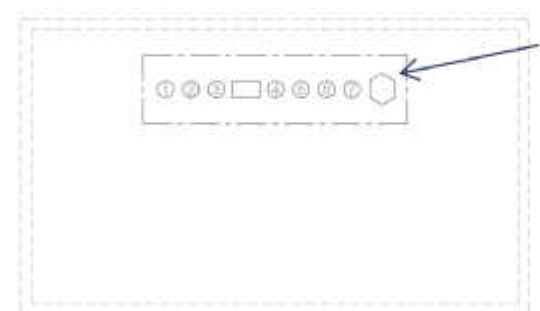
(31) Number
30-2013-0000732

(32) Date
05 Jan 2013

(33) Country
REPUBLIC OF KOREA

(56) Related Art Documents: **Not Applicable**

(57) Statement of Newness and Distinctiveness: **Newness and distinctiveness is claimed in the features of pattern and/or ornamentation of the Display Screen For An Electronic Device as shown in the accompanying representations and referenced by an A in Figure 1. The features shown in broken lines are for illustrative purposes only and do not form part of the design.**



(21) Design Number: **13023/2013**

(22) Date of Filing Application: **27 June 2013**

(24) Date from which industrial property rights may have effect: **27 June 2013**

(54) Product in respect of which the design is registered: **Display screen for an electronic device**

(51) International Design Classification: **14-02, 14-01, 14-03E**

(74) Name(s) of Attorney(s): **Wrays**

(71) Name(s) and Address(s) of Applicant(s):

Samsung Electronics Co., Ltd
129 Samsung-ro Yeongtong-gu Suwon-si Gyeonggi-do 443-742 Republic of Korea

(72) Name(s) of Designer(s): **Jang-Won Seo and Yong-Hwan Kwon and Ji-Eun Kim and Ji-Hong Kim and Hye-Ryung Kim and Se-Ran Jeon and Woo-Seok Hwang**

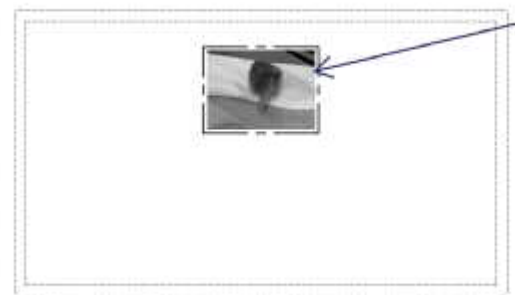
(45) Registration Date: **06 August 2013**

(30) Convention priority data:

(31) Number	(32) Date	(33) Country
30-2013-0000578	04 Jan 2013	REPUBLIC OF KOREA

(56) Related Art Documents: **Not Applicable**

(57) Statement of Newness and Distinctiveness: **Newness and distinctiveness is claimed in the features of pattern and/or ornamentation of the Display Screen For An Electronic Device as shown in the accompanying representations and referenced by an A in Figure 1. The features shown in broken lines are for illustrative purposes only and do not form part of the design.**



(21) Design Number: **13024/2013**

(22) Date of Filing Application: **27 June 2013**

(24) Date from which industrial property rights may have effect: **27 June 2013**

(54) Product in respect of which the design is registered: **Display screen for an electronic device**

(51) International Design Classification: **14-02, 14-01, 14-03E**

(74) Name(s) of Attorney(s): **Wrays**

(71) Name(s) and Address(s) of Applicant(s):

Samsung Electronics Co., Ltd
129 Samsung-ro Yeongtong-gu Suwon-si Gyeonggi-do 443-742 Republic of Korea

(72) Name(s) of Designer(s): **Jang-Won Seo and Yong-Hwan Kwon and Ji-Eun Kim and Ji-Hong Kim and Hye-Ryung Kim and Se-Ran Jeon and Woo-Seok Hwang**

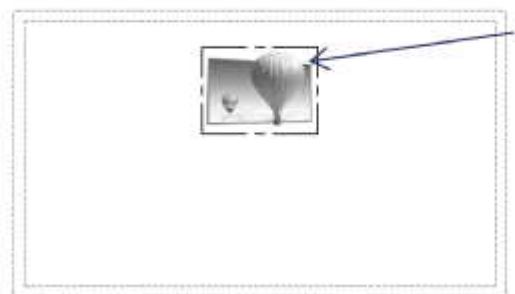
(45) Registration Date: **06 August 2013**

(30) Convention priority data:

(31) Number	(32) Date	(33) Country
30-2013-0000572	04 Jan 2013	REPUBLIC OF KOREA

(56) Related Art Documents: **Not Applicable**

(57) Statement of Newness and Distinctiveness: **Newness and distinctiveness is claimed in the features of pattern and/or ornamentation of the Display Screen For An Electronic Device as shown in the accompanying representations and referenced by an A in Figure 1. The features shown in broken lines are for illustrative purposes only and do not form part of the design.**



(21) Design Number: **13025/2013**

(22) Date of Filing Application: **27 June 2013**

(24) Date from which industrial property rights may have effect: **27 June 2013**

(54) Product in respect of which the design is registered: **Display screen for an electronic device**

(51) International Design Classification: **14-02, 14-01, 14-03E**

(74) Name(s) of Attorney(s): **Wrays**

(71) Name(s) and Address(s) of Applicant(s):

Samsung Electronics Co., Ltd
129 Samsung-ro Yeongtong-gu Suwon-si Gyeonggi-do 443-742 Republic of Korea

(72) Name(s) of Designer(s): **Jang-Won Seo and Yong-Hwan Kwon and Ji-Eun Kim and Hye-Ryung Kim and Se-Ran Jeon and Woo-Seok Hwang and Ji-Hong Kim**

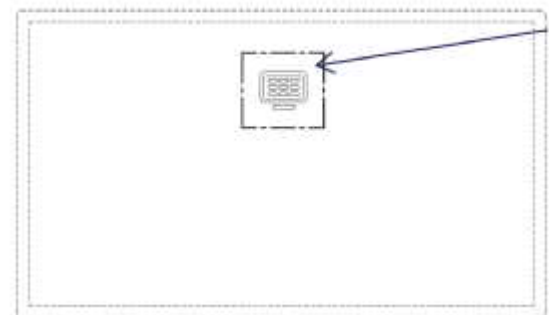
(45) Registration Date: **06 August 2013**

(30) Convention priority data:

(31) Number	(32) Date	(33) Country
30-2013-0000728	05 Jan 2013	REPUBLIC OF KOREA

(56) Related Art Documents: **Not Applicable**

(57) Statement of Newness and Distinctiveness: **Newness and distinctiveness is claimed in the features of pattern and/or ornamentation of the Display Screen For An Electronic Device as shown in the accompanying representations and referenced by an A in Figure 1. The features shown in broken lines are for illustrative purposes only and do not form part of the design.**



(21) Design Number: **13028/2013**

(22) Date of Filing Application: **27 June 2013**

(24) Date from which industrial property rights may have effect: **27 June 2013**

(54) Product in respect of which the design is registered: **Display screen for an electronic device**

(51) International Design Classification: **14-02, 14-01, 14-03E**

(74) Name(s) of Attorney(s): **Wrays**

(71) Name(s) and Address(s) of Applicant(s):

Samsung Electronics Co., Ltd
129 Samsung-ro Yeongtong-gu Suwon-si Gyeonggi-do 443-742 Republic of Korea

(72) Name(s) of Designer(s): **Jang-Won Seo and Yong-Hwan Kwon and Ji-Eun Kim and Ji-Hong Kim and Hye-Ryung Kim and Se-Ran Jeon and Woo-Seok Hwang**

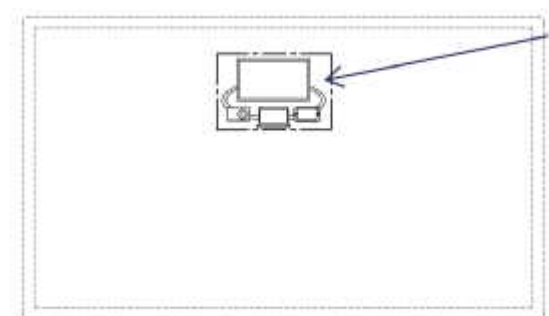
(45) Registration Date: **06 August 2013**

(30) Convention priority data:

(31) Number	(32) Date	(33) Country
30-2013-0000632	04 Jan 2013	REPUBLIC OF KOREA

(56) Related Art Documents: **Not Applicable**

(57) Statement of Newness and Distinctiveness: **Newness and distinctiveness is claimed in the features of pattern and/or ornamentation of the Display Screen For An Electronic Device as shown in the accompanying representations and referenced by an A in Figure 1. The features shown in broken lines are for illustrative purposes only and do not form part of the design.**



(21) Design Number: **13029/2013**

(22) Date of Filing Application: **27 June 2013**

(24) Date from which industrial property rights may have effect: **27 June 2013**

(54) Product in respect of which the design is registered: **Display screen for an electronic device**

(51) International Design Classification: **14-02, 14-01, 14-03E**

(74) Name(s) of Attorney(s): **Wrays**

(71) Name(s) and Address(s) of Applicant(s):

Samsung Electronics Co., Ltd
129 Samsung-ro Yeongtong-gu Suwon-si Gyeonggi-do 443-742 Republic of Korea

(72) Name(s) of Designer(s): **Jang-Won Seo and Yong-Hwan Kwon and Ji-Eun Kim and Ji-Hong Kim and Hye-Ryung Kim and Se-Ran Jeon and Woo-Seok Hwang**

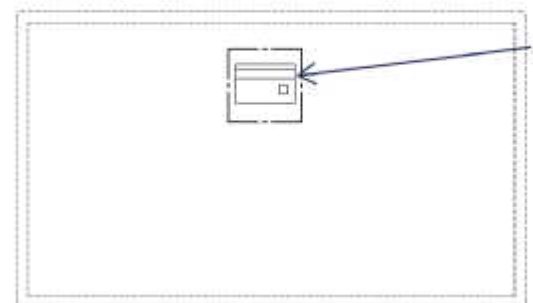
(45) Registration Date: **06 August 2013**

(30) Convention priority data:

(31) Number	(32) Date	(33) Country
30-2013-0000658	04 Jan 2013	REPUBLIC OF KOREA

(56) Related Art Documents: **Not Applicable**

(57) Statement of Newness and Distinctiveness: **Newness and distinctiveness is claimed in the features of pattern and/or ornamentation of the Display Screen For An Electronic Device as shown in the accompanying representations and referenced by an A in Figure 1. The features shown in broken lines are for illustrative purposes only and do not form part of the design.**



(21) Design Number: **13030/2013**

(22) Date of Filing Application: **27 June 2013**

(24) Date from which industrial property rights may have effect: **27 June 2013**

(54) Product in respect of which the design is registered: **Chair**

(51) International Design Classification: **06-01F**

(74) Name(s) of Attorney(s): **Golja Haines & Friend**

(71) Name(s) and Address(s) of Applicant(s):

Cerantola S.p.A
Via Giorgione 2 Franzione Ramon Loria TV 31037 Italy

(72) Name(s) of Designer(s): **Paolo Scagnellato and Jeremiah Ferrarese**

(45) Registration Date: **06 August 2013**

(30) Convention priority data:

(31) Number	(32) Date	(33) Country
002208504	25 Mar 2013	OFFICE FOR HARMONISATION IN THE INTERNAL MARKET (OHIM)

(56) Related Art Documents: **Not Applicable**

(57) Statement of Newness and Distinctiveness: **Newness and distinctiveness resides in the shape and configuration of a chair as illustrated in the accompanying representations.**



(21) Design Number: **13031/2013**
(22) Date of Filing Application: **27 June 2013**
(24) Date from which industrial property rights may have effect: **27 June 2013**
(54) Product in respect of which the design is registered: **Chair**
(51) International Design Classification: **06-01F**
(74) Name(s) of Attorney(s): **Golja Haines & Friend**
(71) Name(s) and Address(s) of Applicant(s):
Cerantola S.p.A
Via Giorgione 2 Franzione Ramon Loria TV 31037 Italy
(72) Name(s) of Designer(s): **Paolo Scagnellato and Jeremiah Ferrarese**
(45) Registration Date: **06 August 2013**
(30) Convention priority data:
(31) Number (32) Date (33) Country
**002208504 25 Mar 2013 OFFICE FOR HARMONISATION IN
THE INTERNAL MARKET (OHIM)**
(56) Related Art Documents: **Not Applicable**
(57) Statement of Newness and Distinctiveness: **Newness and distinctiveness
resides in the shape and configuration of a chair as illustrated in the
accompanying representations.**



(21) Design Number: **13032/2013**
(22) Date of Filing Application: **27 June 2013**
(24) Date from which industrial property rights may have effect: **27 June 2013**
(54) Product in respect of which the design is registered: **Chair**
(51) International Design Classification: **06-01F**
(74) Name(s) of Attorney(s): **Golja Haines & Friend**
(71) Name(s) and Address(s) of Applicant(s):
Cerantola S.p.A
Via Giorgione 2 Franzione Ramon Loria TV 31037 Italy
(72) Name(s) of Designer(s): **Paolo Scagnellato and Jeremiah Ferrarese**
(45) Registration Date: **06 August 2013**
(30) Convention priority data:
(31) Number (32) Date (33) Country
**002208504 25 Mar 2013 OFFICE FOR HARMONISATION IN
THE INTERNAL MARKET (OHIM)**
(56) Related Art Documents: **Not Applicable**
(57) Statement of Newness and Distinctiveness: **Newness and distinctiveness
resides in the shape and configuration of a chair as illustrated in the
accompanying representations.**



(21) Design Number: **13033/2013**

(22) Date of Filing Application: **27 June 2013**

(24) Date from which industrial property rights may have effect: **27 June 2013**

(54) Product in respect of which the design is registered: **Juicer**

(51) International Design Classification: **31-00**

(74) Name(s) of Attorney(s):

(71) Name(s) and Address(s) of Applicant(s):

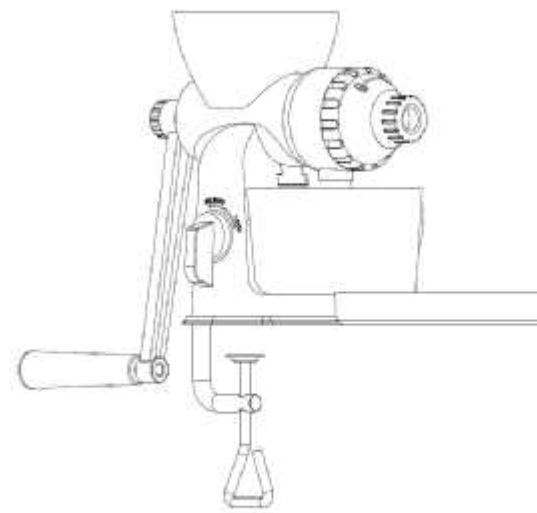
Koju Company Limited
Room 2305A 23/F World Wide House 19 Des Voeux Road Central Central
Hong Kong

(72) Name(s) of Designer(s): **Huaxiu Li**

(45) Registration Date: **06 August 2013**

(56) Related Art Documents: **Not Applicable**

(57) Statement of Newness and Distinctiveness: **Nil**



(21) Design Number: **13037/2013**

(22) Date of Filing Application: **28 June 2013**

(24) Date from which industrial property rights may have effect: **28 June 2013**

(54) Product in respect of which the design is registered: **Compact**

(51) International Design Classification: **28-03NES**

(74) Name(s) of Attorney(s):

(71) Name(s) and Address(s) of Applicant(s):

Container Pty Ltd
L3 255 Riley St Surry Hills NSW 2010 Australia

(72) Name(s) of Designer(s): **Brenan Liston**

(45) Registration Date: **06 August 2013**

(56) Related Art Documents: **Not Applicable**

(57) Statement of Newness and Distinctiveness: **Shape.**



(21) Design Number: **13038/2013**

(22) Date of Filing Application: **28 June 2013**

(24) Date from which industrial property rights may have effect: **28 June 2013**

(54) Product in respect of which the design is registered: **Housing of controller for electronic device**

(51) International Design Classification: **21-01N**

(74) Name(s) of Attorney(s): **Shelston IP**

(71) Name(s) and Address(s) of Applicant(s):

Sony Computer Entertainment Inc.

1-7-1 Konan Minato-ku Toyko 108-0075 Japan

(72) Name(s) of Designer(s): **Tetsu Sumii and Ennin Huang**

(45) Registration Date: **06 August 2013**

(30) Convention priority data:

(31) Number	(32) Date	(33) Country
2013-003277	19 Feb 2013	JAPAN

(56) Related Art Documents: **Not Applicable**

(57) Statement of Newness and Distinctiveness: **Newness and distinctiveness reside in the features of shape and/or configuration of the housing of controller for electronic device as shown in the accompanying representations.**

