



Australian Government

IP Australia

AUSTRALIAN OFFICIAL JOURNAL

OF

DESIGNS

Did you know a searchable version of this journal is now available online?

It's FREE and EASY to SEARCH.

Find it on our website (www.ipaustralia.gov.au)

by using the "Journals" link on the home page.

This Page Left Intentionally Blank

Contents

General Information & Notices

**Proceedings Under the Designs Act 1906 preserved as a result of the provisions of Chapter 12
Part 2 of the Designs Act 2003**

Extension of Period of Registration of Designs	2438
Extensions of Time Granted	2438
Registrations Ceased	2438
Subsequent Owners Registered	2438

Proceedings Under the Designs Act 2003

Applications for Extension of Time Under Section 137	2450
Applications Lapsed	2449
Applications Lodged	2442
Applications Withdrawn	2449
Certificate of Examination	2452
Extension of Period of Registration of Design	2450
Extension of Time Granted Under Section 137	2450
Publication and Registration Proceedings	
Designs Registered 350095 to 350194.....	2453
Registrations Ceased	2450
Subsequent Owners Registered	2450

This Page Left Intentionally Blank

For information on the following please see our website www.ipaustralia.gov.au or contact our Customer Service Network on 1300651010

[Editorial enquiries](#)

[Contact information](#)

[Freedom of Information ACT](#)

[Professional Standards Board](#)

[Sales](#)

[Requests for Information under Section 194 \(c\)](#)

[Country Codes](#)

[Trade Mark and Designs Hearing Sessions](#)

[INID \(Internationally agreed Numbers for the Identification of Data\)](#)

“INID” NUMBERS in use on Australian Design Documents

“INID” is an acronym for “Internationally agreed Numbers for the Identification of Data”.

(10) Data concerning the registration/renewal

- (11) Serial number of the registration and/or number of the design document
- (12) Plain language designation of the kind of published document
- (19) Identification, using the two-letter code according to WIPO Standard ST.3, of the authority publishing or registering the industrial design

(20) Data concerning the application

- (21) Serial number of the application
- (22) Date of filing of the application
- (24) Date from which the industrial design right has effect

(30) Data relating to priority under the Paris Convention

- (31) Serial number assigned to the priority application
- (32) Date of filing of the priority application
- (33) Two-letter code, according to WIPO Standard ST.3, identifying the authority with which the priority application was made

(40) Date(s) of making information available to the public

- (45) Date of publication of the registered industrial design by printing or similar process, or making it available to the public by any other means

(50) Miscellaneous Information

- (51) International Classification for Industrial Designs (class and subclass of the Locarno Classification)
- (54) Designation of article(s) or product(s) covered by the industrial design or title of the industrial design
- (55) Reproduction of the industrial design (e.g., drawing, photograph) and explanations relating to the reproduction
- (56) List of prior art documents, if separate from descriptive text
- (57) Description of characteristic features of the industrial design including indication of colours

(60) References to other legally related application(s) and registration(s)

- (62) Serial number(s) and, if available, filing date(s) of application(s), registration(s) or document(s) related by division
- (66) Serial number(s) of the application, or the registration, of the design(s) which is (are) a variant(s) of the present one

(70) Identification of parties concerned with the application or registration

- (71) Name(s) and address(es) of the applicant(s)
- (72) Name(s) of the creator(s) if known to be such
- (74) Name(s) and address(es) of the representative(s)

This Page Left Intentionally Blank

Nil notices for this journal issue.

Proceedings under the Designs Act 1906 preserved as a result of the provisions of Chapter 12 Part 2 of the Designs Act 2003.

This Page Left Intentionally Blank

Applications Lapsed

There were no Applications Lapsed under this section

Extension of Period of Registration of Designs

1st Period (Section 27A(8))

2nd Period (Section 27A(12))

146504

3rd Period (Section 27A(13))

145112	146504	149717
149718	149766	149801
149802	149803	149804
149805	149806	149899
149900	149901	150020
150028	150075	150230
150483	150484	150485
150602	150763	150764
150796	150856	150920
151144	151145	151209
151297	151298	151346
151401	151677	151678
151679	151967	152127
152796	152797	153046
153341	153669	153672
153673	156085	

Registrations Ceased

Note: Some of the following Registrations may have been previously advertised as ceased. In this instance, the previous advertisement still prevails.

131058	131236	132560
132567	132568	132569
132570	132571	132574
132660	132685	132687
132721	132723	132746
132773	132827	132831
132838	133124	133125
133126	133174	133221
133364	133420	133450
133451	133584	133817
133946	133965	134093
134094	135112	136015
136762	136822	136947
137129	138257	138437
142097	142653	147070
147893	147906	147907
147908	147935	147936
147937	147938	147951
147952	147999	148000
148001	148002	148003
148039	148040	148041

148042	148106	148107
148108	148111	148112
148113	148115	148154
148324	148352	148419
148420	148724	148813
149231	149232	149240
149912	150008	150161
151626	151637	151739
151740	151741	151760
151761	151975	152954

Extensions of time granted

Applications lodged for extension of time have been granted.

145112 **Anthony Derham** An Extension of time to extend a registration has been granted to 14/03/2013

Subsequent Owners Registered

(The name in parentheses is that of the subsequent owner)

150070	(Siemens Schweiz AG) Siemens Building Technologies A.G.
150688	(Siemens Schweiz AG) Siemens Building Technologies A.G.
139161	(VCG Holdings Ltd) Rockbrook Holdings Limited
141741	(Werner International POC GmbH) Hills Holdings Limited
143199	(Werner International POC GmbH) Hills Holdings Limited
144547	(Werner International POC GmbH) Hills Holdings Limited
144548	(Werner International POC GmbH) Hills Holdings Limited
144549	(Werner International POC GmbH) Hills Holdings Limited
155270	(Werner International POC GmbH) Hills Holdings Limited
155271	(Werner International POC GmbH) Hills Holdings Limited
155272	(Werner International POC GmbH) Hills Holdings Limited
155680	(Werner International POC GmbH) Hills Holdings Limited
156857	(Werner International POC GmbH) Hills Holdings Limited
152028	(Ashgrove Plastic Industries Pty Ltd) Ezi-Fix Fastening Systems Australia Pty Ltd
156076	(Ashgrove Plastic Industries Pty Ltd) Ezi-Fix Fastening Systems Australia Pty Ltd
157723	(Diageo Brands B.V.) Diageo North America Inc.
157836	(Diageo Brands B.V.) Diageo North America Inc.
157837	(Diageo Brands B.V.) Diageo North America Inc.

This Page Left Intentionally Blank

Proceedings under the Designs Act 2003.

This Page Left Intentionally Blank

Applications Lodged

Lodgement information is in the following order: **Applicant's Name**; International Classification, Name of Product, Lodgement Date and **Design Number**. If the applicant claims an earlier priority date under an International Convention, the Convention Country and the associated filing date are shown in parentheses before the Lodgement Date. Divisional information will also appear in parentheses before the Lodgement Date.

alphaEOS AG; 10-04, Measuring instruments, (EM, 18 Feb 2013) 09 Aug 2013	13861/2013	Austin, Julian; 12-16NES, Fuel surge tank, 06 Aug 2013	13741/2013
Actervis GmbH; 07-02N, Cooking apparatus, (EM, 14 Feb 2013) 13 Aug 2013	13922/2013	Automobili Lamborghini S.p.A.; 12-16A, Wheel rim, (WO, 22 Feb 2013) 14 Aug 2013	13962/2013
Actron Engineering Pty Ltd; 14-01, Display screen with icon for an electronic device, 14 Aug 2013	13954/2013	Automobili Lamborghini S.p.A.; 12-08, 21-01C, Car; toy-car, (WO, 22 Feb 2013) 14 Aug 2013	13963/2013
Actron Engineering Pty Ltd; 14-01, Display screen with icon for an electronic device, 14 Aug 2013	13955/2013	Automobili Lamborghini S.p.A.; 26-06, Lights for motor cars, (WO, 22 Feb 2013) 14 Aug 2013	13961/2013
Alarimda Pty Ltd; 23-02B, Hand shower, 05 Aug 2013	13736/2013	Avalanche Coffee Limited; 07-01NES, Jar and lid, 02 Aug 2013	13703/2013
Albus Industries Pty Ltd; 13-03NES, Busbar, 15 Aug 2013	14036/2013	ACCO Brands Corporation; 20-02NES, Display board, (US, 07 Mar 2013) 15 Aug 2013	14027/2013
Albus Industries Pty Ltd; 13-03NES, Busbar, 15 Aug 2013	14038/2013	ACCO Brands Corporation; 20-02NES, Display board, (US, 07 Mar 2013) 15 Aug 2013	14031/2013
Albus Industries Pty Ltd; 13-03NES, Busbar, 15 Aug 2013	14037/2013	ACCO Brands Corporation; 20-02NES, Corner pieces for a display board, (US, 07 Mar 2013) 15 Aug 2013	14032/2013
Alto Packaging Limited; 07-03, A spoon, 08 Aug 2013	13796/2013	ACCO Brands Corporation; 20-02NES, Display board, (US, 07 Mar 2013) 15 Aug 2013	14029/2013
Alto Packaging Limited; 07-03, A spoon assembly, 08 Aug 2013	13798/2013	ARB Corporation Limited; 12-16F, Vehicle canopy lift-up side-windows, 13 Aug 2013	13923/2013
Alto Packaging Limited; 07-03, A spoon assembly, 08 Aug 2013	13797/2013	ARB Corporation Limited; 12-16B, Vehicle canopy, 13 Aug 2013	13924/2013
Anchor Wall Systems, Inc.; 25-01E, Edger for landscaping, 06 Aug 2013	13745/2013	Basha, Tyson H.; 11-01NES, Locket, (US, 13 Feb 2013) 07 Aug 2013	13766/2013
Aracama Martinez De Lahidalga, Javier; 15-04, Excavator part, (EM, 08 Feb 2013) 07 Aug 2013	13774/2013	Baur, Franz;Lamello AG; 13-03E, Connecting device, (EM, 27 Feb 2013) 07 Aug 2013	13767/2013
Aracama Martinez De Lahidalga, Javier;De Lahidalga, Javier Aracama Martinez; 15-04, Excavator part, (EM, 08 Feb 2013) 07 Aug 2013	13771/2013	Baur, Franz;Lamello AG; 13-03E, Connecting device, (EM, 27 Feb 2013) 07 Aug 2013	13768/2013
Aracama Martinez De Lahidalga, Javier; 15-04, Excavator part, (EM, 08 Feb 2013) 07 Aug 2013	13773/2013	Betek GMBH & Co. KG; 15-99, Stud for wear protection, (EP, 13 Feb 2013) 08 Aug 2013	13811/2013
Aracama Martinez De Lahidalga, Javier; 15-01, Excavator part, (EM, 08 Feb 2013) 07 Aug 2013	13772/2013	Black & Decker Inc; 08-05A, 15-05, Blower vacuum, (EM, 17 Apr 2013) 02 Aug 2013	13707/2013
Arlec Australia Pty Ltd; 08-08M, A bracket for a ceiling fan blade, 02 Aug 2013	13716/2013	Black & Decker Inc; 08-05A, 15-05, Blower vacuum, (EM, 17 Apr 2013) 02 Aug 2013	13706/2013
Arty Brellas Pty Ltd; 03-03, Umbrella painting stand, 02 Aug 2013	13717/2013		
Austin, Julian; 12-16NES, Fuel surge tank, 02 Aug 2013	13725/2013		

Black & Decker Inc; 08-05A, 15-05, Blower vacuum, (EM, 17 Apr 2013) 02 Aug 2013	13708/2013	BISSELL Homecare, Inc; 15-05, Floor cleaner foot, (US, 28 Feb 2013) 08 Aug 2013	13780/2013
Bonasera, Gregory Paul; 08-08N, Ceiling rose for pendant light with hook, 06 Aug 2013	13754/2013	BISSELL Homecare, Inc; 15-05, Floor cleaner upright portion, (US, 01 Mar 2013) 07 Aug 2013	13762/2013
Bose Corporation; 14-03NES, Remote control, (US, 14 Mar 2013) 02 Aug 2013	13702/2013	BISSELL Homecare, Inc; 08-06, Floor cleaner handle grip, (US, 28 Feb 2013) 07 Aug 2013	13769/2013
Braun GmbH; 04-02, Brush for electric toothbrushes, (WO, 14 Feb 2013) 14 Aug 2013	13951/2013	Canada Pipeline Accessories, Co. Ltd.; 23-04, Flow conditioner, (US, 13 Sep 2012) 24 Jun 2013	13036/2013
Braun GmbH; 04-02, Brush for electric toothbrushes, (WO, 14 Feb 2013) 14 Aug 2013	13952/2013	Charles Parsons (Holdings) Pty Limited; 21-04, A swag-style tent, (Divisional of 12530/2013) 13 Aug 2013	13905/2013
Braun GmbH; 04-02, Brushes for electric toothbrushes, (WO, 14 Feb 2013) 14 Aug 2013	13953/2013	Cleveland, Lewis Roy; 12-16L, 23-01A, A coupling and components therefore, (NZ, 15 Feb 2013) 14 Aug 2013	13931/2013
Breville Pty Limited; 07-02H, Waffle maker, 15 Aug 2013	14033/2013	Coopers Brewery Limited; 31-00, Beverage dispenser, 12 Aug 2013	13898/2013
BELL & ROSS B.V.; 03-01NES, Box for watches, (EM, 19 Apr 2013) 14 Aug 2013	13933/2013	Coopers Brewery Limited; 31-00, Fermenter, 12 Aug 2013	13899/2013
BELL & ROSS B.V.; 10-02, Watch, (EM, 17 Apr 2013) 14 Aug 2013	13949/2013	Coopers Brewery Limited; 31-00, Beverage dispenser, 12 Aug 2013	13897/2013
BELL & ROSS B.V.; 10-02, Watch, (EM, 17 Apr 2013) 14 Aug 2013	13948/2013	COMPAGNIE GENERALE DES ETABLISSEMENTS MICHELIN; Michelin Rechere et Technique S.A; 12-15B, A tyre, (US, 30 Jul 2013) 09 Aug 2013	13858/2013
BELL & ROSS B.V.; 10-02, Watch, (EM, 17 Apr 2013) 14 Aug 2013	13946/2013	D & D Group Pty Ltd; 08-08L, Bracket, 05 Aug 2013	13733/2013
BELL & ROSS B.V.; 10-02, Watch, (EM, 17 Apr 2013) 14 Aug 2013	13947/2013	David, Lawson; 20-03NES, 21-03, Combined card mega phone, fan & advertising banner, 12 Aug 2013	13894/2013
BELL & ROSS B.V.; 10-02, Watch, (EM, 17 Apr 2013) 14 Aug 2013	13943/2013	De Lahidalga, Javier Aracama Martinez; Aracama Martinez De Lahidalga, Javier; 15-04, Excavator part, (EM, 08 Feb 2013) 07 Aug 2013	13771/2013
BELL & ROSS B.V.; 10-02, Watch, 14 Aug 2013	13942/2013	Dingo Australia Pty Ltd; 25-01E, A stackable fence post, 09 Aug 2013	13874/2013
BELL & ROSS B.V.; 10-02, Watch, (EM, 17 Apr 2013) 14 Aug 2013	13944/2013	Dorrington, Craig; 07-01B, Bowl, 15 Aug 2013	14028/2013
BELL & ROSS B.V.; 10-02, Watch, (EM, 17 Apr 2013) 14 Aug 2013	13945/2013	Dyson Technology Limited; 15-05, Part of a vacuum cleaner, (EM, 18 Feb 2013) 09 Aug 2013	13873/2013
BISSELL Homecare, Inc; 15-05, Floor cleaner accessory tool, (US, 28 Feb 2013) 08 Aug 2013	13781/2013	Dyson Technology Limited; 15-05, Part of a vacuum cleaner, (EM, 18 Feb 2013) 09 Aug 2013	13870/2013
BISSELL Homecare, Inc; 15-05, Floor cleaner base, (US, 01 Mar 2013) 07 Aug 2013	13761/2013	Dyson Technology Limited; 15-05, Vacuum cleaner, (EM, 18 Feb 2013) 09 Aug 2013	13865/2013
BISSELL Homecare, Inc; 15-05, Floor cleaning canister, (US, 28 Feb 2013) 08 Aug 2013	13782/2013	Eco Gutter IP Holdings Pty Ltd; 23-01L, A gutter component, (NZ, 26 Oct 2012) 26 Apr 2013	13550/2013

Eco Gutter IP Holdings Pty Ltd; 23-01L, A gutter component, (NZ, 26 Oct 2012) 26 Apr 2013	13546/2013	Gaurish Pty Ltd; 99-00, Restaurant, menus, t-shirt, cups, advertising, 05 Aug 2013	13737/2013
Ecospin Limited; 12-11, The ornamental design is applied to a three-wheeled stand-on motorised vehicle as shown, 26 Jul 2013	13663/2013	Grinter Wholesale Trading Pty. Ltd.; 30-99, A horseshoe, 14 Aug 2013	13935/2013
EcoSmart Stone Pty Ltd; 25-01NES, A rail, 01 Aug 2013	13696/2013	Guangzhou Gardenart Furniture Co. Ltd;Zhou, Xuan; 06-01H, Alu' sling sunlounger, 13 Aug 2013	13921/2013
EcoSmart Stone Pty Ltd; 08-08L, A bracket, 01 Aug 2013	13697/2013	Guangzhou Gardenart Furniture Co. Ltd;Zhou, Xuan; 06-01F, Alu' dinning chair, 12 Aug 2013	13896/2013
EcoSmart Stone Pty Ltd; 08-08B, Spacer (2), 01 Aug 2013	13695/2013	Hansgrohe SE; 23-02B, Hand shower, (EM, 07 Mar 2013) 09 Aug 2013	13860/2013
EcoSmart Stone Pty Ltd; 25-01NES, A batten, 01 Aug 2013	13698/2013	Hansgrohe SE; 23-01H, Sanitary faucet, (EM, 06 Mar 2013) 13 Aug 2013	13911/2013
EcoSmart Stone Pty Ltd; 23-01A, Joiner (2), 01 Aug 2013	13700/2013	Hansgrohe SE; 23-01H, Sanitary faucet, (EM, 06 Mar 2013) 13 Aug 2013	13910/2013
EcoSmart Stone Pty Ltd; 23-01A, Joiner (1), 01 Aug 2013	13699/2013	Hansgrohe SE; 23-02B, Head shower, (EM, 07 Mar 2013) 09 Aug 2013	13859/2013
Editions Play Bac; 19-04, Creative book, (EM, 07 Jun 2013) 25 Jul 2013	13612/2013	Highland Sports Pty Ltd; 05-05A, Clothing; jacket; pants; t-shirt; backpack; bag, 06 Aug 2013	13744/2013
Elopak Systems AG; 09-03NES, A packaging carton, 30 May 2013	13342/2013	Homeland Housewares, LLC; 31-00, Dessert maker, (US, 28 Jun 2013) 06 Aug 2013	13793/2013
Engwerda, Joshua; 07-07NES, Multi part mould for creating ice vessels, 05 Aug 2013	13739/2013	Honda Motor Co., Ltd; 12-08, An automobile, (JP, 05 Feb 2013) 02 Aug 2013	13713/2013
ECODROP SARL; 07-05NES, Electric kitchen appliance, (EM, 14 Feb 2013) 13 Aug 2013	13904/2013	Honda Motor Co., Ltd.; 12-08, All terrain vehicle, (US, 07 Feb 2013) 07 Aug 2013	13759/2013
Fenton, Michael; 25-01A, Paving stone, (NZ, 16 Mar 2013) 06 Aug 2013	13756/2013	Honda Motor Co., Ltd.; 26-02, Head lamp, (US, 08 Feb 2013) 07 Aug 2013	13760/2013
Fisher & Paykel Healthcare Limited; 24-01, 29-02, Breathing apparatus, (US, 07 Feb 2013) 06 Aug 2013	13749/2013	Honda Motor Co., Ltd.; 12-08, All terrain vehicle, (US, 07 Feb 2013) 07 Aug 2013	13758/2013
Forever New Clothing Pty Ltd; 03-01B, Accessory item, 25 Jul 2013	13613/2013	Howard, Nicholas Robert; 11-02B, Planter, 13 Aug 2013	13927/2013
Forever New Clothing Pty Ltd; 02-02C, 02-02NES, Article of clothing, 25 Jul 2013	13614/2013	Howard, Nicholas Robert; 11-02B, Planter, 13 Aug 2013	13928/2013
Fusionbrands Inc.; 06-13NES, Versatile cover, (US, 14 Feb 2013) 12 Aug 2013	13891/2013	Humex, S.A.; 23-04, Dehumidifier, (EM, 27 May 2013) 08 Aug 2013	13794/2013
Fusionbrands Inc.; 07-05D, Dish and utensil holder, (US, 14 Feb 2013) 12 Aug 2013	13892/2013	Hunza Holdings Ltd; 26-05E, A lighting heat sink gimbal assembly, 14 Aug 2013	13965/2013
Galvag Pty Limited; 11-05, Novelty cricket bat for autographs with pen holder, 07 Aug 2013	13776/2013	Hunza Holdings Ltd; 26-05E, A lighting heat sink gimbal assembly, 14 Aug 2013	13966/2013
Galvag Pty Limited; 11-05, Novelty cricket bat for autographs with pen holder, 07 Aug 2013	13777/2013		

Indian Motorcycle International, LLC; 12-11, A motorcycle, (US, 12 Nov 2012) 18 Jul 2013	13486/2013	Kimberly-Clark Worldwide, Inc.; 07-05E, Mop head, (US, 27 Feb 2013) 01 Aug 2013	13731/2013
Inojul (Aus) Pty Ltd; 19-06, Slopeboard, 26 Jul 2013	13637/2013	King Furniture Australia Pty Ltd; 06-01G, A chair, 08 Aug 2013	13820/2013
Island Block & Paving Pty Ltd; 25-01K, A block for building a wall, 06 Aug 2013	13751/2013	King Furniture Australia Pty Ltd; 06-01G, A sofa, 14 Aug 2013	13936/2013
Island Block & Paving Pty Ltd; 25-01A, A block for building a wall, 06 Aug 2013	13753/2013	King Furniture Australia Pty Ltd; 06-01G, A sofa, 14 Aug 2013	13939/2013
Island Block & Paving Pty Ltd; 25-01A, A block for building a wall, 06 Aug 2013	13752/2013	King Furniture Australia Pty Ltd; 06-01G, A chair, 14 Aug 2013	13940/2013
IHS Global Design Pty Ltd; 12-02, Service trolley, 09 Aug 2013	13902/2013	King Furniture Australia Pty Ltd; 06-01G, A sofa, 14 Aug 2013	13937/2013
IHS Global Design Pty Ltd; 12-02, Service trolley, 09 Aug 2013	13903/2013	King Furniture Australia Pty Ltd; 06-01G, A sofa, 14 Aug 2013	13941/2013
IHS Global Design Pty Ltd; 12-02, Service trolley, 09 Aug 2013	13903/2013	King Furniture Australia Pty Ltd; 06-01G, A chair, 14 Aug 2013	13938/2013
Jemella Group Limited; 28-03B, Hair styling apparatus, (EM, 14 Feb 2013) 12 Aug 2013	13889/2013	King Furniture Australia Pty Ltd; 06-01G, A chair, 08 Aug 2013	13823/2013
Jobstream Pty Ltd; 14-02, iPad and computer screen appearance, 07 Aug 2013	13763/2013	King Furniture Australia Pty Ltd; 06-01B, A sofa, 08 Aug 2013	13831/2013
Jobstream Pty Ltd; 14-02, iPad and computer screen appearance, 07 Aug 2013	13765/2013	King Furniture Australia Pty Ltd; 06-01G, A sofa, 08 Aug 2013	13848/2013
Jobstream Pty Ltd; 14-02, iPad and computer screen appearance, 07 Aug 2013	13764/2013	King Furniture Australia Pty Ltd; 06-01G, A sofa, 08 Aug 2013	13849/2013
Jobstream Pty Ltd; 14-02, iPad and computer screen appearance, 07 Aug 2013	13764/2013	King Furniture Australia Pty Ltd; 06-01G, A sofa, 08 Aug 2013	13835/2013
Kabushiki Kaisha Toyota Jidoshokki; 12-05, Forklift truck, (JP, 12 Oct 2012) 19 Jul 2013	13487/2013	King Furniture Australia Pty Ltd; 06-01B, A sofa, 08 Aug 2013	13833/2013
Kathmandu Limited; 21-04, Tent, (NZ, 28 Feb 2013) 13 Aug 2013	13920/2013	King Furniture Australia Pty Ltd; 06-01G, A sofa, 08 Aug 2013	13844/2013
Kathmandu Limited; 21-04, Tent, (NZ, 28 Feb 2013) 13 Aug 2013	13920/2013	King Furniture Australia Pty Ltd; 06-01G, A sofa, 08 Aug 2013	13845/2013
Kelly, Athol Herrick; 11-05, A green and gold flag design souvenirs paper goods Aust mad made goods etc. Sporting goods, The all Australian sporting flag, 25 Jul 2013	13950/2013	King Furniture Australia Pty Ltd; 06-01G, A sofa, 08 Aug 2013	13838/2013
Kent Town Creative Pty Ltd; 21-01B, Childrens character, 14 Aug 2013	13967/2013	King Furniture Australia Pty Ltd; 06-01B, A sofa, 08 Aug 2013	13834/2013
Kenwood Limited; 31-00, Electric mixer, (EM, 21 Feb 2013) 12 Aug 2013	13885/2013	King Furniture Australia Pty Ltd; 06-01B, A sofa, 08 Aug 2013	13825/2013
Kenwood Limited; 31-00, Electric mixer, 12 Aug 2013	13884/2013	King Furniture Australia Pty Ltd; 06-01G, A sofa, 08 Aug 2013	13842/2013
Kenwood Limited; 31-00, Electric mixer, 12 Aug 2013	13884/2013	King Furniture Australia Pty Ltd; 06-01G, A sofa, 08 Aug 2013	13843/2013
Kimberly-Clark Worldwide, Inc.; 23-02A, Wiping substrate dispenser, (US, 21 Feb 2013) 08 Aug 2013	13795/2013	King Furniture Australia Pty Ltd; 06-01G, A sofa, 08 Aug 2013	13840/2013
Kimberly-Clark Worldwide, Inc.; 07-05E, Mop head, (US, 27 Feb 2013) 01 Aug 2013	13732/2013	King Furniture Australia Pty Ltd; 06-01G, A sofa, 08 Aug 2013	13841/2013
Kimberly-Clark Worldwide, Inc.; 07-05E, Mop head, (US, 27 Feb 2013) 01 Aug 2013	13732/2013	King Furniture Australia Pty Ltd; 06-01B, A sofa, 08 Aug 2013	13832/2013
		King Furniture Australia Pty Ltd; 06-01G, A sofa, 08 Aug 2013	13846/2013

King Furniture Australia Pty Ltd; 06-01G, A sofa, 08 Aug 2013	13847/2013	Lamello AG;Baur, Franz; 13-03E, Connecting device, (EM, 27 Feb 2013) 07 Aug 2013	13767/2013
King Furniture Australia Pty Ltd; 06-01G, A sofa, 08 Aug 2013	13836/2013	Lamello AG;Baur, Franz; 13-03E, Connecting device, (EM, 27 Feb 2013) 07 Aug 2013	13768/2013
King Furniture Australia Pty Ltd; 06-01G, A sofa, 08 Aug 2013	13837/2013	Legin, Viktor; 26-05D, Balance pendant light, 01 Aug 2013	13701/2013
King Furniture Australia Pty Ltd; 06-01B, A sofa, 08 Aug 2013	13826/2013	Lelox (Australia) Pty Ltd; 08-08M, Mounting bracket, 02 Aug 2013	13710/2013
King Furniture Australia Pty Ltd; 06-01B, A sofa, 08 Aug 2013	13827/2013	Lelox (Australia) Pty Ltd; 08-08M, Mounting bracket, 02 Aug 2013	13709/2013
King Furniture Australia Pty Ltd; 06-01B, A sofa, 08 Aug 2013	13828/2013	Liebenow, Monica; 08-05NES, Pocket tool and tool components, 23 Jul 2013	13585/2013
King Furniture Australia Pty Ltd; 06-01B, A sofa, 08 Aug 2013	13829/2013	Linea Interiors Pty Ltd; 08-08NES, A tensioning clip of indeterminate width, 09 Aug 2013	13868/2013
King Furniture Australia Pty Ltd; 06-01B, A sofa, 08 Aug 2013	13830/2013	Logue and Co. Pty Ltd; 10-04, Measuring cap, 06 Aug 2013	13791/2013
King Furniture Australia Pty Ltd; 06-01G, A chair, 08 Aug 2013	13824/2013	Logue and Co. Pty Ltd; 09-01NES, Medicament package, 08 Aug 2013	13880/2013
King Furniture Australia Pty Ltd; 06-01G, A chair, 08 Aug 2013	13822/2013	Logue and Co. Pty Ltd; 10-04, Measuring cap, 06 Aug 2013	13792/2013
King Furniture Australia Pty Ltd; 06-01G, A chair, 08 Aug 2013	13821/2013	Logue and Co. Pty Ltd; 10-04, Measuring cap, 06 Aug 2013	13790/2013
King Furniture Australia Pty Ltd; 06-01G, A chair, 08 Aug 2013	13818/2013	LG Electronics Inc.; 14-03E, Mobile phone, (KR, 12 Feb 2013) 09 Aug 2013	13864/2013
King Furniture Australia Pty Ltd; 06-01G, A chair, 08 Aug 2013	13819/2013	LG Electronics Inc.; 14-03E, Mobile phone, (KR, 12 Feb 2013) 09 Aug 2013	13863/2013
King Furniture Australia Pty Ltd; 06-01G, A chair, 08 Aug 2013	13817/2013	Mayo Hardware Pty Ltd; 07-04, Spatula, (NZ, 08 Aug 2013) 08 Aug 2013	13810/2013
King Furniture Australia Pty Ltd; 06-01G, A chair, 08 Aug 2013	13816/2013	Meisels, Candice Alana; 02-04NES, A swimming sock, 15 Aug 2013	14030/2013
King Furniture Australia Pty Ltd; 06-01G, A chair, 08 Aug 2013	13814/2013	Meyer Intellectual Properties Ltd; 07-02N, Cookware, (US, 06 Feb 2013) 05 Aug 2013	13730/2013
King Furniture Australia Pty Ltd; 06-01G, A chair, 08 Aug 2013	13815/2013	Michelin Rechere et Technique S.A;COMPAGNIE GENERALE DES ETABLISSEMENTS MICHELIN; 12-15B, A tyre, (US, 30 Jul 2013) 09 Aug 2013	13858/2013
King Furniture Australia Pty Ltd; 06-01G, A chair, 08 Aug 2013	13813/2013	Middleton, Andrea;Smith, Patricia; 03-01B, Bag, 05 Aug 2013	13738/2013
Kingspan Insulation Pty Ltd; 23-01A, Flexible duct clip and seal device, 24 Jul 2013	13582/2013	Miller, Bill; 23-01E, Drain cleaning nozzle, 14 Aug 2013	13929/2013
Kobayashi Pharmaceutical Co., Ltd.; 24-04, Disposal body warmer, (CN, 27 Feb 2013) 14 Aug 2013	13930/2013	Mobile Technology Holdings Limited; 14-02, Scanner, (EM, 25 Feb 2013) 09 Aug 2013	13862/2013
Koninklijke Philips N.V.; 28-03D, Hair clipper, (EM, 07 Feb 2013) 06 Aug 2013	13746/2013		
Koninklijke Philips N.V.; 28-03D, Hair clipper, (EM, 07 Feb 2013) 06 Aug 2013	13747/2013		
Kriznik, Eric Joseph; 21-01L, You can manufacturer or also hand made, (SI, 25 Jun 2013) 07 Aug 2013	13770/2013		

Mobile Technology Holdings Limited; 14-02, 25-02H, Scanner window assembly, (EM, 25 Feb 2013) 09 Aug 2013	13867/2013	Port-A-Cool, LLC; 23-04, Evaporative cooling housing, (US, 18 Oct 2012) 18 Apr 2013	13586/2013
Mullins, Hayley; 06-13B, Baby sleep support, (CA, 13 Feb 2013) 12 Aug 2013	13934/2013	Pulis, Joan; 21-01NES, Mobile, 03 Aug 2013	13728/2013
Mutchell, Karen Janette; 06-13B, Duvet/Quilt/Comforter Cover, 12 Aug 2013	13900/2013	Radio Systems Corporation; 30-99, Dog bone chew toy, (US, 20 Feb 2013) 15 Aug 2013	14034/2013
Mutchell, Karen Janette; 06-13B, Duvet/quilt/comforter cover, 14 Aug 2013	13932/2013	Radio Systems Corporation; 30-99, Dog bone chew toy, (US, 20 Feb 2013) 15 Aug 2013	14035/2013
Nautilus Hyosung Inc.; 20-01, Automated teller machine, (KR, 15 Feb 2013) 13 Aug 2013	13906/2013	Ransom, Dallas James; 06-03C, Office furniture, 14 Aug 2013	13960/2013
Nexus Developments Limited; 08-08NES, A support means, 09 Aug 2013	13857/2013	Reckitt Benckiser (Brands) Limited; 09-07C, Cap, (EM, 26 Feb 2013) 12 Aug 2013	13893/2013
Ng, Hui Sien; 26-05D, Lighting, 02 Aug 2013	13724/2013	Republic Tobacco L.P.; 27-99, Tabletop cigarette making machine hopper, (US, 07 Jan 2013) 03 Jul 2013	13145/2013
Nitz engineering GmbH; 13-02, Battery charger, (EM, 27 Mar 2013) 03 Aug 2013	13726/2013	Rist, Edward John; 20-03NES, Whey better supplements logo's, 05 Aug 2013	13735/2013
Nitz engineering GmbH; 13-02, Battery charger, (EM, 27 Mar 2013) 03 Aug 2013	13727/2013	Rochfort, Ian; 12-16NES, Anchor, 10 Aug 2013	13875/2013
NINGBO BEILUN HAIYU AUTOMOTIVE LAMP CO.; 26-06, Trailer lamp board, 12 Aug 2013	13890/2013	Rumble, Peter;Rumble, Debbi Machealle; 06-03NES, Bar table, 07 Aug 2013	13779/2013
Oakley, Inc.; 16-06, Eyeglass component, (US, 31 May 2013) 12 Aug 2013	13886/2013	Rumble, Debbi Machealle;Rumble, Peter; 06-03NES, Bar table, 07 Aug 2013	13779/2013
Oakley, Inc.; 16-06, Eyeglasses, (US, 07 Jun 2013) 12 Aug 2013	13888/2013	Rumble, Debbi Machealle;Rumble, Peter; 06-01E, Bar stool, 07 Aug 2013	13778/2013
Penline-Mon Ami (Australia) Pty Limited; 19-06, Pens, 07 Aug 2013	13775/2013	Rumble, Peter;Rumble, Debbi Machealle; 06-01E, Bar stool, 07 Aug 2013	13778/2013
Pipers International Pty Ltd; 08-06, A hinge, 12 Aug 2013	13895/2013	Samsonite IP Holdings S.a r.l.; 03-01A, Luggage, (CN, 08 Feb 2013) 05 Aug 2013	13740/2013
Pirrone, Katrina Rae;Pirrone, Matthew; 29-02, Child safety strap, 04 Aug 2013	13729/2013	Samsung Electronics Co., Ltd; 14-02, Display screen for an electronic device, (KR, 23 Feb 2013) 12 Aug 2013	13882/2013
Pirrone, Matthew;Pirrone, Katrina Rae; 29-02, Child safety strap, 04 Aug 2013	13729/2013	Samsung Electronics Co., Ltd; 14-02, Display screen for an electronic device, (KR, 23 Feb 2013) 12 Aug 2013	13881/2013
Pomper, John Robert; 08-05G, 22-05, Fishing bait pump / rod holder, 31 Jul 2013	13704/2013	Skennar, Norman Carl;Townsend, William Donald; 25-02C, Security fencing, 02 Aug 2013	13714/2013
Port-A-Cool, LLC; 23-04, Evaporative cooling housing, (US, 18 Oct 2012) 18 Apr 2013	13588/2013	Skennar, Norman Carl;Townsend, William Donald; 25-02C, Security fencing, 02 Aug 2013	13715/2013
Port-A-Cool, LLC; 23-04, Evaporative cooling housing, (US, 18 Oct 2012) 18 Apr 2013	13590/2013	Smith, Patricia;Middleton, Andrea; 03-01B, Bag, 05 Aug 2013	13738/2013
Port-A-Cool, LLC; 23-04, Evaporative cooling housing, (US, 18 Oct 2012) 18 Apr 2013	13589/2013	Sulzer Mixpac AG; 10-04, 08-05NES, Analytical apparatuses, (CH, 12 Feb 2013) 08 Aug 2013	13852/2013
		Sulzer Mixpac AG; 10-04, 08-05NES, Analytical apparatuses, (CH, 12 Feb 2013) 08 Aug 2013	13850/2013

Sulzer Mixpac AG; 10-04, 08-05NES, Analytical apparatuses, (CH, 12 Feb 2013) 08 Aug 2013	13851/2013	Tsuchiya, Kazuo; 12-16M, Agitating rotor, (JP, 15 Feb 2013) 02 Aug 2013	13705/2013
Take Two Marketing and Events Pty Ltd; 06-07, A mirror, 02 Aug 2013	13723/2013	Tyco Fire & Security GmbH; 10-06, Security tag, (US, 19 Feb 2013) 15 Aug 2013	13969/2013
Take Two Marketing and Events Pty Ltd; 08-06, A gripping device, 02 Aug 2013	13711/2013	TEFAL; 07-02R, Handle, (EM, 05 Mar 2013) 09 Aug 2013	13872/2013
The Andersons, Inc.; 30-99, Animal litter puck, (US, 16 Nov 2012) 14 Apr 2013	13879/2013	TEFAL; 07-02R, Handle, (EM, 05 Mar 2013) 09 Aug 2013	13871/2013
The Andersons, Inc.; 30-99, Animal litter puck, (US, 16 Nov 2012) 14 Apr 2013	13876/2013	TEFAL; 07-02R, Handle, (EM, 05 Mar 2013) 09 Aug 2013	13869/2013
The Andersons, Inc.; 30-99, Animal litter puck, (US, 16 Nov 2012) 14 Apr 2013	13877/2013	Ventana Medical Systems Inc; 24-02, Arcuate member for moving liquids, (US, 15 Mar 2013) 08 Aug 2013	13839/2013
The Andersons, Inc.; 30-99, Animal litter puck, (US, 16 Nov 2012) 14 Apr 2013	13878/2013	Verstappen Verpakkingen B.V.; 09-07B, Container with snap-on lid, 05 Aug 2013	13734/2013
The Decor Corporation Pty Ltd; 07-01A, Plate, 02 Aug 2013	13718/2013	Vertigo Motors, S.L.; 12-11, Motorcycles, 06 Aug 2013	13750/2013
The Decor Corporation Pty Ltd; 07-01C, Cup, 02 Aug 2013	13721/2013	Vertigo Motors, S.L.; 12-11, Chassis for bicycles and motorcycles, 06 Aug 2013	13748/2013
The Decor Corporation Pty Ltd; 07-01D, Mug, 02 Aug 2013	13722/2013	Victaulic Company; 23-01C, Identification sleeve for flexible hose, (US, 15 Feb 2013) 08 Aug 2013	13812/2013
The Decor Corporation Pty Ltd; 07-01A, Plate, 02 Aug 2013	13719/2013	Victaulic Company; 23-01C, Flexible hose with identification sleeve, (US, 15 Feb 2013) 08 Aug 2013	13808/2013
The Decor Corporation Pty Ltd; 07-01B, Bowl, 02 Aug 2013	13720/2013	Victaulic Company; 23-01C, Identification sleeve for flexible hose, (US, 15 Feb 2013) 08 Aug 2013	13809/2013
The Gillette Company; 09-03NES, Razor package, (US, 14 Feb 2013) 06 Aug 2013	13743/2013	Victaulic Company; 23-01C, Identification sleeve for flexible hose, (US, 15 Feb 2013) 08 Aug 2013	13804/2013
The Gillette Company; 09-03NES, Razor package, (US, 14 Feb 2013) 06 Aug 2013	13742/2013	Victaulic Company; 23-01C, Identification sleeve for flexible hose, (US, 15 Feb 2013) 08 Aug 2013	13805/2013
The Raymond Corporation; 13-03C, Enclosure, (US, 03 Dec 2012) 26 Jul 2013	13636/2013	Victaulic Company; 23-01C, Identification sleeve for flexible hose, (US, 15 Feb 2013) 08 Aug 2013	13800/2013
Total Gym Global Corp.; 21-02F, Exercise device, (US, 25 Feb 2013) 12 Aug 2013	13883/2013	Victaulic Company; 23-01C, Flexible hose with identification sleeve, (US, 15 Feb 2013) 08 Aug 2013	13802/2013
Townsend, William Donald;Skennar, Norman Carl; 25-02C, Security fencing, 02 Aug 2013	13714/2013	Victaulic Company; 23-01C, Flexible hose with identification sleeve, (US, 15 Feb 2013) 08 Aug 2013	13803/2013
Townsend, William Donald;Skennar, Norman Carl; 25-02C, Security fencing, 02 Aug 2013	13715/2013	Victaulic Company; 23-01C, Identification sleeve for flexible hose, (US, 15 Feb 2013) 08 Aug 2013	13801/2013
Trade Winds Global Pty Ltd; 09-05, Sterilization pouches, 12 Aug 2013	13887/2013	Victaulic Company; 23-01C, Flexible hose with identification sleeve, (US, 15 Feb 2013) 08 Aug 2013	13799/2013
Tsuchiya, Kazuo; 12-16M, Agitating rotor, (JP, 15 Feb 2013) 02 Aug 2013	13712/2013		

Victaulic Company; 23-01C, Flexible hose with identification sleeve, (US, 15 Feb 2013) 08 Aug 2013	13806/2013	Westal Windows Pty Ltd; 25-02B, Door jamb extrusion, 13 Aug 2013	13909/2013
Victaulic Company; 23-01C, Flexible hose with identification sleeve, (US, 15 Feb 2013) 08 Aug 2013	13807/2013	Westal Windows Pty Ltd; 25-02B, Door jamb extrusion, 13 Aug 2013	13907/2013
Vu, Trinh; 26-05D, Lamp shade, 09 Aug 2013	13866/2013	Westal Windows Pty Ltd; 25-02H, Vision panel extrusion, 13 Aug 2013	13908/2013
VPAS GROUP PTY LTD; 10-04, Housing for gas flow indicator, (US, 12 Feb 2013) 08 Aug 2013	13853/2013	Zhou, Xuan;Guangzhou Gardenart Furniture Co. Ltd; 06-01H, Alu' sling sunlounger, 13 Aug 2013	13921/2013
VPAS GROUP PTY LTD; 10-04, Housing for gas flow indicator, (US, 12 Feb 2013) 08 Aug 2013	13854/2013	Zhou, Xuan;Guangzhou Gardenart Furniture Co. Ltd; 06-01F, Alu' dinning chair, 12 Aug 2013	13896/2013
VPAS GROUP PTY LTD; 10-04, Gas flow indicator, (US, 12 Feb 2013) 08 Aug 2013	13855/2013	3M Innovative Properties Company; 07-99C, 20-02D, 20-02NES, Dispenser, (US, 25 Jan 2013) 24 Jul 2013	13583/2013
VPAS GROUP PTY LTD; 10-04, Gas flow indicator, (US, 12 Feb 2013) 08 Aug 2013	13856/2013	3M Innovative Properties Company; 24-04, Respirator cartridge, (US, 01 Feb 2013) 29 Jul 2013	13662/2013
		4 Ken Pty Ltd; 25-04, A scaffold ledger, 06 Aug 2013	13755/2013

Applications Withdrawn

13300 / 2013 (06-13B)

Applications Lapsed

10253 / 2013 (23-02C)

Extension of Period of Registration of Designs

313604	320885	320886
320887	320888	320889
320890	320891	320893
320894	322093	322199
322200	322201	322203
322286	322317	322318
322340	322369	322406
322408	322426	322465
322483	322488	322489
322490	322494	322495
322496	322497	322514
322528	322529	322530
322572	322573	322574
322575	322576	322580
322581	322582	322583
322584	322585	322586
322589	322590	322611
322612	322613	322614
322615	322616	322617
322626	322669	322670
322671	322672	322758
322769	322770	322771
322772	322773	322774
322775	322778	322831
322843	322860	322888
323006	323007	323038
323074	323223	323270
323362	323533	323621
323631	323720	323760
323762	323774	323797
323823	324008	324009
324011	324012	324020
324207	324758	324904
325045	325225	325525
326528	326529	

Registrations Ceased

317873	317874	317875
317876	317877	317878
317879	317880	318261
318304	318918	318919
318920	318921	319346
319349	319350	319351
319352	319353	319354
319355	319356	319365
319367	319369	319370
319371	319374	319376
319378	319387	319388
319389	319390	319394

319395	319397	319398
319399	319400	319401
319404	319410	319414
319417	319424	319425
319426	319427	319428
319446	319448	319471
319472	319476	319477
319478	319481	319491
319492	319497	319512
319514	319540	319541
319542	319554	319566
319569	319627	319678
319705	319707	319743
319744	319745	319810
319811	319881	319919
319944	319945	319948
319996	320001	320002
320003	320482	320639
320640	320780	320781
323188		

Applications for Extension of time under Section 137

Applications under section 137 for extension of time have been lodged. Objections must be lodged within 1 month from the date of this journal.

- 10742/2013 **Caterpillar Inc.** Address for Service: Freehills Patent Attorneys Level 43 101 Collins Street MELBOURNE VIC 3000
- 10743/2013 **Caterpillar Inc.** Address for Service: Freehills Patent Attorneys Level 43 101 Collins Street MELBOURNE VIC 3000
- 10744/2013 **Caterpillar Inc.** Address for Service: Freehills Patent Attorneys Level 43 101 Collins Street MELBOURNE VIC 3000
- 10745/2013 **Caterpillar Inc.** Address for Service: Freehills Patent Attorneys Level 43 101 Collins Street MELBOURNE VIC 3000
- 10746/2013 **Caterpillar Inc.** Address for Service: Freehills Patent Attorneys Level 43 101 Collins Street MELBOURNE VIC 3000
- 10747/2013 **Caterpillar Inc.** Address for Service: Freehills Patent Attorneys Level 43 101 Collins Street MELBOURNE VIC 3000
- 10748/2013 **Caterpillar Inc.** Address for Service: Freehills Patent Attorneys Level 43 101 Collins Street MELBOURNE VIC 3000
- 10749/2013 **Caterpillar Inc.** Address for Service: Freehills Patent Attorneys Level 43 101 Collins Street MELBOURNE VIC 3000
- 10750/2013 **Caterpillar Inc.** Address for Service: Freehills Patent Attorneys Level 43 101 Collins Street MELBOURNE VIC 3000
- 10751/2013 **Caterpillar Inc.** Address for Service: Freehills Patent Attorneys Level 43 101 Collins Street MELBOURNE VIC 3000

Extensions of time granted under Section 137

Applications lodged under section 137 for extension of time have been granted.

- 313604 **Keith Melbourne**
- 339261 **Playtex Products, LLC**
- 12471/2012 **Daniel Malone**

Subsequent Owners Registered

(The name in parentheses is that of the subsequent owner)

320463	(VCG Holdings Ltd) Rockbrook Holdings Limited	342511	(Zinc Group Pty Ltd) Just Premiums Pty Ltd
327085	(VCG Holdings Ltd) Rockbrook Holdings Limited	348320	(Thompson Lafferty Design Limited) Peter James Thompson
310501	(STC Property Developments Pty Ltd) Saxon Engineering Pty Ltd	333578	(Industries Pty Ltd) Stephen James Woolley
310501	(Matthew James Fisher) STC Property Developments Pty Ltd	327544	(Bayer Intellectual Property GmbH) Bayer Schering Pharma AG
310501	(C.M. Industries Pty Ltd) Matthew James Fisher	327546	(Bayer Intellectual Property GmbH) Bayer Schering Pharma AG
343824	(The Absolut Company AB) Absolut Holding Inc. operating through its division Absolut Holding Filial	307029	(Werner International POC GmbH) Hills Holdings Limited
343885	(The Absolut Company AB) Absolut Holding Inc. operating through its division Absolut Holding Filial	310796	(Secretary to the Department of Transport) Director of Public Transport
343825	(The Absolut Company AB) Absolut Holding Inc. operating through its division Absolut Holding Filial	300335	(Ashgrove Plastic Industries Pty Ltd) Ezi-Fix Fastening Systems Australia Pty Ltd
343884	(The Absolut Company AB) Absolut Holding Inc. operating through its division Absolut Holding Filial	342121	(Michael Foran) Being Protected Pty Ltd
300748	(Award Brands Pty Ltd) Technicon Industries Pty Ltd	342122	(Michael Foran) Being Protected Pty Ltd
300749	(Award Brands Pty Ltd) Technicon Industries Pty Ltd	342249	(Michael Foran) Being Protected Pty Ltd
300750	(Award Brands Pty Ltd) Technicon Industries Pty Ltd	342250	(Michael Foran) Being Protected Pty Ltd
314957	(Award Brands Pty Ltd) Technicon Industries Pty Ltd	342251	(Michael Foran) Being Protected Pty Ltd
305420	(Award Brands Pty Ltd) Novetec Building Products Pty Ltd	342252	(Michael Foran) Being Protected Pty Ltd
318763	(Award Brands Pty Ltd) Novetec Building Products Pty Ltd	348321	(Thompson Lafferty Design Limited) Peter James Thompson
324959	(Award Brands Pty Ltd) Novetec Building Products Pty Ltd	316338	(EZ2C Safety Innovations Pty Ltd) Douglas George Dark
324960	(Award Brands Pty Ltd) Novetec Building Products Pty Ltd	340284	(EZ2C Safety Innovations Pty Ltd) Douglas George Dark
324961	(Award Brands Pty Ltd) Novetec Building Products Pty Ltd	324921	(Netgear, Inc.) Sierra Wireless, Inc.
324962	(Award Brands Pty Ltd) Novetec Building Products Pty Ltd	328687	(Netgear, Inc.) Sierra Wireless, Inc.
326136	(Award Brands Pty Ltd) Novetec Building Products Pty Ltd	345919	(FEFLP Pty Ltd) MISIP Pty Ltd
327452	(Award Brands Pty Ltd) Novetec Building Products Pty Ltd	331033	(Holmes Solutions Limited;Eddy Current Limited Partnership) Holmes Solutions Limited
327457	(Award Brands Pty Ltd) Novetec Building Products Pty Ltd	340671	(Award Brands Pty Ltd) Novotec Building Products Pty Ltd
330247	(Award Brands Pty Ltd) Novetec Building Products Pty Ltd	321732	(VCG Holdings Ltd) Rockbrook Holdings Limited
334954	(Award Brands Pty Ltd) Novetec Building Products Pty Ltd		
334993	(Award Brands Pty Ltd) Novotec Building Products Pty Ltd		
334994	(Award Brands Pty Ltd) Novetec Building Products Pty Ltd		
340670	(Award Brands Pty Ltd) Novetec Building Products Pty Ltd		
336534	(Zinc Group Pty Ltd) Just Premiums Pty Ltd		
342467	(Award Brands Pty Ltd) Novetec Building Products Pty Ltd		
342468	(Award Brands Pty Ltd) Novetec Building Products Pty Ltd		
342469	(Award Brands Pty Ltd) Novetec Building Products Pty Ltd		
342470	(Award Brands Pty Ltd) Novetec Building Products Pty Ltd		
342518	(Award Brands Pty Ltd) Novetec Building Products Pty Ltd		
342519	(Award Brands Pty Ltd) Novetec Building Products Pty Ltd		

Certificate(s) of Examination

Examination of the following Design Registration(s) has been completed. Infringement proceedings may now be commenced.

330185	06-09	19/08/2013
332871	28-03NES	08/08/2013
339261	07-01E	16/08/2013
342529	23-01NES	15/08/2013
342879	12-16NES	07/08/2013
345317	15-07	19/08/2013
346991	03-01B	19/08/2013
346991	03-01B	19/08/2013
347073	07-02N	14/08/2013
347188	14-02	12/08/2013
347189	14-02	12/08/2013
347190	14-02	12/08/2013
347191	14-02	12/08/2013
347279	23-04	13/08/2013
347955	14-01	06/08/2013
347972	26-05NES	07/08/2013
348375	08-01	13/08/2013
349576	07-05E	08/08/2013
349613	06-02	15/08/2013
349614	06-02	15/08/2013

Publication and Registration Proceedings

Designs Registered

This section provides a concordance between design number and registration number of Designs covered in this journal. It also shows the main class and registration date.

This section covers Registration numbers 350095 to 350194 .

The registration number shown below should be used in all future correspondence.

Design Number	Registration Number	International Classification Code (IDC)	Registration Date	Design Number	Registration Number	International Classification Code (IDC)	Registration Date
14782/2012	350099	02-03	06/08/2013	12791/2013	350190	15-07	16/08/2013
16053/2012	350182	25-02C	16/08/2013	12793/2013	350115	15-07	12/08/2013
16148/2012	350100	08-07	06/08/2013	12804/2013	350191	20-02E	16/08/2013
16492/2012	350109	12-05	09/08/2013	12967/2013	350135	11-02B	13/08/2013
16493/2012	350101	12-05	06/08/2013	12968/2013	350136	11-02B	13/08/2013
16546/2012	350103	25-01G	07/08/2013	12969/2013	350137	11-02C	13/08/2013
16565/2012	350102	12-05	06/08/2013	12970/2013	350138	11-02B	13/08/2013
16759/2012	350104	05-05B	07/08/2013	13017/2013	350095	14-01	06/08/2013
10224/2013	350110	12-16NES	09/08/2013	13018/2013	350096	14-01	06/08/2013
10510/2013	350111	02-02C	09/08/2013	13019/2013	350097	14-01	06/08/2013
10520/2013	350112	25-03	09/08/2013	13020/2013	350098	14-02	06/08/2013
10643/2013	350113	22-03	09/08/2013	13040/2013	350163	14-03E	15/08/2013
10653/2013	350117	09-01D	13/08/2013	13041/2013	350164	14-03A	15/08/2013
10654/2013	350118	09-01D	13/08/2013	13042/2013	350165	21-01N	15/08/2013
11257/2013	350105	23-02C	07/08/2013	13043/2013	350166	14-03E	15/08/2013
11284/2013	350192	05-05D	19/08/2013	13044/2013	350167	14-03E	15/08/2013
11588/2013	350193	23-03D	19/08/2013	13045/2013	350168	14-03E	15/08/2013
11666/2013	350194	07-02L	19/08/2013	13047/2013	350169	21-01N	15/08/2013
11859/2013	350119	09-01D	13/08/2013	13048/2013	350170	14-03E	15/08/2013
11860/2013	350120	09-01D	13/08/2013	13049/2013	350171	21-01N	15/08/2013
11861/2013	350121	09-01D	13/08/2013	13051/2013	350172	21-01N	15/08/2013
11862/2013	350122	09-01D	13/08/2013	13058/2013	350173	21-01N	15/08/2013
11863/2013	350123	09-01D	13/08/2013	13060/2013	350174	21-01N	15/08/2013
11864/2013	350124	09-01D	13/08/2013	13061/2013	350175	21-01N	15/08/2013
11865/2013	350125	09-01D	13/08/2013	13062/2013	350176	23-03NES	15/08/2013
11866/2013	350126	09-01D	13/08/2013	13063/2013	350177	15-02	15/08/2013
11867/2013	350127	09-01D	13/08/2013	13065/2013	350178	15-02	15/08/2013
11868/2013	350128	09-01D	13/08/2013	13066/2013	350179	23-04	15/08/2013
12033/2013	350183	24-01	16/08/2013	13068/2013	350180	14-01	15/08/2013
12244/2013	350106	09-01A	07/08/2013	13069/2013	350181	23-04	15/08/2013
12245/2013	350107	09-01A	07/08/2013	13071/2013	350140	23-04	13/08/2013
12352/2013	350129	20-03NES	13/08/2013	13089/2013	350141	14-01	13/08/2013
12353/2013	350130	20-03NES	13/08/2013	13090/2013	350142	14-01	13/08/2013
12354/2013	350131	20-03NES	13/08/2013	13091/2013	350143	14-02	13/08/2013
12380/2013	350162	12-05	15/08/2013	13092/2013	350144	22-01	13/08/2013
12382/2013	350160	14-01	14/08/2013	13096/2013	350145	14-01	13/08/2013
12438/2013	350139	14-03E	13/08/2013	13098/2013	350146	14-01	13/08/2013
12462/2013	350108	23-01NES	07/08/2013	13099/2013	350147	14-01	13/08/2013
12488/2013	350132	25-01F	13/08/2013	13100/2013	350148	14-01	13/08/2013
12500/2013	350133	14-03E	13/08/2013	13101/2013	350149	14-01	13/08/2013
12502/2013	350161	12-16NES	14/08/2013	13102/2013	350150	14-02	13/08/2013
12550/2013	350184	23-03D	16/08/2013	13103/2013	350151	14-02	13/08/2013
12553/2013	350185	23-03D	16/08/2013	13104/2013	350152	14-02	13/08/2013
12675/2013	350114	09-03F	09/08/2013	13106/2013	350153	14-04	13/08/2013
12765/2013	350134	02-01NES	13/08/2013	13107/2013	350154	14-02	13/08/2013
12784/2013	350186	15-07	16/08/2013	13108/2013	350155	14-04	13/08/2013
12785/2013	350187	15-07	16/08/2013	13111/2013	350156	14-02	13/08/2013
12787/2013	350188	15-07	16/08/2013	13112/2013	350157	14-02	13/08/2013
12788/2013	350116	15-07	12/08/2013	13113/2013	350158	14-02	13/08/2013
12789/2013	350189	15-07	16/08/2013	13114/2013	350159	14-01	13/08/2013

Publication and Registration Proceedings - Designs Registered cont'd

Publication and Registration Proceedings

Class Listing of Designs Published or Registered

The following section shows an International Classification Code listing of the Registered or Published Designs covered in this supplement.

Classification	Registration Number	Design Number	Classification	Registration Number	Design Number
02-01NES	350134	12765/2013	14-02	350142	13090/2013
02-02C	350111	10510/2013	14-02	350143	13091/2013
02-02NES	350111	10510/2013	14-02	350145	13096/2013
02-03	350099	14782/2012	14-02	350146	13098/2013
05-05B	350104	16759/2012	14-02	350147	13099/2013
05-05D	350192	11284/2013	14-02	350148	13100/2013
07-02L	350194	11666/2013	14-02	350149	13101/2013
08-07	350100	16148/2012	14-02	350150	13102/2013
09-01A	350106	12244/2013	14-02	350151	13103/2013
09-01A	350107	12245/2013	14-02	350152	13104/2013
09-01D	350117	10653/2013	14-02	350154	13107/2013
09-01D	350118	10654/2013	14-02	350156	13111/2013
09-01D	350119	11859/2013	14-02	350157	13112/2013
09-01D	350120	11860/2013	14-02	350158	13113/2013
09-01D	350121	11861/2013	14-03A	350164	13041/2013
09-01D	350122	11862/2013	14-03E	350095	13017/2013
09-01D	350123	11863/2013	14-03E	350096	13018/2013
09-01D	350124	11864/2013	14-03E	350097	13019/2013
09-01D	350125	11865/2013	14-03E	350098	13020/2013
09-01D	350126	11866/2013	14-03E	350133	12500/2013
09-01D	350127	11867/2013	14-03E	350139	12438/2013
09-01D	350128	11868/2013	14-03E	350147	13099/2013
09-03F	350114	12675/2013	14-03E	350148	13100/2013
11-02B	350135	12967/2013	14-03E	350149	13101/2013
11-02B	350136	12968/2013	14-03E	350163	13040/2013
11-02B	350138	12970/2013	14-03E	350166	13043/2013
11-02C	350137	12969/2013	14-03E	350167	13044/2013
12-05	350101	16493/2012	14-03E	350168	13045/2013
12-05	350102	16565/2012	14-03E	350170	13048/2013
12-05	350109	16492/2012	14-04	350153	13106/2013
12-05	350162	12380/2013	14-04	350155	13108/2013
12-16NES	350110	10224/2013	15-02	350177	13063/2013
12-16NES	350161	12502/2013	15-02	350178	13065/2013
12-16NES	350162	12380/2013	15-07	350115	12793/2013
14-01	350095	13017/2013	15-07	350116	12788/2013
14-01	350096	13018/2013	15-07	350186	12784/2013
14-01	350097	13019/2013	15-07	350187	12785/2013
14-01	350098	13020/2013	15-07	350188	12787/2013
14-01	350141	13089/2013	15-07	350189	12789/2013
14-01	350142	13090/2013	15-07	350190	12791/2013
14-01	350145	13096/2013	15-07	350191	12804/2013
14-01	350146	13098/2013	16-01	350168	13045/2013
14-01	350147	13099/2013	16-01	350170	13048/2013
14-01	350148	13100/2013	19-01	350103	16546/2012
14-01	350149	13101/2013	19-01	350104	16759/2012
14-01	350159	13114/2013	20-02E	350191	12804/2013
14-01	350160	12382/2013	20-03NES	350129	12352/2013
14-01	350180	13068/2013	20-03NES	350130	12353/2013
14-02	350095	13017/2013	20-03NES	350131	12354/2013
14-02	350096	13018/2013	21-01N	350165	13042/2013
14-02	350097	13019/2013	21-01N	350169	13047/2013
14-02	350098	13020/2013	21-01N	350171	13049/2013
14-02	350141	13089/2013	21-01N	350172	13051/2013

Registration Proceedings - Class Listing of Designs Published or Registered cont'd

Classification	Registration Number	Design Number	Classification	Registration Number	Design Number
21-01N	350173	13058/2013	23-04	350140	13071/2013
21-01N	350174	13060/2013	23-04	350179	13066/2013
21-01N	350175	13061/2013	23-04	350181	13069/2013
21-02F	350192	11284/2013	24-01	350183	12033/2013
22-01	350144	13092/2013	25-01A	350132	12488/2013
22-03	350113	10643/2013	25-01F	350132	12488/2013
23-01NES	350108	12462/2013	25-01G	350103	16546/2012
23-02C	350105	11257/2013	25-01G	350104	16759/2012
23-03D	350184	12550/2013	25-02C	350182	16053/2012
23-03D	350185	12553/2013	25-03	350112	10520/2013
23-03D	350193	11588/2013			
23-03NES	350176	13062/2013			

(21) Design Number: **13017/2013**

(22) Date of Filing Application: **27 June 2013**

(24) Date from which industrial property rights may have effect: **27 June 2013**

(54) Product in respect of which the design is registered: **Display screen for an electronic device**

(51) International Design Classification: **14-01, 14-02, 14-03E**

(74) Name(s) of Attorney(s): **Wrays**

(71) Name(s) and Address(s) of Applicant(s):

Samsung Electronics Co., Ltd
129 Samsung-ro Yeongtong-gu Suwon-si Gyeonggi-do 443-742 Republic of Korea

(72) Name(s) of Designer(s): **Jang-Won Seo and Yong-Hwan Kwon and Ji-Eun Kim and Ji-Hong Kim and Hye-Ryung Kim and Se-Ran Jeon and Woo-Seok Hwang**

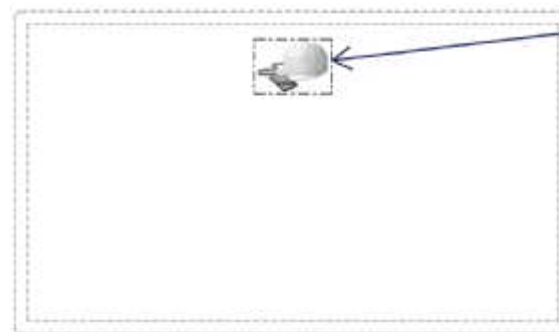
(45) Registration Date: **06 August 2013**

(30) Convention priority data:

(31) Number	(32) Date	(33) Country
30-2013-0000431	04 Jan 2013	REPUBLIC OF KOREA

(56) Related Art Documents: **Not Applicable**

(57) Statement of Newness and Distinctiveness: **Newness and distinctiveness is claimed in the features of pattern and/or ornamentation of the Display Screen For An Electronic Device as shown in the accompanying representations and referenced by an A in Figure 1. The features shown in broken lines are for illustrative purposes only and do not form part of the claimed design.**



(21) Design Number: **13018/2013**

(22) Date of Filing Application: **27 June 2013**

(24) Date from which industrial property rights may have effect: **27 June 2013**

(54) Product in respect of which the design is registered: **Display screen for an electronic device**

(51) International Design Classification: **14-01, 14-02, 14-03E**

(74) Name(s) of Attorney(s): **Wrays**

(71) Name(s) and Address(s) of Applicant(s):

Samsung Electronics Co., Ltd
129 Samsung-ro Yeongtong-gu Suwon-si Gyeonggi-do 443-742 Republic of Korea

(72) Name(s) of Designer(s): **Jang-Won Seo and Yong-Hwan Kwon and Ji-Eun Kim and Ji-Hong Kim and Hye-Ryung Kim and Se-Ran Jeon and Woo-Seok Hwang**

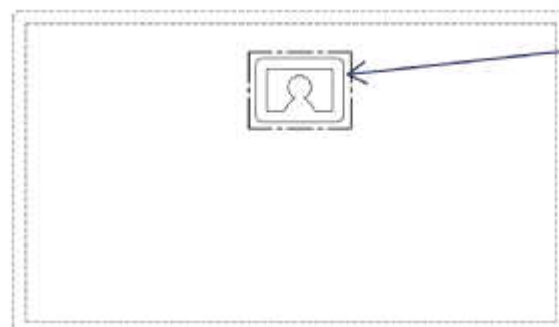
(45) Registration Date: **06 August 2013**

(30) Convention priority data:

(31) Number	(32) Date	(33) Country
30-2013-0000558	04 Jan 2013	REPUBLIC OF KOREA

(56) Related Art Documents: **Not Applicable**

(57) Statement of Newness and Distinctiveness: **Newness and distinctiveness is claimed in the features of pattern and/or ornamentation of the Display Screen For An Electronic Device as shown in the accompanying representations and referenced by an A in Figure 1. The features shown in broken lines are for illustrative purposes only and do not form part of the claimed design.**



(21) Design Number: **13019/2013**

(22) Date of Filing Application: **27 June 2013**

(24) Date from which industrial property rights may have effect: **27 June 2013**

(54) Product in respect of which the design is registered: **Display screen for an electronic device**

(51) International Design Classification: **14-01, 14-02, 14-03E**

(74) Name(s) of Attorney(s): **Wrays**

(71) Name(s) and Address(s) of Applicant(s):

Samsung Electronics Co., Ltd
129 Samsung-ro Yeongtong-gu Suwon-si Gyeonggi-do 443-742 Republic of Korea

(72) Name(s) of Designer(s): **Jang-Won Seo and Yong-Hwan Kwon and Ji-Eun Kim and Ji-Hong Kim and Hye-Ryung Kim and Se-Ran Jeon and Woo-Seok Hwang**

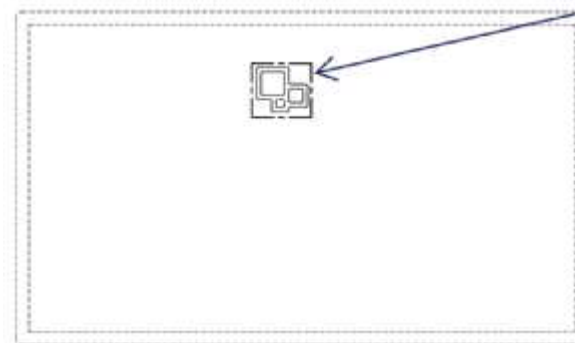
(45) Registration Date: **06 August 2013**

(30) Convention priority data:

(31) Number	(32) Date	(33) Country
30-2013-0000450	04 Jan 2013	REPUBLIC OF KOREA

(56) Related Art Documents: **Not Applicable**

(57) Statement of Newness and Distinctiveness: **Newness and distinctiveness is claimed in the features of pattern and/or ornamentation of the Display Screen For An Electronic Device as shown in the accompanying representations and referenced by an A in Figure 1. The features shown in broken lines are for illustrative purposes only and do not form part of the claimed design.**



(21) Design Number: **13020/2013**

(22) Date of Filing Application: **27 June 2013**

(24) Date from which industrial property rights may have effect: **27 June 2013**

(54) Product in respect of which the design is registered: **Display screen for an electronic device**

(51) International Design Classification: **14-02, 14-01, 14-03E**

(74) Name(s) of Attorney(s): **Wrays**

(71) Name(s) and Address(s) of Applicant(s):

Samsung Electronics Co., Ltd
129 Samsung-ro Yeongtong-gu Suwon-si Gyeonggi-do 443-742 Republic of Korea

(72) Name(s) of Designer(s): **Jang-Won Seo and Yong-Hwan Kwon and Ji-Eun Kim and Hye-Ryung Kim and Se-Ran Jeon and Woo-Seok Hwang and Ji-Hong Kim**

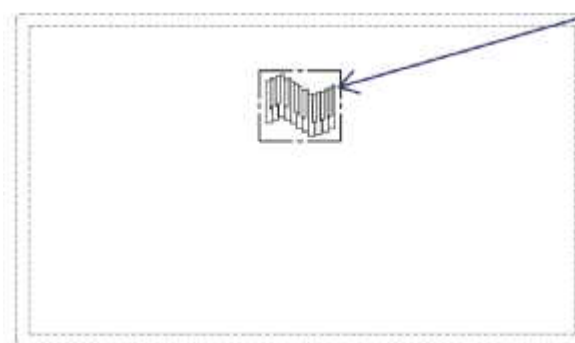
(45) Registration Date: **06 August 2013**

(30) Convention priority data:

(31) Number	(32) Date	(33) Country
30-2013-0000596	04 Jan 2013	REPUBLIC OF KOREA

(56) Related Art Documents: **Not Applicable**

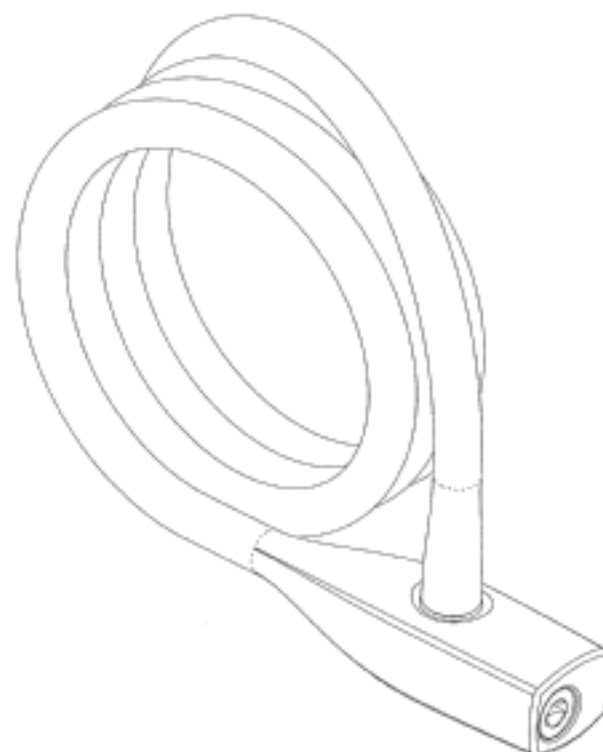
(57) Statement of Newness and Distinctiveness: **Newness and distinctiveness is claimed in the features of pattern and/or ornamentation of the Display Screen For An Electronic Device as shown in the accompanying representations and referenced by an A in Figure 1. The features shown in broken lines are for illustrative purposes only and do not form part of the design.**



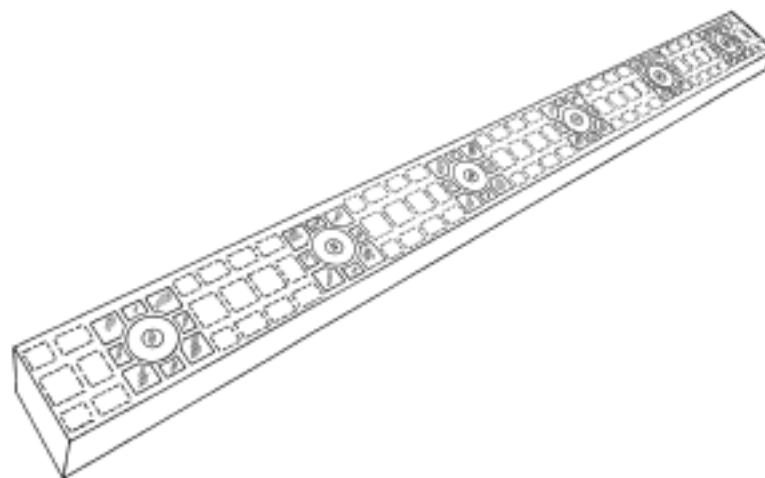
- (21) Design Number: **14782/2012**
(22) Date of Filing Application: **24 September 2012**
(24) Date from which industrial property rights may have effect: **24 September 2012**
(54) Product in respect of which the design is registered: **Sports helmet**
(51) International Design Classification: **02-03**
(74) Name(s) of Attorney(s): **WATERMARK PATENT AND TRADE MARKS ATTORNEYS**
(71) Name(s) and Address(s) of Applicant(s):
Fuselage Design Pty Ltd
PO BOX 1777 Fremantle WA 6959 Australia
(72) Name(s) of Designer(s): **Graeme Scott Attey**
(45) Registration Date: **06 August 2013**
(56) Related Art Documents: **Not Applicable**
(57) Statement of Newness and Distinctiveness: **A foam sports helmet with open sections defined by a polygonal geometric lattice patterned structure.**



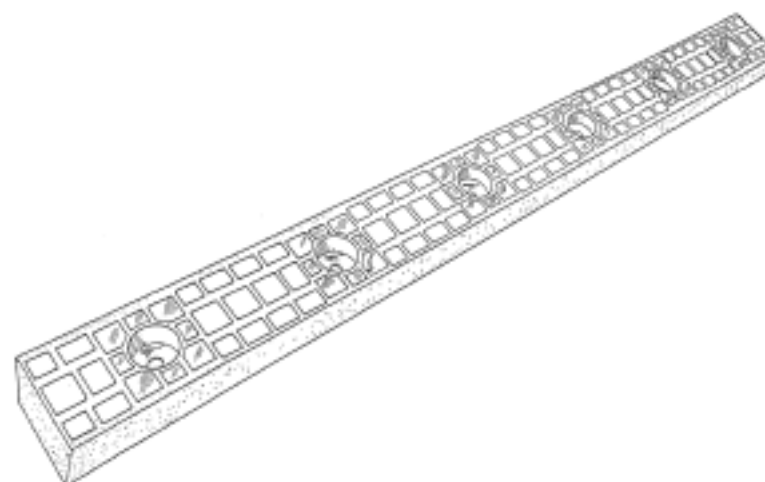
- (21) Design Number: **16148/2012**
(22) Date of Filing Application: **05 December 2012**
(24) Date from which industrial property rights may have effect: **05 December 2012**
(54) Product in respect of which the design is registered: **Coiled lock**
(51) International Design Classification: **08-07**
(74) Name(s) of Attorney(s): **Freehills Patent Attorneys**
(71) Name(s) and Address(s) of Applicant(s):
Knog Pty Ltd
453 Church St Richmond VIC 3121 Australia
(72) Name(s) of Designer(s): **Malcolm McKechnie and Hugo Davidson and Kynan Taylor**
(45) Registration Date: **06 August 2013**
(56) Related Art Documents: **Not Applicable**
(57) Statement of Newness and Distinctiveness: **Newness and distinctiveness of the design resides in the features of shape and configuration of the coiled lock as shown in solid lines in the accompanying representations.**



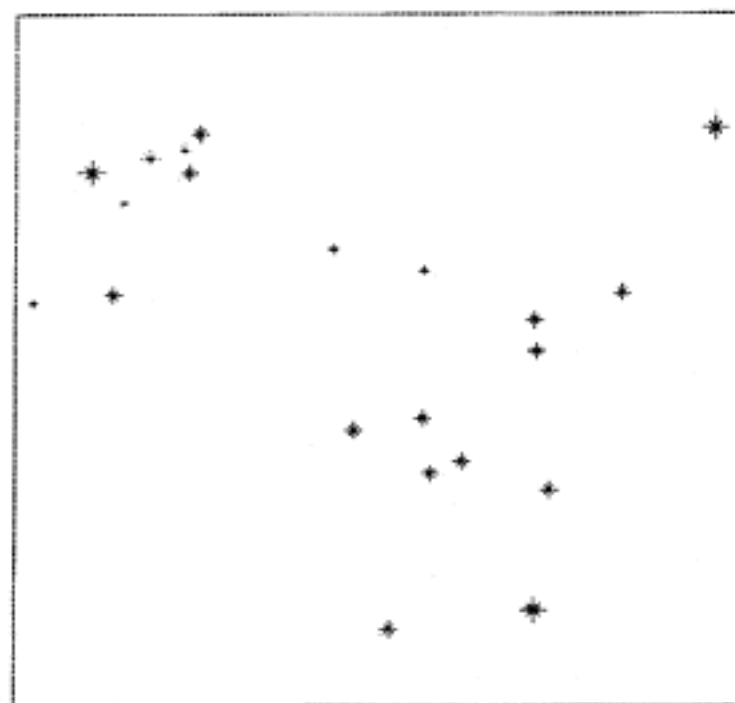
- (21) Design Number: **16493/2012**
(22) Date of Filing Application: **19 December 2012**
(24) Date from which industrial property rights may have effect: **19 December 2012**
(54) Product in respect of which the design is registered: **A liner member for lining a structure carrying particulate material**
(51) International Design Classification: **12-05**
(74) Name(s) of Attorney(s): **IP Gateway Patent & Trademark Attorneys Pty Ltd**
(71) Name(s) and Address(s) of Applicant(s):
Metso Minerals (Sweden) AB
Terminalsgatan 2 Trelleborg SE-231 22 Sweden
(72) Name(s) of Designer(s): **Anders Burstrom**
(45) Registration Date: **06 August 2013**
(56) Related Art Documents: **Not Applicable**
(57) Statement of Newness and Distinctiveness: **The newness and distinctiveness of the design resides in the visual features of shape and/or configuration of a liner member and/or patterning on a liner member as shown in solid lines in the accompanying representations.**



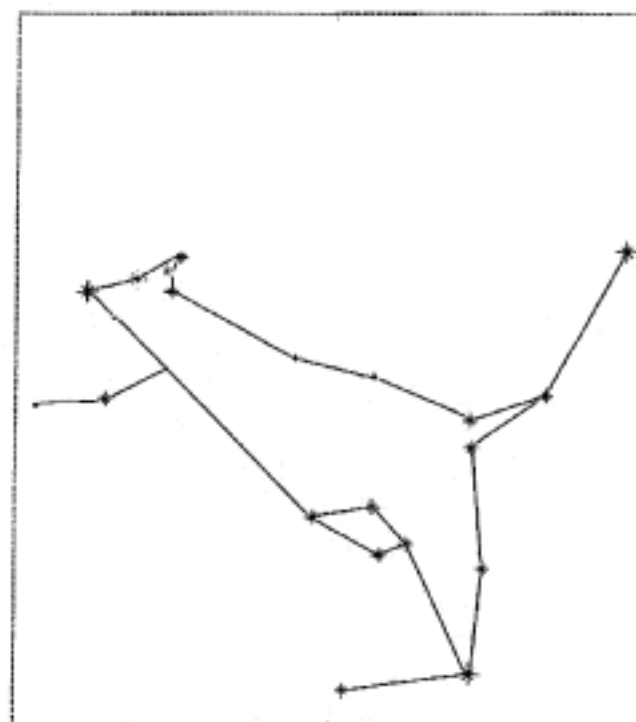
- (21) Design Number: **16565/2012**
(22) Date of Filing Application: **19 December 2012**
(24) Date from which industrial property rights may have effect: **19 December 2012**
(54) Product in respect of which the design is registered: **A liner member for lining a structure carrying particulate material**
(51) International Design Classification: **12-05**
(74) Name(s) of Attorney(s): **IP Gateway Patent & Trademark Attorneys Pty Ltd**
(71) Name(s) and Address(s) of Applicant(s):
Metso Minerals (Sweden) AB
Terminalsgatan 2 Trelleborg SE-231 22 Sweden
(72) Name(s) of Designer(s): **Anders Burstrom**
(45) Registration Date: **06 August 2013**
(56) Related Art Documents: **Not Applicable**
(57) Statement of Newness and Distinctiveness: **The newness and distinctiveness of the design resides in the visual features of shape and/or configuration and/or patterning of shaded inserts arranged around each bore on a liner member as shown in the accompanying representations.**



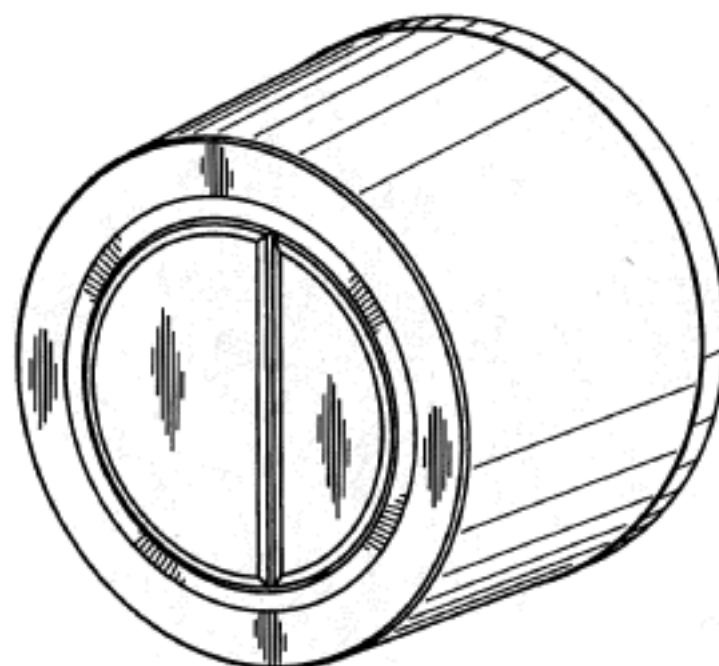
- (21) Design Number: **16546/2012**
(22) Date of Filing Application: **21 December 2012**
(24) Date from which industrial property rights may have effect: **21 December 2012**
(54) Product in respect of which the design is registered: **A Surface pattern for textiles, card and metal**
(51) International Design Classification: **25-01G, 19-01**
(74) Name(s) of Attorney(s): **Pegasus IP**
(71) Name(s) and Address(s) of Applicant(s):
Sven Roehrs
81 Benson St Toowong QLD 4066 Australia
(72) Name(s) of Designer(s): **Sven Roehrs**
(45) Registration Date: **07 August 2013**
(56) Related Art Documents: **Not Applicable**
(57) Statement of Newness and Distinctiveness: **Newness & distinctiveness resides in the features of configuration, ornamentation and/or pattern of the product as shown in the reps.**



- (21) Design Number: **16759/2012**
(22) Date of Filing Application: **21 December 2012**
(24) Date from which industrial property rights may have effect: **21 December 2012**
(54) Product in respect of which the design is registered: **A Surface pattern for textiles, card and metal**
(51) International Design Classification: **05-05B, 19-01, 25-01G**
(74) Name(s) of Attorney(s): **Pegasus IP**
(71) Name(s) and Address(s) of Applicant(s):
Sven Roehrs
81 Benson St Toowong QLD 4066 Australia
(72) Name(s) of Designer(s): **Sven Roehrs**
(45) Registration Date: **07 August 2013**
(56) Related Art Documents: **Not Applicable**
(57) Statement of Newness and Distinctiveness: **Newness and distinctiveness resides in the features of configuration, ornamentation and/or pattern of the product as shown in the reps.**



(21) Design Number: **11257/2013**
(22) Date of Filing Application: **13 March 2013**
(24) Date from which industrial property rights may have effect: **13 March 2013**
(54) Product in respect of which the design is registered: **Control panel for toilets and/or urinals**
(51) International Design Classification: **23-02C**
(74) Name(s) of Attorney(s): **Fisher Adams Kelly Pty Ltd**
(71) Name(s) and Address(s) of Applicant(s):
Geberit International AG
Schachenstrasse 77 JONA 8645 Switzerland
(72) Name(s) of Designer(s): **Christoph Behling**
(45) Registration Date: **07 August 2013**
(30) Convention priority data:
(31) Number (32) Date (33) Country
DM/079095 17 Sep 2012 WORLD INTELLECTUAL
PROPERTY ORGANIZATION
(WIPO)
(56) Related Art Documents: **Not Applicable**
(57) Statement of Newness and Distinctiveness: **The newness and distinctiveness of the design resides in the shape and/or configuration of the control panels for toilets and/or urinals shown in the representations.**



(21) Design Number: **12244/2013**
(22) Date of Filing Application: **15 May 2013**
(24) Date from which industrial property rights may have effect: **15 May 2013**
(54) Product in respect of which the design is registered: **Dispensing container**
(51) International Design Classification: **09-01A**
(74) Name(s) of Attorney(s): **Davies Collison Cave**
(71) Name(s) and Address(s) of Applicant(s):
Bayer Consumer Care AG
Peter Merian-Str. 84 Basel 4052 Switzerland
(72) Name(s) of Designer(s): **Bruno Chazel and Qi Lorin**
(45) Registration Date: **07 August 2013**
(30) Convention priority data:
(31) Number (32) Date (33) Country
002152991-0002 14 Dec 2012 OFFICE FOR HARMONISATION IN
THE INTERNAL MARKET (OHIM)
(56) Related Art Documents: **Not Applicable**
(57) Statement of Newness and Distinctiveness: **Newness and distinctiveness is claimed in the visual features shown in the representations including the ring located at the upper edge of the cylinder, the ring including ribbing at its outer surface and being inclined towards the central axis; the ribbing being shaped as grooves which do not extend fully to the upper edge of the ring; and the inner bottom of the cylinder formed as a circle having two projections on opposite sides which extend into cuts in the inner wall of the cylinder.**



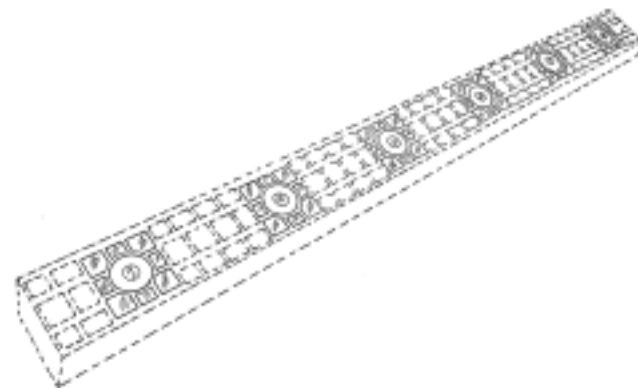
(21) Design Number: **12245/2013**
(22) Date of Filing Application: **15 May 2013**
(24) Date from which industrial property rights may have effect: **15 May 2013**
(54) Product in respect of which the design is registered: **Dispensing container**
(51) International Design Classification: **09-01A**
(74) Name(s) of Attorney(s): **Davies Collison Cave**
(71) Name(s) and Address(s) of Applicant(s):
Bayer Consumer Care AG
Peter Merian-Str. 84 Basel 4052 Switzerland
(72) Name(s) of Designer(s): **Bruno Chazel and Qi Lorin**
(45) Registration Date: **07 August 2013**
(30) Convention priority data:
(31) Number (32) Date (33) Country
002152991-0001 14 Dec 2012 OFFICE FOR HARMONISATION IN
THE INTERNAL MARKET (OHIM)
(56) Related Art Documents: **Not Applicable**
(57) Statement of Newness and Distinctiveness: **Newness and distinctiveness is claimed in the visual features shown in the representations including the annular groove on the circumferential surface of the cap; and the diameter of the lower edge of the cap which is greater than the diameter of the housing.**



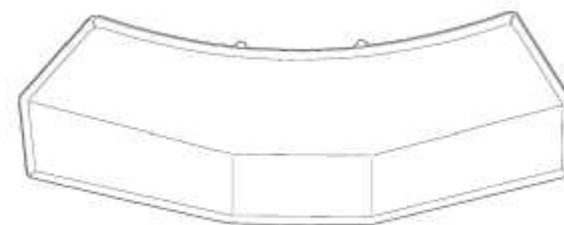
(21) Design Number: **12462/2013**
(22) Date of Filing Application: **28 May 2013**
(24) Date from which industrial property rights may have effect: **28 May 2013**
(54) Product in respect of which the design is registered: **Tundish**
(51) International Design Classification: **23-01NES**
(74) Name(s) of Attorney(s):
(71) Name(s) and Address(s) of Applicant(s):
Art Plastics Pty Ltd
PO BOX 610 Wentworthville NSW 2145 Australia
(72) Name(s) of Designer(s): **Tim Lucas**
(45) Registration Date: **07 August 2013**
(56) Related Art Documents: **Not Applicable**
(57) Statement of Newness and Distinctiveness: **Nil**



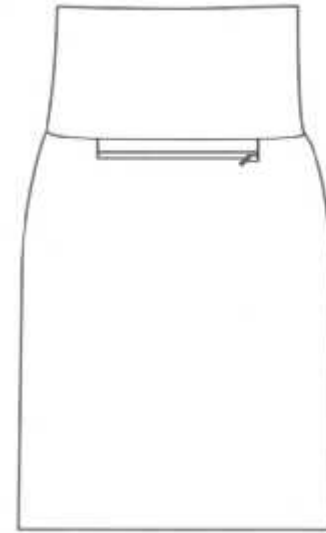
- (21) Design Number: **16492/2012**
(22) Date of Filing Application: **19 December 2012**
(24) Date from which industrial property rights may have effect: **19 December 2012**
(54) Product in respect of which the design is registered: **A liner member for lining a structure carrying particulate material**
(51) International Design Classification: **12-05**
(74) Name(s) of Attorney(s): **IP Gateway Patent & Trademark Attorneys Pty Ltd**
(71) Name(s) and Address(s) of Applicant(s):
Metso Minerals (Sweden) AB
Terminalsgatan 2 Trelleborg SE-231 22 Sweden
(72) Name(s) of Designer(s): **Anders Burstrom**
(45) Registration Date: **09 August 2013**
(56) Related Art Documents: **Not Applicable**
(57) Statement of Newness and Distinctiveness: **The newness and distinctiveness of the design resides in the visual features of shape and/or configuration and/or patterning on a liner member as shown in solid lines in the accompanying representations. When considering the newness and distinctiveness of the design the features shown in dotted lines are to be disregarded.**



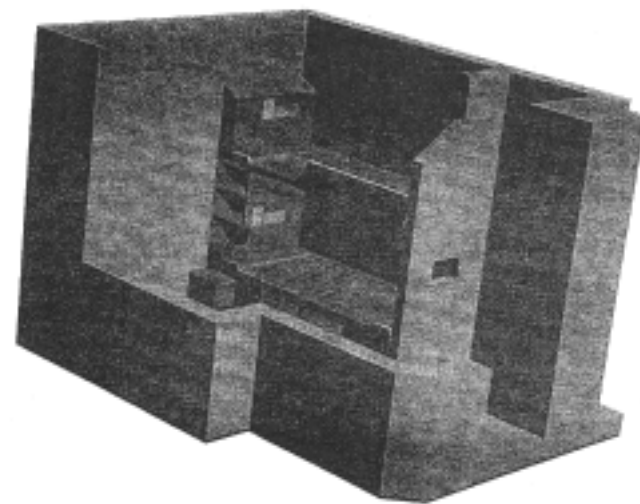
- (21) Design Number: **10224/2013**
(22) Date of Filing Application: **16 January 2013**
(24) Date from which industrial property rights may have effect: **16 January 2013**
(54) Product in respect of which the design is registered: **Angle member**
(51) International Design Classification: **12-16NES**
(74) Name(s) of Attorney(s): **Halfords IP**
(71) Name(s) and Address(s) of Applicant(s):
Angle Assist Pty Ltd
15 Cole St Kiama NSW 2533 Australia
(72) Name(s) of Designer(s): **Carle Goodfellow**
(45) Registration Date: **09 August 2013**
(56) Related Art Documents: **Not Applicable**
(57) Statement of Newness and Distinctiveness: **Newness and Distinctiveness is claimed in those features of shape and or configuration of an Angle Member as depicted in the representations.**



- (21) Design Number: **10510/2013**
(22) Date of Filing Application: **01 February 2013**
(24) Date from which industrial property rights may have effect: **01 February 2013**
(54) Product in respect of which the design is registered: **Garment**
(51) International Design Classification: **02-02C, 02-02NES**
(74) Name(s) of Attorney(s): **Actuate IP**
(71) Name(s) and Address(s) of Applicant(s):
Zippy Skirts Pty Ltd
8 Campbell St Yarraville VIC 3013 Australia
(72) Name(s) of Designer(s): **Chalisa Joy Marie Morrison**
(45) Registration Date: **09 August 2013**
(56) Related Art Documents: **Not Applicable**
(57) Statement of Newness and Distinctiveness: **Newness and distinctiveness is claimed in the features of shape, configuration, pattern and/or ornamentation of the garment as illustrated in the accompanying representations. The features appearing in broken lines are not part of the design.**



- (21) Design Number: **10520/2013**
(22) Date of Filing Application: **31 January 2013**
(24) Date from which industrial property rights may have effect: **31 January 2013**
(54) Product in respect of which the design is registered: **Prefabricated prison cell**
(51) International Design Classification: **25-03**
(74) Name(s) of Attorney(s): **Callinans**
(71) Name(s) and Address(s) of Applicant(s):
Steelfinne Fabrications Pty. Ltd.
1 Bridget St Glen Waverley VIC 3150 Australia
(72) Name(s) of Designer(s): **Glenn Dickson and Eddie Villa**
(45) Registration Date: **09 August 2013**
(56) Related Art Documents: **Not Applicable**
(57) Statement of Newness and Distinctiveness: **Nil**



- (21) Design Number: **10643/2013**
(22) Date of Filing Application: **08 February 2013**
(24) Date from which industrial property rights may have effect: **08 February 2013**
(54) Product in respect of which the design is registered: **Practice caps**
(51) International Design Classification: **22-03**
(74) Name(s) of Attorney(s):
(71) Name(s) and Address(s) of Applicant(s):
Pro-Tactical Pty Ltd
PO BOX 1223 Coorparoo DC QLD 4151 Australia
(72) Name(s) of Designer(s): **David Robert Auger**
(45) Registration Date: **09 August 2013**
(56) Related Art Documents: **Not Applicable**
(57) Statement of Newness and Distinctiveness: **The "Well/Cavity" inside the alloy practice round is stepped allowing the base/rim of the snap cap to be constructed separately and threaded onto the practice round. This design allows for a spring and an alloy false primer to be located in a far more accurate and effective manner than other "practice rounds". The design can be used and is used to cover the "field" for all calibers of rifle and pistol ammunition.**



- (21) Design Number: **12675/2013**
(22) Date of Filing Application: **11 June 2013**
(24) Date from which industrial property rights may have effect: **11 June 2013**
(54) Product in respect of which the design is registered: **Plastic cake dome lid**
(51) International Design Classification: **09-03F**
(74) Name(s) of Attorney(s):
(71) Name(s) and Address(s) of Applicant(s):
Lyson Trading Pty Ltd
U11 25-33 Alfred Rd Chipping Norton NSW 2170 Australia
(72) Name(s) of Designer(s): **Ly Khai**
(45) Registration Date: **09 August 2013**
(56) Related Art Documents: **Not Applicable**
(57) Statement of Newness and Distinctiveness: **1. There is a rim on the top of the lid right at the edge which is flat. 2. The walls of the lid come down at an angle from the top of the rim.**



(21) Design Number: **12793/2013**
(22) Date of Filing Application: **17 June 2013**
(24) Date from which industrial property rights may have effect: **17 June 2013**
(54) Product in respect of which the design is registered: **Refrigerator**
(51) International Design Classification: **15-07**
(74) Name(s) of Attorney(s): **Davies Collison Cave**
(71) Name(s) and Address(s) of Applicant(s):
Red Bull GmbH
Am Brunnen 1 Fuschl am See 5330 Austria
(72) Name(s) of Designer(s): **Drew Haygeman and Eike Schaefer**
(45) Registration Date: **12 August 2013**
(30) Convention priority data:
(31) Number (32) Date (33) Country
**002154104-0014 17 Dec 2012 OFFICE FOR HARMONISATION IN
THE INTERNAL MARKET (OHIM)**
(56) Related Art Documents: **Not Applicable**
(57) Statement of Newness and Distinctiveness: **Nil**



(21) Design Number: **12788/2013**
(22) Date of Filing Application: **17 June 2013**
(24) Date from which industrial property rights may have effect: **17 June 2013**
(54) Product in respect of which the design is registered: **Refrigerator**
(51) International Design Classification: **15-07**
(74) Name(s) of Attorney(s): **Davies Collison Cave**
(71) Name(s) and Address(s) of Applicant(s):
Red Bull GmbH
Am Brunnen 1 Fuschl am See 5330 Austria
(72) Name(s) of Designer(s): **Drew Haygeman and Eike Schaefer**
(45) Registration Date: **12 August 2013**
(30) Convention priority data:
(31) Number (32) Date (33) Country
**002154104-0011 17 Dec 2012 OFFICE FOR HARMONISATION IN
THE INTERNAL MARKET (OHIM)**
(56) Related Art Documents: **Not Applicable**
(57) Statement of Newness and Distinctiveness: **Nil**



(21) Design Number: **10653/2013**
(22) Date of Filing Application: **09 February 2013**
(24) Date from which industrial property rights may have effect: **09 February 2013**
(54) Product in respect of which the design is registered: **Plastic bottles 330 to 750 ml suitable for bottled water, juices, soft drinks, energy drinks, milk products**
(51) International Design Classification: **09-01D**
(74) Name(s) of Attorney(s):
(71) Name(s) and Address(s) of Applicant(s):
Veta Sa
1-3 Aristidou Str Athens 13677 Greece
(72) Name(s) of Designer(s): **Anastasios Veletakos**
(45) Registration Date: **13 August 2013**
(30) Convention priority data:
(31) Number (32) Date (33) Country
29434528 13 Oct 2012 UNITED STATES OF AMERICA
(56) Related Art Documents: **Not Applicable**
(57) Statement of Newness and Distinctiveness: **Nil**



(21) Design Number: **10654/2013**
(22) Date of Filing Application: **09 February 2013**
(24) Date from which industrial property rights may have effect: **09 February 2013**
(54) Product in respect of which the design is registered: **Plastic bottles 330 to 750ml suitable for bottled water, juices, soft drinks, energy drinks, milk products**
(51) International Design Classification: **09-01D**
(74) Name(s) of Attorney(s):
(71) Name(s) and Address(s) of Applicant(s):
Veta Sa
1-3 Aristidou Str Athens 13677 Greece
(72) Name(s) of Designer(s): **Anastasios Veletakos**
(45) Registration Date: **13 August 2013**
(30) Convention priority data:
(31) Number (32) Date (33) Country
29434528 13 Oct 2012 UNITED STATES OF AMERICA
(56) Related Art Documents: **Not Applicable**
(57) Statement of Newness and Distinctiveness: **Nil**



(21) Design Number: **11859/2013**
(22) Date of Filing Application: **09 February 2013**
(24) Date from which industrial property rights may have effect: **09 February 2013**
(54) Product in respect of which the design is registered: **Plastic bottles 330 to 750 ml suitable for bottled water, juices, soft drinks, energy drinks, milk products**
(51) International Design Classification: **09-01D**
(74) Name(s) of Attorney(s):
(71) Name(s) and Address(s) of Applicant(s):
Veta Sa
1-3 Aristidou Str Athens 13677 Greece
(72) Name(s) of Designer(s): **Anastasios Veletakos**
(45) Registration Date: **13 August 2013**
(30) Convention priority data:
(31) Number (32) Date (33) Country
29434528 13 Oct 2012 UNITED STATES OF AMERICA
(56) Related Art Documents: **Not Applicable**
(57) Statement of Newness and Distinctiveness: **Nil**



(21) Design Number: **11860/2013**
(22) Date of Filing Application: **09 February 2013**
(24) Date from which industrial property rights may have effect: **09 February 2013**
(54) Product in respect of which the design is registered: **Plastic bottles 330 to 750 ml suitable for bottled water, juices, soft drinks, energy drinks, milk products**
(51) International Design Classification: **09-01D**
(74) Name(s) of Attorney(s):
(71) Name(s) and Address(s) of Applicant(s):
Veta Sa
1-3 Aristidou Str Athens 13677 Greece
(72) Name(s) of Designer(s): **Anastasios Veletakos**
(45) Registration Date: **13 August 2013**
(30) Convention priority data:
(31) Number (32) Date (33) Country
29434528 13 Oct 2012 UNITED STATES OF AMERICA
(56) Related Art Documents: **Not Applicable**
(57) Statement of Newness and Distinctiveness: **Nil**



(21) Design Number: **11861/2013**
(22) Date of Filing Application: **09 February 2013**
(24) Date from which industrial property rights may have effect: **09 February 2013**
(54) Product in respect of which the design is registered: **Plastic bottles 330 to 750 ml suitable for bottled water, juices, soft drinks, energy drinks, milk products**
(51) International Design Classification: **09-01D**
(74) Name(s) of Attorney(s):
(71) Name(s) and Address(s) of Applicant(s):
Veta Sa
1-3 Aristidou Str Athens 13677 Greece
(72) Name(s) of Designer(s): **Anastasios Veletakos**
(45) Registration Date: **13 August 2013**
(30) Convention priority data:
(31) Number (32) Date (33) Country
29434528 13 Oct 2012 UNITED STATES OF AMERICA
(56) Related Art Documents: **Not Applicable**
(57) Statement of Newness and Distinctiveness: **Nil**



(21) Design Number: **11862/2013**
(22) Date of Filing Application: **09 February 2013**
(24) Date from which industrial property rights may have effect: **09 February 2013**
(54) Product in respect of which the design is registered: **Plastic bottles 330 to 750 ml suitable for bottled water, juices, soft drinks, energy drinks, milk products**
(51) International Design Classification: **09-01D**
(74) Name(s) of Attorney(s):
(71) Name(s) and Address(s) of Applicant(s):
Veta Sa
1-3 Aristidou Str Athens 13677 Greece
(72) Name(s) of Designer(s): **Anastasios Veletakos**
(45) Registration Date: **13 August 2013**
(30) Convention priority data:
(31) Number (32) Date (33) Country
29434528 13 Oct 2012 UNITED STATES OF AMERICA
(56) Related Art Documents: **Not Applicable**
(57) Statement of Newness and Distinctiveness: **Nil**



(21) Design Number: **11863/2013**
(22) Date of Filing Application: **09 February 2013**
(24) Date from which industrial property rights may have effect: **09 February 2013**
(54) Product in respect of which the design is registered: **Plastic bottles 330 to 750 ml suitable for bottled water, juices, soft drink, energy drinks, milk products**
(51) International Design Classification: **09-01D**
(74) Name(s) of Attorney(s):
(71) Name(s) and Address(s) of Applicant(s):
Veta Sa
1-3 Aristidou Str Athens 13677 Greece
(72) Name(s) of Designer(s): **Anastasios Veletakos**
(45) Registration Date: **13 August 2013**
(30) Convention priority data:
(31) Number (32) Date (33) Country
29434528 13 Oct 2012 UNITED STATES OF AMERICA
(56) Related Art Documents: **Not Applicable**
(57) Statement of Newness and Distinctiveness: **Nil**



(21) Design Number: **11864/2013**
(22) Date of Filing Application: **09 February 2013**
(24) Date from which industrial property rights may have effect: **09 February 2013**
(54) Product in respect of which the design is registered: **Plastic bottles 330 to 750 ml suitable for bottled water, juices, soft drinks, energy drinks, milk products**
(51) International Design Classification: **09-01D**
(74) Name(s) of Attorney(s):
(71) Name(s) and Address(s) of Applicant(s):
Veta Sa
1-3 Aristidou Str Athens 13677 Greece
(72) Name(s) of Designer(s): **Anastasios Veletakos**
(45) Registration Date: **13 August 2013**
(30) Convention priority data:
(31) Number (32) Date (33) Country
29434528 13 Oct 2012 UNITED STATES OF AMERICA
(56) Related Art Documents: **Not Applicable**
(57) Statement of Newness and Distinctiveness: **Nil**



(21) Design Number: **11865/2013**
(22) Date of Filing Application: **09 February 2013**
(24) Date from which industrial property rights may have effect: **09 February 2013**
(54) Product in respect of which the design is registered: **Plastic bottles 330 to 750 ml suitable for bottled water, juices, soft drinks, energy drinks, milk products**
(51) International Design Classification: **09-01D**
(74) Name(s) of Attorney(s):
(71) Name(s) and Address(s) of Applicant(s):
Veta Sa
1-3 Aristidou Str Athens 13677 Greece
(72) Name(s) of Designer(s): **Anastasios Veletakos**
(45) Registration Date: **13 August 2013**
(30) Convention priority data:
(31) Number (32) Date (33) Country
29434528 13 Oct 2012 UNITED STATES OF AMERICA
(56) Related Art Documents: **Not Applicable**
(57) Statement of Newness and Distinctiveness: **Nil**



(21) Design Number: **11866/2013**
(22) Date of Filing Application: **09 February 2013**
(24) Date from which industrial property rights may have effect: **09 February 2013**
(54) Product in respect of which the design is registered: **Plastic bottles 330 to 750 ml suitable for bottled water, juices, soft drinks, energy drinks, milk products**
(51) International Design Classification: **09-01D**
(74) Name(s) of Attorney(s):
(71) Name(s) and Address(s) of Applicant(s):
Veta Sa
1-3 Aristidou Str Athens 13677 Greece
(72) Name(s) of Designer(s): **Anastasios Veletakos**
(45) Registration Date: **13 August 2013**
(30) Convention priority data:
(31) Number (32) Date (33) Country
29434528 13 Oct 2012 UNITED STATES OF AMERICA
(56) Related Art Documents: **Not Applicable**
(57) Statement of Newness and Distinctiveness: **Nil**



(21) Design Number: **11867/2013**
(22) Date of Filing Application: **09 February 2013**
(24) Date from which industrial property rights may have effect: **09 February 2013**
(54) Product in respect of which the design is registered: **Plastic bottles 330 to 750 ml suitable for bottled water, juices, soft drinks, energy drinks, milk products**
(51) International Design Classification: **09-01D**
(74) Name(s) of Attorney(s):
(71) Name(s) and Address(s) of Applicant(s):
Veta Sa
1-3 Aristidou Str Athens 13677 Greece
(72) Name(s) of Designer(s): **Anastasios Veletakos**
(45) Registration Date: **13 August 2013**
(30) Convention priority data:
(31) Number (32) Date (33) Country
29434528 13 Oct 2012 UNITED STATES OF AMERICA
(56) Related Art Documents: **Not Applicable**
(57) Statement of Newness and Distinctiveness: **Nil**



(21) Design Number: **11868/2013**
(22) Date of Filing Application: **09 February 2013**
(24) Date from which industrial property rights may have effect: **09 February 2013**
(54) Product in respect of which the design is registered: **Plastic bottles 330 to 750 ml suitable for bottled water, juices, soft drinks, energy drinks, milk products**
(51) International Design Classification: **09-01D**
(74) Name(s) of Attorney(s):
(71) Name(s) and Address(s) of Applicant(s):
Veta Sa
1-3 Aristidou Str Athens 13677 Greece
(72) Name(s) of Designer(s): **Anastasios Veletakos**
(45) Registration Date: **13 August 2013**
(30) Convention priority data:
(31) Number (32) Date (33) Country
29434528 13 Oct 2012 UNITED STATES OF AMERICA
(56) Related Art Documents: **Not Applicable**
(57) Statement of Newness and Distinctiveness: **Nil**



(21) Design Number: **12352/2013**
 (22) Date of Filing Application: **21 May 2013**
 (24) Date from which industrial property rights may have effect: **21 May 2013**
 (54) Product in respect of which the design is registered: **Tag-loop carrier assembly incorporating a holder and a tag- loop advertising labels**
 (51) International Design Classification: **20-03NES**
 (74) Name(s) of Attorney(s): **Acacia Law**
 (71) Name(s) and Address(s) of Applicant(s):

Bedford Industries, Inc.
1659 Rowe Avenue Worthington Minnesota 56187 United States of America

(72) Name(s) of Designer(s): **David Schiller and Curtis John Heinrichs**

(45) Registration Date: **13 August 2013**

(30) Convention priority data:

(31) Number	(32) Date	(33) Country
29/437,913	21 Nov 2012	UNITED STATES OF AMERICA

(56) Related Art Documents: **Not Applicable**

(57) Statement of Newness and Distinctiveness: **The novelty lies in the combination of tag loops in a carrier. In the drawings, dashed lines indicate elements that do not form part of the novelty of this design. Diagonal hatching indicates the presence of transparency.**



(21) Design Number: **12353/2013**
 (22) Date of Filing Application: **21 May 2013**
 (24) Date from which industrial property rights may have effect: **21 May 2013**
 (54) Product in respect of which the design is registered: **Tag-loop carrier assembly incorporating a holder and a tag- loop advertising labels**
 (51) International Design Classification: **20-03NES**
 (74) Name(s) of Attorney(s): **Acacia Law**
 (71) Name(s) and Address(s) of Applicant(s):

Bedford Industries, Inc.
1659 Rowe Avenue Worthington Minnesota 56187 United States of America

(72) Name(s) of Designer(s): **David Schiller and Curtis John Heinrichs**

(45) Registration Date: **13 August 2013**

(30) Convention priority data:

(31) Number	(32) Date	(33) Country
29/437,913	21 Nov 2012	UNITED STATES OF AMERICA

(56) Related Art Documents: **Not Applicable**

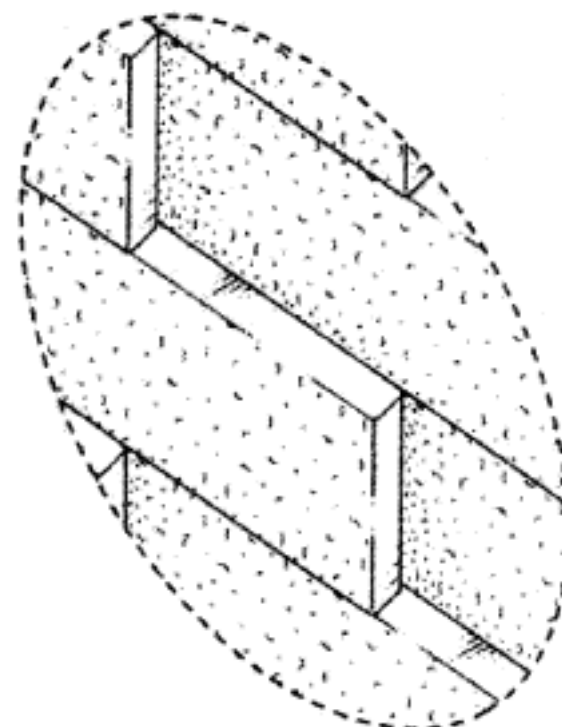
(57) Statement of Newness and Distinctiveness: **The novelty lies in the combination of tag loops in a carrier. In the drawings, dashed lines indicate elements that do not form part of the novelty of this design. Diagonal hatching indicates the presence of transparency.**



- (21) Design Number: **12354/2013**
(22) Date of Filing Application: **21 May 2013**
(24) Date from which industrial property rights may have effect: **21 May 2013**
(54) Product in respect of which the design is registered: **Tag-loop carrier assembly incorporating a holder and a tag-loop advertising labels**
(51) International Design Classification: **20-03NES**
(74) Name(s) of Attorney(s): **Acacia Law**
(71) Name(s) and Address(s) of Applicant(s):
Bedford Industries, Inc.
1659 Rowe Avenue Worthington Minnesota 56187 United States of America
(72) Name(s) of Designer(s): **David Schiller and Curtis John Heinrichs**
(45) Registration Date: **13 August 2013**
(30) Convention priority data:
(31) Number (32) Date (33) Country
29/437,913 21 Nov 2012 UNITED STATES OF AMERICA
(56) Related Art Documents: **Not Applicable**
(57) Statement of Newness and Distinctiveness: **The novelty lies in the combination of tag loops in a carrier. In the drawings, dashed lines indicate elements that do not form part of the novelty of this design. Diagonal hatching indicates the presence of transparency.**



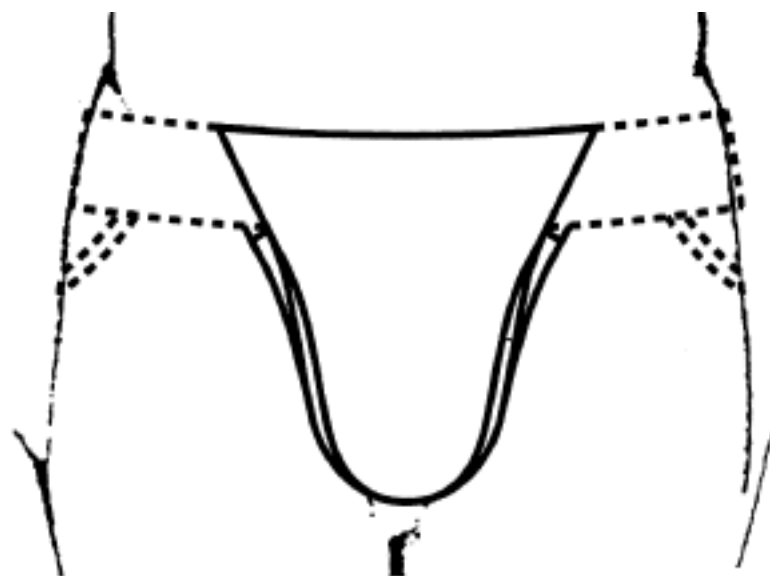
- (21) Design Number: **12488/2013**
(22) Date of Filing Application: **30 May 2013**
(24) Date from which industrial property rights may have effect: **30 May 2013**
(54) Product in respect of which the design is registered: **Wall**
(51) International Design Classification: **25-01F, 25-01A**
(74) Name(s) of Attorney(s): **Dark IP**
(71) Name(s) and Address(s) of Applicant(s):
Keystone Retaining Wall Systems, LLC
4444 West 78th Street Minneapolis Minnesota 55435 United States of America
(72) Name(s) of Designer(s): **Robert A. MacDonald and Thomas S. Riccobene**
(45) Registration Date: **13 August 2013**
(30) Convention priority data:
(31) Number (32) Date (33) Country
29/439,092 06 Dec 2012 UNITED STATES OF AMERICA
(56) Related Art Documents: **Not Applicable**
(57) Statement of Newness and Distinctiveness: **The newness and distinctiveness of the design resides in the shape of the wall as shown in the continuous lines in the accompanying representations.**



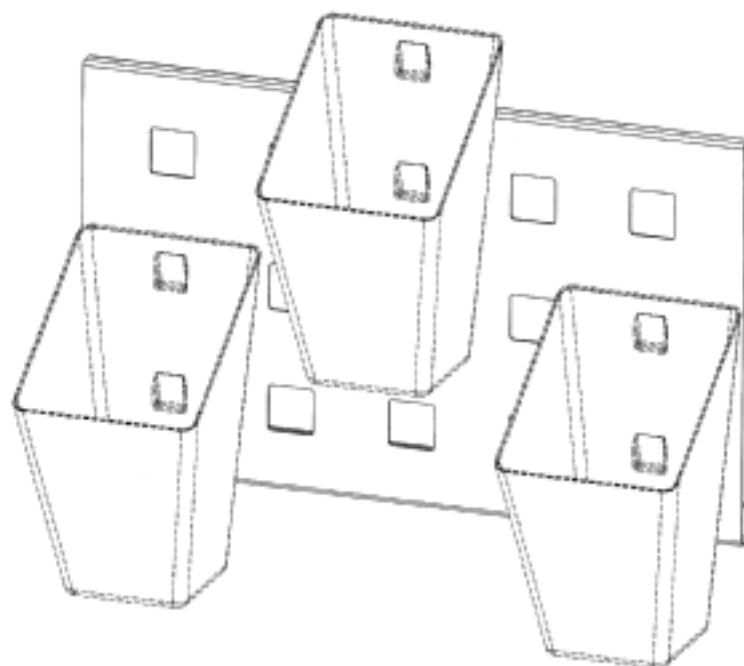
- (21) Design Number: **12500/2013**
(22) Date of Filing Application: **30 May 2013**
(24) Date from which industrial property rights may have effect: **30 May 2013**
(54) Product in respect of which the design is registered: **Mobile phone**
(51) International Design Classification: **14-03E**
(74) Name(s) of Attorney(s): **Allens Patent & Trade Mark Attorneys**
(71) Name(s) and Address(s) of Applicant(s):
LG Electronics Inc.
Yeouido-dong 20 Yeongdeungpo-gu Seoul 150-721 Republic of Korea
(72) Name(s) of Designer(s): **Min Kim and Sha Rim Choe**
(45) Registration Date: **13 August 2013**
(30) Convention priority data:
(31) Number (32) Date (33) Country
30-2012-0057720 30 Nov 2012 REPUBLIC OF KOREA
(56) Related Art Documents: **Not Applicable**
(57) Statement of Newness and Distinctiveness: **Newness and distinctiveness resides in the visual features of shape, configuration, pattern and/or ornamentation of a mobile phone as illustrated in the accompanying representations.**



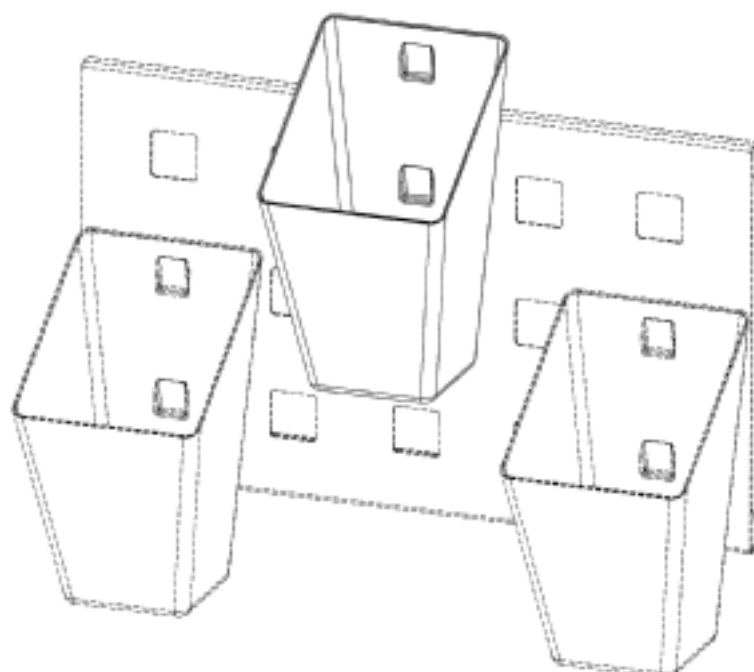
- (21) Design Number: **12765/2013**
(22) Date of Filing Application: **15 June 2013**
(24) Date from which industrial property rights may have effect: **15 June 2013**
(54) Product in respect of which the design is registered: **Mens underwear**
(51) International Design Classification: **02-01NES**
(74) Name(s) of Attorney(s):
(71) Name(s) and Address(s) of Applicant(s):
Gregory Bork
28 Hardie St Darlinghurst NSW 2010 Australia
(72) Name(s) of Designer(s): **Gregory Bork**
(45) Registration Date: **13 August 2013**
(56) Related Art Documents: **Not Applicable**
(57) Statement of Newness and Distinctiveness: **Pouch profile constructed from two fabric segments joined by a U shaped seam, and no centre seam. The upper segment extends the pouch shape to the top of the waistband. The lower segment has a tubular channels along each side, through which the leg strap elastic moves freely. The leg elastic forms a full loop around each leg and is attached at each end only to the waistband, allowing the pouch to move freely along the leg straps. This unique jockstrap style provides new fit, support and profile.**



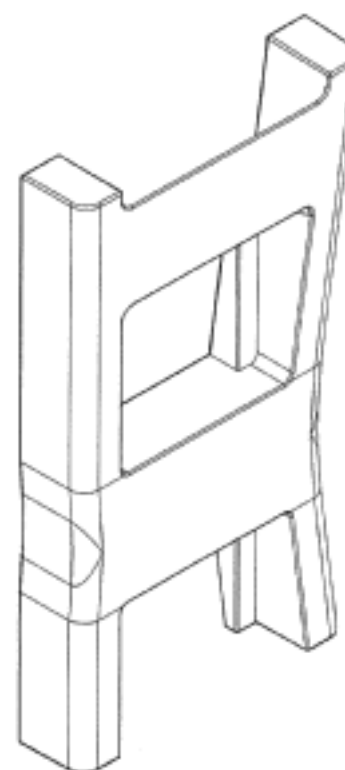
- (21) Design Number: **12967/2013**
(22) Date of Filing Application: **26 June 2013**
(24) Date from which industrial property rights may have effect: **26 June 2013**
(54) Product in respect of which the design is registered: **Back plate for a wall garden**
(51) International Design Classification: **11-02B**
(74) Name(s) of Attorney(s): **FB Rice**
(71) Name(s) and Address(s) of Applicant(s):
Ames True Temper Australia Pty Ltd
U3 251 Ferntree Gully Rd Mt Waverley VIC 3149 Australia
(72) Name(s) of Designer(s): **Carl Blouin**
(45) Registration Date: **13 August 2013**
(56) Related Art Documents: **Not Applicable**
(57) Statement of Newness and Distinctiveness: **Newness and distinctiveness reside in the features of shape and/or configuration of the back plate for a wall garden as shown in solid lines in the representations, wherein the features shown in broken lines in Figure 1 are planters for use with the back plate and form no part of the design.**



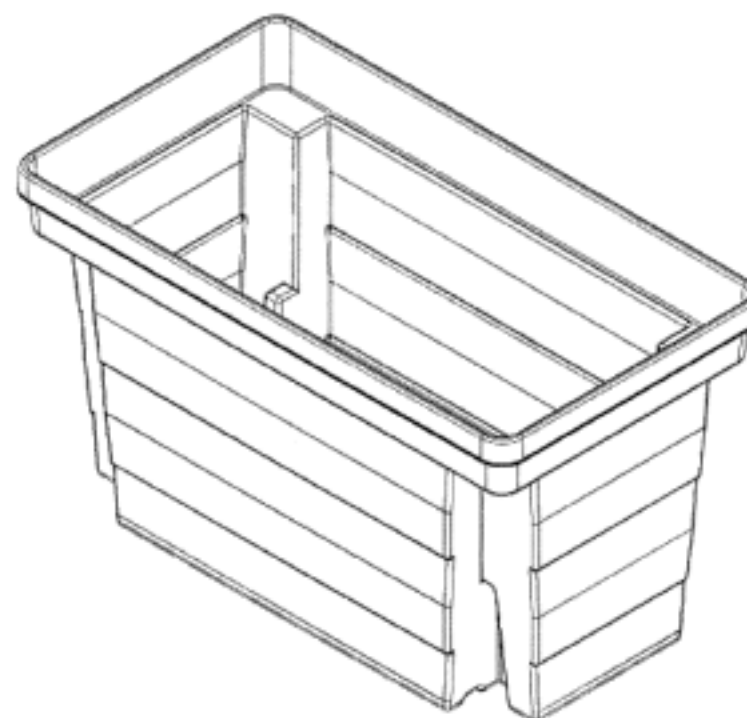
- (21) Design Number: **12968/2013**
(22) Date of Filing Application: **26 June 2013**
(24) Date from which industrial property rights may have effect: **26 June 2013**
(54) Product in respect of which the design is registered: **Planter for a wall garden**
(51) International Design Classification: **11-02B**
(74) Name(s) of Attorney(s): **FB Rice**
(71) Name(s) and Address(s) of Applicant(s):
Ames True Temper Australia Pty Ltd
U3 251 Ferntree Gully Rd Mt Waverley VIC 3149 Australia
(72) Name(s) of Designer(s): **Carl Blouin**
(45) Registration Date: **13 August 2013**
(56) Related Art Documents: **Not Applicable**
(57) Statement of Newness and Distinctiveness: **Newness and distinctiveness reside in the features of shape and/or configuration of the planter for a wall garden as shown in solid lines in the representations, wherein the features shown in broken lines in Figure 1 are a back plate on which the planter may be mounted, along with two other similar planters mounted on the back plate, and form no part of the design.**



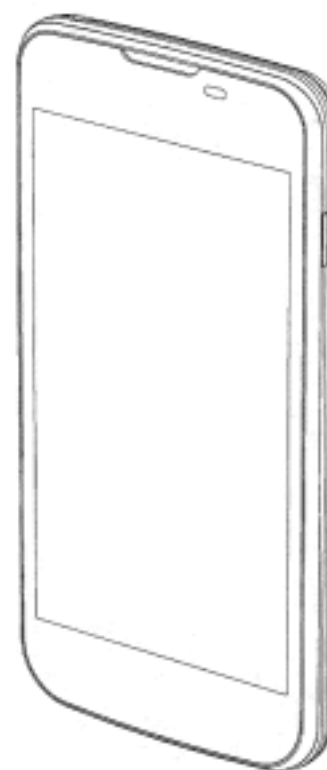
- (21) Design Number: **12969/2013**
(22) Date of Filing Application: **26 June 2013**
(24) Date from which industrial property rights may have effect: **26 June 2013**
(54) Product in respect of which the design is registered: **Leg for a raised garden**
(51) International Design Classification: **11-02C**
(74) Name(s) of Attorney(s): **FB Rice**
(71) Name(s) and Address(s) of Applicant(s):
Ames True Temper Australia Pty Ltd
U3 251 Ferntree Gully Rd Mt Waverley VIC 3149 Australia
(72) Name(s) of Designer(s): **Carl Blouin**
(45) Registration Date: **13 August 2013**
(56) Related Art Documents: **Not Applicable**
(57) Statement of Newness and Distinctiveness: **Newness and distinctiveness reside in the features of shape and/or configuration of the leg for a raised garden as shown in solid lines in the representations, wherein the features shown in broken lines in Figures 1 and 2 are a planter for use with the leg, along with a second similar leg at the opposite end of the planter, and form no part of the design.**



- (21) Design Number: **12970/2013**
(22) Date of Filing Application: **26 June 2013**
(24) Date from which industrial property rights may have effect: **26 June 2013**
(54) Product in respect of which the design is registered: **Planter for a raised garden**
(51) International Design Classification: **11-02B**
(74) Name(s) of Attorney(s): **FB Rice**
(71) Name(s) and Address(s) of Applicant(s):
Ames True Temper Australia Pty Ltd
U3 251 Ferntree Gully Rd Mt Waverley VIC 3149 Australia
(72) Name(s) of Designer(s): **Carl Blouin**
(45) Registration Date: **13 August 2013**
(56) Related Art Documents: **Not Applicable**
(57) Statement of Newness and Distinctiveness: **Newness and distinctiveness reside in the features of shape and/or configuration of the planter for a raised garden as shown in solid lines in the representations, wherein the features shown in broken lines in Figure 1 are legs for use with the planter and form no part of the design.**



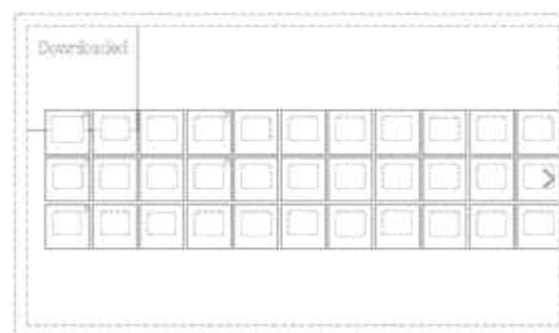
(21) Design Number: **12438/2013**
(22) Date of Filing Application: **27 May 2013**
(24) Date from which industrial property rights may have effect: **27 May 2013**
(54) Product in respect of which the design is registered: **Mobile phone**
(51) International Design Classification: **14-03E**
(74) Name(s) of Attorney(s): **Allens Patent & Trade Mark Attorneys**
(71) Name(s) and Address(s) of Applicant(s):
LG Electronics Inc.
20 Yeouido-dong Yeongdeungpo-gu Seoul 150-721 Republic of Korea
(72) Name(s) of Designer(s): **Min Kim and Sha Rim Choe**
(45) Registration Date: **13 August 2013**
(30) Convention priority data:
(31) Number (32) Date (33) Country
30-2012-0057723 30 Nov 2012 REPUBLIC OF KOREA
(56) Related Art Documents: **Not Applicable**
(57) Statement of Newness and Distinctiveness: **Newness and distinctiveness resides in the visual features of shape, configuration, pattern and/or ornamentation of a mobile phone as illustrated in the accompanying representations.**



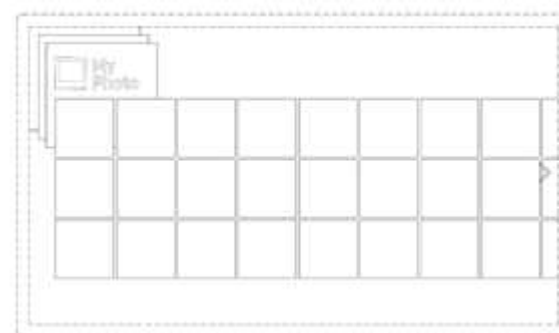
(21) Design Number: **13071/2013**
(22) Date of Filing Application: **28 June 2013**
(24) Date from which industrial property rights may have effect: **28 June 2013**
(54) Product in respect of which the design is registered: **Humidifier or fan**
(51) International Design Classification: **23-04**
(74) Name(s) of Attorney(s): **Shelston IP**
(71) Name(s) and Address(s) of Applicant(s):
Dyson Technology Limited
Tetbury Hill Malmesbury Wiltshire SN16 0RP United Kingdom
(72) Name(s) of Designer(s): **James Dyson and Peter David Gammack and Mark Joseph Staniforth and Daniel James Beavis and Jude Paul Pullen and Nicholas Gerald Fitton**
(45) Registration Date: **13 August 2013**
(30) Convention priority data:
(31) Number (32) Date (33) Country
001357941-0003 18 Jan 2013 OFFICE FOR HARMONISATION IN THE INTERNAL MARKET (OHIM)
(56) Related Art Documents: **Not Applicable**
(57) Statement of Newness and Distinctiveness: **Newness and distinctiveness reside in the features of shape and/or configuration of a HUMIDIFIER OR FAN as illustrated in the accompanying representations.**



- (21) Design Number: **13089/2013**
(22) Date of Filing Application: **28 June 2013**
(24) Date from which industrial property rights may have effect: **28 June 2013**
(54) Product in respect of which the design is registered: **Display Screen For An Electronic Device**
(51) International Design Classification: **14-01, 14-02**
(74) Name(s) of Attorney(s): **Wrays**
(71) Name(s) and Address(s) of Applicant(s):
Samsung Electronics Co., Ltd
129 Samsung-ro Yeongtong-gu Suwon-si Gyeonggi-do 443-742 Republic of Korea
(72) Name(s) of Designer(s): **Jang-Won Seo and Yong-Hwan Kwon and Ji-Eun Kim and Ji-Hong Kim and Hye-Ryung Kim and Se-Ran Jeon and Woo-Seok Hwang**
(45) Registration Date: **13 August 2013**
(30) Convention priority data:
(31) Number (32) Date (33) Country
30-2013-0000416 04 Jan 2013 REPUBLIC OF KOREA
(56) Related Art Documents: **Not Applicable**
(57) Statement of Newness and Distinctiveness: **Newness and distinctiveness is claimed in the features of pattern and/or ornamentation of the Display Screen For An Electronic Device as shown in the accompanying representations. The features shown in broken lines are for illustrative purposes only and do not form part of the claimed design.**



- (21) Design Number: **13090/2013**
(22) Date of Filing Application: **28 June 2013**
(24) Date from which industrial property rights may have effect: **28 June 2013**
(54) Product in respect of which the design is registered: **Display screen for an electronic device**
(51) International Design Classification: **14-01, 14-02**
(74) Name(s) of Attorney(s): **Wrays**
(71) Name(s) and Address(s) of Applicant(s):
Samsung Electronics Co., Ltd
129 Samsung-ro Yeongtong-gu Suwon-si Gyeonggi-do 443-742 Republic of Korea
(72) Name(s) of Designer(s): **Jang-Won Seo and Yong-Hwan Kwon and Ji-Eun Kim and Ji-Hong Kim and Hye-Ryung Kim and Se-Ran Jeon and Woo-Seok Hwang**
(45) Registration Date: **13 August 2013**
(30) Convention priority data:
(31) Number (32) Date (33) Country
30-2013-0000418 04 Jan 2013 REPUBLIC OF KOREA
(56) Related Art Documents: **Not Applicable**
(57) Statement of Newness and Distinctiveness: **Newness and distinctiveness is claimed in the features of pattern and/or ornamentation of the Display Screen For An Electronic Device as shown in the accompanying representations. The features shown in broken lines are for illustrative purposes only and do not form part of the claimed design.**



(21) Design Number: **13091/2013**

(22) Date of Filing Application: **28 June 2013**

(24) Date from which industrial property rights may have effect: **28 June 2013**

(54) Product in respect of which the design is registered: **Display screen for an electronic device**

(51) International Design Classification: **14-02**

(74) Name(s) of Attorney(s): **Wrays**

(71) Name(s) and Address(s) of Applicant(s):

Samsung Electronics Co., Ltd
129 Samsung-ro Yeongtong-gu Suwon-si Gyeonggi-do 443-742 Republic of Korea

(72) Name(s) of Designer(s): **Jang-Won Seo and Yong-Hwan Kim and Ji-Eun Kim and Ji-Hong Kim and Hye-Ryung Kim and Se-Ran Jeon and Woo-Seok Hwang**

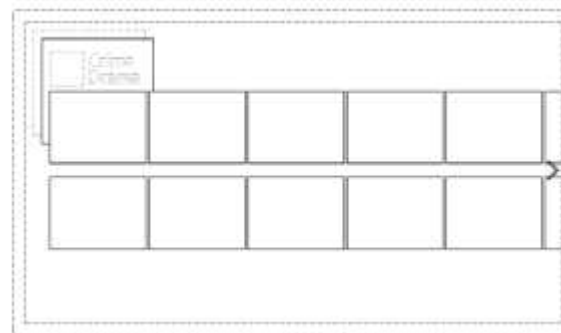
(45) Registration Date: **13 August 2013**

(30) Convention priority data:

(31) Number	(32) Date	(33) Country
30-2013-0000442	04 Jan 2013	REPUBLIC OF KOREA

(56) Related Art Documents: **Not Applicable**

(57) Statement of Newness and Distinctiveness: **Newness and distinctiveness is claimed in the features of pattern and/or ornamentation of the Display Screen For An Electronic Device as shown in the accompanying representations. The features shown in broken lines are for illustrative purposes only and do not form part of the claimed design.**



(21) Design Number: **13092/2013**

(22) Date of Filing Application: **28 June 2013**

(24) Date from which industrial property rights may have effect: **28 June 2013**

(54) Product in respect of which the design is registered: **Trigger for a projectile weapon**

(51) International Design Classification: **22-01**

(74) Name(s) of Attorney(s): **HODGKINSON McINNES PATENTS**

(71) Name(s) and Address(s) of Applicant(s):

Raul Delgado Acarreta
Anon Baigorri 14 Izda E-31500 Tudela Spain

(72) Name(s) of Designer(s): **Raul Delgado Acarreta**

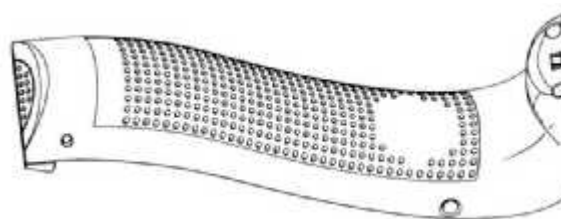
(45) Registration Date: **13 August 2013**

(30) Convention priority data:

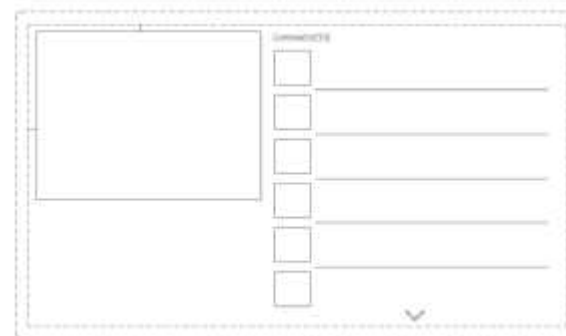
(31) Number	(32) Date	(33) Country
K 2166835	15 Jan 2013	SPAIN

(56) Related Art Documents: **Not Applicable**

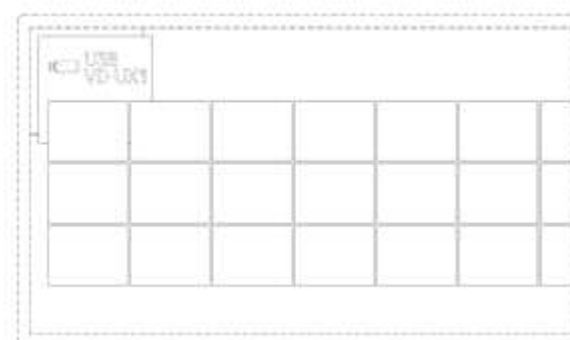
(57) Statement of Newness and Distinctiveness: **Newness and distinctiveness is claimed in the shape and/or configuration of a trigger for a projectile weapon as shown in the representations.**



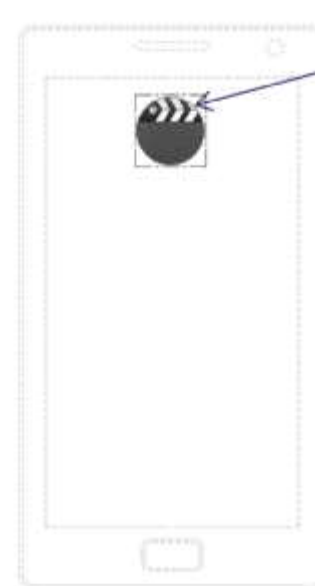
- (21) Design Number: **13096/2013**
(22) Date of Filing Application: **28 June 2013**
(24) Date from which industrial property rights may have effect: **28 June 2013**
(54) Product in respect of which the design is registered: **Display screen for an electronic device**
(51) International Design Classification: **14-01, 14-02**
(74) Name(s) of Attorney(s): **Wrays**
(71) Name(s) and Address(s) of Applicant(s):
Samsung Electronics Co., Ltd
129 Samsung-ro Yeongtong-gu Suwon-si Gyeonggi-do 443-742 Republic of Korea
(72) Name(s) of Designer(s): **Jang-Won Seo and Yong-Hwan Kwon and Ji-Eun Kim and Ji-Hong Kim and Hye-Ryung Kim and Se-Ran Jeon and Woo-Seok Kwang**
(45) Registration Date: **13 August 2013**
(30) Convention priority data:
(31) Number (32) Date (33) Country
30-2013-0000772 05 Jan 2013 REPUBLIC OF KOREA
(56) Related Art Documents: **Not Applicable**
(57) Statement of Newness and Distinctiveness: **Newness and distinctiveness is claimed in the features of pattern and/or ornamentation of the Display Screen For An Electronic Device as shown in the accompanying representations. The features shown in broken lines are for illustrative purposes only and do not form part of the claimed design.**



- (21) Design Number: **13098/2013**
(22) Date of Filing Application: **28 June 2013**
(24) Date from which industrial property rights may have effect: **28 June 2013**
(54) Product in respect of which the design is registered: **Display screen for an electronic device**
(51) International Design Classification: **14-01, 14-02**
(74) Name(s) of Attorney(s): **Wrays**
(71) Name(s) and Address(s) of Applicant(s):
Samsung Electronics Co., Ltd
129 Samsung-ro Yeongtong-gu Suwon-si Gyeonggi-do 443-742 Republic of Korea
(72) Name(s) of Designer(s): **Jang-Won Seo and Yong-Hwan Kwon and Ji-Eun Kim and Ji-Hong Kim and Hye-Ryung Kim and Se-Ran Jeon and Woo-Seok Hwang**
(45) Registration Date: **13 August 2013**
(30) Convention priority data:
(31) Number (32) Date (33) Country
30-2013-0000419 04 Jan 2013 REPUBLIC OF KOREA
(56) Related Art Documents: **Not Applicable**
(57) Statement of Newness and Distinctiveness: **Newness and distinctiveness is claimed in the features of pattern and/or ornamentation of the Display Screen For An Electronic Device as shown in the accompanying representations. The features shown in broken lines are for illustrative purposes only and do not form part of the claimed design.**



(21) Design Number: **13099/2013**
(22) Date of Filing Application: **28 June 2013**
(24) Date from which industrial property rights may have effect: **28 June 2013**
(54) Product in respect of which the design is registered: **Display screen for an electronic device**
(51) International Design Classification: **14-01, 14-02, 14-03E**
(74) Name(s) of Attorney(s): **Wrays**
(71) Name(s) and Address(s) of Applicant(s):
Samsung Electronics Co., Ltd
129 Samsung-ro Yeongtong-gu Suwon-si Gyeonggi-do 443-742 Republic of Korea
(72) Name(s) of Designer(s): **Sang-Hyun Park**
(45) Registration Date: **13 August 2013**
(30) Convention priority data:
(31) Number (32) Date (33) Country
30-2013-0001462 09 Jan 2013 REPUBLIC OF KOREA
(56) Related Art Documents: **Not Applicable**
(57) Statement of Newness and Distinctiveness: **Newness and distinctiveness is claimed in the features of pattern and/or ornamentation of the Display Screen For An Electronic Device as shown in the accompanying representations and referenced by an A in Figure 1. The features shown in broken lines are for illustrative purposes only and do not form part of the claimed design.**



(21) Design Number: **13100/2013**
(22) Date of Filing Application: **28 June 2013**
(24) Date from which industrial property rights may have effect: **28 June 2013**
(54) Product in respect of which the design is registered: **Display screen for an electronic device**
(51) International Design Classification: **14-01, 14-02, 14-03E**
(74) Name(s) of Attorney(s): **Wrays**
(71) Name(s) and Address(s) of Applicant(s):
Samsung Electronics Co., Ltd
129 Samsung-ro Yeongtong-gu Suwon-si Gyeonggi-do 443-742 Republic of Korea
(72) Name(s) of Designer(s): **Sang-Hyun Park**
(45) Registration Date: **13 August 2013**
(30) Convention priority data:
(31) Number (32) Date (33) Country
30-2013-0001476 09 Jan 2013 REPUBLIC OF KOREA
(56) Related Art Documents: **Not Applicable**
(57) Statement of Newness and Distinctiveness: **Newness and distinctiveness is claimed in the features of pattern and/or ornamentation of the Display Screen For An Electronic Device as shown in the accompanying representations and referenced by an A in Figure 1. The features shown in broken lines are for illustrative purposes only and do not form part of the claimed design.**



(21) Design Number: **13101/2013**

(22) Date of Filing Application: **28 June 2013**

(24) Date from which industrial property rights may have effect: **28 June 2013**

(54) Product in respect of which the design is registered: **Display screen for an electronic device**

(51) International Design Classification: **14-01, 14-02, 14-03E**

(74) Name(s) of Attorney(s): **Wrays**

(71) Name(s) and Address(s) of Applicant(s):

Samsung Electronics Co., Ltd
129 Samsung-ro Yeongtong-gu Suwon-si Gyeonggi-do 443-742 Republic of Korea

(72) Name(s) of Designer(s): **Sang-Hyun Park**

(45) Registration Date: **13 August 2013**

(30) Convention priority data:

(31) Number	(32) Date	(33) Country
30-2013-0001468	09 Jan 2013	REPUBLIC OF KOREA

(56) Related Art Documents: **Not Applicable**

(57) Statement of Newness and Distinctiveness: **Newness and distinctiveness is claimed in the features of pattern and/or ornamentation of the Display Screen For An Electronic Device as shown in the accompanying representations and referenced by an A in Figure 1. The features shown in broken lines are for illustrative purposes only and do not form part of the claimed design.**



(21) Design Number: **13102/2013**

(22) Date of Filing Application: **28 June 2013**

(24) Date from which industrial property rights may have effect: **28 June 2013**

(54) Product in respect of which the design is registered: **Display screen for an electronic device**

(51) International Design Classification: **14-02**

(74) Name(s) of Attorney(s): **Wrays**

(71) Name(s) and Address(s) of Applicant(s):

Samsung Electronics Co., Ltd
129 Samsung-ro Yeongtong-gu Suwon-si Gyeonggi-do 443-742 Republic of Korea

(72) Name(s) of Designer(s): **Sang-Hyun Park and Young-Rim Kim**

(45) Registration Date: **13 August 2013**

(30) Convention priority data:

(31) Number	(32) Date	(33) Country
30-2013-0001455	09 Jan 2013	REPUBLIC OF KOREA

(56) Related Art Documents: **Not Applicable**

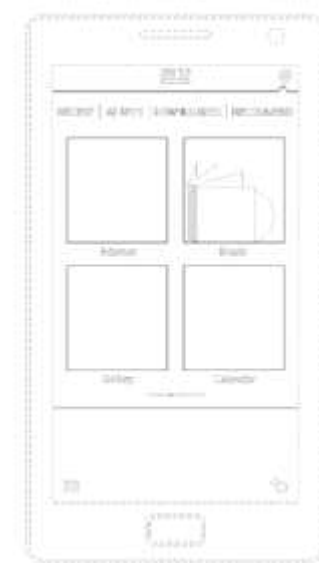
(57) Statement of Newness and Distinctiveness: **Newness and distinctiveness is claimed in the features of pattern and/or ornamentation of the Display Screen For An Electronic Device as shown in the accompanying representations. The features shown in broken lines are for illustrative purposes only and do not form part of the claimed design.**



(21) Design Number: **13103/2013**
(22) Date of Filing Application: **28 June 2013**
(24) Date from which industrial property rights may have effect: **28 June 2013**
(54) Product in respect of which the design is registered: **Display screen for an electronic device**
(51) International Design Classification: **14-02**
(74) Name(s) of Attorney(s): **Wrays**
(71) Name(s) and Address(s) of Applicant(s):
Samsung Electronics Co., Ltd
129 Samsung-ro Yeongtong-gu Suwon-si Gyeonggi-do 443-742 Republic of Korea
(72) Name(s) of Designer(s): **Sang-Hyun Park**
(45) Registration Date: **13 August 2013**
(30) Convention priority data:
(31) Number (32) Date (33) Country
30-2013-0001458 09 Jan 2013 REPUBLIC OF KOREA
(56) Related Art Documents: **Not Applicable**
(57) Statement of Newness and Distinctiveness: **Newness and distinctiveness is claimed in the features of pattern and/or ornamentation of the Display Screen For An Electronic Device as shown in the accompanying representations. The features shown in broken lines are for illustrative purposes only and do not form part of the claimed design.**



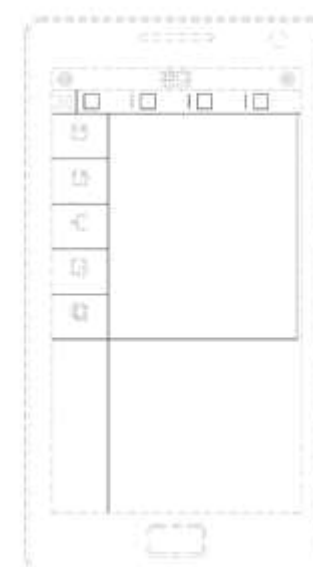
(21) Design Number: **13104/2013**
(22) Date of Filing Application: **28 June 2013**
(24) Date from which industrial property rights may have effect: **28 June 2013**
(54) Product in respect of which the design is registered: **Display screen for an electronic device**
(51) International Design Classification: **14-02**
(74) Name(s) of Attorney(s): **Wrays**
(71) Name(s) and Address(s) of Applicant(s):
Samsung Electronics Co., Ltd
129 Samsung-ro Yeongtong-gu Suwon-si Gyeonggi-do 443-742 Republic of Korea
(72) Name(s) of Designer(s): **Sang-Hyun Park**
(45) Registration Date: **13 August 2013**
(30) Convention priority data:
(31) Number (32) Date (33) Country
30-2013-0001459 09 Jan 2013 REPUBLIC OF KOREA
(56) Related Art Documents: **Not Applicable**
(57) Statement of Newness and Distinctiveness: **Newness and distinctiveness is claimed in the features of pattern and/or ornamentation of the Display Screen For An Electronic Device as shown in the accompanying representations. The features shown in broken lines are for illustrative purposes only and do not form part of the claimed design.**



(21) Design Number: **13106/2013**
(22) Date of Filing Application: **28 June 2013**
(24) Date from which industrial property rights may have effect: **28 June 2013**
(54) Product in respect of which the design is registered: **Display screen for an electronic device**
(51) International Design Classification: **14-04**
(74) Name(s) of Attorney(s): **Wrays**
(71) Name(s) and Address(s) of Applicant(s):
Samsung Electronics Co., Ltd
129 Samsung-ro Yeongtong-gu Suwon-si Gyeonggi-do 443-742 Republic of Korea
(72) Name(s) of Designer(s): **Sang-Hyun Park**
(45) Registration Date: **13 August 2013**
(30) Convention priority data:
(31) Number (32) Date (33) Country
30-2013-0001451 09 Jan 2013 REPUBLIC OF KOREA
(56) Related Art Documents: **Not Applicable**
(57) Statement of Newness and Distinctiveness: **Newness and distinctiveness is claimed in the features of pattern and/or ornamentation of the Display Screen For An Electronic Device as shown in the accompanying representations and referenced by an A in Figure 1. The features shown in broken lines are for illustrative purposes only and do not form part of the claimed design.**



(21) Design Number: **13107/2013**
(22) Date of Filing Application: **28 June 2013**
(24) Date from which industrial property rights may have effect: **28 June 2013**
(54) Product in respect of which the design is registered: **Display screen for an electronic device**
(51) International Design Classification: **14-02**
(74) Name(s) of Attorney(s): **Wrays**
(71) Name(s) and Address(s) of Applicant(s):
Samsung Electronics Co., Ltd
129 Samsung-ro Yeongtong-gu Suwon-si Gyeonggi-do 443-742 Republic of Korea
(72) Name(s) of Designer(s): **Joo-Hyung Lee**
(45) Registration Date: **13 August 2013**
(30) Convention priority data:
(31) Number (32) Date (33) Country
30-2013-0001393 09 Jan 2013 REPUBLIC OF KOREA
(56) Related Art Documents: **Not Applicable**
(57) Statement of Newness and Distinctiveness: **Newness and distinctiveness is claimed in the features of pattern and/or ornamentation of the Display Screen For An Electronic Device as shown in the accompanying representations. The features shown in broken lines are for illustrative purposes only and do not form part of the claimed design.**



(21) Design Number: **13108/2013**

(22) Date of Filing Application: **28 June 2013**

(24) Date from which industrial property rights may have effect: **28 June 2013**

(54) Product in respect of which the design is registered: **Display screen for an electronic device**

(51) International Design Classification: **14-04**

(74) Name(s) of Attorney(s): **Wrays**

(71) Name(s) and Address(s) of Applicant(s):

Samsung Electronics Co., Ltd
129 Samsung-ro Yeongtong-gu Suwon-si Gyeonggi-do 443-742 Republic of Korea

(72) Name(s) of Designer(s): **Sang-Hyun Park**

(45) Registration Date: **13 August 2013**

(30) Convention priority data:

(31) Number	(32) Date	(33) Country
30-2013-0001449	09 Jan 2013	REPUBLIC OF KOREA

(56) Related Art Documents: **Not Applicable**

(57) Statement of Newness and Distinctiveness: **Newness and distinctiveness is claimed in the features of pattern and/or ornamentation of the Display Screen For An Electronic Device as shown in the accompanying representations and referenced by an A in Figure 1. The features shown in broken lines are for illustrative purposes only and do not form part of the claimed design.**



(21) Design Number: **13111/2013**

(22) Date of Filing Application: **28 June 2013**

(24) Date from which industrial property rights may have effect: **28 June 2013**

(54) Product in respect of which the design is registered: **Display screen for an electronic device**

(51) International Design Classification: **14-02**

(74) Name(s) of Attorney(s): **Wrays**

(71) Name(s) and Address(s) of Applicant(s):

Samsung Electronics Co., Ltd
129 Samsung-ro Yeongtong-gu Suwon-si Gyeonggi-do 443-742 Republic of Korea

(72) Name(s) of Designer(s): **Jang-Won Seo and Yong-Hwan Kwon and Ji-Eun Kim and Ji-Hong Kim and Hye-Ryung Kim and Se-Ran Jeon and Woo-Seok Hwang**

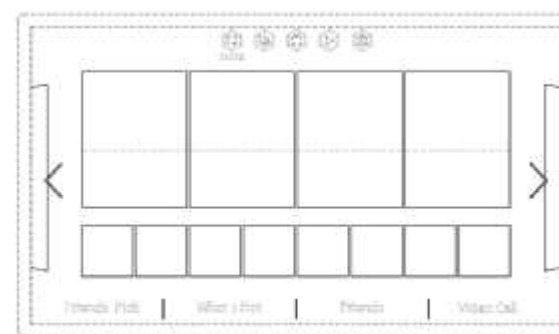
(45) Registration Date: **13 August 2013**

(30) Convention priority data:

(31) Number	(32) Date	(33) Country
30-2013-0000766	05 Jan 2013	REPUBLIC OF KOREA

(56) Related Art Documents: **Not Applicable**

(57) Statement of Newness and Distinctiveness: **Newness and distinctiveness is claimed in the features of pattern and/or ornamentation of the Display Screen For An Electronic Device as shown in the accompanying representations. The features shown in broken lines are for illustrative purposes only and do not form part of the claimed design.**



(21) Design Number: **13112/2013**

(22) Date of Filing Application: **28 June 2013**

(24) Date from which industrial property rights may have effect: **28 June 2013**

(54) Product in respect of which the design is registered: **Display screen for an electronic device**

(51) International Design Classification: **14-02**

(74) Name(s) of Attorney(s): **Wrays**

(71) Name(s) and Address(s) of Applicant(s):

Samsung Electronics Co., Ltd
129 Samsung-ro Yeongtong-gu Suwon-si Gyeonggi-do 443-742 Republic of Korea

(72) Name(s) of Designer(s): **Min-Hyung Kim and Beom-Seok Kim and Sang-Jin Han and Pill-Kyoung Moon**

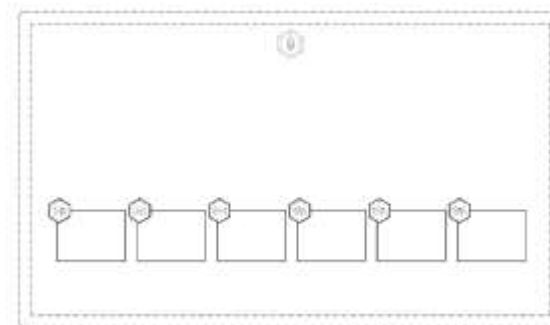
(45) Registration Date: **13 August 2013**

(30) Convention priority data:

(31) Number	(32) Date	(33) Country
30-2013-0000722	05 Jan 2013	REPUBLIC OF KOREA

(56) Related Art Documents: **Not Applicable**

(57) Statement of Newness and Distinctiveness: **Newness and distinctiveness is claimed in the features of pattern and/or ornamentation of the Display Screen For An Electronic Device as shown in the accompanying representations. The features shown in broken lines are for illustrative purposes only and do not form part of the claimed design.**



(21) Design Number: **13113/2013**

(22) Date of Filing Application: **28 June 2013**

(24) Date from which industrial property rights may have effect: **28 June 2013**

(54) Product in respect of which the design is registered: **Display screen for an electronic device**

(51) International Design Classification: **14-02**

(74) Name(s) of Attorney(s): **Wrays**

(71) Name(s) and Address(s) of Applicant(s):

Samsung Electronics Co., Ltd
129 Samsung-ro Yeongtong-gu Suwon-si Gyeonggi-do 443-742 Republic of Korea

(72) Name(s) of Designer(s): **Jang-Won Seo and Yong-Hwan Kwon and Ji-Eun Kim and Ji-Hong Kim and Hye-Ryung Kim and Se-Ran Jeon and Woo-Seok Hwang**

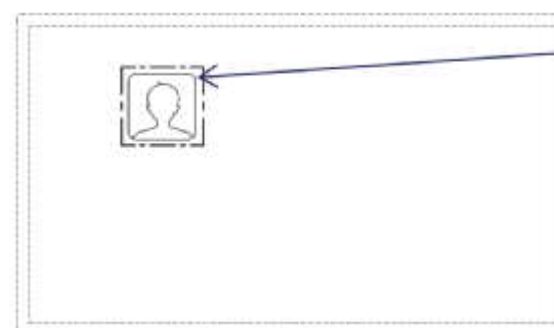
(45) Registration Date: **13 August 2013**

(30) Convention priority data:

(31) Number	(32) Date	(33) Country
30-2013-0000624	04 Jan 2013	REPUBLIC OF KOREA

(56) Related Art Documents: **Not Applicable**

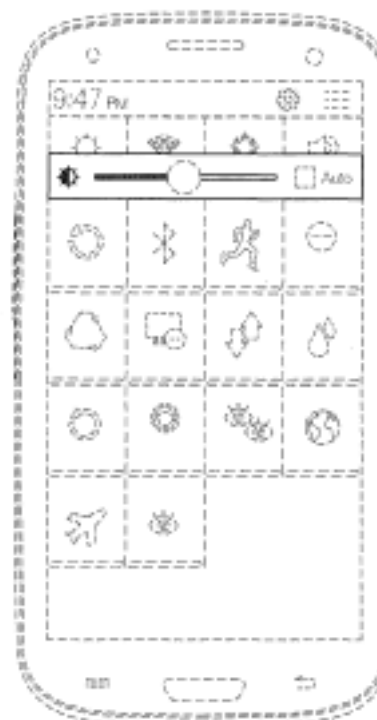
(57) Statement of Newness and Distinctiveness: **Newness and distinctiveness is claimed in the features of pattern and/or ornamentation of the Display Screen For An Electronic Device as shown in the accompanying representations and referenced by an A in Figure 1. The features shown in broken lines are for illustrative purposes only and do not form part of the claimed design.**



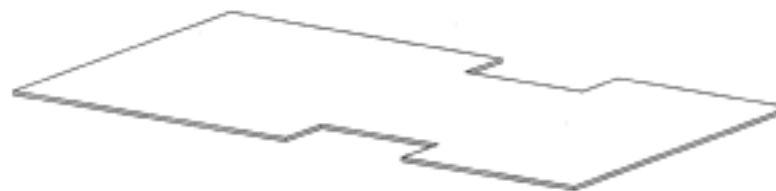
(21) Design Number: **13114/2013**
(22) Date of Filing Application: **28 June 2013**
(24) Date from which industrial property rights may have effect: **28 June 2013**
(54) Product in respect of which the design is registered: **Display screen for an electronic device**
(51) International Design Classification: **14-01**
(74) Name(s) of Attorney(s): **Wrays**
(71) Name(s) and Address(s) of Applicant(s):
Samsung Electronics Co., Ltd
129 Samsung-ro Yeongtong-gu Suwon-si Gyeonggi-do 443-742 Republic of Korea
(72) Name(s) of Designer(s): **Sang-Hyun Park**
(45) Registration Date: **13 August 2013**
(30) Convention priority data:
(31) Number (32) Date (33) Country
30-2013-0001464 09 Jan 2013 REPUBLIC OF KOREA
(56) Related Art Documents: **Not Applicable**
(57) Statement of Newness and Distinctiveness: **Newness and distinctiveness is claimed in the features of pattern and/or ornamentation of the Display Screen For An Electronic Device as shown in the accompanying representations and referenced by an A in Figure 1. The features shown in broken lines are for illustrative purposes only and do not form part of the claimed design.**



(21) Design Number: **12382/2013**
(22) Date of Filing Application: **22 May 2013**
(24) Date from which industrial property rights may have effect: **22 May 2013**
(54) Product in respect of which the design is registered: **Display screen with icon for an electronic device**
(51) International Design Classification: **14-01**
(74) Name(s) of Attorney(s): **Griffith Hack**
(71) Name(s) and Address(s) of Applicant(s):
SAMSUNG ELECTRONICS CO., LTD.
129, Samsung-ro Yeongtong-gu Suwon-si Gyeonggi-do 443-742 Republic of Korea
(72) Name(s) of Designer(s): **Ho-Young Lee and Jee-Yeun Wang**
(45) Registration Date: **14 August 2013**
(30) Convention priority data:
(31) Number (32) Date (33) Country
30-2013-0009240 22 Feb 2013 REPUBLIC OF KOREA
(56) Related Art Documents: **Not Applicable**
(57) Statement of Newness and Distinctiveness: **Newness and distinctiveness resides in the visual features, including shape, configuration and ornamentation of the PRODUCT as shown in the accompanying representations. The circular dot shown in dashed lines is capable of moving linearly across the display as shown.**



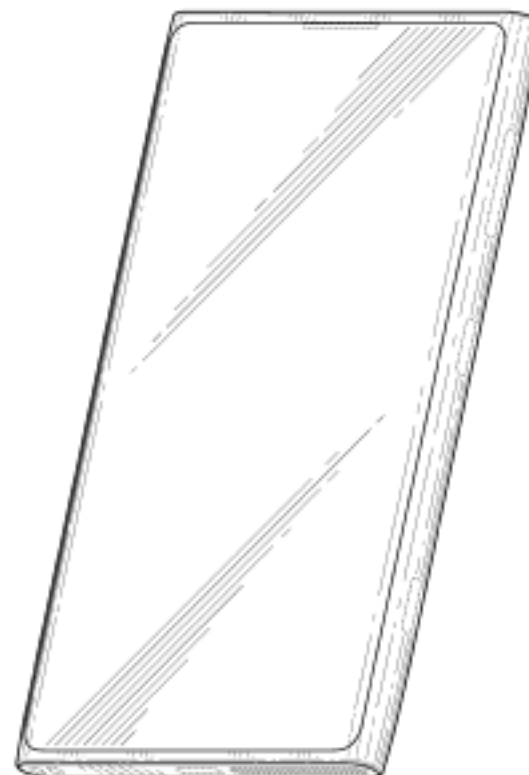
- (21) Design Number: **12502/2013**
(22) Date of Filing Application: **30 May 2013**
(24) Date from which industrial property rights may have effect: **30 May 2013**
(54) Product in respect of which the design is registered: **One piece caravan floor**
(51) International Design Classification: **12-16NES**
(74) Name(s) of Attorney(s):
(71) Name(s) and Address(s) of Applicant(s):
Worthington Industries Pty Ltd
15 Enterprise way Bayswater VIC 3153 Australia
(72) Name(s) of Designer(s): **Steven Elovaris**
(45) Registration Date: **14 August 2013**
(56) Related Art Documents: **Not Applicable**
(57) Statement of Newness and Distinctiveness: **Onesize one piece custom cut caravan floor panel of timber or composite board.**



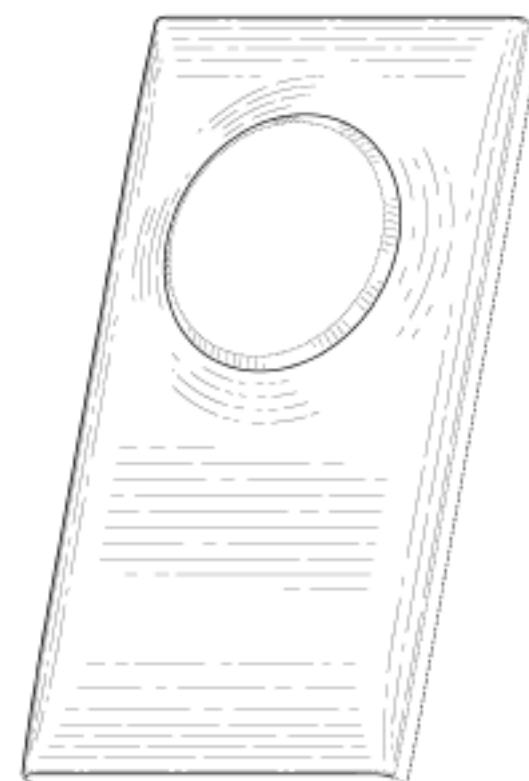
- (21) Design Number: **12380/2013**
(22) Date of Filing Application: **22 May 2013**
(24) Date from which industrial property rights may have effect: **22 May 2013**
(54) Product in respect of which the design is registered: **Forklift cab cover-wet weather/protection solution**
(51) International Design Classification: **12-05, 12-16NES**
(74) Name(s) of Attorney(s):
(71) Name(s) and Address(s) of Applicant(s):
Natalie Stratos
3 Nicholson St Seaford VIC 3198 Australia
Hlias Stratos
3 Nicholson St Seaford VIC 3198 Australia
(72) Name(s) of Designer(s): **Natalie Stratos**
(45) Registration Date: **15 August 2013**
(56) Related Art Documents: **Not Applicable**
(57) Statement of Newness and Distinctiveness: **The new, unique and distinctive features on the Fork Mate cab cover are a: a.Magnetic fastening system that easily fastens to the overhead guard without piercing or permanently sticking onto forklift guard structure b.Universal fit functional on most forklift brands/models between 3-6 ton c.Transportable carry bag for storage d.Two way zip up/roll down window system with removable window screen e.Clear UV resistant PVC windows and hi visibility reflective trims.**



(21) Design Number: **13040/2013**
(22) Date of Filing Application: **28 June 2013**
(24) Date from which industrial property rights may have effect: **28 June 2013**
(54) Product in respect of which the design is registered: **Handset**
(51) International Design Classification: **14-03E**
(74) Name(s) of Attorney(s): **SPRUSON & FERGUSON**
(71) Name(s) and Address(s) of Applicant(s):
Nokia Corporation
Keilalahdentie 4 Espoo 02150 Finland
(72) Name(s) of Designer(s): **Tuomas Reivo and Franziska Faoro and Robert Lihou**
(45) Registration Date: **15 August 2013**
(30) Convention priority data:
(31) Number (32) Date (33) Country
29/440945 28 Dec 2012 UNITED STATES OF AMERICA
(56) Related Art Documents: **Not Applicable**
(57) Statement of Newness and Distinctiveness: **Newness and distinctiveness is claimed in the features of shape and/or configuration of a handset as illustrated in continuous lines in the accompanying representations.**



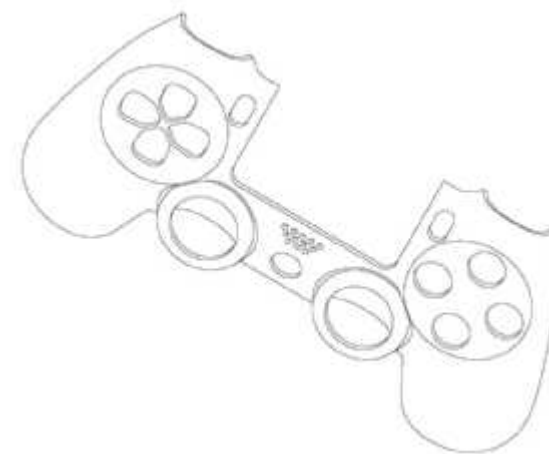
(21) Design Number: **13041/2013**
(22) Date of Filing Application: **28 June 2013**
(24) Date from which industrial property rights may have effect: **28 June 2013**
(54) Product in respect of which the design is registered: **Handset rear cover**
(51) International Design Classification: **14-03A**
(74) Name(s) of Attorney(s): **SPRUSON & FERGUSON**
(71) Name(s) and Address(s) of Applicant(s):
Nokia Corporation
Keilalahdentie 4 Espoo 02150 Finland
(72) Name(s) of Designer(s): **Tuomas Reivo and Franziska Faoro and Robert Lihou**
(45) Registration Date: **15 August 2013**
(30) Convention priority data:
(31) Number (32) Date (33) Country
29/440942 28 Dec 2012 UNITED STATES OF AMERICA
(56) Related Art Documents: **Not Applicable**
(57) Statement of Newness and Distinctiveness: **Newness and distinctiveness is claimed in the features of shape and/or configuration of a handset rear cover as illustrated in continuous lines in the accompanying representations.**



(19) AU

- (21) Design Number: **13042/2013**
- (22) Date of Filing Application: **28 June 2013**
- (24) Date from which industrial property rights may have effect: **28 June 2013**
- (54) Product in respect of which the design is registered: **Housing of controller for electronic device**
- (51) International Design Classification: **21-01N**
- (74) Name(s) of Attorney(s): **Shelston IP**
- (71) Name(s) and Address(s) of Applicant(s):
Sony Computer Entertainment Inc.
1-7-1 Konan Minato-ku Toyko 108-0075 Japan
- (72) Name(s) of Designer(s): **Tetsu Sumii and Ennin Huang**
- (45) Registration Date: **15 August 2013**
- (30) Convention priority data:

(31) Number	(32) Date	(33) Country
2013-003276	19 Feb 2013	JAPAN
- (56) Related Art Documents: **Not Applicable**
- (57) Statement of Newness and Distinctiveness: **Newness and distinctiveness reside in the features of shape and/or configuration of the housing of controller for electronic device as shown in the accompanying representations.**



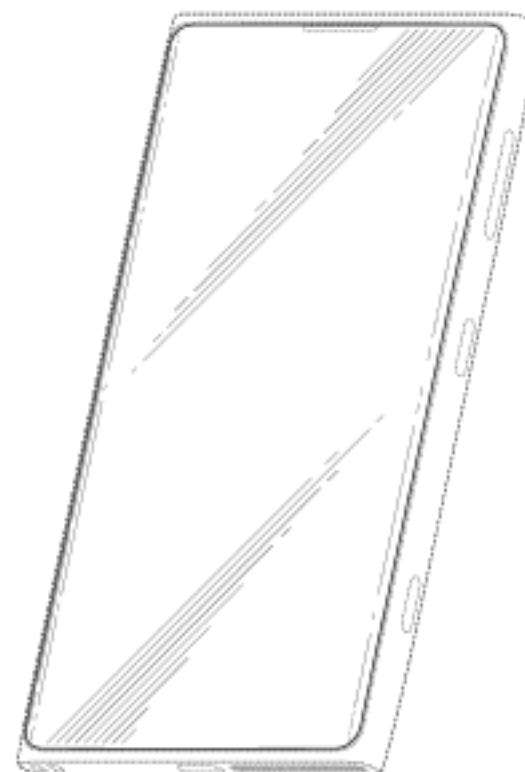
(19) AU

- (21) Design Number: **13043/2013**
- (22) Date of Filing Application: **28 June 2013**
- (24) Date from which industrial property rights may have effect: **28 June 2013**
- (54) Product in respect of which the design is registered: **Handset**
- (51) International Design Classification: **14-03E**
- (74) Name(s) of Attorney(s): **SPRUSON & FERGUSON**
- (71) Name(s) and Address(s) of Applicant(s):
Nokia Corporation
Keilalahdentie 4 Espoo 02150 Finland
- (72) Name(s) of Designer(s): **Tuomas Reivo and Franziska Faoro and Robert Lihou**
- (45) Registration Date: **15 August 2013**
- (30) Convention priority data:

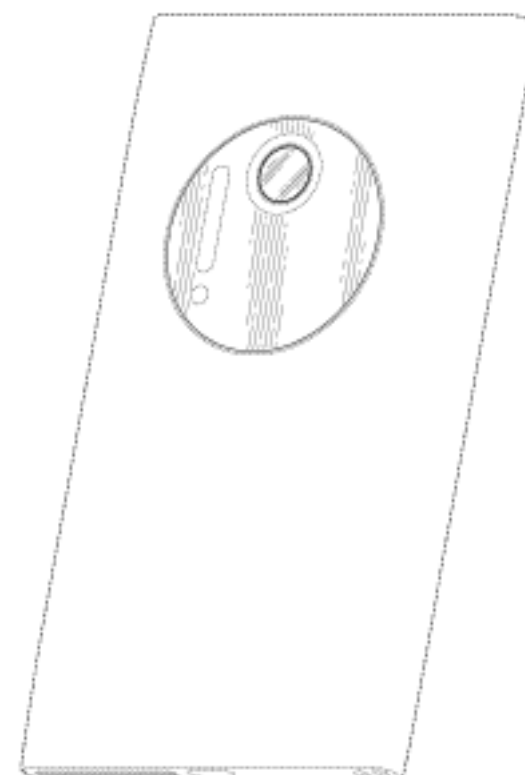
(31) Number	(32) Date	(33) Country
29/440945	28 Dec 2012	UNITED STATES OF AMERICA
- (56) Related Art Documents: **Not Applicable**
- (57) Statement of Newness and Distinctiveness: **Newness and distinctiveness is claimed in the features of shape and/or configuration of a handset as illustrated in continuous lines in the accompanying representations.**



(21) Design Number: **13044/2013**
(22) Date of Filing Application: **28 June 2013**
(24) Date from which industrial property rights may have effect: **28 June 2013**
(54) Product in respect of which the design is registered: **Handset**
(51) International Design Classification: **14-03E**
(74) Name(s) of Attorney(s): **SPRUSON & FERGUSON**
(71) Name(s) and Address(s) of Applicant(s):
Nokia Corporation
Keilalahdentie 4 Espoo 02150 Finland
(72) Name(s) of Designer(s): **Toumas Rievo and Franziska Faoro and Robert Lihou**
(45) Registration Date: **15 August 2013**
(30) Convention priority data:
(31) Number (32) Date (33) Country
29/440943 28 Dec 2012 UNITED STATES OF AMERICA
(56) Related Art Documents: **Not Applicable**
(57) Statement of Newness and Distinctiveness: **Newness and distinctiveness is claimed in the features of shape and/or configuration of a handset as illustrated in continuous lines in the accompanying representations.**



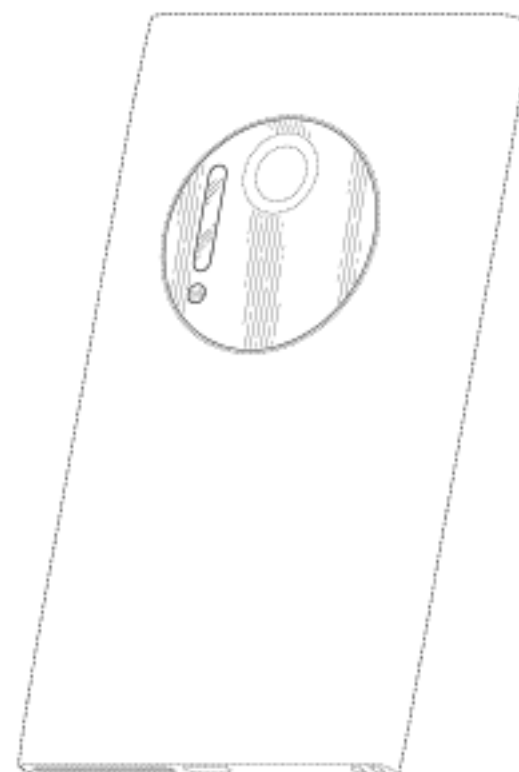
(21) Design Number: **13045/2013**
(22) Date of Filing Application: **28 June 2013**
(24) Date from which industrial property rights may have effect: **28 June 2013**
(54) Product in respect of which the design is registered: **Handset camera**
(51) International Design Classification: **14-03E, 16-01**
(74) Name(s) of Attorney(s): **SPRUSON & FERGUSON**
(71) Name(s) and Address(s) of Applicant(s):
Nokia Corporation
Keilalahdentie 4 Espoo 02150 Finland
(72) Name(s) of Designer(s): **Toumas Reivo and Franziska Faoro and Robert Lihou**
(45) Registration Date: **15 August 2013**
(30) Convention priority data:
(31) Number (32) Date (33) Country
29/440944 28 Dec 2012 UNITED STATES OF AMERICA
(56) Related Art Documents: **Not Applicable**
(57) Statement of Newness and Distinctiveness: **Newness and distinctiveness is claimed in the features of shape and/or configuration of a handset camera as illustrated in continuous lines in the accompanying representations.**



(21) Design Number: **13047/2013**
(22) Date of Filing Application: **28 June 2013**
(24) Date from which industrial property rights may have effect: **28 June 2013**
(54) Product in respect of which the design is registered: **Controller for electronic device**
(51) International Design Classification: **21-01N**
(74) Name(s) of Attorney(s): **Shelston IP**
(71) Name(s) and Address(s) of Applicant(s):
Sony Computer Entertainment Inc.
1-7-1 Konan Minato-ku Toyko 108-0075 Japan
(72) Name(s) of Designer(s): **Tetsu Sumii and Ennin Huang**
(45) Registration Date: **15 August 2013**
(30) Convention priority data:
(31) Number (32) Date (33) Country
2013-003275 19 Feb 2013 JAPAN
(56) Related Art Documents: **Not Applicable**
(57) Statement of Newness and Distinctiveness: **Newness and distinctiveness reside in the features of shape and/or configuration of the controller for electronic device as shown in solid lines in the accompanying representations. The broken lines showing of features of the controller for electronic device are for environmental purposes only and form no part of the claimed design.**



(21) Design Number: **13048/2013**
(22) Date of Filing Application: **28 June 2013**
(24) Date from which industrial property rights may have effect: **28 June 2013**
(54) Product in respect of which the design is registered: **Handset camera**
(51) International Design Classification: **14-03E, 16-01**
(74) Name(s) of Attorney(s): **SPRUSON & FERGUSON**
(71) Name(s) and Address(s) of Applicant(s):
Nokia Corporation
Keilalahdentie 4 Espoo 02150 Finland
(72) Name(s) of Designer(s): **Tuomas Reivo and Franziska Faoro and Robert Lihou**
(45) Registration Date: **15 August 2013**
(30) Convention priority data:
(31) Number (32) Date (33) Country
29/440944 28 Dec 2012 UNITED STATES OF AMERICA
(56) Related Art Documents: **Not Applicable**
(57) Statement of Newness and Distinctiveness: **Newness and distinctiveness is claimed in the features of shape and/or configuration of a handset camera as illustrated in continuous lines in the accompanying representations.**



(21) Design Number: **13049/2013**
(22) Date of Filing Application: **28 June 2013**
(24) Date from which industrial property rights may have effect: **28 June 2013**
(54) Product in respect of which the design is registered: **Controller for electronic device**
(51) International Design Classification: **21-01N**
(74) Name(s) of Attorney(s): **Shelston IP**
(71) Name(s) and Address(s) of Applicant(s):
Sony Computer Entertainment Inc.
1-7-1 Konan Minato-ku Toyko 108-0075 Japan
(72) Name(s) of Designer(s): **Tetsu Sumii and Ennin Huang**
(45) Registration Date: **15 August 2013**
(30) Convention priority data:
(31) Number (32) Date (33) Country
2013-003274 19 Feb 2013 JAPAN
(56) Related Art Documents: **Not Applicable**
(57) Statement of Newness and Distinctiveness: **Newness and distinctiveness reside in the features of shape and/or configuration of the controller for electronic device as shown in solid lines in the accompanying representations. The broken lines showing of features of the controller for electronic device are for environmental purposes only and form no part of the claimed design.**



(21) Design Number: **13051/2013**
(22) Date of Filing Application: **28 June 2013**
(24) Date from which industrial property rights may have effect: **28 June 2013**
(54) Product in respect of which the design is registered: **Controller for electronic device**
(51) International Design Classification: **21-01N**
(74) Name(s) of Attorney(s): **Shelston IP**
(71) Name(s) and Address(s) of Applicant(s):
Sony Computer Entertainment Inc.
1-7-1 Konan Minato-ku Toyko 108-0075 Japan
(72) Name(s) of Designer(s): **Tetsu Sumii and Ennin Huang**
(45) Registration Date: **15 August 2013**
(30) Convention priority data:
(31) Number (32) Date (33) Country
2013-003272 19 Feb 2013 JAPAN
(56) Related Art Documents: **Not Applicable**
(57) Statement of Newness and Distinctiveness: **Newness and distinctiveness reside in the features of shape and/or configuration of the controller for electronic device as shown in solid lines in the accompanying representations. The broken lines showing of features of the controller for electronic device are for environmental purposes only and form no part of the claimed design.**



- (21) Design Number: **13058/2013**
(22) Date of Filing Application: **28 June 2013**
(24) Date from which industrial property rights may have effect: **28 June 2013**
(54) Product in respect of which the design is registered: **Controller for electronic device**
(51) International Design Classification: **21-01N**
(74) Name(s) of Attorney(s): **Shelston IP**
(71) Name(s) and Address(s) of Applicant(s):
Sony Computer Entertainment Inc.
1-7-1 Konan Minato-ku Toyko 108-0075 Japan
(72) Name(s) of Designer(s): **Tetsu Sumii and Ennin Huang**
(45) Registration Date: **15 August 2013**
(30) Convention priority data:
(31) Number (32) Date (33) Country
2013-003270 19 Feb 2013 JAPAN
(56) Related Art Documents: **Not Applicable**
(57) Statement of Newness and Distinctiveness: **Newness and distinctiveness reside in the features of shape and/or configuration of the controller for electronic device as shown in solid lines in the accompanying representations. The broken lines showing of features of the controller for electronic device are for environmental purposes only and form no part of the claimed design.**



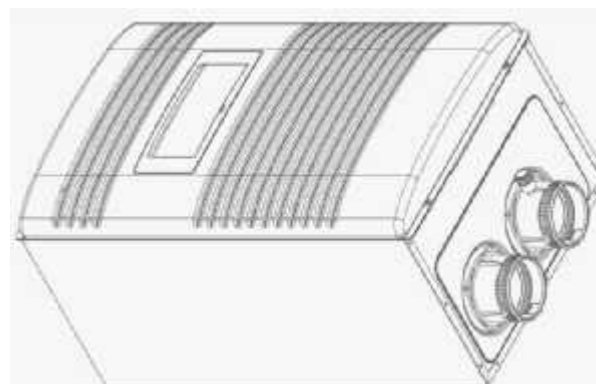
- (21) Design Number: **13060/2013**
(22) Date of Filing Application: **28 June 2013**
(24) Date from which industrial property rights may have effect: **28 June 2013**
(54) Product in respect of which the design is registered: **Controller for electronic device**
(51) International Design Classification: **21-01N**
(74) Name(s) of Attorney(s): **Shelston IP**
(71) Name(s) and Address(s) of Applicant(s):
Sony Computer Entertainment Inc.
1-7-1 Konan Minato-ku Toyko 108-0075 Japan
(72) Name(s) of Designer(s): **Tetsu Sumii and Ennin Huang**
(45) Registration Date: **15 August 2013**
(30) Convention priority data:
(31) Number (32) Date (33) Country
2013-003269 19 Feb 2013 JAPAN
(56) Related Art Documents: **Not Applicable**
(57) Statement of Newness and Distinctiveness: **Newness and distinctiveness reside in the features of shape and/or configuration of the controller for electronic device as shown in solid lines in the accompanying representations. The broken lines showing of features of the controller for electronic device are for environmental purposes only and form no part of the claimed design.**



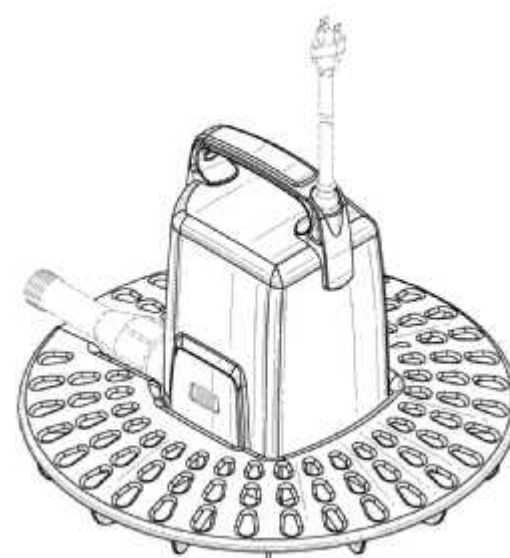
- (21) Design Number: **13061/2013**
(22) Date of Filing Application: **28 June 2013**
(24) Date from which industrial property rights may have effect: **28 June 2013**
(54) Product in respect of which the design is registered: **Controller for electronic device**
(51) International Design Classification: **21-01N**
(74) Name(s) of Attorney(s): **Shelston IP**
(71) Name(s) and Address(s) of Applicant(s):
Sony Computer Entertainment Inc.
1-7-1 Konan Minato-ku Toyko 108-0075 Japan
(72) Name(s) of Designer(s): **Tetsu Sumii and Ennin Huang**
(45) Registration Date: **15 August 2013**
(30) Convention priority data:
(31) Number (32) Date (33) Country
2013-003273 19 Feb 2013 JAPAN
(56) Related Art Documents: **Not Applicable**
(57) Statement of Newness and Distinctiveness: **Newness and distinctiveness reside in the features of shape and/or configuration of the controller for electronic device as shown in solid lines in the accompanying representations. The broken lines showing of features of the controller for electronic device are for environmental purposes only and form no part of the claimed design.**



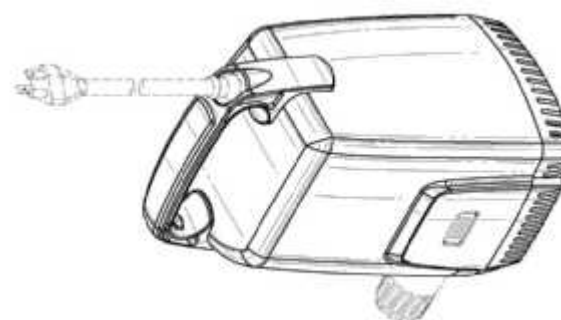
- (21) Design Number: **13062/2013**
(22) Date of Filing Application: **28 June 2013**
(24) Date from which industrial property rights may have effect: **28 June 2013**
(54) Product in respect of which the design is registered: **Boiler**
(51) International Design Classification: **23-03NES**
(74) Name(s) of Attorney(s): **HODGKINSON McINNES PATENTS**
(71) Name(s) and Address(s) of Applicant(s):
Kiturami Co., Ltd
34 Wolgok 2 gil Cheongdo-eup Cheongdo-gun Kyongsangbuk-do
Republic of Korea
(72) Name(s) of Designer(s): **Sung-hwan Choi**
(45) Registration Date: **15 August 2013**
(56) Related Art Documents: **Not Applicable**
(57) Statement of Newness and Distinctiveness: **Newness and distinctiveness is claimed in the shape and configuration of a boiler as shown in the representations.**



(21) Design Number: **13063/2013**
(22) Date of Filing Application: **28 June 2013**
(24) Date from which industrial property rights may have effect: **28 June 2013**
(54) Product in respect of which the design is registered: **Pool cover pump**
(51) International Design Classification: **15-02**
(74) Name(s) of Attorney(s): **Shelston IP**
(71) Name(s) and Address(s) of Applicant(s):
Flow Control LLC.
100 Cummings Center Beverly Massachusetts 01915 United States of America
(72) Name(s) of Designer(s): **Richard F. Orsini**
(45) Registration Date: **15 August 2013**
(30) Convention priority data:
(31) Number (32) Date (33) Country
29/444189 28 Jan 2013 UNITED STATES OF AMERICA
(56) Related Art Documents: **Not Applicable**
(57) Statement of Newness and Distinctiveness: **Newness and distinctiveness reside in the features of shape and/or configuration of the pool cover pump as illustrated by solid lines in the accompanying representations. The features shown by dashed lines do not form part of the design.**



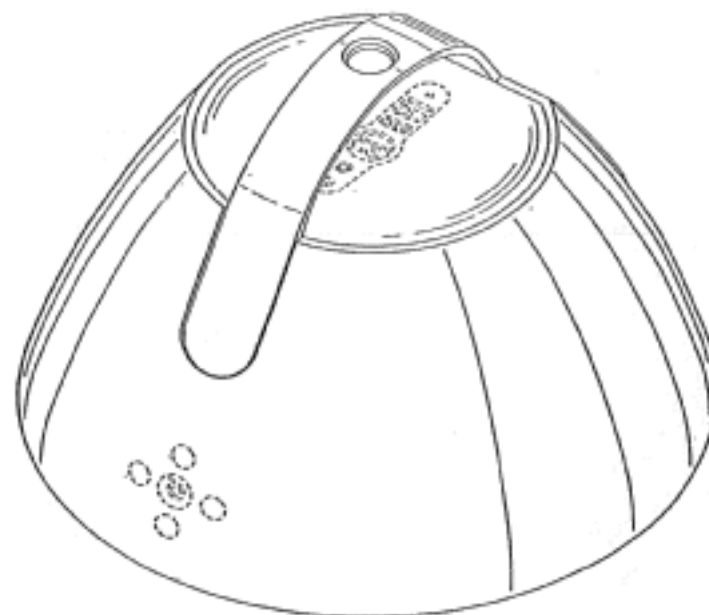
(21) Design Number: **13065/2013**
(22) Date of Filing Application: **28 June 2013**
(24) Date from which industrial property rights may have effect: **28 June 2013**
(54) Product in respect of which the design is registered: **Utility pump**
(51) International Design Classification: **15-02**
(74) Name(s) of Attorney(s): **Shelston IP**
(71) Name(s) and Address(s) of Applicant(s):
Flow Control LLC.
100 Cummings Center Beverly Massachusetts 01915 United States of America
(72) Name(s) of Designer(s): **Richard F. Orsini**
(45) Registration Date: **15 August 2013**
(30) Convention priority data:
(31) Number (32) Date (33) Country
29/444195 28 Jan 2013 UNITED STATES OF AMERICA
(56) Related Art Documents: **Not Applicable**
(57) Statement of Newness and Distinctiveness: **Newness and distinctiveness reside in the features of shape and/or configuration of the utility pump as illustrated by solid lines in the accompanying representations. The features shown by dashed lines do not form part of the design.**



(21) Design Number: **13066/2013**
(22) Date of Filing Application: **28 June 2013**
(24) Date from which industrial property rights may have effect: **28 June 2013**
(54) Product in respect of which the design is registered: **Humidifier or fan**
(51) International Design Classification: **23-04**
(74) Name(s) of Attorney(s): **Shelston IP**
(71) Name(s) and Address(s) of Applicant(s):
Dyson Technology Limited
Tetbury Hill Malmesbury Wiltshire SN16 0RP United Kingdom
(72) Name(s) of Designer(s): **James Dyson and Peter David Gammack and Mark Joseph Staniforth and Daniel James Beavis and Jude Paul Pullen and Nicholas Gerald Fitton**
(45) Registration Date: **15 August 2013**
(30) Convention priority data:
(31) Number (32) Date (33) Country
001357941-0006 18 Jan 2013 OFFICE FOR HARMONISATION IN THE INTERNAL MARKET (OHIM)
(56) Related Art Documents: **Not Applicable**
(57) Statement of Newness and Distinctiveness: **Newness and distinctiveness reside in the features of shape and/or configuration of a HUMIDIFIER OR FAN as illustrated in solid lines in the accompanying representations. The features illustrated in broken lines do not form part of the design.**



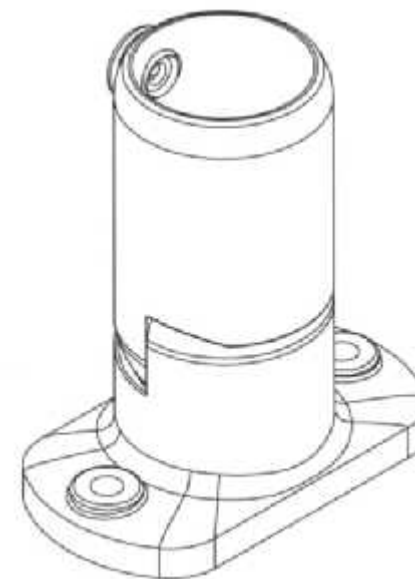
(21) Design Number: **13068/2013**
(22) Date of Filing Application: **28 June 2013**
(24) Date from which industrial property rights may have effect: **28 June 2013**
(54) Product in respect of which the design is registered: **Audio speaker system**
(51) International Design Classification: **14-01**
(74) Name(s) of Attorney(s): **SPRUSON & FERGUSON**
(71) Name(s) and Address(s) of Applicant(s):
Beats Electronics, LLC
1601 Cloverfield Boulevard Suite 5000N Santa Monica California 90404
United States of America
(72) Name(s) of Designer(s): **Robert Brunner and Eric Fields and Martin Ruegg and Sang Ik Lee**
(45) Registration Date: **15 August 2013**
(30) Convention priority data:
(31) Number (32) Date (33) Country
29/441336 03 Jan 2013 UNITED STATES OF AMERICA
(56) Related Art Documents: **Not Applicable**
(57) Statement of Newness and Distinctiveness: **Newness and distinctiveness is claimed in the features of shape and/or configuration of an audio speaker system as illustrated in continuous lines in the accompanying representations.**



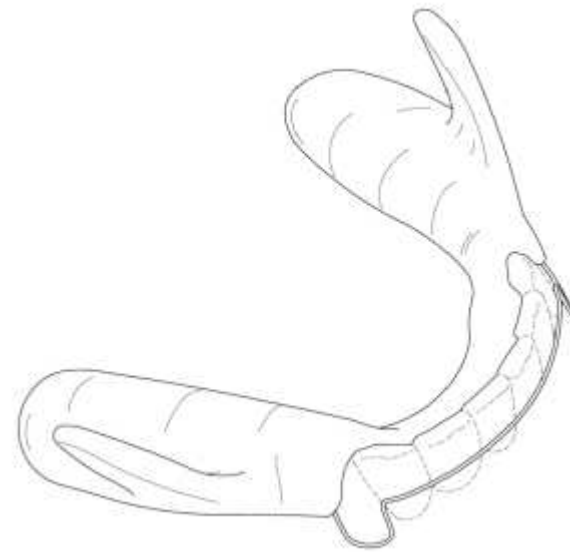
- (21) Design Number: **13069/2013**
(22) Date of Filing Application: **28 June 2013**
(24) Date from which industrial property rights may have effect: **28 June 2013**
(54) Product in respect of which the design is registered: **Humidifier or fan**
(51) International Design Classification: **23-04**
(74) Name(s) of Attorney(s): **Shelston IP**
(71) Name(s) and Address(s) of Applicant(s):
Dyson Technology Limited
Tetbury Hill Malmesbury Wiltshire SN16 0RP United Kingdom
(72) Name(s) of Designer(s): **James Dyson and Peter David Gammack and Mark Joseph Staniforth and Daniel James Beavis and Jude Paul Pullen**
(45) Registration Date: **15 August 2013**
(30) Convention priority data:
(31) Number (32) Date (33) Country
001357941-0005 18 Jan 2013 OFFICE FOR HARMONISATION IN THE INTERNAL MARKET (OHIM)
(56) Related Art Documents: **Not Applicable**
(57) Statement of Newness and Distinctiveness: **Newness and distinctiveness reside in the features of shape and/or configuration of a HUMIDIFIER OR FAN as illustrated in solid lines in the accompanying representations. The features illustrated in broken lines do not form part of the design.**



- (21) Design Number: **16053/2012**
(22) Date of Filing Application: **05 December 2012**
(24) Date from which industrial property rights may have effect: **05 December 2012**
(54) Product in respect of which the design is registered: **Pivoting rail support**
(51) International Design Classification: **25-02C**
(74) Name(s) of Attorney(s): **Actuate IP**
(71) Name(s) and Address(s) of Applicant(s):
Moddex Group Pty Ltd
Kalman House 1 Kalman Dr Boronia VIC 3155 Australia
(72) Name(s) of Designer(s): **Steven Thrush and Iain White**
(45) Registration Date: **16 August 2013**
(56) Related Art Documents: **Not Applicable**
(57) Statement of Newness and Distinctiveness: **Newness and distinctiveness is claimed in the features of shape and/or configuration of the pivoting rail support as illustrated in the accompanying representations.**



- (21) Design Number: **12033/2013**
(22) Date of Filing Application: **02 May 2013**
(24) Date from which industrial property rights may have effect: **02 May 2013**
(54) Product in respect of which the design is registered: **A two part dental appliance**
(51) International Design Classification: **24-01**
(74) Name(s) of Attorney(s):
(71) Name(s) and Address(s) of Applicant(s):
Luco Hybrid Osa Appliance Inc.
1419 Butternut Creek Road Kingston Ontario K7L5H6 Canada
(72) Name(s) of Designer(s): **Kenneth Luco**
(45) Registration Date: **16 August 2013**
(56) Related Art Documents: **Not Applicable**
(57) Statement of Newness and Distinctiveness: **The shape and configuration of a two part dental appliance as shown in the representations without regard to material shown in dashed lines.**



- (21) Design Number: **12550/2013**
(22) Date of Filing Application: **03 June 2013**
(24) Date from which industrial property rights may have effect: **03 June 2013**
(54) Product in respect of which the design is registered: **A solar panel**
(51) International Design Classification: **23-03D**
(74) Name(s) of Attorney(s): **Griffith Hack**
(71) Name(s) and Address(s) of Applicant(s):
Bluescope Steel Limited
L11 120 Collins St Melbourne VIC 3000 Australia
(72) Name(s) of Designer(s): **Brad Ryan and Trevor Clayton and Jamie Adams and Vincent Tannahill and Robert Klees**
(45) Registration Date: **16 August 2013**
(56) Related Art Documents: **Not Applicable**
(57) Statement of Newness and Distinctiveness: **Nil**



(21) Design Number: **12553/2013**
(22) Date of Filing Application: **03 June 2013**
(24) Date from which industrial property rights may have effect: **03 June 2013**
(54) Product in respect of which the design is registered: **A solar panel flashing**
(51) International Design Classification: **23-03D**
(74) Name(s) of Attorney(s): **Griffith Hack**
(71) Name(s) and Address(s) of Applicant(s):
Bluescope Steel Limited
L11 120 Collins St Melbourne VIC 3000 Australia
(72) Name(s) of Designer(s): **Brad Ryan and Trevor Clayton and Jamie Adams**
and Vincent Tannahill and Robert Klees
(45) Registration Date: **16 August 2013**
(56) Related Art Documents: **Not Applicable**
(57) Statement of Newness and Distinctiveness: **Nil**



(21) Design Number: **12784/2013**
(22) Date of Filing Application: **17 June 2013**
(24) Date from which industrial property rights may have effect: **17 June 2013**
(54) Product in respect of which the design is registered: **Refrigerator**
(51) International Design Classification: **15-07**
(74) Name(s) of Attorney(s): **Davies Collison Cave**
(71) Name(s) and Address(s) of Applicant(s):
Red Bull GmbH
Am Brunnen 1 Fuschl am See 5330 Austria
(72) Name(s) of Designer(s): **Drew Haygeman and Eike Schaefer**
(45) Registration Date: **16 August 2013**
(30) Convention priority data:
(31) Number (32) Date (33) Country
002154104-0001 17 Dec 2012 OFFICE FOR HARMONISATION IN
THE INTERNAL MARKET (OHIM)
(56) Related Art Documents: **Not Applicable**
(57) Statement of Newness and Distinctiveness: **Nil**



(21) Design Number: **12785/2013**
(22) Date of Filing Application: **17 June 2013**
(24) Date from which industrial property rights may have effect: **17 June 2013**
(54) Product in respect of which the design is registered: **Refrigerator**
(51) International Design Classification: **15-07**
(74) Name(s) of Attorney(s): **Davies Collison Cave**
(71) Name(s) and Address(s) of Applicant(s):
Red Bull GmbH
Am Brunnen 1 Fuschl am See 5330 Austria
(72) Name(s) of Designer(s): **Anthony Dickens and Eike Schaefer**
(45) Registration Date: **16 August 2013**
(30) Convention priority data:
(31) Number (32) Date (33) Country
**002154104-0003 17 Dec 2012 OFFICE FOR HARMONISATION IN
THE INTERNAL MARKET (OHIM)**
(56) Related Art Documents: **Not Applicable**
(57) Statement of Newness and Distinctiveness: **Nil**



(21) Design Number: **12787/2013**
(22) Date of Filing Application: **17 June 2013**
(24) Date from which industrial property rights may have effect: **17 June 2013**
(54) Product in respect of which the design is registered: **Refrigerator**
(51) International Design Classification: **15-07**
(74) Name(s) of Attorney(s): **Davies Collison Cave**
(71) Name(s) and Address(s) of Applicant(s):
Red Bull GmbH
Am Brunnen 1 Fuschl am See 5330 Austria
(72) Name(s) of Designer(s): **Eike Schaefer**
(45) Registration Date: **16 August 2013**
(30) Convention priority data:
(31) Number (32) Date (33) Country
**002154104-0012 17 Dec 2012 OFFICE FOR HARMONISATION IN
THE INTERNAL MARKET (OHIM)**
(56) Related Art Documents: **Not Applicable**
(57) Statement of Newness and Distinctiveness: **Nil**



(21) Design Number: **12789/2013**
(22) Date of Filing Application: **17 June 2013**
(24) Date from which industrial property rights may have effect: **17 June 2013**
(54) Product in respect of which the design is registered: **Refrigerator**
(51) International Design Classification: **15-07**
(74) Name(s) of Attorney(s): **Davies Collison Cave**
(71) Name(s) and Address(s) of Applicant(s):
Red Bull GmbH
Am Brunnen 1 Fuschl am See 5330 Austria
(72) Name(s) of Designer(s): **Drew Haygeman and Eike Schaefer**
(45) Registration Date: **16 August 2013**
(30) Convention priority data:
(31) Number (32) Date (33) Country
**002154104-0010 17 Dec 2012 OFFICE FOR HARMONISATION IN
THE INTERNAL MARKET (OHIM)**
(56) Related Art Documents: **Not Applicable**
(57) Statement of Newness and Distinctiveness: **Nil**



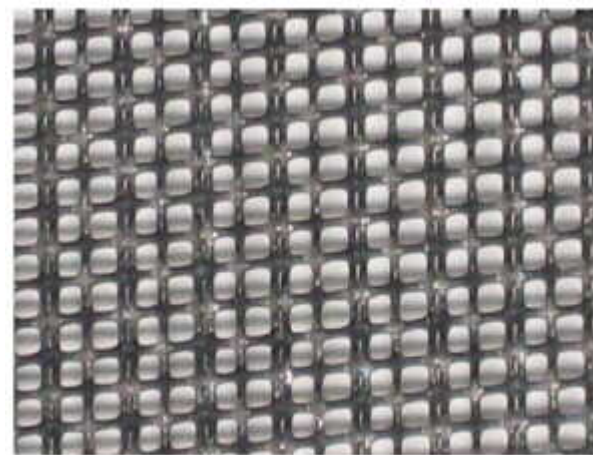
(21) Design Number: **12791/2013**
(22) Date of Filing Application: **17 June 2013**
(24) Date from which industrial property rights may have effect: **17 June 2013**
(54) Product in respect of which the design is registered: **Refrigerator**
(51) International Design Classification: **15-07**
(74) Name(s) of Attorney(s): **Davies Collison Cave**
(71) Name(s) and Address(s) of Applicant(s):
Red Bull GmbH
Am Brunnen 1 Fuschl am See 5330 Austria
(72) Name(s) of Designer(s): **Eike Schaefer and Anthony Dickens**
(45) Registration Date: **16 August 2013**
(30) Convention priority data:
(31) Number (32) Date (33) Country
**002154104-0008 17 Dec 2012 OFFICE FOR HARMONISATION IN
THE INTERNAL MARKET (OHIM)**
(56) Related Art Documents: **Not Applicable**
(57) Statement of Newness and Distinctiveness: **Nil**



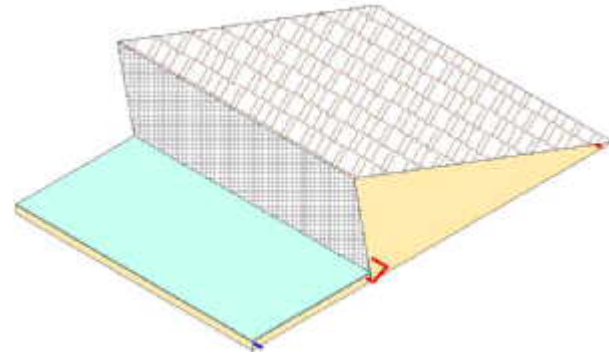
(21) Design Number: **12804/2013**
(22) Date of Filing Application: **18 June 2013**
(24) Date from which industrial property rights may have effect: **18 June 2013**
(54) Product in respect of which the design is registered: **Display stand**
(51) International Design Classification: **20-02E, 15-07**
(74) Name(s) of Attorney(s): **Davies Collison Cave**
(71) Name(s) and Address(s) of Applicant(s):
Red Bull GmbH
Am Brunnen 1 Fuschl am See 5330 Austria
(72) Name(s) of Designer(s): **Matthias Rinderer and Mario Groth and David Kehoe and Juergen Brenneis and Toby McDell**
(45) Registration Date: **16 August 2013**
(30) Convention priority data:
(31) Number (32) Date (33) Country
002155291-0011 18 Dec 2012 OFFICE FOR HARMONISATION IN THE INTERNAL MARKET (OHIM)
(56) Related Art Documents: **Not Applicable**
(57) Statement of Newness and Distinctiveness: **Nil**



(21) Design Number: **11284/2013**
(22) Date of Filing Application: **14 March 2013**
(24) Date from which industrial property rights may have effect: **14 March 2013**
(54) Product in respect of which the design is registered: **Netting**
(51) International Design Classification: **05-05D, 21-02F**
(74) Name(s) of Attorney(s): **Ahearn Fox**
(71) Name(s) and Address(s) of Applicant(s):
Vuly Pty Ltd
1/95 Ingleston Rd Wakerley QLD 4154 Australia
(72) Name(s) of Designer(s): **Michael Connolly and Joe Andon**
(45) Registration Date: **19 August 2013**
(56) Related Art Documents: **Not Applicable**
(57) Statement of Newness and Distinctiveness: **Newness and distinctiveness resides in the pattern of the netting of indefinite width and indefinite length as illustrated in the accompanying representations.**



(21) Design Number: **11588/2013**
(22) Date of Filing Application: **03 April 2013**
(24) Date from which industrial property rights may have effect: **03 April 2013**
(54) Product in respect of which the design is registered: **Solar water heater**
(51) International Design Classification: **23-03D**
(74) Name(s) of Attorney(s):
(71) Name(s) and Address(s) of Applicant(s):
Spyros Georgiou
Stadiou 15 Akrotiri Lemesos 4640 Cyprus
(72) Name(s) of Designer(s): **Spyros Georgiou**
(45) Registration Date: **19 August 2013**
(56) Related Art Documents: **Not Applicable**
(57) Statement of Newness and Distinctiveness: **Nil**



(21) Design Number: **11666/2013**
(22) Date of Filing Application: **08 April 2013**
(24) Date from which industrial property rights may have effect: **08 April 2013**
(54) Product in respect of which the design is registered: **Espresso making machine**
(51) International Design Classification: **07-02L**
(74) Name(s) of Attorney(s): **Molins & Co Pty Ltd**
(71) Name(s) and Address(s) of Applicant(s):
Breville Pty Limited
Building 2 Port Air Industrial Estate 1A Hale St Botany NSW 2019
Australia
(72) Name(s) of Designer(s): **Robert Grassia**
(45) Registration Date: **19 August 2013**
(56) Related Art Documents: **Not Applicable**
(57) Statement of Newness and Distinctiveness: **Newness is claimed in the features of shape and configuration of the espresso making machine as shown in the accompanying representations. Elements shown in dashed lines form no part of the design.**

