



**Australian Government**

---

**IP Australia**

**AUSTRALIAN OFFICIAL JOURNAL**

**OF**

**DESIGNS**

Did you know a searchable version of this journal is now available online?

It's FREE and EASY to SEARCH.

Find it on our website ([www.ipaustralia.gov.au](http://www.ipaustralia.gov.au))

by using the "Journals" link on the home page.

This Page Left Intentionally Blank

**Contents**

**General Information & Notices**

**Proceedings Under the Designs Act 1906 preserved as a result of the provisions of Chapter 12  
Part 2 of the Designs Act 2003**

|  |      |
|--|------|
| Corrigenda .....                                     | 2509 |
| Extension of Period of Registration of Designs ..... | 2508 |
| Registrations Ceased .....                           | 2508 |
| Subsequent Owners Registered .....                   | 2508 |

**Proceedings Under the Designs Act 2003**

|   |      |
|---|------|
| Applications Lapsed .....                           | 2522 |
| Applications Lodged .....                           | 2513 |
| Applications Withdrawn .....                        | 2522 |
| Certificate of Examination .....                    | 2525 |
| Extension of Period of Registration of Design ..... | 2523 |
| Extension of Time Granted Under Section 137 .....   | 2524 |
| Licences Registered .....                           | 2524 |
| Names Registered - Alterations and Amendments ..... | 2524 |
| <b>Publication and Registration Proceedings</b>     |      |
| Designs Registered 350195 to 350555.....            | 2526 |
| Registrations Ceased .....                          | 2523 |
| Revocation of Design Registrations .....            | 2523 |
| Subsequent Owners Registered .....                  | 2524 |

This Page Left Intentionally Blank

For information on the following please see our website [www.ipaustralia.gov.au](http://www.ipaustralia.gov.au) or contact our Customer Service Network on 1300651010

[Editorial enquiries](#)

[Contact information](#)

[Freedom of Information ACT](#)

[Professional Standards Board](#)

[Sales](#)

[Requests for Information under Section 194 \(c\)](#)

[Country Codes](#)

[Trade Mark and Designs Hearing Sessions](#)

[INID \(Internationally agreed Numbers for the Identification of Data\)](#)

## “INID” NUMBERS in use on Australian Design Documents

“INID” is an acronym for “Internationally agreed Numbers for the Identification of Data”.

### (10) Data concerning the registration/renewal

- (11) Serial number of the registration and/or number of the design document
- (12) Plain language designation of the kind of published document
- (19) Identification, using the two-letter code according to WIPO Standard ST.3, of the authority publishing or registering the industrial design

### (20) Data concerning the application

- (21) Serial number of the application
- (22) Date of filing of the application
- (24) Date from which the industrial design right has effect

### (30) Data relating to priority under the Paris Convention

- (31) Serial number assigned to the priority application
- (32) Date of filing of the priority application
- (33) Two-letter code, according to WIPO Standard ST.3, identifying the authority with which the priority application was made

### (40) Date(s) of making information available to the public

- (45) Date of publication of the registered industrial design by printing or similar process, or making it available to the public by any other means

### (50) Miscellaneous Information

- (51) International Classification for Industrial Designs (class and subclass of the Locarno Classification)
- (54) Designation of article(s) or product(s) covered by the industrial design or title of the industrial design
- (55) Reproduction of the industrial design (e.g., drawing, photograph) and explanations relating to the reproduction
- (56) List of prior art documents, if separate from descriptive text
- (57) Description of characteristic features of the industrial design including indication of colours

### (60) References to other legally related application(s) and registration(s)

- (62) Serial number(s) and, if available, filing date(s) of application(s), registration(s) or document(s) related by division
- (66) Serial number(s) of the application, or the registration, of the design(s) which is (are) a variant(s) of the present one

### (70) Identification of parties concerned with the application or registration

- (71) Name(s) and address(es) of the applicant(s)
- (72) Name(s) of the creator(s) if known to be such
- (74) Name(s) and address(es) of the representative(s)

This Page Left Intentionally Blank

**Nil notices for this journal issue.**

**Proceedings under the Designs Act 1906 preserved as a result of the provisions of Chapter 12 Part 2 of the Designs Act 2003.**



This Page Left Intentionally Blank

**Applications Lapsed**

There were no Applications Lapsed under this section

**Extension of Period of Registration of Designs**

**1st Period (Section 27A(8))**

**2nd Period (Section 27A(12))**

**3rd Period (Section 27A(13))**

|        |        |        |
|--------|--------|--------|
| 149211 | 149547 | 149868 |
| 149921 | 150036 | 150197 |
| 150198 | 150228 | 150308 |
| 150340 | 150519 | 150715 |
| 150716 | 150797 | 150798 |
| 150844 | 150922 | 150981 |
| 151042 | 151376 | 151744 |
| 151972 | 152608 | 152754 |
| 154008 | 154046 | 154300 |
| 154956 | 155588 |        |

|        |        |        |
|--------|--------|--------|
| 148381 | 148574 | 148636 |
| 148850 | 148880 | 148985 |
| 149054 | 149145 | 149840 |
| 149931 | 149932 | 150590 |
| 150791 | 150852 | 151052 |
| 151203 | 151475 | 151562 |
| 152005 | 154820 |        |

**Subsequent Owners Registered**

(The name in parentheses is that of the subsequent owner)

|        |  |
|--------|--|
| 135329 | ( ACCO Brands Corporation ) MeadWestvaco Corporation   |
| 139836 | ( ACCO Brands Corporation ) MeadWestvaco Corporation   |
| 153635 | ( The Leisure Collective Pty Ltd ) Great Waves Pty Ltd |

**Registrations Ceased**

Note: Some of the following Registrations may have been previously advertised as ceased. In this instance, the previous advertisement still prevails.

|        |        |        |
|--------|--------|--------|
| 131418 | 131688 | 132784 |
| 132842 | 132859 | 132881 |
| 132915 | 132932 | 132949 |
| 132981 | 132982 | 132983 |
| 133025 | 133031 | 133036 |
| 133040 | 133041 | 133042 |
| 133063 | 133064 | 133065 |
| 133130 | 133131 | 133135 |
| 133139 | 133141 | 133224 |
| 133225 | 133293 | 133422 |
| 133424 | 133425 | 133454 |
| 133539 | 133655 | 133656 |
| 133657 | 133658 | 133819 |
| 134065 | 134394 | 134403 |
| 134568 | 134645 | 135457 |
| 135475 | 135501 | 135530 |
| 135622 | 135902 | 135930 |
| 135944 | 135947 | 136069 |
| 136074 | 136307 | 136446 |
| 136447 | 136498 | 136549 |
| 136840 | 136841 | 136881 |
| 137408 | 137409 | 137410 |
| 137411 | 137452 | 137881 |
| 137970 | 138211 | 138716 |
| 140006 | 146920 | 147075 |
| 147762 | 148118 | 148159 |
| 148160 | 148192 | 148213 |
| 148235 | 148298 | 148328 |

**Corrigenda**

Number

In Vol 27 , No 7 , page 943 under the heading **Subsequent Owners Registered**; Registered Designs 154579, 154578, 155597, 155663 and 157304 were assigned in error. The Design register has now been corrected back to the original owner prior to assignment request..

This Page Left Intentionally Blank

**Proceedings under the Designs Act 2003.**

This Page Left Intentionally Blank

**Applications Lodged**

Lodgement information is in the following order: **Applicant's Name**; International Classification, Name of Product, Lodgement Date and **Design Number**. If the applicant claims an earlier priority date under an International Convention, the Convention Country and the associated filing date are shown in parentheses before the Lodgement Date. Divisional information will also appear in parentheses before the Lodgement Date.

|  |                   |   |                   |
|--|-------------------|---|-------------------|
| <b>sanotact (HK) Limited;</b><br>09-01NES, Dispenser for confectionery, (EM,<br>18 Feb 2013) 19 Aug 2013   | <b>14083/2013</b> | <b>Caton, Krystal;</b><br>07-01E, A teat, 26 Aug 2013   | <b>14206/2013</b> |
| <b>sanotact (HK) Limited;</b><br>20-02E, Dispenser for confectionery, (EM, 18<br>Feb 2013) 19 Aug 2013     | <b>14081/2013</b> | <b>Chao, Wen-Hsin;</b><br>26-05D, Waterproof lamp device, 23 Aug<br>2013  | <b>14161/2013</b> |
| <b>sanotact (HK) Limited;</b><br>09-01NES, Dispenser for confectionery, (EM,<br>18 Feb 2013) 19 Aug 2013   | <b>14084/2013</b> | <b>Chatam International Incorporated;</b><br>09-01H, Bottle, (US, 07 Jun 2013) 23 Aug<br>2013                       | <b>14226/2013</b> |
| <b>sanotact (HK) Limited;</b><br>09-01NES, Dispenser for confectionery, (EM,<br>18 Feb 2013) 19 Aug 2013   | <b>14085/2013</b> | <b>Checkers Industrial Products, LLC;</b><br>26-02, LED whip light, (US, 24 Sep 2012) 03<br>Jul 2013                | <b>13219/2013</b> |
| <b>Advanced View Saftey Systems Pty Ltd;</b><br>08-08L, Mounting bracket, 21 Aug 2013                      | <b>14123/2013</b> | <b>Christian Dior Couture;</b><br>03-01B, Handbag, (CH, 27 Feb 2013) 27<br>Aug 2013                                 | <b>14227/2013</b> |
| <b>Amcor Limited;</b><br>09-03E, Container and blanks therefor, 19<br>Aug 2013                             | <b>14088/2013</b> | <b>Circularis Pty Ltd;</b><br>06-13C, Towel, 25 Aug 2013  | <b>14187/2013</b> |
| <b>Australian Fashion Label Pty Ltd;</b><br>02-02C, A dress, 29 Aug 2013                                   | <b>14278/2013</b> | <b>Container Rotation Systems Pty Ltd;</b><br>09-07NES, A device for gripping a cargo<br>container lid, 21 Aug 2013 | <b>14126/2013</b> |
| <b>Australian Fashion Labels;</b><br>02-02C, A dress, 29 Aug 2013  | <b>14280/2013</b> | <b>Continental Reifen Deutschland GmbH;</b><br>12-15B, Tyre, (EM, 02 Apr 2013) 19 Aug<br>2013                       | <b>14080/2013</b> |
| <b>Australian Fashion Labels Pty Ltd;</b><br>02-02NES, A bustier, 29 Aug 2013                              | <b>14282/2013</b> | <b>Continental Reifen Deutschland GmbH;</b><br>12-15B, Tyre, (EM, 02 Apr 2013) 19 Aug<br>2013                       | <b>14082/2013</b> |
| <b>AG (Syd) Fashion Pty Ltd;</b><br>02-02C, 02-02NES, Apparel, 19 Aug 2013                                 | <b>14094/2013</b> | <b>Country Road Limited;</b><br>02-04NES, Shoe, 21 Aug 2013   | <b>14128/2013</b> |
| <b>AG (Syd) Fashion Pty Ltd;</b><br>02-02C, 02-02NES, Apparel, 19 Aug 2013                                 | <b>14093/2013</b> | <b>CUB Pty Ltd;</b><br>23-01NES, Beverage fount, 16 Aug 2013  | <b>14053/2013</b> |
| <b>Barrier Reef Pools Pty Ltd;</b><br>25-03, Horse pool, 21 Aug 2013                                       | <b>14134/2013</b> | <b>David Stuckey Investments Pty Ltd;</b><br>13-03NES, Signalling relay, 28 Aug 2013                                | <b>14252/2013</b> |
| <b>Bartco Traffic Equipment Pty. Ltd.;</b><br>14-03NES, Controller, 23 Aug 2013                            | <b>14171/2013</b> | <b>David Stuckey Investments Pty Ltd;</b><br>13-03NES, Signalling relay, 28 Aug 2013                                | <b>14256/2013</b> |
| <b>Beba Enterprises Pty Ltd;Magi<br/>Enterprises Pty Ltd;</b><br>02-02C, Articles of clothing, 23 Jul 2013 | <b>13545/2013</b> | <b>David Stuckey Investments Pty Ltd;</b><br>13-03NES, Signalling relay, 28 Aug 2013                                | <b>14254/2013</b> |
| <b>Bevis, Anne-Marie;</b><br>09-03NES, 10-04, Low level indicator, 23<br>Aug 2013                          | <b>14155/2013</b> | <b>David Stuckey Investments Pty Ltd;</b><br>13-03NES, Signalling relay, 28 Aug 2013                                | <b>14255/2013</b> |
| <b>BuildSmart (Aust.) Pty. Ltd.;</b><br>25-01D, Rendering profile, 19 Aug 2013                             | <b>14077/2013</b> | <b>David Stuckey Investments Pty Ltd;</b><br>13-03NES, Signalling relay, 28 Aug 2013                                | <b>14253/2013</b> |
| <b>BuildSmart (Aust.) Pty. Ltd.;</b><br>25-01D, Rendering profile, 19 Aug 2013                             | <b>14079/2013</b> | <b>David Stuckey Investments Pty Ltd;</b><br>13-03NES, Signalling relay, 28 Aug 2013                                | <b>14251/2013</b> |
| <b>Bulgari Horlogerie SA;</b><br>10-02, Wristwatch, (WO, 28 Jan 2013) 25 Jul<br>2013                       | <b>13543/2013</b> | <b>Delta Shelving Systems Pty Ltd;</b><br>08-08L, A bracket, 16 Aug 2013  | <b>14047/2013</b> |
| <b>Burgess Family Enterprises Pty Ltd;</b><br>28-03NES, Hot and cold pack mask, 16 Aug<br>2013             | <b>14052/2013</b> | <b>Di Pisa, Celina;</b><br>02-02NES, Shirt with interchangeable<br>decorative contrasts, 26 Aug 2013                | <b>14205/2013</b> |
|  |                   | <b>Dias Aluminium Products Pty. Ltd.;</b><br>25-01K, Wall channel, 20 Aug 2013                                      | <b>14136/2013</b> |



|   |                   |   |                   |
|---|-------------------|---|-------------------|
| <b>Dias Aluminium Products Pty. Ltd.;</b><br>06-04C, 08-09, 25-01K, Grip stile, 20 Aug 2013                 | <b>14166/2013</b> | <b>Euro-Pro Operating LLC;</b><br>03-01NES, Pad arrangement, (US, 01 Mar 2013) 29 Aug 2013                    | <b>14301/2013</b> |
| <b>Dias Aluminium Products Pty. Ltd.;</b><br>06-04C, 08-09, 25-01K, Top and bottom rail, 20 Aug 2013        | <b>14167/2013</b> | <b>Euro-Pro Operating LLC;</b><br>03-01NES, Pad arrangement, (US, 01 Mar 2013) 29 Aug 2013                    | <b>14302/2013</b> |
| <b>Dias Aluminium Products Pty. Ltd.;</b><br>23-01A, Gasket, 20 Aug 2013                                    | <b>14165/2013</b> | <b>Euro-Pro Operating LLC;</b><br>03-01NES, Pad arrangement, (US, 01 Mar 2013) 29 Aug 2013                    | <b>14299/2013</b> |
| <b>Drax Power Limited;</b><br>12-03, Hopper wagon, (EM, 19 Feb 2013) 19 Aug 2013                            | <b>14069/2013</b> | <b>Euro-Pro Operating LLC;</b><br>03-01NES, Pad arrangement, (US, 01 Mar 2013) 29 Aug 2013                    | <b>14300/2013</b> |
| <b>Drax Power Limited;</b><br>12-03, Solebar of a railway vehicle (left), (EM, 19 Feb 2013) 19 Aug 2013     | <b>14062/2013</b> | <b>Euro-Pro Operating LLC;</b><br>31-00, Blender base, (US, 28 Feb 2013) 27 Aug 2013                          | <b>14243/2013</b> |
| <b>Drax Power Limited;</b><br>12-03, Inlet door assembly of a hopper wagon, (EM, 19 Feb 2013) 19 Aug 2013   | <b>14063/2013</b> | <b>Euro-Pro Operating LLC;</b><br>31-00, Coupling, (US, 28 Feb 2013) 27 Aug 2013                              | <b>14240/2013</b> |
| <b>Drax Power Limited;</b><br>12-03, Solebar of a railway vehicle (right), (EM, 19 Feb 2013) 19 Aug 2013    | <b>14070/2013</b> | <b>Euro-Pro Operating LLC;</b><br>31-00, Control panel, (US, 28 Feb 2013) 27 Aug 2013                         | <b>14241/2013</b> |
| <b>DG Development &amp; Constructions Pty Limited;</b><br>06-06NES, Storage unit for cigarette, 19 Aug 2013 | <b>14096/2013</b> | <b>Eurolux Australia Pty Ltd;</b><br>08-03, Trimmer line, 23 Aug 2013   | <b>14158/2013</b> |
| <b>Emerson Electric Co.;</b><br>09-09, Food waste disposer, (US, 22 Feb 2013) 21 Aug 2013                   | <b>14122/2013</b> | <b>Eurolux Australia Pty Ltd;</b><br>08-03, Trimmer line, 23 Aug 2013   | <b>14159/2013</b> |
| <b>Ethicon, Inc.;</b><br>09-07A, Applicator instrument, (US, 05 Mar 2013) 21 Aug 2013                       | <b>14119/2013</b> | <b>EverHeart Systems Inc.;</b><br>24-01, Wireless power transmitter, (US, 25 Feb 2013) 23 Aug 2013            | <b>14221/2013</b> |
| <b>Ethicon, Inc.;</b><br>24-02, Surgical fastener, (US, 05 Mar 2013) 22 Aug 2013                            | <b>14137/2013</b> | <b>ELISANA S.A.R.L.;</b><br>06-09, Mattresses and pillow, (EM, 19 Jun 2013) 23 Aug 2013                       | <b>14162/2013</b> |
| <b>Ethicon, Inc.;</b><br>13-03D, Contoured tip, (US, 05 Mar 2013) 21 Aug 2013                               | <b>14118/2013</b> | <b>Footysuit Pty Ltd;</b><br>02-02C, Clothing, (EM, 28 Feb 2013) 19 Aug 2013                                  | <b>14113/2013</b> |
| <b>Euro Communication Equipements;</b><br>14-01, Bluetooth stereo speaker, 20 Aug 2013                      | <b>14112/2013</b> | <b>Forever New Clothing Pty Ltd;</b><br>02-02NES, Article of clothing, (Divisional of 16656/2012) 12 Aug 2013 | <b>14018/2013</b> |
| <b>Euro-Pro Operating LLC;</b><br>31-00, Shredder, (US, 28 Feb 2013) 27 Aug 2013                            | <b>14238/2013</b> | <b>Forever New Clothing Pty Ltd;</b><br>02-02C, Article of clothing, (Divisional of 16656/2012) 12 Aug 2013   | <b>14016/2013</b> |
| <b>Euro-Pro Operating LLC;</b><br>31-00, Dough hook, (US, 28 Feb 2013) 27 Aug 2013                          | <b>14244/2013</b> | <b>Forever New Clothing Pty Ltd;</b><br>02-02NES, Article of clothing, (Divisional of 16656/2012) 12 Aug 2013 | <b>14017/2013</b> |
| <b>Euro-Pro Operating LLC;</b><br>31-00, Blade assembly, (US, 01 Mar 2013) 27 Aug 2013                      | <b>14242/2013</b> | <b>Forever New Clothing Pty Ltd;</b><br>02-02NES, Article of clothing, (Divisional of 16656/2012) 12 Aug 2013 | <b>14009/2013</b> |
| <b>Euro-Pro Operating LLC;</b><br>03-01NES, Pad arrangement, (US, 01 Mar 2013) 29 Aug 2013                  | <b>14303/2013</b> | <b>Forever New Clothing Pty Ltd;</b><br>02-02C, Article of clothing, (Divisional of 16656/2012) 12 Aug 2013   | <b>14015/2013</b> |
| <b>Euro-Pro Operating LLC;</b><br>15-05, Appliance head, (US, 01 Mar 2013) 29 Aug 2013                      | <b>14304/2013</b> | <b>Forever New Clothing Pty Ltd;</b><br>02-02NES, Article of clothing, (Divisional of 16656/2012) 12 Aug 2013 | <b>14007/2013</b> |
|   |                   | <b>Forever New Clothing Pty Ltd;</b><br>02-02NES, Article of clothing, (Divisional of 16656/2012) 12 Aug 2013 | <b>14008/2013</b> |



|   |                   |   |                   |
|---|-------------------|---|-------------------|
| <b>Forever New Clothing Pty Ltd;</b><br>02-02NES, Article of clothing, (Divisional of 16167/2012) 12 Aug 2013               | <b>13988/2013</b> | <b>Guangzhou Gardenart Furniture Co. Ltd;Zhou, Xuan;</b><br>06-01H, Full alu sofa, one seater, 28 Aug 2013                          | <b>14265/2013</b> |
| <b>Forever New Clothing Pty Ltd;</b><br>02-02NES, Article of clothing, (Divisional of 16167/2012) 12 Aug 2013               | <b>13977/2013</b> | <b>Guangzhou Gardenart Furniture Co. Ltd;Zhou, Xuan;</b><br>06-01H, Alu' honey comb one seater sofa, 25 Aug 2013                    | <b>14191/2013</b> |
| <b>Forever New Clothing Pty Ltd;</b><br>02-02C, Article of clothing, (Divisional of 16167/2012) 12 Aug 2013                 | <b>13980/2013</b> | <b>Guangzhou Gardenart Furniture Co. Ltd;Zhou, Xuan;</b><br>06-01F, Alu' sling position chair, 22 Aug 2013                          | <b>14153/2013</b> |
| <b>Forever New Clothing Pty Ltd;</b><br>02-02NES, Article of clothing, (Divisional of 16167/2012) 12 Aug 2013               | <b>13981/2013</b> | <b>Guangzhou Gardenart Furniture Co. Ltd;Zhou, Xuan;</b><br>06-01H, Alu' honeycomb three seater sofa, with one armrest, 25 Aug 2013 | <b>14189/2013</b> |
| <b>Forever New Clothing Pty Ltd;</b><br>02-02NES, Article of clothing, (Divisional of 16167/2012) 12 Aug 2013               | <b>13986/2013</b> | <b>Guangzhou Gardenart Furniture Co. Ltd;Zhou, Xuan;</b><br>06-03A, Alu' glass extension table, 25 Aug 2013                         | <b>14188/2013</b> |
| <b>Forever New Clothing Pty Ltd;</b><br>02-02NES, Article of clothing, (Divisional of 16167/2012) 12 Aug 2013               | <b>13985/2013</b> | <b>Guangzhou Gardenart Furniture Co. Ltd;Zhou, Xuan;</b><br>06-01H, Alu' honey comb three seater sofa, without armrest, 25 Aug 2013 | <b>14190/2013</b> |
| <b>Frazer, Claude;</b><br>11-05, Flag, 19 Aug 2013  | <b>14192/2013</b> | <b>Guangzhou Gardenart Furniture Co. Ltd;Zhou, Xuan;</b><br>06-03B, Alu' glass round table, 19 Aug 2013                             | <b>14095/2013</b> |
| <b>Friends on Feet Pty Ltd;</b><br>02-04NES, A shoe, 22 Aug 2013  | <b>14144/2013</b> | <b>Guangzhou Gardenart Furniture Co. Ltd;Zhou, Xuan;</b><br>06-03B, Alu' glass round table, 19 Aug 2013                             | <b>14097/2013</b> |
| <b>Frontline Asia Pty Limited;</b><br>03-01A, A bag, 26 Aug 2013  | <b>14207/2013</b> | <b>GOJO Industries, Inc.;</b><br>23-02A, Sanitizer bottle holder adapter and clamp assembly, 29 Aug 2013                            | <b>14295/2013</b> |
| <b>Frontline Asia Pty Limited;</b><br>03-01A, A bag, 26 Aug 2013  | <b>14208/2013</b> | <b>GRC Environments Pty Ltd;</b><br>25-01D, Assembly for decking or the like, (Divisional of 13027/2012) 30 Jul 2013                | <b>13681/2013</b> |
| <b>Gant-Thompson, Robert Ian;</b><br>08-03, Brush cutter head, 19 Aug 2013  | <b>14092/2013</b> | <b>GRC Environments Pty Ltd;</b><br>25-01D, Assembly for decking or the like, (Divisional of 13027/2012) 30 Jul 2013                | <b>13682/2013</b> |
| <b>Gautam, Deepankar;</b><br>09-05, Dairy drinks, sweets, milk fat, oil, rice, lentils, 29 Aug 2013                         | <b>14275/2013</b> | <b>GSA Industries (Aust) Pty Ltd;</b><br>08-05NES, A tool, 23 Aug 2013  | <b>14169/2013</b> |
| <b>General Electric Company;</b><br>12-16NES, An end plate suitable for a rail vehicle, (US, 19 Feb 2013) 19 Aug 2013       | <b>14090/2013</b> | <b>Harcor Security Seals Pty Limited;</b><br>09-05, A receptacle, 29 Aug 2013   | <b>14296/2013</b> |
| <b>General Mills, Inc.;</b><br>08-08NES, Expandable gusseted sleeve for a pouch, (US, 01 Mar 2013) 27 Aug 2013              | <b>14232/2013</b> | <b>Harcor Security Seals Pty Limited;</b><br>09-05, A carrier, 29 Aug 2013  | <b>14297/2013</b> |
| <b>General Mills, Inc.;</b><br>08-08NES, Expandable gusseted sleeve for a pouch, (US, 01 Mar 2013) 27 Aug 2013              | <b>14231/2013</b> | <b>Honda Motor Co., Ltd.;</b><br>12-16NES, Instrument panel for automobile, (JP, 08 Mar 2013) 29 Aug 2013                           | <b>14290/2013</b> |
| <b>Gough Industries Pty Ltd;</b><br>09-09, Bund, 20 Aug 2013  | <b>14109/2013</b> | <b>Honda Motor Co., Ltd.;</b><br>12-16B, Front grill for automobile, (JP, 08 Mar 2013) 29 Aug 2013                                  | <b>14294/2013</b> |
| <b>Gresty, Teena Louise;</b><br>06-13B, Bed bumper waterproof bed protector, 26 Aug 2013                                    | <b>14218/2013</b> | <b>Honda Motor Co., Ltd.;</b><br>12-16C, Front bumper for an automobile, (JP, 08 Mar 2013) 29 Aug 2013                              | <b>14291/2013</b> |
| <b>Guangzhou Gardenart Furniture Co. Ltd;Zhou, Xuan;</b><br>06-01H, Full alu' corner sofa, 28 Aug 2013                      | <b>14268/2013</b> |   |                   |
| <b>Guangzhou Gardenart Furniture Co. Ltd;Zhou, Xuan;</b><br>06-03A, Alu' side table, 28 Aug 2013                            | <b>14267/2013</b> |   |                   |
| <b>Guangzhou Gardenart Furniture Co. Ltd;Zhou, Xuan;</b><br>06-01H, Full alu sofa, two seater with one armrest, 28 Aug 2013 | <b>14266/2013</b> |   |                   |

|   |                   |  |                   |
|---|-------------------|--|-------------------|
| <b>Honda Motor Co., Ltd.;</b><br>12-16C, Rear bumper for automobile, (JP, 08 Mar 2013) 29 Aug 2013              | <b>14292/2013</b> | <b>King Furniture Australia Pty. Ltd.;</b><br>06-01G, A sofa, 19 Aug 2013                | <b>14067/2013</b> |
| <b>Honda Motor Co., Ltd.;</b><br>12-08, Automobile, (JP, 08 Mar 2013) 29 Aug 2013                               | <b>14287/2013</b> | <b>King Furniture Australia Pty. Ltd.;</b><br>06-01G, A sofa, 19 Aug 2013                | <b>14068/2013</b> |
| <b>Honda Motor Co., Ltd.;</b><br>26-06, Rear combination lamp for automobile, (JP, 08 Mar 2013) 29 Aug 2013     | <b>14288/2013</b> | <b>King Furniture Australia Pty. Ltd.;</b><br>06-01G, A sofa, 19 Aug 2013                | <b>14065/2013</b> |
| <b>Honda Motor Co., Ltd.;</b><br>26-06, Front combination lamp for automobile, (JP, 08 Mar 2013) 29 Aug 2013    | <b>14286/2013</b> | <b>Kubota Corporation;</b><br>15-04, Wheel loader, (JP, 28 Feb 2013) 15 Aug 2013         | <b>14026/2013</b> |
| <b>Honeyman, T. R.;Smith, S. J.;</b><br>06-01C, Chair / lobby seat / bench / display area, 27 Aug 2013          | <b>14230/2013</b> | <b>Kubota Corporation;</b><br>15-04, Wheel loader, (JP, 28 Feb 2013) 15 Aug 2013         | <b>13992/2013</b> |
| <b>Huizhou Sun Moon Metal &amp; Wooden Product Co., Ltd.;</b><br>07-02E, Grill, 16 Aug 2013                     | <b>14048/2013</b> | <b>KDC Holdings (Aust) Pty Ltd;</b><br>25-01K, Roofing spacer, 19 Aug 2013               | <b>14076/2013</b> |
| <b>Huon Aquaculture Group Pty Ltd;</b><br>30-02, Component for fish stock protection pen, 19 Aug 2013           | <b>14091/2013</b> | <b>KMA Concepts Limited;</b><br>21-01H, Toy launching gun, (US, 15 Feb 2013) 09 Aug 2013 | <b>13901/2013</b> |
| <b>Illinois Tool Works Inc.;</b><br>25-01B, Chair, 22 Aug 2013  | <b>14152/2013</b> | <b>KMA Concepts Limited;</b><br>21-01H, Toy Projectile, (US, 19 May 2013) 15 Aug 2013    | <b>14061/2013</b> |
| <b>Illumagear, Inc.;</b><br>26-05E, Light-emitting device, (US, 27 Feb 2013) 23 Aug 2013                        | <b>14163/2013</b> | <b>KMA Concepts Limited;</b><br>21-01H, Toy bow, (US, 19 May 2013) 15 Aug 2013           | <b>14059/2013</b> |
| <b>JST Performance, Inc.;</b><br>26-05NES, Light fixture for single row of lamps, (US, 20 Feb 2013) 15 Aug 2013 | <b>13990/2013</b> | <b>KMA Concepts Limited;</b><br>21-01H, Toy crossbow, (US, 19 May 2013) 15 Aug 2013      | <b>14060/2013</b> |
| <b>JST Performance, Inc.;</b><br>12-16E, Vehicle light fixture, (US, 20 Feb 2013) 15 Aug 2013                   | <b>13991/2013</b> | <b>KWH Mirka Ltd;</b><br>08-05N, An abrasive sheet, (EM, 26 Feb 2013) 26 Aug 2013        | <b>14210/2013</b> |
| <b>Kimberly-Clark Worldwide, Inc.;</b><br>04-01, Mop head, (US, 27 Feb 2013) 06 Aug 2013                        | <b>13783/2013</b> | <b>KWH Mirka Ltd;</b><br>05-06NES, An abrasive sheet, (EM, 26 Feb 2013) 26 Aug 2013      | <b>14209/2013</b> |
| <b>King Furniture Australia Pty Ltd;</b><br>06-01F, A chair, 19 Aug 2013  | <b>14072/2013</b> | <b>KWH Mirka Ltd;</b><br>08-05N, An abrasive sheet, (EM, 26 Feb 2013) 26 Aug 2013        | <b>14214/2013</b> |
| <b>King Furniture Australia Pty Ltd;</b><br>06-01G, A sofa, 14 Aug 2013   | <b>14043/2013</b> | <b>KWH Mirka Ltd;</b><br>08-05N, An abrasive sheet, (EM, 26 Feb 2013) 26 Aug 2013        | <b>14215/2013</b> |
| <b>King Furniture Australia Pty Ltd;</b><br>06-01G, A sofa, 14 Aug 2013   | <b>14044/2013</b> | <b>KWH Mirka Ltd;</b><br>08-05N, An abrasive sheet, (EM, 26 Feb 2013) 26 Aug 2013        | <b>14212/2013</b> |
| <b>King Furniture Australia Pty Ltd;</b><br>06-01G, A chair, 14 Aug 2013  | <b>14045/2013</b> | <b>KWH Mirka Ltd;</b><br>08-05N, An abrasive sheet, (EM, 26 Feb 2013) 26 Aug 2013        | <b>14216/2013</b> |
| <b>King Furniture Australia Pty Ltd;</b><br>06-01E, An ottoman, 19 Aug 2013                                     | <b>14074/2013</b> | <b>KWH Mirka Ltd;</b><br>08-05N, An abrasive sheet, (EM, 26 Feb 2013) 26 Aug 2013        | <b>14213/2013</b> |
| <b>King Furniture Australia Pty Ltd;</b><br>06-01G, A chaise, 19 Aug 2013                                       | <b>14073/2013</b> | <b>KWH Mirka Ltd;</b><br>08-05N, An abrasive sheet, (EM, 26 Feb 2013) 26 Aug 2013        | <b>14211/2013</b> |
| <b>King Furniture Australia Pty Ltd;</b><br>06-01F, A chair, 19 Aug 2013  | <b>14071/2013</b> | <b>Landis &amp; Gyr Pty Ltd;</b><br>14-02, Meter expansion module, 23 Aug 2013           | <b>14168/2013</b> |
| <b>King Furniture Australia Pty. Ltd.;</b><br>06-01E, An ottoman, 19 Aug 2013                                   | <b>14064/2013</b> |  |                   |
| <b>King Furniture Australia Pty. Ltd.;</b><br>06-01G, A sofa, 19 Aug 2013                                       | <b>14066/2013</b> |  |                   |

|   |                   |   |                   |
|---|-------------------|---|-------------------|
| <b>Lennox Industries Inc.;</b><br>14-03NES, Remote indoor sensor, (US, 27 Feb 2013) 26 Aug 2013   | <b>14204/2013</b> | <b>Logue and Co. Pty Ltd;</b><br>09-01NES, Medicament package, 15 Aug 2013                                | <b>14057/2013</b> |
| <b>LexisNexis, A division of Reed Elsevier Inc.;</b><br>14-02, Electronic device with boxed abacus icon, (US, 29 Nov 2012) (Divisional of 12475/2013) 13 Aug 2013 | <b>13913/2013</b> | <b>Logue and Co. Pty Ltd;</b><br>09-01NES, Medicament package, 15 Aug 2013                                | <b>14058/2013</b> |
| <b>LexisNexis, A division of Reed Elsevier Inc.;</b><br>14-02, Electronic device with boxed abacus icon, (US, 29 Nov 2012) (Divisional of 12475/2013) 13 Aug 2013 | <b>13915/2013</b> | <b>Logue and Co. Pty Ltd;</b><br>10-04, Measuring cap, 06 Aug 2013  | <b>13789/2013</b> |
| <b>LexisNexis, A division of Reed Elsevier Inc.;</b><br>14-02, Electronic device with boxed abacus icon, (US, 29 Nov 2012) (Divisional of 12475/2013) 13 Aug 2013 | <b>13914/2013</b> | <b>Logue and Co. Pty Ltd;</b><br>10-04, Measuring cap, 06 Aug 2013  | <b>13785/2013</b> |
| <b>LexisNexis, A division of Reed Elsevier Inc.;</b><br>14-02, Electronic device with boxed abacus icon, (US, 29 Nov 2012) (Divisional of 12475/2013) 13 Aug 2013 | <b>13914/2013</b> | <b>Logue and Co. Pty Ltd;</b><br>10-04, Measuring cap, 06 Aug 2013  | <b>13786/2013</b> |
| <b>LexisNexis, A division of Reed Elsevier Inc.;</b><br>14-02, Electronic device with boxed abacus icon, (US, 29 Nov 2012) (Divisional of 12475/2013) 13 Aug 2013 | <b>13914/2013</b> | <b>Logue and Co. Pty Ltd;</b><br>09-01NES, Medicament package, 06 Aug 2013                                | <b>13784/2013</b> |
| <b>LexisNexis, A division of Reed Elsevier Inc.;</b><br>14-02, Electronic device with boxed abacus icon, (US, 29 Nov 2012) (Divisional of 12475/2013) 13 Aug 2013 | <b>13916/2013</b> | <b>Logue and Co. Pty Ltd;</b><br>10-04, Measuring cap, 06 Aug 2013  | <b>13787/2013</b> |
| <b>LexisNexis, A division of Reed Elsevier Inc.;</b><br>14-02, Electronic device with boxed abacus icon, (US, 29 Nov 2012) (Divisional of 12475/2013) 13 Aug 2013 | <b>13916/2013</b> | <b>Logue and Co. Pty Ltd;</b><br>10-04, Measuring cap, 06 Aug 2013  | <b>13788/2013</b> |
| <b>LexisNexis, A division of Reed Elsevier Inc.;</b><br>14-02, Electronic device with boxed abacus icon, (US, 29 Nov 2012) (Divisional of 12475/2013) 13 Aug 2013 | <b>13917/2013</b> | <b>Lucidity Enterprise Co., Ltd.;</b><br>26-06, Cover lens for an automotive lamp, 28 Aug 2013            | <b>14261/2013</b> |
| <b>LexisNexis, A division of Reed Elsevier Inc.;</b><br>14-02, Electronic device with boxed abacus icon, (US, 29 Nov 2012) (Divisional of 12475/2013) 13 Aug 2013 | <b>13917/2013</b> | <b>Lyson Trading Pty Ltd;</b><br>09-03F, 4 cavity tray and lid, 29 Aug 2013                               | <b>14298/2013</b> |
| <b>LexisNexis, A division of Reed Elsevier Inc.;</b><br>14-02, Electronic device with boxed abacus icon, (US, 29 Nov 2012) (Divisional of 12475/2013) 13 Aug 2013 | <b>13912/2013</b> | <b>LSI Industries, Inc.;</b><br>26-05C, Lighting, (Divisional of 13325/2013) 28 Aug 2013                  | <b>14262/2013</b> |
| <b>LexisNexis, A division of Reed Elsevier Inc.;</b><br>14-02, Electronic device with boxed abacus icon, (US, 29 Nov 2012) (Divisional of 12475/2013) 13 Aug 2013 | <b>13912/2013</b> | <b>LSI Industries, Inc.;</b><br>26-05C, Lighting, (Divisional of 13325/2013) 28 Aug 2013                  | <b>14259/2013</b> |
| <b>LexisNexis, A division of Reed Elsevier Inc.;</b><br>14-02, Electronic device with boxed abacus icon, (US, 29 Nov 2012) (Divisional of 12475/2013) 13 Aug 2013 | <b>13918/2013</b> | <b>LSI Industries, Inc.;</b><br>26-05C, Lighting, (Divisional of 13325/2013) 28 Aug 2013                  | <b>14263/2013</b> |
| <b>LexisNexis, A division of Reed Elsevier Inc.;</b><br>14-02, Electronic device with boxed abacus icon, (US, 29 Nov 2012) (Divisional of 12475/2013) 13 Aug 2013 | <b>13918/2013</b> | <b>LSI Industries, Inc.;</b><br>26-05C, Lighting, (Divisional of 13325/2013) 28 Aug 2013                  | <b>14260/2013</b> |
| <b>LexisNexis, A division of Reed Elsevier Inc.;</b><br>14-02, Electronic device with boxed abacus icon, (US, 29 Nov 2012) (Divisional of 12475/2013) 13 Aug 2013 | <b>13919/2013</b> | <b>LSI Industries, Inc.;</b><br>26-05C, Lighting, (Divisional of 13325/2013) 28 Aug 2013                  | <b>14260/2013</b> |
| <b>LexisNexis, A division of Reed Elsevier Inc.;</b><br>14-02, Electronic device with boxed abacus icon, (US, 29 Nov 2012) (Divisional of 12475/2013) 13 Aug 2013 | <b>13919/2013</b> | <b>LSI Industries, Inc.;</b><br>26-05C, Lighting, (Divisional of 13325/2013) 28 Aug 2013                  | <b>14257/2013</b> |
| <b>Logue and Co. Pty Ltd;</b><br>09-01NES, Medicament package, 23 Aug 2013  | <b>14223/2013</b> | <b>LSI Industries, Inc.;</b><br>26-05C, Lighting, (Divisional of 13325/2013) 28 Aug 2013                  | <b>14258/2013</b> |
| <b>Logue and Co. Pty Ltd;</b><br>09-01NES, Medicament package, 23 Aug 2013  | <b>14224/2013</b> | <b>LSI Industries, Inc.;</b><br>26-05D, Lighting, (Divisional of 13325/2013) 28 Aug 2013                  | <b>14249/2013</b> |
| <b>Logue and Co. Pty Ltd;</b><br>09-01NES, Medicament package, 23 Aug 2013  | <b>14225/2013</b> | <b>MacKenzie, Noel Gordon;</b><br>12-02, Mobile shopping cart, 28 Aug 2013                                | <b>14245/2013</b> |
| <b>Logue and Co. Pty Ltd;</b><br>09-01NES, Medicament package, 15 Aug 2013  | <b>14055/2013</b> | <b>Magi Enterprises Pty Ltd;Beba Enterprises Pty Ltd;</b><br>02-02C, Articles of clothing, 23 Jul 2013    | <b>13545/2013</b> |
| <b>Logue and Co. Pty Ltd;</b><br>09-01NES, Medicament package, 15 Aug 2013  | <b>14056/2013</b> | <b>Martin Engineering Company;</b><br>08-08D, Clamp for mounting vibrators, (US, 15 Mar 2013) 27 Aug 2013 | <b>14229/2013</b> |

|   |                   |  |                   |
|---|-------------------|--|-------------------|
| <b>Master Lock Company LLC;</b><br>08-07, Hasp, (US, 12 Mar 2013) 27 Aug 2013                                   | <b>14228/2013</b> | <b>Novartis AG;</b><br>24-04, Inhaler, (US, 08 Mar 2013) 28 Aug 2013   | <b>14248/2013</b> |
| <b>Matthews Pride, LLC;</b><br>06-01NES, Hammock, (US, 21 Feb 2013) 21 Aug 2013                                 | <b>14115/2013</b> | <b>Peddie, Julie Doris;</b><br>07-07A, Drink cooler, 16 Aug 2013   | <b>14050/2013</b> |
| <b>Matthews Pride, LLC;</b><br>06-01NES, Hammock, (US, 21 Feb 2013) 21 Aug 2013                                 | <b>14116/2013</b> | <b>Peddie, Julie Doris;</b><br>07-07A, Drink cooler, 16 Aug 2013   | <b>14051/2013</b> |
| <b>Mayo Hardware Pty Ltd;</b><br>07-02E, Chicken roaster, (NZ, 08 Aug 2013) 20 Aug 2013                         | <b>14100/2013</b> | <b>Peddie, Julie Doris;</b><br>07-07A, Drink cooler, 16 Aug 2013   | <b>14049/2013</b> |
| <b>Mayo Hardware Pty Ltd;</b><br>07-04, Tongs, (NZ, 08 Aug 2013) 20 Aug 2013                                    | <b>14102/2013</b> | <b>PepsiCo, Inc.;</b><br>31-00, Dispenser, (US, 19 Feb 2013) 16 Aug 2013   | <b>14046/2013</b> |
| <b>Mayo Hardware Pty Ltd;</b><br>07-02H, 07-02D, 07-02NES, Fishgriller, (NZ, 08 Aug 2013) 20 Aug 2013           | <b>14098/2013</b> | <b>PepsiCo, Inc.;</b><br>09-01NES, Bottle, (US, 26 Feb 2013) 26 Aug 2013   | <b>14194/2013</b> |
| <b>Mayo Hardware Pty Ltd;</b><br>07-02P, Egg ring, (NZ, 08 Aug 2013) 20 Aug 2013                                | <b>14099/2013</b> | <b>Performance Flotation Developments (Aust) Pty Ltd;</b><br>21-02D, 02-02B, 02-02NES, Flotation device, 23 Aug 2013           | <b>14222/2013</b> |
| <b>Mayo Hardware Pty Ltd;</b><br>07-02NES, Basting pot & brush, (NZ, 08 Aug 2013) 20 Aug 2013                   | <b>14101/2013</b> | <b>Piaggio &amp; C. S.p.A.;</b><br>12-11, Motor scooter, (EM, 27 Feb 2013) 27 Aug 2013   | <b>14237/2013</b> |
| <b>McCormack, Phillipa;</b><br>02-02B, Nursing and burping bib, 24 May 2013                                     | <b>13615/2013</b> | <b>Piaggio &amp; C. S.p.A.;</b><br>12-11, Motor scooter, (EM, 27 Feb 2013) 27 Aug 2013   | <b>14236/2013</b> |
| <b>McCormack, Phillipa;</b><br>02-02B, Nursing and burping bib, 24 May 2013                                     | <b>13616/2013</b> | <b>Plant, Gary;</b><br>03-01D, Side box for utility vehicle tray, 27 Aug 2013  | <b>14233/2013</b> |
| <b>McCormick &amp; Company, Incorporated;</b><br>14-02, Display screen with icon, (US, 25 Feb 2013) 20 Aug 2013 | <b>14108/2013</b> | <b>PLSR Trust;</b><br>03-03, Umbrella cover, 26 Aug 2013   | <b>14202/2013</b> |
| <b>McCormick &amp; Company, Incorporated;</b><br>02-03, Cap, (US, 15 Mar 2013) 19 Aug 2013                      | <b>14075/2013</b> | <b>PLSR Trust;</b><br>03-03, Umbrella cover, 26 Aug 2013   | <b>14203/2013</b> |
| <b>McCormick &amp; Company, Incorporated;</b><br>09-01NES, Bottle, (US, 15 Mar 2013) 29 Aug 2013                | <b>14285/2013</b> | <b>Rakumba Lighting Pty Ltd;</b><br>26-05D, Lighting canopy, 02 May 2013   | <b>14117/2013</b> |
| <b>Mediplast AB;</b><br>24-01, Ear suction device, (EM, 08 Mar 2013) 26 Aug 2013                                | <b>14199/2013</b> | <b>Samsung Electronics Co., Ltd;</b><br>14-02, Display screen for an electronic device, (KR, 08 Mar 2013) 21 Aug 2013          | <b>14156/2013</b> |
| <b>Nania, Jessica Lee;</b><br>02-02NES, A hood and collar garment, 29 Aug 2013                                  | <b>14283/2013</b> | <b>Samsung Electronics Co., Ltd;</b><br>14-02, Display screen for an electronic device, (KR, 08 Mar 2013) 21 Aug 2013          | <b>14157/2013</b> |
| <b>Nautilus Hyosung Inc.;</b><br>20-01, Automated teller machine, (KR, 03 May 2013) 29 Aug 2013                 | <b>14281/2013</b> | <b>Samsung Electronics Co., Ltd;</b><br>14-02, Electronic device, (KR, 23 Feb 2013) 23 Aug 2013                                | <b>14172/2013</b> |
| <b>Nautilus Hyosung Inc.;</b><br>20-01, Automated teller machine, (KR, 27 Mar 2013) 28 Aug 2013                 | <b>14246/2013</b> | <b>Samsung Electronics Co., Ltd;</b><br>14-01, Display screen for an electronic device, (KR, 08 Mar 2013) 26 Aug 2013          | <b>14220/2013</b> |
| <b>Nautilus Hyosung Inc.;</b><br>20-01, Automated teller machine, (KR, 27 Mar 2013) 28 Aug 2013                 | <b>14247/2013</b> | <b>Samsung Electronics Co., Ltd;</b><br>14-02, Electronic device, (KR, 23 Feb 2013) 23 Aug 2013                                | <b>14173/2013</b> |
| <b>Ningbo Ambon Emergency Products Co., Ltd;</b><br>13-02, Portable power pack, 26 Aug 2013                     | <b>14193/2013</b> | <b>Samsung Electronics Co., Ltd;</b><br>14-01, Earphone type mobile device with arm and display, (KR, 25 Feb 2013) 26 Aug 2013 | <b>14219/2013</b> |
|   |                   | <b>Samsung Electronics Co., Ltd;</b><br>14-02, Electronic device, (KR, 23 Feb 2013) 23 Aug 2013                                | <b>14170/2013</b> |

|  |                   |  |                   |
|--|-------------------|--|-------------------|
| <b>Samsung Electronics Co., Ltd;</b><br>14-02, 10-02, Electronic device, (KR, 23 Feb 2013) 23 Aug 2013     | <b>14185/2013</b> | <b>Sony Computer Entertainment Inc.;</b><br>14-02, Display panel/screen with computer generated image, (JP, 14 Aug 2013) 21 Aug 2013 | <b>14127/2013</b> |
| <b>Samsung Electronics Co., Ltd;</b><br>14-02, 10-02, Electronic device, (KR, 23 Feb 2013) 23 Aug 2013     | <b>14181/2013</b> | <b>Sony Computer Entertainment Inc.;</b><br>14-02, Display panel/screen with computer generated image, (JP, 14 Aug 2013) 21 Aug 2013 | <b>14129/2013</b> |
| <b>Samsung Electronics Co., Ltd;</b><br>14-02, 10-02, Electronic device, (KR, 23 Feb 2013) 23 Aug 2013     | <b>14182/2013</b> | <b>Starway International Home-Living Co., Ltd.;</b><br>06-01F, Chair, (CN, 21 Feb 2013) 21 Aug 2013                                  | <b>14121/2013</b> |
| <b>Samsung Electronics Co., Ltd;</b><br>14-02, 10-02, Electronic device, (KR, 23 Feb 2013) 23 Aug 2013     | <b>14179/2013</b> | <b>Starway International Home-Living Co., Ltd.;</b><br>06-01F, Chair, (CN, 21 Feb 2013) 21 Aug 2013                                  | <b>14120/2013</b> |
| <b>Samsung Electronics Co., Ltd;</b><br>14-02, 10-02, Electronic device, (KR, 23 Feb 2013) 23 Aug 2013     | <b>14183/2013</b> | <b>Sunbeam Corporation Limited;</b><br>07-02F, Toaster, 20 Nov 2012  | <b>13424/2013</b> |
| <b>Samsung Electronics Co., Ltd;</b><br>14-02, 10-02, Electronic device, (KR, 23 Feb 2013) 23 Aug 2013     | <b>14184/2013</b> | <b>Sunbeam Corporation Limited;</b><br>07-04, Stick mixer, 14 Aug 2013   | <b>14042/2013</b> |
| <b>Samsung Electronics Co., Ltd;</b><br>14-02, 10-02, Electronic device, (KR, 23 Feb 2013) 23 Aug 2013     | <b>14180/2013</b> | <b>Sunset Skateboard Company;</b><br>21-02E, Skateboard with transparent wheel with inner core, (US, 17 May 2013) 23 Aug 2013        | <b>14186/2013</b> |
| <b>Samsung Electronics Co., Ltd.;</b><br>14-02, Electronic device, (KR, 23 Feb 2013) 23 Aug 2013           | <b>14175/2013</b> | <b>Sunstra Engineering Pty Ltd;The Trustee for SUN FAMILY TRUST;</b><br>08-08B, Pole spigot, 22 Aug 2013                             | <b>14154/2013</b> |
| <b>Samsung Electronics Co., Ltd.;</b><br>14-02, Electronic device, (KR, 23 Feb 2013) 23 Aug 2013           | <b>14176/2013</b> | <b>SEW-EURODRIVE GmbH &amp; Co. KG;</b><br>13-01, Electric motor, (DE, 02 Mar 2013) 29 Aug 2013                                      | <b>14276/2013</b> |
| <b>Samsung Electronics Co., Ltd.;</b><br>14-02, Electronic device, (KR, 23 Feb 2013) 23 Aug 2013           | <b>14174/2013</b> | <b>T'Kita Designs Pty Ltd;</b><br>03-01A, Briefcase, 26 Aug 2013   | <b>14217/2013</b> |
| <b>Samsung Electronics Co., Ltd.;</b><br>14-02, Electronic device, (KR, 23 Feb 2013) 23 Aug 2013           | <b>14177/2013</b> | <b>Tacca-Plastics Australia Pty Ltd;</b><br>09-03F, A punnet, 15 Aug 2013  | <b>13976/2013</b> |
| <b>Samsung Electronics Co., Ltd.;</b><br>14-02, Electronic device, (KR, 23 Feb 2013) 23 Aug 2013           | <b>14178/2013</b> | <b>Techtronic Floor Care Technology Limited;</b><br>15-05, Floor cleaning device, (CN, 21 Feb 2013) 21 Aug 2013                      | <b>14125/2013</b> |
| <b>Sentry Medical Pty Ltd;</b><br>24-04, 08-08M, Wall mount for medical consumables dispenser, 29 May 2013 | <b>13617/2013</b> | <b>Techtronic Floor Care Technology Limited;</b><br>15-05, Floor cleaning device, (CN, 21 Feb 2013) 21 Aug 2013                      | <b>14124/2013</b> |
| <b>Shade Australia Pty Ltd;</b><br>08-08NES, 03-03, Umbrella baseplate/weight plate, 27 Aug 2013           | <b>14235/2013</b> | <b>Tenacious Holdings, Inc.;</b><br>02-06, Glove, (US, 15 Mar 2013) 16 Aug 2013  | <b>14054/2013</b> |
| <b>Shop Vac Corporation;</b><br>15-05, Vacuum cleaner, (US, 24 Jun 2013) 29 Aug 2013                       | <b>14289/2013</b> | <b>Terumo Kabushiki Kaisha;</b><br>24-02, Medical connector, (JP, 26 Feb 2013) 21 Aug 2013   | <b>14131/2013</b> |
| <b>Shubin, Steven A. Sr.;</b><br>09-09, Biological fluid collection device, (US, 20 Mar 2013) 26 Aug 2013  | <b>14201/2013</b> | <b>Terumo Kabushiki Kaisha;</b><br>24-02, Medical connector, (JP, 26 Feb 2013) 21 Aug 2013   | <b>14133/2013</b> |
| <b>Shubin, Steven A. Sr.;</b><br>09-09, Biological fluid collection device, (US, 20 Mar 2013) 21 Aug 2013  | <b>14114/2013</b> | <b>Terumo Kabushiki Kaisha;</b><br>24-02, Medical stopcock, (JP, 26 Feb 2013) 21 Aug 2013  | <b>14132/2013</b> |
| <b>Smith, S. J.;Honeyman, T. R.;</b><br>06-01C, Chair / lobby seat / bench / display area, 27 Aug 2013     | <b>14230/2013</b> |  |                   |

|  |                   |   |                   |
|--|-------------------|---|-------------------|
| <b>The Absolut Company Aktiebolag;</b><br>09-01H, Bottle, (EM, 25 Feb 2013) 16 Aug 2013                              | <b>14040/2013</b> | <b>Vendafit Pty Limited;</b><br>09-09, Sharp disposal bin, 22 Aug 2013  | <b>14143/2013</b> |
| <b>The Absolut Company Aktiebolag;</b><br>09-01H, Bottle, (EM, 25 Feb 2013) 16 Aug 2013                              | <b>14039/2013</b> | <b>ViaCyte, Inc.;</b><br>24-01, 24-02, Cell encapsulation device, (US, 07 Mar 2013) 26 Aug 2013   | <b>14198/2013</b> |
| <b>The Decor Corporation Pty. Ltd.;</b><br>07-01NES, Base for container, 26 Aug 2013                                 | <b>14197/2013</b> | <b>Visa International Service Association;</b><br>19-08, Card, (US, 12 Aug 2013) 22 Aug 2013  | <b>14141/2013</b> |
| <b>The Decor Corporation Pty. Ltd.;</b><br>07-01NES, Base for container, 26 Aug 2013                                 | <b>14200/2013</b> | <b>Visa International Service Association;</b><br>19-08, Card, (US, 12 Aug 2013) 22 Aug 2013  | <b>14149/2013</b> |
| <b>The Decor Corporation Pty. Ltd.;</b><br>07-01NES, Base for container, 26 Aug 2013                                 | <b>14195/2013</b> | <b>Visa International Service Association;</b><br>19-08, Card, (US, 12 Aug 2013) 22 Aug 2013  | <b>14145/2013</b> |
| <b>The Decor Corporation Pty. Ltd.;</b><br>07-01NES, Base for container, 26 Aug 2013                                 | <b>14196/2013</b> | <b>Visa International Service Association;</b><br>19-08, Card, (US, 12 Aug 2013) 22 Aug 2013  | <b>14142/2013</b> |
| <b>The Gillette Company;</b><br>28-03A, Shaving razor cartridge, (US, 28 Feb 2013) 28 Aug 2013                       | <b>14264/2013</b> | <b>Visa International Service Association;</b><br>19-08, Card, (US, 12 Aug 2013) 22 Aug 2013  | <b>14139/2013</b> |
| <b>The Gillette Company;</b><br>28-03A, Hand held device, (US, 20 Feb 2013) 19 Aug 2013                              | <b>14087/2013</b> | <b>Visa International Service Association;</b><br>19-08, Card, (US, 12 Aug 2013) 22 Aug 2013  | <b>14146/2013</b> |
| <b>The Trustee for SUN FAMILY TRUST;Sunstra Engineering Pty Ltd;</b><br>08-08B, Pole spigot, 22 Aug 2013             | <b>14154/2013</b> | <b>Visa International Service Association;</b><br>19-08, Card, (US, 12 Aug 2013) 22 Aug 2013  | <b>14138/2013</b> |
| <b>Thompson, Stewart;</b><br>09-02NES, 23-01F, Fuel tank, 14 Aug 2013  | <b>14041/2013</b> | <b>Visa International Service Association;</b><br>19-08, Card, (US, 12 Aug 2013) 22 Aug 2013  | <b>14147/2013</b> |
| <b>Tillig, Vonda;</b><br>06-06G, A chair assembly, 28 Aug 2013   | <b>14250/2013</b> | <b>Visa International Service Association;</b><br>19-08, Card, (US, 12 Aug 2013) 22 Aug 2013  | <b>14148/2013</b> |
| <b>Turtle Products, LLC;</b><br>02-03, Infant cap with head positioning aid, (US, 25 Feb 2013) 22 Aug 2013           | <b>14151/2013</b> | <b>Warn Industries, Inc.;</b><br>08-05F, Pulling tool, (US, 13 Mar 2013) 20 Aug 2013  | <b>14107/2013</b> |
| <b>Toyota Jidosha Kabushiki Kaisha;</b><br>12-08, Automobile, 29 Aug 2013  | <b>14279/2013</b> | <b>Wen-Hsin Chao;</b><br>26-05D, Fireproof and waterproof lamp device, 23 Aug 2013  | <b>14160/2013</b> |
| <b>Toyota Jidosha Kabushiki Kaisha;</b><br>12-08, Automobile, 29 Aug 2013  | <b>14277/2013</b> | <b>Wilcox Industries Corp.;</b><br>16-05, Light-reducing filter for night vision device, (US, 24 Jun 2013) 21 Aug 2013                              | <b>14130/2013</b> |
| <b>Trio Brothers Trading Pty Ltd;</b><br>27-05, Tobacco water pipe shaped cigarette lighter, 19 Aug 2013             | <b>14086/2013</b> | <b>Wilkinson, Mary;Wilkinson, Guy;</b><br>07-06NES, Sugar sachet holders made from coffee beans, 20 Aug 2013  | <b>14111/2013</b> |
| <b>True Trac s.r.o.;</b><br>20-02NES, Plastic holder of promotional material for cars, (EM, 20 Feb 2013) 20 Aug 2013 | <b>14110/2013</b> | <b>Wilkinson, Guy;Wilkinson, Mary;</b><br>07-06NES, Sugar sachet holders made from coffee beans, 20 Aug 2013  | <b>14111/2013</b> |
| <b>Tsai, Wen Tang;</b><br>08-99, Skateboard tool, 27 Aug 2013  | <b>14234/2013</b> | <b>Witts, Damien Mark;</b><br>13-03NES, Light switch, 29 Aug 2013   | <b>14293/2013</b> |
| <b>Tyco Fire Products LP;</b><br>23-01B, Pipe fitting, (US, 19 Oct 2012) 12 Apr 2013                                 | <b>13218/2013</b> | <b>Work Smart Equipment Pty Limited;</b><br>12-02, 15-05, Pressure washer, pressure washer trolley, trolley frame and a trolley handle, 30 Jul 2013 | <b>13680/2013</b> |
| <b>TRA Company Ltd.;</b><br>13-02, Battery pack, (JP, 28 Feb 2013) 22 Aug 2013                                       | <b>14140/2013</b> | <b>Zhou, Xuan;Guangzhou Gardenart Furniture Co. Ltd;</b><br>06-01H, Full alu' corner sofa, 28 Aug 2013  | <b>14268/2013</b> |
| <b>USG Interiors, LLC;</b><br>08-08A, A clip, (NZ, 22 Aug 2013) 23 Aug 2013  | <b>14164/2013</b> | <b>Zhou, Xuan;Guangzhou Gardenart Furniture Co. Ltd;</b><br>06-03A, Alu' side table, 28 Aug 2013  | <b>14267/2013</b> |
| <b>Vendafit Pty Limited;</b><br>20-01, Sturdy vending machine for up to 200 items, 14 Aug 2013                       | <b>13964/2013</b> | <b>Zhou, Xuan;Guangzhou Gardenart Furniture Co. Ltd;</b><br>06-01H, Full alu sofa, two seater with one armrest, 28 Aug 2013                         | <b>14266/2013</b> |



|   |                   |  |                   |
|---|-------------------|--|-------------------|
| <b>Zhou, Xuan;Guangzhou Gardenart Furniture Co. Ltd;</b><br>06-01H, Full alu sofa, one seater, 28 Aug 2013                          | <b>14265/2013</b> | <b>Zhou, Xuan;Guangzhou Gardenart Furniture Co. Ltd;</b><br>06-01H, Alu' honey comb one seater sofa, 25 Aug 2013 | <b>14191/2013</b> |
| <b>Zhou, Xuan;Guangzhou Gardenart Furniture Co. Ltd;</b><br>06-03A, Alu' glass extension table, 25 Aug 2013                         | <b>14188/2013</b> | <b>Zhou, Xuan;Guangzhou Gardenart Furniture Co. Ltd;</b><br>06-03B, Alu' glass round table, 19 Aug 2013          | <b>14095/2013</b> |
| <b>Zhou, Xuan;Guangzhou Gardenart Furniture Co. Ltd;</b><br>06-01F, Alu' sling position chair, 22 Aug 2013                          | <b>14153/2013</b> | <b>Zhou, Xuan;Guangzhou Gardenart Furniture Co. Ltd;</b><br>06-03B, Alu' glass round table, 19 Aug 2013          | <b>14097/2013</b> |
| <b>Zhou, Xuan;Guangzhou Gardenart Furniture Co. Ltd;</b><br>06-01H, Alu' honey comb three seater sofa, without armrest, 25 Aug 2013 | <b>14190/2013</b> | <b>Ziguras, Stephen;</b><br>07-01B, Bowl, 19 Aug 2013  | <b>14078/2013</b> |
| <b>Zhou, Xuan;Guangzhou Gardenart Furniture Co. Ltd;</b><br>06-01H, Alu' honeycomb three seater sofa, with one armrest, 25 Aug 2013 | <b>14189/2013</b> | <b>3M Innovative Properties Company;</b><br>24-04, 29-02, Earplug, (US, 15 Feb 2013) 13 Aug 2013                 | <b>13968/2013</b> |
|   |                   | <b>3M Innovative Properties Company;</b><br>08-06, Handle, (US, 01 Mar 2013) 29 Aug 2013                         | <b>14284/2013</b> |

**Applications Withdrawn**

13491 / 2013 (28-03A)

**Applications Lapsed**

|                         |                       |
|-------------------------|-----------------------|
| 10393 / 2013 (11-01NES) | 10526 / 2013 (22-05)  |
| 10554 / 2013 (11-01A)   | 10555 / 2013 (11-01A) |
| 10556 / 2013 (11-01A)   |                       |

**Extension of Period of Registration of Designs**

|        |        |        |
|--------|--------|--------|
| 321115 | 321171 | 321275 |
| 321407 | 321408 | 321496 |
| 322250 | 322316 | 322357 |
| 322372 | 322445 | 322446 |
| 322447 | 322453 | 322502 |
| 322503 | 322506 | 322511 |
| 322531 | 322532 | 322540 |
| 322541 | 322542 | 322543 |
| 322544 | 322545 | 322546 |
| 322547 | 322548 | 322549 |
| 322550 | 322551 | 322552 |
| 322553 | 322554 | 322565 |
| 322578 | 322591 | 322592 |
| 322593 | 322622 | 322623 |
| 322624 | 322627 | 322629 |
| 322630 | 322631 | 322632 |
| 322633 | 322634 | 322635 |
| 322636 | 322637 | 322652 |
| 322653 | 322691 | 322693 |
| 322695 | 322698 | 322700 |
| 322706 | 322711 | 322712 |
| 322724 | 322749 | 322780 |
| 322781 | 322807 | 322817 |
| 322818 | 322819 | 322820 |
| 322821 | 322822 | 322823 |
| 322824 | 322825 | 322838 |
| 322839 | 322840 | 322844 |
| 322846 | 322862 | 322890 |
| 322898 | 322920 | 322921 |
| 322941 | 323032 | 323033 |
| 323034 | 323035 | 323036 |
| 323160 | 323161 | 323162 |
| 323163 | 323164 | 323165 |
| 323166 | 323167 | 323168 |
| 323216 | 323217 | 323218 |
| 323418 | 323426 | 323489 |
| 323628 | 323645 | 323646 |
| 323650 | 323652 | 323655 |
| 323766 | 323767 | 323768 |
| 323798 | 323799 | 323829 |
| 323899 | 323917 | 323918 |
| 323919 | 323937 | 324044 |
| 324241 | 324419 | 324443 |
| 325347 | 325348 | 325349 |
| 325350 | 325351 | 325352 |
| 325353 | 325354 | 325516 |
| 325596 | 325597 | 325598 |

**Revocation of Design Registrations**

The following Design Registration(s) have been revoked and are taken never to have been registered:

|        |        |
|--------|--------|
| 319503 | 06-07  |
| 346390 | 09-01D |

**Registrations Ceased**

|        |        |        |
|--------|--------|--------|
| 318194 | 318268 | 318269 |
| 318368 | 318979 | 319006 |
| 319007 | 319008 | 319252 |
| 319253 | 319254 | 319255 |
| 319256 | 319257 | 319258 |
| 319259 | 319260 | 319261 |
| 319262 | 319263 | 319264 |
| 319265 | 319525 | 319534 |
| 319536 | 319560 | 319578 |
| 319580 | 319613 | 319642 |
| 319649 | 319651 | 319652 |
| 319653 | 319654 | 319656 |
| 319660 | 319676 | 319677 |
| 319688 | 319692 | 319693 |
| 319708 | 319734 | 319736 |
| 319737 | 319746 | 319784 |
| 319798 | 319812 | 319814 |
| 319819 | 319839 | 319841 |
| 319842 | 319843 | 319882 |
| 319883 | 319951 | 320118 |
| 320137 | 320138 | 320151 |
| 320152 | 320153 | 320174 |
| 320175 | 320176 | 320199 |
| 320200 | 320201 | 320202 |
| 320316 | 320317 | 320329 |
| 320330 | 320380 | 320381 |
| 320461 | 320464 | 320663 |
| 320684 | 320685 | 320795 |
| 320796 | 320797 | 320798 |
| 320799 | 320800 | 320857 |
| 320872 | 320873 | 320874 |
| 320908 | 320909 | 320921 |
| 321373 | 321374 | 321812 |
| 321813 | 321814 | 321815 |
| 321816 | 321817 | 321818 |
| 323892 | 323893 | 324533 |
| 324534 | 324535 | 324536 |
| 324537 | 324538 | 324539 |
| 324540 | 324541 | 324542 |
| 324543 | 324544 | 324545 |
| 324546 | 324547 | 324548 |
| 324549 | 324550 | 324551 |
| 324552 | 324553 | 324554 |

324555            324556            324557  
 324558            324559            324560  
 324561            324703            345594

314067    **( ITW Construction Systems Australia Pty Ltd )** ITW  
 Construction Products Australia Pty Ltd  
 314066    **( ITW Construction Systems Australia Pty Ltd )** ITW  
 Construction Products Australia Pty Ltd  
 314973    **( ITW Construction Systems Australia Pty Ltd )** ITW  
 Construction Products Australia Pty Ltd

**Extensions of time granted under Section 137**

Applications lodged under section 137 for extension of time have been granted.

11271/2013 **Kevin Micheal McDonnell**

11271/2013 **Kevin Micheal McDonnell**

12246/2013 **Ausmart International Pty Ltd**

350441 **Phillipa McCormack**

350442 **Phillipa McCormack**

350443 **Phillipa McCormack**

**Licences Registered**

348810    A licence has been granted to **Chivas Brothers Limited**

**Subsequent Owners Registered**

(The name in parentheses is that of the subsequent owner)

323705    **( Bernen Design Pty Ltd )** Bernen Pty Ltd  
 323706    **( Bernen Design Pty Ltd )** Bernen Pty Ltd  
 327126    **( Merck Sharp & Dohme B.V )** MSD Oss B.V.  
 348937    **( Moose Kicking Tee Pty Ltd )** Davmik Pty Ltd  
 324365    **( Fleet Safety Services Pty Ltd )** Minecorp Pty Ltd  
 338552    **( Fleet Safety Services Pty Ltd )** Minecorp Pty Ltd  
 325198    **( Fleet Safety Services Pty Ltd )** Minecorp Pty Ltd  
 324894    **( Fleet Safety Services Pty Ltd )** Minecorp Pty Ltd  
 314066    **( ITW Australia Pty Ltd )** ITW Construction Systems Australia Pty Ltd  
 314067    **( ITW Australia Pty Ltd )** ITW Construction Systems Australia Pty Ltd  
 314973    **( ITW Australia Pty Ltd )** ITW Construction Systems Australia Pty Ltd  
 343195    **( Ozito Industries Pty Ltd )** Hutchin Exports Ltd  
 344564    **( Ozito Industries Pty Ltd )** Hutchin Exports Ltd  
 344565    **( Ozito Industries Pty Ltd )** Hutchin Exports Ltd  
 344972    **( Ozito Industries Pty Ltd )** Hutchin Exports Ltd  
 344973    **( Ozito Industries Pty Ltd )** Hutchin Exports Ltd  
 344974    **( Ozito Industries Pty Ltd )** Hutchin Exports Ltd  
 344975    **( Ozito Industries Pty Ltd )** Hutchin Exports Ltd  
 344976    **( Ozito Industries Pty Ltd )** Hutchin Exports Ltd  
 345218    **( Ozito Industries Pty Ltd )** Hutchin Exports Ltd  
 345219    **( Ozito Industries Pty Ltd )** Hutchin Exports Ltd  
 345220    **( Ozito Industries Pty Ltd )** Hutchin Exports Ltd  
 309572    **( The Leisure Collective Pty Ltd )** Great Waves Pty Ltd  
 330228    **( Guyco Pty Ltd )** JTL Australia Pty Ltd

**Names Registered - Alterations and Amendments**

(The name in parentheses is that of the subsequent applicant)

**Certificate(s) of Examination**

Examination of the following Design Registration(s) has been completed. Infringement proceedings may now be commenced.

|        |          |            |
|--------|----------|------------|
| 339247 | 06-09    | 26/08/2013 |
| 339248 | 06-09    | 26/08/2013 |
| 340927 | 13-03E   | 26/08/2013 |
| 341436 | 13-03D   | 26/08/2013 |
| 341613 | 13-03D   | 26/08/2013 |
| 343511 | 20-02E   | 02/09/2013 |
| 345124 | 20-02E   | 02/09/2013 |
| 345373 | 15-99    | 02/09/2013 |
| 345827 | 15-99    | 02/09/2013 |
| 345940 | 14-02    | 22/08/2013 |
| 345941 | 14-02    | 23/08/2013 |
| 345942 | 14-02    | 23/08/2013 |
| 345943 | 14-02    | 25/08/2013 |
| 346240 | 15-99    | 20/08/2013 |
| 346241 | 15-99    | 20/08/2013 |
| 346242 | 15-99    | 20/08/2013 |
| 347046 | 02-04NES | 30/08/2013 |
| 347577 | 25-02B   | 23/08/2013 |
| 348477 | 09-01NES | 02/09/2013 |
| 348478 | 09-03K   | 29/08/2013 |
| 348479 | 09-03K   | 29/08/2013 |
| 348480 | 09-03K   | 29/08/2013 |
| 348481 | 26-01    | 02/09/2013 |
| 348674 | 15-04    | 21/08/2013 |
| 348675 | 15-04    | 21/08/2013 |
| 348676 | 15-04    | 21/08/2013 |
| 348677 | 15-04    | 21/08/2013 |
| 348895 | 15-99    | 30/08/2013 |
| 348896 | 15-99    | 30/08/2013 |
| 348897 | 15-99    | 30/08/2013 |
| 348898 | 15-99    | 30/08/2013 |
| 349029 | 24-01    | 02/09/2013 |
| 349030 | 24-01    | 02/09/2013 |
| 349604 | 15-05    | 20/08/2013 |
| 349617 | 15-05    | 29/08/2013 |
| 349620 | 15-05    | 29/08/2013 |

**Publication and Registration Proceedings**

**Designs Registered**

This section provides a concordance between design number and registration number of Designs covered in this journal. It also shows the main class and registration date.

This section covers Registration numbers 350195 to 350555 .

The registration number shown below should be used in all future correspondence.

| <b>Design Number</b> | <b>Registration Number</b> | <b>International Classification Code (IDC)</b> | <b>Registration Date</b> | <b>Design Number</b> | <b>Registration Number</b> | <b>International Classification Code (IDC)</b> | <b>Registration Date</b> |
|----------------------|----------------------------|--|--------------------------|----------------------|----------------------------|--|--------------------------|
| 15814/2012           | 350339                     | 07-02F   | 23/08/2013               | 13088/2013           | 350323                     | 14-02  | 23/08/2013               |
| 16056/2012           | 350217                     | 06-13B   | 20/08/2013               | 13109/2013           | 350375                     | 14-02  | 27/08/2013               |
| 16552/2012           | 350420                     | 23-01NES                                       | 27/08/2013               | 13116/2013           | 350219                     | 09-05  | 20/08/2013               |
| 11152/2013           | 350341                     | 23-04  | 23/08/2013               | 13117/2013           | 350220                     | 07-04  | 20/08/2013               |
| 11725/2013           | 350343                     | 12-05  | 23/08/2013               | 13118/2013           | 350221                     | 23-02B   | 20/08/2013               |
| 12047/2013           | 350307                     | 26-05D   | 22/08/2013               | 13119/2013           | 350222                     | 03-01NES                                       | 20/08/2013               |
| 12149/2013           | 350345                     | 12-11  | 26/08/2013               | 13120/2013           | 350223                     | 02-99  | 20/08/2013               |
| 12207/2013           | 350251                     | 14-03NES                                       | 21/08/2013               | 13122/2013           | 350226                     | 06-02  | 21/08/2013               |
| 12243/2013           | 350252                     | 02-04NES                                       | 21/08/2013               | 13123/2013           | 350227                     | 21-01NES                                       | 21/08/2013               |
| 12298/2013           | 350536                     | 14-02  | 02/09/2013               | 13129/2013           | 350228                     | 02-01B   | 21/08/2013               |
| 12299/2013           | 350537                     | 14-02  | 02/09/2013               | 13130/2013           | 350229                     | 15-01  | 21/08/2013               |
| 12426/2013           | 350441                     | 02-02B   | 28/08/2013               | 13132/2013           | 350230                     | 08-07  | 21/08/2013               |
| 12475/2013           | 350421                     | 14-02  | 27/08/2013               | 13133/2013           | 350231                     | 14-01  | 21/08/2013               |
| 12479/2013           | 350253                     | 24-04  | 21/08/2013               | 13135/2013           | 350232                     | 14-01  | 21/08/2013               |
| 12507/2013           | 350456                     | 09-03NES                                       | 28/08/2013               | 13136/2013           | 350233                     | 14-01  | 21/08/2013               |
| 12514/2013           | 350249                     | 08-05P   | 21/08/2013               | 13140/2013           | 350234                     | 15-05  | 21/08/2013               |
| 12515/2013           | 350422                     | 28-03B   | 27/08/2013               | 13141/2013           | 350235                     | 26-05NES                                       | 21/08/2013               |
| 12546/2013           | 350423                     | 07-01NES                                       | 27/08/2013               | 13142/2013           | 350225                     | 07-01B   | 21/08/2013               |
| 12547/2013           | 350424                     | 07-01NES                                       | 27/08/2013               | 13144/2013           | 350224                     | 12-16K   | 21/08/2013               |
| 12633/2013           | 350425                     | 14-03E   | 27/08/2013               | 13145/2013           | 350261                     | 27-99  | 21/08/2013               |
| 12661/2013           | 350246                     | 25-01K   | 21/08/2013               | 13146/2013           | 350262                     | 27-99  | 21/08/2013               |
| 12690/2013           | 350426                     | 15-99  | 27/08/2013               | 13148/2013           | 350196                     | 27-99  | 20/08/2013               |
| 12691/2013           | 350427                     | 15-99  | 27/08/2013               | 13149/2013           | 350197                     | 27-99  | 20/08/2013               |
| 12692/2013           | 350413                     | 15-99  | 27/08/2013               | 13150/2013           | 350198                     | 12-15C   | 20/08/2013               |
| 12694/2013           | 350414                     | 15-99  | 27/08/2013               | 13151/2013           | 350199                     | 11-01A   | 20/08/2013               |
| 12695/2013           | 350415                     | 15-99  | 27/08/2013               | 13152/2013           | 350200                     | 11-01D   | 20/08/2013               |
| 12748/2013           | 350416                     | 22-01  | 27/08/2013               | 13153/2013           | 350201                     | 11-01NES                                       | 20/08/2013               |
| 12761/2013           | 350250                     | 19-08  | 21/08/2013               | 13154/2013           | 350202                     | 11-01A   | 20/08/2013               |
| 12771/2013           | 350417                     | 26-05NES                                       | 27/08/2013               | 13155/2013           | 350203                     | 11-01A   | 20/08/2013               |
| 12803/2013           | 350247                     | 20-02NES                                       | 21/08/2013               | 13156/2013           | 350204                     | 11-01A   | 20/08/2013               |
| 12925/2013           | 350248                     | 07-99NES                                       | 21/08/2013               | 13157/2013           | 350205                     | 11-01A   | 20/08/2013               |
| 13000/2013           | 350418                     | 23-03A   | 27/08/2013               | 13158/2013           | 350206                     | 11-01D   | 20/08/2013               |
| 13001/2013           | 350419                     | 23-03A   | 27/08/2013               | 13159/2013           | 350207                     | 11-01NES                                       | 20/08/2013               |
| 13036/2013           | 350342                     | 23-04  | 23/08/2013               | 13160/2013           | 350208                     | 02-02A   | 20/08/2013               |
| 13059/2013           | 350359                     | 23-04  | 26/08/2013               | 13161/2013           | 350209                     | 02-02A   | 20/08/2013               |
| 13064/2013           | 350195                     | 07-02H   | 20/08/2013               | 13162/2013           | 350210                     | 02-02A   | 20/08/2013               |
| 13072/2013           | 350309                     | 14-02  | 23/08/2013               | 13163/2013           | 350211                     | 02-02A   | 20/08/2013               |
| 13073/2013           | 350310                     | 14-02  | 23/08/2013               | 13164/2013           | 350212                     | 02-02A   | 20/08/2013               |
| 13074/2013           | 350311                     | 14-02  | 23/08/2013               | 13165/2013           | 350213                     | 02-02A   | 20/08/2013               |
| 13075/2013           | 350312                     | 14-02  | 23/08/2013               | 13166/2013           | 350214                     | 02-02A   | 20/08/2013               |
| 13076/2013           | 350313                     | 14-02  | 23/08/2013               | 13167/2013           | 350215                     | 02-02A   | 20/08/2013               |
| 13077/2013           | 350314                     | 14-02  | 23/08/2013               | 13168/2013           | 350216                     | 02-02A   | 20/08/2013               |
| 13078/2013           | 350315                     | 14-02  | 23/08/2013               | 13169/2013           | 350254                     | 02-02A   | 21/08/2013               |
| 13081/2013           | 350316                     | 14-02  | 23/08/2013               | 13170/2013           | 350255                     | 25-01C   | 21/08/2013               |
| 13082/2013           | 350317                     | 14-02  | 23/08/2013               | 13171/2013           | 350256                     | 25-01C   | 21/08/2013               |
| 13083/2013           | 350318                     | 14-02  | 23/08/2013               | 13173/2013           | 350257                     | 08-03  | 21/08/2013               |
| 13084/2013           | 350319                     | 14-02  | 23/08/2013               | 13174/2013           | 350258                     | 08-03  | 21/08/2013               |
| 13085/2013           | 350320                     | 14-02  | 23/08/2013               | 13178/2013           | 350259                     | 06-09  | 21/08/2013               |
| 13086/2013           | 350321                     | 14-02  | 23/08/2013               | 13179/2013           | 350260                     | 23-01L   | 21/08/2013               |
| 13087/2013           | 350322                     | 14-02  | 23/08/2013               | 13180/2013           | 350236                     | 22-01  | 21/08/2013               |

Publication and Registration Proceedings - Designs Registered cont'd

| Design Number | Registration Number | International Classification Code (IDC) | Registration Date | Design Number | Registration Number | International Classification Code (IDC) | Registration Date |
|---------------|---------------------|---|-------------------|---------------|---------------------|---|-------------------|
| 13181/2013    | 350237              | 22-01                                   | 21/08/2013        | 13252/2013    | 350329              | 12-05                                   | 23/08/2013        |
| 13182/2013    | 350238              | 23-01L                                  | 21/08/2013        | 13253/2013    | 350330              | 02-02A                                  | 23/08/2013        |
| 13183/2013    | 350239              | 23-01L                                  | 21/08/2013        | 13254/2013    | 350331              | 08-08M                                  | 23/08/2013        |
| 13184/2013    | 350240              | 23-01L                                  | 21/08/2013        | 13255/2013    | 350332              | 08-08M                                  | 23/08/2013        |
| 13185/2013    | 350241              | 23-01L                                  | 21/08/2013        | 13266/2013    | 350546              | 24-01                                   | 03/09/2013        |
| 13186/2013    | 350242              | 23-01L                                  | 21/08/2013        | 13278/2013    | 350333              | 19-01                                   | 23/08/2013        |
| 13187/2013    | 350243              | 23-01L                                  | 21/08/2013        | 13280/2013    | 350334              | 14-01                                   | 23/08/2013        |
| 13188/2013    | 350244              | 23-01L                                  | 21/08/2013        | 13282/2013    | 350335              | 28-03D                                  | 23/08/2013        |
| 13190/2013    | 350245              | 25-01D                                  | 21/08/2013        | 13283/2013    | 350336              | 23-04                                   | 23/08/2013        |
| 13191/2013    | 350275              | 21-02F                                  | 21/08/2013        | 13284/2013    | 350337              | 23-04                                   | 23/08/2013        |
| 13192/2013    | 350263              | 14-02                                   | 21/08/2013        | 13286/2013    | 350338              | 14-03B                                  | 23/08/2013        |
| 13193/2013    | 350264              | 14-02                                   | 21/08/2013        | 13287/2013    | 350538              | 08-09                                   | 02/09/2013        |
| 13194/2013    | 350265              | 14-02                                   | 21/08/2013        | 13290/2013    | 350347              | 26-05B                                  | 26/08/2013        |
| 13195/2013    | 350266              | 29-02                                   | 21/08/2013        | 13292/2013    | 350348              | 12-11                                   | 26/08/2013        |
| 13196/2013    | 350267              | 15-05                                   | 21/08/2013        | 13293/2013    | 350539              | 12-11                                   | 02/09/2013        |
| 13198/2013    | 350268              | 12-08                                   | 21/08/2013        | 13294/2013    | 350349              | 12-11                                   | 26/08/2013        |
| 13199/2013    | 350269              | 15-05                                   | 21/08/2013        | 13295/2013    | 350540              | 12-11                                   | 02/09/2013        |
| 13200/2013    | 350270              | 23-04                                   | 21/08/2013        | 13297/2013    | 350350              | 14-01                                   | 26/08/2013        |
| 13201/2013    | 350271              | 28-03NES                                | 21/08/2013        | 13298/2013    | 350351              | 09-03NES                                | 26/08/2013        |
| 13202/2013    | 350276              | 12-08                                   | 22/08/2013        | 13299/2013    | 350352              | 23-04                                   | 26/08/2013        |
| 13204/2013    | 350277              | 12-08                                   | 22/08/2013        | 13306/2013    | 350353              | 06-01F                                  | 26/08/2013        |
| 13206/2013    | 350278              | 02-04A                                  | 22/08/2013        | 13307/2013    | 350354              | 06-01F                                  | 26/08/2013        |
| 13208/2013    | 350279              | 28-03NES                                | 22/08/2013        | 13308/2013    | 350355              | 06-01F                                  | 26/08/2013        |
| 13209/2013    | 350280              | 28-03NES                                | 22/08/2013        | 13309/2013    | 350356              | 23-02A                                  | 26/08/2013        |
| 13210/2013    | 350281              | 07-06NES                                | 22/08/2013        | 13311/2013    | 350357              | 23-01G                                  | 26/08/2013        |
| 13211/2013    | 350282              | 07-06NES                                | 22/08/2013        | 13312/2013    | 350358              | 23-02A                                  | 26/08/2013        |
| 13212/2013    | 350283              | 30-04                                   | 22/08/2013        | 13313/2013    | 350360              | 23-01G                                  | 26/08/2013        |
| 13213/2013    | 350284              | 09-03NES                                | 22/08/2013        | 13314/2013    | 350547              | 23-01G                                  | 03/09/2013        |
| 13214/2013    | 350285              | 23-01NES                                | 22/08/2013        | 13315/2013    | 350361              | 23-01G                                  | 26/08/2013        |
| 13215/2013    | 350286              | 12-02                                   | 22/08/2013        | 13318/2013    | 350362              | 15-99                                   | 26/08/2013        |
| 13220/2013    | 350287              | 13-03D                                  | 22/08/2013        | 13319/2013    | 350363              | 15-99                                   | 26/08/2013        |
| 13221/2013    | 350288              | 12-11                                   | 22/08/2013        | 13320/2013    | 350364              | 15-99                                   | 26/08/2013        |
| 13222/2013    | 350289              | 14-02                                   | 22/08/2013        | 13321/2013    | 350365              | 21-02F                                  | 26/08/2013        |
| 13223/2013    | 350290              | 13-03D                                  | 22/08/2013        | 13322/2013    | 350366              | 07-05A                                  | 26/08/2013        |
| 13227/2013    | 350291              | 07-02F                                  | 22/08/2013        | 13326/2013    | 350367              | 12-15B                                  | 26/08/2013        |
| 13228/2013    | 350306              | 07-02F                                  | 22/08/2013        | 13328/2013    | 350368              | 21-03                                   | 26/08/2013        |
| 13229/2013    | 350292              | 12-16NES                                | 22/08/2013        | 13329/2013    | 350369              | 21-03                                   | 26/08/2013        |
| 13230/2013    | 350293              | 12-16NES                                | 22/08/2013        | 13330/2013    | 350370              | 21-03                                   | 26/08/2013        |
| 13231/2013    | 350294              | 23-01C                                  | 22/08/2013        | 13331/2013    | 350218              | 06-13B                                  | 20/08/2013        |
| 13232/2013    | 350295              | 13-02                                   | 22/08/2013        | 13332/2013    | 350371              | 08-05NES                                | 26/08/2013        |
| 13234/2013    | 350296              | 13-02                                   | 22/08/2013        | 13334/2013    | 350372              | 08-05H                                  | 26/08/2013        |
| 13236/2013    | 350297              | 23-01C                                  | 22/08/2013        | 13335/2013    | 350373              | 07-02L                                  | 26/08/2013        |
| 13237/2013    | 350298              | 23-01C                                  | 22/08/2013        | 13342/2013    | 350377              | 09-03NES                                | 27/08/2013        |
| 13238/2013    | 350299              | 08-05N                                  | 22/08/2013        | 13343/2013    | 350378              | 26-01                                   | 27/08/2013        |
| 13239/2013    | 350300              | 08-05N                                  | 22/08/2013        | 13345/2013    | 350541              | 09-03D                                  | 02/09/2013        |
| 13241/2013    | 350301              | 12-15B                                  | 22/08/2013        | 13346/2013    | 350379              | 09-03D                                  | 27/08/2013        |
| 13242/2013    | 350302              | 15-05                                   | 22/08/2013        | 13347/2013    | 350380              | 09-03D                                  | 27/08/2013        |
| 13243/2013    | 350303              | 15-07                                   | 22/08/2013        | 13349/2013    | 350381              | 21-01A                                  | 27/08/2013        |
| 13244/2013    | 350304              | 15-07                                   | 22/08/2013        | 13350/2013    | 350382              | 05-05NES                                | 27/08/2013        |
| 13245/2013    | 350305              | 15-07                                   | 22/08/2013        | 13351/2013    | 350383              | 05-05NES                                | 27/08/2013        |
| 13246/2013    | 350324              | 08-08B                                  | 23/08/2013        | 13352/2013    | 350384              | 05-05NES                                | 27/08/2013        |
| 13247/2013    | 350325              | 09-09                                   | 23/08/2013        | 13353/2013    | 350385              | 05-05NES                                | 27/08/2013        |
| 13248/2013    | 350326              | 09-09                                   | 23/08/2013        | 13354/2013    | 350386              | 05-05NES                                | 27/08/2013        |
| 13250/2013    | 350327              | 03-01NES                                | 23/08/2013        | 13355/2013    | 350387              | 06-13NES                                | 27/08/2013        |
| 13251/2013    | 350328              | 09-07NES                                | 23/08/2013        | 13356/2013    | 350388              | 06-13NES                                | 27/08/2013        |

Publication and Registration Proceedings - Designs Registered cont'd

| Design Number | Registration Number | International Classification Code (IDC) | Registration Date | Design Number | Registration Number | International Classification Code (IDC) | Registration Date |
|---------------|---------------------|---|-------------------|---------------|---------------------|---|-------------------|
| 13357/2013    | 350389              | 05-05NES                                | 27/08/2013        | 13453/2013    | 350460              | 14-02                                   | 29/08/2013        |
| 13358/2013    | 350390              | 06-13NES                                | 27/08/2013        | 13454/2013    | 350461              | 14-02                                   | 29/08/2013        |
| 13360/2013    | 350391              | 12-15C                                  | 27/08/2013        | 13457/2013    | 350462              | 02-03                                   | 29/08/2013        |
| 13364/2013    | 350392              | 21-01L                                  | 27/08/2013        | 13458/2013    | 350463              | 02-03                                   | 29/08/2013        |
| 13366/2013    | 350393              | 26-05D                                  | 27/08/2013        | 13459/2013    | 350464              | 02-03                                   | 29/08/2013        |
| 13367/2013    | 350394              | 26-05D                                  | 27/08/2013        | 13463/2013    | 350472              | 25-01K                                  | 29/08/2013        |
| 13368/2013    | 350374              | 25-01K                                  | 27/08/2013        | 13464/2013    | 350473              | 25-01K                                  | 29/08/2013        |
| 13369/2013    | 350376              | 26-05A                                  | 27/08/2013        | 13465/2013    | 350508              | 06-03B                                  | 02/09/2013        |
| 13371/2013    | 350395              | 11-01E                                  | 27/08/2013        | 13470/2013    | 350465              | 15-09                                   | 29/08/2013        |
| 13372/2013    | 350396              | 11-01E                                  | 27/08/2013        | 13471/2013    | 350466              | 15-09                                   | 29/08/2013        |
| 13373/2013    | 350397              | 12-16P                                  | 27/08/2013        | 13472/2013    | 350467              | 06-04NES                                | 29/08/2013        |
| 13374/2013    | 350398              | 15-05                                   | 27/08/2013        | 13476/2013    | 350468              | 08-06                                   | 29/08/2013        |
| 13376/2013    | 350399              | 25-03                                   | 27/08/2013        | 13477/2013    | 350469              | 08-05L                                  | 29/08/2013        |
| 13380/2013    | 350400              | 15-02                                   | 27/08/2013        | 13483/2013    | 350470              | 19-08                                   | 29/08/2013        |
| 13381/2013    | 350401              | 15-02                                   | 27/08/2013        | 13484/2013    | 350471              | 19-08                                   | 29/08/2013        |
| 13383/2013    | 350402              | 11-01NES                                | 27/08/2013        | 13486/2013    | 350346              | 12-11                                   | 26/08/2013        |
| 13384/2013    | 350403              | 26-05A                                  | 27/08/2013        | 13487/2013    | 350344              | 12-05                                   | 23/08/2013        |
| 13385/2013    | 350404              | 26-05A                                  | 27/08/2013        | 13490/2013    | 350490              | 23-01H                                  | 30/08/2013        |
| 13386/2013    | 350405              | 26-05A                                  | 27/08/2013        | 13493/2013    | 350491              | 15-01                                   | 30/08/2013        |
| 13387/2013    | 350406              | 26-05A                                  | 27/08/2013        | 13494/2013    | 350492              | 15-01                                   | 30/08/2013        |
| 13391/2013    | 350407              | 02-04A                                  | 27/08/2013        | 13495/2013    | 350493              | 02-04B                                  | 30/08/2013        |
| 13393/2013    | 350408              | 03-01NES                                | 27/08/2013        | 13498/2013    | 350494              | 07-02N                                  | 30/08/2013        |
| 13394/2013    | 350409              | 09-01NES                                | 27/08/2013        | 13500/2013    | 350495              | 24-01                                   | 30/08/2013        |
| 13397/2013    | 350410              | 20-03C                                  | 27/08/2013        | 13501/2013    | 350496              | 26-05A                                  | 30/08/2013        |
| 13398/2013    | 350411              | 07-02P                                  | 27/08/2013        | 13502/2013    | 350497              | 28-03NES                                | 30/08/2013        |
| 13399/2013    | 350412              | 07-02P                                  | 27/08/2013        | 13503/2013    | 350498              | 08-01                                   | 30/08/2013        |
| 13400/2013    | 350428              | 07-02P                                  | 28/08/2013        | 13504/2013    | 350499              | 08-01                                   | 30/08/2013        |
| 13401/2013    | 350429              | 09-03NES                                | 28/08/2013        | 13505/2013    | 350500              | 28-03NES                                | 30/08/2013        |
| 13402/2013    | 350430              | 09-03NES                                | 28/08/2013        | 13506/2013    | 350501              | 08-01                                   | 30/08/2013        |
| 13406/2013    | 350431              | 22-05                                   | 28/08/2013        | 13507/2013    | 350502              | 08-01                                   | 30/08/2013        |
| 13415/2013    | 350432              | 24-04                                   | 28/08/2013        | 13508/2013    | 350503              | 08-01                                   | 30/08/2013        |
| 13416/2013    | 350433              | 25-01B                                  | 28/08/2013        | 13509/2013    | 350504              | 08-01                                   | 30/08/2013        |
| 13417/2013    | 350434              | 25-01B                                  | 28/08/2013        | 13511/2013    | 350505              | 25-02B                                  | 30/08/2013        |
| 13420/2013    | 350435              | 15-99                                   | 28/08/2013        | 13512/2013    | 350506              | 25-02B                                  | 30/08/2013        |
| 13424/2013    | 350340              | 07-02F                                  | 23/08/2013        | 13513/2013    | 350507              | 02-03                                   | 30/08/2013        |
| 13425/2013    | 350436              | 14-03NES                                | 28/08/2013        | 13522/2013    | 350542              | 15-05                                   | 02/09/2013        |
| 13426/2013    | 350437              | 14-03NES                                | 28/08/2013        | 13524/2013    | 350543              | 15-05                                   | 02/09/2013        |
| 13427/2013    | 350438              | 14-03NES                                | 28/08/2013        | 13532/2013    | 350474              | 23-01A                                  | 30/08/2013        |
| 13428/2013    | 350439              | 14-03NES                                | 28/08/2013        | 13533/2013    | 350475              | 23-01A                                  | 30/08/2013        |
| 13429/2013    | 350440              | 14-03NES                                | 28/08/2013        | 13534/2013    | 350476              | 23-01A                                  | 30/08/2013        |
| 13431/2013    | 350444              | 14-03NES                                | 28/08/2013        | 13535/2013    | 350477              | 08-08L                                  | 30/08/2013        |
| 13432/2013    | 350445              | 07-02N                                  | 28/08/2013        | 13537/2013    | 350509              | 07-01B                                  | 02/09/2013        |
| 13433/2013    | 350446              | 14-03NES                                | 28/08/2013        | 13538/2013    | 350510              | 07-01A                                  | 02/09/2013        |
| 13434/2013    | 350447              | 09-01G                                  | 28/08/2013        | 13539/2013    | 350511              | 09-05                                   | 02/09/2013        |
| 13435/2013    | 350448              | 14-03NES                                | 28/08/2013        | 13542/2013    | 350478              | 26-05D                                  | 30/08/2013        |
| 13436/2013    | 350449              | 14-03NES                                | 28/08/2013        | 13543/2013    | 350512              | 10-02                                   | 02/09/2013        |
| 13437/2013    | 350450              | 26-05E                                  | 28/08/2013        | 13544/2013    | 350513              | 10-07                                   | 02/09/2013        |
| 13440/2013    | 350451              | 24-01                                   | 28/08/2013        | 13559/2013    | 350479              | 15-05                                   | 30/08/2013        |
| 13441/2013    | 350452              | 26-05B                                  | 28/08/2013        | 13563/2013    | 350480              | 08-08NES                                | 30/08/2013        |
| 13444/2013    | 350453              | 09-01NES                                | 28/08/2013        | 13569/2013    | 350544              | 15-05                                   | 02/09/2013        |
| 13445/2013    | 350454              | 14-02                                   | 28/08/2013        | 13574/2013    | 350481              | 15-05                                   | 30/08/2013        |
| 13447/2013    | 350455              | 12-16K                                  | 28/08/2013        | 13577/2013    | 350514              | 15-05                                   | 02/09/2013        |
| 13448/2013    | 350457              | 12-16K                                  | 29/08/2013        | 13580/2013    | 350515              | 07-01NES                                | 02/09/2013        |
| 13449/2013    | 350458              | 12-16K                                  | 29/08/2013        | 13581/2013    | 350516              | 07-01NES                                | 02/09/2013        |
| 13452/2013    | 350459              | 21-02F                                  | 29/08/2013        | 13582/2013    | 350482              | 23-01A                                  | 30/08/2013        |

Publication and Registration Proceedings - Designs Registered cont'd

| Design Number | Registration Number | International Classification Code (IDC) | Registration Date | Design Number | Registration Number | International Classification Code (IDC) | Registration Date |
|---------------|---------------------|---|-------------------|---------------|---------------------|---|-------------------|
| 13583/2013    | 350483              | 07-99C                                  | 30/08/2013        | 13626/2013    | 350532              | 23-01NES                                | 02/09/2013        |
| 13584/2013    | 350272              | 02-04NES                                | 21/08/2013        | 13629/2013    | 350548              | 12-15B                                  | 03/09/2013        |
| 13587/2013    | 350484              | 14-03A                                  | 30/08/2013        | 13630/2013    | 350533              | 28-99                                   | 02/09/2013        |
| 13591/2013    | 350485              | 14-03A                                  | 30/08/2013        | 13632/2013    | 350549              | 10-04                                   | 03/09/2013        |
| 13596/2013    | 350517              | 07-99NES                                | 02/09/2013        | 13636/2013    | 350274              | 14-03NES                                | 21/08/2013        |
| 13598/2013    | 350518              | 07-07NES                                | 02/09/2013        | 13638/2013    | 350550              | 12-11                                   | 03/09/2013        |
| 13599/2013    | 350519              | 07-07NES                                | 02/09/2013        | 13639/2013    | 350551              | 15-05                                   | 03/09/2013        |
| 13600/2013    | 350520              | 07-07NES                                | 02/09/2013        | 13641/2013    | 350552              | 10-04                                   | 03/09/2013        |
| 13601/2013    | 350521              | 07-07NES                                | 02/09/2013        | 13644/2013    | 350553              | 07-01F                                  | 03/09/2013        |
| 13602/2013    | 350522              | 07-07NES                                | 02/09/2013        | 13646/2013    | 350486              | 07-01F                                  | 30/08/2013        |
| 13606/2013    | 350523              | 09-03H                                  | 02/09/2013        | 13647/2013    | 350487              | 07-01F                                  | 30/08/2013        |
| 13607/2013    | 350524              | 25-02E                                  | 02/09/2013        | 13649/2013    | 350488              | 07-01F                                  | 30/08/2013        |
| 13608/2013    | 350525              | 25-01K                                  | 02/09/2013        | 13651/2013    | 350545              | 09-01A                                  | 02/09/2013        |
| 13609/2013    | 350526              | 25-01K                                  | 02/09/2013        | 13661/2013    | 350554              | 09-06                                   | 03/09/2013        |
| 13610/2013    | 350527              | 22-01                                   | 02/09/2013        | 13664/2013    | 350555              | 15-02                                   | 03/09/2013        |
| 13611/2013    | 350528              | 25-02B                                  | 02/09/2013        | 13669/2013    | 350534              | 09-05                                   | 02/09/2013        |
| 13615/2013    | 350442              | 02-02B                                  | 28/08/2013        | 13670/2013    | 350535              | 07-02L                                  | 02/09/2013        |
| 13616/2013    | 350443              | 02-02B                                  | 28/08/2013        | 13725/2013    | 350489              | 12-16NES                                | 30/08/2013        |
| 13617/2013    | 350273              | 24-04                                   | 21/08/2013        | 14117/2013    | 350308              | 26-05D                                  | 22/08/2013        |
| 13619/2013    | 350529              | 12-16NES                                | 02/09/2013        |               |                     |   |                   |
| 13623/2013    | 350530              | 10-04                                   | 02/09/2013        |               |                     |   |                   |
| 13625/2013    | 350531              | 10-04                                   | 02/09/2013        |               |                     |   |                   |



**Publication and Registration Proceedings**

**Class Listing of Designs Published or Registered**

The following section shows an International Classification Code listing of the Registered or Published Designs covered in this supplement.

| <b>Classification</b> | <b>Registration Number</b> | <b>Design Number</b> | <b>Classification</b> | <b>Registration Number</b> | <b>Design Number</b> |
|-----------------------|----------------------------|----------------------|-----------------------|----------------------------|----------------------|
| 02-01B                | 350228                     | 13129/2013           | 06-13B                | 350218                     | 13331/2013           |
| 02-02A                | 350208                     | 13160/2013           | 06-13NES              | 350387                     | 13355/2013           |
| 02-02A                | 350209                     | 13161/2013           | 06-13NES              | 350388                     | 13356/2013           |
| 02-02A                | 350210                     | 13162/2013           | 06-13NES              | 350390                     | 13358/2013           |
| 02-02A                | 350211                     | 13163/2013           | 07-01A                | 350510                     | 13538/2013           |
| 02-02A                | 350212                     | 13164/2013           | 07-01B                | 350225                     | 13142/2013           |
| 02-02A                | 350213                     | 13165/2013           | 07-01B                | 350507                     | 13513/2013           |
| 02-02A                | 350214                     | 13166/2013           | 07-01B                | 350509                     | 13537/2013           |
| 02-02A                | 350215                     | 13167/2013           | 07-01F                | 350486                     | 13646/2013           |
| 02-02A                | 350216                     | 13168/2013           | 07-01F                | 350487                     | 13647/2013           |
| 02-02A                | 350254                     | 13169/2013           | 07-01F                | 350488                     | 13649/2013           |
| 02-02A                | 350330                     | 13253/2013           | 07-01F                | 350553                     | 13644/2013           |
| 02-02B                | 350441                     | 12426/2013           | 07-01NES              | 350423                     | 12546/2013           |
| 02-02B                | 350442                     | 13615/2013           | 07-01NES              | 350424                     | 12547/2013           |
| 02-02B                | 350443                     | 13616/2013           | 07-01NES              | 350515                     | 13580/2013           |
| 02-03                 | 350462                     | 13457/2013           | 07-01NES              | 350516                     | 13581/2013           |
| 02-03                 | 350463                     | 13458/2013           | 07-02F                | 350291                     | 13227/2013           |
| 02-03                 | 350464                     | 13459/2013           | 07-02F                | 350306                     | 13228/2013           |
| 02-03                 | 350507                     | 13513/2013           | 07-02F                | 350339                     | 15814/2012           |
| 02-04A                | 350278                     | 13206/2013           | 07-02F                | 350340                     | 13424/2013           |
| 02-04A                | 350407                     | 13391/2013           | 07-02H                | 350195                     | 13064/2013           |
| 02-04B                | 350493                     | 13495/2013           | 07-02L                | 350373                     | 13335/2013           |
| 02-04NES              | 350252                     | 12243/2013           | 07-02L                | 350534                     | 13669/2013           |
| 02-04NES              | 350272                     | 13584/2013           | 07-02L                | 350535                     | 13670/2013           |
| 02-04NES              | 350407                     | 13391/2013           | 07-02N                | 350445                     | 13432/2013           |
| 02-99                 | 350223                     | 13120/2013           | 07-02N                | 350494                     | 13498/2013           |
| 03-01D                | 350303                     | 13243/2013           | 07-02NES              | 350411                     | 13398/2013           |
| 03-01D                | 350304                     | 13244/2013           | 07-02NES              | 350412                     | 13399/2013           |
| 03-01D                | 350305                     | 13245/2013           | 07-02NES              | 350428                     | 13400/2013           |
| 03-01NES              | 350222                     | 13119/2013           | 07-02P                | 350411                     | 13398/2013           |
| 03-01NES              | 350327                     | 13250/2013           | 07-02P                | 350412                     | 13399/2013           |
| 03-01NES              | 350408                     | 13393/2013           | 07-02P                | 350428                     | 13400/2013           |
| 05-05NES              | 350382                     | 13350/2013           | 07-04                 | 350220                     | 13117/2013           |
| 05-05NES              | 350383                     | 13351/2013           | 07-05A                | 350366                     | 13322/2013           |
| 05-05NES              | 350384                     | 13352/2013           | 07-06NES              | 350281                     | 13210/2013           |
| 05-05NES              | 350385                     | 13353/2013           | 07-06NES              | 350282                     | 13211/2013           |
| 05-05NES              | 350386                     | 13354/2013           | 07-07A                | 350515                     | 13580/2013           |
| 05-05NES              | 350389                     | 13357/2013           | 07-07A                | 350516                     | 13581/2013           |
| 06-01F                | 350353                     | 13306/2013           | 07-07NES              | 350518                     | 13598/2013           |
| 06-01F                | 350354                     | 13307/2013           | 07-07NES              | 350519                     | 13599/2013           |
| 06-01F                | 350355                     | 13308/2013           | 07-07NES              | 350520                     | 13600/2013           |
| 06-02                 | 350226                     | 13122/2013           | 07-07NES              | 350521                     | 13601/2013           |
| 06-03B                | 350508                     | 13465/2013           | 07-07NES              | 350522                     | 13602/2013           |
| 06-04NES              | 350399                     | 13376/2013           | 07-99C                | 350483                     | 13583/2013           |
| 06-04NES              | 350467                     | 13472/2013           | 07-99NES              | 350248                     | 12925/2013           |
| 06-06D                | 350517                     | 13596/2013           | 07-99NES              | 350517                     | 13596/2013           |
| 06-06D                | 350518                     | 13598/2013           | 08-01                 | 350498                     | 13503/2013           |
| 06-06D                | 350519                     | 13599/2013           | 08-01                 | 350499                     | 13504/2013           |
| 06-06D                | 350520                     | 13600/2013           | 08-01                 | 350501                     | 13506/2013           |
| 06-06D                | 350521                     | 13601/2013           | 08-01                 | 350502                     | 13507/2013           |
| 06-06D                | 350522                     | 13602/2013           | 08-01                 | 350503                     | 13508/2013           |
| 06-09                 | 350259                     | 13178/2013           | 08-01                 | 350504                     | 13509/2013           |
| 06-13B                | 350217                     | 16056/2012           | 08-03                 | 350257                     | 13173/2013           |

Registration Proceedings - Class Listing of Designs Published or Registered cont'd

| Classification | Registration Number | Design Number | Classification | Registration Number | Design Number |
|----------------|---------------------|---------------|----------------|---------------------|---------------|
| 08-03          | 350258              | 13174/2013    | 11-01D         | 350206              | 13158/2013    |
| 08-05H         | 350372              | 13334/2013    | 11-01E         | 350395              | 13371/2013    |
| 08-05L         | 350469              | 13477/2013    | 11-01E         | 350396              | 13372/2013    |
| 08-05N         | 350299              | 13238/2013    | 11-01NES       | 350201              | 13153/2013    |
| 08-05N         | 350300              | 13239/2013    | 11-01NES       | 350207              | 13159/2013    |
| 08-05NES       | 350371              | 13332/2013    | 11-01NES       | 350402              | 13383/2013    |
| 08-05P         | 350249              | 12514/2013    | 11-02B         | 350420              | 16552/2012    |
| 08-06          | 350468              | 13476/2013    | 12-02          | 350286              | 13215/2013    |
| 08-07          | 350230              | 13132/2013    | 12-05          | 350329              | 13252/2013    |
| 08-08B         | 350324              | 13246/2013    | 12-05          | 350343              | 11725/2013    |
| 08-08L         | 350477              | 13535/2013    | 12-05          | 350344              | 13487/2013    |
| 08-08M         | 350253              | 12479/2013    | 12-08          | 350268              | 13198/2013    |
| 08-08M         | 350273              | 13617/2013    | 12-08          | 350276              | 13202/2013    |
| 08-08M         | 350331              | 13254/2013    | 12-08          | 350277              | 13204/2013    |
| 08-08M         | 350332              | 13255/2013    | 12-11          | 350288              | 13221/2013    |
| 08-08NES       | 350477              | 13535/2013    | 12-11          | 350345              | 12149/2013    |
| 08-08NES       | 350480              | 13563/2013    | 12-11          | 350346              | 13486/2013    |
| 08-09          | 350538              | 13287/2013    | 12-11          | 350348              | 13292/2013    |
| 09-01A         | 350545              | 13651/2013    | 12-11          | 350349              | 13294/2013    |
| 09-01G         | 350447              | 13434/2013    | 12-11          | 350539              | 13293/2013    |
| 09-01K         | 350447              | 13434/2013    | 12-11          | 350540              | 13295/2013    |
| 09-01NES       | 350409              | 13394/2013    | 12-11          | 350550              | 13638/2013    |
| 09-01NES       | 350447              | 13434/2013    | 12-15B         | 350301              | 13241/2013    |
| 09-01NES       | 350453              | 13444/2013    | 12-15B         | 350367              | 13326/2013    |
| 09-03D         | 350379              | 13346/2013    | 12-15B         | 350548              | 13629/2013    |
| 09-03D         | 350380              | 13347/2013    | 12-15C         | 350198              | 13150/2013    |
| 09-03D         | 350541              | 13345/2013    | 12-15C         | 350391              | 13360/2013    |
| 09-03H         | 350523              | 13606/2013    | 12-16K         | 350224              | 13144/2013    |
| 09-03L         | 350534              | 13669/2013    | 12-16K         | 350455              | 13447/2013    |
| 09-03M         | 350429              | 13401/2013    | 12-16K         | 350457              | 13448/2013    |
| 09-03M         | 350430              | 13402/2013    | 12-16K         | 350458              | 13449/2013    |
| 09-03NES       | 350284              | 13213/2013    | 12-16NES       | 350292              | 13229/2013    |
| 09-03NES       | 350351              | 13298/2013    | 12-16NES       | 350293              | 13230/2013    |
| 09-03NES       | 350377              | 13342/2013    | 12-16NES       | 350489              | 13725/2013    |
| 09-03NES       | 350429              | 13401/2013    | 12-16NES       | 350529              | 13619/2013    |
| 09-03NES       | 350430              | 13402/2013    | 12-16P         | 350397              | 13373/2013    |
| 09-03NES       | 350456              | 12507/2013    | 13-02          | 350295              | 13232/2013    |
| 09-05          | 350219              | 13116/2013    | 13-02          | 350296              | 13234/2013    |
| 09-05          | 350511              | 13539/2013    | 13-03C         | 350408              | 13393/2013    |
| 09-05          | 350534              | 13669/2013    | 13-03D         | 350287              | 13220/2013    |
| 09-06          | 350554              | 13661/2013    | 13-03D         | 350290              | 13223/2013    |
| 09-07NES       | 350328              | 13251/2013    | 14-01          | 350231              | 13133/2013    |
| 09-09          | 350325              | 13247/2013    | 14-01          | 350232              | 13135/2013    |
| 09-09          | 350326              | 13248/2013    | 14-01          | 350233              | 13136/2013    |
| 10-02          | 350512              | 13543/2013    | 14-01          | 350334              | 13280/2013    |
| 10-04          | 350530              | 13623/2013    | 14-01          | 350350              | 13297/2013    |
| 10-04          | 350531              | 13625/2013    | 14-01          | 350454              | 13445/2013    |
| 10-04          | 350549              | 13632/2013    | 14-02          | 350231              | 13133/2013    |
| 10-04          | 350552              | 13641/2013    | 14-02          | 350263              | 13192/2013    |
| 10-07          | 350513              | 13544/2013    | 14-02          | 350264              | 13193/2013    |
| 11-01A         | 350199              | 13151/2013    | 14-02          | 350265              | 13194/2013    |
| 11-01A         | 350202              | 13154/2013    | 14-02          | 350289              | 13222/2013    |
| 11-01A         | 350203              | 13155/2013    | 14-02          | 350309              | 13072/2013    |
| 11-01A         | 350204              | 13156/2013    | 14-02          | 350310              | 13073/2013    |
| 11-01A         | 350205              | 13157/2013    | 14-02          | 350311              | 13074/2013    |
| 11-01D         | 350200              | 13152/2013    | 14-02          | 350312              | 13075/2013    |

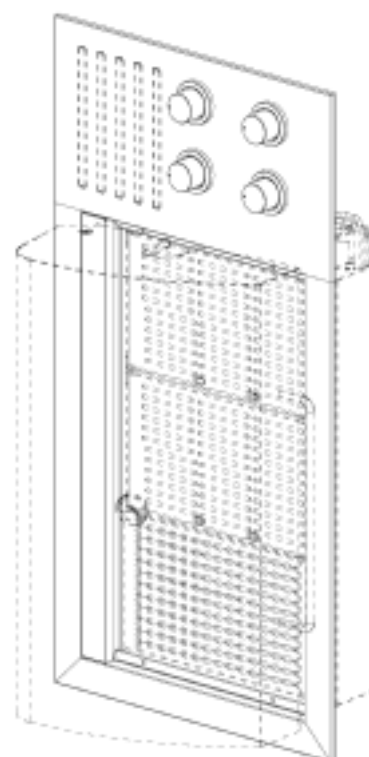
Registration Proceedings - Class Listing of Designs Published or Registered cont'd

| Classification | Registration Number | Design Number | Classification | Registration Number | Design Number |
|----------------|---------------------|---------------|----------------|---------------------|---------------|
| 14-02          | 350313              | 13076/2013    | 15-07          | 350303              | 13243/2013    |
| 14-02          | 350314              | 13077/2013    | 15-07          | 350304              | 13244/2013    |
| 14-02          | 350315              | 13078/2013    | 15-07          | 350305              | 13245/2013    |
| 14-02          | 350316              | 13081/2013    | 15-09          | 350465              | 13470/2013    |
| 14-02          | 350317              | 13082/2013    | 15-09          | 350466              | 13471/2013    |
| 14-02          | 350318              | 13083/2013    | 15-99          | 350362              | 13318/2013    |
| 14-02          | 350319              | 13084/2013    | 15-99          | 350363              | 13319/2013    |
| 14-02          | 350320              | 13085/2013    | 15-99          | 350364              | 13320/2013    |
| 14-02          | 350321              | 13086/2013    | 15-99          | 350413              | 12692/2013    |
| 14-02          | 350322              | 13087/2013    | 15-99          | 350414              | 12694/2013    |
| 14-02          | 350323              | 13088/2013    | 15-99          | 350415              | 12695/2013    |
| 14-02          | 350350              | 13297/2013    | 15-99          | 350426              | 12690/2013    |
| 14-02          | 350375              | 13109/2013    | 15-99          | 350427              | 12691/2013    |
| 14-02          | 350421              | 12475/2013    | 15-99          | 350435              | 13420/2013    |
| 14-02          | 350454              | 13445/2013    | 16-03          | 350460              | 13453/2013    |
| 14-02          | 350460              | 13453/2013    | 16-03          | 350461              | 13454/2013    |
| 14-02          | 350461              | 13454/2013    | 18-02          | 350460              | 13453/2013    |
| 14-02          | 350484              | 13587/2013    | 18-02          | 350461              | 13454/2013    |
| 14-02          | 350485              | 13591/2013    | 19-01          | 350333              | 13278/2013    |
| 14-02          | 350536              | 12298/2013    | 19-08          | 350250              | 12761/2013    |
| 14-02          | 350537              | 12299/2013    | 19-08          | 350470              | 13483/2013    |
| 14-03A         | 350484              | 13587/2013    | 19-08          | 350471              | 13484/2013    |
| 14-03A         | 350485              | 13591/2013    | 20-02D         | 350483              | 13583/2013    |
| 14-03B         | 350338              | 13286/2013    | 20-02NES       | 350247              | 12803/2013    |
| 14-03E         | 350425              | 12633/2013    | 20-02NES       | 350483              | 13583/2013    |
| 14-03NES       | 350251              | 12207/2013    | 20-03C         | 350410              | 13397/2013    |
| 14-03NES       | 350274              | 13636/2013    | 21-01A         | 350381              | 13349/2013    |
| 14-03NES       | 350436              | 13425/2013    | 21-01L         | 350392              | 13364/2013    |
| 14-03NES       | 350437              | 13426/2013    | 21-01NES       | 350227              | 13123/2013    |
| 14-03NES       | 350438              | 13427/2013    | 21-02F         | 350275              | 13191/2013    |
| 14-03NES       | 350439              | 13428/2013    | 21-02F         | 350365              | 13321/2013    |
| 14-03NES       | 350440              | 13429/2013    | 21-02F         | 350459              | 13452/2013    |
| 14-03NES       | 350444              | 13431/2013    | 21-03          | 350368              | 13328/2013    |
| 14-03NES       | 350446              | 13433/2013    | 21-03          | 350369              | 13329/2013    |
| 14-03NES       | 350448              | 13435/2013    | 21-03          | 350370              | 13330/2013    |
| 14-03NES       | 350449              | 13436/2013    | 21-04          | 350275              | 13191/2013    |
| 14-99          | 350251              | 12207/2013    | 22-01          | 350236              | 13180/2013    |
| 14-99          | 350274              | 13636/2013    | 22-01          | 350237              | 13181/2013    |
| 15-01          | 350229              | 13130/2013    | 22-01          | 350416              | 12748/2013    |
| 15-01          | 350491              | 13493/2013    | 22-01          | 350527              | 13610/2013    |
| 15-01          | 350492              | 13494/2013    | 22-05          | 350431              | 13406/2013    |
| 15-02          | 350400              | 13380/2013    | 23-01A         | 350474              | 13532/2013    |
| 15-02          | 350401              | 13381/2013    | 23-01A         | 350475              | 13533/2013    |
| 15-02          | 350555              | 13664/2013    | 23-01A         | 350476              | 13534/2013    |
| 15-05          | 350234              | 13140/2013    | 23-01A         | 350482              | 13582/2013    |
| 15-05          | 350267              | 13196/2013    | 23-01C         | 350294              | 13231/2013    |
| 15-05          | 350269              | 13199/2013    | 23-01C         | 350297              | 13236/2013    |
| 15-05          | 350302              | 13242/2013    | 23-01C         | 350298              | 13237/2013    |
| 15-05          | 350398              | 13374/2013    | 23-01G         | 350357              | 13311/2013    |
| 15-05          | 350479              | 13559/2013    | 23-01G         | 350360              | 13313/2013    |
| 15-05          | 350481              | 13574/2013    | 23-01G         | 350361              | 13315/2013    |
| 15-05          | 350514              | 13577/2013    | 23-01G         | 350487              | 13647/2013    |
| 15-05          | 350542              | 13522/2013    | 23-01G         | 350547              | 13314/2013    |
| 15-05          | 350543              | 13524/2013    | 23-01H         | 350490              | 13490/2013    |
| 15-05          | 350544              | 13569/2013    | 23-01K         | 350530              | 13623/2013    |
| 15-05          | 350551              | 13639/2013    | 23-01K         | 350531              | 13625/2013    |

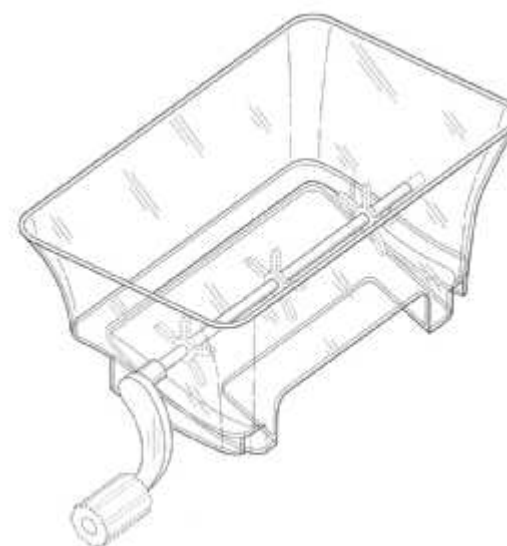
Registration Proceedings - Class Listing of Designs Published or Registered cont'd

| Classification | Registration Number | Design Number | Classification | Registration Number | Design Number |
|----------------|---------------------|---------------|----------------|---------------------|---------------|
| 23-01K         | 350532              | 13626/2013    | 25-02E         | 350524              | 13607/2013    |
| 23-01L         | 350238              | 13182/2013    | 25-03          | 350399              | 13376/2013    |
| 23-01L         | 350239              | 13183/2013    | 26-01          | 350378              | 13343/2013    |
| 23-01L         | 350240              | 13184/2013    | 26-04          | 350450              | 13437/2013    |
| 23-01L         | 350241              | 13185/2013    | 26-05A         | 350376              | 13369/2013    |
| 23-01L         | 350242              | 13186/2013    | 26-05A         | 350403              | 13384/2013    |
| 23-01L         | 350243              | 13187/2013    | 26-05A         | 350404              | 13385/2013    |
| 23-01L         | 350244              | 13188/2013    | 26-05A         | 350405              | 13386/2013    |
| 23-01L         | 350260              | 13179/2013    | 26-05A         | 350406              | 13387/2013    |
| 23-01NES       | 350285              | 13214/2013    | 26-05A         | 350496              | 13501/2013    |
| 23-01NES       | 350420              | 16552/2012    | 26-05B         | 350347              | 13290/2013    |
| 23-01NES       | 350530              | 13623/2013    | 26-05B         | 350452              | 13441/2013    |
| 23-01NES       | 350531              | 13625/2013    | 26-05C         | 350403              | 13384/2013    |
| 23-01NES       | 350532              | 13626/2013    | 26-05C         | 350404              | 13385/2013    |
| 23-02A         | 350356              | 13309/2013    | 26-05C         | 350405              | 13386/2013    |
| 23-02A         | 350358              | 13312/2013    | 26-05C         | 350406              | 13387/2013    |
| 23-02B         | 350221              | 13118/2013    | 26-05D         | 350307              | 12047/2013    |
| 23-03A         | 350418              | 13000/2013    | 26-05D         | 350308              | 14117/2013    |
| 23-03A         | 350419              | 13001/2013    | 26-05D         | 350393              | 13366/2013    |
| 23-04          | 350270              | 13200/2013    | 26-05D         | 350394              | 13367/2013    |
| 23-04          | 350336              | 13283/2013    | 26-05D         | 350478              | 13542/2013    |
| 23-04          | 350337              | 13284/2013    | 26-05E         | 350450              | 13437/2013    |
| 23-04          | 350341              | 11152/2013    | 26-05NES       | 350235              | 13141/2013    |
| 23-04          | 350342              | 13036/2013    | 26-05NES       | 350417              | 12771/2013    |
| 23-04          | 350352              | 13299/2013    | 26-05NES       | 350546              | 13266/2013    |
| 23-04          | 350359              | 13059/2013    | 27-99          | 350196              | 13148/2013    |
| 24-01          | 350432              | 13415/2013    | 27-99          | 350197              | 13149/2013    |
| 24-01          | 350451              | 13440/2013    | 27-99          | 350261              | 13145/2013    |
| 24-01          | 350495              | 13500/2013    | 27-99          | 350262              | 13146/2013    |
| 24-01          | 350546              | 13266/2013    | 28-03B         | 350422              | 12515/2013    |
| 24-02          | 350432              | 13415/2013    | 28-03D         | 350335              | 13282/2013    |
| 24-04          | 350253              | 12479/2013    | 28-03NES       | 350271              | 13201/2013    |
| 24-04          | 350273              | 13617/2013    | 28-03NES       | 350279              | 13208/2013    |
| 24-04          | 350432              | 13415/2013    | 28-03NES       | 350280              | 13209/2013    |
| 25-01B         | 350433              | 13416/2013    | 28-03NES       | 350497              | 13502/2013    |
| 25-01B         | 350434              | 13417/2013    | 28-03NES       | 350500              | 13505/2013    |
| 25-01C         | 350255              | 13170/2013    | 28-03NES       | 350533              | 13630/2013    |
| 25-01C         | 350256              | 13171/2013    | 28-03NES       | 350536              | 12298/2013    |
| 25-01D         | 350245              | 13190/2013    | 28-03NES       | 350537              | 12299/2013    |
| 25-01K         | 350246              | 12661/2013    | 28-99          | 350533              | 13630/2013    |
| 25-01K         | 350374              | 13368/2013    | 28-99          | 350536              | 12298/2013    |
| 25-01K         | 350472              | 13463/2013    | 28-99          | 350537              | 12299/2013    |
| 25-01K         | 350473              | 13464/2013    | 29-02          | 350266              | 13195/2013    |
| 25-01K         | 350525              | 13608/2013    | 30-04          | 350283              | 13212/2013    |
| 25-01K         | 350526              | 13609/2013    | 31-00          | 350535              | 13670/2013    |
| 25-02B         | 350505              | 13511/2013    |                |                     |               |
| 25-02B         | 350506              | 13512/2013    |                |                     |               |
| 25-02B         | 350528              | 13611/2013    |                |                     |               |

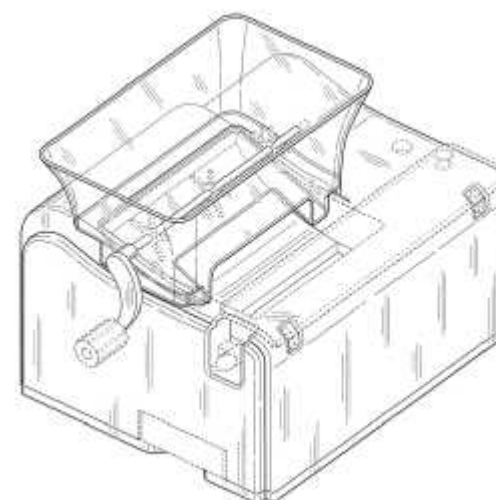
- (21) Design Number: **13064/2013**  
(22) Date of Filing Application: **28 June 2013**  
(24) Date from which industrial property rights may have effect: **28 June 2013**  
(54) Product in respect of which the design is registered: **Cooking apparatus**  
(51) International Design Classification: **07-02H**  
(74) Name(s) of Attorney(s): **FB Rice**  
(71) Name(s) and Address(s) of Applicant(s):  
**Garth Australia Pty Ltd**  
**L14 140 William St Melbourne VIC 3000 Australia**  
(72) Name(s) of Designer(s): **Gavin Hill**  
(45) Registration Date: **20 August 2013**  
(56) Related Art Documents: **Not Applicable**  
(57) Statement of Newness and Distinctiveness: **Newness and distinctiveness reside in the shape and configuration of the cooking platform and four controls of the cooking apparatus, excluding the features shown in broken lines and features not directly visible from the top of the cooking apparatus.**



- (21) Design Number: **13148/2013**  
(22) Date of Filing Application: **03 July 2013**  
(24) Date from which industrial property rights may have effect: **03 July 2013**  
(54) Product in respect of which the design is registered: **Tabletop cigarette making machine hopper**  
(51) International Design Classification: **27-99**  
(74) Name(s) of Attorney(s): **Griffith Hack**  
(71) Name(s) and Address(s) of Applicant(s):  
**Republic Tobacco L.P.**  
**2301 Ravine Way Glenview IL 60025 United States of America**  
(72) Name(s) of Designer(s): **Mei Lin**  
(45) Registration Date: **20 August 2013**  
(30) Convention priority data:  
(31) Number      (32) Date      (33) Country  
**29/4415559      07 Jan 2013      UNITED STATES OF AMERICA**  
(56) Related Art Documents: **Not Applicable**  
(57) Statement of Newness and Distinctiveness: **Newness and distinctiveness resides in the visual features, including shape and configuration of a TABLETOP CIGARETTE MAKING MACHINE HOPPER as shown in solid outline in the accompanying drawings. When determining whether the design is substantially similar in overall impression to another design, no regard is to be had to those features shown in dotted outline in the accompanying drawings, which features are provided for illustrative purposes only.**



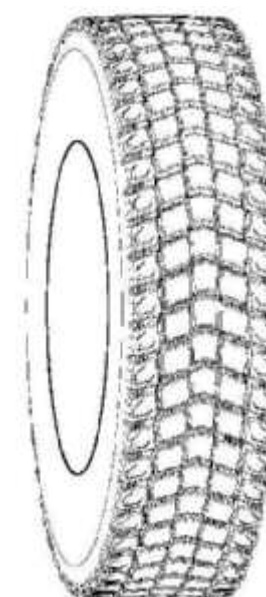
(21) Design Number: **13149/2013**  
(22) Date of Filing Application: **03 July 2013**  
(24) Date from which industrial property rights may have effect: **03 July 2013**  
(54) Product in respect of which the design is registered: **Tabletop cigarette making machine and hopper**  
(51) International Design Classification: **27-99**  
(74) Name(s) of Attorney(s): **Griffith Hack**  
(71) Name(s) and Address(s) of Applicant(s):  
**Republic Tobacco L.P.**  
**2301 Ravine Way Glenview IL 60025 United States of America**



(72) Name(s) of Designer(s): **Mei Lin**  
(45) Registration Date: **20 August 2013**  
(30) Convention priority data:  
(31) Number (32) Date (33) Country  
**29/4415559 07 Jan 2013 UNITED STATES OF AMERICA**

(56) Related Art Documents: **Not Applicable**  
(57) Statement of Newness and Distinctiveness: **Newness and distinctiveness resides in the visual features, including shape and configuration of a TABLETOP CIGARETTE MAKING MACHINE HOPPER as shown in solid outline in the accompanying drawings. When determining whether the design is substantially similar in overall impression to another design, no regard is to be had to those features shown in dotted outline in the accompanying drawings, which features are provided for illustrative purposes only.**

(21) Design Number: **13150/2013**  
(22) Date of Filing Application: **03 July 2013**  
(24) Date from which industrial property rights may have effect: **03 July 2013**  
(54) Product in respect of which the design is registered: **A tyre**  
(51) International Design Classification: **12-15C**  
(74) Name(s) of Attorney(s): **WATERMARK PATENT AND TRADE MARKS ATTORNEYS**  
(71) Name(s) and Address(s) of Applicant(s):  
**Compagnie Generale Des Etablissements Michelin**  
**12 cours Sablon Clermont-Ferrand 63000 France**  
**Michelin Recherche Et Technique S.A.**  
**Route Louis Braille Granges-Paccot 1763 Switzerland**



(72) Name(s) of Designer(s): **Stephanie Cambon and Julien Metzger and Jonathan Lejeune and William License**  
(45) Registration Date: **20 August 2013**  
(30) Convention priority data:  
(31) Number (32) Date (33) Country  
**13/0315 11 Jan 2013 FRANCE**

(56) Related Art Documents: **Not Applicable**  
(57) Statement of Newness and Distinctiveness: **Newness and Distinctiveness resides in the appearance of the tread region of the tyre, the remainder of the tyre not forming part of the design.**

(21) Design Number: **13151/2013**  
(22) Date of Filing Application: **03 July 2013**  
(24) Date from which industrial property rights may have effect: **03 July 2013**  
(54) Product in respect of which the design is registered: **Jewellery**  
(51) International Design Classification: **11-01A**  
(74) Name(s) of Attorney(s): **MINTER ELLISON**  
(71) Name(s) and Address(s) of Applicant(s):

**De Beers Centenary AG**  
**Alpenstrasse 5 Luzern 6 6000 Switzerland**

(72) Name(s) of Designer(s): **Costantino Papadimitriou**

(45) Registration Date: **20 August 2013**

(30) Convention priority data:

|                  |                    |   |
|------------------|--------------------|---|
| (31) Number      | (32) Date          | (33) Country  |
| <b>002162206</b> | <b>06 Jan 2013</b> | <b>OFFICE FOR HARMONISATION IN<br/>THE INTERNAL MARKET (OHIM)</b> |

(56) Related Art Documents: **Not Applicable**

(57) Statement of Newness and Distinctiveness: **Nil**



(21) Design Number: **13152/2013**  
(22) Date of Filing Application: **03 July 2013**  
(24) Date from which industrial property rights may have effect: **03 July 2013**  
(54) Product in respect of which the design is registered: **Jewellery**  
(51) International Design Classification: **11-01D**  
(74) Name(s) of Attorney(s): **MINTER ELLISON**  
(71) Name(s) and Address(s) of Applicant(s):

**De Beers Centenary AG**  
**Alpenstrasse 5 Luzern 6 6000 Switzerland**

(72) Name(s) of Designer(s): **Costantino Papadimitriou**

(45) Registration Date: **20 August 2013**

(30) Convention priority data:

|                  |                    |   |
|------------------|--------------------|---|
| (31) Number      | (32) Date          | (33) Country  |
| <b>002162206</b> | <b>06 Jan 2013</b> | <b>OFFICE FOR HARMONISATION IN<br/>THE INTERNAL MARKET (OHIM)</b> |

(56) Related Art Documents: **Not Applicable**

(57) Statement of Newness and Distinctiveness: **Nil**



(21) Design Number: **13153/2013**  
(22) Date of Filing Application: **03 July 2013**  
(24) Date from which industrial property rights may have effect: **03 July 2013**  
(54) Product in respect of which the design is registered: **Jewellery**  
(51) International Design Classification: **11-01NES**  
(74) Name(s) of Attorney(s): **MINTER ELLISON**  
(71) Name(s) and Address(s) of Applicant(s):

**De Beers Centenary AG**  
**Alpenstrasse 5 Luzern 6 6000 Switzerland**

(72) Name(s) of Designer(s): **Costantino Papadimitriou**

(45) Registration Date: **20 August 2013**

(30) Convention priority data:

|                  |                    |   |
|------------------|--------------------|---|
| (31) Number      | (32) Date          | (33) Country  |
| <b>002162206</b> | <b>06 Jan 2013</b> | <b>OFFICE FOR HARMONISATION IN<br/>THE INTERNAL MARKET (OHIM)</b> |

(56) Related Art Documents: **Not Applicable**

(57) Statement of Newness and Distinctiveness: **Nil**



(21) Design Number: **13154/2013**  
(22) Date of Filing Application: **03 July 2013**  
(24) Date from which industrial property rights may have effect: **03 July 2013**  
(54) Product in respect of which the design is registered: **Jewellery**  
(51) International Design Classification: **11-01A**  
(74) Name(s) of Attorney(s): **MINTER ELLISON**  
(71) Name(s) and Address(s) of Applicant(s):

**De Beers Centenary AG**  
**Alpenstrasse 5 Luzern 6 6000 Switzerland**

(72) Name(s) of Designer(s): **Costantino Papadimitriou**

(45) Registration Date: **20 August 2013**

(30) Convention priority data:

|                  |                    |   |
|------------------|--------------------|---|
| (31) Number      | (32) Date          | (33) Country  |
| <b>002162206</b> | <b>06 Jan 2013</b> | <b>OFFICE FOR HARMONISATION IN<br/>THE INTERNAL MARKET (OHIM)</b> |

(56) Related Art Documents: **Not Applicable**

(57) Statement of Newness and Distinctiveness: **Nil**





(21) Design Number: **13155/2013**  
(22) Date of Filing Application: **03 July 2013**  
(24) Date from which industrial property rights may have effect: **03 July 2013**  
(54) Product in respect of which the design is registered: **Jewellery**  
(51) International Design Classification: **11-01A**  
(74) Name(s) of Attorney(s): **MINTER ELLISON**  
(71) Name(s) and Address(s) of Applicant(s):  
**De Beers Centenary AG**  
**Alpenstrasse 5 Luzern 6 6000 Switzerland**  
(72) Name(s) of Designer(s): **Costantino Papadimitriou**  
(45) Registration Date: **20 August 2013**  
(30) Convention priority data:  
(31) Number (32) Date (33) Country  
**002162206 06 Jan 2013 OFFICE FOR HARMONISATION IN**  
**THE INTERNAL MARKET (OHIM)**  
(56) Related Art Documents: **Not Applicable**  
(57) Statement of Newness and Distinctiveness: **Nil**



(21) Design Number: **13156/2013**  
(22) Date of Filing Application: **03 July 2013**  
(24) Date from which industrial property rights may have effect: **03 July 2013**  
(54) Product in respect of which the design is registered: **Jewellery**  
(51) International Design Classification: **11-01A**  
(74) Name(s) of Attorney(s): **MINTER ELLISON**  
(71) Name(s) and Address(s) of Applicant(s):  
**De Beers Centenary AG**  
**Alpenstrasse 5 Luzern 6 6000 Switzerland**  
(72) Name(s) of Designer(s): **Costantino Papadimitriou**  
(45) Registration Date: **20 August 2013**  
(30) Convention priority data:  
(31) Number (32) Date (33) Country  
**002162206 06 Jan 2013 OFFICE FOR HARMONISATION IN**  
**THE INTERNAL MARKET (OHIM)**  
(56) Related Art Documents: **Not Applicable**  
(57) Statement of Newness and Distinctiveness: **Nil**



(21) Design Number: **13157/2013**  
(22) Date of Filing Application: **03 July 2013**  
(24) Date from which industrial property rights may have effect: **03 July 2013**  
(54) Product in respect of which the design is registered: **Jewellery**  
(51) International Design Classification: **11-01A**  
(74) Name(s) of Attorney(s): **MINTER ELLISON**  
(71) Name(s) and Address(s) of Applicant(s):

**De Beers Centenary AG**  
**Alpenstrasse 5 Luzern 6 6000 Switzerland**

(72) Name(s) of Designer(s): **Costantino Papadimitriou**

(45) Registration Date: **20 August 2013**

(30) Convention priority data:

|                  |                    |   |
|------------------|--------------------|---|
| (31) Number      | (32) Date          | (33) Country  |
| <b>002162206</b> | <b>06 Jan 2013</b> | <b>OFFICE FOR HARMONISATION IN<br/>THE INTERNAL MARKET (OHIM)</b> |

(56) Related Art Documents: **Not Applicable**

(57) Statement of Newness and Distinctiveness: **Nil**



(21) Design Number: **13158/2013**  
(22) Date of Filing Application: **03 July 2013**  
(24) Date from which industrial property rights may have effect: **03 July 2013**  
(54) Product in respect of which the design is registered: **Jewellery**  
(51) International Design Classification: **11-01D**  
(74) Name(s) of Attorney(s): **MINTER ELLISON**  
(71) Name(s) and Address(s) of Applicant(s):

**De Beers Centenary AG**  
**Alpenstrasse 5 Luzern 6 6000 Switzerland**

(72) Name(s) of Designer(s): **Costantino Papadimitriou**

(45) Registration Date: **20 August 2013**

(30) Convention priority data:

|                  |                    |   |
|------------------|--------------------|---|
| (31) Number      | (32) Date          | (33) Country  |
| <b>002162206</b> | <b>06 Jan 2013</b> | <b>OFFICE FOR HARMONISATION IN<br/>THE INTERNAL MARKET (OHIM)</b> |

(56) Related Art Documents: **Not Applicable**

(57) Statement of Newness and Distinctiveness: **Nil**



(21) Design Number: **13159/2013**  
(22) Date of Filing Application: **03 July 2013**  
(24) Date from which industrial property rights may have effect: **03 July 2013**  
(54) Product in respect of which the design is registered: **Jewellery**  
(51) International Design Classification: **11-01NES**  
(74) Name(s) of Attorney(s): **MINTER ELLISON**  
(71) Name(s) and Address(s) of Applicant(s):

**De Beers Centenary AG**  
**Alpenstrasse 5 Luzern 6 6000 Switzerland**

(72) Name(s) of Designer(s): **Costantino Papadimitriou**

(45) Registration Date: **20 August 2013**

(30) Convention priority data:

| (31) Number      | (32) Date          | (33) Country  |
|------------------|--------------------|---|
| <b>002162206</b> | <b>06 Jan 2013</b> | <b>OFFICE FOR HARMONISATION IN<br/>THE INTERNAL MARKET (OHIM)</b> |

(56) Related Art Documents: **Not Applicable**

(57) Statement of Newness and Distinctiveness: **Nil**



(21) Design Number: **13160/2013**  
(22) Date of Filing Application: **03 July 2013**  
(24) Date from which industrial property rights may have effect: **03 July 2013**  
(54) Product in respect of which the design is registered: **Swimwear garment**  
(51) International Design Classification: **02-02A**  
(74) Name(s) of Attorney(s): **Herbert Geer Lawyers**  
(71) Name(s) and Address(s) of Applicant(s):

**JETS Swimwear Pty Ltd**  
**8-18 Bowden St Alexandria NSW 2015 Australia**

(72) Name(s) of Designer(s): **Jessika Allen**

(45) Registration Date: **20 August 2013**

(56) Related Art Documents: **Not Applicable**

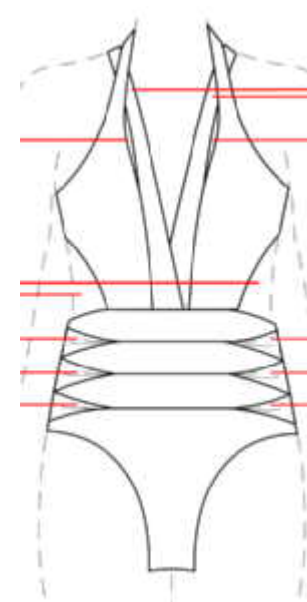
(57) Statement of Newness and Distinctiveness: **Newness and distinctiveness is claimed in the shape and/or configuration of the swimwear garment and in the feature of pattern and/or ornamentation which includes mesh fabric fitted to the body shape from the top to the bottom of the garment and more mesh fabric draped on the front of the garment, as depicted in the representation attached. The colour of the garment is to be disregarded and does not form part of the design.**



- (21) Design Number: **13161/2013**  
(22) Date of Filing Application: **03 July 2013**  
(24) Date from which industrial property rights may have effect: **03 July 2013**  
(54) Product in respect of which the design is registered: **Swimwear garment**  
(51) International Design Classification: **02-02A**  
(74) Name(s) of Attorney(s): **Herbert Geer Lawyers**  
(71) Name(s) and Address(s) of Applicant(s):  
**JETS Swimwear Pty Ltd**  
**8-18 Bowden St Alexandria NSW 2015 Australia**  
(72) Name(s) of Designer(s): **Jessika Allen**  
(45) Registration Date: **20 August 2013**  
(56) Related Art Documents: **Not Applicable**  
(57) Statement of Newness and Distinctiveness: **Newness and distinctiveness is claimed in the shape, configuration, pattern and/or ornamentation of the swimwear garment as depicted in the accompanying representations. The section indicated at B is a cut out panel. The outline of the wearer shown in broken lines forms no part of the design**



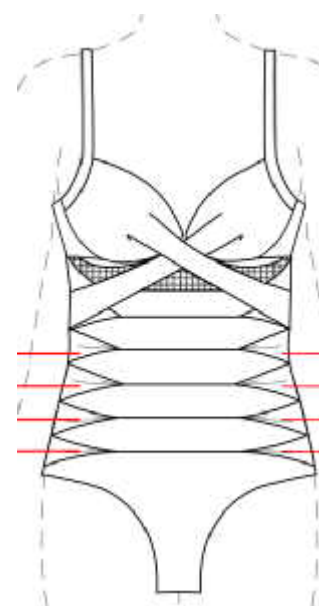
- (21) Design Number: **13162/2013**  
(22) Date of Filing Application: **03 July 2013**  
(24) Date from which industrial property rights may have effect: **03 July 2013**  
(54) Product in respect of which the design is registered: **Swimwear garment**  
(51) International Design Classification: **02-02A**  
(74) Name(s) of Attorney(s): **Herbert Geer Lawyers**  
(71) Name(s) and Address(s) of Applicant(s):  
**JETS Swimwear Pty Ltd**  
**8-18 Bowden St Alexandria NSW 2015 Australia**  
(72) Name(s) of Designer(s): **Jessika Allen**  
(45) Registration Date: **20 August 2013**  
(56) Related Art Documents: **Not Applicable**  
(57) Statement of Newness and Distinctiveness: **Newness and distinctiveness is claimed in the shape, configuration, pattern and/or ornamentation of the swimwear garment as depicted in the accompanying representations, but the feature marked A is to be disregarded. The sections indicated at B are cut out panels. The outline of the wearer shown in broken lines forms no part of the design. The triangular shaped panels and straps marked C can be a contrast colour to the rest of the garment or in the same colour.**



- (21) Design Number: **13163/2013**  
(22) Date of Filing Application: **03 July 2013**  
(24) Date from which industrial property rights may have effect: **03 July 2013**  
(54) Product in respect of which the design is registered: **Swimwear garment**  
(51) International Design Classification: **02-02A**  
(74) Name(s) of Attorney(s): **Herbert Geer Lawyers**  
(71) Name(s) and Address(s) of Applicant(s):

**JETS Swimwear Pty Ltd**  
**8-18 Bowden St Alexandria NSW 2015 Australia**

- (72) Name(s) of Designer(s): **Jessika Allen**  
(45) Registration Date: **20 August 2013**  
(56) Related Art Documents: **Not Applicable**  
(57) Statement of Newness and Distinctiveness: **Newness and distinctiveness is claimed in the shape, configuration, pattern and/or ornamentation of the swimwear garment as depicted in the accompanying representations, but the features marked A are to be disregarded. The sections shaded with hatching on the front and back are cut out panels. The outline of the wearer shown in broken lines forms no part of the design. The triangular panels and straps indicated at C can be a contrast colour to the rest of the garment or in the same colour.**



- (21) Design Number: **13164/2013**  
(22) Date of Filing Application: **03 July 2013**  
(24) Date from which industrial property rights may have effect: **03 July 2013**  
(54) Product in respect of which the design is registered: **Swimwear garment**  
(51) International Design Classification: **02-02A**  
(74) Name(s) of Attorney(s): **Herbert Geer Lawyers**  
(71) Name(s) and Address(s) of Applicant(s):

**JETS Swimwear Pty Ltd**  
**8-18 Bowden St Alexandria NSW 2015 Australia**

- (72) Name(s) of Designer(s): **Jessika Allen**  
(45) Registration Date: **20 August 2013**  
(56) Related Art Documents: **Not Applicable**  
(57) Statement of Newness and Distinctiveness: **Newness and distinctiveness is claimed in the shape, configuration, pattern and/or ornamentation of the swimwear garment as depicted in the accompanying representations. In considering the newness and distinctiveness the feature marked A is to be disregarded. The sections indicated at B are cut out panels. The back straps, bow and outline of the wearer, all shown in broken lines, form no part of the design.**



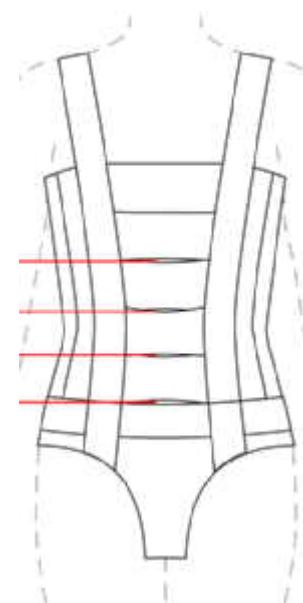
- (21) Design Number: **13165/2013**  
(22) Date of Filing Application: **03 July 2013**  
(24) Date from which industrial property rights may have effect: **03 July 2013**  
(54) Product in respect of which the design is registered: **Swimwear garment**  
(51) International Design Classification: **02-02A**  
(74) Name(s) of Attorney(s): **Herbert Geer Lawyers**  
(71) Name(s) and Address(s) of Applicant(s):  
**JETS Swimwear Pty Ltd**  
**8-18 Bowden St Alexandria NSW 2015 Australia**  
(72) Name(s) of Designer(s): **Jessika Allen**  
(45) Registration Date: **20 August 2013**  
(56) Related Art Documents: **Not Applicable**  
(57) Statement of Newness and Distinctiveness: **Newness and distinctiveness is claimed in the shape, configuration, pattern and/or ornamentation of the swimwear garment as depicted in the accompanying representations. The outline of the wearer shown in broken lines forms no part of the design.**



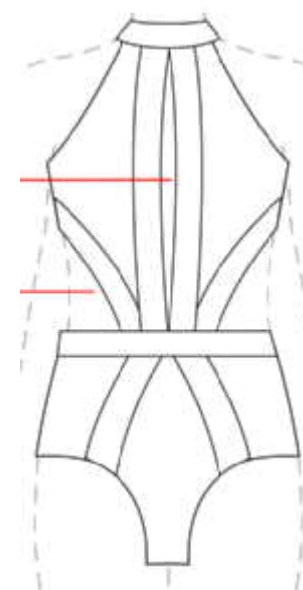
- (21) Design Number: **13166/2013**  
(22) Date of Filing Application: **03 July 2013**  
(24) Date from which industrial property rights may have effect: **03 July 2013**  
(54) Product in respect of which the design is registered: **Swimwear garment**  
(51) International Design Classification: **02-02A**  
(74) Name(s) of Attorney(s): **Herbert Geer Lawyers**  
(71) Name(s) and Address(s) of Applicant(s):  
**JETS Swimwear Pty Ltd**  
**8-18 Bowden St Alexandria NSW 2015 Australia**  
(72) Name(s) of Designer(s): **Jessika Allen**  
(45) Registration Date: **20 August 2013**  
(56) Related Art Documents: **Not Applicable**  
(57) Statement of Newness and Distinctiveness: **Newness and distinctiveness is claimed in the shape, configuration, pattern and/or ornamentation of the swimwear garment as depicted in the accompanying representations. The print of the fabric, as demonstrated at C forms no part of the design and the garment can be in plain or printed fabric. The garment may appear with or without studs as an ornament at each join of fabric strings.**



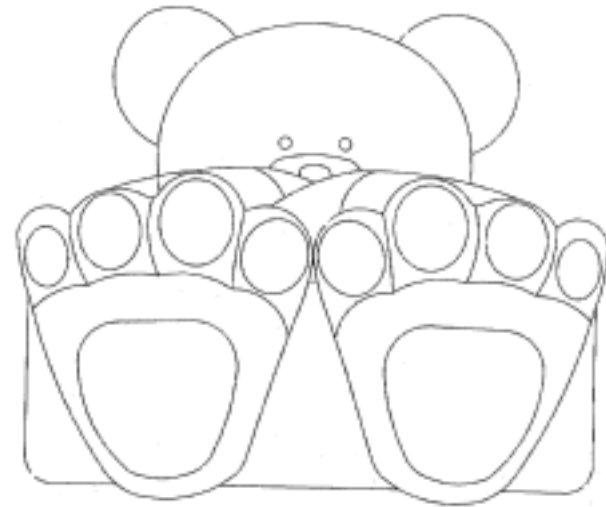
- (21) Design Number: **13167/2013**  
(22) Date of Filing Application: **03 July 2013**  
(24) Date from which industrial property rights may have effect: **03 July 2013**  
(54) Product in respect of which the design is registered: **Swimwear garment**  
(51) International Design Classification: **02-02A**  
(74) Name(s) of Attorney(s): **Herbert Geer Lawyers**  
(71) Name(s) and Address(s) of Applicant(s):  
**JETS Swimwear Pty Ltd**  
**8-18 Bowden St Alexandria NSW 2015 Australia**  
(72) Name(s) of Designer(s): **Jessika Allen**  
(45) Registration Date: **20 August 2013**  
(56) Related Art Documents: **Not Applicable**  
(57) Statement of Newness and Distinctiveness: **Newness and distinctiveness is claimed in the shape, configuration, pattern and/or ornamentation of the swimwear garment as depicted in the accompanying representations. The sections indicated at B are cut out panels. The outline of the wearer shown in broken lines forms no part of the design. The panels depicted in the garment can be in the same colour or some can appear in contrast colours.**



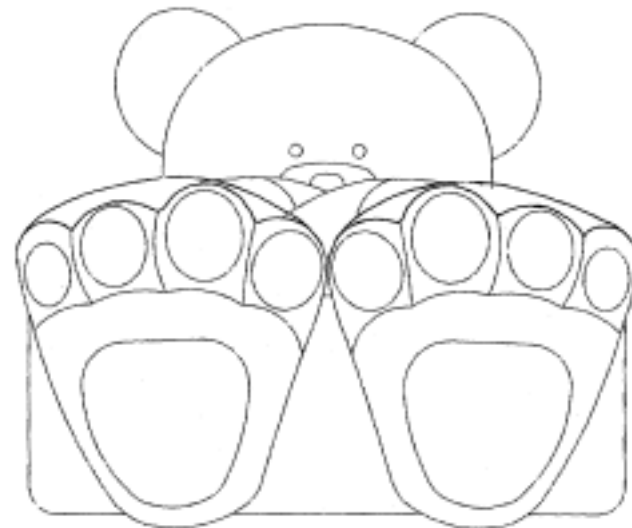
- (21) Design Number: **13168/2013**  
(22) Date of Filing Application: **03 July 2013**  
(24) Date from which industrial property rights may have effect: **03 July 2013**  
(54) Product in respect of which the design is registered: **Swimwear garment**  
(51) International Design Classification: **02-02A**  
(74) Name(s) of Attorney(s): **Herbert Geer Lawyers**  
(71) Name(s) and Address(s) of Applicant(s):  
**JETS Swimwear Pty Ltd**  
**8-18 Bowden St Alexandria NSW 2015 Australia**  
(72) Name(s) of Designer(s): **Jessika Allen**  
(45) Registration Date: **20 August 2013**  
(56) Related Art Documents: **Not Applicable**  
(57) Statement of Newness and Distinctiveness: **Newness and distinctiveness is claimed in the shape, configuration, pattern and/or ornamentation of the swimwear garment as depicted in the accompanying representations. In considering the newness and distinctiveness the feature marked A is to be disregarded. The sections indicated at B are cut out panels. The outline of the wearer shown in broken lines forms no part of the design. The panels depicted in the garment can be in the same colour or some can appear in contrast colours.**



- (21) Design Number: **16056/2012**  
(22) Date of Filing Application: **30 November 2012**  
(24) Date from which industrial property rights may have effect: **30 November 2012**  
(54) Product in respect of which the design is registered: **Bed cover**  
(51) International Design Classification: **06-13B**  
(74) Name(s) of Attorney(s): **Elliptic Legal & Patent Services**  
(71) Name(s) and Address(s) of Applicant(s):  
**AFI (WA) Pty Ltd**  
**211 Camboon Rd Malaga WA 6090 Australia**  
(72) Name(s) of Designer(s): **Bruno Tassone**  
(45) Registration Date: **20 August 2013**  
(56) Related Art Documents: **Not Applicable**  
(57) Statement of Newness and Distinctiveness: **Novelty is claimed in the shape and pattern of the bed cover as shown in the accompanying representations.**



- (21) Design Number: **13331/2013**  
(22) Date of Filing Application: **30 November 2012**  
(24) Date from which industrial property rights may have effect: **30 November 2012**  
(54) Product in respect of which the design is registered: **Bed cover**  
(51) International Design Classification: **06-13B**  
(74) Name(s) of Attorney(s): **Elliptic Legal & Patent Services**  
(71) Name(s) and Address(s) of Applicant(s):  
**AFI (WA) Pty Ltd**  
**211 Camboon Rd Malaga WA 6090 Australia**  
(72) Name(s) of Designer(s): **Bruno Tassone**  
(45) Registration Date: **20 August 2013**  
(56) Related Art Documents: **Not Applicable**  
(57) Statement of Newness and Distinctiveness: **Novelty is claimed in the shape and pattern of the bed cover as shown in the accompanying representations.**

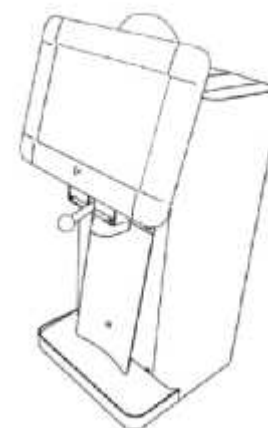




- (21) Design Number: **13116/2013**  
(22) Date of Filing Application: **28 June 2013**  
(24) Date from which industrial property rights may have effect: **28 June 2013**  
(54) Product in respect of which the design is registered: **Protector card for blister package**  
(51) International Design Classification: **09-05**  
(74) Name(s) of Attorney(s):  
(71) Name(s) and Address(s) of Applicant(s):  
**Manrex Pty. Ltd.**  
**17-19 Moore St Leichhardt NSW 2040 Australia**  
(72) Name(s) of Designer(s): **Gerard Stevens**  
(45) Registration Date: **20 August 2013**  
(56) Related Art Documents: **Not Applicable**  
(57) Statement of Newness and Distinctiveness: **Five parallel fold lines mutually spaced as indicated in design representations.**



- (21) Design Number: **13117/2013**  
(22) Date of Filing Application: **01 July 2013**  
(24) Date from which industrial property rights may have effect: **01 July 2013**  
(54) Product in respect of which the design is registered: **A coffee grinder**  
(51) International Design Classification: **07-04**  
(74) Name(s) of Attorney(s): **SPRUSON & FERGUSON**  
(71) Name(s) and Address(s) of Applicant(s):  
**Koninklijke Douwe Egberts B.V.**  
**Oosterdoksstraat 80, Amsterdam NL-1011 DK The Netherlands**  
(72) Name(s) of Designer(s): **Koos Munnike**  
(45) Registration Date: **20 August 2013**  
(30) Convention priority data:  
(31) Number      (32) Date      (33) Country  
**002213710-0001   04 Apr 2013      NETHERLANDS**  
(56) Related Art Documents: **Not Applicable**  
(57) Statement of Newness and Distinctiveness: **Newness and distinctiveness is claimed in the features of shape and/or configuration of a coffee grinder as illustrated in the accompanying representations.**



- (21) Design Number: **13118/2013**  
(22) Date of Filing Application: **01 July 2013**  
(24) Date from which industrial property rights may have effect: **01 July 2013**  
(54) Product in respect of which the design is registered: **A bath**  
(51) International Design Classification: **23-02B**  
(74) Name(s) of Attorney(s): **SPRUSON & FERGUSON**  
(71) Name(s) and Address(s) of Applicant(s):  
**Caroma Industries Limited**  
**L2 HQ South Tower 520 Wickham St Fortitude Valley QLD 4006 Australia**  
(72) Name(s) of Designer(s): **Vincent Kai Hong Ho and Luke Anthony Di Michiel**  
(45) Registration Date: **20 August 2013**  
(56) Related Art Documents: **Not Applicable**  
(57) Statement of Newness and Distinctiveness: **Newness and distinctiveness is claimed in the features of shape and/or configuration of a bath as illustrated in the accompanying representations.**



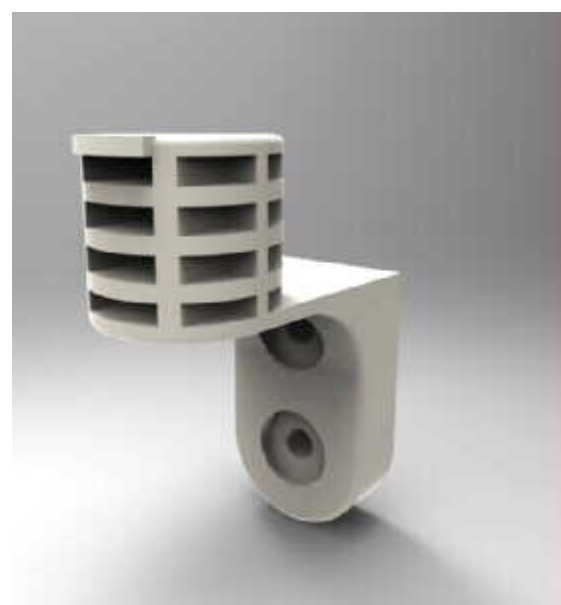
- (21) Design Number: **13119/2013**  
(22) Date of Filing Application: **01 July 2013**  
(24) Date from which industrial property rights may have effect: **01 July 2013**  
(54) Product in respect of which the design is registered: **Case for a tablet computer**  
(51) International Design Classification: **03-01NES**  
(74) Name(s) of Attorney(s):  
(71) Name(s) and Address(s) of Applicant(s):  
**STM MANAGEMENT PTY LTD**  
**U21 34-36 Ralph St Alexandria NSW 2015 Australia**  
(72) Name(s) of Designer(s): **Ethan Nyholm and Adina Jacobs and Christopher Daniel Townsend and Anton Liang Lee See**  
(45) Registration Date: **20 August 2013**  
(56) Related Art Documents: **Not Applicable**  
(57) Statement of Newness and Distinctiveness: **Nil**



- (21) Design Number: **13120/2013**  
(22) Date of Filing Application: **01 July 2013**  
(24) Date from which industrial property rights may have effect: **01 July 2013**  
(54) Product in respect of which the design is registered: **Anti-Chafe Panel**  
(51) International Design Classification: **02-99**  
(74) Name(s) of Attorney(s): **Callinans**  
(71) Name(s) and Address(s) of Applicant(s):  
**Sojo Pty Ltd**  
**12 Lakeview Dr Caribbean Business Park Scoresby VIC 3174 Australia**  
(72) Name(s) of Designer(s): **Katherine Stevens**  
(45) Registration Date: **20 August 2013**  
(56) Related Art Documents: **Not Applicable**  
(57) Statement of Newness and Distinctiveness: **Monopoly is claimed in the shape and/or configuration of the anti-chafe panel as shown in the representations.**



- (21) Design Number: **13144/2013**  
(22) Date of Filing Application: **02 July 2013**  
(24) Date from which industrial property rights may have effect: **02 July 2013**  
(54) Product in respect of which the design is registered: **Accessory mounting device for a bicycle**  
(51) International Design Classification: **12-16K**  
(74) Name(s) of Attorney(s):  
(71) Name(s) and Address(s) of Applicant(s):  
**David Lugton**  
**PO BOX 486 Coburg VIC 3058 Australia**  
(72) Name(s) of Designer(s): **David Lugton**  
(45) Registration Date: **21 August 2013**  
(56) Related Art Documents: **Not Applicable**  
(57) Statement of Newness and Distinctiveness: **The newness and distinctiveness of the design resides in the shape of the accessory mounting device as shown in the accompanying representations.**



- (21) Design Number: **13142/2013**  
(22) Date of Filing Application: **02 July 2013**  
(24) Date from which industrial property rights may have effect: **02 July 2013**  
(54) Product in respect of which the design is registered: **Bowl**  
(51) International Design Classification: **07-01B**  
(74) Name(s) of Attorney(s):  
(71) Name(s) and Address(s) of Applicant(s):

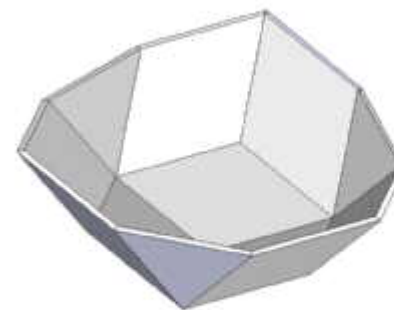
**Stephen Ziguras**  
**25 Ewing St Brunswick VIC 3056 Australia**

(72) Name(s) of Designer(s): **Stephen Ziguras**

(45) Registration Date: **21 August 2013**

(56) Related Art Documents: **Not Applicable**

(57) Statement of Newness and Distinctiveness: **The newness and distinctiveness of the design resides in the shape of the bowl shown in the accompanying representations. The bowl consists of 12 pieces glued together to form a shape which has not been used for a bowl before.**



- (21) Design Number: **13122/2013**  
(22) Date of Filing Application: **01 July 2013**  
(24) Date from which industrial property rights may have effect: **01 July 2013**  
(54) Product in respect of which the design is registered: **Bed**  
(51) International Design Classification: **06-02**  
(74) Name(s) of Attorney(s):  
(71) Name(s) and Address(s) of Applicant(s):

**You Choon Ng**  
**2 Cessna Dr Jandakot WA 6164 Australia**

**Inter Multi Furniture Sdn Bhd**  
**23 Jalan Peserai Parit Laman Parit Sulong Batu Pahat Johor 83500 Malaysia**

(72) Name(s) of Designer(s): **You Choon Ng**

(45) Registration Date: **21 August 2013**

(56) Related Art Documents: **Not Applicable**

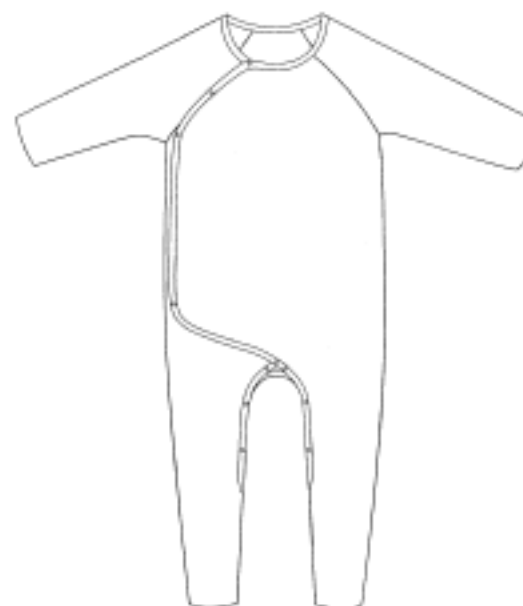
(57) Statement of Newness and Distinctiveness: **The features of the design for which novelty are claimed are i) the overall structure and design of the bed as a whole ii) the pattern and configuration of the bedhead (top panel of bed) iii) the pattern and configuration of the bottom panel of the bed.**



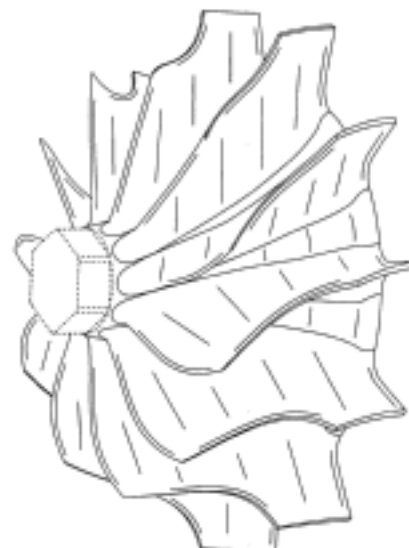
(21) Design Number: **13123/2013**  
(22) Date of Filing Application: **01 July 2013**  
(24) Date from which industrial property rights may have effect: **01 July 2013**  
(54) Product in respect of which the design is registered: **Base for a conductive toy**  
(51) International Design Classification: **21-01NES**  
(74) Name(s) of Attorney(s): **Griffith Hack**  
(71) Name(s) and Address(s) of Applicant(s):  
**Mattel, Inc.**  
**333 Continental Blvd El Segundo CA 90245-5012 United States of America**  
(72) Name(s) of Designer(s): **Jared P. Pardi**  
(45) Registration Date: **21 August 2013**  
(30) Convention priority data:  
(31) Number (32) Date (33) Country  
**29/441,417 04 Jan 2013 UNITED STATES OF AMERICA**  
(56) Related Art Documents: **Not Applicable**  
(57) Statement of Newness and Distinctiveness: **Nil**



(21) Design Number: **13129/2013**  
(22) Date of Filing Application: **28 June 2013**  
(24) Date from which industrial property rights may have effect: **28 June 2013**  
(54) Product in respect of which the design is registered: **Baby garment**  
(51) International Design Classification: **02-01B**  
(74) Name(s) of Attorney(s): **Freehills Patent Attorneys**  
(71) Name(s) and Address(s) of Applicant(s):  
**Pacific Brands Clothing Pty Ltd**  
**L3 290 Burwood Rd Hawthorn VIC 3122 Australia**  
(72) Name(s) of Designer(s): **Jessica Bartlett**  
(45) Registration Date: **21 August 2013**  
(56) Related Art Documents: **Not Applicable**  
(57) Statement of Newness and Distinctiveness: **Newness and distinctiveness resides in the shape and configuration of the front of the baby garment incorporating a cross-over closure.**



(21) Design Number: **13130/2013**  
(22) Date of Filing Application: **02 July 2013**  
(24) Date from which industrial property rights may have effect: **02 July 2013**  
(54) Product in respect of which the design is registered: **Turbine wheel**  
(51) International Design Classification: **15-01**  
(74) Name(s) of Attorney(s): **SPRUSON & FERGUSON**  
(71) Name(s) and Address(s) of Applicant(s):  
**Turbonetics, Inc.**  
**2255 Agate Court Simi Valley California 93065 United States of America**  
(72) Name(s) of Designer(s): **Michal Hastings and Mark D. Steele and Nicholas C. D'Orsi and Brian Regnier**  
(45) Registration Date: **21 August 2013**  
(30) Convention priority data:  
(31) Number (32) Date (33) Country  
**29/445658 14 Feb 2013 UNITED STATES OF AMERICA**  
(56) Related Art Documents: **Not Applicable**  
(57) Statement of Newness and Distinctiveness: **Newness and distinctiveness is claimed in the features of shape and/or configuration of the curvature of the blades of the turbine wheel as illustrated in continuous lines in the accompanying representations.**



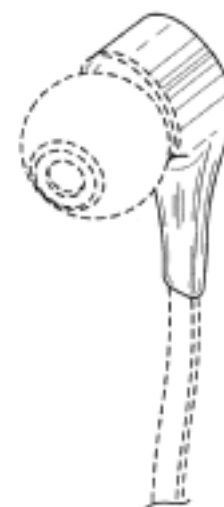
(21) Design Number: **13132/2013**  
(22) Date of Filing Application: **02 July 2013**  
(24) Date from which industrial property rights may have effect: **02 July 2013**  
(54) Product in respect of which the design is registered: **Cover for a door opener**  
(51) International Design Classification: **08-07**  
(74) Name(s) of Attorney(s): **Griffith Hack**  
(71) Name(s) and Address(s) of Applicant(s):  
**Smart Openers Pty Ltd**  
**SE3 1-3 Albert St Blackburn VIC 3130 Australia**  
(72) Name(s) of Designer(s): **Jack Leivenzon and Ben Fleming and Glenn Fleming**  
(45) Registration Date: **21 August 2013**  
(56) Related Art Documents: **Not Applicable**  
(57) Statement of Newness and Distinctiveness: **The shape and configuration of the product is new and distinctive, the arrangement of buttons and indicators on the user interface panel may be varied within the scope of the design.**



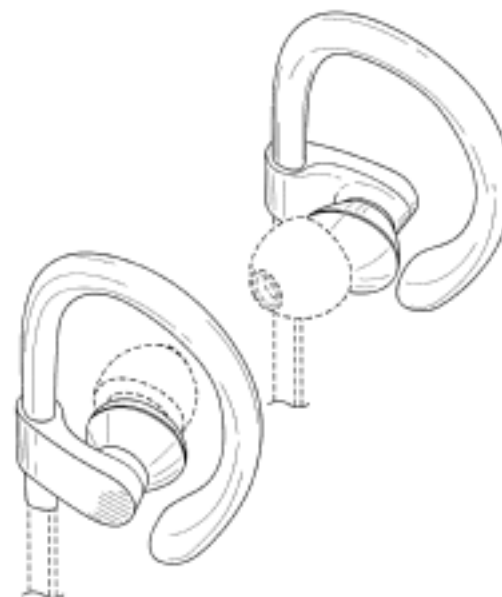
- (21) Design Number: **13133/2013**  
(22) Date of Filing Application: **02 July 2013**  
(24) Date from which industrial property rights may have effect: **02 July 2013**  
(54) Product in respect of which the design is registered: **Display screen for an electronic device**  
(51) International Design Classification: **14-01, 14-02**  
(74) Name(s) of Attorney(s): **Wrays**  
(71) Name(s) and Address(s) of Applicant(s):  
**Samsung Electronics Co., Ltd**  
**129 Samsung-ro Yeongtong-gu Suwon-si Gyeonggi-do 443-742 Republic of Korea**  
(72) Name(s) of Designer(s): **Jang-Won Seo and Yong-Hwan Kwon and Ji-Eun Kim and Ji-Hong Kim and Hye-Ryung Kim and Se-Ran Jeon and Woo-Seok Hwang**  
(45) Registration Date: **21 August 2013**  
(30) Convention priority data:  
(31) Number (32) Date (33) Country  
**30-2013-0000746 05 Jan 2013 REPUBLIC OF KOREA**  
(56) Related Art Documents: **Not Applicable**  
(57) Statement of Newness and Distinctiveness: **Newness and distinctiveness is claimed in the features of pattern and/or ornamentation of the Display Screen For An Electronic Device as shown in the accompanying representations. The features shown in broken lines are for illustrative purposes only and do not form part of the claimed design.**



- (21) Design Number: **13135/2013**  
(22) Date of Filing Application: **02 July 2013**  
(24) Date from which industrial property rights may have effect: **02 July 2013**  
(54) Product in respect of which the design is registered: **Audio listening system**  
(51) International Design Classification: **14-01**  
(74) Name(s) of Attorney(s): **SPRUSON & FERGUSON**  
(71) Name(s) and Address(s) of Applicant(s):  
**Beats Electronics, LLC**  
**1601 Cloverfield Blvd Suite 5000N Santa Monica CA 90404 United States of America**  
(72) Name(s) of Designer(s): **Robert Brunner and Rhys Bonahoom**  
(45) Registration Date: **21 August 2013**  
(30) Convention priority data:  
(31) Number (32) Date (33) Country  
**29/441335 03 Jan 2013 UNITED STATES OF AMERICA**  
(56) Related Art Documents: **Not Applicable**  
(57) Statement of Newness and Distinctiveness: **Newness and distinctiveness is claimed in those features of shape and/or configuration of an audio listening system as illustrated in continuous lines in the accompanying representations.**



(21) Design Number: **13136/2013**  
(22) Date of Filing Application: **02 July 2013**  
(24) Date from which industrial property rights may have effect: **02 July 2013**  
(54) Product in respect of which the design is registered: **Audio listening system**  
(51) International Design Classification: **14-01**  
(74) Name(s) of Attorney(s): **SPRUSON & FERGUSON**  
(71) Name(s) and Address(s) of Applicant(s):  
**Beats Electronics, LLC**  
**1601 Cloverfield Blvd Suite 5000N Santa Monica CA 90404 United States of America**  
(72) Name(s) of Designer(s): **Robert Brunner and Christopher Kuh**  
(45) Registration Date: **21 August 2013**  
(30) Convention priority data:  
(31) Number (32) Date (33) Country  
**29/441334 03 Jan 2013 UNITED STATES OF AMERICA**  
(56) Related Art Documents: **Not Applicable**  
(57) Statement of Newness and Distinctiveness: **Newness and distinctiveness is claimed in those features of shape and/or configuration of an audio listening system as illustrated in continuous lines in the accompanying representations.**

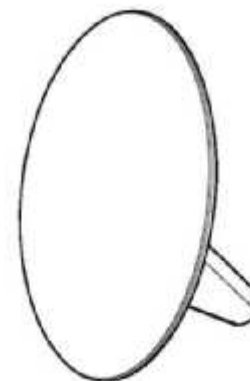


(21) Design Number: **13140/2013**  
(22) Date of Filing Application: **02 July 2013**  
(24) Date from which industrial property rights may have effect: **02 July 2013**  
(54) Product in respect of which the design is registered: **Carpet washer**  
(51) International Design Classification: **15-05**  
(74) Name(s) of Attorney(s): **Griffith Hack**  
(71) Name(s) and Address(s) of Applicant(s):  
**Techtronic Floor Care Technology Limited**  
**PO Box 957 Offshore Incorporations Centre Road Town Tortola British Virgin Islands**  
(72) Name(s) of Designer(s): **Edward Thomas George Barrett and Jennifer Kathryn Marsden**  
(45) Registration Date: **21 August 2013**  
(30) Convention priority data:  
(31) Number (32) Date (33) Country  
**201330003671.X 07 Jan 2013 CHINA**  
(56) Related Art Documents: **Not Applicable**  
(57) Statement of Newness and Distinctiveness: **Nil**





(21) Design Number: **13141/2013**  
(22) Date of Filing Application: **02 July 2013**  
(24) Date from which industrial property rights may have effect: **02 July 2013**  
(54) Product in respect of which the design is registered: **Wake up light**  
(51) International Design Classification: **26-05NES**  
(74) Name(s) of Attorney(s): **FB Rice**  
(71) Name(s) and Address(s) of Applicant(s):  
**Koninklijke Philips N.V.**  
**High Tech Campus 5 5656 AE Eindhoven The Netherlands**  
(72) Name(s) of Designer(s): **Georg Johann Hagenauer**  
(45) Registration Date: **21 August 2013**  
(30) Convention priority data:  
(31) Number (32) Date (33) Country  
**002161646-0001 03 Jan 2013 OFFICE FOR HARMONISATION IN  
THE INTERNAL MARKET (OHIM)**  
(56) Related Art Documents: **Not Applicable**  
(57) Statement of Newness and Distinctiveness: **Newness and distinctiveness  
reside in the features of shape and configuration of the design as shown  
in the representations.**



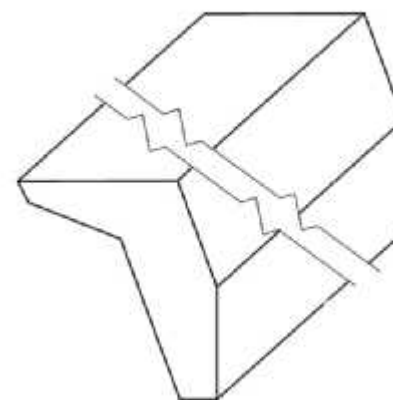
(21) Design Number: **13180/2013**  
(22) Date of Filing Application: **03 July 2013**  
(24) Date from which industrial property rights may have effect: **12 March 2013**  
(54) Product in respect of which the design is registered: **Firearm**  
(51) International Design Classification: **22-01**  
(74) Name(s) of Attorney(s): **Griffith Hack**  
(71) Name(s) and Address(s) of Applicant(s):  
**RA Brands, L.L.C.**  
**870 Remington Drive Madison NC 27025-0700 United States of America**  
(72) Name(s) of Designer(s): **Eric C. Burt and Ethan Lessard**  
(45) Registration Date: **21 August 2013**  
(62) Divisional of: **349781**  
(56) Related Art Documents: **Not Applicable**  
(57) Statement of Newness and Distinctiveness: **Newness and distinctiveness  
resides in the visual features including shape and configuration of the  
product as shown by means of solid lines in the attached drawings.  
Those parts shown by means of dashed lines have been included for  
illustrative purposes only.**



- (21) Design Number: **13181/2013**  
(22) Date of Filing Application: **03 July 2013**  
(24) Date from which industrial property rights may have effect: **12 March 2013**  
(54) Product in respect of which the design is registered: **Firearm**  
(51) International Design Classification: **22-01**  
(74) Name(s) of Attorney(s): **Griffith Hack**  
(71) Name(s) and Address(s) of Applicant(s):  
**RA Brands, L.L.C.**  
**870 Remington Drive Madison NC 27025-0700 United States of America**  
(72) Name(s) of Designer(s): **Eric C. Burt and Ethan Lessard**  
(45) Registration Date: **21 August 2013**  
(62) Divisional of: **349780**  
(56) Related Art Documents: **Not Applicable**  
(57) Statement of Newness and Distinctiveness: **Newness and distinctiveness resides in the visual features including shape and configuration of the product as shown by means of solid lines in the attached drawings. Those parts shown by means of dashed lines have been included for illustrative purposes only.**



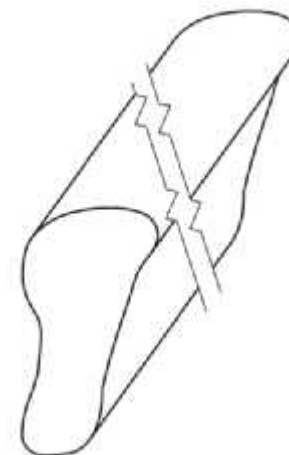
- (21) Design Number: **13182/2013**  
(22) Date of Filing Application: **03 July 2013**  
(24) Date from which industrial property rights may have effect: **03 July 2013**  
(54) Product in respect of which the design is registered: **Gutter filter**  
(51) International Design Classification: **23-01L**  
(74) Name(s) of Attorney(s): **Fisher Adams Kelly Pty Ltd**  
(71) Name(s) and Address(s) of Applicant(s):  
**Dyman Foams Pty Ltd**  
**105 Robinson Rd East Geelong QLD 4034 Australia**  
(72) Name(s) of Designer(s): **Kevin Feldman**  
(45) Registration Date: **21 August 2013**  
(56) Related Art Documents: **Not Applicable**  
(57) Statement of Newness and Distinctiveness: **The newness and distinctiveness of the design resides in the shape and/or configuration of the GUTTER FILTER shown in the representations. The break in the top perspective view and bottom perspective view represent that the GUTTER FILTER is of an indefinite length.**



- (21) Design Number: **13183/2013**  
(22) Date of Filing Application: **03 July 2013**  
(24) Date from which industrial property rights may have effect: **03 July 2013**  
(54) Product in respect of which the design is registered: **Gutter filter**  
(51) International Design Classification: **23-01L**  
(74) Name(s) of Attorney(s): **Fisher Adams Kelly Pty Ltd**  
(71) Name(s) and Address(s) of Applicant(s):

**Dyman Foams Pty Ltd**  
**105 Robinson Rd East Geebung QLD 4034 Australia**

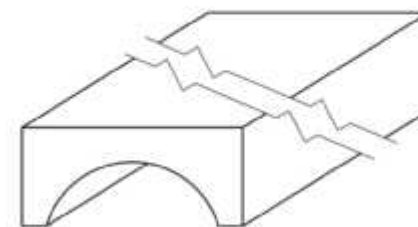
- (72) Name(s) of Designer(s): **Kevin Feldman**  
(45) Registration Date: **21 August 2013**  
(56) Related Art Documents: **Not Applicable**  
(57) Statement of Newness and Distinctiveness: **The newness and distinctiveness of the design resides in the shape and/or configuration of the GUTTER FILTER shown in the representations. The break in the top perspective view and bottom perspective view represent that the GUTTER FILTER is of an indefinite length.**



- (21) Design Number: **13184/2013**  
(22) Date of Filing Application: **03 July 2013**  
(24) Date from which industrial property rights may have effect: **03 July 2013**  
(54) Product in respect of which the design is registered: **Gutter filter**  
(51) International Design Classification: **23-01L**  
(74) Name(s) of Attorney(s): **Fisher Adams Kelly Pty Ltd**  
(71) Name(s) and Address(s) of Applicant(s):

**Dyman Foams Pty Ltd**  
**105 Robinson Rd East Geebung QLD 4034 Australia**

- (72) Name(s) of Designer(s): **Kevin Feldman**  
(45) Registration Date: **21 August 2013**  
(56) Related Art Documents: **Not Applicable**  
(57) Statement of Newness and Distinctiveness: **The newness and distinctiveness of the design resides in the shape and/or configuration of the GUTTER FILTER shown in the representations. The break in the top perspective view and bottom perspective view represent that the GUTTER FILTER is of an indefinite length.**



- (21) Design Number: **13185/2013**  
(22) Date of Filing Application: **03 July 2013**  
(24) Date from which industrial property rights may have effect: **03 July 2013**  
(54) Product in respect of which the design is registered: **Gutter filter**  
(51) International Design Classification: **23-01L**  
(74) Name(s) of Attorney(s): **Fisher Adams Kelly Pty Ltd**  
(71) Name(s) and Address(s) of Applicant(s):

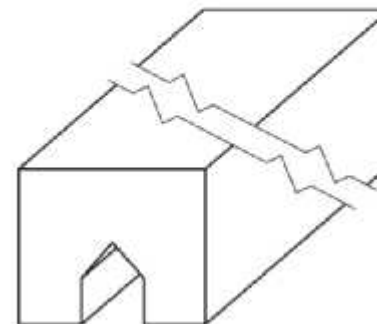
**Dyman Foams Pty Ltd**  
**105 Robinson Rd East Geebung QLD 4034 Australia**

- (72) Name(s) of Designer(s): **Kevin Feldman**

(45) Registration Date: **21 August 2013**

(56) Related Art Documents: **Not Applicable**

- (57) Statement of Newness and Distinctiveness: **The newness and distinctiveness of the design resides in the shape and/or configuration of the GUTTER FILTER shown in the representations. The break in the top perspective view and bottom perspective view represent that the GUTTER FILTER is of an indefinite length.**



- (21) Design Number: **13186/2013**  
(22) Date of Filing Application: **03 July 2013**  
(24) Date from which industrial property rights may have effect: **03 July 2013**  
(54) Product in respect of which the design is registered: **Gutter filter**  
(51) International Design Classification: **23-01L**  
(74) Name(s) of Attorney(s): **Fisher Adams Kelly Pty Ltd**  
(71) Name(s) and Address(s) of Applicant(s):

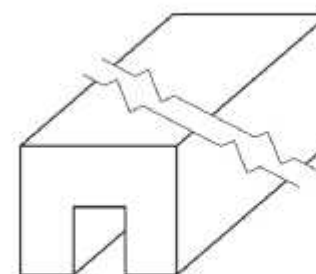
**Dyman Foams Pty Ltd**  
**105 Robinson Rd East Geebung QLD 4034 Australia**

- (72) Name(s) of Designer(s): **Kevin Feldman**

(45) Registration Date: **21 August 2013**

(56) Related Art Documents: **Not Applicable**

- (57) Statement of Newness and Distinctiveness: **The newness and distinctiveness of the design resides in the shape and/or configuration of the GUTTER FILTER shown in the representations. The break in the top perspective view and bottom perspective view represent that the GUTTER FILTER is of an indefinite length.**



- (21) Design Number: **13187/2013**  
(22) Date of Filing Application: **03 July 2013**  
(24) Date from which industrial property rights may have effect: **03 July 2013**  
(54) Product in respect of which the design is registered: **Gutter filter**  
(51) International Design Classification: **23-01L**  
(74) Name(s) of Attorney(s): **Fisher Adams Kelly Pty Ltd**  
(71) Name(s) and Address(s) of Applicant(s):

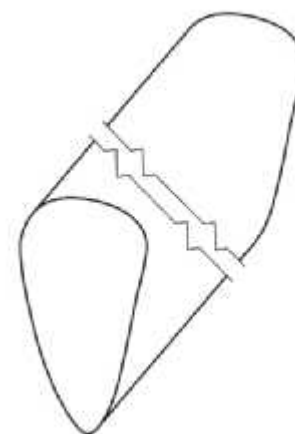
**Dyman Foams Pty Ltd**  
**105 Robinson Rd East Geebung QLD 4034 Australia**

(72) Name(s) of Designer(s): **Kevin Feldman**

(45) Registration Date: **21 August 2013**

(56) Related Art Documents: **Not Applicable**

(57) Statement of Newness and Distinctiveness: **The newness and distinctiveness of the design resides in the shape and/or configuration of the GUTTER FILTER shown in the representations. The break in the top perspective view and bottom perspective view represent that the GUTTER FILTER is of an indefinite length.**



- (21) Design Number: **13188/2013**  
(22) Date of Filing Application: **03 July 2013**  
(24) Date from which industrial property rights may have effect: **03 July 2013**  
(54) Product in respect of which the design is registered: **Gutter filter**  
(51) International Design Classification: **23-01L**  
(74) Name(s) of Attorney(s): **Fisher Adams Kelly Pty Ltd**  
(71) Name(s) and Address(s) of Applicant(s):

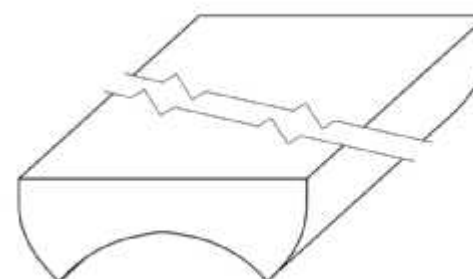
**Dyman Foams Pty Ltd**  
**105 Robinson Rd East Geebung QLD 4034 Australia**

(72) Name(s) of Designer(s): **Kevin Feldman**

(45) Registration Date: **21 August 2013**

(56) Related Art Documents: **Not Applicable**

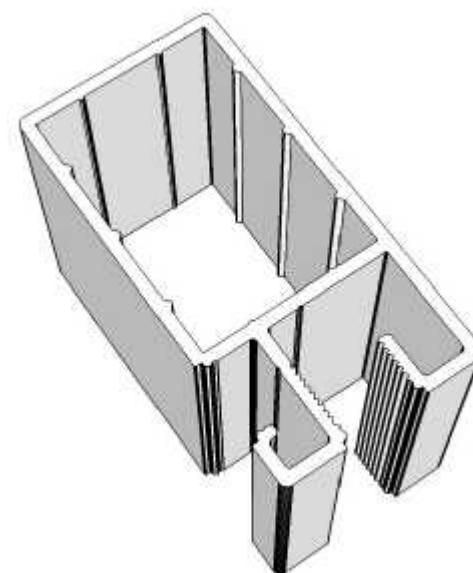
(57) Statement of Newness and Distinctiveness: **The newness and distinctiveness of the design resides in the shape and/or configuration of the GUTTER FILTER shown in the representations. The break in the top perspective view and bottom perspective view represent that the GUTTER FILTER is of an indefinite length.**



- (21) Design Number: **13190/2013**  
(22) Date of Filing Application: **03 July 2013**  
(24) Date from which industrial property rights may have effect: **03 July 2013**  
(54) Product in respect of which the design is registered: **Building panel for the construction industry**  
(51) International Design Classification: **25-01D**  
(74) Name(s) of Attorney(s):  
(71) Name(s) and Address(s) of Applicant(s):  
**Ozzyform Industries Pty Ltd**  
**PO BOX 721 Maroochydore QLD 4558 Australia**  
(72) Name(s) of Designer(s): **Andrew Sheppeard and Manuel Sanabria**  
(45) Registration Date: **21 August 2013**  
(56) Related Art Documents: **Not Applicable**  
(57) Statement of Newness and Distinctiveness: **Lightweight insulated structural precast concrete panel system is comprised of a unique concrete mix, steel hybrid system, including service holes running horizontally and vertically. Both concrete faces are connected with a unique, strategically engineered placing of solid connecting points, that allows the panel to become a structural element. The steel purlins are inserted into the choice of polystyrene/polyurethane/xps insulating material through a unique design profile.**



- (21) Design Number: **12661/2013**  
(22) Date of Filing Application: **07 June 2013**  
(24) Date from which industrial property rights may have effect: **07 June 2013**  
(54) Product in respect of which the design is registered: **Gate frame extrusion**  
(51) International Design Classification: **25-01K**  
(74) Name(s) of Attorney(s): **Cullens Patent and Trade Mark Attorneys**  
(71) Name(s) and Address(s) of Applicant(s):  
**Alan David Divall**  
**Royal Pines Riverside 2018 The Boulevard Ashmore QLD 4214 Australia**  
**Darren Paul Galway**  
**1/38 Computer Rd Yatala QLD 4207 Australia**  
(72) Name(s) of Designer(s): **Darren Paul Galway and Alan David Divall**  
(45) Registration Date: **21 August 2013**  
(56) Related Art Documents: **Not Applicable**  
(57) Statement of Newness and Distinctiveness: **The new and distinctive features are the features of shape and configuration of the Gate Frame Extrusion as shown in the representations. The extrusion is of indefinite length.**



(21) Design Number: **12803/2013**  
(22) Date of Filing Application: **18 June 2013**  
(24) Date from which industrial property rights may have effect: **18 June 2013**  
(54) Product in respect of which the design is registered: **Display stand**  
(51) International Design Classification: **20-02NES**  
(74) Name(s) of Attorney(s): **Davies Collison Cave**  
(71) Name(s) and Address(s) of Applicant(s):  
**Red Bull GmbH**  
**Am Brunnen 1 Fuschl am See 5330 Austria**  
(72) Name(s) of Designer(s): **Eric Guoxiong Huang and Michael Warne and**  
**Jeremy Davis and Gareth Jones and Rohan Whiteford**  
(45) Registration Date: **21 August 2013**  
(30) Convention priority data:  
(31) Number (32) Date (33) Country  
**002155297-0008 18 Dec 2012 OFFICE FOR HARMONISATION IN**  
**THE INTERNAL MARKET (OHIM)**  
(56) Related Art Documents: **Not Applicable**  
(57) Statement of Newness and Distinctiveness: **Nil**



(21) Design Number: **12925/2013**  
(22) Date of Filing Application: **25 June 2013**  
(24) Date from which industrial property rights may have effect: **25 June 2013**  
(54) Product in respect of which the design is registered: **A suction base**  
(51) International Design Classification: **07-99NES**  
(74) Name(s) of Attorney(s): **SPRUSON & FERGUSON**  
(71) Name(s) and Address(s) of Applicant(s):  
**Take Two Marketing and Events Pty Ltd**  
**SE301 L3 209 Oxford St Bondi Junction NSW 2022 Australia**  
(72) Name(s) of Designer(s): **James Cheney**  
(45) Registration Date: **21 August 2013**  
(56) Related Art Documents: **Not Applicable**  
(57) Statement of Newness and Distinctiveness: **Newness and distinctiveness**  
**is claimed in the features of pattern and/or ornamentation of a suction**  
**base as illustrated in the accompanying representations.**



- (21) Design Number: **12514/2013**  
(22) Date of Filing Application: **30 May 2013**  
(24) Date from which industrial property rights may have effect: **30 May 2013**  
(54) Product in respect of which the design is registered: **Template level**  
(51) International Design Classification: **08-05P**  
(74) Name(s) of Attorney(s): **WATERMARK PATENT AND TRADE MARKS ATTORNEYS**  
(71) Name(s) and Address(s) of Applicant(s):  
**John Alan Spears**  
**53A Joondanna Dr Joondanna WA 6060 Australia**  
(72) Name(s) of Designer(s): **John Alan Spears and Robert Cuzner and Warwick Brown**  
(45) Registration Date: **21 August 2013**  
(56) Related Art Documents: **Not Applicable**  
(57) Statement of Newness and Distinctiveness: **Nil**

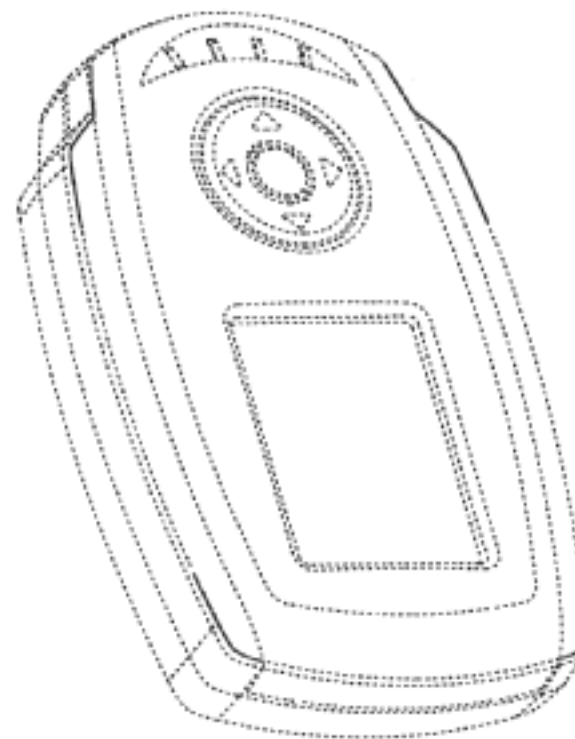


- (21) Design Number: **12761/2013**  
(22) Date of Filing Application: **14 June 2013**  
(24) Date from which industrial property rights may have effect: **14 June 2013**  
(54) Product in respect of which the design is registered: **Coupon book**  
(51) International Design Classification: **19-08**  
(74) Name(s) of Attorney(s):  
(71) Name(s) and Address(s) of Applicant(s):  
**Kaylene Nucifora**  
**106 Hume Rd Sunshine Bay NSW 2536 Australia**  
(72) Name(s) of Designer(s): **Kaylene Nucifora**  
(45) Registration Date: **21 August 2013**  
(56) Related Art Documents: **Not Applicable**  
(57) Statement of Newness and Distinctiveness: **This design is new and distinct for the retention of a stub for each individually perforated coupon. The stub is to provide advertising space to keep a business' advertising working even once the coupon has been removed making this design unique and giving this product a marketing edge. The blue line in the attached file (front view) indicates perforations and defines stub area.**





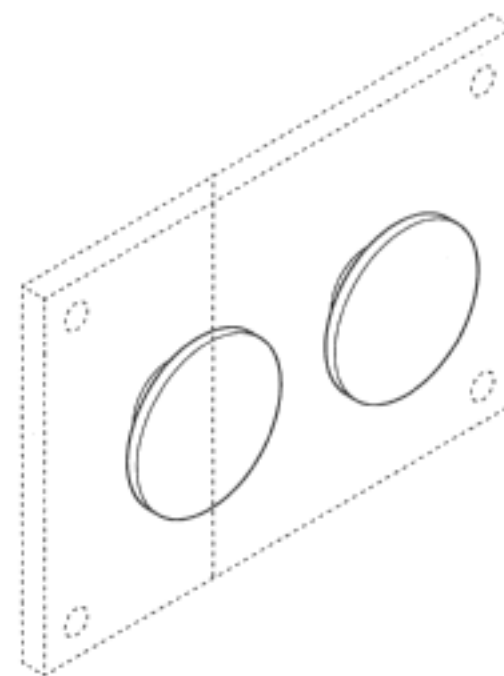
- (21) Design Number: **12207/2013**  
(22) Date of Filing Application: **14 May 2013**  
(24) Date from which industrial property rights may have effect: **14 May 2013**  
(54) Product in respect of which the design is registered: **Enclosure for a control device of a material handling vehicle**  
(51) International Design Classification: **14-03NES, 14-99**  
(74) Name(s) of Attorney(s): **PIZZEYS**  
(71) Name(s) and Address(s) of Applicant(s):  
**The Raymond Corporation**  
**20 South Canal Street Greene NY 13778-0130 United States of America**  
(72) Name(s) of Designer(s): **Howard Scott Ryan**  
(45) Registration Date: **21 August 2013**  
(30) Convention priority data:  
(31) Number (32) Date (33) Country  
**29/438,746 03 Dec 2012 UNITED STATES OF AMERICA**  
(56) Related Art Documents: **Not Applicable**  
(57) Statement of Newness and Distinctiveness: **The newness and distinctiveness of the design resides in the features of pattern and/or ornamentation OR shape and/or configuration shown in unbroken lines in the accompanying representations. (If required, see Convention document)**



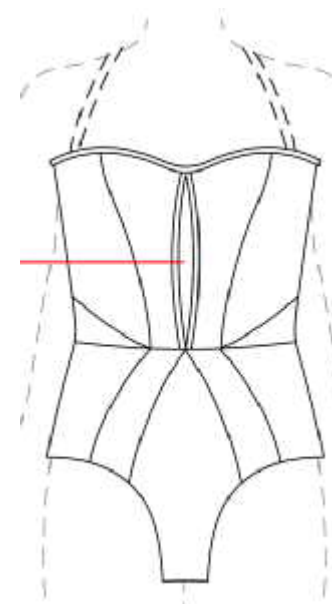
- (21) Design Number: **12243/2013**  
(22) Date of Filing Application: **15 May 2013**  
(24) Date from which industrial property rights may have effect: **15 May 2013**  
(54) Product in respect of which the design is registered: **Shoe**  
(51) International Design Classification: **02-04NES**  
(74) Name(s) of Attorney(s): **Freehills Patent Attorneys**  
(71) Name(s) and Address(s) of Applicant(s):  
**Concave Global Pty Ltd**  
**SE410 L4 91 Murphy St Richmond VIC 3121 Australia**  
**Andrew Neophitou**  
**SE410 91 Murphy St Richmond VIC 3121 Australia**  
(72) Name(s) of Designer(s): **Andrew Neophitou and Andrew Theoklitos**  
(45) Registration Date: **21 August 2013**  
(56) Related Art Documents: **Not Applicable**  
(57) Statement of Newness and Distinctiveness: **Newness and distinctiveness reside in the shape and configuration of the central flap or outer tongue of the upper of the shoe as depicted in the representations.**



- (21) Design Number: **12479/2013**  
(22) Date of Filing Application: **29 May 2013**  
(24) Date from which industrial property rights may have effect: **29 May 2013**  
(54) Product in respect of which the design is registered: **Wall mount for medical consumables dispenser**  
(51) International Design Classification: **24-04, 08-08M**  
(74) Name(s) of Attorney(s): **FB Rice**  
(71) Name(s) and Address(s) of Applicant(s):  
**Sentry Medical Pty Ltd**  
**116 Newton Rd Wetherill Park NSW 2164 Australia**  
(72) Name(s) of Designer(s): **Eric Wai**  
(45) Registration Date: **21 August 2013**  
(56) Related Art Documents: **Not Applicable**  
(57) Statement of Newness and Distinctiveness: **Newness and distinctiveness reside in the shape and configuration of the design as shown in Figs. 1 to 8, excluding the features of the design represented in the dotted lines.**



- (21) Design Number: **13169/2013**  
(22) Date of Filing Application: **03 July 2013**  
(24) Date from which industrial property rights may have effect: **03 July 2013**  
(54) Product in respect of which the design is registered: **Swimwear garment**  
(51) International Design Classification: **02-02A**  
(74) Name(s) of Attorney(s): **Herbert Geer Lawyers**  
(71) Name(s) and Address(s) of Applicant(s):  
**JETS Swimwear Pty Ltd**  
**8-18 Bowden St Alexandria NSW 2015 Australia**  
(72) Name(s) of Designer(s): **Jessika Allen**  
(45) Registration Date: **21 August 2013**  
(56) Related Art Documents: **Not Applicable**  
(57) Statement of Newness and Distinctiveness: **Newness and distinctiveness is claimed in the shape, configuration, pattern and/or ornamentation of the swimwear garment as depicted in the accompanying representations, but the feature marked A is to be disregarded. The sections indicated at B are cut out panels. The back and front straps and the outline of the wearer, all shown in broken lines, form no part of the design. The panels depicted in the garment can be in the same colour or some can appear in contrast colours.**



(21) Design Number: **13170/2013**

(22) Date of Filing Application: **03 July 2013**

(24) Date from which industrial property rights may have effect: **03 July 2013**

(54) Product in respect of which the design is registered: **Construction device**

(51) International Design Classification: **25-01C**

(74) Name(s) of Attorney(s): **PHILLIPS ORMONDE FITZPATRICK**

(71) Name(s) and Address(s) of Applicant(s):

**Stramit Corporation Pty Limited**

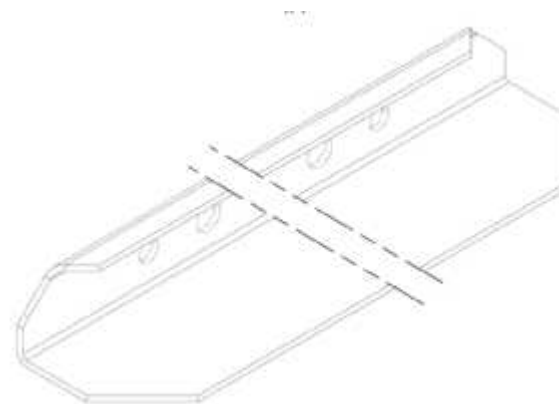
**L11 Tower B Zenith Centre 821 Pacific Hwy Chatswood NSW 2067  
Australia**

(72) Name(s) of Designer(s): **Christopher Lee Healy and John Richard Bugh**

(45) Registration Date: **21 August 2013**

(56) Related Art Documents: **Not Applicable**

(57) Statement of Newness and Distinctiveness: **Newness and distinctiveness resides in the shape and/or configuration of the construction device as shown in the accompanying representations. The construction device may be of indefinite length. The features illustrated in broken lines do not form part of the design.**



(21) Design Number: **13171/2013**

(22) Date of Filing Application: **03 July 2013**

(24) Date from which industrial property rights may have effect: **03 July 2013**

(54) Product in respect of which the design is registered: **Construction device**

(51) International Design Classification: **25-01C**

(74) Name(s) of Attorney(s): **PHILLIPS ORMONDE FITZPATRICK**

(71) Name(s) and Address(s) of Applicant(s):

**Stramit Corporation Pty Limited**

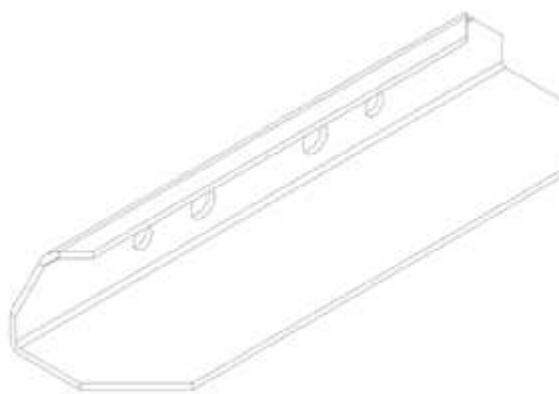
**L11 Tower B Zenith Centre 821 Pacific Hwy Chatswood NSW 2067  
Australia**

(72) Name(s) of Designer(s): **Christopher Lee Healy and John Richard Bugh**

(45) Registration Date: **21 August 2013**

(56) Related Art Documents: **Not Applicable**

(57) Statement of Newness and Distinctiveness: **Newness and distinctiveness resides in the shape and/or configuration of the construction device as shown in the accompany representations.**



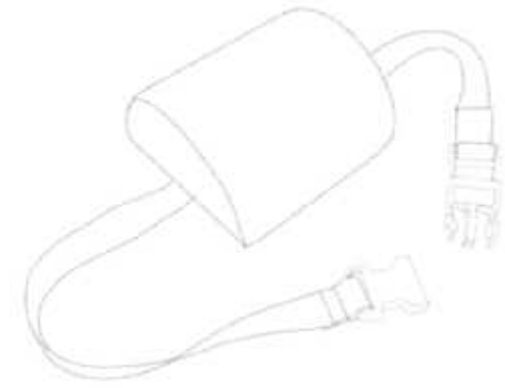
- (21) Design Number: **13173/2013**  
(22) Date of Filing Application: **03 July 2013**  
(24) Date from which industrial property rights may have effect: **03 July 2013**  
(54) Product in respect of which the design is registered: **Kitchen knife blade**  
(51) International Design Classification: **08-03**  
(74) Name(s) of Attorney(s): **Griffith Hack**  
(71) Name(s) and Address(s) of Applicant(s):  
**Forever Co., Ltd.**  
**1-3-19, Sakae-Cho Kawaguchi-Shi Saitama-Ken 332-0017 Japan**  
(72) Name(s) of Designer(s): **Ryota Kusanagi**  
(45) Registration Date: **21 August 2013**  
(56) Related Art Documents: **Not Applicable**  
(57) Statement of Newness and Distinctiveness: **Newness and distinctiveness resides in the visual features, including the shape, configuration and ornamentation of the product as shown by means of solid lines in the representation.**



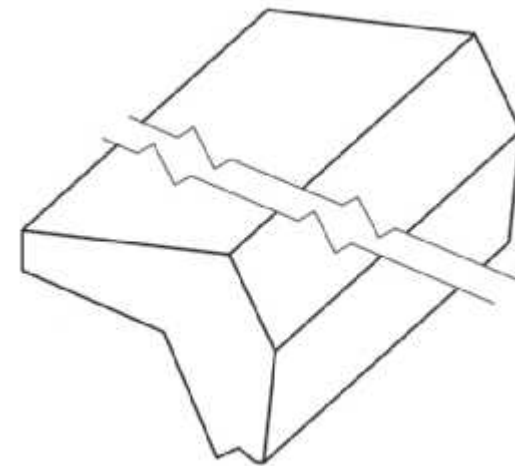
- (21) Design Number: **13174/2013**  
(22) Date of Filing Application: **03 July 2013**  
(24) Date from which industrial property rights may have effect: **03 July 2013**  
(54) Product in respect of which the design is registered: **Kitchen Knife blade**  
(51) International Design Classification: **08-03**  
(74) Name(s) of Attorney(s): **Griffith Hack**  
(71) Name(s) and Address(s) of Applicant(s):  
**Forever Co., Ltd.**  
**1-3-19, Sakae-Cho Kawaguchi-Shi Saitama-Ken 332-0017 Japan**  
(72) Name(s) of Designer(s): **Ryota Kusanagi**  
(45) Registration Date: **21 August 2013**  
(56) Related Art Documents: **Not Applicable**  
(57) Statement of Newness and Distinctiveness: **Newness and distinctiveness resides in the visual features, including the shape, configuration and ornamentation of the product as shown by means of solid lines in the representation.**



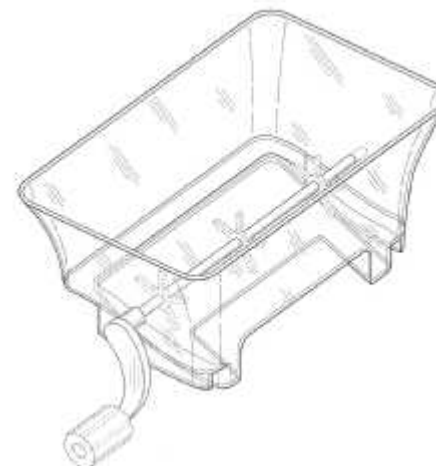
- (21) Design Number: **13178/2013**  
(22) Date of Filing Application: **03 July 2013**  
(24) Date from which industrial property rights may have effect: **03 July 2013**  
(54) Product in respect of which the design is registered: **Support cushion for musical instrument**  
(51) International Design Classification: **06-09**  
(74) Name(s) of Attorney(s): **Adams Pluck**  
(71) Name(s) and Address(s) of Applicant(s):  
**Oliver Muscat**  
**27 Dookie St Farrer ACT 2607 Australia**  
(72) Name(s) of Designer(s): **Oliver Muscat**  
(45) Registration Date: **21 August 2013**  
(56) Related Art Documents: **Not Applicable**  
(57) Statement of Newness and Distinctiveness: **Newness and distinctiveness resides in the visual features of a support cushion as shown in solid outline in the accompanying drawings. When determining whether the design is substantially similar in overall impression to another design, no regard is to be had to those features shown in dotted outline nor to the zipper on the bottom surface of the cushion in the accompanying drawings, which features are provided for illustrative purposes only.**



- (21) Design Number: **13179/2013**  
(22) Date of Filing Application: **03 July 2013**  
(24) Date from which industrial property rights may have effect: **03 July 2013**  
(54) Product in respect of which the design is registered: **Gutter filter**  
(51) International Design Classification: **23-01L**  
(74) Name(s) of Attorney(s): **Fisher Adams Kelly Pty Ltd**  
(71) Name(s) and Address(s) of Applicant(s):  
**Dyman Foams Pty Ltd**  
**105 Robinson Rd East Geelong QLD 4034 Australia**  
(72) Name(s) of Designer(s): **Kevin Feldman**  
(45) Registration Date: **21 August 2013**  
(56) Related Art Documents: **Not Applicable**  
(57) Statement of Newness and Distinctiveness: **The newness and distinctiveness of the design resides in the shape and/or configuration of the GUTTER FILTER shown in the representations. The break in the top perspective view and bottom perspective view represent that the GUTTER FILTER is of an indefinite length.**

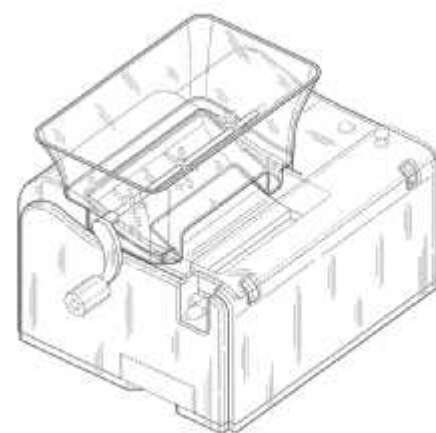


(21) Design Number: **13145/2013**  
(22) Date of Filing Application: **03 July 2013**  
(24) Date from which industrial property rights may have effect: **03 July 2013**  
(54) Product in respect of which the design is registered: **Tabletop cigarette making machine hopper**  
(51) International Design Classification: **27-99**  
(74) Name(s) of Attorney(s): **Griffith Hack**  
(71) Name(s) and Address(s) of Applicant(s):  
**Republic Tobacco L.P.**  
**2301 Ravine Way Glenview IL 60025 United States of America**  
(72) Name(s) of Designer(s): **Mei Lin**  
(45) Registration Date: **21 August 2013**  
(30) Convention priority data:  
(31) Number (32) Date (33) Country  
**29/4415559 07 Jan 2013 UNITED STATES OF AMERICA**



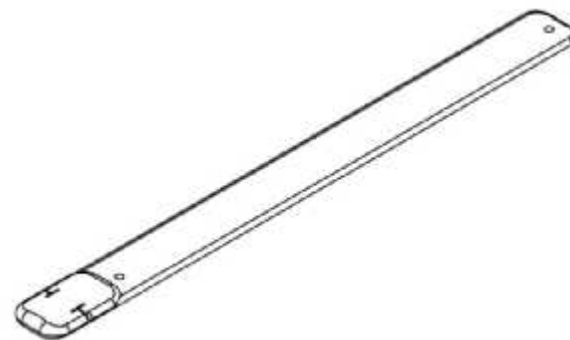
(56) Related Art Documents: **Not Applicable**  
(57) Statement of Newness and Distinctiveness: **Newness and distinctiveness resides in the visual features, including shape and configuration of a TABLETOP CIGARETTE MAKING MACHINE HOPPER as shown in solid outline in the accompanying drawings. When determining whether the design is substantially similar in overall impression to another design, no regard is to be had to those features shown in dotted outline in the accompanying drawings, which features are provided for illustrative purposes only.**

(21) Design Number: **13146/2013**  
(22) Date of Filing Application: **03 July 2013**  
(24) Date from which industrial property rights may have effect: **03 July 2013**  
(54) Product in respect of which the design is registered: **Tabletop cigarette making machine and hopper**  
(51) International Design Classification: **27-99**  
(74) Name(s) of Attorney(s): **Griffith Hack**  
(71) Name(s) and Address(s) of Applicant(s):  
**Republic Tobacco L.P.**  
**2301 Ravine Way Glenview Illinois 60025 United States of America**  
(72) Name(s) of Designer(s): **Mei Lin**  
(45) Registration Date: **21 August 2013**  
(30) Convention priority data:  
(31) Number (32) Date (33) Country  
**29/4415559 07 Jan 2013 UNITED STATES OF AMERICA**



(56) Related Art Documents: **Not Applicable**  
(57) Statement of Newness and Distinctiveness: **Newness and distinctiveness resides in the visual features, including shape and configuration of a TABLETOP CIGARETTE MAKING MACHINE AND HOPPER as shown in solid outline in the accompanying drawings. When determining whether the design is substantially similar in overall impression to another design, no regard is to be had to those features shown in dotted outline in the accompanying drawings, which features are provided for illustrative purposes only.**

(21) Design Number: **13192/2013**  
(22) Date of Filing Application: **04 July 2013**  
(24) Date from which industrial property rights may have effect: **04 July 2013**  
(54) Product in respect of which the design is registered: **USB flash drive**  
(51) International Design Classification: **14-02**  
(74) Name(s) of Attorney(s):  
(71) Name(s) and Address(s) of Applicant(s):



**Groundhog S.A.**  
**40 Avenue Monterey Luxembourg L-2163 Luxembourg**

(72) Name(s) of Designer(s): **Charles Billington**

(45) Registration Date: **21 August 2013**

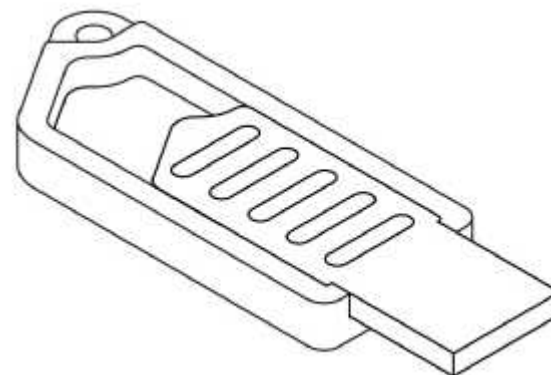
(30) Convention priority data:

|                       |                    |   |
|-----------------------|--------------------|---|
| (31) Number           | (32) Date          | (33) Country  |
| <b>002164392-0001</b> | <b>10 Jan 2013</b> | <b>OFFICE FOR HARMONISATION IN<br/>THE INTERNAL MARKET (OHIM)</b> |

(56) Related Art Documents: **Not Applicable**

(57) Statement of Newness and Distinctiveness: **Nil**

(21) Design Number: **13193/2013**  
(22) Date of Filing Application: **04 July 2013**  
(24) Date from which industrial property rights may have effect: **04 July 2013**  
(54) Product in respect of which the design is registered: **USB flash drive**  
(51) International Design Classification: **14-02**  
(74) Name(s) of Attorney(s):  
(71) Name(s) and Address(s) of Applicant(s):



**Groundhog S.A.**  
**40 Avenue Monterey Luxembourg L-2163 Luxembourg**

(72) Name(s) of Designer(s): **Charles Billington**

(45) Registration Date: **21 August 2013**

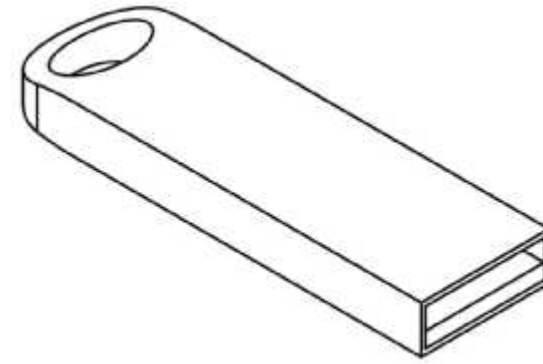
(30) Convention priority data:

|                       |                    |   |
|-----------------------|--------------------|---|
| (31) Number           | (32) Date          | (33) Country  |
| <b>002164392-0002</b> | <b>10 Jan 2013</b> | <b>OFFICE FOR HARMONISATION IN<br/>THE INTERNAL MARKET (OHIM)</b> |

(56) Related Art Documents: **Not Applicable**

(57) Statement of Newness and Distinctiveness: **Nil**

(21) Design Number: **13194/2013**  
(22) Date of Filing Application: **04 July 2013**  
(24) Date from which industrial property rights may have effect: **04 July 2013**  
(54) Product in respect of which the design is registered: **USB flash drive**  
(51) International Design Classification: **14-02**  
(74) Name(s) of Attorney(s):  
(71) Name(s) and Address(s) of Applicant(s):



**Groundhog S.A.**  
**40 Avenue Monterey Luxembourg L-2163 Luxembourg**

(72) Name(s) of Designer(s): **Charles Billington**

(45) Registration Date: **21 August 2013**

(30) Convention priority data:

|                       |                    |   |
|-----------------------|--------------------|---|
| (31) Number           | (32) Date          | (33) Country  |
| <b>002164392-0003</b> | <b>10 Jan 2013</b> | <b>OFFICE FOR HARMONISATION IN<br/>THE INTERNAL MARKET (OHIM)</b> |

(56) Related Art Documents: **Not Applicable**

(57) Statement of Newness and Distinctiveness: **Nil**

(21) Design Number: **13195/2013**  
(22) Date of Filing Application: **04 July 2013**  
(24) Date from which industrial property rights may have effect: **04 July 2013**  
(54) Product in respect of which the design is registered: **Tactile ground surface indicator**

(51) International Design Classification: **29-02**

(74) Name(s) of Attorney(s): **EKM patent & trade marks**

(71) Name(s) and Address(s) of Applicant(s):

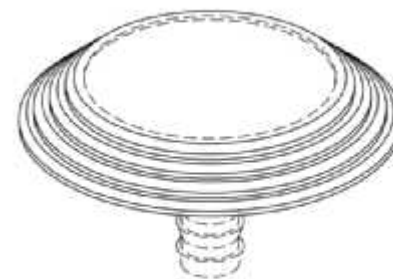
**Eco Safety Products Australia Pty Ltd**  
**21 Ceylon St Nunawading VIC 3131 Australia**

(72) Name(s) of Designer(s): **Richard Vernon**

(45) Registration Date: **21 August 2013**

(56) Related Art Documents: **Not Applicable**

(57) Statement of Newness and Distinctiveness: **Newness and distinctiveness resides in the shape and configuration of the stepped and bevelled external circular wall of the truncated dome.**





(21) Design Number: **13196/2013**

(22) Date of Filing Application: **04 July 2013**

(24) Date from which industrial property rights may have effect: **04 July 2013**

(54) Product in respect of which the design is registered: **Extraction cleaner base**

(51) International Design Classification: **15-05**

(74) Name(s) of Attorney(s): **Griffith Hack**

(71) Name(s) and Address(s) of Applicant(s):

**BISSELL Homecare, Inc**

**2345 Walker Avenue N.W. Grand Rapids Michigan 49544 United States of America**

(72) Name(s) of Designer(s): **David M. Miller and Adam G. Carr**

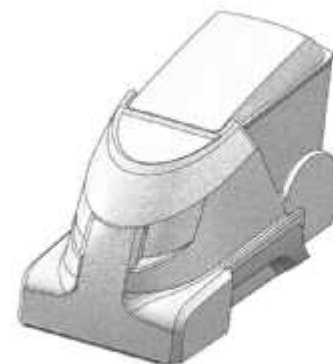
(45) Registration Date: **21 August 2013**

(30) Convention priority data:

| (31) Number       | (32) Date          | (33) Country                    |
|-------------------|--------------------|---------------------------------|
| <b>29/443,859</b> | <b>23 Jan 2013</b> | <b>UNITED STATES OF AMERICA</b> |

(56) Related Art Documents: **Not Applicable**

(57) Statement of Newness and Distinctiveness: **Newness and distinctiveness resides in the visual features, including the shape and configuration of the product as shown in the representations.**



(21) Design Number: **13198/2013**

(22) Date of Filing Application: **04 July 2013**

(24) Date from which industrial property rights may have effect: **04 July 2013**

(54) Product in respect of which the design is registered: **Vehicle**

(51) International Design Classification: **12-08**

(74) Name(s) of Attorney(s): **Shelston IP**

(71) Name(s) and Address(s) of Applicant(s):

**Great Wall Motor Company Limited**

**No. 2266 Chaoyang South Ave. Baoding city Hebei, 071000 China**

(72) Name(s) of Designer(s): **Yong Huang and Chunxin Xu and Huiming Li and Lei Gao and Yudong Dong and Yanbin Zhao and Huaning Yu**

(45) Registration Date: **21 August 2013**

(30) Convention priority data:

| (31) Number           | (32) Date          | (33) Country |
|-----------------------|--------------------|--------------|
| <b>201330008512.9</b> | <b>11 Jan 2013</b> | <b>CHINA</b> |

(56) Related Art Documents: **Not Applicable**

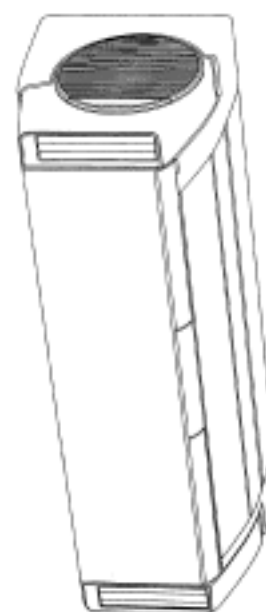
(57) Statement of Newness and Distinctiveness: **Newness and distinctiveness reside in the features of shape and/or configuration of a VEHICLE as illustrated in the accompanying representations.**



- (21) Design Number: **13199/2013**  
(22) Date of Filing Application: **04 July 2013**  
(24) Date from which industrial property rights may have effect: **04 July 2013**  
(54) Product in respect of which the design is registered: **Vacuum cleaner**  
(51) International Design Classification: **15-05**  
(74) Name(s) of Attorney(s): **SPRUSON & FERGUSON**  
(71) Name(s) and Address(s) of Applicant(s):  
**Panasonic Corporation**  
**1006 Oaza Kadoma Kadoma-shi Osaka 571-8501 Japan**  
(72) Name(s) of Designer(s): **Kensaku Okabe and Masakazu Umeda and Kouhei Mimura**  
(45) Registration Date: **21 August 2013**  
(30) Convention priority data:  
(31) Number (32) Date (33) Country  
**2013-000090 08 Jan 2013 JAPAN**  
(56) Related Art Documents: **Not Applicable**  
(57) Statement of Newness and Distinctiveness: **Newness and distinctiveness is claimed in the features of shape and/or configuration of a vacuum cleaner as illustrated in the accompanying representations.**



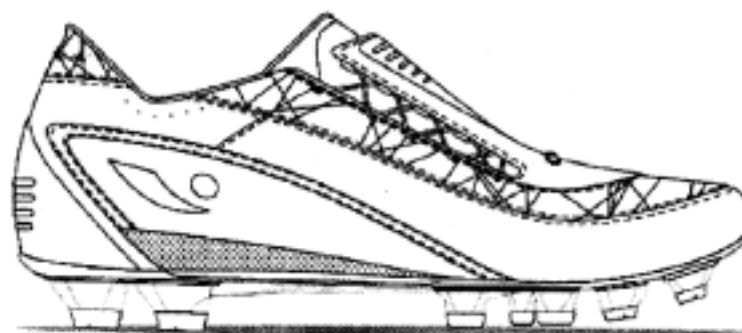
- (21) Design Number: **13200/2013**  
(22) Date of Filing Application: **04 July 2013**  
(24) Date from which industrial property rights may have effect: **04 July 2013**  
(54) Product in respect of which the design is registered: **Air conditioner**  
(51) International Design Classification: **23-04**  
(74) Name(s) of Attorney(s): **SPRUSON & FERGUSON**  
(71) Name(s) and Address(s) of Applicant(s):  
**Fujitsu General Limited**  
**1116 Suenaga Takatsu-ku Kawasaki-shi Kanagawa Japan**  
(72) Name(s) of Designer(s): **Manabu Miyake and Kazuo Motonishi and Mitsuo Fujioka**  
(45) Registration Date: **21 August 2013**  
(56) Related Art Documents: **Not Applicable**  
(57) Statement of Newness and Distinctiveness: **Newness and distinctiveness is claimed in the features of the shape and/or configuration of the air conditioner as illustrated in the accompanying representations, apart from the rear view.**



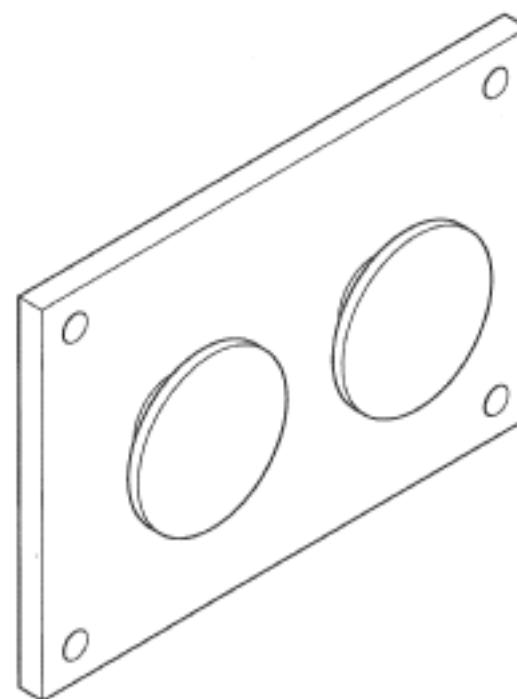
- (21) Design Number: **13201/2013**  
(22) Date of Filing Application: **04 July 2013**  
(24) Date from which industrial property rights may have effect: **04 July 2013**  
(54) Product in respect of which the design is registered: **An applicator for an apparatus for skin treatment**  
(51) International Design Classification: **28-03NES**  
(74) Name(s) of Attorney(s): **FB Rice**  
(71) Name(s) and Address(s) of Applicant(s):  
**Syneron Medical Ltd.**  
**P.O. Box 550 Yoqneam Illit 2069206 Israel**  
(72) Name(s) of Designer(s): **Shlomo Assa and James Bartholomeusz and Steve J. Meyer and John Stine and Charles Cubrrun and Lee-Anne Stossell and Matthew M. Kranz**  
(45) Registration Date: **21 August 2013**  
(30) Convention priority data:  
(31) Number (32) Date (33) Country  
**29/447030 28 Feb 2013 UNITED STATES OF AMERICA**  
(56) Related Art Documents: **Not Applicable**  
(57) Statement of Newness and Distinctiveness: **Newness and distinctiveness reside in the features of the design as shown in the representations.**



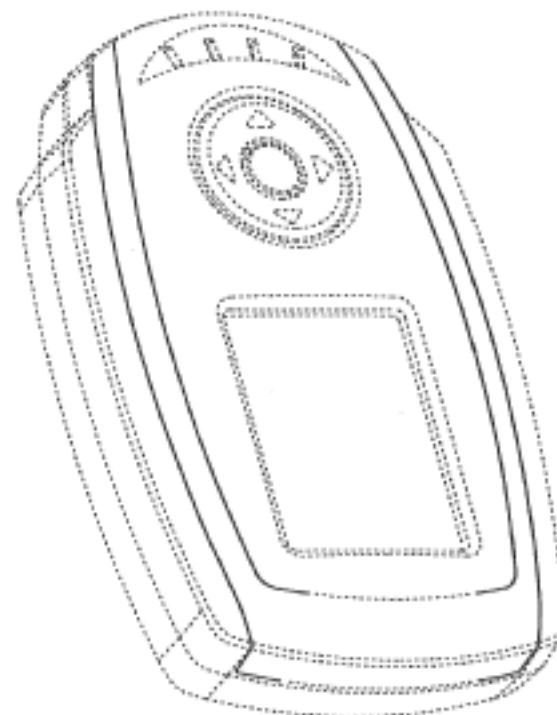
- (21) Design Number: **13584/2013**  
(22) Date of Filing Application: **15 May 2013**  
(24) Date from which industrial property rights may have effect: **15 May 2013**  
(54) Product in respect of which the design is registered: **Shoe**  
(51) International Design Classification: **02-04NES**  
(74) Name(s) of Attorney(s): **Freehills Patent Attorneys**  
(71) Name(s) and Address(s) of Applicant(s):  
**Concave Global Pty Ltd**  
**SE410 L4 91 Murphy St Richmond VIC 3121 Australia**  
**Andrew Neophitou**  
**SE410 91 Murphy St Richmond VIC 3121 Australia**  
(72) Name(s) of Designer(s): **Andrew Neophitou and Andrew Theoklitos**  
(45) Registration Date: **21 August 2013**  
(56) Related Art Documents: **Not Applicable**  
(57) Statement of Newness and Distinctiveness: **Newness and distinctiveness reside in the shape and configuration of the central flap or outer tongue of the upper of the shoe as depicted in the representations.**



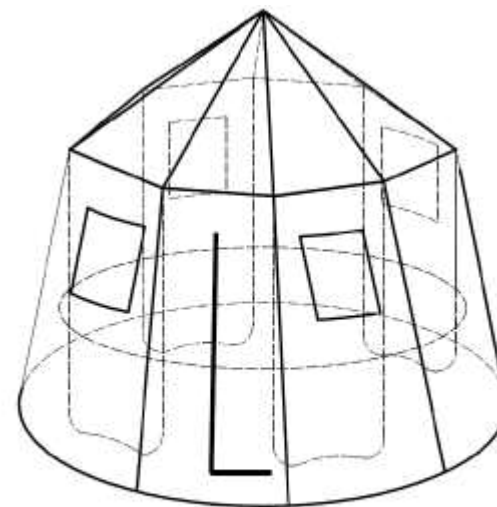
(21) Design Number: **13617/2013**  
(22) Date of Filing Application: **29 May 2013**  
(24) Date from which industrial property rights may have effect: **29 May 2013**  
(54) Product in respect of which the design is registered: **Wall mount for medical consumables dispenser**  
(51) International Design Classification: **24-04, 08-08M**  
(74) Name(s) of Attorney(s): **FB Rice**  
(71) Name(s) and Address(s) of Applicant(s):  
**Sentry Medical Pty Ltd**  
**116 Newton Rd Wetherill Park NSW 2164 Australia**  
(72) Name(s) of Designer(s): **Eric Wai**  
(45) Registration Date: **21 August 2013**  
(56) Related Art Documents: **Not Applicable**  
(57) Statement of Newness and Distinctiveness: **Newness and distinctiveness reside in the shape and configuration of the design as shown in Figs. 9 to 15.**



(21) Design Number: **13636/2013**  
(22) Date of Filing Application: **14 May 2013**  
(24) Date from which industrial property rights may have effect: **14 May 2013**  
(54) Product in respect of which the design is registered: **Enclosure for a control device of a material handling vehicle**  
(51) International Design Classification: **14-03NES, 14-99**  
(74) Name(s) of Attorney(s): **PIZZEYS**  
(71) Name(s) and Address(s) of Applicant(s):  
**The Raymond Corporation**  
**20 South Canal Street Greene NY 13778-0130 United States of America**  
(72) Name(s) of Designer(s): **Howard Scott Ryan**  
(45) Registration Date: **21 August 2013**  
(30) Convention priority data:  
(31) Number      (32) Date      (33) Country  
**29/438,746      03 Dec 2012      UNITED STATES OF AMERICA**  
(56) Related Art Documents: **Not Applicable**  
(57) Statement of Newness and Distinctiveness: **Nil**



- (21) Design Number: **13191/2013**  
(22) Date of Filing Application: **03 July 2013**  
(24) Date from which industrial property rights may have effect: **03 July 2013**  
(54) Product in respect of which the design is registered: **Trampoline tent**  
(51) International Design Classification: **21-02F, 21-04**  
(74) Name(s) of Attorney(s):  
(71) Name(s) and Address(s) of Applicant(s):  
**Australian Sports Imports Pty Ltd**  
**3/91 Avalon Pde Avalon NSW 2107 Australia**  
(72) Name(s) of Designer(s): **Huw Morgan**  
(45) Registration Date: **21 August 2013**  
(56) Related Art Documents: **Not Applicable**  
(57) Statement of Newness and Distinctiveness: **Newness and distinctiveness is claimed in the features of shape and/or configuration of a trampoline tent as shown in solid lines in the accompanying representations, in particular the features of a pointed roof, an L-shaped entry door and diverging side walls which extend to the ground in use.**



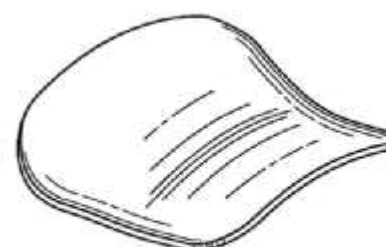
- (21) Design Number: **13202/2013**  
(22) Date of Filing Application: **04 July 2013**  
(24) Date from which industrial property rights may have effect: **04 July 2013**  
(54) Product in respect of which the design is registered: **Vehicle**  
(51) International Design Classification: **12-08**  
(74) Name(s) of Attorney(s): **Shelston IP**  
(71) Name(s) and Address(s) of Applicant(s):  
**Great Wall Motor Company Limited**  
**No. 2266 Chaoyang South Ave. Baoding city Hebei, 071000 China**  
(72) Name(s) of Designer(s): **Yong Huang and Xiaogang Dong and Liang Su and Jianhong Yang and Lihui Ma and Haili Ma and Xianfeng Wang**  
(45) Registration Date: **22 August 2013**  
(30) Convention priority data:  
(31) Number      (32) Date      (33) Country  
**201330030204.6    31 Jan 2013      CHINA**  
(56) Related Art Documents: **Not Applicable**  
(57) Statement of Newness and Distinctiveness: **Newness and distinctiveness reside in the features of shape and/or configuration of a VEHICLE as illustrated in the accompanying representations. The text shown on front, end and sides of the vehicle do not form part of the design.**



(21) Design Number: **13204/2013**  
(22) Date of Filing Application: **04 July 2013**  
(24) Date from which industrial property rights may have effect: **04 July 2013**  
(54) Product in respect of which the design is registered: **Vehicle**  
(51) International Design Classification: **12-08**  
(74) Name(s) of Attorney(s): **Shelston IP**  
(71) Name(s) and Address(s) of Applicant(s):  
**Great Wall Motor Company Limited**  
**No. 2266 Chaoyang South Ave. Baoding city Hebei, 071000 China**  
(72) Name(s) of Designer(s): **Yong Huang and Chunxin Xu and Lianshun Wang and Hongshi Wang and Jianhui Wang and Liqing Zhou and Zhaoguo Li**  
(45) Registration Date: **22 August 2013**  
(30) Convention priority data:  
(31) Number (32) Date (33) Country  
**201330018209.7 22 Jan 2013 CHINA**  
(56) Related Art Documents: **Not Applicable**  
(57) Statement of Newness and Distinctiveness: **Newness and distinctiveness reside in the features of shape and/or configuration of a VEHICLE as illustrated in the accompanying representations.**



(21) Design Number: **13206/2013**  
(22) Date of Filing Application: **04 July 2013**  
(24) Date from which industrial property rights may have effect: **04 July 2013**  
(54) Product in respect of which the design is registered: **Arch support**  
(51) International Design Classification: **02-04A**  
(74) Name(s) of Attorney(s): **Davies Collison Cave**  
(71) Name(s) and Address(s) of Applicant(s):  
**3M Innovative Properties Company**  
**3M Center Saint Paul Minnesota 55133-3427 United States of America**  
(72) Name(s) of Designer(s): **Edward L. Weaver II and Sherry A. Hinds and Beth E Gramza**  
(45) Registration Date: **22 August 2013**  
(30) Convention priority data:  
(31) Number (32) Date (33) Country  
**29/441613 08 Jan 2013 UNITED STATES OF AMERICA**  
(56) Related Art Documents: **Not Applicable**  
(57) Statement of Newness and Distinctiveness: **Newness and distinctiveness is claimed in the visual features shown in solid lines in the representations. In considering the extent of the design rights, the broken lines shown in the representations are for illustrative purposes only and do not form part of the design.**



- (21) Design Number: **13208/2013**  
(22) Date of Filing Application: **04 July 2013**  
(24) Date from which industrial property rights may have effect: **04 July 2013**  
(54) Product in respect of which the design is registered: **An applicator for an apparatus for skin treatment**  
(51) International Design Classification: **28-03NES**  
(74) Name(s) of Attorney(s): **FB Rice**  
(71) Name(s) and Address(s) of Applicant(s):  
**Syneron Medical Ltd.**  
**P.O. Box 550 Yoqneam Illit 2069206 Israel**  
(72) Name(s) of Designer(s): **Shlomo Assa and James Bartholomeusz and Steve J. Meyer and John Stine and Charles Cubrrun and Lee-Anne Stossell and Matthew M. Kranz**  
(45) Registration Date: **22 August 2013**  
(30) Convention priority data:  
(31) Number (32) Date (33) Country  
**29/447027 28 Feb 2013 UNITED STATES OF AMERICA**  
(56) Related Art Documents: **Not Applicable**  
(57) Statement of Newness and Distinctiveness: **Newness and distinctiveness reside in the features of the design as shown in the representations.**



- (21) Design Number: **13209/2013**  
(22) Date of Filing Application: **04 July 2013**  
(24) Date from which industrial property rights may have effect: **04 July 2013**  
(54) Product in respect of which the design is registered: **Apparatus for skin treatment**  
(51) International Design Classification: **28-03NES**  
(74) Name(s) of Attorney(s): **FB Rice**  
(71) Name(s) and Address(s) of Applicant(s):  
**Syneron Medical Ltd.**  
**P.O. Box 550 Yoqneam Illit 2069206 Israel**  
(72) Name(s) of Designer(s): **Shlomo Assa and James Bartholomeusz and Steve J. Meyer and John Stine and Lee-Anne Stossell and Matthew M. Kranz and Charles Cubrrun**  
(45) Registration Date: **22 August 2013**  
(30) Convention priority data:  
(31) Number (32) Date (33) Country  
**29/447025 28 Feb 2013 UNITED STATES OF AMERICA**  
(56) Related Art Documents: **Not Applicable**  
(57) Statement of Newness and Distinctiveness: **Newness and distinctiveness reside in the features of the design as shown in the representations.**



- (21) Design Number: **13210/2013**  
(22) Date of Filing Application: **04 July 2013**  
(24) Date from which industrial property rights may have effect: **04 July 2013**  
(54) Product in respect of which the design is registered: **A cutlery stand**  
(51) International Design Classification: **07-06NES**  
(74) Name(s) of Attorney(s): **SPRUSON & FERGUSON**  
(71) Name(s) and Address(s) of Applicant(s):  
**Michael Elattrache**  
**15904 Strathern St., Suite 11, Van Nuys CA, 91406 United States of America**  
(72) Name(s) of Designer(s): **Michael Elattrache**  
(45) Registration Date: **22 August 2013**  
(56) Related Art Documents: **Not Applicable**  
(57) Statement of Newness and Distinctiveness: **Newness and distinctiveness is claimed in the features of shape and/or configuration of a cutlery stand as illustrated in continuous lines in the accompanying representations.**



- (21) Design Number: **13211/2013**  
(22) Date of Filing Application: **04 July 2013**  
(24) Date from which industrial property rights may have effect: **04 July 2013**  
(54) Product in respect of which the design is registered: **A cutlery stand**  
(51) International Design Classification: **07-06NES**  
(74) Name(s) of Attorney(s): **SPRUSON & FERGUSON**  
(71) Name(s) and Address(s) of Applicant(s):  
**Michael Elattrache**  
**15904 Strathern St., Suite 11, Van Nuys CA, 91406 United States of America**  
(72) Name(s) of Designer(s): **Michael Elattrache**  
(45) Registration Date: **22 August 2013**  
(56) Related Art Documents: **Not Applicable**  
(57) Statement of Newness and Distinctiveness: **Newness and distinctiveness is claimed in the features of shape and/or configuration of a cutlery stand as illustrated in continuous lines in the accompanying representations.**





(21) Design Number: **13212/2013**  
(22) Date of Filing Application: **04 July 2013**  
(24) Date from which industrial property rights may have effect: **04 July 2013**  
(54) Product in respect of which the design is registered: **A dog safety harness**  
(51) International Design Classification: **30-04**  
(74) Name(s) of Attorney(s): **Banki Haddock Fiora**  
(71) Name(s) and Address(s) of Applicant(s):  
**Societe des Produits Nestle S.A.**  
**Vevey Canton of Vaud 1800 Switzerland**  
(72) Name(s) of Designer(s): **Wang Yueh-Yu**  
(45) Registration Date: **22 August 2013**  
(56) Related Art Documents: **Not Applicable**  
(57) Statement of Newness and Distinctiveness: **Nil**



(21) Design Number: **13213/2013**  
(22) Date of Filing Application: **04 July 2013**  
(24) Date from which industrial property rights may have effect: **04 July 2013**  
(54) Product in respect of which the design is registered: **Pyramid-shaped  
takeaway container**  
(51) International Design Classification: **09-03NES**  
(74) Name(s) of Attorney(s): **Thomsons Lawyers**  
(71) Name(s) and Address(s) of Applicant(s):  
**Geometria Pte. Ltd.**  
**105 Cecil Street #03-02 069534 Singapore**  
(72) Name(s) of Designer(s): **Ng Pei Kang**  
(45) Registration Date: **22 August 2013**  
(30) Convention priority data:  
(31) Number (32) Date (33) Country  
**D2013/66/A 10 Jan 2013 SINGAPORE**  
(56) Related Art Documents: **Not Applicable**  
(57) Statement of Newness and Distinctiveness: **Novelty is in the shape and  
configuration of the design.**



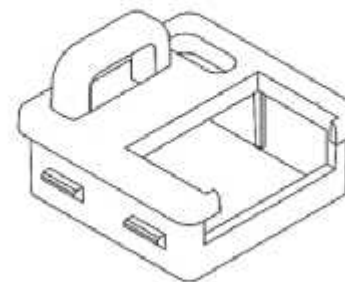
- (21) Design Number: **13214/2013**  
(22) Date of Filing Application: **04 July 2013**  
(24) Date from which industrial property rights may have effect: **04 July 2013**  
(54) Product in respect of which the design is registered: **Drinking fountain water station**  
(51) International Design Classification: **23-01NES**  
(74) Name(s) of Attorney(s):  
(71) Name(s) and Address(s) of Applicant(s):  
**Street & Garden Furniture Company Pty Ltd**  
**1/11 Donkin St West End QLD 4101 Australia**  
(72) Name(s) of Designer(s): **Forest Gillham**  
(45) Registration Date: **22 August 2013**  
(56) Related Art Documents: **Not Applicable**  
(57) Statement of Newness and Distinctiveness: **The distinct aesthetic of this design relates directly to the unique function of the product (cantilevered front section and rear nose section). The DELTA Drinking Fountain Water Station is new and unique in that it incorporates, as standard, 'in-built' additional features; Drink Bottle Refill / Tap, Dog Dish, and Service Tap, rather than as 'add-on' features.**



- (21) Design Number: **13215/2013**  
(22) Date of Filing Application: **04 July 2013**  
(24) Date from which industrial property rights may have effect: **04 July 2013**  
(54) Product in respect of which the design is registered: **Book trolley**  
(51) International Design Classification: **12-02**  
(74) Name(s) of Attorney(s):  
(71) Name(s) and Address(s) of Applicant(s):  
**Darren James Jenkins**  
**27 Malcolm St Erskineville NSW 2043 Australia**  
(72) Name(s) of Designer(s): **Darren James Jenkins**  
(45) Registration Date: **22 August 2013**  
(56) Related Art Documents: **Not Applicable**  
(57) Statement of Newness and Distinctiveness: **The newness and distinctiveness resides in the shape of the sides and spine of the trolley and the sweep of handle mounts. The trolley appears to be made from the single curved piece of timber that wraps around the removable shelves to form the sides and back of the trolley and which also sweeps up and curves back from the top of the sides to form the handle mounts.**



- (21) Design Number: **13220/2013**  
(22) Date of Filing Application: **05 July 2013**  
(24) Date from which industrial property rights may have effect: **05 July 2013**  
(54) Product in respect of which the design is registered: **An end enclosure for a switch**  
(51) International Design Classification: **13-03D**  
(74) Name(s) of Attorney(s): **Collison & Co**  
(71) Name(s) and Address(s) of Applicant(s):  
**Hendon Semiconductors Pty Ltd**  
**1 Butler Dr Hendon SA 5014 Australia**  
(72) Name(s) of Designer(s): **Victor Davalos and Jeffery William Watts and Christopher James Hurr**  
(45) Registration Date: **22 August 2013**  
(56) Related Art Documents: **Not Applicable**  
(57) Statement of Newness and Distinctiveness: **Nil**



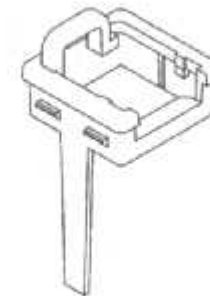
- (21) Design Number: **13221/2013**  
(22) Date of Filing Application: **05 July 2013**  
(24) Date from which industrial property rights may have effect: **05 July 2013**  
(54) Product in respect of which the design is registered: **Motor scooter**  
(51) International Design Classification: **12-11**  
(74) Name(s) of Attorney(s): **Griffith Hack**  
(71) Name(s) and Address(s) of Applicant(s):  
**Honda Motor Co., Ltd.**  
**1-1 Minami-Aoyama 2-chome Minato-ku Tokyo 107-8556 Japan**  
(72) Name(s) of Designer(s): **Keisuke Arai and Gianfelice Marasco**  
(45) Registration Date: **22 August 2013**  
(30) Convention priority data:  
(31) Number      (32) Date      (33) Country  
**2013-000162      09 Jan 2013      JAPAN**  
(56) Related Art Documents: **Not Applicable**  
(57) Statement of Newness and Distinctiveness: **Newness and distinctiveness resides in the visual features, including shape, configuration and ornamentation of the product as shown in the accompanying representations.**



- (21) Design Number: **13222/2013**  
(22) Date of Filing Application: **05 July 2013**  
(24) Date from which industrial property rights may have effect: **05 July 2013**  
(54) Product in respect of which the design is registered: **Scanner housing**  
(51) International Design Classification: **14-02**  
(74) Name(s) of Attorney(s): **Griffith Hack**  
(71) Name(s) and Address(s) of Applicant(s):  
**Crown Equipment Corporation**  
**40 South Washington Street New Bremen Ohio 45869 United States of America**  
(72) Name(s) of Designer(s): **James V. Kraimer and Markus Graf and Christoph Babel and Michael P. Gallagher**  
(45) Registration Date: **22 August 2013**  
(30) Convention priority data:  
(31) Number (32) Date (33) Country  
**29/443,667 21 Jan 2013 UNITED STATES OF AMERICA**  
(56) Related Art Documents: **Not Applicable**  
(57) Statement of Newness and Distinctiveness: **Newness and distinctiveness resides in the visual features, including shape and configuration of the product as shown in the accompanying representations. Those parts shown by means of dotted lines do not form part of the design and have been included for illustrative purposes.**

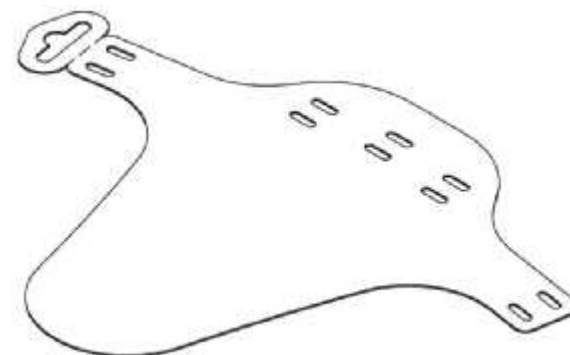


- (21) Design Number: **13223/2013**  
(22) Date of Filing Application: **05 July 2013**  
(24) Date from which industrial property rights may have effect: **05 July 2013**  
(54) Product in respect of which the design is registered: **An end enclosure for a switch**  
(51) International Design Classification: **13-03D**  
(74) Name(s) of Attorney(s): **Collison & Co**  
(71) Name(s) and Address(s) of Applicant(s):  
**Hendon Semiconductors Pty Ltd**  
**1 Butler Dr Hendon SA 5014 Australia**  
(72) Name(s) of Designer(s): **Victor Davalos and Jeffery William Watts and Christopher James Hurr**  
(45) Registration Date: **22 August 2013**  
(56) Related Art Documents: **Not Applicable**  
(57) Statement of Newness and Distinctiveness: **Nil**





(21) Design Number: **13230/2013**  
(22) Date of Filing Application: **05 July 2013**  
(24) Date from which industrial property rights may have effect: **05 July 2013**  
(54) Product in respect of which the design is registered: **Fenders**  
(51) International Design Classification: **12-16NES**  
(74) Name(s) of Attorney(s): **Cullens Patent and Trade Mark Attorneys**  
(71) Name(s) and Address(s) of Applicant(s):



**Mucky Nutz Limited**  
**20 Main Street Ulley Sheffield S26 3YD United Kingdom**

(72) Name(s) of Designer(s): **Shane Darwin**

(45) Registration Date: **22 August 2013**

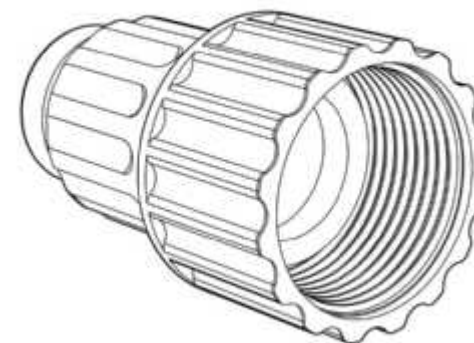
(30) Convention priority data:

|                       |                    |   |
|-----------------------|--------------------|---|
| (31) Number           | (32) Date          | (33) Country  |
| <b>002165332-0004</b> | <b>11 Jan 2013</b> | <b>OFFICE FOR HARMONISATION IN<br/>THE INTERNAL MARKET (OHIM)</b> |

(56) Related Art Documents: **Not Applicable**

(57) Statement of Newness and Distinctiveness: **Nil**

(21) Design Number: **13231/2013**  
(22) Date of Filing Application: **05 July 2013**  
(24) Date from which industrial property rights may have effect: **05 July 2013**  
(54) Product in respect of which the design is registered: **Hose fitting**  
(51) International Design Classification: **23-01C**  
(74) Name(s) of Attorney(s): **PHILLIPS ORMONDE FITZPATRICK**  
(71) Name(s) and Address(s) of Applicant(s):



**Actervis GmbH**  
**c/o Prv Provides Treuhandgesellschaft Lindenhof Dorfstr. 38 CH-6341  
Baar (Zug) Switzerland**

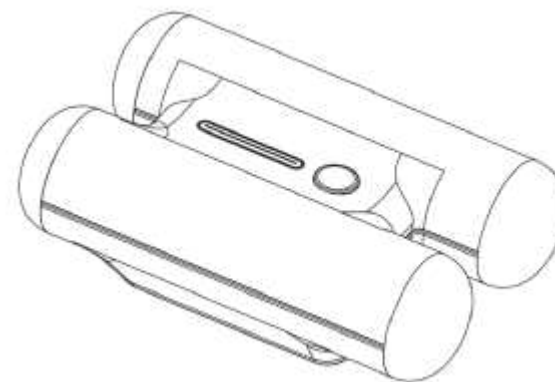
(72) Name(s) of Designer(s): **Juan Ramon Torres Martin**

(45) Registration Date: **22 August 2013**

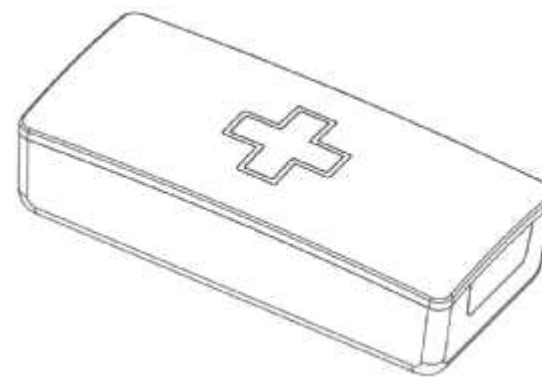
(56) Related Art Documents: **Not Applicable**

(57) Statement of Newness and Distinctiveness: **Newness and distinctiveness resides in the shape and/or configuration of the hose fitting as shown in the accompanying representations.**

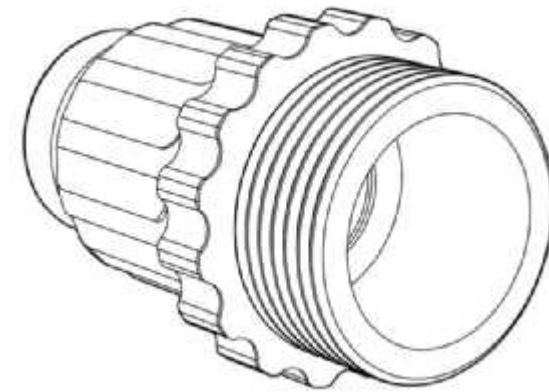
(21) Design Number: **13232/2013**  
(22) Date of Filing Application: **05 July 2013**  
(24) Date from which industrial property rights may have effect: **05 July 2013**  
(54) Product in respect of which the design is registered: **Battery pack for portable electronic devices**  
(51) International Design Classification: **13-02**  
(74) Name(s) of Attorney(s): **SPRUSON & FERGUSON**  
(71) Name(s) and Address(s) of Applicant(s):  
**Switcheasy Limited**  
**Room 314 Sing Win Factory Building 15-17 Shing Yip Street Kwun Tong**  
**Kowloon Hong Kong**  
(72) Name(s) of Designer(s): **Chi Vun Steven Bau and David Ryo Lau**  
(45) Registration Date: **22 August 2013**  
(30) Convention priority data:  
(31) Number (32) Date (33) Country  
**29/441586 07 Jan 2013 UNITED STATES OF AMERICA**  
(56) Related Art Documents: **Not Applicable**  
(57) Statement of Newness and Distinctiveness: **Newness and distinctiveness is claimed in the features of shape and/or configuration of a battery pack for portable electronic devices as illustrated in the accompanying representations.**



(21) Design Number: **13234/2013**  
(22) Date of Filing Application: **05 July 2013**  
(24) Date from which industrial property rights may have effect: **05 July 2013**  
(54) Product in respect of which the design is registered: **Battery pack for portable electronic devices**  
(51) International Design Classification: **13-02**  
(74) Name(s) of Attorney(s): **SPRUSON & FERGUSON**  
(71) Name(s) and Address(s) of Applicant(s):  
**Switcheasy Limited**  
**Room 314 Sing Win Factory Building 15-17 Shing Yip Street Kwun Tong**  
**Kowloon Hong Kong**  
(72) Name(s) of Designer(s): **Chi Vun Steven Bau and David Ryo Lau**  
(45) Registration Date: **22 August 2013**  
(30) Convention priority data:  
(31) Number (32) Date (33) Country  
**29/441587 07 Jan 2013 UNITED STATES OF AMERICA**  
(56) Related Art Documents: **Not Applicable**  
(57) Statement of Newness and Distinctiveness: **Newness and distinctiveness is claimed in the features of shape and/or configuration of a battery pack for portable electronic devices as illustrated in the accompanying representations.**



- (21) Design Number: **13236/2013**  
(22) Date of Filing Application: **05 July 2013**  
(24) Date from which industrial property rights may have effect: **05 July 2013**  
(54) Product in respect of which the design is registered: **Hose fitting**  
(51) International Design Classification: **23-01C**  
(74) Name(s) of Attorney(s): **PHILLIPS ORMONDE FITZPATRICK**  
(71) Name(s) and Address(s) of Applicant(s):  
**Actervis GmbH**  
**c/o Prv Provides Treuhandgesellschaft Lindenhof Dorfstr. 38 CH-6341**  
**Baar (Zug) Switzerland**  
(72) Name(s) of Designer(s): **Juan Ramon Torres Martin**  
(45) Registration Date: **22 August 2013**  
(56) Related Art Documents: **Not Applicable**  
(57) Statement of Newness and Distinctiveness: **Newness and distinctiveness resides in the shape and/or configuration of the hose fitting as shown in the accompanying representations.**



- (21) Design Number: **13237/2013**  
(22) Date of Filing Application: **05 July 2013**  
(24) Date from which industrial property rights may have effect: **05 July 2013**  
(54) Product in respect of which the design is registered: **Valve**  
(51) International Design Classification: **23-01C**  
(74) Name(s) of Attorney(s): **PHILLIPS ORMONDE FITZPATRICK**  
(71) Name(s) and Address(s) of Applicant(s):  
**Actervis GmbH**  
**c/o Prv Provides Treuhandgesellschaft Lindenhof Dorfstr. 38 CH-6341**  
**Baar (Zug) Switzerland**  
(72) Name(s) of Designer(s): **Juan Ramon Torres Martin**  
(45) Registration Date: **22 August 2013**  
(56) Related Art Documents: **Not Applicable**  
(57) Statement of Newness and Distinctiveness: **Newness and distinctiveness resides in the shape and/or configuration of the valve as shown in the accompanying representations.**





(21) Design Number: **13238/2013**  
(22) Date of Filing Application: **05 July 2013**  
(24) Date from which industrial property rights may have effect: **05 July 2013**  
(54) Product in respect of which the design is registered: **An abrasive sheet**  
(51) International Design Classification: **08-05N**  
(74) Name(s) of Attorney(s): **PHILLIPS ORMONDE FITZPATRICK**  
(71) Name(s) and Address(s) of Applicant(s):

**KWH Mirka Ltd**  
**Pensalavagen 210 66850 Jeppo Finland**

(72) Name(s) of Designer(s): **Goran Høglund**

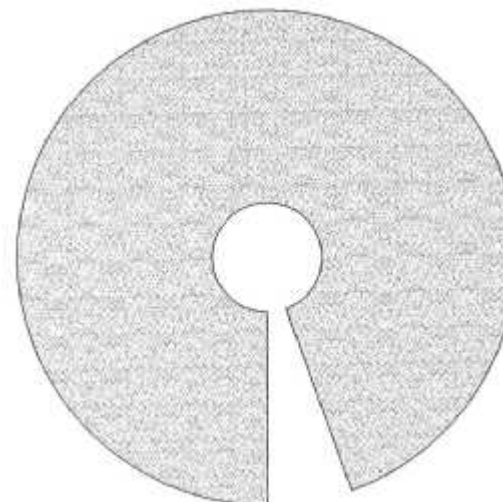
(45) Registration Date: **22 August 2013**

(30) Convention priority data:

| (31) Number         | (32) Date          | (33) Country  |
|---------------------|--------------------|---|
| <b>2258368-0001</b> | <b>19 Jun 2013</b> | <b>OFFICE FOR HARMONISATION IN THE INTERNAL MARKET (OHIM)</b> |

(56) Related Art Documents: **Not Applicable**

(57) Statement of Newness and Distinctiveness: **Newness and distinctiveness resides in the shape, configuration and surface pattern of the abrasive sheet shown in the accompanying representations.**



(21) Design Number: **13239/2013**  
(22) Date of Filing Application: **05 July 2013**  
(24) Date from which industrial property rights may have effect: **05 July 2013**  
(54) Product in respect of which the design is registered: **An abrasive sheet holder**  
(51) International Design Classification: **08-05N**  
(74) Name(s) of Attorney(s): **PHILLIPS ORMONDE FITZPATRICK**  
(71) Name(s) and Address(s) of Applicant(s):

**KWH Mirka Ltd**  
**Pensalavagen 210 66850 Jeppo Finland**

(72) Name(s) of Designer(s): **Goran Høglund**

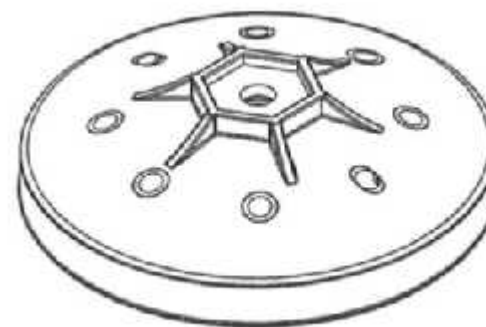
(45) Registration Date: **22 August 2013**

(30) Convention priority data:

| (31) Number         | (32) Date          | (33) Country  |
|---------------------|--------------------|---|
| <b>2258970-0001</b> | <b>20 Jun 2013</b> | <b>OFFICE FOR HARMONISATION IN THE INTERNAL MARKET (OHIM)</b> |

(56) Related Art Documents: **Not Applicable**

(57) Statement of Newness and Distinctiveness: **Newness and distinctiveness resides in the shape and/or configuration of the abrasive sheet holder shown in the accompanying representations.**



(21) Design Number: **13241/2013**  
(22) Date of Filing Application: **05 July 2013**  
(24) Date from which industrial property rights may have effect: **05 July 2013**  
(54) Product in respect of which the design is registered: **Tyres (Stature HT2)**  
(51) International Design Classification: **12-15B**  
(74) Name(s) of Attorney(s): **WALLINGTON-DUMMER**  
(71) Name(s) and Address(s) of Applicant(s):  
**Jinwei Wang**  
**1202-2-1 Haili Garden 917 Tongan Road Qingdao China**  
(72) Name(s) of Designer(s): **Jinwei Wang**  
(45) Registration Date: **22 August 2013**  
(56) Related Art Documents: **Not Applicable**  
(57) Statement of Newness and Distinctiveness: **Nil**



(21) Design Number: **13242/2013**  
(22) Date of Filing Application: **05 July 2013**  
(24) Date from which industrial property rights may have effect: **05 July 2013**  
(54) Product in respect of which the design is registered: **Extraction cleaner handle**  
(51) International Design Classification: **15-05**  
(74) Name(s) of Attorney(s): **Griffith Hack**  
(71) Name(s) and Address(s) of Applicant(s):  
**BISSELL Homecare, Inc**  
**2345 Walker Avenue N.W. Grand Rapids Michigan 49544 United States of America**  
(72) Name(s) of Designer(s): **David M. Miller and Adam G. Carr**  
(45) Registration Date: **22 August 2013**  
(30) Convention priority data:  
(31) Number (32) Date (33) Country  
**29/443,857 23 Jan 2013 UNITED STATES OF AMERICA**  
(56) Related Art Documents: **Not Applicable**  
(57) Statement of Newness and Distinctiveness: **Newness and distinctiveness resides in the visual features, including the shape and configuration of the product shown in the representations.**



(21) Design Number: **13243/2013**

(22) Date of Filing Application: **05 July 2013**

(24) Date from which industrial property rights may have effect: **05 July 2013**

(54) Product in respect of which the design is registered: **Tool box shaped bar fridge**

(51) International Design Classification: **15-07, 03-01D**

(74) Name(s) of Attorney(s):

(71) Name(s) and Address(s) of Applicant(s):

**Golden Bear Enterprises Pty Ltd  
PO BOX 166 Sebastopol VIC 3356 Australia**

(72) Name(s) of Designer(s): **Cory Allan**

(45) Registration Date: **22 August 2013**

(56) Related Art Documents: **Not Applicable**

(57) Statement of Newness and Distinctiveness: **The newness and distinctiveness of the design is that it is a product that looks like a tool box, but is actually a bar fridge as well. There are two even sized drawers that are fully functional and a bar fridge in section underneath. So a functional tool box that is also a functioning fridge, in any size.**



(21) Design Number: **13244/2013**

(22) Date of Filing Application: **05 July 2013**

(24) Date from which industrial property rights may have effect: **05 July 2013**

(54) Product in respect of which the design is registered: **Tool box shaped bar fridge**

(51) International Design Classification: **15-07, 03-01D**

(74) Name(s) of Attorney(s):

(71) Name(s) and Address(s) of Applicant(s):

**Golden Bear Enterprises Pty Ltd  
PO BOX 166 Sebastopol VIC 3356 Australia**

(72) Name(s) of Designer(s): **Cory Allan**

(45) Registration Date: **22 August 2013**

(56) Related Art Documents: **Not Applicable**

(57) Statement of Newness and Distinctiveness: **The distinctiveness of a fully functional Tool Box Shaped Bar Fridge with Actual real functional drawers and real fridge, this model has a 50Litre Fridge, 2 x small drawers and 1 x large drawer above the fridge area of product.**



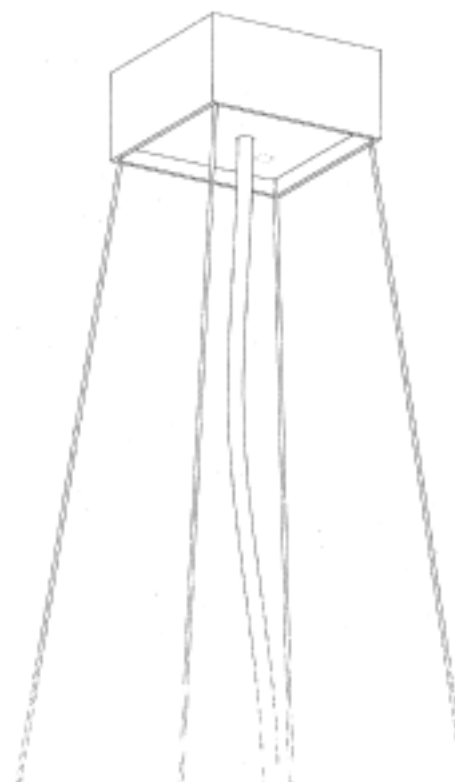
- (21) Design Number: **13245/2013**  
(22) Date of Filing Application: **05 July 2013**  
(24) Date from which industrial property rights may have effect: **05 July 2013**  
(54) Product in respect of which the design is registered: **Tool box shaped bar fridge**  
(51) International Design Classification: **15-07, 03-01D**  
(74) Name(s) of Attorney(s):  
(71) Name(s) and Address(s) of Applicant(s):  
**Golden Bear Enterprises Pty Ltd**  
**PO BOX 166 Sebastopol VIC 3356 Australia**  
(72) Name(s) of Designer(s): **Cory Allan**  
(45) Registration Date: **22 August 2013**  
(56) Related Art Documents: **Not Applicable**  
(57) Statement of Newness and Distinctiveness: **The distinctiveness of a bar fridge that is also an actual tool box, It is fully functioning fridge, and above is fully functioning drawers for the tool box. The model has 1 x small and 1 x larger shaped drawer.**



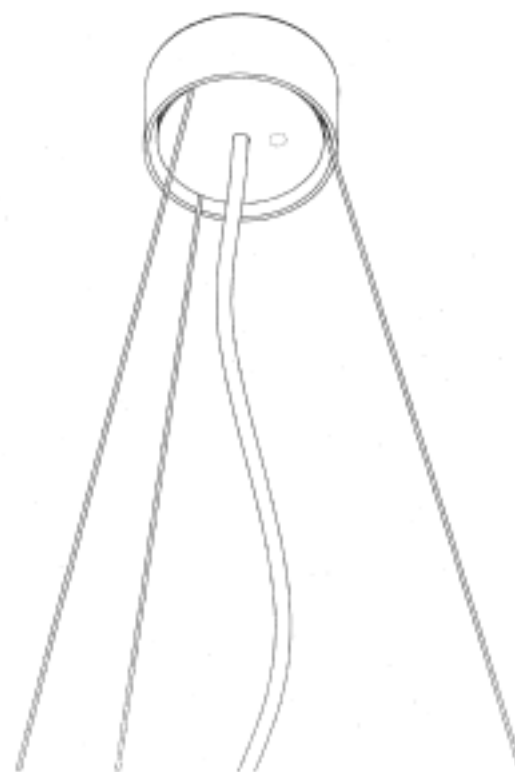
- (21) Design Number: **13228/2013**  
(22) Date of Filing Application: **05 July 2013**  
(24) Date from which industrial property rights may have effect: **05 July 2013**  
(54) Product in respect of which the design is registered: **A toaster**  
(51) International Design Classification: **07-02F**  
(74) Name(s) of Attorney(s): **SPRUSON & FERGUSON**  
(71) Name(s) and Address(s) of Applicant(s):  
**ROBAND Australia Pty Ltd**  
**1 Inman Rd Cromer NSW 2099 Australia**  
(72) Name(s) of Designer(s): **Andrew Lynn Carson and Malcolm Ross Johnston and Paul Edward Le Vavasseur and Shane John James Marshall**  
(45) Registration Date: **22 August 2013**  
(56) Related Art Documents: **Not Applicable**  
(57) Statement of Newness and Distinctiveness: **Newness and distinctiveness is claimed in the following features of a toaster as illustrated in the accompanying representations: a) the configuration of the lid; and b) the shape and/or configuration of the interior components of the toaster viewable with the lid open.**



- (21) Design Number: **12047/2013**  
(22) Date of Filing Application: **02 May 2013**  
(24) Date from which industrial property rights may have effect: **02 May 2013**  
(54) Product in respect of which the design is registered: **Lighting canopy**  
(51) International Design Classification: **26-05D**  
(74) Name(s) of Attorney(s):  
(71) Name(s) and Address(s) of Applicant(s):  
**Rakumba Lighting Pty Ltd**  
**4 Ardena Court Benleigh East VIC 3165 Australia**  
(72) Name(s) of Designer(s): **Daniel Tracey and Benjamin Hurt and Michael Murray**  
(45) Registration Date: **22 August 2013**  
(56) Related Art Documents: **Not Applicable**  
(57) Statement of Newness and Distinctiveness: **The newness and distinctiveness of the design resides in the combination of the internal plate with surrounding shadow-line gap from which suspension wires exit, together with no visible fixings on any external surface of the canopy or canopies.**



- (21) Design Number: **14117/2013**  
(22) Date of Filing Application: **02 May 2013**  
(24) Date from which industrial property rights may have effect: **02 May 2013**  
(54) Product in respect of which the design is registered: **Lighting canopy**  
(51) International Design Classification: **26-05D**  
(74) Name(s) of Attorney(s):  
(71) Name(s) and Address(s) of Applicant(s):  
**Rakumba Lighting Pty Ltd**  
**4 Ardena Ct Benleigh East VIC 3165 Australia**  
(72) Name(s) of Designer(s): **Daniel Tracey and Benjamin Hurt and Michael Murray**  
(45) Registration Date: **22 August 2013**  
(56) Related Art Documents: **Not Applicable**  
(57) Statement of Newness and Distinctiveness: **The newness and distinctiveness of the design resides in the combination of the internal plate with surrounding shadow-line gap from which suspension wires exit, together with no visible fixings on any external surface of the canopy or canopies.**



(21) Design Number: **13072/2013**

(22) Date of Filing Application: **28 June 2013**

(24) Date from which industrial property rights may have effect: **28 June 2013**

(54) Product in respect of which the design is registered: **Display Screen For An Electronic Device**

(51) International Design Classification: **14-02**

(74) Name(s) of Attorney(s): **Wrays**

(71) Name(s) and Address(s) of Applicant(s):

**Samsung Electronics Co., Ltd**  
**129 Samsung-ro Yeongtong-gu Suwon-si Gyeonggi-do 443-742 Republic of Korea**

(72) Name(s) of Designer(s): **Jang-Won Seo and Yong-Hwan Kwon and Ji-Eun Kim and Ji-Hong Kim and Hye-Ryung Kim and Se-Ran Jeon and Woo-Seok Hwang**

(45) Registration Date: **23 August 2013**

(30) Convention priority data:

|                        |                    |                          |
|------------------------|--------------------|--------------------------|
| (31) Number            | (32) Date          | (33) Country             |
| <b>30-2013-0000748</b> | <b>05 Jan 2013</b> | <b>REPUBLIC OF KOREA</b> |

(56) Related Art Documents: **Not Applicable**

(57) Statement of Newness and Distinctiveness: **Newness and distinctiveness is claimed in the features of pattern and/or ornamentation of the Display Screen For An Electronic Device as shown in the accompanying representations. The features shown in broken lines are for illustrative purposes only and do not form part of the claimed design.**



(21) Design Number: **13073/2013**

(22) Date of Filing Application: **28 June 2013**

(24) Date from which industrial property rights may have effect: **28 June 2013**

(54) Product in respect of which the design is registered: **Display Screen For An Electronic Device**

(51) International Design Classification: **14-02**

(74) Name(s) of Attorney(s): **Wrays**

(71) Name(s) and Address(s) of Applicant(s):

**Samsung Electronics Co., Ltd**  
**129 Samsung-ro Yeongtong-gu Suwon-si Gyeonggi-do 443-742 Republic of Korea**

(72) Name(s) of Designer(s): **Jang-Won Seo and Yong-Hwan Kwon and Ji-Eun Kim and Ji-Hong Kim and Hye-Ryung Kim and Se-Ran Jeon and Woo-Seok Hwang**

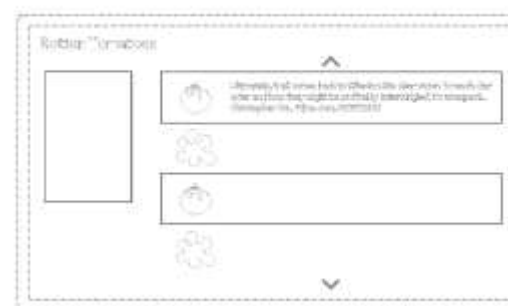
(45) Registration Date: **23 August 2013**

(30) Convention priority data:

|                        |                    |                          |
|------------------------|--------------------|--------------------------|
| (31) Number            | (32) Date          | (33) Country             |
| <b>30-2013-0000667</b> | <b>04 Jan 2013</b> | <b>REPUBLIC OF KOREA</b> |

(56) Related Art Documents: **Not Applicable**

(57) Statement of Newness and Distinctiveness: **Newness and distinctiveness is claimed in the features of pattern and/or ornamentation of the Display Screen For An Electronic Device as shown in the accompanying representations. The features shown in broken lines are for illustrative purposes only and do not form part of the claimed design.**





(21) Design Number: **13076/2013**

(22) Date of Filing Application: **28 June 2013**

(24) Date from which industrial property rights may have effect: **28 June 2013**

(54) Product in respect of which the design is registered: **Display Screen For An Electronic Device**

(51) International Design Classification: **14-02**

(74) Name(s) of Attorney(s): **Wrays**

(71) Name(s) and Address(s) of Applicant(s):

**Samsung Electronics Co., Ltd**  
**129 Samsung-ro Yeongtong-gu Suwon-si Gyeonggi-do 443-742 Republic of Korea**

(72) Name(s) of Designer(s): **Jang-Won Seo and Yong-Hwan Kwon and Ji-Eun Kim and Ji-Hong Kim and Hye-Ryung Kim and Se-Ran Jeon and Woo-Seok Hwang**

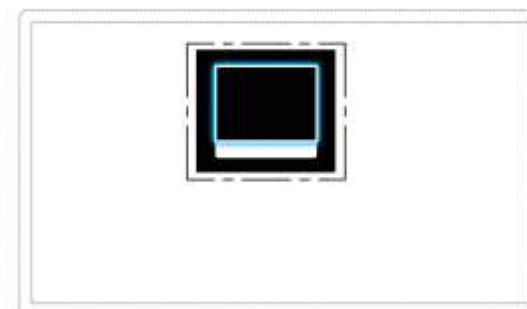
(45) Registration Date: **23 August 2013**

(30) Convention priority data:

(31) Number (32) Date (33) Country  
**30-2013-0000724 05 Jan 2013 REPUBLIC OF KOREA**

(56) Related Art Documents: **Not Applicable**

(57) Statement of Newness and Distinctiveness: **Newness and distinctiveness is claimed in the features of pattern and/or ornamentation of the Display Screen For An Electronic Device as shown in the accompanying representations. The features shown in broken lines are for illustrative purposes only and do not form part of the claimed design.**



(21) Design Number: **13077/2013**

(22) Date of Filing Application: **28 June 2013**

(24) Date from which industrial property rights may have effect: **28 June 2013**

(54) Product in respect of which the design is registered: **Display Screen For An Electronic Device**

(51) International Design Classification: **14-02**

(74) Name(s) of Attorney(s): **Wrays**

(71) Name(s) and Address(s) of Applicant(s):

**Samsung Electronics Co., Ltd**  
**129 Samsung-ro Yeongtong-gu Suwon-si Gyeonggi-do 443-742 Republic of Korea**

(72) Name(s) of Designer(s): **Jang-Won Seo and Yong-Hwan Kwon and Ji-Eun Kim and Ji-Hong Kim and Hye-Ryung Kim and Se-Ran Jeon and Woo-Seok Hwang**

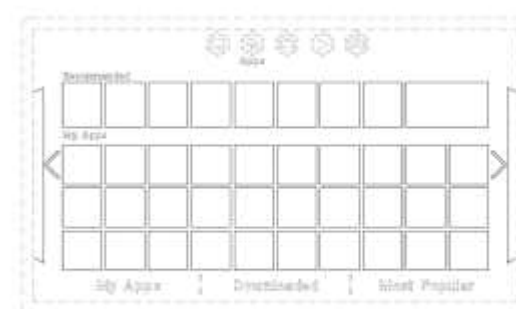
(45) Registration Date: **23 August 2013**

(30) Convention priority data:

(31) Number (32) Date (33) Country  
**30-2013-0000730 05 Jan 2013 REPUBLIC OF KOREA**

(56) Related Art Documents: **Not Applicable**

(57) Statement of Newness and Distinctiveness: **Newness and distinctiveness is claimed in the features of pattern and/or ornamentation of the Display Screen For An Electronic Device as shown in the accompanying representations. The features shown in broken lines are for illustrative purposes only and do not form part of the claimed design.**





(21) Design Number: **13078/2013**

(22) Date of Filing Application: **28 June 2013**

(24) Date from which industrial property rights may have effect: **28 June 2013**

(54) Product in respect of which the design is registered: **Display Screen For An Electronic Device**

(51) International Design Classification: **14-02**

(74) Name(s) of Attorney(s): **Wrays**

(71) Name(s) and Address(s) of Applicant(s):

**Samsung Electronics Co., Ltd**  
**129 Samsung-ro Yeongtong-gu Suwon-si Gyeonggi-do 443-742 Republic of Korea**

(72) Name(s) of Designer(s): **Jang-Won Seo and Yong-Hwan Kwon and Ji-Eun Kim and Ji-Hong Kim and Hye-Ryung Kim and Se-Ran Jeon and Woo-Seok Hwang**

(45) Registration Date: **23 August 2013**

(30) Convention priority data:

|                        |                    |                          |
|------------------------|--------------------|--------------------------|
| (31) Number            | (32) Date          | (33) Country             |
| <b>30-2013-0000731</b> | <b>05 Jan 2013</b> | <b>REPUBLIC OF KOREA</b> |

(56) Related Art Documents: **Not Applicable**

(57) Statement of Newness and Distinctiveness: **Newness and distinctiveness is claimed in the features of pattern and/or ornamentation of the Display Screen For An Electronic Device as shown in the accompanying representations. The features shown in broken lines are for illustrative purposes only and do not form part of the claimed design.**



(21) Design Number: **13081/2013**

(22) Date of Filing Application: **28 June 2013**

(24) Date from which industrial property rights may have effect: **28 June 2013**

(54) Product in respect of which the design is registered: **Display Screen For An Electronic Device**

(51) International Design Classification: **14-02**

(74) Name(s) of Attorney(s): **Wrays**

(71) Name(s) and Address(s) of Applicant(s):

**Samsung Electronics Co., Ltd**  
**129 Samsung-ro Yeongtong-gu Suwon-si Gyeonggi-do 443-742 Republic of Korea**

(72) Name(s) of Designer(s): **Jang-Won Seo and Yong-Hwan Kwon and Ji-Eun Kim and Ji-Hong Kim and Hye-Ryung Kim and Se-Ran Jeon and Woo-Seok Hwang**

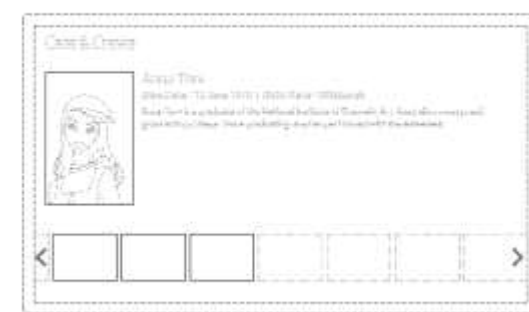
(45) Registration Date: **23 August 2013**

(30) Convention priority data:

|                        |                    |                          |
|------------------------|--------------------|--------------------------|
| (31) Number            | (32) Date          | (33) Country             |
| <b>30-2013-0000662</b> | <b>04 Jan 2013</b> | <b>REPUBLIC OF KOREA</b> |

(56) Related Art Documents: **Not Applicable**

(57) Statement of Newness and Distinctiveness: **Newness and distinctiveness is claimed in the features of pattern and/or ornamentation of the Display Screen For An Electronic Device as shown in the accompanying representations. The features shown in broken lines are for illustrative purposes only and do not form part of the claimed design.**



(21) Design Number: **13082/2013**

(22) Date of Filing Application: **28 June 2013**

(24) Date from which industrial property rights may have effect: **28 June 2013**

(54) Product in respect of which the design is registered: **Display Screen For An Electronic Device**

(51) International Design Classification: **14-02**

(74) Name(s) of Attorney(s): **Wrays**

(71) Name(s) and Address(s) of Applicant(s):

**Samsung Electronics Co., Ltd**  
**129 Samsung-ro Yeongtong-gu Suwon-si Gyeonggi-do 443-742 Republic of Korea**

(72) Name(s) of Designer(s): **Se-Ran Jeon**

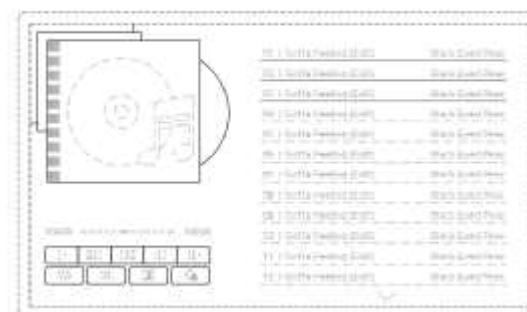
(45) Registration Date: **23 August 2013**

(30) Convention priority data:

|                        |                    |                          |
|------------------------|--------------------|--------------------------|
| (31) Number            | (32) Date          | (33) Country             |
| <b>30-2013-0000665</b> | <b>04 Jan 2013</b> | <b>REPUBLIC OF KOREA</b> |

(56) Related Art Documents: **Not Applicable**

(57) Statement of Newness and Distinctiveness: **Newness and distinctiveness is claimed in the features of pattern and/or ornamentation of the Display Screen For An Electronic Device as shown in the accompanying representations. The features shown in broken lines are for illustrative purposes only and do not form part of the claimed design.**



(21) Design Number: **13083/2013**

(22) Date of Filing Application: **28 June 2013**

(24) Date from which industrial property rights may have effect: **28 June 2013**

(54) Product in respect of which the design is registered: **Display Screen For An Electronic Device**

(51) International Design Classification: **14-02**

(74) Name(s) of Attorney(s): **Wrays**

(71) Name(s) and Address(s) of Applicant(s):

**Samsung Electronics Co., Ltd**  
**129 Samsung-ro Yeongtong-gu Suwon-si Gyeonggi-do 443-742 Republic of Korea**

(72) Name(s) of Designer(s): **Jang-Won Seo and Yong-Hwan Kwon and Ji-Eun Kim and Ji-Hong Kim and Hye-Ryung Kim and Se-Ran Jeon and Woo-Seok Hwang**

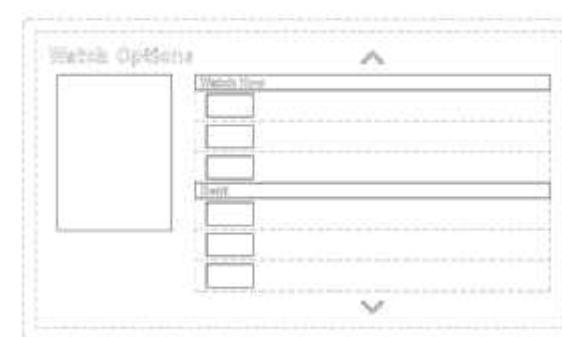
(45) Registration Date: **23 August 2013**

(30) Convention priority data:

|                        |                    |                          |
|------------------------|--------------------|--------------------------|
| (31) Number            | (32) Date          | (33) Country             |
| <b>30-2013-0000645</b> | <b>04 Jan 2013</b> | <b>REPUBLIC OF KOREA</b> |

(56) Related Art Documents: **Not Applicable**

(57) Statement of Newness and Distinctiveness: **Newness and distinctiveness is claimed in the features of pattern and/or ornamentation of the Display Screen For An Electronic Device as shown in the accompanying representations. The features shown in broken lines are for illustrative purposes only and do not form part of the claimed design.**



(21) Design Number: **13084/2013**

(22) Date of Filing Application: **28 June 2013**

(24) Date from which industrial property rights may have effect: **28 June 2013**

(54) Product in respect of which the design is registered: **Display Screen For An Electronic Device**

(51) International Design Classification: **14-02**

(74) Name(s) of Attorney(s): **Wrays**

(71) Name(s) and Address(s) of Applicant(s):

**Samsung Electronics Co., Ltd**  
**129 Samsung-ro Yeongtong-gu Suwon-si Gyeonggi-do 443-742 Republic of Korea**

(72) Name(s) of Designer(s): **Pill-Kyoung Moon and Joo-Sun Moon**

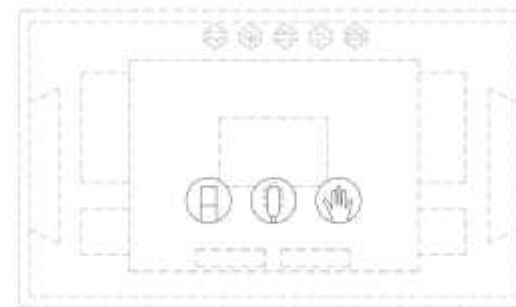
(45) Registration Date: **23 August 2013**

(30) Convention priority data:

|                        |                    |                          |
|------------------------|--------------------|--------------------------|
| (31) Number            | (32) Date          | (33) Country             |
| <b>30-2013-0000729</b> | <b>05 Jan 2013</b> | <b>REPUBLIC OF KOREA</b> |

(56) Related Art Documents: **Not Applicable**

(57) Statement of Newness and Distinctiveness: **Newness and distinctiveness is claimed in the features of pattern and/or ornamentation of the Display Screen For An Electronic Device as shown in the accompanying representations. The features shown in broken lines are for illustrative purposes only and do not form part of the claimed design.**



(21) Design Number: **13085/2013**

(22) Date of Filing Application: **28 June 2013**

(24) Date from which industrial property rights may have effect: **28 June 2013**

(54) Product in respect of which the design is registered: **Display Screen For An Electronic Device**

(51) International Design Classification: **14-02**

(74) Name(s) of Attorney(s): **Wrays**

(71) Name(s) and Address(s) of Applicant(s):

**Samsung Electronics Co., Ltd**  
**129 Samsung-ro Yeongtong-gu Suwon-si Gyeonggi-do 443-742 Republic of Korea**

(72) Name(s) of Designer(s): **Jang-Won Seo and Yong-Hwan Kwon and Ji-Eun Kim and Ji-Hong Kim and Hye-Ryung Kim and Se-Ran Jeon and Woo-Seok Kwang**

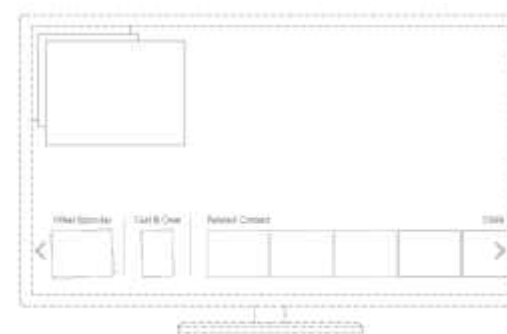
(45) Registration Date: **23 August 2013**

(30) Convention priority data:

|                        |                    |                          |
|------------------------|--------------------|--------------------------|
| (31) Number            | (32) Date          | (33) Country             |
| <b>30-2013-0000335</b> | <b>03 Jan 2013</b> | <b>REPUBLIC OF KOREA</b> |

(56) Related Art Documents: **Not Applicable**

(57) Statement of Newness and Distinctiveness: **Newness and distinctiveness is claimed in the features of pattern and/or ornamentation of the Display Screen For An Electronic Device as shown in the accompanying representations. The features shown in broken lines are for illustrative purposes only and do not form part of the claimed design.**



(21) Design Number: **13086/2013**

(22) Date of Filing Application: **28 June 2013**

(24) Date from which industrial property rights may have effect: **28 June 2013**

(54) Product in respect of which the design is registered: **Display Screen For An Electronic Device**

(51) International Design Classification: **14-02**

(74) Name(s) of Attorney(s): **Wrays**

(71) Name(s) and Address(s) of Applicant(s):

**Samsung Electronics Co., Ltd**  
**129 Samsung-ro Yeongtong-gu Suwon-si Gyeonggi-do 443-742 Republic of Korea**

(72) Name(s) of Designer(s): **Jang-Won Seo and Yong-Hwan Kwon and Ji-Eun Kim and Ji-Hong Kim and Hye-Ryung Kim and Se-Ran Jeon and Woo-Seok Hwang**

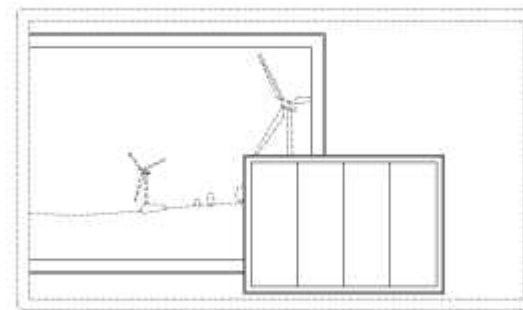
(45) Registration Date: **23 August 2013**

(30) Convention priority data:

(31) Number (32) Date (33) Country  
**30-2013-0000598 04 Jan 2013 REPUBLIC OF KOREA**

(56) Related Art Documents: **Not Applicable**

(57) Statement of Newness and Distinctiveness: **Newness and distinctiveness is claimed in the features of pattern and/or ornamentation of the Display Screen For An Electronic Device as shown in the accompanying representations. The features shown in broken lines are for illustrative purposes only and do not form part of the claimed design.**



(21) Design Number: **13087/2013**

(22) Date of Filing Application: **28 June 2013**

(24) Date from which industrial property rights may have effect: **28 June 2013**

(54) Product in respect of which the design is registered: **Display Screen For An Electronic Device**

(51) International Design Classification: **14-02**

(74) Name(s) of Attorney(s): **Wrays**

(71) Name(s) and Address(s) of Applicant(s):

**Samsung Electronics Co., Ltd**  
**129 Samsung-ro Yeongtong-gu Suwon-si Gyeonggi-do 443-742 Republic of Korea**

(72) Name(s) of Designer(s): **Jang-Won Seo and Yong-Hwan Kwon and Ji-Eun Kim and Ji-Hong Kim and Hye-Ryung Kim and Se-Ran Jeon and Woo-Seok Hwang**

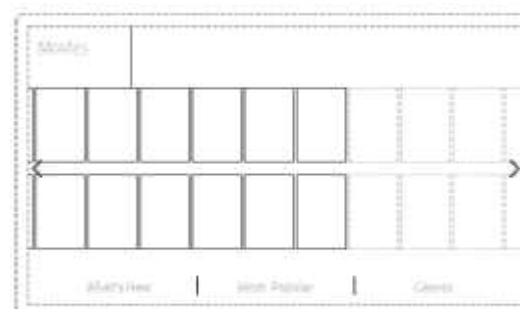
(45) Registration Date: **23 August 2013**

(30) Convention priority data:

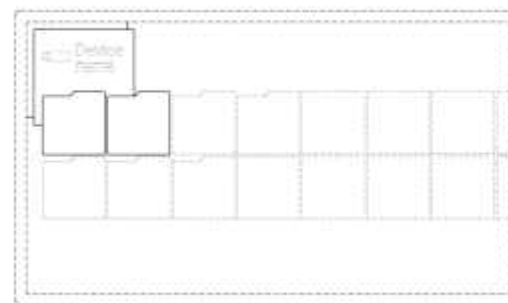
(31) Number (32) Date (33) Country  
**30-2013-0000639 04 Jan 2013 REPUBLIC OF KOREA**

(56) Related Art Documents: **Not Applicable**

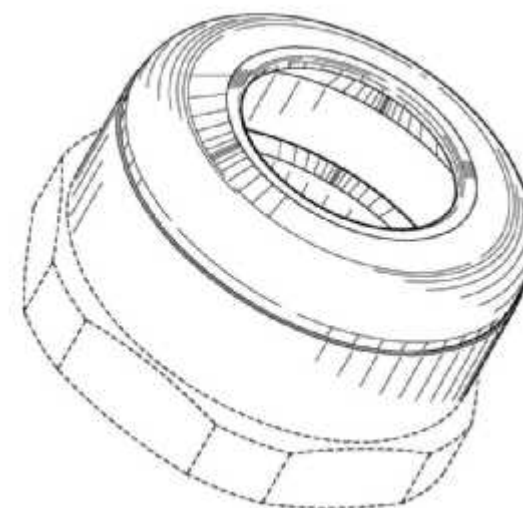
(57) Statement of Newness and Distinctiveness: **Newness and distinctiveness is claimed in the features of pattern and/or ornamentation of the Display Screen For An Electronic Device as shown in the accompanying representations. The features shown in broken lines are for illustrative purposes only and do not form part of the claimed design.**



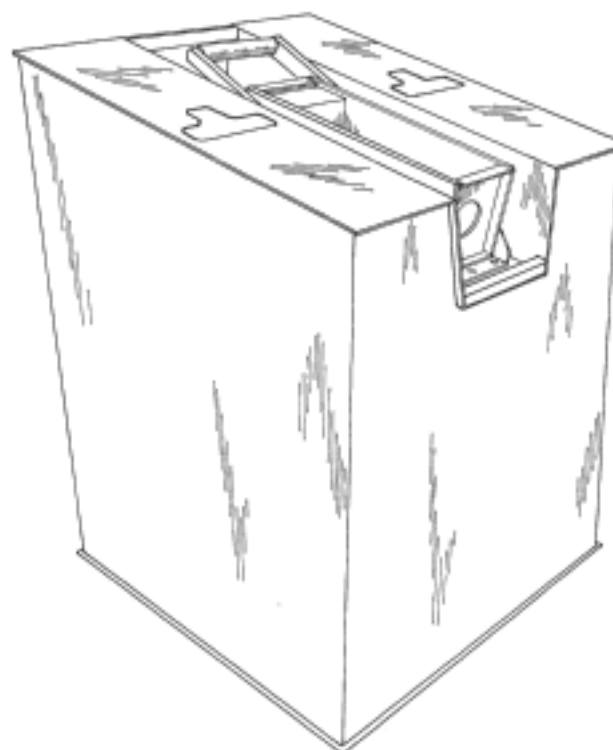
- (21) Design Number: **13088/2013**  
(22) Date of Filing Application: **28 June 2013**  
(24) Date from which industrial property rights may have effect: **28 June 2013**  
(54) Product in respect of which the design is registered: **Display Screen For An Electronic Device**  
(51) International Design Classification: **14-02**  
(74) Name(s) of Attorney(s): **Wrays**  
(71) Name(s) and Address(s) of Applicant(s):  
**Samsung Electronics Co., Ltd**  
**129 Samsung-ro Yeongtong-gu Suwon-si Gyeonggi-do 443-742 Republic of Korea**  
(72) Name(s) of Designer(s): **Jang-Won Seo and Yong-Hwan Kwon and Ji-Eun Kim and Ji-Hong Kim and Hye-Ryung Kim and Se-Ran Jeon and Woo-Seok Kwang**  
(45) Registration Date: **23 August 2013**  
(30) Convention priority data:  
(31) Number (32) Date (33) Country  
**30-2013-0000563 04 Jan 2013 REPUBLIC OF KOREA**  
(56) Related Art Documents: **Not Applicable**  
(57) Statement of Newness and Distinctiveness: **Newness and distinctiveness is claimed in the features of pattern and/or ornamentation of the Display Screen For An Electronic Device as shown in the accompanying representations. The features shown in broken lines are for illustrative purposes only and do not form part of the claimed design.**



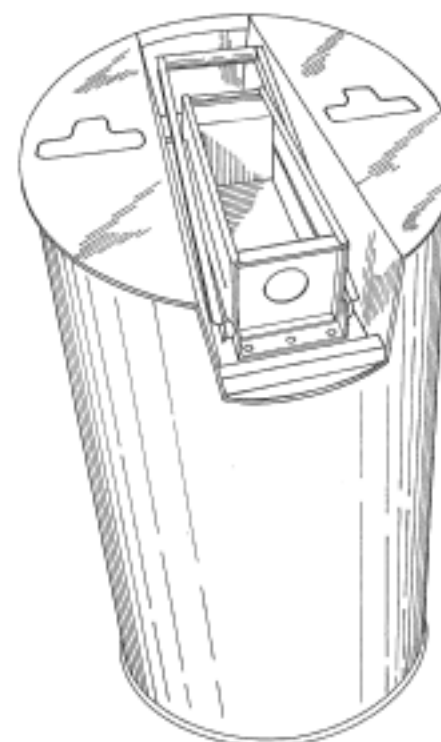
- (21) Design Number: **13246/2013**  
(22) Date of Filing Application: **08 July 2013**  
(24) Date from which industrial property rights may have effect: **08 July 2013**  
(54) Product in respect of which the design is registered: **Gland nut**  
(51) International Design Classification: **08-08B**  
(74) Name(s) of Attorney(s): **Griffith Hack**  
(71) Name(s) and Address(s) of Applicant(s):  
**Thomas & Betts International, Inc.**  
**501 Silverside Road Suite 67 Wilmington Delaware 19809 United States of America**  
(72) Name(s) of Designer(s): **William Smith and Marc Brodeur**  
(45) Registration Date: **23 August 2013**  
(30) Convention priority data:  
(31) Number (32) Date (33) Country  
**29/448,622 13 Mar 2013 UNITED STATES OF AMERICA**  
(56) Related Art Documents: **Not Applicable**  
(57) Statement of Newness and Distinctiveness: **Newness and distinctiveness resides in the visual features, including shape and configuration of the product as shown by means of solid lines in the accompanying representation. Those parts of the product shown by means of dashed lines do not form part of the design.**



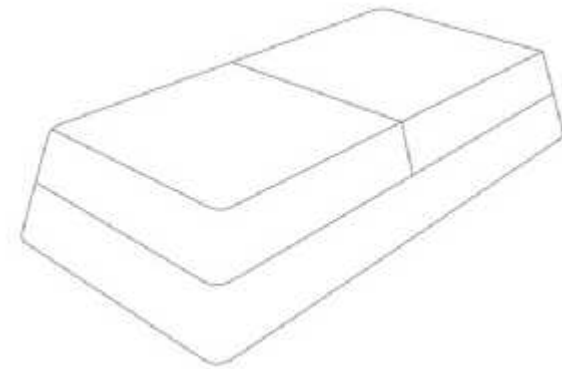
(21) Design Number: **13247/2013**  
(22) Date of Filing Application: **08 July 2013**  
(24) Date from which industrial property rights may have effect: **08 July 2013**  
(54) Product in respect of which the design is registered: **Recycling container**  
(51) International Design Classification: **09-09**  
(74) Name(s) of Attorney(s): **Raven IP**  
(71) Name(s) and Address(s) of Applicant(s):  
**Recycling Solutions Pty Ltd**  
**14 Newstead St Burleigh Waters QLD 4220 Australia**  
(72) Name(s) of Designer(s): **John Cross**  
(45) Registration Date: **23 August 2013**  
(56) Related Art Documents: **Not Applicable**  
(57) Statement of Newness and Distinctiveness: **Nil**



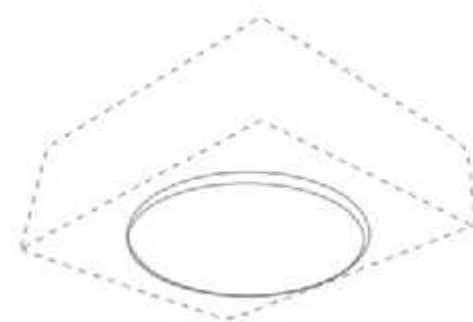
(21) Design Number: **13248/2013**  
(22) Date of Filing Application: **08 July 2013**  
(24) Date from which industrial property rights may have effect: **08 July 2013**  
(54) Product in respect of which the design is registered: **Recycling Container**  
(51) International Design Classification: **09-09**  
(74) Name(s) of Attorney(s): **Raven IP**  
(71) Name(s) and Address(s) of Applicant(s):  
**Recycling Solutions Pty Ltd**  
**14 Newstead St Burleigh Waters QLD 4220 Australia**  
(72) Name(s) of Designer(s): **John Cross**  
(45) Registration Date: **23 August 2013**  
(56) Related Art Documents: **Not Applicable**  
(57) Statement of Newness and Distinctiveness: **Nil able to easily reach wipes.**



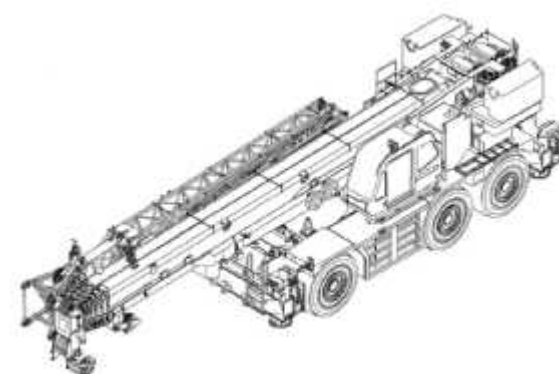
- (21) Design Number: **13250/2013**  
(22) Date of Filing Application: **08 July 2013**  
(24) Date from which industrial property rights may have effect: **08 July 2013**  
(54) Product in respect of which the design is registered: **Contact Lens Case**  
(51) International Design Classification: **03-01NES**  
(74) Name(s) of Attorney(s):  
(71) Name(s) and Address(s) of Applicant(s):  
**Kristina Brooks**  
**5 Bronhill St Currumbin Waters QLD 4223 Australia**  
(72) Name(s) of Designer(s): **Kristina Brooks**  
(45) Registration Date: **23 August 2013**  
(56) Related Art Documents: **Not Applicable**  
(57) Statement of Newness and Distinctiveness: **Monopoly is claimed in the features of shape and/or configuration of a contact lens case as shown in the accompanying representations.**



- (21) Design Number: **13251/2013**  
(22) Date of Filing Application: **08 July 2013**  
(24) Date from which industrial property rights may have effect: **08 July 2013**  
(54) Product in respect of which the design is registered: **Contact Lens Case Lid**  
(51) International Design Classification: **09-07NES**  
(74) Name(s) of Attorney(s):  
(71) Name(s) and Address(s) of Applicant(s):  
**Kristina Brooks**  
**5 Bronhill St Currumbin Waters QLD 4223 Australia**  
(72) Name(s) of Designer(s): **Kristina Brooks**  
(45) Registration Date: **23 August 2013**  
(56) Related Art Documents: **Not Applicable**  
(57) Statement of Newness and Distinctiveness: **Monopoly is claimed on the shape and/or configuration of the contact lens case lid as shown in the accompanying representations. The broken lines showing outline for the lid intend only to place the lid component in the appropriate context and does not form part of the monopoly.**



- (21) Design Number: **13252/2013**  
(22) Date of Filing Application: **08 July 2013**  
(24) Date from which industrial property rights may have effect: **08 July 2013**  
(54) Product in respect of which the design is registered: **Crane truck**  
(51) International Design Classification: **12-05**  
(74) Name(s) of Attorney(s): **SPRUSON & FERGUSON**  
(71) Name(s) and Address(s) of Applicant(s):



- Tadano Ltd.**  
**Ko-34 Shinden-cho Takamatsu-shi Kagawa 761-0185 Japan**  
(72) Name(s) of Designer(s): **Yasushi Kameyama and Kazuya Omori and Masanori Matsuda and Fumitsugu Kusaka and Homurako Ukezeki and Kenta Mitani and Tsubasa Nishimaru and Hidetoshi Fuke and Koki Wada and Keisuke Takahashi**  
(45) Registration Date: **23 August 2013**  
(30) Convention priority data:  
(31) Number      (32) Date      (33) Country  
**000559 / 2013      15 Jan 2013      JAPAN**  
(56) Related Art Documents: **Not Applicable**  
(57) Statement of Newness and Distinctiveness: **Newness and distinctiveness is claimed in the features of shape and/or configuration of a crane truck as illustrated in the accompanying representations.**

- (21) Design Number: **13253/2013**  
(22) Date of Filing Application: **08 July 2013**  
(24) Date from which industrial property rights may have effect: **08 July 2013**  
(54) Product in respect of which the design is registered: **Swimwear, outerwear and sun protection garment**  
(51) International Design Classification: **02-02A**  
(74) Name(s) of Attorney(s):  
(71) Name(s) and Address(s) of Applicant(s):



- Roslyn Johnson**  
**PO BOX 216 Fairfield VIC 3078 Australia**  
(72) Name(s) of Designer(s): **Roslyn Johnson**  
(45) Registration Date: **23 August 2013**  
(56) Related Art Documents: **Not Applicable**  
(57) Statement of Newness and Distinctiveness: **Left band feeds through an opening on the right side. Left band then comes (wraps) around right side and behind to the left side of the garment and ties together with the right band.**



(21) Design Number: **13254/2013**

(22) Date of Filing Application: **08 July 2013**

(24) Date from which industrial property rights may have effect: **08 July 2013**

(54) Product in respect of which the design is registered: **A headrail bracket**

(51) International Design Classification: **08-08M**

(74) Name(s) of Attorney(s):

(71) Name(s) and Address(s) of Applicant(s):

**Tags4All Global Inc.**

**109 St. Andrew Street Mitchell Ontario, N0K 1N0 Canada**

(72) Name(s) of Designer(s): **John Maurice Moses**

(45) Registration Date: **23 August 2013**

(30) Convention priority data:

(31) Number

(32) Date

(33) Country

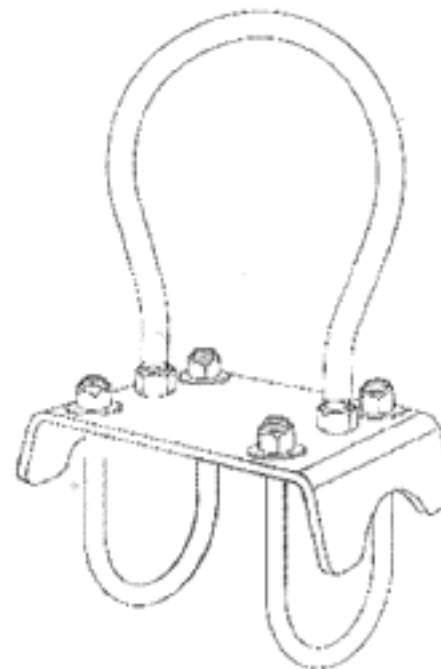
**29/441,732**

**09 Jan 2013**

**UNITED STATES OF AMERICA**

(56) Related Art Documents: **Not Applicable**

(57) Statement of Newness and Distinctiveness: **Novelty is claimed in the features of shape and configuration of a floating headrail bracket as shown in the accompanying representations except parts of the first design or the second design applied to the bracket showing a pipe section and excluded by broken lines as shown in representations which form no part of the first design or the second design where illustrated.**



(21) Design Number: **13255/2013**

(22) Date of Filing Application: **08 July 2013**

(24) Date from which industrial property rights may have effect: **08 July 2013**

(54) Product in respect of which the design is registered: **A floating headrail bracket**

(51) International Design Classification: **08-08M**

(74) Name(s) of Attorney(s):

(71) Name(s) and Address(s) of Applicant(s):

**Tags4All Global Inc.**

**109 St. Andrew Street Mitchell Ontario, N0K 1N0 Canada**

(72) Name(s) of Designer(s): **John Maurice Moses**

(45) Registration Date: **23 August 2013**

(30) Convention priority data:

(31) Number

(32) Date

(33) Country

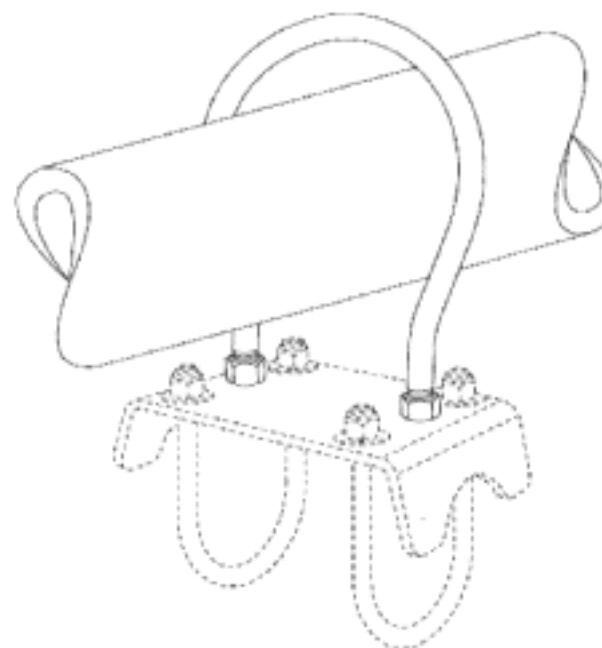
**29/441,732**

**09 Jan 2013**

**UNITED STATES OF AMERICA**

(56) Related Art Documents: **Not Applicable**

(57) Statement of Newness and Distinctiveness: **Novelty is claimed in the features of shape and configuration of a floating headrail bracket as shown in the accompanying representations except parts of the first design or the second design applied to the bracket showing a pipe section and excluded by broken lines as shown in representations which form no part of the first design or the second design where illustrated.**





(21) Design Number: **13282/2013**

(22) Date of Filing Application: **08 July 2013**

(24) Date from which industrial property rights may have effect: **08 July 2013**

(54) Product in respect of which the design is registered: **Beardtrimmer**

(51) International Design Classification: **28-03D**

(74) Name(s) of Attorney(s): **FB Rice**

(71) Name(s) and Address(s) of Applicant(s):

**Koninklijke Philips N.V.  
High Tech Campus 5 5656 AE Eindhoven The Netherlands**

(72) Name(s) of Designer(s): **Ki Hyun Yoon**

(45) Registration Date: **23 August 2013**

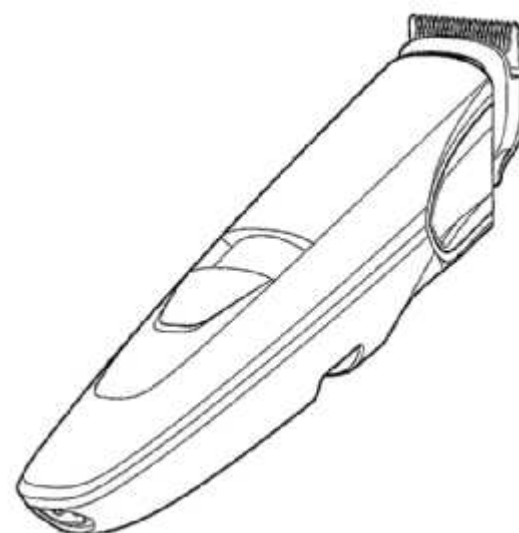
(30) Convention priority data:

(31) Number (32) Date  
**002164699-0001 10 Jan 2013**

(33) Country  
**OFFICE FOR HARMONISATION IN  
THE INTERNAL MARKET (OHIM)**

(56) Related Art Documents: **Not Applicable**

(57) Statement of Newness and Distinctiveness: **Newness and distinctiveness  
reside in the features of shape and configuration of the design as shown  
in the representations.**



(21) Design Number: **13283/2013**

(22) Date of Filing Application: **08 July 2013**

(24) Date from which industrial property rights may have effect: **08 July 2013**

(54) Product in respect of which the design is registered: **Fume hood**

(51) International Design Classification: **23-04**

(74) Name(s) of Attorney(s): **SPRUSON & FERGUSON**

(71) Name(s) and Address(s) of Applicant(s):

**Panasonic Corporation  
1006 Oaza Kadoma Kadoma-shi Osaka 571-8501 Japan**

(72) Name(s) of Designer(s): **Fumio Yamada and Akihiro Mochizuki and  
Yasutoshi Okamoto**

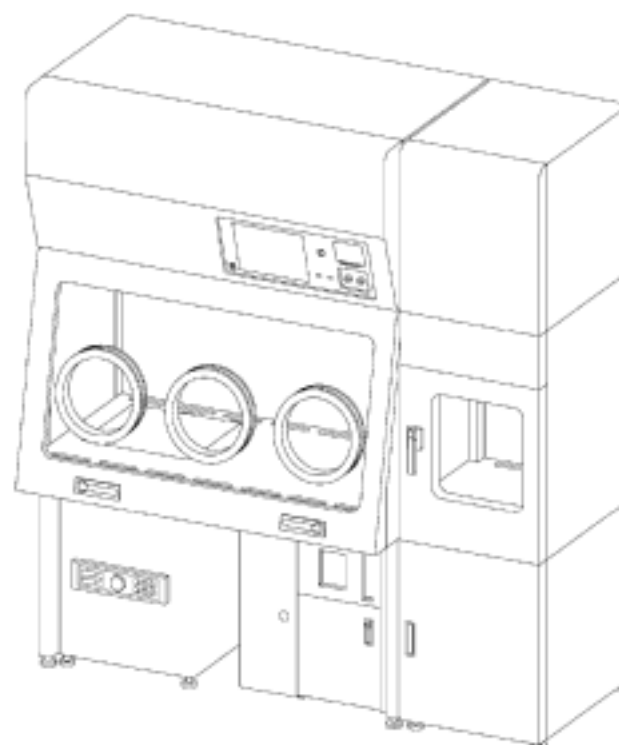
(45) Registration Date: **23 August 2013**

(30) Convention priority data:

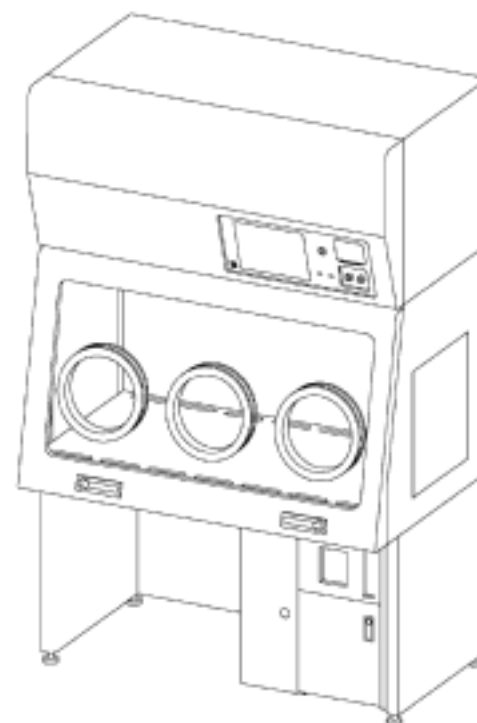
(31) Number (32) Date (33) Country  
**D2013-004196 28 Feb 2013 JAPAN**

(56) Related Art Documents: **Not Applicable**

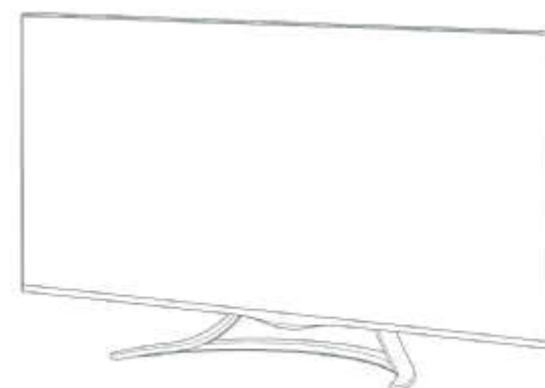
(57) Statement of Newness and Distinctiveness: **Newness and distinctiveness  
is claimed in the features of shape and/or configuration of a fume hood  
as illustrated in the accompanying representations.**



- (21) Design Number: **13284/2013**  
(22) Date of Filing Application: **08 July 2013**  
(24) Date from which industrial property rights may have effect: **08 July 2013**  
(54) Product in respect of which the design is registered: **Fume hood**  
(51) International Design Classification: **23-04**  
(74) Name(s) of Attorney(s): **SPRUSON & FERGUSON**  
(71) Name(s) and Address(s) of Applicant(s):  
**Panasonic Corporation**  
**1006 Oaza Kadoma Kadoma-shi Osaka 571-8501 Japan**  
(72) Name(s) of Designer(s): **Fumio Yamada and Akihiro Mochizuki and Yasutoshi Okamoto**  
(45) Registration Date: **23 August 2013**  
(30) Convention priority data:  
(31) Number (32) Date (33) Country  
**D2013-004197 28 Feb 2013 JAPAN**  
(56) Related Art Documents: **Not Applicable**  
(57) Statement of Newness and Distinctiveness: **Newness and distinctiveness is claimed in the features of shape and/or configuration of a fume hood as illustrated in the accompanying representations.**



- (21) Design Number: **13286/2013**  
(22) Date of Filing Application: **08 July 2013**  
(24) Date from which industrial property rights may have effect: **08 July 2013**  
(54) Product in respect of which the design is registered: **Television receiver**  
(51) International Design Classification: **14-03B**  
(74) Name(s) of Attorney(s): **FB Rice**  
(71) Name(s) and Address(s) of Applicant(s):  
**LG Electronics Inc.**  
**20 Yeouido-dong Yeongdeungpo-gu Seoul 150-721 Republic of Korea**  
(72) Name(s) of Designer(s): **Misun Park and Hyoungrak Son and Jeongha Kim and Junnyung Lee**  
(45) Registration Date: **23 August 2013**  
(30) Convention priority data:  
(31) Number (32) Date (33) Country  
**30-2013-0001030 07 Jan 2013 REPUBLIC OF KOREA**  
(56) Related Art Documents: **Not Applicable**  
(57) Statement of Newness and Distinctiveness: **Newness and distinctiveness reside in the visual features of the design as shown in the representations.**



- (21) Design Number: **15814/2012**  
(22) Date of Filing Application: **20 November 2012**  
(24) Date from which industrial property rights may have effect: **20 November 2012**  
(54) Product in respect of which the design is registered: **Toaster**  
(51) International Design Classification: **07-02F**  
(74) Name(s) of Attorney(s): **Freehills Patent Attorneys**  
(71) Name(s) and Address(s) of Applicant(s):  
**Sunbeam Corporation Limited**  
**U5&6 13 Lord St Botany NSW 2019 Australia**  
(72) Name(s) of Designer(s): **Andrew Morgan**  
(45) Registration Date: **23 August 2013**  
(56) Related Art Documents: **Not Applicable**  
(57) Statement of Newness and Distinctiveness: **Newness and distinctiveness resides in the features of shape and/or configuration of a toaster as shown in solid outline in the accompanying drawings.**

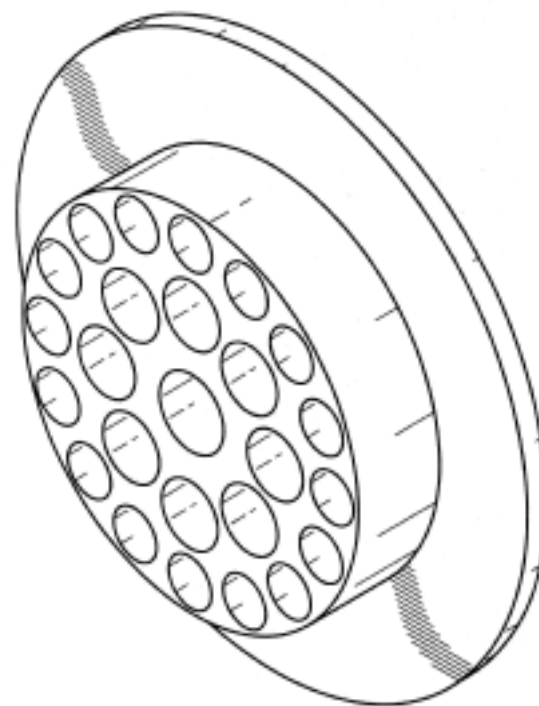


- (21) Design Number: **13424/2013**  
(22) Date of Filing Application: **20 November 2012**  
(24) Date from which industrial property rights may have effect: **20 November 2012**  
(54) Product in respect of which the design is registered: **Toaster**  
(51) International Design Classification: **07-02F**  
(74) Name(s) of Attorney(s): **Freehills Patent Attorneys**  
(71) Name(s) and Address(s) of Applicant(s):  
**Sunbeam Corporation Limited**  
**U5&6 13 Lord St Botany NSW 2019 Australia**  
(72) Name(s) of Designer(s): **Andrew Morgan**  
(45) Registration Date: **23 August 2013**  
(56) Related Art Documents: **Not Applicable**  
(57) Statement of Newness and Distinctiveness: **Newness and distinctiveness resides in the features of shape and/or configuration of a toaster as shown in solid outline in the accompanying drawings.**



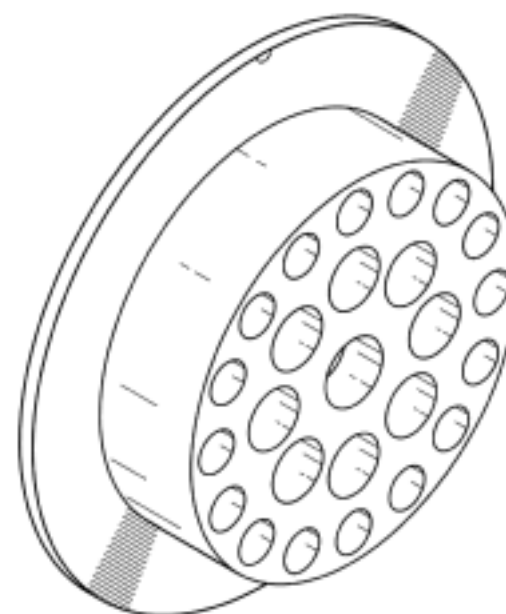
(21) Design Number: **11152/2013**  
(22) Date of Filing Application: **11 March 2013**  
(24) Date from which industrial property rights may have effect: **11 March 2013**  
(54) Product in respect of which the design is registered: **Flow conditioner**  
(51) International Design Classification: **23-04**  
(74) Name(s) of Attorney(s): **Halfords IP**  
(71) Name(s) and Address(s) of Applicant(s):  
**Canada Pipeline Accessories, Co. Ltd.**  
**10653 - 46th Street SE Calgary Alberta T2C 5C2 Canada**  
(72) Name(s) of Designer(s): **Daniel Sawchuk and Reginald Selirio**  
(45) Registration Date: **23 August 2013**  
(30) Convention priority data:  
(31) Number (32) Date (33) Country  
**29/432051 13 Sep 2012 UNITED STATES OF AMERICA**

(56) Related Art Documents: **Not Applicable**  
(57) Statement of Newness and Distinctiveness: **Newness and distinctiveness resides in those features of shape and or configuration of a flow conditioner as depicted in the representations. The representations include broken lines and or shading lines and these do not form part of the design.**

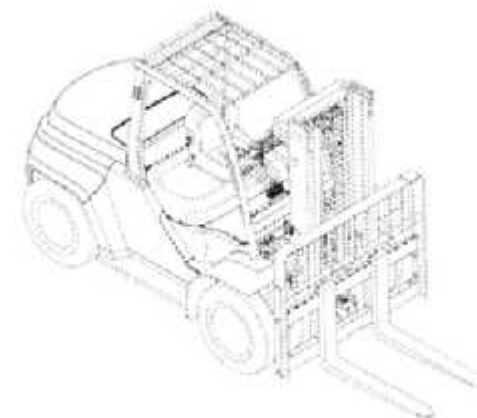


(21) Design Number: **13036/2013**  
(22) Date of Filing Application: **11 March 2013**  
(24) Date from which industrial property rights may have effect: **11 March 2013**  
(54) Product in respect of which the design is registered: **Flow conditioner**  
(51) International Design Classification: **23-04**  
(74) Name(s) of Attorney(s): **Halfords IP**  
(71) Name(s) and Address(s) of Applicant(s):  
**Canada Pipeline Accessories, Co. Ltd.**  
**10653 - 46th Street S.E. Calgary T2C 5C2 Alberta Canada**  
(72) Name(s) of Designer(s): **Daniel Sawchuk and Reginald Selirio**  
(45) Registration Date: **23 August 2013**  
(30) Convention priority data:  
(31) Number (32) Date (33) Country  
**29/432051 13 Sep 2012 UNITED STATES OF AMERICA**

(56) Related Art Documents: **Not Applicable**  
(57) Statement of Newness and Distinctiveness: **Newness and Distinctiveness resides in those features of shape and or configuration of a Flow Conditioner as depicted in the accompanying representations. Features shown in broken lines do not form part of the design.**

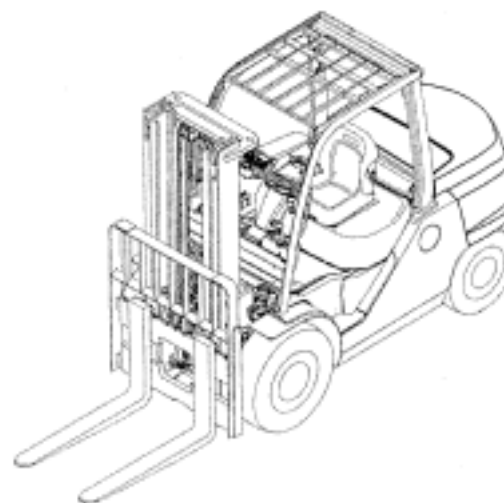


(21) Design Number: **11725/2013**  
(22) Date of Filing Application: **12 April 2013**  
(24) Date from which industrial property rights may have effect: **12 April 2013**  
(54) Product in respect of which the design is registered: **Forklift truck**  
(51) International Design Classification: **12-05**  
(74) Name(s) of Attorney(s): **Griffith Hack**  
(71) Name(s) and Address(s) of Applicant(s):  
**Kabushiki Kaisha Toyota Jidoshokki**  
**2-1 Toyoda-cho Kariya-Shi Aichi 448-8671 Japan**  
(72) Name(s) of Designer(s): **Tadayuki Yakushi and Kouichi Sumigama**  
(45) Registration Date: **23 August 2013**  
(30) Convention priority data:  
(31) Number (32) Date (33) Country  
**D2012-024858 12 Oct 2012 JAPAN**



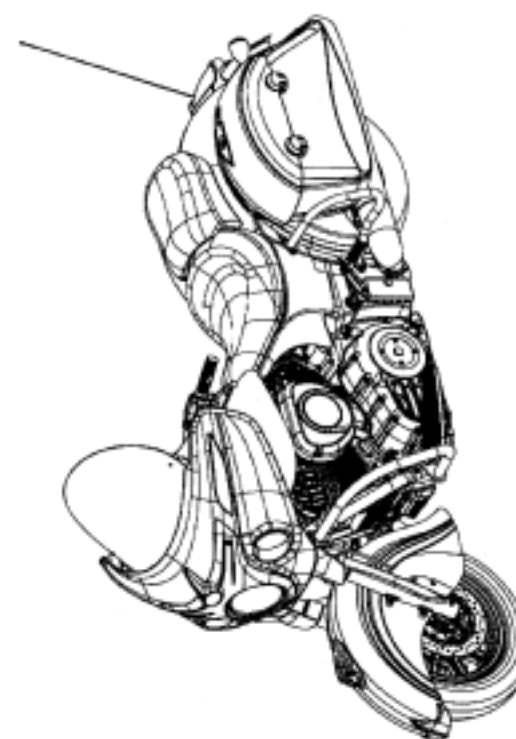
(56) Related Art Documents: **Not Applicable**  
(57) Statement of Newness and Distinctiveness: **Newness and distinctiveness resides in the features of shape and/or configuration of the PRODUCT shown by solid lines in the accompanying representations. Those portions shown by means of dashed lines have been included for illustrative purposes only and do not form part of the design.**

(21) Design Number: **13487/2013**  
(22) Date of Filing Application: **12 April 2013**  
(24) Date from which industrial property rights may have effect: **12 April 2013**  
(54) Product in respect of which the design is registered: **Forklift truck**  
(51) International Design Classification: **12-05**  
(74) Name(s) of Attorney(s): **Griffith Hack**  
(71) Name(s) and Address(s) of Applicant(s):  
**Kabushiki Kaisha Toyota Jidoshokki**  
**2-1 Toyoda-cho Kariya-Shi Aichi 448-8671 Japan**  
(72) Name(s) of Designer(s): **Tadayuki Yakushi and Kouichi Sumigama and Yoshitaka Sato**  
(45) Registration Date: **23 August 2013**  
(30) Convention priority data:  
(31) Number (32) Date (33) Country  
**D2012-024858 12 Oct 2012 JAPAN**

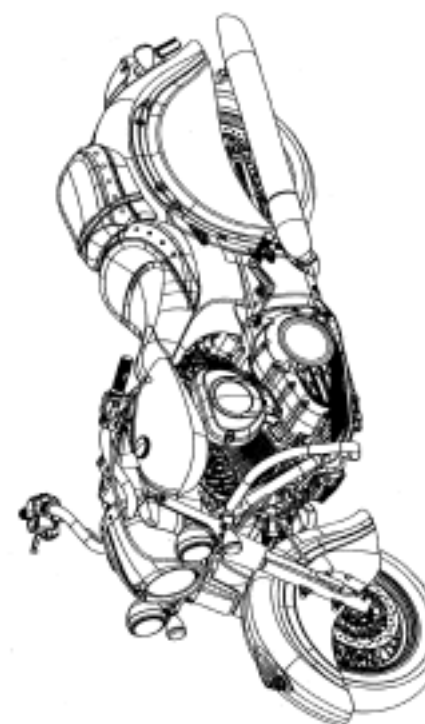


(56) Related Art Documents: **Not Applicable**  
(57) Statement of Newness and Distinctiveness: **Newness and distinctiveness resides in the features of shape and/or configuration of the PRODUCT shown by solid lines in the accompanying representations. Those portions shown by means of dashed lines have been included for illustrative purposes only and do not form part of the design.**

(21) Design Number: **12149/2013**  
(22) Date of Filing Application: **09 May 2013**  
(24) Date from which industrial property rights may have effect: **09 May 2013**  
(54) Product in respect of which the design is registered: **A motorcycle**  
(51) International Design Classification: **12-11**  
(74) Name(s) of Attorney(s): **WATERMARK PATENT AND TRADE MARKS ATTORNEYS**  
(71) Name(s) and Address(s) of Applicant(s):  
**Indian Motorcycle International, LLC**  
**2100 Highway 55 Medina MN 55340-9770 United States of America**  
(72) Name(s) of Designer(s): **Michael M. Song and Gregory C. Brew and Salvador Gonzalez**  
(45) Registration Date: **26 August 2013**  
(30) Convention priority data:  
(31) Number (32) Date (33) Country  
**29/437,022 12 Nov 2012 UNITED STATES OF AMERICA**  
(56) Related Art Documents: **Not Applicable**  
(57) Statement of Newness and Distinctiveness: **Nil**



(21) Design Number: **13486/2013**  
(22) Date of Filing Application: **09 May 2013**  
(24) Date from which industrial property rights may have effect: **09 May 2013**  
(54) Product in respect of which the design is registered: **A motorcycle**  
(51) International Design Classification: **12-11**  
(74) Name(s) of Attorney(s): **WATERMARK PATENT AND TRADE MARKS ATTORNEYS**  
(71) Name(s) and Address(s) of Applicant(s):  
**Indian Motorcycle International, LLC**  
**2100 Highway 55 Medina MN 55340-9770 United States of America**  
(72) Name(s) of Designer(s): **Michael M. Song and Gregory C. Brew and Salvador Gonzalez**  
(45) Registration Date: **26 August 2013**  
(30) Convention priority data:  
(31) Number (32) Date (33) Country  
**29/437,022 12 Nov 2012 UNITED STATES OF AMERICA**  
(56) Related Art Documents: **Not Applicable**  
(57) Statement of Newness and Distinctiveness: **Nil shape and or configuration of a Flow Conditioner as depicted in the accompanying representations. Features shown in broken lines do not form part of the design.**

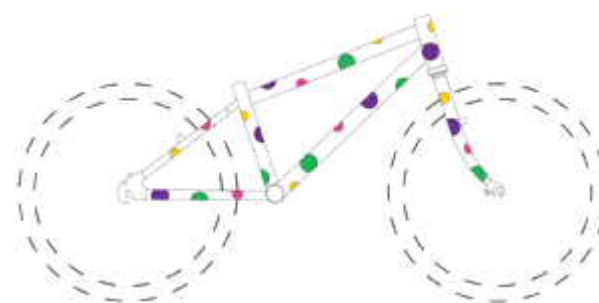




- (21) Design Number: **13290/2013**  
(22) Date of Filing Application: **09 July 2013**  
(24) Date from which industrial property rights may have effect: **09 July 2013**  
(54) Product in respect of which the design is registered: **Lamp**  
(51) International Design Classification: **26-05B**  
(74) Name(s) of Attorney(s): **Shelston IP**  
(71) Name(s) and Address(s) of Applicant(s):  
**Ecolighting, Inc.**  
**2F., No.1, Lane. 45, Baoxing Rd. Xindian Dist. New Taipei City 231**  
**Taiwan**  
(72) Name(s) of Designer(s): **Po-Wen Chou and Shih-Jen Chuang and Shih-Chang Chen and Peng-Hui Wang**  
(45) Registration Date: **26 August 2013**  
(30) Convention priority data:  
(31) Number (32) Date (33) Country  
**102301097 07 Feb 2013 TAIWAN**  
(56) Related Art Documents: **Not Applicable**  
(57) Statement of Newness and Distinctiveness: **Newness and distinctiveness reside in the features of shape and/or configuration of a LAMP as illustrated in the accompanying representations.**



- (21) Design Number: **13292/2013**  
(22) Date of Filing Application: **09 July 2013**  
(24) Date from which industrial property rights may have effect: **09 July 2013**  
(54) Product in respect of which the design is registered: **Bicycle frame**  
(51) International Design Classification: **12-11**  
(74) Name(s) of Attorney(s):  
(71) Name(s) and Address(s) of Applicant(s):  
**Frog Bikes Limited**  
**Silvester House Ridgemead Road Englefield Green Egham Surrey, TW20**  
**0YG United Kingdom**  
(72) Name(s) of Designer(s): **Shelley Lawson**  
(45) Registration Date: **26 August 2013**  
(30) Convention priority data:  
(31) Number (32) Date (33) Country  
**002231464-0001 02 May 2013 OFFICE FOR HARMONISATION IN**  
**THE INTERNAL MARKET (OHIM)**  
(56) Related Art Documents: **Not Applicable**  
(57) Statement of Newness and Distinctiveness: **The newness and distinctiveness of the design resides in the colour and application of the spots and the shape of the frame as shown in the continuous lines in the accompanying representations. The broken lines are not part of the design and are to be disregarded when considering the overall impression of the design.**



(21) Design Number: **13294/2013**  
(22) Date of Filing Application: **09 July 2013**  
(24) Date from which industrial property rights may have effect: **09 July 2013**  
(54) Product in respect of which the design is registered: **Bicycle frame**  
(51) International Design Classification: **12-11**  
(74) Name(s) of Attorney(s):  
(71) Name(s) and Address(s) of Applicant(s):

**Frog Bikes Limited**  
**Silvester House Ridgemean Road Englefield Green Egham Surrey, TW20**  
**0YG United Kingdom**

(72) Name(s) of Designer(s): **Shelley Lawson**

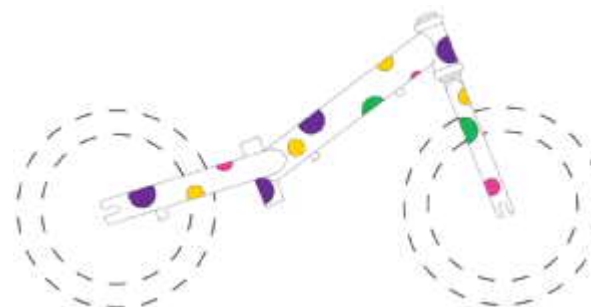
(45) Registration Date: **26 August 2013**

(30) Convention priority data:

|                       |                    |   |
|-----------------------|--------------------|---|
| (31) Number           | (32) Date          | (33) Country  |
| <b>002231464-0003</b> | <b>02 May 2013</b> | <b>OFFICE FOR HARMONISATION IN<br/>THE INTERNAL MARKET (OHIM)</b> |

(56) Related Art Documents: **Not Applicable**

(57) Statement of Newness and Distinctiveness: **The newness and distinctiveness of the design resides in the colour and application of the spots and the shape of the frame as shown in the continuous lines in the accompanying representations. The broken lines are not part of the design and are to be disregarded when considering the overall impression of the design.**



(21) Design Number: **13297/2013**  
(22) Date of Filing Application: **09 July 2013**  
(24) Date from which industrial property rights may have effect: **09 July 2013**  
(54) Product in respect of which the design is registered: **Display screen for an electronic device**  
(51) International Design Classification: **14-01, 14-02**  
(74) Name(s) of Attorney(s): **Wrays**  
(71) Name(s) and Address(s) of Applicant(s):

**Samsung Electronics Co., Ltd**  
**129 Samsung-ro Yeongtong-gu Suwon-si Gyeonggi-do 443-742 Republic**  
**of Korea**

(72) Name(s) of Designer(s): **Sang-Hyun Park**

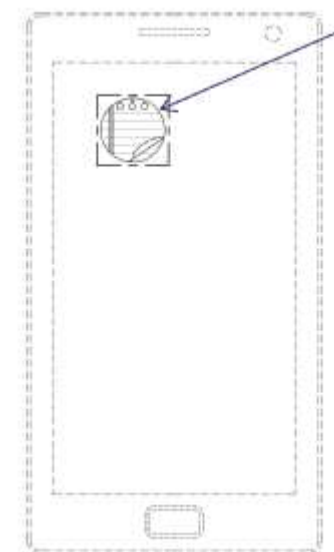
(45) Registration Date: **26 August 2013**

(30) Convention priority data:

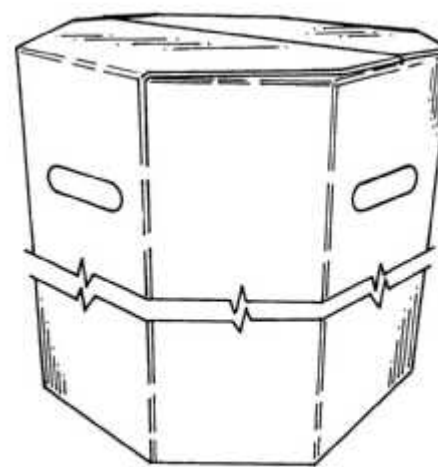
|                        |                    |                          |
|------------------------|--------------------|--------------------------|
| (31) Number            | (32) Date          | (33) Country             |
| <b>30-2013-0001427</b> | <b>09 Jan 2013</b> | <b>REPUBLIC OF KOREA</b> |

(56) Related Art Documents: **Not Applicable**

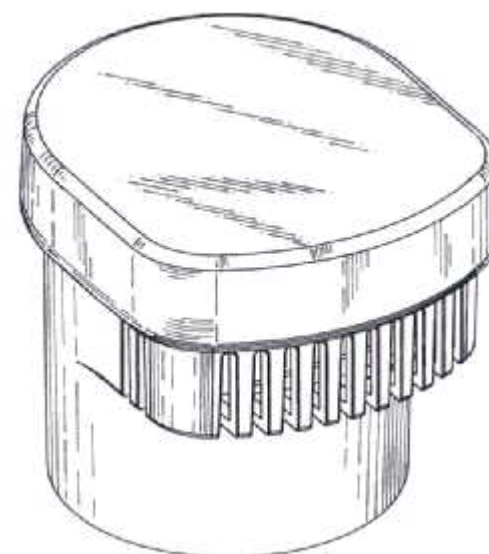
(57) Statement of Newness and Distinctiveness: **Newness and distinctiveness is claimed in the features of pattern and/or ornamentation of the Display Screen For An Electronic Device as shown in the accompanying representations and referenced by an A in Figure 1. The features shown in broken lines are for illustrative purposes only and do not form part of the claimed design.**



- (21) Design Number: **13298/2013**  
(22) Date of Filing Application: **09 July 2013**  
(24) Date from which industrial property rights may have effect: **09 July 2013**  
(54) Product in respect of which the design is registered: **Box**  
(51) International Design Classification: **09-03NES**  
(74) Name(s) of Attorney(s): **IP Wealth Pty Ltd**  
(71) Name(s) and Address(s) of Applicant(s):  
**Celebration Express Pty Ltd**  
**L1 13 Central Bvd Port Melbourne VIC 3207 Australia**  
(72) Name(s) of Designer(s): **Alan John Perkins**  
(45) Registration Date: **26 August 2013**  
(56) Related Art Documents: **Not Applicable**  
(57) Statement of Newness and Distinctiveness: **Newness and distinctiveness of the design resides in the features of shape and configuration of the design that are shown in the accompanying representations.**



- (21) Design Number: **13299/2013**  
(22) Date of Filing Application: **09 July 2013**  
(24) Date from which industrial property rights may have effect: **09 July 2013**  
(54) Product in respect of which the design is registered: **Housing for air admittance and/or expellation**  
(51) International Design Classification: **23-04**  
(74) Name(s) of Attorney(s): **IP Gateway Patent & Trademark Attorneys Pty Ltd**  
(71) Name(s) and Address(s) of Applicant(s):  
**Plastec Australia Pty Ltd**  
**2 Enterprise St Caloundra QLD 4551 Australia**  
(72) Name(s) of Designer(s): **Andrew Hobbs**  
(45) Registration Date: **26 August 2013**  
(56) Related Art Documents: **Not Applicable**  
(57) Statement of Newness and Distinctiveness: **Newness and distinctiveness of the design resides in the visual features of shape and/or configuration of a housing for air admittance and/or expellation substantially as shown in solid lines in the accompanying representations.**



(21) Design Number: **13306/2013**

(22) Date of Filing Application: **10 July 2013**

(24) Date from which industrial property rights may have effect: **10 July 2013**

(54) Product in respect of which the design is registered: **Chair**

(51) International Design Classification: **06-01F**

(74) Name(s) of Attorney(s): **Hazan Hollander**

(71) Name(s) and Address(s) of Applicant(s):

**Design Research Limited**

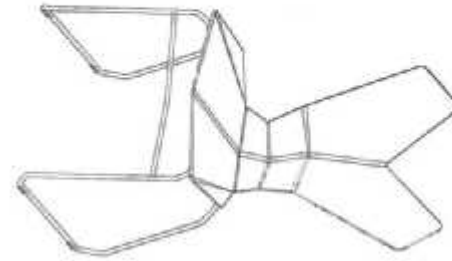
**Ladbroke Grove Wharf Building Portobello Dock London W10 5BU  
United Kingdom**

(72) Name(s) of Designer(s): **Thomas Dixon**

(45) Registration Date: **26 August 2013**

(56) Related Art Documents: **Not Applicable**

(57) Statement of Newness and Distinctiveness: **Nil**



(21) Design Number: **13307/2013**

(22) Date of Filing Application: **10 July 2013**

(24) Date from which industrial property rights may have effect: **10 July 2013**

(54) Product in respect of which the design is registered: **Chair**

(51) International Design Classification: **06-01F**

(74) Name(s) of Attorney(s): **Hazan Hollander**

(71) Name(s) and Address(s) of Applicant(s):

**Design Research Limited**

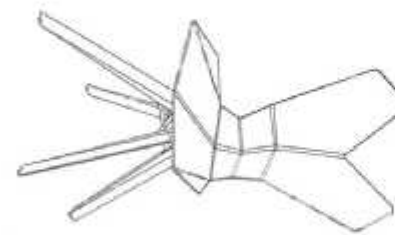
**Ladbroke Grove Wharf Building Portobello Dock London W10 5BU  
United Kingdom**

(72) Name(s) of Designer(s): **Thomas Dixon**

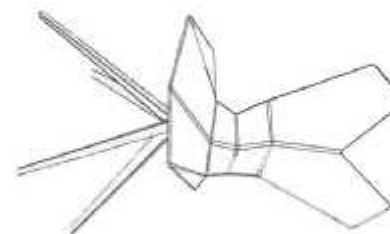
(45) Registration Date: **26 August 2013**

(56) Related Art Documents: **Not Applicable**

(57) Statement of Newness and Distinctiveness: **Nil**



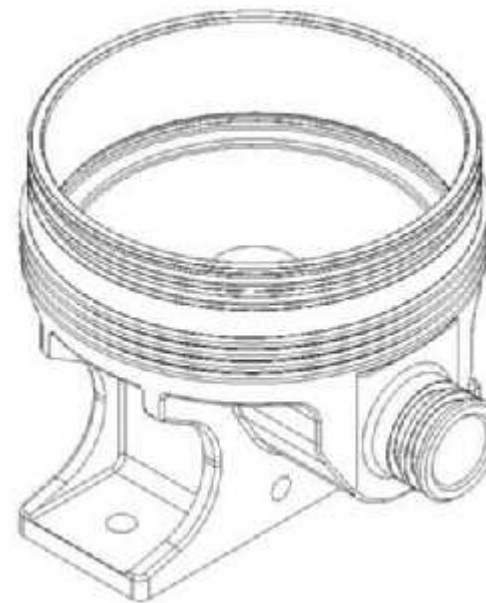
(21) Design Number: **13308/2013**  
(22) Date of Filing Application: **10 July 2013**  
(24) Date from which industrial property rights may have effect: **10 July 2013**  
(54) Product in respect of which the design is registered: **Chair**  
(51) International Design Classification: **06-01F**  
(74) Name(s) of Attorney(s): **Hazan Hollander**  
(71) Name(s) and Address(s) of Applicant(s):  
**Design Research Limited**  
**Ladbroke Grove Wharf Building Portobello Dock London W10 5BU**  
**United Kingdom**  
(72) Name(s) of Designer(s): **Thomas Dixon**  
(45) Registration Date: **26 August 2013**  
(56) Related Art Documents: **Not Applicable**  
(57) Statement of Newness and Distinctiveness: **Nil**



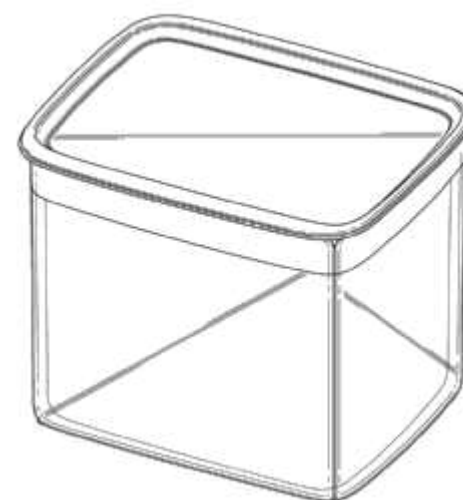
(21) Design Number: **13309/2013**  
(22) Date of Filing Application: **10 July 2013**  
(24) Date from which industrial property rights may have effect: **10 July 2013**  
(54) Product in respect of which the design is registered: **Wiping substrate dispenser**  
(51) International Design Classification: **23-02A**  
(74) Name(s) of Attorney(s): **SPRUSON & FERGUSON**  
(71) Name(s) and Address(s) of Applicant(s):  
**Kimberly-Clark Worldwide, Inc.**  
**2300 Winchester Road Neenah Wisconsin 54956 United States of America**  
(72) Name(s) of Designer(s): **Jason Robert Boon and Maggie VanderHeiden Berger and Kevin Christopher Possell**  
(45) Registration Date: **26 August 2013**  
(30) Convention priority data:  
(31) Number      (32) Date      (33) Country  
**29/446242      21 Feb 2013      UNITED STATES OF AMERICA**  
(56) Related Art Documents: **Not Applicable**  
(57) Statement of Newness and Distinctiveness: **Newness and distinctiveness is claimed in the features of shape and/or configuration of a wiping substrate dispenser as illustrated in the accompanying representations.**



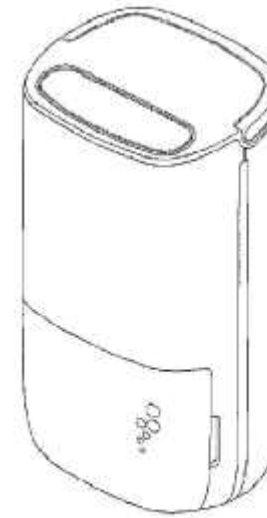
- (21) Design Number: **13311/2013**  
(22) Date of Filing Application: **10 July 2013**  
(24) Date from which industrial property rights may have effect: **10 July 2013**  
(54) Product in respect of which the design is registered: **Filtration components**  
(51) International Design Classification: **23-01G**  
(74) Name(s) of Attorney(s):  
(71) Name(s) and Address(s) of Applicant(s):  
**Siemens Industry, Inc.**  
**3333 Old Milton Parkway Alpharetta GA 30005-4437 United States of America**  
(72) Name(s) of Designer(s): **Ying Hao Teo and Bruce Biltoft and Tomasz Swiatek and Robert James McMahon and Huw Lazaredes**  
(45) Registration Date: **26 August 2013**  
(56) Related Art Documents: **Not Applicable**  
(57) Statement of Newness and Distinctiveness: **Filtration header.**



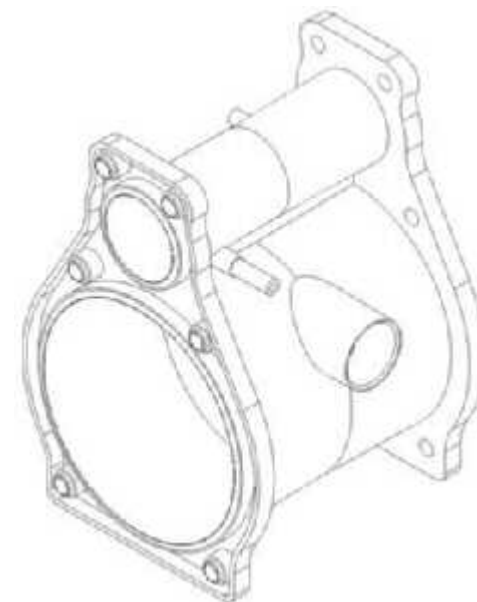
- (21) Design Number: **13312/2013**  
(22) Date of Filing Application: **10 July 2013**  
(24) Date from which industrial property rights may have effect: **10 July 2013**  
(54) Product in respect of which the design is registered: **Wiping substrate dispenser**  
(51) International Design Classification: **23-02A**  
(74) Name(s) of Attorney(s): **SPRUSON & FERGUSON**  
(71) Name(s) and Address(s) of Applicant(s):  
**Kimberly-Clark Worldwide, Inc.**  
**2300 Winchester Road Neenah Wisconsin 54956 United States of America**  
(72) Name(s) of Designer(s): **Kevin Christopher Possell and Maggie VanderHeiden Berger and Jason Robert Boon**  
(45) Registration Date: **26 August 2013**  
(30) Convention priority data:  
(31) Number      (32) Date      (33) Country  
**29/446243      21 Feb 2013      UNITED STATES OF AMERICA**  
(56) Related Art Documents: **Not Applicable**  
(57) Statement of Newness and Distinctiveness: **Newness and distinctiveness is claimed in the features of shape and/or configuration of a wiping substrate dispenser as illustrated in the accompanying representations.**



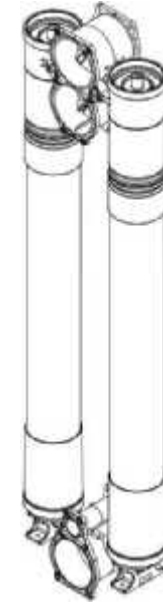
(21) Design Number: **13059/2013**  
(22) Date of Filing Application: **28 June 2013**  
(24) Date from which industrial property rights may have effect: **28 June 2013**  
(54) Product in respect of which the design is registered: **Dehumidifier**  
(51) International Design Classification: **23-04**  
(74) Name(s) of Attorney(s): **WATERMARK PATENT AND TRADE MARKS ATTORNEYS**  
(71) Name(s) and Address(s) of Applicant(s):  
**WiniaMando Inc**  
**121 Maegok-ri Tangjeong-myun Asan-si Chungcheongnam-do Republic of Korea**  
(72) Name(s) of Designer(s): **Jeong-Seok Yeom**  
(45) Registration Date: **26 August 2013**  
(30) Convention priority data:  
(31) Number (32) Date (33) Country  
**30-2012-0062920 28 Dec 2012 REPUBLIC OF KOREA**  
(56) Related Art Documents: **Not Applicable**  
(57) Statement of Newness and Distinctiveness: **Nil**



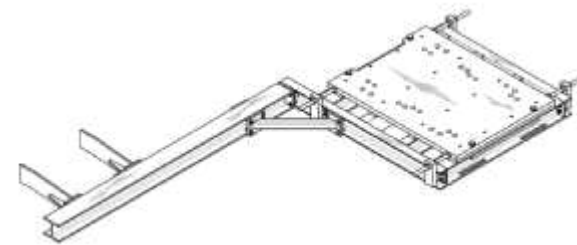
(21) Design Number: **13313/2013**  
(22) Date of Filing Application: **10 July 2013**  
(24) Date from which industrial property rights may have effect: **10 July 2013**  
(54) Product in respect of which the design is registered: **Filtration components**  
(51) International Design Classification: **23-01G**  
(74) Name(s) of Attorney(s):  
(71) Name(s) and Address(s) of Applicant(s):  
**Siemens Industry, Inc.**  
**3333 Old Milton Parkway Alpharetta GA 30005-4437 United States of America**  
(72) Name(s) of Designer(s): **Ying Hao Teo and Tomasz Swiatek and Robert James McMahon**  
(45) Registration Date: **26 August 2013**  
(56) Related Art Documents: **Not Applicable**  
(57) Statement of Newness and Distinctiveness: **Filtration manifold.**



- (21) Design Number: **13315/2013**  
(22) Date of Filing Application: **10 July 2013**  
(24) Date from which industrial property rights may have effect: **10 July 2013**  
(54) Product in respect of which the design is registered: **Filtration components**  
(51) International Design Classification: **23-01G**  
(74) Name(s) of Attorney(s):  
(71) Name(s) and Address(s) of Applicant(s):  
**Siemens Industry, Inc.**  
**3333 Old Milton Pkwy Alpharetta GA 30005-4437 United States of America**  
(72) Name(s) of Designer(s): **Ying Hao Teo and Robert James McMahon and Zhiyi Cao and Tomasz Swiatek and Bruce Bilstoft**  
(45) Registration Date: **26 August 2013**  
(56) Related Art Documents: **Not Applicable**  
(57) Statement of Newness and Distinctiveness: **Filtration assembly**

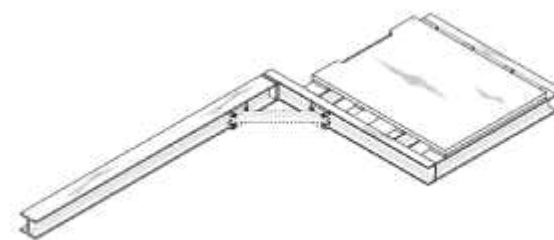


- (21) Design Number: **13318/2013**  
(22) Date of Filing Application: **10 July 2013**  
(24) Date from which industrial property rights may have effect: **10 July 2013**  
(54) Product in respect of which the design is registered: **Crusher**  
(51) International Design Classification: **15-99**  
(74) Name(s) of Attorney(s): **Griffith Hack**  
(71) Name(s) and Address(s) of Applicant(s):  
**Sandvik Intellectual Property AB**  
**Sandviken SE-811 81 Sandviken Sweden**  
(72) Name(s) of Designer(s): **Rowan Dallimore and Andreas Forsberg and Knut Kjaerran**  
(45) Registration Date: **26 August 2013**  
(30) Convention priority data:  
(31) Number (32) Date (33) Country  
**135749500010003 15 Jan 2013 SWEDEN**  
(56) Related Art Documents: **Not Applicable**  
(57) Statement of Newness and Distinctiveness: **Nil**





(21) Design Number: **13319/2013**  
(22) Date of Filing Application: **10 July 2013**  
(24) Date from which industrial property rights may have effect: **10 July 2013**  
(54) Product in respect of which the design is registered: **Crusher**  
(51) International Design Classification: **15-99**  
(74) Name(s) of Attorney(s): **Griffith Hack**  
(71) Name(s) and Address(s) of Applicant(s):



**Sandvik Intellectual Property AB**  
**Sandviken SE-811 81 Sandviken Sweden**

(72) Name(s) of Designer(s): **Rowan Dallimore and Andreas Forsberg and Knut Kjaerran**

(45) Registration Date: **26 August 2013**

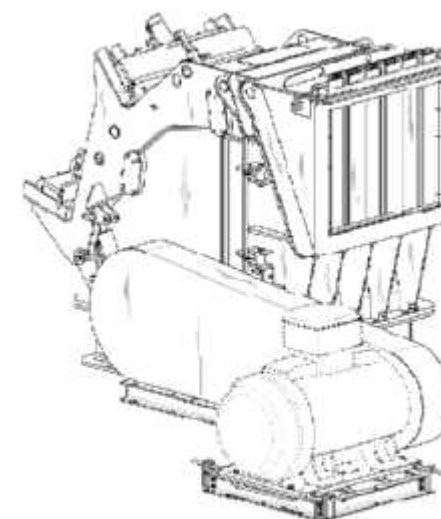
(30) Convention priority data:

|                        |                    |               |
|------------------------|--------------------|---------------|
| (31) Number            | (32) Date          | (33) Country  |
| <b>135749500010003</b> | <b>15 Jan 2013</b> | <b>SWEDEN</b> |

(56) Related Art Documents: **Not Applicable**

(57) Statement of Newness and Distinctiveness: **Newness and distinctiveness resides in the visual features, including shape and configuration, of a CRUSHER as shown in solid outline in the accompanying drawings. When determining whether the design is substantially similar in overall impression to another design, no regard is to be had to those features shown in dotted outline in the accompanying drawings, which features are provided for illustrative purposes only.**

(21) Design Number: **13320/2013**  
(22) Date of Filing Application: **10 July 2013**  
(24) Date from which industrial property rights may have effect: **10 July 2013**  
(54) Product in respect of which the design is registered: **Crusher**  
(51) International Design Classification: **15-99**  
(74) Name(s) of Attorney(s): **Griffith Hack**  
(71) Name(s) and Address(s) of Applicant(s):



**Sandvik Intellectual Property AB**  
**Sandviken SE-811 81 Sandviken Sweden**

(72) Name(s) of Designer(s): **Rowan Dallimore and Andreas Forsberg and Knut Kjaerran**

(45) Registration Date: **26 August 2013**

(30) Convention priority data:

|                        |                    |               |
|------------------------|--------------------|---------------|
| (31) Number            | (32) Date          | (33) Country  |
| <b>135749500010003</b> | <b>15 Jan 2013</b> | <b>SWEDEN</b> |

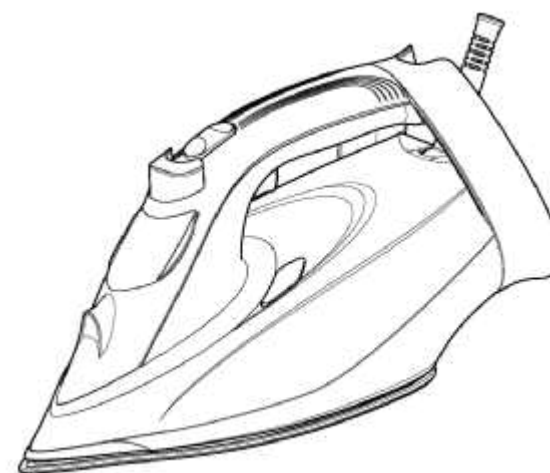
(56) Related Art Documents: **Not Applicable**

(57) Statement of Newness and Distinctiveness: **Newness and distinctiveness resides in the visual features, including shape and configuration, of a CRUSHER as shown in solid outline in the accompanying drawings. When determining whether the design is substantially similar in overall impression to another design, no regard is to be had to those features shown in dotted outline in the accompanying drawings, which features are provided for illustrative purposes only.**

(21) Design Number: **13321/2013**  
(22) Date of Filing Application: **10 July 2013**  
(24) Date from which industrial property rights may have effect: **10 July 2013**  
(54) Product in respect of which the design is registered: **An exercise device**  
(51) International Design Classification: **21-02F**  
(74) Name(s) of Attorney(s): **SPRUSON & FERGUSON**  
(71) Name(s) and Address(s) of Applicant(s):  
**Aaron John Laurence**  
**3/153 New South Head Rd Vaucluse NSW 2030 Australia**  
(72) Name(s) of Designer(s): **Aaron John Laurence**  
(45) Registration Date: **26 August 2013**  
(56) Related Art Documents: **Not Applicable**  
(57) Statement of Newness and Distinctiveness: **Newness and distinctiveness is claimed in the features of shape and/or configuration of an exercise device as illustrated in the accompanying representations.**



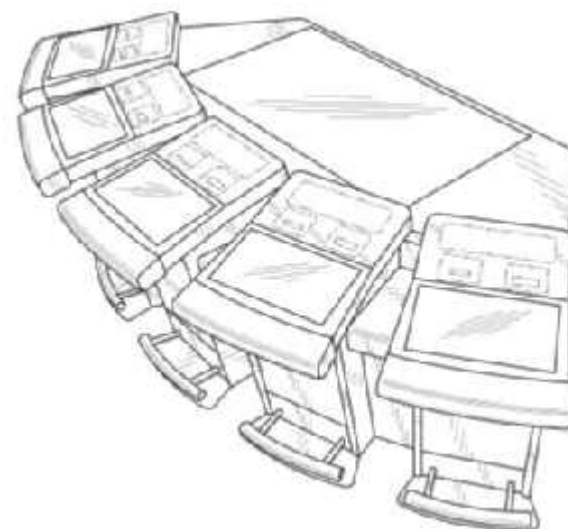
(21) Design Number: **13322/2013**  
(22) Date of Filing Application: **10 July 2013**  
(24) Date from which industrial property rights may have effect: **10 July 2013**  
(54) Product in respect of which the design is registered: **Electric steam iron**  
(51) International Design Classification: **07-05A**  
(74) Name(s) of Attorney(s): **FB Rice**  
(71) Name(s) and Address(s) of Applicant(s):  
**Koninklijke Philips N.V.**  
**High Tech Campus 5 5656 AE Eindhoven The Netherlands**  
(72) Name(s) of Designer(s): **Sonny Lim**  
(45) Registration Date: **26 August 2013**  
(30) Convention priority data:  
(31) Number      (32) Date      (33) Country  
**002171157-0001    23 Jan 2013      OFFICE FOR HARMONISATION IN  
THE INTERNAL MARKET (OHIM)**  
(56) Related Art Documents: **Not Applicable**  
(57) Statement of Newness and Distinctiveness: **Newness and distinctiveness resides in the features of shape and configuration of the design as shown in the representations.**



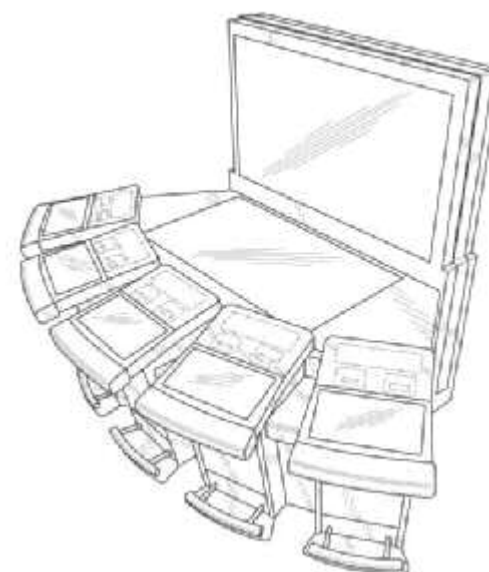
(21) Design Number: **13326/2013**  
(22) Date of Filing Application: **11 July 2013**  
(24) Date from which industrial property rights may have effect: **11 July 2013**  
(54) Product in respect of which the design is registered: **A tyre**  
(51) International Design Classification: **12-15B**  
(74) Name(s) of Attorney(s): **WATERMARK PATENT AND TRADE MARKS ATTORNEYS**  
(71) Name(s) and Address(s) of Applicant(s):  
**Compagnie Generale Des Etablissements Michelin**  
**12 cours Sablon Clermont-Ferrand 63000 France**  
**Michelin Recherche et Technique S.A.**  
**Route Louis Braille 10 Granges - Paccot 1763 Switzerland**  
(72) Name(s) of Designer(s): **Jonathan Lejeune**  
(45) Registration Date: **26 August 2013**  
(30) Convention priority data:  
(31) Number (32) Date (33) Country  
**13/0428 22 Jan 2013 FRANCE**  
(56) Related Art Documents: **Not Applicable**  
(57) Statement of Newness and Distinctiveness: **Newness and distinctiveness resides in the appearance of the tread region of the tyre, the remainder of the tyre not forming part of the design.**



(21) Design Number: **13328/2013**  
(22) Date of Filing Application: **11 July 2013**  
(24) Date from which industrial property rights may have effect: **11 July 2013**  
(54) Product in respect of which the design is registered: **Gaming machine with individual player stations**  
(51) International Design Classification: **21-03**  
(74) Name(s) of Attorney(s): **WATERMARK PATENT AND TRADE MARKS ATTORNEYS**  
(71) Name(s) and Address(s) of Applicant(s):  
**SHFL Entertainment, Inc**  
**1106 Palms Airport Drive Las Vegas Nevada 89119 United States of America**  
(72) Name(s) of Designer(s): **Elie Arabian**  
(45) Registration Date: **26 August 2013**  
(30) Convention priority data:  
(31) Number (32) Date (33) Country  
**29/454,712 13 May 2013 UNITED STATES OF AMERICA**  
(56) Related Art Documents: **Not Applicable**  
(57) Statement of Newness and Distinctiveness: **Nil**



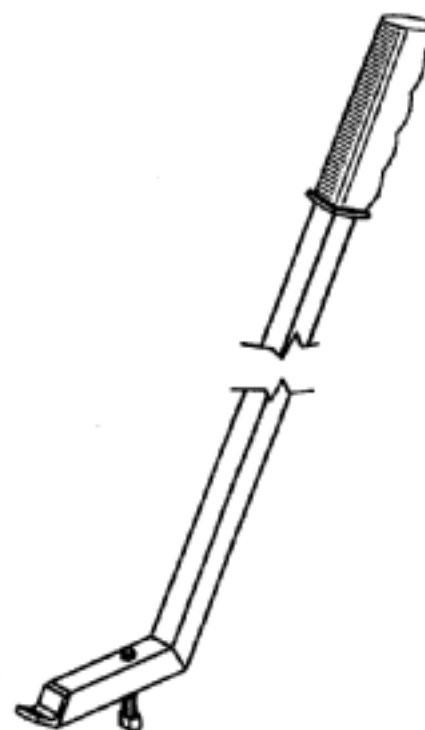
(21) Design Number: **13329/2013**  
(22) Date of Filing Application: **11 July 2013**  
(24) Date from which industrial property rights may have effect: **11 July 2013**  
(54) Product in respect of which the design is registered: **Gaming machine with individual player stations**  
(51) International Design Classification: **21-03**  
(74) Name(s) of Attorney(s): **WATERMARK PATENT AND TRADE MARKS ATTORNEYS**  
(71) Name(s) and Address(s) of Applicant(s):  
**SHFL Entertainment, Inc**  
**1106 Palms Airport Drive Las Vegas Nevada 89119 United States of America**  
(72) Name(s) of Designer(s): **Elie Arabian**  
(45) Registration Date: **26 August 2013**  
(30) Convention priority data:  
(31) Number (32) Date (33) Country  
**29/454,712 13 May 2013 UNITED STATES OF AMERICA**  
(56) Related Art Documents: **Not Applicable**  
(57) Statement of Newness and Distinctiveness: **Nil**



(21) Design Number: **13330/2013**  
(22) Date of Filing Application: **11 July 2013**  
(24) Date from which industrial property rights may have effect: **11 July 2013**  
(54) Product in respect of which the design is registered: **Gaming machine with individual player stations**  
(51) International Design Classification: **21-03**  
(74) Name(s) of Attorney(s): **WATERMARK PATENT AND TRADE MARKS ATTORNEYS**  
(71) Name(s) and Address(s) of Applicant(s):  
**SHFL Entertainment, Inc**  
**1106 Palms Airport Drive Las Vegas Nevada 89119 United States of America**  
(72) Name(s) of Designer(s): **Elie Arabian**  
(45) Registration Date: **26 August 2013**  
(30) Convention priority data:  
(31) Number (32) Date (33) Country  
**29/454,712 13 May 2013 UNITED STATES OF AMERICA**  
(56) Related Art Documents: **Not Applicable**  
(57) Statement of Newness and Distinctiveness: **Nil**



- (21) Design Number: **13332/2013**  
(22) Date of Filing Application: **09 July 2013**  
(24) Date from which industrial property rights may have effect: **09 July 2013**  
(54) Product in respect of which the design is registered: **Cover lifting key**  
(51) International Design Classification: **08-05NES**  
(74) Name(s) of Attorney(s): **Fisher Adams Kelly Pty Ltd**  
(71) Name(s) and Address(s) of Applicant(s):  
**EJ Australia Pty Ltd**  
**452 Newman Rd Geebung Queensland 4034 Australia**  
(72) Name(s) of Designer(s): **Thomas Oliver McManus**  
(45) Registration Date: **26 August 2013**  
(56) Related Art Documents: **Not Applicable**  
(57) Statement of Newness and Distinctiveness: **The newness and distinctiveness of the design resides in the shape and/or configuration of the COVER LIFTING KEY shown in the representations.**



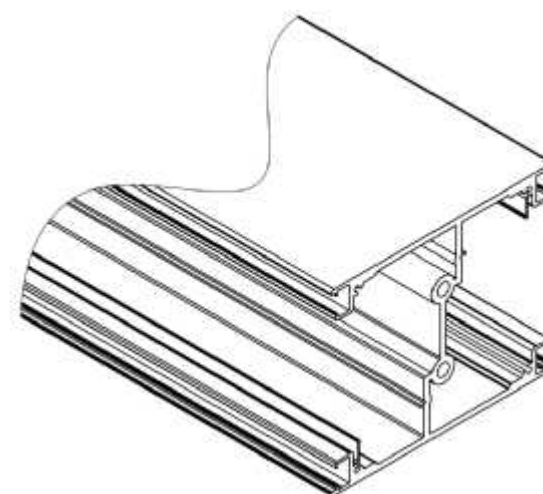
- (21) Design Number: **13334/2013**  
(22) Date of Filing Application: **11 July 2013**  
(24) Date from which industrial property rights may have effect: **11 July 2013**  
(54) Product in respect of which the design is registered: **Knife sharpener**  
(51) International Design Classification: **08-05H**  
(74) Name(s) of Attorney(s): **SPRUSON & FERGUSON**  
(71) Name(s) and Address(s) of Applicant(s):  
**Take Two Marketing and Events Pty Ltd**  
**SE302 L3 209 Oxford St Bondi Junction NSW 2022 Australia**  
(72) Name(s) of Designer(s): **James Cheney**  
(45) Registration Date: **26 August 2013**  
(56) Related Art Documents: **Not Applicable**  
(57) Statement of Newness and Distinctiveness: **Newness and distinctiveness is claimed in those features of shape and/or configuration of a knife sharpener as illustrated in continuous lines in the accompanying representations.**



- (21) Design Number: **13335/2013**  
(22) Date of Filing Application: **11 July 2013**  
(24) Date from which industrial property rights may have effect: **11 July 2013**  
(54) Product in respect of which the design is registered: **Coffee maker**  
(51) International Design Classification: **07-02L**  
(74) Name(s) of Attorney(s): **PHILLIPS ORMONDE FITZPATRICK**  
(71) Name(s) and Address(s) of Applicant(s):  
**Luigi Lavazza S.p.A**  
**Corso Novara 59 10154 Torino Italy**  
(72) Name(s) of Designer(s): **Stefano Lovati and Luca Franzosi**  
(45) Registration Date: **26 August 2013**  
(56) Related Art Documents: **Not Applicable**  
(57) Statement of Newness and Distinctiveness: **Nil**



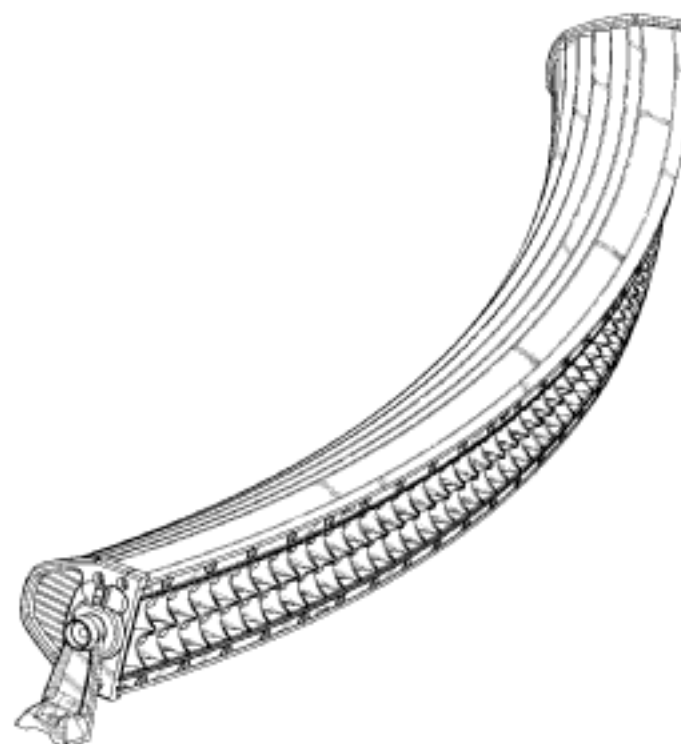
- (21) Design Number: **13368/2013**  
(22) Date of Filing Application: **15 July 2013**  
(24) Date from which industrial property rights may have effect: **15 July 2013**  
(54) Product in respect of which the design is registered: **Laboratory system extrusion**  
(51) International Design Classification: **25-01K**  
(74) Name(s) of Attorney(s):  
(71) Name(s) and Address(s) of Applicant(s):  
**Aluminium Industries of Australia Pty Ltd**  
**160 Ordish Rd Dandenong South VIC 3175 Australia**  
(72) Name(s) of Designer(s): **Matthew Keen**  
(45) Registration Date: **27 August 2013**  
(56) Related Art Documents: **Not Applicable**  
(57) Statement of Newness and Distinctiveness: **Monopoly is claimed in the shape and/or configuration of the H Section v2 Extrusion profile as illustrated in the representations. Particularly, monopoly is claimed in the four corner channel recesses and the central two screw flutes.**



- (21) Design Number: **13109/2013**  
(22) Date of Filing Application: **28 June 2013**  
(24) Date from which industrial property rights may have effect: **28 June 2013**  
(54) Product in respect of which the design is registered: **Display screen for an electronic device**  
(51) International Design Classification: **14-02**  
(74) Name(s) of Attorney(s): **Wrays**  
(71) Name(s) and Address(s) of Applicant(s):  
**Samsung Electronics Co., Ltd**  
**129 Samsung-ro Yeongtong-gu Suwon-si Gyeonggi-do 443-742 Republic of Korea**  
(72) Name(s) of Designer(s): **Cheol-Hoon Kang**  
(45) Registration Date: **27 August 2013**  
(30) Convention priority data:  
(31) Number (32) Date (33) Country  
**30-2013-0001398 09 Jan 2013 REPUBLIC OF KOREA**  
(56) Related Art Documents: **Not Applicable**  
(57) Statement of Newness and Distinctiveness: **Newness and distinctiveness is claimed in the features of pattern and/or ornamentation of the Display Screen For An Electronic Device as shown in the accompanying representations. The features shown in broken lines are for illustrative purposes only and do not form part of the claimed design.**



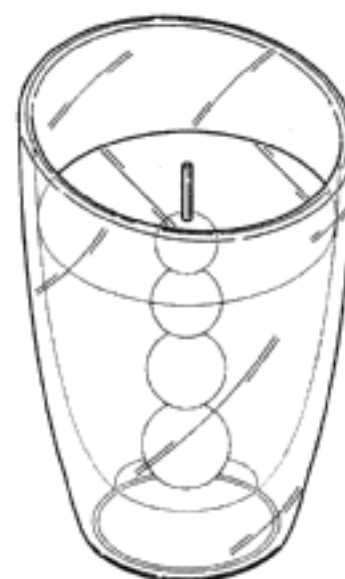
- (21) Design Number: **13369/2013**  
(22) Date of Filing Application: **15 July 2013**  
(24) Date from which industrial property rights may have effect: **15 July 2013**  
(54) Product in respect of which the design is registered: **Light fixture with curved frame**  
(51) International Design Classification: **26-05A**  
(74) Name(s) of Attorney(s): **Adams Pluck**  
(71) Name(s) and Address(s) of Applicant(s):  
**JST Performance, Inc.**  
**4641 E Ivy St Mesa AZ 85205-3206 United States of America**  
(72) Name(s) of Designer(s): **Stephen P. Adams**  
(45) Registration Date: **27 August 2013**  
(30) Convention priority data:  
(31) Number (32) Date (33) Country  
**29/443,284 15 Jan 2013 UNITED STATES OF AMERICA**  
(56) Related Art Documents: **Not Applicable**  
(57) Statement of Newness and Distinctiveness: **Nil**



- (21) Design Number: **13342/2013**  
(22) Date of Filing Application: **30 May 2013**  
(24) Date from which industrial property rights may have effect: **30 May 2013**  
(54) Product in respect of which the design is registered: **A packaging carton**  
(51) International Design Classification: **09-03NES**  
(74) Name(s) of Attorney(s): **LESICAR MURRAY TRENTO**  
(71) Name(s) and Address(s) of Applicant(s):  
**Elopak Systems AG**  
**Cherstrasse 4 Postfach Glattbrugg CH 8152 Switzerland**  
(72) Name(s) of Designer(s): **Martin Kurt Wieser and Ivica Franic**  
(45) Registration Date: **27 August 2013**  
(56) Related Art Documents: **Not Applicable**  
(57) Statement of Newness and Distinctiveness: **Newness and distinctiveness resides in the shape and/or configuration of the Packaging Carton as shown in the accompanying representations.**

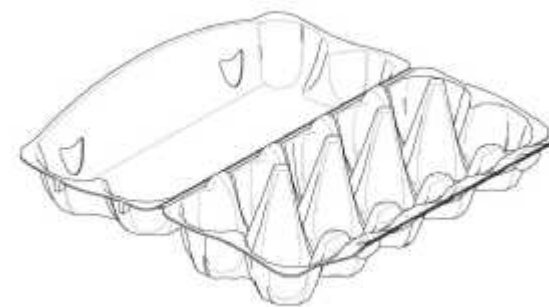


- (21) Design Number: **13343/2013**  
(22) Date of Filing Application: **12 July 2013**  
(24) Date from which industrial property rights may have effect: **12 July 2013**  
(54) Product in respect of which the design is registered: **Candle**  
(51) International Design Classification: **26-01**  
(74) Name(s) of Attorney(s): **Shelston IP**  
(71) Name(s) and Address(s) of Applicant(s):  
**Reckitt & Colman (Overseas) Limited**  
**103-105 Bath Road Slough Berkshire SL1 3UH United Kingdom**  
(72) Name(s) of Designer(s): **David Sanders and Victoria Cobb**  
(45) Registration Date: **27 August 2013**  
(56) Related Art Documents: **Not Applicable**  
(57) Statement of Newness and Distinctiveness: **Nil**





(21) Design Number: **13346/2013**  
(22) Date of Filing Application: **12 July 2013**  
(24) Date from which industrial property rights may have effect: **12 July 2013**  
(54) Product in respect of which the design is registered: **Egg carton**  
(51) International Design Classification: **09-03D**  
(74) Name(s) of Attorney(s): **PIZZEYS**  
(71) Name(s) and Address(s) of Applicant(s):



**Huhtamaki Nederland B.V.**  
**Zuidelijke Industrieweg 3-7 JB Franeker NL-8801 Netherlands**

(72) Name(s) of Designer(s): **Sandor Klaas Veenje**

(45) Registration Date: **27 August 2013**

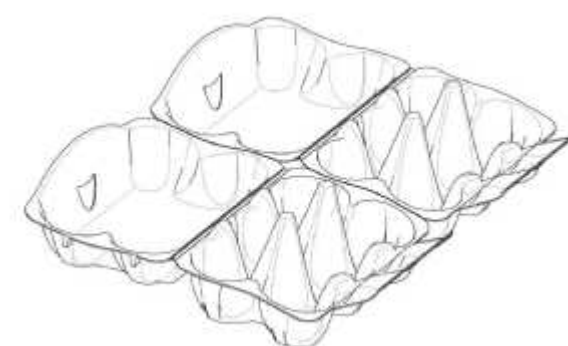
(30) Convention priority data:

|                      |                    |   |
|----------------------|--------------------|---|
| (31) Number          | (32) Date          | (33) Country  |
| <b>002169482-002</b> | <b>21 Jan 2013</b> | <b>OFFICE FOR HARMONISATION IN<br/>THE INTERNAL MARKET (OHIM)</b> |

(56) Related Art Documents: **Not Applicable**

(57) Statement of Newness and Distinctiveness: **Nil**

(21) Design Number: **13347/2013**  
(22) Date of Filing Application: **12 July 2013**  
(24) Date from which industrial property rights may have effect: **12 July 2013**  
(54) Product in respect of which the design is registered: **Egg carton**  
(51) International Design Classification: **09-03D**  
(74) Name(s) of Attorney(s): **PIZZEYS**  
(71) Name(s) and Address(s) of Applicant(s):



**Huhtamaki Nederland B.V.**  
**Zuidelijke Industrieweg 3-7 JB Franeker NL-8801 Netherlands**

(72) Name(s) of Designer(s): **Sandor Klaas Veenje**

(45) Registration Date: **27 August 2013**

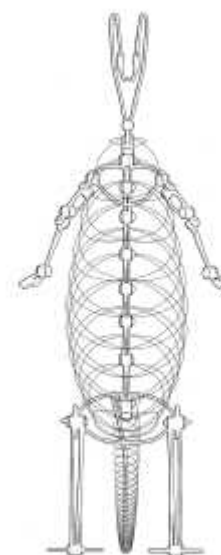
(30) Convention priority data:

|                       |                    |   |
|-----------------------|--------------------|---|
| (31) Number           | (32) Date          | (33) Country  |
| <b>002169482-0003</b> | <b>21 Jan 2013</b> | <b>OFFICE FOR HARMONISATION IN<br/>THE INTERNAL MARKET (OHIM)</b> |

(56) Related Art Documents: **Not Applicable**

(57) Statement of Newness and Distinctiveness: **Nil**

- (21) Design Number: **13349/2013**  
(22) Date of Filing Application: **12 July 2013**  
(24) Date from which industrial property rights may have effect: **12 July 2013**  
(54) Product in respect of which the design is registered: **A model animal**  
(51) International Design Classification: **21-01A**  
(74) Name(s) of Attorney(s):  
(71) Name(s) and Address(s) of Applicant(s):  
**Weikai Zhang**  
**1-227 Whitehorse Rd Blackburn VIC 3130 Australia**  
(72) Name(s) of Designer(s): **Weikai Zhang**  
(45) Registration Date: **27 August 2013**  
(56) Related Art Documents: **Not Applicable**  
(57) Statement of Newness and Distinctiveness: **Newness and distinctiveness is claimed in the features of shape and/or configuration of a model animal, as illustrated in the accompanying representations.**



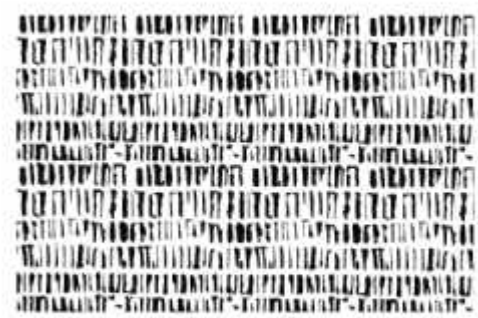
- (21) Design Number: **13350/2013**  
(22) Date of Filing Application: **12 July 2013**  
(24) Date from which industrial property rights may have effect: **12 July 2013**  
(54) Product in respect of which the design is registered: **Wallpaper**  
(51) International Design Classification: **05-05NES**  
(74) Name(s) of Attorney(s): **PHILLIPS ORMONDE FITZPATRICK**  
(71) Name(s) and Address(s) of Applicant(s):  
**Air China Limited**  
**9th Floor Lantian Mansion 28 Tianzhu Road Zone A Shunyi District**  
**Beijing, 101300 China**  
(72) Name(s) of Designer(s): **Meilin Han**  
(45) Registration Date: **27 August 2013**  
(30) Convention priority data:  
(31) Number      (32) Date      (33) Country  
**201330010443.5    15 Jan 2013      CHINA**  
(56) Related Art Documents: **Not Applicable**  
(57) Statement of Newness and Distinctiveness: **Newness and distinctiveness is claimed in the features of pattern and/or ornamentation of a wallpaper as shown in the representation but disclaiming the colours/colour combination shown which are merely illustrative of the design. The wallpaper is of indefinite length and width, and the pattern may be repeated.**



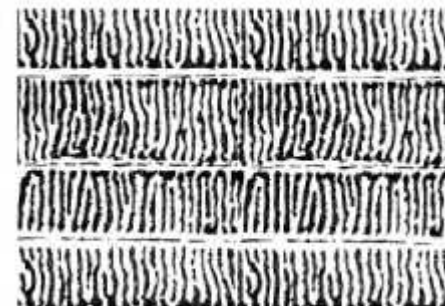
(21) Design Number: **13351/2013**  
(22) Date of Filing Application: **12 July 2013**  
(24) Date from which industrial property rights may have effect: **12 July 2013**  
(54) Product in respect of which the design is registered: **Fabric**  
(51) International Design Classification: **05-05NES**  
(74) Name(s) of Attorney(s): **PHILLIPS ORMONDE FITZPATRICK**  
(71) Name(s) and Address(s) of Applicant(s):  
**Air China Limited**  
**9th Floor Lantian Mansion 28 Tianzhu Road Zone A Shunyi District**  
**Beijing, 101300 China**  
(72) Name(s) of Designer(s): **Meilin Han**  
(45) Registration Date: **27 August 2013**  
(30) Convention priority data:  
(31) Number (32) Date (33) Country  
**201330010570.5 15 Jan 2013 CHINA**  
(56) Related Art Documents: **Not Applicable**  
(57) Statement of Newness and Distinctiveness: **Newness and distinctiveness is claimed in the features of pattern and/or ornamentation of fabric as shown in the representation but disclaiming the colours/colour combination shown which are merely illustrative of the design. The fabric is of indefinite length and width, and the pattern may be repeated.**



(21) Design Number: **13352/2013**  
(22) Date of Filing Application: **12 July 2013**  
(24) Date from which industrial property rights may have effect: **12 July 2013**  
(54) Product in respect of which the design is registered: **Fabric**  
(51) International Design Classification: **05-05NES**  
(74) Name(s) of Attorney(s): **PHILLIPS ORMONDE FITZPATRICK**  
(71) Name(s) and Address(s) of Applicant(s):  
**Air China Limited**  
**9th Floor Lantian Mansion 28 Tianzhu Road Zone A Shunyi District**  
**Beijing, 101300 China**  
(72) Name(s) of Designer(s): **Meilin Han**  
(45) Registration Date: **27 August 2013**  
(30) Convention priority data:  
(31) Number (32) Date (33) Country  
**201330010706.2 15 Jan 2013 CHINA**  
(56) Related Art Documents: **Not Applicable**  
(57) Statement of Newness and Distinctiveness: **Newness and distinctiveness is claimed in the features of pattern and/or ornamentation of fabric as shown in the representation but disclaiming the colours/colour combination shown which are merely illustrative of the design. The fabric is of indefinite length and width, and the pattern may be repeated.**



- (21) Design Number: **13353/2013**  
(22) Date of Filing Application: **12 July 2013**  
(24) Date from which industrial property rights may have effect: **12 July 2013**  
(54) Product in respect of which the design is registered: **Fabric**  
(51) International Design Classification: **05-05NES**  
(74) Name(s) of Attorney(s): **PHILLIPS ORMONDE FITZPATRICK**  
(71) Name(s) and Address(s) of Applicant(s):  
**Air China Limited**  
**9th Floor Lantian Mansion 28 Tianzhu Road Zone A Shunyi District**  
**Beijing, 101300 China**  
(72) Name(s) of Designer(s): **Meilin Han**  
(45) Registration Date: **27 August 2013**  
(30) Convention priority data:  
(31) Number (32) Date (33) Country  
**201330010814.X 15 Jan 2013 CHINA**  
(56) Related Art Documents: **Not Applicable**  
(57) Statement of Newness and Distinctiveness: **Newness and distinctiveness is claimed in the features of pattern and/or ornamentation of fabric as shown in the representation but disclaiming the colours/colour combination shown which are merely illustrative of the design. The fabric is of indefinite length and width, and the pattern may be repeated.**



- (21) Design Number: **13354/2013**  
(22) Date of Filing Application: **12 July 2013**  
(24) Date from which industrial property rights may have effect: **12 July 2013**  
(54) Product in respect of which the design is registered: **Fabric**  
(51) International Design Classification: **05-05NES**  
(74) Name(s) of Attorney(s): **PHILLIPS ORMONDE FITZPATRICK**  
(71) Name(s) and Address(s) of Applicant(s):  
**Air China Limited**  
**9th Floor Lantian Mansion 28 Tianzhu Road Zone A Shunyi District**  
**Beijing, 101300 China**  
(72) Name(s) of Designer(s): **Meilin Han**  
(45) Registration Date: **27 August 2013**  
(30) Convention priority data:  
(31) Number (32) Date (33) Country  
**201330011279.X 15 Jan 2013 AUSTRALIA**  
(56) Related Art Documents: **Not Applicable**  
(57) Statement of Newness and Distinctiveness: **Newness and distinctiveness is claimed in the features of pattern and/or ornamentation of fabric as shown in the representation but disclaiming the colours/colour combination shown which are merely illustrative of the design. The fabric is of indefinite length and width, and the pattern may be repeated.**



- (21) Design Number: **13355/2013**  
(22) Date of Filing Application: **12 July 2013**  
(24) Date from which industrial property rights may have effect: **12 July 2013**  
(54) Product in respect of which the design is registered: **Seat cover**  
(51) International Design Classification: **06-13NES**  
(74) Name(s) of Attorney(s): **PHILLIPS ORMONDE FITZPATRICK**  
(71) Name(s) and Address(s) of Applicant(s):  
**Air China Limited**  
**9th Floor Lantian Mansion 28 Tianzhu Road Zone A Shunyi District**  
**Beijing, 101300 China**  
(72) Name(s) of Designer(s): **Meilin Han**  
(45) Registration Date: **27 August 2013**  
(30) Convention priority data:  
(31) Number (32) Date (33) Country  
**201330011046.X 15 Jan 2013 CHINA**  
(56) Related Art Documents: **Not Applicable**  
(57) Statement of Newness and Distinctiveness: **Newness and distinctiveness is claimed in the features of pattern and/or ornamentation of a seat cover as shown in the representations but disclaiming the colours/colour combination shown which are merely illustrative of the design.**



- (21) Design Number: **13356/2013**  
(22) Date of Filing Application: **12 July 2013**  
(24) Date from which industrial property rights may have effect: **12 July 2013**  
(54) Product in respect of which the design is registered: **Seat cover**  
(51) International Design Classification: **06-13NES**  
(74) Name(s) of Attorney(s): **PHILLIPS ORMONDE FITZPATRICK**  
(71) Name(s) and Address(s) of Applicant(s):  
**Air China Limited**  
**9th Floor Lantian Mansion 28 Tianzhu Road Zone A Shunyi District**  
**Beijing, 101300 China**  
(72) Name(s) of Designer(s): **Meilin Han**  
(45) Registration Date: **27 August 2013**  
(30) Convention priority data:  
(31) Number (32) Date (33) Country  
**201330011067.1 15 Jan 2013 CHINA**  
(56) Related Art Documents: **Not Applicable**  
(57) Statement of Newness and Distinctiveness: **Newness and distinctiveness is claimed in the features of pattern and/or ornamentation of a seat cover as shown in the representations but disclaiming the colours/colour combination shown which are merely illustrative of the design.**



(21) Design Number: **13357/2013**  
(22) Date of Filing Application: **12 July 2013**  
(24) Date from which industrial property rights may have effect: **12 July 2013**  
(54) Product in respect of which the design is registered: **Fabric**  
(51) International Design Classification: **05-05NES**  
(74) Name(s) of Attorney(s): **PHILLIPS ORMONDE FITZPATRICK**  
(71) Name(s) and Address(s) of Applicant(s):  
**Air China Limited**  
**9th Floor Lantian Mansion 28 Tianzhu Road Zone A Shunyi District**  
**Beijing, 101300 China**  
(72) Name(s) of Designer(s): **Meilin Han**  
(45) Registration Date: **27 August 2013**  
(30) Convention priority data:  
(31) Number (32) Date (33) Country  
**201330011109.1 15 Jan 2013 CHINA**  
(56) Related Art Documents: **Not Applicable**  
(57) Statement of Newness and Distinctiveness: **Newness and distinctiveness is claimed in the features of pattern and/or ornamentation of fabric as shown in the representation but disclaiming the colours/colour combination shown which are merely illustrative of the design. The fabric is of indefinite length and width, and the pattern may be repeated.**



(21) Design Number: **13358/2013**  
(22) Date of Filing Application: **12 July 2013**  
(24) Date from which industrial property rights may have effect: **12 July 2013**  
(54) Product in respect of which the design is registered: **Seat cover**  
(51) International Design Classification: **06-13NES**  
(74) Name(s) of Attorney(s): **PHILLIPS ORMONDE FITZPATRICK**  
(71) Name(s) and Address(s) of Applicant(s):  
**Air China Limited**  
**9th Floor Lantian Mansion 28 Tianzhu Road Zone A Shunyi District**  
**Beijing, 101300 China**  
(72) Name(s) of Designer(s): **Meilin Han**  
(45) Registration Date: **27 August 2013**  
(30) Convention priority data:  
(31) Number (32) Date (33) Country  
**2013300109053 15 Jan 2013 CHINA**  
(56) Related Art Documents: **Not Applicable**  
(57) Statement of Newness and Distinctiveness: **Newness and distinctiveness is claimed in the features of pattern and/or ornamentation of a seat cover as shown in the representations but disclaiming the colours/colour combination shown which are merely illustrative of the design.**



(21) Design Number: **13360/2013**  
(22) Date of Filing Application: **12 July 2013**  
(24) Date from which industrial property rights may have effect: **12 July 2013**  
(54) Product in respect of which the design is registered: **Tire**  
(51) International Design Classification: **12-15C**  
(74) Name(s) of Attorney(s): **PHILLIPS ORMONDE FITZPATRICK**  
(71) Name(s) and Address(s) of Applicant(s):

**Cooper Tire & Rubber Company**  
**701 Lima Avenue Findlay Ohio 45840 United States of America**

(72) Name(s) of Designer(s): **Jeremy J. Jacobs**

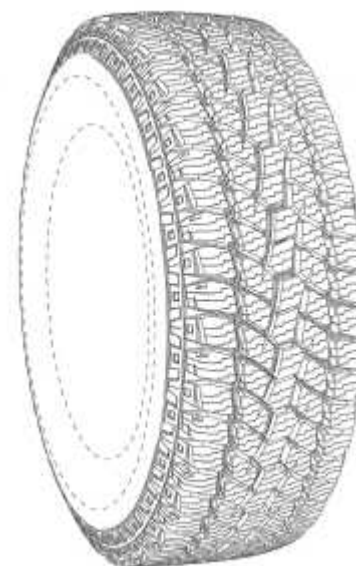
(45) Registration Date: **27 August 2013**

(30) Convention priority data:

| (31) Number       | (32) Date          | (33) Country                    |
|-------------------|--------------------|---------------------------------|
| <b>29/454,957</b> | <b>15 May 2013</b> | <b>UNITED STATES OF AMERICA</b> |

(56) Related Art Documents: **Not Applicable**

(57) Statement of Newness and Distinctiveness: **Those features of the tire depicted in the representations that are new and distinctive are the shape and/or configuration of the tread of the tire. The sidewall, inner bead, and the peripheral boundary between the tire tread and the sidewall are not part of the design and are to be disregarded when considering the overall impression of the design.**



(21) Design Number: **13364/2013**  
(22) Date of Filing Application: **13 July 2013**  
(24) Date from which industrial property rights may have effect: **13 July 2013**  
(54) Product in respect of which the design is registered: **A board game**  
(51) International Design Classification: **21-01L**  
(74) Name(s) of Attorney(s):  
(71) Name(s) and Address(s) of Applicant(s):

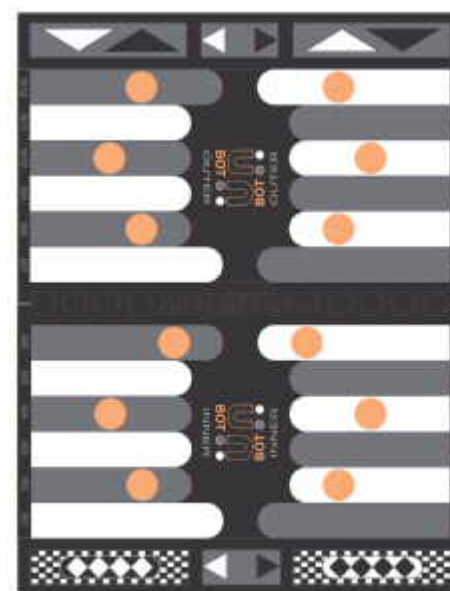
**William Anthony Halsted**  
**PO BOX 13 Sherwood QLD 4075 Australia**

(72) Name(s) of Designer(s): **William Anthony Halsted**

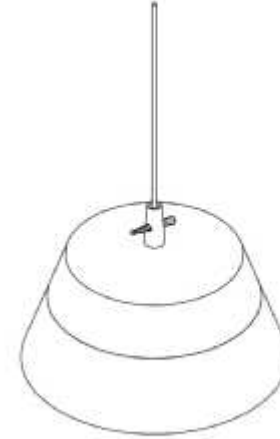
(45) Registration Date: **27 August 2013**

(56) Related Art Documents: **Not Applicable**

(57) Statement of Newness and Distinctiveness: **The newness and distinctiveness of the design resides in the use and precise placement of the orange spots on points W2, W4, W6, W8, W10, W12, B2, B4, B6, B8, B10, and B12. The black and white triangles are part of the design and are used to indicate direction of travel. The black and white checked area with the four white diamond symbol in its centre on one side and four black diamond symbol in its centre on the other side is also part of the design and represents the home finishing position.**



- (21) Design Number: **13366/2013**  
(22) Date of Filing Application: **14 July 2013**  
(24) Date from which industrial property rights may have effect: **14 July 2013**  
(54) Product in respect of which the design is registered: **Pendant light**  
(51) International Design Classification: **26-05D**  
(74) Name(s) of Attorney(s):  
(71) Name(s) and Address(s) of Applicant(s):  
**Asher Abergel**  
**PO BOX Q1032 Queen Victoria Building NSW 1230 Australia**  
(72) Name(s) of Designer(s): **Asher Abergel**  
(45) Registration Date: **27 August 2013**  
(56) Related Art Documents: **Not Applicable**  
(57) Statement of Newness and Distinctiveness: **Newness and distinctiveness resides in the features of shape and/or configuration of the light as shown in the solid lines in the accompanying representations.**



- (21) Design Number: **13367/2013**  
(22) Date of Filing Application: **14 July 2013**  
(24) Date from which industrial property rights may have effect: **14 July 2013**  
(54) Product in respect of which the design is registered: **Pendant light**  
(51) International Design Classification: **26-05D**  
(74) Name(s) of Attorney(s):  
(71) Name(s) and Address(s) of Applicant(s):  
**Asher Abergel**  
**PO BOX Q1032 Queen Victoria Building NSW 1230 Australia**  
(72) Name(s) of Designer(s): **Asher Abergel**  
(45) Registration Date: **27 August 2013**  
(56) Related Art Documents: **Not Applicable**  
(57) Statement of Newness and Distinctiveness: **Newness and distinctiveness resides in the features of shape and/or configuration of the light as shown in the solid lines in the accompanying representations.**





(21) Design Number: **13371/2013**  
(22) Date of Filing Application: **11 July 2013**  
(24) Date from which industrial property rights may have effect: **11 July 2013**  
(54) Product in respect of which the design is registered: **Necklace**  
(51) International Design Classification: **11-01E**  
(74) Name(s) of Attorney(s): **Callinans**  
(71) Name(s) and Address(s) of Applicant(s):  
**Bulgari S.p.A.**  
**Lungotevere Marzio 11 I-00186 Rome Italy**  
(72) Name(s) of Designer(s): **Paolo Bulgari**  
(45) Registration Date: **27 August 2013**  
(30) Convention priority data:  
(31) Number (32) Date (33) Country  
**713485701 11 Jan 2013 WORLD INTELLECTUAL  
PROPERTY ORGANIZATION  
(WIPO)**  
(56) Related Art Documents: **Not Applicable**  
(57) Statement of Newness and Distinctiveness: **Nil**



(21) Design Number: **13372/2013**  
(22) Date of Filing Application: **11 July 2013**  
(24) Date from which industrial property rights may have effect: **11 July 2013**  
(54) Product in respect of which the design is registered: **Necklace**  
(51) International Design Classification: **11-01E**  
(74) Name(s) of Attorney(s): **Callinans**  
(71) Name(s) and Address(s) of Applicant(s):  
**Bulgari S.p.A.**  
**Lungotevere Marzio 11 I-00186 Rome Italy**  
(72) Name(s) of Designer(s): **Paolo Bulgari**  
(45) Registration Date: **27 August 2013**  
(30) Convention priority data:  
(31) Number (32) Date (33) Country  
**713485701 11 Jan 2013 WORLD INTELLECTUAL  
PROPERTY ORGANIZATION  
(WIPO)**  
(56) Related Art Documents: **Not Applicable**  
(57) Statement of Newness and Distinctiveness: **Nil**



(21) Design Number: **13373/2013**  
(22) Date of Filing Application: **15 July 2013**  
(24) Date from which industrial property rights may have effect: **15 July 2013**  
(54) Product in respect of which the design is registered: **An anchor**  
(51) International Design Classification: **12-16P**  
(74) Name(s) of Attorney(s): **Baldwins Intellectual Property**  
(71) Name(s) and Address(s) of Applicant(s):

**Tern Marine (NZ) Co. Limited**  
**103 Mill Road Helensville 0800 New Zealand**

(72) Name(s) of Designer(s): **Grant King**

(45) Registration Date: **27 August 2013**

(30) Convention priority data:

| (31) Number   | (32) Date          | (33) Country       |
|---------------|--------------------|--------------------|
| <b>417206</b> | <b>15 Jan 2013</b> | <b>NEW ZEALAND</b> |

(56) Related Art Documents: **Not Applicable**

(57) Statement of Newness and Distinctiveness: **Newness and distinctiveness resides in the shape and/or configuration of the article, as shown in Figures 1 to 9, excluding any lettering or numbering.**



(21) Design Number: **13374/2013**  
(22) Date of Filing Application: **15 July 2013**  
(24) Date from which industrial property rights may have effect: **15 July 2013**  
(54) Product in respect of which the design is registered: **Vacuum cleaner**  
(51) International Design Classification: **15-05**  
(74) Name(s) of Attorney(s): **Griffith Hack**  
(71) Name(s) and Address(s) of Applicant(s):

**Techronic Floor Care Technology Limited**  
**PO BOX 957 Offshore Incorporations Centre Road Town Tortola British Virgin Islands**

(72) Name(s) of Designer(s): **Daniel William Carter and Matthew James Ward**

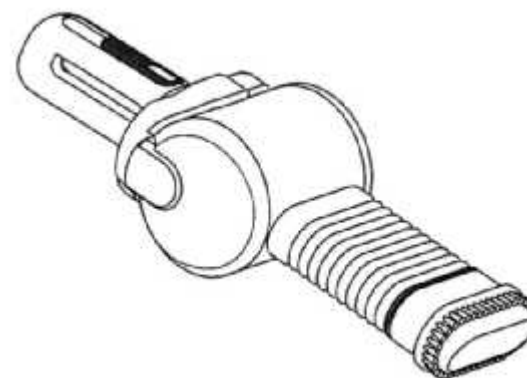
(45) Registration Date: **27 August 2013**

(30) Convention priority data:

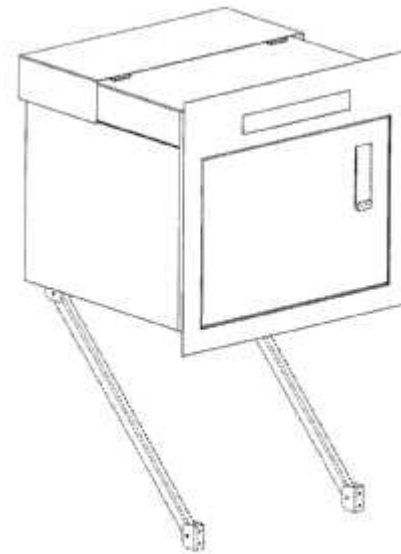
| (31) Number           | (32) Date          | (33) Country |
|-----------------------|--------------------|--------------|
| <b>201330011352.3</b> | <b>15 Jan 2013</b> | <b>CHINA</b> |

(56) Related Art Documents: **Not Applicable**

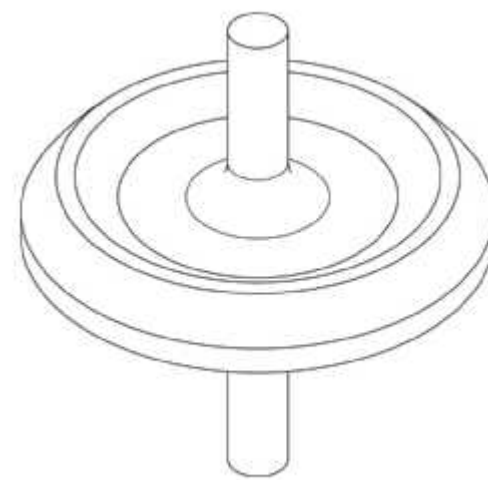
(57) Statement of Newness and Distinctiveness: **Nil**



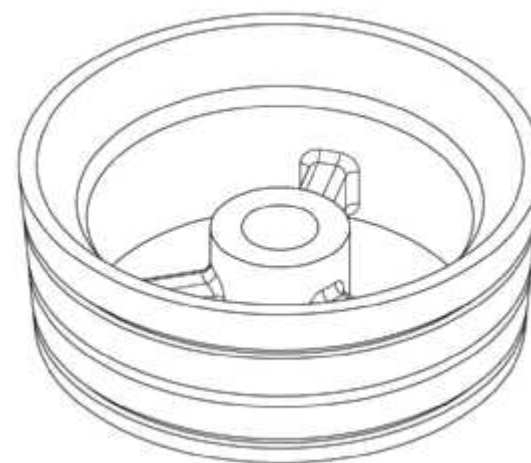
- (21) Design Number: **13376/2013**  
(22) Date of Filing Application: **15 July 2013**  
(24) Date from which industrial property rights may have effect: **15 July 2013**  
(54) Product in respect of which the design is registered: **Combined letter box and locker**  
(51) International Design Classification: **25-03, 06-04NES**  
(74) Name(s) of Attorney(s): **FB Rice**  
(71) Name(s) and Address(s) of Applicant(s):  
**The Future of Deliveries Pty Ltd**  
**12 Myoora Rd Toorak VIC 3142 Australia**  
(72) Name(s) of Designer(s): **Catherine Aston**  
(45) Registration Date: **27 August 2013**  
(56) Related Art Documents: **Not Applicable**  
(57) Statement of Newness and Distinctiveness: **Newness and distinctiveness reside in the features of shape and configuration of the letter box and locker as shown in the representations in solid lines excluding the parts shown in dashed lines.**



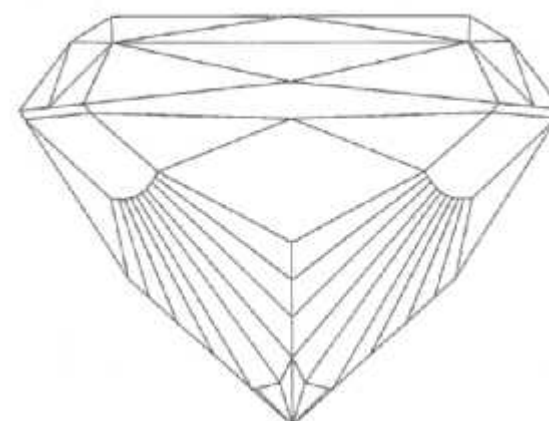
- (21) Design Number: **13380/2013**  
(22) Date of Filing Application: **15 July 2013**  
(24) Date from which industrial property rights may have effect: **15 July 2013**  
(54) Product in respect of which the design is registered: **Industrial pump part (a solid metallic plug)**  
(51) International Design Classification: **15-02**  
(74) Name(s) of Attorney(s): **Trademark Works**  
(71) Name(s) and Address(s) of Applicant(s):  
**West Coast Industrial Supplies Pty Ltd**  
**PO BOX 2034 Midland WA 6936 Australia**  
(72) Name(s) of Designer(s): **Timothy Andrew Kent**  
(45) Registration Date: **27 August 2013**  
(56) Related Art Documents: **Not Applicable**  
(57) Statement of Newness and Distinctiveness: **Nil**



(21) Design Number: **13381/2013**  
(22) Date of Filing Application: **15 July 2013**  
(24) Date from which industrial property rights may have effect: **15 July 2013**  
(54) Product in respect of which the design is registered: **Industrial pump part (a solid metallic seat)**  
(51) International Design Classification: **15-02**  
(74) Name(s) of Attorney(s): **Trademark Works**  
(71) Name(s) and Address(s) of Applicant(s):  
**West Coast Industrial Supplies Pty Ltd**  
**PO BOX 2034 Midland WA 6936 Australia**  
(72) Name(s) of Designer(s): **Timothy Andrew Kent**  
(45) Registration Date: **27 August 2013**  
(56) Related Art Documents: **Not Applicable**  
(57) Statement of Newness and Distinctiveness: **Nil**



(21) Design Number: **13383/2013**  
(22) Date of Filing Application: **16 July 2013**  
(24) Date from which industrial property rights may have effect: **16 July 2013**  
(54) Product in respect of which the design is registered: **Flower princess shaped diamond**  
(51) International Design Classification: **11-01NES**  
(74) Name(s) of Attorney(s): **SPRUSON & FERGUSON**  
(71) Name(s) and Address(s) of Applicant(s):  
**Worldwide Diamond Trademarks Ltd.**  
**1066 West Hastings Street Suite 2160 Vancouver British Columbia V6E**  
**3X1 Canada**  
(72) Name(s) of Designer(s): **Roni Rydlewicz**  
(45) Registration Date: **27 August 2013**  
(30) Convention priority data:  
(31) Number      (32) Date      (33) Country  
**29/445 565      13 Feb 2013      UNITED STATES OF AMERICA**  
(56) Related Art Documents: **Not Applicable**  
(57) Statement of Newness and Distinctiveness: **Newness and distinctiveness is claimed in the features of shape and/or configuration of a flower princess shaped diamond as illustrated in the accompanying representations.**



(21) Design Number: **13384/2013**  
(22) Date of Filing Application: **16 July 2013**  
(24) Date from which industrial property rights may have effect: **16 July 2013**  
(54) Product in respect of which the design is registered: **Luminaire**  
(51) International Design Classification: **26-05A, 26-05C**  
(74) Name(s) of Attorney(s): **SPRUSON & FERGUSON**  
(71) Name(s) and Address(s) of Applicant(s):

**Zumtobel Lighting GmbH**  
**Grevenmarschstrasse 74-78 Lemgo 32657 Germany**

(72) Name(s) of Designer(s): **Eugen Hildebrandt**

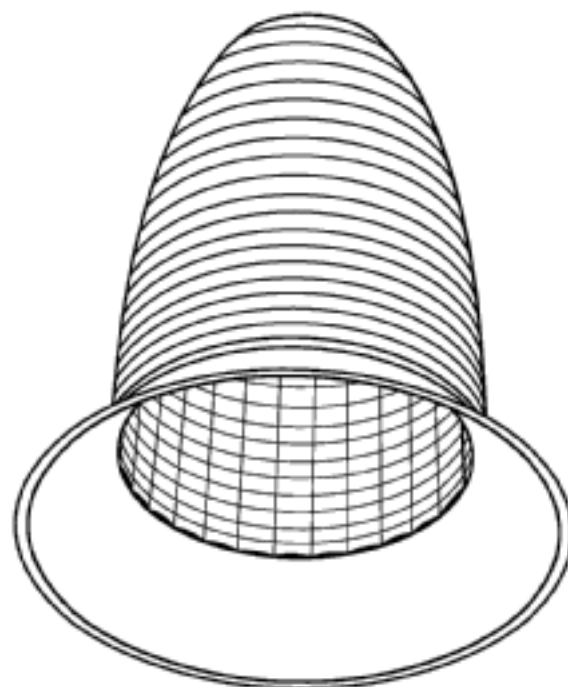
(45) Registration Date: **27 August 2013**

(30) Convention priority data:

|                  |                    |   |
|------------------|--------------------|---|
| (31) Number      | (32) Date          | (33) Country  |
| <b>001357636</b> | <b>16 Jan 2013</b> | <b>OFFICE FOR HARMONISATION IN<br/>THE INTERNAL MARKET (OHIM)</b> |

(56) Related Art Documents: **Not Applicable**

(57) Statement of Newness and Distinctiveness: **Newness and distinctiveness is claimed in the features of shape and/or configuration of a luminaire as illustrated in the accompanying representations.**



(21) Design Number: **13385/2013**  
(22) Date of Filing Application: **16 July 2013**  
(24) Date from which industrial property rights may have effect: **16 July 2013**  
(54) Product in respect of which the design is registered: **Luminaire**  
(51) International Design Classification: **26-05A, 26-05C**  
(74) Name(s) of Attorney(s): **SPRUSON & FERGUSON**  
(71) Name(s) and Address(s) of Applicant(s):

**Zumtobel Lighting GmbH**  
**Grevenmarschstrasse 74-78 Lemgo 32657 Germany**

(72) Name(s) of Designer(s): **Eugen Hildebrandt**

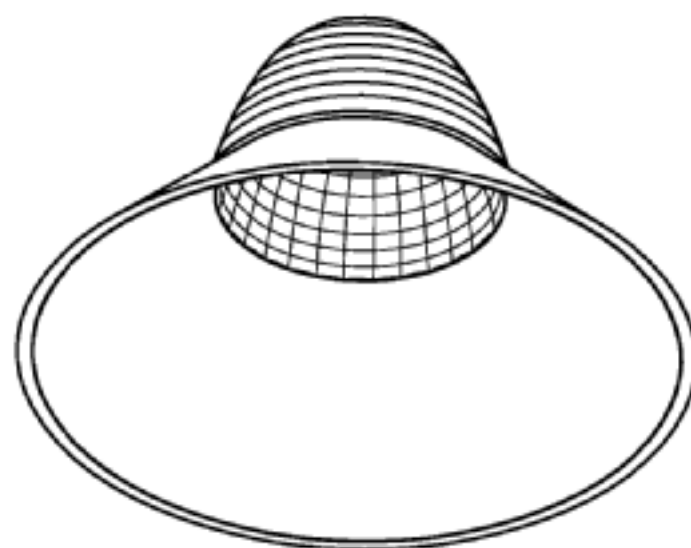
(45) Registration Date: **27 August 2013**

(30) Convention priority data:

|                  |                    |   |
|------------------|--------------------|---|
| (31) Number      | (32) Date          | (33) Country  |
| <b>001357636</b> | <b>16 Jan 2013</b> | <b>OFFICE FOR HARMONISATION IN<br/>THE INTERNAL MARKET (OHIM)</b> |

(56) Related Art Documents: **Not Applicable**

(57) Statement of Newness and Distinctiveness: **Newness and distinctiveness is claimed in the features of shape and/or configuration of a luminaire as illustrated in the accompanying representations.**



(21) Design Number: **13386/2013**  
(22) Date of Filing Application: **16 July 2013**  
(24) Date from which industrial property rights may have effect: **16 July 2013**  
(54) Product in respect of which the design is registered: **Luminaire**  
(51) International Design Classification: **26-05A, 26-05C**  
(74) Name(s) of Attorney(s): **SPRUSON & FERGUSON**  
(71) Name(s) and Address(s) of Applicant(s):

**Zumtobel Lighting GmbH**  
**Grevenmarschstrasse 74-78 Lemgo 32657 Germany**

(72) Name(s) of Designer(s): **Eugen Hildebrandt**

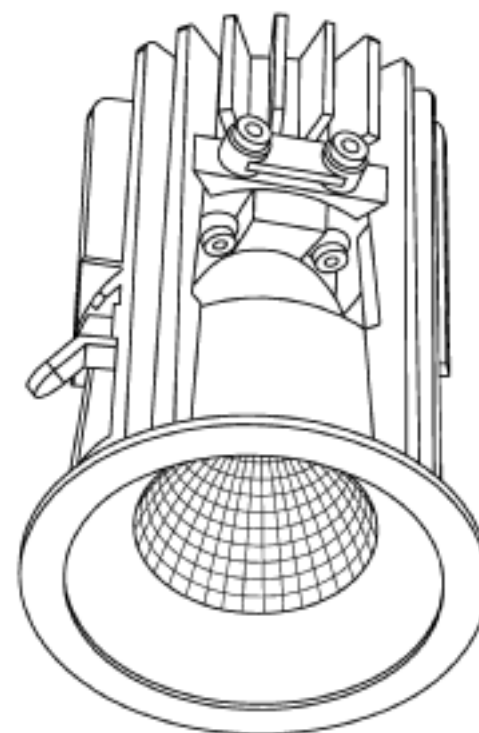
(45) Registration Date: **27 August 2013**

(30) Convention priority data:

| (31) Number      | (32) Date          | (33) Country  |
|------------------|--------------------|---|
| <b>001357636</b> | <b>16 Jan 2013</b> | <b>OFFICE FOR HARMONISATION IN THE INTERNAL MARKET (OHIM)</b> |

(56) Related Art Documents: **Not Applicable**

(57) Statement of Newness and Distinctiveness: **Newness and distinctiveness is claimed in the features of shape and/or configuration of a luminaire as illustrated in the accompanying representations.**



(21) Design Number: **13387/2013**  
(22) Date of Filing Application: **16 July 2013**  
(24) Date from which industrial property rights may have effect: **16 July 2013**  
(54) Product in respect of which the design is registered: **Luminaire**  
(51) International Design Classification: **26-05A, 26-05C**  
(74) Name(s) of Attorney(s): **SPRUSON & FERGUSON**  
(71) Name(s) and Address(s) of Applicant(s):

**Zumtobel Lighting GmbH**  
**Grevenmarschstrasse 74-78 Lemgo 32657 Germany**

(72) Name(s) of Designer(s): **Eugen Hildebrandt**

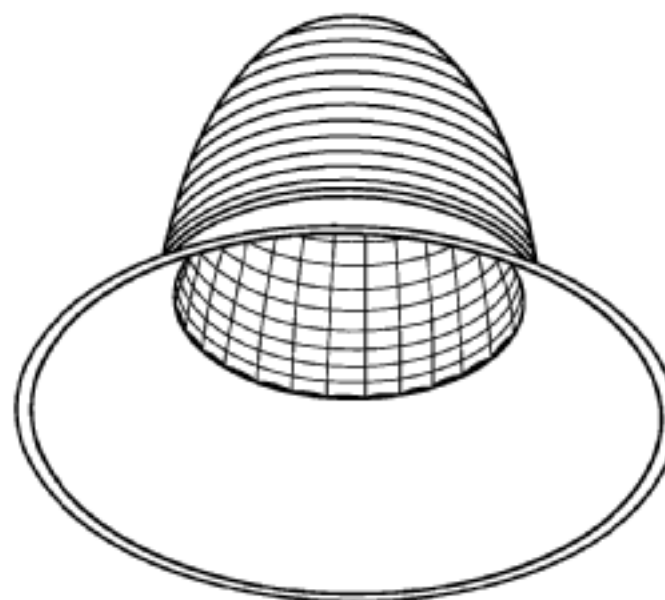
(45) Registration Date: **27 August 2013**

(30) Convention priority data:

| (31) Number      | (32) Date          | (33) Country  |
|------------------|--------------------|---|
| <b>001357636</b> | <b>16 Jan 2013</b> | <b>OFFICE FOR HARMONISATION IN THE INTERNAL MARKET (OHIM)</b> |

(56) Related Art Documents: **Not Applicable**

(57) Statement of Newness and Distinctiveness: **Newness and distinctiveness is claimed in the features of shape and/or configuration of a luminaire as illustrated in the accompanying representations.**



(21) Design Number: **13391/2013**  
(22) Date of Filing Application: **16 July 2013**  
(24) Date from which industrial property rights may have effect: **16 July 2013**  
(54) Product in respect of which the design is registered: **Boot**  
(51) International Design Classification: **02-04A, 02-04NES**  
(74) Name(s) of Attorney(s): **Griffith Hack**  
(71) Name(s) and Address(s) of Applicant(s):

**LES CHAUSSURES STC INC.**  
**10100 rue Colbert Anjou QC, H1J 2J8 Canada**

(72) Name(s) of Designer(s): **Michel Bisson**

(45) Registration Date: **27 August 2013**

(30) Convention priority data:

| (31) Number   | (32) Date          | (33) Country  |
|---------------|--------------------|---------------|
| <b>149450</b> | <b>16 Jan 2013</b> | <b>CANADA</b> |

(56) Related Art Documents: **Not Applicable**

(57) Statement of Newness and Distinctiveness: **Newness and Distinctiveness resides in the visual features, including the shape, configuration and ornamentation of those parts of the product shown by means of solid lines in the accompanying representations. Those parts shown by means of dashed lines have been included for illustrative purposes.**



(21) Design Number: **13393/2013**  
(22) Date of Filing Application: **16 July 2013**  
(24) Date from which industrial property rights may have effect: **16 July 2013**  
(54) Product in respect of which the design is registered: **Protective casing for electrical devices**  
(51) International Design Classification: **03-01NES, 13-03C**  
(74) Name(s) of Attorney(s): **WATERMARK PATENT AND TRADE MARKS ATTORNEYS**  
(71) Name(s) and Address(s) of Applicant(s):

**Fibox Oy Ab**  
**Keilaranta 19 Espoo FI-02150 Finland**

(72) Name(s) of Designer(s): **Kenneth Weber and Max Bruun**

(45) Registration Date: **27 August 2013**

(30) Convention priority data:

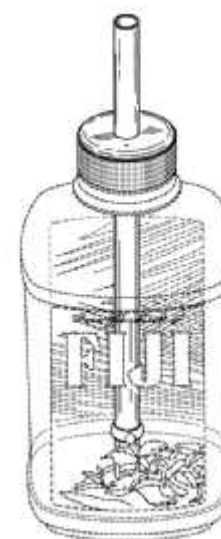
| (31) Number           | (32) Date          | (33) Country                        |
|-----------------------|--------------------|-------------------------------------|
| <b>002168047-0001</b> | <b>17 Feb 2013</b> | <b>EUROPEAN PATENT OFFICE (EPO)</b> |

(56) Related Art Documents: **Not Applicable**

(57) Statement of Newness and Distinctiveness: **Nil**



- (21) Design Number: **13394/2013**  
(22) Date of Filing Application: **16 July 2013**  
(24) Date from which industrial property rights may have effect: **16 July 2013**  
(54) Product in respect of which the design is registered: **Straw and cap combination for use with a bottle**  
(51) International Design Classification: **09-01NES**  
(74) Name(s) of Attorney(s): **FB Rice**  
(71) Name(s) and Address(s) of Applicant(s):  
**Fiji Water Company LLC**  
**11144 W. Olympic Blvd. 2nd Floor Los Angeles California 90064 United States of America**  
(72) Name(s) of Designer(s): **Gabrielle d'Estries and David Bowman**  
(45) Registration Date: **27 August 2013**  
(30) Convention priority data:  
(31) Number (32) Date (33) Country  
**29/444133 25 Jan 2013 UNITED STATES OF AMERICA**  
(56) Related Art Documents: **Not Applicable**  
(57) Statement of Newness and Distinctiveness: **Newness and distinctiveness reside in the features of the design shown in solid lines in the representations excluding those features shown in broken lines.**

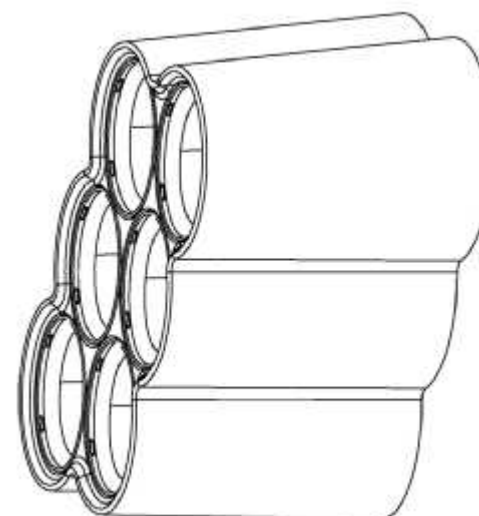


- (21) Design Number: **13397/2013**  
(22) Date of Filing Application: **11 July 2013**  
(24) Date from which industrial property rights may have effect: **11 July 2013**  
(54) Product in respect of which the design is registered: **Solar powered illuminated advertising street name sign**  
(51) International Design Classification: **20-03C**  
(74) Name(s) of Attorney(s):  
(71) Name(s) and Address(s) of Applicant(s):  
**Directional Systems Australia Pty Ltd**  
**PO BOX 9 Osborne Park WA 6917 Australia**  
(72) Name(s) of Designer(s): **Charles Roderick Phillips**  
(45) Registration Date: **27 August 2013**  
(56) Related Art Documents: **Not Applicable**  
(57) Statement of Newness and Distinctiveness: **Monopoly is claimed in the features & shape or configuration of a solar powered illuminated sign as illustrated in the representations.**





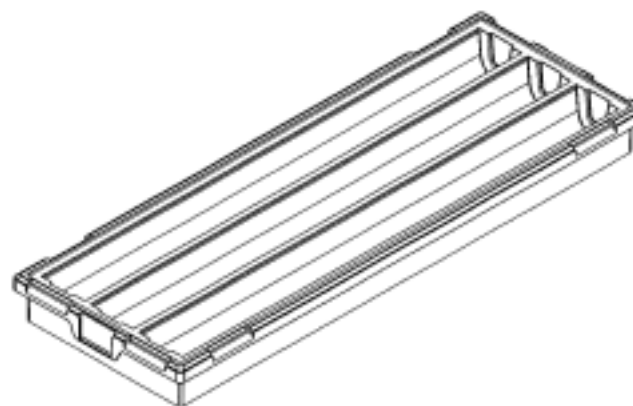
(21) Design Number: **13398/2013**  
(22) Date of Filing Application: **16 July 2013**  
(24) Date from which industrial property rights may have effect: **16 July 2013**  
(54) Product in respect of which the design is registered: **Ice pop maker**  
(51) International Design Classification: **07-02P, 07-02NES**  
(74) Name(s) of Attorney(s): **FB Rice**  
(71) Name(s) and Address(s) of Applicant(s):  
**Propeller, Inc.**  
**720 Monroe Street Suite C308 Hoboken New Jersey 07030 United States of America**  
(72) Name(s) of Designer(s): **John C. Earle and Yos Kumthampinij and William Nickley and Kenneth D. Zorovich**  
(45) Registration Date: **27 August 2013**  
(30) Convention priority data:  
(31) Number (32) Date (33) Country  
**29/443373 16 Jan 2013 UNITED STATES OF AMERICA**  
(56) Related Art Documents: **Not Applicable**  
(57) Statement of Newness and Distinctiveness: **Newness and distinctiveness resides in the features of shape and/or configuration of the ice pop maker as shown in the representations, apart from the number of molds in the ice pop maker, which may vary from six molds as shown.**



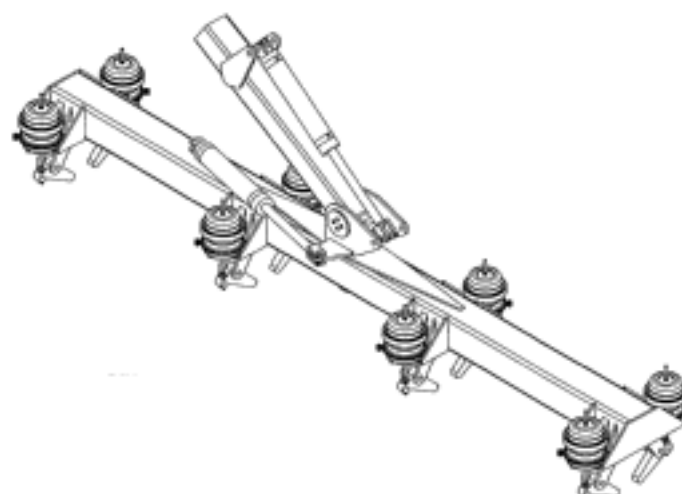
(21) Design Number: **13399/2013**  
(22) Date of Filing Application: **16 July 2013**  
(24) Date from which industrial property rights may have effect: **16 July 2013**  
(54) Product in respect of which the design is registered: **Ice pop maker**  
(51) International Design Classification: **07-02P, 07-02NES**  
(74) Name(s) of Attorney(s): **FB Rice**  
(71) Name(s) and Address(s) of Applicant(s):  
**Propeller, Inc.**  
**720 Monroe Street Suite C308 Hoboken New Jersey 07030 United States of America**  
(72) Name(s) of Designer(s): **Kenneth D. Zorovich and John C. Earle and Yos Kumthampinij and William Nickley**  
(45) Registration Date: **27 August 2013**  
(30) Convention priority data:  
(31) Number (32) Date (33) Country  
**29/443379 16 Jan 2013 UNITED STATES OF AMERICA**  
(56) Related Art Documents: **Not Applicable**  
(57) Statement of Newness and Distinctiveness: **Newness and distinctiveness resides in the features of shape and/or configuration of the ice pop maker as shown in the representations, apart from the number of circular shaped molds in the ice pop maker, which may vary from nine molds as shown.**



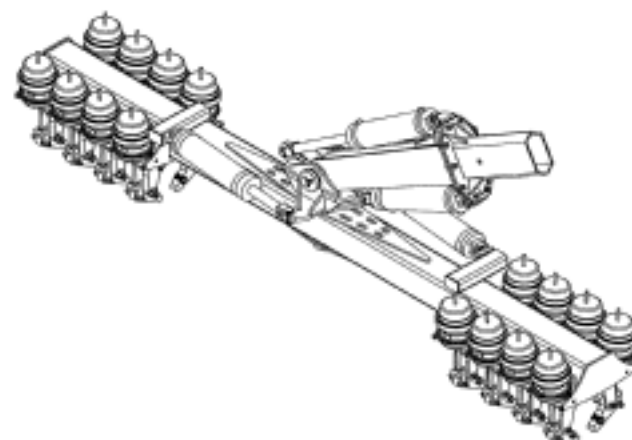
- (21) Design Number: **12692/2013**  
(22) Date of Filing Application: **06 June 2013**  
(24) Date from which industrial property rights may have effect: **06 June 2013**  
(54) Product in respect of which the design is registered: **Core tray**  
(51) International Design Classification: **15-99**  
(74) Name(s) of Attorney(s): **Janet Stead & Associates, Patent and Trade Mark Attorneys**  
(71) Name(s) and Address(s) of Applicant(s):  
**John Wilder**  
**66 Truganina Rd Malaga WA 6090 Australia**  
**Simon Timothy Moore**  
**Cnr Kelvin Rd and Eva St Maddington WA 6109 Australia**  
(72) Name(s) of Designer(s): **John Wilder and Simon Timothy Moore**  
(45) Registration Date: **27 August 2013**  
(56) Related Art Documents: **Not Applicable**  
(57) Statement of Newness and Distinctiveness: **Newness and distinctiveness is claimed in the shape and/or configuration of a CORE TRAY as illustrated in the accompanying representations.**



- (21) Design Number: **12694/2013**  
(22) Date of Filing Application: **10 June 2013**  
(24) Date from which industrial property rights may have effect: **10 June 2013**  
(54) Product in respect of which the design is registered: **Rod loader attachment**  
(51) International Design Classification: **15-99**  
(74) Name(s) of Attorney(s): **Janet Stead & Associates, Patent and Trade Mark Attorneys**  
(71) Name(s) and Address(s) of Applicant(s):  
**Quenton Seed**  
**34 Hardy Pl Donnybrook WA 6239 Australia**  
(72) Name(s) of Designer(s): **Quenton Seed**  
(45) Registration Date: **27 August 2013**  
(56) Related Art Documents: **Not Applicable**  
(57) Statement of Newness and Distinctiveness: **Newness and distinctiveness is claimed in the shape and/or configuration of a Rod Loader Attachment as illustrated in the accompanying representations.**



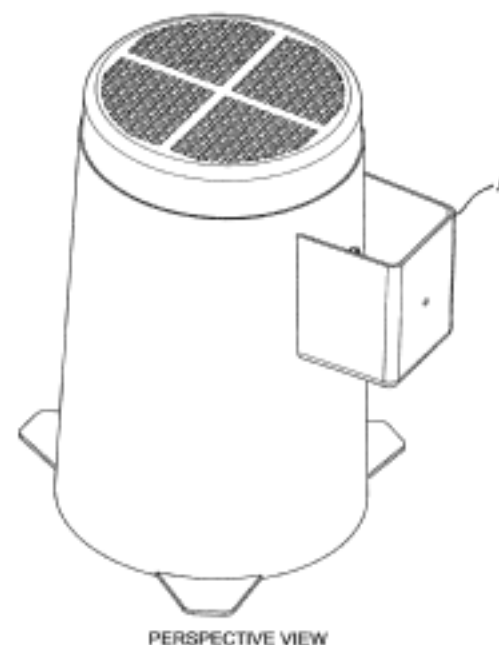
(21) Design Number: **12695/2013**  
(22) Date of Filing Application: **10 June 2013**  
(24) Date from which industrial property rights may have effect: **10 June 2013**  
(54) Product in respect of which the design is registered: **Rod loader attachment**  
(51) International Design Classification: **15-99**  
(74) Name(s) of Attorney(s): **Janet Stead & Associates, Patent and Trade Mark Attorneys**  
(71) Name(s) and Address(s) of Applicant(s):  
**Quenton Seed**  
**34 Hardy Pl Donnybrook WA 6239 Australia**  
(72) Name(s) of Designer(s): **Quenton Seed**  
(45) Registration Date: **27 August 2013**  
(56) Related Art Documents: **Not Applicable**  
(57) Statement of Newness and Distinctiveness: **Newness and distinctiveness is claimed in the shape and/or configuration of a Rod Loader Attachment as illustrated in the accompanying representations.**



(21) Design Number: **12748/2013**  
(22) Date of Filing Application: **14 June 2013**  
(24) Date from which industrial property rights may have effect: **14 June 2013**  
(54) Product in respect of which the design is registered: **Rail cover half panel with surface texture**  
(51) International Design Classification: **22-01**  
(74) Name(s) of Attorney(s): **Davies Collison Cave**  
(71) Name(s) and Address(s) of Applicant(s):  
**Magpul Industries Corporation**  
**400 Young Court Unit 1 Erie Colorado 80516 United States of America**  
(72) Name(s) of Designer(s): **Richard Fitzpatrick and Michael T. Mayberry and Brian Nakayama and Brad Bennett and Thomas Ward Jr**  
(45) Registration Date: **27 August 2013**  
(30) Convention priority data:  
(31) Number      (32) Date      (33) Country  
**29/440889      28 Dec 2012      UNITED STATES OF AMERICA**  
(56) Related Art Documents: **Not Applicable**  
(57) Statement of Newness and Distinctiveness: **Newness and distinctiveness is claimed in the visual features of the rail cover half panel with surface texture as shown in solid lines in the representations.**



- (21) Design Number: **12771/2013**  
(22) Date of Filing Application: **12 June 2013**  
(24) Date from which industrial property rights may have effect: **12 June 2013**  
(54) Product in respect of which the design is registered: **Ceiling light guard**  
(51) International Design Classification: **26-05NES**  
(74) Name(s) of Attorney(s): **Janet Stead & Associates, Patent and Trade Mark Attorneys**  
(71) Name(s) and Address(s) of Applicant(s):  
**Ross Baker**  
**PO BOX 1235 Wangara WA 6947 Australia**  
**David Fitzpatrick**  
**PO BOX 1235 Wangara WA 6947 Australia**  
(72) Name(s) of Designer(s): **Ross Baker and David Fitzpatrick**  
(45) Registration Date: **27 August 2013**  
(56) Related Art Documents: **Not Applicable**  
(57) Statement of Newness and Distinctiveness: **Newness and distinctiveness is claimed in the shape and/or configuration of a Ceiling Light Guard with detachable side pocket marked A, as illustrated in the accompanying representations.**



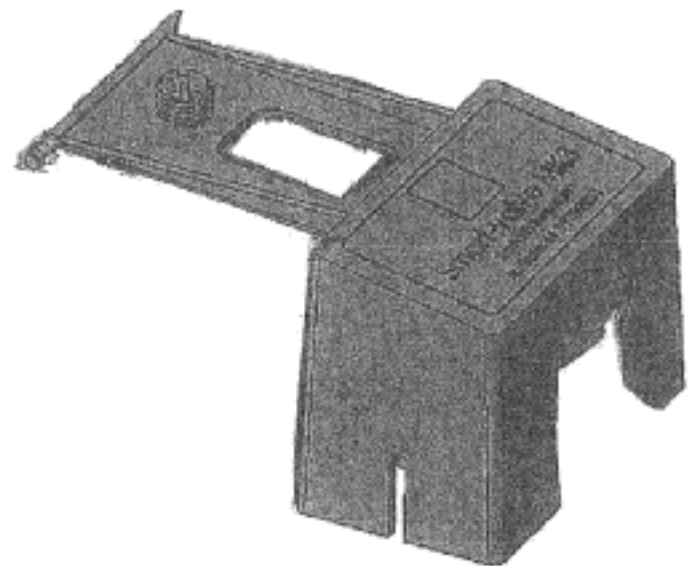
- (21) Design Number: **13000/2013**  
(22) Date of Filing Application: **27 June 2013**  
(24) Date from which industrial property rights may have effect: **27 June 2013**  
(54) Product in respect of which the design is registered: **Element for heating fluids**  
(51) International Design Classification: **23-03A**  
(74) Name(s) of Attorney(s): **Jogias**  
(71) Name(s) and Address(s) of Applicant(s):  
**BJC Elements Ltd.**  
**7-15 Gregory Street Naenae Lower Hutt 5011 New Zealand**  
(72) Name(s) of Designer(s): **Kean P. O'Neill and Bradley Oliver and Lyall Morton**  
(45) Registration Date: **27 August 2013**  
(56) Related Art Documents: **Not Applicable**  
(57) Statement of Newness and Distinctiveness: **Nil**



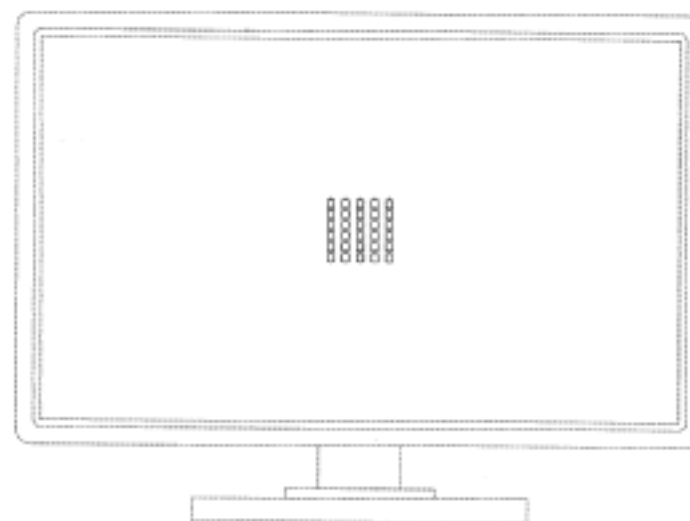
- (21) Design Number: **13001/2013**  
(22) Date of Filing Application: **27 June 2013**  
(24) Date from which industrial property rights may have effect: **27 June 2013**  
(54) Product in respect of which the design is registered: **Element for heating fluids**  
(51) International Design Classification: **23-03A**  
(74) Name(s) of Attorney(s): **Jogias**  
(71) Name(s) and Address(s) of Applicant(s):  
**BJC Elements Ltd.**  
**7-15 Gregory Street Naenae Lower Hutt 5011 New Zealand**  
(72) Name(s) of Designer(s): **Bradley Oliver and Lyall Morton and Kean P. O'Neill**  
(45) Registration Date: **27 August 2013**  
(56) Related Art Documents: **Not Applicable**  
(57) Statement of Newness and Distinctiveness: **Nil**



- (21) Design Number: **16552/2012**  
(22) Date of Filing Application: **21 December 2012**  
(24) Date from which industrial property rights may have effect: **21 December 2012**  
(54) Product in respect of which the design is registered: **A flotation element**  
(51) International Design Classification: **23-01NES, 11-02B**  
(74) Name(s) of Attorney(s): **Macpherson + Kelley**  
(71) Name(s) and Address(s) of Applicant(s):  
**Ah N. Fah**  
**Lot 28 Gardenworld 810-834 Springvale Rd Keysborough VIC 3173**  
**Australia**  
(72) Name(s) of Designer(s): **Ah N. Fah**  
(45) Registration Date: **27 August 2013**  
(56) Related Art Documents: **Not Applicable**  
(57) Statement of Newness and Distinctiveness: **The particular visual features of the design which the Applicant hereby identifies as new and distinctive are as follows: "A Flotation Element", as illustrated in the accompanying representations.**



- (21) Design Number: **12475/2013**  
(22) Date of Filing Application: **29 May 2013**  
(24) Date from which industrial property rights may have effect: **29 May 2013**  
(54) Product in respect of which the design is registered: **Electronic device with boxed abacus icon**  
(51) International Design Classification: **14-02**  
(74) Name(s) of Attorney(s): **WATERMARK PATENT AND TRADE MARKS ATTORNEYS**  
(71) Name(s) and Address(s) of Applicant(s):  
**Lexis-Nexis a Division of Reed Elsevier Inc**  
**9443 Springboro Pike Miamisburg Ohio 45342 United States of America**  
(72) Name(s) of Designer(s): **Richard D. Miller and Christopher Scott Basham and Jacob Aaron Myers and Sanjay Sharma**  
(45) Registration Date: **27 August 2013**  
(30) Convention priority data:  
(31) Number (32) Date (33) Country  
**29/438,388 29 Nov 2012 UNITED STATES OF AMERICA**  
(56) Related Art Documents: **Not Applicable**  
(57) Statement of Newness and Distinctiveness: **Newness and distinctiveness resides in the features of pattern and/or ornamentation of an electronic device having a graphical user interface with a boxed abacus icon as shown in the accompanying representations. The features shown in broken lines, including a computer screen or other elements of the graphical user interface, are for illustrative purposes only and form no part of the design.**



- (21) Design Number: **12515/2013**  
(22) Date of Filing Application: **30 May 2013**  
(24) Date from which industrial property rights may have effect: **30 May 2013**  
(54) Product in respect of which the design is registered: **Head support**  
(51) International Design Classification: **28-03B**  
(74) Name(s) of Attorney(s): **WATERMARK PATENT AND TRADE MARKS ATTORNEYS**  
(71) Name(s) and Address(s) of Applicant(s):  
**Riamble Pty Ltd**  
**19 Marton Rd Balcatta WA 6021 Australia**  
(72) Name(s) of Designer(s): **Catherine Randabel**  
(45) Registration Date: **27 August 2013**  
(56) Related Art Documents: **Not Applicable**  
(57) Statement of Newness and Distinctiveness: **Nil**



(21) Design Number: **12546/2013**  
(22) Date of Filing Application: **03 June 2013**  
(24) Date from which industrial property rights may have effect: **03 June 2013**  
(54) Product in respect of which the design is registered: **Ice bucket**  
(51) International Design Classification: **07-01NES**  
(74) Name(s) of Attorney(s): **Davies Collison Cave**  
(71) Name(s) and Address(s) of Applicant(s):  
**Red Bull GmbH**  
**Am Brunnen 1 Fuschl am See 5330 Austria**  
(72) Name(s) of Designer(s): **Matthias Rinderer and Eike Schaefer**  
(45) Registration Date: **27 August 2013**  
(30) Convention priority data:  
(31) Number (32) Date (33) Country  
**002146225-0003 03 Dec 2012 OFFICE FOR HARMONISATION IN**  
**THE INTERNAL MARKET (OHIM)**  
(56) Related Art Documents: **Not Applicable**  
(57) Statement of Newness and Distinctiveness: **Newness and distinctiveness**  
**is claimed in the shape and configuration of the container as shown in**  
**the representations.**



(21) Design Number: **12547/2013**  
(22) Date of Filing Application: **03 June 2013**  
(24) Date from which industrial property rights may have effect: **03 June 2013**  
(54) Product in respect of which the design is registered: **Ice bucket**  
(51) International Design Classification: **07-01NES**  
(74) Name(s) of Attorney(s): **Davies Collison Cave**  
(71) Name(s) and Address(s) of Applicant(s):  
**Red Bull GmbH**  
**Am Brunnen 1 Fuschl am See 5330 Austria**  
(72) Name(s) of Designer(s): **Matthias Rinderer and Eike Schaefer**  
(45) Registration Date: **27 August 2013**  
(30) Convention priority data:  
(31) Number (32) Date (33) Country  
**002146225-0005 03 Dec 2012 OFFICE FOR HARMONISATION IN**  
**THE INTERNAL MARKET (OHIM)**  
(56) Related Art Documents: **Not Applicable**  
(57) Statement of Newness and Distinctiveness: **Newness and distinctiveness**  
**is claimed in the shape and configuration of the container as shown in**  
**the representations.**



(21) Design Number: **12633/2013**

(22) Date of Filing Application: **06 June 2013**

(24) Date from which industrial property rights may have effect: **06 June 2013**

(54) Product in respect of which the design is registered: **Mobile phone**

(51) International Design Classification: **14-03E**

(74) Name(s) of Attorney(s):

(71) Name(s) and Address(s) of Applicant(s):

**Ethan Hunt**

**2512 Langham Place Office Tower Langham Place Office Tower 8 Argyle  
Street Mongkok KLN 000000 Hong Kong**

(72) Name(s) of Designer(s): **Ethan Hunt**

(45) Registration Date: **27 August 2013**

(56) Related Art Documents: **Not Applicable**

(57) Statement of Newness and Distinctiveness: **The phone is designed to the shape of a credit card, is 85 x 54 x 5.5mm in size. It is currently the slimmest GSM mobile phone in the market and has two additional functionalities which are a locator and a tracker built into the device.**



(21) Design Number: **12690/2013**

(22) Date of Filing Application: **06 June 2013**

(24) Date from which industrial property rights may have effect: **06 June 2013**

(54) Product in respect of which the design is registered: **Core tray**

(51) International Design Classification: **15-99**

(74) Name(s) of Attorney(s): **Janet Stead & Associates, Patent and Trade Mark Attorneys**

(71) Name(s) and Address(s) of Applicant(s):

**John Wilder**

**66 Truganina Rd Malaga WA 6090 Australia**

**Simon Timothy Moore**

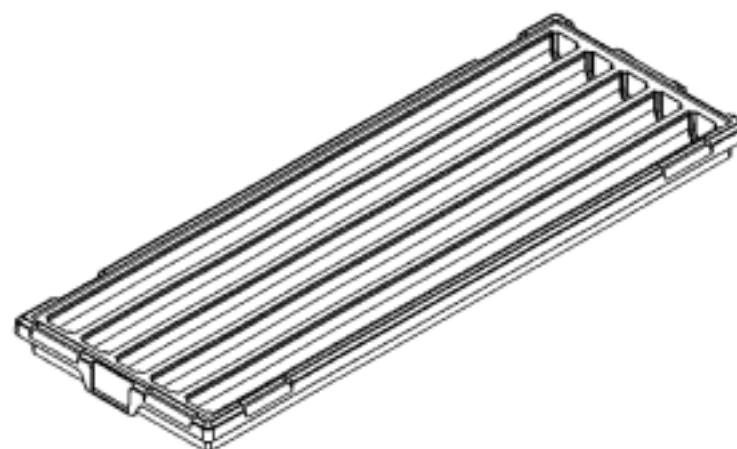
**Cnr Kelvin Rd and Eva St Maddington WA 6109 Australia**

(72) Name(s) of Designer(s): **John Wilder and Simon Timothy Moore**

(45) Registration Date: **27 August 2013**

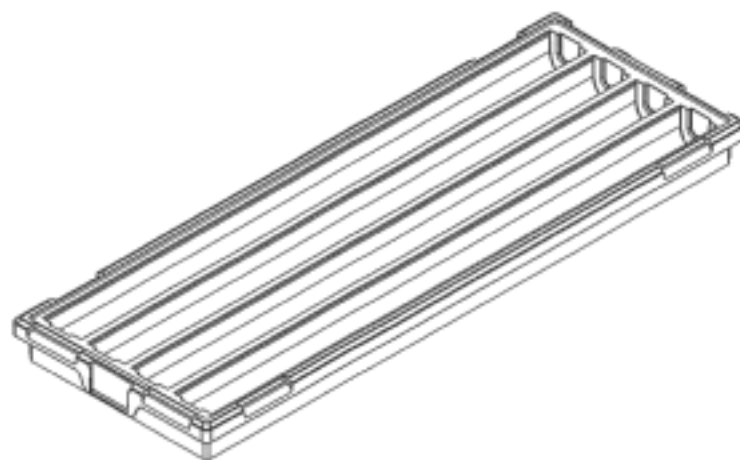
(56) Related Art Documents: **Not Applicable**

(57) Statement of Newness and Distinctiveness: **Newness and distinctiveness is claimed in the shape and/or configuration of a CORE TRAY as illustrated in the accompanying representations.**





- (21) Design Number: **12691/2013**  
(22) Date of Filing Application: **06 June 2013**  
(24) Date from which industrial property rights may have effect: **06 June 2013**  
(54) Product in respect of which the design is registered: **Core tray**  
(51) International Design Classification: **15-99**  
(74) Name(s) of Attorney(s): **Janet Stead & Associates, Patent and Trade Mark Attorneys**  
(71) Name(s) and Address(s) of Applicant(s):  
**John Wilder**  
**66 Truganina Rd Malaga WA 6090 Australia**  
**Simon Timothy Moore**  
**Cnr Kelvin Rd and Eva St Maddington WA 6109 Australia**  
(72) Name(s) of Designer(s): **John Wilder and Simon Timothy Moore**  
(45) Registration Date: **27 August 2013**  
(56) Related Art Documents: **Not Applicable**  
(57) Statement of Newness and Distinctiveness: **Newness and distinctiveness is claimed in the shape and/or configuration of a CORE TRAY as illustrated in the accompanying representations.**



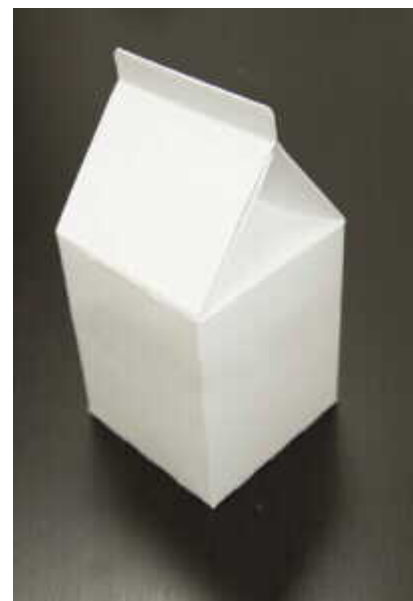
- (21) Design Number: **13400/2013**  
(22) Date of Filing Application: **16 July 2013**  
(24) Date from which industrial property rights may have effect: **16 July 2013**  
(54) Product in respect of which the design is registered: **Ice pop maker**  
(51) International Design Classification: **07-02P, 07-02NES**  
(74) Name(s) of Attorney(s): **FB Rice**  
(71) Name(s) and Address(s) of Applicant(s):  
**Propeller, Inc.**  
**720 Monroe Street Suite C308 Hoboken New Jersey 07030 United States of America**  
(72) Name(s) of Designer(s): **Kenneth D. Zorovich and John C. Earle and Yos Kumthampinij and William Nickley**  
(45) Registration Date: **28 August 2013**  
(30) Convention priority data:  
(31) Number      (32) Date      (33) Country  
**29/443381      16 Jan 2013      UNITED STATES OF AMERICA**  
(56) Related Art Documents: **Not Applicable**  
(57) Statement of Newness and Distinctiveness: **Newness and distinctiveness resides in the features of shape and/or configuration of the ice pop maker as shown in the representations, apart from the number of molds in the ice pop maker, which may vary from four molds as shown.**



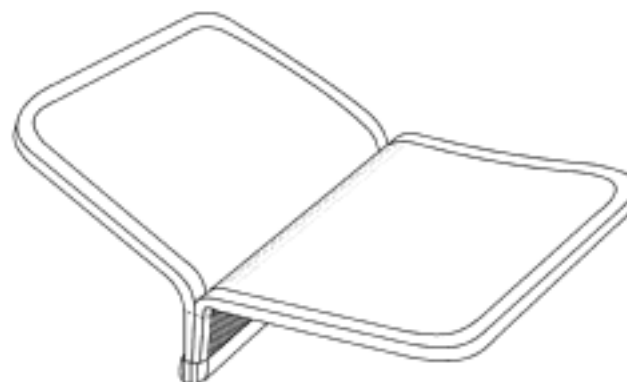
- (21) Design Number: **13401/2013**  
(22) Date of Filing Application: **16 July 2013**  
(24) Date from which industrial property rights may have effect: **16 July 2013**  
(54) Product in respect of which the design is registered: **Carton for a powdered product**  
(51) International Design Classification: **09-03NES, 09-03M**  
(74) Name(s) of Attorney(s): **FB Rice**  
(71) Name(s) and Address(s) of Applicant(s):  
**Flujo Holdings Pty Ltd**  
**4/1A Windsor PI Windsor VIC 3181 Australia**  
(72) Name(s) of Designer(s): **Mark Hanna and Mark Chen and Avishai Rubinstein**  
(45) Registration Date: **28 August 2013**  
(56) Related Art Documents: **Not Applicable**  
(57) Statement of Newness and Distinctiveness: **Newness and distinctiveness reside in the shape and configuration of the carton shown in the representations.**



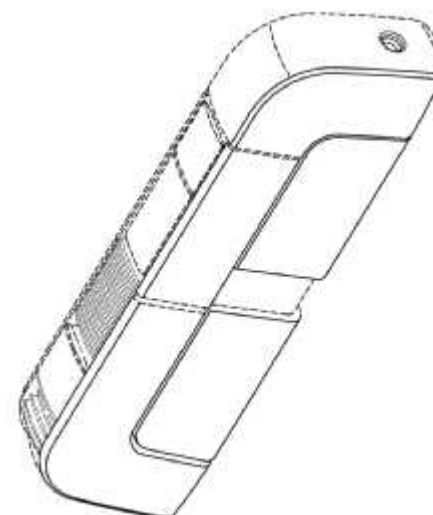
- (21) Design Number: **13402/2013**  
(22) Date of Filing Application: **16 July 2013**  
(24) Date from which industrial property rights may have effect: **16 July 2013**  
(54) Product in respect of which the design is registered: **Carton for a powdered product**  
(51) International Design Classification: **09-03NES, 09-03M**  
(74) Name(s) of Attorney(s): **FB Rice**  
(71) Name(s) and Address(s) of Applicant(s):  
**Flujo Holdings Pty Ltd**  
**4/1A Windsor PI Windsor VIC 3181 Australia**  
(72) Name(s) of Designer(s): **Mark Hanna and Mark Chen and Avishai Rubinstein**  
(45) Registration Date: **28 August 2013**  
(56) Related Art Documents: **Not Applicable**  
(57) Statement of Newness and Distinctiveness: **Newness and distinctiveness reside in the shape and configuration of the carton shown in the representations.**



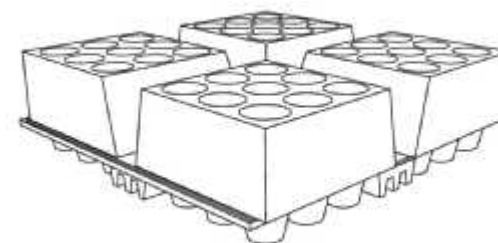
- (21) Design Number: **13406/2013**  
(22) Date of Filing Application: **15 July 2013**  
(24) Date from which industrial property rights may have effect: **15 July 2013**  
(54) Product in respect of which the design is registered: **Fishing accessory**  
(51) International Design Classification: **22-05**  
(74) Name(s) of Attorney(s): **Fisher Adams Kelly Pty Ltd**  
(71) Name(s) and Address(s) of Applicant(s):  
**Craig Shanks**  
**4/23 Dickson St Morningside QLD 4176 Australia**  
(72) Name(s) of Designer(s): **Craig Shanks**  
(45) Registration Date: **28 August 2013**  
(56) Related Art Documents: **Not Applicable**  
(57) Statement of Newness and Distinctiveness: **The newness and distinctiveness of the design resides in the shape and/or configuration of the FISHING ACCESSORY shown in the representations. Portions shown in phantom lines are to be disregarded when assessing the newness and distinctiveness of the design.**



- (21) Design Number: **13415/2013**  
(22) Date of Filing Application: **17 July 2013**  
(24) Date from which industrial property rights may have effect: **17 July 2013**  
(54) Product in respect of which the design is registered: **Blood glucose cartridge**  
(51) International Design Classification: **24-04, 24-01, 24-02**  
(74) Name(s) of Attorney(s): **PIZZEYS**  
(71) Name(s) and Address(s) of Applicant(s):  
**Labstyle Innovation Ltd.**  
**7 Menahem Begin Street Ramat Gan 5268102 Israel**  
(72) Name(s) of Designer(s): **Yoav Tikochinsky and Eran Zur and Frank Schenk and David Damschek and Eliahu Eliachar and Ram Grossfeld and Shilo Ben-Zeev and Oren Feurst and Nils Nilach**  
(45) Registration Date: **28 August 2013**  
(30) Convention priority data:  
(31) Number      (32) Date      (33) Country  
**29/443965      24 Jan 2013      UNITED STATES OF AMERICA**  
(56) Related Art Documents: **Not Applicable**  
(57) Statement of Newness and Distinctiveness: **The newness and distinctiveness of the design resides in the features of pattern and/or ornamentation OR shape and/or configuration shown in unbroken lines in the accompanying representations. (if required, see Convention document)**



(21) Design Number: **13416/2013**  
(22) Date of Filing Application: **17 July 2013**  
(24) Date from which industrial property rights may have effect: **17 July 2013**  
(54) Product in respect of which the design is registered: **A foundation element**  
(51) International Design Classification: **25-01B**  
(74) Name(s) of Attorney(s): **AJ Park**  
(71) Name(s) and Address(s) of Applicant(s):



**Gary Kenneth Lord**  
**86 Ladies Mile Remuera Auckland 1050 New Zealand**  
**Kevin Allan Saunders**  
**22 Glengarry Avenue Manly Beach Whangaparaoa 0930 New Zealand**

(72) Name(s) of Designer(s): **Gary Kenneth Lord and Kevin Allan Saunders**

(45) Registration Date: **28 August 2013**

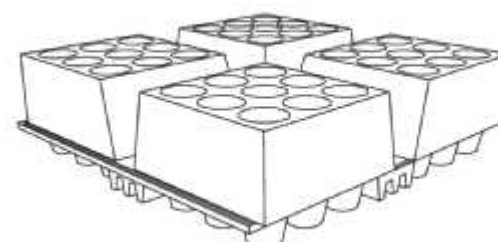
(30) Convention priority data:

| (31) Number   | (32) Date          | (33) Country       |
|---------------|--------------------|--------------------|
| <b>417457</b> | <b>28 Mar 2013</b> | <b>NEW ZEALAND</b> |

(56) Related Art Documents: **Not Applicable**

(57) Statement of Newness and Distinctiveness: **Nil**

(21) Design Number: **13417/2013**  
(22) Date of Filing Application: **17 July 2013**  
(24) Date from which industrial property rights may have effect: **17 July 2013**  
(54) Product in respect of which the design is registered: **A foundation element**  
(51) International Design Classification: **25-01B**  
(74) Name(s) of Attorney(s): **AJ Park**  
(71) Name(s) and Address(s) of Applicant(s):



**Gary Kenneth Lord**  
**86 Ladies Mile Remuera Auckland 1050 New Zealand**  
**Kevin Allan Saunders**  
**22 Glengarry Avenue Manly Beach Whangaparaoa 0930 New Zealand**

(72) Name(s) of Designer(s): **Gary Kenneth Lord and Kevin Allan Saunders**

(45) Registration Date: **28 August 2013**

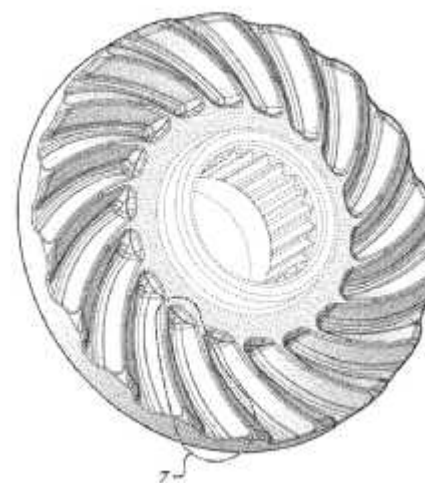
(30) Convention priority data:

| (31) Number   | (32) Date          | (33) Country       |
|---------------|--------------------|--------------------|
| <b>417457</b> | <b>28 Mar 2013</b> | <b>NEW ZEALAND</b> |

(56) Related Art Documents: **Not Applicable**

(57) Statement of Newness and Distinctiveness: **Nil**

- (21) Design Number: **13420/2013**  
(22) Date of Filing Application: **17 July 2013**  
(24) Date from which industrial property rights may have effect: **17 July 2013**  
(54) Product in respect of which the design is registered: **Face gear**  
(51) International Design Classification: **15-99**  
(74) Name(s) of Attorney(s): **FB Rice**  
(71) Name(s) and Address(s) of Applicant(s):  
**Eaton Corporation**  
**1111 Superior Avenue Cleveland Ohio 44114 United States of America**  
(72) Name(s) of Designer(s): **Paul N. Herrmann and Steven J. Cochren and Sandeep Kumar and Steven A. Rudko and Stephen P. Radzevich and Matthew G. Fox and Daniel Philip Fisher**  
(45) Registration Date: **28 August 2013**  
(30) Convention priority data:  
(31) Number (32) Date (33) Country  
**29/444099 25 Jan 2013 UNITED STATES OF AMERICA**  
(56) Related Art Documents: **Not Applicable**  
(57) Statement of Newness and Distinctiveness: **Newness and distinctiveness reside in the features of the design shown in solid lines in the representations excluding those features shown in broken lines and less weight to be accorded to the number of teeth carried on the front face of the gear.**



- (21) Design Number: **13425/2013**  
(22) Date of Filing Application: **18 July 2013**  
(24) Date from which industrial property rights may have effect: **18 July 2013**  
(54) Product in respect of which the design is registered: **Antenna**  
(51) International Design Classification: **14-03NES**  
(74) Name(s) of Attorney(s): **Davies Collison Cave**  
(71) Name(s) and Address(s) of Applicant(s):  
**Arlec Australia Pty Ltd**  
**Building 3 31-41 Joseph St Blackburn VIC 3130 Australia**  
(72) Name(s) of Designer(s): **Kaine Mulder**  
(45) Registration Date: **28 August 2013**  
(56) Related Art Documents: **Not Applicable**  
(57) Statement of Newness and Distinctiveness: **Newness and distinctiveness is claimed in the features of shape and configuration of the antenna shown in the representations but not including attachment clamp marked "A" and end caps marked "B".**



- (21) Design Number: **13426/2013**  
(22) Date of Filing Application: **18 July 2013**  
(24) Date from which industrial property rights may have effect: **18 July 2013**  
(54) Product in respect of which the design is registered: **Antenna dipole mount**  
(51) International Design Classification: **14-03NES**  
(74) Name(s) of Attorney(s): **Davies Collison Cave**  
(71) Name(s) and Address(s) of Applicant(s):  
**Arlec Australia Pty Ltd**  
**Building 3 31-41 Joseph St Blackburn VIC 3130 Australia**  
(72) Name(s) of Designer(s): **Kaine Mulder**  
(45) Registration Date: **28 August 2013**  
(56) Related Art Documents: **Not Applicable**  
(57) Statement of Newness and Distinctiveness: **Newness and distinctiveness is claimed in the features of shape and configuration of the antenna dipole mount as shown in the representations.**



- (21) Design Number: **13427/2013**  
(22) Date of Filing Application: **18 July 2013**  
(24) Date from which industrial property rights may have effect: **18 July 2013**  
(54) Product in respect of which the design is registered: **Antenna**  
(51) International Design Classification: **14-03NES**  
(74) Name(s) of Attorney(s): **Davies Collison Cave**  
(71) Name(s) and Address(s) of Applicant(s):  
**Arlec Australia Pty Ltd**  
**Building 3 31-41 Joseph St Blackburn VIC 3130 Australia**  
(72) Name(s) of Designer(s): **Kaine Mulder**  
(45) Registration Date: **28 August 2013**  
(56) Related Art Documents: **Not Applicable**  
(57) Statement of Newness and Distinctiveness: **Newness and distinctiveness is claimed in the features of shape and configuration of the antenna as shown in the representations but not including attachment clamp marked "A" and bracket marked "B".**



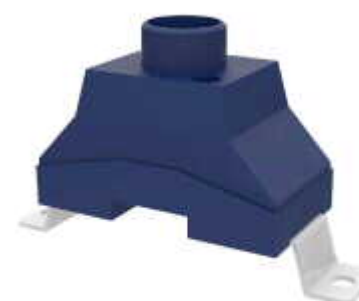
(21) Design Number: **13428/2013**  
(22) Date of Filing Application: **18 July 2013**  
(24) Date from which industrial property rights may have effect: **18 July 2013**  
(54) Product in respect of which the design is registered: **Antenna**  
(51) International Design Classification: **14-03NES**  
(74) Name(s) of Attorney(s): **Davies Collison Cave**  
(71) Name(s) and Address(s) of Applicant(s):



**Arlec Australia Pty Ltd**  
**Building 3 31-41 Joseph St Blackburn VIC 3130 Australia**

(72) Name(s) of Designer(s): **Kaine Mulder**  
(45) Registration Date: **28 August 2013**  
(56) Related Art Documents: **Not Applicable**  
(57) Statement of Newness and Distinctiveness: **Newness and distinctiveness is claimed in the features of shape and configuration of the antenna as shown in the representations but not including attachment clamp marked "A" and bracket marked "B".**

(21) Design Number: **13429/2013**  
(22) Date of Filing Application: **18 July 2013**  
(24) Date from which industrial property rights may have effect: **18 July 2013**  
(54) Product in respect of which the design is registered: **Antenna balun**  
(51) International Design Classification: **14-03NES**  
(74) Name(s) of Attorney(s): **Davies Collison Cave**  
(71) Name(s) and Address(s) of Applicant(s):



**Arlec Australia Pty Ltd**  
**Building 3 31-41 Joseph St Blackburn VIC 3130 Australia**

(72) Name(s) of Designer(s): **Kaine Mulder**  
(45) Registration Date: **28 August 2013**  
(56) Related Art Documents: **Not Applicable**  
(57) Statement of Newness and Distinctiveness: **Newness and distinctiveness is claimed in the features of shape and configuration of the antenna balun as shown in the representations.**

- (21) Design Number: **12426/2013**  
(22) Date of Filing Application: **24 May 2013**  
(24) Date from which industrial property rights may have effect: **24 May 2013**  
(54) Product in respect of which the design is registered: **Burping and nursing bib**  
(51) International Design Classification: **02-02B**  
(74) Name(s) of Attorney(s):  
(71) Name(s) and Address(s) of Applicant(s):  
**Phillipa McCormack**  
**PO BOX 179 Ettalong Beach NSW 2257 Australia**  
(72) Name(s) of Designer(s): **Phillipa McCormack**  
(45) Registration Date: **28 August 2013**  
(56) Related Art Documents: **Not Applicable**  
(57) Statement of Newness and Distinctiveness: **The newness and distinctiveness of this design resides in its shape, configuration and dual purpose as a discreet nursing cover for breast feeding mothers as well as a protective cover from deposits when burping babies.**



- (21) Design Number: **13615/2013**  
(22) Date of Filing Application: **24 May 2013**  
(24) Date from which industrial property rights may have effect: **24 May 2013**  
(54) Product in respect of which the design is registered: **Nursing and burping bib**  
(51) International Design Classification: **02-02B**  
(74) Name(s) of Attorney(s):  
(71) Name(s) and Address(s) of Applicant(s):  
**Phillipa McCormack**  
**PO BOX 179 Ettalong Beach NSW 2257 Australia**  
(72) Name(s) of Designer(s): **Phillipa McCormack**  
(45) Registration Date: **28 August 2013**  
(56) Related Art Documents: **Not Applicable**  
(57) Statement of Newness and Distinctiveness: **The newness and distinctiveness of this design resides in its shape, configuration and dual purpose as a discreet nursing cover for breast feeding mothers as well as a protective cover from deposits when burping babies.**





- (21) Design Number: **13616/2013**  
(22) Date of Filing Application: **24 May 2013**  
(24) Date from which industrial property rights may have effect: **24 May 2013**  
(54) Product in respect of which the design is registered: **Nursing and burping bib**  
(51) International Design Classification: **02-02B**  
(74) Name(s) of Attorney(s):  
(71) Name(s) and Address(s) of Applicant(s):  
**Phillipa McCormack**  
**PO BOX 179 Ettalong Beach NSW 2257 Australia**  
(72) Name(s) of Designer(s): **Phillipa McCormack**  
(45) Registration Date: **28 August 2013**  
(56) Related Art Documents: **Not Applicable**  
(57) Statement of Newness and Distinctiveness: **The newness and distinctiveness of this design resides in its shape and configuration to aesthetically and functionally enhance the finish of the dual purpose nursing and burping bib.**



- (21) Design Number: **13431/2013**  
(22) Date of Filing Application: **18 July 2013**  
(24) Date from which industrial property rights may have effect: **18 July 2013**  
(54) Product in respect of which the design is registered: **Antenna dipole mount**  
(51) International Design Classification: **14-03NES**  
(74) Name(s) of Attorney(s): **Davies Collison Cave**  
(71) Name(s) and Address(s) of Applicant(s):  
**Arlec Australia Pty Ltd**  
**Building 3 31-41 Joseph St Blackburn VIC 3130 Australia**  
(72) Name(s) of Designer(s): **Kaine Mulder**  
(45) Registration Date: **28 August 2013**  
(56) Related Art Documents: **Not Applicable**  
(57) Statement of Newness and Distinctiveness: **Newness and distinctiveness is claimed in the features of shape and configuration of the antenna dipole mount as shown in the representations.**



(21) Design Number: **13432/2013**

(22) Date of Filing Application: **18 July 2013**

(24) Date from which industrial property rights may have effect: **18 July 2013**

(54) Product in respect of which the design is registered: **Electric rice cooker and warmer**

(51) International Design Classification: **07-02N**

(74) Name(s) of Attorney(s): **Cotters Patent & Trade Mark Attorneys**

(71) Name(s) and Address(s) of Applicant(s):

**Cuckoo Electronics Co., Ltd.**

**91 Kyo-dong Yangsan-shi Kyungsangnam-do 626-210 Republic of Korea**

(72) Name(s) of Designer(s): **Jae Gon Kim**

(45) Registration Date: **28 August 2013**

(30) Convention priority data:

| (31) Number            | (32) Date          | (33) Country             |
|------------------------|--------------------|--------------------------|
| <b>30-2013-0024693</b> | <b>10 May 2013</b> | <b>REPUBLIC OF KOREA</b> |

(56) Related Art Documents: **Not Applicable**

(57) Statement of Newness and Distinctiveness: **Newness and distinctiveness is claimed in the features of shape and/or configuration of an electric rice cooker and warmer as shown in the accompanying drawings.**



(21) Design Number: **13433/2013**

(22) Date of Filing Application: **18 July 2013**

(24) Date from which industrial property rights may have effect: **18 July 2013**

(54) Product in respect of which the design is registered: **Antenna dipole mount cap**

(51) International Design Classification: **14-03NES**

(74) Name(s) of Attorney(s): **Davies Collison Cave**

(71) Name(s) and Address(s) of Applicant(s):

**Arlec Australia Pty Ltd**

**Building 3 31-41 Joseph St Blackburn VIC 3130 Australia**

(72) Name(s) of Designer(s): **Kaine Mulder**

(45) Registration Date: **28 August 2013**

(56) Related Art Documents: **Not Applicable**

(57) Statement of Newness and Distinctiveness: **Newness and distinctiveness is claimed in the features of shape and configuration of the antenna dipole mount cap as shown in the representations.**



(21) Design Number: **13434/2013**  
(22) Date of Filing Application: **18 July 2013**  
(24) Date from which industrial property rights may have effect: **18 July 2013**  
(54) Product in respect of which the design is registered: **Container**  
(51) International Design Classification: **09-01G, 09-01K, 09-01NES**  
(74) Name(s) of Attorney(s): **FB Rice**  
(71) Name(s) and Address(s) of Applicant(s):  
**Colgate-Palmolive Company**  
**300 Park Avenue New York New York 10022 United States of America**  
(72) Name(s) of Designer(s): **Lorraine Casscles and John Lamb and Corinne Elstow**  
(45) Registration Date: **28 August 2013**  
(30) Convention priority data:  
(31) Number (32) Date (33) Country  
**29/444657 01 Feb 2013 UNITED STATES OF AMERICA**  
(56) Related Art Documents: **Not Applicable**  
(57) Statement of Newness and Distinctiveness: **Newness and distinctiveness reside in the features of shape and configuration of the design as shown in the representations.**



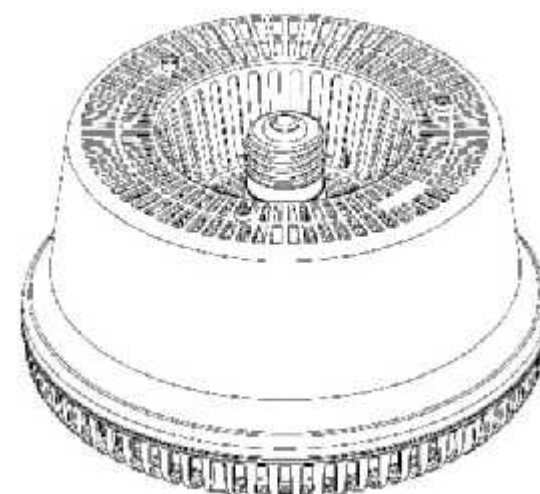
(21) Design Number: **13435/2013**  
(22) Date of Filing Application: **18 July 2013**  
(24) Date from which industrial property rights may have effect: **18 July 2013**  
(54) Product in respect of which the design is registered: **Antenna dipole mount**  
(51) International Design Classification: **14-03NES**  
(74) Name(s) of Attorney(s): **Davies Collison Cave**  
(71) Name(s) and Address(s) of Applicant(s):  
**Arlec Australia Pty Ltd**  
**Building 3 31-41 Joseph St Blackburn VIC 3130 Australia**  
(72) Name(s) of Designer(s): **Kaine Mulder**  
(45) Registration Date: **28 August 2013**  
(56) Related Art Documents: **Not Applicable**  
(57) Statement of Newness and Distinctiveness: **Newness and distinctiveness is claimed in the features of shape and configuration of the antenna dipole mount as shown in the representations.**



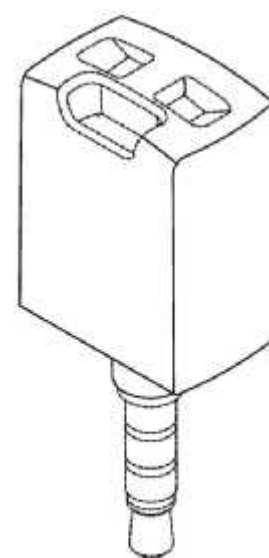
(21) Design Number: **13436/2013**  
(22) Date of Filing Application: **18 July 2013**  
(24) Date from which industrial property rights may have effect: **18 July 2013**  
(54) Product in respect of which the design is registered: **Antenna dipole extender**  
(51) International Design Classification: **14-03NES**  
(74) Name(s) of Attorney(s): **Davies Collison Cave**  
(71) Name(s) and Address(s) of Applicant(s):  
**Arlec Australia Pty Ltd**  
**Building 3 31-41 Joseph St Blackburn VIC 3130 Australia**  
(72) Name(s) of Designer(s): **Kaine Mulder**  
(45) Registration Date: **28 August 2013**  
(56) Related Art Documents: **Not Applicable**  
(57) Statement of Newness and Distinctiveness: **Newness and distinctiveness is claimed in the features of shape and configuration of the antenna dipole extender as shown in the representations.**



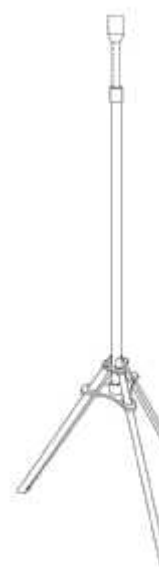
(21) Design Number: **13437/2013**  
(22) Date of Filing Application: **18 July 2013**  
(24) Date from which industrial property rights may have effect: **18 July 2013**  
(54) Product in respect of which the design is registered: **LED lighting apparatus**  
(51) International Design Classification: **26-05E, 26-04**  
(74) Name(s) of Attorney(s): **Collison & Co**  
(71) Name(s) and Address(s) of Applicant(s):  
**ICEPIPE Corporation**  
**Suite 1309 Byucksan Digital Valley 6-cha 481-4 Gasan-dong 481-4**  
**Gasan-dong Seoul, 153-803 Republic of Korea**  
(72) Name(s) of Designer(s): **Sang-Cheol Lee**  
(45) Registration Date: **28 August 2013**  
(30) Convention priority data:  
(31) Number (32) Date (33) Country  
**30-2013-0003444 21 Jan 2013 REPUBLIC OF KOREA**  
(56) Related Art Documents: **Not Applicable**  
(57) Statement of Newness and Distinctiveness: **Nil**



- (21) Design Number: **13440/2013**  
(22) Date of Filing Application: **18 July 2013**  
(24) Date from which industrial property rights may have effect: **18 July 2013**  
(54) Product in respect of which the design is registered: **Glucose meter**  
(51) International Design Classification: **24-01**  
(74) Name(s) of Attorney(s): **PIZZEYS**  
(71) Name(s) and Address(s) of Applicant(s):  
**Labstyle Innovation Ltd.**  
**Gibor Sport Tower 7 Menahem Begin Street Ramat Gan 5268102 Israel**  
(72) Name(s) of Designer(s): **Yoav Tikochinsky and Eran Zur and Frank Schenk and David Damshek and Eliahu Eliachar and Ram Grossfeld and Nir Lilach and Shilo Ben-Zeev and Oren Feurst**  
(45) Registration Date: **28 August 2013**  
(30) Convention priority data:  
(31) Number (32) Date (33) Country  
**29/443,973 24 Jan 2013 UNITED STATES OF AMERICA**  
(56) Related Art Documents: **Not Applicable**  
(57) Statement of Newness and Distinctiveness: **The newness and distinctiveness of the design resides in the features of pattern and/or ornamentation OR shape and/or configuration shown in unbroken lines in the accompanying representations. (if required, see Convention document).**



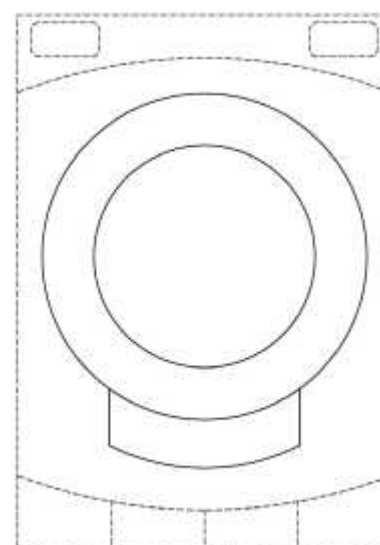
- (21) Design Number: **13441/2013**  
(22) Date of Filing Application: **18 July 2013**  
(24) Date from which industrial property rights may have effect: **18 July 2013**  
(54) Product in respect of which the design is registered: **Lamp stand**  
(51) International Design Classification: **26-05B**  
(74) Name(s) of Attorney(s): **Sandercock & Cowie**  
(71) Name(s) and Address(s) of Applicant(s):  
**Mark Sonnreich**  
**13 Arkindale PI Frankston South VIC 3199 Australia**  
(72) Name(s) of Designer(s): **Mark Sonnreich**  
(45) Registration Date: **28 August 2013**  
(56) Related Art Documents: **Not Applicable**  
(57) Statement of Newness and Distinctiveness: **Newness and Distinctiveness reside in the shape and configuration of the lamp stand as shown in the accompanying representations.**



(21) Design Number: **13444/2013**  
(22) Date of Filing Application: **18 July 2013**  
(24) Date from which industrial property rights may have effect: **18 July 2013**  
(54) Product in respect of which the design is registered: **Container**  
(51) International Design Classification: **09-01NES**  
(74) Name(s) of Attorney(s): **FB Rice**  
(71) Name(s) and Address(s) of Applicant(s):  
**Colgate-Palmolive Company**  
**300 Park Ave New York New York 10022 United States of America**  
(72) Name(s) of Designer(s): **Lorraine Casscles and John Lamb and Corinne Elstow**  
(45) Registration Date: **28 August 2013**  
(30) Convention priority data:  
(31) Number (32) Date (33) Country  
**29/444657 01 Feb 2013 UNITED STATES OF AMERICA**  
(56) Related Art Documents: **Not Applicable**  
(57) Statement of Newness and Distinctiveness: **Newness and distinctiveness reside in the features of shape and configuration of the design shown in solid lines in the representations excluding those features shown in broken lines.**



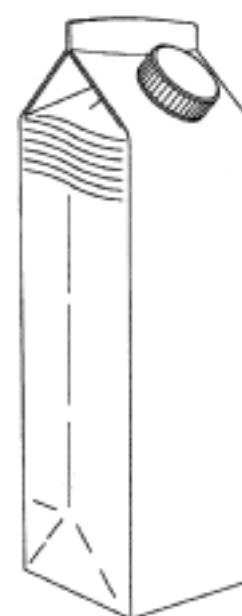
(21) Design Number: **13445/2013**  
(22) Date of Filing Application: **18 July 2013**  
(24) Date from which industrial property rights may have effect: **18 July 2013**  
(54) Product in respect of which the design is registered: **Display screen with graphical user interface**  
(51) International Design Classification: **14-02, 14-01**  
(74) Name(s) of Attorney(s): **PIZZEYS**  
(71) Name(s) and Address(s) of Applicant(s):  
**Labstyle Innovation Ltd.**  
**Gibor Sport Tower 7 Menahem Begin Street Ramat Gan 5268102 Israel**  
(72) Name(s) of Designer(s): **Shilo Ben-Zeev and Oren Feurst and Batami Romano and Andrey Ovrutsky and Golan Levi and Erez Raphael**  
(45) Registration Date: **28 August 2013**  
(30) Convention priority data:  
(31) Number (32) Date (33) Country  
**29/443,976 24 Jan 2013 UNITED STATES OF AMERICA**  
(56) Related Art Documents: **Not Applicable**  
(57) Statement of Newness and Distinctiveness: **The newness and distinctiveness of the design resides in the features of pattern and/or ornamentation OR shape and/or configuration shown in unbroken lines in the accompanying representations. (if required, see Convention document).**



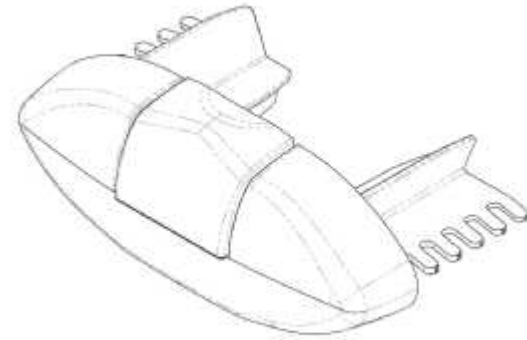
- (21) Design Number: **13447/2013**  
(22) Date of Filing Application: **18 July 2013**  
(24) Date from which industrial property rights may have effect: **18 July 2013**  
(54) Product in respect of which the design is registered: **Roof rack cross bar extrusion**  
(51) International Design Classification: **12-16K**  
(74) Name(s) of Attorney(s): **HODGKINSON McINNES PATENTS**  
(71) Name(s) and Address(s) of Applicant(s):  
**Rhino Rack Australia Pty Limited**  
**3 Pike St Rydalmere NSW 2116 Australia**  
(72) Name(s) of Designer(s): **Richard Oswald Copley and Christopher Murty and Michael John Laybourne Hort**  
(45) Registration Date: **28 August 2013**  
(56) Related Art Documents: **Not Applicable**  
(57) Statement of Newness and Distinctiveness: **Newness and distinctiveness is claimed in the shape and configuration of a Roof Rack Cross Bar Extrusion as shown in the representations.**



- (21) Design Number: **12507/2013**  
(22) Date of Filing Application: **30 May 2013**  
(24) Date from which industrial property rights may have effect: **30 May 2013**  
(54) Product in respect of which the design is registered: **A packaging carton**  
(51) International Design Classification: **09-03NES**  
(74) Name(s) of Attorney(s): **LESICAR MURRAY TRENTO**  
(71) Name(s) and Address(s) of Applicant(s):  
**Elopak Systems AG**  
**Cherstrasse 4 Postfach Glattbrugg CH 8152 Switzerland**  
(72) Name(s) of Designer(s): **Martin Kurt Wieser and Ivica Franic**  
(45) Registration Date: **28 August 2013**  
(56) Related Art Documents: **Not Applicable**  
(57) Statement of Newness and Distinctiveness: **Newness and distinctiveness is claimed in the shape and/or configuration of the packaging carton depicted in the accompanying drawings.**



- (21) Design Number: **13448/2013**  
(22) Date of Filing Application: **18 July 2013**  
(24) Date from which industrial property rights may have effect: **18 July 2013**  
(54) Product in respect of which the design is registered: **Roof rack cross bar end cap**  
(51) International Design Classification: **12-16K**  
(74) Name(s) of Attorney(s): **HODGKINSON McINNES PATENTS**  
(71) Name(s) and Address(s) of Applicant(s):  
**Rhino Rack Australia Pty Limited**  
**3 Pike St Rydalmere NSW 2116 Australia**  
(72) Name(s) of Designer(s): **Richard Oswald Copley and Christopher Murty and Michael John Laybourne Hort**  
(45) Registration Date: **29 August 2013**  
(56) Related Art Documents: **Not Applicable**  
(57) Statement of Newness and Distinctiveness: **Newness and distinctiveness is claimed in the shape and configuration of a Roof Rack End Cap as shown in the representations.**



- (21) Design Number: **13449/2013**  
(22) Date of Filing Application: **18 July 2013**  
(24) Date from which industrial property rights may have effect: **18 July 2013**  
(54) Product in respect of which the design is registered: **Roof tray**  
(51) International Design Classification: **12-16K**  
(74) Name(s) of Attorney(s): **HODGKINSON McINNES PATENTS**  
(71) Name(s) and Address(s) of Applicant(s):  
**Rhino Rack Australia Pty Limited**  
**3 Pike St Rydalmere NSW 2116 Australia**  
(72) Name(s) of Designer(s): **Richard Oswald Copley and Michael John Laybourne Hort and Christopher Murty**  
(45) Registration Date: **29 August 2013**  
(56) Related Art Documents: **Not Applicable**  
(57) Statement of Newness and Distinctiveness: **Newness and distinctiveness is claimed in the shape and configuration of a Roof Tray as shown in the representations.**





(21) Design Number: **13452/2013**  
(22) Date of Filing Application: **18 July 2013**  
(24) Date from which industrial property rights may have effect: **18 July 2013**  
(54) Product in respect of which the design is registered: **Multi position freestanding training bag**  
(51) International Design Classification: **21-02F**  
(74) Name(s) of Attorney(s): **King & Wood Mallesons**  
(71) Name(s) and Address(s) of Applicant(s):  
**Century, LLC**  
**1000 Century Blvd Oklahoma City OK 73110 United States of America**  
(72) Name(s) of Designer(s): **Kurt Hafeken Sr and Jeffrey Woodson**  
(45) Registration Date: **29 August 2013**  
(30) Convention priority data:  
(31) Number (32) Date (33) Country  
**29/445,259 08 Feb 2013 UNITED STATES OF AMERICA**  
(56) Related Art Documents: **Not Applicable**  
(57) Statement of Newness and Distinctiveness: **The following visual features of the design are new and distinctive. The shape and configuration of the Multi position freestanding training bag as shown in solid lines in the accompanying drawings.**



(21) Design Number: **13453/2013**  
(22) Date of Filing Application: **19 July 2013**  
(24) Date from which industrial property rights may have effect: **19 July 2013**  
(54) Product in respect of which the design is registered: **Toner cartridge**  
(51) International Design Classification: **14-02, 16-03, 18-02**  
(74) Name(s) of Attorney(s): **PIZZEYS**  
(71) Name(s) and Address(s) of Applicant(s):  
**KYOCERA Document Solutions Inc.**  
**1-2-28 Tamatsukuri Chuo-ku Osaka-shi Osaka 540-8585 Japan**  
(72) Name(s) of Designer(s): **Masaru Torimoto and Tatsuya Yamanaka**  
(45) Registration Date: **29 August 2013**  
(30) Convention priority data:  
(31) Number (32) Date (33) Country  
**2013-006563 26 Mar 2013 JAPAN**  
(56) Related Art Documents: **Not Applicable**  
(57) Statement of Newness and Distinctiveness: **Nil**



(21) Design Number: **13454/2013**  
(22) Date of Filing Application: **19 July 2013**  
(24) Date from which industrial property rights may have effect: **19 July 2013**  
(54) Product in respect of which the design is registered: **Toner cartridge**  
(51) International Design Classification: **14-02, 16-03, 18-02**  
(74) Name(s) of Attorney(s): **PIZZEYS**  
(71) Name(s) and Address(s) of Applicant(s):  
**KYOCERA Document Solutions Inc.**  
**1-2-28 Tamatsukuri Chuo-ku Osaka-shi Osaka 540-8585 Japan**  
(72) Name(s) of Designer(s): **Tatsuhiko Yoshii**  
(45) Registration Date: **29 August 2013**  
(30) Convention priority data:  
(31) Number (32) Date (33) Country  
**2013-006564 26 Mar 2013 JAPAN**  
(56) Related Art Documents: **Not Applicable**  
(57) Statement of Newness and Distinctiveness: **Nil**



(21) Design Number: **13457/2013**  
(22) Date of Filing Application: **19 July 2013**  
(24) Date from which industrial property rights may have effect: **19 July 2013**  
(54) Product in respect of which the design is registered: **Cap**  
(51) International Design Classification: **02-03**  
(74) Name(s) of Attorney(s): **Golja Haines & Friend**  
(71) Name(s) and Address(s) of Applicant(s):  
**Yupoong, Inc.**  
**Guro-dong 416-1 Guro-gu Seoul 152-050 Republic of Korea**  
(72) Name(s) of Designer(s): **Byoung-Woo Cho**  
(45) Registration Date: **29 August 2013**  
(30) Convention priority data:  
(31) Number (32) Date (33) Country  
**3020130025590 15 May 2013 REPUBLIC OF KOREA**  
(56) Related Art Documents: **Not Applicable**  
(57) Statement of Newness and Distinctiveness: **Nil**



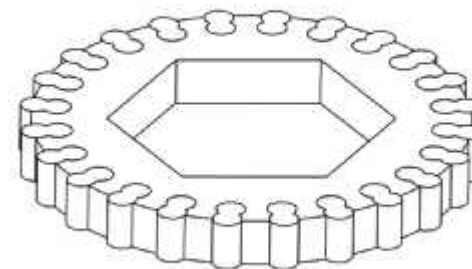
(21) Design Number: **13458/2013**  
(22) Date of Filing Application: **19 July 2013**  
(24) Date from which industrial property rights may have effect: **19 July 2013**  
(54) Product in respect of which the design is registered: **Cap**  
(51) International Design Classification: **02-03**  
(74) Name(s) of Attorney(s): **Golja Haines & Friend**  
(71) Name(s) and Address(s) of Applicant(s):  
**Yupoong, Inc.**  
**Guro-dong 416-1 Guro-gu Seoul 152-050 Republic of Korea**  
(72) Name(s) of Designer(s): **Byoung-Woo Cho**  
(45) Registration Date: **29 August 2013**  
(30) Convention priority data:  
(31) Number (32) Date (33) Country  
**3020130025594 15 May 2013 REPUBLIC OF KOREA**  
(56) Related Art Documents: **Not Applicable**  
(57) Statement of Newness and Distinctiveness: **Nil**



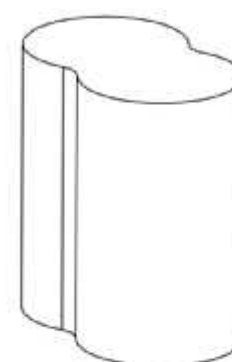
(21) Design Number: **13459/2013**  
(22) Date of Filing Application: **19 July 2013**  
(24) Date from which industrial property rights may have effect: **19 July 2013**  
(54) Product in respect of which the design is registered: **Crown panel**  
(51) International Design Classification: **02-03**  
(74) Name(s) of Attorney(s): **Golja Haines & Friend**  
(71) Name(s) and Address(s) of Applicant(s):  
**Yupoong, Inc.**  
**Guro-dong 416-1 Guro-gu Seoul 152-050 Republic of Korea**  
(72) Name(s) of Designer(s): **Byoung-Woo Cho**  
(45) Registration Date: **29 August 2013**  
(30) Convention priority data:  
(31) Number (32) Date (33) Country  
**3020130025596 15 May 2013 REPUBLIC OF KOREA**  
(56) Related Art Documents: **Not Applicable**  
(57) Statement of Newness and Distinctiveness: **Nil**



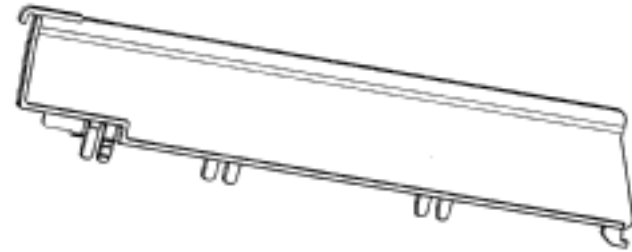
- (21) Design Number: **13470/2013**  
(22) Date of Filing Application: **22 July 2013**  
(24) Date from which industrial property rights may have effect: **22 July 2013**  
(54) Product in respect of which the design is registered: **Milling disc**  
(51) International Design Classification: **15-09**  
(74) Name(s) of Attorney(s): **LESICAR MURRAY TRENTO**  
(71) Name(s) and Address(s) of Applicant(s):  
**Kadtec Pty Ltd**  
**SE 4E 166 Keira St Wollongong NSW 2500 Australia**  
(72) Name(s) of Designer(s): **Christopher George Kelsey**  
(45) Registration Date: **29 August 2013**  
(56) Related Art Documents: **Not Applicable**  
(57) Statement of Newness and Distinctiveness: **Newness and distinctiveness reside in the shape and/or configuration of the Milling Disc as shown in the accompanying drawings.**



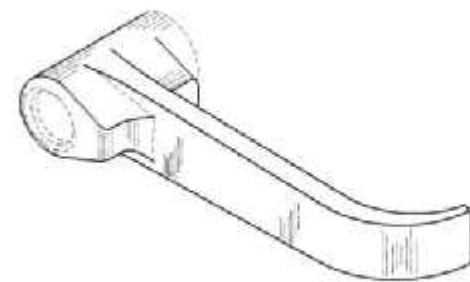
- (21) Design Number: **13471/2013**  
(22) Date of Filing Application: **22 July 2013**  
(24) Date from which industrial property rights may have effect: **22 July 2013**  
(54) Product in respect of which the design is registered: **Milling tooth**  
(51) International Design Classification: **15-09**  
(74) Name(s) of Attorney(s): **LESICAR MURRAY TRENTO**  
(71) Name(s) and Address(s) of Applicant(s):  
**Kadtec Pty Ltd**  
**SE 4E 166 Keira St Wollongong NSW 2500 Australia**  
(72) Name(s) of Designer(s): **Christopher George Kelsey**  
(45) Registration Date: **29 August 2013**  
(56) Related Art Documents: **Not Applicable**  
(57) Statement of Newness and Distinctiveness: **Newness and distinctiveness reside in the shape and/or configuration of the Milling Tooth as shown in the accompanying drawings.**



- (21) Design Number: **13472/2013**  
(22) Date of Filing Application: **19 July 2013**  
(24) Date from which industrial property rights may have effect: **19 July 2013**  
(54) Product in respect of which the design is registered: **Shelving**  
(51) International Design Classification: **06-04NES**  
(74) Name(s) of Attorney(s):  
(71) Name(s) and Address(s) of Applicant(s):  
**Checkmate International Pty Ltd**  
**1/13 Network Dr Carrum Downs VIC 3201 Australia**  
(72) Name(s) of Designer(s): **John Leahy**  
(45) Registration Date: **29 August 2013**  
(56) Related Art Documents: **Not Applicable**  
(57) Statement of Newness and Distinctiveness: **Monopoly is claimed in the features of shape or configuration of the divider with front lock as illustrated in the presentations.**



- (21) Design Number: **13476/2013**  
(22) Date of Filing Application: **22 July 2013**  
(24) Date from which industrial property rights may have effect: **22 July 2013**  
(54) Product in respect of which the design is registered: **Lever**  
(51) International Design Classification: **08-06**  
(74) Name(s) of Attorney(s): **WATERMARK PATENT AND TRADE MARKS ATTORNEYS**  
(71) Name(s) and Address(s) of Applicant(s):  
**Taiwan Fu Hsing Industrial Co. Ltd**  
**No 55-10 Been Chou Rd Kaohsiung City Gangshan Dist Taiwan**  
(72) Name(s) of Designer(s): **Tsung-Yu Lee**  
(45) Registration Date: **29 August 2013**  
(30) Convention priority data:  
(31) Number      (32) Date      (33) Country  
**102304069      10 Jun 2013      CHINA**  
(56) Related Art Documents: **Not Applicable**  
(57) Statement of Newness and Distinctiveness: **Nil**





(21) Design Number: **13484/2013**  
(22) Date of Filing Application: **22 July 2013**  
(24) Date from which industrial property rights may have effect: **22 July 2013**  
(54) Product in respect of which the design is registered: **Bank note**  
(51) International Design Classification: **19-08**  
(74) Name(s) of Attorney(s): **Griffith Hack**  
(71) Name(s) and Address(s) of Applicant(s):

**OBERTHUR FIDUCIAIRE SAS**  
**7 avenue de Messine Paris 75008 France**

(72) Name(s) of Designer(s): **M. Guillaume Chapeau**

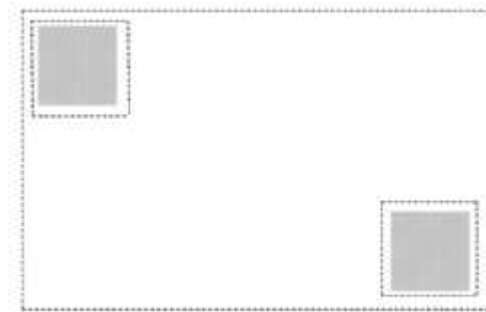
(45) Registration Date: **29 August 2013**

(30) Convention priority data:

|                       |                    |   |
|-----------------------|--------------------|---|
| (31) Number           | (32) Date          | (33) Country  |
| <b>002170340-0002</b> | <b>22 Jan 2013</b> | <b>OFFICE FOR HARMONISATION IN<br/>THE INTERNAL MARKET (OHIM)</b> |

(56) Related Art Documents: **Not Applicable**

(57) Statement of Newness and Distinctiveness: **The pattern and ornamentation of the security portion of the product is new and distinctive. The security portion can be repeated over the entire product or only part thereof.**



(21) Design Number: **13463/2013**  
(22) Date of Filing Application: **21 June 2013**  
(24) Date from which industrial property rights may have effect: **21 June 2013**  
(54) Product in respect of which the design is registered: **Extrusion**  
(51) International Design Classification: **25-01K**  
(74) Name(s) of Attorney(s): **Freehills Patent Attorneys**  
(71) Name(s) and Address(s) of Applicant(s):

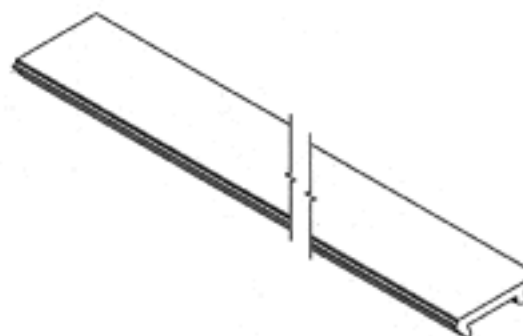
**Aluminium Specialities Group Pty Limited**  
**108-112 Toongabbie Rd Toongabbie NSW 2146 Australia**

(72) Name(s) of Designer(s): **Andy Nguyen and Vince Ravese**

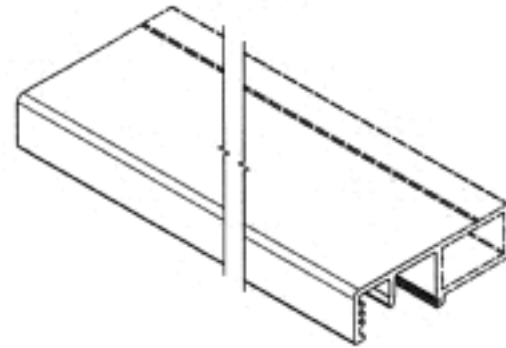
(45) Registration Date: **29 August 2013**

(56) Related Art Documents: **Not Applicable**

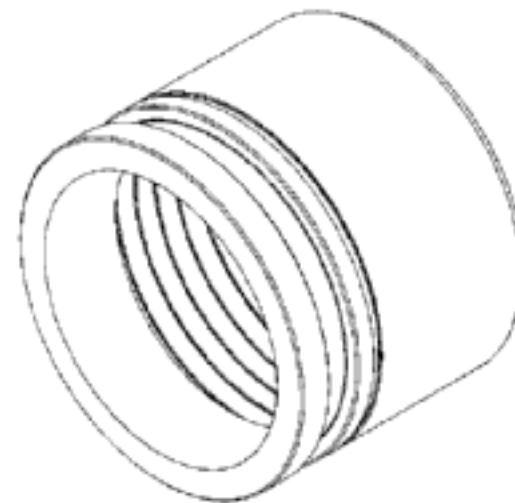
(57) Statement of Newness and Distinctiveness: **Newness and distinctiveness resides in the features of shape and/or configuration of an extrusion of indefinite length as shown in the accompanying representations.**



- (21) Design Number: **13464/2013**  
(22) Date of Filing Application: **21 June 2013**  
(24) Date from which industrial property rights may have effect: **21 June 2013**  
(54) Product in respect of which the design is registered: **Extrusion**  
(51) International Design Classification: **25-01K**  
(74) Name(s) of Attorney(s): **Freehills Patent Attorneys**  
(71) Name(s) and Address(s) of Applicant(s):  
**Aluminium Specialities Group Pty Limited**  
**108-112 Toongabbie Rd Toongabbie NSW 2146 Australia**  
(72) Name(s) of Designer(s): **Andy Nguyen and Vince Ravese**  
(45) Registration Date: **29 August 2013**  
(56) Related Art Documents: **Not Applicable**  
(57) Statement of Newness and Distinctiveness: **Newness and distinctiveness resides in the features of shape and/or configuration of an extrusion of indefinite length as shown in the accompanying representations.**

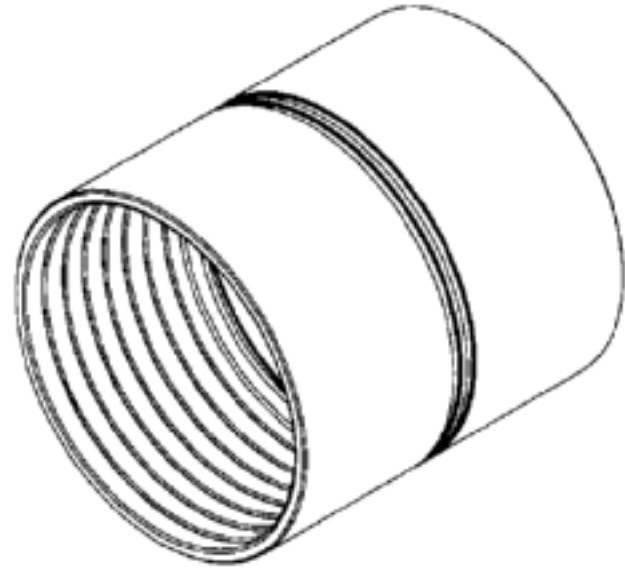


- (21) Design Number: **13532/2013**  
(22) Date of Filing Application: **24 July 2013**  
(24) Date from which industrial property rights may have effect: **24 July 2013**  
(54) Product in respect of which the design is registered: **Pipe end fitting**  
(51) International Design Classification: **23-01A**  
(74) Name(s) of Attorney(s): **Adams Pluck**  
(71) Name(s) and Address(s) of Applicant(s):  
**Pipelion Pty Ltd**  
**C/- SE4 L3 20 George St Hornsby NSW 2077 Australia**  
(72) Name(s) of Designer(s): **John McNab**  
(45) Registration Date: **30 August 2013**  
(56) Related Art Documents: **Not Applicable**  
(57) Statement of Newness and Distinctiveness: **Nil**

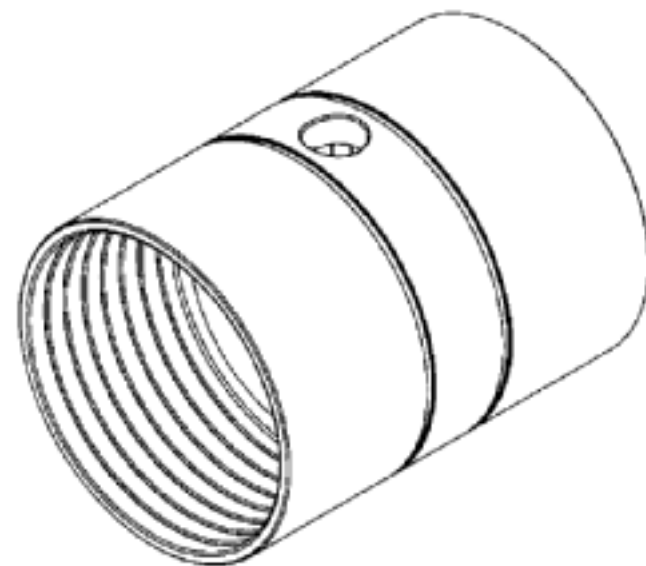




(21) Design Number: **13533/2013**  
(22) Date of Filing Application: **24 July 2013**  
(24) Date from which industrial property rights may have effect: **24 July 2013**  
(54) Product in respect of which the design is registered: **Pipe joiner**  
(51) International Design Classification: **23-01A**  
(74) Name(s) of Attorney(s): **Adams Pluck**  
(71) Name(s) and Address(s) of Applicant(s):  
**Pipelion Pty Ltd**  
**C/- SE4 L3 20 George St Hornsby NSW 2077 Australia**  
(72) Name(s) of Designer(s): **John McNab**  
(45) Registration Date: **30 August 2013**  
(56) Related Art Documents: **Not Applicable**  
(57) Statement of Newness and Distinctiveness: **Nil**



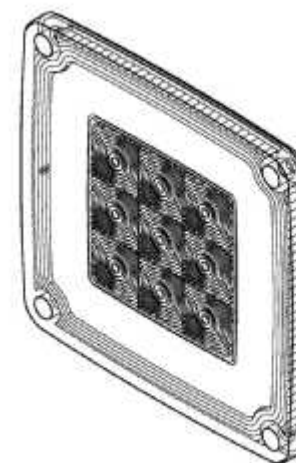
(21) Design Number: **13534/2013**  
(22) Date of Filing Application: **24 July 2013**  
(24) Date from which industrial property rights may have effect: **24 July 2013**  
(54) Product in respect of which the design is registered: **Pipe joiner with take off**  
(51) International Design Classification: **23-01A**  
(74) Name(s) of Attorney(s): **Adams Pluck**  
(71) Name(s) and Address(s) of Applicant(s):  
**Pipelion Pty Ltd**  
**C/- SE4 L3 20 George St Hornsby NSW 2077 Australia**  
(72) Name(s) of Designer(s): **John McNab**  
(45) Registration Date: **30 August 2013**  
(56) Related Art Documents: **Not Applicable**  
(57) Statement of Newness and Distinctiveness: **Nil**



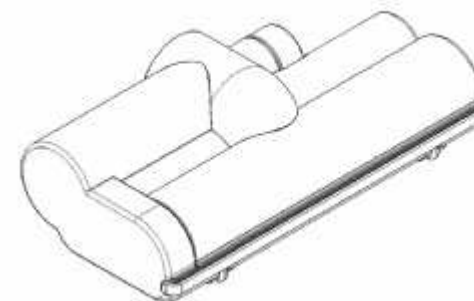
(21) Design Number: **13535/2013**  
(22) Date of Filing Application: **24 July 2013**  
(24) Date from which industrial property rights may have effect: **24 July 2013**  
(54) Product in respect of which the design is registered: **Pipe hanger**  
(51) International Design Classification: **08-08L, 08-08NES**  
(74) Name(s) of Attorney(s): **Adams Pluck**  
(71) Name(s) and Address(s) of Applicant(s):  
**Pipelion Pty Ltd**  
**C/- SE4 L3 20 George St Hornsby NSW 2077 Australia**  
(72) Name(s) of Designer(s): **John McNab**  
(45) Registration Date: **30 August 2013**  
(56) Related Art Documents: **Not Applicable**  
(57) Statement of Newness and Distinctiveness: **Nil**



(21) Design Number: **13542/2013**  
(22) Date of Filing Application: **24 July 2013**  
(24) Date from which industrial property rights may have effect: **24 July 2013**  
(54) Product in respect of which the design is registered: **Cover lens for an automotive lamp**  
(51) International Design Classification: **26-05D**  
(74) Name(s) of Attorney(s): **A.P.T. Patent and Trade Mark Attorneys**  
(71) Name(s) and Address(s) of Applicant(s):  
**Lucidity Enterprise Co., Ltd**  
**No. 18, Gongye 1st Rd. Annan Dist. Tainan City Taiwan**  
(72) Name(s) of Designer(s): **Hsi-Hsien Tsai and Chun-Chih Chen**  
(45) Registration Date: **30 August 2013**  
(56) Related Art Documents: **Not Applicable**  
(57) Statement of Newness and Distinctiveness: **Nil**



(21) Design Number: **13559/2013**  
(22) Date of Filing Application: **25 July 2013**  
(24) Date from which industrial property rights may have effect: **25 July 2013**  
(54) Product in respect of which the design is registered: **A vacuum cleaner head**  
(51) International Design Classification: **15-05**  
(74) Name(s) of Attorney(s): **Shelston IP**  
(71) Name(s) and Address(s) of Applicant(s):



**Dyson Technology Limited**  
**Tetbury Hill Malmesbury Wiltshire SN16 0RP United Kingdom**  
(72) Name(s) of Designer(s): **Giles Ashbee and Adam James Bates and James Dyson and Peter David Gammack and Daniel Francis Helps**  
(45) Registration Date: **30 August 2013**  
(30) Convention priority data:  
(31) Number (32) Date (33) Country  
**002179390-0003 06 Feb 2013 OFFICE FOR HARMONISATION IN THE INTERNAL MARKET (OHIM)**

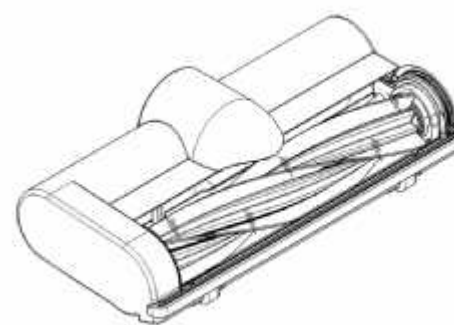
(56) Related Art Documents: **Not Applicable**  
(57) Statement of Newness and Distinctiveness: **Newness and distinctiveness reside in the features of shape and/or configuration of A VACUUM CLEANER HEAD as illustrated in the accompanying representations.**

(21) Design Number: **13563/2013**  
(22) Date of Filing Application: **25 July 2013**  
(24) Date from which industrial property rights may have effect: **25 July 2013**  
(54) Product in respect of which the design is registered: **Magnet holder**  
(51) International Design Classification: **08-08NES**  
(74) Name(s) of Attorney(s): **SPRUSON & FERGUSON**  
(71) Name(s) and Address(s) of Applicant(s):



**Jared Lucas Koch**  
**43 Orinda Ave Nth Gosford NSW 2250 Australia**  
(72) Name(s) of Designer(s): **Jared Lucas Koch and Brad Harridge**  
(45) Registration Date: **30 August 2013**  
(56) Related Art Documents: **Not Applicable**  
(57) Statement of Newness and Distinctiveness: **Newness and distinctiveness is claimed in the features of shape and/or configuration of a magnet holder as illustrated in the accompanying representations.**

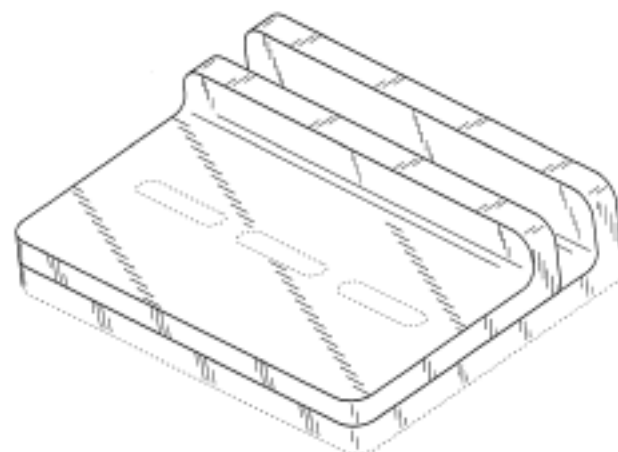
- (21) Design Number: **13574/2013**  
(22) Date of Filing Application: **25 July 2013**  
(24) Date from which industrial property rights may have effect: **25 July 2013**  
(54) Product in respect of which the design is registered: **A vacuum cleaner head**  
(51) International Design Classification: **15-05**  
(74) Name(s) of Attorney(s): **Shelston IP**  
(71) Name(s) and Address(s) of Applicant(s):  
**Dyson Technology Limited**  
**Tetbury Hill Malmesbury Wiltshire SN16 0RP United Kingdom**  
(72) Name(s) of Designer(s): **Giles Ashbee and Adam James Bates and James Dyson and Peter David Gammack and Alistair William Skuse**  
(45) Registration Date: **30 August 2013**  
(30) Convention priority data:  
(31) Number (32) Date (33) Country  
**002179366-0004 06 Feb 2013 OFFICE FOR HARMONISATION IN THE INTERNAL MARKET (OHIM)**  
(56) Related Art Documents: **Not Applicable**  
(57) Statement of Newness and Distinctiveness: **Newness and distinctiveness reside in the features of shape and/or configuration of A VACUUM CLEANER HEAD as illustrated in the accompanying representations.**



- (21) Design Number: **13582/2013**  
(22) Date of Filing Application: **24 July 2013**  
(24) Date from which industrial property rights may have effect: **24 July 2013**  
(54) Product in respect of which the design is registered: **Flexible duct clip and seal device**  
(51) International Design Classification: **23-01A**  
(74) Name(s) of Attorney(s): **Freehills Patent Attorneys**  
(71) Name(s) and Address(s) of Applicant(s):  
**Kingspan Insulation Pty Ltd**  
**266 Beringarra Ave Malaga WA 6090 Australia**  
(72) Name(s) of Designer(s): **Scott Ian Gibson and Nicholas Joseph Martinovich**  
(45) Registration Date: **30 August 2013**  
(56) Related Art Documents: **Not Applicable**  
(57) Statement of Newness and Distinctiveness: **Newness and distinctiveness resides in the shape and configuration of the co-operating buckle components of the flexible duct clip and seal device of indefinite length illustrated in the representations.**



- (21) Design Number: **13583/2013**  
(22) Date of Filing Application: **24 July 2013**  
(24) Date from which industrial property rights may have effect: **24 July 2013**  
(54) Product in respect of which the design is registered: **Dispenser**  
(51) International Design Classification: **07-99C, 20-02D, 20-02NES**  
(74) Name(s) of Attorney(s): **Freehills Patent Attorneys**  
(71) Name(s) and Address(s) of Applicant(s):  
**3M Innovative Properties Company**  
**3M Center Post Office Box 33427 Saint Paul Minnesota 55133-3427**  
**United States of America**  
(72) Name(s) of Designer(s): **Giuseppe De Bellis and Monica Dalla Riva and**  
**Patrice Pierre Freyermuth and Serge Francois Masset**  
(45) Registration Date: **30 August 2013**  
(30) Convention priority data:  
(31) Number (32) Date (33) Country  
**29/444094 25 Jan 2013 UNITED STATES OF AMERICA**  
(56) Related Art Documents: **Not Applicable**  
(57) Statement of Newness and Distinctiveness: **Newness and distinctiveness**  
**of the design resides in the shape and configuration of the dispenser as**  
**shown in solid outline in the accompanying representations.**



- (21) Design Number: **13587/2013**  
(22) Date of Filing Application: **26 July 2013**  
(24) Date from which industrial property rights may have effect: **26 July 2013**  
(54) Product in respect of which the design is registered: **Telephone set with**  
**removable tablet**  
(51) International Design Classification: **14-03A, 14-02**  
(74) Name(s) of Attorney(s): **SPRUSON & FERGUSON**  
(71) Name(s) and Address(s) of Applicant(s):  
**Technicolor Delivery Technologies**  
**1-5 Rue Jeanne d'Arc Issy Les Moulineaux F-92130 France**  
(72) Name(s) of Designer(s): **Ke Zhang**  
(45) Registration Date: **30 August 2013**  
(30) Convention priority data:  
(31) Number (32) Date (33) Country  
**002279174 23 Jul 2013 OFFICE FOR HARMONISATION IN**  
**THE INTERNAL MARKET (OHIM)**  
(56) Related Art Documents: **Not Applicable**  
(57) Statement of Newness and Distinctiveness: **Newness and distinctiveness**  
**is claimed in the features of shape and/or configuration of a**  
**telephone set with removable tablet as illustrated in the accompanying**  
**representations.**



(21) Design Number: **13591/2013**

(22) Date of Filing Application: **26 July 2013**

(24) Date from which industrial property rights may have effect: **26 July 2013**

(54) Product in respect of which the design is registered: **Telephone set with removable tablet**

(51) International Design Classification: **14-03A, 14-02**

(74) Name(s) of Attorney(s): **SPRUSON & FERGUSON**

(71) Name(s) and Address(s) of Applicant(s):

**Technicolor Delivery Technologies  
1-5 Rue Jeanne d'Arc Issy Les Moulineaux F-92130 France**

(72) Name(s) of Designer(s): **Ke Zhang**

(45) Registration Date: **30 August 2013**

(30) Convention priority data:

| (31) Number      | (32) Date          | (33) Country  |
|------------------|--------------------|---|
| <b>002279174</b> | <b>23 Jul 2013</b> | <b>OFFICE FOR HARMONISATION IN THE INTERNAL MARKET (OHIM)</b> |

(56) Related Art Documents: **Not Applicable**

(57) Statement of Newness and Distinctiveness: **Newness and distinctiveness is claimed in the features of shape and/or configuration of a telephone set with removable tablet as illustrated in the accompanying representations.**



(21) Design Number: **13646/2013**

(22) Date of Filing Application: **30 July 2013**

(24) Date from which industrial property rights may have effect: **30 July 2013**

(54) Product in respect of which the design is registered: **Pitcher lid**

(51) International Design Classification: **07-01F**

(74) Name(s) of Attorney(s): **SPRUSON & FERGUSON**

(71) Name(s) and Address(s) of Applicant(s):

**CamelBak Products, LLC  
2000 S. McDowell Suite 200 Petaluma CA 94954 United States of America**

(72) Name(s) of Designer(s): **Leonard John Duran and Lea Sandra Kobeli and Sandrine Noelle Lebas**

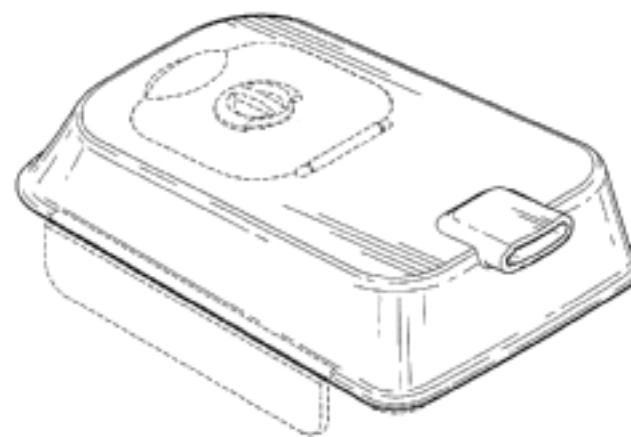
(45) Registration Date: **30 August 2013**

(30) Convention priority data:

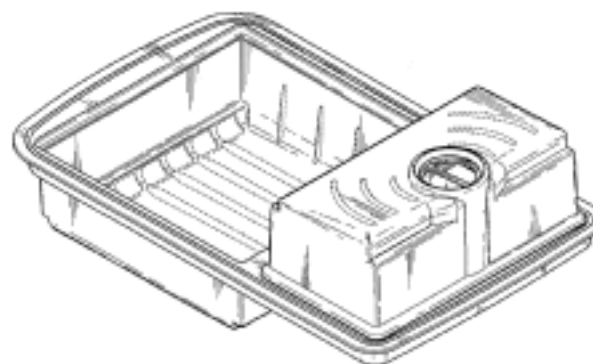
| (31) Number      | (32) Date          | (33) Country                    |
|------------------|--------------------|---------------------------------|
| <b>29/445016</b> | <b>06 Feb 2013</b> | <b>UNITED STATES OF AMERICA</b> |

(56) Related Art Documents: **Not Applicable**

(57) Statement of Newness and Distinctiveness: **Newness and distinctiveness is claimed in those features of shape and/or configuration of a pitcher lid illustrated in continuous lines in the accompanying representations.**



- (21) Design Number: **13647/2013**  
(22) Date of Filing Application: **30 July 2013**  
(24) Date from which industrial property rights may have effect: **30 July 2013**  
(54) Product in respect of which the design is registered: **Filter housing for a water filtration pitcher**  
(51) International Design Classification: **07-01F, 23-01G**  
(74) Name(s) of Attorney(s): **SPRUSON & FERGUSON**  
(71) Name(s) and Address(s) of Applicant(s):  
**CamelBak Products, LLC**  
**2000 S. McDowell Suite 200 Petaluma CA 94954 United States of America**  
(72) Name(s) of Designer(s): **Randal Joseph Bertucelli and David Lawrence Carr and Leonard John Duran and Brian John Mifsud**  
(45) Registration Date: **30 August 2013**  
(30) Convention priority data:  
(31) Number (32) Date (33) Country  
**29/445089 07 Feb 2013 UNITED STATES OF AMERICA**  
(56) Related Art Documents: **Not Applicable**  
(57) Statement of Newness and Distinctiveness: **Newness and distinctiveness is claimed in those features of shape and/or configuration of a filter housing for a water filtration device illustrated in continuous lines in the accompanying representations.**



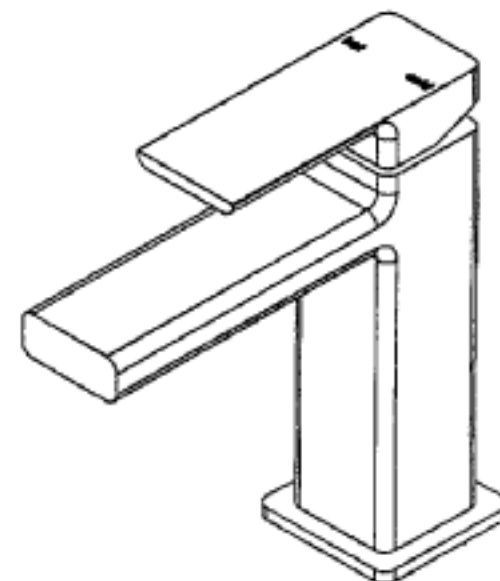
- (21) Design Number: **13649/2013**  
(22) Date of Filing Application: **30 July 2013**  
(24) Date from which industrial property rights may have effect: **30 July 2013**  
(54) Product in respect of which the design is registered: **Pitcher body**  
(51) International Design Classification: **07-01F**  
(74) Name(s) of Attorney(s): **SPRUSON & FERGUSON**  
(71) Name(s) and Address(s) of Applicant(s):  
**CamelBak Products, LLC**  
**2000 S. McDowell Suite 200 Petaluma CA 94954 United States of America**  
(72) Name(s) of Designer(s): **Leonard John Duran and Lea Sandra Kobeli and Sandrine Noelle Lebas**  
(45) Registration Date: **30 August 2013**  
(30) Convention priority data:  
(31) Number (32) Date (33) Country  
**29/445 015 06 Feb 2013 UNITED STATES OF AMERICA**  
(56) Related Art Documents: **Not Applicable**  
(57) Statement of Newness and Distinctiveness: **Newness and distinctiveness is claimed in those features of shape and/or configuration of a pitcher body illustrated in continuous lines in the accompanying representations.**



- (21) Design Number: **13725/2013**  
(22) Date of Filing Application: **02 August 2013**  
(24) Date from which industrial property rights may have effect: **02 August 2013**  
(54) Product in respect of which the design is registered: **Fuel surge tank**  
(51) International Design Classification: **12-16NES**  
(74) Name(s) of Attorney(s):  
(71) Name(s) and Address(s) of Applicant(s):  
**Julian Austin**  
**13 Holbrook St Bossley Park NSW 2176 Australia**  
(72) Name(s) of Designer(s): **Julian Austin**  
(45) Registration Date: **30 August 2013**  
(56) Related Art Documents: **Not Applicable**  
(57) Statement of Newness and Distinctiveness: **Design is distinctive as it features a rocket canister inspired designed with three brackets which will support the tank under excessive lateral and longitudinal forces whilst driving in extreme conditions such as motor racing. Tank also allows for the insertion of upto three fuel pumps.**



- (21) Design Number: **13490/2013**  
(22) Date of Filing Application: **19 July 2013**  
(24) Date from which industrial property rights may have effect: **19 July 2013**  
(54) Product in respect of which the design is registered: **Mixer tap**  
(51) International Design Classification: **23-01H**  
(74) Name(s) of Attorney(s): **Freehills Patent Attorneys**  
(71) Name(s) and Address(s) of Applicant(s):  
**Phoenix Industries Pty Ltd**  
**926 Mountain Hwy Bayswater VIC 3153 Australia**  
(72) Name(s) of Designer(s): **Ban Hsi Liu**  
(45) Registration Date: **30 August 2013**  
(56) Related Art Documents: **Not Applicable**  
(57) Statement of Newness and Distinctiveness: **Newness and distinctiveness of the design resides in the shape and configuration of the mixer tap as shown in the accompanying representations.**





- (21) Design Number: **13493/2013**  
(22) Date of Filing Application: **23 July 2013**  
(24) Date from which industrial property rights may have effect: **23 July 2013**  
(54) Product in respect of which the design is registered: **An internal-combustion engine**  
(51) International Design Classification: **15-01**  
(74) Name(s) of Attorney(s): **SPRUSON & FERGUSON**  
(71) Name(s) and Address(s) of Applicant(s):  
**Honda Motor Co., Ltd.**  
**1-1 Minami-Aoyama 2-chome Minato-ku Tokyo Japan**  
(72) Name(s) of Designer(s): **Fumiya Isono**  
(45) Registration Date: **30 August 2013**  
(30) Convention priority data:  
(31) Number      (32) Date      (33) Country  
**2013-001414      25 Jan 2013      JAPAN**  
(56) Related Art Documents: **Not Applicable**  
(57) Statement of Newness and Distinctiveness: **Newness and distinctiveness is claimed in those features of the shape and/or configuration of an internal-combustion engine illustrated in grey colour in the accompanying representations.**



- (21) Design Number: **13494/2013**  
(22) Date of Filing Application: **23 July 2013**  
(24) Date from which industrial property rights may have effect: **23 July 2013**  
(54) Product in respect of which the design is registered: **An internal-combustion engine**  
(51) International Design Classification: **15-01**  
(74) Name(s) of Attorney(s): **SPRUSON & FERGUSON**  
(71) Name(s) and Address(s) of Applicant(s):  
**Honda Motor Co., Ltd.**  
**1-1 Minami-Aoyama 2-chome Minato-ku Tokyo Japan**  
(72) Name(s) of Designer(s): **Fumiya Isono**  
(45) Registration Date: **30 August 2013**  
(30) Convention priority data:  
(31) Number      (32) Date      (33) Country  
**2013-001413      25 Jan 2013      JAPAN**  
(56) Related Art Documents: **Not Applicable**  
(57) Statement of Newness and Distinctiveness: **Newness and distinctiveness is claimed in those features of the shape and/or configuration of an internal-combustion engine illustrated in grey colour in the accompanying representations.**



(21) Design Number: **13495/2013**

(22) Date of Filing Application: **23 July 2013**

(24) Date from which industrial property rights may have effect: **23 July 2013**

(54) Product in respect of which the design is registered: **Cushioning device**

(51) International Design Classification: **02-04B**

(74) Name(s) of Attorney(s): **Shelston IP**

(71) Name(s) and Address(s) of Applicant(s):

**MSD Consumer Care, Inc.**

**3030 Jackson Avenue Memphis Tennessee 38151 United States of America**

(72) Name(s) of Designer(s): **Bernard F. Grisoni**

(45) Registration Date: **30 August 2013**

(30) Convention priority data:

(31) Number

(32) Date

(33) Country

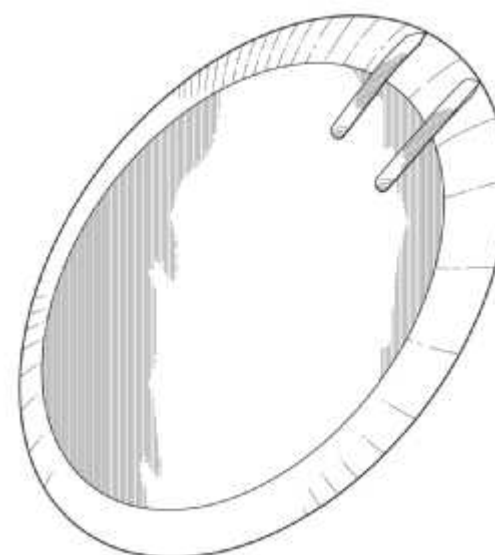
**29/444525**

**31 Jan 2013**

**UNITED STATES OF AMERICA**

(56) Related Art Documents: **Not Applicable**

(57) Statement of Newness and Distinctiveness: **Newness and distinctiveness reside in the features of shape and/or configuration of a CUSHIONING DEVICE as illustrated in the accompanying representations.**



(21) Design Number: **13498/2013**

(22) Date of Filing Application: **23 July 2013**

(24) Date from which industrial property rights may have effect: **23 July 2013**

(54) Product in respect of which the design is registered: **Electric fryer**

(51) International Design Classification: **07-02N**

(74) Name(s) of Attorney(s): **SPRUSON & FERGUSON**

(71) Name(s) and Address(s) of Applicant(s):

**SEB**

**Selongey 21260 France**

(72) Name(s) of Designer(s): **Shanti-Paul Nguyen Geslin**

(45) Registration Date: **30 August 2013**

(30) Convention priority data:

(31) Number

(32) Date

(33) Country

**002187088-0001**

**19 Feb 2013**

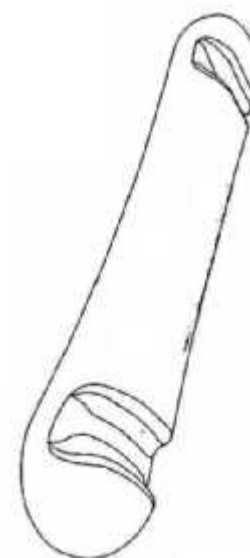
**OFFICE FOR HARMONISATION IN THE INTERNAL MARKET (OHIM)**

(56) Related Art Documents: **Not Applicable**

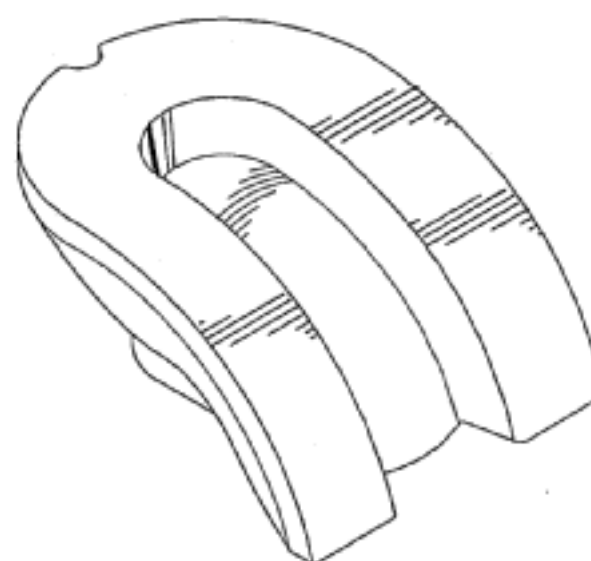
(57) Statement of Newness and Distinctiveness: **Newness and distinctiveness is claimed in the features of shape and/or configuration of an electric fryer as illustrated in the accompanying representations.**



- (21) Design Number: **13500/2013**  
(22) Date of Filing Application: **23 July 2013**  
(24) Date from which industrial property rights may have effect: **23 July 2013**  
(54) Product in respect of which the design is registered: **Dental appliance**  
(51) International Design Classification: **24-01**  
(74) Name(s) of Attorney(s):  
(71) Name(s) and Address(s) of Applicant(s):  
**David Penn Consulting Pty Limited**  
**100 Wolseley Rd Point Piper NSW 2027 Australia**  
(72) Name(s) of Designer(s): **David Penn**  
(45) Registration Date: **30 August 2013**  
(56) Related Art Documents: **Not Applicable**  
(57) Statement of Newness and Distinctiveness: **The newness and distinctiveness resides in the shape and configuration of the features of the dental appliance.**



- (21) Design Number: **13501/2013**  
(22) Date of Filing Application: **23 July 2013**  
(24) Date from which industrial property rights may have effect: **23 July 2013**  
(54) Product in respect of which the design is registered: **Optical lens**  
(51) International Design Classification: **26-05A**  
(74) Name(s) of Attorney(s): **Collison & Co**  
(71) Name(s) and Address(s) of Applicant(s):  
**Luminous Star Technology Ltd**  
**No 689 Taizi Rd Taizi Vil Rende Dist Tainan City Taiwan province of China**  
(72) Name(s) of Designer(s): **Tzu-Fan Kuo**  
(45) Registration Date: **30 August 2013**  
(56) Related Art Documents: **Not Applicable**  
(57) Statement of Newness and Distinctiveness: **Nil**



(21) Design Number: **13502/2013**

(22) Date of Filing Application: **23 July 2013**

(24) Date from which industrial property rights may have effect: **23 July 2013**

(54) Product in respect of which the design is registered: **Skin treatment article**

(51) International Design Classification: **28-03NES**

(74) Name(s) of Attorney(s): **Madderns**

(71) Name(s) and Address(s) of Applicant(s):

**Reckitt Benckiser (Brands) Limited**  
**103-105 Bath Road Slough Berkshire SL1 3UH United Kingdom**

(72) Name(s) of Designer(s): **Richard Clough and Darren Morgan and Mohammed Chopdat and Michael Liang and Victoria Perrin**

(45) Registration Date: **30 August 2013**

(30) Convention priority data:

|                       |                    |   |
|-----------------------|--------------------|---|
| (31) Number           | (32) Date          | (33) Country  |
| <b>002171074-0002</b> | <b>23 Jan 2013</b> | <b>OFFICE FOR HARMONISATION IN THE INTERNAL MARKET (OHIM)</b> |

(56) Related Art Documents: **Not Applicable**

(57) Statement of Newness and Distinctiveness: **Newness and distinctiveness resides in the shape and configuration of a skin treatment article as shown in the accompanying representations.**



(21) Design Number: **13503/2013**

(22) Date of Filing Application: **23 July 2013**

(24) Date from which industrial property rights may have effect: **23 July 2013**

(54) Product in respect of which the design is registered: **Spade**

(51) International Design Classification: **08-01**

(74) Name(s) of Attorney(s): **FB Rice**

(71) Name(s) and Address(s) of Applicant(s):

**Ames True Temper Australia Pty Ltd**  
**U3 251 Ferntree Gully Rd Mt Waverley VIC 3149 Australia**

(72) Name(s) of Designer(s): **Michael Tomchak**

(45) Registration Date: **30 August 2013**

(56) Related Art Documents: **Not Applicable**

(57) Statement of Newness and Distinctiveness: **Newness and distinctiveness reside in the features of shape and/or configuration and/or pattern and/or ornamentation of the product as shown in solid unbroken lines in the representations, and in particular the treaded step between the handle end and working end, wherein the features shown in broken lines are to be disregarded.**



(21) Design Number: **13504/2013**  
(22) Date of Filing Application: **23 July 2013**  
(24) Date from which industrial property rights may have effect: **23 July 2013**  
(54) Product in respect of which the design is registered: **Shovel**  
(51) International Design Classification: **08-01**  
(74) Name(s) of Attorney(s): **FB Rice**  
(71) Name(s) and Address(s) of Applicant(s):

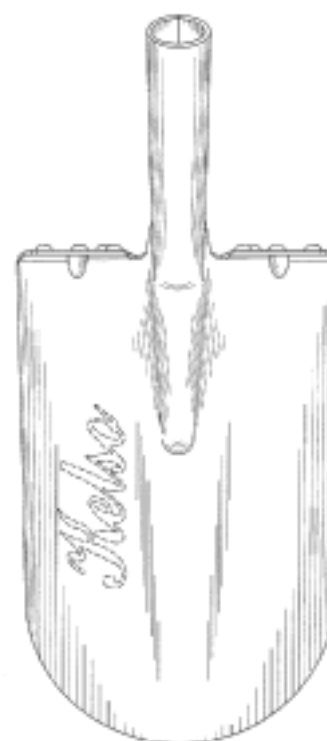
**Ames True Temper Australia Pty Ltd**  
**U3 251 Ferntree Gully Rd Mt Waverley VIC 3149 Australia**

(72) Name(s) of Designer(s): **Michael Tomchak**

(45) Registration Date: **30 August 2013**

(56) Related Art Documents: **Not Applicable**

(57) Statement of Newness and Distinctiveness: **Newness and distinctiveness reside in the features of shape and/or configuration and/or pattern and/or ornamentation of the product as shown in solid unbroken lines in the representations, and in particular the treaded step between the handle end and working end, wherein the features shown in broken lines are to be disregarded.**



(21) Design Number: **13505/2013**  
(22) Date of Filing Application: **23 July 2013**  
(24) Date from which industrial property rights may have effect: **23 July 2013**  
(54) Product in respect of which the design is registered: **Skin treatment article**  
(51) International Design Classification: **28-03NES**  
(74) Name(s) of Attorney(s): **Madderns**  
(71) Name(s) and Address(s) of Applicant(s):

**Reckitt Benckiser (Brands) Limited**  
**103-105 Bath Road Slough Berkshire SL1 3UH United Kingdom**

(72) Name(s) of Designer(s): **Richard Clough and Darren Morgan and Mohammed Chopdat and Michael Liang and Victoria Perrin**

(45) Registration Date: **30 August 2013**

(30) Convention priority data:

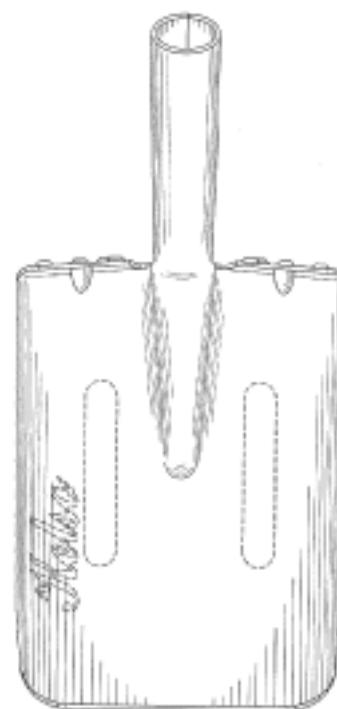
|                       |                    |   |
|-----------------------|--------------------|---|
| (31) Number           | (32) Date          | (33) Country  |
| <b>002171074-0001</b> | <b>23 Jan 2013</b> | <b>OFFICE FOR HARMONISATION IN THE INTERNAL MARKET (OHIM)</b> |

(56) Related Art Documents: **Not Applicable**

(57) Statement of Newness and Distinctiveness: **Newness and distinctiveness resides in the shape and configuration of a skin treatment article as shown in the accompanying representations.**



- (21) Design Number: **13506/2013**  
(22) Date of Filing Application: **23 July 2013**  
(24) Date from which industrial property rights may have effect: **23 July 2013**  
(54) Product in respect of which the design is registered: **Shovel**  
(51) International Design Classification: **08-01**  
(74) Name(s) of Attorney(s): **FB Rice**  
(71) Name(s) and Address(s) of Applicant(s):  
**Ames True Temper Australia Pty Ltd**  
**U3 251 Ferntree Gully Rd Mt Waverley VIC 3149 Australia**  
(72) Name(s) of Designer(s): **Michael Tomchak**  
(45) Registration Date: **30 August 2013**  
(56) Related Art Documents: **Not Applicable**  
(57) Statement of Newness and Distinctiveness: **Newness and distinctiveness reside in the features of shape and/or configuration and/or pattern and/or ornamentation of the product as shown in solid unbroken lines in the representations, and in particular the treaded step between the handle end and working end, wherein the features shown in broken lines are to be disregarded.**



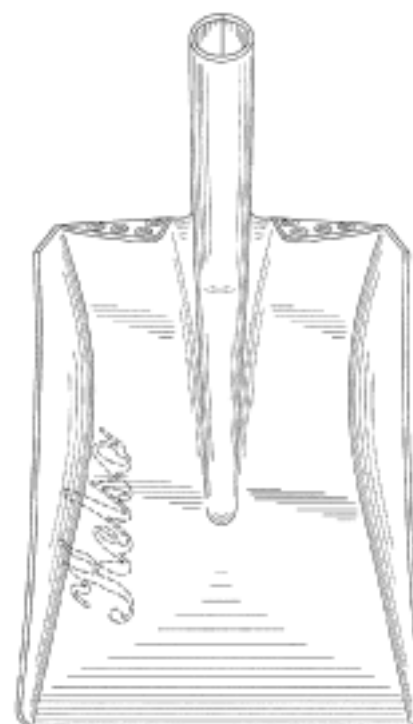
- (21) Design Number: **13507/2013**  
(22) Date of Filing Application: **23 July 2013**  
(24) Date from which industrial property rights may have effect: **23 July 2013**  
(54) Product in respect of which the design is registered: **Shovel**  
(51) International Design Classification: **08-01**  
(74) Name(s) of Attorney(s): **FB Rice**  
(71) Name(s) and Address(s) of Applicant(s):  
**Ames True Temper Australia Pty Ltd**  
**U3 251 Ferntree Gully Rd Mt Waverley VIC 3149 Australia**  
(72) Name(s) of Designer(s): **Michael Tomchak**  
(45) Registration Date: **30 August 2013**  
(56) Related Art Documents: **Not Applicable**  
(57) Statement of Newness and Distinctiveness: **Newness and distinctiveness reside in the features of shape and/or configuration and/or pattern and/or ornamentation of the product as shown in solid unbroken lines in the representations, and in particular the treaded step between the handle end and working end, wherein the features shown in broken lines are to be disregarded.**



- (21) Design Number: **13508/2013**  
(22) Date of Filing Application: **23 July 2013**  
(24) Date from which industrial property rights may have effect: **23 July 2013**  
(54) Product in respect of which the design is registered: **Shovel**  
(51) International Design Classification: **08-01**  
(74) Name(s) of Attorney(s): **FB Rice**  
(71) Name(s) and Address(s) of Applicant(s):  
**Ames True Temper Australia Pty Ltd**  
**U3 251 Ferntree Gully Rd Mt Waverley VIC 3149 Australia**  
(72) Name(s) of Designer(s): **Michael Tomchak**  
(45) Registration Date: **30 August 2013**  
(56) Related Art Documents: **Not Applicable**  
(57) Statement of Newness and Distinctiveness: **Newness and distinctiveness reside in the features of shape and/or configuration and/or pattern and/or ornamentation of the product as shown in solid unbroken lines in the representations, and in particular the treaded step between the handle end and working end, wherein the features shown in broken lines are to be disregarded.**



- (21) Design Number: **13509/2013**  
(22) Date of Filing Application: **23 July 2013**  
(24) Date from which industrial property rights may have effect: **23 July 2013**  
(54) Product in respect of which the design is registered: **Shovel**  
(51) International Design Classification: **08-01**  
(74) Name(s) of Attorney(s): **FB Rice**  
(71) Name(s) and Address(s) of Applicant(s):  
**Ames True Temper Australia Pty Ltd**  
**U3 251 Ferntree Gully Rd Mt Waverley VIC 3149 Australia**  
(72) Name(s) of Designer(s): **Michael Tomchak**  
(45) Registration Date: **30 August 2013**  
(56) Related Art Documents: **Not Applicable**  
(57) Statement of Newness and Distinctiveness: **Newness and distinctiveness reside in the features of shape and/or configuration and/or pattern and/or ornamentation of the product as shown in solid unbroken lines in the representations, and in particular the treaded step between the handle end and working end, wherein the features shown in broken lines are to be disregarded.**



- (21) Design Number: **13511/2013**  
(22) Date of Filing Application: **23 July 2013**  
(24) Date from which industrial property rights may have effect: **23 July 2013**  
(54) Product in respect of which the design is registered: **Sliding door sill**  
(51) International Design Classification: **25-02B**  
(74) Name(s) of Attorney(s): **Cullens Patent and Trade Mark Attorneys**  
(71) Name(s) and Address(s) of Applicant(s):

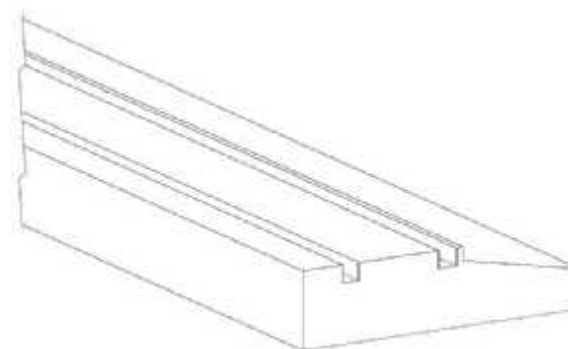
**Centor Design Pty Ltd**  
**997 Kingsford Smith Dr Eagle Farm QLD 4009 Australia**

- (72) Name(s) of Designer(s): **Nigel Spork and Michael Smith**

(45) Registration Date: **30 August 2013**

(56) Related Art Documents: **Not Applicable**

- (57) Statement of Newness and Distinctiveness: **Newness and distinctiveness resides in the features of the shape and configuration of the sliding door sill shown in solid lines. Features of the sliding door sill shown in broken lines should be given no weight. The sliding door sill is of indefinite length. To the casual observer, the grooves in the sliding door sill appear as simple shapes.**



- (21) Design Number: **13512/2013**  
(22) Date of Filing Application: **23 July 2013**  
(24) Date from which industrial property rights may have effect: **23 July 2013**  
(54) Product in respect of which the design is registered: **Sliding door sill**  
(51) International Design Classification: **25-02B**  
(74) Name(s) of Attorney(s): **Cullens Patent and Trade Mark Attorneys**  
(71) Name(s) and Address(s) of Applicant(s):

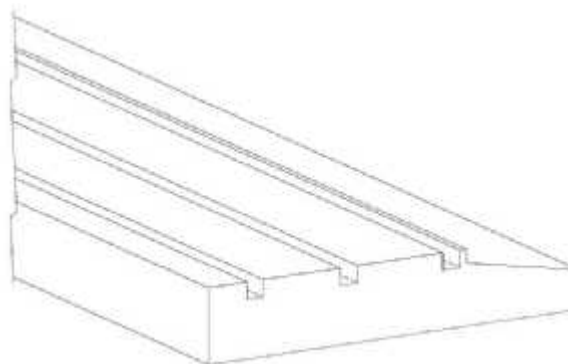
**Centor Design Pty Ltd**  
**997 Kingsford Smith Dr Eagle Farm QLD 4009 Australia**

- (72) Name(s) of Designer(s): **Nigel Spork and Michael Smith**

(45) Registration Date: **30 August 2013**

(56) Related Art Documents: **Not Applicable**

- (57) Statement of Newness and Distinctiveness: **Newness and distinctiveness resides in the features of the shape and configuration of the sliding door sill shown in solid lines. Features of the sliding door sill shown in broken lines should be given no weight. The sliding door sill is of indefinite length. To the casual observer, the grooves in the sliding door sill appear as simple shapes.**





(21) Design Number: **13513/2013**

(22) Date of Filing Application: **23 July 2013**

(24) Date from which industrial property rights may have effect: **23 July 2013**

(54) Product in respect of which the design is registered: **Combination wearable hat, bowl and dish**

(51) International Design Classification: **02-03, 07-01B**

(74) Name(s) of Attorney(s): **Molins & Co Pty Ltd**

(71) Name(s) and Address(s) of Applicant(s):

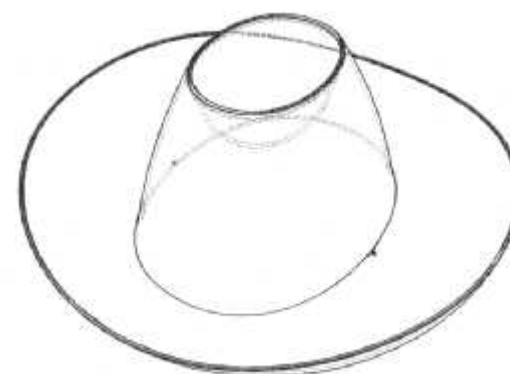
**Creative Products Enterprises Pty Limited  
2A & 2B James Ruse Business Park 6 Boundary Rd Northmead NSW  
2152 Australia**

(72) Name(s) of Designer(s): **David Te**

(45) Registration Date: **30 August 2013**

(56) Related Art Documents: **Not Applicable**

(57) Statement of Newness and Distinctiveness: **Newness is claimed in the features of shape and configuration of the Combination Wearable Hat, Bowl and Dish as shown in the accompanying representations. Elements show in dashed lines form no part of the design.**



(21) Design Number: **13465/2013**

(22) Date of Filing Application: **19 July 2013**

(24) Date from which industrial property rights may have effect: **19 July 2013**

(54) Product in respect of which the design is registered: **Table**

(51) International Design Classification: **06-03B**

(74) Name(s) of Attorney(s):

(71) Name(s) and Address(s) of Applicant(s):

**Spaceleft Pty Ltd  
U2/15-19 Anthony St Melbourne VIC 3000 Australia**

(72) Name(s) of Designer(s): **Ross Gardam**

(45) Registration Date: **02 September 2013**

(56) Related Art Documents: **Not Applicable**

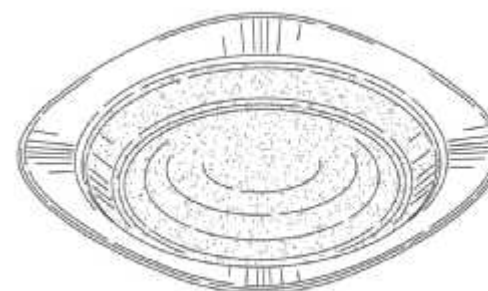
(57) Statement of Newness and Distinctiveness: **The asymmetric pattern formed by the symmetrical legs which attach to the base and table top is new and distinctive. The shape of the base is also new and distinctive.**



- (21) Design Number: **13537/2013**  
(22) Date of Filing Application: **24 July 2013**  
(24) Date from which industrial property rights may have effect: **24 July 2013**  
(54) Product in respect of which the design is registered: **Bowl**  
(51) International Design Classification: **07-01B**  
(74) Name(s) of Attorney(s): **PHILLIPS ORMONDE FITZPATRICK**  
(71) Name(s) and Address(s) of Applicant(s):  
**Dart Industries Inc.**  
**14901 S. Orange Blossom Trail Orlando Florida 32837 United States of America**  
(72) Name(s) of Designer(s): **Lucille P. Seyers and Alexander Muspratt-Williams**  
(45) Registration Date: **02 September 2013**  
(30) Convention priority data:  
(31) Number (32) Date (33) Country  
**29/447,609 05 Mar 2013 UNITED STATES OF AMERICA**  
(56) Related Art Documents: **Not Applicable**  
(57) Statement of Newness and Distinctiveness: **Those features of the bowl depicted in the representations that are new and distinctive are the shape and/or configuration.**



- (21) Design Number: **13538/2013**  
(22) Date of Filing Application: **24 July 2013**  
(24) Date from which industrial property rights may have effect: **24 July 2013**  
(54) Product in respect of which the design is registered: **Plate**  
(51) International Design Classification: **07-01A**  
(74) Name(s) of Attorney(s): **PHILLIPS ORMONDE FITZPATRICK**  
(71) Name(s) and Address(s) of Applicant(s):  
**Dart Industries Inc.**  
**14901 S. Orange Blossom Trail Orlando Florida 32837 United States of America**  
(72) Name(s) of Designer(s): **Lucille P. Seyers and Alexander Muspratt-Williams**  
(45) Registration Date: **02 September 2013**  
(30) Convention priority data:  
(31) Number (32) Date (33) Country  
**29/447,610 05 Mar 2013 UNITED STATES OF AMERICA**  
(56) Related Art Documents: **Not Applicable**  
(57) Statement of Newness and Distinctiveness: **Those features of the plate depicted in the representations that are new and distinctive are the shape and/or configuration. The stipple shown in the representations represents a different surface texture of the plate.**



- (21) Design Number: **13539/2013**  
(22) Date of Filing Application: **24 July 2013**  
(24) Date from which industrial property rights may have effect: **24 July 2013**  
(54) Product in respect of which the design is registered: **A Re-sealable pouch**  
(51) International Design Classification: **09-05**  
(74) Name(s) of Attorney(s): **Wynnes Patent & Trade Mark Attorneys**  
(71) Name(s) and Address(s) of Applicant(s):  
**Krystal Caton**  
**Oakleigh Station Marlborough QLD 4705 Australia**  
(72) Name(s) of Designer(s): **Krystal Caton**  
(45) Registration Date: **02 September 2013**  
(56) Related Art Documents: **Not Applicable**  
(57) Statement of Newness and Distinctiveness: **Newness and distinctiveness resides in the features of the shape and configuration of a re-sealable pouch as illustrated in the accompanying representations.**



- (21) Design Number: **13543/2013**  
(22) Date of Filing Application: **25 July 2013**  
(24) Date from which industrial property rights may have effect: **25 July 2013**  
(54) Product in respect of which the design is registered: **Wristwatch**  
(51) International Design Classification: **10-02**  
(74) Name(s) of Attorney(s): **Callinans**  
(71) Name(s) and Address(s) of Applicant(s):  
**Bulgari Horlogerie SA**  
**Rue de Monruz 34 NEUCHATEL 2000 Switzerland**  
(72) Name(s) of Designer(s): **Fabrizio Buonamassa**  
(45) Registration Date: **02 September 2013**  
(30) Convention priority data:  
(31) Number      (32) Date      (33) Country  
**716681101      28 Jan 2013      WORLD INTELLECTUAL  
PROPERTY ORGANIZATION  
(WIPO)**  
(56) Related Art Documents: **Not Applicable**  
(57) Statement of Newness and Distinctiveness: **Nil**



(21) Design Number: **13544/2013**  
(22) Date of Filing Application: **25 July 2013**  
(24) Date from which industrial property rights may have effect: **25 July 2013**  
(54) Product in respect of which the design is registered: **Wristwatch**  
(51) International Design Classification: **10-07**  
(74) Name(s) of Attorney(s): **Callinans**  
(71) Name(s) and Address(s) of Applicant(s):

**Bulgari Horlogerie SA**  
**Rue de Monruz 34 NEUCHATEL 2000 Switzerland**

(72) Name(s) of Designer(s): **Fabrizio Buonamassa**

(45) Registration Date: **02 September 2013**

(30) Convention priority data:

| (31) Number      | (32) Date          | (33) Country   |
|------------------|--------------------|--|
| <b>716681101</b> | <b>28 Jan 2013</b> | <b>WORLD INTELLECTUAL<br/>PROPERTY ORGANIZATION<br/>(WIPO)</b> |



(56) Related Art Documents: **Not Applicable**

(57) Statement of Newness and Distinctiveness: **Nil**

(21) Design Number: **13577/2013**  
(22) Date of Filing Application: **25 July 2013**  
(24) Date from which industrial property rights may have effect: **25 July 2013**  
(54) Product in respect of which the design is registered: **A vacuum cleaner head**  
(51) International Design Classification: **15-05**  
(74) Name(s) of Attorney(s): **Shelston IP**  
(71) Name(s) and Address(s) of Applicant(s):

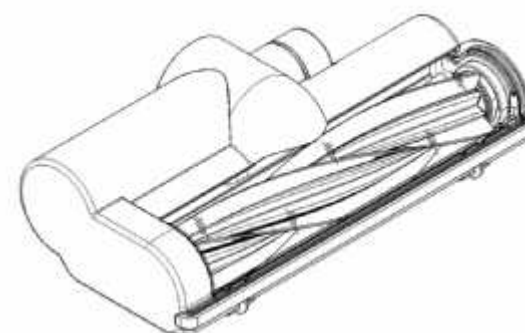
**Dyson Technology Limited**  
**Tetbury Hill Malmesbury Wiltshire SN16 0RP United Kingdom**

(72) Name(s) of Designer(s): **Giles Ashbee and Adam James Bates and James Dyson and Peter David Gammack and Daniel Francis Helps**

(45) Registration Date: **02 September 2013**

(30) Convention priority data:

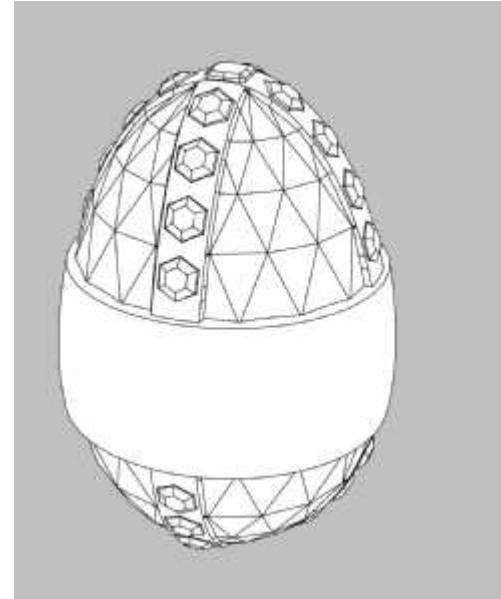
| (31) Number           | (32) Date          | (33) Country  |
|-----------------------|--------------------|---|
| <b>002179390-0004</b> | <b>06 Feb 2013</b> | <b>OFFICE FOR HARMONISATION IN<br/>THE INTERNAL MARKET (OHIM)</b> |



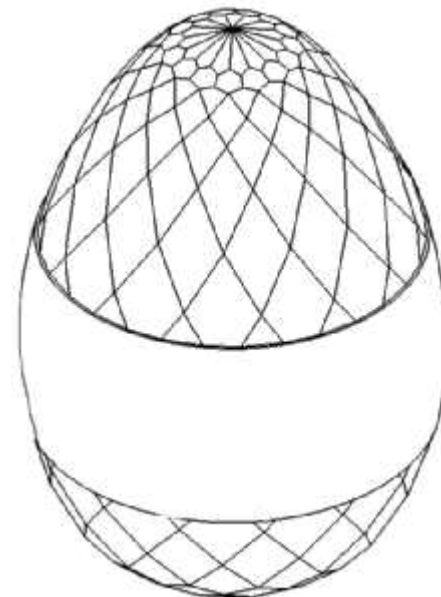
(56) Related Art Documents: **Not Applicable**

(57) Statement of Newness and Distinctiveness: **Newness and distinctiveness reside in the features of shape and/or configuration of A VACUUM CLEANER HEAD as illustrated in the accompanying representations.**

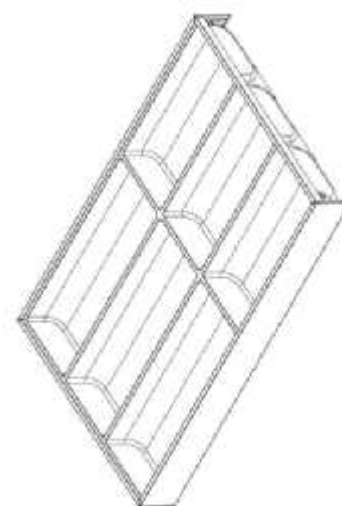
- (21) Design Number: **13580/2013**  
(22) Date of Filing Application: **25 July 2013**  
(24) Date from which industrial property rights may have effect: **25 July 2013**  
(54) Product in respect of which the design is registered: **Ice vessel**  
(51) International Design Classification: **07-01NES, 07-07A**  
(74) Name(s) of Attorney(s):  
(71) Name(s) and Address(s) of Applicant(s):  
**Joshua Engwerda**  
**9 Cooba St Canterbury VIC 3126 Australia**  
(72) Name(s) of Designer(s): **Joshua Engwerda**  
(45) Registration Date: **02 September 2013**  
(56) Related Art Documents: **Not Applicable**  
(57) Statement of Newness and Distinctiveness: **The design is for a manufactured hollow ice vessel, covering the whole 3D appearance of this new product.**



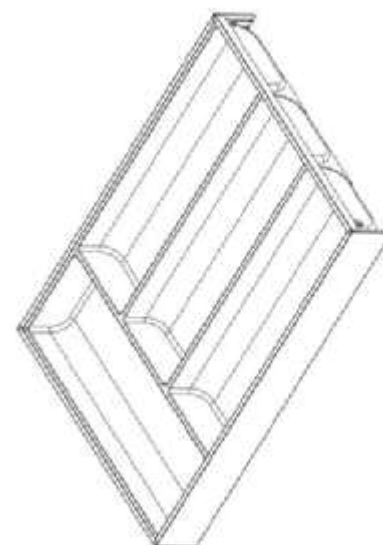
- (21) Design Number: **13581/2013**  
(22) Date of Filing Application: **25 July 2013**  
(24) Date from which industrial property rights may have effect: **25 July 2013**  
(54) Product in respect of which the design is registered: **Ice vessel**  
(51) International Design Classification: **07-01NES, 07-07A**  
(74) Name(s) of Attorney(s):  
(71) Name(s) and Address(s) of Applicant(s):  
**Joshua Engwerda**  
**9 Cooba St Canterbury VIC 3126 Australia**  
(72) Name(s) of Designer(s): **Joshua Engwerda**  
(45) Registration Date: **02 September 2013**  
(56) Related Art Documents: **Not Applicable**  
(57) Statement of Newness and Distinctiveness: **A 3D design that covers the external appearance of a new product.**



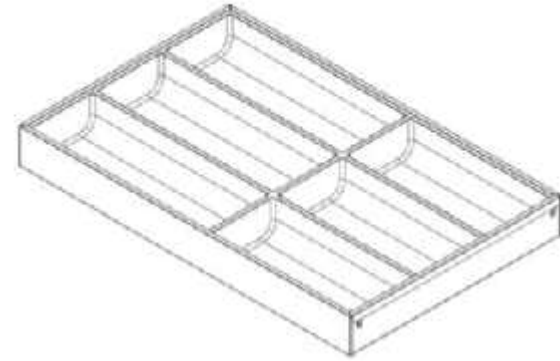
(21) Design Number: **13596/2013**  
(22) Date of Filing Application: **26 July 2013**  
(24) Date from which industrial property rights may have effect: **26 July 2013**  
(54) Product in respect of which the design is registered: **Furniture part (cutlery insert)**  
(51) International Design Classification: **07-99NES, 06-06D**  
(74) Name(s) of Attorney(s): **Callinans**  
(71) Name(s) and Address(s) of Applicant(s):  
**Julius Blum GmbH**  
**Industriestrasse 1 A-6973 Hochst Austria**  
(72) Name(s) of Designer(s): **Markus Breuss and Monika Unterkofler**  
(45) Registration Date: **02 September 2013**  
(30) Convention priority data:  
(31) Number      (32) Date      (33) Country  
**2181966-0001      11 Feb 2013      OFFICE FOR HARMONISATION IN  
THE INTERNAL MARKET (OHIM)**  
(56) Related Art Documents: **Not Applicable**  
(57) Statement of Newness and Distinctiveness: **Nil**



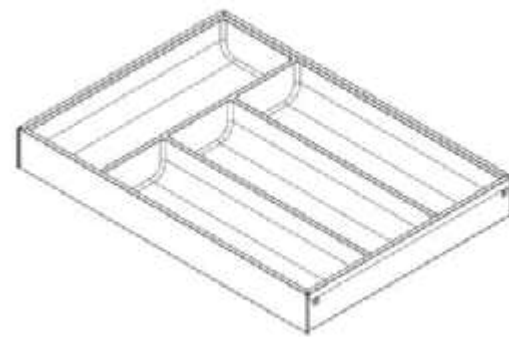
(21) Design Number: **13598/2013**  
(22) Date of Filing Application: **26 July 2013**  
(24) Date from which industrial property rights may have effect: **26 July 2013**  
(54) Product in respect of which the design is registered: **Furniture Part (Cutlery Insert)**  
(51) International Design Classification: **07-07NES, 06-06D**  
(74) Name(s) of Attorney(s): **Callinans**  
(71) Name(s) and Address(s) of Applicant(s):  
**Julius Blum GmbH**  
**Industriestrasse 1 A-6973 Hochst Austria**  
(72) Name(s) of Designer(s): **Markus Breuss and Monika Unterkofler**  
(45) Registration Date: **02 September 2013**  
(30) Convention priority data:  
(31) Number      (32) Date      (33) Country  
**2181966-0002      11 Feb 2013      EUROPEAN PATENT OFFICE (EPO)**  
(56) Related Art Documents: **Not Applicable**  
(57) Statement of Newness and Distinctiveness: **Nil**



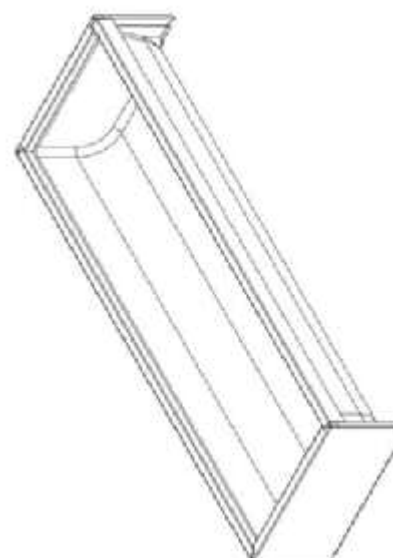
(21) Design Number: **13599/2013**  
(22) Date of Filing Application: **26 July 2013**  
(24) Date from which industrial property rights may have effect: **26 July 2013**  
(54) Product in respect of which the design is registered: **Furniture Part (Cutlery Insert)**  
(51) International Design Classification: **07-07NES, 06-06D**  
(74) Name(s) of Attorney(s): **Callinans**  
(71) Name(s) and Address(s) of Applicant(s):  
**Julius Blum GmbH**  
**Industriestrasse 1 A-6973 Hochst Austria**  
(72) Name(s) of Designer(s): **Markus Breuss and Monika Unterkofler**  
(45) Registration Date: **02 September 2013**  
(30) Convention priority data:  
(31) Number      (32) Date      (33) Country  
**2181966-0003    11 Feb 2013    EUROPEAN PATENT OFFICE (EPO)**  
(56) Related Art Documents: **Not Applicable**  
(57) Statement of Newness and Distinctiveness: **Nil**



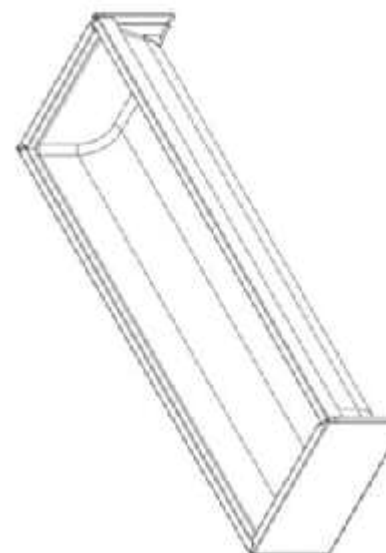
(21) Design Number: **13600/2013**  
(22) Date of Filing Application: **26 July 2013**  
(24) Date from which industrial property rights may have effect: **26 July 2013**  
(54) Product in respect of which the design is registered: **Furniture part (cutlery insert)**  
(51) International Design Classification: **07-07NES, 06-06D**  
(74) Name(s) of Attorney(s): **Callinans**  
(71) Name(s) and Address(s) of Applicant(s):  
**Julius Blum GmbH**  
**Industriestrasse 1 A-6973 Hochst Austria**  
(72) Name(s) of Designer(s): **Markus Breuss and Monika Unterkofler**  
(45) Registration Date: **02 September 2013**  
(30) Convention priority data:  
(31) Number      (32) Date      (33) Country  
**2181966-0004    11 Feb 2013    EUROPEAN PATENT OFFICE (EPO)**  
(56) Related Art Documents: **Not Applicable**  
(57) Statement of Newness and Distinctiveness: **Nil**



(21) Design Number: **13601/2013**  
(22) Date of Filing Application: **26 July 2013**  
(24) Date from which industrial property rights may have effect: **26 July 2013**  
(54) Product in respect of which the design is registered: **Furniture Part (Cutlery Insert)**  
(51) International Design Classification: **07-07NES, 06-06D**  
(74) Name(s) of Attorney(s): **Callinans**  
(71) Name(s) and Address(s) of Applicant(s):  
**Julius Blum GmbH**  
**Industriestrasse 1 A-6973 Hochst Austria**  
(72) Name(s) of Designer(s): **Markus Breuss and Monika Unterkofler**  
(45) Registration Date: **02 September 2013**  
(30) Convention priority data:  
(31) Number      (32) Date      (33) Country  
**2181966-0005      11 Feb 2013      EUROPEAN PATENT OFFICE (EPO)**  
(56) Related Art Documents: **Not Applicable**  
(57) Statement of Newness and Distinctiveness: **Nil**

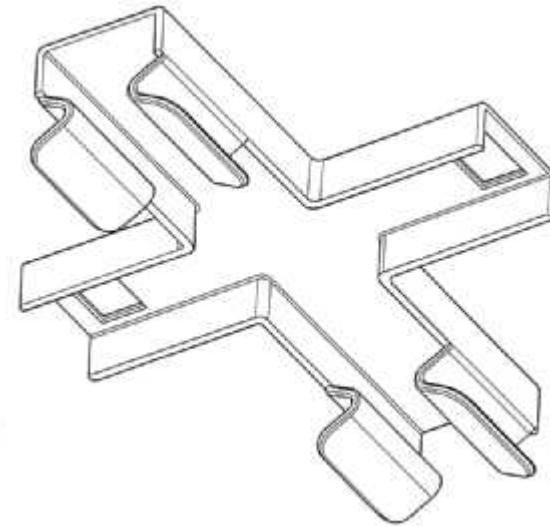


(21) Design Number: **13602/2013**  
(22) Date of Filing Application: **26 July 2013**  
(24) Date from which industrial property rights may have effect: **26 July 2013**  
(54) Product in respect of which the design is registered: **Furniture Part (Cutlery Insert)**  
(51) International Design Classification: **07-07NES, 06-06D**  
(74) Name(s) of Attorney(s): **Callinans**  
(71) Name(s) and Address(s) of Applicant(s):  
**Julius Blum GmbH**  
**Industriestrasse 1 A-6973 Hochst Austria**  
(72) Name(s) of Designer(s): **Markus Breuss and Monika Unterkofler**  
(45) Registration Date: **02 September 2013**  
(30) Convention priority data:  
(31) Number      (32) Date      (33) Country  
**2181966-0006      11 Feb 2013      EUROPEAN PATENT OFFICE (EPO)**  
(56) Related Art Documents: **Not Applicable**  
(57) Statement of Newness and Distinctiveness: **Nil**





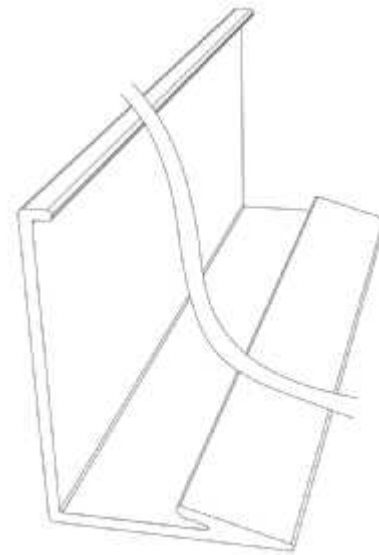
- (21) Design Number: **13606/2013**  
(22) Date of Filing Application: **26 July 2013**  
(24) Date from which industrial property rights may have effect: **26 July 2013**  
(54) Product in respect of which the design is registered: **A clip for joining containers**  
(51) International Design Classification: **09-03H**  
(74) Name(s) of Attorney(s): **Madderns**  
(71) Name(s) and Address(s) of Applicant(s):  
**Mercorella Group of Companies Pty Ltd**  
**469 Waterloo Corner Rd Burton SA 5110 Australia**  
(72) Name(s) of Designer(s): **Shane Duncan**  
(45) Registration Date: **02 September 2013**  
(56) Related Art Documents: **Not Applicable**  
(57) Statement of Newness and Distinctiveness: **Newness and distinctiveness resides in the visual features of shape and/or configuration of a clip as illustrated in the accompanying drawings.**



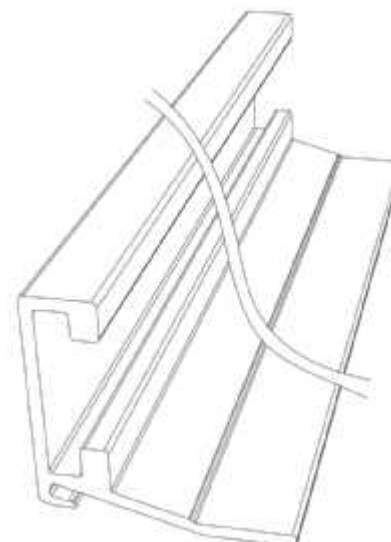
- (21) Design Number: **13607/2013**  
(22) Date of Filing Application: **26 July 2013**  
(24) Date from which industrial property rights may have effect: **26 July 2013**  
(54) Product in respect of which the design is registered: **Ceiling tee clip**  
(51) International Design Classification: **25-02E**  
(74) Name(s) of Attorney(s): **LESICAR MURRAY TRENTO**  
(71) Name(s) and Address(s) of Applicant(s):  
**Studform Pty Ltd**  
**4 Scott Ct Mount Gambier SA 5290 Australia**  
(72) Name(s) of Designer(s): **Athol David Wright**  
(45) Registration Date: **02 September 2013**  
(56) Related Art Documents: **Not Applicable**  
(57) Statement of Newness and Distinctiveness: **Newness and distinctiveness reside in the shape and/or configuration of the Ceiling Tee Clip as shown in the accompanying drawings.**



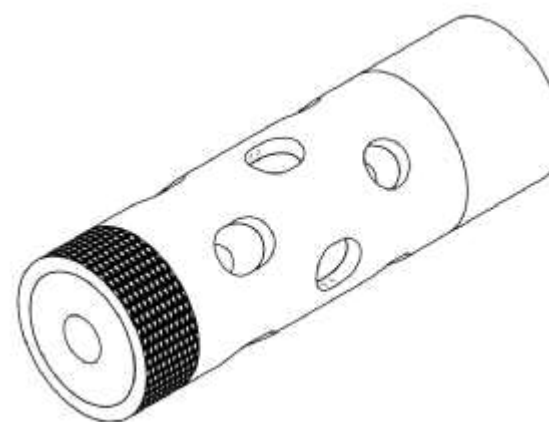
- (21) Design Number: **13608/2013**  
(22) Date of Filing Application: **26 July 2013**  
(24) Date from which industrial property rights may have effect: **26 July 2013**  
(54) Product in respect of which the design is registered: **Fixed wall angle bracket extrusion**  
(51) International Design Classification: **25-01K**  
(74) Name(s) of Attorney(s): **LESICAR MURRAY TRENTO**  
(71) Name(s) and Address(s) of Applicant(s):  
**Studform Pty Ltd**  
**4 Scott Ct Mount Gambier SA 5290 Australia**  
(72) Name(s) of Designer(s): **Athol David Wright**  
(45) Registration Date: **02 September 2013**  
(56) Related Art Documents: **Not Applicable**  
(57) Statement of Newness and Distinctiveness: **Newness and distinctiveness reside in the shape and/or configuration of the Fixed Wall Angle Bracket Extrusion as shown in the accompanying drawings.**



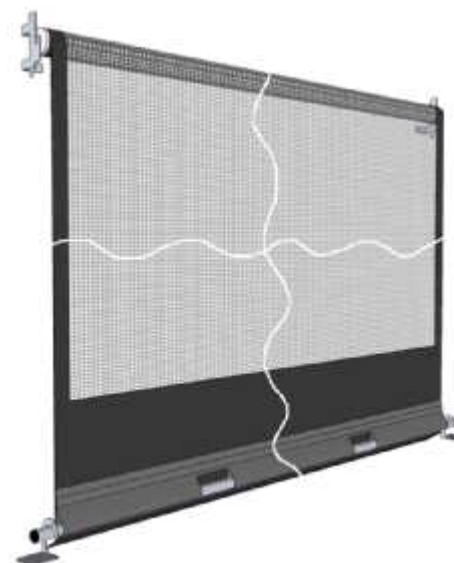
- (21) Design Number: **13609/2013**  
(22) Date of Filing Application: **26 July 2013**  
(24) Date from which industrial property rights may have effect: **26 July 2013**  
(54) Product in respect of which the design is registered: **Movable wall angle bracket extrusion**  
(51) International Design Classification: **25-01K**  
(74) Name(s) of Attorney(s): **LESICAR MURRAY TRENTO**  
(71) Name(s) and Address(s) of Applicant(s):  
**Studform Pty Ltd**  
**4 Scott Ct Mount Gambier SA 5290 Australia**  
(72) Name(s) of Designer(s): **Athol David Wright**  
(45) Registration Date: **02 September 2013**  
(56) Related Art Documents: **Not Applicable**  
(57) Statement of Newness and Distinctiveness: **Newness and distinctiveness reside in the shape and/or configuration of the Movable Wall Angle Bracket Extrusion as shown in the accompanying drawings.**



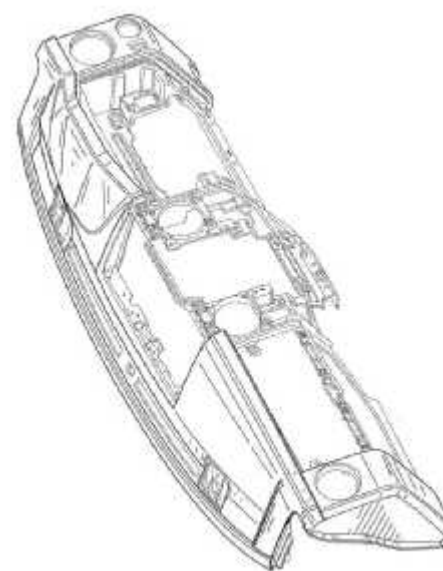
(21) Design Number: **13610/2013**  
(22) Date of Filing Application: **28 July 2013**  
(24) Date from which industrial property rights may have effect: **28 July 2013**  
(54) Product in respect of which the design is registered: **An adjustable muzzle brake for a rifle**  
(51) International Design Classification: **22-01**  
(74) Name(s) of Attorney(s):  
(71) Name(s) and Address(s) of Applicant(s):  
**Dean Frank Maisey**  
**PO Box 14006 Tauranga 3143 New Zealand**  
(72) Name(s) of Designer(s): **Dean Frank Maisey**  
(45) Registration Date: **02 September 2013**  
(30) Convention priority data:  
(31) Number (32) Date (33) Country  
**417639 27 May 2013 NEW ZEALAND**  
(56) Related Art Documents: **Not Applicable**  
(57) Statement of Newness and Distinctiveness: **The design is to be applied to an adjustable muzzle brake for a rifle, and the novelty resides in the features of shape and configuration as shown in the accompanying representations. Particular regard is to be had to the progressive gas chamber/port sizes, from small to large (or large to small).**



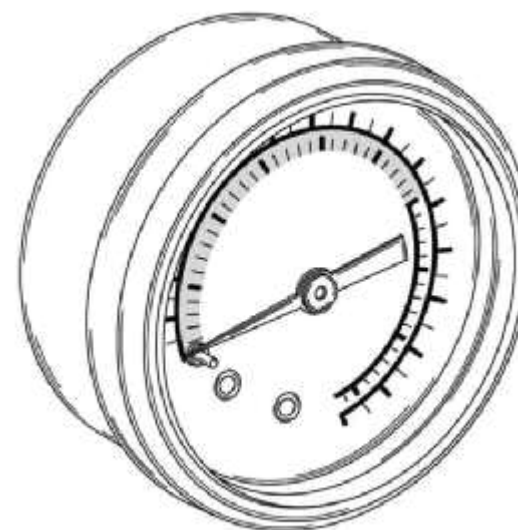
(21) Design Number: **13611/2013**  
(22) Date of Filing Application: **28 July 2013**  
(24) Date from which industrial property rights may have effect: **28 July 2013**  
(54) Product in respect of which the design is registered: **An extendable screen door**  
(51) International Design Classification: **25-02B**  
(74) Name(s) of Attorney(s):  
(71) Name(s) and Address(s) of Applicant(s):  
**CARECLIA PTY PTD**  
**27 Ithaca Rd Frankston South VIC 3199 Australia**  
(72) Name(s) of Designer(s): **Boyd Chapman**  
(45) Registration Date: **02 September 2013**  
(56) Related Art Documents: **Not Applicable**  
(57) Statement of Newness and Distinctiveness: **Monopoly is claimed in the features of shape and configuration of an extendable spring loaded screen door as illustrated in the representations. The article is of indefinite ratios or proportions as detailed in the representations.**



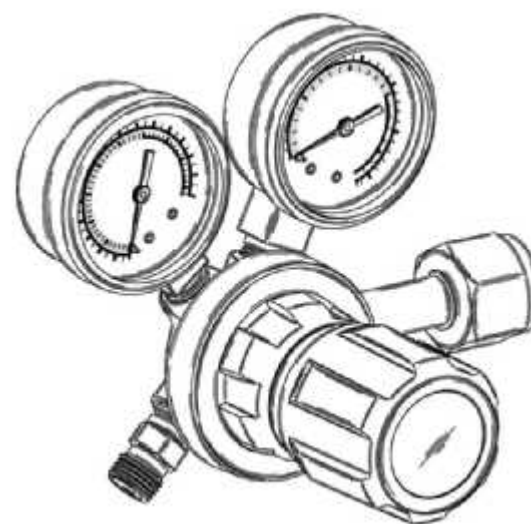
(21) Design Number: **13619/2013**  
(22) Date of Filing Application: **29 July 2013**  
(24) Date from which industrial property rights may have effect: **29 July 2013**  
(54) Product in respect of which the design is registered: **Vehicle dashboard**  
(51) International Design Classification: **12-16NES**  
(74) Name(s) of Attorney(s): **Smootenburg Patent & Trade Mark Attorneys**  
(71) Name(s) and Address(s) of Applicant(s):  
**Vehicle Development Corporation Pty Ltd**  
**380 Barry Rd Coolaroo VIC 3048 Australia**  
(72) Name(s) of Designer(s): **Darren Trevor Waugh and Warwick John Drenth and Scott Owen**  
(45) Registration Date: **02 September 2013**  
(30) Convention priority data:  
(31) Number (32) Date (33) Country  
**US29/444,321 29 Jan 2013 UNITED STATES OF AMERICA**  
(56) Related Art Documents: **Not Applicable**  
(57) Statement of Newness and Distinctiveness: **Newness or distinctiveness is claimed in features of shape and/or configuration of a vehicle dashboard as illustrated in the accompanying representations. The dashed lines are for context only and illustrate features which form no part of the scope of the design claimed.**



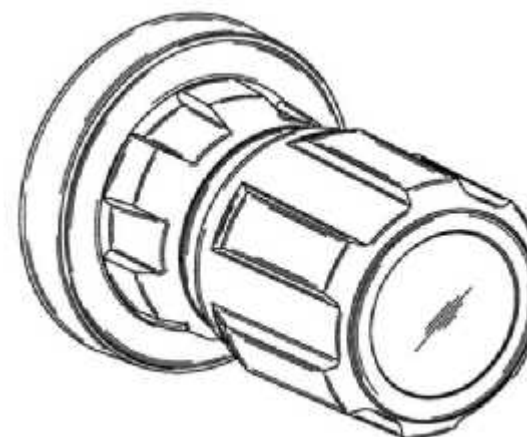
(21) Design Number: **13623/2013**  
(22) Date of Filing Application: **29 July 2013**  
(24) Date from which industrial property rights may have effect: **29 July 2013**  
(54) Product in respect of which the design is registered: **Gauge face for a gas pressure regulator**  
(51) International Design Classification: **10-04, 23-01K, 23-01NES**  
(74) Name(s) of Attorney(s): **Griffith Hack**  
(71) Name(s) and Address(s) of Applicant(s):  
**Victor Equipment Company**  
**2800 Airport Road Denton Texas 76207 United States of America**  
(72) Name(s) of Designer(s): **Robert A. Boyer**  
(45) Registration Date: **02 September 2013**  
(30) Convention priority data:  
(31) Number (32) Date (33) Country  
**29/444,306 29 Apr 2013 UNITED STATES OF AMERICA**  
(56) Related Art Documents: **Not Applicable**  
(57) Statement of Newness and Distinctiveness: **Newness and distinctiveness resides in the visual features, including the shape and configuration of the product shown in the representations.**



(21) Design Number: **13625/2013**  
(22) Date of Filing Application: **29 July 2013**  
(24) Date from which industrial property rights may have effect: **29 July 2013**  
(54) Product in respect of which the design is registered: **Gas pressure regulator**  
(51) International Design Classification: **10-04, 23-01K, 23-01NES**  
(74) Name(s) of Attorney(s): **Griffith Hack**  
(71) Name(s) and Address(s) of Applicant(s):  
**Victor Equipment Company**  
**2800 Airport Road Denton Texas 76207 United States of America**  
(72) Name(s) of Designer(s): **Robert A. Boyer**  
(45) Registration Date: **02 September 2013**  
(30) Convention priority data:  
(31) Number (32) Date (33) Country  
**29/444,304 29 Jan 2013 UNITED STATES OF AMERICA**  
(56) Related Art Documents: **Not Applicable**  
(57) Statement of Newness and Distinctiveness: **Newness and distinctiveness resides in the visual features, including the shape and configuration of the product shown in the representations.**



(21) Design Number: **13626/2013**  
(22) Date of Filing Application: **29 July 2013**  
(24) Date from which industrial property rights may have effect: **29 July 2013**  
(54) Product in respect of which the design is registered: **Knob and bonnet for a gas pressure regulator**  
(51) International Design Classification: **23-01NES, 23-01K**  
(74) Name(s) of Attorney(s): **Griffith Hack**  
(71) Name(s) and Address(s) of Applicant(s):  
**Victor Equipment Company**  
**2800 Airport Road Denton Texas 76027 United States of America**  
(72) Name(s) of Designer(s): **Robert A. Boyer**  
(45) Registration Date: **02 September 2013**  
(30) Convention priority data:  
(31) Number (32) Date (33) Country  
**29/444,309 29 Jan 2013 UNITED STATES OF AMERICA**  
(56) Related Art Documents: **Not Applicable**  
(57) Statement of Newness and Distinctiveness: **Newness and distinctiveness resides in the visual features, including the shape and configuration of the product shown in the representations.**



(21) Design Number: **13630/2013**  
(22) Date of Filing Application: **29 July 2013**  
(24) Date from which industrial property rights may have effect: **29 July 2013**  
(54) Product in respect of which the design is registered: **Deodoriser**  
(51) International Design Classification: **28-99, 28-03NES**  
(74) Name(s) of Attorney(s): **PHILLIPS ORMONDE FITZPATRICK**  
(71) Name(s) and Address(s) of Applicant(s):

**Boot Bananas Limited**  
**75 Park Lane Croydon Surrey CR9 1XS Great Britain**

(72) Name(s) of Designer(s): **Philip Osband**

(45) Registration Date: **02 September 2013**

(30) Convention priority data:

|                       |                    |   |
|-----------------------|--------------------|---|
| (31) Number           | (32) Date          | (33) Country  |
| <b>002174706-0001</b> | <b>29 Jan 2013</b> | <b>OFFICE FOR HARMONISATION IN<br/>THE INTERNAL MARKET (OHIM)</b> |

(56) Related Art Documents: **Not Applicable**

(57) Statement of Newness and Distinctiveness: **Nil**



(21) Design Number: **13669/2013**  
(22) Date of Filing Application: **31 July 2013**  
(24) Date from which industrial property rights may have effect: **31 July 2013**  
(54) Product in respect of which the design is registered: **A capsule**  
(51) International Design Classification: **09-05, 07-02L, 09-03L**  
(74) Name(s) of Attorney(s): **Banki Haddock Fiora**  
(71) Name(s) and Address(s) of Applicant(s):

**Societe des Produits Nestle S.A.**  
**Vevey Canton of Vaud 1800 Switzerland**

(72) Name(s) of Designer(s): **Antoine Cahen and Arnaud Gerbaulet**

(45) Registration Date: **02 September 2013**

(30) Convention priority data:

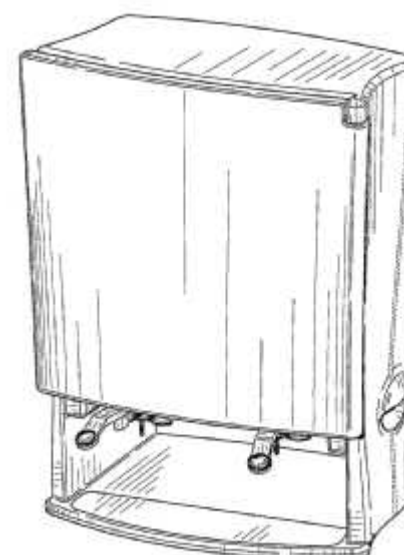
|               |                    |                    |
|---------------|--------------------|--------------------|
| (31) Number   | (32) Date          | (33) Country       |
| <b>139551</b> | <b>07 Feb 2013</b> | <b>SWITZERLAND</b> |

(56) Related Art Documents: **Not Applicable**

(57) Statement of Newness and Distinctiveness: **Nil**



- (21) Design Number: **13670/2013**  
(22) Date of Filing Application: **31 July 2013**  
(24) Date from which industrial property rights may have effect: **31 July 2013**  
(54) Product in respect of which the design is registered: **Beverage dispenser**  
(51) International Design Classification: **07-02L, 31-00**  
(74) Name(s) of Attorney(s): **FB Rice**  
(71) Name(s) and Address(s) of Applicant(s):  
**The Coca-Cola Company**  
**One Coca Cola Plaza N.W. Atlanta Georgia United States of America**  
(72) Name(s) of Designer(s): **Joseph T. Norris and Javier Verdura and Jesse S. Kruska and James McCay and John P. Kalinowsky and Roberto WaChong**  
(45) Registration Date: **02 September 2013**  
(30) Convention priority data:  
(31) Number (32) Date (33) Country  
**29/444697 01 Feb 2013 UNITED STATES OF AMERICA**  
(56) Related Art Documents: **Not Applicable**  
(57) Statement of Newness and Distinctiveness: **Newness and distinctiveness reside in the features of the design as shown in solid lines in the representations excluding those features shown in broken lines.**



- (21) Design Number: **12298/2013**  
(22) Date of Filing Application: **17 May 2013**  
(24) Date from which industrial property rights may have effect: **17 May 2013**  
(54) Product in respect of which the design is registered: **Nail printer**  
(51) International Design Classification: **14-02, 28-03NES, 28-99**  
(74) Name(s) of Attorney(s):  
(71) Name(s) and Address(s) of Applicant(s):  
**Ross Tizzone**  
**2/4-6 Bennett St Mortlake NSW 2137 Australia**  
(72) Name(s) of Designer(s): **Edward Wu**  
(45) Registration Date: **02 September 2013**  
(56) Related Art Documents: **Not Applicable**  
(57) Statement of Newness and Distinctiveness: **This printer is designed to have your fingers/nails inserted then given an option to have a photographic image or personal design created on your fingernail. There is a camera attached to this printer which captures the image. It has an insertion point for your hand. Also it has USB ports to download any image to create on the fingernail. It has a touch screen display monitor to choose your selected image. It also has many images loaded.**



- (21) Design Number: **12299/2013**  
(22) Date of Filing Application: **17 May 2013**  
(24) Date from which industrial property rights may have effect: **17 May 2013**  
(54) Product in respect of which the design is registered: **Nail printer**  
(51) International Design Classification: **14-02, 28-03NES, 28-99**  
(74) Name(s) of Attorney(s):  
(71) Name(s) and Address(s) of Applicant(s):

**Ross Tizzone**  
**2/4-6 Bennett St Mortlake NSW 2137 Australia**

- (72) Name(s) of Designer(s): **Edward Wu**  
(45) Registration Date: **02 September 2013**  
(56) Related Art Documents: **Not Applicable**

- (57) Statement of Newness and Distinctiveness: **This printer is designed to have your fingers/nails inserted then given an option to have a photographic image or personal design created on your fingernail. It has an insertion point for your hand. It has a touch screen display monitor to choose your selected image. It has a camera and it also has many built in nail patterns/ images loads.**

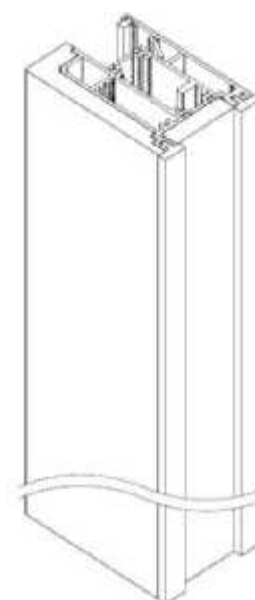


- (21) Design Number: **13287/2013**  
(22) Date of Filing Application: **08 July 2013**  
(24) Date from which industrial property rights may have effect: **08 July 2013**  
(54) Product in respect of which the design is registered: **Seals**  
(51) International Design Classification: **08-09**  
(74) Name(s) of Attorney(s): **Cullens Patent and Trade Mark Attorneys**  
(71) Name(s) and Address(s) of Applicant(s):

**Centor Design Pty Ltd**  
**997 Kingsford Smith Dr Eagle Farm QLD 4009 Australia**

- (72) Name(s) of Designer(s): **Luke Massingham**  
(45) Registration Date: **02 September 2013**  
(56) Related Art Documents: **Not Applicable**

- (57) Statement of Newness and Distinctiveness: **Newness and distinctiveness resides in the features of the shape and configuration of the members shown in solid outline. Features shown in dashed outline do not form part of the design, and no weight should be given to these features.**





- (21) Design Number: **13293/2013**  
(22) Date of Filing Application: **09 July 2013**  
(24) Date from which industrial property rights may have effect: **09 July 2013**  
(54) Product in respect of which the design is registered: **Bicycle frame**  
(51) International Design Classification: **12-11**  
(74) Name(s) of Attorney(s): **Truman Hoyle Lawyers**  
(71) Name(s) and Address(s) of Applicant(s):

**Frog Bikes Limited**  
**Silvester House Ridgemead Road Englefield Green Egham Surrey, TW20**  
**0YG United Kingdom**

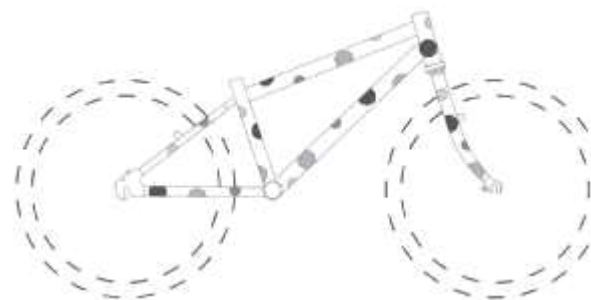
- (72) Name(s) of Designer(s): **Shelley Lawson**  
(45) Registration Date: **02 September 2013**

- (30) Convention priority data:

|                       |                    |   |
|-----------------------|--------------------|---|
| (31) Number           | (32) Date          | (33) Country  |
| <b>002231464-0002</b> | <b>02 May 2013</b> | <b>OFFICE FOR HARMONISATION IN<br/>THE INTERNAL MARKET (OHIM)</b> |

- (56) Related Art Documents: **Not Applicable**

- (57) Statement of Newness and Distinctiveness: **The newness and distinctiveness of the design resides in the application of the spots and the shape of the frame as shown in the continuous lines in the accompanying representations. The broken lines are not part of the design and are to be disregarded when considering the overall impression of the design.**



- (21) Design Number: **13295/2013**  
(22) Date of Filing Application: **09 July 2013**  
(24) Date from which industrial property rights may have effect: **09 July 2013**  
(54) Product in respect of which the design is registered: **Bicycle frame**  
(51) International Design Classification: **12-11**  
(74) Name(s) of Attorney(s): **Truman Hoyle Lawyers**  
(71) Name(s) and Address(s) of Applicant(s):

**Frog Bikes Limited**  
**Silvester House Ridgemead Road Englefield Green Egham Surrey, TW20**  
**0YG United Kingdom**

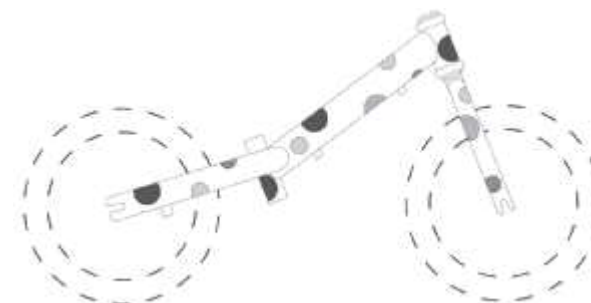
- (72) Name(s) of Designer(s): **Shelley Lawson**  
(45) Registration Date: **02 September 2013**

- (30) Convention priority data:

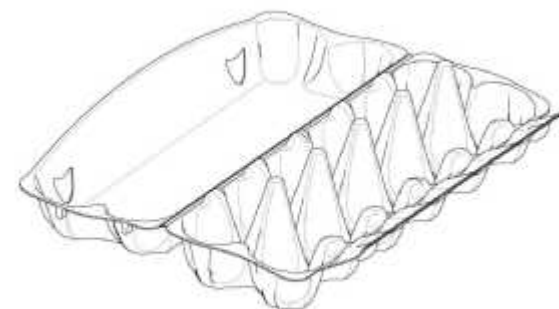
|                       |                    |   |
|-----------------------|--------------------|---|
| (31) Number           | (32) Date          | (33) Country  |
| <b>002231464-0004</b> | <b>02 May 2013</b> | <b>OFFICE FOR HARMONISATION IN<br/>THE INTERNAL MARKET (OHIM)</b> |

- (56) Related Art Documents: **Not Applicable**

- (57) Statement of Newness and Distinctiveness: **The newness and distinctiveness of the design resides in the application of the spots and the shape of the frame as shown in the continuous lines in the accompanying representations. The broken lines are not part of the design and are to be disregarded when considering the overall impression of the design.**



(21) Design Number: **13345/2013**  
(22) Date of Filing Application: **12 July 2013**  
(24) Date from which industrial property rights may have effect: **12 July 2013**  
(54) Product in respect of which the design is registered: **Egg carton**  
(51) International Design Classification: **09-03D**  
(74) Name(s) of Attorney(s): **PIZZEYS**  
(71) Name(s) and Address(s) of Applicant(s):



**Huhtamaki Nederland B.V.**  
**Zuidelijke Industrieweg 3-7 JB Franeker NL-8801 Netherlands**

(72) Name(s) of Designer(s): **Sandor Klaas Veenje**

(45) Registration Date: **02 September 2013**

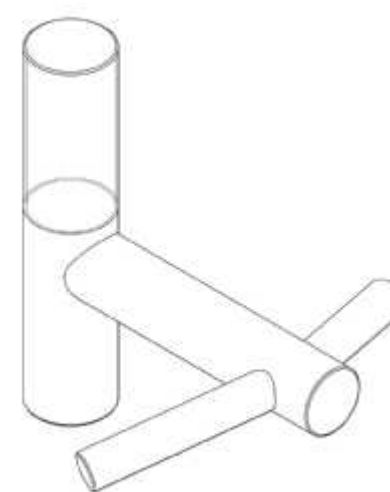
(30) Convention priority data:

|                       |                    |   |
|-----------------------|--------------------|---|
| (31) Number           | (32) Date          | (33) Country  |
| <b>002169482-0001</b> | <b>21 Jan 2013</b> | <b>OFFICE FOR HARMONISATION IN<br/>THE INTERNAL MARKET (OHIM)</b> |

(56) Related Art Documents: **Not Applicable**

(57) Statement of Newness and Distinctiveness: **Nil**

(21) Design Number: **13522/2013**  
(22) Date of Filing Application: **24 July 2013**  
(24) Date from which industrial property rights may have effect: **24 July 2013**  
(54) Product in respect of which the design is registered: **Part of a hand dryer**  
(51) International Design Classification: **15-05**  
(74) Name(s) of Attorney(s): **Shelston IP**  
(71) Name(s) and Address(s) of Applicant(s):



**Dyson Technology Limited**  
**Tetbury Hill Malmesbury Wiltshire SN16 0RP United Kingdom**

(72) Name(s) of Designer(s): **Stephen Benjamin Courtney**

(45) Registration Date: **02 September 2013**

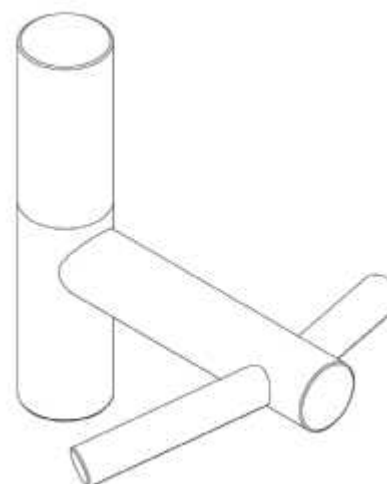
(30) Convention priority data:

|                       |                    |   |
|-----------------------|--------------------|---|
| (31) Number           | (32) Date          | (33) Country  |
| <b>001359343-0002</b> | <b>01 Feb 2013</b> | <b>OFFICE FOR HARMONISATION IN<br/>THE INTERNAL MARKET (OHIM)</b> |

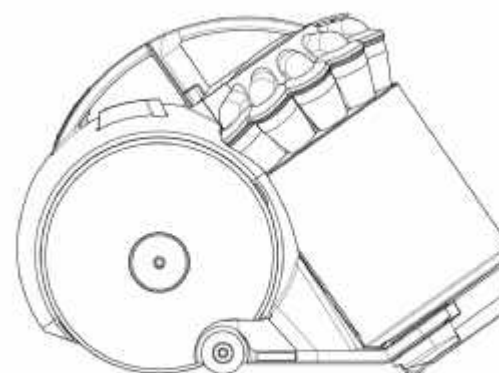
(56) Related Art Documents: **Not Applicable**

(57) Statement of Newness and Distinctiveness: **Newness and distinctiveness reside in the generally transparent uppermost cylindrical portion of a PART OF A HAND DRYER as illustrated in the accompanying representations.**

(21) Design Number: **13524/2013**  
(22) Date of Filing Application: **24 July 2013**  
(24) Date from which industrial property rights may have effect: **24 July 2013**  
(54) Product in respect of which the design is registered: **Part of a hand dryer**  
(51) International Design Classification: **15-05**  
(74) Name(s) of Attorney(s): **Shelston IP**  
(71) Name(s) and Address(s) of Applicant(s):  
**Dyson Technology Limited**  
**Tetbury Hill Malmesbury Wiltshire SN16 0RP United Kingdom**  
(72) Name(s) of Designer(s): **Stephen Benjamin Courtney**  
(45) Registration Date: **02 September 2013**  
(56) Related Art Documents: **Not Applicable**  
(57) Statement of Newness and Distinctiveness: **Newness and distinctiveness reside in the uppermost cylindrical portion of a PART OF A HAND DRYER as illustrated in the accompanying representations.**



(21) Design Number: **13569/2013**  
(22) Date of Filing Application: **25 July 2013**  
(24) Date from which industrial property rights may have effect: **25 July 2013**  
(54) Product in respect of which the design is registered: **A vacuum cleaner**  
(51) International Design Classification: **15-05**  
(74) Name(s) of Attorney(s): **Shelston IP**  
(71) Name(s) and Address(s) of Applicant(s):  
**Dyson Technology Limited**  
**Tetbury Hill Malmesbury Wiltshire SN16 0RP Great Britain**  
(72) Name(s) of Designer(s): **Giles Ashbee and Adam James Bates and James Dyson and Peter David Gammack**  
(45) Registration Date: **02 September 2013**  
(30) Convention priority data:  
(31) Number (32) Date (33) Country  
**002185959-0002 18 Feb 2013 OFFICE FOR HARMONISATION IN THE INTERNAL MARKET (OHIM)**  
(56) Related Art Documents: **Not Applicable**  
(57) Statement of Newness and Distinctiveness: **Newness and distinctiveness reside in the shape and/or configuration of all features, with the exception of the general spherical assembly located at the rear, of a VACUUM CLEANER as illustrated in the accompanying representations.**



- (21) Design Number: **13651/2013**  
(22) Date of Filing Application: **30 July 2013**  
(24) Date from which industrial property rights may have effect: **30 July 2013**  
(54) Product in respect of which the design is registered: **Plug in dispenser for volatile formulations**  
(51) International Design Classification: **09-01A**  
(74) Name(s) of Attorney(s): **Shelston IP**  
(71) Name(s) and Address(s) of Applicant(s):  
**Reckitt Benckiser (Brands) Limited**  
**103-105 Bath Road Slough Berkshire SL1 3UH United Kingdom**  
(72) Name(s) of Designer(s): **Thomas Baron and Richard Clough and Stuart Cole and Robert Giles and James Holt and Alexander Peacop and Tim Sharpe**  
(45) Registration Date: **02 September 2013**  
(30) Convention priority data:  
(31) Number (32) Date (33) Country  
**002175349-0002 30 Jan 2013 OFFICE FOR HARMONISATION IN THE INTERNAL MARKET (OHIM)**  
(56) Related Art Documents: **Not Applicable**  
(57) Statement of Newness and Distinctiveness: **Newness and distinctiveness resides in the features of shape and configuration of the plug in dispenser with reservoir for volatile formulations as shown in solid lines in the accompanying representations. The features shown in broken lines do not form part of the design.**



- (21) Design Number: **13266/2013**  
(22) Date of Filing Application: **08 July 2013**  
(24) Date from which industrial property rights may have effect: **08 July 2013**  
(54) Product in respect of which the design is registered: **Light therapy device**  
(51) International Design Classification: **24-01, 26-05NES**  
(74) Name(s) of Attorney(s): **FB Rice**  
(71) Name(s) and Address(s) of Applicant(s):  
**Koninklijke Philips N.V.**  
**High Tech Campus 5 5656 AE Eindhoven The Netherlands**  
(72) Name(s) of Designer(s): **Georg Johann Hagenauer**  
(45) Registration Date: **03 September 2013**  
(30) Convention priority data:  
(31) Number (32) Date (33) Country  
**002163618-0001 09 Jan 2013 OFFICE FOR HARMONISATION IN THE INTERNAL MARKET (OHIM)**  
(56) Related Art Documents: **Not Applicable**  
(57) Statement of Newness and Distinctiveness: **Newness and distinctiveness reside in the features of shape and configuration of the design as shown in the representations.**



- (21) Design Number: **13314/2013**  
(22) Date of Filing Application: **10 July 2013**  
(24) Date from which industrial property rights may have effect: **10 July 2013**  
(54) Product in respect of which the design is registered: **Filtration components**  
(51) International Design Classification: **23-01G**  
(74) Name(s) of Attorney(s):  
(71) Name(s) and Address(s) of Applicant(s):  
**Siemens Industry, Inc.**  
**3333 Old Milton Pkwy Alpharetta GA 30005-4437 United States of America**  
(72) Name(s) of Designer(s): **Ying Hao Teo and Bruce Biltoft and Robert James McMahon and Zhiyi Cao and Tomasz Swiatek**  
(45) Registration Date: **03 September 2013**  
(56) Related Art Documents: **Not Applicable**  
(57) Statement of Newness and Distinctiveness: **Filtration module**



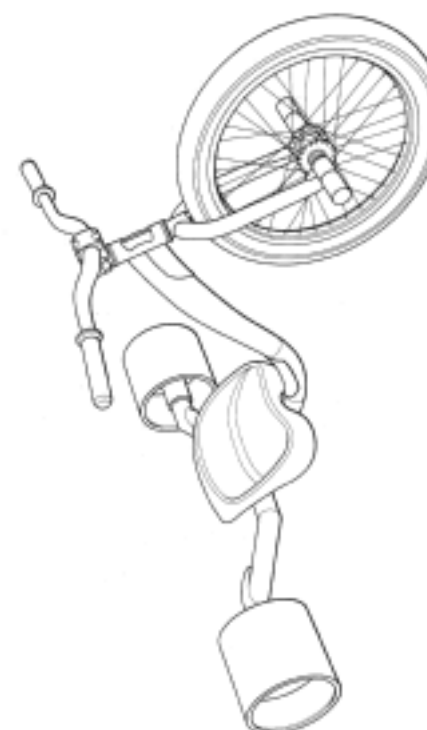
- (21) Design Number: **13629/2013**  
(22) Date of Filing Application: **29 July 2013**  
(24) Date from which industrial property rights may have effect: **29 July 2013**  
(54) Product in respect of which the design is registered: **Automobile tyre**  
(51) International Design Classification: **12-15B**  
(74) Name(s) of Attorney(s): **Griffith Hack**  
(71) Name(s) and Address(s) of Applicant(s):  
**Bridgestone Corporation**  
**10-1 Kyobashi 1-chrome Chuo-ku Tokyo 104-8340 Japan**  
(72) Name(s) of Designer(s): **Tomoo Hasegawa**  
(45) Registration Date: **03 September 2013**  
(30) Convention priority data:  
(31) Number      (32) Date      (33) Country  
**2013-001765      30 Jan 2013      JAPAN**  
(56) Related Art Documents: **Not Applicable**  
(57) Statement of Newness and Distinctiveness: **The shape and configuration of the tread portion of the product shown in the representations is new and distinctive.**



(21) Design Number: **13632/2013**  
(22) Date of Filing Application: **29 July 2013**  
(24) Date from which industrial property rights may have effect: **29 July 2013**  
(54) Product in respect of which the design is registered: **Breathalyzer**  
(51) International Design Classification: **10-04**  
(74) Name(s) of Attorney(s): **Griffith Hack**  
(71) Name(s) and Address(s) of Applicant(s):  
**KHN Solutions**  
**300 Broadway Suite 26 San Francisco California 94133 United States of America**  
(72) Name(s) of Designer(s): **Keith Nothacker and Imraan Aziz and Michael Strasser**  
(45) Registration Date: **03 September 2013**  
(30) Convention priority data:  
(31) Number (32) Date (33) Country  
**29/444,614 31 Jan 2013 UNITED STATES OF AMERICA**  
(56) Related Art Documents: **Not Applicable**  
(57) Statement of Newness and Distinctiveness: **Nil**



(21) Design Number: **13638/2013**  
(22) Date of Filing Application: **30 July 2013**  
(24) Date from which industrial property rights may have effect: **30 July 2013**  
(54) Product in respect of which the design is registered: **Three-wheeled vehicle**  
(51) International Design Classification: **12-11**  
(74) Name(s) of Attorney(s): **SPRUSON & FERGUSON**  
(71) Name(s) and Address(s) of Applicant(s):  
**Huffy Corporation**  
**6551 Centerville Business Parkway Centerville Ohio 45459 United States of America**  
(72) Name(s) of Designer(s): **Andrew Bean and Jason Jewell and Douglas Barchek and Jeremy Humble**  
(45) Registration Date: **03 September 2013**  
(30) Convention priority data:  
(31) Number (32) Date (33) Country  
**29/444689 01 Feb 2013 UNITED STATES OF AMERICA**  
(56) Related Art Documents: **Not Applicable**  
(57) Statement of Newness and Distinctiveness: **Newness and distinctiveness is claimed in the features of shape and/or configuration of the main frame of a three-wheeled vehicle as illustrated in the accompanying representations.**



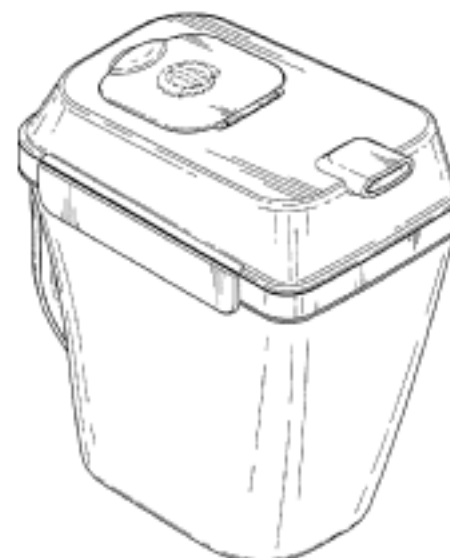
(21) Design Number: **13639/2013**  
(22) Date of Filing Application: **30 July 2013**  
(24) Date from which industrial property rights may have effect: **30 July 2013**  
(54) Product in respect of which the design is registered: **Vacuum cleaner**  
(51) International Design Classification: **15-05**  
(74) Name(s) of Attorney(s): **Halfords IP**  
(71) Name(s) and Address(s) of Applicant(s):  
**Aktiebolaget Electrolux**  
**S:t Goransgatan 143 Stockholm SE-105 45 Sweden**  
(72) Name(s) of Designer(s): **Anna-Karin Gray**  
(45) Registration Date: **03 September 2013**  
(30) Convention priority data:  
(31) Number      (32) Date      (33) Country  
**002181545      08 Feb 2013      OFFICE FOR HARMONISATION IN  
THE INTERNAL MARKET (OHIM)**  
(56) Related Art Documents: **Not Applicable**  
(57) Statement of Newness and Distinctiveness: **Newness and Distinctiveness  
is claimed in those features of shape and or configuration of a Vacuum  
Cleaner as depicted in the representations.**



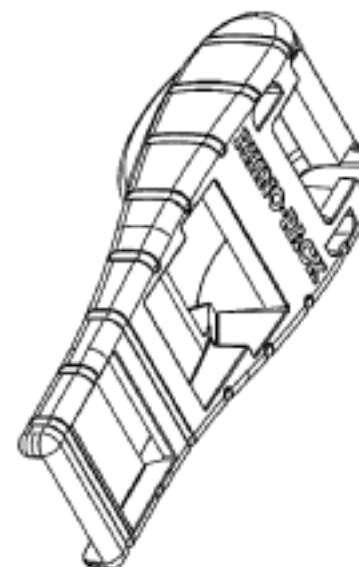
(21) Design Number: **13641/2013**  
(22) Date of Filing Application: **30 July 2013**  
(24) Date from which industrial property rights may have effect: **30 July 2013**  
(54) Product in respect of which the design is registered: **A calibration station**  
(51) International Design Classification: **10-04**  
(74) Name(s) of Attorney(s): **IP Gateway Patent & Trademark Attorneys Pty  
Ltd**  
(71) Name(s) and Address(s) of Applicant(s):  
**Lifeloc Technologies, Inc**  
**12441 West 49th Avenue, Suite 4 Wheat Ridge Colorado 80033 United  
States of America**  
(72) Name(s) of Designer(s): **Kelly Silverman and Mark Lary and Christina  
Wamsley and Gurumurthi Ravishankar and Brandon Wellborn**  
(45) Registration Date: **03 September 2013**  
(30) Convention priority data:  
(31) Number      (32) Date      (33) Country  
**29/444,555      31 Jan 2013      UNITED STATES OF AMERICA**  
(56) Related Art Documents: **Not Applicable**  
(57) Statement of Newness and Distinctiveness: **Newness and distinctiveness  
of the design resides in the shape and/or configuration of a calibration  
station as shown in solid lines in the accompanying representations.**



- (21) Design Number: **13644/2013**  
(22) Date of Filing Application: **30 July 2013**  
(24) Date from which industrial property rights may have effect: **30 July 2013**  
(54) Product in respect of which the design is registered: **Pitcher**  
(51) International Design Classification: **07-01F**  
(74) Name(s) of Attorney(s): **SPRUSON & FERGUSON**  
(71) Name(s) and Address(s) of Applicant(s):  
**CamelBak Products, LLC**  
**2000 S. McDowell Suite 200 Petaluma CA 94954 United States of America**  
(72) Name(s) of Designer(s): **Leonard John Duran and Lea Sandra Kobeli and Sandrine Noelle Lebas**  
(45) Registration Date: **03 September 2013**  
(30) Convention priority data:  
(31) Number (32) Date (33) Country  
**29/445014 06 Feb 2013 UNITED STATES OF AMERICA**  
(56) Related Art Documents: **Not Applicable**  
(57) Statement of Newness and Distinctiveness: **Newness and distinctiveness is claimed in those features of shape and/or configuration of a pitcher illustrated in continuous lines in the accompanying representations.**



- (21) Design Number: **13661/2013**  
(22) Date of Filing Application: **31 July 2013**  
(24) Date from which industrial property rights may have effect: **31 July 2013**  
(54) Product in respect of which the design is registered: **Cam buckle cover**  
(51) International Design Classification: **09-06**  
(74) Name(s) of Attorney(s): **HODGKINSON McINNES PATENTS**  
(71) Name(s) and Address(s) of Applicant(s):  
**Rhino Rack Australia Pty Limited**  
**3 Pike St Rydalmere NSW 2116 Australia**  
(72) Name(s) of Designer(s): **Michael John Laybourne Hort and Richard Oswald Cropley and Christopher John Murty**  
(45) Registration Date: **03 September 2013**  
(56) Related Art Documents: **Not Applicable**  
(57) Statement of Newness and Distinctiveness: **Newness and distinctiveness is claimed in the shape and configuration of a cam buckle cover as shown in the representations.**





- (21) Design Number: **13664/2013**  
(22) Date of Filing Application: **31 July 2013**  
(24) Date from which industrial property rights may have effect: **31 July 2013**  
(54) Product in respect of which the design is registered: **Pump housing**  
(51) International Design Classification: **15-02**  
(74) Name(s) of Attorney(s): **WATERMARK PATENT AND TRADE MARKS ATTORNEYS**  
(71) Name(s) and Address(s) of Applicant(s):  
**Sulzer Pumpen AG**  
**Zuercherstrasse 12 Winterthur 8401 Switzerland**  
(72) Name(s) of Designer(s): **Gary Fitch and Neil Hoekstra**  
(45) Registration Date: **03 September 2013**  
(30) Convention priority data:  
(31) Number      (32) Date      (33) Country  
**29/451964      05 Apr 2013      UNITED STATES OF AMERICA**  
(56) Related Art Documents: **Not Applicable**  
(57) Statement of Newness and Distinctiveness: **Newness and Distinctiveness resides in the visual features of shape and configuration as applied to a pump housing as illustrated in the representations.**

