



Australian Government

IP Australia

AUSTRALIAN OFFICIAL JOURNAL

OF

DESIGNS

Did you know a searchable version of this journal is now available online?

It's FREE and EASY to SEARCH.

Find it on our website (www.ipaustralia.gov.au)

by using the "Journals" link on the home page.

This Page Left Intentionally Blank

Contents

General Information & Notices

**Proceedings Under the Designs Act 1906 preserved as a result of the provisions of Chapter 12
Part 2 of the Designs Act 2003**

Extension of Period of Registration of Designs	2716
Registrations Ceased	2716
Subsequent Owners Registered	2716

Proceedings Under the Designs Act 2003

Applications Lodged	2720
Applications Withdrawn	2728
Certificate of Examination	2731
Extension of Period of Registration of Design	2729
Extension of Time Granted Under Section 137	2729
Names Registered - Alterations and Amendments	2730
Publication and Registration Proceedings	
Designs Registered 350556 to 350881.....	2732
Registrations Ceased	2729
Subsequent Owners Registered	2729

This Page Left Intentionally Blank

For information on the following please see our website www.ipaustralia.gov.au or contact our Customer Service Network on 1300651010

[Editorial enquiries](#)

[Contact information](#)

[Freedom of Information ACT](#)

[Professional Standards Board](#)

[Sales](#)

[Requests for Information under Section 194 \(c\)](#)

[Country Codes](#)

[Trade Mark and Designs Hearing Sessions](#)

[INID \(Internationally agreed Numbers for the Identification of Data\)](#)

“INID” NUMBERS in use on Australian Design Documents

“INID” is an acronym for “Internationally agreed Numbers for the Identification of Data”.

(10) Data concerning the registration/renewal

- (11) Serial number of the registration and/or number of the design document
- (12) Plain language designation of the kind of published document
- (19) Identification, using the two-letter code according to WIPO Standard ST.3, of the authority publishing or registering the industrial design

(20) Data concerning the application

- (21) Serial number of the application
- (22) Date of filing of the application
- (24) Date from which the industrial design right has effect

(30) Data relating to priority under the Paris Convention

- (31) Serial number assigned to the priority application
- (32) Date of filing of the priority application
- (33) Two-letter code, according to WIPO Standard ST.3, identifying the authority with which the priority application was made

(40) Date(s) of making information available to the public

- (45) Date of publication of the registered industrial design by printing or similar process, or making it available to the public by any other means

(50) Miscellaneous Information

- (51) International Classification for Industrial Designs (class and subclass of the Locarno Classification)
- (54) Designation of article(s) or product(s) covered by the industrial design or title of the industrial design
- (55) Reproduction of the industrial design (e.g., drawing, photograph) and explanations relating to the reproduction
- (56) List of prior art documents, if separate from descriptive text
- (57) Description of characteristic features of the industrial design including indication of colours

(60) References to other legally related application(s) and registration(s)

- (62) Serial number(s) and, if available, filing date(s) of application(s), registration(s) or document(s) related by division
- (66) Serial number(s) of the application, or the registration, of the design(s) which is (are) a variant(s) of the present one

(70) Identification of parties concerned with the application or registration

- (71) Name(s) and address(es) of the applicant(s)
- (72) Name(s) of the creator(s) if known to be such
- (74) Name(s) and address(es) of the representative(s)

This Page Left Intentionally Blank

Nil notices for this journal issue.

Proceedings under the Designs Act 1906 preserved as a result of the provisions of Chapter 12 Part 2 of the Designs Act 2003.

This Page Left Intentionally Blank

Applications Lapsed

There were no Applications Lapsed under this section

Extension of Period of Registration of Designs

1st Period (Section 27A(8))

2nd Period (Section 27A(12))

3rd Period (Section 27A(13))

149105	150094	150144
150171	150190	150191
150192	150322	150326
150364	150419	150522
150523	150637	150675
150677	150847	150899
151021	151045	151046
151047	151104	151335
151515	152129	152130
154526		

Registrations Ceased

Note: Some of the following Registrations may have been previously advertised as ceased. In this instance, the previous advertisement still prevails.

131689	131898	133142
133143	133146	133294
133295	133296	133297
133298	133659	133701
133950	134162	134223
134528	134890	136823
136863	137042	137332
138059	138436	139868
144290	148267	148898
150177	150512	157981

Subsequent Owners Registered

(The name in parentheses is that of the subsequent owner)

153728	(Delta Shelving Systems Pty Ltd) Angas Industrial Pty Ltd
136426	(Sperian Hearing Protection, LLC) Sperian Respiratory Protection USA, LLC
137213	(Sperian Hearing Protection, LLC) Sperian Respiratory Protection USA, LLC
140179	(Sperian Hearing Protection, LLC) Sperian Respiratory Protection USA, LLC

This Page Left Intentionally Blank

Proceedings under the Designs Act 2003.

This Page Left Intentionally Blank

Applications Lodged

Lodgement information is in the following order: **Applicant's Name**; International Classification, Name of Product, Lodgement Date and **Design Number**. If the applicant claims an earlier priority date under an International Convention, the Convention Country and the associated filing date are shown in parentheses before the Lodgement Date. Divisional information will also appear in parentheses before the Lodgement Date.

bopla Gehause Systeme GmbH; 08-08NES, Cable fitting, 06 Sep 2013	14444/2013	Architectural Designer Products Pty Limited; 23-02F, Bathroom vanities - basins, 30 Aug 2013	14314/2013
A. Dalumi Diamonds Ltd.; 11-01NES, Gemstone, 03 Sep 2013	14363/2013		
Abbott Medical Optics Inc.; 14-03NES, Remote control, (US, 08 Mar 2013) 09 Sep 2013	14459/2013	Architectural Designer Products Pty Limited; 23-02F, Bathroom vanities - basins, 30 Aug 2013	14315/2013
Abbott Medical Optics Inc.; 14-03NES, 24-99, Remote control for use with surgical system, (US, 08 Mar 2013) 09 Sep 2013	14458/2013	Architectural Designer Products Pty Limited; 23-02F, Bathroom vanities - basins, 30 Aug 2013	14313/2013
Accensi Pty Ltd; 09-02C, Drum, 10 Sep 2013	14513/2013	Architectural Designer Products Pty Limited; 23-02F, Bathroom vanities - basins, 30 Aug 2013	14310/2013
Advance Watch Company Ltd, doing business as Geneva Watch Group; 14-01, 10-02, Display screen surrounded by a watch case, (US, 14 Mar 2013) 13 Sep 2013	14610/2013	Architectural Designer Products Pty Limited; 23-02F, Bathroom vanities - basins, 30 Aug 2013	14316/2013
Alley, Candice Marie; 07-01D, Cup/mug/vase that is that is manufactured, 05 Sep 2013	14415/2013	Architectural Designer Products Pty Limited; 23-02F, Bathroom vanities - basins, 30 Aug 2013	14317/2013
Altria Client Services Inc.; 20-02NES, Display package, (US, 15 Mar 2013) 16 Sep 2013	14632/2013	Architectural Designer Products Pty Limited; 23-02F, Bathroom vanities - basins, 30 Aug 2013	14311/2013
Altria Client Services Inc.; 09-03NES, Display package, (US, 15 Mar 2013) 16 Sep 2013	14635/2013	Architectural Designer Products Pty Limited; 23-02F, Bathroom vanities - basins, 30 Aug 2013	14309/2013
Altria Client Services Inc.; 20-02NES, Display package, (US, 15 Mar 2013) 16 Sep 2013	14633/2013	Architectural Designer Products Pty Limited; 23-02F, Bathroom vanities - basins, 30 Aug 2013	14318/2013
Altria Client Services Inc.; 09-03NES, Display package, (US, 15 Mar 2013) 16 Sep 2013	14650/2013	Architectural Designer Products Pty Limited; 23-02F, Bathroom vanities - basins, 30 Aug 2013	14319/2013
Architectural Designer Products Pty Limited; 23-02F, Bathroom vanities - basins, 30 Aug 2013	14322/2013	Architectural Designer Products Pty Limited; 23-02F, Bathroom vanities - basins, 30 Aug 2013	14453/2013
Architectural Designer Products Pty Limited; 23-02F, Bathroom vanities - basins, 30 Aug 2013	14320/2013	Australian Fashion Labels Pty Ltd; 02-02C, A vest dress, 09 Sep 2013	14452/2013
Architectural Designer Products Pty Limited; 23-02F, Bathroom vanities - basins, 30 Aug 2013	14321/2013	Australian Fashion Labels Pty Ltd; 02-02C, A dress, 09 Sep 2013	14426/2013
Architectural Designer Products Pty Limited; 23-02F, Bathroom vanities - basins, 30 Aug 2013	14312/2013	Australian Fashion Labels Pty Ltd; 02-02C, Shorts, 06 Sep 2013	14427/2013
		Australian Fashion Labels Pty Ltd; 02-02C, Long sleeve playsuit, 06 Sep 2013	14425/2013
		Australian Fashion Labels Pty Ltd; 02-02C, A dress, 06 Sep 2013	

AG (Syd) Fashion Pty Ltd; 02-02C, Apparel, 10 Sep 2013	14568/2013	Bolia, Shamim; 24-02, Wire guide, (EM, 11 Apr 2013) 13 Sep 2013	14585/2013
Ball Corporation; 07-01C, Metallic beverage container, (US, 07 Mar 2013) 06 Sep 2013	14445/2013	Bolia, Shamim; 24-02, Wire guide, (EM, 11 Apr 2013) 13 Sep 2013	14583/2013
Ball Corporation; 07-01C, Metallic beverage container, (US, 07 Mar 2013) 06 Sep 2013	14446/2013	Bolia, Shamim; 24-02, Wire guide, (EM, 11 Apr 2013) 13 Sep 2013	14586/2013
Bang & Olufsen a/s; 14-01, Loudspeaker, (EM, 22 Mar 2013) 13 Sep 2013	14563/2013	Breville Pty Limited; 31-00, Blender base, 05 Sep 2013	14422/2013
Bang & Olufsen a/s; 14-01, Subwoofer, (EM, 22 Mar 2013) 13 Sep 2013	14564/2013	Brooks, Kristina; 03-01NES, Contact lens case, 12 Sep 2013	14534/2013
Barron, Paul; 03-01NES, 21-02D, A board case, (NZ, 21 Mar 2013) 11 Sep 2013	14500/2013	Burgun, David Anthony; 03-01NES, A bag for asbestos, 04 Sep 2013	14412/2013
Barron, Paul; 21-02D, Surfboard, (NZ, 21 Mar 2013) 11 Sep 2013	14501/2013	Burgun, David Anthony; 03-01NES, A bag for asbestos, 04 Sep 2013	14413/2013
Baum, Michael J.;Pohl, Brent;Belsinger, Ed; 09-05, Process tube, (US, 15 Mar 2013) 13 Sep 2013	14602/2013	Burns Consulting, Inc.; 14-02, Mobile device with graphic user interface, (US, 15 Mar 2013) 09 Sep 2013	14449/2013
Baum, Michael J.;Pohl, Brent;Belsinger, Ed; 24-02, Process tube strip, (US, 15 Mar 2013) 13 Sep 2013	14606/2013	Canada Pipeline Accessories, Co. Ltd.; 23-04, Flow conditioner, (US, 11 Apr 2013) 17 Sep 2013	14658/2013
Bazouni, Charlie;Zady, Joseph Antoine; 99-00, Building and/or structure, 15 Sep 2013	14624/2013	Capral Limited; 25-01K, Frame profile, 10 Sep 2013	14478/2013
Bazouni, Charlie;Zady, Joseph Antoine; 99-00, Building and/or structure, 15 Sep 2013	14626/2013	Capral Limited; 25-01K, Frame profile, 10 Sep 2013	14482/2013
Bazouni, Charlie;Zady, Joseph Antoine; 99-00, Building and/or structure, 15 Sep 2013	14625/2013	Capral Limited; 25-01K, Frame profile, 10 Sep 2013	14480/2013
Beba Enterprises Pty Ltd;Magi Enterprises Pty Ltd; 02-02C, Articles of clothing, 23 Aug 2013	14386/2013	Capral Limited; 25-01K, Frame profile, 10 Sep 2013	14481/2013
Belsinger, Ed;Baum, Michael J.;Pohl, Brent; 24-02, Process tube strip, (US, 15 Mar 2013) 13 Sep 2013	14606/2013	Capral Limited; 25-01K, Frame profile, 10 Sep 2013	14479/2013
Belsinger, Ed;Baum, Michael J.;Pohl, Brent; 09-05, Process tube, (US, 15 Mar 2013) 13 Sep 2013	14602/2013	Capral Limited; 25-01K, Frame profile, 10 Sep 2013	14476/2013
Better All Round Limited; 05-06NES, Paper tissue, (EP, 01 Mar 2013) 02 Sep 2013	14340/2013	Capral Limited; 25-01K, Frame profile, 10 Sep 2013	14475/2013
Beverage Gun Holster Pty Ltd; 03-01C, Holster, 13 Sep 2013	14609/2013	Cassons Pty Ltd; 02-02C, Protective lining for jeans, 13 Sep 2013	14559/2013
Bolia, Shamim; 24-02, Wire guide, (EM, 11 Apr 2013) 13 Sep 2013	14584/2013	Cassons Pty Ltd; 02-02C, A pair of jeans, 13 Sep 2013	14560/2013
		Caterpillar Inc.; 12-15C, 12-15E, 12-15NES, Non-pneumatic tyre, (US, 15 Mar 2013) 05 Sep 2013	14448/2013
		Cequent Consumer Products, Inc.; 08-06, Handle, (US, 15 Mar 2013) 04 Sep 2013	14402/2013
		Cequent Consumer Products, Inc.; 12-16NES, Hitch step, (US, 12 Mar 2013) 05 Sep 2013	14420/2013
		Cequent Consumer Products, Inc.; 12-16NES, Trailer jack, (US, 04 Mar 2013) 02 Sep 2013	14353/2013

Cequent Performance Products, Inc.; 12-16NES, Hitch match system, (US, 15 Mar 2013) 05 Sep 2013	14421/2013	Daikin Industries Ltd.; 14-03NES, Controller for air conditioner, 26 Aug 2013	14271/2013
Christian Dior Couture; 11-01C, Bracelet, (CH, 11 Mar 2013) 04 Sep 2013	14404/2013	Daikin Industries Ltd.; 23-04, Air conditioner, 26 Aug 2013	14272/2013
Christian Dior Couture; 11-01NES, Pendant, (CH, 11 Mar 2013) 04 Sep 2013	14406/2013	Daikin Industries Ltd.; 23-04, Air conditioner, 26 Aug 2013	14273/2013
Christian Dior Couture; 11-01NES, Necklace, (CH, 11 Mar 2013) 04 Sep 2013	14405/2013	Daikin Industries Ltd.; 23-04, Air conditioner, 26 Aug 2013	14274/2013
Clausen, Knud; 08-08L, Racking upright and connector clip, 13 Sep 2013	14621/2013	Du, Hongfeng; 08-01, Earth auger, 03 Sep 2013	14387/2013
Clausen, Knud; 08-08L, Racking connector clip, 13 Sep 2013	14622/2013	Dubgear Inc.; 14-03NES, Portable music player, (Divisional of 12839/2013) 12 Sep 2013	14546/2013
Clopay Building Products Company, Inc.; 25-01B, Reinforcing strut for an overhead door, (US, 07 Mar 2013) 05 Sep 2013	14419/2013	Dyson Technology Limited; 23-04, Fan, (EM, 07 Mar 2013) 03 Sep 2013	14372/2013
Coast RV Pty Ltd; 12-16L, Motorised jockey wheel, 06 Sep 2013	14432/2013	Dyson Technology Limited; 23-04, Fan, (EM, 07 Mar 2013) 03 Sep 2013	14369/2013
Colgate-Palmolive Company; 04-02, Toothbrush, (US, 29 Mar 2013) 10 Sep 2013	14491/2013	Dyson Technology Limited; 23-04, Fan, (EM, 07 Mar 2013) 03 Sep 2013	14366/2013
Colgate-Palmolive Company; 04-02, Toothbrush, (US, 29 Mar 2013) 10 Sep 2013	14477/2013	Dyson Technology Limited; 23-04, Fan, (EM, 07 Mar 2013) 03 Sep 2013	14371/2013
Colgate-Palmolive Company; 04-02, Toothbrush and portions thereof, (CN, 28 Mar 2013) 10 Sep 2013	14494/2013	DESIGN BY THEM PTY LTD; 06-01E, Stool, 11 Sep 2013	14512/2013
Colgate-Palmolive Company; 04-02, Toothbrush, (US, 08 Mar 2013) 30 Aug 2013	14306/2013	DRS C3 & Aviation Company; 14-03D, Deployable flight recorder housing, (US, 14 Mar 2013) 13 Sep 2013	14597/2013
Colgate-Palmolive Company; 04-02, Toothbrush, (US, 08 Mar 2013) 30 Aug 2013	14307/2013	Edison Nation, LLC; 26-99, Bath tub light, (US, 15 Mar 2013) 12 Sep 2013	14545/2013
Corporate Culture Australia Pty Ltd; 06-01G, Lounge/sofa/armchair, 06 Sep 2013	14440/2013	Eickhof Columbaria, Inc.; 25-01C, Obelisk columbarium structure, (US, 14 Mar 2013) 13 Sep 2013	14578/2013
Corporate Culture Australia Pty Ltd; 26-05D, Light, 06 Sep 2013	14447/2013	Eickhof Columbaria, Inc.; 25-01C, Obelisk columbarium structure, (US, 14 Mar 2013) 13 Sep 2013	14577/2013
Corporate Culture Australia Pty Ltd; 06-01G, Lounge/sofa/armchair, 06 Sep 2013	14433/2013	Elite Caravans (Australia) Pty Ltd; 13-03E, 13-03NES, Thermal circuit breaker board for caravans, 09 Sep 2013	14450/2013
Creative Hype Limited; 02-03, Headgear, 03 Sep 2013	14370/2013	Elstow, Corinne Elizabeth;Haydon, Astrid Frances Marie; 03-03, Parasol stand, (EM, 18 Mar 2013) 09 Sep 2013	14460/2013
CUB Pty Ltd; 09-03M, A set of cartons, 16 Sep 2013	14651/2013	Emerson Climate Technologies, Inc.; 10-04, Monitoring module, (US, 15 Mar 2013) 13 Sep 2013	14567/2013
Daikin Industries Ltd.; 23-04, Air conditioner, 26 Aug 2013	14269/2013	Emerson Electric Co.; 09-01C, Food waste disposer stopper, (US, 15 Mar 2013) 13 Sep 2013	14603/2013
Daikin Industries Ltd.; 23-04, Air conditioner, 26 Aug 2013	14270/2013	Emerson Electric Co.; 09-07C, Food waste disposer stopper, (US, 15 Mar 2013) 13 Sep 2013	14604/2013
		Eran, Avital;Liran, Raz; 06-01NES, Device for treating back pain, (US, 11 Mar 2013) 06 Sep 2013	14434/2013

Euro-Pro Operating LLC; 04-01, 07-05E, Mop head, (US, 15 Mar 2013) 12 Sep 2013	14549/2013	Harlequin International Group Pty Ltd; 03-01A, A bag, 03 Sep 2013	14388/2013
Euro-Pro Operating LLC; 15-05, Appliance, (US, 15 Mar 2013) 12 Sep 2013	14548/2013	Harlequin International Group Pty Ltd; 03-01A, A bag, 03 Sep 2013	14391/2013
EverHeart Systems Inc.; 14-03NES, Mobile wireless power source, (US, 15 Mar 2013) 11 Sep 2013	14588/2013	Harlequin International Group Pty Ltd; 03-01A, A bag, 03 Sep 2013	14392/2013
Exhibition & Theatre Projects Pty Ltd; 12-16NES, Utility or pickup tray, 05 Sep 2013	14423/2013	Harlequin International Group Pty Ltd; 03-01A, A bag, 03 Sep 2013	14390/2013
EJ Australia Pty Ltd; 25-02B, Set of access covers, 28 Aug 2013	14335/2013	Haydon, Astrid Frances Marie;Elstow, Corinne Elizabeth; 03-03, Parasol stand, (EM, 18 Mar 2013) 09 Sep 2013	14460/2013
ELC Management LLC; 28-02, Lipstick bullet, (US, 19 Apr 2013) 16 Sep 2013	14648/2013	Hella New Zealand Limited; 26-06, Lamp, 10 Sep 2013	14495/2013
ELC Management LLC; 28-02, Lipstick bullet, (US, 19 Apr 2013) 16 Sep 2013	14649/2013	Hella New Zealand Limited; 26-06, Lamp, 10 Sep 2013	14496/2013
Fast & Save Pty Ltd; 06-02, Leather bed frame, 11 Sep 2013	14502/2013	Hello Products, LLC; 09-01NES, Bottle, (US, 13 Mar 2013) 12 Sep 2013	14544/2013
Fiskars Brands, Inc.; 08-03, Hatchet, (US, 12 Mar 2013) 11 Sep 2013	14505/2013	Hello Products, LLC; 09-01K, Bottle, (US, 13 Mar 2013) 12 Sep 2013	14547/2013
Fiskars Brands, Inc.; 08-03, Knife, (US, 08 Mar 2013) 06 Sep 2013	14430/2013	Hello Products, LLC; 09-01A, Bottle, (US, 13 Mar 2013) 12 Sep 2013	14550/2013
Fiskars Brands, Inc.; 08-03, Axe, (US, 08 Mar 2013) 06 Sep 2013	14431/2013	Herman Miller, Inc.; 25-01C, Architectural structure with surface pattern, (US, 15 Mar 2013) 13 Sep 2013	14580/2013
Fiskars Brands, Inc.; 07-03, Knife, (US, 01 Mar 2013) 30 Aug 2013	14323/2013	Herman Miller, Inc.; 06-03C, Workstation, (US, 15 Mar 2013) 13 Sep 2013	14612/2013
Freedman Electronics Pty. Ltd.; 08-08NES, 08-06, A mount and a handle, (US, 07 Jan 2013) 03 Jul 2013	13172/2013	Herman Miller, Inc.; 06-06G, Furniture, (US, 15 Mar 2013) 13 Sep 2013	14616/2013
Fullyarn Packaging (AU) Pty Ltd; 09-03F, A punnet, 22 Aug 2013	14150/2013	Herman Miller, Inc.; 06-06G, 06-05, Furniture, (US, 15 Mar 2013) 13 Sep 2013	14617/2013
Fullyarn Packaging (AU) Pty Ltd; 09-03F, A two-part punnet, 13 Sep 2013	14620/2013	Herman Miller, Inc.; 06-06G, Backrest for furniture, (US, 15 Mar 2013) 13 Sep 2013	14615/2013
Gallagher Group Limited; 08-99, A head for use in a post, (NZ, 07 Mar 2013) 05 Sep 2013	14414/2013	Herman Miller, Inc.; 06-06G, Furniture, (US, 15 Mar 2013) 13 Sep 2013	14618/2013
Gerard Lighting Pty Ltd; 26-05E, LED light, 03 Sep 2013	14393/2013	Herman Miller, Inc.; 06-03C, Frameless screen, (US, 15 Mar 2013) 13 Sep 2013	14619/2013
Great Wall Motor Company Limited; 12-08, Vehicle, (CN, 15 Mar 2013) 13 Sep 2013	14570/2013	Herman Miller, Inc.; 06-03C, Workstation, (US, 15 Mar 2013) 13 Sep 2013	14613/2013
Hamill Partners LLC; 30-99, Dog exercising device, (US, 13 Mar 2013) 04 Sep 2013	14408/2013	Holgate, Stephen Murray; 08-08NES, An electrical component mounting bracket, 10 Sep 2013	14492/2013
Harlequin International Group Pty Ltd; 19-99, Pencil case, 05 Sep 2013	14417/2013	Holgate, Stephen Murray; 08-08NES, An electrical component mounting bracket, 10 Sep 2013	14493/2013

Honeypot Holdings Limited;Wirecare (NZ) Limited; 08-08C, Clip, (NZ, 15 Mar 2013) 13 Sep 2013	14611/2013	Jura Elektroapparate AG; 07-02L, Coffee machine for household purposes, 03 Sep 2013	14358/2013
Hubbell Incorporated; 08-08B, Clip-on bonding washer, (US, 15 Mar 2013) 13 Sep 2013	14581/2013	JHEHD Pty Ltd; 11-01NES, Gemstone, 01 Sep 2013	14334/2013
Illinois Tool Works Inc.; 08-08G, Hook type fastener, 16 Sep 2013	14652/2013	Keurig, Incorporated; 09-05, Beverage cartridge, (US, 14 Mar 2013) 12 Sep 2013	14537/2013
Illinois Tool Works Inc.; 08-07, Barrel bolt, 16 Sep 2013	14655/2013	Kimberly-Clark Worldwide, Inc.; 23-02A, Wipes dispenser, (US, 15 Apr 2013) 11 Sep 2013	14499/2013
Illinois Tool Works Inc.; 08-07, Barrel bolt, 16 Sep 2013	14654/2013	Ko, In-Hong; 26-06, Car lighting, (KR, 15 Apr 2013) 30 Aug 2013	14329/2013
Illinois Tool Works Inc.; 08-07, Barrel bolt, 16 Sep 2013	14653/2013	Ko, In-Hong; 26-06, Bracket for car lighting, 30 Aug 2013	14332/2013
Illinois Tool Works Inc.; 23-04, Filter for an air filtration device, (US, 15 Mar 2013) 16 Sep 2013	14646/2013	Ko, In-Hong; 26-06, Car lighting, (KR, 15 Apr 2013) 30 Aug 2013	14330/2013
Illinois Tool Works Inc.; 23-04, Filter for an air filtration device, (US, 15 Mar 2013) 16 Sep 2013	14647/2013	Ko, In-Hong; 26-06, Car lighting, (KR, 15 Apr 2013) 30 Aug 2013	14328/2013
Illinois Tool Works Inc.; 23-04, Air filtration device, (US, 15 Mar 2013) 12 Sep 2013	14530/2013	Ko, In-Hong; 26-06, Car lighting, (KR, 18 Apr 2013) 30 Aug 2013	14331/2013
Illinois Tool Works Inc.; 23-04, Filter for an air filtration device, (US, 15 Mar 2013) 12 Sep 2013	14532/2013	Koninklijke Philips N.V.; 07-02N, Air fryer, (EM, 07 Mar 2013) 06 Sep 2013	14429/2013
Illinois Tool Works Inc.; 23-04, Filter for an air filtration device, (US, 15 Mar 2013) 12 Sep 2013	14531/2013	Koninklijke Philips N.V.; 26-06, Trucklight, (EM, 19 Mar 2013) 16 Sep 2013	14644/2013
J.R. Simplot Company; 07-04, Spiral potato piece, (US, 15 Mar 2013) 13 Sep 2013	14598/2013	Labstyle Innovation Ltd.; 14-02, 14-01, Display screen with graphical user interface, (US, 24 Jan 2013) (Divisional of 13446/2013) 04 Sep 2013	14403/2013
J.R. Simplot Company; 07-04, Spiral potato piece, (US, 15 Mar 2013) 13 Sep 2013	14605/2013	Labstyle Innovation Ltd.; 14-02, 14-01, Display screen with graphical user interface, (US, 24 Jan 2013) (Divisional of 13442/2013) 04 Sep 2013	14407/2013
J.R. Simplot Company; 07-04, Spiral potato piece, (US, 15 Mar 2013) 13 Sep 2013	14599/2013	Laser Computer Services Pty Ltd; 06-13NES, A weight bearing blanket sleeve with insert, 30 Aug 2013	14327/2013
J.R. Simplot Company; 07-04, Spiral potato piece, (US, 15 Mar 2013) 13 Sep 2013	14600/2013	LaRose Industries, LLC; 02-07D, Loom, (US, 25 Jun 2013) 04 Sep 2013	14411/2013
J.R. Simplot Company; 07-04, Spiral potato piece, (US, 15 Mar 2013) 13 Sep 2013	14601/2013	Liran, Raz;Eran, Avital; 06-01NES, Device for treating back pain, (US, 11 Mar 2013) 06 Sep 2013	14434/2013
J.R. Simplot Company; 01-02, Spiral potato piece, (US, 15 Mar 2013) 13 Sep 2013	14607/2013	Logipak Pty Limited; 09-07A, 07-99NES, Plastic pouring spout, 04 Sep 2013	14400/2013
J.R. Simplot Company; 01-02, Spiral potato piece, (US, 15 Mar 2013) 13 Sep 2013	14608/2013	LG Electronics Inc.; 14-03E, Mobile phone, (KR, 22 Feb 2013) 27 Aug 2013	14308/2013
Johnson, Richard; 21-01C, Model train attractor, 09 Sep 2013	14464/2013		

LSI Industries, Inc.; 26-05A, Lighting, (US, 14 Mar 2013) 02 Sep 2013	14339/2013	Moddex Group Pty Ltd; 08-06, Hinge, (US, 07 Mar 2013) 06 Sep 2013	14438/2013
MacNeil IP LLC; 02-07A, Belt buckle, (US, 04 Mar 2013) 03 Sep 2013	14360/2013	Moddex Group Pty Ltd; 08-08NES, Rail joiner, (US, 07 Mar 2013) 06 Sep 2013	14436/2013
MacNeil IP LLC; 02-07A, Belt, (US, 04 Mar 2013) 03 Sep 2013	14365/2013	Moddex Group Pty Ltd; 25-02C, Barrier rail, (US, 07 Mar 2013) 06 Sep 2013	14437/2013
MacNeil IP LLC; 07-01NES, Container lid, (US, 04 Mar 2013) 03 Sep 2013	14361/2013	Moddex Group Pty Ltd; 25-02C, Barrier rail, (US, 07 Mar 2013) 06 Sep 2013	14435/2013
MacNeil IP LLC; 07-01NES, Container lid, (US, 04 Mar 2013) 03 Sep 2013	14362/2013	Moddex Group Pty Ltd; 08-06, Hinge, (US, 07 Mar 2013) 06 Sep 2013	14439/2013
Magee, Robert; 08-10, Bicycle rack, 13 Sep 2013	14623/2013	Monsanto Technology LLC; 09-01NES, Container, (US, 15 Mar 2013) 13 Sep 2013	14591/2013
Magi Enterprises Pty Ltd;Beba Enterprises Pty Ltd; 02-02C, Articles of clothing, 23 Aug 2013	14386/2013	Mueller, Philipp; 06-01NES, 21-02F, Fitness bench and bench generally, 10 Sep 2013	14498/2013
Marchmont Pty Ltd; 20-03A, 12-16A, Loose wheel nut indicator, 04 Sep 2013	14401/2013	MYoroface AB; 21-02F, Muscle stimulators, (EM, 15 Mar 2013) 11 Sep 2013	14510/2013
Mathena, Inc.; 08-99, 10-99, Drive-over segment, (US, 08 Mar 2013) 06 Sep 2013	14424/2013	Norton, Mathew Raymund; 08-05N, Glue removal, PCD diamond abrasive for grinder, 03 Sep 2013	14373/2013
McCormick & Company, Incorporated; 09-01NES, Bottle with cap, (US, 15 Mar 2013) 10 Sep 2013	14489/2013	Pandrol Australia Pty Ltd; 12-03, 12-99, An anchor for a rail fastening clip, 30 Aug 2013	14325/2013
McCormick & Company, Incorporated; 09-01A, Dispensing container, (US, 15 Mar 2013) 16 Sep 2013	14645/2013	Patrick, Handan; 11-02A, Flower bouquet collar; crafts, 03 Sep 2013	14357/2013
McCormick & Company, Incorporated; 07-01D, Cup, (US, 15 Mar 2013) 16 Sep 2013	14641/2013	Pelco, Inc.; 16-01, Security camera housing, (CN, 13 Mar 2013) 12 Sep 2013	14553/2013
McCormick & Company, Incorporated; 09-01NES, Dispensing container, (US, 15 Mar 2013) 16 Sep 2013	14656/2013	Perriam, Allan; 03-99, Sit to stand frame, 13 Sep 2013	14614/2013
McCormick & Company, Incorporated; 09-03NES, Cup packaging, (US, 15 Mar 2013) 16 Sep 2013	14634/2013	Philips, Eric; 21-02NES, Ski binding, 05 Sep 2013	14416/2013
McCormick & Company, Incorporated; 09-03NES, Cup packaging, (US, 15 Mar 2013) 16 Sep 2013	14642/2013	Phoenix Industries Pty Ltd; 23-01H, Wall mixer, hob mixer, shower mixer and twin shower mixer, 30 Aug 2013	14383/2013
McCormick & Company, Incorporated; 07-01D, Cup, (US, 15 Mar 2013) 16 Sep 2013	14643/2013	Phoenix Industries Pty Ltd; 23-01H, Mixer tap, 30 Aug 2013	14381/2013
Mega Fortris (Malaysia) Sdn. Bhd.; 09-07B, Container seal, (MY, 19 Jun 2013) 12 Sep 2013	14536/2013	Phoenix Industries Pty Ltd; 23-01H, Mixer tap, 30 Aug 2013	14382/2013
Meyer Intellectual Properties Limited; 07-02R, Cookware, (US, 13 Mar 2013) 13 Sep 2013	14561/2013	Phoenix Industries Pty Ltd; 23-01H, Wall mixer, 30 Aug 2013	14379/2013
Meyer Intellectual Properties Limited; 07-02R, Cookware, (US, 13 Mar 2013) 13 Sep 2013	14557/2013	Phoenix Industries Pty Ltd; 23-01H, Hob mixer, 30 Aug 2013	14380/2013
		Pisevski, Ema; 09-05, Peg bag, 02 Sep 2013	14345/2013

Planet Energy Australia Pty Ltd; 21-01F, 12-12, Ambulating bike, 02 Sep 2013	14337/2013	Reynolds Presto Products Inc.; 06-11, Portable porous construction mat, (US, 12 Mar 2013) 11 Sep 2013	14508/2013
Planet Energy Australia Pty Ltd; 21-01F, 12-12, Ambulating bike, 02 Sep 2013	14338/2013	Reynolds Presto Products Inc.; 06-11, Portable porous construction mat, (US, 12 Mar 2013) 11 Sep 2013	14503/2013
Pohl, Brent;Baum, Michael J.;Belsinger, Ed; 09-05, Process tube, (US, 15 Mar 2013) 13 Sep 2013	14602/2013	Reynolds Presto Products Inc.; 06-11, Portable porous construction mat, (US, 12 Mar 2013) 11 Sep 2013	14504/2013
Pohl, Brent;Baum, Michael J.;Belsinger, Ed; 24-02, Process tube strip, (US, 15 Mar 2013) 13 Sep 2013	14606/2013	Runway Blue, LLC; 09-07A, Closure for a container, (US, 06 Jun 2013) 09 Sep 2013	14451/2013
Polaris Industries Inc.; 12-08, Side-by-side all terrain vehicle, (US, 15 Mar 2013) 13 Sep 2013	14565/2013	RANDL Industries, Inc.; 13-03C, Plaster ring, (US, 01 Mar 2013) 30 Aug 2013	14377/2013
Polaris Industries Inc.; 12-08, Side-by-side all terrain vehicle, (US, 15 Mar 2013) 13 Sep 2013	14566/2013	RANDL Industries, Inc.; 13-03C, Plaster ring, (US, 01 Mar 2013) 30 Aug 2013	14378/2013
Polaris Industries Inc.; 12-08, All terrain vehicle, (US, 01 Mar 2013) 02 Sep 2013	14336/2013	RANDL Industries, Inc.; 13-03C, Plaster ring, (US, 01 Mar 2013) 30 Aug 2013	14376/2013
Premark FEG L.L.C.; 15-05, Dishwasher, (EM, 24 Apr 2013) 12 Sep 2013	14554/2013	RANDL Industries, Inc.; 13-03C, Plaster ring, (US, 01 Mar 2013) 30 Aug 2013	14374/2013
Premark FEG L.L.C.; 15-05, Dishwasher, (EM, 24 Apr 2013) 12 Sep 2013	14555/2013	RANDL Industries, Inc.; 13-03C, Plaster ring, (US, 01 Mar 2013) 30 Aug 2013	14375/2013
Premark FEG L.L.C.; 15-05, Dishwasher, (EM, 24 Apr 2013) 12 Sep 2013	14529/2013	S. C. Johnson & Son, Inc.; 09-05, Storage bag, (US, 15 Mar 2013) 12 Sep 2013	14540/2013
Protege Sport Pty Ltd; 12-02, Golf buggy, 09 Sep 2013	14463/2013	S. C. Johnson & Son, Inc.; 09-05, Storage bag, (US, 15 Mar 2013) 12 Sep 2013	14538/2013
Quattrocchi, Thomas Anthony; 10-02, Watch, 12 Sep 2013	14533/2013	S. C. Johnson & Son, Inc.; 09-05, Storage bag, (US, 15 Mar 2013) 12 Sep 2013	14541/2013
Radio Flyer, Inc.; 21-01F, Ride-on vehicle, (US, 15 Mar 2013) 12 Sep 2013	14543/2013	S. C. Johnson & Son, Inc.; 09-05, Storage bag, (US, 15 Mar 2013) 12 Sep 2013	14542/2013
Radio Flyer, Inc.; 21-01F, Ride-on vehicle, (US, 15 Mar 2013) 13 Sep 2013	14587/2013	S.C. Johnson & Son Inc.; 09-05, Storage bag, (US, 15 Mar 2013) 12 Sep 2013	14535/2013
Red Bull GmbH; 21-04, Tent, (EM, 06 Mar 2013) 04 Sep 2013	14398/2013	Samolis, Asimina; 03-01NES, Bag for pegs, 09 Sep 2013	14462/2013
Red Bull GmbH; 21-04, Frame for a tent, (EM, 06 Mar 2013) 04 Sep 2013	14399/2013	Samsonite IP Holdings S.a r.l.; 03-01A, Luggage, (US, 15 Mar 2013) 12 Sep 2013	14539/2013
Reid, Kieran; 26-05D, Pendant light, 03 Sep 2013	14364/2013	Sandvik Intellectual Property AB; 15-04, Gyrotory crusher spider arm shield, (EM, 08 Mar 2013) 04 Sep 2013	14395/2013
Renfrey, Sarah Victoria; 02-01B, 02-01NES, Sleepwear, 10 Sep 2013	14488/2013	Sandvik Intellectual Property AB; 15-99, Sealing ring for gyrotory crusher, (EM, 08 Mar 2013) 04 Sep 2013	14410/2013
Reynolds Presto Products Inc.; 06-11, Portable porous construction mat, (US, 12 Mar 2013) 11 Sep 2013	14507/2013	Sandvik Intellectual Property AB; 15-04, Crusher wear resistant liner, (EM, 20 Mar 2013) 04 Sep 2013	14396/2013

Sandvik Intellectual Property AB; 15-99, Sealing ring for gyratory crusher, (EM, 08 Mar 2013) 04 Sep 2013	14409/2013	Spenco Medical Corporation; 02-04A, Contoured support insole, (US, 15 Mar 2013) 10 Sep 2013	14490/2013
Sangenic International Limited; 09-09, Waste storage devices, (EM, 25 Jul 2013) 12 Sep 2013	14551/2013	Stephens, Patricia; 28-03D, Grooming device, (EM, 07 Mar 2013) 06 Sep 2013	14441/2013
Sangenic International Limited; 09-09, A housing or cassette for a waste storage device, (EM, 25 Jul 2013) 12 Sep 2013	14552/2013	Stephens, Patricia; 28-03NES, Massage device, (EM, 07 Mar 2013) 06 Sep 2013	14442/2013
Sayfa R&D Pty Ltd; 25-04, Ladder bracket, 09 Sep 2013	14461/2013	Stormtech Pty Ltd; 25-02G, , (Divisional of 12734/2013) 16 Aug 2013	14569/2013
Scott, Jacinta Kyam; 99-00, Digital magazine, print magazine, 06 Sep 2013	14428/2013	Swatch AG (Swatch SA) (Swatch Ltd); 10-02, Wristwatch, (CH, 10 Apr 2013) 04 Sep 2013	14397/2013
Select Comfort Corporation; 14-03NES, Remote control, (US, 14 Mar 2013) 13 Sep 2013	14579/2013	SMA Solar Technology AG; 13-02, Inverter, (EM, 14 Jun 2013) 11 Sep 2013	14506/2013
Sentek Pty Ltd; 09-07A, 10-05, Cap for a soil moisture sensor, 09 Sep 2013	14454/2013	SMA Solar Technology AG; 13-02, Inverter, (EM, 14 Jun 2013) 11 Sep 2013	14509/2013
Sichuan Nigale Biomedical Co., Ltd.; 24-01, Plasma collector, (CN, 28 Apr 2013) 30 Aug 2013	14326/2013	Take Two Marketing and Events Pty Ltd; 07-04, A knife guide, 03 Sep 2013	14389/2013
Smart Reveal Pty Ltd; 25-01K, 25-02H, A window flashing extrusion, 12 Sep 2013	14525/2013	The Absolut Company Aktiebolag; 09-01H, Bottle, (EM, 13 Mar 2013) 30 Aug 2013	14324/2013
Smart Reveal Pty Ltd; 25-01K, A window flashing extrusion, 12 Sep 2013	14520/2013	The Gates Corporation; 23-01E, Hand tightened hydraulic fitting, (US, 15 Mar 2013) 06 Sep 2013	14443/2013
Smart Reveal Pty Ltd; 25-01K, 25-02H, A joiner for window flashing extrusions, 12 Sep 2013	14556/2013	The Trustee for The Morey Haigh & Associates A'Asia Unit Trust; 26-06, Lightboard for motor vehicles & trailers, 05 Sep 2013	14418/2013
Smart Reveal Pty Ltd; 25-01K, 25-02H, A window flashing extrusion, 12 Sep 2013	14528/2013	The Trustee for 2nd Chance Cat Rescue; 19-08, Letterhead, website, promotional materials, 13 Sep 2013	14575/2013
Smart Reveal Pty Ltd; 25-01K, 25-02H, A window flashing extrusion, 12 Sep 2013	14522/2013	Third Wave Power Pte Ltd; 13-99, Solar device with removable cassette, (US, 15 Mar 2013) 10 Sep 2013	14497/2013
Smart Reveal Pty Ltd; 25-01K, 25-02H, A window flashing extrusion, 12 Sep 2013	14523/2013	Thompson, Mike; 03-01D, Utility toolbox, 29 Aug 2013	14385/2013
Smart Reveal Pty Ltd; 25-01K, 25-02H, A window flashing extrusion, 12 Sep 2013	14521/2013	Thoratec Corporation; 24-02, Catheter pump console, (US, 14 Mar 2013) 09 Sep 2013	14457/2013
Smart Reveal Pty Ltd; 25-01K, 25-02H, A window flashing extrusion, 12 Sep 2013	14524/2013	Thoratec Corporation; 24-02, Catheter Pump Console Interface, (US, 14 Mar 2013) 09 Sep 2013	14455/2013
Smart Reveal Pty Ltd; 25-01K, 25-02H, A window flashing extrusion, 12 Sep 2013	14526/2013	Thoratec Corporation; 24-02, Catheter pump console, (US, 14 Mar 2013) 09 Sep 2013	14456/2013
Smart Reveal Pty Ltd; 25-01K, 25-02H, A window flashing extrusion, 12 Sep 2013	14527/2013	Toyota Jidosha Kabushiki Kaisha; 12-16C, Front bumper for an automobile, 02 Sep 2013	14347/2013
		Toyota Jidosha Kabushiki Kaisha; 12-16C, Rear bumper for an automobile, 02 Sep 2013	14341/2013

Toyota Jidosha Kabushiki Kaisha; 12-16C, Rear combination lamp for an automobile, 02 Sep 2013	14348/2013	Wm. Wrigley Jr. Company; 20-01, Vending machine with slide, (US, 15 Mar 2013) 13 Sep 2013	14594/2013
Toyota Jidosha Kabushiki Kaisha; 12-08, Automobile, 02 Sep 2013	14346/2013	Wm. Wrigley Jr. Company; 20-01, Vending machine with slide, (US, 15 Mar 2013) 13 Sep 2013	14596/2013
Toyota Jidosha Kabushiki Kaisha; 12-08, Automobile, 02 Sep 2013	14343/2013	Wm. Wrigley Jr. Company; 20-01, Vending machine with slide, (US, 15 Mar 2013) 13 Sep 2013	14593/2013
Toyota Jidosha Kabushiki Kaisha; 12-08, Automobile, 02 Sep 2013	14344/2013	Wm. Wrigley Jr. Company; 20-01, Vending machine with slide, (US, 15 Mar 2013) 13 Sep 2013	14595/2013
Toyota Jidosha Kabushiki Kaisha; 12-16NES, Instrument panel for an automobile, 02 Sep 2013	14342/2013	Wm. Wrigley Jr. Company; 20-01, Vending machine with slide, (US, 15 Mar 2013) 13 Sep 2013	14592/2013
Toyota Jidosha Kabushiki Kaisha; 12-16C, Front bumper for an automobile, 02 Sep 2013	14352/2013	Zady, Joseph Antoine;Bazouni, Charlie; 99-00, Building and/or structure, 15 Sep 2013	14625/2013
Toyota Jidosha Kabushiki Kaisha; 26-06, Front combination lamp for an automobile, 02 Sep 2013	14350/2013	Zady, Joseph Antoine;Bazouni, Charlie; 99-00, Building and/or structure, 15 Sep 2013	14626/2013
Toyota Jidosha Kabushiki Kaisha; 26-06, Front combination lamp for an automobile, 02 Sep 2013	14351/2013	Zady, Joseph Antoine;Bazouni, Charlie; 99-00, Building and/or structure, 15 Sep 2013	14624/2013
Toyota Jidosha Kabushiki Kaisha; 12-16C, Rear bumper for an automobile, 02 Sep 2013	14349/2013	Zevex, Inc.; 09-05, Hanging bag assembly, (US, 01 Apr 2013) 30 Aug 2013	14384/2013
Trio Brothers Trading Pty Ltd; 27-01, Electronic cigarette, 03 Sep 2013	14359/2013	Zombori, Zsolt; 13-99, Solar tree, solar forest, 03 Sep 2013	14394/2013
Venice, Mark; 03-01B, 26-02, Flashlight key ring, 16 Sep 2013	14657/2013	Zuma Dental, LLC; 16-06, A collimator, (US, 15 Mar 2013) 13 Sep 2013	14590/2013
Vidler, Michael Robert; 06-02, Loft bed, 13 Sep 2013	14558/2013	Zuma Dental, LLC; 08-08NES, A receptor holding device, (US, 15 Mar 2013) 13 Sep 2013	14589/2013
Vidler, Michael Robert; 06-04NES, Round storage unit, 13 Sep 2013	14562/2013	Zumtobel Lighting GmbH; 26-05A, Luminaire, (EM, 07 Mar 2013) 03 Sep 2013	14368/2013
Whites Group Pty Ltd; 06-06A, Plant stand, 02 Sep 2013	14356/2013	Zumtobel Lighting GmbH; 26-05A, Luminaire, (EM, 07 Mar 2013) 03 Sep 2013	14367/2013
Wirecare (NZ) Limited;Honeypot Holdings Limited; 08-08C, Clip, (NZ, 15 Mar 2013) 13 Sep 2013	14611/2013		

Applications Withdrawn

11711 / 2013 (09-03F)

12852 / 2013 (25-02B)

13571 / 2013 (19-04)

Extension of Period of Registration of Designs

321049	321411	321413
321414	321540	322083
322084	322325	322366
322367	322368	322387
322608	322650	322675
322680	322681	322682
322683	322692	322735
322760	322845	322854
322865	322906	322955
322956	322957	322994
322995	322996	322997
322998	323040	323041
323048	323049	323050
323051	323052	323117
323128	323131	323183
323224	323226	323230
323251	323260	323261
323287	323300	323301
323302	323303	323304
323305	323306	323307
323308	323309	323310
323311	323314	323315
323316	323317	323318
323364	323365	323417
323579	323681	323705
323706	323763	323764
323784	323790	323816
323900	324022	324023
324024	324045	324046
324242	324243	324244
324245	324444	324445
324713	324907	324908
325210	325211	325974

Registrations Ceased

318270	318271	318272
318273	318274	318275
318278	318279	318280
318565	318566	318567
318568	318569	318570
318571	318572	318573
318574	318575	318757
318759	318762	319691
319748	319790	319793
319809	319822	319824
319825	319827	319828
319830	319844	319845
319868	319869	319874
319875	319876	319877

319878	319879	319884
319885	319887	319894
319895	319896	319897
319898	319899	319900
319901	319913	319915
319916	319937	319938
319939	319952	319953
319954	320177	320178
320179	320293	320294
320334	320335	320336
320337	320344	320345
320346	320347	320348
320349	320382	320462
320483	320484	320566
320619	320620	320641
320834	321096	321112
321113	321114	321893
321894	321895	322148
322149	322359	

Extensions of time granted under Section 137

Applications lodged under section 137 for extension of time have been granted.

11871/2013 **Rebecca Larsen**

12246/2013 **Ausmart International Pty Ltd**

Subsequent Owners Registered

(The name in parentheses is that of the subsequent owner)

328033	(Visy Packaging Pty Ltd) On Tap LLC
328034	(Visy Packaging Pty Ltd) On Tap LLC
328035	(Visy Packaging Pty Ltd) On Tap LLC
328036	(Visy Packaging Pty Ltd) On Tap LLC
338403	(Evolve Supply Chain Pty Ltd) Poolrite Research Pty Ltd
338632	(Evolve Supply Chain Pty Ltd) Poolrite Research Pty Ltd
334420	(Evolve Supply Chain Pty Ltd) Poolrite Research Pty Ltd
330275	(Evolve Supply Chain Pty Ltd) Poolrite Research Pty Ltd
330276	(Evolve Supply Chain Pty Ltd) Poolrite Research Pty Ltd
330262	(Evolve Supply Chain Pty Ltd) Poolrite Research Pty Ltd
330145	(Evolve Supply Chain Pty Ltd) Poolrite Research Pty Ltd
328136	(Evolve Supply Chain Pty Ltd) Poolrite Research Pty Ltd
328137	(Evolve Supply Chain Pty Ltd) Poolrite Research Pty Ltd
326455	(Delta Shelving Systems Pty Ltd) Angas Industrial Pty Ltd
331483	(Eat the Ball Holding GmbH) Michael Hobel
331484	(Eat the Ball Holding GmbH) Michael Hobel
331485	(Eat the Ball Holding GmbH) Michael Hobel
331486	(Eat the Ball Holding GmbH) Michael Hobel
331487	(Eat the Ball Holding GmbH) Michael Hobel

- 331488 (**Eat the Ball Holding GmbH**) Michael Hobel
- 331489 (**Eat the Ball Holding GmbH**) Michael Hobel
- 331490 (**Eat the Ball Holding GmbH**) Michael Hobel
- 331491 (**Eat the Ball Holding GmbH**) Michael Hobel
- 331492 (**Eat the Ball Holding GmbH**) Michael Hobel
- 331493 (**Eat the Ball Holding GmbH**) Michael Hobel
- 331494 (**Eat the Ball Holding GmbH**) Michael Hobel
- 331495 (**Eat the Ball Holding GmbH**) Michael Hobel
- 322488 (**Jamie Gibson**) John Gibson

Names Registered - Alterations and Amendments

(The name in parentheses is that of the subsequent applicant)

- 306172 (**Sperian Hearing Protection,LLC**) Howard Leight Industries, LLC
- 319917 (**Hager Electro Pty Ltd**) Hager B & R Pty Ltd
- 320243 (**Hager Electro Pty Ltd**) Hager B & R Pty Ltd
- 320244 (**Hager Electro Pty Ltd**) Hager B & R Pty Ltd
- 320245 (**Hager Electro Pty Ltd**) Hager B & R Pty Ltd
- 320246 (**Hager Electro Pty Ltd**) Hager B & R Pty Ltd
- 320247 (**Hager Electro Pty Ltd**) Hager B & R Pty Ltd
- 320248 (**Hager Electro Pty Ltd**) Hager B & R Pty Ltd
- 320249 (**Hager Electro Pty Ltd**) Hager B & R Pty Ltd
- 320250 (**Hager Electro Pty Ltd**) Hager B & R Pty Ltd
- 320251 (**Hager Electro Pty Ltd**) Hager B & R Pty Ltd
- 320252 (**Hager Electro Pty Ltd**) Hager B & R Pty Ltd
- 320253 (**Hager Electro Pty Ltd**) Hager B & R Pty Ltd
- 320254 (**Hager Electro Pty Ltd**) Hager B & R Pty Ltd
- 320255 (**Hager Electro Pty Ltd**) Hager B & R Pty Ltd
- 320256 (**Hager Electro Pty Ltd**) Hager B & R Pty Ltd
- 320264 (**Hager Electro Pty Ltd**) Hager B & R Pty Ltd

Certificate(s) of Examination

Examination of the following Design Registration(s) has been completed. Infringement proceedings may now be commenced.

334096	23-01H	10/09/2013
338118	07-05D	13/09/2013
348068	14-99	05/09/2013
348069	03-01B	05/09/2013
348070	03-01B	05/09/2013
348286	15-04	18/09/2013
348287	15-04	18/09/2013
348288	15-04	18/09/2013
348413	01-01	12/09/2013
348414	01-01	12/09/2013
348415	01-01	12/09/2013
348558	12-02	16/09/2013
348569	05-05NES	09/09/2013
348736	09-03F	06/09/2013
348900	26-01	12/09/2013
348901	23-02C	09/09/2013
348902	23-02C	09/09/2013
348903	23-02C	09/09/2013
348932	26-06	12/09/2013
349118	01-01	13/09/2013
349124	26-06	12/09/2013
349125	25-01F	12/09/2013
349263	03-01NES	11/09/2013

Publication and Registration Proceedings

Designs Registered

This section provides a concordance between design number and registration number of Designs covered in this journal. It also shows the main class and registration date.

This section covers Registration numbers 350556 to 350881 .

The registration number shown below should be used in all future correspondence.

Design Number	Registration Number	International Classification Code (IDC)	Registration Date	Design Number	Registration Number	International Classification Code (IDC)	Registration Date
15484/2012	350627	02-02C	05/09/2013	13291/2013	350874	06-13A	17/09/2013
15491/2012	350628	03-01B	05/09/2013	13296/2013	350579	02-02C	04/09/2013
16137/2012	350741	02-02C	10/09/2013	13303/2013	350756	25-01K	11/09/2013
16167/2012	350742	02-02NES	10/09/2013	13304/2013	350757	25-01K	11/09/2013
16234/2012	350743	03-01B	10/09/2013	13305/2013	350758	25-01K	11/09/2013
16449/2012	350556	06-04NES	03/09/2013	13325/2013	350759	26-05C	11/09/2013
16844/2012	350626	02-02C	05/09/2013	13338/2013	350875	08-10	17/09/2013
10282/2013	350707	15-03A	09/09/2013	13339/2013	350876	08-10	17/09/2013
10283/2013	350708	15-03A	09/09/2013	13344/2013	350754	24-01	11/09/2013
10288/2013	350709	24-02	09/09/2013	13348/2013	350610	05-05NES	05/09/2013
10974/2013	350832	14-02	13/09/2013	13361/2013	350760	03-01B	11/09/2013
10975/2013	350833	14-02	13/09/2013	13362/2013	350761	03-01B	11/09/2013
10977/2013	350869	08-05NES	17/09/2013	13363/2013	350762	03-01B	11/09/2013
10978/2013	350870	08-05NES	17/09/2013	13439/2013	350877	24-01	17/09/2013
10985/2013	350834	15-05	13/09/2013	13442/2013	350878	14-02	17/09/2013
11271/2013	350629	02-03	05/09/2013	13446/2013	350879	14-02	17/09/2013
11718/2013	350871	07-07B	17/09/2013	13474/2013	350681	14-99	09/09/2013
11784/2013	350577	23-01A	04/09/2013	13485/2013	350880	02-06	17/09/2013
12016/2013	350835	31-00	13/09/2013	13514/2013	350682	26-05D	09/09/2013
12017/2013	350836	31-00	13/09/2013	13551/2013	350778	29-02	11/09/2013
12234/2013	350872	13-02	17/09/2013	13552/2013	350683	23-01G	09/09/2013
12526/2013	350557	08-07	03/09/2013	13555/2013	350684	12-15C	09/09/2013
12544/2013	350558	07-07A	03/09/2013	13556/2013	350685	12-15C	09/09/2013
12592/2013	350710	09-01NES	09/09/2013	13557/2013	350744	19-04	11/09/2013
12747/2013	350849	22-01	16/09/2013	13560/2013	350686	25-01K	09/09/2013
12749/2013	350850	22-01	16/09/2013	13562/2013	350687	25-01K	09/09/2013
12750/2013	350851	22-01	16/09/2013	13565/2013	350688	11-02D	09/09/2013
12751/2013	350852	22-01	16/09/2013	13575/2013	350714	15-05	10/09/2013
12795/2013	350711	20-02E	09/09/2013	13579/2013	350611	19-04	05/09/2013
12797/2013	350712	20-02E	09/09/2013	13655/2013	350559	09-01A	03/09/2013
12798/2013	350838	07-01F	16/09/2013	13656/2013	350560	13-03D	03/09/2013
12799/2013	350839	07-01F	16/09/2013	13658/2013	350561	09-01A	03/09/2013
12800/2013	350840	07-01F	16/09/2013	13659/2013	350562	09-01A	03/09/2013
12801/2013	350841	07-01F	16/09/2013	13663/2013	350881	12-11	17/09/2013
12802/2013	350842	07-01F	16/09/2013	13667/2013	350563	09-05	03/09/2013
12831/2013	350853	07-02L	16/09/2013	13668/2013	350564	07-02L	03/09/2013
12834/2013	350747	09-07B	11/09/2013	13671/2013	350565	07-03	03/09/2013
12841/2013	350748	07-01D	11/09/2013	13672/2013	350566	07-03	03/09/2013
12862/2013	350796	10-04	12/09/2013	13673/2013	350567	21-01B	03/09/2013
12894/2013	350713	24-01	09/09/2013	13674/2013	350568	07-03	03/09/2013
12951/2013	350668	09-02C	06/09/2013	13675/2013	350569	12-16NES	03/09/2013
12962/2013	350749	02-06	11/09/2013	13676/2013	350570	12-10	03/09/2013
12963/2013	350750	02-06	11/09/2013	13677/2013	350612	09-01NES	05/09/2013
13003/2013	350751	22-01	11/09/2013	13678/2013	350571	26-05E	03/09/2013
13039/2013	350873	15-04	17/09/2013	13681/2013	350572	25-01D	03/09/2013
13050/2013	350777	08-05N	11/09/2013	13682/2013	350573	25-01D	03/09/2013
13067/2013	350752	22-01	11/09/2013	13684/2013	350574	13-02	03/09/2013
13121/2013	350609	06-01E	05/09/2013	13685/2013	350575	07-02L	03/09/2013
13218/2013	350578	23-01B	04/09/2013	13686/2013	350576	07-02L	03/09/2013
13240/2013	350753	26-05E	11/09/2013	13687/2013	350605	23-02B	04/09/2013

Publication and Registration Proceedings - Designs Registered cont'd

Design Number	Registration Number	International Classification Code (IDC)	Registration Date	Design Number	Registration Number	International Classification Code (IDC)	Registration Date
13689/2013	350606	23-02B	04/09/2013	13771/2013	350636	15-04	05/09/2013
13690/2013	350580	14-01	04/09/2013	13772/2013	350637	15-04	05/09/2013
13691/2013	350581	14-01	04/09/2013	13773/2013	350638	15-04	05/09/2013
13693/2013	350582	09-01NES	04/09/2013	13774/2013	350639	15-04	05/09/2013
13694/2013	350583	08-08B	04/09/2013	13776/2013	350692	11-05	09/09/2013
13695/2013	350584	08-08B	04/09/2013	13777/2013	350693	11-05	09/09/2013
13696/2013	350585	25-01NES	04/09/2013	13780/2013	350694	15-05	09/09/2013
13697/2013	350586	08-08L	04/09/2013	13781/2013	350695	15-05	09/09/2013
13698/2013	350587	25-01NES	04/09/2013	13782/2013	350696	15-05	09/09/2013
13699/2013	350588	23-01A	04/09/2013	13783/2013	350640	04-01	05/09/2013
13700/2013	350589	23-01A	04/09/2013	13784/2013	350697	09-01NES	09/09/2013
13701/2013	350590	26-05D	04/09/2013	13785/2013	350698	10-04	09/09/2013
13702/2013	350591	14-03NES	04/09/2013	13786/2013	350699	10-04	09/09/2013
13704/2013	350653	08-05G	06/09/2013	13787/2013	350700	10-04	09/09/2013
13705/2013	350592	12-16M	04/09/2013	13788/2013	350701	10-04	09/09/2013
13709/2013	350593	08-08M	04/09/2013	13789/2013	350702	10-04	09/09/2013
13710/2013	350594	08-08M	04/09/2013	13790/2013	350703	10-04	09/09/2013
13711/2013	350837	08-06	16/09/2013	13791/2013	350704	10-04	09/09/2013
13714/2013	350613	25-02C	05/09/2013	13792/2013	350705	10-04	09/09/2013
13715/2013	350614	25-02C	05/09/2013	13793/2013	350641	31-00	05/09/2013
13717/2013	350615	03-03	05/09/2013	13794/2013	350642	23-04	05/09/2013
13718/2013	350595	07-01A	04/09/2013	13795/2013	350643	23-02A	05/09/2013
13719/2013	350596	07-01A	04/09/2013	13799/2013	350654	23-01C	06/09/2013
13720/2013	350597	07-01B	04/09/2013	13800/2013	350655	23-01C	06/09/2013
13721/2013	350598	07-01C	04/09/2013	13801/2013	350656	23-01C	06/09/2013
13722/2013	350599	07-01D	04/09/2013	13802/2013	350657	23-01C	06/09/2013
13723/2013	350600	06-07	04/09/2013	13803/2013	350658	23-01C	06/09/2013
13726/2013	350601	13-02	04/09/2013	13804/2013	350659	23-01C	06/09/2013
13727/2013	350602	13-02	04/09/2013	13805/2013	350660	23-01C	06/09/2013
13729/2013	350603	29-02	04/09/2013	13806/2013	350661	23-01C	06/09/2013
13731/2013	350604	07-05E	04/09/2013	13807/2013	350662	23-01C	06/09/2013
13732/2013	350607	07-05E	04/09/2013	13808/2013	350663	23-01C	06/09/2013
13733/2013	350608	08-08L	04/09/2013	13809/2013	350664	23-01C	06/09/2013
13736/2013	350616	23-02B	05/09/2013	13811/2013	350644	15-99	05/09/2013
13738/2013	350617	03-01B	05/09/2013	13812/2013	350665	23-01C	06/09/2013
13739/2013	350618	07-07A	05/09/2013	13813/2013	350645	06-01G	05/09/2013
13740/2013	350619	03-01A	05/09/2013	13814/2013	350646	06-01G	05/09/2013
13741/2013	350620	12-16NES	05/09/2013	13815/2013	350647	06-01G	05/09/2013
13742/2013	350621	09-03NES	05/09/2013	13816/2013	350755	06-01G	11/09/2013
13743/2013	350622	09-03NES	05/09/2013	13817/2013	350763	06-01G	11/09/2013
13746/2013	350623	28-03D	05/09/2013	13818/2013	350764	06-01G	11/09/2013
13747/2013	350624	28-03D	05/09/2013	13819/2013	350765	06-01G	11/09/2013
13748/2013	350745	12-11	11/09/2013	13820/2013	350766	06-01G	11/09/2013
13750/2013	350746	12-11	11/09/2013	13821/2013	350767	06-01G	11/09/2013
13751/2013	350625	25-01K	05/09/2013	13822/2013	350768	06-01G	11/09/2013
13752/2013	350630	25-01A	05/09/2013	13823/2013	350769	06-01G	11/09/2013
13753/2013	350631	25-01A	05/09/2013	13824/2013	350770	06-01G	11/09/2013
13755/2013	350632	25-04	05/09/2013	13825/2013	350771	06-01G	11/09/2013
13756/2013	350633	25-01A	05/09/2013	13826/2013	350772	06-01G	11/09/2013
13758/2013	350634	12-08	05/09/2013	13827/2013	350773	06-01G	11/09/2013
13759/2013	350635	12-08	05/09/2013	13828/2013	350774	06-01G	11/09/2013
13760/2013	350779	26-06	12/09/2013	13829/2013	350775	06-01G	11/09/2013
13761/2013	350689	15-05	09/09/2013	13830/2013	350776	06-01G	11/09/2013
13762/2013	350690	15-05	09/09/2013	13831/2013	350666	06-01B	06/09/2013
13769/2013	350691	08-06	09/09/2013	13832/2013	350667	06-01B	06/09/2013

Publication and Registration Proceedings - Designs Registered cont'd

Design Number	Registration Number	International Classification Code (IDC)	Registration Date	Design Number	Registration Number	International Classification Code (IDC)	Registration Date
13833/2013	350669	06-01B	06/09/2013	13910/2013	350786	23-01H	12/09/2013
13834/2013	350670	06-01B	06/09/2013	13911/2013	350787	23-01H	12/09/2013
13835/2013	350671	06-01G	06/09/2013	13912/2013	350788	14-02	12/09/2013
13836/2013	350672	06-01G	06/09/2013	13913/2013	350789	14-02	12/09/2013
13837/2013	350673	06-01G	06/09/2013	13914/2013	350790	14-02	12/09/2013
13838/2013	350674	06-01G	06/09/2013	13915/2013	350791	14-02	12/09/2013
13840/2013	350675	06-01G	06/09/2013	13916/2013	350792	14-02	12/09/2013
13841/2013	350676	06-01G	06/09/2013	13917/2013	350793	14-02	12/09/2013
13842/2013	350677	06-01G	06/09/2013	13918/2013	350794	14-02	12/09/2013
13843/2013	350678	06-01G	06/09/2013	13919/2013	350795	14-02	12/09/2013
13844/2013	350679	06-01G	06/09/2013	13920/2013	350797	21-04	12/09/2013
13845/2013	350680	06-01G	06/09/2013	13921/2013	350798	06-01H	12/09/2013
13846/2013	350715	06-01G	10/09/2013	13922/2013	350799	07-02N	12/09/2013
13847/2013	350716	06-01G	10/09/2013	13923/2013	350800	12-16F	12/09/2013
13848/2013	350717	06-01G	10/09/2013	13924/2013	350801	12-16B	12/09/2013
13849/2013	350718	06-01G	10/09/2013	13927/2013	350802	11-02B	12/09/2013
13850/2013	350719	24-01	10/09/2013	13928/2013	350803	11-02B	12/09/2013
13851/2013	350720	24-01	10/09/2013	13929/2013	350843	23-01E	16/09/2013
13852/2013	350721	24-01	10/09/2013	13930/2013	350844	24-04	16/09/2013
13853/2013	350722	10-04	10/09/2013	13933/2013	350804	03-01NES	12/09/2013
13854/2013	350723	10-04	10/09/2013	13935/2013	350805	30-99	12/09/2013
13855/2013	350724	10-04	10/09/2013	13936/2013	350806	06-01G	12/09/2013
13856/2013	350725	10-04	10/09/2013	13937/2013	350807	06-01G	12/09/2013
13857/2013	350726	08-08NES	10/09/2013	13938/2013	350808	06-01G	12/09/2013
13858/2013	350727	12-15B	10/09/2013	13939/2013	350809	06-01G	12/09/2013
13859/2013	350728	23-02B	10/09/2013	13940/2013	350810	06-01G	12/09/2013
13860/2013	350780	23-02B	12/09/2013	13941/2013	350811	06-01G	12/09/2013
13862/2013	350781	14-02	12/09/2013	13942/2013	350812	10-02	12/09/2013
13863/2013	350782	14-03E	12/09/2013	13943/2013	350813	10-02	12/09/2013
13864/2013	350783	14-03E	12/09/2013	13944/2013	350814	10-02	12/09/2013
13867/2013	350820	14-02	13/09/2013	13945/2013	350815	10-02	12/09/2013
13869/2013	350821	07-02R	13/09/2013	13946/2013	350816	10-02	12/09/2013
13871/2013	350822	07-02R	13/09/2013	13947/2013	350817	10-02	12/09/2013
13872/2013	350823	07-02R	13/09/2013	13948/2013	350818	10-02	12/09/2013
13874/2013	350824	25-01E	13/09/2013	13949/2013	350819	10-02	12/09/2013
13875/2013	350825	12-16P	13/09/2013	13954/2013	350826	14-01	13/09/2013
13876/2013	350649	30-99	05/09/2013	13955/2013	350827	14-01	13/09/2013
13877/2013	350650	30-99	05/09/2013	13960/2013	350845	06-03C	16/09/2013
13878/2013	350651	30-99	05/09/2013	13961/2013	350861	26-06	17/09/2013
13879/2013	350652	30-99	05/09/2013	13962/2013	350862	12-16A	17/09/2013
13880/2013	350706	09-01NES	09/09/2013	13963/2013	350863	12-08	17/09/2013
13881/2013	350729	14-02	10/09/2013	13965/2013	350864	26-05E	17/09/2013
13882/2013	350730	14-02	10/09/2013	13966/2013	350865	26-05E	17/09/2013
13883/2013	350731	21-02F	10/09/2013	13968/2013	350866	24-04	17/09/2013
13889/2013	350732	28-03B	10/09/2013	13972/2013	350828	02-02C	13/09/2013
13893/2013	350733	09-07C	10/09/2013	13973/2013	350829	02-02NES	13/09/2013
13895/2013	350734	08-06	10/09/2013	13974/2013	350830	02-02NES	13/09/2013
13896/2013	350735	06-01F	10/09/2013	13975/2013	350831	02-02C	13/09/2013
13902/2013	350784	12-02	12/09/2013	13990/2013	350846	12-16E	16/09/2013
13903/2013	350785	12-02	12/09/2013	13991/2013	350847	12-16E	16/09/2013
13905/2013	350736	21-04	10/09/2013	13992/2013	350848	15-04	16/09/2013
13906/2013	350737	20-01	10/09/2013	13993/2013	350854	02-02C	16/09/2013
13907/2013	350738	25-02B	10/09/2013	13994/2013	350855	02-02NES	16/09/2013
13908/2013	350739	25-02H	10/09/2013	13995/2013	350856	02-02C	16/09/2013
13909/2013	350740	25-02B	10/09/2013	13996/2013	350857	02-02C	16/09/2013

Publication and Registration Proceedings - Designs Registered cont'd

Design Number	Registration Number	International Classification Code (IDC)	Registration Date	Design Number	Registration Number	International Classification Code (IDC)	Registration Date
13997/2013	350858	02-02C	16/09/2013	14026/2013	350868	15-04	17/09/2013
13998/2013	350859	02-02C	16/09/2013	14112/2013	350648	14-01	05/09/2013
13999/2013	350860	02-02C	16/09/2013				
14000/2013	350867	02-02C	17/09/2013				

Publication and Registration Proceedings

Class Listing of Designs Published or Registered

The following section shows an International Classification Code listing of the Registered or Published Designs covered in this supplement.

Classification	Registration Number	Design Number	Classification	Registration Number	Design Number
02-02C	350579	13296/2013	06-01G	350717	13848/2013
02-02C	350626	16844/2012	06-01G	350718	13849/2013
02-02C	350627	15484/2012	06-01G	350755	13816/2013
02-02C	350741	16137/2012	06-01G	350763	13817/2013
02-02C	350828	13972/2013	06-01G	350764	13818/2013
02-02C	350831	13975/2013	06-01G	350765	13819/2013
02-02C	350854	13993/2013	06-01G	350766	13820/2013
02-02C	350856	13995/2013	06-01G	350767	13821/2013
02-02C	350857	13996/2013	06-01G	350768	13822/2013
02-02C	350858	13997/2013	06-01G	350769	13823/2013
02-02C	350859	13998/2013	06-01G	350770	13824/2013
02-02C	350860	13999/2013	06-01G	350771	13825/2013
02-02C	350867	14000/2013	06-01G	350772	13826/2013
02-02NES	350742	16167/2012	06-01G	350773	13827/2013
02-02NES	350829	13973/2013	06-01G	350774	13828/2013
02-02NES	350830	13974/2013	06-01G	350775	13829/2013
02-02NES	350855	13994/2013	06-01G	350776	13830/2013
02-03	350629	11271/2013	06-01G	350806	13936/2013
02-06	350749	12962/2013	06-01G	350807	13937/2013
02-06	350750	12963/2013	06-01G	350808	13938/2013
02-06	350880	13485/2013	06-01G	350809	13939/2013
03-01A	350619	13740/2013	06-01G	350810	13940/2013
03-01B	350617	13738/2013	06-01G	350811	13941/2013
03-01B	350628	15491/2012	06-01H	350798	13921/2013
03-01B	350743	16234/2012	06-03C	350845	13960/2013
03-01B	350760	13361/2013	06-04NES	350556	16449/2012
03-01B	350761	13362/2013	06-07	350600	13723/2013
03-01B	350762	13363/2013	06-13A	350874	13291/2013
03-01NES	350804	13933/2013	07-01A	350595	13718/2013
03-03	350615	13717/2013	07-01A	350596	13719/2013
04-01	350640	13783/2013	07-01B	350597	13720/2013
05-05NES	350610	13348/2013	07-01C	350598	13721/2013
06-01B	350666	13831/2013	07-01D	350598	13721/2013
06-01B	350667	13832/2013	07-01D	350599	13722/2013
06-01B	350669	13833/2013	07-01D	350748	12841/2013
06-01B	350670	13834/2013	07-01F	350838	12798/2013
06-01E	350609	13121/2013	07-01F	350839	12799/2013
06-01F	350735	13896/2013	07-01F	350840	12800/2013
06-01G	350645	13813/2013	07-01F	350841	12801/2013
06-01G	350646	13814/2013	07-01F	350842	12802/2013
06-01G	350647	13815/2013	07-02L	350564	13668/2013
06-01G	350671	13835/2013	07-02L	350575	13685/2013
06-01G	350672	13836/2013	07-02L	350576	13686/2013
06-01G	350673	13837/2013	07-02L	350853	12831/2013
06-01G	350674	13838/2013	07-02N	350799	13922/2013
06-01G	350675	13840/2013	07-02R	350821	13869/2013
06-01G	350676	13841/2013	07-02R	350822	13871/2013
06-01G	350677	13842/2013	07-02R	350823	13872/2013
06-01G	350678	13843/2013	07-03	350565	13671/2013
06-01G	350679	13844/2013	07-03	350566	13672/2013
06-01G	350680	13845/2013	07-03	350568	13674/2013
06-01G	350715	13846/2013	07-04	350683	13552/2013
06-01G	350716	13847/2013	07-05E	350604	13731/2013

Registration Proceedings - Class Listing of Designs Published or Registered cont'd

Classification	Registration Number	Design Number	Classification	Registration Number	Design Number
07-05E	350607	13732/2013	10-04	350700	13787/2013
07-05E	350640	13783/2013	10-04	350701	13788/2013
07-07A	350558	12544/2013	10-04	350702	13789/2013
07-07A	350618	13739/2013	10-04	350703	13790/2013
07-07B	350558	12544/2013	10-04	350704	13791/2013
07-07B	350871	11718/2013	10-04	350705	13792/2013
08-05G	350653	13704/2013	10-04	350722	13853/2013
08-05N	350777	13050/2013	10-04	350723	13854/2013
08-05NES	350869	10977/2013	10-04	350724	13855/2013
08-05NES	350870	10978/2013	10-04	350725	13856/2013
08-06	350691	13769/2013	10-04	350796	12862/2013
08-06	350734	13895/2013	11-02B	350802	13927/2013
08-06	350837	13711/2013	11-02B	350803	13928/2013
08-07	350557	12526/2013	11-02D	350688	13565/2013
08-08B	350583	13694/2013	11-05	350692	13776/2013
08-08B	350584	13695/2013	11-05	350693	13777/2013
08-08L	350586	13697/2013	12-02	350784	13902/2013
08-08L	350608	13733/2013	12-02	350785	13903/2013
08-08M	350593	13709/2013	12-08	350634	13758/2013
08-08M	350594	13710/2013	12-08	350635	13759/2013
08-08NES	350726	13857/2013	12-08	350863	13963/2013
08-10	350875	13338/2013	12-10	350570	13676/2013
08-10	350876	13339/2013	12-11	350745	13748/2013
09-01A	350559	13655/2013	12-11	350746	13750/2013
09-01A	350561	13658/2013	12-11	350881	13663/2013
09-01A	350562	13659/2013	12-15B	350727	13858/2013
09-01NES	350582	13693/2013	12-15C	350684	13555/2013
09-01NES	350612	13677/2013	12-15C	350685	13556/2013
09-01NES	350697	13784/2013	12-16A	350862	13962/2013
09-01NES	350706	13880/2013	12-16B	350801	13924/2013
09-01NES	350710	12592/2013	12-16E	350846	13990/2013
09-02B	350668	12951/2013	12-16E	350847	13991/2013
09-02C	350668	12951/2013	12-16F	350800	13923/2013
09-03NES	350621	13742/2013	12-16L	350593	13709/2013
09-03NES	350622	13743/2013	12-16L	350594	13710/2013
09-05	350563	13667/2013	12-16M	350592	13705/2013
09-07B	350698	13785/2013	12-16NES	350569	13675/2013
09-07B	350699	13786/2013	12-16NES	350620	13741/2013
09-07B	350700	13787/2013	12-16P	350825	13875/2013
09-07B	350701	13788/2013	13-02	350574	13684/2013
09-07B	350702	13789/2013	13-02	350601	13726/2013
09-07B	350703	13790/2013	13-02	350602	13727/2013
09-07B	350704	13791/2013	13-02	350872	12234/2013
09-07B	350705	13792/2013	13-03D	350560	13656/2013
09-07B	350747	12834/2013	14-01	350580	13690/2013
09-07C	350733	13893/2013	14-01	350581	13691/2013
10-02	350812	13942/2013	14-01	350648	14112/2013
10-02	350813	13943/2013	14-01	350826	13954/2013
10-02	350814	13944/2013	14-01	350827	13955/2013
10-02	350815	13945/2013	14-01	350878	13442/2013
10-02	350816	13946/2013	14-01	350879	13446/2013
10-02	350817	13947/2013	14-02	350729	13881/2013
10-02	350818	13948/2013	14-02	350730	13882/2013
10-02	350819	13949/2013	14-02	350781	13862/2013
10-04	350698	13785/2013	14-02	350788	13912/2013
10-04	350699	13786/2013	14-02	350789	13913/2013

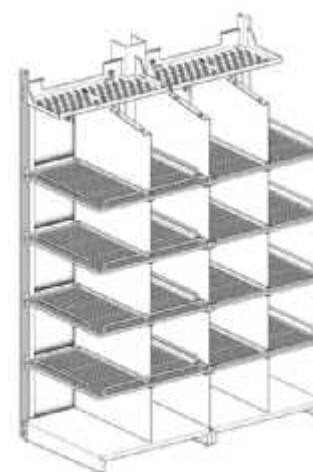
Registration Proceedings - Class Listing of Designs Published or Registered cont'd

Classification	Registration Number	Design Number	Classification	Registration Number	Design Number
14-02	350790	13914/2013	22-01	350851	12750/2013
14-02	350791	13915/2013	22-01	350852	12751/2013
14-02	350792	13916/2013	22-05	350653	13704/2013
14-02	350793	13917/2013	23-01A	350577	11784/2013
14-02	350794	13918/2013	23-01A	350588	13699/2013
14-02	350795	13919/2013	23-01A	350589	13700/2013
14-02	350820	13867/2013	23-01B	350578	13218/2013
14-02	350826	13954/2013	23-01C	350654	13799/2013
14-02	350827	13955/2013	23-01C	350655	13800/2013
14-02	350832	10974/2013	23-01C	350656	13801/2013
14-02	350833	10975/2013	23-01C	350657	13802/2013
14-02	350878	13442/2013	23-01C	350658	13803/2013
14-02	350879	13446/2013	23-01C	350659	13804/2013
14-03E	350782	13863/2013	23-01C	350660	13805/2013
14-03E	350783	13864/2013	23-01C	350661	13806/2013
14-03E	350826	13954/2013	23-01C	350662	13807/2013
14-03E	350827	13955/2013	23-01C	350663	13808/2013
14-03E	350832	10974/2013	23-01C	350664	13809/2013
14-03NES	350591	13702/2013	23-01C	350665	13812/2013
14-99	350681	13474/2013	23-01E	350843	13929/2013
15-03A	350636	13771/2013	23-01G	350683	13552/2013
15-03A	350637	13772/2013	23-01H	350786	13910/2013
15-03A	350638	13773/2013	23-01H	350787	13911/2013
15-03A	350639	13774/2013	23-02A	350643	13795/2013
15-03A	350707	10282/2013	23-02B	350605	13687/2013
15-03A	350708	10283/2013	23-02B	350606	13689/2013
15-04	350636	13771/2013	23-02B	350616	13736/2013
15-04	350637	13772/2013	23-02B	350728	13859/2013
15-04	350638	13773/2013	23-02B	350780	13860/2013
15-04	350639	13774/2013	23-02E	350683	13552/2013
15-04	350848	13992/2013	23-04	350642	13794/2013
15-04	350868	14026/2013	24-01	350713	12894/2013
15-04	350873	13039/2013	24-01	350719	13850/2013
15-05	350689	13761/2013	24-01	350720	13851/2013
15-05	350690	13762/2013	24-01	350721	13852/2013
15-05	350691	13769/2013	24-01	350754	13344/2013
15-05	350694	13780/2013	24-01	350877	13439/2013
15-05	350695	13781/2013	24-02	350709	10288/2013
15-05	350696	13782/2013	24-04	350844	13930/2013
15-05	350714	13575/2013	24-04	350866	13968/2013
15-05	350834	10985/2013	25-01A	350630	13752/2013
15-99	350644	13811/2013	25-01A	350631	13753/2013
19-04	350611	13579/2013	25-01A	350633	13756/2013
19-04	350744	13557/2013	25-01D	350572	13681/2013
20-01	350737	13906/2013	25-01D	350573	13682/2013
20-02E	350711	12795/2013	25-01E	350824	13874/2013
20-02E	350712	12797/2013	25-01K	350625	13751/2013
21-01B	350567	13673/2013	25-01K	350686	13560/2013
21-01C	350863	13963/2013	25-01K	350687	13562/2013
21-02F	350731	13883/2013	25-01K	350738	13907/2013
21-04	350736	13905/2013	25-01K	350739	13908/2013
21-04	350797	13920/2013	25-01K	350740	13909/2013
22-01	350751	13003/2013	25-01K	350756	13303/2013
22-01	350752	13067/2013	25-01K	350757	13304/2013
22-01	350849	12747/2013	25-01K	350758	13305/2013
22-01	350850	12749/2013	25-01NES	350585	13696/2013

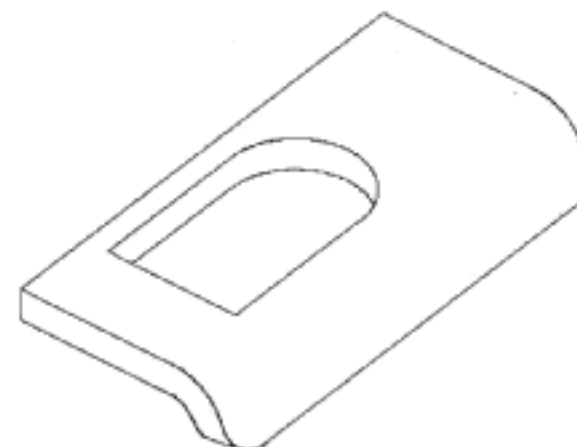
Registration Proceedings - Class Listing of Designs Published or Registered cont'd

Classification	Registration Number	Design Number	Classification	Registration Number	Design Number
25-01NES	350587	13698/2013	26-06	350861	13961/2013
25-02B	350738	13907/2013	28-03B	350732	13889/2013
25-02B	350740	13909/2013	28-03D	350623	13746/2013
25-02C	350613	13714/2013	28-03D	350624	13747/2013
25-02C	350614	13715/2013	29-02	350603	13729/2013
25-02H	350739	13908/2013	29-02	350778	13551/2013
25-04	350632	13755/2013	30-99	350649	13876/2013
26-05C	350759	13325/2013	30-99	350650	13877/2013
26-05D	350590	13701/2013	30-99	350651	13878/2013
26-05D	350682	13514/2013	30-99	350652	13879/2013
26-05E	350571	13678/2013	30-99	350805	13935/2013
26-05E	350753	13240/2013	31-00	350564	13668/2013
26-05E	350864	13965/2013	31-00	350641	13793/2013
26-05E	350865	13966/2013	31-00	350835	12016/2013
26-06	350779	13760/2013	31-00	350836	12017/2013
26-06	350846	13990/2013			
26-06	350847	13991/2013			

- (21) Design Number: **16449/2012**
(22) Date of Filing Application: **20 December 2012**
(24) Date from which industrial property rights may have effect: **20 December 2012**
(54) Product in respect of which the design is registered: **Locker front divider assembly**
(51) International Design Classification: **06-04NES**
(74) Name(s) of Attorney(s): **Intellepro Patent & Trade Mark Attorneys**
(71) Name(s) and Address(s) of Applicant(s):
Cold Rush Refrigerated Lockers Pty Ltd
31 Twenty Second Ave Brighton QLD 4017 Australia
(72) Name(s) of Designer(s): **Dean Parkes**
(45) Registration Date: **03 September 2013**
(56) Related Art Documents: **Not Applicable**
(57) Statement of Newness and Distinctiveness: **Newness and distinctiveness resides in the shape and configuration of a locker front and divider assembly as illustrated in the representations. When considering the scope of the monopoly the shape and configuration of the wire shelving is to be disregarded.**



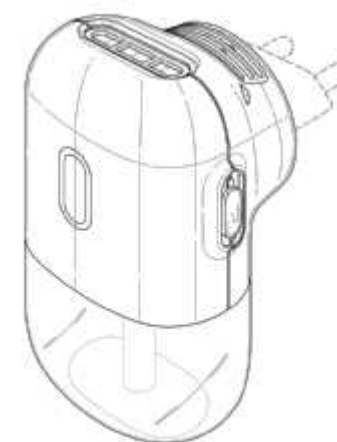
- (21) Design Number: **12526/2013**
(22) Date of Filing Application: **31 May 2013**
(24) Date from which industrial property rights may have effect: **31 May 2013**
(54) Product in respect of which the design is registered: **Returnable key**
(51) International Design Classification: **08-07**
(74) Name(s) of Attorney(s): **PIZZEYS**
(71) Name(s) and Address(s) of Applicant(s):
Franz Wieth
Lindberghstr.8 Puchheim 82178 Germany
Horst Sonnendorfer
Lindberghstr.8 Puchheim 82178 Germany
(72) Name(s) of Designer(s): **Franz Wieth and Horst Sonnendorfer**
(45) Registration Date: **03 September 2013**
(30) Convention priority data:
(31) Number (32) Date (33) Country
**001353759 05 Dec 2012 OFFICE FOR HARMONISATION IN
THE INTERNAL MARKET (OHIM)**
(56) Related Art Documents: **Not Applicable**
(57) Statement of Newness and Distinctiveness: **The newness and distinctiveness of the design resides in the features of pattern and/or ornamentation OR shape and/or configuration shown in unbroken lines in the accompanying representations. (if required, see Convention document)**



- (21) Design Number: **12544/2013**
(22) Date of Filing Application: **03 June 2013**
(24) Date from which industrial property rights may have effect: **03 June 2013**
(54) Product in respect of which the design is registered: **Container**
(51) International Design Classification: **07-07A, 07-07B**
(74) Name(s) of Attorney(s): **Davies Collison Cave**
(71) Name(s) and Address(s) of Applicant(s):
Red Bull GmbH
Am Brunnen 1 Fuschl am See 5330 Austria
(72) Name(s) of Designer(s): **Eike Schaefer and Matthias Rinderer**
(45) Registration Date: **03 September 2013**
(30) Convention priority data:
(31) Number (32) Date (33) Country
002146225-0001 03 Dec 2012 OFFICE FOR HARMONISATION IN
THE INTERNAL MARKET (OHIM)
(56) Related Art Documents: **Not Applicable**
(57) Statement of Newness and Distinctiveness: **Newness and distinctiveness**
is claimed in the shape and configuration of the container as shown in
the representations.



- (21) Design Number: **13655/2013**
(22) Date of Filing Application: **30 July 2013**
(24) Date from which industrial property rights may have effect: **30 July 2013**
(54) Product in respect of which the design is registered: **Plug in dispenser for**
volatile formulations
(51) International Design Classification: **09-01A**
(74) Name(s) of Attorney(s): **Shelston IP**
(71) Name(s) and Address(s) of Applicant(s):
Reckitt Benckiser (Brands) Limited
103-105 Bath Road Slough Berkshire SL1 3UH United Kingdom
(72) Name(s) of Designer(s): **Thomas Baron and Richard Clough and Stuart**
Cole and Robert Giles and James Holt and Alexander Peacop and Tim
Sharpe
(45) Registration Date: **03 September 2013**
(30) Convention priority data:
(31) Number (32) Date (33) Country
002175349-0001 30 Jan 2013 OFFICE FOR HARMONISATION IN
THE INTERNAL MARKET (OHIM)
(56) Related Art Documents: **Not Applicable**
(57) Statement of Newness and Distinctiveness: **Newness and distinctiveness**
resides in the features of shape and configuration of the plug in
dispenser with reservoir for volatile formulations as shown in solid lines
in the accompanying representations. The features shown in broken
lines do not form part of the design.



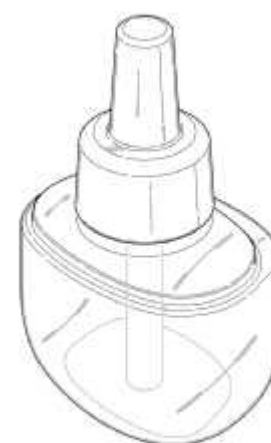
- (21) Design Number: **13656/2013**
(22) Date of Filing Application: **30 July 2013**
(24) Date from which industrial property rights may have effect: **30 July 2013**
(54) Product in respect of which the design is registered: **Plug in dispenser for volatile formulations**
(51) International Design Classification: **13-03D**
(74) Name(s) of Attorney(s): **Shelston IP**
(71) Name(s) and Address(s) of Applicant(s):
Reckitt Benckiser (Brands) Limited
103-105 Bath Road Slough Berkshire SL1 3UH United Kingdom
(72) Name(s) of Designer(s): **Thomas Baron and Richard Clough and Stuart Cole and Robert Giles and James Holt and Alexander Peacop and Tim Sharpe**
(45) Registration Date: **03 September 2013**
(30) Convention priority data:
(31) Number (32) Date (33) Country
002175349-0003 30 Jan 2013 OFFICE FOR HARMONISATION IN THE INTERNAL MARKET (OHIM)
(56) Related Art Documents: **Not Applicable**
(57) Statement of Newness and Distinctiveness: **Newness and distinctiveness resides in the features of shape and configuration of the plug in dispenser for volatile formulations (without reservoir) as shown in solid lines in the accompanying representations. The features shown in broken lines do not form part of the design.**



- (21) Design Number: **13658/2013**
(22) Date of Filing Application: **30 July 2013**
(24) Date from which industrial property rights may have effect: **30 July 2013**
(54) Product in respect of which the design is registered: **Reservoir for plug in dispenser**
(51) International Design Classification: **09-01A**
(74) Name(s) of Attorney(s): **Shelston IP**
(71) Name(s) and Address(s) of Applicant(s):
Reckitt Benckiser (Brands) Limited
103-105 Bath Road Slough Berkshire SL1 3UH United Kingdom
(72) Name(s) of Designer(s): **Thomas Baron and Richard Clough and Stuart Cole and Robert Giles and James Holt and Alexander Peacop and Tim Sharpe**
(45) Registration Date: **03 September 2013**
(30) Convention priority data:
(31) Number (32) Date (33) Country
002175349-0004 30 Jan 2013 OFFICE FOR HARMONISATION IN THE INTERNAL MARKET (OHIM)
(56) Related Art Documents: **Not Applicable**
(57) Statement of Newness and Distinctiveness: **Newness and distinctiveness resides in the features of shape and configuration of a reservoir for a plug in dispenser for volatile formulations as shown in the accompanying representations.**



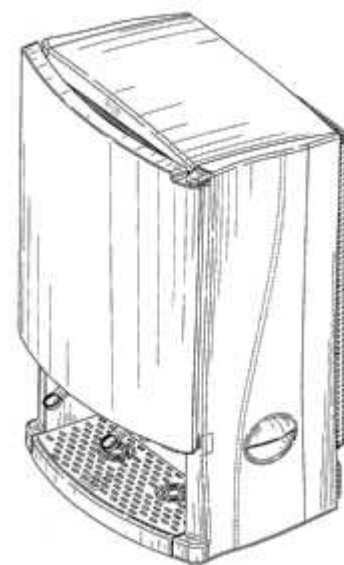
- (21) Design Number: **13659/2013**
(22) Date of Filing Application: **30 July 2013**
(24) Date from which industrial property rights may have effect: **30 July 2013**
(54) Product in respect of which the design is registered: **Reservoir for plug in dispenser**
(51) International Design Classification: **09-01A**
(74) Name(s) of Attorney(s): **Shelston IP**
(71) Name(s) and Address(s) of Applicant(s):
Reckitt Benckiser (Brands) Limited
103-105 Bath Road Slough Berkshire SL1 3UH United Kingdom
(72) Name(s) of Designer(s): **Thomas Baron and Richard Clough and Stuart Cole and Robert Giles and James Holt and Alexander Peacop and Tim Sharpe**
(45) Registration Date: **03 September 2013**
(30) Convention priority data:
(31) Number (32) Date (33) Country
002175349-0005 30 Jan 2013 OFFICE FOR HARMONISATION IN THE INTERNAL MARKET (OHIM)
(56) Related Art Documents: **Not Applicable**
(57) Statement of Newness and Distinctiveness: **Newness and distinctiveness resides in the features of shape and configuration of a reservoir for a plug in dispenser for volatile formulations as shown in the accompanying representations.**



- (21) Design Number: **13667/2013**
(22) Date of Filing Application: **31 July 2013**
(24) Date from which industrial property rights may have effect: **31 July 2013**
(54) Product in respect of which the design is registered: **A capsule**
(51) International Design Classification: **09-05**
(74) Name(s) of Attorney(s): **Banki Haddock Fiora**
(71) Name(s) and Address(s) of Applicant(s):
Societe des Produits Nestle S.A.
Vevey Canton of Vaud 1800 Switzerland
(72) Name(s) of Designer(s): **Antoine Cahen and Arnaud Gerbaulet**
(45) Registration Date: **03 September 2013**
(30) Convention priority data:
(31) Number (32) Date (33) Country
139551 07 Feb 2013 SWITZERLAND
(56) Related Art Documents: **Not Applicable**
(57) Statement of Newness and Distinctiveness: **Nil**



- (21) Design Number: **13668/2013**
(22) Date of Filing Application: **31 July 2013**
(24) Date from which industrial property rights may have effect: **31 July 2013**
(54) Product in respect of which the design is registered: **Beverage dispenser**
(51) International Design Classification: **07-02L, 31-00**
(74) Name(s) of Attorney(s): **FB Rice**
(71) Name(s) and Address(s) of Applicant(s):
The Coca-Cola Company
One Coca Cola Plaza N.W. Atlanta Georgia 30313 United States of America
(72) Name(s) of Designer(s): **Joseph T. Norris and Javier Verdura and Jesse S. Kruska and James McCay and Zhao Defei and Michael Gamble**
(45) Registration Date: **03 September 2013**
(30) Convention priority data:
(31) Number (32) Date (33) Country
29/444699 01 Feb 2013 UNITED STATES OF AMERICA
(56) Related Art Documents: **Not Applicable**
(57) Statement of Newness and Distinctiveness: **Newness and distinctiveness reside in the features of the design as shown in solid lines in the representations excluding those features shown in broken lines.**



- (21) Design Number: **13671/2013**
(22) Date of Filing Application: **31 July 2013**
(24) Date from which industrial property rights may have effect: **31 July 2013**
(54) Product in respect of which the design is registered: **Knife**
(51) International Design Classification: **07-03**
(74) Name(s) of Attorney(s): **Griffith Hack**
(71) Name(s) and Address(s) of Applicant(s):
Brand Developers Ltd
519-521 Lake Road Takapuna Auckland 0622 New Zealand
(72) Name(s) of Designer(s): **James Fisher**
(45) Registration Date: **03 September 2013**
(56) Related Art Documents: **Not Applicable**
(57) Statement of Newness and Distinctiveness: **Newness and distinctiveness resides in the pattern and ornamentation as applied to a handle of a knife as shown. When determining whether the design is substantially similar in overall impression to another design, no regard is to be had to the particular shape and configuration of the handle knife blade, as indicated by the dotted outline, which handle and blade shape and configuration are illustrative, and which handle and blade may have a shape and configuration other than as shown.**



- (21) Design Number: **13672/2013**
(22) Date of Filing Application: **31 July 2013**
(24) Date from which industrial property rights may have effect: **31 July 2013**
(54) Product in respect of which the design is registered: **Knife**
(51) International Design Classification: **07-03**
(74) Name(s) of Attorney(s): **Griffith Hack**
(71) Name(s) and Address(s) of Applicant(s):

Brand Developers Ltd
519-521 Lake Road Takapuna Auckland 0622 New Zealand

(72) Name(s) of Designer(s): **James Fisher**

(45) Registration Date: **03 September 2013**

(56) Related Art Documents: **Not Applicable**

(57) Statement of Newness and Distinctiveness: **Newness and distinctiveness resides in the pattern and ornamentation as applied to a handle of a knife as shown. When determining whether the design is substantially similar in overall impression to another design, no regard is to be had to the particular shape and configuration of the handle knife blade, as indicated by the dotted outline, which handle and blade shape and configuration are illustrative, and which handle and blade may have a shape and configuration other than as shown.**



- (21) Design Number: **13673/2013**
(22) Date of Filing Application: **31 July 2013**
(24) Date from which industrial property rights may have effect: **31 July 2013**
(54) Product in respect of which the design is registered: **A model**
(51) International Design Classification: **21-01B**
(74) Name(s) of Attorney(s):
(71) Name(s) and Address(s) of Applicant(s):

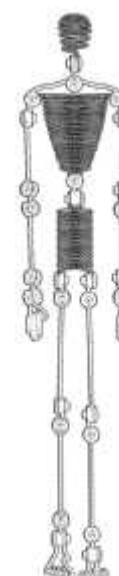
Weikai Zhang
1-227 Whitehorse Rd Blackburn VIC 3130 Australia

(72) Name(s) of Designer(s): **Weikai Zhang**

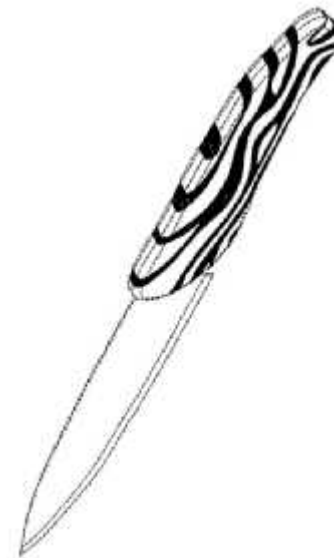
(45) Registration Date: **03 September 2013**

(56) Related Art Documents: **Not Applicable**

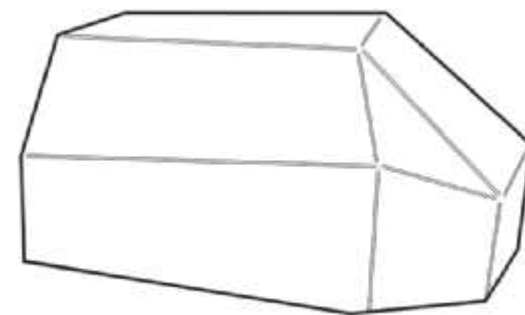
(57) Statement of Newness and Distinctiveness: **Newness and distinctiveness is claimed in the features of shape and/or configuration of the model, as illustrated in the accompanying representations.**



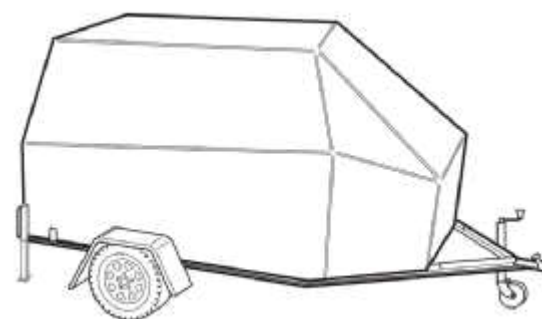
- (21) Design Number: **13674/2013**
(22) Date of Filing Application: **31 July 2013**
(24) Date from which industrial property rights may have effect: **31 July 2013**
(54) Product in respect of which the design is registered: **Knife**
(51) International Design Classification: **07-03**
(74) Name(s) of Attorney(s): **Griffith Hack**
(71) Name(s) and Address(s) of Applicant(s):
Brand Developers Ltd
519-521 Lake Road Takapuna Auckland 0622 New Zealand
(72) Name(s) of Designer(s): **James Fisher**
(45) Registration Date: **03 September 2013**
(56) Related Art Documents: **Not Applicable**
(57) Statement of Newness and Distinctiveness: **Newness and distinctiveness resides in the pattern and ornamentation as applied to a handle of a knife as shown. When determining whether the design is substantially similar in overall impression to another design, no regard is to be had to the particular shape and configuration of the handle or knife blade, as indicated by the dotted outline, which handle and blade shape and configuration are illustrative, and which handle and blade may have a shape and configuration other than as shown.**



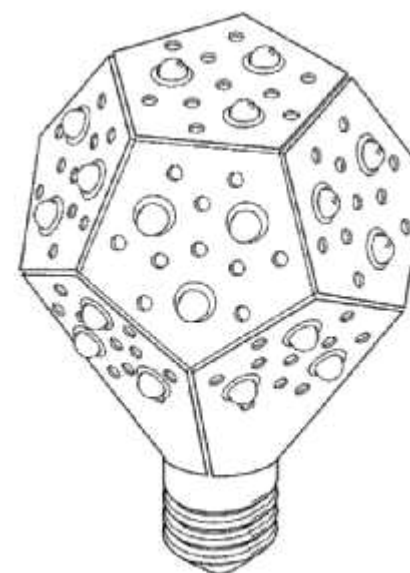
- (21) Design Number: **13675/2013**
(22) Date of Filing Application: **31 July 2013**
(24) Date from which industrial property rights may have effect: **31 July 2013**
(54) Product in respect of which the design is registered: **Cover**
(51) International Design Classification: **12-16NES**
(74) Name(s) of Attorney(s): **Wrays**
(71) Name(s) and Address(s) of Applicant(s):
Norman Brett Bell
31228 Albany Hwy Mount Barker WA 6324 Australia
(72) Name(s) of Designer(s): **Norman Brett Bell**
(45) Registration Date: **03 September 2013**
(56) Related Art Documents: **Not Applicable**
(57) Statement of Newness and Distinctiveness: **Nil**



(21) Design Number: **13676/2013**
(22) Date of Filing Application: **31 July 2013**
(24) Date from which industrial property rights may have effect: **31 July 2013**
(54) Product in respect of which the design is registered: **Trailer**
(51) International Design Classification: **12-10**
(74) Name(s) of Attorney(s): **Wrays**
(71) Name(s) and Address(s) of Applicant(s):
Norman Brett Bell
31228 Albany Hwy Mount Barker WA 6324 Australia
(72) Name(s) of Designer(s): **Norman Brett Bell**
(45) Registration Date: **03 September 2013**
(56) Related Art Documents: **Not Applicable**
(57) Statement of Newness and Distinctiveness: **Nil**



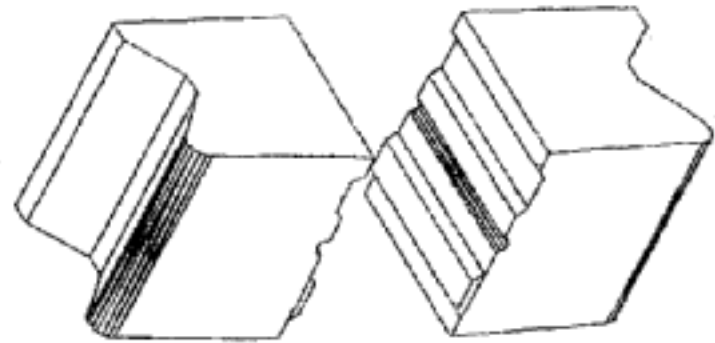
(21) Design Number: **13678/2013**
(22) Date of Filing Application: **31 July 2013**
(24) Date from which industrial property rights may have effect: **31 July 2013**
(54) Product in respect of which the design is registered: **LED bulb**
(51) International Design Classification: **26-05E**
(74) Name(s) of Attorney(s):
(71) Name(s) and Address(s) of Applicant(s):
NanoGrid Limited Hong Kong
13th Floor Excel Centre 483A Castle Peak Road Lai Chi Kok Hong Kong
(72) Name(s) of Designer(s): **Tomas Rodinger and Gimmy Chu and Christian Yan**
(45) Registration Date: **03 September 2013**
(30) Convention priority data:
(31) Number (32) Date (33) Country
29/445,982 19 Feb 2013 UNITED STATES OF AMERICA
(56) Related Art Documents: **Not Applicable**
(57) Statement of Newness and Distinctiveness: **Newness and distinctiveness is claimed in the features of shape and/or configuration of the multiple flat surfaces of the upper portion of the LED Bulb as shown in the accompanying drawings.**



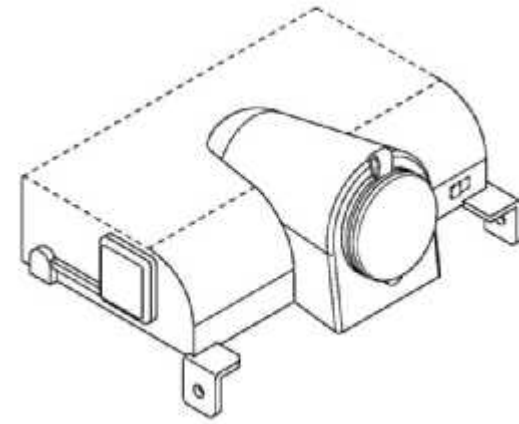
- (21) Design Number: **13681/2013**
(22) Date of Filing Application: **30 July 2013**
(24) Date from which industrial property rights may have effect: **27 June 2012**
(54) Product in respect of which the design is registered: **Assembly for decking or the like**
(51) International Design Classification: **25-01D**
(74) Name(s) of Attorney(s): **Macpherson + Kelley**
(71) Name(s) and Address(s) of Applicant(s):
GRC Environments Pty Ltd
100 Chestnut St Richmond VIC 3121 Australia
(72) Name(s) of Designer(s): **Steve Fennell**
(45) Registration Date: **03 September 2013**
(62) Divisional of: **13027/2012**
(56) Related Art Documents: **Not Applicable**
(57) Statement of Newness and Distinctiveness: **The particular visual features of the design which the Applicant hereby identifies as new and distinctive are as follows: "Interlocking Panel for decking assembly", as illustrated in the accompanying representations.**



- (21) Design Number: **13682/2013**
(22) Date of Filing Application: **30 July 2013**
(24) Date from which industrial property rights may have effect: **27 June 2012**
(54) Product in respect of which the design is registered: **Assembly for decking or the like**
(51) International Design Classification: **25-01D**
(74) Name(s) of Attorney(s): **Macpherson + Kelley**
(71) Name(s) and Address(s) of Applicant(s):
GRC Environments Pty Ltd
100 Chestnut St Richmond VIC 3121 Australia
(72) Name(s) of Designer(s): **Steve Fennell**
(45) Registration Date: **03 September 2013**
(62) Divisional of: **13027/2012**
(56) Related Art Documents: **Not Applicable**
(57) Statement of Newness and Distinctiveness: **The particular visual features of the design which the Applicant hereby identifies as new and distinctive are as follows: "Interlocking Split Block Support for decking assembly", as illustrated in the accompanying representations.**



(21) Design Number: **13684/2013**
(22) Date of Filing Application: **01 August 2013**
(24) Date from which industrial property rights may have effect: **01 August 2013**
(54) Product in respect of which the design is registered: **Cover lid of lead-acid battery**
(51) International Design Classification: **13-02**
(74) Name(s) of Attorney(s): **A.P.T. Patent and Trade Mark Attorneys**
(71) Name(s) and Address(s) of Applicant(s):
Alex Dai
60 Xingzhong Rd Dadu Dist Taichung City 432 Taiwan, Province of China
(72) Name(s) of Designer(s): **Alex Dai**
(45) Registration Date: **03 September 2013**
(30) Convention priority data:
(31) Number (32) Date (33) Country
102301168 08 Feb 2013 TAIWAN
(56) Related Art Documents: **Not Applicable**
(57) Statement of Newness and Distinctiveness: **Nil**



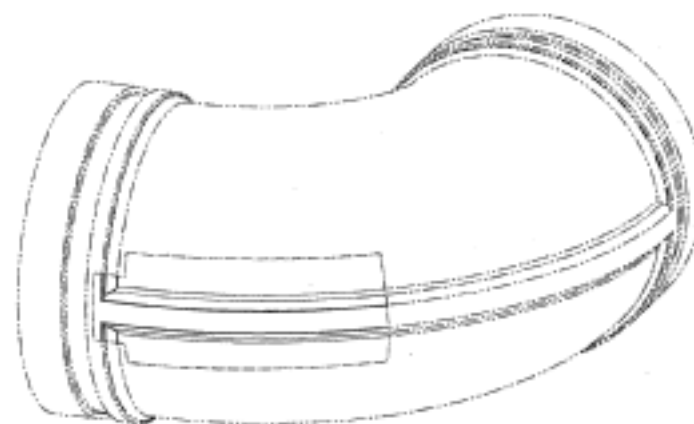
(21) Design Number: **13685/2013**
(22) Date of Filing Application: **01 August 2013**
(24) Date from which industrial property rights may have effect: **01 August 2013**
(54) Product in respect of which the design is registered: **A coffee machine**
(51) International Design Classification: **07-02L**
(74) Name(s) of Attorney(s): **Banki Haddock Fiora**
(71) Name(s) and Address(s) of Applicant(s):
Societe des Produits Nestle S.A.
Vevey Canton of Vaud 1800 Switzerland
(72) Name(s) of Designer(s): **Antoine Cahen**
(45) Registration Date: **03 September 2013**
(30) Convention priority data:
(31) Number (32) Date (33) Country
139772 02 May 2013 SWITZERLAND
(56) Related Art Documents: **Not Applicable**
(57) Statement of Newness and Distinctiveness: **Nil**



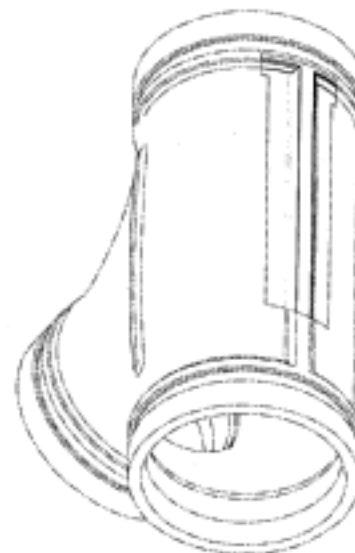
(21) Design Number: **13686/2013**
(22) Date of Filing Application: **01 August 2013**
(24) Date from which industrial property rights may have effect: **01 August 2013**
(54) Product in respect of which the design is registered: **A coffee machine**
(51) International Design Classification: **07-02L**
(74) Name(s) of Attorney(s): **Banki Haddock Fiora**
(71) Name(s) and Address(s) of Applicant(s):
Societe des Produits Nestle S.A.
Vevey Canton of Vaud 1800 Switzerland
(72) Name(s) of Designer(s): **Antoine Cahen**
(45) Registration Date: **03 September 2013**
(30) Convention priority data:
(31) Number (32) Date (33) Country
139772 02 May 2013 SWITZERLAND
(56) Related Art Documents: **Not Applicable**
(57) Statement of Newness and Distinctiveness: **Nil**



(21) Design Number: **11784/2013**
(22) Date of Filing Application: **12 April 2013**
(24) Date from which industrial property rights may have effect: **12 April 2013**
(54) Product in respect of which the design is registered: **Pipe fitting**
(51) International Design Classification: **23-01A**
(74) Name(s) of Attorney(s): **Griffith Hack**
(71) Name(s) and Address(s) of Applicant(s):
Tyco Fire Products LP
1400 Pennbrook Parkway Lansdale PA 19446 United States of America
(72) Name(s) of Designer(s): **Anthony Gary Bednarz and Robert R. Smith and Larry E. Hall and Donald Eugene Griggs III**
(45) Registration Date: **04 September 2013**
(30) Convention priority data:
(31) Number (32) Date (33) Country
29/435,150 19 Oct 2012 UNITED STATES OF AMERICA
(56) Related Art Documents: **Not Applicable**
(57) Statement of Newness and Distinctiveness: **Newness and distinctiveness resides in the visual features, including shape, configuration and ornamentation of the PRODUCT as shown by means of solid lines in the accompanying Figures. Those parts shown by means of dashed lines have been included for illustrative purposes and do not form part of the design.**



(21) Design Number: **13218/2013**
(22) Date of Filing Application: **12 April 2013**
(24) Date from which industrial property rights may have effect: **12 April 2013**
(54) Product in respect of which the design is registered: **Pipe fitting**
(51) International Design Classification: **23-01B**
(74) Name(s) of Attorney(s): **Griffith Hack**
(71) Name(s) and Address(s) of Applicant(s):
Tyco Fire Products LP
1400 Pennbrook Parkway Lansdale PA 19446 United States of America
(72) Name(s) of Designer(s): **Anthony Gary Bednarz and Robert R. Smith and Larry E. Hall and Donald Eugene Griggs III**
(45) Registration Date: **04 September 2013**
(30) Convention priority data:
(31) Number (32) Date (33) Country
29/435,150 19 Oct 2012 UNITED STATES OF AMERICA
(56) Related Art Documents: **Not Applicable**
(57) Statement of Newness and Distinctiveness: **Newness and distinctiveness resides in the visual features, including shape, configuration and ornamentation of the PRODUCT as shown by means of solid lines in the accompanying Figures. Those parts shown by means of dashed lines have been included for illustrative purposes and do not form part of the design.**



(21) Design Number: **13296/2013**
(22) Date of Filing Application: **05 July 2013**
(24) Date from which industrial property rights may have effect: **12 October 2012**
(54) Product in respect of which the design is registered: **Article of clothing**
(51) International Design Classification: **02-02C**
(74) Name(s) of Attorney(s): **Allens Patent & Trade Mark Attorneys**
(71) Name(s) and Address(s) of Applicant(s):
Forever New Clothing Pty Ltd
714-716 High St Kew East Victoria 3102 Australia
(72) Name(s) of Designer(s): **Tristan Melle**
(45) Registration Date: **04 September 2013**
(30) Convention priority data:
(31) Number (32) Date (33) Country
4026134 30 Aug 2012 UNITED KINGDOM
(62) Divisional of: **349176**
(56) Related Art Documents: **Not Applicable**
(57) Statement of Newness and Distinctiveness: **Newness and distinctiveness resides in the visual features of shape, configuration, pattern and/or ornamentation of an article of clothing as shown in the accompanying representations.**



(21) Design Number: **13690/2013**

(22) Date of Filing Application: **01 August 2013**

(24) Date from which industrial property rights may have effect: **01 August 2013**

(54) Product in respect of which the design is registered: **Display screen with icon for an electronic device**

(51) International Design Classification: **14-01**

(74) Name(s) of Attorney(s): **Griffith Hack**

(71) Name(s) and Address(s) of Applicant(s):

Samsung Electronics Co., Ltd.

129 Samsung-ro Yeongtong-gu Suwon-si Gyeonggi-do 443-742 Republic of Korea

(72) Name(s) of Designer(s): **Yoon-Ju Cho**

(45) Registration Date: **04 September 2013**

(30) Convention priority data:

(31) Number	(32) Date	(33) Country
30-2013-0009331	22 Feb 2013	REPUBLIC OF KOREA

(56) Related Art Documents: **Not Applicable**

(57) Statement of Newness and Distinctiveness: **Newness and Distinctiveness resides in the visual features, including the shape, configuration and ornamentation of those parts of the product shown by means of solid lines in the attached representation.**



(21) Design Number: **13691/2013**

(22) Date of Filing Application: **01 August 2013**

(24) Date from which industrial property rights may have effect: **01 August 2013**

(54) Product in respect of which the design is registered: **Display screen with icon for an electronic device**

(51) International Design Classification: **14-01**

(74) Name(s) of Attorney(s): **Griffith Hack**

(71) Name(s) and Address(s) of Applicant(s):

Samsung Electronics Co., Ltd.

129 Samsung-ro Yeongtong-gu Suwon-si Gyeonggi-do 443-742 Republic of Korea

(72) Name(s) of Designer(s): **Chul-Hoon Kang**

(45) Registration Date: **04 September 2013**

(30) Convention priority data:

(31) Number	(32) Date	(33) Country
30-2013-0009239	22 Feb 2013	REPUBLIC OF KOREA

(56) Related Art Documents: **Not Applicable**

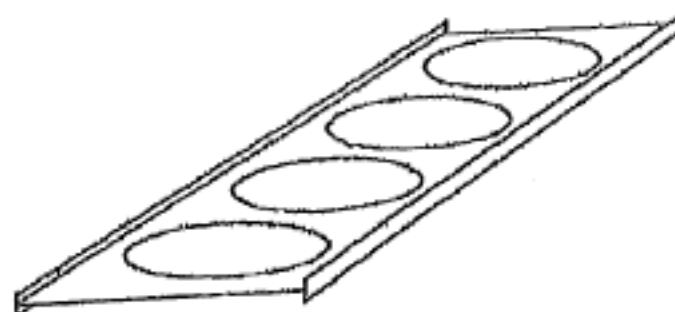
(57) Statement of Newness and Distinctiveness: **Newness and Distinctiveness resides in the visual features, including the shape, configuration and ornamentation of those parts of the product shown by means of solid lines in the attached representation.**



(21) Design Number: **13693/2013**
(22) Date of Filing Application: **01 August 2013**
(24) Date from which industrial property rights may have effect: **01 August 2013**
(54) Product in respect of which the design is registered: **Bottle**
(51) International Design Classification: **09-01NES**
(74) Name(s) of Attorney(s): **Griffith Hack**
(71) Name(s) and Address(s) of Applicant(s):
Asahi Group Holdings, Ltd.
23-1 Azumabashi 1-chome Sumida-ku Tokyo 130-8602 Japan
(72) Name(s) of Designer(s): **Murray Raeburn and Thomas Ringl**
(45) Registration Date: **04 September 2013**
(56) Related Art Documents: **Not Applicable**
(57) Statement of Newness and Distinctiveness: **Nil**



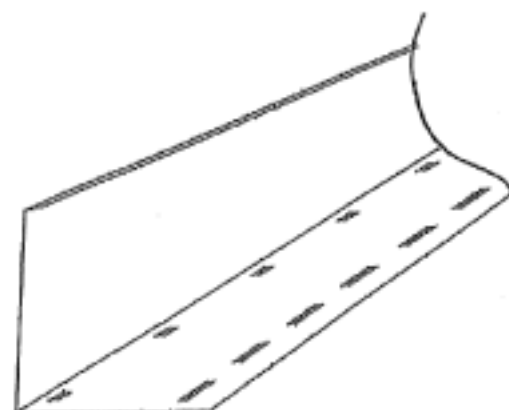
(21) Design Number: **13694/2013**
(22) Date of Filing Application: **01 August 2013**
(24) Date from which industrial property rights may have effect: **01 August 2013**
(54) Product in respect of which the design is registered: **Spacer (1)**
(51) International Design Classification: **08-08B**
(74) Name(s) of Attorney(s): **Chrysiliou IP**
(71) Name(s) and Address(s) of Applicant(s):
EcoSmart Stone Pty Ltd
PO BOX 200 Narrabeen NSW 2101 Australia
(72) Name(s) of Designer(s): **Trevor Proctor**
(45) Registration Date: **04 September 2013**
(56) Related Art Documents: **Not Applicable**
(57) Statement of Newness and Distinctiveness: **Nil**



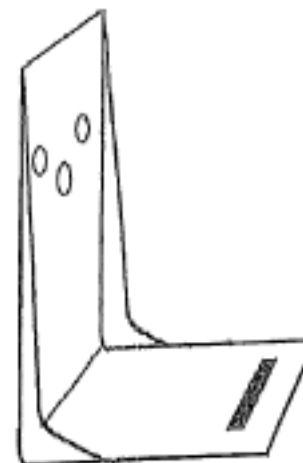
(21) Design Number: **13695/2013**
(22) Date of Filing Application: **01 August 2013**
(24) Date from which industrial property rights may have effect: **01 August 2013**
(54) Product in respect of which the design is registered: **Spacer (2)**
(51) International Design Classification: **08-08B**
(74) Name(s) of Attorney(s): **Chrysiliou IP**
(71) Name(s) and Address(s) of Applicant(s):
EcoSmart Stone Pty Ltd
PO BOX 200 Narrabeen NSW 2101 Australia
(72) Name(s) of Designer(s): **Trevor Proctor**
(45) Registration Date: **04 September 2013**
(56) Related Art Documents: **Not Applicable**
(57) Statement of Newness and Distinctiveness: **Nil**



(21) Design Number: **13696/2013**
(22) Date of Filing Application: **01 August 2013**
(24) Date from which industrial property rights may have effect: **01 August 2013**
(54) Product in respect of which the design is registered: **A rail**
(51) International Design Classification: **25-01NES**
(74) Name(s) of Attorney(s): **Chrysiliou IP**
(71) Name(s) and Address(s) of Applicant(s):
EcoSmart Stone Pty Ltd
PO BOX 200 Narrabeen NSW 2101 Australia
(72) Name(s) of Designer(s): **Terence James Proctor**
(45) Registration Date: **04 September 2013**
(56) Related Art Documents: **Not Applicable**
(57) Statement of Newness and Distinctiveness: **Nil**



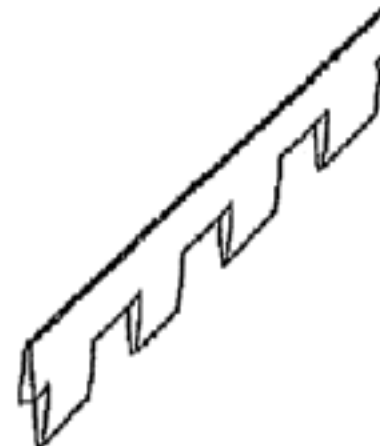
(21) Design Number: **13697/2013**
(22) Date of Filing Application: **01 August 2013**
(24) Date from which industrial property rights may have effect: **01 August 2013**
(54) Product in respect of which the design is registered: **A bracket**
(51) International Design Classification: **08-08L**
(74) Name(s) of Attorney(s): **Chrysiliou IP**
(71) Name(s) and Address(s) of Applicant(s):
EcoSmart Stone Pty Ltd
PO BOX 200 Narrabeen NSW 2101 Australia
(72) Name(s) of Designer(s): **Trevor Proctor**
(45) Registration Date: **04 September 2013**
(56) Related Art Documents: **Not Applicable**
(57) Statement of Newness and Distinctiveness: **Nil**



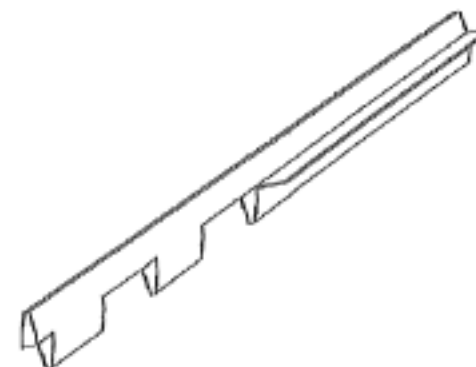
(21) Design Number: **13698/2013**
(22) Date of Filing Application: **01 August 2013**
(24) Date from which industrial property rights may have effect: **01 August 2013**
(54) Product in respect of which the design is registered: **A batten**
(51) International Design Classification: **25-01NES**
(74) Name(s) of Attorney(s): **Chrysiliou IP**
(71) Name(s) and Address(s) of Applicant(s):
EcoSmart Stone Pty Ltd
PO BOX 200 Narrabeen NSW 2101 Australia
(72) Name(s) of Designer(s): **Trevor Proctor**
(45) Registration Date: **04 September 2013**
(56) Related Art Documents: **Not Applicable**
(57) Statement of Newness and Distinctiveness: **Nil**



- (21) Design Number: **13699/2013**
(22) Date of Filing Application: **01 August 2013**
(24) Date from which industrial property rights may have effect: **01 August 2013**
(54) Product in respect of which the design is registered: **Joiner (1)**
(51) International Design Classification: **23-01A**
(74) Name(s) of Attorney(s): **Chrysiliou IP**
(71) Name(s) and Address(s) of Applicant(s):
EcoSmart Stone Pty Ltd
PO BOX 200 Narrabeen NSW 2101 Australia
(72) Name(s) of Designer(s): **Trevor Proctor**
(45) Registration Date: **04 September 2013**
(56) Related Art Documents: **Not Applicable**
(57) Statement of Newness and Distinctiveness: **Nil**



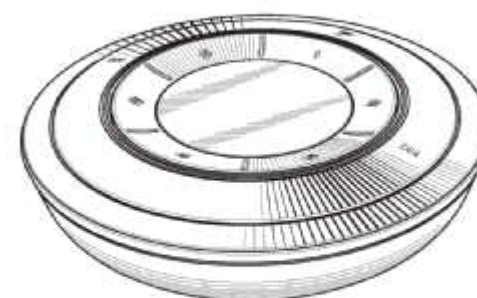
- (21) Design Number: **13700/2013**
(22) Date of Filing Application: **01 August 2013**
(24) Date from which industrial property rights may have effect: **01 August 2013**
(54) Product in respect of which the design is registered: **Joiner (2)**
(51) International Design Classification: **23-01A**
(74) Name(s) of Attorney(s): **Chrysiliou IP**
(71) Name(s) and Address(s) of Applicant(s):
EcoSmart Stone Pty Ltd
PO BOX 200 Narrabeen NSW 2101 Australia
(72) Name(s) of Designer(s): **Trevor Proctor**
(45) Registration Date: **04 September 2013**
(56) Related Art Documents: **Not Applicable**
(57) Statement of Newness and Distinctiveness: **Nil**



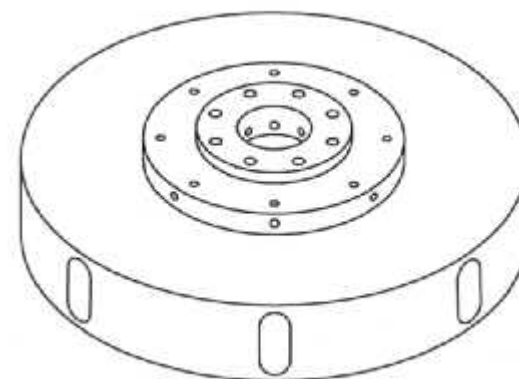
(21) Design Number: **13701/2013**
(22) Date of Filing Application: **01 August 2013**
(24) Date from which industrial property rights may have effect: **01 August 2013**
(54) Product in respect of which the design is registered: **Balance pendant light**
(51) International Design Classification: **26-05D**
(74) Name(s) of Attorney(s):
(71) Name(s) and Address(s) of Applicant(s):
Viktor Legin
161 Centre Dandenong Rd Cheltenham VIC 3192 Australia
(72) Name(s) of Designer(s): **Viktor Legin**
(45) Registration Date: **04 September 2013**
(56) Related Art Documents: **Not Applicable**
(57) Statement of Newness and Distinctiveness: **Registering the shape of the lamp & its adjustable balancing function: The pendant is a thin steam bent timber light, suspended by the electrical cord. The cord is positioned to offset to one side, a steel counterweight is recessed on the shorter side of the body allowing the pendant to balance in a horizontal position. The Counterweight is moveable allowing the user to slide the weight to change the balance angle. On the underside of the light is recessed a LED strip covered with a diffuser.**



(21) Design Number: **13702/2013**
(22) Date of Filing Application: **02 August 2013**
(24) Date from which industrial property rights may have effect: **02 August 2013**
(54) Product in respect of which the design is registered: **Remote control**
(51) International Design Classification: **14-03NES**
(74) Name(s) of Attorney(s): **PHILLIPS ORMONDE FITZPATRICK**
(71) Name(s) and Address(s) of Applicant(s):
Bose Corporation
The Mountain MS 40 Framingham Massachusetts 01701-9168 United States of America
(72) Name(s) of Designer(s): **Joel H. Miller and Jay Pupecki**
(45) Registration Date: **04 September 2013**
(30) Convention priority data:
(31) Number (32) Date (33) Country
29/449,081 14 Mar 2013 UNITED STATES OF AMERICA
(56) Related Art Documents: **Not Applicable**
(57) Statement of Newness and Distinctiveness: **Those features of the remote control depicted in the representations that are new and distinctive are the shape and/or configuration. The features shown in broken lines are not part of the design and are to be disregarded when considering the overall impression of the design.**



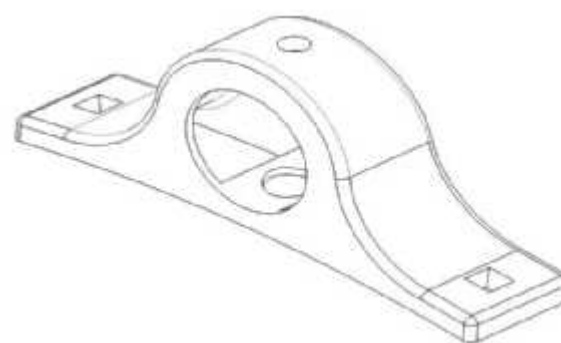
(21) Design Number: **13705/2013**
(22) Date of Filing Application: **02 August 2013**
(24) Date from which industrial property rights may have effect: **02 August 2013**
(54) Product in respect of which the design is registered: **Agitating rotor**
(51) International Design Classification: **12-16M**
(74) Name(s) of Attorney(s): **Shelston IP**
(71) Name(s) and Address(s) of Applicant(s):
Kazuo Tsuchiya
437-7 Dainichi Yotsukaido-shi Chiba 284-0001 Japan
(72) Name(s) of Designer(s): **Kazuo Tsuchiya and Hitoshi Ryuzaki**
(45) Registration Date: **04 September 2013**
(30) Convention priority data:



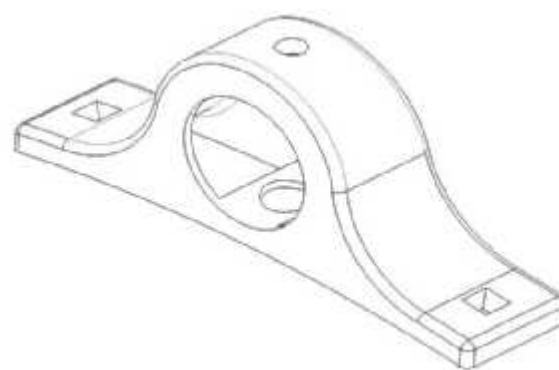
(31) Number	(32) Date	(33) Country
2013-003011	15 Feb 2013	JAPAN

(56) Related Art Documents: **Not Applicable**
(57) Statement of Newness and Distinctiveness: **Newness and distinctiveness reside in the features of shape and/or configuration of the agitating rotor as shown in the accompanying representations. The reference views of the agitating rotor in the representations are for explanatory and illustrative purposes only and do not form part of the design.**

(21) Design Number: **13709/2013**
(22) Date of Filing Application: **02 August 2013**
(24) Date from which industrial property rights may have effect: **02 August 2013**
(54) Product in respect of which the design is registered: **Mounting bracket**
(51) International Design Classification: **08-08M, 12-16L**
(74) Name(s) of Attorney(s): **WATERMARK PATENT AND TRADE MARKS ATTORNEYS**
(71) Name(s) and Address(s) of Applicant(s):
Lelox (Australia) Pty Ltd
46 Fairey Rd South Windsor NSW 2756 Australia
(72) Name(s) of Designer(s): **Peter Rome and Casey Nas**
(45) Registration Date: **04 September 2013**
(56) Related Art Documents: **Not Applicable**
(57) Statement of Newness and Distinctiveness: **Newness and Distinctiveness reside in the shape and configuration of the design as applied to a mounting bracket for automotive use.**



- (21) Design Number: **13710/2013**
(22) Date of Filing Application: **02 August 2013**
(24) Date from which industrial property rights may have effect: **02 August 2013**
(54) Product in respect of which the design is registered: **Mounting bracket**
(51) International Design Classification: **08-08M, 12-16L**
(74) Name(s) of Attorney(s): **WATERMARK PATENT AND TRADE MARKS ATTORNEYS**
(71) Name(s) and Address(s) of Applicant(s):
Lelox (Australia) Pty Ltd
46 Fairey Rd South Windsor NSW 2756 Australia
(72) Name(s) of Designer(s): **Casey Nas and Peter Rome**
(45) Registration Date: **04 September 2013**
(56) Related Art Documents: **Not Applicable**
(57) Statement of Newness and Distinctiveness: **Newness and Distinctiveness reside in the shape and configuration of the design as applied to a mounting bracket for automotive use.**



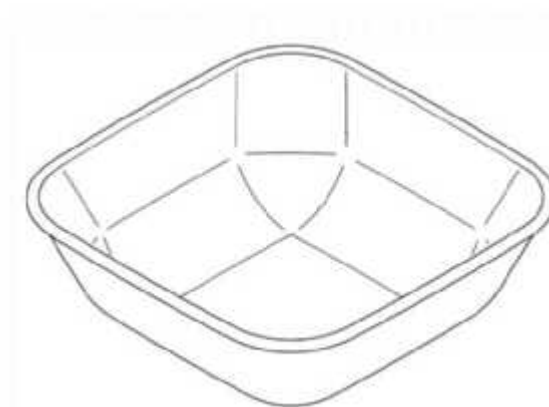
- (21) Design Number: **13718/2013**
(22) Date of Filing Application: **02 August 2013**
(24) Date from which industrial property rights may have effect: **02 August 2013**
(54) Product in respect of which the design is registered: **Plate**
(51) International Design Classification: **07-01A**
(74) Name(s) of Attorney(s): **Griffith Hack**
(71) Name(s) and Address(s) of Applicant(s):
The Decor Corporation Pty Ltd
1314 Ferntree Gully Rd Scoresby VIC 3179 Australia
(72) Name(s) of Designer(s): **Tony Wolfenden**
(45) Registration Date: **04 September 2013**
(56) Related Art Documents: **Not Applicable**
(57) Statement of Newness and Distinctiveness: **Newness and distinctiveness resides in the visual features, including the shape and configuration of the product as shown in the representations.**



- (21) Design Number: **13719/2013**
(22) Date of Filing Application: **02 August 2013**
(24) Date from which industrial property rights may have effect: **02 August 2013**
(54) Product in respect of which the design is registered: **Plate**
(51) International Design Classification: **07-01A**
(74) Name(s) of Attorney(s): **Griffith Hack**
(71) Name(s) and Address(s) of Applicant(s):
The Decor Corporation Pty Ltd
1314 Ferntree Gully Rd Scoresby VIC 3179 Australia
(72) Name(s) of Designer(s): **Tony Wolfenden**
(45) Registration Date: **04 September 2013**
(56) Related Art Documents: **Not Applicable**
(57) Statement of Newness and Distinctiveness: **Newness and distinctiveness resides in the visual features, including the shape and configuration of the product as shown in the representations.**



- (21) Design Number: **13720/2013**
(22) Date of Filing Application: **02 August 2013**
(24) Date from which industrial property rights may have effect: **02 August 2013**
(54) Product in respect of which the design is registered: **Bowl**
(51) International Design Classification: **07-01B**
(74) Name(s) of Attorney(s): **Griffith Hack**
(71) Name(s) and Address(s) of Applicant(s):
The Decor Corporation Pty Ltd
1314 Ferntree Gully Rd Scoresby VIC 3179 Australia
(72) Name(s) of Designer(s): **Tony Wolfenden**
(45) Registration Date: **04 September 2013**
(56) Related Art Documents: **Not Applicable**
(57) Statement of Newness and Distinctiveness: **Newness and distinctiveness resides in the visual features, including the shape and configuration of the product as shown in the representations.**



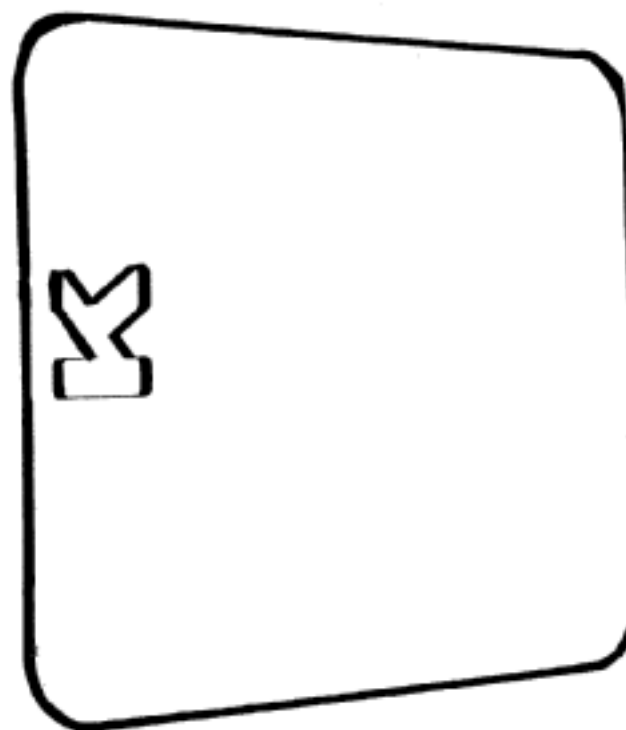
- (21) Design Number: **13721/2013**
(22) Date of Filing Application: **02 August 2013**
(24) Date from which industrial property rights may have effect: **02 August 2013**
(54) Product in respect of which the design is registered: **Cup**
(51) International Design Classification: **07-01C, 07-01D**
(74) Name(s) of Attorney(s): **Griffith Hack**
(71) Name(s) and Address(s) of Applicant(s):
The Decor Corporation Pty Ltd
1314 Ferntree Gully Rd Scoresby VIC 3179 Australia
(72) Name(s) of Designer(s): **Tony Wolfenden**
(45) Registration Date: **04 September 2013**
(56) Related Art Documents: **Not Applicable**
(57) Statement of Newness and Distinctiveness: **Newness and distinctiveness resides in the visual features, including the shape and configuration of the product as shown in the representations.**



- (21) Design Number: **13722/2013**
(22) Date of Filing Application: **02 August 2013**
(24) Date from which industrial property rights may have effect: **02 August 2013**
(54) Product in respect of which the design is registered: **Mug**
(51) International Design Classification: **07-01D**
(74) Name(s) of Attorney(s): **Griffith Hack**
(71) Name(s) and Address(s) of Applicant(s):
The Decor Corporation Pty Ltd
1314 Ferntree Gully Rd Scoresby VIC 3179 Australia
(72) Name(s) of Designer(s): **Tony Wolfenden**
(45) Registration Date: **04 September 2013**
(56) Related Art Documents: **Not Applicable**
(57) Statement of Newness and Distinctiveness: **Newness and distinctiveness resides in the visual features, including the shape and configuration of the product as shown in the representations.**



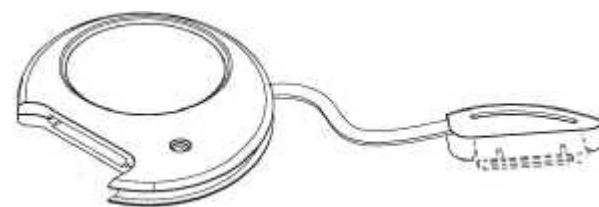
(21) Design Number: **13723/2013**
(22) Date of Filing Application: **02 August 2013**
(24) Date from which industrial property rights may have effect: **02 August 2013**
(54) Product in respect of which the design is registered: **A mirror**
(51) International Design Classification: **06-07**
(74) Name(s) of Attorney(s): **SPRUSON & FERGUSON**
(71) Name(s) and Address(s) of Applicant(s):
Take Two Marketing and Events Pty Ltd
SE302 L3 209 Oxford St Bondi Junction NSW 2022 Australia
(72) Name(s) of Designer(s): **James Cheney**
(45) Registration Date: **04 September 2013**
(56) Related Art Documents: **Not Applicable**
(57) Statement of Newness and Distinctiveness: **Newness and distinctiveness is claimed in the features of shape and/or configuration of an aperture, in the form of a "k" in a mirror as illustrated in the accompanying representations.**



(21) Design Number: **13726/2013**
(22) Date of Filing Application: **03 August 2013**
(24) Date from which industrial property rights may have effect: **03 August 2013**
(54) Product in respect of which the design is registered: **Battery charger**
(51) International Design Classification: **13-02**
(74) Name(s) of Attorney(s): **PIPERS**
(71) Name(s) and Address(s) of Applicant(s):
Nitz engineering GmbH
Alfred-Ammon-Str. 16 Brixen 39042 Italy
(72) Name(s) of Designer(s): **Rudiger Nitz**
(45) Registration Date: **04 September 2013**
(30) Convention priority data:
(31) Number (32) Date (33) Country
002210187-0001 27 Mar 2013 OFFICE FOR HARMONISATION IN THE INTERNAL MARKET (OHIM)
(56) Related Art Documents: **Not Applicable**
(57) Statement of Newness and Distinctiveness: **Nil**



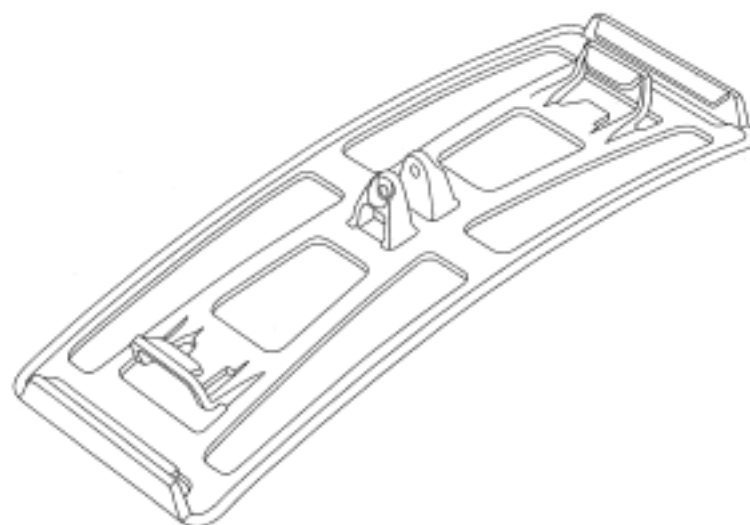
(21) Design Number: **13727/2013**
(22) Date of Filing Application: **03 August 2013**
(24) Date from which industrial property rights may have effect: **03 August 2013**
(54) Product in respect of which the design is registered: **Battery charger**
(51) International Design Classification: **13-02**
(74) Name(s) of Attorney(s): **PIPERS**
(71) Name(s) and Address(s) of Applicant(s):
Nitz engineering GmbH
Alfred-Ammon-Str. 16 Brixen 39042 Italy
(72) Name(s) of Designer(s): **Rudiger Nitz**
(45) Registration Date: **04 September 2013**
(30) Convention priority data:
(31) Number (32) Date (33) Country
002210187-0002 27 Mar 2013 OFFICE FOR HARMONISATION IN
THE INTERNAL MARKET (OHIM)
(56) Related Art Documents: **Not Applicable**
(57) Statement of Newness and Distinctiveness: **Nil**



(21) Design Number: **13729/2013**
(22) Date of Filing Application: **04 August 2013**
(24) Date from which industrial property rights may have effect: **04 August 2013**
(54) Product in respect of which the design is registered: **Child safety strap**
(51) International Design Classification: **29-02**
(74) Name(s) of Attorney(s):
(71) Name(s) and Address(s) of Applicant(s):
Katrina Rae Pirrone
5 Edelweiss Way Gaven QLD 4211 Australia
Matthew Pirrone
5 Edelweiss Way Gaven QLD 4211 Australia
(72) Name(s) of Designer(s): **Katrina Rae Pirrone and Matthew Pirrone**
(45) Registration Date: **04 September 2013**
(56) Related Art Documents: **Not Applicable**
(57) Statement of Newness and Distinctiveness: **The newness and distinctiveness resides in the main loop that can be attached to any person, article of clothing, accessory, or object via a quick release mechanism (not limited to those pictured). This main loop is attached to an elasticised band which is then attached to an adjustable loop that is held by or worn on the wrist of a child / person. Any colourings or patterns pictured are not part of the design and are to be disregarded when considering the overall impression of the design.**



- (21) Design Number: **13731/2013**
(22) Date of Filing Application: **01 August 2013**
(24) Date from which industrial property rights may have effect: **01 August 2013**
(54) Product in respect of which the design is registered: **Mop head**
(51) International Design Classification: **07-05E**
(74) Name(s) of Attorney(s): **Freehills Patent Attorneys**
(71) Name(s) and Address(s) of Applicant(s):
Kimberly-Clark Worldwide, Inc.
2300 Winchester Road Neenah Wisconsin 54956 United States of America
(72) Name(s) of Designer(s): **Ning Yang and Marianne E. Santangelo and Herb F. Velazquez and Philip D. Palermo and Jae Gu and Gregory W. Luebbering**
(45) Registration Date: **04 September 2013**
(30) Convention priority data:
(31) Number (32) Date (33) Country
29/446764 27 Feb 2013 UNITED STATES OF AMERICA
(56) Related Art Documents: **Not Applicable**
(57) Statement of Newness and Distinctiveness: **Newness and distinctiveness of the design resides in the shape and configuration of the mop head as is shown in the solid lines in the accompanying representations.**



- (21) Design Number: **13687/2013**
(22) Date of Filing Application: **01 August 2013**
(24) Date from which industrial property rights may have effect: **01 August 2013**
(54) Product in respect of which the design is registered: **Hand shower**
(51) International Design Classification: **23-02B**
(74) Name(s) of Attorney(s): **Griffith Hack**
(71) Name(s) and Address(s) of Applicant(s):
Hansgrohe SE
Austr. 5-9 Schiltach 77761 Germany
(72) Name(s) of Designer(s): **Matthias Oesterle and Tom Schoenherr**
(45) Registration Date: **04 September 2013**
(30) Convention priority data:
(31) Number (32) Date (33) Country
001360143-0002 07 Feb 2013 OFFICE FOR HARMONISATION IN THE INTERNAL MARKET (OHIM)
(56) Related Art Documents: **Not Applicable**
(57) Statement of Newness and Distinctiveness: **The shape, configuration and ornamentation of the product is new and distinctive.**



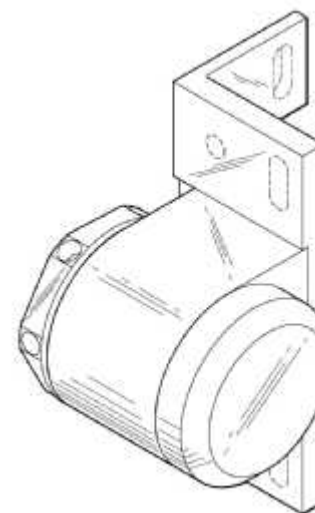
- (21) Design Number: **13689/2013**
(22) Date of Filing Application: **01 August 2013**
(24) Date from which industrial property rights may have effect: **01 August 2013**
(54) Product in respect of which the design is registered: **Head shower**
(51) International Design Classification: **23-02B**
(74) Name(s) of Attorney(s): **Griffith Hack**
(71) Name(s) and Address(s) of Applicant(s):
Hansgrohe SE
Auestr. 5-9 Schiltach 77761 Germany
(72) Name(s) of Designer(s): **Matthias Oesterle and Tom Schoenherr**
(45) Registration Date: **04 September 2013**
(30) Convention priority data:
(31) Number (32) Date (33) Country
001360143-0001 07 Feb 2013 OFFICE FOR HARMONISATION IN
THE INTERNAL MARKET (OHIM)
(56) Related Art Documents: **Not Applicable**
(57) Statement of Newness and Distinctiveness: **The shape, configuration and ornamentation of the product is new and distinctive.**



- (21) Design Number: **13732/2013**
(22) Date of Filing Application: **01 August 2013**
(24) Date from which industrial property rights may have effect: **01 August 2013**
(54) Product in respect of which the design is registered: **Mop head**
(51) International Design Classification: **07-05E**
(74) Name(s) of Attorney(s): **Freehills Patent Attorneys**
(71) Name(s) and Address(s) of Applicant(s):
Kimberly-Clark Worldwide, Inc.
2300 Winchester Road Neenah Wisconsin 54956 United States of
America
(72) Name(s) of Designer(s): **Ning Yang and Marianne E. Santangelo and**
Herb F. Velazquez and Philip D. Palermo and Jae Gu and Gregory W.
Luebbering
(45) Registration Date: **04 September 2013**
(30) Convention priority data:
(31) Number (32) Date (33) Country
29/446769 27 Feb 2013 UNITED STATES OF AMERICA
(56) Related Art Documents: **Not Applicable**
(57) Statement of Newness and Distinctiveness: **Newness and distinctiveness**
of the design resides in the shape and configuration of the mop head as
is shown in the solid lines in the accompanying representations.



- (21) Design Number: **13733/2013**
(22) Date of Filing Application: **05 August 2013**
(24) Date from which industrial property rights may have effect: **05 August 2013**
(54) Product in respect of which the design is registered: **Bracket**
(51) International Design Classification: **08-08L**
(74) Name(s) of Attorney(s):
(71) Name(s) and Address(s) of Applicant(s):
D & D Group Pty Ltd
U6 4-6 Aquatic Dr Frenchs Forest NSW 2086 Australia
(72) Name(s) of Designer(s): **Scott Cosby and John Anthony Clark**
(45) Registration Date: **04 September 2013**
(56) Related Art Documents: **Not Applicable**
(57) Statement of Newness and Distinctiveness: **Nil**



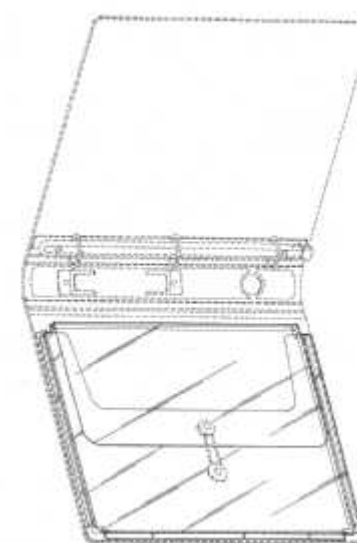
- (21) Design Number: **13121/2013**
(22) Date of Filing Application: **01 July 2013**
(24) Date from which industrial property rights may have effect: **01 July 2013**
(54) Product in respect of which the design is registered: **A stool**
(51) International Design Classification: **06-01E**
(74) Name(s) of Attorney(s):
(71) Name(s) and Address(s) of Applicant(s):
John David Lee
PO BOX 681 Mossman QLD 4873 Australia
(72) Name(s) of Designer(s): **John David Lee**
(45) Registration Date: **05 September 2013**
(56) Related Art Documents: **Not Applicable**
(57) Statement of Newness and Distinctiveness: **The easystool has been designed to fit around a western toilet. It has a distinctive shaped top that does this either forwards or backwards. The top is parallel to the floor and have 0 degree horizontal angle. The width of the legs and stool design allow it to be rested on its side when not in use and will not hinder male standing urination. The easystool allows easier defecation for user due to relaxation of puborectalis muscle.**



- (21) Design Number: **13348/2013**
(22) Date of Filing Application: **12 July 2013**
(24) Date from which industrial property rights may have effect: **12 July 2013**
(54) Product in respect of which the design is registered: **Fabric**
(51) International Design Classification: **05-05NES**
(74) Name(s) of Attorney(s): **PHILLIPS ORMONDE FITZPATRICK**
(71) Name(s) and Address(s) of Applicant(s):
Air China Limited
9th Floor Lantian Mansion 28 Tianzhu Road Zone A Shunyi District
Beijing, 101300 China
(72) Name(s) of Designer(s): **Meilin Han**
(45) Registration Date: **05 September 2013**
(30) Convention priority data:
(31) Number (32) Date (33) Country
201330010598.9 15 Jan 2013 CHINA
(56) Related Art Documents: **Not Applicable**
(57) Statement of Newness and Distinctiveness: **Newness and distinctiveness is claimed in the features of pattern and/or ornamentation of a fabric as shown in the representation but disclaiming the colours/colour combination shown which are merely illustrative of the design. The fabric is of indefinite length and width, and the pattern may be repeated.**



- (21) Design Number: **13579/2013**
(22) Date of Filing Application: **25 July 2013**
(24) Date from which industrial property rights may have effect: **25 July 2013**
(54) Product in respect of which the design is registered: **Notebook pocket**
(51) International Design Classification: **19-04**
(74) Name(s) of Attorney(s): **PIZZEYS**
(71) Name(s) and Address(s) of Applicant(s):
Staples the Office Superstore, LLC
500 Staples Dr Framingham MA 01702-4478 United States of America
(72) Name(s) of Designer(s): **Aidan Petrie and Daniel Nelsen and Kenneth Zins**
(45) Registration Date: **05 September 2013**
(30) Convention priority data:
(31) Number (32) Date (33) Country
29/446,851 27 Feb 2013 UNITED STATES OF AMERICA
(56) Related Art Documents: **Not Applicable**
(57) Statement of Newness and Distinctiveness: **The newness and distinctiveness of the design resides in the features of pattern and/or ornamentation OR shape and/or configuration shown in unbroken lines in the accompanying representations. (if required, see Convention document).**



- (21) Design Number: **13677/2013**
(22) Date of Filing Application: **31 July 2013**
(24) Date from which industrial property rights may have effect: **31 July 2013**
(54) Product in respect of which the design is registered: **Bottle**
(51) International Design Classification: **09-01NES**
(74) Name(s) of Attorney(s): **Griffith Hack**
(71) Name(s) and Address(s) of Applicant(s):
Asahi Beverages Australia Pty Ltd
L5 111 Cecil St South Melbourne VIC 3205 Australia
(72) Name(s) of Designer(s): **Nicholas Kofiotis**
(45) Registration Date: **05 September 2013**
(56) Related Art Documents: **Not Applicable**
(57) Statement of Newness and Distinctiveness: **Nil**



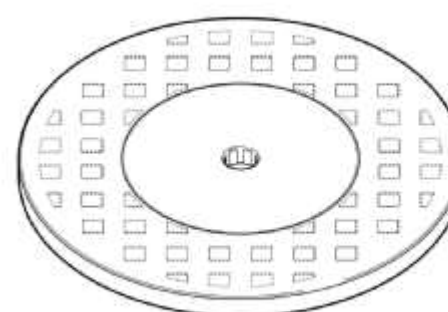
- (21) Design Number: **13714/2013**
(22) Date of Filing Application: **02 August 2013**
(24) Date from which industrial property rights may have effect: **02 August 2013**
(54) Product in respect of which the design is registered: **Security fencing**
(51) International Design Classification: **25-02C**
(74) Name(s) of Attorney(s):
(71) Name(s) and Address(s) of Applicant(s):
William Donald Townsend
U2 66 Tmara Mara Cct Araluen NT 0870 Australia
Norman Carl Skennar
PO BOX 789 Alice Springs NT 0871 Australia
(72) Name(s) of Designer(s): **William Donald Townsend and Norman Carl Skennar**
(45) Registration Date: **05 September 2013**
(56) Related Art Documents: **Not Applicable**
(57) Statement of Newness and Distinctiveness: **Combined design features provide this new application for medium-level security fencing. Design features prevent the ability for manual grip, hold, leverage or sufficient friction to climb over Safe-Top fencing unaided. The distinctiveness of this design is its low-profile security appearance making it ascetically appropriate for certain security and protection applications and its capacity to replace barbed, razor and tiger wire on many existing security fences.**



- (21) Design Number: **13715/2013**
(22) Date of Filing Application: **02 August 2013**
(24) Date from which industrial property rights may have effect: **02 August 2013**
(54) Product in respect of which the design is registered: **Security fencing**
(51) International Design Classification: **25-02C**
(74) Name(s) of Attorney(s):
(71) Name(s) and Address(s) of Applicant(s):
William Donald Townsend
U2 66 Tmara Mara Cct Araluen NT 0870 Australia
Norman Carl Skennar
PO BOX 789 Alice Springs NT 0871 Australia
(72) Name(s) of Designer(s): **William Donald Townsend and Norman Carl Skennar**
(45) Registration Date: **05 September 2013**
(56) Related Art Documents: **Not Applicable**
(57) Statement of Newness and Distinctiveness: **Combined design features provide this new application for medium-level security fencing. Design features prevent the ability for manual grip, hold, leverage or sufficient friction to climb over Safe-Top fencing unaided. The distinctiveness of this design is its low-profile security appearance making it ascetically appropriate for certain security and protection applications and its capacity to replace barbed, razor and tiger wire on many existing security fences.**



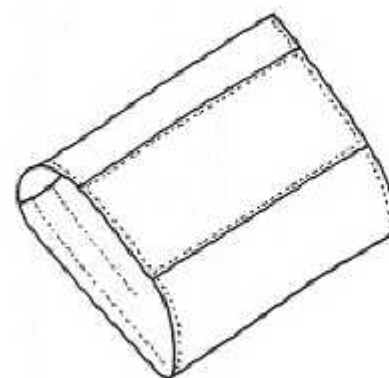
- (21) Design Number: **13717/2013**
(22) Date of Filing Application: **02 August 2013**
(24) Date from which industrial property rights may have effect: **02 August 2013**
(54) Product in respect of which the design is registered: **Umbrella painting stand**
(51) International Design Classification: **03-03**
(74) Name(s) of Attorney(s): **Armour IP**
(71) Name(s) and Address(s) of Applicant(s):
Arty Brellas Pty Ltd
57 Selby St Daglish WA 6008 Australia
(72) Name(s) of Designer(s): **Tricia Stedman**
(45) Registration Date: **05 September 2013**
(56) Related Art Documents: **Not Applicable**
(57) Statement of Newness and Distinctiveness: **Newness and distinctiveness is claimed in those features of shape and/or configuration of an umbrella painting stand as illustrated in continuous lines in the accompanying representations.**



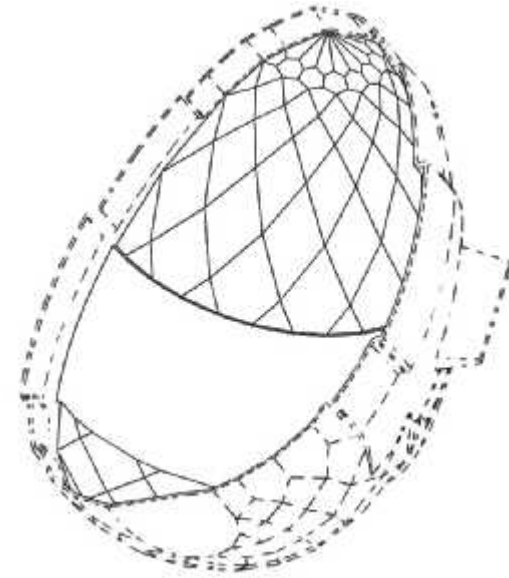
- (21) Design Number: **13736/2013**
(22) Date of Filing Application: **05 August 2013**
(24) Date from which industrial property rights may have effect: **05 August 2013**
(54) Product in respect of which the design is registered: **Hand shower**
(51) International Design Classification: **23-02B**
(74) Name(s) of Attorney(s):
(71) Name(s) and Address(s) of Applicant(s):
Alarimda Pty Ltd
268 Wolseley PI Thomastown VIC 3074 Australia
(72) Name(s) of Designer(s): **Ray McCluskey**
(45) Registration Date: **05 September 2013**
(56) Related Art Documents: **Not Applicable**
(57) Statement of Newness and Distinctiveness: **The push on tap shower incorporates the following distinct features - "L" shaped tap coupling with ridges inside - round screw clamp - massage shower head - 1.2M long hose.**



- (21) Design Number: **13738/2013**
(22) Date of Filing Application: **05 August 2013**
(24) Date from which industrial property rights may have effect: **05 August 2013**
(54) Product in respect of which the design is registered: **Bag**
(51) International Design Classification: **03-01B**
(74) Name(s) of Attorney(s):
(71) Name(s) and Address(s) of Applicant(s):
Patricia Smith
PO BOX 1234 Dickson ACT 2602 Australia
Andrea Middleton
12/21 Gordon Withnall Cres Dunlop ACT 2615 Australia
(72) Name(s) of Designer(s): **Patricia Smith and Andrea Middleton**
(45) Registration Date: **05 September 2013**
(56) Related Art Documents: **Not Applicable**
(57) Statement of Newness and Distinctiveness: **Newness and distinctiveness is claimed in the tapered shape of the pouch and of the construction and configuration of the internal dividers of the pouch as illustrated in the accompanying representations.**



- (21) Design Number: **13739/2013**
(22) Date of Filing Application: **05 August 2013**
(24) Date from which industrial property rights may have effect: **05 August 2013**
(54) Product in respect of which the design is registered: **Multi part mould for creating ice vessels**
(51) International Design Classification: **07-07A**
(74) Name(s) of Attorney(s):
(71) Name(s) and Address(s) of Applicant(s):
Joshua Engwerda
9 Cooba St Canterbury VIC 3126 Australia
(72) Name(s) of Designer(s): **Joshua Engwerda**
(45) Registration Date: **05 September 2013**
(56) Related Art Documents: **Not Applicable**
(57) Statement of Newness and Distinctiveness: **The design is for a mould to create hollow ice vessels. The design covers the internal surfaces of the mould (solid lines) which in turn become the external surfaces of the produced ice vessel. The representations show one half of a 2 part mould. The other half can be treated as identical to the half shown.**



- (21) Design Number: **13740/2013**
(22) Date of Filing Application: **05 August 2013**
(24) Date from which industrial property rights may have effect: **05 August 2013**
(54) Product in respect of which the design is registered: **Luggage**
(51) International Design Classification: **03-01A**
(74) Name(s) of Attorney(s): **Griffith Hack**
(71) Name(s) and Address(s) of Applicant(s):
Samsonite IP Holdings S.a r.l.
13-15 Avenue de la Liberte Luxembourg L-1931 Luxembourg
(72) Name(s) of Designer(s): **Camille Odile Baron**
(45) Registration Date: **05 September 2013**
(30) Convention priority data:
(31) Number (32) Date (33) Country
201330039432.X 08 Feb 2013 CHINA
(56) Related Art Documents: **Not Applicable**
(57) Statement of Newness and Distinctiveness: **Newness and distinctiveness resides in the shape, configuration and ornamentation of the product as represented in the drawings. Those parts of the product shown by means of dashed lines have been included for illustrative purposes only and do not form part of the design.**



- (21) Design Number: **13741/2013**
(22) Date of Filing Application: **06 August 2013**
(24) Date from which industrial property rights may have effect: **06 August 2013**
(54) Product in respect of which the design is registered: **Fuel surge tank**
(51) International Design Classification: **12-16NES**
(74) Name(s) of Attorney(s):
(71) Name(s) and Address(s) of Applicant(s):
Julian Austin
13 Holbrook St Bossley Park NSW 2176 Australia
(72) Name(s) of Designer(s): **Julian Austin**
(45) Registration Date: **05 September 2013**
(56) Related Art Documents: **Not Applicable**
(57) Statement of Newness and Distinctiveness: **This new fuel surge design includes a billet aluminium top insert which is secured to the top of the sheetmetal tank and has 8 points of adjustment. This allows the insert to be rotated 360 degrees to allow fuel lines to be connected to the tank from virtually any direction.**



- (21) Design Number: **13742/2013**
(22) Date of Filing Application: **06 August 2013**
(24) Date from which industrial property rights may have effect: **06 August 2013**
(54) Product in respect of which the design is registered: **Razor package**
(51) International Design Classification: **09-03NES**
(74) Name(s) of Attorney(s): **PHILLIPS ORMONDE FITZPATRICK**
(71) Name(s) and Address(s) of Applicant(s):
The Gillette Company
One Gillette Park Boston Massachusetts 02127 United States of America
(72) Name(s) of Designer(s): **Andrew Anthony Markle and Carl Andrew Gerhards**
(45) Registration Date: **05 September 2013**
(30) Convention priority data:
(31) Number (32) Date (33) Country
29/445,704 14 Feb 2013 UNITED STATES OF AMERICA
(56) Related Art Documents: **Not Applicable**
(57) Statement of Newness and Distinctiveness: **Newness and distinctiveness resides in the ornamentation of the razor package as illustrated in the accompanying representations. The features shown in broken lines are not part of the design and are to be disregarded when considering the overall impression of the design.**



(21) Design Number: **13743/2013**

(22) Date of Filing Application: **06 August 2013**

(24) Date from which industrial property rights may have effect: **06 August 2013**

(54) Product in respect of which the design is registered: **Razor package**

(51) International Design Classification: **09-03NES**

(74) Name(s) of Attorney(s): **PHILLIPS ORMONDE FITZPATRICK**

(71) Name(s) and Address(s) of Applicant(s):

The Gillette Company

One Gillette Park Boston Massachusetts 02127 United States of America

(72) Name(s) of Designer(s): **Andrew Anthony Markle and Carl Andrew Gerhards**

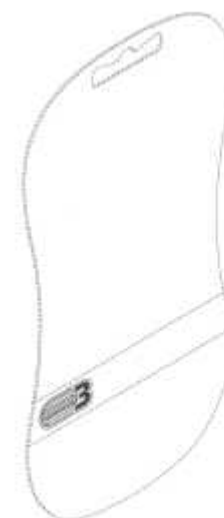
(45) Registration Date: **05 September 2013**

(30) Convention priority data:

(31) Number	(32) Date	(33) Country
29/445,704	14 Feb 2013	UNITED STATES OF AMERICA

(56) Related Art Documents: **Not Applicable**

(57) Statement of Newness and Distinctiveness: **Newness and distinctiveness resides in the ornamentation of the razor package as illustrated in the accompanying representations. The features shown in broken lines are not part of the design and are to be disregarded when considering the overall impression of the design.**



(21) Design Number: **13746/2013**

(22) Date of Filing Application: **06 August 2013**

(24) Date from which industrial property rights may have effect: **06 August 2013**

(54) Product in respect of which the design is registered: **Hair clipper**

(51) International Design Classification: **28-03D**

(74) Name(s) of Attorney(s): **FB Rice**

(71) Name(s) and Address(s) of Applicant(s):

Koninklijke Philips N.V.

High Tech Campus 5 Eindhoven 5656 AE The Netherlands

(72) Name(s) of Designer(s): **Manfred Nitsch**

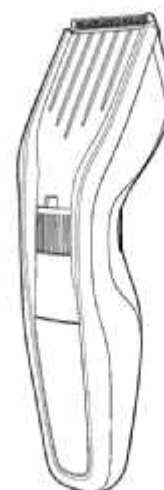
(45) Registration Date: **05 September 2013**

(30) Convention priority data:

(31) Number	(32) Date	(33) Country
002180588-0002	07 Feb 2013	OFFICE FOR HARMONISATION IN THE INTERNAL MARKET (OHIM)

(56) Related Art Documents: **Not Applicable**

(57) Statement of Newness and Distinctiveness: **Newness and distinctiveness reside in the features of shape and configuration of the design as shown in the representations.**



(21) Design Number: **13747/2013**

(22) Date of Filing Application: **06 August 2013**

(24) Date from which industrial property rights may have effect: **06 August 2013**

(54) Product in respect of which the design is registered: **Hair clipper**

(51) International Design Classification: **28-03D**

(74) Name(s) of Attorney(s): **FB Rice**

(71) Name(s) and Address(s) of Applicant(s):

Koninklijke Philips N.V.

High Tech Campus 5 Eindhoven 5656 AE The Netherlands

(72) Name(s) of Designer(s): **Manfred Nitsch**

(45) Registration Date: **05 September 2013**

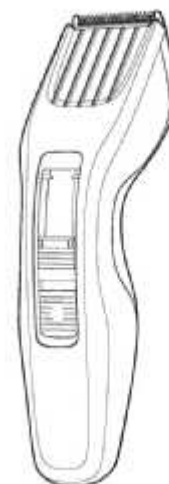
(30) Convention priority data:

(31) Number (32) Date
002180588-0001 07 Feb 2013

(33) Country
**OFFICE FOR HARMONISATION IN
THE INTERNAL MARKET (OHIM)**

(56) Related Art Documents: **Not Applicable**

(57) Statement of Newness and Distinctiveness: **Newness and distinctiveness reside in the features of the shape and configuration of the design as shown in the representations.**



(21) Design Number: **13751/2013**

(22) Date of Filing Application: **06 August 2013**

(24) Date from which industrial property rights may have effect: **06 August 2013**

(54) Product in respect of which the design is registered: **A block for building a wall**

(51) International Design Classification: **25-01K**

(74) Name(s) of Attorney(s): **Davies Collison Cave**

(71) Name(s) and Address(s) of Applicant(s):

Island Block & Paving Pty Ltd

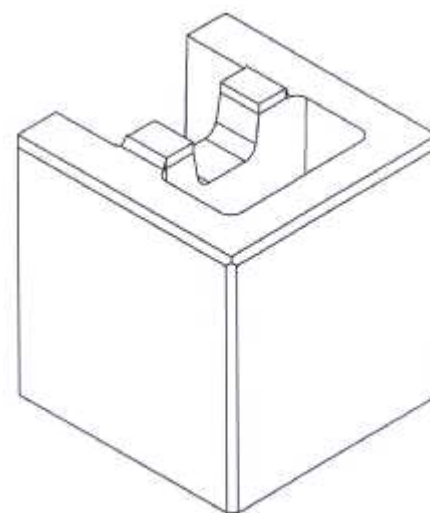
Midlands Hwy Breadalbane TAS 7300 Australia

(72) Name(s) of Designer(s): **Phil Thurlow**

(45) Registration Date: **05 September 2013**

(56) Related Art Documents: **Not Applicable**

(57) Statement of Newness and Distinctiveness: **Newness and distinctiveness is claimed in the features of shape and configuration of the block shown in the representations.**



(21) Design Number: **16844/2012**
(22) Date of Filing Application: **30 April 2013**
(24) Date from which industrial property rights may have effect: **12 October 2012**
(54) Product in respect of which the design is registered: **Article of clothing**
(51) International Design Classification: **02-02C**
(74) Name(s) of Attorney(s): **Allens Patent & Trade Mark Attorneys**
(71) Name(s) and Address(s) of Applicant(s):
Forever New Clothing Pty Ltd
714-716 High St Kew East VIC 3102 Australia
(72) Name(s) of Designer(s): **Tristan Melle**
(45) Registration Date: **05 September 2013**
(30) Convention priority data:
(31) Number (32) Date (33) Country
4026134 30 Aug 2012 UNITED KINGDOM
(62) Divisional of: **349176**
(56) Related Art Documents: **Not Applicable**
(57) Statement of Newness and Distinctiveness: **Newness and distinctiveness resides in the visual features of shape, configuration, pattern and/or ornamentation of an article of clothing as shown in the accompanying representations.**



(21) Design Number: **15484/2012**
(22) Date of Filing Application: **05 November 2012**
(24) Date from which industrial property rights may have effect: **05 November 2012**
(54) Product in respect of which the design is registered: **Article of clothing**
(51) International Design Classification: **02-02C**
(74) Name(s) of Attorney(s): **Allens Patent & Trade Mark Attorneys**
(71) Name(s) and Address(s) of Applicant(s):
Forever New Clothing Pty Ltd
714-716 High St Kew East Victoria 3102 Australia
(72) Name(s) of Designer(s): **Laura Mitchell**
(45) Registration Date: **05 September 2013**
(56) Related Art Documents: **Not Applicable**
(57) Statement of Newness and Distinctiveness: **Newness and Distinctiveness resides in the visual features of shape, configuration, pattern and/or ornamentation of an article of clothing item as shown in the accompanying representations.**



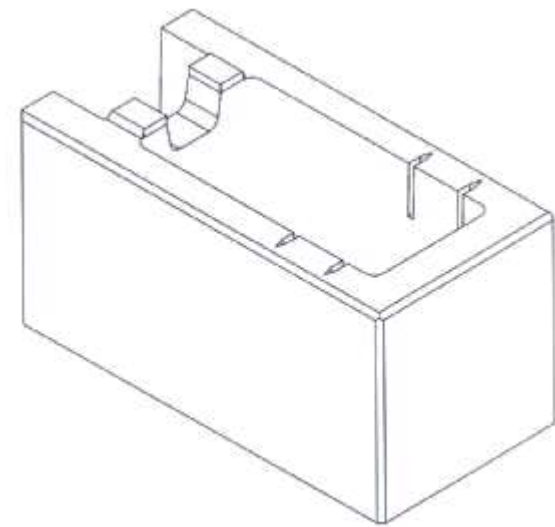
- (21) Design Number: **15491/2012**
(22) Date of Filing Application: **02 November 2012**
(24) Date from which industrial property rights may have effect: **02 November 2012**
(54) Product in respect of which the design is registered: **Carrybag**
(51) International Design Classification: **03-01B**
(74) Name(s) of Attorney(s): **Allens Patent & Trade Mark Attorneys**
(71) Name(s) and Address(s) of Applicant(s):
Forever New Clothing Pty Ltd
714-716 High St Kew East VIC 3102 Australia
(72) Name(s) of Designer(s): **Georgia Roberts-Thomson**
(45) Registration Date: **05 September 2013**
(56) Related Art Documents: **Not Applicable**
(57) Statement of Newness and Distinctiveness: **Newness and distinctiveness resides in the visual features of shape, configuration, pattern and/or ornamentation of a carrybag as shown in the accompanying representation.**



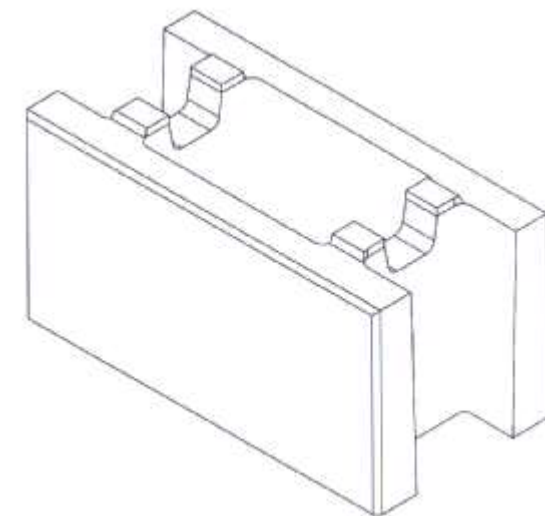
- (21) Design Number: **11271/2013**
(22) Date of Filing Application: **12 March 2013**
(24) Date from which industrial property rights may have effect: **12 March 2013**
(54) Product in respect of which the design is registered: **Headwear**
(51) International Design Classification: **02-03**
(74) Name(s) of Attorney(s):
(71) Name(s) and Address(s) of Applicant(s):
Kevin Micheal McDonnell
104 Riverside Dr Fulham SA 5024 Australia
(72) Name(s) of Designer(s): **Kevin Micheal McDonnell**
(45) Registration Date: **05 September 2013**
(56) Related Art Documents: **Not Applicable**
(57) Statement of Newness and Distinctiveness: **Dark green field, red kangaroo leaping forward, superimposed on a yellow sun, with yellow southern cross.**



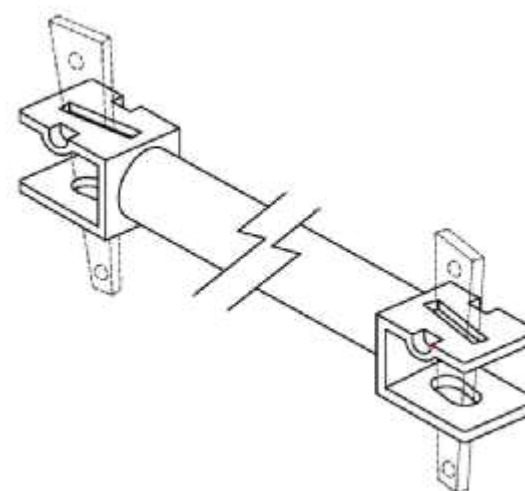
- (21) Design Number: **13752/2013**
(22) Date of Filing Application: **06 August 2013**
(24) Date from which industrial property rights may have effect: **06 August 2013**
(54) Product in respect of which the design is registered: **A block for building a wall**
(51) International Design Classification: **25-01A**
(74) Name(s) of Attorney(s): **Davies Collison Cave**
(71) Name(s) and Address(s) of Applicant(s):
Island Block & Paving Pty Ltd
Midlands Hwy Breadalbane TAS 7300 Australia
(72) Name(s) of Designer(s): **Phil Thurlow**
(45) Registration Date: **05 September 2013**
(56) Related Art Documents: **Not Applicable**
(57) Statement of Newness and Distinctiveness: **Newness and distinctiveness is claimed in the features of shape and configuration of the block shown in the representations.**



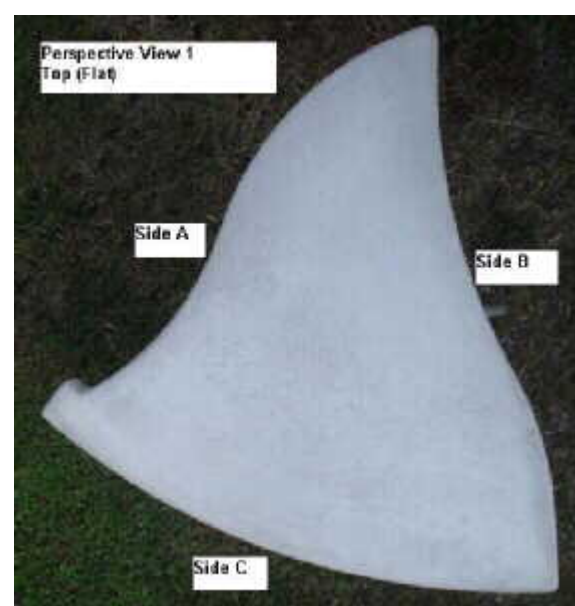
- (21) Design Number: **13753/2013**
(22) Date of Filing Application: **06 August 2013**
(24) Date from which industrial property rights may have effect: **06 August 2013**
(54) Product in respect of which the design is registered: **A block for building a wall**
(51) International Design Classification: **25-01A**
(74) Name(s) of Attorney(s): **Davies Collison Cave**
(71) Name(s) and Address(s) of Applicant(s):
Island Block & Paving Pty Ltd
Midlands Hwy Breadalbane TAS 7300 Australia
(72) Name(s) of Designer(s): **Phil Thurlow**
(45) Registration Date: **05 September 2013**
(56) Related Art Documents: **Not Applicable**
(57) Statement of Newness and Distinctiveness: **Newness and distinctiveness is claimed in the features of shape and configuration of the block shown in the representations.**



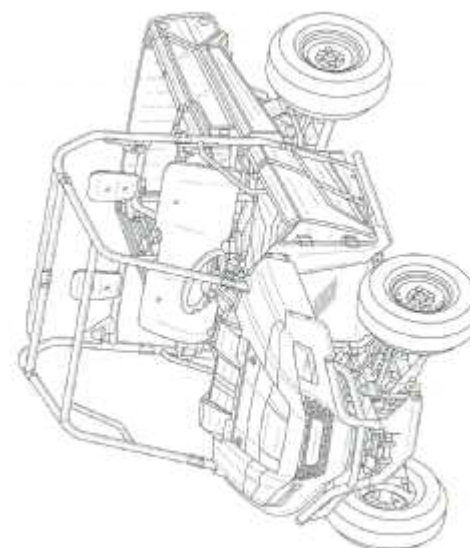
- (21) Design Number: **13755/2013**
(22) Date of Filing Application: **06 August 2013**
(24) Date from which industrial property rights may have effect: **06 August 2013**
(54) Product in respect of which the design is registered: **A scaffold ledger**
(51) International Design Classification: **25-04**
(74) Name(s) of Attorney(s): **Shelston IP**
(71) Name(s) and Address(s) of Applicant(s):
4 Ken Pty Ltd
24 Byrne St Auburn NSW 2144 Australia
(72) Name(s) of Designer(s): **Kenneth Alan Cox**
(45) Registration Date: **05 September 2013**
(56) Related Art Documents: **Not Applicable**
(57) Statement of Newness and Distinctiveness: **Newness and distinctiveness reside in the features of shape and/or configuration of a scaffold ledger of substantially indefinite length, as illustrated by solid lines in the accompanying representations. The features shown in broken outline are for contextual purposes only and do not form part of the design.**



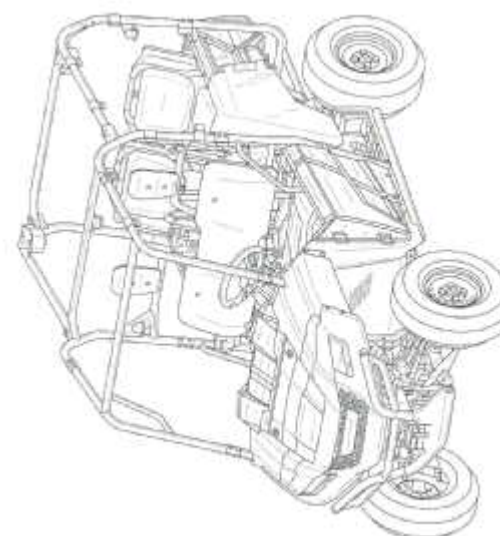
- (21) Design Number: **13756/2013**
(22) Date of Filing Application: **06 August 2013**
(24) Date from which industrial property rights may have effect: **06 August 2013**
(54) Product in respect of which the design is registered: **Paving stone**
(51) International Design Classification: **25-01A**
(74) Name(s) of Attorney(s):
(71) Name(s) and Address(s) of Applicant(s):
Michael Fenton
48B West Coast Road Glen Eden Auckland 0602 New Zealand
(72) Name(s) of Designer(s): **Michael Fenton**
(45) Registration Date: **05 September 2013**
(30) Convention priority data:
(31) Number (32) Date (33) Country
417413 16 Mar 2013 NEW ZEALAND
(56) Related Art Documents: **Not Applicable**
(57) Statement of Newness and Distinctiveness: **The design is to be applied to a paving stone and the newness and distinctiveness resides in the features of the shape and configuration as shown in the accompanying representations.**



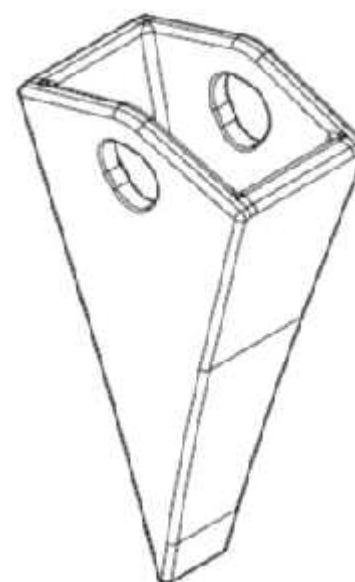
(21) Design Number: **13758/2013**
(22) Date of Filing Application: **07 August 2013**
(24) Date from which industrial property rights may have effect: **07 August 2013**
(54) Product in respect of which the design is registered: **All terrain vehicle**
(51) International Design Classification: **12-08**
(74) Name(s) of Attorney(s): **Griffith Hack**
(71) Name(s) and Address(s) of Applicant(s):
Honda Motor Co., Ltd.
1-1 Minami-Aoyama 2-chome Minato-ku Tokyo 107-8556 Japan
(72) Name(s) of Designer(s): **Yasuhiro Sato and Edward Birtulescu and Daisuke Nagao and Eric Chin and Hiroyuki Miyazaki and Takao Mikami**
(45) Registration Date: **05 September 2013**
(30) Convention priority data:
(31) Number (32) Date (33) Country
29/445,136 07 Feb 2013 UNITED STATES OF AMERICA
(56) Related Art Documents: **Not Applicable**
(57) Statement of Newness and Distinctiveness: **Nil**



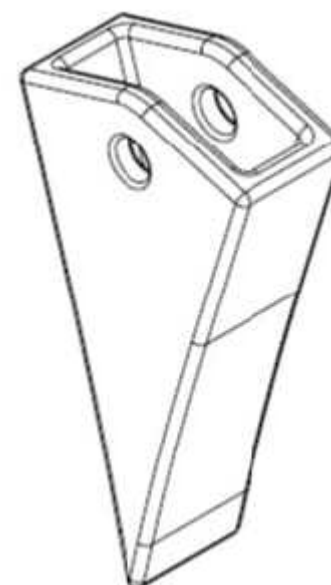
(21) Design Number: **13759/2013**
(22) Date of Filing Application: **07 August 2013**
(24) Date from which industrial property rights may have effect: **07 August 2013**
(54) Product in respect of which the design is registered: **All terrain vehicle**
(51) International Design Classification: **12-08**
(74) Name(s) of Attorney(s): **Griffith Hack**
(71) Name(s) and Address(s) of Applicant(s):
Honda Motor Co., Ltd.
1-1 Minami-Aoyama 2-chome Minato-ku Tokyo 107-8556 Japan
(72) Name(s) of Designer(s): **Yasuhiro Sato and Edward Birtulescu and Daisuke Nagao and Eric Chin and Hiroyuki Miyazaki and Takao Mikami**
(45) Registration Date: **05 September 2013**
(30) Convention priority data:
(31) Number (32) Date (33) Country
29/445,136 07 Feb 2013 UNITED STATES OF AMERICA
(56) Related Art Documents: **Not Applicable**
(57) Statement of Newness and Distinctiveness: **Nil**



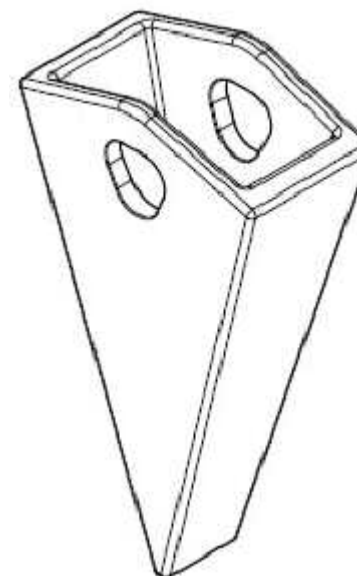
(21) Design Number: **13771/2013**
(22) Date of Filing Application: **07 August 2013**
(24) Date from which industrial property rights may have effect: **07 August 2013**
(54) Product in respect of which the design is registered: **Excavator part**
(51) International Design Classification: **15-04, 15-03A**
(74) Name(s) of Attorney(s): **K&L Gates**
(71) Name(s) and Address(s) of Applicant(s):
Javier Aracama Martinez De Lahidalga
Pol. Ind. Jundiz. C/ Arangutxi 15 01015 Vitoria-Gasteiz Spain
(72) Name(s) of Designer(s): **Javier Aracama Martinez De Lahidalga**
(45) Registration Date: **05 September 2013**
(30) Convention priority data:
(31) Number (32) Date (33) Country
002181255-0001 08 Feb 2013 OFFICE FOR HARMONISATION IN
THE INTERNAL MARKET (OHIM)
(56) Related Art Documents: **Not Applicable**
(57) Statement of Newness and Distinctiveness: **Nil**



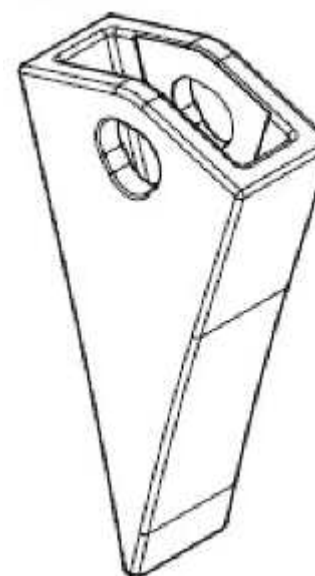
(21) Design Number: **13772/2013**
(22) Date of Filing Application: **07 August 2013**
(24) Date from which industrial property rights may have effect: **07 August 2013**
(54) Product in respect of which the design is registered: **Excavator part**
(51) International Design Classification: **15-04, 15-03A**
(74) Name(s) of Attorney(s): **K&L Gates**
(71) Name(s) and Address(s) of Applicant(s):
Javier Aracama Martinez De Lahidalga
Pol. Ind. Jundiz. C/ Arangutxi 15 01015 Vitoria-Gasteiz Spain
(72) Name(s) of Designer(s): **Javier Aracama Martinez De Lahidalga**
(45) Registration Date: **05 September 2013**
(30) Convention priority data:
(31) Number (32) Date (33) Country
002181255-0002 08 Feb 2013 OFFICE FOR HARMONISATION IN
THE INTERNAL MARKET (OHIM)
(56) Related Art Documents: **Not Applicable**
(57) Statement of Newness and Distinctiveness: **Nil**



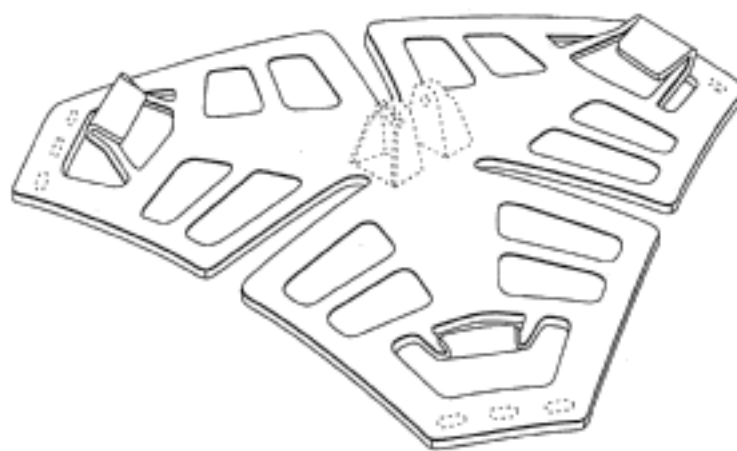
(21) Design Number: **13773/2013**
(22) Date of Filing Application: **07 August 2013**
(24) Date from which industrial property rights may have effect: **07 August 2013**
(54) Product in respect of which the design is registered: **Excavator part**
(51) International Design Classification: **15-04, 15-03A**
(74) Name(s) of Attorney(s): **K&L Gates**
(71) Name(s) and Address(s) of Applicant(s):
Javier Aracama Martinez De Lahidalga
Pol. Ind. Jundiz. C/ Arangutxi 15 01015 Vitoria-Gasteiz Spain
(72) Name(s) of Designer(s): **Javier Aracama Martinez De Lahidalga**
(45) Registration Date: **05 September 2013**
(30) Convention priority data:
(31) Number (32) Date (33) Country
002181255-0003 08 Feb 2013 OFFICE FOR HARMONISATION IN
THE INTERNAL MARKET (OHIM)
(56) Related Art Documents: **Not Applicable**
(57) Statement of Newness and Distinctiveness: **Nil**



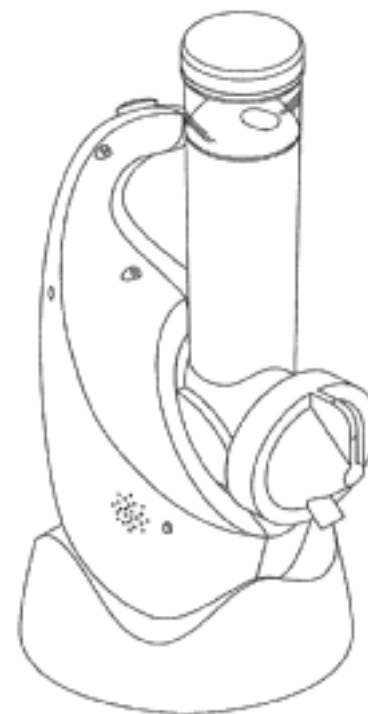
(21) Design Number: **13774/2013**
(22) Date of Filing Application: **07 August 2013**
(24) Date from which industrial property rights may have effect: **07 August 2013**
(54) Product in respect of which the design is registered: **Excavator part**
(51) International Design Classification: **15-04, 15-03A**
(74) Name(s) of Attorney(s): **K&L Gates**
(71) Name(s) and Address(s) of Applicant(s):
Javier Aracama Martinez De Lahidalga
Pol. Ind. Jundiz. C/ Arangutxi 15 01015 Vitoria-Gasteiz Spain
(72) Name(s) of Designer(s): **Javier Aracama Martinez De Lahidalga**
(45) Registration Date: **05 September 2013**
(30) Convention priority data:
(31) Number (32) Date (33) Country
002181255-0004 08 Feb 2013 OFFICE FOR HARMONISATION IN
THE INTERNAL MARKET (OHIM)
(56) Related Art Documents: **Not Applicable**
(57) Statement of Newness and Distinctiveness: **Nil**



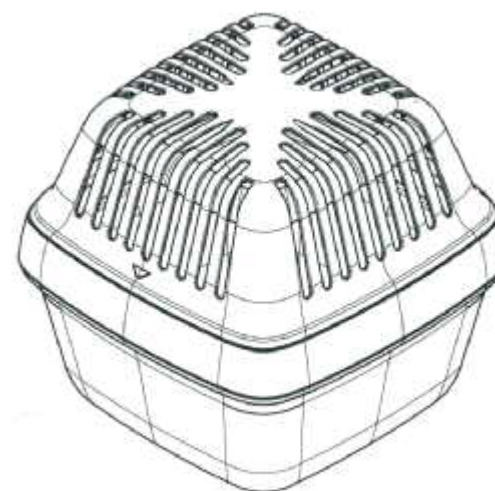
- (21) Design Number: **13783/2013**
(22) Date of Filing Application: **06 August 2013**
(24) Date from which industrial property rights may have effect: **06 August 2013**
(54) Product in respect of which the design is registered: **Mop head**
(51) International Design Classification: **04-01, 07-05E**
(74) Name(s) of Attorney(s): **Freehills Patent Attorneys**
(71) Name(s) and Address(s) of Applicant(s):
Kimberly-Clark Worldwide, Inc.
401 North Lake Street Neenah Wisconsin 54956 United States of America
(72) Name(s) of Designer(s): **Ning Yang and Marianne E. Santangelo and Herb F. Velazquez and Philip D. Palermo and Jae Gu and Gregory W. Luebbering**
(45) Registration Date: **05 September 2013**
(30) Convention priority data:
(31) Number (32) Date (33) Country
29/446786 27 Feb 2013 UNITED STATES OF AMERICA
(56) Related Art Documents: **Not Applicable**
(57) Statement of Newness and Distinctiveness: **Newness and distinctiveness of the design resides in the shape and configuration of the mop head as shown in solid outline in the accompanying representations.**



- (21) Design Number: **13793/2013**
(22) Date of Filing Application: **06 August 2013**
(24) Date from which industrial property rights may have effect: **06 August 2013**
(54) Product in respect of which the design is registered: **Dessert maker**
(51) International Design Classification: **31-00**
(74) Name(s) of Attorney(s): **Freehills Patent Attorneys**
(71) Name(s) and Address(s) of Applicant(s):
Homeland Housewares, LLC
11755 Wilshire Boulevard Suite 1200 Los Angeles California 90025 United States of America
(72) Name(s) of Designer(s): **Lenny Sands**
(45) Registration Date: **05 September 2013**
(30) Convention priority data:
(31) Number (32) Date (33) Country
29459337 28 Jun 2013 UNITED STATES OF AMERICA
(56) Related Art Documents: **Not Applicable**
(57) Statement of Newness and Distinctiveness: **Nil**



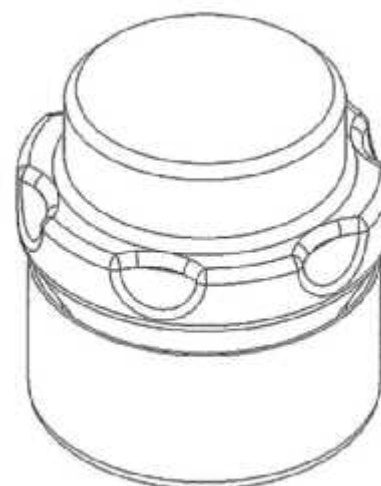
- (21) Design Number: **13794/2013**
(22) Date of Filing Application: **08 August 2013**
(24) Date from which industrial property rights may have effect: **08 August 2013**
(54) Product in respect of which the design is registered: **Dehumidifier**
(51) International Design Classification: **23-04**
(74) Name(s) of Attorney(s): **WATERMARK PATENT AND TRADE MARKS ATTORNEYS**
(71) Name(s) and Address(s) of Applicant(s):
Humex, S.A.
Ctra. La Canonja Nave 4 La Canonja (Tarragona) 43110 Spain
(72) Name(s) of Designer(s): **Eva Schmidt Dios**
(45) Registration Date: **05 September 2013**
(30) Convention priority data:
(31) Number (32) Date (33) Country
2244517-0003 27 May 2013 OFFICE FOR HARMONISATION IN THE INTERNAL MARKET (OHIM)
(56) Related Art Documents: **Not Applicable**
(57) Statement of Newness and Distinctiveness: **Newness and distinctiveness resides in the features of shape and configuration of the product as shown in the drawings.**



- (21) Design Number: **13795/2013**
(22) Date of Filing Application: **08 August 2013**
(24) Date from which industrial property rights may have effect: **08 August 2013**
(54) Product in respect of which the design is registered: **Wiping substrate dispenser**
(51) International Design Classification: **23-02A**
(74) Name(s) of Attorney(s): **SPRUSON & FERGUSON**
(71) Name(s) and Address(s) of Applicant(s):
Kimberly-Clark Worldwide, Inc.
2300 Winchester Road Neenah Wisconsin 54956 United States of America
(72) Name(s) of Designer(s): **Maggie VanderHeiden Berger and Jason Robert Boon and Kevin Christopher Possell**
(45) Registration Date: **05 September 2013**
(30) Convention priority data:
(31) Number (32) Date (33) Country
29/446241 21 Feb 2013 UNITED STATES OF AMERICA
(56) Related Art Documents: **Not Applicable**
(57) Statement of Newness and Distinctiveness: **Newness and distinctiveness is claimed in the features of shape and/or configuration of a wiping substrate dispenser as illustrated in the accompanying representations.**



(21) Design Number: **13811/2013**
(22) Date of Filing Application: **08 August 2013**
(24) Date from which industrial property rights may have effect: **08 August 2013**
(54) Product in respect of which the design is registered: **Stud for wear protection**
(51) International Design Classification: **15-99**
(74) Name(s) of Attorney(s): **Griffith Hack**
(71) Name(s) and Address(s) of Applicant(s):
Betek GMBH & Co. KG
Sulgener Str. 21-23 Aichhalden 78733 Germany
(72) Name(s) of Designer(s): **Pascal Detemple and Christoph Haberstroh**
(45) Registration Date: **05 September 2013**
(30) Convention priority data:
(31) Number (32) Date (33) Country
002183657 13 Feb 2013 EUROPEAN PATENT OFFICE (EPO)
(56) Related Art Documents: **Not Applicable**
(57) Statement of Newness and Distinctiveness: **Nil**



(21) Design Number: **13813/2013**
(22) Date of Filing Application: **08 August 2013**
(24) Date from which industrial property rights may have effect: **08 August 2013**
(54) Product in respect of which the design is registered: **A chair**
(51) International Design Classification: **06-01G**
(74) Name(s) of Attorney(s): **FB Rice**
(71) Name(s) and Address(s) of Applicant(s):
King Furniture Australia Pty Ltd
123 Turrella St Turrella NSW 2205 Australia
(72) Name(s) of Designer(s): **David King and John Levey and Ryan Lawson and Tanya Rechberger**
(45) Registration Date: **05 September 2013**
(56) Related Art Documents: **Not Applicable**
(57) Statement of Newness and Distinctiveness: **Newness and distinctiveness reside in the features of the design as shown in the representations, the frame component shown in solid black lines not forming part of the design for which protection is sought. No weight is to be accorded to which side of the chair the arm is located, it being understood that the arm could be on either side of the chair.**



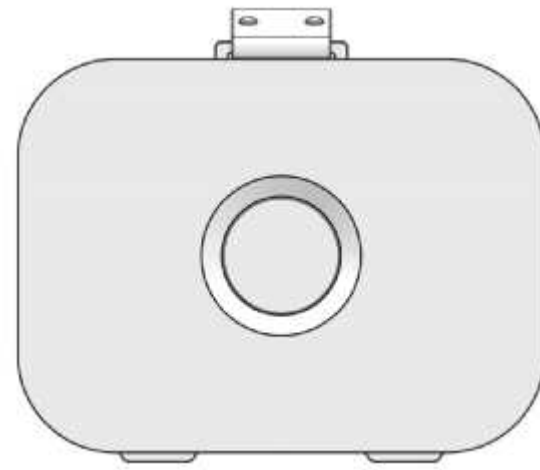
- (21) Design Number: **13814/2013**
(22) Date of Filing Application: **08 August 2013**
(24) Date from which industrial property rights may have effect: **08 August 2013**
(54) Product in respect of which the design is registered: **A chair**
(51) International Design Classification: **06-01G**
(74) Name(s) of Attorney(s): **FB Rice**
(71) Name(s) and Address(s) of Applicant(s):
King Furniture Australia Pty Ltd
123 Turrella St Turrella NSW 2205 Australia
(72) Name(s) of Designer(s): **David King and John Levey and Ryan Lawson and Tanya Rechberger**
(45) Registration Date: **05 September 2013**
(56) Related Art Documents: **Not Applicable**
(57) Statement of Newness and Distinctiveness: **Newness and distinctiveness reside in the features of the design as shown in the representations, the frame component shown in solid black lines not forming part of the design for which protection is sought. No weight is to be accorded to which side of the chair the arm is located, it being understood that the arm could be on either side of the chair.**



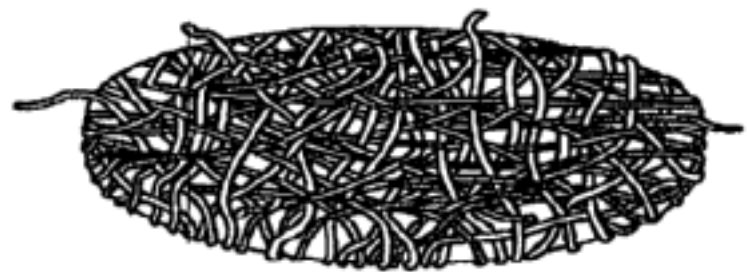
- (21) Design Number: **13815/2013**
(22) Date of Filing Application: **08 August 2013**
(24) Date from which industrial property rights may have effect: **08 August 2013**
(54) Product in respect of which the design is registered: **A chair**
(51) International Design Classification: **06-01G**
(74) Name(s) of Attorney(s): **FB Rice**
(71) Name(s) and Address(s) of Applicant(s):
King Furniture Australia Pty Ltd
123 Turrella St Turrella NSW 2205 Australia
(72) Name(s) of Designer(s): **David King and John Levey and Ryan Lawson and Tanya Rechberger**
(45) Registration Date: **05 September 2013**
(56) Related Art Documents: **Not Applicable**
(57) Statement of Newness and Distinctiveness: **Newness and distinctiveness reside in the features of the design as shown in the representations, the frame component shown in solid black lines not forming part of the design for which protection is sought. No weight is to be accorded to which side of the chair the arm is located, it being understood that the arm could be on either side of the chair.**



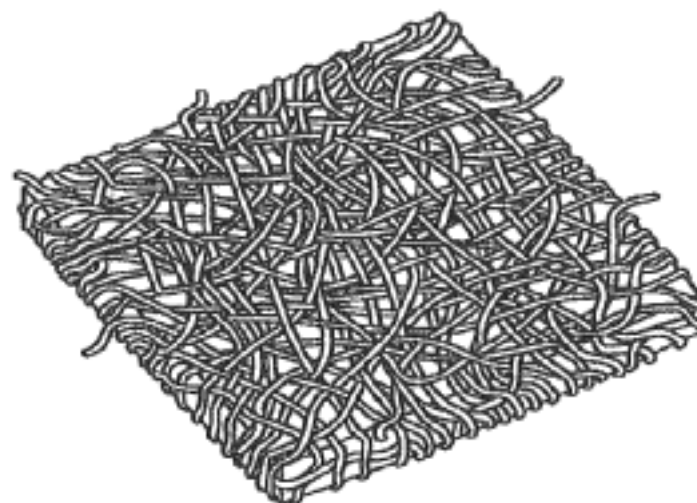
(21) Design Number: **14112/2013**
(22) Date of Filing Application: **20 August 2013**
(24) Date from which industrial property rights may have effect: **20 August 2013**
(54) Product in respect of which the design is registered: **Bluetooth stereo speaker**
(51) International Design Classification: **14-01**
(74) Name(s) of Attorney(s):
(71) Name(s) and Address(s) of Applicant(s):
Euro Communication Equipements
Route de Foix Nebias 11500 France
(72) Name(s) of Designer(s): **Sandrine Benoit**
(45) Registration Date: **05 September 2013**
(56) Related Art Documents: **Not Applicable**
(57) Statement of Newness and Distinctiveness: **Nil**



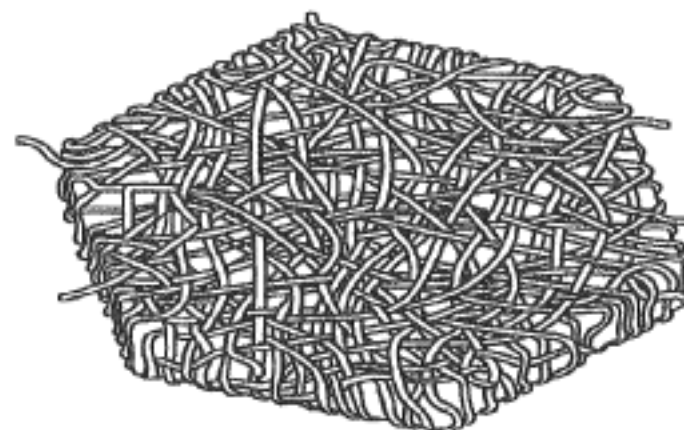
(21) Design Number: **13876/2013**
(22) Date of Filing Application: **14 April 2013**
(24) Date from which industrial property rights may have effect: **14 April 2013**
(54) Product in respect of which the design is registered: **Animal litter puck**
(51) International Design Classification: **30-99**
(74) Name(s) of Attorney(s): **PIZZEYS**
(71) Name(s) and Address(s) of Applicant(s):
The Andersons, Inc.
480 W. Dussell Drive Maumee Ohio 43537 United States of America
(72) Name(s) of Designer(s): **Norman A. Peiffer**
(45) Registration Date: **05 September 2013**
(30) Convention priority data:
(31) Number (32) Date (33) Country
29/434,554 16 Nov 2012 UNITED STATES OF AMERICA
(56) Related Art Documents: **Not Applicable**
(57) Statement of Newness and Distinctiveness: **Nil**



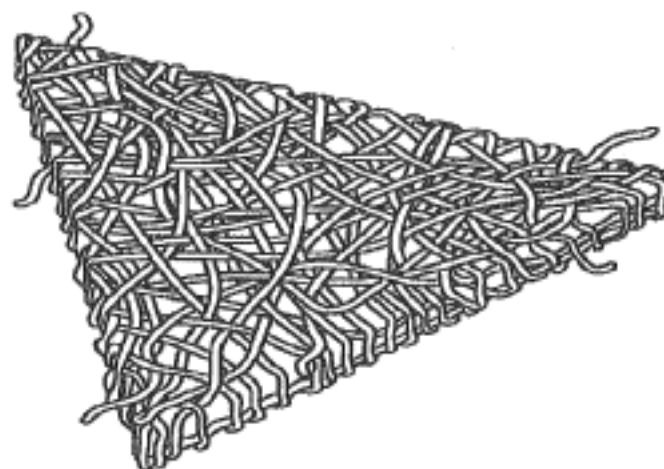
(21) Design Number: **13877/2013**
(22) Date of Filing Application: **14 April 2013**
(24) Date from which industrial property rights may have effect: **14 April 2013**
(54) Product in respect of which the design is registered: **Animal litter puck**
(51) International Design Classification: **30-99**
(74) Name(s) of Attorney(s): **PIZZEYS**
(71) Name(s) and Address(s) of Applicant(s):
The Andersons, Inc.
480 W. Dussell Drive Maumee Ohio 43537 United States of America
(72) Name(s) of Designer(s): **Norman A. Peiffer**
(45) Registration Date: **05 September 2013**
(30) Convention priority data:
(31) Number (32) Date (33) Country
29/434,554 16 Nov 2012 UNITED STATES OF AMERICA
(56) Related Art Documents: **Not Applicable**
(57) Statement of Newness and Distinctiveness: **Nil**



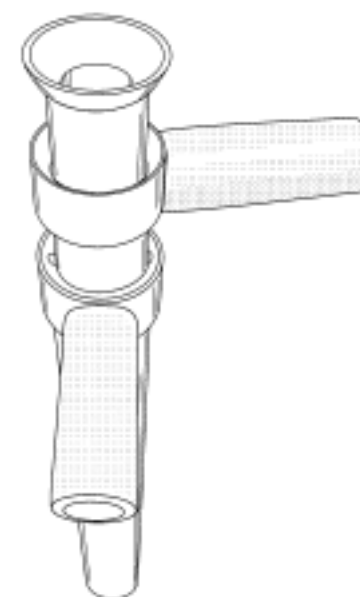
(21) Design Number: **13878/2013**
(22) Date of Filing Application: **14 April 2013**
(24) Date from which industrial property rights may have effect: **14 April 2013**
(54) Product in respect of which the design is registered: **Animal litter puck**
(51) International Design Classification: **30-99**
(74) Name(s) of Attorney(s): **PIZZEYS**
(71) Name(s) and Address(s) of Applicant(s):
The Andersons, Inc.
480 W. Dussell Drive Maumee Ohio 43537 United States of America
(72) Name(s) of Designer(s): **Norman A. Peiffer**
(45) Registration Date: **05 September 2013**
(30) Convention priority data:
(31) Number (32) Date (33) Country
29/434,554 16 Nov 2012 UNITED STATES OF AMERICA
(56) Related Art Documents: **Not Applicable**
(57) Statement of Newness and Distinctiveness: **Nil**



(21) Design Number: **13879/2013**
(22) Date of Filing Application: **14 April 2013**
(24) Date from which industrial property rights may have effect: **14 April 2013**
(54) Product in respect of which the design is registered: **Animal litter puck**
(51) International Design Classification: **30-99**
(74) Name(s) of Attorney(s): **PIZZEYS**
(71) Name(s) and Address(s) of Applicant(s):
The Andersons, Inc.
480 W. Dussell Drive Maumee Ohio 43537 United States of America
(72) Name(s) of Designer(s): **Norman A. Peiffer**
(45) Registration Date: **05 September 2013**
(30) Convention priority data:
(31) Number (32) Date (33) Country
29/434,554 16 Nov 2012 UNITED STATES OF AMERICA
(56) Related Art Documents: **Not Applicable**
(57) Statement of Newness and Distinctiveness: **Nil**



(21) Design Number: **13704/2013**
(22) Date of Filing Application: **31 July 2013**
(24) Date from which industrial property rights may have effect: **31 July 2013**
(54) Product in respect of which the design is registered: **Fishing bait pump / rod holder**
(51) International Design Classification: **08-05G, 22-05**
(74) Name(s) of Attorney(s): **Fisher Adams Kelly Pty Ltd**
(71) Name(s) and Address(s) of Applicant(s):
John Robert Pomper
46 Cove Bvd River Heads QLD 4655 Australia
(72) Name(s) of Designer(s): **John Robert Pomper**
(45) Registration Date: **06 September 2013**
(56) Related Art Documents: **Not Applicable**
(57) Statement of Newness and Distinctiveness: **The newness and distinctiveness of the design resides in the shape and/or configuration of the FISHING BAIT PUMP/ROD HOLDER shown in the representations.**



(21) Design Number: **13799/2013**
(22) Date of Filing Application: **08 August 2013**
(24) Date from which industrial property rights may have effect: **08 August 2013**
(54) Product in respect of which the design is registered: **Flexible hose with identification sleeve**
(51) International Design Classification: **23-01C**
(74) Name(s) of Attorney(s): **SPRUSON & FERGUSON**
(71) Name(s) and Address(s) of Applicant(s):
Victaulic Company
4901 Kesslersville Road Easton PA 18040 United States of America
(72) Name(s) of Designer(s): **Thomas C. Savage and Lawrence W. Thau Jr.**
(45) Registration Date: **06 September 2013**
(30) Convention priority data:
(31) Number (32) Date (33) Country
29/445737 15 Feb 2013 UNITED STATES OF AMERICA
(56) Related Art Documents: **Not Applicable**
(57) Statement of Newness and Distinctiveness: **Newness and distinctiveness is claimed in the features of pattern and/or ornamentation of the identification sleeve of a flexible hose with identification sleeve as illustrated in the accompanying representations, wherein the features of pattern and/or ornamentation of the identification sleeve include surface areas in contrasting colours shown as areas of contrasting tones.**



(21) Design Number: **13800/2013**
(22) Date of Filing Application: **08 August 2013**
(24) Date from which industrial property rights may have effect: **08 August 2013**
(54) Product in respect of which the design is registered: **Flexible hose with identification sleeve**
(51) International Design Classification: **23-01C**
(74) Name(s) of Attorney(s): **SPRUSON & FERGUSON**
(71) Name(s) and Address(s) of Applicant(s):
Victaulic Company
4901 Kesslersville Road Easton PA 18040 United States of America
(72) Name(s) of Designer(s): **Thomas C. Savage and Lawrence W. Thau Jr.**
(45) Registration Date: **06 September 2013**
(30) Convention priority data:
(31) Number (32) Date (33) Country
29/445737 15 Feb 2013 UNITED STATES OF AMERICA
(56) Related Art Documents: **Not Applicable**
(57) Statement of Newness and Distinctiveness: **Newness and distinctiveness is claimed in the features of pattern and/or ornamentation of the identification sleeve of a flexible hose with identification sleeve as illustrated in the accompanying representations.**



(21) Design Number: **13801/2013**
(22) Date of Filing Application: **08 August 2013**
(24) Date from which industrial property rights may have effect: **08 August 2013**
(54) Product in respect of which the design is registered: **Identification sleeve for flexible hose**
(51) International Design Classification: **23-01C**
(74) Name(s) of Attorney(s): **SPRUSON & FERGUSON**
(71) Name(s) and Address(s) of Applicant(s):
Victaulic Company
4901 Kesslersville Road Easton PA 18040 United States of America
(72) Name(s) of Designer(s): **Thomas C. Savage and Lawrence W. Thau Jr.**
(45) Registration Date: **06 September 2013**
(30) Convention priority data:
(31) Number (32) Date (33) Country
29/445737 15 Feb 2013 UNITED STATES OF AMERICA



(56) Related Art Documents: **Not Applicable**
(57) Statement of Newness and Distinctiveness: **Newness and distinctiveness is claimed in the features of pattern and/or ornamentation of an identification sleeve for flexible hose as illustrated in the accompanying representations, wherein the features of pattern and/or ornamentation of the identification sleeve include surface areas in contrasting colours shown as areas of contrasting tones. The flexible hose shown in broken lines forms no part of the design.**

(21) Design Number: **13802/2013**
(22) Date of Filing Application: **08 August 2013**
(24) Date from which industrial property rights may have effect: **08 August 2013**
(54) Product in respect of which the design is registered: **Flexible hose with identification sleeve**
(51) International Design Classification: **23-01C**
(74) Name(s) of Attorney(s): **SPRUSON & FERGUSON**
(71) Name(s) and Address(s) of Applicant(s):
Victaulic Company
4901 Kesslersville Road Easton PA 18040 United States of America
(72) Name(s) of Designer(s): **Thomas C. Savage and Lawrence W. Thau Jr.**
(45) Registration Date: **06 September 2013**
(30) Convention priority data:
(31) Number (32) Date (33) Country
29/445737 15 Feb 2013 UNITED STATES OF AMERICA



(56) Related Art Documents: **Not Applicable**
(57) Statement of Newness and Distinctiveness: **Newness and distinctiveness is claimed in the features of pattern and/or ornamentation of the identification sleeve of a flexible hose with identification sleeve as illustrated in the accompanying representations, wherein the features of pattern and/or ornamentation of the identification sleeve include surface areas in contrasting colours shown as areas of contrasting tones.**

(21) Design Number: **13803/2013**
(22) Date of Filing Application: **08 August 2013**
(24) Date from which industrial property rights may have effect: **08 August 2013**
(54) Product in respect of which the design is registered: **Identification sleeve for flexible hose**
(51) International Design Classification: **23-01C**
(74) Name(s) of Attorney(s): **SPRUSON & FERGUSON**
(71) Name(s) and Address(s) of Applicant(s):
Victaulic Company
4901 Kesslersville Road Easton PA 18040 United States of America
(72) Name(s) of Designer(s): **Thomas C. Savage and Lawrence W. Thau Jr.**
(45) Registration Date: **06 September 2013**
(30) Convention priority data:
(31) Number (32) Date (33) Country
29/445737 15 Feb 2013 UNITED STATES OF AMERICA



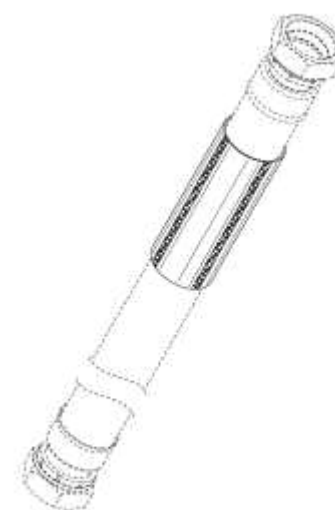
(56) Related Art Documents: **Not Applicable**
(57) Statement of Newness and Distinctiveness: **Newness and distinctiveness is claimed in the features of pattern and/or ornamentation of an identification sleeve for flexible hose as illustrated in the accompanying representations, wherein the features of pattern and/or ornamentation of the identification sleeve include surface areas in contrasting colours shown as areas of contrasting tones. The flexible hose shown in broken lines forms no part of the design.**

(21) Design Number: **13804/2013**
(22) Date of Filing Application: **08 August 2013**
(24) Date from which industrial property rights may have effect: **08 August 2013**
(54) Product in respect of which the design is registered: **Identification sleeve for flexible hose**
(51) International Design Classification: **23-01C**
(74) Name(s) of Attorney(s): **SPRUSON & FERGUSON**
(71) Name(s) and Address(s) of Applicant(s):
Victaulic Company
4901 Kesslersville Road Easton PA 18040 United States of America
(72) Name(s) of Designer(s): **Thomas C. Savage and Lawrence W. Thau Jr.**
(45) Registration Date: **06 September 2013**
(30) Convention priority data:
(31) Number (32) Date (33) Country
29/445737 15 Feb 2013 UNITED STATES OF AMERICA



(56) Related Art Documents: **Not Applicable**
(57) Statement of Newness and Distinctiveness: **Newness and distinctiveness is claimed in the features of pattern and/or ornamentation of an identification sleeve for flexible hose as illustrated in the accompanying representations, wherein the features of pattern and/or ornamentation of the identification sleeve include surface areas in contrasting colours shown as areas of contrasting tones. The flexible hose shown in broken lines forms no part of the design.**

- (21) Design Number: **13805/2013**
(22) Date of Filing Application: **08 August 2013**
(24) Date from which industrial property rights may have effect: **08 August 2013**
(54) Product in respect of which the design is registered: **Identification sleeve for flexible hose**
(51) International Design Classification: **23-01C**
(74) Name(s) of Attorney(s): **SPRUSON & FERGUSON**
(71) Name(s) and Address(s) of Applicant(s):
Victaulic Company
4901 Kesslersville Road Easton PA 18040 United States of America
(72) Name(s) of Designer(s): **Thomas C. Savage and Lawrence W. Thau Jr.**
(45) Registration Date: **06 September 2013**
(30) Convention priority data:
(31) Number (32) Date (33) Country
29/445737 15 Feb 2013 UNITED STATES OF AMERICA
(56) Related Art Documents: **Not Applicable**
(57) Statement of Newness and Distinctiveness: **Newness and distinctiveness is claimed in the features of pattern and/or ornamentation of an identification sleeve for flexible hose as illustrated in the accompanying representations, wherein the features of pattern and/or ornamentation of the identification sleeve include surface areas in contrasting colours shown as areas of contrasting tones. The flexible hose shown in broken lines forms no part of the design.**



- (21) Design Number: **13806/2013**
(22) Date of Filing Application: **08 August 2013**
(24) Date from which industrial property rights may have effect: **08 August 2013**
(54) Product in respect of which the design is registered: **Flexible hose with identification sleeve**
(51) International Design Classification: **23-01C**
(74) Name(s) of Attorney(s): **SPRUSON & FERGUSON**
(71) Name(s) and Address(s) of Applicant(s):
Victaulic Company
4901 Kesslersville Road Easton PA 18040 United States of America
(72) Name(s) of Designer(s): **Thomas C. Savage and Lawrence W. Thau Jr.**
(45) Registration Date: **06 September 2013**
(30) Convention priority data:
(31) Number (32) Date (33) Country
29/445737 15 Feb 2013 UNITED STATES OF AMERICA
(56) Related Art Documents: **Not Applicable**
(57) Statement of Newness and Distinctiveness: **Newness and distinctiveness is claimed in the features pattern and/or ornamentation of the identification sleeve of a flexible hose with identification sleeve as illustrated in the accompanying representations, wherein the features of pattern and/or ornamentation of the identification sleeve include surface areas in contrasting colours shown as areas of contrasting tones.**



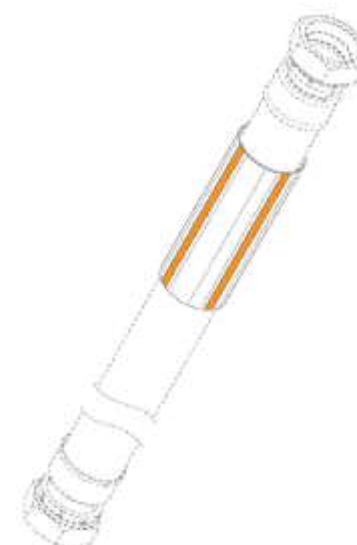
(21) Design Number: **13807/2013**
(22) Date of Filing Application: **08 August 2013**
(24) Date from which industrial property rights may have effect: **08 August 2013**
(54) Product in respect of which the design is registered: **Flexible hose with identification sleeve**
(51) International Design Classification: **23-01C**
(74) Name(s) of Attorney(s): **SPRUSON & FERGUSON**
(71) Name(s) and Address(s) of Applicant(s):
Victaulic Company
4901 Kesslersville Road Easton PA 18040 United States of America
(72) Name(s) of Designer(s): **Thomas C. Savage and Lawrence W. Thau Jr.**
(45) Registration Date: **06 September 2013**
(30) Convention priority data:
(31) Number (32) Date (33) Country
29/445737 15 Feb 2013 UNITED STATES OF AMERICA
(56) Related Art Documents: **Not Applicable**
(57) Statement of Newness and Distinctiveness: **Newness and distinctiveness is claimed in the features pattern and/or ornamentation of the identification sleeve of a flexible hose with identification sleeve as illustrated in the accompanying representations, wherein the features of pattern and/or ornamentation of the identification sleeve include surface areas in contrasting colours shown as areas of contrasting tones.**



(21) Design Number: **13808/2013**
(22) Date of Filing Application: **08 August 2013**
(24) Date from which industrial property rights may have effect: **08 August 2013**
(54) Product in respect of which the design is registered: **Flexible hose with identification sleeve**
(51) International Design Classification: **23-01C**
(74) Name(s) of Attorney(s): **SPRUSON & FERGUSON**
(71) Name(s) and Address(s) of Applicant(s):
Victaulic Company
4901 Kesslersville Road Easton PA 18040 United States of America
(72) Name(s) of Designer(s): **Thomas C. Savage and Lawrence W. Thau Jr.**
(45) Registration Date: **06 September 2013**
(30) Convention priority data:
(31) Number (32) Date (33) Country
29/445737 15 Feb 2013 UNITED STATES OF AMERICA
(56) Related Art Documents: **Not Applicable**
(57) Statement of Newness and Distinctiveness: **Newness and distinctiveness is claimed in the features pattern and/or ornamentation of the identification sleeve of a flexible hose with identification sleeve as illustrated in the accompanying representations.**



(21) Design Number: **13809/2013**
(22) Date of Filing Application: **08 August 2013**
(24) Date from which industrial property rights may have effect: **08 August 2013**
(54) Product in respect of which the design is registered: **Identification sleeve for flexible hose**
(51) International Design Classification: **23-01C**
(74) Name(s) of Attorney(s): **SPRUSON & FERGUSON**
(71) Name(s) and Address(s) of Applicant(s):
Victaulic Company
4901 Kesslersville Road Easton PA 18040 United States of America
(72) Name(s) of Designer(s): **Thomas C. Savage and Lawrence W. Thau Jr.**
(45) Registration Date: **06 September 2013**
(30) Convention priority data:
(31) Number (32) Date (33) Country
29/445737 15 Feb 2013 UNITED STATES OF AMERICA
(56) Related Art Documents: **Not Applicable**
(57) Statement of Newness and Distinctiveness: **Newness and distinctiveness is claimed in the features pattern and/or ornamentation of an identification sleeve for flexible hose as illustrated in the accompanying representations. The flexible hose shown in broken lines forms no part of the design.**



(21) Design Number: **13812/2013**
(22) Date of Filing Application: **08 August 2013**
(24) Date from which industrial property rights may have effect: **08 August 2013**
(54) Product in respect of which the design is registered: **Identification sleeve for flexible hose**
(51) International Design Classification: **23-01C**
(74) Name(s) of Attorney(s): **SPRUSON & FERGUSON**
(71) Name(s) and Address(s) of Applicant(s):
Victaulic Company
4901 Kesslersville Road Easton PA 18040 United States of America
(72) Name(s) of Designer(s): **Thomas C. Savage and Lawrence W. Thau Jr.**
(45) Registration Date: **06 September 2013**
(30) Convention priority data:
(31) Number (32) Date (33) Country
29/445737 15 Feb 2013 UNITED STATES OF AMERICA
(56) Related Art Documents: **Not Applicable**
(57) Statement of Newness and Distinctiveness: **Newness and distinctiveness is claimed in the features of pattern and/or ornamentation of an identification sleeve for flexible hose as illustrated in the accompanying representations. The flexible hose shown in broken lines forms no part of the design.**



- (21) Design Number: **13831/2013**
(22) Date of Filing Application: **08 August 2013**
(24) Date from which industrial property rights may have effect: **08 August 2013**
(54) Product in respect of which the design is registered: **A sofa**
(51) International Design Classification: **06-01B**
(74) Name(s) of Attorney(s): **FB Rice**
(71) Name(s) and Address(s) of Applicant(s):
King Furniture Australia Pty Ltd
123 Turrella St Turrella NSW 2205 Australia
(72) Name(s) of Designer(s): **David King and John Levey and Ryan Lawson and Tanya Rechberger**
(45) Registration Date: **06 September 2013**
(56) Related Art Documents: **Not Applicable**
(57) Statement of Newness and Distinctiveness: **Newness and distinctiveness reside in the features of the design as shown in the representations.**



- (21) Design Number: **13832/2013**
(22) Date of Filing Application: **08 August 2013**
(24) Date from which industrial property rights may have effect: **08 August 2013**
(54) Product in respect of which the design is registered: **A sofa**
(51) International Design Classification: **06-01B**
(74) Name(s) of Attorney(s): **FB Rice**
(71) Name(s) and Address(s) of Applicant(s):
King Furniture Australia Pty Ltd
123 Turrella St Turrella NSW 2205 Australia
(72) Name(s) of Designer(s): **David King and John Levey and Ryan Lawson and Tanya Rechberger**
(45) Registration Date: **06 September 2013**
(56) Related Art Documents: **Not Applicable**
(57) Statement of Newness and Distinctiveness: **Newness and distinctiveness reside in the features of the design as shown in the representations.**



- (21) Design Number: **12951/2013**
(22) Date of Filing Application: **25 June 2013**
(24) Date from which industrial property rights may have effect: **25 June 2013**
(54) Product in respect of which the design is registered: **Twin neck plastic rectangle drum**
(51) International Design Classification: **09-02C, 09-02B**
(74) Name(s) of Attorney(s):
(71) Name(s) and Address(s) of Applicant(s):
Logipak Pty Limited
PO BOX 3454 Dural NSW 2158 Australia
(72) Name(s) of Designer(s): **Graeme Langley**
(45) Registration Date: **06 September 2013**
(56) Related Art Documents: **Not Applicable**
(57) Statement of Newness and Distinctiveness: **Innovative and cost effective design that assists with the safer decanting of liquids. This is achieved by using both a 58mm tamper evident closure for pouring and a 38mm tamper evident closure to allow the entry of air. The dimensions of the new Logipak "SafeLift" cube provide excellent pallet utilization for the customer when stacked onto standard size Australian pallets.**



- (21) Design Number: **13833/2013**
(22) Date of Filing Application: **08 August 2013**
(24) Date from which industrial property rights may have effect: **08 August 2013**
(54) Product in respect of which the design is registered: **A sofa**
(51) International Design Classification: **06-01B**
(74) Name(s) of Attorney(s): **FB Rice**
(71) Name(s) and Address(s) of Applicant(s):
King Furniture Australia Pty Ltd
123 Turrella St Turrella NSW 2205 Australia
(72) Name(s) of Designer(s): **David King and John Levey and Ryan Lawson and Tanya Rechberger**
(45) Registration Date: **06 September 2013**
(56) Related Art Documents: **Not Applicable**
(57) Statement of Newness and Distinctiveness: **Newness and distinctiveness reside in the features of the design as shown in the representations.**



- (21) Design Number: **13834/2013**
(22) Date of Filing Application: **08 August 2013**
(24) Date from which industrial property rights may have effect: **08 August 2013**
(54) Product in respect of which the design is registered: **A sofa**
(51) International Design Classification: **06-01B**
(74) Name(s) of Attorney(s): **FB Rice**
(71) Name(s) and Address(s) of Applicant(s):
King Furniture Australia Pty Ltd
123 Turrella St Turrella NSW 2205 Australia
(72) Name(s) of Designer(s): **David King and John Levey and Ryan Lawson and Tanya Rechberger**
(45) Registration Date: **06 September 2013**
(56) Related Art Documents: **Not Applicable**
(57) Statement of Newness and Distinctiveness: **Newness and distinctiveness reside in the features of the design as shown in the representations.**



- (21) Design Number: **13835/2013**
(22) Date of Filing Application: **08 August 2013**
(24) Date from which industrial property rights may have effect: **08 August 2013**
(54) Product in respect of which the design is registered: **A sofa**
(51) International Design Classification: **06-01G**
(74) Name(s) of Attorney(s): **FB Rice**
(71) Name(s) and Address(s) of Applicant(s):
King Furniture Australia Pty Ltd
123 Turrella St Turrella NSW 2205 Australia
(72) Name(s) of Designer(s): **David King and John Levey and Ryan Lawson and Tanya Rechberger**
(45) Registration Date: **06 September 2013**
(56) Related Art Documents: **Not Applicable**
(57) Statement of Newness and Distinctiveness: **Newness and distinctiveness reside in the features of the design as shown in the representations, the frame component shown in solid black lines not forming part of the design for which protection is sought.**



- (21) Design Number: **13836/2013**
(22) Date of Filing Application: **08 August 2013**
(24) Date from which industrial property rights may have effect: **08 August 2013**
(54) Product in respect of which the design is registered: **A sofa**
(51) International Design Classification: **06-01G**
(74) Name(s) of Attorney(s): **FB Rice**
(71) Name(s) and Address(s) of Applicant(s):
King Furniture Australia Pty Ltd
123 Turrella St Turrella NSW 2205 Australia
(72) Name(s) of Designer(s): **David King and John Levey and Ryan Lawson and Tanya Rechberger**
(45) Registration Date: **06 September 2013**
(56) Related Art Documents: **Not Applicable**
(57) Statement of Newness and Distinctiveness: **Newness and distinctiveness reside in the features of the design as shown in the representations, the frame component shown in solid black lines not forming part of the design for which protection is sought.**



- (21) Design Number: **13837/2013**
(22) Date of Filing Application: **08 August 2013**
(24) Date from which industrial property rights may have effect: **08 August 2013**
(54) Product in respect of which the design is registered: **A sofa**
(51) International Design Classification: **06-01G**
(74) Name(s) of Attorney(s): **FB Rice**
(71) Name(s) and Address(s) of Applicant(s):
King Furniture Australia Pty Ltd
123 Turrella St Turrella NSW 2205 Australia
(72) Name(s) of Designer(s): **David King and John Levey and Ryan Lawson and Tanya Rechberger**
(45) Registration Date: **06 September 2013**
(56) Related Art Documents: **Not Applicable**
(57) Statement of Newness and Distinctiveness: **Newness and distinctiveness reside in the features of the design as shown in the representations, the frame component shown in solid black lines not forming part of the design for which protection is sought. No weight is to be accorded to which side of the sofa the arm is located, it being understood that the arm could be on either side of the sofa.**



- (21) Design Number: **13838/2013**
(22) Date of Filing Application: **08 August 2013**
(24) Date from which industrial property rights may have effect: **08 August 2013**
(54) Product in respect of which the design is registered: **A sofa**
(51) International Design Classification: **06-01G**
(74) Name(s) of Attorney(s): **FB Rice**
(71) Name(s) and Address(s) of Applicant(s):
King Furniture Australia Pty Ltd
123 Turrella St Turrella NSW 2205 Australia
(72) Name(s) of Designer(s): **David King and John Levey and Ryan Lawson and Tanya Rechberger**
(45) Registration Date: **06 September 2013**
(56) Related Art Documents: **Not Applicable**
(57) Statement of Newness and Distinctiveness: **Newness and distinctiveness reside in the features of the design as shown in the representations, the frame component shown in solid black lines not forming part of the design for which protection is sought. No weight is to be accorded to which side of the sofa the arm is located, it being understood that the arm could be on either side of the sofa.**



- (21) Design Number: **13840/2013**
(22) Date of Filing Application: **08 August 2013**
(24) Date from which industrial property rights may have effect: **08 August 2013**
(54) Product in respect of which the design is registered: **A sofa**
(51) International Design Classification: **06-01G**
(74) Name(s) of Attorney(s): **FB Rice**
(71) Name(s) and Address(s) of Applicant(s):
King Furniture Australia Pty Ltd
123 Turrella St Turrella NSW 2205 Australia
(72) Name(s) of Designer(s): **David King and John Levey and Ryan Lawson and Tanya Rechberger**
(45) Registration Date: **06 September 2013**
(56) Related Art Documents: **Not Applicable**
(57) Statement of Newness and Distinctiveness: **Newness and distinctiveness reside in the features of the design as shown in the representations, the frame component shown in solid black lines not forming part of the design for which protection is sought. No weight is to be accorded to which side of the sofa the arm is located, it being understood that the arm could be on either side of the sofa.**



- (21) Design Number: **13841/2013**
(22) Date of Filing Application: **08 August 2013**
(24) Date from which industrial property rights may have effect: **08 August 2013**
(54) Product in respect of which the design is registered: **A sofa**
(51) International Design Classification: **06-01G**
(74) Name(s) of Attorney(s): **FB Rice**
(71) Name(s) and Address(s) of Applicant(s):
King Furniture Australia Pty Ltd
123 Turrella St Turrella NSW 2205 Australia
(72) Name(s) of Designer(s): **David King and John Levey and Ryan Lawson and Tanya Rechberger**
(45) Registration Date: **06 September 2013**
(56) Related Art Documents: **Not Applicable**
(57) Statement of Newness and Distinctiveness: **Newness and distinctiveness reside in the features of the design as shown in the representations, the frame component shown in solid black lines not forming part of the design for which protection is sought. No weight is to be accorded to which side of the sofa the arm is located, it being understood that the arm could be on either side of the sofa.**



- (21) Design Number: **13842/2013**
(22) Date of Filing Application: **08 August 2013**
(24) Date from which industrial property rights may have effect: **08 August 2013**
(54) Product in respect of which the design is registered: **A sofa**
(51) International Design Classification: **06-01G**
(74) Name(s) of Attorney(s): **FB Rice**
(71) Name(s) and Address(s) of Applicant(s):
King Furniture Australia Pty Ltd
123 Turrella St Turrella NSW 2205 Australia
(72) Name(s) of Designer(s): **David King and John Levey and Ryan Lawson and Tanya Rechberger**
(45) Registration Date: **06 September 2013**
(56) Related Art Documents: **Not Applicable**
(57) Statement of Newness and Distinctiveness: **Newness and distinctiveness reside in the features of the design as shown in the representations. No weight is to be given to which side of the sofa carries the wider armrest and which side of the sofa carries the narrower armrest. It is to be understood that the armrests could be arranged in the opposite configuration to that illustrated.**



- (21) Design Number: **13843/2013**
(22) Date of Filing Application: **08 August 2013**
(24) Date from which industrial property rights may have effect: **08 August 2013**
(54) Product in respect of which the design is registered: **A sofa**
(51) International Design Classification: **06-01G**
(74) Name(s) of Attorney(s): **FB Rice**
(71) Name(s) and Address(s) of Applicant(s):
King Furniture Australia Pty Ltd
123 Turrella St Turrella NSW 2205 Australia
(72) Name(s) of Designer(s): **David King and John Levey and Ryan Lawson and Tanya Rechberger**
(45) Registration Date: **06 September 2013**
(56) Related Art Documents: **Not Applicable**
(57) Statement of Newness and Distinctiveness: **Newness and distinctiveness reside in the features of the design as shown in the representations. No weight is to be given to which side of the sofa carries the wider armrest and which side of the sofa carries the narrower armrest. It is to be understood that the armrests could be arranged in the opposite configuration to that illustrated.**



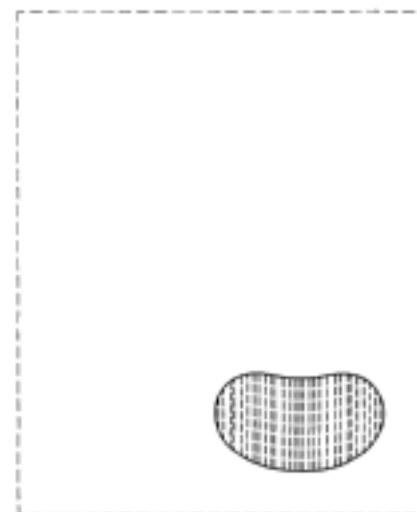
- (21) Design Number: **13844/2013**
(22) Date of Filing Application: **08 August 2013**
(24) Date from which industrial property rights may have effect: **08 August 2013**
(54) Product in respect of which the design is registered: **A sofa**
(51) International Design Classification: **06-01G**
(74) Name(s) of Attorney(s): **FB Rice**
(71) Name(s) and Address(s) of Applicant(s):
King Furniture Australia Pty Ltd
123 Turrella St Turrella NSW 2205 Australia
(72) Name(s) of Designer(s): **David King and John Levey and Ryan Lawson and Tanya Rechberger**
(45) Registration Date: **06 September 2013**
(56) Related Art Documents: **Not Applicable**
(57) Statement of Newness and Distinctiveness: **Newness and distinctiveness reside in the features of the design as shown in the representations.**



- (21) Design Number: **13845/2013**
(22) Date of Filing Application: **08 August 2013**
(24) Date from which industrial property rights may have effect: **08 August 2013**
(54) Product in respect of which the design is registered: **A sofa**
(51) International Design Classification: **06-01G**
(74) Name(s) of Attorney(s): **FB Rice**
(71) Name(s) and Address(s) of Applicant(s):
King Furniture Australia Pty Ltd
123 Turrella St Turrella NSW 2205 Australia
(72) Name(s) of Designer(s): **David King and John Levey and Ryan Lawson and Tanya Rechberger**
(45) Registration Date: **06 September 2013**
(56) Related Art Documents: **Not Applicable**
(57) Statement of Newness and Distinctiveness: **Newness and distinctiveness reside in the features of the design as shown in the representations.**



- (21) Design Number: **13474/2013**
(22) Date of Filing Application: **18 July 2013**
(24) Date from which industrial property rights may have effect: **06 May 2013**
(54) Product in respect of which the design is registered: **Ornamental UPC code/ barcode**
(51) International Design Classification: **14-99**
(74) Name(s) of Attorney(s): **PHILLIPS ORMONDE FITZPATRICK**
(71) Name(s) and Address(s) of Applicant(s):
Jelly Belly Candy Company
One Jelly Belly Lane Fairfield California 94533 United States of America
(72) Name(s) of Designer(s): **Ryan Mitchell Schader**
(45) Registration Date: **09 September 2013**
(30) Convention priority data:
(31) Number (32) Date (33) Country
29/436,941 09 Nov 2012 UNITED STATES OF AMERICA
(62) Divisional of: **350004**
(56) Related Art Documents: **Not Applicable**
(57) Statement of Newness and Distinctiveness: **Newness and distinctiveness resides in the ornamental feature applied to packaging, in the form of a UPC Code/barcode where the design resides in the shape of the UPC Code/barcode periphery as shown in the representations. The features shown in broken lines are not part of the design and are to be disregarded when considering the overall impression of the design, as are the relative size, location and orientation of the ornamental barcode feature in relation to the packaging which, in the representations provided, is illustrative only. The barcode periphery may or may not be defined by the solid line.**



- (21) Design Number: **13514/2013**
(22) Date of Filing Application: **23 July 2013**
(24) Date from which industrial property rights may have effect: **23 July 2013**
(54) Product in respect of which the design is registered: **Pendant light**
(51) International Design Classification: **26-05D**
(74) Name(s) of Attorney(s):
(71) Name(s) and Address(s) of Applicant(s):

Nick Sadowsky
20 Glendale Road Turramurra NSW 2074 Australia

- (72) Name(s) of Designer(s): **Nick Sadowsky**
(45) Registration Date: **09 September 2013**
(56) Related Art Documents: **Not Applicable**

- (57) Statement of Newness and Distinctiveness: **Overall shape, from the round top to its angle/profile shared between both aluminium pieces and the exposed timber. Also the use of another material that breaks up the 2 aluminium pieces with a gap of vertical distance as well as a gap between the outer aluminium edge and the timbers corresponding edges. Including all proportions. The design of the timber block that ensures the aluminium slots over and on top without adhesives or screws. Top two pieces fit with the base piece for distribution.**



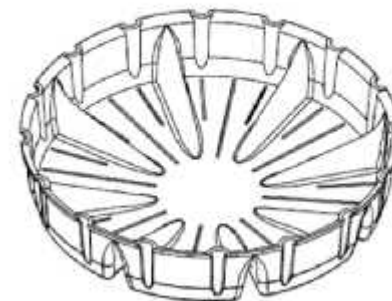
- (21) Design Number: **13552/2013**
(22) Date of Filing Application: **25 July 2013**
(24) Date from which industrial property rights may have effect: **25 July 2013**
(54) Product in respect of which the design is registered: **A strainer**
(51) International Design Classification: **23-01G, 23-02E, 07-04**
(74) Name(s) of Attorney(s): **SPRUSON & FERGUSON**
(71) Name(s) and Address(s) of Applicant(s):

Tom Freeman
5/11a Marcel Ave Clovelly NSW 2031 Australia

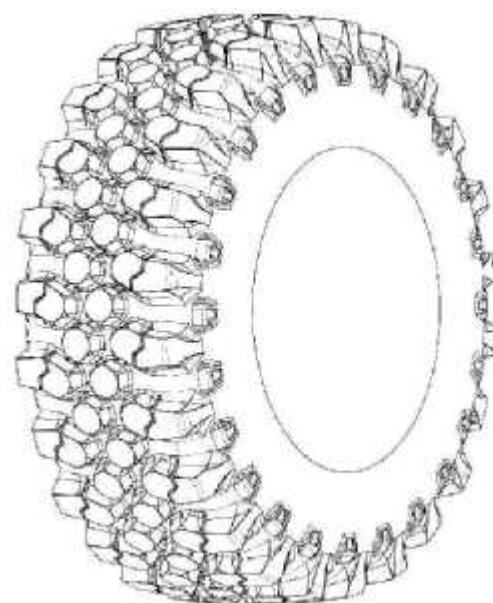
Moana Nguyen
9/30 Devenish St Greenfield Park NSW 2176 Australia

- (72) Name(s) of Designer(s): **Tom Freeman and Moana Nguyen**
(45) Registration Date: **09 September 2013**
(56) Related Art Documents: **Not Applicable**

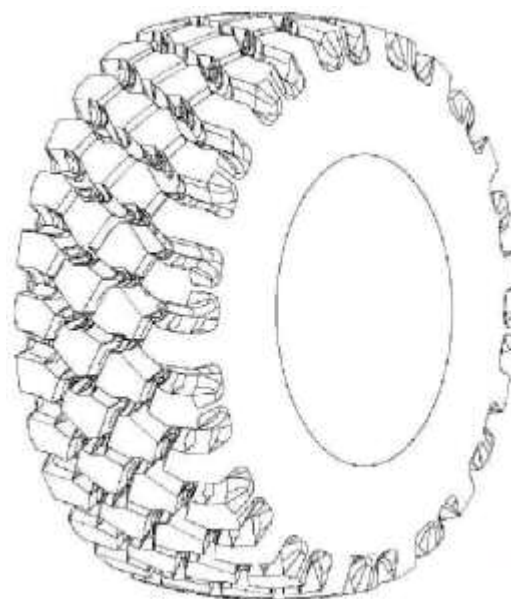
- (57) Statement of Newness and Distinctiveness: **Newness and distinctiveness is claimed in the features of shape and/or configuration of a strainer as illustrated in the accompanying representations.**



- (21) Design Number: **13555/2013**
(22) Date of Filing Application: **25 July 2013**
(24) Date from which industrial property rights may have effect: **25 July 2013**
(54) Product in respect of which the design is registered: **A tyre**
(51) International Design Classification: **12-15C**
(74) Name(s) of Attorney(s): **WATERMARK PATENT AND TRADE MARKS ATTORNEYS**
(71) Name(s) and Address(s) of Applicant(s):
COMPAGNIE GENERALE DES ETABLISSEMENTS MICHELIN
12 cours Sablon Clermont Ferrand 63000 France
Michelin Recherche et Technique S.A
Route Louis Braille 10 Granges-Paccot 1763 Switzerland
(72) Name(s) of Designer(s): **Arnaud Larregain and Frederic Lamberty and Eric Francois**
(45) Registration Date: **09 September 2013**
(30) Convention priority data:
(31) Number (32) Date (33) Country
13/0842 15 Feb 2013 FRANCE
(56) Related Art Documents: **Not Applicable**
(57) Statement of Newness and Distinctiveness: **Newness and distinctiveness resides in the appearance of the tread region of the tyre, the remainder of the tyre not forming part of the design.**



- (21) Design Number: **13556/2013**
(22) Date of Filing Application: **25 July 2013**
(24) Date from which industrial property rights may have effect: **25 July 2013**
(54) Product in respect of which the design is registered: **A tyre**
(51) International Design Classification: **12-15C**
(74) Name(s) of Attorney(s): **WATERMARK PATENT AND TRADE MARKS ATTORNEYS**
(71) Name(s) and Address(s) of Applicant(s):
COMPAGNIE GENERALE DES ETABLISSEMENTS MICHELIN
12 cours Sablon Clermont Ferrand 63000 France
Michelin Recherche et Technique S.A
Route Louis Braille 10 Granges-Paccot 1763 Switzerland
(72) Name(s) of Designer(s): **Arnaud Larregain and Murielle De-Tullio**
(45) Registration Date: **09 September 2013**
(30) Convention priority data:
(31) Number (32) Date (33) Country
13/0843 15 Feb 2013 FRANCE
(56) Related Art Documents: **Not Applicable**
(57) Statement of Newness and Distinctiveness: **Newness and distinctiveness resides in the appearance of the tread region of the tyre, the remainder of the tyre not forming part of the design.**



- (21) Design Number: **13560/2013**
- (22) Date of Filing Application: **25 July 2013**
- (24) Date from which industrial property rights may have effect: **25 July 2013**
- (54) Product in respect of which the design is registered: **An extrusion**
- (51) International Design Classification: **25-01K**
- (74) Name(s) of Attorney(s): **SPRUSON & FERGUSON**
- (71) Name(s) and Address(s) of Applicant(s):
Architectural Window Systems Pty Ltd
76-78 Jedda Rd Prestons NSW 2170 Australia
- (72) Name(s) of Designer(s): **David McCleary**
- (45) Registration Date: **09 September 2013**
- (56) Related Art Documents: **Not Applicable**
- (57) Statement of Newness and Distinctiveness: **Newness and distinctiveness is claimed in the features of shape and configuration of the cross-section of an extrusion as illustrated in the accompanying representation wherein the cross-section of the extrusion is constant along its length.**



- (21) Design Number: **13562/2013**
- (22) Date of Filing Application: **25 July 2013**
- (24) Date from which industrial property rights may have effect: **25 July 2013**
- (54) Product in respect of which the design is registered: **An extrusion**
- (51) International Design Classification: **25-01K**
- (74) Name(s) of Attorney(s): **SPRUSON & FERGUSON**
- (71) Name(s) and Address(s) of Applicant(s):
Architectural Window Systems Pty Ltd
76-78 Jedda Road Prestons New South Wales 2170 Australia
- (72) Name(s) of Designer(s): **David McCleary**
- (45) Registration Date: **09 September 2013**
- (56) Related Art Documents: **Not Applicable**
- (57) Statement of Newness and Distinctiveness: **Newness and distinctiveness is claimed in the features of shape and/or configuration of the cross-section of an extrusion as illustrated in the accompanying representation wherein the cross-section of the extrusion is constant along its length.**



(21) Design Number: **13565/2013**
(22) Date of Filing Application: **25 July 2013**
(24) Date from which industrial property rights may have effect: **25 July 2013**
(54) Product in respect of which the design is registered: **A statue**
(51) International Design Classification: **11-02D**
(74) Name(s) of Attorney(s):
(71) Name(s) and Address(s) of Applicant(s):
Paul Scuglia
166 Vimiera Rd Marsfield NSW 2122 Australia
(72) Name(s) of Designer(s): **Paul Scuglia**
(45) Registration Date: **09 September 2013**
(56) Related Art Documents: **Not Applicable**
(57) Statement of Newness and Distinctiveness: **Nil**



(21) Design Number: **13761/2013**
(22) Date of Filing Application: **07 August 2013**
(24) Date from which industrial property rights may have effect: **07 August 2013**
(54) Product in respect of which the design is registered: **Floor cleaner base**
(51) International Design Classification: **15-05**
(74) Name(s) of Attorney(s): **Griffith Hack**
(71) Name(s) and Address(s) of Applicant(s):
BISSELL Homecare, Inc
2345 Walker Avenue N.W. Grand Rapids Michigan 49544 United States of America
(72) Name(s) of Designer(s): **Wendy Hui Wu and Lawrence Chun-Hei Chu and Gabriel Yik Kan Tam and Christopher John Reinke**
(45) Registration Date: **09 September 2013**
(30) Convention priority data:
(31) Number (32) Date (33) Country
29/447,227 01 Mar 2013 UNITED STATES OF AMERICA
(56) Related Art Documents: **Not Applicable**
(57) Statement of Newness and Distinctiveness: **The shape and configuration of the product shown in the representations is new and distinctive.**



(21) Design Number: **13762/2013**
(22) Date of Filing Application: **07 August 2013**
(24) Date from which industrial property rights may have effect: **07 August 2013**
(54) Product in respect of which the design is registered: **Floor cleaner upright portion**
(51) International Design Classification: **15-05**
(74) Name(s) of Attorney(s): **Griffith Hack**
(71) Name(s) and Address(s) of Applicant(s):
BISSELL Homecare, Inc
2345 Walker Avenue N.W. Grand Rapids Michigan 49544 United States of America
(72) Name(s) of Designer(s): **Wendy Hui Wu and Lawrence Chun-Hei Chu and Gabriel Yik Kan Tam and Christopher John Reinke**
(45) Registration Date: **09 September 2013**
(30) Convention priority data:
(31) Number (32) Date (33) Country
29/447,225 01 Mar 2013 UNITED STATES OF AMERICA
(56) Related Art Documents: **Not Applicable**
(57) Statement of Newness and Distinctiveness: **The shape and configuration of the product shown in the representations is new and distinctive.**



(21) Design Number: **13769/2013**
(22) Date of Filing Application: **07 August 2013**
(24) Date from which industrial property rights may have effect: **07 August 2013**
(54) Product in respect of which the design is registered: **Floor cleaner handle grip**
(51) International Design Classification: **08-06, 15-05**
(74) Name(s) of Attorney(s): **Griffith Hack**
(71) Name(s) and Address(s) of Applicant(s):
BISSELL Homecare, Inc
2345 Walker Avenue N.W. Grand Rapids MI 49544 United States of America
(72) Name(s) of Designer(s): **Lawrence Chun-Hei Chu and Charles Jing Yang and Christopher John Reinke and Matthias Reisenberger and Jing Pang and Jonas Vollmer**
(45) Registration Date: **09 September 2013**
(30) Convention priority data:
(31) Number (32) Date (33) Country
29/447,011 28 Feb 2013 UNITED STATES OF AMERICA
(56) Related Art Documents: **Not Applicable**
(57) Statement of Newness and Distinctiveness: **The shape and configuration of the product shown in the representations is new and distinctive.**



- (21) Design Number: **13776/2013**
(22) Date of Filing Application: **07 August 2013**
(24) Date from which industrial property rights may have effect: **07 August 2013**
(54) Product in respect of which the design is registered: **Novelty cricket bat for autographs with pen holder**
(51) International Design Classification: **11-05**
(74) Name(s) of Attorney(s):
(71) Name(s) and Address(s) of Applicant(s):
Galvag Pty Limited
PO BOX 76 Port Macquarie NSW 2444 Australia
(72) Name(s) of Designer(s): **Paul Gallagher and Seth Vagg**
(45) Registration Date: **09 September 2013**
(56) Related Art Documents: **Not Applicable**
(57) Statement of Newness and Distinctiveness: **Monopoly is claimed in the shape and configuration of a novelty cricket bat for autographs as illustrated namely the cut out pen holder located therein.**



- (21) Design Number: **13777/2013**
(22) Date of Filing Application: **07 August 2013**
(24) Date from which industrial property rights may have effect: **07 August 2013**
(54) Product in respect of which the design is registered: **Novelty cricket bat for autographs with pen holder**
(51) International Design Classification: **11-05**
(74) Name(s) of Attorney(s):
(71) Name(s) and Address(s) of Applicant(s):
Galvag Pty Limited
PO BOX 76 Port Macquarie NSW 2444 Australia
(72) Name(s) of Designer(s): **Paul Gallagher and Seth Vagg**
(45) Registration Date: **09 September 2013**
(56) Related Art Documents: **Not Applicable**
(57) Statement of Newness and Distinctiveness: **Monopoly is claimed in the shape and configuration of a novelty cricket bat for autographs as illustrated namely the cut out pen holder located therein.**



(21) Design Number: **13780/2013**

(22) Date of Filing Application: **08 August 2013**

(24) Date from which industrial property rights may have effect: **08 August 2013**

(54) Product in respect of which the design is registered: **Floor cleaner foot**

(51) International Design Classification: **15-05**

(74) Name(s) of Attorney(s): **Griffith Hack**

(71) Name(s) and Address(s) of Applicant(s):

BISSELL Homecare, Inc

2345 Walker Avenue N.W. Grand Rapids Michigan 49544 United States of America

(72) Name(s) of Designer(s): **Lawrence Chun-Hei Chu and Charles Jing Yang and Christopher John Reinke and Matthias Reisenberger and Jing Pang and Jonas Vollmer**

(45) Registration Date: **09 September 2013**

(30) Convention priority data:

(31) Number

(32) Date

(33) Country

29/447,016

28 Feb 2013

UNITED STATES OF AMERICA

(56) Related Art Documents: **Not Applicable**

(57) Statement of Newness and Distinctiveness: **The shape and configuration of the product shown in the representations is new and distinctive.**



(21) Design Number: **13781/2013**

(22) Date of Filing Application: **08 August 2013**

(24) Date from which industrial property rights may have effect: **08 August 2013**

(54) Product in respect of which the design is registered: **Floor cleaner accessory tool**

(51) International Design Classification: **15-05**

(74) Name(s) of Attorney(s): **Griffith Hack**

(71) Name(s) and Address(s) of Applicant(s):

BISSELL Homecare, Inc

2345 Walker Avenue N.W. Grand Rapids Michigan 49544 United States of America

(72) Name(s) of Designer(s): **Lawrence Chun-Hei Chu and Charles Jing Yang and Christopher John Reinke and Matthias Reisenberger and Jing Pang and Jonas Vollmer**

(45) Registration Date: **09 September 2013**

(30) Convention priority data:

(31) Number

(32) Date

(33) Country

29/447,019

28 Feb 2013

UNITED STATES OF AMERICA

(56) Related Art Documents: **Not Applicable**

(57) Statement of Newness and Distinctiveness: **The shape and configuration of the product shown in the representations is new and distinctive.**



(21) Design Number: **13782/2013**

(22) Date of Filing Application: **08 August 2013**

(24) Date from which industrial property rights may have effect: **08 August 2013**

(54) Product in respect of which the design is registered: **Floor cleaning canister**

(51) International Design Classification: **15-05**

(74) Name(s) of Attorney(s): **Griffith Hack**

(71) Name(s) and Address(s) of Applicant(s):

BISSELL Homecare, Inc
2345 Walker Avenue N.W. Grand Rapids Michigan 49544 United States of America

(72) Name(s) of Designer(s): **Lawrence Chun-Hei Chu and Charles Jing Yang and Christopher John Reinke and Matthias Reisenberger and Jing Pang and Jonas Vollmer**

(45) Registration Date: **09 September 2013**

(30) Convention priority data:

(31) Number	(32) Date	(33) Country
29/447,009	28 Feb 2013	UNITED STATES OF AMERICA

(56) Related Art Documents: **Not Applicable**

(57) Statement of Newness and Distinctiveness: **The shape and configuration of the product shown in the representations is new and distinctive.**



(21) Design Number: **13784/2013**

(22) Date of Filing Application: **06 August 2013**

(24) Date from which industrial property rights may have effect: **06 August 2013**

(54) Product in respect of which the design is registered: **Medicament package**

(51) International Design Classification: **09-01NES**

(74) Name(s) of Attorney(s):

(71) Name(s) and Address(s) of Applicant(s):

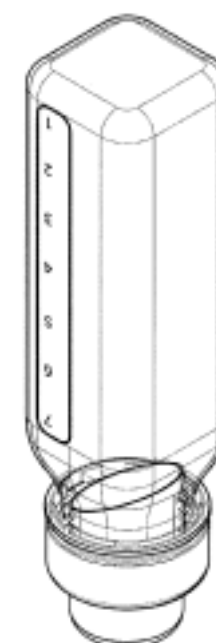
Logue and Co. Pty Ltd
199 Kiora Rd Yowie Bay NSW 2228 Australia

(72) Name(s) of Designer(s): **Anthony Thomas Logue**

(45) Registration Date: **09 September 2013**

(56) Related Art Documents: **Not Applicable**

(57) Statement of Newness and Distinctiveness: **Newness and distinctiveness is claimed in the features of shape and/or configuration of a medicament package as depicted in the accompanying drawings.**



- (21) Design Number: **13785/2013**
(22) Date of Filing Application: **06 August 2013**
(24) Date from which industrial property rights may have effect: **06 August 2013**
(54) Product in respect of which the design is registered: **Measuring cap**
(51) International Design Classification: **10-04, 09-07B**
(74) Name(s) of Attorney(s):
(71) Name(s) and Address(s) of Applicant(s):
Logue and Co. Pty Ltd
199 Kiora Rd Yowie Bay NSW 2228 Australia
(72) Name(s) of Designer(s): **Anthony Thomas Logue**
(45) Registration Date: **09 September 2013**
(56) Related Art Documents: **Not Applicable**
(57) Statement of Newness and Distinctiveness: **Newness and distinctiveness is claimed in the features of shape and/or configuration of a measuring cap as depicted in the accompanying drawings.**



- (21) Design Number: **13786/2013**
(22) Date of Filing Application: **06 August 2013**
(24) Date from which industrial property rights may have effect: **06 August 2013**
(54) Product in respect of which the design is registered: **Measuring cap**
(51) International Design Classification: **10-04, 09-07B**
(74) Name(s) of Attorney(s):
(71) Name(s) and Address(s) of Applicant(s):
Logue and Co. Pty Ltd
199 Kiora Rd Yowie Bay NSW 2228 Australia
(72) Name(s) of Designer(s): **Anthony Thomas Logue**
(45) Registration Date: **09 September 2013**
(56) Related Art Documents: **Not Applicable**
(57) Statement of Newness and Distinctiveness: **Newness and distinctiveness is claimed in the features of shape and/or configuration of a measuring cap as depicted in the accompanying drawings.**



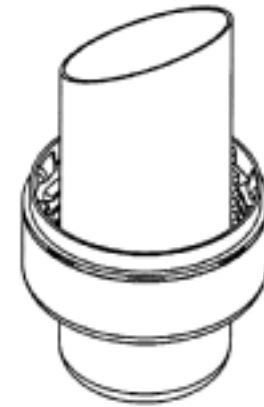
(21) Design Number: **13787/2013**
(22) Date of Filing Application: **06 August 2013**
(24) Date from which industrial property rights may have effect: **06 August 2013**
(54) Product in respect of which the design is registered: **Measuring cap**
(51) International Design Classification: **10-04, 09-07B**
(74) Name(s) of Attorney(s):
(71) Name(s) and Address(s) of Applicant(s):
Logue and Co. Pty Ltd
199 Kiora Rd Yowie Bay NSW 2228 Australia
(72) Name(s) of Designer(s): **Anthony Thomas Logue**
(45) Registration Date: **09 September 2013**
(56) Related Art Documents: **Not Applicable**
(57) Statement of Newness and Distinctiveness: **Newness and distinctiveness is claimed in the features of shape and/or configuration of a measuring cap as depicted in the accompanying drawings.**



(21) Design Number: **13788/2013**
(22) Date of Filing Application: **06 August 2013**
(24) Date from which industrial property rights may have effect: **06 August 2013**
(54) Product in respect of which the design is registered: **Measuring cap**
(51) International Design Classification: **10-04, 09-07B**
(74) Name(s) of Attorney(s):
(71) Name(s) and Address(s) of Applicant(s):
Logue and Co. Pty Ltd
199 Kiora Rd Yowie Bay NSW 2228 Australia
(72) Name(s) of Designer(s): **Anthony Thomas Logue**
(45) Registration Date: **09 September 2013**
(56) Related Art Documents: **Not Applicable**
(57) Statement of Newness and Distinctiveness: **Newness and distinctiveness is claimed in the features of shape and/or configuration of a measuring cap as depicted in the accompanying drawings.**



- (21) Design Number: **13789/2013**
(22) Date of Filing Application: **06 August 2013**
(24) Date from which industrial property rights may have effect: **06 August 2013**
(54) Product in respect of which the design is registered: **Measuring cap**
(51) International Design Classification: **10-04, 09-07B**
(74) Name(s) of Attorney(s):
(71) Name(s) and Address(s) of Applicant(s):
Logue and Co. Pty Ltd
199 Kiora Rd Yowie Bay NSW 2228 Australia
(72) Name(s) of Designer(s): **Anthony Thomas Logue**
(45) Registration Date: **09 September 2013**
(56) Related Art Documents: **Not Applicable**
(57) Statement of Newness and Distinctiveness: **Newness and distinctiveness is claimed in the features of shape and/or configuration of a measuring cap as depicted in the accompanying drawings.**



- (21) Design Number: **13790/2013**
(22) Date of Filing Application: **06 August 2013**
(24) Date from which industrial property rights may have effect: **06 August 2013**
(54) Product in respect of which the design is registered: **Measuring cap**
(51) International Design Classification: **10-04, 09-07B**
(74) Name(s) of Attorney(s):
(71) Name(s) and Address(s) of Applicant(s):
Logue and Co. Pty Ltd
199 Kiora Rd Yowie Bay NSW 2228 Australia
(72) Name(s) of Designer(s): **Anthony Thomas Logue**
(45) Registration Date: **09 September 2013**
(56) Related Art Documents: **Not Applicable**
(57) Statement of Newness and Distinctiveness: **Newness and distinctiveness is claimed in the features of shape and/or configuration of a measuring cap as depicted in the accompanying drawings.**



(21) Design Number: **13791/2013**

(22) Date of Filing Application: **06 August 2013**

(24) Date from which industrial property rights may have effect: **06 August 2013**

(54) Product in respect of which the design is registered: **Measuring cap**

(51) International Design Classification: **10-04, 09-07B**

(74) Name(s) of Attorney(s):

(71) Name(s) and Address(s) of Applicant(s):

Logue and Co. Pty Ltd

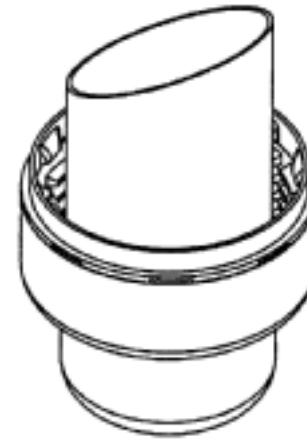
199 Kiora Rd Yowie Bay NSW 2228 Australia

(72) Name(s) of Designer(s): **Anthony Thomas Logue**

(45) Registration Date: **09 September 2013**

(56) Related Art Documents: **Not Applicable**

(57) Statement of Newness and Distinctiveness: **Newness and distinctiveness is claimed in the features of shape and/or configuration of a measuring cap as depicted in the accompanying drawings.**



(21) Design Number: **13792/2013**

(22) Date of Filing Application: **06 August 2013**

(24) Date from which industrial property rights may have effect: **06 August 2013**

(54) Product in respect of which the design is registered: **Measuring cap**

(51) International Design Classification: **10-04, 09-07B**

(74) Name(s) of Attorney(s):

(71) Name(s) and Address(s) of Applicant(s):

Logue and Co. Pty Ltd

199 Kiora Rd Yowie Bay NSW 2228 Australia

(72) Name(s) of Designer(s): **Anthony Thomas Logue**

(45) Registration Date: **09 September 2013**

(56) Related Art Documents: **Not Applicable**

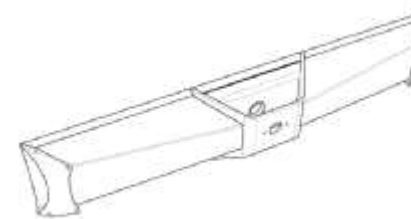
(57) Statement of Newness and Distinctiveness: **Newness and distinctiveness is claimed in the features of shape and/or configuration of a measuring cap as depicted in the accompanying drawings.**



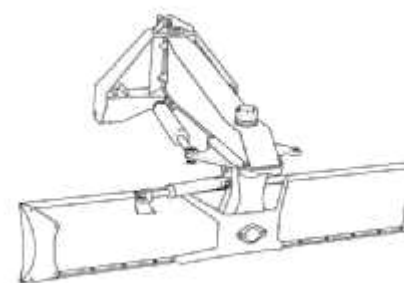
- (21) Design Number: **13880/2013**
(22) Date of Filing Application: **08 August 2013**
(24) Date from which industrial property rights may have effect: **08 August 2013**
(54) Product in respect of which the design is registered: **Medicament package**
(51) International Design Classification: **09-01NES**
(74) Name(s) of Attorney(s):
(71) Name(s) and Address(s) of Applicant(s):
Logue and Co. Pty Ltd
199 Kiora Rd Yowie Bay NSW 2228 Australia
(72) Name(s) of Designer(s): **Anthony Thomas Logue**
(45) Registration Date: **09 September 2013**
(56) Related Art Documents: **Not Applicable**
(57) Statement of Newness and Distinctiveness: **Newness and distinctiveness is claimed in the features of shape and/or configuration of a medicament package as depicted in the accompanying drawings.**



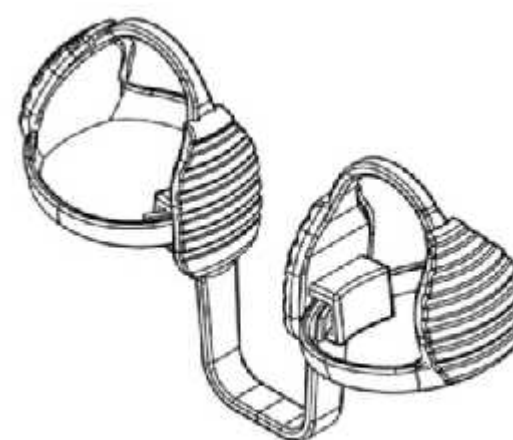
- (21) Design Number: **10282/2013**
(22) Date of Filing Application: **21 January 2013**
(24) Date from which industrial property rights may have effect: **21 January 2013**
(54) Product in respect of which the design is registered: **Grader blade**
(51) International Design Classification: **15-03A**
(74) Name(s) of Attorney(s): **Halfords IP**
(71) Name(s) and Address(s) of Applicant(s):
Challenge Implements Holdings Pty Limited
Leewood Dr Orange NSW 2800 Australia
(72) Name(s) of Designer(s): **Craig Healey and John Healey and Daniel Webb and Jack Rahilly**
(45) Registration Date: **09 September 2013**
(56) Related Art Documents: **Not Applicable**
(57) Statement of Newness and Distinctiveness: **Newness and Distinctiveness is claimed in those features of shape and or configuration of a Grader Blade as depicted in the representations.**



- (21) Design Number: **10283/2013**
(22) Date of Filing Application: **21 January 2013**
(24) Date from which industrial property rights may have effect: **21 January 2013**
(54) Product in respect of which the design is registered: **Grader attachment assembly**
(51) International Design Classification: **15-03A**
(74) Name(s) of Attorney(s): **Halfords IP**
(71) Name(s) and Address(s) of Applicant(s):
Challenge Implements Holdings Pty Limited
Leewood Dr Orange NSW 2800 Australia
(72) Name(s) of Designer(s): **Craig Healey and John Healey and Daniel Webb and Jack Rahilly**
(45) Registration Date: **09 September 2013**
(56) Related Art Documents: **Not Applicable**
(57) Statement of Newness and Distinctiveness: **Newness and Distinctiveness is claimed in those features of shape and or configuration of a Grader Attachment Assembly as depicted in the representations.**



- (21) Design Number: **10288/2013**
(22) Date of Filing Application: **21 January 2013**
(24) Date from which industrial property rights may have effect: **21 January 2013**
(54) Product in respect of which the design is registered: **Nasal dilator device**
(51) International Design Classification: **24-02**
(74) Name(s) of Attorney(s): **Davies Collison Cave**
(71) Name(s) and Address(s) of Applicant(s):
ASAP Breatheassist Pty Ltd
L9 45 William St Melbourne Victoria 3000 Australia
(72) Name(s) of Designer(s): **Michael Johnson**
(45) Registration Date: **09 September 2013**
(56) Related Art Documents: **Not Applicable**
(57) Statement of Newness and Distinctiveness: **Newness and distinctiveness is claimed in the shape and configuration of a nasal dilator device as shown in the accompanying representations.**



(21) Design Number: **12592/2013**
(22) Date of Filing Application: **05 June 2013**
(24) Date from which industrial property rights may have effect: **05 June 2013**
(54) Product in respect of which the design is registered: **Double neck bottle**
(51) International Design Classification: **09-01NES**
(74) Name(s) of Attorney(s): **SPRUSON & FERGUSON**
(71) Name(s) and Address(s) of Applicant(s):

Jemie B.V.
Beneluxweg 37 Oosterhout 4901 SJ Netherlands

(72) Name(s) of Designer(s): **Arie Jan de Jong**

(45) Registration Date: **09 September 2013**

(30) Convention priority data:

(31) Number	(32) Date	(33) Country
84827-02	05 Apr 2013	BENELUX

(56) Related Art Documents: **Not Applicable**

(57) Statement of Newness and Distinctiveness: **Newness and distinctiveness is claimed in the features of shape and/or configuration of the following parts of a double neck bottle as illustrated and labelled in the accompanying representations; curved tubular element labelled "A"; concaved portion of the right side of the bottle labelled "B"; raised section wrapped around front, left and rear sides of the bottle labelled "C".**



(21) Design Number: **12795/2013**
(22) Date of Filing Application: **18 June 2013**
(24) Date from which industrial property rights may have effect: **18 June 2013**
(54) Product in respect of which the design is registered: **Display stand**
(51) International Design Classification: **20-02E**
(74) Name(s) of Attorney(s): **Davies Collison Cave**
(71) Name(s) and Address(s) of Applicant(s):

Red Bull GmbH
Am Brunnen 1 Fuschl am See 5330 Austria

(72) Name(s) of Designer(s): **Daniel Philip Schneider Junior and Mario Groth and Thomas Lemmerer and Juergen Brenneis and Stephan Schaden**

(45) Registration Date: **09 September 2013**

(30) Convention priority data:

(31) Number	(32) Date	(33) Country
002155291-0002	18 Dec 2012	OFFICE FOR HARMONISATION IN THE INTERNAL MARKET (OHIM)

(56) Related Art Documents: **Not Applicable**

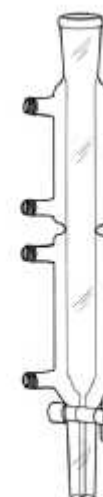
(57) Statement of Newness and Distinctiveness: **Nil**



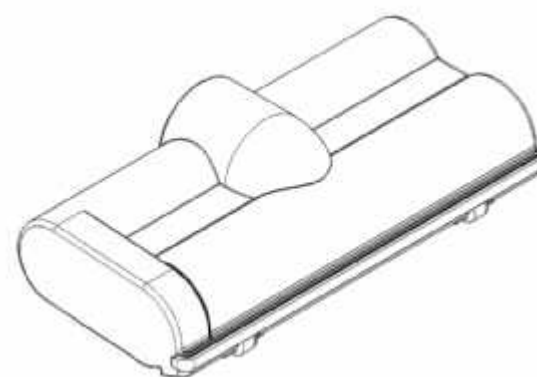
(21) Design Number: **12797/2013**
(22) Date of Filing Application: **18 June 2013**
(24) Date from which industrial property rights may have effect: **18 June 2013**
(54) Product in respect of which the design is registered: **Display stand**
(51) International Design Classification: **20-02E**
(74) Name(s) of Attorney(s): **Davies Collison Cave**
(71) Name(s) and Address(s) of Applicant(s):
Red Bull GmbH
Am Brunnen 1 Fuschl am See 5330 Austria
(72) Name(s) of Designer(s): **Eric Guoxiong Huang and Michael Warne and**
Jeremy Davis and Gareth Jones and Rohan Whiteford
(45) Registration Date: **09 September 2013**
(30) Convention priority data:
(31) Number (32) Date (33) Country
002155291-0005 18 Dec 2012 OFFICE FOR HARMONISATION IN
THE INTERNAL MARKET (OHIM)
(56) Related Art Documents: **Not Applicable**
(57) Statement of Newness and Distinctiveness: **Nil**



(21) Design Number: **12894/2013**
(22) Date of Filing Application: **24 June 2013**
(24) Date from which industrial property rights may have effect: **24 June 2013**
(54) Product in respect of which the design is registered: **A device for preparing**
and transferring mixtures
(51) International Design Classification: **24-01**
(74) Name(s) of Attorney(s): **Griffith Hack**
(71) Name(s) and Address(s) of Applicant(s):
PTT Global Chemical Public Company Limited
555/1 Energy Complex Building A 14th-18th Floor Vibhavadi Rangsit
Road Chatuchak Bangkok 10900 Thailand
(72) Name(s) of Designer(s): **Sutheerawat Samingprai and Chaya Chandavasu**
and Nared Phetrak and Tienkul Kangwanwong and Anucha
Euarpermkiati
(45) Registration Date: **09 September 2013**
(30) Convention priority data:
(31) Number (32) Date (33) Country
1202003478 27 Dec 2012 THAILAND
(56) Related Art Documents: **Not Applicable**
(57) Statement of Newness and Distinctiveness: **Newness and Distinctiveness**
resides in the visual features, including the shape, configuration and
ornamentation of the product as shown in the attached representations.
The product is transparent or translucent.



(21) Design Number: **13575/2013**
(22) Date of Filing Application: **25 July 2013**
(24) Date from which industrial property rights may have effect: **25 July 2013**
(54) Product in respect of which the design is registered: **A vacuum cleaner head**
(51) International Design Classification: **15-05**
(74) Name(s) of Attorney(s): **Shelston IP**
(71) Name(s) and Address(s) of Applicant(s):
Dyson Technology Limited
Tetbury Hill Malmesbury Wiltshire SN16 0RP United Kingdom
(72) Name(s) of Designer(s): **Giles Ashbee and Adam James Bates and James Dyson and Peter David Gammack and Alistair William Skuse**
(45) Registration Date: **10 September 2013**
(30) Convention priority data:
(31) Number (32) Date (33) Country
002179366-0003 06 Feb 2013 OFFICE FOR HARMONISATION IN THE INTERNAL MARKET (OHIM)
(56) Related Art Documents: **Not Applicable**
(57) Statement of Newness and Distinctiveness: **Newness and distinctiveness reside in the features of shape and/or configuration of A VACUUM CLEANER HEAD as illustrated in the accompanying representations.**



(21) Design Number: **13846/2013**
(22) Date of Filing Application: **08 August 2013**
(24) Date from which industrial property rights may have effect: **08 August 2013**
(54) Product in respect of which the design is registered: **A sofa**
(51) International Design Classification: **06-01G**
(74) Name(s) of Attorney(s): **FB Rice**
(71) Name(s) and Address(s) of Applicant(s):
King Furniture Australia Pty Ltd
123 Turrella St Turrella NSW 2205 Australia
(72) Name(s) of Designer(s): **David King and John Levey and Ryan Lawson and Tanya Rechberger**
(45) Registration Date: **10 September 2013**
(56) Related Art Documents: **Not Applicable**
(57) Statement of Newness and Distinctiveness: **Newness and distinctiveness reside in the features of the design as shown in the representations.**



- (21) Design Number: **13847/2013**
(22) Date of Filing Application: **08 August 2013**
(24) Date from which industrial property rights may have effect: **08 August 2013**
(54) Product in respect of which the design is registered: **A sofa**
(51) International Design Classification: **06-01G**
(74) Name(s) of Attorney(s): **FB Rice**
(71) Name(s) and Address(s) of Applicant(s):
King Furniture Australia Pty Ltd
123 Turrella St Turrella NSW 2205 Australia
(72) Name(s) of Designer(s): **David King and John Levey and Ryan Lawson and Tanya Rechberger**
(45) Registration Date: **10 September 2013**
(56) Related Art Documents: **Not Applicable**
(57) Statement of Newness and Distinctiveness: **Newness and distinctiveness reside in the features of the design as shown in the representations.**



- (21) Design Number: **13848/2013**
(22) Date of Filing Application: **08 August 2013**
(24) Date from which industrial property rights may have effect: **08 August 2013**
(54) Product in respect of which the design is registered: **A sofa**
(51) International Design Classification: **06-01G**
(74) Name(s) of Attorney(s): **FB Rice**
(71) Name(s) and Address(s) of Applicant(s):
King Furniture Australia Pty Ltd
123 Turrella St Turrella NSW 2205 Australia
(72) Name(s) of Designer(s): **David King and John Levey and Ryan Lawson and Tanya Rechberger**
(45) Registration Date: **10 September 2013**
(56) Related Art Documents: **Not Applicable**
(57) Statement of Newness and Distinctiveness: **Newness and distinctiveness reside in the features of the design as shown in the representations, the frame component shown in solid black lines not forming part of the design for which protection is sought.**



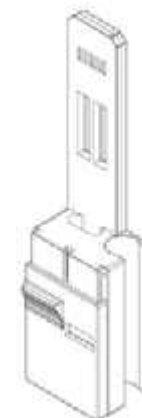
- (21) Design Number: **13849/2013**
(22) Date of Filing Application: **08 August 2013**
(24) Date from which industrial property rights may have effect: **08 August 2013**
(54) Product in respect of which the design is registered: **A sofa**
(51) International Design Classification: **06-01G**
(74) Name(s) of Attorney(s): **FB Rice**
(71) Name(s) and Address(s) of Applicant(s):
King Furniture Australia Pty Ltd
123 Turrella St Turrella NSW 2205 Australia
(72) Name(s) of Designer(s): **David King and John Levey and Ryan Lawson and Tanya Rechberger**
(45) Registration Date: **10 September 2013**
(56) Related Art Documents: **Not Applicable**
(57) Statement of Newness and Distinctiveness: **Newness and distinctiveness reside in the features of the design as shown in the representations, the frame component shown in solid black lines not forming part of the design for which protection is sought.**



- (21) Design Number: **13850/2013**
(22) Date of Filing Application: **08 August 2013**
(24) Date from which industrial property rights may have effect: **08 August 2013**
(54) Product in respect of which the design is registered: **Analytical apparatuses**
(51) International Design Classification: **24-01**
(74) Name(s) of Attorney(s): **WATERMARK PATENT AND TRADE MARKS ATTORNEYS**
(71) Name(s) and Address(s) of Applicant(s):
Sulzer Mixpac AG
Ruetistrasse 7 Haag 9469 Switzerland
(72) Name(s) of Designer(s): **Josef Ettlin**
(45) Registration Date: **10 September 2013**
(30) Convention priority data:
(31) Number (32) Date (33) Country
139 636 12 Feb 2013 SWITZERLAND
(56) Related Art Documents: **Not Applicable**
(57) Statement of Newness and Distinctiveness: **Newness and distinctiveness reside in the visual features pertaining to the shape and configuration embodied in an analysing liquids, in particular for drug detection saliva.**



- (21) Design Number: **13851/2013**
(22) Date of Filing Application: **08 August 2013**
(24) Date from which industrial property rights may have effect: **08 August 2013**
(54) Product in respect of which the design is registered: **Analytical apparatuses**
(51) International Design Classification: **24-01**
(74) Name(s) of Attorney(s): **WATERMARK PATENT AND TRADE MARKS ATTORNEYS**
(71) Name(s) and Address(s) of Applicant(s):
Sulzer Mixpac AG
Ruetistrasse 7 Haag 9469 Switzerland
(72) Name(s) of Designer(s): **Josef Ettlin**
(45) Registration Date: **10 September 2013**
(30) Convention priority data:
(31) Number (32) Date (33) Country
139 636 12 Feb 2013 SWITZERLAND
(56) Related Art Documents: **Not Applicable**
(57) Statement of Newness and Distinctiveness: **Newness and distinctiveness reside in the visual features pertaining to the shape and configuration embodied in an analytical apparatus for analysing liquids, in particular for drug detection saliva.**



- (21) Design Number: **13852/2013**
(22) Date of Filing Application: **08 August 2013**
(24) Date from which industrial property rights may have effect: **08 August 2013**
(54) Product in respect of which the design is registered: **Analytical apparatuses**
(51) International Design Classification: **24-01**
(74) Name(s) of Attorney(s): **WATERMARK PATENT AND TRADE MARKS ATTORNEYS**
(71) Name(s) and Address(s) of Applicant(s):
Sulzer Mixpac AG
Ruetistrasse 7 Haag 9469 Switzerland
(72) Name(s) of Designer(s): **Josef Ettlin**
(45) Registration Date: **10 September 2013**
(30) Convention priority data:
(31) Number (32) Date (33) Country
139 636 12 Feb 2013 SWITZERLAND
(56) Related Art Documents: **Not Applicable**
(57) Statement of Newness and Distinctiveness: **Newness and distinctiveness reside in the visual features pertaining to the shape and configuration embodied in an analytical apparatus for analysing liquids, in particular for drug detection saliva.**



(21) Design Number: **13853/2013**
(22) Date of Filing Application: **08 August 2013**
(24) Date from which industrial property rights may have effect: **08 August 2013**
(54) Product in respect of which the design is registered: **Housing for gas flow indicator**
(51) International Design Classification: **10-04**
(74) Name(s) of Attorney(s): **Callinans**
(71) Name(s) and Address(s) of Applicant(s):
VPAS GROUP PTY LTD
98 Manning Rd Malvern East VIC 3145 Australia
(72) Name(s) of Designer(s): **Matthew Matusik**
(45) Registration Date: **10 September 2013**
(30) Convention priority data:
(31) Number (32) Date (33) Country
29/445,425 12 Feb 2013 UNITED STATES OF AMERICA
(56) Related Art Documents: **Not Applicable**
(57) Statement of Newness and Distinctiveness: **Newness and distinctiveness are provided by the shape and/or configuration of the design shown in the representations. The design includes an opaque lower portion and a transparent upper portion. The features shown in broken lines in the representations are for illustrative purposes only and should not be considered when construing visual features of the design.**



(21) Design Number: **13854/2013**
(22) Date of Filing Application: **08 August 2013**
(24) Date from which industrial property rights may have effect: **08 August 2013**
(54) Product in respect of which the design is registered: **Housing for gas flow indicator**
(51) International Design Classification: **10-04**
(74) Name(s) of Attorney(s): **Callinans**
(71) Name(s) and Address(s) of Applicant(s):
VPAS GROUP PTY LTD
98 Manning Rd Malvern East VIC 3145 Australia
(72) Name(s) of Designer(s): **Matthew Matusik**
(45) Registration Date: **10 September 2013**
(30) Convention priority data:
(31) Number (32) Date (33) Country
29/445,430 12 Feb 2013 UNITED STATES OF AMERICA
(56) Related Art Documents: **Not Applicable**
(57) Statement of Newness and Distinctiveness: **Newness and distinctiveness are provided by the shape and/or configuration of the design shown in the representations. The design includes an opaque lower portion and a transparent upper portion. The features shown in broken lines in the representations are for illustrative purposes only and should not be considered when construing visual features of the design.**



(21) Design Number: **13855/2013**
(22) Date of Filing Application: **08 August 2013**
(24) Date from which industrial property rights may have effect: **08 August 2013**
(54) Product in respect of which the design is registered: **Gas flow indicator**
(51) International Design Classification: **10-04**
(74) Name(s) of Attorney(s): **Callinans**
(71) Name(s) and Address(s) of Applicant(s):
VPAS GROUP PTY LTD
98 Manning Rd Malvern East VIC 3145 Australia
(72) Name(s) of Designer(s): **Matthew Matusik**
(45) Registration Date: **10 September 2013**
(30) Convention priority data:
(31) Number (32) Date (33) Country
29/445,432 12 Feb 2013 UNITED STATES OF AMERICA



(56) Related Art Documents: **Not Applicable**
(57) Statement of Newness and Distinctiveness: **Newness and distinctiveness are provided by the shape and/or configuration of the design shown in the representations. The design includes an opaque lower portion and a transparent upper portion. The features shown in broken lines in the representations are for illustrative purposes only and should not be considered when construing visual features of the design.**

(21) Design Number: **13856/2013**
(22) Date of Filing Application: **08 August 2013**
(24) Date from which industrial property rights may have effect: **08 August 2013**
(54) Product in respect of which the design is registered: **Gas flow indicator**
(51) International Design Classification: **10-04**
(74) Name(s) of Attorney(s): **Callinans**
(71) Name(s) and Address(s) of Applicant(s):
VPAS GROUP PTY LTD
98 Manning Rd Malvern East VIC 3145 Australia
(72) Name(s) of Designer(s): **Matthew Matusik**
(45) Registration Date: **10 September 2013**
(30) Convention priority data:
(31) Number (32) Date (33) Country
29/445,438 12 Feb 2013 UNITED STATES OF AMERICA



(56) Related Art Documents: **Not Applicable**
(57) Statement of Newness and Distinctiveness: **Newness and distinctiveness are provided by the shape and/or configuration of the design shown in the representations. The design includes an opaque lower portion and a transparent upper portion. The features shown in broken lines in the representations are for illustrative purposes only and should not be considered when construing visual features of the design.**

- (21) Design Number: **13857/2013**
(22) Date of Filing Application: **09 August 2013**
(24) Date from which industrial property rights may have effect: **09 August 2013**
(54) Product in respect of which the design is registered: **A support means**
(51) International Design Classification: **08-08NES**
(74) Name(s) of Attorney(s):
(71) Name(s) and Address(s) of Applicant(s):
Nexus Developments Limited
Unit 18 Grenada Business Park 16 Jamaica Drive Grenada North
Wellington 5028 New Zealand
(72) Name(s) of Designer(s): **John Joseph Woollett and Peter John Hume**
(45) Registration Date: **10 September 2013**
(56) Related Art Documents: **Not Applicable**
(57) Statement of Newness and Distinctiveness: **Nil**



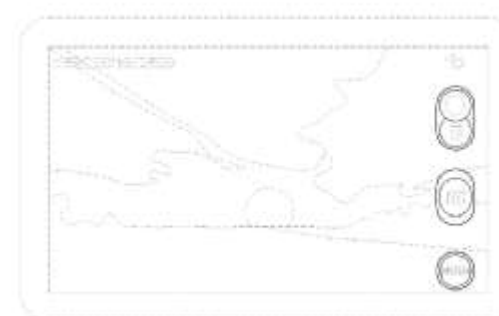
- (21) Design Number: **13858/2013**
(22) Date of Filing Application: **09 August 2013**
(24) Date from which industrial property rights may have effect: **09 August 2013**
(54) Product in respect of which the design is registered: **A tyre**
(51) International Design Classification: **12-15B**
(74) Name(s) of Attorney(s): **WATERMARK PATENT AND TRADE MARKS ATTORNEYS**
(71) Name(s) and Address(s) of Applicant(s):
COMPAGNIE GENERALE DES ETABLISSEMENTS MICHELIN
12 cours Sablon Clermont Ferrand 63000 France
Michelin Recherche et Technique S.A
Route Louis Braille 10 Granges-Paccot 1763 Switzerland
(72) Name(s) of Designer(s): **Benjamin E. Ebel and Derick Lonell Harris**
(45) Registration Date: **10 September 2013**
(30) Convention priority data:
(31) Number (32) Date (33) Country
29/461,979 30 Jul 2013 UNITED STATES OF AMERICA
(56) Related Art Documents: **Not Applicable**
(57) Statement of Newness and Distinctiveness: **Newness and distinctiveness resides in the appearance of the tread region of the tyre, the remainder of the tyre not forming part of the design.**



(21) Design Number: **13859/2013**
(22) Date of Filing Application: **09 August 2013**
(24) Date from which industrial property rights may have effect: **09 August 2013**
(54) Product in respect of which the design is registered: **Head shower**
(51) International Design Classification: **23-02B**
(74) Name(s) of Attorney(s): **Griffith Hack**
(71) Name(s) and Address(s) of Applicant(s):
Hansgrohe SE
Austr. 5-9 Schiltach 77761 Germany
(72) Name(s) of Designer(s): **Tom Schoenherr and Matthias Oesterle**
(45) Registration Date: **10 September 2013**
(30) Convention priority data:
(31) Number (32) Date (33) Country
001363584-0010 07 Mar 2013 OFFICE FOR HARMONISATION IN
THE INTERNAL MARKET (OHIM)
(56) Related Art Documents: **Not Applicable**
(57) Statement of Newness and Distinctiveness: **The shape, configuration and ornamentation of the product is new and distinctive.**



(21) Design Number: **13881/2013**
(22) Date of Filing Application: **12 August 2013**
(24) Date from which industrial property rights may have effect: **12 August 2013**
(54) Product in respect of which the design is registered: **Display screen for an electronic device**
(51) International Design Classification: **14-02**
(74) Name(s) of Attorney(s): **Wrays**
(71) Name(s) and Address(s) of Applicant(s):
Samsung Electronics Co., Ltd
129 Samsung-ro Yeongtong-gu Suwon-si Gyeonggi-do 443-742 Republic of Korea
(72) Name(s) of Designer(s): **Jae-Myoung Lee and Seung-Hoon Kim**
(45) Registration Date: **10 September 2013**
(30) Convention priority data:
(31) Number (32) Date (33) Country
30-2013-0009484 23 Feb 2013 REPUBLIC OF KOREA
(56) Related Art Documents: **Not Applicable**
(57) Statement of Newness and Distinctiveness: **Newness and distinctiveness is claimed in the features of pattern and/or ornamentation of the Display Screen For An Electronic Device as shown in the accompanying representations. The features shown in broken lines are for illustrative purposes only and do not form part of the claimed design.**



(21) Design Number: **13882/2013**

(22) Date of Filing Application: **12 August 2013**

(24) Date from which industrial property rights may have effect: **12 August 2013**

(54) Product in respect of which the design is registered: **Display screen for an electronic device**

(51) International Design Classification: **14-02**

(74) Name(s) of Attorney(s): **Wrays**

(71) Name(s) and Address(s) of Applicant(s):

Samsung Electronics Co., Ltd
129 Samsung-ro Yeongtong-gu Suwon-si Gyeonggi-do 443-742 Republic of Korea

(72) Name(s) of Designer(s): **Jae-Myoung Lee**

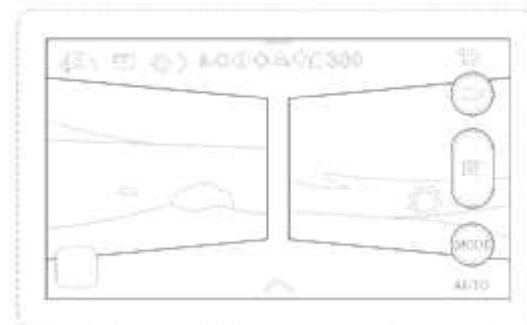
(45) Registration Date: **10 September 2013**

(30) Convention priority data:

(31) Number	(32) Date	(33) Country
30-2013-0009485	23 Feb 2013	REPUBLIC OF KOREA

(56) Related Art Documents: **Not Applicable**

(57) Statement of Newness and Distinctiveness: **Newness and distinctiveness is claimed in the features of pattern and/or ornamentation of the Display Screen For An Electronic Device as shown in the accompanying representations. The features shown in broken lines are for illustrative purposes only and do not form part of the claimed design.**



(21) Design Number: **13883/2013**

(22) Date of Filing Application: **12 August 2013**

(24) Date from which industrial property rights may have effect: **12 August 2013**

(54) Product in respect of which the design is registered: **Exercise device**

(51) International Design Classification: **21-02F**

(74) Name(s) of Attorney(s): **Adams Pluck**

(71) Name(s) and Address(s) of Applicant(s):

Total Gym Global Corp.
7755 Arjons Drive San Diego California 92126 United States of America

(72) Name(s) of Designer(s): **Thomas J. Campanaro and Jesse Thomas Campanaro and Randall S. Bergstedt and Dan McCutcheon**

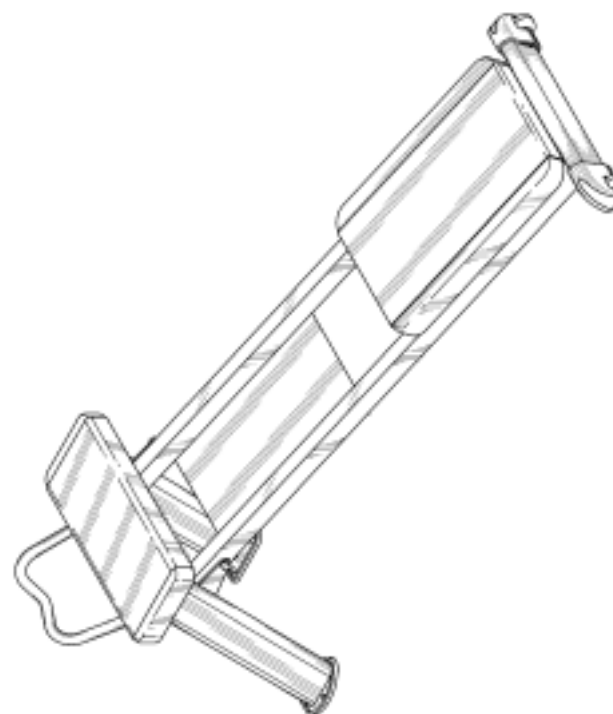
(45) Registration Date: **10 September 2013**

(30) Convention priority data:

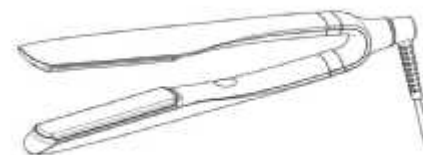
(31) Number	(32) Date	(33) Country
29/446,537	25 Feb 2013	UNITED STATES OF AMERICA

(56) Related Art Documents: **Not Applicable**

(57) Statement of Newness and Distinctiveness: **Newness and distinctiveness are claimed in the features of shape and configuration for an exercise device as depicted in the accompanying drawings. Any broken lines shown in the figures are included for the purpose of illustrating environmental elements only and form no part of the claimed design.**



(21) Design Number: **13889/2013**
(22) Date of Filing Application: **12 August 2013**
(24) Date from which industrial property rights may have effect: **12 August 2013**
(54) Product in respect of which the design is registered: **Hair styling apparatus**
(51) International Design Classification: **28-03B**
(74) Name(s) of Attorney(s): **PHILLIPS ORMONDE FITZPATRICK**
(71) Name(s) and Address(s) of Applicant(s):



Jemella Group Limited
Bridgewater Place Water Lane Leeds LS11 5BZ United Kingdom

(72) Name(s) of Designer(s): **Bradley Dan**
(45) Registration Date: **10 September 2013**

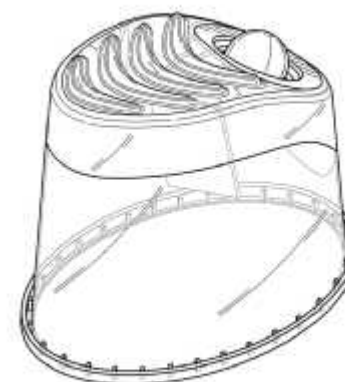
(30) Convention priority data:

(31) Number	(32) Date	(33) Country
002184770-001/0	14 Feb 2013	OFFICE FOR HARMONISATION IN THE INTERNAL MARKET (OHIM)

(56) Related Art Documents: **Not Applicable**

(57) Statement of Newness and Distinctiveness: **Those features of the hair styling apparatus depicted in the representations that are new and distinctive are the shape and/or configuration. The electrical cord of the hair styling apparatus is not part of the design and is to be disregarded when considering the overall impression of the design.**

(21) Design Number: **13893/2013**
(22) Date of Filing Application: **12 August 2013**
(24) Date from which industrial property rights may have effect: **12 August 2013**
(54) Product in respect of which the design is registered: **Cap**
(51) International Design Classification: **09-07C**
(74) Name(s) of Attorney(s): **Shelston IP**
(71) Name(s) and Address(s) of Applicant(s):



Reckitt Benckiser (Brands) Limited
103-105 Bath Road Slough Berkshire SL1 3UH United Kingdom

(72) Name(s) of Designer(s): **Randy Bos and Arnoldus Johannes Claassen**
(45) Registration Date: **10 September 2013**

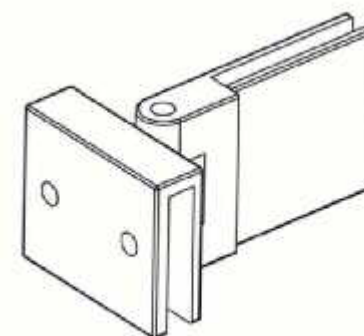
(30) Convention priority data:

(31) Number	(32) Date	(33) Country
002191742-0001	26 Feb 2013	OFFICE FOR HARMONISATION IN THE INTERNAL MARKET (OHIM)

(56) Related Art Documents: **Not Applicable**

(57) Statement of Newness and Distinctiveness: **Newness and distinctiveness resides in the features of shape and configuration of a cap for a container as shown in the accompanying representations.**

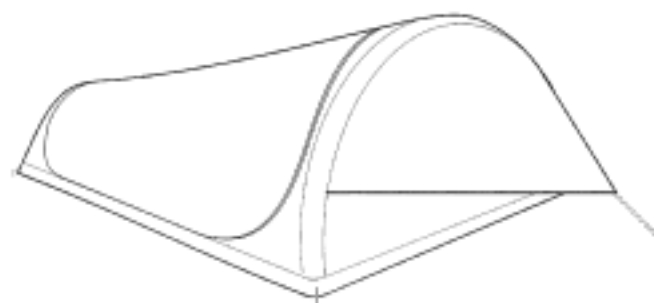
(21) Design Number: **13895/2013**
(22) Date of Filing Application: **12 August 2013**
(24) Date from which industrial property rights may have effect: **12 August 2013**
(54) Product in respect of which the design is registered: **A hinge**
(51) International Design Classification: **08-06**
(74) Name(s) of Attorney(s): **Griffith Hack**
(71) Name(s) and Address(s) of Applicant(s):
Pipers International Pty Ltd
54-56 Halsey Rd Airport West VIC 3042 Australia
(72) Name(s) of Designer(s): **Nicholas Boutros**
(45) Registration Date: **10 September 2013**
(56) Related Art Documents: **Not Applicable**
(57) Statement of Newness and Distinctiveness: **Newness and distinctiveness resides in the shape and configuration of the product as represented in the drawings.**



(21) Design Number: **13896/2013**
(22) Date of Filing Application: **12 August 2013**
(24) Date from which industrial property rights may have effect: **12 August 2013**
(54) Product in respect of which the design is registered: **Alu' dining chair**
(51) International Design Classification: **06-01F**
(74) Name(s) of Attorney(s):
(71) Name(s) and Address(s) of Applicant(s):
Xuan Zhou
Tianhe District Guangzhou Unit 704 Xin Chuang Ju Building No.123
China
Guangzhou Gardenart Furniture Co. Ltd
Unit 704 Xin Chuangju Building No.123 Ti Yu Xi Road Tianhe District
Guangzhou 510620 China
(72) Name(s) of Designer(s): **Jianhui Cao**
(45) Registration Date: **10 September 2013**
(56) Related Art Documents: **Not Applicable**
(57) Statement of Newness and Distinctiveness: **Nil**



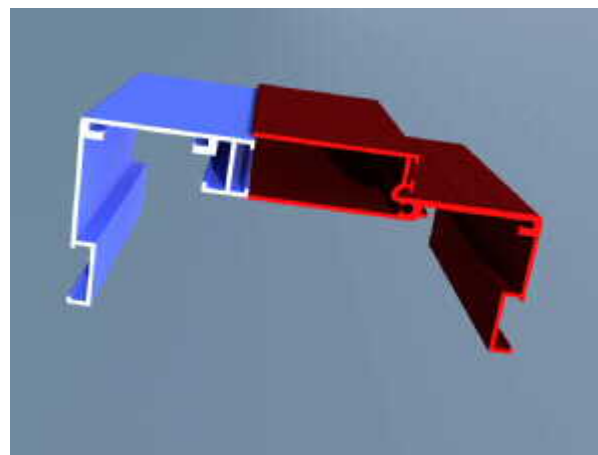
- (21) Design Number: **13905/2013**
(22) Date of Filing Application: **13 August 2013**
(24) Date from which industrial property rights may have effect: **31 May 2013**
(54) Product in respect of which the design is registered: **A swag-style tent**
(51) International Design Classification: **21-04**
(74) Name(s) of Attorney(s): **AJ Park**
(71) Name(s) and Address(s) of Applicant(s):
Charles Parsons (Holdings) Pty Limited
L4 59 Goulburn St Sydney NSW 2000 Australia
(72) Name(s) of Designer(s): **Lee Alan Spouse and Salvatore Anthony Rizza**
(45) Registration Date: **10 September 2013**
(62) Divisional of: **12530/2013**
(56) Related Art Documents: **Not Applicable**
(57) Statement of Newness and Distinctiveness: **Newness and distinctiveness reside in the features of shape and/or configuration of the swag-style tent as shown in the representations, the features shown in broken lines form no part of the claimed design.**



- (21) Design Number: **13906/2013**
(22) Date of Filing Application: **13 August 2013**
(24) Date from which industrial property rights may have effect: **13 August 2013**
(54) Product in respect of which the design is registered: **Automated teller machine**
(51) International Design Classification: **20-01**
(74) Name(s) of Attorney(s): **AJ Park**
(71) Name(s) and Address(s) of Applicant(s):
Nautilus Hyosung Inc.
281 Gwangpyeong-ro Gangnam-gu Seoul Republic of Korea
(72) Name(s) of Designer(s): **Hee Yeon Lee and Jae Min Park and Jae Min Cha**
(45) Registration Date: **10 September 2013**
(30) Convention priority data:
(31) Number (32) Date (33) Country
30-2013-0008133 15 Feb 2013 REPUBLIC OF KOREA
(56) Related Art Documents: **Not Applicable**
(57) Statement of Newness and Distinctiveness: **Newness and distinctiveness reside in the features of shape and/or configuration of the automated teller machine as shown in the representations.**



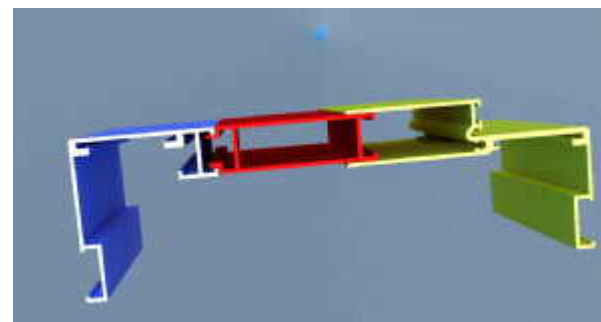
- (21) Design Number: **13907/2013**
(22) Date of Filing Application: **13 August 2013**
(24) Date from which industrial property rights may have effect: **13 August 2013**
(54) Product in respect of which the design is registered: **Door jamb extrusion**
(51) International Design Classification: **25-02B, 25-01K**
(74) Name(s) of Attorney(s): **FB Rice**
(71) Name(s) and Address(s) of Applicant(s):
Westal Windows Pty Ltd
15 Astill Dr Narrambla Business Park Orange NSW 2800 Australia
(72) Name(s) of Designer(s): **Roger Ovenden**
(45) Registration Date: **10 September 2013**
(56) Related Art Documents: **Not Applicable**
(57) Statement of Newness and Distinctiveness: **Newness and distinctiveness reside in the cross-sectional shape and/or configuration of the extrusion as shown in the representation, wherein the extrusion may be of any length, and wherein the representation includes colour only to distinguish between the various parts of the extrusion to aid in interpretation of the representation.**



- (21) Design Number: **13908/2013**
(22) Date of Filing Application: **13 August 2013**
(24) Date from which industrial property rights may have effect: **13 August 2013**
(54) Product in respect of which the design is registered: **Vision panel extrusion**
(51) International Design Classification: **25-02H, 25-01K**
(74) Name(s) of Attorney(s): **FB Rice**
(71) Name(s) and Address(s) of Applicant(s):
Westal Windows Pty Ltd
15 Astill Dr Narrambla Business Park Orange NSW 2800 Australia
(72) Name(s) of Designer(s): **Roger Ovenden**
(45) Registration Date: **10 September 2013**
(56) Related Art Documents: **Not Applicable**
(57) Statement of Newness and Distinctiveness: **Newness and distinctiveness reside in the cross-sectional shape and/or configuration of the extrusion as shown in the representation, wherein the extrusion may be of any length.**



- (21) Design Number: **13909/2013**
(22) Date of Filing Application: **13 August 2013**
(24) Date from which industrial property rights may have effect: **13 August 2013**
(54) Product in respect of which the design is registered: **Door jamb extrusion**
(51) International Design Classification: **25-02B, 25-01K**
(74) Name(s) of Attorney(s): **FB Rice**
(71) Name(s) and Address(s) of Applicant(s):
Westal Windows Pty Ltd
15 Astill Dr Narrambla Business Park Orange NSW 2800 Australia
(72) Name(s) of Designer(s): **Roger Ovenden**
(45) Registration Date: **10 September 2013**
(56) Related Art Documents: **Not Applicable**
(57) Statement of Newness and Distinctiveness: **Newness and distinctiveness reside in the cross-sectional shape and/or configuration of the extrusion as shown in the representation, wherein the extrusion may be of any length, and wherein the representation includes colour only to distinguish between the various parts of the extrusion to aid in interpretation of the representation.**



- (21) Design Number: **16137/2012**
(22) Date of Filing Application: **05 December 2012**
(24) Date from which industrial property rights may have effect: **05 December 2012**
(54) Product in respect of which the design is registered: **Article of clothing**
(51) International Design Classification: **02-02C**
(74) Name(s) of Attorney(s): **Allens Patent & Trade Mark Attorneys**
(71) Name(s) and Address(s) of Applicant(s):
Forever New Clothing Pty Ltd
714-716 High St Kew East VIC 3102 Australia
(72) Name(s) of Designer(s): **Gemma Henderson**
(45) Registration Date: **10 September 2013**
(56) Related Art Documents: **Not Applicable**
(57) Statement of Newness and Distinctiveness: **Newness and distinctiveness resides in the visual features of shape, configuration, pattern and/or ornamentation of an article of clothing as shown in the accompanying representations.**



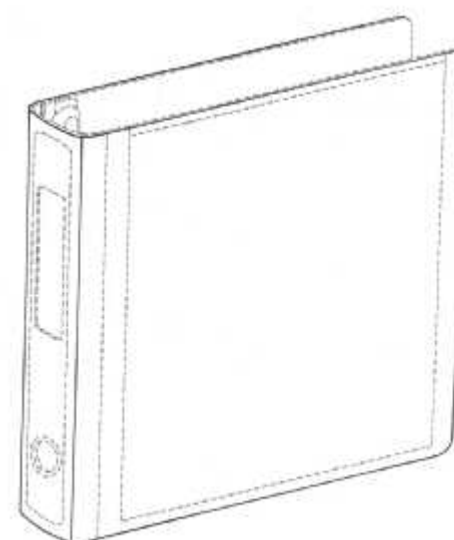
- (21) Design Number: **16167/2012**
(22) Date of Filing Application: **07 December 2012**
(24) Date from which industrial property rights may have effect: **07 December 2012**
(54) Product in respect of which the design is registered: **Article of clothing**
(51) International Design Classification: **02-02NES**
(74) Name(s) of Attorney(s): **Allens Patent & Trade Mark Attorneys**
(71) Name(s) and Address(s) of Applicant(s):
Forever New Clothing Pty Ltd
714-716 High St Kew East VIC 3102 Australia
(72) Name(s) of Designer(s): **Gemma Henderson**
(45) Registration Date: **10 September 2013**
(56) Related Art Documents: **Not Applicable**
(57) Statement of Newness and Distinctiveness: **Newness and distinctiveness resides in the visual features of shape, configuration, pattern and/or ornamentation of an article of clothing as shown in the accompanying representations.**



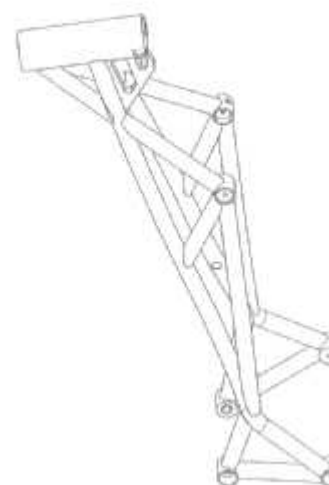
- (21) Design Number: **16234/2012**
(22) Date of Filing Application: **07 December 2012**
(24) Date from which industrial property rights may have effect: **07 December 2012**
(54) Product in respect of which the design is registered: **Clutch**
(51) International Design Classification: **03-01B**
(74) Name(s) of Attorney(s): **Allens Patent & Trade Mark Attorneys**
(71) Name(s) and Address(s) of Applicant(s):
Forever New Clothing Pty Ltd
714-716 High St Kew East VIC 3102 Australia
(72) Name(s) of Designer(s): **Georgia Roberts-Thompson**
(45) Registration Date: **10 September 2013**
(56) Related Art Documents: **Not Applicable**
(57) Statement of Newness and Distinctiveness: **Newness and distinctiveness resides in the visual features of shape, configuration, pattern and/or ornamentation of an accessory item as shown in the accompanying representations.**



(21) Design Number: **13557/2013**
(22) Date of Filing Application: **25 July 2013**
(24) Date from which industrial property rights may have effect: **25 July 2013**
(54) Product in respect of which the design is registered: **Notebook**
(51) International Design Classification: **19-04**
(74) Name(s) of Attorney(s): **PIZZEYS**
(71) Name(s) and Address(s) of Applicant(s):
Staples the Office Superstore, LLC
500 Staples Dr Framingham MA 01702-4478 United States of America
(72) Name(s) of Designer(s): **Aidan Petrie and Daniel Nelsen and Kenneth Zins**
(45) Registration Date: **11 September 2013**
(30) Convention priority data:
(31) Number (32) Date (33) Country
29/446,841 27 Feb 2013 UNITED STATES OF AMERICA
(56) Related Art Documents: **Not Applicable**
(57) Statement of Newness and Distinctiveness: **The newness and distinctiveness of the design resides in the features of pattern and/or ornamentation OR shape and/or configuration shown in unbroken lines in the accompanying representations. (if required, see Convention document).**



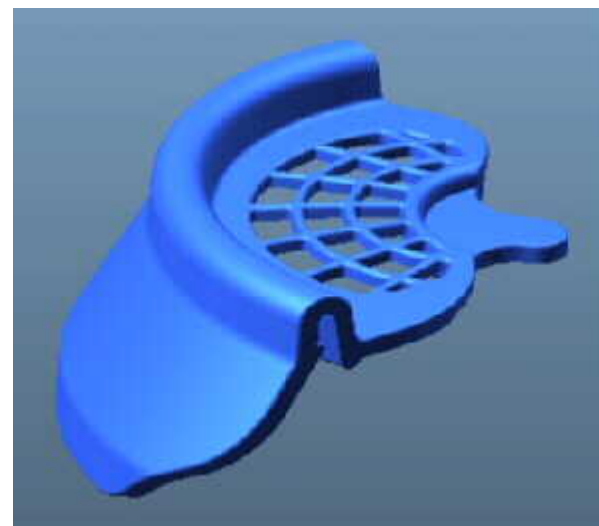
(21) Design Number: **13748/2013**
(22) Date of Filing Application: **06 August 2013**
(24) Date from which industrial property rights may have effect: **06 August 2013**
(54) Product in respect of which the design is registered: **Chassis for bicycles and motorcycles**
(51) International Design Classification: **12-11**
(74) Name(s) of Attorney(s): **Callinans**
(71) Name(s) and Address(s) of Applicant(s):
Vertigo Motors, S.L.
Mercaders 34 - Pol. Ind. Riera de Calde Palau de Plegamans Barcelona
08184 Spain
(72) Name(s) of Designer(s): **Joan Forrelad**
(45) Registration Date: **11 September 2013**
(56) Related Art Documents: **Not Applicable**
(57) Statement of Newness and Distinctiveness: **Nil**



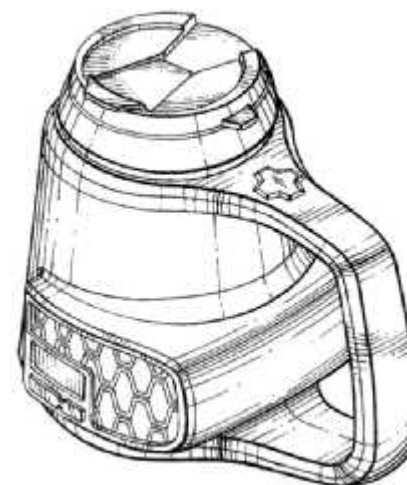
(21) Design Number: **13750/2013**
(22) Date of Filing Application: **06 August 2013**
(24) Date from which industrial property rights may have effect: **06 August 2013**
(54) Product in respect of which the design is registered: **Motorcycles**
(51) International Design Classification: **12-11**
(74) Name(s) of Attorney(s): **Callinans**
(71) Name(s) and Address(s) of Applicant(s):
Vertigo Motors, S.L.
Mercaders 34 - Pol. Ind. Riera de Calde Palau de Plegamans Barcelona
08184 Spain
(72) Name(s) of Designer(s): **Joan Forrelad**
(45) Registration Date: **11 September 2013**
(56) Related Art Documents: **Not Applicable**
(57) Statement of Newness and Distinctiveness: **Nil**



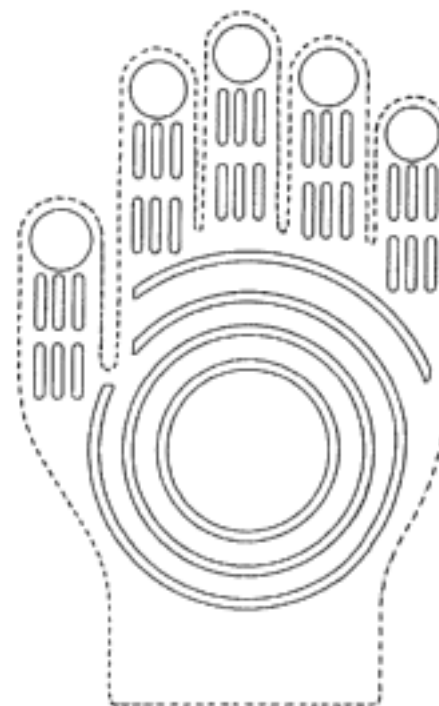
(21) Design Number: **12834/2013**
(22) Date of Filing Application: **20 June 2013**
(24) Date from which industrial property rights may have effect: **20 June 2013**
(54) Product in respect of which the design is registered: **Cover for drinking vessel**
(51) International Design Classification: **09-07B**
(74) Name(s) of Attorney(s):
(71) Name(s) and Address(s) of Applicant(s):
Miha Merlak
Kljucavnicarska Ulica 2 Ljubljana Osrednjeslovenska 1101 Slovenia
(72) Name(s) of Designer(s): **Miha Merlak**
(45) Registration Date: **11 September 2013**
(30) Convention priority data:
(31) Number (32) Date (33) Country
**WIPO 14919 31 May 2013 WORLD INTELLECTUAL
PROPERTY ORGANIZATION
(WIPO)**
(56) Related Art Documents: **Not Applicable**
(57) Statement of Newness and Distinctiveness: **Nil**



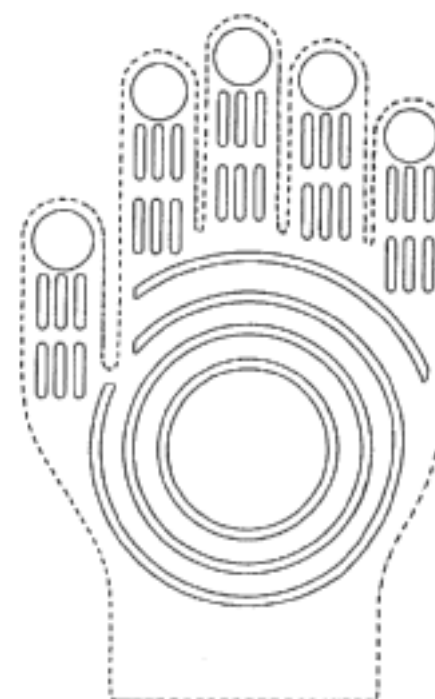
- (21) Design Number: **12841/2013**
(22) Date of Filing Application: **20 June 2013**
(24) Date from which industrial property rights may have effect: **20 June 2013**
(54) Product in respect of which the design is registered: **Beverage mug**
(51) International Design Classification: **07-01D**
(74) Name(s) of Attorney(s): **Cotters Patent & Trade Mark Attorneys**
(71) Name(s) and Address(s) of Applicant(s):
Dubgear Inc.
53 Burrows Drive Etobicoke Ontario M9B 4W8 Canada
(72) Name(s) of Designer(s): **Jansen White and Jonathan Paul Loudon and John Paul Schmider and Heather Chi-Ying Lam and Kevin Armour**
(45) Registration Date: **11 September 2013**
(30) Convention priority data:
(31) Number (32) Date (33) Country
149,100 21 Dec 2012 CANADA
(56) Related Art Documents: **Not Applicable**
(57) Statement of Newness and Distinctiveness: **Newness and distinctiveness is claimed in the features of shape and/or configuration of a beverage mug as depicted in continuous lines in the accompanying drawings.**



- (21) Design Number: **12962/2013**
(22) Date of Filing Application: **26 June 2013**
(24) Date from which industrial property rights may have effect: **26 June 2013**
(54) Product in respect of which the design is registered: **1. Oven Glove 2. Oven Mitten**
(51) International Design Classification: **02-06**
(74) Name(s) of Attorney(s): **Griffith Hack**
(71) Name(s) and Address(s) of Applicant(s):
Brand Developers Aust Pty Ltd
461 Plummer St Port Melbourne VIC 3207 Australia
(72) Name(s) of Designer(s): **James Fisher**
(45) Registration Date: **11 September 2013**
(56) Related Art Documents: **Not Applicable**
(57) Statement of Newness and Distinctiveness: **Newness and distinctiveness resides in the pattern or ornamentation of the sections shown by means of solid lines in the representations. The dashed line has been included for illustrative purposes and does not form part of the design.**



- (21) Design Number: **12963/2013**
(22) Date of Filing Application: **26 June 2013**
(24) Date from which industrial property rights may have effect: **26 June 2013**
(54) Product in respect of which the design is registered: **1. Oven Glove 2. Oven Mitten**
(51) International Design Classification: **02-06**
(74) Name(s) of Attorney(s): **Griffith Hack**
(71) Name(s) and Address(s) of Applicant(s):
Brand Developers Aust Pty Ltd
461 Plummer St Port Melbourne VIC 3207 Australia
(72) Name(s) of Designer(s): **James Fisher**
(45) Registration Date: **11 September 2013**
(56) Related Art Documents: **Not Applicable**
(57) Statement of Newness and Distinctiveness: **Newness and distinctiveness resides in the pattern or ornamentation of the sections shown by means of solid lines in the representations. The dashed line has been included for illustrative purposes and does not form part of the design.**



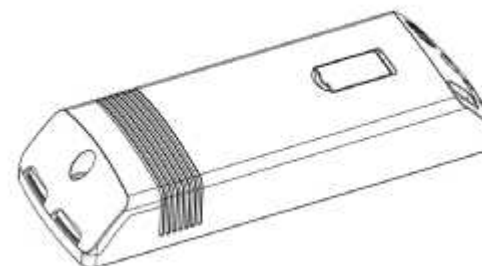
- (21) Design Number: **13003/2013**
(22) Date of Filing Application: **27 June 2013**
(24) Date from which industrial property rights may have effect: **27 June 2013**
(54) Product in respect of which the design is registered: **Firearm grip**
(51) International Design Classification: **22-01**
(74) Name(s) of Attorney(s): **Davies Collison Cave**
(71) Name(s) and Address(s) of Applicant(s):
Magpul Industries Corporation
400 Young Court Unit 1 Erie Colorado 80516 United States of America
(72) Name(s) of Designer(s): **Rick Zayatz and Nick Kielsmeier and Thomas Ward Jr and Richard Fitzpatrick and Michael T. Mayberry and Brad Bennett**
(45) Registration Date: **11 September 2013**
(30) Convention priority data:
(31) Number (32) Date (33) Country
29/441005 29 Dec 2012 UNITED STATES OF AMERICA
(56) Related Art Documents: **Not Applicable**
(57) Statement of Newness and Distinctiveness: **Newness and distinctiveness is claimed in the features of shape and configuration of the firearm grip in the representations.**



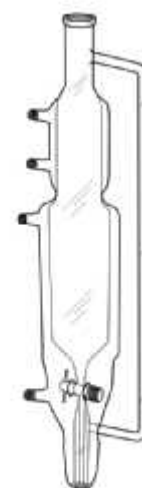
- (21) Design Number: **13067/2013**
(22) Date of Filing Application: **28 June 2013**
(24) Date from which industrial property rights may have effect: **28 June 2013**
(54) Product in respect of which the design is registered: **Folding rear sight for a firearm**
(51) International Design Classification: **22-01**
(74) Name(s) of Attorney(s): **Davies Collison Cave**
(71) Name(s) and Address(s) of Applicant(s):
Magpul Industries Corporation
400 Young Court Unit 1 Erie Colorado 80516 United States of America
(72) Name(s) of Designer(s): **Richard Fitzpatrick and Michael T. Mayberry and Grady Barfoot and Brad Bennett**
(45) Registration Date: **11 September 2013**
(30) Convention priority data:
(31) Number (32) Date (33) Country
29/441128 31 Dec 2012 UNITED STATES OF AMERICA
(56) Related Art Documents: **Not Applicable**
(57) Statement of Newness and Distinctiveness: **Newness and distinctiveness is claimed in the visual features of the folding rear sight for a firearm shown in solid lines in the representation.**



- (21) Design Number: **13240/2013**
(22) Date of Filing Application: **05 July 2013**
(24) Date from which industrial property rights may have effect: **05 July 2013**
(54) Product in respect of which the design is registered: **Electronics housing**
(51) International Design Classification: **26-05E**
(74) Name(s) of Attorney(s): **Madderns**
(71) Name(s) and Address(s) of Applicant(s):
Gerard Lighting Pty Ltd
142-144 Fullarton Rd Rose Park SA 5067 Australia
(72) Name(s) of Designer(s): **Jason Andrew Gerard and Maxwell Dickison**
(45) Registration Date: **11 September 2013**
(56) Related Art Documents: **Not Applicable**
(57) Statement of Newness and Distinctiveness: **Newness and distinctiveness resides in the shape and configuration of an electronics housing as shown in the attached drawings.**



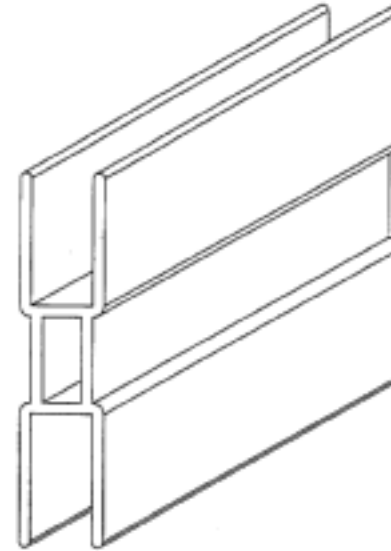
- (21) Design Number: **13344/2013**
(22) Date of Filing Application: **12 July 2013**
(24) Date from which industrial property rights may have effect: **12 July 2013**
(54) Product in respect of which the design is registered: **A device for preparing and transferring mixtures**
(51) International Design Classification: **24-01**
(74) Name(s) of Attorney(s): **Griffith Hack**
(71) Name(s) and Address(s) of Applicant(s):
PTT Global Chemical Public Company Limited
555/1 Energy Complex Building A 14th-18th Floor Vibhavadi Rangsit
Road Chatuchak Bangkok 10900 Thailand
(72) Name(s) of Designer(s): **Sutheerawat Samingprai and Nared Phetrak and Tienkul Kangwanwong and Anucha Euapermkiati and Chaya Chandavasu**
(45) Registration Date: **11 September 2013**
(30) Convention priority data:
(31) Number (32) Date (33) Country
1302000818 29 Mar 2013 THAILAND
(56) Related Art Documents: **Not Applicable**
(57) Statement of Newness and Distinctiveness: **Newness and Distinctiveness resides in the visual features, including the shape, configuration and ornamentation of the product as shown in the attached representations.**



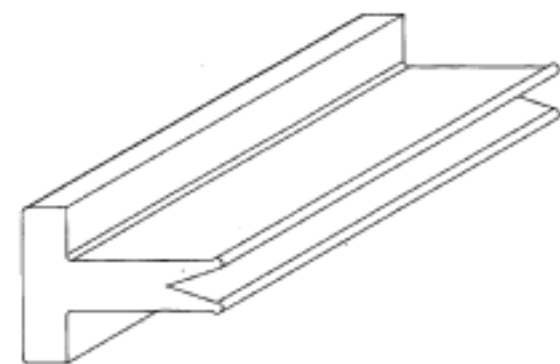
- (21) Design Number: **13816/2013**
(22) Date of Filing Application: **08 August 2013**
(24) Date from which industrial property rights may have effect: **08 August 2013**
(54) Product in respect of which the design is registered: **A chair**
(51) International Design Classification: **06-01G**
(74) Name(s) of Attorney(s): **FB Rice**
(71) Name(s) and Address(s) of Applicant(s):
King Furniture Australia Pty Ltd
123 Turrella St Turrella NSW 2205 Australia
(72) Name(s) of Designer(s): **David King and John Levey and Ryan Lawson and Tanya Rechberger**
(45) Registration Date: **11 September 2013**
(56) Related Art Documents: **Not Applicable**
(57) Statement of Newness and Distinctiveness: **Newness and distinctiveness reside in the features of the design as shown in the representations, the frame component shown in solid black lines not forming part of the design for which protection is sought. No weight is to be accorded to which side of the chair the arm is located, it being understood that the arm could be on either side of the chair.**



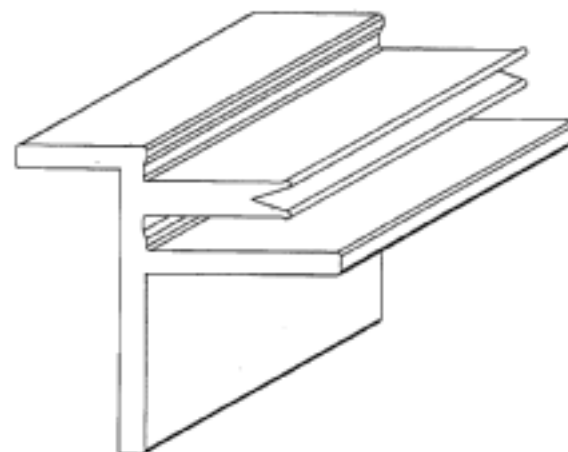
(21) Design Number: **13303/2013**
(22) Date of Filing Application: **09 July 2013**
(24) Date from which industrial property rights may have effect: **09 July 2013**
(54) Product in respect of which the design is registered: **Extrusion**
(51) International Design Classification: **25-01K**
(74) Name(s) of Attorney(s):
(71) Name(s) and Address(s) of Applicant(s):
 CTCI Pty Limited
 8 Watt Dr Bathurst NSW 2795 Australia
(72) Name(s) of Designer(s): **Eisse Woldhuis**
(45) Registration Date: **11 September 2013**
(56) Related Art Documents: **Not Applicable**
(57) Statement of Newness and Distinctiveness: **Nil**



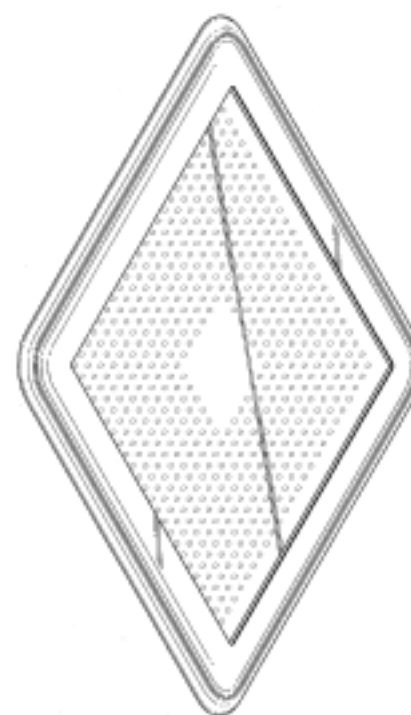
(21) Design Number: **13304/2013**
(22) Date of Filing Application: **09 July 2013**
(24) Date from which industrial property rights may have effect: **09 July 2013**
(54) Product in respect of which the design is registered: **Extrusion**
(51) International Design Classification: **25-01K**
(74) Name(s) of Attorney(s):
(71) Name(s) and Address(s) of Applicant(s):
 CTCI Pty Limited
 8 Watt Dr Bathurst NSW 2795 Australia
(72) Name(s) of Designer(s): **Eisse Woldhuis**
(45) Registration Date: **11 September 2013**
(56) Related Art Documents: **Not Applicable**
(57) Statement of Newness and Distinctiveness: **Nil**



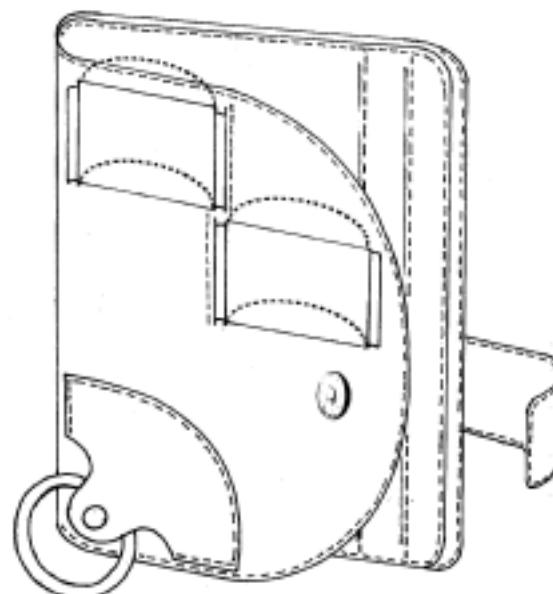
(21) Design Number: **13305/2013**
(22) Date of Filing Application: **09 July 2013**
(24) Date from which industrial property rights may have effect: **09 July 2013**
(54) Product in respect of which the design is registered: **Extrusion**
(51) International Design Classification: **25-01K**
(74) Name(s) of Attorney(s):
(71) Name(s) and Address(s) of Applicant(s):
 CTCI Pty Limited
 8 Watt Dr Bathurst NSW 2795 Australia
(72) Name(s) of Designer(s): **Eisse Woldhuis**
(45) Registration Date: **11 September 2013**
(56) Related Art Documents: **Not Applicable**
(57) Statement of Newness and Distinctiveness: **Nil**



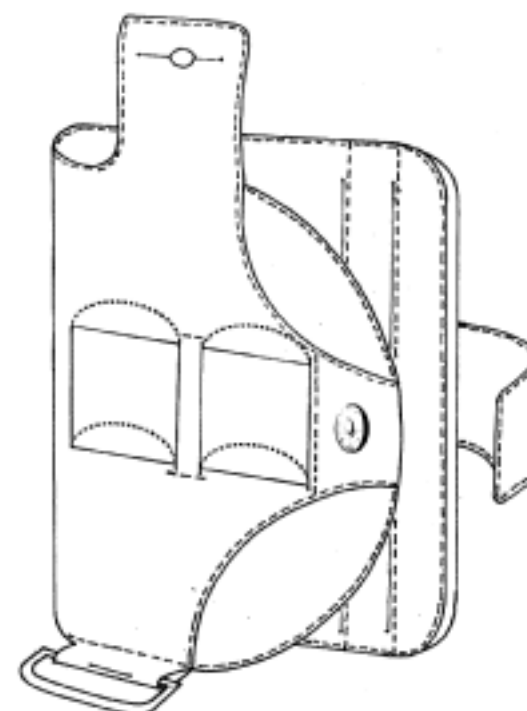
(21) Design Number: **13325/2013**
(22) Date of Filing Application: **10 July 2013**
(24) Date from which industrial property rights may have effect: **10 July 2013**
(54) Product in respect of which the design is registered: **Lighting**
(51) International Design Classification: **26-05C**
(74) Name(s) of Attorney(s): **PIZZEYS**
(71) Name(s) and Address(s) of Applicant(s):
 LSI Industries, Inc.
 10000 Alliance Rd Cincinnati OH 45242 United States of America
(72) Name(s) of Designer(s): **John D. Boyer and Daniel Hutchens and Eric Jon Moar**
(45) Registration Date: **11 September 2013**
(30) Convention priority data:
 (31) Number (32) Date (33) Country
 29/449,187 14 Mar 2013 UNITED STATES OF AMERICA
(56) Related Art Documents: **Not Applicable**
(57) Statement of Newness and Distinctiveness: **Nil**



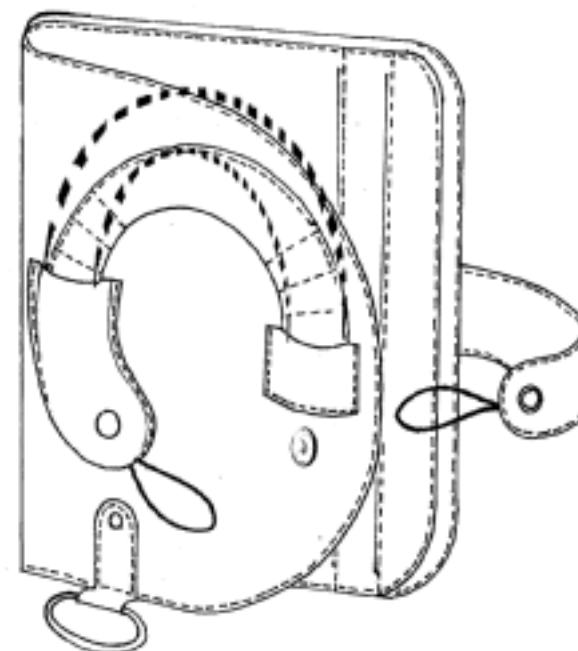
- (21) Design Number: **13361/2013**
(22) Date of Filing Application: **13 July 2013**
(24) Date from which industrial property rights may have effect: **13 July 2013**
(54) Product in respect of which the design is registered: **Smart card case**
(51) International Design Classification: **03-01B**
(74) Name(s) of Attorney(s):
(71) Name(s) and Address(s) of Applicant(s):
Wisdom Perfection Pty Ltd
8 Main St Coburg VIC 3058 Australia
(72) Name(s) of Designer(s): **Rashmi Suryawanshi and Dhanesh Suryawanshi and Suhita Suryawanshi**
(45) Registration Date: **11 September 2013**
(56) Related Art Documents: **Not Applicable**
(57) Statement of Newness and Distinctiveness: **This design is of a smart card case which will house smart cards and similar size identification cards. Newness and distinctiveness is claimed in the features of shape, configuration, pattern and/or ornamentation of the design as well as the D-shape on the front side and the retractable finger loops and their orientation as shown in the accompanying representations. The colours shown in the representations are specifically disclaimed from the design.**



- (21) Design Number: **13362/2013**
(22) Date of Filing Application: **13 July 2013**
(24) Date from which industrial property rights may have effect: **13 July 2013**
(54) Product in respect of which the design is registered: **Smart card case**
(51) International Design Classification: **03-01B**
(74) Name(s) of Attorney(s):
(71) Name(s) and Address(s) of Applicant(s):
Wisdom Perfection Pty Ltd
8 Main St Coburg VIC 3058 Australia
(72) Name(s) of Designer(s): **Dhanesh Suryawanshi and Rashmi Suryawanshi and Suhita Suryawanshi**
(45) Registration Date: **11 September 2013**
(56) Related Art Documents: **Not Applicable**
(57) Statement of Newness and Distinctiveness: **This design is of a smart card case which will house smart cards and similar size identification cards. Newness and distinctiveness is claimed in the features of shape, configuration, pattern and/or ornamentation of the design as well as in the orientation of the retractable finger loops as shown in the accompanying representations. The colours shown in the representations are specifically disclaimed from the design.**



- (21) Design Number: **13363/2013**
(22) Date of Filing Application: **13 July 2013**
(24) Date from which industrial property rights may have effect: **13 July 2013**
(54) Product in respect of which the design is registered: **Smart card case**
(51) International Design Classification: **03-01B**
(74) Name(s) of Attorney(s):
(71) Name(s) and Address(s) of Applicant(s):
Wisdom Perfection Pty Ltd
8 Main St Coburg VIC 3058 Australia
(72) Name(s) of Designer(s): **Rashmi Suryawanshi and Dhanesh Suryawanshi and Suhita Suryawanshi**
(45) Registration Date: **11 September 2013**
(56) Related Art Documents: **Not Applicable**
(57) Statement of Newness and Distinctiveness: **This design is of a smart card case which will house smart cards and similar size identification cards. Newness and distinctiveness is claimed in the features of shape, configuration, pattern and/or ornamentation of the design as well as the retractable horseshoe-shaped finger holder as shown in the accompanying representations. The colours shown in the representations are specifically disclaimed from the design.**



- (21) Design Number: **13817/2013**
(22) Date of Filing Application: **08 August 2013**
(24) Date from which industrial property rights may have effect: **08 August 2013**
(54) Product in respect of which the design is registered: **A chair**
(51) International Design Classification: **06-01G**
(74) Name(s) of Attorney(s): **FB Rice**
(71) Name(s) and Address(s) of Applicant(s):
King Furniture Australia Pty Ltd
123 Turrella St Turrella NSW 2205 Australia
(72) Name(s) of Designer(s): **David King and John Levey and Ryan Lawson and Tanya Rechberger**
(45) Registration Date: **11 September 2013**
(56) Related Art Documents: **Not Applicable**
(57) Statement of Newness and Distinctiveness: **Newness and distinctiveness reside in the features of the design as shown in the representations. No weight is to be given to which side of the chair carries the wider armrest and which side of the chair carries the narrower armrest. It is to be understood that the armrests could be arranged in the opposite configuration to that illustrated.**



- (21) Design Number: **13818/2013**
(22) Date of Filing Application: **08 August 2013**
(24) Date from which industrial property rights may have effect: **08 August 2013**
(54) Product in respect of which the design is registered: **A chair**
(51) International Design Classification: **06-01G**
(74) Name(s) of Attorney(s): **FB Rice**
(71) Name(s) and Address(s) of Applicant(s):
King Furniture Australia Pty Ltd
123 Turrella St Turrella NSW 2205 Australia
(72) Name(s) of Designer(s): **David King and John Levey and Ryan Lawson and Tanya Rechberger**
(45) Registration Date: **11 September 2013**
(56) Related Art Documents: **Not Applicable**
(57) Statement of Newness and Distinctiveness: **Newness and distinctiveness reside in the features of the design as shown in the representations. No weight is to be given to which side of the chair carries the wider armrest and which side of the chair carries the narrower armrest. It is to be understood that the armrests could be arranged in the opposite configuration to that illustrated.**



- (21) Design Number: **13819/2013**
(22) Date of Filing Application: **08 August 2013**
(24) Date from which industrial property rights may have effect: **08 August 2013**
(54) Product in respect of which the design is registered: **A chair**
(51) International Design Classification: **06-01G**
(74) Name(s) of Attorney(s): **FB Rice**
(71) Name(s) and Address(s) of Applicant(s):
King Furniture Australia Pty Ltd
123 Turrella St Turrella NSW 2205 Australia
(72) Name(s) of Designer(s): **David King and John Levey and Ryan Lawson and Tanya Rechberger**
(45) Registration Date: **11 September 2013**
(56) Related Art Documents: **Not Applicable**
(57) Statement of Newness and Distinctiveness: **Newness and distinctiveness reside in the features of the design as shown in the representations.**



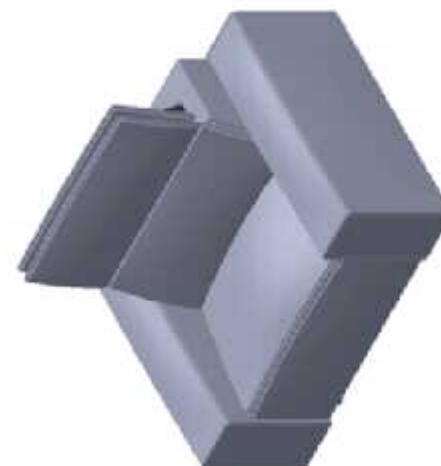
- (21) Design Number: **13820/2013**
(22) Date of Filing Application: **08 August 2013**
(24) Date from which industrial property rights may have effect: **08 August 2013**
(54) Product in respect of which the design is registered: **A chair**
(51) International Design Classification: **06-01G**
(74) Name(s) of Attorney(s): **FB Rice**
(71) Name(s) and Address(s) of Applicant(s):
King Furniture Australia Pty Ltd
123 Turrella St Turrella NSW 2205 Australia
(72) Name(s) of Designer(s): **David King and John Levey and Ryan Lawson and Tanya Rechberger**
(45) Registration Date: **11 September 2013**
(56) Related Art Documents: **Not Applicable**
(57) Statement of Newness and Distinctiveness: **Newness and distinctiveness reside in the features of the design as shown in the representations.**



- (21) Design Number: **13821/2013**
(22) Date of Filing Application: **08 August 2013**
(24) Date from which industrial property rights may have effect: **08 August 2013**
(54) Product in respect of which the design is registered: **A chair**
(51) International Design Classification: **06-01G**
(74) Name(s) of Attorney(s): **FB Rice**
(71) Name(s) and Address(s) of Applicant(s):
King Furniture Australia Pty Ltd
123 Turrella St Turrella NSW 2205 Australia
(72) Name(s) of Designer(s): **David King and John Levey and Ryan Lawson and Tanya Rechberger**
(45) Registration Date: **11 September 2013**
(56) Related Art Documents: **Not Applicable**
(57) Statement of Newness and Distinctiveness: **Newness and distinctiveness reside in the features of the design as shown in the representations.**



- (21) Design Number: **13822/2013**
(22) Date of Filing Application: **08 August 2013**
(24) Date from which industrial property rights may have effect: **08 August 2013**
(54) Product in respect of which the design is registered: **A chair**
(51) International Design Classification: **06-01G**
(74) Name(s) of Attorney(s): **FB Rice**
(71) Name(s) and Address(s) of Applicant(s):
King Furniture Australia Pty Ltd
123 Turrella St Turrella NSW 2205 Australia
(72) Name(s) of Designer(s): **David King and John Levey and Ryan Lawson and Tanya Rechberger**
(45) Registration Date: **11 September 2013**
(56) Related Art Documents: **Not Applicable**
(57) Statement of Newness and Distinctiveness: **Newness and distinctiveness reside in the features of the design as shown in the representations.**



- (21) Design Number: **13823/2013**
(22) Date of Filing Application: **08 August 2013**
(24) Date from which industrial property rights may have effect: **08 August 2013**
(54) Product in respect of which the design is registered: **A chair**
(51) International Design Classification: **06-01G**
(74) Name(s) of Attorney(s): **FB Rice**
(71) Name(s) and Address(s) of Applicant(s):
King Furniture Australia Pty Ltd
123 Turrella St Turrella NSW 2205 Australia
(72) Name(s) of Designer(s): **David King and John Levey and Ryan Lawson and Tanya Rechberger**
(45) Registration Date: **11 September 2013**
(56) Related Art Documents: **Not Applicable**
(57) Statement of Newness and Distinctiveness: **Newness and distinctiveness reside in the features of the design as shown in the representations, the frame component shown in solid black lines not forming part of the design for which protection is sought.**



- (21) Design Number: **13824/2013**
(22) Date of Filing Application: **08 August 2013**
(24) Date from which industrial property rights may have effect: **08 August 2013**
(54) Product in respect of which the design is registered: **A chair**
(51) International Design Classification: **06-01G**
(74) Name(s) of Attorney(s): **FB Rice**
(71) Name(s) and Address(s) of Applicant(s):
King Furniture Australia Pty Ltd
123 Turrella St Turrella NSW 2205 Australia
(72) Name(s) of Designer(s): **David King and John Levey and Ryan Lawson and Tanya Rechberger**
(45) Registration Date: **11 September 2013**
(56) Related Art Documents: **Not Applicable**
(57) Statement of Newness and Distinctiveness: **Newness and distinctiveness reside in the features of the design as shown in the representations, the frame component shown in solid black lines not forming part of the design for which protection is sought.**



- (21) Design Number: **13825/2013**
(22) Date of Filing Application: **08 August 2013**
(24) Date from which industrial property rights may have effect: **08 August 2013**
(54) Product in respect of which the design is registered: **A sofa**
(51) International Design Classification: **06-01G**
(74) Name(s) of Attorney(s): **FB Rice**
(71) Name(s) and Address(s) of Applicant(s):
King Furniture Australia Pty Ltd
123 Turrella St Turrella NSW 2205 Australia
(72) Name(s) of Designer(s): **David King and John Levey and Ryan Lawson and Tanya Rechberger**
(45) Registration Date: **11 September 2013**
(56) Related Art Documents: **Not Applicable**
(57) Statement of Newness and Distinctiveness: **Newness and distinctiveness reside in the features of the design as shown in the representations, the frame component shown in solid black lines not forming part of the design for which protection is sought. No weight is to be accorded to which side of the sofa the arm is located, it being understood that the arm could be on either side of the sofa.**



- (21) Design Number: **13826/2013**
(22) Date of Filing Application: **08 August 2013**
(24) Date from which industrial property rights may have effect: **08 August 2013**
(54) Product in respect of which the design is registered: **A sofa**
(51) International Design Classification: **06-01G**
(74) Name(s) of Attorney(s): **FB Rice**
(71) Name(s) and Address(s) of Applicant(s):
King Furniture Australia Pty Ltd
123 Turrella St Turrella NSW 2205 Australia
(72) Name(s) of Designer(s): **David King and John Levey and Ryan Lawson and Tanya Rechberger**
(45) Registration Date: **11 September 2013**
(56) Related Art Documents: **Not Applicable**
(57) Statement of Newness and Distinctiveness: **Newness and distinctiveness reside in the features of the design as shown in the representations, the frame component shown in solid black lines not forming part of the design for which protection is sought. No weight is to be accorded to which side of the sofa the arm is located, it being understood that the arm could be on either side of the sofa.**



- (21) Design Number: **13827/2013**
(22) Date of Filing Application: **08 August 2013**
(24) Date from which industrial property rights may have effect: **08 August 2013**
(54) Product in respect of which the design is registered: **A sofa**
(51) International Design Classification: **06-01G**
(74) Name(s) of Attorney(s): **FB Rice**
(71) Name(s) and Address(s) of Applicant(s):
King Furniture Australia Pty Ltd
123 Turrella St Turrella NSW 2205 Australia
(72) Name(s) of Designer(s): **David King and John Levey and Ryan Lawson and Tanya Rechberger**
(45) Registration Date: **11 September 2013**
(56) Related Art Documents: **Not Applicable**
(57) Statement of Newness and Distinctiveness: **Newness and distinctiveness reside in the features of the design as shown in the representations, the frame component shown in solid black lines not forming part of the design for which protection is sought. No weight is to be accorded to which side of the sofa the arm is located, it being understood that the arm could be on either side of the sofa.**



- (21) Design Number: **13828/2013**
(22) Date of Filing Application: **08 August 2013**
(24) Date from which industrial property rights may have effect: **08 August 2013**
(54) Product in respect of which the design is registered: **A sofa**
(51) International Design Classification: **06-01G**
(74) Name(s) of Attorney(s): **FB Rice**
(71) Name(s) and Address(s) of Applicant(s):
King Furniture Australia Pty Ltd
123 Turrella St Turrella NSW 2205 Australia
(72) Name(s) of Designer(s): **David King and John Levey and Ryan Lawson and Tanya Rechberger**
(45) Registration Date: **11 September 2013**
(56) Related Art Documents: **Not Applicable**
(57) Statement of Newness and Distinctiveness: **Newness and distinctiveness reside in the features of the design as shown in the representations, the frame component shown in solid black lines not forming part of the design for which protection is sought. No weight is to be accorded to which side of the sofa the arm is located, it being understood that the arm could be on either side of the sofa.**



- (21) Design Number: **13829/2013**
(22) Date of Filing Application: **08 August 2013**
(24) Date from which industrial property rights may have effect: **08 August 2013**
(54) Product in respect of which the design is registered: **A sofa**
(51) International Design Classification: **06-01G**
(74) Name(s) of Attorney(s): **FB Rice**
(71) Name(s) and Address(s) of Applicant(s):
King Furniture Australia Pty Ltd
123 Turrella St Turrella NSW 2205 Australia
(72) Name(s) of Designer(s): **David King and John Levey and Ryan Lawson and Tanya Rechberger**
(45) Registration Date: **11 September 2013**
(56) Related Art Documents: **Not Applicable**
(57) Statement of Newness and Distinctiveness: **Newness and distinctiveness reside in the features of the design as shown in the representations. No weight is to be given to which side of the sofa carries the wider armrest and which side of the sofa carries the narrower armrest. It is to be understood that the armrests could be arranged in the opposite configuration to that illustrated.**



- (21) Design Number: **13830/2013**
(22) Date of Filing Application: **08 August 2013**
(24) Date from which industrial property rights may have effect: **08 August 2013**
(54) Product in respect of which the design is registered: **A sofa**
(51) International Design Classification: **06-01G**
(74) Name(s) of Attorney(s): **FB Rice**
(71) Name(s) and Address(s) of Applicant(s):
King Furniture Australia Pty Ltd
123 Turrella St Turrella NSW 2205 Australia
(72) Name(s) of Designer(s): **David King and John Levey and Ryan Lawson and Tanya Rechberger**
(45) Registration Date: **11 September 2013**
(56) Related Art Documents: **Not Applicable**
(57) Statement of Newness and Distinctiveness: **Newness and distinctiveness reside in the features of the design as shown in the representations. No weight is to be given to which side of the sofa carries the wider armrest and which side of the sofa carries the narrower armrest. It is to be understood that the armrests could be arranged in the opposite configuration to that illustrated.**



- (21) Design Number: **13050/2013**
(22) Date of Filing Application: **28 June 2013**
(24) Date from which industrial property rights may have effect: **28 June 2013**
(54) Product in respect of which the design is registered: **Angle grinder bracket and handle**
(51) International Design Classification: **08-05N**
(74) Name(s) of Attorney(s):
(71) Name(s) and Address(s) of Applicant(s):
Mathew Raymund Norton
24 Dapper St Sunnybank Hills QLD 4109 Australia
(72) Name(s) of Designer(s): **Mathew Raymund Norton**
(45) Registration Date: **11 September 2013**
(56) Related Art Documents: **Not Applicable**
(57) Statement of Newness and Distinctiveness: **Monopoly is claimed in the shape configuration and combination use of the random concrete crack chasing/cutting bracket and pistol grip handle as shown in the representations.**



- (21) Design Number: **13551/2013**
(22) Date of Filing Application: **25 July 2013**
(24) Date from which industrial property rights may have effect: **25 July 2013**
(54) Product in respect of which the design is registered: **Emergency door warning card**
(51) International Design Classification: **29-02**
(74) Name(s) of Attorney(s):
(71) Name(s) and Address(s) of Applicant(s):
Building Code & Bushfire Hazard Solutions Pty Ltd
PO BOX 124 Berowra NSW 2081 Australia
(72) Name(s) of Designer(s): **David Keith McMonnies**
(45) Registration Date: **11 September 2013**
(56) Related Art Documents: **Not Applicable**
(57) Statement of Newness and Distinctiveness: **The newness and distinctiveness resides in the shape, design and colour of the emergency door warning card. The printed instructions provide clear and concise information to Fire Services and Fire Wardens. The emergency door card can be hung on a front door latch or it will stick to a metal surface via a magnetic strip. A reflective strip is also provided on both sides for identification or location at night or when building lighting fails.**



- (21) Design Number: **13760/2013**
(22) Date of Filing Application: **07 August 2013**
(24) Date from which industrial property rights may have effect: **07 August 2013**
(54) Product in respect of which the design is registered: **Head lamp**
(51) International Design Classification: **26-06**
(74) Name(s) of Attorney(s): **Griffith Hack**
(71) Name(s) and Address(s) of Applicant(s):
Honda Motor Co., Ltd.
1-1 Minami-Aoyama 2-chome Minato-ku Tokyo 107-8556 Japan
(72) Name(s) of Designer(s): **Anthony Mascadri and Andrew J. Wilson and Asao Itaya and Erik Dunshee and Jessica Vera**
(45) Registration Date: **12 September 2013**
(30) Convention priority data:
(31) Number (32) Date (33) Country
29/445,277 08 Feb 2013 UNITED STATES OF AMERICA
(56) Related Art Documents: **Not Applicable**
(57) Statement of Newness and Distinctiveness: **Newness and distinctiveness resides in the visual features, including shape, and configuration, of a HEAD LAMP as shown in solid outline in the accompanying drawings. When determining whether the design is substantially similar in overall impression to another design, no regard is to be had to those features shown in dotted outline in the accompanying drawings, which features are provided for illustrative purposes only.**



(21) Design Number: **13860/2013**
(22) Date of Filing Application: **09 August 2013**
(24) Date from which industrial property rights may have effect: **09 August 2013**
(54) Product in respect of which the design is registered: **Hand shower**
(51) International Design Classification: **23-02B**
(74) Name(s) of Attorney(s): **Griffith Hack**
(71) Name(s) and Address(s) of Applicant(s):
Hansgrohe SE
Austr. 5-9 Schiltach 77761 Germany
(72) Name(s) of Designer(s): **Tom Schoenherr and Matthias Oesterle**
(45) Registration Date: **12 September 2013**
(30) Convention priority data:
(31) Number (32) Date (33) Country
001363584-0001 07 Mar 2013 OFFICE FOR HARMONISATION IN
THE INTERNAL MARKET (OHIM)
(56) Related Art Documents: **Not Applicable**
(57) Statement of Newness and Distinctiveness: **The shape, configuration and ornamentation of the product is new and distinctive.**



(21) Design Number: **13862/2013**
(22) Date of Filing Application: **09 August 2013**
(24) Date from which industrial property rights may have effect: **09 August 2013**
(54) Product in respect of which the design is registered: **Scanner**
(51) International Design Classification: **14-02**
(74) Name(s) of Attorney(s): **FB Rice**
(71) Name(s) and Address(s) of Applicant(s):
Mobile Technology Holdings Limited
26 - 28 Athol Street Douglas Isle of Man IM1 1JB United Kingdom
(72) Name(s) of Designer(s): **David Arnold Bleads**
(45) Registration Date: **12 September 2013**
(30) Convention priority data:
(31) Number (32) Date (33) Country
002190983-001 25 Feb 2013 OFFICE FOR HARMONISATION IN
THE INTERNAL MARKET (OHIM)
(56) Related Art Documents: **Not Applicable**
(57) Statement of Newness and Distinctiveness: **Newness and distinctiveness reside in the features of shape and configuration of the design shown in the representations.**



(21) Design Number: **13863/2013**
(22) Date of Filing Application: **09 August 2013**
(24) Date from which industrial property rights may have effect: **09 August 2013**
(54) Product in respect of which the design is registered: **Mobile phone**
(51) International Design Classification: **14-03E**
(74) Name(s) of Attorney(s): **FB Rice**
(71) Name(s) and Address(s) of Applicant(s):
LG Electronics Inc.
20 Yeouido-dong Yeongdeungpo-gu Seoul 150-721 Republic of Korea
(72) Name(s) of Designer(s): **Hyunggon Ryu and Youngho Kim and Minsun Park**
(45) Registration Date: **12 September 2013**
(30) Convention priority data:
(31) Number (32) Date (33) Country
30-2013-0007347 12 Feb 2013 REPUBLIC OF KOREA
(56) Related Art Documents: **Not Applicable**
(57) Statement of Newness and Distinctiveness: **Newness and distinctiveness reside in the features of the design as shown in the representations.**



(21) Design Number: **13864/2013**
(22) Date of Filing Application: **09 August 2013**
(24) Date from which industrial property rights may have effect: **09 August 2013**
(54) Product in respect of which the design is registered: **Mobile phone**
(51) International Design Classification: **14-03E**
(74) Name(s) of Attorney(s): **FB Rice**
(71) Name(s) and Address(s) of Applicant(s):
LG Electronics Inc.
20 Yeouido-dong Yeongdeungpo-gu Seoul 150-721 Republic of Korea
(72) Name(s) of Designer(s): **Hyunggon Ryu and Youngho Kim and Minsun Park**
(45) Registration Date: **12 September 2013**
(30) Convention priority data:
(31) Number (32) Date (33) Country
30-2013-0007348 12 Feb 2013 REPUBLIC OF KOREA
(56) Related Art Documents: **Not Applicable**
(57) Statement of Newness and Distinctiveness: **Newness and distinctiveness reside in the features of the design as shown in the representations.**



- (21) Design Number: **13902/2013**
(22) Date of Filing Application: **09 August 2013**
(24) Date from which industrial property rights may have effect: **09 August 2013**
(54) Product in respect of which the design is registered: **Service trolley**
(51) International Design Classification: **12-02**
(74) Name(s) of Attorney(s): **Freehills Patent Attorneys**
(71) Name(s) and Address(s) of Applicant(s):
IHS Global Design Pty Ltd
125 Henderson Rd Rowville VIC 3178 Australia
(72) Name(s) of Designer(s): **Nicholas Polidoros**
(45) Registration Date: **12 September 2013**
(56) Related Art Documents: **Not Applicable**
(57) Statement of Newness and Distinctiveness: **Newness and distinctiveness resides in the shape and configuration of the service trolley as illustrated in the accompanying representations.**



- (21) Design Number: **13903/2013**
(22) Date of Filing Application: **09 August 2013**
(24) Date from which industrial property rights may have effect: **09 August 2013**
(54) Product in respect of which the design is registered: **Service trolley**
(51) International Design Classification: **12-02**
(74) Name(s) of Attorney(s): **Freehills Patent Attorneys**
(71) Name(s) and Address(s) of Applicant(s):
IHS Global Design Pty Ltd
125 Henderson Rd Rowville VIC 3178 Australia
(72) Name(s) of Designer(s): **Nicholas Polidoros**
(45) Registration Date: **12 September 2013**
(56) Related Art Documents: **Not Applicable**
(57) Statement of Newness and Distinctiveness: **Newness and distinctiveness resides in the shape and configuration of the leg portions of the service trolley as illustrated in full lines in the accompanying representations.**



(21) Design Number: **13910/2013**

(22) Date of Filing Application: **13 August 2013**

(24) Date from which industrial property rights may have effect: **13 August 2013**

(54) Product in respect of which the design is registered: **Sanitary faucet**

(51) International Design Classification: **23-01H**

(74) Name(s) of Attorney(s): **Griffith Hack**

(71) Name(s) and Address(s) of Applicant(s):

Hansgrohe SE

Austr. 5-9 Schiltach 77761 Germany

(72) Name(s) of Designer(s): **Tom Schoenherr and Andreas Diefenbach**

(45) Registration Date: **12 September 2013**

(30) Convention priority data:

(31) Number

(32) Date

(33) Country

001363311-0001 06 Mar 2013

**OFFICE FOR HARMONISATION IN
THE INTERNAL MARKET (OHIM)**

(56) Related Art Documents: **Not Applicable**

(57) Statement of Newness and Distinctiveness: **Newness and distinctiveness resides in the visual features, including shape and configuration of the product as shown in the attached representations.**



(21) Design Number: **13911/2013**

(22) Date of Filing Application: **13 August 2013**

(24) Date from which industrial property rights may have effect: **13 August 2013**

(54) Product in respect of which the design is registered: **Sanitary faucet**

(51) International Design Classification: **23-01H**

(74) Name(s) of Attorney(s): **Griffith Hack**

(71) Name(s) and Address(s) of Applicant(s):

Hansgrohe SE

Austr. 5-9 Schiltach 77761 Germany

(72) Name(s) of Designer(s): **Tom Schoenherr and Andreas Diefenbach**

(45) Registration Date: **12 September 2013**

(30) Convention priority data:

(31) Number

(32) Date

(33) Country

001363311-0002 06 Mar 2013

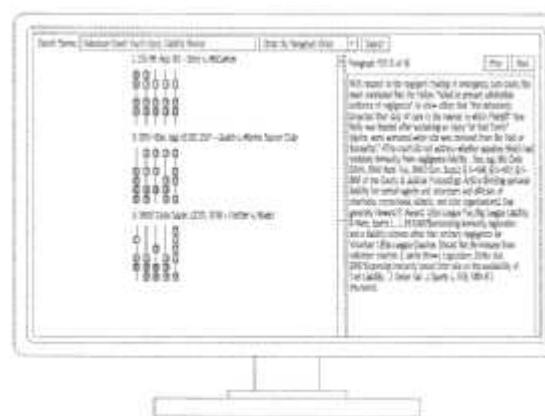
**OFFICE FOR HARMONISATION IN
THE INTERNAL MARKET (OHIM)**

(56) Related Art Documents: **Not Applicable**

(57) Statement of Newness and Distinctiveness: **Newness and distinctiveness resides in the visual features, including shape and configuration of the product as shown in the attached representations.**



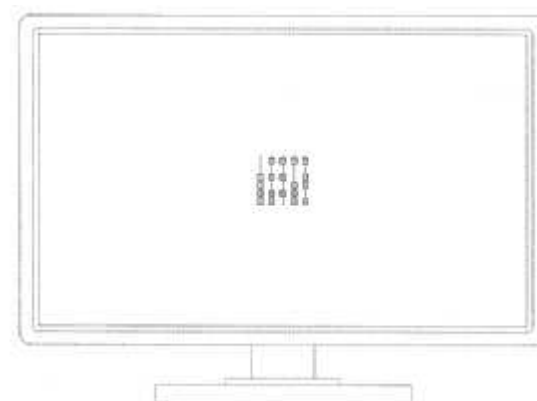
- (21) Design Number: **13912/2013**
- (22) Date of Filing Application: **13 August 2013**
- (24) Date from which industrial property rights may have effect: **29 May 2013**
- (54) Product in respect of which the design is registered: **Electronic device with boxed abacus icon**
- (51) International Design Classification: **14-02**
- (74) Name(s) of Attorney(s): **WATERMARK PATENT AND TRADE MARKS ATTORNEYS**
- (71) Name(s) and Address(s) of Applicant(s):
**LexisNexis A division of Reed Elsevier Inc.
9443 Springboro Pike Miamisburg Ohio 45342 United States of America**
- (72) Name(s) of Designer(s): **Richard D. Miller and Jacob Aaron Myers and Sanjay Sharma and Christopher Scott Basham**
- (45) Registration Date: **12 September 2013**
- (30) Convention priority data:
 - (31) Number (32) Date (33) Country
 - 29/438,388 29 Nov 2012 UNITED STATES OF AMERICA**
- (62) Divisional of: **350421**
- (56) Related Art Documents: **Not Applicable**
- (57) Statement of Newness and Distinctiveness: **Newness and distinctiveness resides in the features of pattern and/or ornamentation of an electronic device having graphical user interface with a boxed abacus icon as shown in the accompanying representation. The features shown in broken lines, including a computer screen or other elements of the graphical user interface, are for illustrative purposes only and form no part of the design.**



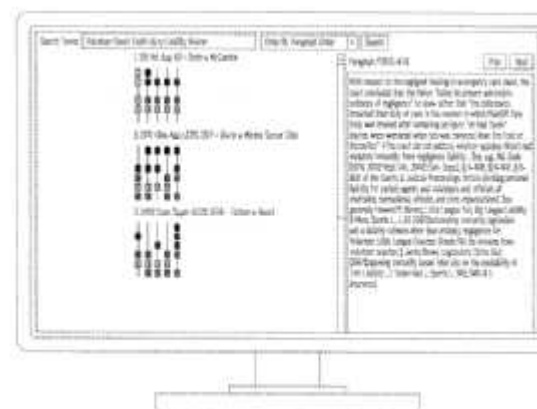
- (21) Design Number: **13913/2013**
- (22) Date of Filing Application: **13 August 2013**
- (24) Date from which industrial property rights may have effect: **29 May 2013**
- (54) Product in respect of which the design is registered: **Electronic device with boxed abacus icon**
- (51) International Design Classification: **14-02**
- (74) Name(s) of Attorney(s): **WATERMARK PATENT AND TRADE MARKS ATTORNEYS**
- (71) Name(s) and Address(s) of Applicant(s):
**LexisNexis A division of Reed Elsevier Inc.
9443 Springboro Pike Miamisburg Ohio 45342 United States of America**
- (72) Name(s) of Designer(s): **Richard D. Miller and Jacob Aaron Myers and Sanjay Sharma and Christopher Scott Basham**
- (45) Registration Date: **12 September 2013**
- (30) Convention priority data:
 - (31) Number (32) Date (33) Country
 - 29/438,388 29 Nov 2012 UNITED STATES OF AMERICA**
- (62) Divisional of: **350421**
- (56) Related Art Documents: **Not Applicable**
- (57) Statement of Newness and Distinctiveness: **Newness and distinctiveness resides in the features of pattern and/or ornamentation of an electronic device having graphical user interface with a boxed abacus icon as shown in the accompanying representation. The features shown in broken lines, including a computer screen or other elements of the graphical user interface, are for illustrative purposes only and form no part of the design.**



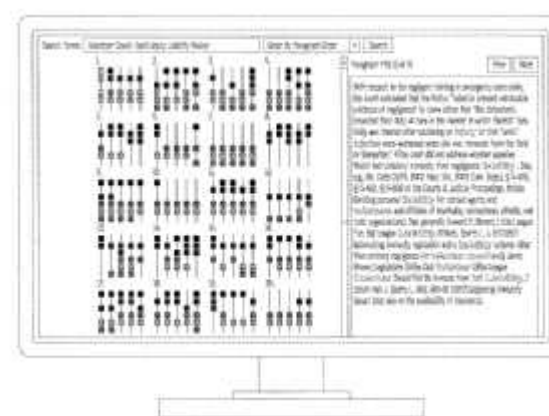
- (21) Design Number: **13914/2013**
(22) Date of Filing Application: **13 August 2013**
(24) Date from which industrial property rights may have effect: **29 May 2013**
(54) Product in respect of which the design is registered: **Electronic device with boxed abacus icon**
(51) International Design Classification: **14-02**
(74) Name(s) of Attorney(s): **WATERMARK PATENT AND TRADE MARKS ATTORNEYS**
(71) Name(s) and Address(s) of Applicant(s):
LexisNexis A division of Reed Elsevier Inc.
9443 Springboro Pike Miamisburg Ohio 45342 United States of America
(72) Name(s) of Designer(s): **Richard D. Miller and Jacob Aaron Myers and Sanjay Sharma and Christopher Scott Basham**
(45) Registration Date: **12 September 2013**
(30) Convention priority data:
(31) Number (32) Date (33) Country
29/438,388 29 Nov 2012 UNITED STATES OF AMERICA
(62) Divisional of: **350421**
(56) Related Art Documents: **Not Applicable**
(57) Statement of Newness and Distinctiveness: **Newness and distinctiveness resides in the features of pattern and/or ornamentation of an electronic device having graphical user interface with a boxed abacus icon as shown in the accompanying representation. The features shown in broken lines, including a computer screen or other elements of the graphical user interface, are for illustrative purposes only and form no part of the design.**



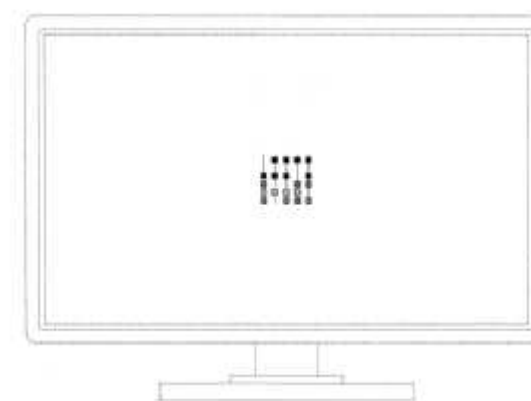
- (21) Design Number: **13915/2013**
(22) Date of Filing Application: **13 August 2013**
(24) Date from which industrial property rights may have effect: **29 May 2013**
(54) Product in respect of which the design is registered: **Electronic device with boxed abacus icon**
(51) International Design Classification: **14-02**
(74) Name(s) of Attorney(s): **WATERMARK PATENT AND TRADE MARKS ATTORNEYS**
(71) Name(s) and Address(s) of Applicant(s):
LexisNexis A division of Reed Elsevier Inc.
9443 Springboro Pike Miamisburg Ohio 45342 United States of America
(72) Name(s) of Designer(s): **Richard D. Miller and Jacob Aaron Myers and Sanjay Sharma and Christopher Scott Basham**
(45) Registration Date: **12 September 2013**
(30) Convention priority data:
(31) Number (32) Date (33) Country
29/438,388 29 Nov 2012 UNITED STATES OF AMERICA
(62) Divisional of: **350421**
(56) Related Art Documents: **Not Applicable**
(57) Statement of Newness and Distinctiveness: **Newness and distinctiveness resides in the features of pattern and/or ornamentation of an electronic device having graphical user interface with a boxed abacus icon as shown in the accompanying representation. The features shown in broken lines, including a computer screen or other elements of the graphical user interface, are for illustrative purposes only and form no part of the design.**



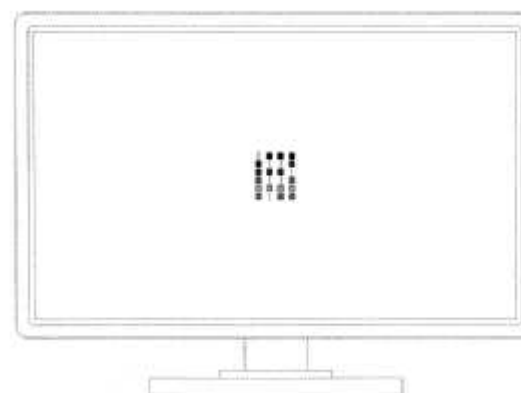
- (21) Design Number: **13916/2013**
(22) Date of Filing Application: **13 August 2013**
(24) Date from which industrial property rights may have effect: **29 May 2013**
(54) Product in respect of which the design is registered: **Electronic device with boxed abacus icon**
(51) International Design Classification: **14-02**
(74) Name(s) of Attorney(s): **WATERMARK PATENT AND TRADE MARKS ATTORNEYS**
(71) Name(s) and Address(s) of Applicant(s):
LexisNexis A division of Reed Elsevier Inc.
9443 Springboro Pike Miamisburg Ohio 45342 United States of America
(72) Name(s) of Designer(s): **Richard D. Miller and Jacob Aaron Myers and Sanjay Sharma and Christopher Scott Basham**
(45) Registration Date: **12 September 2013**
(30) Convention priority data:
(31) Number (32) Date (33) Country
29/438,388 29 Nov 2012 UNITED STATES OF AMERICA
(62) Divisional of: **350421**
(56) Related Art Documents: **Not Applicable**
(57) Statement of Newness and Distinctiveness: **Newness and distinctiveness resides in the features of pattern and/or ornamentation of an electronic device having graphical user interface with a boxed abacus icon as shown in the accompanying representation. The features shown in broken lines, including a computer screen or other elements of the graphical user interface, are for illustrative purposes only and form no part of the design.**



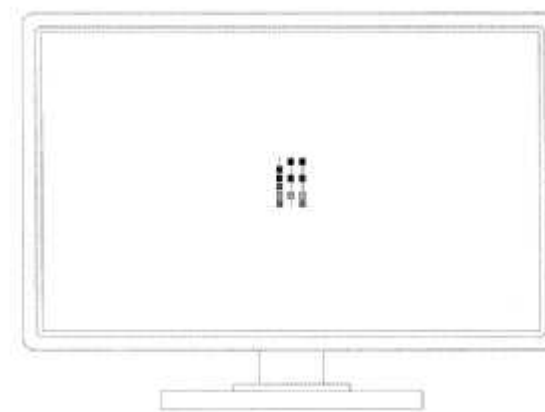
- (21) Design Number: **13917/2013**
(22) Date of Filing Application: **13 August 2013**
(24) Date from which industrial property rights may have effect: **29 May 2013**
(54) Product in respect of which the design is registered: **Electronic device with boxed abacus icon**
(51) International Design Classification: **14-02**
(74) Name(s) of Attorney(s): **WATERMARK PATENT AND TRADE MARKS ATTORNEYS**
(71) Name(s) and Address(s) of Applicant(s):
LexisNexis A division of Reed Elsevier Inc.
9443 Springboro Pike Miamisburg Ohio 45342 United States of America
(72) Name(s) of Designer(s): **Richard D. Miller and Jacob Aaron Myers and Sanjay Sharma and Christopher Scott Basham**
(45) Registration Date: **12 September 2013**
(30) Convention priority data:
(31) Number (32) Date (33) Country
29/438,388 29 Nov 2012 UNITED STATES OF AMERICA
(62) Divisional of: **350421**
(56) Related Art Documents: **Not Applicable**
(57) Statement of Newness and Distinctiveness: **Newness and distinctiveness resides in the features of pattern and/or ornamentation of an electronic device having graphical user interface with a boxed abacus icon as shown in the accompanying representation. The features shown in broken lines, including a computer screen or other elements of the graphical user interface, are for illustrative purposes only and form no part of the design.**



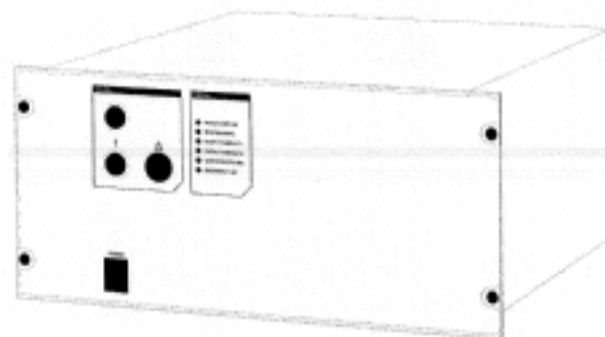
- (21) Design Number: **13918/2013**
(22) Date of Filing Application: **13 August 2013**
(24) Date from which industrial property rights may have effect: **29 May 2013**
(54) Product in respect of which the design is registered: **Electronic device with boxed abacus icon**
(51) International Design Classification: **14-02**
(74) Name(s) of Attorney(s): **WATERMARK PATENT AND TRADE MARKS ATTORNEYS**
(71) Name(s) and Address(s) of Applicant(s):
LexisNexis A division of Reed Elsevier Inc.
9443 Springboro Pike Miamisburg Ohio 45342 United States of America
(72) Name(s) of Designer(s): **Richard D. Miller and Jacob Aaron Myers and Sanjay Sharma and Christopher Scott Basham**
(45) Registration Date: **12 September 2013**
(30) Convention priority data:
(31) Number (32) Date (33) Country
29/438,388 29 Nov 2012 UNITED STATES OF AMERICA
(62) Divisional of: **350421**
(56) Related Art Documents: **Not Applicable**
(57) Statement of Newness and Distinctiveness: **Newness and distinctiveness resides in the features of pattern and/or ornamentation of an electronic device having graphical user interface with a boxed abacus icon as shown in the accompanying representation. The features shown in broken lines, including a computer screen or other elements of the graphical user interface, are for illustrative purposes only and form no part of the design.**



- (21) Design Number: **13919/2013**
(22) Date of Filing Application: **13 August 2013**
(24) Date from which industrial property rights may have effect: **29 May 2013**
(54) Product in respect of which the design is registered: **Electronic device with boxed abacus icon**
(51) International Design Classification: **14-02**
(74) Name(s) of Attorney(s): **WATERMARK PATENT AND TRADE MARKS ATTORNEYS**
(71) Name(s) and Address(s) of Applicant(s):
LexisNexis A division of Reed Elsevier Inc.
9443 Springboro Pike Miamisburg Ohio 45342 United States of America
(72) Name(s) of Designer(s): **Richard D. Miller and Jacob Aaron Myers and Sanjay Sharma and Christopher Scott Basham**
(45) Registration Date: **12 September 2013**
(30) Convention priority data:
(31) Number (32) Date (33) Country
29/438,388 29 Nov 2012 UNITED STATES OF AMERICA
(62) Divisional of: **350421**
(56) Related Art Documents: **Not Applicable**
(57) Statement of Newness and Distinctiveness: **Newness and distinctiveness resides in the features of pattern and/or ornamentation of an electronic device having graphical user interface with a boxed abacus icon as shown in the accompanying representation. The features shown in broken lines, including a computer screen or other elements of the graphical user interface, are for illustrative purposes only and form no part of the design.**



(21) Design Number: **12862/2013**
(22) Date of Filing Application: **21 June 2013**
(24) Date from which industrial property rights may have effect: **21 June 2013**
(54) Product in respect of which the design is registered: **Test device**
(51) International Design Classification: **10-04**
(74) Name(s) of Attorney(s): **SPRUSON & FERGUSON**
(71) Name(s) and Address(s) of Applicant(s):
OMICRON electronics GmbH
Oberes Ried 1 Klaus 6833 Austria
(72) Name(s) of Designer(s): **Mayer Simon**
(45) Registration Date: **12 September 2013**
(30) Convention priority data:
(31) Number (32) Date (33) Country
002157974 **21 Dec 2012** **OFFICE FOR HARMONISATION IN**
THE INTERNAL MARKET (OHIM)
(56) Related Art Documents: **Not Applicable**
(57) Statement of Newness and Distinctiveness: **Nil**



(21) Design Number: **13920/2013**
(22) Date of Filing Application: **13 August 2013**
(24) Date from which industrial property rights may have effect: **13 August 2013**
(54) Product in respect of which the design is registered: **Tent**
(51) International Design Classification: **21-04**
(74) Name(s) of Attorney(s): **AJ Park**
(71) Name(s) and Address(s) of Applicant(s):
Kathmandu Limited
4 Mary Muller Drive Heathcote Christchurch 8022 New Zealand
(72) Name(s) of Designer(s): **John Edward Atkinson**
(45) Registration Date: **12 September 2013**
(30) Convention priority data:
(31) Number (32) Date (33) Country
417345 **28 Feb 2013** **NEW ZEALAND**
(56) Related Art Documents: **Not Applicable**
(57) Statement of Newness and Distinctiveness: **Newness and distinctiveness reside in the features of shape and/or configuration of the tent, all as shown in the representations. The features shown in broken lines are shown for illustrative purposes only and are to be disregarded when considering the overall impression of the design.**



(21) Design Number: **13921/2013**

(22) Date of Filing Application: **13 August 2013**

(24) Date from which industrial property rights may have effect: **13 August 2013**

(54) Product in respect of which the design is registered: **Alu' sling sunlounger**

(51) International Design Classification: **06-01H**

(74) Name(s) of Attorney(s):

(71) Name(s) and Address(s) of Applicant(s):

Xuan Zhou

**Tianhe District Guangzhou Unit 704 Xin Chuang Ju Building No.123
China**

Guangzhou Gardenart Furniture Co. Ltd

**Unit 704 Xin Chuangju Building No.123 Ti Yu Xi Road Tianhe District
Guangzhou 510620 China**

(72) Name(s) of Designer(s): **Jianhui Cao**

(45) Registration Date: **12 September 2013**

(56) Related Art Documents: **Not Applicable**

(57) Statement of Newness and Distinctiveness: **Nil**



(21) Design Number: **13922/2013**

(22) Date of Filing Application: **13 August 2013**

(24) Date from which industrial property rights may have effect: **13 August 2013**

(54) Product in respect of which the design is registered: **Cooking apparatus**

(51) International Design Classification: **07-02N**

(74) Name(s) of Attorney(s): **PHILLIPS ORMONDE FITZPATRICK**

(71) Name(s) and Address(s) of Applicant(s):

Actervis GmbH

**c/o Prv Provides Treuhandgesellschaft AG Dorfstrasse 38 CH-6341 Baar
(Zug) Switzerland**

(72) Name(s) of Designer(s): **Juan Ramon Torres Martin**

(45) Registration Date: **12 September 2013**

(30) Convention priority data:

(31) Number

(32) Date

(33) Country

002184689-0001 14 Feb 2013

**OFFICE FOR HARMONISATION IN
THE INTERNAL MARKET (OHIM)**

(56) Related Art Documents: **Not Applicable**

(57) Statement of Newness and Distinctiveness: **Newness and distinctiveness resides in the shape and/or configuration of the cooking apparatus as shown in the accompanying representations. The colour of the cooking apparatus and electrical cord of the cooking apparatus are not part of the design and are to be disregarded when considering the overall impression of the design.**



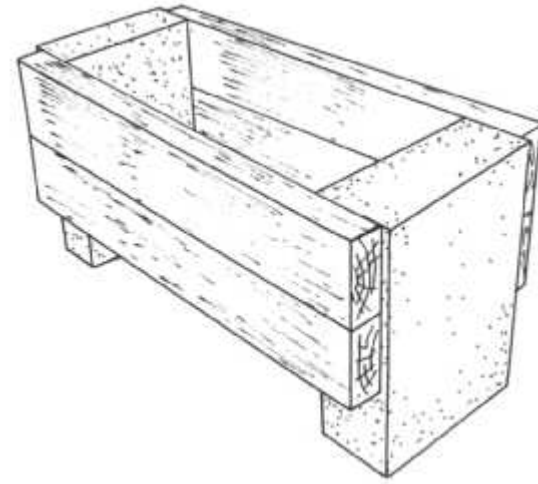
- (21) Design Number: **13923/2013**
(22) Date of Filing Application: **13 August 2013**
(24) Date from which industrial property rights may have effect: **13 August 2013**
(54) Product in respect of which the design is registered: **Vehicle canopy lift-up side-windows**
(51) International Design Classification: **12-16F**
(74) Name(s) of Attorney(s): **HODGKINSON McINNES PATENTS**
(71) Name(s) and Address(s) of Applicant(s):
ARB Corporation Limited
42-44 Garden St Kilsyth VIC 3137 Australia
(72) Name(s) of Designer(s): **James King and Steven Lawn**
(45) Registration Date: **12 September 2013**
(56) Related Art Documents: **Not Applicable**
(57) Statement of Newness and Distinctiveness: **Newness and distinctiveness is claimed in the shape and configuration of a pair of vehicle canopy lift-up side-windows, located on opposite sides of a vehicle canopy. In particular, newness and distinctiveness is claimed in the absence of a mounting frame secured around each window and the absence of a visible fixture or a handle secured to each window. The vehicle canopy, which is shown in ghost lines, is representative only and does not form part of the design.**



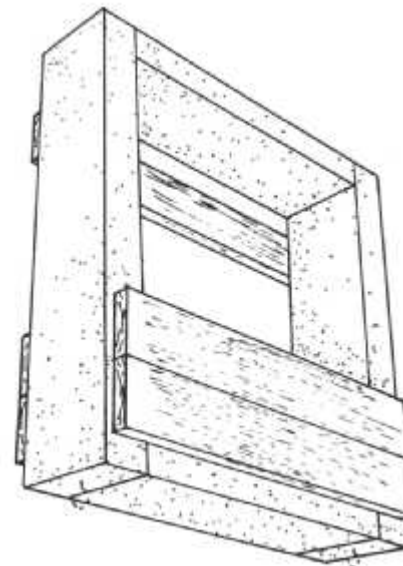
- (21) Design Number: **13924/2013**
(22) Date of Filing Application: **13 August 2013**
(24) Date from which industrial property rights may have effect: **13 August 2013**
(54) Product in respect of which the design is registered: **Vehicle canopy**
(51) International Design Classification: **12-16B**
(74) Name(s) of Attorney(s): **HODGKINSON McINNES PATENTS**
(71) Name(s) and Address(s) of Applicant(s):
ARB Corporation Limited
42-44 Garden St Kilsyth VIC 3137 Australia
(72) Name(s) of Designer(s): **James King and Steven Lawn**
(45) Registration Date: **12 September 2013**
(56) Related Art Documents: **Not Applicable**
(57) Statement of Newness and Distinctiveness: **Newness and distinctiveness is claimed in the shape and configuration of a vehicle canopy as shown in the representations. The side-windows of the canopy, which are shown in ghost lines, are representative only and do not form part of the design.**



(21) Design Number: **13927/2013**
(22) Date of Filing Application: **13 August 2013**
(24) Date from which industrial property rights may have effect: **13 August 2013**
(54) Product in respect of which the design is registered: **Planter**
(51) International Design Classification: **11-02B**
(74) Name(s) of Attorney(s): **Actuate IP**
(71) Name(s) and Address(s) of Applicant(s):
Nicholas Robert Howard
22 Victoria St Lewisham NSW 2049 Australia
(72) Name(s) of Designer(s): **Nicholas Robert Howard**
(45) Registration Date: **12 September 2013**
(56) Related Art Documents: **Not Applicable**
(57) Statement of Newness and Distinctiveness: **Nil**



(21) Design Number: **13928/2013**
(22) Date of Filing Application: **13 August 2013**
(24) Date from which industrial property rights may have effect: **13 August 2013**
(54) Product in respect of which the design is registered: **Planter**
(51) International Design Classification: **11-02B**
(74) Name(s) of Attorney(s): **Actuate IP**
(71) Name(s) and Address(s) of Applicant(s):
Nicholas Robert Howard
22 Victoria St Lewisham NSW 2049 Australia
(72) Name(s) of Designer(s): **Nicholas Robert Howard**
(45) Registration Date: **12 September 2013**
(56) Related Art Documents: **Not Applicable**
(57) Statement of Newness and Distinctiveness: **Nil**



(21) Design Number: **13933/2013**

(22) Date of Filing Application: **14 August 2013**

(24) Date from which industrial property rights may have effect: **14 August 2013**

(54) Product in respect of which the design is registered: **Box for watches**

(51) International Design Classification: **03-01NES**

(74) Name(s) of Attorney(s): **AJ Park**

(71) Name(s) and Address(s) of Applicant(s):

BELL & ROSS B.V.

Boerhaavelaan 22 2713 HX Zoetermeer Netherlands

(72) Name(s) of Designer(s): **Bruno Belamich**

(45) Registration Date: **12 September 2013**

(30) Convention priority data:

(31) Number
001368500

(32) Date
19 Apr 2013

(33) Country
**OFFICE FOR HARMONISATION IN
THE INTERNAL MARKET (OHIM)**



(56) Related Art Documents: **Not Applicable**

(57) Statement of Newness and Distinctiveness: **Newness and distinctiveness reside in the features of shape and/or configuration of the box for watches as shown in the representations.**

(21) Design Number: **13935/2013**

(22) Date of Filing Application: **14 August 2013**

(24) Date from which industrial property rights may have effect: **14 August 2013**

(54) Product in respect of which the design is registered: **A horseshoe**

(51) International Design Classification: **30-99**

(74) Name(s) of Attorney(s): **WATERMARK PATENT AND TRADE MARKS ATTORNEYS**

(71) Name(s) and Address(s) of Applicant(s):

Grinter Wholesale Trading Pty. Ltd.

61 Urquhart St Woodend VIC 3442 Australia

(72) Name(s) of Designer(s): **Robert William Grinter**

(45) Registration Date: **12 September 2013**

(56) Related Art Documents: **Not Applicable**

(57) Statement of Newness and Distinctiveness: **Newness and distinctiveness is claimed in the features of shape and configuration of a Horseshoe as shown in the accompanying representations; in considering the newness and distinctiveness the number of holes in the horseshoe is to be disregarded.**



- (21) Design Number: **13936/2013**
(22) Date of Filing Application: **14 August 2013**
(24) Date from which industrial property rights may have effect: **14 August 2013**
(54) Product in respect of which the design is registered: **A sofa**
(51) International Design Classification: **06-01G**
(74) Name(s) of Attorney(s): **FB Rice**
(71) Name(s) and Address(s) of Applicant(s):
King Furniture Australia Pty Ltd
123 Turrella St Turrella NSW 2205 Australia
(72) Name(s) of Designer(s): **David King and John Levey and Ryan Lawson and Tanya Rechberger**
(45) Registration Date: **12 September 2013**
(56) Related Art Documents: **Not Applicable**
(57) Statement of Newness and Distinctiveness: **Newness and distinctiveness reside in the features of the design as shown. Greater weight is to be given to the presence of a headrest on each backrest and less weight to be given to the relative heights between each backrest (excluding the headrest). Each backrest is either fixed or individually adjustably arranged relative to the base.**



- (21) Design Number: **13937/2013**
(22) Date of Filing Application: **14 August 2013**
(24) Date from which industrial property rights may have effect: **14 August 2013**
(54) Product in respect of which the design is registered: **A sofa**
(51) International Design Classification: **06-01G**
(74) Name(s) of Attorney(s): **FB Rice**
(71) Name(s) and Address(s) of Applicant(s):
King Furniture Australia Pty Ltd
123 Turrella St Turrella NSW 2205 Australia
(72) Name(s) of Designer(s): **David King and John Levey and Ryan Lawson and Tanya Rechberger**
(45) Registration Date: **12 September 2013**
(56) Related Art Documents: **Not Applicable**
(57) Statement of Newness and Distinctiveness: **Newness and distinctiveness reside in the features of the design as shown. Greater weight is to be given to the presence of a headrest on each backrest and less weight to be given to the relative heights between each backrest (excluding the headrest). Each backrest is either fixed or individually adjustably arranged relative to the base.**



- (21) Design Number: **13938/2013**
(22) Date of Filing Application: **14 August 2013**
(24) Date from which industrial property rights may have effect: **14 August 2013**
(54) Product in respect of which the design is registered: **A chair**
(51) International Design Classification: **06-01G**
(74) Name(s) of Attorney(s): **FB Rice**
(71) Name(s) and Address(s) of Applicant(s):
King Furniture Australia Pty Ltd
123 Turrella St Turrella NSW 2205 Australia
(72) Name(s) of Designer(s): **David King and John Levey and Ryan Lawson and Tanya Rechberger**
(45) Registration Date: **12 September 2013**
(56) Related Art Documents: **Not Applicable**
(57) Statement of Newness and Distinctiveness: **Newness and distinctiveness reside in the features of the design as shown. Greater weight is to be given to the presence of a headrest on the backrest. The backrest is either fixed or individually adjustably arranged relative to the base.**



- (21) Design Number: **13939/2013**
(22) Date of Filing Application: **14 August 2013**
(24) Date from which industrial property rights may have effect: **14 August 2013**
(54) Product in respect of which the design is registered: **A sofa**
(51) International Design Classification: **06-01G**
(74) Name(s) of Attorney(s): **FB Rice**
(71) Name(s) and Address(s) of Applicant(s):
King Furniture Australia Pty Ltd
123 Turrella St Turrella NSW 2205 Australia
(72) Name(s) of Designer(s): **David King and John Levey and Ryan Lawson and Tanya Rechberger**
(45) Registration Date: **12 September 2013**
(56) Related Art Documents: **Not Applicable**
(57) Statement of Newness and Distinctiveness: **Newness and distinctiveness reside in the features of the design as shown. Greater weight is to be given to the presence of a headrest on each backrest and less weight is to be given to the relative heights between each backrest (excluding the headrest) and each armrest, it being understood, for example, that each armrest could be of a different height to each backrest. Each backrest and each armrest are either fixed or individually adjustably arranged relative to the base.**



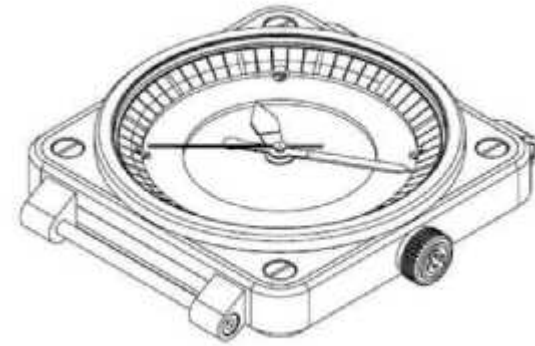
- (21) Design Number: **13940/2013**
(22) Date of Filing Application: **14 August 2013**
(24) Date from which industrial property rights may have effect: **14 August 2013**
(54) Product in respect of which the design is registered: **A chair**
(51) International Design Classification: **06-01G**
(74) Name(s) of Attorney(s): **FB Rice**
(71) Name(s) and Address(s) of Applicant(s):
King Furniture Australia Pty Ltd
123 Turrella St Turrella NSW 2205 Australia
(72) Name(s) of Designer(s): **David King and John Levey and Ryan Lawson and Tanya Rechberger**
(45) Registration Date: **12 September 2013**
(56) Related Art Documents: **Not Applicable**
(57) Statement of Newness and Distinctiveness: **Newness and distinctiveness reside in the features of the design as shown. Greater weight is to be given to the presence of a headrest on the backrest and less weight is to be given to the relative height between the backrest (excluding the headrest) and each armrest, it being understood, for example, that each armrest could be of a different height to the backrest. The backrest and each armrest are either fixed or individually adjustably arranged relative to the base.**



- (21) Design Number: **13941/2013**
(22) Date of Filing Application: **14 August 2013**
(24) Date from which industrial property rights may have effect: **14 August 2013**
(54) Product in respect of which the design is registered: **A sofa**
(51) International Design Classification: **06-01G**
(74) Name(s) of Attorney(s): **FB Rice**
(71) Name(s) and Address(s) of Applicant(s):
King Furniture Australia Pty Ltd
123 Turrella St Turrella NSW 2205 Australia
(72) Name(s) of Designer(s): **David King and John Levey and Ryan Lawson and Tanya Rechberger**
(45) Registration Date: **12 September 2013**
(56) Related Art Documents: **Not Applicable**
(57) Statement of Newness and Distinctiveness: **Newness and distinctiveness reside in the features of the design as shown. Greater weight is to be given to the presence of a headrest on each backrest and less weight is to be given to the relative heights between each backrest (excluding the headrest) and each armrest, it being understood, for example, that each armrest could be of a different height to each backrest. Each backrest and each armrest are either fixed or individually adjustably arranged relative to the base.**



- (21) Design Number: **13942/2013**
(22) Date of Filing Application: **14 August 2013**
(24) Date from which industrial property rights may have effect: **14 August 2013**
(54) Product in respect of which the design is registered: **Watch**
(51) International Design Classification: **10-02**
(74) Name(s) of Attorney(s): **AJ Park**
(71) Name(s) and Address(s) of Applicant(s):
BELL & ROSS B.V.
Boerhaavelaan 22 2713 HX Zoetermeer Netherlands
(72) Name(s) of Designer(s): **Bruno Belamich**
(45) Registration Date: **12 September 2013**
(56) Related Art Documents: **Not Applicable**
(57) Statement of Newness and Distinctiveness: **Newness and distinctiveness reside in the features of shape and/or configuration of the watch as shown in the representations.**



- (21) Design Number: **13943/2013**
(22) Date of Filing Application: **14 August 2013**
(24) Date from which industrial property rights may have effect: **14 August 2013**
(54) Product in respect of which the design is registered: **Watch**
(51) International Design Classification: **10-02**
(74) Name(s) of Attorney(s): **AJ Park**
(71) Name(s) and Address(s) of Applicant(s):
BELL & ROSS B.V.
Boerhaavelaan 22 2713 HX Zoetermeer Netherlands
(72) Name(s) of Designer(s): **Bruno Belamich**
(45) Registration Date: **12 September 2013**
(30) Convention priority data:
(31) Number (32) Date (33) Country
**001367965 17 Apr 2013 OFFICE FOR HARMONISATION IN
THE INTERNAL MARKET (OHIM)**
(56) Related Art Documents: **Not Applicable**
(57) Statement of Newness and Distinctiveness: **Newness and distinctiveness reside in the features of shape and/or configuration of the watch as shown in the representations.**



(21) Design Number: **13944/2013**
(22) Date of Filing Application: **14 August 2013**
(24) Date from which industrial property rights may have effect: **14 August 2013**
(54) Product in respect of which the design is registered: **Watch**
(51) International Design Classification: **10-02**
(74) Name(s) of Attorney(s): **AJ Park**
(71) Name(s) and Address(s) of Applicant(s):
BELL & ROSS B.V.
Boerhaavelaan 22 2713 HX Zoetermeer Netherlands
(72) Name(s) of Designer(s): **Bruno Belamich**
(45) Registration Date: **12 September 2013**
(30) Convention priority data:
(31) Number (32) Date (33) Country
**001367965 17 Apr 2013 OFFICE FOR HARMONISATION IN
THE INTERNAL MARKET (OHIM)**
(56) Related Art Documents: **Not Applicable**
(57) Statement of Newness and Distinctiveness: **Newness and distinctiveness
reside in the features of shape and/or configuration of the watch as
shown in the representations.**



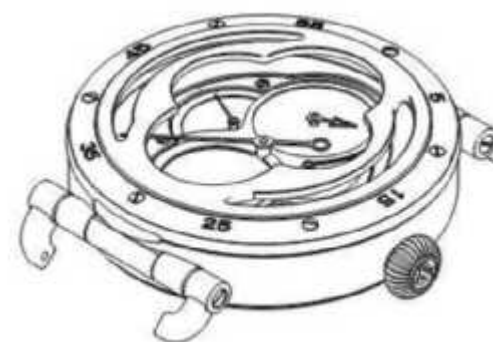
(21) Design Number: **13945/2013**
(22) Date of Filing Application: **14 August 2013**
(24) Date from which industrial property rights may have effect: **14 August 2013**
(54) Product in respect of which the design is registered: **Watch**
(51) International Design Classification: **10-02**
(74) Name(s) of Attorney(s): **AJ Park**
(71) Name(s) and Address(s) of Applicant(s):
BELL & ROSS B.V.
Boerhaavelaan 22 2713 HX Zoetermeer Netherlands
(72) Name(s) of Designer(s): **Bruno Belamich**
(45) Registration Date: **12 September 2013**
(30) Convention priority data:
(31) Number (32) Date (33) Country
**001367965 17 Apr 2013 OFFICE FOR HARMONISATION IN
THE INTERNAL MARKET (OHIM)**
(56) Related Art Documents: **Not Applicable**
(57) Statement of Newness and Distinctiveness: **Newness and distinctiveness
reside in the features of shape and/or configuration of the watch as
shown in the representations.**



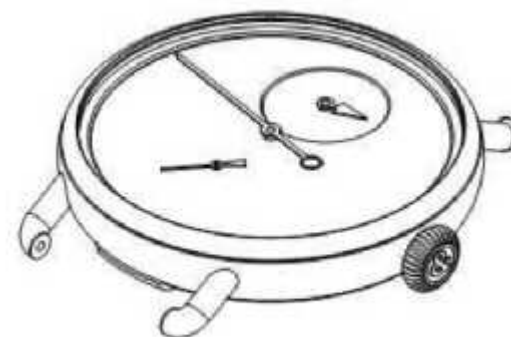
- (21) Design Number: **13946/2013**
(22) Date of Filing Application: **14 August 2013**
(24) Date from which industrial property rights may have effect: **14 August 2013**
(54) Product in respect of which the design is registered: **Watch**
(51) International Design Classification: **10-02**
(74) Name(s) of Attorney(s): **AJ Park**
(71) Name(s) and Address(s) of Applicant(s):
BELL & ROSS B.V.
Boerhaavelaan 22 2713 HX Zoetermeer Netherlands
(72) Name(s) of Designer(s): **Bruno Belamich**
(45) Registration Date: **12 September 2013**
(30) Convention priority data:
(31) Number (32) Date (33) Country
**001367965 17 Apr 2013 OFFICE FOR HARMONISATION IN
THE INTERNAL MARKET (OHIM)**
(56) Related Art Documents: **Not Applicable**
(57) Statement of Newness and Distinctiveness: **Newness and distinctiveness
reside in the features of shape and/or configuration of the watch as
shown in the representations.**



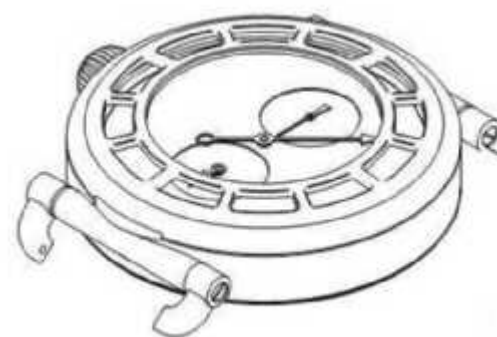
- (21) Design Number: **13947/2013**
(22) Date of Filing Application: **14 August 2013**
(24) Date from which industrial property rights may have effect: **14 August 2013**
(54) Product in respect of which the design is registered: **Watch**
(51) International Design Classification: **10-02**
(74) Name(s) of Attorney(s): **AJ Park**
(71) Name(s) and Address(s) of Applicant(s):
BELL & ROSS B.V.
Boerhaavelaan 22 2713 HX Zoetermeer Netherlands
(72) Name(s) of Designer(s): **Bruno Belamich**
(45) Registration Date: **12 September 2013**
(30) Convention priority data:
(31) Number (32) Date (33) Country
**001367965 17 Apr 2013 OFFICE FOR HARMONISATION IN
THE INTERNAL MARKET (OHIM)**
(56) Related Art Documents: **Not Applicable**
(57) Statement of Newness and Distinctiveness: **Newness and distinctiveness
reside in the features of shape and/or configuration of the watch as
shown in the representations.**



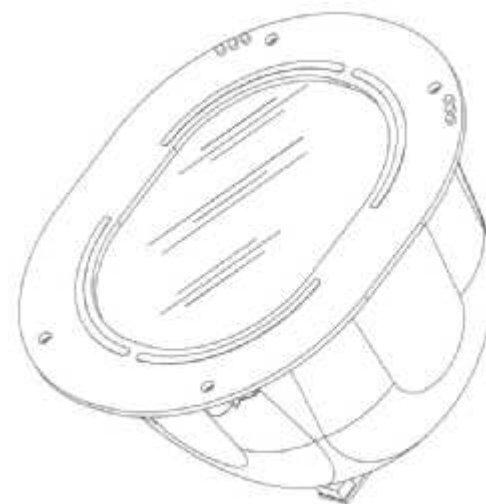
- (21) Design Number: **13948/2013**
(22) Date of Filing Application: **14 August 2013**
(24) Date from which industrial property rights may have effect: **14 August 2013**
(54) Product in respect of which the design is registered: **Watch**
(51) International Design Classification: **10-02**
(74) Name(s) of Attorney(s): **AJ Park**
(71) Name(s) and Address(s) of Applicant(s):
BELL & ROSS B.V.
Boerhaavelaan 22 2713 HX Zoetermeer Netherlands
(72) Name(s) of Designer(s): **Bruno Belamich**
(45) Registration Date: **12 September 2013**
(30) Convention priority data:
(31) Number (32) Date (33) Country
**001367965 17 Apr 2013 OFFICE FOR HARMONISATION IN
THE INTERNAL MARKET (OHIM)**
(56) Related Art Documents: **Not Applicable**
(57) Statement of Newness and Distinctiveness: **Newness and distinctiveness
reside in the features of shape and/or configuration of the watch as
shown in the representations.**



- (21) Design Number: **13949/2013**
(22) Date of Filing Application: **14 August 2013**
(24) Date from which industrial property rights may have effect: **14 August 2013**
(54) Product in respect of which the design is registered: **Watch**
(51) International Design Classification: **10-02**
(74) Name(s) of Attorney(s): **AJ Park**
(71) Name(s) and Address(s) of Applicant(s):
BELL & ROSS B.V.
Boerhaavelaan 22 2713 HX Zoetermeer Netherlands
(72) Name(s) of Designer(s): **Bruno Belamich**
(45) Registration Date: **12 September 2013**
(30) Convention priority data:
(31) Number (32) Date (33) Country
**001367965 17 Apr 2013 OFFICE FOR HARMONISATION IN
THE INTERNAL MARKET (OHIM)**
(56) Related Art Documents: **Not Applicable**
(57) Statement of Newness and Distinctiveness: **Newness and distinctiveness
reside in the features of shape and/or configuration of the watch as
shown in the representations.**



- (21) Design Number: **13867/2013**
(22) Date of Filing Application: **09 August 2013**
(24) Date from which industrial property rights may have effect: **09 August 2013**
(54) Product in respect of which the design is registered: **Scanner window assembly**
(51) International Design Classification: **14-02**
(74) Name(s) of Attorney(s): **FB Rice**
(71) Name(s) and Address(s) of Applicant(s):
Mobile Technology Holdings Limited
26 - 28 Athol Street Douglas Isle of Man IM1 1JB United Kingdom
(72) Name(s) of Designer(s): **David Arnold Bleads**
(45) Registration Date: **13 September 2013**
(30) Convention priority data:
(31) Number (32) Date (33) Country
002190983-0002 25 Feb 2013 OFFICE FOR HARMONISATION IN THE INTERNAL MARKET (OHIM)
(56) Related Art Documents: **Not Applicable**
(57) Statement of Newness and Distinctiveness: **Newness and distinctiveness reside in the features of shape and configuration of the design shown in the representations.**



- (21) Design Number: **13869/2013**
(22) Date of Filing Application: **09 August 2013**
(24) Date from which industrial property rights may have effect: **09 August 2013**
(54) Product in respect of which the design is registered: **Handle**
(51) International Design Classification: **07-02R**
(74) Name(s) of Attorney(s): **SPRUSON & FERGUSON**
(71) Name(s) and Address(s) of Applicant(s):
TEFAL
15 avenue des Alpes ZAE Rumilly Est BP 89 Rumilly 74150 France
(72) Name(s) of Designer(s): **Giacomo Zucchi**
(45) Registration Date: **13 September 2013**
(30) Convention priority data:
(31) Number (32) Date (33) Country
002196691-0003 05 Mar 2013 OFFICE FOR HARMONISATION IN THE INTERNAL MARKET (OHIM)
(56) Related Art Documents: **Not Applicable**
(57) Statement of Newness and Distinctiveness: **Newness and distinctiveness is claimed in the features of shape and/or configuration of a handle as illustrated in the accompanying representations.**



(21) Design Number: **13871/2013**

(22) Date of Filing Application: **09 August 2013**

(24) Date from which industrial property rights may have effect: **09 August 2013**

(54) Product in respect of which the design is registered: **Handle**

(51) International Design Classification: **07-02R**

(74) Name(s) of Attorney(s): **SPRUSON & FERGUSON**

(71) Name(s) and Address(s) of Applicant(s):

TEFAL

15 avenue des Alpes ZAE Rumilly Est BP 89 Rumilly 74150 France

(72) Name(s) of Designer(s): **Giacomo Zucchi**

(45) Registration Date: **13 September 2013**

(30) Convention priority data:

(31) Number

(32) Date

(33) Country

002196691-0002 05 Mar 2013

**OFFICE FOR HARMONISATION IN
THE INTERNAL MARKET (OHIM)**

(56) Related Art Documents: **Not Applicable**

(57) Statement of Newness and Distinctiveness: **Newness and distinctiveness is claimed in the features of pattern and/or ornamentation of a handle as illustrated in the accompanying representations.**



(21) Design Number: **13872/2013**

(22) Date of Filing Application: **09 August 2013**

(24) Date from which industrial property rights may have effect: **09 August 2013**

(54) Product in respect of which the design is registered: **Handle**

(51) International Design Classification: **07-02R**

(74) Name(s) of Attorney(s): **SPRUSON & FERGUSON**

(71) Name(s) and Address(s) of Applicant(s):

TEFAL

15 avenue des Alpes ZAE Rumilly Est BP 89 Rumilly 74150 France

(72) Name(s) of Designer(s): **Giacomo Zucchi**

(45) Registration Date: **13 September 2013**

(30) Convention priority data:

(31) Number

(32) Date

(33) Country

002196691-0001 05 Mar 2013

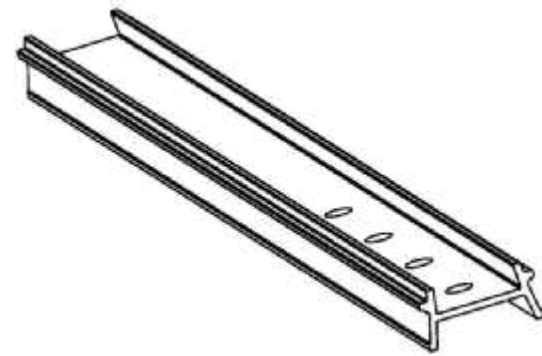
**OFFICE FOR HARMONISATION IN
THE INTERNAL MARKET (OHIM)**

(56) Related Art Documents: **Not Applicable**

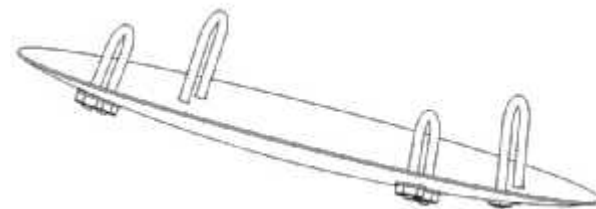
(57) Statement of Newness and Distinctiveness: **Newness and distinctiveness is claimed in the features of shape and/or configuration of a handle as illustrated in the accompanying representations.**



(21) Design Number: **13874/2013**
(22) Date of Filing Application: **09 August 2013**
(24) Date from which industrial property rights may have effect: **09 August 2013**
(54) Product in respect of which the design is registered: **A stackable fence post**
(51) International Design Classification: **25-01E**
(74) Name(s) of Attorney(s): **Pegasus IP**
(71) Name(s) and Address(s) of Applicant(s):
Dingo Australia Pty Ltd
9 Owen St E Dalby QLD 4405 Australia
(72) Name(s) of Designer(s): **Gary Frederick Briggs**
(45) Registration Date: **13 September 2013**
(56) Related Art Documents: **Not Applicable**
(57) Statement of Newness and Distinctiveness: **Nil**



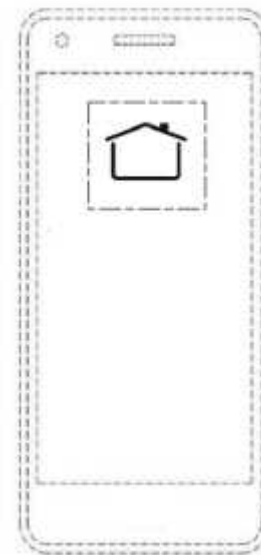
(21) Design Number: **13875/2013**
(22) Date of Filing Application: **10 August 2013**
(24) Date from which industrial property rights may have effect: **10 August 2013**
(54) Product in respect of which the design is registered: **Anchor**
(51) International Design Classification: **12-16P**
(74) Name(s) of Attorney(s):
(71) Name(s) and Address(s) of Applicant(s):
Ian Rochfort
177 Lackrana Rd Ranga TAS 7255 Australia
(72) Name(s) of Designer(s): **Ian Rochfort**
(45) Registration Date: **13 September 2013**
(56) Related Art Documents: **Not Applicable**
(57) Statement of Newness and Distinctiveness: **Newness and distinctiveness is claimed in the features of shape and/or configuration of an anchor as illustrated in the accompanying representations.**



- (21) Design Number: **13954/2013**
(22) Date of Filing Application: **14 August 2013**
(24) Date from which industrial property rights may have effect: **14 August 2013**
(54) Product in respect of which the design is registered: **Display screen with icon for an electronic device**
(51) International Design Classification: **14-01, 14-02, 14-03E**
(74) Name(s) of Attorney(s): **Davies Collison Cave**
(71) Name(s) and Address(s) of Applicant(s):
Actron Engineering Pty Ltd
5 Irvine PI Bella Vista NSW 2153 Australia
(72) Name(s) of Designer(s): **David Mansueto**
(45) Registration Date: **13 September 2013**
(56) Related Art Documents: **Not Applicable**
(57) Statement of Newness and Distinctiveness: **Newness and distinctiveness is claimed in the visual features shown in the representations. In considering the extent of the design rights, the broken lines shown in the representations are for illustrative purposes only and do not form part of the design.**



- (21) Design Number: **13955/2013**
(22) Date of Filing Application: **14 August 2013**
(24) Date from which industrial property rights may have effect: **14 August 2013**
(54) Product in respect of which the design is registered: **Display screen with icon for an electronic device**
(51) International Design Classification: **14-01, 14-02, 14-03E**
(74) Name(s) of Attorney(s): **Davies Collison Cave**
(71) Name(s) and Address(s) of Applicant(s):
Actron Engineering Pty Ltd
5 Irvine PI Bella Vista NSW 2153 Australia
(72) Name(s) of Designer(s): **David Mansueto**
(45) Registration Date: **13 September 2013**
(56) Related Art Documents: **Not Applicable**
(57) Statement of Newness and Distinctiveness: **Newness and distinctiveness is claimed in the visual features shown in the representations. In considering the extent of the design rights, the broken lines shown in the representations are for illustrative purposes only and do not form part of the design.**



- (21) Design Number: **13972/2013**
(22) Date of Filing Application: **12 August 2013**
(24) Date from which industrial property rights may have effect: **05 December 2012**
(54) Product in respect of which the design is registered: **Article of clothing**
(51) International Design Classification: **02-02C**
(74) Name(s) of Attorney(s): **Allens Patent & Trade Mark Attorneys**
(71) Name(s) and Address(s) of Applicant(s):
Forever New Clothing Pty Ltd
714-716 High St Kew East VIC 3102 Australia
(72) Name(s) of Designer(s): **Laura Mitchell**
(45) Registration Date: **13 September 2013**
(62) Divisional of: **350741**
(56) Related Art Documents: **Not Applicable**
(57) Statement of Newness and Distinctiveness: **Newness and distinctiveness resides in the visual features of shape, configuration, pattern and/or ornamentation of an article of clothing as shown in the accompanying representations.**



- (21) Design Number: **13973/2013**
(22) Date of Filing Application: **12 August 2013**
(24) Date from which industrial property rights may have effect: **05 December 2012**
(54) Product in respect of which the design is registered: **Article of clothing**
(51) International Design Classification: **02-02NES**
(74) Name(s) of Attorney(s): **Allens Patent & Trade Mark Attorneys**
(71) Name(s) and Address(s) of Applicant(s):
Forever New Clothing Pty Ltd
714-716 High St Kew East VIC 3102 Australia
(72) Name(s) of Designer(s): **Jennifer Hall**
(45) Registration Date: **13 September 2013**
(62) Divisional of: **350741**
(56) Related Art Documents: **Not Applicable**
(57) Statement of Newness and Distinctiveness: **Newness and distinctiveness resides in the visual features of shape, configuration, pattern and/or ornamentation of an article of clothing as shown in the accompanying representations.**



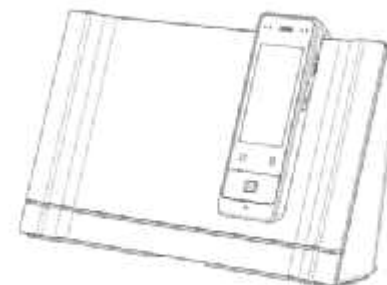
- (21) Design Number: **13974/2013**
(22) Date of Filing Application: **12 August 2013**
(24) Date from which industrial property rights may have effect: **05 December 2012**
(54) Product in respect of which the design is registered: **Article of clothing**
(51) International Design Classification: **02-02NES**
(74) Name(s) of Attorney(s): **Allens Patent & Trade Mark Attorneys**
(71) Name(s) and Address(s) of Applicant(s):
Forever New Clothing Pty Ltd
714-716 High St Kew East VIC 3102 Australia
(72) Name(s) of Designer(s): **Jennifer Hall**
(45) Registration Date: **13 September 2013**
(62) Divisional of: **350741**
(56) Related Art Documents: **Not Applicable**
(57) Statement of Newness and Distinctiveness: **Newness and distinctiveness resides in the visual features of shape, configuration, pattern and/or ornamentation of an article of clothing as shown in the accompanying representations.**



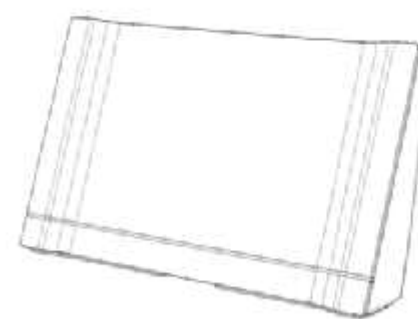
- (21) Design Number: **13975/2013**
(22) Date of Filing Application: **12 August 2013**
(24) Date from which industrial property rights may have effect: **05 December 2012**
(54) Product in respect of which the design is registered: **Article of clothing**
(51) International Design Classification: **02-02C**
(74) Name(s) of Attorney(s): **Allens Patent & Trade Mark Attorneys**
(71) Name(s) and Address(s) of Applicant(s):
Forever New Clothing Pty Ltd
714-716 High St Kew East VIC 3102 Australia
(72) Name(s) of Designer(s): **Jennifer Hall**
(45) Registration Date: **13 September 2013**
(62) Divisional of: **350741**
(56) Related Art Documents: **Not Applicable**
(57) Statement of Newness and Distinctiveness: **Newness and distinctiveness resides in the visual features of shape, configuration, pattern and/or ornamentation of an article of clothing as shown in the accompanying representations.**



- (21) Design Number: **10974/2013**
(22) Date of Filing Application: **28 February 2013**
(24) Date from which industrial property rights may have effect: **28 February 2013**
(54) Product in respect of which the design is registered: **Electronic device and dock**
(51) International Design Classification: **14-02, 14-03E**
(74) Name(s) of Attorney(s): **Wrays**
(71) Name(s) and Address(s) of Applicant(s):
iiNet Labs Pty Ltd
L1 502 Hay St Subiaco WA 6008 Australia
(72) Name(s) of Designer(s): **Stephen Harley and Simon Watt and Stuart May and Nathan Burke and Giovanni Ciampa and Anthony Malone**
(45) Registration Date: **13 September 2013**
(56) Related Art Documents: **Not Applicable**
(57) Statement of Newness and Distinctiveness: **Newness and distinctiveness is claimed in the features of shape and/or configuration of the Electronic Device And Dock depicted in the accompanying representations. The electronic device can be docked at any position along the charging rail of the dock.**



- (21) Design Number: **10975/2013**
(22) Date of Filing Application: **28 February 2013**
(24) Date from which industrial property rights may have effect: **28 February 2013**
(54) Product in respect of which the design is registered: **Dock for an electronic device**
(51) International Design Classification: **14-02**
(74) Name(s) of Attorney(s): **Wrays**
(71) Name(s) and Address(s) of Applicant(s):
iiNet Labs Pty Ltd
L1 502 Hay St Subiaco WA 6008 Australia
(72) Name(s) of Designer(s): **Stephen Harley and Simon Watt and Anthony Malone and Stuart May and Nathan Burke and Giovanni Ciampa**
(45) Registration Date: **13 September 2013**
(56) Related Art Documents: **Not Applicable**
(57) Statement of Newness and Distinctiveness: **Newness and distinctiveness is claimed in the features of shape and/or configuration of the Dock for an Electronic Device depicted in the accompanying representations.**



- (21) Design Number: **10985/2013**
(22) Date of Filing Application: **01 March 2013**
(24) Date from which industrial property rights may have effect: **01 March 2013**
(54) Product in respect of which the design is registered: **Vacuum cleaner**
(51) International Design Classification: **15-05**
(74) Name(s) of Attorney(s): **Lord & Company**
(71) Name(s) and Address(s) of Applicant(s):
Pacvac Pty Ltd
182 Daly St Belmont WA 6104 Australia
(72) Name(s) of Designer(s): **Kam Hong Loh**
(45) Registration Date: **13 September 2013**
(56) Related Art Documents: **Not Applicable**
(57) Statement of Newness and Distinctiveness: **The particular visual features of the design which are new and distinctive are shape or configuration.**



- (21) Design Number: **12016/2013**
(22) Date of Filing Application: **01 May 2013**
(24) Date from which industrial property rights may have effect: **01 May 2013**
(54) Product in respect of which the design is registered: **Blender jug**
(51) International Design Classification: **31-00**
(74) Name(s) of Attorney(s): **Molins & Co Pty Ltd**
(71) Name(s) and Address(s) of Applicant(s):
Breville Pty Limited
Building 2 Port Air Industrial Estate 1A Hale St Botany NSW 2019
Australia
(72) Name(s) of Designer(s): **Khon Thai**
(45) Registration Date: **13 September 2013**
(56) Related Art Documents: **Not Applicable**
(57) Statement of Newness and Distinctiveness: **Newness is claimed in the features of shape and configuration of the blender jug as shown in the accompanying representations. Elements show in dashed lines form no part of the design.**



- (21) Design Number: **12017/2013**
(22) Date of Filing Application: **01 May 2013**
(24) Date from which industrial property rights may have effect: **01 May 2013**
(54) Product in respect of which the design is registered: **Blender base**
(51) International Design Classification: **31-00**
(74) Name(s) of Attorney(s): **Molins & Co Pty Ltd**
(71) Name(s) and Address(s) of Applicant(s):
Breville Pty Limited
Building 2 Port Air Industrial Estate 1A Hale St Botany NSW 2019
Australia
(72) Name(s) of Designer(s): **Khon Thai**
(45) Registration Date: **13 September 2013**
(56) Related Art Documents: **Not Applicable**
(57) Statement of Newness and Distinctiveness: **Newness is claimed in the features of shape and configuration of the blender base as shown in the accompanying representations. Elements show in dashed lines form no part of the design.**



- (21) Design Number: **13711/2013**
(22) Date of Filing Application: **02 August 2013**
(24) Date from which industrial property rights may have effect: **02 August 2013**
(54) Product in respect of which the design is registered: **A gripping device**
(51) International Design Classification: **08-06**
(74) Name(s) of Attorney(s): **SPRUSON & FERGUSON**
(71) Name(s) and Address(s) of Applicant(s):
Take Two Marketing and Events Pty Ltd
SE302 L3 209 Oxford St Bondi Junction NSW 2022 Australia
(72) Name(s) of Designer(s): **James Cheney**
(45) Registration Date: **16 September 2013**
(56) Related Art Documents: **Not Applicable**
(57) Statement of Newness and Distinctiveness: **Newness and distinctiveness is claimed in the features of shape and/or configuration of a gripping device as illustrated in the accompanying representations apart from the box and strap shown in the perspective view which form no part of the design.**



(21) Design Number: **12798/2013**
(22) Date of Filing Application: **18 June 2013**
(24) Date from which industrial property rights may have effect: **18 June 2013**
(54) Product in respect of which the design is registered: **Carafe**
(51) International Design Classification: **07-01F**
(74) Name(s) of Attorney(s): **Griffith Hack**
(71) Name(s) and Address(s) of Applicant(s):
BRITA GmbH
Heinrich-Hertz-Strasse 4 65232 Taunusstein Germany
(72) Name(s) of Designer(s): **Julia Wittke and Ulf Plihal**
(45) Registration Date: **16 September 2013**
(30) Convention priority data:
(31) Number (32) Date (33) Country
40 2012101089.1 19 Dec 2012 GERMANY
(56) Related Art Documents: **Not Applicable**
(57) Statement of Newness and Distinctiveness: **Nil**



(21) Design Number: **12799/2013**
(22) Date of Filing Application: **18 June 2013**
(24) Date from which industrial property rights may have effect: **18 June 2013**
(54) Product in respect of which the design is registered: **Carafe and stopper therefore**
(51) International Design Classification: **07-01F**
(74) Name(s) of Attorney(s): **Griffith Hack**
(71) Name(s) and Address(s) of Applicant(s):
BRITA GmbH
Heinrich-Hertz-Strasse 4 65232 Taunusstein Germany
(72) Name(s) of Designer(s): **Julia Wittke and Ulf Plihal**
(45) Registration Date: **16 September 2013**
(30) Convention priority data:
(31) Number (32) Date (33) Country
40 2012101089.1 19 Dec 2012 GERMANY
(56) Related Art Documents: **Not Applicable**
(57) Statement of Newness and Distinctiveness: **Nil**



(21) Design Number: **12800/2013**
(22) Date of Filing Application: **18 June 2013**
(24) Date from which industrial property rights may have effect: **18 June 2013**
(54) Product in respect of which the design is registered: **Stopper for a carafe**
(51) International Design Classification: **07-01F**
(74) Name(s) of Attorney(s): **Griffith Hack**
(71) Name(s) and Address(s) of Applicant(s):
BRITA GmbH
Heinrich-Hertz-Strasse 4 65232 Taunusstein Germany
(72) Name(s) of Designer(s): **Julia Wittke and Ulf Plihal**
(45) Registration Date: **16 September 2013**
(30) Convention priority data:
(31) Number (32) Date (33) Country
40 2012101089.1 19 Dec 2012 GERMANY
(56) Related Art Documents: **Not Applicable**
(57) Statement of Newness and Distinctiveness: **Nil**



(21) Design Number: **12801/2013**
(22) Date of Filing Application: **18 June 2013**
(24) Date from which industrial property rights may have effect: **18 June 2013**
(54) Product in respect of which the design is registered: **Filter insert for a carafe**
(51) International Design Classification: **07-01F**
(74) Name(s) of Attorney(s): **Griffith Hack**
(71) Name(s) and Address(s) of Applicant(s):
BRITA GmbH
Heinrich-Hertz-Strasse 4 65232 Taunusstein Germany
(72) Name(s) of Designer(s): **Julia Wittke and Ulf Plihal**
(45) Registration Date: **16 September 2013**
(30) Convention priority data:
(31) Number (32) Date (33) Country
40 2012101089.1 19 Dec 2012 GERMANY
(56) Related Art Documents: **Not Applicable**
(57) Statement of Newness and Distinctiveness: **Nil**



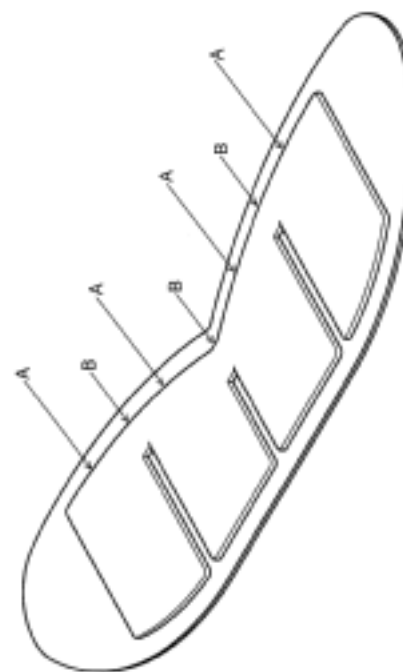
(21) Design Number: **12802/2013**
(22) Date of Filing Application: **18 June 2013**
(24) Date from which industrial property rights may have effect: **18 June 2013**
(54) Product in respect of which the design is registered: **Carafe and stopper together with filter insert**
(51) International Design Classification: **07-01F**
(74) Name(s) of Attorney(s): **Griffith Hack**
(71) Name(s) and Address(s) of Applicant(s):
BRITA GmbH
Heinrich-Hertz-Strasse 4 65232 Taunusstein Germany
(72) Name(s) of Designer(s): **Julia Wittke and Ulf Plihal**
(45) Registration Date: **16 September 2013**
(30) Convention priority data:
(31) Number (32) Date (33) Country
40 2012101089.1 19 Dec 2012 GERMANY
(56) Related Art Documents: **Not Applicable**
(57) Statement of Newness and Distinctiveness: **Nil**



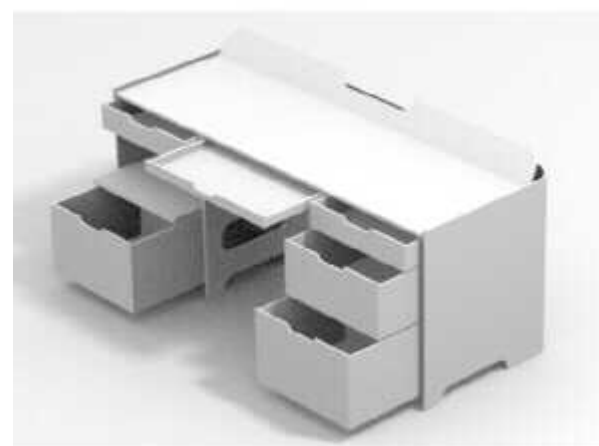
(21) Design Number: **13929/2013**
(22) Date of Filing Application: **14 August 2013**
(24) Date from which industrial property rights may have effect: **14 August 2013**
(54) Product in respect of which the design is registered: **Drain cleaning nozzle**
(51) International Design Classification: **23-01E**
(74) Name(s) of Attorney(s):
(71) Name(s) and Address(s) of Applicant(s):
Bill Miller
PO BOX 645 Terrey Hills NSW 2084 Australia
(72) Name(s) of Designer(s): **Bill Miller**
(45) Registration Date: **16 September 2013**
(56) Related Art Documents: **Not Applicable**
(57) Statement of Newness and Distinctiveness: **The laserJet nozzle has one long barrel with a deep hole drilled at length to generate one long sharp stream of water so it can cat roots, concrete, grease and debris from a drain pipe. It is joined to a body that reverses the flow of water through a pressure bend. It can be made of any material and any size.**



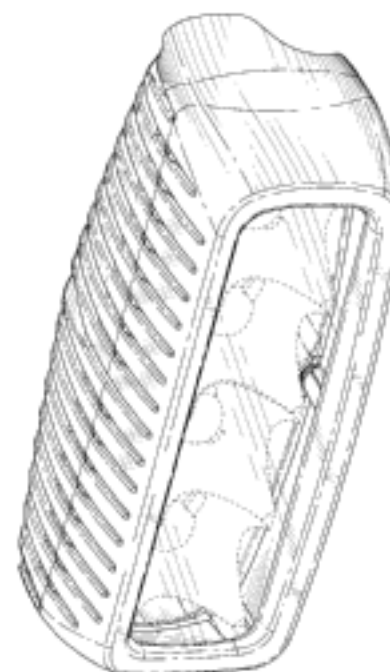
- (21) Design Number: **13930/2013**
(22) Date of Filing Application: **14 August 2013**
(24) Date from which industrial property rights may have effect: **14 August 2013**
(54) Product in respect of which the design is registered: **Disposal body warmer**
(51) International Design Classification: **24-04**
(74) Name(s) of Attorney(s): **SPRUSON & FERGUSON**
(71) Name(s) and Address(s) of Applicant(s):
Kobayashi Pharmaceutical Co., Ltd.
4-10 Doshomachi 4-chome Chuo-ku Osaka-shi Osaka Japan
(72) Name(s) of Designer(s): **Tsuyoshi Igaue and Tetsuya Maruyama**
(45) Registration Date: **16 September 2013**
(30) Convention priority data:
(31) Number (32) Date (33) Country
201330047749.8 27 Feb 2013 CHINA
(56) Related Art Documents: **Not Applicable**
(57) Statement of Newness and Distinctiveness: **Newness and distinctiveness is claimed in the features of configuration of the interconnected heat generating cells of a disposal body warmer as illustrated in the accompanying representations, wherein the heat generating cells are labelled "A" and interconnected by interconnection parts labelled "B" in the accompanying representations.**



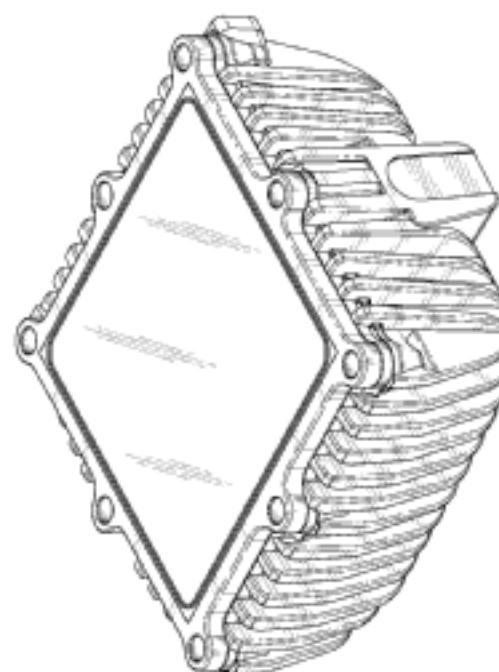
- (21) Design Number: **13960/2013**
(22) Date of Filing Application: **14 August 2013**
(24) Date from which industrial property rights may have effect: **14 August 2013**
(54) Product in respect of which the design is registered: **Office furniture**
(51) International Design Classification: **06-03C**
(74) Name(s) of Attorney(s):
(71) Name(s) and Address(s) of Applicant(s):
Dallas James Ransom
246 Beulah Rd Beulah Park SA 5067 Australia
(72) Name(s) of Designer(s): **Dallas James Ransom**
(45) Registration Date: **16 September 2013**
(56) Related Art Documents: **Not Applicable**
(57) Statement of Newness and Distinctiveness: **The Radius Desk is an island desk designed for the modern computer work station. It offers a cavity, concealed by a hatch, where power supplies, USB Hubs, cables, back-up hard drives etc can be stowed and the cables can be kept out of site. The desk allows cables to be run from the cavity into all drawers, and cavities behind the drawers. The desk also has vents that allow warm air generated by computer equipment to be vented, preventing heat build up.**



(21) Design Number: **13990/2013**
(22) Date of Filing Application: **15 August 2013**
(24) Date from which industrial property rights may have effect: **15 August 2013**
(54) Product in respect of which the design is registered: **Light fixture for single row of lamps**
(51) International Design Classification: **12-16E, 26-06**
(74) Name(s) of Attorney(s): **Adams Pluck**
(71) Name(s) and Address(s) of Applicant(s):
JST Performance, Inc.
4641 E Ivy St Mesa AZ 85205-3206 United States of America
(72) Name(s) of Designer(s): **Stephen P. Adams**
(45) Registration Date: **16 September 2013**
(30) Convention priority data:
(31) Number (32) Date (33) Country
29/446,072 20 Feb 2013 UNITED STATES OF AMERICA
(56) Related Art Documents: **Not Applicable**
(57) Statement of Newness and Distinctiveness: **Nil**



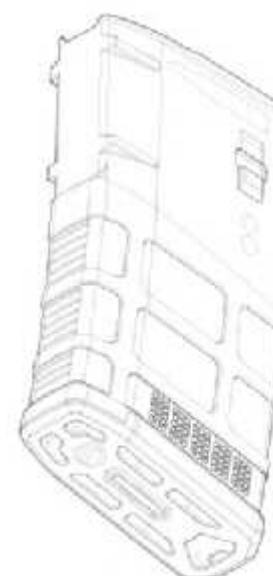
(21) Design Number: **13991/2013**
(22) Date of Filing Application: **15 August 2013**
(24) Date from which industrial property rights may have effect: **15 August 2013**
(54) Product in respect of which the design is registered: **Vehicle light fixture**
(51) International Design Classification: **12-16E, 26-06**
(74) Name(s) of Attorney(s): **Adams Pluck**
(71) Name(s) and Address(s) of Applicant(s):
JST Performance, Inc.
4641 E Ivy St Mesa AZ 85205-3206 United States of America
(72) Name(s) of Designer(s): **Stephen P. Adams**
(45) Registration Date: **16 September 2013**
(30) Convention priority data:
(31) Number (32) Date (33) Country
29/446,089 20 Feb 2013 UNITED STATES OF AMERICA
(56) Related Art Documents: **Not Applicable**
(57) Statement of Newness and Distinctiveness: **Nil**



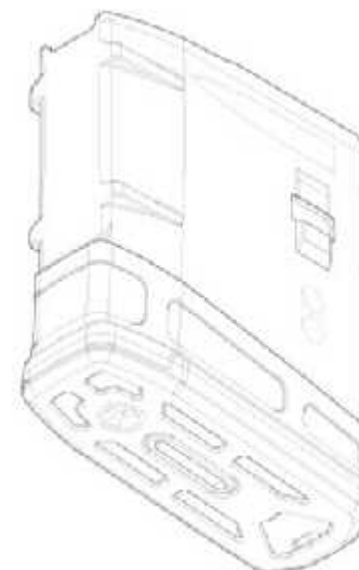
- (21) Design Number: **13992/2013**
(22) Date of Filing Application: **15 August 2013**
(24) Date from which industrial property rights may have effect: **15 August 2013**
(54) Product in respect of which the design is registered: **Wheel loader**
(51) International Design Classification: **15-04**
(74) Name(s) of Attorney(s): **Griffith Hack**
(71) Name(s) and Address(s) of Applicant(s):
Kubota Corporation
2-47 Shikitsu Higashi 1-chome Naniwa-ku Osaka-shi Osaka 556-8601
Japan
(72) Name(s) of Designer(s): **Taiki Furuki and Yoshihiro Kushita and Hitoshi Oono and Shinobu Nakanishi and Teruhiko Iwamoto**
(45) Registration Date: **16 September 2013**
(30) Convention priority data:
(31) Number (32) Date (33) Country
2013-004306 28 Feb 2013 JAPAN
(56) Related Art Documents: **Not Applicable**
(57) Statement of Newness and Distinctiveness: **Newness and distinctiveness resides in the visual features, including shape and configuration of the product as shown in the accompanying representations. The panels labelled with the letter 'A' in Figures 10 and 11 may be transparent.**



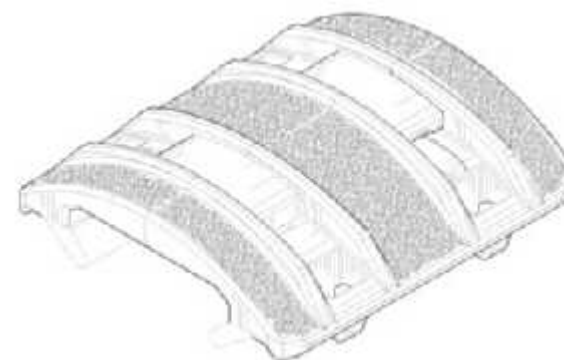
- (21) Design Number: **12747/2013**
(22) Date of Filing Application: **14 June 2013**
(24) Date from which industrial property rights may have effect: **14 June 2013**
(54) Product in respect of which the design is registered: **Firearm magazine**
(51) International Design Classification: **22-01**
(74) Name(s) of Attorney(s): **Davies Collison Cave**
(71) Name(s) and Address(s) of Applicant(s):
Magpul Industries Corporation
400 Young Court Unit 1 Erie Colorado 80516 United States of America
(72) Name(s) of Designer(s): **Nick Kielsmeier and Thomas Ward Jr and Richard Fitzpatrick and Michael T. Mayberry and Brad Bennett and Brian Nakayama**
(45) Registration Date: **16 September 2013**
(30) Convention priority data:
(31) Number (32) Date (33) Country
29/440889 28 Dec 2012 UNITED STATES OF AMERICA
(56) Related Art Documents: **Not Applicable**
(57) Statement of Newness and Distinctiveness: **Newness and distinctiveness is claimed in the visual features of firearm magazine shown in solid lines in the representations.**



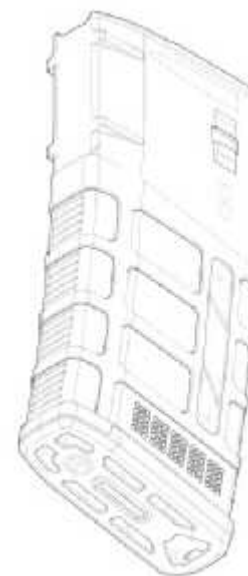
- (21) Design Number: **12749/2013**
(22) Date of Filing Application: **14 June 2013**
(24) Date from which industrial property rights may have effect: **14 June 2013**
(54) Product in respect of which the design is registered: **Firearm magazine**
(51) International Design Classification: **22-01**
(74) Name(s) of Attorney(s): **Davies Collison Cave**
(71) Name(s) and Address(s) of Applicant(s):
Magpul Industries Corporation
400 Young Court Unit 1 Erie Colorado 80516 United States of America
(72) Name(s) of Designer(s): **Michael T. Mayberry and Brian Nakayama and Brad Bennett**
(45) Registration Date: **16 September 2013**
(30) Convention priority data:
(31) Number (32) Date (33) Country
29/440787 27 Dec 2012 UNITED STATES OF AMERICA
(56) Related Art Documents: **Not Applicable**
(57) Statement of Newness and Distinctiveness: **Newness and distinctiveness is claimed in the visual features of firearm magazine shown in solid lines in the representations.**



- (21) Design Number: **12750/2013**
(22) Date of Filing Application: **14 June 2013**
(24) Date from which industrial property rights may have effect: **14 June 2013**
(54) Product in respect of which the design is registered: **Rail cover panel with surface texture**
(51) International Design Classification: **22-01**
(74) Name(s) of Attorney(s): **Davies Collison Cave**
(71) Name(s) and Address(s) of Applicant(s):
Magpul Industries Corporation
400 Young Court Unit 1 Erie Colorado 80516 United States of America
(72) Name(s) of Designer(s): **Richard Fitzpatrick and Brad Bennett and Michael T. Mayberry and Thomas Ward Jr and Jeremy Kerbs**
(45) Registration Date: **16 September 2013**
(30) Convention priority data:
(31) Number (32) Date (33) Country
29/440791 27 Dec 2012 UNITED STATES OF AMERICA
(56) Related Art Documents: **Not Applicable**
(57) Statement of Newness and Distinctiveness: **Newness and distinctiveness is claimed in the visual features of rail cover panel with surface texture shown in solid line in the representations.**



- (21) Design Number: **12751/2013**
(22) Date of Filing Application: **14 June 2013**
(24) Date from which industrial property rights may have effect: **14 June 2013**
(54) Product in respect of which the design is registered: **Firearm magazine with window**
(51) International Design Classification: **22-01**
(74) Name(s) of Attorney(s): **Davies Collison Cave**
(71) Name(s) and Address(s) of Applicant(s):
Magpul Industries Corporation
400 Young Court Unit 1 Erie Colorado 80516 United States of America
(72) Name(s) of Designer(s): **Nick Kielsmeier and Thomas Ward Jr and Richard Fitzpatrick and Brad Bennett and Brian Nakayama**
(45) Registration Date: **16 September 2013**
(30) Convention priority data:
(31) Number (32) Date (33) Country
29/440792 27 Dec 2012 UNITED STATES OF AMERICA
(56) Related Art Documents: **Not Applicable**
(57) Statement of Newness and Distinctiveness: **Newness and distinctiveness is claimed in the visual features of firearm magazine with window shown in solid lines in the representations.**



- (21) Design Number: **12831/2013**
(22) Date of Filing Application: **19 June 2013**
(24) Date from which industrial property rights may have effect: **19 June 2013**
(54) Product in respect of which the design is registered: **A coffee machine**
(51) International Design Classification: **07-02L**
(74) Name(s) of Attorney(s): **Banki Haddock Fiora**
(71) Name(s) and Address(s) of Applicant(s):
Societe des Produits Nestle S.A.
Vevey Canton of Vaud 1800 Switzerland
(72) Name(s) of Designer(s): **Antoine Cahen**
(45) Registration Date: **16 September 2013**
(30) Convention priority data:
(31) Number (32) Date (33) Country
139427 21 Dec 2012 SWITZERLAND
(56) Related Art Documents: **Not Applicable**
(57) Statement of Newness and Distinctiveness: **Nil**



- (21) Design Number: **13993/2013**
(22) Date of Filing Application: **12 August 2013**
(24) Date from which industrial property rights may have effect: **24 December 2012**
(54) Product in respect of which the design is registered: **Article of clothing**
(51) International Design Classification: **02-02C**
(74) Name(s) of Attorney(s): **Allens Patent & Trade Mark Attorneys**
(71) Name(s) and Address(s) of Applicant(s):
Forever New Clothing Pty Ltd
714-716 High St Kew East VIC 3102 Australia
(72) Name(s) of Designer(s): **Gemma Henderson**
(45) Registration Date: **16 September 2013**
(62) Divisional of: **16656/2012**
(56) Related Art Documents: **Not Applicable**
(57) Statement of Newness and Distinctiveness: **Newness and distinctiveness resides in the visual features of shape, configuration, pattern and/or ornamentation of an article of clothing as shown in the accompanying representations.**



- (21) Design Number: **13994/2013**
(22) Date of Filing Application: **12 August 2013**
(24) Date from which industrial property rights may have effect: **24 December 2012**
(54) Product in respect of which the design is registered: **Article of clothing**
(51) International Design Classification: **02-02NES**
(74) Name(s) of Attorney(s): **Allens Patent & Trade Mark Attorneys**
(71) Name(s) and Address(s) of Applicant(s):
Forever New Clothing Pty Ltd
714-716 High St Kew East VIC 3102 Australia
(72) Name(s) of Designer(s): **Gemma Henderson**
(45) Registration Date: **16 September 2013**
(62) Divisional of: **16656/2012**
(56) Related Art Documents: **Not Applicable**
(57) Statement of Newness and Distinctiveness: **Newness and distinctiveness resides in the visual features of shape, configuration, pattern and/or ornamentation of an article of clothing as shown in the accompanying representations.**



- (21) Design Number: **13995/2013**
(22) Date of Filing Application: **12 August 2013**
(24) Date from which industrial property rights may have effect: **24 December 2012**
(54) Product in respect of which the design is registered: **Article of clothing**
(51) International Design Classification: **02-02C**
(74) Name(s) of Attorney(s): **Allens Patent & Trade Mark Attorneys**
(71) Name(s) and Address(s) of Applicant(s):
Forever New Clothing Pty Ltd
714-716 High St Kew East VIC 3102 Australia
(72) Name(s) of Designer(s): **Mantra Ahrendt**
(45) Registration Date: **16 September 2013**
(62) Divisional of: **16656/2012**
(56) Related Art Documents: **Not Applicable**
(57) Statement of Newness and Distinctiveness: **Newness and distinctiveness resides in the visual features of shape, configuration, pattern and/or ornamentation of an article of clothing as shown in the accompanying representations.**



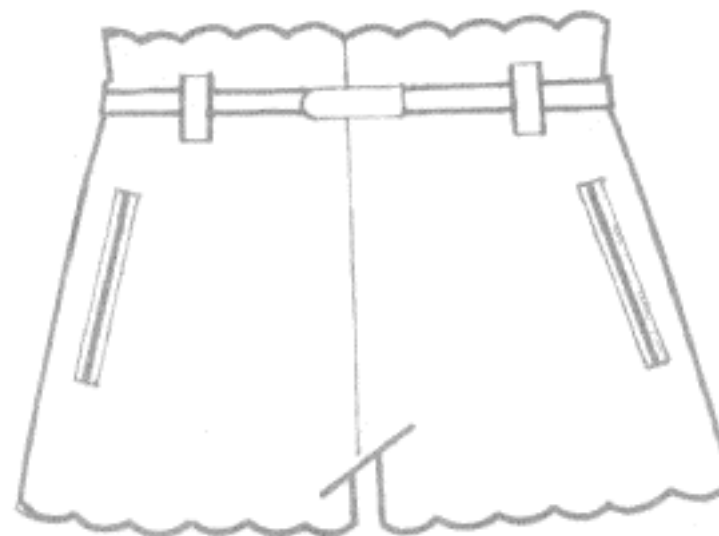
- (21) Design Number: **13996/2013**
(22) Date of Filing Application: **12 August 2013**
(24) Date from which industrial property rights may have effect: **24 December 2012**
(54) Product in respect of which the design is registered: **Article of clothing**
(51) International Design Classification: **02-02C**
(74) Name(s) of Attorney(s): **Allens Patent & Trade Mark Attorneys**
(71) Name(s) and Address(s) of Applicant(s):
Forever New Clothing Pty Ltd
714-716 High St Kew East VIC 3102 Australia
(72) Name(s) of Designer(s): **Mantra Ahrendt**
(45) Registration Date: **16 September 2013**
(62) Divisional of: **16656/2012**
(56) Related Art Documents: **Not Applicable**
(57) Statement of Newness and Distinctiveness: **Newness and distinctiveness resides in the visual features of shape, configuration, pattern and/or ornamentation of an article of clothing as shown in the accompanying representations.**



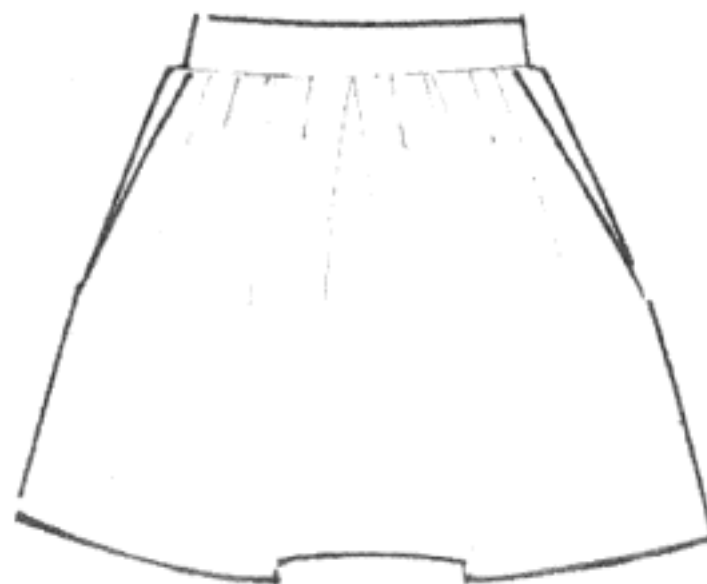
- (21) Design Number: **13997/2013**
(22) Date of Filing Application: **12 August 2013**
(24) Date from which industrial property rights may have effect: **24 December 2012**
(54) Product in respect of which the design is registered: **Article of clothing**
(51) International Design Classification: **02-02C**
(74) Name(s) of Attorney(s): **Allens Patent & Trade Mark Attorneys**
(71) Name(s) and Address(s) of Applicant(s):
Forever New Clothing Pty Ltd
714-716 High St Kew East VIC 3102 Australia
(72) Name(s) of Designer(s): **Mantra Ahrendt**
(45) Registration Date: **16 September 2013**
(62) Divisional of: **16656/2012**
(56) Related Art Documents: **Not Applicable**
(57) Statement of Newness and Distinctiveness: **Newness and distinctiveness resides in the visual features of shape, configuration, pattern and/or ornamentation of an article of clothing as shown in the accompanying representations.**



- (21) Design Number: **13998/2013**
(22) Date of Filing Application: **12 August 2013**
(24) Date from which industrial property rights may have effect: **24 December 2012**
(54) Product in respect of which the design is registered: **Article of clothing**
(51) International Design Classification: **02-02C**
(74) Name(s) of Attorney(s): **Allens Patent & Trade Mark Attorneys**
(71) Name(s) and Address(s) of Applicant(s):
Forever New Clothing Pty Ltd
714-716 High St Kew East VIC 3102 Australia
(72) Name(s) of Designer(s): **Mantra Ahrendt**
(45) Registration Date: **16 September 2013**
(62) Divisional of: **16656/2012**
(56) Related Art Documents: **Not Applicable**
(57) Statement of Newness and Distinctiveness: **Newness and distinctiveness resides in the visual features of shape, configuration, pattern and/or ornamentation of an article of clothing as shown in the accompanying representations.**



- (21) Design Number: **13999/2013**
(22) Date of Filing Application: **12 August 2013**
(24) Date from which industrial property rights may have effect: **24 December 2012**
(54) Product in respect of which the design is registered: **Article of clothing**
(51) International Design Classification: **02-02C**
(74) Name(s) of Attorney(s): **Allens Patent & Trade Mark Attorneys**
(71) Name(s) and Address(s) of Applicant(s):
Forever New Clothing Pty Ltd
714-716 High St Kew East VIC 3102 Australia
(72) Name(s) of Designer(s): **Octavia Miller**
(45) Registration Date: **16 September 2013**
(62) Divisional of: **16656/2012**
(56) Related Art Documents: **Not Applicable**
(57) Statement of Newness and Distinctiveness: **Newness and distinctiveness resides in the visual features of shape, configuration, pattern and/or ornamentation of an article of clothing as shown in the accompanying representations.**



- (21) Design Number: **13961/2013**
(22) Date of Filing Application: **14 August 2013**
(24) Date from which industrial property rights may have effect: **14 August 2013**
(54) Product in respect of which the design is registered: **Lights for motor cars**
(51) International Design Classification: **26-06**
(74) Name(s) of Attorney(s): **PHILLIPS ORMONDE FITZPATRICK**
(71) Name(s) and Address(s) of Applicant(s):
Automobili Lamborghini S.p.A.
via Modena 12 40019 Sant'Agata Bolognese (BO) Italy
(72) Name(s) of Designer(s): **Filippo Perini**
(45) Registration Date: **17 September 2013**
(30) Convention priority data:
(31) Number (32) Date (33) Country
**DM/080201 22 Feb 2013 WORLD INTELLECTUAL
PROPERTY ORGANIZATION
(WIPO)**
(56) Related Art Documents: **Not Applicable**
(57) Statement of Newness and Distinctiveness: **Those features of the lights for motor cars depicted in the representations that are new and distinctive are the shape and/or configuration.**



(21) Design Number: **13962/2013**
(22) Date of Filing Application: **14 August 2013**
(24) Date from which industrial property rights may have effect: **14 August 2013**
(54) Product in respect of which the design is registered: **Wheel rim**
(51) International Design Classification: **12-16A**
(74) Name(s) of Attorney(s): **PHILLIPS ORMONDE FITZPATRICK**
(71) Name(s) and Address(s) of Applicant(s):

Automobili Lamborghini S.p.A.
via Modena 12 40019 Sant'Agata Bolognese (BO) Italy

(72) Name(s) of Designer(s): **Filippo Perini**

(45) Registration Date: **17 September 2013**

(30) Convention priority data:

(31) Number	(32) Date	(33) Country
DM/080199	22 Feb 2013	WORLD INTELLECTUAL PROPERTY ORGANIZATION (WIPO)



(56) Related Art Documents: **Not Applicable**

(57) Statement of Newness and Distinctiveness: **Those features of the wheel rim depicted in the representations that are new and distinctive are the shape and/or configuration.**

(21) Design Number: **13963/2013**
(22) Date of Filing Application: **14 August 2013**
(24) Date from which industrial property rights may have effect: **14 August 2013**
(54) Product in respect of which the design is registered: **Car; toy-car**
(51) International Design Classification: **12-08, 21-01C**
(74) Name(s) of Attorney(s): **PHILLIPS ORMONDE FITZPATRICK**
(71) Name(s) and Address(s) of Applicant(s):

Automobili Lamborghini S.p.A.
via Modena 12 40019 Sant'Agata Bolognese (BO) Italy

(72) Name(s) of Designer(s): **Filippo Perini**

(45) Registration Date: **17 September 2013**

(30) Convention priority data:

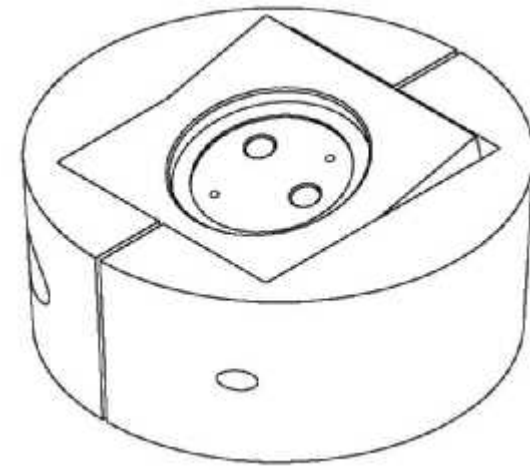
(31) Number	(32) Date	(33) Country
DM/080199	22 Feb 2013	WORLD INTELLECTUAL PROPERTY ORGANIZATION (WIPO)



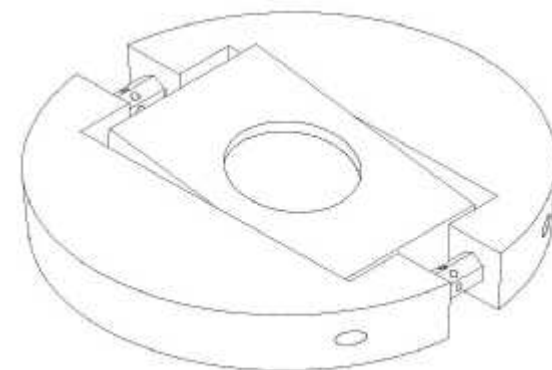
(56) Related Art Documents: **Not Applicable**

(57) Statement of Newness and Distinctiveness: **Those features of the car and toy-car depicted in the representations that are new and distinctive are the shape and/or configuration.**

- (21) Design Number: **13965/2013**
(22) Date of Filing Application: **14 August 2013**
(24) Date from which industrial property rights may have effect: **14 August 2013**
(54) Product in respect of which the design is registered: **A lighting heat sink gimbal assembly**
(51) International Design Classification: **26-05E**
(74) Name(s) of Attorney(s): **White SW Computer Law**
(71) Name(s) and Address(s) of Applicant(s):
Hunza Holdings Ltd
130 Felton Mathew Avenue Glen Innes Auckland 1072 New Zealand
(72) Name(s) of Designer(s): **Andrew Cunningham and Benjamin Kamp and Guy McLean**
(45) Registration Date: **17 September 2013**
(56) Related Art Documents: **Not Applicable**
(57) Statement of Newness and Distinctiveness: **The design enables heat to dissipate and allows rotation of the LED and reflector in two directions.**



- (21) Design Number: **13966/2013**
(22) Date of Filing Application: **14 August 2013**
(24) Date from which industrial property rights may have effect: **14 August 2013**
(54) Product in respect of which the design is registered: **A lighting heat sink gimbal assembly**
(51) International Design Classification: **26-05E**
(74) Name(s) of Attorney(s): **White SW Computer Law**
(71) Name(s) and Address(s) of Applicant(s):
Hunza Holdings Ltd
130 Felton Mathew Avenue Glen Innes Auckland 1072 New Zealand
(72) Name(s) of Designer(s): **Andrew Cunningham and Benjamin Kamp and Guy McLean**
(45) Registration Date: **17 September 2013**
(56) Related Art Documents: **Not Applicable**
(57) Statement of Newness and Distinctiveness: **The design enables heat to dissipate and allows rotation of the LED and reflector in two directions.**



- (21) Design Number: **13968/2013**
(22) Date of Filing Application: **13 August 2013**
(24) Date from which industrial property rights may have effect: **13 August 2013**
(54) Product in respect of which the design is registered: **Earplug**
(51) International Design Classification: **24-04**
(74) Name(s) of Attorney(s): **Freehills Patent Attorneys**
(71) Name(s) and Address(s) of Applicant(s):
3M Innovative Properties Company
3M Center Post Office Box 33427 Saint Paul Minnesota 55133-3427
United States of America
(72) Name(s) of Designer(s): **Jeffrey L. Hamer and Kenneth F. Teeters and Ravi Thomas**
(45) Registration Date: **17 September 2013**
(30) Convention priority data:
(31) Number (32) Date (33) Country
29/445735 15 Feb 2013 UNITED STATES OF AMERICA
(56) Related Art Documents: **Not Applicable**
(57) Statement of Newness and Distinctiveness: **Newness and distinctiveness resides in the shape and configuration of features of the earplug as shown in solid outlines in the accompanying representations.**



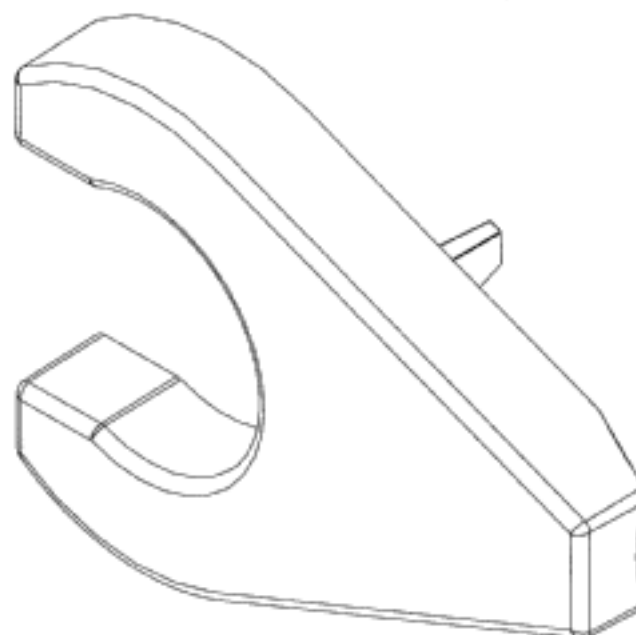
- (21) Design Number: **14000/2013**
(22) Date of Filing Application: **12 August 2013**
(24) Date from which industrial property rights may have effect: **24 December 2012**
(54) Product in respect of which the design is registered: **Article of clothing**
(51) International Design Classification: **02-02C**
(74) Name(s) of Attorney(s): **Allens Patent & Trade Mark Attorneys**
(71) Name(s) and Address(s) of Applicant(s):
Forever New Clothing Pty Ltd
714-716 High St Kew East VIC 3102 Australia
(72) Name(s) of Designer(s): **Octavia Miller**
(45) Registration Date: **17 September 2013**
(62) Divisional of: **16656/2012**
(56) Related Art Documents: **Not Applicable**
(57) Statement of Newness and Distinctiveness: **Newness and distinctiveness resides in the visual features of shape, configuration, pattern and/or ornamentation of an article of clothing as shown in the accompanying representations.**



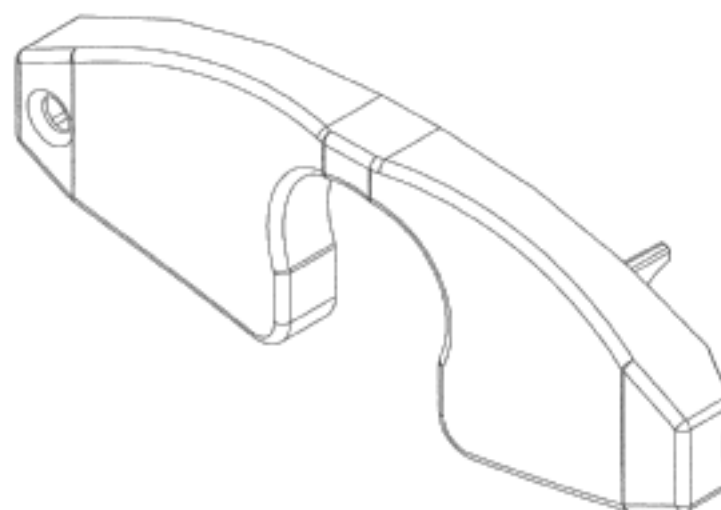
- (21) Design Number: **14026/2013**
(22) Date of Filing Application: **15 August 2013**
(24) Date from which industrial property rights may have effect: **15 August 2013**
(54) Product in respect of which the design is registered: **Wheel loader**
(51) International Design Classification: **15-04**
(74) Name(s) of Attorney(s): **Griffith Hack**
(71) Name(s) and Address(s) of Applicant(s):
Kubota Corporation
2-47 Shikitsu Higashi 1-chome Naniwa-ku Osaka-shi Osaka 556-8601
Japan
(72) Name(s) of Designer(s): **Taiki Furuiki and Masahiko Kobayashi and Teruhiko Iwamoto**
(45) Registration Date: **17 September 2013**
(30) Convention priority data:
(31) Number (32) Date (33) Country
2013-004307 28 Feb 2013 JAPAN
(56) Related Art Documents: **Not Applicable**
(57) Statement of Newness and Distinctiveness: **Newness and distinctiveness resides in the visual features, including shape and configuration of the product as shown in the accompanying representations.**



- (21) Design Number: **10977/2013**
(22) Date of Filing Application: **27 February 2013**
(24) Date from which industrial property rights may have effect: **27 February 2013**
(54) Product in respect of which the design is registered: **A tool**
(51) International Design Classification: **08-05NES**
(74) Name(s) of Attorney(s): **PHILLIPS ORMONDE FITZPATRICK**
(71) Name(s) and Address(s) of Applicant(s):
GSA Industries (Aust.) Pty Ltd
L54 Rialto 525 Collins St Melbourne VIC 3000 Australia
(72) Name(s) of Designer(s): **Jeremy Gledhill and Peter Graham**
(45) Registration Date: **17 September 2013**
(56) Related Art Documents: **Not Applicable**
(57) Statement of Newness and Distinctiveness: **Those features of the tool depicted in the representations that are new and distinctive are the shape and/or configuration.**



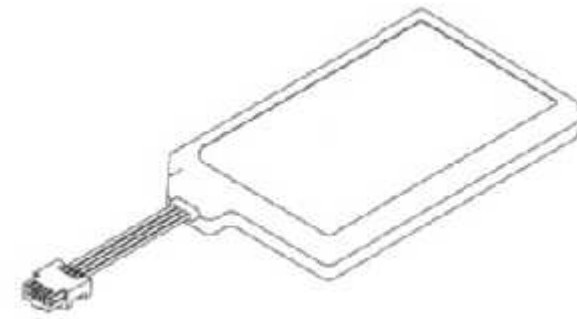
- (21) Design Number: **10978/2013**
(22) Date of Filing Application: **27 February 2013**
(24) Date from which industrial property rights may have effect: **27 February 2013**
(54) Product in respect of which the design is registered: **A tool**
(51) International Design Classification: **08-05NES**
(74) Name(s) of Attorney(s): **PHILLIPS ORMONDE FITZPATRICK**
(71) Name(s) and Address(s) of Applicant(s):
GSA Industries (Aust.) Pty Ltd
L54 Rialto 525 Collins St Melbourne VIC 3000 Australia
(72) Name(s) of Designer(s): **Jeremy Gledhill and Peter Graham**
(45) Registration Date: **17 September 2013**
(56) Related Art Documents: **Not Applicable**
(57) Statement of Newness and Distinctiveness: **Those features of the tool depicted in the representations that are new and distinctive are the shape and/or configuration.**



- (21) Design Number: **11718/2013**
(22) Date of Filing Application: **09 April 2013**
(24) Date from which industrial property rights may have effect: **09 April 2013**
(54) Product in respect of which the design is registered: **Motorized cleaning bucket**
(51) International Design Classification: **07-07B**
(74) Name(s) of Attorney(s): **SPRUSON & FERGUSON**
(71) Name(s) and Address(s) of Applicant(s):
Jan Farhat
26 Mailey Cct Rouse Hill NSW 2155 Australia
(72) Name(s) of Designer(s): **Jan Farhat**
(45) Registration Date: **17 September 2013**
(56) Related Art Documents: **Not Applicable**
(57) Statement of Newness and Distinctiveness: **Newness and Distinctiveness is claimed in the features of shape and/or configuration of a motorized cleaning bucket as illustrated in the accompanying representations.**



- (21) Design Number: **12234/2013**
(22) Date of Filing Application: **15 May 2013**
(24) Date from which industrial property rights may have effect: **15 May 2013**
(54) Product in respect of which the design is registered: **Storage battery**
(51) International Design Classification: **13-02**
(74) Name(s) of Attorney(s): **Davies Collison Cave**
(71) Name(s) and Address(s) of Applicant(s):



Nintendo Co., Ltd.

11-1 Hokotate-cho Kamitoba Minami-ku Kyoto 601-8501 Japan

- (72) Name(s) of Designer(s): **Kenichiro Ashida and Masato Ibuki and Shinji Yamamoto and Fumiyoshi Suetake and Akiko Suga and Naoya Yamamoto and Hitoshi Tsuchiya and Junji Takamoto and Yuji Hori and Masahiko Nishimura and Daisuke Kumazaki and Yositemo Gotou and Takafumi Nishida**
(45) Registration Date: **17 September 2013**
(30) Convention priority data:
(31) Number (32) Date (33) Country
2012-028120 16 Nov 2012 JAPAN
(56) Related Art Documents: **Not Applicable**
(57) Statement of Newness and Distinctiveness: **Nil**

- (21) Design Number: **13039/2013**
(22) Date of Filing Application: **24 June 2013**
(24) Date from which industrial property rights may have effect: **24 June 2013**
(54) Product in respect of which the design is registered: **Undercarriage track link for mobile earthmoving machine**
(51) International Design Classification: **15-04**
(74) Name(s) of Attorney(s): **Freehills Patent Attorneys**
(71) Name(s) and Address(s) of Applicant(s):

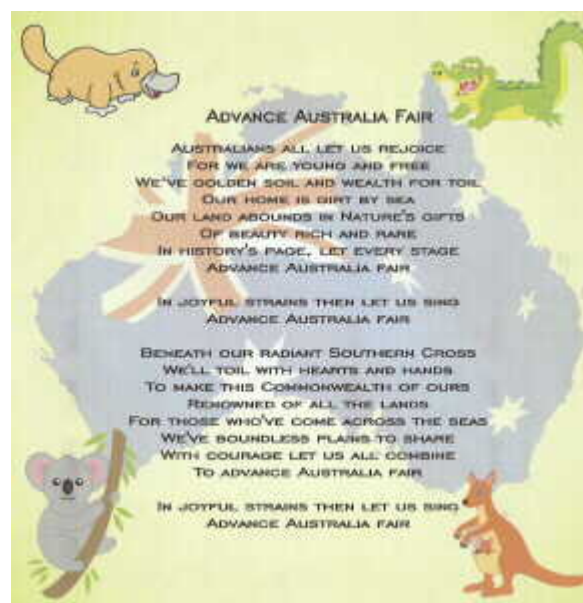
Caterpillar Inc.

100 N.E. Adams Street Peoria Illinois 61629 United States of America

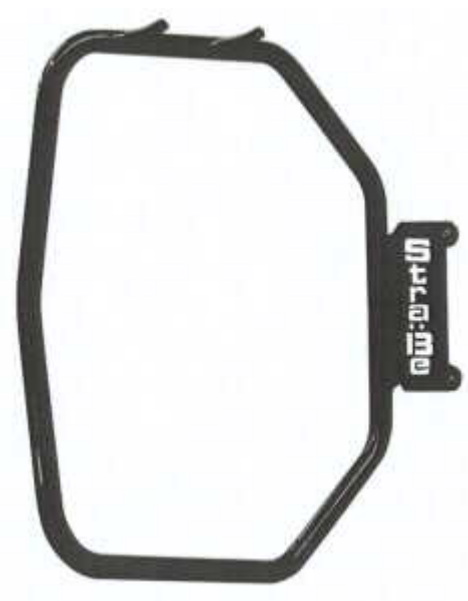
- (72) Name(s) of Designer(s): **Robert L. Meyer and Gregory Kaufmann and Mark Steven Diekevers and Timothy A. Thorson**
(45) Registration Date: **17 September 2013**
(30) Convention priority data:
(31) Number (32) Date (33) Country
29/426091 29 Jun 2012 UNITED STATES OF AMERICA
(56) Related Art Documents: **Not Applicable**
(57) Statement of Newness and Distinctiveness: **Newness and distinctiveness lie in the features of shape and configuration of the undercarriage track link for mobile earthmoving machine shown in solid lines in the accompanying representations. Breaks defined by the dot-dashed lines indicate indefinite dimensions.**



- (21) Design Number: **13291/2013**
(22) Date of Filing Application: **09 July 2013**
(24) Date from which industrial property rights may have effect: **09 July 2013**
(54) Product in respect of which the design is registered: **Placemat**
(51) International Design Classification: **06-13A**
(74) Name(s) of Attorney(s):
(71) Name(s) and Address(s) of Applicant(s):
Anna Dominikovic
19 Hatfield St Blakehurst NSW 2221 Australia
(72) Name(s) of Designer(s): **Anna Dominikovic**
(45) Registration Date: **17 September 2013**
(56) Related Art Documents: **Not Applicable**
(57) Statement of Newness and Distinctiveness: **A placemat with the Australian Anthem written on it and has a picture of the Australian Map on it.**



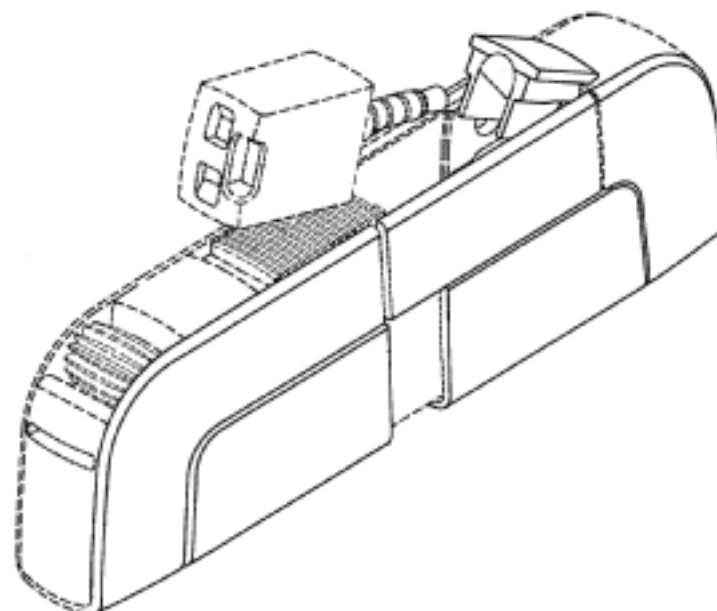
- (21) Design Number: **13338/2013**
(22) Date of Filing Application: **11 July 2013**
(24) Date from which industrial property rights may have effect: **11 July 2013**
(54) Product in respect of which the design is registered: **Wall mounted bicycle rack**
(51) International Design Classification: **08-10**
(74) Name(s) of Attorney(s):
(71) Name(s) and Address(s) of Applicant(s):
G R & P K JENSEN PARTNERSHIP
PO BOX 837 Albury NSW 2640 Australia
(72) Name(s) of Designer(s): **Bradley Jensen**
(45) Registration Date: **17 September 2013**
(56) Related Art Documents: **Not Applicable**
(57) Statement of Newness and Distinctiveness: **The newness and distinctiveness of the design resides in the square, offset shape of the tubular loop as well as the distinctive one-piece mounting plate design which also incorporates the brand name as shown in the accompanying representations.**



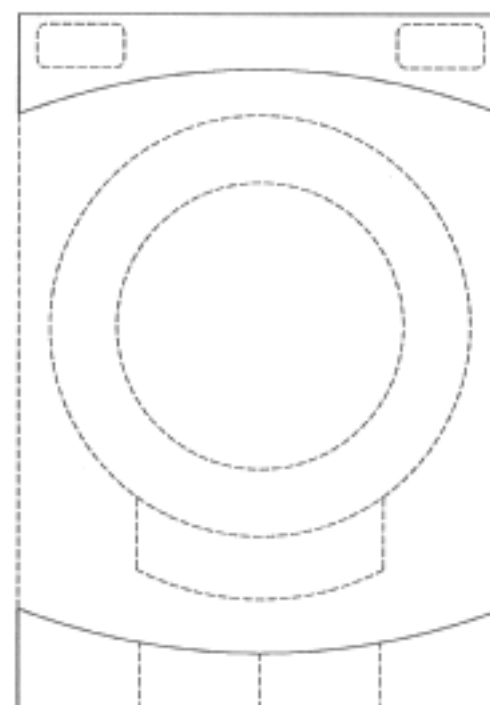
- (21) Design Number: **13339/2013**
(22) Date of Filing Application: **11 July 2013**
(24) Date from which industrial property rights may have effect: **11 July 2013**
(54) Product in respect of which the design is registered: **Wall mounted bicycle rack**
(51) International Design Classification: **08-10**
(74) Name(s) of Attorney(s):
(71) Name(s) and Address(s) of Applicant(s):
G R & P K JENSEN PARTNERSHIP
PO BOX 837 Albury NSW 2640 Australia
(72) Name(s) of Designer(s): **Bradley Jensen**
(45) Registration Date: **17 September 2013**
(56) Related Art Documents: **Not Applicable**
(57) Statement of Newness and Distinctiveness: **The newness and distinctiveness of the design resides in the shape of the tubular frame that enables the product to hold two bicycles as shown in the continuous lines in the accompanying representations.**



- (21) Design Number: **13439/2013**
(22) Date of Filing Application: **18 July 2013**
(24) Date from which industrial property rights may have effect: **18 July 2013**
(54) Product in respect of which the design is registered: **Blood glucose cartridge**
(51) International Design Classification: **24-01**
(74) Name(s) of Attorney(s): **PIZZEYS**
(71) Name(s) and Address(s) of Applicant(s):
Labstyle Innovation Ltd.
Gibor Sport Tower 7 Menahem Begin Street Ramat Gan 5268102 Israel
(72) Name(s) of Designer(s): **Yoav Tikochinsky and Eran Zur and Frank Schenk and David Damshek and Eliahu Eliachar and Ram Grossfeld and Nir Lilach and Shilo Ben-Zeev and Oren Feurst**
(45) Registration Date: **17 September 2013**
(30) Convention priority data:
(31) Number (32) Date (33) Country
29/443,968 24 Jan 2013 UNITED STATES OF AMERICA
(57) Statement of Newness and Distinctiveness: **The newness and distinctiveness of the design resides in the features of pattern and/or ornamentation OR shape and/or configuration shown in unbroken lines in the accompanying representations. (if required, see Convention document)**



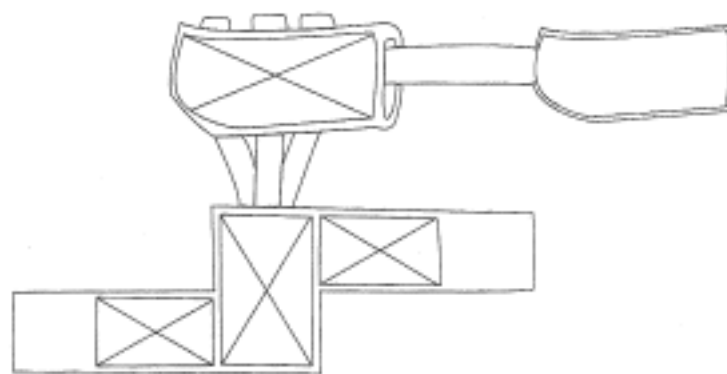
- (21) Design Number: **13442/2013**
(22) Date of Filing Application: **18 July 2013**
(24) Date from which industrial property rights may have effect: **18 July 2013**
(54) Product in respect of which the design is registered: **Display screen with graphical user interface**
(51) International Design Classification: **14-02, 14-01**
(74) Name(s) of Attorney(s): **PIZZEYS**
(71) Name(s) and Address(s) of Applicant(s):
Labstyle Innovation Ltd.
Gibor Sport Tower 7 Menahem Begin Street Ramat Gan 5268102 Israel
(72) Name(s) of Designer(s): **Shilo Ben-Zeev and Oren Feurst and Batami Romano and Andrey Ovrutsky and Golan Levi and Erez Raphael**
(45) Registration Date: **17 September 2013**
(30) Convention priority data:
(31) Number (32) Date (33) Country
29/443,975 24 Jan 2013 UNITED STATES OF AMERICA
(56) Related Art Documents: **Not Applicable**
(57) Statement of Newness and Distinctiveness: **The newness and distinctiveness of the design resides in the features of pattern and/or ornamentation OR shape and/or configuration shown in unbroken lines in the accompanying representations. (if required, see Convention document)**



- (21) Design Number: **13446/2013**
(22) Date of Filing Application: **18 July 2013**
(24) Date from which industrial property rights may have effect: **18 July 2013**
(54) Product in respect of which the design is registered: **Display screen with graphical user interface**
(51) International Design Classification: **14-02, 14-01**
(74) Name(s) of Attorney(s): **PIZZEYS**
(71) Name(s) and Address(s) of Applicant(s):
Labstyle Innovation Ltd.
Gibor Sport Tower 7 Menahem Begin Street Ramat Gan 5268102 Israel
(72) Name(s) of Designer(s): **Shilo Ben-Zeev and Oren Feurst and Batami Romano and Andrey Ovrutsky and Golan Levi and Erez Raphael**
(45) Registration Date: **17 September 2013**
(30) Convention priority data:
(31) Number (32) Date (33) Country
29/443,979 24 Jan 2013 UNITED STATES OF AMERICA
(56) Related Art Documents: **Not Applicable**
(57) Statement of Newness and Distinctiveness: **The newness and distinctiveness of the design resides in the features of pattern and/or ornamentation OR shape and/or configuration shown in unbroken lines in the accompanying representations. (if required, see Convention document).**



- (21) Design Number: **13485/2013**
(22) Date of Filing Application: **22 July 2013**
(24) Date from which industrial property rights may have effect: **22 July 2013**
(54) Product in respect of which the design is registered: **Protective handwrap for boxing**
(51) International Design Classification: **02-06**
(74) Name(s) of Attorney(s):
(71) Name(s) and Address(s) of Applicant(s):
Apirana David Hemara
37 Leonardo Cct Coombabah QLD 4216 Australia
(72) Name(s) of Designer(s): **Apirana David Hemara**
(45) Registration Date: **17 September 2013**
(56) Related Art Documents: **Not Applicable**
(57) Statement of Newness and Distinctiveness: **Tension Wrap design gives a quick action, protective binding of the hand for use in boxing/sparring. 3 distinctive tension straps connected from the double wrist wrap through the top of the fingers to the palm grip put the apparatus in tension when locked in place. This compresses the fist for added punching power. The design features a padded wrap around which protects and compresses over the knuckle area. This also acts a grip bar for a tighter clench of the fist.**



- (21) Design Number: **13663/2013**
(22) Date of Filing Application: **26 July 2013**
(24) Date from which industrial property rights may have effect: **26 July 2013**
(54) Product in respect of which the design is registered: **Three-wheeled motorised vehicle**
(51) International Design Classification: **12-11**
(74) Name(s) of Attorney(s):
(71) Name(s) and Address(s) of Applicant(s):
Ecospin Limited
122-182 Western Road Leicester LE3 0GB United Kingdom
(72) Name(s) of Designer(s): **Paul Loomes and David Loomes**
(45) Registration Date: **17 September 2013**
(56) Related Art Documents: **Not Applicable**
(57) Statement of Newness and Distinctiveness: **The ornamental design is applied to a three-wheeled stand-on motorised vehicle as shown.**

