



**Australian Government**

---

**IP Australia**

**AUSTRALIAN OFFICIAL JOURNAL**

**OF**

**DESIGNS**

Did you know a searchable version of this journal is now available online?

It's FREE and EASY to SEARCH.

Find it on our website ([www.ipaustralia.gov.au](http://www.ipaustralia.gov.au))

by using the "Journals" link on the home page.

This Page Left Intentionally Blank

**Contents**

**General Information & Notices**

**Proceedings Under the Designs Act 1906 preserved as a result of the provisions of Chapter 12  
Part 2 of the Designs Act 2003**

<b>Extension of Period of Registration of Designs .....</b>	<b>2904</b>
<b>Registrations Ceased .....</b>	<b>2904</b>
<b>Subsequent Owners Registered .....</b>	<b>2904</b>

**Proceedings Under the Designs Act 2003**

<b>Applications Lapsed .....</b>	<b>2914</b>
<b>Applications Lodged .....</b>	<b>2908</b>
<b>Certificate of Examination .....</b>	<b>2917</b>
<b>Extension of Period of Registration of Design .....</b>	<b>2915</b>
<b>Extension of Time Granted Under Section 137 .....</b>	<b>2915</b>
<b>Publication and Registration Proceedings</b>	
<b>Designs Registered 350882 to 351020.....</b>	<b>2918</b>
<b>Registrations Ceased .....</b>	<b>2915</b>
<b>Subsequent Owners Registered .....</b>	<b>2915</b>

This Page Left Intentionally Blank

For information on the following please see our website [www.ipaustralia.gov.au](http://www.ipaustralia.gov.au) or contact our Customer Service Network on 1300651010

[Editorial enquiries](#)

[Contact information](#)

[Freedom of Information ACT](#)

[Professional Standards Board](#)

[Sales](#)

[Requests for Information under Section 194 \(c\)](#)

[Country Codes](#)

[Trade Mark and Designs Hearing Sessions](#)

[INID \(Internationally agreed Numbers for the Identification of Data\)](#)

## “INID” NUMBERS in use on Australian Design Documents

“INID” is an acronym for “Internationally agreed Numbers for the Identification of Data”.

### (10) Data concerning the registration/renewal

- (11) Serial number of the registration and/or number of the design document
- (12) Plain language designation of the kind of published document
- (19) Identification, using the two-letter code according to WIPO Standard ST.3, of the authority publishing or registering the industrial design

### (20) Data concerning the application

- (21) Serial number of the application
- (22) Date of filing of the application
- (24) Date from which the industrial design right has effect

### (30) Data relating to priority under the Paris Convention

- (31) Serial number assigned to the priority application
- (32) Date of filing of the priority application
- (33) Two-letter code, according to WIPO Standard ST.3, identifying the authority with which the priority application was made

### (40) Date(s) of making information available to the public

- (45) Date of publication of the registered industrial design by printing or similar process, or making it available to the public by any other means

### (50) Miscellaneous Information

- (51) International Classification for Industrial Designs (class and subclass of the Locarno Classification)
- (54) Designation of article(s) or product(s) covered by the industrial design or title of the industrial design
- (55) Reproduction of the industrial design (e.g., drawing, photograph) and explanations relating to the reproduction
- (56) List of prior art documents, if separate from descriptive text
- (57) Description of characteristic features of the industrial design including indication of colours

### (60) References to other legally related application(s) and registration(s)

- (62) Serial number(s) and, if available, filing date(s) of application(s), registration(s) or document(s) related by division
- (66) Serial number(s) of the application, or the registration, of the design(s) which is (are) a variant(s) of the present one

### (70) Identification of parties concerned with the application or registration

- (71) Name(s) and address(es) of the applicant(s)
- (72) Name(s) of the creator(s) if known to be such
- (74) Name(s) and address(es) of the representative(s)

This Page Left Intentionally Blank

**Nil notices for this journal issue.**

**Proceedings under the Designs Act 1906 preserved as a result of the provisions of Chapter 12 Part 2 of the Designs Act 2003.**



This Page Left Intentionally Blank

**Applications Lapsed**

There were no Applications Lapsed under this section

**Extension of Period of Registration of Designs**

**1st Period (Section 27A(8))**

**2nd Period (Section 27A(12))**

**3rd Period (Section 27A(13))**

149499	150097	150101
150149	150209	150231
150251	150252	150253
150361	150362	150499
150501	150609	150717
150718	150848	150900
150901	151005	151026
151057	151237	151261
151834	151954	151973
152305	152552	152589
152866	153017	153406
154256	154374	154456
154800	154801	154923
154924	154925	154926
155078	155412	155575
156390	156391	156430
157786		

**Registrations Ceased**

Note: Some of the following Registrations may have been previously advertised as ceased. In this instance, the previous advertisement still prevails.

133187	133366	133367
133372	133373	133427
133456	133457	133742
133907	134548	135150
136070	137735	143541
147931	147932	148548
148971	148972	149382
149688	150128	150670
152217	154325	154400
154401	154562	155978

**Subsequent Owners Registered**

(The name in parentheses is that of the subsequent owner)

150671	( Claude Neon Pty Limited ) Claude Group Pty Limited
--------	--

This Page Left Intentionally Blank

**Proceedings under the Designs Act 2003.**

This Page Left Intentionally Blank

**Applications Lodged**

Lodgement information is in the following order: **Applicant's Name**; International Classification, Name of Product, Lodgement Date and **Design Number**. If the applicant claims an earlier priority date under an International Convention, the Convention Country and the associated filing date are shown in parentheses before the Lodgement Date. Divisional information will also appear in parentheses before the Lodgement Date.

<b>patent room P5 S.a r.l.;</b> 20-03NES, Logos, (EM, 18 Mar 2013) 17 Sep 2013	<b>14662/2013</b>	<b>ALMOS TECHNOLOGIES PTY LTD;</b> 14-03NES, Communication products, 24 Sep 2013	<b>14812/2013</b>
<b>patent room P5 S.a r.l.;</b> 19-08, 19-99, Alphabets [printing characters], (EM, 18 Mar 2013) 17 Sep 2013	<b>14663/2013</b>	<b>Babyliss Faco SPRL;</b> 28-03B, Hair styling apparatus, (EP, 10 Apr 2013) 19 Sep 2013	<b>14737/2013</b>
<b>patent room P5 S.a r.l.;</b> 20-03NES, Logos, (EM, 18 Mar 2013) 17 Sep 2013	<b>14660/2013</b>	<b>Beba Enterprises Pty Ltd;</b> 02-02NES, Articles of clothing, 06 Sep 2013	<b>14735/2013</b>
<b>patent room P5 S.a r.l.;</b> 20-03NES, Logos, (EM, 18 Mar 2013) 17 Sep 2013	<b>14661/2013</b>	<b>Beba Enterprises Pty Ltd;</b> 02-02NES, Articles of clothing, 06 Sep 2013	<b>14739/2013</b>
<b>Actervis GmbH;</b> 06-09, Cushion, (EM, 22 Mar 2013) 19 Sep 2013	<b>14709/2013</b>	<b>Beba Enterprises Pty Ltd;</b> 02-02NES, Articles of clothing, 06 Sep 2013	<b>14740/2013</b>
<b>Aktiebolaget Electrolux;</b> 15-05, Vacuum cleaner, (EM, 20 Mar 2013) 19 Sep 2013	<b>14727/2013</b>	<b>Beba Enterprises Pty Ltd;</b> 02-02NES, Articles of clothing, 06 Sep 2013	<b>14736/2013</b>
<b>Alfred Lewis Engineering Pty Ltd;</b> 08-05NES, Sub-frame, 24 Sep 2013	<b>14824/2013</b>	<b>Beba Enterprises Pty Ltd;</b> 02-02NES, Articles of clothing, 06 Sep 2013	<b>14738/2013</b>
<b>Allen, Nik Sandeman;</b> 06-01NES, Specialist seating products, 25 Sep 2013	<b>14897/2013</b>	<b>Beba Enterprises Pty Ltd;Magi Enterprises Pty Ltd;</b> 02-02C, 02-02NES, Articles of clothing, 16 Sep 2013	<b>14680/2013</b>
<b>Altria Client Services Inc.;</b> 09-03NES, Display package, (US, 15 Mar 2013) 16 Sep 2013	<b>14629/2013</b>	<b>Berhad, Sinorita Sendirian;</b> 04-02, Toothbrush, 25 Sep 2013	<b>14893/2013</b>
<b>Altria Client Services Inc.;</b> 09-03NES, Display package, (US, 15 Mar 2013) 16 Sep 2013	<b>14630/2013</b>	<b>Blue Belt Technologies, Inc.;</b> 24-03, Knee implant, (Divisional of 13323/2013) 23 Sep 2013	<b>14801/2013</b>
<b>Ambience Lighting Australia Pty Ltd;</b> 26-05D, Three pendant sizes, one design, 20 Sep 2013	<b>14779/2013</b>	<b>Blue Belt Technologies, Inc.;</b> 24-03, Knee implant, (Divisional of 13323/2013) 23 Sep 2013	<b>14800/2013</b>
<b>Ambience Lighting Australia Pty Ltd;</b> 26-05C, Wall light fitting, 20 Sep 2013	<b>14780/2013</b>	<b>Blue Belt Technologies, Inc.;</b> 24-03, Knee implant, (Divisional of 13323/2013) 23 Sep 2013	<b>14799/2013</b>
<b>Amcor Limited;</b> 09-03M, A blank and carton for chips, 10 Sep 2013	<b>14473/2013</b>	<b>Bose Corporation;</b> 14-01, Speaker, (US, 19 Dec 2012) 30 May 2013	<b>13622/2013</b>
<b>Anchoring Rope and Rigging Pty Ltd;</b> 12-16P, Anchor, 17 Sep 2013	<b>14670/2013</b>	<b>Bose Corporation;</b> 14-01, Speaker, (US, 19 Dec 2012) 30 May 2013	<b>13620/2013</b>
<b>Assa Abloy New Zealand Limited;</b> 08-06, A hinge, (NZ, 25 Mar 2013) 19 Sep 2013	<b>14697/2013</b>	<b>Bose Corporation;</b> 14-01, Speaker, (US, 19 Dec 2012) 30 May 2013	<b>13621/2013</b>
<b>Assa Abloy New Zealand Limited;</b> 08-06, A hinge, (NZ, 25 Mar 2013) 19 Sep 2013	<b>14698/2013</b>	<b>Bose Corporation of The Mountain;</b> 14-01, 13-02, Set of headphones with battery pack, (US, 24 Jan 2013) 23 Jul 2013	<b>14699/2013</b>
<b>Australian Fashion Labels Pty Ltd;</b> 02-02C, A strapless dress, 16 Sep 2013	<b>14627/2013</b>	<b>Bose Corporation of The Mountain;</b> 14-01, 13-02, Set of headphones, (US, 24 Jan 2013) 23 Jul 2013	<b>14700/2013</b>
<b>ALDI Foods Pty Ltd;</b> 09-01NES, Bottle, 18 Sep 2013	<b>14690/2013</b>	<b>Bose Corporation of The Mountain;</b> 13-02, Battery pack, (US, 24 Jan 2013) 23 Jul 2013	<b>14701/2013</b>

<b>Bubble Adaptor Pty Ltd;</b> 13-03D, Power board, 17 Sep 2013	<b>14659/2013</b>	<b>Dauphin Entwicklungs- u. Beteiligungs- GmbH;</b> 06-01G, Composite furniture, (WO, 26 Mar 2013) 25 Sep 2013	<b>14905/2013</b>
<b>BRITA Professional GmbH &amp; Co. KG;</b> 23-01G, Supply for water filter cartridges, (EM, 21 Mar 2013) 19 Sep 2013	<b>14702/2013</b>	<b>Derlot Pty Limited;</b> 06-03A, Table, 23 Sep 2013	<b>14804/2013</b>
<b>BRITA Professional GmbH &amp; Co. KG;</b> 23-01G, Supply for water filter cartridges, (EM, 21 Mar 2013) 19 Sep 2013	<b>14704/2013</b>	<b>Derlot Pty Limited;</b> 06-01C, Bench seat, 23 Sep 2013	<b>14803/2013</b>
<b>BRITA Professional GmbH &amp; Co. KG;</b> 23-01G, Supply for water filter cartridges, (EM, 21 Mar 2013) 19 Sep 2013	<b>14703/2013</b>	<b>Dtac Pty Ltd;</b> 08-08B, 10-06, Directional tactile indicator, 23 Sep 2013	<b>14798/2013</b>
<b>Capral Limited;</b> 25-01K, Frame profile, 10 Sep 2013	<b>14474/2013</b>	<b>Dtac Pty Ltd;</b> 08-08B, 10-06, Tactile indicator, 23 Sep 2013	<b>14795/2013</b>
<b>Church of Spiritual Technology;</b> 14-03NES, Remotely located controller, (US, 12 Apr 2013) 20 Sep 2013	<b>14782/2013</b>	<b>DuluxGroup (Australia) Pty Ltd;</b> 22-06, Rodent bait and trap station, 19 Sep 2013	<b>14734/2013</b>
<b>Clamp Industries Pty Ltd;</b> 12-16NES, A vehicle suspension spacer, 25 Sep 2013	<b>14907/2013</b>	<b>Eco Gutter IP Holdings Pty Ltd;</b> 23-01L, A gutter component, (NZ, 26 Oct 2012) 26 Apr 2013	<b>13547/2013</b>
<b>Clamp Industries Pty Ltd;</b> 12-16NES, A vehicle suspension spacer disc, 25 Sep 2013	<b>14908/2013</b>	<b>Eco Gutter IP Holdings Pty Ltd;</b> 23-01L, A gutter component, (NZ, 26 Oct 2012) 26 Apr 2013	<b>13549/2013</b>
<b>Colgate-Palmolive Company;</b> 09-01NES, Container, (US, 05 Apr 2013) 25 Sep 2013	<b>14898/2013</b>	<b>Eco Gutter IP Holdings Pty Ltd;</b> 23-01L, A gutter component, (NZ, 26 Oct 2012) 26 Apr 2013	<b>13548/2013</b>
<b>Colgate-Palmolive Company;</b> 09-01NES, Container, (US, 05 Apr 2013) 25 Sep 2013	<b>14901/2013</b>	<b>Electrolux Sea Pte Ltd;</b> 15-07, A cold appliance, (CN, 06 Nov 2012) 16 Jul 2013	<b>13423/2013</b>
<b>Colgate-Palmolive Company;</b> 09-01NES, Container, (US, 05 Apr 2013) 25 Sep 2013	<b>14899/2013</b>	<b>Encat Pty Ltd;</b> 08-10, A scooter rack, 24 Sep 2013	<b>14814/2013</b>
<b>Colgate-Palmolive Company;</b> 09-01NES, Container, (US, 05 Apr 2013) 25 Sep 2013	<b>14900/2013</b>	<b>Equalizer International Limited;</b> 08-05F, 23-99, Separator, (EM, 22 Apr 2013) 23 Sep 2013	<b>14802/2013</b>
<b>Crane IP Pty Ltd;</b> 14-03A, Phone mount, 18 Sep 2013	<b>14766/2013</b>	<b>Ewing, Iain;Spectro Enterprises Pty Ltd;</b> 08-05P, Spanner, 24 Sep 2013	<b>14820/2013</b>
<b>Crane IP Pty Ltd;</b> 26-02, Torch, 18 Sep 2013	<b>14764/2013</b>	<b>F &amp; H A/S;</b> 07-01F, Serving jug, (EM, 02 Sep 2013) 20 Sep 2013	<b>14759/2013</b>
<b>Crane IP Pty Ltd;</b> 10-07, Wearable device, 18 Sep 2013	<b>14765/2013</b>	<b>Forever New Clothing Pty Ltd;</b> 02-02C, Article of clothing, (Divisional of 10176/2013) 10 Sep 2013	<b>14517/2013</b>
<b>Cross, James Richard;</b> 09-07NES, Pouch cap, 18 Sep 2013	<b>14674/2013</b>	<b>Forever New Clothing Pty Ltd;</b> 02-02C, 02-02NES, Article of clothing, 23 Aug 2013	<b>14354/2013</b>
<b>CARECLIA PTY LTD;</b> 08-99, A protective screen, 20 Sep 2013	<b>14781/2013</b>	<b>Forever New Clothing Pty Ltd;</b> 99-00, Accessory item, 23 Aug 2013	<b>14355/2013</b>
<b>COMPAGNIE GENERALE DES ETABLISSEMENTS MICHELIN;Michelin Rechere et Technique S.A;</b> 12-15C, A tyre, (US, 30 May 2013) 20 Sep 2013	<b>14773/2013</b>	<b>Forever New Clothing Pty Ltd;</b> 02-02C, Article of clothing, (Divisional of 10176/2013) 10 Sep 2013	<b>14516/2013</b>
<b>Dart Industries Inc.;</b> 09-07B, Expanding lid for pastry carrier, (US, 16 Apr 2013) 19 Sep 2013	<b>14705/2013</b>	<b>Forever New Clothing Pty Ltd;</b> 02-02C, Article of clothing, (Divisional of 10176/2013) 10 Sep 2013	<b>14518/2013</b>



<b>Forever New Clothing Pty Ltd;</b> 02-02NES, Article of clothing, (Divisional of 10176/2013) 10 Sep 2013	<b>14519/2013</b>	<b>Hendon Semiconductors Pty Ltd;</b> 13-03D, An enclosure for an electrical push button switch, 24 Sep 2013	<b>14816/2013</b>
<b>Forever New Clothing Pty Ltd;</b> 02-02NES, Article of clothing, (Divisional of 10176/2013) 10 Sep 2013	<b>14515/2013</b>	<b>Hendon Semiconductors Pty Ltd;</b> 13-03D, 14-03A, A base unit for an electrical dimmer, 24 Sep 2013	<b>14806/2013</b>
<b>Forever New Clothing Pty Ltd;</b> 02-02C, Article of clothing, (Divisional of 10176/2013) 10 Sep 2013	<b>14514/2013</b>	<b>Hendon Semiconductors Pty Ltd;</b> 13-03D, An electrical dimmer knob, 24 Sep 2013	<b>14810/2013</b>
<b>Foster Packaging Pty Ltd;Mariani Foods Pty Limited;</b> 09-03C, Packaging for foodstuffs, (EM, 15 Mar 2013) 16 Sep 2013	<b>14628/2013</b>	<b>Hendon Semiconductors Pty Ltd;</b> 13-03D, An electrical dimmer knob, 24 Sep 2013	<b>14811/2013</b>
<b>Fournillier, Jean Noel;Mango;</b> 03-01C, Manufactured multimedia carrier, (FR, 10 Jun 2013) 19 Sep 2013	<b>14752/2013</b>	<b>Hendon Semiconductors Pty Ltd;</b> 13-03D, An electrical dimmer knob, 24 Sep 2013	<b>14807/2013</b>
<b>Framelock Structures Pty Ltd;</b> 25-01K, Extrusion, 25 Sep 2013	<b>14829/2013</b>	<b>Hills Holdings Limited;</b> 25-04, Ladder tread, 18 Sep 2013	<b>14694/2013</b>
<b>Framelock Structures Pty Ltd;</b> 25-01K, Extrusion, 25 Sep 2013	<b>14830/2013</b>	<b>Hills Holdings Limited;</b> 07-05D, Clothes drying apparatus hub assembly, 18 Sep 2013	<b>14696/2013</b>
<b>Fullyarn Packaging (AU) Pty Ltd;</b> 09-03F, A punnet, 18 Sep 2013	<b>14682/2013</b>	<b>Hills Holdings Limited;</b> 07-05D, Clothes drying frame, 18 Sep 2013	<b>14695/2013</b>
<b>Gardiner, Warren;</b> 22-05, Fishing rod holder, 25 Sep 2013	<b>14828/2013</b>	<b>Hills Holdings Limited;</b> 07-05D, Clothes drying apparatus, 18 Sep 2013	<b>14692/2013</b>
<b>GOG Dolphin Electronics Group Limited;</b> 08-08NES, A mount, 17 Sep 2013	<b>14673/2013</b>	<b>Hills Holdings Limited;</b> 25-04, Step ladder assembly, 18 Sep 2013	<b>14693/2013</b>
<b>GOG Dolphin Electronics Group Limited;</b> 08-08L, A mount, 17 Sep 2013	<b>14671/2013</b>	<b>Hollister Incorporated;</b> 09-05, 24-02, Catheter package, (US, 14 Mar 2013) 10 Sep 2013	<b>14465/2013</b>
<b>GOG Dolphin Electronics Group Limited;</b> 08-08NES, A mount, 17 Sep 2013	<b>14672/2013</b>	<b>Hollister Incorporated;</b> 09-05, 24-02, Catheter package, (US, 14 Mar 2013) 10 Sep 2013	<b>14471/2013</b>
<b>Helgeland, Michelle;HELHEL;</b> 11-01D, Earrings, 23 Sep 2013	<b>14791/2013</b>	<b>Hollister Incorporated;</b> 09-05, 24-02, Catheter package, (US, 14 Mar 2013) 10 Sep 2013	<b>14472/2013</b>
<b>Helgeland, Michelle;HELHEL;</b> 11-02D, Earrings, 23 Sep 2013	<b>14792/2013</b>	<b>Hollister Incorporated;</b> 09-05, 24-02, Catheter package, (US, 14 Mar 2013) 10 Sep 2013	<b>14469/2013</b>
<b>Hendon Semiconductors Pty Ltd;</b> 13-03D, A button for an electrical push button switch, 24 Sep 2013	<b>14805/2013</b>	<b>Hollister Incorporated;</b> 09-05, 24-02, Catheter package, (US, 14 Mar 2013) 10 Sep 2013	<b>14470/2013</b>
<b>Hendon Semiconductors Pty Ltd;</b> 13-03D, A button for an electrical push button switch, 24 Sep 2013	<b>14823/2013</b>	<b>Hollister Incorporated;</b> 09-05, 24-02, Catheter package, (US, 14 Mar 2013) 10 Sep 2013	<b>14466/2013</b>
<b>Hendon Semiconductors Pty Ltd;</b> 13-03D, A button for an electrical push button switch, 24 Sep 2013	<b>14821/2013</b>	<b>Hollister Incorporated;</b> 09-05, 24-02, Catheter package, (US, 14 Mar 2013) 10 Sep 2013	<b>14467/2013</b>
<b>Hendon Semiconductors Pty Ltd;</b> 13-03D, A button mount for an electrical switch, 24 Sep 2013	<b>14822/2013</b>	<b>Hollister Incorporated;</b> 09-05, 24-02, Catheter package, (US, 14 Mar 2013) 10 Sep 2013	<b>14468/2013</b>
<b>Hendon Semiconductors Pty Ltd;</b> 13-03D, A button for an electrical push button switch, 24 Sep 2013	<b>14819/2013</b>	<b>Husqvarna AB;</b> 08-08E, Wall mounted hose rack, (EM, 05 Apr 2013) 23 Sep 2013	<b>14785/2013</b>
<b>Hendon Semiconductors Pty Ltd;</b> 13-03D, A button mount for an electrical switch, 24 Sep 2013	<b>14817/2013</b>		
<b>Hendon Semiconductors Pty Ltd;</b> 13-03D, An electrical dimmer knob, 24 Sep 2013	<b>14815/2013</b>		

<b>HELHEL;Helgeland, Michelle;</b> 11-01D, Earrings, 23 Sep 2013	<b>14791/2013</b>	<b>Kimberly-Clark Worldwide, Inc.;</b> 28-03NES, Packaging containing different single use articles, (US, 12 Mar 2013) 12 Sep 2013	<b>14665/2013</b>
<b>HELHEL;Helgeland, Michelle;</b> 11-02D, Earrings, 23 Sep 2013	<b>14792/2013</b>		
<b>HULLTIMO;</b> 15-05, Cleaning machines, (EM, 26 Mar 2013) 18 Sep 2013	<b>14691/2013</b>	<b>Kind Consumer Limited;</b> 24-04, Inhaler, (EM, 26 Mar 2013) 25 Sep 2013	<b>14825/2013</b>
<b>Illinois Tool Works Inc.;</b> 08-08B, Plate washer for use in fastening sheet material, 20 Sep 2013	<b>14777/2013</b>	<b>Konami Gaming, Inc.;</b> 21-03, Game machine, 19 Sep 2013	<b>14743/2013</b>
<b>Illinois Tool Works Inc.;</b> 25-01B, Rebate box form for use in concrete casting, 19 Sep 2013	<b>14715/2013</b>	<b>Konami Gaming, Inc.;</b> 21-03, Game machine, 19 Sep 2013	<b>14744/2013</b>
<b>Infa-Secure Pty Ltd;</b> 06-01D, A child safety seat for a vehicle, 19 Sep 2013	<b>14746/2013</b>	<b>Konami Gaming, Inc.;</b> 21-03, Game machine, 19 Sep 2013	<b>14741/2013</b>
<b>Infa-Secure Pty Ltd;</b> 06-01D, A carriage device for a child safety seat, 19 Sep 2013	<b>14750/2013</b>	<b>Konami Gaming, Inc.;</b> 21-03, Game machine, 19 Sep 2013	<b>14742/2013</b>
<b>Infa-Secure Pty Ltd;</b> 06-01D, A child restraint assembly for a vehicle, 19 Sep 2013	<b>14751/2013</b>	<b>Koninklijke Philips N.V.;</b> 14-03NES, Remote control unit, (EM, 26 Mar 2013) 25 Sep 2013	<b>14909/2013</b>
<b>Infa-Secure Pty Ltd;</b> 06-01D, An infant carrier device, 19 Sep 2013	<b>14748/2013</b>	<b>Lacativo, Darren;LaRosa IV, Donald;</b> 09-04, Hydroponic basket, (US, 21 Mar 2013) 23 Sep 2013	<b>14793/2013</b>
<b>Infa-Secure Pty Ltd;</b> 06-06G, A docking station for a child restraint, 19 Sep 2013	<b>14749/2013</b>	<b>Layton, Peter Francis;</b> 08-07, A door latch, 17 Sep 2013	<b>14669/2013</b>
<b>Infa-Secure Pty Ltd;</b> 06-06G, A headrest for a child safety seat, 19 Sep 2013	<b>14747/2013</b>	<b>LaRosa IV, Donald;Lacativo, Darren;</b> 09-04, Hydroponic basket, (US, 21 Mar 2013) 23 Sep 2013	<b>14793/2013</b>
<b>Engineering Pty Limited;</b> 23-04, Operating theatre ventilation system, 20 Sep 2013	<b>14783/2013</b>	<b>Lilly Brush Co., LLC;</b> 03-01NES, Fabric care brush case, (Divisional of 11418/2013) 08 Jul 2013	<b>14733/2013</b>
<b>Intelliskin USA, LLC;</b> 02-02C, Short sleeve shirt with round neck, (US, 14 Mar 2013) 13 Sep 2013	<b>14664/2013</b>	<b>Lite Guard Safety Solutions Pty Ltd;</b> 25-01K, An extrusion, 25 Sep 2013	<b>14894/2013</b>
<b>Invacare Corporation;</b> 06-02, Bed rail, (US, 14 Mar 2013) 13 Sep 2013	<b>14666/2013</b>	<b>Lite Guard Safety Solutions Pty Ltd;</b> 25-01K, An Extrusion, 25 Sep 2013	<b>14895/2013</b>
<b>Invacare Corporation;</b> 06-02, Bed end, (US, 14 Mar 2013) 13 Sep 2013	<b>14667/2013</b>	<b>LED Lenser Corp. Ltd.;</b> 13-02, Charging base, (CN, 10 Jan 2013) (Divisional of 13217/2013) 19 Sep 2013	<b>14755/2013</b>
<b>Invacare Corporation;</b> 14-03NES, Controller, (US, 14 Mar 2013) 13 Sep 2013	<b>14668/2013</b>	<b>LED Lenser Corp. Ltd.;</b> 26-02, Flashlight, (CN, 10 Jan 2013) (Divisional of 13189/2013) 19 Sep 2013	<b>14753/2013</b>
<b>Investigacion De Tecnologia Avanzada, S.A. de C.V.;</b> 01-01, Flat bread, 24 Sep 2013	<b>14808/2013</b>	<b>LED Lenser Corp. Ltd.;</b> 26-02, Headlamp, (CN, 10 Jan 2013) (Divisional of 13216/2013) 19 Sep 2013	<b>14754/2013</b>
<b>J Larson Pty Ltd;</b> 08-07, Blade of a key blank, 25 Sep 2013	<b>14846/2013</b>	<b>LINPAC Packaging Limited;</b> 09-03F, Tray, (EM, 20 Mar 2013) 18 Sep 2013	<b>14687/2013</b>
<b>K &amp; M TRADING PTY LTD;</b> 21-01NES, Inflatable kangaroo, 19 Sep 2013	<b>14726/2013</b>	<b>LINPAC Packaging Limited;</b> 09-03F, Tray, (EM, 20 Mar 2013) 18 Sep 2013	<b>14688/2013</b>
		<b>LINPAC Packaging Limited;</b> 09-03F, Tray, (EM, 20 Mar 2013) 18 Sep 2013	<b>14689/2013</b>
		<b>LVMH Swiss Manufactures SA;</b> 10-07, Watch case, (WO, 17 Apr 2013) 18 Sep 2013	<b>14686/2013</b>

<b>LVMH Swiss Manufactures SA;</b> 10-07, Watch dial, (WO, 17 Apr 2013) 18 Sep 2013	<b>14681/2013</b>	<b>N &amp; C Beverages Pty Ltd;</b> 19-08, Alcoholic ice tea, 23 Sep 2013	<b>14786/2013</b>
<b>LVMH Swiss Manufactures SA;</b> 10-07, Watch dial, (CH, 17 Apr 2013) 18 Sep 2013	<b>14684/2013</b>	<b>Norton, Mathew Raymund;</b> 08-05N, Diamond abrasive for grinder, 22 Sep 2013	<b>14784/2013</b>
<b>LVMH Swiss Manufactures SA;</b> 10-07, Watch case and dial, (CH, 17 Apr 2013) 18 Sep 2013	<b>14683/2013</b>	<b>NUTTELEX FOOD PRODUCTS PROPRIETARY LIMITED;</b> 09-03NES, 09-07B, Food tub and lid, 20 Sep 2013	<b>14760/2013</b>
<b>M.I Design;</b> 20-02C, 14-01, Display case having a transparent LCD panel, (KR, 24 Sep 2013) 25 Sep 2013	<b>14906/2013</b>	<b>Oak Lawn Marketing, Inc.;</b> 04-01, A sweeper, 20 Sep 2013	<b>14768/2013</b>
<b>Magi Enterprises Pty Ltd;Beba Enterprises Pty Ltd;</b> 02-02C, 02-02NES, Articles of clothing, 16 Sep 2013	<b>14680/2013</b>	<b>Oak Lawn Marketing, Inc.;</b> 04-01, A sweeper, (JP, 29 Mar 2013) 20 Sep 2013	<b>14769/2013</b>
<b>Magpul Industries Corporation;</b> 29-02, Adjustment buckle for a sling, (US, 02 May 2013) 23 Sep 2013	<b>14796/2013</b>	<b>Organ Needle Co., Ltd;</b> 09-05, Package for sewing machine needles, 19 Sep 2013	<b>14713/2013</b>
<b>Magpul Industries Corporation;</b> 22-99, Light mount for a firearm, (US, 16 Apr 2013) 23 Sep 2013	<b>14788/2013</b>	<b>Organ Needle Co., Ltd;</b> 09-05, Package for sewing machine needles, (JP, 23 Jun 2013) 19 Sep 2013	<b>14714/2013</b>
<b>Magpul Industries Corporation;</b> 08-08B, Dual drive screw head, (US, 06 May 2013) 23 Sep 2013	<b>14790/2013</b>	<b>Pakton Developments Pty Ltd;</b> 08-08NES, Capacitor clip for attaching to PCB's, 25 Sep 2013	<b>14904/2013</b>
<b>Magpul Industries Corporation;</b> 22-01, Magazine for a firearm, (US, 26 Mar 2013) 20 Sep 2013	<b>14774/2013</b>	<b>Paradise Motor Homes Pty Ltd;</b> 12-10, Caravan, caravan body, caravan interior layout, 20 Sep 2013	<b>14758/2013</b>
<b>Magpul Industries Corporation;</b> 03-01NES, Case for a smart phone, (US, 16 Apr 2013) 23 Sep 2013	<b>14787/2013</b>	<b>PhotoCure ASA;</b> 26-05NES, 24-01, Light treatment apparatus, (EM, 09 Apr 2013) 19 Sep 2013	<b>14708/2013</b>
<b>Magpul Industries Corporation;</b> 22-01, Magazine for a firearm, (US, 26 Mar 2013) 20 Sep 2013	<b>14772/2013</b>	<b>PhotoCure ASA;</b> 26-05NES, 24-01, Light treatment apparatus, (EM, 09 Apr 2013) 19 Sep 2013	<b>14706/2013</b>
<b>Mango;Fournillier, Jean Noel;</b> 03-01C, Manufactured multimedia carrier, (FR, 10 Jun 2013) 19 Sep 2013	<b>14752/2013</b>	<b>PhotoCure ASA;</b> 26-05NES, 24-01, Light treatment apparatus, (EM, 09 Apr 2013) 19 Sep 2013	<b>14707/2013</b>
<b>Mariani Foods Pty Limited;Foster Packaging Pty Ltd;</b> 09-03C, Packaging for foodstuffs, (EM, 15 Mar 2013) 16 Sep 2013	<b>14628/2013</b>	<b>Pokorski, Artur;</b> 25-01D, Extruded building element, 25 Sep 2013	<b>14903/2013</b>
<b>Max-Inf (Ningbo) Baby Products Co., Ltd;</b> 06-01D, Child safety seat for vehicles, 24 Sep 2013	<b>14809/2013</b>	<b>Railblaza Limited;</b> 21-03, Cockpit organiser, 20 Sep 2013	<b>14771/2013</b>
<b>McConnell Seats Australia;</b> 06-01D, Seat for a passenger vehicle, 23 Sep 2013	<b>14797/2013</b>	<b>Rascula Holdings Pty Ltd;</b> 03-01NES, Container, 20 Sep 2013	<b>14778/2013</b>
<b>McCormick &amp; Company, Incorporated;</b> 09-03NES, Cup packaging, (US, 15 Mar 2013) 16 Sep 2013	<b>14631/2013</b>	<b>Reckitt Benckiser LLC;</b> 20-02D, Dispenser, (EM, 12 Apr 2013) 20 Sep 2013	<b>14761/2013</b>
<b>Michelin Rechere et Technique S.A;COMPAGNIE GENERALE DES ETABLISSEMENTS MICHELIN;</b> 12-15C, A tyre, (US, 30 May 2013) 20 Sep 2013	<b>14773/2013</b>	<b>Reckitt Benckiser LLC;</b> 20-02D, Dispenser, (EM, 12 Apr 2013) 20 Sep 2013	<b>14763/2013</b>
		<b>Reckitt Benckiser LLC;</b> 20-02D, Dispenser, (EM, 12 Apr 2013) 20 Sep 2013	<b>14767/2013</b>
		<b>R2T2 Solutions LLC;</b> 24-01, 28-03NES, Hot and cold therapy device, (US, 26 Mar 2013) 19 Sep 2013	<b>14712/2013</b>

<b>Samsung Electronics Co., Ltd;</b> 14-02, Toner cartridge for printer, (KR, 01 Apr 2013) 23 Sep 2013	<b>14794/2013</b>	<b>Spud Technologies Pty Ltd;</b> 14-02, 14-99, 3D Printer 2, 19 Sep 2013	<b>14711/2013</b>
<b>Seafolly Pty Ltd;</b> 02-02A, Swimwear, 07 Mar 2013	<b>14716/2013</b>	<b>Stormtech Pty Ltd;</b> 25-02G, , (Divisional of 12736/2013) 16 Aug 2013	<b>14573/2013</b>
<b>Seafolly Pty Ltd;</b> 02-02A, Swimwear, 07 Mar 2013	<b>14717/2013</b>	<b>Stormtech Pty Ltd;</b> 25-02G, , (Divisional of 12736/2013) 16 Aug 2013	<b>14574/2013</b>
<b>Seafolly Pty Ltd;</b> 02-02A, Swimwear, 07 Mar 2013	<b>14718/2013</b>	<b>Stormtech Pty Ltd;</b> 25-02G, , (Divisional of 12736/2013) 16 Aug 2013	<b>14571/2013</b>
<b>Seafolly Pty Ltd;</b> 02-02A, Swimwear, 07 Mar 2013	<b>14719/2013</b>	<b>Stormtech Pty Ltd;</b> 25-02G, , (Divisional of 12735/2013) 16 Aug 2013	<b>14582/2013</b>
<b>Seafolly Pty Ltd;</b> 02-02A, Swimwear, 07 Mar 2013	<b>14720/2013</b>	<b>Stormtech Pty Ltd;</b> 25-02G, , (Divisional of 12736/2013) 16 Aug 2013	<b>14572/2013</b>
<b>Seafolly Pty Ltd;</b> 02-02A, Swimwear, 07 Mar 2013	<b>14721/2013</b>	<b>SYAS PERFORMANCE PTY LTD;</b> 21-02D, Water ski, 18 Sep 2013	<b>14675/2013</b>
<b>Seafolly Pty Ltd;</b> 02-02A, Swimwear, 07 Mar 2013	<b>14722/2013</b>	<b>Tailored Technologies;</b> 06-13B, Baby swaddle, (US, 01 Apr 2013) 25 Sep 2013	<b>14832/2013</b>
<b>Seafolly Pty Ltd;</b> 02-02A, Swimwear, 07 Mar 2013	<b>14723/2013</b>	<b>Tailored Technologies, Inc.;</b> 06-13B, Baby swaddle, (US, 01 Apr 2013) 25 Sep 2013	<b>14831/2013</b>
<b>Seafolly Pty Ltd;</b> 02-02A, Swimwear, 07 Mar 2013	<b>14724/2013</b>	<b>Teisseire France (Societe per Actions Simplifiee);</b> 09-01NES, Bottle, (EM, 25 Mar 2013) 25 Sep 2013	<b>14896/2013</b>
<b>Skull Shaver, LLC;</b> 28-03A, Contoured electric head shaver, (US, 26 Apr 2013) 18 Sep 2013	<b>14685/2013</b>	<b>Telebrands Corp.;</b> 07-03, A knife, (US, 28 Mar 2013) 20 Sep 2013	<b>14776/2013</b>
<b>Smash Asset Management Pty Ltd;</b> 07-01A, Plate, 25 Sep 2013	<b>14826/2013</b>	<b>Telebrands Corp.;</b> 07-03, A knife, (US, 28 Mar 2013) 20 Sep 2013	<b>14775/2013</b>
<b>Smash Asset Management Pty Ltd;</b> 07-01B, Bowl, 25 Sep 2013	<b>14827/2013</b>	<b>The Pratley Company Limited;</b> 16-02, 14-01, Viewing device, 19 Sep 2013	<b>14745/2013</b>
<b>Societe des Produits Nestle S.A.;</b> 01-01, 19-08, Chocolate tablet label, 10 Sep 2013	<b>14484/2013</b>	<b>The Stanley Works Israel Ltd.;</b> 03-01D, Tool box, (EM, 18 Apr 2013) 25 Sep 2013	<b>14902/2013</b>
<b>Societe des Produits Nestle S.A.;</b> 01-01, 19-08, Chocolate tablet label, 10 Sep 2013	<b>14486/2013</b>	<b>The Sun Products Corporation;</b> 09-05, Pouch, (US, 15 Mar 2013) 16 Sep 2013	<b>14678/2013</b>
<b>Societe des Produits Nestle S.A.;</b> 01-01, 19-08, Chocolate tablet label, 10 Sep 2013	<b>14487/2013</b>	<b>The Sun Products Corporation;</b> 09-05, Pouch, (US, 15 Mar 2013) 16 Sep 2013	<b>14679/2013</b>
<b>Societe des Produits Nestle S.A.;</b> 01-01, 19-08, Chocolate tablet label, 10 Sep 2013	<b>14485/2013</b>	<b>The Sun Products Corporation;</b> 09-05, Pouch, (US, 15 Mar 2013) 16 Sep 2013	<b>14677/2013</b>
<b>Societe des Produits Nestle S.A.;</b> 01-01, 19-08, Chocolate tablet label, 10 Sep 2013	<b>14483/2013</b>	<b>The Sun Products Corporation;</b> 09-05, Pouch, (US, 15 Mar 2013) 16 Sep 2013	<b>14676/2013</b>
<b>Sonnendorfer, Horst;Wieth, Franz;</b> 08-07, Returnable key, (EM, 05 Dec 2012) (Divisional of 12526/2013) 16 Aug 2013	<b>14105/2013</b>	<b>Underwood Companies Holdings Pty Ltd;</b> 09-08, A portable walkway, 20 Sep 2013	<b>14762/2013</b>
<b>Sonnendorfer, Horst;Wieth, Franz;</b> 08-07, Returnable key, (EM, 05 Dec 2012) 16 Aug 2013	<b>14106/2013</b>		
<b>Spectro Enterprises Pty Ltd;Ewing, Iain;</b> 08-05P, Spanner, 24 Sep 2013	<b>14820/2013</b>		
<b>Spud Technologies Pty Ltd;</b> 14-02, 14-99, 3D Printer 1, 19 Sep 2013	<b>14710/2013</b>		

<b>Unilever PLC;</b> 09-05, Capsule 2A, (EM, 21 Mar 2013) 19 Sep 2013	<b>14731/2013</b>	<b>Wicked Berries Pty Ltd;</b> 99-00, The logo relates to all our gift boxed products, 20 Sep 2013	<b>14756/2013</b>
<b>Unilever PLC;</b> 09-05, Capsule 2A, (EM, 21 Mar 2013) 19 Sep 2013	<b>14732/2013</b>	<b>Wieth, Franz;Sonnendorfer, Horst;</b> 08-07, Returnable key, (EM, 05 Dec 2012) (Divisional of 12526/2013) 16 Aug 2013	<b>14105/2013</b>
<b>Unilever PLC;</b> 09-05, Capsule 2B, (EM, 21 Mar 2013) 19 Sep 2013	<b>14729/2013</b>	<b>Wieth, Franz;Sonnendorfer, Horst;</b> 08-07, Returnable key, (EM, 05 Dec 2012) 16 Aug 2013	<b>14106/2013</b>
<b>Unilever PLC;</b> 09-05, Capsule 2B, (EM, 21 Mar 2013) 19 Sep 2013	<b>14730/2013</b>	<b>Woods, Ethan;</b> 15-05, A surface cleaner, (US, 09 Apr 2013) 20 Sep 2013	<b>14757/2013</b>
<b>Volvo Lastvagnar AB;</b> 12-08, Truck cab, scale model truck cab, toy truck cab, (EP, 12 Apr 2013) 20 Sep 2013	<b>14770/2013</b>	<b>Yota Devices IPR LTD;</b> 14-02, 14-01, Portable electronic device, (RU, 12 Aug 2013) 25 Sep 2013	<b>14910/2013</b>
<b>Watts, Andrew Vaughn Henry;</b> 06-01G, Lounge room arm chair, 24 Sep 2013	<b>14813/2013</b>	<b>Zip Heaters (Australia) Pty Limited;</b> 23-01H, A tap, 24 Sep 2013	<b>14818/2013</b>
		<b>Zurcas, George;</b> 07-06A, Stubby holder, (Divisional of 13466/2013) 23 Sep 2013	<b>14789/2013</b>

**Applications Lapsed**

10898 / 2013 (24-99)

**Extension of Period of Registration of Designs**

318202	319578	320041
321859	321860	321861
322327	322335	322337
322338	322373	322374
322814	322832	322833
322834	322837	322882
322889	322911	322940
322971	322975	322977
322978	323008	323046
323047	323136	323185
323186	323254	323255
323256	323257	323258
323259	323262	323272
323273	323274	323275
323276	323277	323278
323279	323280	323281
323282	323283	323284
323285	323313	323320
323321	323322	323323
323341	323344	323360
323367	323368	323374
323375	323376	323377
323378	323379	323395
323396	323397	323422
323454	323505	323506
323507	323590	323682
323743	323744	323771
323785	323904	323955
323956	323957	323974
323975	323976	323977
323978	323979	323990
323991	323992	324065
324175	324176	324177
324282	324284	324285
324286	324287	324316
324317	324318	324319
324320	324321	324322
324323	324324	324352
324380	324381	324387
324388	324510	324511
324512	324513	325212
325226	325586	325587
325588	325589	325590
325592	325593	325594
325595	325881	325925
325926		

**Registrations Ceased**

318895	318896	318897
--------	--------	--------

318898	318899	318900
319230	319958	320004
320016	320021	320024
320034	320037	320044
320057	320063	320064
320070	320075	320076
320077	320079	320080
320081	320084	320085
320086	320087	320088
320089	320105	320107
320120	320121	320122
320141	320142	320147
320148	320154	320158
320161	320162	320187
320188	320210	320211
320212	320213	320223
320384	320623	320624
320634	320635	320644
320686	320696	320820
320821	320822	320823
320878	320932	320933
320934	320935	320936
320937	320938	320939
320940	321035	321042
321244	321245	321246
321264	321291	321292
321616	321678	321873
322294	322476	322984
323053	323207	344552

**Extensions of time granted under Section 137**

Applications lodged under section 137 for extension of time have been granted.

318202 **Janet Elizabeth Robertson**

319578 **Channel Panel Pty Ltd**

350945 **Alex Gort-Barten**

12473/2013 **Campbell Soup Company**

12865/2013 **G.H. MUMM & Cie, Societe Vinicole de Champagne, Successeur**

**Subsequent Owners Registered**

(The name in parentheses is that of the subsequent owner)

320906	( Rosser Resources Pty Ltd ) Y-Gen-Enterprises Pty Ltd
326802	( Rosser Resources Pty Ltd ) Y-Gen Enterprises Pty Ltd
342243	( Rosser Resources Pty Ltd ) Y-Gen Enterprises Pty Ltd
342244	( Rosser Resources Pty Ltd ) Y-Gen Enterprises Pty Ltd
342245	( Rosser Resources Pty Ltd ) Y-Gen Enterprises Pty Ltd

342246 ( **Rosser Resources Pty Ltd** ) Y-Gen Enterprises Pty  
Ltd  
342247 ( **Rosser Resources Pty Ltd** ) Y-Gen Enterprises Pty  
Ltd  
345320 ( **Rosser Resources Pty Ltd** ) Y-Gen Enterprises Pty  
Ltd  
329008 ( **Claude Neon Pty Limited** ) Claude Group Pty Ltd  
349598 ( **AUSYAN PTY LTD** ) Adam Bernard Gleeson  
349599 ( **AUSYAN PTY LTD** ) Adam Bernard Gleeson  
305148 ( **Premium Beverages International B.V.** ) Fayrouz  
International AG  
329092 ( **Midwest Enterprises M** ) Domaine Des Broix SAS

**Certificate(s) of Examination**

Examination of the following Design Registration(s) has been completed. Infringement proceedings may now be commenced.

312131	08-05NES	17/09/2013
346585	12-16K	24/09/2013
346773	23-02B	20/09/2013
346774	23-02B	20/09/2013
348029	16-06	24/09/2013
348135	15-04	18/09/2013
348152	15-04	18/09/2013
348323	06-01F	23/09/2013
348324	06-01F	23/09/2013
348381	20-03NES	27/09/2013
348389	20-03NES	27/09/2013
348791	13-02	26/09/2013
348807	09-01G	26/09/2013
349026	28-03NES	26/09/2013
349324	12-02	19/09/2013
349344	09-03K	24/09/2013
349345	09-03K	24/09/2013
349346	09-03K	24/09/2013
349489	24-04	20/09/2013
349530	15-05	23/09/2013
349531	15-05	23/09/2013
349615	27-06	25/09/2013
349974	07-01NES	23/09/2013
350853	07-02L	24/09/2013



**Publication and Registration Proceedings**

**Designs Registered**

This section provides a concordance between design number and registration number of Designs covered in this journal. It also shows the main class and registration date.

This section covers Registration numbers 350882 to 351020 .

The registration number shown below should be used in all future correspondence.

<b>Design Number</b>	<b>Registration Number</b>	<b>International Classification Code (IDC)</b>	<b>Registration Date</b>	<b>Design Number</b>	<b>Registration Number</b>	<b>International Classification Code (IDC)</b>	<b>Registration Date</b>
16656/2012	350914	02-02C	20/09/2013	13979/2013	350895	02-02C	19/09/2013
10176/2013	350943	02-02C	24/09/2013	13983/2013	350896	02-02C	19/09/2013
10463/2013	351015	08-05NES	27/09/2013	14001/2013	350897	02-02C	19/09/2013
10683/2013	351017	14-03NES	27/09/2013	14002/2013	350898	02-02C	19/09/2013
11423/2013	351004	23-01K	26/09/2013	14005/2013	350935	02-02NES	23/09/2013
11871/2013	350944	03-01NES	24/09/2013	14007/2013	350936	02-02NES	23/09/2013
12309/2013	350945	07-02L	24/09/2013	14016/2013	350937	02-02C	23/09/2013
12350/2013	351005	25-01K	26/09/2013	14017/2013	350942	02-02NES	23/09/2013
12501/2013	350985	14-01	25/09/2013	14023/2013	350938	02-02NES	23/09/2013
12839/2013	350946	14-03NES	24/09/2013	14032/2013	350899	20-02NES	19/09/2013
12845/2013	350915	25-02B	20/09/2013	14034/2013	350900	01-06	19/09/2013
12846/2013	350916	08-06	20/09/2013	14039/2013	350901	09-01H	19/09/2013
12847/2013	350917	08-06	20/09/2013	14040/2013	350902	09-01H	19/09/2013
12848/2013	350918	25-02B	20/09/2013	14042/2013	350903	07-04	19/09/2013
12849/2013	350919	08-06	20/09/2013	14043/2013	350904	06-01G	19/09/2013
12850/2013	350920	25-02B	20/09/2013	14044/2013	350905	06-01G	19/09/2013
12853/2013	350921	25-02B	20/09/2013	14045/2013	350882	06-01G	19/09/2013
12872/2013	350922	14-02	20/09/2013	14047/2013	350883	08-08L	19/09/2013
12873/2013	350923	14-02	20/09/2013	14048/2013	350884	07-02E	19/09/2013
12885/2013	351018	12-16B	27/09/2013	14049/2013	350885	07-07A	19/09/2013
12887/2013	351019	12-16C	27/09/2013	14050/2013	350886	07-07A	19/09/2013
12888/2013	351020	12-16C	27/09/2013	14051/2013	350887	07-07A	19/09/2013
12959/2013	350947	25-03	24/09/2013	14052/2013	350888	28-03NES	19/09/2013
13056/2013	350934	03-01B	23/09/2013	14054/2013	350889	02-06	19/09/2013
13216/2013	350986	26-02	25/09/2013	14055/2013	350890	09-01NES	19/09/2013
13217/2013	350987	13-02	25/09/2013	14056/2013	350891	09-01NES	19/09/2013
13423/2013	350959	15-07	24/09/2013	14057/2013	350892	09-01NES	19/09/2013
13450/2013	350960	23-01C	24/09/2013	14058/2013	350893	09-01NES	19/09/2013
13546/2013	351006	23-01L	27/09/2013	14064/2013	350924	06-01E	20/09/2013
13547/2013	351007	23-01L	27/09/2013	14065/2013	350925	06-01G	20/09/2013
13548/2013	351008	23-01L	27/09/2013	14066/2013	350926	06-01G	20/09/2013
13549/2013	351009	23-01L	27/09/2013	14067/2013	350927	06-01G	20/09/2013
13550/2013	351010	23-01L	27/09/2013	14068/2013	350928	06-01G	20/09/2013
13585/2013	351016	08-05NES	27/09/2013	14071/2013	350929	06-01G	20/09/2013
13586/2013	351011	23-04	27/09/2013	14072/2013	350930	06-01G	20/09/2013
13588/2013	351012	23-04	27/09/2013	14073/2013	350931	06-01G	20/09/2013
13589/2013	351013	23-04	27/09/2013	14074/2013	350932	06-01E	20/09/2013
13590/2013	351014	23-04	27/09/2013	14075/2013	350933	09-07A	23/09/2013
13605/2013	350961	12-08	24/09/2013	14077/2013	350906	25-01D	20/09/2013
13620/2013	350988	14-01	25/09/2013	14078/2013	350907	07-01B	20/09/2013
13621/2013	350989	14-01	25/09/2013	14079/2013	350908	25-01D	20/09/2013
13622/2013	350990	14-01	25/09/2013	14080/2013	350909	12-15B	20/09/2013
13642/2013	350962	15-05	24/09/2013	14082/2013	350910	12-15B	20/09/2013
13643/2013	350963	15-05	24/09/2013	14088/2013	350911	09-03E	20/09/2013
13648/2013	350964	15-05	24/09/2013	14090/2013	350912	12-16NES	20/09/2013
13650/2013	350965	15-05	24/09/2013	14095/2013	350913	06-03B	20/09/2013
13652/2013	350966	15-05	24/09/2013	14097/2013	350939	06-03B	23/09/2013
13901/2013	350967	21-01H	24/09/2013	14098/2013	350940	07-02H	23/09/2013
13950/2013	350969	11-05	24/09/2013	14099/2013	350941	07-02P	23/09/2013
13976/2013	350894	09-03F	19/09/2013	14100/2013	350968	07-02E	24/09/2013

Publication and Registration Proceedings - Designs Registered cont'd

Design Number	Registration Number	International Classification Code (IDC)	Registration Date	Design Number	Registration Number	International Classification Code (IDC)	Registration Date
14101/2013	350970	07-02N	24/09/2013	14153/2013	351000	06-01F	25/09/2013
14102/2013	350948	07-02NES	24/09/2013	14160/2013	351001	26-03	25/09/2013
14107/2013	350949	08-05F	24/09/2013	14161/2013	351002	26-03	25/09/2013
14113/2013	350950	02-02C	24/09/2013	14170/2013	351003	14-02	25/09/2013
14114/2013	350951	09-09	24/09/2013	14172/2013	350971	14-02	25/09/2013
14115/2013	350952	06-01NES	24/09/2013	14173/2013	350972	14-02	25/09/2013
14116/2013	350953	06-01NES	24/09/2013	14174/2013	350973	14-02	25/09/2013
14120/2013	350954	06-01F	24/09/2013	14175/2013	350974	14-02	25/09/2013
14121/2013	350955	06-01F	24/09/2013	14176/2013	350975	14-02	25/09/2013
14122/2013	350956	09-09	24/09/2013	14177/2013	350976	14-02	25/09/2013
14123/2013	350957	08-08L	24/09/2013	14178/2013	350977	14-02	25/09/2013
14124/2013	350958	15-05	24/09/2013	14179/2013	350978	14-02	25/09/2013
14125/2013	350991	15-05	25/09/2013	14180/2013	350979	14-02	25/09/2013
14130/2013	350992	16-05	25/09/2013	14181/2013	350980	14-02	25/09/2013
14131/2013	350993	24-02	25/09/2013	14182/2013	350981	14-02	25/09/2013
14132/2013	350994	24-02	25/09/2013	14183/2013	350982	14-02	25/09/2013
14133/2013	350995	24-02	25/09/2013	14184/2013	350983	14-02	25/09/2013
14134/2013	350996	25-03	25/09/2013	14185/2013	350984	14-02	25/09/2013
14136/2013	350997	25-01K	25/09/2013				
14137/2013	350998	24-02	25/09/2013				
14150/2013	350999	09-03F	25/09/2013				

**Publication and Registration Proceedings**

**Class Listing of Designs Published or Registered**

The following section shows an International Classification Code listing of the Registered or Published Designs covered in this supplement.

<b>Classification</b>	<b>Registration Number</b>	<b>Design Number</b>	<b>Classification</b>	<b>Registration Number</b>	<b>Design Number</b>
01-06	350900	14034/2013	08-06	350917	12847/2013
02-02C	350895	13979/2013	08-06	350919	12849/2013
02-02C	350896	13983/2013	08-08L	350883	14047/2013
02-02C	350897	14001/2013	08-08L	350957	14123/2013
02-02C	350898	14002/2013	08-09	350915	12845/2013
02-02C	350914	16656/2012	08-09	350920	12850/2013
02-02C	350937	14016/2013	08-09	350921	12853/2013
02-02C	350943	10176/2013	09-01H	350901	14039/2013
02-02C	350950	14113/2013	09-01H	350902	14040/2013
02-02NES	350935	14005/2013	09-01NES	350890	14055/2013
02-02NES	350936	14007/2013	09-01NES	350891	14056/2013
02-02NES	350938	14023/2013	09-01NES	350892	14057/2013
02-02NES	350942	14017/2013	09-01NES	350893	14058/2013
02-06	350889	14054/2013	09-03E	350911	14088/2013
03-01B	350934	13056/2013	09-03F	350894	13976/2013
03-01NES	350944	11871/2013	09-03F	350999	14150/2013
06-01E	350924	14064/2013	09-07A	350933	14075/2013
06-01E	350932	14074/2013	09-09	350951	14114/2013
06-01F	350954	14120/2013	09-09	350956	14122/2013
06-01F	350955	14121/2013	10-02	350971	14172/2013
06-01F	351000	14153/2013	10-02	350972	14173/2013
06-01G	350882	14045/2013	10-02	350974	14175/2013
06-01G	350904	14043/2013	10-02	350975	14176/2013
06-01G	350905	14044/2013	10-02	350976	14177/2013
06-01G	350925	14065/2013	10-02	350977	14178/2013
06-01G	350926	14066/2013	10-02	350978	14179/2013
06-01G	350927	14067/2013	10-02	350979	14180/2013
06-01G	350928	14068/2013	10-02	350980	14181/2013
06-01G	350929	14071/2013	10-02	350981	14182/2013
06-01G	350930	14072/2013	10-02	350982	14183/2013
06-01G	350931	14073/2013	10-02	350983	14184/2013
06-01H	351000	14153/2013	10-02	350984	14185/2013
06-01NES	350952	14115/2013	10-02	351003	14170/2013
06-01NES	350953	14116/2013	11-05	350969	13950/2013
06-03B	350913	14095/2013	12-08	350961	13605/2013
06-03B	350939	14097/2013	12-15B	350909	14080/2013
07-01B	350907	14078/2013	12-15B	350910	14082/2013
07-02D	350940	14098/2013	12-16B	351018	12885/2013
07-02E	350884	14048/2013	12-16C	351019	12887/2013
07-02E	350968	14100/2013	12-16C	351020	12888/2013
07-02H	350940	14098/2013	12-16NES	350912	14090/2013
07-02L	350945	12309/2013	13-02	350987	13217/2013
07-02N	350970	14101/2013	14-01	350985	12501/2013
07-02NES	350948	14102/2013	14-01	350988	13620/2013
07-02P	350941	14099/2013	14-01	350989	13621/2013
07-04	350903	14042/2013	14-01	350990	13622/2013
07-07A	350885	14049/2013	14-02	350922	12872/2013
07-07A	350886	14050/2013	14-02	350923	12873/2013
07-07A	350887	14051/2013	14-02	350971	14172/2013
08-05F	350949	14107/2013	14-02	350972	14173/2013
08-05NES	351015	10463/2013	14-02	350973	14174/2013
08-05NES	351016	13585/2013	14-02	350974	14175/2013
08-06	350916	12846/2013	14-02	350975	14176/2013

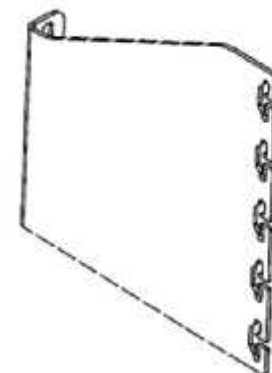
Registration Proceedings - Class Listing of Designs Published or Registered cont'd

Classification	Registration Number	Design Number	Classification	Registration Number	Design Number
14-02	350976	14177/2013	23-01L	351008	13548/2013
14-02	350977	14178/2013	23-01L	351009	13549/2013
14-02	350978	14179/2013	23-01L	351010	13550/2013
14-02	350979	14180/2013	23-04	351011	13586/2013
14-02	350980	14181/2013	23-04	351012	13588/2013
14-02	350981	14182/2013	23-04	351013	13589/2013
14-02	350982	14183/2013	23-04	351014	13590/2013
14-02	350983	14184/2013	24-02	350993	14131/2013
14-02	350984	14185/2013	24-02	350994	14132/2013
14-02	351003	14170/2013	24-02	350995	14133/2013
14-03B	350922	12872/2013	24-02	350998	14137/2013
14-03B	350923	12873/2013	25-01D	350906	14077/2013
14-03NES	350946	12839/2013	25-01D	350908	14079/2013
14-03NES	351017	10683/2013	25-01K	350997	14136/2013
15-05	350958	14124/2013	25-01K	351005	12350/2013
15-05	350962	13642/2013	25-02B	350915	12845/2013
15-05	350963	13643/2013	25-02B	350918	12848/2013
15-05	350964	13648/2013	25-02B	350920	12850/2013
15-05	350965	13650/2013	25-02B	350921	12853/2013
15-05	350966	13652/2013	25-03	350947	12959/2013
15-05	350991	14125/2013	25-03	350996	14134/2013
15-07	350959	13423/2013	26-02	350986	13216/2013
16-05	350992	14130/2013	26-03	351001	14160/2013
20-02NES	350899	14032/2013	26-03	351002	14161/2013
21-01C	350961	13605/2013	26-05NES	351001	14160/2013
21-01H	350967	13901/2013	26-05NES	351002	14161/2013
23-01C	350960	13450/2013	28-03NES	350888	14052/2013
23-01K	351004	11423/2013			
23-01L	351006	13546/2013			
23-01L	351007	13547/2013			

- (21) Design Number: **14045/2013**  
(22) Date of Filing Application: **14 August 2013**  
(24) Date from which industrial property rights may have effect: **14 August 2013**  
(54) Product in respect of which the design is registered: **A chair**  
(51) International Design Classification: **06-01G**  
(74) Name(s) of Attorney(s): **FB Rice**  
(71) Name(s) and Address(s) of Applicant(s):  
**King Furniture Australia Pty Ltd**  
**123 Turrella St Turrella NSW 2205 Australia**  
(72) Name(s) of Designer(s): **David King and John Levey and Ryan Lawson and Tanya Rechberger**  
(45) Registration Date: **19 September 2013**  
(56) Related Art Documents: **Not Applicable**  
(57) Statement of Newness and Distinctiveness: **Newness and distinctiveness reside in the features of the design as shown. Greater weight is to be given to the presence of a headrest on the backrest and less weight is to be given to the relative heights between the backrest (excluding the headrest) and the armrest, it being understood, for example, that the armrest could be of a different height to the backrest. The backrest and the armrest are either fixed or individually adjustably arranged relative to the base. It will further be understood that the armrest can be provided at either end of the base and the scope of the design is to be so interpreted.**



- (21) Design Number: **14047/2013**  
(22) Date of Filing Application: **16 August 2013**  
(24) Date from which industrial property rights may have effect: **16 August 2013**  
(54) Product in respect of which the design is registered: **A bracket**  
(51) International Design Classification: **08-08L**  
(74) Name(s) of Attorney(s): **FB Rice**  
(71) Name(s) and Address(s) of Applicant(s):  
**Delta Shelving Systems Pty Ltd**  
**12 Sheridan Cl Milperra NSW 2214 Australia**  
(72) Name(s) of Designer(s): **Stephen Eddowes**  
(45) Registration Date: **19 September 2013**  
(56) Related Art Documents: **Not Applicable**  
(57) Statement of Newness and Distinctiveness: **Newness and distinctiveness reside in the features of the shape and configuration of the bracket as shown in solid lines in the representations and in particular in the shape and configuration of the slots, the dashed lines indicating, inter alia, that the length of the bracket between the front and rear may be varied.**



- (21) Design Number: **14048/2013**  
(22) Date of Filing Application: **16 August 2013**  
(24) Date from which industrial property rights may have effect: **16 August 2013**  
(54) Product in respect of which the design is registered: **Grill**  
(51) International Design Classification: **07-02E**  
(74) Name(s) of Attorney(s): **A.P.T. Patent and Trade Mark Attorneys**  
(71) Name(s) and Address(s) of Applicant(s):  
**Huizhou Sun Moon Metal & Wooden Product Co., Ltd.**  
**Sanhe Economic Development Zone Huiyang District Huizhou City**  
**Guangdong Province China**  
(72) Name(s) of Designer(s): **Chih Jen Lin**  
(45) Registration Date: **19 September 2013**  
(56) Related Art Documents: **Not Applicable**  
(57) Statement of Newness and Distinctiveness: **Nil**



- (21) Design Number: **14049/2013**  
(22) Date of Filing Application: **16 August 2013**  
(24) Date from which industrial property rights may have effect: **16 August 2013**  
(54) Product in respect of which the design is registered: **Drink cooler**  
(51) International Design Classification: **07-07A**  
(74) Name(s) of Attorney(s):  
(71) Name(s) and Address(s) of Applicant(s):  
**Julie Doris Peddie**  
**10 Kestral Cl Blind Bight VIC 3980 Australia**  
(72) Name(s) of Designer(s): **Julie Doris Peddie**  
(45) Registration Date: **19 September 2013**  
(56) Related Art Documents: **Not Applicable**  
(57) Statement of Newness and Distinctiveness: **600ml drink cooler made of a variety of coloured cotton drill fabric with pockets containing water crystals sewn in each pocket. Hook & loop closure, and a cord drawstring with ballock closure.**



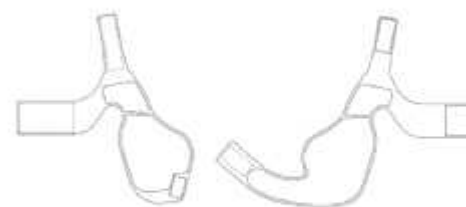
- (21) Design Number: **14050/2013**  
(22) Date of Filing Application: **16 August 2013**  
(24) Date from which industrial property rights may have effect: **16 August 2013**  
(54) Product in respect of which the design is registered: **Drink cooler**  
(51) International Design Classification: **07-07A**  
(74) Name(s) of Attorney(s):  
(71) Name(s) and Address(s) of Applicant(s):  
**Julie Doris Peddie**  
**10 Kestral Cl Blind Bight VIC 3980 Australia**  
(72) Name(s) of Designer(s): **Julie Doris Peddie**  
(45) Registration Date: **19 September 2013**  
(56) Related Art Documents: **Not Applicable**  
(57) Statement of Newness and Distinctiveness: **750ml drink cooler made of a variety of coloured cotton drill fabric, with pockets containing water crystals sewn in each pocket. Hook & loop closure and a cord drawstring with ballock closure.**



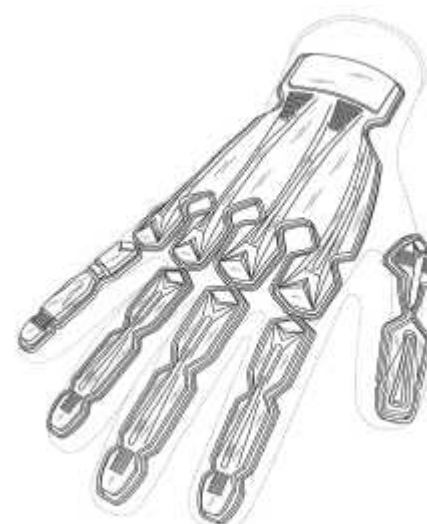
- (21) Design Number: **14051/2013**  
(22) Date of Filing Application: **16 August 2013**  
(24) Date from which industrial property rights may have effect: **16 August 2013**  
(54) Product in respect of which the design is registered: **Drink cooler**  
(51) International Design Classification: **07-07A**  
(74) Name(s) of Attorney(s):  
(71) Name(s) and Address(s) of Applicant(s):  
**Julie Doris Peddie**  
**10 Kestral Cl Blind Bight VIC 3980 Australia**  
(72) Name(s) of Designer(s): **Julie Doris Peddie**  
(45) Registration Date: **19 September 2013**  
(56) Related Art Documents: **Not Applicable**  
(57) Statement of Newness and Distinctiveness: **1.25 litre drink cooler is made of a variety of coloured cotton drill fabric with pockets containing water crystals sewn into each pocket. Hook & loop closure and a cord drawstring with ballock closure.**



(21) Design Number: **14052/2013**  
(22) Date of Filing Application: **16 August 2013**  
(24) Date from which industrial property rights may have effect: **16 August 2013**  
(54) Product in respect of which the design is registered: **Hot and cold pack mask**  
(51) International Design Classification: **28-03NES**  
(74) Name(s) of Attorney(s): **SPRUSON & FERGUSON**  
(71) Name(s) and Address(s) of Applicant(s):  
**Burgess Family Enterprises Pty Ltd**  
**5/15-17 Larkin St Camperdown NSW 2050 Australia**  
(72) Name(s) of Designer(s): **Michael Burgess**  
(45) Registration Date: **19 September 2013**  
(56) Related Art Documents: **Not Applicable**  
(57) Statement of Newness and Distinctiveness: **Newness and distinctiveness is claimed in the features of shape and/or configuration of a hot and cold pack mask as illustrated in the accompanying representations.**



(21) Design Number: **14054/2013**  
(22) Date of Filing Application: **16 August 2013**  
(24) Date from which industrial property rights may have effect: **16 August 2013**  
(54) Product in respect of which the design is registered: **Glove**  
(51) International Design Classification: **02-06**  
(74) Name(s) of Attorney(s): **PHILLIPS ORMONDE FITZPATRICK**  
(71) Name(s) and Address(s) of Applicant(s):  
**Tenacious Holdings, Inc.**  
**1021 Bandana Boulevard East Suite 220 St. Paul Minnesota 55108 United States of America**  
(72) Name(s) of Designer(s): **Thomas F. Votel and Andrew M. Olson**  
(45) Registration Date: **19 September 2013**  
(30) Convention priority data:  
(31) Number      (32) Date      (33) Country  
**29/449,580      15 Mar 2013      UNITED STATES OF AMERICA**  
(56) Related Art Documents: **Not Applicable**  
(57) Statement of Newness and Distinctiveness: **Newness and distinctiveness resides in the shape and/or configuration of the glove as shown in the accompanying representations. The features shown in broken lines are not part of the design and are to be disregarded when considering the overall impression of the design.**

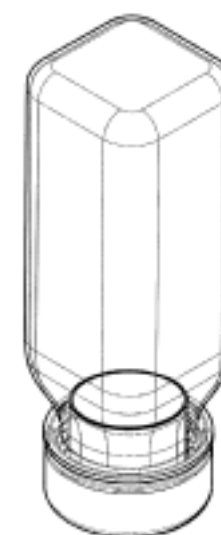




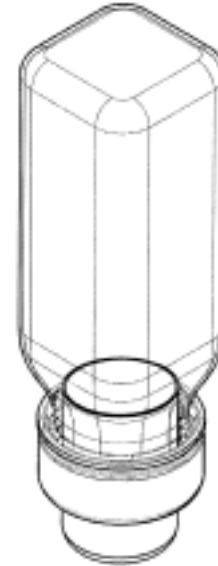
- (21) Design Number: **14055/2013**  
(22) Date of Filing Application: **15 August 2013**  
(24) Date from which industrial property rights may have effect: **15 August 2013**  
(54) Product in respect of which the design is registered: **Medicament package**  
(51) International Design Classification: **09-01NES**  
(74) Name(s) of Attorney(s):  
(71) Name(s) and Address(s) of Applicant(s):  
**Logue and Co. Pty Ltd**  
**199 Kiora Rd Yowie Bay NSW 2228 Australia**  
(72) Name(s) of Designer(s): **Anthony Thomas Logue**  
(45) Registration Date: **19 September 2013**  
(56) Related Art Documents: **Not Applicable**  
(57) Statement of Newness and Distinctiveness: **Newness and distinctiveness is claimed in the features of shape and/or configuration of a medicament package as depicted in the accompanying drawings.**



- (21) Design Number: **14056/2013**  
(22) Date of Filing Application: **15 August 2013**  
(24) Date from which industrial property rights may have effect: **15 August 2013**  
(54) Product in respect of which the design is registered: **Medicament package**  
(51) International Design Classification: **09-01NES**  
(74) Name(s) of Attorney(s):  
(71) Name(s) and Address(s) of Applicant(s):  
**Logue and Co. Pty Ltd**  
**199 Kiora Rd Yowie Bay NSW 2228 Australia**  
(72) Name(s) of Designer(s): **Anthony Thomas Logue**  
(45) Registration Date: **19 September 2013**  
(56) Related Art Documents: **Not Applicable**  
(57) Statement of Newness and Distinctiveness: **Newness and distinctiveness is claimed in the features of shape and/or configuration of a medicament package as depicted in the accompanying drawings.**



- (21) Design Number: **14057/2013**  
(22) Date of Filing Application: **15 August 2013**  
(24) Date from which industrial property rights may have effect: **15 August 2013**  
(54) Product in respect of which the design is registered: **Medicament package**  
(51) International Design Classification: **09-01NES**  
(74) Name(s) of Attorney(s):  
(71) Name(s) and Address(s) of Applicant(s):  
**Logue and Co. Pty Ltd**  
**199 Kiora Rd Yowie Bay NSW 2228 Australia**  
(72) Name(s) of Designer(s): **Anthony Thomas Logue**  
(45) Registration Date: **19 September 2013**  
(56) Related Art Documents: **Not Applicable**  
(57) Statement of Newness and Distinctiveness: **Newness and distinctiveness is claimed in the features of shape and/or configuration of a medicament package as depicted in the accompanying drawings.**



- (21) Design Number: **14058/2013**  
(22) Date of Filing Application: **15 August 2013**  
(24) Date from which industrial property rights may have effect: **15 August 2013**  
(54) Product in respect of which the design is registered: **Medicament package**  
(51) International Design Classification: **09-01NES**  
(74) Name(s) of Attorney(s):  
(71) Name(s) and Address(s) of Applicant(s):  
**Logue and Co. Pty Ltd**  
**199 Kiora Rd Yowie Bay NSW 2228 Australia**  
(72) Name(s) of Designer(s): **Anthony Thomas Logue**  
(45) Registration Date: **19 September 2013**  
(56) Related Art Documents: **Not Applicable**  
(57) Statement of Newness and Distinctiveness: **Newness and distinctiveness is claimed in the features of shape and/or configuration of a medicament package as depicted in the accompanying drawings.**



- (21) Design Number: **13976/2013**  
(22) Date of Filing Application: **15 August 2013**  
(24) Date from which industrial property rights may have effect: **15 August 2013**  
(54) Product in respect of which the design is registered: **A punnet**  
(51) International Design Classification: **09-03F**  
(74) Name(s) of Attorney(s): **SPRUSON & FERGUSON**  
(71) Name(s) and Address(s) of Applicant(s):  
**Tacca-Plastics Australia Pty Ltd**  
**1/4 Deadman Rd Moorebank NSW 2170 Australia**  
(72) Name(s) of Designer(s): **Domenic Tacca**  
(45) Registration Date: **19 September 2013**  
(56) Related Art Documents: **Not Applicable**  
(57) Statement of Newness and Distinctiveness: **Newness and distinctiveness is claimed in those features of shape and/or configuration of a punnet as illustrated in the accompanying representations apart from the lid.**



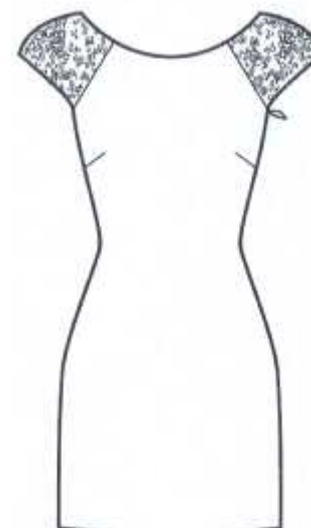
- (21) Design Number: **13979/2013**  
(22) Date of Filing Application: **12 August 2013**  
(24) Date from which industrial property rights may have effect: **07 December 2012**  
(54) Product in respect of which the design is registered: **Article of clothing**  
(51) International Design Classification: **02-02C**  
(74) Name(s) of Attorney(s): **Allens Patent & Trade Mark Attorneys**  
(71) Name(s) and Address(s) of Applicant(s):  
**Forever New Clothing Pty Ltd**  
**714-716 High St Kew East VIC 3102 Australia**  
(72) Name(s) of Designer(s): **Laura Mitchell**  
(45) Registration Date: **19 September 2013**  
(62) Divisional of: **350742**  
(56) Related Art Documents: **Not Applicable**  
(57) Statement of Newness and Distinctiveness: **Newness and distinctiveness resides in the visual features of shape, configuration, pattern and/or ornamentation of an article of clothing as shown in the accompanying representations.**



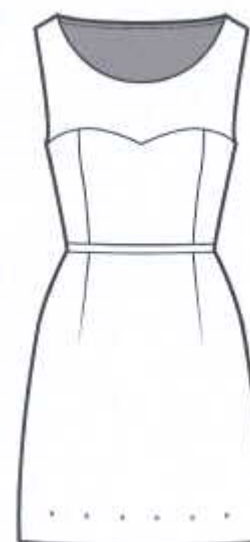
- (21) Design Number: **13983/2013**  
(22) Date of Filing Application: **12 August 2013**  
(24) Date from which industrial property rights may have effect: **07 December 2012**  
(54) Product in respect of which the design is registered: **Article of clothing**  
(51) International Design Classification: **02-02C**  
(74) Name(s) of Attorney(s): **Allens Patent & Trade Mark Attorneys**  
(71) Name(s) and Address(s) of Applicant(s):  
**Forever New Clothing Pty Ltd**  
**714-716 High St Kew East VIC 3102 Australia**  
(72) Name(s) of Designer(s): **Octavia Miller**  
(45) Registration Date: **19 September 2013**  
(62) Divisional of: **350742**  
(56) Related Art Documents: **Not Applicable**  
(57) Statement of Newness and Distinctiveness: **Newness and distinctiveness resides in the visual features of shape, configuration, pattern and/or ornamentation of an article of clothing as shown in the accompanying representations.**



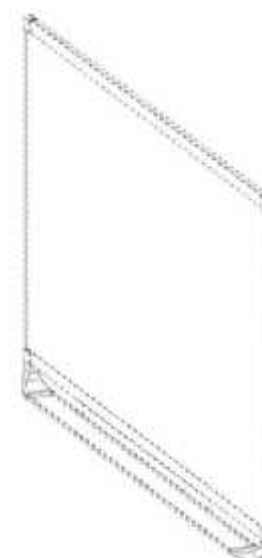
- (21) Design Number: **14001/2013**  
(22) Date of Filing Application: **12 August 2013**  
(24) Date from which industrial property rights may have effect: **24 December 2012**  
(54) Product in respect of which the design is registered: **Article of clothing**  
(51) International Design Classification: **02-02C**  
(74) Name(s) of Attorney(s): **Allens Patent & Trade Mark Attorneys**  
(71) Name(s) and Address(s) of Applicant(s):  
**Forever New Clothing Pty Ltd**  
**714-716 High St Kew East VIC 3102 Australia**  
(72) Name(s) of Designer(s): **Octavia Miller**  
(45) Registration Date: **19 September 2013**  
(62) Divisional of: **350914**  
(56) Related Art Documents: **Not Applicable**  
(57) Statement of Newness and Distinctiveness: **Newness and distinctiveness resides in the visual features of shape, configuration, pattern and/or ornamentation of an article of clothing as shown in the accompanying representations.**



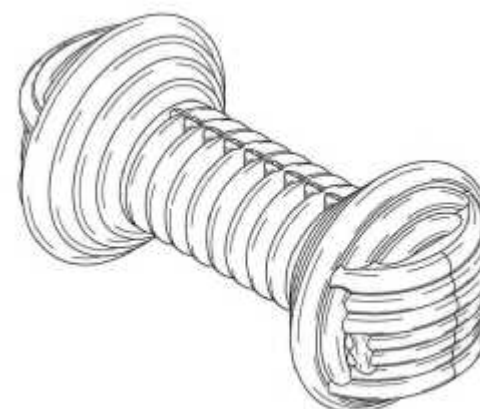
(21) Design Number: **14002/2013**  
(22) Date of Filing Application: **12 August 2013**  
(24) Date from which industrial property rights may have effect: **24 December 2012**  
(54) Product in respect of which the design is registered: **Article of clothing**  
(51) International Design Classification: **02-02C**  
(74) Name(s) of Attorney(s): **Allens Patent & Trade Mark Attorneys**  
(71) Name(s) and Address(s) of Applicant(s):  
**Forever New Clothing Pty Ltd**  
**714-716 High St Kew East VIC 3102 Australia**  
(72) Name(s) of Designer(s): **Octavia Miller**  
(45) Registration Date: **19 September 2013**  
(62) Divisional of: **350914**  
(56) Related Art Documents: **Not Applicable**  
(57) Statement of Newness and Distinctiveness: **Newness and distinctiveness resides in the visual features of shape, configuration, pattern and/or ornamentation of an article of clothing as shown in the accompanying representations.**



(21) Design Number: **14032/2013**  
(22) Date of Filing Application: **15 August 2013**  
(24) Date from which industrial property rights may have effect: **15 August 2013**  
(54) Product in respect of which the design is registered: **Corner pieces for a display board**  
(51) International Design Classification: **20-02NES**  
(74) Name(s) of Attorney(s): **Griffith Hack**  
(71) Name(s) and Address(s) of Applicant(s):  
**ACCO Brands Corporation**  
**Four Corporate Drive Lake Zurich Illinois, 60047-8997 United State of America**  
(72) Name(s) of Designer(s): **Seesong Kang**  
(45) Registration Date: **19 September 2013**  
(30) Convention priority data:  
(31) Number      (32) Date      (33) Country  
**29/447,828      07 Mar 2013      UNITED STATES OF AMERICA**  
(56) Related Art Documents: **Not Applicable**  
(57) Statement of Newness and Distinctiveness: **Newness and distinctiveness resides in the visual features, including the shape and configuration of the product shown in the representations. Those parts shown by dashed lines do not form part of the product and have been included for illustrative purposes only.**



(21) Design Number: **14034/2013**  
(22) Date of Filing Application: **15 August 2013**  
(24) Date from which industrial property rights may have effect: **15 August 2013**  
(54) Product in respect of which the design is registered: **Dog bone chew consumable**  
(51) International Design Classification: **01-06**  
(74) Name(s) of Attorney(s): **PHILLIPS ORMONDE FITZPATRICK**  
(71) Name(s) and Address(s) of Applicant(s):  
**Radio Systems Corporation**  
**10427 Electric Avenue Knoxville Tennessee 37932 United States of America**  
(72) Name(s) of Designer(s): **Brad Allen**  
(45) Registration Date: **19 September 2013**  
(30) Convention priority data:  
(31) Number (32) Date (33) Country  
**29/446,134 20 Feb 2013 UNITED STATES OF AMERICA**  
(56) Related Art Documents: **Not Applicable**  
(57) Statement of Newness and Distinctiveness: **Those features of the dog bone chew consumable depicted in the representations that are new and distinctive are the shape and/or configuration. The feature shown in broken lines is not part of the design and is to be disregarded when considering the overall impression of the design.**



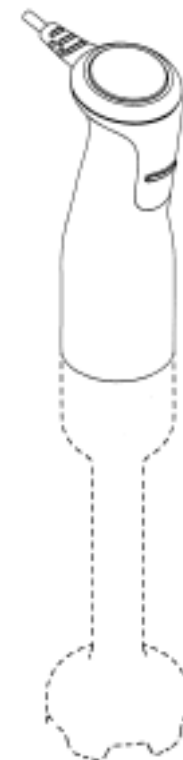
(21) Design Number: **14039/2013**  
(22) Date of Filing Application: **16 August 2013**  
(24) Date from which industrial property rights may have effect: **16 August 2013**  
(54) Product in respect of which the design is registered: **Bottle**  
(51) International Design Classification: **09-01H**  
(74) Name(s) of Attorney(s): **FB Rice**  
(71) Name(s) and Address(s) of Applicant(s):  
**The Absolut Company Aktiebolag**  
**117 97 Stockholm Sweden**  
(72) Name(s) of Designer(s): **Jesper Klarin**  
(45) Registration Date: **19 September 2013**  
(30) Convention priority data:  
(31) Number (32) Date (33) Country  
**002190439 25 Feb 2013 OFFICE FOR HARMONISATION IN THE INTERNAL MARKET (OHIM)**  
(57) Statement of Newness and Distinctiveness: **Newness and distinctiveness reside in the features of the design as shown in the representations including colour, and excluding those features shown in broken lines.**



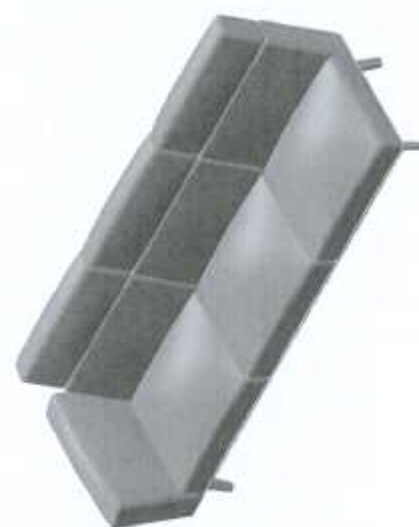
- (21) Design Number: **14040/2013**  
(22) Date of Filing Application: **16 August 2013**  
(24) Date from which industrial property rights may have effect: **16 August 2013**  
(54) Product in respect of which the design is registered: **Bottle**  
(51) International Design Classification: **09-01H**  
(74) Name(s) of Attorney(s): **FB Rice**  
(71) Name(s) and Address(s) of Applicant(s):  
**The Absolut Company Aktiebolag**  
**117 97 Stockholm Sweden**  
(72) Name(s) of Designer(s): **Patrik Gebhardt**  
(45) Registration Date: **19 September 2013**  
(30) Convention priority data:  
(31) Number      (32) Date      (33) Country  
**002190439      25 Feb 2013      OFFICE FOR HARMONISATION IN**  
**THE INTERNAL MARKET (OHIM)**  
(56) Related Art Documents: **Not Applicable**  
(57) Statement of Newness and Distinctiveness: **Newness and distinctiveness**  
**reside in the features of the design as shown in the representations**  
**including colour, and excluding those features shown in broken lines.**



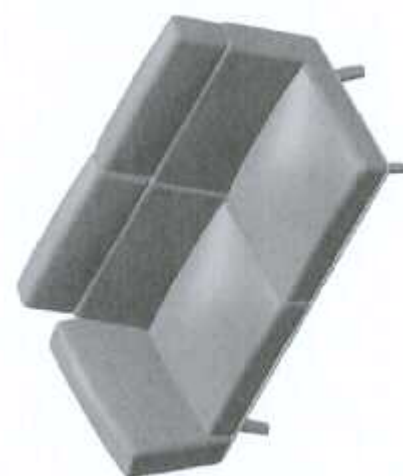
- (21) Design Number: **14042/2013**  
(22) Date of Filing Application: **14 August 2013**  
(24) Date from which industrial property rights may have effect: **14 August 2013**  
(54) Product in respect of which the design is registered: **Stick mixer**  
(51) International Design Classification: **07-04**  
(74) Name(s) of Attorney(s): **Freehills Patent Attorneys**  
(71) Name(s) and Address(s) of Applicant(s):  
**Sunbeam Corporation Limited**  
**U5&6 13 Lord St Botany NSW 2019 Australia**  
(72) Name(s) of Designer(s): **Hugh Thomas**  
(45) Registration Date: **19 September 2013**  
(56) Related Art Documents: **Not Applicable**  
(57) Statement of Newness and Distinctiveness: **Newness and distinctiveness**  
**reside in the features of shape and/or configuration shown in solid lines**  
**in the representations.**



- (21) Design Number: **14043/2013**  
(22) Date of Filing Application: **14 August 2013**  
(24) Date from which industrial property rights may have effect: **14 August 2013**  
(54) Product in respect of which the design is registered: **A sofa**  
(51) International Design Classification: **06-01G**  
(74) Name(s) of Attorney(s): **FB Rice**  
(71) Name(s) and Address(s) of Applicant(s):  
**King Furniture Australia Pty Ltd**  
**123 Turrella St Turrella NSW 2205 Australia**  
(72) Name(s) of Designer(s): **David King and John Levey and Ryan Lawson and Tanya Rechberger**  
(45) Registration Date: **19 September 2013**  
(56) Related Art Documents: **Not Applicable**  
(57) Statement of Newness and Distinctiveness: **Newness and distinctiveness reside in the features of the design as shown. Greater weight is to be given to the presence of a headrest on each backrest and less weight is to be given to the relative heights between each backrest (excluding the headrest) and the armrest, it being understood, for example, that the armrest could be of different height to each backrest. Each backrest and the armrest are either fixed or individually adjustably arranged relative to the base. It will further be understood that the armrest can be provided at either end of the base and the scope of the design is to be so interpreted.**

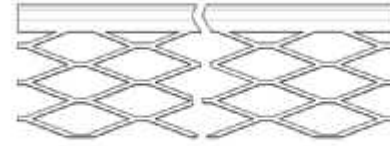


- (21) Design Number: **14044/2013**  
(22) Date of Filing Application: **14 August 2013**  
(24) Date from which industrial property rights may have effect: **14 August 2013**  
(54) Product in respect of which the design is registered: **A sofa**  
(51) International Design Classification: **06-01G**  
(74) Name(s) of Attorney(s): **FB Rice**  
(71) Name(s) and Address(s) of Applicant(s):  
**King Furniture Australia Pty Ltd**  
**123 Turrella St Turrella NSW 2205 Australia**  
(72) Name(s) of Designer(s): **David King and John Levey and Ryan Lawson and Tanya Rechberger**  
(45) Registration Date: **19 September 2013**  
(56) Related Art Documents: **Not Applicable**  
(57) Statement of Newness and Distinctiveness: **Newness and distinctiveness reside in the features of the design as shown. Greater weight is to be given to the presence of a headrest on each backrest and less weight is to be given to the relative heights between each backrest (excluding the headrest) and the armrest, it being understood, for example, that the armrest could be of different height to each backrest. Each backrest and the armrest are either fixed or individually adjustably arranged relative to the base. It will further be understood that the armrest can be provided at either end of the base and the scope of the design is to be so interpreted.**

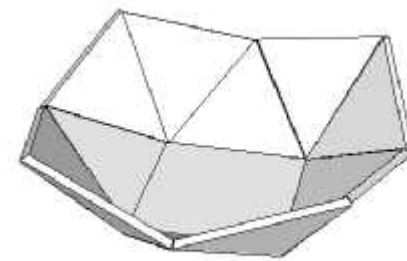




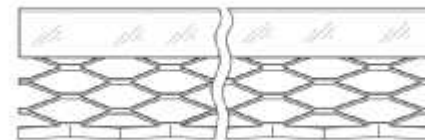
- (21) Design Number: **14077/2013**  
(22) Date of Filing Application: **19 August 2013**  
(24) Date from which industrial property rights may have effect: **19 August 2013**  
(54) Product in respect of which the design is registered: **Rendering profile**  
(51) International Design Classification: **25-01D**  
(74) Name(s) of Attorney(s): **Sandercock & Cowie**  
(71) Name(s) and Address(s) of Applicant(s):  
**BuildSmart (Aust.) Pty. Ltd.**  
**12 Venture Ct Dandenong VIC 3175 Australia**  
(72) Name(s) of Designer(s): **David Baran**  
(45) Registration Date: **20 September 2013**  
(56) Related Art Documents: **Not Applicable**  
(57) Statement of Newness and Distinctiveness: **Newness and distinctiveness reside in the shape and configuration of the rendering profile as shown in the accompanying representations.**



- (21) Design Number: **14078/2013**  
(22) Date of Filing Application: **19 August 2013**  
(24) Date from which industrial property rights may have effect: **19 August 2013**  
(54) Product in respect of which the design is registered: **Bowl**  
(51) International Design Classification: **07-01B**  
(74) Name(s) of Attorney(s):  
(71) Name(s) and Address(s) of Applicant(s):  
**Stephen Ziguras**  
**25 Ewing St Brunswick VIC 3056 Australia**  
(72) Name(s) of Designer(s): **Stephen Ziguras**  
(45) Registration Date: **20 September 2013**  
(56) Related Art Documents: **Not Applicable**  
(57) Statement of Newness and Distinctiveness: **The newness and distinctiveness of the design resides in the shape of the bowl shown in the accompanying representations. The bowl consists of 13 pieces glued together to form a shape which has not been used for a bowl before.**



- (21) Design Number: **14079/2013**  
(22) Date of Filing Application: **19 August 2013**  
(24) Date from which industrial property rights may have effect: **19 August 2013**  
(54) Product in respect of which the design is registered: **Rendering profile**  
(51) International Design Classification: **25-01D**  
(74) Name(s) of Attorney(s): **Sandercock & Cowie**  
(71) Name(s) and Address(s) of Applicant(s):  
**BuildSmart (Aust.) Pty. Ltd.**  
**12 Venture Ct Dandenong VIC 3175 Australia**  
(72) Name(s) of Designer(s): **David Baran**  
(45) Registration Date: **20 September 2013**  
(56) Related Art Documents: **Not Applicable**  
(57) Statement of Newness and Distinctiveness: **Newness and distinctiveness reside in the shape and configuration of the rendering profile as shown in the accompanying representations.**



- (21) Design Number: **14080/2013**  
(22) Date of Filing Application: **19 August 2013**  
(24) Date from which industrial property rights may have effect: **19 August 2013**  
(54) Product in respect of which the design is registered: **Tyre**  
(51) International Design Classification: **12-15B**  
(74) Name(s) of Attorney(s): **Griffith Hack**  
(71) Name(s) and Address(s) of Applicant(s):  
**Continental Reifen Deutschland GmbH**  
**Vahrenwalder Str. 9 Hannover 30165 Germany**  
(72) Name(s) of Designer(s): **Stefan Rittweger**  
(45) Registration Date: **20 September 2013**  
(30) Convention priority data:  
(31) Number      (32) Date      (33) Country  
**002212241      02 Apr 2013      OFFICE FOR HARMONISATION IN  
THE INTERNAL MARKET (OHIM)**  
(56) Related Art Documents: **Not Applicable**  
(57) Statement of Newness and Distinctiveness: **Newness and distinctiveness resides in the visual features, including pattern and ornamentation, of a TYRE as shown in solid outline in the accompanying drawings. When determining whether the design is substantially similar in overall impression to another design, no regard is to be had to those features shown in dotted outline in the accompanying drawings, which features are provided for illustrative purposes only.**



(21) Design Number: **14082/2013**

(22) Date of Filing Application: **19 August 2013**

(24) Date from which industrial property rights may have effect: **19 August 2013**

(54) Product in respect of which the design is registered: **Tyre**

(51) International Design Classification: **12-15B**

(74) Name(s) of Attorney(s): **Griffith Hack**

(71) Name(s) and Address(s) of Applicant(s):

**Continental Reifen Deutschland GmbH  
Vahrenwalder Str. 9 Hannover 30165 Germany**

(72) Name(s) of Designer(s): **Stefan Rittweger**

(45) Registration Date: **20 September 2013**

(30) Convention priority data:

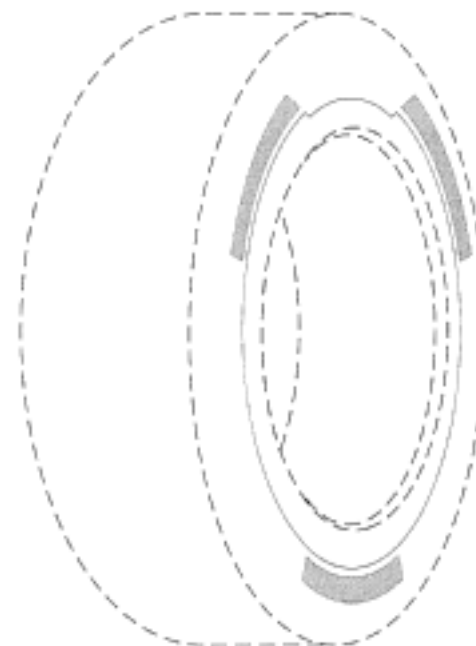
(31) Number  
**002212274**

(32) Date  
**02 Apr 2013**

(33) Country  
**OFFICE FOR HARMONISATION IN  
THE INTERNAL MARKET (OHIM)**

(56) Related Art Documents: **Not Applicable**

(57) Statement of Newness and Distinctiveness: **Newness and distinctiveness resides in the visual features, including pattern and ornamentation, of a TYRE as shown in solid outline in the accompanying drawings. When determining whether the design is substantially similar in overall impression to another design, no regard is to be had to those features shown in dotted outline in the accompanying drawings, which features are provided for illustrative purposes only.**



(21) Design Number: **14088/2013**

(22) Date of Filing Application: **19 August 2013**

(24) Date from which industrial property rights may have effect: **19 August 2013**

(54) Product in respect of which the design is registered: **Container and blanks therefor**

(51) International Design Classification: **09-03E**

(74) Name(s) of Attorney(s): **Cullens Patent and Trade Mark Attorneys**

(71) Name(s) and Address(s) of Applicant(s):

**Amcor Limited  
109 Burwood Rd Hawthorn VIC 3122 Australia**

(72) Name(s) of Designer(s): **David Carter**

(45) Registration Date: **20 September 2013**

(56) Related Art Documents: **Not Applicable**

(57) Statement of Newness and Distinctiveness: **The new and distinct features are the features of shape and configuration of a container and blanks therefor as shown in the attached representations.**



(21) Design Number: **14090/2013**

(22) Date of Filing Application: **19 August 2013**

(24) Date from which industrial property rights may have effect: **19 August 2013**

(54) Product in respect of which the design is registered: **An end plate suitable for a rail vehicle**

(51) International Design Classification: **12-16NES**

(74) Name(s) of Attorney(s): **PHILLIPS ORMONDE FITZPATRICK**

(71) Name(s) and Address(s) of Applicant(s):

**General Electric Company**

**1 River Road Schenectady New York 12345 United States of America**

(72) Name(s) of Designer(s): **Lamar K. Ledbetter and Kevin M. Fisher**

(45) Registration Date: **20 September 2013**

(30) Convention priority data:

(31) Number	(32) Date	(33) Country
<b>26/445,932</b>	<b>19 Feb 2013</b>	<b>UNITED STATES OF AMERICA</b>

(56) Related Art Documents: **Not Applicable**

(57) Statement of Newness and Distinctiveness: **Those features of the end plate suitable for a rail vehicle depicted in the representations that are new and distinctive are the shape and/or configuration. The features shown in broken lines are not part of the design and are to be disregarded when considering the overall impression of the design.**



(21) Design Number: **14095/2013**

(22) Date of Filing Application: **19 August 2013**

(24) Date from which industrial property rights may have effect: **19 August 2013**

(54) Product in respect of which the design is registered: **Alu' glass round table**

(51) International Design Classification: **06-03B**

(74) Name(s) of Attorney(s):

(71) Name(s) and Address(s) of Applicant(s):

**Xuan Zhou**

**Tianhe District Guangzhou Unit 704 Xin Chuang Ju Building No.123  
China**

**Guangzhou Gardenart Furniture Co. Ltd**

**Unit 704 Xin Chuangju Building No.123 Ti Yu Xi Road Tianhe District  
Guangzhou 510620 China**

(72) Name(s) of Designer(s): **Jianhui Cao**

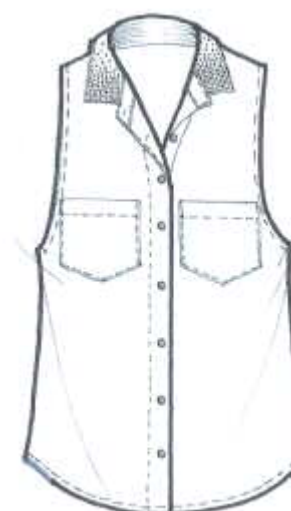
(45) Registration Date: **20 September 2013**

(56) Related Art Documents: **Not Applicable**

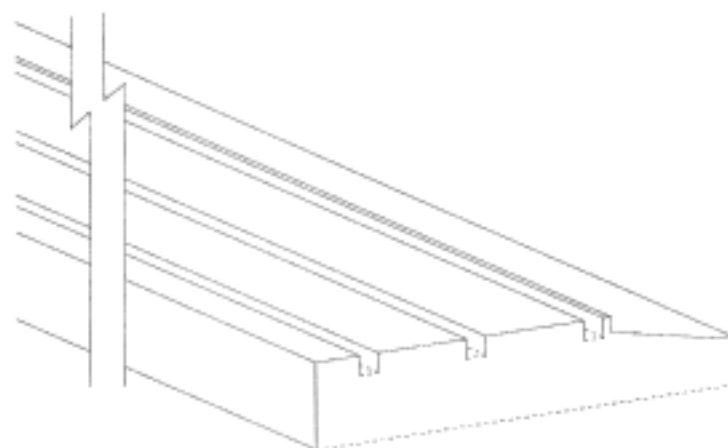
(57) Statement of Newness and Distinctiveness: **Nil**



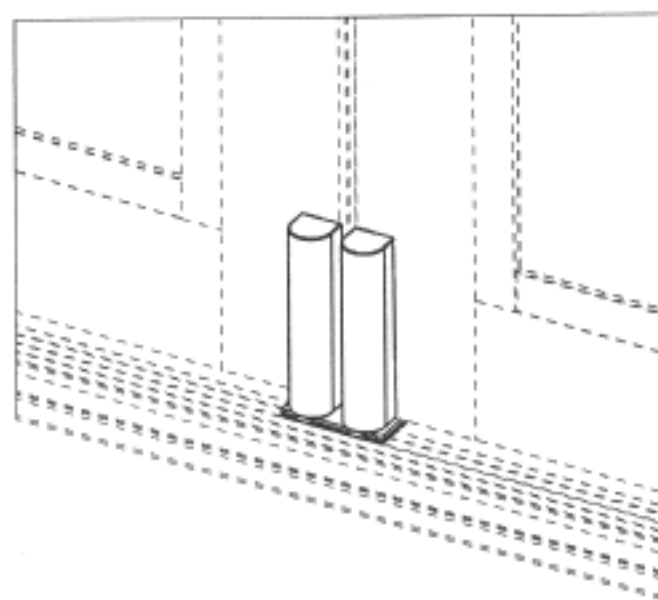
- (21) Design Number: **16656/2012**  
(22) Date of Filing Application: **24 December 2012**  
(24) Date from which industrial property rights may have effect: **24 December 2012**  
(54) Product in respect of which the design is registered: **Article of clothing**  
(51) International Design Classification: **02-02C**  
(74) Name(s) of Attorney(s): **Allens Patent & Trade Mark Attorneys**  
(71) Name(s) and Address(s) of Applicant(s):  
**Forever New Clothing Pty Ltd**  
**714-716 High St Kew East VIC 3102 Australia**  
(72) Name(s) of Designer(s): **Gemma Henderson and Mantra Ahrendt and Octavia Miller and Rebecca Royce and Laura Mitchell and Jennifer Hall and Tristan Melle and Alice Burrow and Elizabeth Baldock**  
(45) Registration Date: **20 September 2013**  
(56) Related Art Documents: **Not Applicable**  
(57) Statement of Newness and Distinctiveness: **Newness and distinctiveness resides in the visual features of shape, configuration, pattern and/or ornamentation of an article of clothing as shown in the accompanying representations.**



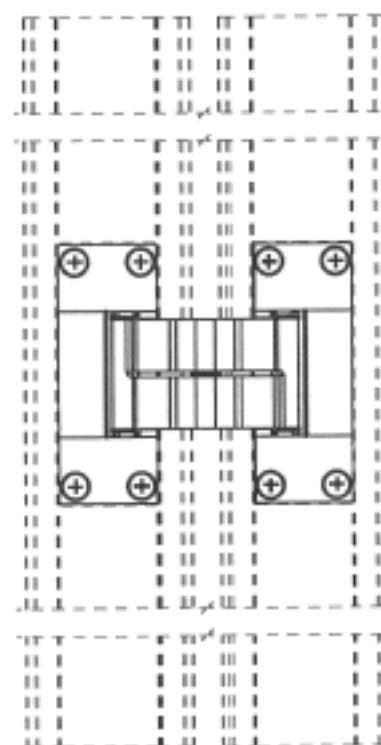
- (21) Design Number: **12845/2013**  
(22) Date of Filing Application: **20 June 2013**  
(24) Date from which industrial property rights may have effect: **20 June 2013**  
(54) Product in respect of which the design is registered: **Sliding door sill**  
(51) International Design Classification: **25-02B, 08-09**  
(74) Name(s) of Attorney(s): **Cullens Patent and Trade Mark Attorneys**  
(71) Name(s) and Address(s) of Applicant(s):  
**Centor Design Pty Ltd**  
**997 Kingsford Smith Dr Eagle Farm QLD 4009 Australia**  
(72) Name(s) of Designer(s): **Michael Smith and Nigel Spork**  
(45) Registration Date: **20 September 2013**  
(56) Related Art Documents: **Not Applicable**  
(57) Statement of Newness and Distinctiveness: **Newness and distinctiveness is claimed in the features of the shape and configuration of the sliding door sill as illustrated in the accompanying representations. No weight should be given to the features shown in broken lines.**



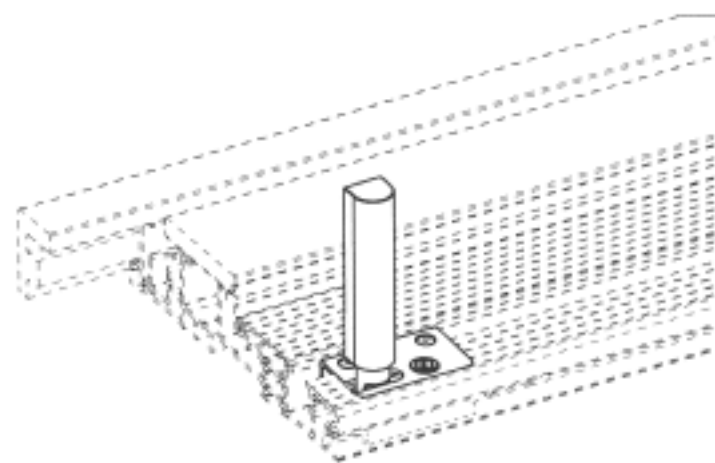
- (21) Design Number: **12846/2013**  
(22) Date of Filing Application: **20 June 2013**  
(24) Date from which industrial property rights may have effect: **20 June 2013**  
(54) Product in respect of which the design is registered: **Hinge**  
(51) International Design Classification: **08-06**  
(74) Name(s) of Attorney(s): **Cullens Patent and Trade Mark Attorneys**  
(71) Name(s) and Address(s) of Applicant(s):  
**Centor Design Pty Ltd**  
**997 Kingsford Smith Dr Eagle Farm QLD 4009 Australia**  
(72) Name(s) of Designer(s): **Michael Smith**  
(45) Registration Date: **20 September 2013**  
(56) Related Art Documents: **Not Applicable**  
(57) Statement of Newness and Distinctiveness: **Newness and distinctiveness is claimed in the features of the shape and configuration of the hinge as illustrated in the accompanying representations. No weight should be given to the features shown in broken lines.**



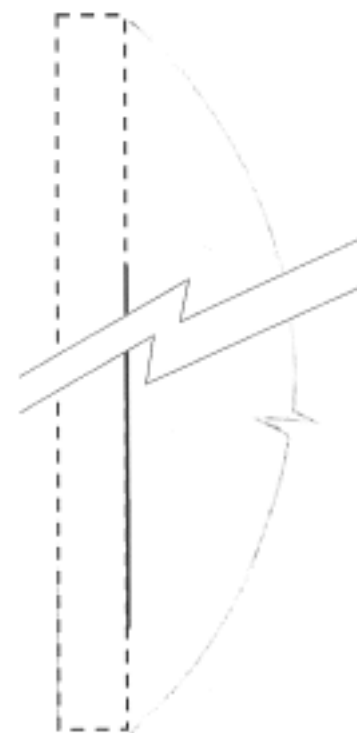
- (21) Design Number: **12847/2013**  
(22) Date of Filing Application: **20 June 2013**  
(24) Date from which industrial property rights may have effect: **20 June 2013**  
(54) Product in respect of which the design is registered: **Hinge**  
(51) International Design Classification: **08-06**  
(74) Name(s) of Attorney(s): **Cullens Patent and Trade Mark Attorneys**  
(71) Name(s) and Address(s) of Applicant(s):  
**Centor Design Pty Ltd**  
**997 Kingsford Smith Dr Eagle Farm QLD 4009 Australia**  
(72) Name(s) of Designer(s): **Noel Woolley and Michael Smith**  
(45) Registration Date: **20 September 2013**  
(56) Related Art Documents: **Not Applicable**  
(57) Statement of Newness and Distinctiveness: **Newness and distinctiveness is claimed in the features of the shape and configuration of the hinge as illustrated in the accompanying representations. No weight should be given to the features shown in broken lines.**



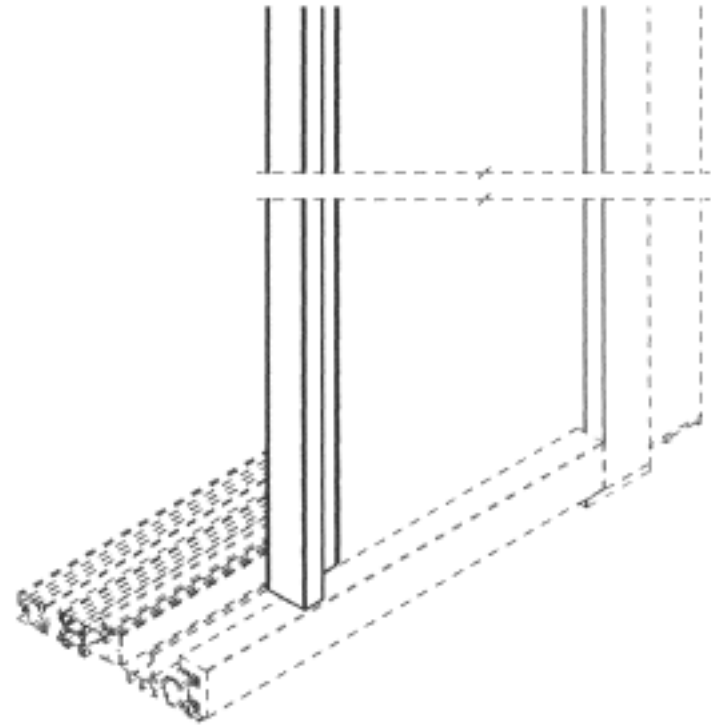
- (21) Design Number: **12848/2013**  
(22) Date of Filing Application: **20 June 2013**  
(24) Date from which industrial property rights may have effect: **20 June 2013**  
(54) Product in respect of which the design is registered: **Pivot and Sill extrusion**  
(51) International Design Classification: **25-02B**  
(74) Name(s) of Attorney(s): **Cullens Patent and Trade Mark Attorneys**  
(71) Name(s) and Address(s) of Applicant(s):  
**Centor Design Pty Ltd**  
**997 Kingsford Smith Dr Eagle Farm QLD 4009 Australia**  
(72) Name(s) of Designer(s): **Michael Smith and Luke Massingham**  
(45) Registration Date: **20 September 2013**  
(56) Related Art Documents: **Not Applicable**  
(57) Statement of Newness and Distinctiveness: **Newness and distinctiveness is claimed in the features of the shape and configuration of the pivot as illustrated in the accompanying representations. No weight should be given to the features shown in broken lines.**



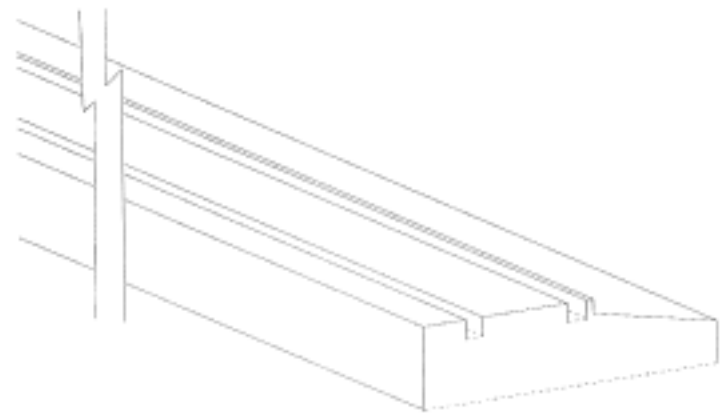
- (21) Design Number: **12849/2013**  
(22) Date of Filing Application: **20 June 2013**  
(24) Date from which industrial property rights may have effect: **20 June 2013**  
(54) Product in respect of which the design is registered: **Door handle**  
(51) International Design Classification: **08-06**  
(74) Name(s) of Attorney(s): **Cullens Patent and Trade Mark Attorneys**  
(71) Name(s) and Address(s) of Applicant(s):  
**Centor Design Pty Ltd**  
**997 Kingsford Smith Dr Eagle Farm QLD 4009 Australia**  
(72) Name(s) of Designer(s): **Matthew Ma**  
(45) Registration Date: **20 September 2013**  
(56) Related Art Documents: **Not Applicable**  
(57) Statement of Newness and Distinctiveness: **Newness and distinctiveness is claimed in the features of the shape and configuration of the door handle as illustrated in the accompanying representations. No weight should be given to the features of the doors, the hand or those features shown in broken lines.**



- (21) Design Number: **12850/2013**  
(22) Date of Filing Application: **20 June 2013**  
(24) Date from which industrial property rights may have effect: **20 June 2013**  
(54) Product in respect of which the design is registered: **Stile**  
(51) International Design Classification: **25-02B, 08-09**  
(74) Name(s) of Attorney(s): **Cullens Patent and Trade Mark Attorneys**  
(71) Name(s) and Address(s) of Applicant(s):  
**Centor Design Pty Ltd**  
**997 Kingsford Smith Dr Eagle Farm QLD 4009 Australia**  
(72) Name(s) of Designer(s): **Martin Haberland and Luke Massingham and David Wood and Andrew Cooksley**  
(45) Registration Date: **20 September 2013**  
(56) Related Art Documents: **Not Applicable**  
(57) Statement of Newness and Distinctiveness: **Newness and distinctiveness is claimed in the features of the shape and configuration of the stile as illustrated in the accompanying representations. No weight should be given to the features shown in broken lines. The stile is of indefinite length.**

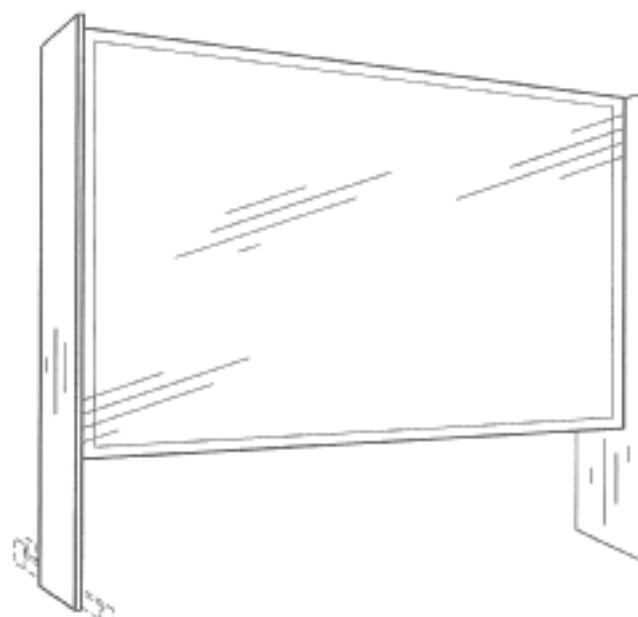


- (21) Design Number: **12853/2013**  
(22) Date of Filing Application: **20 June 2013**  
(24) Date from which industrial property rights may have effect: **20 June 2013**  
(54) Product in respect of which the design is registered: **Sliding door sill**  
(51) International Design Classification: **25-02B, 08-09**  
(74) Name(s) of Attorney(s): **Cullens Patent and Trade Mark Attorneys**  
(71) Name(s) and Address(s) of Applicant(s):  
**Centor Design Pty Ltd**  
**997 Kingsford Smith Dr Eagle Farm QLD 4009 Australia**  
(72) Name(s) of Designer(s): **Michael Smith and Nigel Spork**  
(45) Registration Date: **20 September 2013**  
(56) Related Art Documents: **Not Applicable**  
(57) Statement of Newness and Distinctiveness: **Newness and distinctiveness is claimed in the features of the shape and configuration of the sliding door sill as illustrated in the accompanying representations. No weight should be given to the features shown in broken lines.**

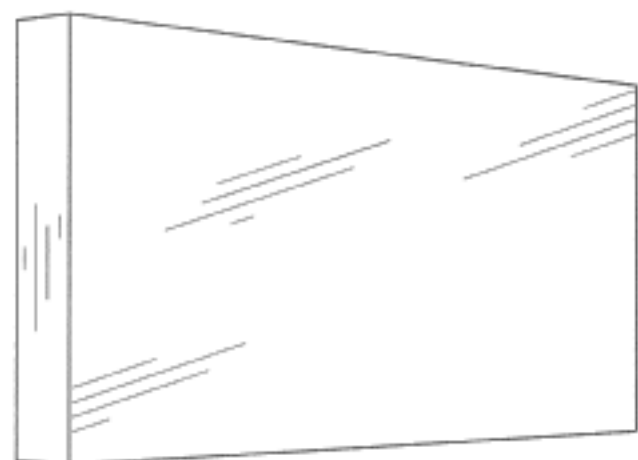




- (21) Design Number: **12872/2013**  
(22) Date of Filing Application: **20 June 2013**  
(24) Date from which industrial property rights may have effect: **20 June 2013**  
(54) Product in respect of which the design is registered: **Flat panel display**  
(51) International Design Classification: **14-02, 14-03B**  
(74) Name(s) of Attorney(s): **WATERMARK PATENT AND TRADE MARKS ATTORNEYS**  
(71) Name(s) and Address(s) of Applicant(s):  
**Bloomberg Finance L.P.**  
**731 Lexington Avenue New York NY 10022 United States of America**  
(72) Name(s) of Designer(s): **Helmars E. Ozolins and Roland L. Dema-ala and Avram N. Kaufman and Masamichi Udagawa and Sigrid G. Moeslinger and Peter D. Scott**  
(45) Registration Date: **20 September 2013**  
(30) Convention priority data:  
(31) Number (32) Date (33) Country  
**29/440,886 28 Dec 2012 UNITED STATES OF AMERICA**  
(56) Related Art Documents: **Not Applicable**  
(57) Statement of Newness and Distinctiveness: **Newness and Distinctiveness resides in the features of shape and configuration of the display shown in solid lines (excluding those features shown in broken lines), in particular the substantially flat edge-to-edge surface of the rear of the panel and the absence of a physical bezel at the front.**



- (21) Design Number: **12873/2013**  
(22) Date of Filing Application: **20 June 2013**  
(24) Date from which industrial property rights may have effect: **20 June 2013**  
(54) Product in respect of which the design is registered: **Flat panel display**  
(51) International Design Classification: **14-02, 14-03B**  
(74) Name(s) of Attorney(s): **WATERMARK PATENT AND TRADE MARKS ATTORNEYS**  
(71) Name(s) and Address(s) of Applicant(s):  
**Bloomberg Finance L.P.**  
**731 Lexington Avenue New York NY 10022 United States of America**  
(72) Name(s) of Designer(s): **Helmars E. Ozolins and Roland L. Dema-ala and Avram N. Kaufman and Masamichi Udagawa and Sigrid G. Moeslinger and Peter D. Scott**  
(45) Registration Date: **20 September 2013**  
(30) Convention priority data:  
(31) Number (32) Date (33) Country  
**29/440,550 21 Dec 2012 UNITED STATES OF AMERICA**  
(56) Related Art Documents: **Not Applicable**  
(57) Statement of Newness and Distinctiveness: **Newness and Distinctiveness resides in the features of shape and configuration of the display shown in solid lines (excluding those features shown in broken lines), in particular the substantially flat edge-to-edge surface of the rear of the panel and the absence of a physical bezel at the front.**



(21) Design Number: **14064/2013**

(22) Date of Filing Application: **19 August 2013**

(24) Date from which industrial property rights may have effect: **19 August 2013**

(54) Product in respect of which the design is registered: **An ottoman**

(51) International Design Classification: **06-01E**

(74) Name(s) of Attorney(s):

(71) Name(s) and Address(s) of Applicant(s):

**King Furniture Australia Pty. Ltd.**

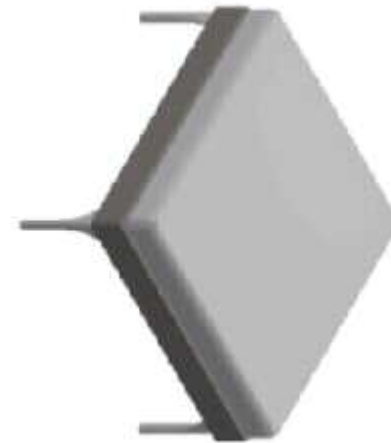
**123 Turrella St Turrella NSW 2205 Australia**

(72) Name(s) of Designer(s): **David R. King and John Levey and Ryan Lawson and Tanya Rechberger**

(45) Registration Date: **20 September 2013**

(56) Related Art Documents: **Not Applicable**

(57) Statement of Newness and Distinctiveness: **Newness and distinctiveness reside in the features of shape and configuration of the product for both indoor and outdoor use, as shown in the representations, it being understood that the base has a woven finish.**



(21) Design Number: **14065/2013**

(22) Date of Filing Application: **19 August 2013**

(24) Date from which industrial property rights may have effect: **19 August 2013**

(54) Product in respect of which the design is registered: **A sofa**

(51) International Design Classification: **06-01G**

(74) Name(s) of Attorney(s):

(71) Name(s) and Address(s) of Applicant(s):

**King Furniture Australia Pty. Ltd.**

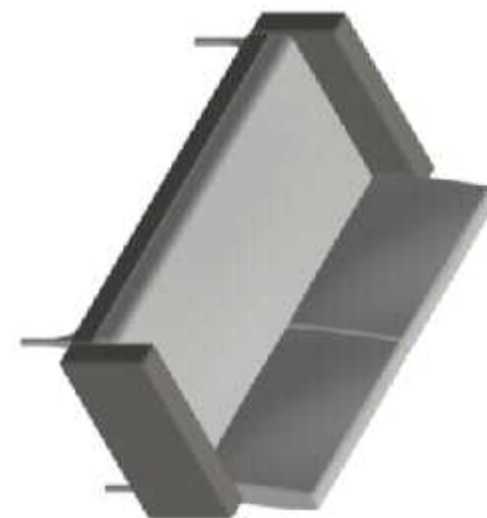
**123 Turrella St Turrella NSW 2205 Australia**

(72) Name(s) of Designer(s): **David R. King and John Levey and Ryan Lawson and Tanya Rechberger**

(45) Registration Date: **20 September 2013**

(56) Related Art Documents: **Not Applicable**

(57) Statement of Newness and Distinctiveness: **Newness and distinctiveness reside in the features of shape and configuration of the product for both indoor and outdoor use, as shown in the representations, it being understood that the base and arms have a woven finish. It also being understood that the arms may be replaced by backs or vice versa.**



(21) Design Number: **14066/2013**

(22) Date of Filing Application: **19 August 2013**

(24) Date from which industrial property rights may have effect: **19 August 2013**

(54) Product in respect of which the design is registered: **A sofa**

(51) International Design Classification: **06-01G**

(74) Name(s) of Attorney(s):

(71) Name(s) and Address(s) of Applicant(s):

**King Furniture Australia Pty. Ltd.**

**123 Turrella St Turrella NSW 2205 Australia**

(72) Name(s) of Designer(s): **David R. King and John Levey and Ryan Lawson and Tanya Rechberger**

(45) Registration Date: **20 September 2013**

(56) Related Art Documents: **Not Applicable**

(57) Statement of Newness and Distinctiveness: **Newness and distinctiveness reside in the features of shape and configuration of the product for both indoor and outdoor use, as shown in the representations, it being understood that the base has a woven finish. Although only backs are represented in this orientation, it is understood that any back may be replaced by an arm.**



(21) Design Number: **14067/2013**

(22) Date of Filing Application: **19 August 2013**

(24) Date from which industrial property rights may have effect: **19 August 2013**

(54) Product in respect of which the design is registered: **A sofa**

(51) International Design Classification: **06-01G**

(74) Name(s) of Attorney(s):

(71) Name(s) and Address(s) of Applicant(s):

**King Furniture Australia Pty. Ltd.**

**123 Turrella St Turrella NSW 2205 Australia**

(72) Name(s) of Designer(s): **David R. King and John Levey and Ryan Lawson and Tanya Rechberger**

(45) Registration Date: **20 September 2013**

(56) Related Art Documents: **Not Applicable**

(57) Statement of Newness and Distinctiveness: **Newness and distinctiveness reside in the features of shape and configuration of the product for both indoor and outdoor use, as shown in the representations, it being understood that the base has a woven finish. Although only backs are represented in this orientation, it is understood that any back may be replaced by an arm.**



(21) Design Number: **14068/2013**

(22) Date of Filing Application: **19 August 2013**

(24) Date from which industrial property rights may have effect: **19 August 2013**

(54) Product in respect of which the design is registered: **A sofa**

(51) International Design Classification: **06-01G**

(74) Name(s) of Attorney(s):

(71) Name(s) and Address(s) of Applicant(s):

**King Furniture Australia Pty. Ltd.**

**123 Turrella St Turrella NSW 2205 Australia**

(72) Name(s) of Designer(s): **David R. King and John Levey and Ryan Lawson and Tanya Rechberger**

(45) Registration Date: **20 September 2013**

(56) Related Art Documents: **Not Applicable**

(57) Statement of Newness and Distinctiveness: **Newness and distinctiveness reside in the features of shape and configuration of the product for both indoor and outdoor use, as shown in the representations, it being understood that the base and arms have a woven finish. It also being understood that arms may be replaced by backs or vice versa.**



(21) Design Number: **14071/2013**

(22) Date of Filing Application: **19 August 2013**

(24) Date from which industrial property rights may have effect: **19 August 2013**

(54) Product in respect of which the design is registered: **A chair**

(51) International Design Classification: **06-01G**

(74) Name(s) of Attorney(s):

(71) Name(s) and Address(s) of Applicant(s):

**King Furniture Australia Pty Ltd**

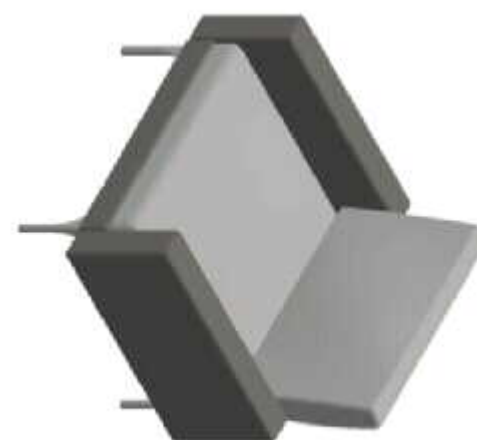
**123 Turrella St Turrella NSW 2205 Australia**

(72) Name(s) of Designer(s): **David King and John Levey and Ryan Lawson and Tanya Rechberger**

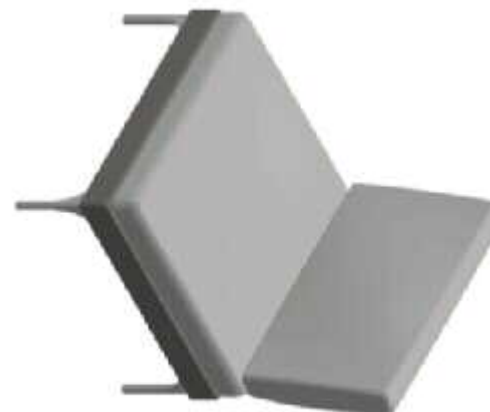
(45) Registration Date: **20 September 2013**

(56) Related Art Documents: **Not Applicable**

(57) Statement of Newness and Distinctiveness: **Newness and distinctiveness reside in the features of shape and configuration of the product for both indoor and outdoor use, as shown in the representations, it being understood that the base and arms have a woven finish. It is also understood that arms may be replaced by backs or vice versa.**



- (21) Design Number: **14072/2013**  
(22) Date of Filing Application: **19 August 2013**  
(24) Date from which industrial property rights may have effect: **19 August 2013**  
(54) Product in respect of which the design is registered: **A chair**  
(51) International Design Classification: **06-01G**  
(74) Name(s) of Attorney(s):  
(71) Name(s) and Address(s) of Applicant(s):  
**King Furniture Australia Pty Ltd**  
**123 Turrella St Turrella NSW 2205 Australia**  
(72) Name(s) of Designer(s): **David King and John Levey and Ryan Lawson and Tanya Rechberger**  
(45) Registration Date: **20 September 2013**  
(56) Related Art Documents: **Not Applicable**  
(57) Statement of Newness and Distinctiveness: **Newness and distinctiveness reside in the features of shape and configuration of the product for both indoor and outdoor use, as shown in the representations, it being understood that the base has a woven finish. Although only one back is represented in this orientation, it is understood that this back may be replaced by an arm.**



- (21) Design Number: **14073/2013**  
(22) Date of Filing Application: **19 August 2013**  
(24) Date from which industrial property rights may have effect: **19 August 2013**  
(54) Product in respect of which the design is registered: **A chaise**  
(51) International Design Classification: **06-01G**  
(74) Name(s) of Attorney(s):  
(71) Name(s) and Address(s) of Applicant(s):  
**King Furniture Australia Pty Ltd**  
**123 Turrella St Turrella NSW 2205 Australia**  
(72) Name(s) of Designer(s): **David King and John Levey and Ryan Lawson and Tanya Rechberger**  
(45) Registration Date: **20 September 2013**  
(56) Related Art Documents: **Not Applicable**  
(57) Statement of Newness and Distinctiveness: **Newness and distinctiveness reside in the features of shape and configuration of the product for both indoor and outdoor use, as shown in the representations, it being understood that the base has a woven finish. Although only one back is represented in this orientation it is understood that this back may be replaced by an arm.**



- (21) Design Number: **14074/2013**  
(22) Date of Filing Application: **19 August 2013**  
(24) Date from which industrial property rights may have effect: **19 August 2013**  
(54) Product in respect of which the design is registered: **An ottoman**  
(51) International Design Classification: **06-01E**  
(74) Name(s) of Attorney(s):  
(71) Name(s) and Address(s) of Applicant(s):  
**King Furniture Australia Pty Ltd**  
**123 Turrella St Turrella NSW 2205 Australia**  
(72) Name(s) of Designer(s): **David King and John Levey and Ryan Lawson and Tanya Rechberger**  
(45) Registration Date: **20 September 2013**  
(56) Related Art Documents: **Not Applicable**  
(57) Statement of Newness and Distinctiveness: **Newness and distinctiveness reside in the features of shape and configuration of the product for both indoor and outdoor use, as shown in the representations, it being understood that the base has a woven finish.**



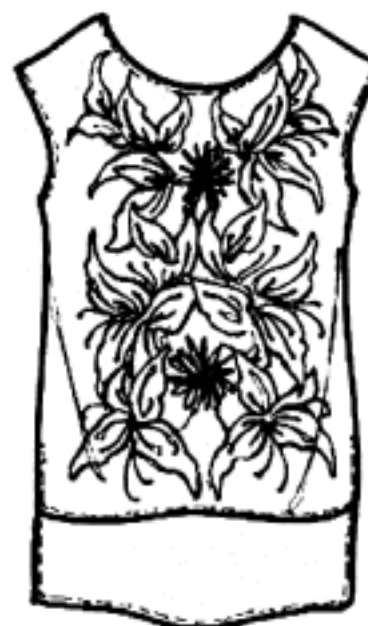
- (21) Design Number: **14075/2013**  
(22) Date of Filing Application: **19 August 2013**  
(24) Date from which industrial property rights may have effect: **19 August 2013**  
(54) Product in respect of which the design is registered: **Cap**  
(51) International Design Classification: **09-07A**  
(74) Name(s) of Attorney(s): **PIZZEYS**  
(71) Name(s) and Address(s) of Applicant(s):  
**McCormick & Company, Incorporated**  
**18 Loveton Circle Sparks MD 21152 United States of America**  
(72) Name(s) of Designer(s): **Tracie L.C. Wilson and Thomas Koll Porter Gieske and James A. Whisenhunt and Darin Michael Pugne**  
(45) Registration Date: **23 September 2013**  
(30) Convention priority data:  
(31) Number      (32) Date      (33) Country  
**29/450,182      15 Mar 2013      UNITED STATES OF AMERICA**  
(56) Related Art Documents: **Not Applicable**  
(57) Statement of Newness and Distinctiveness: **Nil**



- (21) Design Number: **13056/2013**  
(22) Date of Filing Application: **25 June 2013**  
(24) Date from which industrial property rights may have effect: **02 November 2012**  
(54) Product in respect of which the design is registered: **Carrybag**  
(51) International Design Classification: **03-01B**  
(74) Name(s) of Attorney(s): **Allens Patent & Trade Mark Attorneys**  
(71) Name(s) and Address(s) of Applicant(s):  
**Forever New Clothing Pty Ltd**  
**714-716 High St Kew East Victoria 3102 Australia**  
(72) Name(s) of Designer(s): **Georgia Roberts-Thomson**  
(45) Registration Date: **23 September 2013**  
(62) Divisional of: **350628**  
(56) Related Art Documents: **Not Applicable**  
(57) Statement of Newness and Distinctiveness: **Newness and distinctiveness resides in the visual features of shape, configuration, pattern and/or ornamentation of a carrybag as shown in the accompanying representations.**



- (21) Design Number: **14005/2013**  
(22) Date of Filing Application: **12 August 2013**  
(24) Date from which industrial property rights may have effect: **24 December 2012**  
(54) Product in respect of which the design is registered: **Article of clothing**  
(51) International Design Classification: **02-02NES**  
(74) Name(s) of Attorney(s): **Allens Patent & Trade Mark Attorneys**  
(71) Name(s) and Address(s) of Applicant(s):  
**Forever New Clothing Pty Ltd**  
**714-716 High St Kew East VIC 3102 Australia**  
(72) Name(s) of Designer(s): **Gemma Henderson**  
(45) Registration Date: **23 September 2013**  
(62) Divisional of: **350914**  
(56) Related Art Documents: **Not Applicable**  
(57) Statement of Newness and Distinctiveness: **Newness and distinctiveness resides in the visual features of shape, configuration, pattern and/or ornamentation of an article of clothing as shown in the accompanying representations.**



- (21) Design Number: **14007/2013**  
(22) Date of Filing Application: **12 August 2013**  
(24) Date from which industrial property rights may have effect: **24 December 2012**  
(54) Product in respect of which the design is registered: **Article of clothing**  
(51) International Design Classification: **02-02NES**  
(74) Name(s) of Attorney(s): **Allens Patent & Trade Mark Attorneys**  
(71) Name(s) and Address(s) of Applicant(s):  
**Forever New Clothing Pty Ltd**  
**714-716 High St Kew East VIC 3102 Australia**  
(72) Name(s) of Designer(s): **Gemma Henderson**  
(45) Registration Date: **23 September 2013**  
(62) Divisional of: **350914**  
(56) Related Art Documents: **Not Applicable**  
(57) Statement of Newness and Distinctiveness: **Newness and distinctiveness resides in the visual features of shape, configuration, pattern and/or ornamentation of an article of clothing as shown in the accompanying representations.**

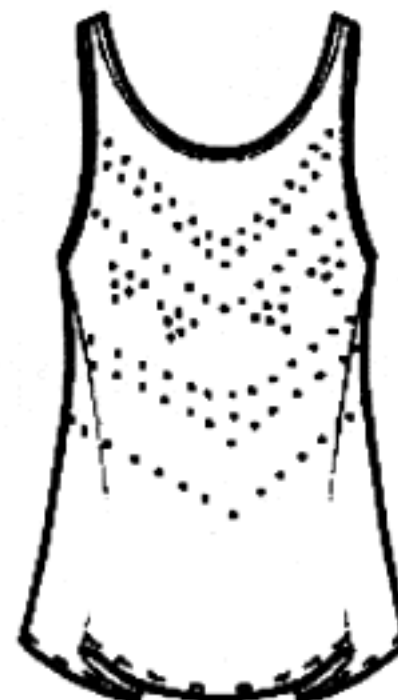


- (21) Design Number: **14016/2013**  
(22) Date of Filing Application: **12 August 2013**  
(24) Date from which industrial property rights may have effect: **24 December 2012**  
(54) Product in respect of which the design is registered: **Article of clothing**  
(51) International Design Classification: **02-02C**  
(74) Name(s) of Attorney(s): **Allens Patent & Trade Mark Attorneys**  
(71) Name(s) and Address(s) of Applicant(s):  
**Forever New Clothing Pty Ltd**  
**714-716 High St Kew East VIC 3102 Australia**  
(72) Name(s) of Designer(s): **Tristan Melle**  
(45) Registration Date: **23 September 2013**  
(62) Divisional of: **350914**  
(56) Related Art Documents: **Not Applicable**  
(57) Statement of Newness and Distinctiveness: **Newness and distinctiveness resides in the visual features of shape, configuration, pattern and/or ornamentation of an article of clothing as shown in the accompanying representations.**





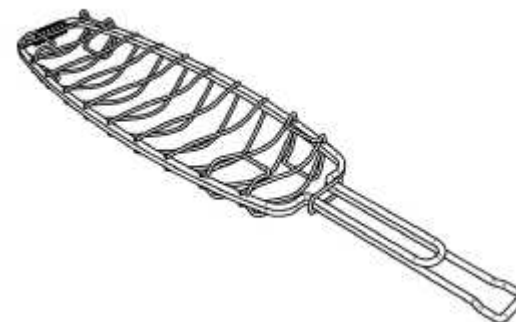
- (21) Design Number: **14023/2013**  
(22) Date of Filing Application: **12 August 2013**  
(24) Date from which industrial property rights may have effect: **24 December 2012**  
(54) Product in respect of which the design is registered: **Article of clothing**  
(51) International Design Classification: **02-02NES**  
(74) Name(s) of Attorney(s): **Allens Patent & Trade Mark Attorneys**  
(71) Name(s) and Address(s) of Applicant(s):  
**Forever New Clothing Pty Ltd**  
**714-716 High St Kew East VIC 3102 Australia**  
(72) Name(s) of Designer(s): **Jennifer Hall**  
(45) Registration Date: **23 September 2013**  
(62) Divisional of: **350914**  
(56) Related Art Documents: **Not Applicable**  
(57) Statement of Newness and Distinctiveness: **Newness and distinctiveness resides in the visual features of shape, configuration, pattern and/or ornamentation of an article of clothing as shown in the accompanying representations.**



- (21) Design Number: **14097/2013**  
(22) Date of Filing Application: **19 August 2013**  
(24) Date from which industrial property rights may have effect: **19 August 2013**  
(54) Product in respect of which the design is registered: **Alu' glass round table**  
(51) International Design Classification: **06-03B**  
(74) Name(s) of Attorney(s):  
(71) Name(s) and Address(s) of Applicant(s):  
**Xuan Zhou**  
**Tianhe District Guangzhou Unit 704 Xin Chuang Ju Building No.123**  
**China**  
**Guangzhou Gardenart Furniture Co. Ltd**  
**Unit 704 Xin Chuangju Building No.123 Ti Yu Xi Road Tianhe District**  
**Guangzhou 510620 China**  
(72) Name(s) of Designer(s): **Jianhui Cao**  
(45) Registration Date: **23 September 2013**  
(56) Related Art Documents: **Not Applicable**  
(57) Statement of Newness and Distinctiveness: **Nil**



(21) Design Number: **14098/2013**  
(22) Date of Filing Application: **20 August 2013**  
(24) Date from which industrial property rights may have effect: **20 August 2013**  
(54) Product in respect of which the design is registered: **Fishgriller**  
(51) International Design Classification: **07-02H, 07-02D**  
(74) Name(s) of Attorney(s):  
(71) Name(s) and Address(s) of Applicant(s):



**Mayo Hardware Pty Ltd**  
**4 Secombe PI Moorebank NSW 2170 Australia**

(72) Name(s) of Designer(s): **Barry Crone**  
(45) Registration Date: **23 September 2013**

(30) Convention priority data:

(31) Number	(32) Date	(33) Country
<b>UNKNOWN</b>	<b>08 Aug 2013</b>	<b>NEW ZEALAND</b>

(56) Related Art Documents: **Not Applicable**

(57) Statement of Newness and Distinctiveness: **The design is to be applied to a fishgriller. The novelty resides in the shape and/or configuration of the fishgriller, as shown in the accompanying representations.**

(21) Design Number: **14099/2013**  
(22) Date of Filing Application: **20 August 2013**  
(24) Date from which industrial property rights may have effect: **20 August 2013**  
(54) Product in respect of which the design is registered: **Egg ring**  
(51) International Design Classification: **07-02P**  
(74) Name(s) of Attorney(s):  
(71) Name(s) and Address(s) of Applicant(s):



**Mayo Hardware Pty Ltd**  
**4 Secombe PI Moorebank NSW 2170 Australia**

(72) Name(s) of Designer(s): **Barry Crone**  
(45) Registration Date: **23 September 2013**

(30) Convention priority data:

(31) Number	(32) Date	(33) Country
<b>UNKNOWN</b>	<b>08 Aug 2013</b>	<b>NEW ZEALAND</b>

(56) Related Art Documents: **Not Applicable**

(57) Statement of Newness and Distinctiveness: **The design is to be applied to an egg ring. The novelty resides in the shape and/or configuration of the egg ring, as shown in the accompanying representations.**

- (21) Design Number: **14017/2013**  
(22) Date of Filing Application: **12 August 2013**  
(24) Date from which industrial property rights may have effect: **24 December 2012**  
(54) Product in respect of which the design is registered: **Article of clothing**  
(51) International Design Classification: **02-02NES**  
(74) Name(s) of Attorney(s): **Allens Patent & Trade Mark Attorneys**  
(71) Name(s) and Address(s) of Applicant(s):  
**Forever New Clothing Pty Ltd**  
**714-716 High St Kew East VIC 3102 Australia**  
(72) Name(s) of Designer(s): **Jennifer Hall**  
(45) Registration Date: **23 September 2013**  
(62) Divisional of: **350914**  
(56) Related Art Documents: **Not Applicable**  
(57) Statement of Newness and Distinctiveness: **Newness and distinctiveness resides in the visual features of shape, configuration, pattern and/or ornamentation of an article of clothing as shown in the accompanying representations.**



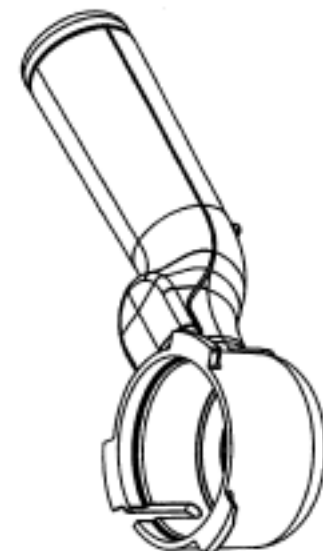
- (21) Design Number: **10176/2013**  
(22) Date of Filing Application: **10 January 2013**  
(24) Date from which industrial property rights may have effect: **10 January 2013**  
(54) Product in respect of which the design is registered: **Article of clothing**  
(51) International Design Classification: **02-02C**  
(74) Name(s) of Attorney(s): **Allens Patent & Trade Mark Attorneys**  
(71) Name(s) and Address(s) of Applicant(s):  
**Forever New Clothing Pty Ltd**  
**714-716 High St Kew East VIC 3102 Australia**  
(72) Name(s) of Designer(s): **Octavia Miller**  
(45) Registration Date: **24 September 2013**  
(56) Related Art Documents: **Not Applicable**  
(57) Statement of Newness and Distinctiveness: **Newness and distinctiveness resides in the visual features of shape, configuration, pattern and/or ornamentation of an article of clothing as shown in the accompanying representations.**



(21) Design Number: **11871/2013**  
(22) Date of Filing Application: **22 April 2013**  
(24) Date from which industrial property rights may have effect: **22 April 2013**  
(54) Product in respect of which the design is registered: **A carrier band having pockets**  
(51) International Design Classification: **03-01NES**  
(74) Name(s) of Attorney(s): **Cullens Patent and Trade Mark Attorneys**  
(71) Name(s) and Address(s) of Applicant(s):  
**Rebecca Larsen**  
**12 Bernice St Loganlea QLD 4131 Australia**  
(72) Name(s) of Designer(s): **Rebecca Larsen**  
(45) Registration Date: **24 September 2013**  
(56) Related Art Documents: **Not Applicable**  
(57) Statement of Newness and Distinctiveness: **Nil**



(21) Design Number: **12309/2013**  
(22) Date of Filing Application: **16 May 2013**  
(24) Date from which industrial property rights may have effect: **16 May 2013**  
(54) Product in respect of which the design is registered: **Adaptor for a coffee machine**  
(51) International Design Classification: **07-02L**  
(74) Name(s) of Attorney(s): **Fisher Adams Kelly Pty Ltd**  
(71) Name(s) and Address(s) of Applicant(s):  
**Alex Gort-Barten**  
**County Oak Way Crawley West Sussex RH11 7ST United Kingdom**  
(72) Name(s) of Designer(s): **Alex Gort-Barten**  
(45) Registration Date: **24 September 2013**  
(30) Convention priority data:  
(31) Number (32) Date (33) Country  
**002137877 16 Nov 2012 OFFICE FOR HARMONISATION IN  
THE INTERNAL MARKET (OHIM)**  
(56) Related Art Documents: **Not Applicable**  
(57) Statement of Newness and Distinctiveness: **The newness and distinctiveness of the design resides in the shape and/or configuration of the ADAPTOR FOR A COFFEE MACHINE shown in the representations.**



(21) Design Number: **12839/2013**

(22) Date of Filing Application: **20 June 2013**

(24) Date from which industrial property rights may have effect: **20 June 2013**

(54) Product in respect of which the design is registered: **Portable music player**

(51) International Design Classification: **14-03NES**

(74) Name(s) of Attorney(s): **Cotters Patent & Trade Mark Attorneys**

(71) Name(s) and Address(s) of Applicant(s):

**Dubgear Inc.**

**53 Burrows Drive Etobicoke Ontario M9B 4W8 Canada**

(72) Name(s) of Designer(s): **Jansen White and Heather Chi-Ying Lam and Kevin Armour and Jonathan Paul Loudon**

(45) Registration Date: **24 September 2013**

(30) Convention priority data:

(31) Number	(32) Date	(33) Country
<b>29/440,461</b>	<b>21 Dec 2012</b>	<b>UNITED STATES OF AMERICA</b>

(56) Related Art Documents: **Not Applicable**

(57) Statement of Newness and Distinctiveness: **Newness and distinctiveness is claimed in the features of shape and/or configuration and pattern and/or ornamentation of a portable device with strap as depicted in continuous lines in the accompanying drawings.**



(21) Design Number: **12959/2013**

(22) Date of Filing Application: **25 June 2013**

(24) Date from which industrial property rights may have effect: **25 June 2013**

(54) Product in respect of which the design is registered: **A self contained portable amenities facility**

(51) International Design Classification: **25-03**

(74) Name(s) of Attorney(s):

(71) Name(s) and Address(s) of Applicant(s):

**Lenew Pty Ltd**

**U6 53 Bushland Ridge Bibra Lake WA 6163 Australia**

(72) Name(s) of Designer(s): **Chris Burton**

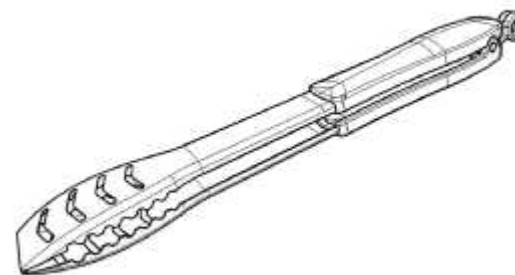
(45) Registration Date: **24 September 2013**

(56) Related Art Documents: **Not Applicable**

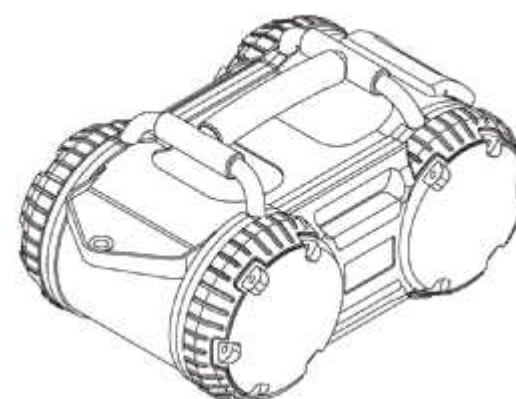
(57) Statement of Newness and Distinctiveness: **This is the first fully self contained amenities facility that provides, toilets, lunch rooms and the potable and waste water systems all encapsulated in a portable container. This facility provides an exceptional level of comfort and convenience for workers that are required to operate outside a permanent facility. No other transportable product has the above combined features.**



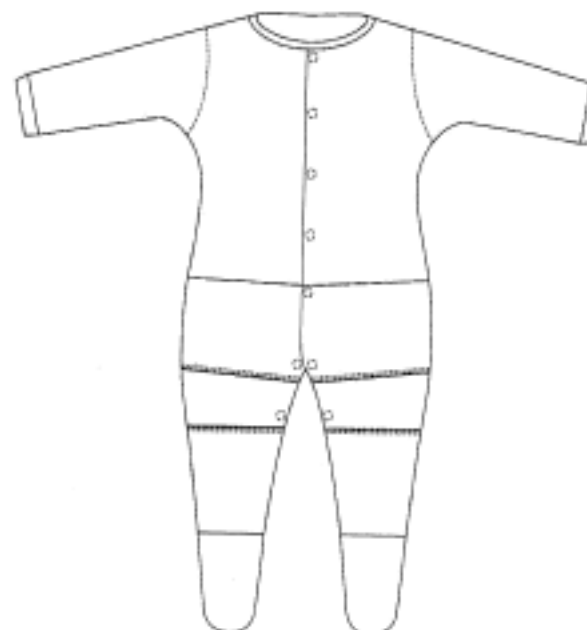
(21) Design Number: **14102/2013**  
(22) Date of Filing Application: **20 August 2013**  
(24) Date from which industrial property rights may have effect: **20 August 2013**  
(54) Product in respect of which the design is registered: **Tongs**  
(51) International Design Classification: **07-02NES**  
(74) Name(s) of Attorney(s):  
(71) Name(s) and Address(s) of Applicant(s):  
**Mayo Hardware Pty Ltd**  
**4 Secombe PI Moorebank NSW 2170 Australia**  
(72) Name(s) of Designer(s): **Barry Crone**  
(45) Registration Date: **24 September 2013**  
(30) Convention priority data:  
(31) Number (32) Date (33) Country  
**UNKNOWN 08 Aug 2013 NEW ZEALAND**  
(56) Related Art Documents: **Not Applicable**  
(57) Statement of Newness and Distinctiveness: **The design is to be applied to a tong. The novelty resides in the shape and/or configuration of the tong, as shown in the accompanying representations.**



(21) Design Number: **14107/2013**  
(22) Date of Filing Application: **20 August 2013**  
(24) Date from which industrial property rights may have effect: **20 August 2013**  
(54) Product in respect of which the design is registered: **Pulling tool**  
(51) International Design Classification: **08-05F**  
(74) Name(s) of Attorney(s): **Shelston IP**  
(71) Name(s) and Address(s) of Applicant(s):  
**Warn Industries, Inc.**  
**12900 SE Capps Road Clackamas Oregon 97015 United States of America**  
(72) Name(s) of Designer(s): **Darren G. Fretz and Bryan Yoder**  
(45) Registration Date: **24 September 2013**  
(30) Convention priority data:  
(31) Number (32) Date (33) Country  
**29/448718 13 Mar 2013 UNITED STATES OF AMERICA**  
(56) Related Art Documents: **Not Applicable**  
(57) Statement of Newness and Distinctiveness: **Newness and distinctiveness reside in the features of shape and/or configuration of a PULLING TOOL as illustrated in the accompanying representations.**



(21) Design Number: **14113/2013**  
(22) Date of Filing Application: **19 August 2013**  
(24) Date from which industrial property rights may have effect: **19 August 2013**  
(54) Product in respect of which the design is registered: **Clothing**  
(51) International Design Classification: **02-02C**  
(74) Name(s) of Attorney(s): **Fisher Adams Kelly Pty Ltd**  
(71) Name(s) and Address(s) of Applicant(s):  
**Footysuit Pty Ltd**  
**160 Main Ave Windsor QLD 4030 Australia**  
(72) Name(s) of Designer(s): **Bevan Read and Brett Leon Rennick**  
(45) Registration Date: **24 September 2013**  
(30) Convention priority data:  
(31) Number (32) Date (33) Country  
**002193748-0001 28 Feb 2013 OFFICE FOR HARMONISATION IN**  
**THE INTERNAL MARKET (OHIM)**



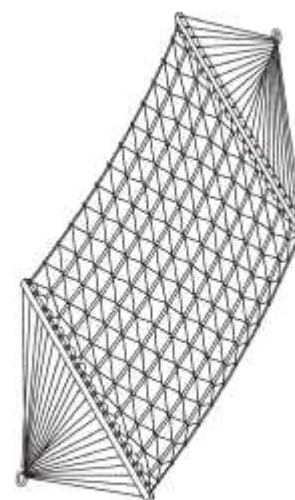
(56) Related Art Documents: **Not Applicable**  
(57) Statement of Newness and Distinctiveness: **The newness and distinctiveness of the design resides in the shape and/or configuration of the CLOTHING shown in the representations. The buttons shown in dashed lines are to be disregarded when assessing the newness and distinctiveness.**

(21) Design Number: **14114/2013**  
(22) Date of Filing Application: **21 August 2013**  
(24) Date from which industrial property rights may have effect: **21 August 2013**  
(54) Product in respect of which the design is registered: **Biological fluid collection device**  
(51) International Design Classification: **09-09**  
(74) Name(s) of Attorney(s): **SPRUSON & FERGUSON**  
(71) Name(s) and Address(s) of Applicant(s):  
**Steven A. Shubin Sr**  
**300 Texas Longhorn Trail Dripping Springs TX 78620 United States of America**  
(72) Name(s) of Designer(s): **Steven A. Shubin Sr and Steven A. Shubin Jr**  
(45) Registration Date: **24 September 2013**  
(30) Convention priority data:  
(31) Number (32) Date (33) Country  
**29/450618 20 Mar 2013 UNITED STATES OF AMERICA**

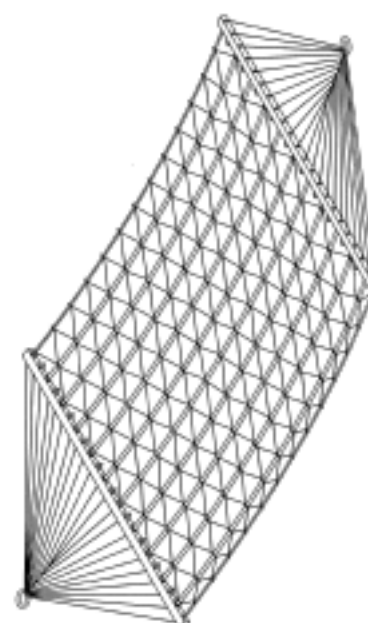


(56) Related Art Documents: **Not Applicable**  
(57) Statement of Newness and Distinctiveness: **Newness and distinctiveness is claimed in those features of shape and/or configuration of a biological fluid collection device illustrated in continuous lines in the accompanying representations.**

(21) Design Number: **14115/2013**  
(22) Date of Filing Application: **21 August 2013**  
(24) Date from which industrial property rights may have effect: **21 August 2013**  
(54) Product in respect of which the design is registered: **Hammock**  
(51) International Design Classification: **06-01NES**  
(74) Name(s) of Attorney(s): **SPRUSON & FERGUSON**  
(71) Name(s) and Address(s) of Applicant(s):  
**Matthews Pride, LLC**  
**9456 Keepsake Way Columbia MD 21046 United States of America**  
(72) Name(s) of Designer(s): **Curtis R. Matthews II**  
(45) Registration Date: **24 September 2013**  
(30) Convention priority data:  
(31) Number      (32) Date      (33) Country  
**29/446230      21 Feb 2013      UNITED STATES OF AMERICA**  
(56) Related Art Documents: **Not Applicable**  
(57) Statement of Newness and Distinctiveness: **Newness and distinctiveness is claimed in the features of shape and/or configuration of a hammock as illustrated in the accompanying representations.**



(21) Design Number: **14116/2013**  
(22) Date of Filing Application: **21 August 2013**  
(24) Date from which industrial property rights may have effect: **21 August 2013**  
(54) Product in respect of which the design is registered: **Hammock**  
(51) International Design Classification: **06-01NES**  
(74) Name(s) of Attorney(s): **SPRUSON & FERGUSON**  
(71) Name(s) and Address(s) of Applicant(s):  
**Matthews Pride, LLC**  
**9456 Keepsake Way Columbia MD 21046 United States of America**  
(72) Name(s) of Designer(s): **Curtis R. Matthews II**  
(45) Registration Date: **24 September 2013**  
(30) Convention priority data:  
(31) Number      (32) Date      (33) Country  
**29/446230      21 Feb 2013      UNITED STATES OF AMERICA**  
(56) Related Art Documents: **Not Applicable**  
(57) Statement of Newness and Distinctiveness: **Newness and distinctiveness is claimed in the features of shape and/or configuration of a hammock as illustrated in the accompanying representations.**





(21) Design Number: **14120/2013**  
(22) Date of Filing Application: **21 August 2013**  
(24) Date from which industrial property rights may have effect: **21 August 2013**  
(54) Product in respect of which the design is registered: **Chair**  
(51) International Design Classification: **06-01F**  
(74) Name(s) of Attorney(s): **Wrays**  
(71) Name(s) and Address(s) of Applicant(s):  
**Starway International Home-Living Co., Ltd.**  
**No. 97 Shiyuan Road Huangyan Taizhou Zhejiang China**  
(72) Name(s) of Designer(s): **Enrique Marti**  
(45) Registration Date: **24 September 2013**  
(30) Convention priority data:  
(31) Number (32) Date (33) Country  
**201330042731.9 21 Feb 2013 CHINA**  
(56) Related Art Documents: **Not Applicable**  
(57) Statement of Newness and Distinctiveness: **Newness and distinctiveness is claimed in the features of shape and/or configuration of the Chair depicted in the accompanying representations.**



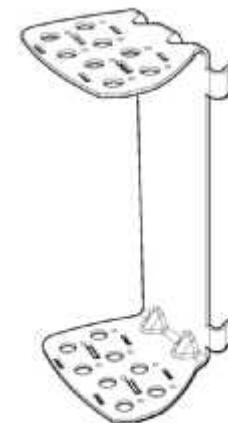
(21) Design Number: **14121/2013**  
(22) Date of Filing Application: **21 August 2013**  
(24) Date from which industrial property rights may have effect: **21 August 2013**  
(54) Product in respect of which the design is registered: **Chair**  
(51) International Design Classification: **06-01F**  
(74) Name(s) of Attorney(s): **Wrays**  
(71) Name(s) and Address(s) of Applicant(s):  
**Starway International Home-Living Co., Ltd.**  
**No. 97 Shiyuan Road Huangyan Taizhou Zhejiang China**  
(72) Name(s) of Designer(s): **Enrique Marti**  
(45) Registration Date: **24 September 2013**  
(30) Convention priority data:  
(31) Number (32) Date (33) Country  
**201330042729.1 21 Feb 2013 CHINA**  
(56) Related Art Documents: **Not Applicable**  
(57) Statement of Newness and Distinctiveness: **Newness and distinctiveness is claimed in the features of shape and/or configuration of the Chair depicted in the accompanying representations.**



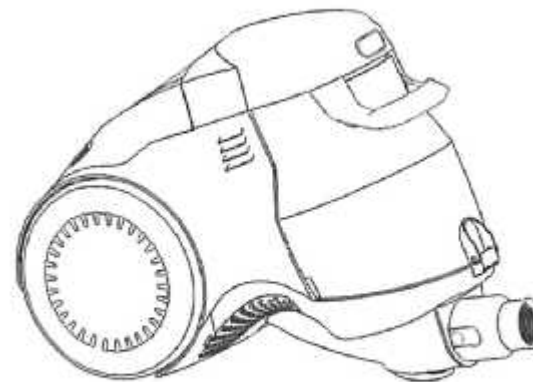
- (21) Design Number: **14122/2013**  
(22) Date of Filing Application: **21 August 2013**  
(24) Date from which industrial property rights may have effect: **21 August 2013**  
(54) Product in respect of which the design is registered: **Food waste disposer**  
(51) International Design Classification: **09-09**  
(74) Name(s) of Attorney(s): **FB Rice**  
(71) Name(s) and Address(s) of Applicant(s):  
**Emerson Electric Co.**  
**8000 West Florissant Avenue St Louis Missouri 63136 United States of America**  
(72) Name(s) of Designer(s): **Kelly T. Gamble and Robert A. Greco and Randall E. Hammer and Christopher S. Glasgow and Douglas K. Ritterling**  
(45) Registration Date: **24 September 2013**  
(30) Convention priority data:  
(31) Number (32) Date (33) Country  
**29/446316 22 Feb 2013 UNITED STATES OF AMERICA**  
(56) Related Art Documents: **Not Applicable**  
(57) Statement of Newness and Distinctiveness: **Newness and distinctiveness reside in the features of the design as shown in solid lines in the representations and excluding those features shown in broken lines.**



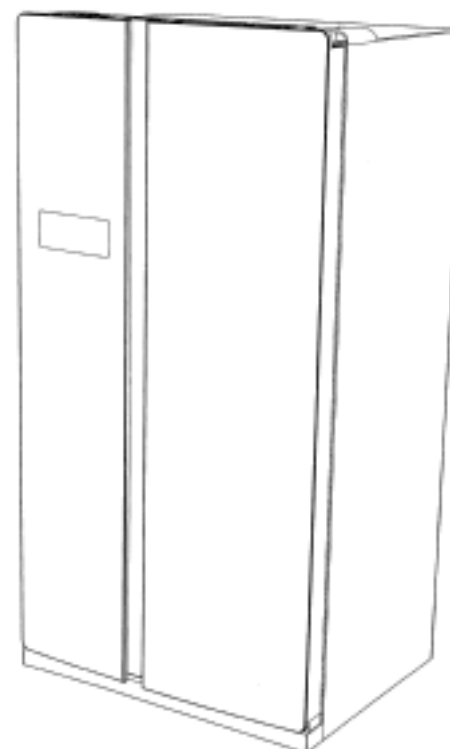
- (21) Design Number: **14123/2013**  
(22) Date of Filing Application: **21 August 2013**  
(24) Date from which industrial property rights may have effect: **21 August 2013**  
(54) Product in respect of which the design is registered: **Mounting bracket**  
(51) International Design Classification: **08-08L**  
(74) Name(s) of Attorney(s): **Griffith Hack**  
(71) Name(s) and Address(s) of Applicant(s):  
**Advanced View Safety Systems Pty Ltd**  
**45 Alex Ave Moorabbin VIC 3189 Australia**  
(72) Name(s) of Designer(s): **Craig Hart MacDougall**  
(45) Registration Date: **24 September 2013**  
(56) Related Art Documents: **Not Applicable**  
(57) Statement of Newness and Distinctiveness: **Newness and distinctiveness resides in all features of shape and configuration of the bracket as shown in the representations.**



(21) Design Number: **14124/2013**  
(22) Date of Filing Application: **21 August 2013**  
(24) Date from which industrial property rights may have effect: **21 August 2013**  
(54) Product in respect of which the design is registered: **Floor cleaning device**  
(51) International Design Classification: **15-05**  
(74) Name(s) of Attorney(s): **Griffith Hack**  
(71) Name(s) and Address(s) of Applicant(s):  
**Techtronic Floor Care Technology Limited**  
**PO BOX 957 Offshore Incorporations Centre Road Town Tortola British**  
**Virgin Islands**  
(72) Name(s) of Designer(s): **Daniel William Carter**  
(45) Registration Date: **24 September 2013**  
(30) Convention priority data:  
(31) Number (32) Date (33) Country  
**201330043007.8 21 Feb 2013 CHINA**  
(56) Related Art Documents: **Not Applicable**  
(57) Statement of Newness and Distinctiveness: **Nil**



(21) Design Number: **13423/2013**  
(22) Date of Filing Application: **16 July 2013**  
(24) Date from which industrial property rights may have effect: **16 July 2013**  
(54) Product in respect of which the design is registered: **A cold appliance**  
(51) International Design Classification: **15-07**  
(74) Name(s) of Attorney(s): **Halfords IP**  
(71) Name(s) and Address(s) of Applicant(s):  
**Electrolux Sea Pte Ltd**  
**11 Lorong 3 Toa Payoh Block B #01-13/14/15 Jackson Square 319579**  
**Singapore**  
(72) Name(s) of Designer(s): **Pernilla Johansson and Lyndon Craig and**  
**Leonard Tan Bahroocha**  
(45) Registration Date: **24 September 2013**  
(30) Convention priority data:  
(31) Number (32) Date (33) Country  
**201230535734.1 06 Nov 2012 CHINA**  
(56) Related Art Documents: **Not Applicable**  
(57) Statement of Newness and Distinctiveness: **Newness and Distinctiveness**  
**is claimed in those features of shape and or configuration of a Cold**  
**Appliance, such as a Refrigerator and/or Freezer as depicted in the**  
**representations.**



- (21) Design Number: **13450/2013**  
(22) Date of Filing Application: **18 July 2013**  
(24) Date from which industrial property rights may have effect: **18 July 2013**  
(54) Product in respect of which the design is registered: **Hose with fittings**  
(51) International Design Classification: **23-01C**  
(74) Name(s) of Attorney(s):  
(71) Name(s) and Address(s) of Applicant(s):  
**Alarimda Pty Ltd**  
**268 Wolseley PI Thomastown VIC 3074 Australia**  
(72) Name(s) of Designer(s): **Ray McCluskey**  
(45) Registration Date: **24 September 2013**  
(56) Related Art Documents: **Not Applicable**  
(57) Statement of Newness and Distinctiveness: **Includes snap-on fittings for internal house tap and also a BSP thread to connect to shower pipe. 1.2M hose. Trigger function on spray to start and stop water flow.**



- (21) Design Number: **13605/2013**  
(22) Date of Filing Application: **26 July 2013**  
(24) Date from which industrial property rights may have effect: **26 July 2013**  
(54) Product in respect of which the design is registered: **Car; toy-car**  
(51) International Design Classification: **12-08, 21-01C**  
(74) Name(s) of Attorney(s): **PHILLIPS ORMONDE FITZPATRICK**  
(71) Name(s) and Address(s) of Applicant(s):  
**Maserati S.p.A.**  
**Viale Ciro Menotti 322 I-41100 Modena Italy**  
(72) Name(s) of Designer(s): **Lorenzo Ramaciotti**  
(45) Registration Date: **24 September 2013**  
(30) Convention priority data:  
(31) Number      (32) Date      (33) Country  
**716680901      28 Jan 2013      WORLD INTELLECTUAL  
PROPERTY ORGANIZATION  
(WIPO)**  
(56) Related Art Documents: **Not Applicable**  
(57) Statement of Newness and Distinctiveness: **Those features of the car and toy-car depicted in the representations that are new and distinctive are the shape and/or configuration. The wheels and tyres of the car and toy-car may or may not form part of the design and are to be disregarded when considering the overall impression of the design**



- (21) Design Number: **13642/2013**  
(22) Date of Filing Application: **30 July 2013**  
(24) Date from which industrial property rights may have effect: **30 July 2013**  
(54) Product in respect of which the design is registered: **Vacuum cleaner**  
(51) International Design Classification: **15-05**  
(74) Name(s) of Attorney(s): **Shelston IP**  
(71) Name(s) and Address(s) of Applicant(s):

**Dyson Technology Limited**  
**Tetbury Hill Malmesbury Wiltshire SN16 0RP United Kingdom**

- (72) Name(s) of Designer(s): **James Dyson and Peter David Gammack and Timothy Nicholas Stickney and Jonathon George Marsh**

- (45) Registration Date: **24 September 2013**

- (30) Convention priority data:

(31) Number	(32) Date	(33) Country
<b>001361141-0002</b>	<b>18 Feb 2013</b>	<b>OFFICE FOR HARMONISATION IN THE INTERNAL MARKET (OHIM)</b>

- (56) Related Art Documents: **Not Applicable**

- (57) Statement of Newness and Distinctiveness: **Newness and distinctiveness reside in the shape and/or configuration of the features, with the exception of the elongate cylindrical extension bar, of a VACUUM CLEANER as illustrated in solid lines in the accompanying representations. The features shown in broken lines are illustrative only and do not form part of the design.**



- (21) Design Number: **13643/2013**  
(22) Date of Filing Application: **30 July 2013**  
(24) Date from which industrial property rights may have effect: **30 July 2013**  
(54) Product in respect of which the design is registered: **Vacuum cleaner**  
(51) International Design Classification: **15-05**  
(74) Name(s) of Attorney(s): **Shelston IP**  
(71) Name(s) and Address(s) of Applicant(s):

**Dyson Technology Limited**  
**Tetbury Hill Malmesbury Wiltshire SN16 0RP United Kingdom**

- (72) Name(s) of Designer(s): **James Dyson and Peter David Gammack and Timothy Nicholas Stickney and Jonathon George Marsh**

- (45) Registration Date: **24 September 2013**

- (30) Convention priority data:

(31) Number	(32) Date	(33) Country
<b>001361141-0001</b>	<b>18 Feb 2013</b>	<b>OFFICE FOR HARMONISATION IN THE INTERNAL MARKET (OHIM)</b>

- (56) Related Art Documents: **Not Applicable**

- (57) Statement of Newness and Distinctiveness: **Newness and distinctiveness reside in the shape and/or configuration of the features, with the exception of the elongate cylindrical extension bar, of a VACUUM CLEANER as illustrated in solid lines in the accompanying representations. The features shown in broken lines are illustrative only and do not form part of the design.**

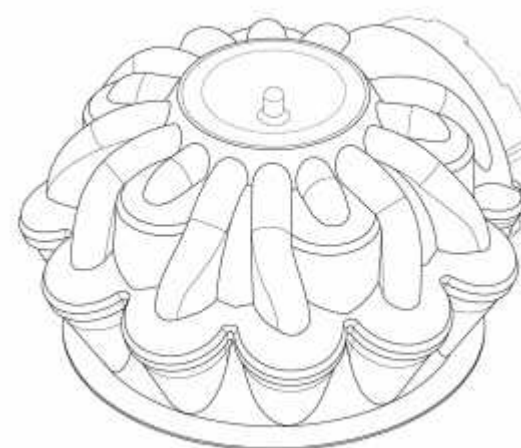


(21) Design Number: **13648/2013**  
(22) Date of Filing Application: **30 July 2013**  
(24) Date from which industrial property rights may have effect: **30 July 2013**  
(54) Product in respect of which the design is registered: **Part of a vacuum cleaner**  
(51) International Design Classification: **15-05**  
(74) Name(s) of Attorney(s): **Shelston IP**  
(71) Name(s) and Address(s) of Applicant(s):  
**Dyson Technology Limited**  
**Tetbury Hill Malmesbury Wiltshire SN16 0RP United Kingdom**  
(72) Name(s) of Designer(s): **James Dyson and Peter David Gammack and Timothy Nicholas Stickney and Jonathan George Marsh**  
(45) Registration Date: **24 September 2013**  
(30) Convention priority data:  
(31) Number (32) Date (33) Country  
**001361141-0009 18 Feb 2013 OFFICE FOR HARMONISATION IN THE INTERNAL MARKET (OHIM)**



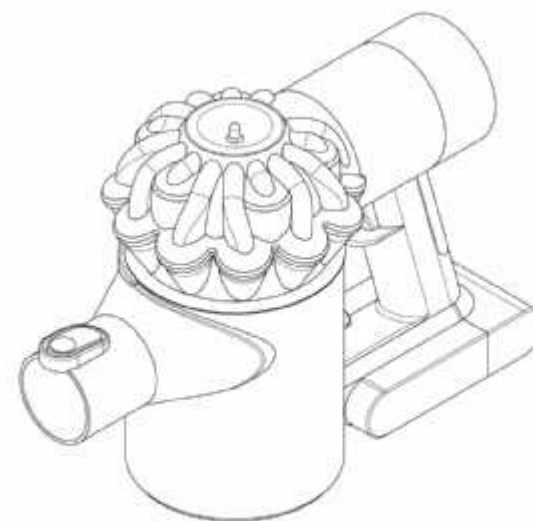
(56) Related Art Documents: **Not Applicable**  
(57) Statement of Newness and Distinctiveness: **Newness and distinctiveness reside in the features of shape and/or configuration of a PART OF A VACUUM CLEANER as illustrated in solid lines in the accompanying representations. The features shown in broken lines are illustrative only and do not form part of the design.**

(21) Design Number: **13650/2013**  
(22) Date of Filing Application: **30 July 2013**  
(24) Date from which industrial property rights may have effect: **30 July 2013**  
(54) Product in respect of which the design is registered: **Part of a vacuum cleaner**  
(51) International Design Classification: **15-05**  
(74) Name(s) of Attorney(s): **Shelston IP**  
(71) Name(s) and Address(s) of Applicant(s):  
**Dyson Technology Limited**  
**Tetbury Hill Malmesbury Wiltshire SN16 0RP United Kingdom**  
(72) Name(s) of Designer(s): **James Dyson and Peter David Gammack and Timothy Nicholas Stickney and Jonathan George Marsh**  
(45) Registration Date: **24 September 2013**  
(30) Convention priority data:  
(31) Number (32) Date (33) Country  
**001361141-0007 18 Feb 2013 OFFICE FOR HARMONISATION IN THE INTERNAL MARKET (OHIM)**



(56) Related Art Documents: **Not Applicable**  
(57) Statement of Newness and Distinctiveness: **Newness and distinctiveness reside in the features of shape and/or configuration of a PART OF A VACUUM CLEANER as illustrated in solid lines in the accompanying representations. The features shown in broken lines are illustrative only and do not form part of the design.**

(21) Design Number: **13652/2013**  
(22) Date of Filing Application: **30 July 2013**  
(24) Date from which industrial property rights may have effect: **30 July 2013**  
(54) Product in respect of which the design is registered: **Part of a vacuum cleaner**  
(51) International Design Classification: **15-05**  
(74) Name(s) of Attorney(s): **Shelston IP**  
(71) Name(s) and Address(s) of Applicant(s):  
**Dyson Technology Limited**  
**Tetbury Hill Malmesbury Wiltshire SN16 0RP United Kingdom**  
(72) Name(s) of Designer(s): **James Dyson and Peter David Gammack and Timothy Nicholas Stickney and Jonathan George Marsh**  
(45) Registration Date: **24 September 2013**  
(30) Convention priority data:  
(31) Number (32) Date (33) Country  
**001361141-0003 18 Feb 2013 OFFICE FOR HARMONISATION IN THE INTERNAL MARKET (OHIM)**  
(56) Related Art Documents: **Not Applicable**  
(57) Statement of Newness and Distinctiveness: **Newness and distinctiveness reside in the features of shape and/or configuration of a PART OF A VACUUM CLEANER as illustrated in the accompanying representations.**



(21) Design Number: **13901/2013**  
(22) Date of Filing Application: **09 August 2013**  
(24) Date from which industrial property rights may have effect: **09 August 2013**  
(54) Product in respect of which the design is registered: **Toy launching gun**  
(51) International Design Classification: **21-01H**  
(74) Name(s) of Attorney(s): **Fisher Adams Kelly Pty Ltd**  
(71) Name(s) and Address(s) of Applicant(s):  
**KMA Concepts Limited**  
**Suite 1003 Silvercord Tower 1 30 Canton Road Tsim Sha Tsui**  
**KOWLOON Hong Kong**  
(72) Name(s) of Designer(s): **Peter Cummings**  
(45) Registration Date: **24 September 2013**  
(30) Convention priority data:  
(31) Number (32) Date (33) Country  
**29/445776 15 Feb 2013 UNITED STATES OF AMERICA**  
(56) Related Art Documents: **Not Applicable**  
(57) Statement of Newness and Distinctiveness: **The newness and distinctiveness of the design resides in the shape and/or configuration of the Toy Launching Gun shown in the representations.**



(21) Design Number: **14100/2013**

(22) Date of Filing Application: **20 August 2013**

(24) Date from which industrial property rights may have effect: **20 August 2013**

(54) Product in respect of which the design is registered: **Chicken roaster**

(51) International Design Classification: **07-02E**

(74) Name(s) of Attorney(s):

(71) Name(s) and Address(s) of Applicant(s):

**Mayo Hardware Pty Ltd**  
**4 Secombe PI Moorebank NSW 2170 Australia**

(72) Name(s) of Designer(s): **Barry Crone**

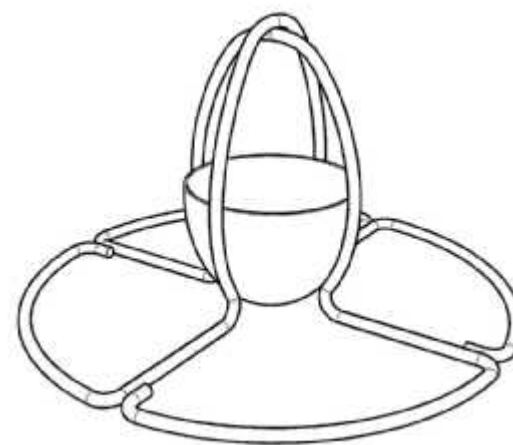
(45) Registration Date: **24 September 2013**

(30) Convention priority data:

(31) Number	(32) Date	(33) Country
<b>UNKNOWN</b>	<b>08 Aug 2013</b>	<b>NEW ZEALAND</b>

(56) Related Art Documents: **Not Applicable**

(57) Statement of Newness and Distinctiveness: **The design is to be applied to a chicken roaster. The novelty resides in the shape and/or configuration of the chicken roaster, as shown in the accompanying representations.**



(21) Design Number: **13950/2013**

(22) Date of Filing Application: **25 July 2013**

(24) Date from which industrial property rights may have effect: **25 July 2013**

(54) Product in respect of which the design is registered: **A flag**

(51) International Design Classification: **11-05**

(74) Name(s) of Attorney(s):

(71) Name(s) and Address(s) of Applicant(s):

**Athol Herrick Kelly**  
**18 Davis Ave South Yarra VIC 3141 Australia**

(72) Name(s) of Designer(s): **Athol Herrick Kelly**

(45) Registration Date: **24 September 2013**

(56) Related Art Documents: **Not Applicable**

(57) Statement of Newness and Distinctiveness: **Green & gold in Australias gazetted official colours. Southern Cross, Federation star, green kangaroo on gold background. Designer sample enclosed.**



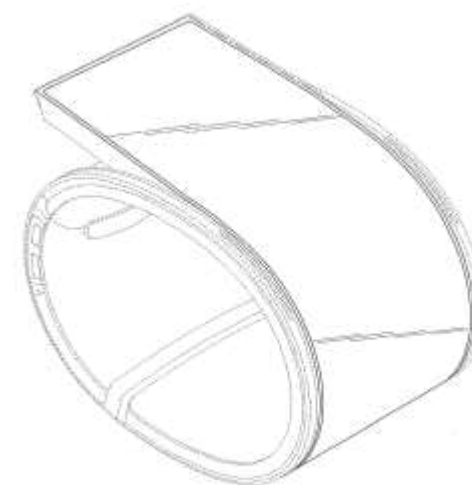


(21) Design Number: **14101/2013**  
(22) Date of Filing Application: **20 August 2013**  
(24) Date from which industrial property rights may have effect: **20 August 2013**  
(54) Product in respect of which the design is registered: **Basting pot & brush**  
(51) International Design Classification: **07-02N**  
(74) Name(s) of Attorney(s):  
(71) Name(s) and Address(s) of Applicant(s):



**Mayo Hardware Pty Ltd**  
**4 Secombe PI Moorebank NSW 2170 Australia**  
(72) Name(s) of Designer(s): **Barry Crone**  
(45) Registration Date: **24 September 2013**  
(30) Convention priority data:  
(31) Number (32) Date (33) Country  
**UNKNOWN 08 Aug 2013 NEW ZEALAND**  
(56) Related Art Documents: **Not Applicable**  
(57) Statement of Newness and Distinctiveness: **The design is to be applied to a basting pot & brush set. The novelty resides in the shape and/or configuration of the basting pot & brush set, as shown in the accompanying representations.**

(21) Design Number: **14172/2013**  
(22) Date of Filing Application: **23 August 2013**  
(24) Date from which industrial property rights may have effect: **23 August 2013**  
(54) Product in respect of which the design is registered: **Electronic device**  
(51) International Design Classification: **14-02, 10-02**  
(74) Name(s) of Attorney(s): **IP Gateway Patent & Trademark Attorneys Pty Ltd**  
(71) Name(s) and Address(s) of Applicant(s):

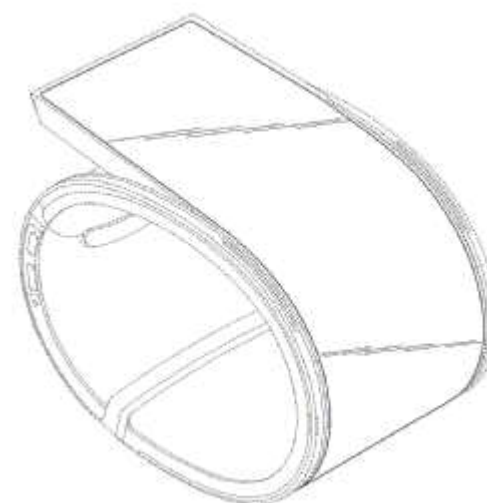


**Samsung Electronics Co., Ltd**  
**129 Samsung-ro Yeongtong-gu Suwon-si Gyeonggi-do 443-742 Republic of Korea**  
(72) Name(s) of Designer(s): **Hyun Jin Kim and Ji Yeon Kwak and Joon Kyu Seo**  
(45) Registration Date: **25 September 2013**  
(30) Convention priority data:  
(31) Number (32) Date (33) Country  
**30-2013-0009581 23 Feb 2013 REPUBLIC OF KOREA**  
(56) Related Art Documents: **Not Applicable**  
(57) Statement of Newness and Distinctiveness: **Newness and distinctiveness reside in the visual features of shape and configuration shown in solid lines in the representations and delineated by dot-and-dash lines. The features shown in broken lines should be given minimum emphasis when considering the overall impression of the design.**

(21) Design Number: **14173/2013**  
(22) Date of Filing Application: **23 August 2013**  
(24) Date from which industrial property rights may have effect: **23 August 2013**  
(54) Product in respect of which the design is registered: **Electronic device**  
(51) International Design Classification: **14-02, 10-02**  
(74) Name(s) of Attorney(s): **IP Gateway Patent & Trademark Attorneys Pty Ltd**  
(71) Name(s) and Address(s) of Applicant(s):  
**Samsung Electronics Co., Ltd**  
**129 Samsung-ro Yeongtong-gu Suwon-si Gyeonggi-do 443-742 Republic of Korea**  
(72) Name(s) of Designer(s): **Hyun Jin Kim and Ji Yeon Kwak and Joon Kyu Seo**  
(45) Registration Date: **25 September 2013**  
(30) Convention priority data:  
(31) Number (32) Date (33) Country  
**30-2013-0009582 23 Feb 2013 REPUBLIC OF KOREA**  
(56) Related Art Documents: **Not Applicable**  
(57) Statement of Newness and Distinctiveness: **Newness and distinctiveness reside in the visual features of shape and configuration shown in solid lines in the representations. The features shown in broken lines should be given minimum emphasis when considering the overall impression of the design.**



(21) Design Number: **14174/2013**  
(22) Date of Filing Application: **23 August 2013**  
(24) Date from which industrial property rights may have effect: **23 August 2013**  
(54) Product in respect of which the design is registered: **Electronic device**  
(51) International Design Classification: **14-02**  
(74) Name(s) of Attorney(s): **IP Gateway Patent & Trademark Attorneys Pty Ltd**  
(71) Name(s) and Address(s) of Applicant(s):  
**Samsung Electronics Co., Ltd.**  
**129 Samsung-ro Yeongtong-gu Suwon-si Gyeonggi-do 442-742 Republic of Korea**  
(72) Name(s) of Designer(s): **Hyun Jin Kim and Ji Yeon Kwak and Joon Kyu Seo**  
(45) Registration Date: **25 September 2013**  
(30) Convention priority data:  
(31) Number (32) Date (33) Country  
**30-2013-0009586 23 Feb 2013 REPUBLIC OF KOREA**  
(56) Related Art Documents: **Not Applicable**  
(57) Statement of Newness and Distinctiveness: **Newness and distinctiveness reside in the visual features of shape and configuration of the display screen of an electronic device, as shown by solid lines in the accompanying representations. The features shown in broken lines should be given minimum emphasis when considering the overall impression of the design.**



(21) Design Number: **14175/2013**

(22) Date of Filing Application: **23 August 2013**

(24) Date from which industrial property rights may have effect: **23 August 2013**

(54) Product in respect of which the design is registered: **Electronic device**

(51) International Design Classification: **14-02, 10-02**

(74) Name(s) of Attorney(s): **IP Gateway Patent & Trademark Attorneys Pty Ltd**

(71) Name(s) and Address(s) of Applicant(s):

**Samsung Electronics Co., Ltd.**

**129 Samsung-ro Yeongtong-gu Suwon-si Gyeonggi-do 442-742 Republic of Korea**

(72) Name(s) of Designer(s): **Hyun Jin Kim and Ji Yeon Kwak and Joon Kyu Seo**

(45) Registration Date: **25 September 2013**

(30) Convention priority data:

(31) Number	(32) Date	(33) Country
<b>30-2013-0009583</b>	<b>23 Feb 2013</b>	<b>REPUBLIC OF KOREA</b>

(56) Related Art Documents: **Not Applicable**

(57) Statement of Newness and Distinctiveness: **Newness and distinctiveness reside in the visual features of shape and configuration shown in solid lines in the representations. The features shown in broken lines should be given minimum emphasis when considering the overall impression of the design.**



(21) Design Number: **14176/2013**

(22) Date of Filing Application: **23 August 2013**

(24) Date from which industrial property rights may have effect: **23 August 2013**

(54) Product in respect of which the design is registered: **Electronic device**

(51) International Design Classification: **14-02, 10-02**

(74) Name(s) of Attorney(s): **IP Gateway Patent & Trademark Attorneys Pty Ltd**

(71) Name(s) and Address(s) of Applicant(s):

**Samsung Electronics Co., Ltd.**

**129 Samsung-ro Yeongtong-gu Suwon-si Gyeonggi-do 442-742 Republic of Korea**

(72) Name(s) of Designer(s): **Hyun Jin Kim and Ji Yeon Kwak and Joon Kyu Seo**

(45) Registration Date: **25 September 2013**

(30) Convention priority data:

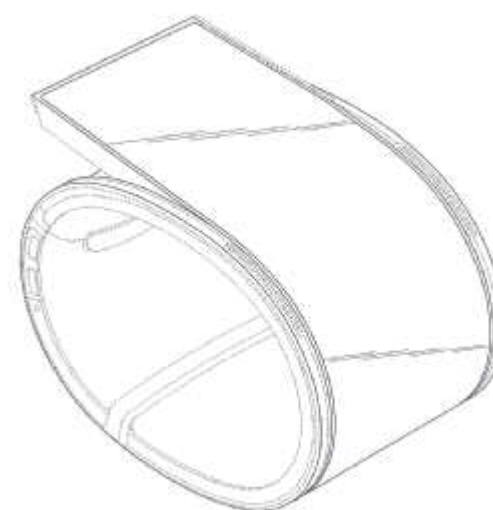
(31) Number	(32) Date	(33) Country
<b>30-2013-0009579</b>	<b>23 Feb 2013</b>	<b>REPUBLIC OF KOREA</b>

(56) Related Art Documents: **Not Applicable**

(57) Statement of Newness and Distinctiveness: **Newness and distinctiveness reside in the visual features of shape and configuration shown by solid lines and delineated by dot-and-dash lines in the representations. The features shown by broken lines should be given minimum emphasis when considering the overall impression of the design.**



- (21) Design Number: **14177/2013**  
(22) Date of Filing Application: **23 August 2013**  
(24) Date from which industrial property rights may have effect: **23 August 2013**  
(54) Product in respect of which the design is registered: **Electronic device**  
(51) International Design Classification: **14-02, 10-02**  
(74) Name(s) of Attorney(s): **IP Gateway Patent & Trademark Attorneys Pty Ltd**  
(71) Name(s) and Address(s) of Applicant(s):  
**Samsung Electronics Co., Ltd.**  
**129 Samsung-ro Yeongtong-gu Suwon-si Gyeonggi-do 442-742 Republic of Korea**  
(72) Name(s) of Designer(s): **Hyun Jin Kim and Ji Yeon Kwak and Joon Kyu Seo**  
(45) Registration Date: **25 September 2013**  
(30) Convention priority data:  
(31) Number (32) Date (33) Country  
**30-2013-0009580 23 Feb 2013 REPUBLIC OF KOREA**  
(56) Related Art Documents: **Not Applicable**  
(57) Statement of Newness and Distinctiveness: **Newness and distinctiveness reside in the visual features of shape and configuration shown in solid lines in the representations and delineated by dot-and-dash lines. The features shown in broken lines should be given minimum emphasis when considering the overall impression of the design.**



- (21) Design Number: **14178/2013**  
(22) Date of Filing Application: **23 August 2013**  
(24) Date from which industrial property rights may have effect: **23 August 2013**  
(54) Product in respect of which the design is registered: **Electronic device**  
(51) International Design Classification: **14-02, 10-02**  
(74) Name(s) of Attorney(s): **IP Gateway Patent & Trademark Attorneys Pty Ltd**  
(71) Name(s) and Address(s) of Applicant(s):  
**Samsung Electronics Co., Ltd.**  
**129 Samsung-ro Yeongtong-gu Suwon-si Gyeonggi-do 442-742 Republic of Korea**  
(72) Name(s) of Designer(s): **Hyun Jin Kim and Ji Yeon Kwak and Joon Kyu Seo**  
(45) Registration Date: **25 September 2013**  
(30) Convention priority data:  
(31) Number (32) Date (33) Country  
**30-2013-0009577 23 Feb 2013 REPUBLIC OF KOREA**  
(56) Related Art Documents: **Not Applicable**  
(57) Statement of Newness and Distinctiveness: **Newness and distinctiveness reside in the visual features of shape and configuration shown in solid lines in the representations and delineated by dot-and-dash lines. The features shown in broken lines should be given minimum emphasis when considering the overall impression of the design.**



(21) Design Number: **14179/2013**

(22) Date of Filing Application: **23 August 2013**

(24) Date from which industrial property rights may have effect: **23 August 2013**

(54) Product in respect of which the design is registered: **Electronic device**

(51) International Design Classification: **14-02, 10-02**

(74) Name(s) of Attorney(s): **IP Gateway Patent & Trademark Attorneys Pty Ltd**

(71) Name(s) and Address(s) of Applicant(s):

**Samsung Electronics Co., Ltd**  
**129 Samsung-ro Yeongtong-gu Suwon-si Gyeonggi-do 443-742 Republic of Korea**

(72) Name(s) of Designer(s): **Hyun Jin Kim and Ji Yeon Kwak and Joon Kyu Seo**

(45) Registration Date: **25 September 2013**

(30) Convention priority data:

(31) Number	(32) Date	(33) Country
<b>30-2013-0009578</b>	<b>23 Feb 2013</b>	<b>REPUBLIC OF KOREA</b>

(56) Related Art Documents: **Not Applicable**

(57) Statement of Newness and Distinctiveness: **Newness and distinctiveness reside in the visual features of shape and configuration shown in solid lines in the representations. The features shown in broken lines should be given minimum emphasis when considering the overall impression of the design.**



(21) Design Number: **14180/2013**

(22) Date of Filing Application: **23 August 2013**

(24) Date from which industrial property rights may have effect: **23 August 2013**

(54) Product in respect of which the design is registered: **Electronic device**

(51) International Design Classification: **14-02, 10-02**

(74) Name(s) of Attorney(s): **IP Gateway Patent & Trademark Attorneys Pty Ltd**

(71) Name(s) and Address(s) of Applicant(s):

**Samsung Electronics Co., Ltd**  
**129 Samsung-ro Yeongtong-gu Suwon-si Gyeonggi-do 443-742 Republic of Korea**

(72) Name(s) of Designer(s): **Hyun Jin Kim and Ji Yeon Kwak and Joon Kyu Seo**

(45) Registration Date: **25 September 2013**

(30) Convention priority data:

(31) Number	(32) Date	(33) Country
<b>30-2013-0009575</b>	<b>23 Feb 2013</b>	<b>REPUBLIC OF KOREA</b>

(56) Related Art Documents: **Not Applicable**

(57) Statement of Newness and Distinctiveness: **Newness and distinctiveness reside in the visual features of shape and configuration shown in solid lines in the representations and delineated by dot-and-dash lines. The features shown in broken lines should be given minimum emphasis when considering the overall impression of the design.**



- (21) Design Number: **14181/2013**  
(22) Date of Filing Application: **23 August 2013**  
(24) Date from which industrial property rights may have effect: **23 August 2013**  
(54) Product in respect of which the design is registered: **Electronic device**  
(51) International Design Classification: **14-02, 10-02**  
(74) Name(s) of Attorney(s): **IP Gateway Patent & Trademark Attorneys Pty Ltd**  
(71) Name(s) and Address(s) of Applicant(s):  
**Samsung Electronics Co., Ltd**  
**129 Samsung-ro Yeongtong-gu Suwon-si Gyeonggi-do 443-742 Republic of Korea**  
(72) Name(s) of Designer(s): **Hyun Jin Kim and Ji Yeon Kwak and Joon Kyu Seo**  
(45) Registration Date: **25 September 2013**  
(30) Convention priority data:  
(31) Number (32) Date (33) Country  
**30-2013-0009573 23 Feb 2013 REPUBLIC OF KOREA**  
(56) Related Art Documents: **Not Applicable**  
(57) Statement of Newness and Distinctiveness: **Newness and distinctiveness reside in the visual features of shape and configuration shown in solid lines in the representations and delineated by dot-and-dash lines. The features shown in broken lines should be given minimum emphasis when considering the overall impression of the design.**



- (21) Design Number: **14182/2013**  
(22) Date of Filing Application: **23 August 2013**  
(24) Date from which industrial property rights may have effect: **23 August 2013**  
(54) Product in respect of which the design is registered: **Electronic device**  
(51) International Design Classification: **14-02, 10-02**  
(74) Name(s) of Attorney(s): **IP Gateway Patent & Trademark Attorneys Pty Ltd**  
(71) Name(s) and Address(s) of Applicant(s):  
**Samsung Electronics Co., Ltd**  
**129 Samsung-ro Yeongtong-gu Suwon-si Gyeonggi-do 443-742 Republic of Korea**  
(72) Name(s) of Designer(s): **Hyun Jin Kim and Ji Yeon Kwak and Joon Kyu Seo**  
(45) Registration Date: **25 September 2013**  
(30) Convention priority data:  
(31) Number (32) Date (33) Country  
**30-2013-0009572 23 Feb 2013 REPUBLIC OF KOREA**  
(56) Related Art Documents: **Not Applicable**  
(57) Statement of Newness and Distinctiveness: **Newness and distinctiveness reside in the visual features of shape and configuration shown in solid lines in the representations and delineated by dot-and-dash lines. The features shown in broken lines should be given minimum emphasis when considering the overall impression of the design.**



(21) Design Number: **14183/2013**

(22) Date of Filing Application: **23 August 2013**

(24) Date from which industrial property rights may have effect: **23 August 2013**

(54) Product in respect of which the design is registered: **Electronic device**

(51) International Design Classification: **14-02, 10-02**

(74) Name(s) of Attorney(s): **IP Gateway Patent & Trademark Attorneys Pty Ltd**

(71) Name(s) and Address(s) of Applicant(s):

**Samsung Electronics Co., Ltd**  
**129 Samsung-ro Yeongtong-gu Suwon-si Gyeonggi-do 443-742 Republic of Korea**

(72) Name(s) of Designer(s): **Hyun Jin Kim and Ji Yeon Kwak and Joon Kyu Seo**

(45) Registration Date: **25 September 2013**

(30) Convention priority data:

(31) Number	(32) Date	(33) Country
<b>30-2013-0009574</b>	<b>23 Feb 2013</b>	<b>REPUBLIC OF KOREA</b>

(56) Related Art Documents: **Not Applicable**

(57) Statement of Newness and Distinctiveness: **Newness and distinctiveness reside in the visual features of shape and configuration shown in solid lines in the representations and delineated by dot-and-dash lines. The features shown in broken lines should be given minimum emphasis when considering the overall impression of the design.**



(21) Design Number: **14184/2013**

(22) Date of Filing Application: **23 August 2013**

(24) Date from which industrial property rights may have effect: **23 August 2013**

(54) Product in respect of which the design is registered: **Electronic device**

(51) International Design Classification: **14-02, 10-02**

(74) Name(s) of Attorney(s): **IP Gateway Patent & Trademark Attorneys Pty Ltd**

(71) Name(s) and Address(s) of Applicant(s):

**Samsung Electronics Co., Ltd**  
**129 Samsung-ro Yeongtong-gu Suwon-si Gyeonggi-do 443-742 Republic of Korea**

(72) Name(s) of Designer(s): **Hyun Jin Kim and Ji Yeon Kwak and Joon Kyu Seo**

(45) Registration Date: **25 September 2013**

(30) Convention priority data:

(31) Number	(32) Date	(33) Country
<b>30-2013-0009576</b>	<b>23 Feb 2013</b>	<b>REPUBLIC OF KOREA</b>

(56) Related Art Documents: **Not Applicable**

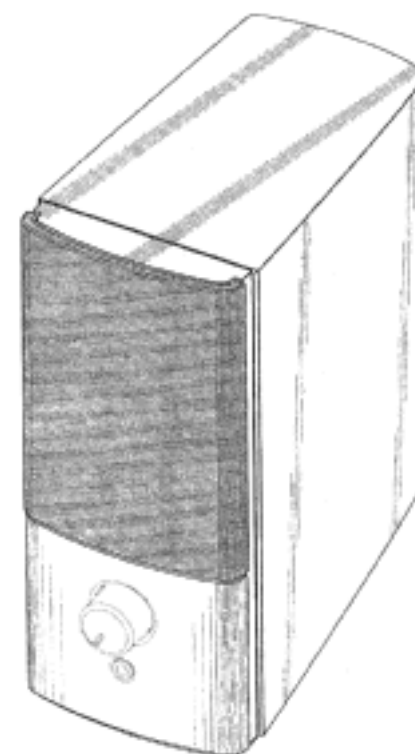
(57) Statement of Newness and Distinctiveness: **Newness and distinctiveness reside in the visual features of shape and configuration as shown by solid lines in the accompanying representations. The features shown in broken lines should be given minimum emphasis when considering the overall impression of the design.**



(21) Design Number: **14185/2013**  
(22) Date of Filing Application: **23 August 2013**  
(24) Date from which industrial property rights may have effect: **23 August 2013**  
(54) Product in respect of which the design is registered: **Electronic device**  
(51) International Design Classification: **14-02, 10-02**  
(74) Name(s) of Attorney(s): **IP Gateway Patent & Trademark Attorneys Pty Ltd**  
(71) Name(s) and Address(s) of Applicant(s):  
**Samsung Electronics Co., Ltd**  
**129 Samsung-ro Yeongtong-gu Suwon-si Gyeonggi-do 443-742 Republic of Korea**  
(72) Name(s) of Designer(s): **Hyun Jin Kim and Ji Yeon Kwak and Joon Kyu Seo**  
(45) Registration Date: **25 September 2013**  
(30) Convention priority data:  
(31) Number (32) Date (33) Country  
**30-2013-0009584 23 Feb 2013 REPUBLIC OF KOREA**  
(56) Related Art Documents: **Not Applicable**  
(57) Statement of Newness and Distinctiveness: **Newness and distinctiveness reside in the visual features of shape and configuration shown in solid lines in the representations. The features shown in broken lines should be given minimum emphasis when considering the overall impression of the design.**

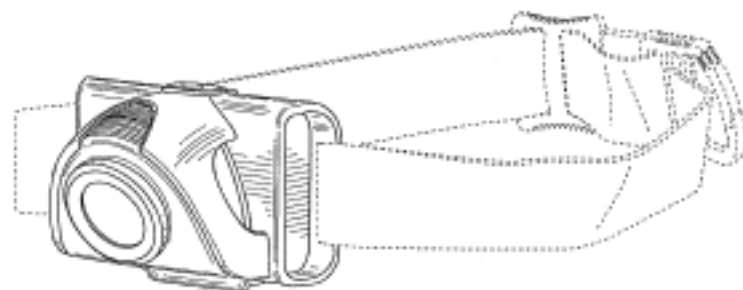


(21) Design Number: **12501/2013**  
(22) Date of Filing Application: **30 May 2013**  
(24) Date from which industrial property rights may have effect: **30 May 2013**  
(54) Product in respect of which the design is registered: **Speaker**  
(51) International Design Classification: **14-01**  
(74) Name(s) of Attorney(s): **PHILLIPS ORMONDE FITZPATRICK**  
(71) Name(s) and Address(s) of Applicant(s):  
**Bose Corporation**  
**The Mountain MS 40 Framingham Massachusetts 01701-9168 United States of America**  
(72) Name(s) of Designer(s): **Wei Wen Hung and David H. Pitcher**  
(45) Registration Date: **25 September 2013**  
(30) Convention priority data:  
(31) Number (32) Date (33) Country  
**29/440,122 19 Dec 2012 UNITED STATES OF AMERICA**  
(56) Related Art Documents: **Not Applicable**  
(57) Statement of Newness and Distinctiveness: **Those features of the speaker depicted in the representations that are new and distinctive are the shape and/or configuration. The features shown in broken lines are not part of the design and are to be disregarded when considering the overall impression of the design.**

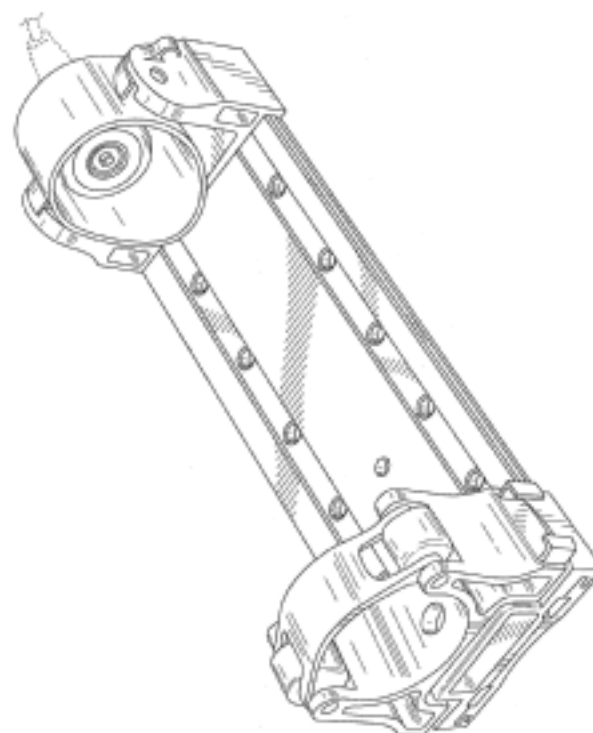




(21) Design Number: **13216/2013**  
(22) Date of Filing Application: **04 July 2013**  
(24) Date from which industrial property rights may have effect: **04 July 2013**  
(54) Product in respect of which the design is registered: **Headlamp**  
(51) International Design Classification: **26-02**  
(74) Name(s) of Attorney(s): **PIZZEYS**  
(71) Name(s) and Address(s) of Applicant(s):  
**LED Lenser Corp. Ltd.**  
**No. 25 Yudong 1st Road Yangdong Industrial Zone Yangdong County**  
**Yangjiang City Guangdong Province 529500 China**  
(72) Name(s) of Designer(s): **Stefan Feustel and Andre Kunzendorf**  
(45) Registration Date: **25 September 2013**  
(30) Convention priority data:  
(31) Number (32) Date (33) Country  
**201330006799.1 10 Jan 2013 CHINA**  
(56) Related Art Documents: **Not Applicable**  
(57) Statement of Newness and Distinctiveness: **Nil**



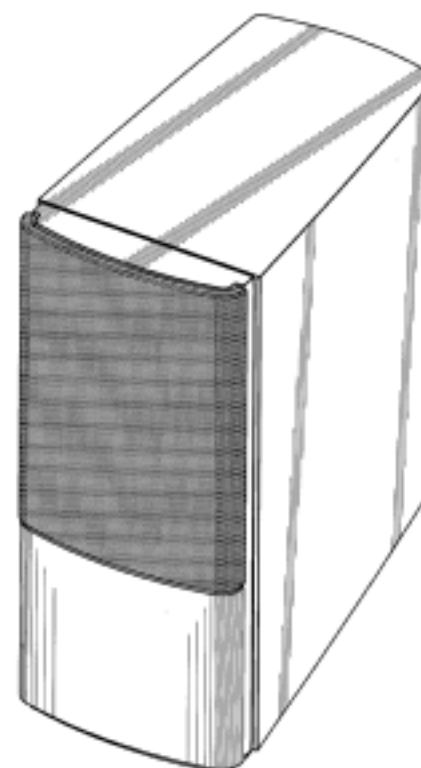
(21) Design Number: **13217/2013**  
(22) Date of Filing Application: **04 July 2013**  
(24) Date from which industrial property rights may have effect: **04 July 2013**  
(54) Product in respect of which the design is registered: **Charging base**  
(51) International Design Classification: **13-02**  
(74) Name(s) of Attorney(s): **PIZZEYS**  
(71) Name(s) and Address(s) of Applicant(s):  
**LED Lenser Corp. Ltd.**  
**No. 25 Yudong 1st Road Yangdong Industrial Zone Yangdong County**  
**Yangjiang City Guangdong Province 529500 China**  
(72) Name(s) of Designer(s): **Stefan Feustel and Andre Kunzendorf**  
(45) Registration Date: **25 September 2013**  
(30) Convention priority data:  
(31) Number (32) Date (33) Country  
**201330006801.5 10 Jan 2013 CHINA**  
(56) Related Art Documents: **Not Applicable**  
(57) Statement of Newness and Distinctiveness: **Nil**



(21) Design Number: **13620/2013**  
(22) Date of Filing Application: **30 May 2013**  
(24) Date from which industrial property rights may have effect: **30 May 2013**  
(54) Product in respect of which the design is registered: **Speaker**  
(51) International Design Classification: **14-01**  
(74) Name(s) of Attorney(s): **PHILLIPS ORMONDE FITZPATRICK**  
(71) Name(s) and Address(s) of Applicant(s):  
**Bose Corporation**  
**The Mountain MS 40 Framingham Massachusetts 01701-9168 United States of America**

(72) Name(s) of Designer(s): **David H. Pitcher and Wei Wen Hung**  
(45) Registration Date: **25 September 2013**  
(30) Convention priority data:  
(31) Number (32) Date (33) Country  
**29/440,122 19 Dec 2012 UNITED STATES OF AMERICA**

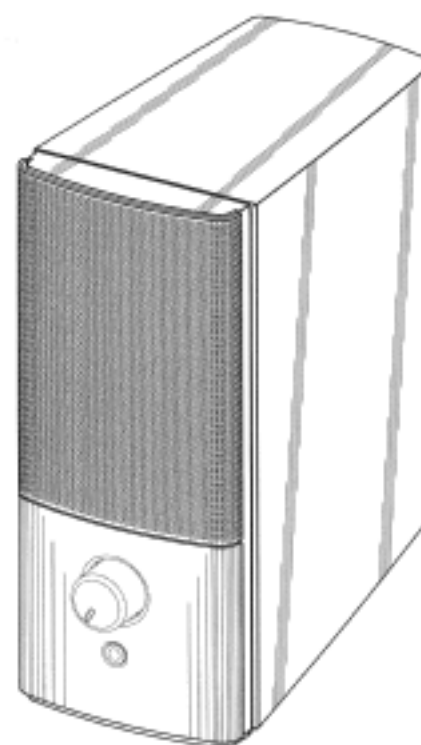
(56) Related Art Documents: **Not Applicable**  
(57) Statement of Newness and Distinctiveness: **Those features of the speaker depicted in the representations that are new and distinctive are the shape and/or configuration. The features shown in broken lines are not part of the design and are to be disregarded when considering the overall impression of the design.**



(21) Design Number: **13621/2013**  
(22) Date of Filing Application: **30 May 2013**  
(24) Date from which industrial property rights may have effect: **30 May 2013**  
(54) Product in respect of which the design is registered: **Speaker**  
(51) International Design Classification: **14-01**  
(74) Name(s) of Attorney(s): **PHILLIPS ORMONDE FITZPATRICK**  
(71) Name(s) and Address(s) of Applicant(s):  
**Bose Corporation**  
**The Mountain MS 40 Framingham Massachusetts 01701-9168 United States of America**

(72) Name(s) of Designer(s): **David H. Pitcher and Wei Wen Hung**  
(45) Registration Date: **25 September 2013**  
(30) Convention priority data:  
(31) Number (32) Date (33) Country  
**29/440, 122 19 Dec 2012 UNITED STATES OF AMERICA**

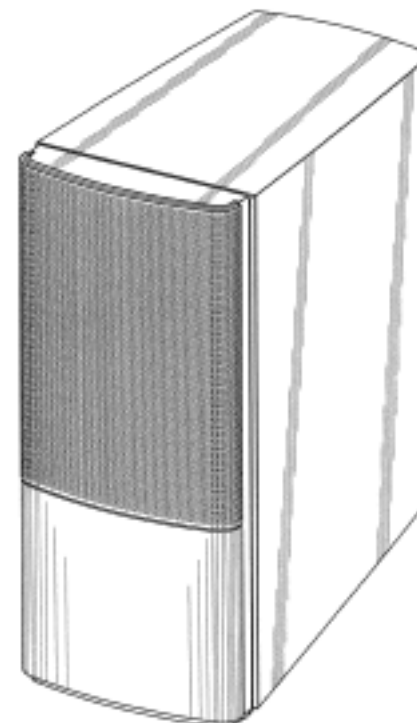
(56) Related Art Documents: **Not Applicable**  
(57) Statement of Newness and Distinctiveness: **Those features of the speaker depicted in the representations that are new and distinctive are the shape and/or configuration. The features shown in broken lines are not part of the design and are to be disregarded when considering the overall impression of the design.**



(21) Design Number: **13622/2013**  
(22) Date of Filing Application: **30 May 2013**  
(24) Date from which industrial property rights may have effect: **30 May 2013**  
(54) Product in respect of which the design is registered: **Speaker**  
(51) International Design Classification: **14-01**  
(74) Name(s) of Attorney(s): **PHILLIPS ORMONDE FITZPATRICK**  
(71) Name(s) and Address(s) of Applicant(s):  
**Bose Corporation**  
**The Mountain MS 40 Framingham Massachusetts 01701-9168 United States of America**

(72) Name(s) of Designer(s): **David H. Pitcher and Wei Wen Hung**  
(45) Registration Date: **25 September 2013**  
(30) Convention priority data:  
(31) Number (32) Date (33) Country  
**29/440,122 19 Dec 2012 UNITED STATES OF AMERICA**

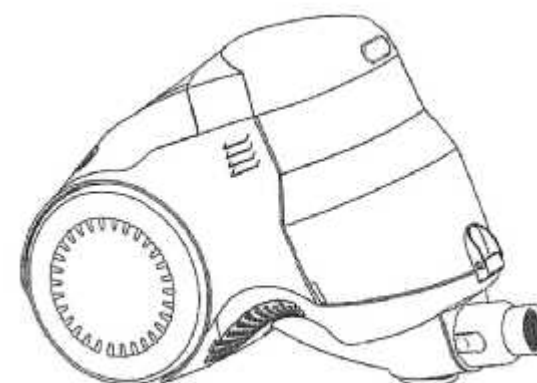
(56) Related Art Documents: **Not Applicable**  
(57) Statement of Newness and Distinctiveness: **Those features of the speaker depicted in the representations that are new and distinctive are the shape and/or configuration. The features shown in broken lines are not part of the design and are to be disregarded when considering the overall impression of the design.**



(21) Design Number: **14125/2013**  
(22) Date of Filing Application: **21 August 2013**  
(24) Date from which industrial property rights may have effect: **21 August 2013**  
(54) Product in respect of which the design is registered: **Floor cleaning device**  
(51) International Design Classification: **15-05**  
(74) Name(s) of Attorney(s): **Griffith Hack**  
(71) Name(s) and Address(s) of Applicant(s):  
**Techtronic Floor Care Technology Limited**  
**PO BOX 957 Offshore Incorporations Centre Road Town Tortola British Virgin Islands**

(72) Name(s) of Designer(s): **Daniel William Carter**  
(45) Registration Date: **25 September 2013**  
(30) Convention priority data:  
(31) Number (32) Date (33) Country  
**201330043007.8 21 Feb 2013 CHINA**

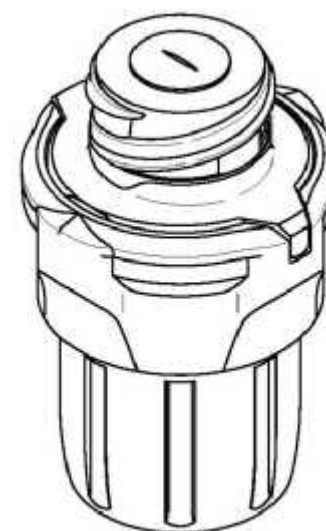
(56) Related Art Documents: **Not Applicable**  
(57) Statement of Newness and Distinctiveness: **Nil**



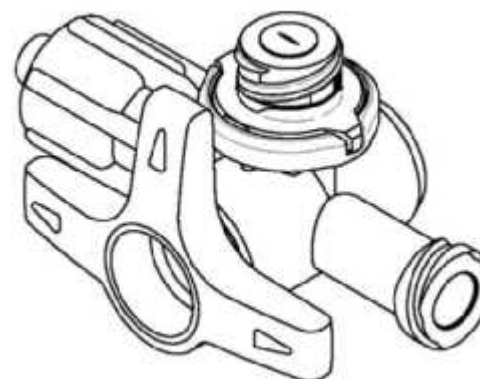
(21) Design Number: **14130/2013**  
(22) Date of Filing Application: **21 August 2013**  
(24) Date from which industrial property rights may have effect: **21 August 2013**  
(54) Product in respect of which the design is registered: **Light-reducing filter for night vision device**  
(51) International Design Classification: **16-05**  
(74) Name(s) of Attorney(s): **Shelston IP**  
(71) Name(s) and Address(s) of Applicant(s):  
**Wilcox Industries Corp.**  
**25 Piscataqua Drive Newington New Hampshire 03801 United States of America**  
(72) Name(s) of Designer(s): **James W. Teetzel and Travis S. Mitchell and Nathaniel G. Wright**  
(45) Registration Date: **25 September 2013**  
(30) Convention priority data:  
(31) Number (32) Date (33) Country  
**29/458845 24 Jun 2013 UNITED STATES OF AMERICA**  
(56) Related Art Documents: **Not Applicable**  
(57) Statement of Newness and Distinctiveness: **Newness and distinctiveness reside in the features of shape and/or configuration of the light-reducing filter for night vision device as shown in the accompanying representations. The features shown in broken lines are for the purpose of illustrating environment of the light-reducing filter for night vision device only and form no part of the claimed design.**



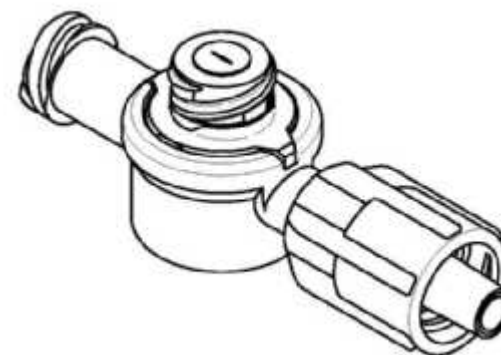
(21) Design Number: **14131/2013**  
(22) Date of Filing Application: **21 August 2013**  
(24) Date from which industrial property rights may have effect: **21 August 2013**  
(54) Product in respect of which the design is registered: **Medical connector**  
(51) International Design Classification: **24-02**  
(74) Name(s) of Attorney(s): **Shelston IP**  
(71) Name(s) and Address(s) of Applicant(s):  
**Terumo Kabushiki Kaisha**  
**44-1 2-chome Hatagaya Shibuya-ku Tokyo 151-0072 Japan**  
(72) Name(s) of Designer(s): **Yasuhiro Ueda and Hirotaka Ohashi**  
(45) Registration Date: **25 September 2013**  
(30) Convention priority data:  
(31) Number (32) Date (33) Country  
**2013-003970 26 Feb 2013 JAPAN**  
(56) Related Art Documents: **Not Applicable**  
(57) Statement of Newness and Distinctiveness: **Newness and distinctiveness reside in the features of shape and/or configuration of the medical connector as shown in the accompanying representations.**



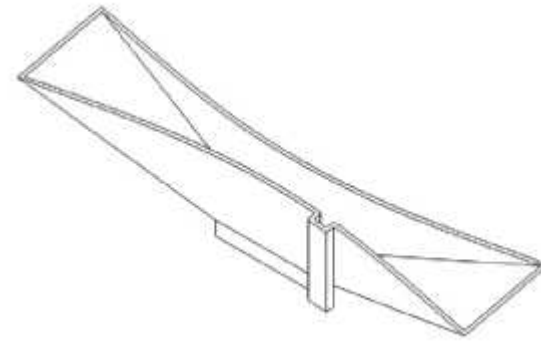
(21) Design Number: **14132/2013**  
(22) Date of Filing Application: **21 August 2013**  
(24) Date from which industrial property rights may have effect: **21 August 2013**  
(54) Product in respect of which the design is registered: **Medical stopcock**  
(51) International Design Classification: **24-02**  
(74) Name(s) of Attorney(s): **Shelston IP**  
(71) Name(s) and Address(s) of Applicant(s):  
**Terumo Kabushiki Kaisha**  
**44-1 2-chome Hatagaya Shibuya-ku Tokyo 151-0072 Japan**  
(72) Name(s) of Designer(s): **Yasuhiro Ueda and Hirotaka Ohashi**  
(45) Registration Date: **25 September 2013**  
(30) Convention priority data:  
(31) Number      (32) Date      (33) Country  
**2013-003968      26 Feb 2013      JAPAN**  
(56) Related Art Documents: **Not Applicable**  
(57) Statement of Newness and Distinctiveness: **Newness and distinctiveness reside in the features of shape and/or configuration of the medical stopcock as shown in the accompanying representations.**



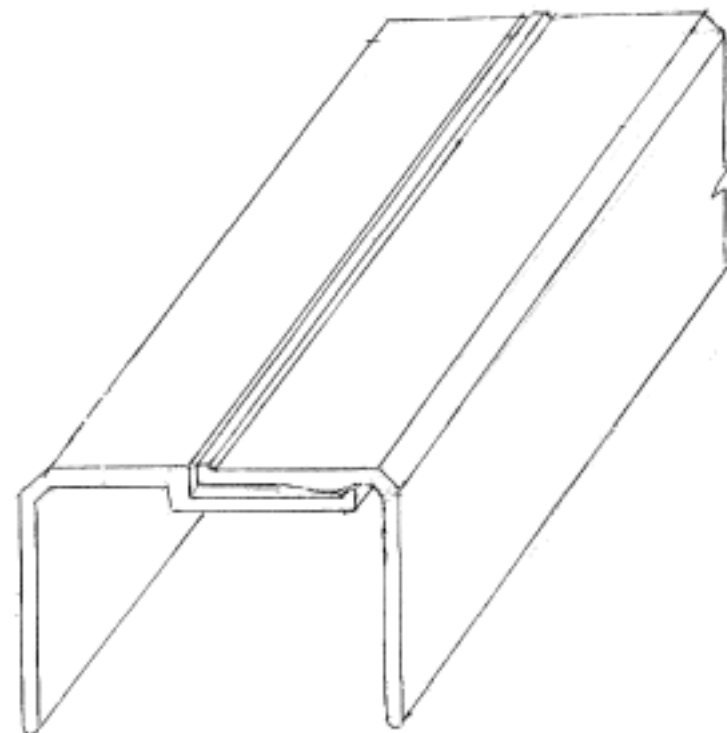
(21) Design Number: **14133/2013**  
(22) Date of Filing Application: **21 August 2013**  
(24) Date from which industrial property rights may have effect: **21 August 2013**  
(54) Product in respect of which the design is registered: **Medical connector**  
(51) International Design Classification: **24-02**  
(74) Name(s) of Attorney(s): **Shelston IP**  
(71) Name(s) and Address(s) of Applicant(s):  
**Terumo Kabushiki Kaisha**  
**44-1 2-chome Hatagaya Shibuya-ku Tokyo 151-0072 Japan**  
(72) Name(s) of Designer(s): **Yasuhiro Ueda and Hirotaka Ohashi**  
(45) Registration Date: **25 September 2013**  
(30) Convention priority data:  
(31) Number      (32) Date      (33) Country  
**2013-003966      26 Feb 2013      JAPAN**  
(56) Related Art Documents: **Not Applicable**  
(57) Statement of Newness and Distinctiveness: **Newness and distinctiveness reside in the features of shape and/or configuration of the medical connector as shown in the accompanying representations.**



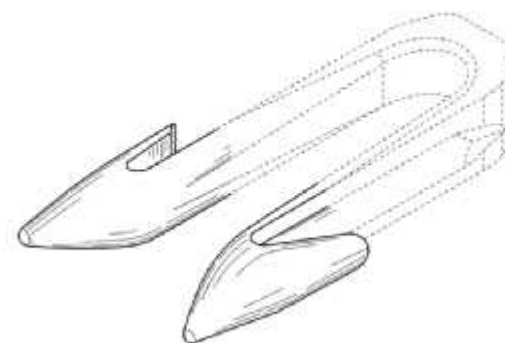
- (21) Design Number: **14134/2013**  
(22) Date of Filing Application: **21 August 2013**  
(24) Date from which industrial property rights may have effect: **21 August 2013**  
(54) Product in respect of which the design is registered: **Horse pool**  
(51) International Design Classification: **25-03**  
(74) Name(s) of Attorney(s): **GO trademarks**  
(71) Name(s) and Address(s) of Applicant(s):  
**Barrier Reef Pools Pty Ltd**  
**9 Doug Sullivan Ct Beaudesert QLD 4285 Australia**  
(72) Name(s) of Designer(s): **Michael Crooks**  
(45) Registration Date: **25 September 2013**  
(56) Related Art Documents: **Not Applicable**  
(57) Statement of Newness and Distinctiveness: **The newness and distinctiveness of the design resides in the shape and/or configuration of the horse pool as shown in the accompanying representations.**



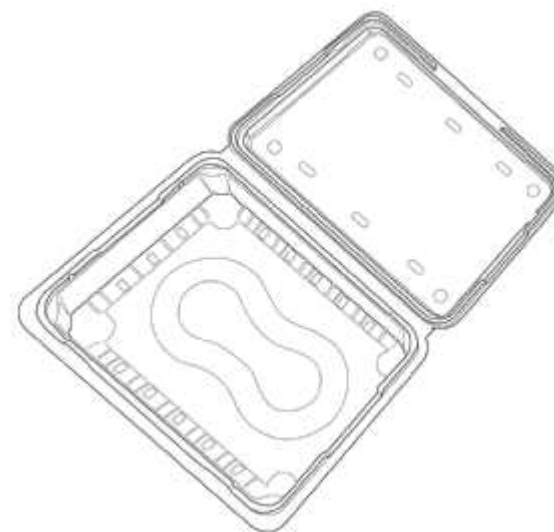
- (21) Design Number: **14136/2013**  
(22) Date of Filing Application: **20 August 2013**  
(24) Date from which industrial property rights may have effect: **20 August 2013**  
(54) Product in respect of which the design is registered: **Wall channel**  
(51) International Design Classification: **25-01K**  
(74) Name(s) of Attorney(s):  
(71) Name(s) and Address(s) of Applicant(s):  
**Dias Aluminium Products Pty. Ltd.**  
**201-205 Browns Rd Noble Park VIC 3174 Australia**  
(72) Name(s) of Designer(s): **Ian David Paterson**  
(45) Registration Date: **25 September 2013**  
(56) Related Art Documents: **Not Applicable**  
(57) Statement of Newness and Distinctiveness: **Nil**



- (21) Design Number: **14137/2013**  
(22) Date of Filing Application: **22 August 2013**  
(24) Date from which industrial property rights may have effect: **22 August 2013**  
(54) Product in respect of which the design is registered: **Surgical fastener**  
(51) International Design Classification: **24-02**  
(74) Name(s) of Attorney(s): **Callinans**  
(71) Name(s) and Address(s) of Applicant(s):  
**Ethicon, Inc.**  
**US Route 22 Somerville NJ 08876 United States of America**  
(72) Name(s) of Designer(s): **Robert Nering and Simon Cohn and Anthony Miksza and Matthew D. Daniel and Jeremy David Jarrett**  
(45) Registration Date: **25 September 2013**  
(30) Convention priority data:  
(31) Number (32) Date (33) Country  
**29/447,564 05 Mar 2013 UNITED STATES OF AMERICA**  
(56) Related Art Documents: **Not Applicable**  
(57) Statement of Newness and Distinctiveness: **Newness and distinctiveness are provided by the shape and/or configuration of the design shown in the representations. The features shown in broken lines in the representations are for illustrative purposes only and should not be considered when construing visual features of the design.**



- (21) Design Number: **14150/2013**  
(22) Date of Filing Application: **22 August 2013**  
(24) Date from which industrial property rights may have effect: **22 August 2013**  
(54) Product in respect of which the design is registered: **A punnet**  
(51) International Design Classification: **09-03F**  
(74) Name(s) of Attorney(s): **Smooenburg Patent & Trade Mark Attorneys**  
(71) Name(s) and Address(s) of Applicant(s):  
**Fullyarn Packaging (AU) Pty Ltd**  
**62A Bayswater Rd Croydon VIC 3136 Australia**  
(72) Name(s) of Designer(s): **Sihe Liu**  
(45) Registration Date: **25 September 2013**  
(56) Related Art Documents: **Not Applicable**  
(57) Statement of Newness and Distinctiveness: **Newness and distinctiveness is claimed in the features of shape and/or configuration of a punnet as illustrated in the accompanying representations.**



(21) Design Number: **14153/2013**

(22) Date of Filing Application: **22 August 2013**

(24) Date from which industrial property rights may have effect: **22 August 2013**

(54) Product in respect of which the design is registered: **Alu' sling position chair**

(51) International Design Classification: **06-01F, 06-01H**

(74) Name(s) of Attorney(s):

(71) Name(s) and Address(s) of Applicant(s):

**Xuan Zhou**

**Tianhe District Guangzhou Unit 704 Xin Chuang Ju Building No.123  
China**

**Guangzhou Gardenart Furniture Co. Ltd**

**Unit 704 Xin Chuangju Building No.123 Ti Yu Xi Road Tianhe District  
Guangzhou 510620 China**

(72) Name(s) of Designer(s): **Jianhui Cao**

(45) Registration Date: **25 September 2013**

(56) Related Art Documents: **Not Applicable**

(57) Statement of Newness and Distinctiveness: **Nil**



(21) Design Number: **14160/2013**

(22) Date of Filing Application: **23 August 2013**

(24) Date from which industrial property rights may have effect: **23 August 2013**

(54) Product in respect of which the design is registered: **Fireproof and waterproof lamp device**

(51) International Design Classification: **26-03, 26-05NES**

(74) Name(s) of Attorney(s): **WATERMARK PATENT AND TRADE MARKS  
ATTORNEYS**

(71) Name(s) and Address(s) of Applicant(s):

**Wen-Hsin Chao**

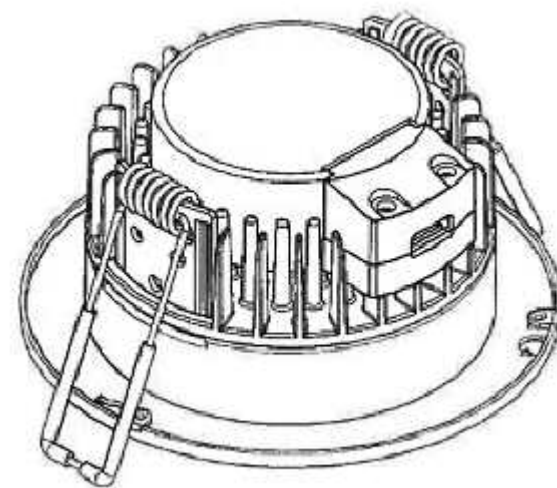
**No. 241, Sec. 1, Meiliao Rd Hemei Township Changhua Hsien Taiwan**

(72) Name(s) of Designer(s): **Wen-Hsin Chao**

(45) Registration Date: **25 September 2013**

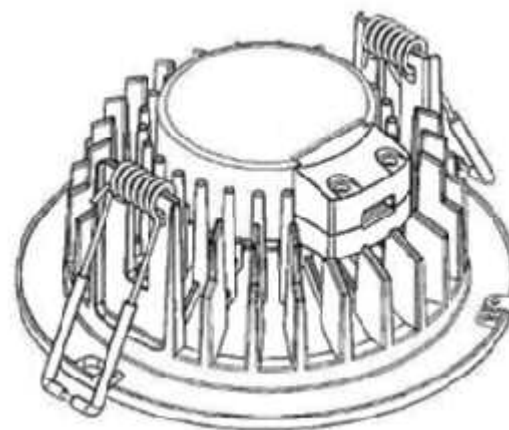
(56) Related Art Documents: **Not Applicable**

(57) Statement of Newness and Distinctiveness: **Nil**





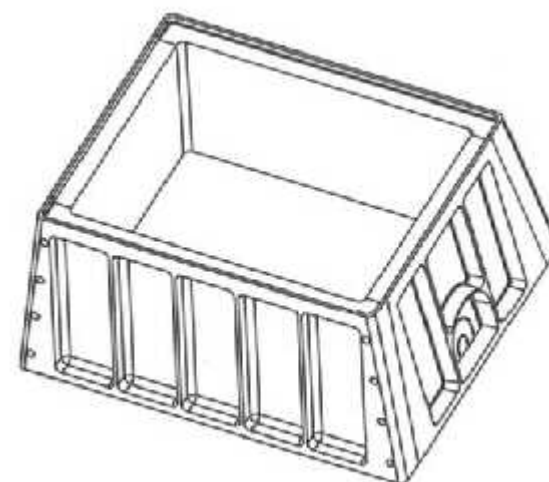
- (21) Design Number: **14161/2013**  
(22) Date of Filing Application: **23 August 2013**  
(24) Date from which industrial property rights may have effect: **23 August 2013**  
(54) Product in respect of which the design is registered: **Waterproof lamp device**  
(51) International Design Classification: **26-03, 26-05NES**  
(74) Name(s) of Attorney(s): **WATERMARK PATENT AND TRADE MARKS ATTORNEYS**  
(71) Name(s) and Address(s) of Applicant(s):  
**Wen-Hsin Chao**  
**No. 241, Sec. 1, Meiliao Rd Hemei Township Changhua Hsien Taiwan**  
(72) Name(s) of Designer(s): **Wen-Hsin Chao**  
(45) Registration Date: **25 September 2013**  
(56) Related Art Documents: **Not Applicable**  
(57) Statement of Newness and Distinctiveness: **Nil**



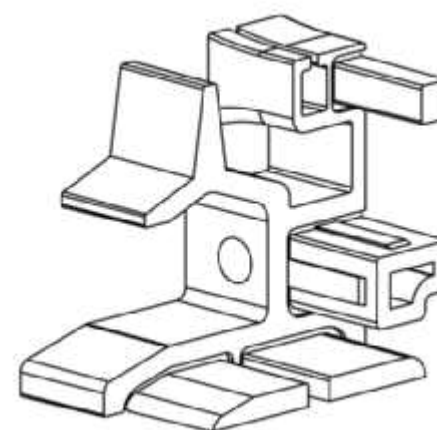
- (21) Design Number: **14170/2013**  
(22) Date of Filing Application: **23 August 2013**  
(24) Date from which industrial property rights may have effect: **23 August 2013**  
(54) Product in respect of which the design is registered: **Electronic device**  
(51) International Design Classification: **14-02, 10-02**  
(74) Name(s) of Attorney(s): **IP Gateway Patent & Trademark Attorneys Pty Ltd**  
(71) Name(s) and Address(s) of Applicant(s):  
**Samsung Electronics Co., Ltd**  
**129 Samsung-ro Yeongtong-gu Suwon-si Gyeonggi-do 443-742 Republic of Korea**  
(72) Name(s) of Designer(s): **Hyun Jin Kim and Ji Yeon Kwak and Joon Kyu Seo**  
(45) Registration Date: **25 September 2013**  
(30) Convention priority data:  
(31) Number (32) Date (33) Country  
**30-2013-0009585 23 Feb 2013 REPUBLIC OF KOREA**  
(56) Related Art Documents: **Not Applicable**  
(57) Statement of Newness and Distinctiveness: **Newness and distinctiveness reside in the visual features of shape and configuration as shown in solid lines in the accompanying representations. The features shown in broken lines should be given minimum emphasis when considering the overall impression of the design.**



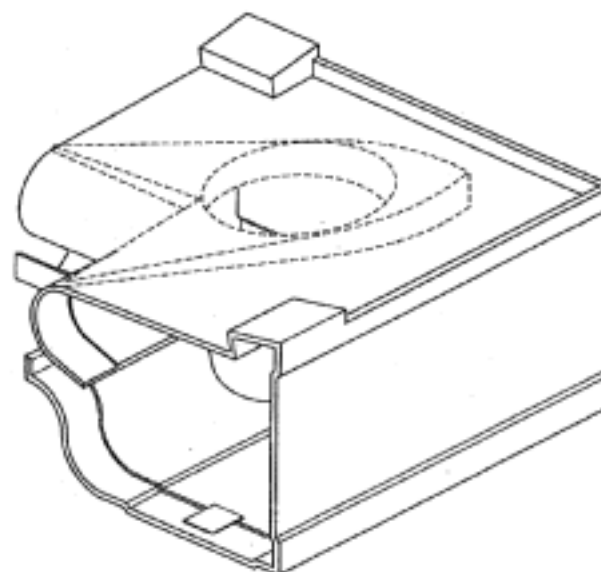
- (21) Design Number: **11423/2013**  
(22) Date of Filing Application: **20 March 2013**  
(24) Date from which industrial property rights may have effect: **20 March 2013**  
(54) Product in respect of which the design is registered: **Valve box**  
(51) International Design Classification: **23-01K**  
(74) Name(s) of Attorney(s): **Lord & Company**  
(71) Name(s) and Address(s) of Applicant(s):  
**Stockbrands Co. Pty Ltd**  
**53 Edward St Osborne Park WA 6017 Australia**  
(72) Name(s) of Designer(s): **John Forehan**  
(45) Registration Date: **26 September 2013**  
(56) Related Art Documents: **Not Applicable**  
(57) Statement of Newness and Distinctiveness: **Nil**



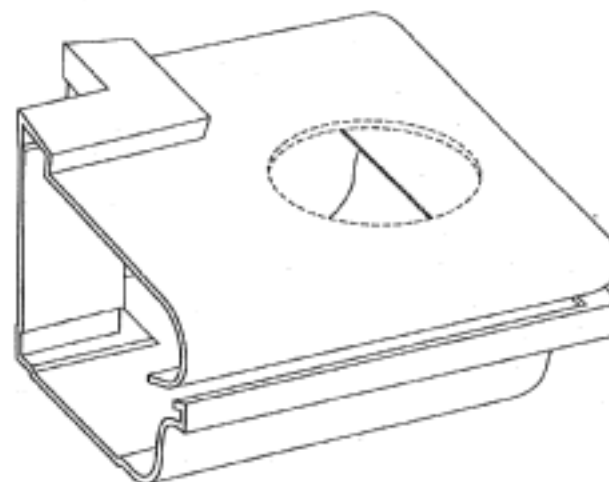
- (21) Design Number: **12350/2013**  
(22) Date of Filing Application: **21 May 2013**  
(24) Date from which industrial property rights may have effect: **21 May 2013**  
(54) Product in respect of which the design is registered: **Component for a retractable screens**  
(51) International Design Classification: **25-01K**  
(74) Name(s) of Attorney(s): **IP Gateway Patent & Trademark Attorneys Pty Ltd**  
(71) Name(s) and Address(s) of Applicant(s):  
**Freedom Screens of Australia Pty Ltd**  
**U3 20 Junction Rd Burleigh Heads QLD 4220 Australia**  
(72) Name(s) of Designer(s): **Anthony Roberts and Aaron Rodd**  
(45) Registration Date: **26 September 2013**  
(56) Related Art Documents: **Not Applicable**  
(57) Statement of Newness and Distinctiveness: **Newness and distinctiveness of the design resides in the shape and/or configuration of a component for a retractable screen as shown in the accompanying representations.**



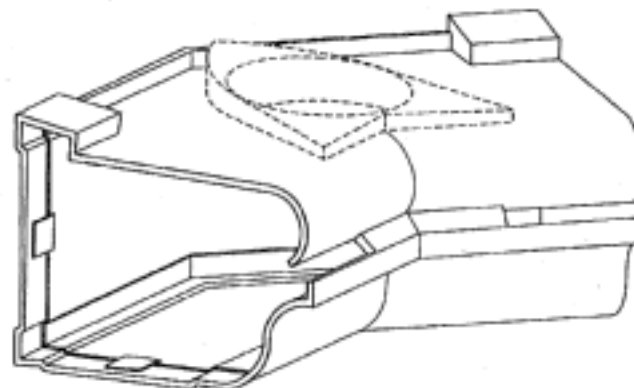
(21) Design Number: **13546/2013**  
(22) Date of Filing Application: **26 April 2013**  
(24) Date from which industrial property rights may have effect: **26 April 2013**  
(54) Product in respect of which the design is registered: **A gutter component**  
(51) International Design Classification: **23-01L**  
(74) Name(s) of Attorney(s): **AJ Park**  
(71) Name(s) and Address(s) of Applicant(s):  
**Eco Gutter IP Holdings Pty Ltd**  
**41 Howard Hughes Ct Maudsland QLD 4120 Australia**  
(72) Name(s) of Designer(s): **John Edward Dobbe and Alan Bryan Creighton Haley**  
(45) Registration Date: **27 September 2013**  
(30) Convention priority data:  
(31) Number (32) Date (33) Country  
**416907 26 Oct 2012 NEW ZEALAND**  
(56) Related Art Documents: **Not Applicable**  
(57) Statement of Newness and Distinctiveness: **The design is to be applied to A GUTTER COMPONENT. Newness and distinctiveness resides in the features of shape and/or configuration as shown in the accompanying representations. Those regions shown in dotted lines are disclaimed from the application.**



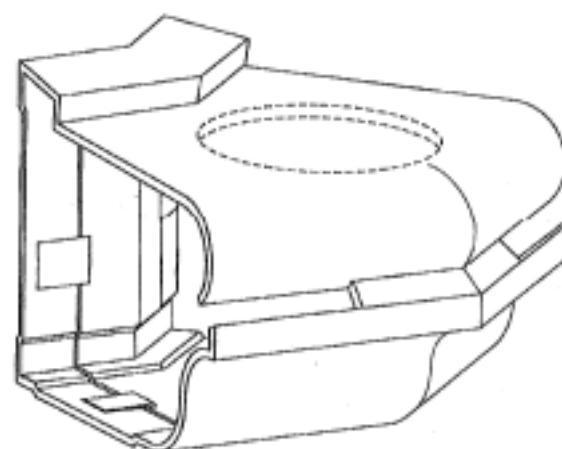
(21) Design Number: **13547/2013**  
(22) Date of Filing Application: **26 April 2013**  
(24) Date from which industrial property rights may have effect: **26 April 2013**  
(54) Product in respect of which the design is registered: **A gutter component**  
(51) International Design Classification: **23-01L**  
(74) Name(s) of Attorney(s): **AJ Park**  
(71) Name(s) and Address(s) of Applicant(s):  
**Eco Gutter IP Holdings Pty Ltd**  
**41 Howard Hughes Court Maudsland QLD 4210 Australia**  
(72) Name(s) of Designer(s): **John Edward Dobbe and Alan Bryan Creighton Haley**  
(45) Registration Date: **27 September 2013**  
(30) Convention priority data:  
(31) Number (32) Date (33) Country  
**416907 26 Oct 2012 NEW ZEALAND**  
(56) Related Art Documents: **Not Applicable**  
(57) Statement of Newness and Distinctiveness: **The design is to be applied to A GUTTER COMPONENT. Newness and distinctiveness resides in the features of shape and/or configuration as shown in the accompanying representations. Those regions shown in dotted lines are disclaimed from the application.**



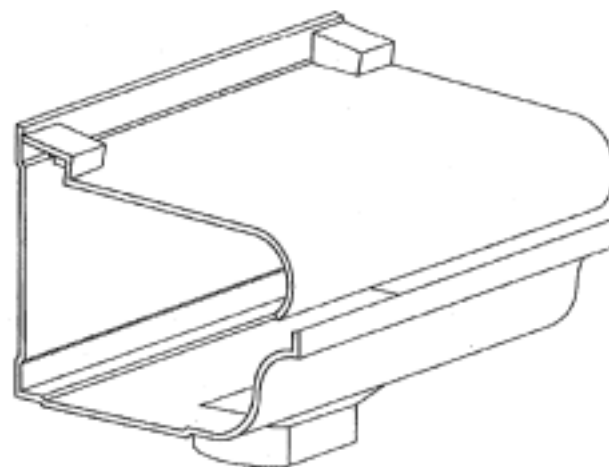
(21) Design Number: **13548/2013**  
(22) Date of Filing Application: **26 April 2013**  
(24) Date from which industrial property rights may have effect: **26 April 2013**  
(54) Product in respect of which the design is registered: **A gutter component**  
(51) International Design Classification: **23-01L**  
(74) Name(s) of Attorney(s): **AJ Park**  
(71) Name(s) and Address(s) of Applicant(s):  
**Eco Gutter IP Holdings Pty Ltd**  
**41 Howard Hughes Court Maudsland QLD 4210 Australia**  
(72) Name(s) of Designer(s): **John Edward Dobbe and Alan Bryan Creighton Haley**  
(45) Registration Date: **27 September 2013**  
(30) Convention priority data:  
(31) Number (32) Date (33) Country  
**416907 26 Oct 2012 NEW ZEALAND**  
(56) Related Art Documents: **Not Applicable**  
(57) Statement of Newness and Distinctiveness: **The design is to be applied to A GUTTER COMPONENT. Newness and distinctiveness resides in the features of shape and/or configuration as shown in the accompanying representations. Those regions shown in dotted lines are disclaimed from the application.**



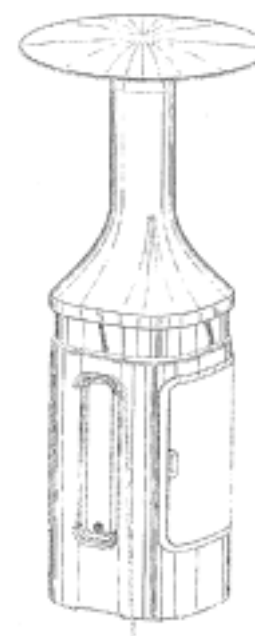
(21) Design Number: **13549/2013**  
(22) Date of Filing Application: **26 April 2013**  
(24) Date from which industrial property rights may have effect: **26 April 2013**  
(54) Product in respect of which the design is registered: **A gutter component**  
(51) International Design Classification: **23-01L**  
(74) Name(s) of Attorney(s): **AJ Park**  
(71) Name(s) and Address(s) of Applicant(s):  
**Eco Gutter IP Holdings Pty Ltd**  
**41 Howard Hughes Court Maudsland QLD 4210 Australia**  
(72) Name(s) of Designer(s): **John Edward Dobbe and Alan Bryan Creighton Haley**  
(45) Registration Date: **27 September 2013**  
(30) Convention priority data:  
(31) Number (32) Date (33) Country  
**416907 26 Oct 2012 NEW ZEALAND**  
(56) Related Art Documents: **Not Applicable**  
(57) Statement of Newness and Distinctiveness: **The design is to be applied to A GUTTER COMPONENT. Newness and distinctiveness resides in the features of shape and/or configuration as shown in the accompanying representations. Those regions shown in dotted lines are disclaimed from the application.**



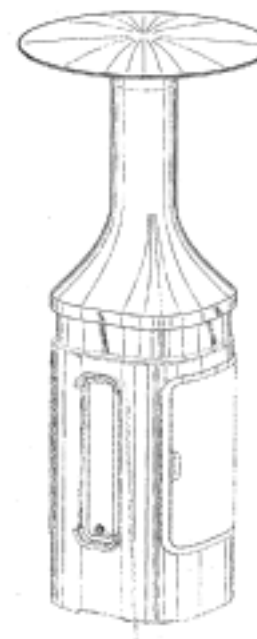
- (21) Design Number: **13550/2013**  
(22) Date of Filing Application: **26 April 2013**  
(24) Date from which industrial property rights may have effect: **26 April 2013**  
(54) Product in respect of which the design is registered: **A gutter component**  
(51) International Design Classification: **23-01L**  
(74) Name(s) of Attorney(s): **AJ Park**  
(71) Name(s) and Address(s) of Applicant(s):  
**Eco Gutter IP Holdings Pty Ltd**  
**41 Howard Hughes Ct Maudsland QLD 4120 Australia**  
(72) Name(s) of Designer(s): **John Edward Dobbe and Alan Bryan Creighton Haley**  
(45) Registration Date: **27 September 2013**  
(30) Convention priority data:  
(31) Number (32) Date (33) Country  
**416907 26 Oct 2012 NEW ZEALAND**  
(56) Related Art Documents: **Not Applicable**  
(57) Statement of Newness and Distinctiveness: **The design is to be applied to A GUTTER COMPONENT. Newness and distinctiveness resides in the features of shape and/or configuration as shown in the accompanying representations.**



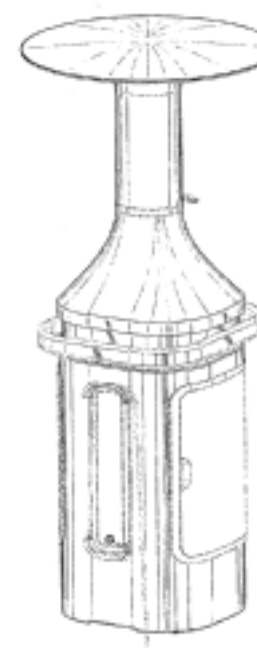
- (21) Design Number: **13586/2013**  
(22) Date of Filing Application: **18 April 2013**  
(24) Date from which industrial property rights may have effect: **18 April 2013**  
(54) Product in respect of which the design is registered: **Evaporative cooling housing**  
(51) International Design Classification: **23-04**  
(74) Name(s) of Attorney(s): **Freehills Patent Attorneys**  
(71) Name(s) and Address(s) of Applicant(s):  
**Port-A-Cool, LLC**  
**709 Southview Circle Centre Texas 75935 United States of America**  
(72) Name(s) of Designer(s): **Benjamin Leon Wulf and Kerry Lyman Shumway and Yun Seok Kim**  
(45) Registration Date: **27 September 2013**  
(30) Convention priority data:  
(31) Number (32) Date (33) Country  
**29/434972 18 Oct 2012 UNITED STATES OF AMERICA**  
(56) Related Art Documents: **Not Applicable**  
(57) Statement of Newness and Distinctiveness: **Newness and distinctiveness resides in the features of shape and configuration illustrated in solid lines in the accompanying representations.**



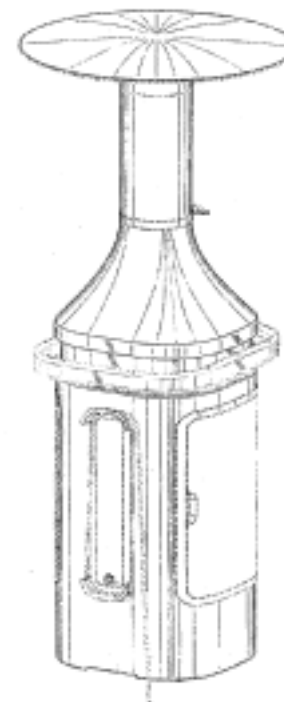
- (21) Design Number: **13588/2013**  
(22) Date of Filing Application: **18 April 2013**  
(24) Date from which industrial property rights may have effect: **18 April 2013**  
(54) Product in respect of which the design is registered: **Evaporative cooling housing**  
(51) International Design Classification: **23-04**  
(74) Name(s) of Attorney(s): **Freehills Patent Attorneys**  
(71) Name(s) and Address(s) of Applicant(s):  
**Port-A-Cool, LLC**  
**709 Southview Circle Centre Texas 75935 United States of America**  
(72) Name(s) of Designer(s): **Benjamin Leon Wulf and Kerry Lyman Shumway and Yun Seok Kim**  
(45) Registration Date: **27 September 2013**  
(30) Convention priority data:  
(31) Number (32) Date (33) Country  
**29/434972 18 Oct 2012 UNITED STATES OF AMERICA**  
(56) Related Art Documents: **Not Applicable**  
(57) Statement of Newness and Distinctiveness: **Newness and distinctiveness resides in the features of shape and configuration illustrated in solid lines in the accompanying representations.**



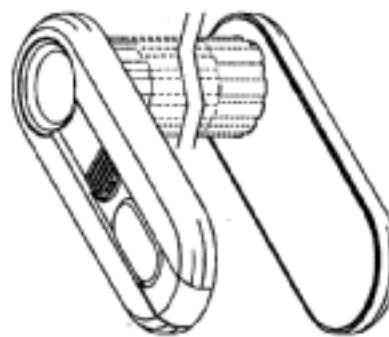
- (21) Design Number: **13589/2013**  
(22) Date of Filing Application: **18 April 2013**  
(24) Date from which industrial property rights may have effect: **18 April 2013**  
(54) Product in respect of which the design is registered: **Evaporative cooling housing**  
(51) International Design Classification: **23-04**  
(74) Name(s) of Attorney(s): **Freehills Patent Attorneys**  
(71) Name(s) and Address(s) of Applicant(s):  
**Port-A-Cool, LLC**  
**709 Southview Circle Centre Texas 75935 United States of America**  
(72) Name(s) of Designer(s): **Benjamin Leon Wulf and Kerry Lyman Shumway and Yun Seok Kim**  
(45) Registration Date: **27 September 2013**  
(30) Convention priority data:  
(31) Number (32) Date (33) Country  
**29/434972 18 Oct 2012 UNITED STATES OF AMERICA**  
(56) Related Art Documents: **Not Applicable**  
(57) Statement of Newness and Distinctiveness: **Newness and distinctiveness resides in the features of shape and configuration illustrated in solid lines in the accompanying representations.**



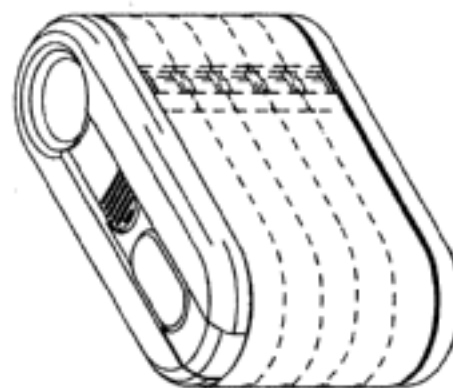
- (21) Design Number: **13590/2013**  
(22) Date of Filing Application: **18 April 2013**  
(24) Date from which industrial property rights may have effect: **18 April 2013**  
(54) Product in respect of which the design is registered: **Evaporative cooling housing**  
(51) International Design Classification: **23-04**  
(74) Name(s) of Attorney(s): **Freehills Patent Attorneys**  
(71) Name(s) and Address(s) of Applicant(s):  
**Port-A-Cool, LLC**  
**709 Southview Circle Centre Texas 75935 United States of America**  
(72) Name(s) of Designer(s): **Benjamin Leon Wulf and Kerry Lyman Shumway and Yun Seok Kim**  
(45) Registration Date: **27 September 2013**  
(30) Convention priority data:  
(31) Number (32) Date (33) Country  
**29/434972 18 Oct 2012 UNITED STATES OF AMERICA**  
(56) Related Art Documents: **Not Applicable**  
(57) Statement of Newness and Distinctiveness: **Newness and distinctiveness resides in the features of shape and configuration illustrated in solid lines in the accompanying representations.**



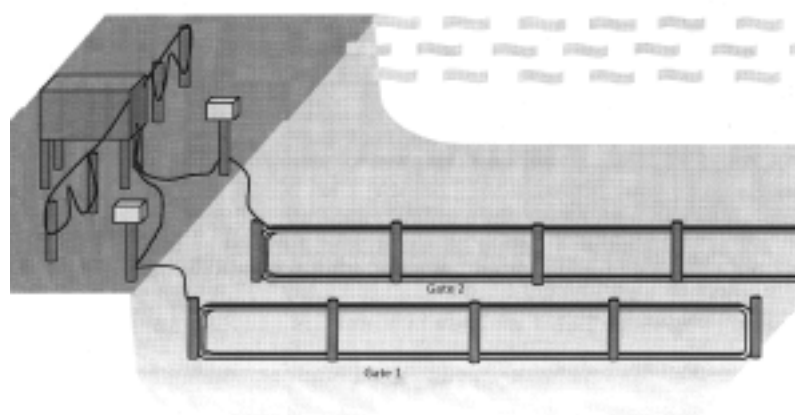
- (21) Design Number: **10463/2013**  
(22) Date of Filing Application: **29 January 2013**  
(24) Date from which industrial property rights may have effect: **29 January 2013**  
(54) Product in respect of which the design is registered: **Pocket tool**  
(51) International Design Classification: **08-05NES**  
(74) Name(s) of Attorney(s): **Freehills Patent Attorneys**  
(71) Name(s) and Address(s) of Applicant(s):  
**Monica Liebenow**  
**19 Curlew Cres Burleigh Heads QLD 4420 Australia**  
(72) Name(s) of Designer(s): **Troy Nyssen**  
(45) Registration Date: **27 September 2013**  
(56) Related Art Documents: **Not Applicable**  
(57) Statement of Newness and Distinctiveness: **Newness and distinctiveness of the design resides in the shape and configuration of the product as shown in solid lines in the accompanying representations.**



- (21) Design Number: **13585/2013**  
(22) Date of Filing Application: **29 January 2013**  
(24) Date from which industrial property rights may have effect: **29 January 2013**  
(54) Product in respect of which the design is registered: **Pocket tool**  
(51) International Design Classification: **08-05NES**  
(74) Name(s) of Attorney(s): **Freehills Patent Attorneys**  
(71) Name(s) and Address(s) of Applicant(s):  
**Monica Liebenow**  
**19 Curlew Cres Burleigh Heads QLD 4220 Australia**  
(72) Name(s) of Designer(s): **Troy Nyssen**  
(45) Registration Date: **27 September 2013**  
(56) Related Art Documents: **Not Applicable**  
(57) Statement of Newness and Distinctiveness: **Newness and distinctiveness of the design resides in the shape and configuration of the product as shown in solid lines in the accompanying representations.**

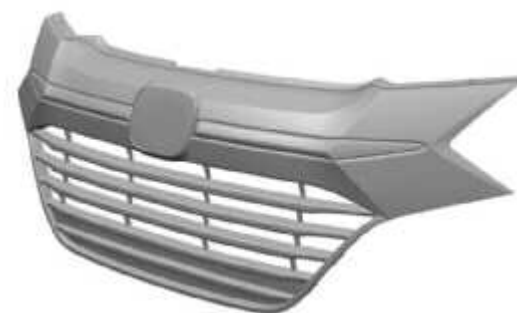


- (21) Design Number: **10683/2013**  
(22) Date of Filing Application: **12 February 2013**  
(24) Date from which industrial property rights may have effect: **12 February 2013**  
(54) Product in respect of which the design is registered: **RFID system**  
(51) International Design Classification: **14-03NES**  
(74) Name(s) of Attorney(s):  
(71) Name(s) and Address(s) of Applicant(s):  
**Jan-Olaf Meynecke**  
**Griffith University School of Environment Gold Coast QLD 4222**  
**Australia**  
(72) Name(s) of Designer(s): **Jan-Olaf Meynecke**  
(45) Registration Date: **27 September 2013**  
(56) Related Art Documents: **Not Applicable**  
(57) Statement of Newness and Distinctiveness: **Unique S-shaped feature of antenna for improved performance located outside the water for increasing strength of electromagnetic field at main antennae, two looped main antennae to detect passive transponders and unique arrangements of modules in system housing. First RFID System for saline environments for large scale deployments (> 50m) applicable in aquaculture and for fisheries research.**





(21) Design Number: **12885/2013**  
(22) Date of Filing Application: **24 June 2013**  
(24) Date from which industrial property rights may have effect: **24 June 2013**  
(54) Product in respect of which the design is registered: **Front grill for automobile**  
(51) International Design Classification: **12-16B**  
(74) Name(s) of Attorney(s): **SPRUSON & FERGUSON**  
(71) Name(s) and Address(s) of Applicant(s):  
**Honda Motor Co., Ltd.**  
**1-1 Minami-Aoyama 2-chome Minato-ku Tokyo Japan**  
(72) Name(s) of Designer(s): **Yuji Terui**  
(45) Registration Date: **27 September 2013**  
(30) Convention priority data:  
(31) Number      (32) Date      (33) Country  
**2012-032042      28 Dec 2012      JAPAN**  
(56) Related Art Documents: **Not Applicable**  
(57) Statement of Newness and Distinctiveness: **Newness and distinctiveness is claimed in the features of shape and/or configuration of a front grille for an automobile as illustrated in the accompanying representations.**



(21) Design Number: **12887/2013**  
(22) Date of Filing Application: **24 June 2013**  
(24) Date from which industrial property rights may have effect: **24 June 2013**  
(54) Product in respect of which the design is registered: **Rear bumper for automobile**  
(51) International Design Classification: **12-16C**  
(74) Name(s) of Attorney(s): **SPRUSON & FERGUSON**  
(71) Name(s) and Address(s) of Applicant(s):  
**Honda Motor Co., Ltd.**  
**1-1 Minami-Aoyama 2-chome Minato-ku Tokyo Japan**  
(72) Name(s) of Designer(s): **Masaki Kobayashi**  
(45) Registration Date: **27 September 2013**  
(30) Convention priority data:  
(31) Number      (32) Date      (33) Country  
**2012-032040      28 Dec 2012      JAPAN**  
(56) Related Art Documents: **Not Applicable**  
(57) Statement of Newness and Distinctiveness: **Newness and distinctiveness is claimed in the features of shape and/or configuration of a rear bumper for automobile as illustrated in the accompanying representations.**



(21) Design Number: **12888/2013**

(22) Date of Filing Application: **24 June 2013**

(24) Date from which industrial property rights may have effect: **24 June 2013**

(54) Product in respect of which the design is registered: **Front bumper for automobile**

(51) International Design Classification: **12-16C**

(74) Name(s) of Attorney(s): **SPRUSON & FERGUSON**

(71) Name(s) and Address(s) of Applicant(s):

**Honda Motor Co., Ltd.**

**1-1 Minami-Aoyama 2-chome Minato-ku Tokyo Japan**

(72) Name(s) of Designer(s): **Masaki Kobayashi**

(45) Registration Date: **27 September 2013**

(30) Convention priority data:

(31) Number	(32) Date	(33) Country
<b>2012-032039</b>	<b>28 Dec 2012</b>	<b>JAPAN</b>

(56) Related Art Documents: **Not Applicable**

(57) Statement of Newness and Distinctiveness: **Newness and distinctiveness is claimed in the features of shape and/or configuration of a front bumper for automobile as illustrated in the accompanying representations.**

