



Australian Government

IP Australia

AUSTRALIAN OFFICIAL JOURNAL

OF

DESIGNS

Did you know a searchable version of this journal is now available online?

It's FREE and EASY to SEARCH.

Find it on our website (www.ipaustralia.gov.au)

by using the "Journals" link on the home page.

This Page Left Intentionally Blank

Contents

General Information & Notices

**Proceedings Under the Designs Act 1906 preserved as a result of the provisions of Chapter 12
Part 2 of the Designs Act 2003**

Extension of Period of Registration of Designs	2994
Registrations Ceased	2994
Subsequent Owners Registered	2994

Proceedings Under the Designs Act 2003

Applications Lodged	2998
Certificate of Examination	3006
Extension of Period of Registration of Design	3005
Extension of Time Granted Under Section 137	3005
Publication and Registration Proceedings	
Designs Registered 351021 to 351166.....	3007
Registrations Ceased	3005
Subsequent Owners Registered	3005

This Page Left Intentionally Blank

For information on the following please see our website www.ipaustralia.gov.au or contact our Customer Service Network on 1300651010

[Editorial enquiries](#)

[Contact information](#)

[Freedom of Information ACT](#)

[Professional Standards Board](#)

[Sales](#)

[Requests for Information under Section 194 \(c\)](#)

[Country Codes](#)

[Trade Mark and Designs Hearing Sessions](#)

[INID \(Internationally agreed Numbers for the Identification of Data\)](#)

“INID” NUMBERS in use on Australian Design Documents

“INID” is an acronym for “Internationally agreed Numbers for the Identification of Data”.

(10) Data concerning the registration/renewal

- (11) Serial number of the registration and/or number of the design document
- (12) Plain language designation of the kind of published document
- (19) Identification, using the two-letter code according to WIPO Standard ST.3, of the authority publishing or registering the industrial design

(20) Data concerning the application

- (21) Serial number of the application
- (22) Date of filing of the application
- (24) Date from which the industrial design right has effect

(30) Data relating to priority under the Paris Convention

- (31) Serial number assigned to the priority application
- (32) Date of filing of the priority application
- (33) Two-letter code, according to WIPO Standard ST.3, identifying the authority with which the priority application was made

(40) Date(s) of making information available to the public

- (45) Date of publication of the registered industrial design by printing or similar process, or making it available to the public by any other means

(50) Miscellaneous Information

- (51) International Classification for Industrial Designs (class and subclass of the Locarno Classification)
- (54) Designation of article(s) or product(s) covered by the industrial design or title of the industrial design
- (55) Reproduction of the industrial design (e.g., drawing, photograph) and explanations relating to the reproduction
- (56) List of prior art documents, if separate from descriptive text
- (57) Description of characteristic features of the industrial design including indication of colours

(60) References to other legally related application(s) and registration(s)

- (62) Serial number(s) and, if available, filing date(s) of application(s), registration(s) or document(s) related by division
- (66) Serial number(s) of the application, or the registration, of the design(s) which is (are) a variant(s) of the present one

(70) Identification of parties concerned with the application or registration

- (71) Name(s) and address(es) of the applicant(s)
- (72) Name(s) of the creator(s) if known to be such
- (74) Name(s) and address(es) of the representative(s)

This Page Left Intentionally Blank

Nil notices for this journal issue.

Proceedings under the Designs Act 1906 preserved as a result of the provisions of Chapter 12 Part 2 of the Designs Act 2003.

This Page Left Intentionally Blank

Applications Lapsed

There were no Applications Lapsed under this section

Extension of Period of Registration of Designs

1st Period (Section 27A(8))

2nd Period (Section 27A(12))

3rd Period (Section 27A(13))

150130	150150	150151
150344	150767	150943
151062	151253	151531
151716	152673	153747
154009	154010	154011
154012	154112	154154
154626	154627	155803
156276		

147588	147589	147590
148051	148301	148337
148338	148463	148464
148522	148523	149347
149383	150494	150974
151932	152218	152219
152321	152322	152800
152821	152822	152823
152842		

Subsequent Owners Registered

(The name in parentheses is that of the subsequent owner)

158377	(Mitsubishi Nichiyu Forklift Co., Ltd.) Mitsubishi Heavy Industries Ltd
--------	---

Registrations Ceased

Note: Some of the following Registrations may have been previously advertised as ceased. In this instance, the previous advertisement still prevails.

131747	131797	132040
132192	132726	133191
133209	133211	133212
133213	133214	133215
133306	133308	133309
133312	133313	133314
133315	133318	133328
133329	133330	133331
133336	133376	133383
133388	133390	133391
133431	133432	133461
133462	133464	133465
133467	133515	133516
133540	133557	133558
133570	133595	133662
133816	133968	133988
134420	134443	134444
134445	134785	136265
136266	136469	137085
137169	137281	137282
137283	137314	137575
137613	138256	138490
139020	139021	139022
143133	146899	147272
147273	147274	147275
147318	147319	147320
147409	147410	147503
147504	147505	147506
147507	147508	147509
147510	147569	147587

This Page Left Intentionally Blank

Proceedings under the Designs Act 2003.

This Page Left Intentionally Blank

Applications Lodged

Lodgement information is in the following order: **Applicant's Name**; International Classification, Name of Product, Lodgement Date and **Design Number**. If the applicant claims an earlier priority date under an International Convention, the Convention Country and the associated filing date are shown in parentheses before the Lodgement Date. Divisional information will also appear in parentheses before the Lodgement Date.

American Greetings Corporation; 03-01B, Coin packaging, (US, 06 Sep 2013) 09 Oct 2013	15133/2013	Burden, Ian James; 06-02, Adjustable bed frame, 24 Sep 2013	14835/2013
American Greetings Corporation; 09-03NES, Coin packaging, (US, 06 Sep 2013) 09 Oct 2013	15131/2013	Capped Solutions Pty Ltd; 25-02A, A cap for a post, 30 Sep 2013	14991/2013
American Greetings Corporation; 03-01B, Coin packaging, (US, 06 Sep 2013) 09 Oct 2013	15134/2013	Chocoladefabriken Lindt & Sprungli AG; 09-03M, Package, (WO, 05 Jun 2013) 08 Oct 2013	15088/2013
American Greetings Corporation; 03-01B, Coin packaging, (US, 06 Sep 2013) 09 Oct 2013	15135/2013	Chocoladefabriken Lindt & Sprungli AG; 09-03M, Package, (WO, 05 Jun 2013) 08 Oct 2013	15089/2013
Arlec Australia Pty Ltd; 14-03NES, Antenna, 26 Sep 2013	14935/2013	Conair Corporation; 28-03D, Hair clipper apparatus, (US, 17 Apr 2013) 09 Oct 2013	15132/2013
Arlec Australia Pty Ltd; 14-03NES, Antenna, 26 Sep 2013	14936/2013	Container Pty Ltd; 09-01NES, Bottle, 01 Oct 2013	15006/2013
Arper S.p.A.; 06-01F, Chair, (WO, 08 Apr 2013) 30 Sep 2013	14987/2013	Covidien LP; 24-01, A feeding set, (US, 23 Apr 2013) 08 Oct 2013	15090/2013
Arper S.p.A.; 06-01F, Chair, (WO, 08 Apr 2013) 30 Sep 2013	14988/2013	Creative Product Design Pty Ltd; 23-99, Tubing junction, 08 Oct 2013	15105/2013
Arper S.p.A.; 06-01F, Chair, (WO, 08 Apr 2013) 30 Sep 2013	14985/2013	Creative Product Design Pty Ltd; 23-99, Flexible tubing, 08 Oct 2013	15103/2013
Arper S.p.A.; 07-05D, Clothes hanger, (WO, 08 Apr 2013) 30 Sep 2013	14989/2013	CH Chang Holdings Pty Ltd, trading as Australian Supreme Import; 02-03, Visor, 03 Oct 2013	15033/2013
Arper S.p.A.; 07-05D, Clothes hanger, (WO, 08 Apr 2013) 30 Sep 2013	14986/2013	CH CHANG HOLDINGS PTY LTD, as trustee for The Chang Family Trust; 02-03, Helmet face shield, 25 Sep 2013	14950/2013
ALI (Australia) Pty Ltd; 14-02, Memory (USB) devices, USB flash drives, 27 Sep 2013	14960/2013	Debeutz, Jea'n; 12-02, Argon cylinder trolley, 08 Oct 2013	15121/2013
Barrier Reef Pools Pty Ltd; 25-03, Swimming pool, 27 Sep 2013	14959/2013	Eveready Battery Company, Inc.; 26-02, A lighting device, (US, 04 Apr 2013) 04 Oct 2013	15054/2013
Bingon, Robyn;Stahl, Andreas; 08-07, Lock, 08 Oct 2013	15102/2013	Eveready Battery Company, Inc.; 26-02, A lighting device, (US, 04 Apr 2013) 04 Oct 2013	15056/2013
Brenton, Cameron; 09-03B, Mens clothing accessory, 26 Sep 2013	14949/2013	ESP Services Australia Pty Ltd; 25-03, Shelter, 26 Sep 2013	14947/2013
Brightgreen Pty Ltd; 26-05C, Downlights, 26 Sep 2013	14931/2013	ESP Services Australia Pty Ltd; 25-03, Shelter, 26 Sep 2013	14945/2013
Brightgreen Pty Ltd; 26-05C, Downlights, 26 Sep 2013	14932/2013	Fifty-Fourth Rischell Pty Ltd; 02-02NES, Men's clothing, 11 Jul 2013	13959/2013
Bruck Textiles Pty Ltd; 06-13NES, Fire blanket, 26 Sep 2013	14922/2013	Fifty-Fourth Rischell Pty Ltd; 02-02C, Men's clothing, 11 Jul 2013	13958/2013
BuildSmart (Aust) Pty Ltd; 25-01D, Rendering profile, 09 Oct 2013	15130/2013	Fifty-Fourth Rischell Pty Ltd; 02-02NES, Men's clothing, 11 Jul 2013	13956/2013
		Fifty-Fourth Rischell Pty Ltd; 02-02NES, Men's clothing, 11 Jul 2013	13957/2013

Fisher & Paykel Healthcare Limited; 24-99, Breathing apparatus, (US, 07 Feb 2013) 30 Sep 2013	14975/2013	Forever New Clothing Pty Ltd; 03-01B, Handbag, (Divisional of 10494/2013) 23 Sep 2013	14890/2013
Fisher & Paykel Healthcare Limited; 24-01, 29-02, Breathing apparatus, (US, 07 Feb 2013) (Divisional of 13749/2013) 30 Sep 2013	14970/2013	Forever New Clothing Pty Ltd; 03-01B, Handbag, (Divisional of 10494/2013) 23 Sep 2013	14891/2013
Fisher & Paykel Healthcare Limited; 24-01, 29-02, Breathing apparatus, (US, 07 Feb 2013) (Divisional of 13749/2013) 30 Sep 2013	14969/2013	Forever New Clothing Pty Ltd; 03-01B, Carry bag, 23 Sep 2013	14887/2013
Forever New Clothing Pty Ltd; 02-02C, Article of clothing, 23 Sep 2013	14882/2013	Forever New Clothing Pty Ltd; 02-02C, Article of clothing, (Divisional of 10493/2013) 23 Sep 2013	14872/2013
Forever New Clothing Pty Ltd; 02-02NES, Article of clothing, 23 Sep 2013	14884/2013	Forever New Clothing Pty Ltd; 02-02C, Article of clothing, (Divisional of 10493/2013) 23 Sep 2013	14873/2013
Forever New Clothing Pty Ltd; 02-02NES, Article of clothing, 23 Sep 2013	14883/2013	Forever New Clothing Pty Ltd; 02-02C, Article of clothing, (Divisional of 10493/2013) 23 Sep 2013	14848/2013
Forever New Clothing Pty Ltd; 02-02C, Article of clothing, (Divisional of 10493/2013) 23 Sep 2013	14849/2013	Forever New Clothing Pty Ltd; 02-02NES, Article of clothing, 23 Sep 2013	14836/2013
Forever New Clothing Pty Ltd; 02-02NES, Article of clothing, 23 Sep 2013	14885/2013	Forever New Clothing Pty Ltd; 02-02C, Article of clothing, (Divisional of 10493/2013) 23 Sep 2013	14871/2013
Forever New Clothing Pty Ltd; 02-02NES, Article of clothing, 23 Sep 2013	14886/2013	Forever New Clothing Pty Ltd; 02-02C, Article of clothing, (Divisional of 10493/2013) 23 Sep 2013	14850/2013
Forever New Clothing Pty Ltd; 02-02C, Article of clothing, (Divisional of 10493/2013) 23 Sep 2013	14847/2013	Forever New Clothing Pty Ltd; 02-02C, Article of clothing, (Divisional of 10493/2013) 23 Sep 2013	14874/2013
Forever New Clothing Pty Ltd; 02-02C, Article of clothing, (Divisional of 10493/2013) 23 Sep 2013	14875/2013	Forever New Clothing Pty Ltd; 02-02C, Article of clothing, (Divisional of 10493/2013) 23 Sep 2013	14851/2013
Forever New Clothing Pty Ltd; 02-02C, Article of clothing, (Divisional of 10493/2013) 23 Sep 2013	14876/2013	Forever New Clothing Pty Ltd; 02-02C, Article of clothing, (Divisional of 10493/2013) 23 Sep 2013	14852/2013
Forever New Clothing Pty Ltd; 02-02NES, Article of clothing, (Divisional of 10493/2013) 23 Sep 2013	14877/2013	Forever New Clothing Pty Ltd; 02-02C, Article of clothing, (Divisional of 10493/2013) 23 Sep 2013	14853/2013
Forever New Clothing Pty Ltd; 02-02NES, Article of clothing, (Divisional of 10493/2013) 23 Sep 2013	14878/2013	Forever New Clothing Pty Ltd; 02-02C, Article of clothing, (Divisional of 10493/2013) 23 Sep 2013	14854/2013
Forever New Clothing Pty Ltd; 02-02NES, Article of clothing, 23 Sep 2013	14879/2013	Forever New Clothing Pty Ltd; 02-02C, Article of clothing, (Divisional of 10493/2013) 23 Sep 2013	14855/2013
Forever New Clothing Pty Ltd; 02-02NES, Article of clothing, 23 Sep 2013	14880/2013	Forever New Clothing Pty Ltd; 02-02C, Article of clothing, (Divisional of 10493/2013) 23 Sep 2013	14856/2013
Forever New Clothing Pty Ltd; 02-02NES, Article of clothing, 23 Sep 2013	14881/2013	Forever New Clothing Pty Ltd; 02-02C, Article of clothing, (Divisional of 10493/2013) 23 Sep 2013	14857/2013
Forever New Clothing Pty Ltd; 03-01B, Handbag, (Divisional of 10494/2013) 23 Sep 2013	14892/2013	Forever New Clothing Pty Ltd; 02-02C, Article of clothing, (Divisional of 10493/2013) 23 Sep 2013	14858/2013
Forever New Clothing Pty Ltd; 03-01B, Clutch, (Divisional of 10494/2013) 23 Sep 2013	14888/2013	Forever New Clothing Pty Ltd; 02-02C, Article of clothing, (Divisional of 10493/2013) 23 Sep 2013	14859/2013
Forever New Clothing Pty Ltd; 03-01B, Clutch, (Divisional of 10494/2013) 23 Sep 2013	14889/2013	Forever New Clothing Pty Ltd; 02-02C, Article of clothing, (Divisional of 10496/2013) 23 Sep 2013	14859/2013

Forever New Clothing Pty Ltd; 02-02C, Article of clothing, (Divisional of 10493/2013) 23 Sep 2013	14860/2013	Forever New Clothing Pty Ltd; 02-02C, Article of clothing, (Divisional of 10493/2013) 23 Sep 2013	14845/2013
Forever New Clothing Pty Ltd; 02-02C, Article of clothing, (Divisional of 10493/2013) 23 Sep 2013	14861/2013	Garth Australia Pty Ltd; 23-04, Hood for cooking apparatus, 06 Jun 2013	15095/2013
Forever New Clothing Pty Ltd; 02-02C, Article of clothing, (Divisional of 10493/2013) 23 Sep 2013	14862/2013	Golden Bear Enterprises Pty. Ltd.; 15-07, Bar fridge, bar refrigerator, refrigerator, 08 Oct 2013	15097/2013
Forever New Clothing Pty Ltd; 02-02C, Article of clothing, (Divisional of 10493/2013) 23 Sep 2013	14863/2013	Golden Bear Enterprises Pty. Ltd.; 15-07, Bar fridge door, 08 Oct 2013	15099/2013
Forever New Clothing Pty Ltd; 02-02C, Article of clothing, (Divisional of 10493/2013) 23 Sep 2013	14864/2013	Grausam Handels GmbH; 06-13B, Pillow, (WO, 02 Aug 2013) 07 Oct 2013	15086/2013
Forever New Clothing Pty Ltd; 02-02C, Article of clothing, (Divisional of 10493/2013) 23 Sep 2013	14865/2013	Grausam Handels GmbH; 06-13B, Pillow, (WO, 02 Aug 2013) 07 Oct 2013	15083/2013
Forever New Clothing Pty Ltd; 02-02C, Article of clothing, (Divisional of 10493/2013) 23 Sep 2013	14866/2013	Grausam Handels GmbH; 06-13B, Pillow, (WO, 02 Aug 2013) 08 Oct 2013	15087/2013
Forever New Clothing Pty Ltd; 02-02C, Article of clothing, (Divisional of 10493/2013) 23 Sep 2013	14867/2013	Grausam Handels GmbH; 06-13B, Pillow, (EM, 02 Aug 2013) 07 Oct 2013	15084/2013
Forever New Clothing Pty Ltd; 02-02C, Article of clothing, (Divisional of 10493/2013) 23 Sep 2013	14868/2013	Grausam Handels GmbH; 06-13B, Pillow, (WO, 02 Aug 2013) 07 Oct 2013	15085/2013
Forever New Clothing Pty Ltd; 02-02C, Article of clothing, (Divisional of 10493/2013) 23 Sep 2013	14869/2013	Grausam Handels GmbH; 06-13B, Pillow, (WO, 02 Aug 2013) 07 Oct 2013	15080/2013
Forever New Clothing Pty Ltd; 02-02C, Article of clothing, (Divisional of 10493/2013) 23 Sep 2013	14870/2013	Grausam Handels GmbH; 06-13B, Pillow, (WO, 02 Aug 2013) 07 Oct 2013	15081/2013
Forever New Clothing Pty Ltd; 02-02C, Article of clothing, (Divisional of 10493/2013) 23 Sep 2013	14838/2013	Grausam Handels GmbH; 06-13B, Pillow, (WO, 02 Aug 2013) 07 Oct 2013	15078/2013
Forever New Clothing Pty Ltd; 02-02C, Article of clothing, (Divisional of 10493/2013) 23 Sep 2013	14839/2013	Grausam Handels GmbH; 06-13B, Pillow, (WO, 02 Aug 2013) 07 Oct 2013	15079/2013
Forever New Clothing Pty Ltd; 02-02C, Article of clothing, (Divisional of 10493/2013) 23 Sep 2013	14840/2013	Great Wall Motor Company Limited; 12-08, Vehicle, (CN, 30 Mar 2013) 26 Sep 2013	14928/2013
Forever New Clothing Pty Ltd; 02-02C, Article of clothing, (Divisional of 10493/2013) 23 Sep 2013	14841/2013	Green, Paul Scott; 16-01, All aluminium tube video camera shoulder mount, 27 Sep 2013	14964/2013
Forever New Clothing Pty Ltd; 02-02C, Article of clothing, (Divisional of 10493/2013) 23 Sep 2013	14842/2013	Greenwall Australia Pty Ltd; 08-08L, A Bracket for a vertical garden, 08 Oct 2013	15120/2013
Forever New Clothing Pty Ltd; 02-02C, Article of clothing, (Divisional of 10493/2013) 23 Sep 2013	14843/2013	Hearthmark, LLC; 09-07B, Lid, (US, 12 Apr 2013) 30 Sep 2013	14990/2013
Forever New Clothing Pty Ltd; 02-02C, Article of clothing, (Divisional of 10493/2013) 23 Sep 2013	14844/2013	Herrmans Oy Ab; 26-05E, LED light, (EP, 05 Sep 2013) 08 Oct 2013	15100/2013
Forever New Clothing Pty Ltd; 02-02C, Article of clothing, (Divisional of 10493/2013) 23 Sep 2013		Home Leisure Corp Pty Ltd; 11-02B, Planter with reservoir and trellis, 07 Oct 2013	15076/2013

Home Leisure Corp Pty Ltd; 11-02B, Planter with reservoir and trellis, 07 Oct 2013	15077/2013	Johnson, Johanna; 02-02C, A woman's garment, 04 Oct 2013	15059/2013
Honda Motor Co., Ltd.; 12-16C, A front bumper for an automobile, (JP, 04 Apr 2013) 01 Oct 2013	15011/2013	Johnson, Johanna; 02-02C, A woman's garment, 04 Oct 2013	15060/2013
Honda Motor Co., Ltd.; 12-08, An automobile, (JP, 04 Apr 2013) 01 Oct 2013	15009/2013	Johnson, Johanna; 02-02C, A woman's garment, comprising beaded parts, 04 Oct 2013	15062/2013
Honda Motor Co., Ltd.; 26-06, A front combination lamp for an automobile, (JP, 04 Apr 2013) 01 Oct 2013	15010/2013	Johnson, Johanna; 02-02C, A woman's garment, comprising beaded parts, 04 Oct 2013	15063/2013
Honda Motor Co., Ltd.; 12-08, Automobile, (JP, 09 Apr 2013) 30 Sep 2013	14974/2013	Johnson, Johanna; 02-02C, A woman's garment, 04 Oct 2013	15061/2013
Hunter Douglas Inc.; 06-10, Cellular shade component, (US, 01 Apr 2013) 30 Sep 2013	14971/2013	Johnson, Johanna; 02-02C, A woman's garment, comprising beaded parts, 04 Oct 2013	15065/2013
Hunter Douglas Inc.; 06-10, Portion of a cellular shade component, (US, 01 Apr 2013) 30 Sep 2013	14973/2013	Johnson, Johanna; 02-02C, A woman's garment, comprising beaded parts, 04 Oct 2013	15069/2013
Huntleigh Technology Ltd; 15-02, Pump casing, (EM, 16 Jul 2013) 26 Sep 2013	14948/2013	Johnson, Johanna; 02-02C, A woman's garment, 04 Oct 2013	15070/2013
Industria De Diseno Textil, S,A, (Inditex, S.A.); 25-02C, Lattice work, (EM, 05 Apr 2013) 08 Oct 2013	15117/2013	Johnson, Johanna; 02-02C, A woman's garment, comprising beaded parts, 04 Oct 2013	15066/2013
Inhabit Australasia Pty Ltd; 14-02, 14-04, Graphical user interfaces, 05 Oct 2013	15071/2013	Johnson, Johanna; 02-02C, A woman's garment, comprising beaded parts, 04 Oct 2013	15064/2013
Inhabit Australasia Pty Ltd; 14-02, 14-04, Graphical user interfaces, 05 Oct 2013	15072/2013	Johnson, Johanna; 02-02C, A woman's garment, 04 Oct 2013	15067/2013
International Cosmetic Supplies Ltd; 09-01G, Cosmetics case, 08 Oct 2013	15113/2013	Johnson, Johanna; 02-02C, A woman's garment, comprising beaded parts, 04 Oct 2013	15068/2013
International Cosmetic Supplies Ltd; 09-01G, Cosmetics case, 08 Oct 2013	15104/2013	JPD Media & Design Pty Limited; 11-02B, Vertical blanket planter, 09 Oct 2013	15125/2013
Iseki & Co., Ltd.; 12-16E, Indicator panel for a vehicle, (JP, 24 Jun 2013) 02 Oct 2013	15031/2013	Kakoschke, Celia; 02-06, Glove, (Divisional of 12975/2013) 26 Sep 2013	14912/2013
ISM Group Holdings Pty Ltd; 06-04B, Storage locker, 26 Sep 2013	14941/2013	Kakoschke, Celia; 02-06, Mitt, (Divisional of 12975/2013) 26 Sep 2013	14913/2013
ISM Group Holdings Pty Ltd; 06-04B, Storage locker, 26 Sep 2013	14943/2013	King Furniture Australia Pty. Ltd.; 13-02, A charging device, 04 Oct 2013	15058/2013
ISM Group Holdings Pty Ltd; 06-04B, Storage locker, 26 Sep 2013	14942/2013	L.G Liddicoat & S.K Liddicoat; 23-03E, Outdoor fireplace, 26 Sep 2013	14944/2013
ISM Group Holdings Pty Ltd; 06-04B, Storage locker, 26 Sep 2013	14939/2013	Lake, Dylan James; 25-03, Postbox, 02 Oct 2013	15028/2013
ISM Group Holdings Pty Ltd; 06-04B, Storage locker, 26 Sep 2013	14940/2013	Lake, Dylan James; 08-08O, Postbox, 01 Oct 2013	14994/2013
Jackson Electrical Industries Limited; 08-08M, Bracket, (NZ, 01 Jul 2013) 26 Sep 2013	14934/2013	Logue and Co. Pty Ltd; 10-04, Measuring cap, 26 Sep 2013	15002/2013
		Logue and Co. Pty Ltd; 10-04, 09-07B, Measuring cap, 04 Oct 2013	15127/2013
		Logue and Co. Pty Ltd; 10-04, 09-07B, Measuring cap, 04 Oct 2013	15126/2013

Logue and Co. Pty Ltd; 10-04, Measuring cap, 26 Sep 2013	15004/2013	Microsoft Corporation; 14-02, Electronic mouse, (US, 28 Jun 2013) 03 Oct 2013	15046/2013
Logue and Co. Pty Ltd; 10-04, Measuring cap, 26 Sep 2013	15003/2013	Microsoft Corporation; 14-02, Keyboard, (US, 28 Jun 2013) 03 Oct 2013	15047/2013
Logue and Co. Pty Ltd; 10-04, Measuring cap, 26 Sep 2013	15000/2013	Microsoft Corporation; 14-02, Electronic mouse, (US, 28 Jun 2013) 03 Oct 2013	15044/2013
Logue and Co. Pty Ltd; 10-04, Measuring cap, 26 Sep 2013	14996/2013	Microsoft Corporation; 14-02, Electronic mouse, (US, 28 Jun 2013) 03 Oct 2013	15043/2013
Logue and Co. Pty Ltd; 10-04, Measuring cap, 26 Sep 2013	14998/2013	Microsoft Corporation; 14-02, Computing device peripheral, (US, 14 May 2013) 03 Oct 2013	15036/2013
Logue and Co. Pty Ltd; 10-04, Measuring cap, 26 Sep 2013	14999/2013	Microsoft Corporation; 14-02, Computing device peripheral, (US, 14 May 2013) 03 Oct 2013	15037/2013
Logue and Co. Pty Ltd; 10-04, Measuring cap, 26 Sep 2013	14997/2013	MHS Munich Home Systems GmbH; 23-03A, Radiant heater, (EM, 10 Apr 2013) 09 Oct 2013	15138/2013
Low Light Signage Pty Ltd; 20-03NES, Sign light box, 26 Sep 2013	14937/2013	Nurtarest Pty Ltd; 06-09, Inflatable support for human body, 02 Oct 2013	15032/2013
Low Light Signage Pty Ltd; 20-03NES, Two-way sign light box, 26 Sep 2013	14938/2013	NINGBO BEILUN HAIYU AUTOMOTIVE LAMP CO; 26-06, Light, 01 Oct 2013	15007/2013
LVMH Swiss Manufactures SA; 14-03E, Mobile phone, (WO, 23 Apr 2013) 27 Sep 2013	14957/2013	NINGBO BEILUN HAIYU AUTOMOTIVE LAMP CO; 26-06, Light, 01 Oct 2013	15008/2013
Marek, Dominik; 03-01A, String bag, 27 Sep 2013	14961/2013	NJOY, Inc.; 27-06, Case for multiple electronic cigarettes, (US, 11 Apr 2013) 08 Oct 2013	15101/2013
Marek, Dominik; 03-01A, String bag, 27 Sep 2013	14962/2013	Optus Retailco Pty Ltd; 06-03C, 20-02C, Bench, 01 Oct 2013	15021/2013
Mark Anderson Sales Pty Ltd; 23-01NES, An in-wall tundish, an air break on a drain pipe, 01 Oct 2013	15005/2013	Optus Retailco Pty Ltd; 20-02C, 14-02, Kiosk, 01 Oct 2013	15026/2013
Mary Kay Inc.; 09-05, Cosmetic cap and container, (US, 03 Apr 2013) 27 Sep 2013	14956/2013	Optus Retailco Pty Ltd; 20-02C, 14-02, Kiosk, 01 Oct 2013	15025/2013
Melro Distributors Pty Ltd; 02-02NES, Ladies clothing, 25 Sep 2013	14952/2013	Optus Retailco Pty Ltd; 06-03C, 20-02C, Bench, 01 Oct 2013	15022/2013
Microsoft Corporation; 14-02, Keyboard, (US, 28 Jun 2013) 03 Oct 2013	15051/2013	Optus Retailco Pty Ltd; 06-03C, 20-02C, Bench, 01 Oct 2013	15023/2013
Microsoft Corporation; 14-02, Input device for an electronic tablet, (US, 14 Jun 2013) 03 Oct 2013	15052/2013	Optus Retailco Pty Ltd; 06-03C, 20-02C, Kiosk, 01 Oct 2013	15024/2013
Microsoft Corporation; 14-02, Keyboard, (US, 28 Jun 2013) 03 Oct 2013	15050/2013	Optus Retailco Pty Ltd; 20-02C, Wall display unit, 01 Oct 2013	15017/2013
Microsoft Corporation; 14-02, Keyboard, (US, 28 Jun 2013) 03 Oct 2013	15049/2013	Optus Retailco Pty Ltd; 06-03C, 20-02C, Bench, 01 Oct 2013	15018/2013
Microsoft Corporation; 14-02, Computing device peripheral, (US, 14 May 2013) 03 Oct 2013	15039/2013	Optus Retailco Pty Ltd; 25-02A, Entrance portal, 01 Oct 2013	15015/2013
Microsoft Corporation; 14-02, Keyboard, (US, 28 Jun 2013) 03 Oct 2013	15048/2013	Optus Retailco Pty Ltd; 20-02C, Screen housing, 01 Oct 2013	15016/2013

Optus Retailco Pty Ltd; 25-99, Interior layout of a building, 01 Oct 2013	15013/2013	Shandong Linglong Tyre Co., Ltd.; 12-15NES, Tyre, 03 Oct 2013	15040/2013
Optus Retailco Pty Ltd; 06-03C, 20-02C, Bench, 01 Oct 2013	15019/2013	Shandong Linglong Tyre Co., Ltd.; 12-15C, Tyre, 03 Oct 2013	15041/2013
Optus Retailco Pty Ltd; 06-03C, 20-02C, Bench, 01 Oct 2013	15020/2013	Shizuoka Seiki Co., Ltd.; 23-03F, Infrared oil heater, 30 Sep 2013	14967/2013
Optus Retailco Pty Ltd; 25-99, Interior layout of a building, 01 Oct 2013	15014/2013	Sistema Plastics Limited; 19-02, A file storage container, (NZ, 20 Aug 2013) 26 Sep 2013	14933/2013
Orica International Pte Ltd; 15-99, A housing assembly for a perimeter blasting device, (US, 03 Apr 2013) 03 Oct 2013	15045/2013	Sistema Plastics Limited; 12-16NES, An axle, (NZ, 20 Aug 2013) 26 Sep 2013	14929/2013
Owen, Claire Alexandra; 99-00, Bottles, jars, boxes, tubes, 03 Oct 2013	15053/2013	Sistema Plastics Limited; 08-99, A wheel assembly, (NZ, 20 Aug 2013) 26 Sep 2013	14930/2013
Polyfoam (Australia) Pty. Ltd.; 25-01B, Rebar support, 03 Oct 2013	15038/2013	Sistema Plastics Limited; 08-08NES, 09-07NES, A clip, (NZ, 20 Aug 2013) 26 Sep 2013	14916/2013
Recharge Massage Class Pty Ltd; 28-03NES, Massage balls, 06 Oct 2013	15073/2013	Sistema Plastics Limited; 19-02, A suspension file support member, (NZ, 20 Aug 2013) 26 Sep 2013	14924/2013
Recharge Massage Class Pty Ltd; 28-03NES, Massage balls, 06 Oct 2013	15075/2013	Smash Asset Management Pty Ltd; 07-02E, Barbeque fitting, 26 Sep 2013	14915/2013
Recharge Massage Class Pty Ltd; 28-03NES, Massage balls, 06 Oct 2013	15074/2013	Stahl, Andreas;Bingon, Robyn; 08-07, Lock, 08 Oct 2013	15102/2013
Reckitt Benckiser (Brands) Limited; 09-03H, Packaging insert, (EM, 18 Apr 2013) 26 Sep 2013	14925/2013	Star Globe Pty Ltd; 21-02C, A golf putter head, 27 Sep 2013	14963/2013
Reckitt Benckiser (Brands) Limited; 09-03H, Packaging insert, (EM, 18 Apr 2013) 26 Sep 2013	14923/2013	Swatch AG (Swatch SA) (Swatch Ltd); 10-02, Watch movement, (WO, 16 Apr 2013) 08 Oct 2013	15109/2013
Reid, Wendy Grey; 14-01, Display screen for an electronic device, (KR, 04 Jan 2013) 26 Sep 2013	15030/2013	Swatch AG (Swatch SA) (Swatch Ltd); 10-02, Watch movement, (WO, 16 Apr 2013) 08 Oct 2013	15111/2013
Reid, Wendy Grey; 06-01G, Upholstered chairs, sofas, ottomans, 08 Oct 2013	15119/2013	Swatch AG (Swatch SA) (Swatch Ltd); 10-02, Oscillating weight, (WO, 16 Apr 2013) 08 Oct 2013	15112/2013
Reid, Wendy Grey; 26-05D, Table lamp and shade, 07 Oct 2013	15082/2013	Swatch AG (Swatch SA) (Swatch Ltd); 10-02, Watch, (WO, 16 Apr 2013) 08 Oct 2013	15108/2013
Reid, Wendy Grey; 26-05D, Stitched shades, pendant design, floor, table lamps, 09 Oct 2013	15139/2013	Swatch AG (Swatch SA) (Swatch Ltd); 10-02, Watch movement, (WO, 16 Apr 2013) 08 Oct 2013	15115/2013
Reid, Wendy Grey; 06-03A, Tables, 09 Oct 2013	15136/2013	Swatch AG (Swatch SA) (Swatch Ltd); 10-02, Watch movement, (WO, 16 Apr 2013) 08 Oct 2013	15114/2013
Reid, Wendy Grey; 06-03B, 26-05B, Tables and lamps, 01 Oct 2013	15027/2013	Swatch AG (Swatch SA) (Swatch Ltd); 10-02, Watch movement, (WO, 16 Apr 2013) 08 Oct 2013	15116/2013
Ross, Callum; 21-01N, An interactive robotic platform, 27 Sep 2013	14958/2013	Swatch AG (Swatch SA) (Swatch Ltd); 10-02, Watch movement, (WO, 16 Apr 2013) 08 Oct 2013	15110/2013
Saad, Hassan; 02-02B, Apron, 29 Sep 2013	14966/2013	SERENE GROUP PTY. LTD.; 25-02B, Privacy screen, 01 Oct 2013	14993/2013
Shandong Linglong Tyre Co., Ltd.; 12-15NES, Tyre, 03 Oct 2013	15042/2013		

SWS Australia Pty Limited; 12-16NES, Automotive instrument panel, 09 Oct 2013	15137/2013	ZETCO VALVES PTY LTD; 23-01A, A swing check valve, 30 Sep 2013	14976/2013
Techno Glass Design Pty Ltd; 08-06, Hydra hinge set, 01 Oct 2013	15012/2013	ZETCO VALVES PTY LTD; 23-01A, A swing check valve, 30 Sep 2013	14977/2013
Tectonica Australia Pty Ltd; 13-03B, Battery reader, 08 Oct 2013	15118/2013	ZETCO VALVES PTY LTD; 23-01A, A swing check valve, 30 Sep 2013	14978/2013
The Stanley Works Israel Ltd.; 03-01D, Tool box, (EM, 18 Apr 2013) 27 Sep 2013	14955/2013	ZETCO VALVES PTY LTD; 23-01A, A swing check valve, 30 Sep 2013	14979/2013
The Stanley Works Israel Ltd.; 03-01D, Tool box, (EM, 18 Apr 2013) 27 Sep 2013	14953/2013	ZETCO VALVES PTY LTD; 23-01A, A swing check valve, 30 Sep 2013	14980/2013
The Trustee for LEN; 06-06A, Coat stand, 26 Sep 2013	14914/2013	ZETCO VALVES PTY LTD; 23-01A, A swing check valve, 30 Sep 2013	14981/2013
The Trustee for Sturdybilt Agencies Discretionary Trust; 08-08L, Clip fit bracket with screws, (Divisional of 12531/2013) 04 Oct 2013	15057/2013	ZETCO VALVES PTY LTD; 23-01A, A swing check valve, 30 Sep 2013	14982/2013
The Yokohama Rubber Co., Ltd.; 12-15A, Automobile tyre, (JP, 27 Mar 2013) 26 Sep 2013	14946/2013	ZETCO VALVES PTY LTD; 23-01A, A swing check valve, 30 Sep 2013	14983/2013
TomTom International B.V.; 14-03NES, Portable electronic navigation device, (EM, 05 Apr 2013) 08 Oct 2013	15106/2013	ZETCO VALVES PTY LTD; 23-01A, A swing check valve, 30 Sep 2013	14984/2013
TomTom International B.V.; 14-03NES, Portable electronic navigation device, (EM, 05 Apr 2013) 08 Oct 2013	15107/2013	3D Lighting Innovations Inc.; 26-05B, Butterfly on branch lighting ornament, (CA, 02 Apr 2013) 27 Sep 2013	14954/2013
Tyco Fire Products LP; 23-01B, Pipe fitting, 30 Sep 2013	14992/2013		
Vincent Raya (DongGuan) Electronics Co., Ltd.; 15-99, Paraffin melter, (CN, 30 Jul 2013) 27 Sep 2013	15035/2013		
VIP Plastic Packaging Pty Ltd; 09-03NES, Container, 26 Sep 2013	14951/2013		
VIP Plastic Packaging Pty Ltd; 09-01NES, Container, 30 Sep 2013	14968/2013		
Watkins Manufacturing Corporation; 23-02B, Spa shell, (US, 12 Jun 2013) 08 Oct 2013	15096/2013		
Watkins Manufacturing Corporation; 23-02B, Spa shell, (US, 14 Jun 2013) 08 Oct 2013	15098/2013		
Watkins Manufacturing Corporation; 23-02B, Spa shell, (US, 11 Jun 2013) 08 Oct 2013	15091/2013		
Weeding, James Michael; 25-01NES, Deck template, 28 Sep 2013	14965/2013		
Wobben Properties GmbH; 15-01, 13-01, Rotor blade, (EM, 11 Apr 2013) 09 Oct 2013	15129/2013		
Zombori, Zsolt; 13-99, Solar tree - public art, (Divisional of 14394/2013) 26 Sep 2013	14911/2013		

Extension of Period of Registration of Designs

320460	321645	321862
321869	323014	323031
323037	323039	323100
323101	323102	323103
323104	323137	323138
323198	323199	323200
323201	323202	323203
323204	323205	323206
323229	323286	323319
323393	323394	323423
323424	323425	323540
323541	323542	323543
323574	323587	323627
323685	323686	323687
323727	323728	323730
323731	323732	323733
323734	323800	323801
323802	323803	323805
323815	323854	323855
323869	323928	323952
324025	324029	324051
324141	324165	324167
324391	324392	324446
324567	324579	324580
324591	324841	324843
324844	324845	324846
324847	324848	324849
324850	324903	325293
325294	325388	325389
325390	325391	325392
325393	325394	325395
325396	326775	

320753	320824	320825
320835	320858	320859
320860	320861	320862
320863	320864	320865
320866	320867	320868
320879	320912	320914
320915	321036	321071
321248	321787	321819
321834	321835	321836
321837	321838	322106
322172	322173	322174
322175	322176	322640
322999		

Extensions of time granted under Section 137

Applications lodged under section 137 for extension of time have been granted.

351137 **Beba Enterprises Pty Ltd**

14735/2013 **Beba Enterprises Pty Ltd**

14736/2013 **Beba Enterprises Pty Ltd**

14738/2013 **Beba Enterprises Pty Ltd**

14739/2013 **Beba Enterprises Pty Ltd**

14740/2013 **Beba Enterprises Pty Ltd**

Subsequent Owners Registered

(The name in parentheses is that of the subsequent owner)

327287 (**IHS Global Design Pty Ltd**) IHS Global Alliance Pty Ltd

Registrations Ceased

319959	320018	320222
320230	320241	320242
320274	320275	320276
320277	320278	320279
320281	320306	320307
320312	320313	320314
320350	320370	320371
320372	320375	320385
320386	320387	320388
320397	320398	320399
320404	320410	320428
320429	320430	320434
320435	320436	320444
320457	320465	320466
320645	320751	320752

Certificate(s) of Examination

Examination of the following Design Registration(s) has been completed. Infringement proceedings may now be commenced.

344171	14-01	03/10/2013
346625	14-02	08/10/2013
346626	14-02	08/10/2013
347039	02-04NES	01/10/2013
347040	02-04NES	01/10/2013
347041	02-04NES	01/10/2013
347042	02-04NES	01/10/2013
347043	02-04NES	01/10/2013
347534	14-03E	08/10/2013
347807	14-03NES	08/10/2013
347920	06-02	09/10/2013
347921	06-02	09/10/2013
347922	06-02	09/10/2013
348207	15-04	01/10/2013
348208	15-04	01/10/2013
348264	07-02N	08/10/2013
348325	15-02	02/10/2013
348326	15-02	02/10/2013
348328	14-02	01/10/2013
348593	09-01NES	08/10/2013
348594	09-01NES	08/10/2013
348783	14-02	08/10/2013
348784	14-02	08/10/2013
348808	24-01	09/10/2013
348809	21-02F	01/10/2013
348876	08-08H	09/10/2013
348877	08-08H	09/10/2013
349409	03-01D	09/10/2013
349430	08-03	03/10/2013
349431	08-03	03/10/2013
349856	04-02	13/10/2013
349857	04-02	13/10/2013
349869	21-01L	09/10/2013
350052	07-02E	03/10/2013
351100	11-02B	11/10/2013

Publication and Registration Proceedings

Designs Registered

This section provides a concordance between design number and registration number of Designs covered in this journal. It also shows the main class and registration date.

This section covers Registration numbers 351021 to 351166 .

The registration number shown below should be used in all future correspondence.

Design Number	Registration Number	International Classification Code (IDC)	Registration Date	Design Number	Registration Number	International Classification Code (IDC)	Registration Date
16149/2012	351059	08-07	08/10/2013	13405/2013	351121	02-99	10/10/2013
16150/2012	351060	08-07	08/10/2013	13407/2013	351122	03-01D	10/10/2013
10718/2013	351052	09-07B	02/10/2013	13408/2013	351123	24-02	10/10/2013
10832/2013	351137	02-02C	11/10/2013	13409/2013	351124	24-02	10/10/2013
11180/2013	351149	02-02A	11/10/2013	13410/2013	351125	24-02	10/10/2013
11213/2013	351089	12-16NES	09/10/2013	13411/2013	351126	24-02	10/10/2013
11214/2013	351090	12-08	09/10/2013	13418/2013	351127	09-01NES	10/10/2013
11216/2013	351091	12-16B	09/10/2013	13419/2013	351128	09-01NES	10/10/2013
11218/2013	351092	12-16C	09/10/2013	13462/2013	351129	25-03	10/10/2013
11219/2013	351093	12-16C	09/10/2013	13468/2013	351130	12-02	10/10/2013
11220/2013	351094	26-06	09/10/2013	13469/2013	351131	03-01D	10/10/2013
11221/2013	351095	12-16NES	09/10/2013	13499/2013	351143	24-01	11/10/2013
11222/2013	351096	26-06	09/10/2013	13510/2013	351039	14-01	02/10/2013
11223/2013	351097	12-08	09/10/2013	13521/2013	351132	23-01D	10/10/2013
11224/2013	351098	12-08	09/10/2013	13528/2013	351133	16-06	10/10/2013
11225/2013	351099	12-16A	09/10/2013	13529/2013	351134	15-07	10/10/2013
11379/2013	351061	02-02NES	08/10/2013	13554/2013	351144	19-04	11/10/2013
11579/2013	351062	12-08	08/10/2013	13558/2013	351145	19-04	11/10/2013
11580/2013	351063	12-08	08/10/2013	13572/2013	351146	19-04	11/10/2013
11598/2013	351064	12-16C	08/10/2013	13576/2013	351147	19-04	11/10/2013
11883/2013	351021	23-04	01/10/2013	13618/2013	351159	07-01F	11/10/2013
11943/2013	351138	23-01L	11/10/2013	13716/2013	351160	08-08M	11/10/2013
12003/2013	351120	15-07	10/10/2013	13749/2013	351088	24-01	09/10/2013
12473/2013	351116	09-01NES	10/10/2013	13967/2013	351071	21-01B	08/10/2013
12474/2013	351053	23-03A	02/10/2013	14035/2013	351148	01-06	11/10/2013
12815/2013	351100	11-02B	09/10/2013	14041/2013	351102	23-01F	09/10/2013
12890/2013	351117	26-06	10/10/2013	14059/2013	351103	21-01H	09/10/2013
12891/2013	351118	12-08	10/10/2013	14060/2013	351104	21-01H	09/10/2013
12895/2013	351119	12-16NES	10/10/2013	14061/2013	351105	21-01H	09/10/2013
12919/2013	351065	25-01K	08/10/2013	14081/2013	351084	09-01NES	09/10/2013
12920/2013	351066	25-01NES	08/10/2013	14083/2013	351033	09-01NES	01/10/2013
12932/2013	351067	12-08	08/10/2013	14084/2013	351034	09-01NES	01/10/2013
12988/2013	351068	09-07C	08/10/2013	14085/2013	351035	09-01NES	01/10/2013
12989/2013	351069	09-01NES	08/10/2013	14086/2013	351036	27-05	01/10/2013
12990/2013	351070	09-01NES	08/10/2013	14105/2013	351022	08-07	01/10/2013
13027/2013	351101	14-02	09/10/2013	14106/2013	351023	08-07	01/10/2013
13034/2013	351054	22-01	02/10/2013	14111/2013	351087	07-06NES	09/10/2013
13105/2013	351083	08-08NES	09/10/2013	14151/2013	351024	02-03	01/10/2013
13115/2013	351037	09-01G	02/10/2013	14152/2013	351025	25-01B	01/10/2013
13134/2013	351038	13-03B	02/10/2013	14158/2013	351026	08-03	01/10/2013
13189/2013	351085	26-02	09/10/2013	14159/2013	351027	08-03	01/10/2013
13260/2013	351139	14-02	11/10/2013	14163/2013	351028	26-05E	01/10/2013
13263/2013	351140	14-02	11/10/2013	14164/2013	351029	08-08A	01/10/2013
13264/2013	351141	14-02	11/10/2013	14165/2013	351030	25-01K	01/10/2013
13270/2013	351142	14-02	11/10/2013	14166/2013	351031	06-04C	01/10/2013
13276/2013	351055	14-02	02/10/2013	14167/2013	351032	06-04C	01/10/2013
13279/2013	351056	02-07NES	02/10/2013	14187/2013	351040	06-13C	02/10/2013
13281/2013	351057	22-01	02/10/2013	14189/2013	351041	06-01H	02/10/2013
13324/2013	351058	20-03NES	02/10/2013	14190/2013	351042	06-01H	02/10/2013
13359/2013	351086	05-05NES	09/10/2013	14191/2013	351043	06-01H	02/10/2013

Publication and Registration Proceedings - Designs Registered cont'd

Design Number	Registration Number	International Classification Code (IDC)	Registration Date	Design Number	Registration Number	International Classification Code (IDC)	Registration Date
14195/2013	351044	07-01NES	02/10/2013	14249/2013	351111	26-05D	09/10/2013
14196/2013	351045	07-01NES	02/10/2013	14250/2013	351135	06-06G	10/10/2013
14197/2013	351046	07-01NES	02/10/2013	14257/2013	351112	26-05C	09/10/2013
14199/2013	351047	24-01	02/10/2013	14258/2013	351113	26-05C	09/10/2013
14200/2013	351048	07-01NES	02/10/2013	14259/2013	351114	26-05C	09/10/2013
14201/2013	351049	09-09	02/10/2013	14260/2013	351115	26-05C	09/10/2013
14204/2013	351050	14-03NES	02/10/2013	14262/2013	351136	26-05C	10/10/2013
14208/2013	351051	03-01A	02/10/2013	14278/2013	351161	02-02C	11/10/2013
14219/2013	351072	14-01	08/10/2013	14280/2013	351162	02-02C	11/10/2013
14220/2013	351073	14-01	08/10/2013	14282/2013	351163	02-02NES	11/10/2013
14221/2013	351074	24-01	08/10/2013	14452/2013	351164	02-02C	11/10/2013
14222/2013	351075	21-02D	08/10/2013	14453/2013	351165	02-02C	11/10/2013
14223/2013	351076	09-01NES	08/10/2013	14627/2013	351166	02-02C	11/10/2013
14224/2013	351077	09-01NES	08/10/2013	14716/2013	351158	02-02A	11/10/2013
14225/2013	351078	09-01NES	08/10/2013	14717/2013	351150	02-02A	11/10/2013
14226/2013	351079	09-01H	08/10/2013	14718/2013	351151	02-02A	11/10/2013
14227/2013	351080	03-01B	08/10/2013	14719/2013	351152	02-02A	11/10/2013
14233/2013	351081	03-01D	08/10/2013	14720/2013	351153	02-02A	11/10/2013
14234/2013	351106	08-05P	09/10/2013	14721/2013	351154	02-02A	11/10/2013
14238/2013	351082	31-00	08/10/2013	14722/2013	351155	02-02A	11/10/2013
14243/2013	351107	31-00	09/10/2013	14723/2013	351156	02-02A	11/10/2013
14244/2013	351108	31-00	09/10/2013	14724/2013	351157	02-02A	11/10/2013
14246/2013	351109	20-01	09/10/2013				
14247/2013	351110	20-01	09/10/2013				

Publication and Registration Proceedings

Class Listing of Designs Published or Registered

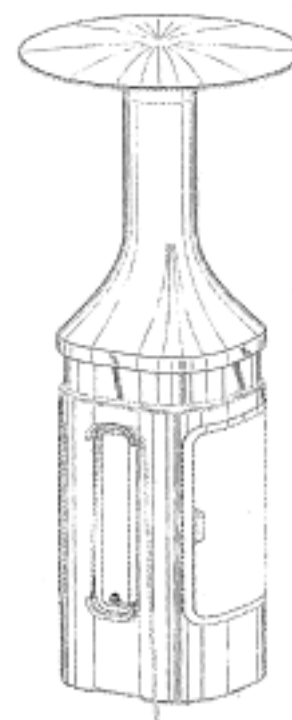
The following section shows an International Classification Code listing of the Registered or Published Designs covered in this supplement.

Classification	Registration Number	Design Number	Classification	Registration Number	Design Number
01-06	351148	14035/2013	08-07	351023	14106/2013
02-01NES	351163	14282/2013	08-07	351059	16149/2012
02-02A	351149	11180/2013	08-07	351060	16150/2012
02-02A	351150	14717/2013	08-08A	351029	14164/2013
02-02A	351151	14718/2013	08-08D	351038	13134/2013
02-02A	351152	14719/2013	08-08M	351160	13716/2013
02-02A	351153	14720/2013	08-08NES	351083	13105/2013
02-02A	351154	14721/2013	08-09	351031	14166/2013
02-02A	351155	14722/2013	08-09	351032	14167/2013
02-02A	351156	14723/2013	08-99	351121	13405/2013
02-02A	351157	14724/2013	09-01G	351037	13115/2013
02-02A	351158	14716/2013	09-01H	351079	14226/2013
02-02B	351075	14222/2013	09-01NES	351033	14083/2013
02-02C	351137	10832/2013	09-01NES	351034	14084/2013
02-02C	351161	14278/2013	09-01NES	351035	14085/2013
02-02C	351162	14280/2013	09-01NES	351069	12989/2013
02-02C	351164	14452/2013	09-01NES	351070	12990/2013
02-02C	351165	14453/2013	09-01NES	351076	14223/2013
02-02C	351166	14627/2013	09-01NES	351077	14224/2013
02-02NES	351061	11379/2013	09-01NES	351078	14225/2013
02-02NES	351075	14222/2013	09-01NES	351084	14081/2013
02-02NES	351137	10832/2013	09-01NES	351116	12473/2013
02-02NES	351163	14282/2013	09-01NES	351127	13418/2013
02-03	351024	14151/2013	09-01NES	351128	13419/2013
02-07NES	351056	13279/2013	09-07B	351052	10718/2013
02-99	351121	13405/2013	09-07C	351068	12988/2013
03-01A	351051	14208/2013	09-09	351049	14201/2013
03-01B	351080	14227/2013	11-02B	351100	12815/2013
03-01D	351081	14233/2013	12-02	351130	13468/2013
03-01D	351122	13407/2013	12-08	351062	11579/2013
03-01D	351131	13469/2013	12-08	351063	11580/2013
05-05NES	351086	13359/2013	12-08	351067	12932/2013
06-01G	351041	14189/2013	12-08	351090	11214/2013
06-01G	351042	14190/2013	12-08	351097	11223/2013
06-01G	351043	14191/2013	12-08	351098	11224/2013
06-01H	351041	14189/2013	12-08	351118	12891/2013
06-01H	351042	14190/2013	12-16A	351099	11225/2013
06-01H	351043	14191/2013	12-16B	351091	11216/2013
06-04C	351031	14166/2013	12-16C	351064	11598/2013
06-04C	351032	14167/2013	12-16C	351092	11218/2013
06-06G	351135	14250/2013	12-16C	351093	11219/2013
06-13C	351040	14187/2013	12-16NES	351089	11213/2013
07-01F	351159	13618/2013	12-16NES	351095	11221/2013
07-01NES	351044	14195/2013	12-16NES	351119	12895/2013
07-01NES	351045	14196/2013	13-03B	351038	13134/2013
07-01NES	351046	14197/2013	14-01	351039	13510/2013
07-01NES	351048	14200/2013	14-01	351055	13276/2013
07-03	351052	10718/2013	14-01	351072	14219/2013
07-06NES	351087	14111/2013	14-01	351073	14220/2013
08-03	351026	14158/2013	14-01	351101	13027/2013
08-03	351027	14159/2013	14-01	351139	13260/2013
08-05P	351106	14234/2013	14-01	351140	13263/2013
08-07	351022	14105/2013	14-01	351141	13264/2013

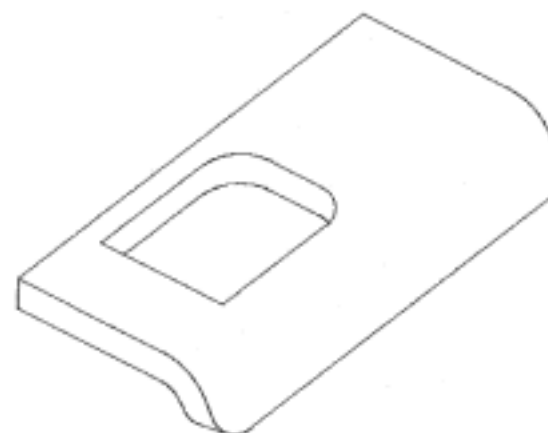
Registration Proceedings - Class Listing of Designs Published or Registered cont'd

Classification	Registration Number	Design Number	Classification	Registration Number	Design Number
14-01	351142	13270/2013	23-04	351021	11883/2013
14-02	351055	13276/2013	23-04	351160	13716/2013
14-02	351073	14220/2013	24-01	351047	14199/2013
14-02	351101	13027/2013	24-01	351074	14221/2013
14-02	351139	13260/2013	24-01	351088	13749/2013
14-02	351140	13263/2013	24-01	351143	13499/2013
14-02	351141	13264/2013	24-02	351123	13408/2013
14-02	351142	13270/2013	24-02	351124	13409/2013
14-03A	351072	14219/2013	24-02	351125	13410/2013
14-03E	351101	13027/2013	24-02	351126	13411/2013
14-03NES	351050	14204/2013	25-01B	351025	14152/2013
14-03NES	351089	11213/2013	25-01K	351030	14165/2013
15-07	351120	12003/2013	25-01K	351031	14166/2013
15-07	351134	13529/2013	25-01K	351032	14167/2013
16-06	351133	13528/2013	25-01K	351065	12919/2013
16-99	351057	13281/2013	25-01NES	351066	12920/2013
19-04	351144	13554/2013	25-03	351129	13462/2013
19-04	351145	13558/2013	26-02	351085	13189/2013
19-04	351146	13572/2013	26-05C	351112	14257/2013
19-04	351147	13576/2013	26-05C	351113	14258/2013
20-01	351109	14246/2013	26-05C	351114	14259/2013
20-01	351110	14247/2013	26-05C	351115	14260/2013
20-03NES	351058	13324/2013	26-05C	351136	14262/2013
21-01B	351071	13967/2013	26-05D	351111	14249/2013
21-01H	351103	14059/2013	26-05E	351028	14163/2013
21-01H	351104	14060/2013	26-06	351094	11220/2013
21-01H	351105	14061/2013	26-06	351096	11222/2013
21-02D	351075	14222/2013	26-06	351117	12890/2013
21-03	351129	13462/2013	27-05	351036	14086/2013
22-01	351054	13034/2013	29-02	351088	13749/2013
22-01	351057	13281/2013	31-00	351082	14238/2013
23-01D	351132	13521/2013	31-00	351107	14243/2013
23-01E	351132	13521/2013	31-00	351108	14244/2013
23-01F	351102	14041/2013			
23-01L	351138	11943/2013			
23-03A	351053	12474/2013			

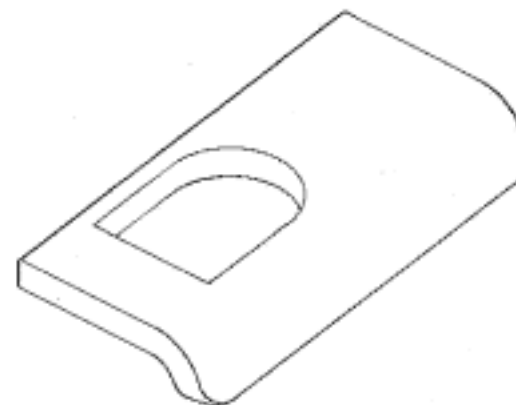
(21) Design Number: **11883/2013**
(22) Date of Filing Application: **18 April 2013**
(24) Date from which industrial property rights may have effect: **18 April 2013**
(54) Product in respect of which the design is registered: **Evaporative cooling housing**
(51) International Design Classification: **23-04**
(74) Name(s) of Attorney(s): **Freehills Patent Attorneys**
(71) Name(s) and Address(s) of Applicant(s):
Port-A-Cool, LLC
709 Southview Circle Center Texas 75935 United States of America
(72) Name(s) of Designer(s): **Benjamin Leon Wulf and Kerry Lyman Shumway and Yun Seok Kim**
(45) Registration Date: **01 October 2013**
(30) Convention priority data:
(31) Number (32) Date (33) Country
29/434972 18 Oct 2012 UNITED STATES OF AMERICA
(56) Related Art Documents: **Not Applicable**
(57) Statement of Newness and Distinctiveness: **Newness and Distinctiveness resides in the features of shape and configuration illustrated in solid lines in the accompanying representations.**



(21) Design Number: **14105/2013**
(22) Date of Filing Application: **16 August 2013**
(24) Date from which industrial property rights may have effect: **31 May 2013**
(54) Product in respect of which the design is registered: **Returnable key**
(51) International Design Classification: **08-07**
(74) Name(s) of Attorney(s): **PIZZEYS**
(71) Name(s) and Address(s) of Applicant(s):
Franz Wieth
Lindberghstr.8 Puchheim 82178 Germany
Horst Sonnendorfer
Lindberghstr.8 Puchheim 82178 Germany
(72) Name(s) of Designer(s): **Franz Wieth and Horst Sonnendorfer**
(45) Registration Date: **01 October 2013**
(30) Convention priority data:
(31) Number (32) Date (33) Country
001353759 05 Dec 2012 OFFICE FOR HARMONISATION IN THE INTERNAL MARKET (OHIM)
(62) Divisional of: **350557**
(56) Related Art Documents: **Not Applicable**
(57) Statement of Newness and Distinctiveness: **The newness and distinctiveness of the design resides in the features of pattern and/or ornamentation OR shape and/or configuration shown in unbroken lines in the accompanying representations. (if required, see Convention document).**



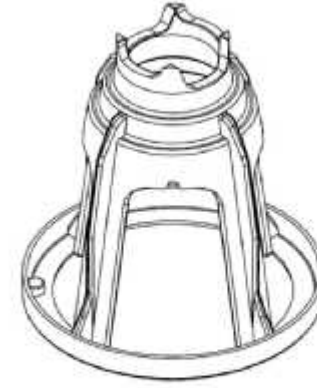
- (21) Design Number: **14106/2013**
(22) Date of Filing Application: **16 August 2013**
(24) Date from which industrial property rights may have effect: **16 August 2013**
(54) Product in respect of which the design is registered: **Returnable key**
(51) International Design Classification: **08-07**
(74) Name(s) of Attorney(s): **PIZZEYS**
(71) Name(s) and Address(s) of Applicant(s):
Franz Wieth
Lindberghstr.8 Puchheim 82178 Germany
Horst Sonnendorfer
Lindberghstr.8 Puchheim 82178 Germany
(72) Name(s) of Designer(s): **Franz Wieth and Horst Sonnendorfer**
(45) Registration Date: **01 October 2013**
(30) Convention priority data:
(31) Number (32) Date (33) Country
001353759 05 Dec 2012 OFFICE FOR HARMONISATION IN
THE INTERNAL MARKET (OHIM)
(56) Related Art Documents: **Not Applicable**
(57) Statement of Newness and Distinctiveness: **The newness and distinctiveness of the design resides in the features of pattern and/or ornamentation OR shape and/or configuration shown in unbroken lines in the accompanying representations. (if required, see Convention document).**



- (21) Design Number: **14151/2013**
(22) Date of Filing Application: **22 August 2013**
(24) Date from which industrial property rights may have effect: **22 August 2013**
(54) Product in respect of which the design is registered: **Infant cap with head positioning aid**
(51) International Design Classification: **02-03**
(74) Name(s) of Attorney(s): **IP Gateway Patent & Trademark Attorneys Pty Ltd**
(71) Name(s) and Address(s) of Applicant(s):
Turtle Products, LLC
6000 Greenwood Plaza Blvd Suite 120 Greenwood Village CO 80111
United States of America
(72) Name(s) of Designer(s): **Jane Scott and David Scott and Julianne Heath**
(45) Registration Date: **01 October 2013**
(30) Convention priority data:
(31) Number (32) Date (33) Country
US 29/446,564 25 Feb 2013 UNITED STATES OF AMERICA
(56) Related Art Documents: **Not Applicable**
(57) Statement of Newness and Distinctiveness: **The newness and distinctiveness of the design resides in the features of shape and/or configuration of an infant cap with head positioning aid as shown in the accompanying representations.**



(21) Design Number: **14152/2013**
(22) Date of Filing Application: **22 August 2013**
(24) Date from which industrial property rights may have effect: **22 August 2013**
(54) Product in respect of which the design is registered: **Chair**
(51) International Design Classification: **25-01B**
(74) Name(s) of Attorney(s): **Davies Collison Cave**
(71) Name(s) and Address(s) of Applicant(s):
Illinois Tool Works Inc.
3600 West Lake Avenue Glenview Illinois 60026 United States of America
(72) Name(s) of Designer(s): **Brendan Hans Andersen**
(45) Registration Date: **01 October 2013**
(56) Related Art Documents: **Not Applicable**
(57) Statement of Newness and Distinctiveness: **Nil**



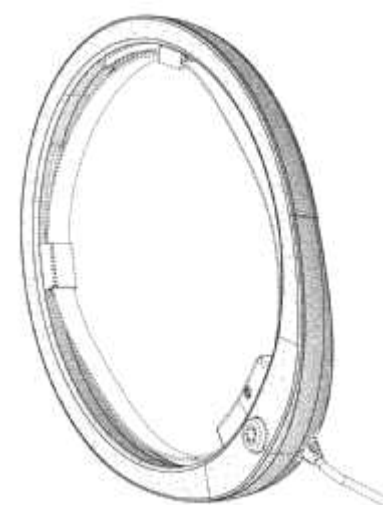
(21) Design Number: **14158/2013**
(22) Date of Filing Application: **23 August 2013**
(24) Date from which industrial property rights may have effect: **23 August 2013**
(54) Product in respect of which the design is registered: **Trimmer line**
(51) International Design Classification: **08-03**
(74) Name(s) of Attorney(s): **PIPERS**
(71) Name(s) and Address(s) of Applicant(s):
Eurolux Australia Pty Ltd
PO BOX 1335 Mona Vale NSW 1660 Australia
(72) Name(s) of Designer(s): **Martin Hermann**
(45) Registration Date: **01 October 2013**
(56) Related Art Documents: **Not Applicable**
(57) Statement of Newness and Distinctiveness: **The newness and distinctiveness of the design resides in the shape and configuration of the trimmer line as shown in the accompanying representations.**



- (21) Design Number: **14159/2013**
(22) Date of Filing Application: **23 August 2013**
(24) Date from which industrial property rights may have effect: **23 August 2013**
(54) Product in respect of which the design is registered: **Trimmer line**
(51) International Design Classification: **08-03**
(74) Name(s) of Attorney(s): **PIPERS**
(71) Name(s) and Address(s) of Applicant(s):
Eurolux Australia Pty Ltd
PO BOX 1335 Mona Vale NSW 1660 Australia
(72) Name(s) of Designer(s): **Martin Hermann**
(45) Registration Date: **01 October 2013**
(56) Related Art Documents: **Not Applicable**
(57) Statement of Newness and Distinctiveness: **The newness and distinctiveness of the design resides in the shape and configuration of the trimmer line as shown in the accompanying representations.**



- (21) Design Number: **14163/2013**
(22) Date of Filing Application: **23 August 2013**
(24) Date from which industrial property rights may have effect: **23 August 2013**
(54) Product in respect of which the design is registered: **Light-emitting device**
(51) International Design Classification: **26-05E**
(74) Name(s) of Attorney(s): **Shelston IP**
(71) Name(s) and Address(s) of Applicant(s):
Illumagear, Inc.
1752 Northwest Market Street #733 Seattle Washington, 98107 United States of America
(72) Name(s) of Designer(s): **John Maxwell Baker and Andrew Royal and Raymond Walter Riley and Chad Austin Brinckerhoff and John R. Murkowski and Trent Robert Wetherbee and Alex Michael Diener and Kristin Marie Will**
(45) Registration Date: **01 October 2013**
(30) Convention priority data:
(31) Number (32) Date (33) Country
29/446866 27 Feb 2013 UNITED STATES OF AMERICA
(56) Related Art Documents: **Not Applicable**
(57) Statement of Newness and Distinctiveness: **Newness and distinctiveness reside in the features of shape and/or configuration of a LIGHT-EMITTING DEVICE as illustrated in solid lines in the accompanying representations. The features shown in broken lines are illustrative only and do not form part of the design. The stippling shown is intended to represent the approximate three-dimensional contour of the design, and is not intended to indicate surface decoration.**



(21) Design Number: **14164/2013**
(22) Date of Filing Application: **23 August 2013**
(24) Date from which industrial property rights may have effect: **23 August 2013**
(54) Product in respect of which the design is registered: **A clip**
(51) International Design Classification: **08-08A**
(74) Name(s) of Attorney(s): **James & Wells**
(71) Name(s) and Address(s) of Applicant(s):

USG Interiors, LLC
550 W Adams St Chicago IL, 60661-3665 United States of America

(72) Name(s) of Designer(s): **John Francis Keen and David John Peck**

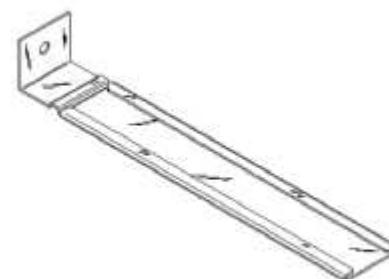
(45) Registration Date: **01 October 2013**

(30) Convention priority data:

(31) Number	(32) Date	(33) Country
417967	22 Aug 2013	NEW ZEALAND

(56) Related Art Documents: **Not Applicable**

(57) Statement of Newness and Distinctiveness: **The design is to be applied to a Perimeter Seismic Slip Joint Clip and the novelty resides in the features of shape and configuration as shown in the accompanying representations.**



(21) Design Number: **14165/2013**
(22) Date of Filing Application: **20 August 2013**
(24) Date from which industrial property rights may have effect: **20 August 2013**
(54) Product in respect of which the design is registered: **Gasket**
(51) International Design Classification: **25-01K**
(74) Name(s) of Attorney(s): **John L Davies & Co**
(71) Name(s) and Address(s) of Applicant(s):

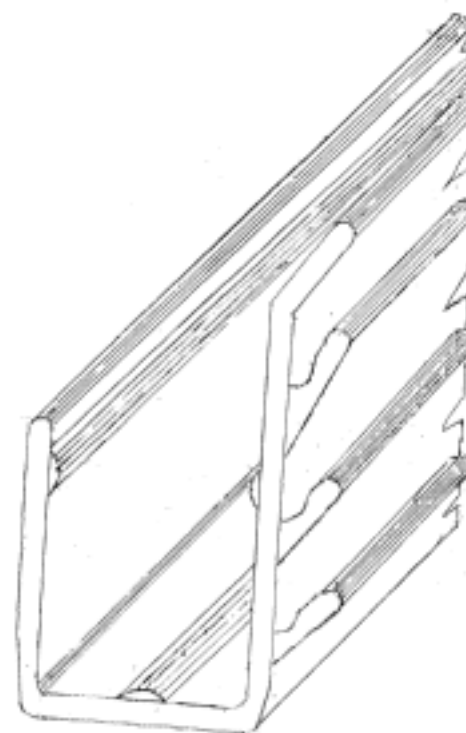
Dias Aluminium Products Pty. Ltd.
201-205 Browns Rd Noble Park VIC 3174 Australia

(72) Name(s) of Designer(s): **Ian David Paterson**

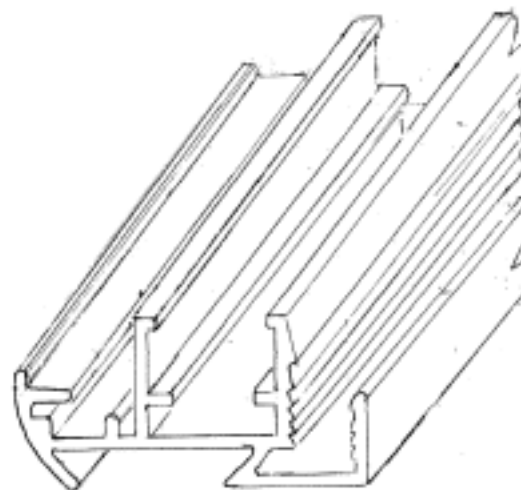
(45) Registration Date: **01 October 2013**

(56) Related Art Documents: **Not Applicable**

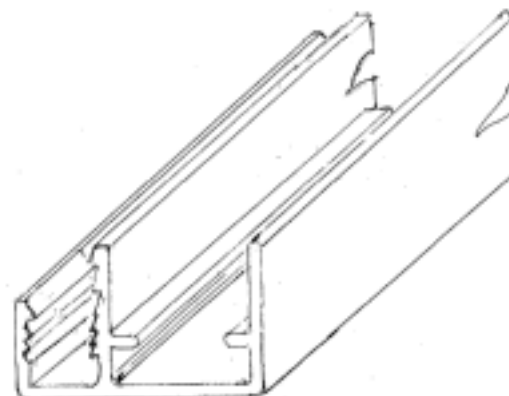
(57) Statement of Newness and Distinctiveness: **Nil**



(21) Design Number: **14166/2013**
(22) Date of Filing Application: **20 August 2013**
(24) Date from which industrial property rights may have effect: **20 August 2013**
(54) Product in respect of which the design is registered: **Grip stile**
(51) International Design Classification: **06-04C, 08-09, 25-01K**
(74) Name(s) of Attorney(s): **John L Davies & Co**
(71) Name(s) and Address(s) of Applicant(s):
Dias Aluminium Products Pty. Ltd.
201-205 Browns Rd Noble Park VIC 3174 Australia
(72) Name(s) of Designer(s): **Ian David Paterson**
(45) Registration Date: **01 October 2013**
(56) Related Art Documents: **Not Applicable**
(57) Statement of Newness and Distinctiveness: **Nil**



(21) Design Number: **14167/2013**
(22) Date of Filing Application: **20 August 2013**
(24) Date from which industrial property rights may have effect: **20 August 2013**
(54) Product in respect of which the design is registered: **Top and bottom rail**
(51) International Design Classification: **06-04C, 08-09, 25-01K**
(74) Name(s) of Attorney(s): **John L Davies & Co**
(71) Name(s) and Address(s) of Applicant(s):
Dias Aluminium Products Pty. Ltd.
201-205 Browns Rd Noble Park VIC 3174 Australia
(72) Name(s) of Designer(s): **Ian David Paterson**
(45) Registration Date: **01 October 2013**
(56) Related Art Documents: **Not Applicable**
(57) Statement of Newness and Distinctiveness: **Nil**



(21) Design Number: **14083/2013**

(22) Date of Filing Application: **19 August 2013**

(24) Date from which industrial property rights may have effect: **19 August 2013**

(54) Product in respect of which the design is registered: **Dispenser for confectionery**

(51) International Design Classification: **09-01NES**

(74) Name(s) of Attorney(s): **Griffith Hack**

(71) Name(s) and Address(s) of Applicant(s):

sanotact (HK) Limited

**503 5/F Tower B New Mandarin Plaza 14 Science Museum Rd TST East
KLN Hong Kong**

(72) Name(s) of Designer(s): **Henry Albrecht Callaghan**

(45) Registration Date: **01 October 2013**

(30) Convention priority data:

(31) Number

(32) Date

(33) Country

002185926-0002

18 Feb 2013

**OFFICE FOR HARMONISATION IN
THE INTERNAL MARKET (OHIM)**

(56) Related Art Documents: **Not Applicable**

(57) Statement of Newness and Distinctiveness: **Newness and Distinctiveness resides in the visual features, including the shape, configuration, pattern and ornamentation of the product as shown in the representation.**



(21) Design Number: **14084/2013**

(22) Date of Filing Application: **19 August 2013**

(24) Date from which industrial property rights may have effect: **19 August 2013**

(54) Product in respect of which the design is registered: **Dispenser for confectionery**

(51) International Design Classification: **09-01NES**

(74) Name(s) of Attorney(s): **Griffith Hack**

(71) Name(s) and Address(s) of Applicant(s):

sanotact (HK) Limited

**503 5/F Tower B New Mandarin Plaza 14 Science Museum Rd TST East
KLN Hong Kong**

(72) Name(s) of Designer(s): **Henry Albrecht Callaghan**

(45) Registration Date: **01 October 2013**

(30) Convention priority data:

(31) Number

(32) Date

(33) Country

002185926-0004

18 Feb 2013

**OFFICE FOR HARMONISATION IN
THE INTERNAL MARKET (OHIM)**

(56) Related Art Documents: **Not Applicable**

(57) Statement of Newness and Distinctiveness: **Newness and Distinctiveness resides in the visual features, including the shape, configuration, pattern and ornamentation of the product as shown in the representation.**



(21) Design Number: **14085/2013**
(22) Date of Filing Application: **19 August 2013**
(24) Date from which industrial property rights may have effect: **19 August 2013**
(54) Product in respect of which the design is registered: **Dispenser for confectionery**
(51) International Design Classification: **09-01NES**
(74) Name(s) of Attorney(s): **Griffith Hack**
(71) Name(s) and Address(s) of Applicant(s):
sanotact (HK) Limited
503 5/F Tower B New Mandarin Plaza 14 Science Museum Rd TST East
KLN Hong Kong
(72) Name(s) of Designer(s): **Henry Albrecht Callaghan**
(45) Registration Date: **01 October 2013**
(30) Convention priority data:
(31) Number (32) Date (33) Country
002185926-0003 18 Feb 2013 OFFICE FOR HARMONISATION IN
THE INTERNAL MARKET (OHIM)
(56) Related Art Documents: **Not Applicable**
(57) Statement of Newness and Distinctiveness: **Newness and Distinctiveness resides in the visual features, including the shape and configuration of the product as shown in the representation.**



(21) Design Number: **14086/2013**
(22) Date of Filing Application: **19 August 2013**
(24) Date from which industrial property rights may have effect: **19 August 2013**
(54) Product in respect of which the design is registered: **Cigarette lighter**
(51) International Design Classification: **27-05**
(74) Name(s) of Attorney(s):
(71) Name(s) and Address(s) of Applicant(s):
Trio Brothers Trading Pty Ltd
18 Beal St Meadowbrook QLD 4131 Australia
(72) Name(s) of Designer(s): **Jack Qin**
(45) Registration Date: **01 October 2013**
(56) Related Art Documents: **Not Applicable**
(57) Statement of Newness and Distinctiveness: **The design has a distinctive tobacco water pipe shape with cigarette lighter function.**



(21) Design Number: **13115/2013**
(22) Date of Filing Application: **29 June 2013**
(24) Date from which industrial property rights may have effect: **29 June 2013**
(54) Product in respect of which the design is registered: **Bottle for cosmetics**
(51) International Design Classification: **09-01G**
(74) Name(s) of Attorney(s): **WALLINGTON-DUMMER**
(71) Name(s) and Address(s) of Applicant(s):
Creative Nail Design, Inc.
1125 Joshua Way Vista California 92083-7800 United States of America
(72) Name(s) of Designer(s): **David Valia and Jamie Ellis**
(45) Registration Date: **02 October 2013**
(30) Convention priority data:
(31) Number (32) Date (33) Country
**002167155-0001 15 Jan 2013 OFFICE FOR HARMONISATION IN
THE INTERNAL MARKET (OHIM)**
(56) Related Art Documents: **Not Applicable**
(57) Statement of Newness and Distinctiveness: **Nil**



(21) Design Number: **13134/2013**
(22) Date of Filing Application: **02 July 2013**
(24) Date from which industrial property rights may have effect: **02 July 2013**
(54) Product in respect of which the design is registered: **Single clamp**
(51) International Design Classification: **13-03B, 08-08D**
(74) Name(s) of Attorney(s):
(71) Name(s) and Address(s) of Applicant(s):
Andrew Robert Markham
PO BOX 330 Sanctuary Cove QLD 4212 Australia
(72) Name(s) of Designer(s): **Andrew Robert Markham**
(45) Registration Date: **02 October 2013**
(56) Related Art Documents: **Not Applicable**
(57) Statement of Newness and Distinctiveness: **Nil**



- (21) Design Number: **13510/2013**
(22) Date of Filing Application: **23 July 2013**
(24) Date from which industrial property rights may have effect: **23 July 2013**
(54) Product in respect of which the design is registered: **Set of headphones with a control module and battery pack**
(51) International Design Classification: **14-01**
(74) Name(s) of Attorney(s): **PHILLIPS ORMONDE FITZPATRICK**
(71) Name(s) and Address(s) of Applicant(s):
Bose Corporation
The Mountain MS 40 Framingham Massachusetts 01701-9168 United States of America
(72) Name(s) of Designer(s): **Kevin M. Krauss and Robert A. Warden and Michael E. Laude and Julie E. Tierney and Adam A. Carr and Nathan David Schaal and Jonathan D. Turner and Kenneth D. Gagnon**
(45) Registration Date: **02 October 2013**
(30) Convention priority data:
(31) Number (32) Date (33) Country
29/442,837 24 Jan 2013 UNITED STATES OF AMERICA
(56) Related Art Documents: **Not Applicable**
(57) Statement of Newness and Distinctiveness: **Those features of the set of headphones with a control module and battery pack depicted in the representations that are new and distinctive are the shape and/or configuration. Those features shown in broken lines are not part of the design and are to be disregarded when considering the overall impression of the design. The cables as illustrated may be of indefinite length.**



- (21) Design Number: **14187/2013**
(22) Date of Filing Application: **25 August 2013**
(24) Date from which industrial property rights may have effect: **25 August 2013**
(54) Product in respect of which the design is registered: **Towel**
(51) International Design Classification: **06-13C**
(74) Name(s) of Attorney(s):
(71) Name(s) and Address(s) of Applicant(s):
Circularis Pty Ltd
43 Central Ave Eagle Heights QLD 4271 Australia
(72) Name(s) of Designer(s): **Alexander James O'Reilly and Christopher Luke Isaac**
(45) Registration Date: **02 October 2013**
(56) Related Art Documents: **Not Applicable**
(57) Statement of Newness and Distinctiveness: **Newness and distinctiveness resides in the towel's shape and configuration (as shown in the representations).**



(21) Design Number: **14189/2013**

(22) Date of Filing Application: **25 August 2013**

(24) Date from which industrial property rights may have effect: **25 August 2013**

(54) Product in respect of which the design is registered: **Alu' honeycomb three seater sofa, with one armrest**

(51) International Design Classification: **06-01H, 06-01G**

(74) Name(s) of Attorney(s):

(71) Name(s) and Address(s) of Applicant(s):

Xuan Zhou

**Tianhe District Guangzhou Unit 704 Xin Chuang Ju Building No.123
China**

Guangzhou Gardenart Furniture Co. Ltd

**Unit 704 Xin Chuangju Building No.123 Ti Yu Xi Road Tianhe District
Guangzhou 510620 China**

(72) Name(s) of Designer(s): **Jianhui Cao**

(45) Registration Date: **02 October 2013**

(56) Related Art Documents: **Not Applicable**

(57) Statement of Newness and Distinctiveness: **Nil**



(21) Design Number: **14190/2013**

(22) Date of Filing Application: **25 August 2013**

(24) Date from which industrial property rights may have effect: **25 August 2013**

(54) Product in respect of which the design is registered: **Alu' honey comb three seater sofa, without armrest**

(51) International Design Classification: **06-01H, 06-01G**

(74) Name(s) of Attorney(s):

(71) Name(s) and Address(s) of Applicant(s):

Xuan Zhou

**Tianhe District Guangzhou Unit 704 Xin Chuang Ju Building No.123
China**

Guangzhou Gardenart Furniture Co. Ltd

**Unit 704 Xin Chuangju Building No.123 Ti Yu Xi Road Tianhe District
Guangzhou 510620 China**

(72) Name(s) of Designer(s): **Jianhui Cao**

(45) Registration Date: **02 October 2013**

(56) Related Art Documents: **Not Applicable**

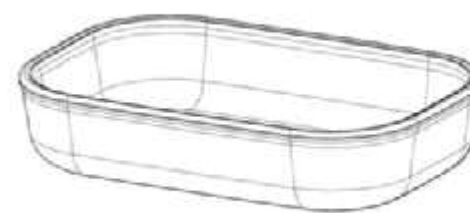
(57) Statement of Newness and Distinctiveness: **Nil**



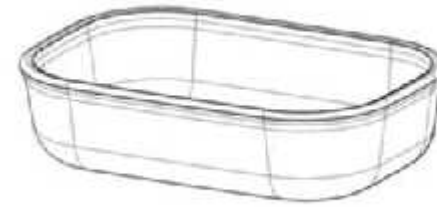
(21) Design Number: **14191/2013**
(22) Date of Filing Application: **25 August 2013**
(24) Date from which industrial property rights may have effect: **25 August 2013**
(54) Product in respect of which the design is registered: **Alu' honey comb one seater sofa**
(51) International Design Classification: **06-01H, 06-01G**
(74) Name(s) of Attorney(s):
(71) Name(s) and Address(s) of Applicant(s):
Xuan Zhou
Tianhe District Guangzhou Unit 704 Xin Chuang Ju Building No.123
China
Guangzhou Gardenart Furniture Co. Ltd
Unit 704 Xin Chuangju Building No.123 Ti Yu Xi Road Tianhe District
Guangzhou 510620 China
(72) Name(s) of Designer(s): **Jianhui Cao**
(45) Registration Date: **02 October 2013**
(56) Related Art Documents: **Not Applicable**
(57) Statement of Newness and Distinctiveness: **Nil**



(21) Design Number: **14195/2013**
(22) Date of Filing Application: **26 August 2013**
(24) Date from which industrial property rights may have effect: **26 August 2013**
(54) Product in respect of which the design is registered: **Base for container**
(51) International Design Classification: **07-01NES**
(74) Name(s) of Attorney(s): **Callinans**
(71) Name(s) and Address(s) of Applicant(s):
The Decor Corporation Pty. Ltd.
1314 Ferntree Gully Rd Scoresby VIC 3179 Australia
(72) Name(s) of Designer(s): **Jim Samartgis**
(45) Registration Date: **02 October 2013**
(56) Related Art Documents: **Not Applicable**
(57) Statement of Newness and Distinctiveness: **Nil**



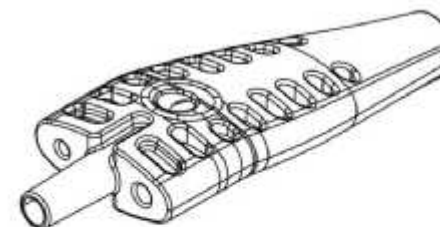
(21) Design Number: **14196/2013**
(22) Date of Filing Application: **26 August 2013**
(24) Date from which industrial property rights may have effect: **26 August 2013**
(54) Product in respect of which the design is registered: **Base for container**
(51) International Design Classification: **07-01NES**
(74) Name(s) of Attorney(s): **Callinans**
(71) Name(s) and Address(s) of Applicant(s):
The Decor Corporation Pty. Ltd.
1314 Ferntree Gully Rd Scoresby VIC 3179 Australia
(72) Name(s) of Designer(s): **Jim Samartgis**
(45) Registration Date: **02 October 2013**
(56) Related Art Documents: **Not Applicable**
(57) Statement of Newness and Distinctiveness: **Nil**



(21) Design Number: **14197/2013**
(22) Date of Filing Application: **26 August 2013**
(24) Date from which industrial property rights may have effect: **26 August 2013**
(54) Product in respect of which the design is registered: **Base for container**
(51) International Design Classification: **07-01NES**
(74) Name(s) of Attorney(s): **Callinans**
(71) Name(s) and Address(s) of Applicant(s):
The Decor Corporation Pty. Ltd.
1314 Ferntree Gully Rd Scoresby VIC 3179 Australia
(72) Name(s) of Designer(s): **Jim Samartgis**
(45) Registration Date: **02 October 2013**
(56) Related Art Documents: **Not Applicable**
(57) Statement of Newness and Distinctiveness: **Nil**



(21) Design Number: **14199/2013**
(22) Date of Filing Application: **26 August 2013**
(24) Date from which industrial property rights may have effect: **26 August 2013**
(54) Product in respect of which the design is registered: **Ear suction device**
(51) International Design Classification: **24-01**
(74) Name(s) of Attorney(s): **Knightsbridge Patent Attorneys**
(71) Name(s) and Address(s) of Applicant(s):
Mediplast AB
Box 9505 S-200 39 Malmo Sweden
(72) Name(s) of Designer(s): **Jonas Frodlund and Mathias Holmgren**
(45) Registration Date: **02 October 2013**
(30) Convention priority data:
(31) Number (32) Date (33) Country
002198655-0001 08 Mar 2013 OFFICE FOR HARMONISATION IN
THE INTERNAL MARKET (OHIM)

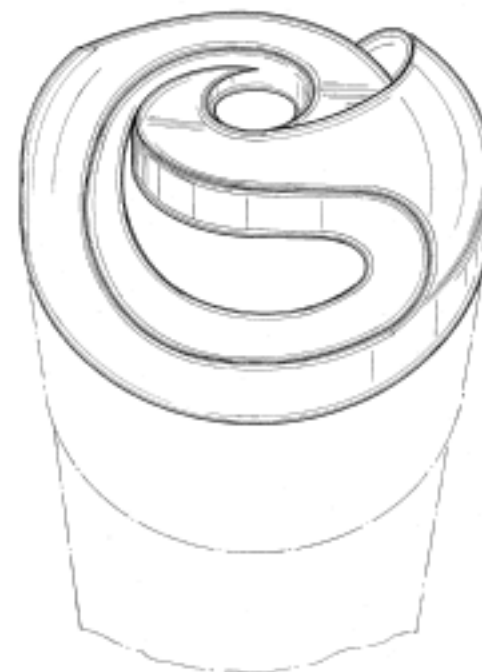


(56) Related Art Documents: **Not Applicable**
(57) Statement of Newness and Distinctiveness: **The applicant claims that newness and distinctiveness reside in the features of shape and configuration of an ear suction device, as depicted in the accompanying representations.**

(21) Design Number: **14200/2013**
(22) Date of Filing Application: **26 August 2013**
(24) Date from which industrial property rights may have effect: **26 August 2013**
(54) Product in respect of which the design is registered: **Base for container**
(51) International Design Classification: **07-01NES**
(74) Name(s) of Attorney(s): **Callinans**
(71) Name(s) and Address(s) of Applicant(s):
The Decor Corporation Pty. Ltd.
1314 Ferntree Gully Rd Scoresby VIC 3179 Australia
(72) Name(s) of Designer(s): **Jim Samartgis**
(45) Registration Date: **02 October 2013**
(56) Related Art Documents: **Not Applicable**
(57) Statement of Newness and Distinctiveness: **Nil**



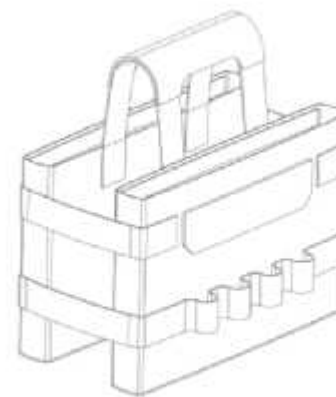
(21) Design Number: **14201/2013**
(22) Date of Filing Application: **26 August 2013**
(24) Date from which industrial property rights may have effect: **26 August 2013**
(54) Product in respect of which the design is registered: **Biological fluid collection device**
(51) International Design Classification: **09-09**
(74) Name(s) of Attorney(s): **SPRUSON & FERGUSON**
(71) Name(s) and Address(s) of Applicant(s):
Steven A. Shubin Sr.
300 Texas Longhorn Trail, Dripping Springs TX, 78620 United States of America
(72) Name(s) of Designer(s): **Steven A. Shubin Sr and Steven A. Shubin Jr**
(45) Registration Date: **02 October 2013**
(30) Convention priority data:
(31) Number (32) Date (33) Country
29/450640 20 Mar 2013 UNITED STATES OF AMERICA
(56) Related Art Documents: **Not Applicable**
(57) Statement of Newness and Distinctiveness: **Newness and distinctiveness is claimed in those features of shape and/or configuration of a biological fluid collection device illustrated in continuous lines in the accompanying representations.**



(21) Design Number: **14204/2013**
(22) Date of Filing Application: **26 August 2013**
(24) Date from which industrial property rights may have effect: **26 August 2013**
(54) Product in respect of which the design is registered: **Remote indoor sensor**
(51) International Design Classification: **14-03NES**
(74) Name(s) of Attorney(s): **SPRUSON & FERGUSON**
(71) Name(s) and Address(s) of Applicant(s):
Lennox Industries Inc.
2100 Lake Park Blvd., Richardson TX, 75080 United States of America
(72) Name(s) of Designer(s): **Robert Anthony DiFulgentiz III and Kyle Golden and Larry Stephen Bias and Takeshi Sakai and Daniel Castillo and Thomas Gerard Pavlak**
(45) Registration Date: **02 October 2013**
(30) Convention priority data:
(31) Number (32) Date (33) Country
29/446823 27 Feb 2013 UNITED STATES OF AMERICA
(56) Related Art Documents: **Not Applicable**
(57) Statement of Newness and Distinctiveness: **Newness and distinctiveness is claimed in the features of shape and/or configuration of a remote indoor sensor as illustrated in the accompanying representations.**



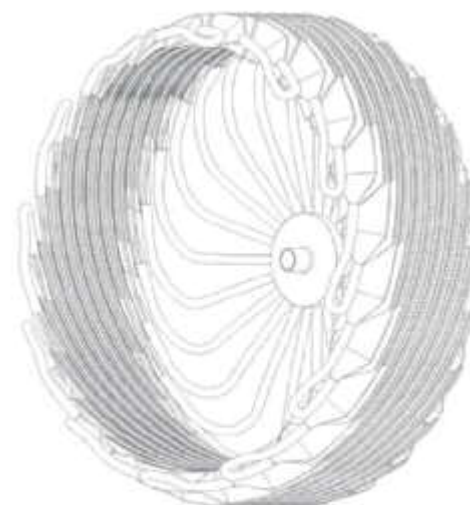
- (21) Design Number: **14208/2013**
(22) Date of Filing Application: **26 August 2013**
(24) Date from which industrial property rights may have effect: **26 August 2013**
(54) Product in respect of which the design is registered: **A bag**
(51) International Design Classification: **03-01A**
(74) Name(s) of Attorney(s): **SPRUSON & FERGUSON**
(71) Name(s) and Address(s) of Applicant(s):
Frontline Asia Pty Limited
85/75 Spofforth St Mosman NSW 2088 Australia
(72) Name(s) of Designer(s): **Kim Miller and Garry Weir**
(45) Registration Date: **02 October 2013**
(56) Related Art Documents: **Not Applicable**
(57) Statement of Newness and Distinctiveness: **Newness and distinctiveness is claimed in the features of shape and/or configuration of a bag as illustrated in the accompanying representations.**



- (21) Design Number: **10718/2013**
(22) Date of Filing Application: **14 February 2013**
(24) Date from which industrial property rights may have effect: **14 February 2013**
(54) Product in respect of which the design is registered: **Lid with spoon**
(51) International Design Classification: **09-07B, 07-03**
(74) Name(s) of Attorney(s): **Houlihan2**
(71) Name(s) and Address(s) of Applicant(s):
CHIA AUSTRALIA PTY LTD
262-276 Lorimer St Port Melbourne VIC 3207 Australia
(72) Name(s) of Designer(s): **Marc Anthony Fraser and Simon Lee Andresen**
(45) Registration Date: **02 October 2013**
(56) Related Art Documents: **Not Applicable**
(57) Statement of Newness and Distinctiveness: **Newness and distinctiveness reside in the shape and/or configuration of a lid and spoon as illustrated in the accompanying representations.**



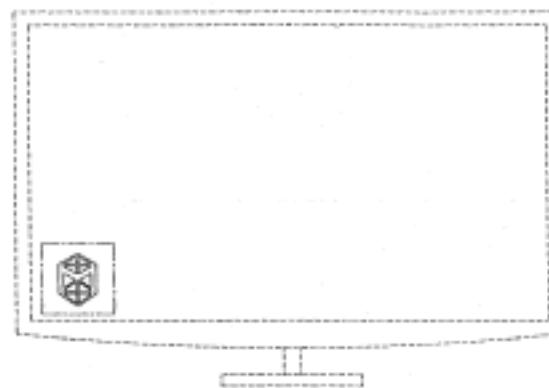
(21) Design Number: **12474/2013**
(22) Date of Filing Application: **29 May 2013**
(24) Date from which industrial property rights may have effect: **29 May 2013**
(54) Product in respect of which the design is registered: **A heat exchanger**
(51) International Design Classification: **23-03A**
(74) Name(s) of Attorney(s): **WATERMARK PATENT AND TRADE MARKS ATTORNEYS**
(71) Name(s) and Address(s) of Applicant(s):
Carlos S. Quesada
Aptdo.: 488-1007 Av. 1 Calle 32 San Jose Costa Rica
(72) Name(s) of Designer(s): **Carlos S. Quesada**
(45) Registration Date: **02 October 2013**
(30) Convention priority data:
(31) Number (32) Date (33) Country
002145342 30 Nov 2012 OFFICE FOR HARMONISATION IN THE INTERNAL MARKET (OHIM)
(56) Related Art Documents: **Not Applicable**
(57) Statement of Newness and Distinctiveness: **Nil**



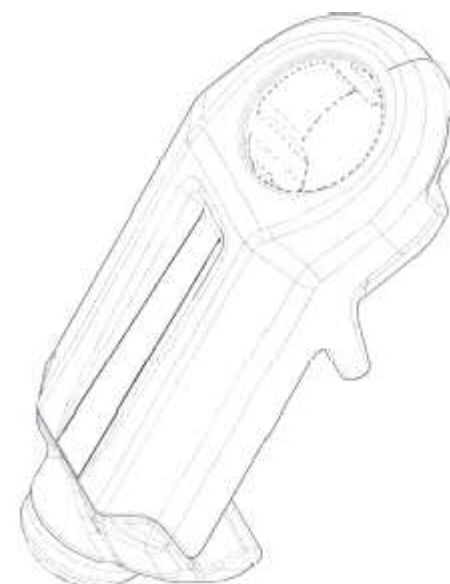
(21) Design Number: **13034/2013**
(22) Date of Filing Application: **28 June 2013**
(24) Date from which industrial property rights may have effect: **28 June 2013**
(54) Product in respect of which the design is registered: **Firearm grip**
(51) International Design Classification: **22-01**
(74) Name(s) of Attorney(s): **Davies Collison Cave**
(71) Name(s) and Address(s) of Applicant(s):
Magpul Industries Corporation
400 Young Court Unit 1 Erie Colorado 80516 United States of America
(72) Name(s) of Designer(s): **Rick Fitzpatrick and Michael T. Mayberry and Thomas Ward Jr and Rick Zayatz**
(45) Registration Date: **02 October 2013**
(30) Convention priority data:
(31) Number (32) Date (33) Country
29/441004 29 Dec 2012 UNITED STATES OF AMERICA
(56) Related Art Documents: **Not Applicable**
(57) Statement of Newness and Distinctiveness: **Newness and distinctiveness is claimed in the visual features of the firearm grip shown in solid lines in the representations.**



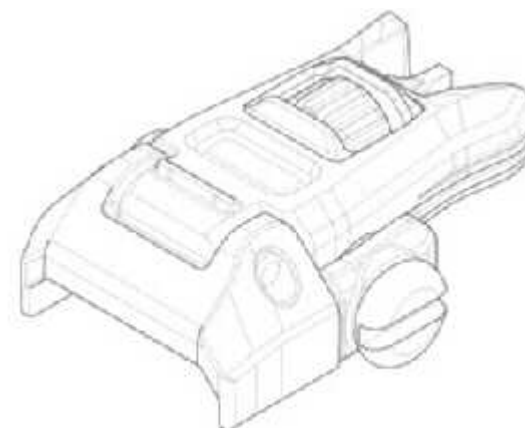
- (21) Design Number: **13276/2013**
(22) Date of Filing Application: **04 July 2013**
(24) Date from which industrial property rights may have effect: **04 July 2013**
(54) Product in respect of which the design is registered: **Display screen with graphical user interface**
(51) International Design Classification: **14-02, 14-01**
(74) Name(s) of Attorney(s): **IP Gateway Patent & Trademark Attorneys Pty Ltd**
(71) Name(s) and Address(s) of Applicant(s):
Samsung Electronics Co., Ltd.
129 Samsung-ro Yeongtong-gu Suwon-si Gyeonggi-do 443-742 Republic of Korea
(72) Name(s) of Designer(s): **Min Hyung Kim**
(45) Registration Date: **02 October 2013**
(30) Convention priority data:
(31) Number (32) Date (33) Country
30-2013-0000702 04 Jan 2013 REPUBLIC OF KOREA
(56) Related Art Documents: **Not Applicable**
(57) Statement of Newness and Distinctiveness: **Newness and distinctiveness of the design resides in the visual features of pattern and/or ornamentation as shown in solid lines in the accompanying representations. When considering newness and distinctiveness the features shown in broken lines should be disregarded.**



- (21) Design Number: **13279/2013**
(22) Date of Filing Application: **08 July 2013**
(24) Date from which industrial property rights may have effect: **08 July 2013**
(54) Product in respect of which the design is registered: **Rail-mounted sling attachment**
(51) International Design Classification: **02-07NES**
(74) Name(s) of Attorney(s): **Davies Collison Cave**
(71) Name(s) and Address(s) of Applicant(s):
Magpul Industries Corporation
400 Young Court Unit 1 Erie Colorado 80516 United States of America
(72) Name(s) of Designer(s): **Richard Fitzpatrick and Thomas Ward Jr and Michael T. Mayberry and Duane Liptak and Brad Bennett and Nick Kielsmeier and Grady Barfoot**
(45) Registration Date: **02 October 2013**
(30) Convention priority data:
(31) Number (32) Date (33) Country
29/443123 14 Jan 2013 UNITED STATES OF AMERICA
(56) Related Art Documents: **Not Applicable**
(57) Statement of Newness and Distinctiveness: **Newness and distinctiveness is claimed in the visual features shown in solid lines in the representations.**



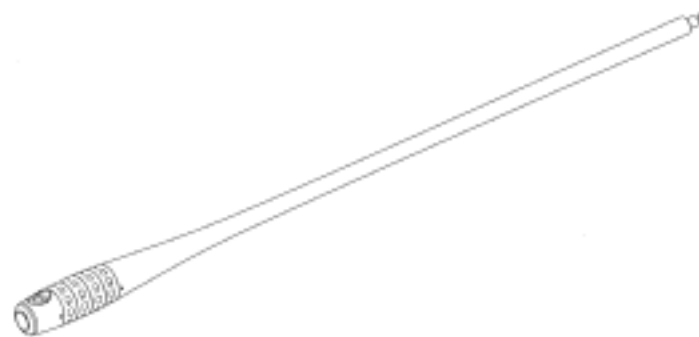
- (21) Design Number: **13281/2013**
(22) Date of Filing Application: **08 July 2013**
(24) Date from which industrial property rights may have effect: **08 July 2013**
(54) Product in respect of which the design is registered: **Folding front sight for a firearm**
(51) International Design Classification: **22-01, 16-99**
(74) Name(s) of Attorney(s): **Davies Collison Cave**
(71) Name(s) and Address(s) of Applicant(s):
Magpul Industries Corporation
400 Young Court Unit 1 Erie Colorado 80516 United States of America
(72) Name(s) of Designer(s): **Richard Fitzpatrick and Michael T. Mayberry and Grady Barfoot and Brad Bennett**
(45) Registration Date: **02 October 2013**
(30) Convention priority data:
(31) Number (32) Date (33) Country
29/443370 16 Jan 2013 UNITED STATES OF AMERICA
(56) Related Art Documents: **Not Applicable**
(57) Statement of Newness and Distinctiveness: **Newness and distinctiveness is claimed in the visual features shown in solid lines in the representations.**



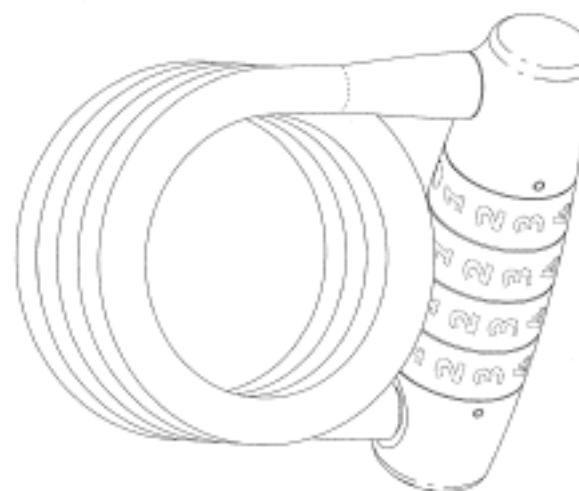
- (21) Design Number: **13324/2013**
(22) Date of Filing Application: **10 July 2013**
(24) Date from which industrial property rights may have effect: **10 July 2013**
(54) Product in respect of which the design is registered: **An indicator plate for a vehicle**
(51) International Design Classification: **20-03NES**
(74) Name(s) of Attorney(s): **Davies Collison Cave**
(71) Name(s) and Address(s) of Applicant(s):
Michael Ball
14 Ellen Rd Narre Warren South VIC 3805 Australia
(72) Name(s) of Designer(s): **Michael F Ball**
(45) Registration Date: **02 October 2013**
(56) Related Art Documents: **Not Applicable**
(57) Statement of Newness and Distinctiveness: **The features of shape, configuration, pattern and ornamentation of the indicator plate for a vehicle, having the letter "S" as an abbreviation for the word "senior" to indicate that the driver is a senior citizen, shown in the accompanying representations is considered to be new and distinctive.**



- (21) Design Number: **16149/2012**
(22) Date of Filing Application: **05 December 2012**
(24) Date from which industrial property rights may have effect: **05 December 2012**
(54) Product in respect of which the design is registered: **Combination lock**
(51) International Design Classification: **08-07**
(74) Name(s) of Attorney(s): **Freehills Patent Attorneys**
(71) Name(s) and Address(s) of Applicant(s):
Knog Pty Ltd
453 Church St Richmond VIC 3121 Australia
(72) Name(s) of Designer(s): **Malcolm McKechnie and Hugo Davidson and Kynan Taylor**
(45) Registration Date: **08 October 2013**
(56) Related Art Documents: **Not Applicable**
(57) Statement of Newness and Distinctiveness: **Newness and distinctiveness of the design resides in the features of shape and configuration of the combination lock as shown in solid lines in the accompanying**



- (21) Design Number: **16150/2012**
(22) Date of Filing Application: **05 December 2012**
(24) Date from which industrial property rights may have effect: **05 December 2012**
(54) Product in respect of which the design is registered: **Coiled combination lock**
(51) International Design Classification: **08-07**
(74) Name(s) of Attorney(s): **Freehills Patent Attorneys**
(71) Name(s) and Address(s) of Applicant(s):
Knog Pty Ltd
453 Church St Richmond VIC 3121 Australia
(72) Name(s) of Designer(s): **Malcolm McKechnie and Hugo Davidson and Kynan Taylor and Joelene Tee**
(45) Registration Date: **08 October 2013**
(56) Related Art Documents: **Not Applicable**
(57) Statement of Newness and Distinctiveness: **Newness and distinctiveness of the design resides in the shape and configuration of the coiled combination lock as shown in solid lines in the accompanying representations.**



(21) Design Number: **11379/2013**
(22) Date of Filing Application: **14 March 2013**
(24) Date from which industrial property rights may have effect: **14 March 2013**
(54) Product in respect of which the design is registered: **Articles of clothing**
(51) International Design Classification: **02-02NES**
(74) Name(s) of Attorney(s): **K&L Gates**
(71) Name(s) and Address(s) of Applicant(s):
Beba Enterprises Pty Ltd
34 Garden St South Yarra VIC 3141 Australia
(72) Name(s) of Designer(s): **Robert Cromb**
(45) Registration Date: **08 October 2013**
(56) Related Art Documents: **Not Applicable**
(57) Statement of Newness and Distinctiveness: **Nil**



(21) Design Number: **11579/2013**
(22) Date of Filing Application: **26 March 2013**
(24) Date from which industrial property rights may have effect: **26 March 2013**
(54) Product in respect of which the design is registered: **Motor vehicle**
(51) International Design Classification: **12-08**
(74) Name(s) of Attorney(s): **SPRUSON & FERGUSON**
(71) Name(s) and Address(s) of Applicant(s):
Mazda Motor Corporation
No. 3-1 Shinchi Fuchu-cho Aki-gun Hiroshima Japan
(72) Name(s) of Designer(s): **Kouji Tabata and Yasutake Tsuchida and Yoshito Iwauchi and Ryouzuke Nozaki and Masanori Yamaguchi**
(45) Registration Date: **08 October 2013**
(56) Related Art Documents: **Not Applicable**
(57) Statement of Newness and Distinctiveness: **Nil**



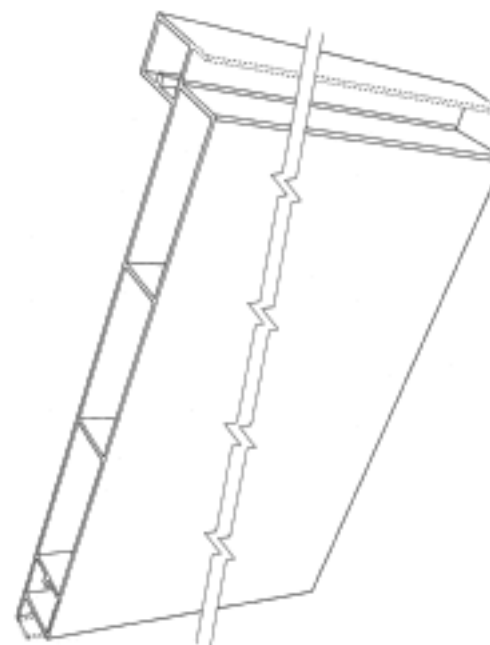
- (21) Design Number: **11580/2013**
(22) Date of Filing Application: **26 March 2013**
(24) Date from which industrial property rights may have effect: **26 March 2013**
(54) Product in respect of which the design is registered: **Motor vehicle**
(51) International Design Classification: **12-08**
(74) Name(s) of Attorney(s): **SPRUSON & FERGUSON**
(71) Name(s) and Address(s) of Applicant(s):
Mazda Motor Corporation
No. 3-1 Shinchi Fuchu-cho Aki-gun Hiroshima Japan
(72) Name(s) of Designer(s): **Kouji Tabata and Yasutake Tsuchida and Takanori Tsubaki and Masashi Aikawa and Hideki Nakamura**
(45) Registration Date: **08 October 2013**
(56) Related Art Documents: **Not Applicable**
(57) Statement of Newness and Distinctiveness: **Nil**



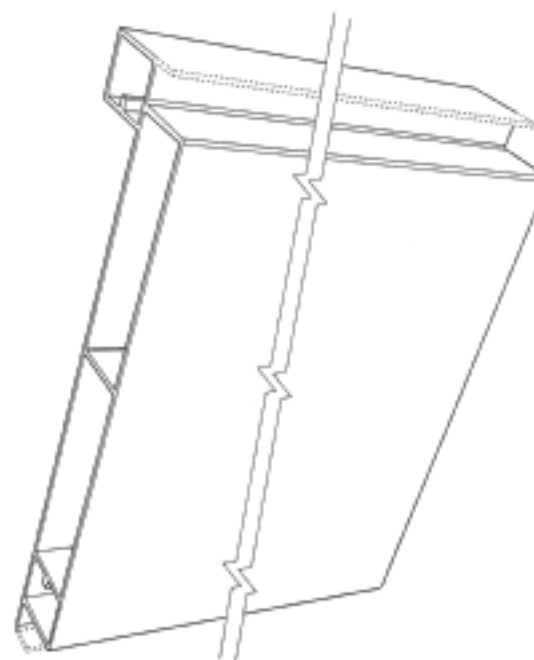
- (21) Design Number: **11598/2013**
(22) Date of Filing Application: **27 March 2013**
(24) Date from which industrial property rights may have effect: **27 March 2013**
(54) Product in respect of which the design is registered: **Bumper for motor vehicle**
(51) International Design Classification: **12-16C**
(74) Name(s) of Attorney(s): **SPRUSON & FERGUSON**
(71) Name(s) and Address(s) of Applicant(s):
Mazda Motor Corporation
No. 3-1 Shinchi Fuchu-cho Aki-gun Hiroshima Japan
(72) Name(s) of Designer(s): **Yasutake Tsuchida and Atsushi Shudo and Shun Yamashita and Kazuya Hamada**
(45) Registration Date: **08 October 2013**
(56) Related Art Documents: **Not Applicable**
(57) Statement of Newness and Distinctiveness: **Newness and distinctiveness is claimed in the features of shape and/or configuration of a bumper for motor vehicle as illustrated in the accompanying representations.**



- (21) Design Number: **12919/2013**
(22) Date of Filing Application: **24 June 2013**
(24) Date from which industrial property rights may have effect: **24 June 2013**
(54) Product in respect of which the design is registered: **A window adaptor for a prefabricated wall panel**
(51) International Design Classification: **25-01K**
(74) Name(s) of Attorney(s): **Madderns**
(71) Name(s) and Address(s) of Applicant(s):
Prodrome Designs Pty Ltd
468 Stuart Hwy Winnellie NT 0820 Australia
(72) Name(s) of Designer(s): **John Koukouvas**
(45) Registration Date: **08 October 2013**
(56) Related Art Documents: **Not Applicable**
(57) Statement of Newness and Distinctiveness: **Newness and distinctiveness resides in the visual features of shape and/or configuration of a window adaptor for a prefabricated wall panel as illustrated in solid (as opposed to dashed) lines.**



- (21) Design Number: **12920/2013**
(22) Date of Filing Application: **24 June 2013**
(24) Date from which industrial property rights may have effect: **24 June 2013**
(54) Product in respect of which the design is registered: **A window adaptor for a prefabricated wall panel**
(51) International Design Classification: **25-01NES**
(74) Name(s) of Attorney(s): **Madderns**
(71) Name(s) and Address(s) of Applicant(s):
Prodrome Designs Pty Ltd
468 Stuart Hwy Winnellie NT 0820 Australia
(72) Name(s) of Designer(s): **John Koukouvas**
(45) Registration Date: **08 October 2013**
(56) Related Art Documents: **Not Applicable**
(57) Statement of Newness and Distinctiveness: **Newness and distinctiveness resides in the visual features of shape and/or configuration of a window adaptor for a prefabricated wall panel as illustrated in solid (as opposed to dashed) lines.**



(21) Design Number: **12932/2013**
(22) Date of Filing Application: **25 June 2013**
(24) Date from which industrial property rights may have effect: **25 June 2013**
(54) Product in respect of which the design is registered: **Automobile**
(51) International Design Classification: **12-08**
(74) Name(s) of Attorney(s): **SPRUSON & FERGUSON**
(71) Name(s) and Address(s) of Applicant(s):

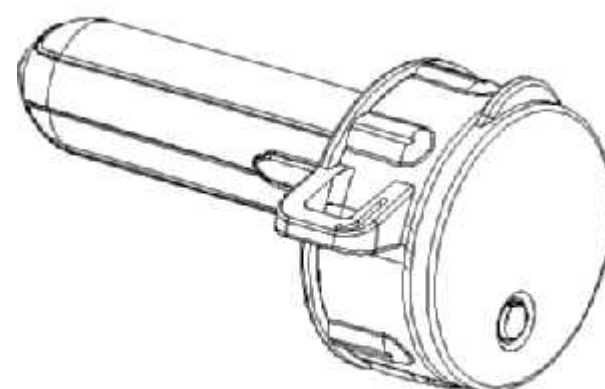


Toyota Jidosha Kabushiki Kaisha
1 Toyota-cho Toyota-shi Aichi-Ken 471-8571 Japan
(72) Name(s) of Designer(s): **Byungkang Cho and Junichi Toura**
(45) Registration Date: **08 October 2013**

(30) Convention priority data:
(31) Number (32) Date (33) Country
2012-031536 26 Dec 2012 JAPAN

(56) Related Art Documents: **Not Applicable**
(57) Statement of Newness and Distinctiveness: **Newness and distinctiveness is claimed in those features of the shape and/or configuration of an automobile that are illustrated in dense colours in the additional views of the accompanying representations, apart from the Toyota emblems.**

(21) Design Number: **12988/2013**
(22) Date of Filing Application: **26 June 2013**
(24) Date from which industrial property rights may have effect: **26 June 2013**
(54) Product in respect of which the design is registered: **Cap for a container**
(51) International Design Classification: **09-07C**
(74) Name(s) of Attorney(s): **Davies Collison Cave**
(71) Name(s) and Address(s) of Applicant(s):

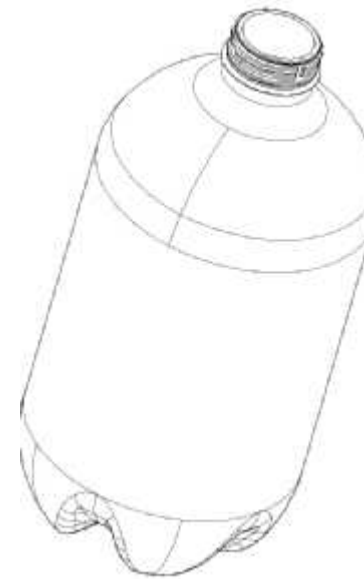


Visy Packaging Pty Ltd
L11 2 Southbank Bvd Southbank VIC 3006 Australia
(72) Name(s) of Designer(s): **Jeffrey Silver Taggart**
(45) Registration Date: **08 October 2013**
(56) Related Art Documents: **Not Applicable**
(57) Statement of Newness and Distinctiveness: **The features of shape and configuration of the cap shown in the accompanying representations are considered to be new and distinctive.**

- (21) Design Number: **12989/2013**
(22) Date of Filing Application: **26 June 2013**
(24) Date from which industrial property rights may have effect: **26 June 2013**
(54) Product in respect of which the design is registered: **Container**
(51) International Design Classification: **09-01NES**
(74) Name(s) of Attorney(s): **Davies Collison Cave**
(71) Name(s) and Address(s) of Applicant(s):
Visy Packaging Pty Ltd
L11 2 Southbank Bvd Southbank VIC 3006 Australia
(72) Name(s) of Designer(s): **Jeffrey Silver Taggart**
(45) Registration Date: **08 October 2013**
(56) Related Art Documents: **Not Applicable**
(57) Statement of Newness and Distinctiveness: **The features of shape and configuration of the container shown in the accompanying representations are considered to be new and distinctive.**



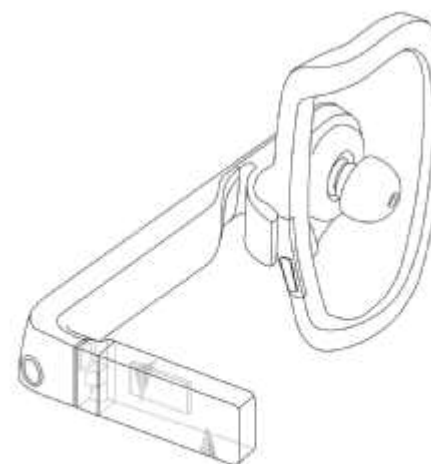
- (21) Design Number: **12990/2013**
(22) Date of Filing Application: **26 June 2013**
(24) Date from which industrial property rights may have effect: **26 June 2013**
(54) Product in respect of which the design is registered: **Container**
(51) International Design Classification: **09-01NES**
(74) Name(s) of Attorney(s): **Davies Collison Cave**
(71) Name(s) and Address(s) of Applicant(s):
Visy Packaging Pty Ltd
L11 2 Southbank Bvd Southbank VIC 3006 Australia
(72) Name(s) of Designer(s): **Jeffrey Silver Taggart**
(45) Registration Date: **08 October 2013**
(56) Related Art Documents: **Not Applicable**
(57) Statement of Newness and Distinctiveness: **The features of shape and configuration of the container shown in the accompanying representations are considered to be new and distinctive.**



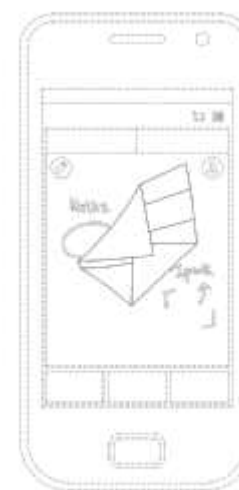
- (21) Design Number: **13967/2013**
(22) Date of Filing Application: **14 August 2013**
(24) Date from which industrial property rights may have effect: **14 August 2013**
(54) Product in respect of which the design is registered: **Toy character**
(51) International Design Classification: **21-01B**
(74) Name(s) of Attorney(s):
(71) Name(s) and Address(s) of Applicant(s):
Kent Town Creative Pty Ltd
PO BOX 2239 Kent Town DC SA 5071 Australia
(72) Name(s) of Designer(s): **Megan Moore**
(45) Registration Date: **08 October 2013**
(56) Related Art Documents: **Not Applicable**
(57) Statement of Newness and Distinctiveness: **Created from an original concept with unique characteristics appealing to children from 5 years.**



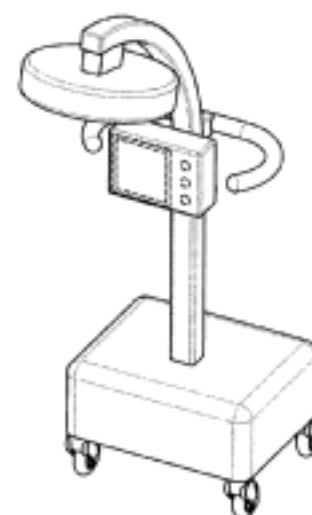
- (21) Design Number: **14219/2013**
(22) Date of Filing Application: **26 August 2013**
(24) Date from which industrial property rights may have effect: **26 August 2013**
(54) Product in respect of which the design is registered: **Earphone type mobile device with arm and display**
(51) International Design Classification: **14-01, 14-03A**
(74) Name(s) of Attorney(s): **IP Gateway Patent & Trademark Attorneys Pty Ltd**
(71) Name(s) and Address(s) of Applicant(s):
Samsung Electronics Co., Ltd
129 Samsung-ro Yeongtong-gu Suwon-si Gyeonggi-do 443-742 Republic of Korea
(72) Name(s) of Designer(s): **Dae Kyung Ahn and Chulyong Cho and Sangmin Hyun and Eun Vit Chung**
(45) Registration Date: **08 October 2013**
(30) Convention priority data:
(31) Number (32) Date (33) Country
30-2013-0009835 25 Feb 2013 REPUBLIC OF KOREA
(56) Related Art Documents: **Not Applicable**
(57) Statement of Newness and Distinctiveness: **The newness and distinctiveness of the design resides in the visual features of an earphone type mobile device having arm with display screen as shown in the accompanying representations. The product has a transparent lens indicated by the reference X and a display screen received within the transparent lens indicated by the reference Y.**



(21) Design Number: **14220/2013**
(22) Date of Filing Application: **26 August 2013**
(24) Date from which industrial property rights may have effect: **26 August 2013**
(54) Product in respect of which the design is registered: **Display screen for an electronic device**
(51) International Design Classification: **14-01, 14-02**
(74) Name(s) of Attorney(s): **Wrays**
(71) Name(s) and Address(s) of Applicant(s):
Samsung Electronics Co., Ltd
129 Samsung-ro Yeongtong-gu Suwon-si Gyeonggi-do 443-742 Republic of Korea
(72) Name(s) of Designer(s): **Sun-Ae Kim and Mi-Yeon Ahn**
(45) Registration Date: **08 October 2013**
(30) Convention priority data:
(31) Number (32) Date (33) Country
30-2013-0011957 08 Mar 2013 REPUBLIC OF KOREA
(56) Related Art Documents: **Not Applicable**
(57) Statement of Newness and Distinctiveness: **Newness and distinctiveness is claimed in the features of pattern and/or ornamentation of the Display Screen For An Electronic Device as shown in the accompanying representations. The features shown in broken lines are for illustrative purposes only and do not form part of the claimed design.**



(21) Design Number: **14221/2013**
(22) Date of Filing Application: **23 August 2013**
(24) Date from which industrial property rights may have effect: **23 August 2013**
(54) Product in respect of which the design is registered: **Wireless power transmitter**
(51) International Design Classification: **24-01**
(74) Name(s) of Attorney(s): **Fisher Adams Kelly Pty Ltd**
(71) Name(s) and Address(s) of Applicant(s):
EverHeart Systems Inc.
16910 N. Texas Ave. Suite A6 WEBSTER 77598 Texas United States of America
(72) Name(s) of Designer(s): **Greg S. Aber and Allan S. Rhoades**
(45) Registration Date: **08 October 2013**
(30) Convention priority data:
(31) Number (32) Date (33) Country
29/446489 25 Feb 2013 UNITED STATES OF AMERICA
(56) Related Art Documents: **Not Applicable**
(57) Statement of Newness and Distinctiveness: **The newness and distinctiveness of the design resides in the shape and/or configuration of the WIRELESS POWER TRANSMITTER shown in the representations. When assessing the newness and distinctiveness of the design, features in dashed lines are to be disregarded and dotted lines indicate contour.**



- (21) Design Number: **14222/2013**
(22) Date of Filing Application: **23 August 2013**
(24) Date from which industrial property rights may have effect: **23 August 2013**
(54) Product in respect of which the design is registered: **Flotation device**
(51) International Design Classification: **21-02D, 02-02B, 02-02NES**
(74) Name(s) of Attorney(s): **Fisher Adams Kelly Pty Ltd**
(71) Name(s) and Address(s) of Applicant(s):
Performance Flotation Developments (Aust) Pty Ltd
U6/62 Bishop St Kelvin Gr QLD 4059 Australia
(72) Name(s) of Designer(s): **Nicholas R. Byrne**
(45) Registration Date: **08 October 2013**
(56) Related Art Documents: **Not Applicable**
(57) Statement of Newness and Distinctiveness: **The newness and distinctiveness of the design resides in the shape and/or configuration of the FLOTATION DEVICE shown in the representations. When considering the newness and distinctiveness of the design, the lines shown in phantom should be disregarded.**



- (21) Design Number: **14223/2013**
(22) Date of Filing Application: **23 August 2013**
(24) Date from which industrial property rights may have effect: **23 August 2013**
(54) Product in respect of which the design is registered: **Medicament package**
(51) International Design Classification: **09-01NES**
(74) Name(s) of Attorney(s):
(71) Name(s) and Address(s) of Applicant(s):
Logue and Co. Pty Ltd
199 Kiora Rd Yowie Bay NSW 2228 Australia
(72) Name(s) of Designer(s): **Anthony Thomas Logue**
(45) Registration Date: **08 October 2013**
(56) Related Art Documents: **Not Applicable**
(57) Statement of Newness and Distinctiveness: **Newness and distinctiveness is claimed in the features of shape and/or configuration of a medicament package as depicted in the accompanying drawings.**

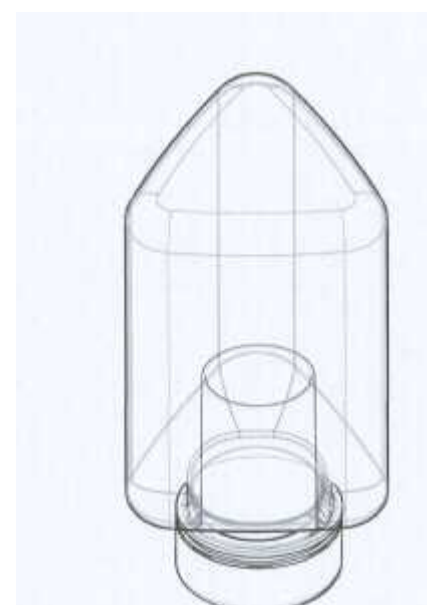


Perspective View

- (21) Design Number: **14224/2013**
(22) Date of Filing Application: **23 August 2013**
(24) Date from which industrial property rights may have effect: **23 August 2013**
(54) Product in respect of which the design is registered: **Medicament package**
(51) International Design Classification: **09-01NES**
(74) Name(s) of Attorney(s):
(71) Name(s) and Address(s) of Applicant(s):
Logue and Co. Pty Ltd
199 Kiora Rd Yowie Bay NSW 2228 Australia
(72) Name(s) of Designer(s): **Anthony Thomas Logue**
(45) Registration Date: **08 October 2013**
(56) Related Art Documents: **Not Applicable**
(57) Statement of Newness and Distinctiveness: **Newness and distinctiveness is claimed in the features of shape and/or configuration of a medicament package as depicted in the accompanying drawings.**



- (21) Design Number: **14225/2013**
(22) Date of Filing Application: **23 August 2013**
(24) Date from which industrial property rights may have effect: **23 August 2013**
(54) Product in respect of which the design is registered: **Medicament package**
(51) International Design Classification: **09-01NES**
(74) Name(s) of Attorney(s):
(71) Name(s) and Address(s) of Applicant(s):
Logue and Co. Pty Ltd
199 Kiora Rd Yowie Bay NSW 2228 Australia
(72) Name(s) of Designer(s): **Anthony Thomas Logue**
(45) Registration Date: **08 October 2013**
(56) Related Art Documents: **Not Applicable**
(57) Statement of Newness and Distinctiveness: **Newness and distinctiveness is claimed in the features of shape and/or configuration of a medicament package as depicted in the accompanying drawings.**



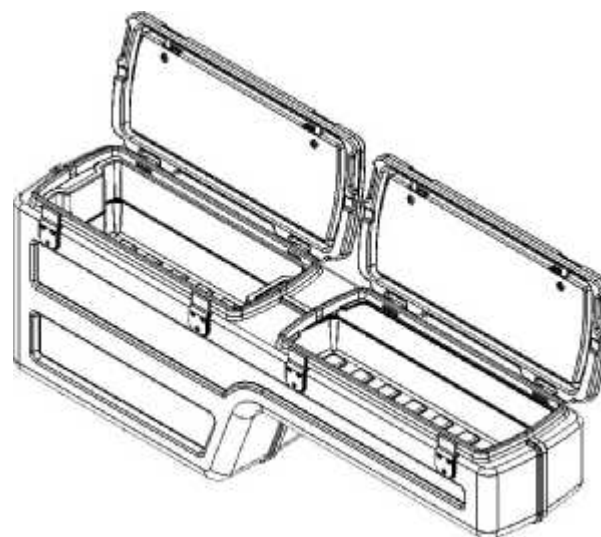
(21) Design Number: **14226/2013**
(22) Date of Filing Application: **23 August 2013**
(24) Date from which industrial property rights may have effect: **23 August 2013**
(54) Product in respect of which the design is registered: **Bottle**
(51) International Design Classification: **09-01H**
(74) Name(s) of Attorney(s): **Freehills Patent Attorneys**
(71) Name(s) and Address(s) of Applicant(s):
Chatam International Incorporated
1105 N. Market St SE 1300 Wilmington Delaware 19801 United States of America
(72) Name(s) of Designer(s): **Norton J. Cooper**
(45) Registration Date: **08 October 2013**
(30) Convention priority data:
(31) Number (32) Date (33) Country
29/457184 07 Jun 2013 UNITED STATES OF AMERICA
(56) Related Art Documents: **Not Applicable**
(57) Statement of Newness and Distinctiveness: **Nil**



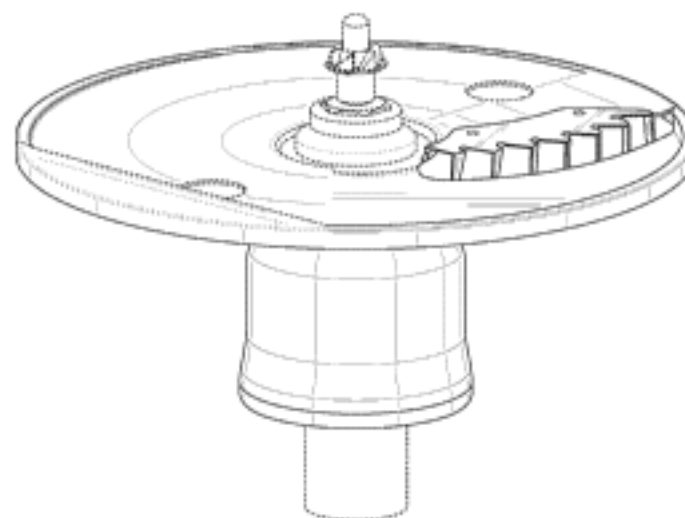
(21) Design Number: **14227/2013**
(22) Date of Filing Application: **27 August 2013**
(24) Date from which industrial property rights may have effect: **27 August 2013**
(54) Product in respect of which the design is registered: **Handbag**
(51) International Design Classification: **03-01B**
(74) Name(s) of Attorney(s): **SPRUSON & FERGUSON**
(71) Name(s) and Address(s) of Applicant(s):
Christian Dior Couture
30 avenue Montaigne Paris 75008 France
(72) Name(s) of Designer(s): **Raf Simons**
(45) Registration Date: **08 October 2013**
(30) Convention priority data:
(31) Number (32) Date (33) Country
INT DM/080 289 27 Feb 2013 SWITZERLAND
(56) Related Art Documents: **Not Applicable**
(57) Statement of Newness and Distinctiveness: **Newness and distinctiveness is claimed in the features of shape and/or configuration of a handbag as illustrated in the accompanying representations.**



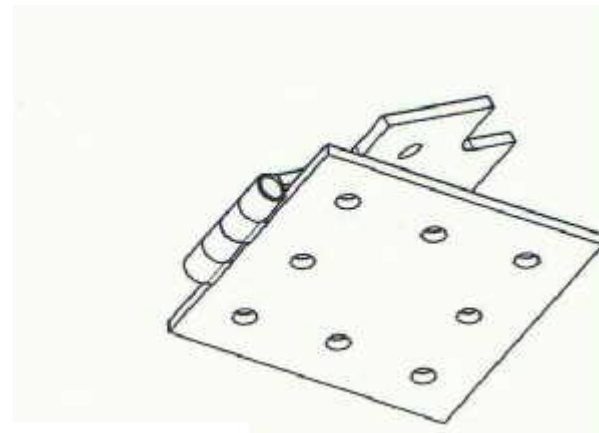
(21) Design Number: **14233/2013**
(22) Date of Filing Application: **27 August 2013**
(24) Date from which industrial property rights may have effect: **27 August 2013**
(54) Product in respect of which the design is registered: **Side box for utility vehicle tray**
(51) International Design Classification: **03-01D**
(74) Name(s) of Attorney(s): **Wrays**
(71) Name(s) and Address(s) of Applicant(s):
Gary Plant
22 Redden St Portsmith Cairns QLD 4870 Australia
(72) Name(s) of Designer(s): **Gary Plant**
(45) Registration Date: **08 October 2013**
(56) Related Art Documents: **Not Applicable**
(57) Statement of Newness and Distinctiveness: **Newness and distinctiveness are claimed in respect of the features of shape and configuration of the side box for utility vehicle tray depicted in the accompanying representations.**



(21) Design Number: **14238/2013**
(22) Date of Filing Application: **27 August 2013**
(24) Date from which industrial property rights may have effect: **27 August 2013**
(54) Product in respect of which the design is registered: **Shredder**
(51) International Design Classification: **31-00**
(74) Name(s) of Attorney(s): **PIZZEYS**
(71) Name(s) and Address(s) of Applicant(s):
Euro-Pro Operating LLC
180 Wells Avenue Suite 200 Newton Massachusetts 02459 United States of America
(72) Name(s) of Designer(s): **David M. Audette**
(45) Registration Date: **08 October 2013**
(30) Convention priority data:
(31) Number (32) Date (33) Country
29/447,104 28 Feb 2013 UNITED STATES OF AMERICA
(56) Related Art Documents: **Not Applicable**
(57) Statement of Newness and Distinctiveness: **Nil**



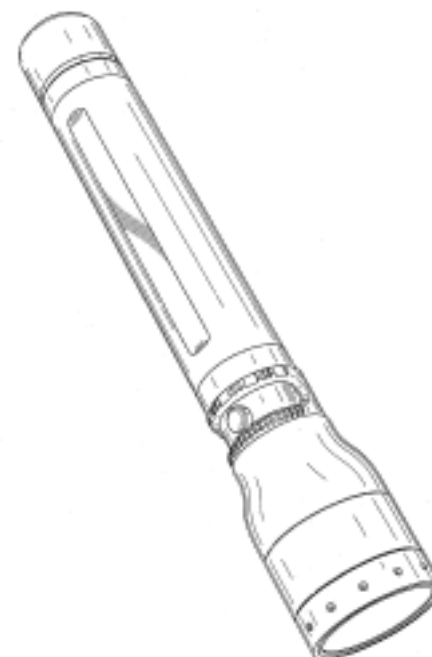
(21) Design Number: **13105/2013**
(22) Date of Filing Application: **28 June 2013**
(24) Date from which industrial property rights may have effect: **28 June 2013**
(54) Product in respect of which the design is registered: **A two-part mounting base**
(51) International Design Classification: **08-08NES**
(74) Name(s) of Attorney(s):
(71) Name(s) and Address(s) of Applicant(s):
Newlite Pty Ltd
2A Westall Rd Clayton VIC 3168 Australia
(72) Name(s) of Designer(s): **Jeoff Cuberes**
(45) Registration Date: **09 October 2013**
(56) Related Art Documents: **Not Applicable**
(57) Statement of Newness and Distinctiveness: **Newness and distinctiveness is claimed in the features of shape and configuration of a two-part mounting base as illustrated in the accompanying representations.**



(21) Design Number: **14081/2013**
(22) Date of Filing Application: **19 August 2013**
(24) Date from which industrial property rights may have effect: **19 August 2013**
(54) Product in respect of which the design is registered: **Dispenser for confectionery**
(51) International Design Classification: **09-01NES**
(74) Name(s) of Attorney(s): **Griffith Hack**
(71) Name(s) and Address(s) of Applicant(s):
sanotact (HK) Limited
503 5/F Tower B New Mandarin Plaza 14 Science Museum Rd TST East
KLN Hong Kong
(72) Name(s) of Designer(s): **Henry Albrecht Callaghan**
(45) Registration Date: **09 October 2013**
(30) Convention priority data:
(31) Number (32) Date (33) Country
002185926-0001 18 Feb 2013 OFFICE FOR HARMONISATION IN
THE INTERNAL MARKET (OHIM)
(56) Related Art Documents: **Not Applicable**
(57) Statement of Newness and Distinctiveness: **Newness and Distinctiveness resides in the visual features, including the shape and configuration of the product as shown in the representation.**



(21) Design Number: **13189/2013**
(22) Date of Filing Application: **03 July 2013**
(24) Date from which industrial property rights may have effect: **03 July 2013**
(54) Product in respect of which the design is registered: **Flashlight**
(51) International Design Classification: **26-02**
(74) Name(s) of Attorney(s): **PIZZEYS**
(71) Name(s) and Address(s) of Applicant(s):
LED Lenser Corp. Ltd.
No. 25 Yudong 1st Road Yangdong Industrial Zone Yangdong County
Yangjiang City Guangdong Province 529500 China
(72) Name(s) of Designer(s): **Stefan Feustel and Andre Kunzendorf**
(45) Registration Date: **09 October 2013**
(30) Convention priority data:
(31) Number (32) Date (33) Country
201330006828.4 10 Jan 2013 CHINA
(56) Related Art Documents: **Not Applicable**
(57) Statement of Newness and Distinctiveness: **Nil**



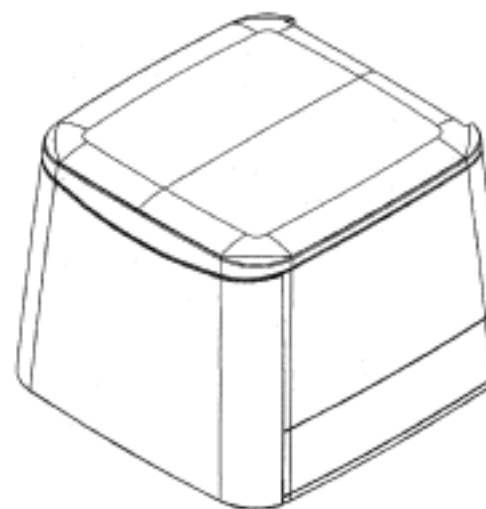
(21) Design Number: **13359/2013**
(22) Date of Filing Application: **12 July 2013**
(24) Date from which industrial property rights may have effect: **12 July 2013**
(54) Product in respect of which the design is registered: **Fabric**
(51) International Design Classification: **05-05NES**
(74) Name(s) of Attorney(s): **PHILLIPS ORMONDE FITZPATRICK**
(71) Name(s) and Address(s) of Applicant(s):
Air China Limited
9th Floor Lantian Mansion 28 Tianzhu Road Zone A Shunyi District
Beijing, 101300 China
(72) Name(s) of Designer(s): **Meilin Han**
(45) Registration Date: **09 October 2013**
(30) Convention priority data:
(31) Number (32) Date (33) Country
201330011193.7 15 Jan 2013 CHINA
(56) Related Art Documents: **Not Applicable**
(57) Statement of Newness and Distinctiveness: **Newness and distinctiveness is claimed in the features of pattern and/or ornamentation of fabric as shown in the representation but disclaiming the colours/colour combination shown which are merely illustrative of the design. The fabric is of indefinite length and width, and the pattern may be repeated.**



- (21) Design Number: **14111/2013**
(22) Date of Filing Application: **20 August 2013**
(24) Date from which industrial property rights may have effect: **20 August 2013**
(54) Product in respect of which the design is registered: **Sugar sachet holder**
(51) International Design Classification: **07-06NES**
(74) Name(s) of Attorney(s):
(71) Name(s) and Address(s) of Applicant(s):
 Guy Wilkinson
 PO BOX 9134 Gold Coast MC QLD 9726 Australia
 Mary Wilkinson
 PO BOX 9134 Gold Coast MC QLD 9726 Australia
(72) Name(s) of Designer(s): **Guy Wilkinson and Mary Wilkinson**
(45) Registration Date: **09 October 2013**
(56) Related Art Documents: **Not Applicable**
(57) Statement of Newness and Distinctiveness: **The newness and distinctiveness of the design is the fact that the container is made from coffee beans.**



- (21) Design Number: **13749/2013**
(22) Date of Filing Application: **06 August 2013**
(24) Date from which industrial property rights may have effect: **06 August 2013**
(54) Product in respect of which the design is registered: **Breathing apparatus**
(51) International Design Classification: **24-01, 29-02**
(74) Name(s) of Attorney(s): **AJ Park**
(71) Name(s) and Address(s) of Applicant(s):
 Fisher & Paykel Healthcare Limited
 15 Maurice Paykel Place East Tamaki Auckland 2013 New Zealand
(72) Name(s) of Designer(s): **Andrew Paul Maxwell Salmon and Douglas Richard Wright and Peter Lawrence Grylls and Yi-cheng Sun and Paul Fleming Buckley**
(45) Registration Date: **09 October 2013**
(30) Convention priority data:
 (31) Number (32) Date (33) Country
 29/445144 07 Feb 2013 UNITED STATES OF AMERICA
(56) Related Art Documents: **Not Applicable**
(57) Statement of Newness and Distinctiveness: **The newness and distinctiveness of the design resides in the shape of the breathing apparatus as shown in the continuous lines in the accompanying representations. The broken lines are not part of the design and are to be disregarded when considering the overall impression of the design.**



(21) Design Number: **11213/2013**
(22) Date of Filing Application: **13 March 2013**
(24) Date from which industrial property rights may have effect: **13 March 2013**
(54) Product in respect of which the design is registered: **Antenna for an automobile**
(51) International Design Classification: **12-16NES, 14-03NES**
(74) Name(s) of Attorney(s): **SPRUSON & FERGUSON**
(71) Name(s) and Address(s) of Applicant(s):
Toyota Jidosha Kabushiki Kaisha
1 Toyota-cho Toyota-shi Aichi-ken 471-8571 Japan
(72) Name(s) of Designer(s): **Masafumi Kato**
(45) Registration Date: **09 October 2013**
(56) Related Art Documents: **Not Applicable**
(57) Statement of Newness and Distinctiveness: **Newness and distinctiveness is claimed in the features of shape and/or configuration of an antenna for an automobile as illustrated in the accompanying representations.**



(21) Design Number: **11214/2013**
(22) Date of Filing Application: **13 March 2013**
(24) Date from which industrial property rights may have effect: **13 March 2013**
(54) Product in respect of which the design is registered: **Automobile**
(51) International Design Classification: **12-08**
(74) Name(s) of Attorney(s): **SPRUSON & FERGUSON**
(71) Name(s) and Address(s) of Applicant(s):
Toyota Jidosha Kabushiki Kaisha
1 Toyota-cho Toyota-shi Aichi-ken 471-8571 Japan
(72) Name(s) of Designer(s): **Ian Richard Cartabiano and Matthew Niven Sperling and Takayuki Takei**
(45) Registration Date: **09 October 2013**
(56) Related Art Documents: **Not Applicable**
(57) Statement of Newness and Distinctiveness: **Newness and distinctiveness is claimed in the features of shape and/or configuration of an automobile as illustrated in the accompanying representations, apart from the Toyota emblems.**



-
- (21) Design Number: **11216/2013**
(22) Date of Filing Application: **13 March 2013**
(24) Date from which industrial property rights may have effect: **13 March 2013**
(54) Product in respect of which the design is registered: **Front grille for an automobile**
(51) International Design Classification: **12-16B**
(74) Name(s) of Attorney(s): **SPRUSON & FERGUSON**
(71) Name(s) and Address(s) of Applicant(s):
Toyota Jidosha Kabushiki Kaisha
1 Toyota-cho Toyota-shi Aichi-ken 471-8571 Japan
(72) Name(s) of Designer(s): **Keisuke Matsuno and Hiroya Kitazumi**
(45) Registration Date: **09 October 2013**
(56) Related Art Documents: **Not Applicable**
(57) Statement of Newness and Distinctiveness: **Newness and distinctiveness is claimed in the features of the shape and/or configuration of a front grille for an automobile as illustrated in the accompanying representations, apart from attachment lugs.**



-
- (21) Design Number: **11218/2013**
(22) Date of Filing Application: **13 March 2013**
(24) Date from which industrial property rights may have effect: **13 March 2013**
(54) Product in respect of which the design is registered: **Front bumper for an automobile**
(51) International Design Classification: **12-16C**
(74) Name(s) of Attorney(s): **SPRUSON & FERGUSON**
(71) Name(s) and Address(s) of Applicant(s):
Toyota Jidosha Kabushiki Kaisha
1 Toyota-cho Toyota-shi Aichi-ken 471-8571 Japan
(72) Name(s) of Designer(s): **Keisuke Matsuno and Hiroya Kitazumi**
(45) Registration Date: **09 October 2013**
(56) Related Art Documents: **Not Applicable**
(57) Statement of Newness and Distinctiveness: **Newness and distinctiveness is claimed in the features of the shape and/or configuration of a front bumper for an automobile as illustrated in the accompanying representations, apart from attachment lugs.**



-
- (21) Design Number: **11219/2013**
(22) Date of Filing Application: **13 March 2013**
(24) Date from which industrial property rights may have effect: **13 March 2013**
(54) Product in respect of which the design is registered: **Rear bumper for an automobile**
(51) International Design Classification: **12-16C**
(74) Name(s) of Attorney(s): **SPRUSON & FERGUSON**
(71) Name(s) and Address(s) of Applicant(s):
Toyota Jidosha Kabushiki Kaisha
1 Toyota-cho Toyota-shi Aichi-ken 471-8571 Japan
(72) Name(s) of Designer(s): **Kazunori Ueda**
(45) Registration Date: **09 October 2013**
(56) Related Art Documents: **Not Applicable**
(57) Statement of Newness and Distinctiveness: **Newness and distinctiveness is claimed in the features of the shape and/or configuration of a rear bumper for an automobile as illustrated in the accompanying representations, apart from attachment lugs.**



-
- (21) Design Number: **11220/2013**
(22) Date of Filing Application: **13 March 2013**
(24) Date from which industrial property rights may have effect: **13 March 2013**
(54) Product in respect of which the design is registered: **Rear combination lamp for an automobile**
(51) International Design Classification: **26-06**
(74) Name(s) of Attorney(s): **SPRUSON & FERGUSON**
(71) Name(s) and Address(s) of Applicant(s):
Toyota Jidosha Kabushiki Kaisha
1 Toyota-cho Toyota-shi Aichi-ken 471-8571 Japan
(72) Name(s) of Designer(s): **Kazunori Ueda**
(45) Registration Date: **09 October 2013**
(56) Related Art Documents: **Not Applicable**
(57) Statement of Newness and Distinctiveness: **Newness and distinctiveness is claimed in the features of the shape and/or configuration of a rear combination lamp for an automobile as illustrated in the accompanying representations, apart from attachment lugs.**



- (21) Design Number: **11221/2013**
(22) Date of Filing Application: **13 March 2013**
(24) Date from which industrial property rights may have effect: **13 March 2013**
(54) Product in respect of which the design is registered: **Instrument panel for an automobile**
(51) International Design Classification: **12-16NES**
(74) Name(s) of Attorney(s): **SPRUSON & FERGUSON**
(71) Name(s) and Address(s) of Applicant(s):
Toyota Jidosha Kabushiki Kaisha
1 Toyota-cho Toyota-shi Aichi-ken 471-8571 Japan
(72) Name(s) of Designer(s): **Kei Yamamoto**
(45) Registration Date: **09 October 2013**
(56) Related Art Documents: **Not Applicable**
(57) Statement of Newness and Distinctiveness: **Newness and distinctiveness is claimed in the features of the shape and/or configuration of an instrument panel for an automobile as illustrated in the accompanying representations, apart from attachment lugs.**



- (21) Design Number: **11222/2013**
(22) Date of Filing Application: **13 March 2013**
(24) Date from which industrial property rights may have effect: **13 March 2013**
(54) Product in respect of which the design is registered: **Front combination lamp for an automobile**
(51) International Design Classification: **26-06**
(74) Name(s) of Attorney(s): **SPRUSON & FERGUSON**
(71) Name(s) and Address(s) of Applicant(s):
Toyota Jidosha Kabushiki Kaisha
1 Toyota-cho Toyota-shi Aichi-ken 471-8571 Japan
(72) Name(s) of Designer(s): **Hiroya Kitazumi**
(45) Registration Date: **09 October 2013**
(56) Related Art Documents: **Not Applicable**
(57) Statement of Newness and Distinctiveness: **Newness and distinctiveness is claimed in the features of the shape and/or configuration of a front combination lamp for an automobile as illustrated in the accompanying representations, apart from attachment lugs.**



- (21) Design Number: **11223/2013**
(22) Date of Filing Application: **13 March 2013**
(24) Date from which industrial property rights may have effect: **13 March 2013**
(54) Product in respect of which the design is registered: **Automobile**
(51) International Design Classification: **12-08**
(74) Name(s) of Attorney(s): **SPRUSON & FERGUSON**
(71) Name(s) and Address(s) of Applicant(s):
Toyota Jidosha Kabushiki Kaisha
1 Toyota-cho Toyota-shi Aichi-ken 471-8571 Japan
(72) Name(s) of Designer(s): **Ian Richard Cartabiano and Matthew Niven Sperling and Keisuke Matsuno**
(45) Registration Date: **09 October 2013**
(56) Related Art Documents: **Not Applicable**
(57) Statement of Newness and Distinctiveness: **Newness and distinctiveness is claimed in those features of the shape and/or configuration of an automobile that are illustrated in dense colours in the additional views of the accompanying representations, apart from Toyota logos.**



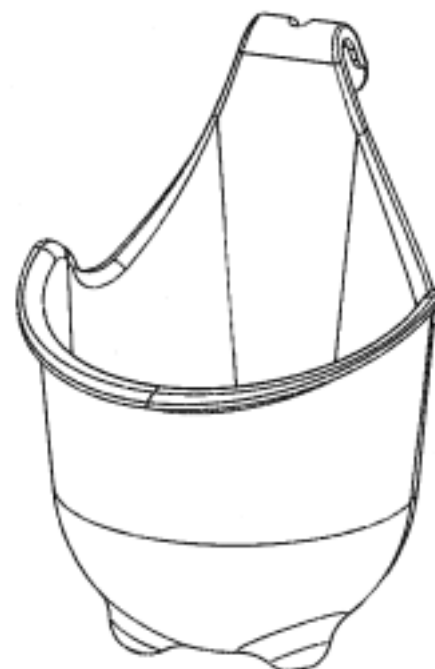
- (21) Design Number: **11224/2013**
(22) Date of Filing Application: **13 March 2013**
(24) Date from which industrial property rights may have effect: **13 March 2013**
(54) Product in respect of which the design is registered: **Automobile**
(51) International Design Classification: **12-08**
(74) Name(s) of Attorney(s): **SPRUSON & FERGUSON**
(71) Name(s) and Address(s) of Applicant(s):
Toyota Jidosha Kabushiki Kaisha
1 Toyota-cho Toyota-shi Aichi-ken 471-8571 Japan
(72) Name(s) of Designer(s): **Ian Richard Cartabiano and Matthew Niven Sperling and Kazunori Ueda**
(45) Registration Date: **09 October 2013**
(56) Related Art Documents: **Not Applicable**
(57) Statement of Newness and Distinctiveness: **Newness and distinctiveness is claimed in those features of the shape and/or configuration of an automobile that are illustrated in dense colours in the additional views of the accompanying representations, apart from Toyota emblems.**



- (21) Design Number: **11225/2013**
(22) Date of Filing Application: **13 March 2013**
(24) Date from which industrial property rights may have effect: **13 March 2013**
(54) Product in respect of which the design is registered: **Steering wheel for an automobile**
(51) International Design Classification: **12-16A**
(74) Name(s) of Attorney(s): **SPRUSON & FERGUSON**
(71) Name(s) and Address(s) of Applicant(s):
Toyota Jidosha Kabushiki Kaisha
1 Toyota-cho Toyota-shi Aichi-ken 471-8571 Japan
(72) Name(s) of Designer(s): **Masato Mito**
(45) Registration Date: **09 October 2013**
(56) Related Art Documents: **Not Applicable**
(57) Statement of Newness and Distinctiveness: **Newness and distinctiveness is claimed in the features of shape and/or configuration of a steering wheel for an automobile as illustrated in the accompanying representations.**



- (21) Design Number: **12815/2013**
(22) Date of Filing Application: **19 June 2013**
(24) Date from which industrial property rights may have effect: **19 June 2013**
(54) Product in respect of which the design is registered: **A pot for a vertical garden**
(51) International Design Classification: **11-02B**
(74) Name(s) of Attorney(s):
(71) Name(s) and Address(s) of Applicant(s):
Greenwall Australia Pty Ltd
118 Avenue Rd Mosman NSW 2088 Australia
(72) Name(s) of Designer(s): **Edward Philip Warburton and James Edward Martin**
(45) Registration Date: **09 October 2013**
(56) Related Art Documents: **Not Applicable**
(57) Statement of Newness and Distinctiveness: **The newness and distinctiveness of the design resides in the rounded shape of the pot and the attachment and drainage areas.**



(21) Design Number: **13027/2013**

(22) Date of Filing Application: **27 June 2013**

(24) Date from which industrial property rights may have effect: **27 June 2013**

(54) Product in respect of which the design is registered: **Display screen for an electronic device**

(51) International Design Classification: **14-02, 14-01, 14-03E**

(74) Name(s) of Attorney(s): **Wrays**

(71) Name(s) and Address(s) of Applicant(s):

Samsung Electronics Co., Ltd
129 Samsung-ro Yeongtong-gu Suwon-si Gyeonggi-do 443-742 Republic of Korea

(72) Name(s) of Designer(s): **Jang-Won Seo and Yong-Hwan Kwon and Ji-Eun Kim and Ji-Hong Kim and Hye-Ryung Kim and Se-Ran Jeon and Woo-Seok Hwang**

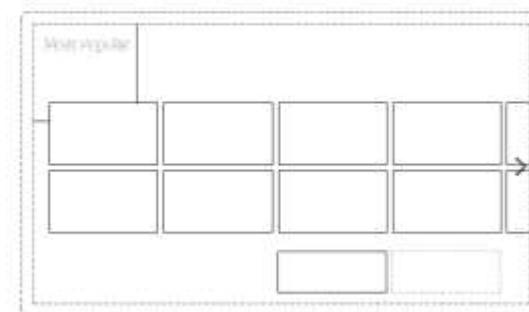
(45) Registration Date: **09 October 2013**

(30) Convention priority data:

(31) Number	(32) Date	(33) Country
30-2013-0000659	04 Jan 2013	REPUBLIC OF KOREA

(56) Related Art Documents: **Not Applicable**

(57) Statement of Newness and Distinctiveness: **Newness and distinctiveness is claimed in the features of pattern and/or ornamentation of the Display Screen For An Electronic Device as shown in the accompanying representations. The features shown in broken lines are for illustrative purposes only and do not form part of the design.**



(21) Design Number: **14041/2013**

(22) Date of Filing Application: **14 August 2013**

(24) Date from which industrial property rights may have effect: **14 August 2013**

(54) Product in respect of which the design is registered: **Fuel tank**

(51) International Design Classification: **23-01F**

(74) Name(s) of Attorney(s):

(71) Name(s) and Address(s) of Applicant(s):

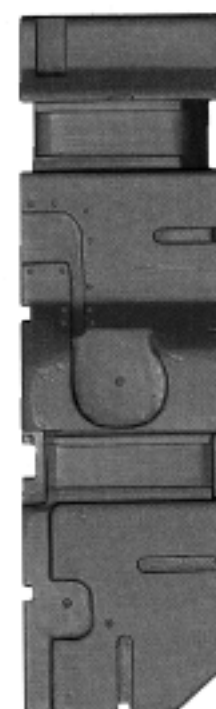
Stewart Thompson
5-7 Freight Rd Tullamarine VIC 3043 Australia

(72) Name(s) of Designer(s): **Stewart Thompson and Paul Cooper**

(45) Registration Date: **09 October 2013**

(56) Related Art Documents: **Not Applicable**

(57) Statement of Newness and Distinctiveness: **Fuel tank larger than the original and using original mounting points.**



(21) Design Number: **14059/2013**
(22) Date of Filing Application: **15 August 2013**
(24) Date from which industrial property rights may have effect: **15 August 2013**
(54) Product in respect of which the design is registered: **Toy bow**
(51) International Design Classification: **21-01H**
(74) Name(s) of Attorney(s): **Fisher Adams Kelly Pty Ltd**
(71) Name(s) and Address(s) of Applicant(s):

KMA Concepts Limited
Suite 1003 Silvercord Tower 1 30 Canton Road Tsim Sha Tsui
KOWLOON Hong Kong

(72) Name(s) of Designer(s): **Peter Cummings**

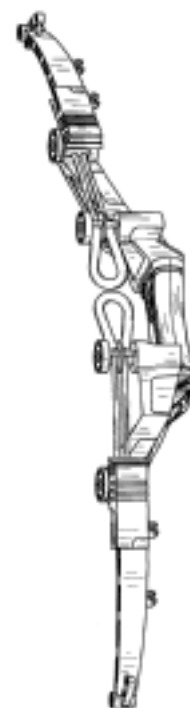
(45) Registration Date: **09 October 2013**

(30) Convention priority data:

(31) Number	(32) Date	(33) Country
29/455283	19 May 2013	UNITED STATES OF AMERICA

(56) Related Art Documents: **Not Applicable**

(57) Statement of Newness and Distinctiveness: **The newness and distinctiveness of the design resides in the shape and/or configuration of the Toy Bow shown in the representations.**



(21) Design Number: **14060/2013**
(22) Date of Filing Application: **15 August 2013**
(24) Date from which industrial property rights may have effect: **15 August 2013**
(54) Product in respect of which the design is registered: **Toy crossbow**
(51) International Design Classification: **21-01H**
(74) Name(s) of Attorney(s): **Fisher Adams Kelly Pty Ltd**
(71) Name(s) and Address(s) of Applicant(s):

KMA Concepts Limited
Suite 1003 Silvercord Tower 1 30 Canton Road Tsim Sha Tsui
KOWLOON Hong Kong

(72) Name(s) of Designer(s): **Peter Cummings**

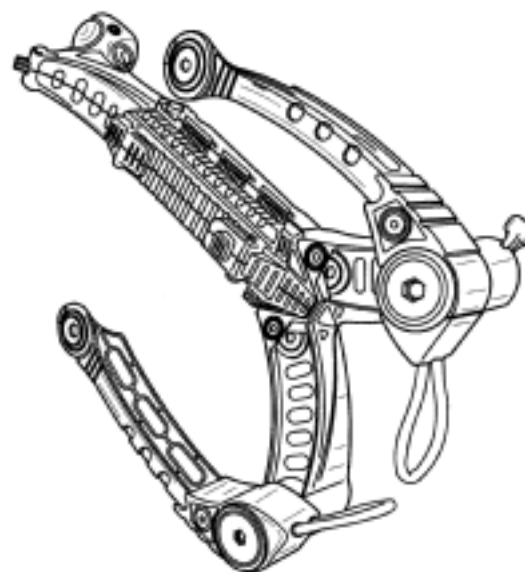
(45) Registration Date: **09 October 2013**

(30) Convention priority data:

(31) Number	(32) Date	(33) Country
29/455281	19 May 2013	UNITED STATES OF AMERICA

(56) Related Art Documents: **Not Applicable**

(57) Statement of Newness and Distinctiveness: **The newness and distinctiveness of the design resides in the shape and/or configuration of the Toy Crossbow shown in the representations.**



(21) Design Number: **14061/2013**
(22) Date of Filing Application: **15 August 2013**
(24) Date from which industrial property rights may have effect: **15 August 2013**
(54) Product in respect of which the design is registered: **Toy Projectile**
(51) International Design Classification: **21-01H**
(74) Name(s) of Attorney(s): **Fisher Adams Kelly Pty Ltd**
(71) Name(s) and Address(s) of Applicant(s):

KMA Concepts Limited
Suite 1003 Silvercord Tower 1 30 Canton Road Tsim Sha Tsui
KOWLOON Hong Kong

(72) Name(s) of Designer(s): **Peter Cummings**

(45) Registration Date: **09 October 2013**

(30) Convention priority data:

(31) Number	(32) Date	(33) Country
29/455280	19 May 2013	UNITED STATES OF AMERICA

(56) Related Art Documents: **Not Applicable**

(57) Statement of Newness and Distinctiveness: **The newness and distinctiveness of the design resides in the shape and/or configuration of the Toy Projectile shown in the representations.**



(21) Design Number: **14234/2013**
(22) Date of Filing Application: **27 August 2013**
(24) Date from which industrial property rights may have effect: **27 August 2013**
(54) Product in respect of which the design is registered: **Skateboard tool**
(51) International Design Classification: **08-05P**
(74) Name(s) of Attorney(s):
(71) Name(s) and Address(s) of Applicant(s):

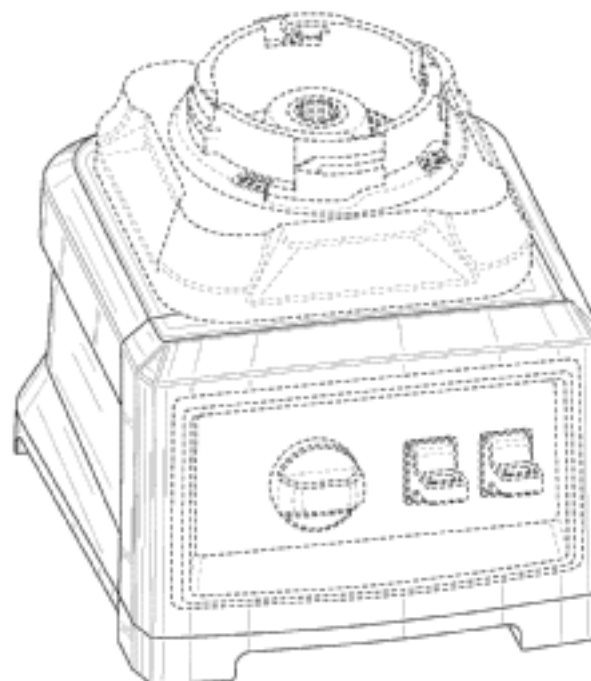
Wen Tang Tsai
1F-2, No. 13 Lane 113, Sec. 2 Ya Fran Road Ta Ya District Taichung City
Taiwan

(72) Name(s) of Designer(s): **Wen Tang Tsai**

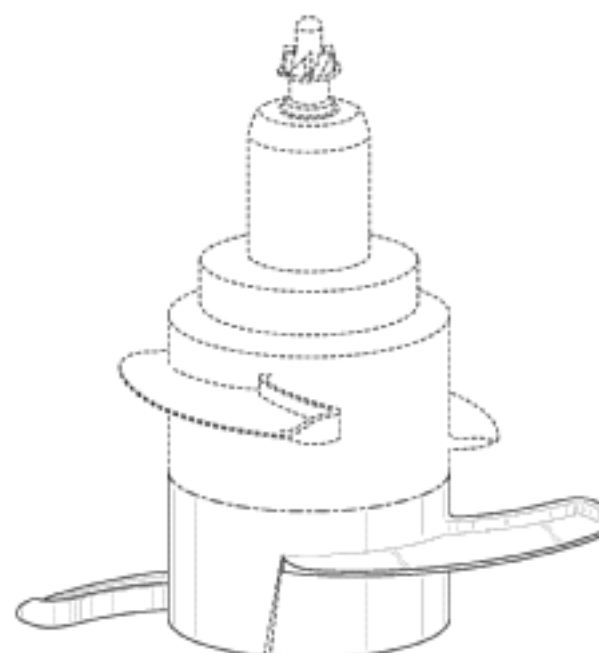
(45) Registration Date: **09 October 2013**



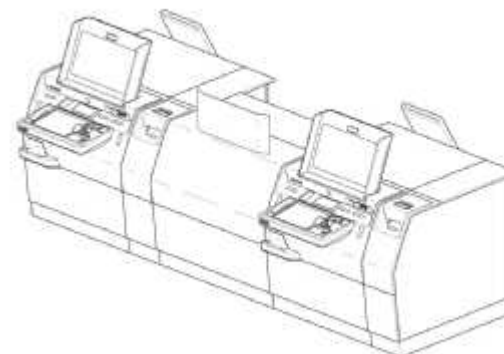
(21) Design Number: **14243/2013**
(22) Date of Filing Application: **27 August 2013**
(24) Date from which industrial property rights may have effect: **27 August 2013**
(54) Product in respect of which the design is registered: **Blender base**
(51) International Design Classification: **31-00**
(74) Name(s) of Attorney(s): **PIZZEYS**
(71) Name(s) and Address(s) of Applicant(s):
Euro-Pro Operating LLC
180 Wells Avenue Suite 200 Newton Massachusetts 02459 United States of America
(72) Name(s) of Designer(s): **Devin Joseph Coakley and Mark Allen Nichols and Michael Tracz and Anthony DeMore and James Park**
(45) Registration Date: **09 October 2013**
(30) Convention priority data:
(31) Number (32) Date (33) Country
29/447,117 28 Feb 2013 UNITED STATES OF AMERICA
(56) Related Art Documents: **Not Applicable**
(57) Statement of Newness and Distinctiveness: **Nil**



(21) Design Number: **14244/2013**
(22) Date of Filing Application: **27 August 2013**
(24) Date from which industrial property rights may have effect: **27 August 2013**
(54) Product in respect of which the design is registered: **Dough hook**
(51) International Design Classification: **31-00**
(74) Name(s) of Attorney(s): **PIZZEYS**
(71) Name(s) and Address(s) of Applicant(s):
Euro-Pro Operating LLC
180 Wells Avenue Suite 200 Newton Massachusetts 02459 United States of America
(72) Name(s) of Designer(s): **David M. Audette**
(45) Registration Date: **09 October 2013**
(30) Convention priority data:
(31) Number (32) Date (33) Country
29/447,102 28 Feb 2013 UNITED STATES OF AMERICA
(56) Related Art Documents: **Not Applicable**
(57) Statement of Newness and Distinctiveness: **Nil**



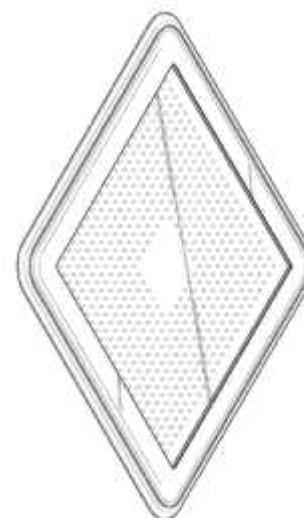
- (21) Design Number: **14246/2013**
(22) Date of Filing Application: **28 August 2013**
(24) Date from which industrial property rights may have effect: **28 August 2013**
(54) Product in respect of which the design is registered: **Automated teller machine**
(51) International Design Classification: **20-01**
(74) Name(s) of Attorney(s): **AJ Park**
(71) Name(s) and Address(s) of Applicant(s):
Nautilus Hyosung Inc.
281 Gwangpyeong-ro Gangnam-gu Seoul Republic of Korea
(72) Name(s) of Designer(s): **Hee Youn Lee and Keon-uk Park and Jae Min Park and Jae Min Cha**
(45) Registration Date: **09 October 2013**
(30) Convention priority data:
(31) Number (32) Date (33) Country
30-2013-0015707 27 Mar 2013 REPUBLIC OF KOREA
(56) Related Art Documents: **Not Applicable**
(57) Statement of Newness and Distinctiveness: **Newness and distinctiveness reside in the features of shape and/or configuration of the automated teller machine as shown in the representations.**



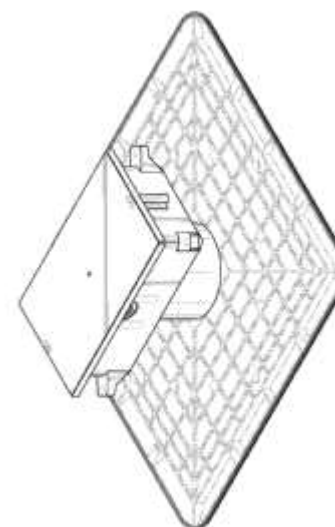
- (21) Design Number: **14247/2013**
(22) Date of Filing Application: **28 August 2013**
(24) Date from which industrial property rights may have effect: **28 August 2013**
(54) Product in respect of which the design is registered: **Automated teller machine**
(51) International Design Classification: **20-01**
(74) Name(s) of Attorney(s): **AJ Park**
(71) Name(s) and Address(s) of Applicant(s):
Nautilus Hyosung Inc.
281 Gwangpyeong-ro Gangnam-gu Seoul Republic of Korea
(72) Name(s) of Designer(s): **Hee Youn Lee and Keon-uk Park and Jae Min Park and Jae Min Cha**
(45) Registration Date: **09 October 2013**
(30) Convention priority data:
(31) Number (32) Date (33) Country
30-2013-0015708 27 Mar 2013 REPUBLIC OF KOREA
(56) Related Art Documents: **Not Applicable**
(57) Statement of Newness and Distinctiveness: **Newness and distinctiveness reside in the features of shape and/or configuration of the automated teller machine as shown in the representations.**



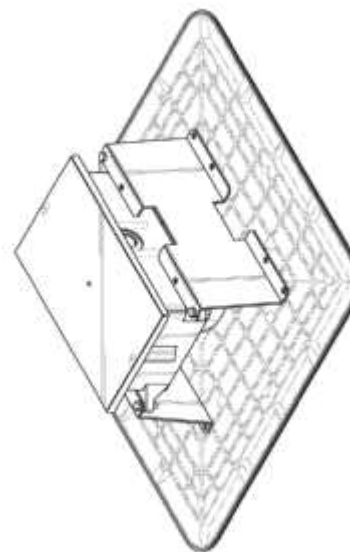
- (21) Design Number: **14249/2013**
- (22) Date of Filing Application: **28 August 2013**
- (24) Date from which industrial property rights may have effect: **10 July 2013**
- (54) Product in respect of which the design is registered: **Lighting**
- (51) International Design Classification: **26-05D**
- (74) Name(s) of Attorney(s): **PIZZEYS**
- (71) Name(s) and Address(s) of Applicant(s):
LSI Industries, Inc.
10000 Alliance Rd Cincinnati OH 45242 United States of America
- (72) Name(s) of Designer(s): **John D. Boyer and Daniel Hutchens and Eric Jon Mooar**
- (45) Registration Date: **09 October 2013**
- (62) Divisional of: **350759**
- (56) Related Art Documents: **Not Applicable**
- (57) Statement of Newness and Distinctiveness: **The newness and distinctiveness of the design resides in the features of pattern and/or ornamentation OR shape and/or configuration shown in unbroken lines in the accompanying representations.**



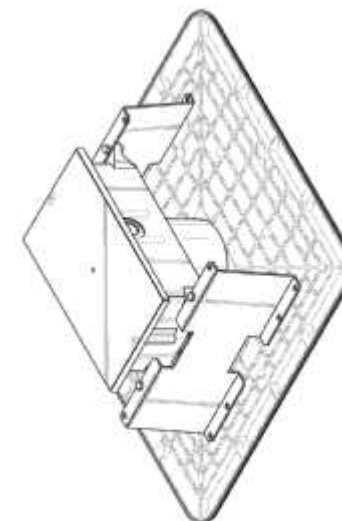
- (21) Design Number: **14257/2013**
- (22) Date of Filing Application: **28 August 2013**
- (24) Date from which industrial property rights may have effect: **10 July 2013**
- (54) Product in respect of which the design is registered: **Lighting**
- (51) International Design Classification: **26-05C**
- (74) Name(s) of Attorney(s): **PIZZEYS**
- (71) Name(s) and Address(s) of Applicant(s):
LSI Industries, Inc.
10000 Alliance Rd Cincinnati OH 45242 United States of America
- (72) Name(s) of Designer(s): **John D. Boyer and Daniel Hutchens and Eric Jon Mooar**
- (45) Registration Date: **09 October 2013**
- (62) Divisional of: **350759**
- (56) Related Art Documents: **Not Applicable**
- (57) Statement of Newness and Distinctiveness: **The newness and distinctiveness of the design resides in the features of pattern and/or ornamentation OR shape and/or configuration shown in unbroken lines in the accompanying representations.**



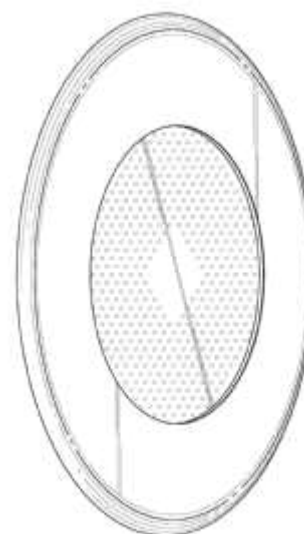
- (21) Design Number: **14258/2013**
(22) Date of Filing Application: **28 August 2013**
(24) Date from which industrial property rights may have effect: **10 July 2013**
(54) Product in respect of which the design is registered: **Lighting**
(51) International Design Classification: **26-05C**
(74) Name(s) of Attorney(s): **PIZZEYS**
(71) Name(s) and Address(s) of Applicant(s):
LSI Industries, Inc.
10000 Alliance Rd Cincinnati OH 45242 United States of America
(72) Name(s) of Designer(s): **John D. Boyer and Daniel Hutchens and Eric Jon Moor**
(45) Registration Date: **09 October 2013**
(62) Divisional of: **350759**
(56) Related Art Documents: **Not Applicable**
(57) Statement of Newness and Distinctiveness: **The newness and distinctiveness of the design resides in the features of pattern and/or ornamentation OR shape and/or configuration shown in unbroken lines in the accompanying representations.**



- (21) Design Number: **14259/2013**
(22) Date of Filing Application: **28 August 2013**
(24) Date from which industrial property rights may have effect: **10 July 2013**
(54) Product in respect of which the design is registered: **Lighting**
(51) International Design Classification: **26-05C**
(74) Name(s) of Attorney(s): **PIZZEYS**
(71) Name(s) and Address(s) of Applicant(s):
LSI Industries, Inc.
10000 Alliance Rd Cincinnati OH 45242 United States of America
(72) Name(s) of Designer(s): **John D. Boyer and Daniel Hutchens and Eric Jon Moor**
(45) Registration Date: **09 October 2013**
(62) Divisional of: **350759**
(56) Related Art Documents: **Not Applicable**
(57) Statement of Newness and Distinctiveness: **The newness and distinctiveness of the design resides in the features of pattern and/or ornamentation OR shape and/or configuration shown in unbroken lines in the accompanying representations.**



- (21) Design Number: **14260/2013**
(22) Date of Filing Application: **28 August 2013**
(24) Date from which industrial property rights may have effect: **10 July 2013**
(54) Product in respect of which the design is registered: **Lighting**
(51) International Design Classification: **26-05C**
(74) Name(s) of Attorney(s): **PIZZEYS**
(71) Name(s) and Address(s) of Applicant(s):
LSI Industries, Inc.
10000 Alliance Rd Cincinnati OH 45242 United States of America
(72) Name(s) of Designer(s): **John D. Boyer and Daniel Hutchens and Eric Jon Mooar**
(45) Registration Date: **09 October 2013**
(62) Divisional of: **350759**
(56) Related Art Documents: **Not Applicable**
(57) Statement of Newness and Distinctiveness: **The newness and distinctiveness of the design resides in the features of pattern and/or ornamentation OR shape and/or configuration shown in unbroken lines in the accompanying representations.**



- (21) Design Number: **12473/2013**
(22) Date of Filing Application: **29 May 2013**
(24) Date from which industrial property rights may have effect: **29 May 2013**
(54) Product in respect of which the design is registered: **Bottle**
(51) International Design Classification: **09-01NES**
(74) Name(s) of Attorney(s): **King & Wood Mallesons**
(71) Name(s) and Address(s) of Applicant(s):
Campbell Soup Company
One Campbell Place Camden New Jersey 08103 United States of America
(72) Name(s) of Designer(s): **David Melrose**
(45) Registration Date: **10 October 2013**
(56) Related Art Documents: **Not Applicable**
(57) Statement of Newness and Distinctiveness: **The corner ribbing feature was designed to optimise the bottle's top load capacity. We also extended this feature to the base of the bottle to further improve it. The incorporation of the "waistline" and "outline" in the bottle shape. It is a lightweight bottle design, and the overall design, ribbing and corner features are part of making such a lightweight bottle functional, and strong enough to withstand the rigors of the supply chain and consumers.**



(21) Design Number: **12890/2013**
(22) Date of Filing Application: **24 June 2013**
(24) Date from which industrial property rights may have effect: **24 June 2013**
(54) Product in respect of which the design is registered: **Front combination lamp for automobile**
(51) International Design Classification: **26-06**
(74) Name(s) of Attorney(s): **SPRUSON & FERGUSON**
(71) Name(s) and Address(s) of Applicant(s):
Honda Motor Co., Ltd.
1-1 Minami-Aoyama 2-chome Minato-ku Tokyo Japan
(72) Name(s) of Designer(s): **Junichiro Kogawa**
(45) Registration Date: **10 October 2013**
(30) Convention priority data:
(31) Number (32) Date (33) Country
2012-032036 28 Dec 2012 JAPAN
(56) Related Art Documents: **Not Applicable**
(57) Statement of Newness and Distinctiveness: **Newness and distinctiveness is claimed in the features of shape and/or configuration of a front combination lamp for automobile as illustrated in the accompanying representations.**



(21) Design Number: **12891/2013**
(22) Date of Filing Application: **24 June 2013**
(24) Date from which industrial property rights may have effect: **24 June 2013**
(54) Product in respect of which the design is registered: **Automobile**
(51) International Design Classification: **12-08**
(74) Name(s) of Attorney(s): **SPRUSON & FERGUSON**
(71) Name(s) and Address(s) of Applicant(s):
Honda Motor Co., Ltd.
1-1 Minami-Aoyama 2-chome Minato-ku Tokyo Japan
(72) Name(s) of Designer(s): **Masaki Kobayashi**
(45) Registration Date: **10 October 2013**
(30) Convention priority data:
(31) Number (32) Date (33) Country
2012-032034 28 Dec 2012 JAPAN
(56) Related Art Documents: **Not Applicable**
(57) Statement of Newness and Distinctiveness: **Newness and distinctiveness is claimed in the features of shape and/or configuration of an automobile as illustrated in the accompanying representations.**



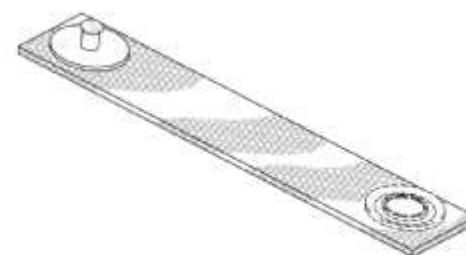
- (21) Design Number: **12895/2013**
(22) Date of Filing Application: **24 June 2013**
(24) Date from which industrial property rights may have effect: **24 June 2013**
(54) Product in respect of which the design is registered: **Instrument panel for automobile**
(51) International Design Classification: **12-16NES**
(74) Name(s) of Attorney(s): **SPRUSON & FERGUSON**
(71) Name(s) and Address(s) of Applicant(s):
Honda Motor Co., Ltd.
1-1 Minamiaoyama 2-chome Minato-ku Tokyo Japan
(72) Name(s) of Designer(s): **Hiroyuki Yamamoto**
(45) Registration Date: **10 October 2013**
(30) Convention priority data:
(31) Number (32) Date (33) Country
2012-032045 28 Dec 2012 JAPAN
(56) Related Art Documents: **Not Applicable**
(57) Statement of Newness and Distinctiveness: **Newness and distinctiveness is claimed in the features of shape and/or configuration of an instrument panel for an automobile as illustrated in the accompanying representations.**



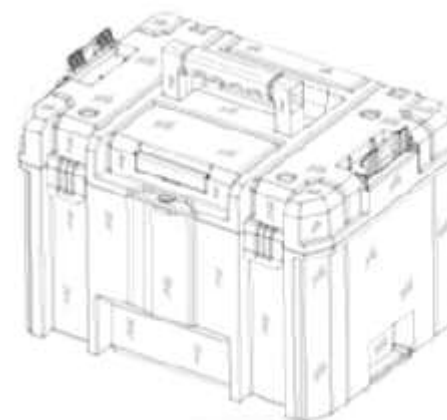
- (21) Design Number: **12003/2013**
(22) Date of Filing Application: **30 April 2013**
(24) Date from which industrial property rights may have effect: **30 April 2013**
(54) Product in respect of which the design is registered: **A cold appliance**
(51) International Design Classification: **15-07**
(74) Name(s) of Attorney(s): **Halfords IP**
(71) Name(s) and Address(s) of Applicant(s):
Electrolux Sea Pte Ltd
11 Lorong 3 Toa Payoh Block B #01-13/14/15 Jackson Square 319579
Singapore
(72) Name(s) of Designer(s): **Pernilla Johansson and Lyndon Craig and Leonard Tan Bahroocha**
(45) Registration Date: **10 October 2013**
(30) Convention priority data:
(31) Number (32) Date (33) Country
201230535734.1 06 Nov 2012 CHINA
(56) Related Art Documents: **Not Applicable**
(57) Statement of Newness and Distinctiveness: **Newness and Distinctiveness is claimed in those features of shape and or configuration of A Cold Appliance, such as a Refrigerator and/or Freezer as depicted in the representations.**



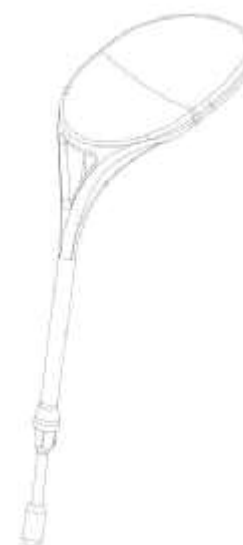
- (21) Design Number: **13405/2013**
(22) Date of Filing Application: **17 July 2013**
(24) Date from which industrial property rights may have effect: **17 July 2013**
(54) Product in respect of which the design is registered: **Garment coupler**
(51) International Design Classification: **02-99, 08-99**
(74) Name(s) of Attorney(s): **Sandercock & Cowie**
(71) Name(s) and Address(s) of Applicant(s):
Stephen Mark Wagstaff
35 Seaford Rd Seaford VIC 3198 Australia
(72) Name(s) of Designer(s): **Stephen Mark Wagstaff**
(45) Registration Date: **10 October 2013**
(56) Related Art Documents: **Not Applicable**
(57) Statement of Newness and Distinctiveness: **Newness and Distinctiveness reside in the shape and configuration of the garment coupler as shown in the accompanying representations.**



- (21) Design Number: **13407/2013**
(22) Date of Filing Application: **17 July 2013**
(24) Date from which industrial property rights may have effect: **17 July 2013**
(54) Product in respect of which the design is registered: **Toolbox**
(51) International Design Classification: **03-01D**
(74) Name(s) of Attorney(s): **Davies Collison Cave**
(71) Name(s) and Address(s) of Applicant(s):
The Stanley Works Israel Ltd.
19 Ha'Melacha Street Rosh Ha'Ayin 48091 Israel
(72) Name(s) of Designer(s): **Elad Hay Shitrit**
(45) Registration Date: **10 October 2013**
(30) Convention priority data:
(31) Number (32) Date (33) Country
**001357867 17 Jan 2013 OFFICE FOR HARMONISATION IN
THE INTERNAL MARKET (OHIM)**
(56) Related Art Documents: **Not Applicable**
(57) Statement of Newness and Distinctiveness: **Nil**



(21) Design Number: **13408/2013**
(22) Date of Filing Application: **17 July 2013**
(24) Date from which industrial property rights may have effect: **17 July 2013**
(54) Product in respect of which the design is registered: **Applicator**
(51) International Design Classification: **24-02**
(74) Name(s) of Attorney(s): **WATERMARK PATENT AND TRADE MARKS ATTORNEYS**
(71) Name(s) and Address(s) of Applicant(s):
Sulzer Mixpac AG
Ruetistrasse 7 Haag 9469 Switzerland
(72) Name(s) of Designer(s): **Josef Ettlin**
(45) Registration Date: **10 October 2013**
(30) Convention priority data:
(31) Number (32) Date (33) Country
139641 12 Feb 2013 SWITZERLAND
(56) Related Art Documents: **Not Applicable**
(57) Statement of Newness and Distinctiveness: **Nil**



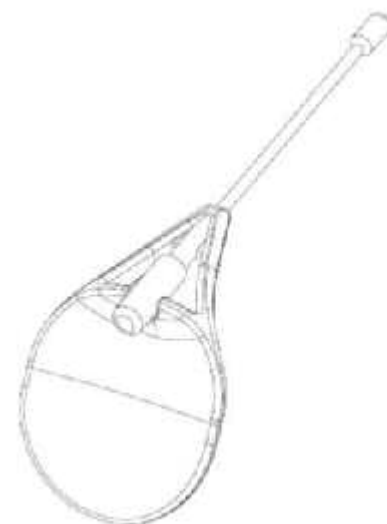
(21) Design Number: **13409/2013**
(22) Date of Filing Application: **17 July 2013**
(24) Date from which industrial property rights may have effect: **17 July 2013**
(54) Product in respect of which the design is registered: **Applicator**
(51) International Design Classification: **24-02**
(74) Name(s) of Attorney(s): **WATERMARK PATENT AND TRADE MARKS ATTORNEYS**
(71) Name(s) and Address(s) of Applicant(s):
Sulzer Mixpac AG
Rutistrasse 7 CH-9469 Haag Switzerland
(72) Name(s) of Designer(s): **Josef Ettlin**
(45) Registration Date: **10 October 2013**
(30) Convention priority data:
(31) Number (32) Date (33) Country
139641 12 Feb 2013 SWITZERLAND
(56) Related Art Documents: **Not Applicable**
(57) Statement of Newness and Distinctiveness: **Nil**



(21) Design Number: **13410/2013**
(22) Date of Filing Application: **17 July 2013**
(24) Date from which industrial property rights may have effect: **17 July 2013**
(54) Product in respect of which the design is registered: **Applicator**
(51) International Design Classification: **24-02**
(74) Name(s) of Attorney(s): **WATERMARK PATENT AND TRADE MARKS ATTORNEYS**
(71) Name(s) and Address(s) of Applicant(s):
Sulzer Mixpac AG
Ruetistrasse 7 Haag 9469 Switzerland
(72) Name(s) of Designer(s): **Josef Ettlin**
(45) Registration Date: **10 October 2013**
(30) Convention priority data:
(31) Number (32) Date (33) Country
139641 12 Feb 2013 SWITZERLAND



(21) Design Number: **13411/2013**
(22) Date of Filing Application: **17 July 2013**
(24) Date from which industrial property rights may have effect: **17 July 2013**
(54) Product in respect of which the design is registered: **Applicator**
(51) International Design Classification: **24-02**
(74) Name(s) of Attorney(s): **WATERMARK PATENT AND TRADE MARKS ATTORNEYS**
(71) Name(s) and Address(s) of Applicant(s):
Sulzer Mixpac AG
Ruetistrasse 7 Haag 9469 Switzerland
(72) Name(s) of Designer(s): **Josef Ettlin**
(45) Registration Date: **10 October 2013**
(30) Convention priority data:
(31) Number (32) Date (33) Country
139641 12 Feb 2013 SWITZERLAND
(56) Related Art Documents: **Not Applicable**
(57) Statement of Newness and Distinctiveness: **Nil**



(21) Design Number: **13418/2013**
(22) Date of Filing Application: **17 July 2013**
(24) Date from which industrial property rights may have effect: **17 July 2013**
(54) Product in respect of which the design is registered: **Bottle**
(51) International Design Classification: **09-01NES**
(74) Name(s) of Attorney(s): **Davies Collison Cave**
(71) Name(s) and Address(s) of Applicant(s):
Unilever PLC
100 Victoria Embankment London EC4Y 0DY United Kingdom
(72) Name(s) of Designer(s): **James Edward McCay and James Troy Starkey**
(45) Registration Date: **10 October 2013**
(30) Convention priority data:
(31) Number (32) Date (33) Country
29/444293 29 Jan 2013 UNITED STATES OF AMERICA
(56) Related Art Documents: **Not Applicable**
(57) Statement of Newness and Distinctiveness: **Newness and distinctiveness is claimed in the visual features shown in solid lines in the representations. In considering the extent of the design rights, the broken lines shown in the representations are for illustrative purposes only and do not form part of the design.**



(21) Design Number: **13419/2013**
(22) Date of Filing Application: **17 July 2013**
(24) Date from which industrial property rights may have effect: **17 July 2013**
(54) Product in respect of which the design is registered: **Bottle with cap**
(51) International Design Classification: **09-01NES**
(74) Name(s) of Attorney(s): **Davies Collison Cave**
(71) Name(s) and Address(s) of Applicant(s):
Unilever PLC
100 Victoria Embankment London EC4Y 0DY United Kingdom
(72) Name(s) of Designer(s): **James Edward McCay and James Troy Starkey**
(45) Registration Date: **10 October 2013**
(30) Convention priority data:
(31) Number (32) Date (33) Country
29/444291 29 Jan 2013 UNITED STATES OF AMERICA
(56) Related Art Documents: **Not Applicable**
(57) Statement of Newness and Distinctiveness: **Newness and distinctiveness is claimed in the visual features shown in solid lines in the representations. In considering the extent of the design rights, the broken lines shown in the representations are for illustrative purposes only and do not form part of the design.**



(19) AU

- (21) Design Number: **13462/2013**
(22) Date of Filing Application: **19 July 2013**
(24) Date from which industrial property rights may have effect: **19 July 2013**
(54) Product in respect of which the design is registered: **Play house**
(51) International Design Classification: **25-03, 21-03**
(74) Name(s) of Attorney(s): **Griffith Hack**
(71) Name(s) and Address(s) of Applicant(s):
Handelsonderneming Pragma B.V.
Oud Willinkhuizerweg 7 Wekerom AK 6733 The Netherlands
(72) Name(s) of Designer(s): **Raymond Tukker**
(45) Registration Date: **10 October 2013**
(56) Related Art Documents: **Not Applicable**
(57) Statement of Newness and Distinctiveness: **Newness and distinctiveness resides in the shape and configuration of the product as shown in the accompanying representations.**



(19) AU

- (21) Design Number: **13468/2013**
(22) Date of Filing Application: **22 July 2013**
(24) Date from which industrial property rights may have effect: **22 July 2013**
(54) Product in respect of which the design is registered: **Trolley**
(51) International Design Classification: **12-02**
(74) Name(s) of Attorney(s): **Davies Collison Cave**
(71) Name(s) and Address(s) of Applicant(s):
The Stanley Works Israel Ltd.
19 Ha'Melacha Street Rosh Ha'Ayin 48091 Israel
(72) Name(s) of Designer(s): **Elad Hay Shitrit**
(45) Registration Date: **10 October 2013**
(30) Convention priority data:
(31) Number (32) Date (33) Country
**001359111 30 Jan 2013 OFFICE FOR HARMONISATION IN
THE INTERNAL MARKET (OHIM)**
(56) Related Art Documents: **Not Applicable**
(57) Statement of Newness and Distinctiveness: **Nil**



(21) Design Number: **13469/2013**
(22) Date of Filing Application: **22 July 2013**
(24) Date from which industrial property rights may have effect: **22 July 2013**
(54) Product in respect of which the design is registered: **Toolbox**
(51) International Design Classification: **03-01D**
(74) Name(s) of Attorney(s): **Davies Collison Cave**
(71) Name(s) and Address(s) of Applicant(s):

The Stanley Works Israel Ltd.
19 Ha'Melacha Street Rosh Ha'Ayin 48091 Israel

(72) Name(s) of Designer(s): **Elad Hay Shitrit**

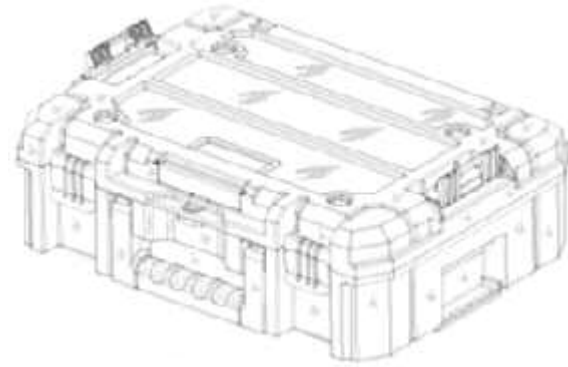
(45) Registration Date: **10 October 2013**

(30) Convention priority data:

(31) Number	(32) Date	(33) Country
001359129	30 Jan 2013	OFFICE FOR HARMONISATION IN THE INTERNAL MARKET (OHIM)

(56) Related Art Documents: **Not Applicable**

(57) Statement of Newness and Distinctiveness: **Nil**



(21) Design Number: **13521/2013**
(22) Date of Filing Application: **24 July 2013**
(24) Date from which industrial property rights may have effect: **29 April 2013**
(54) Product in respect of which the design is registered: **Spray device**
(51) International Design Classification: **23-01D, 23-01E**
(74) Name(s) of Attorney(s): **Davies Collison Cave**
(71) Name(s) and Address(s) of Applicant(s):

Talley Group Limited
**Abbey Park Industrial Estate Premier Way Romsey Hampshire SO51
9AQ United Kingdom**

(72) Name(s) of Designer(s): **Christopher Peter Evans and John James Henry
Evans**

(45) Registration Date: **10 October 2013**

(62) Divisional of: **349942**

(56) Related Art Documents: **Not Applicable**

(57) Statement of Newness and Distinctiveness: **Nil**



(21) Design Number: **13528/2013**
(22) Date of Filing Application: **24 July 2013**
(24) Date from which industrial property rights may have effect: **24 July 2013**
(54) Product in respect of which the design is registered: **Eyeglasses**
(51) International Design Classification: **16-06**
(74) Name(s) of Attorney(s): **Davies Collison Cave**
(71) Name(s) and Address(s) of Applicant(s):
Oakley, Inc.
One Icon Foothill Ranch California 92610 United States of America
(72) Name(s) of Designer(s): **George Yoo**
(45) Registration Date: **10 October 2013**
(30) Convention priority data:
(31) Number (32) Date (33) Country
29/444559 31 Jan 2013 UNITED STATES OF AMERICA
(56) Related Art Documents: **Not Applicable**
(57) Statement of Newness and Distinctiveness: **Newness and distinctiveness is claimed in the visual features of the eyeglasses shown in solid lines in the representations.**



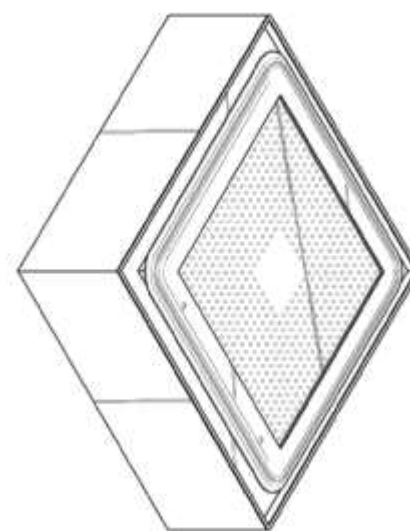
(21) Design Number: **13529/2013**
(22) Date of Filing Application: **24 July 2013**
(24) Date from which industrial property rights may have effect: **24 July 2013**
(54) Product in respect of which the design is registered: **Refrigerator**
(51) International Design Classification: **15-07**
(74) Name(s) of Attorney(s): **Davies Collison Cave**
(71) Name(s) and Address(s) of Applicant(s):
Red Bull GmbH
Am Brunnen 1 Fuschl am See 5330 Austria
(72) Name(s) of Designer(s): **Matthias Rinderer and Juergen Brenneis and Toby McDell**
(45) Registration Date: **10 October 2013**
(30) Convention priority data:
(31) Number (32) Date (33) Country
002175091-0001 30 Jan 2013 OFFICE FOR HARMONISATION IN THE INTERNAL MARKET (OHIM)
(56) Related Art Documents: **Not Applicable**
(57) Statement of Newness and Distinctiveness: **Nil**



- (21) Design Number: **14250/2013**
(22) Date of Filing Application: **28 August 2013**
(24) Date from which industrial property rights may have effect: **28 August 2013**
(54) Product in respect of which the design is registered: **A chair assembly**
(51) International Design Classification: **06-06G**
(74) Name(s) of Attorney(s): **Griffith Hack**
(71) Name(s) and Address(s) of Applicant(s):
Vonda Tillig
3 Rosney PI Torquay VIC 3228 Australia
(72) Name(s) of Designer(s): **Vonda Tillig**
(45) Registration Date: **10 October 2013**
(56) Related Art Documents: **Not Applicable**
(57) Statement of Newness and Distinctiveness: **The design is a complete chair assembly comprising three components being a chair frame, a lumbar support and a seat cushion in which Sheets 1 to 4 illustrate the overall design of the chair assembly showing the chair in fully assembled form, Sheets 5 to 8 illustrate the frame of the chair assembly, Sheets 9 to 11 illustrate the lumbar support of the chair assembly, and Sheets 12 to 14 illustrate the seat cushion of the chair assembly.**



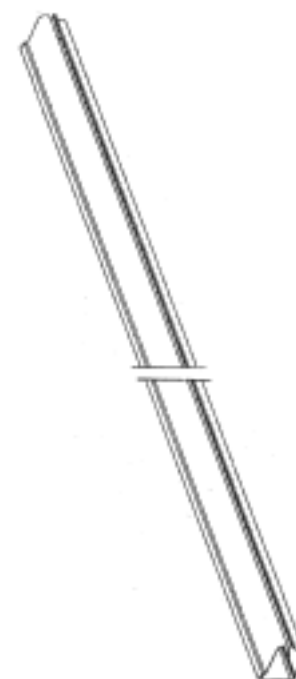
- (21) Design Number: **14262/2013**
(22) Date of Filing Application: **28 August 2013**
(24) Date from which industrial property rights may have effect: **10 July 2013**
(54) Product in respect of which the design is registered: **Lighting**
(51) International Design Classification: **26-05C**
(74) Name(s) of Attorney(s): **PIZZEYS**
(71) Name(s) and Address(s) of Applicant(s):
LSI Industries, Inc.
10000 Alliance Rd Cincinnati OH 45242 United States of America
(72) Name(s) of Designer(s): **John D. Boyer and Daniel Hutchens and Eric Jon Moor**
(45) Registration Date: **10 October 2013**
(62) Divisional of: **350759**
(56) Related Art Documents: **Not Applicable**
(57) Statement of Newness and Distinctiveness: **The newness and distinctiveness of the design resides in the features of pattern and/or ornamentation OR shape and/or configuration shown in unbroken lines in the accompanying representations.**



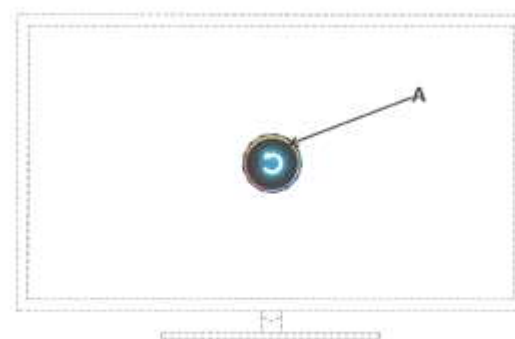
(21) Design Number: **10832/2013**
(22) Date of Filing Application: **20 February 2013**
(24) Date from which industrial property rights may have effect: **20 February 2013**
(54) Product in respect of which the design is registered: **Articles of clothing**
(51) International Design Classification: **02-02C, 02-02NES**
(74) Name(s) of Attorney(s):
(71) Name(s) and Address(s) of Applicant(s):
Beba Enterprises Pty Ltd
34 Garden St South Yarra VIC 3141 Australia
(72) Name(s) of Designer(s): **Robert Cromb**
(45) Registration Date: **11 October 2013**
(56) Related Art Documents: **Not Applicable**
(57) Statement of Newness and Distinctiveness: **Nil**



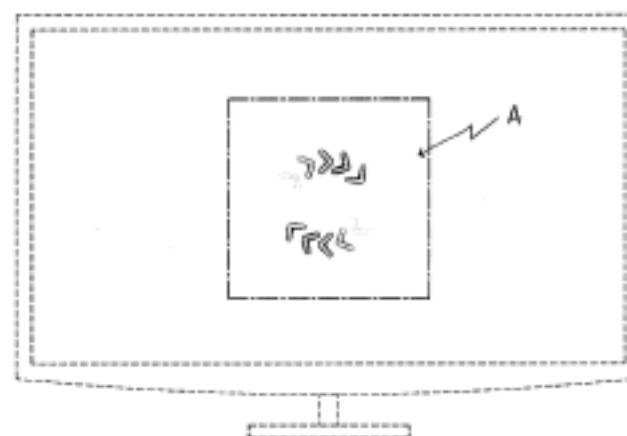
(21) Design Number: **11943/2013**
(22) Date of Filing Application: **26 April 2013**
(24) Date from which industrial property rights may have effect: **26 April 2013**
(54) Product in respect of which the design is registered: **Guttering component**
(51) International Design Classification: **23-01L**
(74) Name(s) of Attorney(s): **AJ Park**
(71) Name(s) and Address(s) of Applicant(s):
Eco Gutter IP Holdings Pty Ltd
41 Howard Hughes Court Maudsland QLD 4210 Australia
(72) Name(s) of Designer(s): **John Edward Dobbe and Alan Bryan Creighton Haley**
(45) Registration Date: **11 October 2013**
(30) Convention priority data:
(31) Number (32) Date (33) Country
416907 26 Oct 2012 NEW ZEALAND
(56) Related Art Documents: **Not Applicable**
(57) Statement of Newness and Distinctiveness: **The design is to be applied to GUTTERING COMPONENTS. Newness and distinctiveness resides in the features of shape and/or configuration of the components as shown in the accompanying representations. Those regions shown in dotted lines are disclaimed from the application.**



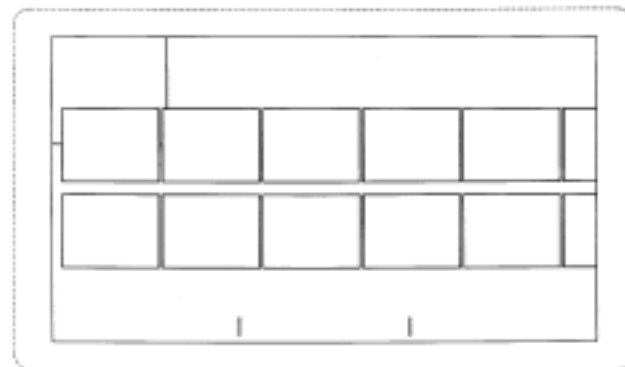
- (21) Design Number: **13260/2013**
(22) Date of Filing Application: **04 July 2013**
(24) Date from which industrial property rights may have effect: **04 July 2013**
(54) Product in respect of which the design is registered: **Display screen with graphical user interface**
(51) International Design Classification: **14-02, 14-01**
(74) Name(s) of Attorney(s): **IP Gateway Patent & Trademark Attorneys Pty Ltd**
(71) Name(s) and Address(s) of Applicant(s):
Samsung Electronics Co., Ltd.
129 Samsung-ro Yeongtong-gu Suwon-si Gyeonggi-do 443-742 Republic of Korea
(72) Name(s) of Designer(s): **Kim Min Hyung**
(45) Registration Date: **11 October 2013**
(30) Convention priority data:
(31) Number (32) Date (33) Country
30-2013-0000687 04 Jan 2013 REPUBLIC OF KOREA
(56) Related Art Documents: **Not Applicable**
(57) Statement of Newness and Distinctiveness: **Newness and distinctiveness resides in the visual features of pattern and/or ornamentation of an icon referenced by the letter A in the accompanying representations. When considering newness and distinctiveness the features shown in broken lines are to be disregarded.**



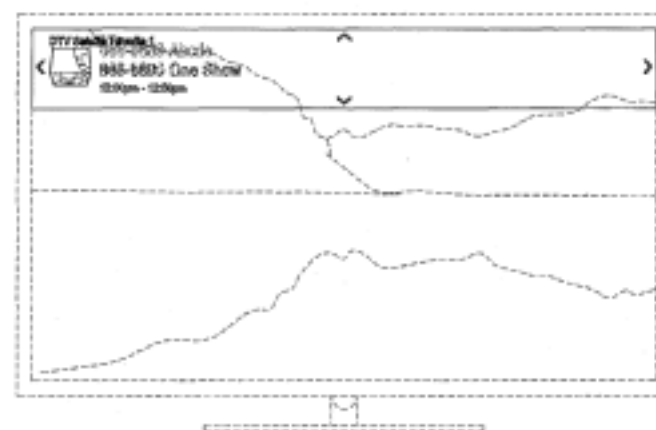
- (21) Design Number: **13263/2013**
(22) Date of Filing Application: **04 July 2013**
(24) Date from which industrial property rights may have effect: **04 July 2013**
(54) Product in respect of which the design is registered: **Display screen with graphical user interface**
(51) International Design Classification: **14-02, 14-01**
(74) Name(s) of Attorney(s): **IP Gateway Patent & Trademark Attorneys Pty Ltd**
(71) Name(s) and Address(s) of Applicant(s):
Samsung Electronics Co., Ltd.
129 Samsung-ro Yeongtong-gu Suwon-si Gyeonggi-do 443-742 Republic of Korea
(72) Name(s) of Designer(s): **Kim Min Hyung**
(45) Registration Date: **11 October 2013**
(30) Convention priority data:
(31) Number (32) Date (33) Country
30-2013-0000713 04 Jan 2013 REPUBLIC OF KOREA
(56) Related Art Documents: **Not Applicable**
(57) Statement of Newness and Distinctiveness: **Newness and distinctiveness resides in the visual features of pattern and/or ornamentation as referenced by the letter A in the accompanying representations. When considering newness and distinctiveness the features shown in broken lines are to be disregarded.**



- (21) Design Number: **13264/2013**
(22) Date of Filing Application: **04 July 2013**
(24) Date from which industrial property rights may have effect: **04 July 2013**
(54) Product in respect of which the design is registered: **Display screen with graphical user interface**
(51) International Design Classification: **14-02, 14-01**
(74) Name(s) of Attorney(s): **IP Gateway Patent & Trademark Attorneys Pty Ltd**
(71) Name(s) and Address(s) of Applicant(s):
Samsung Electronics Co., Ltd.
129 Samsung-ro Yeongtong-gu Suwon-si Gyeonggi-do 443-742 Republic of Korea
(72) Name(s) of Designer(s): **Danny Hwang and Yong-Hwan Kwon and Jieun Kim and Jihong Kim and Hyeryung Kim and Jangwon Seo and Seran Jeon**
(45) Registration Date: **11 October 2013**
(30) Convention priority data:
(31) Number (32) Date (33) Country
30-2013-0000679 04 Jan 2013 REPUBLIC OF KOREA
(56) Related Art Documents: **Not Applicable**
(57) Statement of Newness and Distinctiveness: **Newness and distinctiveness reside in the visual features of pattern and/or ornamentation as shown in solid lines in the representaiion.**



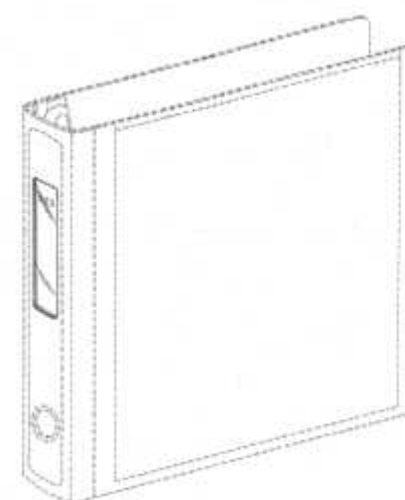
- (21) Design Number: **13270/2013**
(22) Date of Filing Application: **04 July 2013**
(24) Date from which industrial property rights may have effect: **04 July 2013**
(54) Product in respect of which the design is registered: **Display screen with graphical user interface**
(51) International Design Classification: **14-02, 14-01**
(74) Name(s) of Attorney(s): **IP Gateway Patent & Trademark Attorneys Pty Ltd**
(71) Name(s) and Address(s) of Applicant(s):
Samsung Electronics Co., Ltd.
129 Samsung-ro Yeongtong-gu Suwon-si Gyeonggi-do 443-742 Republic of Korea
(72) Name(s) of Designer(s): **Seran Jeon and Yong-Hwan Kwon and Jieun Kim and Jihong Kim and Hyeryung Kim and Jangwon Seo and Danny Hwang**
(45) Registration Date: **11 October 2013**
(30) Convention priority data:
(31) Number (32) Date (33) Country
30-2013-0000682 04 Jan 2013 REPUBLIC OF KOREA
(56) Related Art Documents: **Not Applicable**
(57) Statement of Newness and Distinctiveness: **Newness and distinctiveness of the design resides in visual features of pattern and/or ornamentation as shown in solid lines in the accompanying representation.**



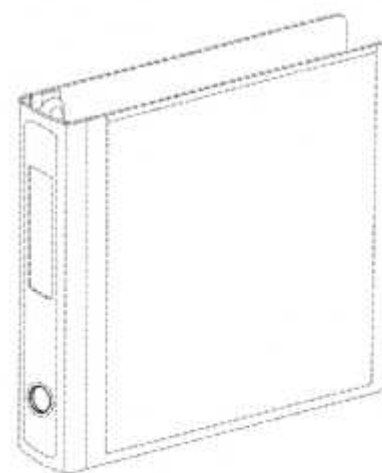
- (21) Design Number: **13499/2013**
(22) Date of Filing Application: **23 July 2013**
(24) Date from which industrial property rights may have effect: **23 July 2013**
(54) Product in respect of which the design is registered: **Dental appliance**
(51) International Design Classification: **24-01**
(74) Name(s) of Attorney(s):
(71) Name(s) and Address(s) of Applicant(s):
David Penn Consulting Pty Limited
100 Wolseley Rd Point Piper NSW 2027 Australia
(72) Name(s) of Designer(s): **David Penn**
(45) Registration Date: **11 October 2013**
(56) Related Art Documents: **Not Applicable**
(57) Statement of Newness and Distinctiveness: **The newness and distinctiveness resides in the shape and configuration of the features of the dental appliance.**



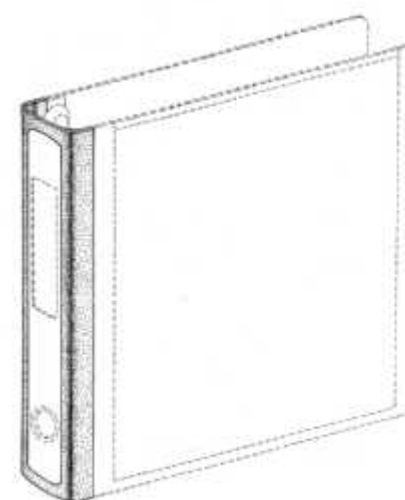
- (21) Design Number: **13554/2013**
(22) Date of Filing Application: **25 July 2013**
(24) Date from which industrial property rights may have effect: **25 July 2013**
(54) Product in respect of which the design is registered: **Binder spine window**
(51) International Design Classification: **19-04**
(74) Name(s) of Attorney(s): **PIZZEYS**
(71) Name(s) and Address(s) of Applicant(s):
Staples the Office Superstore, LLC
c/o Staples, Inc. 500 Staples Drive Framingham MA 01702 United States of America
(72) Name(s) of Designer(s): **Aidan Petrie and Daniel Nelsen and Kenneth Zins**
(45) Registration Date: **11 October 2013**
(30) Convention priority data:
(31) Number (32) Date (33) Country
29/446,837 27 Feb 2013 UNITED STATES OF AMERICA
(56) Related Art Documents: **Not Applicable**
(57) Statement of Newness and Distinctiveness: **The newness and distinctiveness of the design resides in the features of pattern and/or ornamentation OR shape and/or configuration shown in unbroken lines in the accompanying representations. (if required, see Convention document).**



(21) Design Number: **13558/2013**
(22) Date of Filing Application: **25 July 2013**
(24) Date from which industrial property rights may have effect: **25 July 2013**
(54) Product in respect of which the design is registered: **Binder spine opening**
(51) International Design Classification: **19-04**
(74) Name(s) of Attorney(s): **PIZZEYS**
(71) Name(s) and Address(s) of Applicant(s):
Staples the Office Superstore, LLC
c/o Staples, Inc. 500 Staples Drive Framingham MA 01702 United States
of America
(72) Name(s) of Designer(s): **Aidan Petrie and Daniel Nelsen and Kenneth Zins**
(45) Registration Date: **11 October 2013**
(30) Convention priority data:
(31) Number (32) Date (33) Country
29/446,844 27 Feb 2013 UNITED STATES OF AMERICA
(56) Related Art Documents: **Not Applicable**
(57) Statement of Newness and Distinctiveness: **The newness and distinctiveness of the design resides in the features of pattern and/or ornamentation OR shape and/or configuration shown in unbroken lines in the accompanying representations. (if required, see Convention document).**



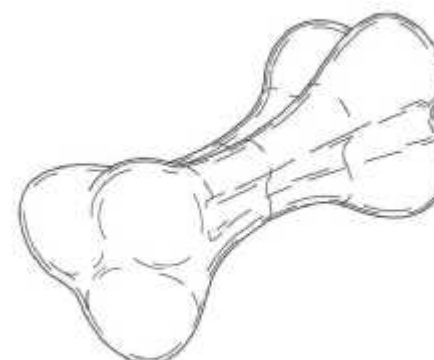
(21) Design Number: **13572/2013**
(22) Date of Filing Application: **25 July 2013**
(24) Date from which industrial property rights may have effect: **25 July 2013**
(54) Product in respect of which the design is registered: **Binder spine hinge**
(51) International Design Classification: **19-04**
(74) Name(s) of Attorney(s): **PIZZEYS**
(71) Name(s) and Address(s) of Applicant(s):
Staples the Office Superstore, LLC
c/o Staples, Inc. 500 Staples Drive Framingham MA 01702 United States
of America
(72) Name(s) of Designer(s): **Aidan Petrie and Daniel Nelsen and Kenneth Zins**
(45) Registration Date: **11 October 2013**
(30) Convention priority data:
(31) Number (32) Date (33) Country
29/446,845 27 Feb 2013 UNITED STATES OF AMERICA
(56) Related Art Documents: **Not Applicable**
(57) Statement of Newness and Distinctiveness: **The newness and distinctiveness of the design resides in the features of pattern and/or ornamentation OR shape and/or configuration shown in unbroken lines in the accompanying representations. (if required, see Convention document).**



(21) Design Number: **13576/2013**
(22) Date of Filing Application: **25 July 2013**
(24) Date from which industrial property rights may have effect: **25 July 2013**
(54) Product in respect of which the design is registered: **Binder pocket buttons**
(51) International Design Classification: **19-04**
(74) Name(s) of Attorney(s): **PIZZEYS**
(71) Name(s) and Address(s) of Applicant(s):
Staples the Office Superstore, LLC
c/o Staples, Inc. 500 Staples Drive Framingham MA 01702 United States of America
(72) Name(s) of Designer(s): **Aidan Petrie and Daniel Nelsen and Kenneth Zins**
(45) Registration Date: **11 October 2013**
(30) Convention priority data:
(31) Number (32) Date (33) Country
29/446,849 27 Feb 2013 UNITED STATES OF AMERICA
(56) Related Art Documents: **Not Applicable**
(57) Statement of Newness and Distinctiveness: **The newness and distinctiveness of the design resides in the features of pattern and/or ornamentation OR shape and/or configuration shown in unbroken lines in the accompanying representations. (if required, see Convention document).**



(21) Design Number: **14035/2013**
(22) Date of Filing Application: **15 August 2013**
(24) Date from which industrial property rights may have effect: **15 August 2013**
(54) Product in respect of which the design is registered: **Dog bone chew consumable**
(51) International Design Classification: **01-06**
(74) Name(s) of Attorney(s): **PHILLIPS ORMONDE FITZPATRICK**
(71) Name(s) and Address(s) of Applicant(s):
Radio Systems Corporation
10427 Electric Avenue Knoxville Tennessee 37932 United States of America
(72) Name(s) of Designer(s): **Brad Allen**
(45) Registration Date: **11 October 2013**
(30) Convention priority data:
(31) Number (32) Date (33) Country
29/446,130 20 Feb 2013 UNITED STATES OF AMERICA
(56) Related Art Documents: **Not Applicable**
(57) Statement of Newness and Distinctiveness: **Those features of the dog bone chew consumable depicted in the representations that are new and distinctive are the shape and/or configuration. The feature shown in broken lines is not part of the design and is to be disregarded when considering the overall impression of the design.**



(21) Design Number: **11180/2013**
(22) Date of Filing Application: **07 March 2013**
(24) Date from which industrial property rights may have effect: **07 March 2013**
(54) Product in respect of which the design is registered: **Swimwear**
(51) International Design Classification: **02-02A**
(74) Name(s) of Attorney(s):
(71) Name(s) and Address(s) of Applicant(s):
Seafolly Pty Ltd
247 King St Mascot NSW 2020 Australia
(72) Name(s) of Designer(s): **Genelle Walkom**
(45) Registration Date: **11 October 2013**
(56) Related Art Documents: **Not Applicable**
(57) Statement of Newness and Distinctiveness: **Nil**



(21) Design Number: **14717/2013**
(22) Date of Filing Application: **07 March 2013**
(24) Date from which industrial property rights may have effect: **07 March 2013**
(54) Product in respect of which the design is registered: **Swimwear**
(51) International Design Classification: **02-02A**
(74) Name(s) of Attorney(s):
(71) Name(s) and Address(s) of Applicant(s):
Seafolly Pty Ltd
247 King St Mascot NSW 2020 Australia
(72) Name(s) of Designer(s): **Genelle Walkom**
(45) Registration Date: **11 October 2013**
(56) Related Art Documents: **Not Applicable**
(57) Statement of Newness and Distinctiveness: **Nil**



(21) Design Number: **14718/2013**
(22) Date of Filing Application: **07 March 2013**
(24) Date from which industrial property rights may have effect: **07 March 2013**
(54) Product in respect of which the design is registered: **Swimwear**
(51) International Design Classification: **02-02A**
(74) Name(s) of Attorney(s):
(71) Name(s) and Address(s) of Applicant(s):
Seafolly Pty Ltd
247 King St Mascot NSW 2020 Australia
(72) Name(s) of Designer(s): **Genelle Walkom**
(45) Registration Date: **11 October 2013**
(56) Related Art Documents: **Not Applicable**
(57) Statement of Newness and Distinctiveness: **Nil**



(21) Design Number: **14719/2013**
(22) Date of Filing Application: **07 March 2013**
(24) Date from which industrial property rights may have effect: **07 March 2013**
(54) Product in respect of which the design is registered: **Swimwear**
(51) International Design Classification: **02-02A**
(74) Name(s) of Attorney(s):
(71) Name(s) and Address(s) of Applicant(s):
Seafolly Pty Ltd
247 King St Mascot NSW 2020 Australia
(72) Name(s) of Designer(s): **Genelle Walkom**
(45) Registration Date: **11 October 2013**
(56) Related Art Documents: **Not Applicable**
(57) Statement of Newness and Distinctiveness: **Nil**



(21) Design Number: **14720/2013**
(22) Date of Filing Application: **07 March 2013**
(24) Date from which industrial property rights may have effect: **07 March 2013**
(54) Product in respect of which the design is registered: **Swimwear**
(51) International Design Classification: **02-02A**
(74) Name(s) of Attorney(s):
(71) Name(s) and Address(s) of Applicant(s):
Seafolly Pty Ltd
247 King St Mascot NSW 2020 Australia
(72) Name(s) of Designer(s): **Genelle Walkom**
(45) Registration Date: **11 October 2013**
(56) Related Art Documents: **Not Applicable**
(57) Statement of Newness and Distinctiveness: **Nil**



(21) Design Number: **14721/2013**
(22) Date of Filing Application: **07 March 2013**
(24) Date from which industrial property rights may have effect: **07 March 2013**
(54) Product in respect of which the design is registered: **Swimwear**
(51) International Design Classification: **02-02A**
(74) Name(s) of Attorney(s):
(71) Name(s) and Address(s) of Applicant(s):
Seafolly Pty Ltd
247 King St Mascot NSW 2020 Australia
(72) Name(s) of Designer(s): **Genelle Walkom**
(45) Registration Date: **11 October 2013**
(56) Related Art Documents: **Not Applicable**
(57) Statement of Newness and Distinctiveness: **Nil**



(21) Design Number: **14722/2013**
(22) Date of Filing Application: **07 March 2013**
(24) Date from which industrial property rights may have effect: **07 March 2013**
(54) Product in respect of which the design is registered: **Swimwear**
(51) International Design Classification: **02-02A**
(74) Name(s) of Attorney(s):
(71) Name(s) and Address(s) of Applicant(s):
Seafolly Pty Ltd
247 King St Mascot NSW 2020 Australia
(72) Name(s) of Designer(s): **Genelle Walkom**
(45) Registration Date: **11 October 2013**
(56) Related Art Documents: **Not Applicable**
(57) Statement of Newness and Distinctiveness: **Nil**



(21) Design Number: **14723/2013**
(22) Date of Filing Application: **07 March 2013**
(24) Date from which industrial property rights may have effect: **07 March 2013**
(54) Product in respect of which the design is registered: **Swimwear**
(51) International Design Classification: **02-02A**
(74) Name(s) of Attorney(s):
(71) Name(s) and Address(s) of Applicant(s):
Seafolly Pty Ltd
247 King St Mascot NSW 2020 Australia
(72) Name(s) of Designer(s): **Genelle Walkom**
(45) Registration Date: **11 October 2013**
(56) Related Art Documents: **Not Applicable**
(57) Statement of Newness and Distinctiveness: **Nil**



(21) Design Number: **14724/2013**
(22) Date of Filing Application: **07 March 2013**
(24) Date from which industrial property rights may have effect: **07 March 2013**
(54) Product in respect of which the design is registered: **Swimwear**
(51) International Design Classification: **02-02A**
(74) Name(s) of Attorney(s):
(71) Name(s) and Address(s) of Applicant(s):
Seafolly Pty Ltd
247 King St Mascot NSW 2020 Australia
(72) Name(s) of Designer(s): **Genelle Walkom**
(45) Registration Date: **11 October 2013**
(56) Related Art Documents: **Not Applicable**
(57) Statement of Newness and Distinctiveness: **Nil**



(21) Design Number: **14716/2013**
(22) Date of Filing Application: **07 March 2013**
(24) Date from which industrial property rights may have effect: **07 March 2013**
(54) Product in respect of which the design is registered: **Swimwear**
(51) International Design Classification: **02-02A**
(74) Name(s) of Attorney(s):
(71) Name(s) and Address(s) of Applicant(s):
Seafolly Pty Ltd
247 King St Mascot NSW 2020 Australia
(72) Name(s) of Designer(s): **Genelle Walkom**
(45) Registration Date: **11 October 2013**
(56) Related Art Documents: **Not Applicable**
(57) Statement of Newness and Distinctiveness: **Nil**



(21) Design Number: **13618/2013**

(22) Date of Filing Application: **29 July 2013**

(24) Date from which industrial property rights may have effect: **29 July 2013**

(54) Product in respect of which the design is registered: **Sauce Holder**

(51) International Design Classification: **07-01F**

(74) Name(s) of Attorney(s): **James & Wells**

(71) Name(s) and Address(s) of Applicant(s):

Double Dip Limited

2/366 Kohimarama Road Auckland New Zealand 1071 New Zealand

(72) Name(s) of Designer(s): **Graeme Zimmerman**

(45) Registration Date: **11 October 2013**

(30) Convention priority data:

(31) Number	(32) Date	(33) Country
417249	29 Jan 2013	NEW ZEALAND

(56) Related Art Documents: **Not Applicable**

(57) Statement of Newness and Distinctiveness: **The design is to be applied to a sauce holder, and the novelty resides in features of shape and configuration as shown in the accompanying representations. Novelty is disclaimed in the parts marked with blue wash.**



(21) Design Number: **13716/2013**

(22) Date of Filing Application: **02 August 2013**

(24) Date from which industrial property rights may have effect: **02 August 2013**

(54) Product in respect of which the design is registered: **A bracket for a ceiling fan blade**

(51) International Design Classification: **08-08M, 23-04**

(74) Name(s) of Attorney(s): **Davies Collison Cave**

(71) Name(s) and Address(s) of Applicant(s):

Arlec Australia Pty Ltd

Building 3 31-41 Joseph St Blackburn VIC 3130 Australia

(72) Name(s) of Designer(s): **Monvids Puika**

(45) Registration Date: **11 October 2013**

(56) Related Art Documents: **Not Applicable**

(57) Statement of Newness and Distinctiveness: **Newness and distinctiveness is claimed in the features of shape and configuration of the bracket shown in the representations.**



- (21) Design Number: **14278/2013**
(22) Date of Filing Application: **29 August 2013**
(24) Date from which industrial property rights may have effect: **29 August 2013**
(54) Product in respect of which the design is registered: **A dress**
(51) International Design Classification: **02-02C**
(74) Name(s) of Attorney(s): **Madderns**
(71) Name(s) and Address(s) of Applicant(s):
Australian Fashion Labels Pty Ltd
106 Currie St Adelaide SA 5000 Australia
(72) Name(s) of Designer(s): **Kathryn Forth and Siham Elmawey**
(45) Registration Date: **11 October 2013**
(56) Related Art Documents: **Not Applicable**
(57) Statement of Newness and Distinctiveness: **Newness and distinctiveness resides in the features of shape and configuration of a dress as shown in the accompanying representations.**



- (21) Design Number: **14280/2013**
(22) Date of Filing Application: **29 August 2013**
(24) Date from which industrial property rights may have effect: **29 August 2013**
(54) Product in respect of which the design is registered: **A dress**
(51) International Design Classification: **02-02C**
(74) Name(s) of Attorney(s): **Madderns**
(71) Name(s) and Address(s) of Applicant(s):
Australian Fashion Labels Pty Ltd
106 Currie St Adelaide SA 5000 Australia
(72) Name(s) of Designer(s): **Kathryn Forth and Siham Elmawey**
(45) Registration Date: **11 October 2013**
(56) Related Art Documents: **Not Applicable**
(57) Statement of Newness and Distinctiveness: **Newness and distinctiveness resides in the features of pattern and ornamentation of a dress as shown in the accompanying representations.**



- (21) Design Number: **14282/2013**
(22) Date of Filing Application: **29 August 2013**
(24) Date from which industrial property rights may have effect: **29 August 2013**
(54) Product in respect of which the design is registered: **A bustier**
(51) International Design Classification: **02-02NES, 02-01NES**
(74) Name(s) of Attorney(s): **Madderns**
(71) Name(s) and Address(s) of Applicant(s):
Australian Fashion Labels Pty Ltd
106 Currie St Adelaide SA 5000 Australia
(72) Name(s) of Designer(s): **Kate Anderson and Amy Hicks**
(45) Registration Date: **11 October 2013**
(56) Related Art Documents: **Not Applicable**
(57) Statement of Newness and Distinctiveness: **Newness and distinctiveness resides in the features of shape and configuration of a bustier as shown in the representations. No design rights are claimed in relation to the skirt as shown in the representations and the skirt is to be disregarded in determining the scope of the design.**



- (21) Design Number: **14452/2013**
(22) Date of Filing Application: **09 September 2013**
(24) Date from which industrial property rights may have effect: **09 September 2013**
(54) Product in respect of which the design is registered: **A dress**
(51) International Design Classification: **02-02C**
(74) Name(s) of Attorney(s):
(71) Name(s) and Address(s) of Applicant(s):
Australian Fashion Labels Pty Ltd
106 Currie St Adelaide SA 5000 Australia
(72) Name(s) of Designer(s): **Kathryn Forth and Siham Elmewey**
(45) Registration Date: **11 October 2013**
(56) Related Art Documents: **Not Applicable**
(57) Statement of Newness and Distinctiveness: **Newness and distinctiveness resides in the features of shape and configuration of a dress as shown in the accompanying representations.**



- (21) Design Number: **14453/2013**
(22) Date of Filing Application: **09 September 2013**
(24) Date from which industrial property rights may have effect: **09 September 2013**
(54) Product in respect of which the design is registered: **A vest dress**
(51) International Design Classification: **02-02C**
(74) Name(s) of Attorney(s): **Madderns**
(71) Name(s) and Address(s) of Applicant(s):
Australian Fashion Labels Pty Ltd
106 Currie St Adelaide SA 5000 Australia
(72) Name(s) of Designer(s): **Kate Anderson and Amy Hicks**
(45) Registration Date: **11 October 2013**
(56) Related Art Documents: **Not Applicable**
(57) Statement of Newness and Distinctiveness: **Newness and distinctiveness resides in the features of shape and configuration of a dress as shown in the accompanying representations.**



- (21) Design Number: **14627/2013**
(22) Date of Filing Application: **16 September 2013**
(24) Date from which industrial property rights may have effect: **16 September 2013**
(54) Product in respect of which the design is registered: **A strapless dress**
(51) International Design Classification: **02-02C**
(74) Name(s) of Attorney(s): **Madderns**
(71) Name(s) and Address(s) of Applicant(s):
Australian Fashion Labels Pty Ltd
106 Currie St Adelaide SA 5000 Australia
(72) Name(s) of Designer(s): **Kate Anderson and Amy Hicks**
(45) Registration Date: **11 October 2013**
(56) Related Art Documents: **Not Applicable**
(57) Statement of Newness and Distinctiveness: **Newness and distinctiveness resides in the features of shape and configuration of a dress as shown in the accompanying representations.**

