



Australian Government

IP Australia

AUSTRALIAN OFFICIAL JOURNAL

OF

DESIGNS

Did you know a searchable version of this journal is now available online?

It's FREE and EASY to SEARCH.

Find it on our website (www.ipaustralia.gov.au)

by using the "Journals" link on the home page.

This Page Left Intentionally Blank

Contents

General Information & Notices

**Proceedings Under the Designs Act 1906 preserved as a result of the provisions of Chapter 12
Part 2 of the Designs Act 2003**

Extension of Period of Registration of Designs	3086
Registrations Ceased	3086
Subsequent Owners Registered	3086

Proceedings Under the Designs Act 2003

Applications for Extension of Time Under Section 137	3098
Applications Lapsed	3097
Applications Lodged	3091
Certificate of Examination	3099
Extension of Period of Registration of Design	3098
Names Registered - Alterations and Amendments	3098
Publication and Registration Proceedings	
Designs Registered 351167 to 351592.....	3100
Registrations Ceased	3098
Subsequent Owners Registered	3098

This Page Left Intentionally Blank

For information on the following please see our website www.ipaustralia.gov.au or contact our Customer Service Network on 1300651010

[Editorial enquiries](#)

[Contact information](#)

[Freedom of Information ACT](#)

[Professional Standards Board](#)

[Sales](#)

[Requests for Information under Section 194 \(c\)](#)

[Country Codes](#)

[Trade Mark and Designs Hearing Sessions](#)

[INID \(Internationally agreed Numbers for the Identification of Data\)](#)

“INID” NUMBERS in use on Australian Design Documents

“INID” is an acronym for “Internationally agreed Numbers for the Identification of Data”.

(10) Data concerning the registration/renewal

- (11) Serial number of the registration and/or number of the design document
- (12) Plain language designation of the kind of published document
- (19) Identification, using the two-letter code according to WIPO Standard ST.3, of the authority publishing or registering the industrial design

(20) Data concerning the application

- (21) Serial number of the application
- (22) Date of filing of the application
- (24) Date from which the industrial design right has effect

(30) Data relating to priority under the Paris Convention

- (31) Serial number assigned to the priority application
- (32) Date of filing of the priority application
- (33) Two-letter code, according to WIPO Standard ST.3, identifying the authority with which the priority application was made

(40) Date(s) of making information available to the public

- (45) Date of publication of the registered industrial design by printing or similar process, or making it available to the public by any other means

(50) Miscellaneous Information

- (51) International Classification for Industrial Designs (class and subclass of the Locarno Classification)
- (54) Designation of article(s) or product(s) covered by the industrial design or title of the industrial design
- (55) Reproduction of the industrial design (e.g., drawing, photograph) and explanations relating to the reproduction
- (56) List of prior art documents, if separate from descriptive text
- (57) Description of characteristic features of the industrial design including indication of colours

(60) References to other legally related application(s) and registration(s)

- (62) Serial number(s) and, if available, filing date(s) of application(s), registration(s) or document(s) related by division
- (66) Serial number(s) of the application, or the registration, of the design(s) which is (are) a variant(s) of the present one

(70) Identification of parties concerned with the application or registration

- (71) Name(s) and address(es) of the applicant(s)
- (72) Name(s) of the creator(s) if known to be such
- (74) Name(s) and address(es) of the representative(s)

This Page Left Intentionally Blank

Nil notices for this journal issue.

Proceedings under the Designs Act 1906 preserved as a result of the provisions of Chapter 12 Part 2 of the Designs Act 2003.

This Page Left Intentionally Blank

Applications Lapsed

There were no Applications Lapsed under this section

Extension of Period of Registration of Designs

1st Period (Section 27A(8))

2nd Period (Section 27A(12))

3rd Period (Section 27A(13))

149999	150211	150547
150641	150678	150679
150686	150687	150965
150966	151070	151152
151295	151693	151729
152019	152051	152064
152327	153895	154411
155079	156185	156186

Registrations Ceased

Note: Some of the following Registrations may have been previously advertised as ceased. In this instance, the previous advertisement still prevails.

132000	132225	132349
132364	132664	133472
133473	133568	133597
133676	133702	133725
133952	134105	134333
134825	134826	135536
135712	135815	135859
136023	136147	136988
137176	137284	137541
147388	147389	147390
147775	147855	147872
147874	147879	147880
147881	147882	147883
147884	147885	147886
147887	147888	147909
147911	147912	148052
148481	148616	148632
148633	148653	148654
148720	148721	148903
148955	148974	149235
149236	149263	149299
149614	149615	149616
149618	149619	149888
149889	150046	150107
150133	150143	150179
150632	151796	151797
152067	152100	152419
153544	153545	153546
153547	153548	153586
153587	153646	153725

153726 155534

Subsequent Owners Registered

(The name in parentheses is that of the subsequent owner)

138191	(ITW Construction Systems Australia Pty Ltd) SRB Manufacturing Pty Ltd
145462	(ITW Construction Systems Australia Pty Ltd) SRB Manufacturing Pty Ltd
140037	(ITW Construction Systems Australia Pty Ltd) SRB Manufacturing Pty Ltd
140143	(ITW Construction Systems Australia Pty Ltd) SRB Manufacturing Pty Ltd
140967	(ITW Construction Systems Australia Pty Ltd) SRB Manufacturing Pty Ltd
140992	(ITW Construction Systems Australia Pty Ltd) SRB Manufacturing Pty Ltd
142464	(ITW Construction Systems Australia Pty Ltd) SRB Manufacturing Pty Ltd
142467	(ITW Construction Systems Australia Pty Ltd) SRB Manufacturing Pty Ltd
143915	(ITW Construction Systems Australia Pty Ltd) SRB Manufacturing Pty Ltd
143917	(ITW Construction Systems Australia Pty Ltd) SRB Manufacturing Pty Ltd
148389	(ITW Construction Systems Australia Pty Ltd) SRB Manufacturing Pty Ltd
150641	(ITW Construction Systems Australia Pty Ltd) SRB Manufacturing Pty Ltd
150678	(ITW Construction Systems Australia Pty Ltd) SRB Manufacturing Pty Ltd
148612	(ITW Construction Systems Australia Pty Ltd) SRB Manufacturing Pty Ltd
150887	(ITW Construction Systems Australia Pty Ltd) SRB Manufacturing Pty Ltd
138191	(ITW Australia Pty Ltd) ITW Construction Systems Australia Pty Ltd
140037	(ITW Australia Pty Ltd) ITW Construction Systems Australia Pty Ltd
140143	(ITW Australia Pty Ltd) ITW Construction Systems Australia Pty Ltd
140967	(ITW Australia Pty Ltd) ITW Construction Systems Australia Pty Ltd
140992	(ITW Australia Pty Ltd) ITW Construction Systems Australia Pty Ltd
142464	(ITW Australia Pty Ltd) ITW Construction Systems Australia Pty Ltd
142467	(ITW Australia Pty Ltd) ITW Construction Systems Australia Pty Ltd
143915	(ITW Australia Pty Ltd) ITW Construction Systems Australia Pty Ltd
143917	(ITW Australia Pty Ltd) ITW Construction Systems Australia Pty Ltd
145462	(ITW Australia Pty Ltd) ITW Construction Systems Australia Pty Ltd

Subsequent Owners Registered

148389	(ITW Australia Pty Ltd) ITW Construction Systems Australia Pty Ltd
148612	(ITW Australia Pty Ltd) ITW Construction Systems Australia Pty Ltd
150641	(ITW Australia Pty Ltd) ITW Construction Systems Australia Pty Ltd
150678	(ITW Australia Pty Ltd) ITW Construction Systems Australia Pty Ltd
150887	(ITW Australia Pty Ltd) ITW Construction Systems Australia Pty Ltd

This Page Left Intentionally Blank

Proceedings under the Designs Act 2003.

This Page Left Intentionally Blank

Applications Lodged

Lodgement information is in the following order: **Applicant's Name**; International Classification, Name of Product, Lodgement Date and **Design Number**. If the applicant claims an earlier priority date under an International Convention, the Convention Country and the associated filing date are shown in parentheses before the Lodgement Date. Divisional information will also appear in parentheses before the Lodgement Date.

lululemon athletica canada inc.; 02-02C, Shorts, (Divisional of 13536/2013) 17 Oct 2013	15275/2013	Antonio Puig S.A.; 09-01G, Container for perfumes, 21 Oct 2013	15336/2013
lululemon athletica canada inc.; 02-02C, Shorts, (Divisional of 13536/2013) 17 Oct 2013	15277/2013	Apple Inc.; 14-01, Electronic device, (US, 18 Apr 2013) 18 Oct 2013	15365/2013
lululemon athletica canada inc.; 02-02C, Shorts, (Divisional of 13536/2013) 17 Oct 2013	15278/2013	Apple Inc.; 14-01, Electronic device, (US, 18 Apr 2013) 18 Oct 2013	15366/2013
lululemon athletica canada inc.; 02-02C, Shorts, (Divisional of 13536/2013) 17 Oct 2013	15279/2013	Apple Inc.; 14-01, Electronic device, (US, 18 Apr 2013) 18 Oct 2013	15363/2013
Abbott Medical Optics Inc.; 24-01, Foot pedal, (US, 19 Apr 2013) 18 Oct 2013	15288/2013	Apple Inc.; 14-02, Electronic device, (US, 18 Apr 2013) 18 Oct 2013	15361/2013
Air Liquide Sante (International); 19-08, Printed matter/label, (EM, 12 Apr 2013) 14 Oct 2013	15372/2013	Apple Inc.; 14-01, Electronic device, (US, 18 Apr 2013) 18 Oct 2013	15364/2013
Aktiebolaget Electrolux; 07-05A, Iron, (CN, 15 Feb 2013) 11 Oct 2013	15205/2013	Apple Inc.; 14-01, Electronic device, (US, 18 Apr 2013) 18 Oct 2013	15362/2013
Allergan, Inc.; 19-03, Calendaring arrangement device, 16 Oct 2013	15260/2013	Arlec Australia Pty Ltd; 13-03D, Power outlet, 24 Oct 2013	15420/2013
Allflex Europe SAS; 30-08, Animal identification tag, 09 Oct 2013	15123/2013	Arlec Australia Pty Ltd; 13-03D, Rocker plate for a switch, 24 Oct 2013	15421/2013
Alpargatas S.A.; 02-04NES, Footwear, (EM, 07 Aug 2013) 10 Oct 2013	15212/2013	Australian Performance Development Pty Ltd; 12-16NES, Air intake snorkel for a vehicle, 23 Oct 2013	15386/2013
Alpargatas S.A.; 02-04NES, Footwear, (EM, 07 Aug 2013) 10 Oct 2013	15213/2013	Australian Putter Co Pty Ltd; 21-02C, A golf club head, 18 Oct 2013	15360/2013
Alto Packaging Limited; 09-05, Tamper evident container, 22 Oct 2013	15357/2013	Ayoub, Chris; 07-06A, Cup holder, 17 Oct 2013	15281/2013
Altria Client Services Inc.; 27-01, Electronic smoking article, (Divisional of 13337/2013) 21 Oct 2013	15352/2013	ABB Technology Ltd.; 13-03C, Cabinet for electrical power conversion, (CN, 25 Jul 2013) 18 Oct 2013	15284/2013
Altria Client Services Inc.; 27-01, Electronic smoking article, (Divisional of 13340/2013) 21 Oct 2013	15356/2013	ABB Technology Ltd.; 13-03C, Cabinet for electrical power conversion, (CN, 25 Jul 2013) 18 Oct 2013	15286/2013
Altria Client Services Inc.; 27-01, Electronic smoking article, (Divisional of 13340/2013) 21 Oct 2013	15354/2013	ABB Technology Ltd.; 13-03C, Cabinet for electrical power conversion, (CN, 25 Jul 2013) 18 Oct 2013	15285/2013
Altria Client Services Inc.; 27-01, Electronic smoking article, (Divisional of 13340/2013) 21 Oct 2013	15355/2013	ABB Technology Ltd.; 13-03C, Cabinet for electrical power conversion, (CN, 25 Jul 2013) 18 Oct 2013	15283/2013
Altria Client Services Inc.; 27-01, Electronic smoking article, (Divisional of 13340/2013) 21 Oct 2013	15353/2013	AUDIOPROF N.V.; 14-01, Loudspeaker, (EM, 08 May 2013) 14 Oct 2013	15218/2013

Beauty Union Global Limited; 09-07A, Refill cartridge for a dispenser, (IL, 22 Apr 2013) 21 Oct 2013	15345/2013	Burgess, Brenda; 05-05D, Acrylic 3mm Templates used for quilt tops, 19 Oct 2013	15330/2013
Bend-tech Investments 1 Pty Ltd; 06-03C, Workbench, 18 Oct 2013	15290/2013	Burgess, Brenda; 05-05D, Acrylic 3mm Templates used for quilt tops, 19 Oct 2013	15324/2013
Bestaxx Pty Ltd; 24-99, 30-99, A plug, 23 Oct 2013	15384/2013	Burgess, Brenda; 05-05D, Acrylic 3mm Templates used for quilt tops, 19 Oct 2013	15322/2013
Bestaxx Pty Ltd; 08-08B, 24-04, A plug, 23 Oct 2013	15385/2013	Burgess, Brenda; 05-05D, Acrylic 3mm Templates used for quilt tops, 19 Oct 2013	15323/2013
Bredemeier, Michael K.;Bredemeier, Lori A.; 04-02, Child's lollipop teething toy, (US, 22 Apr 2013) 16 Oct 2013	15262/2013	Burgess, Brenda; 19-06, Acrylic 3mm templates used for quilt tops, 19 Oct 2013	15318/2013
Bredemeier, Michael K;Bredemeier, Lori A.; 04-02, Child's broccoli teething toy, (US, 22 Apr 2013) 16 Oct 2013	15264/2013	Burgess, Brenda; 19-06, Acrylic 3mm templates used for quilt tops, 19 Oct 2013	15316/2013
Bredemeier, Lori A;Bredemeier, Michael K.; 04-02, Child's broccoli teething toy, (US, 22 Apr 2013) 16 Oct 2013	15264/2013	Burgess, Brenda; 19-06, Acrylic 3mm templates used for quilt tops, 19 Oct 2013	15317/2013
Bredemeier, Lori A.;Bredemeier, Michael K.; 04-02, Child's lollipop teething toy, (US, 22 Apr 2013) 16 Oct 2013	15262/2013	Burgess, Brenda; 19-06, Acrylic 3mm templates used for quilt tops, 19 Oct 2013	15314/2013
Bridgestone Corporation; 12-15A, Automobile tyre, (JP, 03 Oct 2013) 24 Oct 2013	15418/2013	Burgess, Brenda; 19-06, Acrylic 3mm templates used for quilt tops, 19 Oct 2013	15315/2013
Bridgestone Corporation; 12-15A, Automobile tyre, (JP, 26 Apr 2013) 24 Oct 2013	15417/2013	Burgess, Brenda; 19-06, Acrylic 3mm templates used for quilt tops, 19 Oct 2013	15312/2013
Brightgreen Pty Ltd; 26-05E, LED downlight, 22 May 2013	15267/2013	Burgess, Brenda; 19-06, Acrylic 3mm templates used for quilt tops, 19 Oct 2013	15313/2013
Brightgreen Pty Ltd; 26-05C, Surface mounted light, 11 Oct 2013	15174/2013	Burgess, Brenda; 19-06, Acrylic 3mm templates used for quilt tops, 19 Oct 2013	15310/2013
Brightgreen Pty Ltd; 26-05E, Light bulb, 11 Oct 2013	15185/2013	Burgess, Brenda; 19-06, Acrylic 3mm templates used for quilt tops, 19 Oct 2013	15311/2013
Burgess, Brenda;Flip la K; 19-07, Acrylic 3mm Template used for quilt top making, 16 Oct 2013	15261/2013	Burgess, Brenda; 19-06, Acrylic 3mm templates used for quilt tops, 19 Oct 2013	15309/2013
Burgess, Brenda; 05-05D, Acrylic 3mm Templates used for quilt tops, 19 Oct 2013	15325/2013	Burgess, Brenda; 19-06, Acrylic 3mm template used for quilt tops, 19 Oct 2013	15307/2013
Burgess, Brenda; 05-05D, Acrylic 3mm Templates used for quilt tops, 19 Oct 2013	15326/2013	Burgess, Brenda; 19-06, Acrylic 3mm templates used for quilt tops, 19 Oct 2013	15308/2013
Burgess, Brenda; 05-05D, Acrylic 3mm Templates used for quilt tops, 19 Oct 2013	15327/2013	Burgess, Brenda; 19-06, Acrylic 3mm templates for use in making quilt tops, 19 Oct 2013	15304/2013
Burgess, Brenda; 05-05D, Acrylic 3mm Templates used for quilt tops, 19 Oct 2013	15328/2013	Burgess, Brenda; 05-05D, Acrylic 3mm Templates used for quilt tops, 19 Oct 2013	15319/2013
Burgess, Brenda; 05-05D, Acrylic 3mm Templates used for quilt tops, 19 Oct 2013	15329/2013		

Burgess, Brenda; 19-06, Acrylic 3mm template used for making quilt tops, 19 Oct 2013	15306/2013	Cubic Corporation; 14-02, Interactive terminal, (US, 21 Apr 2013) 19 Oct 2013	15331/2013
Burgess, Brenda; 19-06, Acrylic 3mm template used for preparing quilt tops, 19 Oct 2013	15303/2013	Cubic Corporation; 14-02, Interactive terminal, 19 Oct 2013	15332/2013
Burgess, Brenda; 05-05D, Acrylic 3mm Templates used for quilt tops, 19 Oct 2013	15320/2013	Cubic Corporation; 14-02, Interactive terminal, (US, 21 Apr 2013) 19 Oct 2013	15333/2013
Burgess, Brenda; 05-05D, Acrylic 3mm Templates used for quilt tops, 19 Oct 2013	15321/2013	Cubic Corporation; 14-02, Display screen with user interface, (US, 24 May 2013) 19 Oct 2013	15334/2013
Butcher, Philip; 20-03NES, Sign post, 11 Oct 2013	15190/2013	Cubic Corporation; 14-02, Interactive terminal, (US, 11 Mar 2013) 11 Oct 2013	15176/2013
BGC (Australia) Pty Ltd; 25-01A, 09-06, Banding, 24 Sep 2013	14920/2013	COMMUNITY PRACTITIONERS PTY LTD;Fuel Mate Pty Ltd; 20-02A, Metal pin for a latching device on a fuel nozzle, 15 Oct 2013	15241/2013
BGC (Australia) Pty Ltd; 25-01A, 09-06, Banding, 24 Sep 2013	14921/2013	COMPAGNIE GENERALE DES ETABLISSEMENTS MICHELIN;Michelin Rechere et Technique, S.A; 12-15C, A tyre, (US, 09 Jul 2013) 22 Oct 2013	15358/2013
Caroma Industries Limited; 23-02F, A basin, 21 Oct 2013	15344/2013	Daimler AG; 12-16A, Hubcap for vehicle wheel, (CH, 08 May 2013) 15 Oct 2013	15225/2013
Christian Dior Couture; 02-04NES, A shoe, (CH, 17 Apr 2013) 16 Oct 2013	15248/2013	Daimler AG; 12-16A, Hubcap for vehicle wheel, (CH, 07 May 2013) 15 Oct 2013	15223/2013
Christian Dior Couture; 02-04NES, A shoe, (CH, 17 Apr 2013) 16 Oct 2013	15253/2013	Daimler AG; 12-16A, Wheel for vehicle, (CH, 06 May 2013) 15 Oct 2013	15226/2013
Christian Dior Couture; 02-04NES, A shoe, (CH, 17 Apr 2013) 16 Oct 2013	15255/2013	Daimler AG; 12-16A, Wheel for vehicle, (CH, 08 May 2013) 15 Oct 2013	15224/2013
Christian Dior Couture; 02-04NES, A shoe, (CH, 17 Apr 2013) 16 Oct 2013	15251/2013	Daimler AG; 12-16A, Wheel for vehicle, (CH, 07 May 2013) 15 Oct 2013	15227/2013
Christian Dior Couture; 02-04NES, A shoe, (FR, 17 Apr 2013) 16 Oct 2013	15256/2013	Dale, James C.; 04-04, Wedge arrangement of paintbrush bristles, (US, 16 Apr 2013) 15 Oct 2013	15231/2013
Christian Dior Couture; 02-04NES, A shoe, (CH, 17 Apr 2013) 16 Oct 2013	15257/2013	Dart Industries Inc.; 07-01NES, Cover for a container, (US, 15 Mar 2013) 24 Sep 2013	14917/2013
Christian Dior Couture; 02-04NES, A shoe, (CH, 17 Apr 2013) 16 Oct 2013	15252/2013	Dart Industries Inc.; 07-01NES, Cover for a container, (US, 15 Mar 2013) 24 Sep 2013	14918/2013
Christian Dior Couture; 02-04NES, A shoe, (CH, 17 Apr 2013) 16 Oct 2013	15250/2013	Dart Industries Inc.; 07-01NES, Cover for a container, (US, 15 Mar 2013) 24 Sep 2013	14919/2013
Christian Dior Couture; 02-04NES, A shoe, (CH, 17 Apr 2013) 16 Oct 2013	15258/2013	Douglas Bean (Australia) Pty Ltd; 24-04, Blue urinal, 15 Oct 2013	15233/2013
Cooper Technologies Company; 26-05C, Multi-panel edgelit luminaire, (US, 22 Apr 2013) 21 Oct 2013	15337/2013	Douglas Bean (Australia) Pty Ltd; 09-09, 23-02C, Pink urinal, 15 Oct 2013	15232/2013
Cooper Technologies Company; 26-05E, Surface downlight, (US, 19 Apr 2013) 18 Oct 2013	15287/2013	DuluxGroup (Australia) Pty Ltd; 22-06, Rodent bait station, 11 Oct 2013	15193/2013
Craig Phillips Holdings Pty Ltd; 21-02F, Pilates reformer, 18 Oct 2013	15301/2013		

Dynacraft BSC, Inc.; 12-11, Bicycle, (US, 02 Jul 2013) 15 Oct 2013	15238/2013	Hansen Developments Limited; 10-04, Gauge, (NZ, 12 Apr 2013) 11 Oct 2013	15154/2013
Elmich Pte Ltd; 08-08A, Fastener, 18 Oct 2013	15291/2013	Hasmot Pty Ltd; 06-07, Mirror, 14 Oct 2013	15217/2013
Emrack International Pty Ltd; 20-02E, Racking column, 11 Oct 2013	15196/2013	Hrland, Tammy; 02-02B, Kids hi-viz work shirt, 17 Oct 2013	15273/2013
Etihad Airways; 06-01G, Lounge setting, (EM, 15 Apr 2013) 15 Oct 2013	15268/2013	Hunza Holdings Ltd; 26-05E, High powered LED wall lighting assembly, 10 Oct 2013	15148/2013
Etihad Airways; 06-01H, Sofa, (EM, 15 Apr 2013) 15 Oct 2013	15271/2013	HAGIHARA INDUSTRIES INC.; 25-01B, Concrete reinforcement fibre, (JP, 27 May 2013) 22 Oct 2013	15359/2013
Etihad Airways; 06-01D, Suite, (EM, 15 Apr 2013) 15 Oct 2013	15270/2013	Engineering Pty Limited; 24-01, Laminar flow operating theatre plenum, 18 Oct 2013	15299/2013
Etihad Airways; 06-01D, Seating layout, (EM, 10 Apr 2013) 10 Oct 2013	15206/2013	Isaac, Debbie; 28-01, Condom with ribbing, 18 Oct 2013	15293/2013
Etihad Airways; 06-01D, Seating layout, (EM, 10 Apr 2013) 10 Oct 2013	15210/2013	Iseki & Co., Ltd.; 12-09, Tractor, (JP, 24 Apr 2013) 23 Oct 2013	15371/2013
Etihad Airways; 06-01D, Single suite, (EM, 10 Apr 2013) 10 Oct 2013	15211/2013	Isola Swim Pty Ltd; 02-02A, Swimwear, 05 Aug 2013	14834/2013
Flip la K;Burgess, Brenda; 19-07, Acrylic 3mm Template used for quilt top making, 16 Oct 2013	15261/2013	Isola Swim Pty Ltd; 02-02A, Swimwear, 05 Aug 2013	14833/2013
Forever New Clothing Pty Ltd; 02-99, Article of clothing, 03 Oct 2013	15093/2013	Isuzu Motors Limited; 12-08, Vehicle, (JP, 26 Apr 2013) 23 Oct 2013	15378/2013
Forever New Clothing Pty Ltd; 02-07NES, Accessory item, 03 Oct 2013	15092/2013	Jaram Products Pty; 12-16K, Vehicle roof-rack, 14 Oct 2013	15220/2013
Freedman Electronics Pty. Ltd.; 08-08NES, A mount, (US, 07 Jan 2013) (Divisional of 13233/2013) 11 Oct 2013	15168/2013	Johnson, Johanna; 02-02C, A woman's garment, comprising beaded parts, 11 Oct 2013	15178/2013
Fuel Mate Pty Ltd;COMMUNITY PRACTITIONERS PTY LTD; 20-02A, Metal pin for a latching device on a fuel nozzle, 15 Oct 2013	15241/2013	Johnson, Johanna; 02-02C, A woman's garment, comprising beaded parts, 11 Oct 2013	15179/2013
FOSHAN PIONEER ENTERPRISE; 09-05, Object carrier, (CN, 28 Sep 2013) 21 Oct 2013	15335/2013	Johnson, Johanna; 02-02C, A woman's garment, comprising beaded parts, 11 Oct 2013	15177/2013
FURUKAWA UNIC CORPORATION; 14-03NES, Radio transmitter, (JP, 24 Apr 2013) 23 Oct 2013	15379/2013	Johnson, Johanna; 02-02C, A woman's garment, comprising beaded parts, 11 Oct 2013	15175/2013
Griffin, John Bernard; 12-16L, Tow ball coupling, 18 Oct 2013	15302/2013	Johnson, Johanna; 02-02C, A woman's garment, comprising beaded parts, 11 Oct 2013	15181/2013
Gripple Limited; 08-08D, 08-08NES, Clamping assembly, (EM, 04 Oct 2013) 18 Oct 2013	15300/2013	Johnson, Johanna; 02-02C, A woman's garment, comprising beaded parts, 11 Oct 2013	15172/2013
Hansa Products Limited; 15-03B, Chipping device, 23 Oct 2013	15387/2013	Johnson, Johanna; 02-02C, A woman's garment, comprising beaded parts, 11 Oct 2013	15173/2013
Hansa Products Limited; 15-03B, A chipping device, 23 Oct 2013	15388/2013	Johnson, Johanna; 02-02C, A woman's garment, 11 Oct 2013	15170/2013
		Johnson, Johanna; 02-02C, A woman's garment, 11 Oct 2013	15169/2013

Jorgenson-Watts Pty Ltd; 25-01K, An extrusion, 14 Oct 2013	15221/2013	Mansbridge, Kelly;Kratzmann, Jude; 25-01K, Extrusion for a shower hob, 21 Oct 2013	15377/2013
JPD Media & Design Pty Limited; 11-02B, Vertical blanket planter, 09 Oct 2013	15124/2013	Martin, Joy Diana; 24-04, Sanitary napkins, 16 Oct 2013	15246/2013
Keight, Jeremy; 03-01NES, 14-03A, Mobile phone cover mini, 11 Oct 2013	15201/2013	Mayo Hardware Pty Ltd; 07-04, BBQ grill rake, 16 Oct 2013	15242/2013
Keight, Jeremy; 03-01NES, 14-03A, Mobile phone case with charger unit, 11 Oct 2013	15203/2013	Meco Australia Pty Limited; 23-01H, A tap handle, 24 Oct 2013	15419/2013
Keight, Jeremy; 03-01NES, 14-03A, Mobile phone case with charger unit, 11 Oct 2013	15202/2013	Michelin Rechere et Technique, S.A;COMPAGNIE GENERALE DES ETABLISSEMENTS MICHELIN; 12-15C, A tyre, (US, 09 Jul 2013) 22 Oct 2013	15358/2013
Keight, Jeremy; 03-01NES, 14-03A, Mobile phone cover with charger unit and flexible, 11 Oct 2013	15200/2013	Morrish, Gerald David;Morrish, George Kenneth; 29-02, 06-01NES, Evacuation chair, (EM, 15 Apr 2013) 14 Oct 2013	15215/2013
Keurig, Incorporated; 07-02L, 09-05, Beverage cartridge, (US, 14 Mar 2013) (Divisional of 14537/2013) 18 Oct 2013	15296/2013	Morrish, George Kenneth;Morrish, Gerald David; 29-02, 06-01NES, Evacuation chair, (EM, 15 Apr 2013) 14 Oct 2013	15215/2013
Koninklijke Douwe Egberts B.V.;Koninklijke Philips N.V.; 07-02L, Coffee maker, (EM, 23 Apr 2013) 22 Oct 2013	15369/2013	Multisteps Pty Ltd; 09-03F, A produce container, 14 Oct 2013	15219/2013
Koninklijke Philips N.V.; 31-00, Sterilizer, (EM, 23 Apr 2013) 22 Oct 2013	15370/2013	Murdoch Childrens Research Institute; 13-03B, Electrical connector, 11 Oct 2013	15195/2013
Koninklijke Philips N.V.;Koninklijke Douwe Egberts B.V.; 07-02L, Coffee maker, (EM, 23 Apr 2013) 22 Oct 2013	15369/2013	Nan Tong Rui Sheng Sports and Leisure Products Co., Ltd; 21-02F, Gym fitness equipment, 03 Oct 2013	15128/2013
Koninklijke Philips N.V.; 28-03A, Shaving head unit, (EM, 23 Apr 2013) 21 Oct 2013	15346/2013	Nielsen, Corey David; 03-01NES, Personal digital device mount and holder, (US, 11 Apr 2013) 11 Oct 2013	15182/2013
Kratzmann, Jude;Mansbridge, Kelly; 25-01K, Extrusion for a shower hob, 21 Oct 2013	15377/2013	Nielsen, Corey David; 03-01NES, Personal digital device holder, (US, 11 Apr 2013) 11 Oct 2013	15184/2013
Lock, Louise Jade;Longden, Adam Marcus; 08-10, Bike rack, 16 Oct 2013	15244/2013	Nielsen, Corey David; 03-01NES, Personal digital device mount base, (US, 11 Apr 2013) 11 Oct 2013	15183/2013
Loftus, Hamish William; 09-03NES, Fluid filled container enhancing object contained, 11 Oct 2013	15198/2013	NEC Corporation; 14-02, Front panel for computer, (JP, 02 Apr 2013) 10 Oct 2013	15207/2013
Longden, Adam Marcus;Lock, Louise Jade; 08-10, Bike rack, 16 Oct 2013	15244/2013	NEC Corporation; 14-02, Front panel for computer, (JP, 02 Apr 2013) 10 Oct 2013	15208/2013
Lucidity Enterprise Co., Ltd.; 26-06, Combination rear light, 17 Oct 2013	15274/2013	NEC Corporation; 14-02, Front panel for computer, (JP, 02 Apr 2013) 10 Oct 2013	15209/2013
Magic Production Group S.A.; 25-02K, Construction element, (EM, 24 Apr 2013) 16 Oct 2013	15259/2013	Onesteel Wire Pty Limited; 25-01E, 08-08K, Top-rail holder for post, 10 Oct 2013	15149/2013
Maleczek, Wojciech; 21-01C, Toys, hobbies - train model layout, tram model layout, car model layouts, racing layout, 02 Oct 2013	15055/2013	Pacific Holdings (Aust) Pty Ltd; 08-06, Latch handle, 23 Oct 2013	15382/2013
		Pacific Holdings (Aust) Pty Ltd; 08-07, Window lock, 23 Oct 2013	15383/2013

Penline-Mon Ami (Australia) Pty Limited; 19-06, Pen, 15 Oct 2013	15235/2013	Sandvik Intellectual Property AB; 15-99, Screen for vibrating screen apparatus, (EM, 26 Apr 2013) 11 Oct 2013	15180/2013
Penline-Mon Ami (Australia) Pty Limited; 19-06, Pen, 15 Oct 2013	15234/2013	Seafolly Pty Ltd; 02-02A, Swimwear, 17 Oct 2013	15340/2013
Phoenix Performance Products, Inc.; 02-02NES, Equestrian vest, (US, 19 Apr 2013) 16 Oct 2013	15245/2013	Seafolly Pty Ltd; 02-02A, Swimwear, 17 Oct 2013	15342/2013
Procson Pty Ltd; 07-02NES, Cake stand, 11 Oct 2013	15199/2013	Seafolly Pty Ltd; 02-02A, Swimwear, 17 Oct 2013	15341/2013
Procson Pty Ltd; 20-02NES, Fruit stand- for displaying fruit in a kitchen, 15 Oct 2013	15239/2013	Seafolly Pty Ltd; 02-02A, Swimwear, 17 Oct 2013	15339/2013
Raven Products Pty Ltd; 25-01K, 08-99, Door seal, 15 Oct 2013	15228/2013	Stevens, Aleirah Joy; 06-13B, Trolley capsule and pram, 21 Oct 2013	15338/2013
Raven Products Pty Ltd; 25-01K, 08-99, Door seal, 15 Oct 2013	15229/2013	Stevens, Robert John; 25-01NES, A building, 14 Oct 2013	15222/2013
Raven Products Pty Ltd; 25-01K, 08-99, Door seal, 15 Oct 2013	15230/2013	Stewart, Vincent; 21-01C, 14-01, Toy truck, 11 Oct 2013	15171/2013
Read, Nicholas Steven; 23-04, The leaf directional vortex conservatory for high air filter plants and components of the design being - boston fern, harmoniser; citrus hamoniser (dwarf root stock); c4 plant harmoniser, 08 Oct 2013	15140/2013	Sun Yee International Pty. Ltd.; 26-99, Light bar, 11 Oct 2013	15191/2013
Red Bull GmbH; 15-07, Refrigerator, (EM, 15 Apr 2013) 11 Oct 2013	15192/2013	Sun Yee International Pty. Ltd.; 08-08M, A transparent cover for a light bar, 11 Oct 2013	15197/2013
Red Bull GmbH; 15-07, Refrigerator, (EM, 15 Apr 2013) 11 Oct 2013	15204/2013	Sun Yee International Pty. Ltd.; 26-99, Light bar, 11 Oct 2013	15194/2013
ResMed Limited; 24-01, Patient interface and/or components thereof, (US, 27 Mar 2013) 26 Sep 2013	14995/2013	Suzhou Eagle Electric Vehicle Manufacturing Co., Ltd.; 12-08, Vehicle, (CN, 07 Jun 2013) 11 Sep 2013	14511/2013
ResMed Limited; 24-01, Patient interface and/or components thereof, (US, 12 Apr 2013) 10 Oct 2013	15214/2013	Suzuki Motor Corporation; 12-08, Automobile, 17 Oct 2013	15276/2013
Samsung Electronics Co., Ltd; 14-01, Display screen for an electronic device, (KR, 05 Jan 2013) 26 Sep 2013	15029/2013	Symbol Technologies, Inc.; 14-02, Ergonomic mobile computing device, (US, 30 Apr 2013) 14 Oct 2013	15216/2013
Sandvik Intellectual Property AB; 15-99, Screen for vibrating screen apparatus, (EM, 26 Apr 2013) 11 Oct 2013	15186/2013	Tan, Jason; 16-99, Portable photobooth, 17 Oct 2013	15282/2013
Sandvik Intellectual Property AB; 15-99, Crusher inspection hatch, (EM, 22 Apr 2013) 16 Oct 2013	15249/2013	Targus Group International, Inc.; 03-01NES, Portable electronic device case, 18 Oct 2013	15289/2013
Sandvik Intellectual Property AB; 25-02NES, Screen for vibrating screen apparatus, (EM, 26 Apr 2013) 11 Oct 2013	15188/2013	Tech Vest Australia Pty Limited; 03-01D, A tool holster, 23 Oct 2013	15373/2013
Sandvik Intellectual Property AB; 25-02NES, Screen for vibrating screen apparatus, (EM, 26 Apr 2013) 11 Oct 2013	15189/2013	Tech Vest Australia Pty Limited; 03-01D, A tool holster, 23 Oct 2013	15376/2013
Sandvik Intellectual Property AB; 25-02NES, Screen for vibrating screen apparatus, (EM, 26 Apr 2013) 11 Oct 2013	15187/2013	Tech Vest Australia Pty Limited; 03-01D, A tool holster, 23 Oct 2013	15374/2013
		Tech Vest Australia Pty Limited; 03-01D, A tool holster, 23 Oct 2013	15375/2013
		The Absolut Company Aktiebolag; 09-01H, Bottle, (EM, 19 Apr 2013) 18 Oct 2013	15292/2013
		The Absolut Company Aktiebolag; 09-01H, Bottle, (EM, 19 Apr 2013) 18 Oct 2013	15297/2013

The Absolut Company Aktiebolag; 09-01H, Bottle, (EM, 19 Apr 2013) 18 Oct 2013	15298/2013	Volvo Lastvagnar AB; 12-08, 21-01C, Truck cab, scale model of truck cab, toy truck cab, (SE, 11 Apr 2013) 10 Oct 2013	15151/2013
The Trustee for MGDC TRUST; 25-02NES, Indoor play space, 23 Oct 2013	15389/2013	Volvo Lastvagnar AB; 12-08, 21-01C, Truck cab, scale model of truck cab, toy truck cab, (SE, 11 Apr 2013) 10 Oct 2013	15153/2013
Thermos L.L.C.; 09-07C, Lid for drink bottle, (US, 21 May 2013) 23 Oct 2013	15380/2013	Volvo Lastvagnar AB; 12-08, 21-01C, Cluster, (SE, 11 Apr 2013) 10 Oct 2013	15152/2013
Thermos L.L.C.; 09-07C, Lid for drink bottle, (US, 21 May 2013) 23 Oct 2013	15381/2013	Volvo Lastvagnar AB; 12-08, 21-01C, Truck cab, scale model of truck cab, toy truck cab, (SE, 11 Apr 2013) 10 Oct 2013	15150/2013
Tode, Guenter Erich;Tode, Jennifer; 21-02C, A method of setting the golf tee height, 15 Oct 2013	15236/2013	White, Mark Owen; 10-06, Ground marker, 16 Oct 2013	15247/2013
Tode, Jennifer;Tode, Guenter Erich; 21-02C, A method of setting the golf tee height, 15 Oct 2013	15236/2013	Witts, Damien Mark; 13-03D, Light switch cover, 09 Oct 2013	15122/2013
Tucker, Peter Bruce; 07-05D, Aid to garment drying, 16 Oct 2013	15243/2013	Xorro Pty Ltd; 09-09, Bin surround, 15 Oct 2013	15237/2013
THE ASSASSIN GROUP 'ENVIRONMENTAL DIVISION' PTY. LTD.; 07-05D, Modular drying assembly for drying & airing, 22 Oct 2013	15368/2013	Zhejiang Dicastal Hongxin Technology Co., Ltd.; 12-16A, Wheel, (US, 19 Apr 2013) 18 Oct 2013	15294/2013
THE ASSASSIN GROUP 'ENVIRONMENTAL DIVISION' PTY. LTD.; 07-05D, Modular drying assembly for drying & airing items, 22 Oct 2013	15367/2013	Zhejiang Dicastal Hongxin Technology Co., Ltd.; 12-16A, Wheel, (US, 19 Apr 2013) 18 Oct 2013	15295/2013
Viridi, Paramraj Singh; 12-16L, Trailer coupling, 25 Sep 2013	14927/2013		
Viridi, Paramraj Singh; 12-16L, Trailer coupling, 25 Sep 2013	14926/2013		

Applications Lapsed

11451 / 2013 (07-01NES)	11618 / 2013 (02-02C)
11787 / 2013 (02-02C)	12915 / 2013 (25-01A)

Extension of Period of Registration of Designs

321197	321198	321397
321976	322923	323267
323268	323271	323288
323290	323326	323327
323328	323329	323332
323335	323342	323343
323370	323373	323446
323456	323471	323472
323477	323478	323479
323480	323481	323484
323492	323493	323494
323495	323568	323683
323690	323691	323692
323693	323721	323722
323736	323737	323738
323786	323789	323791
323841	323908	323921
323922	323982	323983
323986	323987	323988
323989	324032	324049
324050	324078	324079
324166	324194	324247
324248	324257	324258
324259	324260	324261
324274	324292	324293
324294	324295	324296
324297	324459	324468
324518	324531	324687
324688	324689	324690
324705	324717	324718
324719	324750	324752
324759	324771	324772
324978	324979	324980
325038	325039	325186
325187	325188	325200
325206	325299	325818
325861	325862	326048
326049	326077	

Registrations Ceased

319694	319940	320019
320020	320123	320445
320448	320449	320459
320468	320477	320478
320479	320480	320486
320489	320490	320491
320492	320506	320507
320508	320509	320514
320515	320516	320517

320518	320519	320520
320521	320525	320526
320529	320530	320531
320532	320533	320534
320543	320545	320546
320547	320548	320549
320550	320551	320552
320553	320554	320567
320568	320569	320570
320571	320572	320573
320574	320575	320576
320577	320578	320580
320581	320582	320592
320601	320602	320603
320647	320648	320649
320764	321043	321073
321085	321210	321211
321212	321251	321252
321295	321366	321487
321679	321680	321762
321766	321788	321789
321790	321801	321865
321866	321867	322412
322413	322414	322415
322416	322417	322418
324035	324036	345446

Applications for Extension of time under Section 137

Applications under section 137 for extension of time have been lodged. Objections must be lodged within 1 month from the date of this journal.

348474 **LINPAC Packaging Limited** Address for Service: .

348475 **LINPAC Packaging Limited** Address for Service: .

348476 **LINPAC Packaging Limited** Address for Service: .

Subsequent Owners Registered

(The name in parentheses is that of the subsequent owner)

303348	(ITW Construction Systems Australia Pty Ltd) SRB Manufacturing Pty Ltd
303348	(ITW Australia Pty Ltd) ITW Construction Systems Australia Pty Ltd
335355	(Qing Cen) Jianli Cen

Names Registered - Alterations and Amendments

(The name in parentheses is that of the subsequent applicant)

315891	(LBT Innovations Limited) Labtech Systems Ltd
315892	(LBT Innovations Limited) Labtech Systems Ltd
315893	(LBT Innovations Limited) Labtech Systems Ltd
316237	(LBT Innovations Limited) Labtech Systems Ltd

Certificate(s) of Examination

Examination of the following Design Registration(s) has been completed. Infringement proceedings may now be commenced.

317590	12-10	16/10/2013
330028	06-03D	21/10/2013
340406	23-01H	24/10/2013
345275	06-05	15/10/2013
346219	03-01NES	14/10/2013
346710	24-02	24/10/2013
347915	09-01C	17/10/2013
348057	24-99	17/10/2013
348058	24-99	16/10/2013
348196	06-04D	24/10/2013
348282	09-03M	25/10/2013
348283	09-03M	25/10/2013
348418	14-02	27/10/2013
348419	14-02	27/10/2013
348595	14-03NES	17/10/2013
348596	14-03NES	17/10/2013
349655	07-03	16/10/2013
349748	20-02C	20/10/2013
349749	20-02C	20/10/2013
349906	09-01NES	18/10/2013
349957	06-01NES	16/10/2013
349963	12-12	16/10/2013
350101	12-05	15/10/2013
350102	12-05	15/10/2013
350109	12-05	15/10/2013
350113	22-03	23/10/2013
351161	02-02C	24/10/2013
351162	02-02C	24/10/2013
351163	02-02NES	20/10/2013
351165	02-02C	23/10/2013
351192	02-02C	22/10/2013
351193	02-02C	21/10/2013
351194	02-02C	21/10/2013

Publication and Registration Proceedings

Designs Registered

This section provides a concordance between design number and registration number of Designs covered in this journal. It also shows the main class and registration date.

This section covers Registration numbers 351167 to 351592 .

The registration number shown below should be used in all future correspondence.

Design Number	Registration Number	International Classification Code (IDC)	Registration Date	Design Number	Registration Number	International Classification Code (IDC)	Registration Date
16527/2012	351228	15-04	16/10/2013	13377/2013	351580	02-02C	28/10/2013
10493/2013	351167	02-02NES	15/10/2013	13378/2013	351581	02-02C	28/10/2013
10494/2013	351168	03-01B	15/10/2013	13379/2013	351582	26-05D	28/10/2013
10814/2013	351289	08-06	21/10/2013	13392/2013	351583	26-05B	28/10/2013
10815/2013	351290	25-01K	21/10/2013	13466/2013	351295	07-06A	21/10/2013
10816/2013	351291	07-06A	21/10/2013	13492/2013	351584	09-01NES	28/10/2013
10817/2013	351292	15-07	21/10/2013	13496/2013	351524	26-05A	24/10/2013
10818/2013	351293	15-07	21/10/2013	13497/2013	351525	26-05A	24/10/2013
10823/2013	351294	08-06	21/10/2013	13540/2013	351585	07-01NES	28/10/2013
11106/2013	351225	13-03D	16/10/2013	13592/2013	351179	09-03L	15/10/2013
11638/2013	351523	11-01D	23/10/2013	13593/2013	351180	09-03L	15/10/2013
11769/2013	351229	03-01D	16/10/2013	13594/2013	351181	09-03L	15/10/2013
12179/2013	351230	14-01	16/10/2013	13595/2013	351182	09-03L	15/10/2013
12289/2013	351231	12-08	16/10/2013	13597/2013	351183	10-07	15/10/2013
12431/2013	351232	12-15NES	16/10/2013	13604/2013	351184	08-06	15/10/2013
12489/2013	351233	03-01D	16/10/2013	13624/2013	351185	06-13B	15/10/2013
12490/2013	351234	03-01D	16/10/2013	13627/2013	351186	06-13B	15/10/2013
12491/2013	351235	04-02	16/10/2013	13628/2013	351187	06-13B	15/10/2013
12492/2013	351236	04-02	16/10/2013	13631/2013	351188	06-13B	15/10/2013
12530/2013	351237	21-04	16/10/2013	13640/2013	351586	07-06B	28/10/2013
12975/2013	351226	02-06	16/10/2013	13653/2013	351269	09-01H	17/10/2013
12999/2013	351227	09-01NES	16/10/2013	13654/2013	351270	09-01H	17/10/2013
13046/2013	351259	22-01	17/10/2013	13657/2013	351526	19-08	24/10/2013
13125/2013	351169	14-01	15/10/2013	13662/2013	351587	24-04	28/10/2013
13128/2013	351170	14-01	15/10/2013	13692/2013	351588	21-01A	28/10/2013
13137/2013	351171	23-01A	15/10/2013	13706/2013	351189	08-05A	15/10/2013
13176/2013	351260	09-01A	17/10/2013	13707/2013	351190	08-05A	15/10/2013
13177/2013	351261	09-01A	17/10/2013	13708/2013	351191	08-05A	15/10/2013
13203/2013	351172	14-03NES	15/10/2013	13734/2013	351197	09-07B	16/10/2013
13205/2013	351173	12-16K	15/10/2013	13763/2013	351198	14-02	16/10/2013
13207/2013	351174	19-08	15/10/2013	13764/2013	351199	14-02	16/10/2013
13224/2013	351574	14-02	28/10/2013	13765/2013	351200	14-02	16/10/2013
13225/2013	351575	14-02	28/10/2013	13766/2013	351201	11-01NES	16/10/2013
13226/2013	351576	14-02	28/10/2013	13767/2013	351589	25-02NES	28/10/2013
13233/2013	351577	08-08NES	28/10/2013	13865/2013	351202	15-05	16/10/2013
13235/2013	351175	06-01E	15/10/2013	13870/2013	351203	15-05	16/10/2013
13256/2013	351262	14-02	17/10/2013	13873/2013	351204	15-05	16/10/2013
13259/2013	351263	14-02	17/10/2013	13886/2013	351548	16-06	25/10/2013
13265/2013	351264	14-02	17/10/2013	13887/2013	351205	09-05	16/10/2013
13267/2013	351265	14-02	17/10/2013	13888/2013	351590	16-06	28/10/2013
13268/2013	351266	14-02	17/10/2013	13892/2013	351591	07-05D	28/10/2013
13269/2013	351267	14-02	17/10/2013	13894/2013	351206	20-03NES	16/10/2013
13271/2013	351176	14-02	15/10/2013	14109/2013	351296	09-09	21/10/2013
13273/2013	351177	14-02	15/10/2013	14118/2013	351207	24-02	16/10/2013
13275/2013	351178	14-02	15/10/2013	14119/2013	351208	24-02	16/10/2013
13288/2013	351195	07-01C	16/10/2013	14127/2013	351592	14-02	28/10/2013
13289/2013	351196	23-01G	16/10/2013	14154/2013	351209	08-08B	16/10/2013
13301/2013	351268	08-05F	17/10/2013	14192/2013	351297	11-05	21/10/2013
13316/2013	351578	06-13B	28/10/2013	14193/2013	351298	13-02	21/10/2013
13327/2013	351579	14-01	28/10/2013	14194/2013	351210	09-01NES	16/10/2013

Publication and Registration Proceedings - Designs Registered cont'd

Design Number	Registration Number	International Classification Code (IDC)	Registration Date	Design Number	Registration Number	International Classification Code (IDC)	Registration Date
14205/2013	351299	02-02NES	21/10/2013	14336/2013	351303	12-08	21/10/2013
14206/2013	351211	07-01E	16/10/2013	14337/2013	351304	21-01F	21/10/2013
14207/2013	351300	03-01A	21/10/2013	14338/2013	351305	21-01F	21/10/2013
14241/2013	351212	31-00	16/10/2013	14339/2013	351306	26-05A	21/10/2013
14263/2013	351213	26-05C	16/10/2013	14340/2013	351250	05-06NES	17/10/2013
14264/2013	351214	28-03A	16/10/2013	14345/2013	351251	03-01NES	17/10/2013
14265/2013	351215	06-01H	16/10/2013	14356/2013	351272	06-06A	18/10/2013
14266/2013	351216	06-01H	16/10/2013	14358/2013	351252	07-02L	17/10/2013
14267/2013	351217	06-03A	16/10/2013	14360/2013	351325	02-07A	21/10/2013
14268/2013	351218	06-01H	16/10/2013	14361/2013	351326	07-01NES	21/10/2013
14269/2013	351219	23-04	16/10/2013	14362/2013	351338	07-01NES	21/10/2013
14270/2013	351220	23-04	16/10/2013	14363/2013	351339	11-01NES	21/10/2013
14271/2013	351221	14-03NES	16/10/2013	14365/2013	351340	02-07A	21/10/2013
14272/2013	351222	23-04	16/10/2013	14367/2013	351341	26-05A	21/10/2013
14273/2013	351223	23-04	16/10/2013	14368/2013	351342	26-05A	21/10/2013
14274/2013	351224	23-04	16/10/2013	14370/2013	351343	02-03	21/10/2013
14276/2013	351238	13-01	17/10/2013	14374/2013	351344	13-03C	21/10/2013
14281/2013	351239	20-01	17/10/2013	14375/2013	351345	13-03C	21/10/2013
14283/2013	351240	02-02NES	17/10/2013	14376/2013	351346	13-03C	21/10/2013
14286/2013	351241	26-06	17/10/2013	14377/2013	351347	13-03C	21/10/2013
14287/2013	351242	12-08	17/10/2013	14378/2013	351348	13-03C	21/10/2013
14288/2013	351243	26-06	17/10/2013	14379/2013	351273	23-01H	18/10/2013
14289/2013	351244	15-05	17/10/2013	14380/2013	351274	23-01H	18/10/2013
14290/2013	351245	12-16NES	17/10/2013	14381/2013	351275	23-01H	18/10/2013
14291/2013	351246	12-16C	17/10/2013	14382/2013	351276	23-01H	18/10/2013
14292/2013	351247	12-16C	17/10/2013	14383/2013	351349	23-01H	21/10/2013
14293/2013	351248	13-03NES	17/10/2013	14384/2013	351277	09-05	18/10/2013
14294/2013	351249	12-16B	17/10/2013	14385/2013	351307	03-01D	21/10/2013
14304/2013	351327	15-05	21/10/2013	14387/2013	351278	08-01	18/10/2013
14306/2013	351316	04-02	21/10/2013	14388/2013	351279	03-01A	18/10/2013
14307/2013	351317	04-02	21/10/2013	14389/2013	351350	07-04	21/10/2013
14308/2013	351271	14-03E	18/10/2013	14390/2013	351280	03-01A	18/10/2013
14309/2013	351527	23-02F	24/10/2013	14391/2013	351281	03-01A	18/10/2013
14310/2013	351528	23-02F	24/10/2013	14392/2013	351282	03-01A	18/10/2013
14311/2013	351529	23-02F	24/10/2013	14393/2013	351283	26-05E	18/10/2013
14312/2013	351530	23-02F	24/10/2013	14395/2013	351284	15-04	18/10/2013
14313/2013	351531	23-02F	24/10/2013	14400/2013	351285	09-07A	18/10/2013
14314/2013	351532	23-02F	24/10/2013	14401/2013	351351	08-05E	21/10/2013
14315/2013	351533	23-02F	24/10/2013	14403/2013	351253	14-02	17/10/2013
14316/2013	351534	23-02F	24/10/2013	14404/2013	351286	11-01C	18/10/2013
14317/2013	351535	23-02F	24/10/2013	14405/2013	351287	11-01E	18/10/2013
14318/2013	351536	23-02F	24/10/2013	14406/2013	351352	11-01NES	21/10/2013
14319/2013	351537	23-02F	24/10/2013	14407/2013	351254	14-02	17/10/2013
14320/2013	351538	23-02F	24/10/2013	14408/2013	351288	30-99	18/10/2013
14321/2013	351539	23-02F	24/10/2013	14409/2013	351353	15-99	21/10/2013
14322/2013	351540	23-02F	24/10/2013	14410/2013	351354	15-99	21/10/2013
14324/2013	351301	09-01H	21/10/2013	14411/2013	351308	02-07D	21/10/2013
14325/2013	351323	12-03	21/10/2013	14412/2013	351309	03-01NES	21/10/2013
14326/2013	351324	24-01	21/10/2013	14413/2013	351355	03-01NES	21/10/2013
14328/2013	351318	26-06	21/10/2013	14419/2013	351356	25-01B	21/10/2013
14329/2013	351319	26-06	21/10/2013	14425/2013	351192	02-02C	15/10/2013
14330/2013	351320	26-06	21/10/2013	14426/2013	351193	02-02C	15/10/2013
14331/2013	351321	26-06	21/10/2013	14427/2013	351194	02-02C	15/10/2013
14332/2013	351322	26-06	21/10/2013	14429/2013	351328	07-02N	21/10/2013
14335/2013	351302	25-02NES	21/10/2013	14435/2013	351329	25-02C	21/10/2013

Publication and Registration Proceedings - Designs Registered cont'd

Design Number	Registration Number	International Classification Code (IDC)	Registration Date	Design Number	Registration Number	International Classification Code (IDC)	Registration Date
14436/2013	351330	08-08NES	21/10/2013	14519/2013	351362	02-02NES	21/10/2013
14438/2013	351331	08-06	21/10/2013	14520/2013	351437	25-01K	22/10/2013
14439/2013	351332	08-06	21/10/2013	14521/2013	351438	25-01K	22/10/2013
14441/2013	351374	28-03D	21/10/2013	14522/2013	351439	25-01K	22/10/2013
14442/2013	351375	28-03NES	21/10/2013	14523/2013	351440	25-01K	22/10/2013
14445/2013	351376	07-01C	21/10/2013	14524/2013	351441	25-01K	22/10/2013
14446/2013	351377	07-01C	21/10/2013	14525/2013	351442	25-01K	22/10/2013
14448/2013	351378	12-15C	21/10/2013	14526/2013	351443	25-01K	22/10/2013
14450/2013	351379	13-03E	21/10/2013	14527/2013	351444	25-01K	22/10/2013
14451/2013	351380	09-07A	21/10/2013	14528/2013	351445	25-01K	22/10/2013
14455/2013	351381	24-02	21/10/2013	14530/2013	351446	23-04	22/10/2013
14456/2013	351333	24-02	21/10/2013	14531/2013	351447	23-04	22/10/2013
14457/2013	351334	24-02	21/10/2013	14532/2013	351448	23-04	22/10/2013
14460/2013	351382	03-03	21/10/2013	14534/2013	351449	03-01NES	22/10/2013
14461/2013	351383	25-04	21/10/2013	14536/2013	351450	09-07B	22/10/2013
14462/2013	351384	07-05C	21/10/2013	14539/2013	351451	03-01A	22/10/2013
14463/2013	351385	12-02	21/10/2013	14543/2013	351452	21-01F	22/10/2013
14465/2013	351386	09-05	21/10/2013	14545/2013	351363	26-99	21/10/2013
14466/2013	351387	09-05	21/10/2013	14548/2013	351453	15-05	22/10/2013
14467/2013	351388	09-05	21/10/2013	14549/2013	351454	04-01	22/10/2013
14468/2013	351389	09-05	21/10/2013	14553/2013	351455	16-01	22/10/2013
14469/2013	351390	09-05	21/10/2013	14556/2013	351456	25-01K	22/10/2013
14470/2013	351391	09-05	21/10/2013	14558/2013	351457	06-02	22/10/2013
14471/2013	351392	09-05	21/10/2013	14559/2013	351458	02-02C	22/10/2013
14472/2013	351393	09-05	21/10/2013	14560/2013	351459	02-02C	22/10/2013
14473/2013	351394	09-03M	21/10/2013	14562/2013	351364	06-04NES	21/10/2013
14474/2013	351395	25-01K	21/10/2013	14563/2013	351365	14-01	21/10/2013
14475/2013	351396	25-01K	21/10/2013	14564/2013	351366	14-01	21/10/2013
14476/2013	351397	25-01K	21/10/2013	14565/2013	351367	12-08	21/10/2013
14477/2013	351419	04-02	21/10/2013	14566/2013	351368	12-08	21/10/2013
14478/2013	351420	25-01K	21/10/2013	14570/2013	351369	12-08	21/10/2013
14479/2013	351421	25-01K	21/10/2013	14577/2013	351370	25-01C	21/10/2013
14480/2013	351422	25-01K	22/10/2013	14578/2013	351371	25-01C	21/10/2013
14481/2013	351423	25-01K	22/10/2013	14579/2013	351372	14-03NES	21/10/2013
14482/2013	351424	25-01K	22/10/2013	14580/2013	351373	25-01C	21/10/2013
14489/2013	351425	09-01NES	22/10/2013	14583/2013	351398	24-02	21/10/2013
14490/2013	351426	02-04A	22/10/2013	14584/2013	351399	24-02	21/10/2013
14491/2013	351427	04-02	22/10/2013	14585/2013	351310	24-02	21/10/2013
14494/2013	351428	04-02	22/10/2013	14586/2013	351400	24-02	21/10/2013
14495/2013	351429	26-06	22/10/2013	14587/2013	351401	21-01F	21/10/2013
14496/2013	351430	26-06	22/10/2013	14588/2013	351402	14-03NES	21/10/2013
14497/2013	351431	13-99	22/10/2013	14589/2013	351403	08-08NES	21/10/2013
14499/2013	351432	23-02A	22/10/2013	14590/2013	351404	16-06	21/10/2013
14500/2013	351433	03-01C	22/10/2013	14592/2013	351405	20-01	21/10/2013
14501/2013	351335	21-02D	21/10/2013	14593/2013	351406	20-01	21/10/2013
14502/2013	351336	06-02	21/10/2013	14594/2013	351407	20-01	21/10/2013
14503/2013	351337	06-11	21/10/2013	14595/2013	351408	20-01	21/10/2013
14504/2013	351357	06-11	21/10/2013	14596/2013	351409	20-01	21/10/2013
14506/2013	351434	13-02	22/10/2013	14597/2013	351410	14-03D	21/10/2013
14507/2013	351358	06-11	21/10/2013	14598/2013	351483	01-02	23/10/2013
14508/2013	351359	06-11	21/10/2013	14599/2013	351484	01-02	23/10/2013
14509/2013	351435	13-02	22/10/2013	14601/2013	351485	01-02	23/10/2013
14512/2013	351436	06-01E	22/10/2013	14603/2013	351411	23-02D	21/10/2013
14517/2013	351360	02-02C	21/10/2013	14604/2013	351412	23-02D	21/10/2013
14518/2013	351361	02-02C	21/10/2013	14605/2013	351486	01-02	23/10/2013

Publication and Registration Proceedings - Designs Registered cont'd

Design Number	Registration Number	International Classification Code (IDC)	Registration Date	Design Number	Registration Number	International Classification Code (IDC)	Registration Date
14607/2013	351487	01-02	23/10/2013	14706/2013	351509	26-05NES	23/10/2013
14608/2013	351488	01-02	23/10/2013	14707/2013	351510	26-05NES	23/10/2013
14610/2013	351413	14-01	21/10/2013	14708/2013	351511	26-05NES	23/10/2013
14612/2013	351414	06-03C	21/10/2013	14709/2013	351512	06-09	23/10/2013
14613/2013	351415	06-03C	21/10/2013	14710/2013	351513	14-02	23/10/2013
14616/2013	351416	06-06G	21/10/2013	14711/2013	351514	14-02	23/10/2013
14617/2013	351417	06-06G	21/10/2013	14712/2013	351515	24-01	23/10/2013
14618/2013	351418	06-06G	21/10/2013	14726/2013	351516	21-01A	23/10/2013
14621/2013	351461	08-08L	22/10/2013	14733/2013	351258	03-01NES	17/10/2013
14622/2013	351462	08-08L	22/10/2013	14735/2013	351311	02-02NES	21/10/2013
14626/2013	351463	25-03	22/10/2013	14736/2013	351312	02-02NES	21/10/2013
14628/2013	351489	09-03C	23/10/2013	14737/2013	351553	28-03B	25/10/2013
14629/2013	351464	09-03NES	22/10/2013	14738/2013	351313	02-02NES	21/10/2013
14630/2013	351465	09-03NES	22/10/2013	14739/2013	351314	02-02NES	21/10/2013
14632/2013	351466	09-03NES	22/10/2013	14740/2013	351460	02-02NES	22/10/2013
14633/2013	351467	09-03NES	22/10/2013	14741/2013	351554	21-03	25/10/2013
14634/2013	351468	09-03NES	22/10/2013	14743/2013	351555	21-03	25/10/2013
14635/2013	351469	09-03NES	22/10/2013	14744/2013	351556	21-03	25/10/2013
14641/2013	351470	07-01D	22/10/2013	14753/2013	351557	26-02	25/10/2013
14642/2013	351471	09-03NES	22/10/2013	14754/2013	351558	26-02	25/10/2013
14643/2013	351472	07-01D	22/10/2013	14755/2013	351517	13-02	23/10/2013
14646/2013	351473	23-04	22/10/2013	14757/2013	351479	15-05	22/10/2013
14647/2013	351474	23-04	22/10/2013	14768/2013	351480	04-01	22/10/2013
14649/2013	351475	28-02	22/10/2013	14769/2013	351481	04-01	22/10/2013
14650/2013	351476	09-03NES	22/10/2013	14770/2013	351482	12-08	22/10/2013
14656/2013	351477	09-02B	22/10/2013	14773/2013	351518	12-15C	23/10/2013
14659/2013	351478	13-03D	22/10/2013	14789/2013	351315	07-06A	21/10/2013
14669/2013	351549	08-07	25/10/2013	14793/2013	351519	09-04	23/10/2013
14670/2013	351550	12-16P	25/10/2013	14825/2013	351520	24-04	23/10/2013
14676/2013	351490	09-05	23/10/2013	14826/2013	351521	07-01A	23/10/2013
14677/2013	351491	09-05	23/10/2013	14827/2013	351522	07-01B	23/10/2013
14678/2013	351492	09-05	23/10/2013	14828/2013	351559	22-05	25/10/2013
14679/2013	351493	09-05	23/10/2013	14829/2013	351560	25-01K	25/10/2013
14681/2013	351494	10-07	23/10/2013	14830/2013	351561	25-01K	25/10/2013
14682/2013	351495	09-03F	23/10/2013	14831/2013	351562	06-13B	25/10/2013
14683/2013	351496	10-07	23/10/2013	14832/2013	351572	06-13B	25/10/2013
14684/2013	351497	10-07	23/10/2013	14833/2013	351541	02-02A	24/10/2013
14685/2013	351498	28-03A	23/10/2013	14834/2013	351542	02-02A	24/10/2013
14686/2013	351499	10-07	23/10/2013	14835/2013	351543	06-02	24/10/2013
14687/2013	351500	09-03F	23/10/2013	14846/2013	351563	08-07	25/10/2013
14688/2013	351501	09-03F	23/10/2013	14904/2013	351564	08-08NES	25/10/2013
14689/2013	351502	09-03F	23/10/2013	14905/2013	351573	06-01G	25/10/2013
14690/2013	351551	09-01NES	25/10/2013	14909/2013	351565	14-03NES	25/10/2013
14692/2013	351552	07-05D	25/10/2013	14915/2013	351566	07-02E	25/10/2013
14694/2013	351503	25-04	23/10/2013	14916/2013	351567	08-08NES	25/10/2013
14695/2013	351504	07-05D	23/10/2013	14923/2013	351568	09-03H	25/10/2013
14696/2013	351505	07-05D	23/10/2013	14924/2013	351569	19-02	25/10/2013
14697/2013	351506	08-06	23/10/2013	14925/2013	351570	09-03H	25/10/2013
14698/2013	351507	08-06	23/10/2013	14926/2013	351546	12-16L	24/10/2013
14699/2013	351255	14-01	17/10/2013	14927/2013	351547	12-16L	24/10/2013
14700/2013	351256	14-01	17/10/2013	14933/2013	351571	19-02	25/10/2013
14701/2013	351257	13-02	17/10/2013				
14705/2013	351508	09-07B	23/10/2013				

Publication and Registration Proceedings

Class Listing of Designs Published or Registered

The following section shows an International Classification Code listing of the Registered or Published Designs covered in this supplement.

Classification	Registration Number	Design Number	Classification	Registration Number	Design Number
01-02	351483	14598/2013	04-02	351233	12489/2013
01-02	351484	14599/2013	04-02	351234	12490/2013
01-02	351485	14601/2013	04-02	351235	12491/2013
01-02	351486	14605/2013	04-02	351236	12492/2013
01-02	351487	14607/2013	04-02	351316	14306/2013
01-02	351488	14608/2013	04-02	351317	14307/2013
02-02A	351541	14833/2013	04-02	351419	14477/2013
02-02A	351542	14834/2013	04-02	351427	14491/2013
02-02C	351192	14425/2013	04-02	351428	14494/2013
02-02C	351193	14426/2013	05-06NES	351250	14340/2013
02-02C	351194	14427/2013	06-01E	351175	13235/2013
02-02C	351360	14517/2013	06-01E	351436	14512/2013
02-02C	351361	14518/2013	06-01G	351215	14265/2013
02-02C	351458	14559/2013	06-01G	351216	14266/2013
02-02C	351459	14560/2013	06-01G	351218	14268/2013
02-02C	351580	13377/2013	06-01G	351416	14616/2013
02-02C	351581	13378/2013	06-01G	351418	14618/2013
02-02NES	351167	10493/2013	06-01G	351573	14905/2013
02-02NES	351240	14283/2013	06-01H	351215	14265/2013
02-02NES	351299	14205/2013	06-01H	351216	14266/2013
02-02NES	351311	14735/2013	06-01H	351218	14268/2013
02-02NES	351312	14736/2013	06-02	351336	14502/2013
02-02NES	351313	14738/2013	06-02	351457	14558/2013
02-02NES	351314	14739/2013	06-02	351543	14835/2013
02-02NES	351362	14519/2013	06-03A	351217	14267/2013
02-02NES	351460	14740/2013	06-03C	351414	14612/2013
02-03	351343	14370/2013	06-03C	351415	14613/2013
02-04A	351426	14490/2013	06-04NES	351364	14562/2013
02-06	351226	12975/2013	06-04NES	351461	14621/2013
02-07A	351325	14360/2013	06-05	351417	14617/2013
02-07A	351340	14365/2013	06-06A	351272	14356/2013
02-07D	351308	14411/2013	06-06G	351416	14616/2013
03-01A	351279	14388/2013	06-06G	351417	14617/2013
03-01A	351280	14390/2013	06-06G	351418	14618/2013
03-01A	351281	14391/2013	06-09	351512	14709/2013
03-01A	351282	14392/2013	06-11	351337	14503/2013
03-01A	351300	14207/2013	06-11	351357	14504/2013
03-01A	351451	14539/2013	06-11	351358	14507/2013
03-01B	351168	10494/2013	06-11	351359	14508/2013
03-01C	351433	14500/2013	06-13B	351185	13624/2013
03-01D	351229	11769/2013	06-13B	351186	13627/2013
03-01D	351233	12489/2013	06-13B	351187	13628/2013
03-01D	351234	12490/2013	06-13B	351188	13631/2013
03-01D	351307	14385/2013	06-13B	351562	14831/2013
03-01NES	351251	14345/2013	06-13B	351572	14832/2013
03-01NES	351258	14733/2013	06-13B	351578	13316/2013
03-01NES	351309	14412/2013	07-01A	351521	14826/2013
03-01NES	351355	14413/2013	07-01B	351522	14827/2013
03-01NES	351449	14534/2013	07-01C	351195	13288/2013
03-03	351382	14460/2013	07-01C	351376	14445/2013
04-01	351454	14549/2013	07-01C	351377	14446/2013
04-01	351480	14768/2013	07-01D	351470	14641/2013
04-01	351481	14769/2013	07-01D	351472	14643/2013

Registration Proceedings - Class Listing of Designs Published or Registered cont'd

Classification	Registration Number	Design Number	Classification	Registration Number	Design Number
07-01E	351211	14206/2013	09-01NES	351425	14489/2013
07-01F	351196	13289/2013	09-01NES	351551	14690/2013
07-01NES	351326	14361/2013	09-01NES	351584	13492/2013
07-01NES	351338	14362/2013	09-02B	351477	14656/2013
07-01NES	351585	13540/2013	09-03C	351489	14628/2013
07-02E	351566	14915/2013	09-03F	351495	14682/2013
07-02L	351252	14358/2013	09-03F	351500	14687/2013
07-02N	351328	14429/2013	09-03F	351501	14688/2013
07-04	351350	14389/2013	09-03F	351502	14689/2013
07-05C	351384	14462/2013	09-03H	351568	14923/2013
07-05D	351504	14695/2013	09-03H	351570	14925/2013
07-05D	351505	14696/2013	09-03L	351179	13592/2013
07-05D	351552	14692/2013	09-03L	351180	13593/2013
07-05D	351591	13892/2013	09-03L	351181	13594/2013
07-05E	351454	14549/2013	09-03L	351182	13595/2013
07-06A	351291	10816/2013	09-03M	351394	14473/2013
07-06A	351295	13466/2013	09-03M	351464	14629/2013
07-06A	351315	14789/2013	09-03M	351465	14630/2013
07-06B	351586	13640/2013	09-03NES	351432	14499/2013
08-01	351278	14387/2013	09-03NES	351464	14629/2013
08-05A	351189	13706/2013	09-03NES	351465	14630/2013
08-05A	351190	13707/2013	09-03NES	351466	14632/2013
08-05A	351191	13708/2013	09-03NES	351467	14633/2013
08-05E	351351	14401/2013	09-03NES	351468	14634/2013
08-05F	351268	13301/2013	09-03NES	351469	14635/2013
08-06	351184	13604/2013	09-03NES	351471	14642/2013
08-06	351289	10814/2013	09-03NES	351476	14650/2013
08-06	351294	10823/2013	09-04	351519	14793/2013
08-06	351331	14438/2013	09-05	351205	13887/2013
08-06	351332	14439/2013	09-05	351277	14384/2013
08-06	351506	14697/2013	09-05	351386	14465/2013
08-06	351507	14698/2013	09-05	351387	14466/2013
08-07	351549	14669/2013	09-05	351388	14467/2013
08-07	351563	14846/2013	09-05	351389	14468/2013
08-08B	351209	14154/2013	09-05	351390	14469/2013
08-08L	351330	14436/2013	09-05	351391	14470/2013
08-08L	351461	14621/2013	09-05	351392	14471/2013
08-08L	351462	14622/2013	09-05	351393	14472/2013
08-08M	351461	14621/2013	09-05	351490	14676/2013
08-08M	351462	14622/2013	09-05	351491	14677/2013
08-08N	351461	14621/2013	09-05	351492	14678/2013
08-08N	351462	14622/2013	09-05	351493	14679/2013
08-08NES	351322	14332/2013	09-07A	351285	14400/2013
08-08NES	351330	14436/2013	09-07A	351380	14451/2013
08-08NES	351403	14589/2013	09-07B	351197	13734/2013
08-08NES	351564	14904/2013	09-07B	351450	14536/2013
08-08NES	351567	14916/2013	09-07B	351508	14705/2013
08-08NES	351577	13233/2013	09-07NES	351567	14916/2013
08-08NES	351589	13767/2013	09-09	351296	14109/2013
09-01A	351260	13176/2013	10-02	351413	14610/2013
09-01A	351261	13177/2013	10-07	351183	13597/2013
09-01H	351269	13653/2013	10-07	351410	14597/2013
09-01H	351270	13654/2013	10-07	351494	14681/2013
09-01H	351301	14324/2013	10-07	351496	14683/2013
09-01NES	351210	14194/2013	10-07	351497	14684/2013
09-01NES	351227	12999/2013	10-07	351499	14686/2013

Registration Proceedings - Class Listing of Designs Published or Registered cont'd

Classification	Registration Number	Design Number	Classification	Registration Number	Design Number
11-01C	351286	14404/2013	14-01	351176	13271/2013
11-01D	351523	11638/2013	14-01	351177	13273/2013
11-01E	351287	14405/2013	14-01	351178	13275/2013
11-01E	351352	14406/2013	14-01	351230	12179/2013
11-01NES	351201	13766/2013	14-01	351253	14403/2013
11-01NES	351339	14363/2013	14-01	351254	14407/2013
11-01NES	351352	14406/2013	14-01	351255	14699/2013
11-02B	351519	14793/2013	14-01	351256	14700/2013
11-05	351297	14192/2013	14-01	351262	13256/2013
12-02	351385	14463/2013	14-01	351263	13259/2013
12-03	351323	14325/2013	14-01	351264	13265/2013
12-08	351231	12289/2013	14-01	351265	13267/2013
12-08	351242	14287/2013	14-01	351266	13268/2013
12-08	351303	14336/2013	14-01	351267	13269/2013
12-08	351367	14565/2013	14-01	351365	14563/2013
12-08	351368	14566/2013	14-01	351366	14564/2013
12-08	351369	14570/2013	14-01	351413	14610/2013
12-08	351482	14770/2013	14-01	351579	13327/2013
12-12	351304	14337/2013	14-02	351176	13271/2013
12-12	351305	14338/2013	14-02	351177	13273/2013
12-15C	351378	14448/2013	14-02	351178	13275/2013
12-15C	351518	14773/2013	14-02	351198	13763/2013
12-15E	351378	14448/2013	14-02	351199	13764/2013
12-15NES	351232	12431/2013	14-02	351200	13765/2013
12-15NES	351378	14448/2013	14-02	351253	14403/2013
12-16B	351249	14294/2013	14-02	351254	14407/2013
12-16C	351246	14291/2013	14-02	351262	13256/2013
12-16C	351247	14292/2013	14-02	351263	13259/2013
12-16K	351173	13205/2013	14-02	351264	13265/2013
12-16L	351546	14926/2013	14-02	351265	13267/2013
12-16L	351547	14927/2013	14-02	351266	13268/2013
12-16NES	351245	14290/2013	14-02	351267	13269/2013
12-16P	351550	14670/2013	14-02	351513	14710/2013
12-99	351323	14325/2013	14-02	351514	14711/2013
13-01	351238	14276/2013	14-02	351574	13224/2013
13-02	351255	14699/2013	14-02	351575	13225/2013
13-02	351256	14700/2013	14-02	351576	13226/2013
13-02	351257	14701/2013	14-02	351592	14127/2013
13-02	351298	14193/2013	14-03D	351410	14597/2013
13-02	351434	14506/2013	14-03E	351271	14308/2013
13-02	351435	14509/2013	14-03NES	351172	13203/2013
13-02	351517	14755/2013	14-03NES	351173	13205/2013
13-03C	351344	14374/2013	14-03NES	351221	14271/2013
13-03C	351345	14375/2013	14-03NES	351372	14579/2013
13-03C	351346	14376/2013	14-03NES	351402	14588/2013
13-03C	351347	14377/2013	14-03NES	351565	14909/2013
13-03C	351348	14378/2013	14-99	351513	14710/2013
13-03D	351225	11106/2013	14-99	351514	14711/2013
13-03D	351248	14293/2013	15-04	351228	16527/2012
13-03D	351478	14659/2013	15-04	351284	14395/2013
13-03E	351379	14450/2013	15-05	351189	13706/2013
13-03NES	351248	14293/2013	15-05	351190	13707/2013
13-03NES	351379	14450/2013	15-05	351191	13708/2013
13-99	351431	14497/2013	15-05	351202	13865/2013
14-01	351169	13125/2013	15-05	351203	13870/2013
14-01	351170	13128/2013	15-05	351204	13873/2013

Registration Proceedings - Class Listing of Designs Published or Registered cont'd

Classification	Registration Number	Design Number	Classification	Registration Number	Design Number
15-05	351244	14289/2013	23-02F	351533	14315/2013
15-05	351327	14304/2013	23-02F	351534	14316/2013
15-05	351453	14548/2013	23-02F	351535	14317/2013
15-05	351479	14757/2013	23-02F	351536	14318/2013
15-07	351292	10817/2013	23-02F	351537	14319/2013
15-07	351293	10818/2013	23-02F	351538	14320/2013
15-99	351353	14409/2013	23-02F	351539	14321/2013
15-99	351354	14410/2013	23-02F	351540	14322/2013
16-01	351455	14553/2013	23-04	351219	14269/2013
16-06	351404	14590/2013	23-04	351220	14270/2013
16-06	351548	13886/2013	23-04	351222	14272/2013
16-06	351590	13888/2013	23-04	351223	14273/2013
19-02	351569	14924/2013	23-04	351224	14274/2013
19-02	351571	14933/2013	23-04	351446	14530/2013
19-08	351174	13207/2013	23-04	351447	14531/2013
19-08	351526	13657/2013	23-04	351448	14532/2013
20-01	351239	14281/2013	23-04	351473	14646/2013
20-01	351405	14592/2013	23-04	351474	14647/2013
20-01	351406	14593/2013	24-01	351324	14326/2013
20-01	351407	14594/2013	24-01	351509	14706/2013
20-01	351408	14595/2013	24-01	351510	14707/2013
20-01	351409	14596/2013	24-01	351511	14708/2013
20-03NES	351206	13894/2013	24-01	351515	14712/2013
21-01A	351516	14726/2013	24-02	351207	14118/2013
21-01A	351588	13692/2013	24-02	351208	14119/2013
21-01C	351231	12289/2013	24-02	351310	14585/2013
21-01C	351482	14770/2013	24-02	351333	14456/2013
21-01F	351304	14337/2013	24-02	351334	14457/2013
21-01F	351305	14338/2013	24-02	351381	14455/2013
21-01F	351401	14587/2013	24-02	351386	14465/2013
21-01F	351452	14543/2013	24-02	351387	14466/2013
21-02D	351335	14501/2013	24-02	351388	14467/2013
21-03	351206	13894/2013	24-02	351389	14468/2013
21-03	351554	14741/2013	24-02	351390	14469/2013
21-03	351555	14743/2013	24-02	351391	14470/2013
21-03	351556	14744/2013	24-02	351392	14471/2013
21-04	351237	12530/2013	24-02	351393	14472/2013
22-01	351259	13046/2013	24-02	351398	14583/2013
22-05	351559	14828/2013	24-02	351399	14584/2013
23-01A	351171	13137/2013	24-02	351400	14586/2013
23-01G	351196	13289/2013	24-04	351520	14825/2013
23-01G	351293	10818/2013	24-04	351587	13662/2013
23-01H	351273	14379/2013	25-01B	351356	14419/2013
23-01H	351274	14380/2013	25-01C	351370	14577/2013
23-01H	351275	14381/2013	25-01C	351371	14578/2013
23-01H	351276	14382/2013	25-01C	351373	14580/2013
23-01H	351349	14383/2013	25-01K	351290	10815/2013
23-02A	351432	14499/2013	25-01K	351395	14474/2013
23-02D	351411	14603/2013	25-01K	351396	14475/2013
23-02D	351412	14604/2013	25-01K	351397	14476/2013
23-02F	351527	14309/2013	25-01K	351420	14478/2013
23-02F	351528	14310/2013	25-01K	351421	14479/2013
23-02F	351529	14311/2013	25-01K	351422	14480/2013
23-02F	351530	14312/2013	25-01K	351423	14481/2013
23-02F	351531	14313/2013	25-01K	351424	14482/2013
23-02F	351532	14314/2013	25-01K	351437	14520/2013

Registration Proceedings - Class Listing of Designs Published or Registered cont'd

Classification	Registration Number	Design Number	Classification	Registration Number	Design Number
25-01K	351438	14521/2013	26-05A	351306	14339/2013
25-01K	351439	14522/2013	26-05A	351341	14367/2013
25-01K	351440	14523/2013	26-05A	351342	14368/2013
25-01K	351441	14524/2013	26-05A	351524	13496/2013
25-01K	351442	14525/2013	26-05A	351525	13497/2013
25-01K	351443	14526/2013	26-05B	351583	13392/2013
25-01K	351444	14527/2013	26-05C	351213	14263/2013
25-01K	351445	14528/2013	26-05D	351582	13379/2013
25-01K	351456	14556/2013	26-05E	351283	14393/2013
25-01K	351560	14829/2013	26-05NES	351509	14706/2013
25-01K	351561	14830/2013	26-05NES	351510	14707/2013
25-02B	351356	14419/2013	26-05NES	351511	14708/2013
25-02C	351329	14435/2013	26-06	351241	14286/2013
25-02H	351437	14520/2013	26-06	351243	14288/2013
25-02H	351438	14521/2013	26-06	351318	14328/2013
25-02H	351439	14522/2013	26-06	351319	14329/2013
25-02H	351440	14523/2013	26-06	351320	14330/2013
25-02H	351441	14524/2013	26-06	351321	14331/2013
25-02H	351442	14525/2013	26-06	351322	14332/2013
25-02H	351443	14526/2013	26-06	351429	14495/2013
25-02H	351444	14527/2013	26-06	351430	14496/2013
25-02H	351445	14528/2013	26-99	351363	14545/2013
25-02H	351456	14556/2013	28-02	351475	14649/2013
25-02NES	351302	14335/2013	28-03A	351214	14264/2013
25-02NES	351337	14503/2013	28-03A	351498	14685/2013
25-02NES	351357	14504/2013	28-03B	351553	14737/2013
25-02NES	351358	14507/2013	28-03D	351374	14441/2013
25-02NES	351359	14508/2013	28-03NES	351375	14442/2013
25-02NES	351589	13767/2013	28-03NES	351515	14712/2013
25-03	351463	14626/2013	30-99	351288	14408/2013
25-04	351383	14461/2013	31-00	351212	14241/2013
25-04	351503	14694/2013			
26-02	351557	14753/2013			
26-02	351558	14754/2013			

- (21) Design Number: **10493/2013**
(22) Date of Filing Application: **30 January 2013**
(24) Date from which industrial property rights may have effect: **30 January 2013**
(54) Product in respect of which the design is registered: **Article of clothing**
(51) International Design Classification: **02-02NES**
(74) Name(s) of Attorney(s): **Allens Patent & Trade Mark Attorneys**
(71) Name(s) and Address(s) of Applicant(s):
Forever New Clothing Pty Ltd
714-716 High St Kew East VIC 3102 Australia
(72) Name(s) of Designer(s): **Alice Burrow**
(45) Registration Date: **15 October 2013**
(56) Related Art Documents: **Not Applicable**
(57) Statement of Newness and Distinctiveness: **Newness and distinctiveness resides in the visual features of shape, configuration, pattern and/or ornamentation of an article of clothing as shown in the accompanying representations.**



- (21) Design Number: **10494/2013**
(22) Date of Filing Application: **30 January 2013**
(24) Date from which industrial property rights may have effect: **30 January 2013**
(54) Product in respect of which the design is registered: **Carry bag**
(51) International Design Classification: **03-01B**
(74) Name(s) of Attorney(s): **Allens Patent & Trade Mark Attorneys**
(71) Name(s) and Address(s) of Applicant(s):
Forever New Clothing Pty Ltd
714-716 High St Kew East VIC 3102 Australia
(72) Name(s) of Designer(s): **Georgia Roberts-Thompson**
(45) Registration Date: **15 October 2013**
(56) Related Art Documents: **Not Applicable**
(57) Statement of Newness and Distinctiveness: **Newness and distinctiveness resides in the visual features of shape, configuration, pattern and/or ornamentation of a carry bag as shown in the accompanying representations.**



(21) Design Number: **13125/2013**

(22) Date of Filing Application: **28 June 2013**

(24) Date from which industrial property rights may have effect: **28 June 2013**

(54) Product in respect of which the design is registered: **Display screen for an electronic device**

(51) International Design Classification: **14-01**

(74) Name(s) of Attorney(s): **Wrays**

(71) Name(s) and Address(s) of Applicant(s):

Samsung Electronics Co., Ltd
129 Samsung-ro Yeongtong-gu Suwon-si Gyeonggi-do 443-742 Republic of Korea

(72) Name(s) of Designer(s): **Joo-Sun Moon and Pill-Kyoung Moon**

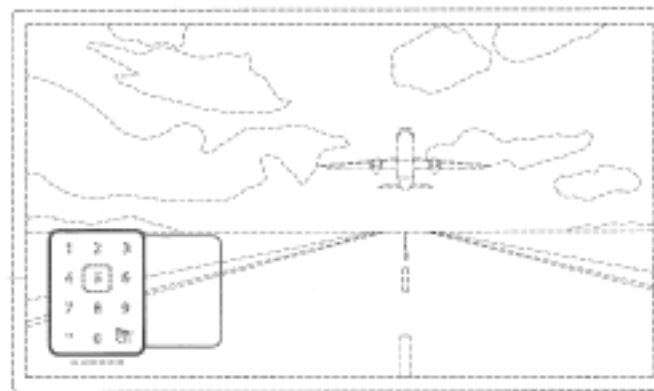
(45) Registration Date: **15 October 2013**

(30) Convention priority data:

(31) Number	(32) Date	(33) Country
30-2013-0000767	05 Jan 2013	REPUBLIC OF KOREA

(56) Related Art Documents: **Not Applicable**

(57) Statement of Newness and Distinctiveness: **Newness and distinctiveness is claimed in the features of pattern and/or ornamentation of the Display Screen For An Electronic Device as shown in the accompanying representation. The features shown in broken lines are for illustrative purposes only and do not form part of the claimed design.**



(21) Design Number: **13128/2013**

(22) Date of Filing Application: **28 June 2013**

(24) Date from which industrial property rights may have effect: **28 June 2013**

(54) Product in respect of which the design is registered: **Display screen for an electronic device**

(51) International Design Classification: **14-01**

(74) Name(s) of Attorney(s): **Wrays**

(71) Name(s) and Address(s) of Applicant(s):

Samsung Electronics Co., Ltd
129 Samsung-ro Yeongtong-gu Suwon-si Gyeonggi-do 443-742 Republic of Korea

(72) Name(s) of Designer(s): **Joo-Sun Moon and Pill-Kyoung Moon**

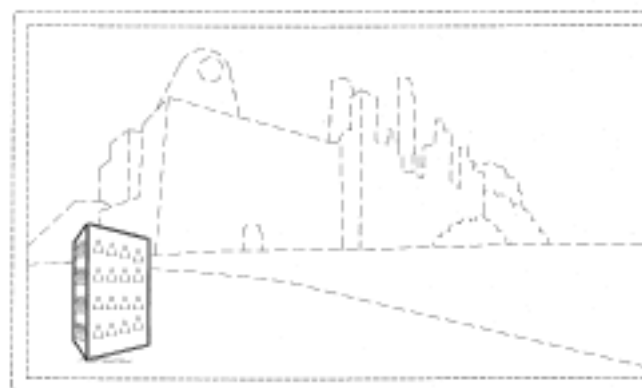
(45) Registration Date: **15 October 2013**

(30) Convention priority data:

(31) Number	(32) Date	(33) Country
30-2013-0000622	04 Jan 2013	REPUBLIC OF KOREA

(56) Related Art Documents: **Not Applicable**

(57) Statement of Newness and Distinctiveness: **Newness and distinctiveness is claimed in the features of pattern and/or ornamentation of the Display Screen For An Electronic Device as shown in the accompanying representation. The features shown in broken lines are for illustrative purposes only and do not form part of the claimed design.**



- (21) Design Number: **13137/2013**
(22) Date of Filing Application: **02 July 2013**
(24) Date from which industrial property rights may have effect: **12 April 2013**
(54) Product in respect of which the design is registered: **Pipe fitting**
(51) International Design Classification: **23-01A**
(74) Name(s) of Attorney(s): **Griffith Hack**
(71) Name(s) and Address(s) of Applicant(s):
Tyco Fire Products LP
1400 Pennbrook Parkway Lansdale PA 19446 United States of America
(72) Name(s) of Designer(s): **Anthony Gary Bednarz and Larry E. Hall and Donald Eugene Griggs III and Robert R. Smith**
(45) Registration Date: **15 October 2013**
(62) Divisional of: **349735**
(56) Related Art Documents: **Not Applicable**
(57) Statement of Newness and Distinctiveness: **Newness and distinctiveness resides in the visual features, including shape, configuration and ornamentation of the PRODUCT as shown in the accompanying representations.**



- (21) Design Number: **13203/2013**
(22) Date of Filing Application: **04 July 2013**
(24) Date from which industrial property rights may have effect: **04 July 2013**
(54) Product in respect of which the design is registered: **Portable electronic device for providing traffic and travel information**
(51) International Design Classification: **14-03NES**
(74) Name(s) of Attorney(s): **SPRUSON & FERGUSON**
(71) Name(s) and Address(s) of Applicant(s):
TomTom International B.V.
Rembrandtplein 35, Amsterdam 1017CT The Netherlands
(72) Name(s) of Designer(s): **Samuel Mark Broadbent and Andrew John Roy Tattersfield and Nicholas Alexander Evans**
(45) Registration Date: **15 October 2013**
(30) Convention priority data:
(31) Number (32) Date (33) Country
002161950-0001 04 Jan 2013 OFFICE FOR HARMONISATION IN THE INTERNAL MARKET (OHIM)
(56) Related Art Documents: **Not Applicable**
(57) Statement of Newness and Distinctiveness: **Newness and distinctiveness is claimed in the features of shape and/or configuration of a device as illustrated in the accompanying representations.**



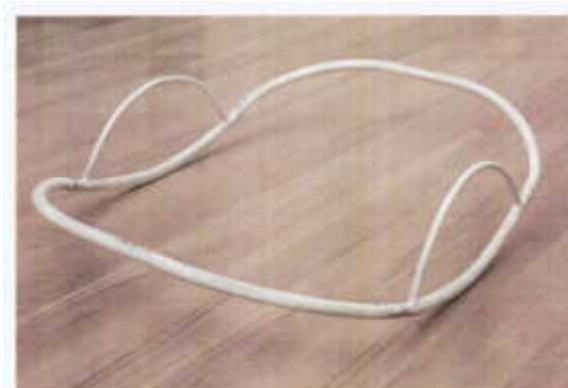
- (21) Design Number: **13205/2013**
(22) Date of Filing Application: **04 July 2013**
(24) Date from which industrial property rights may have effect: **04 July 2013**
(54) Product in respect of which the design is registered: **Mount for a portable electronic device**
(51) International Design Classification: **12-16K, 14-03NES**
(74) Name(s) of Attorney(s): **SPRUSON & FERGUSON**
(71) Name(s) and Address(s) of Applicant(s):
TomTom International B.V.
Rembrandtplein 35, Amsterdam 1017CT The Netherlands
(72) Name(s) of Designer(s): **Samuel Mark Broadbent and Mark Lee Dempsey and Andrew John Roy Tattersfield and Nicholas Alexander Evans**
(45) Registration Date: **15 October 2013**
(30) Convention priority data:
(31) Number (32) Date (33) Country
002161950-0002 04 Jan 2013 OFFICE FOR HARMONISATION IN THE INTERNAL MARKET (OHIM)
(56) Related Art Documents: **Not Applicable**
(57) Statement of Newness and Distinctiveness: **Newness and distinctiveness is claimed in the features of shape and/or configuration of a mount as illustrated in continuous lines in the accompanying representations.**



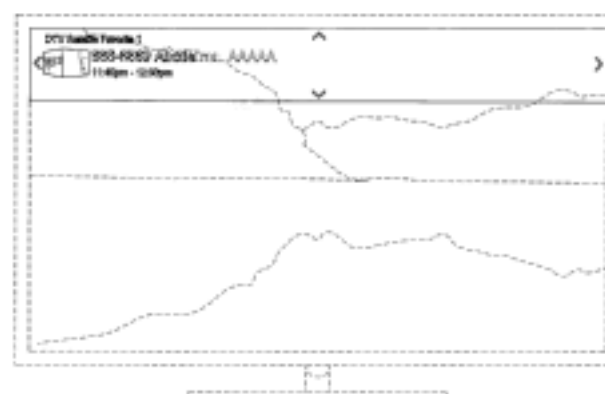
- (21) Design Number: **13207/2013**
(22) Date of Filing Application: **04 July 2013**
(24) Date from which industrial property rights may have effect: **04 July 2013**
(54) Product in respect of which the design is registered: **Label**
(51) International Design Classification: **19-08**
(74) Name(s) of Attorney(s): **Franke Hyland**
(71) Name(s) and Address(s) of Applicant(s):
Goodman Fielder Limited
T2 39 Delhi Rd North Ryde NSW 2113 Australia
(72) Name(s) of Designer(s): **Christopher Reay**
(45) Registration Date: **15 October 2013**
(56) Related Art Documents: **Not Applicable**
(57) Statement of Newness and Distinctiveness: **Newness and distinctiveness is claimed in relation to the arrangement of graphic elements on a label for application to a bottle as per the representations, which includes a representation of a foodstuff. In assessing newness and distinctiveness, no account should be taken of the bottle shape indicated in the representations, nor of the specific foodstuff indicated and other foodstuff representations of similar size may be substituted.**



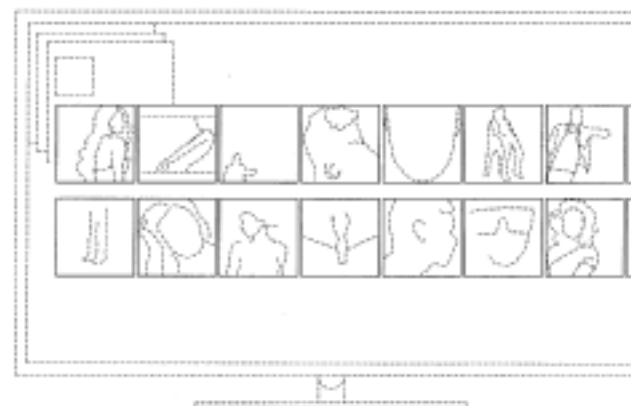
- (21) Design Number: **13235/2013**
(22) Date of Filing Application: **05 July 2013**
(24) Date from which industrial property rights may have effect: **05 July 2013**
(54) Product in respect of which the design is registered: **Baby rocker for baby beanbag**
(51) International Design Classification: **06-01E**
(74) Name(s) of Attorney(s):
(71) Name(s) and Address(s) of Applicant(s):
Brands United Group Pty. Ltd.
14/29-39 Kirkham Rd W Keysborough VIC 3173 Australia
(72) Name(s) of Designer(s): **Dennis Duplaix and Paulitta Zito**
(45) Registration Date: **15 October 2013**
(56) Related Art Documents: **Not Applicable**
(57) Statement of Newness and Distinctiveness: **This is a 4 piece (un-assembled) rocker design, which assembles to be a baby beanbag rocker. We originally made the rocker frame in 2 pieces to assemble, but this was too large to pack and cost too much to send to buyers, so after many attempts, we have finally been able to redesign it to be made in 4 pieces to make it fit into smaller packaging, making it less expensive to post to buyers. A mat to support the beanbag is included with the rocker.**



- (21) Design Number: **13271/2013**
(22) Date of Filing Application: **04 July 2013**
(24) Date from which industrial property rights may have effect: **04 July 2013**
(54) Product in respect of which the design is registered: **Display screen with graphical user interface**
(51) International Design Classification: **14-02, 14-01**
(74) Name(s) of Attorney(s): **IP Gateway Patent & Trademark Attorneys Pty Ltd**
(71) Name(s) and Address(s) of Applicant(s):
Samsung Electronics Co., Ltd.
129 Samsung-ro Yeongtong-gu Suwon-si Gyeonggi-do 443-742 Republic of Korea
(72) Name(s) of Designer(s): **Danny Hwang and Yong-Hwan Kwon and Jieun Kim and Jihong Kim and Hyeryung Kim and Jangwon Seo and Seran Jeon**
(45) Registration Date: **15 October 2013**
(30) Convention priority data:
(31) Number (32) Date (33) Country
30-2013-0000681 04 Jan 2013 REPUBLIC OF KOREA
(56) Related Art Documents: **Not Applicable**
(57) Statement of Newness and Distinctiveness: **Newness and distinctiveness of the design resides in the visual pattern and/or ornamentation as shown in solid lines in the accompanying representations.**



- (21) Design Number: **13273/2013**
(22) Date of Filing Application: **04 July 2013**
(24) Date from which industrial property rights may have effect: **04 July 2013**
(54) Product in respect of which the design is registered: **Display screen with graphical user interface**
(51) International Design Classification: **14-02, 14-01**
(74) Name(s) of Attorney(s): **IP Gateway Patent & Trademark Attorneys Pty Ltd**
(71) Name(s) and Address(s) of Applicant(s):
Samsung Electronics Co., Ltd.
129 Samsung-ro Yeongtong-gu Suwon-si Gyeonggi-do 443-742 Republic of Korea
(72) Name(s) of Designer(s): **Danny Hwang and Yong-Hwan Kwon and Jieun Kim and Jihong Kim and Hyeryung Kim and Jangwon Seo and Seran Jeon**
(45) Registration Date: **15 October 2013**
(30) Convention priority data:
(31) Number (32) Date (33) Country
30-2013-0000677 04 Jan 2013 REPUBLIC OF KOREA
(56) Related Art Documents: **Not Applicable**
(57) Statement of Newness and Distinctiveness: **Newness and distinctiveness of the design reside in the visual features of pattern and/or ornamentation as shown in solid lines in the accompanying representations.**



- (21) Design Number: **13275/2013**
(22) Date of Filing Application: **04 July 2013**
(24) Date from which industrial property rights may have effect: **04 July 2013**
(54) Product in respect of which the design is registered: **Display screen with graphical user interface**
(51) International Design Classification: **14-02, 14-01**
(74) Name(s) of Attorney(s): **IP Gateway Patent & Trademark Attorneys Pty Ltd**
(71) Name(s) and Address(s) of Applicant(s):
Samsung Electronics Co., Ltd.
129 Samsung-ro Yeongtong-gu Suwon-si Gyeonggi-do 443-742 Republic of Korea
(72) Name(s) of Designer(s): **Woo-Seok Hwang and Hee-Jeong Bae and YongHwan Kwon and Myungkwan Choi and Yoojin Choi and Jangwon Seo**
(45) Registration Date: **15 October 2013**
(30) Convention priority data:
(31) Number (32) Date (33) Country
30-2013-0000699 04 Jan 2013 REPUBLIC OF KOREA
(56) Related Art Documents: **Not Applicable**
(57) Statement of Newness and Distinctiveness: **Newness and distinctiveness of the design reside in the visual features of pattern and/or ornamentation as shown in solid lines in the accompanying representation.**



(21) Design Number: **13592/2013**
(22) Date of Filing Application: **26 July 2013**
(24) Date from which industrial property rights may have effect: **26 July 2013**
(54) Product in respect of which the design is registered: **Container**
(51) International Design Classification: **09-03L**
(74) Name(s) of Attorney(s): **Davies Collison Cave**
(71) Name(s) and Address(s) of Applicant(s):
Crown Packaging Technology, Inc
11535 S. Central Avenue Alsip Illinois 60803-2599 United States of America
(72) Name(s) of Designer(s): **Tomas Hedley Maxwell-Wood**
(45) Registration Date: **15 October 2013**
(30) Convention priority data:
(31) Number (32) Date (33) Country
002177436-001 01 Feb 2013 OFFICE FOR HARMONISATION IN THE INTERNAL MARKET (OHIM)
(56) Related Art Documents: **Not Applicable**
(57) Statement of Newness and Distinctiveness: **Nil**



(21) Design Number: **13593/2013**
(22) Date of Filing Application: **26 July 2013**
(24) Date from which industrial property rights may have effect: **26 July 2013**
(54) Product in respect of which the design is registered: **Container**
(51) International Design Classification: **09-03L**
(74) Name(s) of Attorney(s): **Davies Collison Cave**
(71) Name(s) and Address(s) of Applicant(s):
Crown Packaging Technology, Inc
11535 S. Central Avenue Alsip Illinois 60803-2599 United States of America
(72) Name(s) of Designer(s): **Tomas Hedley Maxwell-Wood**
(45) Registration Date: **15 October 2013**
(30) Convention priority data:
(31) Number (32) Date (33) Country
002177436-001 01 Feb 2013 OFFICE FOR HARMONISATION IN THE INTERNAL MARKET (OHIM)
(56) Related Art Documents: **Not Applicable**
(57) Statement of Newness and Distinctiveness: **Nil**



(21) Design Number: **13594/2013**
(22) Date of Filing Application: **26 July 2013**
(24) Date from which industrial property rights may have effect: **26 July 2013**
(54) Product in respect of which the design is registered: **Container**
(51) International Design Classification: **09-03L**
(74) Name(s) of Attorney(s): **Davies Collison Cave**
(71) Name(s) and Address(s) of Applicant(s):
Crown Packaging Technology, Inc
11535 S. Central Avenue Alsip Illinois 60803-2599 United States of America
(72) Name(s) of Designer(s): **Tomas Hedley Maxwell-Wood**
(45) Registration Date: **15 October 2013**
(30) Convention priority data:
(31) Number (32) Date (33) Country
002177436-001 01 Feb 2013 OFFICE FOR HARMONISATION IN THE INTERNAL MARKET (OHIM)
(56) Related Art Documents: **Not Applicable**
(57) Statement of Newness and Distinctiveness: **Nil**



(21) Design Number: **13595/2013**
(22) Date of Filing Application: **26 July 2013**
(24) Date from which industrial property rights may have effect: **26 July 2013**
(54) Product in respect of which the design is registered: **Container**
(51) International Design Classification: **09-03L**
(74) Name(s) of Attorney(s): **Davies Collison Cave**
(71) Name(s) and Address(s) of Applicant(s):
Crown Packaging Technology, Inc
11535 S. Central Avenue Alsip Illinois 60803-2599 United States of America
(72) Name(s) of Designer(s): **Tomas Hedley Maxwell-Wood**
(45) Registration Date: **15 October 2013**
(30) Convention priority data:
(31) Number (32) Date (33) Country
002177436-001 01 Feb 2013 OFFICE FOR HARMONISATION IN THE INTERNAL MARKET (OHIM)
(56) Related Art Documents: **Not Applicable**
(57) Statement of Newness and Distinctiveness: **Nil**



(21) Design Number: **13597/2013**
(22) Date of Filing Application: **26 July 2013**
(24) Date from which industrial property rights may have effect: **26 July 2013**
(54) Product in respect of which the design is registered: **Watch dial**
(51) International Design Classification: **10-07**
(74) Name(s) of Attorney(s): **Davies Collison Cave**
(71) Name(s) and Address(s) of Applicant(s):

La Montre Hermes S.A.
Erlenstrasse 31A Brugg 2555 Switzerland

(72) Name(s) of Designer(s): **Philippe Delhotal**

(45) Registration Date: **15 October 2013**

(30) Convention priority data:

(31) Number	(32) Date	(33) Country
719159501	07 Feb 2013	SWITZERLAND

(56) Related Art Documents: **Not Applicable**

(57) Statement of Newness and Distinctiveness: **Nil**



(21) Design Number: **13604/2013**
(22) Date of Filing Application: **26 July 2013**
(24) Date from which industrial property rights may have effect: **26 July 2013**
(54) Product in respect of which the design is registered: **Handle**
(51) International Design Classification: **08-06**
(74) Name(s) of Attorney(s): **Davies Collison Cave**
(71) Name(s) and Address(s) of Applicant(s):

The Stanley Works Israel Ltd.
19 Ha'Melacha Street Rosh Ha'Ayin 48091 Israel

(72) Name(s) of Designer(s): **Yosi Sabbag and Nadin Daniel Horovitz and Omri Lifshitz**

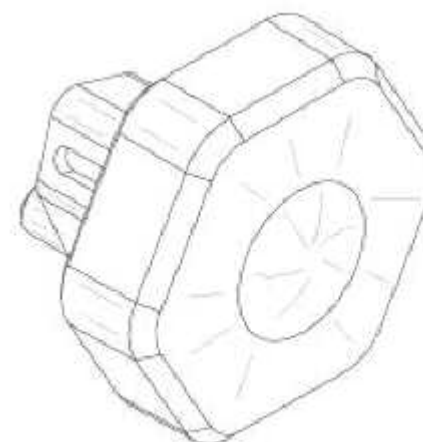
(45) Registration Date: **15 October 2013**

(30) Convention priority data:

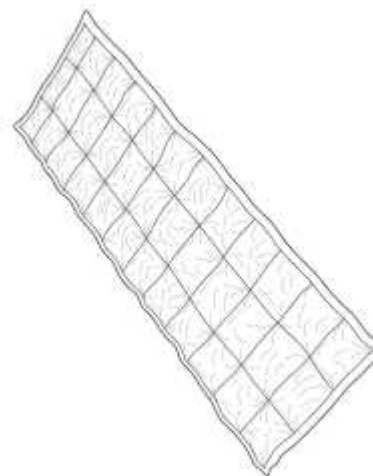
(31) Number	(32) Date	(33) Country
001360655	13 Feb 2013	OFFICE FOR HARMONISATION IN THE INTERNAL MARKET (OHIM)

(56) Related Art Documents: **Not Applicable**

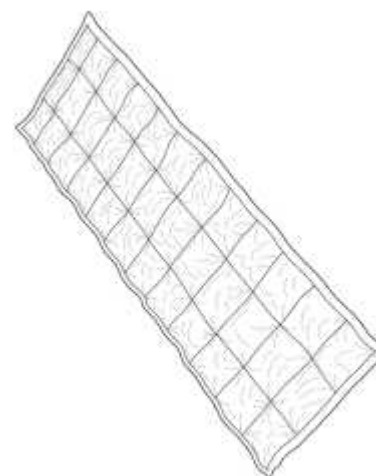
(57) Statement of Newness and Distinctiveness: **Nil**



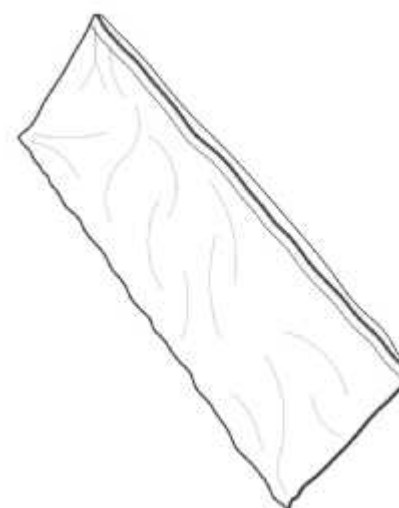
-
- (21) Design Number: **13624/2013**
(22) Date of Filing Application: **29 July 2013**
(24) Date from which industrial property rights may have effect: **29 July 2013**
(54) Product in respect of which the design is registered: **Insert for a weight bearing blanket sleeve**
(51) International Design Classification: **06-13B**
(74) Name(s) of Attorney(s): **Knightsbridge Patent Attorneys**
(71) Name(s) and Address(s) of Applicant(s):
Laser Computer Services Pty Ltd
20 Barbys Rd Creswick VIC 3363 Australia
(72) Name(s) of Designer(s): **Felise du Chateau**
(45) Registration Date: **15 October 2013**
(56) Related Art Documents: **Not Applicable**
(57) Statement of Newness and Distinctiveness: **The applicant claims that newness and distinctiveness reside in the features of shape and configuration of an insert for a weight bearing blanket sleeve as depicted in the accompanying representations.**



-
- (21) Design Number: **13627/2013**
(22) Date of Filing Application: **29 July 2013**
(24) Date from which industrial property rights may have effect: **29 July 2013**
(54) Product in respect of which the design is registered: **Insert for a weight bearing blanket sleeve**
(51) International Design Classification: **06-13B**
(74) Name(s) of Attorney(s): **Knightsbridge Patent Attorneys**
(71) Name(s) and Address(s) of Applicant(s):
Laser Computer Services Pty Ltd
20 Barbys Rd Creswick VIC 3363 Australia
(72) Name(s) of Designer(s): **Felise du Chateau**
(45) Registration Date: **15 October 2013**
(56) Related Art Documents: **Not Applicable**
(57) Statement of Newness and Distinctiveness: **The Applicant claims that newness and distinctiveness reside in the features of shape and configuration of an insert for a weight bearing blanket sleeve, as depicted in the accompanying representations.**



- (21) Design Number: **13628/2013**
(22) Date of Filing Application: **29 July 2013**
(24) Date from which industrial property rights may have effect: **29 July 2013**
(54) Product in respect of which the design is registered: **Sleeve for a weight-bearing blanket**
(51) International Design Classification: **06-13B**
(74) Name(s) of Attorney(s): **Knightsbridge Patent Attorneys**
(71) Name(s) and Address(s) of Applicant(s):
Laser Computer Services Pty Ltd
20 Barbys Rd Creswick VIC 3363 Australia
(72) Name(s) of Designer(s): **Felise du Chateau**
(45) Registration Date: **15 October 2013**
(56) Related Art Documents: **Not Applicable**
(57) Statement of Newness and Distinctiveness: **The Applicant claims that newness and distinctiveness reside in the features of shape and configuration of a sleeve for a weight-bearing blanket, as depicted in the accompanying representations.**



- (21) Design Number: **13631/2013**
(22) Date of Filing Application: **29 July 2013**
(24) Date from which industrial property rights may have effect: **29 July 2013**
(54) Product in respect of which the design is registered: **Sleeve for a weight-bearing blanket**
(51) International Design Classification: **06-13B**
(74) Name(s) of Attorney(s): **Knightsbridge Patent Attorneys**
(71) Name(s) and Address(s) of Applicant(s):
Laser Computer Services Pty Ltd
20 Barbys Rd Creswick VIC 3363 Australia
(72) Name(s) of Designer(s): **Felise du Chateau**
(45) Registration Date: **15 October 2013**
(56) Related Art Documents: **Not Applicable**
(57) Statement of Newness and Distinctiveness: **The Applicant claims that newness and distinctiveness reside in the features of shape and configuration of a sleeve for a weight-bearing blanket, as depicted in the accompanying representations.**



(21) Design Number: **13706/2013**

(22) Date of Filing Application: **02 August 2013**

(24) Date from which industrial property rights may have effect: **02 August 2013**

(54) Product in respect of which the design is registered: **Blower vacuum**

(51) International Design Classification: **08-05A, 15-05**

(74) Name(s) of Attorney(s): **Davies Collison Cave**

(71) Name(s) and Address(s) of Applicant(s):

Black & Decker Inc

1207 Drummond Plaza Newark Delaware 19711 United States of America

(72) Name(s) of Designer(s): **Tate Clare**

(45) Registration Date: **15 October 2013**

(30) Convention priority data:

(31) Number
001367957

(32) Date
17 Apr 2013

(33) Country
**OFFICE FOR HARMONISATION IN
THE INTERNAL MARKET (OHIM)**

(56) Related Art Documents: **Not Applicable**

(57) Statement of Newness and Distinctiveness: **Nil**



(21) Design Number: **13707/2013**

(22) Date of Filing Application: **02 August 2013**

(24) Date from which industrial property rights may have effect: **02 August 2013**

(54) Product in respect of which the design is registered: **Blower vacuum**

(51) International Design Classification: **08-05A, 15-05**

(74) Name(s) of Attorney(s): **Davies Collison Cave**

(71) Name(s) and Address(s) of Applicant(s):

Black & Decker Inc

1207 Drummond Plaza Newark Delaware 19711 United States of America

(72) Name(s) of Designer(s): **Tate Clare**

(45) Registration Date: **15 October 2013**

(30) Convention priority data:

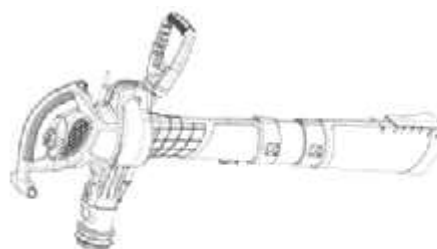
(31) Number
001367957

(32) Date
17 Apr 2013

(33) Country
**OFFICE FOR HARMONISATION IN
THE INTERNAL MARKET (OHIM)**

(56) Related Art Documents: **Not Applicable**

(57) Statement of Newness and Distinctiveness: **Nil**



(21) Design Number: **13708/2013**

(22) Date of Filing Application: **02 August 2013**

(24) Date from which industrial property rights may have effect: **02 August 2013**

(54) Product in respect of which the design is registered: **Blower vacuum**

(51) International Design Classification: **08-05A, 15-05**

(74) Name(s) of Attorney(s): **Davies Collison Cave**

(71) Name(s) and Address(s) of Applicant(s):

Black & Decker Inc

1207 Drummond Plaza Newark Delaware 19711 United States of America

(72) Name(s) of Designer(s): **Tate Clare**

(45) Registration Date: **15 October 2013**

(30) Convention priority data:

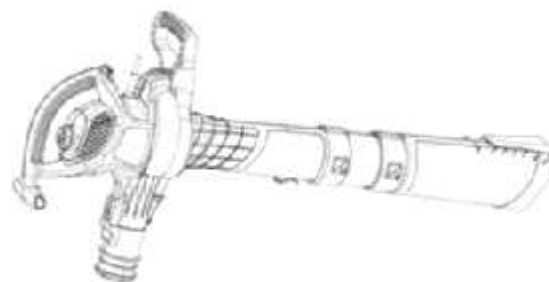
(31) Number
001367957

(32) Date
17 Apr 2013

(33) Country
**OFFICE FOR HARMONISATION IN
THE INTERNAL MARKET (OHIM)**

(56) Related Art Documents: **Not Applicable**

(57) Statement of Newness and Distinctiveness: **Nil**



(21) Design Number: **14425/2013**

(22) Date of Filing Application: **06 September 2013**

(24) Date from which industrial property rights may have effect: **06 September 2013**

(54) Product in respect of which the design is registered: **A dress**

(51) International Design Classification: **02-02C**

(74) Name(s) of Attorney(s): **Madderns**

(71) Name(s) and Address(s) of Applicant(s):

Australian Fashion Labels Pty Ltd

106 Currie St Adelaide SA 5000 Australia

(72) Name(s) of Designer(s): **Kathryn Forth and Siham Elmewey**

(45) Registration Date: **15 October 2013**

(56) Related Art Documents: **Not Applicable**

(57) Statement of Newness and Distinctiveness: **Newness and distinctiveness resides in the features of shape and configuration of a dress as shown in the accompanying representations.**



- (21) Design Number: **14426/2013**
(22) Date of Filing Application: **06 September 2013**
(24) Date from which industrial property rights may have effect: **06 September 2013**
(54) Product in respect of which the design is registered: **Shorts**
(51) International Design Classification: **02-02C**
(74) Name(s) of Attorney(s): **Madderns**
(71) Name(s) and Address(s) of Applicant(s):
Australian Fashion Labels Pty Ltd
106 Currie St Adelaide SA 5000 Australia
(72) Name(s) of Designer(s): **Kathryn Forth and Siham Elmewey**
(45) Registration Date: **15 October 2013**
(56) Related Art Documents: **Not Applicable**
(57) Statement of Newness and Distinctiveness: **Newness and distinctiveness resides in the features of shape and configuration of shorts as shown in the accompanying representations.**



- (21) Design Number: **14427/2013**
(22) Date of Filing Application: **06 September 2013**
(24) Date from which industrial property rights may have effect: **06 September 2013**
(54) Product in respect of which the design is registered: **Long sleeve playsuit**
(51) International Design Classification: **02-02C**
(74) Name(s) of Attorney(s): **Madderns**
(71) Name(s) and Address(s) of Applicant(s):
Australian Fashion Labels Pty Ltd
106 Currie St Adelaide SA 5000 Australia
(72) Name(s) of Designer(s): **Kate Anderson and Amy Hicks**
(45) Registration Date: **15 October 2013**
(56) Related Art Documents: **Not Applicable**
(57) Statement of Newness and Distinctiveness: **Newness and distinctiveness resides in the features of shape and configuration of a playsuit as shown in the accompanying representations.**



- (21) Design Number: **13288/2013**
(22) Date of Filing Application: **08 July 2013**
(24) Date from which industrial property rights may have effect: **08 July 2013**
(54) Product in respect of which the design is registered: **A reuseable insulated cup**
(51) International Design Classification: **07-01C**
(74) Name(s) of Attorney(s):
(71) Name(s) and Address(s) of Applicant(s):
THINKONE PTY LTD
299 Moray St South Melbourne VIC 3205 Australia
(72) Name(s) of Designer(s): **Benjamin James Young**
(45) Registration Date: **16 October 2013**
(56) Related Art Documents: **Not Applicable**
(57) Statement of Newness and Distinctiveness: **A ergonomically functional, uniformly cylindrical re-usable product comprising of three parts developed for ease of use and composed for aesthetic appreciation, functionally including, but not limited to retaining hot and cold liquid of a non-corrosive nature. Cylindrical in shape with 2 visible components in a composition of colour and texture between components within a fixed assembly. Functionally allowing for the retention and pouring of fluid.**



- (21) Design Number: **13289/2013**
(22) Date of Filing Application: **08 July 2013**
(24) Date from which industrial property rights may have effect: **08 July 2013**
(54) Product in respect of which the design is registered: **A reusable beverage container with a removable filter**
(51) International Design Classification: **23-01G, 07-01F**
(74) Name(s) of Attorney(s):
(71) Name(s) and Address(s) of Applicant(s):
THINKONE PTY LTD
299 Moray St South Melbourne VIC 3205 Australia
(72) Name(s) of Designer(s): **Benjamin James Young**
(45) Registration Date: **16 October 2013**
(56) Related Art Documents: **Not Applicable**
(57) Statement of Newness and Distinctiveness: **An ergonomically functional, uniformly cylindrical re-usable product comprising of 4 parts developed for ease of use and composed for aesthetic appreciation, functionally including, but not limited to retaining liquid of a non-corrosive nature. Functionally allowing for the retention and pouring of fluid. Visual cues include the appearance of a minimum 25% of the total surface of the filter cage protruding from the base of the lid, visible through the transparent body of the Bottle.**



(21) Design Number: **13734/2013**
(22) Date of Filing Application: **05 August 2013**
(24) Date from which industrial property rights may have effect: **05 August 2013**
(54) Product in respect of which the design is registered: **Container with snap-on lid**
(51) International Design Classification: **09-07B**
(74) Name(s) of Attorney(s): **Davies Collison Cave**
(71) Name(s) and Address(s) of Applicant(s):
Verstappen Verpakkingen B.V.
2 Broekveldweg NP Horst 5961 The Netherlands
(72) Name(s) of Designer(s): **Johannes Franciscus Verstappen**
(45) Registration Date: **16 October 2013**
(30) Convention priority data:
(31) Number (32) Date (33) Country
**DM/081221 26 Jun 2013 WORLD INTELLECTUAL
PROPERTY ORGANIZATION
(WIPO)**
(56) Related Art Documents: **Not Applicable**
(57) Statement of Newness and Distinctiveness: **Nil**



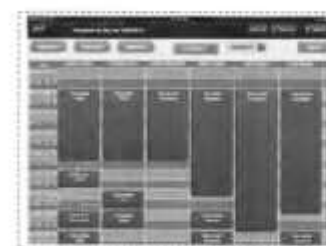
(21) Design Number: **13763/2013**
(22) Date of Filing Application: **07 August 2013**
(24) Date from which industrial property rights may have effect: **07 August 2013**
(54) Product in respect of which the design is registered: **iPad screen or computer screen**
(51) International Design Classification: **14-02**
(74) Name(s) of Attorney(s):
(71) Name(s) and Address(s) of Applicant(s):
Jobstream Pty Ltd
21 Broughton Ct Murrumbateman NSW 2582 Australia
(72) Name(s) of Designer(s): **Peter Laurent**
(45) Registration Date: **16 October 2013**
(56) Related Art Documents: **Not Applicable**
(57) Statement of Newness and Distinctiveness: **The newness and distinctiveness is claimed in the features of pattern and/or ornamentation of a display screen for an electronic device as shown in the accompanying representations. (the features shown in broken lines are for illustrative purposes only and do not form part of the claimed design.)**



- (21) Design Number: **13764/2013**
(22) Date of Filing Application: **07 August 2013**
(24) Date from which industrial property rights may have effect: **07 August 2013**
(54) Product in respect of which the design is registered: **iPad screen or computer screen**
(51) International Design Classification: **14-02**
(74) Name(s) of Attorney(s):
(71) Name(s) and Address(s) of Applicant(s):
Jobstream Pty Ltd
21 Broughton Ct Murrumbateman NSW 2582 Australia
(72) Name(s) of Designer(s): **Peter Laurent**
(45) Registration Date: **16 October 2013**
(56) Related Art Documents: **Not Applicable**
(57) Statement of Newness and Distinctiveness: **The newness and distinctiveness is claimed in the features of pattern and/or ornamentation of a display screen for an electronic device as shown in the accompanying representations. The information conveyed by alphabetical and/or numeric characters displayed can and may vary. (The features shown in broken lines are for illustrative purposes only and do not form part of the claimed design.)**



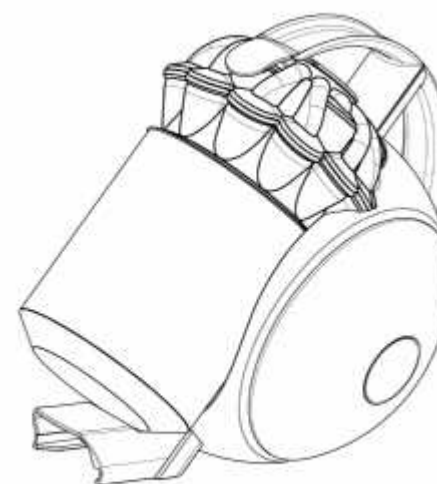
- (21) Design Number: **13765/2013**
(22) Date of Filing Application: **07 August 2013**
(24) Date from which industrial property rights may have effect: **07 August 2013**
(54) Product in respect of which the design is registered: **iPad screen or computer screen**
(51) International Design Classification: **14-02**
(74) Name(s) of Attorney(s):
(71) Name(s) and Address(s) of Applicant(s):
Jobstream Pty Ltd
21 Broughton Ct Murrumbateman NSW 2582 Australia
(72) Name(s) of Designer(s): **Peter Laurent**
(45) Registration Date: **16 October 2013**
(56) Related Art Documents: **Not Applicable**
(57) Statement of Newness and Distinctiveness: **The newness and distinctiveness is claimed in the features of pattern and/or ornamentation of a display screen for an electronic device as shown in the accompanying representations. The information conveyed by alphabetical and/or numeric characters and block colours displayed can and may vary. (The features shown in broken lines are for illustrative purposes only and do not form part of the claimed design.)**



(21) Design Number: **13766/2013**
(22) Date of Filing Application: **07 August 2013**
(24) Date from which industrial property rights may have effect: **07 August 2013**
(54) Product in respect of which the design is registered: **Locket**
(51) International Design Classification: **11-01NES**
(74) Name(s) of Attorney(s): **Fisher Adams Kelly Pty Ltd**
(71) Name(s) and Address(s) of Applicant(s):
Tyson H. Basha
2618 E Virgo PI Chandler AZ, 85249-5232 United States of America
(72) Name(s) of Designer(s): **Tyson H. Basha**
(45) Registration Date: **16 October 2013**
(30) Convention priority data:
(31) Number (32) Date (33) Country
29/445591 13 Feb 2013 UNITED STATES OF AMERICA
(56) Related Art Documents: **Not Applicable**
(57) Statement of Newness and Distinctiveness: **The newness and distinctiveness of the design resides in the shape and/or configuration of the LOCKET shown in the representations.**



(21) Design Number: **13865/2013**
(22) Date of Filing Application: **09 August 2013**
(24) Date from which industrial property rights may have effect: **09 August 2013**
(54) Product in respect of which the design is registered: **Vacuum cleaner**
(51) International Design Classification: **15-05**
(74) Name(s) of Attorney(s): **Shelston IP**
(71) Name(s) and Address(s) of Applicant(s):
Dyson Technology Limited
Tetbury Hill Malmesbury Wiltshire SN16 0RP United Kingdom
(72) Name(s) of Designer(s): **Stephen Robert Dimbylow and James Dyson and Peter David Gammack and David Christopher James Newton and James White**
(45) Registration Date: **16 October 2013**
(30) Convention priority data:
(31) Number (32) Date (33) Country
001361158-0001 18 Feb 2013 OFFICE FOR HARMONISATION IN THE INTERNAL MARKET (OHIM)
(56) Related Art Documents: **Not Applicable**
(57) Statement of Newness and Distinctiveness: **Newness and distinctiveness reside in the shape and/or configuration of the features, with the exception of the generally spherical assembly located at the rear, of a VACUUM CLEANER as illustrated in the accompanying representations.**



(21) Design Number: **13870/2013**
(22) Date of Filing Application: **09 August 2013**
(24) Date from which industrial property rights may have effect: **09 August 2013**
(54) Product in respect of which the design is registered: **Part of a vacuum cleaner**
(51) International Design Classification: **15-05**
(74) Name(s) of Attorney(s): **Shelston IP**
(71) Name(s) and Address(s) of Applicant(s):

Dyson Technology Limited
Tetbury Hill Malmesbury Wiltshire SN16 0RP United Kingdom

(72) Name(s) of Designer(s): **Stephen Robert Dimbylow and James Dyson and Peter David Gammack and David Christopher James Newton and James White**

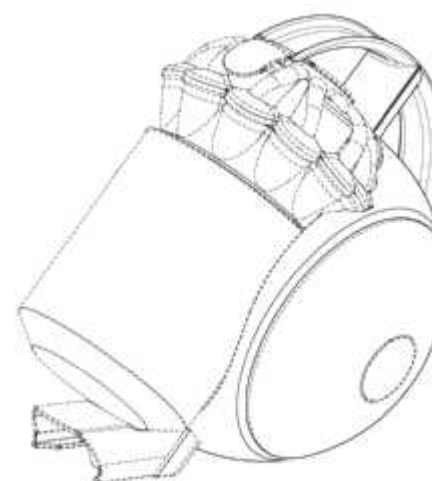
(45) Registration Date: **16 October 2013**

(30) Convention priority data:

(31) Number	(32) Date	(33) Country
001361158-0002	18 Feb 2013	OFFICE FOR HARMONISATION IN THE INTERNAL MARKET (OHIM)

(56) Related Art Documents: **Not Applicable**

(57) Statement of Newness and Distinctiveness: **Newness and distinctiveness reside in the features of shape and/or configuration of PART OF A VACUUM CLEANER as illustrated in solid lines in the accompanying representations. The features shown in broken lines are illustrative only and do not form part of the design.**



(21) Design Number: **13873/2013**
(22) Date of Filing Application: **09 August 2013**
(24) Date from which industrial property rights may have effect: **09 August 2013**
(54) Product in respect of which the design is registered: **Part of a vacuum cleaner**
(51) International Design Classification: **15-05**
(74) Name(s) of Attorney(s): **Shelston IP**
(71) Name(s) and Address(s) of Applicant(s):

Dyson Technology Limited
Tetbury Hill Malmesbury Wiltshire SN16 0RP United Kingdom

(72) Name(s) of Designer(s): **Giles Ashbee and Adam James Bates and James Dyson and Peter David Gammack**

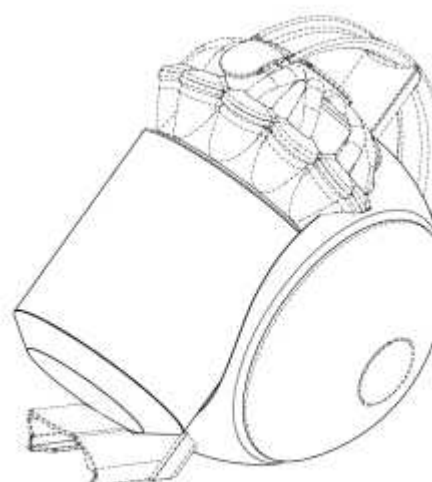
(45) Registration Date: **16 October 2013**

(30) Convention priority data:

(31) Number	(32) Date	(33) Country
001361158-0003	18 Feb 2013	OFFICE FOR HARMONISATION IN THE INTERNAL MARKET (OHIM)

(56) Related Art Documents: **Not Applicable**

(57) Statement of Newness and Distinctiveness: **Newness and distinctiveness reside in the features of shape and/or configuration of PART OF A VACUUM CLEANER as illustrated in solid lines in the accompanying representations. The features shown in broken lines are illustrative only and do not form part of the design.**



(21) Design Number: **13887/2013**

(22) Date of Filing Application: **12 August 2013**

(24) Date from which industrial property rights may have effect: **12 August 2013**

(54) Product in respect of which the design is registered: **Sterilization pouch**

(51) International Design Classification: **09-05**

(74) Name(s) of Attorney(s):

(71) Name(s) and Address(s) of Applicant(s):

**Trade Winds Global Pty Ltd
112/103 Beach St Port Melbourne VIC 3207 Australia**

(72) Name(s) of Designer(s): **Christos Arabatzis**

(45) Registration Date: **16 October 2013**

(56) Related Art Documents: **Not Applicable**

(57) Statement of Newness and Distinctiveness: **The Kangaroo and Koala changing colour and design on the Sterilization Pouches is unique. The Koala design change its colour from pink to yellow when Sterile EO is applied to the pouches. The Kangaroo design change is colour from blue to black when steam is applied to the pouches. These changing colours and the design of the Kangaroo and Koala is unique to the Sterilization Pouches that we saw on the local and international market. This idea makes the product truly Australian.**



(21) Design Number: **13894/2013**

(22) Date of Filing Application: **12 August 2013**

(24) Date from which industrial property rights may have effect: **12 August 2013**

(54) Product in respect of which the design is registered: **Combined card mega phone, fan & advertising banner**

(51) International Design Classification: **20-03NES, 21-03**

(74) Name(s) of Attorney(s):

(71) Name(s) and Address(s) of Applicant(s):

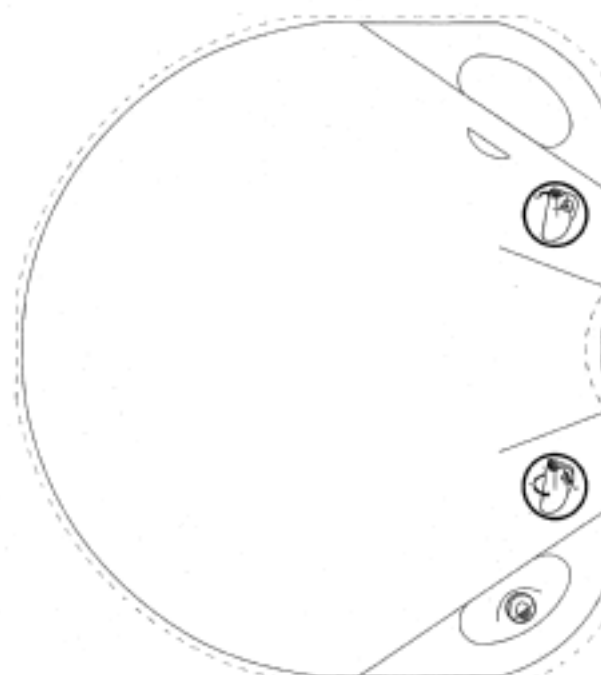
**Lawson David
PO BOX 897 Morphett Vale SA 5162 Australia**

(72) Name(s) of Designer(s): **Jerome Faure**

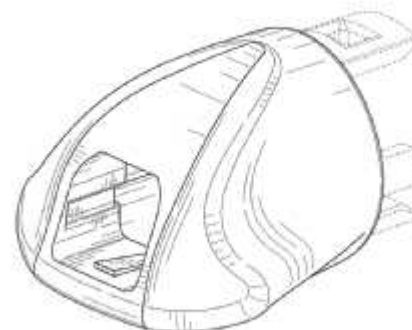
(45) Registration Date: **16 October 2013**

(56) Related Art Documents: **Not Applicable**

(57) Statement of Newness and Distinctiveness: **Unique multipurpose paper or card combined megaphone, fan and advertising banner. Unique shape & method of folding with surface having a printed advertising messages. It can be used to project and increase the sound from a person holding it to their mouth. It can be used as a flat piece of card as a fan for personal cooling and as a banner to display advertising messages that can be printed on both sides of the card. Referred to as a Fanspeaker.**



(21) Design Number: **14118/2013**
(22) Date of Filing Application: **21 August 2013**
(24) Date from which industrial property rights may have effect: **21 August 2013**
(54) Product in respect of which the design is registered: **Contoured tip for a surgical instrument**
(51) International Design Classification: **24-02**
(74) Name(s) of Attorney(s): **Callinans**
(71) Name(s) and Address(s) of Applicant(s):
Ethicon, Inc.
US Route 22 Somerville New Jersey 08876 United States of America
(72) Name(s) of Designer(s): **Michael Cardinale and Doug Souls and Simon Cohn and Jonathan B. Gabel and Matthew D. Daniels and Danial Paul Ferreira**
(45) Registration Date: **16 October 2013**
(30) Convention priority data:
(31) Number (32) Date (33) Country
29/447,579 05 Mar 2013 UNITED STATES OF AMERICA
(56) Related Art Documents: **Not Applicable**
(57) Statement of Newness and Distinctiveness: **Newness and distinctiveness are provided by the shape and/or configuration of the design shown in the representations. The features shown in broken lines in the representations are for illustrative purposes only and should not be considered when construing visual features of the design.**



(21) Design Number: **14119/2013**
(22) Date of Filing Application: **21 August 2013**
(24) Date from which industrial property rights may have effect: **21 August 2013**
(54) Product in respect of which the design is registered: **Applicator instrument for a surgical device**
(51) International Design Classification: **24-02**
(74) Name(s) of Attorney(s): **Callinans**
(71) Name(s) and Address(s) of Applicant(s):
Ethicon, Inc.
US Route 22 Somerville New Jersey 08876 United States of America
(72) Name(s) of Designer(s): **Michael Cardinale and Doug Souls and Simon Cohn and Jonathan B. Gabel and Matthew D. Daniel and Danial Paul Ferreira**
(45) Registration Date: **16 October 2013**
(30) Convention priority data:
(31) Number (32) Date (33) Country
29/447,570 05 Mar 2013 UNITED STATES OF AMERICA
(56) Related Art Documents: **Not Applicable**
(57) Statement of Newness and Distinctiveness: **Nil**



- (21) Design Number: **14154/2013**
(22) Date of Filing Application: **22 August 2013**
(24) Date from which industrial property rights may have effect: **22 August 2013**
(54) Product in respect of which the design is registered: **Pole spigot**
(51) International Design Classification: **08-08B**
(74) Name(s) of Attorney(s):
(71) Name(s) and Address(s) of Applicant(s):
Sunstra Engineering Pty Ltd
Factory 28 12 Edina Rd Ferntree Gully VIC 3156 Australia
(72) Name(s) of Designer(s): **Bo Sun**
(45) Registration Date: **16 October 2013**
(56) Related Art Documents: **Not Applicable**
(57) Statement of Newness and Distinctiveness: **The plastic insert has a return lip at the top section of the insert. This design will hold the pole tube tight when it is inserted into the tube. The tube's end will be located inside the designed groove when assembled and makes the connection rigid. This design also increases the surface area of the top part of the insert.**



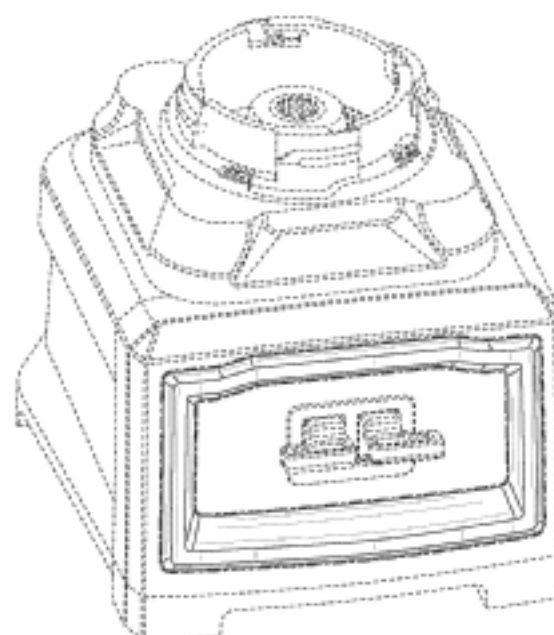
- (21) Design Number: **14194/2013**
(22) Date of Filing Application: **26 August 2013**
(24) Date from which industrial property rights may have effect: **26 August 2013**
(54) Product in respect of which the design is registered: **Bottle**
(51) International Design Classification: **09-01NES**
(74) Name(s) of Attorney(s): **SPRUSON & FERGUSON**
(71) Name(s) and Address(s) of Applicant(s):
PepsiCo, Inc.
700 Anderson Hill Road Purchase New York 10577 United States of America
(72) Name(s) of Designer(s): **Sean K. Horita and Scott D. King and Steve Martin and Jay L. Ostby and Karl Reisig and David R. Schlesinger and Stephen Gibson**
(45) Registration Date: **16 October 2013**
(30) Convention priority data:
(31) Number (32) Date (33) Country
29/446611 26 Feb 2013 UNITED STATES OF AMERICA
(56) Related Art Documents: **Not Applicable**
(57) Statement of Newness and Distinctiveness: **Newness and distinctiveness is claimed in those features of shape and/or configuration of a bottle as illustrated in continuous lines in the accompanying representations.**



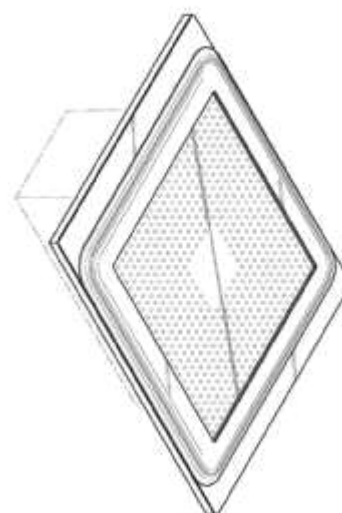
(21) Design Number: **14206/2013**
(22) Date of Filing Application: **26 August 2013**
(24) Date from which industrial property rights may have effect: **26 August 2013**
(54) Product in respect of which the design is registered: **A teat**
(51) International Design Classification: **07-01E**
(74) Name(s) of Attorney(s): **Wynnes Patent & Trade Mark Attorneys**
(71) Name(s) and Address(s) of Applicant(s):
Krystal Caton
Oakleigh Station Marlborough QLD 4705 Australia
(72) Name(s) of Designer(s): **Krystal Caton**
(45) Registration Date: **16 October 2013**
(56) Related Art Documents: **Not Applicable**
(57) Statement of Newness and Distinctiveness: **Newness and distinctiveness resides in the features of the shape and configuration of a teat as illustrated in the accompanying representations.**



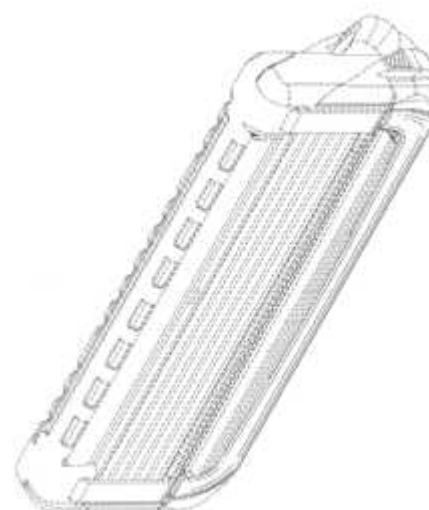
(21) Design Number: **14241/2013**
(22) Date of Filing Application: **27 August 2013**
(24) Date from which industrial property rights may have effect: **27 August 2013**
(54) Product in respect of which the design is registered: **A Blender Base Control Panel**
(51) International Design Classification: **31-00**
(74) Name(s) of Attorney(s): **PIZZEYS**
(71) Name(s) and Address(s) of Applicant(s):
Euro-Pro Operating LLC
180 Wells Avenue Suite 200 Newton Massachusetts 02459 United States of America
(72) Name(s) of Designer(s): **Devin Joseph Coakley and Mark Allen Nichols**
(45) Registration Date: **16 October 2013**
(30) Convention priority data:
(31) Number (32) Date (33) Country
29/447,091 28 Feb 2013 UNITED STATES OF AMERICA
(56) Related Art Documents: **Not Applicable**
(57) Statement of Newness and Distinctiveness: **Nil**



(21) Design Number: **14263/2013**
(22) Date of Filing Application: **28 August 2013**
(24) Date from which industrial property rights may have effect: **10 July 2013**
(54) Product in respect of which the design is registered: **Lighting**
(51) International Design Classification: **26-05C**
(74) Name(s) of Attorney(s): **PIZZEYS**
(71) Name(s) and Address(s) of Applicant(s):
LSI Industries, Inc.
10000 Alliance Rd Cincinnati OH 45242 United States of America
(72) Name(s) of Designer(s): **John D. Boyer and Daniel Hutchens and Eric Jon Mooar**
(45) Registration Date: **16 October 2013**
(62) Divisional of: **350759**
(56) Related Art Documents: **Not Applicable**
(57) Statement of Newness and Distinctiveness: **The newness and distinctiveness of the design resides in the features of pattern and/or ornamentation OR shape and/or configuration shown in unbroken lines in the accompanying representations.**



(21) Design Number: **14264/2013**
(22) Date of Filing Application: **28 August 2013**
(24) Date from which industrial property rights may have effect: **28 August 2013**
(54) Product in respect of which the design is registered: **Shaving razor cartridge**
(51) International Design Classification: **28-03A**
(74) Name(s) of Attorney(s): **PHILLIPS ORMONDE FITZPATRICK**
(71) Name(s) and Address(s) of Applicant(s):
The Gillette Company
One Gillette Park Boston Massachusetts 02127 United States of America
(72) Name(s) of Designer(s): **Matthew Corey Cataudella and Alison Fiona Stephens and Paul Leslie Warrick**
(45) Registration Date: **16 October 2013**
(30) Convention priority data:
(31) Number (32) Date (33) Country
29/446,936 28 Feb 2013 UNITED STATES OF AMERICA
(56) Related Art Documents: **Not Applicable**
(57) Statement of Newness and Distinctiveness: **Newness and distinctiveness resides in the shape and/or configuration of the shaving razor cartridge as shown in continuous lines in the accompanying representations. The features shown in broken line are not part of the design and are to be disregarded when considering the overall impression of the design.**



(21) Design Number: **14265/2013**
(22) Date of Filing Application: **28 August 2013**
(24) Date from which industrial property rights may have effect: **28 August 2013**
(54) Product in respect of which the design is registered: **Full alu sofa, one seater**
(51) International Design Classification: **06-01H, 06-01G**
(74) Name(s) of Attorney(s):
(71) Name(s) and Address(s) of Applicant(s):
Xuan Zhou
Tianhe District Guangzhou Unit 704 Xin Chuang Ju Building No.123
China
Guangzhou Gardenart Furniture Co. Ltd
Unit 704 Xin Chuangju Building No.123 Ti Yu Xi Road Tianhe District
Guangzhou 510620 China
(72) Name(s) of Designer(s): **Jianhui Cao**
(45) Registration Date: **16 October 2013**
(56) Related Art Documents: **Not Applicable**
(57) Statement of Newness and Distinctiveness: **Nil**



(21) Design Number: **14266/2013**
(22) Date of Filing Application: **28 August 2013**
(24) Date from which industrial property rights may have effect: **28 August 2013**
(54) Product in respect of which the design is registered: **Full alu sofa, two seater with one armrest**
(51) International Design Classification: **06-01H, 06-01G**
(74) Name(s) of Attorney(s):
(71) Name(s) and Address(s) of Applicant(s):
Xuan Zhou
Tianhe District Guangzhou Unit 704 Xin Chuang Ju Building No.123
China
Guangzhou Gardenart Furniture Co. Ltd
Unit 704 Xin Chuangju Building No.123 Ti Yu Xi Road Tianhe District
Guangzhou 510620 China
(72) Name(s) of Designer(s): **Jianhui Cao**
(45) Registration Date: **16 October 2013**
(56) Related Art Documents: **Not Applicable**
(57) Statement of Newness and Distinctiveness: **Nil**



(21) Design Number: **14267/2013**

(22) Date of Filing Application: **28 August 2013**

(24) Date from which industrial property rights may have effect: **28 August 2013**

(54) Product in respect of which the design is registered: **Alu' side table**

(51) International Design Classification: **06-03A**

(74) Name(s) of Attorney(s):

(71) Name(s) and Address(s) of Applicant(s):

Xuan Zhou

**Tianhe District Guangzhou Unit 704 Xin Chuang Ju Building No.123
China**

Guangzhou Gardenart Furniture Co. Ltd

**Unit 704 Xin Chuangju Building No.123 Ti Yu Xi Road Tianhe District
Guangzhou 510620 China**

(72) Name(s) of Designer(s): **Jianhui Cao**

(45) Registration Date: **16 October 2013**

(56) Related Art Documents: **Not Applicable**

(57) Statement of Newness and Distinctiveness: **Nil**



(21) Design Number: **14268/2013**

(22) Date of Filing Application: **28 August 2013**

(24) Date from which industrial property rights may have effect: **28 August 2013**

(54) Product in respect of which the design is registered: **Full alu' corner sofa**

(51) International Design Classification: **06-01H, 06-01G**

(74) Name(s) of Attorney(s):

(71) Name(s) and Address(s) of Applicant(s):

Xuan Zhou

**Tianhe District Guangzhou Unit 704 Xin Chuang Ju Building No.123
China**

Guangzhou Gardenart Furniture Co. Ltd

**Unit 704 Xin Chuangju Building No.123 Ti Yu Xi Road Tianhe District
Guangzhou 510620 China**

(72) Name(s) of Designer(s): **Jianhui Cao**

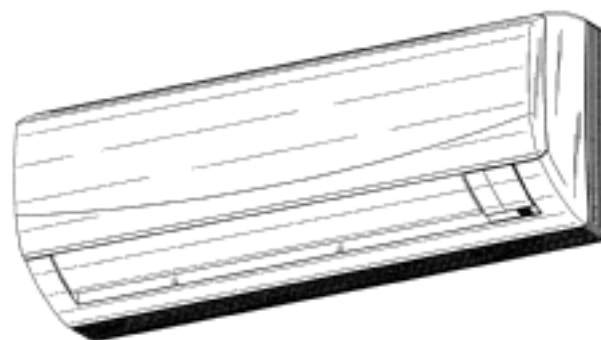
(45) Registration Date: **16 October 2013**

(56) Related Art Documents: **Not Applicable**

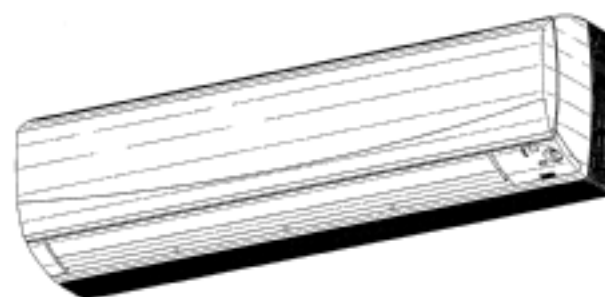
(57) Statement of Newness and Distinctiveness: **Nil**



- (21) Design Number: **14269/2013**
(22) Date of Filing Application: **26 August 2013**
(24) Date from which industrial property rights may have effect: **26 August 2013**
(54) Product in respect of which the design is registered: **Air conditioner**
(51) International Design Classification: **23-04**
(74) Name(s) of Attorney(s): **Freehills Patent Attorneys**
(71) Name(s) and Address(s) of Applicant(s):
Daikin Industries Ltd.
Umeda Center Building 4-12 Nakazaki-Nishi 2-chome Kita-Ku Osaka-shi
Osaka-fu Japan
(72) Name(s) of Designer(s): **Masahiko Chouji**
(45) Registration Date: **16 October 2013**
(56) Related Art Documents: **Not Applicable**
(57) Statement of Newness and Distinctiveness: **Newness and distinctiveness reside in the features of shape and configuration of the air conditioner as shown in the accompanying representations.**



- (21) Design Number: **14270/2013**
(22) Date of Filing Application: **26 August 2013**
(24) Date from which industrial property rights may have effect: **26 August 2013**
(54) Product in respect of which the design is registered: **Air conditioner**
(51) International Design Classification: **23-04**
(74) Name(s) of Attorney(s): **Freehills Patent Attorneys**
(71) Name(s) and Address(s) of Applicant(s):
Daikin Industries Ltd.
Umeda Center Building 4-12 Nakazaki-Nishi 2-chome Kita-Ku Osaka-shi
Osaka-fu Japan
(72) Name(s) of Designer(s): **Masahiko Chouji and Takanori Ikegaya**
(45) Registration Date: **16 October 2013**
(56) Related Art Documents: **Not Applicable**
(57) Statement of Newness and Distinctiveness: **Newness and distinctiveness reside in the features of shape and configuration of the air conditioner as shown in the accompanying representations.**



(21) Design Number: **14271/2013**

(22) Date of Filing Application: **26 August 2013**

(24) Date from which industrial property rights may have effect: **26 August 2013**

(54) Product in respect of which the design is registered: **Controller for air conditioner**

(51) International Design Classification: **14-03NES**

(74) Name(s) of Attorney(s): **Freehills Patent Attorneys**

(71) Name(s) and Address(s) of Applicant(s):

Daikin Industries Ltd.

**Umeda Center Building 4-12 Nakazaki-Nishi 2-chome Kita-Ku Osaka-shi
Osaka-fu Japan**

(72) Name(s) of Designer(s): **Hiroyasu Kosuge**

(45) Registration Date: **16 October 2013**

(56) Related Art Documents: **Not Applicable**

(57) Statement of Newness and Distinctiveness: **Newness and distinctiveness reside in the features of shape and configuration of the controller for an air conditioner as shown in the accompanying representations.**



(21) Design Number: **14272/2013**

(22) Date of Filing Application: **26 August 2013**

(24) Date from which industrial property rights may have effect: **26 August 2013**

(54) Product in respect of which the design is registered: **Air conditioner**

(51) International Design Classification: **23-04**

(74) Name(s) of Attorney(s): **Freehills Patent Attorneys**

(71) Name(s) and Address(s) of Applicant(s):

Daikin Industries Ltd.

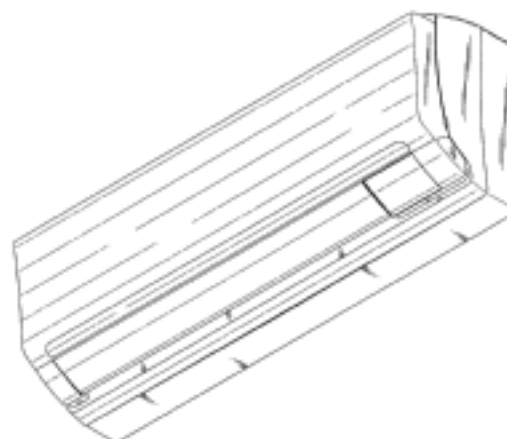
**Umeda Center Building 4-12 Nakazaki-Nishi 2-chome Kita-Ku Osaka-shi
Osaka-fu Japan**

(72) Name(s) of Designer(s): **Takanori Ikegaya**

(45) Registration Date: **16 October 2013**

(56) Related Art Documents: **Not Applicable**

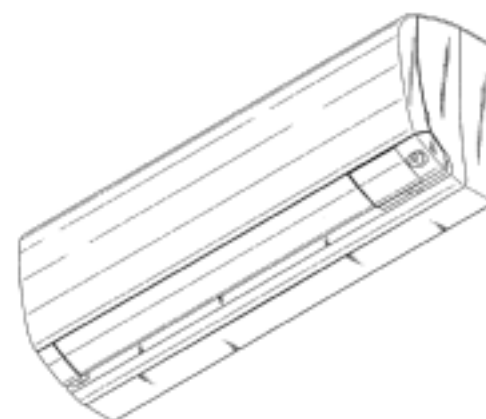
(57) Statement of Newness and Distinctiveness: **Newness and distinctiveness reside in the features of shape and configuration of the air conditioner as shown in the accompanying representations.**



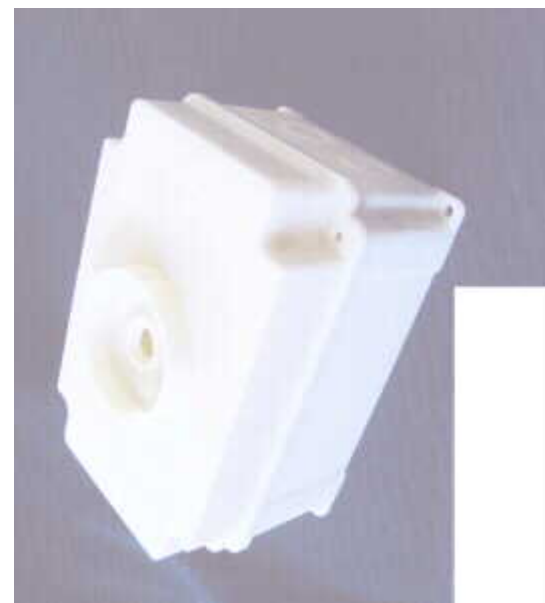
- (21) Design Number: **14273/2013**
(22) Date of Filing Application: **26 August 2013**
(24) Date from which industrial property rights may have effect: **26 August 2013**
(54) Product in respect of which the design is registered: **Air conditioner**
(51) International Design Classification: **23-04**
(74) Name(s) of Attorney(s): **Freehills Patent Attorneys**
(71) Name(s) and Address(s) of Applicant(s):
Daikin Industries Ltd.
Umeda Center Building 4-12 Nakazaki-Nishi 2-chome Kita-Ku Osaka-shi
Osaka-fu Japan
(72) Name(s) of Designer(s): **Masahiko Chouji and Takanori Ikegaya**
(45) Registration Date: **16 October 2013**
(56) Related Art Documents: **Not Applicable**
(57) Statement of Newness and Distinctiveness: **Newness and distinctiveness reside in the features of shape and configuration of the air conditioner as shown in the accompanying representations.**



- (21) Design Number: **14274/2013**
(22) Date of Filing Application: **26 August 2013**
(24) Date from which industrial property rights may have effect: **26 August 2013**
(54) Product in respect of which the design is registered: **Air conditioner**
(51) International Design Classification: **23-04**
(74) Name(s) of Attorney(s): **Freehills Patent Attorneys**
(71) Name(s) and Address(s) of Applicant(s):
Daikin Industries Ltd.
Umeda Center Building 4-12 Nakazaki-Nishi 2-chome Kita-Ku Osaka-shi
Osaka-fu Japan
(72) Name(s) of Designer(s): **Takanori Ikegaya**
(45) Registration Date: **16 October 2013**
(56) Related Art Documents: **Not Applicable**
(57) Statement of Newness and Distinctiveness: **Newness and distinctiveness reside in the features of shape and configuration of the air conditioner as shown in the accompanying representations.**



(21) Design Number: **11106/2013**
(22) Date of Filing Application: **06 March 2013**
(24) Date from which industrial property rights may have effect: **06 March 2013**
(54) Product in respect of which the design is registered: **Switch box**
(51) International Design Classification: **13-03D**
(74) Name(s) of Attorney(s): **John L Davies & Co**
(71) Name(s) and Address(s) of Applicant(s):
Gerard Suttie
13 Luntar Rd Oakleigh South VIC 3167 Australia
Jain Lal
U2/37 Rimfire Dr Hallam VIC 3803 Australia
(72) Name(s) of Designer(s): **Gerard Sutti and Jain Lal**
(45) Registration Date: **16 October 2013**
(56) Related Art Documents: **Not Applicable**
(57) Statement of Newness and Distinctiveness: **Nil**



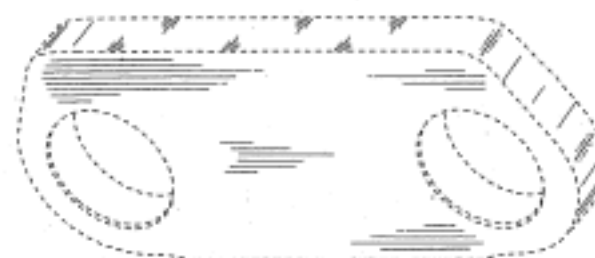
(21) Design Number: **12975/2013**
(22) Date of Filing Application: **26 June 2013**
(24) Date from which industrial property rights may have effect: **26 June 2013**
(54) Product in respect of which the design is registered: **Glove**
(51) International Design Classification: **02-06**
(74) Name(s) of Attorney(s): **Griffith Hack**
(71) Name(s) and Address(s) of Applicant(s):
Celia Kakoschke
58 Kendall St Spring Gully VIC 3550 Australia
(72) Name(s) of Designer(s): **Celia Kakoschke**
(45) Registration Date: **16 October 2013**
(56) Related Art Documents: **Not Applicable**
(57) Statement of Newness and Distinctiveness: **Newness and distinctiveness resides in the "hook and loop" wrist band and palm patches fitted to the glove as shown. The "in situ" features including the wearers hand and the padded beverage can as shown in the perspective views do not form part of the design.**



(21) Design Number: **12999/2013**
(22) Date of Filing Application: **27 June 2013**
(24) Date from which industrial property rights may have effect: **27 June 2013**
(54) Product in respect of which the design is registered: **Bottle**
(51) International Design Classification: **09-01NES**
(74) Name(s) of Attorney(s): **HODGKINSON McINNES PATENTS**
(71) Name(s) and Address(s) of Applicant(s):
Suntory Holdings Limited
1-40 Dojimahama 2-chome Kita-ku Osaka-shi Osaka 530-8203 Japan
(72) Name(s) of Designer(s): **Fabien Baron and Katsuyuki Fujimoto**
(45) Registration Date: **16 October 2013**
(30) Convention priority data:
(31) Number (32) Date (33) Country
29/440,882 28 Dec 2012 UNITED STATES OF AMERICA
(56) Related Art Documents: **Not Applicable**
(57) Statement of Newness and Distinctiveness: **Newness and distinctiveness is claimed in the shape and configuration of the bottle as shown in the representations**



(21) Design Number: **16527/2012**
(22) Date of Filing Application: **19 December 2012**
(24) Date from which industrial property rights may have effect: **19 December 2012**
(54) Product in respect of which the design is registered: **Undercarriage track link for mobile earthmoving machine**
(51) International Design Classification: **15-04**
(74) Name(s) of Attorney(s): **Freehills Patent Attorneys**
(71) Name(s) and Address(s) of Applicant(s):
Caterpillar Inc.
100 N.E. Adams Street Peoria Illinois 61629 United States of America
(72) Name(s) of Designer(s): **Robert L Meyer and Gregory Kaufmann and Mark Steven Diekevers and Timothy A. Thorson**
(45) Registration Date: **16 October 2013**
(30) Convention priority data:
(31) Number (32) Date (33) Country
29/426091 29 Jun 2012 UNITED STATES OF AMERICA
(56) Related Art Documents: **Not Applicable**
(57) Statement of Newness and Distinctiveness: **Newness and distinctiveness lies in the features of shape and configuration of the undercarriage track link for mobile earthmoving machine shown in solid lines in the accompanying representations.**



(21) Design Number: **11769/2013**
(22) Date of Filing Application: **15 April 2013**
(24) Date from which industrial property rights may have effect: **15 April 2013**
(54) Product in respect of which the design is registered: **Tool box**
(51) International Design Classification: **03-01D**
(74) Name(s) of Attorney(s): **Davies Collison Cave**
(71) Name(s) and Address(s) of Applicant(s):



The Stanley Works Israel Limited
19 Ha'Melacha Street Rosh Ha'Ayin 48091 Israel

(72) Name(s) of Designer(s): **Yosi Sabbag and Michael Menirom**
(45) Registration Date: **16 October 2013**

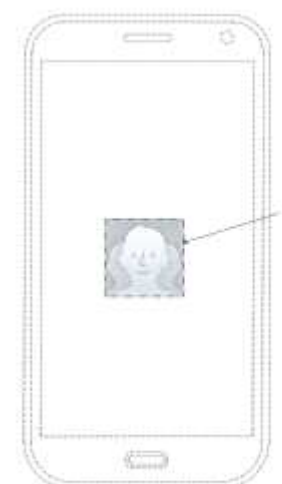
(30) Convention priority data:

(31) Number	(32) Date	(33) Country
001347454	17 Oct 2012	OFFICE FOR HARMONISATION IN THE INTERNAL MARKET (OHIM)

(56) Related Art Documents: **Not Applicable**

(57) Statement of Newness and Distinctiveness: **Nil**

(21) Design Number: **12179/2013**
(22) Date of Filing Application: **10 May 2013**
(24) Date from which industrial property rights may have effect: **10 May 2013**
(54) Product in respect of which the design is registered: **Display screen with icon
for an electronic device**
(51) International Design Classification: **14-01**
(74) Name(s) of Attorney(s): **Wrays**
(71) Name(s) and Address(s) of Applicant(s):



Samsung Electronics Co., Ltd
**129 Samsung-ro Yeongtong-gu Suwon-si Gyeonggi-do 443-742 Republic
of Korea**

(72) Name(s) of Designer(s): **Eun-Sil Lim**
(45) Registration Date: **16 October 2013**

(30) Convention priority data:

(31) Number	(32) Date	(33) Country
20-2013-0009505	23 Feb 2013	REPUBLIC OF KOREA

(56) Related Art Documents: **Not Applicable**

(57) Statement of Newness and Distinctiveness: **Newness and distinctiveness
is claimed in the features of pattern and/or ornamentation of the
Display Screen With Icon For An Electronic Device as shown in the
accompanying representations: namely, the overlapped human faces
icon depicted on Figure 1 and referenced by an A. The features depicted
by broken lines in Figure 1 are for illustrative purposes only and form no
part of the claimed design.**

(21) Design Number: **12289/2013**
(22) Date of Filing Application: **16 May 2013**
(24) Date from which industrial property rights may have effect: **16 May 2013**
(54) Product in respect of which the design is registered: **Car and toy-car**
(51) International Design Classification: **12-08, 21-01C**
(74) Name(s) of Attorney(s): **PHILLIPS ORMONDE FITZPATRICK**
(71) Name(s) and Address(s) of Applicant(s):

Ferrari S.p.A.
Via Emilia Est 1163 I-41100 Modena Italy

(72) Name(s) of Designer(s): **Andrea Baccino**

(45) Registration Date: **16 October 2013**

(30) Convention priority data:

(31) Number	(32) Date	(33) Country
002147413	04 Dec 2012	OFFICE FOR HARMONISATION IN THE INTERNAL MARKET (OHIM)

(56) Related Art Documents: **Not Applicable**

(57) Statement of Newness and Distinctiveness: **Those features of the car and toy-car depicted in the representations that are new and distinctive are the shape and/or configuration. The wheels and tyres of the car and toy-car may or may not form part of the design and are to be disregarded when considering the overall impression of the design.**



(21) Design Number: **12431/2013**
(22) Date of Filing Application: **27 May 2013**
(24) Date from which industrial property rights may have effect: **27 May 2013**
(54) Product in respect of which the design is registered: **Tyre**
(51) International Design Classification: **12-15NES**
(74) Name(s) of Attorney(s): **SPRUSON & FERGUSON**
(71) Name(s) and Address(s) of Applicant(s):

The Goodyear Tire & Rubber Company
1144 East Market Street Arkon OH 44316-0001 United States of America

(72) Name(s) of Designer(s): **Shawn Thomas Bell and Michael Jackson and Neill Rampton and Jeremy Edward Washburn**

(45) Registration Date: **16 October 2013**

(30) Convention priority data:

(31) Number	(32) Date	(33) Country
29/438725	03 Dec 2012	UNITED STATES OF AMERICA

(56) Related Art Documents: **Not Applicable**

(57) Statement of Newness and Distinctiveness: **Newness and distinctiveness is claimed in the features of shape and/or configuration of the tread of a tyre as illustrated in the accompanying representations, wherein the shape and/or configuration of the tread is repeated throughout the circumference of the tyre.**



- (21) Design Number: **12489/2013**
(22) Date of Filing Application: **30 May 2013**
(24) Date from which industrial property rights may have effect: **30 May 2013**
(54) Product in respect of which the design is registered: **Case with battery charger for electric toothbrush**
(51) International Design Classification: **03-01D, 04-02**
(74) Name(s) of Attorney(s): **FB Rice**
(71) Name(s) and Address(s) of Applicant(s):
Colgate-Palmolive Company
300 Park Avenue New York New York 10022 United States of America
Omron Healthcare Co., Ltd.
53 Kunotsubo Terado-cho Muko-shi Kyoto 617-0002 Japan
(72) Name(s) of Designer(s): **Takashi Shigeno and Kazuya Andachi and Tamaki Ito**
(45) Registration Date: **16 October 2013**
(30) Convention priority data:
(31) Number (32) Date (33) Country
2012-029431 30 Nov 2012 JAPAN
(56) Related Art Documents: **Not Applicable**
(57) Statement of Newness and Distinctiveness: **Newness and distinctiveness resides in the features of the design of the case having a translucent cover as shown in the representations.**



- (21) Design Number: **12490/2013**
(22) Date of Filing Application: **30 May 2013**
(24) Date from which industrial property rights may have effect: **30 May 2013**
(54) Product in respect of which the design is registered: **Container**
(51) International Design Classification: **03-01D, 04-02**
(74) Name(s) of Attorney(s): **FB Rice**
(71) Name(s) and Address(s) of Applicant(s):
Colgate-Palmolive Company
300 Park Avenue New York New York 10022 United States of America
Omron Healthcare Co., Ltd.
53 Kunotsubo Terado-cho Muko-shi Kyoto 617-0002 Japan
(72) Name(s) of Designer(s): **Takashi Shigeno and Kazuya Andachi and Tamaki Ito**
(45) Registration Date: **16 October 2013**
(30) Convention priority data:
(31) Number (32) Date (33) Country
2012-029432 30 Nov 2012 JAPAN
(56) Related Art Documents: **Not Applicable**
(57) Statement of Newness and Distinctiveness: **Newness and distinctiveness reside in the shape and configuration of the design as shown in the representations excluding those features shown in broken lines.**



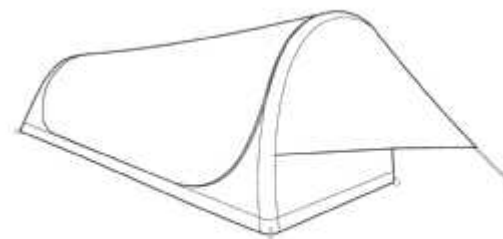
- (21) Design Number: **12491/2013**
(22) Date of Filing Application: **30 May 2013**
(24) Date from which industrial property rights may have effect: **30 May 2013**
(54) Product in respect of which the design is registered: **Electric toothbrush**
(51) International Design Classification: **04-02**
(74) Name(s) of Attorney(s): **FB Rice**
(71) Name(s) and Address(s) of Applicant(s):
Colgate-Palmolive Company
300 Park Avenue New York New York 10022 United States of America
Omron Healthcare Co., Ltd.
53 Kunotsubo Terado-cho Muko-shi Kyoto 617-0002 Japan
(72) Name(s) of Designer(s): **Takashi Shigeno and Kazuya Andachi and Tamaki Ito**
(45) Registration Date: **16 October 2013**
(30) Convention priority data:
(31) Number (32) Date (33) Country
2012-029430 30 Nov 2012 JAPAN
(56) Related Art Documents: **Not Applicable**
(57) Statement of Newness and Distinctiveness: **Newness and distinctiveness reside in the features of the shape and configuration of the design as shown in the representations.**



- (21) Design Number: **12492/2013**
(22) Date of Filing Application: **30 May 2013**
(24) Date from which industrial property rights may have effect: **30 May 2013**
(54) Product in respect of which the design is registered: **Electric toothbrush**
(51) International Design Classification: **04-02**
(74) Name(s) of Attorney(s): **FB Rice**
(71) Name(s) and Address(s) of Applicant(s):
Colgate-Palmolive Company
300 Park Avenue New York New York 10022 United States of America
Omron Healthcare Co., Ltd.
53 Kunotsubo Terado-cho Muko-shi Kyoto 617-0002 Japan
(72) Name(s) of Designer(s): **Takashi Shigeno and Kazuya Andachi and Tamaki Ito**
(45) Registration Date: **16 October 2013**
(30) Convention priority data:
(31) Number (32) Date (33) Country
2012-029430 30 Nov 2012 JAPAN
(56) Related Art Documents: **Not Applicable**
(57) Statement of Newness and Distinctiveness: **Newness and distinctiveness reside in the shape and configuration of the design as shown in the representations excluding those features shown in broken lines.**



- (21) Design Number: **12530/2013**
(22) Date of Filing Application: **31 May 2013**
(24) Date from which industrial property rights may have effect: **31 May 2013**
(54) Product in respect of which the design is registered: **A swag-style tent**
(51) International Design Classification: **21-04**
(74) Name(s) of Attorney(s): **AJ Park**
(71) Name(s) and Address(s) of Applicant(s):
Charles Parsons (Holdings) Pty Limited
L4 59 Goulburn St Sydney NSW 2000 Australia
(72) Name(s) of Designer(s): **Lee Alan Spouse and Salvatore Anthony Rizza**
(45) Registration Date: **16 October 2013**
(56) Related Art Documents: **Not Applicable**
(57) Statement of Newness and Distinctiveness: **Newness and distinctiveness reside in the features of shape and/or configuration of the swag-style tent as shown in the representations, the features shown in broken lines form no part of the claimed design.**



- (21) Design Number: **14276/2013**
(22) Date of Filing Application: **29 August 2013**
(24) Date from which industrial property rights may have effect: **29 August 2013**
(54) Product in respect of which the design is registered: **Electric motor**
(51) International Design Classification: **13-01**
(74) Name(s) of Attorney(s): **Griffith Hack**
(71) Name(s) and Address(s) of Applicant(s):
SEW-EURODRIVE GmbH & Co. KG
Ernst-Blickle-Strasse 42 Bruchsal 76646 Germany
(72) Name(s) of Designer(s): **Marc Stammberger and Herr Franz Daminger and Hans-Juergen Lannoch**
(45) Registration Date: **17 October 2013**
(30) Convention priority data:
(31) Number (32) Date (33) Country
40 2013001097.1 02 Mar 2013 GERMANY
(56) Related Art Documents: **Not Applicable**
(57) Statement of Newness and Distinctiveness: **Newness and distinctiveness resides in the visual features, including the shape and configuration of the product shown in the representations. The letters and symbols in Figure 4 have been included for illustrative purposes and do not form part of the design.**



- (21) Design Number: **14281/2013**
(22) Date of Filing Application: **29 August 2013**
(24) Date from which industrial property rights may have effect: **29 August 2013**
(54) Product in respect of which the design is registered: **Automated teller machine**
(51) International Design Classification: **20-01**
(74) Name(s) of Attorney(s): **AJ Park**
(71) Name(s) and Address(s) of Applicant(s):
Nautilus Hyosung Inc.
281 Gwangpyeong-ro Gangnam-gu Seoul Republic of Korea
(72) Name(s) of Designer(s): **Jae Min Cha and Jae Min Park and Chan Won Park and Hee Youn Lee**
(45) Registration Date: **17 October 2013**
(30) Convention priority data:
(31) Number (32) Date (33) Country
30-2013-0023649 03 May 2013 REPUBLIC OF KOREA
(56) Related Art Documents: **Not Applicable**
(57) Statement of Newness and Distinctiveness: **Newness and distinctiveness reside in the features of shape and/or configuration of the automated teller machine as shown in the representations.**



- (21) Design Number: **14283/2013**
(22) Date of Filing Application: **29 August 2013**
(24) Date from which industrial property rights may have effect: **29 August 2013**
(54) Product in respect of which the design is registered: **A hood and collar garment**
(51) International Design Classification: **02-02NES**
(74) Name(s) of Attorney(s): **PHILLIPS ORMONDE FITZPATRICK**
(71) Name(s) and Address(s) of Applicant(s):
Jessica Lee Nania
13 Adams Dr Plumpton VIC 3335 Australia
(72) Name(s) of Designer(s): **Jessica Lee Nania**
(45) Registration Date: **17 October 2013**
(56) Related Art Documents: **Not Applicable**
(57) Statement of Newness and Distinctiveness: **Those features of the hood and collar garment depicted in the representations that are new and distinctive are the shape and/or configuration. The specific colours and surface pattern shown on the hood and collar garment are not part of the design and are to be disregarded when considering the overall impression of the design.**



(21) Design Number: **14286/2013**
(22) Date of Filing Application: **29 August 2013**
(24) Date from which industrial property rights may have effect: **29 August 2013**
(54) Product in respect of which the design is registered: **Front combination lamp for automobile**
(51) International Design Classification: **26-06**
(74) Name(s) of Attorney(s): **SPRUSON & FERGUSON**
(71) Name(s) and Address(s) of Applicant(s):
Honda Motor Co., Ltd.
1-1 Minami-Aoyama 2-chome Minato-ku Tokyo 107-8556 Japan
(72) Name(s) of Designer(s): **Junichi Yamaguchi**
(45) Registration Date: **17 October 2013**
(30) Convention priority data:
(31) Number (32) Date (33) Country
2013-005225 08 Mar 2013 JAPAN
(56) Related Art Documents: **Not Applicable**
(57) Statement of Newness and Distinctiveness: **Newness and distinctiveness is claimed in the features of shape and/or configuration of a front combination lamp for automobile as illustrated in the accompanying representations.**



(21) Design Number: **14287/2013**
(22) Date of Filing Application: **29 August 2013**
(24) Date from which industrial property rights may have effect: **29 August 2013**
(54) Product in respect of which the design is registered: **Automobile**
(51) International Design Classification: **12-08**
(74) Name(s) of Attorney(s): **SPRUSON & FERGUSON**
(71) Name(s) and Address(s) of Applicant(s):
Honda Motor Co., Ltd.
1-1 Minami-Aoyama 2-chome Minato-ku Tokyo 107-8556 Japan
(72) Name(s) of Designer(s): **Toshinobu Minami and Daniel Talbert**
(45) Registration Date: **17 October 2013**
(30) Convention priority data:
(31) Number (32) Date (33) Country
2013-005223 08 Mar 2013 JAPAN
(56) Related Art Documents: **Not Applicable**
(57) Statement of Newness and Distinctiveness: **Newness and distinctiveness is claimed in the features of shape and/or configuration of an automobile as illustrated in the accompanying representations.**



(21) Design Number: **14288/2013**
(22) Date of Filing Application: **29 August 2013**
(24) Date from which industrial property rights may have effect: **29 August 2013**
(54) Product in respect of which the design is registered: **Rear combination lamp for automobile**
(51) International Design Classification: **26-06**
(74) Name(s) of Attorney(s): **SPRUSON & FERGUSON**
(71) Name(s) and Address(s) of Applicant(s):
Honda Motor Co., Ltd.
1-1 Minami-Aoyama 2-chome Minato-ku Tokyo 107-8556 Japan
(72) Name(s) of Designer(s): **Atsushi Murakawa**
(45) Registration Date: **17 October 2013**
(30) Convention priority data:
(31) Number (32) Date (33) Country
2013-005228 08 Mar 2013 JAPAN
(56) Related Art Documents: **Not Applicable**
(57) Statement of Newness and Distinctiveness: **Newness and distinctiveness is claimed in the features of shape and/or configuration of a rear combination lamp for automobile as illustrated in the accompanying representations.**



(21) Design Number: **14289/2013**
(22) Date of Filing Application: **29 August 2013**
(24) Date from which industrial property rights may have effect: **29 August 2013**
(54) Product in respect of which the design is registered: **Vacuum cleaner**
(51) International Design Classification: **15-05**
(74) Name(s) of Attorney(s): **Griffith Hack**
(71) Name(s) and Address(s) of Applicant(s):
Shop Vac Corporation
2323 Reach Road Williamsport PA 17701-0307 United States Of America
(72) Name(s) of Designer(s): **Craig A. Seasholtz and Melvin E. Wolfe Jr and Robert Lent Crevling Jr.**
(45) Registration Date: **17 October 2013**
(30) Convention priority data:
(31) Number (32) Date (33) Country
29/458,837 24 Jun 2013 UNITED STATES OF AMERICA
(56) Related Art Documents: **Not Applicable**
(57) Statement of Newness and Distinctiveness: **Newness and distinctiveness resides in the visual features, including shape and configuration, of those parts of a VACUUM CLEANER as shown in solid outline in the accompanying drawings. When determining whether the design is substantially similar in overall impression to another design, no regard is to be had to those features shown in dotted outline in the accompanying drawings, which features are provided for illustrative purposes only.**



- (21) Design Number: **14290/2013**
(22) Date of Filing Application: **29 August 2013**
(24) Date from which industrial property rights may have effect: **29 August 2013**
(54) Product in respect of which the design is registered: **Instrument panel for automobile**
(51) International Design Classification: **12-16NES**
(74) Name(s) of Attorney(s): **SPRUSON & FERGUSON**
(71) Name(s) and Address(s) of Applicant(s):
Honda Motor Co., Ltd.
1-1 Minami-Aoyama 2-chome Minato-ku Tokyo 107-8556 Japan
(72) Name(s) of Designer(s): **Fumihiro Yaguchi**
(45) Registration Date: **17 October 2013**
(30) Convention priority data:
(31) Number (32) Date (33) Country
2013-005235 08 Mar 2013 JAPAN
(56) Related Art Documents: **Not Applicable**
(57) Statement of Newness and Distinctiveness: **Newness and distinctiveness is claimed in the features of shape and/or configuration of an instrument panel for automobile as illustrated in the accompanying representations.**



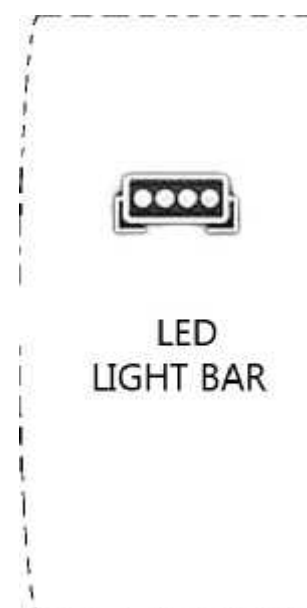
- (21) Design Number: **14291/2013**
(22) Date of Filing Application: **29 August 2013**
(24) Date from which industrial property rights may have effect: **29 August 2013**
(54) Product in respect of which the design is registered: **Front bumper for an automobile**
(51) International Design Classification: **12-16C**
(74) Name(s) of Attorney(s): **SPRUSON & FERGUSON**
(71) Name(s) and Address(s) of Applicant(s):
Honda Motor Co., Ltd.
1-1 Minami-Aoyama 2-chome Minato-ku Tokyo 107-8556 Japan
(72) Name(s) of Designer(s): **Atsushi Murakawa and Noriyuki Ishii**
(45) Registration Date: **17 October 2013**
(30) Convention priority data:
(31) Number (32) Date (33) Country
2013-005229 08 Mar 2013 JAPAN
(56) Related Art Documents: **Not Applicable**
(57) Statement of Newness and Distinctiveness: **Newness and distinctiveness is claimed in the features of shape and/or configuration of a front bumper for an automobile as illustrated in the accompanying representations.**



(21) Design Number: **14292/2013**
(22) Date of Filing Application: **29 August 2013**
(24) Date from which industrial property rights may have effect: **29 August 2013**
(54) Product in respect of which the design is registered: **Rear bumper for automobile**
(51) International Design Classification: **12-16C**
(74) Name(s) of Attorney(s): **SPRUSON & FERGUSON**
(71) Name(s) and Address(s) of Applicant(s):
Honda Motor Co., Ltd.
1-1 Minami-Aoyama 2-chome Minato-ku Tokyo 107-8556 Japan
(72) Name(s) of Designer(s): **Atsushi Murakawa**
(45) Registration Date: **17 October 2013**
(30) Convention priority data:
(31) Number (32) Date (33) Country
2013-005230 08 Mar 2013 JAPAN
(56) Related Art Documents: **Not Applicable**
(57) Statement of Newness and Distinctiveness: **Newness and distinctiveness is claimed in the features of shape and/or configuration of a rear bumper for automobile as illustrated in the accompanying representations.**



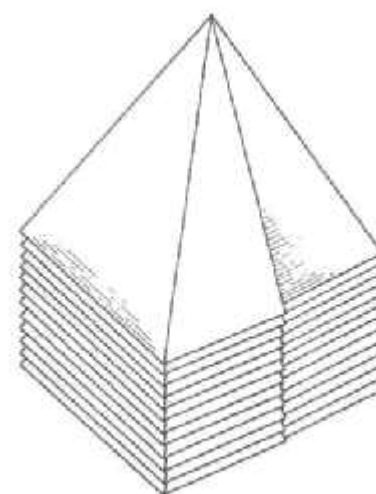
(21) Design Number: **14293/2013**
(22) Date of Filing Application: **29 August 2013**
(24) Date from which industrial property rights may have effect: **29 August 2013**
(54) Product in respect of which the design is registered: **Light switch**
(51) International Design Classification: **13-03NES, 13-03D**
(74) Name(s) of Attorney(s):
(71) Name(s) and Address(s) of Applicant(s):
Damien Mark Witts
6 McRae Mews Endeavour Hills VIC 3802 Australia
(72) Name(s) of Designer(s): **Damien Mark Witts**
(45) Registration Date: **17 October 2013**
(56) Related Art Documents: **Not Applicable**
(57) Statement of Newness and Distinctiveness: **Newness and distinctiveness is claimed in the features of ornamentation of a switch cover as shown in the representations.**



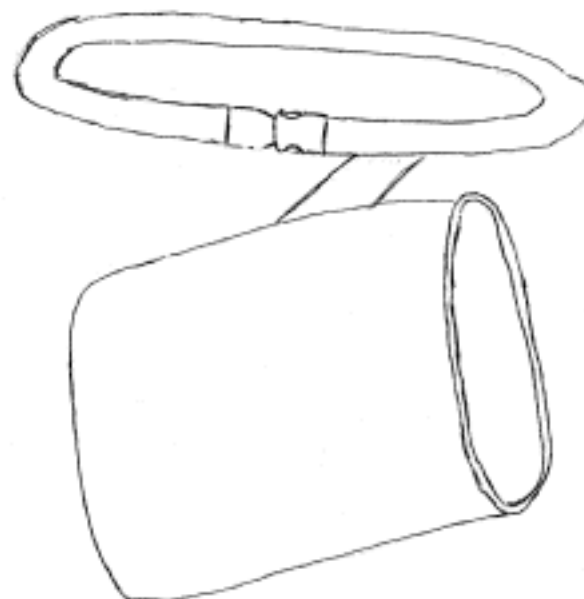
(21) Design Number: **14294/2013**
(22) Date of Filing Application: **29 August 2013**
(24) Date from which industrial property rights may have effect: **29 August 2013**
(54) Product in respect of which the design is registered: **Front grill for automobile**
(51) International Design Classification: **12-16B**
(74) Name(s) of Attorney(s): **SPRUSON & FERGUSON**
(71) Name(s) and Address(s) of Applicant(s):
Honda Motor Co., Ltd.
1-1 Minami-Aoyama 2-chome Minato-ku Tokyo 107-8556 Japan
(72) Name(s) of Designer(s): **Atsushi Murakawa**
(45) Registration Date: **17 October 2013**
(30) Convention priority data:
(31) Number (32) Date (33) Country
2013-005232 08 Mar 2013 JAPAN
(56) Related Art Documents: **Not Applicable**
(57) Statement of Newness and Distinctiveness: **Newness and distinctiveness is claimed in the features of shape and/or configuration of a front grill for automobile as illustrated in the accompanying representations.**



(21) Design Number: **14340/2013**
(22) Date of Filing Application: **02 September 2013**
(24) Date from which industrial property rights may have effect: **02 September 2013**
(54) Product in respect of which the design is registered: **Paper tissue**
(51) International Design Classification: **05-06NES**
(74) Name(s) of Attorney(s): **WATERMARK PATENT AND TRADE MARKS ATTORNEYS**
(71) Name(s) and Address(s) of Applicant(s):
Better All Round Limited
38 Blenheim Terrace St John's Wood London NW8 0EG United Kingdom
(72) Name(s) of Designer(s): **Oday Abbosh**
(45) Registration Date: **17 October 2013**
(30) Convention priority data:
(31) Number (32) Date (33) Country
001363675 01 Mar 2013 EUROPEAN PATENT OFFICE (EPO)
(56) Related Art Documents: **Not Applicable**
(57) Statement of Newness and Distinctiveness: **Nil**



- (21) Design Number: **14345/2013**
(22) Date of Filing Application: **02 September 2013**
(24) Date from which industrial property rights may have effect: **02 September 2013**
(54) Product in respect of which the design is registered: **Peg bag**
(51) International Design Classification: **03-01NES**
(74) Name(s) of Attorney(s):
(71) Name(s) and Address(s) of Applicant(s):
Ema Pisevski
23 Mountain Way Doreen VIC 3754 Australia
(72) Name(s) of Designer(s): **Ema Pisevski**
(45) Registration Date: **17 October 2013**
(56) Related Art Documents: **Not Applicable**
(57) Statement of Newness and Distinctiveness: **Bag sits on an angle, both left & right hand use.**



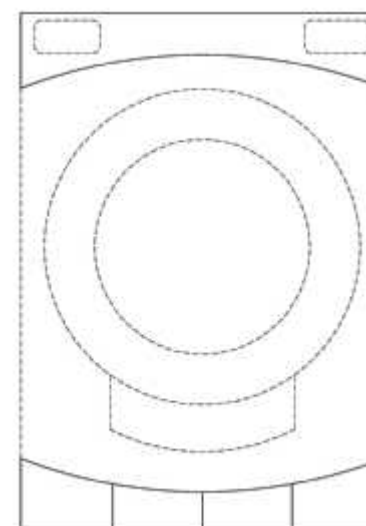
- (21) Design Number: **14358/2013**
(22) Date of Filing Application: **03 September 2013**
(24) Date from which industrial property rights may have effect: **03 September 2013**
(54) Product in respect of which the design is registered: **Coffee machine for household purposes**
(51) International Design Classification: **07-02L**
(74) Name(s) of Attorney(s): **Griffith Hack**
(71) Name(s) and Address(s) of Applicant(s):
Jura Elektroapparate AG
Kaffeeweltstrasse 10 Niederbuchsiten 4626 Switzerland
(72) Name(s) of Designer(s): **Lutz Gebhardt**
(45) Registration Date: **17 October 2013**
(56) Related Art Documents: **Not Applicable**
(57) Statement of Newness and Distinctiveness: **Newness and distinctiveness resides in the visual features, including the shape and configuration of the product shown in the representations.**



- (21) Design Number: **14403/2013**
(22) Date of Filing Application: **04 September 2013**
(24) Date from which industrial property rights may have effect: **18 July 2013**
(54) Product in respect of which the design is registered: **Display screen with graphical user interface**
(51) International Design Classification: **14-02, 14-01**
(74) Name(s) of Attorney(s): **PIZZEYS**
(71) Name(s) and Address(s) of Applicant(s):
Labstyle Innovation Ltd.
Gibor Sport Tower 7 Menahem Begin Street Ramat Gan 5268102 Israel
(72) Name(s) of Designer(s): **Shilo Ben-Zeev and Oren Feurst and Batami Romano and Andrey Ovrutsky and Golan Levi and Erez Raphael**
(45) Registration Date: **17 October 2013**
(30) Convention priority data:
(31) Number (32) Date (33) Country
29/443,979 24 Jan 2013 UNITED STATES OF AMERICA
(62) Divisional of: **350879**
(56) Related Art Documents: **Not Applicable**
(57) Statement of Newness and Distinctiveness: **The newness and distinctiveness of the design resides in the features of pattern and/or ornamentation OR shape and/or configuration shown in unbroken lines in the accompanying representations. (if required, see Convention document)**



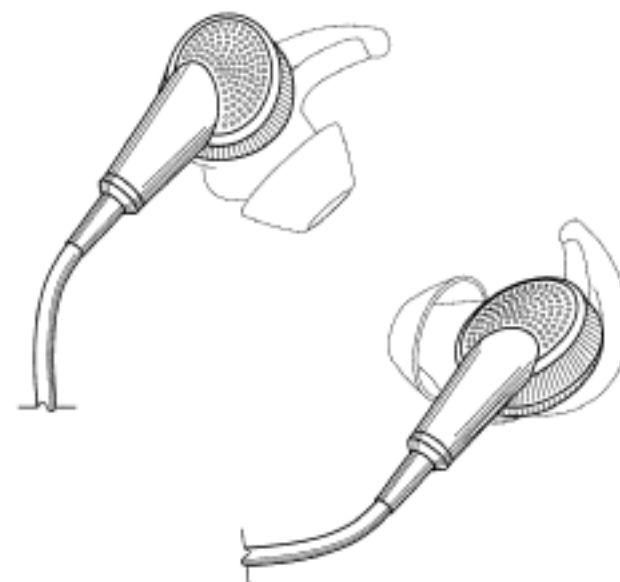
- (21) Design Number: **14407/2013**
(22) Date of Filing Application: **04 September 2013**
(24) Date from which industrial property rights may have effect: **18 July 2013**
(54) Product in respect of which the design is registered: **Display screen with graphical user interface**
(51) International Design Classification: **14-02, 14-01**
(74) Name(s) of Attorney(s): **PIZZEYS**
(71) Name(s) and Address(s) of Applicant(s):
Labstyle Innovation Ltd.
Gibor Sport Tower 7 Menahem Begin Street Ramat Gan 5268102 Israel
(72) Name(s) of Designer(s): **Shilo Ben-Zeev and Oren Feurst and Batami Romano and Andrey Ovrutsky and Golan Levi and Erez Raphael**
(45) Registration Date: **17 October 2013**
(30) Convention priority data:
(31) Number (32) Date (33) Country
29/443,975 24 Jan 2013 UNITED STATES OF AMERICA
(62) Divisional of: **350878**
(56) Related Art Documents: **Not Applicable**
(57) Statement of Newness and Distinctiveness: **The newness and distinctiveness of the design resides in the features of pattern and/or ornamentation OR shape and/or configuration shown in unbroken lines in the accompanying representations. (if required, see Convention document)**



- (21) Design Number: **14699/2013**
(22) Date of Filing Application: **23 July 2013**
(24) Date from which industrial property rights may have effect: **23 July 2013**
(54) Product in respect of which the design is registered: **Set of headphones with battery pack**
(51) International Design Classification: **14-01, 13-02**
(74) Name(s) of Attorney(s): **PHILLIPS ORMONDE FITZPATRICK**
(71) Name(s) and Address(s) of Applicant(s):
Bose Corporation of The Mountain
MS 40 Framingham Massachusetts 01701-9168 United States of America
(72) Name(s) of Designer(s): **Robert A. Warden and Kevin M. Krauss and Michael E. Laude and Julie E. Tierney and Adam A. Carr and Nathan David Schaal and Jonathan D. Turner and Kenneth D. Gagnon**
(45) Registration Date: **17 October 2013**
(30) Convention priority data:
(31) Number (32) Date (33) Country
29/442,837 24 Jan 2013 UNITED STATES OF AMERICA
(56) Related Art Documents: **Not Applicable**
(57) Statement of Newness and Distinctiveness: **Those features of the set of headphones with battery pack depicted in the representations that are new and distinctive are the shape and/or configuration. Those features shown in broken lines including the control module are not part of the design and are to be disregarded when considering the overall impression of the design. The cables as illustrated may be of indiffinite length.**



- (21) Design Number: **14700/2013**
(22) Date of Filing Application: **23 July 2013**
(24) Date from which industrial property rights may have effect: **23 July 2013**
(54) Product in respect of which the design is registered: **Set of headphones**
(51) International Design Classification: **14-01, 13-02**
(74) Name(s) of Attorney(s): **PHILLIPS ORMONDE FITZPATRICK**
(71) Name(s) and Address(s) of Applicant(s):
Bose Corporation of The Mountain
MS 40 Framingham Massachusetts 01701-9168 United States of America
(72) Name(s) of Designer(s): **Robert A. Warden and Kevin M. Krauss and Michael E. Laude and Julie E. Tierney and Adam A. Carr and Nathan David Schaal and Jonathan D. Turner and Kenneth D. Gagnon**
(45) Registration Date: **17 October 2013**
(30) Convention priority data:
(31) Number (32) Date (33) Country
29/442,837 24 Jan 2013 UNITED STATES OF AMERICA
(56) Related Art Documents: **Not Applicable**
(57) Statement of Newness and Distinctiveness: **Those features of the set of headphones depicted in the representations that are new and distinctive are the shape and/or configuration. Those features shown in broken lines are not part of the design and are to be disregarded when considering the overall impression of the design. The cables as illustrated may be of indiffinite length.**



(21) Design Number: **14701/2013**

(22) Date of Filing Application: **23 July 2013**

(24) Date from which industrial property rights may have effect: **23 July 2013**

(54) Product in respect of which the design is registered: **Battery pack**

(51) International Design Classification: **13-02**

(74) Name(s) of Attorney(s): **PHILLIPS ORMONDE FITZPATRICK**

(71) Name(s) and Address(s) of Applicant(s):

Bose Corporation of The Mountain

MS 40 Framingham Massachusetts 01701-9168 United States of America

(72) Name(s) of Designer(s): **Robert A. Warden and Kevin M. Krauss and Michael E. Laude and Julie E. Tierney and Adam A. Carr and Nathan David Schaal and Jonathan D. Turner and Kenneth D. Gagnon**

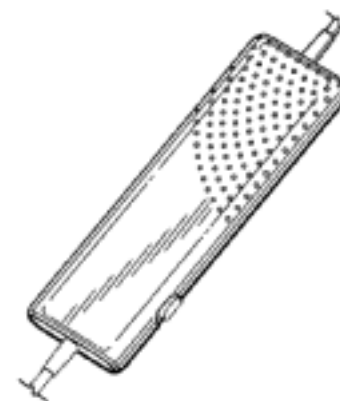
(45) Registration Date: **17 October 2013**

(30) Convention priority data:

(31) Number	(32) Date	(33) Country
29/442,837	24 Jan 2013	UNITED STATES OF AMERICA

(56) Related Art Documents: **Not Applicable**

(57) Statement of Newness and Distinctiveness: **Those features of the battery pack depicted in the representations that are new and distinctive are the shape and/or configuration. Those features shown in broken lines are not part of the design and are to be disregarded when considering the overall impression of the design. The cables as illustrated may be of indiffinite length.**



(21) Design Number: **14733/2013**

(22) Date of Filing Application: **08 July 2013**

(24) Date from which industrial property rights may have effect: **19 March 2013**

(54) Product in respect of which the design is registered: **Fabric care brush case**

(51) International Design Classification: **03-01NES**

(74) Name(s) of Attorney(s): **SPRUSON & FERGUSON**

(71) Name(s) and Address(s) of Applicant(s):

Lilly Brush Co., LLC

3850 Albion Street Denver CO 80113 United States of America

(72) Name(s) of Designer(s): **Elsie C. Hamilton**

(45) Registration Date: **17 October 2013**

(62) Divisional of: **349750**

(56) Related Art Documents: **Not Applicable**

(57) Statement of Newness and Distinctiveness: **Newness and distinctiveness is claimed in the features of shape and/or configuration of a fabric care brush case as illustrated in the accompanying representations; noting the curved intersection between the case lid and the case base.**



(19) AU

- (21) Design Number: **13046/2013**
(22) Date of Filing Application: **28 June 2013**
(24) Date from which industrial property rights may have effect: **28 June 2013**
(54) Product in respect of which the design is registered: **Firearm magazine handling attachment**
(51) International Design Classification: **22-01**
(74) Name(s) of Attorney(s): **Davies Collison Cave**
(71) Name(s) and Address(s) of Applicant(s):
Magpul Industries Corporation
400 Young Court Unit 1 Erie Colorado 80516 United States of America
(72) Name(s) of Designer(s): **Rick Zayatz and Nick Kielsmeier and Thomas Ward Jr and Richard Fitzpatrick and Brad Bennett**
(45) Registration Date: **17 October 2013**
(30) Convention priority data:
(31) Number (32) Date (33) Country
29/441131 31 Dec 2012 UNITED STATES OF AMERICA
(56) Related Art Documents: **Not Applicable**
(57) Statement of Newness and Distinctiveness: **Newness and distinctiveness is claimed in the visual features of the firearm magazine handling attachment shown in solid lines in the representations.**

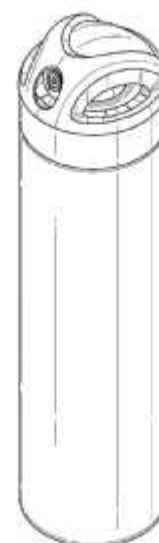


(19) AU

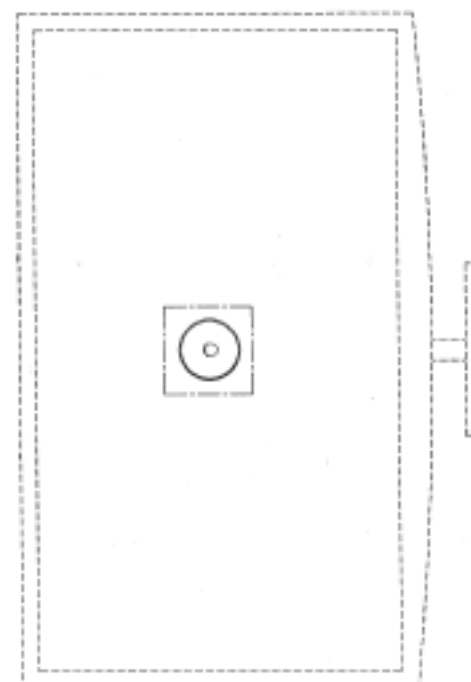
- (21) Design Number: **13176/2013**
(22) Date of Filing Application: **03 July 2013**
(24) Date from which industrial property rights may have effect: **03 July 2013**
(54) Product in respect of which the design is registered: **Aerosol dispenser**
(51) International Design Classification: **09-01A**
(74) Name(s) of Attorney(s): **Davies Collison Cave**
(71) Name(s) and Address(s) of Applicant(s):
Unilever PLC
100 Victoria Embankment London EC4Y 0DY United Kingdom
(72) Name(s) of Designer(s): **Paolo Sandro Trevisan**
(45) Registration Date: **17 October 2013**
(30) Convention priority data:
(31) Number (32) Date (33) Country
002163790-0001 09 Jan 2013 OFFICE FOR HARMONISATION IN THE INTERNAL MARKET (OHIM)
(56) Related Art Documents: **Not Applicable**
(57) Statement of Newness and Distinctiveness: **Newness and distinctiveness is claimed in the visual features shown in solid lines in the representations.**



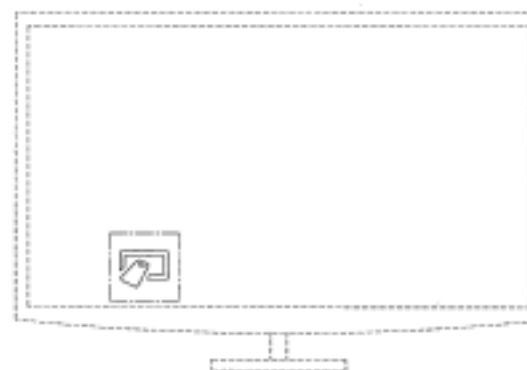
(21) Design Number: **13177/2013**
(22) Date of Filing Application: **03 July 2013**
(24) Date from which industrial property rights may have effect: **03 July 2013**
(54) Product in respect of which the design is registered: **Aerosol dispenser**
(51) International Design Classification: **09-01A**
(74) Name(s) of Attorney(s): **Davies Collison Cave**
(71) Name(s) and Address(s) of Applicant(s):
Unilever PLC
100 Victoria Embankment London EC4Y 0DY United Kingdom
(72) Name(s) of Designer(s): **Paolo Sandro Trevisan**
(45) Registration Date: **17 October 2013**
(30) Convention priority data:
(31) Number (32) Date (33) Country
002163774-0001 09 Jan 2013 OFFICE FOR HARMONISATION IN
THE INTERNAL MARKET (OHIM)
(56) Related Art Documents: **Not Applicable**
(57) Statement of Newness and Distinctiveness: **Newness and distinctiveness is**
claimed in the visual features shown in solid lines in the representations.



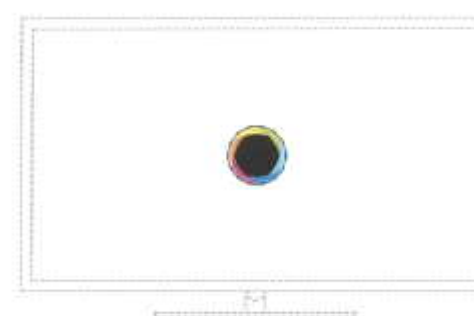
(21) Design Number: **13256/2013**
(22) Date of Filing Application: **04 July 2013**
(24) Date from which industrial property rights may have effect: **04 July 2013**
(54) Product in respect of which the design is registered: **Display screen with**
graphical user interface
(51) International Design Classification: **14-02, 14-01**
(74) Name(s) of Attorney(s): **IP Gateway Patent & Trademark Attorneys Pty**
Ltd
(71) Name(s) and Address(s) of Applicant(s):
Samsung Electronics Co., Ltd.
129 Samsung-ro Yeongtong-gu Suwon-si Gyeonggi-do 443-742 Republic
of Korea
(72) Name(s) of Designer(s): **Kim Min Hyung and PIlKyoung Moon**
(45) Registration Date: **17 October 2013**
(30) Convention priority data:
(31) Number (32) Date (33) Country
30-2013-0000684 04 Jan 2013 REPUBLIC OF KOREA
(56) Related Art Documents: **Not Applicable**
(57) Statement of Newness and Distinctiveness: **Newness and distinctiveness**
resides in the visual features of pattern and/or ornamentation as shown
in solid lines in the accompanying representations. When considering
newness and distinctiveness the features shown in broken lines should
be disregarded.



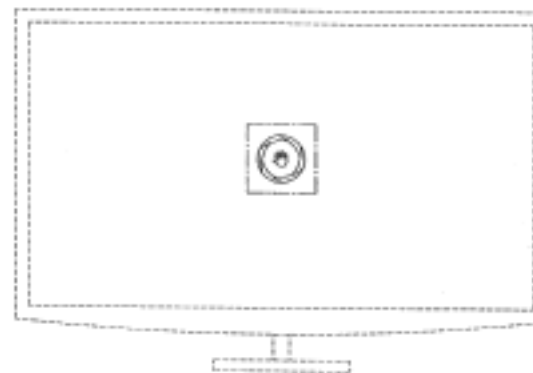
- (21) Design Number: **13259/2013**
(22) Date of Filing Application: **04 July 2013**
(24) Date from which industrial property rights may have effect: **04 July 2013**
(54) Product in respect of which the design is registered: **Display screen with graphical user interface**
(51) International Design Classification: **14-02, 14-01**
(74) Name(s) of Attorney(s): **IP Gateway Patent & Trademark Attorneys Pty Ltd**
(71) Name(s) and Address(s) of Applicant(s):
Samsung Electronics Co., Ltd.
129 Samsung-ro Yeongtong-gu Suwon-si Gyeonggi-do 443-742 Republic of Korea
(72) Name(s) of Designer(s): **Kim Min Hyung and PillKyoung Moon and Changsoo Lee**
(45) Registration Date: **17 October 2013**
(30) Convention priority data:
(31) Number (32) Date (33) Country
30-2013-0000703 04 Jan 2013 UNITED STATES OF AMERICA
(56) Related Art Documents: **Not Applicable**
(57) Statement of Newness and Distinctiveness: **Newness and distinctiveness resides in the visual features of pattern and/or ornamentation as shown in solid lines in the accompanying representations. When considering newness and distinctiveness the features shown in broken lines should be disregarded.**



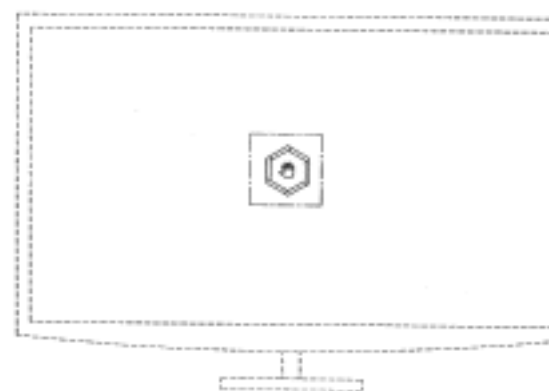
- (21) Design Number: **13265/2013**
(22) Date of Filing Application: **04 July 2013**
(24) Date from which industrial property rights may have effect: **04 July 2013**
(54) Product in respect of which the design is registered: **Display screen with graphical user interface**
(51) International Design Classification: **14-02, 14-01**
(74) Name(s) of Attorney(s): **IP Gateway Patent & Trademark Attorneys Pty Ltd**
(71) Name(s) and Address(s) of Applicant(s):
Samsung Electronics Co., Ltd.
129 Samsung-ro Yeongtong-gu Suwon-si Gyeonggi-do 443-742 Republic of Korea
(72) Name(s) of Designer(s): **Kim Min Hyung and PillKyoung Moon**
(45) Registration Date: **17 October 2013**
(30) Convention priority data:
(31) Number (32) Date (33) Country
30-2013-0000698 04 Jan 2013 REPUBLIC OF KOREA
(56) Related Art Documents: **Not Applicable**
(57) Statement of Newness and Distinctiveness: **Newness and distinctiveness of the design resides in the visual features of pattern and/or ornamentation as shown in solid lines and/or in shading in the accompanying representations. When considering newness and distinctiveness the features shown in broken lines should be disregarded.**



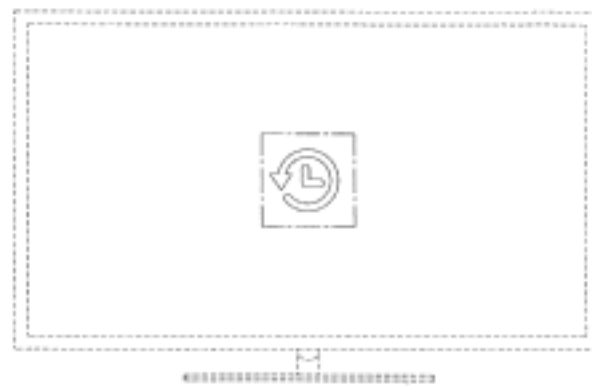
- (21) Design Number: **13267/2013**
(22) Date of Filing Application: **04 July 2013**
(24) Date from which industrial property rights may have effect: **04 July 2013**
(54) Product in respect of which the design is registered: **Display screen with graphical user interface**
(51) International Design Classification: **14-02, 14-01**
(74) Name(s) of Attorney(s): **IP Gateway Patent & Trademark Attorneys Pty Ltd**
(71) Name(s) and Address(s) of Applicant(s):
Samsung Electronics Co., Ltd.
129 Samsung-ro Yeongtong-gu Suwon-si Gyeonggi-do 443-742 Republic of Korea
(72) Name(s) of Designer(s): **Kim Min Hyung and PillKyoung Moon**
(45) Registration Date: **17 October 2013**
(30) Convention priority data:
(31) Number (32) Date (33) Country
30-2013-0000683 04 Jan 2013 REPUBLIC OF KOREA
(56) Related Art Documents: **Not Applicable**
(57) Statement of Newness and Distinctiveness: **Newness and distinctiveness resides in the visual features of pattern and/or ornamentation as shown in solid lines in the accompanying representations. When considering newness and distinctiveness the features shown in broken lines should be disregarded.**



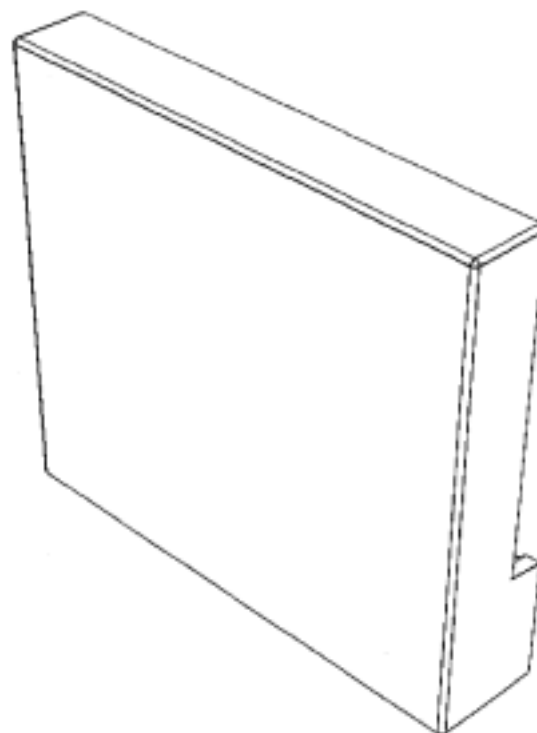
- (21) Design Number: **13268/2013**
(22) Date of Filing Application: **04 July 2013**
(24) Date from which industrial property rights may have effect: **04 July 2013**
(54) Product in respect of which the design is registered: **Display screen with graphical user interface**
(51) International Design Classification: **14-02, 14-01**
(74) Name(s) of Attorney(s): **IP Gateway Patent & Trademark Attorneys Pty Ltd**
(71) Name(s) and Address(s) of Applicant(s):
Samsung Electronics Co., Ltd.
129 Samsung-ro Yeongtong-gu Suwon-si Gyeonggi-do 443-742 Republic of Korea
(72) Name(s) of Designer(s): **Kim Min Hyung and PillKyoung Moon**
(45) Registration Date: **17 October 2013**
(30) Convention priority data:
(31) Number (32) Date (33) Country
30-2013-0000701 04 Jan 2013 REPUBLIC OF KOREA
(56) Related Art Documents: **Not Applicable**
(57) Statement of Newness and Distinctiveness: **Newness and distinctiveness resides in the visual features of pattern and/or ornamentation as shown in the solid lines in the accompanying representations. When considering newness and distinctiveness the features shown in broken lines should be disregarded.**



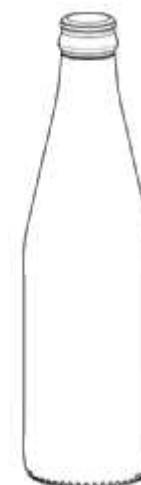
- (21) Design Number: **13269/2013**
(22) Date of Filing Application: **04 July 2013**
(24) Date from which industrial property rights may have effect: **04 July 2013**
(54) Product in respect of which the design is registered: **Display screen with graphical user interface**
(51) International Design Classification: **14-02, 14-01**
(74) Name(s) of Attorney(s): **IP Gateway Patent & Trademark Attorneys Pty Ltd**
(71) Name(s) and Address(s) of Applicant(s):
Samsung Electronics Co., Ltd.
129 Samsung-ro Yeongtong-gu Suwon-si Gyeonggi-do 443-742 Republic of Korea
(72) Name(s) of Designer(s): **Hyeryung Kim and Yong-Hwan Kwon and Jieun Kim and Jihong Kim and Jangwon Seo and Seran Jeon and Danny Hwang**
(45) Registration Date: **17 October 2013**
(30) Convention priority data:
(31) Number (32) Date (33) Country
30-2013-0000697 04 Jan 2013 REPUBLIC OF KOREA
(56) Related Art Documents: **Not Applicable**
(57) Statement of Newness and Distinctiveness: **The newness and distinctiveness of the design resides in the visual features of pattern and/or ornamentation as shown in solid lines in the accompanying representations. When considering newness and distinctiveness the features shown in broken lines should be disregarded.**



- (21) Design Number: **13301/2013**
(22) Date of Filing Application: **09 July 2013**
(24) Date from which industrial property rights may have effect: **09 July 2013**
(54) Product in respect of which the design is registered: **Pivot clamp cover**
(51) International Design Classification: **08-05F**
(74) Name(s) of Attorney(s): **John L Davies & Co**
(71) Name(s) and Address(s) of Applicant(s):
Dias Aluminium Products Pty. Ltd.
201-205 Browns Rd Noble Park VIC 3174 Australia
(72) Name(s) of Designer(s): **Ian David Paterson**
(45) Registration Date: **17 October 2013**
(56) Related Art Documents: **Not Applicable**
(57) Statement of Newness and Distinctiveness: **Nil**



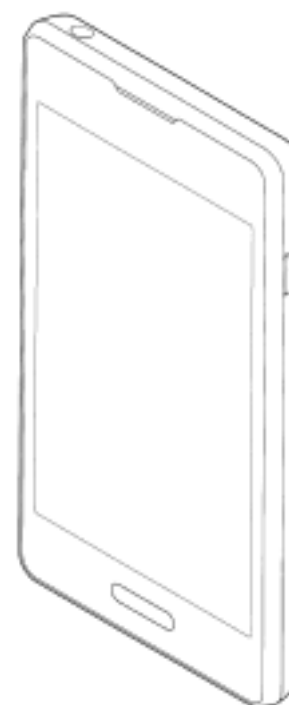
- (21) Design Number: **13653/2013**
(22) Date of Filing Application: **30 July 2013**
(24) Date from which industrial property rights may have effect: **30 July 2013**
(54) Product in respect of which the design is registered: **Bottle**
(51) International Design Classification: **09-01H**
(74) Name(s) of Attorney(s): **Corrs Chambers Westgarth**
(71) Name(s) and Address(s) of Applicant(s):
CUB Pty Ltd
77 Southbank Bvd Southbank VIC 3006 Australia
(72) Name(s) of Designer(s): **Julian Ditchburn and Nicholas Booker**
(45) Registration Date: **17 October 2013**
(56) Related Art Documents: **Not Applicable**
(57) Statement of Newness and Distinctiveness: **Nil**



- (21) Design Number: **13654/2013**
(22) Date of Filing Application: **30 July 2013**
(24) Date from which industrial property rights may have effect: **30 July 2013**
(54) Product in respect of which the design is registered: **Bottle**
(51) International Design Classification: **09-01H**
(74) Name(s) of Attorney(s): **Corrs Chambers Westgarth**
(71) Name(s) and Address(s) of Applicant(s):
CUB Pty Ltd
77 Southbank Bvd Southbank VIC 3006 Australia
(72) Name(s) of Designer(s): **Julian Ditchburn and Nicholas Booker**
(45) Registration Date: **17 October 2013**
(56) Related Art Documents: **Not Applicable**
(57) Statement of Newness and Distinctiveness: **The design consists of two barley hops embossed onto the neck of a bottle in the manner shown in the representations. The solid lines appearing in the representations are not claimed as features of the design but are included for illustrative purposes only.**



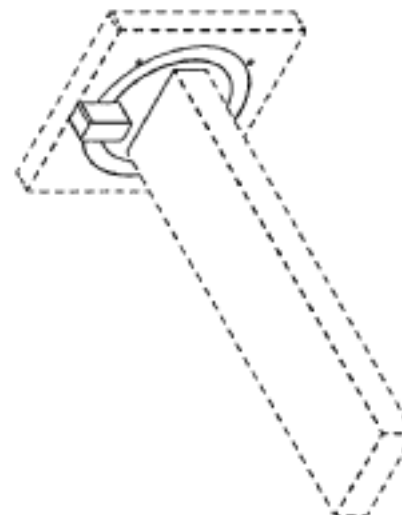
(21) Design Number: **14308/2013**
(22) Date of Filing Application: **27 August 2013**
(24) Date from which industrial property rights may have effect: **27 August 2013**
(54) Product in respect of which the design is registered: **Mobile phone**
(51) International Design Classification: **14-03E**
(74) Name(s) of Attorney(s): **FB Rice**
(71) Name(s) and Address(s) of Applicant(s):
LG Electronics Inc.
20 Yeouido-dong Yeongdeungpo-gu Seoul 150-721 Republic of Korea
(72) Name(s) of Designer(s): **Hwitae Lim**
(45) Registration Date: **18 October 2013**
(30) Convention priority data:
(31) Number (32) Date (33) Country
30-2013-0009457 22 Feb 2013 REPUBLIC OF KOREA
(56) Related Art Documents: **Not Applicable**
(57) Statement of Newness and Distinctiveness: **Newness and distinctiveness reside in the features of the design as shown in the representations.**



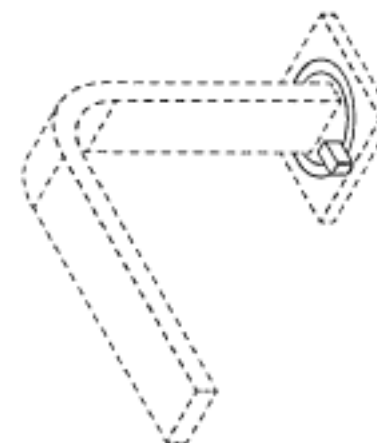
(21) Design Number: **14356/2013**
(22) Date of Filing Application: **02 September 2013**
(24) Date from which industrial property rights may have effect: **02 September 2013**
(54) Product in respect of which the design is registered: **Plant stand**
(51) International Design Classification: **06-06A**
(74) Name(s) of Attorney(s): **FB Rice**
(71) Name(s) and Address(s) of Applicant(s):
Whites Group Pty Ltd
4 Decker PI Huntingwood NSW 2148 Australia
(72) Name(s) of Designer(s): **Brian Gray and Peter Kelly**
(45) Registration Date: **18 October 2013**
(56) Related Art Documents: **Not Applicable**
(57) Statement of Newness and Distinctiveness: **Newness and distinctiveness reside in the features of shape and configuration of the plant stand as shown in the representations.**



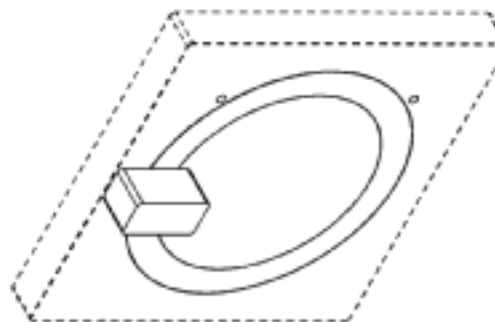
- (21) Design Number: **14379/2013**
(22) Date of Filing Application: **30 August 2013**
(24) Date from which industrial property rights may have effect: **30 August 2013**
(54) Product in respect of which the design is registered: **Wall mixer**
(51) International Design Classification: **23-01H**
(74) Name(s) of Attorney(s): **Freehills Patent Attorneys**
(71) Name(s) and Address(s) of Applicant(s):
Phoenix Industries Pty Ltd
926 Mountain Hwy Bayswater VIC 3153 Australia
(72) Name(s) of Designer(s): **Andrew Cocks**
(45) Registration Date: **18 October 2013**
(56) Related Art Documents: **Not Applicable**
(57) Statement of Newness and Distinctiveness: **Newness and distinctiveness of the design resides in the features of shape and configuration of the tap portion of the wall mixer as shown in solid outline in the accompanying representations.**



- (21) Design Number: **14380/2013**
(22) Date of Filing Application: **30 August 2013**
(24) Date from which industrial property rights may have effect: **30 August 2013**
(54) Product in respect of which the design is registered: **Hob mixer**
(51) International Design Classification: **23-01H**
(74) Name(s) of Attorney(s): **Freehills Patent Attorneys**
(71) Name(s) and Address(s) of Applicant(s):
Phoenix Industries Pty Ltd
926 Mountain Hwy Bayswater VIC 3153 Australia
(72) Name(s) of Designer(s): **Andrew Cocks**
(45) Registration Date: **18 October 2013**
(56) Related Art Documents: **Not Applicable**
(57) Statement of Newness and Distinctiveness: **Newness and distinctiveness of the design resides in the features of shape and configuration of the tap portion of the hob mixer as shown in solid outline in the accompanying representations.**



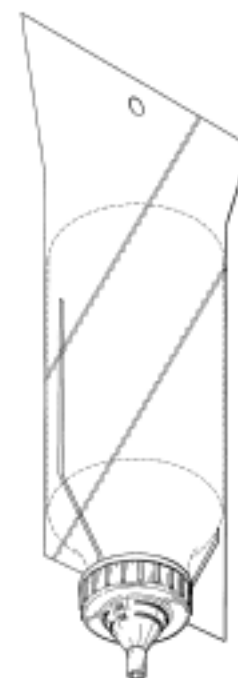
- (21) Design Number: **14381/2013**
(22) Date of Filing Application: **30 August 2013**
(24) Date from which industrial property rights may have effect: **30 August 2013**
(54) Product in respect of which the design is registered: **Mixer tap**
(51) International Design Classification: **23-01H**
(74) Name(s) of Attorney(s): **Freehills Patent Attorneys**
(71) Name(s) and Address(s) of Applicant(s):
Phoenix Industries Pty Ltd
926 Mountain Hwy Bayswater VIC 3153 Australia
(72) Name(s) of Designer(s): **Andrew Cocks**
(45) Registration Date: **18 October 2013**
(56) Related Art Documents: **Not Applicable**
(57) Statement of Newness and Distinctiveness: **Newness and distinctiveness of the design resides in the features of shape and configuration of the mixer tap as shown in solid outline in the accompanying representations.**



- (21) Design Number: **14382/2013**
(22) Date of Filing Application: **30 August 2013**
(24) Date from which industrial property rights may have effect: **30 August 2013**
(54) Product in respect of which the design is registered: **Mixer tap**
(51) International Design Classification: **23-01H**
(74) Name(s) of Attorney(s): **Freehills Patent Attorneys**
(71) Name(s) and Address(s) of Applicant(s):
Phoenix Industries Pty Ltd
926 Mountain Hwy Bayswater VIC 3153 Australia
(72) Name(s) of Designer(s): **Andrew Cocks**
(45) Registration Date: **18 October 2013**
(56) Related Art Documents: **Not Applicable**
(57) Statement of Newness and Distinctiveness: **Newness and distinctiveness of the design resides in the features of shape and configuration of the mixer tap as shown in solid outline in the accompanying representations.**



(21) Design Number: **14384/2013**
(22) Date of Filing Application: **30 August 2013**
(24) Date from which industrial property rights may have effect: **30 August 2013**
(54) Product in respect of which the design is registered: **Hanging bag assembly**
(51) International Design Classification: **09-05**
(74) Name(s) of Attorney(s): **Fisher Adams Kelly Pty Ltd**
(71) Name(s) and Address(s) of Applicant(s):
Zevex, Inc.
4314 Zevex Park Lane Salt Lake City 84123 Utah United States of America
(72) Name(s) of Designer(s): **Daniel A. Martel**
(45) Registration Date: **18 October 2013**
(30) Convention priority data:
(31) Number (32) Date (33) Country
29/451350 01 Apr 2013 UNITED STATES OF AMERICA
(56) Related Art Documents: **Not Applicable**
(57) Statement of Newness and Distinctiveness: **The newness and distinctiveness of the design resides in the shape and/or configuration of the HANGING BAG ASSEMBLY shown in the representations.**



(21) Design Number: **14387/2013**
(22) Date of Filing Application: **03 September 2013**
(24) Date from which industrial property rights may have effect: **03 September 2013**
(54) Product in respect of which the design is registered: **Earth auger**
(51) International Design Classification: **08-01**
(74) Name(s) of Attorney(s): **A.P.T. Patent and Trade Mark Attorneys**
(71) Name(s) and Address(s) of Applicant(s):
Hongfeng Du
Box 108 Lutou Xiangzhu Street Zhiying Road City Yongkang Prov. Zhejiang China
(72) Name(s) of Designer(s): **Hongfeng Du**
(45) Registration Date: **18 October 2013**
(56) Related Art Documents: **Not Applicable**
(57) Statement of Newness and Distinctiveness: **Nil**



- (21) Design Number: **14388/2013**
(22) Date of Filing Application: **03 September 2013**
(24) Date from which industrial property rights may have effect: **03 September 2013**
(54) Product in respect of which the design is registered: **A bag**
(51) International Design Classification: **03-01A**
(74) Name(s) of Attorney(s): **Shelston IP**
(71) Name(s) and Address(s) of Applicant(s):
Harlequin International Group Pty Ltd
Bag HQ U4/73 Beauchamp Rd Matraville NSW 2036 Australia
(72) Name(s) of Designer(s): **Penelope Montague**
(45) Registration Date: **18 October 2013**
(56) Related Art Documents: **Not Applicable**
(57) Statement of Newness and Distinctiveness: **Newness and distinctiveness reside in the features of shape and/or configuration and pattern and/or ornamentation (including colour) of A BAG as illustrated in the accompanying representations.**



- (21) Design Number: **14390/2013**
(22) Date of Filing Application: **03 September 2013**
(24) Date from which industrial property rights may have effect: **03 September 2013**
(54) Product in respect of which the design is registered: **A bag**
(51) International Design Classification: **03-01A**
(74) Name(s) of Attorney(s): **Shelston IP**
(71) Name(s) and Address(s) of Applicant(s):
Harlequin International Group Pty Ltd
Bag HQ U4/73 Beauchamp Rd Matraville NSW 2036 Australia
(72) Name(s) of Designer(s): **Penelope Montague**
(45) Registration Date: **18 October 2013**
(56) Related Art Documents: **Not Applicable**
(57) Statement of Newness and Distinctiveness: **Newness and distinctiveness reside in the features of shape and/or configuration of A BAG as illustrated in the accompanying representations. The colour of the bag does not form part of the design.**



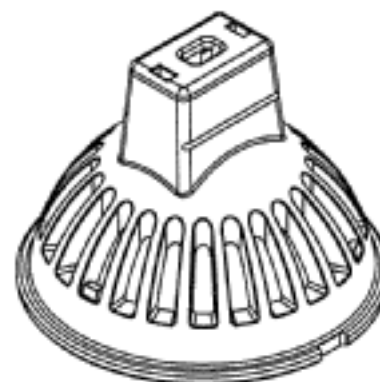
- (21) Design Number: **14391/2013**
(22) Date of Filing Application: **03 September 2013**
(24) Date from which industrial property rights may have effect: **03 September 2013**
(54) Product in respect of which the design is registered: **A bag**
(51) International Design Classification: **03-01A**
(74) Name(s) of Attorney(s): **Shelston IP**
(71) Name(s) and Address(s) of Applicant(s):
Harlequin International Group Pty Ltd
Bag HQ U4/73 Beauchamp Rd Matraville NSW 2036 Australia
(72) Name(s) of Designer(s): **Penelope Montague**
(45) Registration Date: **18 October 2013**
(56) Related Art Documents: **Not Applicable**
(57) Statement of Newness and Distinctiveness: **Newness and distinctiveness reside in the features of shape and/or configuration and pattern and/or ornamentation (including colour) of A BAG as illustrated in the accompanying representations.**



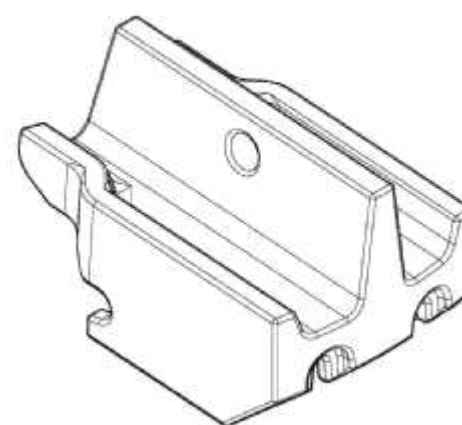
- (21) Design Number: **14392/2013**
(22) Date of Filing Application: **03 September 2013**
(24) Date from which industrial property rights may have effect: **03 September 2013**
(54) Product in respect of which the design is registered: **A bag**
(51) International Design Classification: **03-01A**
(74) Name(s) of Attorney(s): **Shelston IP**
(71) Name(s) and Address(s) of Applicant(s):
Harlequin International Group Pty Ltd
Bag HQ U4/73 Beauchamp Rd Matraville NSW 2036 Australia
(72) Name(s) of Designer(s): **Penelope Montague**
(45) Registration Date: **18 October 2013**
(56) Related Art Documents: **Not Applicable**
(57) Statement of Newness and Distinctiveness: **Newness and distinctiveness reside in the features of shape and/or configuration of A BAG as illustrated in the accompanying representations.**



- (21) Design Number: **14393/2013**
(22) Date of Filing Application: **03 September 2013**
(24) Date from which industrial property rights may have effect: **03 September 2013**
(54) Product in respect of which the design is registered: **LED light**
(51) International Design Classification: **26-05E**
(74) Name(s) of Attorney(s): **Madderns**
(71) Name(s) and Address(s) of Applicant(s):
Gerard Lighting Pty Ltd
142-144 Fullarton Rd Rose Park SA 5067 Australia
(72) Name(s) of Designer(s): **Tianzheng Zhong**
(45) Registration Date: **18 October 2013**
(56) Related Art Documents: **Not Applicable**
(57) Statement of Newness and Distinctiveness: **Newness and distinctiveness is claimed in the shape and/or configuration of an LED light as shown in the accompanying drawings.**



- (21) Design Number: **14395/2013**
(22) Date of Filing Application: **04 September 2013**
(24) Date from which industrial property rights may have effect: **04 September 2013**
(54) Product in respect of which the design is registered: **Gyratory crusher spider arm shield**
(51) International Design Classification: **15-04**
(74) Name(s) of Attorney(s): **Griffith Hack**
(71) Name(s) and Address(s) of Applicant(s):
Sandvik Intellectual Property AB
Sandviken SE-811 81 Sweden
(72) Name(s) of Designer(s): **Axel Bergman and Bengt-Arne Eriksson and Mikael Larsson and Patric Malmqvist**
(45) Registration Date: **18 October 2013**
(30) Convention priority data:
(31) Number (32) Date (33) Country
001363527-0001 08 Mar 2013 OFFICE FOR HARMONISATION IN THE INTERNAL MARKET (OHIM)
(56) Related Art Documents: **Not Applicable**
(57) Statement of Newness and Distinctiveness: **Nil**



- (21) Design Number: **14400/2013**
(22) Date of Filing Application: **04 September 2013**
(24) Date from which industrial property rights may have effect: **04 September 2013**
(54) Product in respect of which the design is registered: **Plastic pouring spout**
(51) International Design Classification: **09-07A**
(74) Name(s) of Attorney(s):
(71) Name(s) and Address(s) of Applicant(s):
Logipak Pty Limited
PO BOX 3454 Dural NSW 2158 Australia
(72) Name(s) of Designer(s): **Graeme Langley**
(45) Registration Date: **18 October 2013**
(56) Related Art Documents: **Not Applicable**
(57) Statement of Newness and Distinctiveness: **The plastic pouring spout is designed to screw onto the neck of a plastic or metal container to improve the pouring ability and reduce the incidence of spillage and splash back during decanting. The design incorporates a threaded neck on the end of the pouring spout onto which a cap (closure) can be fitted. This allows the user to seal the contents without removing the pouring spout.**



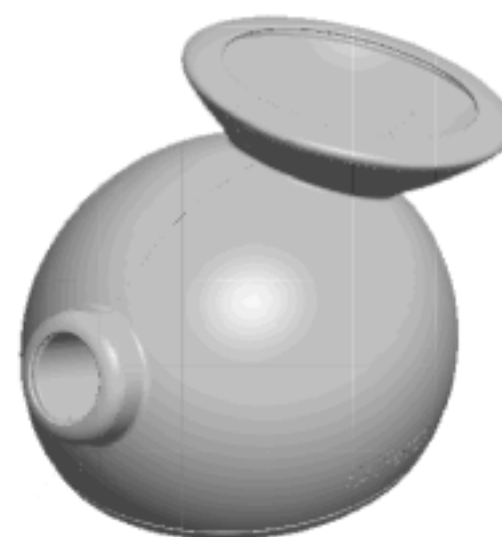
- (21) Design Number: **14404/2013**
(22) Date of Filing Application: **04 September 2013**
(24) Date from which industrial property rights may have effect: **04 September 2013**
(54) Product in respect of which the design is registered: **Bracelet**
(51) International Design Classification: **11-01C**
(74) Name(s) of Attorney(s): **SPRUSON & FERGUSON**
(71) Name(s) and Address(s) of Applicant(s):
Christian Dior Couture
30 avenue Montaigne Paris 75008 France
(72) Name(s) of Designer(s): **Victoire de Castellane**
(45) Registration Date: **18 October 2013**
(30) Convention priority data:
(31) Number (32) Date (33) Country
DM/080 345 11 Mar 2013 SWITZERLAND
(56) Related Art Documents: **Not Applicable**
(57) Statement of Newness and Distinctiveness: **Newness and distinctiveness is claimed in the features of shape and/or configuration of a bracelet as illustrated in the accompanying representations.**



(21) Design Number: **14405/2013**
(22) Date of Filing Application: **04 September 2013**
(24) Date from which industrial property rights may have effect: **04 September 2013**
(54) Product in respect of which the design is registered: **Necklace**
(51) International Design Classification: **11-01E**
(74) Name(s) of Attorney(s): **SPRUSON & FERGUSON**
(71) Name(s) and Address(s) of Applicant(s):
Christian Dior Couture
30 avenue Montaigne Paris 75008 France
(72) Name(s) of Designer(s): **Victoire de Castellane**
(45) Registration Date: **18 October 2013**
(30) Convention priority data:
(31) Number (32) Date (33) Country
DM/080 345 11 Mar 2013 SWITZERLAND
(56) Related Art Documents: **Not Applicable**
(57) Statement of Newness and Distinctiveness: **Newness and distinctiveness is claimed in the features of shape and/or configuration of a necklace as illustrated in the accompanying representations.**



(21) Design Number: **14408/2013**
(22) Date of Filing Application: **04 September 2013**
(24) Date from which industrial property rights may have effect: **04 September 2013**
(54) Product in respect of which the design is registered: **Dog exercising device**
(51) International Design Classification: **30-99**
(74) Name(s) of Attorney(s): **SPRUSON & FERGUSON**
(71) Name(s) and Address(s) of Applicant(s):
Hamill Partners LLC
9208 Bell Mountain Drive, Austin TX, 78730 United States of America
(72) Name(s) of Designer(s): **Dennis W. Hamill and Deborah Lynn Hamill and Sunny Kim and Robert Von Letscher and Kit Morris**
(45) Registration Date: **18 October 2013**
(30) Convention priority data:
(31) Number (32) Date (33) Country
29/448669 13 Mar 2013 UNITED STATES OF AMERICA
(56) Related Art Documents: **Not Applicable**
(57) Statement of Newness and Distinctiveness: **Newness and distinctiveness is claimed in the features of shape and/or configuration of a dog exercising device as illustrated in the accompanying representations.**



- (21) Design Number: **10814/2013**
(22) Date of Filing Application: **21 February 2013**
(24) Date from which industrial property rights may have effect: **21 February 2013**
(54) Product in respect of which the design is registered: **A handle**
(51) International Design Classification: **08-06**
(74) Name(s) of Attorney(s): **Halfords IP**
(71) Name(s) and Address(s) of Applicant(s):
Electrolux Home Products Pty Limited
163 O'Riordan St Mascot NSW 2020 Australia
(72) Name(s) of Designer(s): **Lyndon Craig and Blair Hopgood and Alex Gray**
and Vijay Paliwal and Richard Page and Tim Clancy
(45) Registration Date: **21 October 2013**
(56) Related Art Documents: **Not Applicable**
(57) Statement of Newness and Distinctiveness: **Newness and distinctiveness**
is claimed in those features of shape and or configuration of a handle of
indefinite length as depicted in the representations.



- (21) Design Number: **10815/2013**
(22) Date of Filing Application: **21 February 2013**
(24) Date from which industrial property rights may have effect: **21 February 2013**
(54) Product in respect of which the design is registered: **Extrusion**
(51) International Design Classification: **25-01K**
(74) Name(s) of Attorney(s): **Halfords IP**
(71) Name(s) and Address(s) of Applicant(s):
Electrolux Home Products Pty Limited
163 O'Riordan St Mascot NSW 2020 Australia
(72) Name(s) of Designer(s): **Vijay Paliwal and Richard Page**
(45) Registration Date: **21 October 2013**
(56) Related Art Documents: **Not Applicable**
(57) Statement of Newness and Distinctiveness: **Newness and distinctiveness**
is claimed in those features of shape and or configuration of an extrusion
of indefinite length as depicted in the representations.



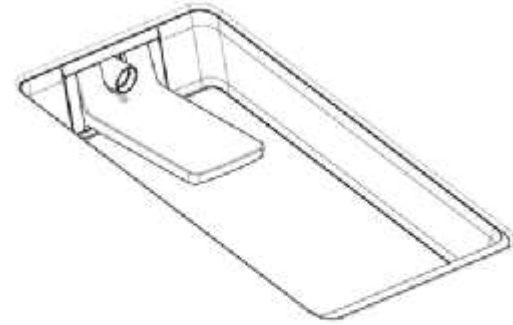
- (21) Design Number: **10816/2013**
(22) Date of Filing Application: **21 February 2013**
(24) Date from which industrial property rights may have effect: **21 February 2013**
(54) Product in respect of which the design is registered: **A bottle holder**
(51) International Design Classification: **07-06A**
(74) Name(s) of Attorney(s): **Halfords IP**
(71) Name(s) and Address(s) of Applicant(s):
Electrolux Home Products Pty Limited
163 O'Riordan St Mascot NSW 2020 Australia
(72) Name(s) of Designer(s): **Lyndon Craig and Blair Hopgood and Keiran Taylor**
(45) Registration Date: **21 October 2013**
(56) Related Art Documents: **Not Applicable**
(57) Statement of Newness and Distinctiveness: **Newness and distinctiveness is claimed in those features of shape and or configuration of a bottle holder as depicted in the representations.**



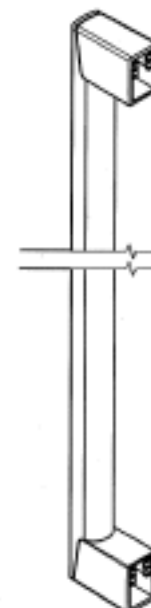
- (21) Design Number: **10817/2013**
(22) Date of Filing Application: **21 February 2013**
(24) Date from which industrial property rights may have effect: **21 February 2013**
(54) Product in respect of which the design is registered: **A cold appliance panel**
(51) International Design Classification: **15-07**
(74) Name(s) of Attorney(s): **Halfords IP**
(71) Name(s) and Address(s) of Applicant(s):
Electrolux Home Products Pty Limited
163 O'Riordan St Mascot NSW 2020 Australia
(72) Name(s) of Designer(s): **Lyndon Craig and Blair Hopgood and Robert Sussmilch**
(45) Registration Date: **21 October 2013**
(56) Related Art Documents: **Not Applicable**
(57) Statement of Newness and Distinctiveness: **Newness and distinctiveness is claimed in those features of shape and or configuration of a cold appliance panel as depicted in the representations. Features shown in broken lines do not form part of the design.**



- (21) Design Number: **10818/2013**
(22) Date of Filing Application: **21 February 2013**
(24) Date from which industrial property rights may have effect: **21 February 2013**
(54) Product in respect of which the design is registered: **A water dispenser**
(51) International Design Classification: **15-07, 23-01G**
(74) Name(s) of Attorney(s): **Halfords IP**
(71) Name(s) and Address(s) of Applicant(s):
Electrolux Home Products Pty Limited
163 O'Riordan St Mascot NSW 2020 Australia
(72) Name(s) of Designer(s): **Lyndon Craig and Blair Hopgood and Dong Liu**
and Charles Gascoyne and Thomas Millist
(45) Registration Date: **21 October 2013**
(56) Related Art Documents: **Not Applicable**
(57) Statement of Newness and Distinctiveness: **Newness and distinctiveness is claimed in those features of shape and or configuration of a water dispenser as depicted in the representations. Features shown in broken lines do not form part of the design.**



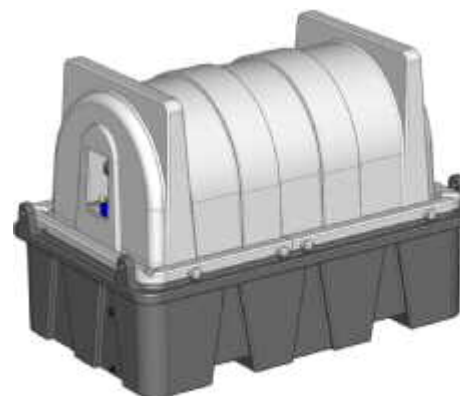
- (21) Design Number: **10823/2013**
(22) Date of Filing Application: **21 February 2013**
(24) Date from which industrial property rights may have effect: **21 February 2013**
(54) Product in respect of which the design is registered: **A handle**
(51) International Design Classification: **08-06**
(74) Name(s) of Attorney(s): **Halfords IP**
(71) Name(s) and Address(s) of Applicant(s):
Electrolux Home Products Pty Limited
163 O'Riordan St Mascot NSW 2020 Australia
(72) Name(s) of Designer(s): **Lyndon Craig and Blair Hopgood and Alex Gray**
and Vijay Paliwal and Richard Page and Tim Clancy
(45) Registration Date: **21 October 2013**
(56) Related Art Documents: **Not Applicable**
(57) Statement of Newness and Distinctiveness: **The newness and distinctiveness is claimed in those features of shape and or configuration of a handle and a handle of indefinite length as depicted in the representations.**



- (21) Design Number: **13466/2013**
(22) Date of Filing Application: **20 July 2013**
(24) Date from which industrial property rights may have effect: **20 July 2013**
(54) Product in respect of which the design is registered: **Stubby holder**
(51) International Design Classification: **07-06A**
(74) Name(s) of Attorney(s):
(71) Name(s) and Address(s) of Applicant(s):
George Zurcas
74 Signature Bvd Point Cook VIC 3030 Australia
(72) Name(s) of Designer(s): **George Zurcas**
(45) Registration Date: **21 October 2013**
(56) Related Art Documents: **Not Applicable**
(57) Statement of Newness and Distinctiveness: **The Event Beer Cooler fits the unique dimensions of tapered cups supplied at sporting events in Australia. It maintains optimal drinking temperature and provides grip. The product is versatile with two options to choose from, with a base and without, catering to different cup dimensions available. The 'Event Beer Cooler' is reusable and provides the option to fold flat so that it is compact to fit in your pocket.**



- (21) Design Number: **14109/2013**
(22) Date of Filing Application: **20 August 2013**
(24) Date from which industrial property rights may have effect: **20 August 2013**
(54) Product in respect of which the design is registered: **Bund**
(51) International Design Classification: **09-09**
(74) Name(s) of Attorney(s):
(71) Name(s) and Address(s) of Applicant(s):
Gough Industries Pty Ltd
833 Ingham Rd Bohle QLD 4818 Australia
(72) Name(s) of Designer(s): **David Hollier and Andrew Gough and Simon Gough**
(45) Registration Date: **21 October 2013**
(56) Related Art Documents: **Not Applicable**
(57) Statement of Newness and Distinctiveness: **New and distinctive design aspects of this bund station include; 1. The shape and configuration of the bottom edge of the top cover rim. The way the lip has a downward returning gutter style edge, forming an internal and external overhang of the bund's top edge at the same time. 2. The shape and configuration of the wall and floor protrusions which form integral mounting points for a vessel to sit on.**



- (21) Design Number: **14192/2013**
(22) Date of Filing Application: **19 August 2013**
(24) Date from which industrial property rights may have effect: **19 August 2013**
(54) Product in respect of which the design is registered: **Flag**
(51) International Design Classification: **11-05**
(74) Name(s) of Attorney(s):
(71) Name(s) and Address(s) of Applicant(s):
 Claude Frazer
 9/2 Hill St Coffs Harbour NSW 2450 Australia
(72) Name(s) of Designer(s): **Claude Frazer**
(45) Registration Date: **21 October 2013**
(56) Related Art Documents: **Not Applicable**
(57) Statement of Newness and Distinctiveness: **Nil**



- (21) Design Number: **14193/2013**
(22) Date of Filing Application: **26 August 2013**
(24) Date from which industrial property rights may have effect: **26 August 2013**
(54) Product in respect of which the design is registered: **Portable power pack**
(51) International Design Classification: **13-02**
(74) Name(s) of Attorney(s): **Shelston IP**
(71) Name(s) and Address(s) of Applicant(s):
 Ningbo Ambon Emergency Products Co., Ltd
 No. 777 West Zhongguan Rd Zhuangshi Street Zhenhai Ningbo People's
 Republic of China
(72) Name(s) of Designer(s): **Alice He**
(45) Registration Date: **21 October 2013**
(56) Related Art Documents: **Not Applicable**
(57) Statement of Newness and Distinctiveness: **Newness and distinctiveness**
reside in the features of shape and/or configuration of a PORTABLE
POWER PACK as illustrated in the accompanying representations.



- (21) Design Number: **14205/2013**
(22) Date of Filing Application: **26 August 2013**
(24) Date from which industrial property rights may have effect: **26 August 2013**
(54) Product in respect of which the design is registered: **Shirt with interchangeable decorative contrasts**
(51) International Design Classification: **02-02NES**
(74) Name(s) of Attorney(s):
(71) Name(s) and Address(s) of Applicant(s):
Celina Di Pisa
12 Paradise Cl Cherrybrook NSW 2126 Australia
(72) Name(s) of Designer(s): **Celina Di Pisa**
(45) Registration Date: **21 October 2013**
(56) Related Art Documents: **Not Applicable**
(57) Statement of Newness and Distinctiveness: **Nil**



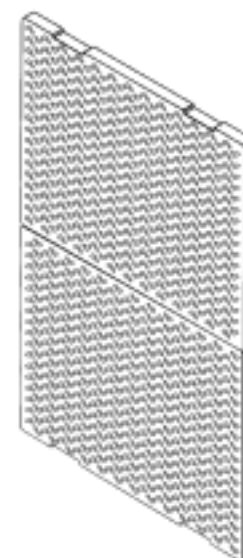
- (21) Design Number: **14207/2013**
(22) Date of Filing Application: **26 August 2013**
(24) Date from which industrial property rights may have effect: **26 August 2013**
(54) Product in respect of which the design is registered: **A bag**
(51) International Design Classification: **03-01A**
(74) Name(s) of Attorney(s): **SPRUSON & FERGUSON**
(71) Name(s) and Address(s) of Applicant(s):
Frontline Asia Pty Limited
85/75 Spofforth St Mosman NSW 2088 Australia
(72) Name(s) of Designer(s): **Kim Miller and Garry Weir**
(45) Registration Date: **21 October 2013**
(56) Related Art Documents: **Not Applicable**
(57) Statement of Newness and Distinctiveness: **Newness and distinctiveness is claimed in the features of shape and/or configuration of a bag as illustrated in the accompanying representations.**



- (21) Design Number: **14324/2013**
(22) Date of Filing Application: **30 August 2013**
(24) Date from which industrial property rights may have effect: **30 August 2013**
(54) Product in respect of which the design is registered: **Bottle**
(51) International Design Classification: **09-01H**
(74) Name(s) of Attorney(s): **FB Rice**
(71) Name(s) and Address(s) of Applicant(s):
The Absolut Company Aktiebolag
117 97 Stockholm Sweden
(72) Name(s) of Designer(s): **Mattias Lindstedt**
(45) Registration Date: **21 October 2013**
(30) Convention priority data:
(31) Number (32) Date (33) Country
002201996 13 Mar 2013 OFFICE FOR HARMONISATION IN
THE INTERNAL MARKET (OHIM)
(56) Related Art Documents: **Not Applicable**
(57) Statement of Newness and Distinctiveness: **Newness and distinctiveness reside in the features of the design as shown in the representations including the contrasting black and white colours of the pattern, and excluding those features shown in broken lines.**



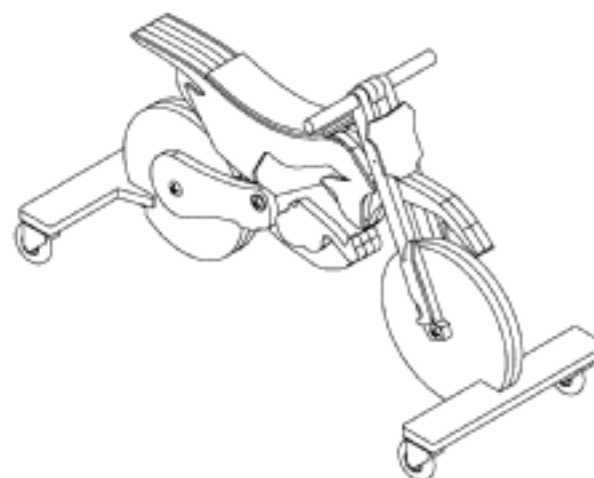
- (21) Design Number: **14335/2013**
(22) Date of Filing Application: **28 August 2013**
(24) Date from which industrial property rights may have effect: **28 August 2013**
(54) Product in respect of which the design is registered: **Set of access covers**
(51) International Design Classification: **25-02NES**
(74) Name(s) of Attorney(s): **Fisher Adams Kelly Pty Ltd**
(71) Name(s) and Address(s) of Applicant(s):
EJ Australia Pty Ltd
9 Delta St Geebung QLD 4034 Australia
(72) Name(s) of Designer(s): **Thomas Oliver McManus**
(45) Registration Date: **21 October 2013**
(56) Related Art Documents: **Not Applicable**
(57) Statement of Newness and Distinctiveness: **The newness and distinctiveness of the design resides in the shape and/or configuration of the SET OF ACCESS COVERS shown in the representations.**



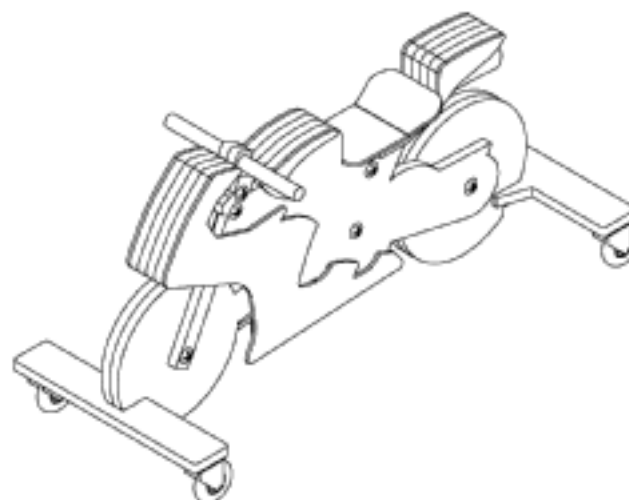
(21) Design Number: **14336/2013**
(22) Date of Filing Application: **02 September 2013**
(24) Date from which industrial property rights may have effect: **02 September 2013**
(54) Product in respect of which the design is registered: **All terrain vehicle**
(51) International Design Classification: **12-08**
(74) Name(s) of Attorney(s): **WATERMARK PATENT AND TRADE MARKS ATTORNEYS**
(71) Name(s) and Address(s) of Applicant(s):
Polaris Industries Inc.
2100 Highway 55 Medina Minnesota 55340 United States of America
(72) Name(s) of Designer(s): **Steven D. Wilcox and Morgan J. Bennett**
(45) Registration Date: **21 October 2013**
(30) Convention priority data:
(31) Number (32) Date (33) Country
29/447,346 01 Mar 2013 UNITED STATES OF AMERICA
(56) Related Art Documents: **Not Applicable**
(57) Statement of Newness and Distinctiveness: **Nil**



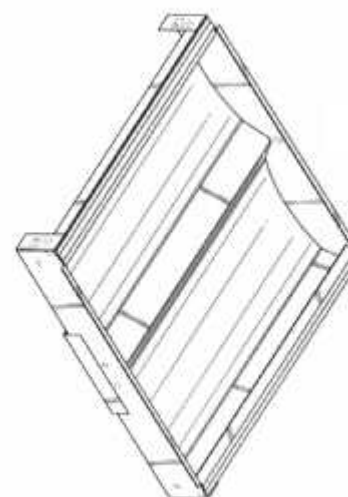
(21) Design Number: **14337/2013**
(22) Date of Filing Application: **02 September 2013**
(24) Date from which industrial property rights may have effect: **02 September 2013**
(54) Product in respect of which the design is registered: **Ambulating bike**
(51) International Design Classification: **21-01F, 12-12**
(74) Name(s) of Attorney(s):
(71) Name(s) and Address(s) of Applicant(s):
Planet Energy Australia Pty Ltd
144A Esplanade Brighton VIC 3186 Australia
(72) Name(s) of Designer(s): **Scott David Chapman**
(45) Registration Date: **21 October 2013**
(56) Related Art Documents: **Not Applicable**
(57) Statement of Newness and Distinctiveness: **Nil**



(21) Design Number: **14338/2013**
(22) Date of Filing Application: **02 September 2013**
(24) Date from which industrial property rights may have effect: **02 September 2013**
(54) Product in respect of which the design is registered: **Ambulating bike**
(51) International Design Classification: **21-01F, 12-12**
(74) Name(s) of Attorney(s):
(71) Name(s) and Address(s) of Applicant(s):
Planet Energy Australia Pty Ltd
144A Esplanade Brighton VIC 3186 Australia
(72) Name(s) of Designer(s): **Scott David Chapman**
(45) Registration Date: **21 October 2013**
(56) Related Art Documents: **Not Applicable**
(57) Statement of Newness and Distinctiveness: **Nil**



(21) Design Number: **14339/2013**
(22) Date of Filing Application: **02 September 2013**
(24) Date from which industrial property rights may have effect: **02 September 2013**
(54) Product in respect of which the design is registered: **Lighting**
(51) International Design Classification: **26-05A**
(74) Name(s) of Attorney(s): **PIZZEYS**
(71) Name(s) and Address(s) of Applicant(s):
LSI Industries, Inc.
10000 Alliance Rd Cincinnati OH 45242 United States of America
(72) Name(s) of Designer(s): **John D. Boyer and Daniel Hutchens and Travis Montgomery Wright**
(45) Registration Date: **21 October 2013**
(30) Convention priority data:
(31) Number (32) Date (33) Country
29/448,888 14 Mar 2013 UNITED STATES OF AMERICA
(56) Related Art Documents: **Not Applicable**
(57) Statement of Newness and Distinctiveness: **The newness and distinctiveness of the design resides in the features of pattern and/or ornamentation OR shape and/or configuration shown in unbroken lines in the accompanying representations. (if required, see Convention document).**



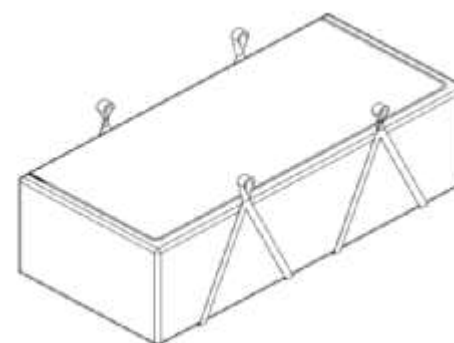
- (21) Design Number: **14385/2013**
(22) Date of Filing Application: **29 August 2013**
(24) Date from which industrial property rights may have effect: **29 August 2013**
(54) Product in respect of which the design is registered: **Utility toolbox**
(51) International Design Classification: **03-01D**
(74) Name(s) of Attorney(s):
(71) Name(s) and Address(s) of Applicant(s):
Mike Thompson
26 French Avenue Brendale QLD 4500 Australia
(72) Name(s) of Designer(s): **Mike Thompson**
(45) Registration Date: **21 October 2013**
(56) Related Art Documents: **Not Applicable**
(57) Statement of Newness and Distinctiveness: **The design has a unique shape and appearance. It has a combination of features and ribbed surfaces that provide strength and make up the particular shape of the main body and related components. The latch is also new and distinctive in appearance.**



- (21) Design Number: **14411/2013**
(22) Date of Filing Application: **04 September 2013**
(24) Date from which industrial property rights may have effect: **04 September 2013**
(54) Product in respect of which the design is registered: **Loom**
(51) International Design Classification: **02-07D**
(74) Name(s) of Attorney(s): **FB Rice**
(71) Name(s) and Address(s) of Applicant(s):
LaRose Industries, LLC
1578 Sussex Turnpike Randolph New Jersey 07945 United States of America
(72) Name(s) of Designer(s): **Parviz Daftari**
(45) Registration Date: **21 October 2013**
(30) Convention priority data:
(31) Number (32) Date (33) Country
29/458999 25 Jun 2013 UNITED STATES OF AMERICA
(56) Related Art Documents: **Not Applicable**
(57) Statement of Newness and Distinctiveness: **Newness and distinctiveness reside in the shape and/or configuration of the design as shown in the representations.**



- (21) Design Number: **14412/2013**
(22) Date of Filing Application: **04 September 2013**
(24) Date from which industrial property rights may have effect: **04 September 2013**
(54) Product in respect of which the design is registered: **A bag for asbestos**
(51) International Design Classification: **03-01NES**
(74) Name(s) of Attorney(s):
(71) Name(s) and Address(s) of Applicant(s):
David Anthony Burgun
13 Craftsman Ave Berkeley Vale NSW 2261 Australia
(72) Name(s) of Designer(s): **David Anthony Burgun**
(45) Registration Date: **21 October 2013**
(56) Related Art Documents: **Not Applicable**
(57) Statement of Newness and Distinctiveness: **Newness & distinctiveness resides in the features of shape & configuration of the product as shown in the representations.**



- (21) Design Number: **14585/2013**
(22) Date of Filing Application: **13 September 2013**
(24) Date from which industrial property rights may have effect: **13 September 2013**
(54) Product in respect of which the design is registered: **Wire guide**
(51) International Design Classification: **24-02**
(74) Name(s) of Attorney(s): **IP Gateway Patent & Trademark Attorneys Pty Ltd**
(71) Name(s) and Address(s) of Applicant(s):
Shamim Bolia
7 St. Andrews Drive Oadby Leicester LE2 2RG Great Britain
(72) Name(s) of Designer(s): **Shamim Bolia**
(45) Registration Date: **21 October 2013**
(30) Convention priority data:
(31) Number (32) Date (33) Country
002218727 11 Apr 2013 OFFICE FOR HARMONISATION IN THE INTERNAL MARKET (OHIM)
(56) Related Art Documents: **Not Applicable**
(57) Statement of Newness and Distinctiveness: **Newness and distinctiveness resides in the shape and/or configuration of a wire guide substantially as shown in solid lines in the accompanying representations.**



(21) Design Number: **14735/2013**
(22) Date of Filing Application: **06 September 2013**
(24) Date from which industrial property rights may have effect: **06 September 2013**
(54) Product in respect of which the design is registered: **Articles of clothing**
(51) International Design Classification: **02-02NES**
(74) Name(s) of Attorney(s):
(71) Name(s) and Address(s) of Applicant(s):
Beba Enterprises Pty Ltd
34 Garden St South Yarra VIC 3141 Australia
(72) Name(s) of Designer(s): **Robert Cromb**
(45) Registration Date: **21 October 2013**
(56) Related Art Documents: **Not Applicable**
(57) Statement of Newness and Distinctiveness: **Nil**



(21) Design Number: **14736/2013**
(22) Date of Filing Application: **06 September 2013**
(24) Date from which industrial property rights may have effect: **06 September 2013**
(54) Product in respect of which the design is registered: **Articles of clothing**
(51) International Design Classification: **02-02NES**
(74) Name(s) of Attorney(s):
(71) Name(s) and Address(s) of Applicant(s):
Beba Enterprises Pty Ltd
34 Garden St South Yarra VIC 3141 Australia
(72) Name(s) of Designer(s): **Robert Cromb**
(45) Registration Date: **21 October 2013**
(56) Related Art Documents: **Not Applicable**
(57) Statement of Newness and Distinctiveness: **Nil**



(21) Design Number: **14738/2013**
(22) Date of Filing Application: **06 September 2013**
(24) Date from which industrial property rights may have effect: **06 September 2013**
(54) Product in respect of which the design is registered: **Articles of clothing**
(51) International Design Classification: **02-02NES**
(74) Name(s) of Attorney(s):
(71) Name(s) and Address(s) of Applicant(s):
Beba Enterprises Pty Ltd
34 Garden St South Yarra VIC 3141 Australia
(72) Name(s) of Designer(s): **Robert Cromb**
(45) Registration Date: **21 October 2013**
(56) Related Art Documents: **Not Applicable**
(57) Statement of Newness and Distinctiveness: **Nil**



(21) Design Number: **14739/2013**
(22) Date of Filing Application: **06 September 2013**
(24) Date from which industrial property rights may have effect: **06 September 2013**
(54) Product in respect of which the design is registered: **Articles of clothing**
(51) International Design Classification: **02-02NES**
(74) Name(s) of Attorney(s):
(71) Name(s) and Address(s) of Applicant(s):
Beba Enterprises Pty Ltd
34 Garden St South Yarra VIC 3141 Australia
(72) Name(s) of Designer(s): **Robert Cromb**
(45) Registration Date: **21 October 2013**
(56) Related Art Documents: **Not Applicable**
(57) Statement of Newness and Distinctiveness: **Nil**



- (21) Design Number: **14789/2013**
(22) Date of Filing Application: **23 September 2013**
(24) Date from which industrial property rights may have effect: **20 July 2013**
(54) Product in respect of which the design is registered: **Stubby holder**
(51) International Design Classification: **07-06A**
(74) Name(s) of Attorney(s):
(71) Name(s) and Address(s) of Applicant(s):
George Zurcas
74 Signature Bvd Point Cook VIC 3030 Australia
(72) Name(s) of Designer(s): **George Zurcas**
(45) Registration Date: **21 October 2013**
(62) Divisional of: **351295**
(56) Related Art Documents: **Not Applicable**
(57) Statement of Newness and Distinctiveness: **The Event Beer Cooler fits the unique dimensions of tapered cups supplied at sporting events in Australia. It maintains optimal drinking temperature and provides grip. The product is versatile with two options to choose from, with a base and without, (this application is for without a base) the base version has already been submitted, The Event Beer Cooler is compact to fit in your pocket.**



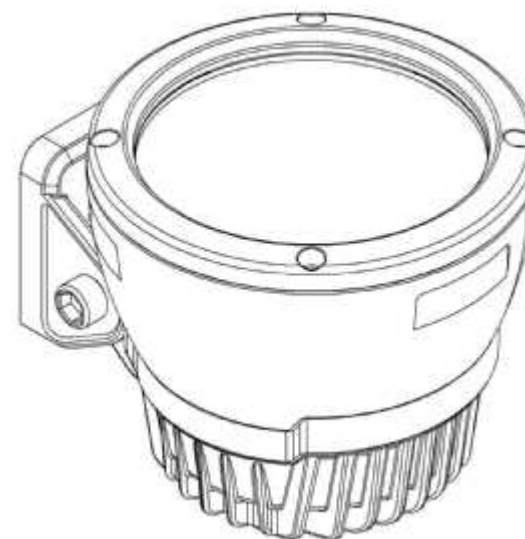
- (21) Design Number: **14306/2013**
(22) Date of Filing Application: **30 August 2013**
(24) Date from which industrial property rights may have effect: **30 August 2013**
(54) Product in respect of which the design is registered: **Toothbrush**
(51) International Design Classification: **04-02**
(74) Name(s) of Attorney(s): **FB Rice**
(71) Name(s) and Address(s) of Applicant(s):
Colgate-Palmolive Company
300 Park Avenue New York New York 10022 United States of America
(72) Name(s) of Designer(s): **Wen Jin Xi and Kai Zhang and Guang Sheng Guo**
(45) Registration Date: **21 October 2013**
(30) Convention priority data:
(31) Number (32) Date (33) Country
29/447984 08 Mar 2013 UNITED STATES OF AMERICA
(56) Related Art Documents: **Not Applicable**
(57) Statement of Newness and Distinctiveness: **Newness and distinctiveness reside in the features of the design as shown in the representations.**



(21) Design Number: **14307/2013**
(22) Date of Filing Application: **30 August 2013**
(24) Date from which industrial property rights may have effect: **30 August 2013**
(54) Product in respect of which the design is registered: **Toothbrush**
(51) International Design Classification: **04-02**
(74) Name(s) of Attorney(s): **FB Rice**
(71) Name(s) and Address(s) of Applicant(s):
Colgate-Palmolive Company
300 Park Avenue New York New York 10022 United States of America
(72) Name(s) of Designer(s): **Wen Jin Xi and Kai Zhang and Guang Sheng Guo**
(45) Registration Date: **21 October 2013**
(30) Convention priority data:
(31) Number (32) Date (33) Country
29/447984 08 Mar 2013 UNITED STATES OF AMERICA
(56) Related Art Documents: **Not Applicable**
(57) Statement of Newness and Distinctiveness: **Newness and distinctiveness reside in the features of the design as shown in the representations and excluding those features shown in broken lines.**



(21) Design Number: **14328/2013**
(22) Date of Filing Application: **30 August 2013**
(24) Date from which industrial property rights may have effect: **30 August 2013**
(54) Product in respect of which the design is registered: **Car lighting**
(51) International Design Classification: **26-06**
(74) Name(s) of Attorney(s): **Acacia Law**
(71) Name(s) and Address(s) of Applicant(s):
In-Hong Ko
No A-2803 Daelim Acrovill 13 Eonju-Ro 30 Gil Gangnam-ku Seoul
135-971 Republic of Korea
(72) Name(s) of Designer(s): **In-Hong Ko**
(45) Registration Date: **21 October 2013**
(30) Convention priority data:
(31) Number (32) Date (33) Country
30-2013-0019599 15 Apr 2013 REPUBLIC OF KOREA
(56) Related Art Documents: **Not Applicable**
(57) Statement of Newness and Distinctiveness: **Novelty lies in the combination of shape and configuration of the body for car lighting, particularly the radiation fin formed in the lower part of body, and the bracket assembled on one side of the body.**



- (21) Design Number: **14329/2013**
(22) Date of Filing Application: **30 August 2013**
(24) Date from which industrial property rights may have effect: **30 August 2013**
(54) Product in respect of which the design is registered: **Car lighting**
(51) International Design Classification: **26-06**
(74) Name(s) of Attorney(s): **Acacia Law**
(71) Name(s) and Address(s) of Applicant(s):

In-Hong Ko
No A-2803 Daelim Acrovill 13 Eonju-Ro 30 Gil Gangnam-ku Seoul
135-971 Republic of Korea

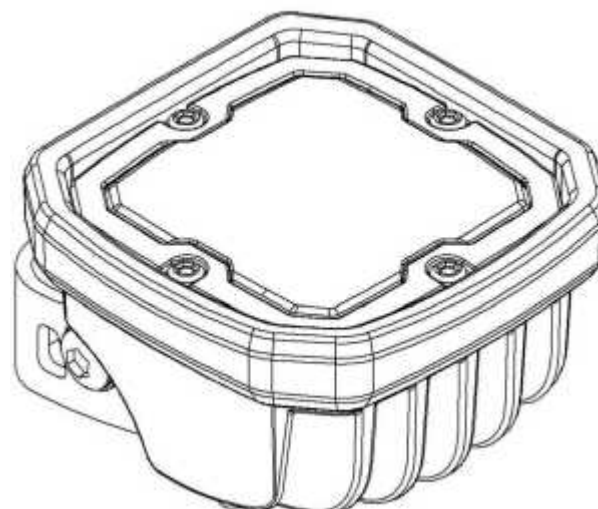
- (72) Name(s) of Designer(s): **In-Hong Ko**
(45) Registration Date: **21 October 2013**

(30) Convention priority data:

(31) Number	(32) Date	(33) Country
30-2013-0019600	15 Apr 2013	REPUBLIC OF KOREA

(56) Related Art Documents: **Not Applicable**

(57) Statement of Newness and Distinctiveness: **Novelty lies in the combination of shape and configuration of the body for car lighting, particularly the radiation fin formed in the lower part of body, and the bracket assembled on one side of the body.**



- (21) Design Number: **14330/2013**
(22) Date of Filing Application: **30 August 2013**
(24) Date from which industrial property rights may have effect: **30 August 2013**
(54) Product in respect of which the design is registered: **Car lighting**
(51) International Design Classification: **26-06**
(74) Name(s) of Attorney(s): **Acacia Law**
(71) Name(s) and Address(s) of Applicant(s):

In-Hong Ko
No A-2803 Daelim Acrovill 13 Eonju-Ro 30 Gil Gangnam-ku Seoul
135-971 Republic of Korea

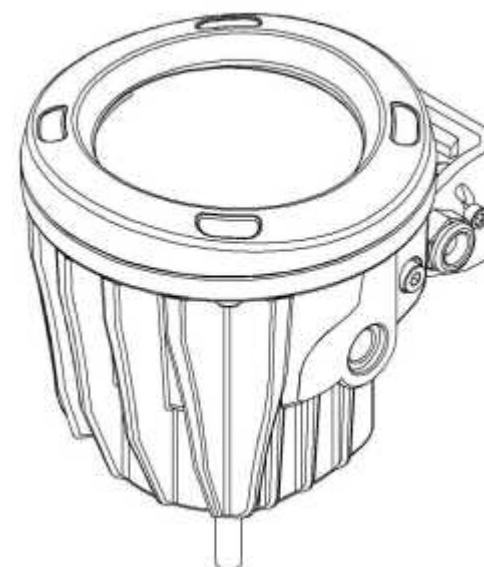
- (72) Name(s) of Designer(s): **In-Hong Ko**
(45) Registration Date: **21 October 2013**

(30) Convention priority data:

(31) Number	(32) Date	(33) Country
30-2013-0019601	15 Apr 2013	REPUBLIC OF KOREA

(56) Related Art Documents: **Not Applicable**

(57) Statement of Newness and Distinctiveness: **Novelty lies in the combination of shape and form of the configuration for car lighting, particularly the radiation fin formed in the lower part of body, and the bracket assembled on one side of the body.**



- (21) Design Number: **14331/2013**
(22) Date of Filing Application: **30 August 2013**
(24) Date from which industrial property rights may have effect: **30 August 2013**
(54) Product in respect of which the design is registered: **Car lighting**
(51) International Design Classification: **26-06**
(74) Name(s) of Attorney(s): **Acacia Law**
(71) Name(s) and Address(s) of Applicant(s):

In-Hong Ko

**No A-2803 Daelim Acrovill 13 Eonju-Ro 30 Gil Gangnam-ku Seoul
135-971 Republic of Korea**

(72) Name(s) of Designer(s): **In-Hong Ko**

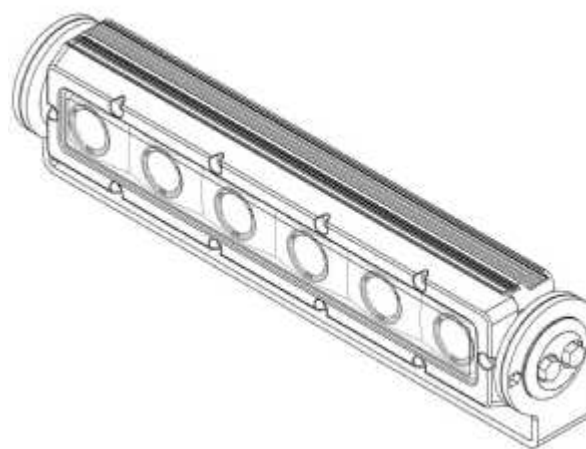
(45) Registration Date: **21 October 2013**

(30) Convention priority data:

(31) Number	(32) Date	(33) Country
30-2013-0020311	18 Apr 2013	REPUBLIC OF KOREA

(56) Related Art Documents: **Not Applicable**

(57) Statement of Newness and Distinctiveness: **Novelty lies in the combination of shape and configuration of the body for car lighting, particularly the radiation fin formed in the lower part of body, and the bracket assembled on one side of the body.**



- (21) Design Number: **14332/2013**
(22) Date of Filing Application: **30 August 2013**
(24) Date from which industrial property rights may have effect: **30 August 2013**
(54) Product in respect of which the design is registered: **Bracket for car lighting**
(51) International Design Classification: **26-06, 08-08NES**
(74) Name(s) of Attorney(s): **Acacia Law**
(71) Name(s) and Address(s) of Applicant(s):

In-Hong Ko

**No A-2803 Daelim Acrovill 13 Eonju-Ro 30 Gil Gangnam-ku Seoul
135-971 Republic of Korea**

(72) Name(s) of Designer(s): **In-Hong Ko**

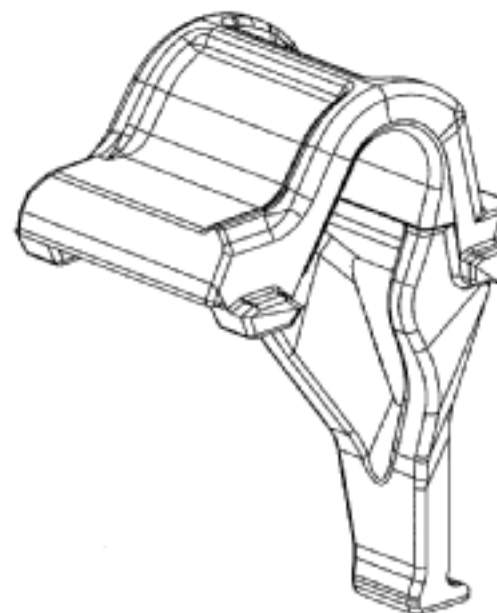
(45) Registration Date: **21 October 2013**

(56) Related Art Documents: **Not Applicable**

(57) Statement of Newness and Distinctiveness: **Novelty for a car lighting bracket lies particularly in the outer shape of the side plate of the bracket.**



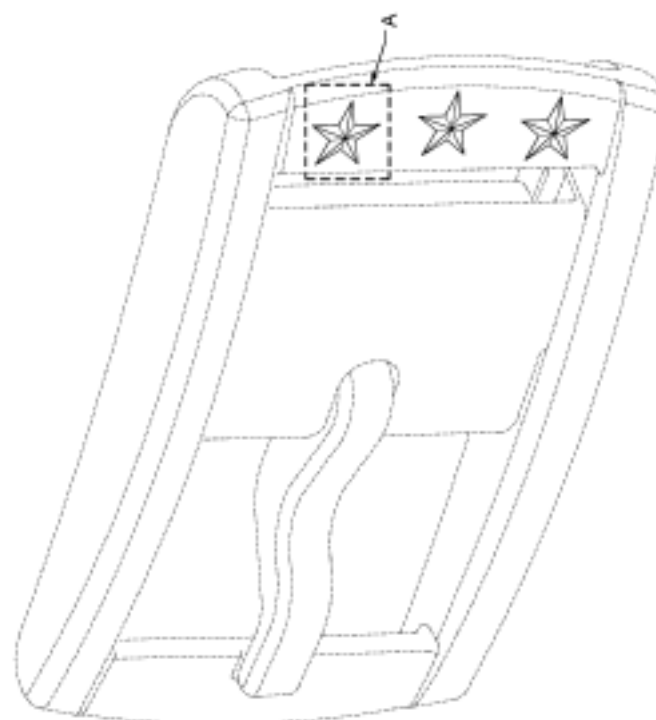
- (21) Design Number: **14325/2013**
(22) Date of Filing Application: **30 August 2013**
(24) Date from which industrial property rights may have effect: **30 August 2013**
(54) Product in respect of which the design is registered: **An anchor for a rail fastening clip**
(51) International Design Classification: **12-03, 12-99**
(74) Name(s) of Attorney(s): **Madderns**
(71) Name(s) and Address(s) of Applicant(s):
Pandrol Australia Pty Ltd
1 Schumacher Rd Wingfield SA 5013 Australia
(72) Name(s) of Designer(s): **Steven Harkness and Brenton Keast and Pierre Barthram and Jozef Nevidal**
(45) Registration Date: **21 October 2013**
(56) Related Art Documents: **Not Applicable**
(57) Statement of Newness and Distinctiveness: **Nil**



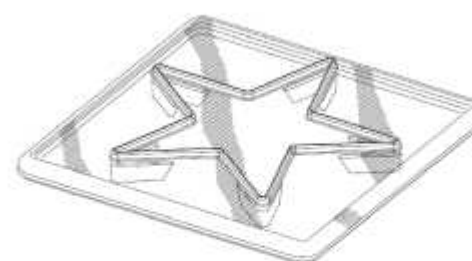
- (21) Design Number: **14326/2013**
(22) Date of Filing Application: **30 August 2013**
(24) Date from which industrial property rights may have effect: **30 August 2013**
(54) Product in respect of which the design is registered: **Plasma collector**
(51) International Design Classification: **24-01**
(74) Name(s) of Attorney(s): **Lord & Company**
(71) Name(s) and Address(s) of Applicant(s):
Sichuan Nigale Biomedical Co., Ltd.
306 room No 2 Building JinCheng Road 825 Hi-tech District Chengdu
Sichuan China
(72) Name(s) of Designer(s): **Peng Wang and Chuan Li and Zicheng Liao and Haitao Huang and Yun Zou and Deying Meng**
(45) Registration Date: **21 October 2013**
(30) Convention priority data:
(31) Number (32) Date (33) Country
201330147441.0 28 Apr 2013 CHINA
(56) Related Art Documents: **Not Applicable**
(57) Statement of Newness and Distinctiveness: **The particular visual features of the design which are new and distinctive are shape or configuration.**



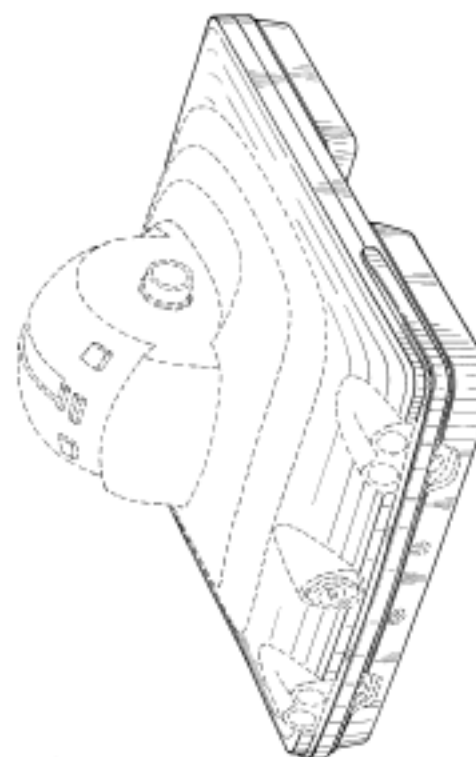
(21) Design Number: **14360/2013**
(22) Date of Filing Application: **03 September 2013**
(24) Date from which industrial property rights may have effect: **03 September 2013**
(54) Product in respect of which the design is registered: **Belt buckle**
(51) International Design Classification: **02-07A**
(74) Name(s) of Attorney(s): **SPRUSON & FERGUSON**
(71) Name(s) and Address(s) of Applicant(s):
MacNeil IP LLC
1 MacNeil Court Bolingbrook IL 60440 United States of America
(72) Name(s) of Designer(s): **Frederick W. Masanek Jr.**
(45) Registration Date: **21 October 2013**
(30) Convention priority data:
(31) Number (32) Date (33) Country
29/447490 04 Mar 2013 UNITED STATES OF AMERICA
(56) Related Art Documents: **Not Applicable**
(57) Statement of Newness and Distinctiveness: **Newness and distinctiveness is claimed in the features of shape and/or configuration of the three raised stars of a belt buckle as illustrated in continuous lines in the accompanying representations.**



(21) Design Number: **14361/2013**
(22) Date of Filing Application: **03 September 2013**
(24) Date from which industrial property rights may have effect: **03 September 2013**
(54) Product in respect of which the design is registered: **Container lid**
(51) International Design Classification: **07-01NES**
(74) Name(s) of Attorney(s): **SPRUSON & FERGUSON**
(71) Name(s) and Address(s) of Applicant(s):
MacNeil IP LLC
1 MacNeil Court Bolingbrook IL 60440 United States of America
(72) Name(s) of Designer(s): **Frederick W. Masanek Jr.**
(45) Registration Date: **21 October 2013**
(30) Convention priority data:
(31) Number (32) Date (33) Country
29/447500 04 Mar 2013 UNITED STATES OF AMERICA
(56) Related Art Documents: **Not Applicable**
(57) Statement of Newness and Distinctiveness: **Newness and distinctiveness is claimed in the following features of a container lid as illustrated in the accompanying drawings: a) the transparency of the container lid; and b) the shape and/or configuration of the raised star of the container lid.**



(21) Design Number: **14304/2013**
(22) Date of Filing Application: **29 August 2013**
(24) Date from which industrial property rights may have effect: **29 August 2013**
(54) Product in respect of which the design is registered: **Appliance head**
(51) International Design Classification: **15-05**
(74) Name(s) of Attorney(s): **PIZZEYS**
(71) Name(s) and Address(s) of Applicant(s):
Euro-Pro Operating LLC
180 Wells Avenue Suite 200 Newton Massachusetts 02459 United States
of America
(72) Name(s) of Designer(s): **William Scott Hughes and James Russell Varney**
and Bryan Robert Hotaling and Scott A. Leclerc and James M. Ormond
and Matthew C. White
(45) Registration Date: **21 October 2013**
(30) Convention priority data:
(31) Number (32) Date (33) Country
29/447,256 01 Mar 2013 UNITED STATES OF AMERICA
(56) Related Art Documents: **Not Applicable**
(57) Statement of Newness and Distinctiveness: **Nil**



(21) Design Number: **14429/2013**
(22) Date of Filing Application: **06 September 2013**
(24) Date from which industrial property rights may have effect: **06 September 2013**
(54) Product in respect of which the design is registered: **Air fryer**
(51) International Design Classification: **07-02N**
(74) Name(s) of Attorney(s): **FB Rice**
(71) Name(s) and Address(s) of Applicant(s):
Koninklijke Philips N.V.
High Tech Campus 5 Eindhoven 5656 AE The Netherlands
(72) Name(s) of Designer(s): **Roeland Gerard Krooshof**
(45) Registration Date: **21 October 2013**
(30) Convention priority data:
(31) Number (32) Date (33) Country
002198499-0001 07 Mar 2013 OFFICE FOR HARMONISATION IN
THE INTERNAL MARKET (OHIM)
(56) Related Art Documents: **Not Applicable**
(57) Statement of Newness and Distinctiveness: **Newness and distinctiveness**
reside in the features of shape and configuration of the design as shown
in the representations.



(21) Design Number: **14435/2013**
(22) Date of Filing Application: **06 September 2013**
(24) Date from which industrial property rights may have effect: **06 September 2013**
(54) Product in respect of which the design is registered: **Barrier rail**
(51) International Design Classification: **25-02C**
(74) Name(s) of Attorney(s): **Actuate IP**
(71) Name(s) and Address(s) of Applicant(s):
Moddex Group Pty Ltd
Kalman House 1 Kalman Dr Boronia VIC 3155 Australia
(72) Name(s) of Designer(s): **Dean Vos and Steven Thrush and Alvin Rowland and Iain White**
(45) Registration Date: **21 October 2013**
(30) Convention priority data:
(31) Number (32) Date (33) Country
29/447928 07 Mar 2013 UNITED STATES OF AMERICA
(56) Related Art Documents: **Not Applicable**
(57) Statement of Newness and Distinctiveness: **Newness and distinctiveness is claimed in the features of shape and/or configuration of the barrier rail as illustrated in the accompanying representations.**



(21) Design Number: **14436/2013**
(22) Date of Filing Application: **06 September 2013**
(24) Date from which industrial property rights may have effect: **06 September 2013**
(54) Product in respect of which the design is registered: **Rail joiner**
(51) International Design Classification: **08-08NES, 08-08L**
(74) Name(s) of Attorney(s): **Actuate IP**
(71) Name(s) and Address(s) of Applicant(s):
Moddex Group Pty Ltd
Kalman House 1 Kalman Dr Boronia VIC 3155 Australia
(72) Name(s) of Designer(s): **Steven Thrush and Dean Vos and Iain White**
(45) Registration Date: **21 October 2013**
(30) Convention priority data:
(31) Number (32) Date (33) Country
29/447932 07 Mar 2013 UNITED STATES OF AMERICA
(56) Related Art Documents: **Not Applicable**
(57) Statement of Newness and Distinctiveness: **Newness and distinctiveness is claimed in the features of shape and/or configuration of the rail joiner as illustrated in the accompanying representations.**



(21) Design Number: **14438/2013**
(22) Date of Filing Application: **06 September 2013**
(24) Date from which industrial property rights may have effect: **06 September 2013**
(54) Product in respect of which the design is registered: **Hinge**
(51) International Design Classification: **08-06**
(74) Name(s) of Attorney(s): **Actuate IP**
(71) Name(s) and Address(s) of Applicant(s):

Moddex Group Pty Ltd
Kalman House 1 Kalman Dr Boronia VIC 3155 Australia

(72) Name(s) of Designer(s): **Steven Thrush and Dean Vos and Iain White**

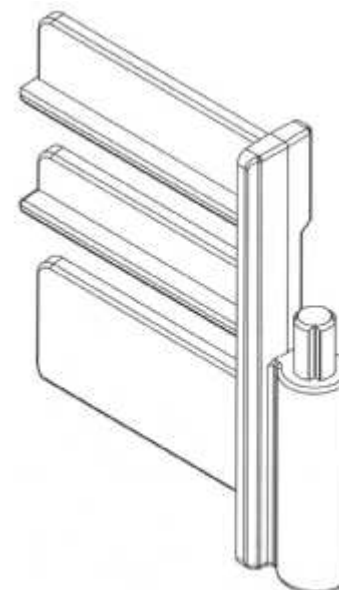
(45) Registration Date: **21 October 2013**

(30) Convention priority data:

(31) Number	(32) Date	(33) Country
29/447935	07 Mar 2013	UNITED STATES OF AMERICA

(56) Related Art Documents: **Not Applicable**

(57) Statement of Newness and Distinctiveness: **Newness and distinctiveness is claimed in the features of shape and/or configuration of the hinge as illustrated in the accompanying representations.**



(21) Design Number: **14439/2013**
(22) Date of Filing Application: **06 September 2013**
(24) Date from which industrial property rights may have effect: **06 September 2013**
(54) Product in respect of which the design is registered: **Hinge**
(51) International Design Classification: **08-06**
(74) Name(s) of Attorney(s): **Actuate IP**
(71) Name(s) and Address(s) of Applicant(s):

Moddex Group Pty Ltd
Kalman House 1 Kalman Dr Boronia VIC 3155 Australia

(72) Name(s) of Designer(s): **Stephen Thursh and Dean Vos and Iain White**

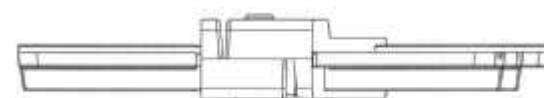
(45) Registration Date: **21 October 2013**

(30) Convention priority data:

(31) Number	(32) Date	(33) Country
29/447938	07 Mar 2013	UNITED STATES OF AMERICA

(56) Related Art Documents: **Not Applicable**

(57) Statement of Newness and Distinctiveness: **Newness and distinctiveness is claimed in the features of shape and/or configuration of the hinge as illustrated in the accompanying representations.**



(21) Design Number: **14456/2013**
(22) Date of Filing Application: **09 September 2013**
(24) Date from which industrial property rights may have effect: **09 September 2013**
(54) Product in respect of which the design is registered: **Catheter pump console**
(51) International Design Classification: **24-02**
(74) Name(s) of Attorney(s): **PHILLIPS ORMONDE FITZPATRICK**
(71) Name(s) and Address(s) of Applicant(s):

Thoratec Corporation
6101 Stoneridge Drive Pleasanton California, 94588 United States of America

(72) Name(s) of Designer(s): **Alan L. Schenck and Keif Fitzgerald and Paul Muller and Joseph P. Sullivan and Keith Schubert and Peter W. Bristol and Jeffrey Paul Mills and Patrick Vibrandt and Paul C. Leonard**

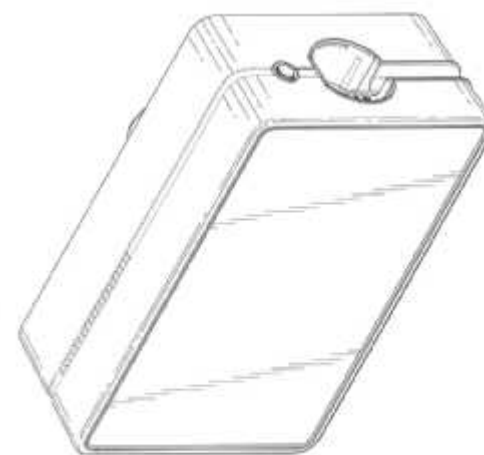
(45) Registration Date: **21 October 2013**

(30) Convention priority data:

(31) Number	(32) Date	(33) Country
29/449,287	14 Mar 2013	UNITED STATES OF AMERICA

(56) Related Art Documents: **Not Applicable**

(57) Statement of Newness and Distinctiveness: **Those features of the catheter pump console depicted in the representations that are new and distinctive are the shape and/or configuration. The features shown in broken lines are not part of the design and are to be disregarded when considering the overall impression of the design.**



(21) Design Number: **14457/2013**
(22) Date of Filing Application: **09 September 2013**
(24) Date from which industrial property rights may have effect: **09 September 2013**
(54) Product in respect of which the design is registered: **Catheter pump console**
(51) International Design Classification: **24-02**
(74) Name(s) of Attorney(s): **PHILLIPS ORMONDE FITZPATRICK**
(71) Name(s) and Address(s) of Applicant(s):

Thoratec Corporation
6101 Stoneridge Drive Pleasanton California, 94588 United States of America

(72) Name(s) of Designer(s): **Alan L. Schenck and Keif Fitzgerald and Paul Muller and Joseph P. Sullivan and Keith Schubert and Peter W. Bristol and Jeffrey Paul Mills and Patrick Vibrandt and Paul C. Leonard**

(45) Registration Date: **21 October 2013**

(30) Convention priority data:

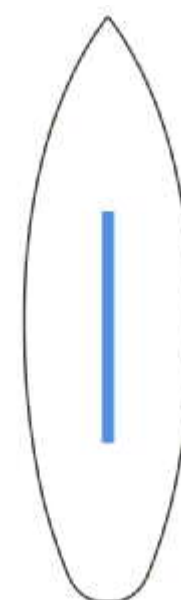
(31) Number	(32) Date	(33) Country
29/449,287	14 Mar 2013	UNITED STATES OF AMERICA

(56) Related Art Documents: **Not Applicable**

(57) Statement of Newness and Distinctiveness: **Those features of the catheter pump console depicted in the representations that are new and distinctive are the shape and/or configuration. The features shown in broken lines are not part of the design and are to be disregarded when considering the overall impression of the design.**



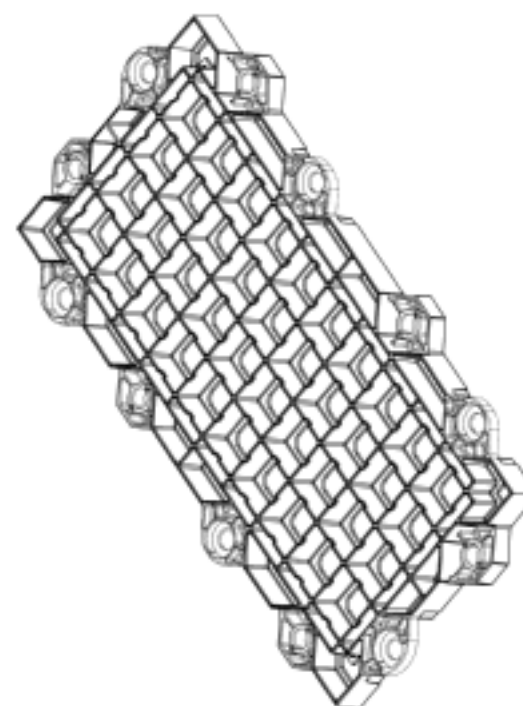
(21) Design Number: **14501/2013**
(22) Date of Filing Application: **11 September 2013**
(24) Date from which industrial property rights may have effect: **11 September 2013**
(54) Product in respect of which the design is registered: **Surfboard**
(51) International Design Classification: **21-02D**
(74) Name(s) of Attorney(s):
(71) Name(s) and Address(s) of Applicant(s):
Paul Barron
Unit 1 18 Bower Avenue New Brighton Christchurch 8083 New Zealand
(72) Name(s) of Designer(s): **Paul Barron**
(45) Registration Date: **21 October 2013**
(30) Convention priority data:
(31) Number (32) Date (33) Country
NZ417421 21 Mar 2013 NEW ZEALAND
(56) Related Art Documents: **Not Applicable**
(57) Statement of Newness and Distinctiveness: **This design is to be applied to a surf board and the novelty resides in features of pattern and ornamentation of the article, as shown in the accompanying representations.**



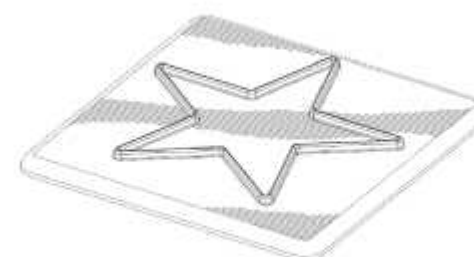
(21) Design Number: **14502/2013**
(22) Date of Filing Application: **11 September 2013**
(24) Date from which industrial property rights may have effect: **11 September 2013**
(54) Product in respect of which the design is registered: **Leather bed frame**
(51) International Design Classification: **06-02**
(74) Name(s) of Attorney(s):
(71) Name(s) and Address(s) of Applicant(s):
Fast & Save Pty Ltd
Fy 2 29-31 Graham Ct Hoppers Crossing VIC 3029 Australia
(72) Name(s) of Designer(s): **Thanh Trieu Nguyen**
(45) Registration Date: **21 October 2013**
(56) Related Art Documents: **Not Applicable**
(57) Statement of Newness and Distinctiveness: **Nil**



(21) Design Number: **14503/2013**
(22) Date of Filing Application: **11 September 2013**
(24) Date from which industrial property rights may have effect: **11 September 2013**
(54) Product in respect of which the design is registered: **Portable porous construction mat**
(51) International Design Classification: **06-11, 25-02NES**
(74) Name(s) of Attorney(s): **SPRUSON & FERGUSON**
(71) Name(s) and Address(s) of Applicant(s):
Reynolds Presto Products Inc.
6641 West Broad Street Richmond VA, 23230-1723 United States of America
(72) Name(s) of Designer(s): **Gary M. Bach**
(45) Registration Date: **21 October 2013**
(30) Convention priority data:
(31) Number (32) Date (33) Country
29/448410 12 Mar 2013 UNITED STATES OF AMERICA
(56) Related Art Documents: **Not Applicable**
(57) Statement of Newness and Distinctiveness: **Newness and distinctiveness is claimed in those features of shape and/or configuration of a portable porous construction mat illustrated in continuous lines in the accompanying representations.**



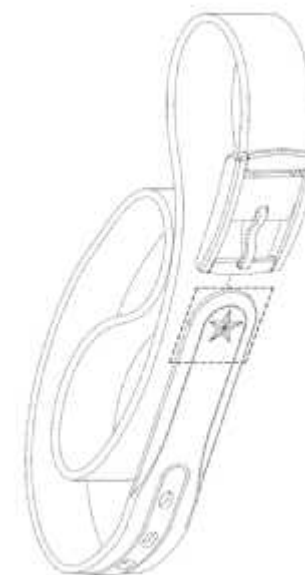
(21) Design Number: **14362/2013**
(22) Date of Filing Application: **03 September 2013**
(24) Date from which industrial property rights may have effect: **03 September 2013**
(54) Product in respect of which the design is registered: **Container lid**
(51) International Design Classification: **07-01NES**
(74) Name(s) of Attorney(s): **SPRUSON & FERGUSON**
(71) Name(s) and Address(s) of Applicant(s):
MacNeil IP LLC
1 MacNeil Court Bolingbrook IL 60440 United States of America
(72) Name(s) of Designer(s): **Frederick W. Masanek Jr.**
(45) Registration Date: **21 October 2013**
(30) Convention priority data:
(31) Number (32) Date (33) Country
29/447500 04 Mar 2013 UNITED STATES OF AMERICA
(56) Related Art Documents: **Not Applicable**
(57) Statement of Newness and Distinctiveness: **Newness and distinctiveness is claimed in the features of shape and/or configuration of the raised star of a container as illustrated in continuous lines in the accompanying representations.**



(21) Design Number: **14363/2013**
(22) Date of Filing Application: **03 September 2013**
(24) Date from which industrial property rights may have effect: **03 September 2013**
(54) Product in respect of which the design is registered: **Gemstone**
(51) International Design Classification: **11-01NES**
(74) Name(s) of Attorney(s): **DibbsBarker**
(71) Name(s) and Address(s) of Applicant(s):
A. Dalumi Diamonds Ltd.
The Diamond Exchange Building 1 Jabotinsky Street Ramat Gan 52520
Israel
(72) Name(s) of Designer(s): **Jacov Itzchaki**
(45) Registration Date: **21 October 2013**
(56) Related Art Documents: **Not Applicable**
(57) Statement of Newness and Distinctiveness: **The features of the design for which novelty is claimed are the shape and configuration of the gemstone as shown in the representations.**



(21) Design Number: **14365/2013**
(22) Date of Filing Application: **03 September 2013**
(24) Date from which industrial property rights may have effect: **03 September 2013**
(54) Product in respect of which the design is registered: **Belt**
(51) International Design Classification: **02-07A**
(74) Name(s) of Attorney(s): **SPRUSON & FERGUSON**
(71) Name(s) and Address(s) of Applicant(s):
MacNeil IP LLC
1 MacNeil Court Bolingbrook IL 60440 United States of America
(72) Name(s) of Designer(s): **Frederick W. Masanek Jr.**
(45) Registration Date: **21 October 2013**
(30) Convention priority data:
(31) Number (32) Date (33) Country
29/447470 04 Mar 2013 UNITED STATES OF AMERICA
(56) Related Art Documents: **Not Applicable**
(57) Statement of Newness and Distinctiveness: **Newness and distinctiveness is claimed in the features of shape and/or configuration of the raised star of a belt as illustrated in continuous lines in the accompanying representations.**



(21) Design Number: **14367/2013**
(22) Date of Filing Application: **03 September 2013**
(24) Date from which industrial property rights may have effect: **03 September 2013**
(54) Product in respect of which the design is registered: **Luminaire**
(51) International Design Classification: **26-05A**
(74) Name(s) of Attorney(s): **SPRUSON & FERGUSON**
(71) Name(s) and Address(s) of Applicant(s):

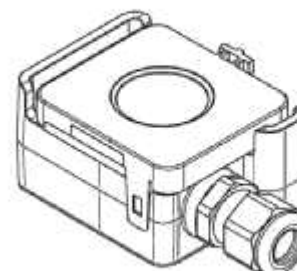
Zumtobel Lighting GmbH
Schweizer Strasse 30, Dornbirn 6850 Austria

(72) Name(s) of Designer(s): **Daniel Eberle**

(45) Registration Date: **21 October 2013**

(30) Convention priority data:

(31) Number	(32) Date	(33) Country
001 363 360	07 Mar 2013	OFFICE FOR HARMONISATION IN THE INTERNAL MARKET (OHIM)



(56) Related Art Documents: **Not Applicable**

(57) Statement of Newness and Distinctiveness: **Newness and distinctiveness is claimed in the features of shape and/or configuration of a luminaire as illustrated in the accompanying representations.**

(21) Design Number: **14368/2013**
(22) Date of Filing Application: **03 September 2013**
(24) Date from which industrial property rights may have effect: **03 September 2013**
(54) Product in respect of which the design is registered: **Luminaire**
(51) International Design Classification: **26-05A**
(74) Name(s) of Attorney(s): **SPRUSON & FERGUSON**
(71) Name(s) and Address(s) of Applicant(s):

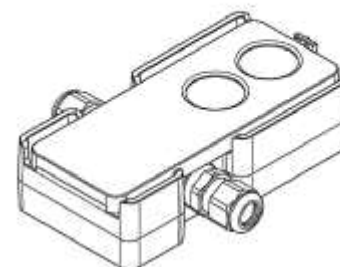
Zumtobel Lighting GmbH
Schweizer Strasse 30, Dornbirn 6850 Austria

(72) Name(s) of Designer(s): **Daniel Eberle**

(45) Registration Date: **21 October 2013**

(30) Convention priority data:

(31) Number	(32) Date	(33) Country
001 363 360	07 Mar 2013	OFFICE FOR HARMONISATION IN THE INTERNAL MARKET (OHIM)



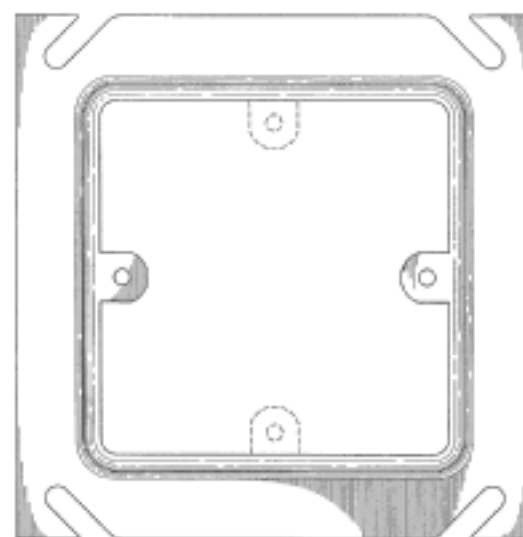
(56) Related Art Documents: **Not Applicable**

(57) Statement of Newness and Distinctiveness: **Newness and distinctiveness is claimed in the features of shape and/or configuration of a luminaire as illustrated in the accompanying representations.**

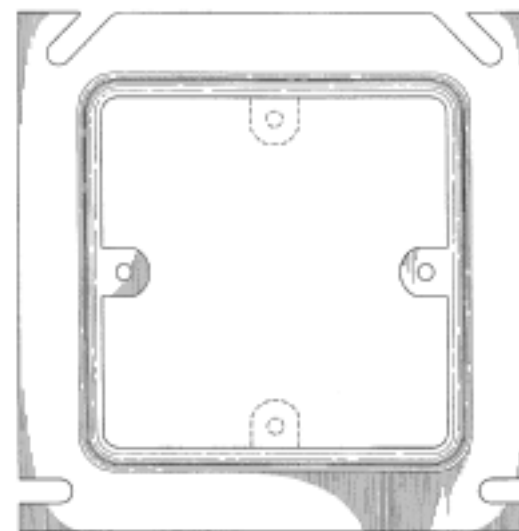
- (21) Design Number: **14370/2013**
(22) Date of Filing Application: **03 September 2013**
(24) Date from which industrial property rights may have effect: **03 September 2013**
(54) Product in respect of which the design is registered: **Headgear**
(51) International Design Classification: **02-03**
(74) Name(s) of Attorney(s): **James & Wells**
(71) Name(s) and Address(s) of Applicant(s):
Creative Hype Limited
733 Maddisons Road RD 5 Christchurch 7675 New Zealand
(72) Name(s) of Designer(s): **Clay Edward James Caird**
(45) Registration Date: **21 October 2013**
(56) Related Art Documents: **Not Applicable**
(57) Statement of Newness and Distinctiveness: **This design is to be applied to headgear and the novelty resides in features of shape and configuration of the article, all as shown in the accompanying representations.**



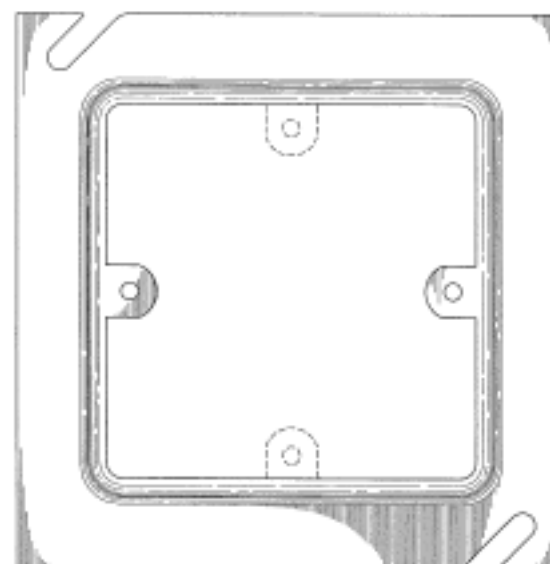
- (21) Design Number: **14374/2013**
(22) Date of Filing Application: **30 August 2013**
(24) Date from which industrial property rights may have effect: **30 August 2013**
(54) Product in respect of which the design is registered: **Plaster ring**
(51) International Design Classification: **13-03C**
(74) Name(s) of Attorney(s): **Freehills Patent Attorneys**
(71) Name(s) and Address(s) of Applicant(s):
RANDL Industries, Inc.
3808 North Sullivan Road Building 10 Suite P Spokane Valley
Washington 99216 United States of America
(72) Name(s) of Designer(s): **Robert J. Hagarty**
(45) Registration Date: **21 October 2013**
(30) Convention priority data:
(31) Number (32) Date (33) Country
29/447297 01 Mar 2013 UNITED STATES OF AMERICA
(56) Related Art Documents: **Not Applicable**
(57) Statement of Newness and Distinctiveness: **Newness and distinctiveness of the design resides in the features of shape and configuration of the plaster ring shown in solid lines in the accompanying representations.**



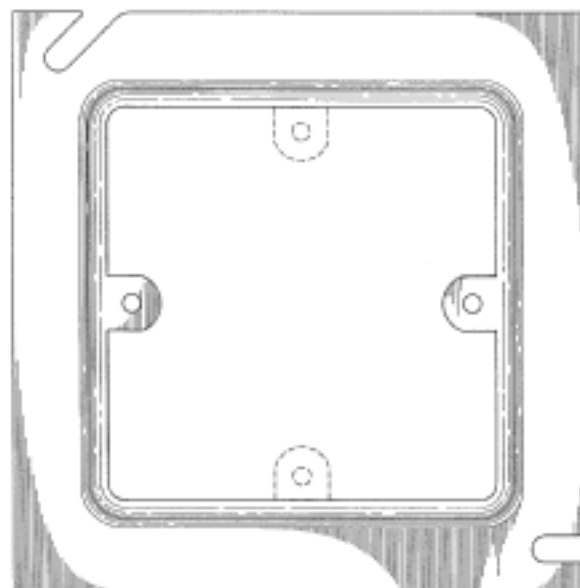
(21) Design Number: **14375/2013**
(22) Date of Filing Application: **30 August 2013**
(24) Date from which industrial property rights may have effect: **30 August 2013**
(54) Product in respect of which the design is registered: **Plaster ring**
(51) International Design Classification: **13-03C**
(74) Name(s) of Attorney(s): **Freehills Patent Attorneys**
(71) Name(s) and Address(s) of Applicant(s):
RANDL Industries, Inc.
3808 North Sullivan Road Building 10 Suite P Spokane Valley
Washington 99216 United States of America
(72) Name(s) of Designer(s): **Robert J. Hagarty**
(45) Registration Date: **21 October 2013**
(30) Convention priority data:
(31) Number (32) Date (33) Country
29/447297 01 Mar 2013 UNITED STATES OF AMERICA
(56) Related Art Documents: **Not Applicable**
(57) Statement of Newness and Distinctiveness: **Newness and distinctiveness of the design resides in the features of shape and configuration of the plaster ring shown in solid lines in the accompanying representations.**



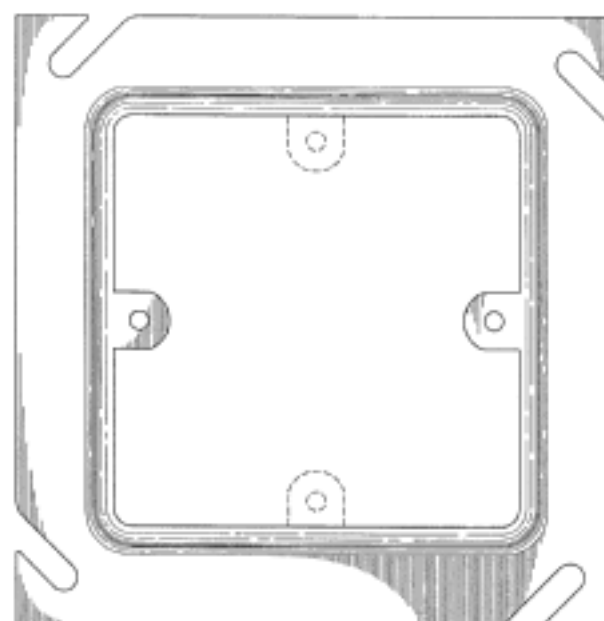
(21) Design Number: **14376/2013**
(22) Date of Filing Application: **30 August 2013**
(24) Date from which industrial property rights may have effect: **30 August 2013**
(54) Product in respect of which the design is registered: **Plaster ring**
(51) International Design Classification: **13-03C**
(74) Name(s) of Attorney(s): **Freehills Patent Attorneys**
(71) Name(s) and Address(s) of Applicant(s):
RANDL Industries, Inc.
3808 North Sullivan Road Building 10 Suite P Spokane Valley
Washington 99216 United States of America
(72) Name(s) of Designer(s): **Robert J. Hagarty**
(45) Registration Date: **21 October 2013**
(30) Convention priority data:
(31) Number (32) Date (33) Country
29/447297 01 Mar 2013 UNITED STATES OF AMERICA
(56) Related Art Documents: **Not Applicable**
(57) Statement of Newness and Distinctiveness: **Newness and distinctiveness of the design resides in the features of shape and configuration of the plaster ring shown in solid lines in the accompanying representations.**



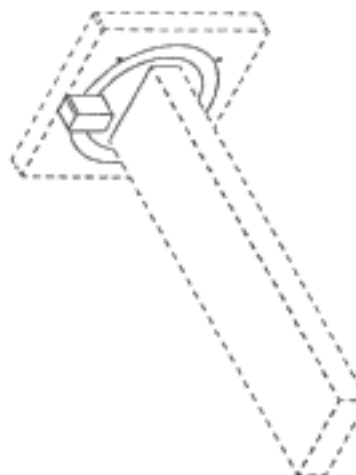
- (21) Design Number: **14377/2013**
(22) Date of Filing Application: **30 August 2013**
(24) Date from which industrial property rights may have effect: **30 August 2013**
(54) Product in respect of which the design is registered: **Plaster ring**
(51) International Design Classification: **13-03C**
(74) Name(s) of Attorney(s): **Freehills Patent Attorneys**
(71) Name(s) and Address(s) of Applicant(s):
RANDL Industries, Inc.
3808 North Sullivan Road Building 10 Suite P Spokane Valley
Washington 99216 United States of America
(72) Name(s) of Designer(s): **Robert J. Hagarty**
(45) Registration Date: **21 October 2013**
(30) Convention priority data:
(31) Number (32) Date (33) Country
29/447297 01 Mar 2013 UNITED STATES OF AMERICA
(56) Related Art Documents: **Not Applicable**
(57) Statement of Newness and Distinctiveness: **Newness and distinctiveness of the design resides in the features of shape and configuration of the plaster ring shown in solid lines in the accompanying representations.**



- (21) Design Number: **14378/2013**
(22) Date of Filing Application: **30 August 2013**
(24) Date from which industrial property rights may have effect: **30 August 2013**
(54) Product in respect of which the design is registered: **Plaster ring**
(51) International Design Classification: **13-03C**
(74) Name(s) of Attorney(s): **Freehills Patent Attorneys**
(71) Name(s) and Address(s) of Applicant(s):
RANDL Industries, Inc.
3808 North Sullivan Road Building 10 Suite P Spokane Valley
Washington 99216 United States of America
(72) Name(s) of Designer(s): **Robert J. Hagarty**
(45) Registration Date: **21 October 2013**
(30) Convention priority data:
(31) Number (32) Date (33) Country
29/447297 01 Mar 2013 UNITED STATES OF AMERICA
(56) Related Art Documents: **Not Applicable**
(57) Statement of Newness and Distinctiveness: **Newness and distinctiveness of the design resides in the features of shape and configuration of the plaster ring shown in solid lines in the accompanying representations.**



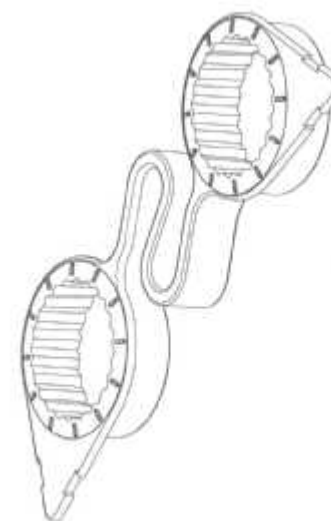
- (21) Design Number: **14383/2013**
(22) Date of Filing Application: **30 August 2013**
(24) Date from which industrial property rights may have effect: **30 August 2013**
(54) Product in respect of which the design is registered: **Wall mixer, hob mixer, shower mixer and twin shower mixer**
(51) International Design Classification: **23-01H**
(74) Name(s) of Attorney(s): **Freehills Patent Attorneys**
(71) Name(s) and Address(s) of Applicant(s):
Phoenix Industries Pty Ltd
926 Mountain Hwy Bayswater VIC 3153 Australia
(72) Name(s) of Designer(s): **Andrew Cocks**
(45) Registration Date: **21 October 2013**
(56) Related Art Documents: **Not Applicable**
(57) Statement of Newness and Distinctiveness: **Newness and distinctiveness of the design resides in the features of shape and configuration of the tap as applied to a wall mixer, a hob mixer, a shower mixer and a twin shower mixer as shown in solid outline in the accompanying representations.**



- (21) Design Number: **14389/2013**
(22) Date of Filing Application: **03 September 2013**
(24) Date from which industrial property rights may have effect: **03 September 2013**
(54) Product in respect of which the design is registered: **A knife guide**
(51) International Design Classification: **07-04**
(74) Name(s) of Attorney(s): **SPRUSON & FERGUSON**
(71) Name(s) and Address(s) of Applicant(s):
Take Two Marketing and Events Pty Ltd
SE302 L3 209 Oxford St Bondi Junction NSW 2022 Australia
(72) Name(s) of Designer(s): **James Cheney and Eric Siu**
(45) Registration Date: **21 October 2013**
(56) Related Art Documents: **Not Applicable**
(57) Statement of Newness and Distinctiveness: **Newness and distinctiveness is claimed in the features of shape and/or configuration of a knife guide as illustrated in the accompanying representations.**



- (21) Design Number: **14401/2013**
(22) Date of Filing Application: **04 September 2013**
(24) Date from which industrial property rights may have effect: **04 September 2013**
(54) Product in respect of which the design is registered: **Loose wheel nut indicator**
(51) International Design Classification: **08-05E**
(74) Name(s) of Attorney(s): **PETER MAXWELL & ASSOCIATES**
(71) Name(s) and Address(s) of Applicant(s):
Marchmont Pty Ltd
1019 Redlynch Intake Road Redlynch QLD 4870 Australia
(72) Name(s) of Designer(s): **Ronald Robert Mason**
(45) Registration Date: **21 October 2013**
(56) Related Art Documents: **Not Applicable**
(57) Statement of Newness and Distinctiveness: **Newness and distinctiveness is claimed in the shape and/or configuration of LOOSE WHEEL NUT INDICATOR as illustrated by the unbroken lines in the accompanying representations.**



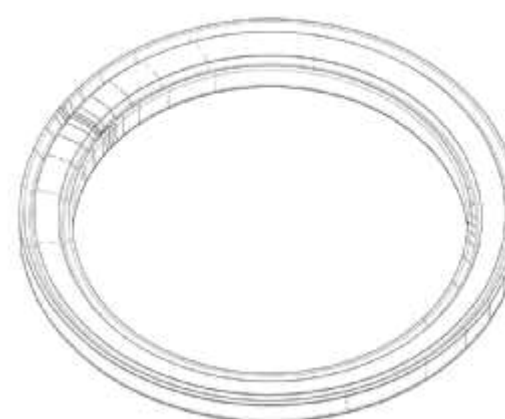
- (21) Design Number: **14406/2013**
(22) Date of Filing Application: **04 September 2013**
(24) Date from which industrial property rights may have effect: **04 September 2013**
(54) Product in respect of which the design is registered: **Pendant**
(51) International Design Classification: **11-01NES, 11-01E**
(74) Name(s) of Attorney(s): **SPRUSON & FERGUSON**
(71) Name(s) and Address(s) of Applicant(s):
Christian Dior Couture
30 avenue Montaigne Paris 75008 France
(72) Name(s) of Designer(s): **Victoire de Castellane**
(45) Registration Date: **21 October 2013**
(30) Convention priority data:
(31) Number (32) Date (33) Country
DM/080 345 11 Mar 2013 SWITZERLAND
(56) Related Art Documents: **Not Applicable**
(57) Statement of Newness and Distinctiveness: **Newness and distinctiveness is claimed in the features of shape and/or configuration of a pendant as illustrated in the accompanying representations.**



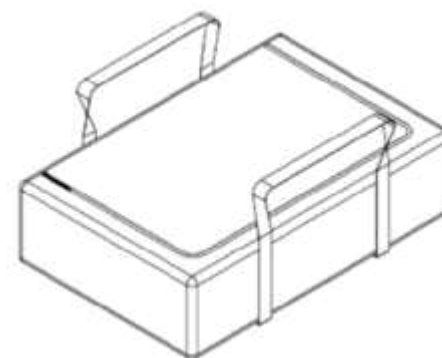
(21) Design Number: **14409/2013**
(22) Date of Filing Application: **04 September 2013**
(24) Date from which industrial property rights may have effect: **04 September 2013**
(54) Product in respect of which the design is registered: **Sealing ring for gyratory crusher**
(51) International Design Classification: **15-99**
(74) Name(s) of Attorney(s): **Griffith Hack**
(71) Name(s) and Address(s) of Applicant(s):
Sandvik Intellectual Property AB
Sandviken SE-811 81 Sweden
(72) Name(s) of Designer(s): **Mats Malmberg**
(45) Registration Date: **21 October 2013**
(30) Convention priority data:
(31) Number (32) Date (33) Country
001363774-0001 08 Mar 2013 OFFICE FOR HARMONISATION IN
THE INTERNAL MARKET (OHIM)
(56) Related Art Documents: **Not Applicable**
(57) Statement of Newness and Distinctiveness: **Nil**



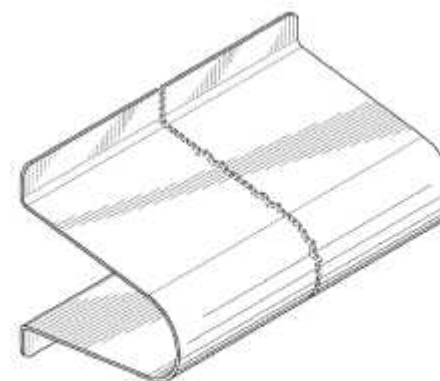
(21) Design Number: **14410/2013**
(22) Date of Filing Application: **04 September 2013**
(24) Date from which industrial property rights may have effect: **04 September 2013**
(54) Product in respect of which the design is registered: **Sealing ring for gyratory crusher**
(51) International Design Classification: **15-99**
(74) Name(s) of Attorney(s): **Griffith Hack**
(71) Name(s) and Address(s) of Applicant(s):
Sandvik Intellectual Property AB
Sandviken SE-811 81 Sweden
(72) Name(s) of Designer(s): **Mats Malmberg**
(45) Registration Date: **21 October 2013**
(30) Convention priority data:
(31) Number (32) Date (33) Country
001363774-0004 08 Mar 2013 OFFICE FOR HARMONISATION IN
THE INTERNAL MARKET (OHIM)
(56) Related Art Documents: **Not Applicable**
(57) Statement of Newness and Distinctiveness: **Newness and distinctiveness resides in the visual features, including shape and configuration, of a SEALING RING FOR GYRATORY CRUSHER as shown in the accompanying drawings. When determining whether the design is substantially similar in overall impression to another design, no regard is to be had to the lines, both dotted and solid, which are shown in the accompanying drawings as extending transversely through the Sealing Ring. These lines are provided for illustrative purposes only to indicate that the particular embodiment of the Sealing Ring can be flexible.**



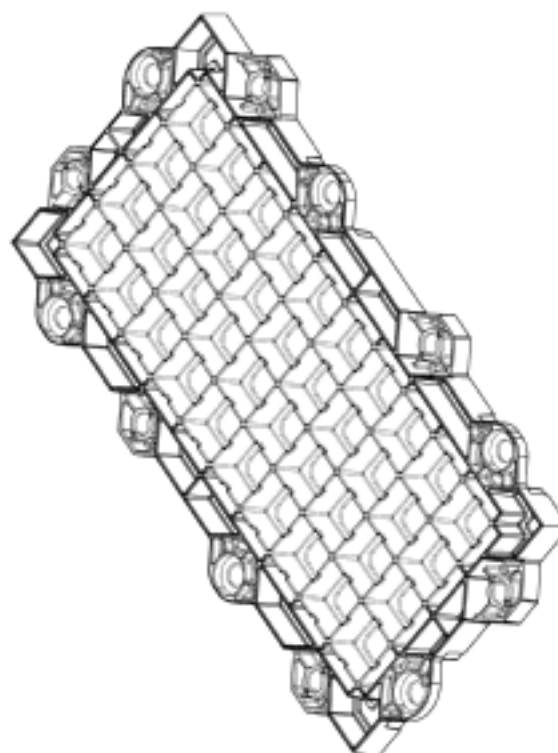
- (21) Design Number: **14413/2013**
(22) Date of Filing Application: **04 September 2013**
(24) Date from which industrial property rights may have effect: **04 September 2013**
(54) Product in respect of which the design is registered: **A bag for asbestos**
(51) International Design Classification: **03-01NES**
(74) Name(s) of Attorney(s):
(71) Name(s) and Address(s) of Applicant(s):
David Anthony Burgun
13 Craftsman Ave Berkeley Vale NSW 2261 Australia
(72) Name(s) of Designer(s): **David Anthony Burgun**
(45) Registration Date: **21 October 2013**
(56) Related Art Documents: **Not Applicable**
(57) Statement of Newness and Distinctiveness: **Newness & distinctiveness resides in the features of shape & configuration of the product as shown in the representations.**



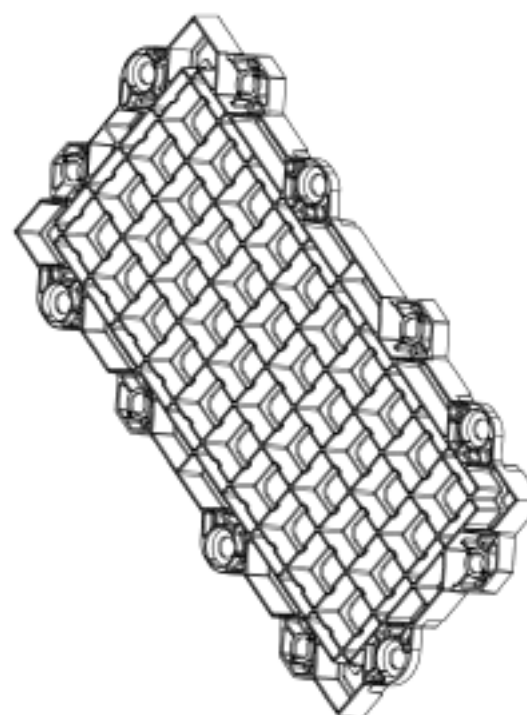
- (21) Design Number: **14419/2013**
(22) Date of Filing Application: **05 September 2013**
(24) Date from which industrial property rights may have effect: **05 September 2013**
(54) Product in respect of which the design is registered: **Reinforcing strut for an overhead door**
(51) International Design Classification: **25-01B, 25-02B**
(74) Name(s) of Attorney(s): **SPRUSON & FERGUSON**
(71) Name(s) and Address(s) of Applicant(s):
Clopay Building Products Company, Inc.
8585 Duke Boulevard Mason OH 45040 United States of America
(72) Name(s) of Designer(s): **Scott A. Hamilton and Mark W. Westerfield and Randy J. Krieger**
(45) Registration Date: **21 October 2013**
(30) Convention priority data:
(31) Number (32) Date (33) Country
29/447816 07 Mar 2013 UNITED STATES OF AMERICA
(56) Related Art Documents: **Not Applicable**
(57) Statement of Newness and Distinctiveness: **Newness and distinctiveness is claimed in those features of shape and/or configuration of a reinforcing strut for an overhead door illustrated in continuous lines in the accompanying representations.**



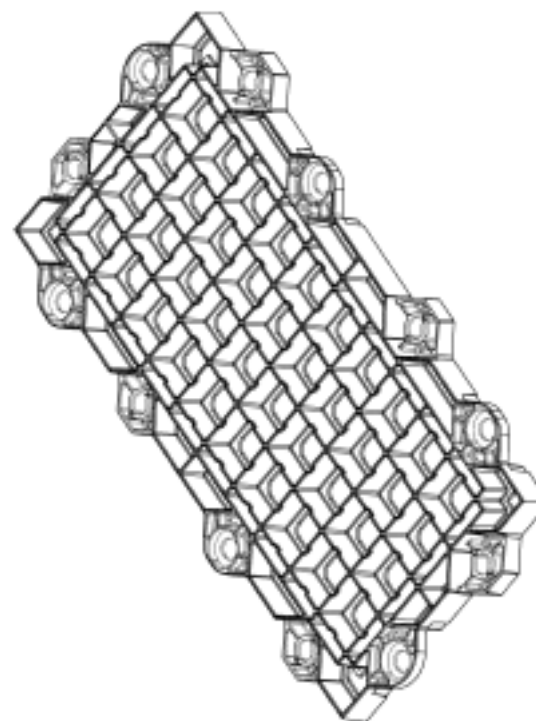
(21) Design Number: **14504/2013**
(22) Date of Filing Application: **11 September 2013**
(24) Date from which industrial property rights may have effect: **11 September 2013**
(54) Product in respect of which the design is registered: **Portable porous construction mat**
(51) International Design Classification: **06-11, 25-02NES**
(74) Name(s) of Attorney(s): **SPRUSON & FERGUSON**
(71) Name(s) and Address(s) of Applicant(s):
Reynolds Presto Products Inc.
6641 West Broad Street Richmond VA, 23230-1723 United States of America
(72) Name(s) of Designer(s): **Gary M. Bach**
(45) Registration Date: **21 October 2013**
(30) Convention priority data:
(31) Number (32) Date (33) Country
29/448410 12 Mar 2013 UNITED STATES OF AMERICA
(56) Related Art Documents: **Not Applicable**
(57) Statement of Newness and Distinctiveness: **Newness and distinctiveness is claimed in those features of shape and/or configuration of a portable porous construction mat illustrated in continuous lines in the accompanying representations.**



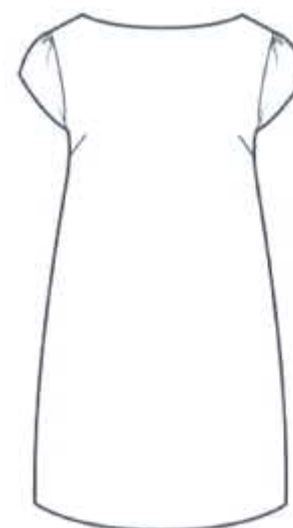
(21) Design Number: **14507/2013**
(22) Date of Filing Application: **11 September 2013**
(24) Date from which industrial property rights may have effect: **11 September 2013**
(54) Product in respect of which the design is registered: **Portable porous construction mat**
(51) International Design Classification: **06-11, 25-02NES**
(74) Name(s) of Attorney(s): **SPRUSON & FERGUSON**
(71) Name(s) and Address(s) of Applicant(s):
Reynolds Presto Products Inc.
6641 West Broad Street Richmond VA, 23230-1723 United States of America
(72) Name(s) of Designer(s): **Gary Michael Bach**
(45) Registration Date: **21 October 2013**
(30) Convention priority data:
(31) Number (32) Date (33) Country
29/448410 12 Mar 2013 UNITED STATES OF AMERICA
(56) Related Art Documents: **Not Applicable**
(57) Statement of Newness and Distinctiveness: **Newness and distinctiveness is claimed in the features of shape and/or configuration of a portable porous construction mat as illustrated in the accompanying representations.**



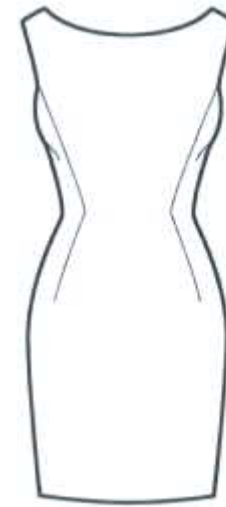
(21) Design Number: **14508/2013**
(22) Date of Filing Application: **11 September 2013**
(24) Date from which industrial property rights may have effect: **11 September 2013**
(54) Product in respect of which the design is registered: **Portable porous construction mat**
(51) International Design Classification: **06-11, 25-02NES**
(74) Name(s) of Attorney(s): **SPRUSON & FERGUSON**
(71) Name(s) and Address(s) of Applicant(s):
Reynolds Presto Products Inc.
6641 West Broad Street Richmond VA, 23230-1723 United States of America
(72) Name(s) of Designer(s): **Gary Michael Bach**
(45) Registration Date: **21 October 2013**
(30) Convention priority data:
(31) Number (32) Date (33) Country
29/448410 12 Mar 2013 UNITED STATES OF AMERICA
(56) Related Art Documents: **Not Applicable**
(57) Statement of Newness and Distinctiveness: **Newness and distinctiveness is claimed in those features of shape and/or configuration of a portable porous construction mat illustrated in continuous lines in the accompanying representations.**



(21) Design Number: **14517/2013**
(22) Date of Filing Application: **10 September 2013**
(24) Date from which industrial property rights may have effect: **10 January 2013**
(54) Product in respect of which the design is registered: **Article of clothing**
(51) International Design Classification: **02-02C**
(74) Name(s) of Attorney(s): **Allens Patent & Trade Mark Attorneys**
(71) Name(s) and Address(s) of Applicant(s):
Forever New Clothing Pty Ltd
714-716 High St Kew East VIC 3102 Australia
(72) Name(s) of Designer(s): **Tristan Melle**
(45) Registration Date: **21 October 2013**
(62) Divisional of: **350943**
(56) Related Art Documents: **Not Applicable**
(57) Statement of Newness and Distinctiveness: **Newness and distinctiveness resides in the visual features of shape, configuration, pattern and/or ornamentation of an article of clothing as shown in the accompanying representations.**



- (21) Design Number: **14518/2013**
(22) Date of Filing Application: **10 September 2013**
(24) Date from which industrial property rights may have effect: **10 January 2013**
(54) Product in respect of which the design is registered: **Article of clothing**
(51) International Design Classification: **02-02C**
(74) Name(s) of Attorney(s): **Allens Patent & Trade Mark Attorneys**
(71) Name(s) and Address(s) of Applicant(s):
Forever New Clothing Pty Ltd
714-716 High St Kew East VIC 3102 Australia
(72) Name(s) of Designer(s): **Laura Mitchell**
(45) Registration Date: **21 October 2013**
(62) Divisional of: **350943**
(56) Related Art Documents: **Not Applicable**
(57) Statement of Newness and Distinctiveness: **Newness and distinctiveness resides in the visual features of shape, configuration, pattern and/or ornamentation of an article of clothing as shown in the accompanying representations.**



- (21) Design Number: **14519/2013**
(22) Date of Filing Application: **10 September 2013**
(24) Date from which industrial property rights may have effect: **10 January 2013**
(54) Product in respect of which the design is registered: **Article of clothing**
(51) International Design Classification: **02-02NES**
(74) Name(s) of Attorney(s): **Allens Patent & Trade Mark Attorneys**
(71) Name(s) and Address(s) of Applicant(s):
Forever New Clothing Pty Ltd
714-716 High St Kew East VIC 3102 Australia
(72) Name(s) of Designer(s): **Jennifer Hall**
(45) Registration Date: **21 October 2013**
(62) Divisional of: **350943**
(56) Related Art Documents: **Not Applicable**
(57) Statement of Newness and Distinctiveness: **Newness and distinctiveness resides in the visual features of shape, configuration, pattern and/or ornamentation of an article of clothing as shown in the accompanying representations.**



(21) Design Number: **14545/2013**

(22) Date of Filing Application: **12 September 2013**

(24) Date from which industrial property rights may have effect: **12 September 2013**

(54) Product in respect of which the design is registered: **Bath tub light**

(51) International Design Classification: **26-99**

(74) Name(s) of Attorney(s): **Griffith Hack**

(71) Name(s) and Address(s) of Applicant(s):

Edison Nation, LLC

520 Elliot Street, Suite 200 Charlotte NC, 28202 United States of America

(72) Name(s) of Designer(s): **Jeff Browning and Daniel Cordero**

(45) Registration Date: **21 October 2013**

(30) Convention priority data:

(31) Number	(32) Date	(33) Country
29/449,336	15 Mar 2013	UNITED STATES OF AMERICA

(56) Related Art Documents: **Not Applicable**

(57) Statement of Newness and Distinctiveness: **Newness and distinctiveness resides in the visual features, including shape, configuration, pattern and ornamentation: of the elongate groove and button provided in the upper surface; of the size variance and pattern of light-reflecting formations; and of the concave underside; of a LIGHT as shown in the accompanying drawings. When determining whether the design is substantially similar in overall impression to another design, no regard is to be had to those features shown in dotted outline in the accompanying drawings, which features are provided for illustrative purposes only.**



(21) Design Number: **14562/2013**

(22) Date of Filing Application: **13 September 2013**

(24) Date from which industrial property rights may have effect: **13 September 2013**

(54) Product in respect of which the design is registered: **Round storage unit**

(51) International Design Classification: **06-04NES**

(74) Name(s) of Attorney(s):

(71) Name(s) and Address(s) of Applicant(s):

Michael Robert Vidler

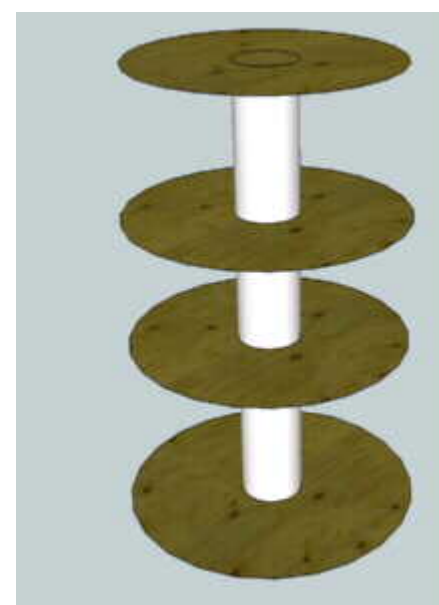
35 West St Highgate Hill QLD 4101 Australia

(72) Name(s) of Designer(s): **Michael Robert Vidler**

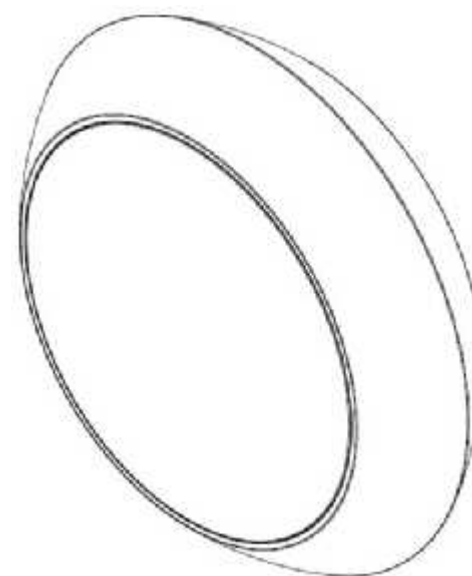
(45) Registration Date: **21 October 2013**

(56) Related Art Documents: **Not Applicable**

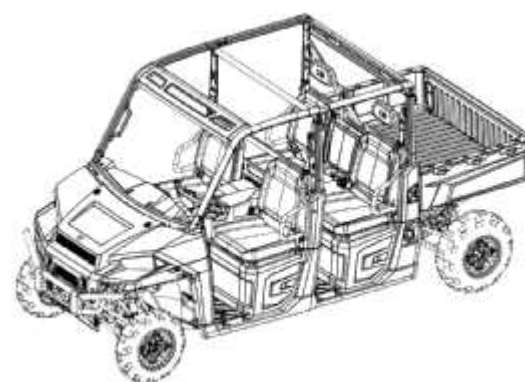
(57) Statement of Newness and Distinctiveness: **-The design of this product is characterized by the materials it is constructed from. -The fact that access is from all sides. -Multi-functional.**



(21) Design Number: **14563/2013**
(22) Date of Filing Application: **13 September 2013**
(24) Date from which industrial property rights may have effect: **13 September 2013**
(54) Product in respect of which the design is registered: **Loudspeaker**
(51) International Design Classification: **14-01**
(74) Name(s) of Attorney(s): **K&L Gates**
(71) Name(s) and Address(s) of Applicant(s):
Bang & Olufsen a/s
Peter Bangs Vej 15 7600 Struer Denmark
(72) Name(s) of Designer(s): **Torsten Valeur**
(45) Registration Date: **21 October 2013**
(30) Convention priority data:
(31) Number (32) Date (33) Country
002207563-0001 22 Mar 2013 OFFICE FOR HARMONISATION IN
THE INTERNAL MARKET (OHIM)
(56) Related Art Documents: **Not Applicable**
(57) Statement of Newness and Distinctiveness: **Nil**



(21) Design Number: **14564/2013**
(22) Date of Filing Application: **13 September 2013**
(24) Date from which industrial property rights may have effect: **13 September 2013**
(54) Product in respect of which the design is registered: **Subwoofer**
(51) International Design Classification: **14-01**
(74) Name(s) of Attorney(s): **K&L Gates**
(71) Name(s) and Address(s) of Applicant(s):
Bang & Olufsen a/s
Peter Bangs Vej 15 7600 Struer Denmark
(72) Name(s) of Designer(s): **Torsten Valeur**
(45) Registration Date: **21 October 2013**
(30) Convention priority data:
(31) Number (32) Date (33) Country
002207563-0002 22 Mar 2013 OFFICE FOR HARMONISATION IN
THE INTERNAL MARKET (OHIM)
(56) Related Art Documents: **Not Applicable**
(57) Statement of Newness and Distinctiveness: **Nil**



(21) Design Number: **14565/2013**
(22) Date of Filing Application: **13 September 2013**
(24) Date from which industrial property rights may have effect: **13 September 2013**
(54) Product in respect of which the design is registered: **Side-by-side all terrain vehicle**
(51) International Design Classification: **12-08**
(74) Name(s) of Attorney(s): **WATERMARK PATENT AND TRADE MARKS ATTORNEYS**
(71) Name(s) and Address(s) of Applicant(s):
Polaris Industries Inc.
2100 Highway 55 Medina MN 55340-9770 United States of America
(72) Name(s) of Designer(s): **Salvador Gonzalez**
(45) Registration Date: **21 October 2013**
(30) Convention priority data:
(31) Number (32) Date (33) Country
29/449,479 15 Mar 2013 UNITED STATES OF AMERICA
(56) Related Art Documents: **Not Applicable**
(57) Statement of Newness and Distinctiveness: **Nil**

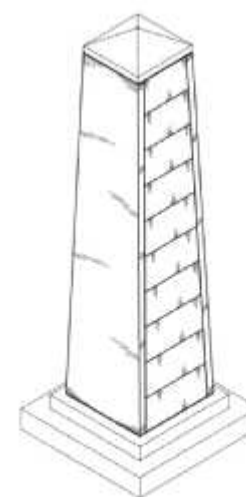
(21) Design Number: **14566/2013**
(22) Date of Filing Application: **13 September 2013**
(24) Date from which industrial property rights may have effect: **13 September 2013**
(54) Product in respect of which the design is registered: **Side-by-side all terrain vehicle**
(51) International Design Classification: **12-08**
(74) Name(s) of Attorney(s): **WATERMARK PATENT AND TRADE MARKS ATTORNEYS**
(71) Name(s) and Address(s) of Applicant(s):
Polaris Industries Inc.
2100 Highway 55 Medina MN 55340-9770 United States of America
(72) Name(s) of Designer(s): **Salvador Gonzalez**
(45) Registration Date: **21 October 2013**
(30) Convention priority data:
(31) Number (32) Date (33) Country
29/449,479 15 Mar 2013 UNITED STATES OF AMERICA
(56) Related Art Documents: **Not Applicable**
(57) Statement of Newness and Distinctiveness: **Nil**



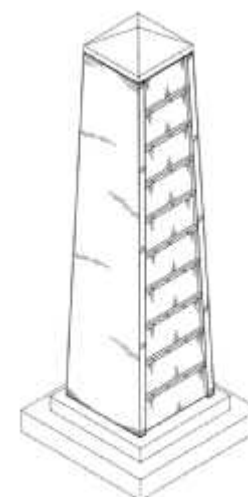
(21) Design Number: **14570/2013**
(22) Date of Filing Application: **13 September 2013**
(24) Date from which industrial property rights may have effect: **13 September 2013**
(54) Product in respect of which the design is registered: **Vehicle**
(51) International Design Classification: **12-08**
(74) Name(s) of Attorney(s): **WATERMARK PATENT AND TRADE MARKS ATTORNEYS**
(71) Name(s) and Address(s) of Applicant(s):
Great Wall Motor Company Limited
No. 2266 Chaoyang South Street Baoding Hebei Province 071000 China
(72) Name(s) of Designer(s): **Yong Huang and Chunxin Xu and Xiaohui Cui and Yanqing Yang and Honggang Xie and Yanwei Shang and Long Ren and Shengyong Wu and Changsuo Li**
(45) Registration Date: **21 October 2013**
(30) Convention priority data:
(31) Number (32) Date (33) Country
201330066142.4 15 Mar 2013 CHINA
(56) Related Art Documents: **Not Applicable**
(57) Statement of Newness and Distinctiveness: **Nil**



(21) Design Number: **14577/2013**
(22) Date of Filing Application: **13 September 2013**
(24) Date from which industrial property rights may have effect: **13 September 2013**
(54) Product in respect of which the design is registered: **Obelisk columbarium structure**
(51) International Design Classification: **25-01C**
(74) Name(s) of Attorney(s): **SPRUSON & FERGUSON**
(71) Name(s) and Address(s) of Applicant(s):
Eickhof Columbaria, Inc.
1200 Bruce Street Crookston MN, 56716 United States of America
(72) Name(s) of Designer(s): **Paul M. Eickhof and Blair Hines**
(45) Registration Date: **21 October 2013**
(30) Convention priority data:
(31) Number (32) Date (33) Country
29/449155 14 Mar 2013 UNITED STATES OF AMERICA
(56) Related Art Documents: **Not Applicable**
(57) Statement of Newness and Distinctiveness: **Newness and distinctiveness is claimed in those features of shape and/or configuration of an obelisk columbarium structure illustrated in continuous lines in the accompanying representations, apart from the relative height of the obelisk columbarium structure and apart from the number of niche facing stones on the front and rear sides of the obelisk columbarium structure.**



(21) Design Number: **14578/2013**
(22) Date of Filing Application: **13 September 2013**
(24) Date from which industrial property rights may have effect: **13 September 2013**
(54) Product in respect of which the design is registered: **Obelisk columbarium structure**
(51) International Design Classification: **25-01C**
(74) Name(s) of Attorney(s): **SPRUSON & FERGUSON**
(71) Name(s) and Address(s) of Applicant(s):
Eickhof Columbaria, Inc.
1200 Bruce Street Crookston MN, 56716 United States of America
(72) Name(s) of Designer(s): **Paul M. Eickhof and Blair Hines**
(45) Registration Date: **21 October 2013**
(30) Convention priority data:
(31) Number (32) Date (33) Country
29/449155 14 Mar 2013 UNITED STATES OF AMERICA



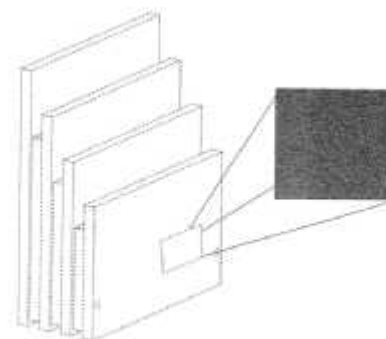
(56) Related Art Documents: **Not Applicable**
(57) Statement of Newness and Distinctiveness: **Newness and distinctiveness is claimed in those features of shape and/or configuration of an obelisk columbarium structure illustrated in continuous lines in the accompanying representations, apart from the relative height of the obelisk columbarium structure and apart from the number of niche facing stones on the front and rear sides of the obelisk columbarium structure.**

(21) Design Number: **14579/2013**
(22) Date of Filing Application: **13 September 2013**
(24) Date from which industrial property rights may have effect: **13 September 2013**
(54) Product in respect of which the design is registered: **Remote control**
(51) International Design Classification: **14-03NES**
(74) Name(s) of Attorney(s): **PIZZEYS**
(71) Name(s) and Address(s) of Applicant(s):
Select Comfort Corporation
9800 59th Avenue North Minneapolis MN, 55442 United States of America
(72) Name(s) of Designer(s): **Yves Behar and Jeff Ingham and Joe Fleury and Mark Dickens and Nick Cronan and Jenny Olson and Chad Gundelach**
(45) Registration Date: **21 October 2013**
(30) Convention priority data:
(31) Number (32) Date (33) Country
29/449,209 14 Mar 2013 UNITED STATES OF AMERICA



(56) Related Art Documents: **Not Applicable**
(57) Statement of Newness and Distinctiveness: **The newness and distinctiveness of the design resides in the features of pattern and/or ornamentation OR shape and/or configuration shown in unbroken lines in the accompanying representations. (if required, see Convention document)**

- (21) Design Number: **14580/2013**
(22) Date of Filing Application: **13 September 2013**
(24) Date from which industrial property rights may have effect: **13 September 2013**
(54) Product in respect of which the design is registered: **Architectural structure with surface pattern**
(51) International Design Classification: **25-01C**
(74) Name(s) of Attorney(s): **Griffith Hack**
(71) Name(s) and Address(s) of Applicant(s):
Herman Miller, Inc.
855 East Main Street Zeeland Michigan 49464 United States of America
(72) Name(s) of Designer(s): **Johann Burkhard Schmitz and Janja Maidl and Claudia Pliakat and Carola Eva Marianne Zwick and Roland Rolf Otto Zwick**
(45) Registration Date: **21 October 2013**
(30) Convention priority data:
(31) Number (32) Date (33) Country
29/449,845 15 Mar 2013 UNITED STATES OF AMERICA
(56) Related Art Documents: **Not Applicable**
(57) Statement of Newness and Distinctiveness: **The pattern and ornamentation of enlarged section shown in Figure 2 is new and distinctive. The section can be repeated over the entire product or only part thereof. The dashed lines have been included for illustrative purposes only and do not form part of the design.**



- (21) Design Number: **14441/2013**
(22) Date of Filing Application: **06 September 2013**
(24) Date from which industrial property rights may have effect: **06 September 2013**
(54) Product in respect of which the design is registered: **Grooming device**
(51) International Design Classification: **28-03D**
(74) Name(s) of Attorney(s): **Actuate IP**
(71) Name(s) and Address(s) of Applicant(s):
Patricia Stephens
20 Bush End Takeley Bishop's Stortford Hertfordshire CM22 6NN United Kingdom
(72) Name(s) of Designer(s): **Patricia Stephens**
(45) Registration Date: **21 October 2013**
(30) Convention priority data:
(31) Number (32) Date (33) Country
002198580-0001 07 Mar 2013 OFFICE FOR HARMONISATION IN THE INTERNAL MARKET (OHIM)
(56) Related Art Documents: **Not Applicable**
(57) Statement of Newness and Distinctiveness: **Newness and distinctiveness is claimed in the features of shape and/or configuration of the grooming device as illustrated in the accompanying representations.**



(21) Design Number: **14442/2013**

(22) Date of Filing Application: **06 September 2013**

(24) Date from which industrial property rights may have effect: **06 September 2013**

(54) Product in respect of which the design is registered: **Massage device**

(51) International Design Classification: **28-03NES**

(74) Name(s) of Attorney(s): **Actuate IP**

(71) Name(s) and Address(s) of Applicant(s):

Patricia Stephens

20 Bush End Takeley Bishop's Stortford Hertfordshire CM22 6NN United Kingdom

(72) Name(s) of Designer(s): **Patricia Stephens**

(45) Registration Date: **21 October 2013**

(30) Convention priority data:

(31) Number

(32) Date

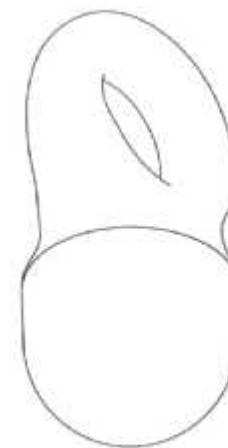
(33) Country

002198580-0002 07 Mar 2013

OFFICE FOR HARMONISATION IN THE INTERNAL MARKET (OHIM)

(56) Related Art Documents: **Not Applicable**

(57) Statement of Newness and Distinctiveness: **Newness and distinctiveness is claimed in the features of shape and/or configuration of the massage device as illustrated in the accompanying representations.**



(21) Design Number: **14445/2013**

(22) Date of Filing Application: **06 September 2013**

(24) Date from which industrial property rights may have effect: **06 September 2013**

(54) Product in respect of which the design is registered: **Metallic beverage container**

(51) International Design Classification: **07-01C**

(74) Name(s) of Attorney(s): **Madderns**

(71) Name(s) and Address(s) of Applicant(s):

Ball Corporation

10 Longs Peak Drive Broomfield CO 80021-2510 United States of America

(72) Name(s) of Designer(s): **Mark A. Jacober and Kevin R. Jentzsch**

(45) Registration Date: **21 October 2013**

(30) Convention priority data:

(31) Number

(32) Date

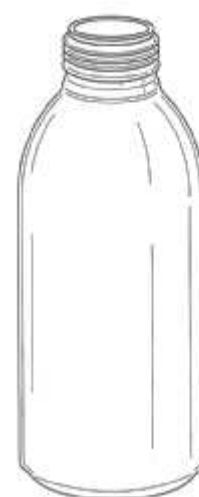
(33) Country

29/447891 07 Mar 2013

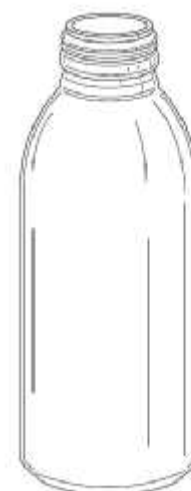
UNITED STATES OF AMERICA

(56) Related Art Documents: **Not Applicable**

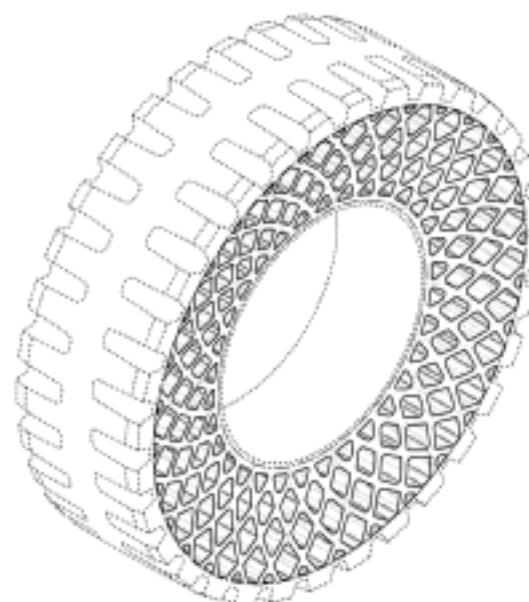
(57) Statement of Newness and Distinctiveness: **Newness and distinctiveness resides in the shape and/or configuration of a metallic beverage container as depicted in the accompanying drawings.**



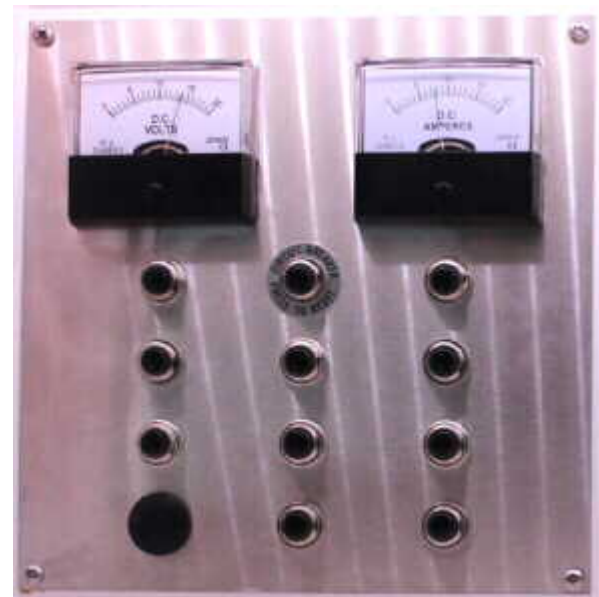
(21) Design Number: **14446/2013**
(22) Date of Filing Application: **06 September 2013**
(24) Date from which industrial property rights may have effect: **06 September 2013**
(54) Product in respect of which the design is registered: **Metallic beverage container**
(51) International Design Classification: **07-01C**
(74) Name(s) of Attorney(s): **Madderns**
(71) Name(s) and Address(s) of Applicant(s):
Ball Corporation
10 Longs Peak Drive Broomfield CO 80021-2510 United States of America
(72) Name(s) of Designer(s): **Mark A. Jacober and Kevin R. Jentzsch**
(45) Registration Date: **21 October 2013**
(30) Convention priority data:
(31) Number (32) Date (33) Country
29/447891 07 Mar 2013 UNITED STATES OF AMERICA
(56) Related Art Documents: **Not Applicable**
(57) Statement of Newness and Distinctiveness: **Newness and distinctiveness resides in the shape and/or configuration of a metallic beverage container as depicted in the accompanying drawings.**



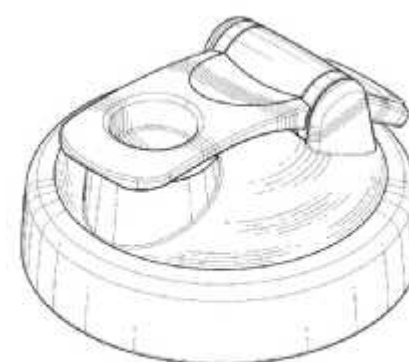
(21) Design Number: **14448/2013**
(22) Date of Filing Application: **05 September 2013**
(24) Date from which industrial property rights may have effect: **05 September 2013**
(54) Product in respect of which the design is registered: **Non-pneumatic tyre**
(51) International Design Classification: **12-15C, 12-15E, 12-15NES**
(74) Name(s) of Attorney(s): **Freehills Patent Attorneys**
(71) Name(s) and Address(s) of Applicant(s):
Caterpillar Inc.
100 N.E. Adams Street Peoria Illinois 61629 United States of America
(72) Name(s) of Designer(s): **Kevin L. Martin and Maria Cristina Herrera De Kontz**
(45) Registration Date: **21 October 2013**
(30) Convention priority data:
(31) Number (32) Date (33) Country
29/449654 15 Mar 2013 UNITED STATES OF AMERICA
(56) Related Art Documents: **Not Applicable**
(57) Statement of Newness and Distinctiveness: **Newness and distinctiveness resides in the side view of a tyre created by the visual appearance of the repeating pattern of apertures in the tyre sidewall illustrated in solid lines in figures 3 and 4 of the accompanying**



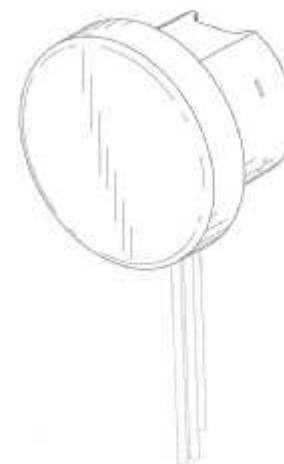
- (21) Design Number: **14450/2013**
(22) Date of Filing Application: **09 September 2013**
(24) Date from which industrial property rights may have effect: **09 September 2013**
(54) Product in respect of which the design is registered: **Thermal circuit breaker board for caravans**
(51) International Design Classification: **13-03E, 13-03NES**
(74) Name(s) of Attorney(s):
(71) Name(s) and Address(s) of Applicant(s):
Elite Caravans (Australia) Pty Ltd
116 Barry Rd Campbellfield VIC 3061 Australia
(72) Name(s) of Designer(s): **Jared Pearson**
(45) Registration Date: **21 October 2013**
(56) Related Art Documents: **Not Applicable**
(57) Statement of Newness and Distinctiveness: **The design has eliminated the need for upto 12 individual fuses and at the same time displaying the watts been used at any one particular time and the volts remaining in the batteries. By using thermal circuit breakers it provides a safe way of avoiding potential fires when overloading normal fuses.**



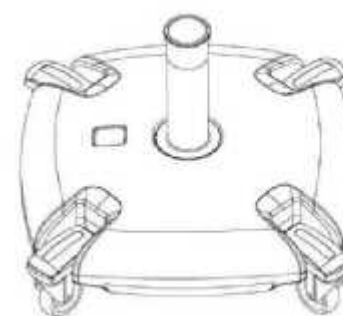
- (21) Design Number: **14451/2013**
(22) Date of Filing Application: **09 September 2013**
(24) Date from which industrial property rights may have effect: **09 September 2013**
(54) Product in respect of which the design is registered: **Closure for a container**
(51) International Design Classification: **09-07A**
(74) Name(s) of Attorney(s): **Griffith Hack**
(71) Name(s) and Address(s) of Applicant(s):
Runway Blue, LLC
284 South 700 West Pleasant Grove UT 84062 United States of America
(72) Name(s) of Designer(s): **Steven M. Sorensen and David O. Meyers and Kim L. Sorensen**
(45) Registration Date: **21 October 2013**
(30) Convention priority data:
(31) Number (32) Date (33) Country
29/457096 06 Jun 2013 UNITED STATES OF AMERICA
(56) Related Art Documents: **Not Applicable**
(57) Statement of Newness and Distinctiveness: **Newness and distinctness resides in the visual features, including shape, configuration and ornamentation of the PRODUCT as shown by means of solid lines in the accompanying representations.**



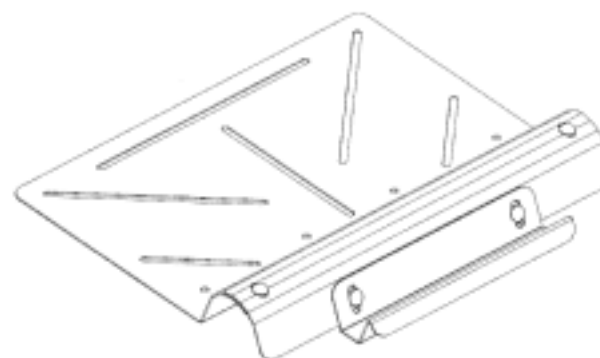
- (21) Design Number: **14455/2013**
(22) Date of Filing Application: **09 September 2013**
(24) Date from which industrial property rights may have effect: **09 September 2013**
(54) Product in respect of which the design is registered: **Catheter Pump Console Interface**
(51) International Design Classification: **24-02**
(74) Name(s) of Attorney(s): **PHILLIPS ORMONDE FITZPATRICK**
(71) Name(s) and Address(s) of Applicant(s):
Thoratec Corporation
6101 Stoneridge Drive Pleasanton California, 94588 United States of America
(72) Name(s) of Designer(s): **Alan L. Schenck and Keif Fitzgerald and Paul Muller and Joseph P. Sullivan and Keith Schubert and Peter W. Bristol and Jeffrey Paul Mills and Patrick Vibrandt and Alexander Casey Naglestad Cohen**
(45) Registration Date: **21 October 2013**
(30) Convention priority data:
(31) Number (32) Date (33) Country
29/449,306 14 Mar 2013 UNITED STATES OF AMERICA
(56) Related Art Documents: **Not Applicable**
(57) Statement of Newness and Distinctiveness: **Those features of the catheter pump console interface depicted in the representations that are new and distinctive are the shape and/or configuration. The features shown in broken lines are not part of the design and are to be disregarded when considering the overall impression of the design.**



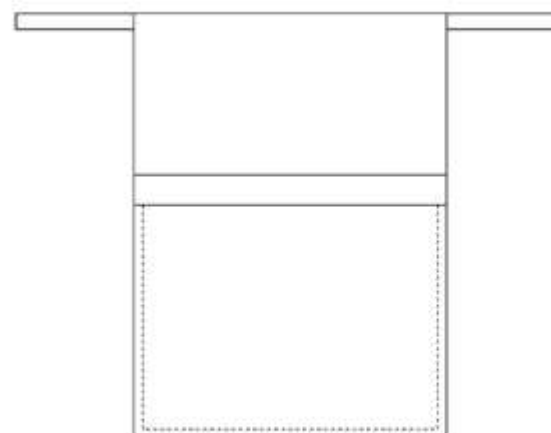
- (21) Design Number: **14460/2013**
(22) Date of Filing Application: **09 September 2013**
(24) Date from which industrial property rights may have effect: **09 September 2013**
(54) Product in respect of which the design is registered: **Parasol stand**
(51) International Design Classification: **03-03**
(74) Name(s) of Attorney(s): **Griffith Hack**
(71) Name(s) and Address(s) of Applicant(s):
Astrid Frances Marie Haydon
Wath Cottage Damerham Fordingbridge Hampshire SP6 3HD United Kingdom
Corinne Elizabeth Elstow
Wath Cottage Damerham Fordingbridge Hampshire SP6 3HD United Kingdom
(72) Name(s) of Designer(s): **Astrid Frances Marie Haydon and Corinne Elizabeth Elstow**
(45) Registration Date: **21 October 2013**
(30) Convention priority data:
(31) Number (32) Date (33) Country
002204479-0002 18 Mar 2013 OFFICE FOR HARMONISATION IN THE INTERNAL MARKET (OHIM)
(56) Related Art Documents: **Not Applicable**
(57) Statement of Newness and Distinctiveness: **Newness and distinctiveness resides in the visual features, including the shape and configuration of the product shown in the representations.**



- (21) Design Number: **14461/2013**
(22) Date of Filing Application: **09 September 2013**
(24) Date from which industrial property rights may have effect: **09 September 2013**
(54) Product in respect of which the design is registered: **Ladder bracket**
(51) International Design Classification: **25-04**
(74) Name(s) of Attorney(s): **Actuate IP**
(71) Name(s) and Address(s) of Applicant(s):
Sayfa R&D Pty Ltd
44 Kalman Dr Boronia VIC 3155 Australia
(72) Name(s) of Designer(s): **Roland Stephen Voss and Murray Voss**
(45) Registration Date: **21 October 2013**
(56) Related Art Documents: **Not Applicable**
(57) Statement of Newness and Distinctiveness: **Newness and distinctiveness is claimed in the features of shape and/or configuration of the ladder bracket as illustrated in the accompanying representations.**



- (21) Design Number: **14462/2013**
(22) Date of Filing Application: **09 September 2013**
(24) Date from which industrial property rights may have effect: **09 September 2013**
(54) Product in respect of which the design is registered: **Bag for pegs**
(51) International Design Classification: **07-05C**
(74) Name(s) of Attorney(s):
(71) Name(s) and Address(s) of Applicant(s):
Asimina Samolis
9A Beauchamp St Marrickville NSW 2204 Australia
(72) Name(s) of Designer(s): **Asimina Samolis**
(45) Registration Date: **21 October 2013**
(56) Related Art Documents: **Not Applicable**
(57) Statement of Newness and Distinctiveness: **The newness and distinctiveness of the design resides in the unique function of this peg bag. This bag is tied around your waste with the pegs residing in the front pocket. The broken lines is not a design feature and only indicates where the front pocket is on the bag and should not be considered as part of the design aesthetic. The bag is made of fabric and sits close on the body. With the use of this bag your pegs are conveniently accessible wherever you are when hanging out the washing. This functional design of keeping the pegs on you and always in reach, makes putting out and taking in the washing quick and comfortable and easy.**



- (21) Design Number: **14463/2013**
(22) Date of Filing Application: **09 September 2013**
(24) Date from which industrial property rights may have effect: **09 September 2013**
(54) Product in respect of which the design is registered: **Golf buggy**
(51) International Design Classification: **12-02**
(74) Name(s) of Attorney(s): **Griffith Hack**
(71) Name(s) and Address(s) of Applicant(s):
Protege Sport Pty Ltd
11 Maurice Ct Nunawading VIC 3131 Australia
(72) Name(s) of Designer(s): **Ian Edwards**
(45) Registration Date: **21 October 2013**
(56) Related Art Documents: **Not Applicable**
(57) Statement of Newness and Distinctiveness: **Newness and distinctiveness resides in the visual features, including the shape and configuration of the product shown in the representations. Newness and distinctiveness does not reside in the colour illustrated.**



- (21) Design Number: **14465/2013**
(22) Date of Filing Application: **10 September 2013**
(24) Date from which industrial property rights may have effect: **10 September 2013**
(54) Product in respect of which the design is registered: **Catheter package**
(51) International Design Classification: **09-05, 24-02**
(74) Name(s) of Attorney(s): **Shelston IP**
(71) Name(s) and Address(s) of Applicant(s):
Hollister Incorporated
2000 Hollister Drive Libertyville Illinois 60048 United States of America
(72) Name(s) of Designer(s): **Michael G. Murray and Eugene Canavan and James Jackson and Adam J. Foley**
(45) Registration Date: **21 October 2013**
(30) Convention priority data:
(31) Number (32) Date (33) Country
29/449282 14 Mar 2013 UNITED STATES OF AMERICA
(56) Related Art Documents: **Not Applicable**
(57) Statement of Newness and Distinctiveness: **Newness and distinctiveness reside in the features of shape and/or configuration of a CATHETER PACKAGE as illustrated in the accompanying representations.**



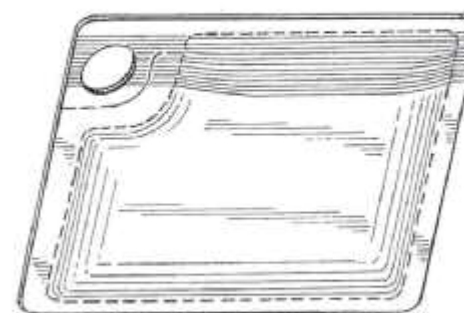
(21) Design Number: **14466/2013**
(22) Date of Filing Application: **10 September 2013**
(24) Date from which industrial property rights may have effect: **10 September 2013**
(54) Product in respect of which the design is registered: **Catheter package**
(51) International Design Classification: **09-05, 24-02**
(74) Name(s) of Attorney(s): **Shelston IP**
(71) Name(s) and Address(s) of Applicant(s):
Hollister Incorporated
2000 Hollister Drive Libertyville Illinois 60048 United States of America
(72) Name(s) of Designer(s): **Michael G. Murray and Scott Allen and Adam J. Foley**
(45) Registration Date: **21 October 2013**
(30) Convention priority data:
(31) Number (32) Date (33) Country
29/449233 14 Mar 2013 UNITED STATES OF AMERICA
(56) Related Art Documents: **Not Applicable**
(57) Statement of Newness and Distinctiveness: **Newness and distinctiveness reside in the features of shape and/or configuration of a CATHETER PACKAGE as illustrated in solid lines in the accompanying representations. The features shown in broken lines are illustrative only and do not form part of the design.**



(21) Design Number: **14467/2013**
(22) Date of Filing Application: **10 September 2013**
(24) Date from which industrial property rights may have effect: **10 September 2013**
(54) Product in respect of which the design is registered: **Catheter package**
(51) International Design Classification: **09-05, 24-02**
(74) Name(s) of Attorney(s): **Shelston IP**
(71) Name(s) and Address(s) of Applicant(s):
Hollister Incorporated
2000 Hollister Drive Libertyville Illinois 60048 United States of America
(72) Name(s) of Designer(s): **Michael G. Murray and Scott Allen and Adam J. Foley**
(45) Registration Date: **21 October 2013**
(30) Convention priority data:
(31) Number (32) Date (33) Country
29/449233 14 Mar 2013 UNITED STATES OF AMERICA
(56) Related Art Documents: **Not Applicable**
(57) Statement of Newness and Distinctiveness: **Newness and distinctiveness reside in the features of shape and/or configuration of a CATHETER PACKAGE as illustrated in the accompanying representations.**

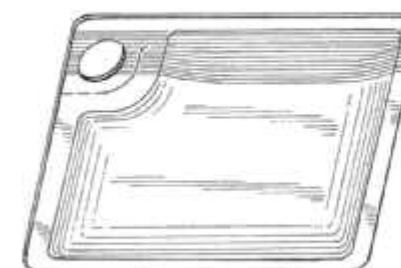


(21) Design Number: **14468/2013**
(22) Date of Filing Application: **10 September 2013**
(24) Date from which industrial property rights may have effect: **10 September 2013**
(54) Product in respect of which the design is registered: **Catheter package**
(51) International Design Classification: **09-05, 24-02**
(74) Name(s) of Attorney(s): **Shelston IP**
(71) Name(s) and Address(s) of Applicant(s):
Hollister Incorporated
2000 Hollister Drive Libertyville Illinois 60048 United States of America
(72) Name(s) of Designer(s): **Barbara J. Kearns and Adam J. Foley and David L. Doerschner and Robert A. Greynolds**
(45) Registration Date: **21 October 2013**
(30) Convention priority data:
(31) Number (32) Date (33) Country
29/449122 14 Mar 2013 UNITED STATES OF AMERICA



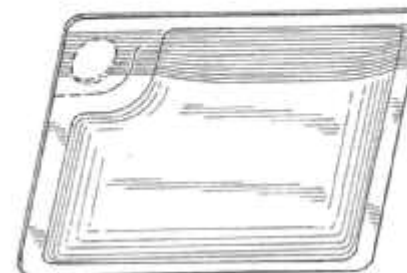
(56) Related Art Documents: **Not Applicable**
(57) Statement of Newness and Distinctiveness: **Newness and distinctiveness reside in the features of shape and/or configuration and pattern and/or ornamentation of a CATHETER PACKAGE as illustrated in solid lines in the accompanying representations. The features shown in broken lines are illustrative only and do not form part of the design.**

(21) Design Number: **14469/2013**
(22) Date of Filing Application: **10 September 2013**
(24) Date from which industrial property rights may have effect: **10 September 2013**
(54) Product in respect of which the design is registered: **Catheter package**
(51) International Design Classification: **09-05, 24-02**
(74) Name(s) of Attorney(s): **Shelston IP**
(71) Name(s) and Address(s) of Applicant(s):
Hollister Incorporated
2000 Hollister Drive Libertyville Illinois 60048 United States of America
(72) Name(s) of Designer(s): **Barbara J. Kearns and Adam J. Foley and David L. Doerschner and Robert A. Greynolds**
(45) Registration Date: **21 October 2013**
(30) Convention priority data:
(31) Number (32) Date (33) Country
29/449122 14 Mar 2013 UNITED STATES OF AMERICA

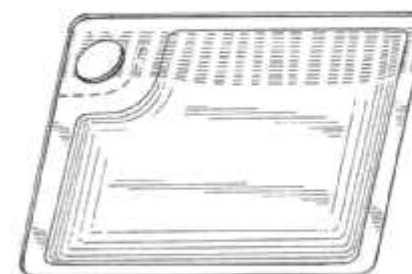


(56) Related Art Documents: **Not Applicable**
(57) Statement of Newness and Distinctiveness: **Nil**

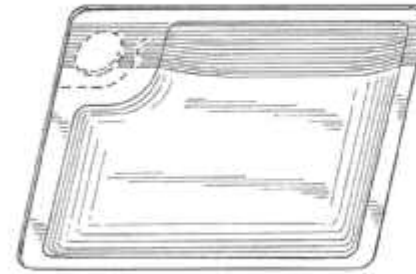
(21) Design Number: **14470/2013**
(22) Date of Filing Application: **10 September 2013**
(24) Date from which industrial property rights may have effect: **10 September 2013**
(54) Product in respect of which the design is registered: **Catheter package**
(51) International Design Classification: **09-05, 24-02**
(74) Name(s) of Attorney(s): **Shelston IP**
(71) Name(s) and Address(s) of Applicant(s):
Hollister Incorporated
2000 Hollister Drive Libertyville Illinois 60048 United States of America
(72) Name(s) of Designer(s): **Barbara J. Kearns and Adam J. Foley and David L. Doerschner and Robert A. Greynolds**
(45) Registration Date: **21 October 2013**
(30) Convention priority data:
(31) Number (32) Date (33) Country
29/449122 14 Mar 2013 UNITED STATES OF AMERICA
(56) Related Art Documents: **Not Applicable**
(57) Statement of Newness and Distinctiveness: **Newness and distinctiveness reside in the features of shape and/or configuration and pattern and/or ornamentation of a CATHETER PACKAGE as illustrated in solid lines in the accompanying representations. The features shown in broken lines are illustrative only and do not form part of the design.**



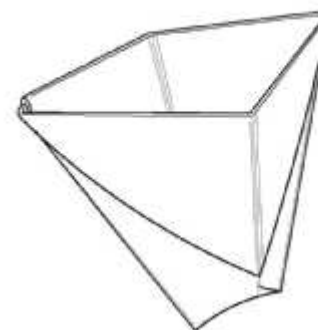
(21) Design Number: **14471/2013**
(22) Date of Filing Application: **10 September 2013**
(24) Date from which industrial property rights may have effect: **10 September 2013**
(54) Product in respect of which the design is registered: **Catheter package**
(51) International Design Classification: **09-05, 24-02**
(74) Name(s) of Attorney(s): **Shelston IP**
(71) Name(s) and Address(s) of Applicant(s):
Hollister Incorporated
2000 Hollister Drive Libertyville Illinois 60048 United States of America
(72) Name(s) of Designer(s): **Barbara J. Kearns and Adam J. Foley and David L. Doerschner and Robert A. Greynolds**
(45) Registration Date: **21 October 2013**
(30) Convention priority data:
(31) Number (32) Date (33) Country
29/449122 14 Mar 2013 UNITED STATES OF AMERICA
(56) Related Art Documents: **Not Applicable**
(57) Statement of Newness and Distinctiveness: **Newness and distinctiveness reside in the features of shape and/or configuration of a CATHETER PACKAGE as illustrated in solid lines in the accompanying representations. The features shown in broken lines are illustrative only and do not form part of the design.**



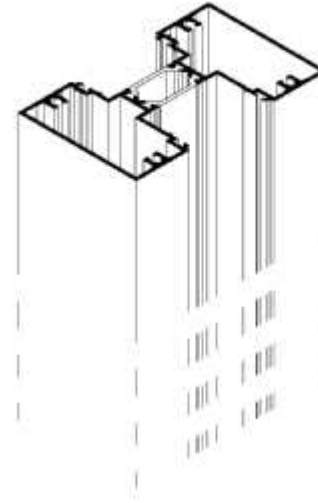
- (21) Design Number: **14472/2013**
(22) Date of Filing Application: **10 September 2013**
(24) Date from which industrial property rights may have effect: **10 September 2013**
(54) Product in respect of which the design is registered: **Catheter package**
(51) International Design Classification: **09-05, 24-02**
(74) Name(s) of Attorney(s): **Shelston IP**
(71) Name(s) and Address(s) of Applicant(s):
Hollister Incorporated
2000 Hollister Drive Libertyville Illinois 60048 United States of America
(72) Name(s) of Designer(s): **Barbara J. Kearns and Adam J. Foley and David L. Doerschner and Robert A. Greynolds**
(45) Registration Date: **21 October 2013**
(30) Convention priority data:
(31) Number (32) Date (33) Country
29/449122 14 Mar 2013 UNITED STATES OF AMERICA
(56) Related Art Documents: **Not Applicable**
(57) Statement of Newness and Distinctiveness: **Newness and distinctiveness reside in the features of shape and/or configuration and pattern and/or ornamentation of a CATHETER PACKAGE as illustrated in solid lines in the accompanying representations. The features shown in broken lines are illustrative only and do not form part of the design.**



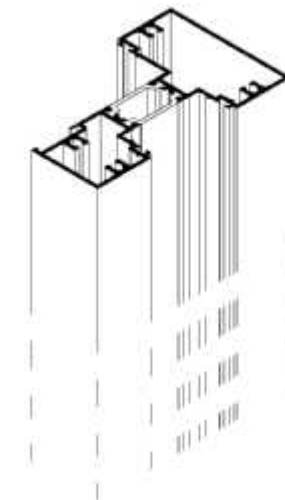
- (21) Design Number: **14473/2013**
(22) Date of Filing Application: **10 September 2013**
(24) Date from which industrial property rights may have effect: **10 September 2013**
(54) Product in respect of which the design is registered: **A blank and carton for chips**
(51) International Design Classification: **09-03M**
(74) Name(s) of Attorney(s): **Griffith Hack**
(71) Name(s) and Address(s) of Applicant(s):
Amcor Limited
109 Burwood Rd Hawthorn VIC 3122 Australia
(72) Name(s) of Designer(s): **Graeme Hawke and Tom Heath**
(45) Registration Date: **21 October 2013**
(56) Related Art Documents: **Not Applicable**
(57) Statement of Newness and Distinctiveness: **Newness and distinctiveness resides in the visual features, including the shape and configuration of the products as shown in the accompanying representations.**



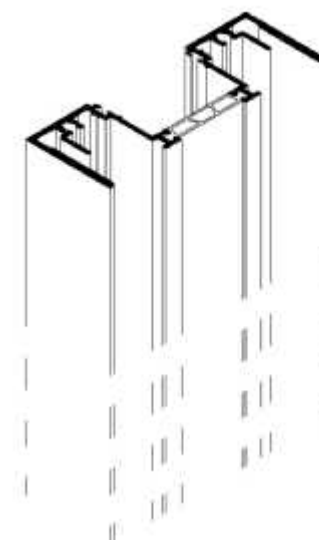
- (21) Design Number: **14474/2013**
(22) Date of Filing Application: **10 September 2013**
(24) Date from which industrial property rights may have effect: **10 September 2013**
(54) Product in respect of which the design is registered: **Frame profile**
(51) International Design Classification: **25-01K**
(74) Name(s) of Attorney(s): **Griffith Hack**
(71) Name(s) and Address(s) of Applicant(s):
Capral Limited
151 Barry Rd Campbellfield VIC 3061 Australia
(72) Name(s) of Designer(s): **Jeffrey Frederick Rotin**
(45) Registration Date: **21 October 2013**
(56) Related Art Documents: **Not Applicable**
(57) Statement of Newness and Distinctiveness: **Newness and distinctiveness is claimed in the shape and configuration of the product, which is of indefinite length, as illustrated in the drawings.**



- (21) Design Number: **14475/2013**
(22) Date of Filing Application: **10 September 2013**
(24) Date from which industrial property rights may have effect: **10 September 2013**
(54) Product in respect of which the design is registered: **Frame profile**
(51) International Design Classification: **25-01K**
(74) Name(s) of Attorney(s): **Griffith Hack**
(71) Name(s) and Address(s) of Applicant(s):
Capral Limited
151 Barry Rd Campbellfield VIC 3061 Australia
(72) Name(s) of Designer(s): **Jeffrey Frederick Rotin**
(45) Registration Date: **21 October 2013**
(56) Related Art Documents: **Not Applicable**
(57) Statement of Newness and Distinctiveness: **Newness and distinctiveness is claimed in the shape and configuration of the product, which is of indefinite length, as illustrated in the drawings.**



- (21) Design Number: **14476/2013**
(22) Date of Filing Application: **10 September 2013**
(24) Date from which industrial property rights may have effect: **10 September 2013**
(54) Product in respect of which the design is registered: **Frame profile**
(51) International Design Classification: **25-01K**
(74) Name(s) of Attorney(s): **Griffith Hack**
(71) Name(s) and Address(s) of Applicant(s):
Capral Limited
151 Barry Rd Campbellfield VIC 3061 Australia
(72) Name(s) of Designer(s): **Jeffrey Frederick Rotin**
(45) Registration Date: **21 October 2013**
(56) Related Art Documents: **Not Applicable**
(57) Statement of Newness and Distinctiveness: **Newness and distinctiveness is claimed in the shape and configuration of the product, which is of indefinite length, as illustrated in the drawings.**



- (21) Design Number: **14583/2013**
(22) Date of Filing Application: **13 September 2013**
(24) Date from which industrial property rights may have effect: **13 September 2013**
(54) Product in respect of which the design is registered: **Wire guide**
(51) International Design Classification: **24-02**
(74) Name(s) of Attorney(s): **IP Gateway Patent & Trademark Attorneys Pty Ltd**
(71) Name(s) and Address(s) of Applicant(s):
Shamim Bolia
7 St. Andrews Drive Oadby Leicester LE2 2RG Great Britain
(72) Name(s) of Designer(s): **Shamim Bolia**
(45) Registration Date: **21 October 2013**
(30) Convention priority data:
(31) Number (32) Date (33) Country
**002218727 11 Apr 2013 OFFICE FOR HARMONISATION IN
THE INTERNAL MARKET (OHIM)**
(56) Related Art Documents: **Not Applicable**
(57) Statement of Newness and Distinctiveness: **Newness and distinctiveness resides in the shape and/or configuration of a wire guide substantially as shown in solid lines in the accompanying representations.**



(21) Design Number: **14584/2013**
(22) Date of Filing Application: **13 September 2013**
(24) Date from which industrial property rights may have effect: **13 September 2013**
(54) Product in respect of which the design is registered: **Wire guide**
(51) International Design Classification: **24-02**
(74) Name(s) of Attorney(s): **IP Gateway Patent & Trademark Attorneys Pty Ltd**
(71) Name(s) and Address(s) of Applicant(s):
Shamim Bolia
7 St. Andrews Drive Oadby Leicester LE2 2RG Great Britain
(72) Name(s) of Designer(s): **Shamim Bolia**
(45) Registration Date: **21 October 2013**
(30) Convention priority data:
(31) Number (32) Date (33) Country
002218727 11 Apr 2013 OFFICE FOR HARMONISATION IN THE INTERNAL MARKET (OHIM)
(56) Related Art Documents: **Not Applicable**
(57) Statement of Newness and Distinctiveness: **Newness and distinctiveness resides in the shape and/or configuration of a wire guide substantially as shown in solid lines in the accompanying representations.**



(21) Design Number: **14586/2013**
(22) Date of Filing Application: **13 September 2013**
(24) Date from which industrial property rights may have effect: **13 September 2013**
(54) Product in respect of which the design is registered: **Wire guide**
(51) International Design Classification: **24-02**
(74) Name(s) of Attorney(s): **IP Gateway Patent & Trademark Attorneys Pty Ltd**
(71) Name(s) and Address(s) of Applicant(s):
Shamim Bolia
7 St. Andrews Drive Oadby Leicester LE2 2RG Great Britain
(72) Name(s) of Designer(s): **Shamim Bolia**
(45) Registration Date: **21 October 2013**
(30) Convention priority data:
(31) Number (32) Date (33) Country
002218727 11 Apr 2013 OFFICE FOR HARMONISATION IN THE INTERNAL MARKET (OHIM)
(56) Related Art Documents: **Not Applicable**
(57) Statement of Newness and Distinctiveness: **Newness and distinctiveness resides in the shape and/or configuration of a wire guide substantially as shown in solid lines in the accompanying representations.**



(21) Design Number: **14587/2013**
(22) Date of Filing Application: **13 September 2013**
(24) Date from which industrial property rights may have effect: **13 September 2013**
(54) Product in respect of which the design is registered: **Ride-on vehicle**
(51) International Design Classification: **21-01F**
(74) Name(s) of Attorney(s): **SPRUSON & FERGUSON**
(71) Name(s) and Address(s) of Applicant(s):

Radio Flyer Inc.
6515 West Grand Avenue Chicago Illinois 60707 United States of America

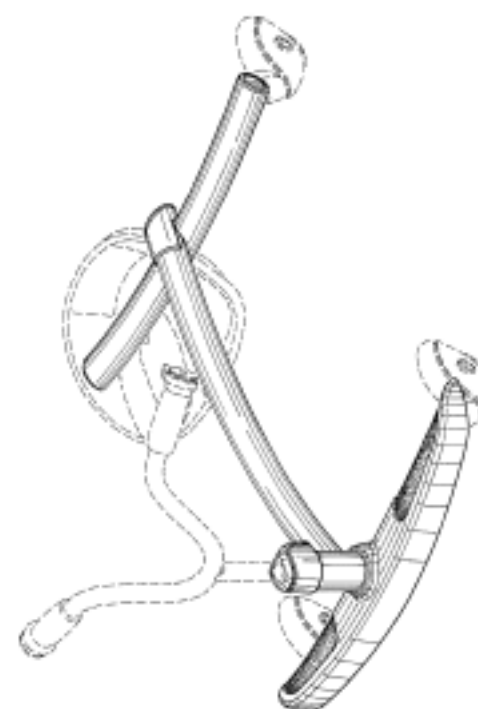
(72) Name(s) of Designer(s): **Ian Grout**
(45) Registration Date: **21 October 2013**

(30) Convention priority data:

(31) Number	(32) Date	(33) Country
29/449705	15 Mar 2013	UNITED STATES OF AMERICA

(56) Related Art Documents: **Not Applicable**

(57) Statement of Newness and Distinctiveness: **Newness and distinctiveness is claimed in those features of shape and/or configuration of a ride-on vehicle as illustrated in continuous lines in the accompanying representations.**



(21) Design Number: **14588/2013**
(22) Date of Filing Application: **11 September 2013**
(24) Date from which industrial property rights may have effect: **11 September 2013**
(54) Product in respect of which the design is registered: **Mobile wireless power source**
(51) International Design Classification: **14-03NES**
(74) Name(s) of Attorney(s): **Fisher Adams Kelly Pty Ltd**
(71) Name(s) and Address(s) of Applicant(s):

EverHeart Systems Inc.
16910 N. Texas Ave. Suite A6 WEBSTER 77598 Texas United States of America

(72) Name(s) of Designer(s): **Greg S. Aber and Allan S. Rhoades**

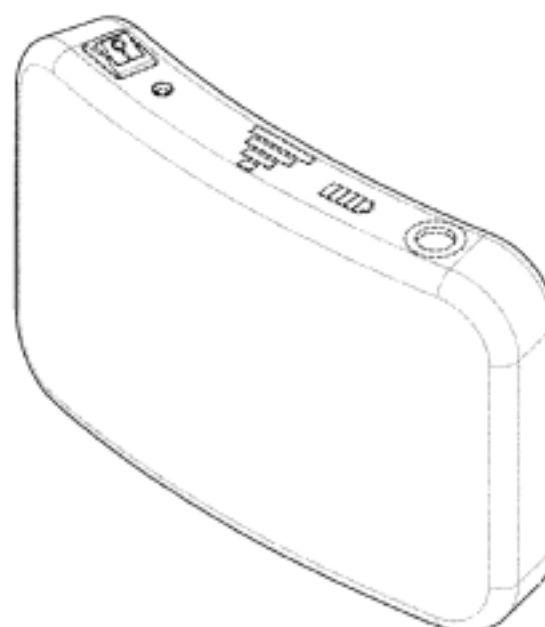
(45) Registration Date: **21 October 2013**

(30) Convention priority data:

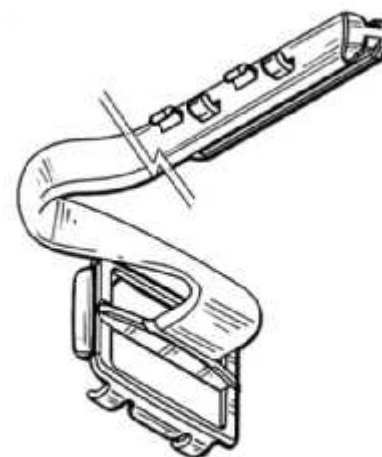
(31) Number	(32) Date	(33) Country
29/449814	15 Mar 2013	UNITED STATES OF AMERICA

(56) Related Art Documents: **Not Applicable**

(57) Statement of Newness and Distinctiveness: **The newness and distinctiveness of the design resides in the shape and/or configuration of the MOBILE WIRELESS POWER SOURCE shown in the representations. When assessing the newness and distinctiveness of the design, features in dashed lines are to be disregarded and dotted lines indicate contour.**



- (21) Design Number: **14589/2013**
(22) Date of Filing Application: **13 September 2013**
(24) Date from which industrial property rights may have effect: **13 September 2013**
(54) Product in respect of which the design is registered: **A receptor holding device**
(51) International Design Classification: **08-08NES**
(74) Name(s) of Attorney(s): **PIZZEYS**
(71) Name(s) and Address(s) of Applicant(s):
Zuma Dental, LLC
11661 San Vicente Blvd, Suite 800 Los Angeles California, 90049 United States of America
(72) Name(s) of Designer(s): **Robert Hayman and Ekram Khan and Michael Paloian and Anthony Orchard**
(45) Registration Date: **21 October 2013**
(30) Convention priority data:
(31) Number (32) Date (33) Country
29/449,957 15 Mar 2013 UNITED STATES OF AMERICA
(56) Related Art Documents: **Not Applicable**
(57) Statement of Newness and Distinctiveness: **Nil**



- (21) Design Number: **14590/2013**
(22) Date of Filing Application: **13 September 2013**
(24) Date from which industrial property rights may have effect: **13 September 2013**
(54) Product in respect of which the design is registered: **A collimator**
(51) International Design Classification: **16-06**
(74) Name(s) of Attorney(s): **PIZZEYS**
(71) Name(s) and Address(s) of Applicant(s):
Zuma Dental, LLC
11661 San Vicente Blvd, Suite 800 Los Angeles California, 90049 United States of America
(72) Name(s) of Designer(s): **Robert Hayman and Ekram Khan and Michael Paloian and Anthony Orchard**
(45) Registration Date: **21 October 2013**
(30) Convention priority data:
(31) Number (32) Date (33) Country
29/450,036 15 Mar 2013 UNITED STATES OF AMERICA
(56) Related Art Documents: **Not Applicable**
(57) Statement of Newness and Distinctiveness: **Nil resides in the shape, ornamentation, pattern, configuration or a combination thereof as shown in the accompanying representations.**



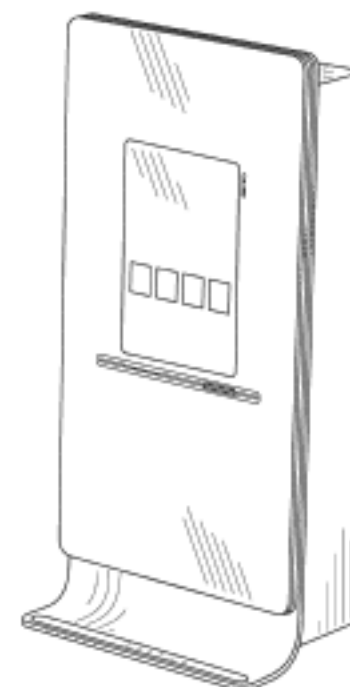
(21) Design Number: **14592/2013**
(22) Date of Filing Application: **13 September 2013**
(24) Date from which industrial property rights may have effect: **13 September 2013**
(54) Product in respect of which the design is registered: **Vending machine with slide**
(51) International Design Classification: **20-01**
(74) Name(s) of Attorney(s): **SPRUSON & FERGUSON**
(71) Name(s) and Address(s) of Applicant(s):
Wm. Wrigley Jr. Company
410 N. Michigan Avenue Chicago Illinois 60611 United States of America
(72) Name(s) of Designer(s): **Jereme Dumm and David Chesley and Neema Pourian**
(45) Registration Date: **21 October 2013**
(30) Convention priority data:
(31) Number (32) Date (33) Country
29/449962 15 Mar 2013 UNITED STATES OF AMERICA
(56) Related Art Documents: **Not Applicable**
(57) Statement of Newness and Distinctiveness: **Newness and distinctiveness is claimed in those features of shape and/or configuration of a vending machine with slide illustrated in continuous lines in the accompanying representations.**



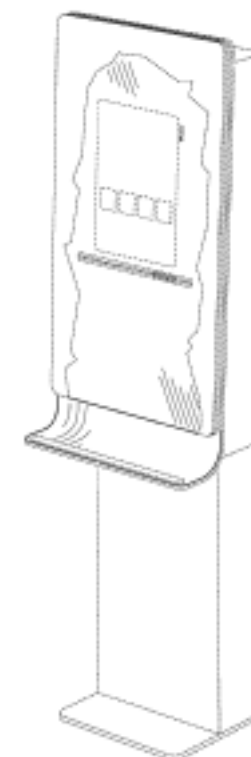
(21) Design Number: **14593/2013**
(22) Date of Filing Application: **13 September 2013**
(24) Date from which industrial property rights may have effect: **13 September 2013**
(54) Product in respect of which the design is registered: **Vending machine with slide**
(51) International Design Classification: **20-01**
(74) Name(s) of Attorney(s): **SPRUSON & FERGUSON**
(71) Name(s) and Address(s) of Applicant(s):
Wm. Wrigley Jr. Company
410 N. Michigan Avenue Chicago Illinois 60611 United States of America
(72) Name(s) of Designer(s): **Jereme Dumm and David Chesley and Neema Pourian**
(45) Registration Date: **21 October 2013**
(30) Convention priority data:
(31) Number (32) Date (33) Country
29/449962 15 Mar 2013 UNITED STATES OF AMERICA
(56) Related Art Documents: **Not Applicable**
(57) Statement of Newness and Distinctiveness: **Newness and distinctiveness is claimed in the features of shape and/or configuration of a vending machine with slide as illustrated in the accompanying representations.**



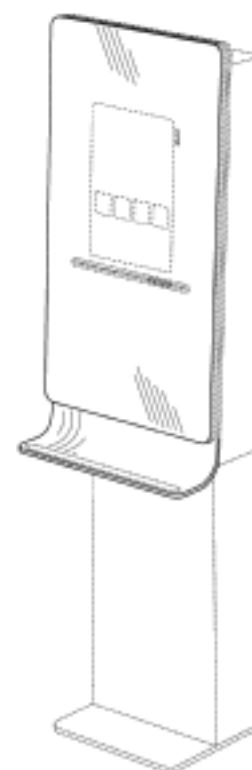
(21) Design Number: **14594/2013**
(22) Date of Filing Application: **13 September 2013**
(24) Date from which industrial property rights may have effect: **13 September 2013**
(54) Product in respect of which the design is registered: **Vending machine with slide**
(51) International Design Classification: **20-01**
(74) Name(s) of Attorney(s): **SPRUSON & FERGUSON**
(71) Name(s) and Address(s) of Applicant(s):
Wm. Wrigley Jr. Company
410 N. Michigan Avenue Chicago Illinois 60611 United States of America
(72) Name(s) of Designer(s): **Jereme Dumm and David Chesley and Neema Pourian**
(45) Registration Date: **21 October 2013**
(30) Convention priority data:
(31) Number (32) Date (33) Country
29/449962 15 Mar 2013 UNITED STATES OF AMERICA
(56) Related Art Documents: **Not Applicable**
(57) Statement of Newness and Distinctiveness: **Newness and distinctiveness is claimed in the features of shape and/or configuration of a vending machine with slide as illustrated in the accompanying representations.**



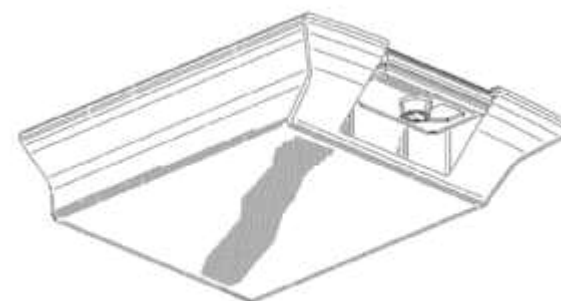
(21) Design Number: **14595/2013**
(22) Date of Filing Application: **13 September 2013**
(24) Date from which industrial property rights may have effect: **13 September 2013**
(54) Product in respect of which the design is registered: **Vending machine with slide**
(51) International Design Classification: **20-01**
(74) Name(s) of Attorney(s): **SPRUSON & FERGUSON**
(71) Name(s) and Address(s) of Applicant(s):
Wm. Wrigley Jr. Company
410 N. Michigan Avenue Chicago Illinois 60611 United States of America
(72) Name(s) of Designer(s): **Jereme Dumm and David Chesley and Neema Pourian**
(45) Registration Date: **21 October 2013**
(30) Convention priority data:
(31) Number (32) Date (33) Country
29/449962 15 Mar 2013 UNITED STATES OF AMERICA
(56) Related Art Documents: **Not Applicable**
(57) Statement of Newness and Distinctiveness: **Newness and distinctiveness is claimed in those features of shape and/or configuration of a vending machine with slide illustrated in continuous lines in the accompanying representations.**



(21) Design Number: **14596/2013**
(22) Date of Filing Application: **13 September 2013**
(24) Date from which industrial property rights may have effect: **13 September 2013**
(54) Product in respect of which the design is registered: **Vending machine with slide**
(51) International Design Classification: **20-01**
(74) Name(s) of Attorney(s): **SPRUSON & FERGUSON**
(71) Name(s) and Address(s) of Applicant(s):
Wm. Wrigley Jr. Company
410 N. Michigan Avenue Chicago Illinois 60611 United States of America
(72) Name(s) of Designer(s): **Jereme Dumm and David Chesley and Neema Pourian**
(45) Registration Date: **21 October 2013**
(30) Convention priority data:
(31) Number (32) Date (33) Country
29/449962 15 Mar 2013 UNITED STATES OF AMERICA
(56) Related Art Documents: **Not Applicable**
(57) Statement of Newness and Distinctiveness: **Newness and distinctiveness is claimed in those features of shape and/or configuration of a vending machine with slide illustrated in continuous lines in the accompanying representations.**



(21) Design Number: **14597/2013**
(22) Date of Filing Application: **13 September 2013**
(24) Date from which industrial property rights may have effect: **13 September 2013**
(54) Product in respect of which the design is registered: **Deployable flight recorder housing**
(51) International Design Classification: **14-03D, 10-07**
(74) Name(s) of Attorney(s): **SPRUSON & FERGUSON**
(71) Name(s) and Address(s) of Applicant(s):
DRS C3 & Aviation Company
12930 Worldgate Drive Herndon VA, 20170 United States of America
(72) Name(s) of Designer(s): **Blake van den Heuvel and Ari Kaufmann and Mark Wozzley**
(45) Registration Date: **21 October 2013**
(30) Convention priority data:
(31) Number (32) Date (33) Country
29/449264 14 Mar 2013 UNITED STATES OF AMERICA
(56) Related Art Documents: **Not Applicable**
(57) Statement of Newness and Distinctiveness: **Newness and distinctiveness is claimed in the features of shape and/or configuration of a deployable flight recording housing as illustrated in the accompanying representations.**



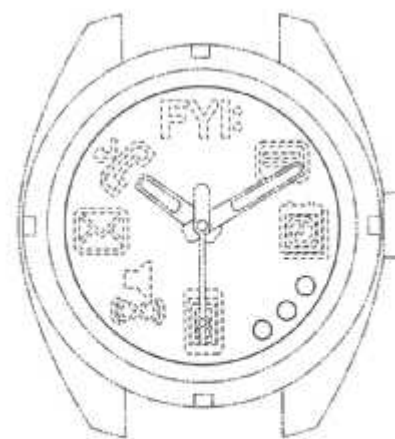
(21) Design Number: **14603/2013**
(22) Date of Filing Application: **13 September 2013**
(24) Date from which industrial property rights may have effect: **13 September 2013**
(54) Product in respect of which the design is registered: **Food waste disposer stopper**
(51) International Design Classification: **23-02D**
(74) Name(s) of Attorney(s): **FB Rice**
(71) Name(s) and Address(s) of Applicant(s):
Emerson Electric Co.
8000 West Florissant Avenue St Louis Missouri 63136 United States of America
(72) Name(s) of Designer(s): **Randall E. Hammer and Robert A. Greco and Kelly T. Gamble**
(45) Registration Date: **21 October 2013**
(30) Convention priority data:
(31) Number (32) Date (33) Country
29/449743 15 Mar 2013 UNITED STATES OF AMERICA
(56) Related Art Documents: **Not Applicable**
(57) Statement of Newness and Distinctiveness: **Newness and distinctiveness reside in the features of shape and configuration of the design as shown in solid lines in the representations excluding those features shown in broken lines.**



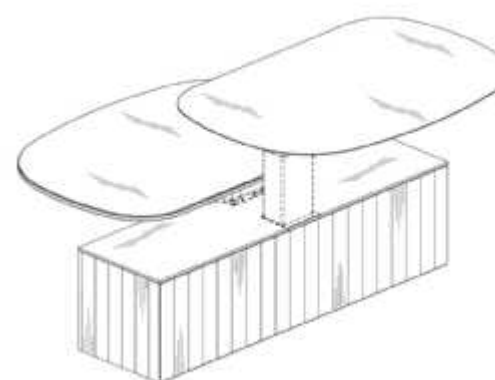
(21) Design Number: **14604/2013**
(22) Date of Filing Application: **13 September 2013**
(24) Date from which industrial property rights may have effect: **13 September 2013**
(54) Product in respect of which the design is registered: **Food waste disposer stopper**
(51) International Design Classification: **23-02D**
(74) Name(s) of Attorney(s): **FB Rice**
(71) Name(s) and Address(s) of Applicant(s):
Emerson Electric Co.
8000 West Florissant Avenue St Louis Missouri 63136 United States of America
(72) Name(s) of Designer(s): **Randall E. Hammer and Robert A. Greco and Kelly T. Gamble**
(45) Registration Date: **21 October 2013**
(30) Convention priority data:
(31) Number (32) Date (33) Country
29/449743 15 Mar 2013 UNITED STATES OF AMERICA
(56) Related Art Documents: **Not Applicable**
(57) Statement of Newness and Distinctiveness: **Newness and distinctiveness reside in the features of shape and configuration of the design shown in solid lines in the representations and excluding those features shown in broken lines.**



- (21) Design Number: **14610/2013**
(22) Date of Filing Application: **13 September 2013**
(24) Date from which industrial property rights may have effect: **13 September 2013**
(54) Product in respect of which the design is registered: **Display screen surrounded by a watch case**
(51) International Design Classification: **14-01, 10-02**
(74) Name(s) of Attorney(s): **Freehills Patent Attorneys**
(71) Name(s) and Address(s) of Applicant(s):
Advance Watch Company Ltd doing business as Geneva Watch Group
1407 Broadway Suite 400 New York New York 10018 United States of America
(72) Name(s) of Designer(s): **Brian Alexander Pemberton**
(45) Registration Date: **21 October 2013**
(30) Convention priority data:
(31) Number (32) Date (33) Country
29/448824 14 Mar 2013 UNITED STATES OF AMERICA
(56) Related Art Documents: **Not Applicable**
(57) Statement of Newness and Distinctiveness: **Newness and distinctiveness of the design resides in the features of pattern and ornamentation shown in solid lines on the display screen.**



- (21) Design Number: **14612/2013**
(22) Date of Filing Application: **13 September 2013**
(24) Date from which industrial property rights may have effect: **13 September 2013**
(54) Product in respect of which the design is registered: **Workstation**
(51) International Design Classification: **06-03C**
(74) Name(s) of Attorney(s): **Griffith Hack**
(71) Name(s) and Address(s) of Applicant(s):
Herman Miller, Inc.
855 East Main Avenue Zeeland Michigan 49464 United States of America
(72) Name(s) of Designer(s): **Sam Hecht and Phillipp Von Lintel**
(45) Registration Date: **21 October 2013**
(30) Convention priority data:
(31) Number (32) Date (33) Country
29/449,948 15 Mar 2013 UNITED STATES OF AMERICA
(56) Related Art Documents: **Not Applicable**
(57) Statement of Newness and Distinctiveness: **Newness and distinctiveness resides in the visual features, including the shape and configuration of the product shown in the representations. Those parts shown by dashed lines do not form part of the product and have been included for illustrative purposes only.**



(21) Design Number: **14613/2013**

(22) Date of Filing Application: **13 September 2013**

(24) Date from which industrial property rights may have effect: **13 September 2013**

(54) Product in respect of which the design is registered: **Workstation**

(51) International Design Classification: **06-03C**

(74) Name(s) of Attorney(s): **Griffith Hack**

(71) Name(s) and Address(s) of Applicant(s):

Herman Miller, Inc.

855 East Main Avenue Zeeland Michigan 49464 United States of America

(72) Name(s) of Designer(s): **Sam Hecht and Phillipp Von Lintel**

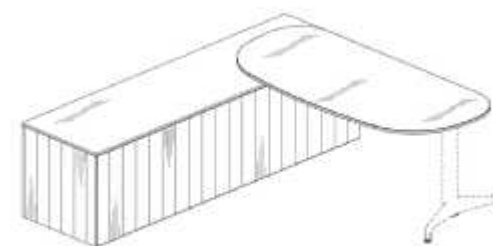
(45) Registration Date: **21 October 2013**

(30) Convention priority data:

(31) Number	(32) Date	(33) Country
29/449,948	15 Mar 2013	UNITED STATES OF AMERICA

(56) Related Art Documents: **Not Applicable**

(57) Statement of Newness and Distinctiveness: **Newness and distinctiveness resides in the visual features, including the shape and configuration of the product shown in the representations. Those parts shown by dashed lines do not form part of the product and have been included for illustrative purposes only.**



(21) Design Number: **14616/2013**

(22) Date of Filing Application: **13 September 2013**

(24) Date from which industrial property rights may have effect: **13 September 2013**

(54) Product in respect of which the design is registered: **Furniture**

(51) International Design Classification: **06-06G, 06-01G**

(74) Name(s) of Attorney(s): **Griffith Hack**

(71) Name(s) and Address(s) of Applicant(s):

Herman Miller, Inc.

855 East Main Avenue Zeeland Michigan 49464 United States of America

(72) Name(s) of Designer(s): **Yves Behar and Qin Li and Naoya Edahiro and Noah Murphy-Reinhertz and Diana Chang and Matthew Malone and Casey Doran Lewis**

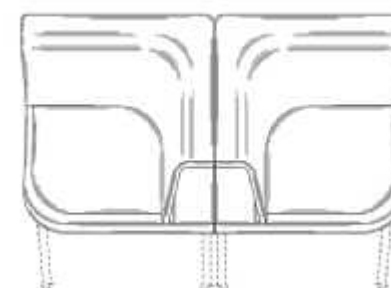
(45) Registration Date: **21 October 2013**

(30) Convention priority data:

(31) Number	(32) Date	(33) Country
29/450,168	15 Mar 2013	UNITED STATES OF AMERICA

(56) Related Art Documents: **Not Applicable**

(57) Statement of Newness and Distinctiveness: **Newness and distinctiveness resides in the visual features, including the shape and configuration of the product shown in the representations. Those parts shown by dashed lines do not form part of the product and have been included for illustrative purposes only.**



(21) Design Number: **14617/2013**

(22) Date of Filing Application: **13 September 2013**

(24) Date from which industrial property rights may have effect: **13 September 2013**

(54) Product in respect of which the design is registered: **Furniture**

(51) International Design Classification: **06-06G, 06-05**

(74) Name(s) of Attorney(s): **Griffith Hack**

(71) Name(s) and Address(s) of Applicant(s):

Herman Miller, Inc.

855 East Main Avenue Zeeland Michigan 49464 United States of America

(72) Name(s) of Designer(s): **Yves Behar and Qin Li and Naoya Edahiro and Noah Murphy-Reinhertz and Diana Chang and Matthew Malone and Casey Doran Lewis**

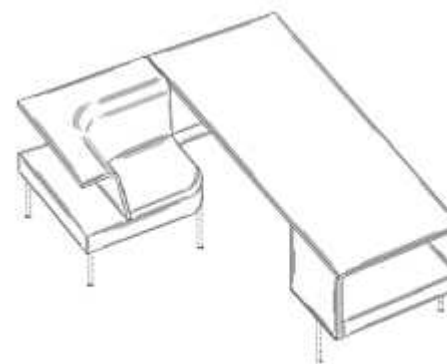
(45) Registration Date: **21 October 2013**

(30) Convention priority data:

(31) Number	(32) Date	(33) Country
29/450,168	15 Mar 2013	UNITED STATES OF AMERICA

(56) Related Art Documents: **Not Applicable**

(57) Statement of Newness and Distinctiveness: **Newness and distinctiveness resides in the visual features, including the shape and configuration of the product shown in the representations. Those parts shown by dashed lines do not form part of the product and have been included for illustrative purposes only.**



(21) Design Number: **14618/2013**

(22) Date of Filing Application: **13 September 2013**

(24) Date from which industrial property rights may have effect: **13 September 2013**

(54) Product in respect of which the design is registered: **Furniture**

(51) International Design Classification: **06-06G, 06-01G**

(74) Name(s) of Attorney(s): **Griffith Hack**

(71) Name(s) and Address(s) of Applicant(s):

Herman Miller, Inc.

855 East Main Avenue Zeeland Michigan 49464 United States of America

(72) Name(s) of Designer(s): **Yves Behar and Qin Li and Naoya Edahiro and Noah Murphy-Reinhertz and Diana Chang and Matthew Malone and Casey Doran Lewis**

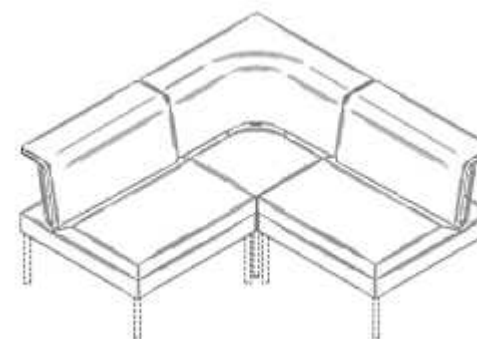
(45) Registration Date: **21 October 2013**

(30) Convention priority data:

(31) Number	(32) Date	(33) Country
29/450,168	15 Mar 2013	UNITED STATES OF AMERICA

(56) Related Art Documents: **Not Applicable**

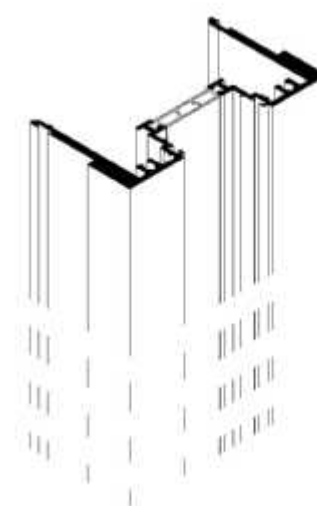
(57) Statement of Newness and Distinctiveness: **Newness and distinctiveness resides in the visual features, including the shape and configuration of the product shown in the representations. Those parts shown by dashed lines do not form part of the product and have been included for illustrative purposes only.**



(21) Design Number: **14477/2013**
(22) Date of Filing Application: **10 September 2013**
(24) Date from which industrial property rights may have effect: **10 September 2013**
(54) Product in respect of which the design is registered: **Toothbrush**
(51) International Design Classification: **04-02**
(74) Name(s) of Attorney(s): **FB Rice**
(71) Name(s) and Address(s) of Applicant(s):
Colgate-Palmolive Company
300 Park Avenue New York New York 10022 United States of America
(72) Name(s) of Designer(s): **Wen Jin Xi and Bo Zhang and Guang Sheng Guo and Li Ping Zhang**
(45) Registration Date: **21 October 2013**
(30) Convention priority data:
(31) Number (32) Date (33) Country
29/451267 29 Mar 2013 UNITED STATES OF AMERICA
(56) Related Art Documents: **Not Applicable**
(57) Statement of Newness and Distinctiveness: **Newness and distinctiveness reside in the features of the design as shown in the representations.**



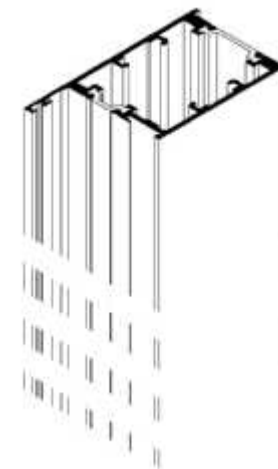
(21) Design Number: **14478/2013**
(22) Date of Filing Application: **10 September 2013**
(24) Date from which industrial property rights may have effect: **10 September 2013**
(54) Product in respect of which the design is registered: **Frame profile**
(51) International Design Classification: **25-01K**
(74) Name(s) of Attorney(s): **Griffith Hack**
(71) Name(s) and Address(s) of Applicant(s):
Capral Limited
151 Barry Rd Campbellfield VIC 3061 Australia
(72) Name(s) of Designer(s): **Jeffrey Frederick Rotin**
(45) Registration Date: **21 October 2013**
(56) Related Art Documents: **Not Applicable**
(57) Statement of Newness and Distinctiveness: **Newness and distinctiveness is claimed in the shape and configuration of the product, which is of indefinite length, as illustrated in the drawings.**



- (21) Design Number: **14479/2013**
(22) Date of Filing Application: **10 September 2013**
(24) Date from which industrial property rights may have effect: **10 September 2013**
(54) Product in respect of which the design is registered: **Frame profile**
(51) International Design Classification: **25-01K**
(74) Name(s) of Attorney(s): **Griffith Hack**
(71) Name(s) and Address(s) of Applicant(s):
Capral Limited
151 Barry Rd Campbellfield VIC 3061 Australia
(72) Name(s) of Designer(s): **Jeffrey Frederick Rotin**
(45) Registration Date: **21 October 2013**
(56) Related Art Documents: **Not Applicable**
(57) Statement of Newness and Distinctiveness: **Newness and distinctiveness is claimed in the shape and configuration of the product, which is of indefinite length, as illustrated in the drawings.**



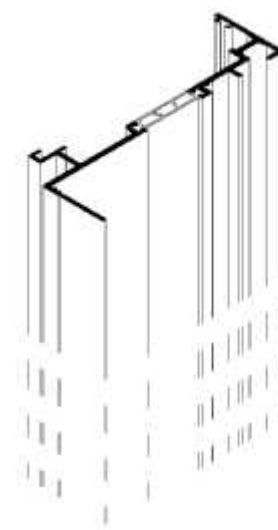
- (21) Design Number: **14480/2013**
(22) Date of Filing Application: **10 September 2013**
(24) Date from which industrial property rights may have effect: **10 September 2013**
(54) Product in respect of which the design is registered: **Frame profile**
(51) International Design Classification: **25-01K**
(74) Name(s) of Attorney(s): **Griffith Hack**
(71) Name(s) and Address(s) of Applicant(s):
Capral Limited
151 Barry Rd Campbellfield VIC 3061 Australia
(72) Name(s) of Designer(s): **Jeffrey Frederick Rotin**
(45) Registration Date: **22 October 2013**
(56) Related Art Documents: **Not Applicable**
(57) Statement of Newness and Distinctiveness: **Newness and distinctiveness is claimed in the shape and configuration of the product, which is of indefinite length, as illustrated in the drawings.**



- (21) Design Number: **14481/2013**
(22) Date of Filing Application: **10 September 2013**
(24) Date from which industrial property rights may have effect: **10 September 2013**
(54) Product in respect of which the design is registered: **Frame profile**
(51) International Design Classification: **25-01K**
(74) Name(s) of Attorney(s): **Griffith Hack**
(71) Name(s) and Address(s) of Applicant(s):
Capral Limited
151 Barry Rd Campbellfield VIC 3061 Australia
(72) Name(s) of Designer(s): **Jeffrey Frederick Rotin**
(45) Registration Date: **22 October 2013**
(56) Related Art Documents: **Not Applicable**
(57) Statement of Newness and Distinctiveness: **Newness and distinctiveness is claimed in the shape and configuration of the product, which is of indefinite length, as illustrated in the drawings.**



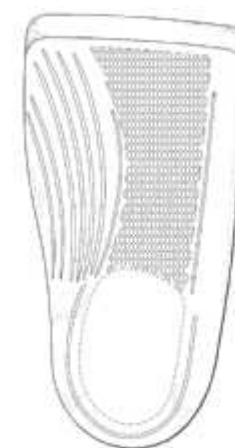
- (21) Design Number: **14482/2013**
(22) Date of Filing Application: **10 September 2013**
(24) Date from which industrial property rights may have effect: **10 September 2013**
(54) Product in respect of which the design is registered: **Frame profile**
(51) International Design Classification: **25-01K**
(74) Name(s) of Attorney(s): **Griffith Hack**
(71) Name(s) and Address(s) of Applicant(s):
Capral Limited
151 Barry Rd Campbellfield VIC 3061 Australia
(72) Name(s) of Designer(s): **Jeffrey Frederick Rotin**
(45) Registration Date: **22 October 2013**
(56) Related Art Documents: **Not Applicable**
(57) Statement of Newness and Distinctiveness: **Newness and distinctiveness is claimed in the shape and configuration of the product, which is of indefinite length, as illustrated in the drawings.**



(21) Design Number: **14489/2013**
(22) Date of Filing Application: **10 September 2013**
(24) Date from which industrial property rights may have effect: **10 September 2013**
(54) Product in respect of which the design is registered: **Bottle with cap**
(51) International Design Classification: **09-01NES**
(74) Name(s) of Attorney(s): **PIZZEYS**
(71) Name(s) and Address(s) of Applicant(s):
McCormick & Company, Incorporated
18 Loveton Circle Sparks MD 21152-6000 United States of America
(72) Name(s) of Designer(s): **Thomas Koll Porter Gieske and Tracie L.C. Wilson**
and James A. Whisenhunt and Darin Michael Pugne
(45) Registration Date: **22 October 2013**
(30) Convention priority data:
(31) Number (32) Date (33) Country
29/450,094 15 Mar 2013 UNITED STATES OF AMERICA
(56) Related Art Documents: **Not Applicable**
(57) Statement of Newness and Distinctiveness: **Nil**



(21) Design Number: **14490/2013**
(22) Date of Filing Application: **10 September 2013**
(24) Date from which industrial property rights may have effect: **10 September 2013**
(54) Product in respect of which the design is registered: **Contoured support insole**
(51) International Design Classification: **02-04A**
(74) Name(s) of Attorney(s): **SPRUSON & FERGUSON**
(71) Name(s) and Address(s) of Applicant(s):
Spenco Medical Corporation
PO Box 2501 Waco TX 76702 United States of America
(72) Name(s) of Designer(s): **Jacob Martinez and David Bradley Granger and Paul Lewis**
(45) Registration Date: **22 October 2013**
(30) Convention priority data:
(31) Number (32) Date (33) Country
29/450220 15 Mar 2013 UNITED STATES OF AMERICA
(56) Related Art Documents: **Not Applicable**
(57) Statement of Newness and Distinctiveness: **Newness and distinctiveness is claimed in those features of shape and/or configuration of a contoured support insole illustrated in continuous lines in the accompanying representations.**



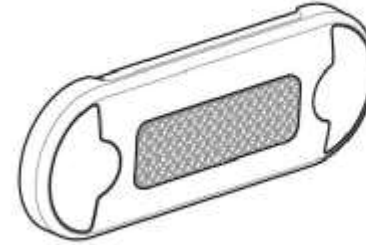
(21) Design Number: **14491/2013**
(22) Date of Filing Application: **10 September 2013**
(24) Date from which industrial property rights may have effect: **10 September 2013**
(54) Product in respect of which the design is registered: **Toothbrush**
(51) International Design Classification: **04-02**
(74) Name(s) of Attorney(s): **FB Rice**
(71) Name(s) and Address(s) of Applicant(s):
Colgate-Palmolive Company
300 Park Avenue New York New York 10022 United States of America
(72) Name(s) of Designer(s): **Wen Jin Xi and Bo Zhang and Guang Sheng Guo and Li Ping Zhang**
(45) Registration Date: **22 October 2013**
(30) Convention priority data:
(31) Number (32) Date (33) Country
29/451263 29 Mar 2013 UNITED STATES OF AMERICA
(56) Related Art Documents: **Not Applicable**
(57) Statement of Newness and Distinctiveness: **Newness and distinctiveness reside in the features of the design as shown in the representations.**



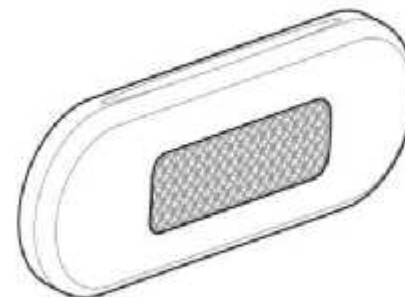
(21) Design Number: **14494/2013**
(22) Date of Filing Application: **10 September 2013**
(24) Date from which industrial property rights may have effect: **10 September 2013**
(54) Product in respect of which the design is registered: **Toothbrush and portions thereof**
(51) International Design Classification: **04-02**
(74) Name(s) of Attorney(s): **FB Rice**
(71) Name(s) and Address(s) of Applicant(s):
Colgate-Palmolive Company
300 Park Avenue New York New York 10022 United States of America
(72) Name(s) of Designer(s): **Wen Jin Xi and Ting Yan and Yan Mei Ji**
(45) Registration Date: **22 October 2013**
(30) Convention priority data:
(31) Number (32) Date (33) Country
201330087025 28 Mar 2013 CHINA
(56) Related Art Documents: **Not Applicable**
(57) Statement of Newness and Distinctiveness: **Newness and distinctiveness reside in the features of the design as shown in the representations.**



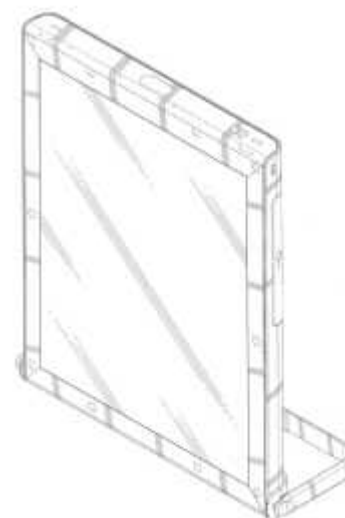
- (21) Design Number: **14495/2013**
(22) Date of Filing Application: **10 September 2013**
(24) Date from which industrial property rights may have effect: **10 September 2013**
(54) Product in respect of which the design is registered: **Lamp**
(51) International Design Classification: **26-06**
(74) Name(s) of Attorney(s): **Griffith Hack**
(71) Name(s) and Address(s) of Applicant(s):
Hella New Zealand Limited
81-83 Ben Lomond Crescent Pakuranga Auckland New Zealand
(72) Name(s) of Designer(s): **Shaun Crail**
(45) Registration Date: **22 October 2013**
(56) Related Art Documents: **Not Applicable**
(57) Statement of Newness and Distinctiveness: **Newness and distinctiveness resides in the visual features, including shape, configuration and ornamentation of the PRODUCT as shown in the accompanying representations.**



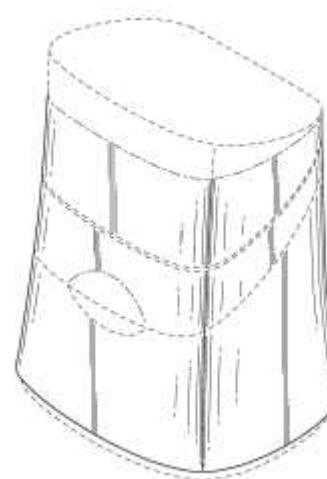
- (21) Design Number: **14496/2013**
(22) Date of Filing Application: **10 September 2013**
(24) Date from which industrial property rights may have effect: **10 September 2013**
(54) Product in respect of which the design is registered: **Lamp**
(51) International Design Classification: **26-06**
(74) Name(s) of Attorney(s): **Griffith Hack**
(71) Name(s) and Address(s) of Applicant(s):
Hella New Zealand Limited
81-83 Ben Lomond Crescent Pakuranga Auckland New Zealand
(72) Name(s) of Designer(s): **Shaun Crail**
(45) Registration Date: **22 October 2013**
(56) Related Art Documents: **Not Applicable**
(57) Statement of Newness and Distinctiveness: **Newness and distinctiveness resides in the visual features, including shape, configuration and ornamentation of the PRODUCT as shown in the accompanying representations.**



- (21) Design Number: **14497/2013**
(22) Date of Filing Application: **10 September 2013**
(24) Date from which industrial property rights may have effect: **10 September 2013**
(54) Product in respect of which the design is registered: **Solar device with removable cassette**
(51) International Design Classification: **13-99**
(74) Name(s) of Attorney(s): **PHILLIPS ORMONDE FITZPATRICK**
(71) Name(s) and Address(s) of Applicant(s):
Third Wave Power Pte Ltd
Block 71 Ayer Rajah Crescent #07-05 Singapore 139951 Singapore
(72) Name(s) of Designer(s): **Chuin Kiat Lim**
(45) Registration Date: **22 October 2013**
(30) Convention priority data:
(31) Number (32) Date (33) Country
29/449,533 15 Mar 2013 UNITED STATES OF AMERICA
(56) Related Art Documents: **Not Applicable**
(57) Statement of Newness and Distinctiveness: **Those features of the Solar Device with Removable Cassette depicted in the representations that are new and distinctive are the shape and/or configuration. The features shown in broken lines are not part of the design and are to be disregarded when considering the overall impression of the design.**



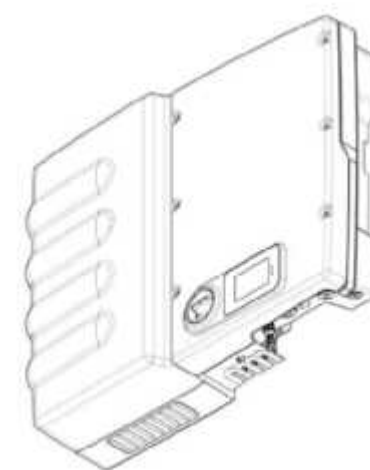
- (21) Design Number: **14499/2013**
(22) Date of Filing Application: **11 September 2013**
(24) Date from which industrial property rights may have effect: **11 September 2013**
(54) Product in respect of which the design is registered: **Wipes dispenser**
(51) International Design Classification: **23-02A, 09-03NES**
(74) Name(s) of Attorney(s): **SPRUSON & FERGUSON**
(71) Name(s) and Address(s) of Applicant(s):
Kimberly-Clark Worldwide, Inc.
2300 Winchester Road Neenah Wisconsin 54956 United States of America
(72) Name(s) of Designer(s): **Ryan L. Fulscher and Robert M. Hill and Robert Schlaupitz and Kroy D. Johnson and Kevin C. Possell**
(45) Registration Date: **22 October 2013**
(30) Convention priority data:
(31) Number (32) Date (33) Country
29/452352 15 Apr 2013 UNITED STATES OF AMERICA
(56) Related Art Documents: **Not Applicable**
(57) Statement of Newness and Distinctiveness: **Newness and distinctiveness is claimed in those features of shape and/or configuration of a wipes dispenser as illustrated in continuous lines in the accompanying representations.**



(21) Design Number: **14500/2013**
(22) Date of Filing Application: **11 September 2013**
(24) Date from which industrial property rights may have effect: **11 September 2013**
(54) Product in respect of which the design is registered: **A board case**
(51) International Design Classification: **03-01C**
(74) Name(s) of Attorney(s):
(71) Name(s) and Address(s) of Applicant(s):
Paul Barron
Unit 1 18 Bower Avenue New Brighton Christchurch 8083 New Zealand
(72) Name(s) of Designer(s): **Paul Barron**
(45) Registration Date: **22 October 2013**
(30) Convention priority data:
(31) Number (32) Date (33) Country
NZ417422 21 Mar 2013 NEW ZEALAND
(56) Related Art Documents: **Not Applicable**
(57) Statement of Newness and Distinctiveness: **This design is to be applied to a board case and the novelty resides in features of shape and configuration of the article as shown in the accompanying representations.**



(21) Design Number: **14506/2013**
(22) Date of Filing Application: **11 September 2013**
(24) Date from which industrial property rights may have effect: **11 September 2013**
(54) Product in respect of which the design is registered: **Inverter**
(51) International Design Classification: **13-02**
(74) Name(s) of Attorney(s): **Griffith Hack**
(71) Name(s) and Address(s) of Applicant(s):
SMA Solar Technology AG
Sonnenallee 1 Niestetal 34266 Germany
(72) Name(s) of Designer(s): **Alexander Benn and Christof Wetzel**
(45) Registration Date: **22 October 2013**
(30) Convention priority data:
(31) Number (32) Date (33) Country
002255380-0002 14 Jun 2013 OFFICE FOR HARMONISATION IN THE INTERNAL MARKET (OHIM)
(56) Related Art Documents: **Not Applicable**
(57) Statement of Newness and Distinctiveness: **The shape, configuration and ornamentation of the product as shown in the accompanying figures is new and distinctive.**

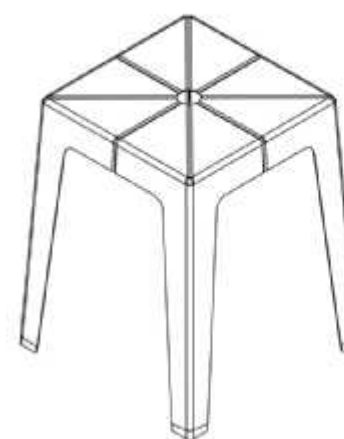


(21) Design Number: **14509/2013**
(22) Date of Filing Application: **11 September 2013**
(24) Date from which industrial property rights may have effect: **11 September 2013**
(54) Product in respect of which the design is registered: **Inverter**
(51) International Design Classification: **13-02**
(74) Name(s) of Attorney(s): **Griffith Hack**
(71) Name(s) and Address(s) of Applicant(s):
SMA Solar Technology AG
Sonnenallee 1 Niestetal 34266 Germany
(72) Name(s) of Designer(s): **Alexander Benn and Christof Wetzel**
(45) Registration Date: **22 October 2013**
(30) Convention priority data:
(31) Number (32) Date (33) Country
002255380-0001 14 Jun 2013 OFFICE FOR HARMONISATION IN
THE INTERNAL MARKET (OHIM)

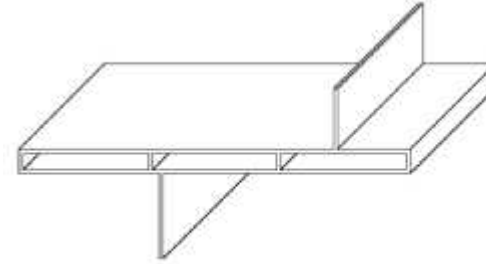


(56) Related Art Documents: **Not Applicable**
(57) Statement of Newness and Distinctiveness: **The shape, configuration, ornamentation and color of the product as shown in the accompanying figures is new and distinctive.**

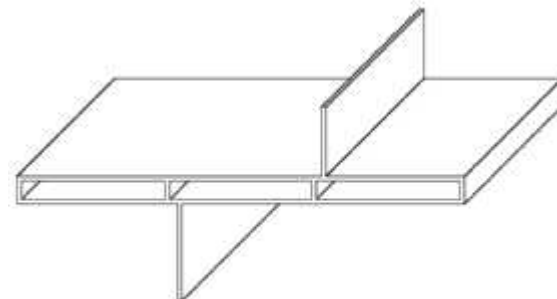
(21) Design Number: **14512/2013**
(22) Date of Filing Application: **11 September 2013**
(24) Date from which industrial property rights may have effect: **11 September 2013**
(54) Product in respect of which the design is registered: **Stool**
(51) International Design Classification: **06-01E**
(74) Name(s) of Attorney(s): **Simpsons Solicitors**
(71) Name(s) and Address(s) of Applicant(s):
DESIGN BY THEM PTY LTD
L2 STU1 140 Cleveland St Chippendale NSW 2008 Australia
(72) Name(s) of Designer(s): **Sarah Gibson and Nicholas Karlovasitis**
(45) Registration Date: **22 October 2013**
(56) Related Art Documents: **Not Applicable**
(57) Statement of Newness and Distinctiveness: **Nil**



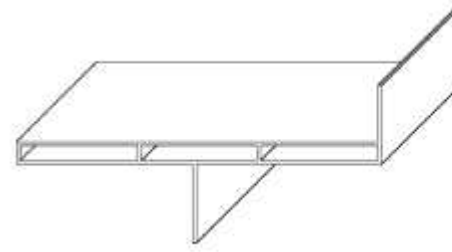
- (21) Design Number: **14520/2013**
(22) Date of Filing Application: **12 September 2013**
(24) Date from which industrial property rights may have effect: **12 September 2013**
(54) Product in respect of which the design is registered: **A window flashing extrusion**
(51) International Design Classification: **25-01K, 25-02H**
(74) Name(s) of Attorney(s):
(71) Name(s) and Address(s) of Applicant(s):
Smart Reveal Pty Ltd
C/- Michael Buck IP PO BOX 4361 St Lucia QLD 4067 Australia
(72) Name(s) of Designer(s): **Dean Costa**
(45) Registration Date: **22 October 2013**
(56) Related Art Documents: **Not Applicable**
(57) Statement of Newness and Distinctiveness: **The shape and configuration of a window flashing extrusion having a constant cross section as depicted in the end view and being of indefinite length.**



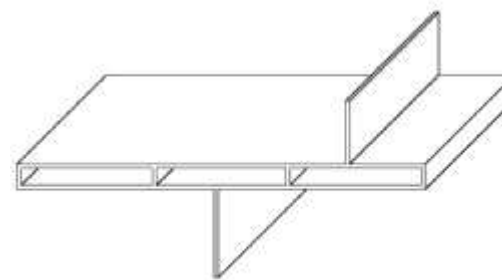
- (21) Design Number: **14521/2013**
(22) Date of Filing Application: **12 September 2013**
(24) Date from which industrial property rights may have effect: **12 September 2013**
(54) Product in respect of which the design is registered: **A window flashing extrusion**
(51) International Design Classification: **25-01K, 25-02H**
(74) Name(s) of Attorney(s):
(71) Name(s) and Address(s) of Applicant(s):
Smart Reveal Pty Ltd
C/- Michael Buck IP PO BOX 4361 St Lucia QLD 4067 Australia
(72) Name(s) of Designer(s): **Dean Costa**
(45) Registration Date: **22 October 2013**
(56) Related Art Documents: **Not Applicable**
(57) Statement of Newness and Distinctiveness: **The shape and configuration of a window flashing extrusion having a constant cross section as depicted in the end view and being of indefinite length.**



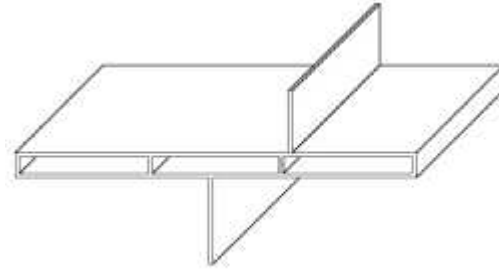
- (21) Design Number: **14522/2013**
(22) Date of Filing Application: **12 September 2013**
(24) Date from which industrial property rights may have effect: **12 September 2013**
(54) Product in respect of which the design is registered: **A window flashing extrusion**
(51) International Design Classification: **25-01K, 25-02H**
(74) Name(s) of Attorney(s):
(71) Name(s) and Address(s) of Applicant(s):
Smart Reveal Pty Ltd
C/- Michael Buck IP PO BOX 4361 St Lucia QLD 4067 Australia
(72) Name(s) of Designer(s): **Dean Costa**
(45) Registration Date: **22 October 2013**
(56) Related Art Documents: **Not Applicable**
(57) Statement of Newness and Distinctiveness: **The shape and configuration of a window flashing extrusion having a constant cross section as depicted in the end view and being of indefinite length.**



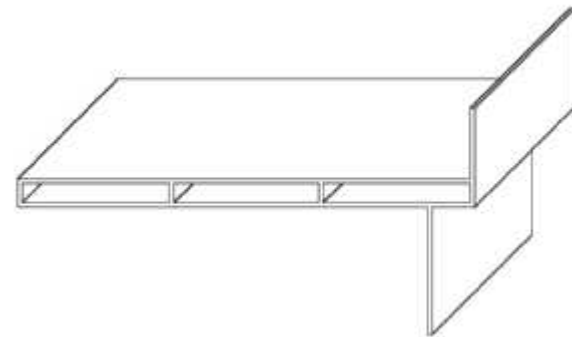
- (21) Design Number: **14523/2013**
(22) Date of Filing Application: **12 September 2013**
(24) Date from which industrial property rights may have effect: **12 September 2013**
(54) Product in respect of which the design is registered: **A window flashing extrusion**
(51) International Design Classification: **25-01K, 25-02H**
(74) Name(s) of Attorney(s):
(71) Name(s) and Address(s) of Applicant(s):
Smart Reveal Pty Ltd
C/- Michael Buck IP PO BOX 4361 St Lucia QLD 4067 Australia
(72) Name(s) of Designer(s): **Dean Costa**
(45) Registration Date: **22 October 2013**
(56) Related Art Documents: **Not Applicable**
(57) Statement of Newness and Distinctiveness: **The shape and configuration of a window flashing extrusion having a constant cross section as depicted in the end view and being of indefinite length.**



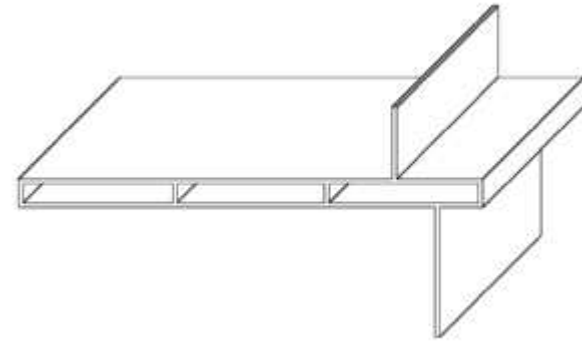
- (21) Design Number: **14524/2013**
(22) Date of Filing Application: **12 September 2013**
(24) Date from which industrial property rights may have effect: **12 September 2013**
(54) Product in respect of which the design is registered: **A window flashing extrusion**
(51) International Design Classification: **25-01K, 25-02H**
(74) Name(s) of Attorney(s):
(71) Name(s) and Address(s) of Applicant(s):
Smart Reveal Pty Ltd
C/- Michael Buck IP PO BOX 4361 St Lucia QLD 4067 Australia
(72) Name(s) of Designer(s): **Dean Costa**
(45) Registration Date: **22 October 2013**
(56) Related Art Documents: **Not Applicable**
(57) Statement of Newness and Distinctiveness: **The shape and configuration of a window flashing extrusion having a constant cross section as depicted in the end view and being of indefinite length.**



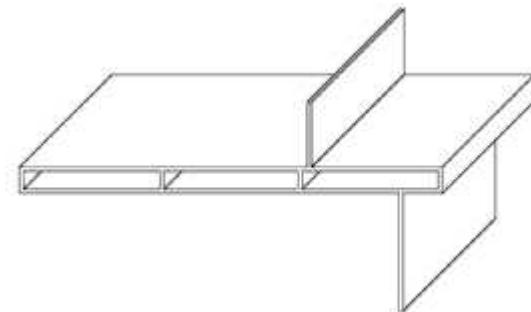
- (21) Design Number: **14525/2013**
(22) Date of Filing Application: **12 September 2013**
(24) Date from which industrial property rights may have effect: **12 September 2013**
(54) Product in respect of which the design is registered: **A window flashing extrusion**
(51) International Design Classification: **25-01K, 25-02H**
(74) Name(s) of Attorney(s):
(71) Name(s) and Address(s) of Applicant(s):
Smart Reveal Pty Ltd
C/- Michael Buck IP PO BOX 4361 St Lucia QLD 4067 Australia
(72) Name(s) of Designer(s): **Dean Costa**
(45) Registration Date: **22 October 2013**
(56) Related Art Documents: **Not Applicable**
(57) Statement of Newness and Distinctiveness: **The shape and configuration of a window flashing extrusion having a constant cross section as depicted in the end view and being of indefinite length.**



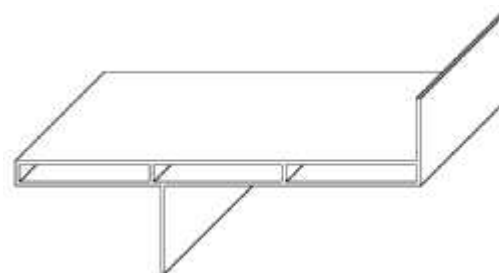
- (21) Design Number: **14526/2013**
(22) Date of Filing Application: **12 September 2013**
(24) Date from which industrial property rights may have effect: **12 September 2013**
(54) Product in respect of which the design is registered: **A window flashing extrusion**
(51) International Design Classification: **25-01K, 25-02H**
(74) Name(s) of Attorney(s):
(71) Name(s) and Address(s) of Applicant(s):
Smart Reveal Pty Ltd
C/- Michael Buck IP PO BOX 4361 St Lucia QLD 4067 Australia
(72) Name(s) of Designer(s): **Dean Costa**
(45) Registration Date: **22 October 2013**
(56) Related Art Documents: **Not Applicable**
(57) Statement of Newness and Distinctiveness: **The shape and configuration of a window flashing extrusion having a constant cross section as depicted in the end view and being of indefinite length.**



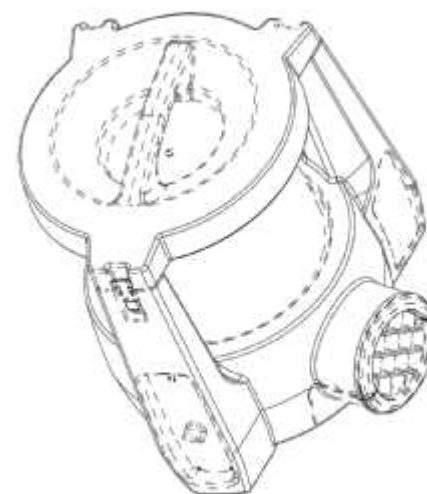
- (21) Design Number: **14527/2013**
(22) Date of Filing Application: **12 September 2013**
(24) Date from which industrial property rights may have effect: **12 September 2013**
(54) Product in respect of which the design is registered: **A window flashing extrusion**
(51) International Design Classification: **25-01K, 25-02H**
(74) Name(s) of Attorney(s):
(71) Name(s) and Address(s) of Applicant(s):
Smart Reveal Pty Ltd
C/- Michael Buck IP PO BOX 4361 St Lucia QLD 4067 Australia
(72) Name(s) of Designer(s): **Dean Costa**
(45) Registration Date: **22 October 2013**
(56) Related Art Documents: **Not Applicable**
(57) Statement of Newness and Distinctiveness: **The shape and configuration of a window flashing extrusion having a constant cross section as depicted in the end view and being of indefinite length.**



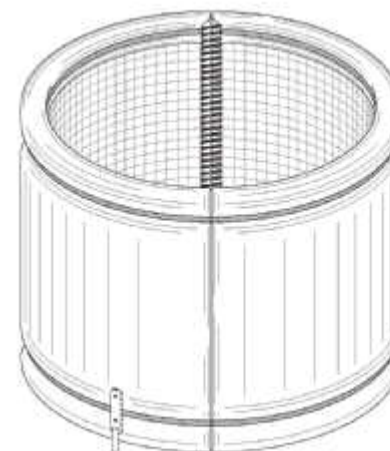
- (21) Design Number: **14528/2013**
(22) Date of Filing Application: **12 September 2013**
(24) Date from which industrial property rights may have effect: **12 September 2013**
(54) Product in respect of which the design is registered: **A window flashing extrusion**
(51) International Design Classification: **25-01K, 25-02H**
(74) Name(s) of Attorney(s):
(71) Name(s) and Address(s) of Applicant(s):
Smart Reveal Pty Ltd
C/- Michael Buck IP PO BOX 4361 St Lucia QLD 4067 Australia
(72) Name(s) of Designer(s): **Dean Costa**
(45) Registration Date: **22 October 2013**
(56) Related Art Documents: **Not Applicable**
(57) Statement of Newness and Distinctiveness: **The shape and configuration of a window flashing extrusion having a constant cross section as depicted in the end view and being of indefinite length.**



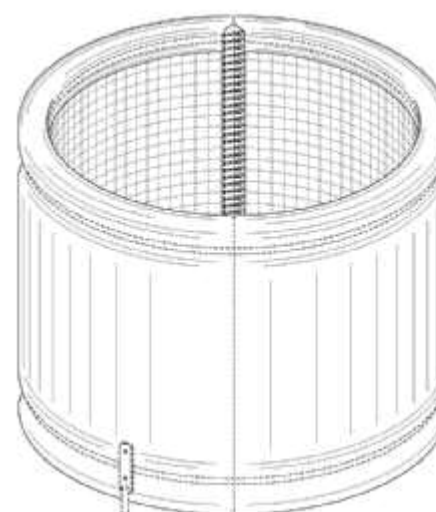
- (21) Design Number: **14530/2013**
(22) Date of Filing Application: **12 September 2013**
(24) Date from which industrial property rights may have effect: **12 September 2013**
(54) Product in respect of which the design is registered: **Air filtration device**
(51) International Design Classification: **23-04**
(74) Name(s) of Attorney(s): **PHILLIPS ORMONDE FITZPATRICK**
(71) Name(s) and Address(s) of Applicant(s):
Illinois Tool Works Inc.
3600 West Lake Avenue Glenview Illinois 60026-1215 United States of America
(72) Name(s) of Designer(s): **Stephen J. McPhilliamy and Antonio J. Belton and John S. White Jr**
(45) Registration Date: **22 October 2013**
(30) Convention priority data:
(31) Number (32) Date (33) Country
29/449,570 15 Mar 2013 UNITED STATES OF AMERICA
(56) Related Art Documents: **Not Applicable**
(57) Statement of Newness and Distinctiveness: **Those features of the air filtration device depicted in the representations that are new and distinctive are the shape and/or configuration. The features shown in broken lines are not part of the design and should be disregarded when considering the overall impression of the design.**



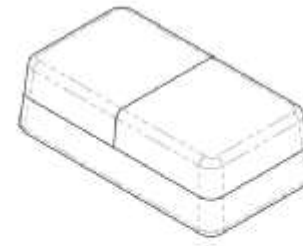
- (21) Design Number: **14531/2013**
(22) Date of Filing Application: **12 September 2013**
(24) Date from which industrial property rights may have effect: **12 September 2013**
(54) Product in respect of which the design is registered: **Filter for an air filtration device**
(51) International Design Classification: **23-04**
(74) Name(s) of Attorney(s): **PHILLIPS ORMONDE FITZPATRICK**
(71) Name(s) and Address(s) of Applicant(s):
Illinois Tool Works Inc.
3600 West Lake Avenue Glenview Illinois 60026-1215 United States of America
(72) Name(s) of Designer(s): **Derek J. Leatzow and Keith A. Grider and Daniel J. Greene and Antonio J. Belton**
(45) Registration Date: **22 October 2013**
(30) Convention priority data:
(31) Number (32) Date (33) Country
29/449,728 15 Mar 2013 UNITED STATES OF AMERICA
(56) Related Art Documents: **Not Applicable**
(57) Statement of Newness and Distinctiveness: **Those features of the filter for an air filtration device depicted in the representations that are new and distinctive are the shape and/or configuration. The features shown in broken lines are not part of the design and should be disregarded when considering the overall impression of the design.**



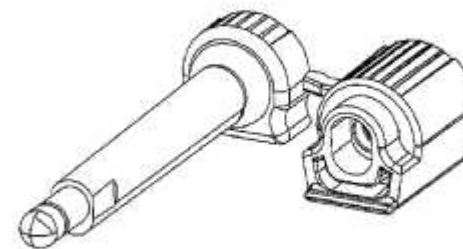
- (21) Design Number: **14532/2013**
(22) Date of Filing Application: **12 September 2013**
(24) Date from which industrial property rights may have effect: **12 September 2013**
(54) Product in respect of which the design is registered: **Filter for an air filtration device**
(51) International Design Classification: **23-04**
(74) Name(s) of Attorney(s): **PHILLIPS ORMONDE FITZPATRICK**
(71) Name(s) and Address(s) of Applicant(s):
Illinois Tool Works Inc.
3600 West Lake Avenue Glenview Illinois 60026-1215 United States of America
(72) Name(s) of Designer(s): **Derek J. Leatzow and Keith A. Grider and Daniel J. Greene and Antonio J. Belton**
(45) Registration Date: **22 October 2013**
(30) Convention priority data:
(31) Number (32) Date (33) Country
29/449,728 15 Mar 2013 UNITED STATES OF AMERICA
(56) Related Art Documents: **Not Applicable**
(57) Statement of Newness and Distinctiveness: **Those features of the filter for an air filtration device depicted in the representations that are new and distinctive are the shape and/or configuration. The features shown in broken lines are not part of the design and should be disregarded when considering the overall impression of the design.**



- (21) Design Number: **14534/2013**
(22) Date of Filing Application: **12 September 2013**
(24) Date from which industrial property rights may have effect: **12 September 2013**
(54) Product in respect of which the design is registered: **Contact lens case**
(51) International Design Classification: **03-01NES**
(74) Name(s) of Attorney(s):
(71) Name(s) and Address(s) of Applicant(s):
Kristina Brooks
5 Bronhill St Currumbin Waters QLD 4223 Australia
(72) Name(s) of Designer(s): **Kristina Brooks**
(45) Registration Date: **22 October 2013**
(56) Related Art Documents: **Not Applicable**
(57) Statement of Newness and Distinctiveness: **Monopoly is claimed in the features of shape and/or configuration of a contact lens case as shown in the accompanying representations.**



- (21) Design Number: **14536/2013**
(22) Date of Filing Application: **12 September 2013**
(24) Date from which industrial property rights may have effect: **12 September 2013**
(54) Product in respect of which the design is registered: **Container seal**
(51) International Design Classification: **09-07B**
(74) Name(s) of Attorney(s): **FB Rice**
(71) Name(s) and Address(s) of Applicant(s):
Mega Fortris (Malaysia) Sdn. Bhd.
29 Jalan Anggerik Mokara 31/47 Kota Kemuning Seksyen 31 Shah AlamSelangor, 40460 Malaysia
(72) Name(s) of Designer(s): **Yuen Kam Chau**
(45) Registration Date: **22 October 2013**
(30) Convention priority data:
(31) Number (32) Date (33) Country
13-E0091-0101 19 Jun 2013 MALAYSIA
(56) Related Art Documents: **Not Applicable**
(57) Statement of Newness and Distinctiveness: **Newness and distinctiveness reside in the features of shape and configuration of the design as shown in the representation.**

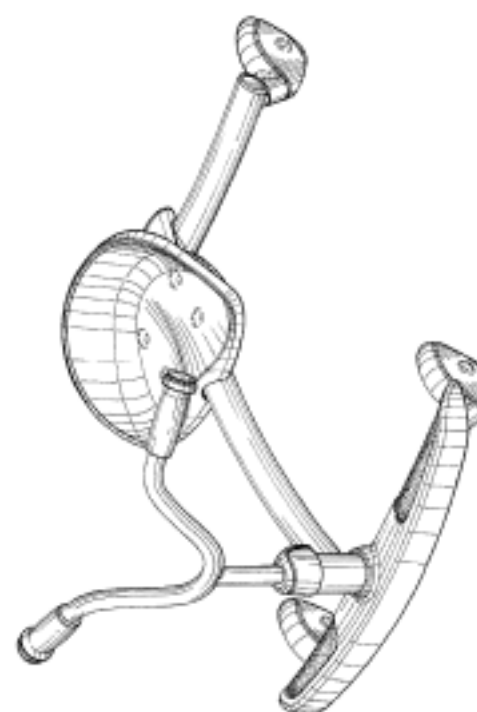


(21) Design Number: **14539/2013**
(22) Date of Filing Application: **12 September 2013**
(24) Date from which industrial property rights may have effect: **12 September 2013**
(54) Product in respect of which the design is registered: **Luggage**
(51) International Design Classification: **03-01A**
(74) Name(s) of Attorney(s): **Griffith Hack**
(71) Name(s) and Address(s) of Applicant(s):
Samsonite IP Holdings S.a r.l.
13-15 Avenue de la Liberte Luxembourg L-1931 Luxembourg
(72) Name(s) of Designer(s): **Sean B. Farrelly**
(45) Registration Date: **22 October 2013**
(30) Convention priority data:
(31) Number (32) Date (33) Country
29/450057 15 Mar 2013 UNITED STATES OF AMERICA



(56) Related Art Documents: **Not Applicable**
(57) Statement of Newness and Distinctiveness: **Newness and distinctiveness resides in the shape, configuration and ornamentation of the product as represented in the drawings. Those parts of the product shown by means of dashed lines have been included for illustrative purposes only and do not form part of the design.**

(21) Design Number: **14543/2013**
(22) Date of Filing Application: **12 September 2013**
(24) Date from which industrial property rights may have effect: **12 September 2013**
(54) Product in respect of which the design is registered: **Ride-on vehicle**
(51) International Design Classification: **21-01F**
(74) Name(s) of Attorney(s): **SPRUSON & FERGUSON**
(71) Name(s) and Address(s) of Applicant(s):
Radio Flyer Inc.
6515 West Grand Avenue Chicago Illinois 60707 United States of America
(72) Name(s) of Designer(s): **Ian Grout**
(45) Registration Date: **22 October 2013**
(30) Convention priority data:
(31) Number (32) Date (33) Country
29/449493 15 Mar 2013 UNITED STATES OF AMERICA

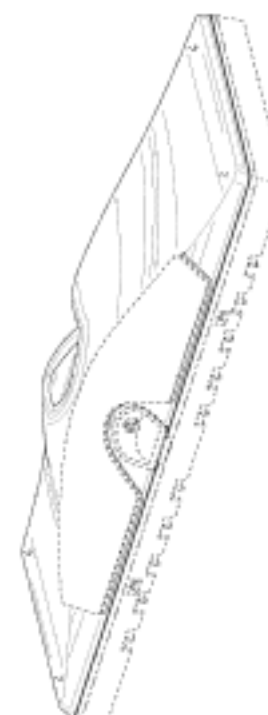


(56) Related Art Documents: **Not Applicable**
(57) Statement of Newness and Distinctiveness: **Newness and distinctiveness is claimed in the features of shape and/or configuration of a ride-on vehicle as illustrated in the accompanying representations.**

(21) Design Number: **14548/2013**
(22) Date of Filing Application: **12 September 2013**
(24) Date from which industrial property rights may have effect: **12 September 2013**
(54) Product in respect of which the design is registered: **Appliance**
(51) International Design Classification: **15-05**
(74) Name(s) of Attorney(s): **PIZZEYS**
(71) Name(s) and Address(s) of Applicant(s):
Euro-Pro Operating LLC
180 Wells Avenue Suite 200 Newton Massachusetts 02459 United States
of America
(72) Name(s) of Designer(s): **William Scott Hughes and James Russell Varney**
and Bryan Robert Hotaling and Scott A. Leclerc and James M. Ormond
(45) Registration Date: **22 October 2013**
(30) Convention priority data:
(31) Number (32) Date (33) Country
29/449,575 15 Mar 2013 UNITED STATES OF AMERICA
(56) Related Art Documents: **Not Applicable**
(57) Statement of Newness and Distinctiveness: **Nil**



(21) Design Number: **14549/2013**
(22) Date of Filing Application: **12 September 2013**
(24) Date from which industrial property rights may have effect: **12 September 2013**
(54) Product in respect of which the design is registered: **Mop head**
(51) International Design Classification: **04-01, 07-05E**
(74) Name(s) of Attorney(s): **PIZZEYS**
(71) Name(s) and Address(s) of Applicant(s):
Euro-Pro Operating LLC
180 Wells Avenue Suite 200 Newton Massachusetts 02459 United States
of America
(72) Name(s) of Designer(s): **William Scott Hughes and James Russell Varney**
and Bryan Robert Hotaling and Scott A. Leclerc and James M. Ormond
(45) Registration Date: **22 October 2013**
(30) Convention priority data:
(31) Number (32) Date (33) Country
29/449,432 15 Mar 2013 UNITED STATES OF AMERICA
(56) Related Art Documents: **Not Applicable**
(57) Statement of Newness and Distinctiveness: **Nil**



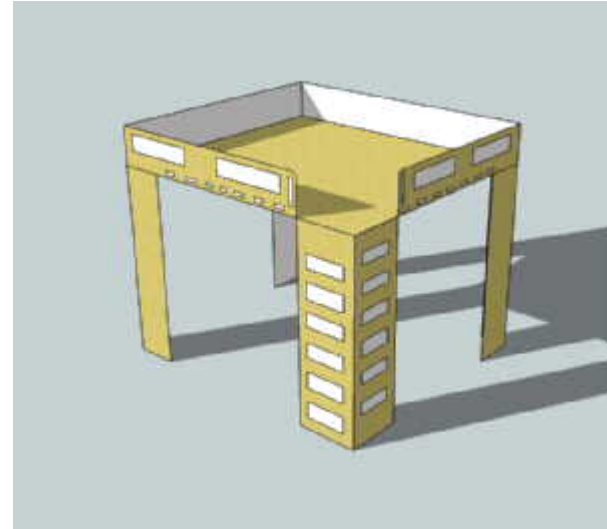
(21) Design Number: **14553/2013**
(22) Date of Filing Application: **12 September 2013**
(24) Date from which industrial property rights may have effect: **12 September 2013**
(54) Product in respect of which the design is registered: **Security camera housing**
(51) International Design Classification: **16-01**
(74) Name(s) of Attorney(s): **Madderns**
(71) Name(s) and Address(s) of Applicant(s):
Pelco, Inc.
3500 Pelco Way Clovis CA 93612-5699 United States of America
(72) Name(s) of Designer(s): **Li Wang and Leihong Zheng**
(45) Registration Date: **22 October 2013**
(30) Convention priority data:
(31) Number (32) Date (33) Country
201330062561.0 13 Mar 2013 CHINA
(56) Related Art Documents: **Not Applicable**
(57) Statement of Newness and Distinctiveness: **Newness and distinctiveness resides in the shape and/or configuration of a security camera housing as shown in the accompanying drawings.**



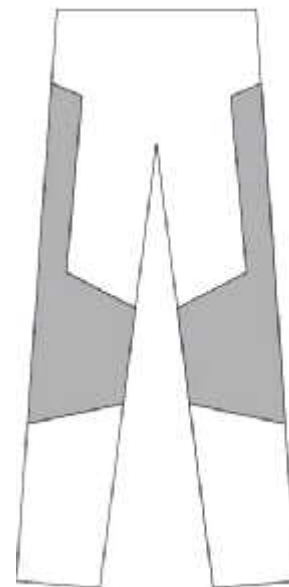
(21) Design Number: **14556/2013**
(22) Date of Filing Application: **12 September 2013**
(24) Date from which industrial property rights may have effect: **12 September 2013**
(54) Product in respect of which the design is registered: **A joiner for window flashing extrusions**
(51) International Design Classification: **25-01K, 25-02H**
(74) Name(s) of Attorney(s):
(71) Name(s) and Address(s) of Applicant(s):
Smart Reveal Pty Ltd
C/- Michael Buck IP PO BOX 4361 St Lucia QLD 4067 Australia
(72) Name(s) of Designer(s): **Dean Costa**
(45) Registration Date: **22 October 2013**
(56) Related Art Documents: **Not Applicable**
(57) Statement of Newness and Distinctiveness: **The shape and configuration of a joiner for window flashing extrusions as depicted in the accompanying representations.**



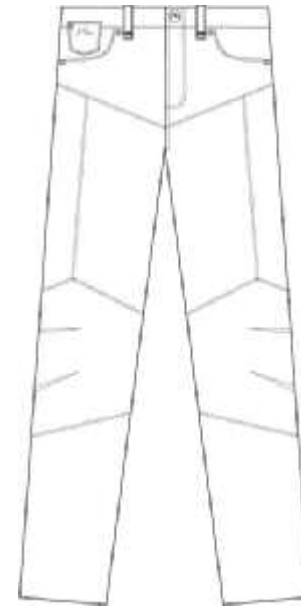
- (21) Design Number: **14558/2013**
(22) Date of Filing Application: **13 September 2013**
(24) Date from which industrial property rights may have effect: **13 September 2013**
(54) Product in respect of which the design is registered: **Loft bed**
(51) International Design Classification: **06-02**
(74) Name(s) of Attorney(s):
(71) Name(s) and Address(s) of Applicant(s):
Michael Robert Vidler
35 West St Highgate Hill QLD 4101 Australia
(72) Name(s) of Designer(s): **Michael Robert Vidler**
(45) Registration Date: **22 October 2013**
(56) Related Art Documents: **Not Applicable**
(57) Statement of Newness and Distinctiveness: **-The design of this product is characterized by the materials it is constructed from. -Access to loft is by way of corner ladder. -Monkey grip holes encourage fine motor skill/ muscle development in fingers and hands.**



- (21) Design Number: **14559/2013**
(22) Date of Filing Application: **13 September 2013**
(24) Date from which industrial property rights may have effect: **13 September 2013**
(54) Product in respect of which the design is registered: **Protective lining for jeans**
(51) International Design Classification: **02-02C**
(74) Name(s) of Attorney(s): **Hazan Hollander**
(71) Name(s) and Address(s) of Applicant(s):
Cassons Pty Ltd
U2/25 Wonderland Dr Eastern Creek NSW 2766 Australia
(72) Name(s) of Designer(s): **Dominique Charroin**
(45) Registration Date: **22 October 2013**
(56) Related Art Documents: **Not Applicable**
(57) Statement of Newness and Distinctiveness: **Newness and distinctiveness is claimed in the shape and/or configuration of the internal lining of the jeans as illustrated by shading in the accompanying representations.**



- (21) Design Number: **14560/2013**
(22) Date of Filing Application: **13 September 2013**
(24) Date from which industrial property rights may have effect: **13 September 2013**
(54) Product in respect of which the design is registered: **A pair of jeans**
(51) International Design Classification: **02-02C**
(74) Name(s) of Attorney(s): **Hazan Hollander**
(71) Name(s) and Address(s) of Applicant(s):
Cassons Pty Ltd
U2/25 Wonderland Dr Eastern Creek NSW 2766 Australia
(72) Name(s) of Designer(s): **Dominique Charroin**
(45) Registration Date: **22 October 2013**
(56) Related Art Documents: **Not Applicable**
(57) Statement of Newness and Distinctiveness: **Newness and distinctiveness is claimed in the shape and/or configuration of a pair of jeans as illustrated in the accompanying representations.**



- (21) Design Number: **14740/2013**
(22) Date of Filing Application: **06 September 2013**
(24) Date from which industrial property rights may have effect: **06 September 2013**
(54) Product in respect of which the design is registered: **Articles of clothing**
(51) International Design Classification: **02-02NES**
(74) Name(s) of Attorney(s):
(71) Name(s) and Address(s) of Applicant(s):
Beba Enterprises Pty Ltd
34 Garden St South Yarra VIC 3141 Australia
(72) Name(s) of Designer(s): **Robert Cromb**
(45) Registration Date: **22 October 2013**
(56) Related Art Documents: **Not Applicable**
(57) Statement of Newness and Distinctiveness: **Nil**



(21) Design Number: **14621/2013**

(22) Date of Filing Application: **13 September 2013**

(24) Date from which industrial property rights may have effect: **13 September 2013**

(54) Product in respect of which the design is registered: **Racking upright and connector clip**

(51) International Design Classification: **08-08L, 06-04NES, 08-08M, 08-08N**

(74) Name(s) of Attorney(s):

(71) Name(s) and Address(s) of Applicant(s):

Knud Clausen

10/901 1589 Kangding Lu Jin An Shanghai 200048 China

(72) Name(s) of Designer(s): **Knud Clausen**

(45) Registration Date: **22 October 2013**

(56) Related Art Documents: **Not Applicable**

(57) Statement of Newness and Distinctiveness: **New slot design and matching Connection design.**



(21) Design Number: **14622/2013**

(22) Date of Filing Application: **13 September 2013**

(24) Date from which industrial property rights may have effect: **13 September 2013**

(54) Product in respect of which the design is registered: **Racking connector clip**

(51) International Design Classification: **08-08L, 08-08M, 08-08N**

(74) Name(s) of Attorney(s):

(71) Name(s) and Address(s) of Applicant(s):

Knud Clausen

10/901 1589 Kangding Lu Jin An Shanghai 200048 China

(72) Name(s) of Designer(s): **Knud Clausen**

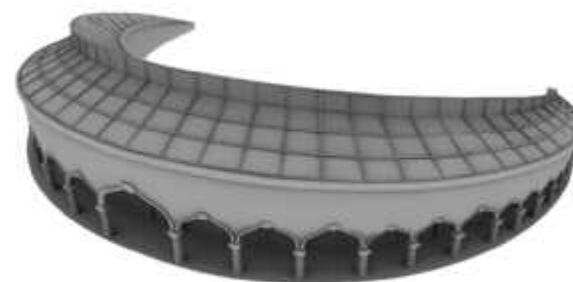
(45) Registration Date: **22 October 2013**

(56) Related Art Documents: **Not Applicable**

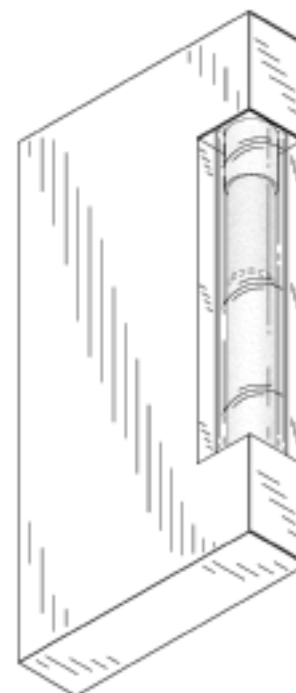
(57) Statement of Newness and Distinctiveness: **Connector locking detail design.**



- (21) Design Number: **14626/2013**
(22) Date of Filing Application: **15 September 2013**
(24) Date from which industrial property rights may have effect: **15 September 2013**
(54) Product in respect of which the design is registered: **Building and/or structure**
(51) International Design Classification: **25-03**
(74) Name(s) of Attorney(s):
(71) Name(s) and Address(s) of Applicant(s):
Charlie Bazouni
29 Walker St Merrylands NSW 2160 Australia
Joseph Antoine Zady
5 Churchwood Way Castle Hill NSW 2154 Australia
(72) Name(s) of Designer(s): **Charlie Bazouni**
(45) Registration Date: **22 October 2013**
(56) Related Art Documents: **Not Applicable**
(57) Statement of Newness and Distinctiveness: **Newness and distinctiveness resides in the shape and/or configuration of the structure as illustrated in figures 1- 5.**



- (21) Design Number: **14629/2013**
(22) Date of Filing Application: **16 September 2013**
(24) Date from which industrial property rights may have effect: **16 September 2013**
(54) Product in respect of which the design is registered: **Display package**
(51) International Design Classification: **09-03NES, 09-03M**
(74) Name(s) of Attorney(s): **SPRUSON & FERGUSON**
(71) Name(s) and Address(s) of Applicant(s):
Altria Client Services Inc.
6601 West Broad Street Richmond VA 23230 United States of America
(72) Name(s) of Designer(s): **Scott A. Fath**
(45) Registration Date: **22 October 2013**
(30) Convention priority data:
(31) Number (32) Date (33) Country
29/450130 15 Mar 2013 UNITED STATES OF AMERICA
(56) Related Art Documents: **Not Applicable**
(57) Statement of Newness and Distinctiveness: **Newness and distinctiveness is claimed in those features of shape and/or configuration of a display package illustrated in continuous lines in the accompanying representations, apart from the shading.**



(21) Design Number: **14630/2013**
(22) Date of Filing Application: **16 September 2013**
(24) Date from which industrial property rights may have effect: **16 September 2013**
(54) Product in respect of which the design is registered: **Display package**
(51) International Design Classification: **09-03NES, 09-03M**
(74) Name(s) of Attorney(s): **SPRUSON & FERGUSON**
(71) Name(s) and Address(s) of Applicant(s):

Altria Client Services Inc.
6601 West Broad Street Richmond VA 23230 United States of America

(72) Name(s) of Designer(s): **Scott A. Fath**

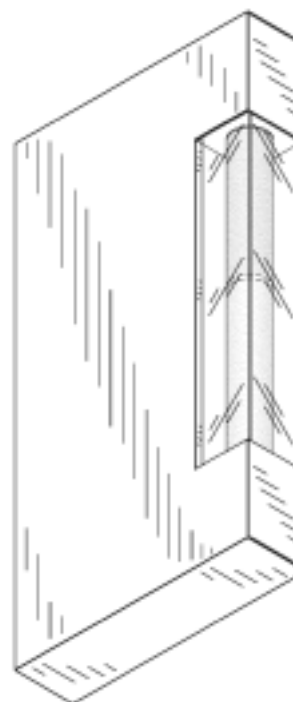
(45) Registration Date: **22 October 2013**

(30) Convention priority data:

(31) Number	(32) Date	(33) Country
29/450130	15 Mar 2013	UNITED STATES OF AMERICA

(56) Related Art Documents: **Not Applicable**

(57) Statement of Newness and Distinctiveness: **Newness and distinctiveness is claimed in those features of shape and/or configuration of a display package illustrated in continuous lines in the accompanying representations, apart from the shading.**



(21) Design Number: **14632/2013**
(22) Date of Filing Application: **16 September 2013**
(24) Date from which industrial property rights may have effect: **16 September 2013**
(54) Product in respect of which the design is registered: **Display package**
(51) International Design Classification: **09-03NES**
(74) Name(s) of Attorney(s): **SPRUSON & FERGUSON**
(71) Name(s) and Address(s) of Applicant(s):

Altria Client Services Inc.
6601 West Broad Street Richmond VA 23230 United States of America

(72) Name(s) of Designer(s): **Scott A. Fath**

(45) Registration Date: **22 October 2013**

(30) Convention priority data:

(31) Number	(32) Date	(33) Country
29/450130	15 Mar 2013	UNITED STATES OF AMERICA

(56) Related Art Documents: **Not Applicable**

(57) Statement of Newness and Distinctiveness: **Newness and distinctiveness is claimed in the features of shape and/or configuration of a display package as illustrated in the accompanying representations.**



(21) Design Number: **14633/2013**
(22) Date of Filing Application: **16 September 2013**
(24) Date from which industrial property rights may have effect: **16 September 2013**
(54) Product in respect of which the design is registered: **Display package**
(51) International Design Classification: **09-03NES**
(74) Name(s) of Attorney(s): **SPRUSON & FERGUSON**
(71) Name(s) and Address(s) of Applicant(s):
Altria Client Services Inc.
6601 West Broad Street Richmond VA 23230 United States of America

(72) Name(s) of Designer(s): **Scott A. Fath**

(45) Registration Date: **22 October 2013**

(30) Convention priority data:

(31) Number	(32) Date	(33) Country
29/450130	15 Mar 2013	UNITED STATES OF AMERICA

(56) Related Art Documents: **Not Applicable**

(57) Statement of Newness and Distinctiveness: **Newness and distinctiveness is claimed in those features of shape and/or configuration of a display portion labelled "x" of a display package as illustrated in continuous lines in the accompanying representations.**



(21) Design Number: **14634/2013**
(22) Date of Filing Application: **16 September 2013**
(24) Date from which industrial property rights may have effect: **16 September 2013**
(54) Product in respect of which the design is registered: **Cup packaging**
(51) International Design Classification: **09-03NES**
(74) Name(s) of Attorney(s): **PIZZEYS**
(71) Name(s) and Address(s) of Applicant(s):
McCormick & Company, Incorporated
Corporate Research & Development 18 Loveton Circle Sparks MD,
21152-6000 United States of America

(72) Name(s) of Designer(s): **Violaine Royer and Mark Jenkins**

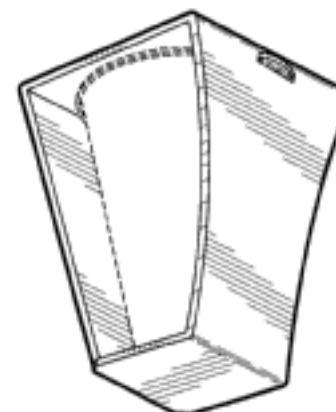
(45) Registration Date: **22 October 2013**

(30) Convention priority data:

(31) Number	(32) Date	(33) Country
29/450,164	15 Mar 2013	UNITED STATES OF AMERICA

(56) Related Art Documents: **Not Applicable**

(57) Statement of Newness and Distinctiveness: **Nil**



(21) Design Number: **14635/2013**
(22) Date of Filing Application: **16 September 2013**
(24) Date from which industrial property rights may have effect: **16 September 2013**
(54) Product in respect of which the design is registered: **Display package**
(51) International Design Classification: **09-03NES**
(74) Name(s) of Attorney(s): **SPRUSON & FERGUSON**
(71) Name(s) and Address(s) of Applicant(s):

Altria Client Services Inc.
6601 West Broad Street Richmond VA 23230 United States of America

(72) Name(s) of Designer(s): **Scott A. Fath**

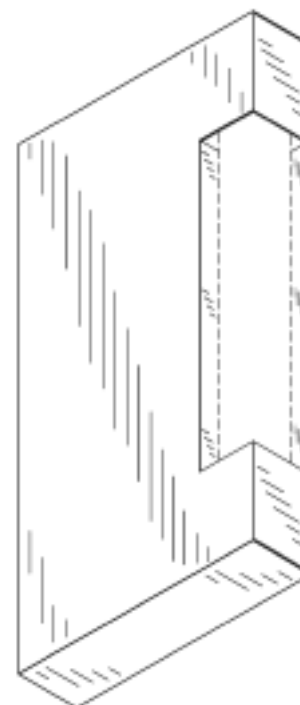
(45) Registration Date: **22 October 2013**

(30) Convention priority data:

(31) Number	(32) Date	(33) Country
29/450130	15 Mar 2013	UNITED STATES OF AMERICA

(56) Related Art Documents: **Not Applicable**

(57) Statement of Newness and Distinctiveness: **Newness and distinctiveness is claimed in those features of shape and/or configuration of a display package illustrated in continuous lines in the accompanying representations.**



(21) Design Number: **14641/2013**
(22) Date of Filing Application: **16 September 2013**
(24) Date from which industrial property rights may have effect: **16 September 2013**
(54) Product in respect of which the design is registered: **Cup**
(51) International Design Classification: **07-01D**
(74) Name(s) of Attorney(s): **PIZZEYS**
(71) Name(s) and Address(s) of Applicant(s):

McCormick & Company, Incorporated
18 Loveton Circle Sparks MD 21152-6000 United States of America

(72) Name(s) of Designer(s): **Violaine Royer and Thomas Koll Porter Gieske**

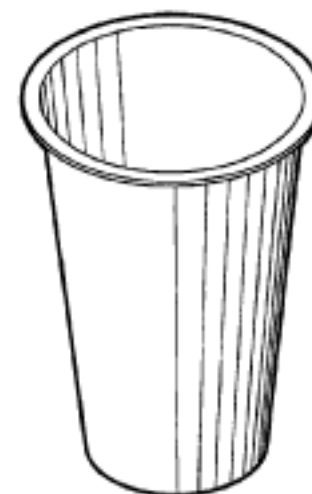
(45) Registration Date: **22 October 2013**

(30) Convention priority data:

(31) Number	(32) Date	(33) Country
29/450,194	15 Mar 2013	UNITED STATES OF AMERICA

(56) Related Art Documents: **Not Applicable**

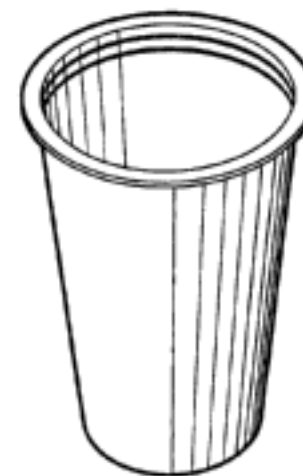
(57) Statement of Newness and Distinctiveness: **Nil**



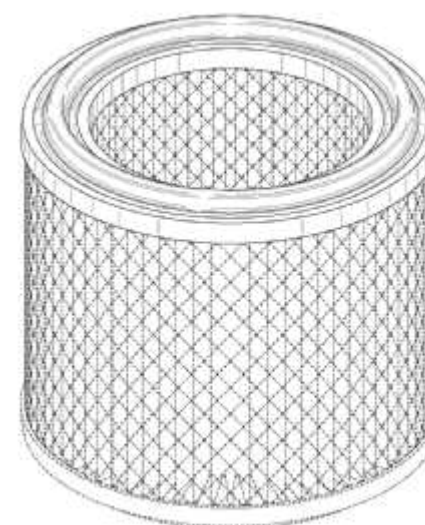
(21) Design Number: **14642/2013**
(22) Date of Filing Application: **16 September 2013**
(24) Date from which industrial property rights may have effect: **16 September 2013**
(54) Product in respect of which the design is registered: **Cup packaging**
(51) International Design Classification: **09-03NES**
(74) Name(s) of Attorney(s): **PIZZEYS**
(71) Name(s) and Address(s) of Applicant(s):
McCormick & Company, Incorporated
18 Loveton Circle Sparks MD 21152-6000 United States of America
(72) Name(s) of Designer(s): **Violaine Royer and Mark Jenkins**
(45) Registration Date: **22 October 2013**
(30) Convention priority data:
(31) Number (32) Date (33) Country
29/450,228 15 Mar 2013 UNITED STATES OF AMERICA
(56) Related Art Documents: **Not Applicable**
(57) Statement of Newness and Distinctiveness: **Nil**



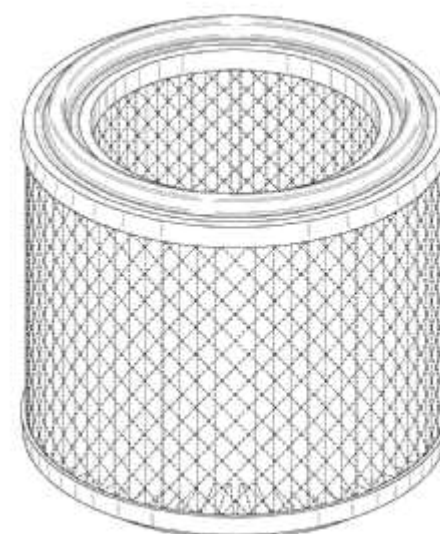
(21) Design Number: **14643/2013**
(22) Date of Filing Application: **16 September 2013**
(24) Date from which industrial property rights may have effect: **16 September 2013**
(54) Product in respect of which the design is registered: **Cup**
(51) International Design Classification: **07-01D**
(74) Name(s) of Attorney(s): **PIZZEYS**
(71) Name(s) and Address(s) of Applicant(s):
McCormick & Company, Incorporated
Corporate Research & Development 18 Loveton Circle Sparks MD,
21152-6000 United States of America
(72) Name(s) of Designer(s): **Thomas Koll Porter Gieske and Tracie L.C. Wilson**
(45) Registration Date: **22 October 2013**
(30) Convention priority data:
(31) Number (32) Date (33) Country
29/450,204 15 Mar 2013 UNITED STATES OF AMERICA
(56) Related Art Documents: **Not Applicable**
(57) Statement of Newness and Distinctiveness: **Nil**



- (21) Design Number: **14646/2013**
(22) Date of Filing Application: **16 September 2013**
(24) Date from which industrial property rights may have effect: **16 September 2013**
(54) Product in respect of which the design is registered: **Filter for an air filtration device**
(51) International Design Classification: **23-04**
(74) Name(s) of Attorney(s): **PHILLIPS ORMONDE FITZPATRICK**
(71) Name(s) and Address(s) of Applicant(s):
Illinois Tool Works Inc.
3600 West Lake Avenue Glenview Illinois 60026-1215 United States of America
(72) Name(s) of Designer(s): **Derek J. Leatzow and Keith A. Grider and Daniel J. Greene**
(45) Registration Date: **22 October 2013**
(30) Convention priority data:
(31) Number (32) Date (33) Country
29/449,564 15 Mar 2013 UNITED STATES OF AMERICA
(56) Related Art Documents: **Not Applicable**
(57) Statement of Newness and Distinctiveness: **Those features of the filter for an air filtration device depicted in the representations that are new and distinctive are the shape and/or configuration. The features shown in broken lines are not part of the design and are to be disregarded when considering the overall impression of the design.**



- (21) Design Number: **14647/2013**
(22) Date of Filing Application: **16 September 2013**
(24) Date from which industrial property rights may have effect: **16 September 2013**
(54) Product in respect of which the design is registered: **Filter for an air filtration device**
(51) International Design Classification: **23-04**
(74) Name(s) of Attorney(s): **PHILLIPS ORMONDE FITZPATRICK**
(71) Name(s) and Address(s) of Applicant(s):
Illinois Tool Works Inc.
3600 West Lake Avenue Glenview Illinois 60026-1215 United States of America
(72) Name(s) of Designer(s): **Derek J. Leatzow and Keith A. Grider and Daniel J. Greene**
(45) Registration Date: **22 October 2013**
(30) Convention priority data:
(31) Number (32) Date (33) Country
29/449,564 15 Mar 2013 UNITED STATES OF AMERICA
(56) Related Art Documents: **Not Applicable**
(57) Statement of Newness and Distinctiveness: **Those features of the filter for an air filtration device depicted in the representations that are new and distinctive are the shape and/or configuration. The features shown in broken lines are not part of the design and are to be disregarded when considering the overall impression of the design.**



(21) Design Number: **14649/2013**
(22) Date of Filing Application: **16 September 2013**
(24) Date from which industrial property rights may have effect: **16 September 2013**
(54) Product in respect of which the design is registered: **Lipstick bullet**
(51) International Design Classification: **28-02**
(74) Name(s) of Attorney(s): **PHILLIPS ORMONDE FITZPATRICK**
(71) Name(s) and Address(s) of Applicant(s):

ELC Management LLC
155 Pinelawn Road Suite 345 South Melville New York 11747 United States of America

(72) Name(s) of Designer(s): **Sarah Kloman and Jesse Chertoff and Stephanie Lamb**

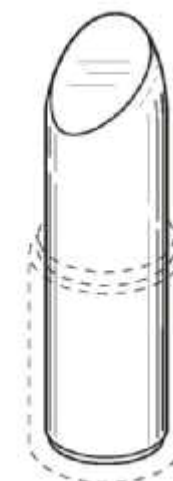
(45) Registration Date: **22 October 2013**

(30) Convention priority data:

(31) Number	(32) Date	(33) Country
29/452,656	19 Apr 2013	UNITED STATES OF AMERICA

(56) Related Art Documents: **Not Applicable**

(57) Statement of Newness and Distinctiveness: **Those features of the lipstick bullet depicted in the representations that are new and distinctive are the shape and/or configuration. The feature shown in broken line is not part of the design and is to be disregarded when considering the overall impression of the design.**



(21) Design Number: **14650/2013**
(22) Date of Filing Application: **16 September 2013**
(24) Date from which industrial property rights may have effect: **16 September 2013**
(54) Product in respect of which the design is registered: **Display package**
(51) International Design Classification: **09-03NES**
(74) Name(s) of Attorney(s): **SPRUSON & FERGUSON**
(71) Name(s) and Address(s) of Applicant(s):

Altria Client Services Inc.
6601 West Broad Street Richmond VA 23230 United States of America

(72) Name(s) of Designer(s): **Scott A. Fath**

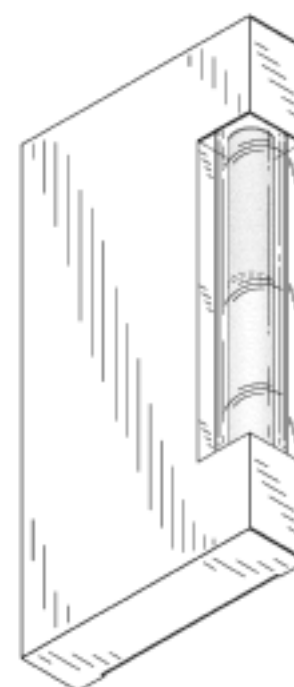
(45) Registration Date: **22 October 2013**

(30) Convention priority data:

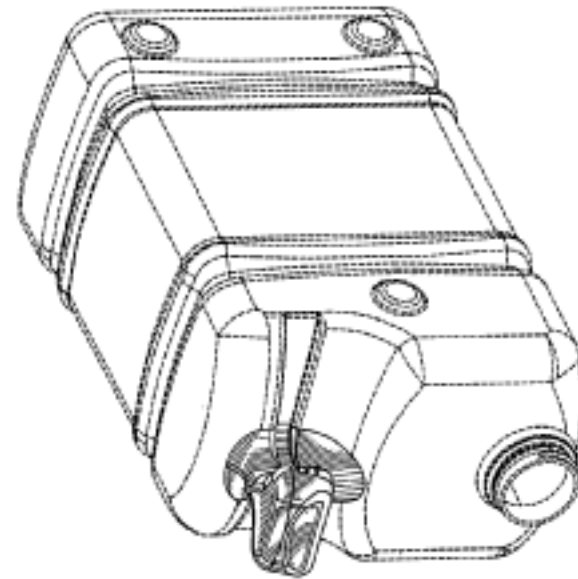
(31) Number	(32) Date	(33) Country
29/450130	15 Mar 2013	UNITED STATES OF AMERICA

(56) Related Art Documents: **Not Applicable**

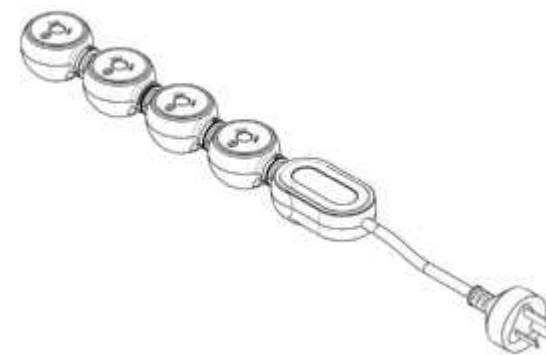
(57) Statement of Newness and Distinctiveness: **Newness and distinctiveness is claimed in those features of shape and/or configuration of a display package illustrated in continuous lines in the accompanying representations.**



(21) Design Number: **14656/2013**
(22) Date of Filing Application: **16 September 2013**
(24) Date from which industrial property rights may have effect: **16 September 2013**
(54) Product in respect of which the design is registered: **Dispensing container**
(51) International Design Classification: **09-02B**
(74) Name(s) of Attorney(s): **PIZZEYS**
(71) Name(s) and Address(s) of Applicant(s):
McCormick & Company, Incorporated
18 Loveton Circle Sparks MD 21152-6000 United States of America
(72) Name(s) of Designer(s): **Thomas Koll Porter Gieske and David A. Rainey**
and Donald H. Ankney
(45) Registration Date: **22 October 2013**
(30) Convention priority data:
(31) Number (32) Date (33) Country
29/450,184 15 Mar 2013 UNITED STATES OF AMERICA
(56) Related Art Documents: **Not Applicable**
(57) Statement of Newness and Distinctiveness: **Nil**



(21) Design Number: **14659/2013**
(22) Date of Filing Application: **17 September 2013**
(24) Date from which industrial property rights may have effect: **17 September 2013**
(54) Product in respect of which the design is registered: **Power board**
(51) International Design Classification: **13-03D**
(74) Name(s) of Attorney(s): **Armour IP**
(71) Name(s) and Address(s) of Applicant(s):
Bubble Adaptor Pty Ltd
PO BOX 1863 Subiaco WA 6904 Australia
(72) Name(s) of Designer(s): **Peter Ronald Souris and Edward Joseph Khoury**
(45) Registration Date: **22 October 2013**
(56) Related Art Documents: **Not Applicable**
(57) Statement of Newness and Distinctiveness: **Nil**



(21) Design Number: **14757/2013**

(22) Date of Filing Application: **20 September 2013**

(24) Date from which industrial property rights may have effect: **20 September 2013**

(54) Product in respect of which the design is registered: **A surface cleaner**

(51) International Design Classification: **15-05**

(74) Name(s) of Attorney(s): **A.J. Pietras & Co**

(71) Name(s) and Address(s) of Applicant(s):

Ethan Woods

401 East 81st Street PHA New York NY 10028 United States of America

(72) Name(s) of Designer(s): **Ethan Woods**

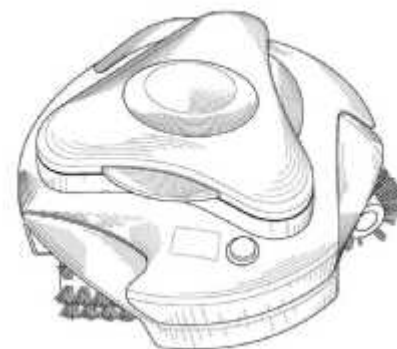
(45) Registration Date: **22 October 2013**

(30) Convention priority data:

(31) Number	(32) Date	(33) Country
29451847	09 Apr 2013	UNITED STATES OF AMERICA

(56) Related Art Documents: **Not Applicable**

(57) Statement of Newness and Distinctiveness: **The design is applied to a surface cleaner and the novelty resides in the features of shape and configuration as shown in the accompanying representations.**



(21) Design Number: **14768/2013**

(22) Date of Filing Application: **20 September 2013**

(24) Date from which industrial property rights may have effect: **20 September 2013**

(54) Product in respect of which the design is registered: **A sweeper**

(51) International Design Classification: **04-01**

(74) Name(s) of Attorney(s):

(71) Name(s) and Address(s) of Applicant(s):

Oak Lawn Marketing, Inc.

**NHK NAGOYA Broadcasting Centre Building 14F 1-13-3 Higashi Sakura,
Higashi-ku Nagoya Aichi 461-0005 Japan**

(72) Name(s) of Designer(s): **Junichi Yoshitomi**

(45) Registration Date: **22 October 2013**

(30) Convention priority data:

(31) Number	(32) Date	(33) Country
2013-7284	29 Mar 2013	JAPAN

(56) Related Art Documents: **Not Applicable**

(57) Statement of Newness and Distinctiveness: **Nil**



(21) Design Number: **14769/2013**

(22) Date of Filing Application: **20 September 2013**

(24) Date from which industrial property rights may have effect: **20 September 2013**

(54) Product in respect of which the design is registered: **A sweeper**

(51) International Design Classification: **04-01**

(74) Name(s) of Attorney(s):

(71) Name(s) and Address(s) of Applicant(s):

Oak Lawn Marketing, Inc.

**NHK NAGOYA Broadcasting Centre Building 14F 1-13-3 Higashi Sakura,
Higashi-ku Nagoya Aichi 461-0005 Japan**

(72) Name(s) of Designer(s): **Junichi Yoshitomi**

(45) Registration Date: **22 October 2013**

(30) Convention priority data:

(31) Number	(32) Date	(33) Country
2013-7285	29 Mar 2013	JAPAN

(56) Related Art Documents: **Not Applicable**

(57) Statement of Newness and Distinctiveness: **Newness and distinctiveness is claimed in those features of shape and/or configuration of a sweeper illustrated in continuous lines in the accompanying representations.**



(21) Design Number: **14770/2013**

(22) Date of Filing Application: **20 September 2013**

(24) Date from which industrial property rights may have effect: **20 September 2013**

(54) Product in respect of which the design is registered: **Truck cab, scale model truck cab, toy truck cab**

(51) International Design Classification: **12-08, 21-01C**

(74) Name(s) of Attorney(s): **WATERMARK PATENT AND TRADE MARKS ATTORNEYS**

(71) Name(s) and Address(s) of Applicant(s):

Volvo Lastvagnar AB

405 08 Goteborg Sweden

(72) Name(s) of Designer(s): **Asok George**

(45) Registration Date: **22 October 2013**

(30) Convention priority data:

(31) Number	(32) Date	(33) Country
002219204-0001	12 Apr 2013	EUROPEAN PATENT OFFICE (EPO)

(56) Related Art Documents: **Not Applicable**

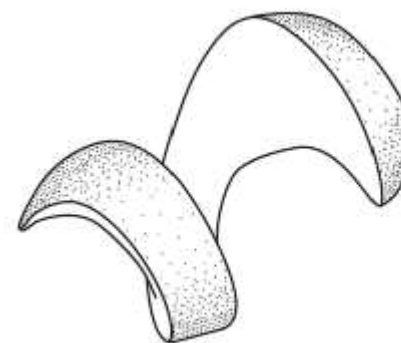
(57) Statement of Newness and Distinctiveness: **Nil**



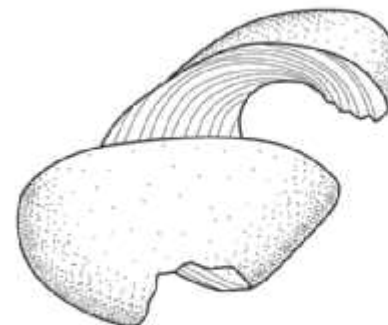
(21) Design Number: **14598/2013**
(22) Date of Filing Application: **13 September 2013**
(24) Date from which industrial property rights may have effect: **13 September 2013**
(54) Product in respect of which the design is registered: **Spiral potato piece**
(51) International Design Classification: **01-02**
(74) Name(s) of Attorney(s): **Shelston IP**
(71) Name(s) and Address(s) of Applicant(s):
J.R. Simplot Company
999 Main Street Suite 1300 Boise Idaho 83702 United States of America
(72) Name(s) of Designer(s): **David B. Walker and Allen J. Neel**
(45) Registration Date: **23 October 2013**
(30) Convention priority data:
(31) Number (32) Date (33) Country
29/449981 15 Mar 2013 UNITED STATES OF AMERICA
(56) Related Art Documents: **Not Applicable**
(57) Statement of Newness and Distinctiveness: **Newness and distinctiveness reside in the features of shape and/or configuration of a SPIRAL POTATO PIECE as illustrated in the accompanying representations.**



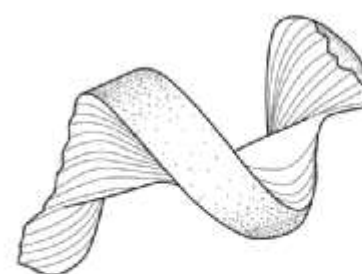
(21) Design Number: **14599/2013**
(22) Date of Filing Application: **13 September 2013**
(24) Date from which industrial property rights may have effect: **13 September 2013**
(54) Product in respect of which the design is registered: **Spiral potato piece**
(51) International Design Classification: **01-02**
(74) Name(s) of Attorney(s): **Shelston IP**
(71) Name(s) and Address(s) of Applicant(s):
J.R. Simplot Company
999 Main Street Suite 1300 Boise Idaho 83702 United States of America
(72) Name(s) of Designer(s): **David B. Walker and Allen J. Neel**
(45) Registration Date: **23 October 2013**
(30) Convention priority data:
(31) Number (32) Date (33) Country
29/449999 15 Mar 2013 UNITED STATES OF AMERICA
(56) Related Art Documents: **Not Applicable**
(57) Statement of Newness and Distinctiveness: **Newness and distinctiveness reside in the features of shape and/or configuration of a SPIRAL POTATO PIECE as illustrated in the accompanying representations.**



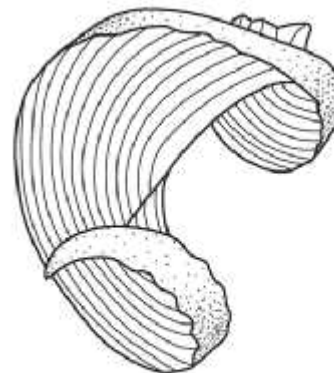
(21) Design Number: **14601/2013**
(22) Date of Filing Application: **13 September 2013**
(24) Date from which industrial property rights may have effect: **13 September 2013**
(54) Product in respect of which the design is registered: **Spiral potato piece**
(51) International Design Classification: **01-02**
(74) Name(s) of Attorney(s): **Shelston IP**
(71) Name(s) and Address(s) of Applicant(s):
J.R. Simplot Company
999 Main Street Suite 1300 Boise Idaho 83702 United States of America
(72) Name(s) of Designer(s): **David B. Walker and Allen J. Neel**
(45) Registration Date: **23 October 2013**
(30) Convention priority data:
(31) Number (32) Date (33) Country
29/450034 15 Mar 2013 UNITED STATES OF AMERICA
(56) Related Art Documents: **Not Applicable**
(57) Statement of Newness and Distinctiveness: **Newness and distinctiveness reside in the features of shape and/or configuration of a SPIRAL POTATO PIECE as illustrated in the accompanying representations.**



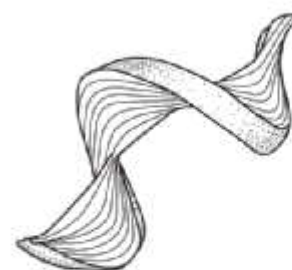
(21) Design Number: **14605/2013**
(22) Date of Filing Application: **13 September 2013**
(24) Date from which industrial property rights may have effect: **13 September 2013**
(54) Product in respect of which the design is registered: **Spiral potato piece**
(51) International Design Classification: **01-02**
(74) Name(s) of Attorney(s): **Shelston IP**
(71) Name(s) and Address(s) of Applicant(s):
J.R. Simplot Company
999 Main Street Suite 1300 Boise Idaho 83702 United States of America
(72) Name(s) of Designer(s): **David B. Walker and Allen J. Neel**
(45) Registration Date: **23 October 2013**
(30) Convention priority data:
(31) Number (32) Date (33) Country
29/450042 15 Mar 2013 UNITED STATES OF AMERICA
(56) Related Art Documents: **Not Applicable**
(57) Statement of Newness and Distinctiveness: **Newness and distinctiveness reside in the features of shape and/or configuration of a SPIRAL POTATO PIECE as illustrated in the accompanying representations.**



(21) Design Number: **14607/2013**
(22) Date of Filing Application: **13 September 2013**
(24) Date from which industrial property rights may have effect: **13 September 2013**
(54) Product in respect of which the design is registered: **Spiral potato piece**
(51) International Design Classification: **01-02**
(74) Name(s) of Attorney(s): **Shelston IP**
(71) Name(s) and Address(s) of Applicant(s):
J.R. Simplot Company
999 Main Street Suite 1300 Boise Idaho 83702 United States of America
(72) Name(s) of Designer(s): **David B. Walker and Allen J. Neel**
(45) Registration Date: **23 October 2013**
(30) Convention priority data:
(31) Number (32) Date (33) Country
29/450053 15 Mar 2013 UNITED STATES OF AMERICA
(56) Related Art Documents: **Not Applicable**
(57) Statement of Newness and Distinctiveness: **Newness and distinctiveness reside in the features of shape and/or configuration of a SPIRAL POTATO PIECE as illustrated in the accompanying representations.**



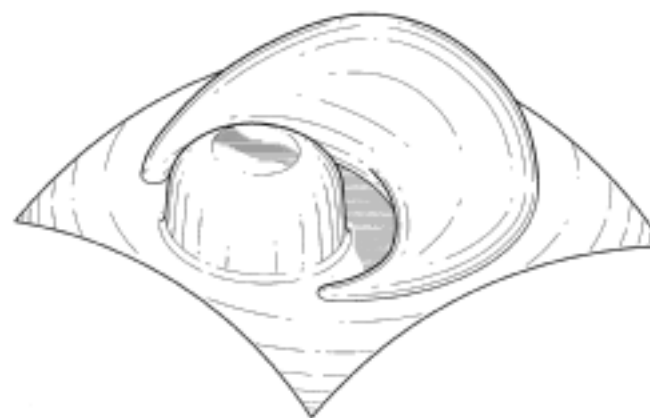
(21) Design Number: **14608/2013**
(22) Date of Filing Application: **13 September 2013**
(24) Date from which industrial property rights may have effect: **13 September 2013**
(54) Product in respect of which the design is registered: **Spiral potato piece**
(51) International Design Classification: **01-02**
(74) Name(s) of Attorney(s): **Shelston IP**
(71) Name(s) and Address(s) of Applicant(s):
J.R. Simplot Company
999 Main Street Suite 1300 Boise Idaho 83702 United States of America
(72) Name(s) of Designer(s): **David B. Walker and Allen J. Neel**
(45) Registration Date: **23 October 2013**
(30) Convention priority data:
(31) Number (32) Date (33) Country
29/450061 15 Mar 2013 UNITED STATES OF AMERICA
(56) Related Art Documents: **Not Applicable**
(57) Statement of Newness and Distinctiveness: **Newness and distinctiveness reside in the features of shape and/or configuration of a SPIRAL POTATO PIECE as illustrated in the accompanying representations.**



(21) Design Number: **14628/2013**
(22) Date of Filing Application: **16 September 2013**
(24) Date from which industrial property rights may have effect: **16 September 2013**
(54) Product in respect of which the design is registered: **Packaging for foodstuffs**
(51) International Design Classification: **09-03C**
(74) Name(s) of Attorney(s): **SPRUSON & FERGUSON**
(71) Name(s) and Address(s) of Applicant(s):
Mariani Foods Pty Limited
6 Foy St Casino NSW 2470 Australia
Foster Packaging Pty Ltd
17/69-77 Mark Anthony Dr Dandenong VIC 3175 Australia
(72) Name(s) of Designer(s): **David Mackney and Don Nisbet and Joe Foster**
(45) Registration Date: **23 October 2013**
(30) Convention priority data:
(31) Number (32) Date (33) Country
002203927-0001 15 Mar 2013 OFFICE FOR HARMONISATION IN
THE INTERNAL MARKET (OHIM)
(56) Related Art Documents: **Not Applicable**
(57) Statement of Newness and Distinctiveness: **Newness and distinctiveness**
is claimed in the features of shape and/or configuration of a packaging
for foodstuffs as illustrated in the accompanying representations.



(21) Design Number: **14676/2013**
(22) Date of Filing Application: **16 September 2013**
(24) Date from which industrial property rights may have effect: **16 September 2013**
(54) Product in respect of which the design is registered: **Pouch**
(51) International Design Classification: **09-05**
(74) Name(s) of Attorney(s): **Freehills Patent Attorneys**
(71) Name(s) and Address(s) of Applicant(s):
The Sun Products Corporation
60 Danbury Road, Wilton Connecticut 06897 United States of America
(72) Name(s) of Designer(s): **Anne E. Nixon and Craig S. Slavtcheff and**
Katherine Sears
(45) Registration Date: **23 October 2013**
(30) Convention priority data:
(31) Number (32) Date (33) Country
29/450135 15 Mar 2013 UNITED STATES OF AMERICA
(56) Related Art Documents: **Not Applicable**
(57) Statement of Newness and Distinctiveness: **Newness and distinctiveness**
of the design resides in the shape and configuration of the pouch
as shown in solid outlines and contour lines in the accompanying
representations.



- (21) Design Number: **14677/2013**
(22) Date of Filing Application: **16 September 2013**
(24) Date from which industrial property rights may have effect: **16 September 2013**
(54) Product in respect of which the design is registered: **Pouch**
(51) International Design Classification: **09-05**
(74) Name(s) of Attorney(s): **Freehills Patent Attorneys**
(71) Name(s) and Address(s) of Applicant(s):
The Sun Products Corporation
60 Danbury Road, Wilton Connecticut 06897 United States of America
(72) Name(s) of Designer(s): **Anne E. Nixon and Craig S. Slavtcheff and Katherine Sears**
(45) Registration Date: **23 October 2013**
(30) Convention priority data:
(31) Number (32) Date (33) Country
29/450135 15 Mar 2013 UNITED STATES OF AMERICA
(56) Related Art Documents: **Not Applicable**
(57) Statement of Newness and Distinctiveness: **Newness and distinctiveness of the design resides in the shape and configuration of the pouch as shown in solid outlines and contour lines in the accompanying representations.**



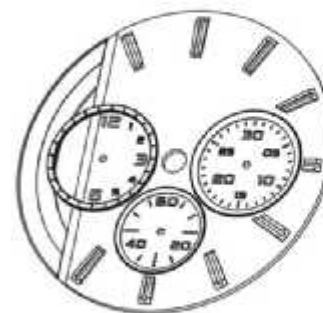
- (21) Design Number: **14678/2013**
(22) Date of Filing Application: **16 September 2013**
(24) Date from which industrial property rights may have effect: **16 September 2013**
(54) Product in respect of which the design is registered: **Pouch**
(51) International Design Classification: **09-05**
(74) Name(s) of Attorney(s): **Freehills Patent Attorneys**
(71) Name(s) and Address(s) of Applicant(s):
The Sun Products Corporation
60 Danbury Road, Wilton Connecticut 06897 United States of America
(72) Name(s) of Designer(s): **Anne E. Nixon and Craig S. Slavtcheff and Katherine Sears**
(45) Registration Date: **23 October 2013**
(30) Convention priority data:
(31) Number (32) Date (33) Country
29/450135 15 Mar 2013 UNITED STATES OF AMERICA
(56) Related Art Documents: **Not Applicable**
(57) Statement of Newness and Distinctiveness: **Newness and distinctiveness of the design resides in the shape and configuration of the pouch as shown in solid outlines and contour lines in the accompanying representations.**



(21) Design Number: **14679/2013**
(22) Date of Filing Application: **16 September 2013**
(24) Date from which industrial property rights may have effect: **16 September 2013**
(54) Product in respect of which the design is registered: **Pouch**
(51) International Design Classification: **09-05**
(74) Name(s) of Attorney(s): **Freehills Patent Attorneys**
(71) Name(s) and Address(s) of Applicant(s):
The Sun Products Corporation
60 Danbury Road, Wilton Connecticut 06897 United States of America
(72) Name(s) of Designer(s): **Anne E. Nixon and Craig S. Slavtcheff and Katherine Sears**
(45) Registration Date: **23 October 2013**
(30) Convention priority data:
(31) Number (32) Date (33) Country
29/450135 15 Mar 2013 UNITED STATES OF AMERICA
(56) Related Art Documents: **Not Applicable**
(57) Statement of Newness and Distinctiveness: **Newness and distinctiveness of the design resides in the shape and configuration of the pouch as shown in solid outlines and contour lines in the accompanying representations.**



(21) Design Number: **14681/2013**
(22) Date of Filing Application: **18 September 2013**
(24) Date from which industrial property rights may have effect: **18 September 2013**
(54) Product in respect of which the design is registered: **Watch dial**
(51) International Design Classification: **10-07**
(74) Name(s) of Attorney(s): **Allens Patent & Trade Mark Attorneys**
(71) Name(s) and Address(s) of Applicant(s):
LVMH Swiss Manufactures SA
rue Louis-Joseph-Chevrolet 6a La Chaux-de-Fonds 2300 Switzerland
(72) Name(s) of Designer(s): **Christoph Behling**
(45) Registration Date: **23 October 2013**
(30) Convention priority data:
(31) Number (32) Date (33) Country
DM/080 687 17 Apr 2013 WORLD INTELLECTUAL PROPERTY ORGANIZATION (WIPO)
(56) Related Art Documents: **Not Applicable**
(57) Statement of Newness and Distinctiveness: **Newness and distinctiveness resides in the visual features of shape, configuration, pattern and/or ornamentation of a watch dial as illustrated in the accompanying representations.**



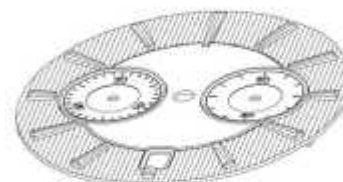
- (21) Design Number: **14682/2013**
(22) Date of Filing Application: **18 September 2013**
(24) Date from which industrial property rights may have effect: **18 September 2013**
(54) Product in respect of which the design is registered: **A punnet**
(51) International Design Classification: **09-03F**
(74) Name(s) of Attorney(s): **Smooenburg Patent & Trade Mark Attorneys**
(71) Name(s) and Address(s) of Applicant(s):
Fullyarn Packaging (AU) Pty Ltd
62A Bayswater Rd Croydon VIC 3136 Australia
(72) Name(s) of Designer(s): **Sihe Liu**
(45) Registration Date: **23 October 2013**
(56) Related Art Documents: **Not Applicable**
(57) Statement of Newness and Distinctiveness: **Newness and distinctiveness is claimed in the features of shape and/or configuration of a punnet as illustrated in the accompanying representations.**



- (21) Design Number: **14683/2013**
(22) Date of Filing Application: **18 September 2013**
(24) Date from which industrial property rights may have effect: **18 September 2013**
(54) Product in respect of which the design is registered: **Watch case and dial**
(51) International Design Classification: **10-07**
(74) Name(s) of Attorney(s): **Allens Patent & Trade Mark Attorneys**
(71) Name(s) and Address(s) of Applicant(s):
LVMH Swiss Manufactures SA
rue Louis-Joseph-Chevrolet 6a La Chaux-de-Fonds 2300 Switzerland
(72) Name(s) of Designer(s): **Christoph Behling**
(45) Registration Date: **23 October 2013**
(30) Convention priority data:
(31) Number (32) Date (33) Country
DM/080 687 17 Apr 2013 SWITZERLAND
(56) Related Art Documents: **Not Applicable**
(57) Statement of Newness and Distinctiveness: **Newness and distinctiveness resides in the visual features of shape, configuration, pattern and/or ornamentation of a watch case and dial as illustrated in the accompanying representations.**



(21) Design Number: **14684/2013**
(22) Date of Filing Application: **18 September 2013**
(24) Date from which industrial property rights may have effect: **18 September 2013**
(54) Product in respect of which the design is registered: **Watch dial**
(51) International Design Classification: **10-07**
(74) Name(s) of Attorney(s): **Allens Patent & Trade Mark Attorneys**
(71) Name(s) and Address(s) of Applicant(s):
LVMH Swiss Manufactures SA
rue Louis-Joseph-Chevrolet 6a La Chaux-de-Fonds 2300 Switzerland
(72) Name(s) of Designer(s): **Christoph Behling**
(45) Registration Date: **23 October 2013**
(30) Convention priority data:
(31) Number (32) Date (33) Country
DM/080 687 17 Apr 2013 SWITZERLAND
(56) Related Art Documents: **Not Applicable**
(57) Statement of Newness and Distinctiveness: **Newness and distinctiveness resides in the visual features of shape, configuration, pattern and/or ornamentation of a watch dial as illustrated in the accompanying representations.**



(21) Design Number: **14685/2013**
(22) Date of Filing Application: **18 September 2013**
(24) Date from which industrial property rights may have effect: **18 September 2013**
(54) Product in respect of which the design is registered: **Contoured electric head shaver**
(51) International Design Classification: **28-03A**
(74) Name(s) of Attorney(s): **SPRUSON & FERGUSON**
(71) Name(s) and Address(s) of Applicant(s):
Skull Shaver, LLC
19 Grant Street Mount Holly NJ, 08060 United States of America
(72) Name(s) of Designer(s): **John Lyles**
(45) Registration Date: **23 October 2013**
(30) Convention priority data:
(31) Number (32) Date (33) Country
29/453235 26 Apr 2013 UNITED STATES OF AMERICA
(56) Related Art Documents: **Not Applicable**
(57) Statement of Newness and Distinctiveness: **Newness and distinctiveness is claimed in the features of shape and/or configuration of a contoured electric head shaver as illustrated in the accompanying representations.**



(21) Design Number: **14686/2013**
(22) Date of Filing Application: **18 September 2013**
(24) Date from which industrial property rights may have effect: **18 September 2013**
(54) Product in respect of which the design is registered: **Watch case**
(51) International Design Classification: **10-07**
(74) Name(s) of Attorney(s): **Allens Patent & Trade Mark Attorneys**
(71) Name(s) and Address(s) of Applicant(s):

LVMH Swiss Manufactures SA
rue Louis-Joseph-Chevrolet 6a La Chaux-de-Fonds 2300 Switzerland

(72) Name(s) of Designer(s): **Christoph Behling**

(45) Registration Date: **23 October 2013**

(30) Convention priority data:

(31) Number	(32) Date	(33) Country
DM/080 687	17 Apr 2013	WORLD INTELLECTUAL PROPERTY ORGANIZATION (WIPO)



(56) Related Art Documents: **Not Applicable**

(57) Statement of Newness and Distinctiveness: **Newness and distinctiveness resides in the visual features of shape, configuration, pattern and/or ornamentation of a watch case as illustrated in the accompanying representations.**

(21) Design Number: **14687/2013**
(22) Date of Filing Application: **18 September 2013**
(24) Date from which industrial property rights may have effect: **18 September 2013**
(54) Product in respect of which the design is registered: **Tray**
(51) International Design Classification: **09-03F**
(74) Name(s) of Attorney(s): **SPRUSON & FERGUSON**
(71) Name(s) and Address(s) of Applicant(s):

LINPAC Packaging Limited
Wakefield Road Featherstone West Yorkshire WF7 5DE United Kingdom

(72) Name(s) of Designer(s): **Richard Kershaw**

(45) Registration Date: **23 October 2013**

(30) Convention priority data:

(31) Number	(32) Date	(33) Country
001365555-0001	20 Mar 2013	OFFICE FOR HARMONISATION IN THE INTERNAL MARKET (OHIM)



(56) Related Art Documents: **Not Applicable**

(57) Statement of Newness and Distinctiveness: **Newness and distinctiveness is claimed in the features of shape and/or configuration of a tray as illustrated in the accompanying representations.**

(21) Design Number: **14688/2013**

(22) Date of Filing Application: **18 September 2013**

(24) Date from which industrial property rights may have effect: **18 September 2013**

(54) Product in respect of which the design is registered: **Tray**

(51) International Design Classification: **09-03F**

(74) Name(s) of Attorney(s): **SPRUSON & FERGUSON**

(71) Name(s) and Address(s) of Applicant(s):

LINPAC Packaging Limited

Wakefield Road Featherstone West Yorkshire WF7 5DE United Kingdom

(72) Name(s) of Designer(s): **Richard Kershaw**

(45) Registration Date: **23 October 2013**

(30) Convention priority data:

(31) Number

(32) Date

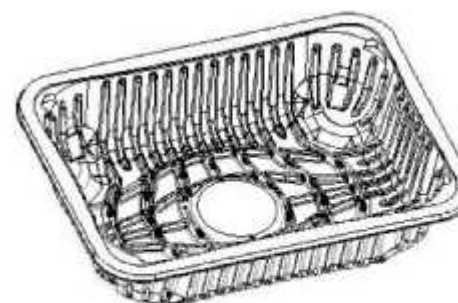
(33) Country

001365555-0002 20 Mar 2013

**OFFICE FOR HARMONISATION IN
THE INTERNAL MARKET (OHIM)**

(56) Related Art Documents: **Not Applicable**

(57) Statement of Newness and Distinctiveness: **Newness and distinctiveness is claimed in the features of shape and/or configuration of a tray as illustrated in the accompanying representations.**



(21) Design Number: **14689/2013**

(22) Date of Filing Application: **18 September 2013**

(24) Date from which industrial property rights may have effect: **18 September 2013**

(54) Product in respect of which the design is registered: **Tray**

(51) International Design Classification: **09-03F**

(74) Name(s) of Attorney(s): **SPRUSON & FERGUSON**

(71) Name(s) and Address(s) of Applicant(s):

LINPAC Packaging Limited

Wakefield Road Featherstone West Yorkshire WF7 5DE United Kingdom

(72) Name(s) of Designer(s): **Richard Kershaw**

(45) Registration Date: **23 October 2013**

(30) Convention priority data:

(31) Number

(32) Date

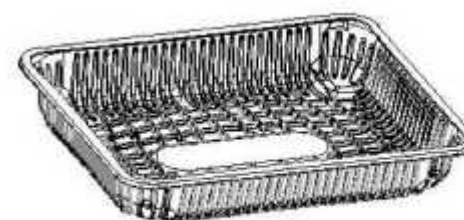
(33) Country

001365555-0003 20 Mar 2013

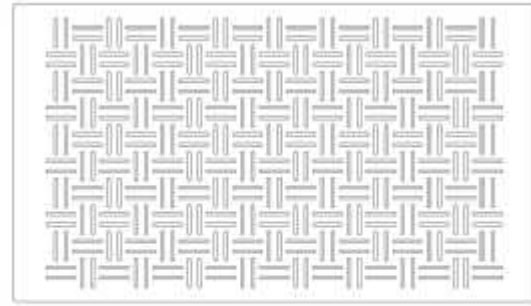
**OFFICE FOR HARMONISATION IN
THE INTERNAL MARKET (OHIM)**

(56) Related Art Documents: **Not Applicable**

(57) Statement of Newness and Distinctiveness: **Newness and distinctiveness is claimed in the features of shape and/or configuration of a tray as illustrated in the accompanying representations.**



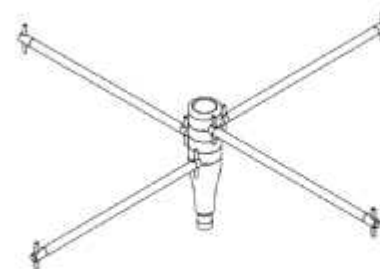
- (21) Design Number: **14694/2013**
(22) Date of Filing Application: **18 September 2013**
(24) Date from which industrial property rights may have effect: **18 September 2013**
(54) Product in respect of which the design is registered: **Ladder tread**
(51) International Design Classification: **25-04**
(74) Name(s) of Attorney(s): **HODGKINSON McINNES PATENTS**
(71) Name(s) and Address(s) of Applicant(s):
Hills Holdings Limited
SE9.02 130 Pitt St Sydney NSW 2000 Australia
(72) Name(s) of Designer(s): **Nathan John Burke and Giovanni Campa and David Andrew Jones**
(45) Registration Date: **23 October 2013**
(56) Related Art Documents: **Not Applicable**
(57) Statement of Newness and Distinctiveness: **Newness and distinctiveness is claimed in the shape and configuration of a ladder tread as shown in the representations.**



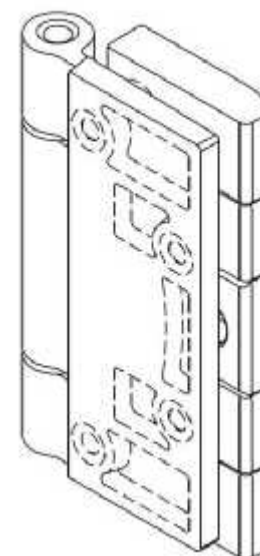
- (21) Design Number: **14695/2013**
(22) Date of Filing Application: **18 September 2013**
(24) Date from which industrial property rights may have effect: **18 September 2013**
(54) Product in respect of which the design is registered: **Clothes drying frame**
(51) International Design Classification: **07-05D**
(74) Name(s) of Attorney(s): **HODGKINSON McINNES PATENTS**
(71) Name(s) and Address(s) of Applicant(s):
Hills Holdings Limited
SE9.02 130 Pitt St Sydney NSW 2000 Australia
(72) Name(s) of Designer(s): **Stuart Richard May and Dimitrios Nicolaos Scoutas**
(45) Registration Date: **23 October 2013**
(56) Related Art Documents: **Not Applicable**
(57) Statement of Newness and Distinctiveness: **Newness and distinctiveness is claimed in the shape and configuration of a clothes drying frame as shown in the representations.**



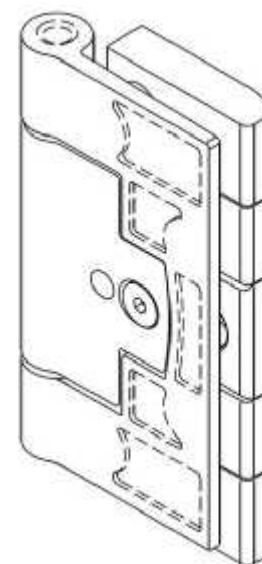
- (21) Design Number: **14696/2013**
(22) Date of Filing Application: **18 September 2013**
(24) Date from which industrial property rights may have effect: **18 September 2013**
(54) Product in respect of which the design is registered: **Clothes drying apparatus hub assembly**
(51) International Design Classification: **07-05D**
(74) Name(s) of Attorney(s): **HODGKINSON McINNES PATENTS**
(71) Name(s) and Address(s) of Applicant(s):
Hills Holdings Limited
SE9.02 130 Pitt St Sydney NSW 2000 Australia
(72) Name(s) of Designer(s): **Stuart Richard May and Dimitrios Nicolaos Scoutas**
(45) Registration Date: **23 October 2013**
(56) Related Art Documents: **Not Applicable**
(57) Statement of Newness and Distinctiveness: **Newness and distinctiveness is claimed in the shape and configuration of a clothes drying apparatus hub assembly as shown in the representations.**



- (21) Design Number: **14697/2013**
(22) Date of Filing Application: **19 September 2013**
(24) Date from which industrial property rights may have effect: **19 September 2013**
(54) Product in respect of which the design is registered: **A hinge**
(51) International Design Classification: **08-06**
(74) Name(s) of Attorney(s):
(71) Name(s) and Address(s) of Applicant(s):
Assa Abloy New Zealand Limited
6 Armstrong Road Rosedale Auckland 0632 New Zealand
(72) Name(s) of Designer(s): **Bryce Alan Molloy**
(45) Registration Date: **23 October 2013**
(30) Convention priority data:
(31) Number (32) Date (33) Country
417440 25 Mar 2013 NEW ZEALAND
(56) Related Art Documents: **Not Applicable**
(57) Statement of Newness and Distinctiveness: **This design is to be applied to a hinge and the novelty of the design resides in the shape and/or configuration of the article as shown in the accompanying representations. No novelty is claimed in the features shown in dashed line.**

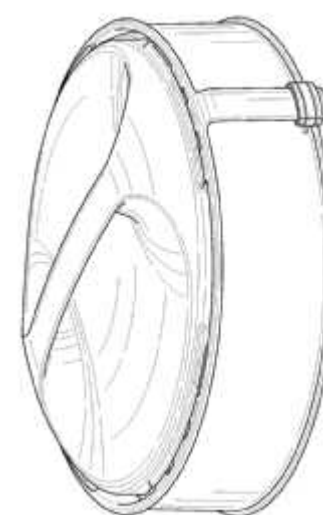


(21) Design Number: **14698/2013**
(22) Date of Filing Application: **19 September 2013**
(24) Date from which industrial property rights may have effect: **19 September 2013**
(54) Product in respect of which the design is registered: **A hinge**
(51) International Design Classification: **08-06**
(74) Name(s) of Attorney(s): **Cullens Patent and Trade Mark Attorneys**
(71) Name(s) and Address(s) of Applicant(s):
Assa Abloy New Zealand Limited
6 Armstrong Road Rosedale Auckland 0632 New Zealand
(72) Name(s) of Designer(s): **Bryce Alan Molloy**
(45) Registration Date: **23 October 2013**
(30) Convention priority data:
(31) Number (32) Date (33) Country
417441 25 Mar 2013 NEW ZEALAND



(56) Related Art Documents: **Not Applicable**
(57) Statement of Newness and Distinctiveness: **This design is to be applied to a hinge and the novelty of the design resides in the shape and/or configuration of the article as shown in the accompanying representations. No novelty is claimed in the features shown in dashed line.**

(21) Design Number: **14705/2013**
(22) Date of Filing Application: **19 September 2013**
(24) Date from which industrial property rights may have effect: **19 September 2013**
(54) Product in respect of which the design is registered: **Expanding lid for pastry carrier**
(51) International Design Classification: **09-07B**
(74) Name(s) of Attorney(s): **PHILLIPS ORMONDE FITZPATRICK**
(71) Name(s) and Address(s) of Applicant(s):
Dart Industries Inc.
14901 S. Orange Blossom Trail Orlando Florida 32837 United States of America
(72) Name(s) of Designer(s): **Jean-Marie DeCraim**
(45) Registration Date: **23 October 2013**
(30) Convention priority data:
(31) Number (32) Date (33) Country
29/452,422 16 Apr 2013 UNITED STATES OF AMERICA



(56) Related Art Documents: **Not Applicable**
(57) Statement of Newness and Distinctiveness: **Those features of the expanding lid for pastry carrier depicted in the representations that are new and distinctive are the shape and/or configuration. The expanding lid for pastry carrier in Fig. 1 is shown in the collapsed position whereas Fig. 2 shows the expanded position of the expanding lid for pastry carrier.**

(21) Design Number: **14706/2013**
(22) Date of Filing Application: **19 September 2013**
(24) Date from which industrial property rights may have effect: **19 September 2013**
(54) Product in respect of which the design is registered: **Light treatment apparatus**
(51) International Design Classification: **26-05NES, 24-01**
(74) Name(s) of Attorney(s): **PHILLIPS ORMONDE FITZPATRICK**
(71) Name(s) and Address(s) of Applicant(s):
PhotoCure ASA
Hoffsveien 4 Oslo 0275 Norway
(72) Name(s) of Designer(s): **Michael John Cox and Alan Edward Green and Bjorn Klem and Robin Michael Lee and Euan Morrison and Morten Groseth**
(45) Registration Date: **23 October 2013**
(30) Convention priority data:
(31) Number (32) Date (33) Country
001368286-0003 09 Apr 2013 OFFICE FOR HARMONISATION IN THE INTERNAL MARKET (OHIM)
(56) Related Art Documents: **Not Applicable**
(57) Statement of Newness and Distinctiveness: **Those features of the Light treatment apparatus depicted in the representations that are new and distinctive are the shape and/or configuration. The markings and textual matter shown in sheets 6/8 and 8/8 are not part of the design and are to be disregarded when considering the overall impression of the design.**



(21) Design Number: **14707/2013**
(22) Date of Filing Application: **19 September 2013**
(24) Date from which industrial property rights may have effect: **19 September 2013**
(54) Product in respect of which the design is registered: **Light treatment apparatus**
(51) International Design Classification: **26-05NES, 24-01**
(74) Name(s) of Attorney(s): **PHILLIPS ORMONDE FITZPATRICK**
(71) Name(s) and Address(s) of Applicant(s):
PhotoCure ASA
Hoffsveien 4 Oslo 0275 Norway
(72) Name(s) of Designer(s): **Michael John Cox and Bjorn Klem and Robin Michael Lee and Euan Morrison and Alan Edward Green and Morten Groseth**
(45) Registration Date: **23 October 2013**
(30) Convention priority data:
(31) Number (32) Date (33) Country
001368286-0002 09 Apr 2013 OFFICE FOR HARMONISATION IN THE INTERNAL MARKET (OHIM)
(56) Related Art Documents: **Not Applicable**
(57) Statement of Newness and Distinctiveness: **Those features of the light treatment apparatus depicted in the representations that are new and distinctive are the shape and/or configuration. The internal features shown in broken lines in Fig. 9 are not part of the design and are to be disregarded when considering the overall impression of the design.**



- (21) Design Number: **14708/2013**
(22) Date of Filing Application: **19 September 2013**
(24) Date from which industrial property rights may have effect: **19 September 2013**
(54) Product in respect of which the design is registered: **Light treatment apparatus**
(51) International Design Classification: **26-05NES, 24-01**
(74) Name(s) of Attorney(s): **PHILLIPS ORMONDE FITZPATRICK**
(71) Name(s) and Address(s) of Applicant(s):
PhotoCure ASA
Hoffsveien 4 Oslo 0275 Norway
(72) Name(s) of Designer(s): **Michael John Cox and Bjorn Klem and Robin Michael Lee and Euan Morrison and Alan Edward Green and Morten Groseth**
(45) Registration Date: **23 October 2013**
(30) Convention priority data:
(31) Number (32) Date (33) Country
001368286-0001 09 Apr 2013 OFFICE FOR HARMONISATION IN THE INTERNAL MARKET (OHIM)
(56) Related Art Documents: **Not Applicable**
(57) Statement of Newness and Distinctiveness: **Those features of the light treatment apparatus depicted in the representations that are new and distinctive are the shape and/or configuration. The internal features shown in broken lines in Fig. 9 are not part of the design and are to be disregarded when considering the overall impression of the design.**



- (21) Design Number: **14709/2013**
(22) Date of Filing Application: **19 September 2013**
(24) Date from which industrial property rights may have effect: **19 September 2013**
(54) Product in respect of which the design is registered: **Cushion**
(51) International Design Classification: **06-09**
(74) Name(s) of Attorney(s): **PHILLIPS ORMONDE FITZPATRICK**
(71) Name(s) and Address(s) of Applicant(s):
Actervis GmbH
c/o Prv Provides Treuhandgesellschaft Lindenhof Dorfstr.38 CH-6341 Baar (Zug) Switzerland
(72) Name(s) of Designer(s): **Martin Torres and Ramon Juan**
(45) Registration Date: **23 October 2013**
(30) Convention priority data:
(31) Number (32) Date (33) Country
002207415-0001 22 Mar 2013 OFFICE FOR HARMONISATION IN THE INTERNAL MARKET (OHIM)
(56) Related Art Documents: **Not Applicable**
(57) Statement of Newness and Distinctiveness: **Newness and distinctiveness resides in the shape and/or configuration of the cushion as shown in the accompanying representations. The colour of the cushion is not to be considered to form part of the design.**



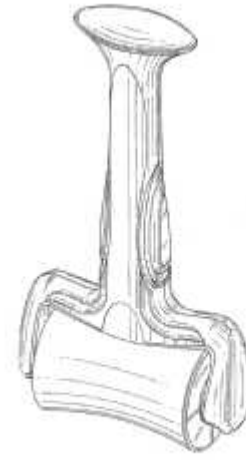
- (21) Design Number: **14710/2013**
(22) Date of Filing Application: **19 September 2013**
(24) Date from which industrial property rights may have effect: **19 September 2013**
(54) Product in respect of which the design is registered: **3D Printer 1**
(51) International Design Classification: **14-02, 14-99**
(74) Name(s) of Attorney(s): **Molins & Co Pty Ltd**
(71) Name(s) and Address(s) of Applicant(s):
Spud Technologies Pty Ltd
6 Kameruka Rd Northbridge NSW 2063 Australia
(72) Name(s) of Designer(s): **Quinn Karaitiana and Philip John Stonebanks**
(45) Registration Date: **23 October 2013**
(56) Related Art Documents: **Not Applicable**
(57) Statement of Newness and Distinctiveness: **Newness is claimed in the features of shape and configuration of the 3D Printer as shown in the accompanying representations.**



- (21) Design Number: **14711/2013**
(22) Date of Filing Application: **19 September 2013**
(24) Date from which industrial property rights may have effect: **19 September 2013**
(54) Product in respect of which the design is registered: **3D Printer 2**
(51) International Design Classification: **14-02, 14-99**
(74) Name(s) of Attorney(s): **Molins & Co Pty Ltd**
(71) Name(s) and Address(s) of Applicant(s):
Spud Technologies Pty Ltd
6 Kameruka Rd Northbridge NSW 2063 Australia
(72) Name(s) of Designer(s): **Quinn Karaitiana and Philip John Stonebanks**
(45) Registration Date: **23 October 2013**
(56) Related Art Documents: **Not Applicable**
(57) Statement of Newness and Distinctiveness: **Newness is claimed in the features of shape and configuration of the 3D Printer as shown in the accompanying representations.**



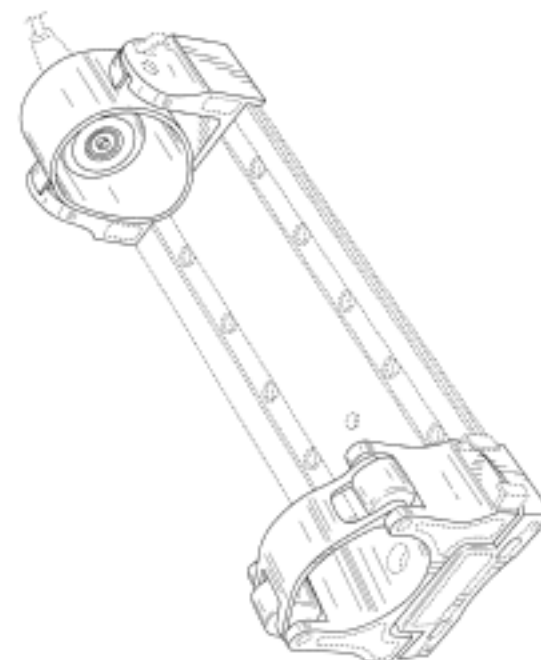
- (21) Design Number: **14712/2013**
(22) Date of Filing Application: **19 September 2013**
(24) Date from which industrial property rights may have effect: **19 September 2013**
(54) Product in respect of which the design is registered: **Hot and cold therapy device**
(51) International Design Classification: **24-01, 28-03NES**
(74) Name(s) of Attorney(s): **AJ Park**
(71) Name(s) and Address(s) of Applicant(s):
R2T2 Solutions LLC
18 Cuffee Drive Sag Harbor New York 11963 United States of America
(72) Name(s) of Designer(s): **Riley J. Williams III and Roy Swan Jr.**
(45) Registration Date: **23 October 2013**
(30) Convention priority data:
(31) Number (32) Date (33) Country
29/450917 26 Mar 2013 UNITED STATES OF AMERICA
(56) Related Art Documents: **Not Applicable**
(57) Statement of Newness and Distinctiveness: **Newness and distinctiveness reside in the features of shape and/or configuration of the hot and cold therapy device as shown in the representations.**



- (21) Design Number: **14726/2013**
(22) Date of Filing Application: **19 September 2013**
(24) Date from which industrial property rights may have effect: **19 September 2013**
(54) Product in respect of which the design is registered: **Inflatable kangaroo**
(51) International Design Classification: **21-01A**
(74) Name(s) of Attorney(s):
(71) Name(s) and Address(s) of Applicant(s):
K & M TRADING PTY LTD
2F Cochrane St Mitcham VIC 3132 Australia
(72) Name(s) of Designer(s): **Melissa Ngau**
(45) Registration Date: **23 October 2013**
(56) Related Art Documents: **Not Applicable**
(57) Statement of Newness and Distinctiveness: **This inflatable kangaroo is about 1 meter in height. The body colour of the kangaroo is yellow and it has green colour boxing gloves with printed yellow colour with white outline star on the front and back of the gloves. The front and the back of the kangaroo are printed with green colour with white outline AUSTRALIA and 6 stars.**



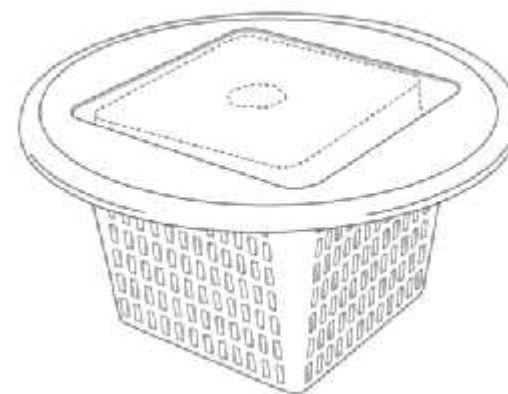
(21) Design Number: **14755/2013**
(22) Date of Filing Application: **19 September 2013**
(24) Date from which industrial property rights may have effect: **04 July 2013**
(54) Product in respect of which the design is registered: **Charging base**
(51) International Design Classification: **13-02**
(74) Name(s) of Attorney(s): **PIZZEYS**
(71) Name(s) and Address(s) of Applicant(s):
LED Lenser Corp. Ltd.
No. 25 Yudong 1st Road Yangdong Industrial Zone Yangdong County
Yangjiang City Guangdong Province 529500 China
(72) Name(s) of Designer(s): **Stefan Feustel and Andre Kunzendorf**
(45) Registration Date: **23 October 2013**
(30) Convention priority data:
(31) Number (32) Date (33) Country
201330006801.5 10 Jan 2013 CHINA
(62) Divisional of: **350987**
(56) Related Art Documents: **Not Applicable**
(57) Statement of Newness and Distinctiveness: **Nil**



(21) Design Number: **14773/2013**
(22) Date of Filing Application: **20 September 2013**
(24) Date from which industrial property rights may have effect: **20 September 2013**
(54) Product in respect of which the design is registered: **A tyre**
(51) International Design Classification: **12-15C**
(74) Name(s) of Attorney(s): **WATERMARK PATENT AND TRADE MARKS ATTORNEYS**
(71) Name(s) and Address(s) of Applicant(s):
COMPAGNIE GENERALE DES ETABLISSEMENTS MICHELIN
12 cours Sablon Clermont Ferrand 63000 France
Michelin Recherche et Technique S.A
Route Louis Braille 10 et 12 Granges-Paccot 1763 Switzerland
(72) Name(s) of Designer(s): **Kevin Ray Reim and Matthew J. Hanlon**
(45) Registration Date: **23 October 2013**
(30) Convention priority data:
(31) Number (32) Date (33) Country
29/456,298 30 May 2013 UNITED STATES OF AMERICA
(56) Related Art Documents: **Not Applicable**
(57) Statement of Newness and Distinctiveness: **Newness and distinctiveness resides in the appearance of the tread region of the tyre, the remainder of the tyre not forming part of the design.**



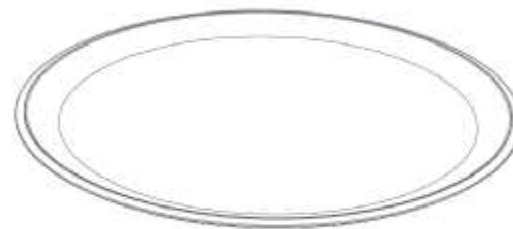
(21) Design Number: **14793/2013**
(22) Date of Filing Application: **23 September 2013**
(24) Date from which industrial property rights may have effect: **23 September 2013**
(54) Product in respect of which the design is registered: **Hydroponic basket**
(51) International Design Classification: **09-04, 11-02B**
(74) Name(s) of Attorney(s): **WATERMARK PATENT AND TRADE MARKS ATTORNEYS**
(71) Name(s) and Address(s) of Applicant(s):
Donald LaRosa IV
6764 Preston Avenue #D Livermore 94551 Canada
Darren Lacativo
6764 Preston Avenue #D Livermore 94551 Canada
(72) Name(s) of Designer(s): **Donald LaRosa IV and Darren Lacativo**
(45) Registration Date: **23 October 2013**
(30) Convention priority data:
(31) Number (32) Date (33) Country
29/450,744 21 Mar 2013 UNITED STATES OF AMERICA
(56) Related Art Documents: **Not Applicable**
(57) Statement of Newness and Distinctiveness: **In considering the newness and distinctiveness of the design no regard is to be had to the portion shown in the dotted outline.**



(21) Design Number: **14825/2013**
(22) Date of Filing Application: **25 September 2013**
(24) Date from which industrial property rights may have effect: **25 September 2013**
(54) Product in respect of which the design is registered: **Inhaler**
(51) International Design Classification: **24-04**
(74) Name(s) of Attorney(s): **Griffith Hack**
(71) Name(s) and Address(s) of Applicant(s):
Kind Consumer Limited
79 Clerkenwell Road London EC1R 5AR United Kingdom
(72) Name(s) of Designer(s): **Alex Hearn and Khine Zaw Nyein**
(45) Registration Date: **23 October 2013**
(30) Convention priority data:
(31) Number (32) Date (33) Country
001366249-0001 26 Mar 2013 OFFICE FOR HARMONISATION IN THE INTERNAL MARKET (OHIM)
(56) Related Art Documents: **Not Applicable**
(57) Statement of Newness and Distinctiveness: **Nil**



(21) Design Number: **14826/2013**
(22) Date of Filing Application: **25 September 2013**
(24) Date from which industrial property rights may have effect: **25 September 2013**
(54) Product in respect of which the design is registered: **Plate**
(51) International Design Classification: **07-01A**
(74) Name(s) of Attorney(s): **K&L Gates**
(71) Name(s) and Address(s) of Applicant(s):
Smash Asset Management Pty Ltd
33 Redland Dr Mitcham VIC 3132 Australia
(72) Name(s) of Designer(s): **Adam Laracy**
(45) Registration Date: **23 October 2013**
(56) Related Art Documents: **Not Applicable**
(57) Statement of Newness and Distinctiveness: **Nil**



(21) Design Number: **14827/2013**
(22) Date of Filing Application: **25 September 2013**
(24) Date from which industrial property rights may have effect: **25 September 2013**
(54) Product in respect of which the design is registered: **Bowl**
(51) International Design Classification: **07-01B**
(74) Name(s) of Attorney(s): **K&L Gates**
(71) Name(s) and Address(s) of Applicant(s):
Smash Asset Management Pty Ltd
33 Redland Dr Mitcham VIC 3132 Australia
(72) Name(s) of Designer(s): **Adam Laracy**
(45) Registration Date: **23 October 2013**
(56) Related Art Documents: **Not Applicable**
(57) Statement of Newness and Distinctiveness: **Nil**



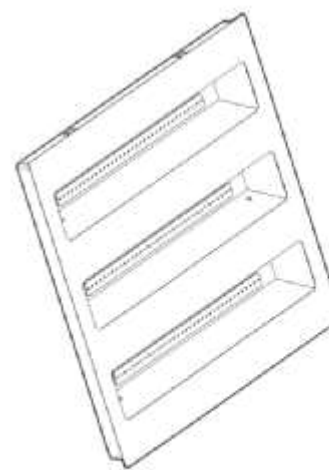
- (21) Design Number: **11638/2013**
(22) Date of Filing Application: **05 April 2013**
(24) Date from which industrial property rights may have effect: **05 April 2013**
(54) Product in respect of which the design is registered: **Earrings**
(51) International Design Classification: **11-01D**
(74) Name(s) of Attorney(s):
(71) Name(s) and Address(s) of Applicant(s):
Michelle Helgeland
19 Newell St Footscray Victoria, 3011 Australia
(72) Name(s) of Designer(s): **Michelle Helgeland**
(45) Registration Date: **23 October 2013**
(56) Related Art Documents: **Not Applicable**
(57) Statement of Newness and Distinctiveness: **Manufacture is of monobloc construction (1 piece). The main body of each earring is tapered with a ratio of 5 to 1 (4.0mm diameter to 0.8mm) irrespective of length. Each end is domed. The thin section continues on as a parallel sided shaft for 29mm. This section is formed into an ear hook. FORM earrings are available initially in 3 lengths - 101mm, 75mm and 50mm. FORM earrings are available in natural or pastel colours. Laser engraved with logo and serial numbers on reverse of taper.**



- (21) Design Number: **13496/2013**
(22) Date of Filing Application: **23 July 2013**
(24) Date from which industrial property rights may have effect: **23 July 2013**
(54) Product in respect of which the design is registered: **Light fitting**
(51) International Design Classification: **26-05A**
(74) Name(s) of Attorney(s):
(71) Name(s) and Address(s) of Applicant(s):
Gamma Illumination Pty Ltd
42-46 Scrivener St Warwick Farm NSW 2170 Australia
(72) Name(s) of Designer(s): **Michael Calabro**
(45) Registration Date: **24 October 2013**
(56) Related Art Documents: **Not Applicable**
(57) Statement of Newness and Distinctiveness: **The newness and distinctiveness resides in the shape and configuration of the light fitting.**



- (21) Design Number: **13497/2013**
(22) Date of Filing Application: **23 July 2013**
(24) Date from which industrial property rights may have effect: **23 July 2013**
(54) Product in respect of which the design is registered: **Light fitting**
(51) International Design Classification: **26-05A**
(74) Name(s) of Attorney(s):
(71) Name(s) and Address(s) of Applicant(s):
Gamma Illumination Pty Ltd
42-46 Scrivener St Warwick Farm NSW 2170 Australia
(72) Name(s) of Designer(s): **Michael Calabro**
(45) Registration Date: **24 October 2013**
(56) Related Art Documents: **Not Applicable**
(57) Statement of Newness and Distinctiveness: **The newness and distinctiveness resides in the shape and configuration of the light fitting.**



- (21) Design Number: **13657/2013**
(22) Date of Filing Application: **30 July 2013**
(24) Date from which industrial property rights may have effect: **30 July 2013**
(54) Product in respect of which the design is registered: **Wine bottle label**
(51) International Design Classification: **19-08**
(74) Name(s) of Attorney(s):
(71) Name(s) and Address(s) of Applicant(s):
David Fromberg
1133 Milbrodale Rd Broke NSW 2330 Australia
(72) Name(s) of Designer(s): **David Fromberg**
(45) Registration Date: **24 October 2013**
(56) Related Art Documents: **Not Applicable**
(57) Statement of Newness and Distinctiveness: **The wine bottle label is a continuous label band that spirals down the bottle. This label band contains wine product information and brand image recognition that can be viewed from any orientation of the bottle and/or reader. It differs from standard wine labeling as they have a distinct front label and/or back label.**



- (21) Design Number: **14309/2013**
(22) Date of Filing Application: **30 August 2013**
(24) Date from which industrial property rights may have effect: **30 August 2013**
(54) Product in respect of which the design is registered: **A bathroom basin**
(51) International Design Classification: **23-02F**
(74) Name(s) of Attorney(s):
(71) Name(s) and Address(s) of Applicant(s):
Architectural Designer Products Pty Limited
PO BOX 1455 Unanderra NSW 2526 Australia
(72) Name(s) of Designer(s): **Andrew Jones and Marjance Marinceski and Nirav Chhatraliya and Erin Carroll**
(45) Registration Date: **24 October 2013**
(56) Related Art Documents: **Not Applicable**
(57) Statement of Newness and Distinctiveness: **A unique squared shape with a profile of a continuous curved line creating an impression of a free-formed material. Semi-inset design which sees only 45mm (+/-2) of the product sitting above bench level. Size and shape specifically designed to suit standard size bathroom furniture.**



- (21) Design Number: **14310/2013**
(22) Date of Filing Application: **30 August 2013**
(24) Date from which industrial property rights may have effect: **30 August 2013**
(54) Product in respect of which the design is registered: **A bathroom basin**
(51) International Design Classification: **23-02F**
(74) Name(s) of Attorney(s):
(71) Name(s) and Address(s) of Applicant(s):
Architectural Designer Products Pty Limited
PO BOX 1455 Unanderra NSW 2526 Australia
(72) Name(s) of Designer(s): **Andrew Jones and Marjance Marinceski and Nirav Chhatraliya and Erin Carroll**
(45) Registration Date: **24 October 2013**
(56) Related Art Documents: **Not Applicable**
(57) Statement of Newness and Distinctiveness: **A unique squared shape with an inner basin profile of a continuous curved line creating an impression of a free formed material. Designed to adapt to under-mount or inset-mount installation to bench. Size and shape specifically designed to suit standard size bathroom furniture.**



(21) Design Number: **14311/2013**

(22) Date of Filing Application: **30 August 2013**

(24) Date from which industrial property rights may have effect: **30 August 2013**

(54) Product in respect of which the design is registered: **A bathroom basin**

(51) International Design Classification: **23-02F**

(74) Name(s) of Attorney(s):

(71) Name(s) and Address(s) of Applicant(s):

**Architectural Designer Products Pty Limited
PO BOX 1455 Unanderra NSW 2526 Australia**

(72) Name(s) of Designer(s): **Andrew Jones and Marjance Marinceski and Nirav Chhatraliya and Erin Carroll**

(45) Registration Date: **24 October 2013**

(56) Related Art Documents: **Not Applicable**

(57) Statement of Newness and Distinctiveness: **A unique round shape with a profile of a continuous curved line creating an impression of a free-formed material. Semi-inset design which sees only 45mm (+/-2) of the product sitting above bench level. Size and shape specifically designed to suit standard size bathroom furniture.**



(21) Design Number: **14312/2013**

(22) Date of Filing Application: **30 August 2013**

(24) Date from which industrial property rights may have effect: **30 August 2013**

(54) Product in respect of which the design is registered: **A bathroom basin**

(51) International Design Classification: **23-02F**

(74) Name(s) of Attorney(s):

(71) Name(s) and Address(s) of Applicant(s):

**Architectural Designer Products Pty Limited
PO BOX 1455 Unanderra NSW 2526 Australia**

(72) Name(s) of Designer(s): **Andrew Jones and Marjance Marinceski and Nirav Chhatraliya and Erin Carroll**

(45) Registration Date: **24 October 2013**

(56) Related Art Documents: **Not Applicable**

(57) Statement of Newness and Distinctiveness: **A unique round shape with an inner basin profile of a continuous curved line creating an impression of a free formed material. Designed to adapt to under-mount or inset-mount installation to bench. Size and shape specifically designed to suit standard size bathroom furniture.**



- (21) Design Number: **14313/2013**
(22) Date of Filing Application: **30 August 2013**
(24) Date from which industrial property rights may have effect: **30 August 2013**
(54) Product in respect of which the design is registered: **A bathroom basin**
(51) International Design Classification: **23-02F**
(74) Name(s) of Attorney(s):
(71) Name(s) and Address(s) of Applicant(s):
Architectural Designer Products Pty Limited
PO BOX 1455 Unanderra NSW 2526 Australia
(72) Name(s) of Designer(s): **Andrew Jones and Marjance Marinceski and Nirav Chhatraliya and Erin Carroll**
(45) Registration Date: **24 October 2013**
(56) Related Art Documents: **Not Applicable**
(57) Statement of Newness and Distinctiveness: **A unique round (larger) shape with an inner basin profile of a continuous curved line creating an impression of a free formed material. Designed to adapt to under-mount or inset-mount installation to bench. Size and shape specifically designed to suit standard size bathroom furniture.**



- (21) Design Number: **14314/2013**
(22) Date of Filing Application: **30 August 2013**
(24) Date from which industrial property rights may have effect: **30 August 2013**
(54) Product in respect of which the design is registered: **A bathroom basin**
(51) International Design Classification: **23-02F**
(74) Name(s) of Attorney(s):
(71) Name(s) and Address(s) of Applicant(s):
Architectural Designer Products Pty Limited
PO BOX 1455 Unanderra NSW 2526 Australia
(72) Name(s) of Designer(s): **Andrew Jones and Marjance Marinceski and Nirav Chhatraliya and Erin Carroll**
(45) Registration Date: **24 October 2013**
(56) Related Art Documents: **Not Applicable**
(57) Statement of Newness and Distinctiveness: **A unique oval shape with a profile of a continuous curved line creating an impression of a free-formed material. Semi-inset design which sees only 45mm (+/-2) of the product sitting above bench level. Size and shape specifically designed to suit standard size bathroom furniture.**



- (21) Design Number: **14315/2013**
(22) Date of Filing Application: **30 August 2013**
(24) Date from which industrial property rights may have effect: **30 August 2013**
(54) Product in respect of which the design is registered: **A bathroom basin**
(51) International Design Classification: **23-02F**
(74) Name(s) of Attorney(s):
(71) Name(s) and Address(s) of Applicant(s):
Architectural Designer Products Pty Limited
PO BOX 1455 Unanderra NSW 2526 Australia
(72) Name(s) of Designer(s): **Andrew Jones and Marjance Marinceski and Nirav Chhatraliya and Erin Carroll**
(45) Registration Date: **24 October 2013**
(56) Related Art Documents: **Not Applicable**
(57) Statement of Newness and Distinctiveness: **A unique oval shape with an inner basin profile of a continuous curved line creating an impression of a free formed material. Designed to adapt to under-mount or inset-mount installation to bench. Size and shape specifically designed to suit standard size bathroom furniture.**



- (21) Design Number: **14316/2013**
(22) Date of Filing Application: **30 August 2013**
(24) Date from which industrial property rights may have effect: **30 August 2013**
(54) Product in respect of which the design is registered: **A bathroom basin**
(51) International Design Classification: **23-02F**
(74) Name(s) of Attorney(s):
(71) Name(s) and Address(s) of Applicant(s):
Architectural Designer Products Pty Limited
PO BOX 1455 Unanderra NSW 2526 Australia
(72) Name(s) of Designer(s): **Andrew Jones and Marjance Marinceski and Nirav Chhatraliya and Erin Carroll**
(45) Registration Date: **24 October 2013**
(56) Related Art Documents: **Not Applicable**
(57) Statement of Newness and Distinctiveness: **A unique rectangular shape with a profile of a continuous curved line creating an impression of a free-formed material. Semi-inset design which sees only 45mm (+/-2) of the product sitting above bench level. Size and shape specifically designed to suit standard size bathroom furniture.**



- (21) Design Number: **14317/2013**
(22) Date of Filing Application: **30 August 2013**
(24) Date from which industrial property rights may have effect: **30 August 2013**
(54) Product in respect of which the design is registered: **A bathroom basin**
(51) International Design Classification: **23-02F**
(74) Name(s) of Attorney(s):
(71) Name(s) and Address(s) of Applicant(s):
Architectural Designer Products Pty Limited
PO BOX 1455 Unanderra NSW 2526 Australia
(72) Name(s) of Designer(s): **Andrew Jones and Marjance Marinceski and Nirav Chhatraliya and Erin Carroll**
(45) Registration Date: **24 October 2013**
(56) Related Art Documents: **Not Applicable**
(57) Statement of Newness and Distinctiveness: **A unique rectangular shape with an inner basin profile of a continuous curved line creating an impression of a free formed material. Designed to adapt to under-mount or inset-mount installation to bench. Size and shape specifically designed to suit standard size bathroom furniture.**



- (21) Design Number: **14318/2013**
(22) Date of Filing Application: **30 August 2013**
(24) Date from which industrial property rights may have effect: **30 August 2013**
(54) Product in respect of which the design is registered: **A bathroom basin**
(51) International Design Classification: **23-02F**
(74) Name(s) of Attorney(s):
(71) Name(s) and Address(s) of Applicant(s):
Architectural Designer Products Pty Limited
PO BOX 1455 Unanderra NSW 2526 Australia
(72) Name(s) of Designer(s): **Andrew Jones and Marjance Marinceski and Nirav Chhatraliya and Erin Carroll**
(45) Registration Date: **24 October 2013**
(56) Related Art Documents: **Not Applicable**
(57) Statement of Newness and Distinctiveness: **A unique narrow rectangular shape with a profile of a continuous curved line creating an impression of a free-formed material. Semi-inset design which sees only 45mm (+/-2) of the product sitting above bench level. Size and shape specifically designed to suit standard size bathroom furniture.**



- (21) Design Number: **14319/2013**
(22) Date of Filing Application: **30 August 2013**
(24) Date from which industrial property rights may have effect: **30 August 2013**
(54) Product in respect of which the design is registered: **A bathroom basin**
(51) International Design Classification: **23-02F**
(74) Name(s) of Attorney(s):
(71) Name(s) and Address(s) of Applicant(s):
Architectural Designer Products Pty Limited
PO BOX 1455 Unanderra NSW 2526 Australia
(72) Name(s) of Designer(s): **Andrew Jones and Marjance Marinceski and Nirav Chhatraliya and Erin Carroll**
(45) Registration Date: **24 October 2013**
(56) Related Art Documents: **Not Applicable**
(57) Statement of Newness and Distinctiveness: **A unique narrow rectangular shape with an inner basin profile of a continuous curved line creating an impression of a free formed material. Designed to adapt to under-mount or inset-mount installation to bench. Size and shape specifically designed to suit standard size bathroom furniture.**



- (21) Design Number: **14320/2013**
(22) Date of Filing Application: **30 August 2013**
(24) Date from which industrial property rights may have effect: **30 August 2013**
(54) Product in respect of which the design is registered: **A bathroom basin**
(51) International Design Classification: **23-02F**
(74) Name(s) of Attorney(s):
(71) Name(s) and Address(s) of Applicant(s):
Architectural Designer Products Pty Limited
PO BOX 1455 Unanderra NSW 2526 Australia
(72) Name(s) of Designer(s): **Andrew Jones and Marjance Marinceski and Nirav Chhatraliya and Erin Carroll**
(45) Registration Date: **24 October 2013**
(56) Related Art Documents: **Not Applicable**
(57) Statement of Newness and Distinctiveness: **A unique rectangular shape with a profile of a continuous curved line creating an impression of a free-formed material. Semi-inset design which sees only 45mm (+/-2) of the product sitting above bench level. Design incorporates tap landing. Size and shape specifically designed to suit standard size bathroom furniture.**



(21) Design Number: **14321/2013**

(22) Date of Filing Application: **30 August 2013**

(24) Date from which industrial property rights may have effect: **30 August 2013**

(54) Product in respect of which the design is registered: **A bathroom basin**

(51) International Design Classification: **23-02F**

(74) Name(s) of Attorney(s):

(71) Name(s) and Address(s) of Applicant(s):

**Architectural Designer Products Pty Limited
PO BOX 1455 Unanderra NSW 2526 Australia**

(72) Name(s) of Designer(s): **Andrew Jones and Marjance Marinceski and Nirav Chhatraliya and Erin Carroll**

(45) Registration Date: **24 October 2013**

(56) Related Art Documents: **Not Applicable**

(57) Statement of Newness and Distinctiveness: **A unique rectangular shape with an inner basin profile of a continuous curved line creating an impression of a free formed material. Designed to adapt to under-mount or inset-mount installation to bench. Design incorporates tap landing. Size and shape specifically designed to suit standard size bathroom furniture.**



(21) Design Number: **14322/2013**

(22) Date of Filing Application: **30 August 2013**

(24) Date from which industrial property rights may have effect: **30 August 2013**

(54) Product in respect of which the design is registered: **A bathroom basin**

(51) International Design Classification: **23-02F**

(74) Name(s) of Attorney(s):

(71) Name(s) and Address(s) of Applicant(s):

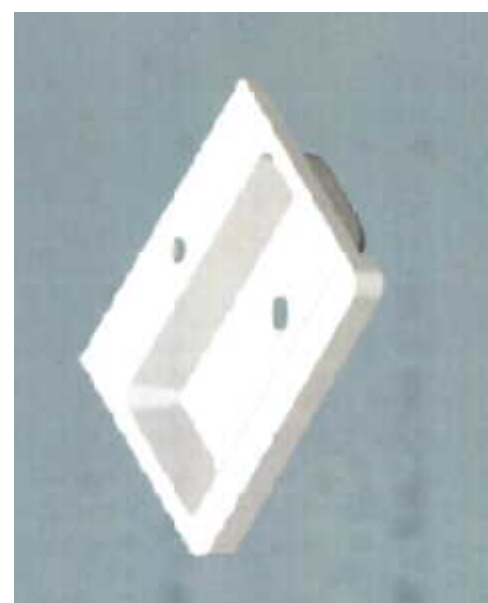
**Architectural Designer Products Pty Limited
PO BOX 1455 Unanderra NSW 2526 Australia**

(72) Name(s) of Designer(s): **Andrew Jones and Marjance Marinceski and Nirav Chhatraliya and Erin Carroll**

(45) Registration Date: **24 October 2013**

(56) Related Art Documents: **Not Applicable**

(57) Statement of Newness and Distinctiveness: **A unique rectangular shape with a profile of a continuous curved line creating an impression of a free-formed material. Semi-recessed design which has a finished bench projection of 50mm forward, front profile of 50mm and above-bench profile of 30mm. Design incorporates tap landing. Size and shape specifically designed to suit standard size bathroom furniture.**



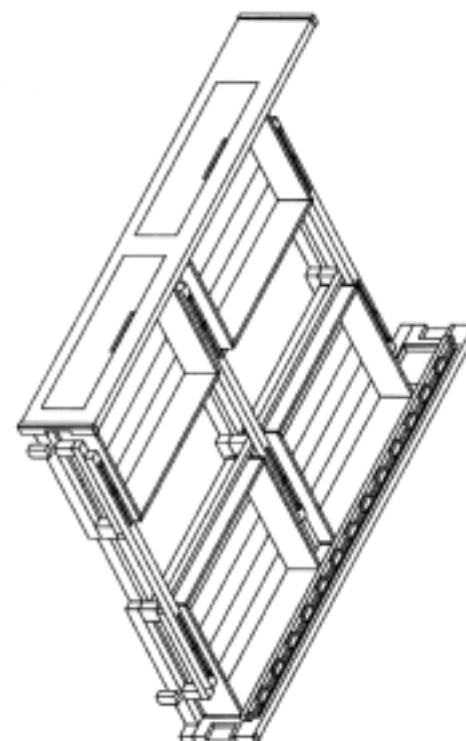
(21) Design Number: **14833/2013**
(22) Date of Filing Application: **05 August 2013**
(24) Date from which industrial property rights may have effect: **05 August 2013**
(54) Product in respect of which the design is registered: **Swimwear**
(51) International Design Classification: **02-02A**
(74) Name(s) of Attorney(s):
(71) Name(s) and Address(s) of Applicant(s):
Isola Swim Pty Ltd
247 King St Mascot NSW 2020 Australia
(72) Name(s) of Designer(s): **Kay Howitt**
(45) Registration Date: **24 October 2013**
(56) Related Art Documents: **Not Applicable**
(57) Statement of Newness and Distinctiveness: **Nil**



(21) Design Number: **14834/2013**
(22) Date of Filing Application: **05 August 2013**
(24) Date from which industrial property rights may have effect: **05 August 2013**
(54) Product in respect of which the design is registered: **Swimwear**
(51) International Design Classification: **02-02A**
(74) Name(s) of Attorney(s):
(71) Name(s) and Address(s) of Applicant(s):
Isola Swim Pty Ltd
247 King St Mascot NSW 2020 Australia
(72) Name(s) of Designer(s): **Kay Howitt**
(45) Registration Date: **24 October 2013**
(56) Related Art Documents: **Not Applicable**
(57) Statement of Newness and Distinctiveness: **Nil**



- (21) Design Number: **14835/2013**
(22) Date of Filing Application: **24 September 2013**
(24) Date from which industrial property rights may have effect: **24 September 2013**
(54) Product in respect of which the design is registered: **Adjustable bed frame**
(51) International Design Classification: **06-02**
(74) Name(s) of Attorney(s): **Stone Lawyers Pty Ltd**
(71) Name(s) and Address(s) of Applicant(s):
Ian James Burden
17 Excalibur Ct Sovereign Islands QLD 4216 Australia
(72) Name(s) of Designer(s): **Ian James Burden**
(45) Registration Date: **24 October 2013**
(56) Related Art Documents: **Not Applicable**
(57) Statement of Newness and Distinctiveness: **The design relates to an adjustable bed frame and the novelty resides in the features of shape and configuration of the article as shown in the accompanying representation(s).**



- (21) Design Number: **14926/2013**
(22) Date of Filing Application: **25 September 2013**
(24) Date from which industrial property rights may have effect: **25 September 2013**
(54) Product in respect of which the design is registered: **Trailer coupling**
(51) International Design Classification: **12-16L**
(74) Name(s) of Attorney(s):
(71) Name(s) and Address(s) of Applicant(s):
Paramraj Singh Viridi
19 Ashley Park Dr Chelsea Heights VIC 3196 Australia
(72) Name(s) of Designer(s): **Paramraj Singh Viridi**
(45) Registration Date: **24 October 2013**
(56) Related Art Documents: **Not Applicable**
(57) Statement of Newness and Distinctiveness: **Gear teeth at the end lowered for ease of operation. Gear teeth accommodate hand brake arrangement. Coupling body has shape to accommodate the fingers when hand brake lever is in lower position. Meher logo incorporated in cast body.**



(21) Design Number: **14927/2013**
(22) Date of Filing Application: **25 September 2013**
(24) Date from which industrial property rights may have effect: **25 September 2013**
(54) Product in respect of which the design is registered: **Trailer coupling**
(51) International Design Classification: **12-16L**
(74) Name(s) of Attorney(s):
(71) Name(s) and Address(s) of Applicant(s):
Paramraj Singh Viridi
19 Ashley Park Dr Chelsea Heights VIC 3196 Australia
(72) Name(s) of Designer(s): **Paramraj Singh Viridi**
(45) Registration Date: **24 October 2013**
(56) Related Art Documents: **Not Applicable**
(57) Statement of Newness and Distinctiveness: **Gear teeth at the end lowered for ease of operation. Coupling body has shape to accommodate the fingers when the hand brake is at the lower position. Meher logo has been incorporated in the cast body.**



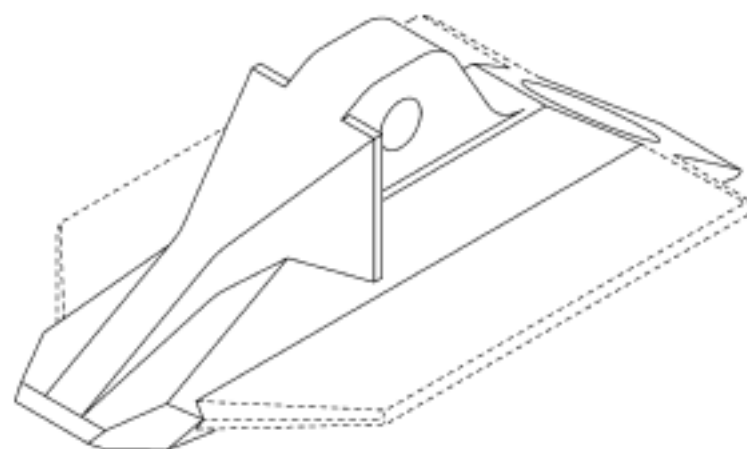
(21) Design Number: **13886/2013**
(22) Date of Filing Application: **12 August 2013**
(24) Date from which industrial property rights may have effect: **12 August 2013**
(54) Product in respect of which the design is registered: **Eyeglass component**
(51) International Design Classification: **16-06**
(74) Name(s) of Attorney(s): **Davies Collison Cave**
(71) Name(s) and Address(s) of Applicant(s):
Oakley, Inc.
One Icon Foothill Ranch California 92610 United States of America
(72) Name(s) of Designer(s): **Lek Haagen Thixton and Peter K. Yee**
(45) Registration Date: **25 October 2013**
(30) Convention priority data:
(31) Number (32) Date (33) Country
29/456596 31 May 2013 UNITED STATES OF AMERICA
(56) Related Art Documents: **Not Applicable**
(57) Statement of Newness and Distinctiveness: **Newness and distinctiveness is claimed in the visual features shown in solid lines in the representations.**



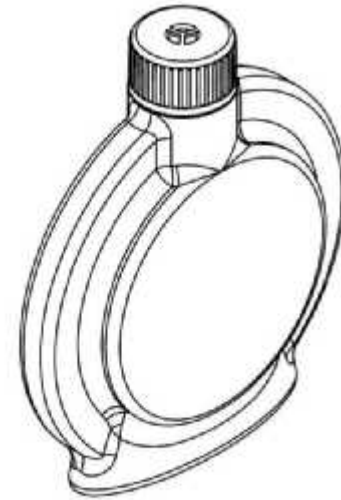
- (21) Design Number: **14669/2013**
(22) Date of Filing Application: **17 September 2013**
(24) Date from which industrial property rights may have effect: **17 September 2013**
(54) Product in respect of which the design is registered: **A door latch**
(51) International Design Classification: **08-07**
(74) Name(s) of Attorney(s):
(71) Name(s) and Address(s) of Applicant(s):
Peter Francis Layton
PO BOX 8050 Orange East NSW 2800 Australia
(72) Name(s) of Designer(s): **Peter Francis Layton**
(45) Registration Date: **25 October 2013**
(56) Related Art Documents: **Not Applicable**
(57) Statement of Newness and Distinctiveness: **Monopoly is claimed in the shape and configuration of a door latch as shown in the representations accompanying.**



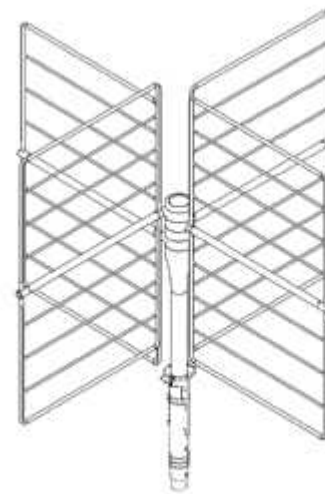
- (21) Design Number: **14670/2013**
(22) Date of Filing Application: **17 September 2013**
(24) Date from which industrial property rights may have effect: **17 September 2013**
(54) Product in respect of which the design is registered: **Anchor**
(51) International Design Classification: **12-16P**
(74) Name(s) of Attorney(s): **Adams Pluck**
(71) Name(s) and Address(s) of Applicant(s):
Anchoring Rope and Rigging Pty Ltd
3/18 Leighton PI Hornsby NSW 2077 Australia
(72) Name(s) of Designer(s): **Justin Holfeld and Robert Stockl**
(45) Registration Date: **25 October 2013**
(56) Related Art Documents: **Not Applicable**
(57) Statement of Newness and Distinctiveness: **Newness and distinctiveness reside in the features of shape and/or configuration of the anchor as shown in the representations. Newness and distinctiveness are not claimed for the features shown in broken lines, which are shown for illustrative purposes only. The anchor is of indefinite length.**



- (21) Design Number: **14690/2013**
(22) Date of Filing Application: **18 September 2013**
(24) Date from which industrial property rights may have effect: **18 September 2013**
(54) Product in respect of which the design is registered: **Bottle**
(51) International Design Classification: **09-01NES**
(74) Name(s) of Attorney(s): **Cullens Patent and Trade Mark Attorneys**
(71) Name(s) and Address(s) of Applicant(s):
ALDI Foods Pty Ltd
1 Sargents Rd Minchinbury NSW 2770 Australia
(72) Name(s) of Designer(s): **Mark Frith**
(45) Registration Date: **25 October 2013**
(56) Related Art Documents: **Not Applicable**
(57) Statement of Newness and Distinctiveness: **Nil**



- (21) Design Number: **14692/2013**
(22) Date of Filing Application: **18 September 2013**
(24) Date from which industrial property rights may have effect: **18 September 2013**
(54) Product in respect of which the design is registered: **Clothes drying apparatus**
(51) International Design Classification: **07-05D**
(74) Name(s) of Attorney(s): **HODGKINSON McINNES PATENTS**
(71) Name(s) and Address(s) of Applicant(s):
Hills Holdings Limited
SE9.02 130 Pitt St Sydney NSW 2000 Australia
(72) Name(s) of Designer(s): **Stuart Richard May and Dimitrios Nicolaos Scoutas**
(45) Registration Date: **25 October 2013**
(56) Related Art Documents: **Not Applicable**
(57) Statement of Newness and Distinctiveness: **Newness and distinctiveness is claimed in the shape and configuration of a clothes drying apparatus as shown in the representations.**



(21) Design Number: **14737/2013**
(22) Date of Filing Application: **19 September 2013**
(24) Date from which industrial property rights may have effect: **19 September 2013**
(54) Product in respect of which the design is registered: **Hair styling apparatus**
(51) International Design Classification: **28-03B**
(74) Name(s) of Attorney(s): **Wrays**
(71) Name(s) and Address(s) of Applicant(s):
Babyliss Faco SPRL
Avenue de l'Independance 25 Wandre 4020 Belgium
(72) Name(s) of Designer(s): **Pierre Julemont**
(45) Registration Date: **25 October 2013**
(30) Convention priority data:
(31) Number (32) Date (33) Country
002217927-0001 10 Apr 2013 EUROPEAN PATENT OFFICE (EPO)
(56) Related Art Documents: **Not Applicable**
(57) Statement of Newness and Distinctiveness: **Newness and distinctiveness is claimed in the features of shape and/or configuration of the Hair Styling Apparatus depicted in the accompanying representations.**



(21) Design Number: **14741/2013**
(22) Date of Filing Application: **19 September 2013**
(24) Date from which industrial property rights may have effect: **19 September 2013**
(54) Product in respect of which the design is registered: **Game machine**
(51) International Design Classification: **21-03**
(74) Name(s) of Attorney(s): **Fisher Adams Kelly Pty Ltd**
(71) Name(s) and Address(s) of Applicant(s):
Konami Gaming, Inc.
585 Trade Center Drive LAS VEGAS Nevada 89119 United States of America
(72) Name(s) of Designer(s): **Atsushi Inoue**
(45) Registration Date: **25 October 2013**
(56) Related Art Documents: **Not Applicable**
(57) Statement of Newness and Distinctiveness: **The newness and distinctiveness of the design resides in the shape and/or configuration of the GAME MACHINE shown in the representations. The portion of the product shown in phantom in the representations should be disregarded when assessing newness and distinctiveness.**



- (21) Design Number: **14743/2013**
(22) Date of Filing Application: **19 September 2013**
(24) Date from which industrial property rights may have effect: **19 September 2013**
(54) Product in respect of which the design is registered: **Game machine**
(51) International Design Classification: **21-03**
(74) Name(s) of Attorney(s): **Fisher Adams Kelly Pty Ltd**
(71) Name(s) and Address(s) of Applicant(s):

Konami Gaming, Inc.
585 Trade Center Drive Las Vegas Nevada 89119 United States of America

- (72) Name(s) of Designer(s): **Masato Okuaki and Atsushi Inoue**
(45) Registration Date: **25 October 2013**
(56) Related Art Documents: **Not Applicable**
(57) Statement of Newness and Distinctiveness: **The newness and distinctiveness of the design resides in the shape and/or configuration of the GAME MACHINE shown in the representations. The portion of the product shown in phantom in the representations should be disregarded when assessing newness and distinctiveness.**



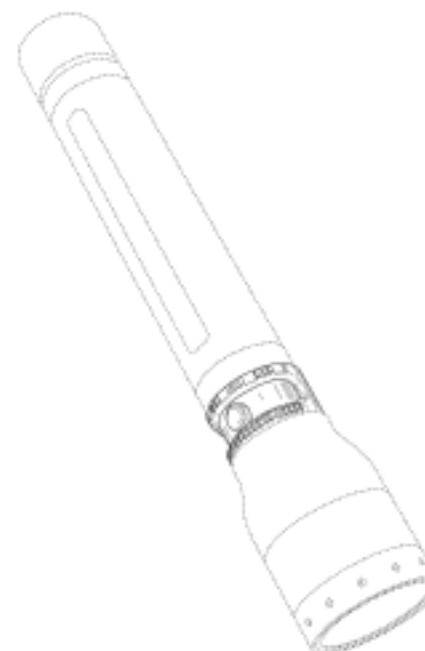
- (21) Design Number: **14744/2013**
(22) Date of Filing Application: **19 September 2013**
(24) Date from which industrial property rights may have effect: **19 September 2013**
(54) Product in respect of which the design is registered: **Game machine**
(51) International Design Classification: **21-03**
(74) Name(s) of Attorney(s): **Fisher Adams Kelly Pty Ltd**
(71) Name(s) and Address(s) of Applicant(s):

Konami Gaming, Inc.
585 Trade Center Drive Las Vegas Nevada 89119 United States of America

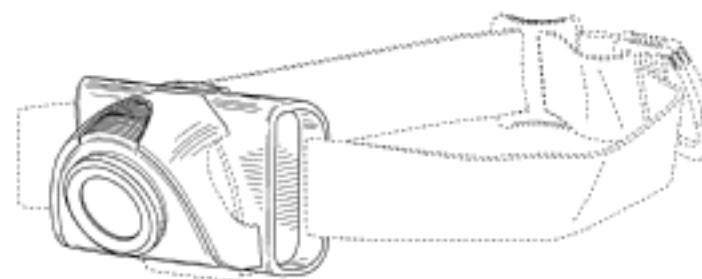
- (72) Name(s) of Designer(s): **Atsushi Inoue**
(45) Registration Date: **25 October 2013**
(56) Related Art Documents: **Not Applicable**
(57) Statement of Newness and Distinctiveness: **The newness and distinctiveness of the design resides in the shape and/or configuration of the GAME MACHINE shown in the representations. The portion of the product shown in phantom in the representations should be disregarded when assessing newness and distinctiveness.**



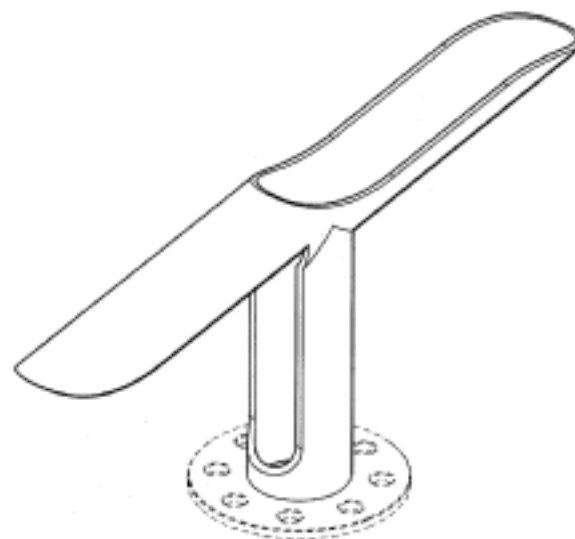
(21) Design Number: **14753/2013**
(22) Date of Filing Application: **19 September 2013**
(24) Date from which industrial property rights may have effect: **03 July 2013**
(54) Product in respect of which the design is registered: **Flashlight**
(51) International Design Classification: **26-02**
(74) Name(s) of Attorney(s): **PIZZEYS**
(71) Name(s) and Address(s) of Applicant(s):
LED Lenser Corp. Ltd.
No. 25 Yudong 1st Road Yangdong Industrial Zone Yangdong County
Yangjiang City Guangdong Province 529500 China
(72) Name(s) of Designer(s): **Stefan Feustel and Andre Kunzendorf**
(45) Registration Date: **25 October 2013**
(30) Convention priority data:
(31) Number (32) Date (33) Country
201330006828.4 10 Jan 2013 CHINA
(62) Divisional of: **351085**
(56) Related Art Documents: **Not Applicable**
(57) Statement of Newness and Distinctiveness: **Nil**



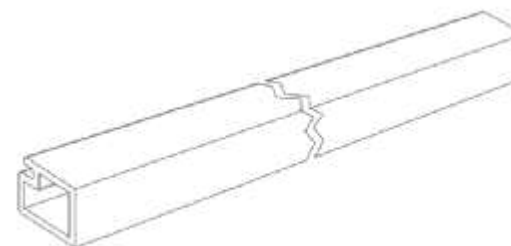
(21) Design Number: **14754/2013**
(22) Date of Filing Application: **19 September 2013**
(24) Date from which industrial property rights may have effect: **04 July 2013**
(54) Product in respect of which the design is registered: **Headlamp**
(51) International Design Classification: **26-02**
(74) Name(s) of Attorney(s): **PIZZEYS**
(71) Name(s) and Address(s) of Applicant(s):
LED Lenser Corp. Ltd.
No. 25 Yudong 1st Road Yangdong Industrial Zone Yangdong County
Yangjiang City Guangdong Province 529500 China
(72) Name(s) of Designer(s): **Stefan Feustel and Andre Kunzendorf**
(45) Registration Date: **25 October 2013**
(30) Convention priority data:
(31) Number (32) Date (33) Country
201330006799.1 10 Jan 2013 CHINA
(62) Divisional of: **350986**
(56) Related Art Documents: **Not Applicable**
(57) Statement of Newness and Distinctiveness: **Nil**



- (21) Design Number: **14828/2013**
(22) Date of Filing Application: **25 September 2013**
(24) Date from which industrial property rights may have effect: **25 September 2013**
(54) Product in respect of which the design is registered: **Fishing rod holder**
(51) International Design Classification: **22-05**
(74) Name(s) of Attorney(s):
(71) Name(s) and Address(s) of Applicant(s):
 Warren Gardiner
 20 Croft Ave Ulladulla NSW 2539 Australia
(72) Name(s) of Designer(s): **Warren Gardiner**
(45) Registration Date: **25 October 2013**
(56) Related Art Documents: **Not Applicable**
(57) Statement of Newness and Distinctiveness: **In considering the extent of the monopoly sought, those visual features shown in dashing are to be disregarded.**



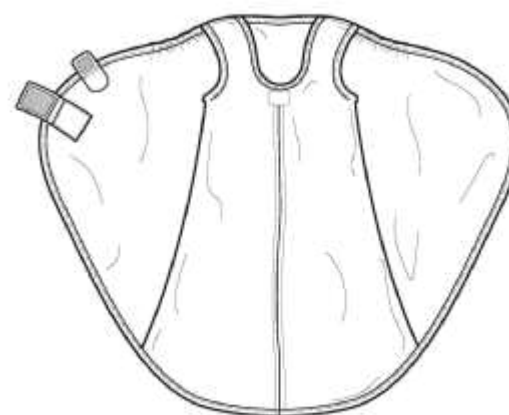
- (21) Design Number: **14829/2013**
(22) Date of Filing Application: **25 September 2013**
(24) Date from which industrial property rights may have effect: **25 September 2013**
(54) Product in respect of which the design is registered: **Extrusion**
(51) International Design Classification: **25-01K**
(74) Name(s) of Attorney(s): **Wrays**
(71) Name(s) and Address(s) of Applicant(s):
 Framelock Structures Pty Ltd
 24 Stuart Hwy Stuart Park NT 0820 Australia
(72) Name(s) of Designer(s): **Colin Campbell West**
(45) Registration Date: **25 October 2013**
(56) Related Art Documents: **Not Applicable**
(57) Statement of Newness and Distinctiveness: **Newness and distinctiveness resides in the features of shape and/or configuration of an extrusion of indefinite length as shown in the accompanying representations.**



- (21) Design Number: **14830/2013**
(22) Date of Filing Application: **25 September 2013**
(24) Date from which industrial property rights may have effect: **25 September 2013**
(54) Product in respect of which the design is registered: **Extrusion**
(51) International Design Classification: **25-01K**
(74) Name(s) of Attorney(s): **Wrays**
(71) Name(s) and Address(s) of Applicant(s):
FrameLock Structures Pty Ltd
24 Stuart Hwy Stuart Park NT 0820 Australia
(72) Name(s) of Designer(s): **Colin Campbell West**
(45) Registration Date: **25 October 2013**
(56) Related Art Documents: **Not Applicable**
(57) Statement of Newness and Distinctiveness: **Newness and distinctiveness resides in the features of shape and/or configuration of an extrusion of indefinite length as shown in the accompanying representations.**



- (21) Design Number: **14831/2013**
(22) Date of Filing Application: **25 September 2013**
(24) Date from which industrial property rights may have effect: **25 September 2013**
(54) Product in respect of which the design is registered: **Baby swaddle**
(51) International Design Classification: **06-13B**
(74) Name(s) of Attorney(s): **PIZZEYS**
(71) Name(s) and Address(s) of Applicant(s):
Tailored Technologies, Inc.
400 Stanton Court Winston-Salem NC 27106 United States of America
(72) Name(s) of Designer(s): **Fredrica V. Coates**
(45) Registration Date: **25 October 2013**
(30) Convention priority data:
(31) Number (32) Date (33) Country
29/451,341 01 Apr 2013 UNITED STATES OF AMERICA
(56) Related Art Documents: **Not Applicable**
(57) Statement of Newness and Distinctiveness: **The newness and distinctiveness of the design resides in the features of pattern and/or ornamentation OR shape and/or configuration shown in unbroken lines in the accompanying representations. The thickness of the baby swaddle is nominal.**



- (21) Design Number: **14846/2013**
(22) Date of Filing Application: **25 September 2013**
(24) Date from which industrial property rights may have effect: **25 September 2013**
(54) Product in respect of which the design is registered: **Blade of a key blank**
(51) International Design Classification: **08-07**
(74) Name(s) of Attorney(s): **Cullens Patent and Trade Mark Attorneys**
(71) Name(s) and Address(s) of Applicant(s):

J Larson Pty Ltd
21 Hudson Rd Albion QLD 4010 Australia

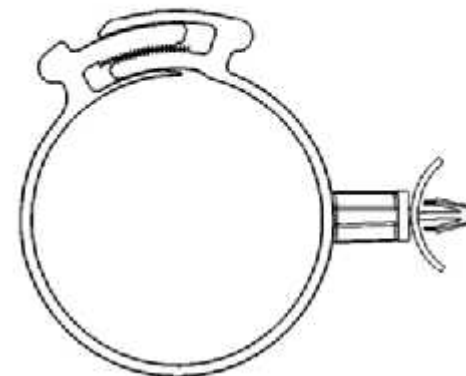
- (72) Name(s) of Designer(s): **Robert Larsen**
(45) Registration Date: **25 October 2013**
(56) Related Art Documents: **Not Applicable**
(57) Statement of Newness and Distinctiveness: **The new and distinct features are the features of shape and configuration of the cross-section of the blade of a key blank as shown in the representation. The shape of the bow or handle of the key blank is not a new or distinct feature. The length of the blade of the key blank is not a new or distinct feature and the length of the blade may change.**



- (21) Design Number: **14904/2013**
(22) Date of Filing Application: **25 September 2013**
(24) Date from which industrial property rights may have effect: **25 September 2013**
(54) Product in respect of which the design is registered: **Capacitor clip for attaching to PCB's**
(51) International Design Classification: **08-08NES**
(74) Name(s) of Attorney(s):
(71) Name(s) and Address(s) of Applicant(s):

Pakton Developments Pty Ltd
PO BOX 408 Narangba QLD 4504 Australia

- (72) Name(s) of Designer(s): **Paul Thompson**
(45) Registration Date: **25 October 2013**
(56) Related Art Documents: **Not Applicable**
(57) Statement of Newness and Distinctiveness: **The Capacitor Clip negates the need for zip ties and plastic standoffs being needed to attach large barrel-like capacitors to printed circuit boards. This clip simplifies and reduces manufacturing time of PCB's.**



(21) Design Number: **14909/2013**
(22) Date of Filing Application: **25 September 2013**
(24) Date from which industrial property rights may have effect: **25 September 2013**
(54) Product in respect of which the design is registered: **Remote control unit**
(51) International Design Classification: **14-03NES**
(74) Name(s) of Attorney(s): **FB Rice**
(71) Name(s) and Address(s) of Applicant(s):
Koninklijke Philips N.V.
High Tech Campus 5 Eindhoven 5656 AE The Netherlands
(72) Name(s) of Designer(s): **Beng Tee Peh**
(45) Registration Date: **25 October 2013**
(30) Convention priority data:
(31) Number (32) Date (33) Country
**002209510-0001 26 Mar 2013 OFFICE FOR HARMONISATION IN
THE INTERNAL MARKET (OHIM)**

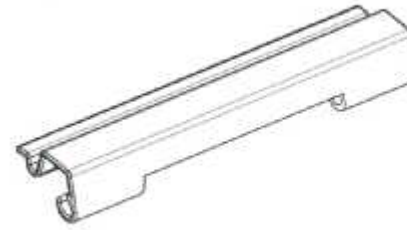


(56) Related Art Documents: **Not Applicable**
(57) Statement of Newness and Distinctiveness: **Newness and distinctiveness reside in the features of shape and configuration of the design as shown in the representations.**

(21) Design Number: **14915/2013**
(22) Date of Filing Application: **26 September 2013**
(24) Date from which industrial property rights may have effect: **26 September 2013**
(54) Product in respect of which the design is registered: **Barbeque fitting**
(51) International Design Classification: **07-02E**
(74) Name(s) of Attorney(s): **K&L Gates**
(71) Name(s) and Address(s) of Applicant(s):
Smash Asset Management Pty Ltd
33 Redland Dr Mitcham VIC 3132 Australia
(72) Name(s) of Designer(s): **Michael Solly**
(45) Registration Date: **25 October 2013**
(56) Related Art Documents: **Not Applicable**
(57) Statement of Newness and Distinctiveness: **Nil**



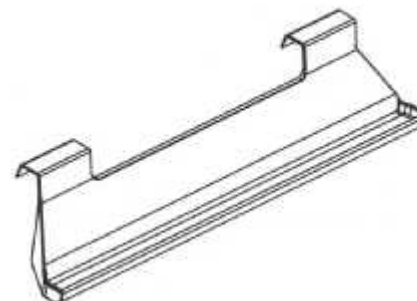
(21) Design Number: **14916/2013**
(22) Date of Filing Application: **26 September 2013**
(24) Date from which industrial property rights may have effect: **26 September 2013**
(54) Product in respect of which the design is registered: **A clip**
(51) International Design Classification: **08-08NES, 09-07NES**
(74) Name(s) of Attorney(s): **AJ Park**
(71) Name(s) and Address(s) of Applicant(s):
Sistema Plastics Limited
80 Hugo Johnston Drive Penrose Auckland 1061 New Zealand
(72) Name(s) of Designer(s): **Brendan Jon Lindsay and Saleh Ghiyath**
(45) Registration Date: **25 October 2013**
(30) Convention priority data:
(31) Number (32) Date (33) Country
417950 20 Aug 2013 NEW ZEALAND
(56) Related Art Documents: **Not Applicable**
(57) Statement of Newness and Distinctiveness: **The newness and distinctiveness resides in the features of shape and/or configuration of A CLIP all as shown in the representations.**



(21) Design Number: **14923/2013**
(22) Date of Filing Application: **26 September 2013**
(24) Date from which industrial property rights may have effect: **26 September 2013**
(54) Product in respect of which the design is registered: **Packaging insert**
(51) International Design Classification: **09-03H**
(74) Name(s) of Attorney(s): **Shelston IP**
(71) Name(s) and Address(s) of Applicant(s):
Reckitt Benckiser (Brands) Limited
103-105 Bath Road Slough Berkshire SL1 3UH United Kingdom
(72) Name(s) of Designer(s): **Jos Harrison**
(45) Registration Date: **25 October 2013**
(30) Convention priority data:
(31) Number (32) Date (33) Country
002222638-0001 18 Apr 2013 OFFICE FOR HARMONISATION IN THE INTERNAL MARKET (OHIM)
(56) Related Art Documents: **Not Applicable**
(57) Statement of Newness and Distinctiveness: **Newness and distinctiveness resides in the shape and configuration of the packaging inserts as shown in solid lines in the accompanying representations.**



(21) Design Number: **14924/2013**
(22) Date of Filing Application: **26 September 2013**
(24) Date from which industrial property rights may have effect: **26 September 2013**
(54) Product in respect of which the design is registered: **A suspension file support member**
(51) International Design Classification: **19-02**
(74) Name(s) of Attorney(s): **AJ Park**
(71) Name(s) and Address(s) of Applicant(s):
Sistema Plastics Limited
80 Hugo Johnston Drive Penrose Auckland 1061 New Zealand
(72) Name(s) of Designer(s): **Brendan Jon Lindsay and Saleh Ghiyath**
(45) Registration Date: **25 October 2013**
(30) Convention priority data:
(31) Number (32) Date (33) Country
417951 20 Aug 2013 NEW ZEALAND
(56) Related Art Documents: **Not Applicable**
(57) Statement of Newness and Distinctiveness: **The newness and distinctiveness resides in the features of shape and/or configuration of A SUSPENSION FILE SUPPORT MEMBER all as shown in the representations.**



(21) Design Number: **14925/2013**
(22) Date of Filing Application: **26 September 2013**
(24) Date from which industrial property rights may have effect: **26 September 2013**
(54) Product in respect of which the design is registered: **Packaging insert**
(51) International Design Classification: **09-03H**
(74) Name(s) of Attorney(s): **Shelston IP**
(71) Name(s) and Address(s) of Applicant(s):
Reckitt Benckiser (Brands) Limited
103-105 Bath Road Slough Berkshire SL1 3UH United Kingdom
(72) Name(s) of Designer(s): **Jos Harrison**
(45) Registration Date: **25 October 2013**
(30) Convention priority data:
(31) Number (32) Date (33) Country
002222638-0002 18 Apr 2013 OFFICE FOR HARMONISATION IN THE INTERNAL MARKET (OHIM)
(56) Related Art Documents: **Not Applicable**
(57) Statement of Newness and Distinctiveness: **Newness and distinctiveness resides in the shape and configuration of the packaging inserts as shown in solid lines in the accompanying representations.**



(21) Design Number: **14933/2013**
(22) Date of Filing Application: **26 September 2013**
(24) Date from which industrial property rights may have effect: **26 September 2013**
(54) Product in respect of which the design is registered: **A file storage container**
(51) International Design Classification: **19-02**
(74) Name(s) of Attorney(s): **AJ Park**
(71) Name(s) and Address(s) of Applicant(s):
Sistema Plastics Limited
80 Hugo Johnston Drive Penrose Auckland 1061 New Zealand
(72) Name(s) of Designer(s): **Brendan Jon Lindsay and Saleh Ghiyath**
(45) Registration Date: **25 October 2013**
(30) Convention priority data:
(31) Number (32) Date (33) Country
417955 20 Aug 2013 NEW ZEALAND



(56) Related Art Documents: **Not Applicable**
(57) Statement of Newness and Distinctiveness: **The newness and distinctiveness resides in the features of shape and/or configuration of A FILE STORAGE CONTAINER all as shown in the representations. No newness or distinctiveness is claimed in the portions shown in broken lines.**

(21) Design Number: **14832/2013**
(22) Date of Filing Application: **25 September 2013**
(24) Date from which industrial property rights may have effect: **25 September 2013**
(54) Product in respect of which the design is registered: **Baby swaddle**
(51) International Design Classification: **06-13B**
(74) Name(s) of Attorney(s): **PIZZEYS**
(71) Name(s) and Address(s) of Applicant(s):
Tailored Technologies
400 Stanton Court Winston-Salem NC 27106 United States of America
(72) Name(s) of Designer(s): **Fredrica V. Coates**
(45) Registration Date: **25 October 2013**
(30) Convention priority data:
(31) Number (32) Date (33) Country
29/451,343 01 Apr 2013 UNITED STATES OF AMERICA



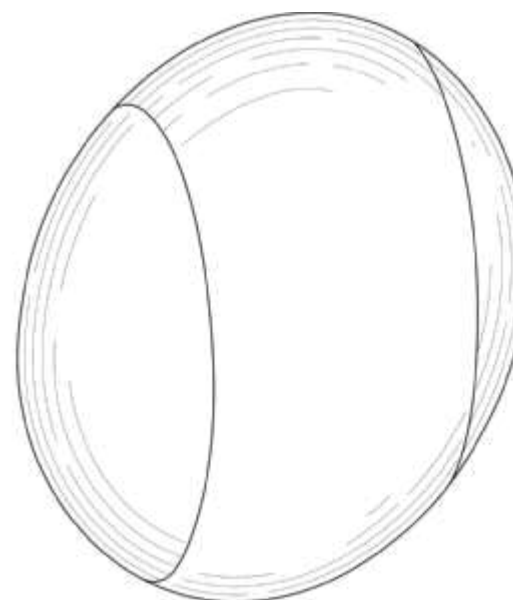
(56) Related Art Documents: **Not Applicable**
(57) Statement of Newness and Distinctiveness: **The newness and distinctiveness of the design resides in the features of pattern and/or ornamentation OR shape and/or configuration shown in unbroken lines in the accompanying representations. The thickness of the baby swaddle is nominal.**

(21) Design Number: **14905/2013**
(22) Date of Filing Application: **25 September 2013**
(24) Date from which industrial property rights may have effect: **25 September 2013**
(54) Product in respect of which the design is registered: **Composite furniture**
(51) International Design Classification: **06-01G**
(74) Name(s) of Attorney(s): **PHILLIPS ORMONDE FITZPATRICK**
(71) Name(s) and Address(s) of Applicant(s):
Dauphin Entwicklungs- u. Beteiligungs-GmbH
Industriestrasse 11 91217 Hersbruck Germany
(72) Name(s) of Designer(s): **Bernhard Frank**
(45) Registration Date: **25 October 2013**
(30) Convention priority data:
(31) Number (32) Date (33) Country
728 728 601 26 Mar 2013 WORLD INTELLECTUAL
PROPERTY ORGANIZATION
(WIPO)



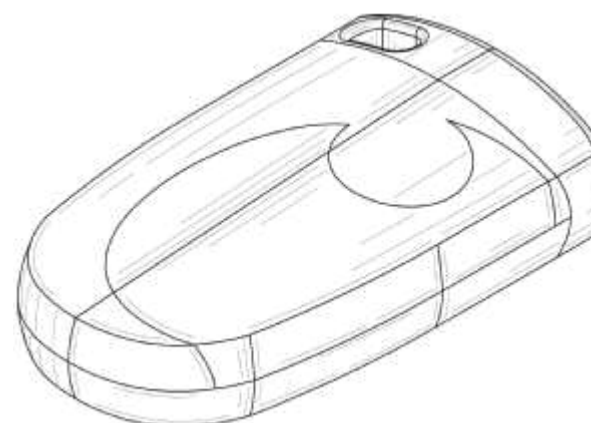
(56) Related Art Documents: **Not Applicable**
(57) Statement of Newness and Distinctiveness: **Those features of the composite furniture depicted in the representations that are new and distinctive are the shape and/or configuration. The bottom of the composite furniture is not part of the design and is to be disregarded when considering the overall impression of the design.**

(21) Design Number: **13224/2013**
(22) Date of Filing Application: **05 July 2013**
(24) Date from which industrial property rights may have effect: **05 July 2013**
(54) Product in respect of which the design is registered: **Data storage apparatus**
(51) International Design Classification: **14-02**
(74) Name(s) of Attorney(s): **Corrs Chambers Westgarth**
(71) Name(s) and Address(s) of Applicant(s):
Knightsbridge Cybersystems GmbH
Palais Kinsky Freyung 4 Stiege 1 3 OG/Top 16 Vienna 1010 Austria
(72) Name(s) of Designer(s): **Lewis Daniels**
(45) Registration Date: **28 October 2013**
(30) Convention priority data:
(31) Number (32) Date (33) Country
2166298-0001 14 Jan 2013 OFFICE FOR HARMONISATION IN
THE INTERNAL MARKET (OHIM)

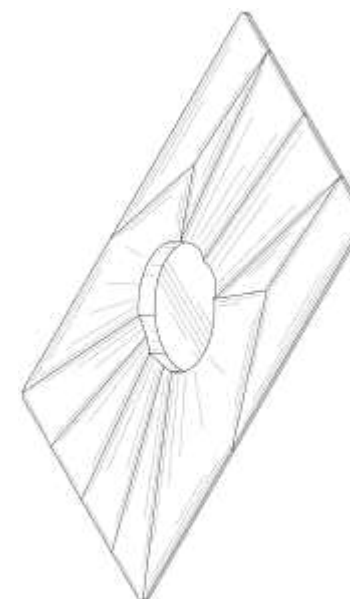


(56) Related Art Documents: **Not Applicable**
(57) Statement of Newness and Distinctiveness: **Nil**

(21) Design Number: **13225/2013**
(22) Date of Filing Application: **05 July 2013**
(24) Date from which industrial property rights may have effect: **05 July 2013**
(54) Product in respect of which the design is registered: **Data storage apparatus**
(51) International Design Classification: **14-02**
(74) Name(s) of Attorney(s): **Corrs Chambers Westgarth**
(71) Name(s) and Address(s) of Applicant(s):
Knightsbridge Cybersystems GmbH
Palais Kinsky Freyung 4 Stiege 1 3 OG/Top 16 Vienna 1010 Austria
(72) Name(s) of Designer(s): **Lewis Daniels**
(45) Registration Date: **28 October 2013**
(30) Convention priority data:
(31) Number (32) Date (33) Country
2166298-0002 14 Jan 2013 OFFICE FOR HARMONISATION IN
THE INTERNAL MARKET (OHIM)
(56) Related Art Documents: **Not Applicable**
(57) Statement of Newness and Distinctiveness: **Nil**



(21) Design Number: **13226/2013**
(22) Date of Filing Application: **05 July 2013**
(24) Date from which industrial property rights may have effect: **05 July 2013**
(54) Product in respect of which the design is registered: **Handheld computer**
(51) International Design Classification: **14-02**
(74) Name(s) of Attorney(s): **Corrs Chambers Westgarth**
(71) Name(s) and Address(s) of Applicant(s):
Knightsbridge Cybersystems GmbH
Palais Kinsky Freyung 4 Stiege 1 3 OG/Top 16 Vienna 1010 Austria
(72) Name(s) of Designer(s): **Lewis Daniels**
(45) Registration Date: **28 October 2013**
(30) Convention priority data:
(31) Number (32) Date (33) Country
2166298-0003 14 Jan 2013 OFFICE FOR HARMONISATION IN
THE INTERNAL MARKET (OHIM)
(56) Related Art Documents: **Not Applicable**
(57) Statement of Newness and Distinctiveness: **Nil**



(21) Design Number: **13233/2013**
(22) Date of Filing Application: **05 July 2013**
(24) Date from which industrial property rights may have effect: **05 July 2013**
(54) Product in respect of which the design is registered: **A mount**
(51) International Design Classification: **08-08NES**
(74) Name(s) of Attorney(s): **Davies Collison Cave**
(71) Name(s) and Address(s) of Applicant(s):
Freedman Electronics Pty. Ltd.
107 Carnarvon St Silverwater NSW 2128 Australia
(72) Name(s) of Designer(s): **Peter Noel Cooper and Samuel Dean Trewartha and Tom Ferghana Rogers Fereday**
(45) Registration Date: **28 October 2013**
(30) Convention priority data:
(31) Number (32) Date (33) Country
29/441540 07 Jan 2013 UNITED STATES OF AMERICA
(56) Related Art Documents: **Not Applicable**
(57) Statement of Newness and Distinctiveness: **The shape and configuration of the Mount is new and distinctive. When considering the newness and distinctiveness of the design, the following parts do not form part of the design and are to be disregarded: features illustrated in broken lines; recessed characters/logo (including the word "RODE"); centre and projection lines; and CAD lines indicating contour (and not indicating surface decoration).**



(21) Design Number: **13316/2013**
(22) Date of Filing Application: **10 July 2013**
(24) Date from which industrial property rights may have effect: **10 July 2013**
(54) Product in respect of which the design is registered: **Bed linen**
(51) International Design Classification: **06-13B**
(74) Name(s) of Attorney(s):
(71) Name(s) and Address(s) of Applicant(s):
Zafer Cevik
31/195 Prospect Hwy Seven Hills NSW 2147 Australia
(72) Name(s) of Designer(s): **Zafer Cevik**
(45) Registration Date: **28 October 2013**
(56) Related Art Documents: **Not Applicable**
(57) Statement of Newness and Distinctiveness: **Universal Toddler Sheets Set.**



- (21) Design Number: **13327/2013**
(22) Date of Filing Application: **11 July 2013**
(24) Date from which industrial property rights may have effect: **11 July 2013**
(54) Product in respect of which the design is registered: **A loudspeaker**
(51) International Design Classification: **14-01**
(74) Name(s) of Attorney(s): **Acumen Intellectual Property**
(71) Name(s) and Address(s) of Applicant(s):
Strategies Unleashed Pty Ltd
57 Snowden Ave Sylvania NSW 2224 Australia
(72) Name(s) of Designer(s): **Ajan Khanna**
(45) Registration Date: **28 October 2013**
(56) Related Art Documents: **Not Applicable**
(57) Statement of Newness and Distinctiveness: **Newness and distinctiveness is claimed in the features of shape and/or configuration of a set of loudspeakers as illustrated in the accompanying representations.**



- (21) Design Number: **13377/2013**
(22) Date of Filing Application: **15 July 2013**
(24) Date from which industrial property rights may have effect: **15 July 2013**
(54) Product in respect of which the design is registered: **Dress**
(51) International Design Classification: **02-02C**
(74) Name(s) of Attorney(s):
(71) Name(s) and Address(s) of Applicant(s):
SACHA DRAKE PTY. LTD.
U2 12 Walker St Woolloongabba QLD 4102 Australia
(72) Name(s) of Designer(s): **Sacha Drake**
(45) Registration Date: **28 October 2013**
(56) Related Art Documents: **Not Applicable**
(57) Statement of Newness and Distinctiveness: **Convertible pleated dress The above referred to designs are new and distinctive because they contain elements not previously intergrated into one design, such as, but not limited to;. Convertible pleated dress Can be worn in multiple ways utilising the straps by Wrapping, Twisting and Tying. Pleats are designed to stretch and mold to the body creating different shapes whilst never clinging to the body. As illustrated in the accompanying representations.**



- (21) Design Number: **13378/2013**
(22) Date of Filing Application: **15 July 2013**
(24) Date from which industrial property rights may have effect: **15 July 2013**
(54) Product in respect of which the design is registered: **Dress**
(51) International Design Classification: **02-02C**
(74) Name(s) of Attorney(s):
(71) Name(s) and Address(s) of Applicant(s):
SACHA DRAKE PTY. LTD.
U2 12 Walker St Woolloongabba QLD 4102 Australia
(72) Name(s) of Designer(s): **Sacha Drake**
(45) Registration Date: **28 October 2013**
(56) Related Art Documents: **Not Applicable**
(57) Statement of Newness and Distinctiveness: **Convertible Dress and Skirt**
The above referred to designs are new and distinctive because they contain elements not previously intergrated into one design, such as, but not limited to: Convertible Dress and Skirt that can be worn in multiple ways- Designed to flatter all body types. Loose Trapeze, Belt for Flare, Cross over front to shoulder, Cinch waist with drape. As illustrated in the accompanying representations.



- (21) Design Number: **13379/2013**
(22) Date of Filing Application: **15 July 2013**
(24) Date from which industrial property rights may have effect: **15 July 2013**
(54) Product in respect of which the design is registered: **Lighting**
(51) International Design Classification: **26-05D**
(74) Name(s) of Attorney(s):
(71) Name(s) and Address(s) of Applicant(s):
Hui Sien Ng
8/12 Madden Gr Richmond VIC 3121 Australia
(72) Name(s) of Designer(s): **Hui Sien Ng**
(45) Registration Date: **28 October 2013**
(56) Related Art Documents: **Not Applicable**
(57) Statement of Newness and Distinctiveness: **A fully knitted-in-a-round glove that fits perfectly around the top half of the globe, over the lamp holder and extends to the entire length of electrical cord whilst allowing light to penetrate through the fine stitches. It's newness is shown through the use of old technologies such as knitting to create new styles. The distinctiveness is in the selection of materials and components that allow the knitted lamp cover to sit directly on the light source.**



- (21) Design Number: **13392/2013**
(22) Date of Filing Application: **16 July 2013**
(24) Date from which industrial property rights may have effect: **16 July 2013**
(54) Product in respect of which the design is registered: **Edge desk lamp**
(51) International Design Classification: **26-05B**
(74) Name(s) of Attorney(s):
(71) Name(s) and Address(s) of Applicant(s):
Viktor Legin
161 Centre Dandenong Rd Cheltenham VIC 3192 Australia
(72) Name(s) of Designer(s): **Viktor Legin**
(45) Registration Date: **28 October 2013**
(56) Related Art Documents: **Not Applicable**
(57) Statement of Newness and Distinctiveness: **The main body is machined from 6mm aluminium then bent into its simplistic form to create a simple, yet uncommon, extremely thin lamp giving it a sleek appearance. The design was intricately considered to balance the weight of the base and the extension of the light, without additional weights. The task lamp has a high quality anodized aluminium finish. A lit touch-sensitive dimming button enables users to see the switch when the lights are off.**



- (21) Design Number: **13492/2013**
(22) Date of Filing Application: **23 July 2013**
(24) Date from which industrial property rights may have effect: **26 April 2013**
(54) Product in respect of which the design is registered: **Bottle**
(51) International Design Classification: **09-01NES**
(74) Name(s) of Attorney(s): **PHILLIPS ORMONDE FITZPATRICK**
(71) Name(s) and Address(s) of Applicant(s):
The Coca-Cola Company
One Coca-Cola Plaza N.W. Atlanta Georgia 30313 United States of America
(72) Name(s) of Designer(s): **Judy Guo and Miguel Angel Cabra Apalatequi and Wildred Kenneth Castillo and Gerald Reid Harris and Ricardo Filipe Figueiroa Monteiro and Sterling Lane Steward**
(45) Registration Date: **28 October 2013**
(30) Convention priority data:

(31) Number	(32) Date	(33) Country
29/436,363	05 Nov 2012	UNITED STATES OF AMERICA

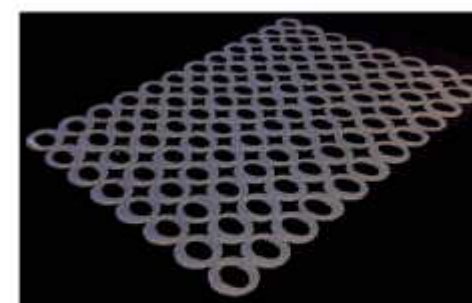
(62) Divisional of: **350003**
(56) Related Art Documents: **Not Applicable**
(57) Statement of Newness and Distinctiveness: **Those features of the bottle depicted in the representations that are new and distinctive are the shape and/or configuration. The uneven-length broken lines represent boundaries of the claimed design that form no part of the design. The even-length broken lines are not part of the design and are to be disregarded when considering the overall impression of the design. The bottle may be entirely transparent, translucent or opaque.**



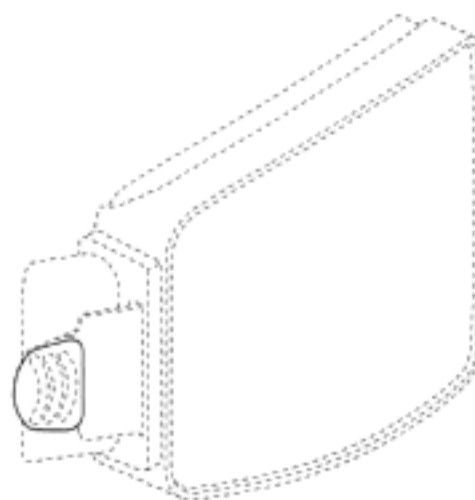
(21) Design Number: **13540/2013**
(22) Date of Filing Application: **24 July 2013**
(24) Date from which industrial property rights may have effect: **24 July 2013**
(54) Product in respect of which the design is registered: **Cover for a container**
(51) International Design Classification: **07-01NES**
(74) Name(s) of Attorney(s): **PHILLIPS ORMONDE FITZPATRICK**
(71) Name(s) and Address(s) of Applicant(s):
Dart Industries Inc.
14901 S. Orange Blossom Trail Orlando Florida 32837 United States of America
(72) Name(s) of Designer(s): **Julie L Yessin and Jan-Hendrik De Groot**
(45) Registration Date: **28 October 2013**
(30) Convention priority data:
(31) Number (32) Date (33) Country
29/449,703 15 Mar 2013 UNITED STATES OF AMERICA
(56) Related Art Documents: **Not Applicable**
(57) Statement of Newness and Distinctiveness: **Those features of the covers for a container depicted in the representations that are new and distinctive are the shape and/or configuration.**



(21) Design Number: **13640/2013**
(22) Date of Filing Application: **30 July 2013**
(24) Date from which industrial property rights may have effect: **30 July 2013**
(54) Product in respect of which the design is registered: **Mat**
(51) International Design Classification: **07-06B**
(74) Name(s) of Attorney(s): **SPRUSON & FERGUSON**
(71) Name(s) and Address(s) of Applicant(s):
Chilewich Sultan LLC
44 East 32nd Street New York New York 10016 United States of America
(72) Name(s) of Designer(s): **Sandra Chilewich**
(45) Registration Date: **28 October 2013**
(56) Related Art Documents: **Not Applicable**
(57) Statement of Newness and Distinctiveness: **Newness and distinctiveness is claimed in the features of shape and/or configuration of a mat as illustrated in the accompanying representations.**



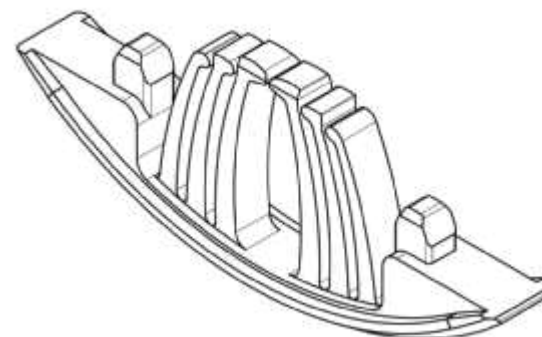
(21) Design Number: **13662/2013**
(22) Date of Filing Application: **29 July 2013**
(24) Date from which industrial property rights may have effect: **29 July 2013**
(54) Product in respect of which the design is registered: **Respirator cartridge**
(51) International Design Classification: **24-04**
(74) Name(s) of Attorney(s): **Freehills Patent Attorneys**
(71) Name(s) and Address(s) of Applicant(s):
3M Innovative Properties Company
3M Center Post Office Box 33427 Saint Paul Minnesota 55133-3427
United States of America
(72) Name(s) of Designer(s): **David Michael Blomberg**
(45) Registration Date: **28 October 2013**
(30) Convention priority data:
(31) Number (32) Date (33) Country
29/444698 01 Feb 2013 UNITED STATES OF AMERICA
(56) Related Art Documents: **Not Applicable**
(57) Statement of Newness and Distinctiveness: **Newness and distinctiveness resides in the shape and configuration of features of the respirator cartridge as shown in solid outlines in the accompanying representations.**



(21) Design Number: **13692/2013**
(22) Date of Filing Application: **01 August 2013**
(24) Date from which industrial property rights may have effect: **01 August 2013**
(54) Product in respect of which the design is registered: **Teddy bear**
(51) International Design Classification: **21-01A**
(74) Name(s) of Attorney(s): **Davies Collison Cave**
(71) Name(s) and Address(s) of Applicant(s):
Jodie Melinda Connor
C/- Davies Collison Cave L10 301 Coronation Dr Milton QLD 4064
Australia
(72) Name(s) of Designer(s): **Jodie Melinda Connor**
(45) Registration Date: **28 October 2013**
(56) Related Art Documents: **Not Applicable**
(57) Statement of Newness and Distinctiveness: **Newness and distinctiveness is claimed in the pattern, shape, configuration and/or ornamentation of a teddy bear as shown in the accompanying representations.**



(21) Design Number: **13767/2013**
(22) Date of Filing Application: **07 August 2013**
(24) Date from which industrial property rights may have effect: **07 August 2013**
(54) Product in respect of which the design is registered: **Connecting device**
(51) International Design Classification: **25-02NES, 08-08NES**
(74) Name(s) of Attorney(s): **Davies Collison Cave**
(71) Name(s) and Address(s) of Applicant(s):
Lamello AG
Hauptstrasse 149 Bubendorf 4416 Switzerland
Franz Baur
Hochstrass 13 Oberstaufen 87534 Germany
(72) Name(s) of Designer(s): **Franz Baur and Franz Haser and Philipp Seiler and Patrick Jeker**
(45) Registration Date: **28 October 2013**
(30) Convention priority data:
(31) Number (32) Date (33) Country
002192724-0008 27 Feb 2013 OFFICE FOR HARMONISATION IN THE INTERNAL MARKET (OHIM)
(56) Related Art Documents: **Not Applicable**
(57) Statement of Newness and Distinctiveness: **Nil**



(21) Design Number: **13888/2013**
(22) Date of Filing Application: **12 August 2013**
(24) Date from which industrial property rights may have effect: **12 August 2013**
(54) Product in respect of which the design is registered: **Eyeglasses**
(51) International Design Classification: **16-06**
(74) Name(s) of Attorney(s): **Davies Collison Cave**
(71) Name(s) and Address(s) of Applicant(s):
Oakley, Inc.
One Icon Foothill Ranch California 92610 United States of America
(72) Name(s) of Designer(s): **Lek Haagen Thixton and Peter K. Yee**
(45) Registration Date: **28 October 2013**
(30) Convention priority data:
(31) Number (32) Date (33) Country
29/457191 07 Jun 2013 UNITED STATES OF AMERICA
(56) Related Art Documents: **Not Applicable**
(57) Statement of Newness and Distinctiveness: **Newness and distinctiveness is claimed in the visual features shown in solid lines in the representations.**



(21) Design Number: **13892/2013**
(22) Date of Filing Application: **12 August 2013**
(24) Date from which industrial property rights may have effect: **12 August 2013**
(54) Product in respect of which the design is registered: **Dish and utensil holder**
(51) International Design Classification: **07-05D**
(74) Name(s) of Attorney(s): **Davies Collison Cave**
(71) Name(s) and Address(s) of Applicant(s):

Fusionbrands Inc.
PO Box 100 Naples NY 14512 United States of America

(72) Name(s) of Designer(s): **Steven N. Buss**

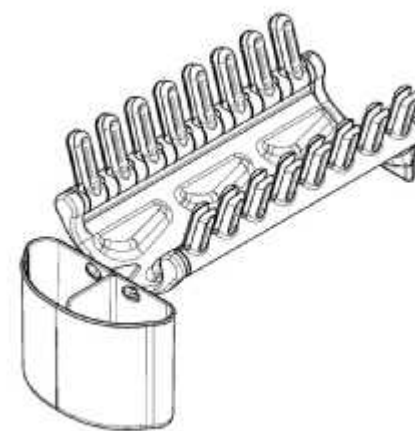
(45) Registration Date: **28 October 2013**

(30) Convention priority data:

(31) Number	(32) Date	(33) Country
29/445707	14 Feb 2013	UNITED STATES OF AMERICA

(56) Related Art Documents: **Not Applicable**

(57) Statement of Newness and Distinctiveness: **Newness and distinctiveness is claimed in the visual features shown in solid lines in the representations.**



(21) Design Number: **14127/2013**
(22) Date of Filing Application: **21 August 2013**
(24) Date from which industrial property rights may have effect: **21 August 2013**
(54) Product in respect of which the design is registered: **Display panel/screen with computer generated image**
(51) International Design Classification: **14-02**
(74) Name(s) of Attorney(s): **Shelston IP**
(71) Name(s) and Address(s) of Applicant(s):

Sony Computer Entertainment Inc.
1-7-1 Konan Minato-ku Toyko 108-0075 Japan

(72) Name(s) of Designer(s): **Shuji Hiramatsu and Taku Sugawara and Shinji Kimura**

(45) Registration Date: **28 October 2013**

(30) Convention priority data:

(31) Number	(32) Date	(33) Country
2013-018706	14 Aug 2013	JAPAN

(56) Related Art Documents: **Not Applicable**

(57) Statement of Newness and Distinctiveness: **Newness and distinctiveness reside in the features of pattern and ornamentation of a display panel or screen with a computer generated image as shown in solid lines in the accompanying representations. The features shown in dotted lines, including the symbols, are shown for contextual purposes only and do not form part of the design.**

