



Australian Government

IP Australia

AUSTRALIAN OFFICIAL JOURNAL

OF

DESIGNS

Did you know a searchable version of this journal is now available online?

It's FREE and EASY to SEARCH.

Find it on our website (www.ipaustralia.gov.au)

by using the "Journals" link on the home page.

This Page Left Intentionally Blank

Contents

General Information & Notices

**Proceedings Under the Designs Act 1906 preserved as a result of the provisions of Chapter 12
Part 2 of the Designs Act 2003**

Extension of Period of Registration of Designs	3322
Names Registered - Alterations and Amendments	3322
Registrations Ceased	3322
Subsequent Owners Registered	3322

Proceedings Under the Designs Act 2003

Applications for Extension of Time Under Section 137	3335
Applications Lapsed	3334
Applications Lodged	3326
Applications Withdrawn	3334
Certificate of Examination	3337
Extension of Period of Registration of Design	3335
Extension of Time Granted Under Section 137	3335
Publication and Registration Proceedings	
Designs Registered 351593 to 351958.....	3338
Registrations Ceased	3335
Subsequent Owners Registered	3335

This Page Left Intentionally Blank

For information on the following please see our website www.ipaustralia.gov.au or contact our Customer Service Network on 1300651010

[Editorial enquiries](#)

[Contact information](#)

[Freedom of Information ACT](#)

[Professional Standards Board](#)

[Sales](#)

[Requests for Information under Section 194 \(c\)](#)

[Country Codes](#)

[Trade Mark and Designs Hearing Sessions](#)

[INID \(Internationally agreed Numbers for the Identification of Data\)](#)

“INID” NUMBERS in use on Australian Design Documents

“INID” is an acronym for “Internationally agreed Numbers for the Identification of Data”.

(10) Data concerning the registration/renewal

- (11) Serial number of the registration and/or number of the design document
- (12) Plain language designation of the kind of published document
- (19) Identification, using the two-letter code according to WIPO Standard ST.3, of the authority publishing or registering the industrial design

(20) Data concerning the application

- (21) Serial number of the application
- (22) Date of filing of the application
- (24) Date from which the industrial design right has effect

(30) Data relating to priority under the Paris Convention

- (31) Serial number assigned to the priority application
- (32) Date of filing of the priority application
- (33) Two-letter code, according to WIPO Standard ST.3, identifying the authority with which the priority application was made

(40) Date(s) of making information available to the public

- (45) Date of publication of the registered industrial design by printing or similar process, or making it available to the public by any other means

(50) Miscellaneous Information

- (51) International Classification for Industrial Designs (class and subclass of the Locarno Classification)
- (54) Designation of article(s) or product(s) covered by the industrial design or title of the industrial design
- (55) Reproduction of the industrial design (e.g., drawing, photograph) and explanations relating to the reproduction
- (56) List of prior art documents, if separate from descriptive text
- (57) Description of characteristic features of the industrial design including indication of colours

(60) References to other legally related application(s) and registration(s)

- (62) Serial number(s) and, if available, filing date(s) of application(s), registration(s) or document(s) related by division
- (66) Serial number(s) of the application, or the registration, of the design(s) which is (are) a variant(s) of the present one

(70) Identification of parties concerned with the application or registration

- (71) Name(s) and address(es) of the applicant(s)
- (72) Name(s) of the creator(s) if known to be such
- (74) Name(s) and address(es) of the representative(s)

This Page Left Intentionally Blank

Official Notice

Declaration of the days in 2014 when the Designs Office, the Patent Office, the PBR Office and the Trade Marks Office and their sub-offices are taken not to be open for business

The close-down provisions in the Designs, Olympic Insignia protection, Patents, Plant Breeder's Rights and Trade Marks legislation provide for the effect of Designs Office, the Patent Office, the PBR Office and the Trade Marks Office ('the Canberra offices') or any of their sub-offices in the State capitals or territory not being open for business.

On 23 October 2013, the Director General of IP Australia declared under the close-down provisions the days when the Canberra offices and the sub-offices will not be open for business for the 2014 calendar year. A copy of the declaration is attached.

The Canberra offices and the State offices will not be open for business on the following days in the period

1 January 2014 to 1 January 2015.

All the Canberra offices and the sub-offices:

All Saturdays and Sundays in the period

The Canberra office

Wednesday, 1 January 2014	New Year's Day
Monday, 27 January 2014	Australia Day
Monday, 10 March 2014	Canberra Day
Friday, 18 April 2014	Good Friday
Monday, 21 April 2014	Easter Monday
Friday, 25 April 2014	Anzac Day
Monday, 9 June 2014	Queen's Birthday Holiday
Monday, 29 September 2014	Family & Community Day
Monday, 6 October 2014	Labour Day
Thursday, 25 December 2014 to Thursday, 1 January 2015	Christmas Close Down

The New South Wales office

Wednesday, 1 January 2014

Monday, 27 January 2014

Friday, 18 April 2014

Monday, 21 April 2014

Friday, 25 April 2014

Monday, 9 June 2014

Monday, 6 October 2014

Thursday, 25 December 2014 to

Thursday, 1 January 2015

New Year's Day

Australia Day

Good Friday

Easter Monday

Anzac Day

Queen's Birthday Holiday

Labour Day

Christmas Close Down

The Queensland office

Wednesday, 1 January 2014

Monday, 27 January 2014

Friday, 18 April 2014

Monday, 21 April 2014

Friday, 25 April 2014

Monday, 9 June 2014

Wednesday, 13 August 2014

Monday, 6 October 2014

Thursday, 25 December 2014 to

Thursday, 1 January 2015

New Year's Day

Australia Day

Good Friday

Easter Monday

Anzac Day

Queen's Birthday Holiday

Royal Queensland Show

Labour Day

Christmas Close Down

The South Australian office

Wednesday, 1 January 2014	New Year's Day
Monday, 27 January 2014	Australia Day
Monday, 10 March 2014	Adelaide Cup Day
Friday, 18 April 2014	Good Friday
Monday, 21 April 2014	Easter Monday
Friday, 25 April 2014	Anzac Day
Monday, 9 June 2014	Queen's Birthday Holiday
Monday, 6 October 2014	Labour Day
Thursday, 25 December 2014 to Thursday, 1 January 2015	Christmas Close Down

The Tasmanian office

Wednesday, 1 January 2014	New Year's Day
Monday, 27 January 2014	Australia Day
Monday, 10 February 2014	Royal Hobart Regatta
Monday, 10 March 2014	Eight Hours Day
Friday, 18 April 2014	Good Friday
Monday, 21 April 2014	Easter Monday
Friday, 25 April 2014	Anzac Day
Monday, 9 June 2014	Queen's Birthday Holiday
Thursday, 23 October 2014	Royal Hobart Show
Thursday, 25 December 2014 to Thursday, 1 January 2015	Christmas Close Down

The Victorian office

Wednesday, 1 January 2014	New Year's Day
Monday, 27 January 2014	Australia Day
Monday, 10 March 2014	Labour Day
Friday, 18 April 2014	Good Friday
Monday, 21 April 2014	Easter Monday
Friday, 25 April 2014	Anzac Day
Monday, 9 June 2014	Queen's Birthday Holiday
Tuesday, 4 November 2014	Melbourne Cup Day
Thursday, 25 December 2014 to Thursday, 1 January 2015	Christmas Close Down

The Western Australian office

Wednesday, 1 January 2014	New Year's Day
Monday, 27 January 2014	Australia Day
Monday, 3 March 2014	Labour Day
Friday, 18 April 2014	Good Friday
Monday, 21 April 2014	Easter Monday
Friday, 25 April 2014	Anzac Day
Monday, 2 June 2014	Western Australia Day
Monday, 29 September 2014	Queen's Birthday Holiday
Thursday, 25 December 2014 to Thursday, 1 January 2015	Christmas Close Down

The Northern Territory office

Wednesday, 1 January 2014	New Year's Day
Monday, 27 January 2014	Australia Day
Friday, 18 April 2014	Good Friday
Monday, 21 April 2014	Easter Monday
Friday, 25 April 2014	Anzac Day
Monday, 5 May 2014	May Day
Monday, 9 June 2014	Queen's Birthday Holiday
Friday, 25 July 2014	Darwin Show Day
Monday, 4 August 2014	Picnic Day
Thursday, 25 December 2014 to Thursday, 1 January 2015	Christmas Close Down

For more information on the effect of the close-down provisions, please see the Official Notices of 23 March 2007 titled *Intellectual Property Legislation Amendment Regulations 2007 (No. 1)* and *The new close-down provisions in the trade marks legislation* available on IP Australia's website through the page www.ipaustralia.gov.au/resources/officialnotices.shtml.

Contact: IP Australia
Phone: 1300 651 010
Fax: +61 2 6283 7999
Web: www.ipaustralia.gov.au

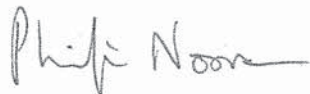
Director General of IP Australia

Declaration of the days when the Designs Office, the Patent Office, the PBR Office and the Trade Marks Office and their sub-offices are taken not to be open for business

With effect from 1 January 2014, section 136A of the *Designs Act 2003*, section 14A of the *Olympic Insignia Protection Act 1987*, section 222A of the *Patents Act 1990*, section 76A of the *Plant Breeder's Rights Act 1994* and section 223A of the *Trade Marks Act 1995* provide for the effect of the Designs Office, the Patent Office, the PBR Office and the Trade Marks Office ('the Offices') or any of their sub-offices not being open for business.

The Director General of IP Australia ('Director General') is the person prescribed under paragraph 2(b) of each of those sections. This means that the Director General can declare in writing a day or days on which the Offices or any of their sub-offices is taken not to be open for business for the purposes of those sections. Paragraph (4) (a) of each of those sections provides that such a declaration may be made before, on or after the day on which the Offices or any of their sub-offices is to be taken not to be open for business.

I, Philip Joseph Noonan, as the person currently employed as the Director General of IP Australia, declare the days in the period 1 January 2014 to 1 January 2015 when the Offices and their sub-offices are taken not to be open for business for the purpose of the sections mentioned above, as specified in the attached Schedule, Parts 1 to 8.



Director General of IP Australia
23 October 2013

Proceedings under the Designs Act 1906 preserved as a result of the provisions of Chapter 12 Part 2 of the Designs Act 2003.

This Page Left Intentionally Blank

Applications Lapsed

There were no Applications Lapsed under this section

Extension of Period of Registration of Designs

1st Period (Section 27A(8))

2nd Period (Section 27A(12))

3rd Period (Section 27A(13))

149524	150310	150486
150612	150624	150625
150626	150646	150647
150648	150719	150790
150802	150850	150902
150909	150910	150967
150968	150969	150970
151028	151029	151084
151085	151214	151263
151264	151296	151310
151336	151347	151368
151438	151633	151695
151728	151802	152015
152016	152435	152881
152882	152883	153363
153405	153463	153464
153793	153794	153887
154250	154957	155016
155057	155251	157286
157912	157941	158374

Subsequent Owners Registered

(The name in parentheses is that of the subsequent owner)

136343	(Geely Opco UK Limited)	LTI Limited
155386	(Britt Collaborations Pty Ltd)	Britt Design Pty Ltd
151054	(InBev Belgium S.A.)	Brandbrew S.A.

Names Registered - Alterations and Amendments

(The name in parentheses is the new name of the proprietor)

136343	(The London Taxi Corporation Limited)	Geely Opco UK Limited
--------	---	-----------------------

Registrations Ceased

Note: Some of the following Registrations may have been previously advertised as ceased. In this instance, the previous advertisement still prevails.

132035	133706	133709
133747	133748	133810
133831	133832	133872
133880	133888	134069
134070	134072	134111
134112	134254	134866
134867	135179	136610
137006	137130	137201
147889	147890	147891
147972	148046	148659
148723	148781	148794
148795	148796	148801
149489	149745	149823
149824	150134	150471
150756	151606	152670
152890	153014	153626

This Page Left Intentionally Blank

Proceedings under the Designs Act 2003.

This Page Left Intentionally Blank

Applications Lodged

Lodgement information is in the following order: **Applicant's Name**; International Classification, Name of Product, Lodgement Date and **Design Number**. If the applicant claims an earlier priority date under an International Convention, the Convention Country and the associated filing date are shown in parentheses before the Lodgement Date. Divisional information will also appear in parentheses before the Lodgement Date.

lululemon athletica canada inc.; 02-02C, Shorts, (Divisional of 13536/2013) 17 Oct 2013	15280/2013	Ball Corporation; 09-01H, Metal bottle, (US, 25 Apr 2013) 25 Oct 2013	15491/2013
Aged Care Imaging (Australia) Pty Ltd; 24-01, Medical x-ray imaging table portable, 05 Nov 2013	15680/2013	Baur, Franz;Lamello AG;Haser, Franz; 25-02NES, 08-08NES, Connecting device, (EM, 30 Apr 2013) 28 Oct 2013	15511/2013
Aktiebolaget Electrolux; 15-05, Vacuum cleaner nozzle, (EM, 29 Apr 2013) 28 Oct 2013	15534/2013	Baur, Franz;Lamello AG;Haser, Franz; 25-02NES, 08-08NES, Connecting device, (CH, 30 Apr 2013) 28 Oct 2013	15512/2013
Aktiebolaget Electrolux; 15-05, Vacuum cleaner, (EM, 29 Apr 2013) 28 Oct 2013	15535/2013	Baur, Franz;Lamello AG;Haser, Franz; 25-02NES, 08-08NES, Connecting device, (EM, 30 Apr 2013) 28 Oct 2013	15513/2013
Aktiebolaget Electrolux; 15-05, Vacuum cleaner, (EM, 29 Apr 2013) 28 Oct 2013	15532/2013	Baur, Franz;Lamello AG;Haser, Franz; 25-02NES, 08-08NES, Connecting device, (EM, 30 Apr 2013) 28 Oct 2013	15505/2013
Aktiebolaget Electrolux; 15-05, Vacuum cleaner, (EM, 29 Apr 2013) 28 Oct 2013	15533/2013	Baur, Franz;Lamello AG;Haser, Franz; 25-02NES, 08-08NES, Connecting device, (EM, 30 Apr 2013) 28 Oct 2013	15509/2013
Alicole Enterprises; 14-03NES, Remote controller for electronic appliances, (PH, 25 Jun 2013) 06 Nov 2013	15688/2013	Baur, Franz;Lamello AG;Haser, Franz; 25-02NES, 08-08NES, Connecting device, (EM, 30 Apr 2013) 28 Oct 2013	15504/2013
Ansell Limited; 02-06, Glove, (US, 21 May 2013) 28 Oct 2013	15502/2013	Baxters Pty Ltd; 99-00, Online eCommerce website, marketing materials, 31 Oct 2013	15603/2013
Ansell Limited; 02-06, Glove, (US, 21 May 2013) 28 Oct 2013	15503/2013	Berrys (Holdings) Technologies Limited; 23-01NES, Housing for a fluid discrimination apparatus, (EM, 24 Apr 2013) 24 Oct 2013	15500/2013
Aquatec Environmental Group Pty Ltd; 23-02NES, Pre-cast sewerage pump station, 31 Oct 2013	15620/2013	BioMerieux, Inc.; 24-02, Adaptor cap with needle bore having flat internal surfaces, (US, 24 Apr 2013) 22 Oct 2013	15391/2013
Arlec Australia Pty Ltd; 13-03E, 13-03D, Rocker switch, 24 Oct 2013	15425/2013	Blick, David Bryan; 25-02NES, Building sheet positioner, 25 Oct 2013	15476/2013
Arlec Australia Pty Ltd; 13-03E, 13-03D, Rocker plate for a switch, 24 Oct 2013	15422/2013	Bose Corporation; 14-01, Portable audio system, (US, 20 May 2013) 30 Oct 2013	15567/2013
Arlec Australia Pty Ltd; 13-03D, 13-03E, Rocker switch, 24 Oct 2013	15427/2013	Braun GmbH; 04-02, Toothbrush head, (WO, 30 Aug 2013) 31 Oct 2013	15617/2013
Australian Ramp Systems Pty Limited; 25-04, Step tread, 29 Oct 2013	15556/2013	Braun GmbH; 04-02, Toothbrush head, (WO, 30 Aug 2013) 31 Oct 2013	15616/2013
ARB Corporation Limited; 12-16C, Rear bar for vehicle, 28 Oct 2013	15506/2013	Brutale; 19-08, Wine labels, 25 Oct 2013	15440/2013
ARB Corporation Limited; 12-16C, Bull bar, 28 Oct 2013	15508/2013	Burden, Ian James; 06-06F, A bed foot board, 18 Oct 2013	15399/2013
ARB Corporation Limited; 12-16NES, Rear bar carrier, 28 Oct 2013	15507/2013	Burden, Ian James; 06-06F, A bed foot board, 18 Oct 2013	15400/2013
Ball, David;Hewitt, Simon; 19-08, An electronic card, 01 Nov 2013	15632/2013		
Ball, David;Hewitt, Simon; 19-08, An electronic card, 01 Nov 2013	15631/2013		

Burden, Ian James; 06-06F, A bed foot board, 18 Oct 2013	15397/2013	DERICA PTY LIMITED; 23-02A, Dispenser, 30 Oct 2013	15568/2013
Burden, Ian James; 06-06F, A bed foot board, 18 Oct 2013	15398/2013	Emu Ridge Holdings Pty Ltd; 02-04A, Boot, 25 Oct 2013	15478/2013
Burden, Ian James; 06-06F, A bed foot board, 18 Oct 2013	15395/2013	Emu Ridge Holdings Pty Ltd; 02-04C, Footwear sole, 25 Oct 2013	15477/2013
Burden, Ian James; 06-06F, A bed foot board, 18 Oct 2013	15401/2013	Emu Ridge Holdings Pty Ltd; 02-04NES, Boot, 24 Oct 2013	15407/2013
Burden, Ian James; 06-06F, A bed foot board, 18 Oct 2013	15402/2013	Emu Ridge Holdings Pty Ltd; 02-04NES, Boot, 24 Oct 2013	15406/2013
Burden, Ian James; 06-06F, A bed foot board, 18 Oct 2013	15396/2013	Emu Ridge Holdings Pty Ltd; 02-04B, Footwear sole, 24 Oct 2013	15405/2013
Burden, Ian James; 06-06F, A bed foot board, 18 Oct 2013	15393/2013	Euro-Pro Operating LLC; 31-00, Blender base, (US, 28 Feb 2013) 27 Aug 2013	14239/2013
Burden, Ian James; 06-06F, A bed head board, 18 Oct 2013	15394/2013	Eveready Battery Company, Inc.; 13-02, Charger, (US, 02 May 2013) 29 Oct 2013	15536/2013
Burden, Ian James; 06-01F, A chair, 18 Oct 2013	15392/2013	EverHeart Systems Inc.; 24-01, Wireless patient monitor, (US, 28 May 2013) 25 Oct 2013	15541/2013
Canada Pipeline Accessories, Co. Ltd.; 23-04, 23-01G, 23-01A, Flow conditioner, (Divisional of 14658/2013) 24 Oct 2013	15424/2013	Fifty-Fourth Rischell Pty Ltd; 02-02NES, Mens clothing, 25 Oct 2013	15463/2013
Challita, George; 29-01, Fire fighting device, 24 Oct 2013	15433/2013	Forever New Clothing Pty Ltd; 02-02NES, Article of clothing, (Divisional of 11064/2013) 31 Oct 2013	15578/2013
Cie Ltd; 06-03B, Table, 05 Nov 2013	15674/2013	Forever New Clothing Pty Ltd; 02-02NES, Article of clothing, (Divisional of 11064/2013) 31 Oct 2013	15601/2013
COTS4TOTS PTY LTD; 06-03NES, A change table with drawers, 28 Oct 2013	15517/2013	Forever New Clothing Pty Ltd; 02-02C, Article of clothing, (Divisional of 11064/2013) 31 Oct 2013	15583/2013
COTS4TOTS PTY LTD; 06-04F, A chest of drawers, 28 Oct 2013	15518/2013	Forever New Clothing Pty Ltd; 02-02NES, Article of clothing, (Divisional of 11064/2013) 31 Oct 2013	15588/2013
COTS4TOTS PTY LTD; 06-04F, 06-02, A cot with a drawer, 28 Oct 2013	15519/2013	Forever New Clothing Pty Ltd; 02-02NES, Article of clothing, (Divisional of 11064/2013) 31 Oct 2013	15592/2013
Da Riva, Luigi Luca; 07-06D, Bottle opener, (EM, 30 Apr 2013) 30 Oct 2013	15569/2013	Forever New Clothing Pty Ltd; 02-02C, Article of clothing, (Divisional of 11064/2013) 31 Oct 2013	15594/2013
Dart Industries Inc.; 07-04, Colander, (US, 22 May 2013) 04 Nov 2013	15654/2013	Forever New Clothing Pty Ltd; 02-02C, Article of clothing, (Divisional of 11064/2013) 31 Oct 2013	15595/2013
Dart Industries Inc.; 07-02N, Pressure cooker, (US, 20 May 2013) 04 Nov 2013	15653/2013	Forever New Clothing Pty Ltd; 02-02NES, Article of clothing, (Divisional of 11064/2013) 31 Oct 2013	15593/2013
Demetriou, James; 25-01K, Aluminium extrusion - balcony & tile edge trim - building construction, 24 Oct 2013	15474/2013	Forever New Clothing Pty Ltd; 02-02NES, Article of clothing, (Divisional of 11064/2013) 31 Oct 2013	15600/2013
Demetriou, James; 23-01NES, Draing - plumbing, 24 Oct 2013	15475/2013	Forever New Clothing Pty Ltd; 02-02C, Article of clothing, (Divisional of 11064/2013) 31 Oct 2013	15598/2013
Dentsply International Inc.; 24-02, Stopper for dental instruments, (US, 02 May 2013) 01 Nov 2013	15646/2013		
Dias Aluminium Products Pty. Ltd.; 06-04C, 25-01K, Grip stile, 22 Oct 2013	15416/2013		

Forever New Clothing Pty Ltd; 02-02NES, Article of clothing, (Divisional of 11064/2013) 31 Oct 2013	15599/2013	Fullyarn Packaging (AU) Pty Ltd; 09-03NES, A container, 31 Oct 2013	15624/2013
Forever New Clothing Pty Ltd; 02-02A, Article of clothing, (Divisional of 11064/2013) 31 Oct 2013	15585/2013	Fullyarn Packaging (AU) Pty Ltd; 09-03NES, A container, 31 Oct 2013	15623/2013
Forever New Clothing Pty Ltd; 02-02NES, Article of clothing, (Divisional of 11064/2013) 31 Oct 2013	15590/2013	Gema Switzerland GmbH; 08-05L, Automatic powder spray gun, (EM, 14 May 2013) 25 Oct 2013	15490/2013
Forever New Clothing Pty Ltd; 02-02C, Article of clothing, (Divisional of 11064/2013) 31 Oct 2013	15596/2013	Glaco-Bricks Proprietary Limited; 06-04NES, Sign rack, 05 Nov 2013	15673/2013
Forever New Clothing Pty Ltd; 02-02C, Article of clothing, 31 Oct 2013	15597/2013	Global Rail Vehicles Plc; 12-03, Locomotive, 04 Nov 2013	15663/2013
Forever New Clothing Pty Ltd; 02-02NES, Article of clothing, (Divisional of 11064/2013) 31 Oct 2013	15591/2013	Global Rail Vehicles Plc; 12-03, Rail wagon, 04 Nov 2013	15661/2013
Forever New Clothing Pty Ltd; 02-02NES, Article of clothing, (Divisional of 11064/2013) 31 Oct 2013	15587/2013	Global Rail Vehicles Plc; 12-03, Locomotive, 04 Nov 2013	15662/2013
Forever New Clothing Pty Ltd; 02-02NES, Article of clothing, (Divisional of 11064/2013) 31 Oct 2013	15589/2013	Graham, Anthony David; 17-03, Guitar, namely acoustic, 24 Oct 2013	15434/2013
Forever New Clothing Pty Ltd; 02-02NES, Article of clothing, (Divisional of 11064/2013) 31 Oct 2013	15586/2013	Graham, Anthony David; 17-03, Musical instrument namely guitar acoustic, 24 Oct 2013	15436/2013
Forever New Clothing Pty Ltd; 02-02C, Article of clothing, (Divisional of 11064/2013) 31 Oct 2013	15582/2013	Graham, Anthony David; 17-03, Musical instruments, namely guitar acoustic, 24 Oct 2013	15435/2013
Forever New Clothing Pty Ltd; 02-02NES, Article of clothing, (Divisional of 11064/2013) 31 Oct 2013	15581/2013	Greenwood Sales Pty Ltd; 08-99, Foot portion of saw horse leg, 29 Oct 2013	15555/2013
Forever New Clothing Pty Ltd; 02-02NES, Article of clothing, (Divisional of 11064/2013) 31 Oct 2013	15579/2013	Grieves, John Edward; 10-04, 08-05E, Tyre inflation/deflation regulator, 28 Oct 2013	15520/2013
Forever New Clothing Pty Ltd; 02-02C, Article of clothing, (Divisional of 11064/2013) 31 Oct 2013	15584/2013	GIC Pty Ltd; 12-10, Camper trailer, 29 Oct 2013	15537/2013
Forever New Clothing Pty Ltd; 02-02C, Article of clothing, (Divisional of 11064/2013) 31 Oct 2013	15580/2013	GIC Pty Ltd; 12-10, Camping tent 12 ft grey, 29 Oct 2013	15546/2013
Forever New Clothing Pty Ltd; 03-01B, Clutch, (Divisional of 11065/2013) 24 Oct 2013	15411/2013	GIC Pty Ltd; 12-10, Extreme ranger camper trailer, 29 Oct 2013	15542/2013
Forever New Clothing Pty Ltd; 03-01B, Clutch, (Divisional of 11065/2013) 24 Oct 2013	15412/2013	GIC Pty Ltd; 12-10, Camper trailer phoenix, 29 Oct 2013	15544/2013
Forever New Clothing Pty Ltd; 03-01B, Bag, (Divisional of 11065/2013) 24 Oct 2013	15409/2013	GIC Pty Ltd; 23-03G, Stainless spit, 29 Oct 2013	15551/2013
Forever New Clothing Pty Ltd; 03-01B, Cover, (Divisional of 11065/2013) 24 Oct 2013	15410/2013	GIC Pty Ltd; 21-04, 12 ft tent red, 06 Nov 2013	15698/2013
Freedman Electronics Pty. Ltd.; 14-01, Microphone, (Divisional of 13455/2013) 28 Oct 2013	15510/2013	GIC Pty Ltd; 12-10, Camper trailer, 06 Nov 2013	15701/2013
		GIC Pty Ltd; 12-10, Camper trailer, 06 Nov 2013	15702/2013
		GIC Pty Ltd; 12-16NES, Rebound springs, 29 Oct 2013	15552/2013
		GIC Pty Ltd; 21-04, Tent green 18 ft, 29 Oct 2013	15549/2013
		GIC Pty Ltd; 06-03NES, Camping kitchen, 29 Oct 2013	15550/2013

GIC Pty Ltd; 07-02D, 23-02F, Mobile camping kitchen, 28 Oct 2013	15501/2013	Hoppe, Michael;Morabito, Joshua;Richards, Mark;Smith, Geoff;O'Neill, Chad; 13-03NES, Switch, (Divisional of 13430/2013) 25 Oct 2013	15488/2013
GIC Pty Ltd; 12-10, Camper trailer, 28 Oct 2013	15499/2013	Hort, Robin Lorene; 02-01B, Comfortable ladies knickers, 30 Oct 2013	15570/2013
Haser, Franz;Lamello AG;Baur, Franz; 25-02NES, 08-08NES, Connecting device, (EM, 30 Apr 2013) 28 Oct 2013	15504/2013	HELHEL;Helgeland, Michelle; 11-01D, Earrings, 03 Nov 2013	15649/2013
Haser, Franz;Lamello AG;Baur, Franz; 25-02NES, 08-08NES, Connecting device, (EM, 30 Apr 2013) 28 Oct 2013	15511/2013	Illinois Tool Works Inc.; 20-02E, Merchandise display, 24 Oct 2013	15426/2013
Haser, Franz;Lamello AG;Baur, Franz; 25-02NES, 08-08NES, Connecting device, (CH, 30 Apr 2013) 28 Oct 2013	15512/2013	Illinois Tool Works Inc.; 20-02E, Merchandise display, 24 Oct 2013	15430/2013
Haser, Franz;Lamello AG;Baur, Franz; 25-02NES, 08-08NES, Connecting device, (EM, 30 Apr 2013) 28 Oct 2013	15509/2013	Illinois Tool Works Inc.; 20-02E, Merchandise display, 24 Oct 2013	15428/2013
Haser, Franz;Lamello AG;Baur, Franz; 25-02NES, 08-08NES, Connecting device, (EM, 30 Apr 2013) 28 Oct 2013	15513/2013	Illinois Tool Works Inc.; 20-02E, Merchandise display, 24 Oct 2013	15429/2013
Haser, Franz;Lamello AG;Baur, Franz; 25-02NES, 08-08NES, Connecting device, (EM, 30 Apr 2013) 28 Oct 2013	15505/2013	Intercontinental Great Brands LLC; 01-01, Confectionary strand, (US, 01 May 2013) 31 Oct 2013	15604/2013
Haworth, Inc.; 06-01F, Chair and work surface, (US, 29 Apr 2013) 29 Oct 2013	15547/2013	Intercontinental Great Brands LLC; 01-01, Confectionary strand with sugar, (US, 01 May 2013) 31 Oct 2013	15613/2013
He, Zhanting; 08-06, Door handle, 28 Oct 2013	15522/2013	Intercontinental Great Brands LLC; 01-01, Confectionary strand with sugar, (US, 01 May 2013) 31 Oct 2013	15614/2013
He, Zhanting; 08-06, Door handle, 28 Oct 2013	15523/2013	Intercontinental Great Brands LLC; 01-01, Confectionary strand with sugar, (US, 01 May 2013) 31 Oct 2013	15611/2013
He, Zhanting; 08-06, Door handle, 28 Oct 2013	15521/2013	Intercontinental Great Brands LLC; 01-01, Confectionary strand with sugar, (US, 01 May 2013) 31 Oct 2013	15612/2013
Helgeland, Michelle;HELHEL; 11-01D, Earrings, 03 Nov 2013	15649/2013	Intercontinental Great Brands LLC; 01-01, Confectionary strand, (US, 01 May 2013) 31 Oct 2013	15607/2013
Hewitt, Simon;Ball, David; 19-08, An electronic card, 01 Nov 2013	15632/2013	Intercontinental Great Brands LLC; 01-01, Confectionary strand, (US, 01 May 2013) 31 Oct 2013	15608/2013
Hewitt, Simon;Ball, David; 19-08, An electronic card, 01 Nov 2013	15631/2013	Intercontinental Great Brands LLC; 01-01, Confectionary strand, (US, 01 May 2013) 31 Oct 2013	15606/2013
Higgins, Christopher Lyndon; 02-01NES, Underwear with pocket, 25 Oct 2013	15495/2013	Intercontinental Great Brands LLC; 01-01, Confectionary strand with sugar, (US, 01 May 2013) 31 Oct 2013	15615/2013
Holian, Terri-Elizabeth; 05-05C, 02-02NES, Design to be screen printed onto textiles/Tshirts, 28 Oct 2013	15524/2013	Intercontinental Great Brands LLC; 01-01, Confectionary strand, (US, 01 May 2013) 31 Oct 2013	15609/2013
Honda Motor Co., Ltd.; 12-08, Automobile, (JP, 26 Apr 2013) 24 Oct 2013	15390/2013	Intercontinental Great Brands LLC; 01-01, Confectionary strand with sugar, (US, 01 May 2013) 31 Oct 2013	15610/2013
Hoppe, Michael;Morabito, Joshua;Richards, Mark;Smith, Geoff;O'Neill, Chad; 13-03NES, Switch, (Divisional of 13443/2013) 25 Oct 2013	15486/2013	Intercontinental Great Brands LLC; 01-01, Confectionary strand, (US, 01 May 2013) 31 Oct 2013	15605/2013

Jamamosva Gifts JLT; 03-01A, Bag with reflective strips, (JP, 09 Oct 2013) 06 Nov 2013	15694/2013	Konakov, Aleksandra; 02-02C, Dress, 29 Oct 2013	15554/2013
Jenkins, Raymond Stephen; 07-06B, Beer mats, (GB, 24 Apr 2013) 24 Oct 2013	15437/2013	Koninklijke Philips N.V.; 24-02, Patient interface assembly, (EM, 07 May 2013) 06 Nov 2013	15700/2013
Johnson, Johanna; 02-02C, A woman's garment, comprising beaded parts, 11 Oct 2013	15161/2013	Koninklijke Philips N.V.; 24-02, Frame for a patient interface assembly, (EM, 07 May 2013) 06 Nov 2013	15687/2013
Johnson, Johanna; 02-02C, A woman's garment, 11 Oct 2013	15164/2013	Koninklijke Philips N.V.; 31-00, Juicer, (EM, 07 May 2013) 06 Nov 2013	15693/2013
Johnson, Johanna; 02-02C, A woman's garment, comprising beaded parts, 11 Oct 2013	15166/2013	Koninklijke Philips N.V.; 24-02, Patient interface assembly, (EM, 07 May 2013) 06 Nov 2013	15684/2013
Johnson, Johanna; 02-02C, A woman's garment, comprising beaded parts, 11 Oct 2013	15163/2013	Koninklijke Philips N.V.; 24-02, Cushion for a patient interface assembly, (EM, 07 May 2013) 06 Nov 2013	15697/2013
Joseph Joseph Limited; 07-01NES, Containers for food, (EM, 05 Aug 2013) 05 Nov 2013	15676/2013	Koninklijke Philips N.V.; 24-02, Elbow connector for a patient interface assembly, (EM, 07 May 2013) 06 Nov 2013	15689/2013
Joseph Joseph Limited; 07-04, Scissors, (EM, 05 Aug 2013) 05 Nov 2013	15677/2013	Koninklijke Philips N.V.; 24-02, Frame for a patient interface assembly, (EM, 07 May 2013) 06 Nov 2013	15690/2013
Julius Blum GmbH; 08-09, Fitting for furniture, (EM, 06 May 2013) 01 Nov 2013	15629/2013	Kovacs, Zoltan; 21-02F, Apparatus for boxing training, 29 Oct 2013	15553/2013
Julius Blum GmbH; 08-09, Fitting for furniture, (EM, 06 May 2013) 01 Nov 2013	15630/2013	Lamello AG;Baur, Franz;Haser, Franz; 25-02NES, 08-08NES, Connecting device, (EM, 30 Apr 2013) 28 Oct 2013	15511/2013
Julius Blum GmbH; 08-09, Fitting for furniture, (EM, 06 May 2013) 01 Nov 2013	15627/2013	Lamello AG;Baur, Franz;Haser, Franz; 25-02NES, 08-08NES, Connecting device, (CH, 30 Apr 2013) 28 Oct 2013	15512/2013
JETS Swimwear Pty Limited; 02-02A, Swimwear garment, 01 Nov 2013	15633/2013	Lamello AG;Baur, Franz;Haser, Franz; 25-02NES, 08-08NES, Connecting device, (EM, 30 Apr 2013) 28 Oct 2013	15505/2013
JETS Swimwear Pty Limited; 02-02A, Swimwear garment, 01 Nov 2013	15639/2013	Lamello AG;Baur, Franz;Haser, Franz; 25-02NES, 08-08NES, Connecting device, (EM, 30 Apr 2013) 28 Oct 2013	15513/2013
JETS Swimwear Pty Limited; 02-02A, Swimwear garment, 01 Nov 2013	15640/2013	Lamello AG;Baur, Franz;Haser, Franz; 25-02NES, 08-08NES, Connecting device, (EM, 30 Apr 2013) 28 Oct 2013	15509/2013
JETS Swimwear Pty Limited; 02-02A, Swimwear garment, 01 Nov 2013	15641/2013	Lamello AG;Baur, Franz;Haser, Franz; 25-02NES, 08-08NES, Connecting device, (EM, 30 Apr 2013) 28 Oct 2013	15504/2013
JETS Swimwear Pty Limited; 02-02A, Swimwear garment, 01 Nov 2013	15637/2013	Legend Corporate Services Pty Ltd; 13-03D, Clip element for an electrical outlet cover, 30 Oct 2013	15557/2013
JETS Swimwear Pty Limited; 02-02A, Swimwear garment, 01 Nov 2013	15638/2013	Legend Corporate Services Pty Ltd; 13-03E, Switch assembly, 30 Oct 2013	15560/2013
JETS Swimwear Pty Limited; 02-02A, Swimwear garment, 01 Nov 2013	15635/2013	Legend Corporate Services Pty Ltd; 13-03E, Outlet and switch assembly, 30 Oct 2013	15561/2013
JETS Swimwear Pty Limited; 02-02A, Swimwear garment, 01 Nov 2013	15636/2013	Legend Corporate Services Pty Ltd; 13-03E, Switch assembly, 30 Oct 2013	15562/2013
JETS Swimwear Pty Limited; 02-02A, Swimwear garment, 01 Nov 2013	15634/2013		
Kersten, Sandra; 30-03, Haysaver, 25 Oct 2013	15489/2013		
Kinlea Holdings Pty Ltd; 21-01L, Game, 29 Oct 2013	15548/2013		

Legend Corporate Services Pty Ltd; 13-03D, Electrical outlet cover, 30 Oct 2013	15558/2013	Logue and Co. Pty Ltd; 09-07B, 10-04, Measuring cap, 23 Oct 2013	15457/2013
Lifewave Inc.; 14-03NES, Mobile phone accessoy, (EP, 09 May 2013) 04 Nov 2013	15660/2013	Logue and Co. Pty Ltd; 09-07B, 10-04, Measuring cap, 23 Oct 2013	15449/2013
Lifewave Inc.; 14-03NES, Mobile phone accessory, (EP, 09 May 2013) 04 Nov 2013	15658/2013	Logue and Co. Pty Ltd; 09-07B, 10-04, Measuring cap, 23 Oct 2013	15451/2013
Lifewave Inc.; 14-03NES, Mobile phone accessory, (EP, 09 May 2013) 04 Nov 2013	15659/2013	Logue and Co. Pty Ltd; 09-07B, 10-04, Measuring cap, 23 Oct 2013	15452/2013
Lifewave Inc.; 14-03NES, Mobile phone accessory, (EP, 09 May 2013) 04 Nov 2013	15656/2013	Logue and Co. Pty Ltd; 09-07B, 10-04, Measuring cap, 23 Oct 2013	15447/2013
Lifewave Inc.; 14-03NES, Mobile phone accessory, (EP, 09 May 2013) 04 Nov 2013	15657/2013	Logue and Co. Pty Ltd; 09-07B, 10-04, Measuring cap, 23 Oct 2013	15448/2013
Logue and Co. Pty Ltd; 10-04, Measuring cap, 23 Oct 2013	15470/2013	Logue and Co. Pty Ltd; 09-07B, 10-04, Measuring cap, 23 Oct 2013	15445/2013
Logue and Co. Pty Ltd; 10-04, Measuring cap, 23 Oct 2013	15471/2013	Logue and Co. Pty Ltd; 09-07B, 10-04, Measuring cap, 23 Oct 2013	15446/2013
Logue and Co. Pty Ltd; 10-04, Measuring cap, 23 Oct 2013	15464/2013	Lyon, Brearne; 02-07NES, Bobbin clip, 06 Nov 2013	15699/2013
Logue and Co. Pty Ltd; 10-04, Measuring cap, 23 Oct 2013	15468/2013	LOCtouch Pty Ltd; 08-07, Key blank, 25 Oct 2013	15443/2013
Logue and Co. Pty Ltd; 10-04, Measuring cap, 23 Oct 2013	15469/2013	LOKtouch Pty Ltd; 08-07, Key blank, 25 Oct 2013	15442/2013
Logue and Co. Pty Ltd; 10-04, Measuring cap, 23 Oct 2013	15465/2013	LOKtouch Pty Ltd; 08-07, Key blank, 25 Oct 2013	15458/2013
Logue and Co. Pty Ltd; 09-07B, 10-04, Measuring cap, 23 Oct 2013	15462/2013	LOKtouch Pty Ltd; 08-07, Key blank, 25 Oct 2013	15441/2013
Logue and Co. Pty Ltd; 10-04, Measuring cap, 23 Oct 2013	15472/2013	Mars, Incorporated; 09-03NES, Pet food container, (US, 02 Oct 2013) 29 Oct 2013	15545/2013
Logue and Co. Pty Ltd; 10-04, Measuring cap, 23 Oct 2013	15473/2013	Mars, Incorporated; 09-03NES, Pet food container, (US, 30 Apr 2013) 29 Oct 2013	15543/2013
Logue and Co. Pty Ltd; 09-07B, 10-04, Measuring cap, 23 Oct 2013	15461/2013	McCormick & Company, Incorporated; 14-01, Display screen with icon, (US, 25 Feb 2013) (Divisional of 14108/2013) 28 Oct 2013	15530/2013
Logue and Co. Pty Ltd; 09-07B, 10-04, Measuring cap, 23 Oct 2013	15460/2013	McCormick & Company, Incorporated; 14-01, Display screen with icon, (US, 25 Feb 2013) (Divisional of 14108/2013) 28 Oct 2013	15529/2013
Logue and Co. Pty Ltd; 10-04, Measuring cap, 23 Oct 2013	15466/2013	McCormick & Company, Incorporated; 14-01, Display screen with icon, (US, 25 Feb 2013) (Divisional of 14108/2013) 28 Oct 2013	15531/2013
Logue and Co. Pty Ltd; 10-04, Measuring cap, 23 Oct 2013	15467/2013	McKenzie, Gladys; 04-02, Tongue scraper, 25 Oct 2013	15494/2013
Logue and Co. Pty Ltd; 09-07B, 10-04, , 23 Oct 2013	15459/2013	Meco Australia Pty Limited; 23-01H, A tap handle, 24 Oct 2013	15408/2013
Logue and Co. Pty Ltd; 09-07B, 10-04, Measuring cap, 23 Oct 2013	15453/2013	Microsoft Corporation; 14-02, Display screen with graphical user interface, (US, 26 Apr 2013) 25 Oct 2013	15484/2013
Logue and Co. Pty Ltd; 09-07B, 10-04, Measuring cap, 23 Oct 2013	15454/2013		
Logue and Co. Pty Ltd; 09-07B, 10-04, Measuring cap, 23 Oct 2013	15455/2013		
Logue and Co. Pty Ltd; 09-07B, 10-04, Measuring cap, 23 Oct 2013	15456/2013		

Microsoft Corporation; 14-02, Display screen with graphical user interface, (US, 26 Apr 2013) 25 Oct 2013	15487/2013	O'Neill, Chad;Hoppe, Michael;Morabito, Joshua;Richards, Mark;Smith, Geoff; 13-03NES, Switch, (Divisional of 13443/2013) 25 Oct 2013	15486/2013
Mike Pero Marketing Limited; 20-03NES, 08-08M, Bracket for supporting a sign, (NZ, 03 May 2013) 31 Oct 2013	15602/2013	O'Neill, Chad;Hoppe, Michael;Morabito, Joshua;Richards, Mark;Smith, Geoff; 13-03NES, Switch, (Divisional of 13430/2013) 25 Oct 2013	15488/2013
Mitsubishi Electric Corporation; 23-04, Corner panel with sensor for air conditioner, (JP, 29 May 2013) 06 Nov 2013	15682/2013	Owens-Brockway Glass Container Inc.; 09-01H, Bottle, (US, 03 May 2013) 31 Oct 2013	15577/2013
Mitsubishi Electric Corporation; 23-04, Air conditioner, (JP, 29 May 2013) 06 Nov 2013	15679/2013	Owens-Brockway Glass Container Inc.; 09-01H, Bottle, (US, 03 May 2013) 31 Oct 2013	15573/2013
Mitsubishi Electric Corporation; 23-04, Air conditioner, (JP, 29 May 2013) 06 Nov 2013	15678/2013	Owens-Brockway Glass Container Inc.; 09-01H, Bottle, (US, 03 May 2013) 31 Oct 2013	15572/2013
Morabito, Joshua;Hoppe, Michael;Richards, Mark;Smith, Geoff;O'Neill, Chad; 13-03NES, Switch, (Divisional of 13430/2013) 25 Oct 2013	15488/2013	Owens-Brockway Glass Container Inc.; 09-01H, Bottle, (US, 03 May 2013) 31 Oct 2013	15574/2013
Morabito, Joshua;Hoppe, Michael;Richards, Mark;Smith, Geoff;O'Neill, Chad; 13-03NES, Switch, (Divisional of 13443/2013) 25 Oct 2013	15486/2013	OA Investment Management Pty Limited;The trustee for The K & D Peacock Family Trust; 03-01NES, Protective case for fishing reels, 05 Nov 2013	15675/2013
Multi-Holding AF; 13-03D, Connector, (CH, 30 May 2013) 05 Nov 2013	15665/2013	ORSMLIFE Family Trust; 07-05C, Peg, 01 Nov 2013	15643/2013
Multi-Holding AG; 13-03D, Connector, (CH, 30 May 2013) 05 Nov 2013	15666/2013	P LABRINAKOS & A MATSIKAS; 99-00, Soap products, 02 Nov 2013	15647/2013
Multi-Holding AG; 13-03E, Connector, (CH, 30 May 2013) 05 Nov 2013	15671/2013	Pelco, Inc.; 16-01, Surveillance camera, (CN, 28 Apr 2013) 25 Oct 2013	15492/2013
MOS International Imports; 06-11, Floor rug, 10 Oct 2013	15144/2013	PepsiCo, Inc.; 07-02L, 31-00, Dispenser, (US, 03 May 2013) 04 Nov 2013	15655/2013
MOS International Imports; 06-11, Floor rug, 10 Oct 2013	15145/2013	PepsiCo, Inc.; 07-02L, 31-00, Dispenser, (US, 03 May 2013) 04 Nov 2013	15652/2013
MOS International Imports; 06-11, Floor rug, 10 Oct 2013	15146/2013	PepsiCo, Inc.; 07-02L, 31-00, Dispenser, (US, 03 May 2013) 04 Nov 2013	15650/2013
MOS International Imports; 06-11, Floor rug point of sale, 10 Oct 2013	15147/2013	PepsiCo, Inc.; 07-02L, 31-00, Dispenser, (US, 03 May 2013) 04 Nov 2013	15651/2013
Nepean Engineering & Innovation Pty Ltd; 25-99, 29-02, Anti-skid plate, 28 Oct 2013	15516/2013	Phoenix Industries Pty Ltd; 23-01H, Mixer tap, 28 Oct 2013	15559/2013
Nice-Pak Products, Inc.; 09-07A, Dispenser lid, (US, 01 Oct 2013) 31 Oct 2013	15576/2013	Precision Components Australia Pty Ltd; 09-08, Rackable pallet, 01 Nov 2013	15642/2013
Norton, Nataley Jane; 02-06, Aid in face & body hygiene, bathing/showering, 03 Nov 2013	15648/2013	Proxene Tools Co., Ltd.; 08-05P, Wrench, (TW, 26 Apr 2013) 28 Oct 2013	15515/2013
Nozaki, Ayako; 03-01NES, A case for mobile electronic device, 25 Oct 2013	15493/2013	Reln Pty Ltd; 09-05, Worm packaging, 01 Nov 2013	15645/2013
		Revlon Consumer Products Corporation; 28-03NES, Cosmetic compact, (US, 25 Oct 2013) 06 Nov 2013	15695/2013

Revlon Consumer Products Corporation; 28-03NES, Cosmetic compact, (US, 25 Oct 2013) 06 Nov 2013	15696/2013	Shubin, Steven A. Sr; 09-09, Biological fluid collection device, (US, 06 Jun 2013) 31 Oct 2013	15575/2013
Richards, Mark;Hoppe, Michael;Morabito, Joshua;Smith, Geoff;O'Neill, Chad; 13-03NES, Switch, (Divisional of 13430/2013) 25 Oct 2013	15488/2013	Smith, Geoff;Hoppe, Michael;Morabito, Joshua;Richards, Mark;O'Neill, Chad; 13-03NES, Switch, (Divisional of 13430/2013) 25 Oct 2013	15488/2013
Richards, Mark;Hoppe, Michael;Morabito, Joshua;Smith, Geoff;O'Neill, Chad; 13-03NES, Switch, (Divisional of 13443/2013) 25 Oct 2013	15486/2013	Smith, Geoff;Hoppe, Michael;Morabito, Joshua;Richards, Mark;O'Neill, Chad; 13-03NES, Switch, (Divisional of 13443/2013) 25 Oct 2013	15486/2013
Roth, Martin; 08-08L, 08-08NES, Stair rail bracket, 28 Oct 2013	15525/2013	Snuggle Time CC; 02-02NES, Garment, 06 Nov 2013	15683/2013
Roth, Martin; 08-08L, 08-08NES, Stair rail bracket, 28 Oct 2013	15526/2013	Societe de velo en libre-service; 20-01, Helmet vending machine, (EM, 24 May 2013) 30 Oct 2013	15565/2013
Roth, Martin; 08-08L, 08-08NES, Stair rail bracket, 28 Oct 2013	15527/2013	Societe de velo en libre-service; 09-09, Bin for returning helmets, (EM, 24 May 2013) 29 Oct 2013	15539/2013
Roth, Martin; 08-08L, 08-08NES, Stair rail bracket, 28 Oct 2013	15528/2013	Streetworx Pty Ltd; 14-02, Heatsink, 24 Oct 2013	15423/2013
Roth, Martin; 08-07, Toilet door indicator bolt, 29 Oct 2013	15540/2013	Suzuki, Chizu; 99-00, Electronic incense apparatus, (JP, 22 Aug 2013) 30 Oct 2013	15566/2013
Roth, Martin; 08-08L, 08-08NES, Stair rail bracket, 24 Oct 2013	15413/2013	Tacca-Plastics Australia Pty Ltd; 09-03H, A container insert, 25 Oct 2013	15438/2013
RC02 Washington, Inc.; 09-01D, Bottle, (Divisional of 13475/2013) 25 Oct 2013	15480/2013	Thain, Stephen;Thain, Jodie Lee; 10-01, Clocks, 26 Oct 2013	15497/2013
RC02 Washington, Inc.; 09-01D, Bottle, (Divisional of 13475/2013) 25 Oct 2013	15481/2013	Thain, Jodie Lee;Thain, Stephen; 10-01, Clocks, 26 Oct 2013	15497/2013
RC02 Washington, Inc.; 09-01D, Bottle, (Divisional of 13475/2013) 25 Oct 2013	15479/2013	The trustee for The K & D Peacock Family Trust;OA Investment Management Pty Limited; 03-01NES, Protective case for fishing reels, 05 Nov 2013	15675/2013
Schenck Process Australia Pty Limited; 09-02A, Surge bin, 31 Oct 2013	15618/2013	The Gillette Company; 09-01G, Shave preparation package, (US, 14 May 2013) 01 Nov 2013	15644/2013
Schenck Process Australia Pty Limited; 09-02A, Surge bin, 31 Oct 2013	15619/2013	The Trustee for GRO YEARS FAMILY TRUST; 06-02, Baby cot, childcare sleeping furniture, trundle bed, 06 Nov 2013	15691/2013
Schmitz-Werke GmbH + Co. KG; 25-02H, Awning holder, (DE, 14 Jun 2013) 04 Nov 2013	15664/2013	The Trustee for GRO YEARS FAMILY TRUST; 06-02, Baby cot, childcare sleeping furniture, trundle bed, 06 Nov 2013	15692/2013
Schneider Electric (Australia) Pty Limited; 13-03NES, A bridge for an electrical enclosure, 24 Oct 2013	15403/2013	The Trustee for MGDC TRUST; 26-05C, Wall mouted light cover, 27 Oct 2013	15498/2013
Schneider Electric (Australia) Pty Limited; 13-03NES, A bridge for an electrical enclosure, 24 Oct 2013	15404/2013	The Trustee for SU Business Holdings Trust; 99-00, Online website; accessories, 26 Oct 2013	15496/2013
Shubin, Steven A. Sr; 24-99, Biological fluid collection device, (US, 06 Jun 2013) 31 Oct 2013	15571/2013	Tombow Pencil Co., Ltd.; 19-02, 19-06, A coating transfer device, (JP, 25 Jul 2013) 01 Nov 2013	15628/2013

Turner, Jason; 19-06, A clip for holding a golf ball marker, 31 Oct 2013	15621/2013	Zanerobe Global Brands Pty Ltd; 02-02C, Clothing, 31 Oct 2013	15622/2013
ViaCyte, Inc.; 24-01, 24-02, Cell encapsulation device, (US, 07 Mar 2013) (Divisional of 14198/2013) 05 Nov 2013	15672/2013	Zodiac Pool Systems, Inc.; 10-04, 23-01NES, Flow control and indicator assembly, 28 Oct 2013	15514/2013
Viber Media, Inc.; 14-02, Graphical user interface for a display screen, (US, 01 May 2013) 29 Oct 2013	15538/2013	3M Innovative Properties Company; 24-02, 24-99, Design elements for dental CAD/CAM mandrels, (US, 18 Jan 2013) 17 Jul 2013	15431/2013
Victor Equipment Company; 08-05M, Weld gun handle, (US, 01 May 2013) 24 Oct 2013	15414/2013	3M Innovative Properties Company; 24-02, Mixing tips, (EM, 08 May 2013) 06 Nov 2013	15685/2013
Victor Equipment Company; 08-05M, Weld gun handle, (US, 01 May 2013) 24 Oct 2013	15415/2013	3M Innovative Properties Company; 24-02, Mixing tips, (EM, 08 May 2013) 06 Nov 2013	15686/2013
Viscount Plastics Pty Ltd; 09-04, Crate, 30 Oct 2013	15563/2013	3M Innovative Properties Company; 24-02, Ear tip, (US, 03 May 2013) 01 Nov 2013	15681/2013
Viscount Plastics Pty Ltd; 09-04, Crate, 30 Oct 2013	15564/2013	3M Innovative Properties Company; 24-02, 24-99, Platform for dental CAD/CAM mandrels, (US, 18 Jan 2013) 17 Jul 2013	15432/2013
Wallis, Daniel Timothy; 08-01, A wire tie drill bit, 25 Oct 2013	15439/2013	3M Innovative Properties Company; 24-02, Ear tip, (US, 03 May 2013) 31 Oct 2013	15667/2013
Wearx Pty Ltd; 08-05NES, Plate, 01 Nov 2013	15626/2013		
Woodward, Claude; 21-02B, Sports racquet, 25 Oct 2013	15482/2013		

Applications Withdrawn

13172 / 2013 (08-08NES) 13890 / 2013 (26-06)

Applications Lapsed

11811 / 2013 (23-01C)

Extension of Period of Registration of Designs

323482	323537	323544
323546	323547	323548
323569	323570	323571
323572	323575	323589
323688	323707	323708
323709	323710	323711
323792	323806	323877
323891	323912	323985
324003	324054	324063
324092	324095	324097
324098	324099	324115
324146	324152	324153
324154	324155	324156
324157	324158	324159
324160	324181	324182
324278	324279	324280
324281	324283	324356
324369	324404	324420
324421	324422	324426
324447	324527	324564
324592	324600	324643
324644	324676	324677
324876	325128	325129
325528	325529	325530
325794	325927	325928
325929	325930	325931
325932	325943	

Registrations Ceased

319991	320035	320036
320535	320536	320609
320610	320627	320628
320629	320630	320631
320632	320633	320657
320659	320660	320661
320670	320673	320680
320681	320682	320688
320689	320690	320697
320701	320709	320712
320713	320714	320723
320727	320728	320729
320730	320732	320734
320736	320741	320742
320743	320744	320745
320747	320749	320755
320767	320803	320804
320805	320807	320808
320916	320917	320918
321041	321053	321054

321102	321354	321497
321517	321564	321681
321802	321803	321810
321811	321904	321905
321906	321907	321920
321936	321959	321960
322008	322009	322912
322913	322922	323233
323564	323565	323566
324806	324807	324808
324809		

Applications for Extension of time under Section 137

Applications under section 137 for extension of time have been lodged. Objections must be lodged within 1 month from the date of this journal.

13078/2012 **Ask Grace Pty Ltd** Address for Service: Ask Grace Pty Ltd PO BOX 5757 West End QLD 4101

Extensions of time granted under Section 137

Applications lodged under section 137 for extension of time have been granted.

347913 **Dri-Eaz Products, Inc.**

12531/2013 **Sturdybilt Agencies Pty Ltd**

351752 **Stormtech Pty Limited**

12758/2013 **Dinko Jurcevic**

12758/2013 **Dinko Jurcevic**

12759/2013 **Dinko Jurcevic**

12759/2013 **Dinko Jurcevic**

13403/2013 **Naaman Veerasawmy**

13635/2013 **CH Packaging Pty Ltd**

15176/2013 **Cubic Corporation**

15207/2013 **NEC Corporation**

15208/2013 **NEC Corporation**

15209/2013 **NEC Corporation**

Subsequent Owners Registered

(The name in parentheses is that of the subsequent owner)

338089 (**Mikor Pty Ltd**) Stephen James Milner;Mauro Corazzi

321119 (**Monaco Corporation Ltd**) Robinhood Limited

350361 (**Siemens Water Technologies LLC**) Siemens Industry, Inc.

326787 (**QME Services Pty Ltd**) Brisbane Tray Bodys Pty Ltd

326788 (**QME Services Pty Ltd**) Brisbane Tray Bodys Pty Ltd

- 326789 (**QME Services Pty Ltd**) Brisbane Tray Bodys Pty
Ltd
- 329275 (**QME Services Pty Ltd**) Brisbane Tray Bodys Pty
Ltd
- 332798 (**QME Services Pty Ltd**) Brisbane Tray Bodys Pty
Ltd

Certificate(s) of Examination

Examination of the following Design Registration(s) has been completed. Infringement proceedings may now be commenced.

316012	25-02NES	31/10/2013
316360	14-99	07/11/2013
322156	23-01F	07/11/2013
326110	13-03D	26/08/2013
338782	14-03NES	07/11/2013
340600	12-10	08/11/2013
343636	22-01	28/10/2013
344248	07-02E	30/10/2013
344249	07-02E	30/10/2013
345691	14-03NES	31/10/2013
346669	09-07NES	29/10/2013
347061	24-04	30/10/2013
347130	19-02	28/10/2013
347439	21-01NES	29/10/2013
347913	15-05	08/11/2013
348071	03-01B	31/10/2013
348379	09-01G	06/11/2013
348407	12-16L	30/10/2013
348678	15-04	28/10/2013
348679	15-04	28/10/2013
348680	15-04	28/10/2013
348681	15-04	28/10/2013
348682	15-04	28/10/2013
348683	15-04	28/10/2013
348684	15-04	28/10/2013
348685	15-04	28/10/2013
348768	09-03E	30/10/2013
349012	12-16L	28/10/2013
349195	03-01B	29/10/2013
349566	08-05H	06/11/2013
349602	16-06	29/10/2013
349683	25-02C	07/11/2013
349756	13-03C	04/11/2013
349951	15-05	31/10/2013
349952	15-05	31/10/2013
349953	15-05	31/10/2013
349956	12-12	30/10/2013
349958	12-12	30/10/2013
349960	12-12	30/10/2013
349962	12-12	30/10/2013
350196	27-99	03/11/2013
350197	27-99	03/11/2013

Publication and Registration Proceedings

Designs Registered

This section provides a concordance between design number and registration number of Designs covered in this journal. It also shows the main class and registration date.

This section covers Registration numbers 351593 to 351958 .

The registration number shown below should be used in all future correspondence.

Design Number	Registration Number	International Classification Code (IDC)	Registration Date	Design Number	Registration Number	International Classification Code (IDC)	Registration Date
11478/2013	351911	26-05E	08/11/2013	13978/2013	351944	02-02NES	12/11/2013
11660/2013	351749	08-08L	04/11/2013	13980/2013	351945	02-02C	12/11/2013
12571/2013	351750	07-02H	04/11/2013	13981/2013	351946	02-02C	12/11/2013
12729/2013	351752	25-02G	04/11/2013	13982/2013	351947	02-02C	12/11/2013
12730/2013	351753	25-02G	04/11/2013	13987/2013	351948	02-02C	12/11/2013
12731/2013	351754	25-02G	04/11/2013	14006/2013	351949	02-02C	12/11/2013
12732/2013	351755	25-02G	04/11/2013	14009/2013	351950	02-02NES	12/11/2013
12733/2013	351756	25-02G	04/11/2013	14010/2013	351951	02-02NES	12/11/2013
12734/2013	351757	25-02G	04/11/2013	14014/2013	351952	02-02C	12/11/2013
12735/2013	351758	25-02G	04/11/2013	14018/2013	351953	02-02NES	12/11/2013
12736/2013	351759	25-02G	04/11/2013	14019/2013	351954	02-02NES	12/11/2013
12737/2013	351760	25-02G	04/11/2013	14020/2013	351955	02-02NES	12/11/2013
12738/2013	351761	25-02G	04/11/2013	14021/2013	351956	02-02NES	12/11/2013
12739/2013	351762	25-02G	04/11/2013	14022/2013	351957	02-02NES	12/11/2013
12740/2013	351763	25-02G	04/11/2013	14025/2013	351958	02-02NES	12/11/2013
12829/2013	351910	14-01	08/11/2013	14028/2013	351737	07-01B	04/11/2013
12884/2013	351751	26-06	04/11/2013	14092/2013	351738	08-03	04/11/2013
13317/2013	351669	14-02	31/10/2013	14128/2013	351661	02-04NES	31/10/2013
13323/2013	351723	24-03	04/11/2013	14129/2013	351670	14-02	31/10/2013
13336/2013	351667	27-01	31/10/2013	14138/2013	351625	19-08	30/10/2013
13337/2013	351748	27-01	04/11/2013	14139/2013	351626	19-08	30/10/2013
13421/2013	351942	24-02	12/11/2013	14141/2013	351627	19-08	30/10/2013
13422/2013	351724	24-02	04/11/2013	14142/2013	351628	19-08	30/10/2013
13430/2013	351725	13-03D	04/11/2013	14145/2013	351629	19-08	30/10/2013
13443/2013	351726	16-01	04/11/2013	14146/2013	351630	19-08	30/10/2013
13467/2013	351727	07-01D	04/11/2013	14147/2013	351631	19-08	30/10/2013
13480/2013	351728	08-05A	04/11/2013	14148/2013	351632	19-08	30/10/2013
13481/2013	351746	08-05A	04/11/2013	14149/2013	351633	19-08	30/10/2013
13515/2013	351783	14-02	04/11/2013	14155/2013	351791	09-03NES	04/11/2013
13516/2013	351784	14-02	04/11/2013	14169/2013	351691	08-05NES	31/10/2013
13517/2013	351785	14-02	04/11/2013	14188/2013	351662	06-03A	31/10/2013
13519/2013	351898	14-02	08/11/2013	14202/2013	351804	03-01NES	04/11/2013
13523/2013	351729	14-03B	04/11/2013	14203/2013	351805	03-01NES	04/11/2013
13527/2013	351730	14-03B	04/11/2013	14230/2013	351739	06-01NES	04/11/2013
13530/2013	351731	14-03B	04/11/2013	14235/2013	351740	08-08NES	04/11/2013
13531/2013	351732	14-03B	04/11/2013	14242/2013	351741	31-00	04/11/2013
13536/2013	351882	02-02C	04/11/2013	14261/2013	351663	26-06	31/10/2013
13564/2013	351786	09-01A	04/11/2013	14299/2013	351634	03-01NES	30/10/2013
13566/2013	351883	09-01A	07/11/2013	14300/2013	351635	03-01NES	30/10/2013
13567/2013	351787	09-01A	04/11/2013	14301/2013	351636	03-01NES	30/10/2013
13568/2013	351788	09-01A	04/11/2013	14302/2013	351637	03-01NES	30/10/2013
13570/2013	351789	09-01A	04/11/2013	14303/2013	351664	03-01NES	31/10/2013
13573/2013	351790	09-01A	04/11/2013	14373/2013	351742	08-05N	04/11/2013
13612/2013	351733	19-04	04/11/2013	14396/2013	351879	15-04	04/11/2013
13633/2013	351734	10-04	04/11/2013	14416/2013	351665	21-02NES	31/10/2013
13688/2013	351735	09-05	04/11/2013	14417/2013	351743	19-99	04/11/2013
13712/2013	351736	15-99	04/11/2013	14418/2013	351806	26-06	04/11/2013
13768/2013	351764	08-08K	04/11/2013	14437/2013	351692	25-02C	31/10/2013
13891/2013	351884	06-13NES	07/11/2013	14510/2013	351807	21-02F	04/11/2013
13977/2013	351943	02-02NES	12/11/2013	14511/2013	351774	12-08	04/11/2013

Publication and Registration Proceedings - Designs Registered cont'd

Design Number	Registration Number	International Classification Code (IDC)	Registration Date	Design Number	Registration Number	International Classification Code (IDC)	Registration Date
14537/2013	351747	09-05	04/11/2013	14929/2013	351613	12-16NES	29/10/2013
14582/2013	351744	25-02G	04/11/2013	14934/2013	351696	08-08M	01/11/2013
14657/2013	351745	03-01B	04/11/2013	14935/2013	351697	14-03NES	01/11/2013
14691/2013	351808	15-05	04/11/2013	14936/2013	351698	14-03NES	01/11/2013
14693/2013	351593	25-04	29/10/2013	14939/2013	351699	06-04B	01/11/2013
14742/2013	351594	21-03	29/10/2013	14940/2013	351700	06-04B	01/11/2013
14761/2013	351809	07-05NES	04/11/2013	14941/2013	351766	06-04B	04/11/2013
14763/2013	351810	07-05NES	04/11/2013	14942/2013	351767	06-04B	04/11/2013
14764/2013	351595	26-02	29/10/2013	14943/2013	351768	06-04B	04/11/2013
14766/2013	351880	14-03A	04/11/2013	14945/2013	351769	25-03	04/11/2013
14767/2013	351811	07-05NES	04/11/2013	14947/2013	351770	25-03	04/11/2013
14775/2013	351596	07-03	29/10/2013	14948/2013	351771	15-02	04/11/2013
14776/2013	351597	07-03	29/10/2013	14954/2013	351772	26-05B	04/11/2013
14782/2013	351598	14-03NES	29/10/2013	14957/2013	351773	14-03E	04/11/2013
14785/2013	351599	08-08E	29/10/2013	14959/2013	351792	25-03	04/11/2013
14794/2013	351600	14-02	29/10/2013	14960/2013	351793	14-02	04/11/2013
14799/2013	351812	24-03	04/11/2013	14963/2013	351672	21-02C	31/10/2013
14800/2013	351813	24-03	04/11/2013	14965/2013	351614	08-05NES	29/10/2013
14801/2013	351843	24-03	04/11/2013	14967/2013	351615	23-03F	29/10/2013
14805/2013	351638	13-03D	30/10/2013	14968/2013	351616	09-01NES	29/10/2013
14806/2013	351639	13-03D	30/10/2013	14969/2013	351617	24-01	29/10/2013
14807/2013	351640	13-03D	30/10/2013	14970/2013	351618	24-01	29/10/2013
14808/2013	351601	01-01	29/10/2013	14974/2013	351619	12-08	29/10/2013
14809/2013	351881	06-01D	04/11/2013	14975/2013	351620	24-01	29/10/2013
14810/2013	351641	13-03D	30/10/2013	14976/2013	351673	23-01K	31/10/2013
14811/2013	351642	13-03D	30/10/2013	14977/2013	351621	23-01K	29/10/2013
14813/2013	351643	06-01G	30/10/2013	14978/2013	351622	23-01K	29/10/2013
14814/2013	351644	08-10	30/10/2013	14980/2013	351623	23-01K	29/10/2013
14815/2013	351645	13-03D	30/10/2013	14981/2013	351624	23-01K	29/10/2013
14816/2013	351646	13-03D	30/10/2013	14983/2013	351653	23-01K	30/10/2013
14817/2013	351647	13-03D	30/10/2013	14984/2013	351654	23-01K	30/10/2013
14818/2013	351648	23-01H	30/10/2013	14985/2013	351701	06-01F	01/11/2013
14819/2013	351649	13-03D	30/10/2013	14986/2013	351794	07-05D	04/11/2013
14820/2013	351844	08-05P	04/11/2013	14987/2013	351702	06-01F	01/11/2013
14821/2013	351650	13-03D	30/10/2013	14988/2013	351703	06-01F	01/11/2013
14822/2013	351651	13-03D	30/10/2013	14989/2013	351704	07-05D	01/11/2013
14823/2013	351666	13-03D	31/10/2013	14990/2013	351705	09-07B	01/11/2013
14888/2013	351602	03-01B	29/10/2013	14991/2013	351706	25-02A	01/11/2013
14889/2013	351603	03-01B	29/10/2013	14994/2013	351795	25-03	04/11/2013
14890/2013	351604	03-01B	29/10/2013	14996/2013	351707	10-04	01/11/2013
14891/2013	351605	03-01B	29/10/2013	14997/2013	351708	10-04	01/11/2013
14892/2013	351671	03-01B	31/10/2013	14998/2013	351709	10-04	01/11/2013
14894/2013	351668	25-01K	31/10/2013	14999/2013	351710	10-04	01/11/2013
14895/2013	351652	25-01K	30/10/2013	15000/2013	351711	10-04	01/11/2013
14898/2013	351606	09-01NES	29/10/2013	15001/2013	351712	10-04	01/11/2013
14899/2013	351607	09-01NES	29/10/2013	15002/2013	351713	10-04	01/11/2013
14900/2013	351608	09-01NES	29/10/2013	15003/2013	351714	10-04	01/11/2013
14901/2013	351609	09-01NES	29/10/2013	15004/2013	351715	10-04	01/11/2013
14903/2013	351765	25-01D	04/11/2013	15006/2013	351716	09-01NES	01/11/2013
14912/2013	351610	02-06	29/10/2013	15007/2013	351717	26-06	01/11/2013
14913/2013	351611	02-06	29/10/2013	15008/2013	351718	26-06	01/11/2013
14917/2013	351693	07-01NES	01/11/2013	15009/2013	351719	12-08	01/11/2013
14918/2013	351694	07-01NES	01/11/2013	15010/2013	351720	26-06	01/11/2013
14919/2013	351695	07-01NES	01/11/2013	15011/2013	351721	12-16C	01/11/2013
14928/2013	351612	12-08	29/10/2013	15013/2013	351796	25-99	04/11/2013

Publication and Registration Proceedings - Designs Registered cont'd

Design Number	Registration Number	International Classification Code (IDC)	Registration Date	Design Number	Registration Number	International Classification Code (IDC)	Registration Date
15014/2013	351797	25-99	04/11/2013	15112/2013	351861	10-02	04/11/2013
15017/2013	351798	20-02C	04/11/2013	15113/2013	351862	09-01G	04/11/2013
15018/2013	351799	06-03C	04/11/2013	15114/2013	351863	10-02	04/11/2013
15019/2013	351800	06-03C	04/11/2013	15115/2013	351864	10-02	04/11/2013
15020/2013	351801	06-03C	04/11/2013	15116/2013	351865	10-02	04/11/2013
15021/2013	351802	06-03C	04/11/2013	15120/2013	351817	08-08L	04/11/2013
15022/2013	351803	06-03C	04/11/2013	15121/2013	351837	12-02	04/11/2013
15024/2013	351831	06-03C	04/11/2013	15123/2013	351838	30-08	04/11/2013
15025/2013	351690	20-02C	31/10/2013	15124/2013	351839	11-02B	04/11/2013
15026/2013	351674	20-02C	31/10/2013	15125/2013	351840	11-02B	04/11/2013
15028/2013	351675	25-03	31/10/2013	15126/2013	351841	10-04	04/11/2013
15031/2013	351676	12-16E	31/10/2013	15127/2013	351816	10-04	04/11/2013
15033/2013	351677	02-03	31/10/2013	15128/2013	351842	21-02F	04/11/2013
15035/2013	351678	15-99	31/10/2013	15130/2013	351818	25-01D	04/11/2013
15036/2013	351679	14-02	31/10/2013	15131/2013	351819	19-99	04/11/2013
15037/2013	351680	14-02	31/10/2013	15132/2013	351821	28-03D	04/11/2013
15038/2013	351722	25-01B	01/11/2013	15133/2013	351820	19-99	04/11/2013
15039/2013	351832	14-02	04/11/2013	15134/2013	351845	19-99	04/11/2013
15040/2013	351681	12-15NES	31/10/2013	15135/2013	351822	19-99	04/11/2013
15041/2013	351682	12-15C	31/10/2013	15137/2013	351823	12-16NES	04/11/2013
15042/2013	351683	12-15NES	31/10/2013	15141/2013	351824	07-02N	04/11/2013
15043/2013	351655	14-02	30/10/2013	15142/2013	351825	07-02N	04/11/2013
15044/2013	351656	14-02	30/10/2013	15143/2013	351826	07-05E	04/11/2013
15045/2013	351657	15-99	30/10/2013	15148/2013	351827	26-05E	04/11/2013
15046/2013	351684	14-02	31/10/2013	15149/2013	351828	25-01E	04/11/2013
15047/2013	351685	14-02	31/10/2013	15150/2013	351829	12-08	04/11/2013
15048/2013	351686	14-02	31/10/2013	15151/2013	351830	12-08	04/11/2013
15049/2013	351658	14-02	30/10/2013	15152/2013	351874	12-08	04/11/2013
15050/2013	351659	14-02	30/10/2013	15153/2013	351875	12-08	04/11/2013
15051/2013	351687	14-02	31/10/2013	15154/2013	351876	10-04	04/11/2013
15052/2013	351782	06-13B	04/11/2013	15155/2013	351877	10-07	04/11/2013
15054/2013	351660	26-02	30/10/2013	15156/2013	351878	10-07	04/11/2013
15056/2013	351688	26-02	31/10/2013	15160/2013	351885	10-07	07/11/2013
15078/2013	351689	06-09	31/10/2013	15162/2013	351866	08-06	04/11/2013
15079/2013	351775	14-02	04/11/2013	15168/2013	351867	08-08NES	04/11/2013
15080/2013	351776	06-13B	04/11/2013	15171/2013	351846	21-01C	04/11/2013
15081/2013	351777	06-13B	04/11/2013	15174/2013	351847	26-05C	04/11/2013
15083/2013	351778	06-13B	04/11/2013	15182/2013	351848	14-99	04/11/2013
15084/2013	351780	06-13B	04/11/2013	15183/2013	351849	14-99	04/11/2013
15085/2013	351779	06-13B	04/11/2013	15184/2013	351850	14-99	04/11/2013
15086/2013	351781	06-13B	04/11/2013	15185/2013	351851	26-05E	04/11/2013
15087/2013	351814	06-13B	04/11/2013	15199/2013	351868	07-02NES	04/11/2013
15090/2013	351833	24-01	04/11/2013	15215/2013	351852	29-02	04/11/2013
15091/2013	351834	23-02B	04/11/2013	15216/2013	351869	14-02	04/11/2013
15096/2013	351835	23-02B	04/11/2013	15217/2013	351870	12-16H	04/11/2013
15098/2013	351836	23-02B	04/11/2013	15219/2013	351871	09-03F	04/11/2013
15100/2013	351853	26-05E	04/11/2013	15221/2013	351872	25-01K	04/11/2013
15101/2013	351815	27-06	04/11/2013	15222/2013	351873	25-03	04/11/2013
15104/2013	351854	09-01G	04/11/2013	15223/2013	351886	12-16A	07/11/2013
15106/2013	351855	14-03NES	04/11/2013	15224/2013	351887	12-16A	07/11/2013
15107/2013	351856	14-03NES	04/11/2013	15225/2013	351888	12-16A	07/11/2013
15108/2013	351857	10-02	04/11/2013	15226/2013	351889	12-16A	07/11/2013
15109/2013	351858	10-02	04/11/2013	15227/2013	351890	12-16A	07/11/2013
15110/2013	351859	10-02	04/11/2013	15228/2013	351891	25-01K	07/11/2013
15111/2013	351860	10-02	04/11/2013	15229/2013	351892	25-01K	07/11/2013

Publication and Registration Proceedings - Designs Registered cont'd

Design Number	Registration Number	International Classification Code (IDC)	Registration Date	Design Number	Registration Number	International Classification Code (IDC)	Registration Date
15230/2013	351893	25-01K	07/11/2013	15282/2013	351922	16-99	11/11/2013
15234/2013	351894	19-06	07/11/2013	15283/2013	351923	13-03C	11/11/2013
15235/2013	351895	19-06	07/11/2013	15284/2013	351924	13-03C	11/11/2013
15238/2013	351896	12-11	07/11/2013	15285/2013	351925	13-03C	11/11/2013
15242/2013	351897	07-04	07/11/2013	15286/2013	351926	13-03C	11/11/2013
15243/2013	351912	07-05D	11/11/2013	15287/2013	351927	26-05E	11/11/2013
15247/2013	351899	10-06	08/11/2013	15289/2013	351928	03-01NES	11/11/2013
15248/2013	351913	02-04NES	11/11/2013	15290/2013	351929	06-03C	11/11/2013
15249/2013	351900	15-99	08/11/2013	15291/2013	351930	08-08A	11/11/2013
15250/2013	351914	02-04NES	11/11/2013	15292/2013	351931	09-01H	11/11/2013
15251/2013	351915	02-04NES	11/11/2013	15293/2013	351932	28-01	11/11/2013
15252/2013	351916	02-04NES	11/11/2013	15294/2013	351933	12-16A	11/11/2013
15253/2013	351917	02-04NES	11/11/2013	15295/2013	351934	12-16A	11/11/2013
15254/2013	351901	02-04A	08/11/2013	15296/2013	351935	07-02L	11/11/2013
15257/2013	351918	02-04NES	11/11/2013	15297/2013	351936	09-01H	11/11/2013
15262/2013	351902	21-01NES	08/11/2013	15298/2013	351937	09-01H	11/11/2013
15264/2013	351903	21-01C	08/11/2013	15299/2013	351904	24-01	08/11/2013
15274/2013	351919	26-06	11/11/2013	15310/2013	351905	19-08	08/11/2013
15275/2013	351938	02-02C	12/11/2013	15312/2013	351906	19-08	08/11/2013
15276/2013	351920	12-08	11/11/2013	15316/2013	351907	19-08	08/11/2013
15277/2013	351939	02-02C	12/11/2013	15317/2013	351908	19-08	08/11/2013
15278/2013	351940	02-02C	12/11/2013	15318/2013	351909	19-08	08/11/2013
15279/2013	351941	02-02C	12/11/2013				
15281/2013	351921	07-06A	11/11/2013				

Publication and Registration Proceedings

Class Listing of Designs Published or Registered

The following section shows an International Classification Code listing of the Registered or Published Designs covered in this supplement.

Classification	Registration Number	Design Number	Classification	Registration Number	Design Number
01-01	351601	14808/2013	06-01F	351702	14987/2013
02-02C	351882	13536/2013	06-01F	351703	14988/2013
02-02C	351938	15275/2013	06-01G	351643	14813/2013
02-02C	351939	15277/2013	06-01NES	351739	14230/2013
02-02C	351940	15278/2013	06-01NES	351852	15215/2013
02-02C	351941	15279/2013	06-03A	351662	14188/2013
02-02C	351945	13980/2013	06-03C	351690	15025/2013
02-02C	351946	13981/2013	06-03C	351799	15018/2013
02-02C	351947	13982/2013	06-03C	351800	15019/2013
02-02C	351948	13987/2013	06-03C	351801	15020/2013
02-02C	351949	14006/2013	06-03C	351802	15021/2013
02-02C	351952	14014/2013	06-03C	351803	15022/2013
02-02NES	351943	13977/2013	06-03C	351831	15024/2013
02-02NES	351944	13978/2013	06-03C	351929	15290/2013
02-02NES	351950	14009/2013	06-04B	351699	14939/2013
02-02NES	351951	14010/2013	06-04B	351700	14940/2013
02-02NES	351953	14018/2013	06-04B	351766	14941/2013
02-02NES	351954	14019/2013	06-04B	351767	14942/2013
02-02NES	351955	14020/2013	06-04B	351768	14943/2013
02-02NES	351956	14021/2013	06-06C	351674	15026/2013
02-02NES	351957	14022/2013	06-07	351870	15217/2013
02-02NES	351958	14025/2013	06-09	351689	15078/2013
02-03	351677	15033/2013	06-09	351782	15079/2013
02-04A	351901	15254/2013	06-09	351782	15079/2013
02-04NES	351661	14128/2013	06-13B	351776	15080/2013
02-04NES	351913	15248/2013	06-13B	351777	15081/2013
02-04NES	351914	15250/2013	06-13B	351778	15083/2013
02-04NES	351915	15251/2013	06-13B	351779	15085/2013
02-04NES	351916	15252/2013	06-13B	351780	15084/2013
02-04NES	351917	15253/2013	06-13B	351781	15086/2013
02-04NES	351918	15257/2013	06-13B	351782	15079/2013
02-06	351610	14912/2013	06-13B	351782	15079/2013
02-06	351611	14913/2013	06-13B	351814	15087/2013
03-01B	351602	14888/2013	06-13NES	351884	13891/2013
03-01B	351603	14889/2013	07-01B	351737	14028/2013
03-01B	351604	14890/2013	07-01B	351868	15199/2013
03-01B	351605	14891/2013	07-01D	351727	13467/2013
03-01B	351671	14892/2013	07-01NES	351693	14917/2013
03-01B	351745	14657/2013	07-01NES	351694	14918/2013
03-01D	351854	15104/2013	07-01NES	351695	14919/2013
03-01D	351862	15113/2013	07-02H	351750	12571/2013
03-01NES	351634	14299/2013	07-02L	351935	15296/2013
03-01NES	351635	14300/2013	07-02N	351824	15141/2013
03-01NES	351636	14301/2013	07-02N	351825	15142/2013
03-01NES	351637	14302/2013	07-02NES	351868	15199/2013
03-01NES	351664	14303/2013	07-03	351596	14775/2013
03-01NES	351743	14417/2013	07-03	351597	14776/2013
03-01NES	351804	14202/2013	07-04	351897	15242/2013
03-01NES	351805	14203/2013	07-05D	351704	14989/2013
03-01NES	351928	15289/2013	07-05D	351794	14986/2013
03-03	351740	14235/2013	07-05D	351912	15243/2013
06-01D	351881	14809/2013	07-05E	351826	15143/2013
06-01F	351701	14985/2013	07-05NES	351809	14761/2013

Registration Proceedings - Class Listing of Designs Published or Registered cont'd

Classification	Registration Number	Design Number	Classification	Registration Number	Design Number
07-05NES	351810	14763/2013	10-02	351857	15108/2013
07-05NES	351811	14767/2013	10-02	351858	15109/2013
07-06A	351921	15281/2013	10-02	351859	15110/2013
08-03	351596	14775/2013	10-02	351860	15111/2013
08-03	351597	14776/2013	10-02	351861	15112/2013
08-03	351738	14092/2013	10-02	351863	15114/2013
08-05A	351728	13480/2013	10-02	351864	15115/2013
08-05A	351746	13481/2013	10-02	351865	15116/2013
08-05N	351742	14373/2013	10-04	351707	14996/2013
08-05NES	351614	14965/2013	10-04	351708	14997/2013
08-05NES	351691	14169/2013	10-04	351709	14998/2013
08-05P	351844	14820/2013	10-04	351710	14999/2013
08-06	351866	15162/2013	10-04	351711	15000/2013
08-08A	351930	15291/2013	10-04	351712	15001/2013
08-08E	351599	14785/2013	10-04	351713	15002/2013
08-08K	351764	13768/2013	10-04	351714	15003/2013
08-08K	351828	15149/2013	10-04	351715	15004/2013
08-08L	351749	11660/2013	10-04	351734	13633/2013
08-08L	351817	15120/2013	10-04	351791	14155/2013
08-08M	351696	14934/2013	10-04	351816	15127/2013
08-08NES	351696	14934/2013	10-04	351841	15126/2013
08-08NES	351740	14235/2013	10-04	351876	15154/2013
08-08NES	351867	15168/2013	10-06	351899	15247/2013
08-09	351891	15228/2013	10-07	351877	15155/2013
08-09	351892	15229/2013	10-07	351878	15156/2013
08-09	351893	15230/2013	10-07	351885	15160/2013
08-10	351644	14814/2013	11-02B	351839	15124/2013
08-99	351891	15228/2013	11-02B	351840	15125/2013
08-99	351892	15229/2013	12-02	351837	15121/2013
08-99	351893	15230/2013	12-08	351612	14928/2013
09-01A	351786	13564/2013	12-08	351619	14974/2013
09-01A	351787	13567/2013	12-08	351719	15009/2013
09-01A	351788	13568/2013	12-08	351774	14511/2013
09-01A	351789	13570/2013	12-08	351829	15150/2013
09-01A	351790	13573/2013	12-08	351830	15151/2013
09-01A	351883	13566/2013	12-08	351874	15152/2013
09-01G	351854	15104/2013	12-08	351875	15153/2013
09-01G	351862	15113/2013	12-08	351920	15276/2013
09-01H	351931	15292/2013	12-10	351806	14418/2013
09-01H	351936	15297/2013	12-11	351896	15238/2013
09-01H	351937	15298/2013	12-15C	351682	15041/2013
09-01NES	351606	14898/2013	12-15NES	351681	15040/2013
09-01NES	351607	14899/2013	12-15NES	351683	15042/2013
09-01NES	351608	14900/2013	12-16A	351886	15223/2013
09-01NES	351609	14901/2013	12-16A	351887	15224/2013
09-01NES	351616	14968/2013	12-16A	351888	15225/2013
09-01NES	351716	15006/2013	12-16A	351889	15226/2013
09-03F	351871	15219/2013	12-16A	351890	15227/2013
09-03M	351791	14155/2013	12-16A	351933	15294/2013
09-03NES	351791	14155/2013	12-16A	351934	15295/2013
09-05	351735	13688/2013	12-16C	351721	15011/2013
09-05	351747	14537/2013	12-16E	351676	15031/2013
09-05	351935	15296/2013	12-16H	351870	15217/2013
09-07B	351705	14990/2013	12-16NES	351613	14929/2013
09-07B	351816	15127/2013	12-16NES	351806	14418/2013
09-07B	351841	15126/2013	12-16NES	351823	15137/2013

Registration Proceedings - Class Listing of Designs Published or Registered cont'd

Classification	Registration Number	Design Number	Classification	Registration Number	Design Number
13-03C	351923	15283/2013	14-99	351850	15184/2013
13-03C	351924	15284/2013	15-02	351771	14948/2013
13-03C	351925	15285/2013	15-04	351879	14396/2013
13-03C	351926	15286/2013	15-05	351634	14299/2013
13-03D	351638	14805/2013	15-05	351635	14300/2013
13-03D	351639	14806/2013	15-05	351636	14301/2013
13-03D	351640	14807/2013	15-05	351637	14302/2013
13-03D	351641	14810/2013	15-05	351664	14303/2013
13-03D	351642	14811/2013	15-05	351808	14691/2013
13-03D	351645	14815/2013	15-99	351657	15045/2013
13-03D	351646	14816/2013	15-99	351678	15035/2013
13-03D	351647	14817/2013	15-99	351736	13712/2013
13-03D	351649	14819/2013	15-99	351900	15249/2013
13-03D	351650	14821/2013	16-01	351726	13443/2013
13-03D	351651	14822/2013	16-99	351922	15282/2013
13-03D	351666	14823/2013	19-04	351733	13612/2013
13-03D	351725	13430/2013	19-06	351743	14417/2013
14-01	351725	13430/2013	19-06	351894	15234/2013
14-01	351846	15171/2013	19-06	351895	15235/2013
14-01	351910	12829/2013	19-08	351625	14138/2013
14-02	351600	14794/2013	19-08	351626	14139/2013
14-02	351655	15043/2013	19-08	351627	14141/2013
14-02	351656	15044/2013	19-08	351628	14142/2013
14-02	351658	15049/2013	19-08	351629	14145/2013
14-02	351659	15050/2013	19-08	351630	14146/2013
14-02	351669	13317/2013	19-08	351631	14147/2013
14-02	351670	14129/2013	19-08	351632	14148/2013
14-02	351674	15026/2013	19-08	351633	14149/2013
14-02	351679	15036/2013	19-08	351905	15310/2013
14-02	351680	15037/2013	19-08	351906	15312/2013
14-02	351684	15046/2013	19-08	351907	15316/2013
14-02	351685	15047/2013	19-08	351908	15317/2013
14-02	351686	15048/2013	19-08	351909	15318/2013
14-02	351687	15051/2013	19-99	351743	14417/2013
14-02	351690	15025/2013	19-99	351819	15131/2013
14-02	351783	13515/2013	19-99	351820	15133/2013
14-02	351784	13516/2013	19-99	351822	15135/2013
14-02	351785	13517/2013	19-99	351845	15134/2013
14-02	351793	14960/2013	20-02C	351674	15026/2013
14-02	351832	15039/2013	20-02C	351690	15025/2013
14-02	351869	15216/2013	20-02C	351798	15017/2013
14-02	351898	13519/2013	20-02C	351799	15018/2013
14-03A	351639	14806/2013	20-02C	351800	15019/2013
14-03A	351880	14766/2013	20-02C	351801	15020/2013
14-03B	351729	13523/2013	20-02C	351802	15021/2013
14-03B	351730	13527/2013	20-02C	351803	15022/2013
14-03B	351731	13530/2013	20-02C	351831	15024/2013
14-03B	351732	13531/2013	21-01C	351829	15150/2013
14-03E	351773	14957/2013	21-01C	351830	15151/2013
14-03NES	351598	14782/2013	21-01C	351846	15171/2013
14-03NES	351697	14935/2013	21-01C	351874	15152/2013
14-03NES	351698	14936/2013	21-01C	351875	15153/2013
14-03NES	351855	15106/2013	21-01C	351903	15264/2013
14-03NES	351856	15107/2013	21-01NES	351902	15262/2013
14-99	351848	15182/2013	21-02C	351672	14963/2013
14-99	351849	15183/2013	21-02F	351807	14510/2013

Registration Proceedings - Class Listing of Designs Published or Registered cont'd

Classification	Registration Number	Design Number	Classification	Registration Number	Design Number
21-02F	351842	15128/2013	25-02G	351756	12733/2013
21-02NES	351665	14416/2013	25-02G	351757	12734/2013
21-03	351594	14742/2013	25-02G	351758	12735/2013
22-03	351657	15045/2013	25-02G	351759	12736/2013
23-01H	351648	14818/2013	25-02G	351760	12737/2013
23-01K	351621	14977/2013	25-02G	351761	12738/2013
23-01K	351622	14978/2013	25-02G	351762	12739/2013
23-01K	351623	14980/2013	25-02G	351763	12740/2013
23-01K	351624	14981/2013	25-03	351675	15028/2013
23-01K	351653	14983/2013	25-03	351769	14945/2013
23-01K	351654	14984/2013	25-03	351770	14947/2013
23-01K	351673	14976/2013	25-03	351792	14959/2013
23-02B	351834	15091/2013	25-03	351795	14994/2013
23-02B	351835	15096/2013	25-03	351873	15222/2013
23-02B	351836	15098/2013	25-04	351593	14693/2013
23-03F	351615	14967/2013	25-99	351796	15013/2013
24-01	351617	14969/2013	25-99	351797	15014/2013
24-01	351618	14970/2013	26-02	351595	14764/2013
24-01	351620	14975/2013	26-02	351660	15054/2013
24-01	351833	15090/2013	26-02	351688	15056/2013
24-01	351904	15299/2013	26-02	351745	14657/2013
24-02	351724	13422/2013	26-05B	351772	14954/2013
24-02	351942	13421/2013	26-05C	351847	15174/2013
24-03	351723	13323/2013	26-05E	351827	15148/2013
24-03	351812	14799/2013	26-05E	351851	15185/2013
24-03	351813	14800/2013	26-05E	351853	15100/2013
24-03	351843	14801/2013	26-05E	351911	11478/2013
24-04	351902	15262/2013	26-05E	351927	15287/2013
24-04	351903	15264/2013	26-06	351663	14261/2013
24-99	351724	13422/2013	26-06	351717	15007/2013
24-99	351942	13421/2013	26-06	351718	15008/2013
25-01B	351722	15038/2013	26-06	351720	15010/2013
25-01D	351765	14903/2013	26-06	351751	12884/2013
25-01D	351818	15130/2013	26-06	351806	14418/2013
25-01E	351828	15149/2013	26-06	351919	15274/2013
25-01K	351652	14895/2013	27-01	351667	13336/2013
25-01K	351668	14894/2013	27-01	351748	13337/2013
25-01K	351872	15221/2013	27-06	351815	15101/2013
25-01K	351891	15228/2013	28-01	351932	15293/2013
25-01K	351892	15229/2013	28-03D	351821	15132/2013
25-01K	351893	15230/2013	29-02	351617	14969/2013
25-02A	351706	14991/2013	29-02	351618	14970/2013
25-02C	351692	14437/2013	29-02	351620	14975/2013
25-02G	351744	14582/2013	29-02	351852	15215/2013
25-02G	351752	12729/2013	30-08	351838	15123/2013
25-02G	351753	12730/2013	31-00	351741	14242/2013
25-02G	351754	12731/2013			
25-02G	351755	12732/2013			

- (21) Design Number: **14693/2013**
(22) Date of Filing Application: **18 September 2013**
(24) Date from which industrial property rights may have effect: **18 September 2013**
(54) Product in respect of which the design is registered: **Step ladder assembly**
(51) International Design Classification: **25-04**
(74) Name(s) of Attorney(s): **HODGKINSON McINNES PATENTS**
(71) Name(s) and Address(s) of Applicant(s):
Hills Holdings Limited
SE9.02 130 Pitt St Sydney NSW 2000 Australia
(72) Name(s) of Designer(s): **Nathan John Burke and Giovanni Campa and David Andrew Jones**
(45) Registration Date: **29 October 2013**
(56) Related Art Documents: **Not Applicable**
(57) Statement of Newness and Distinctiveness: **Newness and distinctiveness is claimed in the shape and configuration of a step ladder assembly as shown in the representations.**



- (21) Design Number: **14742/2013**
(22) Date of Filing Application: **19 September 2013**
(24) Date from which industrial property rights may have effect: **19 September 2013**
(54) Product in respect of which the design is registered: **Game machine**
(51) International Design Classification: **21-03**
(74) Name(s) of Attorney(s): **Fisher Adams Kelly Pty Ltd**
(71) Name(s) and Address(s) of Applicant(s):
Konami Gaming, Inc.
585 Trade Center Drive LAS VEGAS Nevada 89119 United States of America
(72) Name(s) of Designer(s): **Atsushi Inoue and Masato Okuaki**
(45) Registration Date: **29 October 2013**
(56) Related Art Documents: **Not Applicable**
(57) Statement of Newness and Distinctiveness: **The newness and distinctiveness of the design resides in the shape and/or configuration of the GAME MACHINE shown in the representations. The portion of the product shown in phantom in the representations should be disregarded when assessing newness and distinctiveness.**



(21) Design Number: **14764/2013**
(22) Date of Filing Application: **18 September 2013**
(24) Date from which industrial property rights may have effect: **18 September 2013**
(54) Product in respect of which the design is registered: **Torch**
(51) International Design Classification: **26-02**
(74) Name(s) of Attorney(s): **Fisher Adams Kelly Pty Ltd**
(71) Name(s) and Address(s) of Applicant(s):
Crane IP Pty Ltd
U2/26 Commercial Dr Ashmore QLD 4214 Australia
(72) Name(s) of Designer(s): **Raymond Phillip Crane**
(45) Registration Date: **29 October 2013**
(56) Related Art Documents: **Not Applicable**
(57) Statement of Newness and Distinctiveness: **The newness and distinctiveness of the design resides in the shape and/or configuration of the TORCH shown in the representations.**



(21) Design Number: **14775/2013**
(22) Date of Filing Application: **20 September 2013**
(24) Date from which industrial property rights may have effect: **20 September 2013**
(54) Product in respect of which the design is registered: **A knife**
(51) International Design Classification: **07-03, 08-03**
(74) Name(s) of Attorney(s): **Allens Patent & Trade Mark Attorneys**
(71) Name(s) and Address(s) of Applicant(s):
Telebrands Corp.
77 Two Bridges Road Fairfield New Jersey 07004 United States of America
(72) Name(s) of Designer(s): **Rajoo M. Shahani**
(45) Registration Date: **29 October 2013**
(30) Convention priority data:
(31) Number (32) Date (33) Country
29/451,186 28 Mar 2013 UNITED STATES OF AMERICA
(56) Related Art Documents: **Not Applicable**
(57) Statement of Newness and Distinctiveness: **Newness and distinctiveness is claimed in the features of shape and configuration of the knife as shown in the attached representations. Features shown in contour lines denote contour only and do not denote markings or grooves in the knife.**



(21) Design Number: **14776/2013**
(22) Date of Filing Application: **20 September 2013**
(24) Date from which industrial property rights may have effect: **20 September 2013**
(54) Product in respect of which the design is registered: **A knife**
(51) International Design Classification: **07-03, 08-03**
(74) Name(s) of Attorney(s): **Allens Patent & Trade Mark Attorneys**
(71) Name(s) and Address(s) of Applicant(s):

Telebrands Corp.
77 Two Bridges Road Fairfield NJ 07004 United States of America

(72) Name(s) of Designer(s): **Rajoo M. Shahani**

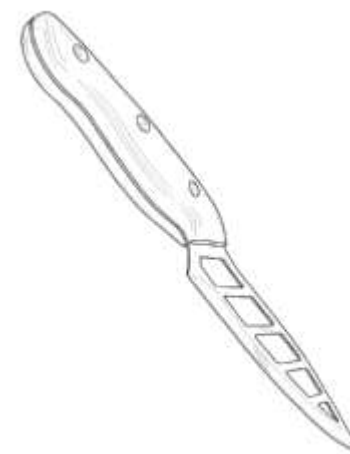
(45) Registration Date: **29 October 2013**

(30) Convention priority data:

(31) Number	(32) Date	(33) Country
29/451,183	28 Mar 2013	UNITED STATES OF AMERICA

(56) Related Art Documents: **Not Applicable**

(57) Statement of Newness and Distinctiveness: **Newness and distinctiveness is claimed in the features of shape and configuration of the knife as shown in the attached representations. Features shown in contour lines are to denote contours and not physical markings on the knife.**



(21) Design Number: **14782/2013**
(22) Date of Filing Application: **20 September 2013**
(24) Date from which industrial property rights may have effect: **20 September 2013**
(54) Product in respect of which the design is registered: **Remotely located controller**
(51) International Design Classification: **14-03NES**
(74) Name(s) of Attorney(s): **SPRUSON & FERGUSON**
(71) Name(s) and Address(s) of Applicant(s):

Church of Spiritual Technology
419 N. Larchmont Suite 86 Los Angeles CA 90004 United States of America

(72) Name(s) of Designer(s): **Reiko Morrison**

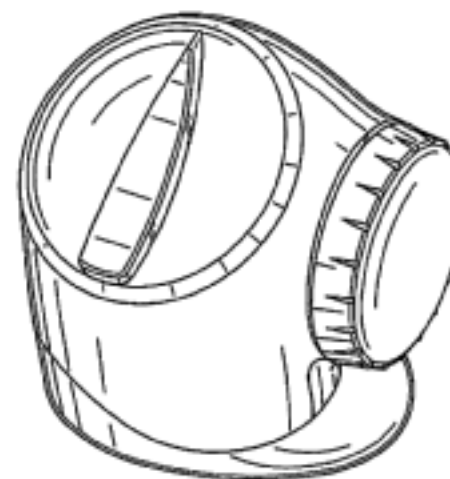
(45) Registration Date: **29 October 2013**

(30) Convention priority data:

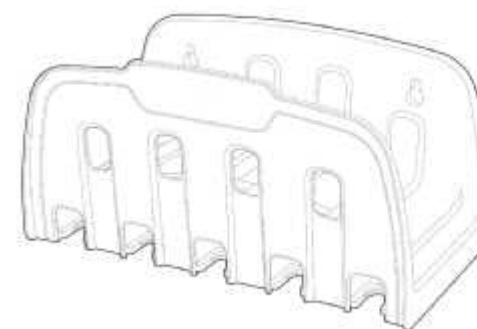
(31) Number	(32) Date	(33) Country
29/452208	12 Apr 2013	UNITED STATES OF AMERICA

(56) Related Art Documents: **Not Applicable**

(57) Statement of Newness and Distinctiveness: **Newness and distinctiveness is claimed in the features of shape and/or configuration of a remotely located controller as illustrated in continuous lines in the accompanying representations.**



(21) Design Number: **14785/2013**
(22) Date of Filing Application: **23 September 2013**
(24) Date from which industrial property rights may have effect: **23 September 2013**
(54) Product in respect of which the design is registered: **Wall mounted hose rack**
(51) International Design Classification: **08-08E**
(74) Name(s) of Attorney(s): **SPRUSON & FERGUSON**
(71) Name(s) and Address(s) of Applicant(s):



Husqvarna AB
Drottninggatan 2, Huskvarna S-561 82 Sweden

(72) Name(s) of Designer(s): **Aleksandar Tatic**

(45) Registration Date: **29 October 2013**

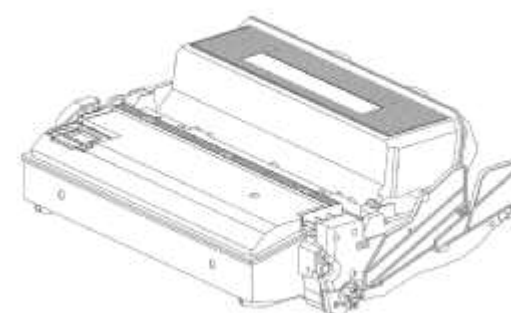
(30) Convention priority data:

(31) Number	(32) Date	(33) Country
002214403-0002	05 Apr 2013	OFFICE FOR HARMONISATION IN THE INTERNAL MARKET (OHIM)

(56) Related Art Documents: **Not Applicable**

(57) Statement of Newness and Distinctiveness: **Newness and distinctiveness is claimed in the features of shape and/or configuration of a wall mounted hose rack as illustrated in the accompanying representations.**

(21) Design Number: **14794/2013**
(22) Date of Filing Application: **23 September 2013**
(24) Date from which industrial property rights may have effect: **23 September 2013**
(54) Product in respect of which the design is registered: **Toner cartridge for printer**
(51) International Design Classification: **14-02**
(74) Name(s) of Attorney(s): **Wrays**
(71) Name(s) and Address(s) of Applicant(s):



Samsung Electronics Co., Ltd
**129 Samsung-ro Yeongtong-gu Suwon-si Gyeonggi-do 443-742 Republic
of Korea**

(72) Name(s) of Designer(s): **Ji-Won Moon and Seung-Chan Park and Dong-Cheol Ahn**

(45) Registration Date: **29 October 2013**

(30) Convention priority data:

(31) Number	(32) Date	(33) Country
30-2013-0016515	01 Apr 2013	REPUBLIC OF KOREA

(56) Related Art Documents: **Not Applicable**

(57) Statement of Newness and Distinctiveness: **Newness and distinctiveness is claimed in the features of shape and/or configuration of the Toner Cartridge For Printer depicted in the accompanying representations.**

- (21) Design Number: **14808/2013**
(22) Date of Filing Application: **24 September 2013**
(24) Date from which industrial property rights may have effect: **24 September 2013**
(54) Product in respect of which the design is registered: **Flat bread**
(51) International Design Classification: **01-01**
(74) Name(s) of Attorney(s): **PIPERS Melbourne**
(71) Name(s) and Address(s) of Applicant(s):

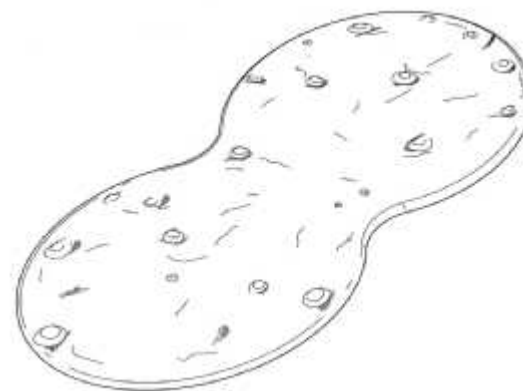
Investigacion De Tecnologia Avanzada, S.A. de C.V.
Ave Ruiz Cortines #2002 Ote Col. La Purisima Guadalupe N.L. 67110
Mexico

- (72) Name(s) of Designer(s): **Juan A. Gonzalez and Felipe A. Rubio**

(45) Registration Date: **29 October 2013**

(56) Related Art Documents: **Not Applicable**

- (57) Statement of Newness and Distinctiveness: **The design is to be applied to a Flat Bread and the novelty resides in the features of shape and configuration of the Flat Bread as shown in the accompanying representations in which Figure 1 is a top perspective view, Figure 2 is a front end elevation, Figure 3 is a rear end elevation, Figure 4 is a right side elevation, Figure 5 is a left side elevation, Figure 6 is a top plan view, Figure 7 is an underside plan view, and Figure 8 is perspective view of the flat bread when folded in half. The design is for a flat bread in a distinctive shape. The flat bread may be folded in half during eating and other ingredients may be placed within the folded flat bread to create a sandwich, taco, or quesadilla.**



- (21) Design Number: **14888/2013**
(22) Date of Filing Application: **23 September 2013**
(24) Date from which industrial property rights may have effect: **30 January 2013**
(54) Product in respect of which the design is registered: **Clutch**
(51) International Design Classification: **03-01B**
(74) Name(s) of Attorney(s): **Allens Patent & Trade Mark Attorneys**
(71) Name(s) and Address(s) of Applicant(s):

Forever New Clothing Pty Ltd
714-716 High St Kew East VIC 3102 Australia

- (72) Name(s) of Designer(s): **Georgia Roberts-Thomson**

(45) Registration Date: **29 October 2013**

(62) Divisional of: **351168**

(56) Related Art Documents: **Not Applicable**

- (57) Statement of Newness and Distinctiveness: **Newness and distinctiveness resides in the visual features of shape, configuration, pattern and/or ornamentation of a clutch as shown in the accompanying representations.**



- (21) Design Number: **14889/2013**
(22) Date of Filing Application: **23 September 2013**
(24) Date from which industrial property rights may have effect: **30 January 2013**
(54) Product in respect of which the design is registered: **Clutch**
(51) International Design Classification: **03-01B**
(74) Name(s) of Attorney(s): **Allens Patent & Trade Mark Attorneys**
(71) Name(s) and Address(s) of Applicant(s):
Forever New Clothing Pty Ltd
714-716 High St Kew East VIC 3102 Australia
(72) Name(s) of Designer(s): **Georgia Roberts-Thomson**
(45) Registration Date: **29 October 2013**
(62) Divisional of: **351168**
(56) Related Art Documents: **Not Applicable**
(57) Statement of Newness and Distinctiveness: **Newness and distinctiveness resides in the visual features of shape, configuration, pattern and/or ornamentation of a clutch as shown in the accompanying representations.**



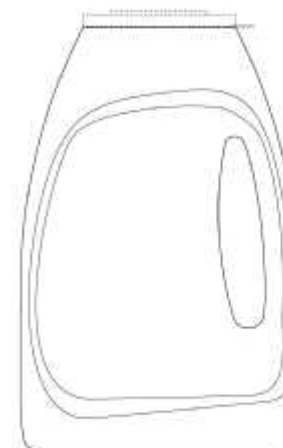
- (21) Design Number: **14890/2013**
(22) Date of Filing Application: **23 September 2013**
(24) Date from which industrial property rights may have effect: **30 January 2013**
(54) Product in respect of which the design is registered: **Handbag**
(51) International Design Classification: **03-01B**
(74) Name(s) of Attorney(s): **Allens Patent & Trade Mark Attorneys**
(71) Name(s) and Address(s) of Applicant(s):
Forever New Clothing Pty Ltd
714-716 High St Kew East VIC 3102 Australia
(72) Name(s) of Designer(s): **Elizabeth Baldock**
(45) Registration Date: **29 October 2013**
(62) Divisional of: **351168**
(56) Related Art Documents: **Not Applicable**
(57) Statement of Newness and Distinctiveness: **Newness and distinctiveness resides in the visual features of shape, configuration, pattern and/or ornamentation of a handbag as shown in the accompanying representations.**



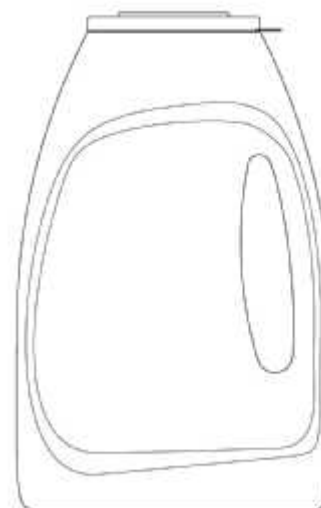
- (21) Design Number: **14891/2013**
(22) Date of Filing Application: **23 September 2013**
(24) Date from which industrial property rights may have effect: **30 January 2013**
(54) Product in respect of which the design is registered: **Handbag**
(51) International Design Classification: **03-01B**
(74) Name(s) of Attorney(s): **Allens Patent & Trade Mark Attorneys**
(71) Name(s) and Address(s) of Applicant(s):
Forever New Clothing Pty Ltd
714-716 High St Kew East VIC 3102 Australia
(72) Name(s) of Designer(s): **Georgia Roberts-Thomson**
(45) Registration Date: **29 October 2013**
(62) Divisional of: **351168**
(56) Related Art Documents: **Not Applicable**
(57) Statement of Newness and Distinctiveness: **Newness and distinctiveness resides in the visual features of shape, configuration, pattern and/or ornamentation of a handbag as shown in the accompanying representations.**



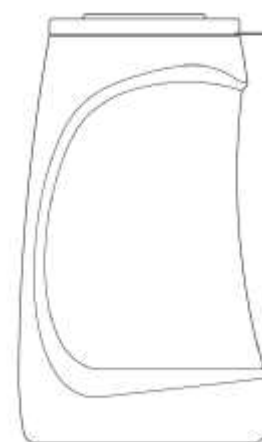
- (21) Design Number: **14898/2013**
(22) Date of Filing Application: **25 September 2013**
(24) Date from which industrial property rights may have effect: **25 September 2013**
(54) Product in respect of which the design is registered: **Container**
(51) International Design Classification: **09-01NES**
(74) Name(s) of Attorney(s): **FB Rice**
(71) Name(s) and Address(s) of Applicant(s):
Colgate-Palmolive Company
300 Park Avenue New York New York 10022 United States of America
(72) Name(s) of Designer(s): **Todd Beck and Anthony Cody and Gary Bortz**
(45) Registration Date: **29 October 2013**
(30) Convention priority data:
(31) Number (32) Date (33) Country
29/451700 05 Apr 2013 UNITED STATES OF AMERICA
(56) Related Art Documents: **Not Applicable**
(57) Statement of Newness and Distinctiveness: **Newness and distinctiveness reside in the features of shape and configuration of the design shown in solid lines in the representations and excluding those features shown in broken lines.**



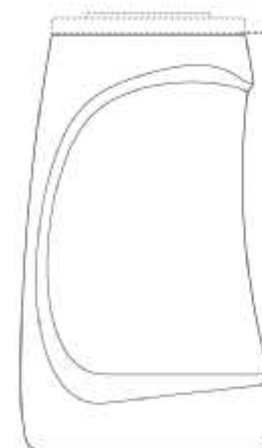
(21) Design Number: **14899/2013**
(22) Date of Filing Application: **25 September 2013**
(24) Date from which industrial property rights may have effect: **25 September 2013**
(54) Product in respect of which the design is registered: **Container**
(51) International Design Classification: **09-01NES**
(74) Name(s) of Attorney(s): **FB Rice**
(71) Name(s) and Address(s) of Applicant(s):
Colgate-Palmolive Company
300 Park Avenue New York New York 10022 United States of America
(72) Name(s) of Designer(s): **Todd Beck and Anthony Cody and Gary Bortz**
(45) Registration Date: **29 October 2013**
(30) Convention priority data:
(31) Number (32) Date (33) Country
29/451700 05 Apr 2013 UNITED STATES OF AMERICA
(56) Related Art Documents: **Not Applicable**
(57) Statement of Newness and Distinctiveness: **Newness and distinctiveness reside in the features of shape and configuration of the design as shown in the representations.**



(21) Design Number: **14900/2013**
(22) Date of Filing Application: **25 September 2013**
(24) Date from which industrial property rights may have effect: **25 September 2013**
(54) Product in respect of which the design is registered: **Container**
(51) International Design Classification: **09-01NES**
(74) Name(s) of Attorney(s): **FB Rice**
(71) Name(s) and Address(s) of Applicant(s):
Colgate-Palmolive Company
300 Park Avenue New York New York 10022 United States of America
(72) Name(s) of Designer(s): **Todd Beck and Anthony Cody and Gary Bortz**
(45) Registration Date: **29 October 2013**
(30) Convention priority data:
(31) Number (32) Date (33) Country
29/451699 05 Apr 2013 UNITED STATES OF AMERICA
(56) Related Art Documents: **Not Applicable**
(57) Statement of Newness and Distinctiveness: **Newness and distinctiveness reside in the features of shape and configuration of the design as shown in the representations.**



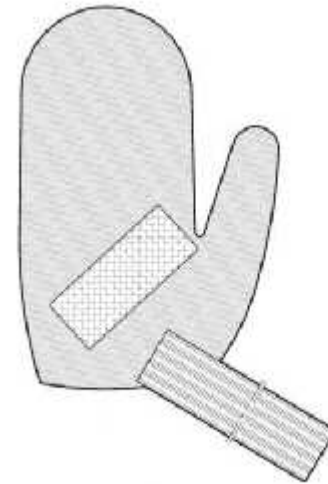
(21) Design Number: **14901/2013**
(22) Date of Filing Application: **25 September 2013**
(24) Date from which industrial property rights may have effect: **25 September 2013**
(54) Product in respect of which the design is registered: **Container**
(51) International Design Classification: **09-01NES**
(74) Name(s) of Attorney(s): **FB Rice**
(71) Name(s) and Address(s) of Applicant(s):
Colgate-Palmolive Company
300 Park Avenue New York New York 10022 United States of America
(72) Name(s) of Designer(s): **Todd Beck and Anthony Cody and Gary Bortz**
(45) Registration Date: **29 October 2013**
(30) Convention priority data:
(31) Number (32) Date (33) Country
29/451699 05 Apr 2013 UNITED STATES OF AMERICA
(56) Related Art Documents: **Not Applicable**
(57) Statement of Newness and Distinctiveness: **Newness and distinctiveness reside in the features of shape and configuration of the design as shown in solid lines and excluding those features shown in broken lines.**



(21) Design Number: **14912/2013**
(22) Date of Filing Application: **26 September 2013**
(24) Date from which industrial property rights may have effect: **26 June 2013**
(54) Product in respect of which the design is registered: **Glove**
(51) International Design Classification: **02-06**
(74) Name(s) of Attorney(s): **Griffith Hack**
(71) Name(s) and Address(s) of Applicant(s):
Celia Kakoschke
58 Kendall St Spring Gully VIC 3550 Australia
(72) Name(s) of Designer(s): **Celia Kakoschke**
(45) Registration Date: **29 October 2013**
(62) Divisional of: **351226**
(56) Related Art Documents: **Not Applicable**
(57) Statement of Newness and Distinctiveness: **Newness and distinctiveness resides in the "hook and loop" wrist band and palm patches fitted to the glove as shown.**



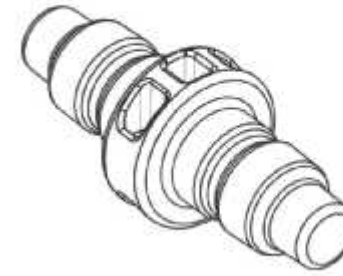
- (21) Design Number: **14913/2013**
(22) Date of Filing Application: **26 September 2013**
(24) Date from which industrial property rights may have effect: **26 June 2013**
(54) Product in respect of which the design is registered: **Mitt**
(51) International Design Classification: **02-06**
(74) Name(s) of Attorney(s): **Griffith Hack**
(71) Name(s) and Address(s) of Applicant(s):
Celia Kakoschke
58 Kendall St Spring Gully VIC 3550 Australia
(72) Name(s) of Designer(s): **Celia Kakoschke**
(45) Registration Date: **29 October 2013**
(62) Divisional of: **351226**
(56) Related Art Documents: **Not Applicable**
(57) Statement of Newness and Distinctiveness: **Newness and distinctiveness resides in the "hook and loop" wrist band and palm patches fitted to the mitt as shown.**



- (21) Design Number: **14928/2013**
(22) Date of Filing Application: **26 September 2013**
(24) Date from which industrial property rights may have effect: **26 September 2013**
(54) Product in respect of which the design is registered: **Vehicle**
(51) International Design Classification: **12-08**
(74) Name(s) of Attorney(s): **WATERMARK PATENT AND TRADE MARKS ATTORNEYS**
(71) Name(s) and Address(s) of Applicant(s):
Great Wall Motor Company Limited
No. 2266 Chaoyang South St Baoding Hebei Province 071000 China
(72) Name(s) of Designer(s): **Yong Huang and Jiangang Gu and Dianmin Zhang and Qingsong Shi and Jiaming Zhang and Hui Zhang and Jun Yang and Jian Chen and Yi Xin and Fenghua Xu**
(45) Registration Date: **29 October 2013**
(30) Convention priority data:
(31) Number (32) Date (33) Country
201330092292.2 30 Mar 2013 CHINA
(56) Related Art Documents: **Not Applicable**
(57) Statement of Newness and Distinctiveness: **Nil**



(21) Design Number: **14929/2013**
(22) Date of Filing Application: **26 September 2013**
(24) Date from which industrial property rights may have effect: **26 September 2013**
(54) Product in respect of which the design is registered: **An axle**
(51) International Design Classification: **12-16NES**
(74) Name(s) of Attorney(s): **AJ Park**
(71) Name(s) and Address(s) of Applicant(s):



Sistema Plastics Limited
80 Hugo Johnston Drive Penrose Auckland 1061 New Zealand

(72) Name(s) of Designer(s): **Brendan Jon Lindsay and Saleh Ghiyath**
(45) Registration Date: **29 October 2013**

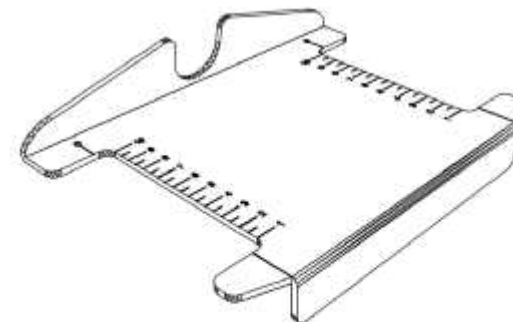
(30) Convention priority data:

(31) Number	(32) Date	(33) Country
417953	20 Aug 2013	NEW ZEALAND

(56) Related Art Documents: **Not Applicable**

(57) Statement of Newness and Distinctiveness: **The newness and distinctiveness resides in the features of shape and/or configuration of AN AXLE all as shown in the representations.**

(21) Design Number: **14965/2013**
(22) Date of Filing Application: **28 September 2013**
(24) Date from which industrial property rights may have effect: **28 September 2013**
(54) Product in respect of which the design is registered: **Deck template**
(51) International Design Classification: **08-05NES**
(74) Name(s) of Attorney(s):
(71) Name(s) and Address(s) of Applicant(s):



James Michael Weeding
47 Penquite Rd Newstead TAS 7250 Australia

(72) Name(s) of Designer(s): **James Michael Weeding**

(45) Registration Date: **29 October 2013**

(56) Related Art Documents: **Not Applicable**

(57) Statement of Newness and Distinctiveness: **The newness and distinctiveness of this decking template refers to its shape and configuration. This newness and distinctiveness relates to the location of fixing reference points, spacing tongue and the shape of the handle as shown in the representations.**

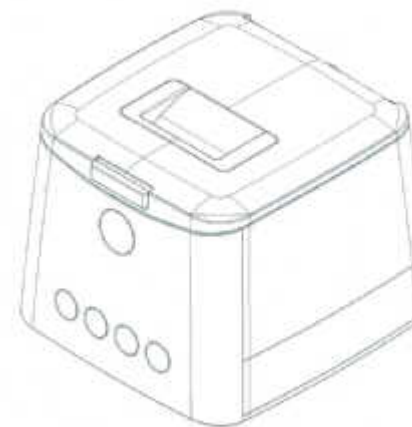
- (21) Design Number: **14967/2013**
(22) Date of Filing Application: **30 September 2013**
(24) Date from which industrial property rights may have effect: **30 September 2013**
(54) Product in respect of which the design is registered: **Infrared oil heater**
(51) International Design Classification: **23-03F**
(74) Name(s) of Attorney(s): **Griffith Hack**
(71) Name(s) and Address(s) of Applicant(s):
Shizuoka Seiki Co., Ltd.
4-1 Yamana Fukuroi-shi Shizuoka-ken 437-8601 Japan
(72) Name(s) of Designer(s): **Naoya Kimpara**
(45) Registration Date: **29 October 2013**
(56) Related Art Documents: **Not Applicable**
(57) Statement of Newness and Distinctiveness: **Newness and distinctiveness resides in the visual features, including the shape and configuration of the product shown in the representations.**



- (21) Design Number: **14968/2013**
(22) Date of Filing Application: **30 September 2013**
(24) Date from which industrial property rights may have effect: **30 September 2013**
(54) Product in respect of which the design is registered: **Container**
(51) International Design Classification: **09-01NES**
(74) Name(s) of Attorney(s): **WATERMARK PATENT AND TRADE MARKS ATTORNEYS**
(71) Name(s) and Address(s) of Applicant(s):
VIP Plastic Packaging Pty Ltd
L16 644 Chapel St South Yarra VIC 3141 Australia
(72) Name(s) of Designer(s): **Chris Redfern and Peter Smitran**
(45) Registration Date: **29 October 2013**
(56) Related Art Documents: **Not Applicable**
(57) Statement of Newness and Distinctiveness: **Nil**



(21) Design Number: **14969/2013**
(22) Date of Filing Application: **30 September 2013**
(24) Date from which industrial property rights may have effect: **06 August 2013**
(54) Product in respect of which the design is registered: **Breathing apparatus**
(51) International Design Classification: **24-01, 29-02**
(74) Name(s) of Attorney(s): **AJ Park**
(71) Name(s) and Address(s) of Applicant(s):
Fisher & Paykel Healthcare Limited
15 Maurice Paykel Place East Tamaki Auckland 2013 New Zealand
(72) Name(s) of Designer(s): **Andrew Paul Maxwell Salmon and Douglas Richard Wright and Peter Lawrence Grylls and Yi-Cheng Sun and Paul Fleming Buckley**
(45) Registration Date: **29 October 2013**
(30) Convention priority data:
(31) Number (32) Date (33) Country
29/445144 07 Feb 2013 UNITED STATES OF AMERICA
(62) Divisional of: **351088**
(56) Related Art Documents: **Not Applicable**
(57) Statement of Newness and Distinctiveness: **The newness and distinctiveness of the design resides in the shape of the breathing apparatus as shown in the continuous lines in the accompanying representations.**



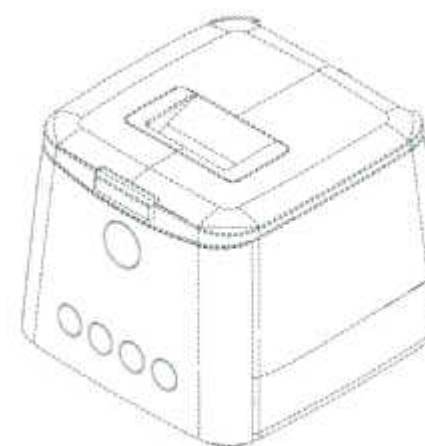
(21) Design Number: **14970/2013**
(22) Date of Filing Application: **30 September 2013**
(24) Date from which industrial property rights may have effect: **06 August 2013**
(54) Product in respect of which the design is registered: **Breathing apparatus**
(51) International Design Classification: **24-01, 29-02**
(74) Name(s) of Attorney(s): **AJ Park**
(71) Name(s) and Address(s) of Applicant(s):
Fisher & Paykel Healthcare Limited
15 Maurice Paykel Place East Tamaki Auckland 2013 New Zealand
(72) Name(s) of Designer(s): **Douglas Richard Wright and Peter Lawrence Grylls and Yi-Cheng Sun and Paul Fleming Buckley and Andrew Paul Maxwell Salmon**
(45) Registration Date: **29 October 2013**
(30) Convention priority data:
(31) Number (32) Date (33) Country
29/445144 07 Feb 2013 UNITED STATES OF AMERICA
(62) Divisional of: **351088**
(56) Related Art Documents: **Not Applicable**
(57) Statement of Newness and Distinctiveness: **The newness and distinctiveness of the design resides in the shape of the breathing apparatus as shown in the continuous lines in the accompanying representations. The broken lines are not part of the design and are to be disregarded when considering the overall impression of the design.**



(21) Design Number: **14974/2013**
(22) Date of Filing Application: **30 September 2013**
(24) Date from which industrial property rights may have effect: **30 September 2013**
(54) Product in respect of which the design is registered: **Automobile**
(51) International Design Classification: **12-08**
(74) Name(s) of Attorney(s): **SPRUSON & FERGUSON**
(71) Name(s) and Address(s) of Applicant(s):
Honda Motor Co., Ltd.
1-1 Minami-Aoyama 2-chome Minato-ku Tokyo 107-8556 Japan
(72) Name(s) of Designer(s): **Keisuke Asai and Akihiko Ohhashi**
(45) Registration Date: **29 October 2013**
(30) Convention priority data:
(31) Number (32) Date (33) Country
2013-007892 09 Apr 2013 JAPAN
(56) Related Art Documents: **Not Applicable**
(57) Statement of Newness and Distinctiveness: **Newness and distinctiveness is claimed in the features of shape and/or configuration of an automobile as illustrated in the accompanying representations.**



(21) Design Number: **14975/2013**
(22) Date of Filing Application: **30 September 2013**
(24) Date from which industrial property rights may have effect: **30 September 2013**
(54) Product in respect of which the design is registered: **Breathing apparatus**
(51) International Design Classification: **24-01, 29-02**
(74) Name(s) of Attorney(s): **AJ Park**
(71) Name(s) and Address(s) of Applicant(s):
Fisher & Paykel Healthcare Limited
15 Maurice Paykel Place East Tamaki Auckland 2013 New Zealand
(72) Name(s) of Designer(s): **Andrew Paul Maxwell Salmon and Douglas Richard Wright and Peter Lawrence Grylls and Yi-cheng Sun and Paul Fleming Buckley**
(45) Registration Date: **29 October 2013**
(30) Convention priority data:
(31) Number (32) Date (33) Country
2-/445144 07 Feb 2013 UNITED STATES OF AMERICA
(56) Related Art Documents: **Not Applicable**
(57) Statement of Newness and Distinctiveness: **The newness and distinctiveness of the design resides in the shape of the breathing apparatus as shown in the continuous lines in the accompanying representations. The broken lines are not part of the design and are to be disregarded when considering the overall impression of the design.**



- (21) Design Number: **14977/2013**
(22) Date of Filing Application: **30 September 2013**
(24) Date from which industrial property rights may have effect: **30 September 2013**
(54) Product in respect of which the design is registered: **A swing check valve**
(51) International Design Classification: **23-01K**
(74) Name(s) of Attorney(s): **Fraser Old & Sohn**
(71) Name(s) and Address(s) of Applicant(s):

ZETCO VALVES PTY LTD
U8-9 33 Maddox St Alexandria NSW 2015 Australia

- (72) Name(s) of Designer(s): **Ermanno Tanghetti**

(45) Registration Date: **29 October 2013**

(56) Related Art Documents: **Not Applicable**

- (57) Statement of Newness and Distinctiveness: **Newness and distinctiveness is claimed in respect of the shape and/or configuration of the product illustrated in the accompanying representations. In carrying out a consideration in accordance with Section 19 the indicia illustrated in the representations are not to be considered and do not form part of the design.**



- (21) Design Number: **14978/2013**
(22) Date of Filing Application: **30 September 2013**
(24) Date from which industrial property rights may have effect: **30 September 2013**
(54) Product in respect of which the design is registered: **A swing check valve**
(51) International Design Classification: **23-01K**
(74) Name(s) of Attorney(s): **Fraser Old & Sohn**
(71) Name(s) and Address(s) of Applicant(s):

ZETCO VALVES PTY LTD
U8-9 33 Maddox St Alexandria NSW 2015 Australia

- (72) Name(s) of Designer(s): **Ermanno Tanghetti**

(45) Registration Date: **29 October 2013**

(56) Related Art Documents: **Not Applicable**

- (57) Statement of Newness and Distinctiveness: **Newness and distinctiveness is claimed in respect of the shape and/or configuration of the product illustrated in the accompanying representations. In carrying out a consideration in accordance with Section 19 the indicia illustrated in the representations are not to be considered and do not form part of the design.**



- (21) Design Number: **14980/2013**
(22) Date of Filing Application: **30 September 2013**
(24) Date from which industrial property rights may have effect: **30 September 2013**
(54) Product in respect of which the design is registered: **A swing check valve**
(51) International Design Classification: **23-01K**
(74) Name(s) of Attorney(s): **Fraser Old & Sohn**
(71) Name(s) and Address(s) of Applicant(s):

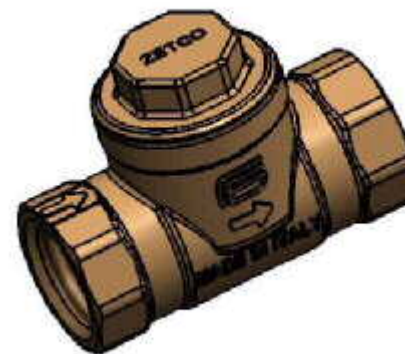
ZETCO VALVES PTY LTD
U8-9 33 Maddox St Alexandria NSW 2015 Australia

- (72) Name(s) of Designer(s): **Ermanno Tanghetti**

(45) Registration Date: **29 October 2013**

(56) Related Art Documents: **Not Applicable**

- (57) Statement of Newness and Distinctiveness: **Newness and distinctiveness is claimed in respect of the shape and/or configuration of the product illustrated in the accompanying representations. In carrying out a consideration in accordance with Section 19 the indicia illustrated in the representations are not to be considered and do not form part of the design.**



- (21) Design Number: **14981/2013**
(22) Date of Filing Application: **30 September 2013**
(24) Date from which industrial property rights may have effect: **30 September 2013**
(54) Product in respect of which the design is registered: **A swing check valve**
(51) International Design Classification: **23-01K**
(74) Name(s) of Attorney(s): **Fraser Old & Sohn**
(71) Name(s) and Address(s) of Applicant(s):

ZETCO VALVES PTY LTD
U8-9 33 Maddox St Alexandria NSW 2015 Australia

- (72) Name(s) of Designer(s): **Ermanno Tanghetti**

(45) Registration Date: **29 October 2013**

(56) Related Art Documents: **Not Applicable**

- (57) Statement of Newness and Distinctiveness: **Newness and distinctiveness is claimed in respect of the shape and/or configuration of the product illustrated in the accompanying representations. In carrying out a consideration in accordance with Section 19 the indicia illustrated in the representations are not to be considered and do not form part of the design.**

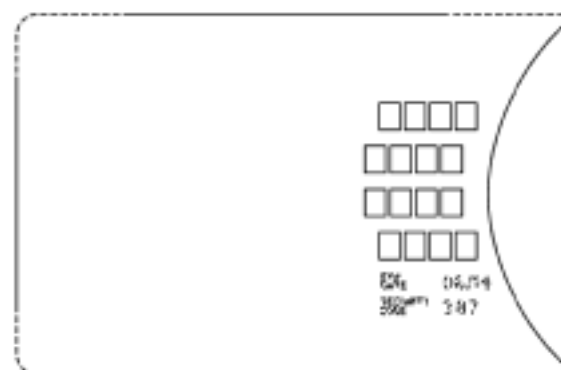


- (21) Design Number: **14138/2013**
(22) Date of Filing Application: **22 August 2013**
(24) Date from which industrial property rights may have effect: **22 August 2013**
(54) Product in respect of which the design is registered: **Card**
(51) International Design Classification: **19-08**
(74) Name(s) of Attorney(s): **SPRUSON & FERGUSON**
(71) Name(s) and Address(s) of Applicant(s):
Visa International Service Association
PO Box 8999 San Francisco CA 94128 United States of America
(72) Name(s) of Designer(s): **Ken Sippola and Julian Schmidt and Dori Skelding**
(45) Registration Date: **30 October 2013**
(30) Convention priority data:
(31) Number (32) Date (33) Country
29/464044 12 Aug 2013 UNITED STATES OF AMERICA



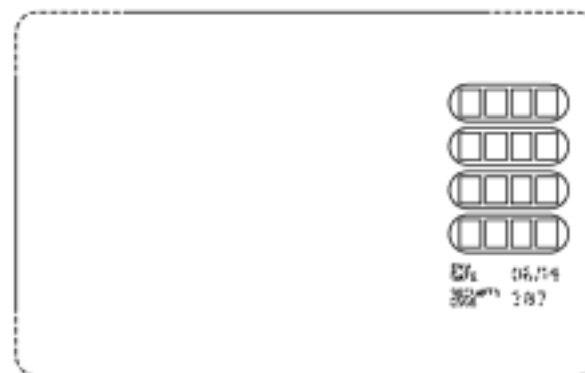
- (56) Related Art Documents: **Not Applicable**
(57) Statement of Newness and Distinctiveness: **Newness and distinctiveness is claimed in the features of pattern and/or ornamentation of the front of a card, for example an electronic transaction card, and the shape and/or configuration of the card, as illustrated in continuous lines in the accompanying representations. In considering the newness and distinctiveness, particular regard is to be had to the curved edge, and the positions of alphanumeric characters, such as account identifiers on the face of the card. The alphanumeric characters are variable in implementation and the positions thereof are represented in Fig. 1 by rectangular boxes, and in Fig. 2 the alphanumeric characters are represented by exemplary characters. The rectangular boxes per se do not form part of the design and the characters illustrated in Fig. 2 are merely exemplary of a combination of characters in the illustrated positions.**

- (21) Design Number: **14139/2013**
(22) Date of Filing Application: **22 August 2013**
(24) Date from which industrial property rights may have effect: **22 August 2013**
(54) Product in respect of which the design is registered: **Card**
(51) International Design Classification: **19-08**
(74) Name(s) of Attorney(s): **SPRUSON & FERGUSON**
(71) Name(s) and Address(s) of Applicant(s):
Visa International Service Association
PO Box 8999 San Francisco CA 94128 United States of America
(72) Name(s) of Designer(s): **Ken Sippola and Julian Schmidt and Dori Skelding**
(45) Registration Date: **30 October 2013**
(30) Convention priority data:
(31) Number (32) Date (33) Country
29/464045 12 Aug 2013 UNITED STATES OF AMERICA



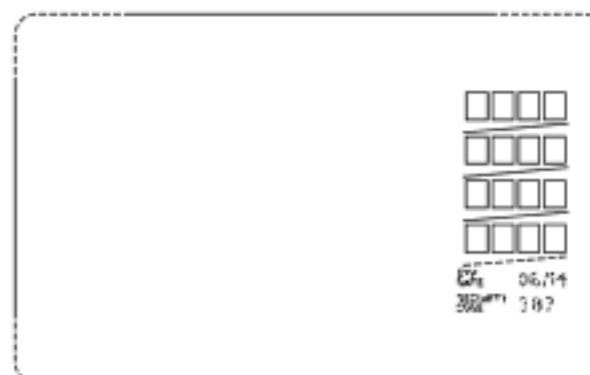
- (56) Related Art Documents: **Not Applicable**
(57) Statement of Newness and Distinctiveness: **Newness and distinctiveness is claimed in the features of pattern and/or ornamentation of the front of a card, for example an electronic transaction card, and the shape and/or configuration of the card, as illustrated in continuous lines in the accompanying representations. In considering the newness and distinctiveness, particular regard is to be had to the curved edge, and the positions of alphanumeric characters, such as account identifiers on the face of the card. The alphanumeric characters are variable in implementation and the positions thereof are represented in Fig. 1 by rectangular boxes, and in Fig. 2 the alphanumeric characters are represented by exemplary characters. The rectangular boxes per se do not form part of the design and the characters illustrated in Fig. 2 are merely exemplary of a combination of characters in the illustrated positions.**

- (21) Design Number: **14141/2013**
(22) Date of Filing Application: **22 August 2013**
(24) Date from which industrial property rights may have effect: **22 August 2013**
(54) Product in respect of which the design is registered: **Card**
(51) International Design Classification: **19-08**
(74) Name(s) of Attorney(s): **SPRUSON & FERGUSON**
(71) Name(s) and Address(s) of Applicant(s):
Visa International Service Association
PO Box 8999 San Francisco CA 94128 United States of America
(72) Name(s) of Designer(s): **Ken Sippola and Julian Schmidt and Dori Skelding**
(45) Registration Date: **30 October 2013**
(30) Convention priority data:
(31) Number (32) Date (33) Country
29/464047 12 Aug 2013 UNITED STATES OF AMERICA



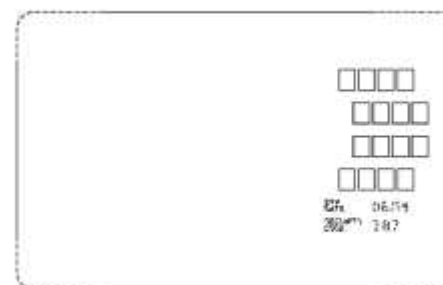
- (56) Related Art Documents: **Not Applicable**
(57) Statement of Newness and Distinctiveness: **Newness and distinctiveness is claimed in the features of pattern and/or ornamentation of the front of a card, for example an electronic transaction card, as illustrated in continuous lines in the accompanying representations. In considering the newness and distinctiveness, particular regard is to be had to the positions of alphanumeric characters, such as account identifiers, thereon. The alphanumeric characters are variable in implementation and the positions thereof are represented in Fig. 1 by rectangular boxes, and in Fig. 2 the alphanumeric characters are represented by exemplary characters. The rectangular boxes per se do not form part of the design and the characters illustrated in Fig. 2 are merely exemplary of a combination of characters in the illustrated positions.**

- (21) Design Number: **14142/2013**
(22) Date of Filing Application: **22 August 2013**
(24) Date from which industrial property rights may have effect: **22 August 2013**
(54) Product in respect of which the design is registered: **Card**
(51) International Design Classification: **19-08**
(74) Name(s) of Attorney(s): **SPRUSON & FERGUSON**
(71) Name(s) and Address(s) of Applicant(s):
Visa International Service Association
PO Box 8999 San Francisco CA 94128 United States of America
(72) Name(s) of Designer(s): **Ken Sippola and Julian Schmidt and Dori Skelding**
(45) Registration Date: **30 October 2013**
(30) Convention priority data:
(31) Number (32) Date (33) Country
29/464046 12 Aug 2013 UNITED STATES OF AMERICA

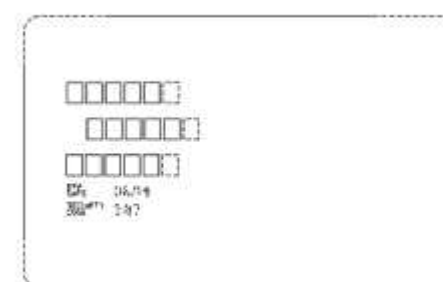


- (56) Related Art Documents: **Not Applicable**
(57) Statement of Newness and Distinctiveness: **Newness and distinctiveness is claimed in the features of pattern and/or ornamentation of the front of a card, for example an electronic transaction card, as illustrated in continuous lines in the accompanying representations. In considering the newness and distinctiveness, particular regard is to be had to the positions of alphanumeric characters, such as account identifiers, thereon. The alphanumeric characters are variable in implementation and the positions thereof are represented in Fig. 1 by rectangular boxes, and in Fig. 2 the alphanumeric characters are represented by exemplary characters. The rectangular boxes per se do not form part of the design and the characters illustrated in Fig. 2 are merely exemplary of a combination of characters in the illustrated positions.**

- (21) Design Number: **14145/2013**
(22) Date of Filing Application: **22 August 2013**
(24) Date from which industrial property rights may have effect: **22 August 2013**
(54) Product in respect of which the design is registered: **Card**
(51) International Design Classification: **19-08**
(74) Name(s) of Attorney(s): **SPRUSON & FERGUSON**
(71) Name(s) and Address(s) of Applicant(s):
Visa International Service Association
PO Box 8999 San Francisco CA 94128 United States of America
(72) Name(s) of Designer(s): **Ken Sippola and Julian Schmidt and Dori Skelding**
(45) Registration Date: **30 October 2013**
(30) Convention priority data:
(31) Number (32) Date (33) Country
29/464042 12 Aug 2013 UNITED STATES OF AMERICA
(56) Related Art Documents: **Not Applicable**
(57) Statement of Newness and Distinctiveness: **Newness and distinctiveness is claimed in the features of pattern and/or ornamentation of the front of a card, for example an electronic transaction card, as illustrated in continuous lines in the accompanying representations. In considering the newness and distinctiveness, particular regard is to be had to the positions of alphanumeric characters, such as account identifiers, thereon. The alphanumeric characters are variable in implementation and the positions thereof are represented in Fig. 1 by rectangular boxes, and in Fig. 2 the alphanumeric characters are represented by exemplary characters. The rectangular boxes per se do not form part of the design and the characters illustrated in Fig. 2 are merely exemplary of a combination of characters in the illustrated positions.**



- (21) Design Number: **14146/2013**
(22) Date of Filing Application: **22 August 2013**
(24) Date from which industrial property rights may have effect: **22 August 2013**
(54) Product in respect of which the design is registered: **Card**
(51) International Design Classification: **19-08**
(74) Name(s) of Attorney(s): **SPRUSON & FERGUSON**
(71) Name(s) and Address(s) of Applicant(s):
Visa International Service Association
PO Box 8999 San Francisco CA 94128 United States of America
(72) Name(s) of Designer(s): **Ken Sippola and Julian Schmidt and Dori Skelding**
(45) Registration Date: **30 October 2013**
(30) Convention priority data:
(31) Number (32) Date (33) Country
29/464043 12 Aug 2013 UNITED STATES OF AMERICA
(56) Related Art Documents: **Not Applicable**
(57) Statement of Newness and Distinctiveness: **Newness and distinctiveness is claimed in the features of pattern and/or ornamentation of the front of a card, for example an electronic transaction card, as illustrated in continuous lines in the accompanying representations. In considering the newness and distinctiveness, particular regard is to be had to the positions of alphanumeric characters, such as account identifiers, thereon. The alphanumeric characters are variable in implementation and the positions thereof are represented in Fig. 1 by rectangular boxes, and in Fig. 2 the alphanumeric characters are represented by exemplary characters. The rectangular boxes per se do not form part of the design and the characters illustrated in Fig. 2 are merely exemplary of a combination of characters in the illustrated positions.**



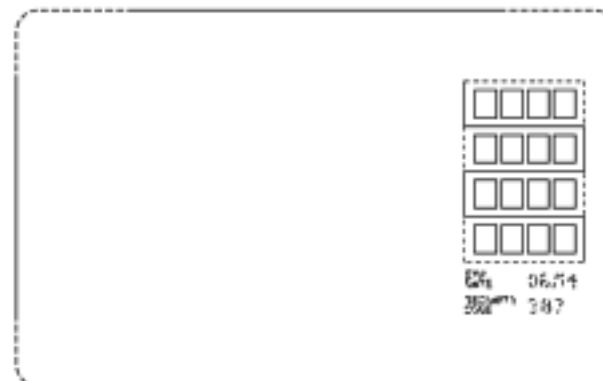
- (21) Design Number: **14147/2013**
(22) Date of Filing Application: **22 August 2013**
(24) Date from which industrial property rights may have effect: **22 August 2013**
(54) Product in respect of which the design is registered: **Card**
(51) International Design Classification: **19-08**
(74) Name(s) of Attorney(s): **SPRUSON & FERGUSON**
(71) Name(s) and Address(s) of Applicant(s):
Visa International Service Association
PO Box 8999 San Francisco CA 94128 United States of America
(72) Name(s) of Designer(s): **Ken Sippola and Julian Schmidt and Dori Skelding**
(45) Registration Date: **30 October 2013**
(30) Convention priority data:
(31) Number (32) Date (33) Country
29/464050 12 Aug 2013 UNITED STATES OF AMERICA
(56) Related Art Documents: **Not Applicable**
(57) Statement of Newness and Distinctiveness: **Newness and distinctiveness is claimed in the features of pattern and/or ornamentation of the front of a card, for example an electronic transaction card, as illustrated in continuous lines in the accompanying representations. In considering the newness and distinctiveness, particular regard is to be had to the positions of alphanumeric characters, such as account identifiers, thereon. The alphanumeric characters are variable in implementation and the positions thereof are represented in Fig. 1 by rectangular boxes, and in Fig. 2 the alphanumeric characters are represented by exemplary characters. The rectangular boxes per se do not form part of the design and the characters illustrated in Fig. 2 are merely exemplary of a combination of characters in the illustrated positions.**



- (21) Design Number: **14148/2013**
(22) Date of Filing Application: **22 August 2013**
(24) Date from which industrial property rights may have effect: **22 August 2013**
(54) Product in respect of which the design is registered: **Card**
(51) International Design Classification: **19-08**
(74) Name(s) of Attorney(s): **SPRUSON & FERGUSON**
(71) Name(s) and Address(s) of Applicant(s):
Visa International Service Association
PO Box 8999 San Francisco CA 94128 United States of America
(72) Name(s) of Designer(s): **Ken Sippola and Julian Schmidt and Dori Skelding**
(45) Registration Date: **30 October 2013**
(30) Convention priority data:
(31) Number (32) Date (33) Country
29/464049 12 Aug 2013 UNITED STATES OF AMERICA
(56) Related Art Documents: **Not Applicable**
(57) Statement of Newness and Distinctiveness: **Newness and distinctiveness is claimed in the features of pattern and/or ornamentation of the front of a card, for example an electronic transaction card, as illustrated in continuous lines in the accompanying representations. In considering the newness and distinctiveness, particular regard is to be had to the positions of alphanumeric characters, such as account identifiers, thereon. The alphanumeric characters are variable in implementation and the positions thereof are represented in Fig. 1 by rectangular boxes, and in Fig. 2 the alphanumeric characters are represented by exemplary characters. The rectangular boxes per se do not form part of the design and the characters illustrated in Fig. 2 are merely exemplary of a combination of characters in the illustrated positions.**

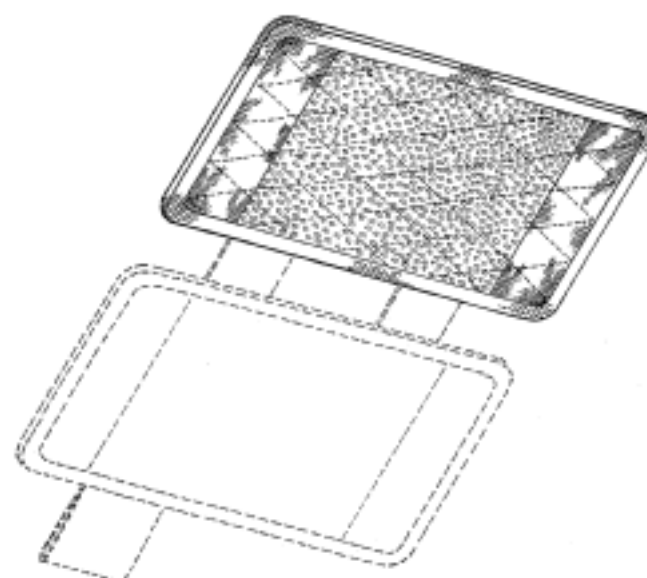


(21) Design Number: **14149/2013**
(22) Date of Filing Application: **22 August 2013**
(24) Date from which industrial property rights may have effect: **22 August 2013**
(54) Product in respect of which the design is registered: **Card**
(51) International Design Classification: **19-08**
(74) Name(s) of Attorney(s): **SPRUSON & FERGUSON**
(71) Name(s) and Address(s) of Applicant(s):
Visa International Service Association
PO Box 8999 San Francisco CA 94128 United States of America
(72) Name(s) of Designer(s): **Ken Sippola and Julian Schmidt and Dori Skelding**
(45) Registration Date: **30 October 2013**
(30) Convention priority data:
(31) Number (32) Date (33) Country
29/464048 12 Aug 2013 UNITED STATES OF AMERICA



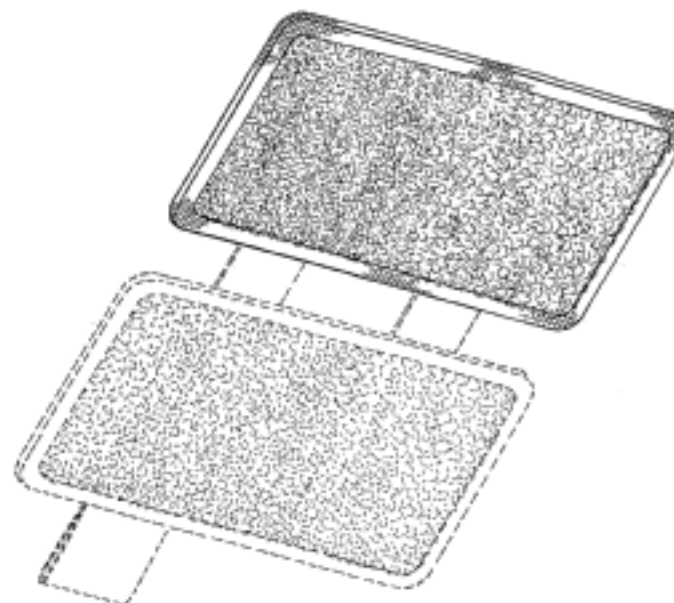
(56) Related Art Documents: **Not Applicable**
(57) Statement of Newness and Distinctiveness: **Newness and distinctiveness is claimed in the features of pattern and/or ornamentation of the front of a card, for example an electronic transaction card, as illustrated in continuous lines in the accompanying representations. In considering the newness and distinctiveness, particular regard is to be had to the positions of alphanumeric characters, such as account identifiers, thereon. The alphanumeric characters are variable in implementation and the positions thereof are represented in Fig. 1 by rectangular boxes, and in Fig. 2 the alphanumeric characters are represented by exemplary characters. The rectangular boxes per se do not form part of the design and the characters illustrated in Fig. 2 are merely exemplary of a combination of characters in the illustrated positions.**

(21) Design Number: **14299/2013**
(22) Date of Filing Application: **29 August 2013**
(24) Date from which industrial property rights may have effect: **29 August 2013**
(54) Product in respect of which the design is registered: **Pad arrangement**
(51) International Design Classification: **03-01NES, 15-05**
(74) Name(s) of Attorney(s): **PIZZEYS**
(71) Name(s) and Address(s) of Applicant(s):
Euro-Pro Operating LLC
180 Wells Avenue Suite 200 Newton Massachusetts 02459 United States of America
(72) Name(s) of Designer(s): **David Jalbert and Bastin B. Antonisami**
(45) Registration Date: **30 October 2013**
(30) Convention priority data:
(31) Number (32) Date (33) Country
29/447,271 01 Mar 2013 UNITED STATES OF AMERICA

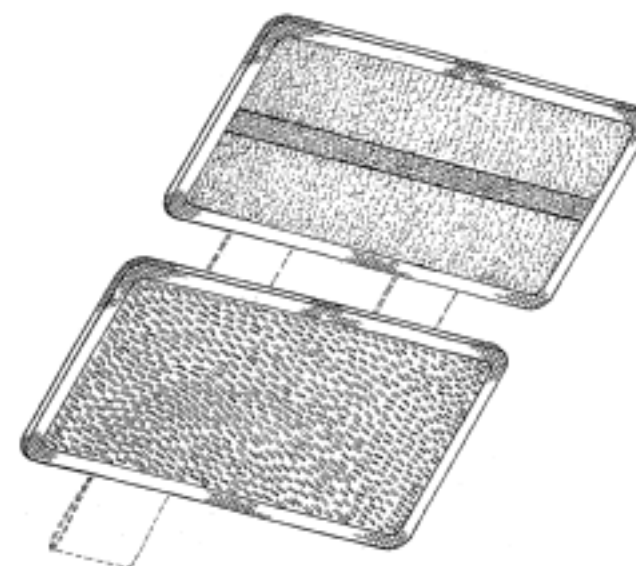


(56) Related Art Documents: **Not Applicable**
(57) Statement of Newness and Distinctiveness: **Nil**

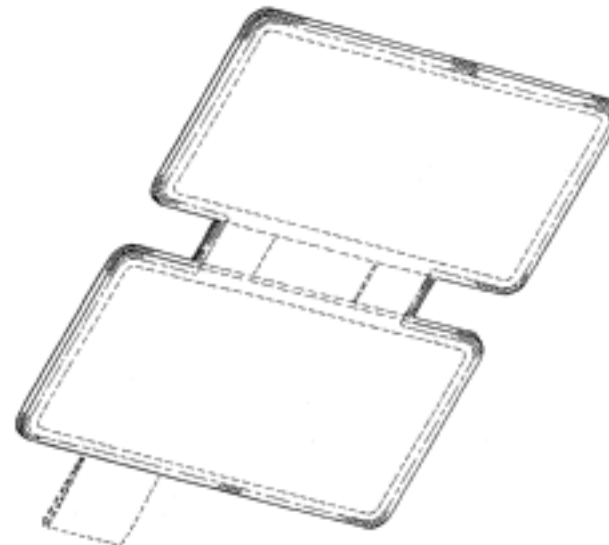
(21) Design Number: **14300/2013**
(22) Date of Filing Application: **29 August 2013**
(24) Date from which industrial property rights may have effect: **29 August 2013**
(54) Product in respect of which the design is registered: **Pad arrangement**
(51) International Design Classification: **03-01NES, 15-05**
(74) Name(s) of Attorney(s): **PIZZEYS**
(71) Name(s) and Address(s) of Applicant(s):
Euro-Pro Operating LLC
180 Wells Avenue Suite 200 Newton Massachusetts 02459 United States
of America
(72) Name(s) of Designer(s): **Bastin B. Antonisami and Gustavo Fortes Chohfi**
and David Jalbert
(45) Registration Date: **30 October 2013**
(30) Convention priority data:
(31) Number (32) Date (33) Country
29/447,305 01 Mar 2013 UNITED STATES OF AMERICA
(56) Related Art Documents: **Not Applicable**
(57) Statement of Newness and Distinctiveness: **Nil**



(21) Design Number: **14301/2013**
(22) Date of Filing Application: **29 August 2013**
(24) Date from which industrial property rights may have effect: **29 August 2013**
(54) Product in respect of which the design is registered: **Pad arrangement**
(51) International Design Classification: **03-01NES, 15-05**
(74) Name(s) of Attorney(s): **PIZZEYS**
(71) Name(s) and Address(s) of Applicant(s):
Euro-Pro Operating LLC
180 Wells Avenue Suite 200 Newton Massachusetts 02459 United States
of America
(72) Name(s) of Designer(s): **David Jalbert and Brian F. Kaminer**
(45) Registration Date: **30 October 2013**
(30) Convention priority data:
(31) Number (32) Date (33) Country
29/447,274 01 Mar 2013 UNITED STATES OF AMERICA
(56) Related Art Documents: **Not Applicable**
(57) Statement of Newness and Distinctiveness: **Nil**



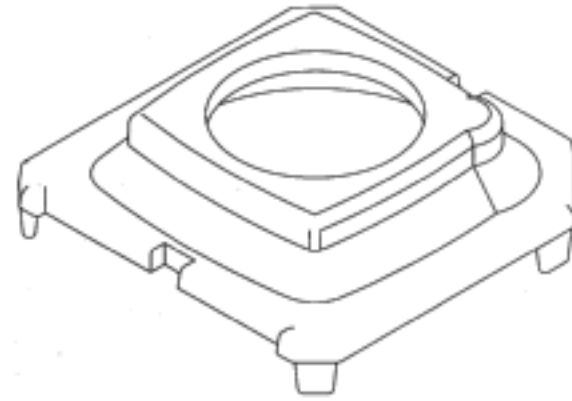
(21) Design Number: **14302/2013**
(22) Date of Filing Application: **29 August 2013**
(24) Date from which industrial property rights may have effect: **29 August 2013**
(54) Product in respect of which the design is registered: **Pad arrangement**
(51) International Design Classification: **03-01NES, 15-05**
(74) Name(s) of Attorney(s): **PIZZEYS**
(71) Name(s) and Address(s) of Applicant(s):
Euro-Pro Operating LLC
180 Wells Avenue Suite 200 Newton Massachusetts 02459 United States
of America
(72) Name(s) of Designer(s): **David Jalbert and Brian F. Kaminer**
(45) Registration Date: **30 October 2013**
(30) Convention priority data:
(31) Number (32) Date (33) Country
29/447,277 01 Mar 2013 UNITED STATES OF AMERICA
(56) Related Art Documents: **Not Applicable**
(57) Statement of Newness and Distinctiveness: **Nil**



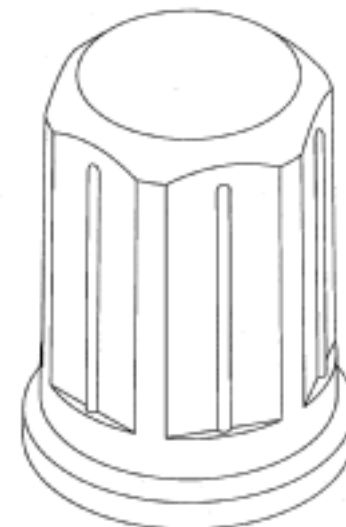
(21) Design Number: **14805/2013**
(22) Date of Filing Application: **24 September 2013**
(24) Date from which industrial property rights may have effect: **24 September 2013**
(54) Product in respect of which the design is registered: **A button for an electrical push button switch**
(51) International Design Classification: **13-03D**
(74) Name(s) of Attorney(s): **Collison & Co**
(71) Name(s) and Address(s) of Applicant(s):
Hendon Semiconductors Pty Ltd
1 Butler Dr Hendon SA 5014 Australia
(72) Name(s) of Designer(s): **Victor Davalos**
(45) Registration Date: **30 October 2013**
(56) Related Art Documents: **Not Applicable**
(57) Statement of Newness and Distinctiveness: **Nil**



(21) Design Number: **14806/2013**
(22) Date of Filing Application: **24 September 2013**
(24) Date from which industrial property rights may have effect: **24 September 2013**
(54) Product in respect of which the design is registered: **A base unit for an electrical dimmer**
(51) International Design Classification: **13-03D, 14-03A**
(74) Name(s) of Attorney(s): **Collison & Co**
(71) Name(s) and Address(s) of Applicant(s):
Hendon Semiconductors Pty Ltd
1 Butler Dr Hendon SA 5014 Australia
(72) Name(s) of Designer(s): **Victor Davalos**
(45) Registration Date: **30 October 2013**
(56) Related Art Documents: **Not Applicable**
(57) Statement of Newness and Distinctiveness: **Nil**



(21) Design Number: **14807/2013**
(22) Date of Filing Application: **24 September 2013**
(24) Date from which industrial property rights may have effect: **24 September 2013**
(54) Product in respect of which the design is registered: **An electrical dimmer knob**
(51) International Design Classification: **13-03D**
(74) Name(s) of Attorney(s): **Collison & Co**
(71) Name(s) and Address(s) of Applicant(s):
Hendon Semiconductors Pty Ltd
1 Butler Dr Hendon SA 5014 Australia
(72) Name(s) of Designer(s): **Victor Davalos**
(45) Registration Date: **30 October 2013**
(56) Related Art Documents: **Not Applicable**
(57) Statement of Newness and Distinctiveness: **Nil**



(21) Design Number: **14810/2013**
(22) Date of Filing Application: **24 September 2013**
(24) Date from which industrial property rights may have effect: **24 September 2013**
(54) Product in respect of which the design is registered: **An electrical dimmer knob**
(51) International Design Classification: **13-03D**
(74) Name(s) of Attorney(s): **Collison & Co**
(71) Name(s) and Address(s) of Applicant(s):
Hendon Semiconductors Pty Ltd
1 Butler Dr Hendon SA 5014 Australia
(72) Name(s) of Designer(s): **Victor Davalos**
(45) Registration Date: **30 October 2013**
(56) Related Art Documents: **Not Applicable**
(57) Statement of Newness and Distinctiveness: **Nil**



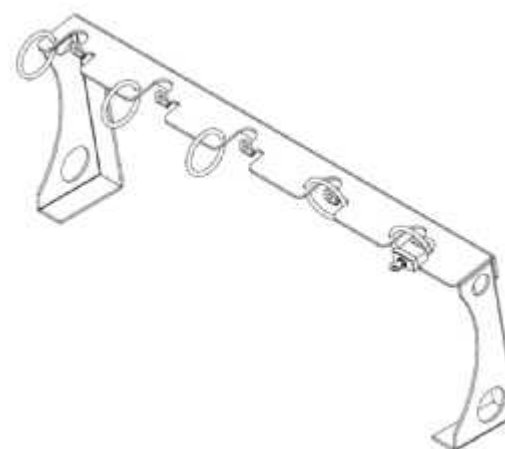
(21) Design Number: **14811/2013**
(22) Date of Filing Application: **24 September 2013**
(24) Date from which industrial property rights may have effect: **24 September 2013**
(54) Product in respect of which the design is registered: **An electrical dimmer knob**
(51) International Design Classification: **13-03D**
(74) Name(s) of Attorney(s): **Collison & Co**
(71) Name(s) and Address(s) of Applicant(s):
Hendon Semiconductors Pty Ltd
1 Butler Dr Hendon SA 5014 Australia
(72) Name(s) of Designer(s): **Victor Davalos**
(45) Registration Date: **30 October 2013**
(56) Related Art Documents: **Not Applicable**
(57) Statement of Newness and Distinctiveness: **Nil**



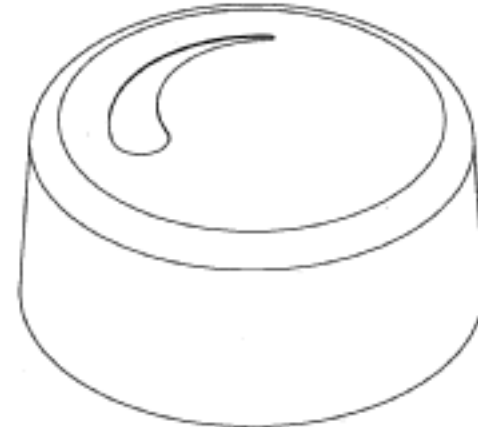
- (21) Design Number: **14813/2013**
(22) Date of Filing Application: **24 September 2013**
(24) Date from which industrial property rights may have effect: **24 September 2013**
(54) Product in respect of which the design is registered: **Lounge room arm chair**
(51) International Design Classification: **06-01G**
(74) Name(s) of Attorney(s):
(71) Name(s) and Address(s) of Applicant(s):
Andrew Vaughn Henry Watts
13 Henley Marine Dr Five Dock NSW 2046 Australia
(72) Name(s) of Designer(s): **Andrew Vaughn Henry Watts**
(45) Registration Date: **30 October 2013**
(56) Related Art Documents: **Not Applicable**
(57) Statement of Newness and Distinctiveness: **With a subtly different form, a European oak leg construction pierces through the underside of an ABS plastic and felt bucket seat to create interior armrests, the chair boasts formidable structure and rigidity. Unwilling to categorise itself for a specific purpose, the chair encourages the consumer to subconsciously determine its fate through their individual approach to its design.**



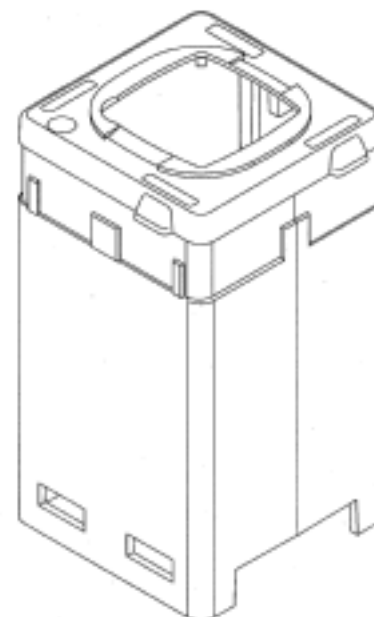
- (21) Design Number: **14814/2013**
(22) Date of Filing Application: **24 September 2013**
(24) Date from which industrial property rights may have effect: **24 September 2013**
(54) Product in respect of which the design is registered: **A scooter rack**
(51) International Design Classification: **08-10**
(74) Name(s) of Attorney(s): **SPRUSON & FERGUSON**
(71) Name(s) and Address(s) of Applicant(s):
Encat Pty Ltd
4 Sirius Rd Unanderra NSW 2526 Australia
(72) Name(s) of Designer(s): **John Arthur Ford**
(45) Registration Date: **30 October 2013**
(56) Related Art Documents: **Not Applicable**
(57) Statement of Newness and Distinctiveness: **Newness and distinctiveness is claimed in the features of shape and/or configuration of a scooter rack of indefinite length as illustrated in the accompanying representations apart from the padlock and key.**



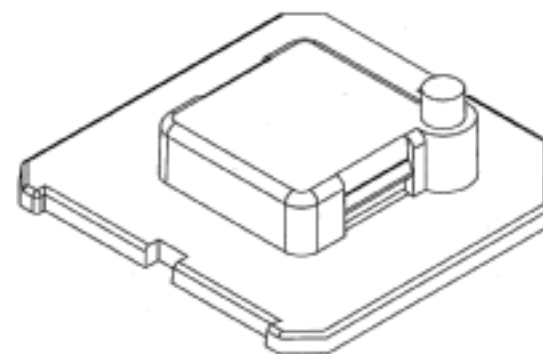
- (21) Design Number: **14815/2013**
(22) Date of Filing Application: **24 September 2013**
(24) Date from which industrial property rights may have effect: **24 September 2013**
(54) Product in respect of which the design is registered: **An electrical dimmer knob**
(51) International Design Classification: **13-03D**
(74) Name(s) of Attorney(s): **Collison & Co**
(71) Name(s) and Address(s) of Applicant(s):
Hendon Semiconductors Pty Ltd
1 Butler Dr Hendon SA 5014 Australia
(72) Name(s) of Designer(s): **Victor Davalos**
(45) Registration Date: **30 October 2013**
(56) Related Art Documents: **Not Applicable**
(57) Statement of Newness and Distinctiveness: **Nil**



- (21) Design Number: **14816/2013**
(22) Date of Filing Application: **24 September 2013**
(24) Date from which industrial property rights may have effect: **24 September 2013**
(54) Product in respect of which the design is registered: **An enclosure for an electrical push button switch**
(51) International Design Classification: **13-03D**
(74) Name(s) of Attorney(s): **Collison & Co**
(71) Name(s) and Address(s) of Applicant(s):
Hendon Semiconductors Pty Ltd
1 Butler Dr Hendon SA 5014 Australia
(72) Name(s) of Designer(s): **Victor Davalos and Jeffery William Watts and Christopher James Hurr**
(45) Registration Date: **30 October 2013**
(56) Related Art Documents: **Not Applicable**
(57) Statement of Newness and Distinctiveness: **Nil**



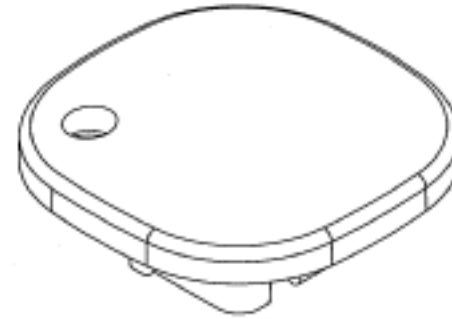
- (21) Design Number: **14817/2013**
(22) Date of Filing Application: **24 September 2013**
(24) Date from which industrial property rights may have effect: **24 September 2013**
(54) Product in respect of which the design is registered: **A button mount for an electrical switch**
(51) International Design Classification: **13-03D**
(74) Name(s) of Attorney(s): **Collison & Co**
(71) Name(s) and Address(s) of Applicant(s):
Hendon Semiconductors Pty Ltd
1 Butler Dr Hendon SA 5014 Australia
(72) Name(s) of Designer(s): **Victor Davalos and Jeffery William Watts and Christopher James Hurr**
(45) Registration Date: **30 October 2013**
(56) Related Art Documents: **Not Applicable**
(57) Statement of Newness and Distinctiveness: **Nil**



- (21) Design Number: **14818/2013**
(22) Date of Filing Application: **24 September 2013**
(24) Date from which industrial property rights may have effect: **24 September 2013**
(54) Product in respect of which the design is registered: **A tap**
(51) International Design Classification: **23-01H**
(74) Name(s) of Attorney(s): **SPRUSON & FERGUSON**
(71) Name(s) and Address(s) of Applicant(s):
Zip Heaters (Australia) Pty Limited
67 Allingham St Condell Park NSW 2200 Australia
(72) Name(s) of Designer(s): **Gary Noble and Kevin Moulton and Brian Chertkow and Craig Mounsey and Neil Welby Davidson and Jason Robert Smith and Campbell Smyth**
(45) Registration Date: **30 October 2013**
(56) Related Art Documents: **Not Applicable**
(57) Statement of Newness and Distinctiveness: **Newness and distinctiveness is claimed in those features of shape and/or configuration of a tap as illustrated in continuous lines in the accompanying representations.**



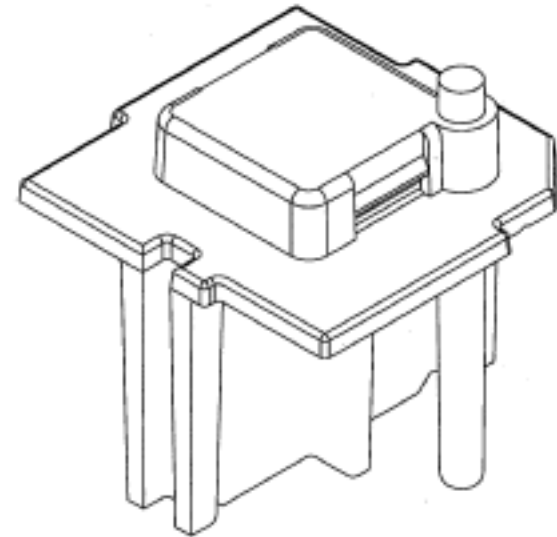
- (21) Design Number: **14819/2013**
(22) Date of Filing Application: **24 September 2013**
(24) Date from which industrial property rights may have effect: **24 September 2013**
(54) Product in respect of which the design is registered: **A button for an electrical push button switch**
(51) International Design Classification: **13-03D**
(74) Name(s) of Attorney(s): **Collison & Co**
(71) Name(s) and Address(s) of Applicant(s):
Hendon Semiconductors Pty Ltd
1 Butler Dr Hendon SA 5014 Australia
(72) Name(s) of Designer(s): **Victor Davalos and Jeffery William Watts and Christopher James Hurr**
(45) Registration Date: **30 October 2013**
(56) Related Art Documents: **Not Applicable**
(57) Statement of Newness and Distinctiveness: **Nil**



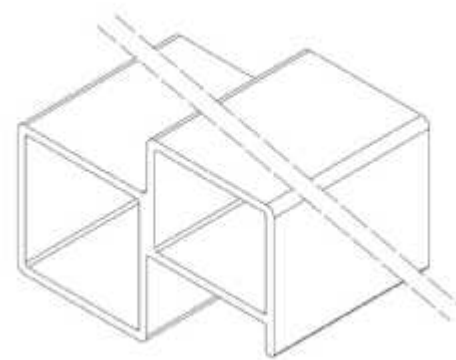
- (21) Design Number: **14821/2013**
(22) Date of Filing Application: **24 September 2013**
(24) Date from which industrial property rights may have effect: **24 September 2013**
(54) Product in respect of which the design is registered: **A button for an electrical push button switch**
(51) International Design Classification: **13-03D**
(74) Name(s) of Attorney(s): **Collison & Co**
(71) Name(s) and Address(s) of Applicant(s):
Hendon Semiconductors Pty Ltd
1 Butler Dr Hendon SA 5014 Australia
(72) Name(s) of Designer(s): **Victor Davalos and Jeffery William Watts and Christopher James Hurr**
(45) Registration Date: **30 October 2013**
(56) Related Art Documents: **Not Applicable**
(57) Statement of Newness and Distinctiveness: **Nil**



- (21) Design Number: **14822/2013**
(22) Date of Filing Application: **24 September 2013**
(24) Date from which industrial property rights may have effect: **24 September 2013**
(54) Product in respect of which the design is registered: **A button mount for an electrical switch**
(51) International Design Classification: **13-03D**
(74) Name(s) of Attorney(s): **Collison & Co**
(71) Name(s) and Address(s) of Applicant(s):
Hendon Semiconductors Pty Ltd
1 Butler Dr Hendon SA 5014 Australia
(72) Name(s) of Designer(s): **Victor Davalos and Jeffery William Watts and Christopher James Hurr**
(45) Registration Date: **30 October 2013**
(56) Related Art Documents: **Not Applicable**
(57) Statement of Newness and Distinctiveness: **Nil**



- (21) Design Number: **14895/2013**
(22) Date of Filing Application: **25 September 2013**
(24) Date from which industrial property rights may have effect: **25 September 2013**
(54) Product in respect of which the design is registered: **An Extrusion**
(51) International Design Classification: **25-01K**
(74) Name(s) of Attorney(s): **PHILLIPS ORMONDE FITZPATRICK**
(71) Name(s) and Address(s) of Applicant(s):
Lite Guard Safety Solutions Pty Ltd
13 Burton St Dromana VIC 3936 Australia
(72) Name(s) of Designer(s): **Peter Anthony Geldart**
(45) Registration Date: **30 October 2013**
(56) Related Art Documents: **Not Applicable**
(57) Statement of Newness and Distinctiveness: **Newness and distinctiveness resides in the features of shape and/or configuration of an extrusion of indefinite length as shown in the accompanying representations**



- (21) Design Number: **14983/2013**
(22) Date of Filing Application: **30 September 2013**
(24) Date from which industrial property rights may have effect: **30 September 2013**
(54) Product in respect of which the design is registered: **A swing check valve**
(51) International Design Classification: **23-01K**
(74) Name(s) of Attorney(s): **Fraser Old & Sohn**
(71) Name(s) and Address(s) of Applicant(s):

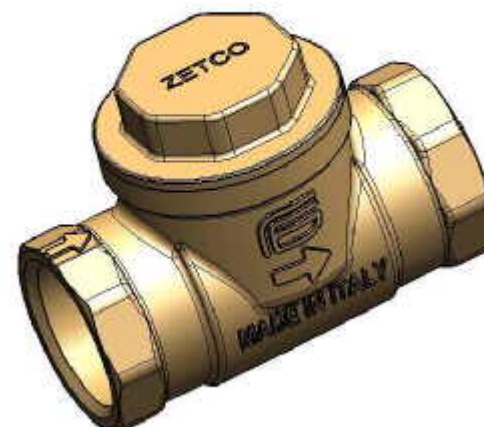
ZETCO VALVES PTY LTD
U8-9 33 Maddox St Alexandria NSW 2015 Australia

- (72) Name(s) of Designer(s): **Ermanno Tanghetti**

(45) Registration Date: **30 October 2013**

(56) Related Art Documents: **Not Applicable**

- (57) Statement of Newness and Distinctiveness: **Newness and distinctiveness is claimed in respect of the shape and/or configuration of the product illustrated in the accompanying representations. In carrying out a consideration in accordance with Section 19 the indicia illustrated in the representations are not to be considered and do not form part of the design.**



- (21) Design Number: **14984/2013**
(22) Date of Filing Application: **30 September 2013**
(24) Date from which industrial property rights may have effect: **30 September 2013**
(54) Product in respect of which the design is registered: **A swing check valve**
(51) International Design Classification: **23-01K**
(74) Name(s) of Attorney(s): **Fraser Old & Sohn**
(71) Name(s) and Address(s) of Applicant(s):

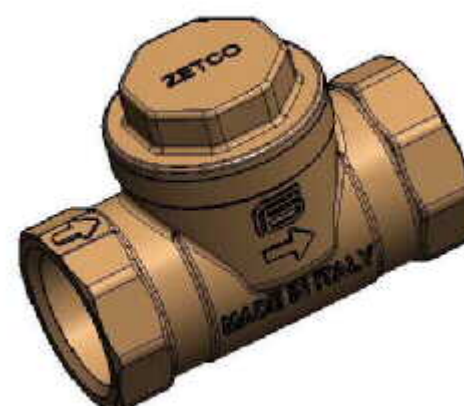
ZETCO VALVES PTY LTD
U8-9 33 Maddox St Alexandria NSW 2015 Australia

- (72) Name(s) of Designer(s): **Ermanno Tanghetti**

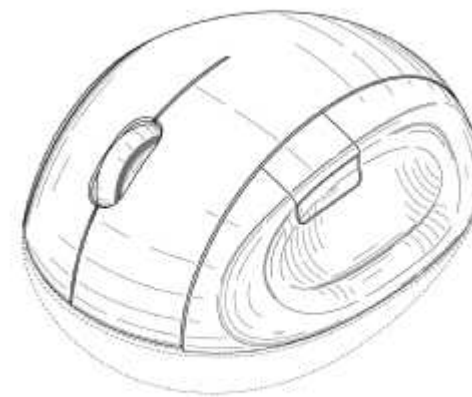
(45) Registration Date: **30 October 2013**

(56) Related Art Documents: **Not Applicable**

- (57) Statement of Newness and Distinctiveness: **Newness and distinctiveness is claimed in respect of the shape and/or configuration of the product illustrated in the accompanying representations. In carrying out a consideration in accordance with Section 19 the indicia illustrated in the representations are not to be considered and do not form part of the design.**



(21) Design Number: **15043/2013**
(22) Date of Filing Application: **03 October 2013**
(24) Date from which industrial property rights may have effect: **03 October 2013**
(54) Product in respect of which the design is registered: **Electronic mouse**
(51) International Design Classification: **14-02**
(74) Name(s) of Attorney(s): **Shelston IP**
(71) Name(s) and Address(s) of Applicant(s):



Microsoft Corporation
One Microsoft Way Redmond Washington 98052 United States of America

(72) Name(s) of Designer(s): **James Iming Tsai**

(45) Registration Date: **30 October 2013**

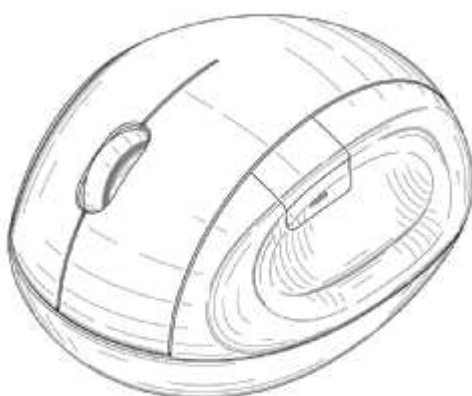
(30) Convention priority data:

(31) Number	(32) Date	(33) Country
29/459457	28 Jun 2013	UNITED STATES OF AMERICA

(56) Related Art Documents: **Not Applicable**

(57) Statement of Newness and Distinctiveness: **Newness and distinctiveness reside in the features of shape and/or configuration of an electronic mouse as illustrated by solid lines in the accompanying representations. The features shown in broken outline are for contextual purposes only and do not form part of the design.**

(21) Design Number: **15044/2013**
(22) Date of Filing Application: **03 October 2013**
(24) Date from which industrial property rights may have effect: **03 October 2013**
(54) Product in respect of which the design is registered: **Electronic mouse**
(51) International Design Classification: **14-02**
(74) Name(s) of Attorney(s): **Shelston IP**
(71) Name(s) and Address(s) of Applicant(s):



Microsoft Corporation
One Microsoft Way Redmond Washington 98052 United States of America

(72) Name(s) of Designer(s): **James Iming Tsai**

(45) Registration Date: **30 October 2013**

(30) Convention priority data:

(31) Number	(32) Date	(33) Country
29/459453	28 Jun 2013	UNITED STATES OF AMERICA

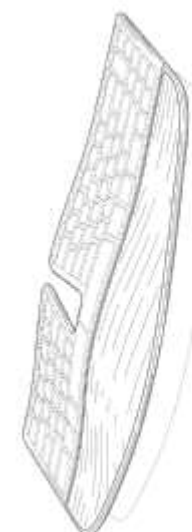
(56) Related Art Documents: **Not Applicable**

(57) Statement of Newness and Distinctiveness: **Newness and distinctiveness reside in the features of shape and/or configuration of an electronic mouse as illustrated by solid lines in the accompanying representations. The features shown in broken outline are for contextual purposes only and do not form part of the design.**

- (21) Design Number: **15045/2013**
(22) Date of Filing Application: **03 October 2013**
(24) Date from which industrial property rights may have effect: **03 October 2013**
(54) Product in respect of which the design is registered: **A housing assembly for a perimeter blasting device**
(51) International Design Classification: **15-99, 22-03**
(74) Name(s) of Attorney(s): **Davies Collison Cave**
(71) Name(s) and Address(s) of Applicant(s):
Orica International Pte Ltd
78 Shenton Way #06-15 Tower 2 079120 Singapore
(72) Name(s) of Designer(s): **Neil McMullen and Daniel Kilcullen and Jon Stickrod and Neal Stanton and Allain Martin and Mike Lefrancois and Michael T. Williams and Elizabeth Meikle and Rick Beck**
(45) Registration Date: **30 October 2013**
(30) Convention priority data:
(31) Number (32) Date (33) Country
29/451,524 03 Apr 2013 UNITED STATES OF AMERICA
(56) Related Art Documents: **Not Applicable**
(57) Statement of Newness and Distinctiveness: **The shape and configuration of the housing assembly shown in the representations are new and distinctive. When considering the newness and distinctiveness of the design, CAD lines indicating contour (and not indicating surface decoration) do not form part of the design and are to be disregarded.**



- (21) Design Number: **15049/2013**
(22) Date of Filing Application: **03 October 2013**
(24) Date from which industrial property rights may have effect: **03 October 2013**
(54) Product in respect of which the design is registered: **Keyboard**
(51) International Design Classification: **14-02**
(74) Name(s) of Attorney(s): **Shelston IP**
(71) Name(s) and Address(s) of Applicant(s):
Microsoft Corporation
One Microsoft Way Redmond Washington 98052 United States of America
(72) Name(s) of Designer(s): **Young Soo Kim and James Iming Tsai**
(45) Registration Date: **30 October 2013**
(30) Convention priority data:
(31) Number (32) Date (33) Country
29/459450 28 Jun 2013 UNITED STATES OF AMERICA
(56) Related Art Documents: **Not Applicable**
(57) Statement of Newness and Distinctiveness: **Newness and distinctiveness reside in the features of shape and/or configuration of a keyboard as illustrated by solid lines in the accompanying representations. The features shown in broken outline are for contextual purposes only and do not form part of the design.**



(21) Design Number: **15050/2013**
(22) Date of Filing Application: **03 October 2013**
(24) Date from which industrial property rights may have effect: **03 October 2013**
(54) Product in respect of which the design is registered: **Keyboard**
(51) International Design Classification: **14-02**
(74) Name(s) of Attorney(s): **Shelston IP**
(71) Name(s) and Address(s) of Applicant(s):

Microsoft Corporation
One Microsoft Way Redmond Washington 98052 United States of America

(72) Name(s) of Designer(s): **Young Soo Kim and James Iming Tsai**

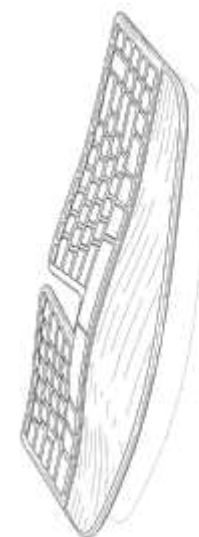
(45) Registration Date: **30 October 2013**

(30) Convention priority data:

(31) Number	(32) Date	(33) Country
29/459449	28 Jun 2013	UNITED STATES OF AMERICA

(56) Related Art Documents: **Not Applicable**

(57) Statement of Newness and Distinctiveness: **Newness and distinctiveness reside in the features of shape and/or configuration of a keyboard as illustrated by solid lines in the accompanying representations. The features shown in broken outline are for contextual purposes only and do not form part of the design.**



(21) Design Number: **15054/2013**
(22) Date of Filing Application: **04 October 2013**
(24) Date from which industrial property rights may have effect: **04 October 2013**
(54) Product in respect of which the design is registered: **A lighting device**
(51) International Design Classification: **26-02**
(74) Name(s) of Attorney(s): **Halfords IP**
(71) Name(s) and Address(s) of Applicant(s):

Eveready Battery Company, Inc.
533 Maryville University Drive St Louis Missouri 63141 United States of America

(72) Name(s) of Designer(s): **Ma Lai King**

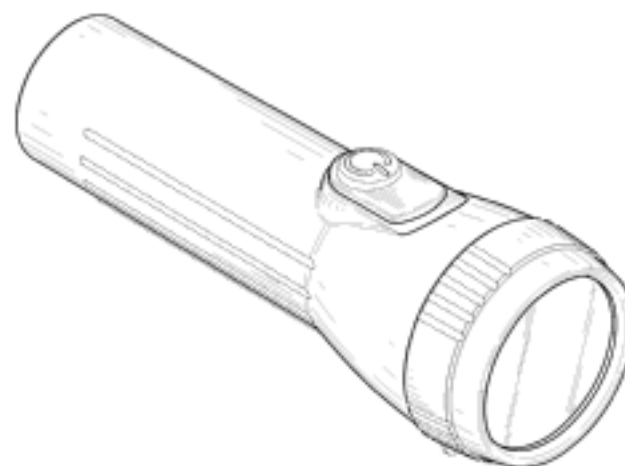
(45) Registration Date: **30 October 2013**

(30) Convention priority data:

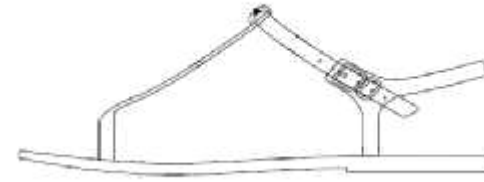
(31) Number	(32) Date	(33) Country
29/451576	04 Apr 2013	UNITED STATES OF AMERICA

(56) Related Art Documents: **Not Applicable**

(57) Statement of Newness and Distinctiveness: **Newness and distinctiveness resides in the shape and or configuration of a lighting device as depicted in the accompanying representations. Features in broken line work and shading lines, and these do not form part of the design.**



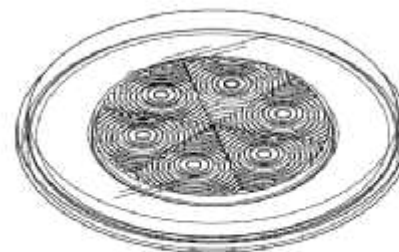
(21) Design Number: **14128/2013**
(22) Date of Filing Application: **21 August 2013**
(24) Date from which industrial property rights may have effect: **21 August 2013**
(54) Product in respect of which the design is registered: **Shoe**
(51) International Design Classification: **02-04NES**
(74) Name(s) of Attorney(s):
(71) Name(s) and Address(s) of Applicant(s):
Country Road Limited
658 Church St Cremorne VIC 3121 Australia
(72) Name(s) of Designer(s): **Christopher Haroun**
(45) Registration Date: **31 October 2013**
(56) Related Art Documents: **Not Applicable**
(57) Statement of Newness and Distinctiveness: **This Sandal has an upper toe loop strap & T bar which is very narrow.**



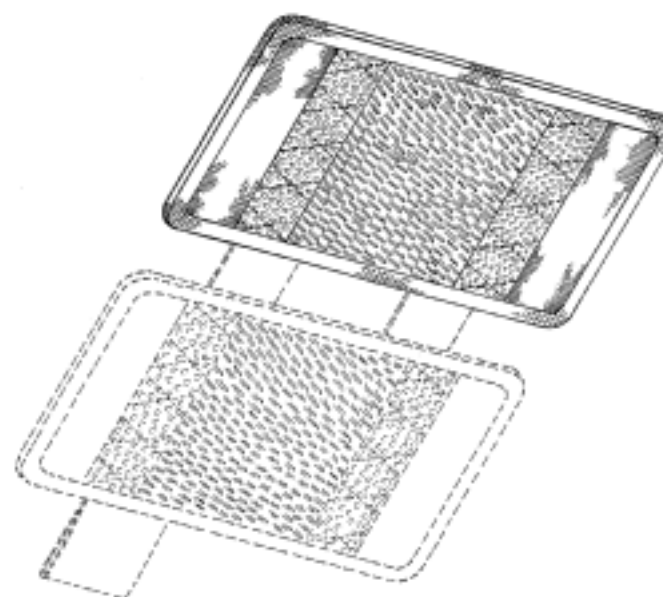
(21) Design Number: **14188/2013**
(22) Date of Filing Application: **25 August 2013**
(24) Date from which industrial property rights may have effect: **25 August 2013**
(54) Product in respect of which the design is registered: **Alu' glass extension table**
(51) International Design Classification: **06-03A**
(74) Name(s) of Attorney(s):
(71) Name(s) and Address(s) of Applicant(s):
Xuan Zhou
Tianhe District Guangzhou Unit 704 Xin Chuang Ju Building No.123
China
Guangzhou Gardenart Furniture Co. Ltd
Unit 704 Xin Chuang Ju Bldg. No.123 Ti Yu Xi Road Tianhe District
Guangzhou 510620 China
(72) Name(s) of Designer(s): **Jianhui Cao**
(45) Registration Date: **31 October 2013**
(56) Related Art Documents: **Not Applicable**
(57) Statement of Newness and Distinctiveness: **Nil**



(21) Design Number: **14261/2013**
(22) Date of Filing Application: **28 August 2013**
(24) Date from which industrial property rights may have effect: **28 August 2013**
(54) Product in respect of which the design is registered: **Cover lens for an automotive lamp**
(51) International Design Classification: **26-06**
(74) Name(s) of Attorney(s): **A.P.T. Patent and Trade Mark Attorneys**
(71) Name(s) and Address(s) of Applicant(s):
Lucidity Enterprise Co., Ltd.
No. 18 Gongye 1st Rd Annan District Tainan City Taiwan
(72) Name(s) of Designer(s): **Hsi-Hsien Tsai and Chao-Ming Chang**
(45) Registration Date: **31 October 2013**
(56) Related Art Documents: **Not Applicable**
(57) Statement of Newness and Distinctiveness: **Nil**



(21) Design Number: **14303/2013**
(22) Date of Filing Application: **29 August 2013**
(24) Date from which industrial property rights may have effect: **29 August 2013**
(54) Product in respect of which the design is registered: **Pad arrangement**
(51) International Design Classification: **03-01NES, 15-05**
(74) Name(s) of Attorney(s): **PIZZEYS**
(71) Name(s) and Address(s) of Applicant(s):
Euro-Pro Operating LLC
180 Wells Avenue Suite 200 Newton Massachusetts 02459 United States of America
(72) Name(s) of Designer(s): **Bastin B. Antonisami**
(45) Registration Date: **31 October 2013**
(30) Convention priority data:
(31) Number (32) Date (33) Country
29/447,294 01 Mar 2013 UNITED STATES OF AMERICA
(56) Related Art Documents: **Not Applicable**
(57) Statement of Newness and Distinctiveness: **Nil**



- (21) Design Number: **14416/2013**
(22) Date of Filing Application: **05 September 2013**
(24) Date from which industrial property rights may have effect: **05 September 2013**
(54) Product in respect of which the design is registered: **Ski binding**
(51) International Design Classification: **21-02NES**
(74) Name(s) of Attorney(s):
(71) Name(s) and Address(s) of Applicant(s):

Eric Philips
28/b Lalwinya Rd Mt Nelson TAS 7007 Australia

- (72) Name(s) of Designer(s): **Eric Philips**
(45) Registration Date: **31 October 2013**
(56) Related Art Documents: **Not Applicable**

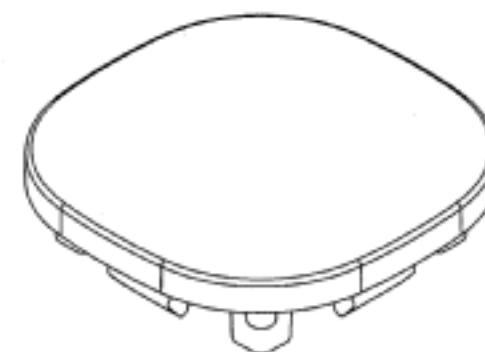
- (57) Statement of Newness and Distinctiveness: **same purpose as the Multi-Shim) is mounted between Locator Lugs on the underside of the base plate, preventing torsional flexing of the binding when edging. m a polyethylene Base Plate on which the boot locates, an aluminium Boot Cage which houses the boot onto the Base Plate and a webbing Strap System and buckles that secure the boot to the binding. The binding does not mount directly to the ski, but to a Multi-Shim. The Multi-Shim is screwed directly to the ski and the Flex Stem of the Mounting Plate mounts to the Multi-Shim using an aluminium Mounting Plate and ski-binding screws. The Multi-Shim has an array of holes, giving multiple positions on which to mount the binding. This design allows for offset mounting to counter ankle-roll (pronation and supination). A Heel Plate, with it's own Shim (with the same purpose as the Multi-Shim) is mounted between Locator Lugs on the underside of the base plate, preventing torsional flexing of the binding when edging.**



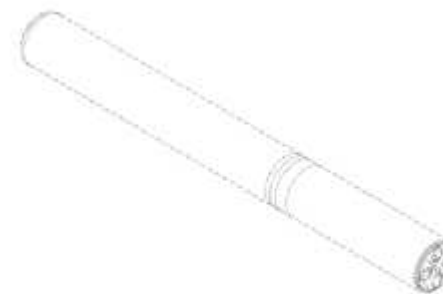
- (21) Design Number: **14823/2013**
(22) Date of Filing Application: **24 September 2013**
(24) Date from which industrial property rights may have effect: **24 September 2013**
(54) Product in respect of which the design is registered: **A button for an electrical push button switch**
(51) International Design Classification: **13-03D**
(74) Name(s) of Attorney(s): **Collison & Co**
(71) Name(s) and Address(s) of Applicant(s):

Hendon Semiconductors Pty Ltd
1 Butler Dr Hendon SA 5014 Australia

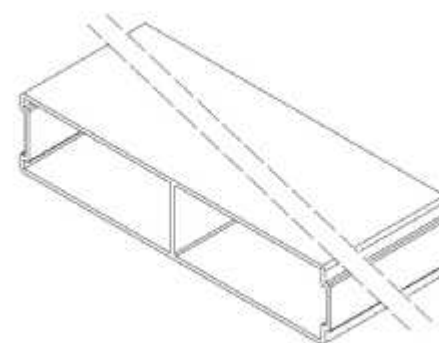
- (72) Name(s) of Designer(s): **Victor Davalos**
(45) Registration Date: **31 October 2013**
(56) Related Art Documents: **Not Applicable**
(57) Statement of Newness and Distinctiveness: **Nil**



(21) Design Number: **13336/2013**
(22) Date of Filing Application: **11 July 2013**
(24) Date from which industrial property rights may have effect: **11 July 2013**
(54) Product in respect of which the design is registered: **Mouthpiece of a smoking article**
(51) International Design Classification: **27-01**
(74) Name(s) of Attorney(s): **SPRUSON & FERGUSON**
(71) Name(s) and Address(s) of Applicant(s):
Altria Client Services Inc.
6601 West Broad Street Richmond VA 23230 United States of America
(72) Name(s) of Designer(s): **Christopher S. Tucker and Geoffrey Brandon Jordan and Barry S. Smith and Ali A. Rostami**
(45) Registration Date: **31 October 2013**
(30) Convention priority data:
(31) Number (32) Date (33) Country
29/443128 14 Jan 2013 UNITED STATES OF AMERICA
(56) Related Art Documents: **Not Applicable**
(57) Statement of Newness and Distinctiveness: **The newness and distinctiveness of the design is claimed in the features of shape and/or configuration of a mouthpiece of a smoking article as illustrated in unbroken lines in the accompanying representations.**



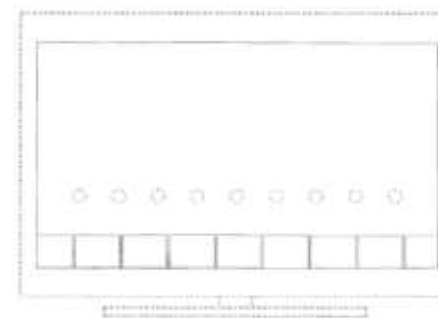
(21) Design Number: **14894/2013**
(22) Date of Filing Application: **25 September 2013**
(24) Date from which industrial property rights may have effect: **25 September 2013**
(54) Product in respect of which the design is registered: **An extrusion**
(51) International Design Classification: **25-01K**
(74) Name(s) of Attorney(s): **PHILLIPS ORMONDE FITZPATRICK**
(71) Name(s) and Address(s) of Applicant(s):
Lite Guard Safety Solutions Pty Ltd
13 Burton St Dromana VIC 3936 Australia
(72) Name(s) of Designer(s): **Peter Anthony Geldart**
(45) Registration Date: **31 October 2013**
(56) Related Art Documents: **Not Applicable**
(57) Statement of Newness and Distinctiveness: **Newness and distinctiveness resides in the features of shape and/or configuration of an extrusion of indefinite length as shown in the accompanying representations.**



- (21) Design Number: **13317/2013**
(22) Date of Filing Application: **10 July 2013**
(24) Date from which industrial property rights may have effect: **10 July 2013**
(54) Product in respect of which the design is registered: **A docking station of a remote medical system**
(51) International Design Classification: **14-02**
(74) Name(s) of Attorney(s): **Davies Collison Cave**
(71) Name(s) and Address(s) of Applicant(s):
Quanta Computer Inc.
No 188 Wen Hwa 2nd Rd Kuei Shan Hsiang Taoyuan Shien Taiwan
(72) Name(s) of Designer(s): **Po-Chih Tsai and Ting-Han Huang and Kang-Wen Lin and Chia-Yuan Chang**
(45) Registration Date: **31 October 2013**
(30) Convention priority data:
(31) Number (32) Date (33) Country
102303148 03 May 2013 TAIWAN
(56) Related Art Documents: **Not Applicable**
(57) Statement of Newness and Distinctiveness: **A docking station of a remote medical system.**



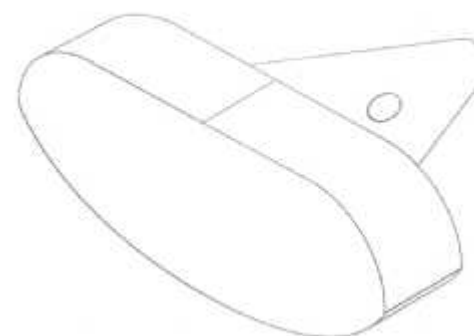
- (21) Design Number: **14129/2013**
(22) Date of Filing Application: **21 August 2013**
(24) Date from which industrial property rights may have effect: **21 August 2013**
(54) Product in respect of which the design is registered: **Display panel/screen with computer generated image**
(51) International Design Classification: **14-02**
(74) Name(s) of Attorney(s): **Shelston IP**
(71) Name(s) and Address(s) of Applicant(s):
Sony Computer Entertainment Inc.
1-7-1 Konan Minato-ku Toyko 108-0075 Japan
(72) Name(s) of Designer(s): **Shuji Hiramatsu and Taku Sugawara and Shinji Kimura**
(45) Registration Date: **31 October 2013**
(30) Convention priority data:
(31) Number (32) Date (33) Country
2013-018706 14 Aug 2013 JAPAN
(56) Related Art Documents: **Not Applicable**
(57) Statement of Newness and Distinctiveness: **Newness and distinctiveness reside in the features of pattern and ornamentation of a display panel/screen with a computer generated image as shown in solid lines in the accompanying representations. The features shown in dotted lines are shown for contextual purposes only and do not form part of the design.**



- (21) Design Number: **14892/2013**
(22) Date of Filing Application: **23 September 2013**
(24) Date from which industrial property rights may have effect: **30 January 2013**
(54) Product in respect of which the design is registered: **Handbag**
(51) International Design Classification: **03-01B**
(74) Name(s) of Attorney(s): **Allens Patent & Trade Mark Attorneys**
(71) Name(s) and Address(s) of Applicant(s):
Forever New Clothing Pty Ltd
714-716 High St Kew East VIC 3102 Australia
(72) Name(s) of Designer(s): **Georgia Roberts-Thomson**
(45) Registration Date: **31 October 2013**
(62) Divisional of: **351168**
(56) Related Art Documents: **Not Applicable**
(57) Statement of Newness and Distinctiveness: **Newness and distinctiveness resides in the visual features of shape, configuration, pattern and/or ornamentation of a handbag as shown in the accompanying representations.**



- (21) Design Number: **14963/2013**
(22) Date of Filing Application: **27 September 2013**
(24) Date from which industrial property rights may have effect: **27 September 2013**
(54) Product in respect of which the design is registered: **A golf putter head**
(51) International Design Classification: **21-02C**
(74) Name(s) of Attorney(s): **Actuate IP**
(71) Name(s) and Address(s) of Applicant(s):
Star Globe Pty Ltd
13 Manhattan CI Point Cook VIC 3030 Australia
(72) Name(s) of Designer(s): **Paul Sussich**
(45) Registration Date: **31 October 2013**
(56) Related Art Documents: **Not Applicable**
(57) Statement of Newness and Distinctiveness: **Newness and distinctiveness is claimed in the shape and/or configuration of the golf putter head as illustrated in the accompanying representations.**



- (21) Design Number: **14976/2013**
(22) Date of Filing Application: **30 September 2013**
(24) Date from which industrial property rights may have effect: **30 September 2013**
(54) Product in respect of which the design is registered: **A swing check valve**
(51) International Design Classification: **23-01K**
(74) Name(s) of Attorney(s): **Fraser Old & Sohn**
(71) Name(s) and Address(s) of Applicant(s):

ZETCO VALVES PTY LTD
U8-9 33 Maddox St Alexandria NSW 2015 Australia

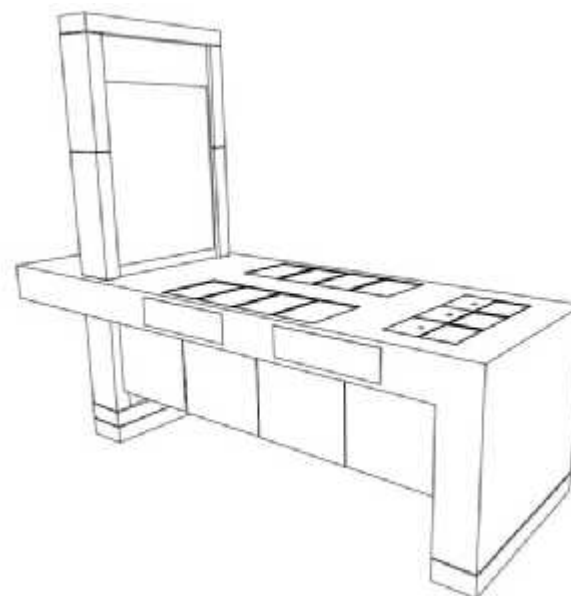
- (72) Name(s) of Designer(s): **Ermanno Tanghetti**
(45) Registration Date: **31 October 2013**
(56) Related Art Documents: **Not Applicable**
(57) Statement of Newness and Distinctiveness: **Newness and distinctiveness is claimed in respect of the shape and/or configuration of the product illustrated in the accompanying representations. In carrying out a consideration in accordance with Section 19 the indicia illustrated in the representations are not to be considered and do not form part of the design.**



- (21) Design Number: **15026/2013**
(22) Date of Filing Application: **01 October 2013**
(24) Date from which industrial property rights may have effect: **01 October 2013**
(54) Product in respect of which the design is registered: **Kiosk**
(51) International Design Classification: **20-02C, 14-02, 06-06C**
(74) Name(s) of Attorney(s): **Baker & McKenzie**
(71) Name(s) and Address(s) of Applicant(s):

Optus Retailco Pty Ltd
1 Lyonpark Rd Macquarie Park NSW 2113 Australia

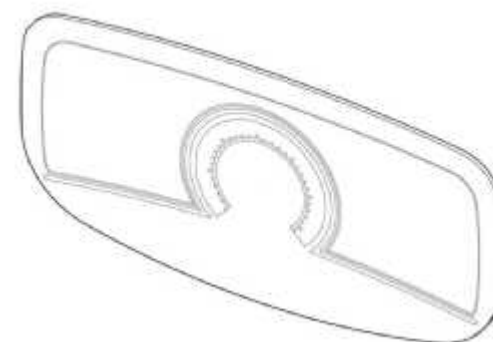
- (72) Name(s) of Designer(s): **Adam Anthony Morris and Chris Ballard and Bob Angley**
(45) Registration Date: **31 October 2013**
(56) Related Art Documents: **Not Applicable**
(57) Statement of Newness and Distinctiveness: **Nil**



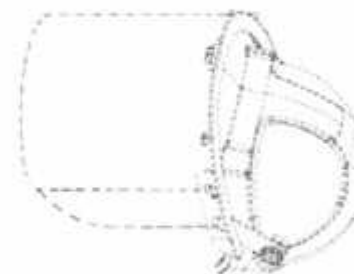
- (21) Design Number: **15028/2013**
(22) Date of Filing Application: **02 October 2013**
(24) Date from which industrial property rights may have effect: **02 October 2013**
(54) Product in respect of which the design is registered: **Postbox**
(51) International Design Classification: **25-03**
(74) Name(s) of Attorney(s):
(71) Name(s) and Address(s) of Applicant(s):
Dylan James Lake
17 The Rise Glen Waverley VIC 3150 Australia
(72) Name(s) of Designer(s): **Dylan James Lake**
(45) Registration Date: **31 October 2013**
(56) Related Art Documents: **Not Applicable**
(57) Statement of Newness and Distinctiveness: **The newness and distinctiveness of the design resides in the shape and/or configuration of a letterbox shown in the representations.**



- (21) Design Number: **15031/2013**
(22) Date of Filing Application: **02 October 2013**
(24) Date from which industrial property rights may have effect: **02 October 2013**
(54) Product in respect of which the design is registered: **Indicator panel for a vehicle**
(51) International Design Classification: **12-16E**
(74) Name(s) of Attorney(s): **AJ Park**
(71) Name(s) and Address(s) of Applicant(s):
Iseki & Co., Ltd.
700 Umaki-cho Matsuyama-shi Ehime-ken 799-2692 Japan
(72) Name(s) of Designer(s): **Kazunori Fukuchi and Takehumi Kato and Yoshitaka Tani**
(45) Registration Date: **31 October 2013**
(30) Convention priority data:
(31) Number (32) Date (33) Country
2013-014198 24 Jun 2013 JAPAN
(56) Related Art Documents: **Not Applicable**
(57) Statement of Newness and Distinctiveness: **Newness and distinctiveness reside in the features of shape and/or configuration and pattern and/or ornament of the Indicator Panel for a Vehicle as shown in the representations.**



- (21) Design Number: **15033/2013**
(22) Date of Filing Application: **03 October 2013**
(24) Date from which industrial property rights may have effect: **03 October 2013**
(54) Product in respect of which the design is registered: **Visor**
(51) International Design Classification: **02-03**
(74) Name(s) of Attorney(s):
(71) Name(s) and Address(s) of Applicant(s):
CH Chang Holdings Pty Ltd trading as Australian Supreme Import
83 Boulder Rd Malaga WA 6090 Australia
(72) Name(s) of Designer(s): **Gary Chang**
(45) Registration Date: **31 October 2013**
(56) Related Art Documents: **Not Applicable**
(57) Statement of Newness and Distinctiveness: **The newness and distinctiveness of the design resides in the shape and configuration of the visor attachment apertures of a visor as shown in the continuous lines in the accompanying representations. The broken lines are not part of the design and are to be disregarded when considering the overall impression of the design.**



- (21) Design Number: **15035/2013**
(22) Date of Filing Application: **27 September 2013**
(24) Date from which industrial property rights may have effect: **27 September 2013**
(54) Product in respect of which the design is registered: **Paraffin melter**
(51) International Design Classification: **15-99**
(74) Name(s) of Attorney(s): **Fisher Adams Kelly Pty Ltd**
(71) Name(s) and Address(s) of Applicant(s):
Vincent Raya (DongGuan) Electronics Co., Ltd
No. 45-46 Qiaolong Shabu Industrial District Tangxia Town DONGGUAN
CITY 523730 Guangdong Province China
(72) Name(s) of Designer(s): **Vincent Choi**
(45) Registration Date: **31 October 2013**
(30) Convention priority data:
(31) Number (32) Date (33) Country
201330362862.5 30 Jul 2013 CHINA
(56) Related Art Documents: **Not Applicable**
(57) Statement of Newness and Distinctiveness: **The newness and distinctiveness of the design resides in the shape and/or configuration of the PARAFFIN MELTER shown in the representations.**



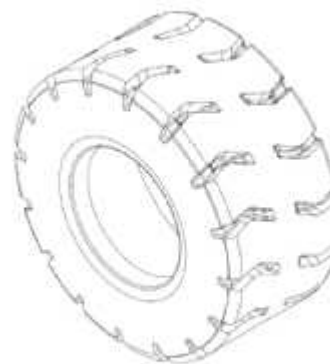
- (21) Design Number: **15036/2013**
(22) Date of Filing Application: **03 October 2013**
(24) Date from which industrial property rights may have effect: **03 October 2013**
(54) Product in respect of which the design is registered: **Computing device peripheral**
(51) International Design Classification: **14-02**
(74) Name(s) of Attorney(s): **Shelston IP**
(71) Name(s) and Address(s) of Applicant(s):
Microsoft Corporation
One Microsoft Way Redmond Washington 98052 United States of America
(72) Name(s) of Designer(s): **Young Soo Kim and Michael Zheng and Ralf Groene**
(45) Registration Date: **31 October 2013**
(30) Convention priority data:
(31) Number (32) Date (33) Country
29/454811 14 May 2013 UNITED STATES OF AMERICA
(56) Related Art Documents: **Not Applicable**
(57) Statement of Newness and Distinctiveness: **Newness and distinctiveness reside in the features of shape and/or configuration of a computing device peripheral as illustrated by solid lines in the accompanying representations. The features shown in broken outline are for contextual purposes only and do not form part of the design.**



- (21) Design Number: **15037/2013**
(22) Date of Filing Application: **03 October 2013**
(24) Date from which industrial property rights may have effect: **03 October 2013**
(54) Product in respect of which the design is registered: **Computing device peripheral**
(51) International Design Classification: **14-02**
(74) Name(s) of Attorney(s): **Shelston IP**
(71) Name(s) and Address(s) of Applicant(s):
Microsoft Corporation
One Microsoft Way Redmond Washington 98052 United States of America
(72) Name(s) of Designer(s): **Young Soo Kim and Michael Zheng and Ralf Groene**
(45) Registration Date: **31 October 2013**
(30) Convention priority data:
(31) Number (32) Date (33) Country
29/454810 14 May 2013 UNITED STATES OF AMERICA
(56) Related Art Documents: **Not Applicable**
(57) Statement of Newness and Distinctiveness: **Newness and distinctiveness reside in the features of shape and/or configuration of a computing device peripheral as illustrated by solid lines in the accompanying representations. The features shown in broken outline are for contextual purposes only and do not form part of the design.**



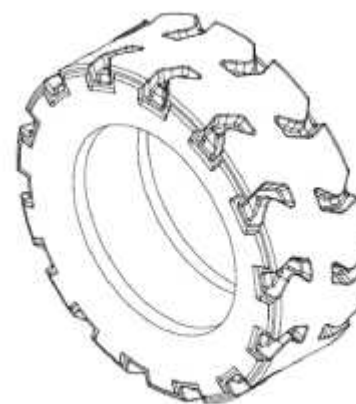
- (21) Design Number: **15040/2013**
(22) Date of Filing Application: **03 October 2013**
(24) Date from which industrial property rights may have effect: **03 October 2013**
(54) Product in respect of which the design is registered: **Tyre**
(51) International Design Classification: **12-15NES**
(74) Name(s) of Attorney(s): **SPRUSON & FERGUSON**
(71) Name(s) and Address(s) of Applicant(s):
Shandong Linglong Tyre Co., Ltd.
No. 777 Jinlong Road Zhaoyuan City Shandong 265406 China
(72) Name(s) of Designer(s): **Feng Wang and Guangzhen Sui and Xiaoying Song**
(45) Registration Date: **31 October 2013**
(56) Related Art Documents: **Not Applicable**
(57) Statement of Newness and Distinctiveness: **Newness and distinctiveness is claimed in the features of shape and/or configuration of the tread of a tyre as illustrated in the accompanying representations, wherein the shape and/or configuration of the tread is repeated throughout the circumference of the tyre.**



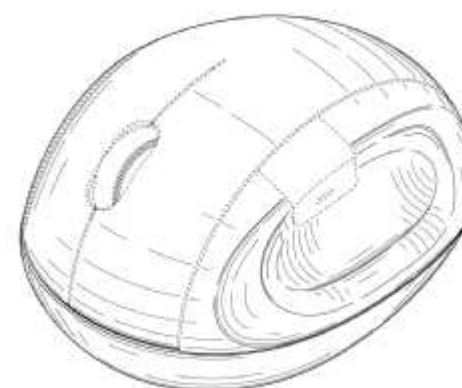
- (21) Design Number: **15041/2013**
(22) Date of Filing Application: **03 October 2013**
(24) Date from which industrial property rights may have effect: **03 October 2013**
(54) Product in respect of which the design is registered: **Tyre**
(51) International Design Classification: **12-15C**
(74) Name(s) of Attorney(s): **SPRUSON & FERGUSON**
(71) Name(s) and Address(s) of Applicant(s):
Shandong Linglong Tyre Co., Ltd.
No. 777 Jinlong Road Zhaoyuan City Shandong 265406 China
(72) Name(s) of Designer(s): **Feng Wang and Guangzhen Sui and Peixing Sui and Xiaoying Song**
(45) Registration Date: **31 October 2013**
(56) Related Art Documents: **Not Applicable**
(57) Statement of Newness and Distinctiveness: **Newness and distinctiveness is claimed in the features of shape and/or configuration of the tread of a tyre as illustrated in the accompanying representations, wherein the shape and/or configuration of the tread is repeated throughout the circumference of the tyre.**



- (21) Design Number: **15042/2013**
(22) Date of Filing Application: **03 October 2013**
(24) Date from which industrial property rights may have effect: **03 October 2013**
(54) Product in respect of which the design is registered: **Tyre**
(51) International Design Classification: **12-15NES**
(74) Name(s) of Attorney(s): **SPRUSON & FERGUSON**
(71) Name(s) and Address(s) of Applicant(s):
Shandong Linglong Tyre Co., Ltd.
No. 777 Jinlong Road Zhaoyuan City Shandong 265406 China
(72) Name(s) of Designer(s): **Feng Wang and Xiaoying Song and Guangzhen Sui**
(45) Registration Date: **31 October 2013**
(56) Related Art Documents: **Not Applicable**
(57) Statement of Newness and Distinctiveness: **Newness and distinctiveness is claimed in the features of shape and/or configuration of the tread of a tyre as illustrated in the accompanying representations, wherein the shape and/or configuration of the tread is repeated throughout the circumference of the tyre.**



- (21) Design Number: **15046/2013**
(22) Date of Filing Application: **03 October 2013**
(24) Date from which industrial property rights may have effect: **03 October 2013**
(54) Product in respect of which the design is registered: **Electronic mouse**
(51) International Design Classification: **14-02**
(74) Name(s) of Attorney(s): **Shelston IP**
(71) Name(s) and Address(s) of Applicant(s):
Microsoft Corporation
One Microsoft Way Redmond Washington 98052 United States of America
(72) Name(s) of Designer(s): **James Iming Tsai**
(45) Registration Date: **31 October 2013**
(30) Convention priority data:
(31) Number (32) Date (33) Country
29/459454 28 Jun 2013 UNITED STATES OF AMERICA
(56) Related Art Documents: **Not Applicable**
(57) Statement of Newness and Distinctiveness: **Newness and distinctiveness reside in the features of shape and/or configuration of an electronic mouse as illustrated by solid lines in the accompanying representations. The features shown in broken outline are for contextual purposes only and do not form part of the design.**



(21) Design Number: **15047/2013**
(22) Date of Filing Application: **03 October 2013**
(24) Date from which industrial property rights may have effect: **03 October 2013**
(54) Product in respect of which the design is registered: **Keyboard**
(51) International Design Classification: **14-02**
(74) Name(s) of Attorney(s): **Shelston IP**
(71) Name(s) and Address(s) of Applicant(s):

Microsoft Corporation
One Microsoft Way Redmond Washington 98052 United States of America

(72) Name(s) of Designer(s): **Young Soo Kim and James Iming Tsai**

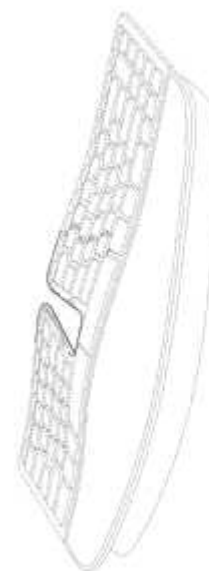
(45) Registration Date: **31 October 2013**

(30) Convention priority data:

(31) Number	(32) Date	(33) Country
29/459452	28 Jun 2013	UNITED STATES OF AMERICA

(56) Related Art Documents: **Not Applicable**

(57) Statement of Newness and Distinctiveness: **Newness and distinctiveness reside in the features of shape and/or configuration of a keyboard as illustrated by solid lines in the accompanying representations. The features shown in broken outline are for contextual purposes only and do not form part of the design.**



(21) Design Number: **15048/2013**
(22) Date of Filing Application: **03 October 2013**
(24) Date from which industrial property rights may have effect: **03 October 2013**
(54) Product in respect of which the design is registered: **Keyboard**
(51) International Design Classification: **14-02**
(74) Name(s) of Attorney(s): **Shelston IP**
(71) Name(s) and Address(s) of Applicant(s):

Microsoft Corporation
One Microsoft Way Redmond Washington 98052 United States of America

(72) Name(s) of Designer(s): **Young Soo Kim and James Iming Tsai**

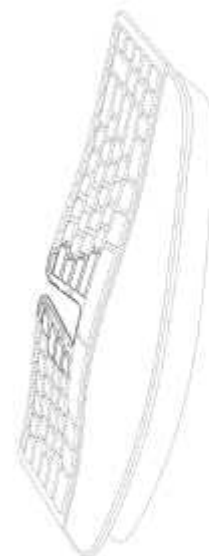
(45) Registration Date: **31 October 2013**

(30) Convention priority data:

(31) Number	(32) Date	(33) Country
29/459451	28 Jun 2013	UNITED STATES OF AMERICA

(56) Related Art Documents: **Not Applicable**

(57) Statement of Newness and Distinctiveness: **Newness and distinctiveness reside in the features of shape and/or configuration of a keyboard as illustrated by solid lines in the accompanying representations. The features shown in broken outline are for contextual purposes only and do not form part of the design.**



(21) Design Number: **15051/2013**
(22) Date of Filing Application: **03 October 2013**
(24) Date from which industrial property rights may have effect: **03 October 2013**
(54) Product in respect of which the design is registered: **Keyboard**
(51) International Design Classification: **14-02**
(74) Name(s) of Attorney(s): **Shelston IP**
(71) Name(s) and Address(s) of Applicant(s):

Microsoft Corporation
One Microsoft Way Redmond Washington 98052 United States of America

(72) Name(s) of Designer(s): **Young Soo Kim and James Iming Tsai**

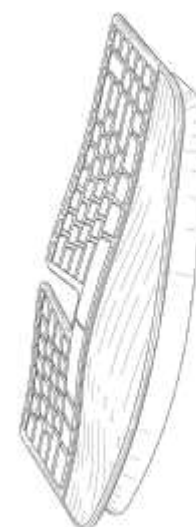
(45) Registration Date: **31 October 2013**

(30) Convention priority data:

(31) Number	(32) Date	(33) Country
29/459448	28 Jun 2013	UNITED STATES OF AMERICA

(56) Related Art Documents: **Not Applicable**

(57) Statement of Newness and Distinctiveness: **Newness and distinctiveness reside in the features of shape and/or configuration of a keyboard as illustrated by solid lines in the accompanying representations. The features shown in broken outline are for contextual purposes only and do not form part of the design.**



(21) Design Number: **15056/2013**
(22) Date of Filing Application: **04 October 2013**
(24) Date from which industrial property rights may have effect: **04 October 2013**
(54) Product in respect of which the design is registered: **A lighting device**
(51) International Design Classification: **26-02**
(74) Name(s) of Attorney(s): **Halfords IP**
(71) Name(s) and Address(s) of Applicant(s):

Eveready Battery Company, Inc.
533 Maryville University Drive St Louis Missouri 63141 United States of America

(72) Name(s) of Designer(s): **Donwoong Kang and Scott Osiecki**

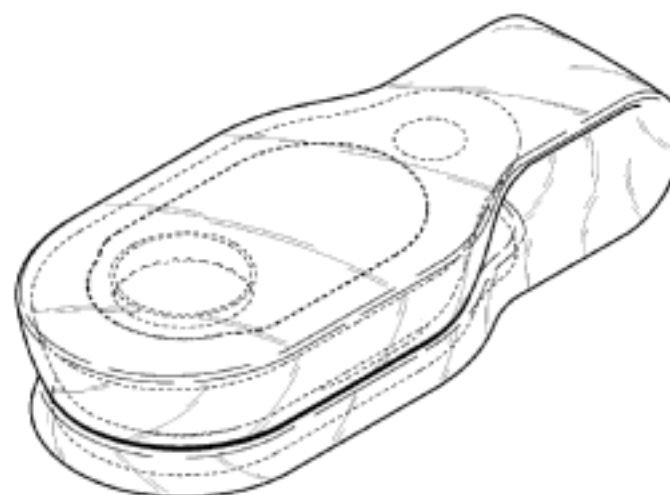
(45) Registration Date: **31 October 2013**

(30) Convention priority data:

(31) Number	(32) Date	(33) Country
29/451574	04 Apr 2013	UNITED STATES OF AMERICA

(56) Related Art Documents: **Not Applicable**

(57) Statement of Newness and Distinctiveness: **Newness and distinctiveness resides in the shape and or configuration of a lighting device as depicted in the accompanying representations. Features shown in broken line work and shading do not form part of the design.**



(21) Design Number: **15078/2013**

(22) Date of Filing Application: **07 October 2013**

(24) Date from which industrial property rights may have effect: **07 October 2013**

(54) Product in respect of which the design is registered: **Pillow**

(51) International Design Classification: **06-09**

(74) Name(s) of Attorney(s): **Griffith Hack**

(71) Name(s) and Address(s) of Applicant(s):

**Grausam Handels GmbH
Wehlistrasse 29 Vienna 1200 Austria**

(72) Name(s) of Designer(s): **Mario Matzinger**

(45) Registration Date: **31 October 2013**

(30) Convention priority data:

(31) Number
DM/081452

(32) Date
02 Aug 2013

(33) Country
**WORLD INTELLECTUAL
PROPERTY ORGANIZATION
(WIPO)**



(56) Related Art Documents: **Not Applicable**

(57) Statement of Newness and Distinctiveness: **Newness and distinctiveness resides in the visual features, including the shape, configuration and ornamentation of the product as shown in the accompanying representations. The product may be used as a holder for a tablet or electronic device as shown in Figure 8 which has been included for illustrative purposes only and does not form part of the design.**

(21) Design Number: **15025/2013**

(22) Date of Filing Application: **01 October 2013**

(24) Date from which industrial property rights may have effect: **01 October 2013**

(54) Product in respect of which the design is registered: **Kiosk**

(51) International Design Classification: **20-02C, 14-02, 06-03C**

(74) Name(s) of Attorney(s): **Baker & McKenzie**

(71) Name(s) and Address(s) of Applicant(s):

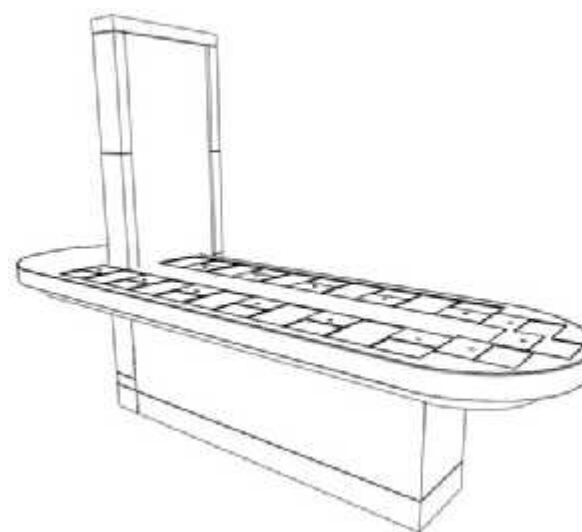
**Optus Retailco Pty Ltd
1 Lyonpark Rd Macquarie Park NSW 2113 Australia**

(72) Name(s) of Designer(s): **Adam Anthony Morris and Chris Ballard and Bob Angley**

(45) Registration Date: **31 October 2013**

(56) Related Art Documents: **Not Applicable**

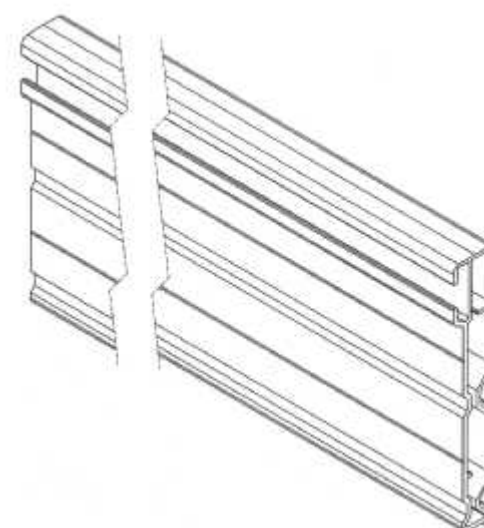
(57) Statement of Newness and Distinctiveness: **Nil**



- (21) Design Number: **14169/2013**
(22) Date of Filing Application: **23 August 2013**
(24) Date from which industrial property rights may have effect: **23 August 2013**
(54) Product in respect of which the design is registered: **A tool**
(51) International Design Classification: **08-05NES**
(74) Name(s) of Attorney(s): **PHILLIPS ORMONDE FITZPATRICK**
(71) Name(s) and Address(s) of Applicant(s):
GSA Industries (Aust) Pty Ltd
L54 Rialto 525 Collins St Melbourne VIC 3000 Australia
(72) Name(s) of Designer(s): **Jeremy Gledhill and Peter Graham**
(45) Registration Date: **31 October 2013**
(56) Related Art Documents: **Not Applicable**
(57) Statement of Newness and Distinctiveness: **Those features of the tool depicted in the representations that are new and distinctive are the shape and/or configuration.**



- (21) Design Number: **14437/2013**
(22) Date of Filing Application: **06 September 2013**
(24) Date from which industrial property rights may have effect: **06 September 2013**
(54) Product in respect of which the design is registered: **Barrier rail**
(51) International Design Classification: **25-02C**
(74) Name(s) of Attorney(s): **Actuate IP**
(71) Name(s) and Address(s) of Applicant(s):
Moddex Group Pty Ltd
Kalman House 1 Kalman Dr Boronia VIC 3155 Australia
(72) Name(s) of Designer(s): **Steven Thrush and Dean Vos and Iain White and Anton Voss and Alvin Rowland**
(45) Registration Date: **31 October 2013**
(30) Convention priority data:
(31) Number (32) Date (33) Country
29/447934 07 Mar 2013 UNITED STATES OF AMERICA
(56) Related Art Documents: **Not Applicable**
(57) Statement of Newness and Distinctiveness: **Newness and distinctiveness is claimed in the features of shape and/or configuration of the barrier rail as illustrated in the accompanying representations.**



(21) Design Number: **14917/2013**
(22) Date of Filing Application: **24 September 2013**
(24) Date from which industrial property rights may have effect: **24 September 2013**
(54) Product in respect of which the design is registered: **Cover for a container**
(51) International Design Classification: **07-01NES**
(74) Name(s) of Attorney(s): **PHILLIPS ORMONDE FITZPATRICK**
(71) Name(s) and Address(s) of Applicant(s):

Dart Industries Inc.
14901 S. Orange Blossom Trail Orlando Florida 32837 United States of America

(72) Name(s) of Designer(s): **Julie L. Yessin and Jan-Hendrik De Groot**

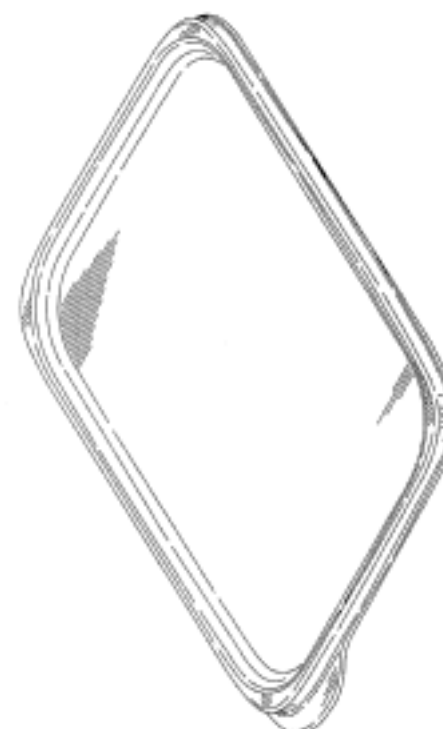
(45) Registration Date: **01 November 2013**

(30) Convention priority data:

(31) Number	(32) Date	(33) Country
29/449,703	15 Mar 2013	UNITED STATES OF AMERICA

(56) Related Art Documents: **Not Applicable**

(57) Statement of Newness and Distinctiveness: **Those features of the cover for a container depicted in the representations that are new and distinctive are the shape and/or configuration.**



(21) Design Number: **14918/2013**
(22) Date of Filing Application: **24 September 2013**
(24) Date from which industrial property rights may have effect: **24 September 2013**
(54) Product in respect of which the design is registered: **Cover for a container**
(51) International Design Classification: **07-01NES**
(74) Name(s) of Attorney(s): **PHILLIPS ORMONDE FITZPATRICK**
(71) Name(s) and Address(s) of Applicant(s):

Dart Industries Inc.
14901 S. Orange Blossom Trail Orlando Florida 32837 United States of America

(72) Name(s) of Designer(s): **Julie L. Yessin and Jan-Hendrik De Groot**

(45) Registration Date: **01 November 2013**

(30) Convention priority data:

(31) Number	(32) Date	(33) Country
29/449,703	15 Mar 2013	UNITED STATES OF AMERICA

(56) Related Art Documents: **Not Applicable**

(57) Statement of Newness and Distinctiveness: **Those features of the cover for a container depicted in the representations that are new and distinctive are the shape and/or configuration.**



(21) Design Number: **14919/2013**

(22) Date of Filing Application: **24 September 2013**

(24) Date from which industrial property rights may have effect: **24 September 2013**

(54) Product in respect of which the design is registered: **Cover for a container**

(51) International Design Classification: **07-01NES**

(74) Name(s) of Attorney(s): **PHILLIPS ORMONDE FITZPATRICK**

(71) Name(s) and Address(s) of Applicant(s):

Dart Industries Inc.

14901 S. Orange Blossom Trail Orlando Florida 32837 United States of America

(72) Name(s) of Designer(s): **Julie L. Yessin and Jan-Hendrik De Groot**

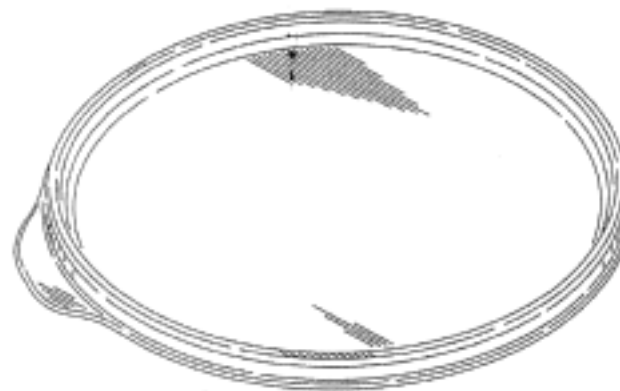
(45) Registration Date: **01 November 2013**

(30) Convention priority data:

(31) Number	(32) Date	(33) Country
29/449,703	15 Mar 2013	UNITED STATES OF AMERICA

(56) Related Art Documents: **Not Applicable**

(57) Statement of Newness and Distinctiveness: **Those features of the cover for a container depicted in the representations that are new and distinctive are the shape and/or configuration.**



(21) Design Number: **14934/2013**

(22) Date of Filing Application: **26 September 2013**

(24) Date from which industrial property rights may have effect: **26 September 2013**

(54) Product in respect of which the design is registered: **Bracket**

(51) International Design Classification: **08-08M, 08-08NES**

(74) Name(s) of Attorney(s): **Banki Haddock Fiora**

(71) Name(s) and Address(s) of Applicant(s):

Jackson Electrical Industries Limited

18 Gloucester Park Road Onehunga Auckland 1061 New Zealand

(72) Name(s) of Designer(s): **James William Jackson**

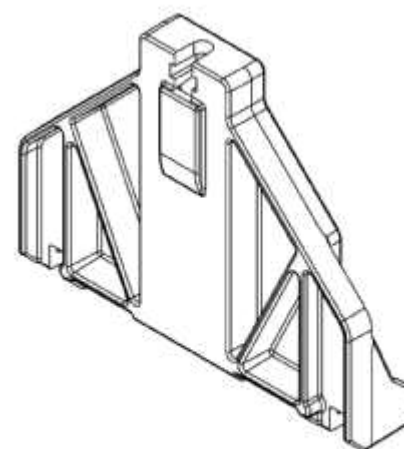
(45) Registration Date: **01 November 2013**

(30) Convention priority data:

(31) Number	(32) Date	(33) Country
417738	01 Jul 2013	NEW ZEALAND

(56) Related Art Documents: **Not Applicable**

(57) Statement of Newness and Distinctiveness: **Nil**



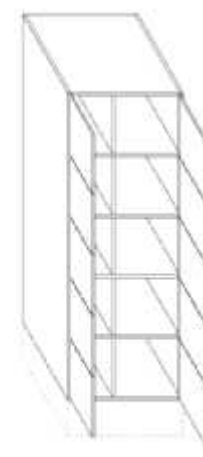
- (21) Design Number: **14935/2013**
(22) Date of Filing Application: **26 September 2013**
(24) Date from which industrial property rights may have effect: **26 September 2013**
(54) Product in respect of which the design is registered: **Antenna**
(51) International Design Classification: **14-03NES**
(74) Name(s) of Attorney(s): **Davies Collison Cave**
(71) Name(s) and Address(s) of Applicant(s):
Arlec Australia Pty Ltd
Building 3 31-41 Joseph St Blackburn North VIC 3130 Australia
(72) Name(s) of Designer(s): **Kaine Mulder**
(45) Registration Date: **01 November 2013**
(56) Related Art Documents: **Not Applicable**
(57) Statement of Newness and Distinctiveness: **Newness and distinctiveness is claimed in the features of shape and configuration of the antenna as shown in the representations.**



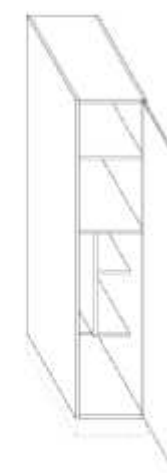
- (21) Design Number: **14936/2013**
(22) Date of Filing Application: **26 September 2013**
(24) Date from which industrial property rights may have effect: **26 September 2013**
(54) Product in respect of which the design is registered: **Antenna**
(51) International Design Classification: **14-03NES**
(74) Name(s) of Attorney(s): **Davies Collison Cave**
(71) Name(s) and Address(s) of Applicant(s):
Arlec Australia Pty Ltd
Building 3 31-41 Joseph St Blackburn North VIC 3130 Australia
(72) Name(s) of Designer(s): **Kaine Mulder**
(45) Registration Date: **01 November 2013**
(56) Related Art Documents: **Not Applicable**
(57) Statement of Newness and Distinctiveness: **Newness and distinctiveness is claimed in the features of shape and configuration of the antenna as shown in the representations.**



- (21) Design Number: **14939/2013**
(22) Date of Filing Application: **26 September 2013**
(24) Date from which industrial property rights may have effect: **26 September 2013**
(54) Product in respect of which the design is registered: **Storage locker**
(51) International Design Classification: **06-04B**
(74) Name(s) of Attorney(s): **WATERMARK PATENT AND TRADE MARKS ATTORNEYS**
(71) Name(s) and Address(s) of Applicant(s):
ISM Group Holdings Pty Ltd
24 Halsey Rd Airport West VIC 3042 Australia
(72) Name(s) of Designer(s): **Leah Ferronato**
(45) Registration Date: **01 November 2013**
(56) Related Art Documents: **Not Applicable**
(57) Statement of Newness and Distinctiveness: **Newness and distinctiveness resides in the features of shape and/or configuration of a storage locker as shown in the accompanying representations. The plinth shown in broken lines is for illustrative purposes only and does not form part of the design.**



- (21) Design Number: **14940/2013**
(22) Date of Filing Application: **26 September 2013**
(24) Date from which industrial property rights may have effect: **26 September 2013**
(54) Product in respect of which the design is registered: **Storage locker**
(51) International Design Classification: **06-04B**
(74) Name(s) of Attorney(s): **WATERMARK PATENT AND TRADE MARKS ATTORNEYS**
(71) Name(s) and Address(s) of Applicant(s):
ISM Group Holdings Pty Ltd
24 Halsey Rd Airport West VIC 3042 Australia
(72) Name(s) of Designer(s): **Leah Ferronato**
(45) Registration Date: **01 November 2013**
(56) Related Art Documents: **Not Applicable**
(57) Statement of Newness and Distinctiveness: **Newness and distinctiveness resides in the features of shape and/or configuration of a storage locker as shown in the accompanying representations. The plinth shown in broken lines is for illustrative purposes only and does not form part of the design.**



(21) Design Number: **14985/2013**
(22) Date of Filing Application: **30 September 2013**
(24) Date from which industrial property rights may have effect: **30 September 2013**
(54) Product in respect of which the design is registered: **Chair**
(51) International Design Classification: **06-01F**
(74) Name(s) of Attorney(s): **PHILLIPS ORMONDE FITZPATRICK**
(71) Name(s) and Address(s) of Applicant(s):

Arper S.p.A.
Via Lombardia, 16 I-31050 Monastier di Treviso Treviso Italy

(72) Name(s) of Designer(s): **Antti Kotilainen**

(45) Registration Date: **01 November 2013**

(30) Convention priority data:

(31) Number	(32) Date	(33) Country
730868701	08 Apr 2013	WORLD INTELLECTUAL PROPERTY ORGANIZATION (WIPO)



(56) Related Art Documents: **Not Applicable**

(57) Statement of Newness and Distinctiveness: **Those features of the chair depicted in the representations that are new and distinctive are the shape and/or configuration.**

(21) Design Number: **14987/2013**
(22) Date of Filing Application: **30 September 2013**
(24) Date from which industrial property rights may have effect: **30 September 2013**
(54) Product in respect of which the design is registered: **Chair**
(51) International Design Classification: **06-01F**
(74) Name(s) of Attorney(s): **PHILLIPS ORMONDE FITZPATRICK**
(71) Name(s) and Address(s) of Applicant(s):

Arper S.p.A.
Via Lombardia, 16 I-31050 Monastier di Treviso Treviso Italy

(72) Name(s) of Designer(s): **Alberto Lievore and Jeannette Altherr and Manuel Molina**

(45) Registration Date: **01 November 2013**

(30) Convention priority data:

(31) Number	(32) Date	(33) Country
730868701	08 Apr 2013	WORLD INTELLECTUAL PROPERTY ORGANIZATION (WIPO)



(56) Related Art Documents: **Not Applicable**

(57) Statement of Newness and Distinctiveness: **Those features of the chair depicted in the representations that are new and distinctive are the shape and/or configuration.**

(21) Design Number: **14988/2013**
(22) Date of Filing Application: **30 September 2013**
(24) Date from which industrial property rights may have effect: **30 September 2013**
(54) Product in respect of which the design is registered: **Chair**
(51) International Design Classification: **06-01F**
(74) Name(s) of Attorney(s): **PHILLIPS ORMONDE FITZPATRICK**
(71) Name(s) and Address(s) of Applicant(s):

Arper S.p.A.
Via Lombardia, 16 I-31050 Monastier di Treviso Treviso Italy

(72) Name(s) of Designer(s): **Antti Kotilainen**

(45) Registration Date: **01 November 2013**

(30) Convention priority data:

(31) Number	(32) Date	(33) Country
730868701	08 Apr 2013	WORLD INTELLECTUAL PROPERTY ORGANIZATION (WIPO)



(56) Related Art Documents: **Not Applicable**

(57) Statement of Newness and Distinctiveness: **Those features of the chair depicted in the representations that are new and distinctive are the shape and/or configuration.**

(21) Design Number: **14989/2013**
(22) Date of Filing Application: **30 September 2013**
(24) Date from which industrial property rights may have effect: **30 September 2013**
(54) Product in respect of which the design is registered: **Clothes hanger**
(51) International Design Classification: **07-05D**
(74) Name(s) of Attorney(s): **PHILLIPS ORMONDE FITZPATRICK**
(71) Name(s) and Address(s) of Applicant(s):

Arper S.p.A.
Via Lombardia, 16 I-31050 Monastier di Treviso Treviso Italy

(72) Name(s) of Designer(s): **Alberto Lievore and Jeannette Altherr and Manuel Molina**

(45) Registration Date: **01 November 2013**

(30) Convention priority data:

(31) Number	(32) Date	(33) Country
730868701	08 Apr 2013	WORLD INTELLECTUAL PROPERTY ORGANIZATION (WIPO)



(56) Related Art Documents: **Not Applicable**

(57) Statement of Newness and Distinctiveness: **Those features of the clothes hanger depicted in the representations that are new and distinctive are the shape and/or configuration.**

(21) Design Number: **14990/2013**
(22) Date of Filing Application: **30 September 2013**
(24) Date from which industrial property rights may have effect: **30 September 2013**
(54) Product in respect of which the design is registered: **Lid**
(51) International Design Classification: **09-07B**
(74) Name(s) of Attorney(s): **Griffith Hack**
(71) Name(s) and Address(s) of Applicant(s):

Hearthmark, LLC
14611 W Commerce Rd Daleville IN, 47334-9724 United States of America

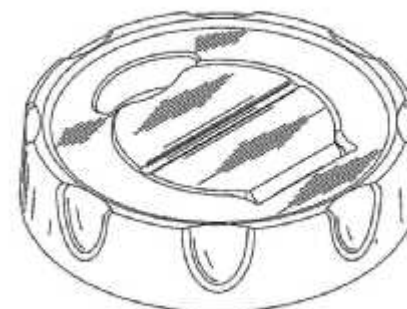
(72) Name(s) of Designer(s): **Scott L Hager**
(45) Registration Date: **01 November 2013**

(30) Convention priority data:

(31) Number	(32) Date	(33) Country
29/452118	12 Apr 2013	UNITED STATES OF AMERICA

(56) Related Art Documents: **Not Applicable**

(57) Statement of Newness and Distinctiveness: **The shape and configuration of the product, which is shown in the figures in solid lines, are new and distinctive.**



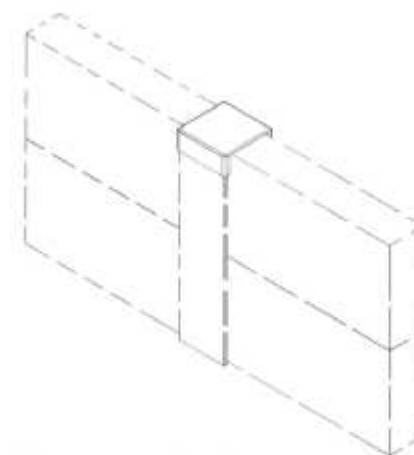
(21) Design Number: **14991/2013**
(22) Date of Filing Application: **30 September 2013**
(24) Date from which industrial property rights may have effect: **30 September 2013**
(54) Product in respect of which the design is registered: **A cap for a post**
(51) International Design Classification: **25-02A**
(74) Name(s) of Attorney(s):
(71) Name(s) and Address(s) of Applicant(s):

Capped Solutions Pty Ltd
17 Waters Gr Heathmont VIC 3135 Australia

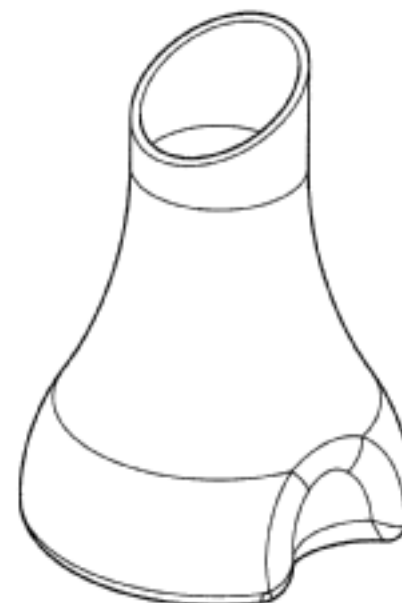
(72) Name(s) of Designer(s): **Daniel Buccella**
(45) Registration Date: **01 November 2013**

(56) Related Art Documents: **Not Applicable**

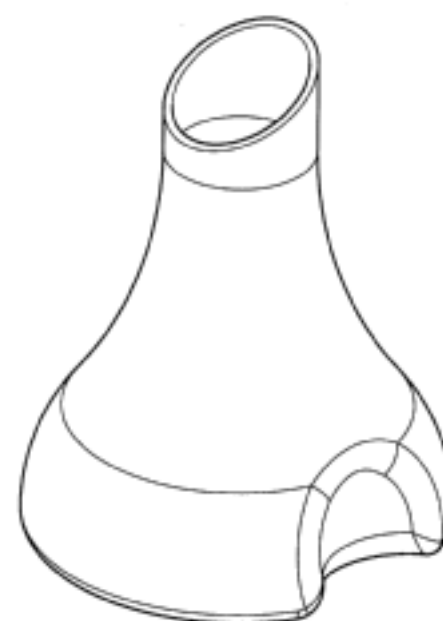
(57) Statement of Newness and Distinctiveness: **Newness and distinctiveness is claimed in the shape and/or configuration of the cap as illustrated in the accompanying representations.**



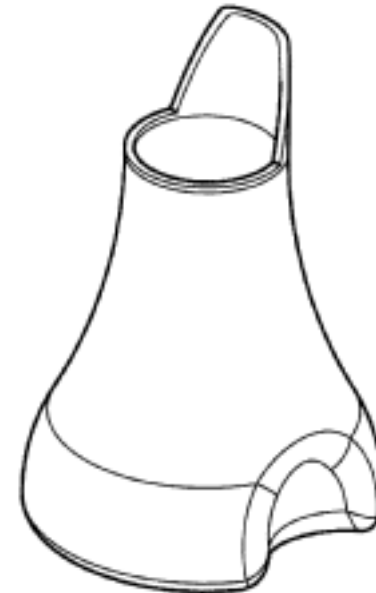
- (21) Design Number: **14996/2013**
(22) Date of Filing Application: **26 September 2013**
(24) Date from which industrial property rights may have effect: **26 September 2013**
(54) Product in respect of which the design is registered: **Measuring cap**
(51) International Design Classification: **10-04**
(74) Name(s) of Attorney(s):
(71) Name(s) and Address(s) of Applicant(s):
Logue and Co. Pty Ltd
199 Kiora Rd Yowie Bay NSW 2228 Australia
(72) Name(s) of Designer(s): **Anthony Thomas Logue**
(45) Registration Date: **01 November 2013**
(56) Related Art Documents: **Not Applicable**
(57) Statement of Newness and Distinctiveness: **Newness and Distinctiveness is claimed in the features of shape and/or configuration of a measuring cap as depicted in the accompanying drawings.**



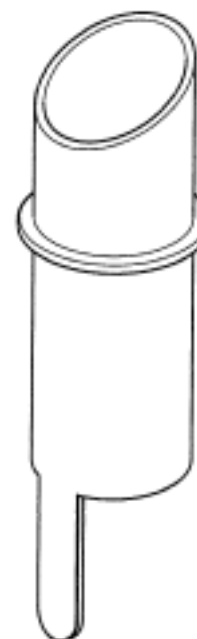
- (21) Design Number: **14997/2013**
(22) Date of Filing Application: **26 September 2013**
(24) Date from which industrial property rights may have effect: **26 September 2013**
(54) Product in respect of which the design is registered: **Measuring cap**
(51) International Design Classification: **10-04**
(74) Name(s) of Attorney(s):
(71) Name(s) and Address(s) of Applicant(s):
Logue and Co. Pty Ltd
199 Kiora Rd Yowie Bay NSW 2228 Australia
(72) Name(s) of Designer(s): **Anthony Thomas Logue**
(45) Registration Date: **01 November 2013**
(56) Related Art Documents: **Not Applicable**
(57) Statement of Newness and Distinctiveness: **Newness and Distinctiveness is claimed in the features of shape and/or configuration of a measuring cap as depicted in the accompanying drawings.**



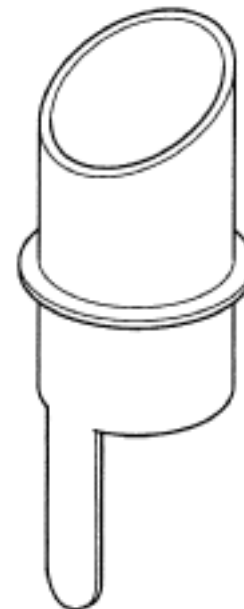
- (21) Design Number: **14998/2013**
(22) Date of Filing Application: **26 September 2013**
(24) Date from which industrial property rights may have effect: **26 September 2013**
(54) Product in respect of which the design is registered: **Measuring cap**
(51) International Design Classification: **10-04**
(74) Name(s) of Attorney(s):
(71) Name(s) and Address(s) of Applicant(s):
Logue and Co. Pty Ltd
199 Kiora Rd Yowie Bay NSW 2228 Australia
(72) Name(s) of Designer(s): **Anthony Thomas Logue**
(45) Registration Date: **01 November 2013**
(56) Related Art Documents: **Not Applicable**
(57) Statement of Newness and Distinctiveness: **Newness and Distinctiveness is claimed in the features of shape and/or configuration of a measuring cap as depicted in the accompanying drawings.**



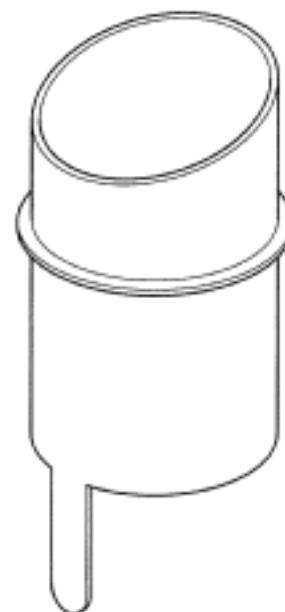
- (21) Design Number: **14999/2013**
(22) Date of Filing Application: **26 September 2013**
(24) Date from which industrial property rights may have effect: **26 September 2013**
(54) Product in respect of which the design is registered: **Measuring cap**
(51) International Design Classification: **10-04**
(74) Name(s) of Attorney(s):
(71) Name(s) and Address(s) of Applicant(s):
Logue and Co. Pty Ltd
199 Kiora Rd Yowie Bay NSW 2228 Australia
(72) Name(s) of Designer(s): **Anthony Thomas Logue**
(45) Registration Date: **01 November 2013**
(56) Related Art Documents: **Not Applicable**
(57) Statement of Newness and Distinctiveness: **Newness and Distinctiveness is claimed in the features of shape and/or configuration of a measuring cap as depicted in the accompanying drawings.**



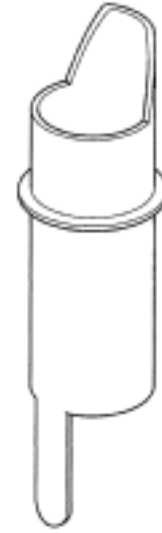
- (21) Design Number: **15000/2013**
(22) Date of Filing Application: **26 September 2013**
(24) Date from which industrial property rights may have effect: **26 September 2013**
(54) Product in respect of which the design is registered: **Measuring cap**
(51) International Design Classification: **10-04**
(74) Name(s) of Attorney(s):
(71) Name(s) and Address(s) of Applicant(s):
Logue and Co. Pty Ltd
199 Kiora Rd Yowie Bay NSW 2228 Australia
(72) Name(s) of Designer(s): **Anthony Thomas Logue**
(45) Registration Date: **01 November 2013**
(56) Related Art Documents: **Not Applicable**
(57) Statement of Newness and Distinctiveness: **Newness and Distinctiveness is claimed in the features of shape and/or configuration of a measuring cap as depicted in the accompanying drawings.**



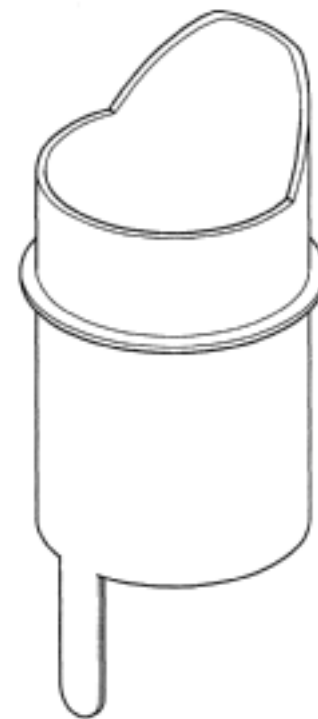
- (21) Design Number: **15001/2013**
(22) Date of Filing Application: **26 September 2013**
(24) Date from which industrial property rights may have effect: **26 September 2013**
(54) Product in respect of which the design is registered: **Measuring cap**
(51) International Design Classification: **10-04**
(74) Name(s) of Attorney(s):
(71) Name(s) and Address(s) of Applicant(s):
Logue and Co. Pty Ltd
199 Kiora Rd Yowie Bay NSW 2228 Australia
(72) Name(s) of Designer(s): **Anthony Thomas Logue**
(45) Registration Date: **01 November 2013**
(56) Related Art Documents: **Not Applicable**
(57) Statement of Newness and Distinctiveness: **Newness and Distinctiveness is claimed in the features of shape and/or configuration of a measuring cap as depicted in the accompanying drawings.**



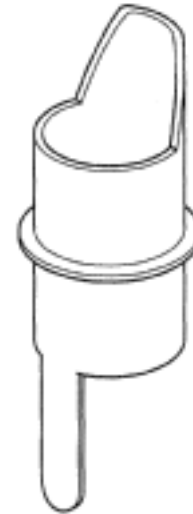
- (21) Design Number: **15002/2013**
(22) Date of Filing Application: **26 September 2013**
(24) Date from which industrial property rights may have effect: **26 September 2013**
(54) Product in respect of which the design is registered: **Measuring cap**
(51) International Design Classification: **10-04**
(74) Name(s) of Attorney(s):
(71) Name(s) and Address(s) of Applicant(s):
Logue and Co. Pty Ltd
199 Kiora Rd Yowie Bay NSW 2228 Australia
(72) Name(s) of Designer(s): **Anthony Thomas Logue**
(45) Registration Date: **01 November 2013**
(56) Related Art Documents: **Not Applicable**
(57) Statement of Newness and Distinctiveness: **Newness and Distinctiveness is claimed in the features of shape and/or configuration of a measuring cap as depicted in the accompanying drawings.**



- (21) Design Number: **15003/2013**
(22) Date of Filing Application: **26 September 2013**
(24) Date from which industrial property rights may have effect: **26 September 2013**
(54) Product in respect of which the design is registered: **Measuring cap**
(51) International Design Classification: **10-04**
(74) Name(s) of Attorney(s):
(71) Name(s) and Address(s) of Applicant(s):
Logue and Co. Pty Ltd
199 Kiora Rd Yowie Bay NSW 2228 Australia
(72) Name(s) of Designer(s): **Anthony Thomas Logue**
(45) Registration Date: **01 November 2013**
(56) Related Art Documents: **Not Applicable**
(57) Statement of Newness and Distinctiveness: **Newness and Distinctiveness is claimed in the features of shape and/or configuration of a measuring cap as depicted in the accompanying drawings.**



(21) Design Number: **15004/2013**
(22) Date of Filing Application: **26 September 2013**
(24) Date from which industrial property rights may have effect: **26 September 2013**
(54) Product in respect of which the design is registered: **Measuring cap**
(51) International Design Classification: **10-04**
(74) Name(s) of Attorney(s):
(71) Name(s) and Address(s) of Applicant(s):
Logue and Co. Pty Ltd
199 Kiora Rd Yowie Bay NSW 2228 Australia
(72) Name(s) of Designer(s): **Logue and Co. Pty Ltd**
(45) Registration Date: **01 November 2013**
(56) Related Art Documents: **Not Applicable**
(57) Statement of Newness and Distinctiveness: **Newness and Distinctiveness is claimed in the features of shape and/or configuration of a measuring cap as depicted in the accompanying drawings.**



(21) Design Number: **15006/2013**
(22) Date of Filing Application: **01 October 2013**
(24) Date from which industrial property rights may have effect: **01 October 2013**
(54) Product in respect of which the design is registered: **Bottle**
(51) International Design Classification: **09-01NES**
(74) Name(s) of Attorney(s):
(71) Name(s) and Address(s) of Applicant(s):
Container Pty Ltd
L3 255 Riley St Surry Hills NSW 2010 Australia
(72) Name(s) of Designer(s): **Brenan Liston**
(45) Registration Date: **01 November 2013**
(56) Related Art Documents: **Not Applicable**
(57) Statement of Newness and Distinctiveness: **Nil**



(21) Design Number: **15007/2013**

(22) Date of Filing Application: **01 October 2013**

(24) Date from which industrial property rights may have effect: **01 October 2013**

(54) Product in respect of which the design is registered: **Light**

(51) International Design Classification: **26-06**

(74) Name(s) of Attorney(s):

(71) Name(s) and Address(s) of Applicant(s):

NINGBO BEILUN HAIYU AUTOMOTIVE LAMP CO

11 Pudz Road Xiapu Industrial Area Beilun District Ningbo 315807 China

(72) Name(s) of Designer(s): **Tonny He**

(45) Registration Date: **01 November 2013**

(56) Related Art Documents: **Not Applicable**

(57) Statement of Newness and Distinctiveness: **Nil**



(21) Design Number: **15008/2013**

(22) Date of Filing Application: **01 October 2013**

(24) Date from which industrial property rights may have effect: **01 October 2013**

(54) Product in respect of which the design is registered: **Light**

(51) International Design Classification: **26-06**

(74) Name(s) of Attorney(s):

(71) Name(s) and Address(s) of Applicant(s):

NINGBO BEILUN HAIYU AUTOMOTIVE LAMP CO

11 Pudz Road Xiapu Industrial Area Beilun District Ningbo 315807 China

(72) Name(s) of Designer(s): **Tonny He**

(45) Registration Date: **01 November 2013**

(56) Related Art Documents: **Not Applicable**

(57) Statement of Newness and Distinctiveness: **Nil**



(21) Design Number: **15009/2013**
(22) Date of Filing Application: **01 October 2013**
(24) Date from which industrial property rights may have effect: **01 October 2013**
(54) Product in respect of which the design is registered: **An automobile**
(51) International Design Classification: **12-08**
(74) Name(s) of Attorney(s): **SPRUSON & FERGUSON**
(71) Name(s) and Address(s) of Applicant(s):
Honda Motor Co., Ltd.
1-1 Minami-Aoyama 2-Chome Minato-ku Tokyo Japan
(72) Name(s) of Designer(s): **Wataru Murakami and Jun Goto**
(45) Registration Date: **01 November 2013**
(30) Convention priority data:
(31) Number (32) Date (33) Country
2013-007612 04 Apr 2013 JAPAN
(56) Related Art Documents: **Not Applicable**
(57) Statement of Newness and Distinctiveness: **Newness and distinctiveness is claimed in the features of shape and/or configuration of an automobile as illustrated in the accompanying representations.**



(21) Design Number: **15010/2013**
(22) Date of Filing Application: **01 October 2013**
(24) Date from which industrial property rights may have effect: **01 October 2013**
(54) Product in respect of which the design is registered: **A front combination lamp for an automobile**
(51) International Design Classification: **26-06**
(74) Name(s) of Attorney(s): **SPRUSON & FERGUSON**
(71) Name(s) and Address(s) of Applicant(s):
Honda Motor Co., Ltd.
1-1 Minami-Aoyama 2-Chome Minato-ku Tokyo Japan
(72) Name(s) of Designer(s): **Junnosuke Sato**
(45) Registration Date: **01 November 2013**
(30) Convention priority data:
(31) Number (32) Date (33) Country
2013-007614 04 Apr 2013 JAPAN
(56) Related Art Documents: **Not Applicable**
(57) Statement of Newness and Distinctiveness: **Newness and distinctiveness is claimed in the features of shape and/or configuration of a front combination lamp for an automobile as illustrated in the accompanying representations.**



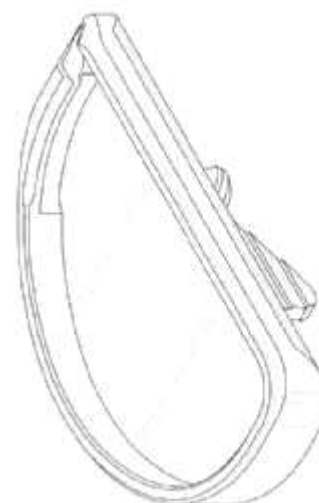
- (21) Design Number: **15011/2013**
(22) Date of Filing Application: **01 October 2013**
(24) Date from which industrial property rights may have effect: **01 October 2013**
(54) Product in respect of which the design is registered: **A front bumper for an automobile**
(51) International Design Classification: **12-16C**
(74) Name(s) of Attorney(s): **SPRUSON & FERGUSON**
(71) Name(s) and Address(s) of Applicant(s):
Honda Motor Co., Ltd.
1-1 Minami-Aoyama 2-Chome Minato-ku Tokyo Japan
(72) Name(s) of Designer(s): **Wataru Murakami**
(45) Registration Date: **01 November 2013**
(30) Convention priority data:
(31) Number (32) Date (33) Country
2013-007617 04 Apr 2013 JAPAN
(56) Related Art Documents: **Not Applicable**
(57) Statement of Newness and Distinctiveness: **Newness and distinctiveness is claimed in the features of shape and/or configuration of a front bumper for an automobile as illustrated in the accompanying representations.**



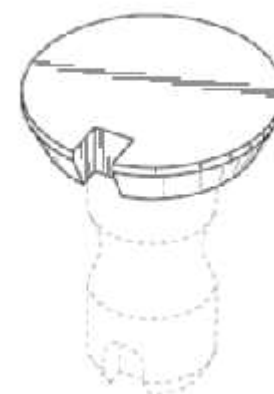
- (21) Design Number: **15038/2013**
(22) Date of Filing Application: **03 October 2013**
(24) Date from which industrial property rights may have effect: **03 October 2013**
(54) Product in respect of which the design is registered: **Rebar support**
(51) International Design Classification: **25-01B**
(74) Name(s) of Attorney(s): **Sandercock & Cowie**
(71) Name(s) and Address(s) of Applicant(s):
Polyfoam (Australia) Pty. Ltd.
32 Dandenong St Dandenong South VIC 3175 Australia
(72) Name(s) of Designer(s): **Nicholas Tandy**
(45) Registration Date: **01 November 2013**
(56) Related Art Documents: **Not Applicable**
(57) Statement of Newness and Distinctiveness: **Newness and distinctiveness reside in the shape and configuration of the rebar support as shown in the accompanying representations.**



(21) Design Number: **13323/2013**
(22) Date of Filing Application: **10 July 2013**
(24) Date from which industrial property rights may have effect: **10 July 2013**
(54) Product in respect of which the design is registered: **Knee implant**
(51) International Design Classification: **24-03**
(74) Name(s) of Attorney(s): **PIZZEYS**
(71) Name(s) and Address(s) of Applicant(s):
Blue Belt Technologies, Inc.
Suite 100 2828 Liberty Avenue Pittsburgh PA 15222 United States of America
(72) Name(s) of Designer(s): **Adam Hahn and David A. Fenyves and Barry Fell and Jess Lonner**
(45) Registration Date: **04 November 2013**
(30) Convention priority data:
(31) Number (32) Date (33) Country
29/441,893 10 Jan 2013 UNITED STATES OF AMERICA
(56) Related Art Documents: **Not Applicable**
(57) Statement of Newness and Distinctiveness: **Nil**



(21) Design Number: **13422/2013**
(22) Date of Filing Application: **17 July 2013**
(24) Date from which industrial property rights may have effect: **17 July 2013**
(54) Product in respect of which the design is registered: **Platform for dental CAD/CAM mandrels**
(51) International Design Classification: **24-02, 24-99**
(74) Name(s) of Attorney(s): **Davies Collison Cave**
(71) Name(s) and Address(s) of Applicant(s):
3M Innovative Properties Company
3M Center Saint Paul Minnesota 55133-3427 United States of America
(72) Name(s) of Designer(s): **Richard Paul Rusin and Brady Paul Haislet and Darin Joseph Meyertholen**
(45) Registration Date: **04 November 2013**
(30) Convention priority data:
(31) Number (32) Date (33) Country
29/443584 18 Jan 2013 UNITED STATES OF AMERICA
(56) Related Art Documents: **Not Applicable**
(57) Statement of Newness and Distinctiveness: **Newness and distinctiveness is claimed in the visual features shown in solid lines in the representations. In considering the extent of the design rights, the broken lines shown in the representations are for illustrative purposes only and do not form part of the design.**



- (21) Design Number: **13430/2013**
(22) Date of Filing Application: **18 July 2013**
(24) Date from which industrial property rights may have effect: **18 July 2013**
(54) Product in respect of which the design is registered: **Switch**
(51) International Design Classification: **13-03D, 14-01**
(74) Name(s) of Attorney(s): **Davies Collison Cave**
(71) Name(s) and Address(s) of Applicant(s):

Michael Hoppe
4/176 Wellington St Bondi NSW 2026 Australia

Joshua Morabito
2 Adolphus St Balmain NSW 2041 Australia

Mark Richards
35 Upper Almora St Mosman NSW 2088 Australia

Geoff Smith
7 Panorama Pl Mt Gravatt East QLD 4122 Australia

Chad O'Neill
3/9 Park Rd Five Dock NSW 2046 Australia

- (72) Name(s) of Designer(s): **Michael Hoppe and Joshua Morabito and Mark Richards and Geoff Smith and Chad O'Neill**

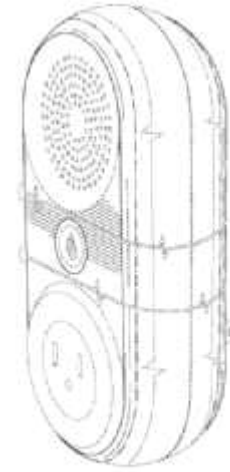
- (45) Registration Date: **04 November 2013**

- (30) Convention priority data:

(31) Number	(32) Date	(33) Country
29/443604	18 Jan 2013	UNITED STATES OF AMERICA

- (56) Related Art Documents: **Not Applicable**

- (57) Statement of Newness and Distinctiveness: **Newness and distinctiveness is claimed in the visual features shown in solid lines in the representations. The broken lines in the drawings are for the purposes of illustrating unclaimed surfaces of the design. Broken lines formed by equal length dashes show unclaimed portions of the design. Broken lines formed of unequal dashes (i.e. dash-dot) show boundaries between claimed and unclaimed portions of the design. Broken lines having a jagged element show that no particular length of the portion is claimed. Portions shown in stipple shading as opposed to line shading show contrasting surfaces unlimited by colours.**



- (21) Design Number: **13443/2013**
(22) Date of Filing Application: **18 July 2013**
(24) Date from which industrial property rights may have effect: **18 July 2013**
(54) Product in respect of which the design is registered: **Camera housing**
(51) International Design Classification: **16-01**
(74) Name(s) of Attorney(s): **Davies Collison Cave**
(71) Name(s) and Address(s) of Applicant(s):

Michael Hoppe
4/176 Wellington St Bondi NSW 2026 Australia

Joshua Morabito
2 Adolphus St Balmain NSW 2041 Australia

Mark Richards
35 UP Almora St Mosman NSW 2088 Australia

Geoff Smith
7 Panorama Pl Mount Gravatt East QLD 4122 Australia

Chad O'Neill
3/9 Park Rd Five Dock NSW 2046 Australia

- (72) Name(s) of Designer(s): **Michael Hoppe and Joshua Morabito and Mark Richards and Geoff Smith and Chad O'Neill**

- (45) Registration Date: **04 November 2013**

- (30) Convention priority data:

(31) Number	(32) Date	(33) Country
29/443605	18 Jan 2013	UNITED STATES OF AMERICA

- (56) Related Art Documents: **Not Applicable**

- (57) Statement of Newness and Distinctiveness: **Newness and distinctiveness is claimed in the visual feature features shown in solid lines in the representations. The broken lines in the drawings are for the purposes of illustrating unclaimed surfaces of the design. Broken lines formed by equal length dashes show unclaimed portions of the design. Broken lines formed of unequal length dashes (i.e. dash-dot) show boundaries between claimed and unclaimed portions of the design. Broken lines having a jagged element show that no particular length of the portion is claimed. Portions shown in stipple shading as opposed to line shading show contrasting surfaces unlimited by colours.**



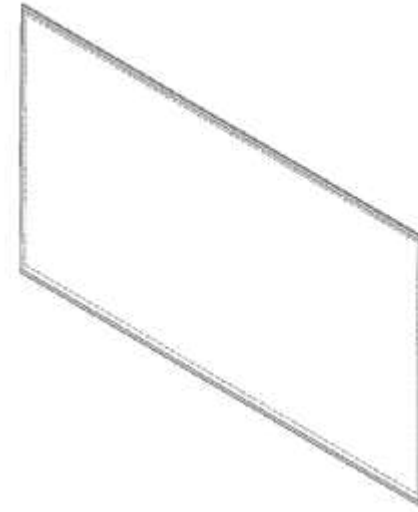
- (21) Design Number: **13467/2013**
(22) Date of Filing Application: **21 July 2013**
(24) Date from which industrial property rights may have effect: **21 July 2013**
(54) Product in respect of which the design is registered: **Beer Mug**
(51) International Design Classification: **07-01D**
(74) Name(s) of Attorney(s):
(71) Name(s) and Address(s) of Applicant(s):
Mark Charles Nelson
49A Vega St Revesby NSW 2212 Australia
(72) Name(s) of Designer(s): **Mark Charles Nelson**
(45) Registration Date: **04 November 2013**
(56) Related Art Documents: **Not Applicable**
(57) Statement of Newness and Distinctiveness: **My design is specific to my product line and eco freindly to produce.**



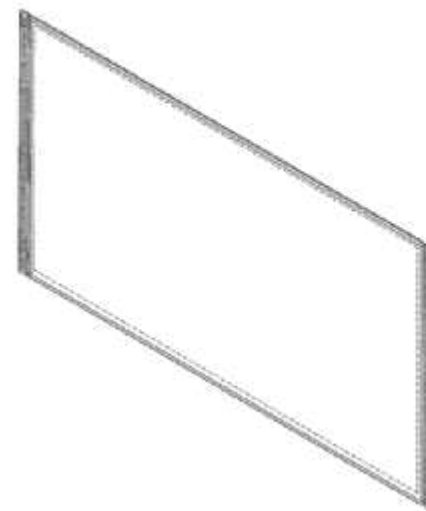
- (21) Design Number: **13480/2013**
(22) Date of Filing Application: **22 July 2013**
(24) Date from which industrial property rights may have effect: **22 July 2013**
(54) Product in respect of which the design is registered: **Trail rake tool**
(51) International Design Classification: **08-05A**
(74) Name(s) of Attorney(s):
(71) Name(s) and Address(s) of Applicant(s):
Robert Ian Gant-Thompson
8/121 Gippsland St Jindabyne NSW 2627 Australia
(72) Name(s) of Designer(s): **Robert Ian Gant-Thompson**
(45) Registration Date: **04 November 2013**
(56) Related Art Documents: **Not Applicable**
(57) Statement of Newness and Distinctiveness: **The newness and distinctiveness of the design resides in the overall shape of the design and the way the designed shapes, curves and angles relate to specific aspects of trail construction.**



- (21) Design Number: **13523/2013**
(22) Date of Filing Application: **24 July 2013**
(24) Date from which industrial property rights may have effect: **24 July 2013**
(54) Product in respect of which the design is registered: **Flexible Television Screen**
(51) International Design Classification: **14-03B**
(74) Name(s) of Attorney(s): **FB Rice**
(71) Name(s) and Address(s) of Applicant(s):
LG Electronics Inc.
20 Yeouido-dong Yeongdeungpo-gu Seoul 150-721 Republic of Korea
(72) Name(s) of Designer(s): **Sunha Park and Junki Kim and Youngkyoung Kim and Minji Seo**
(45) Registration Date: **04 November 2013**
(30) Convention priority data:
(31) Number (32) Date (33) Country
30-2013-0004249 24 Jan 2013 REPUBLIC OF KOREA
(56) Related Art Documents: **Not Applicable**
(57) Statement of Newness and Distinctiveness: **Newness and distinctiveness reside in the features of the design as shown in solid lines in the representations excluding those features shown in broken lines.**



- (21) Design Number: **13527/2013**
(22) Date of Filing Application: **24 July 2013**
(24) Date from which industrial property rights may have effect: **24 July 2013**
(54) Product in respect of which the design is registered: **Flexible Television Screen**
(51) International Design Classification: **14-03B**
(74) Name(s) of Attorney(s): **FB Rice**
(71) Name(s) and Address(s) of Applicant(s):
LG Electronics Inc.
20 Yeouido-dong Yeongdeungpo-gu Seoul 150-721 Republic of Korea
(72) Name(s) of Designer(s): **Sunha Park and Junki Kim and Youngkyoung Kim and Minji Seo**
(45) Registration Date: **04 November 2013**
(30) Convention priority data:
(31) Number (32) Date (33) Country
30-2013-0004248 24 Jan 2013 REPUBLIC OF KOREA
(56) Related Art Documents: **Not Applicable**
(57) Statement of Newness and Distinctiveness: **Newness and distinctiveness reside in the features of the design as shown in solid lines in the representations excluding those features shown in broken lines.**



- (21) Design Number: **13530/2013**
(22) Date of Filing Application: **24 July 2013**
(24) Date from which industrial property rights may have effect: **24 July 2013**
(54) Product in respect of which the design is registered: **Flexible Television Screen**
(51) International Design Classification: **14-03B**
(74) Name(s) of Attorney(s): **FB Rice**
(71) Name(s) and Address(s) of Applicant(s):
LG Electronics Inc.
20 Yeouido-dong Yeongdeungpo-gu Seoul 150-721 Republic of Korea
(72) Name(s) of Designer(s): **Sunha Park and Junki Kim and Youngkyoung Kim and Minji Seo**
(45) Registration Date: **04 November 2013**
(30) Convention priority data:
(31) Number (32) Date (33) Country
30-2013-0004246 24 Jan 2013 REPUBLIC OF KOREA
(56) Related Art Documents: **Not Applicable**
(57) Statement of Newness and Distinctiveness: **Newness and distinctiveness reside in the features of the design as shown in solid lines in the representations excluding those features shown in broken lines.**



- (21) Design Number: **13531/2013**
(22) Date of Filing Application: **24 July 2013**
(24) Date from which industrial property rights may have effect: **24 July 2013**
(54) Product in respect of which the design is registered: **Flexible Television Screen**
(51) International Design Classification: **14-03B**
(74) Name(s) of Attorney(s): **FB Rice**
(71) Name(s) and Address(s) of Applicant(s):
LG Electronics Inc.
20 Yeouido-dong Yeongdeungpo-gu Seoul 150-721 Republic of Korea
(72) Name(s) of Designer(s): **Sunha Park and Junki Kim and Youngkyoung Kim and Minji Seo**
(45) Registration Date: **04 November 2013**
(30) Convention priority data:
(31) Number (32) Date (33) Country
30-2013-0004247 24 Jan 2013 REPUBLIC OF KOREA
(56) Related Art Documents: **Not Applicable**
(57) Statement of Newness and Distinctiveness: **Newness and distinctiveness reside in the features of the design as shown in solid lines in the representations and excluding those features shown in broken lines.**



(21) Design Number: **13612/2013**
(22) Date of Filing Application: **25 July 2013**
(24) Date from which industrial property rights may have effect: **25 July 2013**
(54) Product in respect of which the design is registered: **Creative book**
(51) International Design Classification: **19-04**
(74) Name(s) of Attorney(s): **Freehills Patent Attorneys**
(71) Name(s) and Address(s) of Applicant(s):

Editions Play Bac
33 rue du Petit Musc 75004 Paris France

(72) Name(s) of Designer(s): **Gaetan Burrus**
(45) Registration Date: **04 November 2013**

(30) Convention priority data:

(31) Number	(32) Date	(33) Country
001374409-001	07 Jun 2013	OFFICE FOR HARMONISATION IN THE INTERNAL MARKET (OHIM)

(56) Related Art Documents: **Not Applicable**

(57) Statement of Newness and Distinctiveness: **Newness and distinctiveness of the design resides in the shape and configuration of the creative book. The shape of the cut out sections marked 'A' in the insert portion of the creative book should be disregarded.**



(21) Design Number: **13633/2013**
(22) Date of Filing Application: **29 July 2013**
(24) Date from which industrial property rights may have effect: **29 July 2013**
(54) Product in respect of which the design is registered: **Breathalyzer mouthpiece**
(51) International Design Classification: **10-04**
(74) Name(s) of Attorney(s): **Griffith Hack**
(71) Name(s) and Address(s) of Applicant(s):

KHN Solutions
300 Broadway Suite 26 San Francisco California 94133 United States of America

(72) Name(s) of Designer(s): **Keith Nothacker and Imraan Aziz and Michael Strasser**

(45) Registration Date: **04 November 2013**

(30) Convention priority data:

(31) Number	(32) Date	(33) Country
29/452,464	16 Apr 2013	UNITED STATES OF AMERICA

(56) Related Art Documents: **Not Applicable**

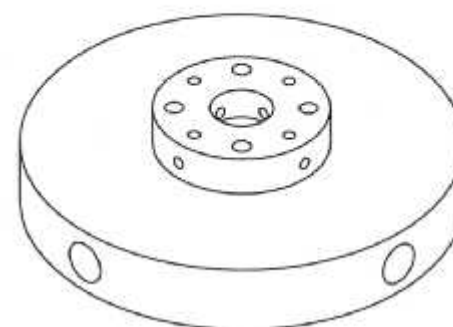
(57) Statement of Newness and Distinctiveness: **Newness and distinctiveness resides in the visual features, including shape and configuration, of a BREATHALYZER MOUTHPIECE as shown in solid outline in the accompanying drawings. When determining whether the design is substantially similar in overall impression to another design, no regard is to be had to those features of the BREATHALYZER shown for context purposes only in dotted outline in drawings 1 to 7.**



- (21) Design Number: **13688/2013**
(22) Date of Filing Application: **01 August 2013**
(24) Date from which industrial property rights may have effect: **01 August 2013**
(54) Product in respect of which the design is registered: **A pouch including instructions for emptying pouch**
(51) International Design Classification: **09-05**
(74) Name(s) of Attorney(s): **Davies Collison Cave**
(71) Name(s) and Address(s) of Applicant(s):
Unilever PLC
100 Victoria Embankment London EC4Y 0DY United Kingdom
(72) Name(s) of Designer(s): **Barbera Marianne Keukens and Tino Rubesa**
(45) Registration Date: **04 November 2013**
(30) Convention priority data:
(31) Number (32) Date (33) Country
002186957-0001 19 Feb 2013 OFFICE FOR HARMONISATION IN THE INTERNAL MARKET (OHIM)
(56) Related Art Documents: **Not Applicable**
(57) Statement of Newness and Distinctiveness: **Newness and distinctiveness is claimed in the visual features shown in solid lines in the representations.**



- (21) Design Number: **13712/2013**
(22) Date of Filing Application: **02 August 2013**
(24) Date from which industrial property rights may have effect: **02 August 2013**
(54) Product in respect of which the design is registered: **Agitating rotor**
(51) International Design Classification: **15-99**
(74) Name(s) of Attorney(s): **Shelston IP**
(71) Name(s) and Address(s) of Applicant(s):
Kazuo Tsuchiya
437-7 Dainichi Yotsukaido-shi Chiba 284-0001 Japan
(72) Name(s) of Designer(s): **Kazuo Tsuchiya and Hitoshi Ryuzaki**
(45) Registration Date: **04 November 2013**
(30) Convention priority data:
(31) Number (32) Date (33) Country
2013-003010 15 Feb 2013 JAPAN
(56) Related Art Documents: **Not Applicable**
(57) Statement of Newness and Distinctiveness: **Newness and distinctiveness reside in the features of shape and/or configuration of the agitating rotor as shown in the accompanying representations. The reference views of the agitating rotor in the representations are for explanatory and illustrative purposes only and do not form part of the design.**



- (21) Design Number: **14028/2013**
(22) Date of Filing Application: **15 August 2013**
(24) Date from which industrial property rights may have effect: **15 August 2013**
(54) Product in respect of which the design is registered: **Bowl**
(51) International Design Classification: **07-01B**
(74) Name(s) of Attorney(s):
(71) Name(s) and Address(s) of Applicant(s):
Craig Dorrington
17 Oak St Bentleigh VIC 3204 Australia
(72) Name(s) of Designer(s): **Craig Dorrington**
(45) Registration Date: **04 November 2013**
(56) Related Art Documents: **Not Applicable**
(57) Statement of Newness and Distinctiveness: **The bowl includes a base, a plurality of slats/posts extending upwardly from the base and defining a volume for holding fruit or other in the bowl, with the base having a series of slots/posts at spaced intervals around the perimeter of the base that receive and retain lower ends of the slats/posts to extend upwardly from the base. The slats/posts are positioned in the slots by inserting the slats/posts inwardly via the openings in the outer edge. With this arrangement, the bowl may also include a retaining member that is positioned around the outer edge across the openings to the slots and prevents the slats/posts being removed from the slots via the openings.**



- (21) Design Number: **14092/2013**
(22) Date of Filing Application: **19 August 2013**
(24) Date from which industrial property rights may have effect: **19 August 2013**
(54) Product in respect of which the design is registered: **Brush cutter head**
(51) International Design Classification: **08-03**
(74) Name(s) of Attorney(s):
(71) Name(s) and Address(s) of Applicant(s):
Robert Ian Gant-Thompson
8/121 Gippsland St Jindabyne NSW 2627 Australia
(72) Name(s) of Designer(s): **Robert Ian Gant-Thompson**
(45) Registration Date: **04 November 2013**
(56) Related Art Documents: **Not Applicable**
(57) Statement of Newness and Distinctiveness: **The newness and distinctiveness of the design resides in in the shape and use of the curved cutting blades and how they fit in the overall design of the brush cutting head.**



- (21) Design Number: **14230/2013**
(22) Date of Filing Application: **27 August 2013**
(24) Date from which industrial property rights may have effect: **27 August 2013**
(54) Product in respect of which the design is registered: **Chair**
(51) International Design Classification: **06-01NES**
(74) Name(s) of Attorney(s):
(71) Name(s) and Address(s) of Applicant(s):

T. R. Honeyman
643 Nicholson St Carlton North VIC 3054 Australia

S. J. Smith
643 Nicholson St Carlton North VIC 3054 Australia

- (72) Name(s) of Designer(s): **Thomas Honeyman and Sara Smith**

- (45) Registration Date: **04 November 2013**

- (56) Related Art Documents: **Not Applicable**

- (57) Statement of Newness and Distinctiveness: **The form, proportion and function are unique. The curve is designed to appear as though the seat is 'crawling' away from the heavy back element. The design is a 'one off' for an Architectural project yet it can be used in a number of lobby/hallway environments. The 2 distinct forms allow for the storage/ placement of objects - the 'back' element can store coats/jackets and the 'seat' element provides an area for shoes under. Can be placed in any orientation (ie. no 'front' or 'back').**



- (21) Design Number: **14235/2013**
(22) Date of Filing Application: **27 August 2013**
(24) Date from which industrial property rights may have effect: **27 August 2013**
(54) Product in respect of which the design is registered: **Umbrella baseplate/ weight plate**
(51) International Design Classification: **08-08NES, 03-03**
(74) Name(s) of Attorney(s):
(71) Name(s) and Address(s) of Applicant(s):

Shade Australia Pty Ltd
U7 86 Heathcote Rd Moorebank NSW 2170 Australia

- (72) Name(s) of Designer(s): **Andy McLeod**

- (45) Registration Date: **04 November 2013**

- (56) Related Art Documents: **Not Applicable**

- (57) Statement of Newness and Distinctiveness: **A heavy metal plate which sits onto an existing umbrella baseplate to provide extra ballast and stability. The design allows for multiple plates to be fitted as required.**



(21) Design Number: **14242/2013**

(22) Date of Filing Application: **27 August 2013**

(24) Date from which industrial property rights may have effect: **27 August 2013**

(54) Product in respect of which the design is registered: **Blade assembly**

(51) International Design Classification: **31-00**

(74) Name(s) of Attorney(s): **PIZZEYS**

(71) Name(s) and Address(s) of Applicant(s):

Euro-Pro Operating LLC
180 Wells Avenue Suite 200 Newton Massachusetts 02459 United States
of America

(72) Name(s) of Designer(s): **David M. Audette**

(45) Registration Date: **04 November 2013**

(30) Convention priority data:

(31) Number	(32) Date	(33) Country
29/447,259	01 Mar 2013	UNITED STATES OF AMERICA

(56) Related Art Documents: **Not Applicable**

(57) Statement of Newness and Distinctiveness: **Nil**



(21) Design Number: **14373/2013**

(22) Date of Filing Application: **03 September 2013**

(24) Date from which industrial property rights may have effect: **03 September 2013**

(54) Product in respect of which the design is registered: **Glue removal, PCD diamond abrasive for grinder**

(51) International Design Classification: **08-05N**

(74) Name(s) of Attorney(s):

(71) Name(s) and Address(s) of Applicant(s):

Mathew Raymund Norton
24 Dapper St Sunnybank Hills QLD 4109 Australia

(72) Name(s) of Designer(s): **Mathew Raymund Norton**

(45) Registration Date: **04 November 2013**

(56) Related Art Documents: **Not Applicable**

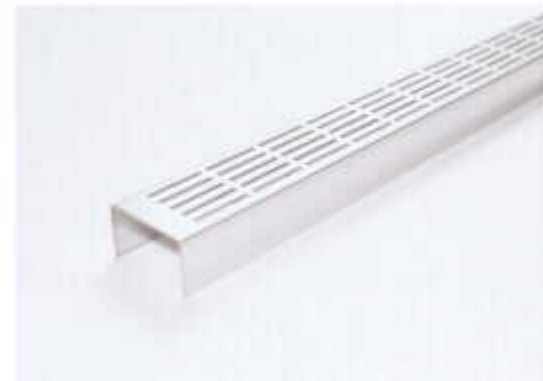
(57) Statement of Newness and Distinctiveness: **Design Monopoly is claimed for the, shape, pattern, configuration and ornamentation of the polycrystalline diamond abrasive bit "brush" design, as shown in the representations, design monopoly is also claimed for the combination use of the spring steel abrasive holder and a PCD diamond abrasive design that employs a series of "small, 0.5mm to 3mm size pcd diamond bits, as shown in the representations, design monopoly is not claimed for the grinding plate or spring steel abrasive holder design, as shown in the drawings.**



- (21) Design Number: **14417/2013**
(22) Date of Filing Application: **05 September 2013**
(24) Date from which industrial property rights may have effect: **05 September 2013**
(54) Product in respect of which the design is registered: **Pencil case**
(51) International Design Classification: **19-99, 03-01NES, 19-06**
(74) Name(s) of Attorney(s): **Shelston IP**
(71) Name(s) and Address(s) of Applicant(s):
Harlequin International Group Pty Ltd
Bag HQ U4/73 Beauchamp Rd Matraville NSW 2036 Australia
(72) Name(s) of Designer(s): **Penelope Montague**
(45) Registration Date: **04 November 2013**
(56) Related Art Documents: **Not Applicable**
(57) Statement of Newness and Distinctiveness: **Newness and distinctiveness reside in the features of shape and/or configuration of a PENCIL CASE as illustrated in the accompanying representations. The contents of the PENCIL CASE are illustrative only and do not form part of the design.**



- (21) Design Number: **14582/2013**
(22) Date of Filing Application: **16 August 2013**
(24) Date from which industrial property rights may have effect: **14 June 2013**
(54) Product in respect of which the design is registered: **A Grate of Metal**
(51) International Design Classification: **25-02G**
(74) Name(s) of Attorney(s):
(71) Name(s) and Address(s) of Applicant(s):
Stormtech Pty Ltd
11/10 Central Ave South Nowra NSW 2541 Australia
(72) Name(s) of Designer(s): **Troy Creighton**
(45) Registration Date: **04 November 2013**
(62) Divisional of: **351758**
(56) Related Art Documents: **Not Applicable**
(57) Statement of Newness and Distinctiveness: **Nil**



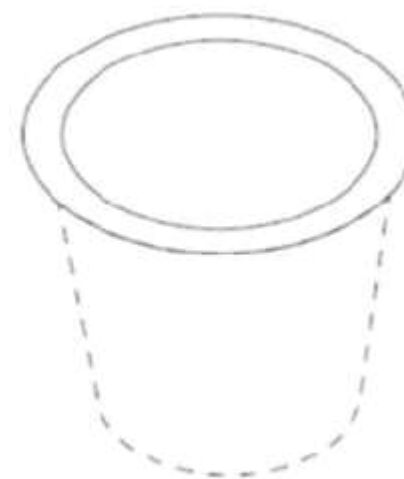
- (21) Design Number: **14657/2013**
(22) Date of Filing Application: **16 September 2013**
(24) Date from which industrial property rights may have effect: **16 September 2013**
(54) Product in respect of which the design is registered: **Flashlight key ring**
(51) International Design Classification: **03-01B, 26-02**
(74) Name(s) of Attorney(s):
(71) Name(s) and Address(s) of Applicant(s):
Mark Venice
PO BOX 707 Byron Bay NSW 2481 Australia
(72) Name(s) of Designer(s): **Mark Venice**
(45) Registration Date: **04 November 2013**
(56) Related Art Documents: **Not Applicable**
(57) Statement of Newness and Distinctiveness: **The newness and distinctiveness of the design resides in the shape of the flashlight key ring looking like the Byron Bay lighthouse.**



- (21) Design Number: **13481/2013**
(22) Date of Filing Application: **22 July 2013**
(24) Date from which industrial property rights may have effect: **22 July 2013**
(54) Product in respect of which the design is registered: **Trail cutting tool**
(51) International Design Classification: **08-05A**
(74) Name(s) of Attorney(s):
(71) Name(s) and Address(s) of Applicant(s):
Robert Ian Gant-Thompson
8/121 Gippsland St Jindabyne NSW 2627 Australia
(72) Name(s) of Designer(s): **Robert Ian Gant-Thompson**
(45) Registration Date: **04 November 2013**
(56) Related Art Documents: **Not Applicable**
(57) Statement of Newness and Distinctiveness: **The newness and distinctiveness of the design resides in the in the overall shape of the design and the way the designed shapes, curves and angles relate to specific aspects of trail construction.**

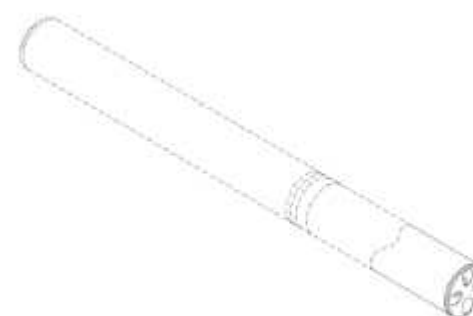


(21) Design Number: **14537/2013**
(22) Date of Filing Application: **12 September 2013**
(24) Date from which industrial property rights may have effect: **12 September 2013**
(54) Product in respect of which the design is registered: **Beverage cartridge**
(51) International Design Classification: **09-05**
(74) Name(s) of Attorney(s): **PIZZEYS**
(71) Name(s) and Address(s) of Applicant(s):
Keurig, Incorporated
55 Walkers Brook Drive Reading MA, 01867 United States of America
(72) Name(s) of Designer(s): **Kevin P. Sullivan**
(45) Registration Date: **04 November 2013**
(30) Convention priority data:
(31) Number (32) Date (33) Country
29/448,955 14 Mar 2013 UNITED STATES OF AMERICA



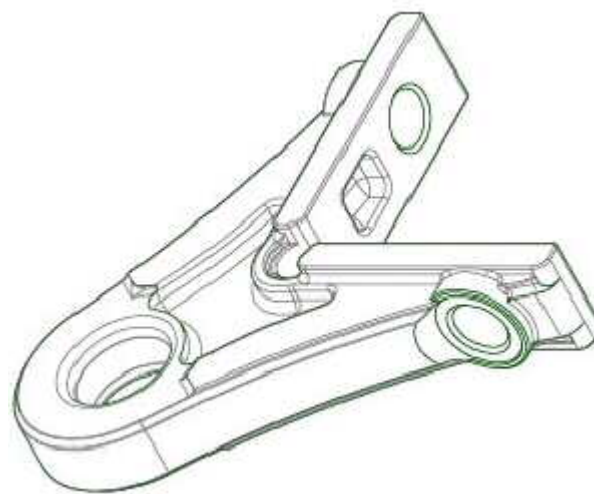
(56) Related Art Documents: **Not Applicable**
(57) Statement of Newness and Distinctiveness: **The newness and distinctiveness of the design resides in the features of pattern and/or ornamentation shown in unbroken lines. In particular, the newness and distinctiveness resides in the features of pattern and/or ornamentation of the annular, peripheral ring of the lid which is distinguishable from the central portion of the lid.**

(21) Design Number: **13337/2013**
(22) Date of Filing Application: **11 July 2013**
(24) Date from which industrial property rights may have effect: **11 July 2013**
(54) Product in respect of which the design is registered: **Electronic smoking article**
(51) International Design Classification: **27-01**
(74) Name(s) of Attorney(s): **SPRUSON & FERGUSON**
(71) Name(s) and Address(s) of Applicant(s):
Altria Client Services Inc.
6601 West Broad Street Richmond VA 23230 United States of America
(72) Name(s) of Designer(s): **Christopher S. Tucker and Geoffrey Brandon Jordan and Barry S. Smith and Ali A. Rostami**
(45) Registration Date: **04 November 2013**
(30) Convention priority data:
(31) Number (32) Date (33) Country
29/443134 14 Jan 2013 UNITED STATES OF AMERICA



(56) Related Art Documents: **Not Applicable**
(57) Statement of Newness and Distinctiveness: **The newness and distinctiveness of the design is claimed in the features of shape and/or configuration of an electronic smoking article as illustrated in unbroken lines in the accompanying representations.**

- (21) Design Number: **11660/2013**
(22) Date of Filing Application: **08 April 2013**
(24) Date from which industrial property rights may have effect: **08 April 2013**
(54) Product in respect of which the design is registered: **Trailer safety chain attachment bracket**
(51) International Design Classification: **08-08L**
(74) Name(s) of Attorney(s): **Davies Collison Cave**
(71) Name(s) and Address(s) of Applicant(s):
Bartlett Transport Improvements Pty Ltd
6-8 Abbott Rd Hallam VIC 3803 Australia
(72) Name(s) of Designer(s): **Wayne Baker**
(45) Registration Date: **04 November 2013**
(56) Related Art Documents: **Not Applicable**
(57) Statement of Newness and Distinctiveness: **Newness and distinctiveness is claimed in the shape and configuration of the safety chain attachment bracket for a vehicle trailer.**



- (21) Design Number: **12571/2013**
(22) Date of Filing Application: **04 June 2013**
(24) Date from which industrial property rights may have effect: **04 June 2013**
(54) Product in respect of which the design is registered: **Waffle maker**
(51) International Design Classification: **07-02H**
(74) Name(s) of Attorney(s): **Molins & Co Pty Ltd**
(71) Name(s) and Address(s) of Applicant(s):
Breville Pty Limited
Building 2 Port Air Industrial Estate 1A Hale St Botany NSW 2019
Australia
(72) Name(s) of Designer(s): **Ashley Marsh-Croft**
(45) Registration Date: **04 November 2013**
(56) Related Art Documents: **Not Applicable**
(57) Statement of Newness and Distinctiveness: **Newness is claimed in the features of shape and configuration of the waffle maker as shown in the accompanying representations. Elements show in dashed lines form no part of the design.**



(21) Design Number: **12884/2013**

(22) Date of Filing Application: **24 June 2013**

(24) Date from which industrial property rights may have effect: **24 June 2013**

(54) Product in respect of which the design is registered: **Rear combination lamp for automobile**

(51) International Design Classification: **26-06**

(74) Name(s) of Attorney(s): **SPRUSON & FERGUSON**

(71) Name(s) and Address(s) of Applicant(s):

Honda Motor Co., Ltd.

1-1 Minami-Aoyama 2-chome Minato-ku Tokyo Japan

(72) Name(s) of Designer(s): **Tatsuya Oda and Hiyonchiyori Jiyon**

(45) Registration Date: **04 November 2013**

(30) Convention priority data:

(31) Number	(32) Date	(33) Country
2012-032038	28 Dec 2012	JAPAN

(56) Related Art Documents: **Not Applicable**

(57) Statement of Newness and Distinctiveness: **Newness and distinctiveness is claimed in the features of shape and/or configuration of a rear combination lamp for automobile as illustrated in the accompanying representations.**



(21) Design Number: **12729/2013**

(22) Date of Filing Application: **14 June 2013**

(24) Date from which industrial property rights may have effect: **14 June 2013**

(54) Product in respect of which the design is registered: **A grate of metal**

(51) International Design Classification: **25-02G**

(74) Name(s) of Attorney(s):

(71) Name(s) and Address(s) of Applicant(s):

Stormtech Pty Limited

11/10 Central Ave South Nowra NSW 2541 Australia

(72) Name(s) of Designer(s): **John Creighton and Troy Creighton**

(45) Registration Date: **04 November 2013**

(56) Related Art Documents: **Not Applicable**

(57) Statement of Newness and Distinctiveness: **A grating of metal which can be coated in any colour or stainless steel finish. Distinct as is linear in form and very narrow being 38mm wide, and very shallow being 40mm deep. Further distinction is the side bar descends to the bottom of the channel the grating fits into and supports the grille continuously for its length and fits to the underside of the grille. Distinctively there are no end plates.**



(21) Design Number: **12730/2013**

(22) Date of Filing Application: **14 June 2013**

(24) Date from which industrial property rights may have effect: **14 June 2013**

(54) Product in respect of which the design is registered: **A grate of metal**

(51) International Design Classification: **25-02G**

(74) Name(s) of Attorney(s):

(71) Name(s) and Address(s) of Applicant(s):

Stormtech Pty Limited

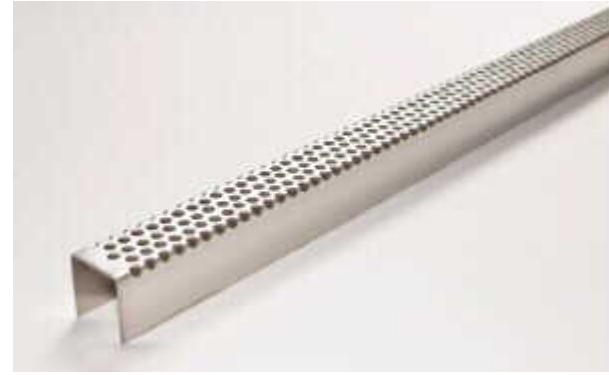
11/10 Central Ave South Nowra NSW 2541 Australia

(72) Name(s) of Designer(s): **John Creighton and Troy Creighton**

(45) Registration Date: **04 November 2013**

(56) Related Art Documents: **Not Applicable**

(57) Statement of Newness and Distinctiveness: **Unique round 6mm hole on 9mm pitch pattern punched in array on metal grate where pattern covers entire top surface of grate including folded side edges. Approximately 50% solid/hole ratio along length of grate. Grate is 65mm wide and can go in metal or plastic channel. Grate is a linear system that can be joined infinitely.**



(21) Design Number: **12731/2013**

(22) Date of Filing Application: **14 June 2013**

(24) Date from which industrial property rights may have effect: **14 June 2013**

(54) Product in respect of which the design is registered: **A grate of metal**

(51) International Design Classification: **25-02G**

(74) Name(s) of Attorney(s):

(71) Name(s) and Address(s) of Applicant(s):

Stormtech Pty Limited

11/10 Central Ave South Nowra NSW 2541 Australia

(72) Name(s) of Designer(s): **Troy Creighton**

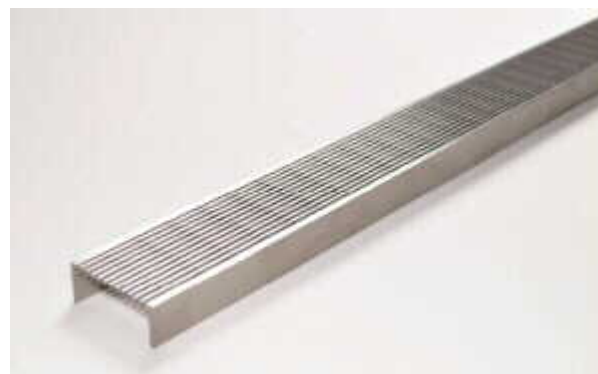
(45) Registration Date: **04 November 2013**

(56) Related Art Documents: **Not Applicable**

(57) Statement of Newness and Distinctiveness: **New and distinct linear grate by having propriety slot pattern in 1.5mm thick stainless steel. Can be steel finish or coated in any colour. Distinctively narrow section of 38mm and shallow at 40mm. Slot pattern is 42.75mmx3.75mm and varies in length at ends of grate to create continuous pattern when joining grate ends together to form longer runs. Distinctively there are no end plates on the grate so the look of joined grates is continuous.**



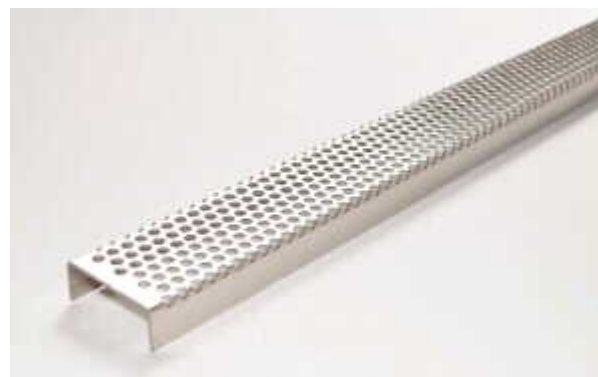
- (21) Design Number: **12732/2013**
(22) Date of Filing Application: **14 June 2013**
(24) Date from which industrial property rights may have effect: **14 June 2013**
(54) Product in respect of which the design is registered: **A grate of metal**
(51) International Design Classification: **25-02G**
(74) Name(s) of Attorney(s):
(71) Name(s) and Address(s) of Applicant(s):
Stormtech Pty Limited
11/10 Central Ave South Nowra NSW 2541 Australia
(72) Name(s) of Designer(s): **Troy Creighton**
(45) Registration Date: **04 November 2013**
(56) Related Art Documents: **Not Applicable**
(57) Statement of Newness and Distinctiveness: **Unique ultra fine wedgewire stainless steel grille on stainless sidebars with very narrow aperture between wires. 65mm wide, 25mm deep or 40mm deep. Using 2mm wire in propriety shape and propriety spacing of support rods. Can be metal finish or coated any colour. Further distinction is the grate has no end plates so butt ends of grates joining together look continuous from on top.**



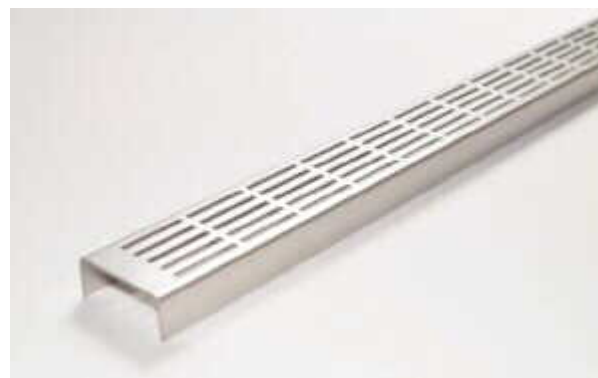
- (21) Design Number: **12733/2013**
(22) Date of Filing Application: **14 June 2013**
(24) Date from which industrial property rights may have effect: **14 June 2013**
(54) Product in respect of which the design is registered: **A grate of metal**
(51) International Design Classification: **25-02G**
(74) Name(s) of Attorney(s):
(71) Name(s) and Address(s) of Applicant(s):
Stormtech Pty Limited
11/10 Central Ave South Nowra NSW 2541 Australia
(72) Name(s) of Designer(s): **John Creighton and Troy Creighton**
(45) Registration Date: **04 November 2013**
(56) Related Art Documents: **Not Applicable**
(57) Statement of Newness and Distinctiveness: **A grating of metal, stainless steel, which can be coated in any colour or stainless steel finish. Distinct design as is linear in form and narrow being 65mm wide, and very shallow being 40mm deep. Further distinct design is the side bar of metal supporting the stainless steel grille connecting to the underside of the grille. Further distinct design is the side bar descends to the bottom of the channel the grating fits into and supports the grille continuously for its length.**



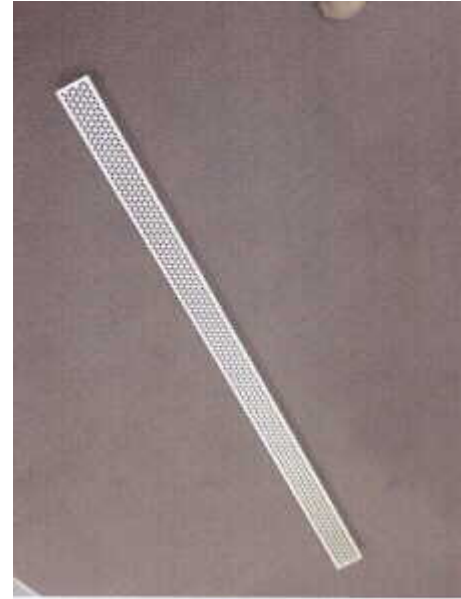
- (21) Design Number: **12734/2013**
(22) Date of Filing Application: **14 June 2013**
(24) Date from which industrial property rights may have effect: **14 June 2013**
(54) Product in respect of which the design is registered: **A grate of metal**
(51) International Design Classification: **25-02G**
(74) Name(s) of Attorney(s):
(71) Name(s) and Address(s) of Applicant(s):
Stormtech Pty Limited
11/10 Central Ave South Nowra NSW 2541 Australia
(72) Name(s) of Designer(s): **John Creighton and Troy Creighton**
(45) Registration Date: **04 November 2013**
(56) Related Art Documents: **Not Applicable**
(57) Statement of Newness and Distinctiveness: **Distinctly different grating being linear in nature, of metal in any finish or coated in any colour and texture. Very narrow profile in section view being 65mm wide, 40mm deep. Punched hole pattern propriety design being 6mm hole on 9mm staggered pitch with edge holes bent at 90 degrees. Distinction being the sides of the grate descend to bottom of channel grate sits in and run along entire length of grate. Distinctively there are no end plates on the grateso joins appear continuous.**



- (21) Design Number: **12735/2013**
(22) Date of Filing Application: **14 June 2013**
(24) Date from which industrial property rights may have effect: **14 June 2013**
(54) Product in respect of which the design is registered: **A grate of metal**
(51) International Design Classification: **25-02G**
(74) Name(s) of Attorney(s):
(71) Name(s) and Address(s) of Applicant(s):
Stormtech Pty Limited
11/10 Central Ave South Nowra NSW 2541 Australia
(72) Name(s) of Designer(s): **Troy Creighton**
(45) Registration Date: **04 November 2013**
(56) Related Art Documents: **Not Applicable**
(57) Statement of Newness and Distinctiveness: **New and distinct by having propriety slot pattern in 1.5mm thick stainless steel. Can be steel finish or coated in any colour. Distinctively narrow section of 65mm and shallow at 40mm or 25mm. Slot pattern is 42.75mmx3.75mm and varies in length at ends of grate to create continuous pattern when joining grate ends together to form longer runs. Further distinction is the grate has no end plates.**



- (21) Design Number: **12736/2013**
(22) Date of Filing Application: **14 June 2013**
(24) Date from which industrial property rights may have effect: **14 June 2013**
(54) Product in respect of which the design is registered: **A grate of metal**
(51) International Design Classification: **25-02G**
(74) Name(s) of Attorney(s):
(71) Name(s) and Address(s) of Applicant(s):
Stormtech Pty Limited
11/10 Central Ave South Nowra NSW 2541 Australia
(72) Name(s) of Designer(s): **Marc Andrew Newson**
(45) Registration Date: **04 November 2013**
(56) Related Art Documents: **Not Applicable**
(57) Statement of Newness and Distinctiveness: **Original Marc Nelson design comprising of triangle in hexagon array that is continuous and covers most of width of grate. Grate is a linear system but design will also be used on round and square styles of grating. Pattern can also be in any grille covering for air or water, however primary intended use is in water removal. System can be used with or without a channel. Grate can be any colour. Channel can be metal or plastic and can be any colour.**



- (21) Design Number: **12737/2013**
(22) Date of Filing Application: **14 June 2013**
(24) Date from which industrial property rights may have effect: **14 June 2013**
(54) Product in respect of which the design is registered: **A grate of metal**
(51) International Design Classification: **25-02G**
(74) Name(s) of Attorney(s):
(71) Name(s) and Address(s) of Applicant(s):
Stormtech Pty Limited
11/10 Central Ave South Nowra NSW 2541 Australia
(72) Name(s) of Designer(s): **Troy Creighton**
(45) Registration Date: **04 November 2013**
(56) Related Art Documents: **Not Applicable**
(57) Statement of Newness and Distinctiveness: **Distinctively linear grate very narrow grate that allows inserting of any material up to depth of 25mm and 50mm wide and 1000mm long. Shiny steel finish with legs supporting the frame grate so it is self supporting. Distinctively one end can be removed and the longer part can be cut down to accommodate varying lengths.**



- (21) Design Number: **12738/2013**
(22) Date of Filing Application: **14 June 2013**
(24) Date from which industrial property rights may have effect: **14 June 2013**
(54) Product in respect of which the design is registered: **A drain of metal**
(51) International Design Classification: **25-02G**
(74) Name(s) of Attorney(s):
(71) Name(s) and Address(s) of Applicant(s):
Stormtech Pty Limited
11/10 Central Ave South Nowra NSW 2541 Australia
(72) Name(s) of Designer(s): **Troy Creighton**
(45) Registration Date: **04 November 2013**
(56) Related Art Documents: **Not Applicable**
(57) Statement of Newness and Distinctiveness: **Distinct unequal side channel that accepts any proprietary door subsil. Distinct cantilever support of grating frame using triangle brace. Made from metal and using non conductive plastic outer lower edge sides to stop galvanic reaction with subsil. Metal finish can be shiny or coated any colour.**



- (21) Design Number: **12739/2013**
(22) Date of Filing Application: **14 June 2013**
(24) Date from which industrial property rights may have effect: **14 June 2013**
(54) Product in respect of which the design is registered: **A drain of metal**
(51) International Design Classification: **25-02G**
(74) Name(s) of Attorney(s):
(71) Name(s) and Address(s) of Applicant(s):
Stormtech Pty Limited
11/10 Central Ave South Nowra NSW 2541 Australia
(72) Name(s) of Designer(s): **Troy Creighton**
(45) Registration Date: **04 November 2013**
(56) Related Art Documents: **Not Applicable**
(57) Statement of Newness and Distinctiveness: **Distinctively angled linear vinyl clamp made of metal. Sides of the drain are angled which is distinct compared to generic right angles sides of common linear vinyl clamp. Distinctively the screws which hold the clamp are angled. Distinctively the drain is very shallow at 23mm internally compared to standard systems which are 40-50mm deep.**



- (21) Design Number: **12740/2013**
(22) Date of Filing Application: **14 June 2013**
(24) Date from which industrial property rights may have effect: **14 June 2013**
(54) Product in respect of which the design is registered: **A drain of metal**
(51) International Design Classification: **25-02G**
(74) Name(s) of Attorney(s):
(71) Name(s) and Address(s) of Applicant(s):
Stormtech Pty Limited
11/10 Central Ave South Nowra NSW 2541 Austalia
(72) Name(s) of Designer(s): **Troy Creighton**
(45) Registration Date: **04 November 2013**
(56) Related Art Documents: **Not Applicable**
(57) Statement of Newness and Distinctiveness: **Distinctively angled linear vinyl clamp made of metal. Sides of the drain are angled which is distinct compared to generic right angle sides of common linear vinyl clamp. Distinctively the screws which hold the clamp are angled.**



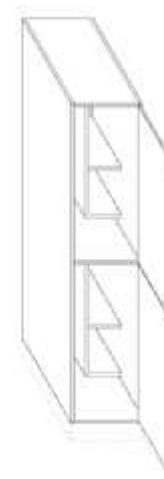
- (21) Design Number: **13768/2013**
(22) Date of Filing Application: **07 August 2013**
(24) Date from which industrial property rights may have effect: **07 August 2013**
(54) Product in respect of which the design is registered: **Connecting device**
(51) International Design Classification: **08-08K**
(74) Name(s) of Attorney(s): **Davies Collison Cave**
(71) Name(s) and Address(s) of Applicant(s):
Lamello AG
Hauptstrasse 149 Bubendorf 4416 Switzerland
Franz Baur
Hochstrass 13 Oberstufen 87534 Germany
(72) Name(s) of Designer(s): **Franz Baur and Franz Haser and Philipp Seiler and Patrick Jeker**
(45) Registration Date: **04 November 2013**
(30) Convention priority data:
(31) Number (32) Date (33) Country
002192724-0009 27 Feb 2013 OFFICE FOR HARMONISATION IN THE INTERNAL MARKET (OHIM)
(56) Related Art Documents: **Not Applicable**
(57) Statement of Newness and Distinctiveness: **Nil**



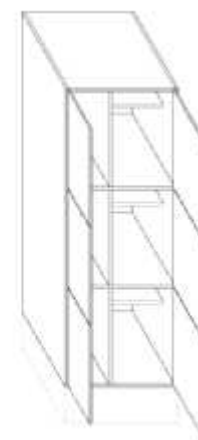
- (21) Design Number: **14903/2013**
(22) Date of Filing Application: **25 September 2013**
(24) Date from which industrial property rights may have effect: **25 September 2013**
(54) Product in respect of which the design is registered: **Extruded building element**
(51) International Design Classification: **25-01D**
(74) Name(s) of Attorney(s): **Shelston IP**
(71) Name(s) and Address(s) of Applicant(s):
Artur Pokorski
10 Brande St Belmore NSW 2192 Australia
(72) Name(s) of Designer(s): **Artur Pokorski**
(45) Registration Date: **04 November 2013**
(56) Related Art Documents: **Not Applicable**
(57) Statement of Newness and Distinctiveness: **Newness and distinctiveness reside in the features of shape and configuration of the extruded building element of indefinite length as illustrated in the accompanying representations.**



- (21) Design Number: **14941/2013**
(22) Date of Filing Application: **26 September 2013**
(24) Date from which industrial property rights may have effect: **26 September 2013**
(54) Product in respect of which the design is registered: **Storage locker**
(51) International Design Classification: **06-04B**
(74) Name(s) of Attorney(s): **WATERMARK PATENT AND TRADE MARKS ATTORNEYS**
(71) Name(s) and Address(s) of Applicant(s):
ISM Group Holdings Pty Ltd
24 Halsey Rd Airport West VIC 3042 Australia
(72) Name(s) of Designer(s): **Leah Ferronato**
(45) Registration Date: **04 November 2013**
(56) Related Art Documents: **Not Applicable**
(57) Statement of Newness and Distinctiveness: **Newness and distinctiveness resides in the features of shape and/or configuration of a storage locker as shown in the accompanying representations. The plinth shown in broken lines is for illustrative purposes only and does not form part of the design.**



- (21) Design Number: **14942/2013**
(22) Date of Filing Application: **26 September 2013**
(24) Date from which industrial property rights may have effect: **26 September 2013**
(54) Product in respect of which the design is registered: **Storage locker**
(51) International Design Classification: **06-04B**
(74) Name(s) of Attorney(s): **WATERMARK PATENT AND TRADE MARKS ATTORNEYS**
(71) Name(s) and Address(s) of Applicant(s):
ISM Group Holdings Pty Ltd
24 Halsey Rd Airport West VIC 3042 Australia
(72) Name(s) of Designer(s): **Leah Ferronato**
(45) Registration Date: **04 November 2013**
(56) Related Art Documents: **Not Applicable**
(57) Statement of Newness and Distinctiveness: **Newness and distinctiveness resides in the features of shape and/or configuration of a storage locker as shown in the accompanying representations. The plinth shown in broken lines is for illustrative purposes only and does not form part of the design.**



- (21) Design Number: **14943/2013**
(22) Date of Filing Application: **26 September 2013**
(24) Date from which industrial property rights may have effect: **26 September 2013**
(54) Product in respect of which the design is registered: **Storage locker**
(51) International Design Classification: **06-04B**
(74) Name(s) of Attorney(s): **WATERMARK PATENT AND TRADE MARKS ATTORNEYS**
(71) Name(s) and Address(s) of Applicant(s):
ISM Group Holdings Pty Ltd
24 Halsey Rd Airport West VIC 3042 Australia
(72) Name(s) of Designer(s): **Leah Ferronato**
(45) Registration Date: **04 November 2013**
(56) Related Art Documents: **Not Applicable**
(57) Statement of Newness and Distinctiveness: **Newness and distinctiveness resides in the features of shape and/or configuration of a storage locker as shown in the accompanying representations. The plinth shown in broken lines is for illustrative purposes only and does not form part of the design.**



(21) Design Number: **14945/2013**
(22) Date of Filing Application: **26 September 2013**
(24) Date from which industrial property rights may have effect: **26 September 2013**
(54) Product in respect of which the design is registered: **Shelter**
(51) International Design Classification: **25-03**
(74) Name(s) of Attorney(s):
(71) Name(s) and Address(s) of Applicant(s):
ESP Services Australia Pty Ltd
13 Olive Gr Lilydale VIC 3140 Australia
(72) Name(s) of Designer(s): **David Lewis**
(45) Registration Date: **04 November 2013**
(56) Related Art Documents: **Not Applicable**
(57) Statement of Newness and Distinctiveness: **Nil**



(21) Design Number: **14947/2013**
(22) Date of Filing Application: **26 September 2013**
(24) Date from which industrial property rights may have effect: **26 September 2013**
(54) Product in respect of which the design is registered: **Shelter**
(51) International Design Classification: **25-03**
(74) Name(s) of Attorney(s):
(71) Name(s) and Address(s) of Applicant(s):
ESP Services Australia Pty Ltd
13 Olive Gr Lilydale VIC 3140 Australia
(72) Name(s) of Designer(s): **David Lewis**
(45) Registration Date: **04 November 2013**
(56) Related Art Documents: **Not Applicable**
(57) Statement of Newness and Distinctiveness: **Nil**



(21) Design Number: **14948/2013**
(22) Date of Filing Application: **26 September 2013**
(24) Date from which industrial property rights may have effect: **26 September 2013**
(54) Product in respect of which the design is registered: **Pump casing**
(51) International Design Classification: **15-02**
(74) Name(s) of Attorney(s): **Cotters Patent & Trade Mark Attorneys**
(71) Name(s) and Address(s) of Applicant(s):

Huntleigh Technology Ltd
ArjoHuntleigh House Houghton Hall Business Park Houghton Regis
Bedfordshire LUX 5XF United Kingdom

(72) Name(s) of Designer(s): **Simon Allan Moss**

(45) Registration Date: **04 November 2013**

(30) Convention priority data:

(31) Number	(32) Date	(33) Country
002275438	16 Jul 2013	OFFICE FOR HARMONISATION IN THE INTERNAL MARKET (OHIM)

(56) Related Art Documents: **Not Applicable**

(57) Statement of Newness and Distinctiveness: **Newness and distinctiveness is claimed in the features of shape and/or configuration of a pump casing as shown in the accompanying drawings.**



(21) Design Number: **14954/2013**
(22) Date of Filing Application: **27 September 2013**
(24) Date from which industrial property rights may have effect: **27 September 2013**
(54) Product in respect of which the design is registered: **Butterfly on branch lighting ornament**
(51) International Design Classification: **26-05B**
(74) Name(s) of Attorney(s): **Cullens Patent and Trade Mark Attorneys**
(71) Name(s) and Address(s) of Applicant(s):

3D Lighting Innovations Inc.
5151 Thimens Boulevard Montreal Quebec H4R 2C8 Canada

(72) Name(s) of Designer(s): **Tom Wegrzyn**

(45) Registration Date: **04 November 2013**

(30) Convention priority data:

(31) Number	(32) Date	(33) Country
150431	02 Apr 2013	CANADA

(56) Related Art Documents: **Not Applicable**

(57) Statement of Newness and Distinctiveness: **Newness and distinctiveness is not claimed in the portions depicted by broken lines in the representations which do not form part of the design.**



(21) Design Number: **14957/2013**
(22) Date of Filing Application: **27 September 2013**
(24) Date from which industrial property rights may have effect: **27 September 2013**
(54) Product in respect of which the design is registered: **Mobile phone**
(51) International Design Classification: **14-03E**
(74) Name(s) of Attorney(s): **Allens Patent & Trade Mark Attorneys**
(71) Name(s) and Address(s) of Applicant(s):
LVMH Swiss Manufactures SA
Rue Louis-Joseph-Chevrolet 6a La Chaux-de-Fonds 2300 Switzerland
(72) Name(s) of Designer(s): **Christoph Behling**
(45) Registration Date: **04 November 2013**
(30) Convention priority data:
(31) Number (32) Date (33) Country
DM/080 848 23 Apr 2013 WORLD INTELLECTUAL
PROPERTY ORGANIZATION
(WIPO)



(56) Related Art Documents: **Not Applicable**
(57) Statement of Newness and Distinctiveness: **Newness and distinctiveness resides in the visual features of shape, configuration and/or ornamentation of a mobile phone as illustrated in the accompanying representations.**

(21) Design Number: **14511/2013**
(22) Date of Filing Application: **11 September 2013**
(24) Date from which industrial property rights may have effect: **11 September 2013**
(54) Product in respect of which the design is registered: **Vehicle**
(51) International Design Classification: **12-08**
(74) Name(s) of Attorney(s): **Shelston IP**
(71) Name(s) and Address(s) of Applicant(s):
Suzhou Eagle Electric Vehicle Manufacturing Co., Ltd.
No. 699, Tongyuan Road Suzhou Industrial Park Suzhou City Jiangsu
Province China
(72) Name(s) of Designer(s): **Xueqing Zhang**
(45) Registration Date: **04 November 2013**
(30) Convention priority data:
(31) Number (32) Date (33) Country
201330237816.2 07 Jun 2013 CHINA
(56) Related Art Documents: **Not Applicable**
(57) Statement of Newness and Distinctiveness: **Newness and distinctiveness reside in the features of shape and/or configuration of a VEHICLE as illustrated in the accompanying representations.**

(21) Design Number: **15080/2013**
(22) Date of Filing Application: **07 October 2013**
(24) Date from which industrial property rights may have effect: **07 October 2013**
(54) Product in respect of which the design is registered: **Pillow**
(51) International Design Classification: **06-13B**
(74) Name(s) of Attorney(s): **Griffith Hack**
(71) Name(s) and Address(s) of Applicant(s):

Grausam Handels GmbH
Wehlistrassen 29 Vienna 1200 Austria

(72) Name(s) of Designer(s): **Mario Matzinger**

(45) Registration Date: **04 November 2013**

(30) Convention priority data:

(31) Number	(32) Date	(33) Country
DM/081452	02 Aug 2013	WORLD INTELLECTUAL PROPERTY ORGANIZATION (WIPO)



(56) Related Art Documents: **Not Applicable**

(57) Statement of Newness and Distinctiveness: **Newness and distinctiveness resides in the visual features, including the shape, configuration and ornamentation of the product as shown in the accompanying representations. The product may be used as a holder for a tablet or electronic device as shown in Figure 8 which has been included for illustrative purposes only and does not form part of the design.**

(21) Design Number: **15081/2013**
(22) Date of Filing Application: **07 October 2013**
(24) Date from which industrial property rights may have effect: **07 October 2013**
(54) Product in respect of which the design is registered: **Pillow**
(51) International Design Classification: **06-13B**
(74) Name(s) of Attorney(s): **Griffith Hack**
(71) Name(s) and Address(s) of Applicant(s):

Grausam Handels GmbH
Wehlistrassen 29 Vienna 1200 Austria

(72) Name(s) of Designer(s): **Mario Matzinger**

(45) Registration Date: **04 November 2013**

(30) Convention priority data:

(31) Number	(32) Date	(33) Country
DM/081452	02 Aug 2013	WORLD INTELLECTUAL PROPERTY ORGANIZATION (WIPO)



(56) Related Art Documents: **Not Applicable**

(57) Statement of Newness and Distinctiveness: **Newness and distinctiveness resides in the visual features, including the shape, configuration and ornamentation of the product as shown in the accompanying representations. The product may be used as a holder for a tablet or electronic device as shown in Figure 8 which has been included for illustrative purposes only and does not form part of the design.**

(21) Design Number: **15083/2013**
(22) Date of Filing Application: **07 October 2013**
(24) Date from which industrial property rights may have effect: **07 October 2013**
(54) Product in respect of which the design is registered: **Pillow**
(51) International Design Classification: **06-13B**
(74) Name(s) of Attorney(s): **Griffith Hack**
(71) Name(s) and Address(s) of Applicant(s):



Grausam Handels GmbH
Wehlistrasse 29 Vienna 1200 Austria

(72) Name(s) of Designer(s): **Mario Matzinger**

(45) Registration Date: **04 November 2013**

(30) Convention priority data:

(31) Number	(32) Date	(33) Country
DM/081452	02 Aug 2013	WORLD INTELLECTUAL PROPERTY ORGANIZATION (WIPO)

(56) Related Art Documents: **Not Applicable**

(57) Statement of Newness and Distinctiveness: **Newness and distinctiveness resides in the visual features, including the shape, configuration and ornamentation of the product as shown in the accompanying representations. The product may be used as a holder for a tablet or electronic device as shown in Figure 8 which has been included for illustrative purposes only and does not form part of the design.**

(21) Design Number: **15085/2013**
(22) Date of Filing Application: **07 October 2013**
(24) Date from which industrial property rights may have effect: **07 October 2013**
(54) Product in respect of which the design is registered: **Pillow**
(51) International Design Classification: **06-13B**
(74) Name(s) of Attorney(s): **Griffith Hack**
(71) Name(s) and Address(s) of Applicant(s):



Grausam Handels GmbH
Wehlistrasse 29 Vienna 1200 Austria

(72) Name(s) of Designer(s): **Mario Matzinger**

(45) Registration Date: **04 November 2013**

(30) Convention priority data:

(31) Number	(32) Date	(33) Country
DM/081452	02 Aug 2013	WORLD INTELLECTUAL PROPERTY ORGANIZATION (WIPO)

(56) Related Art Documents: **Not Applicable**

(57) Statement of Newness and Distinctiveness: **Newness and distinctiveness resides in the visual features, including the shape, configuration and ornamentation of the product as shown in the accompanying representations. The product may be used as a holder for a tablet or electronic device as shown in Figure 8 which has been included for illustrative purposes only and does not form part of the design.**

(21) Design Number: **15084/2013**

(22) Date of Filing Application: **07 October 2013**

(24) Date from which industrial property rights may have effect: **07 October 2013**

(54) Product in respect of which the design is registered: **Pillow**

(51) International Design Classification: **06-13B**

(74) Name(s) of Attorney(s): **Griffith Hack**

(71) Name(s) and Address(s) of Applicant(s):

**Grausam Handels GmbH
Wehlistrasse 29 Vienna 1200 Austria**

(72) Name(s) of Designer(s): **Mario Matzinger**

(45) Registration Date: **04 November 2013**

(30) Convention priority data:

(31) Number	(32) Date	(33) Country
DM/081452	02 Aug 2013	WORLD INTELLECTUAL PROPERTY ORGANIZATION (WIPO)



(56) Related Art Documents: **Not Applicable**

(57) Statement of Newness and Distinctiveness: **Newness and distinctiveness resides in the visual features, including the shape, configuration and ornamentation of the product as shown in the accompanying representations. The product may be used as a holder for a tablet or electronic device as shown in Figure 8 which has been included for illustrative purposes only and does not form part of the design.**

(21) Design Number: **15086/2013**

(22) Date of Filing Application: **07 October 2013**

(24) Date from which industrial property rights may have effect: **07 October 2013**

(54) Product in respect of which the design is registered: **Pillow**

(51) International Design Classification: **06-13B**

(74) Name(s) of Attorney(s): **Griffith Hack**

(71) Name(s) and Address(s) of Applicant(s):

**Grausam Handels GmbH
Wehlistrasse 29 Vienna 1200 Austria**

(72) Name(s) of Designer(s): **Mario Matzinger**

(45) Registration Date: **04 November 2013**

(30) Convention priority data:

(31) Number	(32) Date	(33) Country
DM/081452	02 Aug 2013	WORLD INTELLECTUAL PROPERTY ORGANIZATION (WIPO)



(56) Related Art Documents: **Not Applicable**

(57) Statement of Newness and Distinctiveness: **Newness and distinctiveness resides in the visual features, including the shape, configuration and ornamentation of the product as shown in the accompanying representations. The product may be used as a holder for a tablet or electronic device as shown in Figure 8 which has been included for illustrative purposes only and does not form part of the design.**

(21) Design Number: **15079/2013**
(22) Date of Filing Application: **07 October 2013**
(24) Date from which industrial property rights may have effect: **07 October 2013**
(54) Product in respect of which the design is registered: **Pillow**
(51) International Design Classification: **06-13B, 06-09**
(74) Name(s) of Attorney(s): **Griffith Hack**
(71) Name(s) and Address(s) of Applicant(s):

Grausam Handels GmbH
Wehlistrasse 29 Vienna 1200 Austria

(72) Name(s) of Designer(s): **Mario Matzinger**

(45) Registration Date: **04 November 2013**

(30) Convention priority data:

(31) Number	(32) Date	(33) Country
DM/081452	02 Aug 2013	WORLD INTELLECTUAL PROPERTY ORGANIZATION (WIPO)

(56) Related Art Documents: **Not Applicable**

(57) Statement of Newness and Distinctiveness: **Newness and distinctiveness resides in the visual features, including the shape, configuration and ornamentation of the product as shown in the accompanying representations. The product may be used as a holder for a tablet or electronic device as shown in Figure 8 which has been included for illustrative purposes only and does not form part of the design.**



(21) Design Number: **15079/2013**
(22) Date of Filing Application: **07 October 2013**
(24) Date from which industrial property rights may have effect: **07 October 2013**
(54) Product in respect of which the design is registered: **Pillow**
(51) International Design Classification: **06-13B, 06-09**
(74) Name(s) of Attorney(s): **Griffith Hack**
(71) Name(s) and Address(s) of Applicant(s):

Grausam Handels GmbH
Wehlistrasse 29 Vienna 1200 Austria

(72) Name(s) of Designer(s): **Mario Matzinger**

(45) Registration Date: **04 November 2013**

(30) Convention priority data:

(31) Number	(32) Date	(33) Country
DM/081452	02 Aug 2013	WORLD INTELLECTUAL PROPERTY ORGANIZATION (WIPO)

(56) Related Art Documents: **Not Applicable**

(57) Statement of Newness and Distinctiveness: **Newness and distinctiveness resides in the visual features, including the shape, configuration and ornamentation of the product as shown in the accompanying representations. The product may be used as a holder for a tablet or electronic device as shown in Figure 8 which has been included for illustrative purposes only and does not form part of the design.**



(21) Design Number: **13515/2013**
(22) Date of Filing Application: **24 July 2013**
(24) Date from which industrial property rights may have effect: **24 July 2013**
(54) Product in respect of which the design is registered: **Display screen**
(51) International Design Classification: **14-02**
(74) Name(s) of Attorney(s): **FB Rice**
(71) Name(s) and Address(s) of Applicant(s):

ABB AB
Kopparbergsvagen 2 721 83 Vasteras Sweden

(72) Name(s) of Designer(s): **Anders Hanberg and Falkestorm Gabriella**

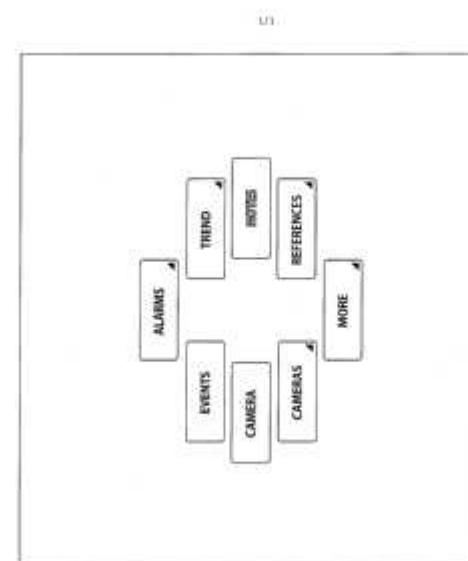
(45) Registration Date: **04 November 2013**

(30) Convention priority data:

(31) Number	(32) Date	(33) Country
002173740	28 Jan 2013	OFFICE FOR HARMONISATION IN THE INTERNAL MARKET (OHIM)

(56) Related Art Documents: **Not Applicable**

(57) Statement of Newness and Distinctiveness: **Newness and distinctiveness reside in the features of pattern and ornamentation of the display screen as shown in the representations.**



(21) Design Number: **13516/2013**
(22) Date of Filing Application: **24 July 2013**
(24) Date from which industrial property rights may have effect: **24 July 2013**
(54) Product in respect of which the design is registered: **Display screen**
(51) International Design Classification: **14-02**
(74) Name(s) of Attorney(s): **FB Rice**
(71) Name(s) and Address(s) of Applicant(s):

ABB AB
Kopparbergsvagen 2 721 83 Vasteras Sweden

(72) Name(s) of Designer(s): **Anders Hanberg and Gabriella Falkestrom**

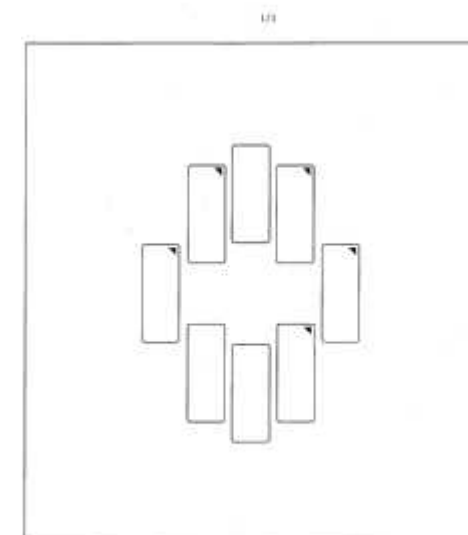
(45) Registration Date: **04 November 2013**

(30) Convention priority data:

(31) Number	(32) Date	(33) Country
002173740	28 Jan 2013	OFFICE FOR HARMONISATION IN THE INTERNAL MARKET (OHIM)

(56) Related Art Documents: **Not Applicable**

(57) Statement of Newness and Distinctiveness: **Newness and distinctiveness reside in the features of pattern and ornamentation of the display screen as shown in the representations.**



(21) Design Number: **13517/2013**
(22) Date of Filing Application: **24 July 2013**
(24) Date from which industrial property rights may have effect: **24 July 2013**
(54) Product in respect of which the design is registered: **Display screen**
(51) International Design Classification: **14-02**
(74) Name(s) of Attorney(s): **FB Rice**
(71) Name(s) and Address(s) of Applicant(s):

ABB AB
Kopparbergsvagen 2 721 83 Vasteras Sweden

(72) Name(s) of Designer(s): **Anders Hanberg and Gabriella Falkestrom**

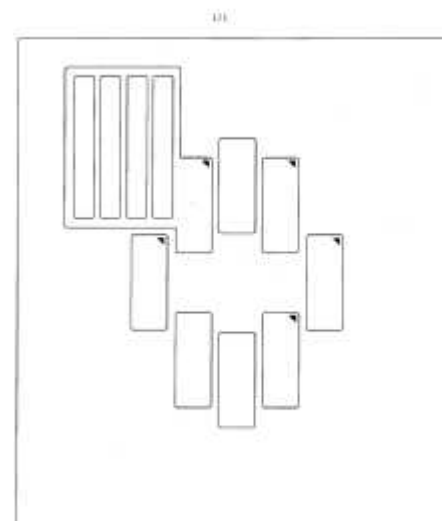
(45) Registration Date: **04 November 2013**

(30) Convention priority data:

(31) Number	(32) Date	(33) Country
002173740	28 Jan 2013	OFFICE FOR HARMONISATION IN THE INTERNAL MARKET (OHIM)

(56) Related Art Documents: **Not Applicable**

(57) Statement of Newness and Distinctiveness: **Newness and distinctiveness reside in the features of pattern and ornamentation of the display screen as shown in the representations.**



(21) Design Number: **13564/2013**
(22) Date of Filing Application: **25 July 2013**
(24) Date from which industrial property rights may have effect: **25 July 2013**
(54) Product in respect of which the design is registered: **Aerosol bottle**
(51) International Design Classification: **09-01A**
(74) Name(s) of Attorney(s): **SPRUSON & FERGUSON**
(71) Name(s) and Address(s) of Applicant(s):

S. C. Johnson & Son, Inc.
**1525 Howe Street Racine Wisconsin 53403-2236 United States of
America**

(72) Name(s) of Designer(s): **Thomas A Renner and William F. Gordon and
James F Kimball and Kevin Harranty and Robert Siegl**

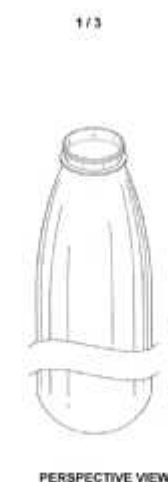
(45) Registration Date: **04 November 2013**

(30) Convention priority data:

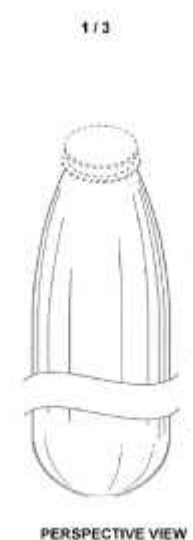
(31) Number	(32) Date	(33) Country
29/444124	25 Jan 2013	UNITED STATES OF AMERICA

(56) Related Art Documents: **Not Applicable**

(57) Statement of Newness and Distinctiveness: **Newness and distinctiveness is claimed in the features of shape and/or configuration of an aerosol bottle as illustrated in the accompanying representations, in which separated portions of the bottle shown connected by a bracket in Figures 1/3 and 2/3 indicate that the bottle length is variable.**



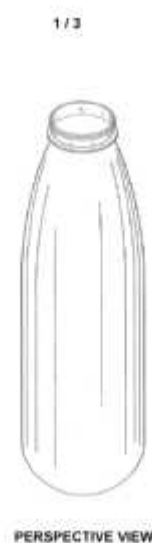
(21) Design Number: **13567/2013**
(22) Date of Filing Application: **25 July 2013**
(24) Date from which industrial property rights may have effect: **25 July 2013**
(54) Product in respect of which the design is registered: **Aerosol bottle**
(51) International Design Classification: **09-01A**
(74) Name(s) of Attorney(s): **SPRUSON & FERGUSON**
(71) Name(s) and Address(s) of Applicant(s):
S. C. Johnson & Son, Inc.
1525 Howe Street Racine Wisconsin 53403-2236 United States of America
(72) Name(s) of Designer(s): **Thomas A Renner and William F. Gordon and James F Kimball and Kevin Harranty and Robert Siegl**
(45) Registration Date: **04 November 2013**
(30) Convention priority data:
(31) Number (32) Date (33) Country
29/444124 25 Jan 2013 UNITED STATES OF AMERICA
(56) Related Art Documents: **Not Applicable**
(57) Statement of Newness and Distinctiveness: **Newness and distinctiveness is claimed in those features of shape and/or configuration of an aerosol bottle illustrated in continuous lines in the accompanying representations, in which separated portions of the bottle shown connected by a bracket in Figures 1/3 and 2/3 indicate that the bottle length is variable.**



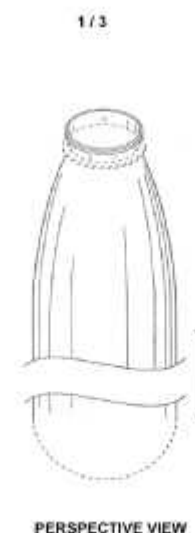
(21) Design Number: **13568/2013**
(22) Date of Filing Application: **25 July 2013**
(24) Date from which industrial property rights may have effect: **25 July 2013**
(54) Product in respect of which the design is registered: **Aerosol bottle**
(51) International Design Classification: **09-01A**
(74) Name(s) of Attorney(s): **SPRUSON & FERGUSON**
(71) Name(s) and Address(s) of Applicant(s):
S. C. Johnson & Son, Inc.
1525 Howe Street Racine Wisconsin 53403-2236 United States of America
(72) Name(s) of Designer(s): **Thomas A Renner and William F. Gordon and James F Kimball and Kevin Harranty and Robert Siegl**
(45) Registration Date: **04 November 2013**
(30) Convention priority data:
(31) Number (32) Date (33) Country
29/444124 25 Jan 2013 UNITED STATES OF AMERICA
(56) Related Art Documents: **Not Applicable**
(57) Statement of Newness and Distinctiveness: **Newness and distinctiveness is claimed in those features of shape and/or configuration of an aerosol bottle illustrated in continuous lines in the accompanying representations, in which separated portions of the bottle shown connected by a bracket in Figures 1/3 and 2/3 indicate that the bottle length is variable.**



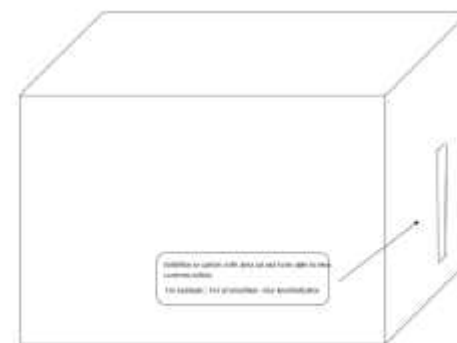
(21) Design Number: **13570/2013**
(22) Date of Filing Application: **25 July 2013**
(24) Date from which industrial property rights may have effect: **25 July 2013**
(54) Product in respect of which the design is registered: **Aerosol bottle**
(51) International Design Classification: **09-01A**
(74) Name(s) of Attorney(s): **SPRUSON & FERGUSON**
(71) Name(s) and Address(s) of Applicant(s):
S. C. Johnson & Son, Inc.
1525 Howe Street Racine Wisconsin 53403-2236 United States of America
(72) Name(s) of Designer(s): **Thomas A Renner and William F. Gordon and James F Kimball and Kevin Harranty and Robert Siegl**
(45) Registration Date: **04 November 2013**
(30) Convention priority data:
(31) Number (32) Date (33) Country
29/444124 25 Jan 2013 UNITED STATES OF AMERICA
(56) Related Art Documents: **Not Applicable**
(57) Statement of Newness and Distinctiveness: **Newness and distinctiveness is claimed in those features of shape and/or configuration of an aerosol bottle illustrated in continuous lines in the accompanying representations.**



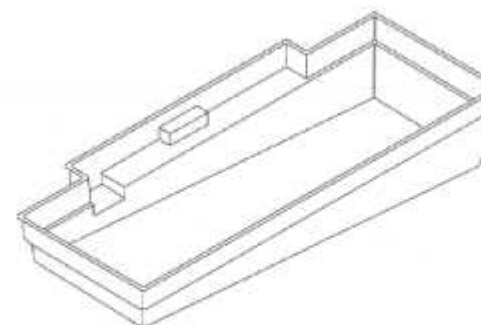
(21) Design Number: **13573/2013**
(22) Date of Filing Application: **25 July 2013**
(24) Date from which industrial property rights may have effect: **25 July 2013**
(54) Product in respect of which the design is registered: **Aerosol bottle**
(51) International Design Classification: **09-01A**
(74) Name(s) of Attorney(s): **SPRUSON & FERGUSON**
(71) Name(s) and Address(s) of Applicant(s):
S. C. Johnson & Son, Inc.
1525 Howe Street Racine WI 53403-2236 United States of America
(72) Name(s) of Designer(s): **Thomas A Renner and William F. Gordon and James F Kimball and Kevin Harranty and Robert Siegl**
(45) Registration Date: **04 November 2013**
(30) Convention priority data:
(31) Number (32) Date (33) Country
29/444124 25 Jan 2013 UNITED STATES OF AMERICA
(56) Related Art Documents: **Not Applicable**
(57) Statement of Newness and Distinctiveness: **Newness and distinctiveness is claimed in those features of shape and/or configuration of an aerosol bottle illustrated in continuous lines in the accompanying representations, in which separated portions of the bottle shown connected by a bracket in Figures 1/3 and 2/3 indicate that the bottle length is variable.**



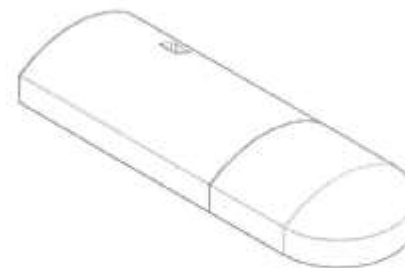
- (21) Design Number: **14155/2013**
(22) Date of Filing Application: **23 August 2013**
(24) Date from which industrial property rights may have effect: **23 August 2013**
(54) Product in respect of which the design is registered: **Food and drink carton**
(51) International Design Classification: **09-03NES, 10-04, 09-03M**
(74) Name(s) of Attorney(s):
(71) Name(s) and Address(s) of Applicant(s):
Anne-Marie Bevis
PO BOX 85 Quinns Rocks WA 6030 Australia
(72) Name(s) of Designer(s): **Anne-Marie Bevis**
(45) Registration Date: **04 November 2013**
(56) Related Art Documents: **Not Applicable**
(57) Statement of Newness and Distinctiveness: **An easy way to add a low level indicator for example to a Cardboard Food storage carton. ie: cereal box.**



- (21) Design Number: **14959/2013**
(22) Date of Filing Application: **27 September 2013**
(24) Date from which industrial property rights may have effect: **27 September 2013**
(54) Product in respect of which the design is registered: **Swimming pool**
(51) International Design Classification: **25-03**
(74) Name(s) of Attorney(s): **GO trademarks**
(71) Name(s) and Address(s) of Applicant(s):
Barrier Reef Pools Pty Ltd
9 Doug Sullivan Ct Beaudesert QLD 4285 Australia
(72) Name(s) of Designer(s): **Michael Crooks**
(45) Registration Date: **04 November 2013**
(56) Related Art Documents: **Not Applicable**
(57) Statement of Newness and Distinctiveness: **The newness and distinctiveness of the design resides in the shape and/or configuration of the swimming pool as shown in the accompanying representations.**



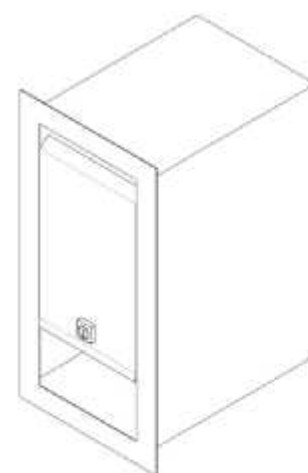
- (21) Design Number: **14960/2013**
(22) Date of Filing Application: **27 September 2013**
(24) Date from which industrial property rights may have effect: **27 September 2013**
(54) Product in respect of which the design is registered: **Memory (USB) devices, USB flash drives**
(51) International Design Classification: **14-02**
(74) Name(s) of Attorney(s): **Sparke Helmore Lawyers**
(71) Name(s) and Address(s) of Applicant(s):
ALI (Australia) Pty Ltd
L3 1753 Botany Rd Banksmeadow NSW 2019 Australia
(72) Name(s) of Designer(s): **Alex Imvriotis**
(45) Registration Date: **04 November 2013**
(56) Related Art Documents: **Not Applicable**
(57) Statement of Newness and Distinctiveness: **A memory device in the shape and configuration of that which is shown in the attached drawings and which features a unique, locking mechanism for holding the rounded lid of a memory device that is complementary to, and fits inside, the recess at the rear section of the memory device. There is also a square cavity for a lanyard two-thirds along the memory device.**



- (21) Design Number: **14986/2013**
(22) Date of Filing Application: **30 September 2013**
(24) Date from which industrial property rights may have effect: **30 September 2013**
(54) Product in respect of which the design is registered: **Clothes hanger**
(51) International Design Classification: **07-05D**
(74) Name(s) of Attorney(s): **PHILLIPS ORMONDE FITZPATRICK**
(71) Name(s) and Address(s) of Applicant(s):
Arper S.p.A.
Via Lombardia, 16 I-31050 Monastier di Treviso Treviso Italy
(72) Name(s) of Designer(s): **Alberto Lievore and Jeannette Altherr and Manuel Molina**
(45) Registration Date: **04 November 2013**
(30) Convention priority data:
(31) Number (32) Date (33) Country
**730868701 08 Apr 2013 WORLD INTELLECTUAL
PROPERTY ORGANIZATION
(WIPO)**
(56) Related Art Documents: **Not Applicable**
(57) Statement of Newness and Distinctiveness: **Those features of the clothes hanger depicted in the representations that are new and distinctive are the shape and/or configuration.**



- (21) Design Number: **14994/2013**
(22) Date of Filing Application: **01 October 2013**
(24) Date from which industrial property rights may have effect: **01 October 2013**
(54) Product in respect of which the design is registered: **Postbox**
(51) International Design Classification: **25-03**
(74) Name(s) of Attorney(s):
(71) Name(s) and Address(s) of Applicant(s):
Dylan James Lake
17 The Rise Glen Waverley VIC 3150 Australia
(72) Name(s) of Designer(s): **Dylan James Lake**
(45) Registration Date: **04 November 2013**
(56) Related Art Documents: **Not Applicable**
(57) Statement of Newness and Distinctiveness: **The newness and distinctiveness of the design resides in the shape and/or configuration of a letterbox shown in the representations.**



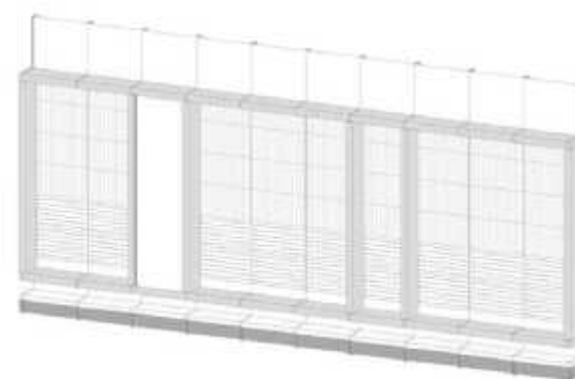
- (21) Design Number: **15013/2013**
(22) Date of Filing Application: **01 October 2013**
(24) Date from which industrial property rights may have effect: **01 October 2013**
(54) Product in respect of which the design is registered: **Interior layout of a building**
(51) International Design Classification: **25-99**
(74) Name(s) of Attorney(s): **Baker & McKenzie**
(71) Name(s) and Address(s) of Applicant(s):
Optus Retailco Pty Ltd
1 Lyonpark Rd Macquarie Park NSW 2113 Australia
(72) Name(s) of Designer(s): **Adam Anthony Morris and Chris Ballard and Bob Angley**
(45) Registration Date: **04 November 2013**
(56) Related Art Documents: **Not Applicable**
(57) Statement of Newness and Distinctiveness: **The newness of the design resides in the features of shape, configuration, pattern and ornamentation of the whole premises layout depicted in the attached representations.**



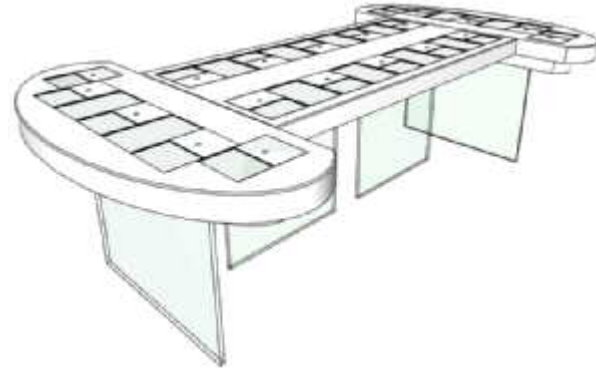
- (21) Design Number: **15014/2013**
(22) Date of Filing Application: **01 October 2013**
(24) Date from which industrial property rights may have effect: **01 October 2013**
(54) Product in respect of which the design is registered: **Interior layout of a building**
(51) International Design Classification: **25-99**
(74) Name(s) of Attorney(s): **Baker & McKenzie**
(71) Name(s) and Address(s) of Applicant(s):
Optus Retailco Pty Ltd
1 Lyonpark Rd Macquarie Park NSW 2113 Australia
(72) Name(s) of Designer(s): **Adam Anthony Morris and Chris Ballard and Bob Angley**
(45) Registration Date: **04 November 2013**
(56) Related Art Documents: **Not Applicable**
(57) Statement of Newness and Distinctiveness: **The newness of the design resides in the features of shape, configuration, pattern and ornamentation of the whole premises layout depicted in the attached representations.**



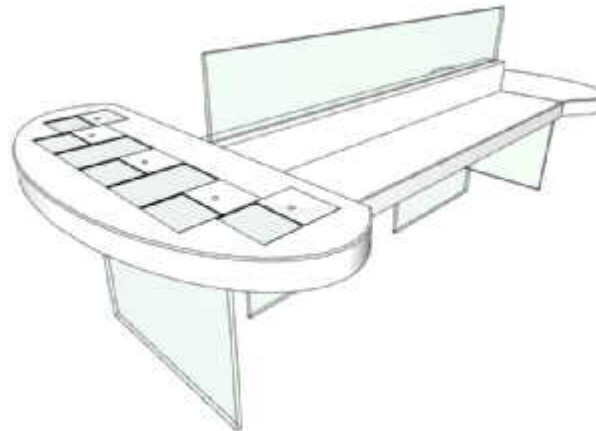
- (21) Design Number: **15017/2013**
(22) Date of Filing Application: **01 October 2013**
(24) Date from which industrial property rights may have effect: **01 October 2013**
(54) Product in respect of which the design is registered: **Wall display unit**
(51) International Design Classification: **20-02C**
(74) Name(s) of Attorney(s): **Baker & McKenzie**
(71) Name(s) and Address(s) of Applicant(s):
Optus Retailco Pty Ltd
1 Lyonpark Rd Macquarie Park NSW 2113 Australia
(72) Name(s) of Designer(s): **Adam Anthony Morris and Chris Ballard and Bob Angley**
(45) Registration Date: **04 November 2013**
(56) Related Art Documents: **Not Applicable**
(57) Statement of Newness and Distinctiveness: **Nil**



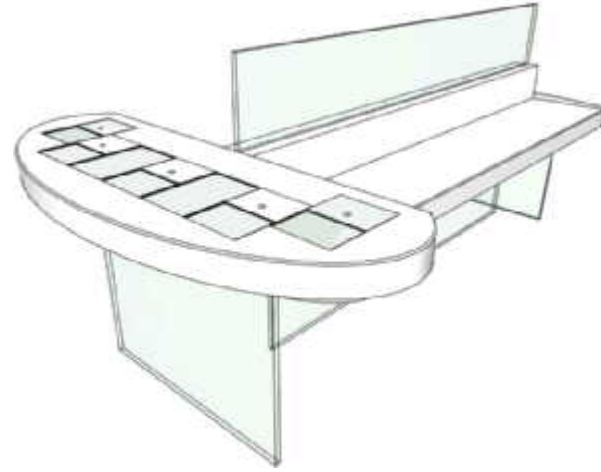
- (21) Design Number: **15018/2013**
(22) Date of Filing Application: **01 October 2013**
(24) Date from which industrial property rights may have effect: **01 October 2013**
(54) Product in respect of which the design is registered: **Bench**
(51) International Design Classification: **06-03C, 20-02C**
(74) Name(s) of Attorney(s): **Baker & McKenzie**
(71) Name(s) and Address(s) of Applicant(s):
Optus Retailco Pty Ltd
1 Lyonpark Rd Macquarie Park NSW 2113 Australia
(72) Name(s) of Designer(s): **Adam Anthony Morris and Chris Ballard and Bob Angley**
(45) Registration Date: **04 November 2013**
(56) Related Art Documents: **Not Applicable**
(57) Statement of Newness and Distinctiveness: **Nil**



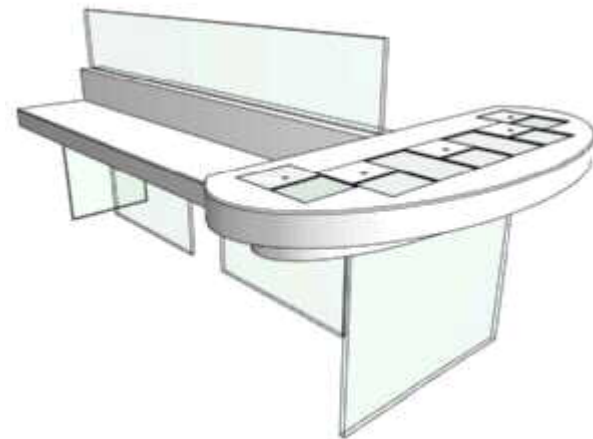
- (21) Design Number: **15019/2013**
(22) Date of Filing Application: **01 October 2013**
(24) Date from which industrial property rights may have effect: **01 October 2013**
(54) Product in respect of which the design is registered: **Bench**
(51) International Design Classification: **06-03C, 20-02C**
(74) Name(s) of Attorney(s): **Baker & McKenzie**
(71) Name(s) and Address(s) of Applicant(s):
Optus Retailco Pty Ltd
1 Lyonpark Rd Macquarie Park NSW 2113 Australia
(72) Name(s) of Designer(s): **Adam Anthony Morris and Chris Ballard and Bob Angley**
(45) Registration Date: **04 November 2013**
(56) Related Art Documents: **Not Applicable**
(57) Statement of Newness and Distinctiveness: **Nil**



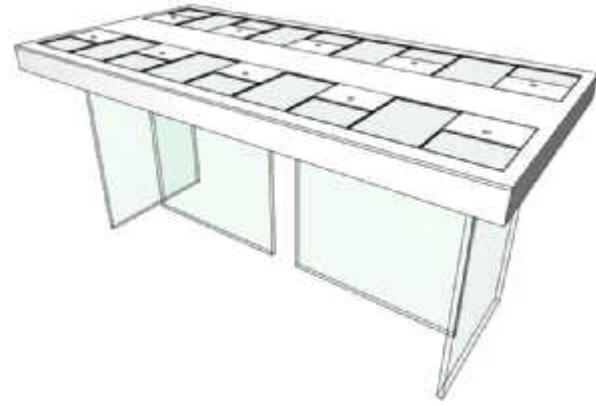
- (21) Design Number: **15020/2013**
(22) Date of Filing Application: **01 October 2013**
(24) Date from which industrial property rights may have effect: **01 October 2013**
(54) Product in respect of which the design is registered: **Bench**
(51) International Design Classification: **06-03C, 20-02C**
(74) Name(s) of Attorney(s): **Baker & McKenzie**
(71) Name(s) and Address(s) of Applicant(s):
Optus Retailco Pty Ltd
1 Lyonpark Rd Macquarie Park NSW 2113 Australia
(72) Name(s) of Designer(s): **Adam Anthony Morris and Chris Ballard and Bob Angley**
(45) Registration Date: **04 November 2013**
(56) Related Art Documents: **Not Applicable**
(57) Statement of Newness and Distinctiveness: **Nil**



- (21) Design Number: **15021/2013**
(22) Date of Filing Application: **01 October 2013**
(24) Date from which industrial property rights may have effect: **01 October 2013**
(54) Product in respect of which the design is registered: **Bench**
(51) International Design Classification: **06-03C, 20-02C**
(74) Name(s) of Attorney(s): **Baker & McKenzie**
(71) Name(s) and Address(s) of Applicant(s):
Optus Retailco Pty Ltd
1 Lyonpark Rd Macquarie Park NSW 2113 Australia
(72) Name(s) of Designer(s): **Adam Anthony Morris and Chris Ballard and Bob Angley**
(45) Registration Date: **04 November 2013**
(56) Related Art Documents: **Not Applicable**
(57) Statement of Newness and Distinctiveness: **Nil**



- (21) Design Number: **15022/2013**
(22) Date of Filing Application: **01 October 2013**
(24) Date from which industrial property rights may have effect: **01 October 2013**
(54) Product in respect of which the design is registered: **Bench**
(51) International Design Classification: **06-03C, 20-02C**
(74) Name(s) of Attorney(s): **Baker & McKenzie**
(71) Name(s) and Address(s) of Applicant(s):
Optus Retailco Pty Ltd
1 Lyonpark Rd Macquarie Park NSW 2113 Australia
(72) Name(s) of Designer(s): **Adam Anthony Morris and Chris Ballard and Bob Angley**
(45) Registration Date: **04 November 2013**
(56) Related Art Documents: **Not Applicable**
(57) Statement of Newness and Distinctiveness: **Nil**



- (21) Design Number: **14202/2013**
(22) Date of Filing Application: **26 August 2013**
(24) Date from which industrial property rights may have effect: **26 August 2013**
(54) Product in respect of which the design is registered: **Umbrella cover**
(51) International Design Classification: **03-01NES**
(74) Name(s) of Attorney(s):
(71) Name(s) and Address(s) of Applicant(s):
PLSR Pty Ltd
27 Vella Dr Sunshine VIC 3020 Australia
(72) Name(s) of Designer(s): **Simon Joseph**
(45) Registration Date: **04 November 2013**
(56) Related Art Documents: **Not Applicable**
(57) Statement of Newness and Distinctiveness: **The straps design and positioning on the umbrella cover is new and distinctive.**



- (21) Design Number: **14203/2013**
(22) Date of Filing Application: **26 August 2013**
(24) Date from which industrial property rights may have effect: **26 August 2013**
(54) Product in respect of which the design is registered: **Umbrella cover**
(51) International Design Classification: **03-01NES**
(74) Name(s) of Attorney(s):
(71) Name(s) and Address(s) of Applicant(s):
PLSR Pty Ltd
27 Vella Dr Sunshine VIC 3020 Australia
(72) Name(s) of Designer(s): **Simon Joseph**
(45) Registration Date: **04 November 2013**
(56) Related Art Documents: **Not Applicable**
(57) Statement of Newness and Distinctiveness: **The newness and distinctiveness lies in the double straps design and positioning on the umbrella cover.**



- (21) Design Number: **14418/2013**
(22) Date of Filing Application: **05 September 2013**
(24) Date from which industrial property rights may have effect: **05 September 2013**
(54) Product in respect of which the design is registered: **Lightboard for motor vehicles & trailers**
(51) International Design Classification: **26-06, 12-10, 12-16NES**
(74) Name(s) of Attorney(s):
(71) Name(s) and Address(s) of Applicant(s):
Haigh Australia Pty Ltd
64 Argyle Parade Darra Queensland 4076 Australia
(72) Name(s) of Designer(s): **Neville Holmes**
(45) Registration Date: **04 November 2013**
(56) Related Art Documents: **Not Applicable**
(57) Statement of Newness and Distinctiveness: **Distinctive configuration as illustrated consisting of two separate sections joined together with fittings which allow the light board to be folded, unfolded and retained in unbent position. No monopoly is claimed in relation to the hinges, lights or clasps.**



(21) Design Number: **14510/2013**
(22) Date of Filing Application: **11 September 2013**
(24) Date from which industrial property rights may have effect: **11 September 2013**
(54) Product in respect of which the design is registered: **Muscle stimulator**
(51) International Design Classification: **21-02F**
(74) Name(s) of Attorney(s): **Griffith Hack**
(71) Name(s) and Address(s) of Applicant(s):

MYoroface AB
Skinnarevagen 3 HUDIKSVALL 824 51 Sweden

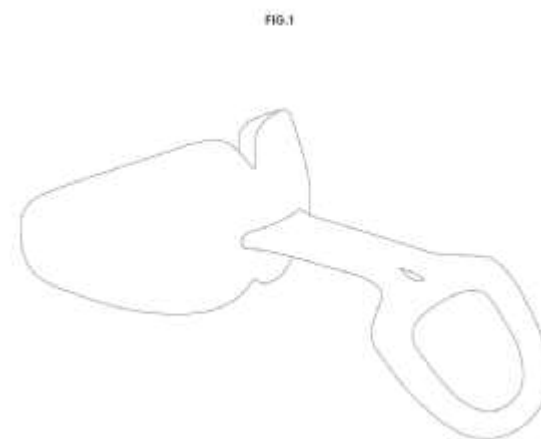
(72) Name(s) of Designer(s): **Mary Hagg**
(45) Registration Date: **04 November 2013**

(30) Convention priority data:

(31) Number	(32) Date	(33) Country
002203141-0001	15 Mar 2013	OFFICE FOR HARMONISATION IN THE INTERNAL MARKET (OHIM)

(56) Related Art Documents: **Not Applicable**

(57) Statement of Newness and Distinctiveness: **Nil**



(21) Design Number: **14691/2013**
(22) Date of Filing Application: **18 September 2013**
(24) Date from which industrial property rights may have effect: **18 September 2013**
(54) Product in respect of which the design is registered: **Cleaning machine**
(51) International Design Classification: **15-05**
(74) Name(s) of Attorney(s): **Griffith Hack**
(71) Name(s) and Address(s) of Applicant(s):

HULLTIMO
309 rue Alphonse Gourju Apprieu 38140 France

(72) Name(s) of Designer(s): **Sebastien Fontaine**
(45) Registration Date: **04 November 2013**

(30) Convention priority data:

(31) Number	(32) Date	(33) Country
002208991-0002	26 Mar 2013	OFFICE FOR HARMONISATION IN THE INTERNAL MARKET (OHIM)

(56) Related Art Documents: **Not Applicable**

(57) Statement of Newness and Distinctiveness: **Newness and distinctiveness resides in the visual features, including the shape and configuration of the product shown in the representations.**



FIG. 1

- (21) Design Number: **14761/2013**
(22) Date of Filing Application: **20 September 2013**
(24) Date from which industrial property rights may have effect: **20 September 2013**
(54) Product in respect of which the design is registered: **Dispenser**
(51) International Design Classification: **07-05NES**
(74) Name(s) of Attorney(s): **Shelston IP**
(71) Name(s) and Address(s) of Applicant(s):

Reckitt Benckiser LLC
Morris Corporate Center IV 399 Interpace Parkway Parsippany New Jersey 07054 United States of America

- (72) Name(s) of Designer(s): **Christopher Michael Evans and Krzysztof Paziewski and Christopher Frestle and Theodore Jacobus Robert Schuur and Jos Harrison and Geoff Woo**

(45) Registration Date: **04 November 2013**

(30) Convention priority data:

(31) Number	(32) Date	(33) Country
002219253-0001	12 Apr 2013	OFFICE FOR HARMONISATION IN THE INTERNAL MARKET (OHIM)

(56) Related Art Documents: **Not Applicable**

- (57) Statement of Newness and Distinctiveness: **Newness and distinctiveness resides in the design features of a dispenser as illustrated in solid lines in the accompanying representations. The hook element illustrated in broken lines is separate from the dispenser and does not form part of the design.**



Front perspective view from top and right side

- (21) Design Number: **14763/2013**
(22) Date of Filing Application: **20 September 2013**
(24) Date from which industrial property rights may have effect: **20 September 2013**
(54) Product in respect of which the design is registered: **Dispenser**
(51) International Design Classification: **07-05NES**
(74) Name(s) of Attorney(s): **Shelston IP**
(71) Name(s) and Address(s) of Applicant(s):

Reckitt Benckiser LLC
Morris Corporate Center IV 399 Interpace Parkway Parsippany New Jersey 07054 United States of America

- (72) Name(s) of Designer(s): **Christopher Michael Evans and Krzysztof Paziewski and Christopher Frestle and Theodore Jacobus Robert Schuur and Jos Harrison and Geoff Woo**

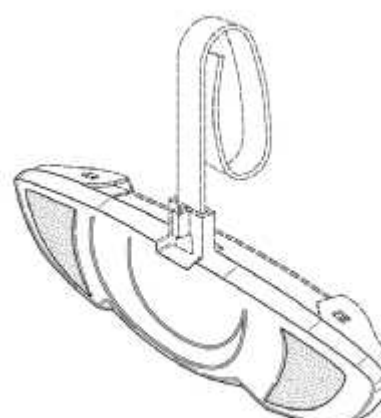
(45) Registration Date: **04 November 2013**

(30) Convention priority data:

(31) Number	(32) Date	(33) Country
002219253-0002	12 Apr 2013	OFFICE FOR HARMONISATION IN THE INTERNAL MARKET (OHIM)

(56) Related Art Documents: **Not Applicable**

- (57) Statement of Newness and Distinctiveness: **Newness and distinctiveness resides in the design features of a front cover portion of a dispenser as illustrated in solid lines in the accompanying representations. The hook element is separable from the dispenser and none of the features shown in broken line form part of the design.**



Front perspective view from top and right side

- (21) Design Number: **14767/2013**
(22) Date of Filing Application: **20 September 2013**
(24) Date from which industrial property rights may have effect: **20 September 2013**
(54) Product in respect of which the design is registered: **Dispenser**
(51) International Design Classification: **07-05NES**
(74) Name(s) of Attorney(s): **Shelston IP**
(71) Name(s) and Address(s) of Applicant(s):

Reckitt Benckiser LLC
Morris Corporate Center IV 399 Interpace Parkway Parsippany New Jersey 07054 United States of America

- (72) Name(s) of Designer(s): **Christopher Michael Evans and Krzysztof Paziewski and Christopher Frestle and Theodore Jacobus Robert Schuur and Jos Harrison and Geoff Woo**

(45) Registration Date: **04 November 2013**

(30) Convention priority data:

(31) Number	(32) Date	(33) Country
002219253-0003	12 Apr 2013	OFFICE FOR HARMONISATION IN THE INTERNAL MARKET (OHIM)

(56) Related Art Documents: **Not Applicable**

- (57) Statement of Newness and Distinctiveness: **Newness and distinctiveness resides in the design features of a front cover portion of a dispenser as illustrated in solid lines in the accompanying representations. The hook element is separable from the dispenser and the features shown in broken line do not form part of the design.**



Front perspective view from top and right side

- (21) Design Number: **14799/2013**
(22) Date of Filing Application: **23 September 2013**
(24) Date from which industrial property rights may have effect: **10 July 2013**
(54) Product in respect of which the design is registered: **Knee implant**
(51) International Design Classification: **24-03**
(74) Name(s) of Attorney(s): **PIZZEYS**
(71) Name(s) and Address(s) of Applicant(s):

Blue Belt Technologies, Inc.
Suite 100 2828 Liberty Avenue Pittsburgh PA 15222 United States of America

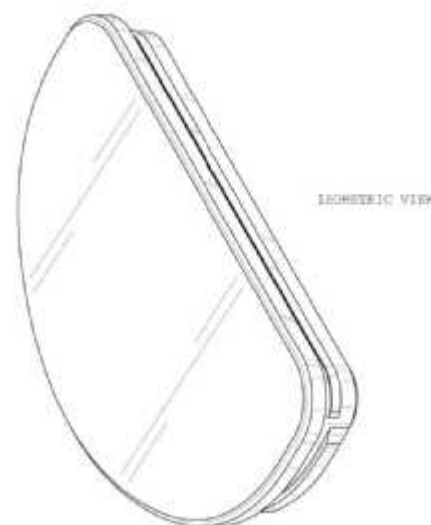
- (72) Name(s) of Designer(s): **Adam Hahn and David A. Fenyves and Barry Fell and Jess Lonner**

(45) Registration Date: **04 November 2013**

(62) Divisional of: **351723**

(56) Related Art Documents: **Not Applicable**

- (57) Statement of Newness and Distinctiveness: **The newness and distinctiveness of the design resides in the features of pattern and/or ornamentation OR shape and/or configuration shown in unbroken lines in the accompanying representations.**



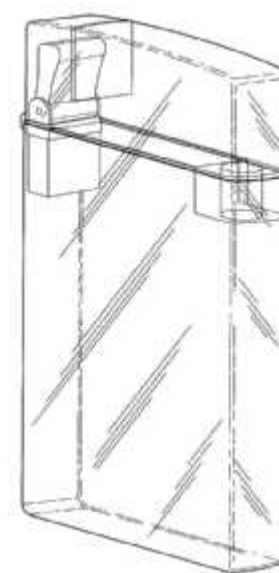
- (21) Design Number: **14800/2013**
(22) Date of Filing Application: **23 September 2013**
(24) Date from which industrial property rights may have effect: **10 July 2013**
(54) Product in respect of which the design is registered: **Knee implant**
(51) International Design Classification: **24-03**
(74) Name(s) of Attorney(s): **PIZZEYS**
(71) Name(s) and Address(s) of Applicant(s):
Blue Belt Technologies, Inc.
Suite 100 2828 Liberty Avenue Pittsburgh PA 15222 United States of America
(72) Name(s) of Designer(s): **Adam Hahn and David A. Fenyves and Barry Fell and Jess Lonner**
(45) Registration Date: **04 November 2013**
(62) Divisional of: **351723**
(56) Related Art Documents: **Not Applicable**
(57) Statement of Newness and Distinctiveness: **The newness and distinctiveness of the design resides in the features of pattern and/or ornamentation OR shape and/or configuration shown in unbroken lines in the accompanying representations.**



- (21) Design Number: **15087/2013**
(22) Date of Filing Application: **08 October 2013**
(24) Date from which industrial property rights may have effect: **08 October 2013**
(54) Product in respect of which the design is registered: **Pillow**
(51) International Design Classification: **06-13B**
(74) Name(s) of Attorney(s): **Griffith Hack**
(71) Name(s) and Address(s) of Applicant(s):
Grausam Handels GmbH
Wehlstrasse 29 Vienna 1200 Austria
(72) Name(s) of Designer(s): **Mario Matzinger**
(45) Registration Date: **04 November 2013**
(30) Convention priority data:
(31) Number (32) Date (33) Country
DM/081452 02 Aug 2013 WORLD INTELLECTUAL PROPERTY ORGANIZATION (WIPO)
(56) Related Art Documents: **Not Applicable**
(57) Statement of Newness and Distinctiveness: **Newness and distinctiveness resides in the visual features, including the shape, configuration and ornamentation of the product as shown in the accompanying representations. The product may be used as a holder for a tablet or electronic device as shown in Figure 8 which has been included for illustrative purposes only and does not form part of the design.**



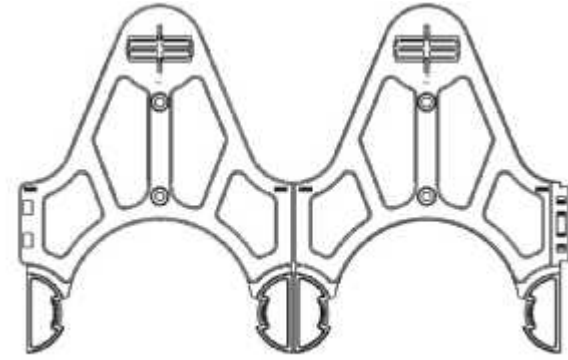
(21) Design Number: **15101/2013**
(22) Date of Filing Application: **08 October 2013**
(24) Date from which industrial property rights may have effect: **08 October 2013**
(54) Product in respect of which the design is registered: **Case for multiple electronic cigarettes**
(51) International Design Classification: **27-06**
(74) Name(s) of Attorney(s): **PIZZEYS**
(71) Name(s) and Address(s) of Applicant(s):
NJOY, Inc.
15211 North Kierland Blvd Suite 200 Scottsdale AZ 85254 United States of America
(72) Name(s) of Designer(s): **Mark Scatterday**
(45) Registration Date: **04 November 2013**
(30) Convention priority data:
(31) Number (32) Date (33) Country
29/452,073 11 Apr 2013 UNITED STATES OF AMERICA
(56) Related Art Documents: **Not Applicable**
(57) Statement of Newness and Distinctiveness: **Nil**



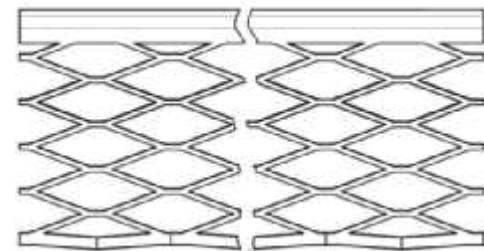
(21) Design Number: **15127/2013**
(22) Date of Filing Application: **04 October 2013**
(24) Date from which industrial property rights may have effect: **04 October 2013**
(54) Product in respect of which the design is registered: **Measuring cap**
(51) International Design Classification: **10-04, 09-07B**
(74) Name(s) of Attorney(s):
(71) Name(s) and Address(s) of Applicant(s):
Logue and Co. Pty Ltd
199 Kiora Rd Yowie Bay NSW 2228 Australia
(72) Name(s) of Designer(s): **Anthony Thomas Logue**
(45) Registration Date: **04 November 2013**
(56) Related Art Documents: **Not Applicable**
(57) Statement of Newness and Distinctiveness: **Newness and distinctiveness is claimed in the features of shape and/or configuration of a measuring cap as depicted in the accompanying drawings.**



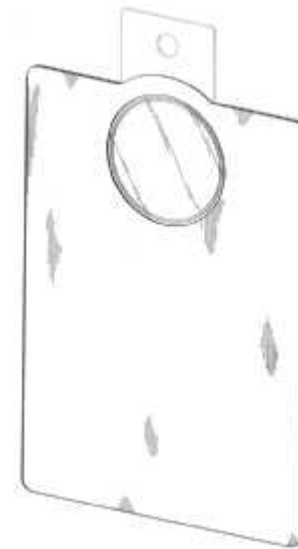
- (21) Design Number: **15120/2013**
(22) Date of Filing Application: **08 October 2013**
(24) Date from which industrial property rights may have effect: **08 October 2013**
(54) Product in respect of which the design is registered: **A Bracket for a vertical garden**
(51) International Design Classification: **08-08L**
(74) Name(s) of Attorney(s):
(71) Name(s) and Address(s) of Applicant(s):
Greenwall Australia Pty Ltd
118 Avenue Rd Mosman NSW 2088 Australia
(72) Name(s) of Designer(s): **Edward Philip Warburton and James Edward Martin**
(45) Registration Date: **04 November 2013**
(56) Related Art Documents: **Not Applicable**
(57) Statement of Newness and Distinctiveness: **The newness and distinctiveness of the design resides in the function of the brackets clipping together to form a mesh of hooks for vertical garden pots.**



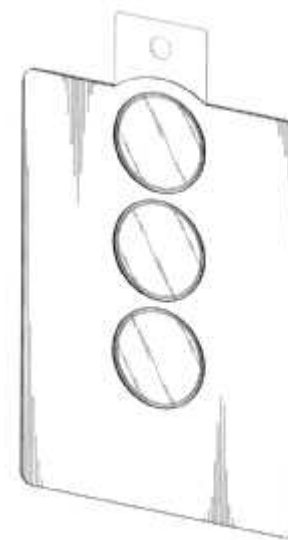
- (21) Design Number: **15130/2013**
(22) Date of Filing Application: **09 October 2013**
(24) Date from which industrial property rights may have effect: **09 October 2013**
(54) Product in respect of which the design is registered: **Rendering profile**
(51) International Design Classification: **25-01D**
(74) Name(s) of Attorney(s): **Sandercock & Cowie**
(71) Name(s) and Address(s) of Applicant(s):
BuildSmart (Aust) Pty Ltd
12 Venture Ct Dandenong VIC 3175 Australia
(72) Name(s) of Designer(s): **David Baran**
(45) Registration Date: **04 November 2013**
(56) Related Art Documents: **Not Applicable**
(57) Statement of Newness and Distinctiveness: **Newness and Distinctiveness reside in the shape and configuration of the rendering profile as shown in the accompanying representations.**



(21) Design Number: **15131/2013**
(22) Date of Filing Application: **09 October 2013**
(24) Date from which industrial property rights may have effect: **09 October 2013**
(54) Product in respect of which the design is registered: **Coin packaging**
(51) International Design Classification: **19-99**
(74) Name(s) of Attorney(s): **Callinans**
(71) Name(s) and Address(s) of Applicant(s):
American Greetings Corporation
One American Road Cleveland Ohio 44144 United States of America
(72) Name(s) of Designer(s): **David Mayer and Lynne Shlonsky and Toby Seadler and Erin Dennis**
(45) Registration Date: **04 November 2013**
(30) Convention priority data:
(31) Number (32) Date (33) Country
29/466296 06 Sep 2013 UNITED STATES OF AMERICA
(56) Related Art Documents: **Not Applicable**
(57) Statement of Newness and Distinctiveness: **Nil**



(21) Design Number: **15133/2013**
(22) Date of Filing Application: **09 October 2013**
(24) Date from which industrial property rights may have effect: **09 October 2013**
(54) Product in respect of which the design is registered: **Coin packaging**
(51) International Design Classification: **19-99**
(74) Name(s) of Attorney(s): **Callinans**
(71) Name(s) and Address(s) of Applicant(s):
American Greetings Corporation
One American Road Cleveland OH 44144 United States of America
(72) Name(s) of Designer(s): **David Mayer and Lynne Shlonsky and Toby Seadler and Erin Dennis**
(45) Registration Date: **04 November 2013**
(30) Convention priority data:
(31) Number (32) Date (33) Country
29/466296 06 Sep 2013 UNITED STATES OF AMERICA
(56) Related Art Documents: **Not Applicable**
(57) Statement of Newness and Distinctiveness: **Nil**



(21) Design Number: **15132/2013**

(22) Date of Filing Application: **09 October 2013**

(24) Date from which industrial property rights may have effect: **09 October 2013**

(54) Product in respect of which the design is registered: **Hair clipper apparatus**

(51) International Design Classification: **28-03D**

(74) Name(s) of Attorney(s): **SPRUSON & FERGUSON**

(71) Name(s) and Address(s) of Applicant(s):

Conair Corporation

One Cummings Point Road Stamford CT 06902 United States of America

(72) Name(s) of Designer(s): **Hon Hung Joseph Chan**

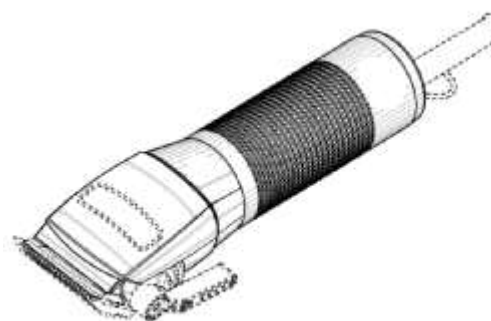
(45) Registration Date: **04 November 2013**

(30) Convention priority data:

(31) Number	(32) Date	(33) Country
29/452503	17 Apr 2013	UNITED STATES OF AMERICA

(56) Related Art Documents: **Not Applicable**

(57) Statement of Newness and Distinctiveness: **Newness and distinctiveness is claimed in those features of shape and/or configuration of a hair clipper apparatus as illustrated in continuous lines in the accompanying representations.**



(21) Design Number: **15135/2013**

(22) Date of Filing Application: **09 October 2013**

(24) Date from which industrial property rights may have effect: **09 October 2013**

(54) Product in respect of which the design is registered: **Coin packaging**

(51) International Design Classification: **19-99**

(74) Name(s) of Attorney(s): **Callinans**

(71) Name(s) and Address(s) of Applicant(s):

American Greetings Corporation

One American Road Cleveland OH 44144 United States of America

(72) Name(s) of Designer(s): **David Mayer and Lynne Shlonsky and Toby Seadler and Erin Dennis**

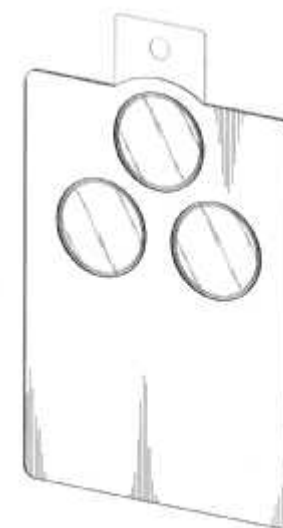
(45) Registration Date: **04 November 2013**

(30) Convention priority data:

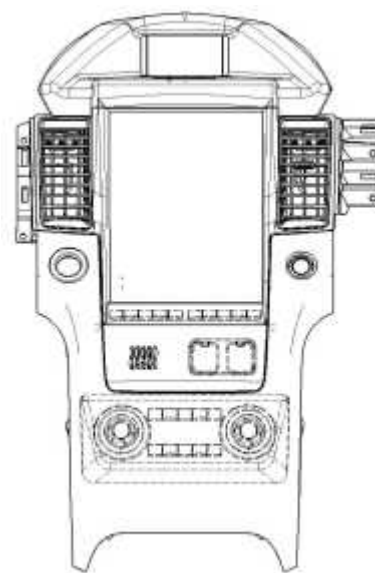
(31) Number	(32) Date	(33) Country
29/466296	06 Sep 2013	UNITED STATES OF AMERICA

(56) Related Art Documents: **Not Applicable**

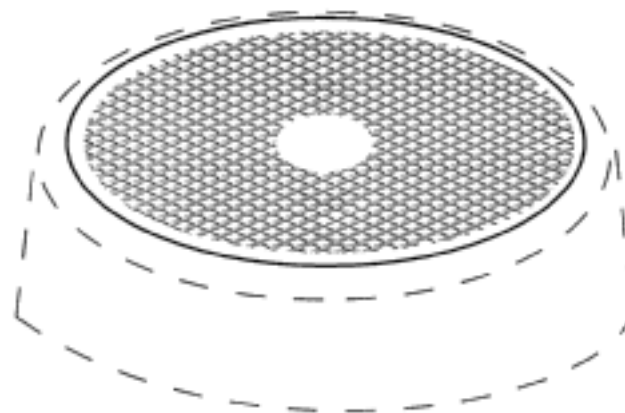
(57) Statement of Newness and Distinctiveness: **Nil**



- (21) Design Number: **15137/2013**
(22) Date of Filing Application: **09 October 2013**
(24) Date from which industrial property rights may have effect: **09 October 2013**
(54) Product in respect of which the design is registered: **Automotive instrument panel**
(51) International Design Classification: **12-16NES**
(74) Name(s) of Attorney(s): **Cullens Patent and Trade Mark Attorneys**
(71) Name(s) and Address(s) of Applicant(s):
SWS Australia Pty Limited
23 Scanlon Dr Epping VIC 3076 Australia
(72) Name(s) of Designer(s): **Singh Gill Preetpal and Sam Spicuglia**
(45) Registration Date: **04 November 2013**
(56) Related Art Documents: **Not Applicable**
(57) Statement of Newness and Distinctiveness: **Newness and distinctiveness is claimed in the features depicted by solid lines in the representation. Newness and distinctiveness is not claimed in the features depicted by dashed lines in the representation.**

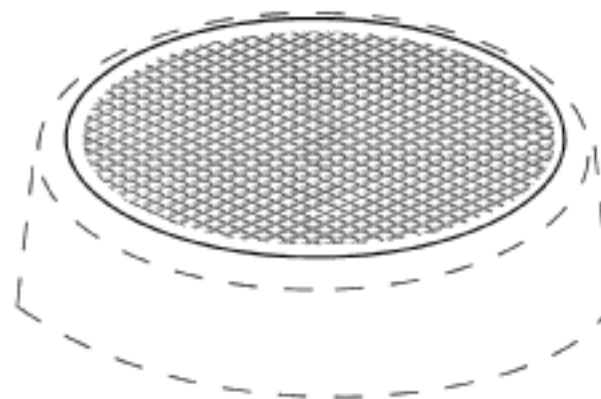


- (21) Design Number: **15141/2013**
(22) Date of Filing Application: **10 October 2013**
(24) Date from which industrial property rights may have effect: **10 October 2013**
(54) Product in respect of which the design is registered: **Cookware vessel**
(51) International Design Classification: **07-02N**
(74) Name(s) of Attorney(s): **PIPERS**
(71) Name(s) and Address(s) of Applicant(s):
Meyer Intellectual Properties Limited
382 Kwun Tong Rd Kowloon Bay Kowloon Hong Kong
(72) Name(s) of Designer(s): **Stanley Kin Sui Cheng**
(45) Registration Date: **04 November 2013**
(30) Convention priority data:
(31) Number (32) Date (33) Country
29/442,723 25 Apr 2013 UNITED STATES OF AMERICA
(56) Related Art Documents: **Not Applicable**



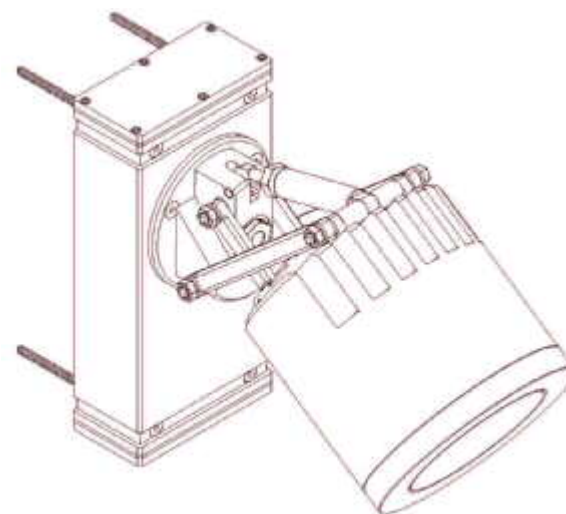
- (57) Statement of Newness and Distinctiveness: **This design is to be applied to a Cookware Vessel with a Decorative Bottom and the newness and distinctiveness resides in the features of the shape and configuration and the pattern and ornamentation of the article shown in the accompanying representations. Colour has been omitted from FIGS. 1-4 for clarity of illustration, whereas FIG. 5 is illustrated in colour. The colours depicted in FIG. 5 extend across the like patterned portion of the bottom of the Cookware Vessel depicted in FIG. 3. No protection is claimed for the features shown in broken lines - those are for illustrative purposes only and depict the environment of the design.**

(21) Design Number: **15142/2013**
(22) Date of Filing Application: **10 October 2013**
(24) Date from which industrial property rights may have effect: **10 October 2013**
(54) Product in respect of which the design is registered: **Cookware vessel**
(51) International Design Classification: **07-02N**
(74) Name(s) of Attorney(s): **PIPERS**
(71) Name(s) and Address(s) of Applicant(s):
Meyer Intellectual Properties Limited
382 Kwun Tong Rd Kowloon Bay Kowloon Hong Kong
(72) Name(s) of Designer(s): **Stanley Kin Sui Cheng**
(45) Registration Date: **04 November 2013**
(30) Convention priority data:
(31) Number (32) Date (33) Country
29/442,723 25 Apr 2013 UNITED STATES OF AMERICA



(56) Related Art Documents: **Not Applicable**
(57) Statement of Newness and Distinctiveness: **This design is to be applied to a Cookware Vessel with a Decorative Bottom and the newness and distinctiveness resides in the features of the shape and configuration and the pattern and ornamentation of the article shown in the accompanying representations. Colour has been omitted from FIGS. 6 - 9 for clarity of illustration, whereas FIG. 10 is illustrated in colour. The colours depicted in FIG. 10 extend across the like patterned portion of the bottom of the Cookware Vessel depicted in FIG. 8. No protection is claimed for the features shown in broken lines - those are for illustrative purposes only and depict the environment of the design.**

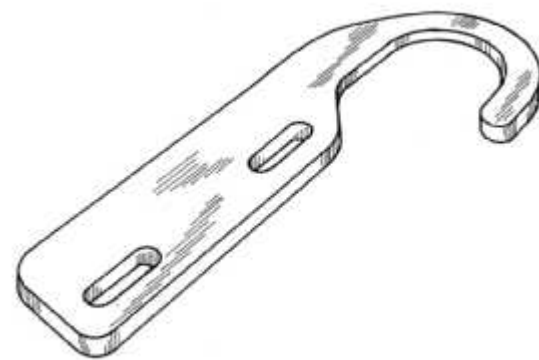
(21) Design Number: **15143/2013**
(22) Date of Filing Application: **10 October 2013**
(24) Date from which industrial property rights may have effect: **10 October 2013**
(54) Product in respect of which the design is registered: **Window cleaning appliance**
(51) International Design Classification: **07-05E**
(74) Name(s) of Attorney(s): **Griffith Hack**
(71) Name(s) and Address(s) of Applicant(s):
Alfred Kaercher GmbH & Co. KG
Alfred-Kaercher-Strasse 28 - 40 Winnenden 71364 Germany
(72) Name(s) of Designer(s): **Michael Meyer**
(45) Registration Date: **04 November 2013**
(30) Convention priority data:
(31) Number (32) Date (33) Country
DM/080 704 17 Apr 2013 WORLD INTELLECTUAL PROPERTY ORGANIZATION (WIPO)



(56) Related Art Documents: **Not Applicable**
(57) Statement of Newness and Distinctiveness: **Newness and distinctiveness resides in the visual features, including the shape and configuration of the product shown in the representations.**

- (21) Design Number: **15148/2013**
(22) Date of Filing Application: **10 October 2013**
(24) Date from which industrial property rights may have effect: **10 October 2013**
(54) Product in respect of which the design is registered: **High powered LED wall lighting assembly**
(51) International Design Classification: **26-05E**
(74) Name(s) of Attorney(s): **White SW Computer Law**
(71) Name(s) and Address(s) of Applicant(s):
Hunza Holdings Ltd
130 Felton Mathew Avenue Glen Innes Auckland New Zealand
(72) Name(s) of Designer(s): **Andrew Cunningham and Benjamin Kamp**
(45) Registration Date: **04 November 2013**
(56) Related Art Documents: **Not Applicable**
(57) Statement of Newness and Distinctiveness: **Newness and distinctiveness reside in features of shape and configuration of the design which enable linear and rotational movement and locking of the head of the unit.**

- (21) Design Number: **15149/2013**
(22) Date of Filing Application: **10 October 2013**
(24) Date from which industrial property rights may have effect: **10 October 2013**
(54) Product in respect of which the design is registered: **Top-rail holder for post**
(51) International Design Classification: **25-01E, 08-08K**
(74) Name(s) of Attorney(s): **Griffith Hack**
(71) Name(s) and Address(s) of Applicant(s):
Onesteel Wire Pty Limited
L40 259 George St Sydney NSW 2000 Australia
(72) Name(s) of Designer(s): **Lawrence O'Toole**
(45) Registration Date: **04 November 2013**
(56) Related Art Documents: **Not Applicable**
(57) Statement of Newness and Distinctiveness: **Newness and distinctiveness resides in the visual features, including shape and configuration, of a top-rail holder, for attachment to a post, as shown in solid outline in the accompanying representations.**



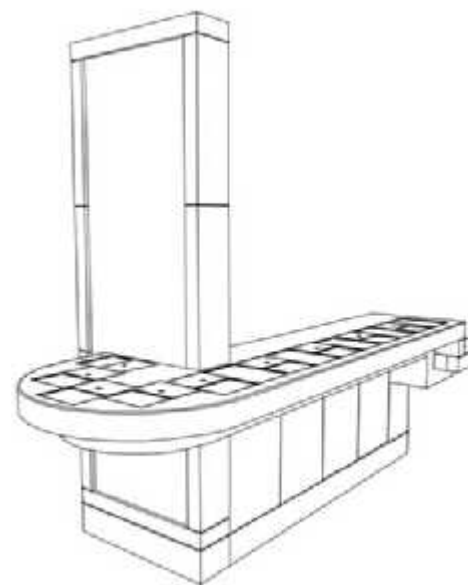
(21) Design Number: **15150/2013**
(22) Date of Filing Application: **10 October 2013**
(24) Date from which industrial property rights may have effect: **10 October 2013**
(54) Product in respect of which the design is registered: **Truck cab, scale model of truck cab, toy truck cab**
(51) International Design Classification: **12-08, 21-01C**
(74) Name(s) of Attorney(s): **WATERMARK PATENT AND TRADE MARKS ATTORNEYS**
(71) Name(s) and Address(s) of Applicant(s):
Volvo Lastvagnar AB
405 08 Goteborg Sweden
(72) Name(s) of Designer(s): **Takayuki Iuchi and Tooru Sekiguchi**
(45) Registration Date: **04 November 2013**
(30) Convention priority data:
(31) Number (32) Date (33) Country
2013/0146 11 Apr 2013 SWEDEN
(56) Related Art Documents: **Not Applicable**
(57) Statement of Newness and Distinctiveness: **Nil**



(21) Design Number: **15151/2013**
(22) Date of Filing Application: **10 October 2013**
(24) Date from which industrial property rights may have effect: **10 October 2013**
(54) Product in respect of which the design is registered: **Truck cab, scale model of truck cab, toy truck cab**
(51) International Design Classification: **12-08, 21-01C**
(74) Name(s) of Attorney(s): **WATERMARK PATENT AND TRADE MARKS ATTORNEYS**
(71) Name(s) and Address(s) of Applicant(s):
Volvo Lastvagnar AB
405 08 Goteborg Sweden
(72) Name(s) of Designer(s): **Takayuki Iuchi and Tooru Sekiguchi**
(45) Registration Date: **04 November 2013**
(30) Convention priority data:
(31) Number (32) Date (33) Country
2013/0147 11 Apr 2013 SWEDEN
(56) Related Art Documents: **Not Applicable**
(57) Statement of Newness and Distinctiveness: **Nil**



(21) Design Number: **15024/2013**
(22) Date of Filing Application: **01 October 2013**
(24) Date from which industrial property rights may have effect: **01 October 2013**
(54) Product in respect of which the design is registered: **Kiosk**
(51) International Design Classification: **06-03C, 20-02C**
(74) Name(s) of Attorney(s): **Baker & McKenzie**
(71) Name(s) and Address(s) of Applicant(s):
Optus Retailco Pty Ltd
1 Lyonpark Rd Macquarie Park NSW 2113 Australia
(72) Name(s) of Designer(s): **Adam Anthony Morris and Chris Ballard and Bob Angley**
(45) Registration Date: **04 November 2013**
(56) Related Art Documents: **Not Applicable**
(57) Statement of Newness and Distinctiveness: **Nil**



(21) Design Number: **15039/2013**
(22) Date of Filing Application: **03 October 2013**
(24) Date from which industrial property rights may have effect: **03 October 2013**
(54) Product in respect of which the design is registered: **Computing device peripheral**
(51) International Design Classification: **14-02**
(74) Name(s) of Attorney(s): **Shelston IP**
(71) Name(s) and Address(s) of Applicant(s):
Microsoft Corporation
One Microsoft Way Redmond Washington 98052 United States of America
(72) Name(s) of Designer(s): **Young Soo Kim and Michael Zheng and Ralf Groene**
(45) Registration Date: **04 November 2013**
(30) Convention priority data:
(31) Number (32) Date (33) Country
29/454810 14 May 2013 UNITED STATES OF AMERICA
(56) Related Art Documents: **Not Applicable**
(57) Statement of Newness and Distinctiveness: **Newness and distinctiveness reside in the features of shape and/or configuration of a computing device peripheral as illustrated by solid lines in the accompanying representations. The features shown in broken outline are for contextual purposes only and do not form part of the design.**



(21) Design Number: **15090/2013**
(22) Date of Filing Application: **08 October 2013**
(24) Date from which industrial property rights may have effect: **08 October 2013**
(54) Product in respect of which the design is registered: **A feeding set**
(51) International Design Classification: **24-01**
(74) Name(s) of Attorney(s): **SPRUSON & FERGUSON**
(71) Name(s) and Address(s) of Applicant(s):
Covidien LP
15 Hampshire St Mansfield MA 02048 United States of America
(72) Name(s) of Designer(s): **James M. Harr and Joel D. Wiesner and Kenneth M. Breitweiser**
(45) Registration Date: **04 November 2013**
(30) Convention priority data:
(31) Number (32) Date (33) Country
29/452920 23 Apr 2013 UNITED STATES OF AMERICA
(56) Related Art Documents: **Not Applicable**
(57) Statement of Newness and Distinctiveness: **Newness and distinctiveness is claimed in the features of shape and/or configuration of a feeding set as illustrated in the accompanying representations.**



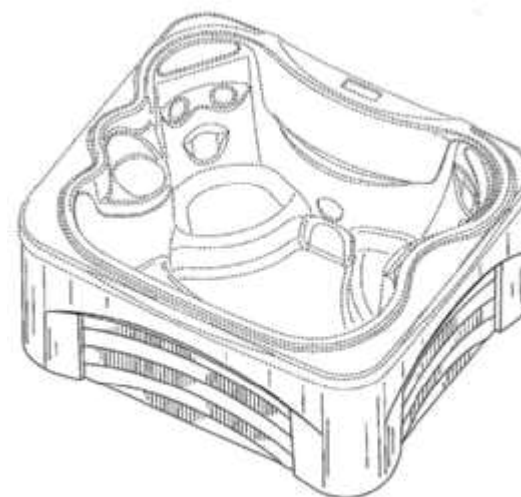
(21) Design Number: **15091/2013**
(22) Date of Filing Application: **08 October 2013**
(24) Date from which industrial property rights may have effect: **08 October 2013**
(54) Product in respect of which the design is registered: **Spa shell**
(51) International Design Classification: **23-02B**
(74) Name(s) of Attorney(s): **Baldwins Intellectual Property**
(71) Name(s) and Address(s) of Applicant(s):
Watkins Manufacturing Corporation
1280 Park Center Drive Vista California 92009 United States of America
(72) Name(s) of Designer(s): **Christopher Carl Larsen and Sage Nathan Baker**
(45) Registration Date: **04 November 2013**
(30) Convention priority data:
(31) Number (32) Date (33) Country
29/457556 11 Jun 2013 UNITED STATES OF AMERICA
(56) Related Art Documents: **Not Applicable**
(57) Statement of Newness and Distinctiveness: **Newness and distinctiveness is claimed in the features of shape and/or configuration of the article as shown in the accompanying representations, excluding those portions shown in broken line.**



(21) Design Number: **15096/2013**
(22) Date of Filing Application: **08 October 2013**
(24) Date from which industrial property rights may have effect: **08 October 2013**
(54) Product in respect of which the design is registered: **Spa shell**
(51) International Design Classification: **23-02B**
(74) Name(s) of Attorney(s): **Baldwins Intellectual Property**
(71) Name(s) and Address(s) of Applicant(s):
Watkins Manufacturing Corporation
1280 Park Center Drive Vista California 92081 United States of America
(72) Name(s) of Designer(s): **Christopher Carl Larsen and Sage Nathan Baker**
(45) Registration Date: **04 November 2013**
(30) Convention priority data:
(31) Number (32) Date (33) Country
29/457634 12 Jun 2013 UNITED STATES OF AMERICA
(56) Related Art Documents: **Not Applicable**
(57) Statement of Newness and Distinctiveness: **Newness and distinctiveness is claimed in the features of shape and/or configuration of the article as shown in the accompanying representations, excluding those portions shown in broken line.**

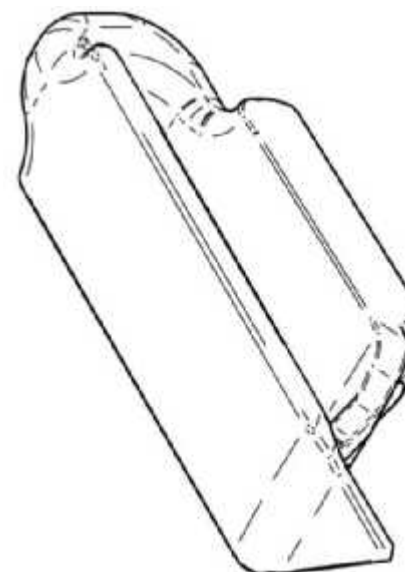


(21) Design Number: **15098/2013**
(22) Date of Filing Application: **08 October 2013**
(24) Date from which industrial property rights may have effect: **08 October 2013**
(54) Product in respect of which the design is registered: **Spa shell**
(51) International Design Classification: **23-02B**
(74) Name(s) of Attorney(s): **Baldwins Intellectual Property**
(71) Name(s) and Address(s) of Applicant(s):
Watkins Manufacturing Corporation
1280 Park Center Drive Vista California 92081 United States of America
(72) Name(s) of Designer(s): **Christopher Carl Larsen and Sage Nathan Baker**
(45) Registration Date: **04 November 2013**
(30) Convention priority data:
(31) Number (32) Date (33) Country
29/458005 14 Jun 2013 UNITED STATES OF AMERICA
(56) Related Art Documents: **Not Applicable**
(57) Statement of Newness and Distinctiveness: **Newness and distinctiveness is claimed in the features of shape and/or configuration of the article as shown in the accompanying representations, excluding those portions shown in broken line.**



- (21) Design Number: **15121/2013**
(22) Date of Filing Application: **08 October 2013**
(24) Date from which industrial property rights may have effect: **08 October 2013**
(54) Product in respect of which the design is registered: **Argon cylinder trolley**
(51) International Design Classification: **12-02**
(74) Name(s) of Attorney(s): **Armour IP**
(71) Name(s) and Address(s) of Applicant(s):
Jea'n Debeutz
78 Comrie Rd Canning Vale WA 6155 Australia
(72) Name(s) of Designer(s): **Jea'n Debeutz**
(45) Registration Date: **04 November 2013**
(56) Related Art Documents: **Not Applicable**
(57) Statement of Newness and Distinctiveness: **Newness and distinctiveness is found in the provision of a rear winding handle on the argon cylinder trolley. The argon cylinder itself, shown in the perspective in phantom lines, is not part of the design.**

- (21) Design Number: **15123/2013**
(22) Date of Filing Application: **09 October 2013**
(24) Date from which industrial property rights may have effect: **09 October 2013**
(54) Product in respect of which the design is registered: **Animal identification tag**
(51) International Design Classification: **30-08**
(74) Name(s) of Attorney(s):
(71) Name(s) and Address(s) of Applicant(s):
Allflex Europe SAS
ZI de Plague Vitre 35500 France
(72) Name(s) of Designer(s): **Grant Townsend and Johan Decaluwe and Jean-Jacques Hilpert**
(45) Registration Date: **04 November 2013**
(56) Related Art Documents: **Not Applicable**
(57) Statement of Newness and Distinctiveness: **The design is to be applied to an animal identification tag the novelty of the design resides in the shape and/or configuration of the article as shown in the accompanying representations.**



(21) Design Number: **15124/2013**

(22) Date of Filing Application: **09 October 2013**

(24) Date from which industrial property rights may have effect: **09 October 2013**

(54) Product in respect of which the design is registered: **Vertical blanket planter**

(51) International Design Classification: **11-02B**

(74) Name(s) of Attorney(s):

(71) Name(s) and Address(s) of Applicant(s):

**JPD Media & Design Pty Limited
L2 9 Waratah St Mona Vale NSW 2103 Australia**

(72) Name(s) of Designer(s): **Jamie Durie**

(45) Registration Date: **04 November 2013**

(56) Related Art Documents: **Not Applicable**

(57) Statement of Newness and Distinctiveness: **Newness and distinctiveness in the design as applied to a vertical garden greenwall blanket planter resides in the shape and/or configuration thereof as is illustrated in the accompanying representations. Particular reference is made to the staggered pocket configuration.**



(21) Design Number: **15125/2013**

(22) Date of Filing Application: **09 October 2013**

(24) Date from which industrial property rights may have effect: **09 October 2013**

(54) Product in respect of which the design is registered: **Vertical blanket planter**

(51) International Design Classification: **11-02B**

(74) Name(s) of Attorney(s):

(71) Name(s) and Address(s) of Applicant(s):

**JPD Media & Design Pty Limited
L2 9 Waratah St Mona Vale NSW 2103 Australia**

(72) Name(s) of Designer(s): **Jamie Durie**

(45) Registration Date: **04 November 2013**

(56) Related Art Documents: **Not Applicable**

(57) Statement of Newness and Distinctiveness: **Newness and distinctiveness in the design as applied to a vertical garden greenwall blanket planter resides in the shape and/or configuration thereof as is illustrated in the accompanying representations. Particular reference is made to the staggered pocket configuration.**



- (21) Design Number: **15126/2013**
(22) Date of Filing Application: **04 October 2013**
(24) Date from which industrial property rights may have effect: **04 October 2013**
(54) Product in respect of which the design is registered: **Measuring cap**
(51) International Design Classification: **10-04, 09-07B**
(74) Name(s) of Attorney(s):
(71) Name(s) and Address(s) of Applicant(s):
Logue and Co. Pty Ltd
199 Kiora Rd Yowie Bay NSW 2228 Australia
(72) Name(s) of Designer(s): **Anthony Thomas Logue**
(45) Registration Date: **04 November 2013**
(56) Related Art Documents: **Not Applicable**
(57) Statement of Newness and Distinctiveness: **Newness and distinctiveness is claimed in the features of shape and/or configuration of a measuring cap as depicted in the accompanying drawings.**



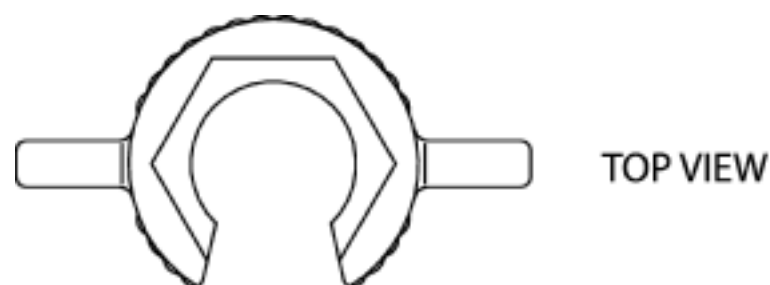
- (21) Design Number: **15128/2013**
(22) Date of Filing Application: **03 October 2013**
(24) Date from which industrial property rights may have effect: **03 October 2013**
(54) Product in respect of which the design is registered: **Gym fitness equipment**
(51) International Design Classification: **21-02F**
(74) Name(s) of Attorney(s): **Madderns**
(71) Name(s) and Address(s) of Applicant(s):
Nan Tong Rui Sheng Sports and Leisure Products Co., Ltd
83 226000 Jiangsu China
(72) Name(s) of Designer(s): **Lin Qian and Ji-anming Xuan and Yufei Zhu**
(45) Registration Date: **04 November 2013**
(56) Related Art Documents: **Not Applicable**
(57) Statement of Newness and Distinctiveness: **Newness and distinctiveness is claimed in the shape and/or configuration of the fitness equipment as illustrated in the representations accompanying the application.**



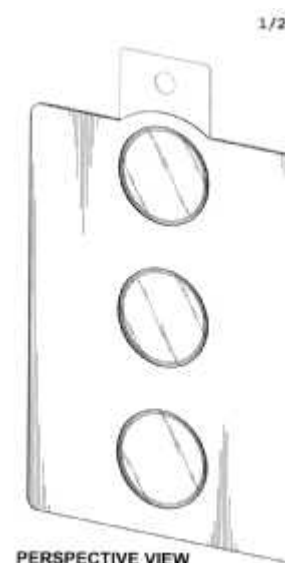
- (21) Design Number: **14801/2013**
(22) Date of Filing Application: **23 September 2013**
(24) Date from which industrial property rights may have effect: **10 July 2013**
(54) Product in respect of which the design is registered: **Knee implant**
(51) International Design Classification: **24-03**
(74) Name(s) of Attorney(s): **PIZZEYS**
(71) Name(s) and Address(s) of Applicant(s):
Blue Belt Technologies, Inc.
Suite 100 2828 Liberty Avenue Pittsburgh PA 15222 United States of America
(72) Name(s) of Designer(s): **Adam Hahn and David A. Fenyves and Barry Fell and Jess Lonner**
(45) Registration Date: **04 November 2013**
(62) Divisional of: **351723**
(56) Related Art Documents: **Not Applicable**
(57) Statement of Newness and Distinctiveness: **The newness and distinctiveness of the design resides in the features of pattern and/or ornamentation OR shape and/or configuration shown in unbroken lines in the accompanying representations.**



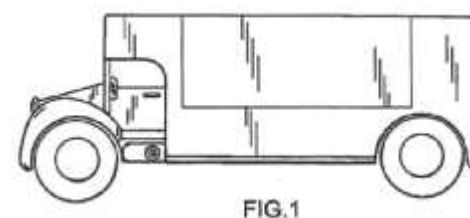
- (21) Design Number: **14820/2013**
(22) Date of Filing Application: **24 September 2013**
(24) Date from which industrial property rights may have effect: **24 September 2013**
(54) Product in respect of which the design is registered: **Spanner**
(51) International Design Classification: **08-05P**
(74) Name(s) of Attorney(s):
(71) Name(s) and Address(s) of Applicant(s):
Iain Ewing
PO BOX 5446 Brendale BC QLD 4500 Australia
Spectro Enterprises Pty Ltd
19 Lockyer Drive Bray Park Queensland 4500 Australia
(72) Name(s) of Designer(s): **Iain Ewing**
(45) Registration Date: **04 November 2013**
(56) Related Art Documents: **Not Applicable**
(57) Statement of Newness and Distinctiveness: **Newness and distinctiveness are claimed in the design of the spanner due to the spanners ability to be placed onto a different shaped object from what the spanner is designed to tighten. In this case the spanner passes over and along a cylindrical hose before engaging with a hexagonal shaped nut.**



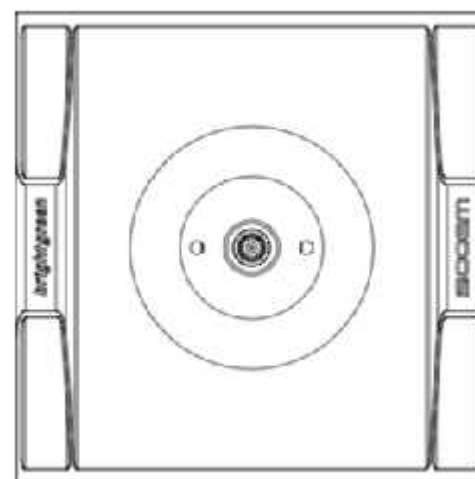
(21) Design Number: **15134/2013**
(22) Date of Filing Application: **09 October 2013**
(24) Date from which industrial property rights may have effect: **09 October 2013**
(54) Product in respect of which the design is registered: **Coin packaging**
(51) International Design Classification: **19-99**
(74) Name(s) of Attorney(s): **Callinans**
(71) Name(s) and Address(s) of Applicant(s):
American Greetings Corporation
One American Road Cleveland OH 44144 United States of America
(72) Name(s) of Designer(s): **David Mayer and Lynne Shlonsky and Toby Seadler and Erin Dennis**
(45) Registration Date: **04 November 2013**
(30) Convention priority data:
(31) Number (32) Date (33) Country
29/466296 06 Sep 2013 UNITED STATES OF AMERICA
(56) Related Art Documents: **Not Applicable**
(57) Statement of Newness and Distinctiveness: **Nil**



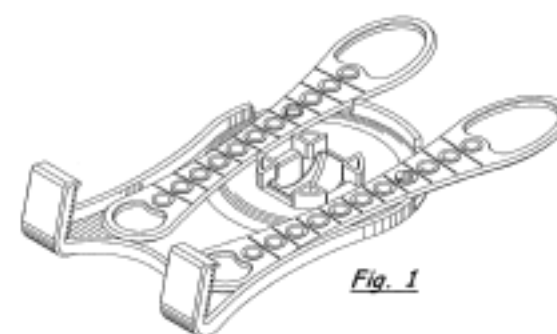
(21) Design Number: **15171/2013**
(22) Date of Filing Application: **11 October 2013**
(24) Date from which industrial property rights may have effect: **11 October 2013**
(54) Product in respect of which the design is registered: **Toy truck**
(51) International Design Classification: **21-01C, 14-01**
(74) Name(s) of Attorney(s): **FB Rice**
(71) Name(s) and Address(s) of Applicant(s):
Vincent Stewart
110 Broadmanor Road Miami Florida 33147 United States of America
(72) Name(s) of Designer(s): **Vincent Stewart**
(45) Registration Date: **04 November 2013**
(56) Related Art Documents: **Not Applicable**
(57) Statement of Newness and Distinctiveness: **Newness and distinctiveness reside in the features of the toy truck as shown in the representations and in particular in the video screen on the side of the truck, in the audio amplifiers on the opposite side of the truck, and in the roof which folds into the truck on which the audio amplifiers may be placed.**



- (21) Design Number: **15174/2013**
(22) Date of Filing Application: **11 October 2013**
(24) Date from which industrial property rights may have effect: **11 October 2013**
(54) Product in respect of which the design is registered: **Surface mounted light**
(51) International Design Classification: **26-05C**
(74) Name(s) of Attorney(s):
(71) Name(s) and Address(s) of Applicant(s):
Brightgreen Pty Ltd
PO BOX 1400 Collingwood VIC 3066 Australia
(72) Name(s) of Designer(s): **Trent Carter**
(45) Registration Date: **04 November 2013**
(56) Related Art Documents: **Not Applicable**
(57) Statement of Newness and Distinctiveness: **The design has a unique geometric shape which acts as an extension of the surface it is mounted upon. The support arm is both extendable and rotatable and through using the adjacent surface as a light diffuser, the user can achieve a highly-customisable lighting design.**

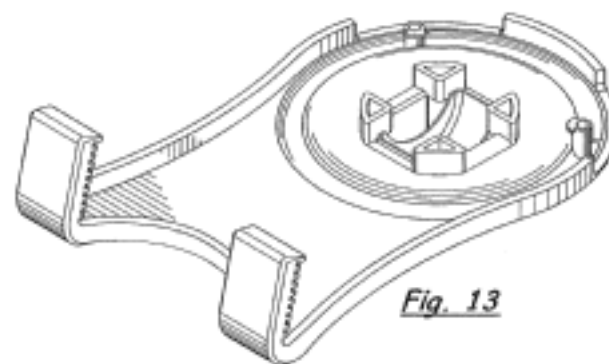


- (21) Design Number: **15182/2013**
(22) Date of Filing Application: **11 October 2013**
(24) Date from which industrial property rights may have effect: **11 October 2013**
(54) Product in respect of which the design is registered: **Personal digital device mount and holder**
(51) International Design Classification: **14-99**
(74) Name(s) of Attorney(s): **Tatlocks Chrysiliou IP**
(71) Name(s) and Address(s) of Applicant(s):
Corey David Nielsen
1518 Cambridge Drive Longmont Colorado 80503 United States of America
(72) Name(s) of Designer(s): **Corey David Nielsen**
(45) Registration Date: **04 November 2013**
(30) Convention priority data:
(31) Number (32) Date (33) Country
29/452,094 11 Apr 2013 UNITED STATES OF AMERICA
(56) Related Art Documents: **Not Applicable**



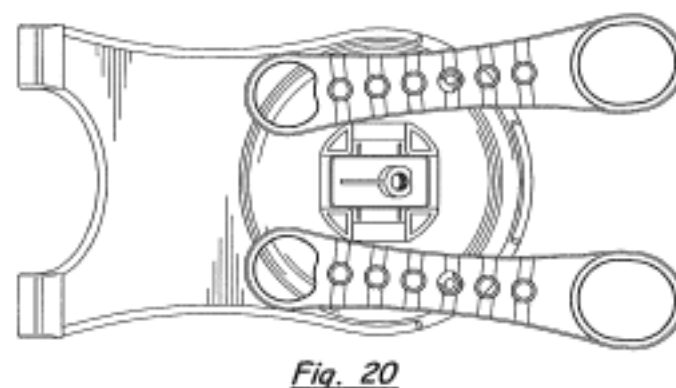
- (57) Statement of Newness and Distinctiveness: **Newness and distinctiveness reside in the features of shape and/or configuration of a personal digital device mount and holder shown in the accompanying Figures 1 - 12, each of the representations being described herebelow, noting that in determining the scope of the registration for the second design, the shape and/or configuration of the features shown in broken lines in Figures 8 - 12 are to be disregarded: Figure 1 is a front-right perspective view of the design. Figure 2 is a front view of the design. Figure 3 is a rear view of the design. Figure 4 is a right side view of the design. Figure 5 is a left side view of the design. Figure 6 is a bottom view of the design. Figure 7 is a top view of the design. Figure 8 is a rear view of the design. Figure 9 is a left side view of the design. Figure 10 is a left side view of the design. Figure 11 is a left side view of the design. Figure 12 is a left side view of the design.**

(21) Design Number: **15183/2013**
(22) Date of Filing Application: **11 October 2013**
(24) Date from which industrial property rights may have effect: **11 October 2013**
(54) Product in respect of which the design is registered: **Personal digital device mount base**
(51) International Design Classification: **14-99**
(74) Name(s) of Attorney(s): **Tatlocks Chrysiliou IP**
(71) Name(s) and Address(s) of Applicant(s):
Corey David Nielsen
1518 Cambridge Drive Longmont Colorado 80503 United States of America
(72) Name(s) of Designer(s): **Corey David Nielsen**
(45) Registration Date: **04 November 2013**
(30) Convention priority data:
(31) Number (32) Date (33) Country
29/452,094 11 Apr 2013 UNITED STATES OF AMERICA



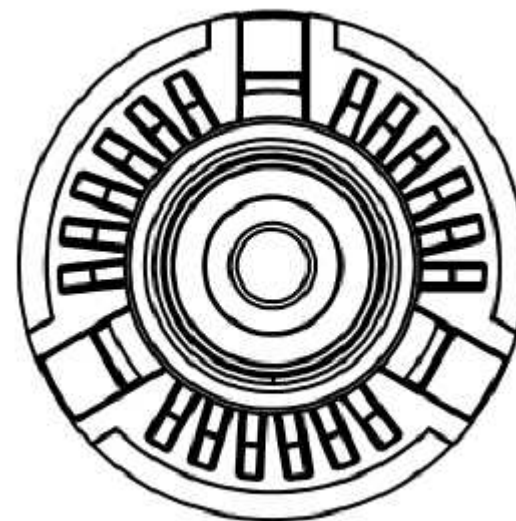
(56) Related Art Documents: **Not Applicable**
(57) Statement of Newness and Distinctiveness: **Newness and distinctiveness reside in the features of shape and/or configuration of a personal digital device mount base according to the design shown in the accompanying Figures 13 - 19, each of the figures being described herebelow: Figure 13 is a front-right perspective view of the design ("Mount Base"). Figure 14 is a front view of the Mount Base of Figure 13. Figure 15 is a right side view of the Mount Base of Figure 13. Figure 16 is a rear view of the Mount Base of Figure 13. Figure 17 is a left side view of the Mount Base of Figure 13. Figure 18 is a bottom view of the Mount Base of Figure 13. Figure 19 is a top view of the Mount Base of Figure 13.**

(21) Design Number: **15184/2013**
(22) Date of Filing Application: **11 October 2013**
(24) Date from which industrial property rights may have effect: **11 October 2013**
(54) Product in respect of which the design is registered: **Personal digital device holder**
(51) International Design Classification: **14-99**
(74) Name(s) of Attorney(s): **Tatlocks Chrysiliou IP**
(71) Name(s) and Address(s) of Applicant(s):
Corey David Nielsen
1518 Cambridge Drive Longmont Colorado 80503 United States of America
(72) Name(s) of Designer(s): **Corey David Nielsen**
(45) Registration Date: **04 November 2013**
(30) Convention priority data:
(31) Number (32) Date (33) Country
29/452,094 11 Apr 2013 UNITED STATES OF AMERICA



(56) Related Art Documents: **Not Applicable**
(57) Statement of Newness and Distinctiveness: **Newness and distinctiveness reside in the features of shape and/or configuration of a personal digital device holder according to the design shown in the accompanying Figures 20 - 25, each of the representations being described herebelow: Figure 20 is a front view of a Personal Digital Device Mount and Holder showing the design ("Device Holder"). Figure 21 is a right side view of the Device Holder. Figure 22 is a left side view of the Device Holder. Figure 23 is a rear view of the Device Holder. Figure 24 is a bottom view of the Device Holder. Figure 25 is a top view of the Device Holder.**

- (21) Design Number: **15185/2013**
(22) Date of Filing Application: **11 October 2013**
(24) Date from which industrial property rights may have effect: **11 October 2013**
(54) Product in respect of which the design is registered: **Light bulb**
(51) International Design Classification: **26-05E**
(74) Name(s) of Attorney(s):
(71) Name(s) and Address(s) of Applicant(s):
Brightgreen Pty Ltd
PO BOX 1400 Collingwood VIC 3066 Australia
(72) Name(s) of Designer(s): **David O'Driscoll**
(45) Registration Date: **04 November 2013**
(56) Related Art Documents: **Not Applicable**
(57) Statement of Newness and Distinctiveness: **The design incorporates distinctive and essential engineering elements into the LED light bulb's aesthetic. The heat fins on the lower half of the design and the three channels radiating from the light's top preserve LED functionality whilst the design aesthetic maintains the rounded-top bulb appearance common with existing incandescent lights.**



- (21) Design Number: **15215/2013**
(22) Date of Filing Application: **14 October 2013**
(24) Date from which industrial property rights may have effect: **14 October 2013**
(54) Product in respect of which the design is registered: **Evacuation chair**
(51) International Design Classification: **29-02, 06-01NES**
(74) Name(s) of Attorney(s): **FB Rice**
(71) Name(s) and Address(s) of Applicant(s):
Gerald David Morrish
Enable Access Marshmoor Works Great North Road Hatfield
Hertfordshire AL9 5SD United Kingdom
Kenneth George Morrish
Enable Access Marshmoor Works Great North Road Hatfield
Hertfordshire AL9 5SD United Kingdom
(72) Name(s) of Designer(s): **Gerald David Morrish and Kenneth George Morrish**
(45) Registration Date: **04 November 2013**
(30) Convention priority data:
(31) Number (32) Date (33) Country
002220426-0001 15 Apr 2013 OFFICE FOR HARMONISATION IN
THE INTERNAL MARKET (OHIM)
(56) Related Art Documents: **Not Applicable**
(57) Statement of Newness and Distinctiveness: **Newness and distinctiveness resides in the shape and configuration of the design as shown in the representations.**



(21) Design Number: **15100/2013**

(22) Date of Filing Application: **08 October 2013**

(24) Date from which industrial property rights may have effect: **08 October 2013**

(54) Product in respect of which the design is registered: **LED light**

(51) International Design Classification: **26-05E**

(74) Name(s) of Attorney(s): **Callinans**

(71) Name(s) and Address(s) of Applicant(s):

Herrmans Oy Ab

Pannaistentien 143 FI-68600 Pietarsaari Finland

(72) Name(s) of Designer(s): **Janne Lindholm and Jari Korpi and Mikael Heikkila**

(45) Registration Date: **04 November 2013**

(30) Convention priority data:

(31) Number
002303370

(32) Date
05 Sep 2013

(33) Country
**OFFICE FOR HARMONISATION IN
THE INTERNAL MARKET (OHIM)**



(56) Related Art Documents: **Not Applicable**

(57) Statement of Newness and Distinctiveness: **Nil**

(21) Design Number: **15104/2013**

(22) Date of Filing Application: **08 October 2013**

(24) Date from which industrial property rights may have effect: **08 October 2013**

(54) Product in respect of which the design is registered: **Cosmetics case**

(51) International Design Classification: **09-01G, 03-01D**

(74) Name(s) of Attorney(s): **PIZZEYS**

(71) Name(s) and Address(s) of Applicant(s):

International Cosmetic Suppliers Ltd

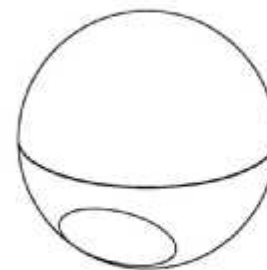
4F #96 Section 1 Chien Kuo North Road Taipei 10489 Tawain

(72) Name(s) of Designer(s): **David Thompson**

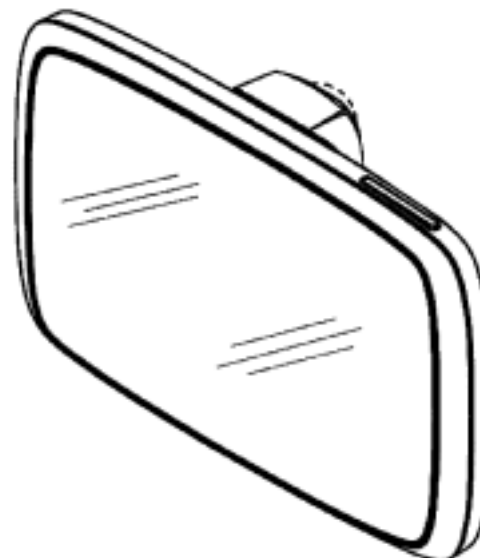
(45) Registration Date: **04 November 2013**

(56) Related Art Documents: **Not Applicable**

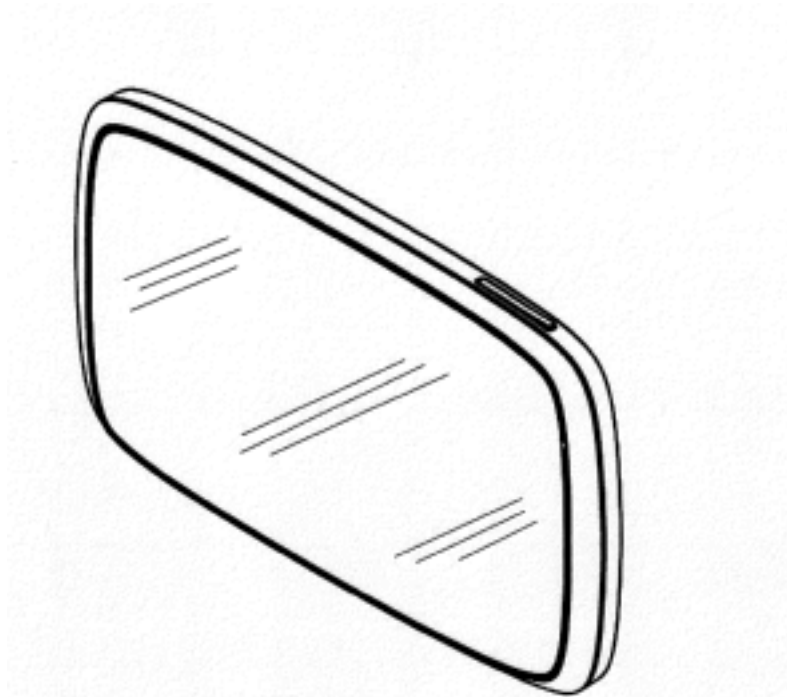
(57) Statement of Newness and Distinctiveness: **Nil**



- (21) Design Number: **15106/2013**
(22) Date of Filing Application: **08 October 2013**
(24) Date from which industrial property rights may have effect: **08 October 2013**
(54) Product in respect of which the design is registered: **Portable electronic navigation device**
(51) International Design Classification: **14-03NES**
(74) Name(s) of Attorney(s): **SPRUSON & FERGUSON**
(71) Name(s) and Address(s) of Applicant(s):
TomTom International B.V.
Rembrandtplein 35, Amsterdam 1017CT The Netherlands
(72) Name(s) of Designer(s): **Mark Lee Dempsey and Daniel Browning and Kyle Loughlin and Tim Williamson and Stephen De Saulles and Marcus Hoggarth**
(45) Registration Date: **04 November 2013**
(30) Convention priority data:
(31) Number (32) Date (33) Country
002215053-0001 05 Apr 2013 OFFICE FOR HARMONISATION IN THE INTERNAL MARKET (OHIM)
(56) Related Art Documents: **Not Applicable**
(57) Statement of Newness and Distinctiveness: **Newness and distinctiveness is claimed in the features of shape and/or configuration of a portable electronic navigation device as illustrated in continuous lines in the accompanying representations.**



- (21) Design Number: **15107/2013**
(22) Date of Filing Application: **08 October 2013**
(24) Date from which industrial property rights may have effect: **08 October 2013**
(54) Product in respect of which the design is registered: **Portable electronic navigation device**
(51) International Design Classification: **14-03NES**
(74) Name(s) of Attorney(s): **SPRUSON & FERGUSON**
(71) Name(s) and Address(s) of Applicant(s):
TomTom International B.V.
Rembrandtplein 35, Amsterdam 1017CT The Netherlands
(72) Name(s) of Designer(s): **Mark Lee Dempsey and Daniel Browning and Kyle Loughlin and Tim Williamson and Stephen De Saulles and Marcus Hoggarth**
(45) Registration Date: **04 November 2013**
(30) Convention priority data:
(31) Number (32) Date (33) Country
002215053-0002 05 Apr 2013 OFFICE FOR HARMONISATION IN THE INTERNAL MARKET (OHIM)
(56) Related Art Documents: **Not Applicable**
(57) Statement of Newness and Distinctiveness: **Newness and distinctiveness is claimed in the features of shape and/or configuration of a portable electronic navigation device as illustrated in the accompanying representations.**



(21) Design Number: **15108/2013**
(22) Date of Filing Application: **08 October 2013**
(24) Date from which industrial property rights may have effect: **08 October 2013**
(54) Product in respect of which the design is registered: **Watch**
(51) International Design Classification: **10-02**
(74) Name(s) of Attorney(s): **WATERMARK PATENT AND TRADE MARKS ATTORNEYS**
(71) Name(s) and Address(s) of Applicant(s):
Swatch AG (Swatch SA) (Swatch Ltd)
94, rue Jakob Stampfli Bienne 2502 Switzerland
(72) Name(s) of Designer(s): **Antonio Fazio**
(45) Registration Date: **04 November 2013**
(30) Convention priority data:
(31) Number (32) Date (33) Country
DM/080 666 16 Apr 2013 WORLD INTELLECTUAL PROPERTY ORGANIZATION (WIPO)
(56) Related Art Documents: **Not Applicable**
(57) Statement of Newness and Distinctiveness: **Nil**



(21) Design Number: **15109/2013**
(22) Date of Filing Application: **08 October 2013**
(24) Date from which industrial property rights may have effect: **08 October 2013**
(54) Product in respect of which the design is registered: **Watch movement**
(51) International Design Classification: **10-02**
(74) Name(s) of Attorney(s): **WATERMARK PATENT AND TRADE MARKS ATTORNEYS**
(71) Name(s) and Address(s) of Applicant(s):
Swatch AG (Swatch SA) (Swatch Ltd)
94, rue Jakob Stampfli Bienne 2502 Switzerland
(72) Name(s) of Designer(s): **Antonio Fazio**
(45) Registration Date: **04 November 2013**
(30) Convention priority data:
(31) Number (32) Date (33) Country
DM/080 666 16 Apr 2013 WORLD INTELLECTUAL PROPERTY ORGANIZATION (WIPO)
(56) Related Art Documents: **Not Applicable**
(57) Statement of Newness and Distinctiveness: **Nil**



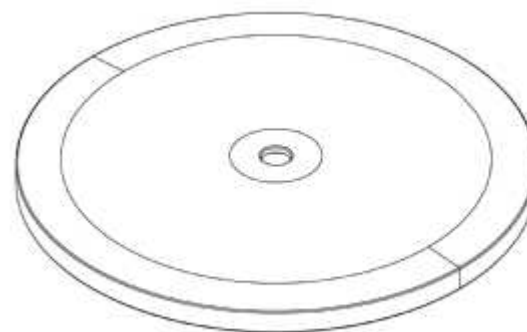
(21) Design Number: **15110/2013**
(22) Date of Filing Application: **08 October 2013**
(24) Date from which industrial property rights may have effect: **08 October 2013**
(54) Product in respect of which the design is registered: **Watch movement**
(51) International Design Classification: **10-02**
(74) Name(s) of Attorney(s): **WATERMARK PATENT AND TRADE MARKS ATTORNEYS**
(71) Name(s) and Address(s) of Applicant(s):
Swatch AG (Swatch SA) (Swatch Ltd)
94, rue Jakob Stampfli Bienne 2502 Switzerland
(72) Name(s) of Designer(s): **Christophe Cattin and Xavier Tinguely and Ivan Villar and Gael Feusier and Giuseppe Cappadona and Laurent Kaelin and Alphonse Arellano Wuaka**
(45) Registration Date: **04 November 2013**
(30) Convention priority data:
(31) Number (32) Date (33) Country
DM/080 666 16 Apr 2013 WORLD INTELLECTUAL PROPERTY ORGANIZATION (WIPO)
(56) Related Art Documents: **Not Applicable**
(57) Statement of Newness and Distinctiveness: **Nil**



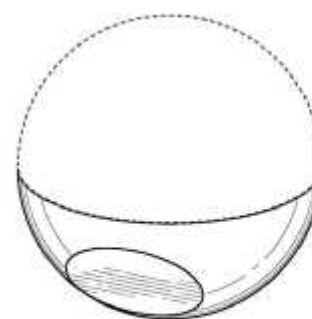
(21) Design Number: **15111/2013**
(22) Date of Filing Application: **08 October 2013**
(24) Date from which industrial property rights may have effect: **08 October 2013**
(54) Product in respect of which the design is registered: **Watch movement**
(51) International Design Classification: **10-02**
(74) Name(s) of Attorney(s): **WATERMARK PATENT AND TRADE MARKS ATTORNEYS**
(71) Name(s) and Address(s) of Applicant(s):
Swatch AG (Swatch SA) (Swatch Ltd)
94, rue Jakob Stampfli Bienne 2502 Switzerland
(72) Name(s) of Designer(s): **Christophe Cattin and Xavier Tinguely and Ivan Villar and Gael Feusier and Giuseppe Cappadona and Laurent Kaelin and Alphonse Arellano Wuaka**
(45) Registration Date: **04 November 2013**
(30) Convention priority data:
(31) Number (32) Date (33) Country
DM/080 666 16 Apr 2013 WORLD INTELLECTUAL PROPERTY ORGANIZATION (WIPO)
(56) Related Art Documents: **Not Applicable**
(57) Statement of Newness and Distinctiveness: **Nil**



(21) Design Number: **15112/2013**
(22) Date of Filing Application: **08 October 2013**
(24) Date from which industrial property rights may have effect: **08 October 2013**
(54) Product in respect of which the design is registered: **Oscillating weight**
(51) International Design Classification: **10-02**
(74) Name(s) of Attorney(s): **WATERMARK PATENT AND TRADE MARKS ATTORNEYS**
(71) Name(s) and Address(s) of Applicant(s):
Swatch AG (Swatch SA) (Swatch Ltd)
94, rue Jakob Stampfli Bienne 2502 Switzerland
(72) Name(s) of Designer(s): **Christophe Cattin and Xavier Tinguely and Ivan Villar and Gael Feusier and Giuseppe Cappadona and Laurent Kaelin and Alphonse Arellano Wuaka**
(45) Registration Date: **04 November 2013**
(30) Convention priority data:
(31) Number (32) Date (33) Country
DM/080 666 16 Apr 2013 WORLD INTELLECTUAL PROPERTY ORGANIZATION (WIPO)
(56) Related Art Documents: **Not Applicable**
(57) Statement of Newness and Distinctiveness: **Nil**



(21) Design Number: **15113/2013**
(22) Date of Filing Application: **08 October 2013**
(24) Date from which industrial property rights may have effect: **08 October 2013**
(54) Product in respect of which the design is registered: **Cosmetics case**
(51) International Design Classification: **09-01G, 03-01D**
(74) Name(s) of Attorney(s): **PIZZEYS**
(71) Name(s) and Address(s) of Applicant(s):
International Cosmetic Suppliers Ltd
4F #96 Section 1 Chien Kuo North Road Taipei 10489 Tawain
(72) Name(s) of Designer(s): **David Thompson**
(45) Registration Date: **04 November 2013**
(56) Related Art Documents: **Not Applicable**
(57) Statement of Newness and Distinctiveness: **Nil**



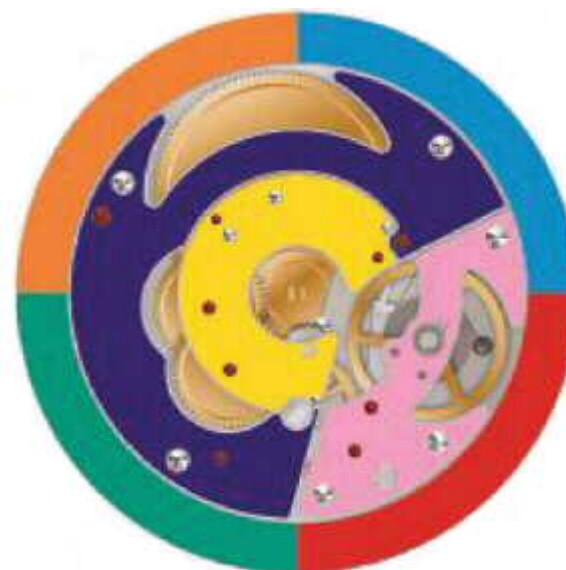
(21) Design Number: **15114/2013**
(22) Date of Filing Application: **08 October 2013**
(24) Date from which industrial property rights may have effect: **08 October 2013**
(54) Product in respect of which the design is registered: **Watch movement**
(51) International Design Classification: **10-02**
(74) Name(s) of Attorney(s): **WATERMARK PATENT AND TRADE MARKS ATTORNEYS**
(71) Name(s) and Address(s) of Applicant(s):
Swatch AG (Swatch SA) (Swatch Ltd)
94, rue Jakob Stampfli Bienne 2502 Switzerland
(72) Name(s) of Designer(s): **Antonio Fazio**
(45) Registration Date: **04 November 2013**
(30) Convention priority data:
(31) Number (32) Date (33) Country
DM 080 635 16 Apr 2013 WORLD INTELLECTUAL PROPERTY ORGANIZATION (WIPO)
(56) Related Art Documents: **Not Applicable**
(57) Statement of Newness and Distinctiveness: **Nil**



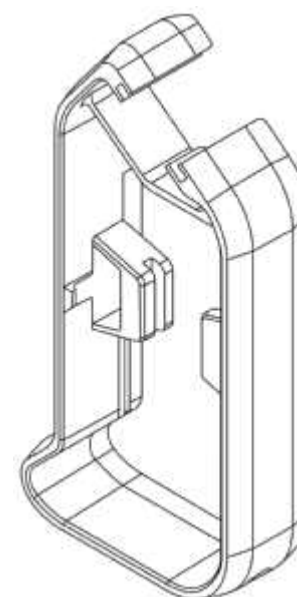
(21) Design Number: **15115/2013**
(22) Date of Filing Application: **08 October 2013**
(24) Date from which industrial property rights may have effect: **08 October 2013**
(54) Product in respect of which the design is registered: **Watch movement**
(51) International Design Classification: **10-02**
(74) Name(s) of Attorney(s): **WATERMARK PATENT AND TRADE MARKS ATTORNEYS**
(71) Name(s) and Address(s) of Applicant(s):
Swatch AG (Swatch SA) (Swatch Ltd)
94, rue Jakob Stampfli Bienne 2502 Switzerland
(72) Name(s) of Designer(s): **Antonio Fazio**
(45) Registration Date: **04 November 2013**
(30) Convention priority data:
(31) Number (32) Date (33) Country
DM 080 635 16 Apr 2013 WORLD INTELLECTUAL PROPERTY ORGANIZATION (WIPO)
(56) Related Art Documents: **Not Applicable**
(57) Statement of Newness and Distinctiveness: **Nil**



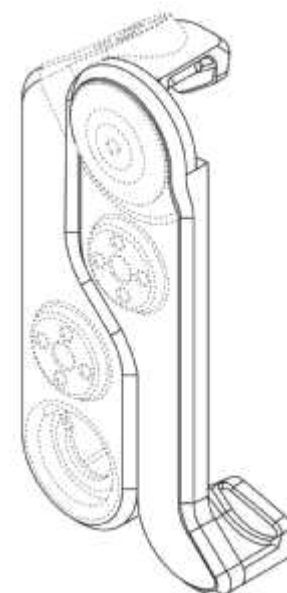
(21) Design Number: **15116/2013**
(22) Date of Filing Application: **08 October 2013**
(24) Date from which industrial property rights may have effect: **08 October 2013**
(54) Product in respect of which the design is registered: **Watch movement**
(51) International Design Classification: **10-02**
(74) Name(s) of Attorney(s): **WATERMARK PATENT AND TRADE MARKS ATTORNEYS**
(71) Name(s) and Address(s) of Applicant(s):
Swatch AG (Swatch SA) (Swatch Ltd)
94, rue Jakob Stampfli Bienne 2502 Switzerland
(72) Name(s) of Designer(s): **Antonio Fazio**
(45) Registration Date: **04 November 2013**
(30) Convention priority data:
(31) Number (32) Date (33) Country
DM 080 635 16 Apr 2013 WORLD INTELLECTUAL PROPERTY ORGANIZATION (WIPO)
(56) Related Art Documents: **Not Applicable**
(57) Statement of Newness and Distinctiveness: **Nil**



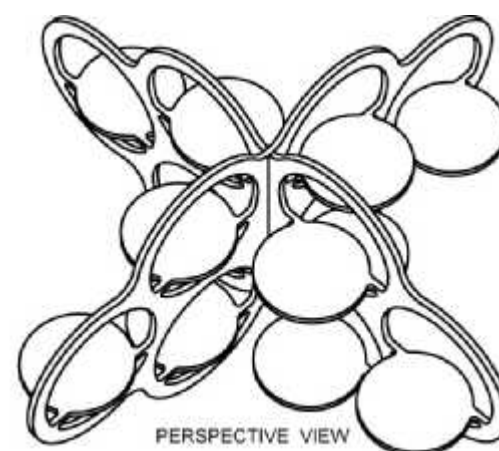
(21) Design Number: **15162/2013**
(22) Date of Filing Application: **11 October 2013**
(24) Date from which industrial property rights may have effect: **05 July 2013**
(54) Product in respect of which the design is registered: **A handle**
(51) International Design Classification: **08-06**
(74) Name(s) of Attorney(s): **Davies Collison Cave**
(71) Name(s) and Address(s) of Applicant(s):
Freedman Electronics Pty. Ltd.
107 Carnarvon St Silverwater NSW 2128 Australia
(72) Name(s) of Designer(s): **Peter Noel Cooper and Samuel Dean Trewartha and Tom Ferghana Rogers Fereday**
(45) Registration Date: **04 November 2013**
(30) Convention priority data:
(31) Number (32) Date (33) Country
29/441,540 07 Jan 2013 UNITED STATES OF AMERICA
(62) Divisional of: **351577**
(56) Related Art Documents: **Not Applicable**
(57) Statement of Newness and Distinctiveness: **The shape and configuration of the Handle is new and distinctive. When considering the newness and distinctiveness of the design, the following parts do not form part of the design and are to be disregarded: CAD lines indicating contour (and not indicating surface decoration).**



- (21) Design Number: **15168/2013**
(22) Date of Filing Application: **11 October 2013**
(24) Date from which industrial property rights may have effect: **05 July 2013**
(54) Product in respect of which the design is registered: **A mount**
(51) International Design Classification: **08-08NES**
(74) Name(s) of Attorney(s): **Davies Collison Cave**
(71) Name(s) and Address(s) of Applicant(s):
Freedman Electronics Pty. Ltd.
107 Carnarvon St Silverwater NSW 2128 Australia
(72) Name(s) of Designer(s): **Peter Noel Cooper and Samuel Dean Trewartha and Tom Ferghana Rogers Fereday**
(45) Registration Date: **04 November 2013**
(30) Convention priority data:
(31) Number (32) Date (33) Country
US 29/441,540 07 Jan 2013 UNITED STATES OF AMERICA
(62) Divisional of: **351577**
(56) Related Art Documents: **Not Applicable**
(57) Statement of Newness and Distinctiveness: **The shape and configuration of the Mount as shown in solid lines in the representations is new and distinctive. When considering the newness and distinctiveness of the design, the following parts do not form part of the design and are to be disregarded: CAD lines indicating contour (and not indicating surface decoration).**



- (21) Design Number: **15199/2013**
(22) Date of Filing Application: **11 October 2013**
(24) Date from which industrial property rights may have effect: **11 October 2013**
(54) Product in respect of which the design is registered: **Cake stand**
(51) International Design Classification: **07-02NES, 07-01B**
(74) Name(s) of Attorney(s):
(71) Name(s) and Address(s) of Applicant(s):
Procson Pty Ltd
29 Spark Street Earlwood New South Wales 2206 Australia
(72) Name(s) of Designer(s): **Stephen Procter**
(45) Registration Date: **04 November 2013**
(56) Related Art Documents: **Not Applicable**
(57) Statement of Newness and Distinctiveness: **Monopoly is claimed on the shape and/ or configuration of the article.**



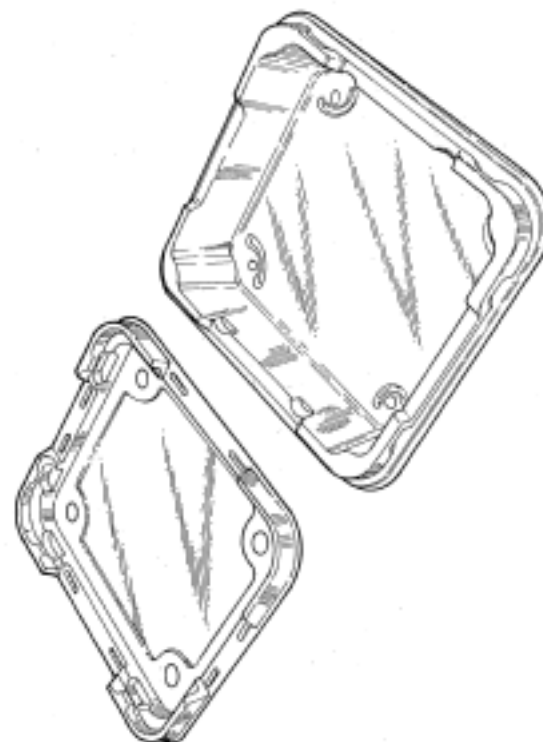
- (21) Design Number: **15216/2013**
(22) Date of Filing Application: **14 October 2013**
(24) Date from which industrial property rights may have effect: **14 October 2013**
(54) Product in respect of which the design is registered: **Ergonomic mobile computing device**
(51) International Design Classification: **14-02**
(74) Name(s) of Attorney(s): **SPRUSON & FERGUSON**
(71) Name(s) and Address(s) of Applicant(s):
Symbol Technologies, Inc.
One Motorola Plaza Holtsville NY 11742 United States of America
(72) Name(s) of Designer(s): **Jaeho Choi and Ian R. Jenkins and Richard M. Martin and Chandra M. Nair and Konstantinos D. Tsiopanos**
(45) Registration Date: **04 November 2013**
(30) Convention priority data:
(31) Number (32) Date (33) Country
29/453478 30 Apr 2013 UNITED STATES OF AMERICA
(56) Related Art Documents: **Not Applicable**
(57) Statement of Newness and Distinctiveness: **Newness and distinctiveness is claimed in the features of shape and/or configuration of an ergonomic mobile computing device as illustrated in continuous lines in the accompanying representations.**



- (21) Design Number: **15217/2013**
(22) Date of Filing Application: **14 October 2013**
(24) Date from which industrial property rights may have effect: **14 October 2013**
(54) Product in respect of which the design is registered:
(51) International Design Classification: **12-16H, 06-07**
(74) Name(s) of Attorney(s): **Molins & Co Pty Ltd**
(71) Name(s) and Address(s) of Applicant(s):
Hasmot Pty Ltd
99-105 Boundary Rd Peakhurst NSW 2210 Australia
(72) Name(s) of Designer(s): **Oliver Clemens Robert Kratzer**
(45) Registration Date: **04 November 2013**
(56) Related Art Documents: **Not Applicable**
(57) Statement of Newness and Distinctiveness: **Newness is claimed in the features of shape and configuration of the Mirror as shown in the accompanying representations.**



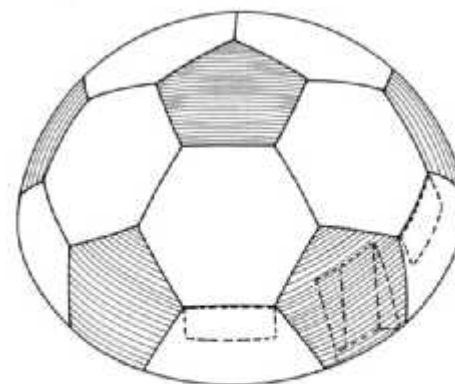
(21) Design Number: **15219/2013**
(22) Date of Filing Application: **14 October 2013**
(24) Date from which industrial property rights may have effect: **14 October 2013**
(54) Product in respect of which the design is registered: **A produce container**
(51) International Design Classification: **09-03F**
(74) Name(s) of Attorney(s): **Chrysiliou IP**
(71) Name(s) and Address(s) of Applicant(s):
Multisteps Pty Ltd
U1-2/4 Richmond Rd Homebush West NSW 2140 Australia
(72) Name(s) of Designer(s): **John Lam**
(45) Registration Date: **04 November 2013**
(56) Related Art Documents: **Not Applicable**
(57) Statement of Newness and Distinctiveness: **Nil**



(21) Design Number: **15221/2013**
(22) Date of Filing Application: **14 October 2013**
(24) Date from which industrial property rights may have effect: **14 October 2013**
(54) Product in respect of which the design is registered: **An extrusion**
(51) International Design Classification: **25-01K**
(74) Name(s) of Attorney(s):
(71) Name(s) and Address(s) of Applicant(s):
Jorgenson-Watts Pty Ltd
L6 167 Queen St Melbourne VIC 3000 Australia
(72) Name(s) of Designer(s): **John Russell Watts**
(45) Registration Date: **04 November 2013**
(56) Related Art Documents: **Not Applicable**
(57) Statement of Newness and Distinctiveness: **Nil**



(21) Design Number: **15222/2013**
(22) Date of Filing Application: **14 October 2013**
(24) Date from which industrial property rights may have effect: **14 October 2013**
(54) Product in respect of which the design is registered: **A building**
(51) International Design Classification: **25-03**
(74) Name(s) of Attorney(s): **Australian Patent & TradeMark Services Pty Ltd**
(71) Name(s) and Address(s) of Applicant(s):
Robert John Stevens
19 Valiant Rd Munno Para West SA 5115 Australia
(72) Name(s) of Designer(s): **Robert John Stevens**
(45) Registration Date: **04 November 2013**
(56) Related Art Documents: **Not Applicable**
(57) Statement of Newness and Distinctiveness: **Newness and distinctiveness is claimed in the shape, configuration, pattern and ornamentation of a building as illustrated in the accompanying representations. The features shown in broken lines are not part of the design and are to be disregarded.**



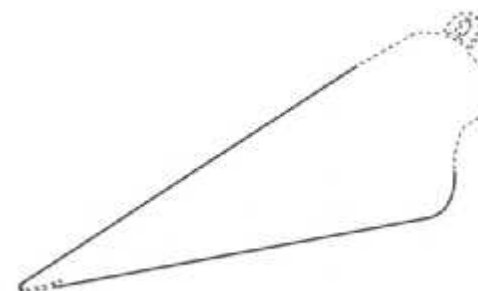
(21) Design Number: **15152/2013**
(22) Date of Filing Application: **10 October 2013**
(24) Date from which industrial property rights may have effect: **10 October 2013**
(54) Product in respect of which the design is registered: **Cluster**
(51) International Design Classification: **12-08, 21-01C**
(74) Name(s) of Attorney(s): **WATERMARK PATENT AND TRADE MARKS ATTORNEYS**
(71) Name(s) and Address(s) of Applicant(s):
Volvo Lastvagnar AB
405 08 Goteborg Sweden
(72) Name(s) of Designer(s): **Hisao Shimizu**
(45) Registration Date: **04 November 2013**
(30) Convention priority data:
(31) Number (32) Date (33) Country
2013/0172 11 Apr 2013 SWEDEN
(56) Related Art Documents: **Not Applicable**
(57) Statement of Newness and Distinctiveness: **Nil**



(21) Design Number: **15153/2013**
(22) Date of Filing Application: **10 October 2013**
(24) Date from which industrial property rights may have effect: **10 October 2013**
(54) Product in respect of which the design is registered: **Truck cab, scale model of truck cab, toy truck cab**
(51) International Design Classification: **12-08, 21-01C**
(74) Name(s) of Attorney(s): **WATERMARK PATENT AND TRADE MARKS ATTORNEYS**
(71) Name(s) and Address(s) of Applicant(s):
Volvo Lastvagnar AB
405 08 Goteborg Sweden
(72) Name(s) of Designer(s): **Takayuki Iuchi and Tooru Sekiguchi**
(45) Registration Date: **04 November 2013**
(30) Convention priority data:
(31) Number (32) Date (33) Country
2013/0173 11 Apr 2013 SWEDEN
(56) Related Art Documents: **Not Applicable**
(57) Statement of Newness and Distinctiveness: **Nil**



(21) Design Number: **15154/2013**
(22) Date of Filing Application: **11 October 2013**
(24) Date from which industrial property rights may have effect: **11 October 2013**
(54) Product in respect of which the design is registered: **Gauge**
(51) International Design Classification: **10-04**
(74) Name(s) of Attorney(s): **AJ Park**
(71) Name(s) and Address(s) of Applicant(s):
Hansen Developments Limited
16 Union Street East Whangarei 0114 New Zealand
(72) Name(s) of Designer(s): **Warren Arthur Baier**
(45) Registration Date: **04 November 2013**
(30) Convention priority data:
(31) Number (32) Date (33) Country
417500 12 Apr 2013 NEW ZEALAND
(56) Related Art Documents: **Not Applicable**
(57) Statement of Newness and Distinctiveness: **The newness and distinctiveness claimed for the design resides in the features of shape and/or configuration of the gauge as shown in the representations excluding the handle portion and indented apex drawn in dotted lines which form no part of the design.**



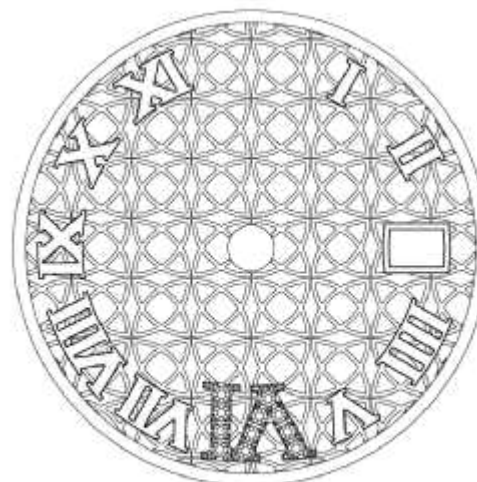
(21) Design Number: **15155/2013**
(22) Date of Filing Application: **11 October 2013**
(24) Date from which industrial property rights may have effect: **11 October 2013**
(54) Product in respect of which the design is registered: **Watch dial**
(51) International Design Classification: **10-07**
(74) Name(s) of Attorney(s): **SPRUSON & FERGUSON**
(71) Name(s) and Address(s) of Applicant(s):



Rolex SA
3 5 7 rue Francois-Dussaud Geneva Switzerland

(72) Name(s) of Designer(s): **Maria Cristina Calvani**
(45) Registration Date: **04 November 2013**
(30) Convention priority data:
(31) Number (32) Date (33) Country
139 831 12 Apr 2013 SWITZERLAND
(56) Related Art Documents: **Not Applicable**
(57) Statement of Newness and Distinctiveness: **Newness and distinctiveness is claimed in the features of the face of a watch dial as illustrated in the accompanying representations.**

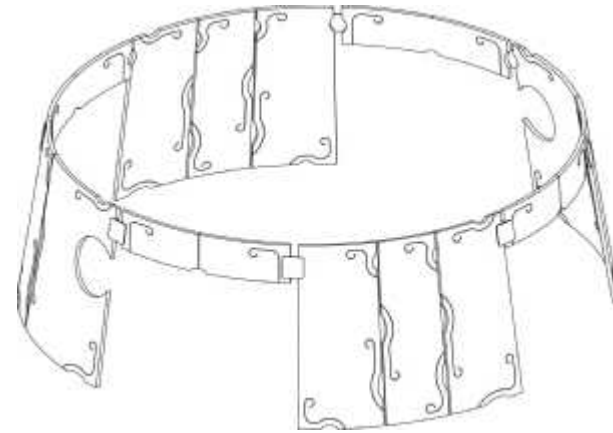
(21) Design Number: **15156/2013**
(22) Date of Filing Application: **11 October 2013**
(24) Date from which industrial property rights may have effect: **11 October 2013**
(54) Product in respect of which the design is registered: **Watch dial**
(51) International Design Classification: **10-07**
(74) Name(s) of Attorney(s): **SPRUSON & FERGUSON**
(71) Name(s) and Address(s) of Applicant(s):



Rolex SA
3 5 7 rue Francois-Dussaud Geneva Switzerland

(72) Name(s) of Designer(s): **Maria Cristina Calvani**
(45) Registration Date: **04 November 2013**
(30) Convention priority data:
(31) Number (32) Date (33) Country
139 831 12 Apr 2013 SWITZERLAND
(56) Related Art Documents: **Not Applicable**
(57) Statement of Newness and Distinctiveness: **Newness and distinctiveness is claimed in the features of the face of a watch dial as illustrated in the accompanying representations.**

(21) Design Number: **14396/2013**
(22) Date of Filing Application: **04 September 2013**
(24) Date from which industrial property rights may have effect: **04 September 2013**
(54) Product in respect of which the design is registered: **Crusher wear resistant liner**
(51) International Design Classification: **15-04**
(74) Name(s) of Attorney(s): **Griffith Hack**
(71) Name(s) and Address(s) of Applicant(s):
Sandvik Intellectual Property AB
SE-811 81 Sandviken Sweden
(72) Name(s) of Designer(s): **Jan Johansson and Jonas Lindvall and Rrezart Zejnullahu**
(45) Registration Date: **04 November 2013**
(30) Convention priority data:
(31) Number (32) Date (33) Country
001364632-0001 20 Mar 2013 OFFICE FOR HARMONISATION IN THE INTERNAL MARKET (OHIM)
(56) Related Art Documents: **Not Applicable**
(57) Statement of Newness and Distinctiveness: **Nil**

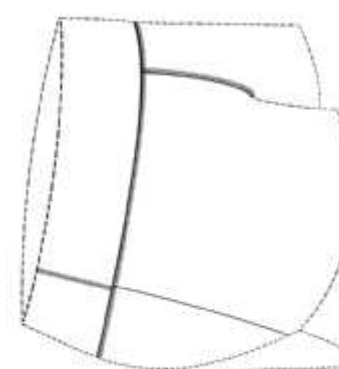


(21) Design Number: **14766/2013**
(22) Date of Filing Application: **18 September 2013**
(24) Date from which industrial property rights may have effect: **18 September 2013**
(54) Product in respect of which the design is registered: **Phone mount**
(51) International Design Classification: **14-03A**
(74) Name(s) of Attorney(s): **Fisher Adams Kelly Pty Ltd**
(71) Name(s) and Address(s) of Applicant(s):
Crane IP Pty Ltd
U2 26 Commercial Dr Ashmore QLD 4215 Australia
(72) Name(s) of Designer(s): **Raymond Phillip Crane**
(45) Registration Date: **04 November 2013**
(56) Related Art Documents: **Not Applicable**
(57) Statement of Newness and Distinctiveness: **The newness and distinctiveness of the design resides in the shape and/or configuration of the PHONE MOUNT shown in the representations.**

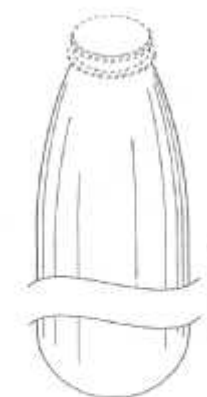
- (21) Design Number: **14809/2013**
(22) Date of Filing Application: **24 September 2013**
(24) Date from which industrial property rights may have effect: **24 September 2013**
(54) Product in respect of which the design is registered: **Child safety seat for vehicles**
(51) International Design Classification: **06-01D**
(74) Name(s) of Attorney(s): **Shelston IP**
(71) Name(s) and Address(s) of Applicant(s):
Max-Inf (Ningbo) Baby Products Co., Ltd
No. 188, West Jinhui Road, Yinzhou Investment & Business Incubation
of Ningbo City Zhejiang Province 315104 China
(72) Name(s) of Designer(s): **Lihong Xu**
(45) Registration Date: **04 November 2013**
(56) Related Art Documents: **Not Applicable**
(57) Statement of Newness and Distinctiveness: **Nil**



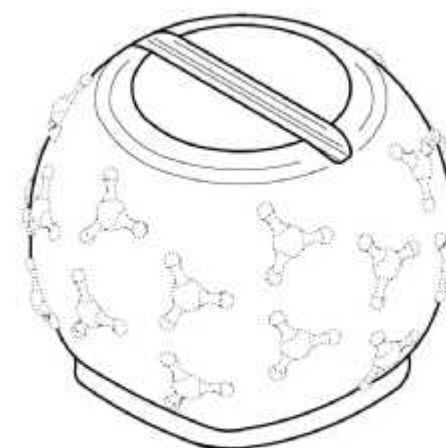
- (21) Design Number: **13536/2013**
(22) Date of Filing Application: **24 July 2013**
(24) Date from which industrial property rights may have effect: **24 July 2013**
(54) Product in respect of which the design is registered: **Shorts**
(51) International Design Classification: **02-02C**
(74) Name(s) of Attorney(s): **Shelston IP**
(71) Name(s) and Address(s) of Applicant(s):
lululemon athletica canada inc.
400-1818 Cornwall Avenue Vancouver British Columbia, V6J 1C7
Canada
(72) Name(s) of Designer(s): **Shannon Savage**
(45) Registration Date: **04 November 2013**
(30) Convention priority data:
(31) Number (32) Date (33) Country
29/444719 01 Feb 2013 UNITED STATES OF AMERICA
(56) Related Art Documents: **Not Applicable**
(57) Statement of Newness and Distinctiveness: **Newness and distinctiveness reside in the design for Shorts as shown in solid lines in the representations. The large broken lines illustrate portions of the shorts that form no part of the claimed design.**



(21) Design Number: **13566/2013**
(22) Date of Filing Application: **25 July 2013**
(24) Date from which industrial property rights may have effect: **25 July 2013**
(54) Product in respect of which the design is registered: **Aerosol bottle**
(51) International Design Classification: **09-01A**
(74) Name(s) of Attorney(s): **SPRUSON & FERGUSON**
(71) Name(s) and Address(s) of Applicant(s):
S. C. Johnson & Son, Inc.
1525 Howe Street Racine Wisconsin 53403-2236 United States of America
(72) Name(s) of Designer(s): **Thomas A Renner and William F. Gordon and James F Kimball and Kevin Harranty and Robert Siegl**
(45) Registration Date: **07 November 2013**
(30) Convention priority data:
(31) Number (32) Date (33) Country
29/444124 25 Jan 2013 UNITED STATES OF AMERICA
(56) Related Art Documents: **Not Applicable**
(57) Statement of Newness and Distinctiveness: **Newness and distinctiveness is claimed in those features of shape and/or configuration of an aerosol bottle illustrated in continuous lines in the accompanying representations, in which separated portions of the bottle shown connected by a bracket in Figures 1/3 and 2/3 indicate that the bottle length is variable.**



(21) Design Number: **13891/2013**
(22) Date of Filing Application: **12 August 2013**
(24) Date from which industrial property rights may have effect: **12 August 2013**
(54) Product in respect of which the design is registered: **Versatile cover**
(51) International Design Classification: **06-13NES**
(74) Name(s) of Attorney(s): **Davies Collison Cave**
(71) Name(s) and Address(s) of Applicant(s):
Fusionbrands Inc.
PO Box 100 Naples NY 14512 United States of America
(72) Name(s) of Designer(s): **James A. Kaslik**
(45) Registration Date: **07 November 2013**
(30) Convention priority data:
(31) Number (32) Date (33) Country
29/445647 14 Feb 2013 UNITED STATES OF AMERICA
(56) Related Art Documents: **Not Applicable**
(57) Statement of Newness and Distinctiveness: **Newness and distinctiveness is claimed in the visual features shown in solid lines in the representations. In considering the extent of the design rights, the broken lines shown in the representations are for illustrative purposes only and do not form part of the design.**



- (21) Design Number: **15160/2013**
(22) Date of Filing Application: **11 October 2013**
(24) Date from which industrial property rights may have effect: **11 October 2013**
(54) Product in respect of which the design is registered: **Watch dial**
(51) International Design Classification: **10-07**
(74) Name(s) of Attorney(s): **SPRUSON & FERGUSON**
(71) Name(s) and Address(s) of Applicant(s):
Rolex SA
3 5 7 rue Francois-Dussaud Geneva Switzerland
(72) Name(s) of Designer(s): **Maria Cristina Calvani**
(45) Registration Date: **07 November 2013**
(30) Convention priority data:
(31) Number (32) Date (33) Country
139 831 12 Apr 2013 SWITZERLAND
(56) Related Art Documents: **Not Applicable**
(57) Statement of Newness and Distinctiveness: **Newness and distinctiveness is claimed in the features of the face dial of a watch dial as illustrated in the accompanying representations.**



- (21) Design Number: **15223/2013**
(22) Date of Filing Application: **15 October 2013**
(24) Date from which industrial property rights may have effect: **15 October 2013**
(54) Product in respect of which the design is registered: **Hubcap for vehicle wheel**
(51) International Design Classification: **12-16A**
(74) Name(s) of Attorney(s): **SPRUSON & FERGUSON**
(71) Name(s) and Address(s) of Applicant(s):
Daimler AG
Mercedesstrasse 137 Stuttgart D-70327 Germany
(72) Name(s) of Designer(s): **Kai Hilpert**
(45) Registration Date: **07 November 2013**
(30) Convention priority data:
(31) Number (32) Date (33) Country
DM/081001 07 May 2013 SWITZERLAND
(56) Related Art Documents: **Not Applicable**
(57) Statement of Newness and Distinctiveness: **Newness and distinctiveness is claimed in the features of shape and/or configuration of a hubcap for vehicle wheel as illustrated in the accompanying representations.**



- (21) Design Number: **15224/2013**
(22) Date of Filing Application: **15 October 2013**
(24) Date from which industrial property rights may have effect: **15 October 2013**
(54) Product in respect of which the design is registered: **Wheel for vehicle**
(51) International Design Classification: **12-16A**
(74) Name(s) of Attorney(s): **SPRUSON & FERGUSON**
(71) Name(s) and Address(s) of Applicant(s):
Daimler AG
Mercedesstrasse 137 Stuttgart D-70327 Germany
(72) Name(s) of Designer(s): **Kai Hilpert**
(45) Registration Date: **07 November 2013**
(30) Convention priority data:
(31) Number (32) Date (33) Country
DM/081007 08 May 2013 SWITZERLAND
(56) Related Art Documents: **Not Applicable**
(57) Statement of Newness and Distinctiveness: **Newness and distinctiveness is claimed in the features of shape and/or configuration of a wheel for vehicle as illustrated in the accompanying representations.**



- (21) Design Number: **15225/2013**
(22) Date of Filing Application: **15 October 2013**
(24) Date from which industrial property rights may have effect: **15 October 2013**
(54) Product in respect of which the design is registered: **Hubcap for vehicle wheel**
(51) International Design Classification: **12-16A**
(74) Name(s) of Attorney(s): **SPRUSON & FERGUSON**
(71) Name(s) and Address(s) of Applicant(s):
Daimler AG
Mercedesstrasse 137 Stuttgart D-70327 Germany
(72) Name(s) of Designer(s): **Kai Hilpert**
(45) Registration Date: **07 November 2013**
(30) Convention priority data:
(31) Number (32) Date (33) Country
DM/081007 08 May 2013 SWITZERLAND
(56) Related Art Documents: **Not Applicable**
(57) Statement of Newness and Distinctiveness: **Newness and distinctiveness is claimed in the features of shape and/or configuration of a hubcap for vehicle wheel as illustrated in the accompanying representations.**



(21) Design Number: **15226/2013**
(22) Date of Filing Application: **15 October 2013**
(24) Date from which industrial property rights may have effect: **15 October 2013**
(54) Product in respect of which the design is registered: **Wheel for vehicle**
(51) International Design Classification: **12-16A**
(74) Name(s) of Attorney(s): **SPRUSON & FERGUSON**
(71) Name(s) and Address(s) of Applicant(s):

Daimler AG
Mercedesstrasse 137 Stuttgart D-70327 Germany

(72) Name(s) of Designer(s): **Kai Hilpert**
(45) Registration Date: **07 November 2013**

(30) Convention priority data:

(31) Number	(32) Date	(33) Country
DM/081000	06 May 2013	SWITZERLAND

(56) Related Art Documents: **Not Applicable**

(57) Statement of Newness and Distinctiveness: **Newness and distinctiveness is claimed in the features of shape and/or configuration of a wheel for vehicle as illustrated in the accompanying representations.**



(21) Design Number: **15227/2013**
(22) Date of Filing Application: **15 October 2013**
(24) Date from which industrial property rights may have effect: **15 October 2013**
(54) Product in respect of which the design is registered: **Wheel for vehicle**
(51) International Design Classification: **12-16A**
(74) Name(s) of Attorney(s): **SPRUSON & FERGUSON**
(71) Name(s) and Address(s) of Applicant(s):

Daimler AG
Mercedesstrasse 137 Stuttgart D-70327 Germany

(72) Name(s) of Designer(s): **Kai Hilpert**
(45) Registration Date: **07 November 2013**

(30) Convention priority data:

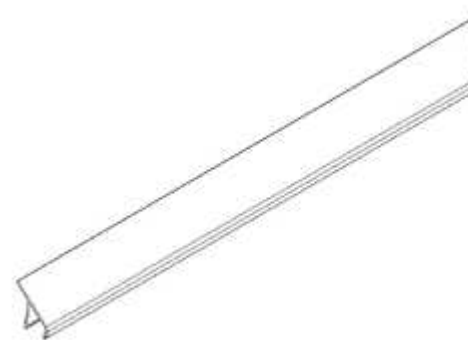
(31) Number	(32) Date	(33) Country
DM/081001	07 May 2013	SWITZERLAND

(56) Related Art Documents: **Not Applicable**

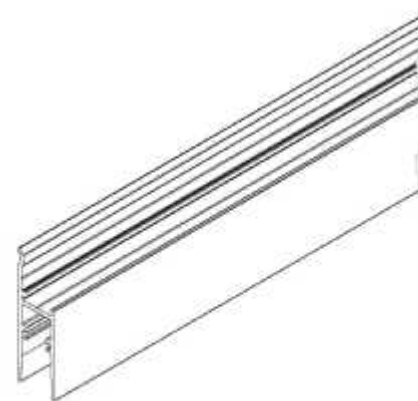
(57) Statement of Newness and Distinctiveness: **Newness and distinctiveness is claimed in the features of shape and/or configuration of a wheel for vehicle as illustrated in the accompanying representations.**



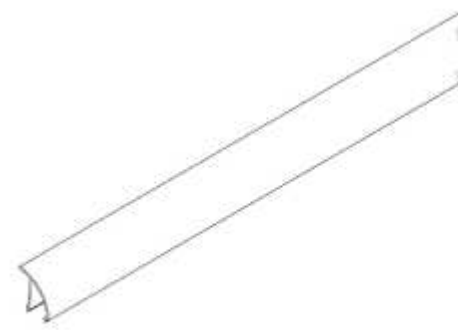
- (21) Design Number: **15228/2013**
(22) Date of Filing Application: **15 October 2013**
(24) Date from which industrial property rights may have effect: **15 October 2013**
(54) Product in respect of which the design is registered: **Door seal**
(51) International Design Classification: **25-01K, 08-09, 08-99**
(74) Name(s) of Attorney(s):
(71) Name(s) and Address(s) of Applicant(s):
 Raven Products Pty Ltd
 PO BOX 67 Lonsdale SA 5160 Australia
(72) Name(s) of Designer(s): **Benjamin Pfitzner**
(45) Registration Date: **07 November 2013**
(56) Related Art Documents: **Not Applicable**
(57) Statement of Newness and Distinctiveness: **The shape of the extrusions is new.**



- (21) Design Number: **15229/2013**
(22) Date of Filing Application: **15 October 2013**
(24) Date from which industrial property rights may have effect: **15 October 2013**
(54) Product in respect of which the design is registered: **Door seal**
(51) International Design Classification: **25-01K, 08-09, 08-99**
(74) Name(s) of Attorney(s):
(71) Name(s) and Address(s) of Applicant(s):
 Raven Products Pty Ltd
 PO BOX 67 Lonsdale SA 5160 Australia
(72) Name(s) of Designer(s): **Benjamin Pfitzner**
(45) Registration Date: **07 November 2013**
(56) Related Art Documents: **Not Applicable**
(57) Statement of Newness and Distinctiveness: **The shape of the extrusion is new and distinct.**



- (21) Design Number: **15230/2013**
(22) Date of Filing Application: **15 October 2013**
(24) Date from which industrial property rights may have effect: **15 October 2013**
(54) Product in respect of which the design is registered: **Door seal**
(51) International Design Classification: **25-01K, 08-09, 08-99**
(74) Name(s) of Attorney(s):
(71) Name(s) and Address(s) of Applicant(s):
 Raven Products Pty Ltd
 PO BOX 67 Lonsdale SA 5160 Australia
(72) Name(s) of Designer(s): **Benjamin Pfitzner**
(45) Registration Date: **07 November 2013**
(56) Related Art Documents: **Not Applicable**
(57) Statement of Newness and Distinctiveness: **The shape of the extrusion is new and distinct.**



- (21) Design Number: **15234/2013**
(22) Date of Filing Application: **15 October 2013**
(24) Date from which industrial property rights may have effect: **15 October 2013**
(54) Product in respect of which the design is registered: **Pen**
(51) International Design Classification: **19-06**
(74) Name(s) of Attorney(s):
(71) Name(s) and Address(s) of Applicant(s):
 Penline-Mon Ami (Australia) Pty Limited
 PO BOX 605 Matraville NSW 2036 Australia
(72) Name(s) of Designer(s): **Daniel Derofe**
(45) Registration Date: **07 November 2013**
(56) Related Art Documents: **Not Applicable**
(57) Statement of Newness and Distinctiveness: **Ergonomic designed pen, distinctive grip.**



(21) Design Number: **15235/2013**
(22) Date of Filing Application: **15 October 2013**
(24) Date from which industrial property rights may have effect: **15 October 2013**
(54) Product in respect of which the design is registered: **Pen**
(51) International Design Classification: **19-06**
(74) Name(s) of Attorney(s):
(71) Name(s) and Address(s) of Applicant(s):
Penline-Mon Ami (Australia) Pty Limited
PO BOX 605 Matraville NSW 2036 Australia
(72) Name(s) of Designer(s): **Daniel Derofe**
(45) Registration Date: **07 November 2013**
(56) Related Art Documents: **Not Applicable**
(57) Statement of Newness and Distinctiveness: **Ergonomic designed pen, distinctive grip.**



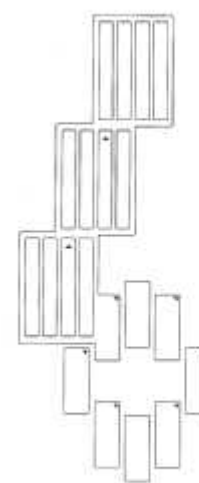
(21) Design Number: **15238/2013**
(22) Date of Filing Application: **15 October 2013**
(24) Date from which industrial property rights may have effect: **15 October 2013**
(54) Product in respect of which the design is registered: **Bicycle**
(51) International Design Classification: **12-11**
(74) Name(s) of Attorney(s): **Griffith Hack**
(71) Name(s) and Address(s) of Applicant(s):
Dynacraft BSC, Inc.
89 S. Kelly Road American Canyon California 94503 United States of America
(72) Name(s) of Designer(s): **John Bisges and Bill Talios and David Castrucci**
(45) Registration Date: **07 November 2013**
(30) Convention priority data:
(31) Number (32) Date (33) Country
29/459,711 02 Jul 2013 UNITED STATES OF AMERICA
(56) Related Art Documents: **Not Applicable**
(57) Statement of Newness and Distinctiveness: **Newness and distinctiveness resides in the visual features, including the shape and configuration of the product shown in the representations. Those parts shown by dashed lines do not form part of the product and have been included for illustrative purposes only.**



- (21) Design Number: **15242/2013**
(22) Date of Filing Application: **16 October 2013**
(24) Date from which industrial property rights may have effect: **16 October 2013**
(54) Product in respect of which the design is registered: **BBQ grill rake**
(51) International Design Classification: **07-04**
(74) Name(s) of Attorney(s):
(71) Name(s) and Address(s) of Applicant(s):
Mayo Hardware Pty Ltd
4 Secombe PI Moorebank NSW 2170 Australia
(72) Name(s) of Designer(s): **Barry Crone**
(45) Registration Date: **07 November 2013**
(56) Related Art Documents: **Not Applicable**
(57) Statement of Newness and Distinctiveness: **The design is to be applied to a Grill Rake. The novelty of the design resides in the features of shape and/or configuration of the Grill Rake, as shown in the accompanying representations. The wording and logo applied to the handle of the article are disclaimed and form no novelty for this application.**



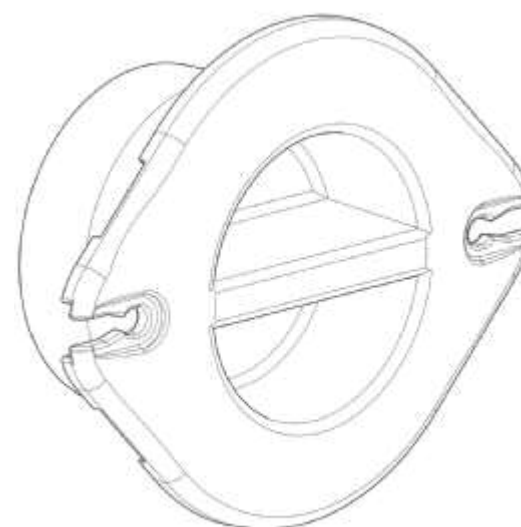
- (21) Design Number: **13519/2013**
(22) Date of Filing Application: **24 July 2013**
(24) Date from which industrial property rights may have effect: **24 July 2013**
(54) Product in respect of which the design is registered: **Display screen**
(51) International Design Classification: **14-02**
(74) Name(s) of Attorney(s): **FB Rice**
(71) Name(s) and Address(s) of Applicant(s):
ABB AB
Kopparbergsvagen 2 721 83 Vasteras Sweden
(72) Name(s) of Designer(s): **Anders Hanberg and Gabriella Falkestrom**
(45) Registration Date: **08 November 2013**
(30) Convention priority data:
(31) Number (32) Date (33) Country
**002173740 28 Jan 2013 OFFICE FOR HARMONISATION IN
THE INTERNAL MARKET (OHIM)**
(56) Related Art Documents: **Not Applicable**
(57) Statement of Newness and Distinctiveness: **Newness and distinctiveness reside in the features of pattern and ornamentation of the display screen as shown in the representations.**



- (21) Design Number: **15247/2013**
(22) Date of Filing Application: **16 October 2013**
(24) Date from which industrial property rights may have effect: **16 October 2013**
(54) Product in respect of which the design is registered: **Ground marker**
(51) International Design Classification: **10-06**
(74) Name(s) of Attorney(s): **Sandercock & Cowie**
(71) Name(s) and Address(s) of Applicant(s):
Mark Owen White
21 Capital PI Carrum Downs VIC 3201 Australia
(72) Name(s) of Designer(s): **Mark Owen White**
(45) Registration Date: **08 November 2013**
(56) Related Art Documents: **Not Applicable**
(57) Statement of Newness and Distinctiveness: **Newness and distinctiveness reside in the shape and configuration of the ground marker as shown in the accompanying representations.**



- (21) Design Number: **15249/2013**
(22) Date of Filing Application: **16 October 2013**
(24) Date from which industrial property rights may have effect: **16 October 2013**
(54) Product in respect of which the design is registered: **Crusher inspection hatch**
(51) International Design Classification: **15-99**
(74) Name(s) of Attorney(s): **Griffith Hack**
(71) Name(s) and Address(s) of Applicant(s):
Sandvik Intellectual Property AB
SE-811 81 Sandviken Sweden
(72) Name(s) of Designer(s): **Patric Malmqvist and Bengt-Arne Eriksson and Axel Bergman and Mikael Larsson**
(45) Registration Date: **08 November 2013**
(30) Convention priority data:
(31) Number (32) Date (33) Country
001368807-0001 22 Apr 2013 OFFICE FOR HARMONISATION IN THE INTERNAL MARKET (OHIM)
(56) Related Art Documents: **Not Applicable**
(57) Statement of Newness and Distinctiveness: **Nil**



(21) Design Number: **15254/2013**
(22) Date of Filing Application: **16 October 2013**
(24) Date from which industrial property rights may have effect: **16 October 2013**
(54) Product in respect of which the design is registered: **Drop foot prevention device**
(51) International Design Classification: **02-04A**
(74) Name(s) of Attorney(s): **Shelston IP**
(71) Name(s) and Address(s) of Applicant(s):
Craig David Kelly
2262 Bennett Road Kelowna British Columbia, V1V 2C4 Canada

(72) Name(s) of Designer(s): **Craig David Kelly**

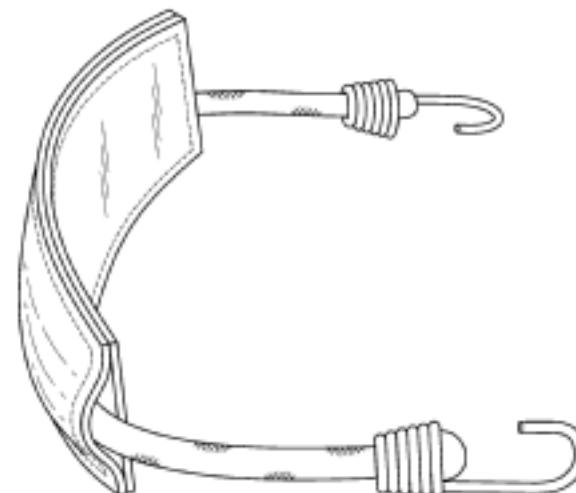
(45) Registration Date: **08 November 2013**

(30) Convention priority data:

(31) Number	(32) Date	(33) Country
151234	27 May 2013	CANADA

(56) Related Art Documents: **Not Applicable**

(57) Statement of Newness and Distinctiveness: **Newness and distinctiveness reside in the features of shape and/or configuration of a DROP FOOT PREVENTION DEVICE as illustrated in the accompanying representations. The foot and footwear shown in double-dashed lines on page 3 are illustrative only and do not form part of the design. The stitching feature shown in single-dashed lines on the device, does form part of the design.**



(21) Design Number: **15262/2013**
(22) Date of Filing Application: **16 October 2013**
(24) Date from which industrial property rights may have effect: **16 October 2013**
(54) Product in respect of which the design is registered: **Child's lollipop teething toy**
(51) International Design Classification: **21-01NES, 24-04**
(74) Name(s) of Attorney(s): **Griffith Hack**
(71) Name(s) and Address(s) of Applicant(s):

Lori A. Bredemeier
1968 Bayshore Boulevard Dunedin Florida, 34698 United States of America

Michael K. Bredemeier
1968 Bayshore Boulevard Dunedin Florida, 34698 United States of America

(72) Name(s) of Designer(s): **Lori A. Bredemeier and Michael K. Bredemeier**

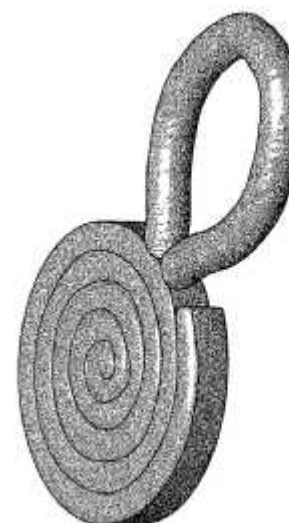
(45) Registration Date: **08 November 2013**

(30) Convention priority data:

(31) Number	(32) Date	(33) Country
29/452,801	22 Apr 2013	UNITED STATES OF AMERICA

(56) Related Art Documents: **Not Applicable**

(57) Statement of Newness and Distinctiveness: **Newness and distinctiveness resides in the visual features of the product, including the shape, configuration and ornamentation as shown in the accompanying representations.**



- (21) Design Number: **15264/2013**
(22) Date of Filing Application: **16 October 2013**
(24) Date from which industrial property rights may have effect: **16 October 2013**
(54) Product in respect of which the design is registered: **Child's broccoli teething toy**
(51) International Design Classification: **21-01C, 24-04**
(74) Name(s) of Attorney(s): **Griffith Hack**
(71) Name(s) and Address(s) of Applicant(s):
Lori A Bredemeier
1968 Bayshore Boulevard Dunedin Florida, 34698 United States of America
Michael K Bredemeier
1968 Bayshore Boulevard Dunedin Florida, 34698 United States of America
(72) Name(s) of Designer(s): **Lori A Bredemeier and Michael K Bredemeier**
(45) Registration Date: **08 November 2013**
(30) Convention priority data:
(31) Number (32) Date (33) Country
29/452,798 22 Apr 2013 UNITED STATES OF AMERICA
(56) Related Art Documents: **Not Applicable**
(57) Statement of Newness and Distinctiveness: **Newness and distinctiveness resides in the visual features of the product, including the shape, configuration and ornamentation as shown in the accompanying representations.**



- (21) Design Number: **15299/2013**
(22) Date of Filing Application: **18 October 2013**
(24) Date from which industrial property rights may have effect: **18 October 2013**
(54) Product in respect of which the design is registered: **Laminar flow operating theatre plenum**
(51) International Design Classification: **24-01**
(74) Name(s) of Attorney(s):
(71) Name(s) and Address(s) of Applicant(s):
Engineering Pty Limited
City Mill Building L1 11 Morrison St Hobart TAS 7000 Australia
(72) Name(s) of Designer(s): **Andrew Sutherland**
(45) Registration Date: **08 November 2013**
(56) Related Art Documents: **Not Applicable**
(57) Statement of Newness and Distinctiveness: **Laminar Flow Plenum with air flow laminiser with lighting and flow stabiliser.**



- (21) Design Number: **15310/2013**
(22) Date of Filing Application: **19 October 2013**
(24) Date from which industrial property rights may have effect: **19 October 2013**
(54) Product in respect of which the design is registered: **Acrylic 3mm template used for preparing quilt tops**
(51) International Design Classification: **19-08**
(74) Name(s) of Attorney(s):
(71) Name(s) and Address(s) of Applicant(s):

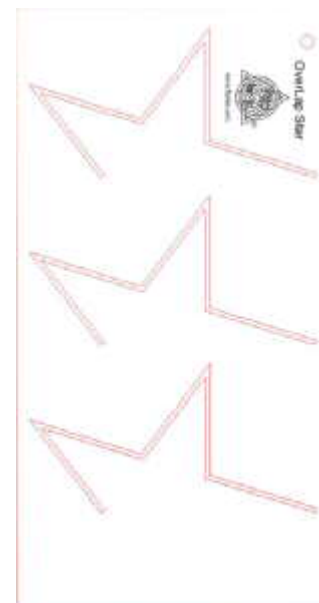
Brenda Burgess
PO BOX 44 1215 Stroud Hill Rd Stroud NSW 2425 Australia

- (72) Name(s) of Designer(s): **Brenda Burgess**

(45) Registration Date: **08 November 2013**

(56) Related Art Documents: **Not Applicable**

- (57) Statement of Newness and Distinctiveness: **The newness and distinctiveness of the design is in the actual template and shapes of the Cut out Sections and the process followed to complete a quilt block using the Template - the templates cut sections which are indicated in the attached .jpg file. The Template is used to prepare quilt top blocks - the cut-out lines on the .jpg file are indicated in red and the engraving on the template is in black. The actual templates are made from 3mm Acrylic which can be in fluoro green pink or orange. The user cuts out a block of fabric for use in quilting - prepares the fabric as per the instructions which come with the template, then places the template on the prepared fabric - using a craft knife or a marker - the user cuts out the sections as indicated on the template. The cut-out section is then Flipped back - another piece of fabric is placed underneath and then appliqued together - giving a 3 dimensional effect. The block is ready to be sewn to the quilt top.**



- (21) Design Number: **15312/2013**
(22) Date of Filing Application: **19 October 2013**
(24) Date from which industrial property rights may have effect: **19 October 2013**
(54) Product in respect of which the design is registered: **Acrylic 3mm template used for preparing quilt tops**
(51) International Design Classification: **19-08**
(74) Name(s) of Attorney(s):
(71) Name(s) and Address(s) of Applicant(s):

Brenda Burgess
PO BOX 44 1215 Stroud Hill Rd Stroud NSW 2425 Australia

- (72) Name(s) of Designer(s): **Brenda Burgess**

(45) Registration Date: **08 November 2013**

(56) Related Art Documents: **Not Applicable**

- (57) Statement of Newness and Distinctiveness: **The newness and distinctiveness of the design is in the actual template and shapes of the Cut out Sections and the process followed to complete a quilt block using the Template - the templates cut sections which are indicated in the attached .jpg file. The Template is used to prepare quilt top blocks - the cut-out lines on the .jpg file are indicated in red and the engraving on the template is in black. The actual templates are made from 3mm Acrylic which can be in fluoro green pink or orange. The user cuts out a block of fabric for use in quilting - prepares the fabric as per the instructions which come with the template, then places the template on the prepared fabric - using a craft knife or a marker - the user cuts out the sections as indicated on the template. The cut-out section is then Flipped back - another piece of fabric is placed underneath and then appliqued together - giving a 3 dimensional effect. The block is ready to be sewn to the quilt top.**



- (21) Design Number: **15316/2013**
(22) Date of Filing Application: **19 October 2013**
(24) Date from which industrial property rights may have effect: **19 October 2013**
(54) Product in respect of which the design is registered: **Acrylic 3mm template used for preparing quilt tops**
(51) International Design Classification: **19-08**
(74) Name(s) of Attorney(s):
(71) Name(s) and Address(s) of Applicant(s):

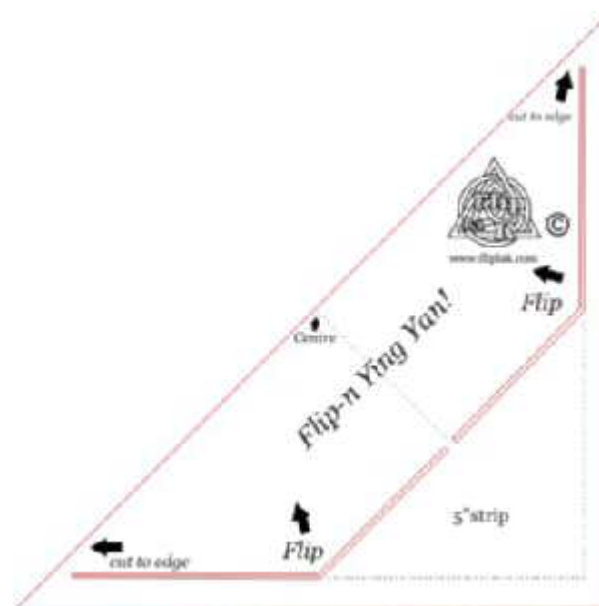
Brenda Burgess
PO BOX 44 1215 Stroud Hill Rd Stroud NSW 2425 Australia

(72) Name(s) of Designer(s): **Brenda Burgess**

(45) Registration Date: **08 November 2013**

(56) Related Art Documents: **Not Applicable**

(57) Statement of Newness and Distinctiveness: **The newness and distinctiveness of the design is in the actual template and shapes of the Cut out Sections and the process followed to complete a quilt block using the Template - the templates cut sections which are indicated in the attached .jpg file. The Template is used to prepare quilt top blocks - the cut-out lines on the .jpg file are indicated in red and the engraving on the template is in black. The actual templates are made from 3mm Acrylic which can be in fluoro green pink or orange. The user cuts out a block of fabric for use in quilting - prepares the fabric as per the instructions which come with the template, then places the template on the prepared fabric - using a craft knife or a marker - the user cuts out the sections as indicated on the template. The cut-out section is then Flipped back - another piece of fabric is placed underneath and then appliqued together - giving a 3 dimensional effect. The block is ready to be sewn to the quilt top.**



- (21) Design Number: **15317/2013**
(22) Date of Filing Application: **19 October 2013**
(24) Date from which industrial property rights may have effect: **19 October 2013**
(54) Product in respect of which the design is registered: **Acrylic 3mm template used for preparing quilt tops**
(51) International Design Classification: **19-08**
(74) Name(s) of Attorney(s):
(71) Name(s) and Address(s) of Applicant(s):

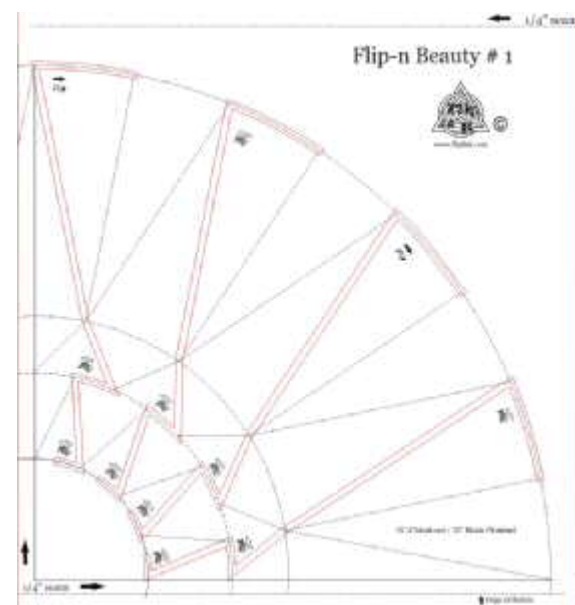
Brenda Burgess
PO BOX 44 1215 Stroud Hill Rd Stroud NSW 2425 Australia

(72) Name(s) of Designer(s): **Brenda Burgess**

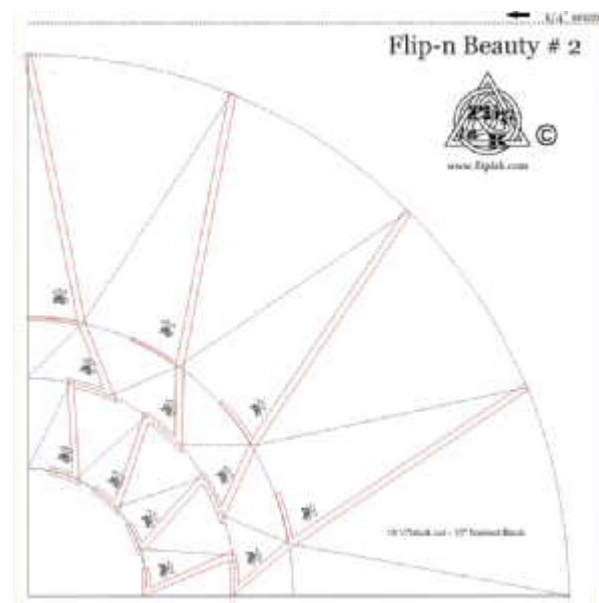
(45) Registration Date: **08 November 2013**

(56) Related Art Documents: **Not Applicable**

(57) Statement of Newness and Distinctiveness: **The newness and distinctiveness of the design is in the actual template and shapes of the Cut out Sections and the process followed to complete a quilt block using the Template - the templates cut sections which are indicated in the attached .jpg file. The Template is used to prepare quilt top blocks - the cut-out lines on the .jpg file are indicated in red and the engraving on the template is in black. The actual templates are made from 3mm Acrylic which can be in fluoro green pink or orange. The user cuts out a block of fabric for use in quilting - prepares the fabric as per the instructions which come with the template, then places the template on the prepared fabric - using a craft knife or a marker - the user cuts out the sections as indicated on the template. The cut-out section is then Flipped back - another piece of fabric is placed underneath and then appliqued together - giving a 3 dimensional effect. The block is ready to be sewn to the quilt top.**



- (21) Design Number: **15318/2013**
(22) Date of Filing Application: **19 October 2013**
(24) Date from which industrial property rights may have effect: **19 October 2013**
(54) Product in respect of which the design is registered: **Acrylic 3mm template used for preparing quilt tops**
(51) International Design Classification: **19-08**
(74) Name(s) of Attorney(s):
(71) Name(s) and Address(s) of Applicant(s):
Brenda Burgess
PO BOX 44 1215 Stroud Hill Rd Stroud NSW 2425 Australia
(72) Name(s) of Designer(s): **Brenda Burgess**
(45) Registration Date: **08 November 2013**
(56) Related Art Documents: **Not Applicable**
(57) Statement of Newness and Distinctiveness: **The newness and distinctiveness of the design is in the actual template and shapes of the Cut out Sections and the process followed to complete a quilt block using the Template - the templates cut sections which are indicated in the attached .jpg file. The Template is used to prepare quilt top blocks - the cut-out lines on the .jpg file are indicated in red and the engraving on the template is in black. The actual templates are made from 3mm Acrylic which can be in fluoro green pink or orange. The user cuts out a block of fabric for use in quilting - prepares the fabric as per the instructions which come with the template, then places the template on the prepared fabric - using a craft knife or a marker - the user cuts out the sections as indicated on the template. The cut-out section is then Flipped back - another piece of fabric is placed underneath and then appliqued together - giving a 3 dimensional effect. The block is ready to be sewn to the quilt top.**



- (21) Design Number: **12829/2013**
(22) Date of Filing Application: **19 June 2013**
(24) Date from which industrial property rights may have effect: **19 June 2013**
(54) Product in respect of which the design is registered: **Speaker**
(51) International Design Classification: **14-01**
(74) Name(s) of Attorney(s):
(71) Name(s) and Address(s) of Applicant(s):
Littlebigsound Pte Ltd
25 Tagore Lane #02-06 Singapore Godown 787602 Singapore
(72) Name(s) of Designer(s): **Chin Kwang Chong**
(45) Registration Date: **08 November 2013**
(30) Convention priority data:
(31) Number (32) Date (33) Country
D2013/346/D 14 Mar 2013 SINGAPORE
(56) Related Art Documents: **Not Applicable**
(57) Statement of Newness and Distinctiveness: **The feature of the design for which novelty is claimed is the shape, configuration, pattern and ornament of the article shown in the representation.**



- (21) Design Number: **11478/2013**
(22) Date of Filing Application: **25 March 2013**
(24) Date from which industrial property rights may have effect: **25 March 2013**
(54) Product in respect of which the design is registered: **LED whip light**
(51) International Design Classification: **26-05E**
(74) Name(s) of Attorney(s): **Davies Collison Cave**
(71) Name(s) and Address(s) of Applicant(s):
Checkers Industrial Products, LLC
620 Compton Street Broomfield CO 80020 United States of America
(72) Name(s) of Designer(s): **Scott Clifford**
(45) Registration Date: **08 November 2013**
(30) Convention priority data:
(31) Number (32) Date (33) Country
29/432969 24 Sep 2012 UNITED STATES OF AMERICA
(56) Related Art Documents: **Not Applicable**
(57) Statement of Newness and Distinctiveness: **Newness and distinctiveness is claimed in the visual features shown in solid lines in the representations.**



- (21) Design Number: **15243/2013**
(22) Date of Filing Application: **16 October 2013**
(24) Date from which industrial property rights may have effect: **16 October 2013**
(54) Product in respect of which the design is registered: **Aid to garment drying**
(51) International Design Classification: **07-05D**
(74) Name(s) of Attorney(s): **Sandercock & Cowie**
(71) Name(s) and Address(s) of Applicant(s):
Peter Bruce Tucker
314 Bayview Rd Rosebud VIC 3939 Australia
(72) Name(s) of Designer(s): **Peter Bruce Tucker**
(45) Registration Date: **11 November 2013**
(56) Related Art Documents: **Not Applicable**
(57) Statement of Newness and Distinctiveness: **Newness and distinctiveness reside in the shape and configuration of the aid to garment drying as shown in the accompanying representations.**



(21) Design Number: **15248/2013**
(22) Date of Filing Application: **16 October 2013**
(24) Date from which industrial property rights may have effect: **16 October 2013**
(54) Product in respect of which the design is registered: **A shoe**
(51) International Design Classification: **02-04NES**
(74) Name(s) of Attorney(s): **SPRUSON & FERGUSON**
(71) Name(s) and Address(s) of Applicant(s):
Christian Dior Couture
30 avenue Montaigne Paris 75008 France
(72) Name(s) of Designer(s): **Raf Simons**
(45) Registration Date: **11 November 2013**
(30) Convention priority data:
(31) Number (32) Date (33) Country
DM/081 128 17 Apr 2013 SWITZERLAND
(56) Related Art Documents: **Not Applicable**
(57) Statement of Newness and Distinctiveness: **Newness and distinctiveness is claimed in the features of shape and/or configuration of a shoe as illustrated in the accompanying representations.**



(21) Design Number: **15250/2013**
(22) Date of Filing Application: **16 October 2013**
(24) Date from which industrial property rights may have effect: **16 October 2013**
(54) Product in respect of which the design is registered: **A shoe**
(51) International Design Classification: **02-04NES**
(74) Name(s) of Attorney(s): **SPRUSON & FERGUSON**
(71) Name(s) and Address(s) of Applicant(s):
Christian Dior Couture
30 avenue Montaigne Paris 75008 France
(72) Name(s) of Designer(s): **Raf Simons**
(45) Registration Date: **11 November 2013**
(30) Convention priority data:
(31) Number (32) Date (33) Country
DM/081 128 17 Apr 2013 SWITZERLAND
(56) Related Art Documents: **Not Applicable**
(57) Statement of Newness and Distinctiveness: **Newness and distinctiveness is claimed in the features of shape and/or configuration of a shoe as illustrated in the accompanying representations.**



(21) Design Number: **15251/2013**

(22) Date of Filing Application: **16 October 2013**

(24) Date from which industrial property rights may have effect: **16 October 2013**

(54) Product in respect of which the design is registered: **A shoe**

(51) International Design Classification: **02-04NES**

(74) Name(s) of Attorney(s): **SPRUSON & FERGUSON**

(71) Name(s) and Address(s) of Applicant(s):

**Christian Dior Couture
30 avenue Montaigne Paris 75008 France**

(72) Name(s) of Designer(s): **Raf Simons**

(45) Registration Date: **11 November 2013**

(30) Convention priority data:

(31) Number	(32) Date	(33) Country
DM/081 128	17 Apr 2013	SWITZERLAND

(56) Related Art Documents: **Not Applicable**

(57) Statement of Newness and Distinctiveness: **Newness and distinctiveness is claimed in the features of shape and/or configuration of a shoe as illustrated in the accompanying representations.**



(21) Design Number: **15252/2013**

(22) Date of Filing Application: **16 October 2013**

(24) Date from which industrial property rights may have effect: **16 October 2013**

(54) Product in respect of which the design is registered: **A shoe**

(51) International Design Classification: **02-04NES**

(74) Name(s) of Attorney(s): **SPRUSON & FERGUSON**

(71) Name(s) and Address(s) of Applicant(s):

**Christian Dior Couture
30 avenue Montaigne Paris 75008 France**

(72) Name(s) of Designer(s): **Raf Simons**

(45) Registration Date: **11 November 2013**

(30) Convention priority data:

(31) Number	(32) Date	(33) Country
DM/081 128	17 Apr 2013	SWITZERLAND

(56) Related Art Documents: **Not Applicable**

(57) Statement of Newness and Distinctiveness: **Newness and distinctiveness is claimed in the features of shape and/or configuration of a shoe as illustrated in the accompanying representations.**



(21) Design Number: **15253/2013**

(22) Date of Filing Application: **16 October 2013**

(24) Date from which industrial property rights may have effect: **16 October 2013**

(54) Product in respect of which the design is registered: **A shoe**

(51) International Design Classification: **02-04NES**

(74) Name(s) of Attorney(s): **SPRUSON & FERGUSON**

(71) Name(s) and Address(s) of Applicant(s):

Christian Dior Couture

30 avenue Montaigne Paris 75008 France

(72) Name(s) of Designer(s): **Raf Simons**

(45) Registration Date: **11 November 2013**

(30) Convention priority data:

(31) Number

(32) Date

(33) Country

DM/081 128

17 Apr 2013

SWITZERLAND

(56) Related Art Documents: **Not Applicable**

(57) Statement of Newness and Distinctiveness: **Newness and distinctiveness is claimed in the features of shape and/or configuration of a shoe as illustrated in the accompanying representations.**



(21) Design Number: **15257/2013**

(22) Date of Filing Application: **16 October 2013**

(24) Date from which industrial property rights may have effect: **16 October 2013**

(54) Product in respect of which the design is registered: **A shoe**

(51) International Design Classification: **02-04NES**

(74) Name(s) of Attorney(s): **SPRUSON & FERGUSON**

(71) Name(s) and Address(s) of Applicant(s):

Christian Dior Couture

30 avenue Montaigne Paris 75008 France

(72) Name(s) of Designer(s): **Raf Simons**

(45) Registration Date: **11 November 2013**

(30) Convention priority data:

(31) Number

(32) Date

(33) Country

DM/081 128

17 Apr 2013

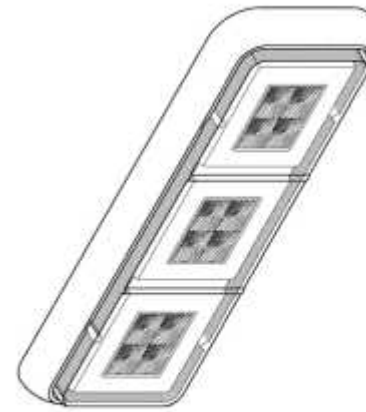
SWITZERLAND

(56) Related Art Documents: **Not Applicable**

(57) Statement of Newness and Distinctiveness: **Newness and distinctiveness is claimed in the features of shape and/or configuration of a shoe as illustrated in the accompanying representations.**



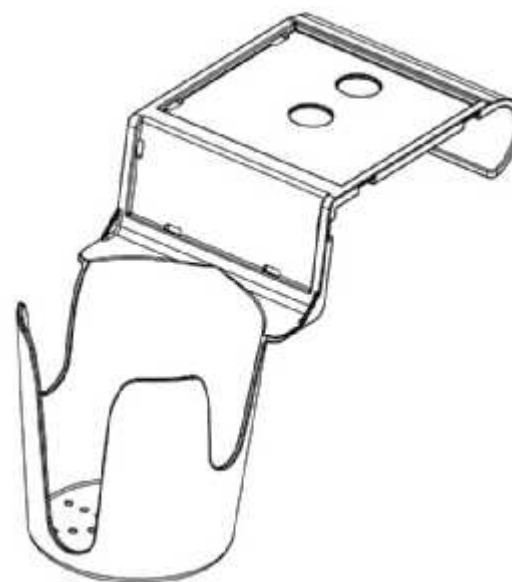
(21) Design Number: **15274/2013**
(22) Date of Filing Application: **17 October 2013**
(24) Date from which industrial property rights may have effect: **17 October 2013**
(54) Product in respect of which the design is registered: **Combination rear light**
(51) International Design Classification: **26-06**
(74) Name(s) of Attorney(s): **A.P.T. Patent and Trade Mark Attorneys**
(71) Name(s) and Address(s) of Applicant(s):
Lucidity Enterprise Co., Ltd.
No. 18 Gongye 1st Rd Annan District Tainan City Taiwan
(72) Name(s) of Designer(s): **Chi-Hsuan Chou and Kuo-Yang Yeh**
(45) Registration Date: **11 November 2013**
(56) Related Art Documents: **Not Applicable**
(57) Statement of Newness and Distinctiveness: **Nil**



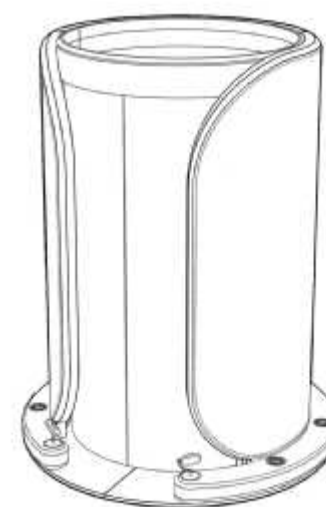
(21) Design Number: **15276/2013**
(22) Date of Filing Application: **17 October 2013**
(24) Date from which industrial property rights may have effect: **17 October 2013**
(54) Product in respect of which the design is registered: **Automobile**
(51) International Design Classification: **12-08**
(74) Name(s) of Attorney(s): **Wrays**
(71) Name(s) and Address(s) of Applicant(s):
Suzuki Motor Corporation
300 Takatsuka-cho Minami-ku Hamamatsu-shi Shizuoka-ken 432-8611
Japan
(72) Name(s) of Designer(s): **Takashi Hinata and Tsutomu Musashiya**
(45) Registration Date: **11 November 2013**
(56) Related Art Documents: **Not Applicable**
(57) Statement of Newness and Distinctiveness: **Newness and distinctiveness is claimed in the features of shape and/or configuration of the Automobile depicted in the accompanying representations.**



- (21) Design Number: **15281/2013**
(22) Date of Filing Application: **17 October 2013**
(24) Date from which industrial property rights may have effect: **17 October 2013**
(54) Product in respect of which the design is registered: **Cup holder**
(51) International Design Classification: **07-06A**
(74) Name(s) of Attorney(s): **WALLINGTON-DUMMER**
(71) Name(s) and Address(s) of Applicant(s):
Chris Ayoub
Peakhurst Business Park 43/55-59 Norman St Peakhurst NSW 2210
Australia
(72) Name(s) of Designer(s): **Chris Ayoub**
(45) Registration Date: **11 November 2013**
(56) Related Art Documents: **Not Applicable**
(57) Statement of Newness and Distinctiveness: **Nil**



- (21) Design Number: **15282/2013**
(22) Date of Filing Application: **17 October 2013**
(24) Date from which industrial property rights may have effect: **17 October 2013**
(54) Product in respect of which the design is registered: **Portable photobooth**
(51) International Design Classification: **16-99**
(74) Name(s) of Attorney(s):
(71) Name(s) and Address(s) of Applicant(s):
Jason Tan
43 McGregors Dr Keilor Park VIC 3042 Australia
(72) Name(s) of Designer(s): **Jason Tan**
(45) Registration Date: **11 November 2013**
(56) Related Art Documents: **Not Applicable**
(57) Statement of Newness and Distinctiveness: **This photobooth has a unique cylindrical design that differs from the common square and rectangular photobooths which are currently available. In addition, the design of this photobooth has been centred around an elegant, classy and theatrical theme, supported by the following components: 1. A cylindrical ring at the external base of the booth that houses 6 downlights to illuminate the perimeter of the booth 2. Two adjustable spot lights (also housed within the external cylindrical ring) that shine onto the curtained entrance of the booth 3. A red velvet curtain that is draped across the entrance of the booth 4. Elegant commercial grade textured wallpaper that covers the photobooth walls for style and durability.**



- (21) Design Number: **15283/2013**
(22) Date of Filing Application: **18 October 2013**
(24) Date from which industrial property rights may have effect: **18 October 2013**
(54) Product in respect of which the design is registered: **Cabinet for electrical power conversion**
(51) International Design Classification: **13-03C**
(74) Name(s) of Attorney(s): **Griffith Hack**
(71) Name(s) and Address(s) of Applicant(s):
ABB Technology Ltd.
Affolternstrasse 44 Zurich 8050 Switzerland
(72) Name(s) of Designer(s): **Daniel Gerber and Peter Wirz and Lukas Vonarburg**
(45) Registration Date: **11 November 2013**
(30) Convention priority data:
(31) Number (32) Date (33) Country
201330352246.1 25 Jul 2013 CHINA
(56) Related Art Documents: **Not Applicable**
(57) Statement of Newness and Distinctiveness: **Newness and distinctiveness resides in the shape and configuration of the product as shown in the accompanying representations.**



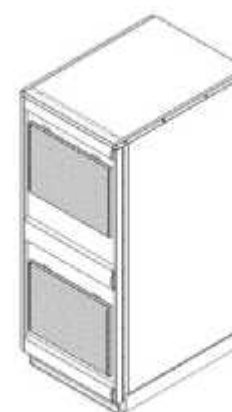
- (21) Design Number: **15284/2013**
(22) Date of Filing Application: **18 October 2013**
(24) Date from which industrial property rights may have effect: **18 October 2013**
(54) Product in respect of which the design is registered: **Cabinet for electrical power conversion**
(51) International Design Classification: **13-03C**
(74) Name(s) of Attorney(s): **Griffith Hack**
(71) Name(s) and Address(s) of Applicant(s):
ABB Technology Ltd.
Affolternstrasse 44 Zurich 8050 Switzerland
(72) Name(s) of Designer(s): **Daniel Gerber and Peter Wirz and Lukas Vonarburg**
(45) Registration Date: **11 November 2013**
(30) Convention priority data:
(31) Number (32) Date (33) Country
201330352246.1 25 Jul 2013 CHINA
(56) Related Art Documents: **Not Applicable**
(57) Statement of Newness and Distinctiveness: **Newness and distinctiveness resides in the shape and configuration of the product as shown in the accompanying representations.**



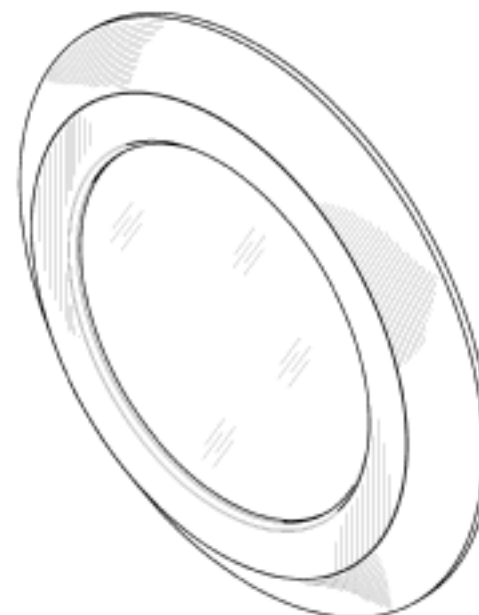
- (21) Design Number: **15285/2013**
(22) Date of Filing Application: **18 October 2013**
(24) Date from which industrial property rights may have effect: **18 October 2013**
(54) Product in respect of which the design is registered: **Cabinet for electrical power conversion**
(51) International Design Classification: **13-03C**
(74) Name(s) of Attorney(s): **Griffith Hack**
(71) Name(s) and Address(s) of Applicant(s):
ABB Technology Ltd.
Affolternstrasse 44 Zurich 8050 Switzerland
(72) Name(s) of Designer(s): **Daniel Gerber and Peter Wirz and Lukas Vonarburg**
(45) Registration Date: **11 November 2013**
(30) Convention priority data:
(31) Number (32) Date (33) Country
201330352246.1 25 Jul 2013 CHINA
(56) Related Art Documents: **Not Applicable**
(57) Statement of Newness and Distinctiveness: **Newness and distinctiveness resides in the shape and configuration of the product as shown in the accompanying representations.**



- (21) Design Number: **15286/2013**
(22) Date of Filing Application: **18 October 2013**
(24) Date from which industrial property rights may have effect: **18 October 2013**
(54) Product in respect of which the design is registered: **Cabinet for electrical power conversion**
(51) International Design Classification: **13-03C**
(74) Name(s) of Attorney(s): **Griffith Hack**
(71) Name(s) and Address(s) of Applicant(s):
ABB Technology Ltd.
Affolternstrasse 44 Zurich 8050 Switzerland
(72) Name(s) of Designer(s): **Daniel Gerber and Peter Wirz and Lukas Vonarburg**
(45) Registration Date: **11 November 2013**
(30) Convention priority data:
(31) Number (32) Date (33) Country
201330352246.1 25 Jul 2013 CHINA
(56) Related Art Documents: **Not Applicable**
(57) Statement of Newness and Distinctiveness: **Newness and distinctiveness resides in the shape and configuration of the product as shown in the accompanying representations.**



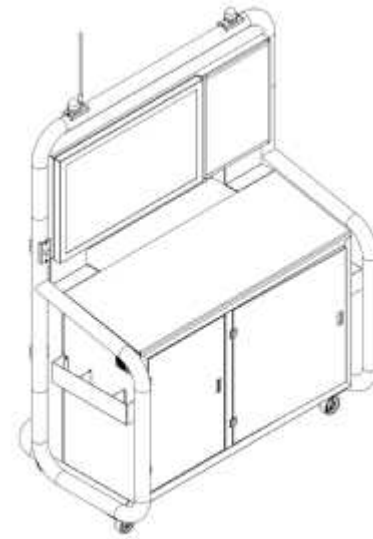
(21) Design Number: **15287/2013**
(22) Date of Filing Application: **18 October 2013**
(24) Date from which industrial property rights may have effect: **18 October 2013**
(54) Product in respect of which the design is registered: **Surface downlight**
(51) International Design Classification: **26-05E**
(74) Name(s) of Attorney(s): **SPRUSON & FERGUSON**
(71) Name(s) and Address(s) of Applicant(s):
Cooper Technologies Company
600 Travis Suite 5600 Houston Texas 77002 United States of America
(72) Name(s) of Designer(s): **Kevin Roy Harpenau and Christopher G. Ladewig and Jerold Alan Tickner**
(45) Registration Date: **11 November 2013**
(30) Convention priority data:
(31) Number (32) Date (33) Country
29/452681 19 Apr 2013 UNITED STATES OF AMERICA
(56) Related Art Documents: **Not Applicable**
(57) Statement of Newness and Distinctiveness: **Newness and distinctiveness is claimed in the features of shape and/or configuration of a surface downlight as illustrated in continuous lines in the accompanying representations.**



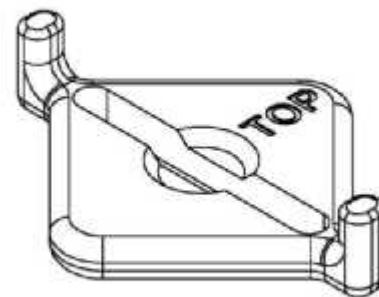
(21) Design Number: **15289/2013**
(22) Date of Filing Application: **18 October 2013**
(24) Date from which industrial property rights may have effect: **18 October 2013**
(54) Product in respect of which the design is registered: **Portable electronic device case**
(51) International Design Classification: **03-01NES**
(74) Name(s) of Attorney(s): **Cotters Patent & Trade Mark Attorneys**
(71) Name(s) and Address(s) of Applicant(s):
Targus Group International, Inc.
1211 North Miller Street Anaheim California 92806 United States of America
(72) Name(s) of Designer(s): **Jonny Yuan**
(45) Registration Date: **11 November 2013**
(56) Related Art Documents: **Not Applicable**
(57) Statement of Newness and Distinctiveness: **Newness and distinctiveness is claimed in the features of shape and/or configuration of the hinge panel marked A of a portable electronic device case as depicted in the accompanying drawings.**



(21) Design Number: **15290/2013**
(22) Date of Filing Application: **18 October 2013**
(24) Date from which industrial property rights may have effect: **18 October 2013**
(54) Product in respect of which the design is registered: **Workbench**
(51) International Design Classification: **06-03C**
(74) Name(s) of Attorney(s): **Armour IP**
(71) Name(s) and Address(s) of Applicant(s):
Bend-tech Investments 1 Pty Ltd
573 Bickley Rd Maddington WA 6109 Australia
(72) Name(s) of Designer(s): **Andrew Adamson**
(45) Registration Date: **11 November 2013**
(56) Related Art Documents: **Not Applicable**
(57) Statement of Newness and Distinctiveness: **Nil**



(21) Design Number: **15291/2013**
(22) Date of Filing Application: **18 October 2013**
(24) Date from which industrial property rights may have effect: **18 October 2013**
(54) Product in respect of which the design is registered: **Fastener**
(51) International Design Classification: **08-08A**
(74) Name(s) of Attorney(s): **FB Rice**
(71) Name(s) and Address(s) of Applicant(s):
Elmich Pte Ltd
15 Joan Road Singapore 298899 Singapore
(72) Name(s) of Designer(s): **Alan Sian Ghee Lee and Henry Greaves**
(45) Registration Date: **11 November 2013**
(56) Related Art Documents: **Not Applicable**
(57) Statement of Newness and Distinctiveness: **Newness and distinctiveness reside in the shape and configuration of the fastener as shown in the representations, apart from the wording "top" which is disclaimed and may be omitted or substituted.**



(21) Design Number: **15292/2013**

(22) Date of Filing Application: **18 October 2013**

(24) Date from which industrial property rights may have effect: **18 October 2013**

(54) Product in respect of which the design is registered: **Bottle**

(51) International Design Classification: **09-01H**

(74) Name(s) of Attorney(s): **FB Rice**

(71) Name(s) and Address(s) of Applicant(s):

**The Absolut Company Aktiebolag
97 SE-117 Stockholm Sweden**

(72) Name(s) of Designer(s): **Jesper Klarin**

(45) Registration Date: **11 November 2013**

(30) Convention priority data:

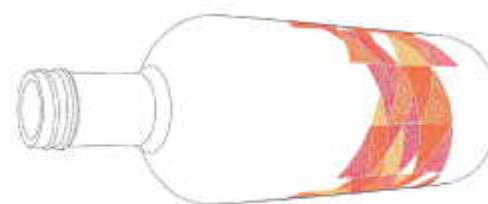
(31) Number
002223750

(32) Date
19 Apr 2013

(33) Country
**OFFICE FOR HARMONISATION IN
THE INTERNAL MARKET (OHIM)**

(56) Related Art Documents: **Not Applicable**

(57) Statement of Newness and Distinctiveness: **Newness and distinctiveness resides in the features of the design shown in solid lines in the representations, including colour, but disregarding the shape of the bottle which is shown in broken lines.**



(21) Design Number: **15293/2013**

(22) Date of Filing Application: **18 October 2013**

(24) Date from which industrial property rights may have effect: **18 October 2013**

(54) Product in respect of which the design is registered: **Condom with ribbing**

(51) International Design Classification: **28-01**

(74) Name(s) of Attorney(s):

(71) Name(s) and Address(s) of Applicant(s):

**Debbie Isaac
29 Hillwater Prom Bennett Springs WA 6063 Australia**

(72) Name(s) of Designer(s): **Debbie Isaac**

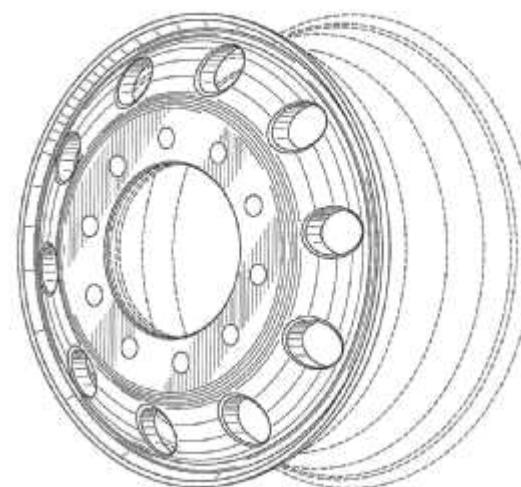
(45) Registration Date: **11 November 2013**

(56) Related Art Documents: **Not Applicable**

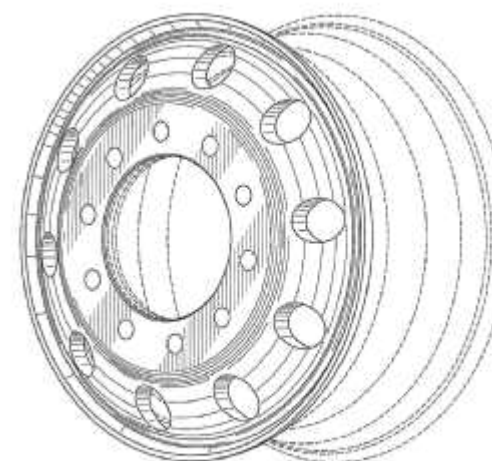
(57) Statement of Newness and Distinctiveness: **The newness and distinctiveness of the design resides in the shape of the sides and base of the condom as shown in the continuous lines in the accompanying representations.**



(21) Design Number: **15294/2013**
(22) Date of Filing Application: **18 October 2013**
(24) Date from which industrial property rights may have effect: **18 October 2013**
(54) Product in respect of which the design is registered: **Wheel**
(51) International Design Classification: **12-16A**
(74) Name(s) of Attorney(s): **FB Rice**
(71) Name(s) and Address(s) of Applicant(s):
Zhejiang Dicastal Hongxin Technology Co., Ltd.
Yonggu Road Food Area Huangyan Economic Development Zone
Taizhou Zhejiang 318020 People's Republic of China
(72) Name(s) of Designer(s): **Minxian Lu**
(45) Registration Date: **11 November 2013**
(30) Convention priority data:
(31) Number (32) Date (33) Country
29/452700 19 Apr 2013 UNITED STATES OF AMERICA
(56) Related Art Documents: **Not Applicable**
(57) Statement of Newness and Distinctiveness: **Newness and distinctiveness reside in the features of shape and configuration of the design as shown in solid lines in the representations excluding those features shown in broken lines.**



(21) Design Number: **15295/2013**
(22) Date of Filing Application: **18 October 2013**
(24) Date from which industrial property rights may have effect: **18 October 2013**
(54) Product in respect of which the design is registered: **Wheel**
(51) International Design Classification: **12-16A**
(74) Name(s) of Attorney(s): **FB Rice**
(71) Name(s) and Address(s) of Applicant(s):
Zhejiang Dicastal Hongxin Technology Co., Ltd.
Yonggu Road Food Area Huangyan Economic Development Zone
Taizhou Zhejiang 318020 People's Republic of China
(72) Name(s) of Designer(s): **Minxian Lu**
(45) Registration Date: **11 November 2013**
(30) Convention priority data:
(31) Number (32) Date (33) Country
29/452702 19 Apr 2013 UNITED STATES OF AMERICA
(56) Related Art Documents: **Not Applicable**
(57) Statement of Newness and Distinctiveness: **Newness and distinctiveness reside in the features of shape and configuration of the design as shown in solid lines in the representations excluding those features shown in broken lines.**



(21) Design Number: **15296/2013**
(22) Date of Filing Application: **18 October 2013**
(24) Date from which industrial property rights may have effect: **12 September 2013**
(54) Product in respect of which the design is registered: **Beverage cartridge**
(51) International Design Classification: **07-02L, 09-05**
(74) Name(s) of Attorney(s): **PIZZEYS**
(71) Name(s) and Address(s) of Applicant(s):
Keurig, Incorporated
55 Walkers Brook Drive Reading MA 01867 United States of America
(72) Name(s) of Designer(s): **Kevin P. Sullivan**
(45) Registration Date: **11 November 2013**
(30) Convention priority data:
(31) Number (32) Date (33) Country
29/448,955 14 Mar 2013 UNITED STATES OF AMERICA
(62) Divisional of: **351747**
(56) Related Art Documents: **Not Applicable**
(57) Statement of Newness and Distinctiveness: **The newness and distinctiveness of the design resides in the features of pattern and/or ornamentation OR shape and/or configuration shown in unbroken lines in the accompanying representations. (if required, see Convention document)**



(21) Design Number: **15297/2013**
(22) Date of Filing Application: **18 October 2013**
(24) Date from which industrial property rights may have effect: **18 October 2013**
(54) Product in respect of which the design is registered: **Bottle**
(51) International Design Classification: **09-01H**
(74) Name(s) of Attorney(s): **FB Rice**
(71) Name(s) and Address(s) of Applicant(s):
The Absolut Company Aktiebolag
SE-117 97 Stockholm Sweden
(72) Name(s) of Designer(s): **Jesper Klarin**
(45) Registration Date: **11 November 2013**
(30) Convention priority data:
(31) Number (32) Date (33) Country
002223750 19 Apr 2013 OFFICE FOR HARMONISATION IN THE INTERNAL MARKET (OHIM)
(56) Related Art Documents: **Not Applicable**
(57) Statement of Newness and Distinctiveness: **Newness and distinctiveness resides in the features of the design shown in solid lines in the representations, including colour, but disregarding the shape of the bottle which is shown in dashed lines.**



(21) Design Number: **15298/2013**

(22) Date of Filing Application: **18 October 2013**

(24) Date from which industrial property rights may have effect: **18 October 2013**

(54) Product in respect of which the design is registered: **Bottle**

(51) International Design Classification: **09-01H**

(74) Name(s) of Attorney(s): **FB Rice**

(71) Name(s) and Address(s) of Applicant(s):

**The Absolut Company Aktiebolag
SE-117 97 Stockholm Sweden**

(72) Name(s) of Designer(s): **Jesper Klarin**

(45) Registration Date: **11 November 2013**

(30) Convention priority data:

(31) Number
002223750

(32) Date
19 Apr 2013

(33) Country
**OFFICE FOR HARMONISATION IN
THE INTERNAL MARKET (OHIM)**



(56) Related Art Documents: **Not Applicable**

(57) Statement of Newness and Distinctiveness: **Newness and distinctiveness resides in the features of the design shown in solid lines in the representations, including colour, but disregarding the shape of the bottle which is shown in dashed lines.**

(21) Design Number: **15275/2013**

(22) Date of Filing Application: **17 October 2013**

(24) Date from which industrial property rights may have effect: **24 July 2013**

(54) Product in respect of which the design is registered: **Shorts**

(51) International Design Classification: **02-02C**

(74) Name(s) of Attorney(s): **Shelston IP**

(71) Name(s) and Address(s) of Applicant(s):

**lululemon athletica canada inc.
400-1818 Cornwall Avenue Vancouver British Columbia, V6J 1C7
Canada**

(72) Name(s) of Designer(s): **Shannon Savage**

(45) Registration Date: **12 November 2013**

(62) Divisional of: **351882**

(56) Related Art Documents: **Not Applicable**

(57) Statement of Newness and Distinctiveness: **Newness and distinctiveness reside in the design for shorts as shown in the representations. The small dashed lines shown in FIGS. 3 - 5 illustrate stitching.**

(21) Design Number: **15277/2013**
(22) Date of Filing Application: **17 October 2013**
(24) Date from which industrial property rights may have effect: **24 July 2013**
(54) Product in respect of which the design is registered: **Shorts**
(51) International Design Classification: **02-02C**
(74) Name(s) of Attorney(s): **Shelston IP**
(71) Name(s) and Address(s) of Applicant(s):
lululemon athletica canada inc.
400-1818 Cornwall Avenue Vancouver British Columbia, V6J 1C7
Canada
(72) Name(s) of Designer(s): **Shannon Savage**
(45) Registration Date: **12 November 2013**
(30) Convention priority data:
(31) Number (32) Date (33) Country
29/444719 01 Feb 2013 UNITED STATES OF AMERICA
(62) Divisional of: **351882**
(56) Related Art Documents: **Not Applicable**
(57) Statement of Newness and Distinctiveness: **Newness and distinctiveness**
reside in the design for shorts as shown in the representations.

(21) Design Number: **15278/2013**
(22) Date of Filing Application: **17 October 2013**
(24) Date from which industrial property rights may have effect: **24 July 2013**
(54) Product in respect of which the design is registered: **Shorts**
(51) International Design Classification: **02-02C**
(74) Name(s) of Attorney(s): **Shelston IP**
(71) Name(s) and Address(s) of Applicant(s):
lululemon athletica canada inc.
400-1818 Cornwall Avenue Vancouver British Columbia, V6J 1C7
Canada
(72) Name(s) of Designer(s): **Shannon Savage**
(45) Registration Date: **12 November 2013**
(30) Convention priority data:
(31) Number (32) Date (33) Country
29/444719 01 Feb 2013 UNITED STATES OF AMERICA
(62) Divisional of: **351882**
(56) Related Art Documents: **Not Applicable**
(57) Statement of Newness and Distinctiveness: **Newness and distinctiveness**
reside in the design for shorts as shown in the representations.

(21) Design Number: **15279/2013**
(22) Date of Filing Application: **17 October 2013**
(24) Date from which industrial property rights may have effect: **24 July 2013**
(54) Product in respect of which the design is registered: **Shorts**
(51) International Design Classification: **02-02C**
(74) Name(s) of Attorney(s): **Shelston IP**
(71) Name(s) and Address(s) of Applicant(s):
lululemon athletica canada inc.
400-1818 Cornwall Avenue Vancouver British Columbia, V6J 1C7
Canada
(72) Name(s) of Designer(s): **Shannon Savage**
(45) Registration Date: **12 November 2013**
(30) Convention priority data:
(31) Number (32) Date (33) Country
29/444719 01 Feb 2013 UNITED STATES OF AMERICA
(62) Divisional of: **351882**
(56) Related Art Documents: **Not Applicable**
(57) Statement of Newness and Distinctiveness: **Newness and distinctiveness reside in the design for shorts as shown in the representations. The small dashed lines shown in FIGS 1 - 5 illustrate stitching.**

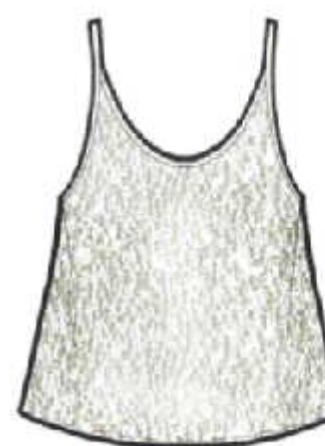
(21) Design Number: **13421/2013**
(22) Date of Filing Application: **17 July 2013**
(24) Date from which industrial property rights may have effect: **17 July 2013**
(54) Product in respect of which the design is registered: **Design elements for dental CAD/CAM mandrels**
(51) International Design Classification: **24-02, 24-99**
(74) Name(s) of Attorney(s): **Davies Collison Cave**
(71) Name(s) and Address(s) of Applicant(s):
3M Innovative Properties Company
3M Center Saint Paul Minnesota 55133-3427 United States of America
(72) Name(s) of Designer(s): **Richard Paul Rusin and Brady Paul Haislet and Darin Joseph Meyertholen**
(45) Registration Date: **12 November 2013**
(30) Convention priority data:
(31) Number (32) Date (33) Country
29/443581 18 Jan 2013 UNITED STATES OF AMERICA
(56) Related Art Documents: **Not Applicable**
(57) Statement of Newness and Distinctiveness: **Newness and distinctiveness is claimed in the visual features shown in solid lines in the representations. In considering the extent of the design rights, the broken lines shown in the representations are for illustrative purposes only and do not form part of the design.**



- (21) Design Number: **13977/2013**
(22) Date of Filing Application: **12 August 2013**
(24) Date from which industrial property rights may have effect: **07 December 2012**
(54) Product in respect of which the design is registered: **Article of clothing**
(51) International Design Classification: **02-02NES**
(74) Name(s) of Attorney(s): **Allens Patent & Trade Mark Attorneys**
(71) Name(s) and Address(s) of Applicant(s):
Forever New Clothing Pty Ltd
714-716 High St Kew East VIC 3102 Australia
(72) Name(s) of Designer(s): **Jennifer Hall**
(45) Registration Date: **12 November 2013**
(62) Divisional of: **350742**
(56) Related Art Documents: **Not Applicable**
(57) Statement of Newness and Distinctiveness: **Newness and distinctiveness resides in the visual features of shape, configuration, pattern and/or ornamentation of an article of clothing as shown in the accompanying representations.**



- (21) Design Number: **13978/2013**
(22) Date of Filing Application: **12 August 2013**
(24) Date from which industrial property rights may have effect: **07 December 2012**
(54) Product in respect of which the design is registered: **Article of clothing**
(51) International Design Classification: **02-02NES**
(74) Name(s) of Attorney(s): **Allens Patent & Trade Mark Attorneys**
(71) Name(s) and Address(s) of Applicant(s):
Forever New Clothing Pty Ltd
714-716 High St Kew East VIC 3102 Australia
(72) Name(s) of Designer(s): **Jennifer Hall**
(45) Registration Date: **12 November 2013**
(62) Divisional of: **350742**
(56) Related Art Documents: **Not Applicable**
(57) Statement of Newness and Distinctiveness: **Newness and distinctiveness resides in the visual features of shape, configuration, pattern and/or ornamentation of an article of clothing as shown in the accompanying representations.**



- (21) Design Number: **13980/2013**
(22) Date of Filing Application: **12 August 2013**
(24) Date from which industrial property rights may have effect: **07 December 2012**
(54) Product in respect of which the design is registered: **Article of clothing**
(51) International Design Classification: **02-02C**
(74) Name(s) of Attorney(s): **Allens Patent & Trade Mark Attorneys**
(71) Name(s) and Address(s) of Applicant(s):
Forever New Clothing Pty Ltd
714-716 High St Kew East VIC 3102 Australia
(72) Name(s) of Designer(s): **Laura Mitchell**
(45) Registration Date: **12 November 2013**
(62) Divisional of: **350742**
(56) Related Art Documents: **Not Applicable**
(57) Statement of Newness and Distinctiveness: **Newness and distinctiveness resides in the visual features of shape, configuration, pattern and/or ornamentation of an article of clothing as shown in the accompanying representations.**



- (21) Design Number: **13981/2013**
(22) Date of Filing Application: **12 August 2013**
(24) Date from which industrial property rights may have effect: **07 December 2012**
(54) Product in respect of which the design is registered: **Article of clothing**
(51) International Design Classification: **02-02C**
(74) Name(s) of Attorney(s): **Allens Patent & Trade Mark Attorneys**
(71) Name(s) and Address(s) of Applicant(s):
Forever New Clothing Pty Ltd
714-716 High St Kew East VIC 3102 Australia
(72) Name(s) of Designer(s): **Laura Mitchell**
(45) Registration Date: **12 November 2013**
(62) Divisional of: **350742**
(56) Related Art Documents: **Not Applicable**
(57) Statement of Newness and Distinctiveness: **Newness and distinctiveness resides in the visual features of shape, configuration, pattern and/or ornamentation of an article of clothing as shown in the accompanying representations.**



- (21) Design Number: **13982/2013**
(22) Date of Filing Application: **12 August 2013**
(24) Date from which industrial property rights may have effect: **07 December 2012**
(54) Product in respect of which the design is registered: **Article of clothing**
(51) International Design Classification: **02-02C**
(74) Name(s) of Attorney(s): **Allens Patent & Trade Mark Attorneys**
(71) Name(s) and Address(s) of Applicant(s):
Forever New Clothing Pty Ltd
714-716 High St Kew East VIC 3102 Australia
(72) Name(s) of Designer(s): **Octavia Miller**
(45) Registration Date: **12 November 2013**
(62) Divisional of: **350742**
(56) Related Art Documents: **Not Applicable**
(57) Statement of Newness and Distinctiveness: **Newness and distinctiveness resides in the visual features of shape, configuration, pattern and/or ornamentation of an article of clothing as shown in the accompanying representations.**



- (21) Design Number: **13987/2013**
(22) Date of Filing Application: **12 August 2013**
(24) Date from which industrial property rights may have effect: **07 December 2012**
(54) Product in respect of which the design is registered: **Article of clothing**
(51) International Design Classification: **02-02C**
(74) Name(s) of Attorney(s): **Allens Patent & Trade Mark Attorneys**
(71) Name(s) and Address(s) of Applicant(s):
Forever New Clothing Pty Ltd
714-716 High St Kew East VIC 3102 Australia
(72) Name(s) of Designer(s): **Gemma Henderson**
(45) Registration Date: **12 November 2013**
(62) Divisional of: **350742**
(56) Related Art Documents: **Not Applicable**
(57) Statement of Newness and Distinctiveness: **Newness and distinctiveness resides in the visual features of shape, configuration, pattern and/or ornamentation of an article of clothing as shown in the accompanying representations.**



- (21) Design Number: **14006/2013**
(22) Date of Filing Application: **12 August 2013**
(24) Date from which industrial property rights may have effect: **24 December 2012**
(54) Product in respect of which the design is registered: **Article of clothing**
(51) International Design Classification: **02-02C**
(74) Name(s) of Attorney(s): **Allens Patent & Trade Mark Attorneys**
(71) Name(s) and Address(s) of Applicant(s):
Forever New Clothing Pty Ltd
714-716 High St Kew East VIC 3102 Australia
(72) Name(s) of Designer(s): **Gemma Henderson**
(45) Registration Date: **12 November 2013**
(62) Divisional of: **350914**
(56) Related Art Documents: **Not Applicable**
(57) Statement of Newness and Distinctiveness: **Newness and distinctiveness resides in the visual features of shape, configuration, pattern and/or ornamentation of an article of clothing as shown in the accompanying representations.**



- (21) Design Number: **14009/2013**
(22) Date of Filing Application: **12 August 2013**
(24) Date from which industrial property rights may have effect: **24 December 2012**
(54) Product in respect of which the design is registered: **Article of clothing**
(51) International Design Classification: **02-02NES**
(74) Name(s) of Attorney(s): **Allens Patent & Trade Mark Attorneys**
(71) Name(s) and Address(s) of Applicant(s):
Forever New Clothing Pty Ltd
714-716 High St Kew East VIC 3102 Australia
(72) Name(s) of Designer(s): **Gemma Henderson**
(45) Registration Date: **12 November 2013**
(62) Divisional of: **350914**
(56) Related Art Documents: **Not Applicable**
(57) Statement of Newness and Distinctiveness: **Newness and distinctiveness resides in the visual features of shape, configuration, pattern and/or ornamentation of an article of clothing as shown in the accompanying representations.**



- (21) Design Number: **14010/2013**
(22) Date of Filing Application: **12 August 2013**
(24) Date from which industrial property rights may have effect: **24 December 2012**
(54) Product in respect of which the design is registered: **Article of clothing**
(51) International Design Classification: **02-02NES**
(74) Name(s) of Attorney(s): **Allens Patent & Trade Mark Attorneys**
(71) Name(s) and Address(s) of Applicant(s):
Forever New Clothing Pty Ltd
714-716 High St Kew East VIC 3102 Australia
(72) Name(s) of Designer(s): **Gemma Henderson**
(45) Registration Date: **12 November 2013**
(62) Divisional of: **350914**
(56) Related Art Documents: **Not Applicable**
(57) Statement of Newness and Distinctiveness: **Newness and distinctiveness resides in the visual features of shape, configuration, pattern and/or ornamentation of an article of clothing as shown in the accompanying representations.**



- (21) Design Number: **14014/2013**
(22) Date of Filing Application: **12 August 2013**
(24) Date from which industrial property rights may have effect: **24 December 2012**
(54) Product in respect of which the design is registered: **Article of clothing**
(51) International Design Classification: **02-02C**
(74) Name(s) of Attorney(s): **Allens Patent & Trade Mark Attorneys**
(71) Name(s) and Address(s) of Applicant(s):
Forever New Clothing Pty Ltd
714-716 High St Kew East VIC 3102 Australia
(72) Name(s) of Designer(s): **Laura Mitchell**
(45) Registration Date: **12 November 2013**
(62) Divisional of: **350914**
(56) Related Art Documents: **Not Applicable**
(57) Statement of Newness and Distinctiveness: **Newness and distinctiveness resides in the visual features of shape, configuration, pattern and/or ornamentation of an article of clothing as shown in the accompanying representations.**



- (21) Design Number: **14018/2013**
(22) Date of Filing Application: **12 August 2013**
(24) Date from which industrial property rights may have effect: **24 December 2012**
(54) Product in respect of which the design is registered: **Article of clothing**
(51) International Design Classification: **02-02NES**
(74) Name(s) of Attorney(s): **Allens Patent & Trade Mark Attorneys**
(71) Name(s) and Address(s) of Applicant(s):
Forever New Clothing Pty Ltd
714-716 High St Kew East VIC 3102 Australia
(72) Name(s) of Designer(s): **Jennifer Hall**
(45) Registration Date: **12 November 2013**
(62) Divisional of: **350914**
(56) Related Art Documents: **Not Applicable**
(57) Statement of Newness and Distinctiveness: **Newness and distinctiveness resides in the visual features of shape, configuration, pattern and/or ornamentation of an article of clothing as shown in the accompanying representations.**



- (21) Design Number: **14019/2013**
(22) Date of Filing Application: **12 August 2013**
(24) Date from which industrial property rights may have effect: **24 December 2012**
(54) Product in respect of which the design is registered: **Article of clothing**
(51) International Design Classification: **02-02NES**
(74) Name(s) of Attorney(s): **Allens Patent & Trade Mark Attorneys**
(71) Name(s) and Address(s) of Applicant(s):
Forever New Clothing Pty Ltd
714-716 High St Kew East VIC 3102 Australia
(72) Name(s) of Designer(s): **Alice Burrow**
(45) Registration Date: **12 November 2013**
(62) Divisional of: **350914**
(56) Related Art Documents: **Not Applicable**
(57) Statement of Newness and Distinctiveness: **Newness and distinctiveness resides in the visual features of shape, configuration, pattern and/or ornamentation of an article of clothing as shown in the accompanying representations.**



- (21) Design Number: **14020/2013**
(22) Date of Filing Application: **12 August 2013**
(24) Date from which industrial property rights may have effect: **24 December 2012**
(54) Product in respect of which the design is registered: **Article of clothing**
(51) International Design Classification: **02-02NES**
(74) Name(s) of Attorney(s): **Allens Patent & Trade Mark Attorneys**
(71) Name(s) and Address(s) of Applicant(s):
Forever New Clothing Pty Ltd
714-716 High St Kew East VIC 3102 Australia
(72) Name(s) of Designer(s): **Alice Burrow**
(45) Registration Date: **12 November 2013**
(62) Divisional of: **350914**
(56) Related Art Documents: **Not Applicable**
(57) Statement of Newness and Distinctiveness: **Newness and distinctiveness resides in the visual features of shape, configuration, pattern and/or ornamentation of an article of clothing as shown in the accompanying representations.**



- (21) Design Number: **14021/2013**
(22) Date of Filing Application: **12 August 2013**
(24) Date from which industrial property rights may have effect: **24 December 2012**
(54) Product in respect of which the design is registered: **Article of clothing**
(51) International Design Classification: **02-02NES**
(74) Name(s) of Attorney(s): **Allens Patent & Trade Mark Attorneys**
(71) Name(s) and Address(s) of Applicant(s):
Forever New Clothing Pty Ltd
714-716 High St Kew East VIC 3102 Australia
(72) Name(s) of Designer(s): **Alice Burrow**
(45) Registration Date: **12 November 2013**
(62) Divisional of: **350914**
(56) Related Art Documents: **Not Applicable**
(57) Statement of Newness and Distinctiveness: **Newness and distinctiveness resides in the visual features of shape, configuration, pattern and/or ornamentation of an article of clothing as shown in the accompanying representations.**



- (21) Design Number: **14022/2013**
(22) Date of Filing Application: **12 August 2013**
(24) Date from which industrial property rights may have effect: **24 December 2012**
(54) Product in respect of which the design is registered: **Article of clothing**
(51) International Design Classification: **02-02NES**
(74) Name(s) of Attorney(s): **Allens Patent & Trade Mark Attorneys**
(71) Name(s) and Address(s) of Applicant(s):
Forever New Clothing Pty Ltd
714-716 High St Kew East VIC 3102 Australia
(72) Name(s) of Designer(s): **Jennifer Hall**
(45) Registration Date: **12 November 2013**
(62) Divisional of: **350914**
(56) Related Art Documents: **Not Applicable**
(57) Statement of Newness and Distinctiveness: **Newness and distinctiveness resides in the visual features of shape, configuration, pattern and/or ornamentation of an article of clothing as shown in the accompanying representations.**



- (21) Design Number: **14025/2013**
(22) Date of Filing Application: **12 August 2013**
(24) Date from which industrial property rights may have effect: **24 December 2012**
(54) Product in respect of which the design is registered: **Article of clothing**
(51) International Design Classification: **02-02NES**
(74) Name(s) of Attorney(s): **Allens Patent & Trade Mark Attorneys**
(71) Name(s) and Address(s) of Applicant(s):
Forever New Clothing Pty Ltd
714-716 High St Kew East VIC 3102 Australia
(72) Name(s) of Designer(s): **Gemma Henderson**
(45) Registration Date: **12 November 2013**
(62) Divisional of: **350914**
(56) Related Art Documents: **Not Applicable**
(57) Statement of Newness and Distinctiveness: **Newness and distinctiveness resides in the visual features of shape, configuration, pattern and/or ornamentation of an article of clothing as shown in the accompanying representations.**

