



Australian Government

IP Australia

AUSTRALIAN OFFICIAL JOURNAL

OF

DESIGNS

Did you know a searchable version of this journal is now available online?

It's FREE and EASY to SEARCH.

Find it on our website (www.ipaustralia.gov.au)

by using the "Journals" link on the home page.

This Page Left Intentionally Blank

Contents

General Information & Notices

**Proceedings Under the Designs Act 1906 preserved as a result of the provisions of Chapter 12
Part 2 of the Designs Act 2003**

Extension of Period of Registration of Designs	3820
Registrations Ceased	3820
Subsequent Owners Registered	3820

Proceedings Under the Designs Act 2003

Applications Assigned	3833
Applications Lapsed	3832
Applications Lodged	3824
Certificate of Examination	3835
Extension of Period of Registration of Design	3833
Extension of Time Granted Under Section 137	3833
Publication and Registration Proceedings	
Designs Registered 352477 to 352805.....	3836
Registrations Ceased	3833
Revocation of Design Registrations	3833
Subsequent Owners Registered	3833

This Page Left Intentionally Blank

For information on the following please see our website www.ipaustralia.gov.au or contact our Customer Service Network on 1300651010

[Editorial enquiries](#)

[Contact information](#)

[Freedom of Information ACT](#)

[Professional Standards Board](#)

[Sales](#)

[Requests for Information under Section 194 \(c\)](#)

[Country Codes](#)

[Trade Mark and Designs Hearing Sessions](#)

[INID \(Internationally agreed Numbers for the Identification of Data\)](#)

“INID” NUMBERS in use on Australian Design Documents

“INID” is an acronym for “Internationally agreed Numbers for the Identification of Data”.

(10) Data concerning the registration/renewal

- (11) Serial number of the registration and/or number of the design document
- (12) Plain language designation of the kind of published document
- (19) Identification, using the two-letter code according to WIPO Standard ST.3, of the authority publishing or registering the industrial design

(20) Data concerning the application

- (21) Serial number of the application
- (22) Date of filing of the application
- (24) Date from which the industrial design right has effect

(30) Data relating to priority under the Paris Convention

- (31) Serial number assigned to the priority application
- (32) Date of filing of the priority application
- (33) Two-letter code, according to WIPO Standard ST.3, identifying the authority with which the priority application was made

(40) Date(s) of making information available to the public

- (45) Date of publication of the registered industrial design by printing or similar process, or making it available to the public by any other means

(50) Miscellaneous Information

- (51) International Classification for Industrial Designs (class and subclass of the Locarno Classification)
- (54) Designation of article(s) or product(s) covered by the industrial design or title of the industrial design
- (55) Reproduction of the industrial design (e.g., drawing, photograph) and explanations relating to the reproduction
- (56) List of prior art documents, if separate from descriptive text
- (57) Description of characteristic features of the industrial design including indication of colours

(60) References to other legally related application(s) and registration(s)

- (62) Serial number(s) and, if available, filing date(s) of application(s), registration(s) or document(s) related by division
- (66) Serial number(s) of the application, or the registration, of the design(s) which is (are) a variant(s) of the present one

(70) Identification of parties concerned with the application or registration

- (71) Name(s) and address(es) of the applicant(s)
- (72) Name(s) of the creator(s) if known to be such
- (74) Name(s) and address(es) of the representative(s)

This Page Left Intentionally Blank

OFFICIAL NOTICE

Background:

For some time the Designs Office has classified Australian design applications according to the Eighth Edition of the International Classification for Industrial Designs (IDC 8).

The Ten Edition of the International Classification for Industrial Designs (IDC 10) will be in force as of 1 January 2014.

Practice:

All applications filed up to and including 31 December 2013 will continue to be indexed in IDC 8.

All applications filed on or after 1 January 2004 will be indexed according to IDC 10.

At this stage, it is not anticipated that the Designs Office will "re-classify" any of the back-file of design records currently retrievable to bring them into line with IDC 10.

Note:

Information concerning the nature and extent of the changes from IDC 8 to IDC 10 and implications for searching the Designs Office databases subsequent to 1 January 2014 will be provided on the IP Australia website, in the near future.

Queries: Joe Argenti
Trade Marks and Designs Group
+61 2 6283 2375

Contact: IP Australia
Phone: 1300 651 010
Fax: +61 2 6283 7999
E-mail: assist@ipaustrialia.gov.au
Web: www.ipaustrialia.gov.au

Proceedings under the Designs Act 1906 preserved as a result of the provisions of Chapter 12 Part 2 of the Designs Act 2003.

This Page Left Intentionally Blank

Applications Lapsed

There were no Applications Lapsed under this section

Extension of Period of Registration of Designs

1st Period (Section 27A(8))

2nd Period (Section 27A(12))

3rd Period (Section 27A(13))

150887	150889	151050
151082	151200	151201
151281	151350	151768
151769	151884	151886
152197	152357	152691
154984	155770	155772
155773		

Registrations Ceased

Note: Some of the following Registrations may have been previously advertised as ceased. In this instance, the previous advertisement still prevails.

132919	132920	132924
132984	133778	133926
133927	133972	133979
134113	134115	134533
134572	134610	135164
135165	135340	135816
136231	137202	137278
137279	137285	137434
138645	138748	143381
147866	148215	148216
148399	148938	148988
148989	148990	148991
148992	148996	148999
149001	149200	149300
149301	149302	149303
149304	149306	149634
149779	149780	151966
153221	153222	153281
153928	154083	

Subsequent Owners Registered

(The name in parentheses is that of the subsequent owner)

140046	(Siemens Water Technologies LLC) Siemens Industry, Inc.
141083	(Siemens Water Technologies LLC) Siemens Industry, Inc.
142387	(Siemens Water Technologies LLC) Siemens Industry, Inc.
145054	(Schenck Process Australia Pty Limited) Screenex Pty Ltd

This Page Left Intentionally Blank

Proceedings under the Designs Act 2003.

This Page Left Intentionally Blank

Applications Lodged

Lodgement information is in the following order: **Applicant's Name**; International Classification, Name of Product, Lodgement Date and **Design Number**. If the applicant claims an earlier priority date under an International Convention, the Convention Country and the associated filing date are shown in parentheses before the Lodgement Date. Divisional information will also appear in parentheses before the Lodgement Date.

fur Jedermann Pty Ltd; 20-03NES, 99-00, Human billboards, advertising equipment, 03 Dec 2013	16329/2013	British American Tobacco (Holdings) Limited; 27-01, Electronic cigarettes, (EM, 04 Jun 2013) 04 Dec 2013	16340/2013
Acteuro Limited; 08-99, Cable handler, 03 Dec 2013	16310/2013	British American Tobacco (Holdings) Limited; 27-01, Electronic cigarettes, (EM, 04 Jun 2013) 04 Dec 2013	16341/2013
Actona Company A/S; 06-04D, Storage unit, 25 Nov 2013	16147/2013	Brkic Investments Pty Ltd; 08-08H, Blind frame cap section, 29 Nov 2013	16220/2013
Actona Company A/S; 06-04F, Storage furniture, 25 Nov 2013	16145/2013	Brkic Investments Pty Ltd; 08-08H, Blind weight section, 29 Nov 2013	16221/2013
Actona Company A/S; 06-04D, Storage furniture, 25 Nov 2013	16146/2013	Brkic Investments Pty Ltd; 08-08H, Blind frame section, 29 Nov 2013	16219/2013
Actona Company A/S; 06-04D, Storage furniture, 25 Nov 2013	16141/2013	Burden, Ian James; 06-04F, A chest of drawers, 27 Nov 2013	16190/2013
Actona Company A/S; 06-04D, Storage furniture, 25 Nov 2013	16142/2013	Butler, Raymond Thomas;Fumacare Limited;Butler, Patricia Margaret;Zwaan, Paul Francis;Freeman, Michael; 23-02NES, A sanitary container, (US, 04 Jun 2013) 03 Dec 2013	16294/2013
Actona Company A/S; 06-02, Bed, 25 Nov 2013	16139/2013	Butler, Patricia Margaret;Fumacare Limited;Butler, Raymond Thomas;Zwaan, Paul Francis;Freeman, Michael; 23-02NES, A sanitary container, (US, 04 Jun 2013) 03 Dec 2013	16294/2013
Actona Company A/S; 06-04D, Storage furniture, 25 Nov 2013	16143/2013	BRANDS UNITED GROUP PTY. LTD.; 06-01L, Addition to existing baby bean bags, 28 Nov 2013	16207/2013
Actona Company A/S; 06-04F, Storage furniture, 25 Nov 2013	16144/2013	Camec Pty Ltd; 14-01, Speaker cover with integrated light, 22 Nov 2013	16054/2013
Actona Company A/S; 06-04D, Storage furniture, 25 Nov 2013	16140/2013	Camec Pty Ltd; 14-01, Speaker assembly with integrated light, 22 Nov 2013	16055/2013
Adbri Masonry Pty Ltd; 25-01A, Masonry block, 27 Nov 2013	16174/2013	Camec Pty Ltd; 14-01, Speaker assembly with integrated light, 22 Nov 2013	16056/2013
Alto Packaging Limited; 09-03F, A tray, (NZ, 16 Aug 2013) 28 Nov 2013	16192/2013	Cequent Consumer Products, Inc; 12-16NES, 12-10, Trailer jack, (Divisional of 14353/2013) 26 Nov 2013	16159/2013
Alto Packaging Limited; 09-03F, A tray, (NZ, 16 Aug 2013) 28 Nov 2013	16188/2013	Cequent Consumer Products, Inc; 08-06, A handle, (Divisional of 14402/2013) 26 Nov 2013	16160/2013
Apple Inc.; 14-01, 14-04, Display screen with icon, (US, 09 Jun 2013) 26 Nov 2013	16189/2013	Cequent Performance Products, Inc.; 12-16NES, 12-16L, Label for a hitch match system, (Divisional of 14421/2013) 25 Nov 2013	16097/2013
Arjo Hospital Equipment AB; 99-00, Loop, (EM, 04 Jun 2013) 03 Dec 2013	16257/2013		
Arrowcrest Group Pty Ltd; 12-16A, A vehicle wheel, 27 Nov 2013	16178/2013		
Australian Futsal Ltd; 02-02NES, Playing jersey and shirts, banners, web sites, 29 Nov 2013	16242/2013		
Black & Decker Inc; 15-03B, Lawnmower, (EM, 30 May 2013) 25 Nov 2013	16080/2013		
Blueant Wireless Australia Pty Ltd; 14-01, 14-03A, Headset, 29 Nov 2013	16243/2013		
Brightgreen Pty Ltd; 26-05D, Lighting apparatus, 28 Nov 2013	16202/2013		

Chervon (HK) Limited; 13-02, Battery pack, (CN, 31 May 2013) 29 Nov 2013	16225/2013	Daikin Industries Ltd.; 14-03NES, Remote controller for boiler, (JP, 20 Sep 2013) 02 Dec 2013	16337/2013
Chervon (HK) Limited; 13-02, Charger, (CN, 31 May 2013) 29 Nov 2013	16240/2013	Daikin Industries Ltd.; 23-04, Air conditioner, (JP, 30 Jul 2013) 02 Dec 2013	16335/2013
Coburn, Keely; 02-02NES, 02-01A, Breast feeding top, (EM, 07 Jun 2013) 04 Dec 2013	16346/2013	De'Longhi Appliances SRL Con Unico Socio; 07-05A, Flat irons, (EM, 31 May 2013) 27 Nov 2013	16182/2013
Coburn, Keely; 02-02NES, 02-01A, Brest feeding top, (EM, 07 Jun 2013) 04 Dec 2013	16355/2013	De'Longhi Appliances SRL Con Unico Socio; 07-05A, Steam Generating Base for Irons, (EM, 31 May 2013) 27 Nov 2013	16183/2013
Code 3, Inc.; 26-05A, 26-06, 14-01, Single level low-profile light bar with optional speaker, (US, 12 Jun 2013) 15 Nov 2013	15975/2013	De'Longhi Appliances SRL Con Unico Socio; 07-05A, Iron and pressing equipment, (EM, 31 May 2013) 27 Nov 2013	16180/2013
Connected Group Australia Pty Limited; 13-03D, Electrical switched socket outlet with IP66 rating, 03 Dec 2013	16309/2013	De'Longhi Appliances SRL Con Unico Socio; 07-05A, Steam generating base for irons, (EM, 31 May 2013) 27 Nov 2013	16181/2013
Continental Reifen Deutschland GmbH; 12-15B, Tyre, (EM, 02 Jul 2013) 02 Dec 2013	16244/2013	Demon International Limited; 15-05, Pressure washer, 03 Dec 2013	16255/2013
Cooper Technologies Company; 26-05NES, Edgelit blade luminaire, (US, 22 Apr 2013) 21 Oct 2013	15343/2013	Dentsply IH AB; 24-02, Rectal catheters, (EM, 03 Jun 2013) 29 Nov 2013	16230/2013
Cooper Tire & Rubber Company; 12-15C, Tire, (US, 08 Oct 2013) 25 Nov 2013	16131/2013	DevPat AB; 07-04, Shaker lid, 29 Nov 2013	16223/2013
Cooper Tire & Rubber Company; 12-15A, Tire, (US, 23 Sep 2013) 25 Nov 2013	16132/2013	DevPat AB; 07-04, Shaker with cap and lid, 29 Nov 2013	16222/2013
Covidien LP; 24-01, 08-08NES, Medical device supporting apparatus, (US, 30 Sep 2013) 27 Nov 2013	16172/2013	Dias Aluminium Products Pty. Ltd.; 08-09, Door clip, 22 Nov 2013	16084/2013
Covidien LP; 14-01, Display screen with graphical user interface for venous refill, (US, 17 Jun 2013) 26 Nov 2013	16155/2013	Electrolux Appliances AB; 06-06D, Drawer component or fascia plate, (Divisional of 16505/2012) 27 Nov 2013	16168/2013
Covidien LP; 14-01, Display screen with a graphical user interface for compliance monitoring, (US, 17 Jun 2013) 26 Nov 2013	16153/2013	Electrolux Appliances AB; 06-06D, Drawer component or fascia plate, (Divisional of 16505/2012) 27 Nov 2013	16170/2013
Covidien LP; 14-01, Display screen with a transitional venous refill detection icon, (US, 17 Jun 2013) 26 Nov 2013	16154/2013	Electrolux Appliances AB; 06-06D, Drawer component or fascia plate, (Divisional of 16505/2012) 27 Nov 2013	16169/2013
Cryovac Australia Pty Ltd; 09-01NES, Pouring container, 27 Nov 2013	16175/2013	EUROLUX AUSTRALIA PTY LTD; 08-03, Trimmer head, 26 Nov 2013	16152/2013
Cryovac Australia Pty Ltd; 09-01NES, Pouring container, 27 Nov 2013	16176/2013	Ford, Frank Allen; 02-04A, Pliable pads for relief of hip and knee pain, 03 Dec 2013	16334/2013
Culina, Ivica John; 25-02NES, 08-09, Molded plastic corflute door architrave protector, 03 Dec 2013	16258/2013	Forever New Clothing Pty Ltd; 02-02NES, Article of clothing, (Divisional of 11597/2013) 25 Nov 2013	16112/2013
Daikin Industries Ltd.; 14-03NES, Remote controller for boiler, (JP, 20 Sep 2013) 02 Dec 2013	16336/2013	Forever New Clothing Pty Ltd; 02-02C, 02-02NES, Article of clothing, 29 Nov 2013	16283/2013
		Forever New Clothing Pty Ltd; 11-01NES, Accessory item, 29 Nov 2013	16284/2013

Forever New Clothing Pty Ltd; 02-02C, 02-02NES, Article of clothing, 29 Nov 2013	16282/2013	Forever New Clothing Pty Ltd; 02-02C, Article of clothing, (Divisional of 11597/2013) 25 Nov 2013	16106/2013
Forever New Clothing Pty Ltd; 02-02NES, Article of clothing, 26 Nov 2013	16156/2013	Forever New Clothing Pty Ltd; 02-02C, Article of clothing, (Divisional of 11597/2013) 25 Nov 2013	16107/2013
Forever New Clothing Pty Ltd; 02-02NES, Article of clothing, (Divisional of 11597/2013) 25 Nov 2013	16124/2013	Forever New Clothing Pty Ltd; 02-02C, Article of clothing, (Divisional of 11597/2013) 25 Nov 2013	16108/2013
Forever New Clothing Pty Ltd; 02-02NES, Article of clothing, (Divisional of 11597/2013) 25 Nov 2013	16126/2013	Forever New Clothing Pty Ltd; 02-02NES, Article of clothing, (Divisional of 11597/2013) 25 Nov 2013	16109/2013
Forever New Clothing Pty Ltd; 02-02NES, Article of clothing, (Divisional of 11597/2013) 25 Nov 2013	16125/2013	Forever New Clothing Pty Ltd; 02-02NES, Article of clothing, (Divisional of 11597/2013) 25 Nov 2013	16110/2013
Forever New Clothing Pty Ltd; 02-02NES, Article of clothing, (Divisional of 11597/2013) 25 Nov 2013	16123/2013	Forever New Clothing Pty Ltd; 02-02NES, Article of clothing, (Divisional of 11597/2013) 25 Nov 2013	16111/2013
Forever New Clothing Pty Ltd; 02-02NES, Article of clothing, (Divisional of 11597/2013) 25 Nov 2013	16121/2013	Forever New Clothing Pty Ltd; 02-02NES, Article of clothing, (Divisional of 11430/2013) 19 Nov 2013	15959/2013
Forever New Clothing Pty Ltd; 02-02C, Article of clothing, (Divisional of 11597/2013) 25 Nov 2013	16122/2013	Forever New Clothing Pty Ltd; 02-02NES, Article of clothing, (Divisional of 11597/2013) 25 Nov 2013	16101/2013
Forever New Clothing Pty Ltd; 02-02NES, Article of clothing, (Divisional of 11597/2013) 25 Nov 2013	16114/2013	Forever New Clothing Pty Ltd; 02-02NES, Article of clothing, (Divisional of 11597/2013) 25 Nov 2013	16102/2013
Forever New Clothing Pty Ltd; 02-02NES, Article of clothing, (Divisional of 11597/2013) 25 Nov 2013	16118/2013	Forever New Clothing Pty Ltd; 02-02NES, Article of clothing, (Divisional of 11597/2013) 25 Nov 2013	16099/2013
Forever New Clothing Pty Ltd; 02-02NES, Article of clothing, (Divisional of 11597/2013) 25 Nov 2013	16119/2013	Forever New Clothing Pty Ltd; 02-02NES, Article of clothing, (Divisional of 11597/2013) 25 Nov 2013	16100/2013
Forever New Clothing Pty Ltd; 02-02NES, Article of clothing, (Divisional of 11597/2013) 25 Nov 2013	16115/2013	Forever New Clothing Pty Ltd; 02-02NES, Article of clothing, (Divisional of 11597/2013) 25 Nov 2013	16098/2013
Forever New Clothing Pty Ltd; 02-02NES, Article of clothing, (Divisional of 11597/2013) 25 Nov 2013	16113/2013	Forever New Clothing Pty Ltd; 02-02NES, Article of clothing, (Divisional of 11430/2013) 19 Nov 2013	15960/2013
Forever New Clothing Pty Ltd; 02-02NES, Article of clothing, (Divisional of 11597/2013) 25 Nov 2013	16120/2013	Forever New Clothing Pty Ltd; 02-02NES, Article of clothing, (Divisional of 11430/2013) 19 Nov 2013	15961/2013
Forever New Clothing Pty Ltd; 02-02NES, Article of clothing, (Divisional of 11597/2013) 25 Nov 2013	16103/2013	Forever New Clothing Pty Ltd; 02-02NES, Article of clothing, (Divisional of 11430/2013) 19 Nov 2013	15962/2013
Forever New Clothing Pty Ltd; 02-02B, Article of clothing, (Divisional of 11597/2013) 25 Nov 2013	16116/2013	Forever New Clothing Pty Ltd; 02-02NES, Article of clothing, (Divisional of 11430/2013) 19 Nov 2013	15963/2013
Forever New Clothing Pty Ltd; 02-02B, Article of clothing, (Divisional of 11597/2013) 25 Nov 2013	16117/2013	Freeman, Michael;Fumacare Limited;Butler, Raymond Thomas;Butler, Patricia Margaret;Zwaan, Paul Francis; 23-02NES, A sanitary container, (US, 04 Jun 2013) 03 Dec 2013	16294/2013
Forever New Clothing Pty Ltd; 02-02C, Article of clothing, (Divisional of 11597/2013) 25 Nov 2013	16104/2013	Fujitsu Limited; 14-02, Personal computer, (JP, 03 Jun 2013) 28 Nov 2013	16187/2013
Forever New Clothing Pty Ltd; 02-02C, Article of clothing, (Divisional of 11597/2013) 25 Nov 2013	16105/2013		

Fullyarn Packaging (AU) Pty Ltd; 09-03F, Punnet base, (Divisional of 14620/2013) 27 Nov 2013	16179/2013	Knoll, Inc.; 06-01E, Ottoman, (US, 31 May 2013) 25 Nov 2013	16083/2013
Fumacare Limited;Butler, Raymond Thomas;Butler, Patricia Margaret;Zwaan, Paul Francis;Freeman, Michael; 23-02NES, A sanitary container, (US, 04 Jun 2013) 03 Dec 2013	16294/2013	Knoll, Inc.; 06-01H, Chair, (US, 31 May 2013) 25 Nov 2013	16090/2013
Glaxo Group Limited; 04-02, Toothbrush, (GB, 31 May 2013) 29 Nov 2013	16231/2013	Knoll, Inc.; 06-03A, Table, (US, 31 May 2013) 25 Nov 2013	16081/2013
Glaxo Group Limited; 04-02, 03-01D, Travel cap for toothbrushes, (GB, 31 May 2013) 29 Nov 2013	16229/2013	Knoll, Inc.; 06-01L, Chair, (US, 31 May 2013) 25 Nov 2013	16085/2013
Glaxo Group Limited; 04-02, 03-01D, Travel cap for toothbrushes, (GB, 31 May 2013) 29 Nov 2013	16227/2013	Knoll, Inc.; 06-01L, Chair, (US, 31 May 2013) 25 Nov 2013	16086/2013
Glaxo Group Limited; 04-02, 03-01D, Travel cap for toothbrushes, (GB, 31 May 2013) 29 Nov 2013	16228/2013	Knoll, Inc.; 06-03B, Table, (US, 31 May 2013) 25 Nov 2013	16082/2013
Glaxo Group Limited; 04-02, 03-01D, Travel cap for toothbrushes, (GB, 31 May 2013) 29 Nov 2013	16226/2013	Knoll, Inc.; 06-01H, Chair, (US, 31 May 2013) 25 Nov 2013	16091/2013
Glaxo Group Limited; 04-02, Toothbrush, (GB, 31 May 2013) 29 Nov 2013	16232/2013	Ko, In-Hong;Vision X Asia Co., Ltd.; 26-06, Car lighting, (KR, 25 Oct 2013) 25 Nov 2013	16133/2013
Glaxo Group Limited; 04-02, Toothbrush, (GB, 31 May 2013) 29 Nov 2013	16233/2013	Ko, In-Hong;Vision X Asia Co., Ltd.; 26-06, Car lighting, (KR, 25 Oct 2013) 25 Nov 2013	16138/2013
Glaxo Group Limited; 04-02, Toothbrush, (GB, 31 May 2013) 29 Nov 2013	16234/2013	Ko, In-Hong;Vision X Asia Co., Ltd.; 26-06, Car lighting, (KR, 25 Oct 2013) 25 Nov 2013	16137/2013
Glaxo Group Limited; 04-02, Toothbrush, (GB, 31 May 2013) 29 Nov 2013	16235/2013	Ko, In-Hong;Vision X Asia Co., Ltd.; 26-06, Car lighting, (KR, 25 Oct 2013) 25 Nov 2013	16136/2013
Glaxo Group Limited; 04-02, Toothbrush, (GB, 31 May 2013) 29 Nov 2013	16236/2013	Ko, In-Hong;Vision X Asia Co., Ltd.; 26-06, Car lighting, (KR, 25 Oct 2013) 25 Nov 2013	16135/2013
Guo, Weihong; 12-10, A mobile store, (CN, 22 Jul 2013) 04 Dec 2013	16348/2013	Ko, In-Hong;Vision X Asia Co., Ltd.; 26-06, Car lighting, (KR, 25 Oct 2013) 25 Nov 2013	16134/2013
H.B. Fuller Company Australia Pty Ltd; 20-02NES, A dispenser, 26 Nov 2013	16157/2013	Kone Corporation; 13-03NES, Push buttons used in hoists, lifts and elevators, (EM, 05 Jun 2013) 28 Nov 2013	16201/2013
Hangzhou China Art Industrial Co. Ltd.; 06-06G, Armrest, 29 Nov 2013	16241/2013	Koninklijke Douwe Egberts B.V.;Koninklijke Philips N.V.; 07-02L, Coffee maker, (EM, 27 May 2013) 26 Nov 2013	16161/2013
Heming, Adam; 25-02NES, 25-03, Pergola, 27 Nov 2013	16167/2013	Koninklijke Philips N.V.;Koninklijke Douwe Egberts B.V.; 07-02L, Coffee maker, (EM, 27 May 2013) 26 Nov 2013	16161/2013
Honda Motor Co., Ltd.; 12-08, Automobile, (JP, 31 May 2013) 27 Nov 2013	16171/2013	Lam, Ling Kiu; 26-05B, Lighting, Lamp (Table, Desk, Dependent), 26 Nov 2013	16166/2013
Kimberly-Clark Worldwide, Inc.; 23-03A, Refillable, flexible moist wipes dispenser, (US, 19 Jun 2013) 26 Nov 2013	16151/2013		

Lee, Sam-Hyeon;Plum Science K.K.; 26-05B, Electric light stand, (JP, 31 May 2013) 29 Nov 2013	16237/2013	Microsoft Corporation; 14-01, Display screen with graphical user interface, (US, 29 May 2013) 29 Nov 2013	16216/2013
Lee, Wen-Hsien; 21-01A, Spider toy, 04 Dec 2013	16358/2013	Misschu Pty Ltd; 06-03C, 20-03NES, A pop-up food/drinks serving counter, 28 Nov 2013	16206/2013
Lee, Wen-Hsien; 21-01C, Engine car toy, 04 Dec 2013	16357/2013	Monkey Toe Systems Limited; 08-08NES, A clip, (NZ, 30 May 2013) 28 Nov 2013	16196/2013
Liebowitz, Bryan; 26-05A, A lens to diffuse and refract light, 03 Dec 2013	16308/2013	Motorola Solutions, Inc.; 14-02, Barcode scanning device, (US, 19 Jun 2013) 25 Nov 2013	16130/2013
Logue and Co. Pty Ltd; 10-04, 09-07NES, Measuring cap, 02 Dec 2013	16331/2013	MGDC Pty Ltd; 08-10, Bicycle storage system, 26 Nov 2013	16158/2013
Logue and Co. Pty Ltd; 10-04, 09-07NES, Measuring cap, 02 Dec 2013	16333/2013	Nicoventures Holdings Limited; 09-03A, Packaging, (EM, 04 Jun 2013) 04 Dec 2013	16342/2013
Logue and Co. Pty Ltd; 10-04, 09-07NES, Measuring cap, 02 Dec 2013	16332/2013	Nicoventures Holdings Limited; 09-03A, Packaging, (EM, 04 Jun 2013) 04 Dec 2013	16339/2013
Loud & Clear Safety Pty Ltd; 16-06, 29-02, Safety apparatus, 26 Nov 2013	16162/2013	Norwood Industries Pty Ltd; 09-03NES, Container and blank therefor, 26 Nov 2013	16163/2013
Luna Technology Systems LTS GmbH; 07-02L, Cartridge for coffee machines, (WO, 12 Sep 2013) 04 Dec 2013	16330/2013	Okamura Corporation; 06-06G, Component of a chair, (JP, 05 Jun 2013) 29 Nov 2013	16218/2013
Lye, Jansen; 26-05D, Lighting, 26 Nov 2013	16165/2013	Okamura Corporation; 06-06NES, Partition panel, (JP, 07 Jun 2013) 04 Dec 2013	16354/2013
MacNeil IP LLC; 12-16NES, Hitch step, (US, 24 May 2013) 22 Nov 2013	16057/2013	Okamura Corporation; 06-06NES, Partition panel, (JP, 07 Jun 2013) 04 Dec 2013	16356/2013
Mars, Incorporated; 01-06, Pet treat, (US, 19 Jun 2013) 04 Dec 2013	16350/2013	Okamura Corporation; 06-06NES, Partition panel, (JP, 07 Jun 2013) 04 Dec 2013	16352/2013
Mars, Incorporated; 01-06, Pet treat, (US, 19 Jun 2013) 04 Dec 2013	16351/2013	Okamura Corporation; 06-06NES, Partition panel, (JP, 07 Jun 2013) 04 Dec 2013	16353/2013
McCain Foods Limited; 01-01, Root vegetable product, (US, 30 May 2013) 25 Nov 2013	16129/2013	Omni United (S) Pte Ltd; 12-15B, Tyre, (JP, 10 Oct 2013) 29 Nov 2013	16277/2013
Microsoft Corporation; 14-01, 14-02, Display screen with graphical user interface, (US, 29 May 2013) 29 Nov 2013	16224/2013	Omni United (S) Pte Ltd; 12-15B, Tyre, (JP, 10 Oct 2013) 29 Nov 2013	16276/2013
Microsoft Corporation; 14-01, Display screen with graphical user interface, (US, 29 May 2013) 29 Nov 2013	16214/2013	Platypus Fire Pty Ltd; 23-01D, Sprinkler, 26 Nov 2013	16164/2013
Microsoft Corporation; 14-01, 14-02, Display screen with graphical user interface, (US, 29 May 2013) 29 Nov 2013	16210/2013	Plum Science K.K.;Lee, Sam-Hyeon; 26-05B, Electric light stand, (JP, 31 May 2013) 29 Nov 2013	16237/2013
Microsoft Corporation; 14-01, 14-02, Display screen with icon, (US, 29 May 2013) 29 Nov 2013	16211/2013	Preston, Renea; 21-02F, Double handle dumbbell, (US, 28 Jun 2013) 04 Dec 2013	16338/2013
Microsoft Corporation; 14-01, 14-02, Display screen with graphical user interface, (US, 29 May 2013) 29 Nov 2013	16217/2013	Pridham, Andrew Douglas; 08-08L, A bracket for a modular roof safety platform, 25 Nov 2013	16089/2013

Pridham, Andrew Douglas; 08-08L, A bracket for a modular roof safety platform, 25 Nov 2013	16088/2013	Samsung Electronics Co., Ltd.; 14-01, Display screen with graphical user interface, (KR, 05 Jun 2013) 03 Dec 2013	16272/2013
Reckitt Benckiser (Brands) Limited; 10-04, 24-02, 09-01B, Dosage container, (EM, 21 Jun 2013) 28 Nov 2013	16193/2013	Samsung Electronics Co., Ltd.; 14-01, Display screen with graphical user interface, (KR, 05 Jun 2013) 03 Dec 2013	16269/2013
Reckitt Benckiser (Brands) Limited; 09-07C, 09-07B, 10-04, Lid for dosage container, (EM, 21 Jun 2013) 28 Nov 2013	16194/2013	Samsung Electronics Co., Ltd.; 14-01, Display screen with graphical user interface, (KR, 05 Jun 2013) 03 Dec 2013	16279/2013
Roberts, Ruth; 03-01B, Bag, 02 Dec 2013	16246/2013	Samsung Electronics Co., Ltd.; 14-01, Display screen with graphical user interface, (KR, 05 Jun 2013) 03 Dec 2013	16280/2013
RELO - B Ltd.; 08-05N, Grinding body, (IB, 05 Jun 2013) 03 Dec 2013	16296/2013	Samsung Electronics Co., Ltd.; 14-01, Display screen with graphical user interface, (KR, 05 Jun 2013) 03 Dec 2013	16278/2013
Samsung Electronics Co., Ltd.; 14-02, 14-03A, Display screen with icon for an electronic device, (KR, 03 Sep 2013) 02 Dec 2013	16249/2013	Samsung Electronics Co., Ltd.; 14-01, Display screen with graphical user interface, (KR, 05 Jun 2013) 03 Dec 2013	16270/2013
Samsung Electronics Co., Ltd.; 14-02, 14-03A, Display screen with icon for an electronic device, (KR, 03 Sep 2013) 02 Dec 2013	16254/2013	Samsung Electronics Co., Ltd.; 14-01, Display screen with graphical user interface, (KR, 05 Jun 2013) 03 Dec 2013	16263/2013
Samsung Electronics Co., Ltd.; 14-02, 14-03A, Display screen with icon for an electronic device, (KR, 03 Sep 2013) 02 Dec 2013	16253/2013	Samsung Electronics Co., Ltd.; 14-01, Display screen with graphical user interface, (KR, 05 Jun 2013) 03 Dec 2013	16264/2013
Samsung Electronics Co., Ltd.; 14-02, 14-03A, Display screen with icon for an electronic device, (KR, 03 Sep 2013) 02 Dec 2013	16251/2013	Samsung Electronics Co., Ltd.; 14-01, Display screen with graphical user interface, (KR, 05 Jun 2013) 03 Dec 2013	16261/2013
Samsung Electronics Co., Ltd.; 14-02, 14-03A, Display screen with icon for an electronic device, (KR, 03 Sep 2013) 02 Dec 2013	16252/2013	Samsung Electronics Co., Ltd.; 14-01, Display screen with graphical user interface, (KR, 05 Jun 2013) 03 Dec 2013	16265/2013
Samsung Electronics Co., Ltd.; 14-02, 14-03A, Display screen with icon for an electronic device, (KR, 03 Sep 2013) 02 Dec 2013	16250/2013	Samsung Electronics Co., Ltd.; 14-01, Display screen with graphical user interface, (KR, 05 Jun 2013) 03 Dec 2013	16262/2013
Samsung Electronics Co., Ltd.; 23-04, Blade for air conditioner, (KR, 04 Jun 2013) 02 Dec 2013	16247/2013	Samsung Electronics Co., Ltd.; 14-01, Display screen with graphical user interface, (KR, 05 Jun 2013) 03 Dec 2013	16259/2013
Samsung Electronics Co., Ltd.; 14-01, Display screen with graphical user interface, (KR, 05 Jun 2013) 03 Dec 2013	16273/2013	Samsung Electronics Co., Ltd.; 14-01, Display screen with graphical user interface, (KR, 05 Jun 2013) 03 Dec 2013	16267/2013
Samsung Electronics Co., Ltd.; 14-01, Display screen with graphical user interface, (KR, 05 Jun 2013) 03 Dec 2013	16274/2013	Samsung Electronics Co., Ltd.; 14-01, Display screen with graphical user interface, (KR, 05 Jun 2013) 03 Dec 2013	16268/2013
Samsung Electronics Co., Ltd.; 14-01, Display screen with graphical user interface, (KR, 05 Jun 2013) 03 Dec 2013	16271/2013	Samsung Electronics Co., Ltd.; 14-01, Display screen with graphical user interface, (KR, 05 Jun 2013) 03 Dec 2013	16260/2013
Samsung Electronics Co., Ltd.; 14-01, Display screen with graphical user interface, (KR, 05 Jun 2013) 03 Dec 2013	16281/2013	Samsung Electronics Co., Ltd.; 14-02, 14-04, Display screen with graphical user interface, (KR, 05 Jun 2013) 04 Dec 2013	16344/2013
Samsung Electronics Co., Ltd.; 14-01, Display screen with graphical user interface, (KR, 05 Jun 2013) 03 Dec 2013	16275/2013	Samsung Electronics Co., Ltd.; 14-01, Display screen with graphical user interface, (KR, 05 Jun 2013) 03 Dec 2013	16285/2013

Samsung Electronics Co., Ltd.; 14-02, 14-04, Display screen with graphical user interface, (KR, 05 Jun 2013) 03 Dec 2013	16297/2013	Sony Computer Entertainment Inc.; 14-02, Cradle, (JP, 07 Jun 2013) 25 Nov 2013	16128/2013
Samsung Electronics Co., Ltd.; 14-02, 14-04, Display screen with graphical user interface, (KR, 05 Jun 2013) 03 Dec 2013	16298/2013	Sony Computer Entertainment Inc.; 20-02NES, 14-02, 14-99, Stand for arithmetic and control unit, (JP, 07 Jun 2013) 25 Nov 2013	16096/2013
Samsung Electronics Co., Ltd.; 23-04, Air conditioner, (KR, 05 Jun 2013) 02 Dec 2013	16245/2013	Soremartec S.A.; 01-01, Confectionery, (WO, 07 Jun 2013) 28 Nov 2013	16191/2013
Samsung Electronics Co., Ltd.; 14-02, 14-04, Display screen with graphical user interface, (KR, 05 Jun 2013) 03 Dec 2013	16303/2013	Stolp, Andrew; 08-08G, A hook, 04 Dec 2013	16349/2013
Samsung Electronics Co., Ltd.; 14-02, 14-04, Display screen with graphical user interface, (KR, 05 Jun 2013) 03 Dec 2013	16304/2013	Stolp, Andrew; 25-01K, An extrusion, 04 Dec 2013	16347/2013
Samsung Electronics Co., Ltd.; 14-02, 14-04, Display screen with graphical user interface, (KR, 05 Jun 2013) 03 Dec 2013	16299/2013	Stress Free Marine Pty Ltd; 08-08NES, Towrope guide mounting plate, 27 Nov 2013	16177/2013
Samsung Electronics Co., Ltd.; 14-02, 14-04, Display screen with graphical user interface, (KR, 05 Jun 2013) 03 Dec 2013	16300/2013	Swatch AG (Swatch SA) (Swatch Ltd); 10-02, Wristwatch, (CH, 19 Jul 2013) 28 Nov 2013	16203/2013
Samsung Electronics Co., Ltd.; 14-02, 14-04, Display screen with graphical user interface, (KR, 05 Jun 2013) 03 Dec 2013	16288/2013	Swatch AG (Swatch SA) (Swatch Ltd); 10-02, Wristwatch, (CH, 19 Jul 2013) 28 Nov 2013	16204/2013
Samsung Electronics Co., Ltd.; 14-02, 14-04, Display screen with graphical user interface, (KR, 05 Jun 2013) 03 Dec 2013	16289/2013	Swatch AG (Swatch SA) (Swatch Ltd); 10-07, Watchcase, (CH, 19 Jul 2013) 28 Nov 2013	16199/2013
Securistyle Limited; 08-07, Locking device, (EM, 10 Jul 2013) 26 Nov 2013	16148/2013	Swatch AG (Swatch SA) (Swatch Ltd); 10-02, Wristwatch, (CH, 19 Jul 2013) 28 Nov 2013	16200/2013
Securistyle Limited; 08-07, Locking device, (EM, 10 Jul 2013) 26 Nov 2013	16149/2013	The Coleman Company, Inc.; 25-02F, 23-03E, Disposable charcoal chimney, (US, 17 May 2013) 25 Nov 2013	16092/2013
Securistyle Limited; 08-07, Locking device, (EM, 10 Jul 2013) 26 Nov 2013	16150/2013	The IAMS Company; 09-05, Pet food packaging, (US, 03 Jun 2013) 03 Dec 2013	16295/2013
Shandong Weifang Rainbow Chemical Co., Ltd.; 09-02B, Liquid container, (CN, 18 Nov 2013) 27 Nov 2013	16173/2013	The Trustee for Van De Loo Family Trust; 11-04, Christmas tree, 28 Nov 2013	16195/2013
Sika Technology AG; 24-02, Dispenser for curable compositions, (CH, 29 May 2013) 28 Nov 2013	16197/2013	TomTom International B.V.; 14-02, Dongle, (EM, 24 May 2013) 25 Nov 2013	16087/2013
Sika Technology AG; 24-02, Dispenser for curable compositions, (CH, 29 May 2013) 28 Nov 2013	16198/2013	Triamble Pty Limited; 21-01L, 14-04, Wagering layout for display screen or game table, 03 Dec 2013	16328/2013
Societe des Produits Nestle S.A.; 07-02L, A coffee machine, (CH, 07 Jun 2013) 03 Dec 2013	16256/2013	Vallon GmbH; 16-06, 08-08NES, Telescope handling arm, (EM, 01 Jul 2013) 29 Nov 2013	16212/2013
		Vallon GmbH; 13-03NES, Electronic control panel, (EM, 01 Jul 2013) 29 Nov 2013	16213/2013
		Viscount Plastics Pty Ltd; 09-03L, A container, 03 Dec 2013	16307/2013
		Vision X Asia Co., Ltd.;Ko, In-Hong; 26-06, Car lighting, (KR, 25 Oct 2013) 25 Nov 2013	16133/2013

Vision X Asia Co., Ltd.;Ko, In-Hong; 26-06, Car lighting, (KR, 25 Oct 2013) 25 Nov 2013	16138/2013	Wentworth Furniture Company Pty Ltd; 06-03NES, A bedside table, 27 Nov 2013	16184/2013
Vision X Asia Co., Ltd.;Ko, In-Hong; 26-06, Car lighting, (KR, 25 Oct 2013) 25 Nov 2013	16137/2013	Woolford, Eric Shigeho; 21-02C, Golf swing training mat, 28 Nov 2013	16205/2013
Vision X Asia Co., Ltd.;Ko, In-Hong; 26-06, Car lighting, (KR, 25 Oct 2013) 25 Nov 2013	16136/2013	Xiamen Hopergy Photovoltaic Technology Co., Ltd; 25-01K, Extrusion, (CN, 05 Jun 2013) 29 Nov 2013	16239/2013
Vision X Asia Co., Ltd.;Ko, In-Hong; 26-06, Car lighting, (KR, 25 Oct 2013) 25 Nov 2013	16135/2013	Yamaha Hatsudoki Kabushiki Kaisha; 12-08, Four wheeled vehicle, (US, 30 May 2013) 29 Nov 2013	16238/2013
Vision X Asia Co., Ltd.;Ko, In-Hong; 26-06, Car lighting, (KR, 25 Oct 2013) 25 Nov 2013	16134/2013	Yamaha Hatsudoki Kabushiki Kaisha; 12-11, Motorcycle, (JP, 31 May 2013) 29 Nov 2013	16215/2013
Visy R & D Pty Ltd; 09-03M, Blank for forming a container, 03 Dec 2013	16327/2013	Zwaan, Paul Francis;Fumacare Limited;Butler, Raymond Thomas;Butler, Patricia Margaret;Freeman, Michael; 23-02NES, A sanitary container, (US, 04 Jun 2013) 03 Dec 2013	16294/2013
Wentworth Furniture Company Pty Ltd; 06-06F, A bed head, 27 Nov 2013	16185/2013	ZAMMIT SALES MARKETING & MANAGEMENT PTY LTD; 07-01D, Cardboard cup design, 02 Dec 2013	16248/2013
Wentworth Furniture Company Pty Ltd; 06-02, A bed, 27 Nov 2013	16186/2013		

Applications Lapsed

12118 / 2013 (05-05NES)

Extension of Period of Registration of Designs

321383	324093	324094
324114	324116	324145
324149	324163	324164
324169	324170	324178
324184	324189	324192
324193	324196	324202
324203	324204	324205
324206	324303	324366
324367	324370	324371
324372	324373	324374
324375	324410	324433
324434	324470	324505
324506	324530	324570
324830	324869	324916
325050	325192	325291
325292	325295	325383
325384	325454	

Revocation of Design Registrations

The following Design Registration(s) have been revoked and are taken never to have been registered:

334543 14-01

Registrations Ceased

319859	319970	319971
319972	319973	319974
320039	320607	320636
320896	320897	320898
320899	320900	320901
320902	321118	321123
321124	321125	321131
321132	321133	321135
321149	321150	321151
321152	321154	321157
321158	321166	321167
321183	321185	321186
321188	321190	321191
321192	321193	321194
321195	321196	321204
321205	321213	321216
321223	321224	321225
321228	321238	321243
321266	321268	321284
321285	321286	321290
321437	321445	321464
321465	321538	321557
321579	321592	321593

321594	321748	321768
321823	322067	322151
322236	322237	322604
322618	322718	322959
323000	323022	323043
323044	323045	323057
323398	323427	323428
323616	324910	324911
324912	324913	324914
324915		

Extensions of time granted under Section 137

Applications lodged under section 137 for extension of time have been granted.

352558 **Debbi Machealle Rumble**

352559 **Debbi Machealle Rumble**

Applications Assigned

(The name in parentheses is that of the subsequent applicant)

13680/2013	(Theodosier Pty Ltd) Work Smart Equipment Pty Limited
12752/2013	(Natural Product Solutions Pty Ltd) Global Trading Solutions Pty Ltd

Subsequent Owners Registered

(The name in parentheses is that of the subsequent owner)

336002	(Theodosier Pty Ltd) Kennovations Pty Limited
336332	(Theodosier Pty Ltd) Kennovations Pty Limited
337965	(Theodosier Pty Ltd) Kennovations Pty Limited
309518	(Siemens Water Technologies LLC) Siemens Industry, Inc.
324843	(Siemens Water Technologies LLC) Siemens Industry, Inc.
324847	(Siemens Water Technologies LLC) Siemens Industry, Inc.
324844	(Siemens Water Technologies LLC) Siemens Industry, Inc.
324845	(Siemens Water Technologies LLC) Siemens Industry, Inc.
324846	(Siemens Water Technologies LLC) Siemens Industry, Inc.
324848	(Siemens Water Technologies LLC) Siemens Industry, Inc.
324849	(Siemens Water Technologies LLC) Siemens Industry, Inc.
324850	(Siemens Water Technologies LLC) Siemens Industry, Inc.
345286	(Siemens Water Technologies LLC) Siemens Industry, Inc.
350360	(Siemens Water Technologies LLC) Siemens Industry, Inc.
350357	(Siemens Water Technologies LLC) Siemens Industry, Inc.
350547	(Siemens Water Technologies LLC) Siemens Industry, Inc.
329838	(Boori Australia Pty Ltd) Boori International Pty Ltd

- 329839 (**Boori Australia Pty Ltd**) Boori International Pty Ltd
- 329840 (**Boori Australia Pty Ltd**) Boori International Pty Ltd
- 325369 (**Boori Australia Pty Ltd**) Boori International Pty Ltd
- 325366 (**Boori Australia Pty Ltd**) Boori International Pty Ltd
- 324998 (**Boori Australia Pty Ltd**) Boori International Pty Ltd
- 325029 (**Boori Australia Pty Ltd**) Boori International Pty Ltd
- 325971 (**Boori Australia Pty Ltd**) Boori International Pty Ltd
- 327726 (**Boori Australia Pty Ltd**) Boori International Pty Ltd
- 327727 (**Boori Australia Pty Ltd**) Boori International Pty Ltd
- 327728 (**Boori Australia Pty Ltd**) Boori International Pty Ltd
- 328617 (**Boori Australia Pty Ltd**) Boori International Pty Ltd
- 328060 (**Boori Australia Pty Ltd**) Boori International Pty Ltd
- 329866 (**Boori Australia Pty Ltd**) Boori International Pty Ltd
- 329836 (**Boori Australia Pty Ltd**) Boori International Pty Ltd
- 329837 (**Boori Australia Pty Ltd**) Boori International Pty Ltd
- 330488 (**Boori Australia Pty Ltd**) Boori International Pty Ltd
- 330489 (**Boori Australia Pty Ltd**) Boori International Pty Ltd
- 330490 (**Boori Australia Pty Ltd**) Boori International Pty Ltd
- 330491 (**Boori Australia Pty Ltd**) Boori International Pty Ltd
- 330492 (**Boori Australia Pty Ltd**) Boori International Pty Ltd
- 330493 (**Boori Australia Pty Ltd**) Boori International Pty Ltd
- 330494 (**Boori Australia Pty Ltd**) Boori International Pty Ltd
- 346440 (**Boori Australia Pty Ltd**) Boori International Pty Ltd
- 346594 (**Boori Australia Pty Ltd**) Boori International Pty Ltd
- 346441 (**Boori Australia Pty Ltd**) Boori International Pty Ltd
- 352456 (**Becton Dickinson and Company**) Michael J. Baum;Brent Pohl;Ed Belsinger
- 352431 (**Becton Dickinson and Company**) Michael J. Baum;Brent Pohl;Ed Belsinger
- 307096 (**Cycles International, Inc**) Nirve Sports, Ltd.
- 326939 (**CUB Pty Ltd**) Cash's (Australia) Pty Ltd
- 328893 (**CUB Pty Ltd**) Cash's (Australia) Pty Ltd
- 348748 (**Bonacina Vittorio Design S.R.L.**) Vittorio Bonacina Di Mario Bonacina & C. - S.N.C.
- 344305 (**Exclusive Tyre Distributors Pty Ltd**) Cooper Tire & Rubber Company
- 346002 (**Exclusive Tyre Distributors Pty Ltd**) Cooper Tire & Rubber Company
- 346003 (**Exclusive Tyre Distributors Pty Ltd**) Cooper Tire & Rubber Company
- 348960 (**Exclusive Tyre Distributors Pty Ltd**) Cooper Tire & Rubber Company
- 348961 (**Exclusive Tyre Distributors Pty Ltd**) Cooper Tire & Rubber Company
- 349606 (**Exclusive Tyre Distributors Pty Ltd**) Cooper Tire & Rubber Company
- 306212 (**Michael Kors (Switzerland) International GmbH**) Michael Kors LLC
- 308034 (**Michael Kors (Switzerland) International GmbH**) Michael Kors LLC
- 327645 (**Michael Kors (Switzerland) International GmbH**) Michael Kors, LLC
- 327646 (**Michael Kors (Switzerland) International GmbH**) Michael Kors, LLC
- 327647 (**Michael Kors (Switzerland) International GmbH**) Michael Kors, LLC
- 348944 (**Michael Kors (Switzerland) International GmbH**) Michael Kors, LLC
- 348945 (**Michael Kors (Switzerland) International GmbH**) Michael Kors, LLC
- 348946 (**Michael Kors (Switzerland) International GmbH**) Michael Kors, LLC
- 346442 (**Boori Australia Pty Ltd**) Boori International Pty Ltd

Certificate(s) of Examination

Examination of the following Design Registration(s) has been completed. Infringement proceedings may now be commenced.

330031	14-03NES	29/11/2013
339317	12-08	30/11/2013
339320	12-08	30/11/2013
345094	23-01H	29/11/2013
345095	23-01H	29/11/2013
345096	23-01H	29/11/2013
345097	23-01H	29/11/2013
346535	12-16NES	29/11/2013
347489	10-05	29/11/2013
347490	10-05	29/11/2013
347995	28-03B	04/12/2013
348378	26-03	05/12/2013
348442	20-03NES	30/11/2013
348443	20-03NES	30/11/2013
348444	20-03NES	30/11/2013
348618	12-16NES	29/11/2013
349060	12-15B	02/12/2013
349392	14-01	26/11/2013
349393	14-01	26/11/2013
349618	15-05	08/12/2013
349619	15-05	08/12/2013
349671	30-99	27/11/2013
349731	22-01	29/11/2013
349779	22-01	28/11/2013
349780	22-01	28/11/2013
349781	22-01	28/11/2013
349983	22-01	29/11/2013
349984	22-01	29/11/2013
350224	12-16K	02/12/2013
350225	07-01B	02/12/2013
350236	22-01	28/11/2013
350237	22-01	28/11/2013
350251	14-03NES	29/11/2013
350274	14-03NES	29/11/2013
350649	30-99	27/11/2013
350650	30-99	27/11/2013
350651	30-99	27/11/2013
350652	30-99	27/11/2013
350907	07-01B	08/12/2013

Publication and Registration Proceedings

Designs Registered

This section provides a concordance between design number and registration number of Designs covered in this journal. It also shows the main class and registration date.

This section covers Registration numbers 352477 to 352805 .

The registration number shown below should be used in all future correspondence.

Design Number	Registration Number	International Classification Code (IDC)	Registration Date	Design Number	Registration Number	International Classification Code (IDC)	Registration Date
16504/2012	352768	09-09	06/12/2013	14652/2013	352628	08-08G	03/12/2013
16505/2012	352769	06-04NES	06/12/2013	14765/2013	352640	10-07	04/12/2013
10189/2013	352709	02-02C	05/12/2013	14790/2013	352494	08-08B	27/11/2013
11064/2013	352554	02-02C	28/11/2013	14797/2013	352779	06-01D	09/12/2013
11674/2013	352621	07-02E	03/12/2013	14897/2013	352629	06-01NES	03/12/2013
11746/2013	352775	08-08G	09/12/2013	14922/2013	352630	06-13NES	03/12/2013
12238/2013	352555	13-03D	28/11/2013	14930/2013	352524	08-99	28/11/2013
12283/2013	352639	12-11	04/12/2013	14946/2013	352716	12-15A	05/12/2013
12297/2013	352622	26-02	03/12/2013	15097/2013	352780	15-07	09/12/2013
12672/2013	352776	07-02C	09/12/2013	15117/2013	352638	25-02C	03/12/2013
12779/2013	352521	23-02B	27/11/2013	15118/2013	352781	13-03B	09/12/2013
12780/2013	352522	23-02B	27/11/2013	15167/2013	352636	09-01NES	03/12/2013
13131/2013	352710	23-01A	05/12/2013	15180/2013	352556	15-99	28/11/2013
13175/2013	352623	09-07A	03/12/2013	15189/2013	352557	15-99	28/11/2013
13660/2013	352492	09-03H	27/11/2013	15343/2013	352717	26-05NES	05/12/2013
13778/2013	352558	06-01E	29/11/2013	15384/2013	352495	08-99	27/11/2013
13779/2013	352559	06-03NES	29/11/2013	15385/2013	352496	08-99	27/11/2013
13839/2013	352624	24-02	03/12/2013	15389/2013	352782	25-03	09/12/2013
13956/2013	352711	02-02NES	05/12/2013	15433/2013	352631	29-01	03/12/2013
13957/2013	352712	02-02NES	05/12/2013	15476/2013	352670	25-02NES	04/12/2013
14027/2013	352560	20-02NES	29/11/2013	15537/2013	352566	12-10	29/11/2013
14029/2013	352561	20-02NES	29/11/2013	15539/2013	352620	09-09	02/12/2013
14031/2013	352562	20-02NES	29/11/2013	15544/2013	352567	12-10	29/11/2013
14126/2013	352493	09-07NES	27/11/2013	15546/2013	352568	12-10	29/11/2013
14156/2013	352563	14-02	29/11/2013	15549/2013	352569	21-04	29/11/2013
14157/2013	352564	14-02	29/11/2013	15550/2013	352570	06-03NES	29/11/2013
14162/2013	352625	06-09	03/12/2013	15554/2013	352571	02-02C	29/11/2013
14186/2013	352523	21-02E	28/11/2013	15618/2013	352632	15-99	03/12/2013
14209/2013	352713	08-05N	05/12/2013	15619/2013	352633	15-99	03/12/2013
14210/2013	352739	08-05N	05/12/2013	15625/2013	352575	22-01	29/11/2013
14211/2013	352740	08-05N	05/12/2013	15643/2013	352637	07-05C	03/12/2013
14212/2013	352741	08-05N	05/12/2013	15683/2013	352718	02-02NES	05/12/2013
14213/2013	352714	08-05N	05/12/2013	15691/2013	352719	06-02	05/12/2013
14214/2013	352742	08-05N	05/12/2013	15692/2013	352720	06-02	05/12/2013
14215/2013	352743	08-05N	05/12/2013	15701/2013	352572	12-10	29/11/2013
14216/2013	352744	08-05N	05/12/2013	15702/2013	352573	12-10	29/11/2013
14218/2013	352565	06-13B	29/11/2013	15727/2013	352634	24-02	03/12/2013
14228/2013	352591	08-07	02/12/2013	15790/2013	352477	21-02C	26/11/2013
14236/2013	352619	12-11	02/12/2013	15791/2013	352497	08-08G	27/11/2013
14237/2013	352592	12-11	02/12/2013	15793/2013	352498	08-07	27/11/2013
14284/2013	352593	08-06	02/12/2013	15794/2013	352499	08-07	27/11/2013
14327/2013	352594	06-13B	02/12/2013	15795/2013	352500	08-07	27/11/2013
14414/2013	352777	25-02E	09/12/2013	15796/2013	352501	08-07	27/11/2013
14421/2013	352595	12-16NES	02/12/2013	15797/2013	352502	08-07	27/11/2013
14546/2013	352574	14-03NES	29/11/2013	15798/2013	352503	08-07	27/11/2013
14611/2013	352596	08-08C	02/12/2013	15799/2013	352478	02-04B	26/11/2013
14614/2013	352778	03-99	09/12/2013	15800/2013	352479	02-04B	26/11/2013
14620/2013	352715	09-03F	05/12/2013	15801/2013	352480	02-04NES	26/11/2013
14624/2013	352626	25-03	03/12/2013	15802/2013	352481	02-04NES	26/11/2013
14625/2013	352627	25-03	03/12/2013	15803/2013	352482	02-04NES	26/11/2013

Publication and Registration Proceedings - Designs Registered cont'd

Design Number	Registration Number	International Classification Code (IDC)	Registration Date	Design Number	Registration Number	International Classification Code (IDC)	Registration Date
15804/2013	352483	02-04NES	26/11/2013	15940/2013	352538	02-02C	28/11/2013
15805/2013	352484	02-04NES	26/11/2013	15941/2013	352539	02-02C	28/11/2013
15806/2013	352485	02-04NES	26/11/2013	15942/2013	352540	02-02NES	28/11/2013
15807/2013	352486	02-04NES	26/11/2013	15943/2013	352541	02-02NES	28/11/2013
15808/2013	352487	02-04NES	26/11/2013	15944/2013	352542	02-02C	28/11/2013
15809/2013	352488	02-04NES	26/11/2013	15945/2013	352543	02-02C	28/11/2013
15822/2013	352504	27-01	27/11/2013	15946/2013	352544	02-02C	28/11/2013
15823/2013	352525	26-05B	28/11/2013	15947/2013	352545	02-02C	28/11/2013
15824/2013	352526	11-02D	28/11/2013	15948/2013	352546	02-02C	28/11/2013
15828/2013	352671	14-02	04/12/2013	15949/2013	352547	02-02C	28/11/2013
15830/2013	352527	13-02	28/11/2013	15950/2013	352548	02-02C	28/11/2013
15831/2013	352528	12-11	28/11/2013	15951/2013	352549	02-02C	28/11/2013
15833/2013	352505	12-11	27/11/2013	15952/2013	352550	02-02C	28/11/2013
15834/2013	352506	13-03D	27/11/2013	15953/2013	352551	02-02C	28/11/2013
15835/2013	352507	10-07	27/11/2013	15954/2013	352552	02-02C	28/11/2013
15836/2013	352508	14-02	27/11/2013	15955/2013	352553	02-02C	28/11/2013
15838/2013	352509	12-15C	27/11/2013	15956/2013	352519	09-05	27/11/2013
15839/2013	352510	12-15C	27/11/2013	15957/2013	352586	02-02NES	29/11/2013
15840/2013	352511	12-15C	27/11/2013	15958/2013	352587	02-02NES	29/11/2013
15841/2013	352512	12-15NES	27/11/2013	15959/2013	352678	02-02NES	04/12/2013
15842/2013	352513	12-15B	27/11/2013	15960/2013	352588	02-02NES	29/11/2013
15843/2013	352576	08-05F	29/11/2013	15961/2013	352589	02-02NES	29/11/2013
15844/2013	352514	09-01NES	27/11/2013	15962/2013	352590	02-02NES	29/11/2013
15845/2013	352515	09-01NES	27/11/2013	15963/2013	352679	02-02NES	04/12/2013
15846/2013	352529	13-03NES	28/11/2013	15964/2013	352597	02-01B	02/12/2013
15847/2013	352672	13-02	04/12/2013	15965/2013	352689	02-02NES	04/12/2013
15848/2013	352673	13-02	04/12/2013	15966/2013	352690	02-01B	04/12/2013
15849/2013	352674	13-03D	04/12/2013	15967/2013	352691	02-02C	04/12/2013
15850/2013	352577	13-03NES	29/11/2013	15968/2013	352692	02-02NES	04/12/2013
15851/2013	352578	13-03D	29/11/2013	15969/2013	352693	02-02NES	04/12/2013
15858/2013	352579	14-01	29/11/2013	15970/2013	352694	02-02C	04/12/2013
15860/2013	352635	14-01	03/12/2013	15971/2013	352695	02-02NES	04/12/2013
15861/2013	352580	14-01	29/11/2013	15972/2013	352696	02-02C	04/12/2013
15864/2013	352675	14-01	04/12/2013	15973/2013	352520	25-01B	27/11/2013
15865/2013	352530	11-01A	28/11/2013	15981/2013	352598	08-05H	02/12/2013
15866/2013	352531	11-01A	28/11/2013	15983/2013	352599	20-03B	02/12/2013
15867/2013	352532	11-01A	28/11/2013	15984/2013	352600	26-05D	02/12/2013
15868/2013	352533	11-02B	28/11/2013	15985/2013	352601	02-04A	02/12/2013
15870/2013	352534	19-06	28/11/2013	15986/2013	352602	23-01A	02/12/2013
15872/2013	352535	23-01E	28/11/2013	15988/2013	352603	08-03	02/12/2013
15873/2013	352676	23-01E	04/12/2013	15990/2013	352604	12-16NES	02/12/2013
15878/2013	352536	06-03NES	28/11/2013	15992/2013	352605	12-16B	02/12/2013
15879/2013	352677	14-99	04/12/2013	15993/2013	352606	12-16B	02/12/2013
15882/2013	352489	06-06H	26/11/2013	15994/2013	352607	02-04NES	02/12/2013
15887/2013	352490	27-01	26/11/2013	15995/2013	352608	14-99	02/12/2013
15888/2013	352581	02-07A	29/11/2013	15999/2013	352783	07-01NES	09/12/2013
15892/2013	352491	08-07	26/11/2013	16000/2013	352784	09-03D	09/12/2013
15894/2013	352537	10-04	28/11/2013	16001/2013	352785	06-06H	09/12/2013
15895/2013	352516	10-04	27/11/2013	16002/2013	352786	06-06H	09/12/2013
15896/2013	352517	10-04	27/11/2013	16003/2013	352787	06-06H	09/12/2013
15897/2013	352518	10-04	27/11/2013	16004/2013	352788	06-03C	09/12/2013
15900/2013	352582	09-01G	29/11/2013	16005/2013	352789	06-03A	09/12/2013
15902/2013	352583	09-01G	29/11/2013	16006/2013	352790	06-03NES	09/12/2013
15938/2013	352584	25-02K	29/11/2013	16007/2013	352791	06-03A	09/12/2013
15939/2013	352585	25-03	29/11/2013	16008/2013	352792	06-03NES	09/12/2013

Publication and Registration Proceedings - Designs Registered cont'd

Design Number	Registration Number	International Classification Code (IDC)	Registration Date	Design Number	Registration Number	International Classification Code (IDC)	Registration Date
16009/2013	352793	06-03A	09/12/2013	16091/2013	352707	06-01H	04/12/2013
16010/2013	352794	06-03A	09/12/2013	16092/2013	352798	25-02F	09/12/2013
16011/2013	352795	06-03A	09/12/2013	16096/2013	352799	20-02NES	09/12/2013
16012/2013	352796	06-03A	09/12/2013	16097/2013	352660	12-16NES	04/12/2013
16013/2013	352797	06-03A	09/12/2013	16098/2013	352800	02-02NES	09/12/2013
16014/2013	352609	14-02	02/12/2013	16099/2013	352746	02-02NES	06/12/2013
16015/2013	352610	12-15C	02/12/2013	16100/2013	352801	02-02NES	09/12/2013
16016/2013	352697	12-15C	04/12/2013	16102/2013	352802	02-02NES	09/12/2013
16017/2013	352611	12-15A	02/12/2013	16103/2013	352803	02-02NES	09/12/2013
16019/2013	352612	12-15A	02/12/2013	16104/2013	352804	02-02C	09/12/2013
16021/2013	352613	14-02	02/12/2013	16105/2013	352805	02-02C	09/12/2013
16025/2013	352698	14-02	04/12/2013	16106/2013	352747	02-02C	06/12/2013
16027/2013	352614	14-01	02/12/2013	16107/2013	352748	02-02C	06/12/2013
16028/2013	352615	14-01	02/12/2013	16108/2013	352749	02-02C	06/12/2013
16030/2013	352641	14-01	04/12/2013	16109/2013	352750	02-02NES	06/12/2013
16033/2013	352643	08-07	04/12/2013	16110/2013	352751	02-02NES	06/12/2013
16034/2013	352616	14-01	02/12/2013	16111/2013	352752	02-02NES	06/12/2013
16036/2013	352680	08-07	04/12/2013	16112/2013	352753	02-02NES	06/12/2013
16037/2013	352681	14-01	04/12/2013	16114/2013	352754	02-02NES	06/12/2013
16039/2013	352617	14-01	02/12/2013	16115/2013	352755	02-02NES	06/12/2013
16040/2013	352642	06-10	04/12/2013	16116/2013	352756	02-02B	06/12/2013
16043/2013	352618	08-05NES	02/12/2013	16117/2013	352757	02-02B	06/12/2013
16044/2013	352644	09-09	04/12/2013	16118/2013	352758	02-02NES	06/12/2013
16045/2013	352682	25-02C	04/12/2013	16130/2013	352661	14-02	04/12/2013
16049/2013	352683	07-06D	04/12/2013	16131/2013	352662	12-15C	04/12/2013
16050/2013	352684	12-15B	04/12/2013	16132/2013	352663	12-15A	04/12/2013
16053/2013	352645	07-05A	04/12/2013	16133/2013	352664	26-06	04/12/2013
16054/2013	352646	14-01	04/12/2013	16134/2013	352665	26-06	04/12/2013
16055/2013	352647	14-01	04/12/2013	16135/2013	352666	26-06	04/12/2013
16056/2013	352699	14-01	04/12/2013	16136/2013	352667	26-06	04/12/2013
16057/2013	352648	12-16NES	04/12/2013	16137/2013	352708	26-06	04/12/2013
16058/2013	352649	14-02	04/12/2013	16138/2013	352668	26-06	04/12/2013
16060/2013	352685	26-06	04/12/2013	16139/2013	352669	06-02	04/12/2013
16061/2013	352686	26-06	04/12/2013	16140/2013	352722	06-04D	05/12/2013
16062/2013	352687	26-06	04/12/2013	16141/2013	352723	06-04D	05/12/2013
16063/2013	352688	14-02	04/12/2013	16142/2013	352724	06-04D	05/12/2013
16064/2013	352650	26-06	04/12/2013	16143/2013	352725	06-04D	05/12/2013
16065/2013	352651	26-06	04/12/2013	16144/2013	352726	06-04F	05/12/2013
16066/2013	352652	26-06	04/12/2013	16145/2013	352727	06-04F	05/12/2013
16067/2013	352700	14-02	04/12/2013	16146/2013	352728	06-04D	05/12/2013
16069/2013	352653	26-06	04/12/2013	16147/2013	352729	06-04D	05/12/2013
16070/2013	352654	10-05	04/12/2013	16161/2013	352730	07-02L	05/12/2013
16071/2013	352655	10-05	04/12/2013	16162/2013	352731	16-06	05/12/2013
16073/2013	352656	08-05N	04/12/2013	16163/2013	352732	09-03NES	05/12/2013
16074/2013	352657	20-01	04/12/2013	16164/2013	352733	23-01D	05/12/2013
16075/2013	352658	20-01	04/12/2013	16167/2013	352734	25-02NES	05/12/2013
16076/2013	352659	20-01	04/12/2013	16171/2013	352735	12-08	05/12/2013
16083/2013	352701	06-01E	04/12/2013	16172/2013	352736	24-01	05/12/2013
16084/2013	352702	08-09	04/12/2013	16173/2013	352759	09-02B	06/12/2013
16085/2013	352721	06-01L	05/12/2013	16174/2013	352737	25-01A	05/12/2013
16086/2013	352703	06-01L	04/12/2013	16177/2013	352738	08-08NES	05/12/2013
16087/2013	352745	14-02	05/12/2013	16178/2013	352760	12-16A	06/12/2013
16088/2013	352704	08-08L	04/12/2013	16179/2013	352761	09-03F	06/12/2013
16089/2013	352705	08-08L	04/12/2013	16181/2013	352762	07-05A	06/12/2013
16090/2013	352706	06-01H	04/12/2013	16182/2013	352763	07-05A	06/12/2013

Publication and Registration Proceedings - Designs Registered cont'd

Design Number	Registration Number	International Classification Code (IDC)	Registration Date	Design Number	Registration Number	International Classification Code (IDC)	Registration Date
16183/2013	352764	07-05A	06/12/2013	16190/2013	352772	06-04F	06/12/2013
16184/2013	352765	06-03NES	06/12/2013	16191/2013	352773	01-01	06/12/2013
16185/2013	352766	06-06F	06/12/2013	16192/2013	352774	09-03F	06/12/2013
16186/2013	352767	06-02	06/12/2013				
16187/2013	352770	14-02	06/12/2013				
16189/2013	352771	14-01	06/12/2013				

Publication and Registration Proceedings

Class Listing of Designs Published or Registered

The following section shows an International Classification Code listing of the Registered or Published Designs covered in this supplement.

Classification	Registration Number	Design Number	Classification	Registration Number	Design Number
01-01	352773	16191/2013	02-02NES	352754	16114/2013
02-01B	352597	15964/2013	02-02NES	352755	16115/2013
02-01B	352690	15966/2013	02-02NES	352758	16118/2013
02-02B	352718	15683/2013	02-02NES	352800	16098/2013
02-02B	352756	16116/2013	02-02NES	352801	16100/2013
02-02B	352757	16117/2013	02-02NES	352802	16102/2013
02-02C	352538	15940/2013	02-02NES	352803	16103/2013
02-02C	352539	15941/2013	02-04A	352601	15985/2013
02-02C	352542	15944/2013	02-04B	352478	15799/2013
02-02C	352543	15945/2013	02-04B	352479	15800/2013
02-02C	352544	15946/2013	02-04NES	352480	15801/2013
02-02C	352545	15947/2013	02-04NES	352481	15802/2013
02-02C	352546	15948/2013	02-04NES	352482	15803/2013
02-02C	352547	15949/2013	02-04NES	352483	15804/2013
02-02C	352548	15950/2013	02-04NES	352484	15805/2013
02-02C	352549	15951/2013	02-04NES	352485	15806/2013
02-02C	352550	15952/2013	02-04NES	352486	15807/2013
02-02C	352551	15953/2013	02-04NES	352487	15808/2013
02-02C	352552	15954/2013	02-04NES	352488	15809/2013
02-02C	352553	15955/2013	02-04NES	352607	15994/2013
02-02C	352554	11064/2013	02-07A	352581	15888/2013
02-02C	352571	15554/2013	03-99	352778	14614/2013
02-02C	352691	15967/2013	06-01D	352779	14797/2013
02-02C	352694	15970/2013	06-01E	352558	13778/2013
02-02C	352696	15972/2013	06-01E	352701	16083/2013
02-02C	352709	10189/2013	06-01F	352785	16001/2013
02-02C	352747	16106/2013	06-01F	352786	16002/2013
02-02C	352748	16107/2013	06-01F	352787	16003/2013
02-02C	352749	16108/2013	06-01H	352706	16090/2013
02-02C	352804	16104/2013	06-01H	352707	16091/2013
02-02C	352805	16105/2013	06-01L	352703	16086/2013
02-02NES	352540	15942/2013	06-01L	352721	16085/2013
02-02NES	352541	15943/2013	06-01NES	352629	14897/2013
02-02NES	352586	15957/2013	06-02	352625	14162/2013
02-02NES	352587	15958/2013	06-02	352669	16139/2013
02-02NES	352588	15960/2013	06-02	352719	15691/2013
02-02NES	352589	15961/2013	06-02	352720	15692/2013
02-02NES	352590	15962/2013	06-02	352767	16186/2013
02-02NES	352678	15959/2013	06-03A	352789	16005/2013
02-02NES	352679	15963/2013	06-03A	352790	16006/2013
02-02NES	352689	15965/2013	06-03A	352791	16007/2013
02-02NES	352692	15968/2013	06-03A	352792	16008/2013
02-02NES	352693	15969/2013	06-03A	352793	16009/2013
02-02NES	352695	15971/2013	06-03A	352794	16010/2013
02-02NES	352709	10189/2013	06-03A	352795	16011/2013
02-02NES	352711	13956/2013	06-03A	352796	16012/2013
02-02NES	352712	13957/2013	06-03A	352797	16013/2013
02-02NES	352718	15683/2013	06-03C	352608	15995/2013
02-02NES	352746	16099/2013	06-03C	352788	16004/2013
02-02NES	352750	16109/2013	06-03NES	352536	15878/2013
02-02NES	352751	16110/2013	06-03NES	352559	13779/2013
02-02NES	352752	16111/2013	06-03NES	352570	15550/2013
02-02NES	352753	16112/2013	06-03NES	352765	16184/2013

Registration Proceedings - Class Listing of Designs Published or Registered cont'd

Classification	Registration Number	Design Number	Classification	Registration Number	Design Number
06-03NES	352790	16006/2013	08-08B	352494	14790/2013
06-03NES	352792	16008/2013	08-08C	352596	14611/2013
06-04D	352722	16140/2013	08-08G	352497	15791/2013
06-04D	352723	16141/2013	08-08G	352593	14284/2013
06-04D	352724	16142/2013	08-08G	352628	14652/2013
06-04D	352725	16143/2013	08-08G	352775	11746/2013
06-04D	352728	16146/2013	08-08L	352520	15973/2013
06-04D	352729	16147/2013	08-08L	352704	16088/2013
06-04F	352726	16144/2013	08-08L	352705	16089/2013
06-04F	352727	16145/2013	08-08NES	352580	15861/2013
06-04F	352772	16190/2013	08-08NES	352675	15864/2013
06-04NES	352769	16505/2012	08-08NES	352736	16172/2013
06-06F	352766	16185/2013	08-08NES	352738	16177/2013
06-06H	352489	15882/2013	08-09	352702	16084/2013
06-06H	352785	16001/2013	08-99	352495	15384/2013
06-06H	352786	16002/2013	08-99	352496	15385/2013
06-06H	352787	16003/2013	08-99	352524	14930/2013
06-09	352625	14162/2013	09-01G	352582	15900/2013
06-10	352642	16040/2013	09-01G	352583	15902/2013
06-13B	352565	14218/2013	09-01NES	352514	15844/2013
06-13B	352594	14327/2013	09-01NES	352515	15845/2013
06-13NES	352630	14922/2013	09-01NES	352636	15167/2013
07-01NES	352783	15999/2013	09-02B	352759	16173/2013
07-02C	352776	12672/2013	09-03D	352784	16000/2013
07-02E	352621	11674/2013	09-03F	352715	14620/2013
07-02L	352730	16161/2013	09-03F	352761	16179/2013
07-05A	352645	16053/2013	09-03F	352774	16192/2013
07-05A	352762	16181/2013	09-03H	352492	13660/2013
07-05A	352763	16182/2013	09-03NES	352732	16163/2013
07-05A	352764	16183/2013	09-05	352519	15956/2013
07-05C	352637	15643/2013	09-07A	352623	13175/2013
07-06D	352683	16049/2013	09-07B	352514	15844/2013
08-03	352603	15988/2013	09-07B	352515	15845/2013
08-05F	352576	15843/2013	09-07NES	352493	14126/2013
08-05H	352598	15981/2013	09-07NES	352516	15895/2013
08-05N	352656	16073/2013	09-07NES	352517	15896/2013
08-05N	352713	14209/2013	09-07NES	352518	15897/2013
08-05N	352714	14213/2013	09-07NES	352537	15894/2013
08-05N	352739	14210/2013	09-09	352620	15539/2013
08-05N	352740	14211/2013	09-09	352644	16044/2013
08-05N	352741	14212/2013	09-09	352768	16504/2012
08-05N	352742	14214/2013	10-04	352516	15895/2013
08-05N	352743	14215/2013	10-04	352517	15896/2013
08-05N	352744	14216/2013	10-04	352518	15897/2013
08-05NES	352618	16043/2013	10-04	352537	15894/2013
08-06	352593	14284/2013	10-05	352654	16070/2013
08-07	352491	15892/2013	10-05	352655	16071/2013
08-07	352498	15793/2013	10-07	352507	15835/2013
08-07	352499	15794/2013	10-07	352640	14765/2013
08-07	352500	15795/2013	11-01A	352530	15865/2013
08-07	352501	15796/2013	11-01A	352531	15866/2013
08-07	352502	15797/2013	11-01A	352532	15867/2013
08-07	352503	15798/2013	11-02B	352533	15868/2013
08-07	352591	14228/2013	11-02D	352526	15824/2013
08-07	352643	16033/2013	12-08	352735	16171/2013
08-07	352680	16036/2013	12-10	352566	15537/2013

Registration Proceedings - Class Listing of Designs Published or Registered cont'd

Classification	Registration Number	Design Number	Classification	Registration Number	Design Number
12-10	352567	15544/2013	14-01	352681	16037/2013
12-10	352568	15546/2013	14-01	352699	16056/2013
12-10	352572	15701/2013	14-01	352771	16189/2013
12-10	352573	15702/2013	14-02	352508	15836/2013
12-11	352505	15833/2013	14-02	352563	14156/2013
12-11	352528	15831/2013	14-02	352564	14157/2013
12-11	352592	14237/2013	14-02	352608	15995/2013
12-11	352619	14236/2013	14-02	352609	16014/2013
12-11	352639	12283/2013	14-02	352613	16021/2013
12-15A	352611	16017/2013	14-02	352614	16027/2013
12-15A	352612	16019/2013	14-02	352615	16028/2013
12-15A	352663	16132/2013	14-02	352616	16034/2013
12-15A	352716	14946/2013	14-02	352617	16039/2013
12-15B	352513	15842/2013	14-02	352641	16030/2013
12-15B	352684	16050/2013	14-02	352649	16058/2013
12-15C	352509	15838/2013	14-02	352661	16130/2013
12-15C	352510	15839/2013	14-02	352671	15828/2013
12-15C	352511	15840/2013	14-02	352681	16037/2013
12-15C	352610	16015/2013	14-02	352688	16063/2013
12-15C	352662	16131/2013	14-02	352698	16025/2013
12-15C	352697	16016/2013	14-02	352700	16067/2013
12-15NES	352512	15841/2013	14-02	352745	16087/2013
12-16A	352760	16178/2013	14-02	352770	16187/2013
12-16B	352605	15992/2013	14-02	352799	16096/2013
12-16B	352606	15993/2013	14-03NES	352574	14546/2013
12-16L	352595	14421/2013	14-04	352771	16189/2013
12-16L	352660	16097/2013	14-99	352608	15995/2013
12-16NES	352595	14421/2013	14-99	352677	15879/2013
12-16NES	352604	15990/2013	14-99	352799	16096/2013
12-16NES	352648	16057/2013	15-07	352780	15097/2013
12-16NES	352660	16097/2013	15-99	352556	15180/2013
13-02	352527	15830/2013	15-99	352557	15189/2013
13-02	352672	15847/2013	15-99	352632	15618/2013
13-02	352673	15848/2013	15-99	352633	15619/2013
13-03B	352529	15846/2013	16-01	352507	15835/2013
13-03B	352781	15118/2013	16-06	352624	13839/2013
13-03D	352506	15834/2013	16-06	352634	15727/2013
13-03D	352555	12238/2013	16-06	352731	16162/2013
13-03D	352577	15850/2013	19-06	352534	15870/2013
13-03D	352578	15851/2013	19-08	352599	15983/2013
13-03D	352674	15849/2013	20-01	352657	16074/2013
13-03NES	352529	15846/2013	20-01	352658	16075/2013
13-03NES	352577	15850/2013	20-01	352659	16076/2013
13-03NES	352672	15847/2013	20-02NES	352560	14027/2013
13-03NES	352673	15848/2013	20-02NES	352561	14029/2013
14-01	352579	15858/2013	20-02NES	352562	14031/2013
14-01	352580	15861/2013	20-02NES	352799	16096/2013
14-01	352614	16027/2013	20-03B	352599	15983/2013
14-01	352615	16028/2013	21-02B	352575	15625/2013
14-01	352616	16034/2013	21-02C	352477	15790/2013
14-01	352617	16039/2013	21-02E	352523	14186/2013
14-01	352635	15860/2013	21-04	352569	15549/2013
14-01	352641	16030/2013	22-01	352575	15625/2013
14-01	352646	16054/2013	23-01A	352602	15986/2013
14-01	352647	16055/2013	23-01A	352710	13131/2013
14-01	352675	15864/2013	23-01D	352733	16164/2013

Registration Proceedings - Class Listing of Designs Published or Registered cont'd

Classification	Registration Number	Design Number	Classification	Registration Number	Design Number
23-01E	352535	15872/2013	26-05B	352525	15823/2013
23-01E	352676	15873/2013	26-05D	352600	15984/2013
23-02B	352521	12779/2013	26-05NES	352717	15343/2013
23-02B	352522	12780/2013	26-06	352650	16064/2013
23-03E	352798	16092/2013	26-06	352651	16065/2013
24-01	352736	16172/2013	26-06	352652	16066/2013
24-02	352624	13839/2013	26-06	352653	16069/2013
24-02	352634	15727/2013	26-06	352664	16133/2013
25-01A	352737	16174/2013	26-06	352665	16134/2013
25-01B	352520	15973/2013	26-06	352666	16135/2013
25-02C	352638	15117/2013	26-06	352667	16136/2013
25-02C	352682	16045/2013	26-06	352668	16138/2013
25-02E	352777	14414/2013	26-06	352685	16060/2013
25-02F	352798	16092/2013	26-06	352686	16061/2013
25-02K	352584	15938/2013	26-06	352687	16062/2013
25-02NES	352670	15476/2013	26-06	352708	16137/2013
25-02NES	352734	16167/2013	27-01	352490	15887/2013
25-03	352585	15939/2013	27-01	352504	15822/2013
25-03	352626	14624/2013	28-03NES	352519	15956/2013
25-03	352627	14625/2013	29-01	352631	15433/2013
25-03	352734	16167/2013	29-02	352731	16162/2013
25-03	352782	15389/2013			
26-02	352622	12297/2013			

(21) Design Number: **15790/2013**

(22) Date of Filing Application: **12 November 2013**

(24) Date from which industrial property rights may have effect: **12 November 2013**

(54) Product in respect of which the design is registered: **Golf club head**

(51) International Design Classification: **21-02C**

(74) Name(s) of Attorney(s): **Davies Collison Cave**

(71) Name(s) and Address(s) of Applicant(s):

Karsten Manufacturing Corporation

2201 West Desert Cove Phoenix Arizona 85029 United States of America

(72) Name(s) of Designer(s): **Ryan M. Stokke and Xiaojian Chen**

(45) Registration Date: **26 November 2013**

(30) Convention priority data:

(31) Number

(32) Date

(33) Country

29/455657

23 May 2013

UNITED STATES OF AMERICA

(56) Related Art Documents: **Not Applicable**

(57) Statement of Newness and Distinctiveness: **Newness and distinctiveness is claimed in the visual features shown in solid lines in the representations. In considering the extent of the design rights, the broken lines shown in the representations are for illustrative purposes only and do not form part of the design.**



(21) Design Number: **15799/2013**

(22) Date of Filing Application: **12 November 2013**

(24) Date from which industrial property rights may have effect: **12 November 2013**

(54) Product in respect of which the design is registered: **Footwear sole**

(51) International Design Classification: **02-04B**

(74) Name(s) of Attorney(s): **WATERMARK PATENT AND TRADE MARKS ATTORNEYS**

(71) Name(s) and Address(s) of Applicant(s):

Emu Ridge Holdings Pty Ltd

77 Barwon Tce South Geelong VIC 3220 Australia

(72) Name(s) of Designer(s): **Matt Capozzi and Justin Amago and Katherine McMillan**

(45) Registration Date: **26 November 2013**

(56) Related Art Documents: **Not Applicable**

(57) Statement of Newness and Distinctiveness: **Newness and distinctiveness resides in the features of shape and/or configuration of a sole for footwear as shown in the accompanying representations. The text appearing on the sole, and the colours of the sole, do not form part of the design.**



- (21) Design Number: **15800/2013**
(22) Date of Filing Application: **12 November 2013**
(24) Date from which industrial property rights may have effect: **12 November 2013**
(54) Product in respect of which the design is registered: **Footwear sole**
(51) International Design Classification: **02-04B**
(74) Name(s) of Attorney(s): **WATERMARK PATENT AND TRADE MARKS ATTORNEYS**
(71) Name(s) and Address(s) of Applicant(s):
Emu Ridge Holdings Pty Ltd
77 Barwon Tce South Geelong VIC 3220 Australia
(72) Name(s) of Designer(s): **Matt Capozzi and Justin Amago and Katherine McMillan**
(45) Registration Date: **26 November 2013**
(56) Related Art Documents: **Not Applicable**
(57) Statement of Newness and Distinctiveness: **Newness and distinctiveness resides in the features of shape and/or configuration of a sole for footwear as shown in the accompanying representations. The text appearing on the sole, and the colours of the sole, do not form part of the design.**



- (21) Design Number: **15801/2013**
(22) Date of Filing Application: **12 November 2013**
(24) Date from which industrial property rights may have effect: **12 November 2013**
(54) Product in respect of which the design is registered: **Boot**
(51) International Design Classification: **02-04NES**
(74) Name(s) of Attorney(s): **WATERMARK PATENT AND TRADE MARKS ATTORNEYS**
(71) Name(s) and Address(s) of Applicant(s):
Emu Ridge Holdings Pty Ltd
77 Barwon Tce South Geelong VIC 3220 Australia
(72) Name(s) of Designer(s): **Matt Capozzi and Justin Amago and Katherine McMillan**
(45) Registration Date: **26 November 2013**
(56) Related Art Documents: **Not Applicable**
(57) Statement of Newness and Distinctiveness: **Newness and distinctiveness resides in the features of shape and/or configuration of a boot as shown in the accompanying representations. The text appearing on the insole of the boot, and the symbol appearing on the rear of the boot, do not form part of the design.**



- (21) Design Number: **15802/2013**
(22) Date of Filing Application: **12 November 2013**
(24) Date from which industrial property rights may have effect: **12 November 2013**
(54) Product in respect of which the design is registered: **Boot**
(51) International Design Classification: **02-04NES**
(74) Name(s) of Attorney(s): **WATERMARK PATENT AND TRADE MARKS ATTORNEYS**
(71) Name(s) and Address(s) of Applicant(s):
Emu Ridge Holdings Pty Ltd
77 Barwon Tce South Geelong VIC 3220 Australia
(72) Name(s) of Designer(s): **Matt Capozzi and Justin Amago and Katherine McMillan**
(45) Registration Date: **26 November 2013**
(56) Related Art Documents: **Not Applicable**
(57) Statement of Newness and Distinctiveness: **Newness and distinctiveness resides in the features of shape and/or configuration of a boot as shown in the accompanying representations. The text appearing on the insole of the boot, and the symbol appearing on the side of the boot, do not form part of the design.**



- (21) Design Number: **15803/2013**
(22) Date of Filing Application: **12 November 2013**
(24) Date from which industrial property rights may have effect: **12 November 2013**
(54) Product in respect of which the design is registered: **Boot**
(51) International Design Classification: **02-04NES**
(74) Name(s) of Attorney(s): **WATERMARK PATENT AND TRADE MARKS ATTORNEYS**
(71) Name(s) and Address(s) of Applicant(s):
Emu Ridge Holdings Pty Ltd
77 Barwon Tce South Geelong VIC 3220 Australia
(72) Name(s) of Designer(s): **Matt Capozzi and Justin Amago and Katherine McMillan**
(45) Registration Date: **26 November 2013**
(56) Related Art Documents: **Not Applicable**
(57) Statement of Newness and Distinctiveness: **Newness and distinctiveness resides in the features of shape and/or configuration of a boot as shown in the accompanying representations. The text appearing on the insole of the boot, and the symbol appearing on the side of the boot, do not form part of the design.**



- (21) Design Number: **15804/2013**
(22) Date of Filing Application: **12 November 2013**
(24) Date from which industrial property rights may have effect: **12 November 2013**
(54) Product in respect of which the design is registered: **Boot**
(51) International Design Classification: **02-04NES**
(74) Name(s) of Attorney(s): **WATERMARK PATENT AND TRADE MARKS ATTORNEYS**
(71) Name(s) and Address(s) of Applicant(s):
Emu Ridge Holdings Pty Ltd
77 Barwon Tce South Geelong VIC 3220 Australia
(72) Name(s) of Designer(s): **Matt Capozzi and Justin Amago and Katherine McMillan**
(45) Registration Date: **26 November 2013**
(56) Related Art Documents: **Not Applicable**
(57) Statement of Newness and Distinctiveness: **Newness and distinctiveness resides in the features of shape and/or configuration of a boot as shown in the accompanying representations. The text appearing on the buckle and insole of the boot, and the symbol appearing on the side of the boot, do not form part of the design.**



- (21) Design Number: **15805/2013**
(22) Date of Filing Application: **12 November 2013**
(24) Date from which industrial property rights may have effect: **12 November 2013**
(54) Product in respect of which the design is registered: **Boot**
(51) International Design Classification: **02-04NES**
(74) Name(s) of Attorney(s): **WATERMARK PATENT AND TRADE MARKS ATTORNEYS**
(71) Name(s) and Address(s) of Applicant(s):
Emu Ridge Holdings Pty Ltd
77 Barwon Tce South Geelong VIC 3220 Australia
(72) Name(s) of Designer(s): **Matt Capozzi and Justin Amago and Katherine McMillan**
(45) Registration Date: **26 November 2013**
(56) Related Art Documents: **Not Applicable**
(57) Statement of Newness and Distinctiveness: **Newness and distinctiveness resides in the features of shape and/or configuration of a boot as shown in the accompanying representations. The text appearing on the insole of the boot, and the symbol appearing on the side of the boot, do not form part of the design.**



- (21) Design Number: **15806/2013**
(22) Date of Filing Application: **12 November 2013**
(24) Date from which industrial property rights may have effect: **12 November 2013**
(54) Product in respect of which the design is registered: **Boot**
(51) International Design Classification: **02-04NES**
(74) Name(s) of Attorney(s): **WATERMARK PATENT AND TRADE MARKS ATTORNEYS**
(71) Name(s) and Address(s) of Applicant(s):
Emu Ridge Holdings Pty Ltd
77 Barwon Tce South Geelong VIC 3220 Australia
(72) Name(s) of Designer(s): **Paul David Neate**
(45) Registration Date: **26 November 2013**
(56) Related Art Documents: **Not Applicable**
(57) Statement of Newness and Distinctiveness: **Newness and distinctiveness resides in the features of shape and/or configuration of a boot as shown in the accompanying representations. The symbol appearing on the side of the boot does not form part of the design.**



- (21) Design Number: **15807/2013**
(22) Date of Filing Application: **12 November 2013**
(24) Date from which industrial property rights may have effect: **12 November 2013**
(54) Product in respect of which the design is registered: **Boot**
(51) International Design Classification: **02-04NES**
(74) Name(s) of Attorney(s): **WATERMARK PATENT AND TRADE MARKS ATTORNEYS**
(71) Name(s) and Address(s) of Applicant(s):
Emu Ridge Holdings Pty Ltd
77 Barwon Tce South Geelong VIC 3220 Australia
(72) Name(s) of Designer(s): **Paul David Neate**
(45) Registration Date: **26 November 2013**
(56) Related Art Documents: **Not Applicable**
(57) Statement of Newness and Distinctiveness: **Newness and distinctiveness resides in the features of shape and/or configuration of a boot as shown in the accompanying representations. The symbol appearing on the side of the boot does not form part of the design.**



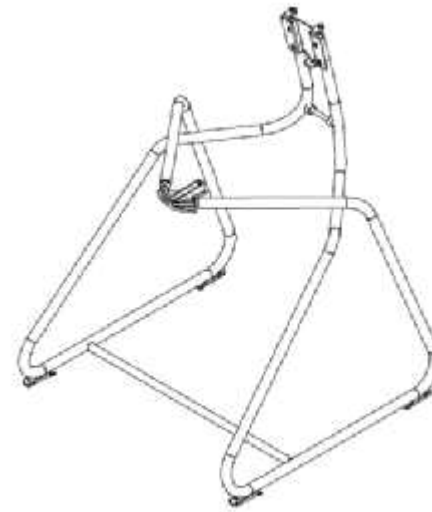
- (21) Design Number: **15808/2013**
(22) Date of Filing Application: **12 November 2013**
(24) Date from which industrial property rights may have effect: **12 November 2013**
(54) Product in respect of which the design is registered: **Boot**
(51) International Design Classification: **02-04NES**
(74) Name(s) of Attorney(s): **WATERMARK PATENT AND TRADE MARKS ATTORNEYS**
(71) Name(s) and Address(s) of Applicant(s):
Emu Ridge Holdings Pty Ltd
77 Barwon Tce South Geelong VIC 3220 Australia
(72) Name(s) of Designer(s): **Paul David Neate**
(45) Registration Date: **26 November 2013**
(56) Related Art Documents: **Not Applicable**
(57) Statement of Newness and Distinctiveness: **Newness and distinctiveness resides in the features of shape and/or configuration of a boot as shown in the accompanying representations. The symbol appearing on the side of the boot does not form part of the design.**



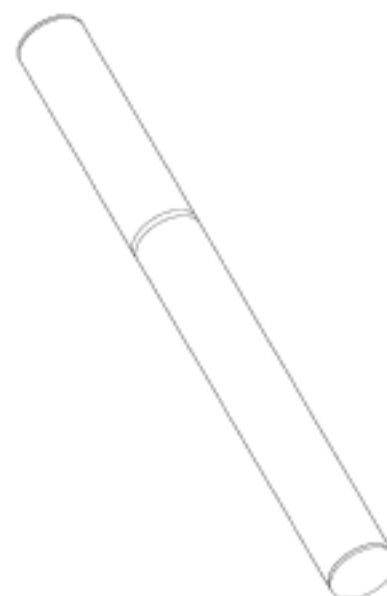
- (21) Design Number: **15809/2013**
(22) Date of Filing Application: **12 November 2013**
(24) Date from which industrial property rights may have effect: **12 November 2013**
(54) Product in respect of which the design is registered: **Boot**
(51) International Design Classification: **02-04NES**
(74) Name(s) of Attorney(s): **WATERMARK PATENT AND TRADE MARKS ATTORNEYS**
(71) Name(s) and Address(s) of Applicant(s):
Emu Ridge Holdings Pty Ltd
77 Barwon Tce South Geelong VIC 3220 Australia
(72) Name(s) of Designer(s): **Matt Capozzi and Justin Amago and Katherine McMillan**
(45) Registration Date: **26 November 2013**
(56) Related Art Documents: **Not Applicable**
(57) Statement of Newness and Distinctiveness: **Newness and distinctiveness resides in the features of shape and/or configuration of a boot as shown in the accompanying representations. The text appearing on the insole of the boot, and the symbol appearing on the side of the boot, do not form part of the design.**



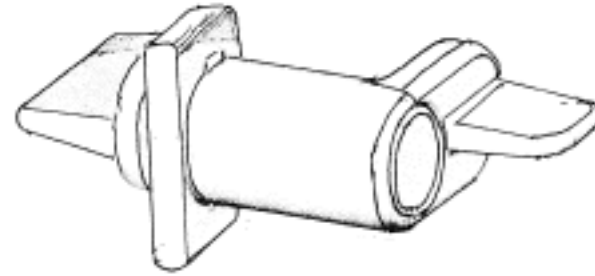
(21) Design Number: **15882/2013**
(22) Date of Filing Application: **15 November 2013**
(24) Date from which industrial property rights may have effect: **15 November 2013**
(54) Product in respect of which the design is registered: **Chair frame**
(51) International Design Classification: **06-06H**
(74) Name(s) of Attorney(s): **Macpherson + Kelley**
(71) Name(s) and Address(s) of Applicant(s):
Woods Furniture Pty Ltd
564 Geelong Rd Brooklyn VIC 3012 Australia
(72) Name(s) of Designer(s): **James Setters**
(45) Registration Date: **26 November 2013**
(56) Related Art Documents: **Not Applicable**
(57) Statement of Newness and Distinctiveness: **Nil**



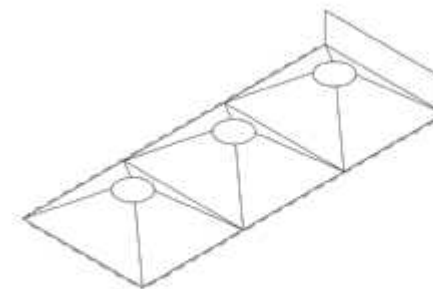
(21) Design Number: **15887/2013**
(22) Date of Filing Application: **15 November 2013**
(24) Date from which industrial property rights may have effect: **11 July 2013**
(54) Product in respect of which the design is registered: **Electronic smoking article**
(51) International Design Classification: **27-01**
(74) Name(s) of Attorney(s): **SPRUSON & FERGUSON**
(71) Name(s) and Address(s) of Applicant(s):
Altria Client Services Inc.
6601 West Broad Street, Richmond Virginia, 23230 United States of America
(72) Name(s) of Designer(s): **Christopher Tucker and Geoffrey Brandon Jordan and Barry S. Smith and Ali A. Rostami**
(45) Registration Date: **26 November 2013**
(62) Divisional of: **13340/2013**
(56) Related Art Documents: **Not Applicable**
(57) Statement of Newness and Distinctiveness: **Newness and distinctiveness is claimed in the features of shape and/or configuration of an electronic smoking article as illustrated in the accompanying representations.**



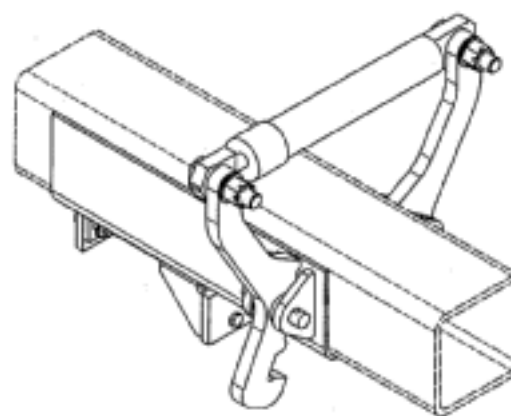
- (21) Design Number: **15892/2013**
(22) Date of Filing Application: **15 November 2013**
(24) Date from which industrial property rights may have effect: **15 November 2013**
(54) Product in respect of which the design is registered: **Door lock**
(51) International Design Classification: **08-07**
(74) Name(s) of Attorney(s): **John L Davies & Co**
(71) Name(s) and Address(s) of Applicant(s):
Dias Aluminium Products Pty. Ltd.
201-205 Browns Rd Noble Park VIC 3174 Australia
(72) Name(s) of Designer(s): **Ian David Paterson**
(45) Registration Date: **26 November 2013**
(56) Related Art Documents: **Not Applicable**
(57) Statement of Newness and Distinctiveness: **Nil**



- (21) Design Number: **13660/2013**
(22) Date of Filing Application: **30 July 2013**
(24) Date from which industrial property rights may have effect: **30 July 2013**
(54) Product in respect of which the design is registered: **Insert for a container**
(51) International Design Classification: **09-03H**
(74) Name(s) of Attorney(s): **Australian Patent & TradeMark Services Pty Ltd**
(71) Name(s) and Address(s) of Applicant(s):
Container Rotation Systems Pty Ltd
SE3 18 Sleigh PI Wetherill Park NSW 2164 Australia
(72) Name(s) of Designer(s): **Murray Robert Bridle**
(45) Registration Date: **27 November 2013**
(56) Related Art Documents: **Not Applicable**
(57) Statement of Newness and Distinctiveness: **Newness and distinctiveness is claimed in the shape and/or configuration of an insert for a cargo container, as illustrated in the accompanying representations. The features shown in broken lines are to be disregarded.**



- (21) Design Number: **14126/2013**
(22) Date of Filing Application: **21 August 2013**
(24) Date from which industrial property rights may have effect: **21 August 2013**
(54) Product in respect of which the design is registered: **A device for gripping a cargo container lid**
(51) International Design Classification: **09-07NES**
(74) Name(s) of Attorney(s): **Australian Patent & TradeMark Services Pty Ltd**
(71) Name(s) and Address(s) of Applicant(s):
Container Rotation Systems Pty Ltd
SE3 18 Sleigh PI Wetherill Park NSW 2164 Australia
(72) Name(s) of Designer(s): **Murray Robert Bridle**
(45) Registration Date: **27 November 2013**
(56) Related Art Documents: **Not Applicable**
(57) Statement of Newness and Distinctiveness: **Newness and distinctiveness is claimed in the shape and/or configuration of a device, as illustrated in the accompanying representations, for gripping a cargo container lid. The features shown in broken lines are to be disregarded.**



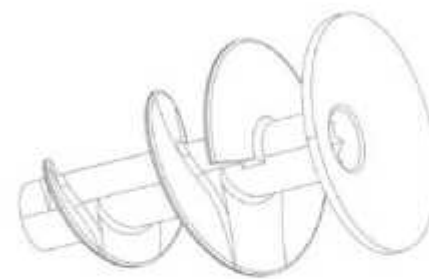
- (21) Design Number: **14790/2013**
(22) Date of Filing Application: **23 September 2013**
(24) Date from which industrial property rights may have effect: **23 September 2013**
(54) Product in respect of which the design is registered: **Dual drive screw head**
(51) International Design Classification: **08-08B**
(74) Name(s) of Attorney(s): **Davies Collison Cave**
(71) Name(s) and Address(s) of Applicant(s):
Magpul Industries Corporation
400 Young Court Unit 1 Erie Colorado 80516 United States of America
(72) Name(s) of Designer(s): **Michael T. Mayberry and Richard Fitzpatrick and Grady Barfoot and Eric Nakayama**
(45) Registration Date: **27 November 2013**
(30) Convention priority data:
(31) Number (32) Date (33) Country
29/454089 06 May 2013 UNITED STATES OF AMERICA
(56) Related Art Documents: **Not Applicable**
(57) Statement of Newness and Distinctiveness: **Newness and distinctiveness is claimed in the visual features shown in solid lines in the representations.**



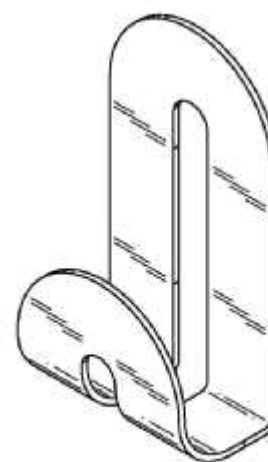
- (21) Design Number: **15384/2013**
(22) Date of Filing Application: **23 October 2013**
(24) Date from which industrial property rights may have effect: **23 October 2013**
(54) Product in respect of which the design is registered: **A plug**
(51) International Design Classification: **08-99**
(74) Name(s) of Attorney(s): **SPRUSON & FERGUSON**
(71) Name(s) and Address(s) of Applicant(s):
Bestaxx Pty Ltd
U207 53-59 Great Buckingham St Redfern NSW 2016 Australia
(72) Name(s) of Designer(s): **Andrew Charles Simpson and Colin Plant**
(45) Registration Date: **27 November 2013**
(56) Related Art Documents: **Not Applicable**
(57) Statement of Newness and Distinctiveness: **Newness and distinctiveness is claimed in the features of shape and/or configuration of a plug as illustrated in the accompanying representations.**



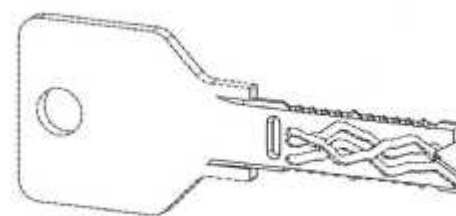
- (21) Design Number: **15385/2013**
(22) Date of Filing Application: **23 October 2013**
(24) Date from which industrial property rights may have effect: **23 October 2013**
(54) Product in respect of which the design is registered: **A plug**
(51) International Design Classification: **08-99**
(74) Name(s) of Attorney(s): **SPRUSON & FERGUSON**
(71) Name(s) and Address(s) of Applicant(s):
Bestaxx Pty Ltd
U207 53-59 Great Buckingham St Redfern NSW 2016 Australia
(72) Name(s) of Designer(s): **Andrew Charles Simpson and Colin Plant**
(45) Registration Date: **27 November 2013**
(56) Related Art Documents: **Not Applicable**
(57) Statement of Newness and Distinctiveness: **Newness and distinctiveness is claimed in the features of shape and/or configuration of a plug as illustrated in the accompanying representations.**



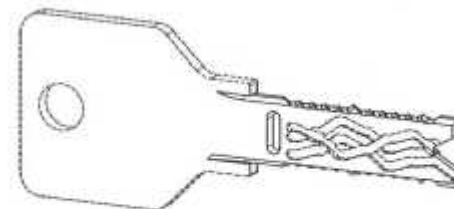
(21) Design Number: **15791/2013**
(22) Date of Filing Application: **12 November 2013**
(24) Date from which industrial property rights may have effect: **12 November 2013**
(54) Product in respect of which the design is registered: **Hook**
(51) International Design Classification: **08-08G**
(74) Name(s) of Attorney(s): **Davies Collison Cave**
(71) Name(s) and Address(s) of Applicant(s):
3M Innovative Properties Company
3M Center Saint Paul Minnesota 55144-1000 United States of America
(72) Name(s) of Designer(s): **Angela L. Pan and Craig D. Thompson**
(45) Registration Date: **27 November 2013**
(30) Convention priority data:
(31) Number (32) Date (33) Country
29/455490 21 May 2013 UNITED STATES OF AMERICA
(56) Related Art Documents: **Not Applicable**
(57) Statement of Newness and Distinctiveness: **Newness and distinctiveness is claimed in the visual features shown in solid lines in the representations.**



(21) Design Number: **15793/2013**
(22) Date of Filing Application: **12 November 2013**
(24) Date from which industrial property rights may have effect: **12 November 2013**
(54) Product in respect of which the design is registered: **Key**
(51) International Design Classification: **08-07**
(74) Name(s) of Attorney(s): **SPRUSON & FERGUSON**
(71) Name(s) and Address(s) of Applicant(s):
EVVA Sicherheitstechnologie GmbH
Wienerbergstrasse 59-65, Wien 1120 Austria
(72) Name(s) of Designer(s): **Kurt Prunbauer**
(45) Registration Date: **27 November 2013**
(30) Convention priority data:
(31) Number (32) Date (33) Country
002314559-0003 24 Sep 2013 OFFICE FOR HARMONISATION IN THE INTERNAL MARKET (OHIM)
(56) Related Art Documents: **Not Applicable**
(57) Statement of Newness and Distinctiveness: **Newness and distinctiveness is claimed in those features of shape and/or configuration of a key illustrated in continuous lines in the accompanying representations.**

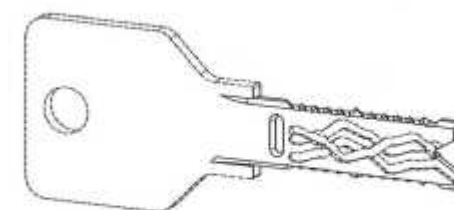


(21) Design Number: **15794/2013**
(22) Date of Filing Application: **12 November 2013**
(24) Date from which industrial property rights may have effect: **12 November 2013**
(54) Product in respect of which the design is registered: **Key**
(51) International Design Classification: **08-07**
(74) Name(s) of Attorney(s): **SPRUSON & FERGUSON**
(71) Name(s) and Address(s) of Applicant(s):
EVVA Sicherheitstechnologie GmbH
Wienerbergstrasse 59-65, Wien 1120 Austria
(72) Name(s) of Designer(s): **Kurt Prunbauer**
(45) Registration Date: **27 November 2013**
(30) Convention priority data:
(31) Number (32) Date (33) Country
002314559-0002 24 Sep 2013 OFFICE FOR HARMONISATION IN
THE INTERNAL MARKET (OHIM)



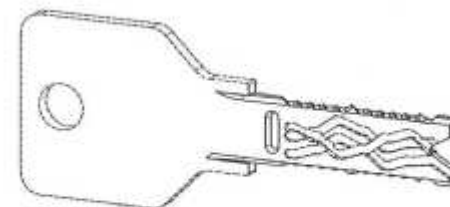
(56) Related Art Documents: **Not Applicable**
(57) Statement of Newness and Distinctiveness: **Newness and distinctiveness is claimed in those features of shape and/or configuration of a key illustrated in continuous lines in the accompanying representations.**

(21) Design Number: **15795/2013**
(22) Date of Filing Application: **12 November 2013**
(24) Date from which industrial property rights may have effect: **12 November 2013**
(54) Product in respect of which the design is registered: **Key**
(51) International Design Classification: **08-07**
(74) Name(s) of Attorney(s): **SPRUSON & FERGUSON**
(71) Name(s) and Address(s) of Applicant(s):
EVVA Sicherheitstechnologie GmbH
Wienerbergstrasse 59-65, Wien 1120 Austria
(72) Name(s) of Designer(s): **Kurt Prunbauer**
(45) Registration Date: **27 November 2013**
(30) Convention priority data:
(31) Number (32) Date (33) Country
002314559-0001 24 Sep 2013 OFFICE FOR HARMONISATION IN
THE INTERNAL MARKET (OHIM)



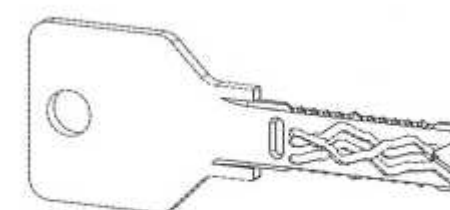
(56) Related Art Documents: **Not Applicable**
(57) Statement of Newness and Distinctiveness: **Newness and distinctiveness is claimed in those features of shape and/or configuration of a key illustrated in continuous lines in the accompanying representations.**

(21) Design Number: **15796/2013**
(22) Date of Filing Application: **12 November 2013**
(24) Date from which industrial property rights may have effect: **12 November 2013**
(54) Product in respect of which the design is registered: **Key**
(51) International Design Classification: **08-07**
(74) Name(s) of Attorney(s): **SPRUSON & FERGUSON**
(71) Name(s) and Address(s) of Applicant(s):
Evva Sicherheitstechnologie GmbH
Wienerbergstrasse 59-65, Wien 1120 Austria
(72) Name(s) of Designer(s): **Kurt Prunbauer**
(45) Registration Date: **27 November 2013**
(30) Convention priority data:
(31) Number (32) Date (33) Country
002314559-0004 24 Sep 2013 OFFICE FOR HARMONISATION IN
THE INTERNAL MARKET (OHIM)



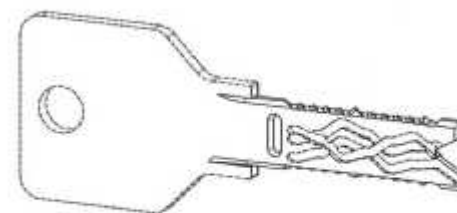
(56) Related Art Documents: **Not Applicable**
(57) Statement of Newness and Distinctiveness: **Newness and distinctiveness is claimed in those features of shape and/or configuration of a key illustrated in continuous lines in the accompanying representations.**

(21) Design Number: **15797/2013**
(22) Date of Filing Application: **12 November 2013**
(24) Date from which industrial property rights may have effect: **12 November 2013**
(54) Product in respect of which the design is registered: **Key**
(51) International Design Classification: **08-07**
(74) Name(s) of Attorney(s): **SPRUSON & FERGUSON**
(71) Name(s) and Address(s) of Applicant(s):
Evva Sicherheitstechnologie GmbH
Wienerbergstrasse 59-65, Wien 1120 Austria
(72) Name(s) of Designer(s): **Kurt Prunbauer**
(45) Registration Date: **27 November 2013**
(30) Convention priority data:
(31) Number (32) Date (33) Country
002314559-0005 24 Sep 2013 OFFICE FOR HARMONISATION IN
THE INTERNAL MARKET (OHIM)



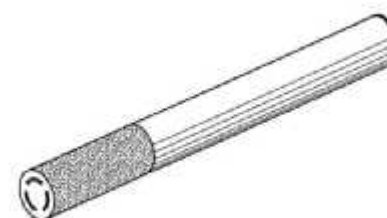
(56) Related Art Documents: **Not Applicable**
(57) Statement of Newness and Distinctiveness: **Newness and distinctiveness is claimed in those features of shape and/or configuration of a key illustrated in continuous lines in the accompanying representations.**

(21) Design Number: **15798/2013**
(22) Date of Filing Application: **12 November 2013**
(24) Date from which industrial property rights may have effect: **12 November 2013**
(54) Product in respect of which the design is registered: **Key**
(51) International Design Classification: **08-07**
(74) Name(s) of Attorney(s): **SPRUSON & FERGUSON**
(71) Name(s) and Address(s) of Applicant(s):
Evva Sicherheitstechnologie GmbH
Wienerbergstrasse 59-65, Wien 1120 Austria
(72) Name(s) of Designer(s): **Kurt Prunbauer**
(45) Registration Date: **27 November 2013**
(30) Convention priority data:
(31) Number (32) Date (33) Country
002314559-0006 24 Sep 2013 OFFICE FOR HARMONISATION IN
THE INTERNAL MARKET (OHIM)



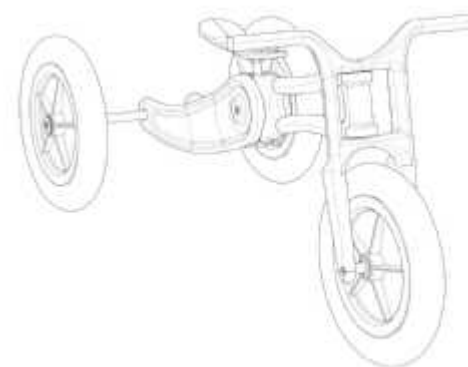
(56) Related Art Documents: **Not Applicable**
(57) Statement of Newness and Distinctiveness: **Newness and distinctiveness is claimed in those features of shape and/or configuration of a key illustrated in continuous lines in the accompanying representations.**

(21) Design Number: **15822/2013**
(22) Date of Filing Application: **13 November 2013**
(24) Date from which industrial property rights may have effect: **13 November 2013**
(54) Product in respect of which the design is registered: **Electronic cigarette having multiple ports**
(51) International Design Classification: **27-01**
(74) Name(s) of Attorney(s): **PIZZEYS**
(71) Name(s) and Address(s) of Applicant(s):
Njoy, Inc.
15211 North Kierland Blvd Suite 200 Scottsdale AZ 85254 United States of America
(72) Name(s) of Designer(s): **Mark Scatterday**
(45) Registration Date: **27 November 2013**
(30) Convention priority data:
(31) Number (32) Date (33) Country
29/455,721 23 May 2013 UNITED STATES OF AMERICA



(56) Related Art Documents: **Not Applicable**
(57) Statement of Newness and Distinctiveness: **Nil**

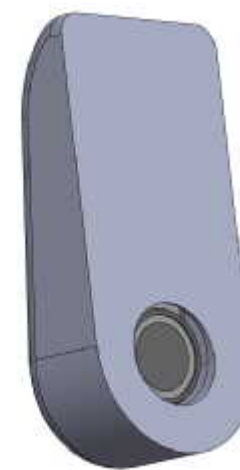
(21) Design Number: **15833/2013**
(22) Date of Filing Application: **13 November 2013**
(24) Date from which industrial property rights may have effect: **13 November 2013**
(54) Product in respect of which the design is registered: **Tricycle**
(51) International Design Classification: **12-11**
(74) Name(s) of Attorney(s):
(71) Name(s) and Address(s) of Applicant(s):
Richard David Barnaby Latham
77 Severn Street Island Bay Wellington 6023 New Zealand
(72) Name(s) of Designer(s): **Richard David Barnaby Latham**
(45) Registration Date: **27 November 2013**
(30) Convention priority data:
(31) Number (32) Date (33) Country
417650 29 May 2013 NEW ZEALAND
(56) Related Art Documents: **Not Applicable**
(57) Statement of Newness and Distinctiveness: **The design is to be applied to a tricycle, and the novelty resides in the features of shape and configuration as shown in the accompanying representations.**



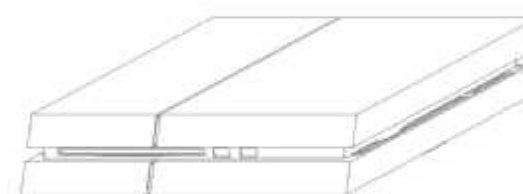
(21) Design Number: **15834/2013**
(22) Date of Filing Application: **13 November 2013**
(24) Date from which industrial property rights may have effect: **13 November 2013**
(54) Product in respect of which the design is registered: **Outdoor power board**
(51) International Design Classification: **13-03D**
(74) Name(s) of Attorney(s): **FB Rice**
(71) Name(s) and Address(s) of Applicant(s):
Mort Bay Traders Pty Ltd
L1 21A Elliott St Balmain NSW 2041 Australia
(72) Name(s) of Designer(s): **Simon Grigg**
(45) Registration Date: **27 November 2013**
(56) Related Art Documents: **Not Applicable**
(57) Statement of Newness and Distinctiveness: **Newness and distinctiveness of the design reside in the features of shape and/or configuration of the outdoor power board as shown in the accompanying representations.**



- (21) Design Number: **15835/2013**
(22) Date of Filing Application: **14 November 2013**
(24) Date from which industrial property rights may have effect: **14 November 2013**
(54) Product in respect of which the design is registered: **Camera enclosure for mounting behind window**
(51) International Design Classification: **10-07, 16-01**
(74) Name(s) of Attorney(s):
(71) Name(s) and Address(s) of Applicant(s):
Jonathan Duy Khac Nguyen
115 Hollywood Dr Lansvale NSW 2166 Australia
(72) Name(s) of Designer(s): **Jonathan Duy Khac Nguyen**
(45) Registration Date: **27 November 2013**
(56) Related Art Documents: **Not Applicable**
(57) Statement of Newness and Distinctiveness: **Allows a camera to be mounted to glass surface with minimal visual profile. Rounded edges.**



- (21) Design Number: **15836/2013**
(22) Date of Filing Application: **14 November 2013**
(24) Date from which industrial property rights may have effect: **14 November 2013**
(54) Product in respect of which the design is registered: **Arithmetic and control unit**
(51) International Design Classification: **14-02**
(74) Name(s) of Attorney(s): **Shelston IP**
(71) Name(s) and Address(s) of Applicant(s):
Sony Computer Entertainment Inc.
1-7-1 Konan Minato-ku Tokyo, 107-0062 Japan
(72) Name(s) of Designer(s): **Tetsu Sumii**
(45) Registration Date: **27 November 2013**
(30) Convention priority data:
(31) Number (32) Date (33) Country
2013-010775 16 May 2013 JAPAN
(56) Related Art Documents: **Not Applicable**
(57) Statement of Newness and Distinctiveness: **Newness and distinctiveness reside in the features of shape and/or configuration of the arithmetic and control unit as shown in solid lines in the accompanying representations. The features of the arithmetic and control unit in broken lines are shown for illustrative purposes only and form no part of the claimed design.**



(21) Design Number: **15838/2013**
(22) Date of Filing Application: **14 November 2013**
(24) Date from which industrial property rights may have effect: **14 November 2013**
(54) Product in respect of which the design is registered: **Tyre for automobile**
(51) International Design Classification: **12-15C**
(74) Name(s) of Attorney(s): **SPRUSON & FERGUSON**
(71) Name(s) and Address(s) of Applicant(s):
The Goodyear Tire & Rubber Company
1144 East Market Street Akron Ohio 44316-0001 United States of America
(72) Name(s) of Designer(s): **Masayuki Fujita**
(45) Registration Date: **27 November 2013**
(30) Convention priority data:
(31) Number (32) Date (33) Country
2013-011669 28 May 2013 JAPAN
(56) Related Art Documents: **Not Applicable**
(57) Statement of Newness and Distinctiveness: **Newness and distinctiveness is claimed in the features of shape and/or configuration of the tread of a tyre as illustrated in the accompanying representations, wherein the shape and/or configuration of the tread is repeated throughout the circumference of the tyre.**



(21) Design Number: **15839/2013**
(22) Date of Filing Application: **14 November 2013**
(24) Date from which industrial property rights may have effect: **14 November 2013**
(54) Product in respect of which the design is registered: **Tyre for automobile**
(51) International Design Classification: **12-15C**
(74) Name(s) of Attorney(s): **SPRUSON & FERGUSON**
(71) Name(s) and Address(s) of Applicant(s):
The Goodyear Tire & Rubber Company
1144 East Market Street Akron Ohio 44316-0001 United States of America
(72) Name(s) of Designer(s): **Masayuki Fujita**
(45) Registration Date: **27 November 2013**
(30) Convention priority data:
(31) Number (32) Date (33) Country
2013-011670 28 May 2013 JAPAN
(56) Related Art Documents: **Not Applicable**
(57) Statement of Newness and Distinctiveness: **Newness and distinctiveness is claimed in the features of shape and/or configuration of the tread of a tyre as illustrated in the accompanying representations, wherein the shape and/or configuration of the tread is repeated throughout the circumference of the tyre.**



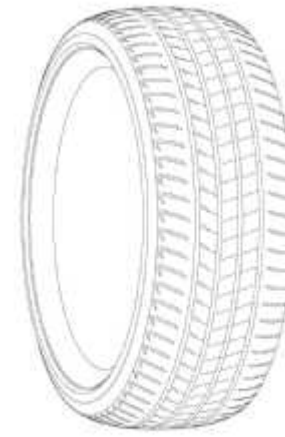
- (21) Design Number: **15840/2013**
(22) Date of Filing Application: **14 November 2013**
(24) Date from which industrial property rights may have effect: **14 November 2013**
(54) Product in respect of which the design is registered: **A tyre**
(51) International Design Classification: **12-15C**
(74) Name(s) of Attorney(s): **WATERMARK PATENT AND TRADE MARKS ATTORNEYS**
(71) Name(s) and Address(s) of Applicant(s):
Compagnie Generale Des Etablissements Michelin
12 cours Sablon Clermont Ferrand 63000 France
Michelin Recherche et Technique S.A
Route Louis Braille 10 et 12 Granges-Paccot 1763 Switzerland
(72) Name(s) of Designer(s): **Anthony Jerome McPherson and John Anthony Hutz**
(45) Registration Date: **27 November 2013**
(30) Convention priority data:
(31) Number (32) Date (33) Country
29/455,361 20 May 2013 UNITED STATES OF AMERICA
(56) Related Art Documents: **Not Applicable**
(57) Statement of Newness and Distinctiveness: **Newness and distinctiveness resides in the appearance of the tread region of the tyre, the remainder of the tyre not forming part of the design.**



- (21) Design Number: **15841/2013**
(22) Date of Filing Application: **14 November 2013**
(24) Date from which industrial property rights may have effect: **14 November 2013**
(54) Product in respect of which the design is registered: **A tyre**
(51) International Design Classification: **12-15NES**
(74) Name(s) of Attorney(s): **WATERMARK PATENT AND TRADE MARKS ATTORNEYS**
(71) Name(s) and Address(s) of Applicant(s):
Compagnie Generale Des Etablissements Michelin
12 cours Sablon Clermont Ferrand 63000 France
Michelin Recherche et Technique S.A
Route Louis Braille 10 et 12 Granges-Paccot 1763 Switzerland
(72) Name(s) of Designer(s): **Anthony Jerome McPherson and John Anthony Hutz**
(45) Registration Date: **27 November 2013**
(30) Convention priority data:
(31) Number (32) Date (33) Country
29/455364 20 May 2013 UNITED STATES OF AMERICA
(56) Related Art Documents: **Not Applicable**
(57) Statement of Newness and Distinctiveness: **Newness and distinctiveness resides in the appearance of the tread region of the tyre, the remainder of the tyre not forming part of the design.**



- (21) Design Number: **15842/2013**
(22) Date of Filing Application: **14 November 2013**
(24) Date from which industrial property rights may have effect: **14 November 2013**
(54) Product in respect of which the design is registered: **Automobile tyre**
(51) International Design Classification: **12-15B**
(74) Name(s) of Attorney(s): **Griffith Hack**
(71) Name(s) and Address(s) of Applicant(s):
Bridgestone Corporation
1-1 Kyobashi 3-chome Chuo-ku Tokyo 104-8340 Japan
(72) Name(s) of Designer(s): **Keiichi Kato**
(45) Registration Date: **27 November 2013**
(30) Convention priority data:
(31) Number (32) Date (33) Country
2013-010668 15 May 2013 JAPAN
(56) Related Art Documents: **Not Applicable**
(57) Statement of Newness and Distinctiveness: **The shape and configuration of the tread portion of the product is new and distinctive.**



- (21) Design Number: **15844/2013**
(22) Date of Filing Application: **14 November 2013**
(24) Date from which industrial property rights may have effect: **14 November 2013**
(54) Product in respect of which the design is registered: **Combined drink bottle and lid**
(51) International Design Classification: **09-01NES, 09-07B**
(74) Name(s) of Attorney(s): **SPRUSON & FERGUSON**
(71) Name(s) and Address(s) of Applicant(s):
Thermos L.L.C.
2550 West Golf Road Suite 800 Rolling Meadows Illinois 60008 United States of America
(72) Name(s) of Designer(s): **Dwayne Boroski and Marvin Lane**
(45) Registration Date: **27 November 2013**
(30) Convention priority data:
(31) Number (32) Date (33) Country
29/455351 20 May 2013 UNITED STATES OF AMERICA
(56) Related Art Documents: **Not Applicable**
(57) Statement of Newness and Distinctiveness: **Newness and distinctiveness is claimed in those features of shape and/or configuration of a combined drink bottle and lid illustrated in continuous lines in the accompanying representations.**



- (21) Design Number: **15845/2013**
(22) Date of Filing Application: **14 November 2013**
(24) Date from which industrial property rights may have effect: **14 November 2013**
(54) Product in respect of which the design is registered: **Combined drink bottle and lid**
(51) International Design Classification: **09-01NES, 09-07B**
(74) Name(s) of Attorney(s): **SPRUSON & FERGUSON**
(71) Name(s) and Address(s) of Applicant(s):
Thermos L.L.C.
475 N. Martingale Road Suite 1100 Schaumburg Illinois 60173 United States of America
(72) Name(s) of Designer(s): **Dwayne Boroski and Marvin Lane**
(45) Registration Date: **27 November 2013**
(30) Convention priority data:
(31) Number (32) Date (33) Country
29/455351 20 May 2013 UNITED STATES OF AMERICA
(56) Related Art Documents: **Not Applicable**
(57) Statement of Newness and Distinctiveness: **Newness and distinctiveness is claimed in the features of shape and/or configuration of a combined drink bottle and lid as illustrated in the accompanying representations.**



- (21) Design Number: **15895/2013**
(22) Date of Filing Application: **14 November 2013**
(24) Date from which industrial property rights may have effect: **14 November 2013**
(54) Product in respect of which the design is registered: **Measuring cap**
(51) International Design Classification: **10-04, 09-07NES**
(74) Name(s) of Attorney(s):
(71) Name(s) and Address(s) of Applicant(s):
Logue and Co. Pty Ltd
199 Kiora Rd Yowie Bay NSW 2228 Australia
(72) Name(s) of Designer(s): **Anthony Thomas Logue**
(45) Registration Date: **27 November 2013**
(56) Related Art Documents: **Not Applicable**
(57) Statement of Newness and Distinctiveness: **Newness and distinctiveness is claimed in the features of shape and/or configuration of a measuring cap as depicted in the accompanying drawings.**



- (21) Design Number: **15896/2013**
(22) Date of Filing Application: **14 November 2013**
(24) Date from which industrial property rights may have effect: **14 November 2013**
(54) Product in respect of which the design is registered: **Measuring cap**
(51) International Design Classification: **10-04, 09-07NES**
(74) Name(s) of Attorney(s):
(71) Name(s) and Address(s) of Applicant(s):
Logue and Co. Pty Ltd
199 Kiora Rd Yowie Bay NSW 2228 Australia
(72) Name(s) of Designer(s): **Anthony Thomas Logue**
(45) Registration Date: **27 November 2013**
(56) Related Art Documents: **Not Applicable**
(57) Statement of Newness and Distinctiveness: **Newness and distinctiveness is claimed in the features of shape and/or configuration of a measuring cap as depicted in the accompanying drawings.**



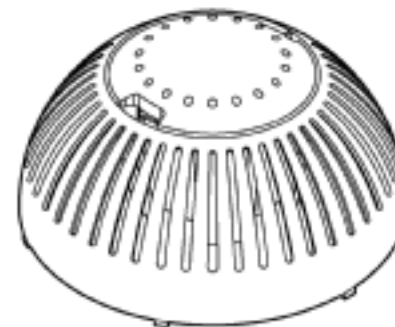
- (21) Design Number: **15897/2013**
(22) Date of Filing Application: **14 November 2013**
(24) Date from which industrial property rights may have effect: **14 November 2013**
(54) Product in respect of which the design is registered: **Measuring cap**
(51) International Design Classification: **10-04, 09-07NES**
(74) Name(s) of Attorney(s):
(71) Name(s) and Address(s) of Applicant(s):
Logue and Co. Pty Ltd
199 Kiora Rd Yowie Bay NSW 2228 Australia
(72) Name(s) of Designer(s): **Anthony Thomas Logue**
(45) Registration Date: **27 November 2013**
(56) Related Art Documents: **Not Applicable**
(57) Statement of Newness and Distinctiveness: **Newness and distinctiveness is claimed in the features of shape and/or configuration of a measuring cap as depicted in the accompanying drawings.**



(21) Design Number: **15956/2013**
(22) Date of Filing Application: **19 November 2013**
(24) Date from which industrial property rights may have effect: **19 November 2013**
(54) Product in respect of which the design is registered: **Urinal deodoriser**
(51) International Design Classification: **09-05, 28-03NES**
(74) Name(s) of Attorney(s): **SPRUSON & FERGUSON**
(71) Name(s) and Address(s) of Applicant(s):

Calfarme Australia Pty Ltd
U42/55 Norman St Peakhurst NSW 2210 Australia

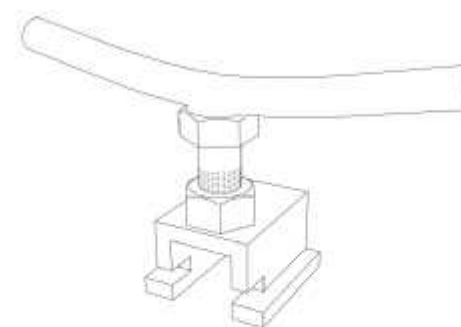
(72) Name(s) of Designer(s): **Boon Lye Paul Neo and Cheryl Neo**
(45) Registration Date: **27 November 2013**
(56) Related Art Documents: **Not Applicable**
(57) Statement of Newness and Distinctiveness: **Newness and distinctiveness is claimed in the features of shape and/or configuration of a urinal deodoriser as illustrated in the accompanying representations.**



(21) Design Number: **15973/2013**
(22) Date of Filing Application: **19 November 2013**
(24) Date from which industrial property rights may have effect: **19 November 2013**
(54) Product in respect of which the design is registered: **Concrete form clamp**
(51) International Design Classification: **25-01B, 08-08L**
(74) Name(s) of Attorney(s): **Lesicar Maynard Andrews Pty Ltd**
(71) Name(s) and Address(s) of Applicant(s):

Benjamin John Meini
15 Walker Ave Mannum SA 5238 Australia

(72) Name(s) of Designer(s): **Benjamin John Meini**
(45) Registration Date: **27 November 2013**
(56) Related Art Documents: **Not Applicable**
(57) Statement of Newness and Distinctiveness: **Newness and distinctiveness reside in the shape and/or configuration of the Concrete Form Clamp as shown in the accompanying drawings.**



(21) Design Number: **12779/2013**

(22) Date of Filing Application: **17 June 2013**

(24) Date from which industrial property rights may have effect: **17 June 2013**

(54) Product in respect of which the design is registered: **Shower**

(51) International Design Classification: **23-02B**

(74) Name(s) of Attorney(s): **Wrays**

(71) Name(s) and Address(s) of Applicant(s):

Horne Engineering Limited
PO BOX 7 Rankine Street Johnstone Renfrewshire PA5 8BD United Kingdom

(72) Name(s) of Designer(s): **Michael Wellesley Grahame Jarvis**

(45) Registration Date: **27 November 2013**

(30) Convention priority data:

(31) Number	(32) Date	(33) Country
002154203-0001	17 Dec 2012	OFFICE FOR HARMONISATION IN THE INTERNAL MARKET (OHIM)

(56) Related Art Documents: **Not Applicable**

(57) Statement of Newness and Distinctiveness: **Newness and distinctiveness is claimed in the features of shape and/or configuration of the Shower as shown in the accompanying representations. The features depicted by broken lines are for illustrative purposes only and form no part of the claimed design.**



(21) Design Number: **12780/2013**

(22) Date of Filing Application: **17 June 2013**

(24) Date from which industrial property rights may have effect: **17 June 2013**

(54) Product in respect of which the design is registered: **Shower**

(51) International Design Classification: **23-02B**

(74) Name(s) of Attorney(s): **Wrays**

(71) Name(s) and Address(s) of Applicant(s):

Horne Engineering Limited
PO BOX 7 Rankine Street Johnstone Renfrewshire PA5 8BD United Kingdom

(72) Name(s) of Designer(s): **Michael Wellesley Grahame Jarvis**

(45) Registration Date: **27 November 2013**

(30) Convention priority data:

(31) Number	(32) Date	(33) Country
002154203-0003	17 Dec 2012	OFFICE FOR HARMONISATION IN THE INTERNAL MARKET (OHIM)

(56) Related Art Documents: **Not Applicable**

(57) Statement of Newness and Distinctiveness: **Newness and distinctiveness is claimed in the features of shape and/or configuration of the Shower as shown in the accompanying representations. The features depicted by broken lines are for illustrative purposes only and form no part of the claimed design.**



(21) Design Number: **14186/2013**

(22) Date of Filing Application: **23 August 2013**

(24) Date from which industrial property rights may have effect: **23 August 2013**

(54) Product in respect of which the design is registered: **Skateboard with transparent wheel with inner core**

(51) International Design Classification: **21-02E**

(74) Name(s) of Attorney(s): **PIZZEYS**

(71) Name(s) and Address(s) of Applicant(s):

Sunset Skateboard Company

1942 Port Seabourne Newport Beach CA 92660 United States of America

(72) Name(s) of Designer(s): **Jeremy Fissell**

(45) Registration Date: **28 November 2013**

(30) Convention priority data:

(31) Number

(32) Date

(33) Country

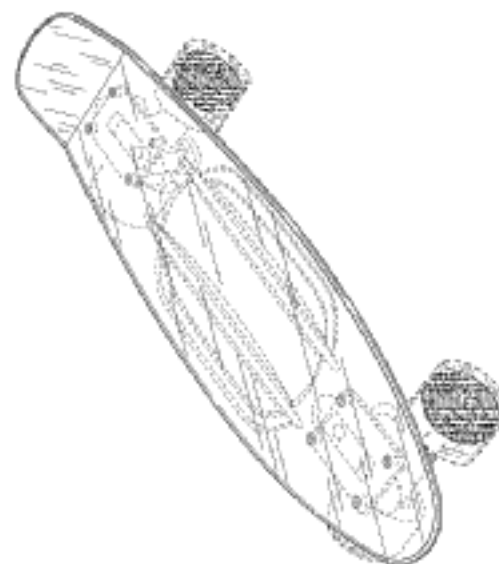
29/455,258

17 May 2013

UNITED STATES OF AMERICA

(56) Related Art Documents: **Not Applicable**

(57) Statement of Newness and Distinctiveness: **Nil**



(21) Design Number: **14930/2013**

(22) Date of Filing Application: **26 September 2013**

(24) Date from which industrial property rights may have effect: **26 September 2013**

(54) Product in respect of which the design is registered: **A wheel assembly for a storage container**

(51) International Design Classification: **08-99**

(74) Name(s) of Attorney(s): **AJ Park**

(71) Name(s) and Address(s) of Applicant(s):

Sistema Plastics Limited

80 Hugo Johnston Drive Penrose Auckland 1061 New Zealand

(72) Name(s) of Designer(s): **Brendan Jon Lindsay and Saleh Ghiyath**

(45) Registration Date: **28 November 2013**

(30) Convention priority data:

(31) Number

(32) Date

(33) Country

417956

20 Aug 2013

NEW ZEALAND

(56) Related Art Documents: **Not Applicable**

(57) Statement of Newness and Distinctiveness: **The newness and distinctiveness resides in the features of shape and/or configuration of A WHEEL ASSEMBLY all as shown in the representations.**



- (21) Design Number: **15823/2013**
(22) Date of Filing Application: **13 November 2013**
(24) Date from which industrial property rights may have effect: **13 November 2013**
(54) Product in respect of which the design is registered: **Light stand assembly**
(51) International Design Classification: **26-05B**
(74) Name(s) of Attorney(s): **Griffith Hack**
(71) Name(s) and Address(s) of Applicant(s):
Yotopia Pty Ltd
7-13 Ardena Ct East Bentleigh VIC 3165 Australia
(72) Name(s) of Designer(s): **Dion Hall**
(45) Registration Date: **28 November 2013**
(56) Related Art Documents: **Not Applicable**
(57) Statement of Newness and Distinctiveness: **Newness and distinctiveness resides in the visual features, including shape and configuration as shown by means of solid lines in the accompanying representation. Those parts shown by means of dashed lines have been included for illustrative purposes and do not form part of the design.**



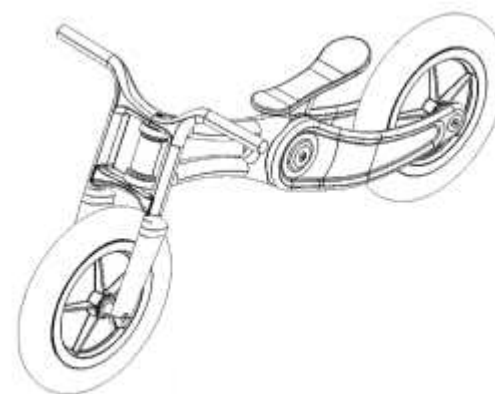
- (21) Design Number: **15824/2013**
(22) Date of Filing Application: **13 November 2013**
(24) Date from which industrial property rights may have effect: **13 November 2013**
(54) Product in respect of which the design is registered: **Statue**
(51) International Design Classification: **11-02D**
(74) Name(s) of Attorney(s): **Baxter IP**
(71) Name(s) and Address(s) of Applicant(s):
Thi Nguyet Nga Truong
5 Harriet St Marrickville NSW 2204 Australia
(72) Name(s) of Designer(s): **Thi Nguyet Nga Truong**
(45) Registration Date: **28 November 2013**
(56) Related Art Documents: **Not Applicable**
(57) Statement of Newness and Distinctiveness: **Nil**



(21) Design Number: **15830/2013**
(22) Date of Filing Application: **13 November 2013**
(24) Date from which industrial property rights may have effect: **13 November 2013**
(54) Product in respect of which the design is registered: **Charging station**
(51) International Design Classification: **13-02**
(74) Name(s) of Attorney(s): **Callinans**
(71) Name(s) and Address(s) of Applicant(s):
AITICO OY
c/o Businessconnect Oy Mariankatu 8 A 9, Lahti 15110 Finland
(72) Name(s) of Designer(s): **Sari Kotaniemi and Juho Tuovila and Harri Ahola and Marko Puharinen and Tommi Takkinen and Evgeny Lykov**
(45) Registration Date: **28 November 2013**
(30) Convention priority data:
(31) Number (32) Date (33) Country
002235739 13 May 2013 OFFICE FOR HARMONISATION IN THE INTERNAL MARKET (OHIM)
(56) Related Art Documents: **Not Applicable**
(57) Statement of Newness and Distinctiveness: **Nil**



(21) Design Number: **15831/2013**
(22) Date of Filing Application: **13 November 2013**
(24) Date from which industrial property rights may have effect: **13 November 2013**
(54) Product in respect of which the design is registered: **Bicycle**
(51) International Design Classification: **12-11**
(74) Name(s) of Attorney(s):
(71) Name(s) and Address(s) of Applicant(s):
Richard David Barnaby Latham
77 Severn Street Island Bay Wellington 6023 New Zealand
(72) Name(s) of Designer(s): **Richard David Barnaby Latham**
(45) Registration Date: **28 November 2013**
(30) Convention priority data:
(31) Number (32) Date (33) Country
417649 29 May 2013 NEW ZEALAND
(56) Related Art Documents: **Not Applicable**
(57) Statement of Newness and Distinctiveness: **The design is to be applied to a bicycle, and the novelty resides in the features of shape and configuration as shown in the accompanying representations.**



- (21) Design Number: **15846/2013**
(22) Date of Filing Application: **14 November 2013**
(24) Date from which industrial property rights may have effect: **14 November 2013**
(54) Product in respect of which the design is registered: **A recharging station for electric vehicles**
(51) International Design Classification: **13-03NES, 13-03B**
(74) Name(s) of Attorney(s):
(71) Name(s) and Address(s) of Applicant(s):
Tritium Holdings Pty Ltd
1/30 Walker St Tennyson QLD 4105 Australia
(72) Name(s) of Designer(s): **Shelley Ellen Farrell**
(45) Registration Date: **28 November 2013**
(56) Related Art Documents: **Not Applicable**
(57) Statement of Newness and Distinctiveness: **The shape and configuration of a recharging station for electric vehicles as depicted in the representations without regard to the appearance of the cables and vehicle connectors.**



- (21) Design Number: **15865/2013**
(22) Date of Filing Application: **14 November 2013**
(24) Date from which industrial property rights may have effect: **14 November 2013**
(54) Product in respect of which the design is registered: **Ring**
(51) International Design Classification: **11-01A**
(74) Name(s) of Attorney(s): **Callinans**
(71) Name(s) and Address(s) of Applicant(s):
Jason Alton
16233 Commonage Road Lake Country, British Columbia, V4V 1A8
Canada
(72) Name(s) of Designer(s): **Jason Alton**
(45) Registration Date: **28 November 2013**
(30) Convention priority data:
(31) Number (32) Date (33) Country
151142 14 May 2013 CANADA
(56) Related Art Documents: **Not Applicable**
(57) Statement of Newness and Distinctiveness: **Nil**



(21) Design Number: **15866/2013**
(22) Date of Filing Application: **14 November 2013**
(24) Date from which industrial property rights may have effect: **14 November 2013**
(54) Product in respect of which the design is registered: **Ring**
(51) International Design Classification: **11-01A**
(74) Name(s) of Attorney(s): **Callinans**
(71) Name(s) and Address(s) of Applicant(s):
Jason Alton
16233 Commonage Road Lake Country, British Columbia, V4V 1A8
Canada
(72) Name(s) of Designer(s): **Jason Alton**
(45) Registration Date: **28 November 2013**
(30) Convention priority data:
(31) Number (32) Date (33) Country
151143 14 May 2013 CANADA
(56) Related Art Documents: **Not Applicable**
(57) Statement of Newness and Distinctiveness: **Nil**



(21) Design Number: **15867/2013**
(22) Date of Filing Application: **14 November 2013**
(24) Date from which industrial property rights may have effect: **14 November 2013**
(54) Product in respect of which the design is registered: **Ring**
(51) International Design Classification: **11-01A**
(74) Name(s) of Attorney(s): **Callinans**
(71) Name(s) and Address(s) of Applicant(s):
Jason Alton
16233 Commonage Road Lake Country, British Columbia, V4V 1A8
Canada
(72) Name(s) of Designer(s): **Jason Alton**
(45) Registration Date: **28 November 2013**
(30) Convention priority data:
(31) Number (32) Date (33) Country
151144 14 May 2013 CANADA
(56) Related Art Documents: **Not Applicable**
(57) Statement of Newness and Distinctiveness: **Newness and distinctiveness are provided by the shape and/or configuration of the design shown in the representations. The features shown in broken lines in the representations are for illustrative purposes only and should not be considered when construing visual features of the design.**



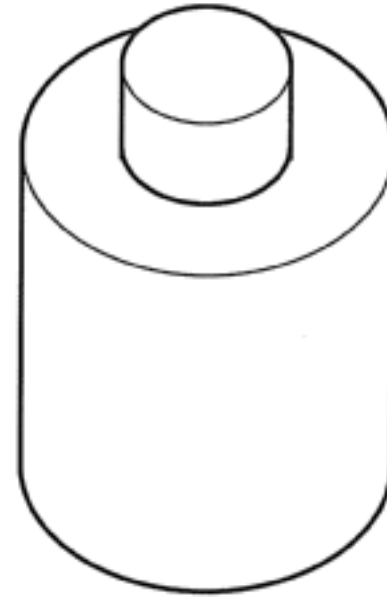
- (21) Design Number: **15868/2013**
(22) Date of Filing Application: **15 November 2013**
(24) Date from which industrial property rights may have effect: **15 November 2013**
(54) Product in respect of which the design is registered: **Planter box**
(51) International Design Classification: **11-02B**
(74) Name(s) of Attorney(s): **Macpherson + Kelley**
(71) Name(s) and Address(s) of Applicant(s):
Glowpear Pty Ltd
206 Montague St South Melbourne VIC 3205 Australia
(72) Name(s) of Designer(s): **Lloyd Michael Fenn and Simon David Lockrey and Nathan Anderson Pollock and Joel David Anderson**
(45) Registration Date: **28 November 2013**
(56) Related Art Documents: **Not Applicable**
(57) Statement of Newness and Distinctiveness: **Newness and distinctiveness is claimed in the features of shape and configuration of the planter box as shown in the representations.**



- (21) Design Number: **15870/2013**
(22) Date of Filing Application: **15 November 2013**
(24) Date from which industrial property rights may have effect: **15 November 2013**
(54) Product in respect of which the design is registered: **Marking pen**
(51) International Design Classification: **19-06**
(74) Name(s) of Attorney(s): **Madderns**
(71) Name(s) and Address(s) of Applicant(s):
Shachihata Inc
No 69 4-chome Amazuka-cho Nishi-ku Nagoya-shi Aichi 451-0021 Japan
(72) Name(s) of Designer(s): **Musashi Kimura**
(45) Registration Date: **28 November 2013**
(30) Convention priority data:
(31) Number (32) Date (33) Country
2013-013169 11 Jun 2013 JAPAN
(56) Related Art Documents: **Not Applicable**
(57) Statement of Newness and Distinctiveness: **Nil**



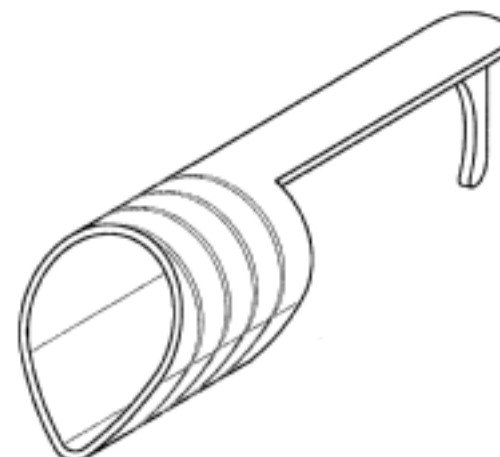
- (21) Design Number: **15872/2013**
(22) Date of Filing Application: **15 November 2013**
(24) Date from which industrial property rights may have effect: **15 November 2013**
(54) Product in respect of which the design is registered: **Boom spray jet nozzle**
(51) International Design Classification: **23-01E**
(74) Name(s) of Attorney(s): **Golja Haines & Friend**
(71) Name(s) and Address(s) of Applicant(s):
Stuart Gavin Clare
402 Gabbin/Trayning Rd Koorda WA 6475 Australia
(72) Name(s) of Designer(s): **Stuart Gavin Clare**
(45) Registration Date: **28 November 2013**
(56) Related Art Documents: **Not Applicable**
(57) Statement of Newness and Distinctiveness: **Newness and distinctiveness resides in the shape and configuration of a boom spray jet nozzle as illustrated in the accompanying representations.**



- (21) Design Number: **15878/2013**
(22) Date of Filing Application: **15 November 2013**
(24) Date from which industrial property rights may have effect: **15 November 2013**
(54) Product in respect of which the design is registered: **Folding table**
(51) International Design Classification: **06-03NES**
(74) Name(s) of Attorney(s): **Macpherson + Kelley**
(71) Name(s) and Address(s) of Applicant(s):
Buy Direct Warehouse Pty Ltd
FY2 5 Salvator Dr Campbellfield VIC 3061 Australia
(72) Name(s) of Designer(s): **Anthony Manfre**
(45) Registration Date: **28 November 2013**
(56) Related Art Documents: **Not Applicable**
(57) Statement of Newness and Distinctiveness: **Newness and distinctiveness is claimed in the features of shape and configuration of the folding table as shown in the representations.**



- (21) Design Number: **15894/2013**
(22) Date of Filing Application: **14 November 2013**
(24) Date from which industrial property rights may have effect: **14 November 2013**
(54) Product in respect of which the design is registered: **Measuring cap**
(51) International Design Classification: **10-04, 09-07NES**
(74) Name(s) of Attorney(s):
(71) Name(s) and Address(s) of Applicant(s):
Logue and Co. Pty Ltd
199 Kiora Rd Yowie Bay NSW 2228 Australia
(72) Name(s) of Designer(s): **Anthony Thomas Logue**
(45) Registration Date: **28 November 2013**
(56) Related Art Documents: **Not Applicable**
(57) Statement of Newness and Distinctiveness: **Newness and distinctiveness is claimed in the features of shape and/or configuration of a measuring cap as depicted in the accompanying drawings.**



- (21) Design Number: **15940/2013**
(22) Date of Filing Application: **19 November 2013**
(24) Date from which industrial property rights may have effect: **30 October 2012**
(54) Product in respect of which the design is registered: **Article of clothing**
(51) International Design Classification: **02-02C**
(74) Name(s) of Attorney(s): **Allens Patent & Trade Mark Attorneys**
(71) Name(s) and Address(s) of Applicant(s):
Forever New Clothing Pty Ltd
714-716 High St Kew East VIC 3102 Australia
(72) Name(s) of Designer(s): **Gemma Henderson**
(45) Registration Date: **28 November 2013**
(62) Divisional of: **352421**
(56) Related Art Documents: **Not Applicable**
(57) Statement of Newness and Distinctiveness: **Newness and distinctiveness resides in the visual features of shape, configuration, pattern and/or ornamentation of an article of clothing as shown in the accompanying representations.**



- (21) Design Number: **15941/2013**
(22) Date of Filing Application: **19 November 2013**
(24) Date from which industrial property rights may have effect: **30 October 2012**
(54) Product in respect of which the design is registered: **Article of clothing**
(51) International Design Classification: **02-02C**
(74) Name(s) of Attorney(s): **Allens Patent & Trade Mark Attorneys**
(71) Name(s) and Address(s) of Applicant(s):
Forever New Clothing Pty Ltd
714-716 High St Kew East VIC 3102 Australia
(72) Name(s) of Designer(s): **Gemma Henderson**
(45) Registration Date: **28 November 2013**
(62) Divisional of: **352421**
(56) Related Art Documents: **Not Applicable**
(57) Statement of Newness and Distinctiveness: **Newness and distinctiveness resides in the visual features of shape, configuration, pattern and/or ornamentation of an article of clothing as shown in the accompanying representations.**



- (21) Design Number: **15942/2013**
(22) Date of Filing Application: **19 November 2013**
(24) Date from which industrial property rights may have effect: **30 October 2012**
(54) Product in respect of which the design is registered: **Article of clothing**
(51) International Design Classification: **02-02NES**
(74) Name(s) of Attorney(s): **Allens Patent & Trade Mark Attorneys**
(71) Name(s) and Address(s) of Applicant(s):
Forever New Clothing Pty Ltd
714-716 High St Kew East VIC 3102 Australia
(72) Name(s) of Designer(s): **Gemma Henderson**
(45) Registration Date: **28 November 2013**
(62) Divisional of: **352421**
(56) Related Art Documents: **Not Applicable**
(57) Statement of Newness and Distinctiveness: **Newness and distinctiveness resides in the visual features of shape, configuration, pattern and/or ornamentation of an article of clothing as shown in the accompanying representations.**



- (21) Design Number: **15943/2013**
(22) Date of Filing Application: **19 November 2013**
(24) Date from which industrial property rights may have effect: **30 October 2012**
(54) Product in respect of which the design is registered: **Article of clothing**
(51) International Design Classification: **02-02NES**
(74) Name(s) of Attorney(s): **Allens Patent & Trade Mark Attorneys**
(71) Name(s) and Address(s) of Applicant(s):
Forever New Clothing Pty Ltd
714-716 High St Kew East VIC 3102 Australia
(72) Name(s) of Designer(s): **Gemma Henderson**
(45) Registration Date: **28 November 2013**
(62) Divisional of: **352421**
(56) Related Art Documents: **Not Applicable**
(57) Statement of Newness and Distinctiveness: **Newness and distinctiveness resides in the visual features of shape, configuration, pattern and/or ornamentation of an article of clothing as shown in the accompanying representations.**



- (21) Design Number: **15944/2013**
(22) Date of Filing Application: **19 November 2013**
(24) Date from which industrial property rights may have effect: **30 October 2012**
(54) Product in respect of which the design is registered: **Article of clothing**
(51) International Design Classification: **02-02C**
(74) Name(s) of Attorney(s): **Allens Patent & Trade Mark Attorneys**
(71) Name(s) and Address(s) of Applicant(s):
Forever New Clothing Pty Ltd
714-716 High St Kew East VIC 3102 Australia
(72) Name(s) of Designer(s): **Mary McCarthy**
(45) Registration Date: **28 November 2013**
(62) Divisional of: **352421**
(56) Related Art Documents: **Not Applicable**
(57) Statement of Newness and Distinctiveness: **Newness and distinctiveness resides in the visual features of shape, configuration, pattern and/or ornamentation of an article of clothing as shown in the accompanying representations.**



- (21) Design Number: **15945/2013**
(22) Date of Filing Application: **19 November 2013**
(24) Date from which industrial property rights may have effect: **30 October 2012**
(54) Product in respect of which the design is registered: **Article of clothing**
(51) International Design Classification: **02-02C**
(74) Name(s) of Attorney(s): **Allens Patent & Trade Mark Attorneys**
(71) Name(s) and Address(s) of Applicant(s):
Forever New Clothing Pty Ltd
714-716 High St Kew East VIC 3102 Australia
(72) Name(s) of Designer(s): **Mary McCarthy**
(45) Registration Date: **28 November 2013**
(62) Divisional of: **352421**
(56) Related Art Documents: **Not Applicable**
(57) Statement of Newness and Distinctiveness: **Newness and distinctiveness resides in the visual features of shape, configuration, pattern and/or ornamentation of an article of clothing as shown in the accompanying representations.**



- (21) Design Number: **15946/2013**
(22) Date of Filing Application: **19 November 2013**
(24) Date from which industrial property rights may have effect: **30 October 2012**
(54) Product in respect of which the design is registered: **Article of clothing**
(51) International Design Classification: **02-02C**
(74) Name(s) of Attorney(s): **Allens Patent & Trade Mark Attorneys**
(71) Name(s) and Address(s) of Applicant(s):
Forever New Clothing Pty Ltd
714-716 High St Kew East VIC 3102 Australia
(72) Name(s) of Designer(s): **Octavia Miller**
(45) Registration Date: **28 November 2013**
(62) Divisional of: **352421**
(56) Related Art Documents: **Not Applicable**
(57) Statement of Newness and Distinctiveness: **Newness and distinctiveness resides in the visual features of shape, configuration, pattern and/or ornamentation of an article of clothing as shown in the accompanying representations.**



- (21) Design Number: **15947/2013**
(22) Date of Filing Application: **19 November 2013**
(24) Date from which industrial property rights may have effect: **30 October 2012**
(54) Product in respect of which the design is registered: **Article of clothing**
(51) International Design Classification: **02-02C**
(74) Name(s) of Attorney(s): **Allens Patent & Trade Mark Attorneys**
(71) Name(s) and Address(s) of Applicant(s):
Forever New Clothing Pty Ltd
714-716 High St Kew East VIC 3102 Australia
(72) Name(s) of Designer(s): **Octavia Miller**
(45) Registration Date: **28 November 2013**
(62) Divisional of: **352421**
(56) Related Art Documents: **Not Applicable**
(57) Statement of Newness and Distinctiveness: **Newness and distinctiveness resides in the visual features of shape, configuration, pattern and/or ornamentation of an article of clothing as shown in the accompanying representations.**



- (21) Design Number: **15948/2013**
(22) Date of Filing Application: **19 November 2013**
(24) Date from which industrial property rights may have effect: **30 October 2012**
(54) Product in respect of which the design is registered: **Article of clothing**
(51) International Design Classification: **02-02C**
(74) Name(s) of Attorney(s): **Allens Patent & Trade Mark Attorneys**
(71) Name(s) and Address(s) of Applicant(s):
Forever New Clothing Pty Ltd
714-716 High St Kew East VIC 3102 Australia
(72) Name(s) of Designer(s): **Octavia Miller**
(45) Registration Date: **28 November 2013**
(62) Divisional of: **352421**
(56) Related Art Documents: **Not Applicable**
(57) Statement of Newness and Distinctiveness: **Newness and distinctiveness resides in the visual features of shape, configuration, pattern and/or ornamentation of an article of clothing as shown in the accompanying representations.**



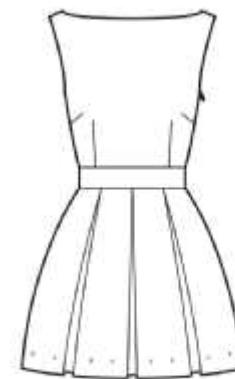
- (21) Design Number: **15949/2013**
(22) Date of Filing Application: **19 November 2013**
(24) Date from which industrial property rights may have effect: **30 October 2012**
(54) Product in respect of which the design is registered: **Article of clothing**
(51) International Design Classification: **02-02C**
(74) Name(s) of Attorney(s): **Allens Patent & Trade Mark Attorneys**
(71) Name(s) and Address(s) of Applicant(s):
Forever New Clothing Pty Ltd
714-716 High St Kew East VIC 3102 Australia
(72) Name(s) of Designer(s): **Laura Mitchell**
(45) Registration Date: **28 November 2013**
(62) Divisional of: **352421**
(56) Related Art Documents: **Not Applicable**
(57) Statement of Newness and Distinctiveness: **Newness and distinctiveness resides in the visual features of shape, configuration, pattern and/or ornamentation of an article of clothing as shown in the accompanying representations.**



- (21) Design Number: **15950/2013**
(22) Date of Filing Application: **19 November 2013**
(24) Date from which industrial property rights may have effect: **30 October 2012**
(54) Product in respect of which the design is registered: **Article of clothing**
(51) International Design Classification: **02-02C**
(74) Name(s) of Attorney(s): **Allens Patent & Trade Mark Attorneys**
(71) Name(s) and Address(s) of Applicant(s):
Forever New Clothing Pty Ltd
714-716 High St Kew East VIC 3102 Australia
(72) Name(s) of Designer(s): **Laura Mitchell**
(45) Registration Date: **28 November 2013**
(62) Divisional of: **352421**
(56) Related Art Documents: **Not Applicable**
(57) Statement of Newness and Distinctiveness: **Newness and distinctiveness resides in the visual features of shape, configuration, pattern and/or ornamentation of an article of clothing as shown in the accompanying representations.**



- (21) Design Number: **15951/2013**
(22) Date of Filing Application: **19 November 2013**
(24) Date from which industrial property rights may have effect: **30 October 2012**
(54) Product in respect of which the design is registered: **Article of clothing**
(51) International Design Classification: **02-02C**
(74) Name(s) of Attorney(s): **Allens Patent & Trade Mark Attorneys**
(71) Name(s) and Address(s) of Applicant(s):
Forever New Clothing Pty Ltd
714-716 High St Kew East VIC 3102 Australia
(72) Name(s) of Designer(s): **Laura Mitchell**
(45) Registration Date: **28 November 2013**
(62) Divisional of: **352421**
(56) Related Art Documents: **Not Applicable**
(57) Statement of Newness and Distinctiveness: **Newness and distinctiveness resides in the visual features of shape, configuration, pattern and/or ornamentation of an article of clothing as shown in the accompanying representations.**



- (21) Design Number: **15952/2013**
(22) Date of Filing Application: **19 November 2013**
(24) Date from which industrial property rights may have effect: **30 October 2012**
(54) Product in respect of which the design is registered: **Article of clothing**
(51) International Design Classification: **02-02C**
(74) Name(s) of Attorney(s): **Allens Patent & Trade Mark Attorneys**
(71) Name(s) and Address(s) of Applicant(s):
Forever New Clothing Pty Ltd
714-716 High St Kew East VIC 3102 Australia
(72) Name(s) of Designer(s): **Laura Mitchell**
(45) Registration Date: **28 November 2013**
(62) Divisional of: **352421**
(56) Related Art Documents: **Not Applicable**
(57) Statement of Newness and Distinctiveness: **Newness and distinctiveness resides in the visual features of shape, configuration, pattern and/or ornamentation of an article of clothing as shown in the accompanying representations.**



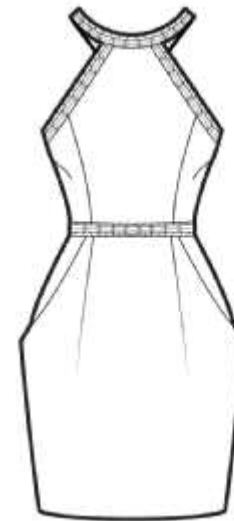
- (21) Design Number: **15953/2013**
(22) Date of Filing Application: **19 November 2013**
(24) Date from which industrial property rights may have effect: **30 October 2012**
(54) Product in respect of which the design is registered: **Article of clothing**
(51) International Design Classification: **02-02C**
(74) Name(s) of Attorney(s): **Allens Patent & Trade Mark Attorneys**
(71) Name(s) and Address(s) of Applicant(s):
Forever New Clothing Pty Ltd
714-716 High St Kew East VIC 3102 Australia
(72) Name(s) of Designer(s): **Laura Mitchell**
(45) Registration Date: **28 November 2013**
(62) Divisional of: **352421**
(56) Related Art Documents: **Not Applicable**
(57) Statement of Newness and Distinctiveness: **Newness and distinctiveness resides in the visual features of shape, configuration, pattern and/or ornamentation of an article of clothing as shown in the accompanying representations.**



- (21) Design Number: **15954/2013**
(22) Date of Filing Application: **19 November 2013**
(24) Date from which industrial property rights may have effect: **30 October 2012**
(54) Product in respect of which the design is registered: **Article of clothing**
(51) International Design Classification: **02-02C**
(74) Name(s) of Attorney(s): **Allens Patent & Trade Mark Attorneys**
(71) Name(s) and Address(s) of Applicant(s):
Forever New Clothing Pty Ltd
714-716 High St Kew East VIC 3102 Australia
(72) Name(s) of Designer(s): **Laura Mitchell**
(45) Registration Date: **28 November 2013**
(62) Divisional of: **352421**
(56) Related Art Documents: **Not Applicable**
(57) Statement of Newness and Distinctiveness: **Newness and distinctiveness resides in the visual features of shape, configuration, pattern and/or ornamentation of an article of clothing as shown in the accompanying representations.**



- (21) Design Number: **15955/2013**
(22) Date of Filing Application: **19 November 2013**
(24) Date from which industrial property rights may have effect: **30 October 2012**
(54) Product in respect of which the design is registered: **Article of clothing**
(51) International Design Classification: **02-02C**
(74) Name(s) of Attorney(s): **Allens Patent & Trade Mark Attorneys**
(71) Name(s) and Address(s) of Applicant(s):
Forever New Clothing Pty Ltd
714-716 High St Kew East VIC 3102 Australia
(72) Name(s) of Designer(s): **Laura Mitchell**
(45) Registration Date: **28 November 2013**
(62) Divisional of: **352421**
(56) Related Art Documents: **Not Applicable**
(57) Statement of Newness and Distinctiveness: **Newness and distinctiveness resides in the visual features of shape, configuration, pattern and/or ornamentation of an article of clothing as shown in the accompanying representations.**



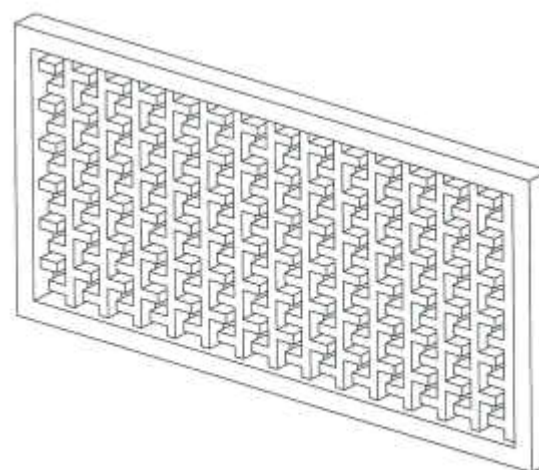
- (21) Design Number: **11064/2013**
(22) Date of Filing Application: **04 March 2013**
(24) Date from which industrial property rights may have effect: **04 March 2013**
(54) Product in respect of which the design is registered: **Article of clothing**
(51) International Design Classification: **02-02C**
(74) Name(s) of Attorney(s): **Allens Patent & Trade Mark Attorneys**
(71) Name(s) and Address(s) of Applicant(s):
Forever New Clothing Pty Ltd
714-716 High St Kew East VIC 3102 Australia
(72) Name(s) of Designer(s): **Gemma Henderson**
(45) Registration Date: **28 November 2013**
(56) Related Art Documents: **Not Applicable**
(57) Statement of Newness and Distinctiveness: **Newness and distinctiveness resides in the visual features of shape, configuration, pattern and/or ornamentation of an article of clothing as shown in the accompanying representations.**



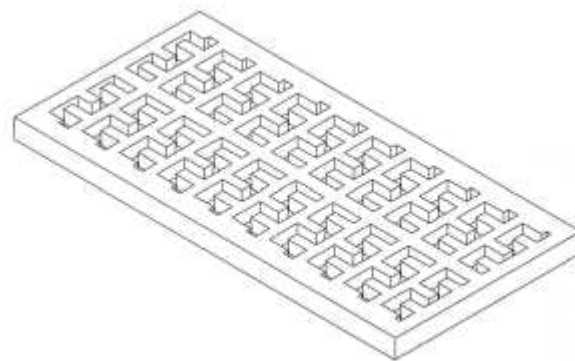
- (21) Design Number: **12238/2013**
(22) Date of Filing Application: **15 May 2013**
(24) Date from which industrial property rights may have effect: **15 May 2013**
(54) Product in respect of which the design is registered: **Dual safety plug**
(51) International Design Classification: **13-03D**
(74) Name(s) of Attorney(s): **Macpherson + Kelley**
(71) Name(s) and Address(s) of Applicant(s):
Nicole Slater
13 Bellevue St Richmond VIC 3121 Australia
(72) Name(s) of Designer(s): **Nicole Slater**
(45) Registration Date: **28 November 2013**
(56) Related Art Documents: **Not Applicable**
(57) Statement of Newness and Distinctiveness: **Monopoly is claimed in the features of shape and/or configuration of the safety plug as shown in the accompanying representations.**



- (21) Design Number: **15180/2013**
(22) Date of Filing Application: **11 October 2013**
(24) Date from which industrial property rights may have effect: **11 October 2013**
(54) Product in respect of which the design is registered: **Screen for vibrating screen apparatus**
(51) International Design Classification: **15-99**
(74) Name(s) of Attorney(s): **Griffith Hack**
(71) Name(s) and Address(s) of Applicant(s):
Sandvik Intellectual Property AB
Sandviken SE-811 81 Sandviken Sweden
(72) Name(s) of Designer(s): **Mats Malmberg**
(45) Registration Date: **28 November 2013**
(30) Convention priority data:
(31) Number (32) Date (33) Country
001369425-0001 26 Apr 2013 OFFICE FOR HARMONISATION IN THE INTERNAL MARKET (OHIM)
(56) Related Art Documents: **Not Applicable**
(57) Statement of Newness and Distinctiveness: **Newness and distinctiveness resides in the visual features, including shape, configuration and pattern, of the ribs and resultant apertures defined thereby of a SCREEN FOR VIBRATING SCREEN APPARATUS as shown in the accompanying drawings.**



(21) Design Number: **15189/2013**
(22) Date of Filing Application: **11 October 2013**
(24) Date from which industrial property rights may have effect: **11 October 2013**
(54) Product in respect of which the design is registered: **Screen for vibrating screen apparatus**
(51) International Design Classification: **15-99**
(74) Name(s) of Attorney(s): **Griffith Hack**
(71) Name(s) and Address(s) of Applicant(s):
Sandvik Intellectual Property AB
SE-811 81 Sandviken Sweden
(72) Name(s) of Designer(s): **Mats Malmberg**
(45) Registration Date: **28 November 2013**
(30) Convention priority data:
(31) Number (32) Date (33) Country
001369425-0005 26 Apr 2013 OFFICE FOR HARMONISATION IN THE INTERNAL MARKET (OHIM)
(56) Related Art Documents: **Not Applicable**
(57) Statement of Newness and Distinctiveness: **Newness and distinctiveness resides in the visual features, including shape, configuration and pattern, of the ribs and resultant apertures defined thereby of a SCREEN FOR VIBRATING SCREEN APPARATUS as shown in the accompanying drawings.**



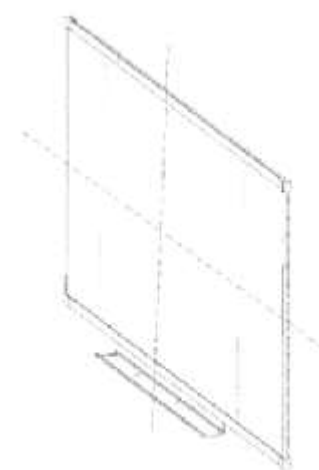
(21) Design Number: **13778/2013**
(22) Date of Filing Application: **07 August 2013**
(24) Date from which industrial property rights may have effect: **07 August 2013**
(54) Product in respect of which the design is registered: **Bar stool**
(51) International Design Classification: **06-01E**
(74) Name(s) of Attorney(s):
(71) Name(s) and Address(s) of Applicant(s):
Debbi Machealle Rumble
8 Stevens PI Ormiston QLD 4160 Australia
Peter Rumble
8 Stevens PI Ormiston QLD 4160 Australia
(72) Name(s) of Designer(s): **Debbi Machealle Rumble and Peter Rumble**
(45) Registration Date: **29 November 2013**
(56) Related Art Documents: **Not Applicable**
(57) Statement of Newness and Distinctiveness: **Newness and distinctiveness is in respect to the shape and configuration of the welded steel base with use of distinctive stainless steel features, including decorative stainless steel plates and fittings. These fittings include stainless steel tube kick rail, U bolts, wire ropes and swaging, turnbuckles and eyebolts, domed nuts, tilting/levelling feet. Our standard base design is complimented by variations of base colours, seat styles and seat materials.**



- (21) Design Number: **13779/2013**
(22) Date of Filing Application: **07 August 2013**
(24) Date from which industrial property rights may have effect: **07 August 2013**
(54) Product in respect of which the design is registered: **Bar table**
(51) International Design Classification: **06-03NES**
(74) Name(s) of Attorney(s):
(71) Name(s) and Address(s) of Applicant(s):
Debbi Machealle Rumble
8 Stevens PI Ormiston QLD 4160 Australia
Peter Rumble
8 Stevens PI Ormiston QLD 4160 Australia
(72) Name(s) of Designer(s): **Debbi Machealle Rumble and Peter Rumble**
(45) Registration Date: **29 November 2013**
(56) Related Art Documents: **Not Applicable**
(57) Statement of Newness and Distinctiveness: **Newness and distinctiveness is in respect to the shape and configuration of the welded steel base with distinctive stainless steel features including decorative stainless steel plates and fittings. These stainless steel features include stainless tube for kick rail, U bolts, wire rope and swaging, turnbuckles and eyebolts, tilting/levelling feet. The standard base design comes in various colours and has the versatility to accomodate variations of table tops as per illustrations.**



- (21) Design Number: **14027/2013**
(22) Date of Filing Application: **15 August 2013**
(24) Date from which industrial property rights may have effect: **15 August 2013**
(54) Product in respect of which the design is registered: **Display board**
(51) International Design Classification: **20-02NES**
(74) Name(s) of Attorney(s): **Griffith Hack**
(71) Name(s) and Address(s) of Applicant(s):
ACCO Brands Corporation
Four Corporate Drive Lake Zurich Illinois, 60047-8997 United State of America
(72) Name(s) of Designer(s): **Seesong Kang**
(45) Registration Date: **29 November 2013**
(30) Convention priority data:
(31) Number (32) Date (33) Country
29/447,819 07 Mar 2013 UNITED STATES OF AMERICA
(56) Related Art Documents: **Not Applicable**
(57) Statement of Newness and Distinctiveness: **Newness and distinctiveness resides in the visual features, including the shape and configuration of the product shown in the representations. The dashed lines in the representations indicate that the height and width of the product may vary, providing that all the dimensions of the product remain in proportion.**



(21) Design Number: **14029/2013**

(22) Date of Filing Application: **15 August 2013**

(24) Date from which industrial property rights may have effect: **15 August 2013**

(54) Product in respect of which the design is registered: **Display board**

(51) International Design Classification: **20-02NES**

(74) Name(s) of Attorney(s): **Griffith Hack**

(71) Name(s) and Address(s) of Applicant(s):

ACCO Brands Corporation

Four Corporate Drive Lake Zurich Illinois, 60047-8997 United State of America

(72) Name(s) of Designer(s): **Seesong Kang**

(45) Registration Date: **29 November 2013**

(30) Convention priority data:

(31) Number

(32) Date

(33) Country

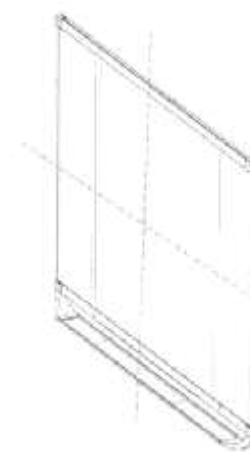
29/447,821

07 Mar 2013

UNITED STATES OF AMERICA

(56) Related Art Documents: **Not Applicable**

(57) Statement of Newness and Distinctiveness: **Newness and distinctiveness resides in the visual features, including the shape and configuration of the product shown in the representations. The dashed lines in the representations indicate that the height and width of the product may vary, providing that all the dimensions of the product remain in proportion.**



(21) Design Number: **14031/2013**

(22) Date of Filing Application: **15 August 2013**

(24) Date from which industrial property rights may have effect: **15 August 2013**

(54) Product in respect of which the design is registered: **Display board**

(51) International Design Classification: **20-02NES**

(74) Name(s) of Attorney(s): **Griffith Hack**

(71) Name(s) and Address(s) of Applicant(s):

ACCO Brands Corporation

Four Corporate Drive Lake Zurich Illinois, 60047-8997 United State of America

(72) Name(s) of Designer(s): **Seesong Kang**

(45) Registration Date: **29 November 2013**

(30) Convention priority data:

(31) Number

(32) Date

(33) Country

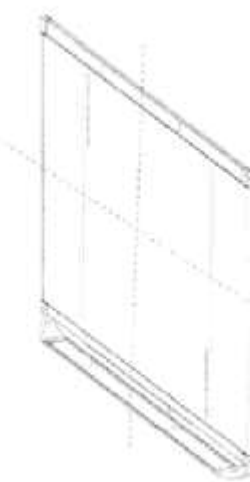
29/447,825

07 Mar 2013

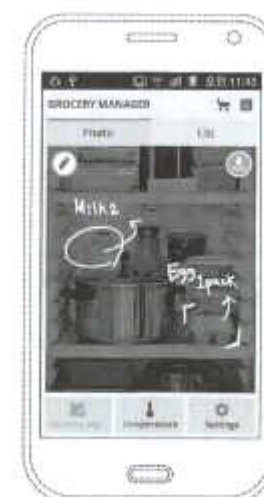
UNITED STATES OF AMERICA

(56) Related Art Documents: **Not Applicable**

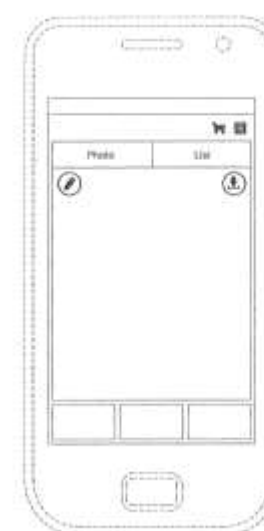
(57) Statement of Newness and Distinctiveness: **Newness and distinctiveness resides in the visual features, including the shape and configuration of the product shown in the representations. The dashed lines in the representations indicate that the height and width of the product may vary, providing that all the dimensions of the product remain in proportion.**



- (21) Design Number: **14156/2013**
(22) Date of Filing Application: **21 August 2013**
(24) Date from which industrial property rights may have effect: **21 August 2013**
(54) Product in respect of which the design is registered: **Display screen for an electronic device**
(51) International Design Classification: **14-02**
(74) Name(s) of Attorney(s): **Wrays**
(71) Name(s) and Address(s) of Applicant(s):
Samsung Electronics Co., Ltd
129 Samsung-ro Yeontong-gu Suwon-si Gyeonggi-do 443-742 Republic of Korea
(72) Name(s) of Designer(s): **Sun-Ae Kim and Mi-Yeon Ahn**
(45) Registration Date: **29 November 2013**
(30) Convention priority data:
(31) Number (32) Date (33) Country
30-2013-0011956 08 Mar 2013 REPUBLIC OF KOREA
(56) Related Art Documents: **Not Applicable**
(57) Statement of Newness and Distinctiveness: **Newness and distinctiveness is claimed in the features of pattern and/or ornamentation of the Display Screen For An Electronic Device as shown in the accompanying representations: namely, the features depicted in Figure 1 by solid lines. The features depicted by broken lines, and characters and symbols in Figure 1 are for illustrative purposes only and form no part of the claimed design. Figure 2 is for illustrative purposes only showing example images on the display screen in combination with the features depicted by solid lines in Figure 1.**



- (21) Design Number: **14157/2013**
(22) Date of Filing Application: **21 August 2013**
(24) Date from which industrial property rights may have effect: **21 August 2013**
(54) Product in respect of which the design is registered: **Display screen for an electronic device**
(51) International Design Classification: **14-02**
(74) Name(s) of Attorney(s): **Wrays**
(71) Name(s) and Address(s) of Applicant(s):
Samsung Electronics Co., Ltd
129 Samsung-ro Yeontong-gu Suwon-si Gyeonggi-do 443-742 Republic of Korea
(72) Name(s) of Designer(s): **Sun-Ae Kim and Mi-Yeon Ahn**
(45) Registration Date: **29 November 2013**
(30) Convention priority data:
(31) Number (32) Date (33) Country
30-2013-0011955 08 Mar 2013 REPUBLIC OF KOREA
(56) Related Art Documents: **Not Applicable**
(57) Statement of Newness and Distinctiveness: **Newness and distinctiveness is claimed in the features of pattern and/or ornamentation of the Display Screen For An Electronic Device as shown in the accompanying representations: namely, the features depicted in Figure 1 by solid lines. The features depicted by broken lines, and characters and symbols in Figure 1 are for illustrative purposes only and form no part of the claimed design. Figure 2 is for illustrative purposes only showing example images on the display screen in combination with the features depicted by solid lines in Figure 1.**



- (21) Design Number: **14218/2013**
(22) Date of Filing Application: **26 August 2013**
(24) Date from which industrial property rights may have effect: **26 August 2013**
(54) Product in respect of which the design is registered: **Water proof bed bumper protector**
(51) International Design Classification: **06-13B**
(74) Name(s) of Attorney(s):
(71) Name(s) and Address(s) of Applicant(s):
Teena Louise Gresty
Waite Creek Ct Cannonvale QLD 4802 Australia
(72) Name(s) of Designer(s): **Teena Louise Gresty**
(45) Registration Date: **29 November 2013**
(56) Related Art Documents: **Not Applicable**
(57) Statement of Newness and Distinctiveness: **This bed bumper is to stop children from falling out of bed and providing a waterproof barrier to protect the mattress. Unique in design as it has two open ended flaps on each side and tuck flaps to fit any bed. This enables you to be able to inset a pool noodle, foam or inflatable into them to make a barrier to help stop children from falling out of bed. The flaps lay flat when you take the noodle out making the bed bumper into a waterproof mattress protector. It is portable and no entrapment.**



- (21) Design Number: **15537/2013**
(22) Date of Filing Application: **29 October 2013**
(24) Date from which industrial property rights may have effect: **29 October 2013**
(54) Product in respect of which the design is registered: **Camper trailer**
(51) International Design Classification: **12-10**
(74) Name(s) of Attorney(s): **Etheringtons Solicitors**
(71) Name(s) and Address(s) of Applicant(s):
GIC Pty Ltd
81 Milperra Rd Revesby NSW 2212 Australia
(72) Name(s) of Designer(s): **Robert Grabovac**
(45) Registration Date: **29 November 2013**
(56) Related Art Documents: **Not Applicable**
(57) Statement of Newness and Distinctiveness: **Camper Trailer CRUS with extended drawbar length, Draw bar extended to front spring hanger for extra stability, cornering, reversing and strength, full tube reinforced chassis. All stress points on the chassis and drawbar have been reinforced, integrated mobile kitchen.**



- (21) Design Number: **15544/2013**
(22) Date of Filing Application: **29 October 2013**
(24) Date from which industrial property rights may have effect: **29 October 2013**
(54) Product in respect of which the design is registered: **Camper trailer**
(51) International Design Classification: **12-10**
(74) Name(s) of Attorney(s): **Etheringtons Solicitors**
(71) Name(s) and Address(s) of Applicant(s):
GIC Pty Ltd
81 Milperra Rd Revesby NSW 2212 Australia
(72) Name(s) of Designer(s): **Robert Grabovac**
(45) Registration Date: **29 November 2013**
(56) Related Art Documents: **Not Applicable**
(57) Statement of Newness and Distinctiveness: **Drawbar: 100x50x4mm Extended drawbar Length, Draw bar extended to front spring hanger for extra stability, cornering, reversing and strength; Full tube reinforced chassis All stress points on the chassis and drawbar have been reinforced; ARD Approved Off Road Polyblock Hitch; Jockey Wheel: 10 Swing-Up & Lockable.**



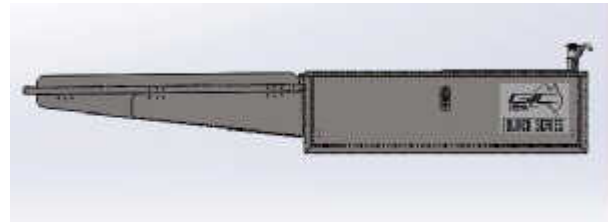
- (21) Design Number: **15546/2013**
(22) Date of Filing Application: **29 October 2013**
(24) Date from which industrial property rights may have effect: **29 October 2013**
(54) Product in respect of which the design is registered: **Camping tent 12 ft grey**
(51) International Design Classification: **12-10**
(74) Name(s) of Attorney(s): **Etheringtons Solicitors**
(71) Name(s) and Address(s) of Applicant(s):
GIC Pty Ltd
81 Milperra Rd Revesby NSW 2212 Australia
(72) Name(s) of Designer(s): **Robert Grabovac**
(45) Registration Date: **29 November 2013**
(56) Related Art Documents: **Not Applicable**
(57) Statement of Newness and Distinctiveness: **Nil**



(21) Design Number: **15549/2013**
(22) Date of Filing Application: **29 October 2013**
(24) Date from which industrial property rights may have effect: **29 October 2013**
(54) Product in respect of which the design is registered: **Tent green 18 ft**
(51) International Design Classification: **21-04**
(74) Name(s) of Attorney(s): **Etheringtons Solicitors**
(71) Name(s) and Address(s) of Applicant(s):
GIC Pty Ltd
81 Milperra Rd Revesby NSW 2212 Australia
(72) Name(s) of Designer(s): **Robert Grabovac**
(45) Registration Date: **29 November 2013**
(56) Related Art Documents: **Not Applicable**
(57) Statement of Newness and Distinctiveness: **Nil**



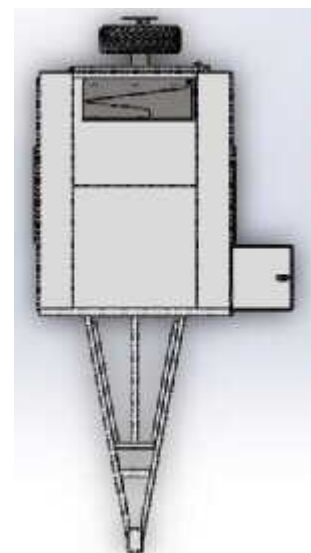
(21) Design Number: **15550/2013**
(22) Date of Filing Application: **29 October 2013**
(24) Date from which industrial property rights may have effect: **29 October 2013**
(54) Product in respect of which the design is registered: **Camping kitchen**
(51) International Design Classification: **06-03NES**
(74) Name(s) of Attorney(s): **Etheringtons Solicitors**
(71) Name(s) and Address(s) of Applicant(s):
GIC Pty Ltd
81 Milperra Rd Revesby NSW 2212 Australia
(72) Name(s) of Designer(s): **Robert Grabovac**
(45) Registration Date: **29 November 2013**
(56) Related Art Documents: **Not Applicable**
(57) Statement of Newness and Distinctiveness: **Nil**



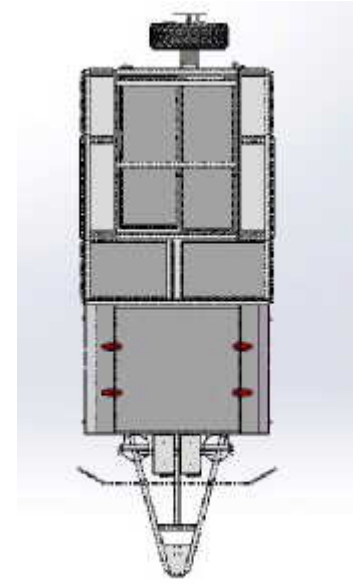
- (21) Design Number: **15554/2013**
(22) Date of Filing Application: **29 October 2013**
(24) Date from which industrial property rights may have effect: **29 October 2013**
(54) Product in respect of which the design is registered: **Dress**
(51) International Design Classification: **02-02C**
(74) Name(s) of Attorney(s):
(71) Name(s) and Address(s) of Applicant(s):
Aleksandra Konakov
1 Clonard Way Little Bay NSW 2036 Australia
(72) Name(s) of Designer(s): **Aleksandra Konakov**
(45) Registration Date: **29 November 2013**
(56) Related Art Documents: **Not Applicable**
(57) Statement of Newness and Distinctiveness: **Detachable piece transforming dress from long to short and vice versa.**



- (21) Design Number: **15701/2013**
(22) Date of Filing Application: **06 November 2013**
(24) Date from which industrial property rights may have effect: **06 November 2013**
(54) Product in respect of which the design is registered: **Camper trailer**
(51) International Design Classification: **12-10**
(74) Name(s) of Attorney(s): **Etheringtons Solicitors**
(71) Name(s) and Address(s) of Applicant(s):
GIC Pty Ltd
81 Milperra Rd Revesby NSW 2212 Australia
(72) Name(s) of Designer(s): **Robert Grabovac**
(45) Registration Date: **29 November 2013**
(56) Related Art Documents: **Not Applicable**
(57) Statement of Newness and Distinctiveness: **Nil**



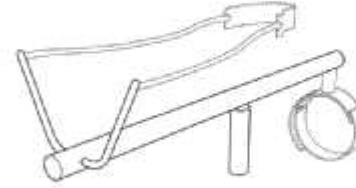
- (21) Design Number: **15702/2013**
(22) Date of Filing Application: **06 November 2013**
(24) Date from which industrial property rights may have effect: **06 November 2013**
(54) Product in respect of which the design is registered: **Camper trailer**
(51) International Design Classification: **12-10**
(74) Name(s) of Attorney(s): **Etheringtons Solicitors**
(71) Name(s) and Address(s) of Applicant(s):
GIC Pty Ltd
81 Milperra Rd Revesby NSW 2212 Australia
(72) Name(s) of Designer(s): **Robert Grabovac**
(45) Registration Date: **29 November 2013**
(56) Related Art Documents: **Not Applicable**
(57) Statement of Newness and Distinctiveness: **Nil**



- (21) Design Number: **14546/2013**
(22) Date of Filing Application: **12 September 2013**
(24) Date from which industrial property rights may have effect: **20 June 2013**
(54) Product in respect of which the design is registered: **Portable music player**
(51) International Design Classification: **14-03NES**
(74) Name(s) of Attorney(s): **Cotters Patent & Trade Mark Attorneys**
(71) Name(s) and Address(s) of Applicant(s):
Dubgear Inc.
53 Burrows Drive Etobicoke Ontario M9B 4W8 Canada
(72) Name(s) of Designer(s): **Jansen White and Jonathan Paul Loudon and Heather Chi-Ying Lam and Kevin Armour**
(45) Registration Date: **29 November 2013**
(62) Divisional of: **350946**
(56) Related Art Documents: **Not Applicable**
(57) Statement of Newness and Distinctiveness: **Newness and distinctiveness is claimed in the features of shape and/or configuration of a portable music player as illustrated in continuous lines in the accompanying drawings.**



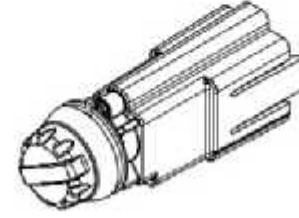
- (21) Design Number: **15625/2013**
(22) Date of Filing Application: **31 October 2013**
(24) Date from which industrial property rights may have effect: **31 October 2013**
(54) Product in respect of which the design is registered: **Slingshot**
(51) International Design Classification: **22-01, 21-02B**
(74) Name(s) of Attorney(s):
(71) Name(s) and Address(s) of Applicant(s):
SHANGHAI GOLF AUSTRALIA PTY LIMITED
55 Macquarie Rd Fennell Bay NSW 2283 Australia
(72) Name(s) of Designer(s): **Morris John Parkes**
(45) Registration Date: **29 November 2013**
(56) Related Art Documents: **Not Applicable**
(57) Statement of Newness and Distinctiveness: **Newness and distinctiveness resides in the overall shape and configuration of the features shown in solid lines in the representations.**



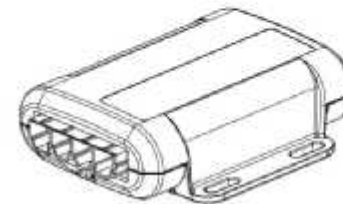
- (21) Design Number: **15843/2013**
(22) Date of Filing Application: **14 November 2013**
(24) Date from which industrial property rights may have effect: **14 November 2013**
(54) Product in respect of which the design is registered: **Clamp insulator**
(51) International Design Classification: **08-05F**
(74) Name(s) of Attorney(s): **Callinans**
(71) Name(s) and Address(s) of Applicant(s):
Pacific Polymers Pty Ltd
c/- Burton Partners 217 Lonsdale St Dandenong VIC 3175 Australia
(72) Name(s) of Designer(s): **Andrew Sorensen and Simon Wu**
(45) Registration Date: **29 November 2013**
(56) Related Art Documents: **Not Applicable**
(57) Statement of Newness and Distinctiveness: **Newness and distinctiveness resides in the clamp portion of the integrated conductor clamp, the clamp portion being that portion situated on the topmost flange. The features of the insulator body including the flanges are to be disregarded for the purposes of consideration of newness and distinctiveness.**



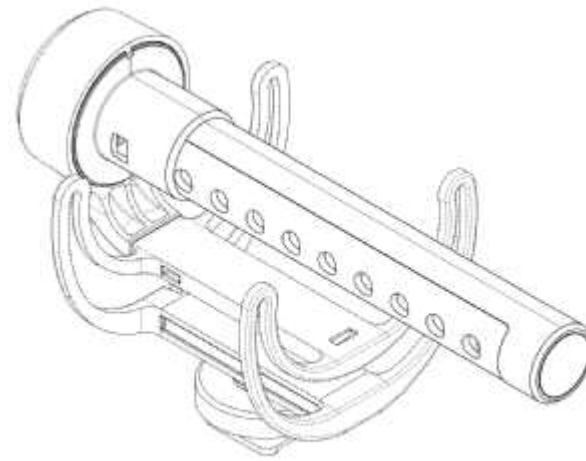
- (21) Design Number: **15850/2013**
(22) Date of Filing Application: **14 November 2013**
(24) Date from which industrial property rights may have effect: **14 November 2013**
(54) Product in respect of which the design is registered: **Control unit with knob**
(51) International Design Classification: **13-03NES, 13-03D**
(74) Name(s) of Attorney(s): **PHILLIPS ORMONDE FITZPATRICK**
(71) Name(s) and Address(s) of Applicant(s):
Redarc Technologies Pty Ltd
PO BOX 469 Morphett Vale SA 5162 Australia
(72) Name(s) of Designer(s): **Timothy Allan Eden**
(45) Registration Date: **29 November 2013**
(56) Related Art Documents: **Not Applicable**
(57) Statement of Newness and Distinctiveness: **Newness and distinctiveness is claimed in the shape and/or configuration of a control unit with knob as shown in the accompanying representations.**



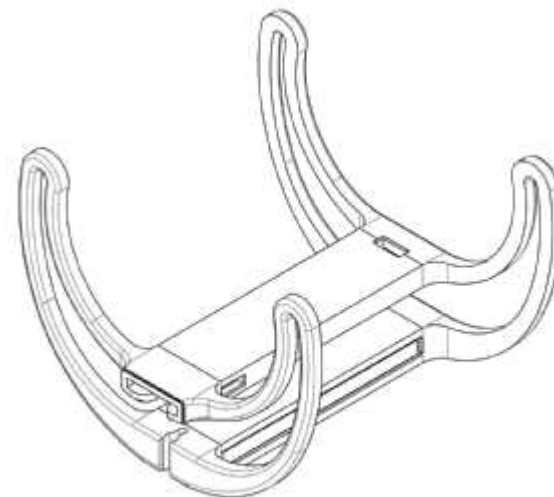
- (21) Design Number: **15851/2013**
(22) Date of Filing Application: **14 November 2013**
(24) Date from which industrial property rights may have effect: **14 November 2013**
(54) Product in respect of which the design is registered: **Housing for controller**
(51) International Design Classification: **13-03D**
(74) Name(s) of Attorney(s): **PHILLIPS ORMONDE FITZPATRICK**
(71) Name(s) and Address(s) of Applicant(s):
Redarc Technologies Pty Ltd
PO BOX 469 Morphett Vale SA 5162 Australia
(72) Name(s) of Designer(s): **Timothy Allan Eden**
(45) Registration Date: **29 November 2013**
(56) Related Art Documents: **Not Applicable**
(57) Statement of Newness and Distinctiveness: **Newness and distinctiveness is claimed in the shape and/or configuration of a housing for controller as shown in the accompanying representations.**



- (21) Design Number: **15858/2013**
(22) Date of Filing Application: **14 November 2013**
(24) Date from which industrial property rights may have effect: **14 November 2013**
(54) Product in respect of which the design is registered: **Microphone line tube**
(51) International Design Classification: **14-01**
(74) Name(s) of Attorney(s): **HODGKINSON McINNES PATENTS**
(71) Name(s) and Address(s) of Applicant(s):
Freedman Electronics Pty Limited
107 Carnarvon St Silverwater NSW 2128 Australia
(72) Name(s) of Designer(s): **Tom Ferghana Rogers Fereday and Sun Kyung Sunwoo**
(45) Registration Date: **29 November 2013**
(56) Related Art Documents: **Not Applicable**
(57) Statement of Newness and Distinctiveness: **Newness and distinctiveness is claimed in the shape and configuration of a microphone line tube as shown in the representations.**



- (21) Design Number: **15861/2013**
(22) Date of Filing Application: **14 November 2013**
(24) Date from which industrial property rights may have effect: **14 November 2013**
(54) Product in respect of which the design is registered: **Microphone mount**
(51) International Design Classification: **14-01, 08-08NES**
(74) Name(s) of Attorney(s): **HODGKINSON McINNES PATENTS**
(71) Name(s) and Address(s) of Applicant(s):
Freedman Electronics Pty Limited
107 Carnarvon St Silverwater NSW 2128 Australia
(72) Name(s) of Designer(s): **Tom Ferghana Rogers Fereday and Sun Kyung Sunwoo**
(45) Registration Date: **29 November 2013**
(56) Related Art Documents: **Not Applicable**
(57) Statement of Newness and Distinctiveness: **Newness and distinctiveness is claimed in the shape and configuration of a microphone mount as shown in the representations.**



(21) Design Number: **15888/2013**
(22) Date of Filing Application: **17 November 2013**
(24) Date from which industrial property rights may have effect: **17 November 2013**
(54) Product in respect of which the design is registered: **Fashion belt**
(51) International Design Classification: **02-07A**
(74) Name(s) of Attorney(s):
(71) Name(s) and Address(s) of Applicant(s):
Daniel Linsell
PO BOX 582 The Junction NSW 2291 Australia
(72) Name(s) of Designer(s): **Kristian Aus and Daniel Linsell**
(45) Registration Date: **29 November 2013**
(56) Related Art Documents: **Not Applicable**
(57) Statement of Newness and Distinctiveness: **Newness and distinctiveness is claimed in those visual features as shown in the representations.**



(21) Design Number: **15900/2013**
(22) Date of Filing Application: **18 November 2013**
(24) Date from which industrial property rights may have effect: **18 November 2013**
(54) Product in respect of which the design is registered: **Perfume bottle**
(51) International Design Classification: **09-01G**
(74) Name(s) of Attorney(s): **Callinans**
(71) Name(s) and Address(s) of Applicant(s):
Bulgari S.p.A.
Lungotevere Marzio 11 00186 Rome Italy
(72) Name(s) of Designer(s): **Armand Louis**
(45) Registration Date: **29 November 2013**
(30) Convention priority data:
(31) Number (32) Date (33) Country
**DM/081 914 10 Sep 2013 WORLD INTELLECTUAL
PROPERTY ORGANIZATION
(WIPO)**
(56) Related Art Documents: **Not Applicable**
(57) Statement of Newness and Distinctiveness: **Nil**



(21) Design Number: **15902/2013**
(22) Date of Filing Application: **18 November 2013**
(24) Date from which industrial property rights may have effect: **18 November 2013**
(54) Product in respect of which the design is registered: **Perfume bottle**
(51) International Design Classification: **09-01G**
(74) Name(s) of Attorney(s): **Callinans**
(71) Name(s) and Address(s) of Applicant(s):
Bulgari S.p.A.
Lungotevere Marzio 11 00186 Rome Italy
(72) Name(s) of Designer(s): **Armand Louis**
(45) Registration Date: **29 November 2013**
(30) Convention priority data:
(31) Number (32) Date (33) Country
**DM/081 914 10 Sep 2013 WORLD INTELLECTUAL
PROPERTY ORGANIZATION
(WIPO)**
(56) Related Art Documents: **Not Applicable**
(57) Statement of Newness and Distinctiveness: **Nil**



(21) Design Number: **15938/2013**
(22) Date of Filing Application: **19 November 2013**
(24) Date from which industrial property rights may have effect: **19 November 2013**
(54) Product in respect of which the design is registered: **Louvre blade**
(51) International Design Classification: **25-02K**
(74) Name(s) of Attorney(s):
(71) Name(s) and Address(s) of Applicant(s):
Kelligan (Australia) Pty. Ltd.
30B Trade Park Dr Tullamarine VIC 3043 Australia
(72) Name(s) of Designer(s): **Shaun Kinniburgh**
(45) Registration Date: **29 November 2013**
(56) Related Art Documents: **Not Applicable**
(57) Statement of Newness and Distinctiveness: **Monopoly is claimed in the
features of shape or configuration of the Louvre Blade as illustrated in
the representations.**



- (21) Design Number: **15939/2013**
(22) Date of Filing Application: **19 November 2013**
(24) Date from which industrial property rights may have effect: **19 November 2013**
(54) Product in respect of which the design is registered: **Postbox**
(51) International Design Classification: **25-03**
(74) Name(s) of Attorney(s):
(71) Name(s) and Address(s) of Applicant(s):
Dylan James Lake
17 The Rise Glen Waverley VIC 3150 Australia
(72) Name(s) of Designer(s): **Dylan James Lake**
(45) Registration Date: **29 November 2013**
(56) Related Art Documents: **Not Applicable**
(57) Statement of Newness and Distinctiveness: **The newness and distinctiveness of the design resides in the shape and/or configuration of a letterbox shown in the representations.**



- (21) Design Number: **15957/2013**
(22) Date of Filing Application: **19 November 2013**
(24) Date from which industrial property rights may have effect: **30 October 2012**
(54) Product in respect of which the design is registered: **Article of clothing**
(51) International Design Classification: **02-02NES**
(74) Name(s) of Attorney(s): **Allens Patent & Trade Mark Attorneys**
(71) Name(s) and Address(s) of Applicant(s):
Forever New Clothing Pty Ltd
714-716 High St Kew East VIC 3102 Australia
(72) Name(s) of Designer(s): **Gemma Henderson**
(45) Registration Date: **29 November 2013**
(62) Divisional of: **352421**
(56) Related Art Documents: **Not Applicable**
(57) Statement of Newness and Distinctiveness: **Newness and distinctiveness resides in the visual features of shape, configuration, pattern and/or ornamentation of an article of clothing as shown in the accompanying representations.**



- (21) Design Number: **15958/2013**
(22) Date of Filing Application: **19 November 2013**
(24) Date from which industrial property rights may have effect: **30 October 2012**
(54) Product in respect of which the design is registered: **Article of clothing**
(51) International Design Classification: **02-02NES**
(74) Name(s) of Attorney(s): **Allens Patent & Trade Mark Attorneys**
(71) Name(s) and Address(s) of Applicant(s):
Forever New Clothing Pty Ltd
714-716 High St Kew East VIC 3102 Australia
(72) Name(s) of Designer(s): **Gemma Henderson**
(45) Registration Date: **29 November 2013**
(62) Divisional of: **352421**
(56) Related Art Documents: **Not Applicable**
(57) Statement of Newness and Distinctiveness: **Newness and distinctiveness resides in the visual features of shape, configuration, pattern and/or ornamentation of an article of clothing as shown in the accompanying representations.**



- (21) Design Number: **15960/2013**
(22) Date of Filing Application: **19 November 2013**
(24) Date from which industrial property rights may have effect: **30 October 2012**
(54) Product in respect of which the design is registered: **Article of clothing**
(51) International Design Classification: **02-02NES**
(74) Name(s) of Attorney(s): **Allens Patent & Trade Mark Attorneys**
(71) Name(s) and Address(s) of Applicant(s):
Forever New Clothing Pty Ltd
714-716 High St Kew East VIC 3102 Australia
(72) Name(s) of Designer(s): **Gemma Henderson**
(45) Registration Date: **29 November 2013**
(62) Divisional of: **352421**
(56) Related Art Documents: **Not Applicable**
(57) Statement of Newness and Distinctiveness: **Newness and distinctiveness resides in the visual features of shape, configuration, pattern and/or ornamentation of an article of clothing as shown in the accompanying representations.**



- (21) Design Number: **15961/2013**
(22) Date of Filing Application: **19 November 2013**
(24) Date from which industrial property rights may have effect: **30 October 2012**
(54) Product in respect of which the design is registered: **Article of clothing**
(51) International Design Classification: **02-02NES**
(74) Name(s) of Attorney(s): **Allens Patent & Trade Mark Attorneys**
(71) Name(s) and Address(s) of Applicant(s):
Forever New Clothing Pty Ltd
714-716 High St Kew East VIC 3102 Australia
(72) Name(s) of Designer(s): **Gemma Henderson**
(45) Registration Date: **29 November 2013**
(62) Divisional of: **352421**
(56) Related Art Documents: **Not Applicable**
(57) Statement of Newness and Distinctiveness: **Newness and distinctiveness resides in the visual features of shape, configuration, pattern and/or ornamentation of an article of clothing as shown in the accompanying representations.**



- (21) Design Number: **15962/2013**
(22) Date of Filing Application: **19 November 2013**
(24) Date from which industrial property rights may have effect: **30 October 2012**
(54) Product in respect of which the design is registered: **Article of clothing**
(51) International Design Classification: **02-02NES**
(74) Name(s) of Attorney(s): **Allens Patent & Trade Mark Attorneys**
(71) Name(s) and Address(s) of Applicant(s):
Forever New Clothing Pty Ltd
714-716 High St Kew East VIC 3102 Australia
(72) Name(s) of Designer(s): **Gemma Henderson**
(45) Registration Date: **29 November 2013**
(62) Divisional of: **352421**
(56) Related Art Documents: **Not Applicable**
(57) Statement of Newness and Distinctiveness: **Newness and distinctiveness resides in the visual features of shape, configuration, pattern and/or ornamentation of an article of clothing as shown in the accompanying representations.**



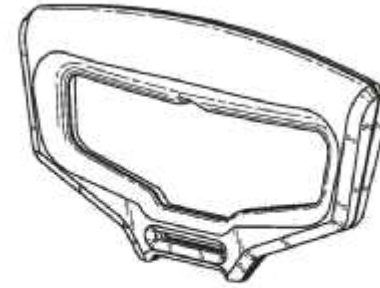
- (21) Design Number: **14228/2013**
(22) Date of Filing Application: **27 August 2013**
(24) Date from which industrial property rights may have effect: **27 August 2013**
(54) Product in respect of which the design is registered: **Hasp**
(51) International Design Classification: **08-07**
(74) Name(s) of Attorney(s): **Callinans**
(71) Name(s) and Address(s) of Applicant(s):
Master Lock Company LLC
137 W. Forest Hill Avenue Oak Creek Wisconsin 53154 United States of America
(72) Name(s) of Designer(s): **Jassen R. Miller and Thomas J Walczak**
(45) Registration Date: **02 December 2013**
(30) Convention priority data:
(31) Number (32) Date (33) Country
29/448,346 12 Mar 2013 UNITED STATES OF AMERICA
(56) Related Art Documents: **Not Applicable**
(57) Statement of Newness and Distinctiveness: **Newness and distinctiveness are provided by the shape and/or configuration of the design shown in the representations. The features shown in broken lines in the representations are for illustrative purposes only and should not be considered when construing visual features of the design.**



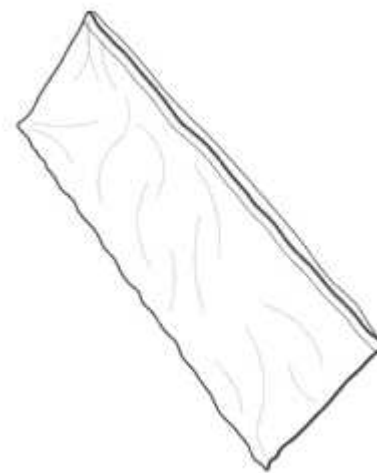
- (21) Design Number: **14237/2013**
(22) Date of Filing Application: **27 August 2013**
(24) Date from which industrial property rights may have effect: **27 August 2013**
(54) Product in respect of which the design is registered: **Motor scooter**
(51) International Design Classification: **12-11**
(74) Name(s) of Attorney(s): **PHILLIPS ORMONDE FITZPATRICK**
(71) Name(s) and Address(s) of Applicant(s):
Piaggio & C. S.p.A.
Viale Rinaldo Piaggio 25 I-56025 Pontedera Pisa Italy
(72) Name(s) of Designer(s): **Marco Lambri and Marco Canepa**
(45) Registration Date: **02 December 2013**
(30) Convention priority data:
(31) Number (32) Date (33) Country
002192518 27 Feb 2013 OFFICE FOR HARMONISATION IN THE INTERNAL MARKET (OHIM)
(56) Related Art Documents: **Not Applicable**
(57) Statement of Newness and Distinctiveness: **Those features of the motor scooter depicted in the representations that are new and distinctive are the shape and/or configuration. The bottom view, wheels and tyres of the motor scooter are not part of the design and are to be disregarded when considering the overall impression of the design.**



- (21) Design Number: **14284/2013**
(22) Date of Filing Application: **29 August 2013**
(24) Date from which industrial property rights may have effect: **29 August 2013**
(54) Product in respect of which the design is registered: **Handle**
(51) International Design Classification: **08-06, 08-08G**
(74) Name(s) of Attorney(s): **Davies Collison Cave**
(71) Name(s) and Address(s) of Applicant(s):
3M Innovative Properties Company
3M Center Saint Paul Minnesota 55133-3427 United States of America
(72) Name(s) of Designer(s): **Craig D. Thompson and Angela L. Pan**
(45) Registration Date: **02 December 2013**
(30) Convention priority data:
(31) Number (32) Date (33) Country
29/447195 01 Mar 2013 UNITED STATES OF AMERICA
(56) Related Art Documents: **Not Applicable**
(57) Statement of Newness and Distinctiveness: **Newness and Distinctiveness is claimed in the visual features shown in solid lines in the representations. In considering the extent of the design rights, the broken lines shown in the representations are for illustrative purposes only and do not form part of the design.**



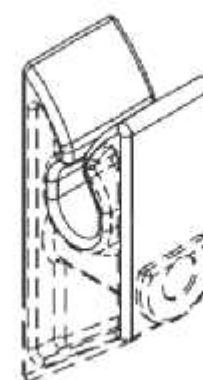
- (21) Design Number: **14327/2013**
(22) Date of Filing Application: **30 August 2013**
(24) Date from which industrial property rights may have effect: **30 August 2013**
(54) Product in respect of which the design is registered: **A weight bearing blanket sleeve with insert**
(51) International Design Classification: **06-13B**
(74) Name(s) of Attorney(s): **Knightsbridge Patent Attorneys**
(71) Name(s) and Address(s) of Applicant(s):
Laser Computer Services Pty Ltd
20 Barbys Rd Creswick VIC 3363 Australia
(72) Name(s) of Designer(s): **Felise du Chateau**
(45) Registration Date: **02 December 2013**
(56) Related Art Documents: **Not Applicable**
(57) Statement of Newness and Distinctiveness: **The Applicant claims that newness and distinctiveness reside in the features of shape and configuration of a weight bearing blanket sleeve having an insert, as depicted in the accompanying representations.**



- (21) Design Number: **14421/2013**
(22) Date of Filing Application: **05 September 2013**
(24) Date from which industrial property rights may have effect: **05 September 2013**
(54) Product in respect of which the design is registered: **Label for hitch match system**
(51) International Design Classification: **12-16NES, 12-16L**
(74) Name(s) of Attorney(s): **Macpherson + Kelley**
(71) Name(s) and Address(s) of Applicant(s):
Cequent Performance Products, Inc.
47912 Halyard Drive Suite 100 Plymouth MI 48170 United States of America
(72) Name(s) of Designer(s): **Richard W. McCoy and Paul Charles Caruso and Jacob S. Belinky and Mark Patrick Scruggs**
(45) Registration Date: **02 December 2013**
(30) Convention priority data:
(31) Number (32) Date (33) Country
US 29/449,825 15 Mar 2013 UNITED STATES OF AMERICA
(56) Related Art Documents: **Not Applicable**
(57) Statement of Newness and Distinctiveness: **The particular visual features of the design which the Applicant hereby identifies as new and distinctive are as follows: "Hitch Match System", as illustrated in the accompanying representations.**



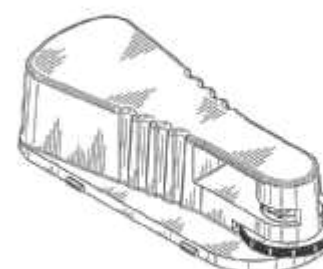
- (21) Design Number: **14611/2013**
(22) Date of Filing Application: **13 September 2013**
(24) Date from which industrial property rights may have effect: **13 September 2013**
(54) Product in respect of which the design is registered: **Clip**
(51) International Design Classification: **08-08C**
(74) Name(s) of Attorney(s): **Shelston IP**
(71) Name(s) and Address(s) of Applicant(s):
Honeypot Holdings Limited
56 Scott Street Blenheim 7201 New Zealand
Wirecare (NZ) Limited
59 High Street Blenheim 7201 New Zealand
(72) Name(s) of Designer(s): **Marcus James Wickham and Rex Brooke-Taylor and Nigel Hamish George**
(45) Registration Date: **02 December 2013**
(30) Convention priority data:
(31) Number (32) Date (33) Country
417412 15 Mar 2013 NEW ZEALAND
(56) Related Art Documents: **Not Applicable**
(57) Statement of Newness and Distinctiveness: **Newness and distinctiveness reside in the features of shape and/or configuration of a CLIP as illustrated in solid lines in the accompanying representations. The features shown in broken lines are illustrative only and do not form part of the design.**



(21) Design Number: **15964/2013**
(22) Date of Filing Application: **19 November 2013**
(24) Date from which industrial property rights may have effect: **30 October 2012**
(54) Product in respect of which the design is registered: **Article of clothing**
(51) International Design Classification: **02-01B**
(74) Name(s) of Attorney(s): **Allens Patent & Trade Mark Attorneys**
(71) Name(s) and Address(s) of Applicant(s):
Forever New Clothing Pty Ltd
714-716 High St Kew East VIC 3102 Australia
(72) Name(s) of Designer(s): **Jennifer Hall**
(45) Registration Date: **02 December 2013**
(62) Divisional of: **352421**
(56) Related Art Documents: **Not Applicable**
(57) Statement of Newness and Distinctiveness: **Newness and distinctiveness resides in the visual features of shape, configuration, pattern and/or ornamentation of an article of clothing as shown in the accompanying representations.**



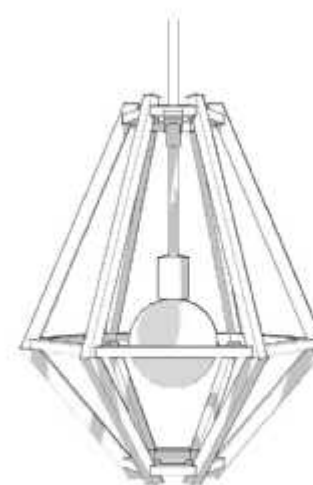
(21) Design Number: **15981/2013**
(22) Date of Filing Application: **19 November 2013**
(24) Date from which industrial property rights may have effect: **19 November 2013**
(54) Product in respect of which the design is registered: **Manual sharpener**
(51) International Design Classification: **08-05H**
(74) Name(s) of Attorney(s): **FB Rice**
(71) Name(s) and Address(s) of Applicant(s):
Edgecraft Corporation
825 Southwood Road Avondale Pennsylvania, 19311 United States of America
(72) Name(s) of Designer(s): **Thomas M. Huber and Daniel D. Friel Jr and Samuel Weiner**
(45) Registration Date: **02 December 2013**
(30) Convention priority data:
(31) Number (32) Date (33) Country
29/455443 21 May 2013 UNITED STATES OF AMERICA
(56) Related Art Documents: **Not Applicable**
(57) Statement of Newness and Distinctiveness: **Newness and distinctiveness reside in the features of the design shown in solid lines in the representations excluding those features shown in broken lines.**



- (21) Design Number: **15983/2013**
(22) Date of Filing Application: **19 November 2013**
(24) Date from which industrial property rights may have effect: **19 November 2013**
(54) Product in respect of which the design is registered: **Electronic label**
(51) International Design Classification: **20-03B, 19-08**
(74) Name(s) of Attorney(s): **WATERMARK PATENT AND TRADE MARKS ATTORNEYS**
(71) Name(s) and Address(s) of Applicant(s):
Mirador Marketing Pty Ltd
L9 404 Collins St Melbourne VIC 3000 Australia
(72) Name(s) of Designer(s): **Jonathan Paul Blundell and Christopher James Hitching**
(45) Registration Date: **02 December 2013**
(56) Related Art Documents: **Not Applicable**
(57) Statement of Newness and Distinctiveness: **Newness and distinctiveness resides in the feature of a wood grain pattern applied to a frame of an electronic label as shown in the accompanying representations. The shape of the label, the shape of the frame, the bar code appearing on the frame and the text appearing on the label do not form part of the design.**



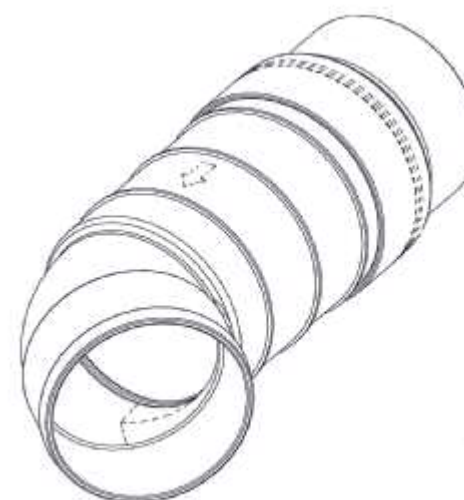
- (21) Design Number: **15984/2013**
(22) Date of Filing Application: **19 November 2013**
(24) Date from which industrial property rights may have effect: **19 November 2013**
(54) Product in respect of which the design is registered: **Lamp shade**
(51) International Design Classification: **26-05D**
(74) Name(s) of Attorney(s): **TJIP Patents, Trade Marks & Designs**
(71) Name(s) and Address(s) of Applicant(s):
Enoki Pty Ltd
41 Unley Rd Parkside SA 5063 Australia
(72) Name(s) of Designer(s): **Danielle Duvoisin and Susanna Bilardo**
(45) Registration Date: **02 December 2013**
(56) Related Art Documents: **Not Applicable**
(57) Statement of Newness and Distinctiveness: **The design is applicable to a new and distinctive lamp shade as illustrated in the representations. The electrical lead and the bulb as shown in the perspective view in use do NOT form part of the design and are to be disregarded.**



- (21) Design Number: **15985/2013**
(22) Date of Filing Application: **19 November 2013**
(24) Date from which industrial property rights may have effect: **19 November 2013**
(54) Product in respect of which the design is registered: **Gripping footwear**
(51) International Design Classification: **02-04A**
(74) Name(s) of Attorney(s): **WATERMARK PATENT AND TRADE MARKS ATTORNEYS**
(71) Name(s) and Address(s) of Applicant(s):
Pole Ugg Pty Ltd
21 Railway Pde Springwood NSW 2777 Australia
(72) Name(s) of Designer(s): **Kacie White and Lyndal Fewings**
(45) Registration Date: **02 December 2013**
(56) Related Art Documents: **Not Applicable**
(57) Statement of Newness and Distinctiveness: **Particular regard is made to the provision of the anterior and posterior strips identified as A and B respectively applied to the anterior and posterior of the footwear and the resultant effect of the pattern arising from their location on the footwear as shown in the accompanying representations as being new and distinctive, and noting that the visual features of the stitching and folds lines along the vamp and shaft of the footwear, and the visual features of the sole and the cuff of the distal end of the shaft are to be disregarded or de-emphasised in ascertaining the newness and distinctiveness of the design.**



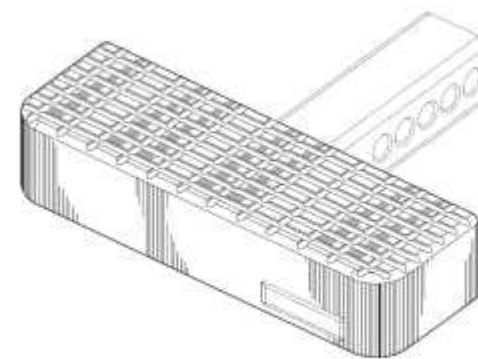
- (21) Design Number: **15986/2013**
(22) Date of Filing Application: **19 November 2013**
(24) Date from which industrial property rights may have effect: **19 November 2013**
(54) Product in respect of which the design is registered: **Expansion joint**
(51) International Design Classification: **23-01A**
(74) Name(s) of Attorney(s): **IP Gateway Patent & Trademark Attorneys Pty Ltd**
(71) Name(s) and Address(s) of Applicant(s):
Plastec Australia Pty Ltd
2 Enterprise St Caloundra QLD 4551 Australia
(72) Name(s) of Designer(s): **Andrew Hobbs**
(45) Registration Date: **02 December 2013**
(56) Related Art Documents: **Not Applicable**
(57) Statement of Newness and Distinctiveness: **Newness and distinctiveness of the design reside in the visual features of shape and configuration as shown in solid lines in the accompanying representations.**



- (21) Design Number: **15988/2013**
(22) Date of Filing Application: **20 November 2013**
(24) Date from which industrial property rights may have effect: **20 November 2013**
(54) Product in respect of which the design is registered: **A utility knife**
(51) International Design Classification: **08-03**
(74) Name(s) of Attorney(s):
(71) Name(s) and Address(s) of Applicant(s):
Yuewei Wu
Rm.1803, No. 8, Lane 1500, Zhangyang Road, Pudong District 200127
China
(72) Name(s) of Designer(s): **Yuewei Wu**
(45) Registration Date: **02 December 2013**
(30) Convention priority data:
(31) Number (32) Date (33) Country
201330196057.X 20 May 2013 CHINA
(56) Related Art Documents: **Not Applicable**
(57) Statement of Newness and Distinctiveness: **The newness and distinctiveness of the design resides in the shape of and the decorative pattern of the handle.**



- (21) Design Number: **15990/2013**
(22) Date of Filing Application: **20 November 2013**
(24) Date from which industrial property rights may have effect: **20 November 2013**
(54) Product in respect of which the design is registered: **Hitch step**
(51) International Design Classification: **12-16NES**
(74) Name(s) of Attorney(s): **SPRUSON & FERGUSON**
(71) Name(s) and Address(s) of Applicant(s):
MacNeil IP LLC
1 MacNeil Court, Bolingbrook Illinois, 60440 United States of America
(72) Name(s) of Designer(s): **Frederick W. Masanek Jr.**
(45) Registration Date: **02 December 2013**
(30) Convention priority data:
(31) Number (32) Date (33) Country
29/455790 24 May 2013 UNITED STATES OF AMERICA
(56) Related Art Documents: **Not Applicable**
(57) Statement of Newness and Distinctiveness: **Newness and distinctiveness is claimed in those features of shape and/or configuration of a hitch step illustrated in continuous lines in the accompanying representations.**



- (21) Design Number: **15992/2013**
(22) Date of Filing Application: **20 November 2013**
(24) Date from which industrial property rights may have effect: **20 November 2013**
(54) Product in respect of which the design is registered: **Aerodynamic vehicle device**
(51) International Design Classification: **12-16B**
(74) Name(s) of Attorney(s): **Griffith Hack**
(71) Name(s) and Address(s) of Applicant(s):
Jost-Werke GmbH
Siemensstr. 2 Neu-Isenburg 63263 Germany
(72) Name(s) of Designer(s): **Dirk Schmidt**
(45) Registration Date: **02 December 2013**
(30) Convention priority data:
(31) Number (32) Date (33) Country
001 384 929 26 Sep 2013 OFFICE FOR HARMONISATION IN THE INTERNAL MARKET (OHIM)
(56) Related Art Documents: **Not Applicable**
(57) Statement of Newness and Distinctiveness: **Newness and distinctiveness resides in the visual features, including the shape and configuration of the product as shown in the accompanying representations.**



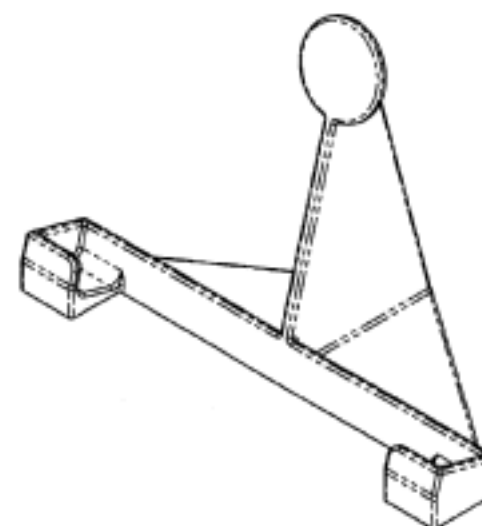
- (21) Design Number: **15993/2013**
(22) Date of Filing Application: **20 November 2013**
(24) Date from which industrial property rights may have effect: **20 November 2013**
(54) Product in respect of which the design is registered: **Aerodynamic vehicle device**
(51) International Design Classification: **12-16B**
(74) Name(s) of Attorney(s): **Griffith Hack**
(71) Name(s) and Address(s) of Applicant(s):
Jost-Werke GmbH
Siemensstr. 2 Neu-Isenburg 63263 Germany
(72) Name(s) of Designer(s): **Dirk Schmidt**
(45) Registration Date: **02 December 2013**
(30) Convention priority data:
(31) Number (32) Date (33) Country
001 384 929 26 Sep 2013 OFFICE FOR HARMONISATION IN THE INTERNAL MARKET (OHIM)
(56) Related Art Documents: **Not Applicable**
(57) Statement of Newness and Distinctiveness: **Newness and distinctiveness resides in the visual features, including the shape and configuration of the product as shown in the accompanying representations.**



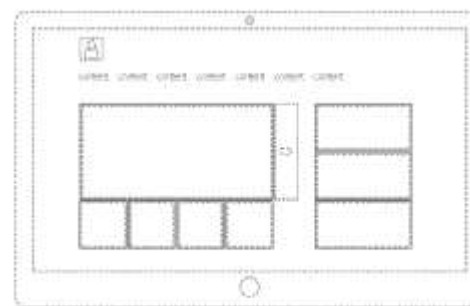
(21) Design Number: **15994/2013**
(22) Date of Filing Application: **20 November 2013**
(24) Date from which industrial property rights may have effect: **20 November 2013**
(54) Product in respect of which the design is registered: **Slipper**
(51) International Design Classification: **02-04NES**
(74) Name(s) of Attorney(s): **WATERMARK PATENT AND TRADE MARKS ATTORNEYS**
(71) Name(s) and Address(s) of Applicant(s):
Emu Ridge Holdings Pty Ltd
77 Barwon Tce South Geelong VIC 3220 Australia
(72) Name(s) of Designer(s): **Paul David Neate**
(45) Registration Date: **02 December 2013**
(56) Related Art Documents: **Not Applicable**
(57) Statement of Newness and Distinctiveness: **Newness and distinctiveness resides in the features of shape and/or configuration of a slipper as shown in the accompanying representations. The text appearing on the rear of the slipper does not form part of the design.**



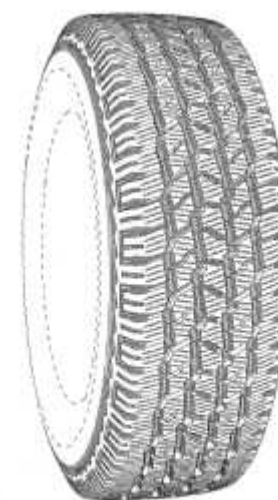
(21) Design Number: **15995/2013**
(22) Date of Filing Application: **15 November 2013**
(24) Date from which industrial property rights may have effect: **15 November 2013**
(54) Product in respect of which the design is registered: **Medical tablet computer stand**
(51) International Design Classification: **14-99, 06-03C, 14-02**
(74) Name(s) of Attorney(s): **Fisher Adams Kelly Pty Ltd**
(71) Name(s) and Address(s) of Applicant(s):
EverHeart Systems Inc.
16910 N. Texas Ave. Suite A6 WEBSTER 77598 Texas United States of America
(72) Name(s) of Designer(s): **Greg S. Aber and Allan S. Rhoades**
(45) Registration Date: **02 December 2013**
(30) Convention priority data:
(31) Number (32) Date (33) Country
29/457,098 06 Jun 2013 UNITED STATES OF AMERICA
(56) Related Art Documents: **Not Applicable**
(57) Statement of Newness and Distinctiveness: **The newness and distinctiveness of the design resides in the shape and/or configuration of the MEDICAL TABLET COMPUTER STAND shown in the representations. When assessing the newness and distinctiveness of the design, features in dotted lines are to be disregarded and dashed lines indicate contour.**



- (21) Design Number: **16014/2013**
(22) Date of Filing Application: **21 November 2013**
(24) Date from which industrial property rights may have effect: **21 November 2013**
(54) Product in respect of which the design is registered: **Display screen with graphical user interface**
(51) International Design Classification: **14-02**
(74) Name(s) of Attorney(s): **Shelston IP**
(71) Name(s) and Address(s) of Applicant(s):
Microsoft Corporation
One Microsoft Way Redmond Washington 98052 United States of America
(72) Name(s) of Designer(s): **Lynette Reed and Calvin Carter and Jeff Fleischmann and Jason Giles and Joe Wheeler and Ramiro Torres and Matthew Akers**
(45) Registration Date: **02 December 2013**
(30) Convention priority data:
(31) Number (32) Date (33) Country
29/455521 21 May 2013 UNITED STATES OF AMERICA
(56) Related Art Documents: **Not Applicable**
(57) Statement of Newness and Distinctiveness: **Newness and distinctiveness reside in the features of pattern and/or ornamentation of a display screen with graphical use interface as illustrated by solid lines in the accompanying representation. The features shown in broken outline are fo contextual purposes only and do not form part of the design.**



- (21) Design Number: **16015/2013**
(22) Date of Filing Application: **21 November 2013**
(24) Date from which industrial property rights may have effect: **21 November 2013**
(54) Product in respect of which the design is registered: **Tire**
(51) International Design Classification: **12-15C**
(74) Name(s) of Attorney(s): **PHILLIPS ORMONDE FITZPATRICK**
(71) Name(s) and Address(s) of Applicant(s):
Cooper Tire & Rubber Company
701 Lima Avenue Findlay Ohio 45840 United States of America
(72) Name(s) of Designer(s): **Jeremy J Jacobs**
(45) Registration Date: **02 December 2013**
(30) Convention priority data:
(31) Number (32) Date (33) Country
29/456,929 05 Jun 2013 UNITED STATES OF AMERICA
(56) Related Art Documents: **Not Applicable**
(57) Statement of Newness and Distinctiveness: **Those features of the tire depicted in the representations that are new and distinctive are the shape and/or configuration of the tread of the tire. The sidewall, inner bead, and the peripheral boundary between the tire tread and the sidewall are not part of the design and are to be disregarded when considering the overall impression of the design.**



(21) Design Number: **16017/2013**
(22) Date of Filing Application: **21 November 2013**
(24) Date from which industrial property rights may have effect: **21 November 2013**
(54) Product in respect of which the design is registered: **Tire**
(51) International Design Classification: **12-15A**
(74) Name(s) of Attorney(s): **PHILLIPS ORMONDE FITZPATRICK**
(71) Name(s) and Address(s) of Applicant(s):
Cooper Tire & Rubber Company
701 Lima Avenue Findlay Ohio 45840 United States of America
(72) Name(s) of Designer(s): **Ryan J. Schimmoeller**
(45) Registration Date: **02 December 2013**
(30) Convention priority data:
(31) Number (32) Date (33) Country
29/466,674 10 Sep 2013 UNITED STATES OF AMERICA



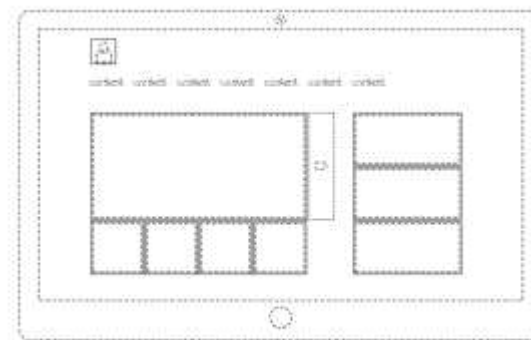
(56) Related Art Documents: **Not Applicable**
(57) Statement of Newness and Distinctiveness: **Those features of the tire depicted in the representations that are new and distinctive are the shape and/or configuration of the tread of the tire. The sidewall, inner bead, and the peripheral boundary between the tire tread and the sidewall are not part of the design and are to be disregarded when considering the overall impression of the design.**

(21) Design Number: **16019/2013**
(22) Date of Filing Application: **21 November 2013**
(24) Date from which industrial property rights may have effect: **21 November 2013**
(54) Product in respect of which the design is registered: **Tire**
(51) International Design Classification: **12-15A**
(74) Name(s) of Attorney(s): **PHILLIPS ORMONDE FITZPATRICK**
(71) Name(s) and Address(s) of Applicant(s):
Cooper Tire & Rubber Company
701 Lima Avenue Findlay Ohio 45840 United States of America
(72) Name(s) of Designer(s): **Ryan J. Schimmoeller**
(45) Registration Date: **02 December 2013**
(30) Convention priority data:
(31) Number (32) Date (33) Country
29/466,688 10 Sep 2013 UNITED STATES OF AMERICA

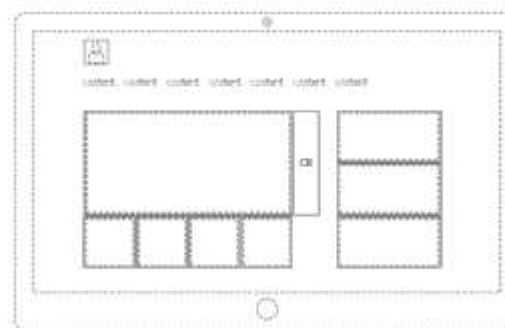


(56) Related Art Documents: **Not Applicable**
(57) Statement of Newness and Distinctiveness: **Those features of the tire depicted in the representations that are new and distinctive are the shape and/or configuration of the tread of the tire. The sidewall, inner bead, and the peripheral boundary between the tire tread and the sidewall are not part of the design and are to be disregarded when considering the overall impression of the design.**

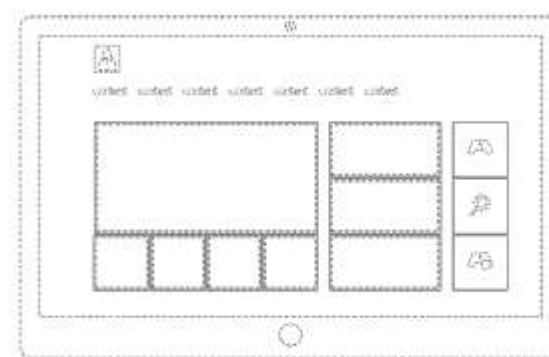
- (21) Design Number: **16021/2013**
(22) Date of Filing Application: **21 November 2013**
(24) Date from which industrial property rights may have effect: **21 November 2013**
(54) Product in respect of which the design is registered: **Display screen with graphical user interface**
(51) International Design Classification: **14-02**
(74) Name(s) of Attorney(s): **Shelston IP**
(71) Name(s) and Address(s) of Applicant(s):
Microsoft Corporation
One Microsoft Way Redmond Washington 98052 United States of America
(72) Name(s) of Designer(s): **Lynette Reed and Calvin Carter and Jeff Fleischmann and Jason Giles and Joe Wheeler and Ramiro Torres and Matthew Akers**
(45) Registration Date: **02 December 2013**
(30) Convention priority data:
(31) Number (32) Date (33) Country
29/455521 21 May 2013 UNITED STATES OF AMERICA
(56) Related Art Documents: **Not Applicable**
(57) Statement of Newness and Distinctiveness: **Newness and distinctiveness reside in the features of pattern and/or ornamentation of a display screen with graphical user interface as illustrated by solid lines in the accompanying representation. The features shown in broken outline are for contextual purposes only and do not form part of the design.**



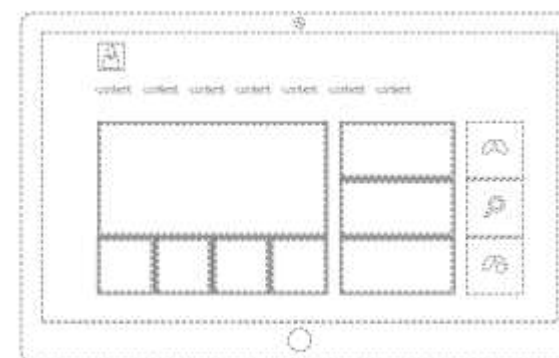
- (21) Design Number: **16027/2013**
(22) Date of Filing Application: **21 November 2013**
(24) Date from which industrial property rights may have effect: **21 November 2013**
(54) Product in respect of which the design is registered: **Display screen with graphical user interface**
(51) International Design Classification: **14-01, 14-02**
(74) Name(s) of Attorney(s): **Shelston IP**
(71) Name(s) and Address(s) of Applicant(s):
Microsoft Corporation
One Microsoft Way Redmond Washington 98052 United States of America
(72) Name(s) of Designer(s): **Lynette Reed and Calvin Carter and Jeff Fleischmann and Jason Giles and Joe Wheeler and Ramiro Torres and Matthew Akers**
(45) Registration Date: **02 December 2013**
(30) Convention priority data:
(31) Number (32) Date (33) Country
29/455521 21 May 2013 UNITED STATES OF AMERICA
(56) Related Art Documents: **Not Applicable**
(57) Statement of Newness and Distinctiveness: **Newness and distinctiveness reside in the features of pattern and/or ornamentation of a display screen with graphical user interface as illustrated by solid lines in the accompanying representation. The features shown in broken outline are for contextual purposes only and do not form part of the design.**



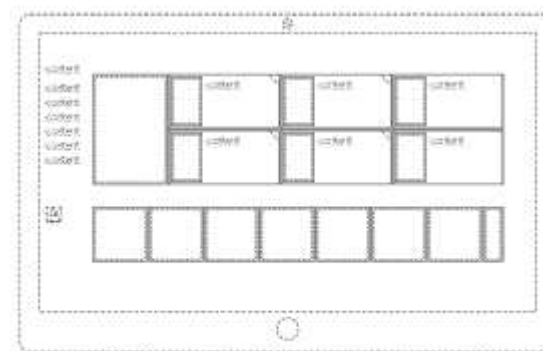
- (21) Design Number: **16028/2013**
(22) Date of Filing Application: **21 November 2013**
(24) Date from which industrial property rights may have effect: **21 November 2013**
(54) Product in respect of which the design is registered: **Display screen with graphical user interface**
(51) International Design Classification: **14-01, 14-02**
(74) Name(s) of Attorney(s): **Shelston IP**
(71) Name(s) and Address(s) of Applicant(s):
Microsoft Corporation
One Microsoft Way Redmond Washington 98052 United States of America
(72) Name(s) of Designer(s): **Lynette Reed and Calvin Carter and Jeff Fleischmann and Jason Giles and Joe Wheeler and Ramiro Torres and Matthew Akers**
(45) Registration Date: **02 December 2013**
(30) Convention priority data:
(31) Number (32) Date (33) Country
29/455521 21 May 2013 UNITED STATES OF AMERICA
(56) Related Art Documents: **Not Applicable**
(57) Statement of Newness and Distinctiveness: **Newness and distinctiveness reside in the features of pattern and/or ornamentation of a display screen with graphical user interface as illustrated by solid lines in the accompanying representation. The features shown in broken outline are for contextual purposes only and do not form part of the design.**



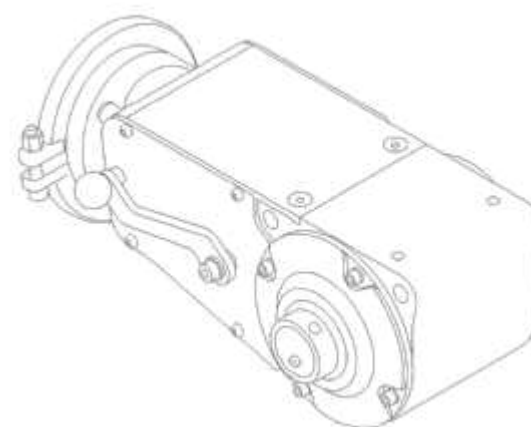
- (21) Design Number: **16034/2013**
(22) Date of Filing Application: **21 November 2013**
(24) Date from which industrial property rights may have effect: **21 November 2013**
(54) Product in respect of which the design is registered: **Display screen with graphical user interface**
(51) International Design Classification: **14-01, 14-02**
(74) Name(s) of Attorney(s): **Shelston IP**
(71) Name(s) and Address(s) of Applicant(s):
Microsoft Corporation
One Microsoft Way Redmond Washington 98052 United States of America
(72) Name(s) of Designer(s): **Lynette Reed and Calvin Carter and Jeff Fleischmann and Jason Giles and Joe Wheeler and Ramiro Torres and Matthew Akers**
(45) Registration Date: **02 December 2013**
(30) Convention priority data:
(31) Number (32) Date (33) Country
29/455521 21 May 2013 UNITED STATES OF AMERICA
(56) Related Art Documents: **Not Applicable**
(57) Statement of Newness and Distinctiveness: **Newness and distinctiveness reside in the features of pattern and/or ornamentation of a display screen with graphical user interface as illustrated by solid lines in the accompanying representation. The features shown in broken outline are for contextual purposes only and do not form part of the design.**



- (21) Design Number: **16039/2013**
(22) Date of Filing Application: **21 November 2013**
(24) Date from which industrial property rights may have effect: **21 November 2013**
(54) Product in respect of which the design is registered: **Display screen with graphical user interface**
(51) International Design Classification: **14-01, 14-02**
(74) Name(s) of Attorney(s): **Shelston IP**
(71) Name(s) and Address(s) of Applicant(s):
Microsoft Corporation
One Microsoft Way Redmond Washington 98052 United States of America
(72) Name(s) of Designer(s): **Joonkyung Shin and Chao Wang and Neil Cueto**
(45) Registration Date: **02 December 2013**
(30) Convention priority data:
(31) Number (32) Date (33) Country
29/455521 21 May 2013 UNITED STATES OF AMERICA
(56) Related Art Documents: **Not Applicable**
(57) Statement of Newness and Distinctiveness: **Newness and distinctiveness reside in the features of pattern and/or ornamentation of a display screen with graphical user interface as illustrated by solid lines in the accompanying representation. The features shown in broken outline are for contextual purposes only and do not form part of the design.**



- (21) Design Number: **16043/2013**
(22) Date of Filing Application: **21 November 2013**
(24) Date from which industrial property rights may have effect: **21 November 2013**
(54) Product in respect of which the design is registered: **Tensioning device**
(51) International Design Classification: **08-05NES**
(74) Name(s) of Attorney(s): **Griffith Hack**
(71) Name(s) and Address(s) of Applicant(s):
ExTe Fabriks AB
Box 18 FARILA 820 41 Sweden
(72) Name(s) of Designer(s): **Martin Sorell**
(45) Registration Date: **02 December 2013**
(30) Convention priority data:
(31) Number (32) Date (33) Country
002245019-0001 28 May 2013 OFFICE FOR HARMONISATION IN THE INTERNAL MARKET (OHIM)
(56) Related Art Documents: **Not Applicable**
(57) Statement of Newness and Distinctiveness: **Nil**



(21) Design Number: **14236/2013**

(22) Date of Filing Application: **27 August 2013**

(24) Date from which industrial property rights may have effect: **27 August 2013**

(54) Product in respect of which the design is registered: **Motor scooter**

(51) International Design Classification: **12-11**

(74) Name(s) of Attorney(s): **PHILLIPS ORMONDE FITZPATRICK**

(71) Name(s) and Address(s) of Applicant(s):

Piaggio & C. S.p.A.

Viale Rinaldo Piaggio 25 I-56025 Pontedera Pisa Italy

(72) Name(s) of Designer(s): **Marco Lambri and Marco Canepa**

(45) Registration Date: **02 December 2013**

(30) Convention priority data:

(31) Number
002192518

(32) Date
27 Feb 2013

(33) Country
**OFFICE FOR HARMONISATION IN
THE INTERNAL MARKET (OHIM)**



(56) Related Art Documents: **Not Applicable**

(57) Statement of Newness and Distinctiveness: **Those features of the motor scooter depicted in the representations that are new and distinctive are the shape and/or configuration. The bottom view, wheels and tyres of the motor scooter are not part of the design and are to be disregarded when considering the overall impression of the design.**

(21) Design Number: **15539/2013**

(22) Date of Filing Application: **29 October 2013**

(24) Date from which industrial property rights may have effect: **29 October 2013**

(54) Product in respect of which the design is registered: **Bin for returning helmets**

(51) International Design Classification: **09-09**

(74) Name(s) of Attorney(s): **Griffith Hack**

(71) Name(s) and Address(s) of Applicant(s):

Societe de velo en libre-service

2113 - 32nd Avenue Lachine, Montreal Quebec H8T 3J1 Canada

(72) Name(s) of Designer(s): **Michel Dallaire**

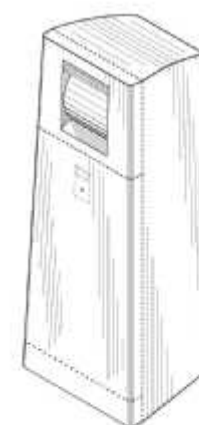
(45) Registration Date: **02 December 2013**

(30) Convention priority data:

(31) Number
002243519-00001

(32) Date
24 May 2013

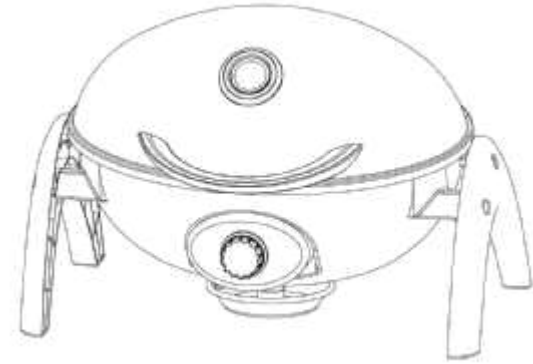
(33) Country
**OFFICE FOR HARMONISATION IN
THE INTERNAL MARKET (OHIM)**



(56) Related Art Documents: **Not Applicable**

(57) Statement of Newness and Distinctiveness: **Newness and distinctiveness resides in the visual features, including the shape, configuration and ornamentation of the product shown in the representations. Those parts shown by dashed lines do not form part of the design and have been included for illustrative purposes only.**

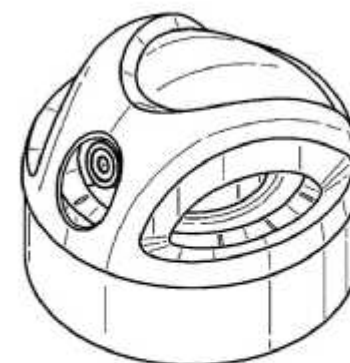
(21) Design Number: **11674/2013**
(22) Date of Filing Application: **09 April 2013**
(24) Date from which industrial property rights may have effect: **09 April 2013**
(54) Product in respect of which the design is registered: **A barbecue**
(51) International Design Classification: **07-02E**
(74) Name(s) of Attorney(s): **Halfords IP**
(71) Name(s) and Address(s) of Applicant(s):
Barbeques Galore (Aust) Pty Limited
Building 2A Campus Business Park 350-3 Homebush NSW 2140
Australia
(72) Name(s) of Designer(s): **Stephen John Spencer and Peter Anderson**
(45) Registration Date: **03 December 2013**
(56) Related Art Documents: **Not Applicable**
(57) Statement of Newness and Distinctiveness: **Nil**



(21) Design Number: **12297/2013**
(22) Date of Filing Application: **17 May 2013**
(24) Date from which industrial property rights may have effect: **17 May 2013**
(54) Product in respect of which the design is registered: **Solar light**
(51) International Design Classification: **26-02**
(74) Name(s) of Attorney(s): **Macpherson + Kelley**
(71) Name(s) and Address(s) of Applicant(s):
Illumination Australia Pty Ltd
c/o The Hub L3 673 Bourke St Melbourne VIC 3000 Australia
(72) Name(s) of Designer(s): **Shane Thatcher**
(45) Registration Date: **03 December 2013**
(56) Related Art Documents: **Not Applicable**
(57) Statement of Newness and Distinctiveness: **Monopoly is claimed in the features of shape and/or configuration of the solar light as shown in the accompanying representations.**



(21) Design Number: **13175/2013**
(22) Date of Filing Application: **03 July 2013**
(24) Date from which industrial property rights may have effect: **03 July 2013**
(54) Product in respect of which the design is registered: **Aerosol dispenser**
(51) International Design Classification: **09-07A**
(74) Name(s) of Attorney(s): **Davies Collison Cave**
(71) Name(s) and Address(s) of Applicant(s):



Unilever PLC
100 Victoria Embankment London EC4Y 0DY United Kingdom

(72) Name(s) of Designer(s): **Paolo Sandro Trevisan**

(45) Registration Date: **03 December 2013**

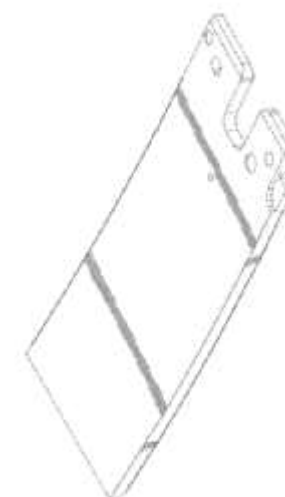
(30) Convention priority data:

(31) Number	(32) Date	(33) Country
002163816-0001	09 Jan 2013	OFFICE FOR HARMONISATION IN THE INTERNAL MARKET (OHIM)

(56) Related Art Documents: **Not Applicable**

(57) Statement of Newness and Distinctiveness: **Newness and distinctiveness is claimed in the visual features shown in solid lines in the representations. In considering the extent of the design rights, the broken lines shown in the representations are for illustrative purposes only and do not form part of the design.**

(21) Design Number: **13839/2013**
(22) Date of Filing Application: **08 August 2013**
(24) Date from which industrial property rights may have effect: **08 August 2013**
(54) Product in respect of which the design is registered: **Arcuate member for moving liquids**
(51) International Design Classification: **24-02, 16-06**
(74) Name(s) of Attorney(s): **WATERMARK PATENT AND TRADE MARKS ATTORNEYS**
(71) Name(s) and Address(s) of Applicant(s):



Ventana Medical Systems Inc
1910 E. Innovation Park Drive Tuscon Arizona 85755 United States of America

(72) Name(s) of Designer(s): **Jessica Jones and Brian Kram and Kevin David Marshall and Carl David Martin and Michael Otter**

(45) Registration Date: **03 December 2013**

(30) Convention priority data:

(31) Number	(32) Date	(33) Country
29/450292	15 Mar 2013	UNITED STATES OF AMERICA

(56) Related Art Documents: **Not Applicable**

(57) Statement of Newness and Distinctiveness: **Nil**

- (21) Design Number: **14162/2013**
(22) Date of Filing Application: **23 August 2013**
(24) Date from which industrial property rights may have effect: **23 August 2013**
(54) Product in respect of which the design is registered: **Mattress, Pillow and Mattress Cover for Single Bed**
(51) International Design Classification: **06-09, 06-02**
(74) Name(s) of Attorney(s): **Griffith Hack**
(71) Name(s) and Address(s) of Applicant(s):
ELISANA S.A.R.L.
2-8, Avenue Charles de Gaulle Luxembourg 1653 Luxembourg
(72) Name(s) of Designer(s): **Kym Bramm**
(45) Registration Date: **03 December 2013**
(30) Convention priority data:
(31) Number (32) Date (33) Country
002258319-0001 19 Jun 2013 OFFICE FOR HARMONISATION IN THE INTERNAL MARKET (OHIM)
(56) Related Art Documents: **Not Applicable**
(57) Statement of Newness and Distinctiveness: **Newness and distinctiveness resides in the pattern and ornamentation of the products shown in the representations.**



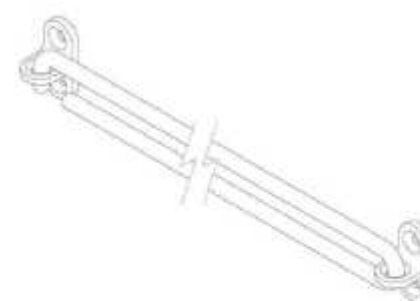
- (21) Design Number: **14624/2013**
(22) Date of Filing Application: **15 September 2013**
(24) Date from which industrial property rights may have effect: **15 September 2013**
(54) Product in respect of which the design is registered: **Building and/or structure**
(51) International Design Classification: **25-03**
(74) Name(s) of Attorney(s):
(71) Name(s) and Address(s) of Applicant(s):
Charlie Bazouni
29 Walker St Merrylands NSW 2160 Australia
Joseph Antoine Zady
5 Churchwood Way Castle Hill NSW 2154 Australia
(72) Name(s) of Designer(s): **Charlie Bazouni**
(45) Registration Date: **03 December 2013**
(56) Related Art Documents: **Not Applicable**
(57) Statement of Newness and Distinctiveness: **Newness and distinctiveness resides in the shape and/or configuration of the structure as illustrated in the plan view figures 1- 5 which is of definite proportions, whereas the heights of the individual structural elements (as shown in figure 6 for illustrative purposes) are indefinite.**



- (21) Design Number: **14625/2013**
(22) Date of Filing Application: **15 September 2013**
(24) Date from which industrial property rights may have effect: **15 September 2013**
(54) Product in respect of which the design is registered: **Building and/or structure**
(51) International Design Classification: **25-03**
(74) Name(s) of Attorney(s):
(71) Name(s) and Address(s) of Applicant(s):
Charlie Bazouni
29 Walker St Merrylands NSW 2160 Australia
Joseph Antoine Zady
5 Churchwood Way Castle Hill NSW 2154 Australia
(72) Name(s) of Designer(s): **Charlie Bazouni**
(45) Registration Date: **03 December 2013**
(56) Related Art Documents: **Not Applicable**
(57) Statement of Newness and Distinctiveness: **Newness and distinctiveness resides in the shape and/or configuration of the structure as illustrated in the plan view figures 1- 5 which is of definite proportions, whereas the heights of the individual structural elements (as shown in figure 6 for illustrative purposes) are indefinite.**



- (21) Design Number: **14652/2013**
(22) Date of Filing Application: **16 September 2013**
(24) Date from which industrial property rights may have effect: **16 September 2013**
(54) Product in respect of which the design is registered: **Hook type fastener**
(51) International Design Classification: **08-08G**
(74) Name(s) of Attorney(s): **Davies Collison Cave**
(71) Name(s) and Address(s) of Applicant(s):
Illinois Tool Works Inc.
3600 West Lake Avenue Glenview Illinois 60026 United States of America
(72) Name(s) of Designer(s): **Bryan Hugh Marshall**
(45) Registration Date: **03 December 2013**
(56) Related Art Documents: **Not Applicable**
(57) Statement of Newness and Distinctiveness: **Newness and distinctiveness is claimed in the shape and configuration of the fastener as shown in the representations. Part of the fastener is of indefinite length as indicated in the representations.**



- (21) Design Number: **14897/2013**
(22) Date of Filing Application: **25 September 2013**
(24) Date from which industrial property rights may have effect: **25 September 2013**
(54) Product in respect of which the design is registered: **Sleeper chair**
(51) International Design Classification: **06-01NES**
(74) Name(s) of Attorney(s):
(71) Name(s) and Address(s) of Applicant(s):
Nik Sandeman Allen
PO BOX 6126 Port Macquarie NSW 2444 Australia
(72) Name(s) of Designer(s): **Nik Sandeman Allen**
(45) Registration Date: **03 December 2013**
(56) Related Art Documents: **Not Applicable**
(57) Statement of Newness and Distinctiveness: **Single action chair that converts into a bed for use in hospital and other care environments**



- (21) Design Number: **14922/2013**
(22) Date of Filing Application: **26 September 2013**
(24) Date from which industrial property rights may have effect: **26 September 2013**
(54) Product in respect of which the design is registered: **Fire blanket**
(51) International Design Classification: **06-13NES**
(74) Name(s) of Attorney(s): **Callinans**
(71) Name(s) and Address(s) of Applicant(s):
Bruck Textiles Pty Ltd
164 Sisley Ave Wangaratta VIC 3677 Australia
(72) Name(s) of Designer(s): **Jay Chavan**
(45) Registration Date: **03 December 2013**
(56) Related Art Documents: **Not Applicable**
(57) Statement of Newness and Distinctiveness: **Novelty lies in the pattern of stitching shown in the representations.**



(21) Design Number: **15433/2013**
(22) Date of Filing Application: **24 October 2013**
(24) Date from which industrial property rights may have effect: **24 October 2013**
(54) Product in respect of which the design is registered: **Fire fighting device**
(51) International Design Classification: **29-01**
(74) Name(s) of Attorney(s): **Etheringtons Solicitors**
(71) Name(s) and Address(s) of Applicant(s):

George Challita
4 Greenslope St South Wentworthville NSW 2145 Australia

(72) Name(s) of Designer(s): **Joseph Ayoub**

(45) Registration Date: **03 December 2013**

(56) Related Art Documents: **Not Applicable**

(57) Statement of Newness and Distinctiveness: **1. Plastic balls are constructed from a plastic that is yet to be confirmed. It will shatter on impact with the floor or as close as possible to the base of the fire. These balls are filled with water through the hole shown. 2. The balls are then filled into heavy-duty reusable nets as shown in the view.. 3. The nets are then placed in wooden crates allowing them to be transported on semi trailers as shown in the views.. 4. The nets are air lifted to the desired location. By pulling the strap shown in the view, the firefighter is able to drop the balls.**



(21) Design Number: **15618/2013**
(22) Date of Filing Application: **31 October 2013**
(24) Date from which industrial property rights may have effect: **31 October 2013**
(54) Product in respect of which the design is registered: **Surge bin**
(51) International Design Classification: **15-99**
(74) Name(s) of Attorney(s): **PHILLIPS ORMONDE FITZPATRICK**
(71) Name(s) and Address(s) of Applicant(s):

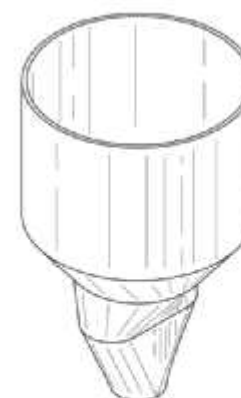
Schenck Process Australia Pty Limited
46 Glenwood Dr Thornton NSW 2322 Australia

(72) Name(s) of Designer(s): **Karl Carter**

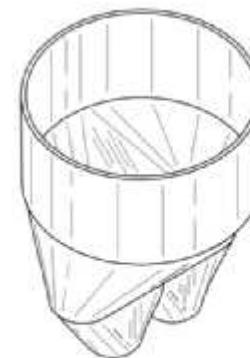
(45) Registration Date: **03 December 2013**

(56) Related Art Documents: **Not Applicable**

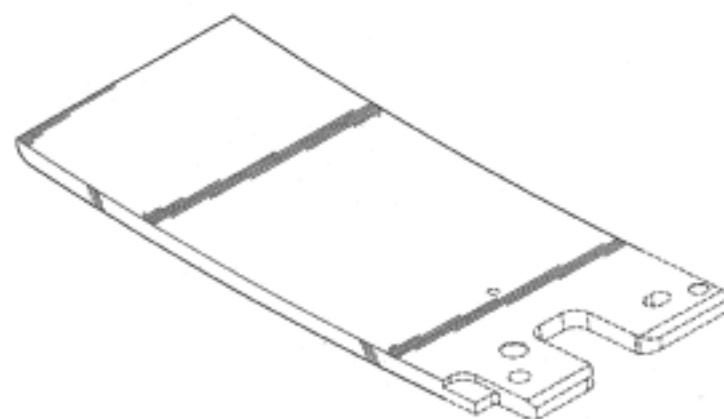
(57) Statement of Newness and Distinctiveness: **Those features of the surge bin depicted in the representation that are new and distinctive are the shape and/or configuration.**



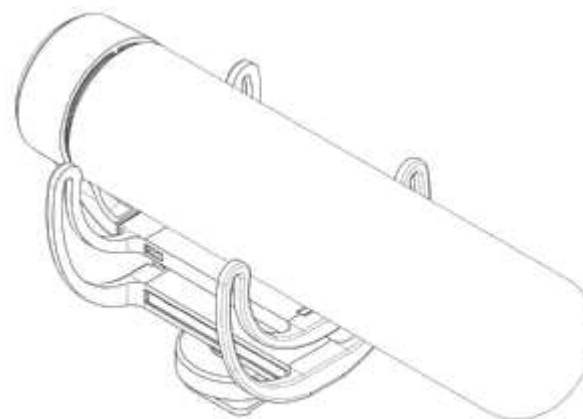
- (21) Design Number: **15619/2013**
(22) Date of Filing Application: **31 October 2013**
(24) Date from which industrial property rights may have effect: **31 October 2013**
(54) Product in respect of which the design is registered: **Surge bin**
(51) International Design Classification: **15-99**
(74) Name(s) of Attorney(s): **PHILLIPS ORMONDE FITZPATRICK**
(71) Name(s) and Address(s) of Applicant(s):
Schenck Process Australia Pty Limited
46 Glenwood Dr Thornton NSW 2322 Australia
(72) Name(s) of Designer(s): **Karl Carter**
(45) Registration Date: **03 December 2013**
(56) Related Art Documents: **Not Applicable**
(57) Statement of Newness and Distinctiveness: **Those features of the surge bin depicted in the representation that are new and distinctive are the shape and/or configuration.**



- (21) Design Number: **15727/2013**
(22) Date of Filing Application: **08 August 2013**
(24) Date from which industrial property rights may have effect: **08 August 2013**
(54) Product in respect of which the design is registered: **Arcuate member for moving liquids along a microscope slide**
(51) International Design Classification: **24-02, 16-06**
(74) Name(s) of Attorney(s): **WATERMARK PATENT AND TRADE MARKS ATTORNEYS**
(71) Name(s) and Address(s) of Applicant(s):
Ventana Medical Systems Inc
1910 E. Innovation Park Drive Tuscon Arizona 85755 United States of America
(72) Name(s) of Designer(s): **Jessica Jones and Brian Kram and Kevin David Marshall and Carl David Martin and Michael Otter**
(45) Registration Date: **03 December 2013**
(30) Convention priority data:
(31) Number (32) Date (33) Country
29/450292 15 Mar 2013 UNITED STATES OF AMERICA
(57) Statement of Newness and Distinctiveness: **Nil**



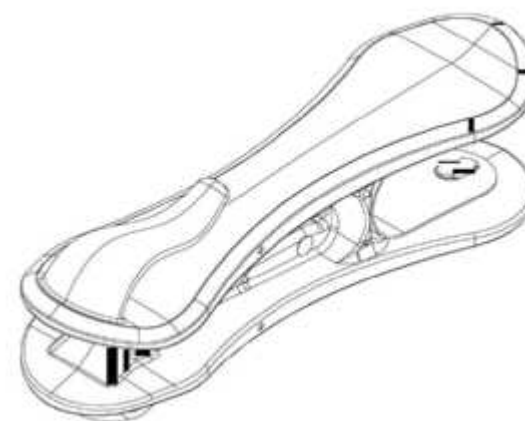
(21) Design Number: **15860/2013**
(22) Date of Filing Application: **14 November 2013**
(24) Date from which industrial property rights may have effect: **14 November 2013**
(54) Product in respect of which the design is registered: **Microphone**
(51) International Design Classification: **14-01**
(74) Name(s) of Attorney(s): **HODGKINSON McINNES PATENTS**
(71) Name(s) and Address(s) of Applicant(s):
Freedman Electronics Pty Limited
107 Carnarvon St Silverwater NSW 2128 Australia
(72) Name(s) of Designer(s): **Tom Ferghana Rogers Fereday and Sun Kyung Sunwoo**
(45) Registration Date: **03 December 2013**
(56) Related Art Documents: **Not Applicable**
(57) Statement of Newness and Distinctiveness: **Newness and distinctiveness is claimed in the shape and configuration of a microphone as shown in the representations.**



(21) Design Number: **15167/2013**
(22) Date of Filing Application: **11 October 2013**
(24) Date from which industrial property rights may have effect: **11 October 2013**
(54) Product in respect of which the design is registered: **Bottle**
(51) International Design Classification: **09-01NES**
(74) Name(s) of Attorney(s): **Griffith Hack**
(71) Name(s) and Address(s) of Applicant(s):
Asahi Group Holdings, Ltd
23-1 Azumabashi 1-chome Sumida-ku Tokyo 130-8602 Japan
(72) Name(s) of Designer(s): **Murray Raeburn**
(45) Registration Date: **03 December 2013**
(56) Related Art Documents: **Not Applicable**
(57) Statement of Newness and Distinctiveness: **Nil**



(21) Design Number: **15643/2013**
(22) Date of Filing Application: **01 November 2013**
(24) Date from which industrial property rights may have effect: **01 November 2013**
(54) Product in respect of which the design is registered: **Peg**
(51) International Design Classification: **07-05C**
(74) Name(s) of Attorney(s): **Baxter IP**
(71) Name(s) and Address(s) of Applicant(s):
Scott Boocock
PO Box 2133 McLaren Vale SA 5171 Australia
(72) Name(s) of Designer(s): **Scott Boocock**
(45) Registration Date: **03 December 2013**
(56) Related Art Documents: **Not Applicable**
(57) Statement of Newness and Distinctiveness: **Statement of newness and distinctiveness is claimed in the shape and configuration of the hook-type protrusions of the peg.**



(21) Design Number: **15117/2013**
(22) Date of Filing Application: **08 October 2013**
(24) Date from which industrial property rights may have effect: **08 October 2013**
(54) Product in respect of which the design is registered: **Latticework**
(51) International Design Classification: **25-02C**
(74) Name(s) of Attorney(s): **HODGKINSON McINNES PATENTS**
(71) Name(s) and Address(s) of Applicant(s):
Industria De Diseno Textil, S,A, (Inditex, S.A.)
Avenida de la Diputacion "Edificio Inditex" Arteixo (A Coruna) E-15142
Spain
(72) Name(s) of Designer(s): **Jose Ignacio Rodriguez Diaz**
(45) Registration Date: **03 December 2013**
(30) Convention priority data:
(31) Number (32) Date (33) Country
002214320-0001 05 Apr 2013 OFFICE FOR HARMONISATION IN
THE INTERNAL MARKET (OHIM)
(56) Related Art Documents: **Not Applicable**
(57) Statement of Newness and Distinctiveness: **Newness and distinctiveness resides in the visual features, including pattern and ornamentation, of latticework as shown in the accompanying drawings. When determining whether the design is substantially similar in overall impression to another design, no regard is to be had to dimensions or number of repeated sequences in the latticework as shown in the drawings.**

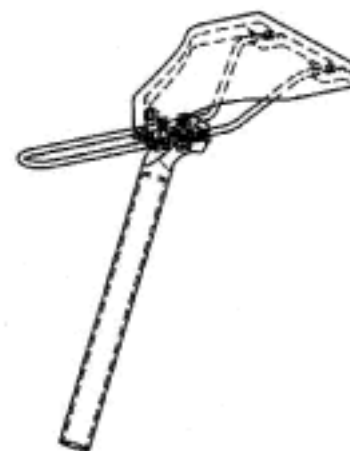


- (21) Design Number: **12283/2013**
(22) Date of Filing Application: **16 May 2013**
(24) Date from which industrial property rights may have effect: **16 May 2013**
(54) Product in respect of which the design is registered: **Bicycle seat**
(51) International Design Classification: **12-11**
(74) Name(s) of Attorney(s): **Lawsearch Australia Pty Ltd**
(71) Name(s) and Address(s) of Applicant(s):

Revie Pyp Pty Ltd
C/- PO BOX 3309 Uki NSW 2484 Australia

- (72) Name(s) of Designer(s): **Ian Revie**
(45) Registration Date: **04 December 2013**
(56) Related Art Documents: **Not Applicable**

- (57) Statement of Newness and Distinctiveness: **1 The absence of a horn on seat front protects the rider from genital harm through accident or from perineal pressure on long rides; 2. The front bar length provides the rider with a stationary 'rest' position and acts as a buffer preventing injury to the genitalia; 3 the rectangular sitting platform allows the rider to sit on their sit bones utilising gluteus maximus padding making padding a manufacturing option; 4 This simple design, requires fewer parts than standard bicycle seats.**

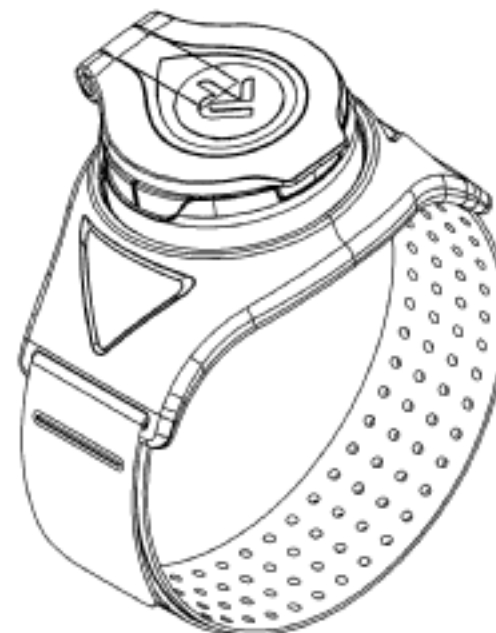


- (21) Design Number: **14765/2013**
(22) Date of Filing Application: **18 September 2013**
(24) Date from which industrial property rights may have effect: **18 September 2013**
(54) Product in respect of which the design is registered: **Wearable electronic monitoring device**
(51) International Design Classification: **10-07**
(74) Name(s) of Attorney(s): **Fisher Adams Kelly Pty Ltd**
(71) Name(s) and Address(s) of Applicant(s):

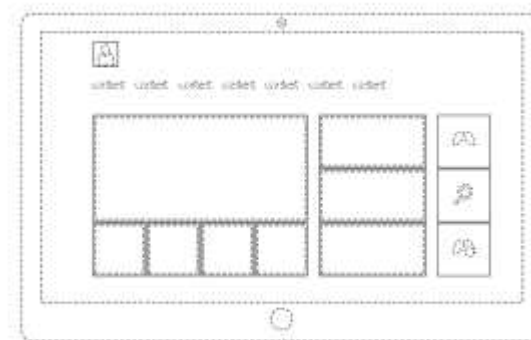
Crane IP Pty Ltd
U2/26 Commercial Dr Ashmore QLD 4214 Australia

- (72) Name(s) of Designer(s): **Raymond Phillip Crane**
(45) Registration Date: **04 December 2013**
(56) Related Art Documents: **Not Applicable**

- (57) Statement of Newness and Distinctiveness: **The newness and distinctiveness of the design resides in the shape and/or configuration of the WEARABLE DEVICE shown in the representations.**



- (21) Design Number: **16030/2013**
(22) Date of Filing Application: **21 November 2013**
(24) Date from which industrial property rights may have effect: **21 November 2013**
(54) Product in respect of which the design is registered: **Display screen with graphical user interface**
(51) International Design Classification: **14-01, 14-02**
(74) Name(s) of Attorney(s): **Shelston IP**
(71) Name(s) and Address(s) of Applicant(s):
Microsoft Corporation
One Microsoft Way Redmond Washington 98052 United States of America
(72) Name(s) of Designer(s): **Lynette Reed and Calvin Carter and Jeff Fleischmann and Jason Giles and Joe Wheeler and Ramiro Torres and Matthew Akers**
(45) Registration Date: **04 December 2013**
(30) Convention priority data:
(31) Number (32) Date (33) Country
29/455521 21 May 2013 UNITED STATES OF AMERICA
(56) Related Art Documents: **Not Applicable**
(57) Statement of Newness and Distinctiveness: **Newness and distinctiveness reside in the features of pattern and/or ornamentation of a display screen with graphical user interface as illustrated by solid lines in the accompanying representation. The features shown in broken outline are for contextual purposes only and do not form part of the design.**



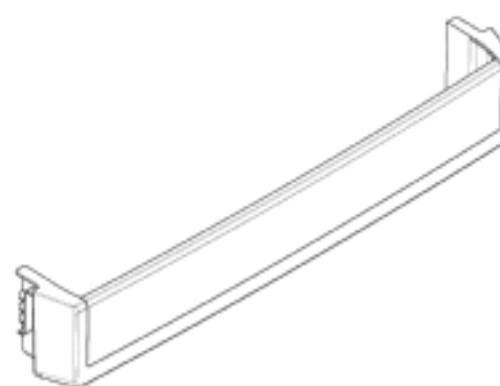
- (21) Design Number: **16040/2013**
(22) Date of Filing Application: **21 November 2013**
(24) Date from which industrial property rights may have effect: **30 September 2013**
(54) Product in respect of which the design is registered: **A cellular shade component**
(51) International Design Classification: **06-10**
(74) Name(s) of Attorney(s): **Shelston IP**
(71) Name(s) and Address(s) of Applicant(s):
Hunter Douglas Inc.
1 Blue Hill Plaza Pearl River New York 10965 United States of America
(72) Name(s) of Designer(s): **Wendell B. Colson and Paul G. Swiszc and Jason T. Throne**
(45) Registration Date: **04 December 2013**
(30) Convention priority data:
(31) Number (32) Date (33) Country
29/451389 01 Apr 2013 UNITED STATES OF AMERICA
(62) Divisional of: **14973/2013**
(56) Related Art Documents: **Not Applicable**
(57) Statement of Newness and Distinctiveness: **Newness and Distinctiveness reside in the features of shape and/or configuration of a Cellular Shade Component of indefinite length as illustrated in the accompanying representations.**



- (21) Design Number: **16033/2013**
(22) Date of Filing Application: **21 November 2013**
(24) Date from which industrial property rights may have effect: **27 August 2013**
(54) Product in respect of which the design is registered: **Hasp**
(51) International Design Classification: **08-07**
(74) Name(s) of Attorney(s): **Callinans**
(71) Name(s) and Address(s) of Applicant(s):
Master Lock Company LLC
137 W Forest Hill Avenue Oak Creek Wisconsin 53154 United States of America
(72) Name(s) of Designer(s): **Thomas J. Walczak and Jassen R. Miller**
(45) Registration Date: **04 December 2013**
(30) Convention priority data:
(31) Number (32) Date (33) Country
29/448,346 12 Mar 2013 UNITED STATES OF AMERICA
(62) Divisional of: **352591**
(56) Related Art Documents: **Not Applicable**
(57) Statement of Newness and Distinctiveness: **Newness and distinctiveness are provided by the shape and/or configuration of the design shown in the representations. The features shown in broken lines in the representations are for illustrative purposes only and should not be considered when construing visual features of the design.**



- (21) Design Number: **16044/2013**
(22) Date of Filing Application: **21 November 2013**
(24) Date from which industrial property rights may have effect: **19 December 2012**
(54) Product in respect of which the design is registered: **Door bin**
(51) International Design Classification: **09-09**
(74) Name(s) of Attorney(s): **Halfords IP**
(71) Name(s) and Address(s) of Applicant(s):
Electrolux Appliances AB
S:t Goransgatan 143 Stockholm SE-105 45 Sweden
(72) Name(s) of Designer(s): **Xiaozhi Wang and Chotiawat Doungsri and Richard Hogg and Lyndon Craig and Ola Lantz and Vijay Kumar**
(45) Registration Date: **04 December 2013**
(62) Divisional of: **352768**
(56) Related Art Documents: **Not Applicable**
(57) Statement of Newness and Distinctiveness: **Newness and Distinctiveness is claimed in those features of shape and or configuration of a Door Bin such as for an appliance like a refrigerator and or freezer as depicted in the representations.**

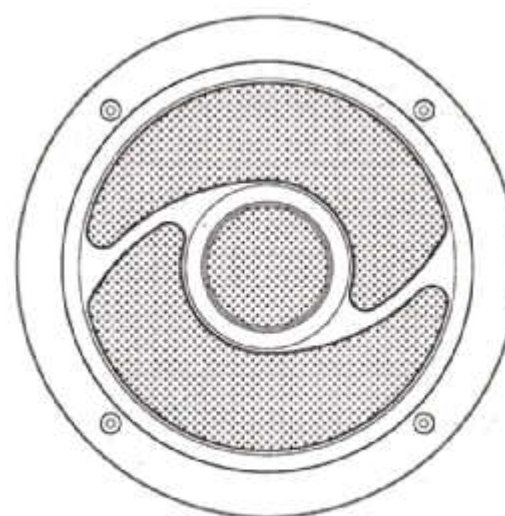


(21) Design Number: **16053/2013**
(22) Date of Filing Application: **22 November 2013**
(24) Date from which industrial property rights may have effect: **22 November 2013**
(54) Product in respect of which the design is registered: **Iron**
(51) International Design Classification: **07-05A**
(74) Name(s) of Attorney(s): **Halfords IP**
(71) Name(s) and Address(s) of Applicant(s):
Electrolux Appliance Aktiebolag
S:t Goransgatan 143 Stockholm SE-10545 Sweden
(72) Name(s) of Designer(s): **Zachary Ng and Brian Sun**
(45) Registration Date: **04 December 2013**
(30) Convention priority data:
(31) Number (32) Date (33) Country
002242511 23 May 2013 OFFICE FOR HARMONISATION IN
THE INTERNAL MARKET (OHIM)

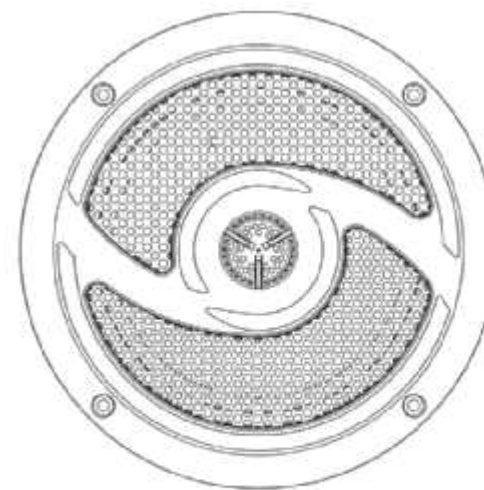


(56) Related Art Documents: **Not Applicable**
(57) Statement of Newness and Distinctiveness: **Newness and Distinctiveness is claimed in those features of shape and or configuration of an iron as depicted in the representations.**

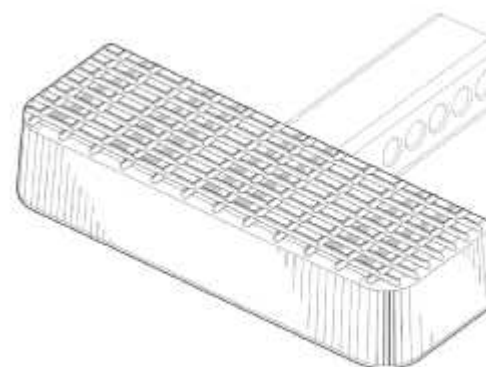
(21) Design Number: **16054/2013**
(22) Date of Filing Application: **22 November 2013**
(24) Date from which industrial property rights may have effect: **22 November 2013**
(54) Product in respect of which the design is registered: **Speaker cover with integrated light**
(51) International Design Classification: **14-01**
(74) Name(s) of Attorney(s): **Macpherson + Kelley**
(71) Name(s) and Address(s) of Applicant(s):
Camec Pty Ltd
47-63 Remington Dr Dandenong South VIC 3175 Australia
(72) Name(s) of Designer(s): **Les Battyanyi**
(45) Registration Date: **04 December 2013**
(56) Related Art Documents: **Not Applicable**
(57) Statement of Newness and Distinctiveness: **Newness and distinctiveness resides in the features of shape and/or configuration of a speaker cover with integrated light as shown in the accompanying representations, the integrated light being arranged in substantially concentric circles about the speaker cover.**



(21) Design Number: **16055/2013**
(22) Date of Filing Application: **22 November 2013**
(24) Date from which industrial property rights may have effect: **22 November 2013**
(54) Product in respect of which the design is registered: **Speaker assembly with integrated light**
(51) International Design Classification: **14-01**
(74) Name(s) of Attorney(s): **Macpherson + Kelley**
(71) Name(s) and Address(s) of Applicant(s):
Camec Pty Ltd
47-63 Remington Dr Dandenong South VIC 3175 Australia
(72) Name(s) of Designer(s): **Les Battyanyi**
(45) Registration Date: **04 December 2013**
(56) Related Art Documents: **Not Applicable**
(57) Statement of Newness and Distinctiveness: **Newness and distinctiveness resides in the features of shape and/or configuration of a speaker assembly with integrated light as shown in the accompanying representations, the integrated light being arranged in substantially concentric circles about the speaker cover.**



(21) Design Number: **16057/2013**
(22) Date of Filing Application: **22 November 2013**
(24) Date from which industrial property rights may have effect: **22 November 2013**
(54) Product in respect of which the design is registered: **Hitch step**
(51) International Design Classification: **12-16NES**
(74) Name(s) of Attorney(s): **SPRUSON & FERGUSON**
(71) Name(s) and Address(s) of Applicant(s):
MacNeil IP LLC
1 MacNeil Court, Bolingbrook Illinois, 60440 United States of America
(72) Name(s) of Designer(s): **Frederick W. Masanek Jr.**
(45) Registration Date: **04 December 2013**
(30) Convention priority data:
(31) Number (32) Date (33) Country
29/455790 24 May 2013 UNITED STATES OF AMERICA
(56) Related Art Documents: **Not Applicable**
(57) Statement of Newness and Distinctiveness: **Newness and distinctiveness is claimed in those features of shape and/or configuration of a hitch step illustrated in continuous lines in the accompanying representations.**



- (21) Design Number: **16058/2013**
(22) Date of Filing Application: **22 November 2013**
(24) Date from which industrial property rights may have effect: **22 November 2013**
(54) Product in respect of which the design is registered: **Computer housing**
(51) International Design Classification: **14-02**
(74) Name(s) of Attorney(s): **FB Rice**
(71) Name(s) and Address(s) of Applicant(s):
IGEL Technology GmbH
Hanna-Kunath-Str. 31 Bremen 28199 Germany
(72) Name(s) of Designer(s): **Mark Nagel**
(45) Registration Date: **04 December 2013**
(30) Convention priority data:
(31) Number (32) Date (33) Country
002312363-0001 19 Sep 2013 OFFICE FOR HARMONISATION IN
THE INTERNAL MARKET (OHIM)
(56) Related Art Documents: **Not Applicable**
(57) Statement of Newness and Distinctiveness: **Newness and distinctiveness**
reside in the features of the design as shown in the representations.



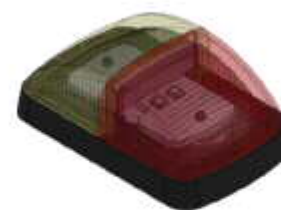
- (21) Design Number: **16064/2013**
(22) Date of Filing Application: **22 November 2013**
(24) Date from which industrial property rights may have effect: **22 November 2013**
(54) Product in respect of which the design is registered: **Lamp**
(51) International Design Classification: **26-06**
(74) Name(s) of Attorney(s):
(71) Name(s) and Address(s) of Applicant(s):
Adrian White
PO BOX 900 Mount Waverley VIC 3149 Australia
(72) Name(s) of Designer(s): **Adrian White**
(45) Registration Date: **04 December 2013**
(56) Related Art Documents: **Not Applicable**
(57) Statement of Newness and Distinctiveness: **Newness and distinctiveness**
is claimed in all visual features, including shape, pattern, configuration
and ornamentation of the product as illustrated in the accompanying
representations.



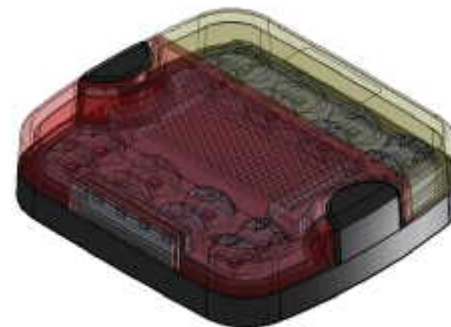
- (21) Design Number: **16065/2013**
(22) Date of Filing Application: **22 November 2013**
(24) Date from which industrial property rights may have effect: **22 November 2013**
(54) Product in respect of which the design is registered: **Lamp**
(51) International Design Classification: **26-06**
(74) Name(s) of Attorney(s):
(71) Name(s) and Address(s) of Applicant(s):
 Adrian White
 PO BOX 900 Mount Waverley VIC 3149 Australia
(72) Name(s) of Designer(s): **Adrian White**
(45) Registration Date: **04 December 2013**
(56) Related Art Documents: **Not Applicable**
(57) Statement of Newness and Distinctiveness: **Newness and distinctiveness is claimed in all visual features, including shape, pattern, configuration and ornamentation of the product as illustrated in the accompanying representations.**



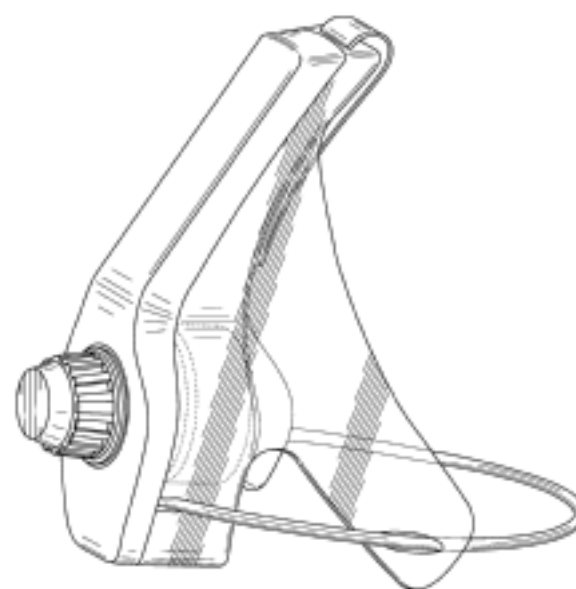
- (21) Design Number: **16066/2013**
(22) Date of Filing Application: **22 November 2013**
(24) Date from which industrial property rights may have effect: **22 November 2013**
(54) Product in respect of which the design is registered: **Lamp**
(51) International Design Classification: **26-06**
(74) Name(s) of Attorney(s):
(71) Name(s) and Address(s) of Applicant(s):
 Adrian White
 PO BOX 900 Mount Waverley VIC 3149 Australia
(72) Name(s) of Designer(s): **Adrian White**
(45) Registration Date: **04 December 2013**
(56) Related Art Documents: **Not Applicable**
(57) Statement of Newness and Distinctiveness: **Newness and distinctiveness is claimed in all visual features, including shape, pattern, configuration and ornamentation of the product as illustrated in the accompanying representations.**



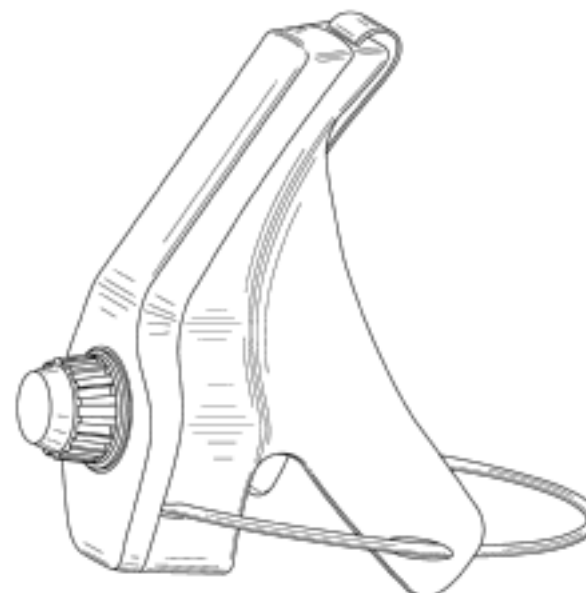
- (21) Design Number: **16069/2013**
(22) Date of Filing Application: **22 November 2013**
(24) Date from which industrial property rights may have effect: **22 November 2013**
(54) Product in respect of which the design is registered: **Lamp**
(51) International Design Classification: **26-06**
(74) Name(s) of Attorney(s):
(71) Name(s) and Address(s) of Applicant(s):
Adrian White
PO BOX 900 Mount Waverley VIC 3149 Australia
(72) Name(s) of Designer(s): **Adrian White**
(45) Registration Date: **04 December 2013**
(56) Related Art Documents: **Not Applicable**
(57) Statement of Newness and Distinctiveness: **Newness and distinctiveness is claimed in all visual features, including shape, pattern, configuration and ornamentation of the product as illustrated in the accompanying representations.**



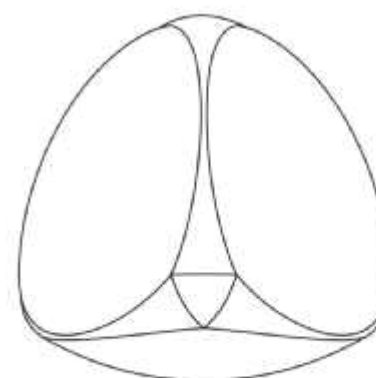
- (21) Design Number: **16070/2013**
(22) Date of Filing Application: **22 November 2013**
(24) Date from which industrial property rights may have effect: **22 November 2013**
(54) Product in respect of which the design is registered: **Security tag**
(51) International Design Classification: **10-05**
(74) Name(s) of Attorney(s): **SPRUSON & FERGUSON**
(71) Name(s) and Address(s) of Applicant(s):
Tyco Fire & Security GmbH
Victor von Bruns-Strasse 21 Neuhausen am Rheinfall 8212 Switzerland
(72) Name(s) of Designer(s): **Danhui Luo and Sergio M. Perez**
(45) Registration Date: **04 December 2013**
(30) Convention priority data:
(31) Number (32) Date (33) Country
29/455679 23 May 2013 UNITED STATES OF AMERICA
(56) Related Art Documents: **Not Applicable**
(57) Statement of Newness and Distinctiveness: **Newness and distinctiveness is claimed in those features of shape and/or configuration of a security tag illustrated in continuous lines in the accompanying representations.**



(21) Design Number: **16071/2013**
(22) Date of Filing Application: **22 November 2013**
(24) Date from which industrial property rights may have effect: **22 November 2013**
(54) Product in respect of which the design is registered: **Security tag**
(51) International Design Classification: **10-05**
(74) Name(s) of Attorney(s): **SPRUSON & FERGUSON**
(71) Name(s) and Address(s) of Applicant(s):
Tyco Fire & Security GmbH
Victor von Bruns-Strasse 21 Neuhausen am Rheinfall 8212 Switzerland
(72) Name(s) of Designer(s): **Danhui Luo and Sergio M. Perez**
(45) Registration Date: **04 December 2013**
(30) Convention priority data:
(31) Number (32) Date (33) Country
29/455679 23 May 2013 UNITED STATES OF AMERICA
(56) Related Art Documents: **Not Applicable**
(57) Statement of Newness and Distinctiveness: **Newness and distinctiveness is claimed in the features of shape and/or configuration of a security tag as illustrated in the accompanying representations.**



(21) Design Number: **16073/2013**
(22) Date of Filing Application: **22 November 2013**
(24) Date from which industrial property rights may have effect: **22 November 2013**
(54) Product in respect of which the design is registered: **Grinding body**
(51) International Design Classification: **08-05N**
(74) Name(s) of Attorney(s): **PHILLIPS ORMONDE FITZPATRICK**
(71) Name(s) and Address(s) of Applicant(s):
RELO - BG Ltd
1, Osorishte Street Entr. A, ap 17 1504 Sofia Bulgaria
(72) Name(s) of Designer(s): **Petar Bodurov**
(45) Registration Date: **04 December 2013**
(30) Convention priority data:
(31) Number (32) Date (33) Country
DM/080963 23 May 2013 WORLD INTELLECTUAL PROPERTY ORGANIZATION (WIPO)
(56) Related Art Documents: **Not Applicable**
(57) Statement of Newness and Distinctiveness: **Nil**



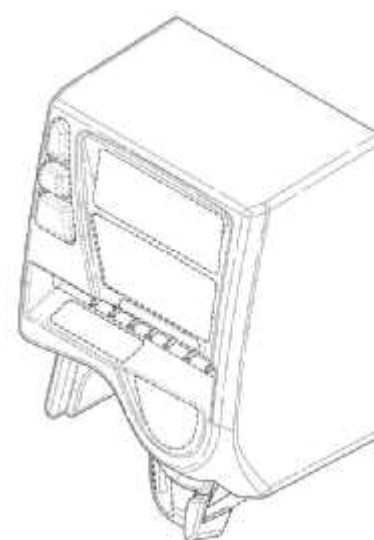
(21) Design Number: **16074/2013**
(22) Date of Filing Application: **22 November 2013**
(24) Date from which industrial property rights may have effect: **22 November 2013**
(54) Product in respect of which the design is registered: **Vending machine bezel**
(51) International Design Classification: **20-01**
(74) Name(s) of Attorney(s): **WATERMARK PATENT AND TRADE MARKS ATTORNEYS**
(71) Name(s) and Address(s) of Applicant(s):
MEI, Inc.
1301 Wilson Drive West Chester Pennsylvania, 19380 United States of America
(72) Name(s) of Designer(s): **Paul Theobald and Alan Michael George Meeks**
(45) Registration Date: **04 December 2013**
(30) Convention priority data:
(31) Number (32) Date (33) Country
29/458,562 20 Jun 2013 UNITED STATES OF AMERICA
(56) Related Art Documents: **Not Applicable**
(57) Statement of Newness and Distinctiveness: **Nil**



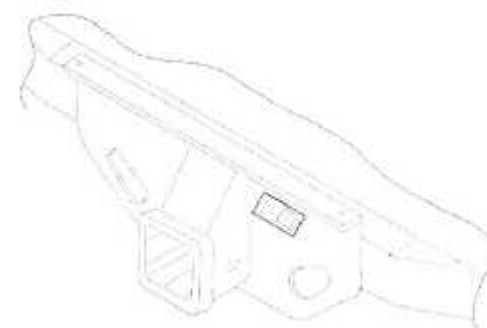
(21) Design Number: **16075/2013**
(22) Date of Filing Application: **22 November 2013**
(24) Date from which industrial property rights may have effect: **22 November 2013**
(54) Product in respect of which the design is registered: **Vending machine bezel**
(51) International Design Classification: **20-01**
(74) Name(s) of Attorney(s): **WATERMARK PATENT AND TRADE MARKS ATTORNEYS**
(71) Name(s) and Address(s) of Applicant(s):
MEI, Incorporated
1301 Wilson Drive West Chester Pennsylvania, 19380 United States of America
(72) Name(s) of Designer(s): **Paul Theobald and Alan Michael George Meeks**
(45) Registration Date: **04 December 2013**
(30) Convention priority data:
(31) Number (32) Date (33) Country
29/458,562 20 Jun 2013 UNITED STATES OF AMERICA
(56) Related Art Documents: **Not Applicable**
(57) Statement of Newness and Distinctiveness: **Nil**



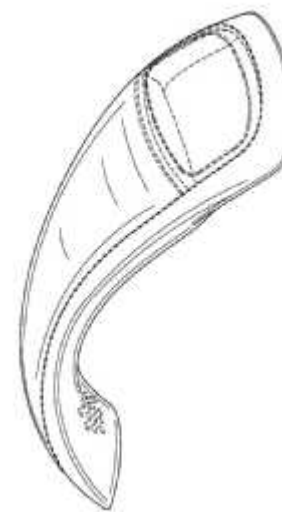
- (21) Design Number: **16076/2013**
(22) Date of Filing Application: **22 November 2013**
(24) Date from which industrial property rights may have effect: **22 November 2013**
(54) Product in respect of which the design is registered: **Vending machine bezel**
(51) International Design Classification: **20-01**
(74) Name(s) of Attorney(s): **WATERMARK PATENT AND TRADE MARKS ATTORNEYS**
(71) Name(s) and Address(s) of Applicant(s):
MEI, Incorporated
1301 Wilson Drive West Chester Pennsylvania, 19380 United States of America
(72) Name(s) of Designer(s): **Paul Theobald and Alan Michael George Meeks**
(45) Registration Date: **04 December 2013**
(30) Convention priority data:
(31) Number (32) Date (33) Country
29/458,562 20 Jun 2013 UNITED STATES OF AMERICA
(56) Related Art Documents: **Not Applicable**
(57) Statement of Newness and Distinctiveness: **Monopoly is claimed in one or more visual features of a vending machine bezel as illustrated in the representations (whereby broken line illustrated portions of the bezel form no part of the design).**



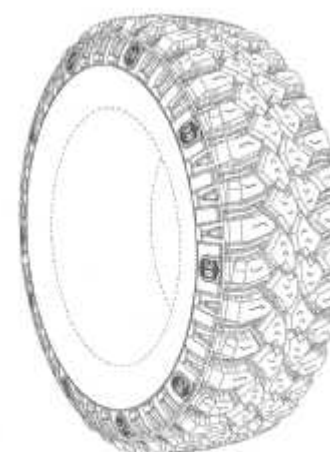
- (21) Design Number: **16097/2013**
(22) Date of Filing Application: **25 November 2013**
(24) Date from which industrial property rights may have effect: **05 September 2013**
(54) Product in respect of which the design is registered: **Label for a hitch match system**
(51) International Design Classification: **12-16NES, 12-16L**
(74) Name(s) of Attorney(s): **Macpherson + Kelley**
(71) Name(s) and Address(s) of Applicant(s):
Cequent Performance Products, Inc.
47912 Halyard Drive, Suite 100 Plymouth MI 48170 United States of America
(72) Name(s) of Designer(s): **Richard W. McCoy and Paul Charles Caruso and Jacob S. Belinky and Mark Patrick Scruggs**
(45) Registration Date: **04 December 2013**
(62) Divisional of: **352595**
(56) Related Art Documents: **Not Applicable**
(57) Statement of Newness and Distinctiveness: **The particular visual features of the design which the Applicant hereby identifies as new and distinctive are as follows: "Label for a Hitch Match System", as illustrated in the accompanying representations.**



- (21) Design Number: **16130/2013**
(22) Date of Filing Application: **25 November 2013**
(24) Date from which industrial property rights may have effect: **25 November 2013**
(54) Product in respect of which the design is registered: **Barcode scanning device**
(51) International Design Classification: **14-02**
(74) Name(s) of Attorney(s): **PHILLIPS ORMONDE FITZPATRICK**
(71) Name(s) and Address(s) of Applicant(s):
Motorola Solutions, Inc.
1303 East Algonquin Road Schaumburg Illinois 60196 United States of America
(72) Name(s) of Designer(s): **Michael A. Kaminsky and Jaeho Choi and Sunghun Lim and Mark C. Palmer**
(45) Registration Date: **04 December 2013**
(30) Convention priority data:
(31) Number (32) Date (33) Country
29/458,380 19 Jun 2013 UNITED STATES OF AMERICA
(56) Related Art Documents: **Not Applicable**
(57) Statement of Newness and Distinctiveness: **Those features of the barcode scanning device depicted in the representations that are new and distinctive are the shape and/or configuration. The features shown in broken lines are not part of the design and are to be disregarded when considering the overall impression of the design.**



- (21) Design Number: **16131/2013**
(22) Date of Filing Application: **25 November 2013**
(24) Date from which industrial property rights may have effect: **25 November 2013**
(54) Product in respect of which the design is registered: **Tire**
(51) International Design Classification: **12-15C**
(74) Name(s) of Attorney(s): **PHILLIPS ORMONDE FITZPATRICK**
(71) Name(s) and Address(s) of Applicant(s):
Cooper Tire & Rubber Company
701 Lima Avenue Findlay Ohio 45840 United States of America
(72) Name(s) of Designer(s): **Matthew J. Petr and Calvin M. Wu**
(45) Registration Date: **04 December 2013**
(30) Convention priority data:
(31) Number (32) Date (33) Country
29/469,221 08 Oct 2013 UNITED STATES OF AMERICA
(56) Related Art Documents: **Not Applicable**
(57) Statement of Newness and Distinctiveness: **Those features of the tire depicted in the representations that are new and distinctive are the shape and/or configuration of the tread of the tire. The sidewall, inned bead, and the peripheral boundary between the tire tread and the sidewall shown in broken line is not part of the design and are to be disregarded when considering the overall impression of the design.**



(21) Design Number: **16132/2013**
(22) Date of Filing Application: **25 November 2013**
(24) Date from which industrial property rights may have effect: **25 November 2013**
(54) Product in respect of which the design is registered: **Tire**
(51) International Design Classification: **12-15A**
(74) Name(s) of Attorney(s): **PHILLIPS ORMONDE FITZPATRICK**
(71) Name(s) and Address(s) of Applicant(s):

Cooper Tire & Rubber Company
701 Lima Avenue Findlay Ohio 45840 United States of America

(72) Name(s) of Designer(s): **Kitty F. Chen**

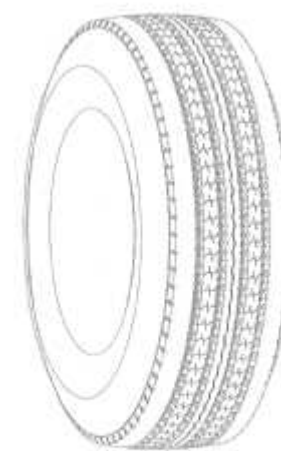
(45) Registration Date: **04 December 2013**

(30) Convention priority data:

(31) Number	(32) Date	(33) Country
29/467,751	23 Sep 2013	UNITED STATES OF AMERICA

(56) Related Art Documents: **Not Applicable**

(57) Statement of Newness and Distinctiveness: **Those features of the tire depicted in the representations that are new and distinctive are the shape and/or configuration of the tread of the tire. The sidewall, inned bead, and the peripheral boundary between the tire tread and the sidewall shown in broken line is not part of the design and are be disregarded when considering the overall impression of the design.**



(21) Design Number: **16133/2013**
(22) Date of Filing Application: **25 November 2013**
(24) Date from which industrial property rights may have effect: **25 November 2013**
(54) Product in respect of which the design is registered: **Car lighting**
(51) International Design Classification: **26-06**
(74) Name(s) of Attorney(s): **Acacia Law**
(71) Name(s) and Address(s) of Applicant(s):

Vision X Asia Co., Ltd.
92 Chungjung-Ro Chungchun-Dong Bupyeong-Ku Incheon-Shi 403-030
Republic of Korea

In-Hong Ko
No. A-2803, Daelim Acrovill 13, Eonju-Ro 30-Gil Gangnam-Ku Seoul
135-971 Republic of Korea

(72) Name(s) of Designer(s): **In-Hong Ko**

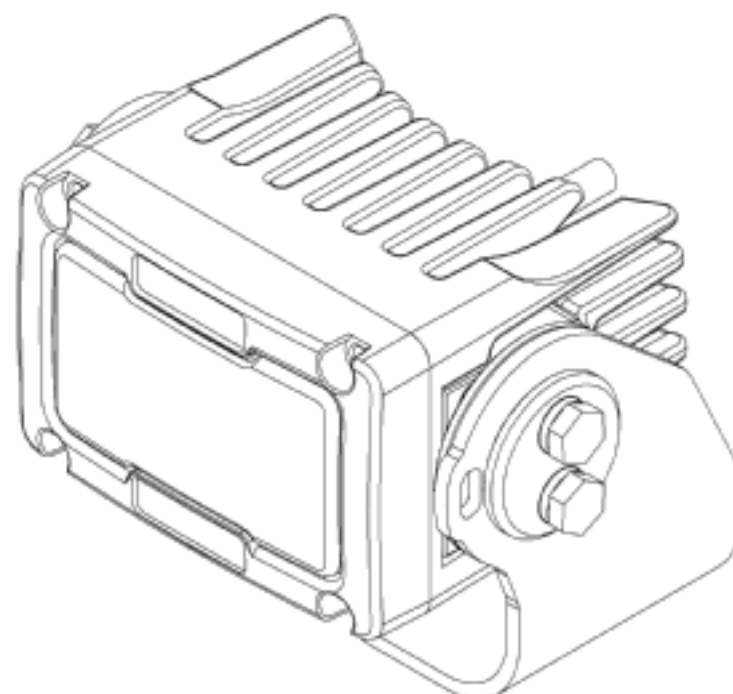
(45) Registration Date: **04 December 2013**

(30) Convention priority data:

(31) Number	(32) Date	(33) Country
30-2013-0053681	25 Oct 2013	REPUBLIC OF KOREA

(56) Related Art Documents: **Not Applicable**

(57) Statement of Newness and Distinctiveness: **Novelty lies in the combination of shape and configuration of the body for vehicle lighting, particularly the radiation fin formed in the rear part of body, and the bracket assembled on one side of the body.**



(21) Design Number: **16134/2013**
(22) Date of Filing Application: **25 November 2013**
(24) Date from which industrial property rights may have effect: **25 November 2013**
(54) Product in respect of which the design is registered: **Car lighting**
(51) International Design Classification: **26-06**
(74) Name(s) of Attorney(s): **Acacia Law**
(71) Name(s) and Address(s) of Applicant(s):

Vision X Asia Co., Ltd.
92 Chungjung-Ro Chungchun-Dong Bupyeong-Ku Incheon-Shi 403-030
Republic of Korea

In-Hong Ko
No. A-2803, Daelim Acrovill 13, Eonju-Ro 30-Gil Gangnam-Ku Seoul
135-971 Republic of Korea

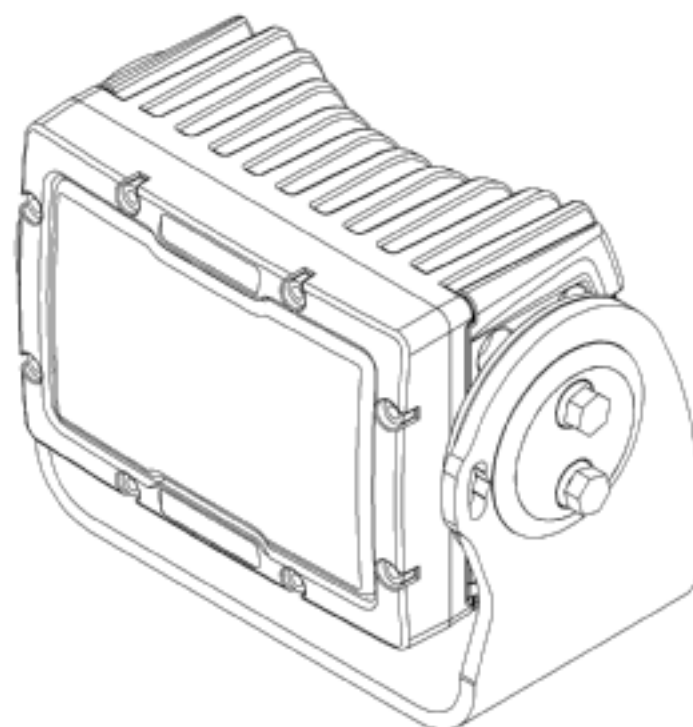
(72) Name(s) of Designer(s): **In-Hong Ko**
(45) Registration Date: **04 December 2013**

(30) Convention priority data:

(31) Number	(32) Date	(33) Country
30-2013-0053682	25 Oct 2013	REPUBLIC OF KOREA

(56) Related Art Documents: **Not Applicable**

(57) Statement of Newness and Distinctiveness: **Novelty lies in the combination of shape and configuration of the body for vehicle lighting, particularly the radiation fin formed in the rear part of body, and the bracket assembled on one side of the body.**



(21) Design Number: **16135/2013**
(22) Date of Filing Application: **25 November 2013**
(24) Date from which industrial property rights may have effect: **25 November 2013**
(54) Product in respect of which the design is registered: **Car lighting**
(51) International Design Classification: **26-06**
(74) Name(s) of Attorney(s): **Acacia Law**
(71) Name(s) and Address(s) of Applicant(s):

Vision X Asia Co., Ltd.
92 Chungjung-Ro Chungchun-Dong Bupyeong-Ku Incheon-Shi 403-030
Republic of Korea

In-Hong Ko
No. A-2803, Daelim Acrovill 13, Eonju-Ro 30-Gil Gangnam-Ku Seoul
135-971 Republic of Korea

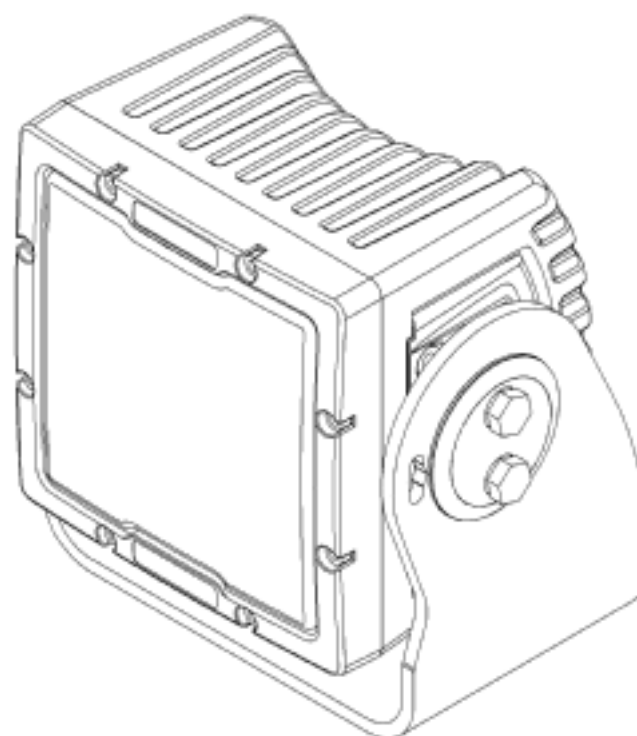
(72) Name(s) of Designer(s): **In-Hong Ko**
(45) Registration Date: **04 December 2013**

(30) Convention priority data:

(31) Number	(32) Date	(33) Country
30-2013-0053683	25 Oct 2013	REPUBLIC OF KOREA

(56) Related Art Documents: **Not Applicable**

(57) Statement of Newness and Distinctiveness: **Novelty lies in the combination of shape and configuration for vehicle lighting, particularly the radiation fin formed in the rear part of body, and the bracket assembled on one side of the body.**



(21) Design Number: **16136/2013**
(22) Date of Filing Application: **25 November 2013**
(24) Date from which industrial property rights may have effect: **25 November 2013**
(54) Product in respect of which the design is registered: **Car lighting**
(51) International Design Classification: **26-06**
(74) Name(s) of Attorney(s): **Acacia Law**
(71) Name(s) and Address(s) of Applicant(s):

Vision X Asia Co., Ltd.
92 Chungjung-Ro Chungchun-Dong Bupyeong-Ku Incheon-Shi 403-030
Republic of Korea

In-Hong Ko
No. A-2803, Daelim Acrovill 13, Eonju-Ro 30-Gil Gangnam-Ku Seoul
135-971 Republic of Korea

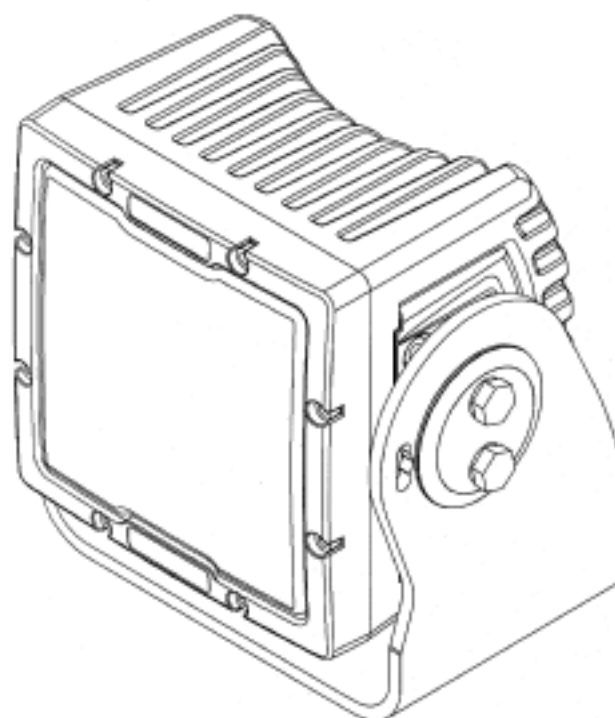
(72) Name(s) of Designer(s): **In-Hong Ko**
(45) Registration Date: **04 December 2013**

(30) Convention priority data:

(31) Number	(32) Date	(33) Country
30-2013-0053684	25 Oct 2013	REPUBLIC OF KOREA

(56) Related Art Documents: **Not Applicable**

(57) Statement of Newness and Distinctiveness: **Novelty lies in the combination of shape and configuration of the body for vehicle lighting, particularly the radiation fin formed in the rear part of body, and the bracket assembled on one side of the body.**



(21) Design Number: **16138/2013**
(22) Date of Filing Application: **25 November 2013**
(24) Date from which industrial property rights may have effect: **25 November 2013**
(54) Product in respect of which the design is registered: **Car lighting**
(51) International Design Classification: **26-06**
(74) Name(s) of Attorney(s): **Acacia Law**
(71) Name(s) and Address(s) of Applicant(s):

Vision X Asia Co., Ltd.
92 Chungjung-Ro Chungchun-Dong Bupyeong-Ku Incheon-Shi 403-030
Republic of Korea

In-Hong Ko
No. A-2803, Daelim Acrovill 13, Eonju-Ro 30-Gil Gangnam-Ku Seoul
135-971 Republic of Korea

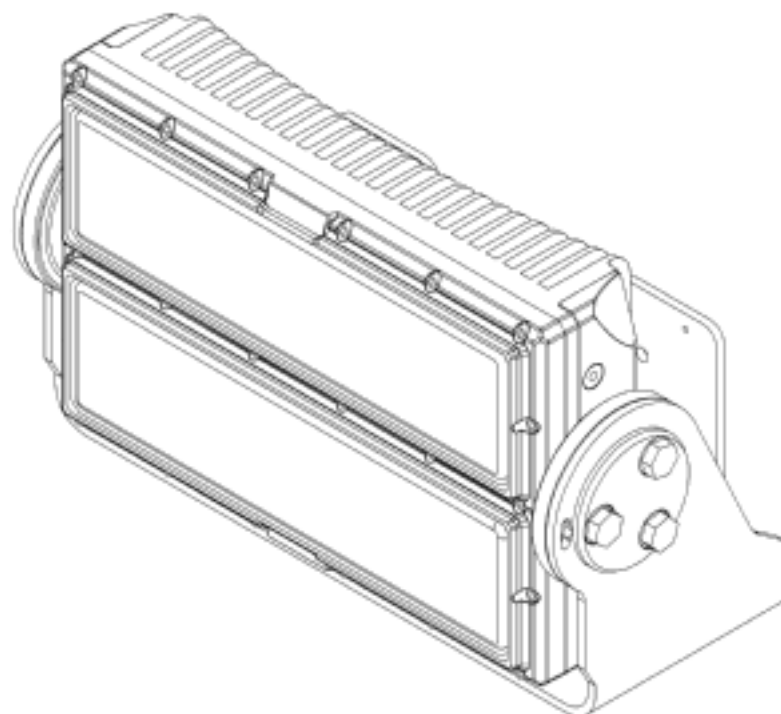
(72) Name(s) of Designer(s): **In-Hong Ko**
(45) Registration Date: **04 December 2013**

(30) Convention priority data:

(31) Number	(32) Date	(33) Country
30-2013-0053686	25 Oct 2013	REPUBLIC OF KOREA

(56) Related Art Documents: **Not Applicable**

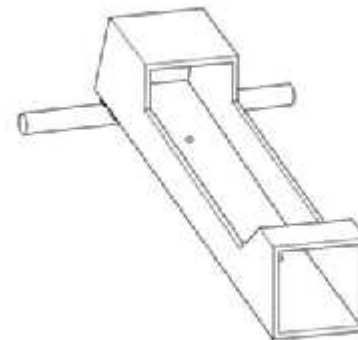
(57) Statement of Newness and Distinctiveness: **Novelty lies in the combination of shape and configuration of the body for vehicle lighting, particularly the radiation fin formed in the rear part of body, and the bracket assembled on one side of the body.**



(21) Design Number: **16139/2013**
(22) Date of Filing Application: **25 November 2013**
(24) Date from which industrial property rights may have effect: **25 November 2013**
(54) Product in respect of which the design is registered: **Bed**
(51) International Design Classification: **06-02**
(74) Name(s) of Attorney(s):
(71) Name(s) and Address(s) of Applicant(s):
Actona Company A/S
Smedegaardvej 6, Tvis Holstebro 7500 Denmark
(72) Name(s) of Designer(s): **John Nissen**
(45) Registration Date: **04 December 2013**
(56) Related Art Documents: **Not Applicable**
(57) Statement of Newness and Distinctiveness: **Nil**



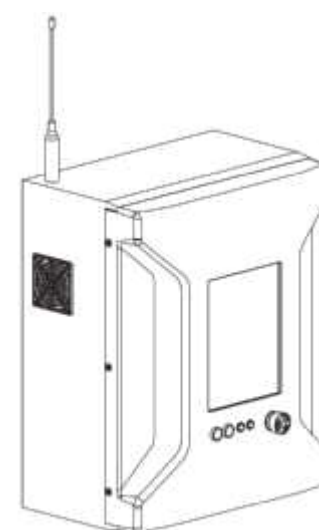
(21) Design Number: **15476/2013**
(22) Date of Filing Application: **25 October 2013**
(24) Date from which industrial property rights may have effect: **25 October 2013**
(54) Product in respect of which the design is registered: **Building sheet positioner**
(51) International Design Classification: **25-02NES**
(74) Name(s) of Attorney(s): **Sandercock & Cowie**
(71) Name(s) and Address(s) of Applicant(s):
David Bryan Blick
5 Yarrabee Ct Frankston VIC 3199 Australia
(72) Name(s) of Designer(s): **David Bryan Blick**
(45) Registration Date: **04 December 2013**
(56) Related Art Documents: **Not Applicable**
(57) Statement of Newness and Distinctiveness: **Newness and Distinctiveness reside in the shape and configuration of the building sheet positioner as shown in the accompanying representations.**



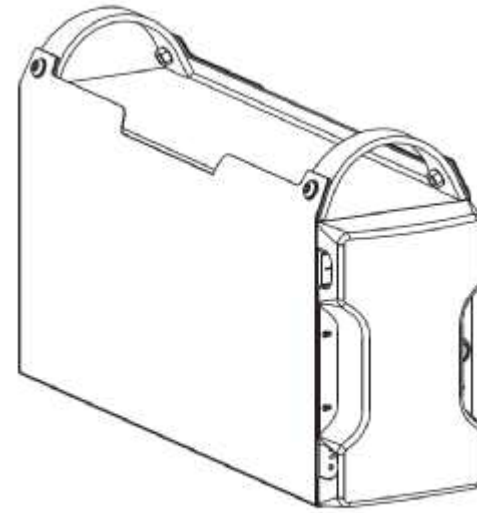
- (21) Design Number: **15828/2013**
(22) Date of Filing Application: **13 November 2013**
(24) Date from which industrial property rights may have effect: **13 November 2013**
(54) Product in respect of which the design is registered: **Holder for tablet computers**
(51) International Design Classification: **14-02**
(74) Name(s) of Attorney(s): **Callinans**
(71) Name(s) and Address(s) of Applicant(s):
AITICO OY
c/o Businessconnect Oy Mariankatu 8 A 9 Lahti 15110 Finland
(72) Name(s) of Designer(s): **Sari Kotaniemi and Juho Tuovila and Harri Ahola and Marko Puharinen and Tommi Takkinen and Evgeny Lykov**
(45) Registration Date: **04 December 2013**
(30) Convention priority data:
(31) Number (32) Date (33) Country
002235929 13 May 2013 OFFICE FOR HARMONISATION IN THE INTERNAL MARKET (OHIM)
(56) Related Art Documents: **Not Applicable**
(57) Statement of Newness and Distinctiveness: **Nil**



- (21) Design Number: **15847/2013**
(22) Date of Filing Application: **14 November 2013**
(24) Date from which industrial property rights may have effect: **14 November 2013**
(54) Product in respect of which the design is registered: **Wall mountable battery storage and monitoring unit**
(51) International Design Classification: **13-02, 13-03NES**
(74) Name(s) of Attorney(s):
(71) Name(s) and Address(s) of Applicant(s):
Tritium Holdings Pty Ltd
1/30 Walker St Tennyson QLD 4105 Australia
(72) Name(s) of Designer(s): **Shelley Ellen Farrell**
(45) Registration Date: **04 December 2013**
(56) Related Art Documents: **Not Applicable**
(57) Statement of Newness and Distinctiveness: **The shape and configuration of a wall mountable battery storage and monitoring unit as depicted in the representations.**



- (21) Design Number: **15848/2013**
(22) Date of Filing Application: **14 November 2013**
(24) Date from which industrial property rights may have effect: **14 November 2013**
(54) Product in respect of which the design is registered: **A battery storage and monitoring unit**
(51) International Design Classification: **13-02, 13-03NES**
(74) Name(s) of Attorney(s):
(71) Name(s) and Address(s) of Applicant(s):
Tritium Holdings Pty Ltd
1/30 Walker St Tennyson QLD 4105 Australia
(72) Name(s) of Designer(s): **Shelley Ellen Farrell**
(45) Registration Date: **04 December 2013**
(56) Related Art Documents: **Not Applicable**
(57) Statement of Newness and Distinctiveness: **The shape and configuration of a battery storage and monitoring unit as depicted in the representations.**



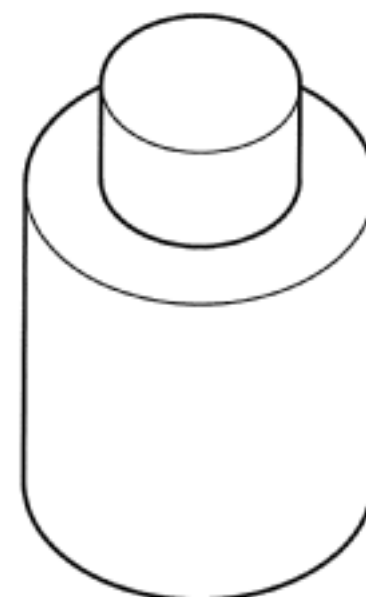
- (21) Design Number: **15849/2013**
(22) Date of Filing Application: **14 November 2013**
(24) Date from which industrial property rights may have effect: **14 November 2013**
(54) Product in respect of which the design is registered: **Knob for control unit**
(51) International Design Classification: **13-03D**
(74) Name(s) of Attorney(s): **PHILLIPS ORMONDE FITZPATRICK**
(71) Name(s) and Address(s) of Applicant(s):
Redarc Technologies Pty Ltd
PO BOX 469 Morphett Vale SA 5162 Australia
(72) Name(s) of Designer(s): **Timothy Allan Eden**
(45) Registration Date: **04 December 2013**
(56) Related Art Documents: **Not Applicable**
(57) Statement of Newness and Distinctiveness: **Newness and distinctiveness is claimed in the shape and/or configuration of a knob for control unit as shown in the accompanying representations.**



- (21) Design Number: **15864/2013**
(22) Date of Filing Application: **14 November 2013**
(24) Date from which industrial property rights may have effect: **14 November 2013**
(54) Product in respect of which the design is registered: **Microphone capsule mount**
(51) International Design Classification: **14-01, 08-08NES**
(74) Name(s) of Attorney(s): **HODGKINSON McINNES PATENTS**
(71) Name(s) and Address(s) of Applicant(s):
Freedman Electronics Pty Limited
107 Carnarvon St Silverwater NSW 2128 Australia
(72) Name(s) of Designer(s): **Tom Ferghana Rogers Fereday and Samuel Dean Trewartha**
(45) Registration Date: **04 December 2013**
(56) Related Art Documents: **Not Applicable**
(57) Statement of Newness and Distinctiveness: **Newness and distinctiveness is claimed in the shape and configuration of a microphone capsule mount as shown in the representations.**



- (21) Design Number: **15873/2013**
(22) Date of Filing Application: **15 November 2013**
(24) Date from which industrial property rights may have effect: **15 November 2013**
(54) Product in respect of which the design is registered: **Boom spray jet nozzle**
(51) International Design Classification: **23-01E**
(74) Name(s) of Attorney(s): **Golja Haines & Friend**
(71) Name(s) and Address(s) of Applicant(s):
Stuart Gavin Clare
402 Gabbin/Trayning Rd Koorda WA 6475 Australia
(72) Name(s) of Designer(s): **Stuart Gavin Clare**
(45) Registration Date: **04 December 2013**
(56) Related Art Documents: **Not Applicable**
(57) Statement of Newness and Distinctiveness: **Newness and distinctiveness resides in the shape and configuration of a boom spray jet nozzle as illustrated in the accompanying representations.**



(21) Design Number: **15879/2013**
(22) Date of Filing Application: **15 November 2013**
(24) Date from which industrial property rights may have effect: **15 November 2013**
(54) Product in respect of which the design is registered: **Holder for an electronic device**
(51) International Design Classification: **14-99**
(74) Name(s) of Attorney(s): **PIZZEYS**
(71) Name(s) and Address(s) of Applicant(s):
Menachem Reznik
POB 174 Meishar Israel
(72) Name(s) of Designer(s): **Menachem Reznik**
(45) Registration Date: **04 December 2013**
(30) Convention priority data:
(31) Number (32) Date (33) Country
29/457036 06 Jun 2013 UNITED STATES OF AMERICA
(56) Related Art Documents: **Not Applicable**
(57) Statement of Newness and Distinctiveness: **Nil**



(21) Design Number: **15959/2013**
(22) Date of Filing Application: **19 November 2013**
(24) Date from which industrial property rights may have effect: **30 October 2012**
(54) Product in respect of which the design is registered: **Article of clothing**
(51) International Design Classification: **02-02NES**
(74) Name(s) of Attorney(s): **Allens Patent & Trade Mark Attorneys**
(71) Name(s) and Address(s) of Applicant(s):
Forever New Clothing Pty Ltd
714-716 High St Kew East VIC 3102 Australia
(72) Name(s) of Designer(s): **Gemma Henderson**
(45) Registration Date: **04 December 2013**
(62) Divisional of: **352421**
(56) Related Art Documents: **Not Applicable**
(57) Statement of Newness and Distinctiveness: **Newness and distinctiveness resides in the visual features of shape, configuration, pattern and/or ornamentation of an article of clothing as shown in the accompanying representations.**



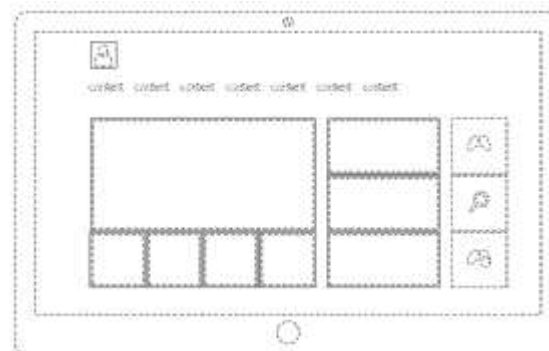
(21) Design Number: **15963/2013**
(22) Date of Filing Application: **19 November 2013**
(24) Date from which industrial property rights may have effect: **30 October 2012**
(54) Product in respect of which the design is registered: **Article of clothing**
(51) International Design Classification: **02-02NES**
(74) Name(s) of Attorney(s): **Allens Patent & Trade Mark Attorneys**
(71) Name(s) and Address(s) of Applicant(s):
Forever New Clothing Pty Ltd
714-716 High St Kew East VIC 3102 Australia
(72) Name(s) of Designer(s): **Gemma Henderson**
(45) Registration Date: **04 December 2013**
(62) Divisional of: **352421**
(56) Related Art Documents: **Not Applicable**
(57) Statement of Newness and Distinctiveness: **Newness and distinctiveness resides in the visual features of shape, configuration, pattern and/or ornamentation of an article of clothing as shown in the accompanying representations.**



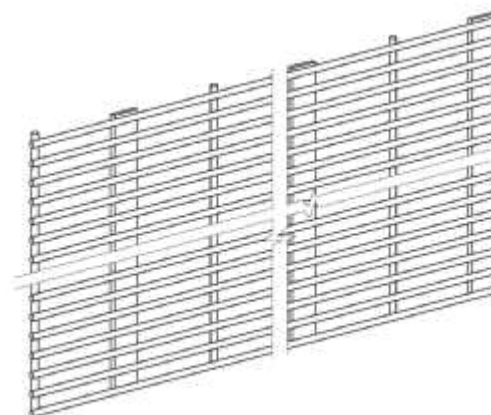
(21) Design Number: **16036/2013**
(22) Date of Filing Application: **21 November 2013**
(24) Date from which industrial property rights may have effect: **27 August 2013**
(54) Product in respect of which the design is registered: **Hasp**
(51) International Design Classification: **08-07**
(74) Name(s) of Attorney(s): **Callinans**
(71) Name(s) and Address(s) of Applicant(s):
Master Lock Company LLC
137 W Forest Hill Avenue Oak Creek Wisconsin 53154 United States of America
(72) Name(s) of Designer(s): **Thomas J. Walczak and Jassen R. Miller**
(45) Registration Date: **04 December 2013**
(30) Convention priority data:
(31) Number (32) Date (33) Country
29/448,346 12 Mar 2013 UNITED STATES OF AMERICA
(62) Divisional of: **352591**
(56) Related Art Documents: **Not Applicable**
(57) Statement of Newness and Distinctiveness: **Newness and distinctiveness are provided by the shape and/or configuration of the design shown in the representations. The features shown in broken lines in the representations are for illustrative purposes only and should not be considered when construing visual features of the design.**



- (21) Design Number: **16037/2013**
(22) Date of Filing Application: **21 November 2013**
(24) Date from which industrial property rights may have effect: **21 November 2013**
(54) Product in respect of which the design is registered: **Display screen with graphical user interface**
(51) International Design Classification: **14-01, 14-02**
(74) Name(s) of Attorney(s): **Shelston IP**
(71) Name(s) and Address(s) of Applicant(s):
Microsoft Corporation
One Microsoft Way Redmond Washington 98052 United States of America
(72) Name(s) of Designer(s): **Lynette Reed and Calvin Carter and Jeff Fleischmann and Jason Giles and Joe Wheeler and Ramiro Torres and Matthew Akers**
(45) Registration Date: **04 December 2013**
(30) Convention priority data:
(31) Number (32) Date (33) Country
29/455521 21 May 2013 UNITED STATES OF AMERICA
(56) Related Art Documents: **Not Applicable**
(57) Statement of Newness and Distinctiveness: **Newness and distinctiveness reside in the features of pattern and/or ornamentation of a display screen with graphical user interface as illustrated by solid lines in the accompanying representation. The features shown in broken outline are for contextual purposes only and do not form part of the design.**



- (21) Design Number: **16045/2013**
(22) Date of Filing Application: **21 November 2013**
(24) Date from which industrial property rights may have effect: **21 November 2013**
(54) Product in respect of which the design is registered: **A fence panel**
(51) International Design Classification: **25-02C**
(74) Name(s) of Attorney(s): **A.P.T. Patent and Trade Mark Attorneys**
(71) Name(s) and Address(s) of Applicant(s):
COCHRANE GULF FZE
603 Suntec Tower Silicon Oasis Dubai United Arab Emirates
(72) Name(s) of Designer(s): **Vlado Bucarizza**
(45) Registration Date: **04 December 2013**
(56) Related Art Documents: **Not Applicable**
(57) Statement of Newness and Distinctiveness: **Nil**



(21) Design Number: **16049/2013**
(22) Date of Filing Application: **22 November 2013**
(24) Date from which industrial property rights may have effect: **22 November 2013**
(54) Product in respect of which the design is registered: **Bottle opener**
(51) International Design Classification: **07-06D**
(74) Name(s) of Attorney(s): **Shelston IP**
(71) Name(s) and Address(s) of Applicant(s):

Alexander Philip Bommer
131 Coronation Road Southville Bristol BS3 1RE United Kingdom

(72) Name(s) of Designer(s): **Alexander Philip Bommer**

(45) Registration Date: **04 December 2013**

(30) Convention priority data:

(31) Number	(32) Date	(33) Country
002243717-0001	24 May 2013	OFFICE FOR HARMONISATION IN THE INTERNAL MARKET (OHIM)

(56) Related Art Documents: **Not Applicable**

(57) Statement of Newness and Distinctiveness: **Newness and distinctiveness resides in the features of shape and configuration of the main body and wing levers of the bottle opener as illustrated in the accompanying representations. The specific form of the bottle top engaging ring formation and the screw element do not form part of the design.**



(21) Design Number: **16050/2013**
(22) Date of Filing Application: **22 November 2013**
(24) Date from which industrial property rights may have effect: **22 November 2013**
(54) Product in respect of which the design is registered: **A tyre**
(51) International Design Classification: **12-15B**
(74) Name(s) of Attorney(s): **Ellis Terry**
(71) Name(s) and Address(s) of Applicant(s):

Shandong Linglong Tyre Co., Ltd.
**No. 777 Jinlong Road Zhaoyuan City Shandong 265400 People's
Republic of China**

(72) Name(s) of Designer(s): **Wang Feng**

(45) Registration Date: **04 December 2013**

(56) Related Art Documents: **Not Applicable**

(57) Statement of Newness and Distinctiveness: **The novelty of the design resides in the repeating tyre pattern shown in the representations.**



- (21) Design Number: **16060/2013**
(22) Date of Filing Application: **22 November 2013**
(24) Date from which industrial property rights may have effect: **22 November 2013**
(54) Product in respect of which the design is registered: **Lamp**
(51) International Design Classification: **26-06**
(74) Name(s) of Attorney(s):
(71) Name(s) and Address(s) of Applicant(s):
 Adrian White
 PO BOX 900 Mount Waverley VIC 3149 Australia
(72) Name(s) of Designer(s): **Adrian White**
(45) Registration Date: **04 December 2013**
(56) Related Art Documents: **Not Applicable**
(57) Statement of Newness and Distinctiveness: **Newness and distinctiveness is claimed in all visual features, including shape, pattern, configuration and ornamentation of the product as illustrated in the accompanying representations.**



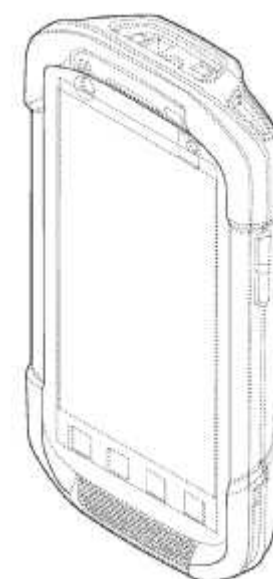
- (21) Design Number: **16061/2013**
(22) Date of Filing Application: **22 November 2013**
(24) Date from which industrial property rights may have effect: **22 November 2013**
(54) Product in respect of which the design is registered: **Lamp**
(51) International Design Classification: **26-06**
(74) Name(s) of Attorney(s):
(71) Name(s) and Address(s) of Applicant(s):
 Adrian White
 PO BOX 900 Mount Waverley VIC 3149 Australia
(72) Name(s) of Designer(s): **Adrian White**
(45) Registration Date: **04 December 2013**
(56) Related Art Documents: **Not Applicable**
(57) Statement of Newness and Distinctiveness: **Newness and distinctiveness is claimed in all visual features, including shape, pattern, configuration and ornamentation of the product as illustrated in the accompanying representations.**



(21) Design Number: **16062/2013**
(22) Date of Filing Application: **22 November 2013**
(24) Date from which industrial property rights may have effect: **22 November 2013**
(54) Product in respect of which the design is registered: **Lamp**
(51) International Design Classification: **26-06**
(74) Name(s) of Attorney(s):
(71) Name(s) and Address(s) of Applicant(s):
Adrian White
PO BOX 900 Mount Waverley VIC 3149 Australia
(72) Name(s) of Designer(s): **Adrian White**
(45) Registration Date: **04 December 2013**
(56) Related Art Documents: **Not Applicable**
(57) Statement of Newness and Distinctiveness: **Newness and distinctiveness is claimed in all visual features, including shape, pattern, configuration and ornamentation of the product as illustrated in the accompanying representations.**



(21) Design Number: **16063/2013**
(22) Date of Filing Application: **22 November 2013**
(24) Date from which industrial property rights may have effect: **22 November 2013**
(54) Product in respect of which the design is registered: **Rugged mobile computing device**
(51) International Design Classification: **14-02**
(74) Name(s) of Attorney(s): **PHILLIPS ORMONDE FITZPATRICK**
(71) Name(s) and Address(s) of Applicant(s):
Motorola Solutions, Inc.
1303 East Algonquin Road Schaumburg Illinois 60196 United States of America
(72) Name(s) of Designer(s): **James C. Krause and Mark C. Palmer**
(45) Registration Date: **04 December 2013**
(30) Convention priority data:
(31) Number (32) Date (33) Country
29/456,770 04 Jun 2013 UNITED STATES OF AMERICA
(56) Related Art Documents: **Not Applicable**
(57) Statement of Newness and Distinctiveness: **Those features of the rugged mobile computing device depicted in the representations that are new and distinctive are the shape and/or configuration. The features shown in broken lines are not part of the design and are to be disregarded when considering the overall impression of the design.**



- (21) Design Number: **15965/2013**
(22) Date of Filing Application: **19 November 2013**
(24) Date from which industrial property rights may have effect: **30 October 2012**
(54) Product in respect of which the design is registered: **Article of clothing**
(51) International Design Classification: **02-02NES**
(74) Name(s) of Attorney(s): **Allens Patent & Trade Mark Attorneys**
(71) Name(s) and Address(s) of Applicant(s):
Forever New Clothing Pty Ltd
714-716 High St Kew East VIC 3102 Australia
(72) Name(s) of Designer(s): **Jennifer Hall**
(45) Registration Date: **04 December 2013**
(62) Divisional of: **352421**
(56) Related Art Documents: **Not Applicable**
(57) Statement of Newness and Distinctiveness: **Newness and distinctiveness resides in the visual features of shape, configuration, pattern and/or ornamentation of an article of clothing as shown in the accompanying representations.**



- (21) Design Number: **15966/2013**
(22) Date of Filing Application: **19 November 2013**
(24) Date from which industrial property rights may have effect: **30 October 2012**
(54) Product in respect of which the design is registered: **Article of clothing**
(51) International Design Classification: **02-01B**
(74) Name(s) of Attorney(s): **Allens Patent & Trade Mark Attorneys**
(71) Name(s) and Address(s) of Applicant(s):
Forever New Clothing Pty Ltd
714-716 High St Kew East VIC 3102 Australia
(72) Name(s) of Designer(s): **Mantra Ahrendt**
(45) Registration Date: **04 December 2013**
(62) Divisional of: **352421**
(56) Related Art Documents: **Not Applicable**
(57) Statement of Newness and Distinctiveness: **Newness and distinctiveness resides in the visual features of shape, configuration, pattern and/or ornamentation of an article of clothing as shown in the accompanying representations.**



- (21) Design Number: **15967/2013**
(22) Date of Filing Application: **19 November 2013**
(24) Date from which industrial property rights may have effect: **30 October 2012**
(54) Product in respect of which the design is registered: **Article of clothing**
(51) International Design Classification: **02-02C**
(74) Name(s) of Attorney(s): **Allens Patent & Trade Mark Attorneys**
(71) Name(s) and Address(s) of Applicant(s):
Forever New Clothing Pty Ltd
714-716 High St Kew East VIC 3102 Australia
(72) Name(s) of Designer(s): **Mantra Ahrendt**
(45) Registration Date: **04 December 2013**
(62) Divisional of: **352421**
(56) Related Art Documents: **Not Applicable**
(57) Statement of Newness and Distinctiveness: **Newness and distinctiveness resides in the visual features of shape, configuration, pattern and/or ornamentation of an article of clothing as shown in the accompanying representations.**



- (21) Design Number: **15968/2013**
(22) Date of Filing Application: **19 November 2013**
(24) Date from which industrial property rights may have effect: **30 October 2012**
(54) Product in respect of which the design is registered: **Article of clothing**
(51) International Design Classification: **02-02NES**
(74) Name(s) of Attorney(s): **Allens Patent & Trade Mark Attorneys**
(71) Name(s) and Address(s) of Applicant(s):
Forever New Clothing Pty Ltd
714-716 High St Kew East VIC 3102 Australia
(72) Name(s) of Designer(s): **Mantra Ahrendt**
(45) Registration Date: **04 December 2013**
(62) Divisional of: **352421**
(56) Related Art Documents: **Not Applicable**
(57) Statement of Newness and Distinctiveness: **Newness and distinctiveness resides in the visual features of shape, configuration, pattern and/or ornamentation of an article of clothing as shown in the accompanying representations.**



- (21) Design Number: **15969/2013**
(22) Date of Filing Application: **19 November 2013**
(24) Date from which industrial property rights may have effect: **30 October 2012**
(54) Product in respect of which the design is registered: **Article of clothing**
(51) International Design Classification: **02-02NES**
(74) Name(s) of Attorney(s): **Allens Patent & Trade Mark Attorneys**
(71) Name(s) and Address(s) of Applicant(s):
Forever New Clothing Pty Ltd
714-716 High St Kew East VIC 3102 Australia
(72) Name(s) of Designer(s): **Mantra Ahrendt**
(45) Registration Date: **04 December 2013**
(62) Divisional of: **352421**
(56) Related Art Documents: **Not Applicable**
(57) Statement of Newness and Distinctiveness: **Newness and distinctiveness resides in the visual features of shape, configuration, pattern and/or ornamentation of an article of clothing as shown in the accompanying representation.**



- (21) Design Number: **15970/2013**
(22) Date of Filing Application: **19 November 2013**
(24) Date from which industrial property rights may have effect: **30 October 2012**
(54) Product in respect of which the design is registered: **Article of clothing**
(51) International Design Classification: **02-02C**
(74) Name(s) of Attorney(s): **Allens Patent & Trade Mark Attorneys**
(71) Name(s) and Address(s) of Applicant(s):
Forever New Clothing Pty Ltd
714-716 High St Kew East VIC 3102 Australia
(72) Name(s) of Designer(s): **Mantra Ahrendt**
(45) Registration Date: **04 December 2013**
(62) Divisional of: **352421**
(56) Related Art Documents: **Not Applicable**
(57) Statement of Newness and Distinctiveness: **Newness and distinctiveness resides in the visual features of shape, configuration, pattern and/or ornamentation of an article of clothing as shown in the accompanying representations.**



- (21) Design Number: **15971/2013**
(22) Date of Filing Application: **19 November 2013**
(24) Date from which industrial property rights may have effect: **30 October 2012**
(54) Product in respect of which the design is registered: **Article of clothing**
(51) International Design Classification: **02-02NES**
(74) Name(s) of Attorney(s): **Allens Patent & Trade Mark Attorneys**
(71) Name(s) and Address(s) of Applicant(s):
Forever New Clothing Pty Ltd
714-716 High St Kew East VIC 3102 Australia
(72) Name(s) of Designer(s): **Alice Burrow**
(45) Registration Date: **04 December 2013**
(62) Divisional of: **352421**
(56) Related Art Documents: **Not Applicable**
(57) Statement of Newness and Distinctiveness: **Newness and distinctiveness resides in the visual features of shape, configuration, pattern and/or ornamentation of an article of clothing as shown in the accompanying representations.**



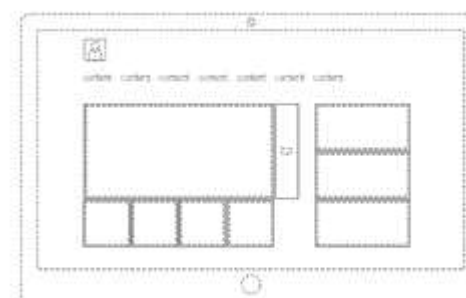
- (21) Design Number: **15972/2013**
(22) Date of Filing Application: **19 November 2013**
(24) Date from which industrial property rights may have effect: **30 October 2012**
(54) Product in respect of which the design is registered: **Article of clothing**
(51) International Design Classification: **02-02C**
(74) Name(s) of Attorney(s): **Allens Patent & Trade Mark Attorneys**
(71) Name(s) and Address(s) of Applicant(s):
Forever New Clothing Pty Ltd
714-716 High St Kew East VIC 3102 Australia
(72) Name(s) of Designer(s): **Mantra Ahrendt**
(45) Registration Date: **04 December 2013**
(62) Divisional of: **352421**
(56) Related Art Documents: **Not Applicable**
(57) Statement of Newness and Distinctiveness: **Newness and distinctiveness resides in the visual features of shape, configuration, pattern and/or ornamentation of an article of clothing as shown in the accompanying representations.**



(21) Design Number: **16016/2013**
(22) Date of Filing Application: **21 November 2013**
(24) Date from which industrial property rights may have effect: **21 November 2013**
(54) Product in respect of which the design is registered: **Tire**
(51) International Design Classification: **12-15C**
(74) Name(s) of Attorney(s): **PHILLIPS ORMONDE FITZPATRICK**
(71) Name(s) and Address(s) of Applicant(s):
Cooper Tire & Rubber Company
701 Lima Avenue Findlay Ohio 45840 United States of America
(72) Name(s) of Designer(s): **Jeremy J Jacobs and Christopher D Grote and Robert J Drake**
(45) Registration Date: **04 December 2013**
(30) Convention priority data:
(31) Number (32) Date (33) Country
29/455,847 24 May 2013 UNITED STATES OF AMERICA
(56) Related Art Documents: **Not Applicable**
(57) Statement of Newness and Distinctiveness: **Those features of the tire depicted in the representations that are new and distinctive are the shape and/or configuration of the tread of the tire. The sidewall, inner bead, and the peripheral boundary between the tire tread and the sidewall are not part of the design and are to be disregarded when considering the overall impression of the design.**



(21) Design Number: **16025/2013**
(22) Date of Filing Application: **21 November 2013**
(24) Date from which industrial property rights may have effect: **21 November 2013**
(54) Product in respect of which the design is registered: **Display screen with graphical user interface**
(51) International Design Classification: **14-02**
(74) Name(s) of Attorney(s): **Shelston IP**
(71) Name(s) and Address(s) of Applicant(s):
Microsoft Corporation
One Microsoft Way Redmond Washington 98052 United States of America
(72) Name(s) of Designer(s): **Lynette Reed and Calvin Carter and Jeff Fleischmann and Jason Giles and Joe Wheeler and Ramiro Torres and Matthew Akers**
(45) Registration Date: **04 December 2013**
(30) Convention priority data:
(31) Number (32) Date (33) Country
29/455521 21 May 2013 UNITED STATES OF AMERICA
(56) Related Art Documents: **Not Applicable**
(57) Statement of Newness and Distinctiveness: **Newness and distinctiveness reside in the features of pattern and/or ornamentation of a display screen with graphical user interface as illustrated by solid lines in the accompanying representation. The features shown in broken outline are for contextual purposes only and do not form part of the design.**



- (21) Design Number: **16056/2013**
(22) Date of Filing Application: **22 November 2013**
(24) Date from which industrial property rights may have effect: **22 November 2013**
(54) Product in respect of which the design is registered: **Speaker assembly with integrated light**
(51) International Design Classification: **14-01**
(74) Name(s) of Attorney(s): **Macpherson + Kelley**
(71) Name(s) and Address(s) of Applicant(s):
Camec Pty Ltd
47-63 Remington Dr Dandenong South VIC 3175 Australia
(72) Name(s) of Designer(s): **Les Battyanyi**
(45) Registration Date: **04 December 2013**
(56) Related Art Documents: **Not Applicable**
(57) Statement of Newness and Distinctiveness: **Newness and distinctiveness resides in the features of shape and/or configuration of a speaker assembly with integrated light as shown in the accompanying representations, the integrated light being disposed below and at an angle to the perforated speaker cover.**



- (21) Design Number: **16067/2013**
(22) Date of Filing Application: **22 November 2013**
(24) Date from which industrial property rights may have effect: **22 November 2013**
(54) Product in respect of which the design is registered: **Personal computer**
(51) International Design Classification: **14-02**
(74) Name(s) of Attorney(s): **SPRUSON & FERGUSON**
(71) Name(s) and Address(s) of Applicant(s):
Fujitsu Limited
1-1, Kamikodanaka 4-chome, Nakahara-ku, Kawasaki-shi Kanagawa,
211-8588 Japan
(72) Name(s) of Designer(s): **Masahiro Fujimoto and Ichiro Itano**
(45) Registration Date: **04 December 2013**
(30) Convention priority data:
(31) Number (32) Date (33) Country
2013-011484 24 May 2013 JAPAN
(56) Related Art Documents: **Not Applicable**
(57) Statement of Newness and Distinctiveness: **Newness and distinctiveness is claimed in the features of shape and/or configuration of a personal computer as illustrated in solid lines in the accompanying representations.**



(21) Design Number: **16083/2013**
(22) Date of Filing Application: **25 November 2013**
(24) Date from which industrial property rights may have effect: **25 November 2013**
(54) Product in respect of which the design is registered: **Ottoman**
(51) International Design Classification: **06-01E**
(74) Name(s) of Attorney(s): **SPRUSON & FERGUSON**
(71) Name(s) and Address(s) of Applicant(s):

Knoll, Inc.
1235 Water Street East Greenville Pennsylvania 18041 United States of America

(72) Name(s) of Designer(s): **David Adjaye**

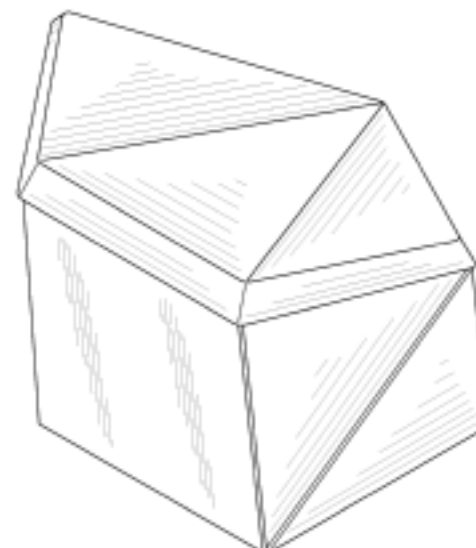
(45) Registration Date: **04 December 2013**

(30) Convention priority data:

(31) Number	(32) Date	(33) Country
29/456623	31 May 2013	UNITED STATES OF AMERICA

(56) Related Art Documents: **Not Applicable**

(57) Statement of Newness and Distinctiveness: **Newness and distinctiveness is claimed in the features of shape and/or configuration of an ottoman as illustrated in the accompanying representations.**



(21) Design Number: **16084/2013**
(22) Date of Filing Application: **22 November 2013**
(24) Date from which industrial property rights may have effect: **22 November 2013**
(54) Product in respect of which the design is registered: **Door clip**
(51) International Design Classification: **08-09**
(74) Name(s) of Attorney(s):
(71) Name(s) and Address(s) of Applicant(s):

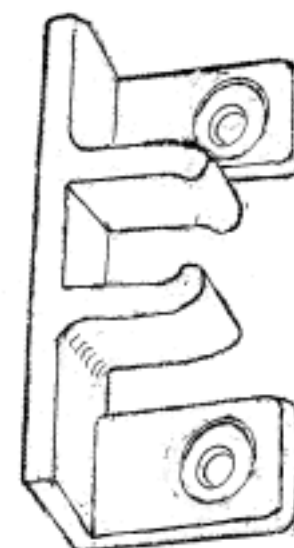
Dias Aluminium Products Pty. Ltd.
201-205 Browns Rd Noble Park VIC 3174 Australia

(72) Name(s) of Designer(s): **Ian David Paterson**

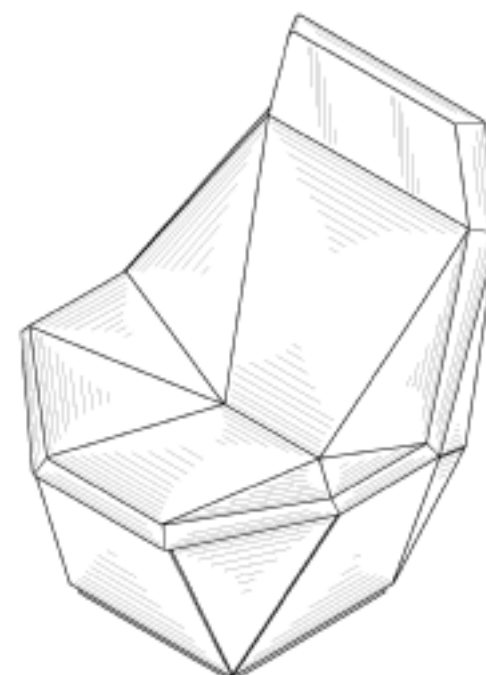
(45) Registration Date: **04 December 2013**

(56) Related Art Documents: **Not Applicable**

(57) Statement of Newness and Distinctiveness: **Nil**



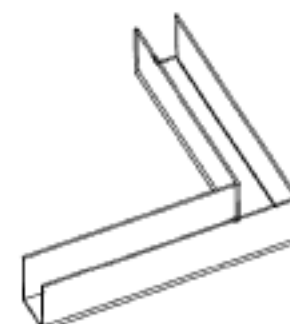
(21) Design Number: **16086/2013**
(22) Date of Filing Application: **25 November 2013**
(24) Date from which industrial property rights may have effect: **25 November 2013**
(54) Product in respect of which the design is registered: **Chair**
(51) International Design Classification: **06-01L**
(74) Name(s) of Attorney(s): **SPRUSON & FERGUSON**
(71) Name(s) and Address(s) of Applicant(s):



Knoll, Inc.
1235 Water Street East Greenville Pennsylvania 18041 United States of America

(72) Name(s) of Designer(s): **David Adjaye**
(45) Registration Date: **04 December 2013**
(30) Convention priority data:
(31) Number (32) Date (33) Country
29/456631 31 May 2013 UNITED STATES OF AMERICA
(56) Related Art Documents: **Not Applicable**
(57) Statement of Newness and Distinctiveness: **Newness and distinctiveness is claimed in the features of shape and/or configuration of a chair as illustrated in the accompanying representations.**

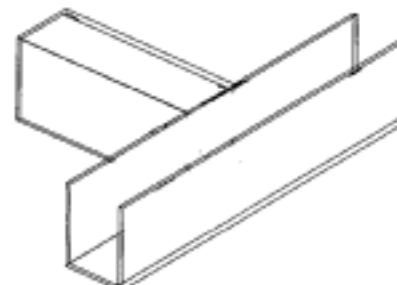
(21) Design Number: **16088/2013**
(22) Date of Filing Application: **25 November 2013**
(24) Date from which industrial property rights may have effect: **25 November 2013**
(54) Product in respect of which the design is registered: **A bracket for a modular roof safety platform**
(51) International Design Classification: **08-08L**
(74) Name(s) of Attorney(s): **SPRUSON & FERGUSON**
(71) Name(s) and Address(s) of Applicant(s):



Andrew Douglas Pridham
28 Farnsworth Ave Campbelltown NSW 2560 Australia

(72) Name(s) of Designer(s): **Andrew Douglas Pridham**
(45) Registration Date: **04 December 2013**
(56) Related Art Documents: **Not Applicable**
(57) Statement of Newness and Distinctiveness: **Newness and distinctiveness is claimed in the features of shape and/or configuration of a bracket for a modular roof safety platform as illustrated in the accompanying representations.**

- (21) Design Number: **16089/2013**
(22) Date of Filing Application: **25 November 2013**
(24) Date from which industrial property rights may have effect: **25 November 2013**
(54) Product in respect of which the design is registered: **A bracket for a modular roof safety platform**
(51) International Design Classification: **08-08L**
(74) Name(s) of Attorney(s): **SPRUSON & FERGUSON**
(71) Name(s) and Address(s) of Applicant(s):
Andrew Douglas Pridham
28 Farnsworth Ave Campbelltown NSW 2560 Australia
(72) Name(s) of Designer(s): **Andrew Douglas Pridham**
(45) Registration Date: **04 December 2013**
(56) Related Art Documents: **Not Applicable**
(57) Statement of Newness and Distinctiveness: **Newness and distinctiveness is claimed in the features of shape and/or configuration of a bracket for a modular roof safety platform as illustrated in the accompanying representations.**



- (21) Design Number: **16090/2013**
(22) Date of Filing Application: **25 November 2013**
(24) Date from which industrial property rights may have effect: **25 November 2013**
(54) Product in respect of which the design is registered: **Chair**
(51) International Design Classification: **06-01H**
(74) Name(s) of Attorney(s): **SPRUSON & FERGUSON**
(71) Name(s) and Address(s) of Applicant(s):
Knoll, Inc.
1235 Water Street East Greenville Pennsylvania 18041 United States of America
(72) Name(s) of Designer(s): **David Adjaye**
(45) Registration Date: **04 December 2013**
(30) Convention priority data:
(31) Number (32) Date (33) Country
29/456632 31 May 2013 UNITED STATES OF AMERICA
(56) Related Art Documents: **Not Applicable**
(57) Statement of Newness and Distinctiveness: **Newness and distinctiveness is claimed in the features of shape and/or configuration of a chair as illustrated in the accompanying representations.**



(21) Design Number: **16091/2013**
(22) Date of Filing Application: **25 November 2013**
(24) Date from which industrial property rights may have effect: **25 November 2013**
(54) Product in respect of which the design is registered: **Chair**
(51) International Design Classification: **06-01H**
(74) Name(s) of Attorney(s): **SPRUSON & FERGUSON**
(71) Name(s) and Address(s) of Applicant(s):
Knoll, Inc.
1235 Water Street East Greenville Pennsylvania 18041 United States of America

(72) Name(s) of Designer(s): **David Adjaye**
(45) Registration Date: **04 December 2013**

(30) Convention priority data:

(31) Number	(32) Date	(33) Country
29/456635	31 May 2013	UNITED STATES OF AMERICA

(56) Related Art Documents: **Not Applicable**

(57) Statement of Newness and Distinctiveness: **Newness and distinctiveness is claimed in the features of shape and/or configuration of a chair as illustrated in the accompanying representations.**



(21) Design Number: **16137/2013**
(22) Date of Filing Application: **25 November 2013**
(24) Date from which industrial property rights may have effect: **25 November 2013**
(54) Product in respect of which the design is registered: **Car lighting**
(51) International Design Classification: **26-06**
(74) Name(s) of Attorney(s): **Acacia Law**
(71) Name(s) and Address(s) of Applicant(s):
Vision X Asia Co., Ltd.
92 Chungjung-Ro Chungchun-Dong Bupyeong-Ku Incheon-Shi 403-030 Republic of Korea

In-Hong Ko
No. A-2803, Daelim Acrovill 13, Eonju-Ro 30-Gil Gangnam-Ku Seoul 135-971 Republic of Korea

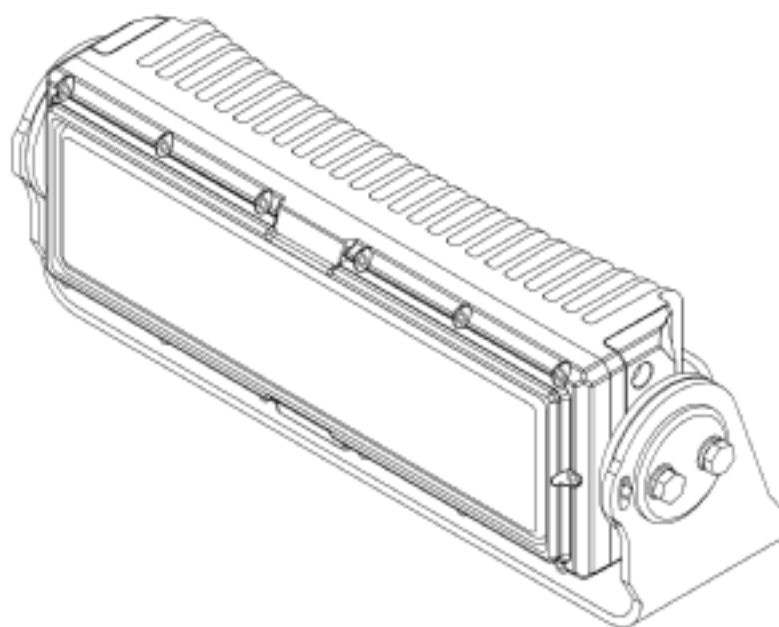
(72) Name(s) of Designer(s): **In-Hong Ko**
(45) Registration Date: **04 December 2013**

(30) Convention priority data:

(31) Number	(32) Date	(33) Country
30-2013-0053685	25 Oct 2013	REPUBLIC OF KOREA

(56) Related Art Documents: **Not Applicable**

(57) Statement of Newness and Distinctiveness: **Novelty lies in the combination of shape and configuration of the body for vehicle lighting, particularly the radiation fin formed in the rear part of body, and the bracket assembled on one side of the body.**



(21) Design Number: **10189/2013**
(22) Date of Filing Application: **11 January 2013**
(24) Date from which industrial property rights may have effect: **11 January 2013**
(54) Product in respect of which the design is registered: **Men's clothing**
(51) International Design Classification: **02-02C, 02-02NES**
(74) Name(s) of Attorney(s):
(71) Name(s) and Address(s) of Applicant(s):
Fifty-Fourth Rischell Pty Ltd
29 Simmons St South Yarra VIC 3141 Australia
(72) Name(s) of Designer(s): **Ty Henschke**
(45) Registration Date: **05 December 2013**
(56) Related Art Documents: **Not Applicable**
(57) Statement of Newness and Distinctiveness: **Nil**



(21) Design Number: **13131/2013**
(22) Date of Filing Application: **02 July 2013**
(24) Date from which industrial property rights may have effect: **02 July 2013**
(54) Product in respect of which the design is registered: **Coupling**
(51) International Design Classification: **23-01A**
(74) Name(s) of Attorney(s): **Houlihan2**
(71) Name(s) and Address(s) of Applicant(s):
David Stuckey Investments Pty Ltd
Pitchers Partners 6FI 161 Collins St Melbourne VIC 3000 Australia
(72) Name(s) of Designer(s): **David Lorimer**
(45) Registration Date: **05 December 2013**
(56) Related Art Documents: **Not Applicable**
(57) Statement of Newness and Distinctiveness: **Newness and distinctiveness reside in the shape and/or configuration of a COUPLING FOR LINKING LOCKING CYLINDERS as illustrated in the accompanying representations.**



- (21) Design Number: **13956/2013**
(22) Date of Filing Application: **11 January 2013**
(24) Date from which industrial property rights may have effect: **11 January 2013**
(54) Product in respect of which the design is registered: **Men's clothing**
(51) International Design Classification: **02-02NES**
(74) Name(s) of Attorney(s): **K&L Gates**
(71) Name(s) and Address(s) of Applicant(s):
Fifty-Fourth Rischell Pty Ltd
29 Simmons St South Yarra VIC 3141 Australia
(72) Name(s) of Designer(s): **Ty Henschke**
(45) Registration Date: **05 December 2013**
(56) Related Art Documents: **Not Applicable**
(57) Statement of Newness and Distinctiveness: **Nil**



- (21) Design Number: **13957/2013**
(22) Date of Filing Application: **11 January 2013**
(24) Date from which industrial property rights may have effect: **11 January 2013**
(54) Product in respect of which the design is registered: **Men's clothing**
(51) International Design Classification: **02-02NES**
(74) Name(s) of Attorney(s): **K&L Gates**
(71) Name(s) and Address(s) of Applicant(s):
Fifty-Fourth Rischell Pty Ltd
29 Simmons St South Yarra VIC 3141 Australia
(72) Name(s) of Designer(s): **Ty Henschke**
(45) Registration Date: **05 December 2013**
(56) Related Art Documents: **Not Applicable**
(57) Statement of Newness and Distinctiveness: **Nil**



(21) Design Number: **14209/2013**

(22) Date of Filing Application: **26 August 2013**

(24) Date from which industrial property rights may have effect: **26 August 2013**

(54) Product in respect of which the design is registered: **An abrasive sheet**

(51) International Design Classification: **08-05N**

(74) Name(s) of Attorney(s): **PHILLIPS ORMONDE FITZPATRICK**

(71) Name(s) and Address(s) of Applicant(s):

KWH Mirka Ltd

Pensalavagen 210 66850 Jeppo Finland

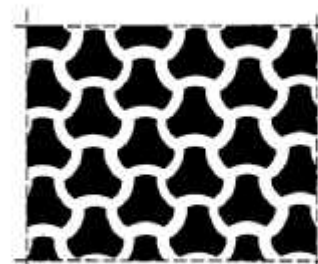
(72) Name(s) of Designer(s): **Goran Høglund**

(45) Registration Date: **05 December 2013**

(30) Convention priority data:

(31) Number (32) Date
0002191262-0001 26 Feb 2013

(33) Country
**OFFICE FOR HARMONISATION IN
THE INTERNAL MARKET (OHIM)**



(56) Related Art Documents: **Not Applicable**

(57) Statement of Newness and Distinctiveness: **Newness and distinctiveness resides in the pattern and/or ornamentation of the abrasive sheet as shown in the accompanying representation. The abrasive sheet may be in any particular shape bearing the pattern as illustrated. The dashed lines form not part of the claimed design.**

(21) Design Number: **14213/2013**

(22) Date of Filing Application: **26 August 2013**

(24) Date from which industrial property rights may have effect: **26 August 2013**

(54) Product in respect of which the design is registered: **An abrasive sheet**

(51) International Design Classification: **08-05N**

(74) Name(s) of Attorney(s): **PHILLIPS ORMONDE FITZPATRICK**

(71) Name(s) and Address(s) of Applicant(s):

KWH Mirka Ltd

Pensalavagen 210 66850 Jeppo Finland

(72) Name(s) of Designer(s): **Goran Høglund**

(45) Registration Date: **05 December 2013**

(30) Convention priority data:

(31) Number (32) Date
0002191262-0006 26 Feb 2013

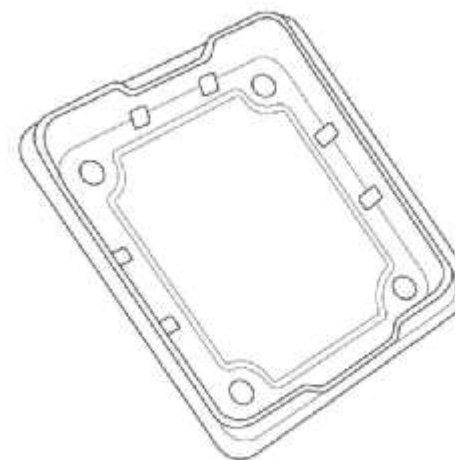
(33) Country
**OFFICE FOR HARMONISATION IN
THE INTERNAL MARKET (OHIM)**



(56) Related Art Documents: **Not Applicable**

(57) Statement of Newness and Distinctiveness: **Newness and distinctiveness resides in the pattern and/or ornamentation of the abrasive sheet as shown in the accompanying representation. The abrasive sheet may be in any particular shape bearing the pattern as illustrated. The dashed lines form not part of the claimed design.**

- (21) Design Number: **14620/2013**
(22) Date of Filing Application: **13 September 2013**
(24) Date from which industrial property rights may have effect: **13 September 2013**
(54) Product in respect of which the design is registered: **A Punnet Lid**
(51) International Design Classification: **09-03F**
(74) Name(s) of Attorney(s): **Smooenburg Patent & Trade Mark Attorneys**
(71) Name(s) and Address(s) of Applicant(s):
Fullyarn Packaging (AU) Pty Ltd
62A Bayswater Rd Croydon VIC 3136 Australia
(72) Name(s) of Designer(s): **Sizhang Liu**
(45) Registration Date: **05 December 2013**
(56) Related Art Documents: **Not Applicable**
(57) Statement of Newness and Distinctiveness: **Newness and distinctiveness is claimed in the features of shape and/or configuration of a two-part punnet as illustrated in the accompanying representations.**



- (21) Design Number: **14946/2013**
(22) Date of Filing Application: **26 September 2013**
(24) Date from which industrial property rights may have effect: **26 September 2013**
(54) Product in respect of which the design is registered: **Automobile tyre**
(51) International Design Classification: **12-15A**
(74) Name(s) of Attorney(s): **Davies Collison Cave**
(71) Name(s) and Address(s) of Applicant(s):
The Yokohama Rubber Co., Ltd.
36-11 Shimbashi 5-chome Minato-ku Tokyo 105-8685 Japan
(72) Name(s) of Designer(s): **Masayuki Nemoto**
(45) Registration Date: **05 December 2013**
(30) Convention priority data:
(31) Number (32) Date (33) Country
2013-006860 27 Mar 2013 JAPAN
(56) Related Art Documents: **Not Applicable**
(57) Statement of Newness and Distinctiveness: **Newness and distinctiveness is claimed in the visual features of the automobile tyre shown in solid lines in the drawings, but not in the visual features shown in broken lines which form no part of the claimed design.**



(21) Design Number: **15343/2013**
(22) Date of Filing Application: **21 October 2013**
(24) Date from which industrial property rights may have effect: **21 October 2013**
(54) Product in respect of which the design is registered: **Edgelit blade luminaire**
(51) International Design Classification: **26-05NES**
(74) Name(s) of Attorney(s): **SPRUSON & FERGUSON**
(71) Name(s) and Address(s) of Applicant(s):

Cooper Technologies Company
600 Travis Suite 5600 Houston TX 77002 United States of America

(72) Name(s) of Designer(s): **James H Blessitt and Paul W Lewis**

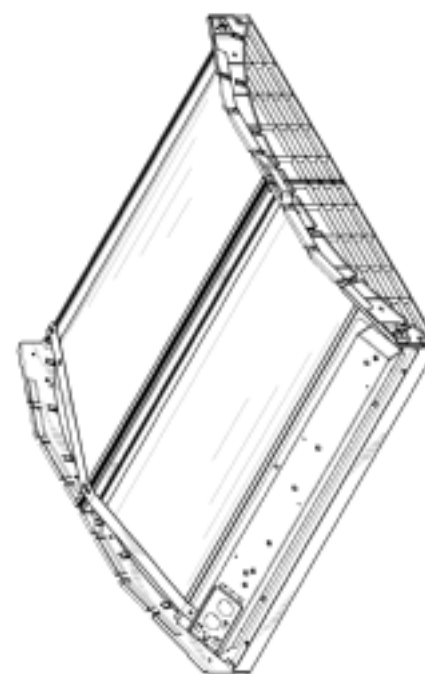
(45) Registration Date: **05 December 2013**

(30) Convention priority data:

(31) Number	(32) Date	(33) Country
29/452824	22 Apr 2013	UNITED STATES OF AMERICA

(56) Related Art Documents: **Not Applicable**

(57) Statement of Newness and Distinctiveness: **Newness and distinctiveness is claimed in those features of shape and/or configuration of an edgelit blade luminaire illustrated in continuous lines in the accompanying representations.**



(21) Design Number: **15683/2013**
(22) Date of Filing Application: **06 November 2013**
(24) Date from which industrial property rights may have effect: **06 November 2013**
(54) Product in respect of which the design is registered: **Garment**
(51) International Design Classification: **02-02NES, 02-02B**
(74) Name(s) of Attorney(s): **A.P.T. Patent and Trade Mark Attorneys**
(71) Name(s) and Address(s) of Applicant(s):

Snuggle Time CC
Doga Park no. 5 Arbeid Avenue (corner Commercial Avenue) Strijdom
Park Randburg 2194 South Africa

(72) Name(s) of Designer(s): **Lauren Daws**

(45) Registration Date: **05 December 2013**

(56) Related Art Documents: **Not Applicable**

(57) Statement of Newness and Distinctiveness: **Nil**



- (21) Design Number: **15691/2013**
(22) Date of Filing Application: **06 November 2013**
(24) Date from which industrial property rights may have effect: **06 November 2013**
(54) Product in respect of which the design is registered: **Cot with storage and trundle bed**
(51) International Design Classification: **06-02**
(74) Name(s) of Attorney(s):
(71) Name(s) and Address(s) of Applicant(s):
Grocorp
PO Box 3013 Bowenfels NSW 2790 AUSTRALIA
(72) Name(s) of Designer(s): **Stephen Joyce**
(45) Registration Date: **05 December 2013**
(56) Related Art Documents: **Not Applicable**

(57) Statement of Newness and Distinctiveness: **The new and distinctive features of this cot are the extra long leg design which raises the base of the cot to a substantial distance above the floor level allowing space for an integrated cot drawer and a trundle bed to be positioned underneath the base of the cot. The additional lower cross member on the end panels is wider, providing extra strength eliminating the need for a cross member at floor level. The width of the extra cross member houses the runners of the integrated drawer from the inside and enhances the aesthetics when viewing the end panels from the outside. The overall size and shape of this cot is designed to address space efficiency and health and safety issues that are encountered by domestic and commercial child care industry.**



- (21) Design Number: **15692/2013**
(22) Date of Filing Application: **06 November 2013**
(24) Date from which industrial property rights may have effect: **06 November 2013**
(54) Product in respect of which the design is registered: **Cot with storage and trundle bed**
(51) International Design Classification: **06-02**
(74) Name(s) of Attorney(s):
(71) Name(s) and Address(s) of Applicant(s):
Grocorp
PO Box 3013 Bowenfels NSW 2790 AUSTRALIA
(72) Name(s) of Designer(s): **Stephen Joyce**
(45) Registration Date: **05 December 2013**
(56) Related Art Documents: **Not Applicable**

(57) Statement of Newness and Distinctiveness: **The new and distinctive features of this trundle bed is the overall shape and design of the end panels as well as the side panels which act as safety rails to stop the child from rolling off the trundle bed. the overall size and shape of the trundle bed is designed to fit under a baby cot which address space efficiency and health and safety issues that are encountered by domestic and commercial carers of children.**



(21) Design Number: **16085/2013**
(22) Date of Filing Application: **25 November 2013**
(24) Date from which industrial property rights may have effect: **25 November 2013**
(54) Product in respect of which the design is registered: **Chair**
(51) International Design Classification: **06-01L**
(74) Name(s) of Attorney(s): **SPRUSON & FERGUSON**
(71) Name(s) and Address(s) of Applicant(s):

Knoll, Inc.
1235 Water Street East Greenville Pennsylvania 18041 United States of America

(72) Name(s) of Designer(s): **David Adjaye**

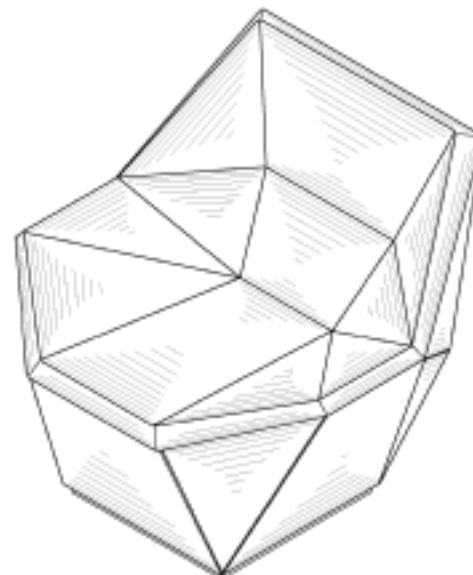
(45) Registration Date: **05 December 2013**

(30) Convention priority data:

(31) Number	(32) Date	(33) Country
29/456630	31 May 2013	UNITED STATES OF AMERICA

(56) Related Art Documents: **Not Applicable**

(57) Statement of Newness and Distinctiveness: **Newness and distinctiveness is claimed in the features of shape and/or configuration of a chair as illustrated in the accompanying representations.**



(21) Design Number: **16140/2013**
(22) Date of Filing Application: **25 November 2013**
(24) Date from which industrial property rights may have effect: **25 November 2013**
(54) Product in respect of which the design is registered: **Storage furniture**
(51) International Design Classification: **06-04D**
(74) Name(s) of Attorney(s):
(71) Name(s) and Address(s) of Applicant(s):

Actona Company A/S
Smedegaardvej 6, Tvis Holstebro 7500 Denmark

(72) Name(s) of Designer(s): **John Nissen**

(45) Registration Date: **05 December 2013**

(56) Related Art Documents: **Not Applicable**

(57) Statement of Newness and Distinctiveness: **Nil**



- (21) Design Number: **16141/2013**
(22) Date of Filing Application: **25 November 2013**
(24) Date from which industrial property rights may have effect: **25 November 2013**
(54) Product in respect of which the design is registered: **Storage furniture**
(51) International Design Classification: **06-04D**
(74) Name(s) of Attorney(s):
(71) Name(s) and Address(s) of Applicant(s):
Actona Company A/S
Smedegaardvej 6, Tvis Holstebro 7500 Denmark
(72) Name(s) of Designer(s): **John Nissen**
(45) Registration Date: **05 December 2013**
(56) Related Art Documents: **Not Applicable**
(57) Statement of Newness and Distinctiveness: **Nil**



- (21) Design Number: **16142/2013**
(22) Date of Filing Application: **25 November 2013**
(24) Date from which industrial property rights may have effect: **25 November 2013**
(54) Product in respect of which the design is registered: **Storage furniture**
(51) International Design Classification: **06-04D**
(74) Name(s) of Attorney(s):
(71) Name(s) and Address(s) of Applicant(s):
Actona Company A/S
Smedegaardvej 6, Tvis Holstebro 7500 Denmark
(72) Name(s) of Designer(s): **John Nissen**
(45) Registration Date: **05 December 2013**
(56) Related Art Documents: **Not Applicable**
(57) Statement of Newness and Distinctiveness: **Nil**



- (21) Design Number: **16143/2013**
(22) Date of Filing Application: **25 November 2013**
(24) Date from which industrial property rights may have effect: **25 November 2013**
(54) Product in respect of which the design is registered: **Storage furniture**
(51) International Design Classification: **06-04D**
(74) Name(s) of Attorney(s):
(71) Name(s) and Address(s) of Applicant(s):
Actona Company A/S
Smedegaardvej 6, Tvis Holstebro 7500 Denmark
(72) Name(s) of Designer(s): **John Nissen**
(45) Registration Date: **05 December 2013**
(56) Related Art Documents: **Not Applicable**
(57) Statement of Newness and Distinctiveness: **Nil**



- (21) Design Number: **16144/2013**
(22) Date of Filing Application: **25 November 2013**
(24) Date from which industrial property rights may have effect: **25 November 2013**
(54) Product in respect of which the design is registered: **Storage furniture**
(51) International Design Classification: **06-04F**
(74) Name(s) of Attorney(s):
(71) Name(s) and Address(s) of Applicant(s):
Actona Company A/S
Smedegaardvej 6, Tvis Holstebro 7500 Denmark
(72) Name(s) of Designer(s): **John Nissen**
(45) Registration Date: **05 December 2013**
(56) Related Art Documents: **Not Applicable**
(57) Statement of Newness and Distinctiveness: **Nil**



(21) Design Number: **16145/2013**
(22) Date of Filing Application: **25 November 2013**
(24) Date from which industrial property rights may have effect: **25 November 2013**
(54) Product in respect of which the design is registered: **Storage furniture**
(51) International Design Classification: **06-04F**
(74) Name(s) of Attorney(s):
(71) Name(s) and Address(s) of Applicant(s):
Actona Company A/S
Smedegaardvej 6, Tvis Holstebro 7500 Denmark
(72) Name(s) of Designer(s): **John Nissen**
(45) Registration Date: **05 December 2013**
(56) Related Art Documents: **Not Applicable**
(57) Statement of Newness and Distinctiveness: **Nil**



(21) Design Number: **16146/2013**
(22) Date of Filing Application: **25 November 2013**
(24) Date from which industrial property rights may have effect: **25 November 2013**
(54) Product in respect of which the design is registered: **Storage furniture**
(51) International Design Classification: **06-04D**
(74) Name(s) of Attorney(s):
(71) Name(s) and Address(s) of Applicant(s):
Actona Company A/S
Smedegaardvej 6, Tvis Holstebro 7500 Denmark
(72) Name(s) of Designer(s): **John Nissen**
(45) Registration Date: **05 December 2013**
(56) Related Art Documents: **Not Applicable**
(57) Statement of Newness and Distinctiveness: **Nil**



(21) Design Number: **16147/2013**
(22) Date of Filing Application: **25 November 2013**
(24) Date from which industrial property rights may have effect: **25 November 2013**
(54) Product in respect of which the design is registered: **Storage unit**
(51) International Design Classification: **06-04D**
(74) Name(s) of Attorney(s):
(71) Name(s) and Address(s) of Applicant(s):
Actona Company A/S
Smedegaardvej 6, Tvis Holstebro 7500 Denmark
(72) Name(s) of Designer(s): **John Nissen**
(45) Registration Date: **05 December 2013**
(56) Related Art Documents: **Not Applicable**
(57) Statement of Newness and Distinctiveness: **Nil**



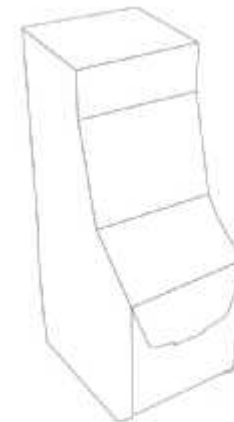
(21) Design Number: **16161/2013**
(22) Date of Filing Application: **26 November 2013**
(24) Date from which industrial property rights may have effect: **26 November 2013**
(54) Product in respect of which the design is registered: **Coffee maker**
(51) International Design Classification: **07-02L**
(74) Name(s) of Attorney(s): **FB Rice**
(71) Name(s) and Address(s) of Applicant(s):
Koninklijke Philips N.V.
High Tech Campus 5 Eindhoven 5656 AE The Netherlands
Koninklijke Douwe Egberts B.V.
Oosterdoksstraat 80 Amsterdam 1011 DK The Netherlands
(72) Name(s) of Designer(s): **Graeme Antony Warburton**
(45) Registration Date: **05 December 2013**
(30) Convention priority data:
(31) Number (32) Date (33) Country
002243949-0001 27 May 2013 OFFICE FOR HARMONISATION IN
THE INTERNAL MARKET (OHIM)
(56) Related Art Documents: **Not Applicable**
(57) Statement of Newness and Distinctiveness: **Newness and distinctiveness**
reside in the features of shape and configuration of the design as shown
in the representations.



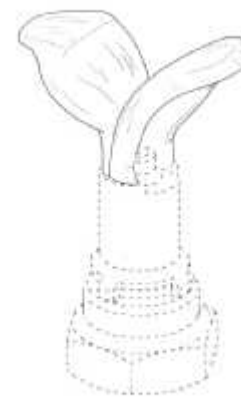
- (21) Design Number: **16162/2013**
(22) Date of Filing Application: **26 November 2013**
(24) Date from which industrial property rights may have effect: **26 November 2013**
(54) Product in respect of which the design is registered: **Safety apparatus**
(51) International Design Classification: **16-06, 29-02**
(74) Name(s) of Attorney(s): **Griffith Hack**
(71) Name(s) and Address(s) of Applicant(s):
Loud & Clear Safety Pty Ltd
95 Warrigal Rd Oakleigh VIC 3166 Australia
(72) Name(s) of Designer(s): **Peter Fountain and Jack Magree**
(45) Registration Date: **05 December 2013**
(56) Related Art Documents: **Not Applicable**
(57) Statement of Newness and Distinctiveness: **The shape and configuration of the Safety Apparatus is new and distinctive.**



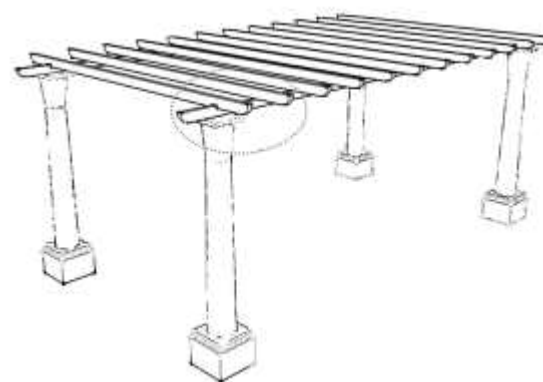
- (21) Design Number: **16163/2013**
(22) Date of Filing Application: **26 November 2013**
(24) Date from which industrial property rights may have effect: **26 November 2013**
(54) Product in respect of which the design is registered: **Container and blank therefor**
(51) International Design Classification: **09-03NES**
(74) Name(s) of Attorney(s): **PHILLIPS ORMONDE FITZPATRICK**
(71) Name(s) and Address(s) of Applicant(s):
Norwood Industries Pty Ltd
6 Wedgewood Rd Hallam VIC 3803 Australia
(72) Name(s) of Designer(s): **Hamish Cox**
(45) Registration Date: **05 December 2013**
(56) Related Art Documents: **Not Applicable**
(57) Statement of Newness and Distinctiveness: **Those features of the container and blank therefor depicted in the representations that are new and distinctive are the shape and/or configuration.**



- (21) Design Number: **16164/2013**
(22) Date of Filing Application: **26 November 2013**
(24) Date from which industrial property rights may have effect: **26 November 2013**
(54) Product in respect of which the design is registered: **Sprinkler**
(51) International Design Classification: **23-01D**
(74) Name(s) of Attorney(s): **PHILLIPS ORMONDE FITZPATRICK**
(71) Name(s) and Address(s) of Applicant(s):
Platypus Fire Pty Ltd
PO BOX 180 Yarragon VIC 3823 Australia
(72) Name(s) of Designer(s): **Jamie Scott Boyles**
(45) Registration Date: **05 December 2013**
(56) Related Art Documents: **Not Applicable**
(57) Statement of Newness and Distinctiveness: **The newness and distinctiveness of the sprinkler resides in the shape and/or configuration of the spinner of the sprinkler. The base shown in dotted lines is not part of the design and is to be disregarded when considering the overall impression of the design.**



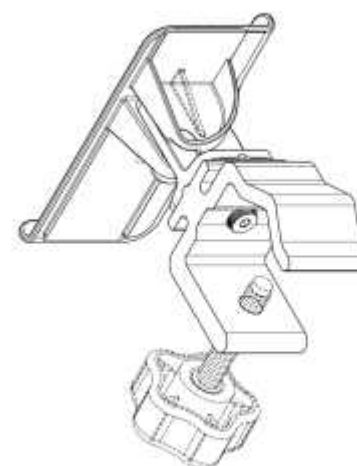
- (21) Design Number: **16167/2013**
(22) Date of Filing Application: **27 November 2013**
(24) Date from which industrial property rights may have effect: **27 November 2013**
(54) Product in respect of which the design is registered: **Pergola**
(51) International Design Classification: **25-02NES, 25-03**
(74) Name(s) of Attorney(s):
(71) Name(s) and Address(s) of Applicant(s):
Adam Heming
5 Kylie Cres West Pennant Hills NSW 2125 Australia
(72) Name(s) of Designer(s): **Adam Heming**
(45) Registration Date: **05 December 2013**
(56) Related Art Documents: **Not Applicable**
(57) Statement of Newness and Distinctiveness: **The shape, configuration and ornamentation of the accompanying representations show a new and distinctive pergola. Disclaimer: The 4 upright columns shown in the perspective view are not claimed as part of the present design.**



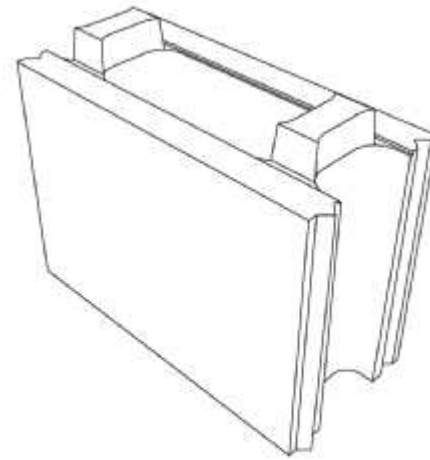
(21) Design Number: **16171/2013**
(22) Date of Filing Application: **27 November 2013**
(24) Date from which industrial property rights may have effect: **27 November 2013**
(54) Product in respect of which the design is registered: **Automobile**
(51) International Design Classification: **12-08**
(74) Name(s) of Attorney(s): **SPRUSON & FERGUSON**
(71) Name(s) and Address(s) of Applicant(s):
Honda Motor Co., Ltd.
1-1, Minami-Aoyama 2-chome, Minato-ku Tokyo 107-8556 Japan
(72) Name(s) of Designer(s): **Hisakazu Hanaoka and Hiroshi Yoshida and Mitsuhiro Abe**
(45) Registration Date: **05 December 2013**
(30) Convention priority data:
(31) Number (32) Date (33) Country
2013-012162 31 May 2013 JAPAN
(56) Related Art Documents: **Not Applicable**
(57) Statement of Newness and Distinctiveness: **Newness and distinctiveness is claimed in the features of shape and/or configuration of an automobile as illustrated in the accompanying representations.**



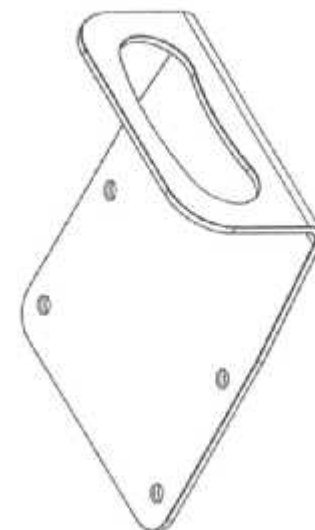
(21) Design Number: **16172/2013**
(22) Date of Filing Application: **27 November 2013**
(24) Date from which industrial property rights may have effect: **27 November 2013**
(54) Product in respect of which the design is registered: **Medical device supporting apparatus**
(51) International Design Classification: **24-01, 08-08NES**
(74) Name(s) of Attorney(s): **SPRUSON & FERGUSON**
(71) Name(s) and Address(s) of Applicant(s):
Covidien LP
15 Hampshire Street Mansfield Massachusetts 02048 United States of America
(72) Name(s) of Designer(s): **Kenneth M. Breitweiser and Lester Paul Trelford and Joel D. Wiesner and James M. Harr**
(45) Registration Date: **05 December 2013**
(30) Convention priority data:
(31) Number (32) Date (33) Country
29/468393 30 Sep 2013 UNITED STATES OF AMERICA
(56) Related Art Documents: **Not Applicable**
(57) Statement of Newness and Distinctiveness: **Newness and distinctiveness is claimed in those features of shape and/or configuration of a medical device supporting apparatus as illustrated in continuous lines in the accompanying representations.**



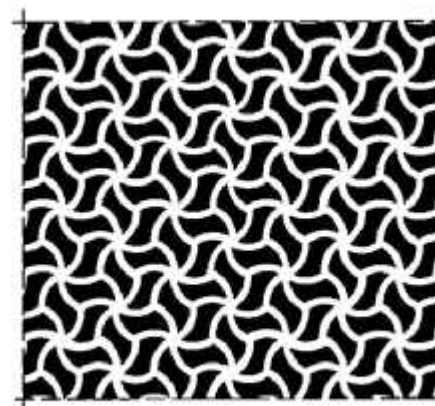
- (21) Design Number: **16174/2013**
(22) Date of Filing Application: **27 November 2013**
(24) Date from which industrial property rights may have effect: **27 November 2013**
(54) Product in respect of which the design is registered: **Masonry block**
(51) International Design Classification: **25-01A**
(74) Name(s) of Attorney(s):
(71) Name(s) and Address(s) of Applicant(s):
Adbri Masonry Pty Ltd
L1 157 Grenfell St Adelaide SA 5000 Australia
(72) Name(s) of Designer(s): **John Kenneth Dyson**
(45) Registration Date: **05 December 2013**
(56) Related Art Documents: **Not Applicable**
(57) Statement of Newness and Distinctiveness: **The newness and distinctiveness of the design resides in the number and placement of the webs.**



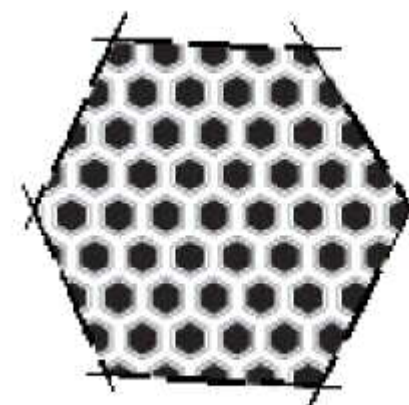
- (21) Design Number: **16177/2013**
(22) Date of Filing Application: **27 November 2013**
(24) Date from which industrial property rights may have effect: **27 November 2013**
(54) Product in respect of which the design is registered: **Towrope guide mounting plate**
(51) International Design Classification: **08-08NES**
(74) Name(s) of Attorney(s): **PHILLIPS ORMONDE FITZPATRICK**
(71) Name(s) and Address(s) of Applicant(s):
Stress Free Marine Pty Ltd
64 O'Sullivan Beach Rd Lonsdale SA 5160 Australia
(72) Name(s) of Designer(s): **Dean Robert Forster**
(45) Registration Date: **05 December 2013**
(56) Related Art Documents: **Not Applicable**
(57) Statement of Newness and Distinctiveness: **Newness and distinctiveness is claimed in the shape and configuration of the towrope guide aperture of the mounting plate shown in the drawings.**



(21) Design Number: **14210/2013**
(22) Date of Filing Application: **26 August 2013**
(24) Date from which industrial property rights may have effect: **26 August 2013**
(54) Product in respect of which the design is registered: **An abrasive sheet**
(51) International Design Classification: **08-05N**
(74) Name(s) of Attorney(s): **PHILLIPS ORMONDE FITZPATRICK**
(71) Name(s) and Address(s) of Applicant(s):
KWH Mirka Ltd
Pensalavagen 210 66850 Jeppo Finland
(72) Name(s) of Designer(s): **Goran Høglund**
(45) Registration Date: **05 December 2013**
(30) Convention priority data:
(31) Number (32) Date (33) Country
0002191262-0003 26 Feb 2013 OFFICE FOR HARMONISATION IN
THE INTERNAL MARKET (OHIM)
(56) Related Art Documents: **Not Applicable**
(57) Statement of Newness and Distinctiveness: **Newness and distinctiveness resides in the pattern and/or ornamentation of the abrasive sheet as shown in the accompanying representation. The abrasive sheet may be in any particular shape bearing the pattern as illustrated. The dashed lines form not part of the claimed design.**



(21) Design Number: **14211/2013**
(22) Date of Filing Application: **26 August 2013**
(24) Date from which industrial property rights may have effect: **26 August 2013**
(54) Product in respect of which the design is registered: **An abrasive sheet**
(51) International Design Classification: **08-05N**
(74) Name(s) of Attorney(s): **PHILLIPS ORMONDE FITZPATRICK**
(71) Name(s) and Address(s) of Applicant(s):
KWH Mirka Ltd
Pensalavagen 210 66850 Jeppo Finland
(72) Name(s) of Designer(s): **Goran Høglund**
(45) Registration Date: **05 December 2013**
(30) Convention priority data:
(31) Number (32) Date (33) Country
0002191262-0008 26 Feb 2013 OFFICE FOR HARMONISATION IN
THE INTERNAL MARKET (OHIM)
(56) Related Art Documents: **Not Applicable**
(57) Statement of Newness and Distinctiveness: **Newness and distinctiveness resides in the pattern and/or ornamentation of the abrasive sheet as shown in the accompanying representation. The abrasive sheet may be in any particular shape bearing the pattern as illustrated. The dashed lines form not part of the claimed design.**



(21) Design Number: **14212/2013**

(22) Date of Filing Application: **26 August 2013**

(24) Date from which industrial property rights may have effect: **26 August 2013**

(54) Product in respect of which the design is registered: **An abrasive sheet**

(51) International Design Classification: **08-05N**

(74) Name(s) of Attorney(s): **PHILLIPS ORMONDE FITZPATRICK**

(71) Name(s) and Address(s) of Applicant(s):

KWH Mirka Ltd

Pensalavagen 210 66850 Jeppo Finland

(72) Name(s) of Designer(s): **Goran Høglund**

(45) Registration Date: **05 December 2013**

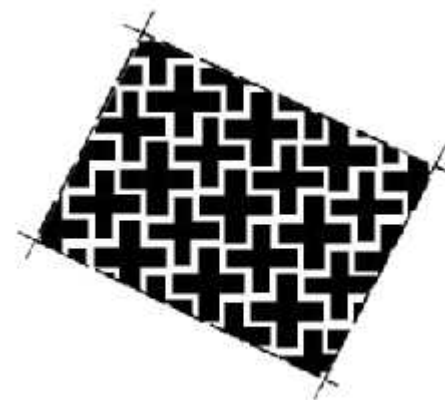
(30) Convention priority data:

(31) Number (32) Date
0002191262-0007 26 Feb 2013

(33) Country
**OFFICE FOR HARMONISATION IN
THE INTERNAL MARKET (OHIM)**

(56) Related Art Documents: **Not Applicable**

(57) Statement of Newness and Distinctiveness: **Newness and distinctiveness resides in the pattern and/or ornamentation of the abrasive sheet as shown in the accompanying representation. The abrasive sheet may be in any particular shape bearing the pattern as illustrated. The dashed lines form not part of the claimed design.**



(21) Design Number: **14214/2013**

(22) Date of Filing Application: **26 August 2013**

(24) Date from which industrial property rights may have effect: **26 August 2013**

(54) Product in respect of which the design is registered: **An abrasive sheet**

(51) International Design Classification: **08-05N**

(74) Name(s) of Attorney(s): **PHILLIPS ORMONDE FITZPATRICK**

(71) Name(s) and Address(s) of Applicant(s):

KWH Mirka Ltd

Pensalavagen 210 66850 Jeppo Finland

(72) Name(s) of Designer(s): **Goran Høglund**

(45) Registration Date: **05 December 2013**

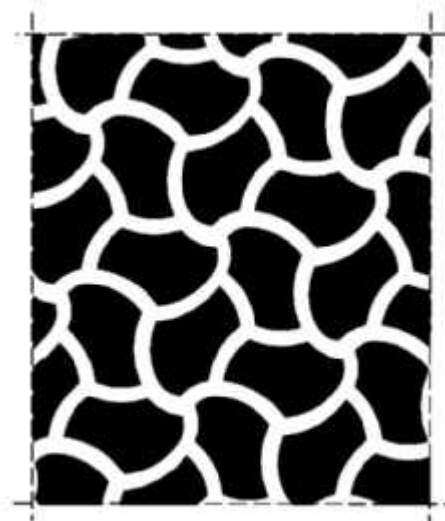
(30) Convention priority data:

(31) Number (32) Date
0002191262-0005 26 Feb 2013

(33) Country
**OFFICE FOR HARMONISATION IN
THE INTERNAL MARKET (OHIM)**

(56) Related Art Documents: **Not Applicable**

(57) Statement of Newness and Distinctiveness: **Newness and distinctiveness resides in the pattern and/or ornamentation of the abrasive sheet as shown in the accompanying representation. The abrasive sheet may be in any particular shape bearing the pattern as illustrated. The dashed lines form not part of the claimed design.**

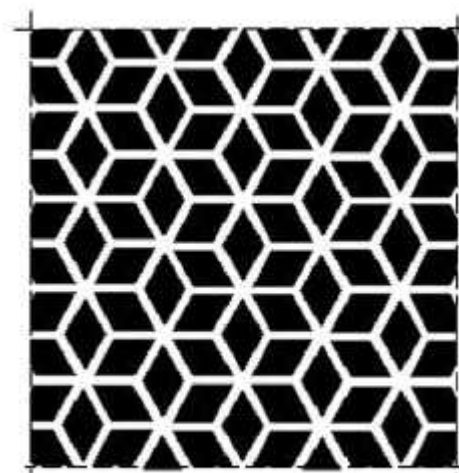


(21) Design Number: **14215/2013**
(22) Date of Filing Application: **26 August 2013**
(24) Date from which industrial property rights may have effect: **26 August 2013**
(54) Product in respect of which the design is registered: **An abrasive sheet**
(51) International Design Classification: **08-05N**
(74) Name(s) of Attorney(s): **PHILLIPS ORMONDE FITZPATRICK**
(71) Name(s) and Address(s) of Applicant(s):
KWH Mirka Ltd
Pensalavagen 210 66850 Jeppo Finland
(72) Name(s) of Designer(s): **Goran Høglund**
(45) Registration Date: **05 December 2013**
(30) Convention priority data:
(31) Number (32) Date (33) Country
**0002191262-0004 26 Feb 2013 OFFICE FOR HARMONISATION IN
THE INTERNAL MARKET (OHIM)**



(56) Related Art Documents: **Not Applicable**
(57) Statement of Newness and Distinctiveness: **Newness and distinctiveness resides in the pattern and/or ornamentation of the abrasive sheet as shown in the accompanying representation. The abrasive sheet may be in any particular shape bearing the pattern as illustrated. The dashed lines form not part of the claimed design.**

(21) Design Number: **14216/2013**
(22) Date of Filing Application: **26 August 2013**
(24) Date from which industrial property rights may have effect: **26 August 2013**
(54) Product in respect of which the design is registered: **An abrasive sheet**
(51) International Design Classification: **08-05N**
(74) Name(s) of Attorney(s): **PHILLIPS ORMONDE FITZPATRICK**
(71) Name(s) and Address(s) of Applicant(s):
KWH Mirka Ltd
Pensalavagen 210 66850 Jeppo Finland
(72) Name(s) of Designer(s): **Goran Høglund**
(45) Registration Date: **05 December 2013**
(30) Convention priority data:
(31) Number (32) Date (33) Country
**0002191262-0002 26 Feb 2013 OFFICE FOR HARMONISATION IN
THE INTERNAL MARKET (OHIM)**



(56) Related Art Documents: **Not Applicable**
(57) Statement of Newness and Distinctiveness: **Newness and distinctiveness resides in the pattern and/or ornamentation of the abrasive sheet as shown in the accompanying representation. The abrasive sheet may be in any particular shape bearing the pattern as illustrated. The dashed lines form not part of the claimed design.**

(21) Design Number: **16087/2013**
(22) Date of Filing Application: **25 November 2013**
(24) Date from which industrial property rights may have effect: **25 November 2013**
(54) Product in respect of which the design is registered: **Dongle**
(51) International Design Classification: **14-02**
(74) Name(s) of Attorney(s): **SPRUSON & FERGUSON**
(71) Name(s) and Address(s) of Applicant(s):

TomTom International B.V.
Rembrandtplein 35 1017 Amsterdam CT The Netherlands

(72) Name(s) of Designer(s): **Daniel Browning**

(45) Registration Date: **05 December 2013**

(30) Convention priority data:

(31) Number	(32) Date	(33) Country
002243691-0001	24 May 2013	OFFICE FOR HARMONISATION IN THE INTERNAL MARKET (OHIM)

(56) Related Art Documents: **Not Applicable**

(57) Statement of Newness and Distinctiveness: **Newness and distinctiveness is claimed in the features of shape and/or configuration of a dongle as illustrated in the accompanying representations.**



(21) Design Number: **16099/2013**
(22) Date of Filing Application: **25 November 2013**
(24) Date from which industrial property rights may have effect: **28 March 2013**
(54) Product in respect of which the design is registered: **Article of clothing**
(51) International Design Classification: **02-02NES**
(74) Name(s) of Attorney(s): **Allens Patent & Trade Mark Attorneys**
(71) Name(s) and Address(s) of Applicant(s):

Forever New Clothing Pty Ltd
714-716 High St Kew East VIC 3102 Australia

(72) Name(s) of Designer(s): **Alice Burrow**

(45) Registration Date: **06 December 2013**

(62) Divisional of: **11597/2013**

(56) Related Art Documents: **Not Applicable**

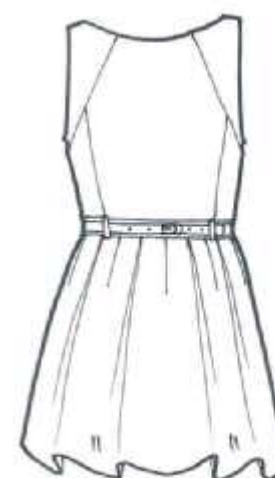
(57) Statement of Newness and Distinctiveness: **Newness and distinctiveness resides in the visual features of shape, configuration, pattern and/or ornamentation of an article of clothing as shown in the accompanying representations.**



- (21) Design Number: **16106/2013**
(22) Date of Filing Application: **25 November 2013**
(24) Date from which industrial property rights may have effect: **28 March 2013**
(54) Product in respect of which the design is registered: **Article of clothing**
(51) International Design Classification: **02-02C**
(74) Name(s) of Attorney(s): **Allens Patent & Trade Mark Attorneys**
(71) Name(s) and Address(s) of Applicant(s):
Forever New Clothing Pty Ltd
714-716 High St Kew East VIC 3102 Australia
(72) Name(s) of Designer(s): **Octavia Miller**
(45) Registration Date: **06 December 2013**
(62) Divisional of: **11597/2013**
(56) Related Art Documents: **Not Applicable**
(57) Statement of Newness and Distinctiveness: **Newness and distinctiveness resides in the visual features of shape, configuration, pattern and/or ornamentation of an article of clothing as shown in the accompanying representations.**



- (21) Design Number: **16107/2013**
(22) Date of Filing Application: **25 November 2013**
(24) Date from which industrial property rights may have effect: **28 March 2013**
(54) Product in respect of which the design is registered: **Article of clothing**
(51) International Design Classification: **02-02C**
(74) Name(s) of Attorney(s): **Allens Patent & Trade Mark Attorneys**
(71) Name(s) and Address(s) of Applicant(s):
Forever New Clothing Pty Ltd
714-716 High St Kew East VIC 3102 Australia
(72) Name(s) of Designer(s): **Octavia Miller**
(45) Registration Date: **06 December 2013**
(62) Divisional of: **11597/2013**
(56) Related Art Documents: **Not Applicable**
(57) Statement of Newness and Distinctiveness: **Newness and distinctiveness resides in the visual features of shape, configuration, pattern and/or ornamentation of an article of clothing as shown in the accompanying representations.**



- (21) Design Number: **16108/2013**
(22) Date of Filing Application: **25 November 2013**
(24) Date from which industrial property rights may have effect: **28 March 2013**
(54) Product in respect of which the design is registered: **Article of clothing**
(51) International Design Classification: **02-02C**
(74) Name(s) of Attorney(s): **Allens Patent & Trade Mark Attorneys**
(71) Name(s) and Address(s) of Applicant(s):
Forever New Clothing Pty Ltd
714-716 High St Kew East VIC 3102 Australia
(72) Name(s) of Designer(s): **Octavia Miller**
(45) Registration Date: **06 December 2013**
(62) Divisional of: **11597/2013**
(56) Related Art Documents: **Not Applicable**
(57) Statement of Newness and Distinctiveness: **Newness and distinctiveness resides in the visual features of shape, configuration, pattern and/or ornamentation of an article of clothing as shown in the accompanying representations.**



- (21) Design Number: **16109/2013**
(22) Date of Filing Application: **25 November 2013**
(24) Date from which industrial property rights may have effect: **28 March 2013**
(54) Product in respect of which the design is registered: **Article of clothing**
(51) International Design Classification: **02-02NES**
(74) Name(s) of Attorney(s): **Allens Patent & Trade Mark Attorneys**
(71) Name(s) and Address(s) of Applicant(s):
Forever New Clothing Pty Ltd
714-716 High St Kew East VIC 3102 Australia
(72) Name(s) of Designer(s): **Jennifer Hall**
(45) Registration Date: **06 December 2013**
(62) Divisional of: **11597/2013**
(56) Related Art Documents: **Not Applicable**
(57) Statement of Newness and Distinctiveness: **Newness and distinctiveness resides in the visual features of shape, configuration, pattern and/or ornamentation of an article of clothing as shown in the accompanying representations.**



- (21) Design Number: **16110/2013**
(22) Date of Filing Application: **25 November 2013**
(24) Date from which industrial property rights may have effect: **28 March 2013**
(54) Product in respect of which the design is registered: **Article of clothing**
(51) International Design Classification: **02-02NES**
(74) Name(s) of Attorney(s): **Allens Patent & Trade Mark Attorneys**
(71) Name(s) and Address(s) of Applicant(s):
Forever New Clothing Pty Ltd
714-716 High St Kew East VIC 3102 Australia
(72) Name(s) of Designer(s): **Jennifer Hall**
(45) Registration Date: **06 December 2013**
(62) Divisional of: **11597/2013**
(56) Related Art Documents: **Not Applicable**
(57) Statement of Newness and Distinctiveness: **Newness and distinctiveness resides in the visual features of shape, configuration, pattern and/or ornamentation of an article of clothing as shown in the accompanying representations.**



- (21) Design Number: **16111/2013**
(22) Date of Filing Application: **25 November 2013**
(24) Date from which industrial property rights may have effect: **28 March 2013**
(54) Product in respect of which the design is registered: **Article of clothing**
(51) International Design Classification: **02-02NES**
(74) Name(s) of Attorney(s): **Allens Patent & Trade Mark Attorneys**
(71) Name(s) and Address(s) of Applicant(s):
Forever New Clothing Pty Ltd
714-716 High St Kew East VIC 3102 Australia
(72) Name(s) of Designer(s): **Jennifer Hall**
(45) Registration Date: **06 December 2013**
(62) Divisional of: **11597/2013**
(56) Related Art Documents: **Not Applicable**
(57) Statement of Newness and Distinctiveness: **Newness and distinctiveness resides in the visual features of shape, configuration, pattern and/or ornamentation of an article of clothing as shown in the accompanying representations.**



- (21) Design Number: **16112/2013**
(22) Date of Filing Application: **25 November 2013**
(24) Date from which industrial property rights may have effect: **28 March 2013**
(54) Product in respect of which the design is registered: **Article of clothing**
(51) International Design Classification: **02-02NES**
(74) Name(s) of Attorney(s): **Allens Patent & Trade Mark Attorneys**
(71) Name(s) and Address(s) of Applicant(s):
Forever New Clothing Pty Ltd
714-716 High St Kew East VIC 3102 Australia
(72) Name(s) of Designer(s): **Rebecca Royce**
(45) Registration Date: **06 December 2013**
(62) Divisional of: **11597/2013**
(56) Related Art Documents: **Not Applicable**
(57) Statement of Newness and Distinctiveness: **Newness and distinctiveness resides in the visual features of shape, configuration, pattern and/or ornamentation of an article of clothing as shown in the accompanying representations.**



- (21) Design Number: **16114/2013**
(22) Date of Filing Application: **25 November 2013**
(24) Date from which industrial property rights may have effect: **28 March 2013**
(54) Product in respect of which the design is registered: **Article of clothing**
(51) International Design Classification: **02-02NES**
(74) Name(s) of Attorney(s): **Allens Patent & Trade Mark Attorneys**
(71) Name(s) and Address(s) of Applicant(s):
Forever New Clothing Pty Ltd
714-716 High St Kew East VIC 3102 Australia
(72) Name(s) of Designer(s): **Rebecca Royce**
(45) Registration Date: **06 December 2013**
(62) Divisional of: **11597/2013**
(56) Related Art Documents: **Not Applicable**
(57) Statement of Newness and Distinctiveness: **Newness and distinctiveness resides in the visual features of shape, configuration, pattern and/or ornamentation of an article of clothing as shown in the accompanying representations.**



- (21) Design Number: **16115/2013**
(22) Date of Filing Application: **25 November 2013**
(24) Date from which industrial property rights may have effect: **28 March 2013**
(54) Product in respect of which the design is registered: **Article of clothing**
(51) International Design Classification: **02-02NES**
(74) Name(s) of Attorney(s): **Allens Patent & Trade Mark Attorneys**
(71) Name(s) and Address(s) of Applicant(s):
Forever New Clothing Pty Ltd
714-716 High St Kew East VIC 3102 Australia
(72) Name(s) of Designer(s): **Rebecca Royce**
(45) Registration Date: **06 December 2013**
(62) Divisional of: **11597/2013**
(56) Related Art Documents: **Not Applicable**
(57) Statement of Newness and Distinctiveness: **Newness and distinctiveness resides in the visual features of shape, configuration, pattern and/or ornamentation of an article of clothing as shown in the accompanying representations.**



- (21) Design Number: **16116/2013**
(22) Date of Filing Application: **25 November 2013**
(24) Date from which industrial property rights may have effect: **28 March 2013**
(54) Product in respect of which the design is registered: **Article of clothing**
(51) International Design Classification: **02-02B**
(74) Name(s) of Attorney(s): **Allens Patent & Trade Mark Attorneys**
(71) Name(s) and Address(s) of Applicant(s):
Forever New Clothing Pty Ltd
714-716 High St Kew East VIC 3102 Australia
(72) Name(s) of Designer(s): **Rebecca Royce**
(45) Registration Date: **06 December 2013**
(62) Divisional of: **11597/2013**
(56) Related Art Documents: **Not Applicable**
(57) Statement of Newness and Distinctiveness: **Newness and distinctiveness resides in the visual features of shape, configuration, pattern and/or ornamentation of an article of clothing as shown in the accompanying representations.**



- (21) Design Number: **16117/2013**
(22) Date of Filing Application: **25 November 2013**
(24) Date from which industrial property rights may have effect: **28 March 2013**
(54) Product in respect of which the design is registered: **Article of clothing**
(51) International Design Classification: **02-02B**
(74) Name(s) of Attorney(s): **Allens Patent & Trade Mark Attorneys**
(71) Name(s) and Address(s) of Applicant(s):
Forever New Clothing Pty Ltd
714-716 High St Kew East VIC 3102 Australia
(72) Name(s) of Designer(s): **Rebecca Royce**
(45) Registration Date: **06 December 2013**
(62) Divisional of: **11597/2013**
(56) Related Art Documents: **Not Applicable**
(57) Statement of Newness and Distinctiveness: **Newness and distinctiveness resides in the visual features of shape, configuration, pattern and/or ornamentation of an article of clothing as shown in the accompanying representations.**



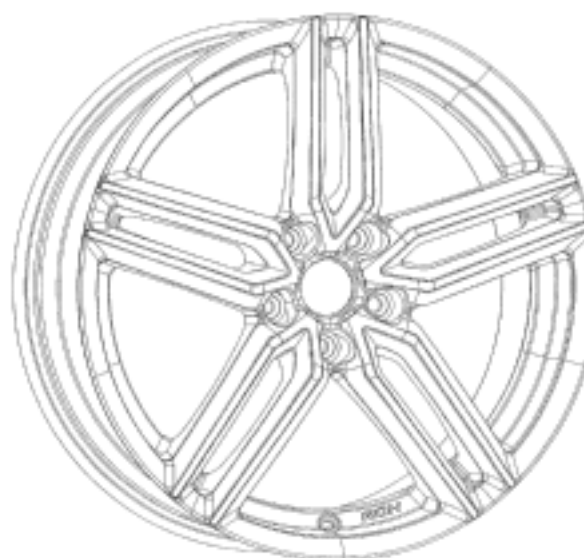
- (21) Design Number: **16118/2013**
(22) Date of Filing Application: **25 November 2013**
(24) Date from which industrial property rights may have effect: **28 March 2013**
(54) Product in respect of which the design is registered: **Article of clothing**
(51) International Design Classification: **02-02NES**
(74) Name(s) of Attorney(s): **Allens Patent & Trade Mark Attorneys**
(71) Name(s) and Address(s) of Applicant(s):
Forever New Clothing Pty Ltd
714-716 High St Kew East VIC 3102 Australia
(72) Name(s) of Designer(s): **Rebecca Royce**
(45) Registration Date: **06 December 2013**
(62) Divisional of: **11597/2013**
(56) Related Art Documents: **Not Applicable**
(57) Statement of Newness and Distinctiveness: **Newness and distinctiveness resides in the visual features of shape, configuration, pattern and/or ornamentation of an article of clothing as shown in the accompanying representations.**



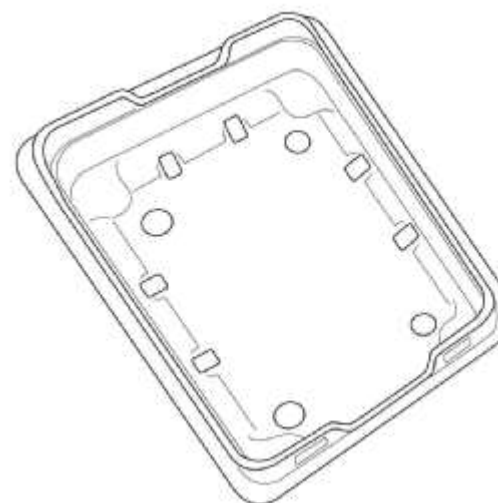
(21) Design Number: **16173/2013**
(22) Date of Filing Application: **27 November 2013**
(24) Date from which industrial property rights may have effect: **27 November 2013**
(54) Product in respect of which the design is registered: **Liquid container**
(51) International Design Classification: **09-02B**
(74) Name(s) of Attorney(s): **Shelston IP**
(71) Name(s) and Address(s) of Applicant(s):
Shandong Weifang Rainbow Chemical Co., Ltd.
NO.600 Haiyuan Street Binhai Economic Development Area Weifang
Shandong 262737 China
(72) Name(s) of Designer(s): **Wencai Wang and Guoqing Sun and Jing Liu and**
Yucui Wang and Jun Fan
(45) Registration Date: **06 December 2013**
(30) Convention priority data:
(31) Number (32) Date (33) Country
201330554422.X 18 Nov 2013 CHINA
(56) Related Art Documents: **Not Applicable**
(57) Statement of Newness and Distinctiveness: **Newness and distinctiveness**
reside in the features of shape and/or configuration of a LIQUID
CONTAINER as illustrated in the accompanying representations.



(21) Design Number: **16178/2013**
(22) Date of Filing Application: **27 November 2013**
(24) Date from which industrial property rights may have effect: **27 November 2013**
(54) Product in respect of which the design is registered: **A vehicle wheel**
(51) International Design Classification: **12-16A**
(74) Name(s) of Attorney(s): **Madderns**
(71) Name(s) and Address(s) of Applicant(s):
Arrowcrest Group Pty Ltd
34 Burleigh Ave Woodville North SA 5012 Australia
(72) Name(s) of Designer(s): **Glynn Helgeson**
(45) Registration Date: **06 December 2013**
(56) Related Art Documents: **Not Applicable**
(57) Statement of Newness and Distinctiveness: **Nil**



(21) Design Number: **16179/2013**
(22) Date of Filing Application: **27 November 2013**
(24) Date from which industrial property rights may have effect: **13 September 2013**
(54) Product in respect of which the design is registered: **Punnet base**
(51) International Design Classification: **09-03F**
(74) Name(s) of Attorney(s): **Smooenburg Patent & Trade Mark Attorneys**
(71) Name(s) and Address(s) of Applicant(s):
Fullyarn Packaging (AU) Pty Ltd
62A Bayswater Rd Croydon VIC 3136 Australia
(72) Name(s) of Designer(s): **Sizhang Liu**
(45) Registration Date: **06 December 2013**
(62) Divisional of: **352715**
(56) Related Art Documents: **Not Applicable**
(57) Statement of Newness and Distinctiveness: **Newness and distinctiveness is claimed in the features of shape and/or configuration of a punnet base as illustrated in the accompanying representations.**



(21) Design Number: **16181/2013**
(22) Date of Filing Application: **27 November 2013**
(24) Date from which industrial property rights may have effect: **27 November 2013**
(54) Product in respect of which the design is registered: **Steam generating base for irons**
(51) International Design Classification: **07-05A**
(74) Name(s) of Attorney(s): **Cullens Patent and Trade Mark Attorneys**
(71) Name(s) and Address(s) of Applicant(s):
De'Longhi Appliances SRL Con Unico Socio
Via L. Sietz 47 31100 Treviso (TV) Italy
(72) Name(s) of Designer(s): **Giuseppe De' Longhi and Francesco Curreli**
(45) Registration Date: **06 December 2013**
(30) Convention priority data:
(31) Number (32) Date (33) Country
**2247726-0003 31 May 2013 OFFICE FOR HARMONISATION IN
THE INTERNAL MARKET (OHIM)**
(56) Related Art Documents: **Not Applicable**
(57) Statement of Newness and Distinctiveness: **The new and distinctive features are the features of shape and configuration of the Steam Generating Base for Irons as shown in the representations.**



(21) Design Number: **16182/2013**
(22) Date of Filing Application: **27 November 2013**
(24) Date from which industrial property rights may have effect: **27 November 2013**
(54) Product in respect of which the design is registered: **Flat irons**
(51) International Design Classification: **07-05A**
(74) Name(s) of Attorney(s): **Cullens Patent and Trade Mark Attorneys**
(71) Name(s) and Address(s) of Applicant(s):
De'Longhi Appliances SRL Con Unico Socio
Via L. Sietz 47 31100 Treviso (TV) Italy
(72) Name(s) of Designer(s): **Giuseppe De' Longhi and Francesco Curreli**
(45) Registration Date: **06 December 2013**
(30) Convention priority data:
(31) Number (32) Date (33) Country
2247726-0006 31 May 2013 OFFICE FOR HARMONISATION IN
THE INTERNAL MARKET (OHIM)
(56) Related Art Documents: **Not Applicable**
(57) Statement of Newness and Distinctiveness: **The new and distinctive features are the features of shape and configuration of the Flat Irons as shown in the representations.**



(21) Design Number: **16183/2013**
(22) Date of Filing Application: **27 November 2013**
(24) Date from which industrial property rights may have effect: **27 November 2013**
(54) Product in respect of which the design is registered: **Steam Generating Base for Irons**
(51) International Design Classification: **07-05A**
(74) Name(s) of Attorney(s): **Cullens Patent and Trade Mark Attorneys**
(71) Name(s) and Address(s) of Applicant(s):
De'Longhi Appliances SRL Con Unico Socio
Via L. Sietz 47 31100 Treviso (TV) Italy
(72) Name(s) of Designer(s): **Giuseppe De'Longhi and Francesco Curreli**
(45) Registration Date: **06 December 2013**
(30) Convention priority data:
(31) Number (32) Date (33) Country
2247726-0014 31 May 2013 OFFICE FOR HARMONISATION IN
THE INTERNAL MARKET (OHIM)
(56) Related Art Documents: **Not Applicable**
(57) Statement of Newness and Distinctiveness: **The new and distinctive features are the features of shape and configuration of the Steam Generating Base for Irons as shown in the representations.**



- (21) Design Number: **16184/2013**
(22) Date of Filing Application: **27 November 2013**
(24) Date from which industrial property rights may have effect: **27 November 2013**
(54) Product in respect of which the design is registered: **A bedside table**
(51) International Design Classification: **06-03NES**
(74) Name(s) of Attorney(s): **PATENT ATTORNEY SERVICES**
(71) Name(s) and Address(s) of Applicant(s):
Wentworth Furniture Company Pty Ltd
10-12 Dreamhaven Ct Epping VIC 3076 Australia
(72) Name(s) of Designer(s): **Rex Carr**
(45) Registration Date: **06 December 2013**
(56) Related Art Documents: **Not Applicable**
(57) Statement of Newness and Distinctiveness: **Visual features of the design which are new and distinctive are the features of shape and configuration of bedside tables with drawers and having shelves at one side, one example product bearing the common design being illustrated in the representations. The example product illustrated is a bedside table having shelves on the left side and a plain wall on the right side. A second product not illustrated is a bedside table which is a left to right mirror image of the example product illustrated so that it has shelves on the right side and a plain wall on the left side. The particular materials, colours, types of timber, and timber grains shown in the representations and the shape and configuration of the drawer handles do not form part of the design and are to be disregarded.**



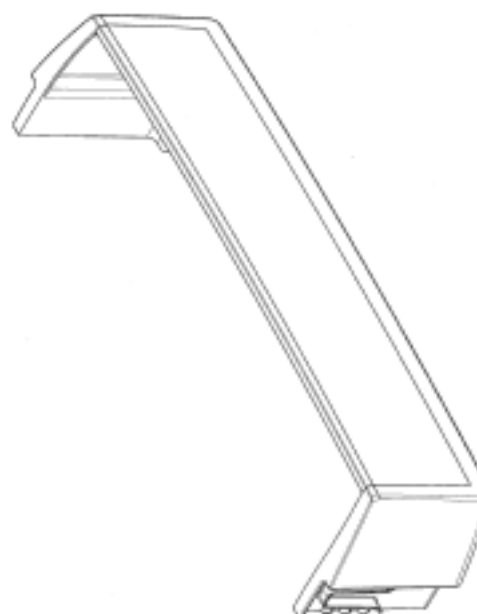
- (21) Design Number: **16185/2013**
(22) Date of Filing Application: **27 November 2013**
(24) Date from which industrial property rights may have effect: **27 November 2013**
(54) Product in respect of which the design is registered: **A bed head**
(51) International Design Classification: **06-06F**
(74) Name(s) of Attorney(s): **PATENT ATTORNEY SERVICES**
(71) Name(s) and Address(s) of Applicant(s):
Wentworth Furniture Company Pty Ltd
10-12 Dreamhaven Ct Epping VIC 3076 Australia
(72) Name(s) of Designer(s): **Rex Carr**
(45) Registration Date: **06 December 2013**
(56) Related Art Documents: **Not Applicable**
(57) Statement of Newness and Distinctiveness: **Visual features of the design which are new and distinctive are the features of shape and configuration of a bed head as illustrated in the representations. The particular materials, colours, types of timber, and timber grains shown in the representations and the locations, shape and configuration of the legs do not form part of the design and are to be disregarded.**



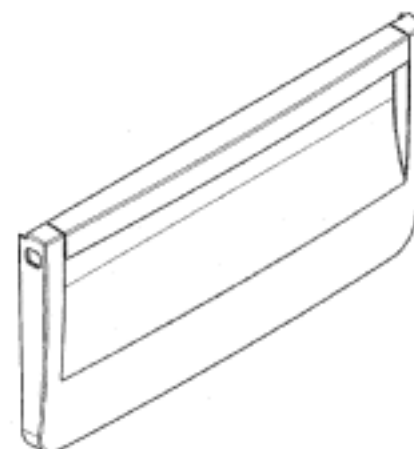
- (21) Design Number: **16186/2013**
(22) Date of Filing Application: **27 November 2013**
(24) Date from which industrial property rights may have effect: **27 November 2013**
(54) Product in respect of which the design is registered: **A bed**
(51) International Design Classification: **06-02**
(74) Name(s) of Attorney(s): **PATENT ATTORNEY SERVICES**
(71) Name(s) and Address(s) of Applicant(s):
Wentworth Furniture Company Pty Ltd
10-12 Dreamhaven Ct Epping VIC 3076 Australia
(72) Name(s) of Designer(s): **Rex Carr**
(45) Registration Date: **06 December 2013**
(56) Related Art Documents: **Not Applicable**
(57) Statement of Newness and Distinctiveness: **Visual features of the design which are new and distinctive are the features of shape and configuration of a bed as illustrated in the representations. The particular materials, colours, types of timber, and timber grains shown in the representations do not form part of the design and are to be disregarded. The locations, shape and configurations of the legs at the bed head and the side rails extending between the bed head and the bed foot do not form part of the design and are to be disregarded.**



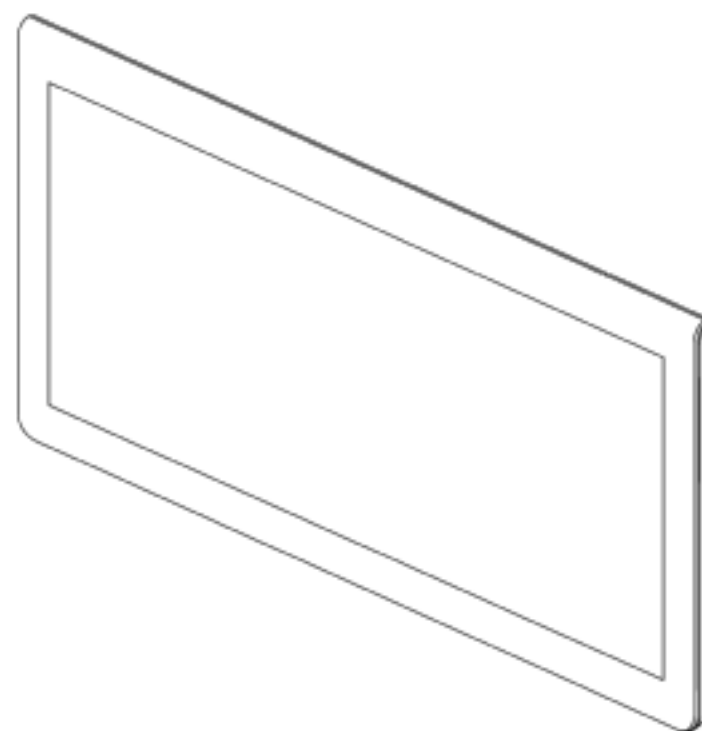
- (21) Design Number: **16504/2012**
(22) Date of Filing Application: **19 December 2012**
(24) Date from which industrial property rights may have effect: **19 December 2012**
(54) Product in respect of which the design is registered: **Door bin**
(51) International Design Classification: **09-09**
(74) Name(s) of Attorney(s): **Halfords IP**
(71) Name(s) and Address(s) of Applicant(s):
Electrolux Appliances AB
S:t Goransgatan 143 SE-105 45 Stockholm Sweden
(72) Name(s) of Designer(s): **Xiaozhi Wang and Chotiwat Doungsri and Richard Hogg and Lyndon Craig and Ola Lantz and Vijay Kumar**
(45) Registration Date: **06 December 2013**
(56) Related Art Documents: **Not Applicable**
(57) Statement of Newness and Distinctiveness: **Newness and distinctiveness is claimed in those features of shape and or configuration of a Door Bin such as for an appliance like a refrigerator and or a freezer as depicted in the accompanying representations.**



- (21) Design Number: **16505/2012**
(22) Date of Filing Application: **19 December 2012**
(24) Date from which industrial property rights may have effect: **19 December 2012**
(54) Product in respect of which the design is registered: **Drawer component or fascia plate**
(51) International Design Classification: **06-04NES**
(74) Name(s) of Attorney(s): **Halfords IP**
(71) Name(s) and Address(s) of Applicant(s):
Electrolux Appliances AB
S:t Goransgatan 143 SE-105 45 Stockholm Sweden
(72) Name(s) of Designer(s): **Xiaozhi Wang and Chotiwat Doungsri and Richard Hogg and Lyndon Craig and Ola Lantz and Vijay Kumar**
(45) Registration Date: **06 December 2013**
(56) Related Art Documents: **Not Applicable**
(57) Statement of Newness and Distinctiveness: **Newness and distinctiveness is claimed in those features of shape and or configuration of a Drawer Component or Fascia Plate for a drawer or bin of a cold appliance such as a refrigerator or a freezer as depicted in the accompanying representations. Features in broken line work, shown in the third isometric representation showing context, do not form part of the design.**



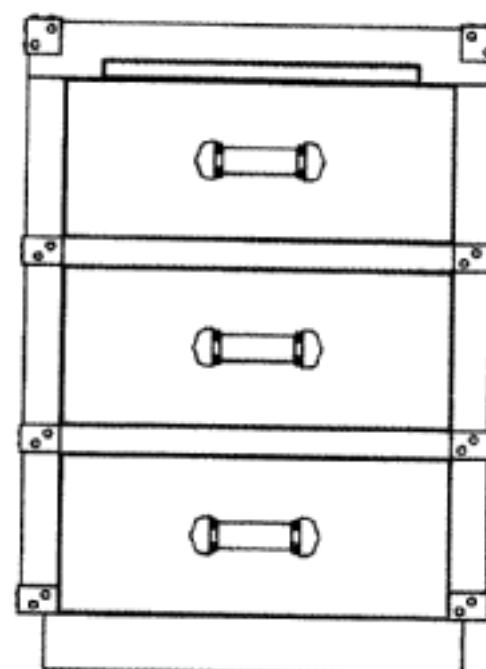
- (21) Design Number: **16187/2013**
(22) Date of Filing Application: **28 November 2013**
(24) Date from which industrial property rights may have effect: **28 November 2013**
(54) Product in respect of which the design is registered: **Personal computer**
(51) International Design Classification: **14-02**
(74) Name(s) of Attorney(s): **SPRUSON & FERGUSON**
(71) Name(s) and Address(s) of Applicant(s):
Fujitsu Limited
1-1 Kamikodanaka 4-chome Nakahara-Ku Kawasaki-shi Kanagawa
211-8588 Japan
(72) Name(s) of Designer(s): **Masahiro Fujimoto and Ichiro Itano**
(45) Registration Date: **06 December 2013**
(30) Convention priority data:
(31) Number (32) Date (33) Country
2013-012329 03 Jun 2013 JAPAN
(56) Related Art Documents: **Not Applicable**
(57) Statement of Newness and Distinctiveness: **Newness and distinctiveness is claimed in the features of shape and/or configuration of a personal computer as illustrated in solid lines in the accompanying representations.**



- (21) Design Number: **16189/2013**
(22) Date of Filing Application: **26 November 2013**
(24) Date from which industrial property rights may have effect: **26 November 2013**
(54) Product in respect of which the design is registered: **Display screen with icon**
(51) International Design Classification: **14-01, 14-04**
(74) Name(s) of Attorney(s): **Freehills Patent Attorneys**
(71) Name(s) and Address(s) of Applicant(s):
Apple Inc.
1 Infinite Loop Cupertino California 95014 United States of America
(72) Name(s) of Designer(s): **Aurelio Guzman and Mini Ham and Jonathan P Ives and Christopher Wilson and Lance Wilson**
(45) Registration Date: **06 December 2013**
(30) Convention priority data:
(31) Number (32) Date (33) Country
29/457312 09 Jun 2013 UNITED STATES OF AMERICA
(56) Related Art Documents: **Not Applicable**
(57) Statement of Newness and Distinctiveness: **Newness and distinctiveness is claimed in the features of pattern and/or ornamentation of a display screen with icon as shown in solid lines in the accompanying representation.**



- (21) Design Number: **16190/2013**
(22) Date of Filing Application: **27 November 2013**
(24) Date from which industrial property rights may have effect: **27 November 2013**
(54) Product in respect of which the design is registered: **A chest of drawers**
(51) International Design Classification: **06-04F**
(74) Name(s) of Attorney(s):
(71) Name(s) and Address(s) of Applicant(s):
Ian James Burden
17 Excalibur Ct Sovereign Islands QLD 4216 Australia
(72) Name(s) of Designer(s): **Ian James Burden**
(45) Registration Date: **06 December 2013**
(56) Related Art Documents: **Not Applicable**
(57) Statement of Newness and Distinctiveness: **The design relates to a chest of drawers and the novelty resides in the features of shape and configuration of the article as shown in the accompanying representations.**



(21) Design Number: **16191/2013**
(22) Date of Filing Application: **28 November 2013**
(24) Date from which industrial property rights may have effect: **28 November 2013**
(54) Product in respect of which the design is registered: **Confectionery**
(51) International Design Classification: **01-01**
(74) Name(s) of Attorney(s): **PHILLIPS ORMONDE FITZPATRICK**
(71) Name(s) and Address(s) of Applicant(s):

Soremartec S.A.
Findel Business Center Complexe B Rue de Treves L-2632 Findel
Luxembourg

(72) Name(s) of Designer(s): **Luigi Antonio Ferrari**

(45) Registration Date: **06 December 2013**

(30) Convention priority data:

(31) Number	(32) Date	(33) Country
742922501	07 Jun 2013	WORLD INTELLECTUAL PROPERTY ORGANIZATION (WIPO)



(56) Related Art Documents: **Not Applicable**

(57) Statement of Newness and Distinctiveness: **Nil**

(21) Design Number: **16192/2013**
(22) Date of Filing Application: **28 November 2013**
(24) Date from which industrial property rights may have effect: **28 November 2013**
(54) Product in respect of which the design is registered: **A tray**
(51) International Design Classification: **09-03F**
(74) Name(s) of Attorney(s): **AJ Park**
(71) Name(s) and Address(s) of Applicant(s):

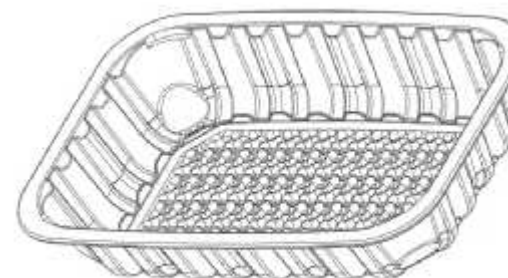
Alto Packaging Limited
Level 6 57 Symonds Street Grafton Auckland 1010 New Zealand

(72) Name(s) of Designer(s): **Steven Long**

(45) Registration Date: **06 December 2013**

(30) Convention priority data:

(31) Number	(32) Date	(33) Country
417939	16 Aug 2013	NEW ZEALAND



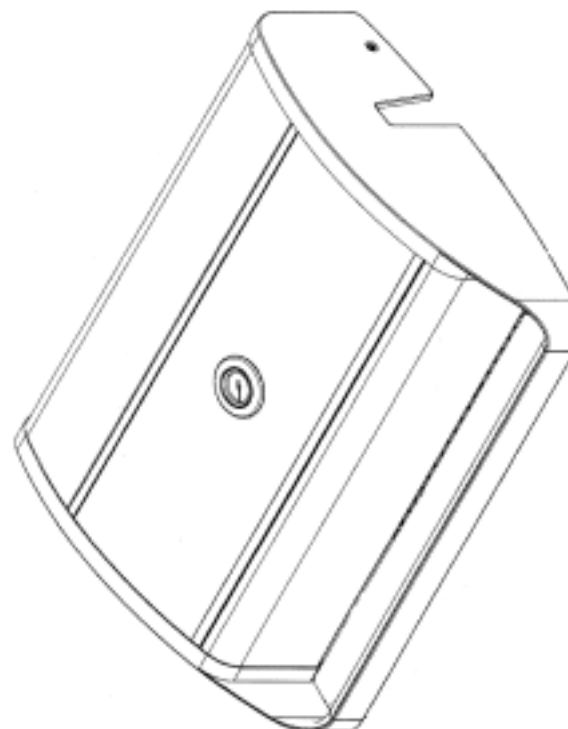
(56) Related Art Documents: **Not Applicable**

(57) Statement of Newness and Distinctiveness: **Newness and distinctiveness is claimed in the tray base incorporating the features of shape and configuration shown within the solid line box 'B' in the accompanying representations.**

- (21) Design Number: **11746/2013**
(22) Date of Filing Application: **12 April 2013**
(24) Date from which industrial property rights may have effect: **12 April 2013**
(54) Product in respect of which the design is registered: **Hanger**
(51) International Design Classification: **08-08G**
(74) Name(s) of Attorney(s): **Halfords IP**
(71) Name(s) and Address(s) of Applicant(s):
Fin Control Systems Pty. Limited
5-7 By The Sea Rd Mona Vale NSW 2103 Australia
(72) Name(s) of Designer(s): **Linden Evans**
(45) Registration Date: **09 December 2013**
(56) Related Art Documents: **Not Applicable**
(57) Statement of Newness and Distinctiveness: **Newness and distinctiveness is claimed in the features of shape and configuration of the hooked attachment device. The perforations shown in the hooked portion of the hooked attachment device form no part of the design.**



- (21) Design Number: **12672/2013**
(22) Date of Filing Application: **06 June 2013**
(24) Date from which industrial property rights may have effect: **06 June 2013**
(54) Product in respect of which the design is registered: **Hood for cooking apparatus**
(51) International Design Classification: **07-02C**
(74) Name(s) of Attorney(s): **FB Rice**
(71) Name(s) and Address(s) of Applicant(s):
Garth Australia Pty Ltd
L14 140 William St Melbourne VIC 3000 Australia
(72) Name(s) of Designer(s): **Arnau Miralpeix and Tiago Abreu and Ramon Martinez**
(45) Registration Date: **09 December 2013**
(56) Related Art Documents: **Not Applicable**
(57) Statement of Newness and Distinctiveness: **Newness and distinctiveness reside in the features of the design as shown in the representations.**



(21) Design Number: **14414/2013**
(22) Date of Filing Application: **05 September 2013**
(24) Date from which industrial property rights may have effect: **05 September 2013**
(54) Product in respect of which the design is registered: **A head for use in a post**
(51) International Design Classification: **25-02E**
(74) Name(s) of Attorney(s): **James & Wells Intellectual Property**
(71) Name(s) and Address(s) of Applicant(s):

Gallagher Group Limited
Kahikatea Drive Hamilton New Zealand

(72) Name(s) of Designer(s): **Matthew Henry McKinley and Robert Andrew Wade**

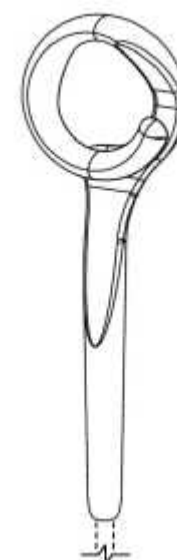
(45) Registration Date: **09 December 2013**

(30) Convention priority data:

(31) Number	(32) Date	(33) Country
417365	07 Mar 2013	NEW ZEALAND

(56) Related Art Documents: **Not Applicable**

(57) Statement of Newness and Distinctiveness: **This design is to be applied to a Head for use in a Post and the novelty resides in features of shape and configuration of the article, all as shown in the accompanying representations. The portions shown in broken line are not part of the claimed design.**



(21) Design Number: **14614/2013**
(22) Date of Filing Application: **13 September 2013**
(24) Date from which industrial property rights may have effect: **13 September 2013**
(54) Product in respect of which the design is registered: **Sit to stand frame**
(51) International Design Classification: **03-99**
(74) Name(s) of Attorney(s): **Davies Collison Cave**
(71) Name(s) and Address(s) of Applicant(s):

Allan Perriam
4 Steer St Muchea WA 6501 Australia

(72) Name(s) of Designer(s): **Allan Perriam**

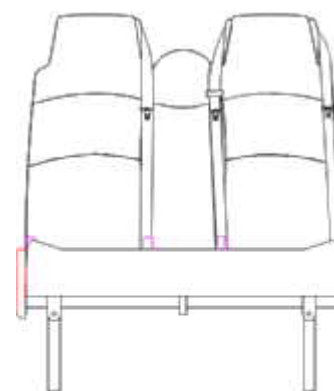
(45) Registration Date: **09 December 2013**

(56) Related Art Documents: **Not Applicable**

(57) Statement of Newness and Distinctiveness: **The features of shape and configuration of the sit to stand frame shown in the accompanying representations are considered to be new and distinctive.**



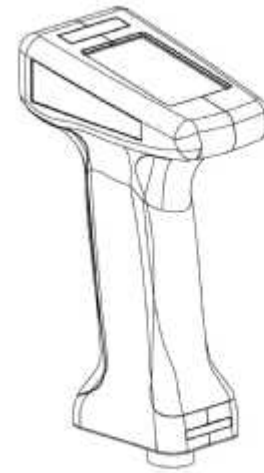
- (21) Design Number: **14797/2013**
(22) Date of Filing Application: **23 September 2013**
(24) Date from which industrial property rights may have effect: **23 September 2013**
(54) Product in respect of which the design is registered: **Seat for a passenger vehicle**
(51) International Design Classification: **06-01D**
(74) Name(s) of Attorney(s): **Davies Collison Cave**
(71) Name(s) and Address(s) of Applicant(s):
McConnell Seats Australia Pty Ltd
PO Box 207 Batman VIC 3058 Australia
(72) Name(s) of Designer(s): **Denis McConnell**
(45) Registration Date: **09 December 2013**
(56) Related Art Documents: **Not Applicable**
(57) Statement of Newness and Distinctiveness: **The features of shape and configuration of the seat for a passenger vehicle shown in the accompanying representations are considered to be new and distinctive.**



- (21) Design Number: **15097/2013**
(22) Date of Filing Application: **08 October 2013**
(24) Date from which industrial property rights may have effect: **08 October 2013**
(54) Product in respect of which the design is registered: **Refrigerator**
(51) International Design Classification: **15-07**
(74) Name(s) of Attorney(s):
(71) Name(s) and Address(s) of Applicant(s):
Golden Bear Enterprises Pty. Ltd.
PO BOX 166 Sebastopol VIC 3356 Australia
(72) Name(s) of Designer(s): **Cory John Allan**
(45) Registration Date: **09 December 2013**
(56) Related Art Documents: **Not Applicable**
(57) Statement of Newness and Distinctiveness: **The newness and distinctiveness of the design resides in the 'idea' and the 'look' of a refrigerator (commercial or domestic to look like a Aussie Rules Football (AFL Sherrin to be precise), the newness is no one has made a fridge to look like a football, and distinctive is the fact that unit is covered in REAL leather, with REAL laces, to make even touching the fridge feel like a football surface, there is Printing on the unit to give the look of stitching and pump up rubber hole. This is now an item that we will promote in a variety of sizes from 21 Litre to 1000Litre refrigerators, the design is to include all these representations. Basically any fridge made to look like a football (AFL) is what we are registering.**



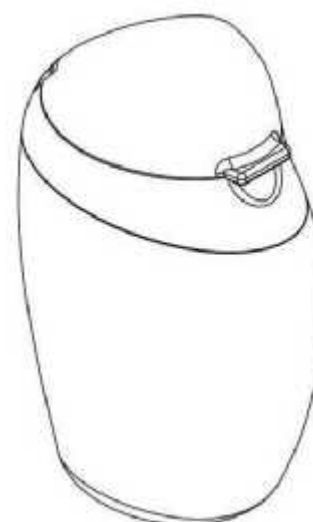
- (21) Design Number: **15118/2013**
(22) Date of Filing Application: **08 October 2013**
(24) Date from which industrial property rights may have effect: **08 October 2013**
(54) Product in respect of which the design is registered: **Battery reader**
(51) International Design Classification: **13-03B**
(74) Name(s) of Attorney(s): **Davies Collison Cave**
(71) Name(s) and Address(s) of Applicant(s):
Tectonica Australia Pty Ltd
U3 88 Dynon Rd West Melbourne VIC 3003 Australia
(72) Name(s) of Designer(s): **Thomas Miles Partridge and Michael Fairweather and Joshua Michael White and Simon James Coburn**
(45) Registration Date: **09 December 2013**
(56) Related Art Documents: **Not Applicable**
(57) Statement of Newness and Distinctiveness: **Newness and distinctiveness is claimed in the features of shape and configuration of the battery reader shown in the representations, but not in the detail of the circular plug or pins at the bottom of the battery reader for connecting to a battery.**



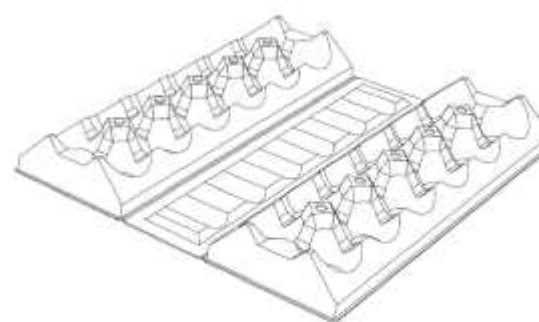
- (21) Design Number: **15389/2013**
(22) Date of Filing Application: **23 October 2013**
(24) Date from which industrial property rights may have effect: **23 October 2013**
(54) Product in respect of which the design is registered: **Indoor play space**
(51) International Design Classification: **25-03**
(74) Name(s) of Attorney(s):
(71) Name(s) and Address(s) of Applicant(s):
MGDC Pty Ltd
PO Box 283 Byron Bay NSW 2481 Australia
(72) Name(s) of Designer(s): **Georgina Goddard**
(45) Registration Date: **09 December 2013**
(56) Related Art Documents: **Not Applicable**
(57) Statement of Newness and Distinctiveness: **The visual features include the products shape, configuration, pattern are believed to be as a whole new and distinctive.**



(21) Design Number: **15999/2013**
(22) Date of Filing Application: **20 November 2013**
(24) Date from which industrial property rights may have effect: **20 November 2013**
(54) Product in respect of which the design is registered: **Container for foodstuffs**
(51) International Design Classification: **07-01NES**
(74) Name(s) of Attorney(s): **Banki Haddock Fiora**
(71) Name(s) and Address(s) of Applicant(s):
Societe des Produits Nestle S.A.
Vevey Canton of Vaud 1800 Switzerland
(72) Name(s) of Designer(s): **Bhavesh Nandha and John Hynds and Jan Eberhardt**
(45) Registration Date: **09 December 2013**
(30) Convention priority data:
(31) Number (32) Date (33) Country
139950 13 Jun 2013 SWITZERLAND
(56) Related Art Documents: **Not Applicable**
(57) Statement of Newness and Distinctiveness: **Nil**



(21) Design Number: **16000/2013**
(22) Date of Filing Application: **20 November 2013**
(24) Date from which industrial property rights may have effect: **20 November 2013**
(54) Product in respect of which the design is registered: **Egg carton**
(51) International Design Classification: **09-03D**
(74) Name(s) of Attorney(s): **Cullens Patent and Trade Mark Attorneys**
(71) Name(s) and Address(s) of Applicant(s):
Retail Logic Pty Ltd
194a Old Northern Rd Everton Park QLD 4053 Australia
(72) Name(s) of Designer(s): **Andrew Burg**
(45) Registration Date: **09 December 2013**
(56) Related Art Documents: **Not Applicable**
(57) Statement of Newness and Distinctiveness: **Nil**



(21) Design Number: **16001/2013**
(22) Date of Filing Application: **20 November 2013**
(24) Date from which industrial property rights may have effect: **20 November 2013**
(54) Product in respect of which the design is registered: **Chair**
(51) International Design Classification: **06-06H, 06-01F**
(74) Name(s) of Attorney(s):
(71) Name(s) and Address(s) of Applicant(s):
Actona Company A/S
Smedegaardvej 6 Tvis Holstebro 7500 Denmark
(72) Name(s) of Designer(s): **John Nissen**
(45) Registration Date: **09 December 2013**
(56) Related Art Documents: **Not Applicable**
(57) Statement of Newness and Distinctiveness: **Nil**



(21) Design Number: **16002/2013**
(22) Date of Filing Application: **20 November 2013**
(24) Date from which industrial property rights may have effect: **20 November 2013**
(54) Product in respect of which the design is registered: **Chair**
(51) International Design Classification: **06-06H, 06-01F**
(74) Name(s) of Attorney(s):
(71) Name(s) and Address(s) of Applicant(s):
Actona Company A/S
Smedegaardvej 6 Tvis Holstebro 7500 Denmark
(72) Name(s) of Designer(s): **John Nissen**
(45) Registration Date: **09 December 2013**
(56) Related Art Documents: **Not Applicable**
(57) Statement of Newness and Distinctiveness: **Nil**



(21) Design Number: **16003/2013**
(22) Date of Filing Application: **20 November 2013**
(24) Date from which industrial property rights may have effect: **20 November 2013**
(54) Product in respect of which the design is registered: **Chair**
(51) International Design Classification: **06-06H, 06-01F**
(74) Name(s) of Attorney(s):
(71) Name(s) and Address(s) of Applicant(s):
Actona Company A/S
Smedegaardvej 6 Tvis Holstebro 7500 Denmark
(72) Name(s) of Designer(s): **John Nissen**
(45) Registration Date: **09 December 2013**
(56) Related Art Documents: **Not Applicable**
(57) Statement of Newness and Distinctiveness: **Nil**



(21) Design Number: **16004/2013**
(22) Date of Filing Application: **21 November 2013**
(24) Date from which industrial property rights may have effect: **21 November 2013**
(54) Product in respect of which the design is registered: **Laptop table**
(51) International Design Classification: **06-03C**
(74) Name(s) of Attorney(s):
(71) Name(s) and Address(s) of Applicant(s):
Actona Company A/S
Smedegaardvej 6 Tvis Holstebro 7500 Denmark
(72) Name(s) of Designer(s): **John Nissen**
(45) Registration Date: **09 December 2013**
(56) Related Art Documents: **Not Applicable**
(57) Statement of Newness and Distinctiveness: **Nil**



(21) Design Number: **16005/2013**
(22) Date of Filing Application: **21 November 2013**
(24) Date from which industrial property rights may have effect: **21 November 2013**
(54) Product in respect of which the design is registered: **Folding table**
(51) International Design Classification: **06-03A**
(74) Name(s) of Attorney(s):
(71) Name(s) and Address(s) of Applicant(s):
Actona Company A/S
Smedegaardvej 6 Tvis Holstebro 7500 Denmark
(72) Name(s) of Designer(s): **John Nissen**
(45) Registration Date: **09 December 2013**
(56) Related Art Documents: **Not Applicable**
(57) Statement of Newness and Distinctiveness: **Nil**



(21) Design Number: **16006/2013**
(22) Date of Filing Application: **21 November 2013**
(24) Date from which industrial property rights may have effect: **21 November 2013**
(54) Product in respect of which the design is registered: **Bedside table**
(51) International Design Classification: **06-03NES, 06-03A**
(74) Name(s) of Attorney(s):
(71) Name(s) and Address(s) of Applicant(s):
Actona Company A/S
Smedegaardvej 6 Tvis Holstebro 7500 Denmark
(72) Name(s) of Designer(s): **John Nissen**
(45) Registration Date: **09 December 2013**
(56) Related Art Documents: **Not Applicable**
(57) Statement of Newness and Distinctiveness: **Nil**



(21) Design Number: **16007/2013**

(22) Date of Filing Application: **21 November 2013**

(24) Date from which industrial property rights may have effect: **21 November 2013**

(54) Product in respect of which the design is registered: **End table**

(51) International Design Classification: **06-03A**

(74) Name(s) of Attorney(s):

(71) Name(s) and Address(s) of Applicant(s):

Actona Company A/S

Smedegaardvej 6 Tvis Holstebro 7500 Denmark

(72) Name(s) of Designer(s): **John Nissen**

(45) Registration Date: **09 December 2013**

(56) Related Art Documents: **Not Applicable**

(57) Statement of Newness and Distinctiveness: **Nil**



(21) Design Number: **16008/2013**

(22) Date of Filing Application: **21 November 2013**

(24) Date from which industrial property rights may have effect: **21 November 2013**

(54) Product in respect of which the design is registered: **Bedside table**

(51) International Design Classification: **06-03NES, 06-03A**

(74) Name(s) of Attorney(s):

(71) Name(s) and Address(s) of Applicant(s):

Actona Company A/S

Smedegaardvej 6 Tvis Holstebro 7500 Denmark

(72) Name(s) of Designer(s): **John Nissen**

(45) Registration Date: **09 December 2013**

(56) Related Art Documents: **Not Applicable**

(57) Statement of Newness and Distinctiveness: **Nil**



(21) Design Number: **16009/2013**
(22) Date of Filing Application: **21 November 2013**
(24) Date from which industrial property rights may have effect: **21 November 2013**
(54) Product in respect of which the design is registered: **Console table**
(51) International Design Classification: **06-03A**
(74) Name(s) of Attorney(s):
(71) Name(s) and Address(s) of Applicant(s):
Actona Company A/S
Smedegaardvej 6 Tvis Holstebro 7500 Denmark
(72) Name(s) of Designer(s): **John Nissen**
(45) Registration Date: **09 December 2013**
(56) Related Art Documents: **Not Applicable**
(57) Statement of Newness and Distinctiveness: **Nil**



(21) Design Number: **16010/2013**
(22) Date of Filing Application: **21 November 2013**
(24) Date from which industrial property rights may have effect: **21 November 2013**
(54) Product in respect of which the design is registered: **Console table**
(51) International Design Classification: **06-03A**
(74) Name(s) of Attorney(s):
(71) Name(s) and Address(s) of Applicant(s):
Actona Company A/S
Smedegaardvej 6 Tvis Holstebro 7500 Denmark
(72) Name(s) of Designer(s): **John Nissen**
(45) Registration Date: **09 December 2013**
(56) Related Art Documents: **Not Applicable**
(57) Statement of Newness and Distinctiveness: **Nil**



(21) Design Number: **16011/2013**
(22) Date of Filing Application: **21 November 2013**
(24) Date from which industrial property rights may have effect: **21 November 2013**
(54) Product in respect of which the design is registered: **Coffee table**
(51) International Design Classification: **06-03A**
(74) Name(s) of Attorney(s):
(71) Name(s) and Address(s) of Applicant(s):
Actona Company A/S
Smedegaardvej 6 Tvis Holstebro 7500 Denmark
(72) Name(s) of Designer(s): **John Nissen**
(45) Registration Date: **09 December 2013**
(56) Related Art Documents: **Not Applicable**
(57) Statement of Newness and Distinctiveness: **Nil**



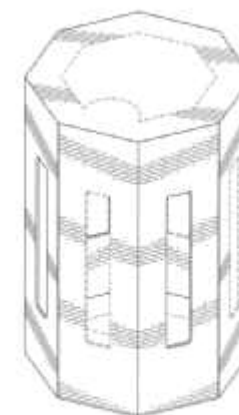
(21) Design Number: **16012/2013**
(22) Date of Filing Application: **21 November 2013**
(24) Date from which industrial property rights may have effect: **21 November 2013**
(54) Product in respect of which the design is registered: **Coffee table**
(51) International Design Classification: **06-03A**
(74) Name(s) of Attorney(s):
(71) Name(s) and Address(s) of Applicant(s):
Actona Company A/S
Smedegaardvej 6 Tvis Holstebro 7500 Denmark
(72) Name(s) of Designer(s): **John Nissen**
(45) Registration Date: **09 December 2013**
(56) Related Art Documents: **Not Applicable**
(57) Statement of Newness and Distinctiveness: **Nil**



(21) Design Number: **16013/2013**
(22) Date of Filing Application: **21 November 2013**
(24) Date from which industrial property rights may have effect: **21 November 2013**
(54) Product in respect of which the design is registered: **Dining table**
(51) International Design Classification: **06-03A**
(74) Name(s) of Attorney(s):
(71) Name(s) and Address(s) of Applicant(s):
Actona Company A/S
Smedegaardvej 6 Tvis Holstebro 7500 Denmark
(72) Name(s) of Designer(s): **John Nissen**
(45) Registration Date: **09 December 2013**
(56) Related Art Documents: **Not Applicable**
(57) Statement of Newness and Distinctiveness: **Nil**



(21) Design Number: **16092/2013**
(22) Date of Filing Application: **25 November 2013**
(24) Date from which industrial property rights may have effect: **25 November 2013**
(54) Product in respect of which the design is registered: **Disposable charcoal chimney**
(51) International Design Classification: **25-02F, 23-03E**
(74) Name(s) of Attorney(s): **Griffith Hack**
(71) Name(s) and Address(s) of Applicant(s):
The Coleman Company, Inc.
3600 North Hydraulic Wichita Kansas 67219 United States of America
(72) Name(s) of Designer(s): **Chad Lee and Lucas Eck and Chet Hunt**
(45) Registration Date: **09 December 2013**
(30) Convention priority data:
(31) Number (32) Date (33) Country
29/455,189 17 May 2013 UNITED STATES OF AMERICA
(56) Related Art Documents: **Not Applicable**
(57) Statement of Newness and Distinctiveness: **Newness and distinctiveness resides in the visual features, including shape and configuration, of a DISPOSABLE CHARCOAL CHIMNEY as shown in solid outline in the accompanying drawings. When determining whether the design is substantially similar in overall impression to another design, no regard is to be had to those features shown in dotted outline in the accompanying drawings, which features are provided for illustrative purposes only.**



- (21) Design Number: **16096/2013**
(22) Date of Filing Application: **25 November 2013**
(24) Date from which industrial property rights may have effect: **25 November 2013**
(54) Product in respect of which the design is registered: **Stand for arithmetic and control unit**
(51) International Design Classification: **20-02NES, 14-02, 14-99**
(74) Name(s) of Attorney(s): **Shelston IP**
(71) Name(s) and Address(s) of Applicant(s):
Sony Computer Entertainment Inc.
1-7-1 Konan Minato-ku Toyko 108-0075 Japan
(72) Name(s) of Designer(s): **Tetsu Sumii**
(45) Registration Date: **09 December 2013**
(30) Convention priority data:
(31) Number (32) Date (33) Country
2013-012880 07 Jun 2013 JAPAN
(56) Related Art Documents: **Not Applicable**
(57) Statement of Newness and Distinctiveness: **Newness and distinctiveness reside in the features of shape and/or configuration of the stand for arithmetic and control unit as shown in solid lines in the accompanying representations. The features of the stand for arithmetic and control unit in broken lines are shown for illustrative purposes only and form no part of the claimed design.**



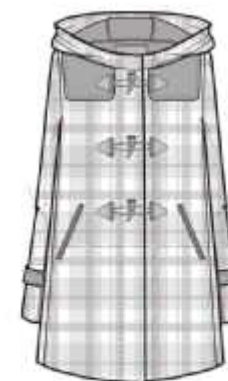
- (21) Design Number: **16098/2013**
(22) Date of Filing Application: **25 November 2013**
(24) Date from which industrial property rights may have effect: **28 March 2013**
(54) Product in respect of which the design is registered: **Article of clothing**
(51) International Design Classification: **02-02NES**
(74) Name(s) of Attorney(s): **Allens Patent & Trade Mark Attorneys**
(71) Name(s) and Address(s) of Applicant(s):
Forever New Clothing Pty Ltd
714-716 High St Kew East VIC 3102 Australia
(72) Name(s) of Designer(s): **Alice Burrow**
(45) Registration Date: **09 December 2013**
(62) Divisional of: **11597/2013**
(56) Related Art Documents: **Not Applicable**
(57) Statement of Newness and Distinctiveness: **Newness and distinctiveness resides in the visual features of shape, configuration, pattern and/or ornamentation of an article of clothing as shown in the accompanying representations.**



- (21) Design Number: **16100/2013**
(22) Date of Filing Application: **25 November 2013**
(24) Date from which industrial property rights may have effect: **28 March 2013**
(54) Product in respect of which the design is registered: **Article of clothing**
(51) International Design Classification: **02-02NES**
(74) Name(s) of Attorney(s): **Allens Patent & Trade Mark Attorneys**
(71) Name(s) and Address(s) of Applicant(s):
Forever New Clothing Pty Ltd
714-716 High St Kew East VIC 3102 Australia
(72) Name(s) of Designer(s): **Alice Burrow**
(45) Registration Date: **09 December 2013**
(62) Divisional of: **11597/2013**
(56) Related Art Documents: **Not Applicable**
(57) Statement of Newness and Distinctiveness: **Newness and distinctiveness resides in the visual features of shape, configuration, pattern and/or ornamentation of an article of clothing as shown in the accompanying representations.**



- (21) Design Number: **16102/2013**
(22) Date of Filing Application: **25 November 2013**
(24) Date from which industrial property rights may have effect: **28 March 2013**
(54) Product in respect of which the design is registered: **Article of clothing**
(51) International Design Classification: **02-02NES**
(74) Name(s) of Attorney(s): **Allens Patent & Trade Mark Attorneys**
(71) Name(s) and Address(s) of Applicant(s):
Forever New Clothing Pty Ltd
714-716 High St Kew East VIC 3102 Australia
(72) Name(s) of Designer(s): **Alice Burrow**
(45) Registration Date: **09 December 2013**
(62) Divisional of: **11597/2013**
(56) Related Art Documents: **Not Applicable**
(57) Statement of Newness and Distinctiveness: **Newness and distinctiveness resides in the visual features of shape, configuration, pattern and/or ornamentation of an article of clothing as shown in the accompanying representations.**



- (21) Design Number: **16103/2013**
(22) Date of Filing Application: **25 November 2013**
(24) Date from which industrial property rights may have effect: **28 March 2013**
(54) Product in respect of which the design is registered: **Article of clothing**
(51) International Design Classification: **02-02NES**
(74) Name(s) of Attorney(s): **Allens Patent & Trade Mark Attorneys**
(71) Name(s) and Address(s) of Applicant(s):
Forever New Clothing Pty Ltd
714-716 High St Kew East VIC 3102 Australia
(72) Name(s) of Designer(s): **Gemma Henderson**
(45) Registration Date: **09 December 2013**
(62) Divisional of: **11597/2013**
(56) Related Art Documents: **Not Applicable**
(57) Statement of Newness and Distinctiveness: **Newness and distinctiveness resides in the visual features of shape, configuration, pattern and/or ornamentation of an article of clothing as shown in the accompanying representations.**



- (21) Design Number: **16104/2013**
(22) Date of Filing Application: **25 November 2013**
(24) Date from which industrial property rights may have effect: **28 March 2013**
(54) Product in respect of which the design is registered: **Article of clothing**
(51) International Design Classification: **02-02C**
(74) Name(s) of Attorney(s): **Allens Patent & Trade Mark Attorneys**
(71) Name(s) and Address(s) of Applicant(s):
Forever New Clothing Pty Ltd
714-716 High St Kew East VIC 3102 Australia
(72) Name(s) of Designer(s): **Octavia Miller**
(45) Registration Date: **09 December 2013**
(62) Divisional of: **11597/2013**
(56) Related Art Documents: **Not Applicable**
(57) Statement of Newness and Distinctiveness: **Newness and distinctiveness resides in the visual features of shape, configuration, pattern and/or ornamentation of an article of clothing as shown in the accompanying representations.**



- (21) Design Number: **16105/2013**
(22) Date of Filing Application: **25 November 2013**
(24) Date from which industrial property rights may have effect: **28 March 2013**
(54) Product in respect of which the design is registered: **Article of clothing**
(51) International Design Classification: **02-02C**
(74) Name(s) of Attorney(s): **Allens Patent & Trade Mark Attorneys**
(71) Name(s) and Address(s) of Applicant(s):
Forever New Clothing Pty Ltd
714-716 High St Kew East VIC 3102 Australia
(72) Name(s) of Designer(s): **Octavia Miller**
(45) Registration Date: **09 December 2013**
(62) Divisional of: **11597/2013**
(56) Related Art Documents: **Not Applicable**
(57) Statement of Newness and Distinctiveness: **Newness and distinctiveness resides in the visual features of shape, configuration, pattern and/or ornamentation of an article of clothing as shown in the accompanying representations.**

