



Australian Government

IP Australia

AUSTRALIAN OFFICIAL JOURNAL

OF

DESIGNS

Did you know a searchable version of this journal is now available online?

It's FREE and EASY to SEARCH.

Find it on our website (www.ipaustralia.gov.au)

by using the "Journals" link on the home page.

This Page Left Intentionally Blank

Contents

General Information & Notices

**Proceedings Under the Designs Act 1906 preserved as a result of the provisions of Chapter 12
Part 2 of the Designs Act 2003**

Extension of Period of Registration of Designs	2
Registrations Ceased	2
Subsequent Owners Registered	2

Proceedings Under the Designs Act 2003

Applications Lapsed	20
Applications Lodged	7
Applications Withdrawn	20
Certificate of Examination	23
Extension of Period of Registration of Design	21
Extension of Time Granted Under Section 137	21
Names Registered - Alterations and Amendments	22
Publication and Registration Proceedings	
Designs Registered 352806 to 353195.....	24
Registrations Ceased	21
Revocation of Design Registrations	21
Subsequent Owners Registered	22

This Page Left Intentionally Blank

For information on the following please see our website www.ipaustralia.gov.au or contact our Customer Service Network on 1300651010

[Editorial enquiries](#)

[Contact information](#)

[Freedom of Information ACT](#)

[Professional Standards Board](#)

[Sales](#)

[Requests for Information under Section 194 \(c\)](#)

[Country Codes](#)

[Trade Mark and Designs Hearing Sessions](#)

[INID \(Internationally agreed Numbers for the Identification of Data\)](#)

“INID” NUMBERS in use on Australian Design Documents

“INID” is an acronym for “Internationally agreed Numbers for the Identification of Data”.

(10) Data concerning the registration/renewal

- (11) Serial number of the registration and/or number of the design document
- (12) Plain language designation of the kind of published document
- (19) Identification, using the two-letter code according to WIPO Standard ST.3, of the authority publishing or registering the industrial design

(20) Data concerning the application

- (21) Serial number of the application
- (22) Date of filing of the application
- (24) Date from which the industrial design right has effect

(30) Data relating to priority under the Paris Convention

- (31) Serial number assigned to the priority application
- (32) Date of filing of the priority application
- (33) Two-letter code, according to WIPO Standard ST.3, identifying the authority with which the priority application was made

(40) Date(s) of making information available to the public

- (45) Date of publication of the registered industrial design by printing or similar process, or making it available to the public by any other means

(50) Miscellaneous Information

- (51) International Classification for Industrial Designs (class and subclass of the Locarno Classification)
- (54) Designation of article(s) or product(s) covered by the industrial design or title of the industrial design
- (55) Reproduction of the industrial design (e.g., drawing, photograph) and explanations relating to the reproduction
- (56) List of prior art documents, if separate from descriptive text
- (57) Description of characteristic features of the industrial design including indication of colours

(60) References to other legally related application(s) and registration(s)

- (62) Serial number(s) and, if available, filing date(s) of application(s), registration(s) or document(s) related by division
- (66) Serial number(s) of the application, or the registration, of the design(s) which is (are) a variant(s) of the present one

(70) Identification of parties concerned with the application or registration

- (71) Name(s) and address(es) of the applicant(s)
- (72) Name(s) of the creator(s) if known to be such
- (74) Name(s) and address(es) of the representative(s)

This Page Left Intentionally Blank

Nil notices for this journal issue.

Proceedings under the Designs Act 1906 preserved as a result of the provisions of Chapter 12 Part 2 of the Designs Act 2003.

This Page Left Intentionally Blank

Applications Lapsed

There were no Applications Lapsed under this section

Extension of Period of Registration of Designs

1st Period (Section 27A(8))

2nd Period (Section 27A(12))

3rd Period (Section 27A(13))

150311	150312	150313
150950	150962	151109
151277	151446	151447
151448	151449	151450
151451	151452	151453
151454	151455	151457
151461	151490	151491
151493	151494	151495
151496	151516	151517
151579	151580	151581
151597	151616	151619
151635	151639	151732
151805	151842	151943
151959	151960	151961
152021	152023	152262
152307	152407	152483
152803	152918	153111
153228	153229	153329
153345	153346	153347
154013	154094	154095
154137	154138	154139
154140	154504	154505
154824	155059	155372
155586	155601	155602
155721	155722	155816
155834	156218	156956
156956	157972	158411

Registrations Ceased

Note: Some of the following Registrations may have been previously advertised as ceased. In this instance, the previous advertisement still prevails.

132775	132853	132864
132874	134034	134035
134076	134119	134120
134121	134122	134124
134169	134266	134285
134286	134330	134507
135017	135018	135314
135315	135419	135540
135655	135656	135864
135925	135926	135967
135968	135969	135970

135983	136123	136124
136125	136418	136419
136420	136421	136424
136425	136504	136505
136765	136766	137082
137083	137352	137392
137843	137890	137891
137892	138081	138164
138290	138352	139075
139210	139211	139294
140287	140288	148098
148483	148551	148995
149018	149055	149106
149108	149109	149110
149111	149112	149162
149168	149180	149445
149482	149540	149674
149772	149782	149915
150180	150591	150592
150841	150878	150911
150912	150913	150914
151393	151417	152060
152131	152132	152133
152134	152135	152136
152137	152991	152992
152995	153171	153364
153751	153888	153891
153966	154006	154044
154045	154301	154604
154605		

Subsequent Owners Registered

(The name in parentheses is that of the subsequent owner)

143822	(Alfagomma Australia Pty Ltd) Mining Equipment (Minquip) Pty Ltd
143823	(Alfagomma Australia Pty Ltd) Mining Equipment (Minquip) Pty Ltd
143824	(Alfagomma Australia Pty Ltd) Mining Equipment (Minquip) Pty Ltd
151594	(Alfagomma Australia Pty Ltd) Mining Equipment (Minquip) Pty Ltd
151595	(Alfagomma Australia Pty Ltd) Mining Equipment (Minquip) Pty Ltd
134936	(Neta Industries Pty Ltd) PPI Corporation Pty Ltd
143057	(Neta Industries Pty Ltd) PPI Corporation Pty Ltd
143056	(Neta Industries Pty Ltd) PPI Corporation Pty Ltd
143923	(Neta Industries Pty Ltd) PPI Corporation Pty Ltd
145355	(Neta Industries Pty Ltd) PPI Corporation Pty Ltd
151851	(Neta Industries Pty Ltd) PPI Corporation Pty Ltd
151850	(Neta Industries Pty Ltd) PPI Corporation Pty Ltd
151987	(Neta Industries Pty Ltd) PPI Corporation Pty Ltd
152387	(Neta Industries Pty Ltd) PPI Corporation Pty Ltd

Subsequent Owners Registered

- 143401 (**Kempe Engineering Pty Ltd**) Kemtech
International Pty Ltd
- 148345 (**Kempe Engineering Pty Ltd**) Kemtech
International Pty Ltd
- 148491 (**Kempe Engineering Pty Ltd**) Kemtech
International Pty Ltd

This Page Left Intentionally Blank

Proceedings under the Designs Act 2003.

This Page Left Intentionally Blank

Applications Lodged

Lodgement information is in the following order: **Applicant's Name**; International Classification, Name of Product, Lodgement Date and **Design Number**. If the applicant claims an earlier priority date under an International Convention, the Convention Country and the associated filing date are shown in parentheses before the Lodgement Date. Divisional information will also appear in parentheses before the Lodgement Date.

iRobot Corporation; 15-05, Vacuum roller, (US, 18 Oct 2013) 20 Dec 2013	16722/2013	Apple Inc.; 14-01, Display screen, (US, 09 Jun 2013) 09 Dec 2013	16459/2013
iRobot Corporation; 15-05, Vacuum roller, (US, 18 Oct 2013) 20 Dec 2013	16725/2013	Apple Inc.; 14-01, Display screen for an electronic device, (US, 09 Jun 2013) 09 Dec 2013	16460/2013
iRobot Corporation; 15-05, Vacuum roller, (US, 18 Oct 2013) 20 Dec 2013	16718/2013	Asahi Breweries, Ltd; 31-00, Beer dispenser, (JP, 09 Jul 2013) 05 Dec 2013	16417/2013
Actervis GmbH; 16-06, Sunglasses, (EM, 17 Jun 2013) 17 Dec 2013	16607/2013	Asahi Breweries, Ltd; 31-00, Beer dispenser, (JP, 09 Jul 2013) 05 Dec 2013	16416/2013
Actervis GmbH; 16-06, Sunglasses, (EM, 17 Jun 2013) 17 Dec 2013	16608/2013	Astra Walker Pty Ltd; 23-01H, Mixer tap, 19 Dec 2013	16669/2013
Adcock, Danny; 21-02F, An exercise apparatus, 18 Dec 2013	16628/2013	Astra Walker Pty Ltd; 23-01H, Mixer tap handle, 19 Dec 2013	16672/2013
Adlens Limited; 16-06, Eyewear, (EM, 22 Aug 2013) 17 Dec 2013	16592/2013	Astra Walker Pty Ltd; 23-01H, Mixer tap, 19 Dec 2013	16670/2013
Adlens Limited; 16-06, Eyewear, (EM, 22 Aug 2013) 17 Dec 2013	16594/2013	Astra Walker Pty Ltd; 23-01H, Mixer tap, 19 Dec 2013	16671/2013
Akkua S.r.l.; 02-04B, Soles and footwear, (IT, 21 Jun 2013) 17 Dec 2013	16610/2013	Astra Walker Pty Ltd; 23-01H, Mixer tap, 17 Dec 2013	16609/2013
Aktiebolaget Electrolux; 15-05, Vacuum cleaner nozzle, (Divisional of 14727/2013) 05 Dec 2013	16370/2013	Ausmag Media Pty Ltd; 07-03, Cutlery set, (CN, 08 Aug 2013) 19 Dec 2013	16682/2013
Aktiebolaget Electrolux; 15-05, Vacuum cleaner, (Divisional of 14727/2013) 05 Dec 2013	16371/2013	Australian Fashion Labels Pty Ltd; 02-02C, A dress, 19 Dec 2013	16687/2013
Aliphcom; 14-01, Expandable speaker base, (US, 03 Jul 2013) 03 Jan 2014	10010/2014	Australian Fashion Labels Pty Ltd; 02-02C, Shorts, 18 Dec 2013	16637/2013
Aliphcom; 14-01, Headset, (US, 03 Jul 2013) 03 Jan 2014	10011/2014	Australian Fashion Labels Pty Ltd; 02-02C, A dress, 18 Dec 2013	16644/2013
Aliphcom; 14-01, Speaker having expandable base, (US, 03 Jul 2013) 03 Jan 2014	10009/2014	Australian Fashion Labels Pty Ltd; 02-02NES, A bustier, 18 Dec 2013	16643/2013
Anchor Foods Pty Ltd; 07-06C, Seasoning grinder, 17 Dec 2013	16616/2013	Australian Performance Development Pty Ltd; 12-16NES, Air intake snorkel for a vehicle, 20 Dec 2013	16729/2013
Apple Inc.; 14-01, Display screen, (US, 10 Jun 2013) 06 Dec 2013	16431/2013	Aziz, Mehmet; 11-02E, Sculpture, t-shirt, jewelry, bag, candle, 31 Dec 2013	16819/2013
Apple Inc.; 14-01, Display screen, (US, 10 Jun 2013) 10 Dec 2013	16483/2013	Aziz, Mehmet; 11-02E, Sculpture, t-shirt, jewelry, bag, candle, 31 Dec 2013	16821/2013
		Aziz, Mehmet; 11-02E, Sculpture, t-shirt, jewelry, bag, candle, 31 Dec 2013	16820/2013

ARZUM ELEKTRIKLI EV ALETLERI SANAYI VE TICARET ANONIM SIRKETI; 07-02L, Coffee machine, (TR, 18 Jun 2013) 06 Dec 2013	16404/2013	Beba Enterprises Pty Ltd;Magi Enterprises Pty Ltd; 02-02NES, Articles of clothing, 24 Jun 2013	16824/2013
ASAP Breatheassist Pty Ltd; 24-02, Nasal dilation device, 06 Dec 2013	16408/2013	Belkin International, Inc.; 14-03NES, Electronic device, (US, 31 Jul 2013) 20 Dec 2013	16739/2013
ASSA ABLOY Australia Pty Limited; 08-07, Cam for use with a lock mechanism, 18 Dec 2013	16639/2013	Beverage Gun Holster Pty Ltd; 03-01NES, Holster, 13 Sep 2013	16414/2013
ASSA ABLOY Australia Pty Limited; 08-07, Cam for use with a lock mechanism, 18 Dec 2013	16640/2013	Black & Decker Inc.; 08-03, String trimmer, (EM, 20 Jun 2013) 20 Dec 2013	16713/2013
ASSA ABLOY Australia Pty Limited; 08-07, Cam for use with a lock mechanism, 18 Dec 2013	16641/2013	Black & Decker Inc.; 08-03, String trimmer, (EM, 20 Jun 2013) 20 Dec 2013	16715/2013
AUSTRALIAN FASHION LABELS PTY LTD; 02-02C, A playsuit, 19 Dec 2013	16656/2013	Black & Decker Inc.; 08-03, String trimmer, (EM, 20 Jun 2013) 20 Dec 2013	16716/2013
AUSTRALIAN FASHION LABELS PTY LTD; 02-02C, Shorts, 19 Dec 2013	16696/2013	Black & Decker Inc.; 08-03, String trimmer, (EM, 20 Jun 2013) 20 Dec 2013	16714/2013
AUSTRALIAN FASHION LABELS PTY LTD; 02-02NES, A bustier, 19 Dec 2013	16694/2013	Black & Decker, Inc.; 15-05, Hand-holdable vacuum cleaner, (EM, 11 Jun 2013) 11 Dec 2013	16463/2013
AUSTRALIAN FASHION LABELS PTY LTD; 02-02C, A dress, 19 Dec 2013	16695/2013	Black & Decker, Inc.; 15-05, Hand-holdable vacuum cleaner, (EM, 11 Jun 2013) 11 Dec 2013	16470/2013
AUSTRALIAN FASHION LABELS PTY LTD; 02-02C, A dress, 19 Dec 2013	16693/2013	Blossom Bench Vineyard, Inc.; 07-01NES, Cover for a drinking glass, (US, 20 Jun 2013) 13 Dec 2013	16553/2013
Bath Art Pty Ltd; 06-01E, A folding stool, 11 Dec 2013	16472/2013	Bonzai Design Group Inc.; 21-01N, Display stand for tablet computer, (CA, 28 Aug 2013) 12 Dec 2013	16491/2013
Beats Electronics, LLC; 14-01, Earphone leverage attachments, (US, 13 Jun 2013) 12 Dec 2013	16479/2013	Bordo International Pty. Ltd.; 25-01K, Extrusion, 18 Dec 2013	16638/2013
Beba Enterprises Pty Ltd;Magi Enterprises Pty Ltd; 02-02C, 02-02NES, Articles of clothing, 24 Dec 2013	16836/2013	Brand Developers Ltd; 08-01, Power tool assembly, 19 Dec 2013	16681/2013
Beba Enterprises Pty Ltd;Magi Enterprises Pty Ltd; 02-02C, Articles of clothing, 24 Jun 2013	16822/2013	Brand Developers Ltd; 08-01, Grip detail for power tool, 19 Dec 2013	16685/2013
Beba Enterprises Pty Ltd;Magi Enterprises Pty Ltd; 02-02C, Articles of clothing, 24 Jun 2013	16826/2013	Brand Developers Ltd; 08-01, Grip detail for power tool, 19 Dec 2013	16686/2013
Beba Enterprises Pty Ltd;Magi Enterprises Pty Ltd; 02-02NES, Articles of clothing, 24 Jun 2013	16825/2013	Brand Developers Ltd; 08-01, Handle and support arrangement for power tool, 19 Dec 2013	16683/2013
Beba Enterprises Pty Ltd;Magi Enterprises Pty Ltd; 02-02C, Articles of clothing, 24 Jun 2013	16823/2013	Brand Developers Ltd; 08-99, Foot plate, 19 Dec 2013	16679/2013
Beba Enterprises Pty Ltd;Magi Enterprises Pty Ltd; 02-02NES, Articles of clothing, 24 Jun 2013	16827/2013	Brand Developers Ltd; 08-01, Grip and vent detail for power tool, 19 Dec 2013	16680/2013
		Brand Developers Ltd; 08-99, Foot plate, 19 Dec 2013	16678/2013
		Brands United Group Pty. Ltd.; 06-01L, Inner bag for baby bean bag, 20 Jun 2013	16068/2013

Bredemeier, Michael K;Bredemeier, Lori A; 21-01NES, Child's ice cream bar teething toy, (US, 24 Jun 2013) 20 Dec 2013	16737/2013	Chill Factor Global Pty Ltd; 07-07A, Device for making frozen beverages, 13 Dec 2013	16551/2013
Bredemeier, Lori A;Bredemeier, Michael K; 21-01NES, Child's ice cream bar teething toy, (US, 24 Jun 2013) 20 Dec 2013	16737/2013	Chill Factor Global Pty Ltd; 07-04, A device for making instant jelly, 18 Dec 2013	16633/2013
Bredemeier, Michael K;Bredemeier, Lori A; 21-01NES, Child's two rib teething toy, (US, 24 Jun 2013) 20 Dec 2013	16736/2013	Chill Factor Global Pty Ltd; 31-00, A device for making instant jelly, 18 Dec 2013	16632/2013
Bredemeier, Lori A;Bredemeier, Michael K; 21-01NES, Child's two rib teething toy, (US, 24 Jun 2013) 20 Dec 2013	16736/2013	Chill Factor Global Pty Ltd; 07-04, A device for making instant jelly, 18 Dec 2013	16635/2013
Bredemeier, Michael K;Bredemeier, Lori A; 21-01NES, Childs pineapple ring teething toy, (US, 24 Jun 2013) 16 Dec 2013	16571/2013	Chill Factor Global Pty Ltd; 07-04, A device for making instant jelly, 18 Dec 2013	16634/2013
Bredemeier, Lori A;Bredemeier, Michael K; 21-01NES, Childs pineapple ring teething toy, (US, 24 Jun 2013) 16 Dec 2013	16571/2013	Chill Factor Global Pty Ltd; 07-07A, Device for making frozen beverages, 13 Dec 2013	16548/2013
Bulgari S.p.A.; 11-01D, Earrings, (WO, 19 Jun 2013) 16 Dec 2013	16573/2013	Chill Factor Global Pty Ltd; 07-07A, Device for making frozen beverages, 13 Dec 2013	16549/2013
Bulgari S.p.A.; 11-01D, Earrings, (WO, 19 Jun 2013) 16 Dec 2013	16568/2013	Chocoladefabriken Lindt & Sprungli AG; 09-03L, Packaging, (WO, 17 Jun 2013) 17 Dec 2013	16615/2013
Burden, Ian James; 06-04D, A cabinet, 16 Dec 2013	16620/2013	Chocoladefabriken Lindt & Sprungli AG; 09-03M, Packaging, (WO, 17 Jun 2013) 17 Dec 2013	16614/2013
Camec Pty Ltd; 25-02H, Window assembly, (Divisional of 13302/2013) 19 Dec 2013	16661/2013	Clausen, Alvin; 12-10, Fire trailer, 20 Dec 2013	16742/2013
Camec Pty Ltd; 25-02H, Window assembly, (Divisional of 13302/2013) 19 Dec 2013	16662/2013	Clausen, Alvin; 29-02, Smoke and spray face mask, 20 Dec 2013	16743/2013
CamelBak Products, LLC; 09-07A, Beverage container cap, (US, 29 Jul 2013) 03 Jan 2014	10008/2014	Coles Supermarkets Australia Pty Ltd; 01-06, Pet chew, 06 Dec 2013	16430/2013
CamelBak Products, LLC; 09-07A, Beverage container cap, (US, 26 Jul 2013) 03 Jan 2014	10007/2014	Coles Supermarkets Australia Pty Ltd; 28-03NES, 07-05E, 04-99, Applicator, 06 Dec 2013	16429/2013
Chen, Ping-Chien; 03-01B, Handbag, (TW, 05 Jul 2013) 03 Jan 2014	10006/2014	Colgate-Palmolive Company; 09-03NES, Oral care implement package, (US, 17 Jul 2013) 19 Dec 2013	16674/2013
Cheng, Chung-Yin; 23-04, Louver for a fan, 13 Dec 2013	16504/2013	Colin Guest & Company Pty Ltd; 08-08L, Bracket, 20 Dec 2013	16707/2013
Chill Factor Global Pty Ltd; 07-07A, Device for making frozen beverages, 13 Dec 2013	16550/2013	Compagnie Generale Des Establisements Michelin;Michelin Recherche et Technique S.A.; 12-15B, A tyre, 12 Dec 2013	16478/2013
Chill Factor Global Pty Ltd; 07-07A, Device for making frozen beverages, 13 Dec 2013	16552/2013	Compagnie Generale Des Establisements Michelin;Michelin Recherche et Technique S.A.; 12-15B, A tyre, 12 Dec 2013	16477/2013

Compagnie Generale Des Etablissements Michelin; Michelin Recherche et Technique S.A.; 12-15B, A tyre, 12 Dec 2013	16476/2013	DePuy (Ireland); 24-01, 24-02, Broach, (US, 07 Jun 2013) 06 Dec 2013	16399/2013
Compagnie Generale Des Etablissements Michelin; Michelin Recherche Et Technique S.A.; 12-15B, A tyre, (EM, 15 Jul 2013) 03 Jan 2014	10017/2014	DePuy (Ireland); 24-02, Surgical handle, (US, 25 Jun 2013) 16 Dec 2013	16574/2013
Costruzioni Elettroniche Industriali Automatismi S.P.A. C.E.I.A. S.P.A.; 10-05, Hand held metal detector, (EM, 29 Jul 2013) 02 Jan 2014	10002/2014	DePuy (Ireland); 24-01, 24-02, Notch cutting block, (US, 07 Jun 2013) 06 Dec 2013	16400/2013
Crawford, Anthony Michael; 09-03E, Drink carrier, 18 Dec 2013	16647/2013	DePuy (Ireland); 24-02, Intramedullary surgical instrument, (US, 07 Jun 2013) 06 Dec 2013	16391/2013
CH Packaging Pty Ltd; 09-05, Packaging, 05 Dec 2013	16369/2013	DePuy (Ireland); 24-01, Femoral cutting block, (US, 07 Jun 2013) 06 Dec 2013	16388/2013
CODE 3, INC.; 26-05A, 14-01, Single level low-profile light bar with speaker, (US, 12 Jun 2013) 15 Nov 2013	16650/2013	DESIGN BY THEM PTY LTD; 08-08G, Hose hanger, 13 Dec 2013	16556/2013
CODE 3, INC.; 26-05A, 14-01, Bottom portion of a speaker for a light bar, (US, 12 Jun 2013) 15 Nov 2013	16652/2013	DT-HILoad Australia Pty Ltd; 12-16NES, A tile for lining a truck tray, 20 Dec 2013	16719/2013
CODE 3, INC.; 26-05A, 14-01, Top portion of a speaker for a light bar, (US, 12 Jun 2013) 15 Nov 2013	16651/2013	DT-HILoad Australia Pty Ltd; 12-16NES, A tile for lining a truck tray, 20 Dec 2013	16721/2013
CODE 3, INC.; 26-05A, 14-01, Dual level low-profile light bar with speaker, (US, 12 Jun 2013) 15 Nov 2013	16649/2013	Elbee Pty Ltd; 08-07, Adhesive mag lock key, 20 Dec 2013	16745/2013
CTA Australia Pty Ltd; 08-08B, Tactile ground surface indicator, 18 Dec 2013	16622/2013	Elbee Pty Ltd; 08-07, Adhesive mag lock, 20 Dec 2013	16746/2013
CUB Pty Ltd; 09-03E, 09-03M, A carton, 13 Dec 2013	16546/2013	Ellume Pty Ltd; 16-06, Optical element for assay device, (EM, 19 Jun 2013) 19 Dec 2013	16653/2013
Daeseleire, Bruno; 06-09, A mattress, (EM, 03 Jul 2013) 03 Jan 2014	10016/2014	Etihad Airways; 06-01D, 06-06G, Headrest, (EM, 09 Jul 2013) 18 Dec 2013	16625/2013
Dastek Co., Ltd.; 03-01NES, Mobile phone case, (KR, 14 Jun 2013) 12 Dec 2013	16486/2013	Etihad Airways; 06-01D, Row of seats, (EM, 09 Jul 2013) 18 Dec 2013	16626/2013
Dastek Co., Ltd.; 03-01NES, Mobile phone case, (KR, 09 Jul 2013) 06 Jan 2014	10020/2014	Etihad Airways; 06-01D, Row of seats, (EM, 09 Jul 2013) 18 Dec 2013	16627/2013
Dastek Co., Ltd.; 03-01NES, Mobile phone case, (KR, 14 Jun 2013) 12 Dec 2013	16489/2013	Ezypot Pty Ltd; 11-02B, Raised garden planter, 20 Dec 2013	16730/2013
DaVisage Beauty Limited; 02-03, Foldable visor, (HK, 11 Jun 2013) 10 Dec 2013	16424/2013	Fameca; 21-99, 11-05, Telescopic pole, (EM, 17 Oct 2013) 06 Dec 2013	16428/2013
Denereaz, Simone; 26-05A, Lamp, 17 Dec 2013	16618/2013	Felton International Group Pty Ltd; 06-06C, Furniture safety cap, 19 Dec 2013	16699/2013
Denereaz, Simone; 26-05D, Lighting, 17 Dec 2013	16619/2013	Ferno-Washington, Inc.; 12-12, Patient transport device, (US, 17 Jun 2013) 16 Dec 2013	16561/2013
		Ferno-Washington, Inc.; 12-12, Legs of a patient transport device, (US, 17 Jun 2013) 16 Dec 2013	16558/2013

Ferno-Washington, Inc.; 12-12, Control panel of a patient transport device, (US, 17 Jun 2013) 16 Dec 2013	16559/2013	Glaxo Group Limited; 24-04, Inhaler, (EM, 11 Apr 2013) 11 Dec 2013	16539/2013
Ferno-Washington, Inc.; 24-01, Legs and frame of a patient transport device, (US, 17 Jun 2013) 13 Dec 2013	16514/2013	Glaxo Group Limited; 24-04, Inhaler, (EM, 11 Apr 2013) 11 Dec 2013	16536/2013
Ferrari S.p.A.; 12-08, 21-01C, Car; toy-car, (EM, 19 Aug 2013) 19 Dec 2013	16684/2013	Glaxo Group Limited; 24-04, Inhaler, (EM, 11 Apr 2013) 11 Dec 2013	16540/2013
Fibox Oy Ab; 13-03D, Bottom part of casing for electrical device, (EM, 27 Jun 2013) 16 Dec 2013	16576/2013	Glaxo Group Limited; 24-04, Inhaler, (EM, 11 Apr 2013) 11 Dec 2013	16537/2013
Flat Out Dreaming Pty Ltd; 12-06C, A boat, (EM, 07 Jun 2013) 06 Dec 2013	16387/2013	Glaxo Group Limited; 24-04, Inhaler, (EM, 11 Apr 2013) 11 Dec 2013	16532/2013
Forever New Clothing Pty Ltd; 03-01B, Clutch, (Divisional of 12337/2013) 19 Dec 2013	16691/2013	Glaxo Group Limited; 24-04, Inhaler, (EM, 11 Apr 2013) 11 Dec 2013	16534/2013
Forever New Clothing Pty Ltd; 03-01B, Bag, (Divisional of 12337/2013) 19 Dec 2013	16688/2013	Glaxo Group Limited; 24-04, Inhaler, (EM, 11 Apr 2013) 11 Dec 2013	16535/2013
Forever New Clothing Pty Ltd; 03-01B, Clutch, (Divisional of 12337/2013) 19 Dec 2013	16689/2013	Glaxo Group Limited; 24-04, Inhaler, (EM, 11 Apr 2013) 11 Dec 2013	16533/2013
Forever New Clothing Pty Ltd; 03-01B, Clutch, (Divisional of 12337/2013) 19 Dec 2013	16690/2013	Glaxo Group Limited; 24-04, Inhaler, (EM, 11 Apr 2013) 11 Dec 2013	16530/2013
Forma Lighting Italia S.r.l.; 26-05C, Lighting apparatus, (EM, 06 Jun 2013) 05 Dec 2013	16376/2013	Glaxo Group Limited; 24-04, Inhaler, (EM, 11 Apr 2013) 11 Dec 2013	16531/2013
Furlong, John Joseph; 02-06, Gloves, 13 Dec 2013	16555/2013	Glaxo Group Limited; 24-04, Inhaler, (EM, 11 Apr 2013) 11 Dec 2013	16529/2013
FOCUS Products A/S; 20-03NES, Magnetic board, (DK, 18 Jun 2013) 10 Dec 2013	16446/2013	Glaxo Group Limited; 19-08, Label, (EM, 11 Apr 2013) 11 Dec 2013	16507/2013
Gallagher Group Limited; 25-02C, Electric fence standard, 13 Dec 2013	16541/2013	Glaxo Group Limited; 19-08, Label, (EM, 11 Apr 2013) 11 Dec 2013	16508/2013
Ge, Jian;Kwa, Jeanie; 19-04, A sheet holder, 06 Dec 2013	16386/2013	Glaxo Group Limited; 19-08, Label, (EM, 11 Apr 2013) 11 Dec 2013	16509/2013
Geberit International AG; 23-02C, Closet, (WO, 19 Jul 2013) 05 Dec 2013	16367/2013	Glaxo Group Limited; 19-08, Label, (EM, 11 Apr 2013) 11 Dec 2013	16510/2013
Genera Limited; 09-07NES, Cover roller, (NZ, 02 Jul 2013) 16 Dec 2013	16560/2013	Glaxo Group Limited; 19-08, Label, (EM, 11 Apr 2013) 11 Dec 2013	16511/2013
Gerard Lighting Pty Ltd; 08-99, Optic assembly removal tool, 16 Dec 2013	16572/2013	Glaxo Group Limited; 19-08, Label, (EM, 11 Apr 2013) 11 Dec 2013	16512/2013
Glaxo Group Limited; 19-08, Label, (EM, 11 Apr 2013) 11 Dec 2013	16506/2013	Glaxo Group Limited; 19-08, Label, (EM, 11 Apr 2013) 11 Dec 2013	16513/2013
Glaxo Group Limited; 24-04, Inhaler, (EM, 11 Apr 2013) 11 Dec 2013	16538/2013		

Glaxo Group Limited; 19-08, Label, (EM, 11 Apr 2013) 11 Dec 2013	16515/2013	Groundhog S.A.; 14-01, Wireless speaker system, (EM, 30 Oct 2013) 12 Dec 2013	16498/2013
Glaxo Group Limited; 19-08, Label, (EM, 11 Apr 2013) 11 Dec 2013	16517/2013	Groundhog S.A.; 14-01, Wireless speaker system, (EM, 30 Oct 2013) 12 Dec 2013	16499/2013
Glaxo Group Limited; 19-08, Label, (EM, 11 Apr 2013) 11 Dec 2013	16518/2013	Groundhog S.A.; 14-02, 19-06, USB flash drive, (EM, 22 Oct 2013) 12 Dec 2013	16496/2013
Glaxo Group Limited; 19-08, Label, (EM, 11 Apr 2013) 11 Dec 2013	16519/2013	GYO Systems Pty. Ltd.; 25-02NES, Modular decking system, 13 Dec 2013	16554/2013
Glaxo Group Limited; 19-08, Label, (EM, 11 Apr 2013) 11 Dec 2013	16520/2013	Hammersmith Nominees Pty Ltd; 30-04, Removable cantle panel for equestrian saddles, 19 Dec 2013	16677/2013
Glaxo Group Limited; 19-08, Label, (EM, 11 Apr 2013) 11 Dec 2013	16521/2013	Hangzhou China Art Industrial Co. Ltd.; 26-05D, Light assembly, 24 Dec 2013	16774/2013
Glaxo Group Limited; 19-08, Label, (EM, 11 Apr 2013) 11 Dec 2013	16522/2013	Hangzhou China Art Industrial Co. Ltd.; 06-01G, Sofa, 24 Dec 2013	16775/2013
Glaxo Group Limited; 19-08, Label, (EM, 11 Apr 2013) 11 Dec 2013	16523/2013	Hangzhou China Art Industrial Co. Ltd.; 06-01H, Chair, 24 Dec 2013	16776/2013
Glaxo Group Limited; 19-08, Label, (EM, 11 Apr 2013) 11 Dec 2013	16524/2013	Haworth, Inc.; 06-01F, Chair and work surface, (Divisional of 15547/2013) 17 Dec 2013	16612/2013
Glaxo Group Limited; 19-08, Label, (EM, 11 Apr 2013) 11 Dec 2013	16525/2013	Haworth, Inc.; 06-01F, , 17 Dec 2013	16613/2013
Glaxo Group Limited; 19-08, Label, (EM, 11 Apr 2013) 11 Dec 2013	16526/2013	Hegarty, John; 99-00, An extender, (EM, 19 Jun 2013) 18 Dec 2013	16645/2013
Glaxo Group Limited; 19-08, Label, (EM, 11 Apr 2013) 11 Dec 2013	16527/2013	Hegarty, John; 99-00, An extender, (EM, 19 Jun 2013) 18 Dec 2013	16646/2013
Glaxo Group Limited; 19-08, Label, (EM, 11 Apr 2013) 11 Dec 2013	16528/2013	Hella KGaA Hueck & Co.; 26-06, Light for vehicle, (EM, 12 Jun 2013) 06 Dec 2013	16380/2013
Google, Inc.; 14-03NES, Terrestrial unit for connectivity to a balloon network, (US, 05 Jun 2013) 27 Nov 2013	16208/2013	Herman Miller, Inc.; 06-01G, Couch, (US, 07 Jun 2013) 06 Dec 2013	16382/2013
Gree Electric Appliances, Inc. of Zhuhai; 23-04, Air conditioner case, (CN, 04 Jul 2013) 03 Jan 2014	10014/2014	Herman Miller, Inc.; 12-02, 06-03C, Cart, (US, 07 Jul 2013) 06 Dec 2013	16389/2013
Groundhog S.A.; 14-01, Wireless speaker system, (EM, 30 Oct 2013) 12 Dec 2013	16502/2013	Herman Miller, Inc.; 06-04NES, Storage component, (US, 07 Jun 2013) 06 Dec 2013	16379/2013
Groundhog S.A.; 14-01, Wireless speaker system, (EM, 30 Oct 2013) 12 Dec 2013	16503/2013	Herman Miller, Inc.; 06-01F, Chair and backrest support, (US, 07 Jun 2013) 06 Dec 2013	16378/2013
Groundhog S.A.; 14-01, Wireless speaker system, (EM, 30 Oct 2013) 12 Dec 2013	16500/2013	Herman Miller, Inc.; 06-04B, Storage device, (US, 07 Jun 2013) 06 Dec 2013	16385/2013
Groundhog S.A.; 14-01, Wireless speaker system, (EM, 30 Oct 2013) 12 Dec 2013	16501/2013	Hi Tech Limited; 12-10, Fluid spreader, (NZ, 10 Jun 2013) 09 Dec 2013	16421/2013

Ho, Hoi Ming Michael; 28-03NES, Massaging backrest, (CN, 15 Jul 2013) 02 Jan 2014	10003/2014	Hughes, Paul Edward; 22-05, Bibbed lure, 20 Dec 2013	16748/2013
Homax Products, Inc.; 09-07A, Actuator assembly for an aerosol device, (US, 14 Jun 2013) 16 Dec 2013	16562/2013	Hughes, Paul Edward; 22-05, Popper lure, 20 Dec 2013	16749/2013
Homax Products, Inc.; 09-07A, Actuator assembly for an aerosol device, (US, 14 Jun 2013) 16 Dec 2013	16563/2013	Hunter Douglas Inc.; 06-10, Cellular shade component, (US, 01 Apr 2013) (Divisional of 14971/2013) 06 Dec 2013	16409/2013
Honda Motor Co., Ltd.; 12-08, Automobile, (JP, 28 Jun 2013) 17 Dec 2013	16597/2013	Hunter Douglas Inc.; 06-10, Cellular shade component, (US, 01 Apr 2013) (Divisional of 14971/2013) 06 Dec 2013	16405/2013
Honda Motor Co., Ltd.; 12-16B, Grill for an automobile, (JP, 28 Jun 2013) 20 Dec 2013	16740/2013	Hunter Douglas Inc.; 06-10, Cellular shade component, (US, 01 Apr 2013) (Divisional of 14971/2013) 06 Dec 2013	16406/2013
Honda Motor Co., Ltd.; 12-11, Motorcycle, (JP, 27 Jun 2013) 17 Dec 2013	16604/2013	Intelliskin USA, LLC; 02-02NES, Long sleeve shirt with round neck, (US, 14 Mar 2013) 13 Sep 2013	16709/2013
Honda Motor Co., Ltd.; 12-16C, Front bumper for an automobile, (JP, 28 Jun 2013) 19 Dec 2013	16666/2013	Intelliskin USA, LLC; 02-02NES, Long sleeve shirt with V-neck, (US, 14 Mar 2013) 13 Sep 2013	16710/2013
Honda Motor Co., Ltd.; 12-16B, 12-11, Side cover for motorcycle, (JP, 27 Jun 2013) 17 Dec 2013	16600/2013	Intelliskin USA, LLC; 02-02NES, Short sleeve shirt with V-neck, (US, 14 Mar 2013) 13 Sep 2013	16708/2013
Honda Motor Co., Ltd.; 26-06, Front combination lamp for an automobile, (JP, 28 Jun 2013) 17 Dec 2013	16602/2013	Intelliskin USA, LLC; 02-02NES, Sleeveless shirt with round neck, (US, 14 Mar 2013) 13 Sep 2013	16711/2013
Honda Motor Co., Ltd.; 12-16B, 12-11, Front side cowl for motorcycle, (JP, 27 Jun 2013) 17 Dec 2013	16603/2013	Intelliskin USA, LLC; 02-02NES, Sleeveless shirt with V-neck, (US, 14 Mar 2013) 13 Sep 2013	16712/2013
Honda Motor Co., Ltd.; 12-11, Motorcycle, (JP, 27 Jun 2013) 17 Dec 2013	16601/2013	Invacare Corporation; 06-06F, Bed rail, (US, 14 Mar 2013) (Divisional of 14666/2013) 16 Dec 2013	16578/2013
Honda Motor Co., Ltd.; 12-11, Motorcycle, (JP, 13 Jun 2013) 10 Dec 2013	16434/2013	Invacare Corporation; 14-03NES, Controller, (US, 14 Mar 2013) (Divisional of 14668/2013) 16 Dec 2013	16580/2013
Hoppe, Michael;Morabito, Joshua;Richards, Mark;Smith, Geoff;O'Neill, Chad; 16-01, Camera housing, 19 Dec 2013	16673/2013	Invacare Corporation; 14-03NES, Controller, (US, 14 Mar 2013) (Divisional of 14668/2013) 16 Dec 2013	16581/2013
Hoppe, Michael;Morabito, Joshua;Richards, Mark;Smith, Geoff;O'Neill, Chad; 13-03D, Switch, 19 Dec 2013	16675/2013	ISEKI & CO., LTD.; 12-16N, Cover ring for an exhaust pipe, (JP, 12 Jun 2013) 06 Dec 2013	16401/2013
Hubbell Incorporated; 08-08B, Clip-on bonding washer, (Divisional of 14581/2013) 04 Dec 2013	16361/2013	J Molina & K Molina; 99, T-shirt; Jumper; Jacket; Pants; bag; stationery, 06 Jan 2014	10023/2014
Hubbell Incorporated; 08-08B, Clip-on bonding washer, (Divisional of 14581/2013) 04 Dec 2013	16362/2013	Janome Sewing Machine Company Limited; 15-06, Sewing machine, (JP, 10 Jun 2013) 09 Dec 2013	16415/2013
Hubbell Incorporated; 08-08B, Clip-on bonding washer, (Divisional of 14581/2013) 04 Dec 2013	16359/2013	Jenkins, Anthony; 04-02, Hair brush, 17 Dec 2013	16599/2013
Hughes, Paul Edward; 22-05, Lure, 20 Dec 2013	16750/2013	Jiang, Zhangmei; 08-05P, Pawl pipe wrench, 24 Dec 2013	16781/2013

Johnson & Johnson Vision Care, Inc.; 16-06, Electronic contact lens, (US, 17 May 2013) 07 Nov 2013	15715/2013	KTM-Sportmotorcycle AG; 12-11, A motorcycle, (AT, 19 Aug 2013) 11 Dec 2013	16456/2013
Jorgenson-Watts Pty Ltd; 25-01K, An extrusion, 08 Dec 2013	16411/2013	KTM-Sportmotorcycle AG; 12-11, A motorcycle, (AT, 19 Aug 2013) 11 Dec 2013	16450/2013
JACO Services Pty Ltd; 07-06D, Container opener, 18 Dec 2013	16624/2013	Label S.r.l.; 14-01, Loudspeakers, (IT, 04 Jul 2013) 18 Dec 2013	16630/2013
Karsten Manufacturing Corporation; 21-02C, Golf club head, (US, 14 Jun 2013) 12 Dec 2013	16488/2013	Lee, Wen-Hsien; 13-02, 21-01C, Convertible toy bus/electrical charger, 10 Dec 2013	16440/2013
Kempe, Matthew David;Valeri, Jarahad; 07-04, 09-01F, 07-01F, Gym cup, supplement shaker, protein shaker, 21 Dec 2013	16751/2013	Lee, Wen-Hsien; 21-01D, Toy, 10 Dec 2013	16444/2013
Kenu, Inc.; 14-02, Releasable smartphone leash, 13 Dec 2013	16545/2013	LG Electronics Inc.; 14-03E, Mobile phone, (KR, 02 Aug 2013) 18 Dec 2013	16629/2013
Kenu, Inc.; 14-02, Smartphone protector, 13 Dec 2013	16543/2013	LG Electronics Inc.; 14-02, Tablet PC, (KR, 04 Jul 2013) 03 Jan 2014	10013/2014
Kenu, Inc.; 14-02, Smartphone tripod connector, 13 Dec 2013	16544/2013	LINPAC Packaging Limited; 09-03F, A tray, (EM, 11 Jun 2013) 11 Dec 2013	16464/2013
Kenwood Limited; 07-02L, Coffee maker, (EM, 02 Jul 2013) 16 Dec 2013	16577/2013	LINPAC Packaging Limited; 09-03F, A tray, (EM, 11 Jun 2013) 11 Dec 2013	16471/2013
Kenwood Limited; 31-00, Electric mixer, (EM, 03 Jul 2013) 18 Dec 2013	16631/2013	LINPAC Packaging Limited; 09-03F, A tray, (EM, 11 Jun 2013) 11 Dec 2013	16469/2013
Kenwood Limited; 07-02F, Toaster, (EM, 03 Jul 2013) 17 Dec 2013	16598/2013	LINPAC Packaging Limited; 09-03F, A tray, (EM, 11 Jun 2013) 11 Dec 2013	16467/2013
Kenwood Limited; 07-02F, Toaster, (EM, 05 Jul 2013) 19 Dec 2013	16654/2013	LINPAC Packaging Limited; 09-03F, A tray, (EM, 11 Jun 2013) 11 Dec 2013	16468/2013
Keurig, Incorporated; 07-01F, Beverage carafe, (US, 10 Jul 2013) 31 Dec 2013	16818/2013	LINPAC Packaging Limited; 09-03F, A tray, (EM, 11 Jun 2013) 11 Dec 2013	16465/2013
Keurig, Incorporated; 07-02L, Beverage machine, (US, 10 Jul 2013) 31 Dec 2013	16817/2013	LINPAC Packaging Limited; 09-03F, A tray, (EM, 11 Jun 2013) 11 Dec 2013	16461/2013
Kidsground Pty Ltd; 09-03M, 03-01NES, Toy box, 06 Dec 2013	16394/2013	LINPAC Packaging Limited; 09-03F, A tray, (EM, 11 Jun 2013) 11 Dec 2013	16466/2013
Kimberly-Clark Worldwide, Inc.; 07-05E, Wiping substrate, (US, 13 Jun 2013) 10 Dec 2013	16432/2013	LINPAC Packaging Limited; 09-03F, A tray, (EM, 11 Jun 2013) 11 Dec 2013	16462/2013
Kimberly-Clark Worldwide, Inc.; 07-05E, Wiping substrate, (US, 13 Jun 2013) 10 Dec 2013	16433/2013	MacDon Industries Ltd.; 08-03, Blade for a sickle, (CA, 03 Jul 2013) 18 Dec 2013	16642/2013
Klean Kanteen, Inc.; 09-07B, 07-01NES, A lid, (US, 14 Jun 2013) 05 Dec 2013	16366/2013	MacLatchy, Oliver; 23-01H, Spout, 19 Dec 2013	16660/2013
Konstantinidis, Stephanie; 06-09, Travel pillow, 12 Dec 2013	16480/2013	MacLatchy, Oliver; 23-01H, Spout, 19 Dec 2013	16657/2013
Kwa, Jeanie;Ge, Jian; 19-04, A sheet holder, 06 Dec 2013	16386/2013		

Magi Enterprises Pty Ltd;Beba Enterprises Pty Ltd; 02-02C, Articles of clothing, 24 Jun 2013	16822/2013	Michelin Recherche et Technique S.A.;Compagnie Generale Des Etablissements Michelin; 12-15B, A tyre, 12 Dec 2013	16477/2013
Magi Enterprises Pty Ltd;Beba Enterprises Pty Ltd; 02-02C, 02-02NES, Articles of clothing, 24 Dec 2013	16836/2013	Michelin Recherche et Technique S.A.;Compagnie Generale Des Etablissements Michelin; 12-15B, A tyre, 12 Dec 2013	16476/2013
Magi Enterprises Pty Ltd;Beba Enterprises Pty Ltd; 02-02NES, Articles of clothing, 24 Jun 2013	16827/2013	Michelin Recherche Et Technique S.A.;Compagnie Generale Des Etablissements Michelin; 12-15B, A tyre, (EM, 15 Jul 2013) 03 Jan 2014	10017/2014
Magi Enterprises Pty Ltd;Beba Enterprises Pty Ltd; 02-02NES, Articles of clothing, 24 Jun 2013	16825/2013	Microsoft Corporation; 14-02, 14-04, Display screen with graphical user interface, (US, 06 Sep 2013) 17 Dec 2013	16596/2013
Magi Enterprises Pty Ltd;Beba Enterprises Pty Ltd; 02-02C, Articles of clothing, 24 Jun 2013	16823/2013	Microsoft Corporation; 14-02, 14-04, Display screen with icon group, (US, 06 Sep 2013) 17 Dec 2013	16593/2013
Magi Enterprises Pty Ltd;Beba Enterprises Pty Ltd; 02-02C, Articles of clothing, 24 Jun 2013	16826/2013	Microsoft Corporation; 14-02, 14-04, Display screen with graphical user interface, (US, 10 Sep 2013) 17 Dec 2013	16590/2013
Magi Enterprises Pty Ltd;Beba Enterprises Pty Ltd; 02-02NES, Articles of clothing, 24 Jun 2013	16824/2013	Microsoft Corporation; 14-02, 14-04, Display screen with icon, (US, 06 Sep 2013) 17 Dec 2013	16591/2013
Manrex Pty. Ltd.; 19-01, Visiting card, 20 Aug 2013	14135/2013	Microsoft Corporation; 14-02, Display screen with graphical user interface, (US, 10 Sep 2013) 17 Dec 2013	16589/2013
Mars, Incorporated; 01-06, Pet treat, (US, 19 Jun 2013) 12 Dec 2013	16481/2013	Microsoft Corporation; 14-02, 14-04, Display screen with graphical user interface, (US, 03 Sep 2013) 17 Dec 2013	16595/2013
Mars, Incorporated; 01-06, Pet treat, (US, 19 Jun 2013) 12 Dec 2013	16482/2013	Modolo, Franco Emilio; 06-01F, Laminated timber and leather armchair, 16 Dec 2013	16583/2013
Mars, Incorporated; 01-06, Pet treat, (US, 19 Jun 2013) 10 Dec 2013	16441/2013	Monsanto Technology LLC; 09-02B, Container, (Divisional of 14591/2013) 10 Dec 2013	16435/2013
Mary Kay Inc.; 09-01G, Bottle, (US, 18 Jun 2013) 10 Dec 2013	16437/2013	Morabito, Joshua;Hoppe, Michael;Richards, Mark;Smith, Geoff;O'Neill, Chad; 13-03D, Switch, 19 Dec 2013	16675/2013
Mary Kay Inc.; 09-01G, Bottle, (US, 05 Jun 2013) 05 Dec 2013	16372/2013	Morabito, Joshua;Hoppe, Michael;Richards, Mark;Smith, Geoff;O'Neill, Chad; 16-01, Camera housing, 19 Dec 2013	16673/2013
Mayo Hardware Pty Ltd; 25-03, Mail and parcel delivery box, (Divisional of 12428/2013) 24 Dec 2013	16779/2013	Moyle, Dennis; 12-05, Load restraint net, 20 Dec 2013	16747/2013
Mayo Hardware Pty Ltd; 25-03, Mail and parcel delivery box, (Divisional of 12428/2013) 24 Dec 2013	16783/2013	Nachtmann GmbH; 07-01C, Stout glass, (EM, 11 Dec 2013) 19 Dec 2013	16692/2013
McCormick & Company, Incorporated; 09-03NES, Cup packaging, (US, 15 Mar 2013) (Divisional of 14631/2013) 12 Dec 2013	16495/2013	Nicholson, Shane; 24-01, Incubator lid, 24 Dec 2013	16793/2013
McGuire Global Pty Ltd; 23-02B, 23-01A, Bath tub connector, 08 Dec 2013	16412/2013		
Michelin Recherche et Technique S.A.;Compagnie Generale Des Etablissements Michelin; 12-15B, A tyre, 12 Dec 2013	16478/2013		

Ningbo Ledeshi Electric Equipment Co. Limited; 26-05C, A light, (CN, 24 May 2013) 17 Dec 2013	16606/2013	Pressform Engineering Pty Ltd; 08-08B, Anchor bolt, 10 Dec 2013	16439/2013
Ningbo Ledeshi Electric Equipment Co. Limited; 26-05C, A light, (CN, 24 May 2013) 17 Dec 2013	16605/2013	PRODUCTION IMAGING PTY LTD; 03-01NES, 21-01L, Game box, 02 Jan 2014	10005/2014
Nintendo Co., Ltd.; 14-02, Portable computer, (JP, 23 Aug 2013) 06 Jan 2014	10019/2014	ResMed Limited; 24-01, Positive airway pressure delivery console, (US, 31 May 2013) 27 Nov 2013	16209/2013
Nissan Jidosha Kabushiki Kaisha; 12-16B, Radiator grill for automobile, (JP, 26 Jun 2013) 20 Dec 2013	16728/2013	Richards, Mark;Hoppe, Michael;Morabito, Joshua;Smith, Geoff;O'Neill, Chad; 13-03D, Switch, 19 Dec 2013	16675/2013
Nissan Jidosha Kabushiki Kaisha; 12-08, Cabin for truck, (JP, 26 Jun 2013) 20 Dec 2013	16726/2013	Richards, Mark;Hoppe, Michael;Morabito, Joshua;Smith, Geoff;O'Neill, Chad; 16-01, Camera housing, 19 Dec 2013	16673/2013
Nissan Jidosha Kabushiki Kaisha; 26-06, Front headlight for automobile, (JP, 19 Jun 2013) 13 Dec 2013	16547/2013	Rochfort, Ian; 12-16P, Anchor 12-16P, 04 Jan 2014	10018/2014
Novartis AG; 09-01NES, Bottle, (US, 12 Jun 2013) 12 Dec 2013	16490/2013	Romak Hardware Distributors (Australia) Pty Ltd; 08-07, Door lock, 17 Dec 2013	16617/2013
Novartis AG; 09-01NES, Bottle, (US, 12 Jun 2013) 12 Dec 2013	16487/2013	RARE AUDIO PTY LTD; 14-03NES, Audio amplifier; power amplifier, 05 Dec 2013	16377/2013
O'Brien, James; 06-01H, Reclining chair, 12 Dec 2013	16497/2013	S. C. Johnson & Son, Inc.; 09-01A, Dispenser, (US, 17 Jun 2013) 06 Dec 2013	16383/2013
O'Keefe, Stephen John; 25-02H, Shutter, 04 Dec 2013	16363/2013	S. C. Johnson & Son, Inc.; 09-05, Capsule containing a fluid, (US, 12 Jul 2013) 06 Jan 2014	10021/2014
O'Neill, Chad;Hoppe, Michael;Morabito, Joshua;Richards, Mark;Smith, Geoff; 13-03D, Switch, 19 Dec 2013	16675/2013	S. C. Johnson & Son, Inc.; 09-05, Capsule containing a fluid, (US, 12 Jul 2013) 06 Jan 2014	10022/2014
O'Neill, Chad;Hoppe, Michael;Morabito, Joshua;Richards, Mark;Smith, Geoff; 16-01, Camera housing, 19 Dec 2013	16673/2013	S. C. Johnson & Son, Inc.; 09-01A, Dispenser, (US, 17 Jun 2013) 06 Dec 2013	16384/2013
Oi Oi Pty Ltd; 03-01B, Bag, 13 Dec 2013	16621/2013	S. C. Johnson & Son, Inc.; 28-03NES, Dispenser with applicator, (US, 17 Jun 2013) 12 Dec 2013	16484/2013
OMEGA SA (OMEGA AG) (OMEGA LTD.); 10-02, Watch, (CH, 21 Jun 2013) 16 Dec 2013	16584/2013	S. C. Johnson & Son, Inc.; 07-07NES, Holder for a burnable substrate, (US, 19 Jun 2013) 16 Dec 2013	16557/2013
OMEGA SA (OMEGA AG) (OMEGA LTD.); 10-07, Dial, (CH, 21 Jun 2013) 16 Dec 2013	16582/2013	S.C. Johnson & Son, Inc.; 28-03NES, Dispenser with cap, (US, 17 Jun 2013) 11 Dec 2013	16448/2013
OMEGA SA (OMEGA AG) (OMEGA LTD.); 02-07A, Buckle, (CH, 21 Jun 2013) 16 Dec 2013	16579/2013	S.C. Johnson & Son, Inc.; 28-03NES, Dispenser with cap, (US, 17 Jun 2013) 11 Dec 2013	16447/2013
OMF Engineering Pty Ltd; 12-16NES, Air intake for a motor vehicle, 18 Dec 2013	16723/2013	Samsonite IP Holdings S.a r.l.; 03-01A, Luggage, (EP, 02 Jul 2013) 30 Dec 2013	16816/2013
Pfzner Performance Gearbox Pty Ltd; 12-16NES, Micro activation device, 19 Dec 2013	16648/2013	Samsung Electronics Co., Ltd.; 14-02, 10-02, Portion of an electronic device, (KR, 30 Aug 2013) 27 Dec 2013	16809/2013
Polymaster Pty Ltd; 23-01F, Tank, 10 Dec 2013	16438/2013	Samsung Electronics Co., Ltd.; 14-02, Electronic device, (KR, 30 Aug 2013) 24 Dec 2013	16801/2013

Samsung Electronics Co., Ltd.; 14-02, Electronic device, (KR, 30 Aug 2013) 24 Dec 2013	16802/2013	Samsung Electronics Co., Ltd.; 14-02, 14-01, Display screen with graphical user interface, (KR, 05 Jun 2013) 04 Dec 2013	16364/2013
Samsung Electronics Co., Ltd.; 14-02, Electronic device, (KR, 30 Aug 2013) 24 Dec 2013	16797/2013	Sandvik Intellectual Property AB; 15-99, Crushing shell, (EM, 27 Jun 2013) 12 Dec 2013	16492/2013
Samsung Electronics Co., Ltd.; 14-02, Electronic device, (KR, 30 Aug 2013) 24 Dec 2013	16798/2013	Sandvik Intellectual Property AB; 15-99, Crushing jaw for a jaw crusher, (EM, 02 Jul 2013) 19 Dec 2013	16658/2013
Samsung Electronics Co., Ltd.; 14-02, Portion of an electronic device, (KR, 30 Aug 2013) 24 Dec 2013	16795/2013	Sandvik Intellectual Property AB; 15-99, Crushing Jaw for a Jaw Crusher, (EM, 02 Jul 2013) 19 Dec 2013	16659/2013
Samsung Electronics Co., Ltd.; 14-02, Electronic device, (KR, 30 Aug 2013) 24 Dec 2013	16796/2013	Sandvik Intellectual Property AB; 08-99, Adaptor for an inverted pick system, (EM, 09 Jul 2013) 20 Dec 2013	16700/2013
Samsung Electronics Co., Ltd.; 14-02, Electronic device, (KR, 30 Aug 2013) 24 Dec 2013	16794/2013	Sandvik Intellectual Property AB; 08-99, Adaptor for an inverted pick system, (EM, 09 Jul 2013) 20 Dec 2013	16701/2013
Samsung Electronics Co., Ltd.; 14-02, Electronic device, (KR, 30 Aug 2013) 24 Dec 2013	16803/2013	Sandvik Intellectual Property AB; 08-99, Adaptor for an inverted pick system, (EM, 09 Jul 2013) 20 Dec 2013	16702/2013
Samsung Electronics Co., Ltd.; 14-02, Electronic device, (KR, 30 Aug 2013) 24 Dec 2013	16799/2013	Sandvik Intellectual Property AB; 08-99, Adaptor for an inverted pick system, (EM, 09 Jul 2013) 20 Dec 2013	16703/2013
Samsung Electronics Co., Ltd.; 14-02, Electronic device, (KR, 30 Aug 2013) 24 Dec 2013	16800/2013	Sandvik Intellectual Property AB; 08-99, Adaptor for an inverted pick system, (EM, 09 Jul 2013) 20 Dec 2013	16704/2013
Samsung Electronics Co., Ltd.; 14-02, 10-02, Electronic device, (KR, 30 Aug 2013) 27 Dec 2013	16807/2013	Sandvik Intellectual Property AB; 08-99, Adaptor for an inverted pick system, (EM, 09 Jul 2013) 20 Dec 2013	16705/2013
Samsung Electronics Co., Ltd.; 14-02, 10-02, Electronic device, (KR, 30 Aug 2013) 27 Dec 2013	16810/2013	Sandvik Intellectual Property AB; 08-99, Adaptor for an inverted pick system, (EM, 09 Jul 2013) 20 Dec 2013	16706/2013
Samsung Electronics Co., Ltd.; 14-02, 10-02, Electronic device, (KR, 30 Aug 2013) 27 Dec 2013	16811/2013	Sandvik Intellectual Property AB; 15-99, Crushing shell, (EM, 27 Jun 2013) 12 Dec 2013	16494/2013
Samsung Electronics Co., Ltd.; 14-02, 10-02, Electronic device, (KR, 30 Aug 2013) 27 Dec 2013	16812/2013	Sandvik Intellectual Property AB; 15-99, Crushing shell, (EM, 27 Jun 2013) 12 Dec 2013	16493/2013
Samsung Electronics Co., Ltd.; 14-02, 10-02, Electronic device, (KR, 30 Aug 2013) 27 Dec 2013	16808/2013	Sandvik Mining and Construction Australia (Production/Supply) Pty Ltd; 12-16NES, Console for drill rig, 06 Dec 2013	16410/2013
Samsung Electronics Co., Ltd.; 14-02, 10-02, Electronic device, (KR, 30 Aug 2013) 27 Dec 2013	16814/2013	Savannah Global Pty Ltd; 30-02, Concrete artificial fish habitat/ breakwater module, 20 Dec 2013	16720/2013
Samsung Electronics Co., Ltd.; 14-02, 10-02, Electronic device, (KR, 30 Aug 2013) 27 Dec 2013	16815/2013	Scarpellini, Mark; 15-05, 08-99, A cleaning tool, 13 Dec 2013	16542/2013
Samsung Electronics Co., Ltd.; 14-02, 10-02, Electronic device, (KR, 30 Aug 2013) 27 Dec 2013	16813/2013	Scheppach Fabrikation von Holzbearbeitungsmaschinen GmbH;Xian, Wang; 08-03, Miter saw, (EM, 09 Jul 2013) 20 Dec 2013	16724/2013
Samsung Electronics Co., Ltd.; 14-02, 10-02, Electronic device, (KR, 30 Aug 2013) 27 Dec 2013	16806/2013		

Scheppach Fabrikation von Holzbearbeitungsmaschinen GmbH;Xian, Wang; 08-03, Hand-operated hand saw, (EM, 09 Jul 2013) 20 Dec 2013	16727/2013	Starway International Home-Living Co., Ltd.; 06-01G, Sofa, (CN, 18 Jun 2013) 11 Dec 2013	16455/2013
Sheldon and Hammond Pty Ltd; 07-99NES, A knife block, 05 Dec 2013	16375/2013	Starway International Home-Living Co., Ltd.; 06-01F, Chair, (CN, 18 Jun 2013) 11 Dec 2013	16453/2013
Sheldon and Hammond Pty Ltd; 07-99NES, A knife block, 10 Dec 2013	16425/2013	Starway International Home-Living Co., Ltd.; 06-01F, Chair, (CN, 18 Jun 2013) 11 Dec 2013	16451/2013
Shenzhen Fenda Technology Co., Ltd; 14-01, Loudspeaker box (W18BT), 09 Dec 2013	16423/2013	Starway International Home-Living Co., Ltd.; 06-01F, Chair or bosun chair, (CN, 18 Jun 2013) 11 Dec 2013	16449/2013
Shubin, Steven A. Sr; 03-01NES, Tablet computer holder, (US, 01 Jul 2013) 19 Dec 2013	16667/2013	Steelcase Inc.; 06-01F, Chair, (US, 07 Jun 2013) 06 Dec 2013	16392/2013
Smash Asset Management Pty Ltd; 09-07B, Lid, 16 Dec 2013	16586/2013	Steelcase Inc.; 06-01F, Chair, (US, 07 Jun 2013) 06 Dec 2013	16390/2013
Smith, Geoff;Hoppe, Michael;Morabito, Joshua;Richards, Mark;O'Neill, Chad; 13-03D, Switch, 19 Dec 2013	16675/2013	Stolp, Andrew; 09-03M, 03-01NES, A storage box, 04 Dec 2013	16365/2013
Smith, Geoff;Hoppe, Michael;Morabito, Joshua;Richards, Mark;O'Neill, Chad; 16-01, Camera housing, 19 Dec 2013	16673/2013	Tai, Kasey; 08-03, Knife, 03 Jan 2014	10012/2014
Societe des Produits Nestle S.A.; 01-01, A chocolate tablet, (CH, 13 Jun 2013) 11 Dec 2013	16458/2013	Tecmen Electronics CO., LTD.; 24-01, 02-03, Air supply, 16 Dec 2013	16570/2013
Societe des Produits Nestle S.A.; 01-01, A chocolate tablet, (CH, 13 Jun 2013) 11 Dec 2013	16457/2013	Tecmen Electronics CO., LTD.; 24-01, 02-03, Air supply, 16 Dec 2013	16569/2013
Sony Computer Entertainment Inc.; 14-01, Display screen with user interface, (JP, 07 Jun 2013) 05 Dec 2013	16373/2013	Tecmen Electronics CO., LTD.; 24-01, Respirator, 16 Dec 2013	16566/2013
Sony Computer Entertainment Inc.; 14-01, Display screen with user interface, (JP, 07 Jun 2013) 05 Dec 2013	16368/2013	Tecmen Electronics CO., LTD.; 02-03, Head belt, 16 Dec 2013	16567/2013
Spectralink Corporation; 14-03E, Wireless handset, (US, 10 Jun 2013) 09 Dec 2013	16418/2013	Tecmen Electronics CO., LTD.; 02-03, Welding helmet, 16 Dec 2013	16564/2013
Spectralink Corporation; 14-03E, Wireless handset, (US, 10 Jun 2013) 09 Dec 2013	16420/2013	Tecmen Electronics CO., LTD.; 02-03, Head belt, 16 Dec 2013	16565/2013
Spectralink Corporation; 14-03E, Wireless handset, (US, 10 Jun 2013) 09 Dec 2013	16419/2013	Tepra Pty Ltd; 12-16NES, Go kart wheel alignment adjustor, 08 Dec 2013	16413/2013
Sperling Enterprises Pty Limited; 21-02D, Swim fin, 17 Dec 2013	16611/2013	Terumo Kabushiki Kaisha; 24-02, Medical syringe, (JP, 02 Oct 2013) 09 Dec 2013	16422/2013
Starway International Home-Living Co., Ltd.; 06-01F, Chair, (CN, 18 Jun 2013) 11 Dec 2013	16452/2013	The Absolut Company Aktiebolag; 09-01NES, Bottle, (EM, 15 May 2013) 08 Nov 2013	15725/2013
Starway International Home-Living Co., Ltd.; 06-03B, Table, (CN, 18 Jun 2013) 11 Dec 2013	16454/2013	The Coca-Cola Company; 09-01NES, Bottle, (US, 06 Jun 2013) 06 Dec 2013	16381/2013
		The Gillette Company; 28-03A, Lubricating strip, (US, 25 Jun 2013) 10 Dec 2013	16442/2013

The Gillette Company; 28-03A, Lubricating strip, (US, 25 Jun 2013) 10 Dec 2013	16443/2013	Victaulic Company; 23-01A, Pipe coupling segment, (US, 01 Jul 2013) 24 Dec 2013	16777/2013
The IAMS Company; 09-05, Pet food package, (US, 07 Jun 2013) 05 Dec 2013	16374/2013	Victaulic Company; 23-01A, Pipe coupling segment, (US, 01 Jul 2013) 24 Dec 2013	16782/2013
The Periodic Breathing Foundation, LLC; 29-02, 24-01, 24-04, Breathing mask, (US, 10 Jun 2013) 10 Dec 2013	16445/2013	Victaulic Company; 23-01A, Pipe coupling segment, (US, 01 Jul 2013) 24 Dec 2013	16778/2013
The Stanley Works Israel Ltd.; 03-01D, Organiser, (EM, 19 Jun 2013) 19 Dec 2013	16697/2013	Water Tech LLC; 15-05, Hand-held submersible broom vacuum cleaner, (US, 25 Jun 2013) 10 Dec 2013	16436/2013
The Trustee for Kozzae Family Trust; 23-01E, 23-01NES, Portable automatic water leveller, 16 Dec 2013	16585/2013	Water Tech LLC; 15-05, Hand-held submersible pool and spa vacuum, (US, 12 Jul 2013) 19 Dec 2013	16668/2013
The Trustee for Lavash 3S Bakery Unit Trust; 99-00, Lavash 3S bakery, 16 Dec 2013	16575/2013	Watkins, Stephen Michael; 12-01, Sulky, 04 Dec 2013	16360/2013
The Trustee for MGDC TRUST; 06-04NES, Profile of undefined length; shelf, 20 Dec 2013	16717/2013	Windy Hill Spirits, Inc.; 09-07A, Pour spout, (US, 02 Jul 2013) 02 Jan 2014	10000/2014
Towline Automotive Pty Ltd; 12-16L, A ball mount, 20 Dec 2013	16741/2013	Wong, Yan Kwong; 07-04, Salad vegetable spinner, (HK, 16 Jul 2013) 03 Jan 2014	10015/2014
Towline Automotive Pty Ltd; 12-16L, A ball mount, 20 Dec 2013	16744/2013	Wyoming West, LLC; 14-01, Speaker, (US, 07 Jun 2013) 06 Dec 2013	16402/2013
Trebilcock, Adele Tanya; 15-07, 08-06, Fridge, freezer, 24 Dec 2013	16804/2013	Wyoming West, LLC; 14-01, Speaker, (US, 07 Jun 2013) 06 Dec 2013	16403/2013
Trio Brothers Trading Pty Ltd; 09-01NES, 07-06NES, Oil pourer stem, 06 Dec 2013	16393/2013	WCSA PTY LTD; 12-15B, Tyres, 19 Dec 2013	16698/2013
TriMas Corporation Pty Ltd; 12-16L, Towbar, 10 Dec 2013	16426/2013	WIPF AG; 23-01K, Valve, 20 Dec 2013	16738/2013
TriMas Corporation Pty Ltd; 12-16L, Hitch pin, 10 Dec 2013	16427/2013	WIRTGEN GmbH; 99-00, Wear protective skid, (EM, 25 Jul 2013) 12 Dec 2013	16474/2013
Tyco Fire Products LP; 23-01A, Pipe fitting, (Divisional of 14992/2013) 18 Dec 2013	16623/2013	Xian, Wang;Scheppach Fabrikation von Holzbearbeitungsmaschinen GmbH; 08-03, Miter saw, (EM, 09 Jul 2013) 20 Dec 2013	16724/2013
TRIO BROTHERS TRADING PTY LTD; 09-01NES, 07-06NES, Oil pourer stem, 06 Dec 2013	16396/2013	Xian, Wang;Scheppach Fabrikation von Holzbearbeitungsmaschinen GmbH; 08-03, Hand-operated hand saw, (EM, 09 Jul 2013) 20 Dec 2013	16727/2013
TRIO BROTHERS TRADING PTY LTD; 09-01NES, 07-06NES, Oil pourer stem, 06 Dec 2013	16398/2013	Yale Prima Pty Ltd; 13-03D, A powerboard, 20 Dec 2013	16731/2013
TRIO BROTHERS TRADING PTY LTD; 27-02, Dry tobacco pipe, 06 Dec 2013	16397/2013	Yale Prima Pty Ltd; 13-03D, A powerboard, 20 Dec 2013	16734/2013
Unibind Limited; 19-04, Binding map, (EP, 06 Jun 2013) 06 Dec 2013	16407/2013	Yale Prima Pty Ltd; 13-03D, A powerboard, 20 Dec 2013	16735/2013
Valeri, Jarahad;Kempe, Matthew David; 07-04, 09-01F, 07-01F, Gym cup, supplement shaker, protein shaker, 21 Dec 2013	16751/2013	Yale Prima Pty Ltd; 13-03D, A powerboard, 20 Dec 2013	16732/2013
Victaulic Company; 23-01A, Pipe coupling segment, (US, 01 Jul 2013) 24 Dec 2013	16780/2013	Yale Prima Pty Ltd; 13-03D, A flexible powerboard, 20 Dec 2013	16733/2013

YSP CO., LTD.; 24-02, Blood lancet, (TW, 11 Oct 2013) 26 Dec 2013	16805/2013	ZHEJIANG JOJOY LEISURE PRODUCTS CO.,LTD.; 06-01NES, Hammock, (CN, 18 Sep 2013) 11 Dec 2013	16473/2013
Zanerobe Global Brands Pty Ltd; 02-02C, Article of clothing, (Divisional of 15622/2013) 19 Dec 2013	16663/2013	3M Innovative Properties Company; 08-08G, Hook, (US, 01 Jul 2013) 02 Jan 2014	10004/2014
Zanerobe Global Brands Pty Ltd; 02-02C, Article of clothing, (Divisional of 15622/2013) 19 Dec 2013	16664/2013		

Applications Withdrawn

15372 / 2013 (19-08) 15500 / 2013 (23-01NES)

Applications Lapsed

12264 / 2013 (02-02C)

Extension of Period of Registration of Designs

321795	322518	323739
323824	323840	324214
324219	324275	324276
324290	324298	324311
324312	324313	324314
324315	324325	324326
324330	324331	324332
324429	324438	324441
324458	324460	324462
324473	324474	324475
324476	324477	324478
324479	324480	324487
324489	324490	324499
324500	324501	324507
324562	324571	324572
324581	324582	324584
324585	324586	324587
324589	324598	324599
324604	324610	324617
324638	324642	324648
324650	324651	324652
324653	324664	324665
324669	324672	324678
324679	324681	324682
324695	324696	324697
324706	324707	324708
324709	324732	324733
324738	324739	324740
324741	324768	324797
324803	324818	324819
324820	324821	324822
324823	324825	324842
324851	324852	324861
324862	324863	324864
324865	324866	324867
324887	324889	324935
324938	324945	324946
324947	324981	324982
324984	324988	324991
325003	325004	325044
325057	325058	325079
325080	325160	325207
325298	325301	325306
325398	325453	325492
325493	325507	325508
325509	325510	325524
325531	325549	325553
325624	325625	325639
325640	325641	325650
325651	325685	325686
325687	325688	325691

325780	325873	325987
326010	326251	326252
326558	326609	326717
327846		

Revocation of Design Registrations

The following Design Registration(s) have been revoked and are taken never to have been registered:

323099 21-02NES

Registrations Ceased

319995	320166	321109
321110	321111	321169
321172	321173	321181
321182	321272	321307
321308	321316	321318
321334	321336	321345
321347	321357	321359
321360	321363	321364
321365	321371	321372
321391	321394	321396
321398	321399	321401
321402	321403	321404
321422	321423	321428
321580	321697	321698
321731	321778	321807
321922	321923	321924
322107	322108	322154
322155	322258	322274
322275	322391	322448
322521	322776	322783
322787	322788	322789
322795	322797	322798
322799	322800	322802
322804	322805	322891
322892	322915	322960
323001	323002	323023
323024	323025	323026
323122	323140	323152
323358	323429	323726
323842	323843	323844
323845	323846	323847
323935	324901	324902
325201	325202	325203
325204	325205	325907
347006	347100	347148
347896		

Extensions of time granted under Section 137

Applications lodged under section 137 for extension of time have been granted.

348474 **LINPAC Packaging Limited**

348475 **LINPAC Packaging Limited**

348476 **LINPAC Packaging Limited**

353008 **RC02 Washington, Inc.**

351271 **LG Electronics Inc.**

14544/2013 **Hello Products, LLC**

14547/2013 **Hello Products, LLC**

14550/2013 **Hello Products, LLC**

Subsequent Owners Registered

(The name in parentheses is that of the subsequent owner)

300166 (**Alfagomma Australia Pty Ltd**) Mining Equipment (Minquip) Pty Ltd
 332191 (**V&S Polish Brands sp. z.o.o.**) V & S Luksusowa Zielona Gora SA
 341001 (**Load and Move Pty Ltd**) Intermodal Solutions Pty Ltd
 302992 (**Neta Industries Pty Ltd**) PPI Corporation Pty Ltd
 302991 (**Neta Industries Pty Ltd**) PPI Corporation Pty Ltd
 302990 (**Neta Industries Pty Ltd**) PPI Corporation Pty Ltd
 302989 (**Neta Industries Pty Ltd**) PPI Corporation Pty Ltd
 333067 (**Neta Industries Pty Ltd**) PPI Corporation Pty. Ltd.
 324520 (**RE International Pty Ltd**) Simsbiz Pty Ltd
 324521 (**RE International Pty Ltd**) Simsbiz Pty Ltd
 324522 (**RE International Pty Ltd**) Simsbiz Pty Ltd
 324523 (**RE International Pty Ltd**) Simsbiz Pty Ltd
 324524 (**RE International Pty Ltd**) Simsbiz Pty Ltd
 324525 (**RE International Pty Ltd**) Simsbiz Pty Ltd
 324526 (**RE International Pty Ltd**) Simsbiz Pty Ltd
 325905 (**RE International Pty Ltd**) Simsbiz Pty Ltd
 325906 (**RE International Pty Ltd**) Simsbiz Pty Ltd
 312114 (**DTT (Holdings) Pty Ltd**) Diversiory Therapy Technologies Pty Ltd
 312537 (**DTT (Holdings) Pty Ltd**) Diversiory Therapy Technologies Pty Ltd
 343422 (**DTT (Holdings) Pty Ltd**) Diversiory Therapy Technologies Pty Ltd
 343423 (**DTT (Holdings) Pty Ltd**) Diversiory Therapy Technologies Pty Ltd
 343424 (**DTT (Holdings) Pty Ltd**) Diversiory Therapy Technologies Pty Ltd
 343905 (**DTT (Holdings) Pty Ltd**) Diversiory Therapy Technologies Pty Ltd
 343906 (**DTT (Holdings) Pty Ltd**) Diversiory Therapy Technologies Pty Ltd
 343907 (**DTT (Holdings) Pty Ltd**) Diversiory Therapy Technologies Pty Ltd
 343908 (**DTT (Holdings) Pty Ltd**) Diversiory Therapy Technologies Pty Ltd
 330884 (**Seventh Generation Ventures, Inc.**) Move Collective LLC
 339240 (**Seventh Generation Ventures, Inc.**) Move Collective LLC
 339241 (**Seventh Generation Ventures, Inc.**) Move Collective LLC

339244 (**Seventh Generation Ventures, Inc.**) Move Collective LLC
 342396 (**Seventh Generation Ventures, Inc.**) Move Collective LLC
 320367 (**Indian Ocean Medical Inc**) International Patents Inc.
 340000 (**The 2026 Company Pte Ltd**) 2 Walkon Pty Limited
 324419 (**The 2026 Company Pte Ltd**) 2 Walkon Pty Limited
 340001 (**The 2026 Company Pte Ltd**) 2 Walkon Pty Limited
 340002 (**The 2026 Company Pte Ltd**) 2 Walkon Pty Limited

Names Registered - Alterations and Amendments

(The name in parentheses is that of the subsequent applicant)

312685 (**TAKEDA PHARMA A/S**) Nycomed Danmark ApS
 352657 (**MEI, Incorporated**) MEI, Inc.
 309104 (**CUB Pty Ltd**) Foster's Brands Limited
 325057 (**CUB Pty Ltd**) Foster's Australia Limited
 325058 (**CUB Pty Ltd**) Foster's Australia Limited
 330459 (**CUB Pty Ltd**) Foster's Australia Limited
 313041 (**Mondelez UK Holdings & Services Limited**) Cadbury Holdings Limited
 301348 (**Mondelez UK Holdings & Services Limited**) Cadbury Holdings Limited
 301349 (**Mondelez UK Holdings & Services Limited**) Cadbury Holdings Limited
 301350 (**Mondelez UK Holdings & Services Limited**) Cadbury Holdings Limited

Certificate(s) of Examination

Examination of the following Design Registration(s) has been completed. Infringement proceedings may now be commenced.

302388	08-08B	01/12/2013
335685	28-03B	11/12/2013
343709	08-08G	11/12/2013
345098	23-01H	17/12/2013
346015	14-01	16/12/2013
346016	12-16NES	16/12/2013
346699	12-08	20/12/2013
346755	11-01NES	08/01/2014
346756	11-01NES	08/01/2014
347542	12-05	11/12/2013
347543	12-05	11/12/2013
347792	09-07B	06/01/2014
347796	09-07A	07/01/2014
347797	07-01F	06/01/2014
347838	13-03E	16/12/2013
347917	09-05	07/01/2014
348103	14-02	18/12/2013
348194	25-01NES	20/12/2013
348220	10-04	24/12/2013
348221	10-04	24/12/2013
348281	28-03D	12/12/2013
348483	20-03NES	18/12/2013
348531	20-03NES	18/12/2013
348535	20-03NES	18/12/2013
348998	07-06C	12/12/2013
349238	12-15A	03/01/2014
349286	09-03M	30/12/2013
349287	09-03M	30/12/2013
349387	14-01	24/12/2013
349388	14-01	24/12/2013
349389	14-01	24/12/2013
350021	19-08	15/12/2013
350022	19-08	15/12/2013
350176	23-03NES	09/12/2013
350219	09-05	09/12/2013
350283	30-04	11/12/2013
350362	15-99	01/12/2013
350363	15-99	01/12/2013
350364	15-99	02/12/2013
350365	21-02F	19/12/2013
350379	09-03D	22/12/2013
350380	09-03D	23/12/2013
350541	09-03D	22/12/2013
351205	09-05	12/12/2013

Publication and Registration Proceedings

Designs Registered

This section provides a concordance between design number and registration number of Designs covered in this journal. It also shows the main class and registration date.

This section covers Registration numbers 352806 to 353195 .

The registration number shown below should be used in all future correspondence.

Design Number	Registration Number	International Classification Code (IDC)	Registration Date	Design Number	Registration Number	International Classification Code (IDC)	Registration Date
11346/2013	353127	02-02A	02/01/2014	14323/2013	352916	07-03	16/12/2013
11693/2013	353133	21-02D	02/01/2014	14353/2013	352917	12-16NES	16/12/2013
11694/2013	353134	21-02D	02/01/2014	14359/2013	352910	27-01	13/12/2013
12080/2013	353135	08-08K	02/01/2014	14366/2013	352842	23-04	11/12/2013
12092/2013	353168	04-01	06/01/2014	14371/2013	352843	23-04	11/12/2013
12093/2013	353169	04-01	06/01/2014	14372/2013	352844	23-04	11/12/2013
12094/2013	353170	04-01	06/01/2014	14398/2013	352988	21-04	17/12/2013
12095/2013	353171	04-01	06/01/2014	14399/2013	352918	21-04	16/12/2013
12096/2013	353172	04-01	06/01/2014	14402/2013	352919	08-06	16/12/2013
12122/2013	353136	09-01F	02/01/2014	14430/2013	353015	08-03	19/12/2013
12246/2013	353137	06-03NES	02/01/2014	14431/2013	353016	08-03	19/12/2013
12254/2013	353138	02-02C	02/01/2014	14434/2013	353017	06-01NES	19/12/2013
12255/2013	353139	02-02C	02/01/2014	14449/2013	352845	14-02	11/12/2013
12256/2013	353140	02-02C	02/01/2014	14458/2013	352886	14-03NES	12/12/2013
12257/2013	353141	02-02NES	02/01/2014	14459/2013	352887	14-03NES	12/12/2013
12258/2013	353142	02-02C	02/01/2014	14505/2013	353009	08-03	18/12/2013
12259/2013	353143	02-02C	02/01/2014	14513/2013	352826	09-02C	10/12/2013
12260/2013	353144	02-02C	02/01/2014	14514/2013	352827	02-02C	10/12/2013
12261/2013	353145	02-02C	02/01/2014	14515/2013	352828	02-02NES	10/12/2013
12262/2013	353146	02-02NES	02/01/2014	14516/2013	352829	02-02C	10/12/2013
12263/2013	353147	02-02NES	02/01/2014	14535/2013	353128	09-05	02/01/2014
12356/2013	352872	07-01NES	11/12/2013	14538/2013	353129	09-05	02/01/2014
12357/2013	352873	07-01NES	11/12/2013	14540/2013	353130	09-05	02/01/2014
12358/2013	352874	07-01NES	11/12/2013	14541/2013	353131	09-05	02/01/2014
12359/2013	352875	07-01NES	11/12/2013	14542/2013	353132	09-05	02/01/2014
12428/2013	353192	25-03	08/01/2014	14551/2013	353010	09-09	18/12/2013
12570/2013	353148	25-03	02/01/2014	14552/2013	353011	09-09	18/12/2013
12598/2013	352876	08-01	11/12/2013	14581/2013	353018	08-08B	19/12/2013
12617/2013	353149	08-06	02/01/2014	14591/2013	353019	09-01NES	19/12/2013
12618/2013	353150	08-06	02/01/2014	14609/2013	352830	03-01NES	10/12/2013
12663/2013	352894	08-08K	12/12/2013	14631/2013	352973	09-03NES	17/12/2013
12664/2013	352895	08-08K	12/12/2013	14651/2013	353012	09-03E	18/12/2013
12665/2013	352896	08-08K	12/12/2013	14653/2013	352911	08-07	13/12/2013
12711/2013	353151	25-01A	02/01/2014	14658/2013	352920	23-04	16/12/2013
12712/2013	353152	25-01A	02/01/2014	14664/2013	353162	02-02NES	03/01/2014
12713/2013	353153	25-01A	02/01/2014	14665/2013	352995	09-03M	18/12/2013
12714/2013	353154	25-01A	02/01/2014	14667/2013	353036	06-06F	20/12/2013
12715/2013	353155	25-01A	02/01/2014	14674/2013	352846	09-07B	11/12/2013
12716/2013	353156	25-01A	02/01/2014	14713/2013	353020	09-05	19/12/2013
13197/2013	353053	08-08L	23/12/2013	14714/2013	353030	09-05	19/12/2013
13219/2013	352914	26-05E	16/12/2013	14727/2013	352974	15-05	17/12/2013
13249/2013	352907	03-01A	13/12/2013	14759/2013	352921	07-01F	16/12/2013
13340/2013	352912	27-01	13/12/2013	14760/2013	352922	09-03NES	16/12/2013
13438/2013	352915	24-99	16/12/2013	14779/2013	353021	26-05D	19/12/2013
13475/2013	353008	09-01NES	18/12/2013	14791/2013	352989	11-01D	17/12/2013
13931/2013	352885	08-08L	12/12/2013	14792/2013	352990	11-01D	17/12/2013
14033/2013	353035	07-02G	20/12/2013	14802/2013	353180	08-05F	08/01/2014
14285/2013	352837	09-01NES	10/12/2013	14812/2013	352991	20-03NES	17/12/2013
14296/2013	352838	29-99	10/12/2013	14836/2013	352923	06-04D	16/12/2013
14297/2013	352839	29-99	10/12/2013	14887/2013	352924	06-04F	16/12/2013

Publication and Registration Proceedings - Designs Registered cont'd

Design Number	Registration Number	International Classification Code (IDC)	Registration Date	Design Number	Registration Number	International Classification Code (IDC)	Registration Date
14914/2013	353022	06-06A	19/12/2013	15628/2013	353023	19-02	19/12/2013
14920/2013	353193	25-01A	08/01/2014	15642/2013	352938	09-08	16/12/2013
14921/2013	353194	25-01A	08/01/2014	15688/2013	353185	14-03NES	08/01/2014
14950/2013	352925	02-03	16/12/2013	15699/2013	352851	02-07D	11/12/2013
14964/2013	353037	16-05	20/12/2013	15715/2013	352852	16-06	11/12/2013
14966/2013	352926	02-02B	16/12/2013	15718/2013	353052	09-03NES	20/12/2013
14971/2013	352927	06-10	16/12/2013	15719/2013	353040	01-01	20/12/2013
14973/2013	352992	06-10	17/12/2013	15720/2013	353041	14-01	20/12/2013
14979/2013	352933	23-01K	16/12/2013	15721/2013	353042	14-01	20/12/2013
14982/2013	352934	23-01K	16/12/2013	15722/2013	353043	06-02	20/12/2013
14993/2013	353181	25-02B	08/01/2014	15724/2013	353044	29-02	20/12/2013
15005/2013	353173	23-01NES	07/01/2014	15725/2013	353045	09-01NES	20/12/2013
15015/2013	352831	25-02A	10/12/2013	15732/2013	353046	12-15A	20/12/2013
15016/2013	352832	20-02C	10/12/2013	15734/2013	353047	07-01E	20/12/2013
15023/2013	353182	06-03C	08/01/2014	15735/2013	353048	25-02A	20/12/2013
15032/2013	353038	06-09	20/12/2013	15736/2013	353049	08-99	20/12/2013
15088/2013	352998	09-03M	18/12/2013	15737/2013	353050	08-05NES	20/12/2013
15089/2013	352999	09-03M	18/12/2013	15756/2013	352996	30-02	18/12/2013
15095/2013	352993	07-02C	17/12/2013	15757/2013	353103	14-01	24/12/2013
15099/2013	353000	15-07	18/12/2013	15815/2013	352939	30-02	16/12/2013
15176/2013	352954	20-01	16/12/2013	15816/2013	352940	30-02	16/12/2013
15190/2013	352935	20-03NES	16/12/2013	15817/2013	352997	16-06	18/12/2013
15204/2013	352840	15-07	10/12/2013	15821/2013	353013	06-01E	18/12/2013
15218/2013	353174	14-01	07/01/2014	15826/2013	352909	09-03M	13/12/2013
15220/2013	353039	12-16K	20/12/2013	15827/2013	352957	23-01A	16/12/2013
15231/2013	353183	04-04	08/01/2014	15829/2013	352958	08-07	16/12/2013
15232/2013	353031	23-02C	19/12/2013	15863/2013	353195	12-16NES	08/01/2014
15233/2013	353032	23-02C	19/12/2013	15881/2013	352853	06-01F	11/12/2013
15258/2013	353184	02-04NES	08/01/2014	15883/2013	353178	08-03	07/01/2014
15288/2013	353033	24-01	19/12/2013	15886/2013	352854	26-05E	11/12/2013
15333/2013	352847	14-02	11/12/2013	15890/2013	352941	12-10	16/12/2013
15334/2013	352848	14-02	11/12/2013	15891/2013	352942	12-10	16/12/2013
15338/2013	352841	06-13B	10/12/2013	15893/2013	352943	08-01	16/12/2013
15360/2013	352833	21-02C	10/12/2013	15978/2013	353034	08-05H	19/12/2013
15406/2013	352944	02-04NES	16/12/2013	15982/2013	352975	07-05D	17/12/2013
15407/2013	352936	02-04NES	16/12/2013	15989/2013	353176	06-02	07/01/2014
15426/2013	353001	20-02E	18/12/2013	15991/2013	353005	12-16B	18/12/2013
15428/2013	353002	20-02E	18/12/2013	15996/2013	353054	25-01D	23/12/2013
15429/2013	353003	20-02E	18/12/2013	15997/2013	353055	25-01D	23/12/2013
15430/2013	353004	20-02E	18/12/2013	16026/2013	352976	07-02K	17/12/2013
15474/2013	352955	25-01K	16/12/2013	16035/2013	352855	07-02K	11/12/2013
15475/2013	352956	23-01NES	16/12/2013	16038/2013	352856	07-02K	11/12/2013
15478/2013	352945	02-04A	16/12/2013	16041/2013	353051	09-03E	20/12/2013
15490/2013	352913	08-05L	13/12/2013	16042/2013	352977	03-01B	17/12/2013
15499/2013	352834	12-10	10/12/2013	16059/2013	352824	14-02	09/12/2013
15501/2013	352937	07-02D	16/12/2013	16077/2013	352928	06-01E	16/12/2013
15516/2013	352849	25-99	11/12/2013	16081/2013	352929	06-03A	16/12/2013
15521/2013	352850	08-06	11/12/2013	16082/2013	352930	06-03B	16/12/2013
15522/2013	352835	08-06	10/12/2013	16101/2013	352825	02-02NES	09/12/2013
15523/2013	352836	08-06	10/12/2013	16113/2013	352814	02-02NES	09/12/2013
15542/2013	352888	12-10	12/12/2013	16119/2013	352815	02-02NES	09/12/2013
15555/2013	352908	08-99	13/12/2013	16120/2013	352816	02-02NES	09/12/2013
15584/2013	352889	02-02C	12/12/2013	16121/2013	352817	02-02NES	09/12/2013
15622/2013	353175	02-02C	07/01/2014	16122/2013	352818	02-02C	09/12/2013
15626/2013	352890	15-99	12/12/2013	16123/2013	352819	02-02NES	09/12/2013

Publication and Registration Proceedings - Designs Registered cont'd

Design Number	Registration Number	International Classification Code (IDC)	Registration Date	Design Number	Registration Number	International Classification Code (IDC)	Registration Date
16124/2013	352820	02-02NES	09/12/2013	16250/2013	353069	14-02	23/12/2013
16125/2013	352821	02-02NES	09/12/2013	16251/2013	353070	14-02	23/12/2013
16126/2013	352822	02-02NES	09/12/2013	16252/2013	353071	14-02	23/12/2013
16148/2013	352946	08-07	16/12/2013	16253/2013	353072	14-02	23/12/2013
16149/2013	352947	08-07	16/12/2013	16254/2013	353073	14-02	23/12/2013
16150/2013	352948	08-07	16/12/2013	16255/2013	353074	15-05	23/12/2013
16151/2013	352949	23-02A	16/12/2013	16256/2013	353075	07-02L	23/12/2013
16152/2013	352950	08-03	16/12/2013	16259/2013	353076	14-01	23/12/2013
16153/2013	352951	14-01	16/12/2013	16260/2013	353077	14-01	23/12/2013
16154/2013	352952	14-01	16/12/2013	16261/2013	353078	14-01	23/12/2013
16155/2013	352953	14-01	16/12/2013	16262/2013	353079	14-01	23/12/2013
16156/2013	352823	02-02NES	09/12/2013	16263/2013	353080	14-01	23/12/2013
16158/2013	352857	08-10	11/12/2013	16264/2013	353081	14-01	23/12/2013
16159/2013	352959	12-16NES	16/12/2013	16265/2013	353082	14-01	23/12/2013
16160/2013	352960	08-06	16/12/2013	16266/2013	353083	14-01	23/12/2013
16168/2013	352858	06-06D	11/12/2013	16267/2013	353084	14-01	23/12/2013
16169/2013	352859	06-06D	11/12/2013	16268/2013	352861	14-01	11/12/2013
16170/2013	352860	06-06D	11/12/2013	16269/2013	353085	14-01	23/12/2013
16188/2013	352806	09-03F	09/12/2013	16270/2013	353104	14-01	24/12/2013
16197/2013	352807	24-02	09/12/2013	16271/2013	353105	14-01	24/12/2013
16198/2013	352808	24-02	09/12/2013	16272/2013	353106	14-01	24/12/2013
16199/2013	352809	10-07	09/12/2013	16273/2013	353107	14-01	24/12/2013
16200/2013	352810	10-02	09/12/2013	16274/2013	353108	14-01	24/12/2013
16201/2013	352811	13-03NES	09/12/2013	16275/2013	353109	14-01	24/12/2013
16203/2013	352812	10-02	09/12/2013	16278/2013	353110	14-01	24/12/2013
16204/2013	352813	10-02	09/12/2013	16279/2013	353111	14-01	24/12/2013
16210/2013	353006	14-01	18/12/2013	16280/2013	353112	14-01	24/12/2013
16211/2013	353007	14-01	18/12/2013	16281/2013	353113	14-01	24/12/2013
16214/2013	352961	14-01	16/12/2013	16285/2013	353190	14-01	08/01/2014
16215/2013	352962	12-11	16/12/2013	16286/2013	353191	14-01	08/01/2014
16216/2013	352963	14-01	16/12/2013	16294/2013	353086	23-02NES	23/12/2013
16217/2013	352964	14-01	16/12/2013	16296/2013	353177	15-09	07/01/2014
16219/2013	352965	08-08H	16/12/2013	16297/2013	352862	14-02	11/12/2013
16220/2013	352966	08-08H	16/12/2013	16298/2013	352863	14-02	11/12/2013
16221/2013	352967	08-08H	16/12/2013	16299/2013	352864	14-02	11/12/2013
16222/2013	352968	07-04	16/12/2013	16300/2013	352865	14-02	11/12/2013
16223/2013	352969	07-04	16/12/2013	16301/2013	352866	14-02	11/12/2013
16225/2013	352970	13-02	16/12/2013	16302/2013	352867	14-02	11/12/2013
16226/2013	353186	04-02	08/01/2014	16303/2013	352931	14-02	16/12/2013
16227/2013	353187	04-02	08/01/2014	16304/2013	352868	14-02	11/12/2013
16228/2013	353188	04-02	08/01/2014	16305/2013	352869	14-02	11/12/2013
16229/2013	353189	04-02	08/01/2014	16306/2013	352870	14-02	11/12/2013
16231/2013	353056	04-02	23/12/2013	16307/2013	352871	09-03L	11/12/2013
16236/2013	353057	04-02	23/12/2013	16308/2013	352877	26-05A	11/12/2013
16237/2013	353058	26-05B	23/12/2013	16309/2013	353179	13-03D	07/01/2014
16238/2013	353059	12-08	23/12/2013	16310/2013	352878	08-99	11/12/2013
16239/2013	353060	25-01K	23/12/2013	16311/2013	352891	14-02	12/12/2013
16240/2013	353061	13-02	23/12/2013	16312/2013	352892	14-02	12/12/2013
16241/2013	353062	06-06G	23/12/2013	16313/2013	352893	14-02	12/12/2013
16243/2013	353063	14-01	23/12/2013	16314/2013	352906	14-02	12/12/2013
16244/2013	353064	12-15B	23/12/2013	16315/2013	352902	14-02	12/12/2013
16245/2013	353065	23-04	23/12/2013	16316/2013	352903	14-02	12/12/2013
16246/2013	353066	03-01B	23/12/2013	16317/2013	352897	14-02	12/12/2013
16247/2013	353067	23-04	23/12/2013	16318/2013	352898	14-02	12/12/2013
16249/2013	353068	14-02	23/12/2013	16319/2013	352899	14-02	12/12/2013

Publication and Registration Proceedings - Designs Registered cont'd

Design Number	Registration Number	International Classification Code (IDC)	Registration Date	Design Number	Registration Number	International Classification Code (IDC)	Registration Date
16320/2013	352879	14-02	11/12/2013	16361/2013	353119	08-08B	24/12/2013
16321/2013	352880	14-02	11/12/2013	16362/2013	353120	08-08B	24/12/2013
16322/2013	352881	14-02	11/12/2013	16363/2013	353121	25-02H	24/12/2013
16323/2013	352882	14-02	11/12/2013	16365/2013	353122	09-03M	24/12/2013
16324/2013	352883	14-02	11/12/2013	16366/2013	352980	09-07B	17/12/2013
16325/2013	352884	14-02	11/12/2013	16367/2013	352981	23-02C	17/12/2013
16326/2013	353087	14-02	23/12/2013	16370/2013	352982	15-05	17/12/2013
16330/2013	352900	07-02L	12/12/2013	16371/2013	352983	15-05	17/12/2013
16332/2013	352904	10-04	12/12/2013	16374/2013	352984	09-05	17/12/2013
16333/2013	352905	10-04	12/12/2013	16375/2013	352994	07-99NES	17/12/2013
16335/2013	352932	23-04	16/12/2013	16380/2013	353024	26-06	19/12/2013
16336/2013	352971	14-03NES	16/12/2013	16381/2013	353025	09-01NES	19/12/2013
16337/2013	352972	14-03NES	16/12/2013	16387/2013	353026	12-06C	19/12/2013
16338/2013	353088	21-02F	23/12/2013	16390/2013	353027	06-01F	19/12/2013
16339/2013	353089	09-03A	23/12/2013	16392/2013	353123	06-01F	24/12/2013
16340/2013	353090	27-01	23/12/2013	16394/2013	353124	09-03M	24/12/2013
16341/2013	353091	27-01	23/12/2013	16395/2013	353125	24-01	24/12/2013
16342/2013	353092	09-03A	23/12/2013	16397/2013	353126	27-02	24/12/2013
16343/2013	353093	14-02	23/12/2013	16399/2013	353157	24-01	03/01/2014
16344/2013	353094	14-02	23/12/2013	16400/2013	353158	24-01	03/01/2014
16345/2013	353095	14-02	23/12/2013	16401/2013	353159	12-16N	03/01/2014
16346/2013	353096	02-02NES	23/12/2013	16406/2013	352985	06-10	17/12/2013
16347/2013	352901	25-01K	12/12/2013	16408/2013	352986	24-02	17/12/2013
16348/2013	353097	12-10	23/12/2013	16409/2013	352987	06-10	17/12/2013
16349/2013	353098	08-08G	23/12/2013	16411/2013	353028	25-01K	19/12/2013
16350/2013	353114	01-06	24/12/2013	16413/2013	353029	12-16NES	19/12/2013
16351/2013	353115	01-06	24/12/2013	16416/2013	353160	31-00	03/01/2014
16352/2013	353099	06-06NES	23/12/2013	16417/2013	353161	31-00	03/01/2014
16353/2013	353100	06-06NES	23/12/2013	16546/2013	353014	09-03E	18/12/2013
16354/2013	353101	06-06NES	23/12/2013	16708/2013	353163	02-02NES	03/01/2014
16355/2013	353102	02-02NES	23/12/2013	16709/2013	353164	02-02NES	03/01/2014
16356/2013	353116	06-06NES	24/12/2013	16710/2013	353165	02-02NES	03/01/2014
16357/2013	352978	21-01C	17/12/2013	16711/2013	353166	02-02NES	03/01/2014
16358/2013	352979	21-01A	17/12/2013	16712/2013	353167	02-02NES	03/01/2014
16359/2013	353117	08-08B	24/12/2013				
16360/2013	353118	12-01	24/12/2013				

Publication and Registration Proceedings

Class Listing of Designs Published or Registered

The following section shows an International Classification Code listing of the Registered or Published Designs covered in this supplement.

Classification	Registration Number	Design Number	Classification	Registration Number	Design Number
01-01	353040	15719/2013	03-01D	353187	16227/2013
01-06	353114	16350/2013	03-01D	353188	16228/2013
01-06	353115	16351/2013	03-01D	353189	16229/2013
02-01A	353096	16346/2013	03-01NES	352830	14609/2013
02-01A	353102	16355/2013	03-01NES	353122	16365/2013
02-02A	353127	11346/2013	03-01NES	353124	16394/2013
02-02B	352926	14966/2013	04-01	353168	12092/2013
02-02C	352818	16122/2013	04-01	353169	12093/2013
02-02C	352827	14514/2013	04-01	353170	12094/2013
02-02C	352829	14516/2013	04-01	353171	12095/2013
02-02C	352889	15584/2013	04-01	353172	12096/2013
02-02C	353138	12254/2013	04-02	353056	16231/2013
02-02C	353139	12255/2013	04-02	353057	16236/2013
02-02C	353140	12256/2013	04-02	353186	16226/2013
02-02C	353142	12258/2013	04-02	353187	16227/2013
02-02C	353143	12259/2013	04-02	353188	16228/2013
02-02C	353144	12260/2013	04-02	353189	16229/2013
02-02C	353145	12261/2013	04-04	353183	15231/2013
02-02C	353175	15622/2013	06-01E	352928	16077/2013
02-02NES	352814	16113/2013	06-01E	353013	15821/2013
02-02NES	352815	16119/2013	06-01F	352853	15881/2013
02-02NES	352816	16120/2013	06-01F	353027	16390/2013
02-02NES	352817	16121/2013	06-01F	353123	16392/2013
02-02NES	352819	16123/2013	06-01NES	353017	14434/2013
02-02NES	352820	16124/2013	06-02	353043	15722/2013
02-02NES	352821	16125/2013	06-02	353176	15989/2013
02-02NES	352822	16126/2013	06-03A	352929	16081/2013
02-02NES	352823	16156/2013	06-03B	352930	16082/2013
02-02NES	352825	16101/2013	06-03B	353013	15821/2013
02-02NES	352828	14515/2013	06-03C	353182	15023/2013
02-02NES	353096	16346/2013	06-03NES	353137	12246/2013
02-02NES	353102	16355/2013	06-04D	352923	14836/2013
02-02NES	353141	12257/2013	06-04D	352924	14887/2013
02-02NES	353146	12262/2013	06-04F	352923	14836/2013
02-02NES	353147	12263/2013	06-04F	352924	14887/2013
02-02NES	353162	14664/2013	06-06A	353022	14914/2013
02-02NES	353163	16708/2013	06-06D	352858	16168/2013
02-02NES	353164	16709/2013	06-06D	352859	16169/2013
02-02NES	353165	16710/2013	06-06D	352860	16170/2013
02-02NES	353166	16711/2013	06-06F	353036	14667/2013
02-02NES	353167	16712/2013	06-06G	353062	16241/2013
02-03	352925	14950/2013	06-06NES	353099	16352/2013
02-04A	352945	15478/2013	06-06NES	353100	16353/2013
02-04C	353184	15258/2013	06-06NES	353101	16354/2013
02-04NES	352936	15407/2013	06-06NES	353116	16356/2013
02-04NES	352944	15406/2013	06-09	353038	15032/2013
02-04NES	353184	15258/2013	06-10	352927	14971/2013
02-07A	353195	15863/2013	06-10	352985	16406/2013
02-07D	352851	15699/2013	06-10	352987	16409/2013
03-01A	352907	13249/2013	06-10	352992	14973/2013
03-01B	352977	16042/2013	06-13B	352841	15338/2013
03-01B	353066	16246/2013	07-01E	353047	15734/2013
03-01D	353186	16226/2013	07-01F	352921	14759/2013

Registration Proceedings - Class Listing of Designs Published or Registered cont'd

Classification	Registration Number	Design Number	Classification	Registration Number	Design Number
07-01NES	352872	12356/2013	08-08K	353135	12080/2013
07-01NES	352873	12357/2013	08-08L	352885	13931/2013
07-01NES	352874	12358/2013	08-08L	353053	13197/2013
07-01NES	352875	12359/2013	08-10	352857	16158/2013
07-01NES	352980	16366/2013	08-99	352878	16310/2013
07-02C	352993	15095/2013	08-99	352908	15555/2013
07-02D	352937	15501/2013	08-99	353049	15736/2013
07-02G	353035	14033/2013	09-01F	352968	16222/2013
07-02K	352855	16035/2013	09-01F	352969	16223/2013
07-02K	352856	16038/2013	09-01F	353136	12122/2013
07-02K	352976	16026/2013	09-01NES	352837	14285/2013
07-02L	352900	16330/2013	09-01NES	353008	13475/2013
07-02L	353075	16256/2013	09-01NES	353019	14591/2013
07-03	352916	14323/2013	09-01NES	353025	16381/2013
07-04	352968	16222/2013	09-01NES	353045	15725/2013
07-04	352969	16223/2013	09-02C	352826	14513/2013
07-05D	352975	15982/2013	09-03A	353089	16339/2013
07-99NES	352994	16375/2013	09-03A	353092	16342/2013
08-01	352876	12598/2013	09-03E	353012	14651/2013
08-01	352943	15893/2013	09-03E	353014	16546/2013
08-03	352916	14323/2013	09-03E	353051	16041/2013
08-03	352950	16152/2013	09-03F	352806	16188/2013
08-03	353009	14505/2013	09-03K	352939	15815/2013
08-03	353015	14430/2013	09-03K	352940	15816/2013
08-03	353016	14431/2013	09-03L	352871	16307/2013
08-03	353178	15883/2013	09-03M	352872	12356/2013
08-05A	352943	15893/2013	09-03M	352873	12357/2013
08-05F	353180	14802/2013	09-03M	352874	12358/2013
08-05H	353034	15978/2013	09-03M	352909	15826/2013
08-05L	352913	15490/2013	09-03M	352995	14665/2013
08-05NES	353050	15737/2013	09-03M	352998	15088/2013
08-05NES	353180	14802/2013	09-03M	352999	15089/2013
08-06	352835	15522/2013	09-03M	353012	14651/2013
08-06	352836	15523/2013	09-03M	353014	16546/2013
08-06	352850	15521/2013	09-03M	353122	16365/2013
08-06	352919	14402/2013	09-03M	353124	16394/2013
08-06	352960	16160/2013	09-03NES	352922	14760/2013
08-06	353149	12617/2013	09-03NES	352973	14631/2013
08-06	353150	12618/2013	09-03NES	353052	15718/2013
08-07	352911	14653/2013	09-05	352984	16374/2013
08-07	352946	16148/2013	09-05	353020	14713/2013
08-07	352947	16149/2013	09-05	353030	14714/2013
08-07	352948	16150/2013	09-05	353128	14535/2013
08-07	352957	15827/2013	09-05	353129	14538/2013
08-07	352958	15829/2013	09-05	353130	14540/2013
08-08B	353018	14581/2013	09-05	353131	14541/2013
08-08B	353117	16359/2013	09-05	353132	14542/2013
08-08B	353119	16361/2013	09-06	353193	14920/2013
08-08B	353120	16362/2013	09-06	353194	14921/2013
08-08G	353098	16349/2013	09-07A	353050	15737/2013
08-08H	352965	16219/2013	09-07B	352846	14674/2013
08-08H	352966	16220/2013	09-07B	352875	12359/2013
08-08H	352967	16221/2013	09-07B	352922	14760/2013
08-08K	352894	12663/2013	09-07B	352980	16366/2013
08-08K	352895	12664/2013	09-07NES	352904	16332/2013
08-08K	352896	12665/2013	09-07NES	352905	16333/2013

Registration Proceedings - Class Listing of Designs Published or Registered cont'd

Classification	Registration Number	Design Number	Classification	Registration Number	Design Number
09-08	352938	15642/2013	14-01	353081	16264/2013
09-09	353010	14551/2013	14-01	353082	16265/2013
09-09	353011	14552/2013	14-01	353083	16266/2013
09-99	353193	14920/2013	14-01	353084	16267/2013
09-99	353194	14921/2013	14-01	353085	16269/2013
10-02	352810	16200/2013	14-01	353103	15757/2013
10-02	352812	16203/2013	14-01	353104	16270/2013
10-02	352813	16204/2013	14-01	353105	16271/2013
10-04	352904	16332/2013	14-01	353106	16272/2013
10-04	352905	16333/2013	14-01	353107	16273/2013
10-07	352809	16199/2013	14-01	353108	16274/2013
11-01D	352989	14791/2013	14-01	353109	16275/2013
11-01D	352990	14792/2013	14-01	353110	16278/2013
12-01	353118	16360/2013	14-01	353111	16279/2013
12-05	352959	16159/2013	14-01	353112	16280/2013
12-06C	353026	16387/2013	14-01	353113	16281/2013
12-08	353059	16238/2013	14-01	353174	15218/2013
12-08	353097	16348/2013	14-01	353190	16285/2013
12-10	352834	15499/2013	14-01	353191	16286/2013
12-10	352888	15542/2013	14-02	352824	16059/2013
12-10	352917	14353/2013	14-02	352845	14449/2013
12-10	352941	15890/2013	14-02	352847	15333/2013
12-10	352942	15891/2013	14-02	352848	15334/2013
12-10	352959	16159/2013	14-02	352862	16297/2013
12-10	353097	16348/2013	14-02	352863	16298/2013
12-11	352962	16215/2013	14-02	352864	16299/2013
12-15A	353046	15732/2013	14-02	352865	16300/2013
12-15B	353064	16244/2013	14-02	352866	16301/2013
12-16B	353005	15991/2013	14-02	352867	16302/2013
12-16K	353039	15220/2013	14-02	352868	16304/2013
12-16N	353159	16401/2013	14-02	352869	16305/2013
12-16NES	352917	14353/2013	14-02	352870	16306/2013
12-16NES	352959	16159/2013	14-02	352879	16320/2013
12-16NES	353029	16413/2013	14-02	352880	16321/2013
12-16NES	353195	15863/2013	14-02	352881	16322/2013
13-02	352970	16225/2013	14-02	352882	16323/2013
13-02	353061	16240/2013	14-02	352883	16324/2013
13-03D	353179	16309/2013	14-02	352884	16325/2013
13-03NES	352811	16201/2013	14-02	352891	16311/2013
14-01	352861	16268/2013	14-02	352892	16312/2013
14-01	352951	16153/2013	14-02	352893	16313/2013
14-01	352952	16154/2013	14-02	352897	16317/2013
14-01	352953	16155/2013	14-02	352898	16318/2013
14-01	352961	16214/2013	14-02	352899	16319/2013
14-01	352963	16216/2013	14-02	352902	16315/2013
14-01	352964	16217/2013	14-02	352903	16316/2013
14-01	353006	16210/2013	14-02	352906	16314/2013
14-01	353007	16211/2013	14-02	352931	16303/2013
14-01	353041	15720/2013	14-02	352951	16153/2013
14-01	353042	15721/2013	14-02	352952	16154/2013
14-01	353063	16243/2013	14-02	352953	16155/2013
14-01	353076	16259/2013	14-02	352961	16214/2013
14-01	353077	16260/2013	14-02	352964	16217/2013
14-01	353078	16261/2013	14-02	353006	16210/2013
14-01	353079	16262/2013	14-02	353007	16211/2013
14-01	353080	16263/2013	14-02	353068	16249/2013

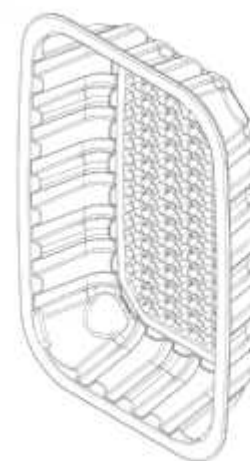
Registration Proceedings - Class Listing of Designs Published or Registered cont'd

Classification	Registration Number	Design Number	Classification	Registration Number	Design Number
14-02	353069	16250/2013	15-07	352840	15204/2013
14-02	353070	16251/2013	15-07	353000	15099/2013
14-02	353071	16252/2013	15-09	353177	16296/2013
14-02	353072	16253/2013	15-99	352890	15626/2013
14-02	353073	16254/2013	16-05	353037	14964/2013
14-02	353087	16326/2013	16-06	352852	15715/2013
14-02	353093	16343/2013	16-06	352997	15817/2013
14-02	353094	16344/2013	19-02	353023	15628/2013
14-02	353095	16345/2013	19-06	353023	15628/2013
14-02	353103	15757/2013	20-01	352954	15176/2013
14-03A	353063	16243/2013	20-02C	352832	15016/2013
14-03A	353068	16249/2013	20-02C	353182	15023/2013
14-03A	353069	16250/2013	20-02E	353001	15426/2013
14-03A	353070	16251/2013	20-02E	353002	15428/2013
14-03A	353071	16252/2013	20-02E	353003	15429/2013
14-03A	353072	16253/2013	20-02E	353004	15430/2013
14-03A	353073	16254/2013	20-03NES	352935	15190/2013
14-03NES	352886	14458/2013	20-03NES	352991	14812/2013
14-03NES	352887	14459/2013	21-01A	352979	16358/2013
14-03NES	352971	16336/2013	21-01C	352978	16357/2013
14-03NES	352972	16337/2013	21-02C	352833	15360/2013
14-03NES	353185	15688/2013	21-02D	353133	11693/2013
14-04	352861	16268/2013	21-02D	353134	11694/2013
14-04	352862	16297/2013	21-02F	353088	16338/2013
14-04	352863	16298/2013	21-04	352918	14399/2013
14-04	352864	16299/2013	21-04	352988	14398/2013
14-04	352865	16300/2013	23-01A	352957	15827/2013
14-04	352866	16301/2013	23-01A	352958	15829/2013
14-04	352867	16302/2013	23-01K	352933	14979/2013
14-04	352868	16304/2013	23-01K	352934	14982/2013
14-04	352869	16305/2013	23-01NES	352956	15475/2013
14-04	352870	16306/2013	23-01NES	353173	15005/2013
14-04	352879	16320/2013	23-02A	352949	16151/2013
14-04	352880	16321/2013	23-02A	353086	16294/2013
14-04	352881	16322/2013	23-02C	352981	16367/2013
14-04	352882	16323/2013	23-02C	353031	15232/2013
14-04	352883	16324/2013	23-02C	353032	15233/2013
14-04	352884	16325/2013	23-02F	352937	15501/2013
14-04	352891	16311/2013	23-02NES	353086	16294/2013
14-04	352892	16312/2013	23-04	352842	14366/2013
14-04	352893	16313/2013	23-04	352843	14371/2013
14-04	352897	16317/2013	23-04	352844	14372/2013
14-04	352898	16318/2013	23-04	352920	14658/2013
14-04	352899	16319/2013	23-04	352932	16335/2013
14-04	352902	16315/2013	23-04	353065	16245/2013
14-04	352903	16316/2013	23-04	353067	16247/2013
14-04	352906	16314/2013	23-99	353180	14802/2013
14-04	352931	16303/2013	24-01	353033	15288/2013
14-04	353087	16326/2013	24-01	353125	16395/2013
14-04	353093	16343/2013	24-01	353157	16399/2013
14-04	353094	16344/2013	24-01	353158	16400/2013
14-04	353095	16345/2013	24-02	352807	16197/2013
15-05	352974	14727/2013	24-02	352808	16198/2013
15-05	352982	16370/2013	24-02	352986	16408/2013
15-05	352983	16371/2013	24-02	353125	16395/2013
15-05	353074	16255/2013	24-02	353157	16399/2013

Registration Proceedings - Class Listing of Designs Published or Registered cont'd

Classification	Registration Number	Design Number	Classification	Registration Number	Design Number
24-02	353158	16400/2013	25-03	353192	12428/2013
24-04	352915	13438/2013	25-99	352849	15516/2013
24-04	353031	15232/2013	26-05A	352877	16308/2013
24-04	353032	15233/2013	26-05B	353058	16237/2013
24-99	352886	14458/2013	26-05D	353021	14779/2013
24-99	352915	13438/2013	26-05E	352854	15886/2013
25-01A	353151	12711/2013	26-05E	352914	13219/2013
25-01A	353152	12712/2013	26-06	353024	16380/2013
25-01A	353153	12713/2013	27-01	352910	14359/2013
25-01A	353154	12714/2013	27-01	352912	13340/2013
25-01A	353155	12715/2013	27-01	353090	16340/2013
25-01A	353156	12716/2013	27-01	353091	16341/2013
25-01A	353193	14920/2013	27-02	353126	16397/2013
25-01A	353194	14921/2013	29-02	352849	15516/2013
25-01D	353054	15996/2013	29-02	353044	15724/2013
25-01D	353055	15997/2013	29-99	352838	14296/2013
25-01K	352901	16347/2013	29-99	352839	14297/2013
25-01K	352955	15474/2013	30-02	352939	15815/2013
25-01K	353028	16411/2013	30-02	352940	15816/2013
25-01K	353060	16239/2013	30-02	352996	15756/2013
25-02A	352831	15015/2013	31-00	353160	16416/2013
25-02A	353048	15735/2013	31-00	353161	16417/2013
25-02B	353181	14993/2013	99	353192	12428/2013
25-02H	353121	16363/2013			
25-02NES	352955	15474/2013			
25-03	353148	12570/2013			

(21) Design Number: **16188/2013**
(22) Date of Filing Application: **28 November 2013**
(24) Date from which industrial property rights may have effect: **28 November 2013**
(54) Product in respect of which the design is registered: **A tray**
(51) International Design Classification: **09-03F**
(74) Name(s) of Attorney(s): **AJ Park**
(71) Name(s) and Address(s) of Applicant(s):
Alto Packaging Limited
Level 6 57 Symonds Street Grafton Auckland 1010 New Zealand
(72) Name(s) of Designer(s): **Steven Long**
(45) Registration Date: **09 December 2013**
(30) Convention priority data:
(31) Number (32) Date (33) Country
417938 16 Aug 2013 NEW ZEALAND
(56) Related Art Documents: **Not Applicable**
(57) Statement of Newness and Distinctiveness: **The design is to be applied to a tray and the novelty resides in the features of shape and/or configuration as shown in the accompanying representations.**



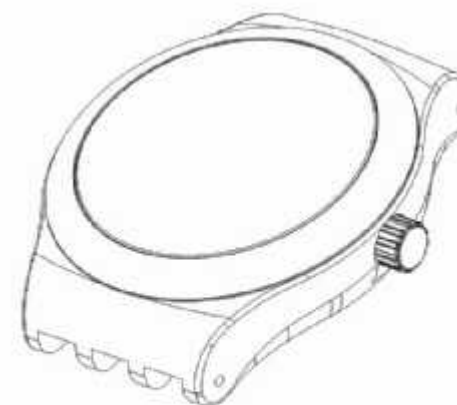
(21) Design Number: **16197/2013**
(22) Date of Filing Application: **28 November 2013**
(24) Date from which industrial property rights may have effect: **28 November 2013**
(54) Product in respect of which the design is registered: **Dispenser for curable compositions**
(51) International Design Classification: **24-02**
(74) Name(s) of Attorney(s): **Shelston IP**
(71) Name(s) and Address(s) of Applicant(s):
Sika Technology AG
Zugerstrasse 50 Baar 6340 Switzerland
(72) Name(s) of Designer(s): **Stefan Eckstein and Christian Schultheiss**
(45) Registration Date: **09 December 2013**
(30) Convention priority data:
(31) Number (32) Date (33) Country
139945 29 May 2013 SWITZERLAND
(56) Related Art Documents: **Not Applicable**
(57) Statement of Newness and Distinctiveness: **Nil**



(21) Design Number: **16198/2013**
(22) Date of Filing Application: **28 November 2013**
(24) Date from which industrial property rights may have effect: **28 November 2013**
(54) Product in respect of which the design is registered: **Dispenser for curable compositions**
(51) International Design Classification: **24-02**
(74) Name(s) of Attorney(s): **Shelston IP**
(71) Name(s) and Address(s) of Applicant(s):
Sika Technology AG
Zugerstrasse 50 Baar 6340 Switzerland
(72) Name(s) of Designer(s): **Stefan Eckstein and Christian Schultheiss**
(45) Registration Date: **09 December 2013**
(30) Convention priority data:
(31) Number (32) Date (33) Country
139945 29 May 2013 SWITZERLAND
(56) Related Art Documents: **Not Applicable**
(57) Statement of Newness and Distinctiveness: **Nil**



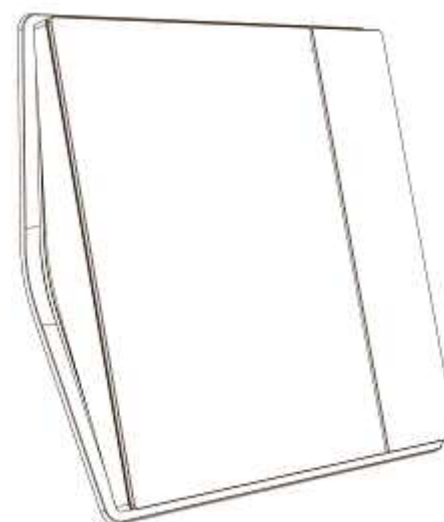
(21) Design Number: **16199/2013**
(22) Date of Filing Application: **28 November 2013**
(24) Date from which industrial property rights may have effect: **28 November 2013**
(54) Product in respect of which the design is registered: **Watchcase**
(51) International Design Classification: **10-07**
(74) Name(s) of Attorney(s): **WATERMARK PATENT AND TRADE MARKS ATTORNEYS**
(71) Name(s) and Address(s) of Applicant(s):
Swatch AG (Swatch SA) (Swatch Ltd)
Jakob-Stampfli-Strasse 94 Biel/Bienne CH 2502 Switzerland
(72) Name(s) of Designer(s): **Alphonse Arellano**
(45) Registration Date: **09 December 2013**
(30) Convention priority data:
(31) Number (32) Date (33) Country
DM/081 371 19 Jul 2013 SWITZERLAND
(56) Related Art Documents: **Not Applicable**
(57) Statement of Newness and Distinctiveness: **Nil**



(21) Design Number: **16200/2013**
(22) Date of Filing Application: **28 November 2013**
(24) Date from which industrial property rights may have effect: **28 November 2013**
(54) Product in respect of which the design is registered: **Wristwatch**
(51) International Design Classification: **10-02**
(74) Name(s) of Attorney(s): **WATERMARK PATENT AND TRADE MARKS ATTORNEYS**
(71) Name(s) and Address(s) of Applicant(s):
Swatch AG (Swatch SA) (Swatch Ltd)
Jakob-Stampfli-Strasse 94 Biel/Bienne CH 2502 Switzerland
(72) Name(s) of Designer(s): **Antonio Fazio**
(45) Registration Date: **09 December 2013**
(30) Convention priority data:
(31) Number (32) Date (33) Country
DM/081 372 19 Jul 2013 SWITZERLAND
(56) Related Art Documents: **Not Applicable**
(57) Statement of Newness and Distinctiveness: **Nil**



(21) Design Number: **16201/2013**
(22) Date of Filing Application: **28 November 2013**
(24) Date from which industrial property rights may have effect: **28 November 2013**
(54) Product in respect of which the design is registered: **Push buttons used in hoists, lifts and elevators**
(51) International Design Classification: **13-03NES**
(74) Name(s) of Attorney(s): **Ashurst Australia**
(71) Name(s) and Address(s) of Applicant(s):
Kone Corporation
Kartanontie 1 00330 Helsinki Finland
(72) Name(s) of Designer(s): **Aapo Saari and Tomi Kapiainen and Kim Heikkinen and Jussi Laurila and Visa Rauta and Niklas Lofberg and Klaus Makela**
(45) Registration Date: **09 December 2013**
(30) Convention priority data:
(31) Number (32) Date (33) Country
002249573-0001 05 Jun 2013 OFFICE FOR HARMONISATION IN THE INTERNAL MARKET (OHIM)
(56) Related Art Documents: **Not Applicable**
(57) Statement of Newness and Distinctiveness: **Nil**



(21) Design Number: **16203/2013**
(22) Date of Filing Application: **28 November 2013**
(24) Date from which industrial property rights may have effect: **28 November 2013**
(54) Product in respect of which the design is registered: **Wristwatch**
(51) International Design Classification: **10-02**
(74) Name(s) of Attorney(s): **WATERMARK PATENT AND TRADE MARKS ATTORNEYS**
(71) Name(s) and Address(s) of Applicant(s):
Swatch AG (Swatch SA) (Swatch Ltd)
Jakob-Stampfli-Strasse 94 Biel/Bienne CH 2502 Switzerland
(72) Name(s) of Designer(s): **Antonio Fazio**
(45) Registration Date: **09 December 2013**
(30) Convention priority data:
(31) Number (32) Date (33) Country
DM/081 372 19 Jul 2013 SWITZERLAND
(56) Related Art Documents: **Not Applicable**
(57) Statement of Newness and Distinctiveness: **Nil**



(21) Design Number: **16204/2013**
(22) Date of Filing Application: **28 November 2013**
(24) Date from which industrial property rights may have effect: **28 November 2013**
(54) Product in respect of which the design is registered: **Wristwatch**
(51) International Design Classification: **10-02**
(74) Name(s) of Attorney(s): **WATERMARK PATENT AND TRADE MARKS ATTORNEYS**
(71) Name(s) and Address(s) of Applicant(s):
Swatch AG (Swatch SA) (Swatch Ltd)
Jakob-Stampfli-Strasse 94 Biel/Bienne CH 2502 Switzerland
(72) Name(s) of Designer(s): **Antonio Fazio**
(45) Registration Date: **09 December 2013**
(30) Convention priority data:
(31) Number (32) Date (33) Country
DM/081 372 19 Jul 2013 SWITZERLAND
(56) Related Art Documents: **Not Applicable**
(57) Statement of Newness and Distinctiveness: **Nil**



- (21) Design Number: **16113/2013**
(22) Date of Filing Application: **25 November 2013**
(24) Date from which industrial property rights may have effect: **28 March 2013**
(54) Product in respect of which the design is registered: **Article of clothing**
(51) International Design Classification: **02-02NES**
(74) Name(s) of Attorney(s): **Allens Patent & Trade Mark Attorneys**
(71) Name(s) and Address(s) of Applicant(s):
Forever New Clothing Pty Ltd
714-716 High St Kew East VIC 3102 Australia
(72) Name(s) of Designer(s): **Rebecca Royce**
(45) Registration Date: **09 December 2013**
(62) Divisional of: **11597/2013**
(56) Related Art Documents: **Not Applicable**
(57) Statement of Newness and Distinctiveness: **Newness and distinctiveness resides in the visual features of shape, configuration, pattern and/or ornamentation of an article of clothing as shown in the accompanying representations.**



- (21) Design Number: **16119/2013**
(22) Date of Filing Application: **25 November 2013**
(24) Date from which industrial property rights may have effect: **28 March 2013**
(54) Product in respect of which the design is registered: **Article of clothing**
(51) International Design Classification: **02-02NES**
(74) Name(s) of Attorney(s): **Allens Patent & Trade Mark Attorneys**
(71) Name(s) and Address(s) of Applicant(s):
Forever New Clothing Pty Ltd
714-716 High St Kew East VIC 3102 Australia
(72) Name(s) of Designer(s): **Rebecca Royce**
(45) Registration Date: **09 December 2013**
(62) Divisional of: **11597/2013**
(56) Related Art Documents: **Not Applicable**
(57) Statement of Newness and Distinctiveness: **Newness and distinctiveness resides in the visual features of shape, configuration, pattern and/or ornamentation of an article of clothing as shown in the accompanying representations.**



- (21) Design Number: **16120/2013**
(22) Date of Filing Application: **25 November 2013**
(24) Date from which industrial property rights may have effect: **28 March 2013**
(54) Product in respect of which the design is registered: **Article of clothing**
(51) International Design Classification: **02-02NES**
(74) Name(s) of Attorney(s): **Allens Patent & Trade Mark Attorneys**
(71) Name(s) and Address(s) of Applicant(s):
Forever New Clothing Pty Ltd
714-716 High St Kew East VIC 3102 Australia
(72) Name(s) of Designer(s): **Rebecca Royce**
(45) Registration Date: **09 December 2013**
(62) Divisional of: **11597/2013**
(56) Related Art Documents: **Not Applicable**
(57) Statement of Newness and Distinctiveness: **Newness and distinctiveness resides in the visual features of shape, configuration, pattern and/or ornamentation of an article of clothing as shown in the accompanying representations.**



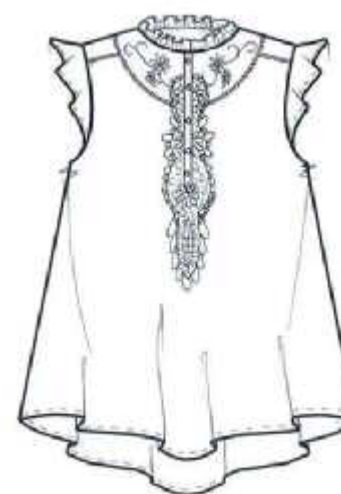
- (21) Design Number: **16121/2013**
(22) Date of Filing Application: **25 November 2013**
(24) Date from which industrial property rights may have effect: **28 March 2013**
(54) Product in respect of which the design is registered: **Article of clothing**
(51) International Design Classification: **02-02NES**
(74) Name(s) of Attorney(s): **Allens Patent & Trade Mark Attorneys**
(71) Name(s) and Address(s) of Applicant(s):
Forever New Clothing Pty Ltd
714-716 High St Kew East VIC 3102 Australia
(72) Name(s) of Designer(s): **Rebecca Royce**
(45) Registration Date: **09 December 2013**
(62) Divisional of: **11597/2013**
(56) Related Art Documents: **Not Applicable**
(57) Statement of Newness and Distinctiveness: **Newness and distinctiveness resides in the visual features of shape, configuration, pattern and/or ornamentation of an article of clothing as shown in the accompanying representations.**



- (21) Design Number: **16122/2013**
(22) Date of Filing Application: **25 November 2013**
(24) Date from which industrial property rights may have effect: **28 March 2013**
(54) Product in respect of which the design is registered: **Article of clothing**
(51) International Design Classification: **02-02C**
(74) Name(s) of Attorney(s): **Allens Patent & Trade Mark Attorneys**
(71) Name(s) and Address(s) of Applicant(s):
Forever New Clothing Pty Ltd
714-716 High St Kew East VIC 3102 Australia
(72) Name(s) of Designer(s): **Olivia Young**
(45) Registration Date: **09 December 2013**
(62) Divisional of: **11597/2013**
(56) Related Art Documents: **Not Applicable**
(57) Statement of Newness and Distinctiveness: **Newness and distinctiveness resides in the visual features of shape, configuration, pattern and/or ornamentation of an article of clothing as shown in the accompanying representations.**



- (21) Design Number: **16123/2013**
(22) Date of Filing Application: **25 November 2013**
(24) Date from which industrial property rights may have effect: **28 March 2013**
(54) Product in respect of which the design is registered: **Article of clothing**
(51) International Design Classification: **02-02NES**
(74) Name(s) of Attorney(s): **Allens Patent & Trade Mark Attorneys**
(71) Name(s) and Address(s) of Applicant(s):
Forever New Clothing Pty Ltd
714-716 High St Kew East VIC 3102 Australia
(72) Name(s) of Designer(s): **Chloe Atkinson**
(45) Registration Date: **09 December 2013**
(62) Divisional of: **11597/2013**
(56) Related Art Documents: **Not Applicable**
(57) Statement of Newness and Distinctiveness: **Newness and distinctiveness resides in the visual features of shape, configuration, pattern and/or ornamentation of an article of clothing as shown in the accompanying representations.**



- (21) Design Number: **16124/2013**
(22) Date of Filing Application: **25 November 2013**
(24) Date from which industrial property rights may have effect: **28 March 2013**
(54) Product in respect of which the design is registered: **Article of clothing**
(51) International Design Classification: **02-02NES**
(74) Name(s) of Attorney(s): **Allens Patent & Trade Mark Attorneys**
(71) Name(s) and Address(s) of Applicant(s):
Forever New Clothing Pty Ltd
714-716 High St Kew East VIC 3102 Australia
(72) Name(s) of Designer(s): **Chloe Atkinson**
(45) Registration Date: **09 December 2013**
(62) Divisional of: **11597/2013**
(56) Related Art Documents: **Not Applicable**
(57) Statement of Newness and Distinctiveness: **Newness and distinctiveness resides in the visual features of shape, configuration, pattern and/or ornamentation of an article of clothing as shown in the accompanying representations.**



- (21) Design Number: **16125/2013**
(22) Date of Filing Application: **25 November 2013**
(24) Date from which industrial property rights may have effect: **28 March 2013**
(54) Product in respect of which the design is registered: **Article of clothing**
(51) International Design Classification: **02-02NES**
(74) Name(s) of Attorney(s): **Allens Patent & Trade Mark Attorneys**
(71) Name(s) and Address(s) of Applicant(s):
Forever New Clothing Pty Ltd
714-716 High St Kew East VIC 3102 Australia
(72) Name(s) of Designer(s): **Chloe Atkinson**
(45) Registration Date: **09 December 2013**
(62) Divisional of: **11597/2013**
(56) Related Art Documents: **Not Applicable**
(57) Statement of Newness and Distinctiveness: **Newness and distinctiveness resides in the visual features of shape, configuration, pattern and/or ornamentation of an article of clothing as shown in the accompanying representations.**



- (21) Design Number: **16126/2013**
(22) Date of Filing Application: **25 November 2013**
(24) Date from which industrial property rights may have effect: **28 March 2013**
(54) Product in respect of which the design is registered: **Article of clothing**
(51) International Design Classification: **02-02NES**
(74) Name(s) of Attorney(s): **Allens Patent & Trade Mark Attorneys**
(71) Name(s) and Address(s) of Applicant(s):
Forever New Clothing Pty Ltd
714-716 High St Kew East VIC 3102 Australia
(72) Name(s) of Designer(s): **Chloe Atkinson**
(45) Registration Date: **09 December 2013**
(62) Divisional of: **11597/2013**
(56) Related Art Documents: **Not Applicable**
(57) Statement of Newness and Distinctiveness: **Newness and distinctiveness resides in the visual features of shape, configuration, pattern and/or ornamentation of an article of clothing as shown in the accompanying representations.**



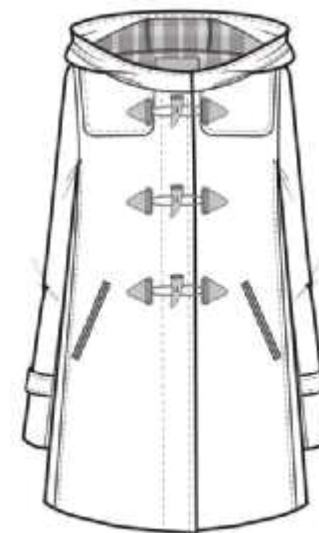
- (21) Design Number: **16156/2013**
(22) Date of Filing Application: **26 November 2013**
(24) Date from which industrial property rights may have effect: **26 November 2013**
(54) Product in respect of which the design is registered: **Article of clothing**
(51) International Design Classification: **02-02NES**
(74) Name(s) of Attorney(s): **Allens Patent & Trade Mark Attorneys**
(71) Name(s) and Address(s) of Applicant(s):
Forever New Clothing Pty Ltd
714-716 High St Kew East VIC 3102 Australia
(72) Name(s) of Designer(s): **Gemma Henderson**
(45) Registration Date: **09 December 2013**
(56) Related Art Documents: **Not Applicable**
(57) Statement of Newness and Distinctiveness: **Newness and distinctiveness resides in the visual features of shape, configuration, pattern and/or ornamentation of an article of clothing as shown in the accompanying representation.**



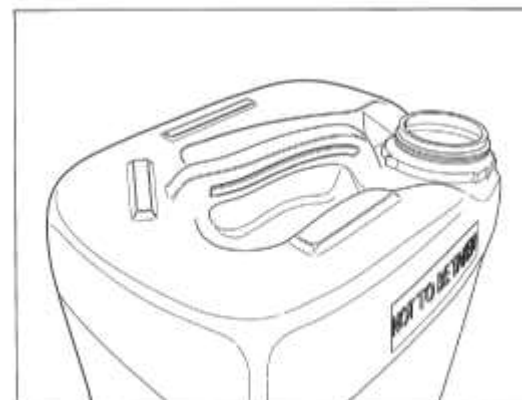
- (21) Design Number: **16059/2013**
(22) Date of Filing Application: **22 November 2013**
(24) Date from which industrial property rights may have effect: **22 November 2013**
(54) Product in respect of which the design is registered: **Computer housing**
(51) International Design Classification: **14-02**
(74) Name(s) of Attorney(s): **FB Rice**
(71) Name(s) and Address(s) of Applicant(s):
IGEL Technology GmbH
Hanna-Kunath-Str. 31 D-28199 Bremen Germany
(72) Name(s) of Designer(s): **Marc Nagel**
(45) Registration Date: **09 December 2013**
(30) Convention priority data:
(31) Number (32) Date (33) Country
002312363-0002 19 Sep 2013 OFFICE FOR HARMONISATION IN
THE INTERNAL MARKET (OHIM)
(56) Related Art Documents: **Not Applicable**
(57) Statement of Newness and Distinctiveness: **Newness and distinctiveness**
reside in the features of the design as shown in the representations.



- (21) Design Number: **16101/2013**
(22) Date of Filing Application: **25 November 2013**
(24) Date from which industrial property rights may have effect: **28 March 2013**
(54) Product in respect of which the design is registered: **Article of clothing**
(51) International Design Classification: **02-02NES**
(74) Name(s) of Attorney(s): **Allens Patent & Trade Mark Attorneys**
(71) Name(s) and Address(s) of Applicant(s):
Forever New Clothing Pty Ltd
714-716 High St Kew East VIC 3102 Australia
(72) Name(s) of Designer(s): **Alice Burrow**
(45) Registration Date: **09 December 2013**
(62) Divisional of: **11597/2013**
(56) Related Art Documents: **Not Applicable**
(57) Statement of Newness and Distinctiveness: **Newness and distinctiveness**
resides in the visual features of shape, configuration, pattern and/or
ornamentation of an article of clothing as shown in the accompanying
representations.



- (21) Design Number: **14513/2013**
(22) Date of Filing Application: **10 September 2013**
(24) Date from which industrial property rights may have effect: **10 September 2013**
(54) Product in respect of which the design is registered: **Drum**
(51) International Design Classification: **09-02C**
(74) Name(s) of Attorney(s): **FB Rice**
(71) Name(s) and Address(s) of Applicant(s):
Accensi Pty Ltd
60-76 Potassium St Narangba QLD 4504 Australia
(72) Name(s) of Designer(s): **Dean John Corbett**
(45) Registration Date: **10 December 2013**
(56) Related Art Documents: **Not Applicable**
(57) Statement of Newness and Distinctiveness: **Newness and distinctiveness reside in the features of the design as shown in the representations with particular regard to be given to the raised surfaces disposed around the handle and the recesses disposed on the base of the container, excluding the indicia "POISON", "POUR", "NOT TO ~ BE TAKEN", "VIP", "M812" and c..2.).**



- (21) Design Number: **14514/2013**
(22) Date of Filing Application: **10 September 2013**
(24) Date from which industrial property rights may have effect: **10 January 2013**
(54) Product in respect of which the design is registered: **Article of clothing**
(51) International Design Classification: **02-02C**
(74) Name(s) of Attorney(s): **Allens Patent & Trade Mark Attorneys**
(71) Name(s) and Address(s) of Applicant(s):
Forever New Clothing Pty Ltd
714-716 High St Kew East VIC 3102 Australia
(72) Name(s) of Designer(s): **Gemma Henderson**
(45) Registration Date: **10 December 2013**
(62) Divisional of: **350943**
(56) Related Art Documents: **Not Applicable**
(57) Statement of Newness and Distinctiveness: **Newness and distinctiveness resides in the visual features of shape, configuration, pattern and/or ornamentation of an article of clothing as shown in the accompanying representations.**



- (21) Design Number: **14515/2013**
(22) Date of Filing Application: **10 September 2013**
(24) Date from which industrial property rights may have effect: **10 January 2013**
(54) Product in respect of which the design is registered: **Article of clothing**
(51) International Design Classification: **02-02NES**
(74) Name(s) of Attorney(s): **Allens Patent & Trade Mark Attorneys**
(71) Name(s) and Address(s) of Applicant(s):
Forever New Clothing Pty Ltd
714-716 High St Kew East VIC 3102 Australia
(72) Name(s) of Designer(s): **Gemma Henderson**
(45) Registration Date: **10 December 2013**
(62) Divisional of: **350943**
(56) Related Art Documents: **Not Applicable**
(57) Statement of Newness and Distinctiveness: **Newness and distinctiveness resides in the visual features of shape, configuration, pattern and/or ornamentation of an article of clothing as shown in the accompanying representations.**



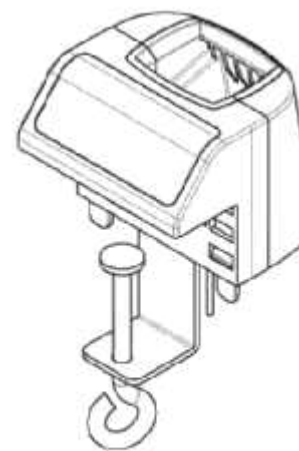
- (21) Design Number: **14516/2013**
(22) Date of Filing Application: **10 September 2013**
(24) Date from which industrial property rights may have effect: **10 January 2013**
(54) Product in respect of which the design is registered: **Article of clothing**
(51) International Design Classification: **02-02C**
(74) Name(s) of Attorney(s): **Allens Patent & Trade Mark Attorneys**
(71) Name(s) and Address(s) of Applicant(s):
Forever New Clothing Pty Ltd
714-716 High St Kew East VIC 3102 Australia
(72) Name(s) of Designer(s): **Laura Mitchell**
(45) Registration Date: **10 December 2013**
(62) Divisional of: **350943**
(56) Related Art Documents: **Not Applicable**
(57) Statement of Newness and Distinctiveness: **Newness and distinctiveness resides in the visual features of shape, configuration, pattern and/or ornamentation of an article of clothing as shown in the accompanying representations.**



- (21) Design Number: **14609/2013**
(22) Date of Filing Application: **13 September 2013**
(24) Date from which industrial property rights may have effect: **13 September 2013**
(54) Product in respect of which the design is registered: **Holster**
(51) International Design Classification: **03-01NES**
(74) Name(s) of Attorney(s): **Fraser Old & Sohn**
(71) Name(s) and Address(s) of Applicant(s):

Beverage Gun Holster Pty Ltd
SE1005 275 Alfred St North Sydney NSW 2060 Australia

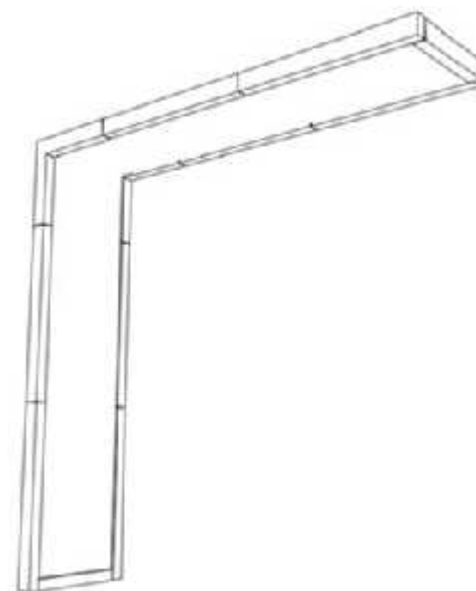
- (72) Name(s) of Designer(s): **Luke Robert Mallam**
(45) Registration Date: **10 December 2013**
(56) Related Art Documents: **Not Applicable**
(57) Statement of Newness and Distinctiveness: **Newness and distinctiveness is claimed in respect of the shape and/or configuration of the holster illustrated in the accompanying representations. In carrying out a consideration in accordance with Section 19 the shape and/or configuration of the clamp illustrated in the representations is/are not to be considered either new or distinctive and do/does not form part of the design.**



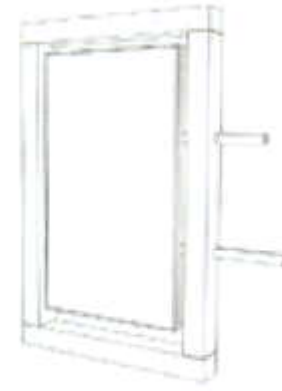
- (21) Design Number: **15015/2013**
(22) Date of Filing Application: **01 October 2013**
(24) Date from which industrial property rights may have effect: **01 October 2013**
(54) Product in respect of which the design is registered: **Entrance portal**
(51) International Design Classification: **25-02A**
(74) Name(s) of Attorney(s): **Baker & McKenzie**
(71) Name(s) and Address(s) of Applicant(s):

Optus Retailco Pty Ltd
1 Lyonpark Rd Macquarie Park NSW 2113 Australia

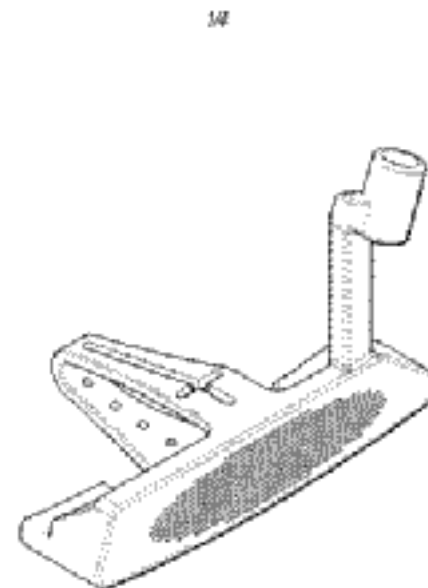
- (72) Name(s) of Designer(s): **Adam Anthony Morris and Chris Ballard and Bob Angley**
(45) Registration Date: **10 December 2013**
(56) Related Art Documents: **Not Applicable**
(57) Statement of Newness and Distinctiveness: **Nil**



(21) Design Number: **15016/2013**
(22) Date of Filing Application: **01 October 2013**
(24) Date from which industrial property rights may have effect: **01 October 2013**
(54) Product in respect of which the design is registered: **Screen housing**
(51) International Design Classification: **20-02C**
(74) Name(s) of Attorney(s): **Baker & McKenzie**
(71) Name(s) and Address(s) of Applicant(s):
Optus Retailco Pty Ltd
1 Lyonpark Rd Macquarie Park NSW 2113 Australia
(72) Name(s) of Designer(s): **Adam Anthony Morris and Chris Ballard and Bob Angley**
(45) Registration Date: **10 December 2013**
(56) Related Art Documents: **Not Applicable**
(57) Statement of Newness and Distinctiveness: **Nil**



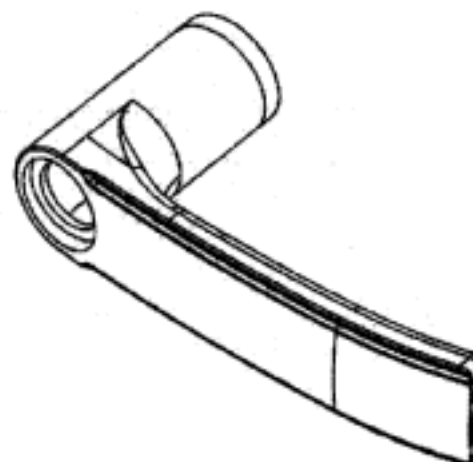
(21) Design Number: **15360/2013**
(22) Date of Filing Application: **18 October 2013**
(24) Date from which industrial property rights may have effect: **18 October 2013**
(54) Product in respect of which the design is registered: **A golf club head**
(51) International Design Classification: **21-02C**
(74) Name(s) of Attorney(s): **Griffith Hack**
(71) Name(s) and Address(s) of Applicant(s):
Australian Putter Co Pty Ltd
317 Bay Street Port Melbourne VIC 3207 Australia
(72) Name(s) of Designer(s): **Kevin Francis O'Neill**
(45) Registration Date: **10 December 2013**
(56) Related Art Documents: **Not Applicable**
(57) Statement of Newness and Distinctiveness: **Nil**



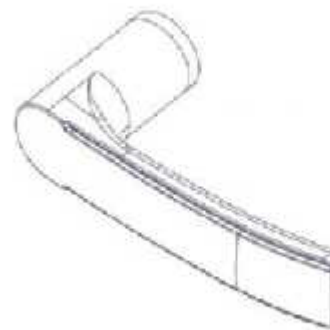
- (21) Design Number: **15499/2013**
(22) Date of Filing Application: **28 October 2013**
(24) Date from which industrial property rights may have effect: **28 October 2013**
(54) Product in respect of which the design is registered: **Camper trailer**
(51) International Design Classification: **12-10**
(74) Name(s) of Attorney(s): **Etheringtons Solicitors**
(71) Name(s) and Address(s) of Applicant(s):
GIC Pty Ltd
81 Milperra Rd Revesby NSW 2212 Australia
(72) Name(s) of Designer(s): **Robert Grabovac**
(45) Registration Date: **10 December 2013**
(56) Related Art Documents: **Not Applicable**
(57) Statement of Newness and Distinctiveness: **Extended drawbar Length, Draw bar extended to front spring hanger for extra stability, cornering, reversing and strength Chassis: Full tube reinforced chassis All stress points on the chassis and drawbar have been reinforced Stabiliser Legs: 4 x Heavy Duty Lockable & Adjustable; Dual Safety Chains; Gas Strut Assisted for erection of tent; Spare Wheel Mounted Under trailer.**



- (21) Design Number: **15522/2013**
(22) Date of Filing Application: **28 October 2013**
(24) Date from which industrial property rights may have effect: **28 October 2013**
(54) Product in respect of which the design is registered: **Door handle**
(51) International Design Classification: **08-06**
(74) Name(s) of Attorney(s):
(71) Name(s) and Address(s) of Applicant(s):
Zhanting He
Factory 2/25 Access Way Carrum Downs VIC 3201 Australia
(72) Name(s) of Designer(s): **Zhanting He**
(45) Registration Date: **10 December 2013**
(56) Related Art Documents: **Not Applicable**
(57) Statement of Newness and Distinctiveness: **Apart from the overall design of the door handle which is new there is the inclusion of "stepped relief lines" a feature which highlights the shape of the door handle situated on the top side and the bottom side on the door handle face.**



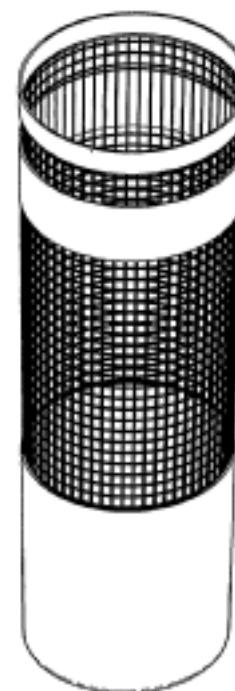
- (21) Design Number: **15523/2013**
(22) Date of Filing Application: **28 October 2013**
(24) Date from which industrial property rights may have effect: **28 October 2013**
(54) Product in respect of which the design is registered: **Door handle**
(51) International Design Classification: **08-06**
(74) Name(s) of Attorney(s):
(71) Name(s) and Address(s) of Applicant(s):
 Zhanting He
 Factory 2/25 Access Way Carrum Downs VIC 3201 Australia
(72) Name(s) of Designer(s): **Zhanting He**
(45) Registration Date: **10 December 2013**
(56) Related Art Documents: **Not Applicable**
(57) Statement of Newness and Distinctiveness: **Apart from the overall design of the door handle which is new there is the inclusion of "stepped relief lines" a feature which highlights the shape of the door handle situated on the top side and the bottom side on the door handle face.**



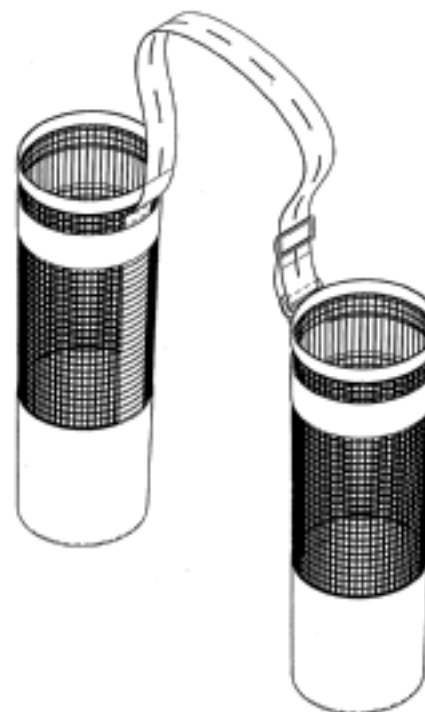
- (21) Design Number: **14285/2013**
(22) Date of Filing Application: **29 August 2013**
(24) Date from which industrial property rights may have effect: **29 August 2013**
(54) Product in respect of which the design is registered: **Bottle**
(51) International Design Classification: **09-01NES**
(74) Name(s) of Attorney(s): **PIZZEYS**
(71) Name(s) and Address(s) of Applicant(s):
 McCormick & Company, Incorporated
 18 Loveton Circle Sparks MD 21152-6000 United States of America
(72) Name(s) of Designer(s): **Thomas Koll Porter Gieske and Tracie L.C. Wilson**
(45) Registration Date: **10 December 2013**
(30) Convention priority data:
 (31) Number (32) Date (33) Country
 29/450,206 15 Mar 2013 UNITED STATES OF AMERICA
(56) Related Art Documents: **Not Applicable**
(57) Statement of Newness and Distinctiveness: **Nil**



(21) Design Number: **14296/2013**
(22) Date of Filing Application: **29 August 2013**
(24) Date from which industrial property rights may have effect: **29 August 2013**
(54) Product in respect of which the design is registered: **A receptacle**
(51) International Design Classification: **29-99**
(74) Name(s) of Attorney(s): **Chrysiliou IP**
(71) Name(s) and Address(s) of Applicant(s):
Harcor Security Seals Pty Limited
U3/1 Skyline PI Frenchs Forest NSW 2086 Australia
(72) Name(s) of Designer(s): **Peter Schaede**
(45) Registration Date: **10 December 2013**
(56) Related Art Documents: **Not Applicable**
(57) Statement of Newness and Distinctiveness: **Nil**



(21) Design Number: **14297/2013**
(22) Date of Filing Application: **29 August 2013**
(24) Date from which industrial property rights may have effect: **29 August 2013**
(54) Product in respect of which the design is registered: **A carrier**
(51) International Design Classification: **29-99**
(74) Name(s) of Attorney(s): **Chrysiliou IP**
(71) Name(s) and Address(s) of Applicant(s):
Harcor Security Seals Pty Limited
U3/1 Skyline PI Frenchs Forest NSW 2086 Australia
(72) Name(s) of Designer(s): **Peter Schaede**
(45) Registration Date: **10 December 2013**
(56) Related Art Documents: **Not Applicable**
(57) Statement of Newness and Distinctiveness: **Nil**



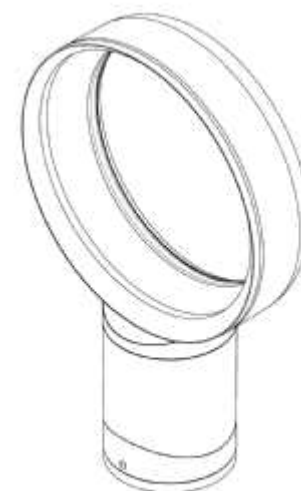
(21) Design Number: **15204/2013**
(22) Date of Filing Application: **11 October 2013**
(24) Date from which industrial property rights may have effect: **11 October 2013**
(54) Product in respect of which the design is registered: **Refrigerator**
(51) International Design Classification: **15-07**
(74) Name(s) of Attorney(s): **Davies Collison Cave**
(71) Name(s) and Address(s) of Applicant(s):
Red Bull GmbH
Am Brunnen 1 5330 Fuschl am See Austria
(72) Name(s) of Designer(s): **Matthias Rinderer and Juergen Brenneis and David Kehoe and Mario Groth**
(45) Registration Date: **10 December 2013**
(30) Convention priority data:
(31) Number (32) Date (33) Country
002220533-0002 15 Apr 2013 OFFICE FOR HARMONISATION IN THE INTERNAL MARKET (OHIM)
(56) Related Art Documents: **Not Applicable**
(57) Statement of Newness and Distinctiveness: **Nil**



(21) Design Number: **15338/2013**
(22) Date of Filing Application: **21 October 2013**
(24) Date from which industrial property rights may have effect: **21 October 2013**
(54) Product in respect of which the design is registered: **A liner for a trolley capsule or pram**
(51) International Design Classification: **06-13B**
(74) Name(s) of Attorney(s):
(71) Name(s) and Address(s) of Applicant(s):
Aleirah Joy Stevens
3 Beilken Way Clarkson WA 6030 Australia
(72) Name(s) of Designer(s): **Aleirah Joy Stevens**
(45) Registration Date: **10 December 2013**
(56) Related Art Documents: **Not Applicable**
(57) Statement of Newness and Distinctiveness: **I claim monopoly on the whole shape of this design, particularly the two rounded, curving slits at the top of the design.**

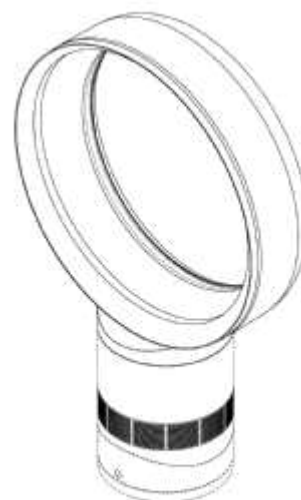


(21) Design Number: **14366/2013**
(22) Date of Filing Application: **03 September 2013**
(24) Date from which industrial property rights may have effect: **03 September 2013**
(54) Product in respect of which the design is registered: **Fan**
(51) International Design Classification: **23-04**
(74) Name(s) of Attorney(s): **Shelston IP**
(71) Name(s) and Address(s) of Applicant(s):



Dyson Technology Limited
Tetbury Hill Malmesbury Wiltshire SN16 0RP Great Britain
(72) Name(s) of Designer(s): **David Dos Reis and Daniel George Cowen and Peter David Gammack and James Dyson and Tom Vallance Hamilton Crawford and Adam James Bates and Arran George Smith**
(45) Registration Date: **11 December 2013**
(30) Convention priority data:
(31) Number (32) Date (33) Country
001363766-0003 07 Mar 2013 OFFICE FOR HARMONISATION IN THE INTERNAL MARKET (OHIM)
(56) Related Art Documents: **Not Applicable**
(57) Statement of Newness and Distinctiveness: **Newness and distinctiveness reside in the non-uniform distance between the curved inner and outer surfaces of the FAN outlet, which narrows toward the upper portion of the outlet, as illustrated in the accompanying representations.**

(21) Design Number: **14371/2013**
(22) Date of Filing Application: **03 September 2013**
(24) Date from which industrial property rights may have effect: **03 September 2013**
(54) Product in respect of which the design is registered: **Fan**
(51) International Design Classification: **23-04**
(74) Name(s) of Attorney(s): **Shelston IP**
(71) Name(s) and Address(s) of Applicant(s):



Dyson Technology Limited
Tetbury Hill Malmesbury Wiltshire SN16 0RP United Kingdom
(72) Name(s) of Designer(s): **David Dos Reis and Daniel George Cowen and Peter David Gammack and James Dyson and Tom Vallance Hamilton Crawford**
(45) Registration Date: **11 December 2013**
(30) Convention priority data:
(31) Number (32) Date (33) Country
001363766-0005 07 Mar 2013 OFFICE FOR HARMONISATION IN THE INTERNAL MARKET (OHIM)
(56) Related Art Documents: **Not Applicable**
(57) Statement of Newness and Distinctiveness: **Newness and distinctiveness reside in the non-uniform distance between the curved inner and outer surfaces of the FAN outlet, which narrows toward the upper portion of the outlet, as illustrated in solid lines in the accompanying representations.**

- (21) Design Number: **14372/2013**
(22) Date of Filing Application: **03 September 2013**
(24) Date from which industrial property rights may have effect: **03 September 2013**
(54) Product in respect of which the design is registered: **Fan**
(51) International Design Classification: **23-04**
(74) Name(s) of Attorney(s): **Shelston IP**
(71) Name(s) and Address(s) of Applicant(s):

Dyson Technology Limited
Tetbury Hill Malmesbury Wiltshire SN16 0RP Great Britain

- (72) Name(s) of Designer(s): **McPherson Graeme and William John Darvill and Daniel George Cowen and Peter David Gammack and James Dyson and Tom Vallance Hamilton Crawford and Adam James Bates and Arran George Smith and William James Soper**

(45) Registration Date: **11 December 2013**

(30) Convention priority data:

(31) Number	(32) Date	(33) Country
001363758-0003	07 Mar 2013	OFFICE FOR HARMONISATION IN THE INTERNAL MARKET (OHIM)

(56) Related Art Documents: **Not Applicable**

- (57) Statement of Newness and Distinctiveness: **Newness and distinctiveness reside in the non-uniform distance between the curved inner and outer surfaces of the FAN outlet, which narrows toward the upper portion of the outlet, as illustrated in the accompanying representations.**



- (21) Design Number: **14449/2013**
(22) Date of Filing Application: **09 September 2013**
(24) Date from which industrial property rights may have effect: **09 September 2013**
(54) Product in respect of which the design is registered: **Mobile device with graphic user interface**
(51) International Design Classification: **14-02**
(74) Name(s) of Attorney(s): **PIZZEYS**
(71) Name(s) and Address(s) of Applicant(s):

Burns Consulting, Inc.
19030 North 36th Place Phoenix AZ 85050 United States of America

- (72) Name(s) of Designer(s): **Kevin Niven and Gregg Johnson and Carol Johnson**

(45) Registration Date: **11 December 2013**

(30) Convention priority data:

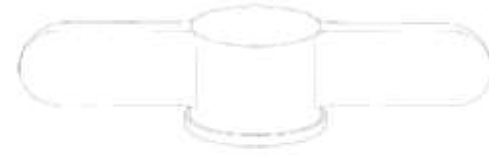
(31) Number	(32) Date	(33) Country
29/449,539	15 Mar 2013	UNITED STATES OF AMERICA

(56) Related Art Documents: **Not Applicable**

- (57) Statement of Newness and Distinctiveness: **Newness and distinctiveness is claimed in the features of pattern and/or ornamentation of a mobile device as shown in the accompanying representations.**



- (21) Design Number: **14674/2013**
(22) Date of Filing Application: **18 September 2013**
(24) Date from which industrial property rights may have effect: **18 September 2013**
(54) Product in respect of which the design is registered: **Lid for food pouch**
(51) International Design Classification: **09-07B**
(74) Name(s) of Attorney(s):
(71) Name(s) and Address(s) of Applicant(s):
James Richard Cross
4/12 Viewtech PI Rowville VIC 3178 Australia
(72) Name(s) of Designer(s): **James Richard Cross**
(45) Registration Date: **11 December 2013**
(56) Related Art Documents: **Not Applicable**
(57) Statement of Newness and Distinctiveness: **The newness and distinctiveness of the design resides in the shape of the side arms or wings of the cap as shown in the continuous lines in the accompanying representations. The broken lines are not part of the design and are to be disregarded when considering the overall impression of the design.**



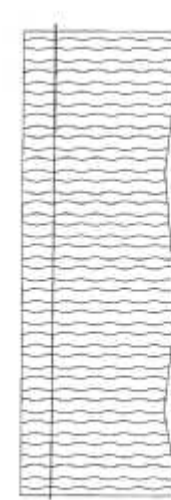
- (21) Design Number: **15333/2013**
(22) Date of Filing Application: **19 October 2013**
(24) Date from which industrial property rights may have effect: **19 October 2013**
(54) Product in respect of which the design is registered: **Interactive terminal**
(51) International Design Classification: **14-02**
(74) Name(s) of Attorney(s): **PIZZEYS**
(71) Name(s) and Address(s) of Applicant(s):
Cubic Corporation
9333 Balboa Avenue San Diego CA 92123 United States of America
(72) Name(s) of Designer(s): **Gavin Smith and Jason Kenward and Dave Roat and Adrian Caroen and Matthew Tidnam and Kok Chian Leong**
(45) Registration Date: **11 December 2013**
(30) Convention priority data:
(31) Number (32) Date (33) Country
29/452,734 21 Apr 2013 UNITED STATES OF AMERICA
(56) Related Art Documents: **Not Applicable**
(57) Statement of Newness and Distinctiveness: **Nil**



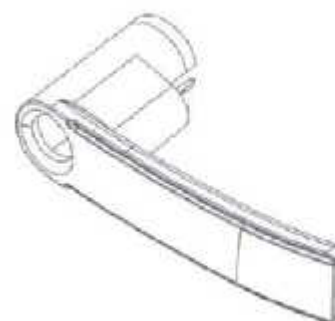
- (21) Design Number: **15334/2013**
(22) Date of Filing Application: **19 October 2013**
(24) Date from which industrial property rights may have effect: **19 October 2013**
(54) Product in respect of which the design is registered: **Display screen with user interface**
(51) International Design Classification: **14-02**
(74) Name(s) of Attorney(s): **PIZZEYS**
(71) Name(s) and Address(s) of Applicant(s):
Cubic Corporation
9333 Balboa Avenue San Diego CA 92123 United States of America
(72) Name(s) of Designer(s): **Gavin Smith and Jason Kenward and Dave Roat and Adrian Caroen and Matthew Tidnam and Lee Carroll and Rowan Williams and Sachin Chauhan**
(45) Registration Date: **11 December 2013**
(30) Convention priority data:
(31) Number (32) Date (33) Country
29/455,800 24 May 2013 UNITED STATES OF AMERICA
(56) Related Art Documents: **Not Applicable**
(57) Statement of Newness and Distinctiveness: **Newness and distinctiveness is claimed in the features of pattern and/or ornamentation of a display screen.**



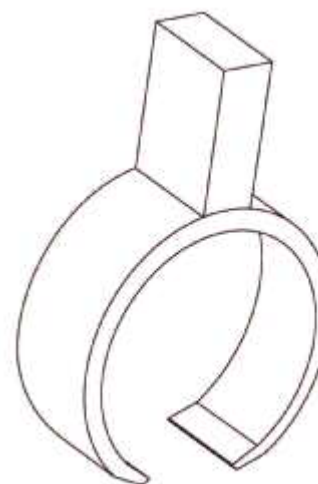
- (21) Design Number: **15516/2013**
(22) Date of Filing Application: **28 October 2013**
(24) Date from which industrial property rights may have effect: **28 October 2013**
(54) Product in respect of which the design is registered: **Anti-skid plate**
(51) International Design Classification: **25-99, 29-02**
(74) Name(s) of Attorney(s): **FB Rice**
(71) Name(s) and Address(s) of Applicant(s):
Nepean Engineering & Innovation Pty Ltd
23 Graham Hill Rd Narellan NSW 2567 Australia
(72) Name(s) of Designer(s): **David Fuller and Sangar Dushyant**
(45) Registration Date: **11 December 2013**
(56) Related Art Documents: **Not Applicable**
(57) Statement of Newness and Distinctiveness: **Newness and distinctiveness reside in the shape and configuration of the repeating pattern of lobes on the top surface of the plate which may have any length and width. The thickness of the plate should be disregarded.**



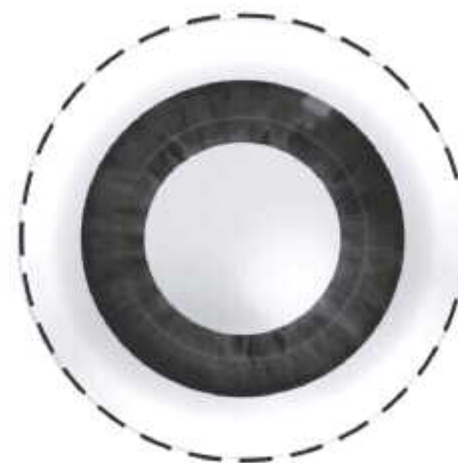
- (21) Design Number: **15521/2013**
(22) Date of Filing Application: **28 October 2013**
(24) Date from which industrial property rights may have effect: **28 October 2013**
(54) Product in respect of which the design is registered: **Door handle**
(51) International Design Classification: **08-06**
(74) Name(s) of Attorney(s):
(71) Name(s) and Address(s) of Applicant(s):
Zhanting He
Factory 2/25 Access Way Carrum Downs VIC 3201 Australia
(72) Name(s) of Designer(s): **Zhanting He**
(45) Registration Date: **11 December 2013**
(56) Related Art Documents: **Not Applicable**
(57) Statement of Newness and Distinctiveness: **Apart from the overall design of the door handle which is new there is the inclusion of "stepped relief lines" a feature which highlights the shape of the door handle situated on the top side and bottom side of the door handle on the door handle face.**



- (21) Design Number: **15699/2013**
(22) Date of Filing Application: **06 November 2013**
(24) Date from which industrial property rights may have effect: **06 November 2013**
(54) Product in respect of which the design is registered: **Bobbin clip**
(51) International Design Classification: **02-07D**
(74) Name(s) of Attorney(s): **Pegasus IP**
(71) Name(s) and Address(s) of Applicant(s):
Brearne Lyon
643 O'Deas Rd Elbow Valley QLD 4370 Australia
(72) Name(s) of Designer(s): **Brearne Lyon**
(45) Registration Date: **11 December 2013**
(56) Related Art Documents: **Not Applicable**
(57) Statement of Newness and Distinctiveness: **Newness & distinctiveness resides in the features of shape and/or configuration of the product as shown in the reps.**



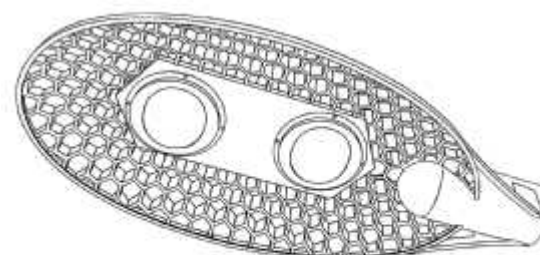
(21) Design Number: **15715/2013**
(22) Date of Filing Application: **07 November 2013**
(24) Date from which industrial property rights may have effect: **07 November 2013**
(54) Product in respect of which the design is registered: **Electronic contact lens**
(51) International Design Classification: **16-06**
(74) Name(s) of Attorney(s): **Callinans**
(71) Name(s) and Address(s) of Applicant(s):
Johnson & Johnson Vision Care, Inc.
7500 Centurion Parkway Jacksonville Florida 32256 United States of America
(72) Name(s) of Designer(s): **James Daniel Riall and Frederick A. Flitsch**
(45) Registration Date: **11 December 2013**
(30) Convention priority data:
(31) Number (32) Date (33) Country
29/455,262 17 May 2013 UNITED STATES OF AMERICA
(56) Related Art Documents: **Not Applicable**
(57) Statement of Newness and Distinctiveness: **Newness and distinctiveness are provided by the shape and/or configuration of the design shown in the representations. The features shown in broken lines in the representations are for illustrative purposes only and should not be considered when construing visual features of the design.**



(21) Design Number: **15881/2013**
(22) Date of Filing Application: **15 November 2013**
(24) Date from which industrial property rights may have effect: **15 November 2013**
(54) Product in respect of which the design is registered: **Chair**
(51) International Design Classification: **06-01F**
(74) Name(s) of Attorney(s): **Macpherson + Kelley**
(71) Name(s) and Address(s) of Applicant(s):
Woods Furniture Pty Ltd
564 Geelong Rd Brooklyn VIC 3012 Australia
(72) Name(s) of Designer(s): **James Setters**
(45) Registration Date: **11 December 2013**
(56) Related Art Documents: **Not Applicable**
(57) Statement of Newness and Distinctiveness: **Nil**



(21) Design Number: **15886/2013**
(22) Date of Filing Application: **15 November 2013**
(24) Date from which industrial property rights may have effect: **15 November 2013**
(54) Product in respect of which the design is registered: **LED light**
(51) International Design Classification: **26-05E**
(74) Name(s) of Attorney(s): **Madderns**
(71) Name(s) and Address(s) of Applicant(s):
Shandong Kaich Optical & Electronic Technology Co., Ltd
Kaichuang Technology Park Zhongxuan Road Linzi District Zibo City
Shandong Province, 255400 China
(72) Name(s) of Designer(s): **Yundong Zhang**
(45) Registration Date: **11 December 2013**
(30) Convention priority data:
(31) Number (32) Date (33) Country
201330178983.4 15 May 2013 CHINA
(56) Related Art Documents: **Not Applicable**
(57) Statement of Newness and Distinctiveness: **Newness and distinctiveness resides in the shape and/or configuration of an LED light as depicted in the accompanying representations.**



(21) Design Number: **16035/2013**
(22) Date of Filing Application: **21 November 2013**
(24) Date from which industrial property rights may have effect: **21 November 2013**
(54) Product in respect of which the design is registered: **Electric kettle**
(51) International Design Classification: **07-02K**
(74) Name(s) of Attorney(s): **Callinans**
(71) Name(s) and Address(s) of Applicant(s):
Kenwood Limited
New Lane Havant Hampshire PO9 2NH United Kingdom
(72) Name(s) of Designer(s): **Darren Mullen**
(45) Registration Date: **11 December 2013**
(30) Convention priority data:
(31) Number (32) Date (33) Country
002245100-0002 28 May 2013 OFFICE FOR HARMONISATION IN THE INTERNAL MARKET (OHIM)
(56) Related Art Documents: **Not Applicable**
(57) Statement of Newness and Distinctiveness: **Nil**



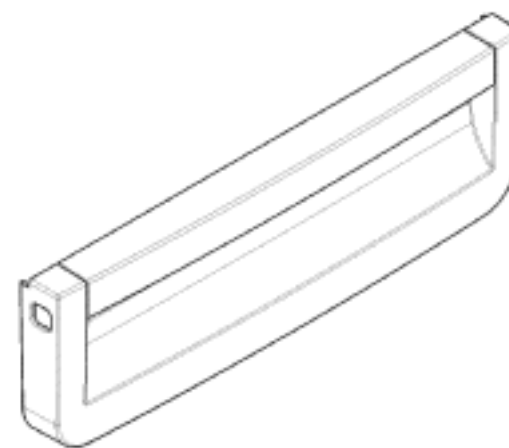
(21) Design Number: **16038/2013**
(22) Date of Filing Application: **21 November 2013**
(24) Date from which industrial property rights may have effect: **21 November 2013**
(54) Product in respect of which the design is registered: **Electric kettle**
(51) International Design Classification: **07-02K**
(74) Name(s) of Attorney(s): **Callinans**
(71) Name(s) and Address(s) of Applicant(s):
Kenwood Limited
New Lane Havant Hampshire PO9 2NH United Kingdom
(72) Name(s) of Designer(s): **Darren Mullen**
(45) Registration Date: **11 December 2013**
(30) Convention priority data:
(31) Number (32) Date (33) Country
002245100-0003 28 May 2013 OFFICE FOR HARMONISATION IN
THE INTERNAL MARKET (OHIM)
(56) Related Art Documents: **Not Applicable**
(57) Statement of Newness and Distinctiveness: **Nil**



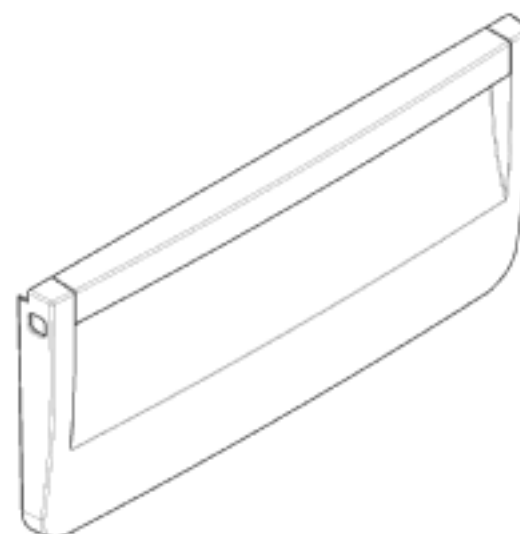
(21) Design Number: **16158/2013**
(22) Date of Filing Application: **26 November 2013**
(24) Date from which industrial property rights may have effect: **26 November 2013**
(54) Product in respect of which the design is registered: **Bicycle storage rack**
(51) International Design Classification: **08-10**
(74) Name(s) of Attorney(s):
(71) Name(s) and Address(s) of Applicant(s):
MGDC Pty Ltd
PO Box 283 Byron Bay NSW 2481 Australia
(72) Name(s) of Designer(s): **Morgwn Wilkie**
(45) Registration Date: **11 December 2013**
(56) Related Art Documents: **Not Applicable**
(57) Statement of Newness and Distinctiveness: **The newness and distinctiveness of the design resides in the shape and form of the storage system as shown in the accompanying representations. The storage system is either wall or floor mounted. The accompanying photographs represent the system as wall mounted and the optional floor mounting plate is shown as a dashed line in the accompanying drawings. The bicycle shown in the accompanying representations is included only for illustrative purposes and does not form part of the application.**



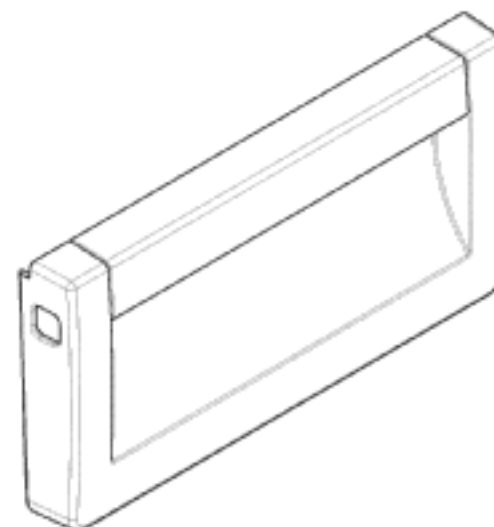
- (21) Design Number: **16168/2013**
(22) Date of Filing Application: **27 November 2013**
(24) Date from which industrial property rights may have effect: **19 December 2012**
(54) Product in respect of which the design is registered: **Drawer component or fascia plate**
(51) International Design Classification: **06-06D**
(74) Name(s) of Attorney(s): **Halfords IP**
(71) Name(s) and Address(s) of Applicant(s):
Electrolux Appliances AB
S:t Goransgatan 143 Stockholm SE-105 45 Sweden
(72) Name(s) of Designer(s): **Richard Hogg and Lyndon Craig and Ola Lantz and Parinya Wongtiyot and Muhammad Mateen and Chotiawat Dounsri**
(45) Registration Date: **11 December 2013**
(62) Divisional of: **352769**
(56) Related Art Documents: **Not Applicable**
(57) Statement of Newness and Distinctiveness: **Newness and distinctiveness is claimed in those features of shape and or configuration of a Drawer Component or Fascia Plate for a drawer or bin of a cold appliance such as a refrigerator or freezer as depicted in the accompanying representations. Features in broken line work, shown in the third isometric representation showing context, do not form part of the design.**



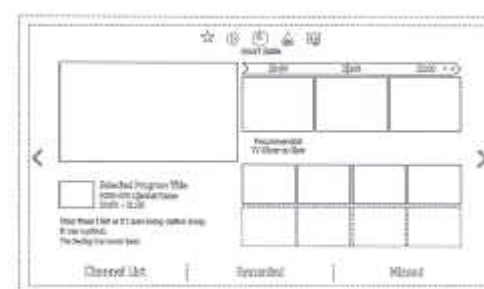
- (21) Design Number: **16169/2013**
(22) Date of Filing Application: **27 November 2013**
(24) Date from which industrial property rights may have effect: **19 December 2012**
(54) Product in respect of which the design is registered: **Drawer component or fascia plate**
(51) International Design Classification: **06-06D**
(74) Name(s) of Attorney(s): **Halfords IP**
(71) Name(s) and Address(s) of Applicant(s):
Electrolux Appliances AB
S:t Goransgatan 143 Stockholm SE-105 45 Sweden
(72) Name(s) of Designer(s): **Chotiawat Dounsri and Richard Hogg and Lyndon Craig and Ola Lantz and Sooraj Gopinath and Vijay Kumar**
(45) Registration Date: **11 December 2013**
(62) Divisional of: **352769**
(56) Related Art Documents: **Not Applicable**
(57) Statement of Newness and Distinctiveness: **Newness and distinctiveness is claimed in those features of shape and or configuration of a Drawer Component or Fascia Plate for a drawer or bin of a cold appliance such as a refrigerator or freezer as depicted in the accompanying representations. Features in broken line work, shown in the third isometric representation showing context, do not form part of the design.**



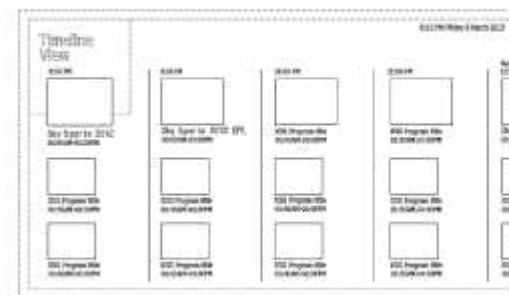
- (21) Design Number: **16170/2013**
(22) Date of Filing Application: **27 November 2013**
(24) Date from which industrial property rights may have effect: **19 December 2012**
(54) Product in respect of which the design is registered: **Drawer component or fascia plate**
(51) International Design Classification: **06-06D**
(74) Name(s) of Attorney(s): **Halfords IP**
(71) Name(s) and Address(s) of Applicant(s):
Electrolux Appliances AB
S:t Goransgatan 143 Stockholm SE-105 45 Sweden
(72) Name(s) of Designer(s): **Sooraj Gopinath and Vijay Kumar and Chotiawat Dounsri and Richard Hogg and Lyndon Craig and Ola Lantz**
(45) Registration Date: **11 December 2013**
(62) Divisional of: **352769**
(56) Related Art Documents: **Not Applicable**
(57) Statement of Newness and Distinctiveness: **Newness and distinctiveness is claimed in those features of shape and or configuration of a Drawer Component or Fascia Plate for a drawer or bin of a cold appliance such as a refrigerator or freezer as depicted in the accompanying representations. Features in broken line work, shown in the third isometric representation showing context, do not form part of the design.**



- (21) Design Number: **16268/2013**
(22) Date of Filing Application: **03 December 2013**
(24) Date from which industrial property rights may have effect: **03 December 2013**
(54) Product in respect of which the design is registered: **Display screen with graphical user interface**
(51) International Design Classification: **14-01, 14-04**
(74) Name(s) of Attorney(s): **IP Gateway Patent & Trademark Attorneys Pty Ltd**
(71) Name(s) and Address(s) of Applicant(s):
Samsung Electronics Co., Ltd.
129 Samsung-ro Yeongtong-Gu Suwon-Si Gyeonggi-do 443-742
Republic of Korea
(72) Name(s) of Designer(s): **Hyeryung Kim and Jieun Kim and Jihong Kim and Jangwon Seo and Seran Jeon and Yong-Hwan Kwon and Danny Hwang**
(45) Registration Date: **11 December 2013**
(30) Convention priority data:
(31) Number (32) Date (33) Country
30-2013-0029426 05 Jun 2013 REPUBLIC OF KOREA
(56) Related Art Documents: **Not Applicable**
(57) Statement of Newness and Distinctiveness: **Newness & Distinctiveness reside in the visual features resulting from the layout of elements shown in solid lines in the representation. The solid lines define a number of areas that may be used to display text and/or images. The features shown in broken lines should be given minimum emphasis when considering the overall impression of the design. The specific characters of text and the specific symbols, shown in the representation in broken lines, do not form part of the design, but are indicative of positions where some text and symbols may be displayed.**



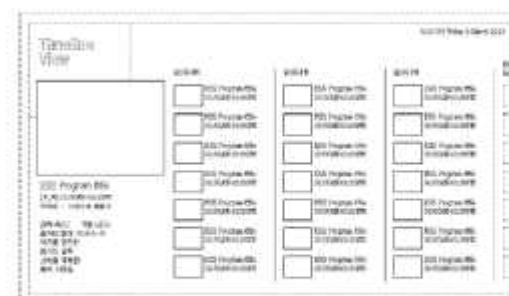
- (21) Design Number: **16297/2013**
(22) Date of Filing Application: **03 December 2013**
(24) Date from which industrial property rights may have effect: **03 December 2013**
(54) Product in respect of which the design is registered: **Display screen with graphical user interface**
(51) International Design Classification: **14-02, 14-04**
(74) Name(s) of Attorney(s): **IP Gateway Patent & Trademark Attorneys Pty Ltd**
(71) Name(s) and Address(s) of Applicant(s):
Samsung Electronics Co., Ltd.
129, Samsung-ro Yeongtong-gu Suwon-si Gyeonggi-do 443-742
Republic of Korea



- (72) Name(s) of Designer(s): **Seran Jeon and Yong-Hwan Kwon and Jieun Kim and Jihong Kim and Hyeryung Kim and Jangwon Seo and Danny Hwang**
(45) Registration Date: **11 December 2013**
(30) Convention priority data:
(31) Number (32) Date (33) Country
30-2013-0029475 05 Jun 2013 REPUBLIC OF KOREA
(56) Related Art Documents: **Not Applicable**

(57) Statement of Newness and Distinctiveness: **Newness & Distinctiveness reside in the visual features resulting from the layout of elements shown in solid lines in the representation. The solid lines define a number of areas that may be used to display text and/or images. The features shown in broken lines should be given minimum emphasis when considering the overall impression of the design. The specific characters of text and the specific symbols, shown in the representation in broken lines, do not form part of the design, but are indicative of positions where some text and symbols may be displayed.**

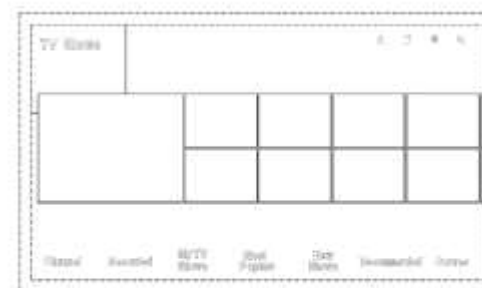
- (21) Design Number: **16298/2013**
(22) Date of Filing Application: **03 December 2013**
(24) Date from which industrial property rights may have effect: **03 December 2013**
(54) Product in respect of which the design is registered: **Display screen with graphical user interface**
(51) International Design Classification: **14-02, 14-04**
(74) Name(s) of Attorney(s): **IP Gateway Patent & Trademark Attorneys Pty Ltd**
(71) Name(s) and Address(s) of Applicant(s):
Samsung Electronics Co., Ltd.
129, Samsung-ro Yeongtong-gu Suwon-si Gyeonggi-do 443-742
Republic of Korea



- (72) Name(s) of Designer(s): **Seran Jeon and Yong-Hwan Kwon and Jieun Kim and Jihong Kim and Hyeryung Kim and Jangwon Seo and Danny Hwang**
(45) Registration Date: **11 December 2013**
(30) Convention priority data:
(31) Number (32) Date (33) Country
30-2013-0029460 05 Jun 2013 REPUBLIC OF KOREA
(56) Related Art Documents: **Not Applicable**

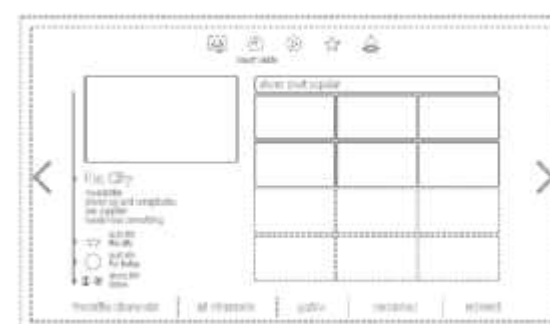
(57) Statement of Newness and Distinctiveness: **Newness & Distinctiveness reside in the visual features resulting from the layout of elements shown in solid lines in the representation. The solid lines define a number of areas that may be used to display text and/or images. The features shown in broken lines should be given minimum emphasis when considering the overall impression of the design. The specific characters of text and the specific symbols, shown in the representation in broken lines, do not form part of the design, but are indicative of positions where some text and symbols may be displayed.**

(21) Design Number: **16299/2013**
(22) Date of Filing Application: **03 December 2013**
(24) Date from which industrial property rights may have effect: **03 December 2013**
(54) Product in respect of which the design is registered: **Display screen with graphical user interface**
(51) International Design Classification: **14-02, 14-04**
(74) Name(s) of Attorney(s): **IP Gateway Patent & Trademark Attorneys Pty Ltd**
(71) Name(s) and Address(s) of Applicant(s):
Samsung Electronics Co., Ltd.
129, Samsung-ro Yeongtong-gu Suwon-si Gyeonggi-do 443-742
Republic of Korea
(72) Name(s) of Designer(s): **Seran Jeon and Yong-Hwan Kwon and Jieun Kim and Jihong Kim and Hyeryung Kim and Jangwon Seo and Danny Hwang**
(45) Registration Date: **11 December 2013**
(30) Convention priority data:
(31) Number (32) Date (33) Country
30-2013-0029446 05 Jun 2013 REPUBLIC OF KOREA



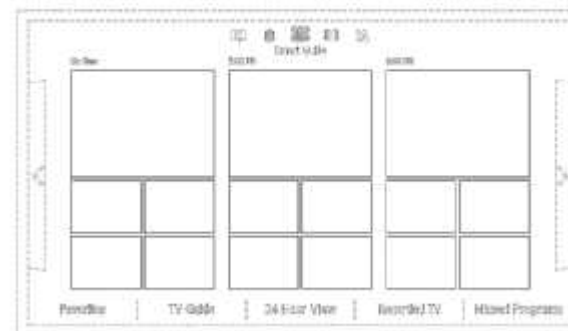
(56) Related Art Documents: **Not Applicable**
(57) Statement of Newness and Distinctiveness: **Newness & Distinctiveness reside in the visual features resulting from the layout of elements shown in solid lines in the representation. The solid lines define a number of areas that may be used to display text and/or images. The features shown in broken lines should be given minimum emphasis when considering the overall impression of the design. The specific characters of text and the specific symbols, shown in the representation in broken lines, do not form part of the design, but are indicative of positions where some text and symbols may be displayed.**

(21) Design Number: **16300/2013**
(22) Date of Filing Application: **03 December 2013**
(24) Date from which industrial property rights may have effect: **03 December 2013**
(54) Product in respect of which the design is registered: **Display screen with graphical user interface**
(51) International Design Classification: **14-02, 14-04**
(74) Name(s) of Attorney(s): **IP Gateway Patent & Trademark Attorneys Pty Ltd**
(71) Name(s) and Address(s) of Applicant(s):
Samsung Electronics Co., Ltd.
129, Samsung-ro Yeongtong-gu Suwon-si Gyeonggi-do 443-742
Republic of Korea
(72) Name(s) of Designer(s): **Seran Jeon and Yong-Hwan Kwon and Jieun Kim and Jihong Kim and Hyeryung Kim and Jangwon Seo and Danny Hwang**
(45) Registration Date: **11 December 2013**
(30) Convention priority data:
(31) Number (32) Date (33) Country
30-2013-0029447 05 Jun 2013 REPUBLIC OF KOREA



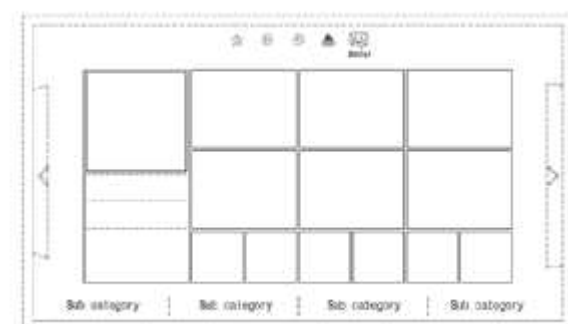
(56) Related Art Documents: **Not Applicable**
(57) Statement of Newness and Distinctiveness: **Newness & Distinctiveness reside in the visual features resulting from the layout of elements shown in solid lines in the representation. The solid lines define a number of areas that may be used to display text and/or images. The features shown in broken lines should be given minimum emphasis when considering the overall impression of the design. The specific characters of text and the specific symbols, shown in the representation in broken lines, do not form part of the design, but are indicative of positions where some text and symbols may be displayed.**

- (21) Design Number: **16301/2013**
(22) Date of Filing Application: **03 December 2013**
(24) Date from which industrial property rights may have effect: **03 December 2013**
(54) Product in respect of which the design is registered: **Display screen with graphical user interface**
(51) International Design Classification: **14-02, 14-04**
(74) Name(s) of Attorney(s): **IP Gateway Patent & Trademark Attorneys Pty Ltd**
(71) Name(s) and Address(s) of Applicant(s):
Samsung Electronics Co., Ltd.
129, Samsung-ro Yeongtong-gu Suwon-si Gyeonggi-do 443-742
Republic of Korea
(72) Name(s) of Designer(s): **Seran Jeon and Yong-Hwan Kwon and Jieun Kim and Jihong Kim and Hyeryung Kim and Jangwon Seo and Danny Hwang**
(45) Registration Date: **11 December 2013**
(30) Convention priority data:
(31) Number (32) Date (33) Country
30-2013-0029477 05 Jun 2013 REPUBLIC OF KOREA



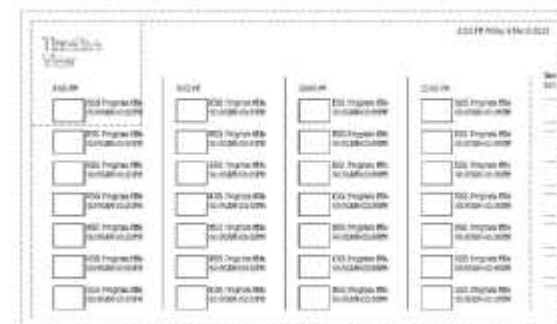
- (56) Related Art Documents: **Not Applicable**
(57) Statement of Newness and Distinctiveness: **Newness & Distinctiveness reside in the visual features resulting from the layout of elements shown in solid lines in the representation. The solid lines define a number of areas that may be used to display text and/or images. The features shown in broken lines should be given minimum emphasis when considering the overall impression of the design. The specific characters of text and the specific symbols, shown in the representation in broken lines, do not form part of the design, but are indicative of positions where some text and symbols may be displayed.**

- (21) Design Number: **16302/2013**
(22) Date of Filing Application: **03 December 2013**
(24) Date from which industrial property rights may have effect: **03 December 2013**
(54) Product in respect of which the design is registered: **Display screen with graphical user interface**
(51) International Design Classification: **14-02, 14-04**
(74) Name(s) of Attorney(s): **IP Gateway Patent & Trademark Attorneys Pty Ltd**
(71) Name(s) and Address(s) of Applicant(s):
Samsung Electronics Co., Ltd.
129, Samsung-ro Yeongtong-gu Suwon-si Gyeonggi-do 443-742
Republic of Korea
(72) Name(s) of Designer(s): **Seran Jeon and Yong-Hwan Kwon and Jieun Kim and Jihong Kim and Hyeryung Kim and Jangwon Seo and Danny Hwang**
(45) Registration Date: **11 December 2013**
(30) Convention priority data:
(31) Number (32) Date (33) Country
30-2013-0029473 05 Jun 2013 REPUBLIC OF KOREA

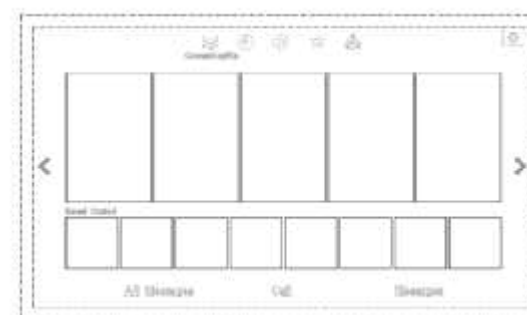


- (56) Related Art Documents: **Not Applicable**
(57) Statement of Newness and Distinctiveness: **Newness & Distinctiveness reside in the visual features resulting from the layout of elements shown in solid lines in the representation. The solid lines define a number of areas that may be used to display text and/or images. The features shown in broken lines should be given minimum emphasis when considering the overall impression of the design. The specific characters of text and the specific symbols, shown in the representation in broken lines, do not form part of the design, but are indicative of positions where some text and symbols may be displayed.**

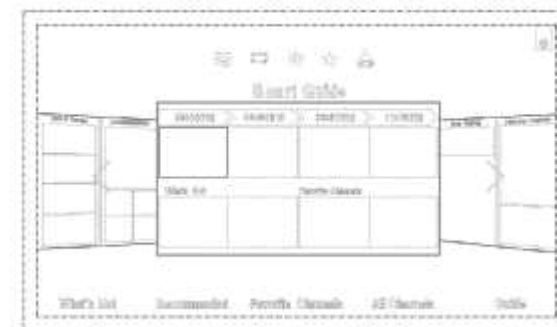
- (21) Design Number: **16304/2013**
(22) Date of Filing Application: **03 December 2013**
(24) Date from which industrial property rights may have effect: **03 December 2013**
(54) Product in respect of which the design is registered: **Display screen with graphical user interface**
(51) International Design Classification: **14-02, 14-04**
(74) Name(s) of Attorney(s): **IP Gateway Patent & Trademark Attorneys Pty Ltd**
(71) Name(s) and Address(s) of Applicant(s):
Samsung Electronics Co., Ltd.
129, Samsung-ro Yeongtong-gu Suwon-si Gyeonggi-do 443-742
Republic of Korea
(72) Name(s) of Designer(s): **Jieun Kim and Jihong Kim and Hyeryung Kim and Jangwon Seo and Seran Jeon and Danny Hwang and Yong-Hwan Kwon**
(45) Registration Date: **11 December 2013**
(30) Convention priority data:
(31) Number (32) Date (33) Country
30-2013-0029459 05 Jun 2013 REPUBLIC OF KOREA
(56) Related Art Documents: **Not Applicable**
(57) Statement of Newness and Distinctiveness: **Newness & Distinctiveness reside in the visual features resulting from the layout of elements shown in solid lines in the representation. The solid lines define a number of areas that may be used to display text and/or images. The features shown in broken lines should be given minimum emphasis when considering the overall impression of the design. The specific characters of text and the specific symbols, shown in the representation in broken lines, do not form part of the design, but are indicative of positions where some text and symbols may be displayed.**



- (21) Design Number: **16305/2013**
(22) Date of Filing Application: **03 December 2013**
(24) Date from which industrial property rights may have effect: **03 December 2013**
(54) Product in respect of which the design is registered: **Display screen with graphical user interface**
(51) International Design Classification: **14-02, 14-04**
(74) Name(s) of Attorney(s): **IP Gateway Patent & Trademark Attorneys Pty Ltd**
(71) Name(s) and Address(s) of Applicant(s):
Samsung Electronics Co., Ltd.
129, Samsung-ro Yeongtong-gu Suwon-si Gyeonggi-do 443-742
Republic of Korea
(72) Name(s) of Designer(s): **Hyeryung Kim and Jieun Kim and Jihong Kim and Jangwon Seo and Seran Jeon and Yong-Hwan Kwon and Danny Hwang**
(45) Registration Date: **11 December 2013**
(30) Convention priority data:
(31) Number (32) Date (33) Country
30-2013-0029417 05 Jun 2013 REPUBLIC OF KOREA
(56) Related Art Documents: **Not Applicable**
(57) Statement of Newness and Distinctiveness: **Newness & Distinctiveness reside in the visual features resulting from the layout of elements shown in solid lines in the representation. The solid lines define a number of areas that may be used to display text and/or images. The features shown in broken lines should be given minimum emphasis when considering the overall impression of the design. The specific characters of text and the specific symbols, shown in the representation in broken lines, do not form part of the design, but are indicative of positions where some text and symbols may be displayed.**



- (21) Design Number: **16306/2013**
(22) Date of Filing Application: **03 December 2013**
(24) Date from which industrial property rights may have effect: **03 December 2013**
(54) Product in respect of which the design is registered: **Display screen with graphical user interface**
(51) International Design Classification: **14-02, 14-04**
(74) Name(s) of Attorney(s): **IP Gateway Patent & Trademark Attorneys Pty Ltd**
(71) Name(s) and Address(s) of Applicant(s):
Samsung Electronics Co., Ltd.
129, Samsung-ro Yeongtong-gu Suwon-si Gyeonggi-do 443-742
Republic of Korea
(72) Name(s) of Designer(s): **Hyeryung Kim and Jieun Kim and Jihong Kim and Jangwon Seo and Seran Jeon and Yong-Hwan Kwon and Danny Hwang**
(45) Registration Date: **11 December 2013**
(30) Convention priority data:
(31) Number (32) Date (33) Country
30-2013-0029457 05 Jun 2013 REPUBLIC OF KOREA

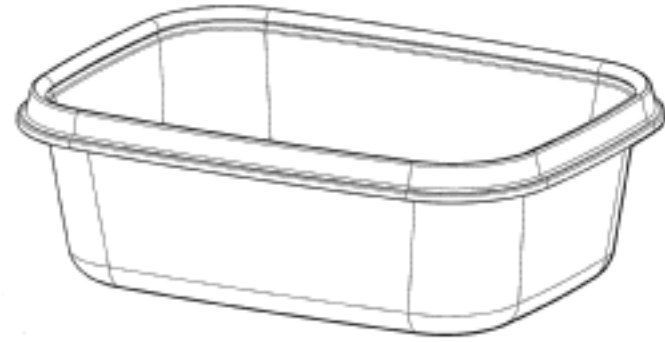


- (56) Related Art Documents: **Not Applicable**
(57) Statement of Newness and Distinctiveness: **Newness & Distinctiveness reside in the visual features resulting from the layout of elements shown in solid lines in the representation. The solid lines define a number of areas that may be used to display text and/or images. The features shown in broken lines should be given minimum emphasis when considering the overall impression of the design. The specific characters of text and the specific symbols, shown in the representation in broken lines, do not form part of the design, but are indicative of positions where some text and symbols may be displayed.**

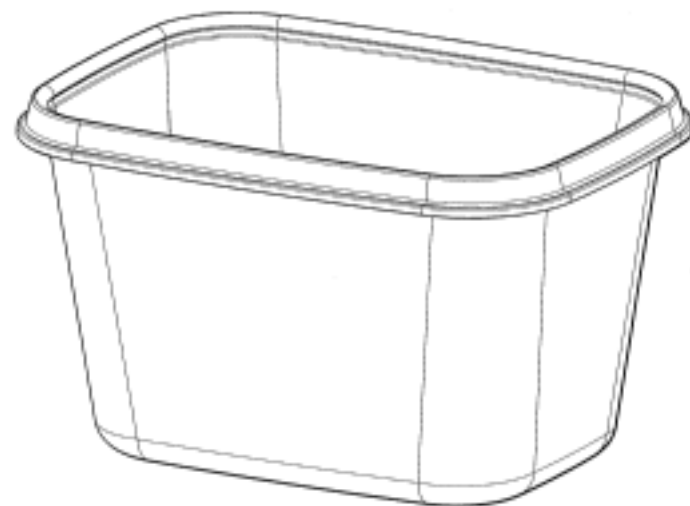
- (21) Design Number: **16307/2013**
(22) Date of Filing Application: **03 December 2013**
(24) Date from which industrial property rights may have effect: **03 December 2013**
(54) Product in respect of which the design is registered: **A container**
(51) International Design Classification: **09-03L**
(74) Name(s) of Attorney(s): **WATERMARK PATENT AND TRADE MARKS ATTORNEYS**
(71) Name(s) and Address(s) of Applicant(s):
Viscount Plastics Pty Ltd
L16 644 Chapel St South Yarra VIC 3141 Australia
(72) Name(s) of Designer(s): **Michael Patrick Noonan**
(45) Registration Date: **11 December 2013**
(56) Related Art Documents: **Not Applicable**
(57) Statement of Newness and Distinctiveness: **Nil**



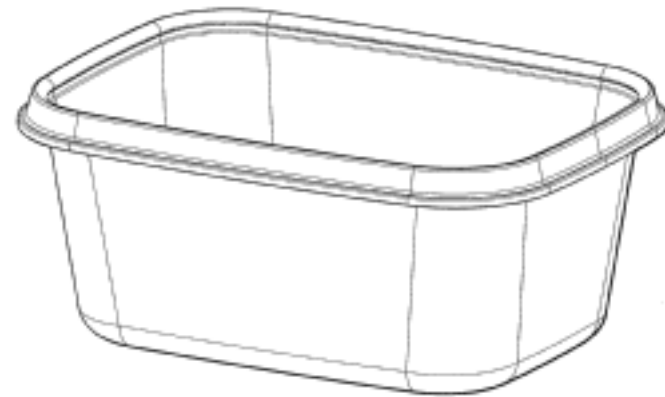
- (21) Design Number: **12356/2013**
(22) Date of Filing Application: **20 May 2013**
(24) Date from which industrial property rights may have effect: **20 May 2013**
(54) Product in respect of which the design is registered: **Container base**
(51) International Design Classification: **07-01NES, 09-03M**
(74) Name(s) of Attorney(s): **Callinans**
(71) Name(s) and Address(s) of Applicant(s):
The Decor Corporation Pty. Ltd.
1314 Ferntree Gully Rd Scoresby VIC 3179 Australia
(72) Name(s) of Designer(s): **Arthur Richard Carlson**
(45) Registration Date: **11 December 2013**
(56) Related Art Documents: **Not Applicable**
(57) Statement of Newness and Distinctiveness: **Nil**



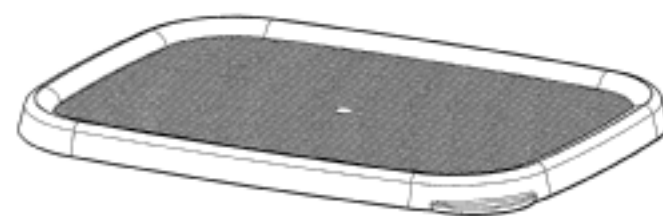
- (21) Design Number: **12357/2013**
(22) Date of Filing Application: **20 May 2013**
(24) Date from which industrial property rights may have effect: **20 May 2013**
(54) Product in respect of which the design is registered: **Container base**
(51) International Design Classification: **07-01NES, 09-03M**
(74) Name(s) of Attorney(s): **Callinans**
(71) Name(s) and Address(s) of Applicant(s):
The Decor Corporation Pty. Ltd.
1314 Ferntree Gully Rd Scoresby VIC 3179 Australia
(72) Name(s) of Designer(s): **Arthur Richard Carlson**
(45) Registration Date: **11 December 2013**
(56) Related Art Documents: **Not Applicable**
(57) Statement of Newness and Distinctiveness: **Nil**



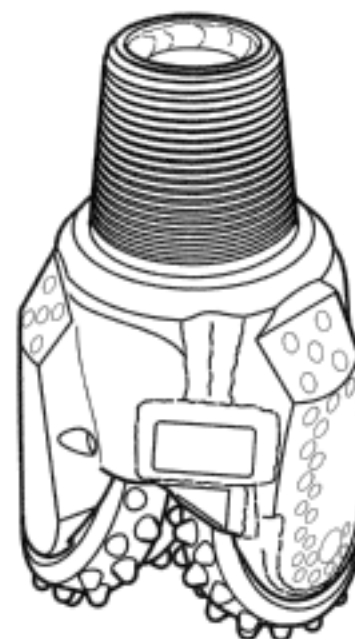
(21) Design Number: **12358/2013**
(22) Date of Filing Application: **20 May 2013**
(24) Date from which industrial property rights may have effect: **20 May 2013**
(54) Product in respect of which the design is registered: **Container base**
(51) International Design Classification: **07-01NES, 09-03M**
(74) Name(s) of Attorney(s): **Callinans**
(71) Name(s) and Address(s) of Applicant(s):
The Decor Corporation Pty. Ltd.
1314 Ferntree Gully Rd Scoresby VIC 3179 Australia
(72) Name(s) of Designer(s): **Arthur Richard Carlson**
(45) Registration Date: **11 December 2013**
(56) Related Art Documents: **Not Applicable**
(57) Statement of Newness and Distinctiveness: **Nil**



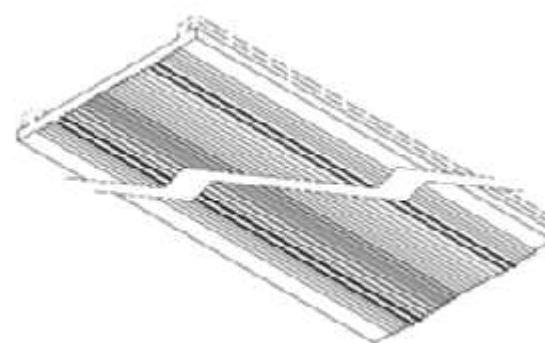
(21) Design Number: **12359/2013**
(22) Date of Filing Application: **20 May 2013**
(24) Date from which industrial property rights may have effect: **20 May 2013**
(54) Product in respect of which the design is registered: **Lid for a container**
(51) International Design Classification: **07-01NES, 09-07B**
(74) Name(s) of Attorney(s): **Callinans**
(71) Name(s) and Address(s) of Applicant(s):
The Decor Corporation Pty. Ltd.
1314 Ferntree Gully Rd Scoresby VIC 3179 Australia
(72) Name(s) of Designer(s): **Arthur Richard Carlson**
(45) Registration Date: **11 December 2013**
(56) Related Art Documents: **Not Applicable**
(57) Statement of Newness and Distinctiveness: **Nil**



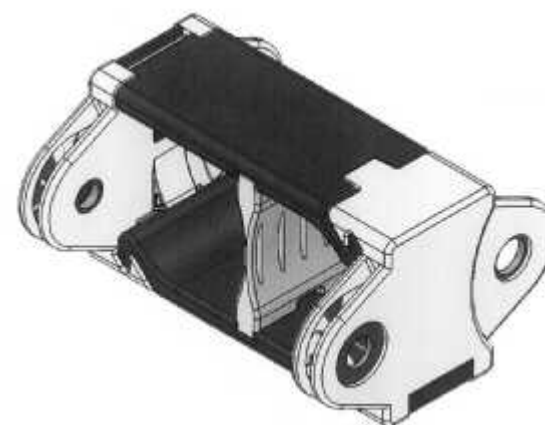
- (21) Design Number: **12598/2013**
(22) Date of Filing Application: **05 June 2013**
(24) Date from which industrial property rights may have effect: **05 June 2013**
(54) Product in respect of which the design is registered: **Rotary roller cone bit**
(51) International Design Classification: **08-01**
(74) Name(s) of Attorney(s): **Golja Haines & Friend**
(71) Name(s) and Address(s) of Applicant(s):
Tricon Drilling Solutions Pty Ltd
85 Belgravia St Belmont WA 6104 Australia
(72) Name(s) of Designer(s): **Graeme Thomas Evans and Brian Sanfead**
(45) Registration Date: **11 December 2013**
(56) Related Art Documents: **Not Applicable**
(57) Statement of Newness and Distinctiveness: **The design resides in the shape and configuration of a rotary roller cone bit as illustrated in the drawings. Newness and distinctiveness resides in the triangular plates with rectangular plates located above, affixed to the sides of the bit, and the annular ring welded inside the threaded portion at the top of the bit.**



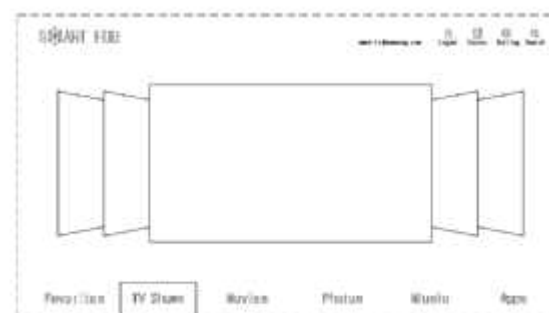
- (21) Design Number: **16308/2013**
(22) Date of Filing Application: **03 December 2013**
(24) Date from which industrial property rights may have effect: **03 December 2013**
(54) Product in respect of which the design is registered: **A lens to diffuse and refract light**
(51) International Design Classification: **26-05A**
(74) Name(s) of Attorney(s):
(71) Name(s) and Address(s) of Applicant(s):
Bryan Liebowitz
9 Tobruk Ave St Ives Chase NSW 2075 Australia
(72) Name(s) of Designer(s): **Bryan Liebowitz**
(45) Registration Date: **11 December 2013**
(56) Related Art Documents: **Not Applicable**
(57) Statement of Newness and Distinctiveness: **The newness and distinctiveness of the design resides in the shapes and angles of the lineal prisms as shown in the continuous lines and end view in the accompanying representations. The broken lines are not part of the design and are to be disregarded when considering the overall impression of the design.**



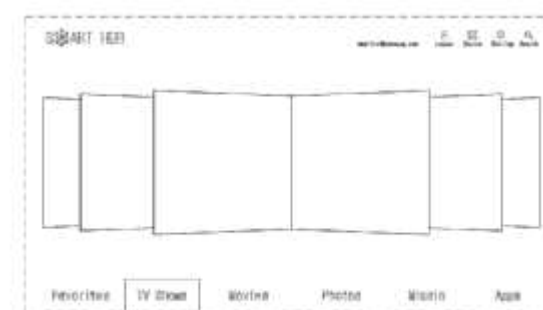
- (21) Design Number: **16310/2013**
(22) Date of Filing Application: **03 December 2013**
(24) Date from which industrial property rights may have effect: **03 December 2013**
(54) Product in respect of which the design is registered: **Cable handler**
(51) International Design Classification: **08-99**
(74) Name(s) of Attorney(s): **FB Rice**
(71) Name(s) and Address(s) of Applicant(s):
Acteuro Limited
Highgrounds Road Worksop Nottinghamshire S80 3AT United Kingdom
(72) Name(s) of Designer(s): **Peter Howard and Andrew McKenna**
(45) Registration Date: **11 December 2013**
(56) Related Art Documents: **Not Applicable**
(57) Statement of Newness and Distinctiveness: **Newness and distinctiveness reside in the features of the shape and configuration of the cable handler as shown, having opposed opening wings.**



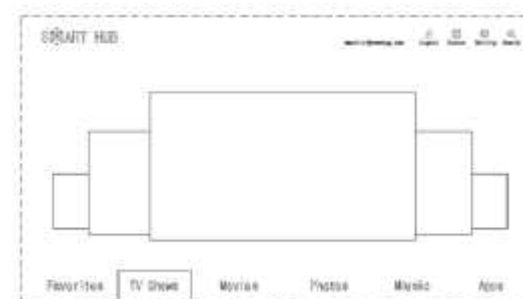
- (21) Design Number: **16320/2013**
(22) Date of Filing Application: **03 December 2013**
(24) Date from which industrial property rights may have effect: **03 December 2013**
(54) Product in respect of which the design is registered: **Display screen with graphical user interface**
(51) International Design Classification: **14-02, 14-04**
(74) Name(s) of Attorney(s): **IP Gateway Patent & Trademark Attorneys Pty Ltd**
(71) Name(s) and Address(s) of Applicant(s):
Samsung Electronics Co., Ltd.
129 Samsung-ro, Yeongtong-gu, Suwon-si Gyeonggi-do 443-742 Republic of Korea
(72) Name(s) of Designer(s): **Yong-Hwan Kwon and Jieun Kim and Jihong Kim and Hyeryung Kim and Jangwon Seo and Danny Hwang and Seran Jeon**
(45) Registration Date: **11 December 2013**
(30) Convention priority data:
(31) Number (32) Date (33) Country
30-2013-0029468 05 Jun 2013 REPUBLIC OF KOREA
(56) Related Art Documents: **Not Applicable**
(57) Statement of Newness and Distinctiveness: **Newness & Distinctiveness reside in the visual features resulting from the layout of elements shown in solid lines in the representation. The solid lines define a number of areas that may be used to display text and/or images. The features shown in broken lines should be given minimum emphasis when considering the overall impression of the design. The specific characters of text and the specific symbols, shown in the representation in broken lines, do not form part of the design, but are indicative of positions where some text and symbols may be displayed.**



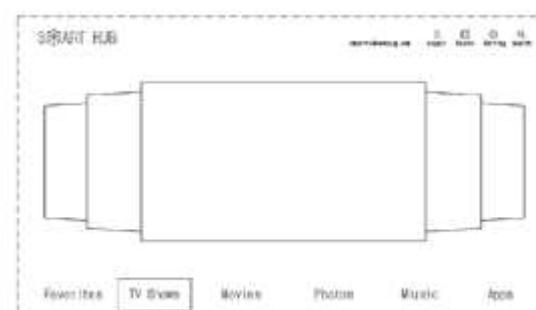
- (21) Design Number: **16321/2013**
(22) Date of Filing Application: **03 December 2013**
(24) Date from which industrial property rights may have effect: **03 December 2013**
(54) Product in respect of which the design is registered: **Display screen with graphical user interface**
(51) International Design Classification: **14-02, 14-04**
(74) Name(s) of Attorney(s): **IP Gateway Patent & Trademark Attorneys Pty Ltd**
(71) Name(s) and Address(s) of Applicant(s):
Samsung Electronics Co., Ltd.
129 Samsung-ro, Yeongtong-gu, Suwon-si Gyeonggi-do 443-742
Republic of Korea
(72) Name(s) of Designer(s): **Yong-Hwan Kwon and Jieun Kim and Jihong Kim and Hyeryung Kim and Jangwon Seo and Danny Hwang and Seran Jeon**
(45) Registration Date: **11 December 2013**
(30) Convention priority data:
(31) Number (32) Date (33) Country
30-2013-0029472 05 Jun 2013 REPUBLIC OF KOREA
(56) Related Art Documents: **Not Applicable**
(57) Statement of Newness and Distinctiveness: **Newness & Distinctiveness reside in the visual features resulting from the layout of elements shown in solid lines in the representation. The solid lines define a number of areas that may be used to display text and/or images. The features shown in broken lines should be given minimum emphasis when considering the overall impression of the design. The specific characters of text and the specific symbols, shown in the representation in broken lines, do not form part of the design, but are indicative of positions where some text and symbols may be displayed.**



- (21) Design Number: **16322/2013**
(22) Date of Filing Application: **03 December 2013**
(24) Date from which industrial property rights may have effect: **03 December 2013**
(54) Product in respect of which the design is registered: **Display screen with graphical user interface**
(51) International Design Classification: **14-02, 14-04**
(74) Name(s) of Attorney(s): **IP Gateway Patent & Trademark Attorneys Pty Ltd**
(71) Name(s) and Address(s) of Applicant(s):
Samsung Electronics Co., Ltd.
129 Samsung-ro, Yeongtong-gu, Suwon-si Gyeonggi-do 443-742
Republic of Korea
(72) Name(s) of Designer(s): **Yong-Hwan Kwon and Jieun Kim and Jihong Kim and Hyeryung Kim and Jangwon Seo and Danny Hwang and Seran Jeon**
(45) Registration Date: **11 December 2013**
(30) Convention priority data:
(31) Number (32) Date (33) Country
30-2013-0029469 05 Jun 2013 REPUBLIC OF KOREA
(56) Related Art Documents: **Not Applicable**
(57) Statement of Newness and Distinctiveness: **Newness & Distinctiveness reside in the visual features resulting from the layout of elements shown in solid lines in the representation. The solid lines define a number of areas that may be used to display text and/or images. The features shown in broken lines should be given minimum emphasis when considering the overall impression of the design. The specific characters of text and the specific symbols, shown in the representation in broken lines, do not form part of the design, but are indicative of positions where some text and symbols may be displayed.**

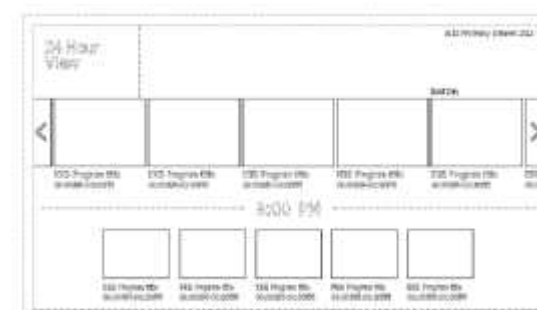


(21) Design Number: **16323/2013**
(22) Date of Filing Application: **03 December 2013**
(24) Date from which industrial property rights may have effect: **03 December 2013**
(54) Product in respect of which the design is registered: **Display screen with graphical user interface**
(51) International Design Classification: **14-02, 14-04**
(74) Name(s) of Attorney(s): **IP Gateway Patent & Trademark Attorneys Pty Ltd**
(71) Name(s) and Address(s) of Applicant(s):
Samsung Electronics Co., Ltd.
129 Samsung-ro, Yeongtong-gu, Suwon-si Gyeonggi-do 443-742
Republic of Korea
(72) Name(s) of Designer(s): **Yong-Hwan Kwon and Jieun Kim and Jihong Kim and Hyeryung Kim and Jangwon Seo and Danny Hwang and Seran Jeon**
(45) Registration Date: **11 December 2013**
(30) Convention priority data:
(31) Number (32) Date (33) Country
30-2013-0029470 05 Jun 2013 REPUBLIC OF KOREA



(56) Related Art Documents: **Not Applicable**
(57) Statement of Newness and Distinctiveness: **Newness & Distinctiveness reside in the visual features resulting from the layout of elements shown in solid lines in the representation. The solid lines define a number of areas that may be used to display text and/or images. The features shown in broken lines should be given minimum emphasis when considering the overall impression of the design. The specific characters of text and the specific symbols, shown in the representation in broken lines, do not form part of the design, but are indicative of positions where some text and symbols may be displayed.**

(21) Design Number: **16324/2013**
(22) Date of Filing Application: **03 December 2013**
(24) Date from which industrial property rights may have effect: **03 December 2013**
(54) Product in respect of which the design is registered: **Display screen with graphical uder interface**
(51) International Design Classification: **14-02, 14-04**
(74) Name(s) of Attorney(s): **IP Gateway Patent & Trademark Attorneys Pty Ltd**
(71) Name(s) and Address(s) of Applicant(s):
Samsung Electronics Co., Ltd.
129 Samsung-ro, Yeongtong-gu, Suwon-si Gyeonggi-do 443-742
Republic of Korea
(72) Name(s) of Designer(s): **Yong-Hwan Kwon and Jieun Kim and Jihong Kim and Hyeryung Kim and Jangwon Seo and Danny Hwang and Seran Jeon**
(45) Registration Date: **11 December 2013**
(30) Convention priority data:
(31) Number (32) Date (33) Country
30-2013-0029478 05 Jun 2013 REPUBLIC OF KOREA

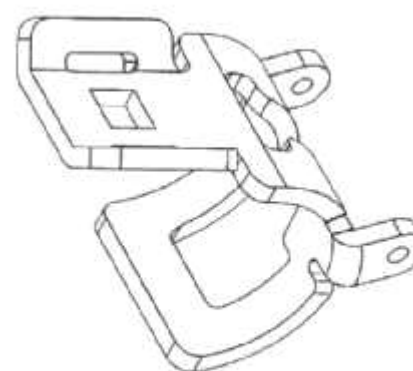


(56) Related Art Documents: **Not Applicable**
(57) Statement of Newness and Distinctiveness: **Newness & Distinctiveness reside in the visual features resulting from the layout of elements shown in solid lines in the representation. The solid lines define a number of areas that may be used to display text and/or images. The features shown in broken lines should be given minimum emphasis when considering the overall impression of the design. The specific characters of text and the specific symbols, shown in the representation in broken lines, do not form part of the design, but are indicative of positions where some text and symbols may be displayed.**

- (21) Design Number: **16325/2013**
(22) Date of Filing Application: **03 December 2013**
(24) Date from which industrial property rights may have effect: **03 December 2013**
(54) Product in respect of which the design is registered: **Display screen with graphical user interface**
(51) International Design Classification: **14-02, 14-04**
(74) Name(s) of Attorney(s): **IP Gateway Patent & Trademark Attorneys Pty Ltd**
(71) Name(s) and Address(s) of Applicant(s):
Samsung Electronics Co., Ltd.
129 Samsung-ro, Yeongtong-gu, Suwon-si Gyeonggi-do 443-742
Republic of Korea
(72) Name(s) of Designer(s): **Seran Jeon and Yong-Hwan Kwon and Jieun Kim and Jihong Kim and Hyeryung Kim and Jangwon Seo and Danny Hwang**
(45) Registration Date: **11 December 2013**
(30) Convention priority data:
(31) Number (32) Date (33) Country
30-2013-0029416 05 Jun 2013 REPUBLIC OF KOREA
(56) Related Art Documents: **Not Applicable**
(57) Statement of Newness and Distinctiveness: **Newness & Distinctiveness reside in the visual features resulting from the layout of elements shown in solid lines in representation. The solid lines define a number of areas that may be used to display text and/or images. The features shown in broken lines should be given minimum emphasis when considering the overall impression of the design. The specific characters of text and the specific symbols, shown in the representation in broken lines, do not form part of the design, but are indicative of positions where some text and symbols may be displayed.**



- (21) Design Number: **13931/2013**
(22) Date of Filing Application: **14 August 2013**
(24) Date from which industrial property rights may have effect: **14 August 2013**
(54) Product in respect of which the design is registered: **A hand rail bracket**
(51) International Design Classification: **08-08L**
(74) Name(s) of Attorney(s): **James & Wells**
(71) Name(s) and Address(s) of Applicant(s):
Lewis Roy Cleveland
51 Hollister Lane Ohauti Tauranga 3112 New Zealand
(72) Name(s) of Designer(s): **Lewis Roy Cleveland**
(45) Registration Date: **12 December 2013**
(30) Convention priority data:
(31) Number (32) Date (33) Country
417303 15 Feb 2013 NEW ZEALAND
(56) Related Art Documents: **Not Applicable**
(57) Statement of Newness and Distinctiveness: **This design is to be applied to A Coupling and Components Therefore and the novelty resides in features of shape and configuration, all as shown in the accompanying representations.**



- (21) Design Number: **14458/2013**
(22) Date of Filing Application: **09 September 2013**
(24) Date from which industrial property rights may have effect: **09 September 2013**
(54) Product in respect of which the design is registered: **Remote control for use with surgical system**
(51) International Design Classification: **14-03NES, 24-99**
(74) Name(s) of Attorney(s): **Davies Collison Cave**
(71) Name(s) and Address(s) of Applicant(s):

Abbott Medical Optics Inc.
1700 East St. Andrew Place Santa Ana California, 92705-4933 United States of America

- (72) Name(s) of Designer(s): **Brian Eastman and Timothy L. Hunter and Edith W. Fung and Mitch Mallough and Catherine P. Ha and Dustin P. Hassell and Anna Iwaniec Hickerson and Meng-Hsin (Gloria) Lin and Joshua Lawrence Miller and Joy Catherine Wong and Johnathan Louis Weaver**

(45) Registration Date: **12 December 2013**

(30) Convention priority data:

(31) Number	(32) Date	(33) Country
29/448037	08 Mar 2013	UNITED STATES OF AMERICA

(56) Related Art Documents: **Not Applicable**

- (57) Statement of Newness and Distinctiveness: **Newness and distinctiveness is claimed in the visual features shown in solid lines in the representations, and in particular, with regard to the number and spacing of the buttons on the left hand side of the product. In considering the extent of the design rights, the broken lines shown in the representations are for illustrative purposes only and do not form part of the design.**



- (21) Design Number: **14459/2013**
(22) Date of Filing Application: **09 September 2013**
(24) Date from which industrial property rights may have effect: **09 September 2013**
(54) Product in respect of which the design is registered: **Remote control**
(51) International Design Classification: **14-03NES**
(74) Name(s) of Attorney(s): **Davies Collison Cave**
(71) Name(s) and Address(s) of Applicant(s):

Abbott Medical Optics Inc.
1700 East St. Andrew Place Santa Ana California, 92705-4933 United States of America

- (72) Name(s) of Designer(s): **Brian Eastman and Timothy L. Hunter and Edith W. Fung and Mitch Mallough and Catherine P. Ha and Dustin P. Hassell and Anna Iwaniec Hickerson and Meng-Hsin (Gloria) Lin and Joshua Lawrence Miller and Johnathan Louis Weaver and Joy Catherine Wong**

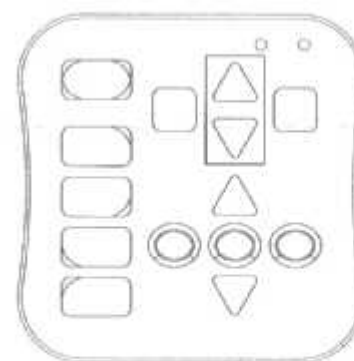
(45) Registration Date: **12 December 2013**

(30) Convention priority data:

(31) Number	(32) Date	(33) Country
29/448033	08 Mar 2013	UNITED STATES OF AMERICA

(56) Related Art Documents: **Not Applicable**

- (57) Statement of Newness and Distinctiveness: **Newness and distinctiveness is claimed in the visual features shown in solid lines in the representations, and in particular, with regard to the number and spacing of the buttons on the left hand side of the product. In considering the extent of the design rights, the broken lines shown in the representations are for illustrative purposes only and do not form part of the design.**



- (21) Design Number: **15542/2013**
(22) Date of Filing Application: **29 October 2013**
(24) Date from which industrial property rights may have effect: **29 October 2013**
(54) Product in respect of which the design is registered: **Camper trailer**
(51) International Design Classification: **12-10**
(74) Name(s) of Attorney(s): **Etheringtons Solicitors**
(71) Name(s) and Address(s) of Applicant(s):

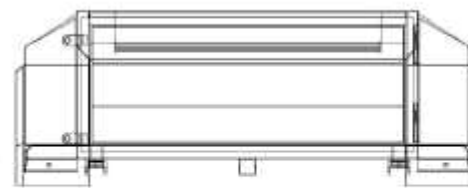
GIC Pty Ltd
81 Milperra Rd Revesby NSW 2212 Australia

- (72) Name(s) of Designer(s): **Robert Grabovac**

(45) Registration Date: **12 December 2013**

(56) Related Art Documents: **Not Applicable**

- (57) Statement of Newness and Distinctiveness: **Legs: 2 x Heavy Duty Lockable & Adjustable (Wind Down Spindle Supplied) Light Connection Plug: 7 Pin Flat Plug Spare Wheel Mounted on Rear Tailgates and pegs all Included as standard) Click here to read more on included 12FT tent Drawbar: 100x50x3mm Extended Length 2m (Draw bar extended to front spring hanger for extra stability, cornering, reversing and strength) Chassis: Full tube reinforced chassis (50x50mm RHS) All stress points on the chassis and drawbar have been reinforced Construction: Fully Welded, Sealed Checker Plate Body Jerry Can Holders: x2 Lockable Military Style 20L Jerry Can Holder Gas bottle holders: x2 Lockable 4kg Gas Bottle Holder Tailgate: Swing Gate Door With x2 T-Locks & Pinch Rubber Sealed with a 50x50mm Frame Lights: Large LED Fully Submersible Tail lights & Number Plate Lights Stabiliser Legs: 2 x Heavy Duty Lockable & Adjustable (Wind Down Spindle Supplied) Light Connection Plug: 7 Pin Flat Plug Spare Wheel Mounted on Rear Tailgate.**



- (21) Design Number: **15584/2013**
(22) Date of Filing Application: **31 October 2013**
(24) Date from which industrial property rights may have effect: **04 March 2013**
(54) Product in respect of which the design is registered: **Article of clothing**
(51) International Design Classification: **02-02C**
(74) Name(s) of Attorney(s): **Allens Patent & Trade Mark Attorneys**
(71) Name(s) and Address(s) of Applicant(s):

Forever New Clothing Pty Ltd
714-716 High St Kew East VIC 3102 Australia

- (72) Name(s) of Designer(s): **Octavia Miller**

(45) Registration Date: **12 December 2013**

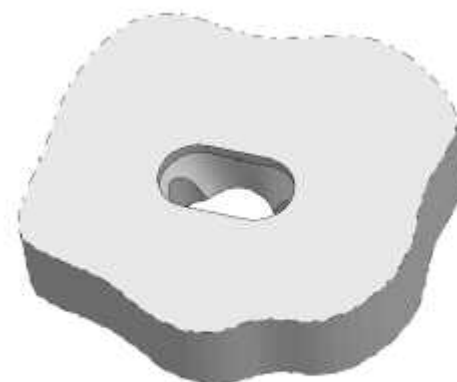
(62) Divisional of: **352554**

(56) Related Art Documents: **Not Applicable**

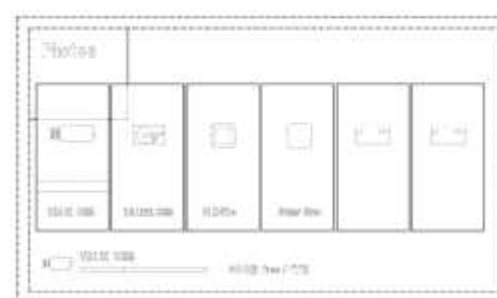
- (57) Statement of Newness and Distinctiveness: **Newness and distinctiveness resides in the visual features of shape, configuration, pattern and/or ornamentation of an article of clothing as shown in the accompanying representations.**



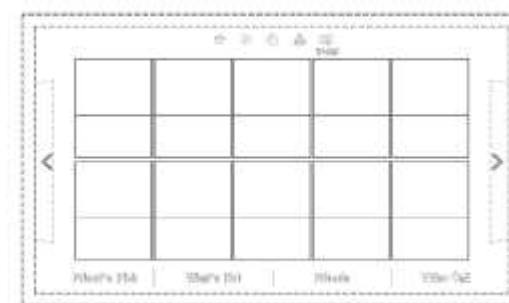
- (21) Design Number: **15626/2013**
(22) Date of Filing Application: **01 November 2013**
(24) Date from which industrial property rights may have effect: **01 November 2013**
(54) Product in respect of which the design is registered: **Plate**
(51) International Design Classification: **15-99**
(74) Name(s) of Attorney(s):
(71) Name(s) and Address(s) of Applicant(s):
Wearx Pty Ltd
230 Old Maitland Rd Hexham NSW 2322 Australia
(72) Name(s) of Designer(s): **Ronald Thomas Bell**
(45) Registration Date: **12 December 2013**
(56) Related Art Documents: **Not Applicable**
(57) Statement of Newness and Distinctiveness: **Newness and distinctiveness resides in the overall shape and configuration of the features shown in solid lines in the representations.**



- (21) Design Number: **16311/2013**
(22) Date of Filing Application: **03 December 2013**
(24) Date from which industrial property rights may have effect: **03 December 2013**
(54) Product in respect of which the design is registered: **Display screen with graphical user interface**
(51) International Design Classification: **14-02, 14-04**
(74) Name(s) of Attorney(s): **IP Gateway Patent & Trademark Attorneys Pty Ltd**
(71) Name(s) and Address(s) of Applicant(s):
Samsung Electronics Co., Ltd.
129, Samsung-ro Yeongtong-gu Suwon-si Gyeonggi-do 443-742
Republic of Korea
(72) Name(s) of Designer(s): **Seran Jeon and Jieun Kim and Jihong Kim and Hyeryung Kim and Jangwon Seo and Yong-Hwan Kwon and Danny Hwang**
(45) Registration Date: **12 December 2013**
(30) Convention priority data:
(31) Number (32) Date (33) Country
30-2013-0029480 05 Jun 2013 REPUBLIC OF KOREA
(56) Related Art Documents: **Not Applicable**
(57) Statement of Newness and Distinctiveness: **Newness & Distinctiveness reside in the visual features resulting from the layout of elements shown in solid lines in the representation. The solid lines define a number of areas that may be used to display text and/or images. The features shown in broken lines should be given minimum emphasis when considering the overall impression of the design. The specific characters of text and the specific symbols, shown in the representation in broken lines, do not form part of the design, but are indicative of positions where some text and symbols may be displayed.**

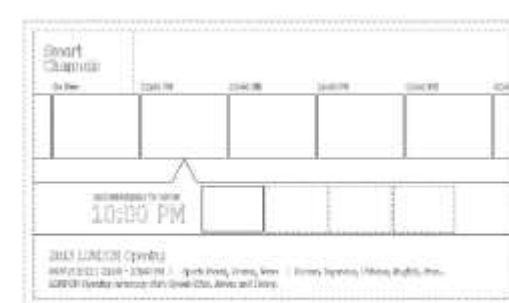


(21) Design Number: **16312/2013**
(22) Date of Filing Application: **03 December 2013**
(24) Date from which industrial property rights may have effect: **03 December 2013**
(54) Product in respect of which the design is registered: **Display screen with graphical user interface**
(51) International Design Classification: **14-02, 14-04**
(74) Name(s) of Attorney(s): **IP Gateway Patent & Trademark Attorneys Pty Ltd**
(71) Name(s) and Address(s) of Applicant(s):
Samsung Electronics Co., Ltd.
129, Samsung-ro Yeongtong-gu Suwon-si Gyeonggi-do 443-742
Republic of Korea



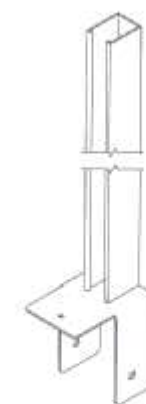
(72) Name(s) of Designer(s): **Hyeryung Kim and Jieun Kim and Jihong Kim and Jangwon Seo and Seran Jeon and Yong-Hwan Kwon and Danny Hwang**
(45) Registration Date: **12 December 2013**
(30) Convention priority data:
(31) Number (32) Date (33) Country
30-2013-0029419 05 Jun 2013 REPUBLIC OF KOREA
(56) Related Art Documents: **Not Applicable**
(57) Statement of Newness and Distinctiveness: **Newness & Distinctiveness reside in the visual features resulting from the layout of elements shown in solid lines in the representation. The solid lines define a number of areas that may be used to display text and/or images. The features shown in broken lines should be given minimum emphasis when considering the overall impression of the design. The specific characters of text and the specific symbols, shown in the representation in broken lines, do not form part of the design, but are indicative of positions where some text and symbols may be displayed.**

(21) Design Number: **16313/2013**
(22) Date of Filing Application: **03 December 2013**
(24) Date from which industrial property rights may have effect: **03 December 2013**
(54) Product in respect of which the design is registered: **Display screen with graphical user interface**
(51) International Design Classification: **14-02, 14-04**
(74) Name(s) of Attorney(s): **IP Gateway Patent & Trademark Attorneys Pty Ltd**
(71) Name(s) and Address(s) of Applicant(s):
Samsung Electronics Co., Ltd.
129, Samsung-ro Yeongtong-gu Suwon-si Gyeonggi-do 443-742
Republic of Korea



(72) Name(s) of Designer(s): **Jieun Kim and Jihong Kim and Hyeryung Kim and Jangwon Seo and Seran Jeon and Yong-Hwan Kwon and Danny Hwang**
(45) Registration Date: **12 December 2013**
(30) Convention priority data:
(31) Number (32) Date (33) Country
30-2013-0029476 05 Jun 2013 REPUBLIC OF KOREA
(56) Related Art Documents: **Not Applicable**
(57) Statement of Newness and Distinctiveness: **Newness & Distinctiveness reside in the visual features resulting from the layout of elements shown in solid lines in the representation. The solid lines define a number of areas that may be used to display text and/or images. The features shown in broken lines should be given minimum emphasis when considering the overall impression of the design. The specific characters of text and the specific symbols, shown in the representation in broken lines, do not form part of the design, but are indicative of positions where some text and symbols may be displayed.**

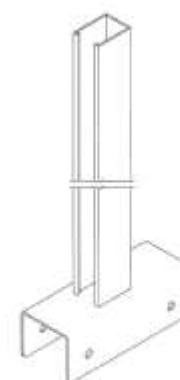
- (21) Design Number: **12663/2013**
(22) Date of Filing Application: **07 June 2013**
(24) Date from which industrial property rights may have effect: **07 June 2013**
(54) Product in respect of which the design is registered: **Fencing bracket**
(51) International Design Classification: **08-08K**
(74) Name(s) of Attorney(s): **O'Sullivan**
(71) Name(s) and Address(s) of Applicant(s):
Flux Steel Creations Pty Ltd
PO BOX 651 Wembley WA 6913 Australia
(72) Name(s) of Designer(s): **Mark Pringle and Kipling Wood-Smith**
(45) Registration Date: **12 December 2013**
(56) Related Art Documents: **Not Applicable**
(57) Statement of Newness and Distinctiveness: **Monopoly is claimed in the shape and configuration of a fencing bracket of indefinite length as shown in the accompanying representations.**



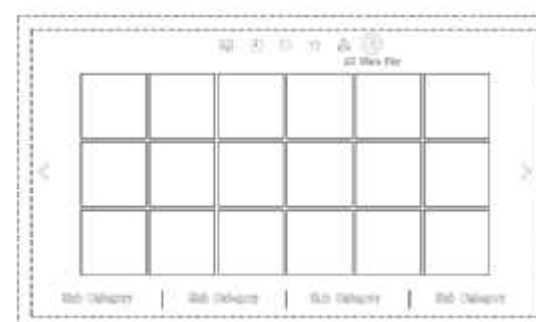
- (21) Design Number: **12664/2013**
(22) Date of Filing Application: **07 June 2013**
(24) Date from which industrial property rights may have effect: **07 June 2013**
(54) Product in respect of which the design is registered: **Fencing bracket**
(51) International Design Classification: **08-08K**
(74) Name(s) of Attorney(s): **O'Sullivan**
(71) Name(s) and Address(s) of Applicant(s):
Flux Steel Creations Pty Ltd
PO BOX 651 Wembley WA 6913 Australia
(72) Name(s) of Designer(s): **Mark Pringle and Kipling Wood-Smith**
(45) Registration Date: **12 December 2013**
(56) Related Art Documents: **Not Applicable**
(57) Statement of Newness and Distinctiveness: **Monopoly is claimed in the shape and configuration of a fencing bracket of indefinite length as shown in the accompanying representations.**



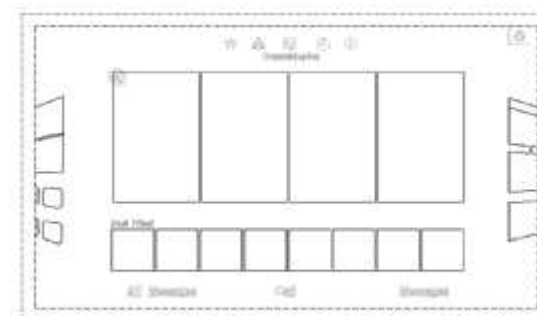
- (21) Design Number: **12665/2013**
(22) Date of Filing Application: **07 June 2013**
(24) Date from which industrial property rights may have effect: **07 June 2013**
(54) Product in respect of which the design is registered: **Fencing bracket**
(51) International Design Classification: **08-08K**
(74) Name(s) of Attorney(s): **O'Sullivan**
(71) Name(s) and Address(s) of Applicant(s):
Flux Steel Creations Pty Ltd
PO BOX 651 Wembley WA 6913 Australia
(72) Name(s) of Designer(s): **Mark Pringle and Kipling Wood-Smith**
(45) Registration Date: **12 December 2013**
(56) Related Art Documents: **Not Applicable**
(57) Statement of Newness and Distinctiveness: **Monopoly is claimed in the shape and configuration of a fencing bracket of indefinite length as shown in the accompanying representations.**



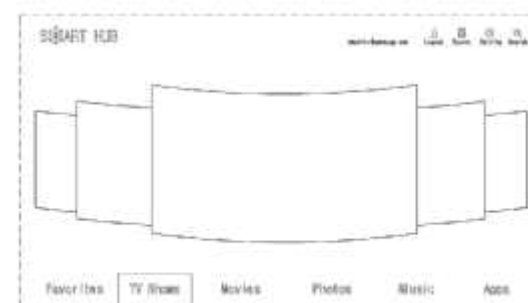
- (21) Design Number: **16317/2013**
(22) Date of Filing Application: **03 December 2013**
(24) Date from which industrial property rights may have effect: **03 December 2013**
(54) Product in respect of which the design is registered: **Display screen with graphical user interface**
(51) International Design Classification: **14-02, 14-04**
(74) Name(s) of Attorney(s): **IP Gateway Patent & Trademark Attorneys Pty Ltd**
(71) Name(s) and Address(s) of Applicant(s):
Samsung Electronics Co., Ltd.
129, Samsung-ro Yeongtong-gu Suwon-si Gyeonggi-do 443-742
Republic of Korea
(72) Name(s) of Designer(s): **Seran Jeon and Yong-Hwan Kwon and Jieun Kim and Jihong Kim and Hyeryung Kim and Jangwon Seo and Danny Hwang**
(45) Registration Date: **12 December 2013**
(30) Convention priority data:
(31) Number (32) Date (33) Country
30-2013-0029445 05 Jun 2013 REPUBLIC OF KOREA
(56) Related Art Documents: **Not Applicable**
(57) Statement of Newness and Distinctiveness: **Newness & Distinctiveness reside in the visual features resulting from the layout of elements shown in solid lines in the representation. The solid lines define a number of areas that may be used to display text and/or images. The features shown in broken lines should be given minimum emphasis when considering the overall impression of the design. The specific characters of text and the specific symbols, shown in the representation in broken lines, do not form part of the design, but are indicative of positions where some text and symbols may be displayed.**



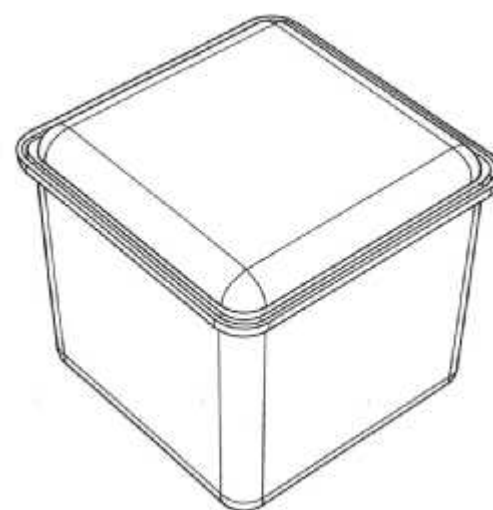
- (21) Design Number: **16318/2013**
(22) Date of Filing Application: **03 December 2013**
(24) Date from which industrial property rights may have effect: **03 December 2013**
(54) Product in respect of which the design is registered: **Display screen with graphical user interface**
(51) International Design Classification: **14-02, 14-04**
(74) Name(s) of Attorney(s): **IP Gateway Patent & Trademark Attorneys Pty Ltd**
(71) Name(s) and Address(s) of Applicant(s):
Samsung Electronics Co., Ltd.
129, Samsung-ro Yeongtong-gu Suwon-si Gyeonggi-do 443-742
Republic of Korea
(72) Name(s) of Designer(s): **Seran Jeon and Yong-Hwan Kwon and Jieun Kim and Jihong Kim and Hyeryung Kim and Jangwon Seo and Danny Hwang**
(45) Registration Date: **12 December 2013**
(30) Convention priority data:
(31) Number (32) Date (33) Country
30-2013-0029418 05 Jun 2013 REPUBLIC OF KOREA
(56) Related Art Documents: **Not Applicable**
(57) Statement of Newness and Distinctiveness: **Newness & Distinctiveness reside in the visual features resulting from the layout of elements shown in solid lines in the representation. The solid lines define a number of areas that may be used to display text and/or images. The features shown in broken lines should be given minimum emphasis when considering the overall impression of the design. The specific characters of text and the specific symbols, shown in the representation in broken lines, do not form part of the design, but are indicative of positions where some text and symbols may be displayed.**



- (21) Design Number: **16319/2013**
(22) Date of Filing Application: **03 December 2013**
(24) Date from which industrial property rights may have effect: **03 December 2013**
(54) Product in respect of which the design is registered: **Display screen with graphical user interface**
(51) International Design Classification: **14-02, 14-04**
(74) Name(s) of Attorney(s): **IP Gateway Patent & Trademark Attorneys Pty Ltd**
(71) Name(s) and Address(s) of Applicant(s):
Samsung Electronics Co., Ltd.
129, Samsung-ro Yeongtong-gu Suwon-si Gyeonggi-do 443-742
Republic of Korea
(72) Name(s) of Designer(s): **Seran Jeon and Yong-Hwan Kwon and Jieun Kim and Jihong Kim and Hyeryung Kim and Jangwon Seo and Danny Hwang**
(45) Registration Date: **12 December 2013**
(30) Convention priority data:
(31) Number (32) Date (33) Country
30-2013-0029471 05 Jun 2013 REPUBLIC OF KOREA
(56) Related Art Documents: **Not Applicable**
(57) Statement of Newness and Distinctiveness: **Newness & Distinctiveness reside in the visual features resulting from the layout of elements shown in solid lines in the representation. The solid lines define a number of areas that may be used to display text and/or images. The features shown in broken lines should be given minimum emphasis when considering the overall impression of the design. The specific characters of text and the specific symbols, shown in the representation in broken lines, do not form part of the design, but are indicative of positions where some text and symbols may be displayed.**

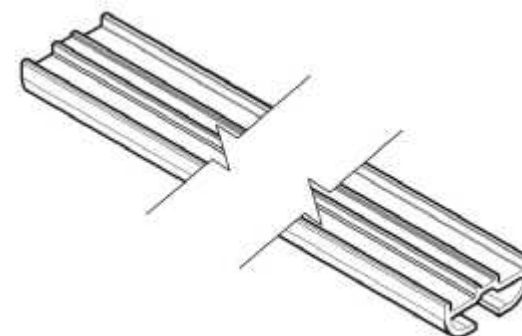


(21) Design Number: **16330/2013**
(22) Date of Filing Application: **04 December 2013**
(24) Date from which industrial property rights may have effect: **04 December 2013**
(54) Product in respect of which the design is registered: **Cartridge for coffee machines**
(51) International Design Classification: **07-02L**
(74) Name(s) of Attorney(s): **Griffith Hack**
(71) Name(s) and Address(s) of Applicant(s):
Luna Technology Systems LTS GmbH
Industriestrasse 19 Wallisellen 8304 Switzerland
(72) Name(s) of Designer(s): **Louis Deuber and Ruediger Ternite**
(45) Registration Date: **12 December 2013**
(30) Convention priority data:
(31) Number (32) Date (33) Country
DM/081 819 12 Sep 2013 WORLD INTELLECTUAL
PROPERTY ORGANIZATION
(WIPO)



(56) Related Art Documents: **Not Applicable**
(57) Statement of Newness and Distinctiveness: **Newness and distinctiveness resides in the visual features, including the shape and configuration of the product shown in the representations.**

(21) Design Number: **16347/2013**
(22) Date of Filing Application: **04 December 2013**
(24) Date from which industrial property rights may have effect: **04 December 2013**
(54) Product in respect of which the design is registered: **An extrusion**
(51) International Design Classification: **25-01K**
(74) Name(s) of Attorney(s):
(71) Name(s) and Address(s) of Applicant(s):
Andrew Stolp
2208/22 Dorcas St Southbank VIC 3006 Australia
(72) Name(s) of Designer(s): **Andrew Stolp**
(45) Registration Date: **12 December 2013**
(56) Related Art Documents: **Not Applicable**
(57) Statement of Newness and Distinctiveness: **Nil**

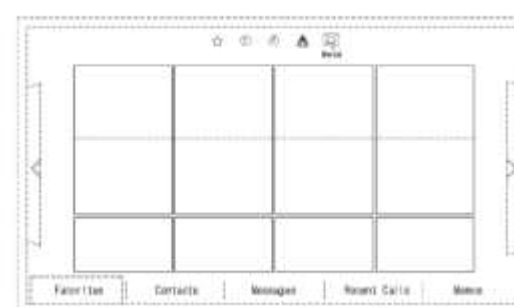


- (21) Design Number: **16315/2013**
(22) Date of Filing Application: **03 December 2013**
(24) Date from which industrial property rights may have effect: **03 December 2013**
(54) Product in respect of which the design is registered: **Display screen with graphical user interface**
(51) International Design Classification: **14-02, 14-04**
(74) Name(s) of Attorney(s): **IP Gateway Patent & Trademark Attorneys Pty Ltd**
(71) Name(s) and Address(s) of Applicant(s):
Samsung Electronics Co., Ltd.
129, Samsung-ro Yeongtong-gu Suwon-si Gyeonggi-do 443-742
Republic of Korea
(72) Name(s) of Designer(s): **Seran Jeon and Jieun Kim and Jihong Kim and Hyeryung Kim and Jangwon Seo and Yong-Hwan Kwon and Danny Hwang**
(45) Registration Date: **12 December 2013**
(30) Convention priority data:
(31) Number (32) Date (33) Country
30-2013-0029444 05 Jun 2013 REPUBLIC OF KOREA
(56) Related Art Documents: **Not Applicable**



(57) Statement of Newness and Distinctiveness: **Newness & Distinctiveness reside in the visual features resulting from the layout of elements shown in solid lines in the representation. The solid lines define a number of areas that may be used to display text and/or images. The features shown in broken lines should be given minimum emphasis when considering the overall impression of the design. The specific characters of text and the specific symbols, shown in the representation in broken lines, do not form part of the design, but are indicative of positions where some text and symbols may be displayed.**

- (21) Design Number: **16316/2013**
(22) Date of Filing Application: **03 December 2013**
(24) Date from which industrial property rights may have effect: **03 December 2013**
(54) Product in respect of which the design is registered: **Display screen with graphical user interface**
(51) International Design Classification: **14-02, 14-04**
(74) Name(s) of Attorney(s): **IP Gateway Patent & Trademark Attorneys Pty Ltd**
(71) Name(s) and Address(s) of Applicant(s):
Samsung Electronics Co., Ltd.
129, Samsung-ro Yeongtong-gu Suwon-si Gyeonggi-do 443-742
Republic of Korea
(72) Name(s) of Designer(s): **Seran Jeon and Yong-Hwan Kwon and Jieun Kim and Jihong Kim and Hyeryung Kim and Jangwon Seo and Danny Hwang**
(45) Registration Date: **12 December 2013**
(30) Convention priority data:
(31) Number (32) Date (33) Country
30-2013-0029474 05 Jun 2013 REPUBLIC OF KOREA
(56) Related Art Documents: **Not Applicable**



(57) Statement of Newness and Distinctiveness: **Newness & Distinctiveness reside in the visual features resulting from the layout of elements shown in solid lines in the representation. The solid lines define a number of areas that may be used to display text and/or images. The features shown in broken lines should be given minimum emphasis when considering the overall impression of the design. The specific characters of text and the specific symbols, shown in the representation in broken lines, do not form part of the design, but are indicative of positions where some text and symbols may be displayed.**

- (21) Design Number: **16332/2013**
(22) Date of Filing Application: **02 December 2013**
(24) Date from which industrial property rights may have effect: **02 December 2013**
(54) Product in respect of which the design is registered: **Measuring cap**
(51) International Design Classification: **10-04, 09-07NES**
(74) Name(s) of Attorney(s):
(71) Name(s) and Address(s) of Applicant(s):
Logue and Co. Pty Ltd
199 Kiora Rd Yowie Bay NSW 2228 Australia
(72) Name(s) of Designer(s): **Anthony Thomas Logue**
(45) Registration Date: **12 December 2013**
(56) Related Art Documents: **Not Applicable**
(57) Statement of Newness and Distinctiveness: **Newness and distinctiveness is claimed in the features of shape and/or configuration of a measuring cap as depicted in the accompanying drawings.**



- (21) Design Number: **16333/2013**
(22) Date of Filing Application: **02 December 2013**
(24) Date from which industrial property rights may have effect: **02 December 2013**
(54) Product in respect of which the design is registered: **Measuring cap**
(51) International Design Classification: **10-04, 09-07NES**
(74) Name(s) of Attorney(s):
(71) Name(s) and Address(s) of Applicant(s):
Logue and Co. Pty Ltd
199 Kiora Rd Yowie Bay NSW 2228 Australia
(72) Name(s) of Designer(s): **Anthony Thomas Logue**
(45) Registration Date: **12 December 2013**
(56) Related Art Documents: **Not Applicable**
(57) Statement of Newness and Distinctiveness: **Newness and distinctiveness is claimed in the features of shape and/or configuration of a measuring cap as depicted in the accompanying drawings.**



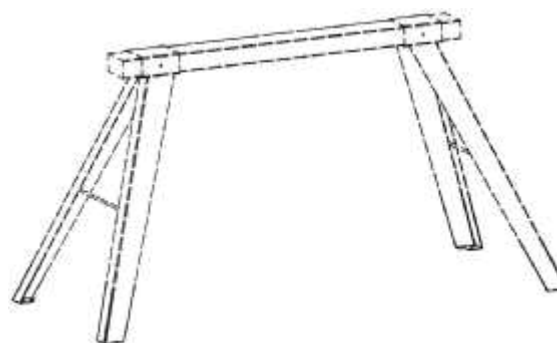
- (21) Design Number: **16314/2013**
(22) Date of Filing Application: **03 December 2013**
(24) Date from which industrial property rights may have effect: **03 December 2013**
(54) Product in respect of which the design is registered: **Display screen with graphical user interface**
(51) International Design Classification: **14-02, 14-04**
(74) Name(s) of Attorney(s): **IP Gateway Patent & Trademark Attorneys Pty Ltd**
(71) Name(s) and Address(s) of Applicant(s):
Samsung Electronics Co., Ltd.
129, Samsung-ro Yeongtong-gu Suwon-si Gyeonggi-do 443-742
Republic of Korea
(72) Name(s) of Designer(s): **Seran Jeon and Jieun Kim and Jihong Kim and Hyeryung Kim and Jangwon Seo and Yong-Hwan Kwon and Danny Hwang**
(45) Registration Date: **12 December 2013**
(30) Convention priority data:
(31) Number (32) Date (33) Country
30-2013-0029443 05 Jun 2013 REPUBLIC OF KOREA
(56) Related Art Documents: **Not Applicable**
(57) Statement of Newness and Distinctiveness: **Newness & Distinctiveness reside in the visual features resulting from the layout of elements shown in solid lines in the representation. The solid lines define a number of areas that may be used to display text and/or images. The features shown in broken lines should be given minimum emphasis when considering the overall impression of the design. The specific characters of text and the specific symbols, shown in the representation in broken lines, do not form part of the design, but are indicative of positions where some text and symbols may be displayed.**



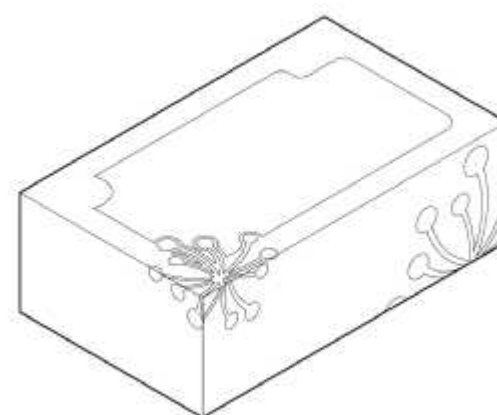
- (21) Design Number: **13249/2013**
(22) Date of Filing Application: **08 July 2013**
(24) Date from which industrial property rights may have effect: **08 July 2013**
(54) Product in respect of which the design is registered: **Bag/nappy bag/baby bag**
(51) International Design Classification: **03-01A**
(74) Name(s) of Attorney(s):
(71) Name(s) and Address(s) of Applicant(s):
Melissa Malibiran Aragon
9 Dianella Ct Brookfield VIC 3338 Australia
(72) Name(s) of Designer(s): **Melissa Malibiran Aragon**
(45) Registration Date: **13 December 2013**
(56) Related Art Documents: **Not Applicable**
(57) Statement of Newness and Distinctiveness: **The bag has a pouch at the front and the purpose is to be able to easily reach wipes.**



- (21) Design Number: **15555/2013**
(22) Date of Filing Application: **29 October 2013**
(24) Date from which industrial property rights may have effect: **29 October 2013**
(54) Product in respect of which the design is registered: **Foot portion of saw horse leg**
(51) International Design Classification: **08-99**
(74) Name(s) of Attorney(s): **Cullens Patent and Trade Mark Attorneys**
(71) Name(s) and Address(s) of Applicant(s):
Greenwood Sales Pty Ltd
136 Wynnum Rd Norman Park QLD 4170 Australia
(72) Name(s) of Designer(s): **Mark Trenoweth**
(45) Registration Date: **13 December 2013**
(56) Related Art Documents: **Not Applicable**
(57) Statement of Newness and Distinctiveness: **Newness and distinctiveness reside in the shape and configuration of a foot portion of a saw horse leg as shown in the accompanying drawings. No newness or distinctiveness resides in the portion of the saw horse shown in broken line in the drawings.**



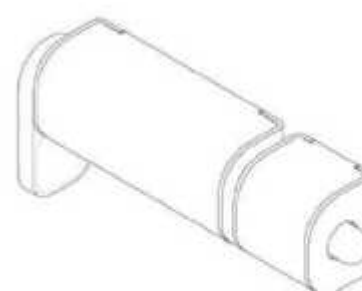
- (21) Design Number: **15826/2013**
(22) Date of Filing Application: **13 November 2013**
(24) Date from which industrial property rights may have effect: **13 November 2013**
(54) Product in respect of which the design is registered: **Packing container**
(51) International Design Classification: **09-03M**
(74) Name(s) of Attorney(s): **Callinans**
(71) Name(s) and Address(s) of Applicant(s):
TAEAN-GUN
1 Guncheong-ro Taeon-eup Taeon-gun Chungcheongnam-do 357-701
Republic of Korea
(72) Name(s) of Designer(s): **Daejung Kim**
(45) Registration Date: **13 December 2013**
(56) Related Art Documents: **Not Applicable**
(57) Statement of Newness and Distinctiveness: **Newness and distinctiveness resides in the features of shape, configuration, pattern and/or ornamentation of the design shown in the accompanying representations.**



- (21) Design Number: **14359/2013**
(22) Date of Filing Application: **03 September 2013**
(24) Date from which industrial property rights may have effect: **03 September 2013**
(54) Product in respect of which the design is registered: **Electronic cigarette**
(51) International Design Classification: **27-01**
(74) Name(s) of Attorney(s):
(71) Name(s) and Address(s) of Applicant(s):
 Trio Brothers Trading Pty Ltd
 18 Beal St Meadowbrook QLD 4131 Australia
(72) Name(s) of Designer(s): **Qin Jack**
(45) Registration Date: **13 December 2013**
(56) Related Art Documents: **Not Applicable**
(57) Statement of Newness and Distinctiveness: **Long slim body with metal screw thread drip tip.**



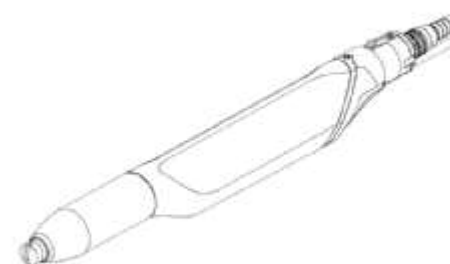
- (21) Design Number: **14653/2013**
(22) Date of Filing Application: **16 September 2013**
(24) Date from which industrial property rights may have effect: **16 September 2013**
(54) Product in respect of which the design is registered: **Barrel bolt**
(51) International Design Classification: **08-07**
(74) Name(s) of Attorney(s): **Davies Collison Cave**
(71) Name(s) and Address(s) of Applicant(s):
 Illinois Tool Works Inc.
 3600 West Lake Avenue Glenview Illinois 60026 United States of America
(72) Name(s) of Designer(s): **Bryan Hugh Marshall**
(45) Registration Date: **13 December 2013**
(56) Related Art Documents: **Not Applicable**
(57) Statement of Newness and Distinctiveness: **Nil**



(21) Design Number: **13340/2013**
(22) Date of Filing Application: **11 July 2013**
(24) Date from which industrial property rights may have effect: **11 July 2013**
(54) Product in respect of which the design is registered: **Electronic smoking article**
(51) International Design Classification: **27-01**
(74) Name(s) of Attorney(s): **SPRUSON & FERGUSON**
(71) Name(s) and Address(s) of Applicant(s):
Altria Client Services Inc.
6601 West Broad Street Richmond VA 23230 United States of America
(72) Name(s) of Designer(s): **Christopher S. Tucker and Geoffrey Brandon Jordan and Barry S. Smith and Ali A. Rostami**
(45) Registration Date: **13 December 2013**
(30) Convention priority data:
(31) Number (32) Date (33) Country
29/443136 14 Jan 2013 UNITED STATES OF AMERICA
(56) Related Art Documents: **Not Applicable**
(57) Statement of Newness and Distinctiveness: **The newness and distinctiveness of the design resides in the features of shape and/or configuration shown in unbroken lines in the accompanying representations. The portion shown in broken lines forms no part of the design. Further, any shading or colour in the accompanying representations is to be disregarded.**



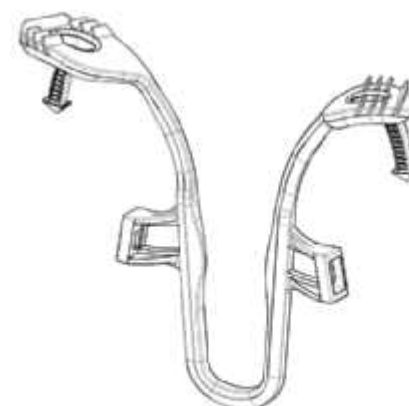
(21) Design Number: **15490/2013**
(22) Date of Filing Application: **25 October 2013**
(24) Date from which industrial property rights may have effect: **25 October 2013**
(54) Product in respect of which the design is registered: **Automatic powder spray gun**
(51) International Design Classification: **08-05L**
(74) Name(s) of Attorney(s): **PHILLIPS ORMONDE FITZPATRICK**
(71) Name(s) and Address(s) of Applicant(s):
Gema Switzerland GmbH
Movenstrasse 17 CH-9015 St. Gallen Switzerland
(72) Name(s) of Designer(s): **Marco Sanwald**
(45) Registration Date: **13 December 2013**
(30) Convention priority data:
(31) Number (32) Date (33) Country
001371116 14 May 2013 OFFICE FOR HARMONISATION IN THE INTERNAL MARKET (OHIM)
(56) Related Art Documents: **Not Applicable**
(57) Statement of Newness and Distinctiveness: **Nil**



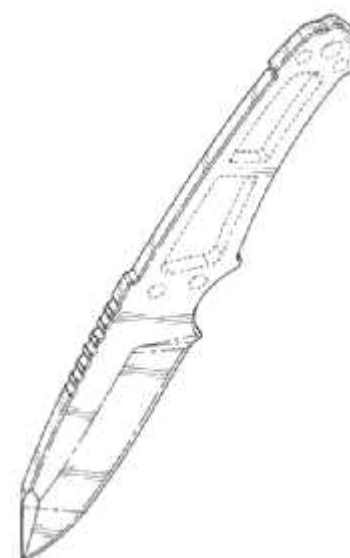
(21) Design Number: **13219/2013**
(22) Date of Filing Application: **03 July 2013**
(24) Date from which industrial property rights may have effect: **03 July 2013**
(54) Product in respect of which the design is registered: **LED whip light**
(51) International Design Classification: **26-05E**
(74) Name(s) of Attorney(s): **Davies Collison Cave**
(71) Name(s) and Address(s) of Applicant(s):
Checkers Industrial Products, LLC
620 Compton Street Broomfield CO 80020 United States of America
(72) Name(s) of Designer(s): **Scott Clifford**
(45) Registration Date: **16 December 2013**
(30) Convention priority data:
(31) Number (32) Date (33) Country
29/432969 24 Sep 2012 UNITED STATES OF AMERICA
(56) Related Art Documents: **Not Applicable**
(57) Statement of Newness and Distinctiveness: **Newness and distinctiveness is claimed in the visual features shown in solid lines in the representations.**



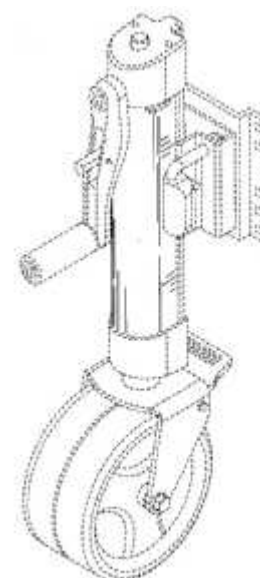
(21) Design Number: **13438/2013**
(22) Date of Filing Application: **18 July 2013**
(24) Date from which industrial property rights may have effect: **18 July 2013**
(54) Product in respect of which the design is registered: **Nasal dilator device**
(51) International Design Classification: **24-99, 24-04**
(74) Name(s) of Attorney(s): **FB Rice**
(71) Name(s) and Address(s) of Applicant(s):
ASAP Breatheassist Pty Ltd
L9 45 William St Melbourne Victoria 3000 Australia
(72) Name(s) of Designer(s): **Michael Johnson and Brandon Liew and Lisa Gyecsek and Robert Tiller**
(45) Registration Date: **16 December 2013**
(56) Related Art Documents: **Not Applicable**
(57) Statement of Newness and Distinctiveness: **Newness and distinctiveness is claimed in the shape and configuration of the nasal dilator device as shown in the accompanying representations.**



(21) Design Number: **14323/2013**
(22) Date of Filing Application: **30 August 2013**
(24) Date from which industrial property rights may have effect: **30 August 2013**
(54) Product in respect of which the design is registered: **Knife**
(51) International Design Classification: **07-03, 08-03**
(74) Name(s) of Attorney(s): **Davies Collison Cave**
(71) Name(s) and Address(s) of Applicant(s):
Fiskars Brands, Inc.
2537 Daniels Street Madison Wisconsin 53718 United States of America
(72) Name(s) of Designer(s): **Darrin Seeds and Peter Schuft**
(45) Registration Date: **16 December 2013**
(30) Convention priority data:
(31) Number (32) Date (33) Country
29/447314 01 Mar 2013 UNITED STATES OF AMERICA
(56) Related Art Documents: **Not Applicable**
(57) Statement of Newness and Distinctiveness: **Newness and distinctiveness is claimed in the visual features shown in solid lines in the representations.**



(21) Design Number: **14353/2013**
(22) Date of Filing Application: **02 September 2013**
(24) Date from which industrial property rights may have effect: **02 September 2013**
(54) Product in respect of which the design is registered: **Trailer jack**
(51) International Design Classification: **12-16NES, 12-10**
(74) Name(s) of Attorney(s): **Macpherson + Kelley**
(71) Name(s) and Address(s) of Applicant(s):
Cequent Consumer Products, Inc
29000-2 Aurora Road Solon OH 44139 United States of America
(72) Name(s) of Designer(s): **Derek Anderson**
(45) Registration Date: **16 December 2013**
(30) Convention priority data:
(31) Number (32) Date (33) Country
US 29/447,444 04 Mar 2013 UNITED STATES OF AMERICA
(56) Related Art Documents: **Not Applicable**
(57) Statement of Newness and Distinctiveness: **The particular visual features of the design which the Applicant hereby identifies as new and distinctive are as follows: "Trailer Jack", as illustrated in the accompanying representations.**



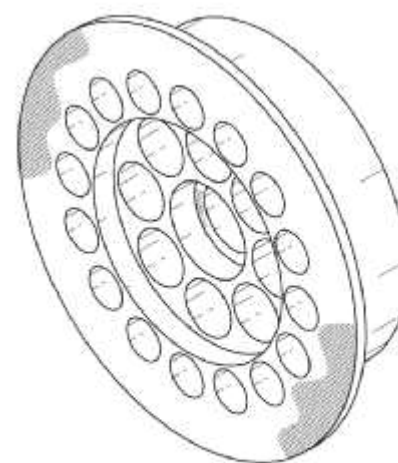
(21) Design Number: **14399/2013**
(22) Date of Filing Application: **04 September 2013**
(24) Date from which industrial property rights may have effect: **04 September 2013**
(54) Product in respect of which the design is registered: **Frame for a tent**
(51) International Design Classification: **21-04**
(74) Name(s) of Attorney(s): **Davies Collison Cave**
(71) Name(s) and Address(s) of Applicant(s):
Red Bull GmbH
Am Brunnen 1 Fuschl am See 5330 Austria
(72) Name(s) of Designer(s): **Gregor Huhsovitz and Eike Schaefer and Stephan Wichtl and Frank Mathis and Robert Leitner**
(45) Registration Date: **16 December 2013**
(30) Convention priority data:
(31) Number (32) Date (33) Country
002197269-0003 06 Mar 2013 OFFICE FOR HARMONISATION IN THE INTERNAL MARKET (OHIM)
(56) Related Art Documents: **Not Applicable**
(57) Statement of Newness and Distinctiveness: **Nil**



(21) Design Number: **14402/2013**
(22) Date of Filing Application: **04 September 2013**
(24) Date from which industrial property rights may have effect: **04 September 2013**
(54) Product in respect of which the design is registered: **A handle**
(51) International Design Classification: **08-06**
(74) Name(s) of Attorney(s): **Macpherson + Kelley**
(71) Name(s) and Address(s) of Applicant(s):
Cequent Consumer Products, Inc
29000-2 Aurora Road Solon OH 44139 United States of America
(72) Name(s) of Designer(s): **Terri Birchler and Shawn Whetstone**
(45) Registration Date: **16 December 2013**
(30) Convention priority data:
(31) Number (32) Date (33) Country
US 29/450,030 15 Mar 2013 UNITED STATES OF AMERICA
(56) Related Art Documents: **Not Applicable**
(57) Statement of Newness and Distinctiveness: **The particular visual features of the design which the Applicant hereby identifies as new and distinctive are as follows: Handle, as illustrated in the accompanying representations.**



(21) Design Number: **14658/2013**
(22) Date of Filing Application: **17 September 2013**
(24) Date from which industrial property rights may have effect: **17 September 2013**
(54) Product in respect of which the design is registered: **Flow conditioner, which is a device for regulating fluid flow in pipelines**
(51) International Design Classification: **23-04**
(74) Name(s) of Attorney(s): **Halfords IP**
(71) Name(s) and Address(s) of Applicant(s):
Canada Pipeline Accessories, Co. Ltd.
10653 - 46th Street SE Calgary Alberta T2C 5C2 Canada
(72) Name(s) of Designer(s): **Daniel Sawchuk and Reginald Selirio**
(45) Registration Date: **16 December 2013**
(30) Convention priority data:
(31) Number (32) Date (33) Country
29/452049 11 Apr 2013 UNITED STATES OF AMERICA
(56) Related Art Documents: **Not Applicable**
(57) Statement of Newness and Distinctiveness: **Newness and distinctiveness is claimed in the features of shape and or configuration of a Flow Conditioner as depicted in the representations. Shading lines do not form part of the design.**



(21) Design Number: **14759/2013**
(22) Date of Filing Application: **20 September 2013**
(24) Date from which industrial property rights may have effect: **20 September 2013**
(54) Product in respect of which the design is registered: **Serving jug**
(51) International Design Classification: **07-01F**
(74) Name(s) of Attorney(s): **Davies Collison Cave**
(71) Name(s) and Address(s) of Applicant(s):
F & H A/S
Gl. Skivevej 70 Viborg 8800 Denmark
(72) Name(s) of Designer(s): **Marcus Vagnby and Karina Mencke**
(45) Registration Date: **16 December 2013**
(30) Convention priority data:
(31) Number (32) Date (33) Country
**002300798-0001 02 Sep 2013 OFFICE FOR HARMONISATION IN
THE INTERNAL MARKET (OHIM)**
(56) Related Art Documents: **Not Applicable**
(57) Statement of Newness and Distinctiveness: **Nil**



- (21) Design Number: **14760/2013**
(22) Date of Filing Application: **20 September 2013**
(24) Date from which industrial property rights may have effect: **20 September 2013**
(54) Product in respect of which the design is registered: **350ml food tub and lid**
(51) International Design Classification: **09-03NES, 09-07B**
(74) Name(s) of Attorney(s):
(71) Name(s) and Address(s) of Applicant(s):

NUTTELEX FOOD PRODUCTS PROPRIETARY LIMITED
2 Millennium Ct Knoxfield VIC 3180 Australia

- (72) Name(s) of Designer(s): **John Rishworth and Geoff Long**

(45) Registration Date: **16 December 2013**

(56) Related Art Documents: **Not Applicable**

- (57) Statement of Newness and Distinctiveness: **This innovative design is geared towards the margarine export market. A large facing enables the margarine brands to be displayed to maximum impact on the supermarket shelf. The narrow oval shape means that the fill quantity is appropriate for a consumer wanting a smaller quantity, particularly for emerging Western markets. The design is sleek and ergonomic whilst presenting all relevant consumer information. The lid is an easy fit allowing the consumer to remove and replace the lid efficiently throughout the life of the product.**



- (21) Design Number: **14836/2013**
(22) Date of Filing Application: **27 November 2013**
(24) Date from which industrial property rights may have effect: **27 November 2013**
(54) Product in respect of which the design is registered: **A cabinet**
(51) International Design Classification: **06-04D, 06-04F**
(74) Name(s) of Attorney(s): **Stone Lawyers Pty Ltd**
(71) Name(s) and Address(s) of Applicant(s):

Ian James Burden
17 Excalibur Ct Sovereign Islands QLD 4216 Australia

- (72) Name(s) of Designer(s): **Ian James Burden**

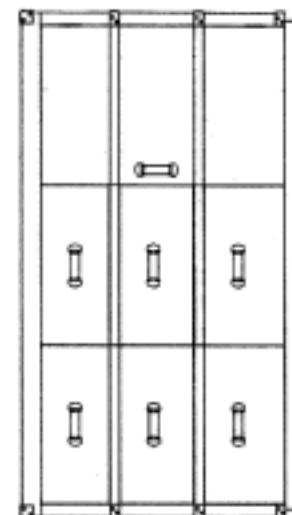
(45) Registration Date: **16 December 2013**

(56) Related Art Documents: **Not Applicable**

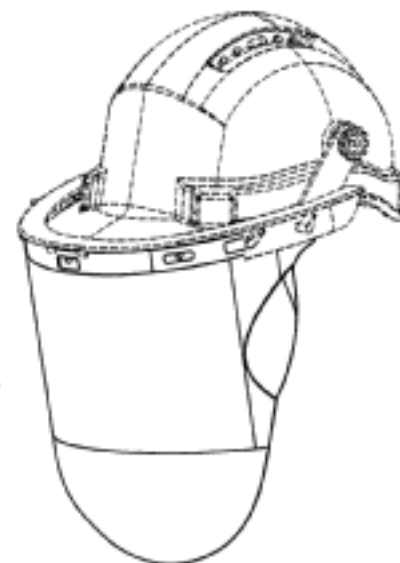
- (57) Statement of Newness and Distinctiveness: **The design relates to a cabinet and the novelty resides in the features of shape and configuration of the article as shown in the accompanying representations.**



- (21) Design Number: **14887/2013**
(22) Date of Filing Application: **27 November 2013**
(24) Date from which industrial property rights may have effect: **27 November 2013**
(54) Product in respect of which the design is registered: **A chest of drawers**
(51) International Design Classification: **06-04F, 06-04D**
(74) Name(s) of Attorney(s): **Stone Lawyers Pty Ltd**
(71) Name(s) and Address(s) of Applicant(s):
Ian James Burden
17 Excalibur Ct Sovereign Islands QLD 4216 Australia
(72) Name(s) of Designer(s): **Ian James Burden**
(45) Registration Date: **16 December 2013**
(56) Related Art Documents: **Not Applicable**
(57) Statement of Newness and Distinctiveness: **The design relates to a chest of drawers and the novelty resides in the features of shape and configuration of the article as shown in the accompanying representations.**



- (21) Design Number: **14950/2013**
(22) Date of Filing Application: **25 September 2013**
(24) Date from which industrial property rights may have effect: **25 September 2013**
(54) Product in respect of which the design is registered: **Helmet face shield**
(51) International Design Classification: **02-03**
(74) Name(s) of Attorney(s): **Janet Stead & Associates, Patent and Trade Mark Attorneys**
(71) Name(s) and Address(s) of Applicant(s):
CH CHANG HOLDINGS PTY LTD as trustee for The Chang Family Trust
83 Boulder Rd Malaga WA 6090 Australia
(72) Name(s) of Designer(s): **Gary Chang**
(45) Registration Date: **16 December 2013**
(56) Related Art Documents: **Not Applicable**
(57) Statement of Newness and Distinctiveness: **Newness and distinctiveness is claimed in the shape and/or configuration of a Helmet Face Shield as illustrated in the accompanying representations. In considering the newness and distinctiveness, and the scope of the design, no regard is to be had to features depicted by the broken lines representing a helmet.**



(21) Design Number: **14966/2013**
(22) Date of Filing Application: **29 September 2013**
(24) Date from which industrial property rights may have effect: **29 September 2013**
(54) Product in respect of which the design is registered: **Apron**
(51) International Design Classification: **02-02B**
(74) Name(s) of Attorney(s): **IP Service International**
(71) Name(s) and Address(s) of Applicant(s):

Hassan Saad
24 McPherson St Carlton NSW 2218 Australia

(72) Name(s) of Designer(s): **Hassan Saad**

(45) Registration Date: **16 December 2013**

(56) Related Art Documents: **Not Applicable**

(57) Statement of Newness and Distinctiveness: **The main design feature is that the apron has two single straps on the top and two eyelets on the side that the straps feed through. This apron is fully adjustable using this simple design with no need for buckles or sliders to adjust for fit. Two single straps at the top and two eyelets on the side to feed through this is the combination.**



(21) Design Number: **14971/2013**
(22) Date of Filing Application: **30 September 2013**
(24) Date from which industrial property rights may have effect: **30 September 2013**
(54) Product in respect of which the design is registered: **Cellular shade component**
(51) International Design Classification: **06-10**
(74) Name(s) of Attorney(s): **Shelston IP**
(71) Name(s) and Address(s) of Applicant(s):

Hunter Douglas Inc.
1 Blue Hill Plaza Pearl River New York 10965 United States of America

(72) Name(s) of Designer(s): **Wendell B. Colson and Paul G. Swiszc and Jason T. Throne**

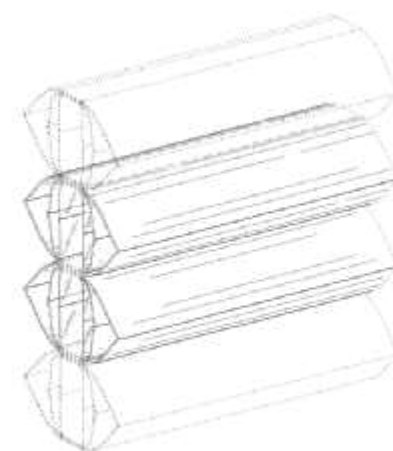
(45) Registration Date: **16 December 2013**

(30) Convention priority data:

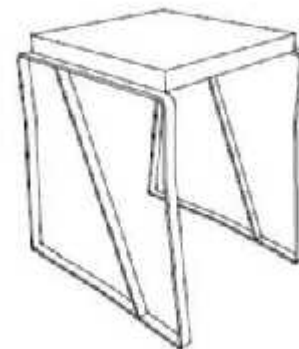
(31) Number	(32) Date	(33) Country
29/451382	01 Apr 2013	UNITED STATES OF AMERICA

(56) Related Art Documents: **Not Applicable**

(57) Statement of Newness and Distinctiveness: **Newness and distinctiveness reside in the features of shape and/or configuration of a Cellular Shade Component of indeterminate length as illustrated in the accompanying representations by non-dashed lines. The features shown in dashed lines are for contextual purposes only and form no part of the design.**



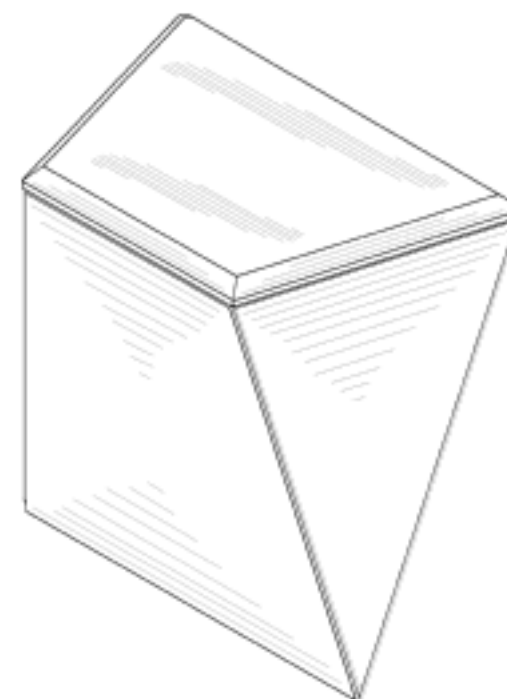
- (21) Design Number: **16077/2013**
(22) Date of Filing Application: **22 November 2013**
(24) Date from which industrial property rights may have effect: **22 November 2013**
(54) Product in respect of which the design is registered: **Stool**
(51) International Design Classification: **06-01E**
(74) Name(s) of Attorney(s): **TJIP Patents, Trade Marks & Designs**
(71) Name(s) and Address(s) of Applicant(s):
Enoki Pty Ltd
41 Unley Rd Parkside SA 5063 Australia
(72) Name(s) of Designer(s): **Danielle Duvoisin and Susanna Bilardo**
(45) Registration Date: **16 December 2013**
(56) Related Art Documents: **Not Applicable**
(57) Statement of Newness and Distinctiveness: **The design is applicable to a new and distinctive stool design as illustrated in the accompanying representations.**



- (21) Design Number: **16081/2013**
(22) Date of Filing Application: **25 November 2013**
(24) Date from which industrial property rights may have effect: **25 November 2013**
(54) Product in respect of which the design is registered: **Table**
(51) International Design Classification: **06-03A**
(74) Name(s) of Attorney(s): **SPRUSON & FERGUSON**
(71) Name(s) and Address(s) of Applicant(s):
Knoll, Inc.
1235 Water Street East Greenville Pennsylvania 18041 United States of America
(72) Name(s) of Designer(s): **David Adjaye**
(45) Registration Date: **16 December 2013**
(30) Convention priority data:
(31) Number (32) Date (33) Country
29/456614 31 May 2013 UNITED STATES OF AMERICA
(56) Related Art Documents: **Not Applicable**
(57) Statement of Newness and Distinctiveness: **Newness and distinctiveness is claimed in the features of shape and/or configuration of a table as illustrated in the accompanying representations.**



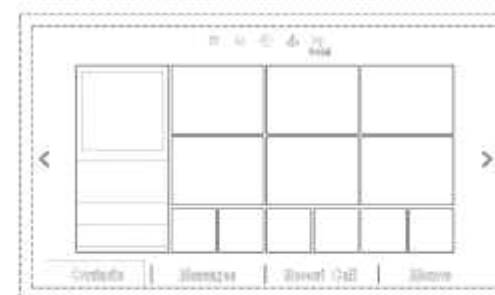
(21) Design Number: **16082/2013**
(22) Date of Filing Application: **25 November 2013**
(24) Date from which industrial property rights may have effect: **25 November 2013**
(54) Product in respect of which the design is registered: **Table**
(51) International Design Classification: **06-03B**
(74) Name(s) of Attorney(s): **SPRUSON & FERGUSON**
(71) Name(s) and Address(s) of Applicant(s):



Knoll, Inc.
1235 Water Street East Greenville Pennsylvania 18041 United States of America

(72) Name(s) of Designer(s): **David Adjaye**
(45) Registration Date: **16 December 2013**
(30) Convention priority data:
(31) Number (32) Date (33) Country
29/456622 31 May 2013 UNITED STATES OF AMERICA
(56) Related Art Documents: **Not Applicable**
(57) Statement of Newness and Distinctiveness: **Newness and distinctiveness is claimed in the features of shape and/or configuration of a table as illustrated in the accompanying representations.**

(21) Design Number: **16303/2013**
(22) Date of Filing Application: **03 December 2013**
(24) Date from which industrial property rights may have effect: **03 December 2013**
(54) Product in respect of which the design is registered: **Display screen with graphical user interface**
(51) International Design Classification: **14-02, 14-04**
(74) Name(s) of Attorney(s): **IP Gateway Patent & Trademark Attorneys Pty Ltd**
(71) Name(s) and Address(s) of Applicant(s):

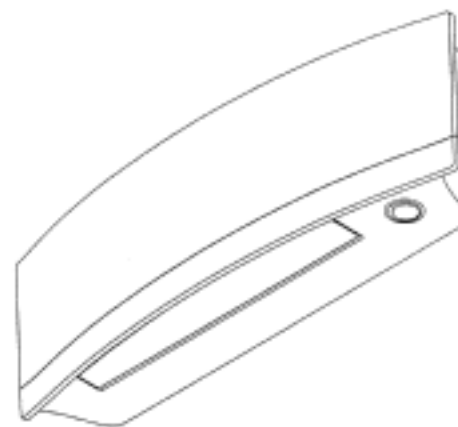


Samsung Electronics Co., Ltd.
129, Samsung-ro Yeongtong-gu Suwon-si Gyeonggi-do 443-742 Republic of Korea

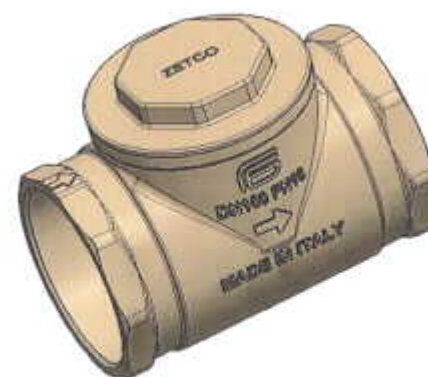
(72) Name(s) of Designer(s): **Seran Jeon and Yong-Hwan Kwon and Jieun Kim and Jihong Kim and Hyeryung Kim and Jangwon Seo and Danny Hwang**
(45) Registration Date: **16 December 2013**
(30) Convention priority data:
(31) Number (32) Date (33) Country
30-2013-0029414 05 Jun 2013 REPUBLIC OF KOREA
(56) Related Art Documents: **Not Applicable**

(57) Statement of Newness and Distinctiveness: **Newness & Distinctiveness reside in the visual features resulting from the layout of elements shown in solid lines in the representation. The solid lines define a number of areas that may be used to display text and/or images. The features shown in broken lines should be given minimum emphasis when considering the overall impression of the design. The specific characters of text and the specific symbols, shown in the representation in broken lines, do not form part of the design, but are indicative of positions where some text and symbols may be displayed.**

- (21) Design Number: **16335/2013**
(22) Date of Filing Application: **02 December 2013**
(24) Date from which industrial property rights may have effect: **02 December 2013**
(54) Product in respect of which the design is registered: **Air conditioner**
(51) International Design Classification: **23-04**
(74) Name(s) of Attorney(s): **Freehills Patent Attorneys**
(71) Name(s) and Address(s) of Applicant(s):
Daikin Industries Ltd.
Umeda Center Building, 4-12 Nakazaki-Nishi 2-chome, Kita-Ku, Osaka-
shi, Osaka-fu Japan
(72) Name(s) of Designer(s): **Kentarou Niki**
(45) Registration Date: **16 December 2013**
(30) Convention priority data:
(31) Number (32) Date (33) Country
2013-017390 30 Jul 2013 JAPAN
(56) Related Art Documents: **Not Applicable**
(57) Statement of Newness and Distinctiveness: **The newness and distinctiveness of the design resides in the features of shape and configuration of the air conditioner as shown in the accompanying representations.**



- (21) Design Number: **14979/2013**
(22) Date of Filing Application: **30 September 2013**
(24) Date from which industrial property rights may have effect: **30 September 2013**
(54) Product in respect of which the design is registered: **A swing check valve**
(51) International Design Classification: **23-01K**
(74) Name(s) of Attorney(s): **Fraser Old & Sohn**
(71) Name(s) and Address(s) of Applicant(s):
ZETCO VALVES PTY LTD
U8-9 33 Maddox St Alexandria NSW 2015 Australia
(72) Name(s) of Designer(s): **Ermanno Tanghetti**
(45) Registration Date: **16 December 2013**
(56) Related Art Documents: **Not Applicable**
(57) Statement of Newness and Distinctiveness: **Newness and distinctiveness is claimed in respect of the shape and/or configuration of the product illustrated in the accompanying representations. In carrying out a consideration in accordance with Section 19 the indicia illustrated in the representations are not to be considered and do not form part of the design.**



- (21) Design Number: **14982/2013**
(22) Date of Filing Application: **30 September 2013**
(24) Date from which industrial property rights may have effect: **30 September 2013**
(54) Product in respect of which the design is registered: **A swing check valve**
(51) International Design Classification: **23-01K**
(74) Name(s) of Attorney(s): **Fraser Old & Sohn**
(71) Name(s) and Address(s) of Applicant(s):

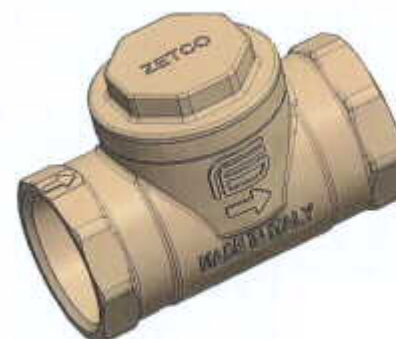
ZETCO VALVES PTY LTD
U8-9 33 Maddox St Alexandria NSW 2015 Australia

- (72) Name(s) of Designer(s): **Ermanno Tanghetti**

(45) Registration Date: **16 December 2013**

(56) Related Art Documents: **Not Applicable**

- (57) Statement of Newness and Distinctiveness: **Newness and distinctiveness is claimed in respect of the shape and/or configuration of the product illustrated in the accompanying representations. In carrying out a consideration in accordance with Section 19 the indicia illustrated in the representations are not to be considered and do not form part of the design.**



- (21) Design Number: **15190/2013**
(22) Date of Filing Application: **11 October 2013**
(24) Date from which industrial property rights may have effect: **11 October 2013**
(54) Product in respect of which the design is registered: **Sign post**
(51) International Design Classification: **20-03NES**
(74) Name(s) of Attorney(s): **A.P.T. Patent and Trade Mark Attorneys**
(71) Name(s) and Address(s) of Applicant(s):

Philip Butcher
19 Avey Rd Mount Gambier SA 5290 Australia

- (72) Name(s) of Designer(s): **Philip Butcher**

(45) Registration Date: **16 December 2013**

(56) Related Art Documents: **Not Applicable**

- (57) Statement of Newness and Distinctiveness: **Newness and distinctiveness are claimed in the shape and configuration of the sign post of indefinite length depicted in the accompanying illustrations.**



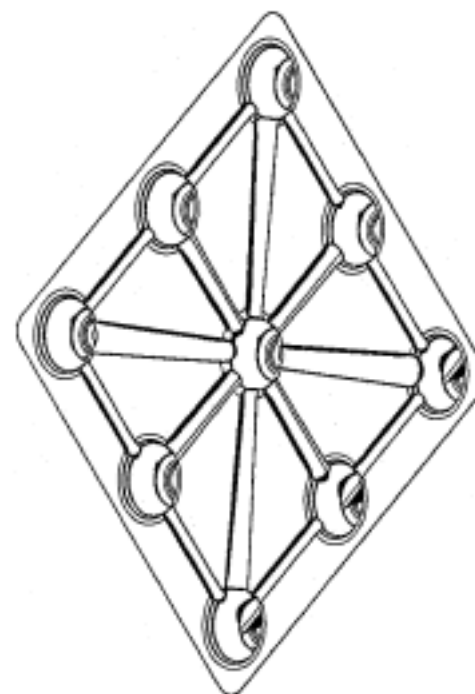
- (21) Design Number: **15407/2013**
(22) Date of Filing Application: **24 October 2013**
(24) Date from which industrial property rights may have effect: **24 October 2013**
(54) Product in respect of which the design is registered: **Boot**
(51) International Design Classification: **02-04NES**
(74) Name(s) of Attorney(s): **WATERMARK PATENT AND TRADE MARKS ATTORNEYS**
(71) Name(s) and Address(s) of Applicant(s):
Emu Ridge Holdings Pty Ltd
77 Barwon Tce South Geelong VIC 3220 Australia
(72) Name(s) of Designer(s): **Matt Capozzi and Justin Amago and Katherine McMillan**
(45) Registration Date: **16 December 2013**
(56) Related Art Documents: **Not Applicable**
(57) Statement of Newness and Distinctiveness: **Newness and distinctiveness resides in the features of shape and/or configuration of a boot as shown in the accompanying representations. The text appearing on the rear of the boot, and the colour of the boot, do not form part of the design.**



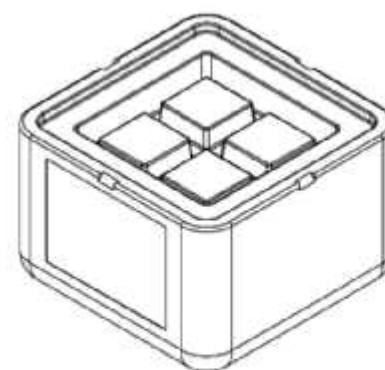
- (21) Design Number: **15501/2013**
(22) Date of Filing Application: **28 October 2013**
(24) Date from which industrial property rights may have effect: **28 October 2013**
(54) Product in respect of which the design is registered: **Mobile camping kitchen**
(51) International Design Classification: **07-02D, 23-02F**
(74) Name(s) of Attorney(s): **Etheringtons Solicitors**
(71) Name(s) and Address(s) of Applicant(s):
GIC Pty Ltd
81 Milperra Rd Revesby NSW 2212 Australia
(72) Name(s) of Designer(s): **Robert Grabovac**
(45) Registration Date: **16 December 2013**
(56) Related Art Documents: **Not Applicable**
(57) Statement of Newness and Distinctiveness: **Nil**



- (21) Design Number: **15642/2013**
(22) Date of Filing Application: **01 November 2013**
(24) Date from which industrial property rights may have effect: **01 November 2013**
(54) Product in respect of which the design is registered: **Rackable pallet**
(51) International Design Classification: **09-08**
(74) Name(s) of Attorney(s): **Madderns**
(71) Name(s) and Address(s) of Applicant(s):
Precision Components Australia Pty Ltd
4 Jeanes St Beverley SA 5009 Australia
(72) Name(s) of Designer(s): **Darrin Spinks**
(45) Registration Date: **16 December 2013**
(56) Related Art Documents: **Not Applicable**
(57) Statement of Newness and Distinctiveness: **The newness and distinctiveness relates to the indentation of supports and struts extending between supports.**



- (21) Design Number: **15815/2013**
(22) Date of Filing Application: **12 November 2013**
(24) Date from which industrial property rights may have effect: **12 November 2013**
(54) Product in respect of which the design is registered: **Transportation container for marine species**
(51) International Design Classification: **30-02, 09-03K**
(74) Name(s) of Attorney(s):
(71) Name(s) and Address(s) of Applicant(s):
Lyle Squire Jnr
14 Industrial Ave Stratford Cairns QLD 4870 Australia
(72) Name(s) of Designer(s): **Lyle Squire Jnr**
(45) Registration Date: **16 December 2013**
(56) Related Art Documents: **Not Applicable**
(57) Statement of Newness and Distinctiveness: **Newness and distinctiveness lies in the shape and configuration of the design.**



- (21) Design Number: **15816/2013**
(22) Date of Filing Application: **12 November 2013**
(24) Date from which industrial property rights may have effect: **12 November 2013**
(54) Product in respect of which the design is registered: **Transportation container for marine species**
(51) International Design Classification: **30-02, 09-03K**
(74) Name(s) of Attorney(s):
(71) Name(s) and Address(s) of Applicant(s):
Lyle Squire Jnr
14 Industrial Ave Stratford Cairns QLD 4870 Australia
(72) Name(s) of Designer(s): **Lyle Squire Jnr**
(45) Registration Date: **16 December 2013**
(56) Related Art Documents: **Not Applicable**
(57) Statement of Newness and Distinctiveness: **Newness and distinctiveness resides in the shape and configuration of the design.**



- (21) Design Number: **15890/2013**
(22) Date of Filing Application: **18 November 2013**
(24) Date from which industrial property rights may have effect: **18 November 2013**
(54) Product in respect of which the design is registered: **Caravan**
(51) International Design Classification: **12-10**
(74) Name(s) of Attorney(s):
(71) Name(s) and Address(s) of Applicant(s):
New Age Caravans Pty Ltd
107 Metrolink Circuit East Campbellfield VIC 3061 Australia
(72) Name(s) of Designer(s): **Joseph Barrasso**
(45) Registration Date: **16 December 2013**
(56) Related Art Documents: **Not Applicable**
(57) Statement of Newness and Distinctiveness: **Nil**



- (21) Design Number: **15891/2013**
(22) Date of Filing Application: **18 November 2013**
(24) Date from which industrial property rights may have effect: **18 November 2013**
(54) Product in respect of which the design is registered: **Caravan**
(51) International Design Classification: **12-10**
(74) Name(s) of Attorney(s):
(71) Name(s) and Address(s) of Applicant(s):
New Age Caravans Pty Ltd
107 Metrolink Circuit East Campbellfield VIC 3061 Australia
(72) Name(s) of Designer(s): **Joseph Barrasso**
(45) Registration Date: **16 December 2013**
(56) Related Art Documents: **Not Applicable**
(57) Statement of Newness and Distinctiveness: **Nil**



- (21) Design Number: **15893/2013**
(22) Date of Filing Application: **14 November 2013**
(24) Date from which industrial property rights may have effect: **14 November 2013**
(54) Product in respect of which the design is registered: **Garden hand tool**
(51) International Design Classification: **08-01, 08-05A**
(74) Name(s) of Attorney(s):
(71) Name(s) and Address(s) of Applicant(s):
Leonard W. Buckland
39 Ranclaud St Booragul NSW 2284 Australia
(72) Name(s) of Designer(s): **Leonard Buckland**
(45) Registration Date: **16 December 2013**
(56) Related Art Documents: **Not Applicable**
(57) Statement of Newness and Distinctiveness: **The unique shape of the implement enables it to be of multi purpose garden use, including weed extraction.**



- (21) Design Number: **15406/2013**
(22) Date of Filing Application: **24 October 2013**
(24) Date from which industrial property rights may have effect: **24 October 2013**
(54) Product in respect of which the design is registered: **Boot**
(51) International Design Classification: **02-04NES**
(74) Name(s) of Attorney(s): **WATERMARK PATENT AND TRADE MARKS ATTORNEYS**
(71) Name(s) and Address(s) of Applicant(s):
Emu Ridge Holdings Pty Ltd
77 Barwon Tce South Geelong VIC 3220 Australia
(72) Name(s) of Designer(s): **Matt Capozzi and Justin Amago and Katherine McMillan**
(45) Registration Date: **16 December 2013**
(56) Related Art Documents: **Not Applicable**
(57) Statement of Newness and Distinctiveness: **Newness and distinctiveness resides in the features of shape and/or configuration of a boot as shown in the accompanying representations. The text appearing on the rear of the boot, and the colour of the boot, do not form part of the design.**



- (21) Design Number: **15478/2013**
(22) Date of Filing Application: **25 October 2013**
(24) Date from which industrial property rights may have effect: **25 October 2013**
(54) Product in respect of which the design is registered: **Boot**
(51) International Design Classification: **02-04A**
(74) Name(s) of Attorney(s): **WATERMARK PATENT AND TRADE MARKS ATTORNEYS**
(71) Name(s) and Address(s) of Applicant(s):
Emu Ridge Holdings Pty Ltd
77 Barwon Tce South Geelong VIC 3220 Australia
(72) Name(s) of Designer(s): **Paul David Neate**
(45) Registration Date: **16 December 2013**
(56) Related Art Documents: **Not Applicable**
(57) Statement of Newness and Distinctiveness: **Newness and distinctiveness resides in the features of shape and/or configuration of a boot as shown in the accompanying representations. The text appearing on the rear of the boot, and the colour of the boot, do not form part of the design.**



(21) Design Number: **16148/2013**
(22) Date of Filing Application: **26 November 2013**
(24) Date from which industrial property rights may have effect: **26 November 2013**
(54) Product in respect of which the design is registered: **Locking device**
(51) International Design Classification: **08-07**
(74) Name(s) of Attorney(s):
(71) Name(s) and Address(s) of Applicant(s):

Securistyle Limited
Kingsmead Industrial Estate Princess Elizabeth Way Cheltenham
Gloucestershire GL51 7RE United Kingdom

(72) Name(s) of Designer(s): **David Rowe**

(45) Registration Date: **16 December 2013**

(30) Convention priority data:

(31) Number	(32) Date	(33) Country
002271858	10 Jul 2013	OFFICE FOR HARMONISATION IN THE INTERNAL MARKET (OHIM)

(56) Related Art Documents: **Not Applicable**

(57) Statement of Newness and Distinctiveness: **Nil**



(21) Design Number: **16149/2013**
(22) Date of Filing Application: **26 November 2013**
(24) Date from which industrial property rights may have effect: **26 November 2013**
(54) Product in respect of which the design is registered: **Locking device**
(51) International Design Classification: **08-07**
(74) Name(s) of Attorney(s):
(71) Name(s) and Address(s) of Applicant(s):

Securistyle Limited
Kingsmead Industrial Estate Princess Elizabeth Way Cheltenham
Gloucestershire GL51 7RE United Kingdom

(72) Name(s) of Designer(s): **David Rowe**

(45) Registration Date: **16 December 2013**

(30) Convention priority data:

(31) Number	(32) Date	(33) Country
002271858	10 Jul 2013	OFFICE FOR HARMONISATION IN THE INTERNAL MARKET (OHIM)

(56) Related Art Documents: **Not Applicable**

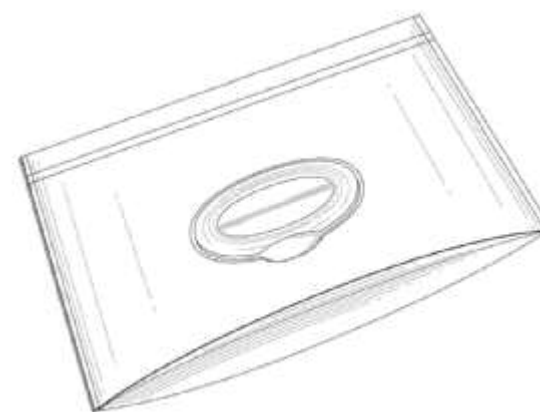
(57) Statement of Newness and Distinctiveness: **Nil**



(21) Design Number: **16150/2013**
(22) Date of Filing Application: **26 November 2013**
(24) Date from which industrial property rights may have effect: **26 November 2013**
(54) Product in respect of which the design is registered: **Locking device**
(51) International Design Classification: **08-07**
(74) Name(s) of Attorney(s):
(71) Name(s) and Address(s) of Applicant(s):
Securistyle Limited
Kingsmead Industrial Estate Princess Elizabeth Way Cheltenham
Gloucestershire GL51 7RE United Kingdom
(72) Name(s) of Designer(s): **David Rowe**
(45) Registration Date: **16 December 2013**
(30) Convention priority data:
(31) Number (32) Date (33) Country
002271858 10 Jul 2013 OFFICE FOR HARMONISATION IN
THE INTERNAL MARKET (OHIM)
(56) Related Art Documents: **Not Applicable**
(57) Statement of Newness and Distinctiveness: **Nil**



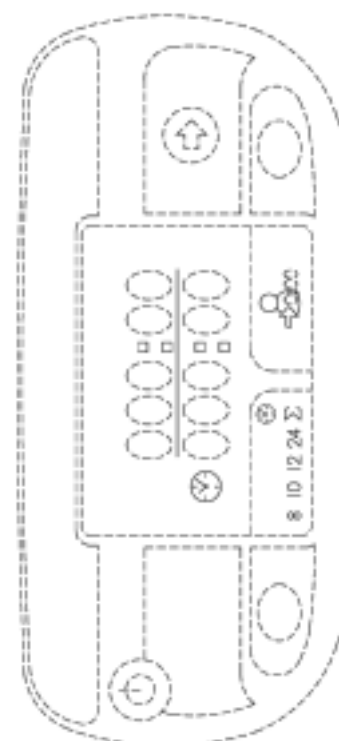
(21) Design Number: **16151/2013**
(22) Date of Filing Application: **26 November 2013**
(24) Date from which industrial property rights may have effect: **26 November 2013**
(54) Product in respect of which the design is registered: **Refillable, flexible moist wiper dispenser**
(51) International Design Classification: **23-02A**
(74) Name(s) of Attorney(s): **SPRUSON & FERGUSON**
(71) Name(s) and Address(s) of Applicant(s):
Kimberly-Clark Worldwide, Inc.
2300 Winchester Road Neenah Wisconsin 54956 United States of
America
(72) Name(s) of Designer(s): **Christopher Michael Bechyne and Todd Michael**
Carlson and Kam Mei Li
(45) Registration Date: **16 December 2013**
(30) Convention priority data:
(31) Number (32) Date (33) Country
29/458442 19 Jun 2013 UNITED STATES OF AMERICA
(56) Related Art Documents: **Not Applicable**
(57) Statement of Newness and Distinctiveness: **Newness and distinctiveness**
is claimed in the features of shape and/or configuration of a refillable,
flexible moist wiper dispenser as illustrated in the accompanying
representations.



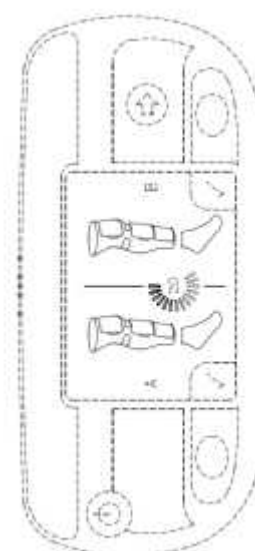
(21) Design Number: **16152/2013**
(22) Date of Filing Application: **26 November 2013**
(24) Date from which industrial property rights may have effect: **26 November 2013**
(54) Product in respect of which the design is registered: **Trimmer head**
(51) International Design Classification: **08-03**
(74) Name(s) of Attorney(s): **PIPERS Melbourne**
(71) Name(s) and Address(s) of Applicant(s):
EUROLUX AUSTRALIA PTY LTD
PO BOX 1335 Mona Vale NSW 1660 Australia
(72) Name(s) of Designer(s): **Martin Hermann**
(45) Registration Date: **16 December 2013**
(56) Related Art Documents: **Not Applicable**
(57) Statement of Newness and Distinctiveness: **The newness and distinctiveness of the design resides in features of shape and configuration of the Trimmer Head as shown in the accompanying representations.**



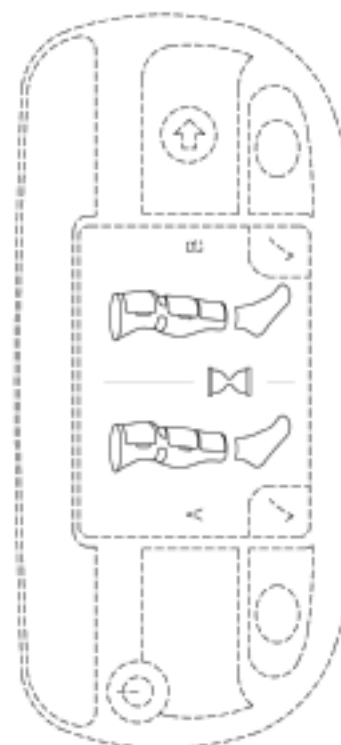
(21) Design Number: **16153/2013**
(22) Date of Filing Application: **26 November 2013**
(24) Date from which industrial property rights may have effect: **26 November 2013**
(54) Product in respect of which the design is registered: **Display screen with a graphical user interface for compliance monitoring**
(51) International Design Classification: **14-01, 14-02**
(74) Name(s) of Attorney(s): **SPRUSON & FERGUSON**
(71) Name(s) and Address(s) of Applicant(s):
Covidien LP
15 Hampshire Street Mansfield Massachusetts 02048 United States of America
(72) Name(s) of Designer(s): **Julia Rose Anderson**
(45) Registration Date: **16 December 2013**
(30) Convention priority data:
(31) Number (32) Date (33) Country
29/458140 17 Jun 2013 UNITED STATES OF AMERICA
(56) Related Art Documents: **Not Applicable**
(57) Statement of Newness and Distinctiveness: **Newness and distinctiveness is claimed in those features of pattern and/or ornamentation of a display screen with a graphical user interface for compliance monitoring as illustrated in continuous lines in the accompanying representations.**



- (21) Design Number: **16154/2013**
(22) Date of Filing Application: **26 November 2013**
(24) Date from which industrial property rights may have effect: **26 November 2013**
(54) Product in respect of which the design is registered: **Display screen with a transitional venous refill detection icon**
(51) International Design Classification: **14-01, 14-02**
(74) Name(s) of Attorney(s): **SPRUSON & FERGUSON**
(71) Name(s) and Address(s) of Applicant(s):
Covidien LP
15 Hampshire Street Mansfield Massachusetts 02048 United States of America
(72) Name(s) of Designer(s): **Daniel P O'Sullivan Jr. and Zachary S Hastings**
(45) Registration Date: **16 December 2013**
(30) Convention priority data:
(31) Number (32) Date (33) Country
29/458147 17 Jun 2013 UNITED STATES OF AMERICA
(56) Related Art Documents: **Not Applicable**
(57) Statement of Newness and Distinctiveness: **Newness and distinctiveness is claimed in those features of pattern and/or ornamentation of a display screen with a transitional venous refill detection icon as illustrated in continuous lines in the accompanying representations.**



- (21) Design Number: **16155/2013**
(22) Date of Filing Application: **26 November 2013**
(24) Date from which industrial property rights may have effect: **26 November 2013**
(54) Product in respect of which the design is registered: **Display screen with graphical user interface for venous refill**
(51) International Design Classification: **14-01, 14-02**
(74) Name(s) of Attorney(s): **SPRUSON & FERGUSON**
(71) Name(s) and Address(s) of Applicant(s):
Covidien LP
15 Hampshire Street Mansfield Massachusetts 02048 United States of America
(72) Name(s) of Designer(s): **Daniel P O'Sullivan Jr. and Kristin L Watson**
(45) Registration Date: **16 December 2013**
(30) Convention priority data:
(31) Number (32) Date (33) Country
29/458148 17 Jun 2013 UNITED STATES OF AMERICA
(56) Related Art Documents: **Not Applicable**
(57) Statement of Newness and Distinctiveness: **Newness and distinctiveness is claimed in those features of pattern and/or ornamentation of a display screen with graphical user interface for venous refill detection as illustrated in continuous lines in the accompanying representations.**



(21) Design Number: **15176/2013**
(22) Date of Filing Application: **11 October 2013**
(24) Date from which industrial property rights may have effect: **11 October 2013**
(54) Product in respect of which the design is registered: **Interactive terminal**
(51) International Design Classification: **20-01**
(74) Name(s) of Attorney(s): **PIZZEYS**
(71) Name(s) and Address(s) of Applicant(s):

Cubic Corporation

9333 Balboa Avenue San Diego CA 92123 United States of America

(72) Name(s) of Designer(s): **Gavin Smith and Colin Fullalove and Steffen Reymann and Tom Vilhelmsen and Mark Pottinger and Neil Pilcher and John Siseman and Tony Williams and Mick Formby and Jason Kenward and Kamran Yazdanjoo and Dave Roat and Adrian Caroen and Matthew Tidnam and Rowan Williams and Kok Chian Leong and Lee Carroll**

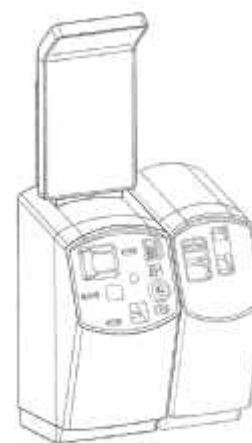
(45) Registration Date: **16 December 2013**

(30) Convention priority data:

(31) Number	(32) Date	(33) Country
29/448,281	11 Mar 2013	UNITED STATES OF AMERICA

(56) Related Art Documents: **Not Applicable**

(57) Statement of Newness and Distinctiveness: **Nil**



(21) Design Number: **15474/2013**
(22) Date of Filing Application: **24 October 2013**
(24) Date from which industrial property rights may have effect: **24 October 2013**
(54) Product in respect of which the design is registered: **Balcony edge trim**
(51) International Design Classification: **25-01K, 25-02NES**
(74) Name(s) of Attorney(s):
(71) Name(s) and Address(s) of Applicant(s):

James Demetriou

5 Mara CI Wantirna South VIC 3152 Australia

(72) Name(s) of Designer(s): **James Demetriou**

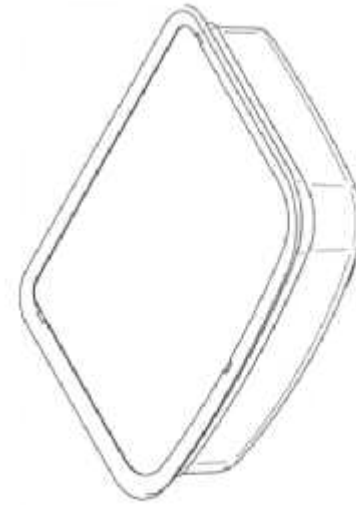
(45) Registration Date: **16 December 2013**

(56) Related Art Documents: **Not Applicable**

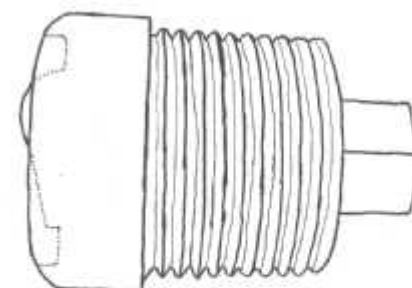
(57) Statement of Newness and Distinctiveness: **Nil**



(21) Design Number: **15475/2013**
(22) Date of Filing Application: **24 October 2013**
(24) Date from which industrial property rights may have effect: **24 October 2013**
(54) Product in respect of which the design is registered: **Plumbing drain**
(51) International Design Classification: **23-01NES**
(74) Name(s) of Attorney(s):
(71) Name(s) and Address(s) of Applicant(s):
James Demetriou
5 Mara Close Wantirna South VIC 3152 Australia
(72) Name(s) of Designer(s): **James Demetriou**
(45) Registration Date: **16 December 2013**
(56) Related Art Documents: **Not Applicable**
(57) Statement of Newness and Distinctiveness: **Nil**



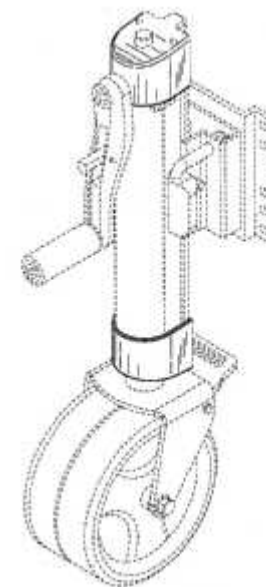
(21) Design Number: **15827/2013**
(22) Date of Filing Application: **13 November 2013**
(24) Date from which industrial property rights may have effect: **13 November 2013**
(54) Product in respect of which the design is registered: **Security plug**
(51) International Design Classification: **23-01A, 08-07**
(74) Name(s) of Attorney(s): **Lord & Company**
(71) Name(s) and Address(s) of Applicant(s):
Stockbrands Co. Pty Ltd
53 Edward St Osborne Park WA 6017 Australia
(72) Name(s) of Designer(s): **John Forehan and Ron Duyvestein**
(45) Registration Date: **16 December 2013**
(56) Related Art Documents: **Not Applicable**
(57) Statement of Newness and Distinctiveness: **Nil**



- (21) Design Number: **15829/2013**
(22) Date of Filing Application: **13 November 2013**
(24) Date from which industrial property rights may have effect: **13 November 2013**
(54) Product in respect of which the design is registered: **Security key**
(51) International Design Classification: **08-07, 23-01A**
(74) Name(s) of Attorney(s): **Lord & Company**
(71) Name(s) and Address(s) of Applicant(s):
Stockbrands Co. Pty Ltd
53 Edward St Osborne Park WA 6017 Australia
(72) Name(s) of Designer(s): **John Forehan and Ron Duyvestein**
(45) Registration Date: **16 December 2013**
(56) Related Art Documents: **Not Applicable**
(57) Statement of Newness and Distinctiveness: **Nil**



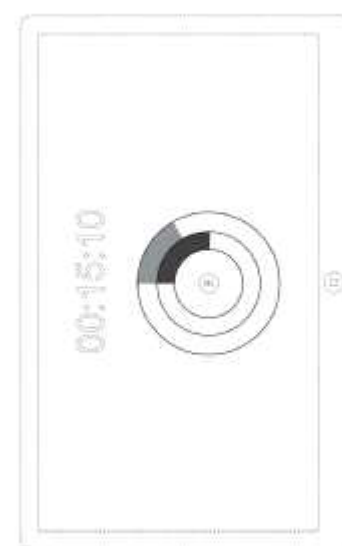
- (21) Design Number: **16159/2013**
(22) Date of Filing Application: **26 November 2013**
(24) Date from which industrial property rights may have effect: **02 September 2013**
(54) Product in respect of which the design is registered: **Trailer jack**
(51) International Design Classification: **12-16NES, 12-10, 12-05**
(74) Name(s) of Attorney(s): **Macpherson + Kelley**
(71) Name(s) and Address(s) of Applicant(s):
Cequent Consumer Products, Inc
29000-2 Aurora Road Solon OH 44139 United States of America
(72) Name(s) of Designer(s): **Derek Anderson**
(45) Registration Date: **16 December 2013**
(62) Divisional of: **352917**
(56) Related Art Documents: **Not Applicable**
(57) Statement of Newness and Distinctiveness: **The particular visual features of the design which the Applicant hereby identifies as new and distinctive are as follows: "Trailer Jack", as illustrated in the accompanying representations.**



(21) Design Number: **16160/2013**
(22) Date of Filing Application: **26 November 2013**
(24) Date from which industrial property rights may have effect: **04 September 2013**
(54) Product in respect of which the design is registered: **A handle**
(51) International Design Classification: **08-06**
(74) Name(s) of Attorney(s): **Macpherson + Kelley**
(71) Name(s) and Address(s) of Applicant(s):
Cequent Consumer Products, Inc
29000-2 Aurora Road Solon OH 44139 United States of America
(72) Name(s) of Designer(s): **Terri Birchler and Shawn Whetstone**
(45) Registration Date: **16 December 2013**
(62) Divisional of: **352919**
(56) Related Art Documents: **Not Applicable**
(57) Statement of Newness and Distinctiveness: **The particular visual features of the design which the Applicant hereby identifies as new and distinctive are as follows: "A Handle", as illustrated in the accompanying representations.**



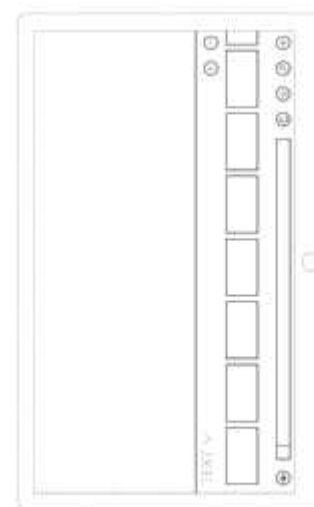
(21) Design Number: **16214/2013**
(22) Date of Filing Application: **29 November 2013**
(24) Date from which industrial property rights may have effect: **29 November 2013**
(54) Product in respect of which the design is registered: **Display screen with graphical user interface**
(51) International Design Classification: **14-01, 14-02**
(74) Name(s) of Attorney(s): **Shelston IP**
(71) Name(s) and Address(s) of Applicant(s):
Microsoft Corporation
One Microsoft Way Redmond Washington 98052 United States of America
(72) Name(s) of Designer(s): **Orry Wijanarko Soegiono and Bill Liu and Mary-Lynne Williams**
(45) Registration Date: **16 December 2013**
(30) Convention priority data:
(31) Number (32) Date (33) Country
29/456200 29 May 2013 UNITED STATES OF AMERICA
(56) Related Art Documents: **Not Applicable**
(57) Statement of Newness and Distinctiveness: **Newness and distinctiveness reside in the features of pattern and/or ornamentation of a display screen with animated graphical user interface as illustrated by solid lines in the accompanying representation. The features shown in broken outline are for contextual purposes only and do not form part of the design. The letters and numerals depicted are shown by way of example only and may be substituted by other symbols.**



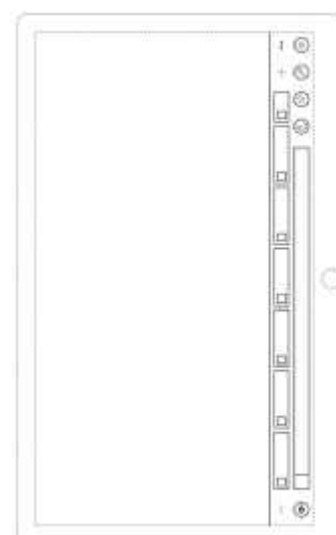
- (21) Design Number: **16215/2013**
(22) Date of Filing Application: **29 November 2013**
(24) Date from which industrial property rights may have effect: **29 November 2013**
(54) Product in respect of which the design is registered: **Motorcycle**
(51) International Design Classification: **12-11**
(74) Name(s) of Attorney(s): **SPRUSON & FERGUSON**
(71) Name(s) and Address(s) of Applicant(s):
Yamaha Hatsudoki Kabushiki Kaisha
2500 Shingai Iwata-shi Shizuoka-ken 438-8501 Japan
(72) Name(s) of Designer(s): **Tadashi Inose**
(45) Registration Date: **16 December 2013**
(30) Convention priority data:
(31) Number (32) Date (33) Country
2013-012072 31 May 2013 JAPAN
(56) Related Art Documents: **Not Applicable**
(57) Statement of Newness and Distinctiveness: **Newness and distinctiveness is claimed in the features of shape and/or configuration of a motorcycle as illustrated in the accompanying representations.**



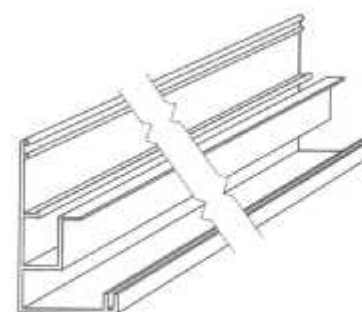
- (21) Design Number: **16216/2013**
(22) Date of Filing Application: **29 November 2013**
(24) Date from which industrial property rights may have effect: **29 November 2013**
(54) Product in respect of which the design is registered: **Display screen with graphical user interface**
(51) International Design Classification: **14-01**
(74) Name(s) of Attorney(s): **Shelston IP**
(71) Name(s) and Address(s) of Applicant(s):
Microsoft Corporation
One Microsoft Way Redmond Washington 98052 United States of America
(72) Name(s) of Designer(s): **Marty J Hall**
(45) Registration Date: **16 December 2013**
(30) Convention priority data:
(31) Number (32) Date (33) Country
29/456206 29 May 2013 UNITED STATES OF AMERICA
(56) Related Art Documents: **Not Applicable**
(57) Statement of Newness and Distinctiveness: **Newness and distinctiveness reside in the features of pattern and/or ornamentation of a display screen with graphical user interface as illustrated by solid lines in the accompanying representation. The features shown in broken outline are for contextual purposes only and do not form part of the design. The letters and numerals depicted are shown by way of example only and may be substituted by other symbols.**



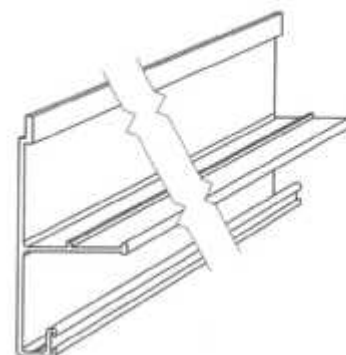
- (21) Design Number: **16217/2013**
(22) Date of Filing Application: **29 November 2013**
(24) Date from which industrial property rights may have effect: **29 November 2013**
(54) Product in respect of which the design is registered: **Display screen with graphical user interface**
(51) International Design Classification: **14-01, 14-02**
(74) Name(s) of Attorney(s): **Shelston IP**
(71) Name(s) and Address(s) of Applicant(s):
Microsoft Corporation
One Microsoft Way Redmond Washington 98052 United States of America
(72) Name(s) of Designer(s): **Marty J. Hall**
(45) Registration Date: **16 December 2013**
(30) Convention priority data:
(31) Number (32) Date (33) Country
29/456208 29 May 2013 UNITED STATES OF AMERICA
(56) Related Art Documents: **Not Applicable**
(57) Statement of Newness and Distinctiveness: **Newness and distinctiveness reside in the features of pattern and/or ornamentation of a display screen with graphical user interface as illustrated by solid lines in the accompanying representation. The features shown in broken outline are for contextual purposes only and do not form part of the design.**



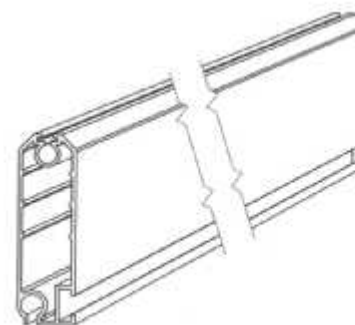
- (21) Design Number: **16219/2013**
(22) Date of Filing Application: **29 November 2013**
(24) Date from which industrial property rights may have effect: **29 November 2013**
(54) Product in respect of which the design is registered: **Blind frame section**
(51) International Design Classification: **08-08H**
(74) Name(s) of Attorney(s): **Fisher Adams Kelly Pty Ltd**
(71) Name(s) and Address(s) of Applicant(s):
Brkic Investments Pty Ltd
18/38 Eastern Service Rd Stapylton QLD 4207 Australia
(72) Name(s) of Designer(s): **Peter Brkic**
(45) Registration Date: **16 December 2013**
(56) Related Art Documents: **Not Applicable**
(57) Statement of Newness and Distinctiveness: **The newness and distinctiveness of the design resides in the shape and/or configuration of the BLIND FRAME SECTION, of indefinite length, as shown in the representations.**



- (21) Design Number: **16220/2013**
(22) Date of Filing Application: **29 November 2013**
(24) Date from which industrial property rights may have effect: **29 November 2013**
(54) Product in respect of which the design is registered: **Blind frame cap section**
(51) International Design Classification: **08-08H**
(74) Name(s) of Attorney(s): **Fisher Adams Kelly Pty Ltd**
(71) Name(s) and Address(s) of Applicant(s):
Brkic Investments Pty Ltd
18/38 Eastern Service Rd Stapylton QLD 4207 Australia
(72) Name(s) of Designer(s): **Peter Brkic**
(45) Registration Date: **16 December 2013**
(56) Related Art Documents: **Not Applicable**
(57) Statement of Newness and Distinctiveness: **The newness and distinctiveness of the design resides in the shape and/or configuration of the BLIND FRAME CAP SECTION, of indefinite length, as shown in the representations.**



- (21) Design Number: **16221/2013**
(22) Date of Filing Application: **29 November 2013**
(24) Date from which industrial property rights may have effect: **29 November 2013**
(54) Product in respect of which the design is registered: **Blind weight section**
(51) International Design Classification: **08-08H**
(74) Name(s) of Attorney(s): **Fisher Adams Kelly Pty Ltd**
(71) Name(s) and Address(s) of Applicant(s):
Brkic Investments Pty Ltd
18/38 Eastern Service Rd Stapylton QLD 4207 Australia
(72) Name(s) of Designer(s): **Peter Brkic**
(45) Registration Date: **16 December 2013**
(56) Related Art Documents: **Not Applicable**
(57) Statement of Newness and Distinctiveness: **The newness and distinctiveness of the design resides in the shape and/or configuration of the BLIND WEIGHT SECTION, of indefinite length, as shown in the representations.**



(21) Design Number: **16222/2013**
(22) Date of Filing Application: **29 November 2013**
(24) Date from which industrial property rights may have effect: **29 November 2013**
(54) Product in respect of which the design is registered: **Shaker with cap and lid**
(51) International Design Classification: **07-04, 09-01F**
(74) Name(s) of Attorney(s): **Ahearn Fox**
(71) Name(s) and Address(s) of Applicant(s):

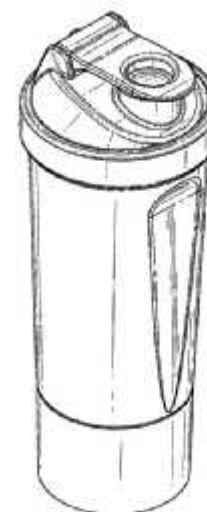
DevPat AB
Skrapan 1890 Vasteras SE-722 10 Sweden

(72) Name(s) of Designer(s): **Mikael Bergstrom**

(45) Registration Date: **16 December 2013**

(30) Convention priority data:

(31) Number	(32) Date	(33) Country
002353391	28 Nov 2013	WORLD INTELLECTUAL PROPERTY ORGANIZATION (WIPO)



(56) Related Art Documents: **Not Applicable**

(57) Statement of Newness and Distinctiveness: **Newness and distinctiveness resides in the features of shape and configuration of the shaker with cap and lid as shown in the accompanying drawings.**

(21) Design Number: **16223/2013**
(22) Date of Filing Application: **29 November 2013**
(24) Date from which industrial property rights may have effect: **29 November 2013**
(54) Product in respect of which the design is registered: **Shaker lid**
(51) International Design Classification: **07-04, 09-01F**
(74) Name(s) of Attorney(s): **Ahearn Fox**
(71) Name(s) and Address(s) of Applicant(s):

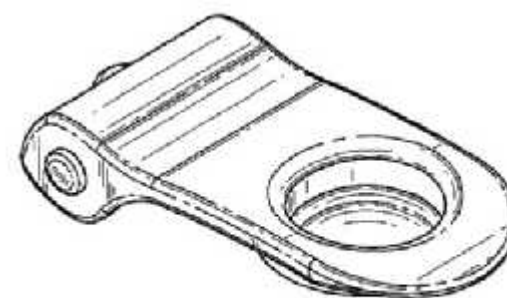
DevPat AB
Skrapan 1890 Vasteras SE-722 10 Sweden

(72) Name(s) of Designer(s): **Mikael Bergstrom**

(45) Registration Date: **16 December 2013**

(30) Convention priority data:

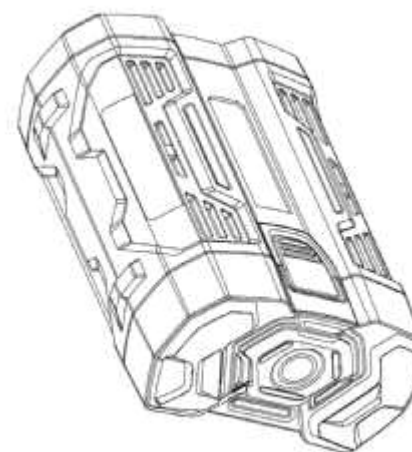
(31) Number	(32) Date	(33) Country
002353391	28 Nov 2013	WORLD INTELLECTUAL PROPERTY ORGANIZATION (WIPO)



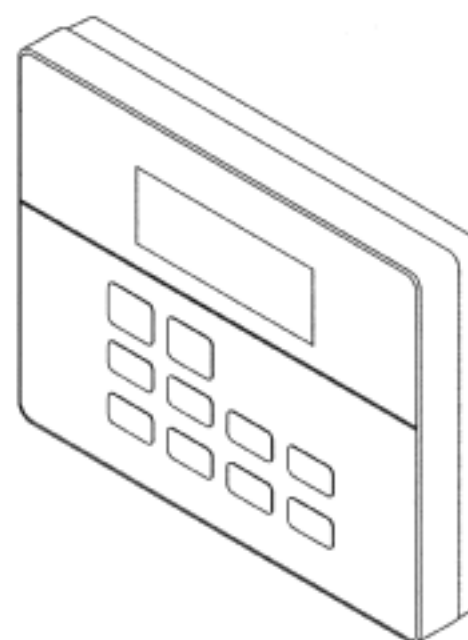
(56) Related Art Documents: **Not Applicable**

(57) Statement of Newness and Distinctiveness: **Newness and distinctiveness resides in the features of shape and configuration of the shaker lid as shown in the accompanying drawings.**

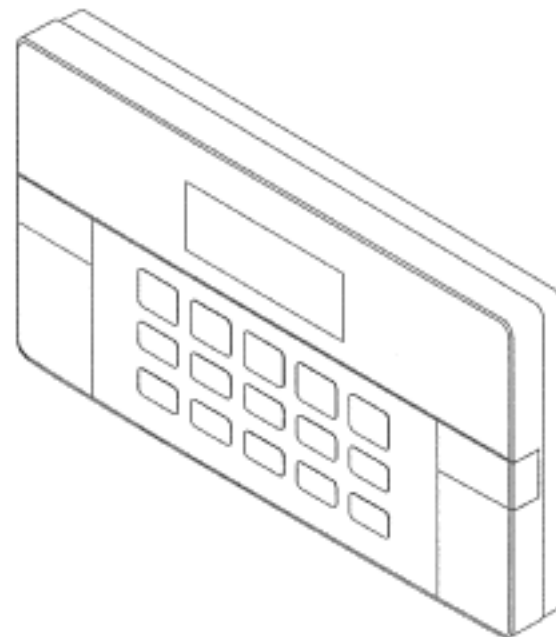
- (21) Design Number: **16225/2013**
(22) Date of Filing Application: **29 November 2013**
(24) Date from which industrial property rights may have effect: **29 November 2013**
(54) Product in respect of which the design is registered: **Battery pack**
(51) International Design Classification: **13-02**
(74) Name(s) of Attorney(s): **Wrays**
(71) Name(s) and Address(s) of Applicant(s):
Chervon (HK) Limited
Room 803B 8/F Allied Kajima Building 138 Gloucester Road Wanchai
Hong Kong
(72) Name(s) of Designer(s): **Su Zhang**
(45) Registration Date: **16 December 2013**
(30) Convention priority data:
(31) Number (32) Date (33) Country
201330220472.4 31 May 2013 CHINA
(56) Related Art Documents: **Not Applicable**
(57) Statement of Newness and Distinctiveness: **Newness and distinctiveness is claimed in the features of shape and/or configuration of the Battery Pack depicted in the accompanying representations.**



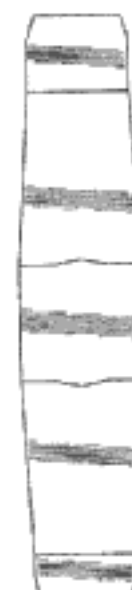
- (21) Design Number: **16336/2013**
(22) Date of Filing Application: **02 December 2013**
(24) Date from which industrial property rights may have effect: **02 December 2013**
(54) Product in respect of which the design is registered: **Remote controller for boiler**
(51) International Design Classification: **14-03NES**
(74) Name(s) of Attorney(s): **Freehills Patent Attorneys**
(71) Name(s) and Address(s) of Applicant(s):
Daikin Industries Ltd.
Umeda Center Building, 4-12 Nakazaki-Nishi 2-chome, Kita-Ku, Osaka-
shi, Osaka-fu Japan
(72) Name(s) of Designer(s): **Hiroyasu Kosuge**
(45) Registration Date: **16 December 2013**
(30) Convention priority data:
(31) Number (32) Date (33) Country
2013-021835 20 Sep 2013 JAPAN
(56) Related Art Documents: **Not Applicable**
(57) Statement of Newness and Distinctiveness: **The newness and distinctiveness of the design resides in the features of shape and configuration of the remote controller for boiler as shown in the accompanying representations.**



(21) Design Number: **16337/2013**
(22) Date of Filing Application: **02 December 2013**
(24) Date from which industrial property rights may have effect: **02 December 2013**
(54) Product in respect of which the design is registered: **Remote controller for boiler**
(51) International Design Classification: **14-03NES**
(74) Name(s) of Attorney(s): **Freehills Patent Attorneys**
(71) Name(s) and Address(s) of Applicant(s):
Daikin Industries Ltd.
Umeda Center Building, 4-12 Nakazaki-Nishi 2-chome, Kita-Ku, Osaka-shi, Osaka-fu Japan
(72) Name(s) of Designer(s): **Hiroyasu Kosuge**
(45) Registration Date: **16 December 2013**
(30) Convention priority data:
(31) Number (32) Date (33) Country
2013-021834 20 Sep 2013 JAPAN
(56) Related Art Documents: **Not Applicable**
(57) Statement of Newness and Distinctiveness: **The newness and distinctiveness of the design resides in the features of shape and configuration of the remote controller for boiler as shown in the accompanying representations.**



(21) Design Number: **14631/2013**
(22) Date of Filing Application: **16 September 2013**
(24) Date from which industrial property rights may have effect: **16 September 2013**
(54) Product in respect of which the design is registered: **Cup packaging**
(51) International Design Classification: **09-03NES**
(74) Name(s) of Attorney(s): **PIZZEYS**
(71) Name(s) and Address(s) of Applicant(s):
McCormick & Company, Incorporated
Corporate Research & Development 18 Loveton Circle Sparks MD,
21152-6000 United States of America
(72) Name(s) of Designer(s): **Violaine Royer**
(45) Registration Date: **17 December 2013**
(30) Convention priority data:
(31) Number (32) Date (33) Country
29/450,193 15 Mar 2013 UNITED STATES OF AMERICA
(56) Related Art Documents: **Not Applicable**
(57) Statement of Newness and Distinctiveness: **Nil**



(21) Design Number: **14727/2013**
(22) Date of Filing Application: **19 September 2013**
(24) Date from which industrial property rights may have effect: **19 September 2013**
(54) Product in respect of which the design is registered: **Vacuum cleaner**
(51) International Design Classification: **15-05**
(74) Name(s) of Attorney(s): **Halfords IP**
(71) Name(s) and Address(s) of Applicant(s):

Aktiebolaget Electrolux
S:t Goransgatan 143 Stockholm SE-105 45 Sweden

(72) Name(s) of Designer(s): **Oskar Fjellman**

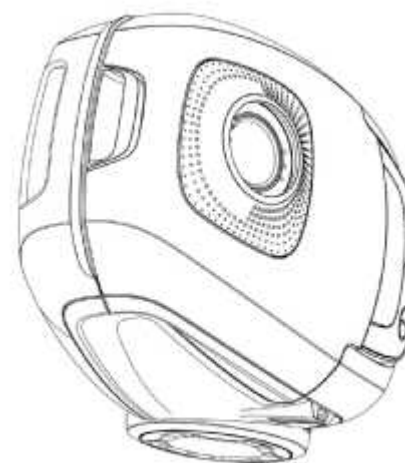
(45) Registration Date: **17 December 2013**

(30) Convention priority data:

(31) Number	(32) Date	(33) Country
002205682	20 Mar 2013	OFFICE FOR HARMONISATION IN THE INTERNAL MARKET (OHIM)

(56) Related Art Documents: **Not Applicable**

(57) Statement of Newness and Distinctiveness: **Newness and Distinctiveness is claimed in those features of shape and or configuration of a Vacuum Cleaner as depicted in the representations.**



(21) Design Number: **15982/2013**
(22) Date of Filing Application: **19 November 2013**
(24) Date from which industrial property rights may have effect: **19 November 2013**
(54) Product in respect of which the design is registered: **Heated towel rail**
(51) International Design Classification: **07-05D**
(74) Name(s) of Attorney(s): **AJ Park**
(71) Name(s) and Address(s) of Applicant(s):

RM & CE Limited
484 Main Street Palmerston North New Zealand

(72) Name(s) of Designer(s): **Richard Montague Adams**

(45) Registration Date: **17 December 2013**

(30) Convention priority data:

(31) Number	(32) Date	(33) Country
417721	21 Jun 2013	NEW ZEALAND

(56) Related Art Documents: **Not Applicable**

(57) Statement of Newness and Distinctiveness: **The newness and distinctiveness of the set of Towel Rails resides in the features of shape and/or configuration all as shown. No novelty is claimed in the number of rails highlighted in yellow or the length of members highlighted in yellow.**



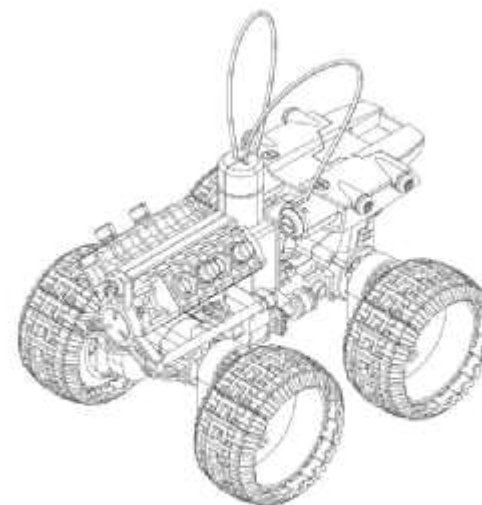
(21) Design Number: **16026/2013**
(22) Date of Filing Application: **21 November 2013**
(24) Date from which industrial property rights may have effect: **21 November 2013**
(54) Product in respect of which the design is registered: **Electric kettle**
(51) International Design Classification: **07-02K**
(74) Name(s) of Attorney(s): **Callinans**
(71) Name(s) and Address(s) of Applicant(s):
Kenwood Limited
New Lane Havant Hampshire PO9 2NH United Kingdom
(72) Name(s) of Designer(s): **Paul Palmer**
(45) Registration Date: **17 December 2013**
(30) Convention priority data:
(31) Number (32) Date (33) Country
002245100-0001 28 May 2013 OFFICE FOR HARMONISATION IN
THE INTERNAL MARKET (OHIM)
(56) Related Art Documents: **Not Applicable**
(57) Statement of Newness and Distinctiveness: **Nil**



(21) Design Number: **16042/2013**
(22) Date of Filing Application: **21 November 2013**
(24) Date from which industrial property rights may have effect: **28 March 2013**
(54) Product in respect of which the design is registered: **Handbag**
(51) International Design Classification: **03-01B**
(74) Name(s) of Attorney(s): **Allens Patent & Trade Mark Attorneys**
(71) Name(s) and Address(s) of Applicant(s):
Forever New Clothing Pty Ltd
714-716 High St Kew East VIC 3102 Australia
(72) Name(s) of Designer(s): **Georgia Roberts-Thomson**
(45) Registration Date: **17 December 2013**
(62) Divisional of: **11596/2013**
(56) Related Art Documents: **Not Applicable**
(57) Statement of Newness and Distinctiveness: **Newness and distinctiveness resides in the visual features of shape, configuration, pattern and/or ornamentation of a handbag as shown in the accompanying representations.**



- (21) Design Number: **16357/2013**
(22) Date of Filing Application: **04 December 2013**
(24) Date from which industrial property rights may have effect: **04 December 2013**
(54) Product in respect of which the design is registered: **Engine car toy**
(51) International Design Classification: **21-01C**
(74) Name(s) of Attorney(s): **WATERMARK PATENT AND TRADE MARKS ATTORNEYS**
(71) Name(s) and Address(s) of Applicant(s):
Wen-Hsien Lee
2F, No. 3, Lane 130 Min-Chung Road Hsin Tien District New Taipei City, R.O.C Taiwan
(72) Name(s) of Designer(s): **Wen-Hsien Lee**
(45) Registration Date: **17 December 2013**
(56) Related Art Documents: **Not Applicable**
(57) Statement of Newness and Distinctiveness: **Nil**



- (21) Design Number: **16358/2013**
(22) Date of Filing Application: **04 December 2013**
(24) Date from which industrial property rights may have effect: **04 December 2013**
(54) Product in respect of which the design is registered: **Spider toy**
(51) International Design Classification: **21-01A**
(74) Name(s) of Attorney(s): **WATERMARK PATENT AND TRADE MARKS ATTORNEYS**
(71) Name(s) and Address(s) of Applicant(s):
Wen-Hsien Lee
2F, No. 3, Lane 130 Min-Chung Road Hsin Tien District New Taipei City, R.O.C Taiwan
(72) Name(s) of Designer(s): **Wen-Hsien Lee**
(45) Registration Date: **17 December 2013**
(56) Related Art Documents: **Not Applicable**
(57) Statement of Newness and Distinctiveness: **Newness and distinctiveness are claimed in the visual features of shape and configuration of a spider toy as shown in the accompanying representations.**



(21) Design Number: **16366/2013**
(22) Date of Filing Application: **05 December 2013**
(24) Date from which industrial property rights may have effect: **05 December 2013**
(54) Product in respect of which the design is registered: **A lid**
(51) International Design Classification: **09-07B, 07-01NES**
(74) Name(s) of Attorney(s): **Smootenburg Patent & Trade Mark Attorneys**
(71) Name(s) and Address(s) of Applicant(s):



Klean Kanteen, Inc
4345 Hedstrom Way Chico CA 95973 United States of America

(72) Name(s) of Designer(s): **James Osgood and Andrew L Cote Sr**

(45) Registration Date: **17 December 2013**

(30) Convention priority data:

(31) Number	(32) Date	(33) Country
29/458,060	14 Jun 2013	UNITED STATES OF AMERICA

(56) Related Art Documents: **Not Applicable**

(57) Statement of Newness and Distinctiveness: **Newness and distinctiveness is claimed in the features of shape and/or configuration of a Lid as illustrated in the accompanying representations. No regard is to be had to the dashed lines as they are for environmental purposes only and form no part of the claimed design.**

(21) Design Number: **16367/2013**
(22) Date of Filing Application: **05 December 2013**
(24) Date from which industrial property rights may have effect: **05 December 2013**
(54) Product in respect of which the design is registered: **Closet**
(51) International Design Classification: **23-02C**
(74) Name(s) of Attorney(s): **Fisher Adams Kelly Pty Ltd**
(71) Name(s) and Address(s) of Applicant(s):

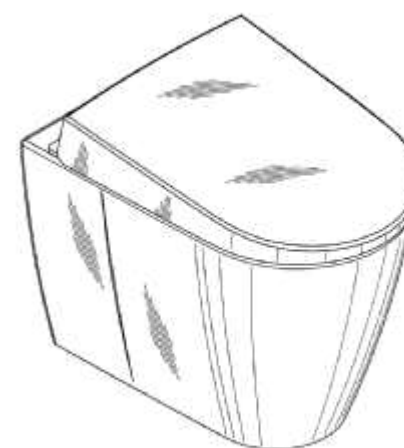
Geberit International AG
Schachenstrasse 77 JONA 8645 Switzerland

(72) Name(s) of Designer(s): **Mathaeus Thun-Hohenstein**

(45) Registration Date: **17 December 2013**

(30) Convention priority data:

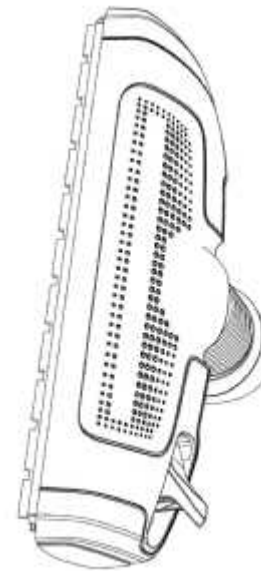
(31) Number	(32) Date	(33) Country
750968201	19 Jul 2013	WORLD INTELLECTUAL PROPERTY ORGANIZATION (WIPO)



(56) Related Art Documents: **Not Applicable**

(57) Statement of Newness and Distinctiveness: **The newness and distinctiveness of the design resides in the shape and/or configuration of the CLOSET shown in the representations.**

- (21) Design Number: **16370/2013**
(22) Date of Filing Application: **05 December 2013**
(24) Date from which industrial property rights may have effect: **19 September 2013**
(54) Product in respect of which the design is registered: **Vacuum cleaner nozzle**
(51) International Design Classification: **15-05**
(74) Name(s) of Attorney(s): **Halfords IP**
(71) Name(s) and Address(s) of Applicant(s):
Aktiebolaget Electrolux
S:t Goransgatan 143 Stockholm SE-105 45 Sweden
(72) Name(s) of Designer(s): **Oskar Fjellman**
(45) Registration Date: **17 December 2013**
(62) Divisional of: **352974**
(56) Related Art Documents: **Not Applicable**
(57) Statement of Newness and Distinctiveness: **Newness and Distinctives is claimed in those features of shape and or configuration of a Vacuum Cleaner Nozzle as depicted in the accompanying representations.**



- (21) Design Number: **16371/2013**
(22) Date of Filing Application: **05 December 2013**
(24) Date from which industrial property rights may have effect: **19 September 2013**
(54) Product in respect of which the design is registered: **Vacuum cleaner**
(51) International Design Classification: **15-05**
(74) Name(s) of Attorney(s): **Halfords IP**
(71) Name(s) and Address(s) of Applicant(s):
Aktiebolaget Electrolux
S:t Goransgatan 143 Stockholm SE-105 45 Sweden
(72) Name(s) of Designer(s): **Oskar Fjellman**
(45) Registration Date: **17 December 2013**
(62) Divisional of: **352974**
(56) Related Art Documents: **Not Applicable**
(57) Statement of Newness and Distinctiveness: **Newness and distinctiveness resides in the shape and or configuration and or colour, of the orange coloured portions of the vacuum cleaner illustrated in the representations, wherein the greyed out portions of the vacuum cleaner do not form part of the design.**



(21) Design Number: **16374/2013**
(22) Date of Filing Application: **05 December 2013**
(24) Date from which industrial property rights may have effect: **05 December 2013**
(54) Product in respect of which the design is registered: **Pet food package**
(51) International Design Classification: **09-05**
(74) Name(s) of Attorney(s): **PHILLIPS ORMONDE FITZPATRICK**
(71) Name(s) and Address(s) of Applicant(s):

The IAMS Company
One Procter & Gamble Plaza Cincinnati Ohio 45202-3315 United States of America

(72) Name(s) of Designer(s): **Giles Michael Owen Hopley and D Denyse Hermanson**

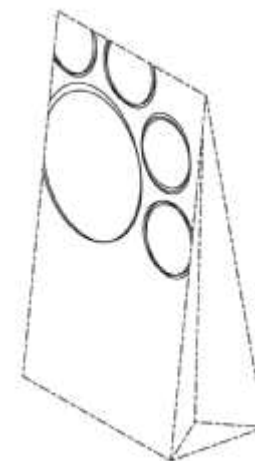
(45) Registration Date: **17 December 2013**

(30) Convention priority data:

(31) Number	(32) Date	(33) Country
29/457,111	07 Jun 2013	UNITED STATES OF AMERICA

(56) Related Art Documents: **Not Applicable**

(57) Statement of Newness and Distinctiveness: **Those features of the pet food package depicted in the representations that are new and distinctive are the shape and/or configuration. The features shown in broken lines are not part of the design and are to be disregarded when considering the overall impression of the design.**



(21) Design Number: **16406/2013**
(22) Date of Filing Application: **06 December 2013**
(24) Date from which industrial property rights may have effect: **30 September 2013**
(54) Product in respect of which the design is registered: **Cellular shade component**
(51) International Design Classification: **06-10**
(74) Name(s) of Attorney(s): **Shelston IP**
(71) Name(s) and Address(s) of Applicant(s):

Hunter Douglas Inc.
1 Blue Hill Plaza Pearl River New York 10965 United States of America

(72) Name(s) of Designer(s): **Wendell B Colson and Paul G Swiszc and Jason T Throne**

(45) Registration Date: **17 December 2013**

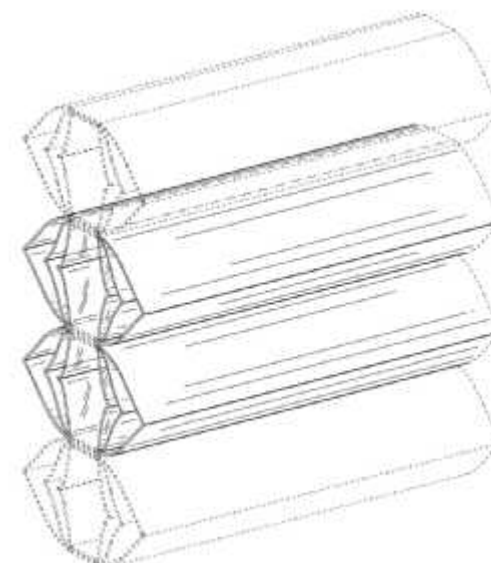
(30) Convention priority data:

(31) Number	(32) Date	(33) Country
29/451382	01 Apr 2013	UNITED STATES OF AMERICA

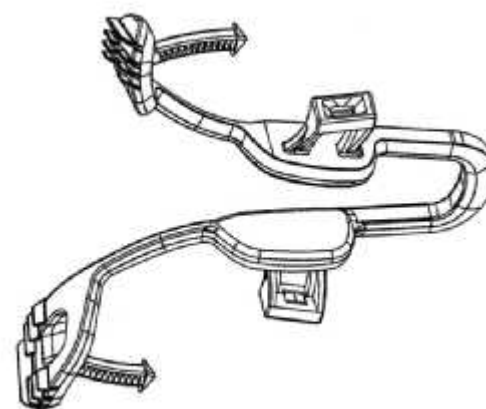
(62) Divisional of: **352927**

(56) Related Art Documents: **Not Applicable**

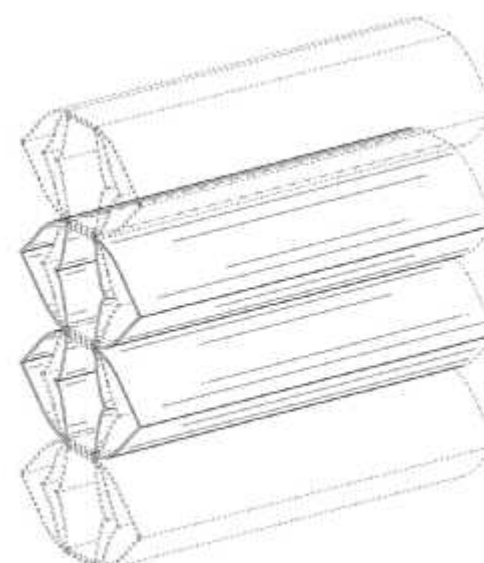
(57) Statement of Newness and Distinctiveness: **Newness and distinctiveness reside in the features of shape and/or configuration of a Cellular Shade Component of indeterminate length as illustrated in the accompanying representations by non-dashed lines. The features shown in dashed lines are for contextual purposes only and form no part of the design.**



- (21) Design Number: **16408/2013**
(22) Date of Filing Application: **06 December 2013**
(24) Date from which industrial property rights may have effect: **06 December 2013**
(54) Product in respect of which the design is registered: **Nasal dilation device**
(51) International Design Classification: **24-02**
(74) Name(s) of Attorney(s): **FB Rice**
(71) Name(s) and Address(s) of Applicant(s):
ASAP Breatheassist Pty Ltd
SE1 1233 High St Armadale VIC 3143 Australia
(72) Name(s) of Designer(s): **Toby James Hartley and George Kotsiopoulos**
(45) Registration Date: **17 December 2013**
(56) Related Art Documents: **Not Applicable**
(57) Statement of Newness and Distinctiveness: **The statement of newness and distinctiveness relates to a nasal dilation device having particular regards to the shape and configuration of the septum pad.**



- (21) Design Number: **16409/2013**
(22) Date of Filing Application: **06 December 2013**
(24) Date from which industrial property rights may have effect: **30 September 2013**
(54) Product in respect of which the design is registered: **Cellular shade component**
(51) International Design Classification: **06-10**
(74) Name(s) of Attorney(s): **Shelston IP**
(71) Name(s) and Address(s) of Applicant(s):
Hunter Douglas Inc.
1 Blue Hill Plaza Pearl River New York 10965 United States of America
(72) Name(s) of Designer(s): **Wendell B Colson and Paul G Swiszc and Jason T Throne**
(45) Registration Date: **17 December 2013**
(30) Convention priority data:
(31) Number (32) Date (33) Country
29/451382 01 Apr 2013 UNITED STATES OF AMERICA
(62) Divisional of: **352927**
(56) Related Art Documents: **Not Applicable**
(57) Statement of Newness and Distinctiveness: **Newness and distinctiveness reside in the features of shape and/or configuration of a Cellular Shade Component of indeterminate length as illustrated in the accompanying representations by non-dashed lines. The features shown in dashed lines are for contextual purposes only and form no part of the design.**



(21) Design Number: **14398/2013**
(22) Date of Filing Application: **04 September 2013**
(24) Date from which industrial property rights may have effect: **04 September 2013**
(54) Product in respect of which the design is registered: **Tent**
(51) International Design Classification: **21-04**
(74) Name(s) of Attorney(s): **Davies Collison Cave**
(71) Name(s) and Address(s) of Applicant(s):
Red Bull GmbH
Am Brunnen 1 Fuschl am See 5330 Austria
(72) Name(s) of Designer(s): **Gregor Huhsovitz and Eike Schaefer and Stephan Wichtl and Frank Mathis and Robert Leitner**
(45) Registration Date: **17 December 2013**
(30) Convention priority data:
(31) Number (32) Date (33) Country
002197269-0002 06 Mar 2013 OFFICE FOR HARMONISATION IN THE INTERNAL MARKET (OHIM)
(56) Related Art Documents: **Not Applicable**
(57) Statement of Newness and Distinctiveness: **Nil**



(21) Design Number: **14791/2013**
(22) Date of Filing Application: **23 September 2013**
(24) Date from which industrial property rights may have effect: **23 September 2013**
(54) Product in respect of which the design is registered: **Earrings**
(51) International Design Classification: **11-01D**
(74) Name(s) of Attorney(s):
(71) Name(s) and Address(s) of Applicant(s):
Michelle Helgeland
21 Vista Cl Edgewater WA 6027 Australia
(72) Name(s) of Designer(s): **Michelle Helgeland**
(45) Registration Date: **17 December 2013**
(56) Related Art Documents: **Not Applicable**
(57) Statement of Newness and Distinctiveness: **Manufacture of each FORM earring is of monobloc construction (1 piece). The main body of each earring is tapered with a ratio of 5 to 1 (4.0mm diameter to 0.8mm) irrespective of length. Each end is domed. The thin section continues on as a parallel sided shaft. This section is formed into an ear hook. FORM earrings are laser engraved with logo and serial numbers on reverse of taper.**



- (21) Design Number: **14792/2013**
(22) Date of Filing Application: **23 September 2013**
(24) Date from which industrial property rights may have effect: **23 September 2013**
(54) Product in respect of which the design is registered: **Earrings**
(51) International Design Classification: **11-01D**
(74) Name(s) of Attorney(s):
(71) Name(s) and Address(s) of Applicant(s):

Michelle Helgeland
21 Vista CI Edgewater WA 6027 Australia

(72) Name(s) of Designer(s): **Michelle Helgeland**

(45) Registration Date: **17 December 2013**

(56) Related Art Documents: **Not Applicable**

(57) Statement of Newness and Distinctiveness: **Manufacture of each FORM earring is of monobloc construction (1 piece). The main body of each earring is tapered with a ratio of 5 to 1 (4.0mm diameter to 0.8mm) irrespective of length. Each end is domed. The thin section continues on as a parallel sided shaft. This section is formed into an ear hook. FORM earrings are laser engraved with logo and serial numbers on reverse of taper.**



- (21) Design Number: **14812/2013**
(22) Date of Filing Application: **24 September 2013**
(24) Date from which industrial property rights may have effect: **24 September 2013**
(54) Product in respect of which the design is registered: **Customer Identification Device**
(51) International Design Classification: **20-03NES**
(74) Name(s) of Attorney(s):
(71) Name(s) and Address(s) of Applicant(s):

ALMOS TECHNOLOGIES PTY LTD
15A L3 3 142 South Tce Fremantle WA 6160 Australia

(72) Name(s) of Designer(s): **Steve Rakoczy and Steven McGuinness**

(45) Registration Date: **17 December 2013**

(56) Related Art Documents: **Not Applicable**

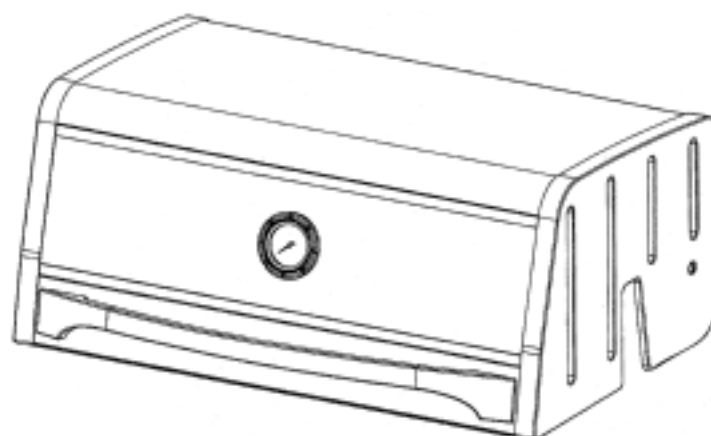
(57) Statement of Newness and Distinctiveness: **Wireless charger built into a bar, so that multiple products can be charged simultaneously by pushing them onto the bar and stacking them up. Existing wireless chargers use charging mats for products like mobile phones and they are placed side-by-side on the mat.**



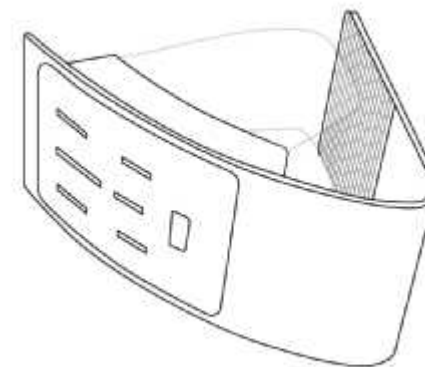
(21) Design Number: **14973/2013**
(22) Date of Filing Application: **30 September 2013**
(24) Date from which industrial property rights may have effect: **30 September 2013**
(54) Product in respect of which the design is registered: **A cellular shade component**
(51) International Design Classification: **06-10**
(74) Name(s) of Attorney(s): **Shelston IP**
(71) Name(s) and Address(s) of Applicant(s):
Hunter Douglas Inc.
1 Blue Hill Plaza Pearl River New York 10965 United States of America
(72) Name(s) of Designer(s): **Wendell B. Colson and Paul G. Swiszc and Jason T. Throne**
(45) Registration Date: **17 December 2013**
(30) Convention priority data:
(31) Number (32) Date (33) Country
29/451389 01 Apr 2013 UNITED STATES OF AMERICA
(56) Related Art Documents: **Not Applicable**
(57) Statement of Newness and Distinctiveness: **Newness and distinctiveness reside in the features of shape and/or configuration of a Cellular Shade Component of indefinite length as illustrated in the accompanying representations.**



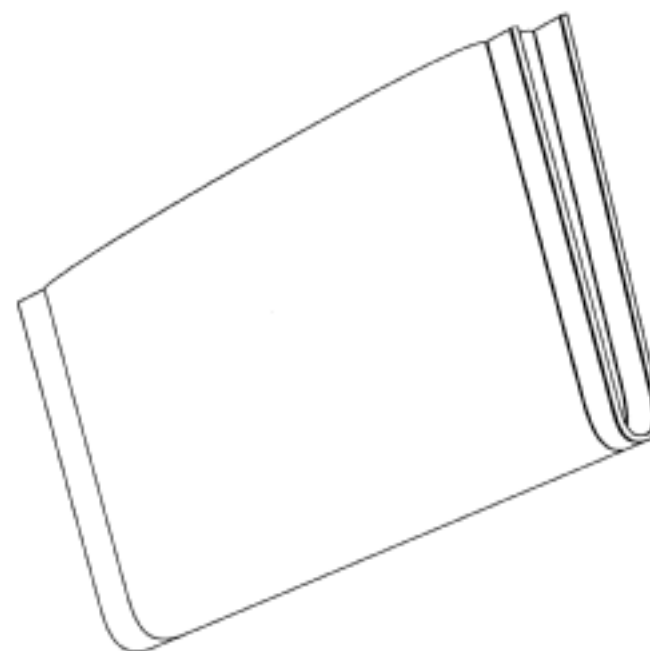
(21) Design Number: **15095/2013**
(22) Date of Filing Application: **06 June 2013**
(24) Date from which industrial property rights may have effect: **06 June 2013**
(54) Product in respect of which the design is registered: **Hood for cooking apparatus**
(51) International Design Classification: **07-02C**
(74) Name(s) of Attorney(s): **FB Rice**
(71) Name(s) and Address(s) of Applicant(s):
Garth Australia Pty Ltd
L14 140 William St Melbourne VIC 3000 Australia
(72) Name(s) of Designer(s): **Arnau Miralpeix and Tiago Abreu and Ramon Martinez**
(45) Registration Date: **17 December 2013**
(56) Related Art Documents: **Not Applicable**
(57) Statement of Newness and Distinctiveness: **Newness and distinctiveness reside in the features of the design as shown in the representations.**



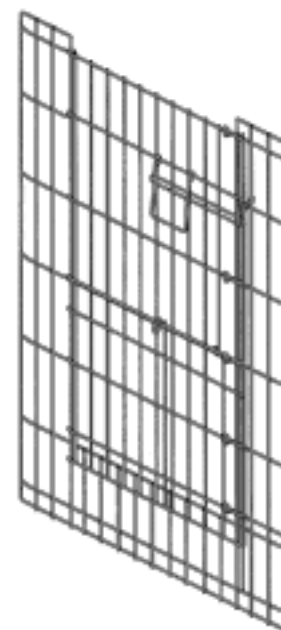
- (21) Design Number: **16375/2013**
(22) Date of Filing Application: **05 December 2013**
(24) Date from which industrial property rights may have effect: **05 December 2013**
(54) Product in respect of which the design is registered: **A knife block**
(51) International Design Classification: **07-99NES**
(74) Name(s) of Attorney(s): **SPRUSON & FERGUSON**
(71) Name(s) and Address(s) of Applicant(s):
Sheldon and Hammond Pty Ltd
24 Salisbury Rd Asquith NSW 2077 Australia
(72) Name(s) of Designer(s): **Alexander Angus**
(45) Registration Date: **17 December 2013**
(56) Related Art Documents: **Not Applicable**
(57) Statement of Newness and Distinctiveness: **Newness and distinctiveness is claimed in the features of shape and/or configuration of a knife block as illustrated in the accompanying representations.**



- (21) Design Number: **14665/2013**
(22) Date of Filing Application: **12 September 2013**
(24) Date from which industrial property rights may have effect: **12 September 2013**
(54) Product in respect of which the design is registered: **Packaging containing different single use articles**
(51) International Design Classification: **09-03M**
(74) Name(s) of Attorney(s): **Freehills Patent Attorneys**
(71) Name(s) and Address(s) of Applicant(s):
Kimberly-Clark Worldwide, Inc.
2300 Winchester Road Neenah Wisconsin 54956 United States of America
(72) Name(s) of Designer(s): **Barry P. Markwick and Ronnie L. Phillips and Suzanne M. Stewart and Susan H. Kelly and Sarah S. Happel**
(45) Registration Date: **18 December 2013**
(30) Convention priority data:
(31) Number (32) Date (33) Country
29/448389 12 Mar 2013 UNITED STATES OF AMERICA
(56) Related Art Documents: **Not Applicable**
(57) Statement of Newness and Distinctiveness: **Newness and distinctiveness of the design resides in the shape and configuration of the packaging containing different single use articles as shown in solid outline in the accompanying representations.**



- (21) Design Number: **15756/2013**
(22) Date of Filing Application: **11 November 2013**
(24) Date from which industrial property rights may have effect: **11 November 2013**
(54) Product in respect of which the design is registered: **A door and door frame of an animal enclosure**
(51) International Design Classification: **30-02**
(74) Name(s) of Attorney(s): **SPRUSON & FERGUSON**
(71) Name(s) and Address(s) of Applicant(s):
Mid-West Metal Products Co., Inc.
PO Box 1031 Muncie IN 47308 United States of America
(72) Name(s) of Designer(s): **Brad Cantwell and Michael E. Greene and Terrance L. Jones and Stew Kerr**
(45) Registration Date: **18 December 2013**
(30) Convention priority data:
(31) Number (32) Date (33) Country
29/456998 06 Jun 2013 UNITED STATES OF AMERICA
(56) Related Art Documents: **Not Applicable**
(57) Statement of Newness and Distinctiveness: **Newness and distinctiveness is claimed in the features of shape and/or configuration of the following parts of a door and door frame of an animal enclosure as illustrated and labelled in the accompanying representations: the latching mechanism labelled "A"; and the hooks labelled "B".**



- (21) Design Number: **15817/2013**
(22) Date of Filing Application: **12 November 2013**
(24) Date from which industrial property rights may have effect: **12 November 2013**
(54) Product in respect of which the design is registered: **Eyewear, sunglasses**
(51) International Design Classification: **16-06**
(74) Name(s) of Attorney(s):
(71) Name(s) and Address(s) of Applicant(s):
Dion Clegg
113b Cobb Street WEMBLEY DOWNS WA 6019
(72) Name(s) of Designer(s): **Dion Clegg**
(45) Registration Date: **18 December 2013**
(56) Related Art Documents: **Not Applicable**
(57) Statement of Newness and Distinctiveness: **The ability of the product is to enable the temples of our glasses/sunglasses to be customised and leveraging maximum personal choice and brand alliance by use of inserted clips to change the appearance or branding at will.**



- (21) Design Number: **15088/2013**
(22) Date of Filing Application: **08 October 2013**
(24) Date from which industrial property rights may have effect: **08 October 2013**
(54) Product in respect of which the design is registered: **Package**
(51) International Design Classification: **09-03M**
(74) Name(s) of Attorney(s): **Davies Collison Cave**
(71) Name(s) and Address(s) of Applicant(s):
Chocoladefabriken Lindt & Sprungli AG
Seestrasse 204 Kilchberg 8802 Switzerland
(72) Name(s) of Designer(s): **Carsten Stuben and Michael Schleipen and Cate Wind and Luc Butz and Mirko Nyssen and Sophie Wegwart and Markus Lichte and Christoph Jahn and Marcel Vunak and Dion Imbach and Dominik Jureschko and Jana Krueger and Denise Franke**
(45) Registration Date: **18 December 2013**
(30) Convention priority data:
(31) Number (32) Date (33) Country
DM/081058 05 Jun 2013 WORLD INTELLECTUAL PROPERTY ORGANIZATION (WIPO)
(56) Related Art Documents: **Not Applicable**
(57) Statement of Newness and Distinctiveness: **Nil**



- (21) Design Number: **15089/2013**
(22) Date of Filing Application: **08 October 2013**
(24) Date from which industrial property rights may have effect: **08 October 2013**
(54) Product in respect of which the design is registered: **Package**
(51) International Design Classification: **09-03M**
(74) Name(s) of Attorney(s): **Davies Collison Cave**
(71) Name(s) and Address(s) of Applicant(s):
Chocoladefabriken Lindt & Sprungli AG
Seestrasse 204 Kilchberg 8802 Switzerland
(72) Name(s) of Designer(s): **Carsten Stuben and Michael Schleipen and Cate Wind and Luc Butz and Mirko Nyssen and Sophie Wegwart and Markus Lichte and Christoph Jahn and Marcel Vunak and Dion Imbach and Dominik Jureschko and Jana Krueger and Denise Franke**
(45) Registration Date: **18 December 2013**
(30) Convention priority data:
(31) Number (32) Date (33) Country
DM/081058 05 Jun 2013 WORLD INTELLECTUAL PROPERTY ORGANIZATION (WIPO)
(56) Related Art Documents: **Not Applicable**
(57) Statement of Newness and Distinctiveness: **Nil**



(21) Design Number: **15099/2013**

(22) Date of Filing Application: **08 October 2013**

(24) Date from which industrial property rights may have effect: **08 October 2013**

(54) Product in respect of which the design is registered: **Bar fridge door**

(51) International Design Classification: **15-07**

(74) Name(s) of Attorney(s):

(71) Name(s) and Address(s) of Applicant(s):

Golden Bear Enterprises Pty. Ltd.

PO BOX 166 Sebastopol VIC 3356 Australia

(72) Name(s) of Designer(s): **Cory Allan**

(45) Registration Date: **18 December 2013**

(56) Related Art Documents: **Not Applicable**

(57) Statement of Newness and Distinctiveness: **The newness and distinctiveness of the design resides in the 'shape' of the doorframe, it is 'Curved' like a semi circle has a unique shape 'cut-out' of front for the glass panel. This look is extremely unique, there is nothing like this on Australian Market and we will be using this design with all our range of fridges, from 21 to 1000Litre. The shape cut out is rectangular but with rounded corners and widened in right and left sides, making a unique 'shape'. Unit has LED display in built also, but can also be without. Tooling is very expensive so we need to protect against copying and others attempting to sell in our market.**



(21) Design Number: **15426/2013**

(22) Date of Filing Application: **24 October 2013**

(24) Date from which industrial property rights may have effect: **24 October 2013**

(54) Product in respect of which the design is registered: **Merchandise display**

(51) International Design Classification: **20-02E**

(74) Name(s) of Attorney(s): **Davies Collison Cave**

(71) Name(s) and Address(s) of Applicant(s):

Illinois Tool Works Inc.

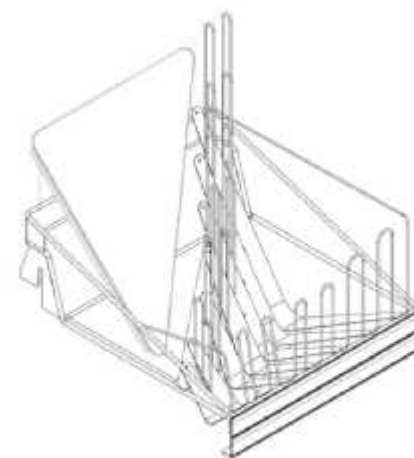
3600 West Lake Avenue Glenview Illinois 60026 United States of America

(72) Name(s) of Designer(s): **Mark Anthony Camilleri and Martin Brew Hardinge**

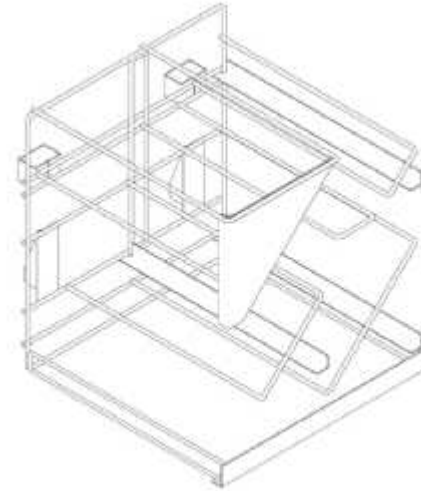
(45) Registration Date: **18 December 2013**

(56) Related Art Documents: **Not Applicable**

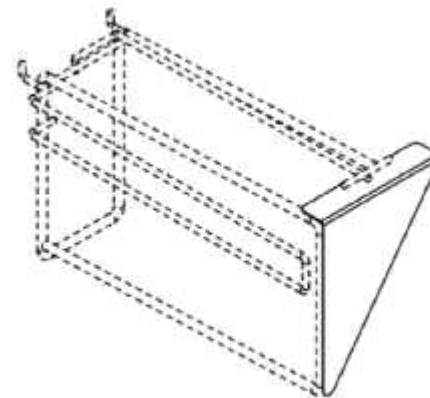
(57) Statement of Newness and Distinctiveness: **Newness and distinctiveness is claimed in the visual features of the merchandise display shown in the solid lines of the representations.**



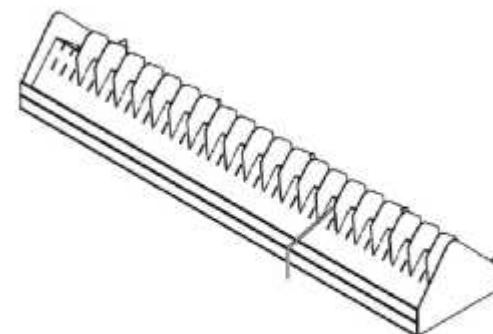
- (21) Design Number: **15428/2013**
(22) Date of Filing Application: **24 October 2013**
(24) Date from which industrial property rights may have effect: **24 October 2013**
(54) Product in respect of which the design is registered: **Merchandise display**
(51) International Design Classification: **20-02E**
(74) Name(s) of Attorney(s): **Davies Collison Cave**
(71) Name(s) and Address(s) of Applicant(s):
Illinois Tool Works Inc.
3600 West Lake Avenue Glenview Illinois 60026 United States of America
(72) Name(s) of Designer(s): **Mark Anthony Camilleri and Martin Brew Hardinge**
(45) Registration Date: **18 December 2013**
(56) Related Art Documents: **Not Applicable**
(57) Statement of Newness and Distinctiveness: **Newness and distinctiveness is claimed in the visual features of the merchandise display shown in the solid lines of the representations.**



- (21) Design Number: **15429/2013**
(22) Date of Filing Application: **24 October 2013**
(24) Date from which industrial property rights may have effect: **24 October 2013**
(54) Product in respect of which the design is registered: **Merchandise display**
(51) International Design Classification: **20-02E**
(74) Name(s) of Attorney(s): **Davies Collison Cave**
(71) Name(s) and Address(s) of Applicant(s):
Illinois Tool Works Inc.
3600 West Lake Avenue Glenview Illinois 60026 United States of America
(72) Name(s) of Designer(s): **Mark Anthony Camilleri and Martin Brew Hardinge**
(45) Registration Date: **18 December 2013**
(56) Related Art Documents: **Not Applicable**
(57) Statement of Newness and Distinctiveness: **Newness and distinctiveness is claimed in the visual features of the merchandise display shown in the solid lines of the representations.**



- (21) Design Number: **15430/2013**
(22) Date of Filing Application: **24 October 2013**
(24) Date from which industrial property rights may have effect: **24 October 2013**
(54) Product in respect of which the design is registered: **Merchandise display**
(51) International Design Classification: **20-02E**
(74) Name(s) of Attorney(s): **Davies Collison Cave**
(71) Name(s) and Address(s) of Applicant(s):
Illinois Tool Works Inc.
3600 West Lake Avenue Glenview Illinois 60026 United States of America
(72) Name(s) of Designer(s): **Mark Anthony Camilleri and Martin Brew Hardinge**
(45) Registration Date: **18 December 2013**
(56) Related Art Documents: **Not Applicable**
(57) Statement of Newness and Distinctiveness: **Newness and distinctiveness is claimed in the visual features of the merchandise display of indefinite length shown in the solid lines of the representations.**



- (21) Design Number: **15991/2013**
(22) Date of Filing Application: **20 November 2013**
(24) Date from which industrial property rights may have effect: **20 November 2013**
(54) Product in respect of which the design is registered: **Aerodynamic Device For A Vehicle**
(51) International Design Classification: **12-16B**
(74) Name(s) of Attorney(s): **Griffith Hack**
(71) Name(s) and Address(s) of Applicant(s):
Jost-Werke GmbH
Siemensstr. 2 Neu-Isenburg 63263 Germany
(72) Name(s) of Designer(s): **Dirk Schmidt**
(45) Registration Date: **18 December 2013**
(30) Convention priority data:
(31) Number (32) Date (33) Country
001 384 929 26 Sep 2013 OFFICE FOR HARMONISATION IN THE INTERNAL MARKET (OHIM)
(56) Related Art Documents: **Not Applicable**
(57) Statement of Newness and Distinctiveness: **Newness and distinctiveness resides in the visual features, including the shape and configuration of the product as shown in the accompanying representations.**



- (21) Design Number: **16210/2013**
(22) Date of Filing Application: **29 November 2013**
(24) Date from which industrial property rights may have effect: **29 November 2013**
(54) Product in respect of which the design is registered: **Display screen with graphical user interface**
(51) International Design Classification: **14-01, 14-02**
(74) Name(s) of Attorney(s): **Shelston IP**
(71) Name(s) and Address(s) of Applicant(s):

Microsoft Corporation
One Microsoft Way Redmond Washington 98052 United States of America

- (72) Name(s) of Designer(s): **Orry Wijanarko Soegiono and Bill Liu and Sean Wen and Mary-Lynne Williams and Ethan Nelson Ray and Moneta K Ho Kushner**

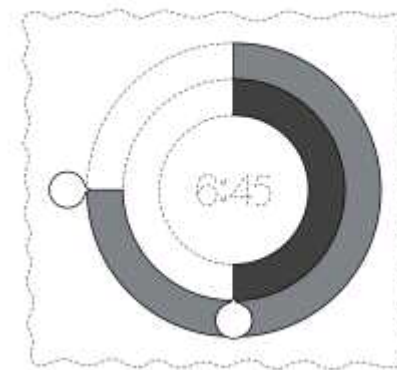
- (45) Registration Date: **18 December 2013**

- (30) Convention priority data:

(31) Number	(32) Date	(33) Country
29/456199	29 May 2013	UNITED STATES OF AMERICA

- (56) Related Art Documents: **Not Applicable**

- (57) Statement of Newness and Distinctiveness: **Newness and distinctiveness reside in the features of pattern and/or ornamentation of a display screen with graphical use interface as illustrated by solid lines in the accompanying representation. The features shown in broken outline are fo contextual purposes only and do not form part of the design The letters and numerals depicted are shown by way of example only and may be substituted by other symbols.**



- (21) Design Number: **16211/2013**
(22) Date of Filing Application: **29 November 2013**
(24) Date from which industrial property rights may have effect: **29 November 2013**
(54) Product in respect of which the design is registered: **Display screen with icon**
(51) International Design Classification: **14-01, 14-02**
(74) Name(s) of Attorney(s): **Shelston IP**
(71) Name(s) and Address(s) of Applicant(s):

Microsoft Corporation
One Microsoft Way Redmond Washington 98052 United States of America

- (72) Name(s) of Designer(s): **Kieran Phelan and Ben Perry**

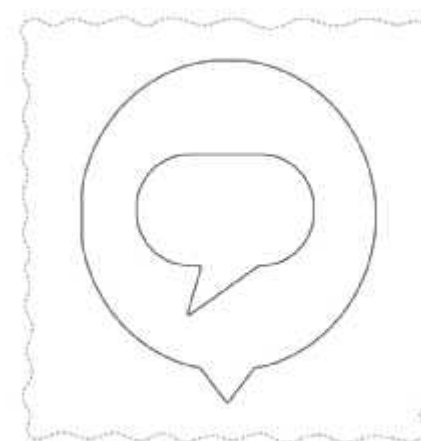
- (45) Registration Date: **18 December 2013**

- (30) Convention priority data:

(31) Number	(32) Date	(33) Country
29/456158	29 May 2013	UNITED STATES OF AMERICA

- (56) Related Art Documents: **Not Applicable**

- (57) Statement of Newness and Distinctiveness: **Newness and distinctiveness reside in the features of pattern and/or ornamentation of a display screen with icon as illustrated by solid lines in the accompanying representation. The features shown in broken outline are for contextual purposes only and do not form part of the design.**



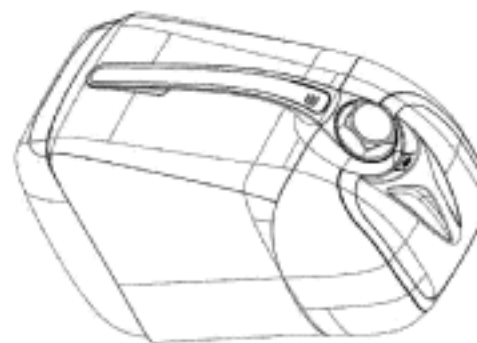
(21) Design Number: **13475/2013**
(22) Date of Filing Application: **22 July 2013**
(24) Date from which industrial property rights may have effect: **22 July 2013**
(54) Product in respect of which the design is registered: **Bottle**
(51) International Design Classification: **09-01NES**
(74) Name(s) of Attorney(s): **Davies Collison Cave**
(71) Name(s) and Address(s) of Applicant(s):
RC02 Washington, Inc.
701 Fifth Avenue Suite 4200 Seattle Washington 98104 United States of America
(72) Name(s) of Designer(s): **Thomson Donald William**
(45) Registration Date: **18 December 2013**
(30) Convention priority data:
(31) Number (32) Date (33) Country
29/443754 22 Jan 2013 UNITED STATES OF AMERICA
(56) Related Art Documents: **Not Applicable**
(57) Statement of Newness and Distinctiveness: **Newness and distinctiveness is claimed in the visual features of the bottle shown in solid lines in the representations.**



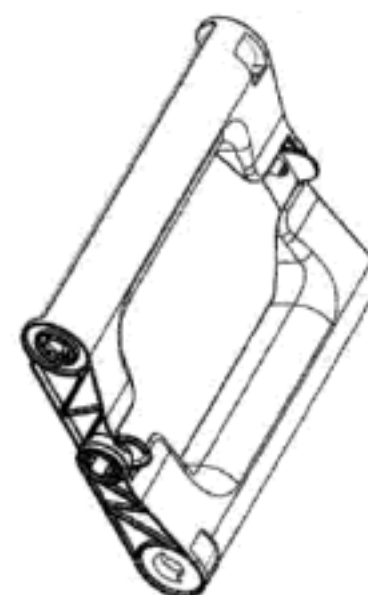
(21) Design Number: **14505/2013**
(22) Date of Filing Application: **11 September 2013**
(24) Date from which industrial property rights may have effect: **11 September 2013**
(54) Product in respect of which the design is registered: **Hatchet**
(51) International Design Classification: **08-03**
(74) Name(s) of Attorney(s): **Davies Collison Cave**
(71) Name(s) and Address(s) of Applicant(s):
Fiskars Brands, Inc.
2537 Daniels Street Madison Wisconsin 53718 United States of America
(72) Name(s) of Designer(s): **Darrin Seeds and Jeff Freeman and Frank Rossi**
(45) Registration Date: **18 December 2013**
(30) Convention priority data:
(31) Number (32) Date (33) Country
29/448459 12 Mar 2013 UNITED STATES OF AMERICA
(56) Related Art Documents: **Not Applicable**
(57) Statement of Newness and Distinctiveness: **Newness and distinctiveness is claimed in the shape and configuration of what is shown in solid lines in the accompanying representations.**



(21) Design Number: **14551/2013**
(22) Date of Filing Application: **12 September 2013**
(24) Date from which industrial property rights may have effect: **12 September 2013**
(54) Product in respect of which the design is registered: **Waste storage device**
(51) International Design Classification: **09-09**
(74) Name(s) of Attorney(s): **EKM patent & trade marks**
(71) Name(s) and Address(s) of Applicant(s):
Sangenic International Limited
Dudley Lane Cramlington Northumberland NE23 7RH United Kingdom
(72) Name(s) of Designer(s): **Benjamin John Strutt and Matthew James Brady**
and William John Day and Matthew George Bateman
(45) Registration Date: **18 December 2013**
(30) Convention priority data:
(31) Number (32) Date (33) Country
001379358-0001 25 Jul 2013 OFFICE FOR HARMONISATION IN
THE INTERNAL MARKET (OHIM)
(56) Related Art Documents: **Not Applicable**
(57) Statement of Newness and Distinctiveness: **Newness and distinctiveness**
resides in the features of shape and/or configuration of a waste storage
device as shown in the accompanying representations.



(21) Design Number: **14552/2013**
(22) Date of Filing Application: **12 September 2013**
(24) Date from which industrial property rights may have effect: **12 September 2013**
(54) Product in respect of which the design is registered: **A cassette for a waste**
storage device
(51) International Design Classification: **09-09**
(74) Name(s) of Attorney(s): **EKM patent & trade marks**
(71) Name(s) and Address(s) of Applicant(s):
Sangenic International Limited
Dudley Lane Cramlington Northumberland NE23 7RH United Kingdom
(72) Name(s) of Designer(s): **Paul Schofield**
(45) Registration Date: **18 December 2013**
(30) Convention priority data:
(31) Number (32) Date (33) Country
001379358-0006 25 Jul 2013 OFFICE FOR HARMONISATION IN
THE INTERNAL MARKET (OHIM)
(56) Related Art Documents: **Not Applicable**
(57) Statement of Newness and Distinctiveness: **Newness and distinctiveness**
resides in the features of shape and/or configuration of a housing or
cassette for dispensing wrapping in a waste storage device as shown in
the accompanying representations.



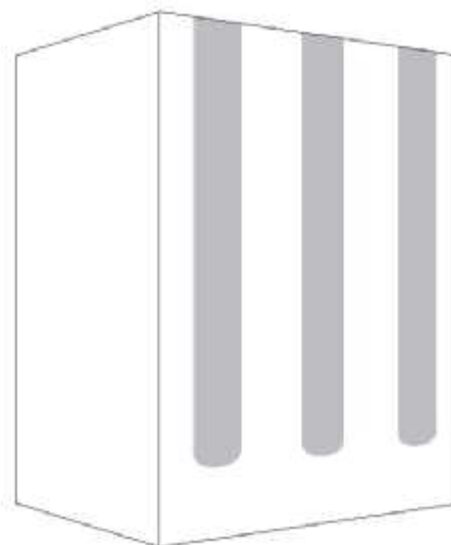
- (21) Design Number: **14651/2013**
(22) Date of Filing Application: **16 September 2013**
(24) Date from which industrial property rights may have effect: **16 September 2013**
(54) Product in respect of which the design is registered: **A carton**
(51) International Design Classification: **09-03E, 09-03M**
(74) Name(s) of Attorney(s): **Corrs Chambers Westgarth**
(71) Name(s) and Address(s) of Applicant(s):
CUB Pty Ltd
77 Southbank Bvd Southbank VIC 3006 Australia
(72) Name(s) of Designer(s): **Matthew Smith and Sam Milne and Ben Kavan**
(45) Registration Date: **18 December 2013**
(56) Related Art Documents: **Not Applicable**
(57) Statement of Newness and Distinctiveness: **The design consists of the features of ornamentation applied to a set of cartons which, when stacked, produce the image of a set of cricket stumps.**



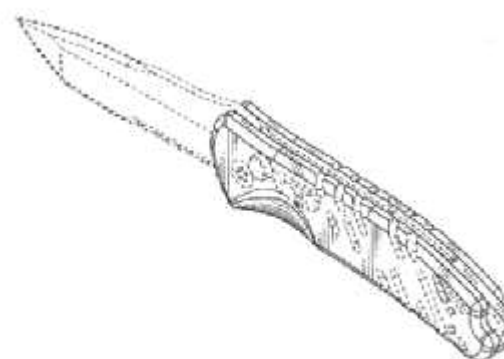
- (21) Design Number: **15821/2013**
(22) Date of Filing Application: **13 November 2013**
(24) Date from which industrial property rights may have effect: **13 November 2013**
(54) Product in respect of which the design is registered: **Table and chair**
(51) International Design Classification: **06-01E, 06-03B**
(74) Name(s) of Attorney(s): **Griffith Hack**
(71) Name(s) and Address(s) of Applicant(s):
Yotopia Pty Ltd
7-13 Ardena Ct East Bentleigh VIC 3165 Australia
(72) Name(s) of Designer(s): **Dion Hall**
(45) Registration Date: **18 December 2013**
(56) Related Art Documents: **Not Applicable**
(57) Statement of Newness and Distinctiveness: **Newness and distinctiveness resides in the visual features, including shape and configuration of the product as shown in the accompanying Figures.**



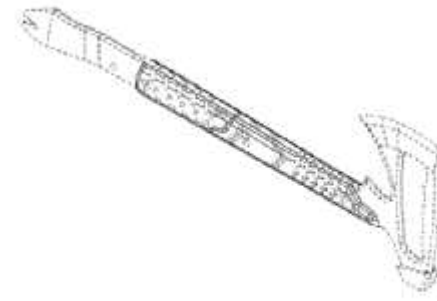
(21) Design Number: **16546/2013**
(22) Date of Filing Application: **13 December 2013**
(24) Date from which industrial property rights may have effect: **13 December 2013**
(54) Product in respect of which the design is registered: **A carton**
(51) International Design Classification: **09-03E, 09-03M**
(74) Name(s) of Attorney(s): **Corrs Chambers Westgarth**
(71) Name(s) and Address(s) of Applicant(s):
CUB Pty Ltd
77 Southbank Bvd Southbank VIC 3006 Australia
(72) Name(s) of Designer(s): **Matthew Smith and Sam Milne and Ben Kavan**
(45) Registration Date: **18 December 2013**
(56) Related Art Documents: **Not Applicable**
(57) Statement of Newness and Distinctiveness: **Nil**



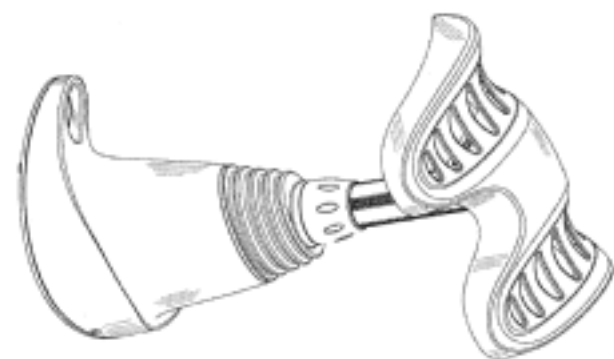
(21) Design Number: **14430/2013**
(22) Date of Filing Application: **06 September 2013**
(24) Date from which industrial property rights may have effect: **06 September 2013**
(54) Product in respect of which the design is registered: **Knife**
(51) International Design Classification: **08-03**
(74) Name(s) of Attorney(s): **Davies Collison Cave**
(71) Name(s) and Address(s) of Applicant(s):
Fiskars Brands, Inc.
2537 Daniels Street Madison Wisconsin 53718 United States of America
(72) Name(s) of Designer(s): **Juan Cagampang and Peter Schuff**
(45) Registration Date: **19 December 2013**
(30) Convention priority data:
(31) Number (32) Date (33) Country
29/448095 08 Mar 2013 UNITED STATES OF AMERICA
(56) Related Art Documents: **Not Applicable**
(57) Statement of Newness and Distinctiveness: **Newness and distinctiveness is claimed in the visual features shown in solid lines in the representations.**



- (21) Design Number: **14431/2013**
(22) Date of Filing Application: **06 September 2013**
(24) Date from which industrial property rights may have effect: **06 September 2013**
(54) Product in respect of which the design is registered: **Axe**
(51) International Design Classification: **08-03**
(74) Name(s) of Attorney(s): **Davies Collison Cave**
(71) Name(s) and Address(s) of Applicant(s):
Fiskars Brands, Inc.
2537 Daniels Street Madison Wisconsin 53718 United States of America
(72) Name(s) of Designer(s): **Darrin Seeds and Peter Schuft**
(45) Registration Date: **19 December 2013**
(30) Convention priority data:
(31) Number (32) Date (33) Country
29/448076 08 Mar 2013 UNITED STATES OF AMERICA
(56) Related Art Documents: **Not Applicable**
(57) Statement of Newness and Distinctiveness: **Newness and distinctiveness is claimed in the visual features shown in solid lines in the representations.**



- (21) Design Number: **14434/2013**
(22) Date of Filing Application: **06 September 2013**
(24) Date from which industrial property rights may have effect: **06 September 2013**
(54) Product in respect of which the design is registered: **Machine for treating back pain**
(51) International Design Classification: **06-01NES**
(74) Name(s) of Attorney(s): **EKM patent & trade marks**
(71) Name(s) and Address(s) of Applicant(s):
Raz Liran
15 Zvi Shapira Street 7528441 Rishon-LeZion Israel
Avital Eran
21 Hadera Street 4972619 Petach-Tikva Israel
(72) Name(s) of Designer(s): **Raz Liran and Avital Eran**
(45) Registration Date: **19 December 2013**
(30) Convention priority data:
(31) Number (32) Date (33) Country
29/448,156 11 Mar 2013 UNITED STATES OF AMERICA
(56) Related Art Documents: **Not Applicable**
(57) Statement of Newness and Distinctiveness: **Newness and distinctiveness resides in the features of shape and/or configuration of a device for treating back pain as shown in the accompanying representations.**



(21) Design Number: **14581/2013**
(22) Date of Filing Application: **13 September 2013**
(24) Date from which industrial property rights may have effect: **13 September 2013**
(54) Product in respect of which the design is registered: **Clip-on bonding washer**
(51) International Design Classification: **08-08B**
(74) Name(s) of Attorney(s): **Griffith Hack**
(71) Name(s) and Address(s) of Applicant(s):

Hubbell Incorporated
40 Waterview Drive Shelton Connecticut, 06484-1000 United States of America

(72) Name(s) of Designer(s): **Thomas Olenick**

(45) Registration Date: **19 December 2013**

(30) Convention priority data:

(31) Number	(32) Date	(33) Country
29/450,142	15 Mar 2013	UNITED STATES OF AMERICA

(56) Related Art Documents: **Not Applicable**

(57) Statement of Newness and Distinctiveness: **Newness and distinctiveness resides in the visual features, including the shape and configuration of the product shown in the representations.**



(21) Design Number: **14591/2013**
(22) Date of Filing Application: **13 September 2013**
(24) Date from which industrial property rights may have effect: **13 September 2013**
(54) Product in respect of which the design is registered: **Container**
(51) International Design Classification: **09-01NES**
(74) Name(s) of Attorney(s): **PIZZEYS**
(71) Name(s) and Address(s) of Applicant(s):

Monsanto Technology LLC
800 North Lindbergh Blvd St Louis MO 63167 United States of America

(72) Name(s) of Designer(s): **Wim Engelen and Hugo Smid**

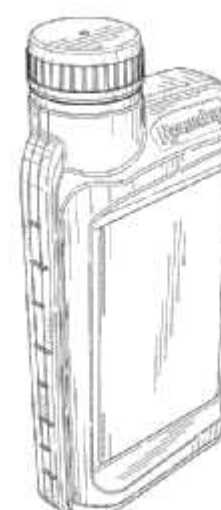
(45) Registration Date: **19 December 2013**

(30) Convention priority data:

(31) Number	(32) Date	(33) Country
29/449,458	15 Mar 2013	UNITED STATES OF AMERICA

(56) Related Art Documents: **Not Applicable**

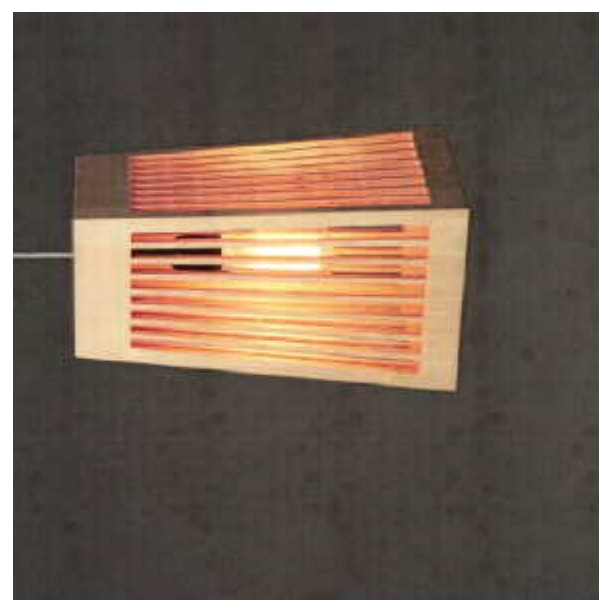
(57) Statement of Newness and Distinctiveness: **The design is applied to a container and the novelty resides in the shape, ornamentation, pattern, configuration or a combination thereof as shown in the accompanying representations.**



- (21) Design Number: **14713/2013**
(22) Date of Filing Application: **19 September 2013**
(24) Date from which industrial property rights may have effect: **19 September 2013**
(54) Product in respect of which the design is registered: **Package for sewing machine needles**
(51) International Design Classification: **09-05**
(74) Name(s) of Attorney(s): **Davies Collison Cave**
(71) Name(s) and Address(s) of Applicant(s):
Organ Needle Co., Ltd
1 Maeyama Ueda-shi Nagano-ken 386-1436 Japan
(72) Name(s) of Designer(s): **Ryoji Mizuno and Kerstin Helen Halgmann**
(45) Registration Date: **19 December 2013**
(56) Related Art Documents: **Not Applicable**
(57) Statement of Newness and Distinctiveness: **Newness and Distinctiveness is claimed in the visual features shown in the representations.**



- (21) Design Number: **14779/2013**
(22) Date of Filing Application: **20 September 2013**
(24) Date from which industrial property rights may have effect: **20 September 2013**
(54) Product in respect of which the design is registered: **Pendant light**
(51) International Design Classification: **26-05D**
(74) Name(s) of Attorney(s):
(71) Name(s) and Address(s) of Applicant(s):
Ambience Lighting Australia Pty Ltd
416 Heidelberg Rd Fairfield VIC 3078 Australia
(72) Name(s) of Designer(s): **Liam Neil Petrie-Ailbutt**
(45) Registration Date: **19 December 2013**
(56) Related Art Documents: **Not Applicable**
(57) Statement of Newness and Distinctiveness: **Design is a unique, and has a distinct and striking form. Design has a unique grill/groove/cage aesthetic. Made possible using CNC routing. The design has a unique light distribution, and pattern on surrounding surfaces. The design is made from bamboo. The bamboo has the option for staining using quality guitar stain finishes. The light globe is positioned central. The design is made in three comparable sizes. The design range is complimented with a wall light-fitting. The wall light fitting is a derived design from the same light fitting range. The wall light shares the same design characteristics. The wall light back plate uses a simple slide mechanism. The wall light fitting has no visible fixings. The light fitting is constructed using mitered joints. The joints present a unique clean construction aesthetic, because they hide all bamboo edging. The joining process for this form is very difficult to achieve. It required a progressively changing miter angle.**



- (21) Design Number: **14914/2013**
(22) Date of Filing Application: **26 September 2013**
(24) Date from which industrial property rights may have effect: **26 September 2013**
(54) Product in respect of which the design is registered: **Coat stand**
(51) International Design Classification: **06-06A**
(74) Name(s) of Attorney(s):
(71) Name(s) and Address(s) of Applicant(s):

Helen Kontouris
7/103 Liardet Street Port Melbourne Victoria 3207 Australia

- (72) Name(s) of Designer(s): **Helen Kontouris**
(45) Registration Date: **19 December 2013**
(56) Related Art Documents: **Not Applicable**
(57) Statement of Newness and Distinctiveness: **The coat stand is made entirely from timber and held structurally secure and upright by a steel stand or from a bracket if being fixed to a table. The hand wood turned coat hooks are crafted by hand and shaped like domes on the outside and are concave at the front face of each of the 3 sized coat hooks. Each timber coat hook is fixed to a central timber dowel.**

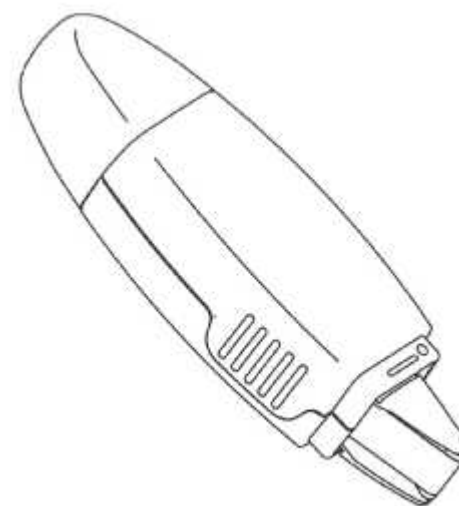


- (21) Design Number: **15628/2013**
(22) Date of Filing Application: **01 November 2013**
(24) Date from which industrial property rights may have effect: **01 November 2013**
(54) Product in respect of which the design is registered: **Adhesive tape dispenser**
(51) International Design Classification: **19-02, 19-06**
(74) Name(s) of Attorney(s): **Banki Haddock Fiora**
(71) Name(s) and Address(s) of Applicant(s):

Tombow Pencil Co., Ltd.
6-10-12 Toshima Kita-ku Tokyo 114-8583 Japan

- (72) Name(s) of Designer(s): **Kazuhiko Suzuki**
(45) Registration Date: **19 December 2013**
(30) Convention priority data:
(31) Number (32) Date (33) Country
2013-016955 25 Jul 2013 JAPAN

- (56) Related Art Documents: **Not Applicable**
(57) Statement of Newness and Distinctiveness: **Nil**



(21) Design Number: **16380/2013**
(22) Date of Filing Application: **06 December 2013**
(24) Date from which industrial property rights may have effect: **06 December 2013**
(54) Product in respect of which the design is registered: **Light for vehicle**
(51) International Design Classification: **26-06**
(74) Name(s) of Attorney(s): **Griffith Hack**
(71) Name(s) and Address(s) of Applicant(s):
Hella KGaA Hueck & Co
Rixbecker Strasse 75 Lippstadt 59552 Germany
(72) Name(s) of Designer(s): **Matthias Kuge**
(45) Registration Date: **19 December 2013**
(30) Convention priority data:
(31) Number (32) Date (33) Country
002254185-0001 12 Jun 2013 OFFICE FOR HARMONISATION IN
THE INTERNAL MARKET (OHIM)
(56) Related Art Documents: **Not Applicable**
(57) Statement of Newness and Distinctiveness: **Newness and distinctiveness**
resides in the visual features, including shape and configuration of the
product as shown in the representations.



(21) Design Number: **16381/2013**
(22) Date of Filing Application: **06 December 2013**
(24) Date from which industrial property rights may have effect: **06 December 2013**
(54) Product in respect of which the design is registered: **Bottle**
(51) International Design Classification: **09-01NES**
(74) Name(s) of Attorney(s): **PHILLIPS ORMONDE FITZPATRICK**
(71) Name(s) and Address(s) of Applicant(s):
The Coca-Cola Company
One Coca-Cola Plaza NW Atlanta Georgia 30313 United States of
America
(72) Name(s) of Designer(s): **Javier Verdura and Daniel Peter Sterling and John**
Kevin Clay
(45) Registration Date: **19 December 2013**
(30) Convention priority data:
(31) Number (32) Date (33) Country
29/457,022 06 Jun 2013 UNITED STATES OF AMERICA
(56) Related Art Documents: **Not Applicable**
(57) Statement of Newness and Distinctiveness: **Those features of the bottle**
depicted in the representations that are new and distinctive are the shape
and/or configuration.



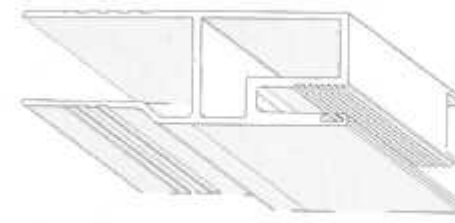
(21) Design Number: **16387/2013**
(22) Date of Filing Application: **06 December 2013**
(24) Date from which industrial property rights may have effect: **06 December 2013**
(54) Product in respect of which the design is registered: **A boat**
(51) International Design Classification: **12-06C**
(74) Name(s) of Attorney(s): **WATERMARK PATENT AND TRADE MARKS ATTORNEYS**
(71) Name(s) and Address(s) of Applicant(s):
Flat Out Dreaming Pty Ltd
C/- NKH Financial Services L2 100 Railway St Subiaco WA 6008
Australia
(72) Name(s) of Designer(s): **Eric Metrot and Deryck Fletcher Gow Graham and Giovanni Ciampa and Lee David Blattmann**
(45) Registration Date: **19 December 2013**
(30) Convention priority data:
(31) Number (32) Date (33) Country
002251991 07 Jun 2013 OFFICE FOR HARMONISATION IN THE INTERNAL MARKET (OHIM)
(56) Related Art Documents: **Not Applicable**
(57) Statement of Newness and Distinctiveness: **Nil**



(21) Design Number: **16390/2013**
(22) Date of Filing Application: **06 December 2013**
(24) Date from which industrial property rights may have effect: **06 December 2013**
(54) Product in respect of which the design is registered: **Chair**
(51) International Design Classification: **06-01F**
(74) Name(s) of Attorney(s): **FB Rice**
(71) Name(s) and Address(s) of Applicant(s):
Steelcase Inc.
901 - 44th Street, S.E. Grand Rapids Michigan 49508 United States of America
(72) Name(s) of Designer(s): **Bruce M. Smith and Glen Oliver Low and James N. Ludwig and Christopher Norman and Nickolaus William Charles Deevers**
(45) Registration Date: **19 December 2013**
(30) Convention priority data:
(31) Number (32) Date (33) Country
29/457263 07 Jun 2013 UNITED STATES OF AMERICA
(56) Related Art Documents: **Not Applicable**
(57) Statement of Newness and Distinctiveness: **Newness and distinctiveness reside in the shape and configuration of the upper support of the chair as shown in the representations.**



(21) Design Number: **16411/2013**
(22) Date of Filing Application: **08 December 2013**
(24) Date from which industrial property rights may have effect: **08 December 2013**
(54) Product in respect of which the design is registered: **An extrusion**
(51) International Design Classification: **25-01K**
(74) Name(s) of Attorney(s):
(71) Name(s) and Address(s) of Applicant(s):
Jorgenson-Watts Pty Ltd
L6 167 Queen St Melbourne VIC 3000 Australia
(72) Name(s) of Designer(s): **John Russell Watts**
(45) Registration Date: **19 December 2013**
(56) Related Art Documents: **Not Applicable**
(57) Statement of Newness and Distinctiveness: **Nil**



(21) Design Number: **16413/2013**
(22) Date of Filing Application: **08 December 2013**
(24) Date from which industrial property rights may have effect: **08 December 2013**
(54) Product in respect of which the design is registered: **Go kart wheel alignment adjustor**
(51) International Design Classification: **12-16NES**
(74) Name(s) of Attorney(s):
(71) Name(s) and Address(s) of Applicant(s):
Tepra Pty Ltd
52 Country Dr Oakford WA 6121 Australia
(72) Name(s) of Designer(s): **Paul Machek**
(45) Registration Date: **19 December 2013**
(56) Related Art Documents: **Not Applicable**
(57) Statement of Newness and Distinctiveness: **Independent camber and castor adjustment for go karts. The camber adjustment is incorporated into the "c section". The castor adjustment is achieved with different offset collars located in a square hole in bottom of the c section.**



- (21) Design Number: **14714/2013**
(22) Date of Filing Application: **19 September 2013**
(24) Date from which industrial property rights may have effect: **19 September 2013**
(54) Product in respect of which the design is registered: **Package for sewing machine needles**
(51) International Design Classification: **09-05**
(74) Name(s) of Attorney(s): **Davies Collison Cave**
(71) Name(s) and Address(s) of Applicant(s):
Organ Needle Co., Ltd
1 Maeyama Ueda-shi Nagano-ken 386-1436 Japan
(72) Name(s) of Designer(s): **Ryoji Mizuno**
(45) Registration Date: **19 December 2013**
(30) Convention priority data:
(31) Number (32) Date (33) Country
2013-014423 26 Jun 2013 JAPAN
(56) Related Art Documents: **Not Applicable**
(57) Statement of Newness and Distinctiveness: **Newness and Distinctiveness is claimed in the visual features shown in the representations.**



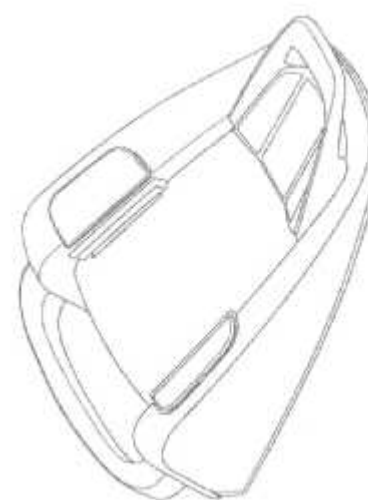
- (21) Design Number: **15232/2013**
(22) Date of Filing Application: **15 October 2013**
(24) Date from which industrial property rights may have effect: **15 October 2013**
(54) Product in respect of which the design is registered: **Pink urinal**
(51) International Design Classification: **23-02C, 24-04**
(74) Name(s) of Attorney(s): **PATENT ATTORNEY SERVICES**
(71) Name(s) and Address(s) of Applicant(s):
Douglas Bean (Australia) Pty Ltd
84 Lewis Rd Wantirna South VIC 3152 Australia
(72) Name(s) of Designer(s): **Douglas Colin Bean**
(45) Registration Date: **19 December 2013**
(56) Related Art Documents: **Not Applicable**
(57) Statement of Newness and Distinctiveness: **Newness and distinctiveness exists in the ornamentation provided by the translucent uniform colour of the urinal, the colour being a pink resembling Pantone "Red 0331U". Newness and distinctiveness is not claimed in the shape of the urinal.**



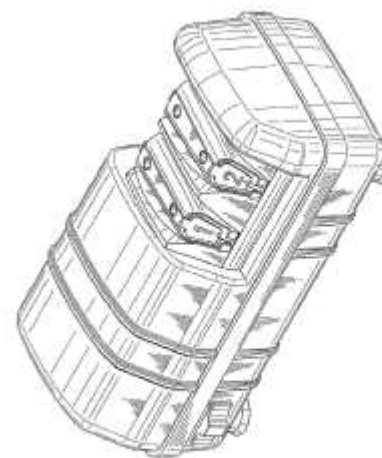
- (21) Design Number: **15233/2013**
(22) Date of Filing Application: **15 October 2013**
(24) Date from which industrial property rights may have effect: **15 October 2013**
(54) Product in respect of which the design is registered: **Blue urinal**
(51) International Design Classification: **23-02C, 24-04**
(74) Name(s) of Attorney(s): **PATENT ATTORNEY SERVICES**
(71) Name(s) and Address(s) of Applicant(s):
Douglas Bean (Australia) Pty Ltd
84 Lewis Rd Wantirna South VIC 3152 Australia
(72) Name(s) of Designer(s): **Douglas Colin Bean**
(45) Registration Date: **19 December 2013**
(56) Related Art Documents: **Not Applicable**
(57) Statement of Newness and Distinctiveness: **Newness and distinctiveness exists in the ornamentation provided by the translucent uniform colour of the urinal, the colour being a pale blue resembling Pantone "Dusty Aqua 12-5506". Newness and distinctiveness is not claimed in the shape of the urinal.**



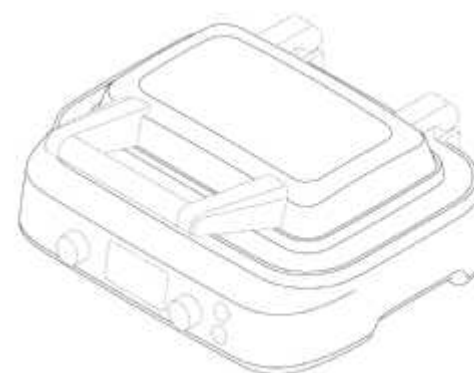
- (21) Design Number: **15288/2013**
(22) Date of Filing Application: **18 October 2013**
(24) Date from which industrial property rights may have effect: **18 October 2013**
(54) Product in respect of which the design is registered: **Foot pedal**
(51) International Design Classification: **24-01**
(74) Name(s) of Attorney(s): **Davies Collison Cave**
(71) Name(s) and Address(s) of Applicant(s):
Abbott Medical Optics Inc.
1700 E. St Andrew Place Santa Ana CA 92705 United States of America
(72) Name(s) of Designer(s): **Kyle Lynn and Tuan Tran and Christopher J. Page and Allan Lee Cameron and Andrew J. Boyce and Philip Walker and Kelvin Kao and Ken Kadziauskas and Regan A. Pierce**
(45) Registration Date: **19 December 2013**
(30) Convention priority data:
(31) Number (32) Date (33) Country
29/452664 19 Apr 2013 UNITED STATES OF AMERICA
(56) Related Art Documents: **Not Applicable**
(57) Statement of Newness and Distinctiveness: **Newness and distinctiveness is claimed in the visual features shown in solid lines in the representations. In considering the extent of the design rights, the broken lines shown in the representations are for illustrative purposes only and do not form part of the design.**



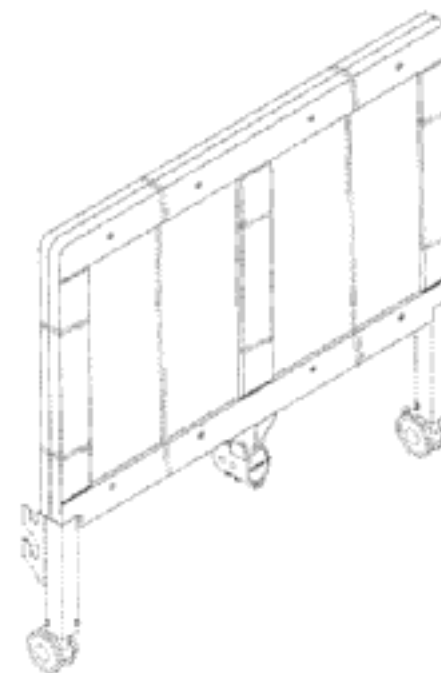
- (21) Design Number: **15978/2013**
(22) Date of Filing Application: **19 November 2013**
(24) Date from which industrial property rights may have effect: **19 November 2013**
(54) Product in respect of which the design is registered: **Combination electric sharpener having detachable manual sharpener**
(51) International Design Classification: **08-05H**
(74) Name(s) of Attorney(s): **FB Rice**
(71) Name(s) and Address(s) of Applicant(s):
Edgecraft Corporation
825 Southwood Road Avondale Pennsylvania, 19311 United States of America
(72) Name(s) of Designer(s): **Thomas M. Huber and Daniel D. Friel Jr and Samuel Weiner**
(45) Registration Date: **19 December 2013**
(30) Convention priority data:
(31) Number (32) Date (33) Country
29/455443 21 May 2013 UNITED STATES OF AMERICA
(56) Related Art Documents: **Not Applicable**
(57) Statement of Newness and Distinctiveness: **Newness and distinctiveness reside in the features of the design as shown in solid lines in the representations excluding those features shown in broken lines.**



- (21) Design Number: **14033/2013**
(22) Date of Filing Application: **15 August 2013**
(24) Date from which industrial property rights may have effect: **15 August 2013**
(54) Product in respect of which the design is registered: **Waffle maker**
(51) International Design Classification: **07-02G**
(74) Name(s) of Attorney(s): **Molins & Co Pty Ltd**
(71) Name(s) and Address(s) of Applicant(s):
Breville Pty Limited
Building 2 Port Air Industrial Estate 1A Hale St Botany NSW 2019 Australia
(72) Name(s) of Designer(s): **Ashley Marsh-Croft**
(45) Registration Date: **20 December 2013**
(56) Related Art Documents: **Not Applicable**
(57) Statement of Newness and Distinctiveness: **Newness is claimed in the features of shape and configuration of the waffle maker as shown in the accompanying representations. Elements shown in dashed lines form no part of the design.**



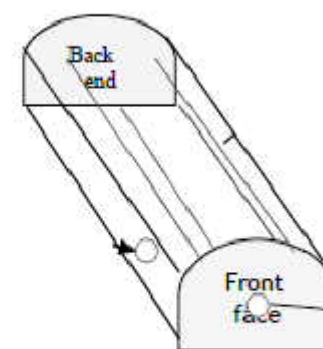
- (21) Design Number: **14667/2013**
(22) Date of Filing Application: **13 September 2013**
(24) Date from which industrial property rights may have effect: **13 September 2013**
(54) Product in respect of which the design is registered: **Bed end**
(51) International Design Classification: **06-06F**
(74) Name(s) of Attorney(s): **Madderns**
(71) Name(s) and Address(s) of Applicant(s):
Invacare Corporation
One Invacare Way Elyria 44036-2126 Ohio United States of America
(72) Name(s) of Designer(s): **Jason Biter and Kevin Wysocki**
(45) Registration Date: **20 December 2013**
(30) Convention priority data:
(31) Number (32) Date (33) Country
29/448,919 14 Mar 2013 UNITED STATES OF AMERICA
(56) Related Art Documents: **Not Applicable**
(57) Statement of Newness and Distinctiveness: **Newness and distinctiveness resides in the features of shape and configuration of a bed end as shown in the accompanying representations.**



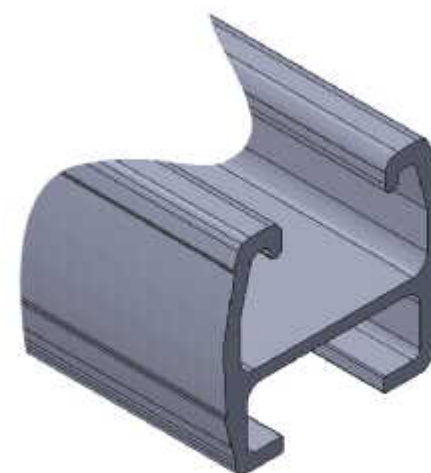
- (21) Design Number: **14964/2013**
(22) Date of Filing Application: **27 September 2013**
(24) Date from which industrial property rights may have effect: **27 September 2013**
(54) Product in respect of which the design is registered: **All aluminium tube video camera shoulder mount**
(51) International Design Classification: **16-05**
(74) Name(s) of Attorney(s):
(71) Name(s) and Address(s) of Applicant(s):
Paul Scott Green
136 Bambra Rd Caulfield VIC 3162 Australia
(72) Name(s) of Designer(s): **Paul Scott Green**
(45) Registration Date: **20 December 2013**
(56) Related Art Documents: **Not Applicable**
(57) Statement of Newness and Distinctiveness: **The S&D Sniper MKII prototype uses unbreakable all black aluminium square & round tube construction featuring the very cool, simple, hip and practical contemporary military styling of a light machine gun, such as a folding metal swing-out stock, a simple straight-line body, single hand grip & baffle mike and light mounts etc. The MKIII [currently in CAD development] will use a slot-in T shaped rail system and extra holes fully adjustable to each person, for full click-in assembly & dismantling down to half-length into a small carry bag. With a clip on shoulder strap and perfect balance across the shoulder, requiring little to no effort to hold, the MKIII will allow total control for smooth filming in any contingency. There is NOTHING similar to or as rugged, affordable and cool as the S&D on the market.**



(21) Design Number: **15032/2013**
(22) Date of Filing Application: **02 October 2013**
(24) Date from which industrial property rights may have effect: **02 October 2013**
(54) Product in respect of which the design is registered: **Inflatable support for human body**
(51) International Design Classification: **06-09**
(74) Name(s) of Attorney(s):
(71) Name(s) and Address(s) of Applicant(s):
Nurturest Pty Ltd
PO BOX 1015 Gympie NSW 2227 Australia
(72) Name(s) of Designer(s): **Andrew Edward Schwartz**
(45) Registration Date: **20 December 2013**
(56) Related Art Documents: **Not Applicable**
(57) Statement of Newness and Distinctiveness: **A semi-circular pvc tube, representing an advance on foam, polyester or wool filling for similar application in boosting height and countering human body weight. Novel aspects include distinctive shape, internal fin/blades reinforcing concave top to flat base and use of pvc in an internal environment for pillows. Another distinction is the performance of the overall design in reducing distortion of buttress to ensure stability for human body, thus maximizing support.**



(21) Design Number: **15220/2013**
(22) Date of Filing Application: **14 October 2013**
(24) Date from which industrial property rights may have effect: **14 October 2013**
(54) Product in respect of which the design is registered: **Crossbar for vehicle roof-rack**
(51) International Design Classification: **12-16K**
(74) Name(s) of Attorney(s):
(71) Name(s) and Address(s) of Applicant(s):
Jaram Products Pty Ltd
12 Railway Parade Welshpool Western Australia 6106 Australia
(72) Name(s) of Designer(s): **Jonathan McEwen**
(45) Registration Date: **20 December 2013**
(56) Related Art Documents: **Not Applicable**
(57) Statement of Newness and Distinctiveness: **Nil**



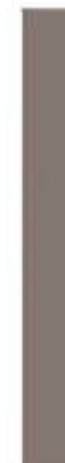
(21) Design Number: **15719/2013**
(22) Date of Filing Application: **07 November 2013**
(24) Date from which industrial property rights may have effect: **07 November 2013**
(54) Product in respect of which the design is registered: **Packaged confectionery product**
(51) International Design Classification: **01-01**
(74) Name(s) of Attorney(s): **PHILLIPS ORMONDE FITZPATRICK**
(71) Name(s) and Address(s) of Applicant(s):
Soremartec S.A.
Findel Business Center Complexe B Rue de Treves L-2632 Findel
Luxembourg
(72) Name(s) of Designer(s): **Luigi Antonio Ferrari**
(45) Registration Date: **20 December 2013**
(30) Convention priority data:
(31) Number (32) Date (33) Country
738025801 15 May 2013 WORLD INTELLECTUAL
PROPERTY ORGANIZATION
(WIPO)
(56) Related Art Documents: **Not Applicable**
(57) Statement of Newness and Distinctiveness: **Nil**



(21) Design Number: **15720/2013**
(22) Date of Filing Application: **07 November 2013**
(24) Date from which industrial property rights may have effect: **07 November 2013**
(54) Product in respect of which the design is registered: **Speaker**
(51) International Design Classification: **14-01**
(74) Name(s) of Attorney(s): **Griffith Hack**
(71) Name(s) and Address(s) of Applicant(s):
d&b audiotechnik GmbH
Eugen-Adolf-Strasse 134 Backnang 71522 Denmark
(72) Name(s) of Designer(s): **Markus Bast**
(45) Registration Date: **20 December 2013**
(30) Convention priority data:
(31) Number (32) Date (33) Country
002302521-0001 04 Sep 2013 OFFICE FOR HARMONISATION IN
THE INTERNAL MARKET (OHIM)
(56) Related Art Documents: **Not Applicable**
(57) Statement of Newness and Distinctiveness: **Newness and distinctiveness resides in the visual features including the shape and configurations of the product as shown in the accompanying representations. The rear view of the product also includes numbers and symbols which do not form part of the design and have been included for illustrative purposes.**



- (21) Design Number: **15721/2013**
(22) Date of Filing Application: **07 November 2013**
(24) Date from which industrial property rights may have effect: **07 November 2013**
(54) Product in respect of which the design is registered: **Speaker**
(51) International Design Classification: **14-01**
(74) Name(s) of Attorney(s): **Griffith Hack**
(71) Name(s) and Address(s) of Applicant(s):
d&b audiotechnik GmbH
Eugen-Adolf-Strasse 134 Backnang 71522 Denmark
(72) Name(s) of Designer(s): **Markus Bast**
(45) Registration Date: **20 December 2013**
(30) Convention priority data:
(31) Number (32) Date (33) Country
002302521-0002 04 Sep 2013 OFFICE FOR HARMONISATION IN
THE INTERNAL MARKET (OHIM)
(56) Related Art Documents: **Not Applicable**
(57) Statement of Newness and Distinctiveness: **Newness and distinctiveness resides in the visual features including the shape and configurations of the product as shown in the accompanying representations. The rear view of the product also includes numbers and symbols which do not form part of the design and have been included for illustrative purposes.**



- (21) Design Number: **15722/2013**
(22) Date of Filing Application: **07 November 2013**
(24) Date from which industrial property rights may have effect: **07 November 2013**
(54) Product in respect of which the design is registered: **A bed**
(51) International Design Classification: **06-02**
(74) Name(s) of Attorney(s):
(71) Name(s) and Address(s) of Applicant(s):
King Furniture Australia Pty. Ltd.
123 Turrella St Turrella NSW 2205 Australia
(72) Name(s) of Designer(s): **David King and John Levey and Ryan Lawson and Tanya Rechberger**
(45) Registration Date: **20 December 2013**
(56) Related Art Documents: **Not Applicable**
(57) Statement of Newness and Distinctiveness: **Newness and distinctiveness reside in the features of shape, the slim base, tapered legs and soft upholstered cushions featured at the bedhead.**



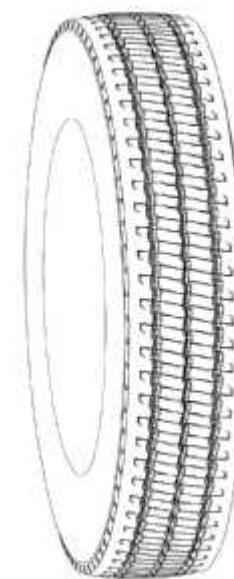
- (21) Design Number: **15724/2013**
(22) Date of Filing Application: **07 November 2013**
(24) Date from which industrial property rights may have effect: **07 November 2013**
(54) Product in respect of which the design is registered: **Evacuation/rescue chair**
(51) International Design Classification: **29-02**
(74) Name(s) of Attorney(s): **WATERMARK PATENT AND TRADE MARKS ATTORNEYS**
(71) Name(s) and Address(s) of Applicant(s):
USHA ARMOUR PVT LTD
Sundari No.102, 4th A Main 6th Cross, N.S Palya, Bilekahalli
Bannerghatta Main Road Bangalore Karnataka, 560 076 India
(72) Name(s) of Designer(s): **Jayasheel Adappa**
(45) Registration Date: **20 December 2013**
(56) Related Art Documents: **Not Applicable**
(57) Statement of Newness and Distinctiveness: **Newness & distinctiveness resides in the features of shape & configuration of the Evacuation/Rescue Chair as shown in the figures.**



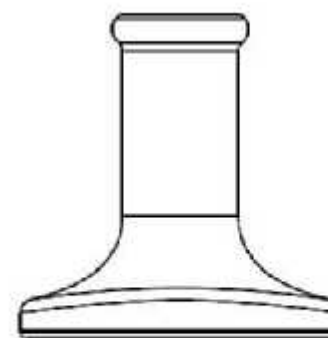
- (21) Design Number: **15725/2013**
(22) Date of Filing Application: **08 November 2013**
(24) Date from which industrial property rights may have effect: **08 November 2013**
(54) Product in respect of which the design is registered: **Bottle**
(51) International Design Classification: **09-01NES**
(74) Name(s) of Attorney(s): **FB Rice**
(71) Name(s) and Address(s) of Applicant(s):
The Absolut Company Aktiebolag
SE-117 97 Stockholm Sweden
(72) Name(s) of Designer(s): **Jesper Klarin and Mattias Lindstedt**
(45) Registration Date: **20 December 2013**
(30) Convention priority data:
(31) Number (32) Date (33) Country
002237677 15 May 2013 OFFICE FOR HARMONISATION IN
THE INTERNAL MARKET (OHIM)
(56) Related Art Documents: **Not Applicable**
(57) Statement of Newness and Distinctiveness: **Newness and distinctiveness reside in the features of the design as shown in the representations including colour, but excluding those features shown in broken lines.**



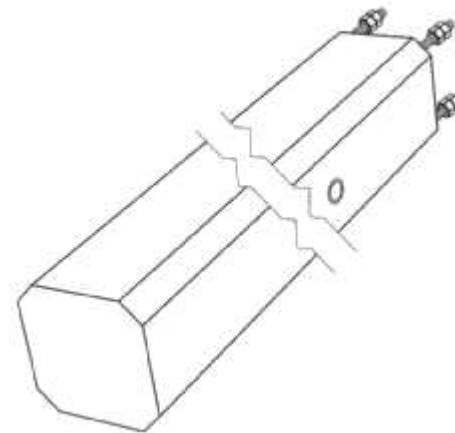
- (21) Design Number: **15732/2013**
(22) Date of Filing Application: **08 November 2013**
(24) Date from which industrial property rights may have effect: **08 November 2013**
(54) Product in respect of which the design is registered: **A tyre**
(51) International Design Classification: **12-15A**
(74) Name(s) of Attorney(s): **WATERMARK PATENT AND TRADE MARKS ATTORNEYS**
(71) Name(s) and Address(s) of Applicant(s):
COMPAGNIE GENERALE DES ETABLISSEMENTS MICHELIN
12 cours Sablon Clermont Ferrand 63000 France
Michelin Recherche et Technique S.A
Route Louis Braille 10 et 12 Granges-Paccot 1763 Switzerland
(72) Name(s) of Designer(s): **Aurelien Fabre and Walib Djabour and Jean-Luc Rieux**
(45) Registration Date: **20 December 2013**
(30) Convention priority data:
(31) Number (32) Date (33) Country
13/2443 27 May 2013 FRANCE
(56) Related Art Documents: **Not Applicable**
(57) Statement of Newness and Distinctiveness: **Newness and distinctiveness resides in the appearance of the tread region of the tyre, the remainder of the tyre not forming part of the design.**



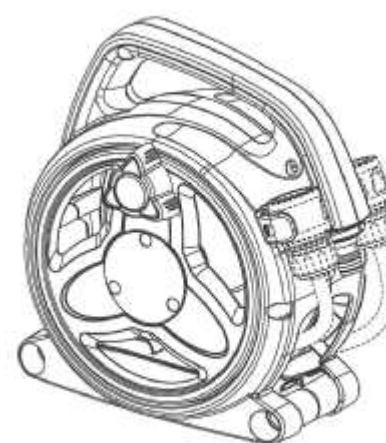
- (21) Design Number: **15734/2013**
(22) Date of Filing Application: **08 November 2013**
(24) Date from which industrial property rights may have effect: **08 November 2013**
(54) Product in respect of which the design is registered: **A teat**
(51) International Design Classification: **07-01E**
(74) Name(s) of Attorney(s): **Wynnes Patent & Trade Mark Attorneys**
(71) Name(s) and Address(s) of Applicant(s):
Krystal Caton
Oakleigh Station Marlborough QLD 4705 Australia
(72) Name(s) of Designer(s): **Krystal Caton**
(45) Registration Date: **20 December 2013**
(56) Related Art Documents: **Not Applicable**
(57) Statement of Newness and Distinctiveness: **Newness and distinctiveness resides in the features of the shape and configuration of a teat as illustrated in the accompanying representations.**



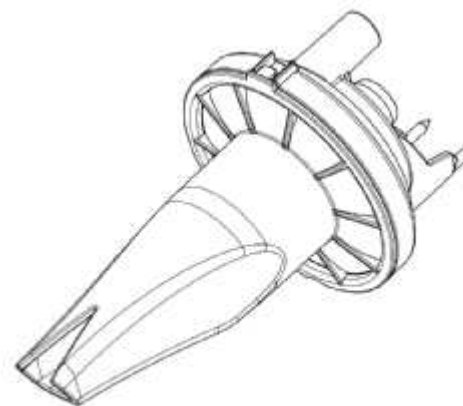
- (21) Design Number: **15735/2013**
(22) Date of Filing Application: **08 November 2013**
(24) Date from which industrial property rights may have effect: **08 November 2013**
(54) Product in respect of which the design is registered: **Footing for poles**
(51) International Design Classification: **25-02A**
(74) Name(s) of Attorney(s): **Fisher Adams Kelly Pty Ltd**
(71) Name(s) and Address(s) of Applicant(s):
Otto Developments Pty Ltd
43 Enterprise St Bundaberg QLD 4670 Australia
(72) Name(s) of Designer(s): **Brett Adrian Otto**
(45) Registration Date: **20 December 2013**
(56) Related Art Documents: **Not Applicable**
(57) Statement of Newness and Distinctiveness: **The newness and distinctiveness of the design resides in the shape and/or configuration of the FOOTING FOR POLES shown in the representations.**



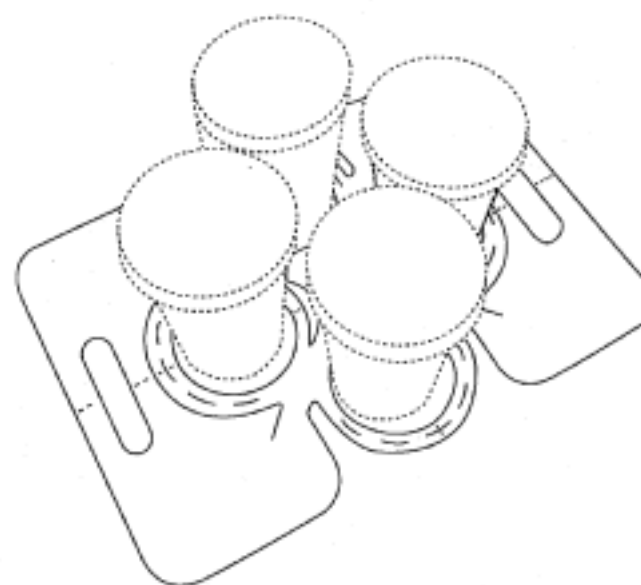
- (21) Design Number: **15736/2013**
(22) Date of Filing Application: **08 November 2013**
(24) Date from which industrial property rights may have effect: **08 November 2013**
(54) Product in respect of which the design is registered: **Hosepipe reel**
(51) International Design Classification: **08-99**
(74) Name(s) of Attorney(s): **FB Rice**
(71) Name(s) and Address(s) of Applicant(s):
Hozelock Limited
Midpoint Park Minworth Sutton Coldfield Birmingham B76 1AB Great Britain
(72) Name(s) of Designer(s): **Robert Boughton and Nicolino Iacofano and Tim Barnard**
(45) Registration Date: **20 December 2013**
(30) Convention priority data:
(31) Number (32) Date (33) Country
1372080 17 May 2013 OFFICE FOR HARMONISATION IN THE INTERNAL MARKET (OHIM)
(56) Related Art Documents: **Not Applicable**
(57) Statement of Newness and Distinctiveness: **Newness and distinctiveness reside in the shape and configuration of the hosepipe reel as shown in solid lines in the representations noting that the hose and hose fitting shown in the view in dashed lines in Figure 7 does not form part of the design.**



(21) Design Number: **15737/2013**
(22) Date of Filing Application: **08 November 2013**
(24) Date from which industrial property rights may have effect: **08 November 2013**
(54) Product in respect of which the design is registered: **Mixing head for dispensing adhesive substances**
(51) International Design Classification: **08-05NES, 09-07A**
(74) Name(s) of Attorney(s): **WATERMARK PATENT AND TRADE MARKS ATTORNEYS**
(71) Name(s) and Address(s) of Applicant(s):
Sulzer Mixpac AG
Ruetistrasse 7 Haag 9469 Switzerland
(72) Name(s) of Designer(s): **Hans Peter Aeberhard**
(45) Registration Date: **20 December 2013**
(30) Convention priority data:
(31) Number (32) Date (33) Country
139967 29 May 2013 SWITZERLAND
(56) Related Art Documents: **Not Applicable**
(57) Statement of Newness and Distinctiveness: **Nil**



(21) Design Number: **16041/2013**
(22) Date of Filing Application: **21 November 2013**
(24) Date from which industrial property rights may have effect: **21 November 2013**
(54) Product in respect of which the design is registered: **Drinks carrier**
(51) International Design Classification: **09-03E**
(74) Name(s) of Attorney(s): **Churchill Attorneys**
(71) Name(s) and Address(s) of Applicant(s):
P4CK Ltd
27 Welley Road Wraysbury Berkshire TW19 5JA United Kingdom
(72) Name(s) of Designer(s): **Christopher Eves and Luke Booth**
(45) Registration Date: **20 December 2013**
(30) Convention priority data:
(31) Number (32) Date (33) Country
2320176 04 Oct 2013 OFFICE FOR HARMONISATION IN THE INTERNAL MARKET (OHIM)
(56) Related Art Documents: **Not Applicable**
(57) Statement of Newness and Distinctiveness: **The newness and distinctiveness of the design resides in the shape of the of the drinks carrier as shown in the accompanying representations. The drinks and user hands (shown in broken lines) are not part of the design and are to be disregarded when considering the overall impression of the design.**



(21) Design Number: **15718/2013**
(22) Date of Filing Application: **07 November 2013**
(24) Date from which industrial property rights may have effect: **07 November 2013**
(54) Product in respect of which the design is registered: **Box**
(51) International Design Classification: **09-03NES**
(74) Name(s) of Attorney(s): **PHILLIPS ORMONDE FITZPATRICK**
(71) Name(s) and Address(s) of Applicant(s):

Soremartec S.A.
Findel Business Center Complexe B Rue de Treves L-2632 Findel
Luxembourg

(72) Name(s) of Designer(s): **Franco Canuto**

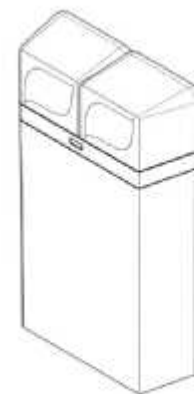
(45) Registration Date: **20 December 2013**

(30) Convention priority data:

(31) Number	(32) Date	(33) Country
738025801	15 May 2013	WORLD INTELLECTUAL PROPERTY ORGANIZATION (WIPO)

(56) Related Art Documents: **Not Applicable**

(57) Statement of Newness and Distinctiveness: **Nil**



(21) Design Number: **13197/2013**
(22) Date of Filing Application: **04 July 2013**
(24) Date from which industrial property rights may have effect: **04 July 2013**
(54) Product in respect of which the design is registered: **Bracket for a tag line extension**
(51) International Design Classification: **08-08L**
(74) Name(s) of Attorney(s): **O'Sullivan's**
(71) Name(s) and Address(s) of Applicant(s):

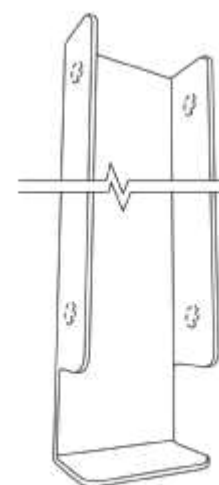
Rising Fast Pty Ltd
24 Iluka Rd Dawesville WA 6211 Australia

(72) Name(s) of Designer(s): **Shaun Cottone**

(45) Registration Date: **23 December 2013**

(56) Related Art Documents: **Not Applicable**

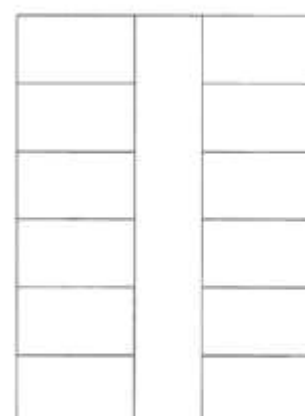
(57) Statement of Newness and Distinctiveness: **Monopoly is claimed in the shape and configuration of a bracket for a tag line extension of indefinite length as shown in the attached drawings. No monopoly is claimed in the shape or location of the holes shown in broken lines in the attached drawings.**



(21) Design Number: **15996/2013**
(22) Date of Filing Application: **20 November 2013**
(24) Date from which industrial property rights may have effect: **20 November 2013**
(54) Product in respect of which the design is registered: **A wall panel**
(51) International Design Classification: **25-01D**
(74) Name(s) of Attorney(s):
(71) Name(s) and Address(s) of Applicant(s):
 Atlantis Bathroom Style Pty Ltd
 26 Porutu Place Tauriko Tauranga Bay of Plenty New Zealand
(72) Name(s) of Designer(s): **Bruce Nathan Warner**
(45) Registration Date: **23 December 2013**
(56) Related Art Documents: **Not Applicable**
(57) Statement of Newness and Distinctiveness: **The design is to be applied to a wall panel of indefinite length and constant cross section, and the novelty of the design resides in the repeating features of pattern and/or ornamentation applied to the article as shown in the accompanying representations.**



(21) Design Number: **15997/2013**
(22) Date of Filing Application: **20 November 2013**
(24) Date from which industrial property rights may have effect: **20 November 2013**
(54) Product in respect of which the design is registered: **A wall panel**
(51) International Design Classification: **25-01D**
(74) Name(s) of Attorney(s):
(71) Name(s) and Address(s) of Applicant(s):
 Atlantis Bathroom Style Pty Ltd
 26 Porutu Place Tauriko Tauranga Bay of Plenty New Zealand
(72) Name(s) of Designer(s): **Bruce Nathan Warner**
(45) Registration Date: **23 December 2013**
(30) Convention priority data:
 (31) Number (32) Date (33) Country
 417653 04 Jun 2013 NEW ZEALAND
(56) Related Art Documents: **Not Applicable**
(57) Statement of Newness and Distinctiveness: **The design is to be applied to a wall panel of indefinite length and constant cross section, and the novelty of the design resides in the repeating features of pattern and/or ornamentation applied to the article as shown in the accompanying representations.**



- (21) Design Number: **16231/2013**
(22) Date of Filing Application: **29 November 2013**
(24) Date from which industrial property rights may have effect: **29 November 2013**
(54) Product in respect of which the design is registered: **Toothbrush**
(51) International Design Classification: **04-02**
(74) Name(s) of Attorney(s): **PHILLIPS ORMONDE FITZPATRICK**
(71) Name(s) and Address(s) of Applicant(s):
Glaxo Group Limited
980 Great West Road Brentford Middlesex TW8 9GS United Kingdom
(72) Name(s) of Designer(s): **Marcus Blachford and Alex Brian and Charles Drury and Rhodri Jones and Peter Kay and William Knight**
(45) Registration Date: **23 December 2013**
(30) Convention priority data:
(31) Number (32) Date (33) Country
4030160 31 May 2013 UNITED KINGDOM
(56) Related Art Documents: **Not Applicable**
(57) Statement of Newness and Distinctiveness: **Those features of the toothbrush depicted in the representations that are new and distinctive are the shape and/or configuration. The stipple shown in the representations illustrates a material that is different from the non-stippled areas.**



- (21) Design Number: **16236/2013**
(22) Date of Filing Application: **29 November 2013**
(24) Date from which industrial property rights may have effect: **29 November 2013**
(54) Product in respect of which the design is registered: **Toothbrush**
(51) International Design Classification: **04-02**
(74) Name(s) of Attorney(s): **PHILLIPS ORMONDE FITZPATRICK**
(71) Name(s) and Address(s) of Applicant(s):
Glaxo Group Limited
980 Great West Road Brentford Middlesex TW8 9GS United Kingdom
(72) Name(s) of Designer(s): **Marcus Blachford and Alex Brian and Charles Drury and Peter Kay and Andrew Mitchell**
(45) Registration Date: **23 December 2013**
(30) Convention priority data:
(31) Number (32) Date (33) Country
4030159 31 May 2013 UNITED KINGDOM
(56) Related Art Documents: **Not Applicable**
(57) Statement of Newness and Distinctiveness: **Those features of the toothbrush depicted in the representations that are new and distinctive are the shape and/or configuration. The stipple shown in the representations illustrates a material that is different from the non-stippled areas.**



(21) Design Number: **16237/2013**

(22) Date of Filing Application: **29 November 2013**

(24) Date from which industrial property rights may have effect: **29 November 2013**

(54) Product in respect of which the design is registered: **Electric light stand**

(51) International Design Classification: **26-05B**

(74) Name(s) of Attorney(s): **PHILLIPS ORMONDE FITZPATRICK**

(71) Name(s) and Address(s) of Applicant(s):

Sam-Hyeon Lee

**Muak-dong, Muak Hyundai Apt, #102-1105, 246-20, Tongil-ro Jongno-gu
Seoul, 110-797 Republic of Korea**

Plum Science K.K.

**5-jo 5-chome 9-ban 1-go Minami-ku Sumikawa, Hokkaido Sapporo
005-0005 Japan**

(72) Name(s) of Designer(s): **Sam-Hyeon Lee and Oliver B. Wright**

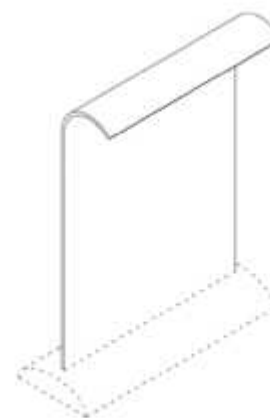
(45) Registration Date: **23 December 2013**

(30) Convention priority data:

(31) Number	(32) Date	(33) Country
2013-013770	31 May 2013	JAPAN

(56) Related Art Documents: **Not Applicable**

(57) Statement of Newness and Distinctiveness: **Newness and distinctiveness resides in the shape and/or configuration of the electric light stand as shown in continuous lines in the accompanying representations. The features shown in broken lines are not part of the design and are to be disregarded when considering the overall impression of the design.**



(21) Design Number: **16238/2013**

(22) Date of Filing Application: **29 November 2013**

(24) Date from which industrial property rights may have effect: **29 November 2013**

(54) Product in respect of which the design is registered: **Four wheeled vehicle**

(51) International Design Classification: **12-08**

(74) Name(s) of Attorney(s): **SPRUSON & FERGUSON**

(71) Name(s) and Address(s) of Applicant(s):

Yamaha Hatsudoki Kabushiki Kaisha

2500 Shingai Iwata-shi Shizuoka-ken Japan

(72) Name(s) of Designer(s): **Minoru Hobo**

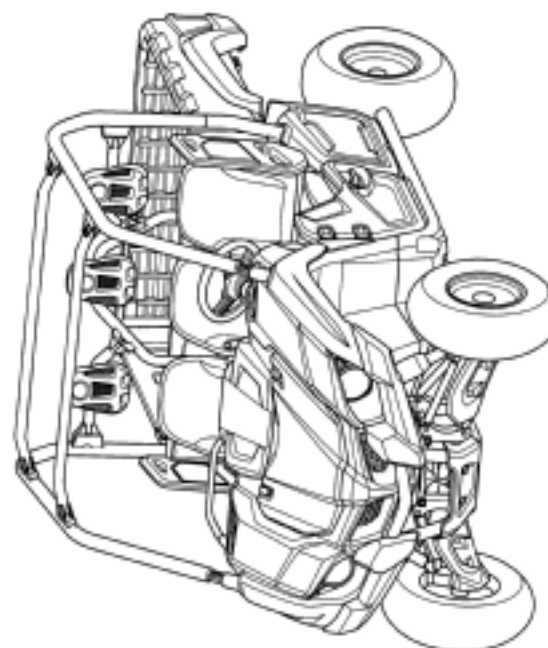
(45) Registration Date: **23 December 2013**

(30) Convention priority data:

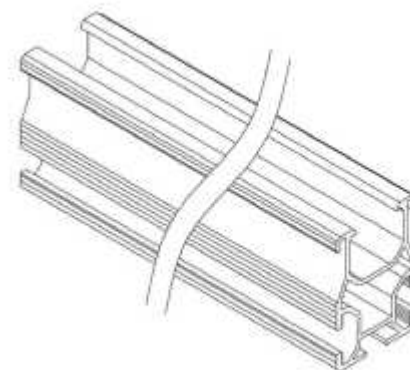
(31) Number	(32) Date	(33) Country
29/456363	30 May 2013	UNITED STATES OF AMERICA

(56) Related Art Documents: **Not Applicable**

(57) Statement of Newness and Distinctiveness: **Newness and distinctiveness is claimed in the features of shape and/or configuration of a four wheeled vehicle as illustrated in the accompanying representations.**



(21) Design Number: **16239/2013**
(22) Date of Filing Application: **29 November 2013**
(24) Date from which industrial property rights may have effect: **29 November 2013**
(54) Product in respect of which the design is registered: **Extrusion**
(51) International Design Classification: **25-01K**
(74) Name(s) of Attorney(s): **Shelston IP**
(71) Name(s) and Address(s) of Applicant(s):
Xiamen Hopergy Photovoltaic Technology Co., Ltd
1001 Room, 2366 Fangzhong Road Huli District Xiamen China
(72) Name(s) of Designer(s): **Liping Jiang**
(45) Registration Date: **23 December 2013**
(30) Convention priority data:
(31) Number (32) Date (33) Country
201330233328.4 05 Jun 2013 CHINA
(56) Related Art Documents: **Not Applicable**
(57) Statement of Newness and Distinctiveness: **Newness and distinctiveness reside in the features of shape and/or configuration of an EXTRUSION of indefinite length as illustrated in the accompanying representations.**



(21) Design Number: **16240/2013**
(22) Date of Filing Application: **29 November 2013**
(24) Date from which industrial property rights may have effect: **29 November 2013**
(54) Product in respect of which the design is registered: **Charger**
(51) International Design Classification: **13-02**
(74) Name(s) of Attorney(s): **Wrays**
(71) Name(s) and Address(s) of Applicant(s):
Chervon (HK) Limited
Room 803B 8/F Allied Kajima Building 138 Gloucester Road Wanchai
Hong Kong
(72) Name(s) of Designer(s): **Su Zhang**
(45) Registration Date: **23 December 2013**
(30) Convention priority data:
(31) Number (32) Date (33) Country
201330220413.7 31 May 2013 CHINA
(56) Related Art Documents: **Not Applicable**
(57) Statement of Newness and Distinctiveness: **Newness and distinctiveness is claimed in the features of shape and/or configuration of the Charger depicted in the accompanying representations.**



- (21) Design Number: **16241/2013**
(22) Date of Filing Application: **29 November 2013**
(24) Date from which industrial property rights may have effect: **29 November 2013**
(54) Product in respect of which the design is registered: **Armrest**
(51) International Design Classification: **06-06G**
(74) Name(s) of Attorney(s): **Shelston IP**
(71) Name(s) and Address(s) of Applicant(s):
Hangzhou China Art Industrial Co. Ltd.
No. 169 Wuchang Avenue Yuhang District Hangzhou 310023 People's Republic of China
(72) Name(s) of Designer(s): **Ren Li and Yue Meng**
(45) Registration Date: **23 December 2013**
(56) Related Art Documents: **Not Applicable**
(57) Statement of Newness and Distinctiveness: **Newness and distinctiveness reside in the features of shape and/or configuration of an ARMREST as illustrated in the accompanying representations.**



- (21) Design Number: **16243/2013**
(22) Date of Filing Application: **29 November 2013**
(24) Date from which industrial property rights may have effect: **29 November 2013**
(54) Product in respect of which the design is registered: **Headset**
(51) International Design Classification: **14-01, 14-03A**
(74) Name(s) of Attorney(s): **PHILLIPS ORMONDE FITZPATRICK**
(71) Name(s) and Address(s) of Applicant(s):
Blueant Wireless Pty Ltd
245 St Kilda Road St Kilda Victoria 3182 Australia
(72) Name(s) of Designer(s): **Dimitrios Scoutas and Ben Carroll and David Jones and David Waterman**
(45) Registration Date: **23 December 2013**
(56) Related Art Documents: **Not Applicable**
(57) Statement of Newness and Distinctiveness: **Those features of the headset depicted in the representations that are new and distinctive are the shape and/or configuration. The features shown in broken line are not part of the design and are to be disregarded when considering the overall impression of the design.**

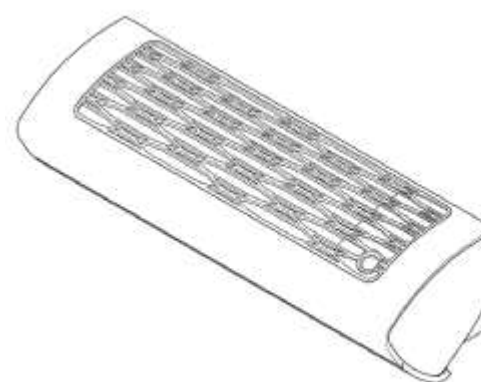


(21) Design Number: **16244/2013**
(22) Date of Filing Application: **02 December 2013**
(24) Date from which industrial property rights may have effect: **02 December 2013**
(54) Product in respect of which the design is registered: **Tyre**
(51) International Design Classification: **12-15B**
(74) Name(s) of Attorney(s): **Griffith Hack**
(71) Name(s) and Address(s) of Applicant(s):
Continental Reifen Deutschland GmbH
Vahrenwalder strasse 9 Hannover 30165 Germany
(72) Name(s) of Designer(s): **Chin See**
(45) Registration Date: **23 December 2013**
(30) Convention priority data:
(31) Number (32) Date (33) Country
002266346-0001 02 Jul 2013 OFFICE FOR HARMONISATION IN
THE INTERNAL MARKET (OHIM)



(56) Related Art Documents: **Not Applicable**
(57) Statement of Newness and Distinctiveness: **Newness and distinctiveness resides in the visual features, including shape, configuration and pattern, of a tread for a TYRE as shown in the accompanying drawings. When determining whether the design is substantially similar in overall impression to another design, no particular regard is to be had to the remaining features of the TYRE, which features are provided for illustrative purposes only.**

(21) Design Number: **16245/2013**
(22) Date of Filing Application: **02 December 2013**
(24) Date from which industrial property rights may have effect: **02 December 2013**
(54) Product in respect of which the design is registered: **Air conditioner**
(51) International Design Classification: **23-04**
(74) Name(s) of Attorney(s): **IP Gateway Patent & Trademark Attorneys Pty Ltd**
(71) Name(s) and Address(s) of Applicant(s):
Samsung Electronics Co., Ltd.
129 Samsung-ro, Yeongtong-gu, Suwon-si Gyeonggi-do 443-742
Republic of Korea
(72) Name(s) of Designer(s): **Jinsun Park and Jinsook Park and Heejae Jeong and Minkyung Choi**
(45) Registration Date: **23 December 2013**
(30) Convention priority data:
(31) Number (32) Date (33) Country
30-2013-0029408 05 Jun 2013 REPUBLIC OF KOREA



(56) Related Art Documents: **Not Applicable**
(57) Statement of Newness and Distinctiveness: **Newness and Distinctness resides in the features of shape and/or configuration of an air conditioner as shown in the accompanying representations.**

- (21) Design Number: **16246/2013**
(22) Date of Filing Application: **02 December 2013**
(24) Date from which industrial property rights may have effect: **02 December 2013**
(54) Product in respect of which the design is registered: **Bag**
(51) International Design Classification: **03-01B**
(74) Name(s) of Attorney(s): **SQUIRE SANDERS (AU)**
(71) Name(s) and Address(s) of Applicant(s):

Ruth Roberts
PO BOX 2192 Broome WA 6725 Australia

(72) Name(s) of Designer(s): **Ruth Roberts**

(45) Registration Date: **23 December 2013**

(56) Related Art Documents: **Not Applicable**

(57) Statement of Newness and Distinctiveness: **The newness and distinctiveness of the design resides in the triangular shape of the strap used to carry the bag over the shoulder, the existence of a pocket on the front and back sides of the bag, combined with the use of two small belt buckles to hold together each section of the bag. All of the above is as shown in the accompanying representations.**



- (21) Design Number: **16247/2013**
(22) Date of Filing Application: **02 December 2013**
(24) Date from which industrial property rights may have effect: **02 December 2013**
(54) Product in respect of which the design is registered: **Blade for air conditioner**
(51) International Design Classification: **23-04**
(74) Name(s) of Attorney(s): **IP Gateway Patent & Trademark Attorneys Pty Ltd**
(71) Name(s) and Address(s) of Applicant(s):

Samsung Electronics Co., Ltd.
129 Samsung-ro, Yeongtong-gu, Suwon-si Gyeonggi-do 443-742
Republic of Korea

(72) Name(s) of Designer(s): **Jinsun Park and Jinsook Park and Heejae Jeong and Minkyung Choi**

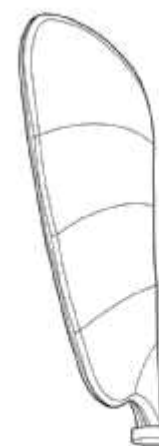
(45) Registration Date: **23 December 2013**

(30) Convention priority data:

(31) Number	(32) Date	(33) Country
30-2013-0029095	04 Jun 2013	REPUBLIC OF KOREA

(56) Related Art Documents: **Not Applicable**

(57) Statement of Newness and Distinctiveness: **Newness and Distinctness resides in the features of shape and/or configuration of a blade for an air conditioner as shown in the accompanying representations.**



(21) Design Number: **16249/2013**
(22) Date of Filing Application: **02 December 2013**
(24) Date from which industrial property rights may have effect: **02 December 2013**
(54) Product in respect of which the design is registered: **Display screen with icon for an electronic device**
(51) International Design Classification: **14-02, 14-03A**
(74) Name(s) of Attorney(s): **Wrays**
(71) Name(s) and Address(s) of Applicant(s):
Samsung Electronics Co., Ltd
129, Samsung-ro Yeongtong-gu, Suwon-si Gyeonggi-do 443-742
Republic of Korea
(72) Name(s) of Designer(s): **Hye-Mi Lee and Seung-Kyung Lim**
(45) Registration Date: **23 December 2013**
(30) Convention priority data:
(31) Number (32) Date (33) Country
30-2013-0045231 03 Sep 2013 REPUBLIC OF KOREA



(56) Related Art Documents: **Not Applicable**
(57) Statement of Newness and Distinctiveness: **Newness and distinctiveness is claimed in the features of pattern and/or ornamentation of the Display Screen With Icon For An Electronic Device as shown in the accompanying representations. The features shown in broken lines are for illustrative purposes only and do not form part of the claimed design. The dot-dash broken lines define boundaries of the claimed design and do not form part of the claimed design.**

(21) Design Number: **16250/2013**
(22) Date of Filing Application: **02 December 2013**
(24) Date from which industrial property rights may have effect: **02 December 2013**
(54) Product in respect of which the design is registered: **Display screen for an electronic device**
(51) International Design Classification: **14-02, 14-03A**
(74) Name(s) of Attorney(s): **Wrays**
(71) Name(s) and Address(s) of Applicant(s):
Samsung Electronics Co., Ltd
129, Samsung-ro Yeongtong-gu, Suwon-si Gyeonggi-do 443-742
Republic of Korea
(72) Name(s) of Designer(s): **Ji-Hye Myung and Hye-Mi Lee**
(45) Registration Date: **23 December 2013**
(30) Convention priority data:
(31) Number (32) Date (33) Country
30-2013-0045204 03 Sep 2013 REPUBLIC OF KOREA



(56) Related Art Documents: **Not Applicable**
(57) Statement of Newness and Distinctiveness: **Newness and distinctiveness is claimed in the features of pattern and/or ornamentation of the Display Screen For An Electronic Device as shown in the accompanying representations. The features shown in broken lines illustrating portions of the electronic device and example text characters are for illustrative purposes only and do not form part of the claimed design. The dot-dash broken lines define boundaries of the claimed design and do not form part of the claimed design.**

(21) Design Number: **16251/2013**
(22) Date of Filing Application: **02 December 2013**
(24) Date from which industrial property rights may have effect: **02 December 2013**
(54) Product in respect of which the design is registered: **Display screen with icon for an electronic device**
(51) International Design Classification: **14-02, 14-03A**
(74) Name(s) of Attorney(s): **Wrays**
(71) Name(s) and Address(s) of Applicant(s):
Samsung Electronics Co., Ltd
129, Samsung-ro Yeongtong-gu, Suwon-si Gyeonggi-do 443-742
Republic of Korea
(72) Name(s) of Designer(s): **Hye-Mi Lee and Min-Jee Jou**
(45) Registration Date: **23 December 2013**
(30) Convention priority data:
(31) Number (32) Date (33) Country
30-2013-0045218 03 Sep 2013 REPUBLIC OF KOREA



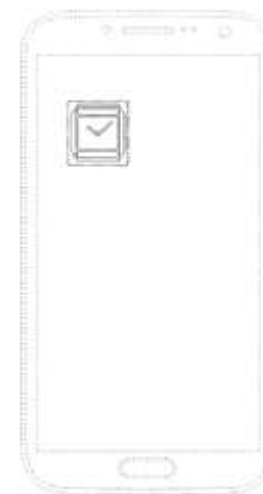
(56) Related Art Documents: **Not Applicable**
(57) Statement of Newness and Distinctiveness: **Newness and distinctiveness is claimed in the features of pattern and/or ornamentation of the Display Screen With Icon For An Electronic Device as shown in the accompanying representations. The features shown in broken lines illustrating portions of the electronic device are for illustrative purposes only and do not form part of the claimed design. The dot-dash broken lines define boundaries of the claimed design and do not form part of the claimed design.**

(21) Design Number: **16252/2013**
(22) Date of Filing Application: **02 December 2013**
(24) Date from which industrial property rights may have effect: **02 December 2013**
(54) Product in respect of which the design is registered: **Display screen with icon for an electronic device**
(51) International Design Classification: **14-02, 14-03A**
(74) Name(s) of Attorney(s): **Wrays**
(71) Name(s) and Address(s) of Applicant(s):
Samsung Electronics Co., Ltd
129, Samsung-ro Yeongtong-gu, Suwon-si Gyeonggi-do 443-742
Republic of Korea
(72) Name(s) of Designer(s): **Hye-Mi Lee**
(45) Registration Date: **23 December 2013**
(30) Convention priority data:
(31) Number (32) Date (33) Country
30-2013-0045208 03 Sep 2013 REPUBLIC OF KOREA



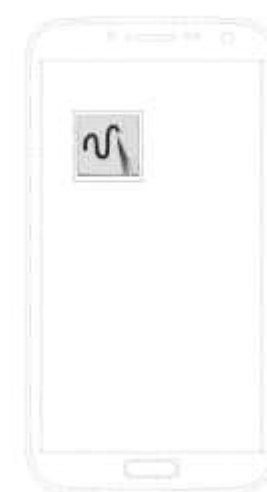
(56) Related Art Documents: **Not Applicable**
(57) Statement of Newness and Distinctiveness: **Newness and distinctiveness is claimed in the features of pattern and/or ornamentation of the Display Screen With Icon For An Electronic Device as shown in the accompanying representations. The features shown in broken lines illustrating portions of the electronic device are for illustrative purposes only and do not form part of the claimed design. The dot-dash broken lines define boundaries of the claimed design and do not form part of the claimed design.**

(21) Design Number: **16253/2013**
(22) Date of Filing Application: **02 December 2013**
(24) Date from which industrial property rights may have effect: **02 December 2013**
(54) Product in respect of which the design is registered: **Display screen with icon for an electronic device**
(51) International Design Classification: **14-02, 14-03A**
(74) Name(s) of Attorney(s): **Wrays**
(71) Name(s) and Address(s) of Applicant(s):
Samsung Electronics Co., Ltd
129, Samsung-ro Yeongtong-gu, Suwon-si Gyeonggi-do 443-742
Republic of Korea
(72) Name(s) of Designer(s): **Seung-Myung Lee**
(45) Registration Date: **23 December 2013**
(30) Convention priority data:
(31) Number (32) Date (33) Country
30-2013-0045229 03 Sep 2013 REPUBLIC OF KOREA



(56) Related Art Documents: **Not Applicable**
(57) Statement of Newness and Distinctiveness: **Newness and distinctiveness is claimed in the features of pattern and/or ornamentation of the Display Screen With Icon For An Electronic Device as shown in the accompanying representations. The features shown in broken lines are for illustrative purposes only and do not form part of the claimed design. The dot-dash broken lines define boundaries of the claimed design and do not form part of the claimed design.**

(21) Design Number: **16254/2013**
(22) Date of Filing Application: **02 December 2013**
(24) Date from which industrial property rights may have effect: **02 December 2013**
(54) Product in respect of which the design is registered: **Display screen with icon for an electronic device**
(51) International Design Classification: **14-02, 14-03A**
(74) Name(s) of Attorney(s): **Wrays**
(71) Name(s) and Address(s) of Applicant(s):
Samsung Electronics Co., Ltd
129 Samsung-ro Yeongtong-gu Suwon-si Gyeonggi-do 443-742 Republic of Korea
(72) Name(s) of Designer(s): **Seung-Myung Lee**
(45) Registration Date: **23 December 2013**
(30) Convention priority data:
(31) Number (32) Date (33) Country
30-2013-0045221 03 Sep 2013 REPUBLIC OF KOREA



(56) Related Art Documents: **Not Applicable**
(57) Statement of Newness and Distinctiveness: **Newness and distinctiveness is claimed in the features of pattern and/or ornamentation of the Display Screen With Icon For An Electronic Device as shown in the accompanying representations. The features shown in broken lines are for illustrative purposes only and do not form part of the claimed design. The dot-dash broken lines define boundaries of the claimed design and do not form part of the claimed design.**

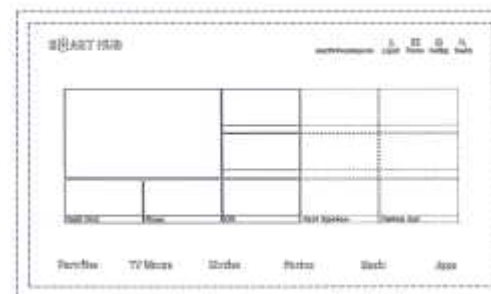
(21) Design Number: **16255/2013**
(22) Date of Filing Application: **03 December 2013**
(24) Date from which industrial property rights may have effect: **03 December 2013**
(54) Product in respect of which the design is registered: **Pressure washer**
(51) International Design Classification: **15-05**
(74) Name(s) of Attorney(s):
(71) Name(s) and Address(s) of Applicant(s):
Demon International Limited
Abbots Close Lee Mill Industrial Estate Ivybridge PL21 9GA United Kingdom
(72) Name(s) of Designer(s): **David Walke**
(45) Registration Date: **23 December 2013**
(56) Related Art Documents: **Not Applicable**
(57) Statement of Newness and Distinctiveness: **Nil**



(21) Design Number: **16256/2013**
(22) Date of Filing Application: **03 December 2013**
(24) Date from which industrial property rights may have effect: **03 December 2013**
(54) Product in respect of which the design is registered: **A coffee machine**
(51) International Design Classification: **07-02L**
(74) Name(s) of Attorney(s): **Banki Haddock Fiora**
(71) Name(s) and Address(s) of Applicant(s):
Societe des Produits Nestle S.A.
Vevey Canton of Vaud 1800 Switzerland
(72) Name(s) of Designer(s): **Pauline Bucher and Yves Marmier and Sebastien Dassi**
(45) Registration Date: **23 December 2013**
(30) Convention priority data:
(31) Number (32) Date (33) Country
2013/00485 07 Jun 2013 SWITZERLAND
(56) Related Art Documents: **Not Applicable**
(57) Statement of Newness and Distinctiveness: **Nil**

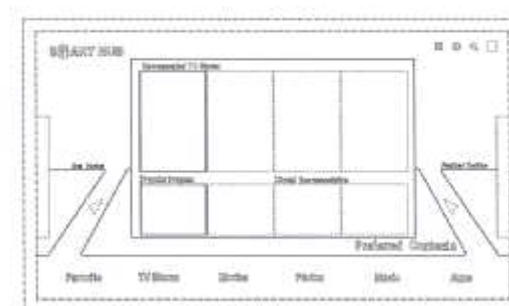


- (21) Design Number: **16259/2013**
(22) Date of Filing Application: **03 December 2013**
(24) Date from which industrial property rights may have effect: **03 December 2013**
(54) Product in respect of which the design is registered: **Display screen with graphical user interface**
(51) International Design Classification: **14-01**
(74) Name(s) of Attorney(s): **IP Gateway Patent & Trademark Attorneys Pty Ltd**
(71) Name(s) and Address(s) of Applicant(s):
Samsung Electronics Co., Ltd.
129 Samsung-ro Yeongtong-Gu Suwon-Si Gyeonggi-do 443-742
Republic of Korea
(72) Name(s) of Designer(s): **Hyeryung Kim and Jieun Kim and Jihong Kim and Jangwon Seo and Seran Jeon and Danny Hwang and Yong-Hwan Kwon**
(45) Registration Date: **23 December 2013**
(30) Convention priority data:
(31) Number (32) Date (33) Country
30-2013-0029429 05 Jun 2013 REPUBLIC OF KOREA
(56) Related Art Documents: **Not Applicable**



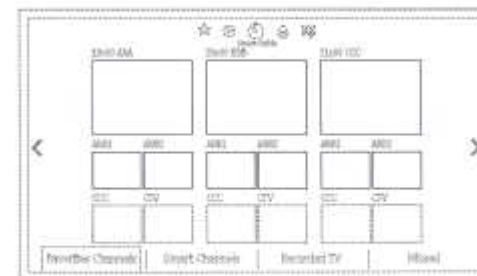
(57) Statement of Newness and Distinctiveness: **Newness & Distinctiveness reside in the visual features resulting from the layout of elements shown in solid lines in the representation. The solid lines define a number of areas that may be used to display text and/or images. The features shown in broken lines should be given minimum emphasis when considering the overall impression of the design. The specific characters of text and the specific symbols, shown the representation in broken lines, do not form part of the design, but are indicative of positions where some text and symbols may be displayed.**

- (21) Design Number: **16260/2013**
(22) Date of Filing Application: **03 December 2013**
(24) Date from which industrial property rights may have effect: **03 December 2013**
(54) Product in respect of which the design is registered: **Display screen with graphical user interface**
(51) International Design Classification: **14-01**
(74) Name(s) of Attorney(s): **IP Gateway Patent & Trademark Attorneys Pty Ltd**
(71) Name(s) and Address(s) of Applicant(s):
Samsung Electronics Co., Ltd.
129 Samsung-ro Yeongtong-Gu Suwon-Si Gyeonggi-do 443-742
Republic of Korea
(72) Name(s) of Designer(s): **Hyeryung Kim and Jieun Kim and Jihong Kim and Jangwon Seo and Seran Jeon and Yong-Hwan Kwon and Danny Hwang**
(45) Registration Date: **23 December 2013**
(30) Convention priority data:
(31) Number (32) Date (33) Country
30-2013-0029431 05 Jun 2013 REPUBLIC OF KOREA
(56) Related Art Documents: **Not Applicable**



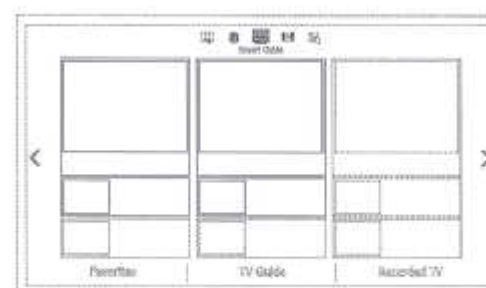
(57) Statement of Newness and Distinctiveness: **Newness & Distinctiveness reside in the visual features resulting from the layout of elements shown in solid lines in the representation. The solid lines define a number of areas that may be used to display text and/or images. The features shown in broken lines should be given minimum emphasis when considering the overall impression of the design. The specific characters of text and the specific symbols, shown in the representation in broken lines, do not form part of the design, but are indicative of positions where some text and symbols may be displayed.**

(21) Design Number: **16261/2013**
(22) Date of Filing Application: **03 December 2013**
(24) Date from which industrial property rights may have effect: **03 December 2013**
(54) Product in respect of which the design is registered: **Display screen with graphical user interface**
(51) International Design Classification: **14-01**
(74) Name(s) of Attorney(s): **IP Gateway Patent & Trademark Attorneys Pty Ltd**
(71) Name(s) and Address(s) of Applicant(s):
Samsung Electronics Co., Ltd.
129 Samsung-ro Yeongtong-Gu Suwon-Si Gyeonggi-do 443-742
Republic of Korea



(72) Name(s) of Designer(s): **Hyeryung Kim and Jieun Kim and Jihong Kim and Jangwon Seo and Seran Jeon and Yong-Hwan Kwon and Danny Hwang**
(45) Registration Date: **23 December 2013**
(30) Convention priority data:
(31) Number (32) Date (33) Country
30-2013-0029451 05 Jun 2013 REPUBLIC OF KOREA
(56) Related Art Documents: **Not Applicable**
(57) Statement of Newness and Distinctiveness: **Newness & Distinctiveness reside in the visual features resulting from the layout of elements shown in solid lines in the representation. The solid lines define a number of areas that may be used to display text and/or images. The features shown in broken lines should be given minimum emphasis when considering the overall impression of the design. The specific characters of text and the specific symbols, shown in the representation in broken lines, do not form part of the design, but are indicative of positions where some text and symbols may be displayed.**

(21) Design Number: **16262/2013**
(22) Date of Filing Application: **03 December 2013**
(24) Date from which industrial property rights may have effect: **03 December 2013**
(54) Product in respect of which the design is registered: **Display screen with graphical user interface**
(51) International Design Classification: **14-01**
(74) Name(s) of Attorney(s): **IP Gateway Patent & Trademark Attorneys Pty Ltd**
(71) Name(s) and Address(s) of Applicant(s):
Samsung Electronics Co., Ltd.
129 Samsung-ro Yeongtong-Gu Suwon-Si Gyeonggi-do 443-742
Republic of Korea



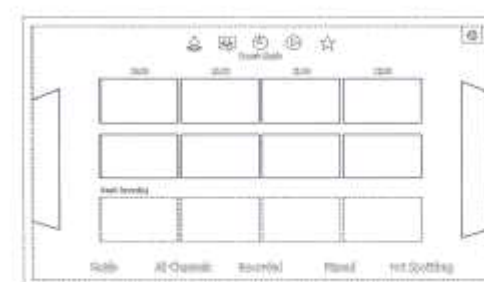
(72) Name(s) of Designer(s): **Hyeryung Kim and Jieun Kim and Jihong Kim and Jangwon Seo and Seran Jeon and Yong-Hwan Kwon and Danny Hwang**
(45) Registration Date: **23 December 2013**
(30) Convention priority data:
(31) Number (32) Date (33) Country
30-2013-0029420 05 Jun 2013 REPUBLIC OF KOREA
(56) Related Art Documents: **Not Applicable**
(57) Statement of Newness and Distinctiveness: **Newness & Distinctiveness reside in the visual features resulting from the layout of elements shown in solid lines in the representation. The solid lines define a number of areas that may be used to display text and/or images. The features shown in broken lines should be given minimum emphasis when considering the overall impression of the design. The specific characters of text and the specific symbols, shown in the representation in broken lines, do not form part of the design, but are indicative of positions where some text and symbols may be displayed.**

(21) Design Number: **16263/2013**
(22) Date of Filing Application: **03 December 2013**
(24) Date from which industrial property rights may have effect: **03 December 2013**
(54) Product in respect of which the design is registered: **Display screen with graphical user interface**
(51) International Design Classification: **14-01**
(74) Name(s) of Attorney(s): **IP Gateway Patent & Trademark Attorneys Pty Ltd**
(71) Name(s) and Address(s) of Applicant(s):
Samsung Electronics Co., Ltd.
129 Samsung-ro Yeongtong-Gu Suwon-Si Gyeonggi-do 443-742
Republic of Korea
(72) Name(s) of Designer(s): **Hyeryung Kim and Jieun Kim and Jihong Kim and Jangwon Seo and Seran Jeon and Yong-Hwan Kwon and Danny Hwang**
(45) Registration Date: **23 December 2013**
(30) Convention priority data:
(31) Number (32) Date (33) Country
30-2013-0029421 05 Jun 2013 REPUBLIC OF KOREA
(56) Related Art Documents: **Not Applicable**



(57) Statement of Newness and Distinctiveness: **Newness & Distinctiveness reside in the visual features resulting from the layout of elements shown in solid lines in the representation. The solid lines define a number of areas that may be used to display text and/or images. The features shown in broken lines should be given minimum emphasis when considering the overall impression of the design. The specific characters of text and the specific symbols, shown in the representation in broken lines, do not form part of the design, but are indicative of positions where some text and symbols may be displayed.**

(21) Design Number: **16264/2013**
(22) Date of Filing Application: **03 December 2013**
(24) Date from which industrial property rights may have effect: **03 December 2013**
(54) Product in respect of which the design is registered: **Display screen with graphical user interface**
(51) International Design Classification: **14-01**
(74) Name(s) of Attorney(s): **IP Gateway Patent & Trademark Attorneys Pty Ltd**
(71) Name(s) and Address(s) of Applicant(s):
Samsung Electronics Co., Ltd.
129 Samsung-ro Yeongtong-Gu Suwon-Si Gyeonggi-do 443-742
Republic of Korea
(72) Name(s) of Designer(s): **Hyeryung Kim and Jieun Kim and Jihong Kim and Jangwon Seo and Seran Jeon and Yong-Hwan Kwon and Danny Hwang**
(45) Registration Date: **23 December 2013**
(30) Convention priority data:
(31) Number (32) Date (33) Country
30-2013-0029422 05 Jun 2013 REPUBLIC OF KOREA
(56) Related Art Documents: **Not Applicable**



(57) Statement of Newness and Distinctiveness: **Newness & Distinctiveness reside in the visual features resulting from the layout of elements shown in solid lines in the representation. The solid lines define a number of areas that may be used to display text and/or images. The features shown in broken lines should be given minimum emphasis when considering the overall impression of the design. The specific characters of text and the specific symbols, shown in the representation in broken lines, do not form part of the design, but are indicative of positions where some text and symbols may be displayed.**

(21) Design Number: **16265/2013**
(22) Date of Filing Application: **03 December 2013**
(24) Date from which industrial property rights may have effect: **03 December 2013**
(54) Product in respect of which the design is registered: **Display screen with graphical user interface**
(51) International Design Classification: **14-01**
(74) Name(s) of Attorney(s): **IP Gateway Patent & Trademark Attorneys Pty Ltd**
(71) Name(s) and Address(s) of Applicant(s):
Samsung Electronics Co., Ltd.
129 Samsung-ro Yeongtong-Gu Suwon-Si Gyeonggi-do 443-742
Republic of Korea
(72) Name(s) of Designer(s): **Hyeryung Kim and Jieun Kim and Jihong Kim and Jangwon Seo and Seran Jeon and Yong-Hwan Kwon and Danny Hwang**
(45) Registration Date: **23 December 2013**
(30) Convention priority data:
(31) Number (32) Date (33) Country
30-2013-0029423 05 Jun 2013 REPUBLIC OF KOREA
(56) Related Art Documents: **Not Applicable**



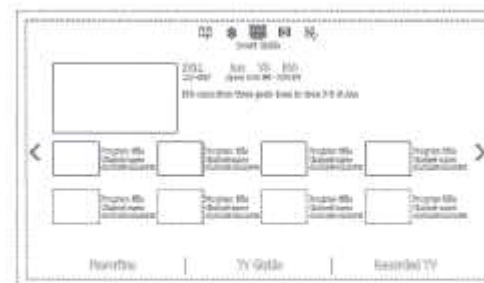
(57) Statement of Newness and Distinctiveness: **Newness & Distinctiveness reside in the visual features resulting from the layout of elements shown in solid lines in the representation. The solid lines define a number of areas that may be used to display text and/or images. The features shown in broken lines should be given minimum emphasis when considering the overall impression of the design. The specific characters of text and the specific symbols, shown in the representation in broken lines, do not form part of the design, but are indicative of positions where some text and symbols may be displayed.**

(21) Design Number: **16266/2013**
(22) Date of Filing Application: **03 December 2013**
(24) Date from which industrial property rights may have effect: **03 December 2013**
(54) Product in respect of which the design is registered: **Display screen with graphical user interface**
(51) International Design Classification: **14-01**
(74) Name(s) of Attorney(s): **IP Gateway Patent & Trademark Attorneys Pty Ltd**
(71) Name(s) and Address(s) of Applicant(s):
Samsung Electronics Co., Ltd.
129 Samsung-ro Yeongtong-Gu Suwon-Si Gyeonggi-do 443-742
Republic of Korea
(72) Name(s) of Designer(s): **Hyeryung Kim and Jieun Kim and Jihong Kim and Jangwon Seo and Seran Jeon and Yong-Hwan Kwon and Danny Hwang**
(45) Registration Date: **23 December 2013**
(30) Convention priority data:
(31) Number (32) Date (33) Country
30-2013-0029424 05 Jun 2013 REPUBLIC OF KOREA
(56) Related Art Documents: **Not Applicable**



(57) Statement of Newness and Distinctiveness: **Newness & Distinctiveness reside in the visual features resulting from the layout of elements shown in solid lines in the representation. The solid lines define a number of areas that may be used to display text and/or images. The features shown in broken lines should be given minimum emphasis when considering the overall impression of the design. The specific characters of text and the specific symbols, shown in the representation in broken lines, do not form part of the design, but are indicative of positions where some text and symbols may be displayed.**

(21) Design Number: **16267/2013**
(22) Date of Filing Application: **03 December 2013**
(24) Date from which industrial property rights may have effect: **03 December 2013**
(54) Product in respect of which the design is registered: **Display screen with graphical user interface**
(51) International Design Classification: **14-01**
(74) Name(s) of Attorney(s): **IP Gateway Patent & Trademark Attorneys Pty Ltd**
(71) Name(s) and Address(s) of Applicant(s):
Samsung Electronics Co., Ltd.
129 Samsung-ro Yeongtong-Gu Suwon-Si Gyeonggi-do 443-742
Republic of Korea
(72) Name(s) of Designer(s): **Hyeryung Kim and Jieun Kim and Jihong Kim and Jangwon Seo and Seran Jeon and Yong-Hwan Kwon and Danny Hwang**
(45) Registration Date: **23 December 2013**
(30) Convention priority data:
(31) Number (32) Date (33) Country
30-2013-0029425 05 Jun 2013 REPUBLIC OF KOREA



(56) Related Art Documents: **Not Applicable**
(57) Statement of Newness and Distinctiveness: **Newness & Distinctiveness reside in the visual features resulting from the layout of elements shown in solid lines in the representation. The solid lines define a number of areas that may be used to display text and/or images. The features shown in broken lines should be given minimum emphasis when considering the overall impression of the design. The specific characters of text and the specific symbols, shown in the representation in broken lines, do not form part of the design, but are indicative of positions where some text and symbols may be displayed.**

(21) Design Number: **16269/2013**
(22) Date of Filing Application: **03 December 2013**
(24) Date from which industrial property rights may have effect: **03 December 2013**
(54) Product in respect of which the design is registered: **Display screen with graphical user interface**
(51) International Design Classification: **14-01**
(74) Name(s) of Attorney(s): **IP Gateway Patent & Trademark Attorneys Pty Ltd**
(71) Name(s) and Address(s) of Applicant(s):
Samsung Electronics Co., Ltd.
129 Samsung-ro Yeongtong-Gu Suwon-Si Gyeonggi-do 443-742
Republic of Korea
(72) Name(s) of Designer(s): **Hyeryung Kim and Jieun Kim and Jihong Kim and Jangwon Seo and Seran Jeon and Yong-Hwan Kwon and Danny Hwang**
(45) Registration Date: **23 December 2013**
(30) Convention priority data:
(31) Number (32) Date (33) Country
30-2013-0029449 05 Jun 2013 REPUBLIC OF KOREA



(56) Related Art Documents: **Not Applicable**
(57) Statement of Newness and Distinctiveness: **Newness & Distinctiveness reside in the visual features resulting from the layout of elements shown in solid lines in the representation. The solid lines define a number of areas that may be used to display text and/or images. The features shown in broken lines should be given minimum emphasis when considering the overall impression of the design. The specific characters of text and the specific symbols, shown in the representation in broken lines, do not form part of the design, but are indicative of positions where some text and symbols may be displayed.**

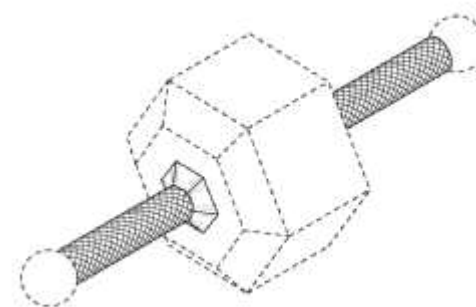
- (21) Design Number: **16294/2013**
(22) Date of Filing Application: **03 December 2013**
(24) Date from which industrial property rights may have effect: **03 December 2013**
(54) Product in respect of which the design is registered: **A sanitary container**
(51) International Design Classification: **23-02NES, 23-02A**
(74) Name(s) of Attorney(s): **Baldwins Intellectual Property**
(71) Name(s) and Address(s) of Applicant(s):
Fumacare Limited
Unit C 144 Central Park Drive Henderson Auckland 0610 New Zealand
Raymond Thomas Butler
48 Wiseley Road Hobsonville Auckland 0618 New Zealand
Patricia Margaret Butler
48 Wiseley Road Hobsonville Auckland 0618 New Zealand
Paul Francis Zwaan
79 Puriri Street Riccarton Christchurch 8041 New Zealand
Michael Freeman
318B Upper Harbour Drive Greenhithe Auckland 0632 New Zealand
(72) Name(s) of Designer(s): **Raymond Thomas Butler and Patricia Margaret Butler and Paul Francis Zwaan and Michael Freeman**
(45) Registration Date: **23 December 2013**
(30) Convention priority data:
(31) Number (32) Date (33) Country
29/456,836 04 Jun 2013 UNITED STATES OF AMERICA
(56) Related Art Documents: **Not Applicable**
(57) Statement of Newness and Distinctiveness: **The design is to be applied to A SANITARY CONTAINER and the newness and distinctiveness of the design lies in the representations all as shown.**



- (21) Design Number: **16326/2013**
(22) Date of Filing Application: **03 December 2013**
(24) Date from which industrial property rights may have effect: **03 December 2013**
(54) Product in respect of which the design is registered: **Display screen with graphical user interface**
(51) International Design Classification: **14-02, 14-04**
(74) Name(s) of Attorney(s): **IP Gateway Patent & Trademark Attorneys Pty Ltd**
(71) Name(s) and Address(s) of Applicant(s):
Samsung Electronics Co., Ltd.
129 Samsung-ro, Yeongtong-gu, Suwon-si Gyeonggi-do 443-742
Republic of Korea
(72) Name(s) of Designer(s): **Yong-Hwan Kwon and Jieun Kim and Jihong Kim and Hyeryung Kim and Jangwon Seo and Danny Hwang and Seran Jeon**
(45) Registration Date: **23 December 2013**
(30) Convention priority data:
(31) Number (32) Date (33) Country
30-2013-0029415 05 Jun 2013 REPUBLIC OF KOREA
(56) Related Art Documents: **Not Applicable**
(57) Statement of Newness and Distinctiveness: **Newness & Distinctiveness reside in the visual features resulting from the layout of elements shown in solid lines in the representation. The solid lines define a number of areas that may be used to display text and/or images. The features shown in broken lines should be given minimum emphasis when considering the overall impression of the design. The specific characters of text and the specific symbols, shown in the representation in broken lines, do not form part of the design, but are indicative of positions where some text and symbols may be displayed.**



(21) Design Number: **16338/2013**
(22) Date of Filing Application: **04 December 2013**
(24) Date from which industrial property rights may have effect: **04 December 2013**
(54) Product in respect of which the design is registered: **Double handle dumbbell**
(51) International Design Classification: **21-02F**
(74) Name(s) of Attorney(s): **SPRUSON & FERGUSON**
(71) Name(s) and Address(s) of Applicant(s):



Renea Preston
3776 Grand Forest Drive, Peachtree Georgia, 30092 United States of America

(72) Name(s) of Designer(s): **Renea Preston**

(45) Registration Date: **23 December 2013**

(30) Convention priority data:

(31) Number	(32) Date	(33) Country
29/459307	28 Jun 2013	UNITED STATES OF AMERICA

(56) Related Art Documents: **Not Applicable**

(57) Statement of Newness and Distinctiveness: **Newness and distinctiveness is claimed in those features of shape and/or configuration of a double handle dumbbell illustrated in continuous lines in the accompanying representations.**

(21) Design Number: **16339/2013**
(22) Date of Filing Application: **04 December 2013**
(24) Date from which industrial property rights may have effect: **04 December 2013**
(54) Product in respect of which the design is registered: **Packaging**
(51) International Design Classification: **09-03A**
(74) Name(s) of Attorney(s): **Shelston IP**
(71) Name(s) and Address(s) of Applicant(s):



Nicoventures Holdings Limited
Globe House 4 Temple Place London WC2R 2PG United Kingdom

(72) Name(s) of Designer(s): **Thomas Michael McKeon and Jeremy Aaron Abel and Steven Michael Schennum**

(45) Registration Date: **23 December 2013**

(30) Convention priority data:

(31) Number	(32) Date	(33) Country
002249383	04 Jun 2013	OFFICE FOR HARMONISATION IN THE INTERNAL MARKET (OHIM)

(56) Related Art Documents: **Not Applicable**

(57) Statement of Newness and Distinctiveness: **Newness and distinctiveness resides in the features of shape and configuration of a packaging as shown in solid lines in the accompanying representations.**

- (21) Design Number: **16340/2013**
(22) Date of Filing Application: **04 December 2013**
(24) Date from which industrial property rights may have effect: **04 December 2013**
(54) Product in respect of which the design is registered: **Electronic cigarettes**
(51) International Design Classification: **27-01**
(74) Name(s) of Attorney(s): **Shelston IP**
(71) Name(s) and Address(s) of Applicant(s):
British American Tobacco (Holdings) Limited
Globe House 4 Temple Place London WC2R 2PG United Kingdom
(72) Name(s) of Designer(s): **Jean-Marc LaForge and Tai Tran and Jon Leach and Rogerio Testa**
(45) Registration Date: **23 December 2013**
(30) Convention priority data:
(31) Number (32) Date (33) Country
002249334 04 Jun 2013 OFFICE FOR HARMONISATION IN THE INTERNAL MARKET (OHIM)
(56) Related Art Documents: **Not Applicable**
(57) Statement of Newness and Distinctiveness: **Newness and distinctiveness resides in the features of pattern and ornamentation of an electronic cigarette as shown in the accompanying representation.**



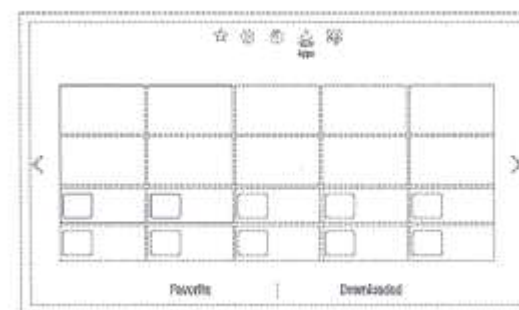
- (21) Design Number: **16341/2013**
(22) Date of Filing Application: **04 December 2013**
(24) Date from which industrial property rights may have effect: **04 December 2013**
(54) Product in respect of which the design is registered: **Electronic cigarettes**
(51) International Design Classification: **27-01**
(74) Name(s) of Attorney(s): **Shelston IP**
(71) Name(s) and Address(s) of Applicant(s):
British American Tobacco (Holdings) Limited
Globe House 4 Temple Place London WC2R 2PG United Kingdom
(72) Name(s) of Designer(s): **Jean-Marc LaForge and Tai Tran and Jon Leach and Rogerio Testa**
(45) Registration Date: **23 December 2013**
(30) Convention priority data:
(31) Number (32) Date (33) Country
002249334 04 Jun 2013 OFFICE FOR HARMONISATION IN THE INTERNAL MARKET (OHIM)
(56) Related Art Documents: **Not Applicable**
(57) Statement of Newness and Distinctiveness: **Newness and distinctiveness resides in the features of pattern and ornamentation of an electronic cigarette as shown in the accompanying representation.**



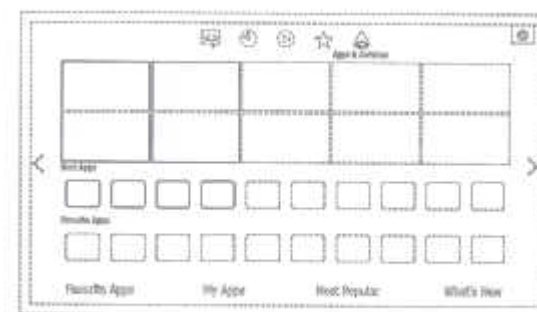
(21) Design Number: **16342/2013**
(22) Date of Filing Application: **04 December 2013**
(24) Date from which industrial property rights may have effect: **04 December 2013**
(54) Product in respect of which the design is registered: **Packaging**
(51) International Design Classification: **09-03A**
(74) Name(s) of Attorney(s): **Shelston IP**
(71) Name(s) and Address(s) of Applicant(s):
Nicoventures Holdings Limited
Globe House 4 Temple Place London WC2R 2PG United Kingdom
(72) Name(s) of Designer(s): **Thomas Michael McKeon and Jeremy Aaron Abel and Steven Michael Schennum**
(45) Registration Date: **23 December 2013**
(30) Convention priority data:
(31) Number (32) Date (33) Country
002249383 04 Jun 2013 OFFICE FOR HARMONISATION IN THE INTERNAL MARKET (OHIM)
(56) Related Art Documents: **Not Applicable**
(57) Statement of Newness and Distinctiveness: **Newness and distinctiveness resides in the features of shape and configuration of a packaging as shown in the accompanying representations.**



(21) Design Number: **16343/2013**
(22) Date of Filing Application: **04 December 2013**
(24) Date from which industrial property rights may have effect: **04 December 2013**
(54) Product in respect of which the design is registered: **Display screen with graphical user interface**
(51) International Design Classification: **14-02, 14-04**
(74) Name(s) of Attorney(s): **IP Gateway Patent & Trademark Attorneys Pty Ltd**
(71) Name(s) and Address(s) of Applicant(s):
Samsung Electronics Co., Ltd.
129, Samsung-ro Yeongtong-gu Suwon-si Gyeonggi-do 443-742 Republic of Korea
(72) Name(s) of Designer(s): **Hyeryung Kim and Yong-Hwan Kwon and Jieun Kim and Jihong Kim and Jangwon Seo and Seran Jeon and Danny Hwang**
(45) Registration Date: **23 December 2013**
(30) Convention priority data:
(31) Number (32) Date (33) Country
30-2013-0029438 05 Jun 2013 REPUBLIC OF KOREA
(56) Related Art Documents: **Not Applicable**
(57) Statement of Newness and Distinctiveness: **Newness & Distinctiveness reside in the visual features resulting from the layout of elements shown in solid lines in the representation. The solid lines define a number of areas that may be used to display text and/or images. The features shown in broken lines should be given minimum emphasis when considering the overall impression of the design. The specific characters of text and the specific symbols, shown in the representation in broken lines, do not form part of the design, but are indicative of positions where some text and symbols may be displayed.**

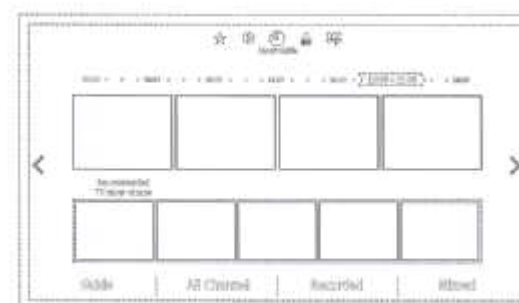


- (21) Design Number: **16344/2013**
(22) Date of Filing Application: **04 December 2013**
(24) Date from which industrial property rights may have effect: **04 December 2013**
(54) Product in respect of which the design is registered: **Display screen with graphical user interface**
(51) International Design Classification: **14-02, 14-04**
(74) Name(s) of Attorney(s): **IP Gateway Patent & Trademark Attorneys Pty Ltd**
(71) Name(s) and Address(s) of Applicant(s):
Samsung Electronics Co., Ltd.
129, Samsung-ro Yeongtong-gu Suwon-si Gyeonggi-do 443-742
Republic of Korea
(72) Name(s) of Designer(s): **Hyeryung Kim and Yong-Hwan Kwon and Jieun Kim and Jihong Kim and Jangwon Seo and Seran Jeon and Danny Hwang**
(45) Registration Date: **23 December 2013**
(30) Convention priority data:
(31) Number (32) Date (33) Country
30-2013-0029466 05 Jun 2013 REPUBLIC OF KOREA



- (56) Related Art Documents: **Not Applicable**
(57) Statement of Newness and Distinctiveness: **Newness & Distinctiveness reside in the visual features resulting from the layout of elements shown in solid lines in the representation. The solid lines define a number of areas that may be used to display text and/or images. The features shown in broken lines should be given minimum emphasis when considering the overall impression of the design. The specific characters of text and the specific symbols, shown in the representation in broken lines, do not form part of the design, but are indicative of positions where some text and symbols may be displayed.**

- (21) Design Number: **16345/2013**
(22) Date of Filing Application: **04 December 2013**
(24) Date from which industrial property rights may have effect: **04 December 2013**
(54) Product in respect of which the design is registered: **Display screen with graphical user interface**
(51) International Design Classification: **14-02, 14-04**
(74) Name(s) of Attorney(s): **IP Gateway Patent & Trademark Attorneys Pty Ltd**
(71) Name(s) and Address(s) of Applicant(s):
Samsung Electronics Co., Ltd.
129, Samsung-ro Yeongtong-gu Suwon-si Gyeonggi-do 443-742
Republic of Korea
(72) Name(s) of Designer(s): **Hyeryung Kim and Yong-Hwan Kwon and Jieun Kim and Jihong Kim and Jangwon Seo and Seran Jeon and Danny Hwang**
(45) Registration Date: **23 December 2013**
(30) Convention priority data:
(31) Number (32) Date (33) Country
30-2013-0029448 05 Jun 2013 REPUBLIC OF KOREA

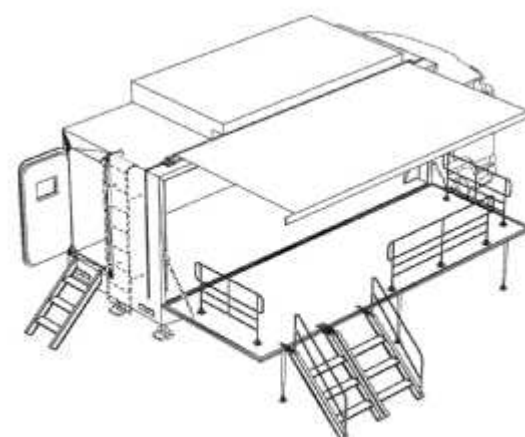


- (56) Related Art Documents: **Not Applicable**
(57) Statement of Newness and Distinctiveness: **Newness & Distinctiveness reside in the visual features resulting from the layout of elements shown in solid lines in the representation. The solid lines define a number of areas that may be used to display text and/or images. The features shown in broken lines should be given minimum emphasis when considering the overall impression of the design. The specific characters of text and the specific symbols, shown in the representation in broken lines, do not form part of the design, but are indicative of positions where some text and symbols may be displayed.**

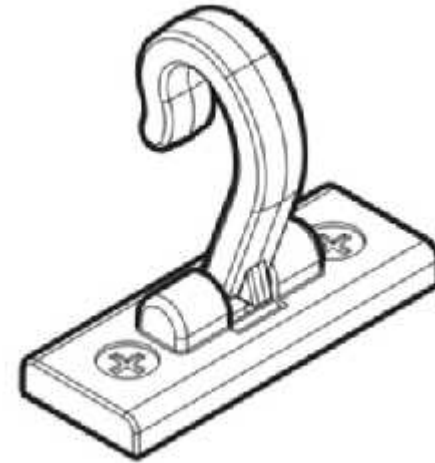
(21) Design Number: **16346/2013**
(22) Date of Filing Application: **04 December 2013**
(24) Date from which industrial property rights may have effect: **04 December 2013**
(54) Product in respect of which the design is registered: **Breast feeding top**
(51) International Design Classification: **02-02NES, 02-01A**
(74) Name(s) of Attorney(s): **Adams Pluck**
(71) Name(s) and Address(s) of Applicant(s):
Keely Coburn
West End House 16 West End Ely Cambridge CB6 3AY United Kingdom
(72) Name(s) of Designer(s): **Keely Coburn**
(45) Registration Date: **23 December 2013**
(30) Convention priority data:
(31) Number (32) Date (33) Country
002251868-0001 07 Jun 2013 OFFICE FOR HARMONISATION IN
THE INTERNAL MARKET (OHIM)
(56) Related Art Documents: **Not Applicable**
(57) Statement of Newness and Distinctiveness: **Nil**



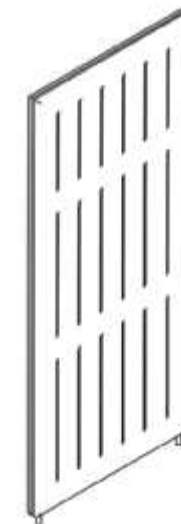
(21) Design Number: **16348/2013**
(22) Date of Filing Application: **04 December 2013**
(24) Date from which industrial property rights may have effect: **04 December 2013**
(54) Product in respect of which the design is registered: **A mobile store**
(51) International Design Classification: **12-10, 12-08**
(74) Name(s) of Attorney(s): **AJ Park**
(71) Name(s) and Address(s) of Applicant(s):
Weihong Guo
2/15 Ascot Avenue Remuera Auckland 1050 New Zealand
(72) Name(s) of Designer(s): **Weihong Guo**
(45) Registration Date: **23 December 2013**
(30) Convention priority data:
(31) Number (32) Date (33) Country
201320435701.9 22 Jul 2013 CHINA
(56) Related Art Documents: **Not Applicable**
(57) Statement of Newness and Distinctiveness: **Application is for a design to be applied to a mobile store. The novelty claimed for the design resides in the features of shape and/or configuration all as shown in the representations except that the features shown in broken lines are for illustrative purposes only.**



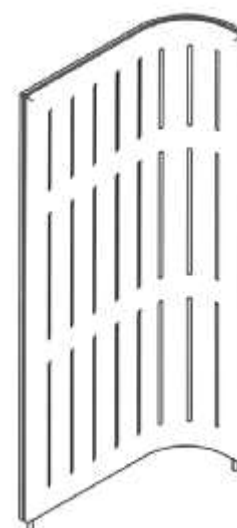
(21) Design Number: **16349/2013**
(22) Date of Filing Application: **04 December 2013**
(24) Date from which industrial property rights may have effect: **04 December 2013**
(54) Product in respect of which the design is registered: **A hook**
(51) International Design Classification: **08-08G**
(74) Name(s) of Attorney(s):
(71) Name(s) and Address(s) of Applicant(s):
Andrew Stolp
2208/22 Dorcas St Southbank VIC 3006 Australia
(72) Name(s) of Designer(s): **Andrew Stolp**
(45) Registration Date: **23 December 2013**
(56) Related Art Documents: **Not Applicable**
(57) Statement of Newness and Distinctiveness: **Nil**



(21) Design Number: **16352/2013**
(22) Date of Filing Application: **04 December 2013**
(24) Date from which industrial property rights may have effect: **04 December 2013**
(54) Product in respect of which the design is registered: **Partition panel**
(51) International Design Classification: **06-06NES**
(74) Name(s) of Attorney(s): **FB Rice**
(71) Name(s) and Address(s) of Applicant(s):
Okamura Corporation
7-18, Kitasaiwai 2-chome Nishi-ku Yokohama-shi Kanagawa 220-0004
Japan
(72) Name(s) of Designer(s): **Waku Tsuchiyama and Haruhiko Kitajima**
(45) Registration Date: **23 December 2013**
(30) Convention priority data:
(31) Number (32) Date (33) Country
2013-012891 07 Jun 2013 JAPAN
(56) Related Art Documents: **Not Applicable**
(57) Statement of Newness and Distinctiveness: **Newness and distinctiveness reside in the features of the design as shown in solid lines in the representations excluding those features shown in broken lines.**



- (21) Design Number: **16353/2013**
(22) Date of Filing Application: **04 December 2013**
(24) Date from which industrial property rights may have effect: **04 December 2013**
(54) Product in respect of which the design is registered: **Partition panel**
(51) International Design Classification: **06-06NES**
(74) Name(s) of Attorney(s): **FB Rice**
(71) Name(s) and Address(s) of Applicant(s):
Okamura Corporation
7-18, Kitasaiwai 2-chome Nishi-ku Yokohama-shi Kanagawa 220-0004
Japan
(72) Name(s) of Designer(s): **Waku Tsuchiyama and Haruhiko Kitajima**
(45) Registration Date: **23 December 2013**
(30) Convention priority data:
(31) Number (32) Date (33) Country
2013-012895 07 Jun 2013 JAPAN
(56) Related Art Documents: **Not Applicable**
(57) Statement of Newness and Distinctiveness: **Newness and distinctiveness reside in the features of the design as shown in solid lines in the representations excluding those features shown in broken lines.**



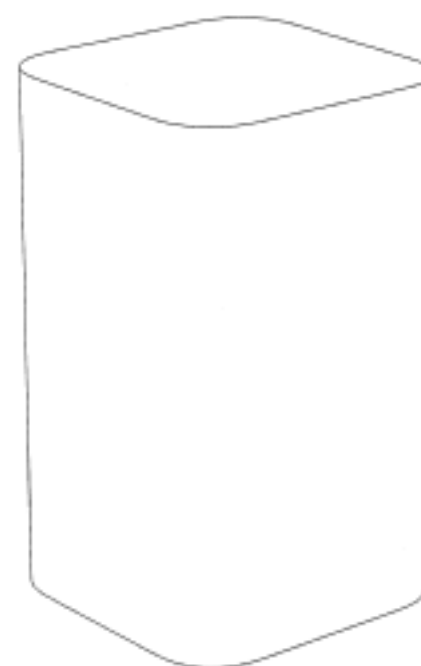
- (21) Design Number: **16354/2013**
(22) Date of Filing Application: **04 December 2013**
(24) Date from which industrial property rights may have effect: **04 December 2013**
(54) Product in respect of which the design is registered: **Partition panel**
(51) International Design Classification: **06-06NES**
(74) Name(s) of Attorney(s): **FB Rice**
(71) Name(s) and Address(s) of Applicant(s):
Okamura Corporation
7-18, Kitasaiwai 2-chome Nishi-ku Yokohama-shi Kanagawa 220-0004
Japan
(72) Name(s) of Designer(s): **Waku Tsuchiyama and Haruhiko Kitajima**
(45) Registration Date: **23 December 2013**
(30) Convention priority data:
(31) Number (32) Date (33) Country
2013-012897 07 Jun 2013 JAPAN
(56) Related Art Documents: **Not Applicable**
(57) Statement of Newness and Distinctiveness: **Newness and distinctiveness reside in the features of the design as shown in solid lines in the representations excluding those features shown in broken lines.**



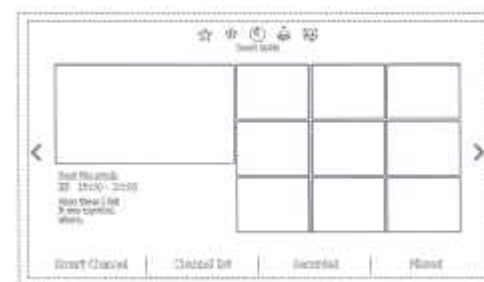
(21) Design Number: **16355/2013**
(22) Date of Filing Application: **04 December 2013**
(24) Date from which industrial property rights may have effect: **04 December 2013**
(54) Product in respect of which the design is registered: **Brest feeding top**
(51) International Design Classification: **02-02NES, 02-01A**
(74) Name(s) of Attorney(s): **Adams Pluck**
(71) Name(s) and Address(s) of Applicant(s):
Keely Coburn
West End House 16 West End Ely Cambridge CB6 3AY United Kingdom
(72) Name(s) of Designer(s): **Keely Coburn**
(45) Registration Date: **23 December 2013**
(30) Convention priority data:
(31) Number (32) Date (33) Country
**002251868-0002 07 Jun 2013 OFFICE FOR HARMONISATION IN
THE INTERNAL MARKET (OHIM)**
(56) Related Art Documents: **Not Applicable**
(57) Statement of Newness and Distinctiveness: **Nil**



(21) Design Number: **15757/2013**
(22) Date of Filing Application: **07 November 2013**
(24) Date from which industrial property rights may have effect: **07 November 2013**
(54) Product in respect of which the design is registered: **Electronic device**
(51) International Design Classification: **14-01, 14-02**
(74) Name(s) of Attorney(s): **Freehills Patent Attorneys**
(71) Name(s) and Address(s) of Applicant(s):
Apple Inc.
1 Infinite Loop Cupertino California 95014 United States of America
(72) Name(s) of Designer(s): **Jody Akana and Bartley K Andre and Jeremy Bataillou and Daniel J Coster and Daniele De Iuliis and M Evans Hankey and Richard P Howarth and Jonathan P Ive and Duncan Robert Kerr and Shin Nishibori and Matthew Dean Rohrbach and Peter Russell-Clarke and Christopher J Stringer and Eugene Antony Whang and Rico Zorkendorfer**
(45) Registration Date: **24 December 2013**
(30) Convention priority data:
(31) Number (32) Date (33) Country
29/457335 09 Jun 2013 UNITED STATES OF AMERICA
(56) Related Art Documents: **Not Applicable**
(57) Statement of Newness and Distinctiveness: **Newness and distinctiveness of the design resides in the features of shape and configuration as shown in the accompanying representations.**

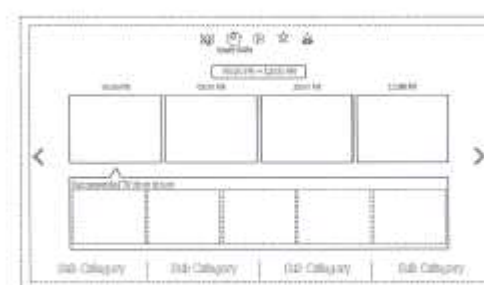


(21) Design Number: **16270/2013**
(22) Date of Filing Application: **03 December 2013**
(24) Date from which industrial property rights may have effect: **03 December 2013**
(54) Product in respect of which the design is registered: **Display screen with graphical user interface**
(51) International Design Classification: **14-01**
(74) Name(s) of Attorney(s): **IP Gateway Patent & Trademark Attorneys Pty Ltd**
(71) Name(s) and Address(s) of Applicant(s):
Samsung Electronics Co., Ltd.
129 Samsung-ro Yeongtong-Gu Suwon-Si Gyeonggi-do 443-742
Republic of Korea
(72) Name(s) of Designer(s): **Hyeryung Kim and Jieun Kim and Jihong Kim and Jangwon Seo and Seran Jeon and Yong-Hwan Kwon and Danny Hwang**
(45) Registration Date: **24 December 2013**
(30) Convention priority data:
(31) Number (32) Date (33) Country
30-2013-0029454 05 Jun 2013 REPUBLIC OF KOREA
(56) Related Art Documents: **Not Applicable**



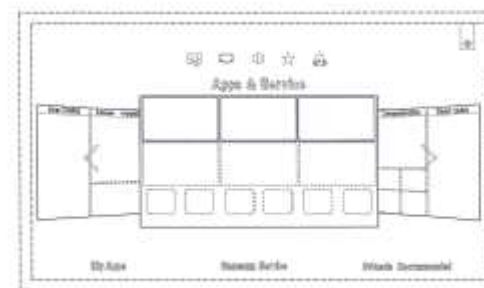
(57) Statement of Newness and Distinctiveness: **Newness & Distinctiveness reside in the visual features resulting from the layout of elements shown in solid lines in the representation. The solid lines define a number of areas that may be used to display text and/or images. The features shown in broken lines should be given minimum emphasis when considering the overall impression of the design. The specific characters of text and the specific symbols, shown in the representation in broken lines, do not form part of the design, but are indicative of positions where some text and symbols may be displayed.**

(21) Design Number: **16271/2013**
(22) Date of Filing Application: **03 December 2013**
(24) Date from which industrial property rights may have effect: **03 December 2013**
(54) Product in respect of which the design is registered: **Display screen with graphical user interface**
(51) International Design Classification: **14-01**
(74) Name(s) of Attorney(s): **IP Gateway Patent & Trademark Attorneys Pty Ltd**
(71) Name(s) and Address(s) of Applicant(s):
Samsung Electronics Co., Ltd.
129 Samsung-ro Yeongtong-Gu Suwon-Si Gyeonggi-do 443-742
Republic of Korea
(72) Name(s) of Designer(s): **Hyeryung Kim and Jieun Kim and Jihong Kim and Jangwon Seo and Seran Jeon and Yong-Hwan Kwon and Danny Hwang**
(45) Registration Date: **24 December 2013**
(30) Convention priority data:
(31) Number (32) Date (33) Country
30-2013-0029450 05 Jun 2013 REPUBLIC OF KOREA
(56) Related Art Documents: **Not Applicable**



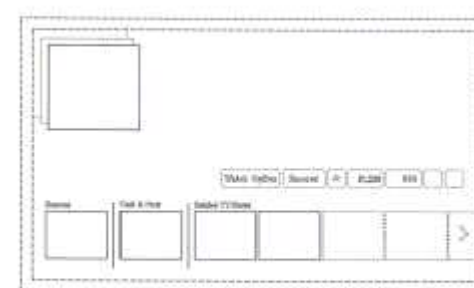
(57) Statement of Newness and Distinctiveness: **Newness & Distinctiveness reside in the visual features resulting from the layout of elements shown in solid lines in the representation. The solid lines define a number of areas that may be used to display text and/or images. The features shown in broken lines should be given minimum emphasis when considering the overall impression of the design. The specific characters of text and the specific symbols, shown in the representation in broken lines, do not form part of the design, but are indicative of positions where some text and symbols may be displayed.**

- (21) Design Number: **16272/2013**
(22) Date of Filing Application: **03 December 2013**
(24) Date from which industrial property rights may have effect: **03 December 2013**
(54) Product in respect of which the design is registered: **Display screen with graphical user interface**
(51) International Design Classification: **14-01**
(74) Name(s) of Attorney(s): **IP Gateway Patent & Trademark Attorneys Pty Ltd**
(71) Name(s) and Address(s) of Applicant(s):
Samsung Electronics Co., Ltd.
129 Samsung-ro Yeongtong-Gu Suwon-Si Gyeonggi-do 443-742
Republic of Korea
(72) Name(s) of Designer(s): **Hyeryung Kim and Jieun Kim and Jihong Kim and Jangwon Seo and Seran Jeon and Yong-Hwan Kwon and Danny Hwang**
(45) Registration Date: **24 December 2013**
(30) Convention priority data:
(31) Number (32) Date (33) Country
30-2013-0029432 05 Jun 2013 REPUBLIC OF KOREA
(56) Related Art Documents: **Not Applicable**



(57) Statement of Newness and Distinctiveness: **Newness & Distinctiveness reside in the visual features resulting from the layout of elements shown in solid lines in the representation. The solid lines define a number of areas that may be used to display text and/or images. The features shown in broken lines should be given minimum emphasis when considering the overall impression of the design. The specific characters of text and the specific symbols, shown in the representation in broken lines, do not form part of the design, but are indicative of positions where some text and symbols may be displayed.**

- (21) Design Number: **16273/2013**
(22) Date of Filing Application: **03 December 2013**
(24) Date from which industrial property rights may have effect: **03 December 2013**
(54) Product in respect of which the design is registered: **Display screen with graphical user interface**
(51) International Design Classification: **14-01**
(74) Name(s) of Attorney(s): **IP Gateway Patent & Trademark Attorneys Pty Ltd**
(71) Name(s) and Address(s) of Applicant(s):
Samsung Electronics Co., Ltd.
129 Samsung-ro Yeongtong-Gu Suwon-Si Gyeonggi-do 443-742
Republic of Korea
(72) Name(s) of Designer(s): **Hyeryung Kim and Jieun Kim and Jihong Kim and Jangwon Seo and Seran Jeon and Yong-Hwan Kwon and Danny Hwang**
(45) Registration Date: **24 December 2013**
(30) Convention priority data:
(31) Number (32) Date (33) Country
30-2013-0029458 05 Jun 2013 REPUBLIC OF KOREA
(56) Related Art Documents: **Not Applicable**



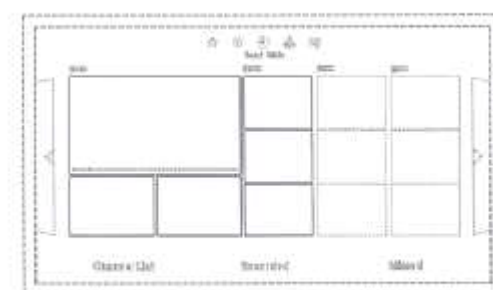
(57) Statement of Newness and Distinctiveness: **Newness & Distinctiveness reside in the visual features resulting from the layout of elements shown in solid lines in the representation. The solid lines define a number of areas that may be used to display text and/or images. The features shown in broken lines should be given minimum emphasis when considering the overall impression of the design. The specific characters of text and the specific symbols, shown in the representation in broken lines, do not form part of the design, but are indicative of positions where some text and symbols may be displayed.**

(21) Design Number: **16274/2013**
(22) Date of Filing Application: **03 December 2013**
(24) Date from which industrial property rights may have effect: **03 December 2013**
(54) Product in respect of which the design is registered: **Display screen with graphical user interface**
(51) International Design Classification: **14-01**
(74) Name(s) of Attorney(s): **IP Gateway Patent & Trademark Attorneys Pty Ltd**
(71) Name(s) and Address(s) of Applicant(s):
Samsung Electronics Co., Ltd.
129 Samsung-ro Yeongtong-Gu Suwon-Si Gyeonggi-do 443-742
Republic of Korea
(72) Name(s) of Designer(s): **Hyeryung Kim and Jieun Kim and Jihong Kim and Jangwon Seo and Seran Jeon and Yong-Hwan Kwon and Danny Hwang**
(45) Registration Date: **24 December 2013**
(30) Convention priority data:
(31) Number (32) Date (33) Country
30-2013-0029465 05 Jun 2013 REPUBLIC OF KOREA
(56) Related Art Documents: **Not Applicable**



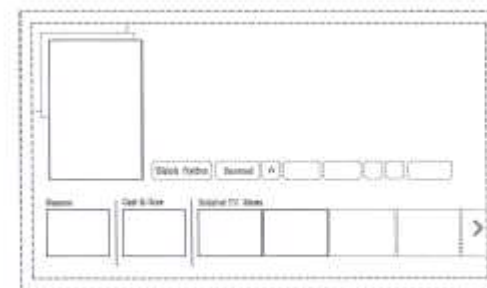
(57) Statement of Newness and Distinctiveness: **Newness & Distinctiveness reside in the visual features resulting from the layout of elements shown in solid lines in the representation. The solid lines define a number of areas that may be used to display text and/or images. The features shown in broken lines should be given minimum emphasis when considering the overall impression of the design. The specific characters of text and the specific symbols, shown in the representation in broken lines, do not form part of the design, but are indicative of positions where some text and symbols may be displayed.**

(21) Design Number: **16275/2013**
(22) Date of Filing Application: **03 December 2013**
(24) Date from which industrial property rights may have effect: **03 December 2013**
(54) Product in respect of which the design is registered: **Display screen with graphical user interface**
(51) International Design Classification: **14-01**
(74) Name(s) of Attorney(s): **IP Gateway Patent & Trademark Attorneys Pty Ltd**
(71) Name(s) and Address(s) of Applicant(s):
Samsung Electronics Co., Ltd.
129 Samsung-ro Yeongtong-Gu Suwon-Si Gyeonggi-do 443-742
Republic of Korea
(72) Name(s) of Designer(s): **Hyeryung Kim and Jieun Kim and Jihong Kim and Jangwon Seo and Seran Jeon and Yong-Hwan Kwon and Danny Hwang**
(45) Registration Date: **24 December 2013**
(30) Convention priority data:
(31) Number (32) Date (33) Country
30-2013-0029428 05 Jun 2013 REPUBLIC OF KOREA
(56) Related Art Documents: **Not Applicable**



(57) Statement of Newness and Distinctiveness: **Newness & Distinctiveness reside in the visual features resulting from the layout of elements shown in solid lines in the representation. The solid lines define a number of areas that may be used to display text and/or images. The features shown in broken lines should be given minimum emphasis when considering the overall impression of the design. The specific characters of text and the specific symbols, shown in the representation in broken lines, do not form part of the design, but are indicative of positions where some text and symbols may be displayed.**

(21) Design Number: **16278/2013**
(22) Date of Filing Application: **03 December 2013**
(24) Date from which industrial property rights may have effect: **03 December 2013**
(54) Product in respect of which the design is registered: **Display screen with graphical user interface**
(51) International Design Classification: **14-01**
(74) Name(s) of Attorney(s): **IP Gateway Patent & Trademark Attorneys Pty Ltd**
(71) Name(s) and Address(s) of Applicant(s):
Samsung Electronics Co., Ltd.
129 Samsung-ro Yeongtong-Gu Suwon-Si Gyeonggi-do 443-742
Republic of Korea
(72) Name(s) of Designer(s): **Hyeryung Kim and Jieun Kim and Jihong Kim and Jangwon Seo and Seran Jeon and Yong-Hwan Kwon and Danny Hwang**
(45) Registration Date: **24 December 2013**
(30) Convention priority data:
(31) Number (32) Date (33) Country
30-2013-0029464 05 Jun 2013 REPUBLIC OF KOREA
(56) Related Art Documents: **Not Applicable**



(57) Statement of Newness and Distinctiveness: **Newness & Distinctiveness reside in the visual features resulting from the layout of elements shown in solid lines in the representation. The solid lines define a number of areas that may be used to display text and/or images. The features shown in broken lines should be given minimum emphasis when considering the overall impression of the design. The specific characters of text and the specific symbols, shown in the representation in broken lines, do not form part of the design, but are indicative of positions where some text and symbols may be displayed.**

(21) Design Number: **16279/2013**
(22) Date of Filing Application: **03 December 2013**
(24) Date from which industrial property rights may have effect: **03 December 2013**
(54) Product in respect of which the design is registered: **Display screen with graphical user interface**
(51) International Design Classification: **14-01**
(74) Name(s) of Attorney(s): **IP Gateway Patent & Trademark Attorneys Pty Ltd**
(71) Name(s) and Address(s) of Applicant(s):
Samsung Electronics Co., Ltd.
129 Samsung-ro Yeongtong-Gu Suwon-Si Gyeonggi-do 443-742
Republic of Korea
(72) Name(s) of Designer(s): **Hyeryung Kim and Jieun Kim and Jihong Kim and Jangwon Seo and Seran Jeon and Yong-Hwan Kwon and Danny Hwang**
(45) Registration Date: **24 December 2013**
(30) Convention priority data:
(31) Number (32) Date (33) Country
30-2013-0029427 05 Jun 2013 REPUBLIC OF KOREA
(56) Related Art Documents: **Not Applicable**



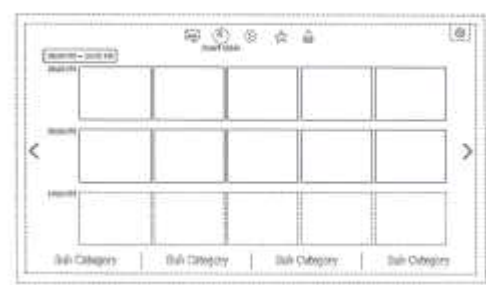
(57) Statement of Newness and Distinctiveness: **Newness & Distinctiveness reside in the visual features resulting from the layout of elements shown in solid lines in the representation. The solid lines define a number of areas that may be used to display text and/or images. The features shown in broken lines should be given minimum emphasis when considering the overall impression of the design. The specific characters of text and the specific symbols, shown in the representation in broken lines, do not form part of the design, but are indicative of positions where some text and symbols may be displayed.**

(21) Design Number: **16280/2013**
(22) Date of Filing Application: **03 December 2013**
(24) Date from which industrial property rights may have effect: **03 December 2013**
(54) Product in respect of which the design is registered: **Display screen with graphical user interface**
(51) International Design Classification: **14-01**
(74) Name(s) of Attorney(s): **IP Gateway Patent & Trademark Attorneys Pty Ltd**
(71) Name(s) and Address(s) of Applicant(s):
Samsung Electronics Co., Ltd.
129 Samsung-ro Yeongtong-Gu Suwon-Si Gyeonggi-do 443-742
Republic of Korea



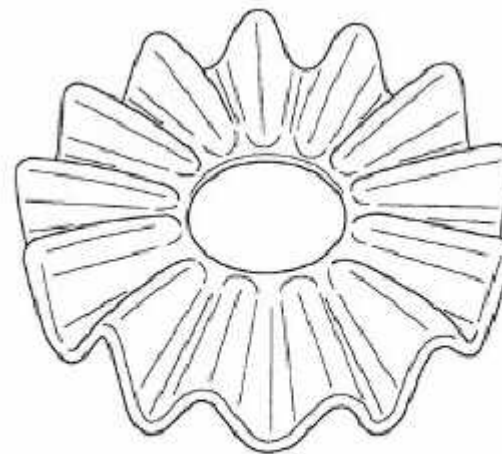
(72) Name(s) of Designer(s): **Hyeryung Kim and Jieun Kim and Jihong Kim and Jangwon Seo and Seran Jeon and Yong-Hwan Kwon and Danny Hwang**
(45) Registration Date: **24 December 2013**
(30) Convention priority data:
(31) Number (32) Date (33) Country
30-2013-0029453 05 Jun 2013 REPUBLIC OF KOREA
(56) Related Art Documents: **Not Applicable**
(57) Statement of Newness and Distinctiveness: **Newness & Distinctiveness reside in the visual features resulting from the layout of elements shown in solid lines in the representation. The solid lines define a number of areas that may be used to display text and/or images. The features shown in broken lines should be given minimum emphasis when considering the overall impression of the design. The specific characters of text and the specific symbols, shown in the representation in broken lines, do not form part of the design, but are indicative of positions where some text and symbols may be displayed.**

(21) Design Number: **16281/2013**
(22) Date of Filing Application: **03 December 2013**
(24) Date from which industrial property rights may have effect: **03 December 2013**
(54) Product in respect of which the design is registered: **Display screen with graphical user interface**
(51) International Design Classification: **14-01**
(74) Name(s) of Attorney(s): **IP Gateway Patent & Trademark Attorneys Pty Ltd**
(71) Name(s) and Address(s) of Applicant(s):
Samsung Electronics Co., Ltd.
129 Samsung-ro Yeongtong-Gu Suwon-Si Gyeonggi-do 443-742
Republic of Korea

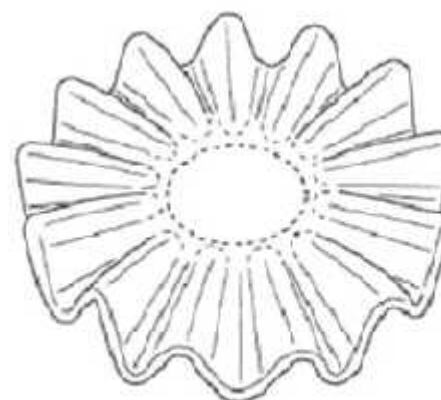


(72) Name(s) of Designer(s): **Hyeryung Kim and Jieun Kim and Jihong Kim and Jangwon Seo and Seran Jeon and Yong-Hwan Kwon and Danny Hwang**
(45) Registration Date: **24 December 2013**
(30) Convention priority data:
(31) Number (32) Date (33) Country
30-2013-0029452 05 Jun 2013 REPUBLIC OF KOREA
(56) Related Art Documents: **Not Applicable**
(57) Statement of Newness and Distinctiveness: **Newness & Distinctiveness reside in the visual features resulting from the layout of elements shown in solid lines in the representation. The solid lines define a number of areas that may be used to display text and/or images. The features shown in broken lines should be given minimum emphasis when considering the overall impression of the design. The specific characters of text and the specific symbols, shown in the representation in broken lines, do not form part of the design, but are indicative of positions where some text and symbols may be displayed.**

(21) Design Number: **16350/2013**
(22) Date of Filing Application: **04 December 2013**
(24) Date from which industrial property rights may have effect: **04 December 2013**
(54) Product in respect of which the design is registered: **Pet treat**
(51) International Design Classification: **01-06**
(74) Name(s) of Attorney(s): **Baker & McKenzie**
(71) Name(s) and Address(s) of Applicant(s):
Mars, Incorporated
6885 Elm Street McLean Virginia 22101 United States of America
(72) Name(s) of Designer(s): **Peter Slusarczyk and Jonathan Christopher Smith**
(45) Registration Date: **24 December 2013**
(30) Convention priority data:
(31) Number (32) Date (33) Country
29/458406 19 Jun 2013 UNITED STATES OF AMERICA
(56) Related Art Documents: **Not Applicable**
(57) Statement of Newness and Distinctiveness: **Nil**



(21) Design Number: **16351/2013**
(22) Date of Filing Application: **04 December 2013**
(24) Date from which industrial property rights may have effect: **04 December 2013**
(54) Product in respect of which the design is registered: **Pet treat**
(51) International Design Classification: **01-06**
(74) Name(s) of Attorney(s): **Baker & McKenzie**
(71) Name(s) and Address(s) of Applicant(s):
Mars, Incorporated
6885 Elm Street McLean Virginia 22101 United States of America
(72) Name(s) of Designer(s): **Peter Slusarczyk and Jonathan Christopher Smith**
(45) Registration Date: **24 December 2013**
(30) Convention priority data:
(31) Number (32) Date (33) Country
29/458406 19 Jun 2013 UNITED STATES OF AMERICA
(56) Related Art Documents: **Not Applicable**
(57) Statement of Newness and Distinctiveness: **Nil**



(21) Design Number: **16356/2013**
(22) Date of Filing Application: **04 December 2013**
(24) Date from which industrial property rights may have effect: **04 December 2013**
(54) Product in respect of which the design is registered: **Partition panel**
(51) International Design Classification: **06-06NES**
(74) Name(s) of Attorney(s): **FB Rice**
(71) Name(s) and Address(s) of Applicant(s):
Okamura Corporation
7-18, Kitasaiwai 2-chome Nishi-ku Yokohama-shi Kanagawa 220-0004
Japan
(72) Name(s) of Designer(s): **Waku Tsuchiyama and Haruhiko Kitajima**
(45) Registration Date: **24 December 2013**
(30) Convention priority data:
(31) Number (32) Date (33) Country
2013-012893 07 Jun 2013 JAPAN
(56) Related Art Documents: **Not Applicable**
(57) Statement of Newness and Distinctiveness: **Newness and distinctiveness reside in the features of the design as shown in solid lines in the representations excluding those features shown in broken lines.**



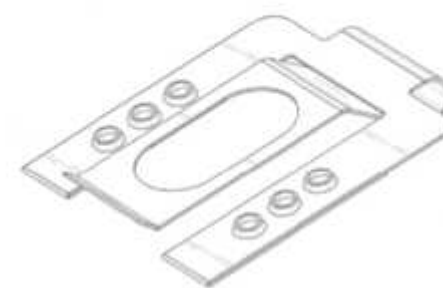
(21) Design Number: **16359/2013**
(22) Date of Filing Application: **04 December 2013**
(24) Date from which industrial property rights may have effect: **13 September 2013**
(54) Product in respect of which the design is registered: **Clip-on bonding washer**
(51) International Design Classification: **08-08B**
(74) Name(s) of Attorney(s): **Griffith Hack**
(71) Name(s) and Address(s) of Applicant(s):
Hubbell Incorporated
40 Waterview Drive Shelton Connecticut, 06484-1000 United States of
America
(72) Name(s) of Designer(s): **Thomas Olenick**
(45) Registration Date: **24 December 2013**
(62) Divisional of: **353018**
(56) Related Art Documents: **Not Applicable**
(57) Statement of Newness and Distinctiveness: **Newness and distinctiveness resides in the visual features, including the shape and configuration of the product shown in the representations.**



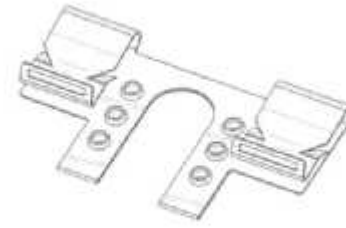
- (21) Design Number: **16360/2013**
(22) Date of Filing Application: **04 December 2013**
(24) Date from which industrial property rights may have effect: **04 December 2013**
(54) Product in respect of which the design is registered: **Sulky**
(51) International Design Classification: **12-01**
(74) Name(s) of Attorney(s):
(71) Name(s) and Address(s) of Applicant(s):
Stephen Michael Watkins
3 Pring St Warners Bay NSW 2282 Australia
(72) Name(s) of Designer(s): **Stephen Michael Watkins**
(45) Registration Date: **24 December 2013**
(56) Related Art Documents: **Not Applicable**
(57) Statement of Newness and Distinctiveness: **Newness and distinctiveness resides in the overall shape and configuration of the features shown in solid lines in the representations.**



- (21) Design Number: **16361/2013**
(22) Date of Filing Application: **04 December 2013**
(24) Date from which industrial property rights may have effect: **13 September 2013**
(54) Product in respect of which the design is registered: **Clip-on bonding washer**
(51) International Design Classification: **08-08B**
(74) Name(s) of Attorney(s): **Griffith Hack**
(71) Name(s) and Address(s) of Applicant(s):
Hubbell Incorporated
40 Waterview Drive Shelton Connecticut, 06484-1000 United States of America
(72) Name(s) of Designer(s): **Thomas Olenick**
(45) Registration Date: **24 December 2013**
(62) Divisional of: **353018**
(56) Related Art Documents: **Not Applicable**
(57) Statement of Newness and Distinctiveness: **Newness and distinctiveness resides in the visual features, including the shape and configuration of the product shown in the representations.**



- (21) Design Number: **16362/2013**
(22) Date of Filing Application: **04 December 2013**
(24) Date from which industrial property rights may have effect: **13 September 2013**
(54) Product in respect of which the design is registered: **Clip-on bonding washer**
(51) International Design Classification: **08-08B**
(74) Name(s) of Attorney(s): **Griffith Hack**
(71) Name(s) and Address(s) of Applicant(s):
Hubbell Incorporated
40 Waterview Drive Shelton Connecticut, 06484-1000 United States of America
(72) Name(s) of Designer(s): **Thomas Olenick**
(45) Registration Date: **24 December 2013**
(62) Divisional of: **353018**
(56) Related Art Documents: **Not Applicable**
(57) Statement of Newness and Distinctiveness: **Newness and distinctiveness resides in the visual features, including the shape and configuration of the product shown in the representations.**



- (21) Design Number: **16363/2013**
(22) Date of Filing Application: **04 December 2013**
(24) Date from which industrial property rights may have effect: **04 December 2013**
(54) Product in respect of which the design is registered: **Shutter**
(51) International Design Classification: **25-02H**
(74) Name(s) of Attorney(s):
(71) Name(s) and Address(s) of Applicant(s):
Stephen John O'Keeffe
1/41 Wentworth Rd Macquarie Hills NSW 2285 Australia
(72) Name(s) of Designer(s): **Stephen John O'Keeffe**
(45) Registration Date: **24 December 2013**
(56) Related Art Documents: **Not Applicable**
(57) Statement of Newness and Distinctiveness: **Newness and distinctiveness resides in the overall shape and configuration of a frame having a seal located by a channel as shown in solid lines in the representations.**



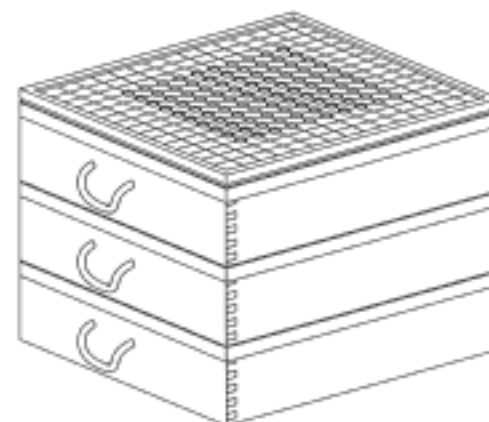
(21) Design Number: **16365/2013**
(22) Date of Filing Application: **04 December 2013**
(24) Date from which industrial property rights may have effect: **04 December 2013**
(54) Product in respect of which the design is registered: **A storage box**
(51) International Design Classification: **09-03M, 03-01NES**
(74) Name(s) of Attorney(s):
(71) Name(s) and Address(s) of Applicant(s):
Andrew Stolp
2208/22 Dorcas St Southbank VIC 3006 Australia
(72) Name(s) of Designer(s): **Andrew Stolp**
(45) Registration Date: **24 December 2013**
(56) Related Art Documents: **Not Applicable**
(57) Statement of Newness and Distinctiveness: **Nil**



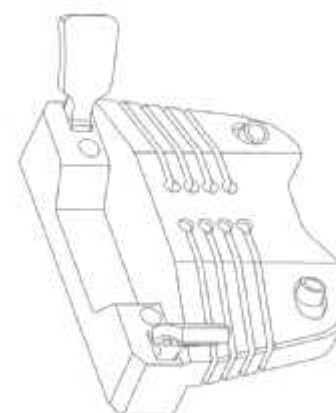
(21) Design Number: **16392/2013**
(22) Date of Filing Application: **06 December 2013**
(24) Date from which industrial property rights may have effect: **06 December 2013**
(54) Product in respect of which the design is registered: **Chair**
(51) International Design Classification: **06-01F**
(74) Name(s) of Attorney(s): **FB Rice**
(71) Name(s) and Address(s) of Applicant(s):
Steelcase Inc.
901 - 44th Street, S.E. Grand Rapids Michigan 49508 United States of America
(72) Name(s) of Designer(s): **Bruce M. Smith and Glen Oliver Low and James N. Ludwig and Christopher Norman and Nickolaus William Charles Deevers**
(45) Registration Date: **24 December 2013**
(30) Convention priority data:
(31) Number (32) Date (33) Country
29/457269 07 Jun 2013 UNITED STATES OF AMERICA
(56) Related Art Documents: **Not Applicable**
(57) Statement of Newness and Distinctiveness: **Newness and distinctiveness reside in the shape and configuration of the upper support of the chair as shown in the representations.**



(21) Design Number: **16394/2013**
(22) Date of Filing Application: **06 December 2013**
(24) Date from which industrial property rights may have effect: **06 December 2013**
(54) Product in respect of which the design is registered: **Toy box**
(51) International Design Classification: **09-03M, 03-01NES**
(74) Name(s) of Attorney(s): **Alder IP PtyLtd**
(71) Name(s) and Address(s) of Applicant(s):
Kidsground Pty Ltd
SE18 165 Gladstone St South Melbourne VIC 3205 Australia
(72) Name(s) of Designer(s): **Ji Kim and Jan Schmitt**
(45) Registration Date: **24 December 2013**
(56) Related Art Documents: **Not Applicable**
(57) Statement of Newness and Distinctiveness: **Nil**



(21) Design Number: **16395/2013**
(22) Date of Filing Application: **06 December 2013**
(24) Date from which industrial property rights may have effect: **06 December 2013**
(54) Product in respect of which the design is registered: **Distal cutting block**
(51) International Design Classification: **24-01, 24-02**
(74) Name(s) of Attorney(s): **Callinans**
(71) Name(s) and Address(s) of Applicant(s):
DePuy (Ireland)
Loughbeg Industrial Estate Ringaskiddy, Co Cork, Ireland
(72) Name(s) of Designer(s): **Rebecca L. Chaney and Craig S. Tsukayama and Benjamin J. Sordelet**
(45) Registration Date: **24 December 2013**
(30) Convention priority data:
(31) Number (32) Date (33) Country
29/457,182 07 Jun 2013 UNITED STATES OF AMERICA
(56) Related Art Documents: **Not Applicable**
(57) Statement of Newness and Distinctiveness: **Nil**



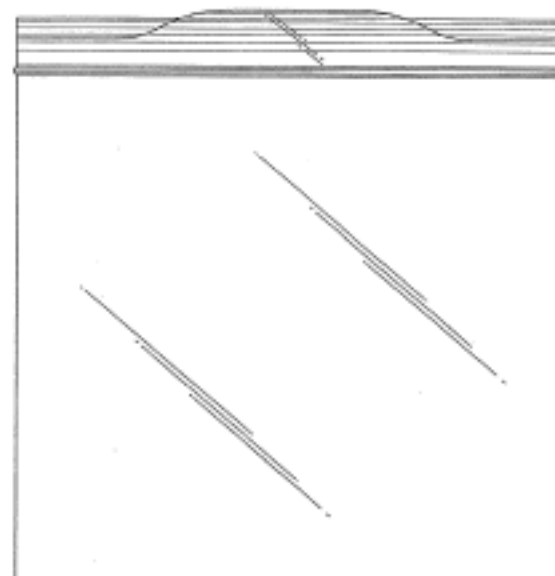
(21) Design Number: **16397/2013**
(22) Date of Filing Application: **06 December 2013**
(24) Date from which industrial property rights may have effect: **06 December 2013**
(54) Product in respect of which the design is registered: **Dry tobacco pipe**
(51) International Design Classification: **27-02**
(74) Name(s) of Attorney(s):
(71) Name(s) and Address(s) of Applicant(s):
TRIO BROTHERS TRADING PTY LTD
18 Beal St Meadowbrook QLD 4131 Australia
(72) Name(s) of Designer(s): **Jack Qin**
(45) Registration Date: **24 December 2013**
(56) Related Art Documents: **Not Applicable**
(57) Statement of Newness and Distinctiveness: **Tobacco pipe with rubber rings in the middle & cone piece attachments.**



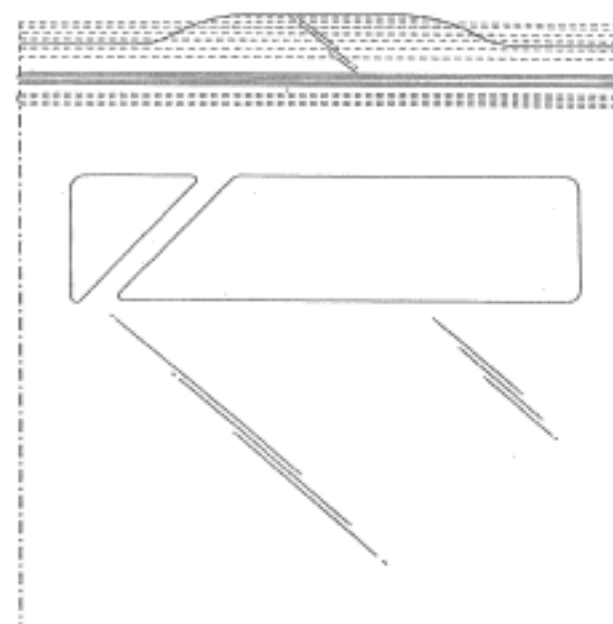
(21) Design Number: **11346/2013**
(22) Date of Filing Application: **14 March 2013**
(24) Date from which industrial property rights may have effect: **14 March 2013**
(54) Product in respect of which the design is registered: **Swimwear**
(51) International Design Classification: **02-02A**
(74) Name(s) of Attorney(s): **K&L Gates**
(71) Name(s) and Address(s) of Applicant(s):
Isola Swim Pty Ltd
247 King St Mascot NSW 2020 Australia
(72) Name(s) of Designer(s): **Kay Howitt**
(45) Registration Date: **02 January 2014**
(56) Related Art Documents: **Not Applicable**
(57) Statement of Newness and Distinctiveness: **Nil**



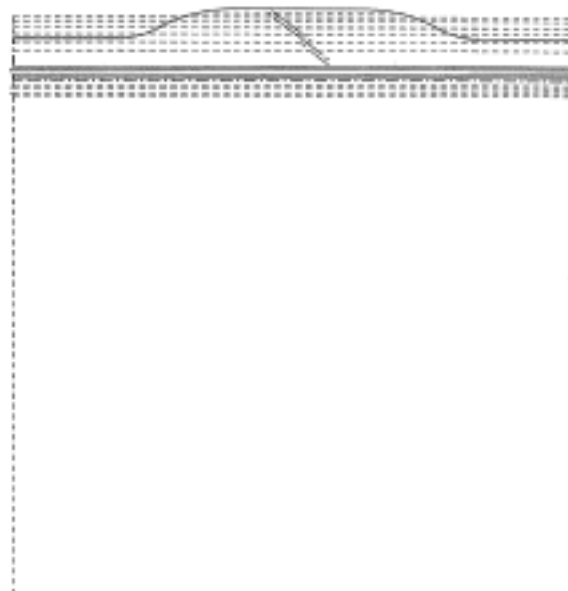
- (21) Design Number: **14535/2013**
(22) Date of Filing Application: **12 September 2013**
(24) Date from which industrial property rights may have effect: **12 September 2013**
(54) Product in respect of which the design is registered: **Storage bag**
(51) International Design Classification: **09-05**
(74) Name(s) of Attorney(s): **SPRUSON & FERGUSON**
(71) Name(s) and Address(s) of Applicant(s):
S.C. Johnson & Son Inc.
1525 Howe Street Racine Wisconsin 53403-2236 United States of America
(72) Name(s) of Designer(s): **Brian C. Dias and Imitiaz A. Musaliar and Jose Porchia and Keegan E. Burggren**
(45) Registration Date: **02 January 2014**
(30) Convention priority data:
(31) Number (32) Date (33) Country
29/449559 15 Mar 2013 UNITED STATES OF AMERICA
(56) Related Art Documents: **Not Applicable**
(57) Statement of Newness and Distinctiveness: **Newness and distinctiveness is claimed in the features of shape and/or configuration of a storage bag as illustrated in the accompanying representations.**



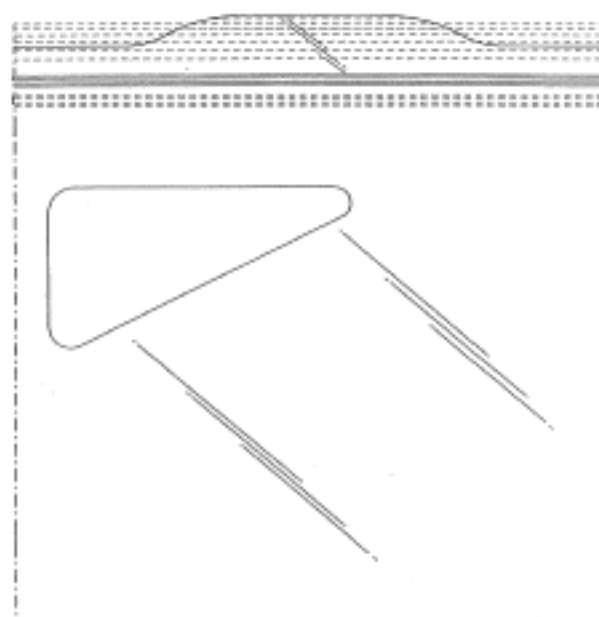
- (21) Design Number: **14538/2013**
(22) Date of Filing Application: **12 September 2013**
(24) Date from which industrial property rights may have effect: **12 September 2013**
(54) Product in respect of which the design is registered: **Storage bag**
(51) International Design Classification: **09-05**
(74) Name(s) of Attorney(s): **SPRUSON & FERGUSON**
(71) Name(s) and Address(s) of Applicant(s):
S. C. Johnson & Son, Inc.
1525 Howe Street Racine WI 53403-2236 United States of America
(72) Name(s) of Designer(s): **Imitiaz A. Musaliar**
(45) Registration Date: **02 January 2014**
(30) Convention priority data:
(31) Number (32) Date (33) Country
29/449687 15 Mar 2013 UNITED STATES OF AMERICA
(56) Related Art Documents: **Not Applicable**
(57) Statement of Newness and Distinctiveness: **Newness and distinctiveness is claimed in those features of shape and/or configuration of a storage bag illustrated in continuous lines in the accompanying representations.**



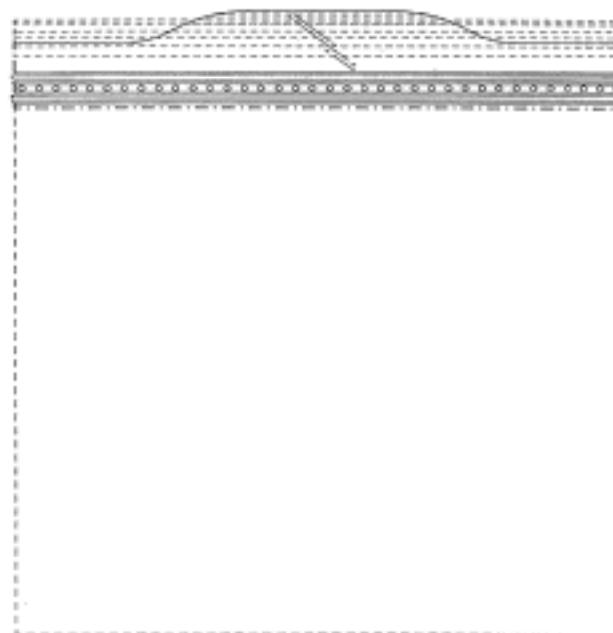
- (21) Design Number: **14540/2013**
(22) Date of Filing Application: **12 September 2013**
(24) Date from which industrial property rights may have effect: **12 September 2013**
(54) Product in respect of which the design is registered: **Storage bag**
(51) International Design Classification: **09-05**
(74) Name(s) of Attorney(s): **SPRUSON & FERGUSON**
(71) Name(s) and Address(s) of Applicant(s):
S. C. Johnson & Son, Inc.
1525 Howe Street Racine WI 53403-2236 United States of America
(72) Name(s) of Designer(s): **Brian C. Dias and Imitiaz A. Musaliar and Jose Porchia and Keegan E. Burggren**
(45) Registration Date: **02 January 2014**
(30) Convention priority data:
(31) Number (32) Date (33) Country
29/449652 15 Mar 2013 UNITED STATES OF AMERICA
(56) Related Art Documents: **Not Applicable**
(57) Statement of Newness and Distinctiveness: **Newness and distinctiveness is claimed in those features of shape and/or configuration of a storage bag illustrated in continuous lines in the accompanying representations.**



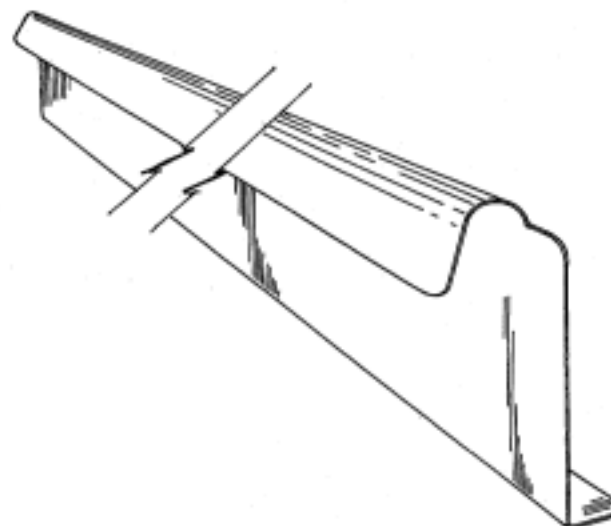
- (21) Design Number: **14541/2013**
(22) Date of Filing Application: **12 September 2013**
(24) Date from which industrial property rights may have effect: **12 September 2013**
(54) Product in respect of which the design is registered: **Storage bag**
(51) International Design Classification: **09-05**
(74) Name(s) of Attorney(s): **SPRUSON & FERGUSON**
(71) Name(s) and Address(s) of Applicant(s):
S. C. Johnson & Son, Inc.
1525 Howe Street Racine WI 53403-2236 United States of America
(72) Name(s) of Designer(s): **Brian C. Dias and Imitiaz A. Musaliar and Timothy D. Stark**
(45) Registration Date: **02 January 2014**
(30) Convention priority data:
(31) Number (32) Date (33) Country
29/449706 15 Mar 2013 UNITED STATES OF AMERICA
(56) Related Art Documents: **Not Applicable**
(57) Statement of Newness and Distinctiveness: **Newness and distinctiveness is claimed in those features of shape and/or configuration of a storage bag illustrated in continuous lines in the accompanying representations.**



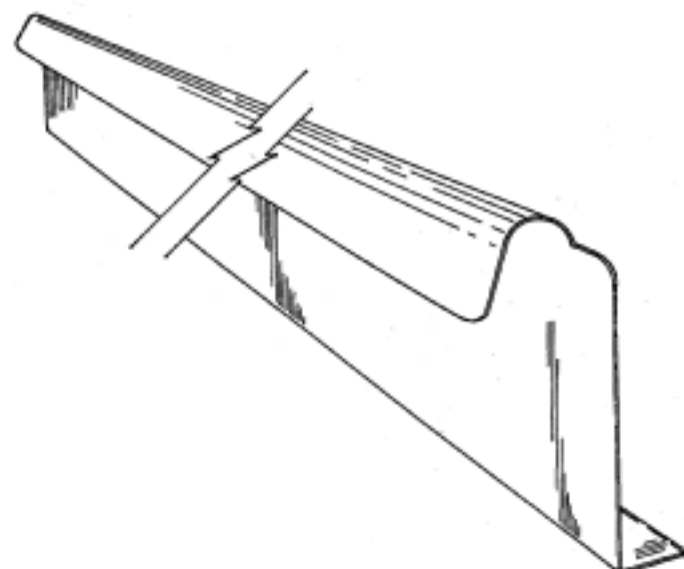
- (21) Design Number: **14542/2013**
(22) Date of Filing Application: **12 September 2013**
(24) Date from which industrial property rights may have effect: **12 September 2013**
(54) Product in respect of which the design is registered: **Storage bag**
(51) International Design Classification: **09-05**
(74) Name(s) of Attorney(s): **SPRUSON & FERGUSON**
(71) Name(s) and Address(s) of Applicant(s):
S. C. Johnson & Son, Inc.
1525 Howe Street Racine WI 53403-2236 United States of America
(72) Name(s) of Designer(s): **Imitiaz A. Musaliar**
(45) Registration Date: **02 January 2014**
(30) Convention priority data:
(31) Number (32) Date (33) Country
29/449674 15 Mar 2013 UNITED STATES OF AMERICA
(56) Related Art Documents: **Not Applicable**
(57) Statement of Newness and Distinctiveness: **Newness and distinctiveness is claimed in those features of shape and/or configuration of a storage bag illustrated in continuous lines in the accompanying representations.**



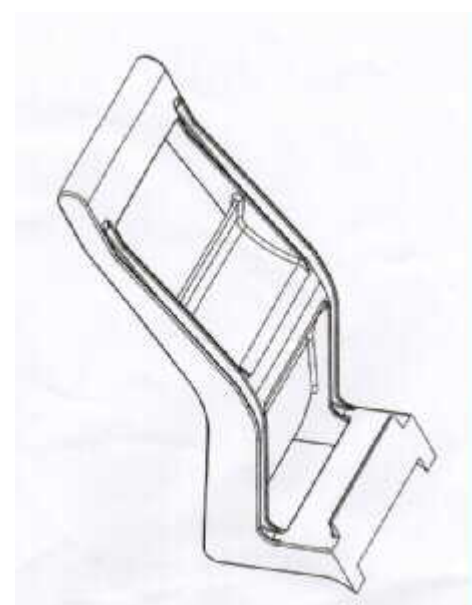
- (21) Design Number: **11693/2013**
(22) Date of Filing Application: **10 April 2013**
(24) Date from which industrial property rights may have effect: **10 April 2013**
(54) Product in respect of which the design is registered: **A kickboard**
(51) International Design Classification: **21-02D**
(74) Name(s) of Attorney(s): **Intellepro Patent & Trade Mark Attorneys**
(71) Name(s) and Address(s) of Applicant(s):
Underwood Companies Holdings Pty Ltd
C/- Intellepro GPO BOX 1339 Brisbane QLD 4001 Australia
(72) Name(s) of Designer(s): **Daniel Charles Underwood and Lester George Underwood**
(45) Registration Date: **02 January 2014**
(56) Related Art Documents: **Not Applicable**
(57) Statement of Newness and Distinctiveness: **Nil**



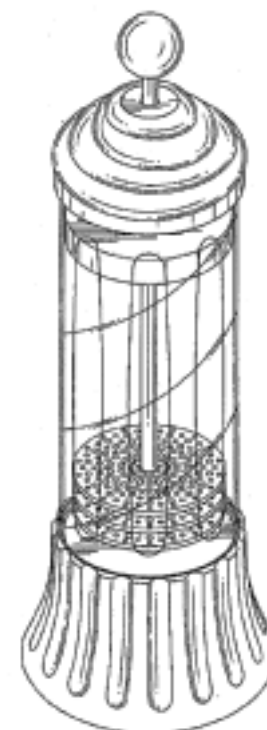
- (21) Design Number: **11694/2013**
(22) Date of Filing Application: **10 April 2013**
(24) Date from which industrial property rights may have effect: **10 April 2013**
(54) Product in respect of which the design is registered: **A kickboard**
(51) International Design Classification: **21-02D**
(74) Name(s) of Attorney(s): **Intellepro Patent & Trade Mark Attorneys**
(71) Name(s) and Address(s) of Applicant(s):
Underwood Companies Holdings Pty Ltd
C/- Intellepro GPO BOX 1339 Brisbane QLD 4001 Australia
(72) Name(s) of Designer(s): **Daniel Charles Underwood and Lester George Underwood**
(45) Registration Date: **02 January 2014**
(56) Related Art Documents: **Not Applicable**
(57) Statement of Newness and Distinctiveness: **Nil**



- (21) Design Number: **12080/2013**
(22) Date of Filing Application: **03 May 2013**
(24) Date from which industrial property rights may have effect: **03 May 2013**
(54) Product in respect of which the design is registered: **A device for carrying panels or sheet materials**
(51) International Design Classification: **08-08K**
(74) Name(s) of Attorney(s): **James & Wells Intellectual Property**
(71) Name(s) and Address(s) of Applicant(s):
Sam Perrin
3 Vercoe Road Beerescourt Hamilton 3200 New Zealand
(72) Name(s) of Designer(s): **Sam Perrin**
(45) Registration Date: **02 January 2014**
(56) Related Art Documents: **Not Applicable**
(57) Statement of Newness and Distinctiveness: **This device is to be applied to A device for carrying panels or sheet materials and the novelty resides in features of shape and configuration, all as shown in the accompanying representations.**



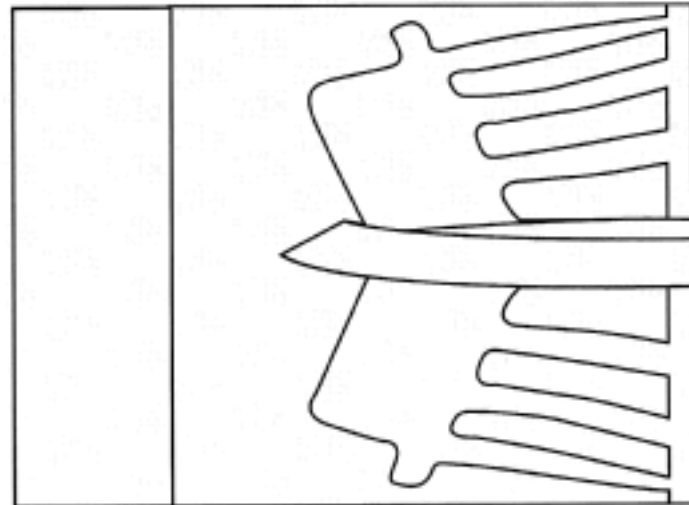
- (21) Design Number: **12122/2013**
(22) Date of Filing Application: **07 May 2013**
(24) Date from which industrial property rights may have effect: **07 May 2013**
(54) Product in respect of which the design is registered: **Device for making whipped cream**
(51) International Design Classification: **09-01F**
(74) Name(s) of Attorney(s): **FB Rice**
(71) Name(s) and Address(s) of Applicant(s):
Hutzler Manufacturing Co., Inc.
4 Grace Way Canaan Connecticut 06018 United States of America
(72) Name(s) of Designer(s): **Richard Ehrenhaus**
(45) Registration Date: **02 January 2014**
(30) Convention priority data:
(31) Number (32) Date (33) Country
29/452886 23 Apr 2013 UNITED STATES OF AMERICA
(56) Related Art Documents: **Not Applicable**
(57) Statement of Newness and Distinctiveness: **Newness and distinctiveness reside in the features of shape and configuration of the design as shown in the representations, and excluding those features shown in broken lines.**



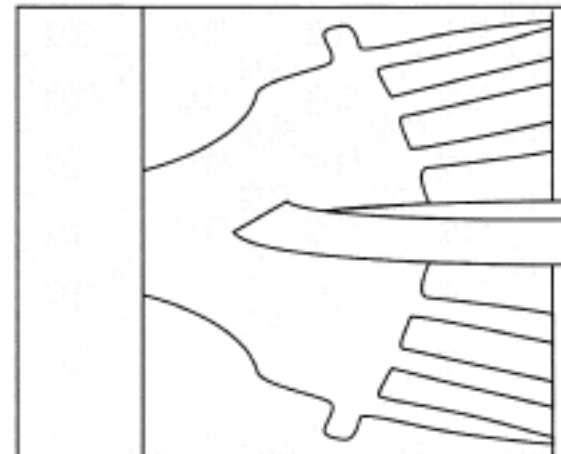
- (21) Design Number: **12246/2013**
(22) Date of Filing Application: **15 May 2013**
(24) Date from which industrial property rights may have effect: **15 May 2013**
(54) Product in respect of which the design is registered: **Fresh produce table**
(51) International Design Classification: **06-03NES**
(74) Name(s) of Attorney(s):
(71) Name(s) and Address(s) of Applicant(s):
Ausmart International Pty Ltd
C/- Scanlan Carroll L1 17 Cotham Rd Kew VIC 3101 Australia
(72) Name(s) of Designer(s): **Roger Clarke and Adam Faithfull**
(45) Registration Date: **02 January 2014**
(56) Related Art Documents: **Not Applicable**
(57) Statement of Newness and Distinctiveness: **Newness and distinctiveness is claimed in the appearance of the Produce Table particularly: Removable top - can be displayed flat or 20 degree angle; Modern take on old wooden apple crate. Farm fresh appeal using PVC extruder timber in GREY colour; Mild steel clear powder coated frames for rustic appeal; Visible Bolts through the Composite panels; Stainless steel on front edging provides a focal point; Grey timber looking composite material finish Mitred edging; as shown in the representations.**



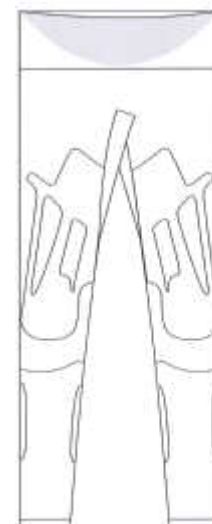
- (21) Design Number: **12254/2013**
(22) Date of Filing Application: **10 May 2013**
(24) Date from which industrial property rights may have effect: **10 May 2013**
(54) Product in respect of which the design is registered: **Short**
(51) International Design Classification: **02-02C**
(74) Name(s) of Attorney(s):
(71) Name(s) and Address(s) of Applicant(s):
LM Australasia Pty Ltd
L1 14-24 Easey St Collingwood VIC 3066 Australia
(72) Name(s) of Designer(s): **Lesley Abeysekera and Michel Abeysekera**
(45) Registration Date: **02 January 2014**
(56) Related Art Documents: **Not Applicable**
(57) Statement of Newness and Distinctiveness: **Seamless construction with distinct areas of compression.**



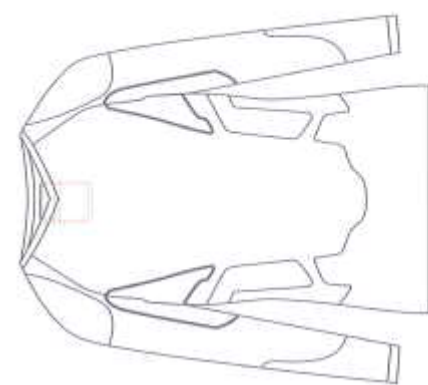
- (21) Design Number: **12255/2013**
(22) Date of Filing Application: **10 May 2013**
(24) Date from which industrial property rights may have effect: **10 May 2013**
(54) Product in respect of which the design is registered: **Short**
(51) International Design Classification: **02-02C**
(74) Name(s) of Attorney(s):
(71) Name(s) and Address(s) of Applicant(s):
LM Australasia Pty Ltd
L1 14-24 Easey St Collingwood VIC 3066 Australia
(72) Name(s) of Designer(s): **Lesley Abeysekera and Michel Abeysekera**
(45) Registration Date: **02 January 2014**
(56) Related Art Documents: **Not Applicable**
(57) Statement of Newness and Distinctiveness: **Seamless construction with distinct areas of compression.**



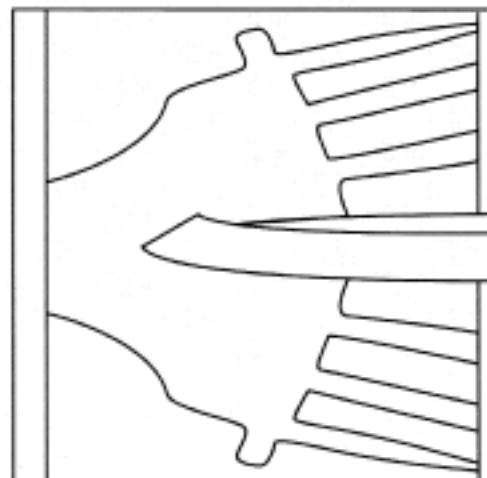
- (21) Design Number: **12256/2013**
(22) Date of Filing Application: **10 May 2013**
(24) Date from which industrial property rights may have effect: **10 May 2013**
(54) Product in respect of which the design is registered: **Leggings**
(51) International Design Classification: **02-02C**
(74) Name(s) of Attorney(s):
(71) Name(s) and Address(s) of Applicant(s):
LM Australasia Pty Ltd
L1 14-24 Easey St Collingwood VIC 3066 Australia
(72) Name(s) of Designer(s): **Lesley Abeysekera and Michel Abeysekera**
(45) Registration Date: **02 January 2014**
(56) Related Art Documents: **Not Applicable**
(57) Statement of Newness and Distinctiveness: **Seamless construction with distinct areas of compression.**



- (21) Design Number: **12257/2013**
(22) Date of Filing Application: **10 May 2013**
(24) Date from which industrial property rights may have effect: **10 May 2013**
(54) Product in respect of which the design is registered: **Top**
(51) International Design Classification: **02-02NES**
(74) Name(s) of Attorney(s):
(71) Name(s) and Address(s) of Applicant(s):
LM Australasia Pty Ltd
L1 14-24 Easey St Collingwood VIC 3066 Australia
(72) Name(s) of Designer(s): **Lesley Abeysekera and Michel Abeysekera**
(45) Registration Date: **02 January 2014**
(56) Related Art Documents: **Not Applicable**
(57) Statement of Newness and Distinctiveness: **Seamless construction with distinct areas of compression.**



- (21) Design Number: **12258/2013**
(22) Date of Filing Application: **10 May 2013**
(24) Date from which industrial property rights may have effect: **10 May 2013**
(54) Product in respect of which the design is registered: **Short**
(51) International Design Classification: **02-02C**
(74) Name(s) of Attorney(s):
(71) Name(s) and Address(s) of Applicant(s):
LM Australasia Pty Ltd
L1 14-24 Easey St Collingwood VIC 3066 Australia
(72) Name(s) of Designer(s): **Lesley Abeysekera and Michel Abeysekera**
(45) Registration Date: **02 January 2014**
(56) Related Art Documents: **Not Applicable**
(57) Statement of Newness and Distinctiveness: **Seamless construction with areas of distinct compression.**



- (21) Design Number: **12259/2013**
(22) Date of Filing Application: **10 May 2013**
(24) Date from which industrial property rights may have effect: **10 May 2013**
(54) Product in respect of which the design is registered: **Leggings**
(51) International Design Classification: **02-02C**
(74) Name(s) of Attorney(s):
(71) Name(s) and Address(s) of Applicant(s):
LM Australasia Pty Ltd
L1 14-24 Easey St Collingwood VIC 3066 Australia
(72) Name(s) of Designer(s): **Lesley Abeysekera and Michel Abeysekera**
(45) Registration Date: **02 January 2014**
(56) Related Art Documents: **Not Applicable**
(57) Statement of Newness and Distinctiveness: **Seamless construction with distinct areas of compression.**



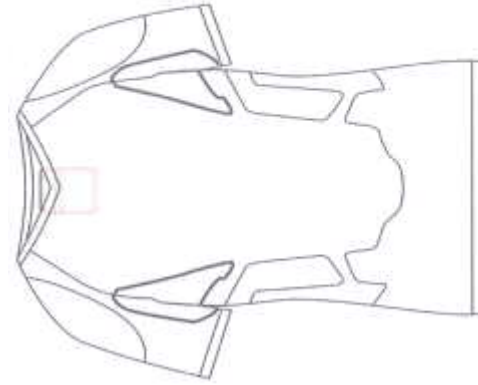
- (21) Design Number: **12260/2013**
(22) Date of Filing Application: **10 May 2013**
(24) Date from which industrial property rights may have effect: **10 May 2013**
(54) Product in respect of which the design is registered: **Leggings**
(51) International Design Classification: **02-02C**
(74) Name(s) of Attorney(s):
(71) Name(s) and Address(s) of Applicant(s):
LM Australasia Pty Ltd
L1 14-24 Easey St Collingwood VIC 3066 Australia
(72) Name(s) of Designer(s): **Lesley Abeysekera and Michel Abeysekera**
(45) Registration Date: **02 January 2014**
(56) Related Art Documents: **Not Applicable**
(57) Statement of Newness and Distinctiveness: **Seamless construction with distinct areas of compression.**



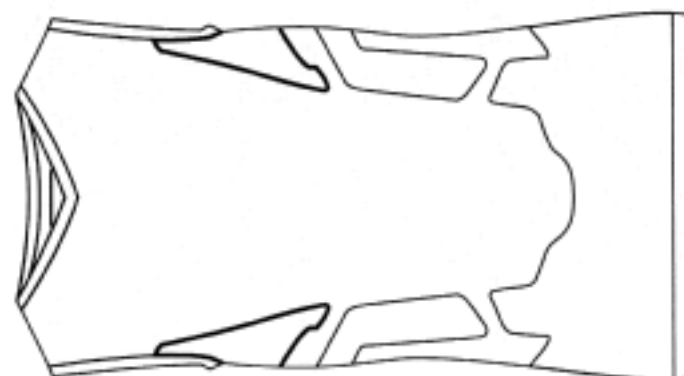
- (21) Design Number: **12261/2013**
(22) Date of Filing Application: **10 May 2013**
(24) Date from which industrial property rights may have effect: **10 May 2013**
(54) Product in respect of which the design is registered: **Leggings**
(51) International Design Classification: **02-02C**
(74) Name(s) of Attorney(s):
(71) Name(s) and Address(s) of Applicant(s):
LM Australasia Pty Ltd
L1 14-24 Easey St Collingwood VIC 3066 Australia
(72) Name(s) of Designer(s): **Lesley Abeysekera and Michel Abeysekera**
(45) Registration Date: **02 January 2014**
(56) Related Art Documents: **Not Applicable**
(57) Statement of Newness and Distinctiveness: **Seamless construction with distinct areas of compression.**



- (21) Design Number: **12262/2013**
(22) Date of Filing Application: **10 May 2013**
(24) Date from which industrial property rights may have effect: **10 May 2013**
(54) Product in respect of which the design is registered: **Top**
(51) International Design Classification: **02-02NES**
(74) Name(s) of Attorney(s):
(71) Name(s) and Address(s) of Applicant(s):
LM Australasia Pty Ltd
L1 14-24 Easey St Collingwood VIC 3066 Australia
(72) Name(s) of Designer(s): **Lesley Abeysekera and Michel Abeysekera**
(45) Registration Date: **02 January 2014**
(56) Related Art Documents: **Not Applicable**
(57) Statement of Newness and Distinctiveness: **Seamless construction with distinct areas of compression.**



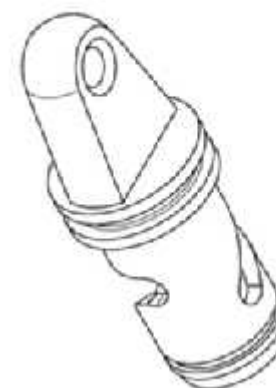
- (21) Design Number: **12263/2013**
(22) Date of Filing Application: **10 May 2013**
(24) Date from which industrial property rights may have effect: **10 May 2013**
(54) Product in respect of which the design is registered: **Top**
(51) International Design Classification: **02-02NES**
(74) Name(s) of Attorney(s):
(71) Name(s) and Address(s) of Applicant(s):
LM Australasia Pty Ltd
L1 14-24 Easey St Collingwood VIC 3066 Australia
(72) Name(s) of Designer(s): **Lesley Abeysekera and Michel Abeysekera**
(45) Registration Date: **02 January 2014**
(56) Related Art Documents: **Not Applicable**
(57) Statement of Newness and Distinctiveness: **Seamless construction with distinct areas of compression.**



- (21) Design Number: **12570/2013**
(22) Date of Filing Application: **04 June 2013**
(24) Date from which industrial property rights may have effect: **04 June 2013**
(54) Product in respect of which the design is registered: **Inflatable for forming a sukkah frame**
(51) International Design Classification: **25-03**
(74) Name(s) of Attorney(s): **Davies Collison Cave**
(71) Name(s) and Address(s) of Applicant(s):
David Ralf Abramowitch
27 Woodlands Dr Braeside VIC 3195 Australia
(72) Name(s) of Designer(s): **David Ralf Abramowitch**
(45) Registration Date: **02 January 2014**
(56) Related Art Documents: **Not Applicable**
(57) Statement of Newness and Distinctiveness: **Newness and distinctiveness is claimed in the shape and configuration of the inflatable which is shown in the accompanying representations in an inflated condition whereby it forms a supportive frame for a sukkah.**



- (21) Design Number: **12617/2013**
(22) Date of Filing Application: **06 June 2013**
(24) Date from which industrial property rights may have effect: **06 June 2013**
(54) Product in respect of which the design is registered: **Spindle for a handle**
(51) International Design Classification: **08-06**
(74) Name(s) of Attorney(s): **Houlihan2**
(71) Name(s) and Address(s) of Applicant(s):
David Stuckey Investments Pty Ltd
Pitchers Partners 6FI 161 Collins St Melbourne VIC 3000 Australia
(72) Name(s) of Designer(s): **Asidin**
(45) Registration Date: **02 January 2014**
(56) Related Art Documents: **Not Applicable**
(57) Statement of Newness and Distinctiveness: **Newness and distinctiveness reside in the shape and/or configuration of a SPINDLE FOR A HANDLE as illustrated in the accompanying representations.**



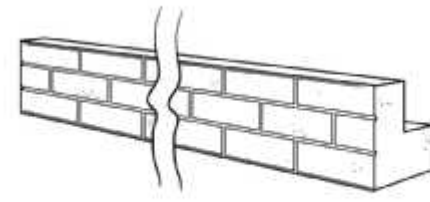
- (21) Design Number: **12618/2013**
(22) Date of Filing Application: **06 June 2013**
(24) Date from which industrial property rights may have effect: **06 June 2013**
(54) Product in respect of which the design is registered: **Handle assembly**
(51) International Design Classification: **08-06**
(74) Name(s) of Attorney(s): **Houlihan2**
(71) Name(s) and Address(s) of Applicant(s):
David Stuckey Investments Pty Ltd
Pitchers Partners 6FI 161 Collins St Melbourne VIC 3000 Australia
(72) Name(s) of Designer(s): **Asidin**
(45) Registration Date: **02 January 2014**
(56) Related Art Documents: **Not Applicable**
(57) Statement of Newness and Distinctiveness: **Newness and distinctiveness reside in the shape and/or configuration of a HANDLE ASSEMBLY as illustrated in the accompanying representations.**



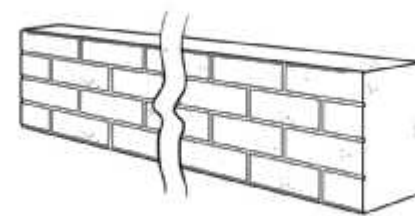
- (21) Design Number: **12711/2013**
(22) Date of Filing Application: **13 June 2013**
(24) Date from which industrial property rights may have effect: **13 June 2013**
(54) Product in respect of which the design is registered: **Limestone block**
(51) International Design Classification: **25-01A**
(74) Name(s) of Attorney(s): **Lord & Company**
(71) Name(s) and Address(s) of Applicant(s):
High Mannor Pty Ltd
137 High Rd Wanneroo WA 6065 Australia
(72) Name(s) of Designer(s): **Martin Daniel Murphy**
(45) Registration Date: **02 January 2014**
(56) Related Art Documents: **Not Applicable**
(57) Statement of Newness and Distinctiveness: **Nil**



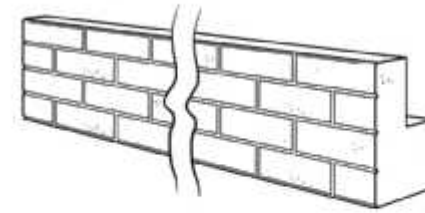
- (21) Design Number: **12712/2013**
(22) Date of Filing Application: **13 June 2013**
(24) Date from which industrial property rights may have effect: **13 June 2013**
(54) Product in respect of which the design is registered: **Limestone block**
(51) International Design Classification: **25-01A**
(74) Name(s) of Attorney(s): **Lord & Company**
(71) Name(s) and Address(s) of Applicant(s):
High Mannor Pty Ltd
137 High Rd Wanneroo WA 6065 Australia
(72) Name(s) of Designer(s): **Martin Daniel Murphy**
(45) Registration Date: **02 January 2014**
(56) Related Art Documents: **Not Applicable**
(57) Statement of Newness and Distinctiveness: **Nil**



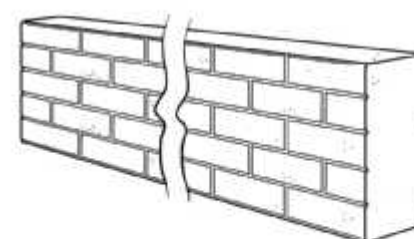
- (21) Design Number: **12713/2013**
(22) Date of Filing Application: **13 June 2013**
(24) Date from which industrial property rights may have effect: **13 June 2013**
(54) Product in respect of which the design is registered: **Limestone block**
(51) International Design Classification: **25-01A**
(74) Name(s) of Attorney(s): **Lord & Company**
(71) Name(s) and Address(s) of Applicant(s):
High Mannor Pty Ltd
137 High Rd Wanneroo WA 6065 Australia
(72) Name(s) of Designer(s): **Martin Daniel Murphy**
(45) Registration Date: **02 January 2014**
(56) Related Art Documents: **Not Applicable**
(57) Statement of Newness and Distinctiveness: **Nil**



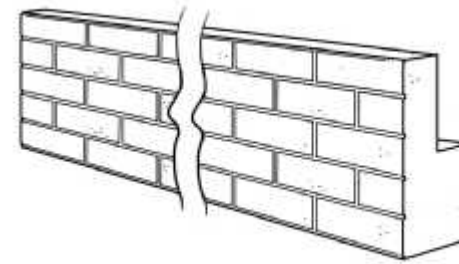
(21) Design Number: **12714/2013**
(22) Date of Filing Application: **13 June 2013**
(24) Date from which industrial property rights may have effect: **13 June 2013**
(54) Product in respect of which the design is registered: **Limestone block**
(51) International Design Classification: **25-01A**
(74) Name(s) of Attorney(s): **Lord & Company**
(71) Name(s) and Address(s) of Applicant(s):
High Mannor Pty Ltd
137 High Rd Wanneroo WA 6065 Australia
(72) Name(s) of Designer(s): **Martin Daniel Murphy**
(45) Registration Date: **02 January 2014**
(56) Related Art Documents: **Not Applicable**
(57) Statement of Newness and Distinctiveness: **Nil**



(21) Design Number: **12715/2013**
(22) Date of Filing Application: **13 June 2013**
(24) Date from which industrial property rights may have effect: **13 June 2013**
(54) Product in respect of which the design is registered: **Limestone block**
(51) International Design Classification: **25-01A**
(74) Name(s) of Attorney(s): **Lord & Company**
(71) Name(s) and Address(s) of Applicant(s):
High Mannor Pty Ltd
137 High Rd Wanneroo WA 6065 Australia
(72) Name(s) of Designer(s): **Martin Daniel Murphy**
(45) Registration Date: **02 January 2014**
(56) Related Art Documents: **Not Applicable**
(57) Statement of Newness and Distinctiveness: **Nil**



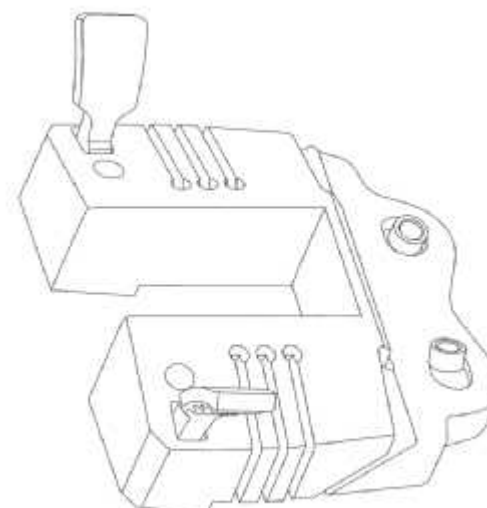
(21) Design Number: **12716/2013**
(22) Date of Filing Application: **13 June 2013**
(24) Date from which industrial property rights may have effect: **13 June 2013**
(54) Product in respect of which the design is registered: **Limestone block**
(51) International Design Classification: **25-01A**
(74) Name(s) of Attorney(s): **Lord & Company**
(71) Name(s) and Address(s) of Applicant(s):
High Mannor Pty Ltd
137 High Rd Wanneroo WA 6065 Australia
(72) Name(s) of Designer(s): **Martin Daniel Murphy**
(45) Registration Date: **02 January 2014**
(56) Related Art Documents: **Not Applicable**
(57) Statement of Newness and Distinctiveness: **Nil**



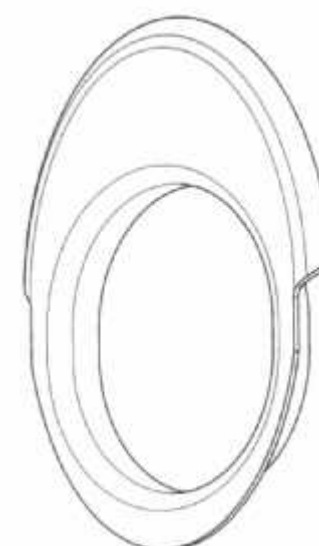
(21) Design Number: **16399/2013**
(22) Date of Filing Application: **06 December 2013**
(24) Date from which industrial property rights may have effect: **06 December 2013**
(54) Product in respect of which the design is registered: **Broach**
(51) International Design Classification: **24-01, 24-02**
(74) Name(s) of Attorney(s): **Callinans**
(71) Name(s) and Address(s) of Applicant(s):
DePuy (Ireland)
Loughbeg Industrial Estate Ringaskiddy, Co Cork, Ireland
(72) Name(s) of Designer(s): **Aaron J Matyas and Rebecca L Chaney and Craig S Tsukayama**
(45) Registration Date: **03 January 2014**
(30) Convention priority data:
(31) Number (32) Date (33) Country
29/457,174 07 Jun 2013 UNITED STATES OF AMERICA
(56) Related Art Documents: **Not Applicable**
(57) Statement of Newness and Distinctiveness: **Nil**



(21) Design Number: **16400/2013**
(22) Date of Filing Application: **06 December 2013**
(24) Date from which industrial property rights may have effect: **06 December 2013**
(54) Product in respect of which the design is registered: **Notch cutting block**
(51) International Design Classification: **24-01, 24-02**
(74) Name(s) of Attorney(s): **Callinans**
(71) Name(s) and Address(s) of Applicant(s):
DePuy (Ireland)
Loughbeg Industrial Estate Ringaskiddy, Co Cork, Ireland
(72) Name(s) of Designer(s): **Rebecca L Chaney and Craig S Tsukayama and Jonathan C Lee and Benjamin J Sordelet**
(45) Registration Date: **03 January 2014**
(30) Convention priority data:
(31) Number (32) Date (33) Country
29/457,173 07 Jun 2013 UNITED STATES OF AMERICA
(56) Related Art Documents: **Not Applicable**
(57) Statement of Newness and Distinctiveness: **Nil**



(21) Design Number: **16401/2013**
(22) Date of Filing Application: **06 December 2013**
(24) Date from which industrial property rights may have effect: **06 December 2013**
(54) Product in respect of which the design is registered: **Cover ring for an exhaust pipe**
(51) International Design Classification: **12-16N**
(74) Name(s) of Attorney(s): **AJ Park**
(71) Name(s) and Address(s) of Applicant(s):
ISEKI & CO., LTD.
700 Umaki-cho Matsuyama-shi Ehime-ken 799-2692 Japan
(72) Name(s) of Designer(s): **Ryota Nagano and Takeshi Nishibara**
(45) Registration Date: **03 January 2014**
(30) Convention priority data:
(31) Number (32) Date (33) Country
2013-013285 12 Jun 2013 JAPAN
(56) Related Art Documents: **Not Applicable**
(57) Statement of Newness and Distinctiveness: **Newness and distinctiveness reside in the features of shape and/or configuration of the COVER RING FOR AN EXHAUST PIPE as shown in the representations.**



- (21) Design Number: **16416/2013**
(22) Date of Filing Application: **05 December 2013**
(24) Date from which industrial property rights may have effect: **05 December 2013**
(54) Product in respect of which the design is registered: **Beer dispenser**
(51) International Design Classification: **31-00**
(74) Name(s) of Attorney(s): **Freehills Patent Attorneys**
(71) Name(s) and Address(s) of Applicant(s):
Asahi Breweries, Ltd
23-1 Azumabashi 1-chrome Sumida-ku Tokyo 130-8602 Japan
(72) Name(s) of Designer(s): **Junichi Kitano and Kenji Kato and Mitsuhiko Kitamura**
(45) Registration Date: **03 January 2014**
(30) Convention priority data:
(31) Number (32) Date (33) Country
2013-015603 09 Jul 2013 JAPAN
(56) Related Art Documents: **Not Applicable**
(57) Statement of Newness and Distinctiveness: **The newness and distinctiveness of the design resides in the shape and configuration of the beer dispenser as shown in the accompanying representations.**



- (21) Design Number: **16417/2013**
(22) Date of Filing Application: **05 December 2013**
(24) Date from which industrial property rights may have effect: **05 December 2013**
(54) Product in respect of which the design is registered: **Beer dispenser**
(51) International Design Classification: **31-00**
(74) Name(s) of Attorney(s): **Freehills Patent Attorneys**
(71) Name(s) and Address(s) of Applicant(s):
Asahi Breweries, Ltd
23-1 Azumabashi 1-chrome Sumida-ku Tokyo 130-8602 Japan
(72) Name(s) of Designer(s): **Junichi Kitano and Kenji Kato and Mitsuhiko Kitamura**
(45) Registration Date: **03 January 2014**
(30) Convention priority data:
(31) Number (32) Date (33) Country
2013-015605 09 Jul 2013 JAPAN
(56) Related Art Documents: **Not Applicable**
(57) Statement of Newness and Distinctiveness: **The newness and distinctiveness of the design resides in the shape and configuration of the beer dispenser as shown in the accompanying representations.**



(21) Design Number: **14664/2013**

(22) Date of Filing Application: **13 September 2013**

(24) Date from which industrial property rights may have effect: **13 September 2013**

(54) Product in respect of which the design is registered: **Short sleeve shirt with round neck**

(51) International Design Classification: **02-02NES**

(74) Name(s) of Attorney(s): **Freehills Patent Attorneys**

(71) Name(s) and Address(s) of Applicant(s):

Intelliskin USA, LLC

9595 Wilshire Boulevard Suite 900 Beverly Hills California 90212 United States of America

(72) Name(s) of Designer(s): **Timothy W. Brown**

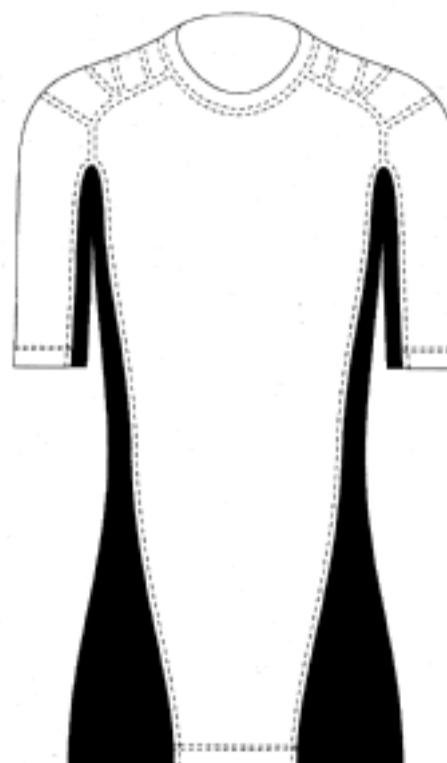
(45) Registration Date: **03 January 2014**

(30) Convention priority data:

(31) Number	(32) Date	(33) Country
29/449312	14 Mar 2013	UNITED STATES OF AMERICA

(56) Related Art Documents: **Not Applicable**

(57) Statement of Newness and Distinctiveness: **Newness and distinctiveness of the design resides in the features of shape and ornamentation shown in solid outline in the accompanying representations. The solid black shading indicates colour contrast with the non-shaded portions.**



(21) Design Number: **16708/2013**

(22) Date of Filing Application: **13 September 2013**

(24) Date from which industrial property rights may have effect: **13 September 2013**

(54) Product in respect of which the design is registered: **Short sleeve shirt with V-neck**

(51) International Design Classification: **02-02NES**

(74) Name(s) of Attorney(s): **Freehills Patent Attorneys**

(71) Name(s) and Address(s) of Applicant(s):

Intelliskin USA, LLC

9595 Wilshire Boulevard Suite 900 Beverly Hills California 90212 United States of America

(72) Name(s) of Designer(s): **Timothy W. Brown**

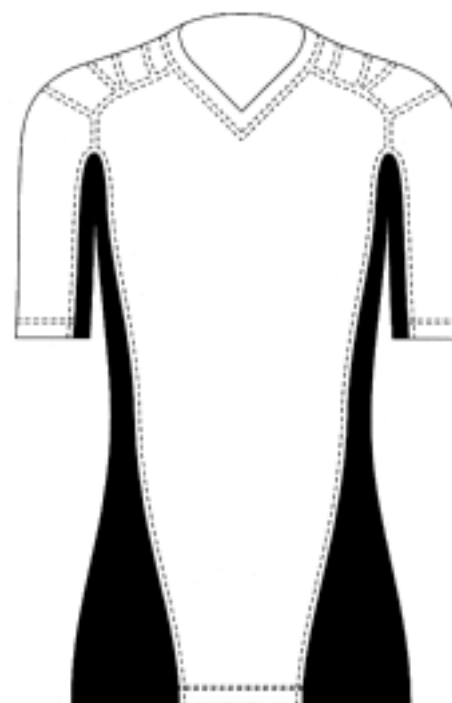
(45) Registration Date: **03 January 2014**

(30) Convention priority data:

(31) Number	(32) Date	(33) Country
29/449312	14 Mar 2013	UNITED STATES OF AMERICA

(56) Related Art Documents: **Not Applicable**

(57) Statement of Newness and Distinctiveness: **Newness and distinctiveness of the design resides in the features of shape and ornamentation shown in solid outline in the accompanying representations. The solid black shading indicates colour contrast with the non-shaded portions.**



(21) Design Number: **16709/2013**

(22) Date of Filing Application: **13 September 2013**

(24) Date from which industrial property rights may have effect: **13 September 2013**

(54) Product in respect of which the design is registered: **Long sleeve shirt with round neck**

(51) International Design Classification: **02-02NES**

(74) Name(s) of Attorney(s): **Freehills Patent Attorneys**

(71) Name(s) and Address(s) of Applicant(s):

Intelliskin USA, LLC

9595 Wilshire Boulevard Suite 900 Beverly Hills California 90212 United States of America

(72) Name(s) of Designer(s): **Timothy W. Brown**

(45) Registration Date: **03 January 2014**

(30) Convention priority data:

(31) Number

(32) Date

(33) Country

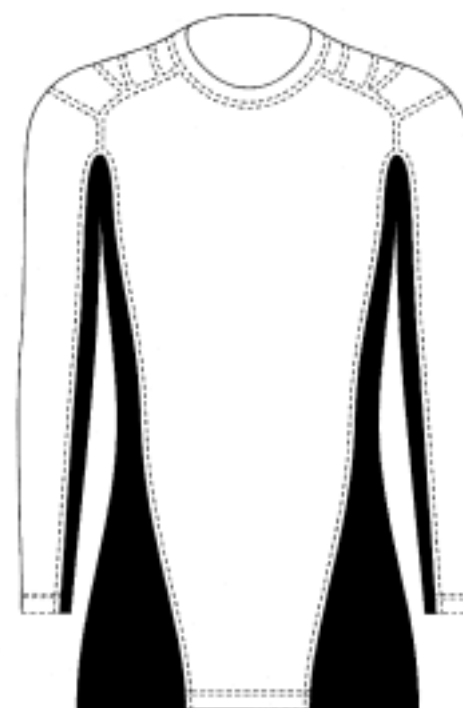
29/449312

14 Mar 2013

UNITED STATES OF AMERICA

(56) Related Art Documents: **Not Applicable**

(57) Statement of Newness and Distinctiveness: **Newness and distinctiveness of the design resides in the features of shape and ornamentation shown in solid outline in the accompanying representations. The solid black shading indicates colour contrast with the non-shaded portions.**



(21) Design Number: **16710/2013**

(22) Date of Filing Application: **13 September 2013**

(24) Date from which industrial property rights may have effect: **13 September 2013**

(54) Product in respect of which the design is registered: **Long sleeve shirt with V-neck**

(51) International Design Classification: **02-02NES**

(74) Name(s) of Attorney(s): **Freehills Patent Attorneys**

(71) Name(s) and Address(s) of Applicant(s):

Intelliskin USA, LLC

9595 Wilshire Boulevard Suite 900 Beverly Hills California 90212 United States of America

(72) Name(s) of Designer(s): **Timothy W. Brown**

(45) Registration Date: **03 January 2014**

(30) Convention priority data:

(31) Number

(32) Date

(33) Country

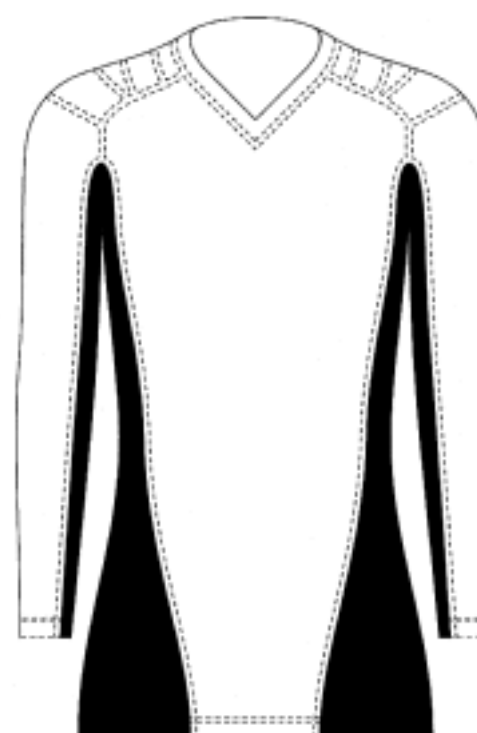
29/449312

14 Mar 2013

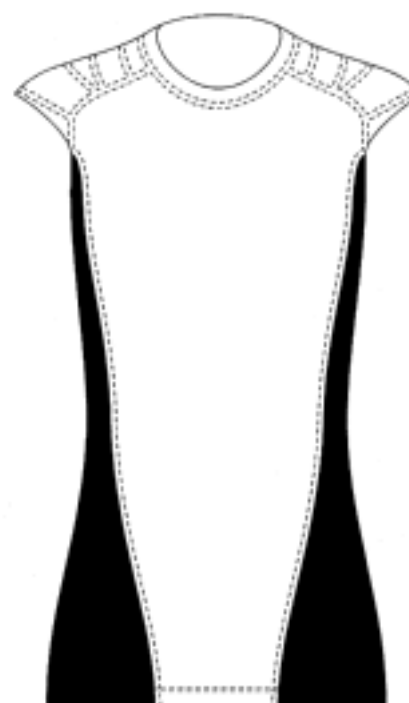
UNITED STATES OF AMERICA

(56) Related Art Documents: **Not Applicable**

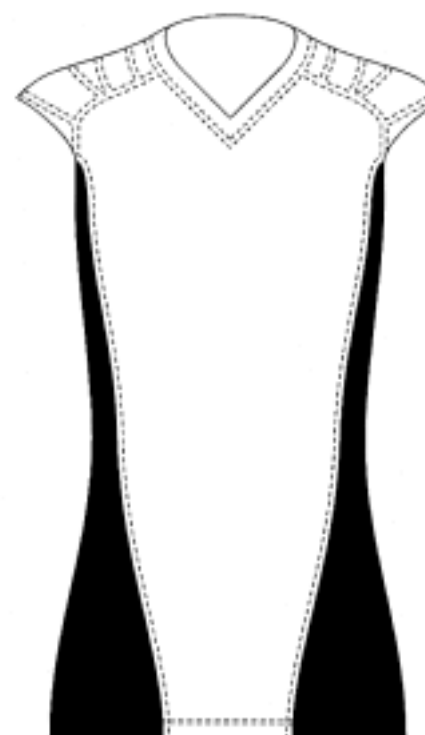
(57) Statement of Newness and Distinctiveness: **Newness and distinctiveness of the design resides in the features of shape and ornamentation shown in solid outline in the accompanying representations. The solid black shading indicates colour contrast with the non-shaded portions.**



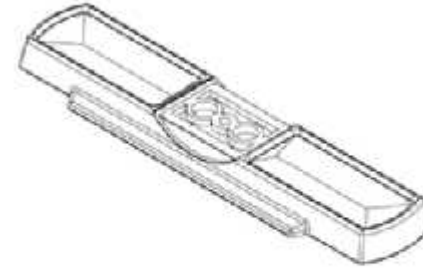
- (21) Design Number: **16711/2013**
(22) Date of Filing Application: **13 September 2013**
(24) Date from which industrial property rights may have effect: **13 September 2013**
(54) Product in respect of which the design is registered: **Sleeveless shirt with round neck**
(51) International Design Classification: **02-02NES**
(74) Name(s) of Attorney(s): **Freehills Patent Attorneys**
(71) Name(s) and Address(s) of Applicant(s):
Intelliskin USA, LLC
9595 Wilshire Boulevard Suite 900 Beverly Hills California 90212 United States of America
(72) Name(s) of Designer(s): **Timothy W. Brown**
(45) Registration Date: **03 January 2014**
(30) Convention priority data:
(31) Number (32) Date (33) Country
29/449312 14 Mar 2013 UNITED STATES OF AMERICA
(56) Related Art Documents: **Not Applicable**
(57) Statement of Newness and Distinctiveness: **Newness and distinctiveness of the design resides in the features of shape and ornamentation shown in solid outline in the accompanying representations. The solid black shading indicates colour contrast with the non-shaded portions.**



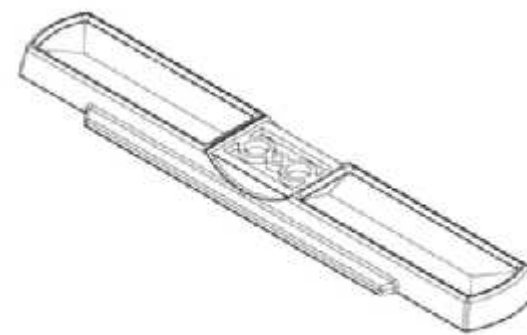
- (21) Design Number: **16712/2013**
(22) Date of Filing Application: **13 September 2013**
(24) Date from which industrial property rights may have effect: **13 September 2013**
(54) Product in respect of which the design is registered: **Sleeveless shirt with V-neck**
(51) International Design Classification: **02-02NES**
(74) Name(s) of Attorney(s): **Freehills Patent Attorneys**
(71) Name(s) and Address(s) of Applicant(s):
Intelliskin USA, LLC
9595 Wilshire Boulevard Suite 900 Beverly Hills California 90212 United States of America
(72) Name(s) of Designer(s): **Timothy W. Brown**
(45) Registration Date: **03 January 2014**
(30) Convention priority data:
(31) Number (32) Date (33) Country
29/449312 14 Mar 2013 UNITED STATES OF AMERICA
(56) Related Art Documents: **Not Applicable**
(57) Statement of Newness and Distinctiveness: **Newness and distinctiveness of the design resides in the features of shape and ornamentation shown in solid outline in the accompanying representations. The solid black shading indicates colour contrast with the non-shaded portions.**



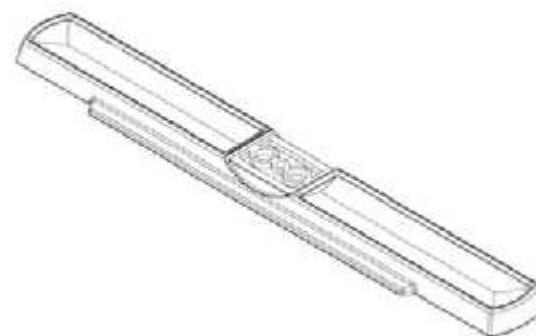
- (21) Design Number: **12092/2013**
(22) Date of Filing Application: **03 May 2013**
(24) Date from which industrial property rights may have effect: **03 May 2013**
(54) Product in respect of which the design is registered: **Broomhead**
(51) International Design Classification: **04-01**
(74) Name(s) of Attorney(s): **Allens Patent & Trade Mark Attorneys**
(71) Name(s) and Address(s) of Applicant(s):
E.D. Oates Pty Ltd
13-21 Maygar Bld Broadmeadows VIC 3047 Australia
(72) Name(s) of Designer(s): **Brendan Abbenhuys**
(45) Registration Date: **06 January 2014**
(56) Related Art Documents: **Not Applicable**
(57) Statement of Newness and Distinctiveness: **Newness and distinctiveness resides in the visual features of shape and/or configuration of a broomhead as illustrated in the accompanying representations.**



- (21) Design Number: **12093/2013**
(22) Date of Filing Application: **03 May 2013**
(24) Date from which industrial property rights may have effect: **03 May 2013**
(54) Product in respect of which the design is registered: **Broomhead**
(51) International Design Classification: **04-01**
(74) Name(s) of Attorney(s): **Allens Patent & Trade Mark Attorneys**
(71) Name(s) and Address(s) of Applicant(s):
E.D. Oates Pty Ltd
13-21 Maygar Bld Broadmeadows VIC 3047 Australia
(72) Name(s) of Designer(s): **Brendan Abbenhuys**
(45) Registration Date: **06 January 2014**
(56) Related Art Documents: **Not Applicable**
(57) Statement of Newness and Distinctiveness: **Newness and distinctiveness resides in the visual features of shape and/or configuration of a broomhead as illustrated in the accompanying representations.**



- (21) Design Number: **12094/2013**
(22) Date of Filing Application: **03 May 2013**
(24) Date from which industrial property rights may have effect: **03 May 2013**
(54) Product in respect of which the design is registered: **Broomhead**
(51) International Design Classification: **04-01**
(74) Name(s) of Attorney(s): **Allens Patent & Trade Mark Attorneys**
(71) Name(s) and Address(s) of Applicant(s):
E.D. Oates Pty Ltd
13-21 Maygar Bld Broadmeadows VIC 3047 Australia
(72) Name(s) of Designer(s): **Brendan Abbenhuys**
(45) Registration Date: **06 January 2014**
(56) Related Art Documents: **Not Applicable**
(57) Statement of Newness and Distinctiveness: **Newness and distinctiveness resides in the visual features of shape and/or configuration of a broomhead as illustrated in the accompanying representations.**



- (21) Design Number: **12095/2013**
(22) Date of Filing Application: **03 May 2013**
(24) Date from which industrial property rights may have effect: **03 May 2013**
(54) Product in respect of which the design is registered: **Ferrule for binding the bristles of a broom to its handle**
(51) International Design Classification: **04-01**
(74) Name(s) of Attorney(s): **Allens Patent & Trade Mark Attorneys**
(71) Name(s) and Address(s) of Applicant(s):
E.D. Oates Pty Ltd
13-21 Maygar Bld Broadmeadows VIC 3047 Australia
(72) Name(s) of Designer(s): **Brendan Abbenhuys**
(45) Registration Date: **06 January 2014**
(56) Related Art Documents: **Not Applicable**
(57) Statement of Newness and Distinctiveness: **Newness and distinctiveness resides in the visual features of shape and/or configuration of a ferrule as illustrated in the accompanying representations.**



- (21) Design Number: **12096/2013**
(22) Date of Filing Application: **03 May 2013**
(24) Date from which industrial property rights may have effect: **03 May 2013**
(54) Product in respect of which the design is registered: **Collar for broom head assembly**
(51) International Design Classification: **04-01**
(74) Name(s) of Attorney(s): **Allens Patent & Trade Mark Attorneys**
(71) Name(s) and Address(s) of Applicant(s):
E.D. Oates Pty Ltd
13-21 Maygar Bld Broadmeadows VIC 3047 Australia
(72) Name(s) of Designer(s): **Brendan Abbenhuys**
(45) Registration Date: **06 January 2014**
(56) Related Art Documents: **Not Applicable**
(57) Statement of Newness and Distinctiveness: **Newness and distinctiveness resides in the visual features of shape and/or configuration of a broom head assembly as illustrated in the accompanying representations.**



- (21) Design Number: **15005/2013**
(22) Date of Filing Application: **01 October 2013**
(24) Date from which industrial property rights may have effect: **01 October 2013**
(54) Product in respect of which the design is registered: **An in-wall tundish**
(51) International Design Classification: **23-01NES**
(74) Name(s) of Attorney(s): **Gibsons Solicitors Pty Ltd**
(71) Name(s) and Address(s) of Applicant(s):
Mark Anderson Sales Pty Ltd
4/84 Ingleston Rd Wakerley QLD 4154 Australia
(72) Name(s) of Designer(s): **Mark Anderson**
(45) Registration Date: **07 January 2014**
(56) Related Art Documents: **Not Applicable**
(57) Statement of Newness and Distinctiveness: **The Design provides an air break between air conditioning and refrigeration units so condensation (water) cannot back flow into the connected unit. The Design has a tapered body so any fluid entering the unit drains away, immediately limiting the chance of any contaminated fluid remaining in the unit. This feature makes the Design different to other similar units which have a flat base on the body, allowing a certain amount of fluid to sit and stagnate in the body and enhancing the chance of bacteria forming and the formation of mould and mildew. To the best of the Applicants knowledge, the Design is new and distinctive because the overall unit is more compact in size than other tundishes, saving space in the wall cavity and on the wall face, and no other tundish designs have a tapered body.**



(21) Design Number: **15218/2013**

(22) Date of Filing Application: **14 October 2013**

(24) Date from which industrial property rights may have effect: **14 October 2013**

(54) Product in respect of which the design is registered: **Loudspeaker**

(51) International Design Classification: **14-01**

(74) Name(s) of Attorney(s): **Madderns**

(71) Name(s) and Address(s) of Applicant(s):

AUDIOPROF N.V.

Industriepark Zone 4 Brechtsebaan 8 Schoten 2900 Belgium

(72) Name(s) of Designer(s): **Tom Gheysens**

(45) Registration Date: **07 January 2014**

(30) Convention priority data:

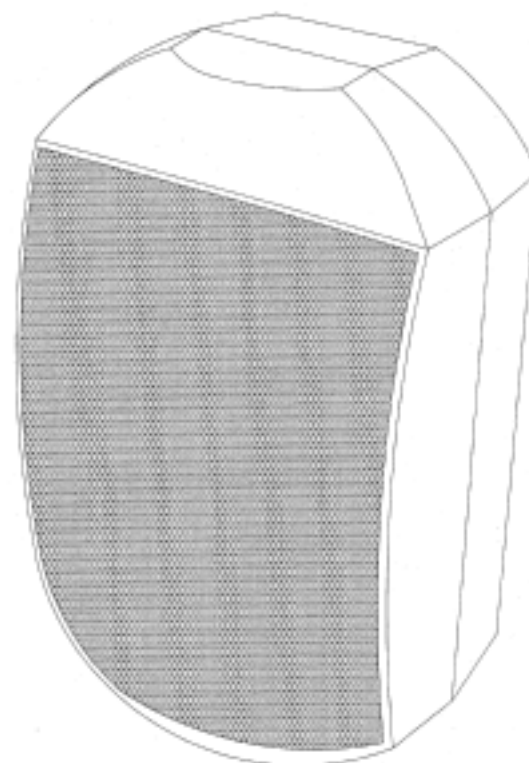
(31) Number
002233940

(32) Date
08 May 2013

(33) Country
**OFFICE FOR HARMONISATION IN
THE INTERNAL MARKET (OHIM)**

(56) Related Art Documents: **Not Applicable**

(57) Statement of Newness and Distinctiveness: **Newness and originality is claimed in the features of shape and configuration applied to a Loudspeaker as illustrated in the accompanying representations.**



(21) Design Number: **15622/2013**

(22) Date of Filing Application: **31 October 2013**

(24) Date from which industrial property rights may have effect: **31 October 2013**

(54) Product in respect of which the design is registered: **Article of clothing**

(51) International Design Classification: **02-02C**

(74) Name(s) of Attorney(s): **Adams Pluck**

(71) Name(s) and Address(s) of Applicant(s):

Zanerobe Global Brands Pty Ltd

Rear Warehouse 522 Military Rd Mosman NSW 2088 Australia

(72) Name(s) of Designer(s): **Nat Taubman**

(45) Registration Date: **07 January 2014**

(56) Related Art Documents: **Not Applicable**

(57) Statement of Newness and Distinctiveness: **The newness and distinctiveness of the design resides in the shape of the crotch panel labelled A in the representations. The pockets, cuffs, waistband and drawstring are not part of the design and are to be disregarded when considering the overall impression of the design.**



- (21) Design Number: **15989/2013**
(22) Date of Filing Application: **20 November 2013**
(24) Date from which industrial property rights may have effect: **20 November 2013**
(54) Product in respect of which the design is registered: **Clid's cot**
(51) International Design Classification: **06-02**
(74) Name(s) of Attorney(s):
(71) Name(s) and Address(s) of Applicant(s):

Grocorp
PO Box 3013 Bowenfels NSW 2790 AUSTRALIA

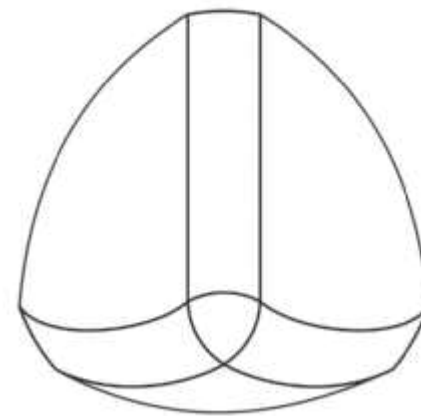
- (72) Name(s) of Designer(s): **Stephen Joyce**
(45) Registration Date: **07 January 2014**
(56) Related Art Documents: **Not Applicable**
(57) Statement of Newness and Distinctiveness: **A basinet that is designed without legs or any vertical members that continue past the base of the basinet structure. Each of the four vertical members have two horizontal bolt holes. These bolt holes are used to fix the basinet structure to common babies cot/crib end panels that have the corresponding fixing points.**



- (21) Design Number: **16296/2013**
(22) Date of Filing Application: **03 December 2013**
(24) Date from which industrial property rights may have effect: **03 December 2013**
(54) Product in respect of which the design is registered: **Grinding body**
(51) International Design Classification: **15-09**
(74) Name(s) of Attorney(s): **PHILLIPS ORMONDE FITZPATRICK**
(71) Name(s) and Address(s) of Applicant(s):

RELO - B Ltd.
1, Oborishte street entr. A, ap. 17 Sofia 1504 Bulgaria

- (72) Name(s) of Designer(s): **Petar Bodurov**
(45) Registration Date: **07 January 2014**
(30) Convention priority data:
(31) Number (32) Date (33) Country
DM/081 103 05 Jun 2013 INTERNATIONAL BUREAU (WIPO)
(56) Related Art Documents: **Not Applicable**
(57) Statement of Newness and Distinctiveness: **Nil**



(21) Design Number: **15883/2013**

(22) Date of Filing Application: **15 November 2013**

(24) Date from which industrial property rights may have effect: **15 November 2013**

(54) Product in respect of which the design is registered: **Accessory for a string trimmer**

(51) International Design Classification: **08-03**

(74) Name(s) of Attorney(s): **Davies Collison Cave**

(71) Name(s) and Address(s) of Applicant(s):

Black & Decker Inc.

1207 Drummond Plaza Newark Delaware 19711 United States of America

(72) Name(s) of Designer(s): **Graham Bone and Mark Baxter**

(45) Registration Date: **07 January 2014**

(30) Convention priority data:

(31) Number

(32) Date

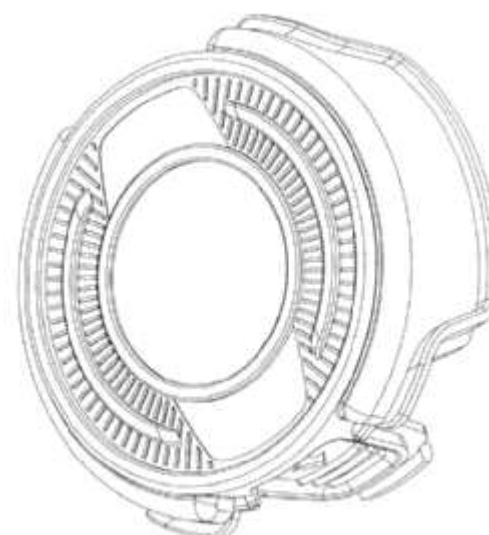
(33) Country

001371454-0001 16 May 2013

**OFFICE FOR HARMONISATION IN
THE INTERNAL MARKET (OHIM)**

(56) Related Art Documents: **Not Applicable**

(57) Statement of Newness and Distinctiveness: **Nil**



(21) Design Number: **16309/2013**

(22) Date of Filing Application: **03 December 2013**

(24) Date from which industrial property rights may have effect: **03 December 2013**

(54) Product in respect of which the design is registered: **Electrical switch socket outlet**

(51) International Design Classification: **13-03D**

(74) Name(s) of Attorney(s):

(71) Name(s) and Address(s) of Applicant(s):

Connected Group Australia Pty Limited

U2 26-28 Whyalla PI Prestons NSW 2170 Australia

(72) Name(s) of Designer(s): **Dean Lucantonio**

(45) Registration Date: **07 January 2014**

(56) Related Art Documents: **Not Applicable**

(57) Statement of Newness and Distinctiveness: **The curvature and shape of the top housing switch cover and top housing socket outlet cover including transparent lockable door are both new and distinctive. Either of these covers may appear singularly or together, or in a combination. The switch cover may appear with or without the LED indicator panel on the right side of the switch housing cover. Both the switch housing cover and the socket outlet housing cover may appear with or without the ID label plate on the bottom left corner of each housing cover.**



(21) Design Number: **14802/2013**
(22) Date of Filing Application: **23 September 2013**
(24) Date from which industrial property rights may have effect: **23 September 2013**
(54) Product in respect of which the design is registered: **Separator**
(51) International Design Classification: **08-05F, 23-99, 08-05NES**
(74) Name(s) of Attorney(s): **Wrays**
(71) Name(s) and Address(s) of Applicant(s):

Equalizer International Limited
Equalizer House Claymore Drive Aberdeen Science & Energy Park
Bridge Of Don Aberdeen AB23 8GD United Kingdom

(72) Name(s) of Designer(s): **Robert Stephen**

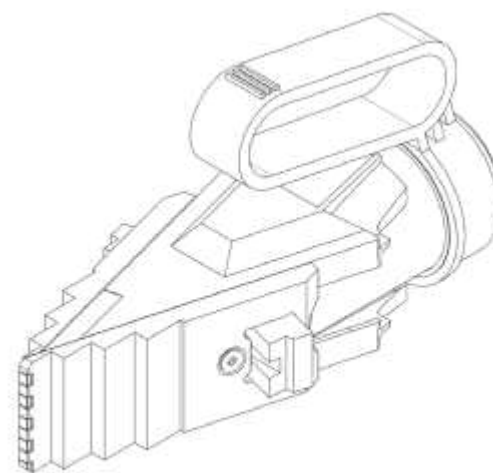
(45) Registration Date: **08 January 2014**

(30) Convention priority data:

(31) Number	(32) Date	(33) Country
002224980	22 Apr 2013	OFFICE FOR HARMONISATION IN THE INTERNAL MARKET (OHIM)

(56) Related Art Documents: **Not Applicable**

(57) Statement of Newness and Distinctiveness: **Newness and distinctiveness is claimed in the features of shape and/or configuration of the Separator depicted in the accompanying representations.**



(21) Design Number: **14993/2013**
(22) Date of Filing Application: **01 October 2013**
(24) Date from which industrial property rights may have effect: **01 October 2013**
(54) Product in respect of which the design is registered: **Privacy screen**
(51) International Design Classification: **25-02B**
(74) Name(s) of Attorney(s):
(71) Name(s) and Address(s) of Applicant(s):

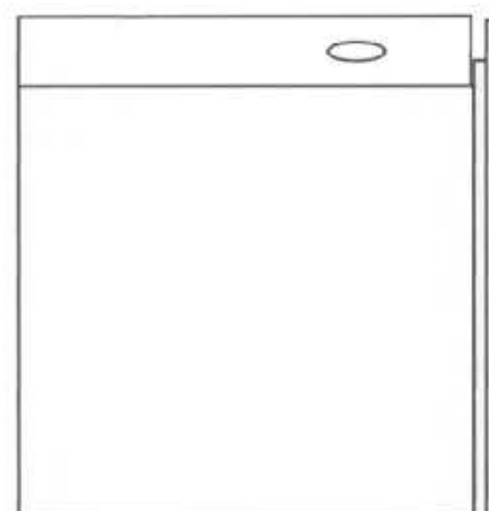
SERENE GROUP PTY. LTD.
U16 15-23 Kumulla Rd Miranda NSW 2228 Australia

(72) Name(s) of Designer(s): **Ken Bowrey**

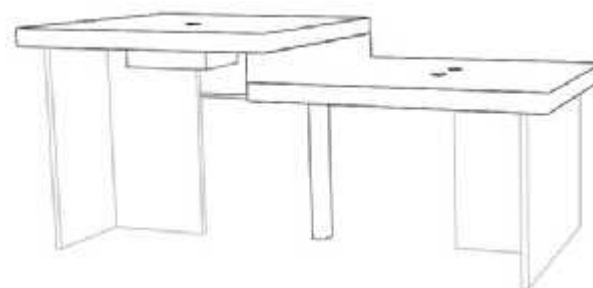
(45) Registration Date: **08 January 2014**

(56) Related Art Documents: **Not Applicable**

(57) Statement of Newness and Distinctiveness: **An idea of Managing Director of Serene Group, Ken Bowrey, the Serene Screen was designed and developed over a ten month period. The Serene Screen is unequalled as a functional piece of wall art and privacy screen.**



(21) Design Number: **15023/2013**
(22) Date of Filing Application: **01 October 2013**
(24) Date from which industrial property rights may have effect: **01 October 2013**
(54) Product in respect of which the design is registered: **Bench**
(51) International Design Classification: **06-03C, 20-02C**
(74) Name(s) of Attorney(s): **Baker & McKenzie**
(71) Name(s) and Address(s) of Applicant(s):
Optus Retailco Pty Ltd
1 Lyonpark Rd Macquarie Park NSW 2113 Australia
(72) Name(s) of Designer(s): **Adam Anthony Morris and Chris Ballard and Bob Angley**
(45) Registration Date: **08 January 2014**
(56) Related Art Documents: **Not Applicable**
(57) Statement of Newness and Distinctiveness: **Nil**



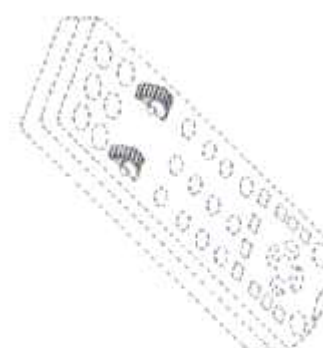
(21) Design Number: **15231/2013**
(22) Date of Filing Application: **15 October 2013**
(24) Date from which industrial property rights may have effect: **15 October 2013**
(54) Product in respect of which the design is registered: **Wedge arrangement of paintbrush bristles**
(51) International Design Classification: **04-04**
(74) Name(s) of Attorney(s): **FB Rice**
(71) Name(s) and Address(s) of Applicant(s):
James C. Dale
5004 Forest Oaks Drive Las Vegas Nevada 89149 United States of America
(72) Name(s) of Designer(s): **James C. Dale**
(45) Registration Date: **08 January 2014**
(30) Convention priority data:
(31) Number (32) Date (33) Country
29/452394 16 Apr 2013 UNITED STATES OF AMERICA
(56) Related Art Documents: **Not Applicable**
(57) Statement of Newness and Distinctiveness: **Newness and distinctiveness reside in the shape and configuration of the paintbrush as shown in the Figures, including a bristle section with a wedge cross-sectional shape that creates a narrow trailing edge to the paintbrush, resulting in a relatively fine painting line for working close to the corners and other edges, and a wide leading edge, which can act as a storage location in the paintbrush for paint.**



(21) Design Number: **15258/2013**
(22) Date of Filing Application: **16 October 2013**
(24) Date from which industrial property rights may have effect: **16 October 2013**
(54) Product in respect of which the design is registered: **Combination Shoes and Panty-Hose**
(51) International Design Classification: **02-04NES, 02-04C**
(74) Name(s) of Attorney(s): **SPRUSON & FERGUSON**
(71) Name(s) and Address(s) of Applicant(s):
Christian Dior Couture
30 avenue Montaigne Paris 75008 France
(72) Name(s) of Designer(s): **Raf Simons**
(45) Registration Date: **08 January 2014**
(30) Convention priority data:
(31) Number (32) Date (33) Country
DM/081 128 17 Apr 2013 SWITZERLAND
(56) Related Art Documents: **Not Applicable**
(57) Statement of Newness and Distinctiveness: **Newness and distinctiveness is claimed in the features of shape and/or configuration of a shoe as illustrated in the accompanying representations. The representations depict the shoe worn by a model to illustrate the shape and/or configuration of tights forming part of the shoe.**



(21) Design Number: **15688/2013**
(22) Date of Filing Application: **06 November 2013**
(24) Date from which industrial property rights may have effect: **06 November 2013**
(54) Product in respect of which the design is registered: **Remote controller for electronic appliances**
(51) International Design Classification: **14-03NES**
(74) Name(s) of Attorney(s): **WATERMARK PATENT AND TRADE MARKS ATTORNEYS**
(71) Name(s) and Address(s) of Applicant(s):
Alicole Enterprises
No. 8 Dama De Noche St Town and Country Village Antipolo City Rizal
1870 Philippines
(72) Name(s) of Designer(s): **Dante Ramel Olivar**
(45) Registration Date: **08 January 2014**
(30) Convention priority data:
(31) Number (32) Date (33) Country
3-2013-000760 25 Jun 2013 PHILIPPINES
(56) Related Art Documents: **Not Applicable**
(57) Statement of Newness and Distinctiveness: **Nil**



- (21) Design Number: **16226/2013**
(22) Date of Filing Application: **29 November 2013**
(24) Date from which industrial property rights may have effect: **29 November 2013**
(54) Product in respect of which the design is registered: **Travel cap for toothbrushes**
(51) International Design Classification: **04-02, 03-01D**
(74) Name(s) of Attorney(s): **PHILLIPS ORMONDE FITZPATRICK**
(71) Name(s) and Address(s) of Applicant(s):
Glaxo Group Limited
980 Great West Road Brentford Middlesex TW8 9GS United Kingdom
(72) Name(s) of Designer(s): **Marcus Blachford and Alex Brian and Charles Drury and Rhodri Jones and Peter Kay and William Knight**
(45) Registration Date: **08 January 2014**
(30) Convention priority data:
(31) Number (32) Date (33) Country
4030165 31 May 2013 UNITED KINGDOM
(56) Related Art Documents: **Not Applicable**
(57) Statement of Newness and Distinctiveness: **Those features of the travel cap for toothbrushes depicted in the representations that are new and distinctive are the shape and/or configuration.**



- (21) Design Number: **16227/2013**
(22) Date of Filing Application: **29 November 2013**
(24) Date from which industrial property rights may have effect: **29 November 2013**
(54) Product in respect of which the design is registered: **Travel cap for toothbrushes**
(51) International Design Classification: **04-02, 03-01D**
(74) Name(s) of Attorney(s): **PHILLIPS ORMONDE FITZPATRICK**
(71) Name(s) and Address(s) of Applicant(s):
Glaxo Group Limited
980 Great West Road Brentford Middlesex TW8 9GS United Kingdom
(72) Name(s) of Designer(s): **Marcus Blachford and Alex Brian and Charles Drury and Rhodri Jones and Peter Kay and William Knight**
(45) Registration Date: **08 January 2014**
(30) Convention priority data:
(31) Number (32) Date (33) Country
4030166 31 May 2013 UNITED KINGDOM
(56) Related Art Documents: **Not Applicable**
(57) Statement of Newness and Distinctiveness: **Those features of the travel cap for toothbrushes depicted in the representations that are new and distinctive are the shape and/or configuration.**



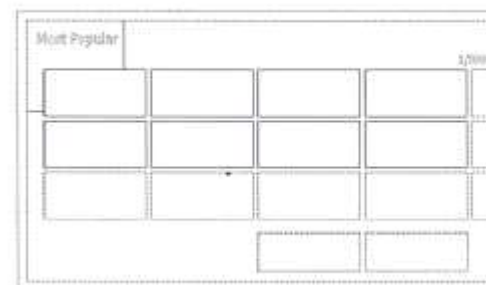
(21) Design Number: **16228/2013**
(22) Date of Filing Application: **29 November 2013**
(24) Date from which industrial property rights may have effect: **29 November 2013**
(54) Product in respect of which the design is registered: **Travel cap for toothbrushes**
(51) International Design Classification: **04-02, 03-01D**
(74) Name(s) of Attorney(s): **PHILLIPS ORMONDE FITZPATRICK**
(71) Name(s) and Address(s) of Applicant(s):
Glaxo Group Limited
980 Great West Road Brentford Middlesex TW8 9GS United Kingdom
(72) Name(s) of Designer(s): **Marcus Blachford and Alex Brian and Charles Drury and Rhodri Jones and Peter Kay and William Knight**
(45) Registration Date: **08 January 2014**
(30) Convention priority data:
(31) Number (32) Date (33) Country
4030167 31 May 2013 UNITED KINGDOM
(56) Related Art Documents: **Not Applicable**
(57) Statement of Newness and Distinctiveness: **Those features of the travel cap for toothbrushes depicted in the representations that are new and distinctive are the shape and/or configuration.**



(21) Design Number: **16229/2013**
(22) Date of Filing Application: **29 November 2013**
(24) Date from which industrial property rights may have effect: **29 November 2013**
(54) Product in respect of which the design is registered: **Travel cap for toothbrushes**
(51) International Design Classification: **04-02, 03-01D**
(74) Name(s) of Attorney(s): **PHILLIPS ORMONDE FITZPATRICK**
(71) Name(s) and Address(s) of Applicant(s):
Glaxo Group Limited
980 Great West Road Brentford Middlesex TW8 9GS United Kingdom
(72) Name(s) of Designer(s): **Marcus Blachford and Alex Brian and Charles Drury and Rhodri Jones and Peter Kay and William Knight**
(45) Registration Date: **08 January 2014**
(30) Convention priority data:
(31) Number (32) Date (33) Country
4030168 31 May 2013 UNITED KINGDOM
(56) Related Art Documents: **Not Applicable**
(57) Statement of Newness and Distinctiveness: **Those features of the travel cap for toothbrushes depicted in the representations that are new and distinctive are the shape and/or configuration.**

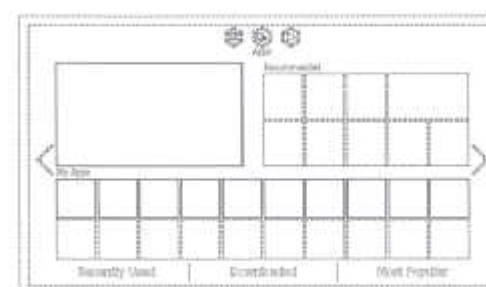


(21) Design Number: **16285/2013**
(22) Date of Filing Application: **03 December 2013**
(24) Date from which industrial property rights may have effect: **03 December 2013**
(54) Product in respect of which the design is registered: **Display screen with graphical user interface**
(51) International Design Classification: **14-01**
(74) Name(s) of Attorney(s): **IP Gateway Patent & Trademark Attorneys Pty Ltd**
(71) Name(s) and Address(s) of Applicant(s):
Samsung Electronics Co., Ltd.
129 Samsung-ro Yeongtong-Gu Suwon-Si Gyeonggi-do 443-742
Republic of Korea
(72) Name(s) of Designer(s): **Hyeryung Kim and Yong-Hwan Kwon and Jieun Kim and Jihong Kim and Jangwon Seo and Seran Jeon and Danny Hwang**
(45) Registration Date: **08 January 2014**
(30) Convention priority data:
(31) Number (32) Date (33) Country
30-2013-0029442 05 Jun 2013 REPUBLIC OF KOREA



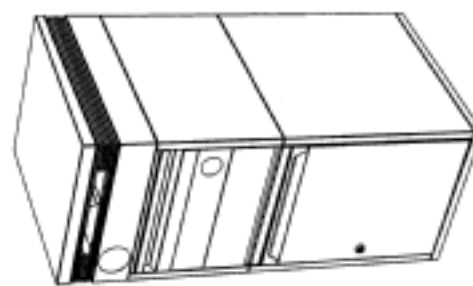
(56) Related Art Documents: **Not Applicable**
(57) Statement of Newness and Distinctiveness: **Newness & Distinctiveness reside in the visual features resulting from the layout of elements shown in solid lines in the representation. The solid lines define a number of areas that may be used to display text and/or images. The features shown in broken lines should be given minimum emphasis when considering the overall impression of the design. The specific characters of text and the specific symbols, shown in the representation in broken lines, do not form part of the design, but are indicative of positions where some text and symbols may be displayed.**

(21) Design Number: **16286/2013**
(22) Date of Filing Application: **03 December 2013**
(24) Date from which industrial property rights may have effect: **03 December 2013**
(54) Product in respect of which the design is registered: **Display screen with graphical user interface**
(51) International Design Classification: **14-01**
(74) Name(s) of Attorney(s): **IP Gateway Patent & Trademark Attorneys Pty Ltd**
(71) Name(s) and Address(s) of Applicant(s):
Samsung Electronics Co., Ltd.
129 Samsung-ro Yeongtong-Gu Suwon-Si Gyeonggi-do 443-742
Republic of Korea
(72) Name(s) of Designer(s): **Hyeryung Kim and Yong-Hwan Kwon and Jieun Kim and Jihong Kim and Jangwon Seo and Seran Jeon and Danny Hwang**
(45) Registration Date: **08 January 2014**
(30) Convention priority data:
(31) Number (32) Date (33) Country
30-2013-0029441 05 Jun 2013 REPUBLIC OF KOREA

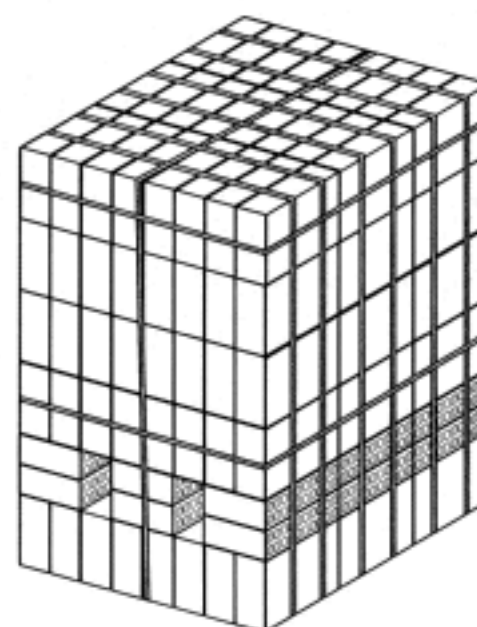


(56) Related Art Documents: **Not Applicable**
(57) Statement of Newness and Distinctiveness: **Newness & Distinctiveness reside in the visual features resulting from the layout of elements shown in solid lines in the representation. The solid lines define a number of areas that may be used to display text and/or images. The features shown in broken lines should be given minimum emphasis when considering the overall impression of the design. The specific characters of text and the specific symbols, shown in the representation in broken lines, do not form part of the design, but are indicative of positions where some text and symbols may be displayed.**

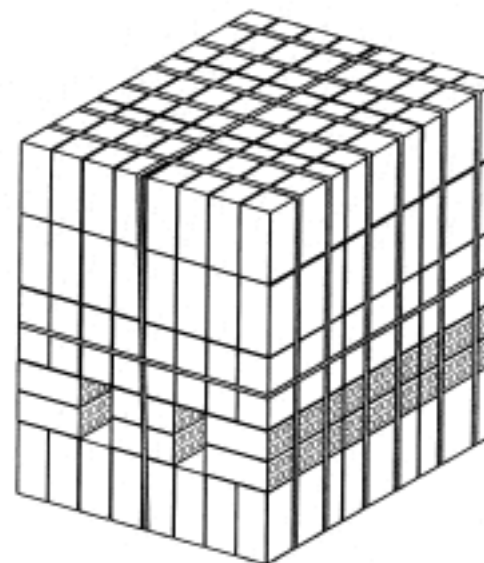
- (21) Design Number: **12428/2013**
(22) Date of Filing Application: **23 May 2013**
(24) Date from which industrial property rights may have effect: **23 May 2013**
(54) Product in respect of which the design is registered: **Mail and parcel delivery box**
(51) International Design Classification: **25-03, 99**
(74) Name(s) of Attorney(s): **Halfords IP**
(71) Name(s) and Address(s) of Applicant(s):
Mayo Hardware Pty Ltd
4 Secombe PI Moorebank NSW 2170 Australia
(72) Name(s) of Designer(s): **Jack Martinich and John Thomas and Mark Mayo**
(45) Registration Date: **08 January 2014**
(56) Related Art Documents: **Not Applicable**
(57) Statement of Newness and Distinctiveness: **Newness and Distinctiveness resides in the features of shape and or configuration of a mail and parcel delivery box as depicted in the accompanying representations.**



- (21) Design Number: **14920/2013**
(22) Date of Filing Application: **24 September 2013**
(24) Date from which industrial property rights may have effect: **24 September 2013**
(54) Product in respect of which the design is registered: **Brick stack**
(51) International Design Classification: **25-01A, 09-06, 09-99**
(74) Name(s) of Attorney(s): **Wrays**
(71) Name(s) and Address(s) of Applicant(s):
BGC (Australia) Pty Ltd
L6 18 Mount St Perth WA 6000 Australia
(72) Name(s) of Designer(s): **Vasyl Bill Swerlowycz**
(45) Registration Date: **08 January 2014**
(56) Related Art Documents: **Not Applicable**
(57) Statement of Newness and Distinctiveness: **The newness and distinctiveness of the design is claimed in the features of shape and/or configuration of the horizontal banding around a brick stack as depicted in the accompanying representations. In considering the newness and distinctiveness of the design the vertical banding and the orientation of the bricks is to be excluded from consideration.**



- (21) Design Number: **14921/2013**
(22) Date of Filing Application: **24 September 2013**
(24) Date from which industrial property rights may have effect: **24 September 2013**
(54) Product in respect of which the design is registered: **Brick stack**
(51) International Design Classification: **25-01A, 09-06, 09-99**
(74) Name(s) of Attorney(s): **Wrays**
(71) Name(s) and Address(s) of Applicant(s):
BGC (Australia) Pty Ltd
L6 18 Mount St Perth WA 6000 Australia
(72) Name(s) of Designer(s): **Vasyl Bill Swerlowycz**
(45) Registration Date: **08 January 2014**
(56) Related Art Documents: **Not Applicable**
(57) Statement of Newness and Distinctiveness: **The newness and distinctiveness of the design is claimed in the features of shape and/or configuration of the horizontal banding around a brick stack as depicted in the accompanying representations. In considering the newness and distinctiveness of the design the vertical banding and the orientation of the bricks is to be excluded from consideration.**



- (21) Design Number: **15863/2013**
(22) Date of Filing Application: **14 November 2013**
(24) Date from which industrial property rights may have effect: **14 November 2013**
(54) Product in respect of which the design is registered: **Ankle or bicycle accessory strap**
(51) International Design Classification: **12-16NES, 02-07A**
(74) Name(s) of Attorney(s): **Davies Collison Cave**
(71) Name(s) and Address(s) of Applicant(s):
Andrew Lang Product Design Limited
Space 1 Fitzroy House Abbot Street London E8 3DP United Kingdom
(72) Name(s) of Designer(s): **Andrew Lang**
(45) Registration Date: **08 January 2014**
(30) Convention priority data:
(31) Number (32) Date (33) Country
**002237586 15 May 2013 OFFICE FOR HARMONISATION IN
THE INTERNAL MARKET (OHIM)**
(56) Related Art Documents: **Not Applicable**
(57) Statement of Newness and Distinctiveness: **Nil**

