



Australian Government

IP Australia

AUSTRALIAN OFFICIAL JOURNAL

OF

DESIGNS

Did you know a searchable version of this journal is now available online?

It's FREE and EASY to SEARCH.

Find it on our website (www.ipaustralia.gov.au)

by using the "Journals" link on the home page.

This Page Left Intentionally Blank

Contents

General Information & Notices

**Proceedings Under the Designs Act 1906 preserved as a result of the provisions of Chapter 12
Part 2 of the Designs Act 2003**

Extension of Period of Registration of Designs	230
Names Registered - Alterations and Amendments	230
Registrations Ceased	230
Subsequent Owners Registered	230

Proceedings Under the Designs Act 2003

Applications Lodged	234
Applications Withdrawn	239
Certificate of Examination	242
Extension of Period of Registration of Design	240
Extension of Time Granted Under Section 137	240
Publication and Registration Proceedings	
Designs Registered 353196 to 353281.....	243
Registrations Ceased	240
Revocation of Design Registrations	240
Subsequent Owners Registered	241

This Page Left Intentionally Blank

For information on the following please see our website www.ipaustralia.gov.au or contact our Customer Service Network on 1300651010

[Editorial enquiries](#)

[Contact information](#)

[Freedom of Information ACT](#)

[Professional Standards Board](#)

[Sales](#)

[Requests for Information under Section 194 \(c\)](#)

[Country Codes](#)

[Trade Mark and Designs Hearing Sessions](#)

[INID \(Internationally agreed Numbers for the Identification of Data\)](#)

“INID” NUMBERS in use on Australian Design Documents

“INID” is an acronym for “Internationally agreed Numbers for the Identification of Data”.

(10) Data concerning the registration/renewal

- (11) Serial number of the registration and/or number of the design document
- (12) Plain language designation of the kind of published document
- (19) Identification, using the two-letter code according to WIPO Standard ST.3, of the authority publishing or registering the industrial design

(20) Data concerning the application

- (21) Serial number of the application
- (22) Date of filing of the application
- (24) Date from which the industrial design right has effect

(30) Data relating to priority under the Paris Convention

- (31) Serial number assigned to the priority application
- (32) Date of filing of the priority application
- (33) Two-letter code, according to WIPO Standard ST.3, identifying the authority with which the priority application was made

(40) Date(s) of making information available to the public

- (45) Date of publication of the registered industrial design by printing or similar process, or making it available to the public by any other means

(50) Miscellaneous Information

- (51) International Classification for Industrial Designs (class and subclass of the Locarno Classification)
- (54) Designation of article(s) or product(s) covered by the industrial design or title of the industrial design
- (55) Reproduction of the industrial design (e.g., drawing, photograph) and explanations relating to the reproduction
- (56) List of prior art documents, if separate from descriptive text
- (57) Description of characteristic features of the industrial design including indication of colours

(60) References to other legally related application(s) and registration(s)

- (62) Serial number(s) and, if available, filing date(s) of application(s), registration(s) or document(s) related by division
- (66) Serial number(s) of the application, or the registration, of the design(s) which is (are) a variant(s) of the present one

(70) Identification of parties concerned with the application or registration

- (71) Name(s) and address(es) of the applicant(s)
- (72) Name(s) of the creator(s) if known to be such
- (74) Name(s) and address(es) of the representative(s)

This Page Left Intentionally Blank

Nil notices for this journal issue.

Proceedings under the Designs Act 1906 preserved as a result of the provisions of Chapter 12 Part 2 of the Designs Act 2003.

This Page Left Intentionally Blank

Applications Lapsed

There were no Applications Lapsed under this section

Extension of Period of Registration of Designs

1st Period (Section 27A(8))

2nd Period (Section 27A(12))

3rd Period (Section 27A(13))

151369	151370	152200
152201	152260	152555
152676	152916	153149
153179	153180	154252
154859	155118	155528
156409		

150976	151173	151373
151587	151588	151686
152324	152983	153147
153284	153534	153988
154107		

Subsequent Owners Registered

(The name in parentheses is that of the subsequent owner)

151401 (**Consolcap S.p.A.**) Vortice Elettrosociali S.p.A.

Names Registered - Alterations and Amendments

(The name in parentheses is the new name of the proprietor)

151876 (**Carl Zeiss Vision Inc.**) Sola International Inc.

Registrations Ceased

Note: Some of the following Registrations may have been previously advertised as ceased. In this instance, the previous advertisement still prevails.

132812	132947	134185
134186	134191	134200
134268	134274	134288
134289	134310	134320
134323	134332	134343
134373	134374	134493
134509	134510	134586
134693	134747	134748
134789	134790	134791
134967	135032	135255
135256	135257	135258
135278	135279	135280
135281	135282	135283
135284	135341	135713
136196	136201	136574
136575	136576	136621
136842	137203	137879
137922	138464	138822
138982	139076	139180
139191	139395	140289
142312	143361	144591
148553	148554	148555
148556	148557	148869
149170	149171	149172
149182	149184	149185
149203	149254	149255
149269	149312	149314
149315	149402	149421
149447	149492	149522
149580	149581	149624
149748	149783	149784
150049	150164	150472

This Page Left Intentionally Blank

Proceedings under the Designs Act 2003.

This Page Left Intentionally Blank

Applications Lodged

Lodgement information is in the following order: **Applicant's Name**; International Classification, Name of Product, Lodgement Date and **Design Number**. If the applicant claims an earlier priority date under an International Convention, the Convention Country and the associated filing date are shown in parentheses before the Lodgement Date. Divisional information will also appear in parentheses before the Lodgement Date.

Arlec Australia Pty Ltd; 23-03NES, 13-03D, Heater control, 23 Dec 2013	16767/2013	Chef'N Corporation; 07-06NES, Melon baller, (US, 09 Jul 2013) 07 Jan 2014	10036/2014
Arlec Australia Pty Ltd; 23-03NES, 13-03D, Heater control, 23 Dec 2013	16768/2013	Chef'N Corporation; 09-03F, Herb keeper, (US, 09 Jul 2013) 07 Jan 2014	10037/2014
AUSTRALIAN FASHION LABELS PTY LTD; 02-02C, A skirt, 19 Dec 2013	16655/2013	Chef'N Corporation; 07-04, Tomato corer, (US, 09 Jul 2013) 07 Jan 2014	10033/2014
Beba Enterprises Pty Ltd;Magi Enterprises Pty Ltd; 02-02C, Articles of clothing, 23 Aug 2013	16840/2013	Chervon (HK) Limited; 15-05, Blower, 13 Jan 2014	10128/2014
Beba Enterprises Pty Ltd;Magi Enterprises Pty Ltd; 02-02C, 02-02NES, Articles of clothing, 22 Oct 2013	15444/2013	Chobani, Inc.; 09-03M, Container overwrap, (US, 16 Jul 2013) 15 Jan 2014	10171/2014
Beba Enterprises Pty Ltd;Magi Enterprises Pty Ltd; 02-02NES, Articles of clothing, 23 Aug 2013	16841/2013	Colgate-Palmolive Company; 09-03NES, 09-05, Oral care implement package, (US, 17 Jul 2013) 23 Dec 2013	16759/2013
Beba Enterprises Pty Ltd;Magi Enterprises Pty Ltd; 02-02NES, Articles of clothing, 23 Aug 2013	16839/2013	Colgate-Palmolive Company; 04-02, Toothbrush, (US, 17 Jul 2013) 10 Jan 2014	10097/2014
Beba Enterprises Pty Ltd;Magi Enterprises Pty Ltd; 02-02NES, Articles of clothing, 23 Aug 2013	16838/2013	Colgate-Palmolive Company; 09-05, Oral care implement package, (US, 07 Aug 2013) 10 Jan 2014	10098/2014
Beba Enterprises Pty Ltd;Magi Enterprises Pty Ltd; 02-02C, Articles of clothing, 23 Aug 2013	16837/2013	Colgate-Palmolive Company; 04-02, Toothbrush, (US, 17 Jul 2013) 10 Jan 2014	10096/2014
BioMerieux, Inc.; 24-02, Adaptor cap with needle bore having flat internal surfaces, (US, 24 Apr 2013) 22 Oct 2013	10137/2014	Colgate-Palmolive Company; 09-03NES, 09-05, Oral care implement package, (US, 17 Jul 2013) 23 Dec 2013	16758/2013
Calfarme Australia Pty Ltd; 09-05, Urinal deodoriser, 24 Dec 2013	16790/2013	Cross, James Richard; 09-05, Plastic pouch for ice confection, 09 Jan 2014	10069/2014
Cargill Incorporated; 09-01NES, Bottle, (US, 16 Jul 2013) 15 Jan 2014	10170/2014	Cryovac Australia Pty Ltd; 09-07NES, Lid, 10 Jan 2014	10093/2014
Cargill Incorporated; 09-01NES, Bottle, (US, 16 Jul 2013) 15 Jan 2014	10172/2014	Cryovac Australia Pty Ltd; 09-03NES, Tub, 10 Jan 2014	10091/2014
Carl Freudenberg KG; 07-05E, Sponge, (EM, 03 Jul 2013) 24 Dec 2013	16792/2013	Cryovac Australia Pty Ltd; 09-03NES, Tub, 10 Jan 2014	10092/2014
Caroma Industries Limited; 23-02F, A basin, 07 Jan 2014	10032/2014	Cryovac Australia Pty Ltd; 09-07B, Lid, 10 Jan 2014	10087/2014
Chef'N Corporation; 07-04, Dual citrus reamer, (US, 09 Jul 2013) 07 Jan 2014	10035/2014	Cryovac Australia Pty Ltd; 09-03NES, Tub, 10 Jan 2014	10088/2014
		Cryovac Australia Pty Ltd; 09-03NES, Tub, 10 Jan 2014	10089/2014
		Cryovac Australia Pty Ltd; 09-07NES, Lid, 10 Jan 2014	10094/2014
		Da Riva, Luigi Luca; 07-06D, Bottle opener, (Divisional of 15569/2013) 15 Jan 2014	10159/2014

Dart Industries Inc.; 07-01NES, Dual compartment container with lid, 08 Jan 2014	10054/2014	Forever New Clothing Pty Ltd; 02-02C, Article of clothing, (Divisional of 12338/2013) 13 Jan 2014	10123/2014
Dastek Co., Ltd.; 03-01NES, 14-03A, Mobile phone case, (KR, 27 Aug 2013) 10 Jan 2014	10101/2014	Forever New Clothing Pty Ltd; 02-02C, Article of clothing, (Divisional of 12338/2013) 13 Jan 2014	10120/2014
Davis, Michael; 08-08NES, A device for securing a wire or cable, 23 Dec 2013	16752/2013	Forever New Clothing Pty Ltd; 02-02C, Article of clothing, (Divisional of 12338/2013) 13 Jan 2014	10121/2014
Dri-Eaz Products, Inc.; 28-03B, Air dryer, (US, 10 Jul 2013) 10 Jan 2014	10085/2014	Forever New Clothing Pty Ltd; 02-02C, Article of clothing, (Divisional of 12338/2013) 13 Jan 2014	10119/2014
Dunlop Sports Co. Ltd.; 21-02C, Head for golf club, 09 Jan 2014	10064/2014	Forever New Clothing Pty Ltd; 02-99, Accessory item, 24 Dec 2013	16828/2013
Dunlop Sports Co., Ltd.; 21-02C, Head for golf club, 24 Dec 2013	16788/2013	Forever New Clothing Pty Ltd; 02-02C, 02-02NES, Article of clothing, 24 Dec 2013	16829/2013
Dunlop Sports Co., Ltd.; 21-02C, Head for golf club, 24 Dec 2013	16789/2013	Gillings, Barrie R D;Knapp, Mark William;Stray, Andrew Charles; 04-02, Toothbrush with LED, 07 Jan 2014	10039/2014
Dunlop Sports Company, Ltd.; 21-02C, A golf club head, (US, 10 Jul 2013) 07 Jan 2014	10028/2014	Greenearth Energy Ltd; 26-05A, Lighting components for industrial lighting, 09 Jan 2014	10070/2014
Dunlop Sports Company, Ltd.; 21-02C, A golf club head, (US, 10 Jul 2013) 07 Jan 2014	10029/2014	Greenearth Energy Ltd; 26-05A, Lighting components for industrial lighting, 09 Jan 2014	10068/2014
Easybox Ltd;Pellizzari, Robert; 09-03M, Corrugated cardboard, box board, core flute, polypropylene, semi rigid PVC, paper, 13 Jan 2014	10135/2014	Hangzhou China Art Industrial Co. Ltd.; 26-05D, Light assembly, 24 Dec 2013	16785/2013
Electrolux Appliances Aktiebolag; 23-04, A filter for hoods, (EM, 12 Jul 2013) 11 Jan 2014	10108/2014	Harper, Owen William George; 03-01A, Work bag, 09 Jan 2014	10058/2014
Etihad Airways; 06-01D, Seating module, (Divisional of 15210/2013) 10 Jan 2014	10131/2014	Harper, Owen William George; 03-01A, Work bag, 09 Jan 2014	10060/2014
Etihad Airways; 06-01D, Lounge setting, (Divisional of 15268/2013) 10 Jan 2014	10132/2014	Harper, Owen William George; 03-01A, Work bag, 09 Jan 2014	10059/2014
Etihad Airways; 06-01D, Seating layout, (Divisional of 15206/2013) 10 Jan 2014	10130/2014	Harper, Owen William George; 03-01A, Work bag, 09 Jan 2014	10057/2014
Etihad Airways; 06-01D, Suite module, (Divisional of 15270/2013) 10 Jan 2014	10133/2014	Harper, Owen William George; 03-01A, Work bag, 09 Jan 2014	10055/2014
Faulkner, Reginald Leigh; 28-03NES, Rubber tongue adult toy, 08 Jan 2014	10053/2014	Henke-Sass Wolf GmbH; 24-02, Hanging hook for an injector, (EM, 17 Jul 2013) 14 Jan 2014	10142/2014
Flicksportz Holdings Pty Ltd; 21-01L, Player piece figurine, 23 Dec 2013	16757/2013	Henke-Sass Wolf GmbH; 24-02, Injector, (EM, 17 Jul 2013) 14 Jan 2014	10129/2014
Forever New Clothing Pty Ltd; 02-02NES, Article of clothing, (Divisional of 12338/2013) 13 Jan 2014	10118/2014	Henke-Sass Wolf GmbH; 24-02, Injector, (EM, 17 Jul 2013) 14 Jan 2014	10134/2014
Forever New Clothing Pty Ltd; 02-02C, Article of clothing, (Divisional of 12338/2013) 13 Jan 2014	10122/2014	Honda Motor Co., Ltd.; 12-11, All terrain vehicle, (US, 08 Jul 2013) 08 Jan 2014	10047/2014
		Honda Motor Co., Ltd.; 12-11, All terrain vehicle, (US, 08 Jul 2013) 08 Jan 2014	10048/2014

Honda Motor Co., Ltd.; 12-11, A motorcycle, (JP, 27 Jun 2013) 23 Dec 2013	16761/2013	Jonathan Paul Eyewear Pty Limited;Lava Ltd; 16-06, Sunglasses, 08 Jan 2014	10050/2014
Honda Motor Co., Ltd.; 12-16C, Front bumper for automobile, (JP, 11 Jul 2013) 07 Jan 2014	10034/2014	Jonathan Paul Eyewear Pty Limited;LAVA LTD; 16-06, Sunglasses, 08 Jan 2014	10052/2014
Honda Motor Co., Ltd.; 12-11, A rear cowl for a motorcycle, (JP, 27 Jun 2013) 23 Dec 2013	16766/2013	Jonathan Paul Eyewear Pty Limited;LAVA LTD; 16-06, Sunglasses, 08 Jan 2014	10051/2014
Humberstone, Ronald Kingsley; 14-02, Polymer bank notes, 07 Jan 2014	10031/2014	Karsten Manufacturing Corporation; 21-02C, Golf club head, (US, 31 Jul 2013) 15 Jan 2014	10168/2014
Intercontinental Great Brands LLC; 01-01, Confectionery, (GB, 15 Jul 2013) 14 Jan 2014	10156/2014	Knapp, Mark William;Gillings, Barrie R D;Stray, Andrew Charles; 04-02, Toothbrush with LED, 07 Jan 2014	10039/2014
Intercontinental Great Brands LLC; 01-01, Confectionery, (GB, 15 Jul 2013) 14 Jan 2014	10157/2014	Knog Pty Ltd; 14-02, Lighting accessory for a portable electronic device, 18 Dec 2013	16754/2013
Intercontinental Great Brands LLC; 01-01, Confectionery, (GB, 15 Jul 2013) 14 Jan 2014	10155/2014	Knog Pty Ltd; 14-02, Lighting accessory for a portable electronic device, 10 Jan 2014	10141/2014
Intercontinental Great Brands LLC; 01-01, Confectionery, (GB, 15 Jul 2013) 14 Jan 2014	10152/2014	Koninklijke Philips N.V.; 10-05, Carrier for detector, (EM, 25 Jun 2013) 23 Dec 2013	16760/2013
Intercontinental Great Brands LLC; 01-01, Confectionery, (GB, 15 Jul 2013) 14 Jan 2014	10153/2014	Koninklijke Philips N.V.; 07-02N, Pan for airfryer, (EM, 10 Jul 2013) 09 Jan 2014	10063/2014
Intercontinental Great Brands LLC; 01-01, Confectionery, (GB, 15 Jul 2013) 14 Jan 2014	10154/2014	Koninklijke Philips N.V.; 26-03, LED module for road lighting, (EM, 10 Jul 2013) 09 Jan 2014	10062/2014
Intercontinental Great Brands LLC; 01-01, Confectionery, (GB, 15 Jul 2013) 14 Jan 2014	10145/2014	Lama Group, LLC; 20-01, Vending apparatus, (US, 09 Jul 2013) 06 Jan 2014	10025/2014
Intercontinental Great Brands LLC; 01-01, Confectionery, (GB, 15 Jul 2013) 14 Jan 2014	10149/2014	Lava Ltd;Jonathan Paul Eyewear Pty Limited; 16-06, Sunglasses, 08 Jan 2014	10050/2014
Intercontinental Great Brands LLC; 01-01, Confectionery, (GB, 15 Jul 2013) 14 Jan 2014	10150/2014	Ledtek Global Pty Ltd; 13-03D, It is a power kit for solar panel, 15 Jan 2014	10160/2014
Intercontinental Great Brands LLC; 01-01, Confectionery, (GB, 15 Jul 2013) 14 Jan 2014	10147/2014	Lifetime Toys Pty Ltd; 21-02D, 21-02NES, Sport board, 23 Dec 2013	16762/2013
Intercontinental Great Brands LLC; 01-01, Confectionery, (GB, 15 Jul 2013) 14 Jan 2014	10148/2014	Liu, Xianpeng; 19-08, A wall sticker, 12 Jan 2014	10110/2014
Intercontinental Great Brands LLC; 01-01, Confectionery, (GB, 15 Jul 2013) 14 Jan 2014	10146/2014	Lowry, Michael; 19-08, Word chart, 20 Dec 2013	16830/2013
Ivanov, Nikolai; 06-04NES, Collapsible structures, (EM, 23 Jul 2013) 15 Jan 2014	10167/2014	LAVA LTD;Jonathan Paul Eyewear Pty Limited; 16-06, Sunglasses, 08 Jan 2014	10052/2014
ICON Aircraft, Inc.; 12-06A, 12-07, Amphibious aircraft hull, (US, 15 Jul 2013) 15 Jan 2014	10169/2014	LAVA LTD;Jonathan Paul Eyewear Pty Limited; 16-06, Sunglasses, 08 Jan 2014	10051/2014
		MacDon Industries Ltd.; 29-02, Stub guard for a sickle, (CA, 20 Dec 2013) 09 Jan 2014	10074/2014

MacDon Industries Ltd.; 29-02, Stub guard for a sickle, (CA, 10 Jul 2013) 09 Jan 2014	10078/2014	McNeil-PPC, Inc.; 24-04, Embossed absorbent article, (US, 17 Jul 2013) 09 Jan 2014	10065/2014
MacDon Industries Ltd.; 08-03, Hold down for a blade of a sickle, (CA, 10 Jul 2013) 09 Jan 2014	10076/2014	McNeil-PPC, Inc.; 24-04, Printed backing layer for an absorbent article, (US, 31 Jul 2013) 15 Jan 2014	10166/2014
MacDon Industries Ltd.; 08-03, Hold down for a blade of a sickle, (CA, 20 Dec 2013) 09 Jan 2014	10077/2014	McNeil-PPC, Inc.; 32-04, Release liner, (GB, 17 Jul 2013) 10 Jan 2014	10100/2014
MacDon Industries Ltd.; 08-03, Hold down for a blade of a sickle, (CA, 10 Jul 2013) 09 Jan 2014	10080/2014	Medline Industries, Inc.; 05-06NES, Paper for household, medical or similar purposes, (US, 12 Jul 2013) 10 Jan 2014	10105/2014
MacDon Industries Ltd.; 08-03, Hold down for a blade of a sickle, (CA, 20 Dec 2013) 09 Jan 2014	10075/2014	Medline Industries, Inc.; 05-06NES, Paper for household, medical or similar purposes, (US, 12 Jul 2013) 10 Jan 2014	10106/2014
MacDon Industries Ltd.; 29-02, Pointed guard for a sickle, (CA, 10 Jul 2013) 09 Jan 2014	10079/2014	Medline Industries, Inc.; 05-06NES, Paper for household, medical or similar purposes, (US, 12 Jul 2013) 10 Jan 2014	10103/2014
MacDon Industries Ltd.; 29-02, Pointed guard for a sickle, (CA, 10 Jul 2013) 09 Jan 2014	10073/2014	Medline Industries, Inc.; 05-06NES, Paper for household, medical or similar purposes, (US, 12 Jul 2013) 10 Jan 2014	10104/2014
Magi Enterprises Pty Ltd;Beba Enterprises Pty Ltd; 02-02C, 02-02NES, Articles of clothing, 22 Oct 2013	15444/2013	Medline Industries, Inc.; 05-06NES, Paper for household, medical or similar purposes, (US, 12 Jul 2013) 10 Jan 2014	10102/2014
Magi Enterprises Pty Ltd;Beba Enterprises Pty Ltd; 02-02C, Articles of clothing, 23 Aug 2013	16840/2013	Morris, Patrick; 11-02B, A planter, (NZ, 18 Jul 2013) 10 Jan 2014	10081/2014
Magi Enterprises Pty Ltd;Beba Enterprises Pty Ltd; 02-02NES, Articles of clothing, 23 Aug 2013	16841/2013	Morris, Patrick; 11-02B, A planter, (NZ, 18 Jul 2013) 10 Jan 2014	10082/2014
Magi Enterprises Pty Ltd;Beba Enterprises Pty Ltd; 02-02NES, Articles of clothing, 23 Aug 2013	16839/2013	Mos International Imports Pty. Ltd.; 06-11, Skull rug design 4 MOS skull range, 13 Jan 2014	10127/2014
Magi Enterprises Pty Ltd;Beba Enterprises Pty Ltd; 02-02C, Articles of clothing, 23 Aug 2013	16838/2013	Mos International Imports Pty. Ltd.; 06-11, Skull rug as part of an exclusive MOS skull rug range, 13 Jan 2014	10125/2014
Magi Enterprises Pty Ltd;Beba Enterprises Pty Ltd; 02-02C, Articles of clothing, 23 Aug 2013	16837/2013	Mos International Imports Pty. Ltd.; 06-11, Skull rug from MOS skull rug range grey shading, 13 Jan 2014	10126/2014
Magpul Industries Corporation; 03-01NES, 14-02, Case for a smart phone, (US, 23 Jul 2013) 10 Jan 2014	10086/2014	Mos International Imports Pty. Ltd.; 06-11, Gel back skull rug, 13 Jan 2014	10124/2014
Magpul Industries Corporation; 03-01NES, Case for a tablet, (US, 10 Jul 2013) 10 Jan 2014	10084/2014	MHS Munich Home Systems GmbH; 23-03A, Radiant heater, (Divisional of 15138/2013) 23 Dec 2013	16772/2013
Magpul Industries Corporation; 03-01NES, 14-02, Smart phone case with interior design, (US, 09 Aug 2013) 10 Jan 2014	10090/2014	Newman, Rod; 15-05, Commercial vacuum carpet cleaner, 09 Jan 2014	10083/2014
Magpul Industries Corporation; 22-01, Textured firearm grip, (US, 11 Sep 2013) 10 Jan 2014	10095/2014	Ng, Cheong Choon; 02-07D, Brunnian link forming loom, (US, 01 Oct 2013) 13 Jan 2014	10116/2014
Mayo Hardware Pty Ltd; 25-03, Mail and parcel delivery box, (Divisional of 12428/2013) 24 Dec 2013	16784/2013		

Ng, Cheong Choon; 02-07D, Brunnian link forming loom, (US, 04 Oct 2013) 13 Jan 2014	10117/2014	Prodir S.A.; 19-06, Writing instrument, (EM, 29 Nov 2013) 06 Jan 2014	10024/2014
Ningbo Mentoriend International Trading Co., Ltd.; 06-01NES, Meniscus hammock, (EM, 05 Sep 2013) 06 Jan 2014	10066/2014	PHAR-CUP Pty Ltd; 08-08G, Telescopic Hook, 23 Dec 2013	16753/2013
Nokia Corporation; 14-02, Tablet computer, (US, 22 Aug 2013) 08 Jan 2014	10042/2014	Reckitt Benckiser (Brands) Limited; 28-99, Air freshener, (EM, 17 Jul 2013) 10 Jan 2014	10099/2014
Nokia Corporation; 14-02, 14-01, Tablet computer, (US, 22 Aug 2013) 08 Jan 2014	10046/2014	Reln Pty Ltd; 23-01NES, Maintenance shaft, 23 Dec 2013	16765/2013
Nokia Corporation; 14-03E, Handset, (US, 30 Aug 2013) 08 Jan 2014	10044/2014	ResMed Limited; 24-01, Patient interface and/or components thereof, (Divisional of 15214/2013) 20 Dec 2013	16834/2013
Nokia Corporation; 14-02, Tablet computer, (US, 22 Aug 2013) 08 Jan 2014	10045/2014	ResMed Limited; 24-01, Patient interface and/or components thereof, (Divisional of 14995/2013) 20 Dec 2013	16835/2013
Nokia Corporation; 14-02, Tablet computer, (US, 22 Aug 2013) 08 Jan 2014	10043/2014	RUD Ketten Rieger & Dietz GmbH u. Co. KG; 08-08B, Eye bolts, (EM, 30 Jul 2013) 06 Jan 2014	10026/2014
Nokia Corporation; 14-02, Tablet computer, (US, 22 Aug 2013) 08 Jan 2014	10040/2014	RUD Ketten Rieger & Dietz GmbH u. Co. KG; 08-08B, Eye bolts, (EM, 30 Jul 2013) 06 Jan 2014	10027/2014
Nokia Corporation; 14-02, Tablet computer, (US, 22 Aug 2013) 08 Jan 2014	10041/2014	S. C. Johnson & Son, Inc.; 23-02A, 28-03NES, Dispenser, (US, 27 Jun 2013) 23 Dec 2013	16756/2013
Oki Data Corporation; 14-02, Toner cartridge, (JP, 12 Jul 2013) 10 Jan 2014	10138/2014	S. C. Johnson & Son, Inc.; 23-02A, 28-03NES, Dispenser, (US, 27 Jun 2013) 23 Dec 2013	16755/2013
Oki Data Corporation; 14-02, Image drum cartridge, (JP, 12 Jul 2013) 10 Jan 2014	10140/2014	Shenzhen Kinglumi (K&L) Photoelectric Technology Co., Ltd.; 26-05NES, LED lens, (CN, 02 Jul 2013) 02 Jan 2014	10001/2014
Oki Data Corporation; 14-02, Toner cartridge, (JP, 12 Jul 2013) 10 Jan 2014	10139/2014	SkyBell Technologies, Inc.; 10-06, Doorbell, (US, 26 Jul 2013) 08 Jan 2014	10049/2014
Pellizzari, Robert;Easybox Ltd; 09-03M, Corrugated cardboard, box board, core flute, polypropylene, semi rigid PVC, paper, 13 Jan 2014	10135/2014	Smallaire Pty Ltd; 15-05, Cyclonic collector, 23 Dec 2013	16773/2013
PepsiCo, Inc.; 31-00, Dispenser, 15 Jan 2014	10164/2014	Stewart, Stacey;The trustee for Stewart Family Trust; 30-03, Portable pet feeder, 09 Jan 2014	10061/2014
PepsiCo, Inc.; 31-00, Dispenser, 15 Jan 2014	10162/2014	Strangis, Stephanie; 08-07, Key blank, 10 Jan 2014	10107/2014
PepsiCo, Inc.; 31-00, Dispenser, 15 Jan 2014	10163/2014	Stray, Andrew Charles;Gillings, Barrie R D;Knapp, Mark William; 04-02, Toothbrush with LED, 07 Jan 2014	10039/2014
PepsiCo, Inc.; 31-00, Dispenser, 15 Jan 2014	10165/2014	Suzuki Manufacturing, Ltd.; 15-06, Overlock sewing machine, (JP, 19 Jul 2013) 23 Dec 2013	16763/2013
Pi-Design AG; 07-07NES, 09-03NES, Bread box, (WO, 25 Jul 2013) 07 Jan 2014	10030/2014	SHC Technology Co., Ltd.; 06-06G, Chair seat, 14 Jan 2014	10151/2014
Powercom SA; 08-05F, Self gripping clamp, 14 Jan 2014	10143/2014		

The trustee for Stewart Family Trust; Stewart, Stacey; 30-03, Portable pet feeder, 09 Jan 2014	10061/2014	Wu, Yuewei; 08-03, Knife, (CN, 12 Jul 2013) 12 Jan 2014	10112/2014
Tiger Machinery and Industrial Corporation; 14-02, Drive lug pad for track pad shoes, (PH, 07 Nov 2013) 14 Jan 2014	10136/2014	WIRTGEN GmbH; 08-03, Component for cutting tool or implement, (EM, 15 Jul 2013) 14 Jan 2014	10144/2014
Toomey, Aaron; 32-03, Logo, 11 Jan 2014	10109/2014	WIZCO LLC; 09-05, 01-01, Ice pop form, (US, 12 Dec 2013) 15 Jan 2014	10158/2014
TRIO BROTHERS TRADING PTY LTD; 24-02, Hand hold vaporizer for smoking, 07 Jan 2014	10038/2014	Xmi Pte. Ltd.; 14-01, Speaker, (CN, 10 Jul 2013) 09 Jan 2014	10067/2014
USM Holding AG; 25-02NES, Privacy panel privacy panel component, (WO, 01 Jul 2013) 24 Dec 2013	16831/2013	Yota Devices IPR LTD; 14-03E, 14-02, Portable electronic device, (Divisional of 14910/2013) 23 Dec 2013	16770/2013
USM Holding AG; 25-02NES, Privacy panel privacy panel component, (WO, 01 Jul 2013) 24 Dec 2013	16832/2013	Yota Devices IPR LTD; 14-03E, 14-02, Portable electronic device, (Divisional of 14910/2013) 23 Dec 2013	16771/2013
USM Holding AG; 25-02NES, Organisational element, (WO, 01 Jul 2013) 24 Dec 2013	16833/2013	3M Innovative Properties Company; 08-08NES, Bracket, (US, 11 Jul 2013) 09 Jan 2014	10071/2014
Victaulic Company of America; 23-01A, Pipe coupling segment, (US, 01 Jul 2013) 24 Dec 2013	16786/2013	3M Innovative Properties Company; 08-08NES, Buckle, (US, 11 Jul 2013) 09 Jan 2014	10072/2014
Victaulic Company of America; 23-01A, Pipe coupling segment, (US, 01 Jul 2013) 24 Dec 2013	16787/2013	3M Innovative Properties Company; 08-08G, Hook, (US, 01 Jul 2013) 23 Dec 2013	16764/2013
Wilkes, Darryl James; 21-02D, Surfcraft fin, 24 Dec 2013	16791/2013	3M Innovative Properties Company; 23-02A, Paper towel holder, (US, 16 Jul 2013) 15 Jan 2014	10161/2014
Wills, Glenn Stuart; 12-10, Teardrop camper with full bedroom slide-out, 12 Jan 2014	10111/2014		

Applications Withdrawn

14645 / 2013 (09-01A) 16475 / 2013
 16547 / 2013 (26-06)

Extension of Period of Registration of Designs

322665	323754	324486
324502	324503	324565
324601	324606	324607
324609	324620	324635
324636	324637	324654
324655	324656	324657
324671	324701	324702
324710	324711	324712
324763	324765	324766
324831	324836	324837
324838	324839	324870
324891	324892	324922
324948	324949	324950
324969	324970	325034
325070	325071	325072
325161	325172	325184
325243	325258	325259
325304	325311	325312
325313	325314	325315
325344	325405	325540
325790	325793	325815
325835	325935	326375
326376	326377	326378
326379	326380	326407
326408	326575	326576
326577	326865	326895

Revocation of Design Registrations

The following Design Registration(s) have been revoked and are taken never to have been registered:

343376	21-01C
343377	21-01C
343385	21-01C

Registrations Ceased

320193	320289	320290
320291	320298	320555
320556	320691	320788
320789	320790	320791
320792	321370	321380
321381	321384	321385
321433	321434	321441
321442	321443	321444
321451	321461	321462
321463	321466	321467
321472	321473	321474
321476	321479	321480

321481	321482	321483
321484	321489	321490
321495	321509	321515
321516	321531	321535
321545	321550	321553
321558	321567	321569
321585	321586	321589
321637	321638	321639
321642	321643	321644
321646	321647	321648
321649	321650	321651
321652	321653	321654
321655	321656	321657
321749	321808	321826
321827	321828	321840
321841	321875	321876
321877	321910	321912
321925	321927	322010
322126	322157	322167
322227	322229	322230
322231	322232	322233
322259	322260	322308
322309	322430	322431
322432	322522	322526
322535	322536	322537
322538	322539	322559
322560	322561	322722
322777	322782	322847
322946	322947	322961
322962	323004	323143
323144	323145	323146
323147	323154	323170
323171	323234	323235
323236	323346	323347
323386	323447	323504
323617	323677	323809
323811	323812	323813
323814	323825	323826
323827	323828	323972
324389	324390	324576
324577	324720	324721
324722	324723	324724
347843	347844	348196
348269		

Extensions of time granted under Section 137

Applications lodged under section 137 for extension of time have been granted.

- 13078/2012 Ask Grace Pty Ltd
- 353272 Caterpillar Inc.
- 353273 Caterpillar Inc.
- 353274 Caterpillar Inc.

353275 **Caterpillar Inc.**

353276 **Caterpillar Inc.**

353277 **Caterpillar Inc.**

353278 **Caterpillar Inc.**

353279 **Caterpillar Inc.**

353280 **Caterpillar Inc.**

353281 **Caterpillar Inc.**

12310/2013 **Tulin Sinmaz**

Subsequent Owners Registered

(The name in parentheses is that of the subsequent owner)

325596 (**Aurora IP Holdings Limited**) Aurora Lighting Limited

325597 (**Aurora IP Holdings Limited**) Aurora Lighting Limited

325598 (**Aurora IP Holdings Limited**) Aurora Lighting Limited

349245 (**Bio-Lab, Inc.**) Chemtura Corporation

349320 (**Bio-Lab, Inc.**) Chemtura Corporation

Certificate(s) of Examination

Examination of the following Design Registration(s) has been completed. Infringement proceedings may now be commenced.

314822	19-02	20/01/2014
345777	13-03C	20/01/2014
345907	13-03C	20/01/2014
346669	09-07NES	17/01/2014
347075	09-03NES	17/01/2014
347791	09-01NES	20/01/2014
347793	09-01NES	20/01/2014
347794	07-01NES	10/01/2014
347795	09-01NES	20/01/2014
348089	08-08C	20/01/2014
348276	07-01D	17/01/2014
348277	07-01D	17/01/2014
349385	09-03M	20/01/2014
349616	15-05	09/01/2014
349948	09-01NES	16/01/2014
349949	09-01NES	16/01/2014
349950	09-01NES	16/01/2014
350333	19-01	15/01/2014
350441	02-05	16/01/2014
350479	15-05	13/01/2014
350481	15-05	12/01/2014
350514	15-05	13/01/2014
350575	07-02L	19/01/2014
350576	07-02L	19/01/2014
350714	15-05	12/01/2014
350760	03-01B	12/01/2014
350761	03-01B	12/01/2014
350762	03-01B	13/01/2014
352767	06-02	16/01/2014

Publication and Registration Proceedings

Designs Registered

This section provides a concordance between design number and registration number of Designs covered in this journal. It also shows the main class and registration date.

This section covers Registration numbers 353196 to 353281 .

The registration number shown below should be used in all future correspondence.

Design Number	Registration Number	International Classification Code (IDC)	Registration Date	Design Number	Registration Number	International Classification Code (IDC)	Registration Date
10742/2013	353272	15-04	20/01/2014	16175/2013	353228	09-01NES	15/01/2014
10743/2013	353273	15-04	20/01/2014	16176/2013	353229	09-01NES	15/01/2014
10744/2013	353274	15-04	20/01/2014	16212/2013	353230	10-05	15/01/2014
10745/2013	353275	15-04	20/01/2014	16213/2013	353231	13-03NES	15/01/2014
10746/2013	353276	15-04	20/01/2014	16218/2013	353232	06-06G	15/01/2014
10747/2013	353277	15-04	20/01/2014	16287/2013	353196	14-02	08/01/2014
10748/2013	353278	15-04	20/01/2014	16288/2013	353197	14-02	08/01/2014
10749/2013	353279	15-04	20/01/2014	16289/2013	353198	14-02	08/01/2014
10750/2013	353280	15-04	20/01/2014	16290/2013	353199	14-02	08/01/2014
10751/2013	353281	15-04	20/01/2014	16291/2013	353200	14-02	08/01/2014
12396/2013	353271	99-00	20/01/2014	16292/2013	353201	14-02	08/01/2014
14615/2013	353212	06-06G	14/01/2014	16293/2013	353202	14-02	08/01/2014
15144/2013	353255	06-11	16/01/2014	16393/2013	353233	27-02	15/01/2014
15145/2013	353256	06-11	16/01/2014	16396/2013	353234	27-02	15/01/2014
15146/2013	353257	06-11	16/01/2014	16398/2013	353235	27-02	15/01/2014
15191/2013	353206	26-06	10/01/2014	16449/2013	353216	06-01F	14/01/2014
15194/2013	353243	26-06	16/01/2014	16450/2013	353217	12-11	14/01/2014
15195/2013	353244	24-04	16/01/2014	16451/2013	353218	06-01F	14/01/2014
15197/2013	353245	26-06	16/01/2014	16452/2013	353236	06-01F	15/01/2014
15210/2013	353246	06-01D	16/01/2014	16453/2013	353219	06-01F	14/01/2014
15211/2013	353247	06-01D	16/01/2014	16454/2013	353220	06-03B	14/01/2014
15271/2013	353262	06-01H	17/01/2014	16456/2013	353237	12-11	15/01/2014
15272/2013	353263	06-01D	17/01/2014	16457/2013	353238	01-01	15/01/2014
15301/2013	353264	21-02F	17/01/2014	16458/2013	353239	01-01	15/01/2014
15335/2013	353204	15-07	09/01/2014	16461/2013	353221	09-03F	14/01/2014
15336/2013	353205	09-01G	09/01/2014	16462/2013	353222	09-03F	14/01/2014
15367/2013	353270	07-05D	17/01/2014	16464/2013	353240	09-03F	15/01/2014
15391/2013	353265	24-02	17/01/2014	16465/2013	353241	09-03F	15/01/2014
15479/2013	353223	09-01D	15/01/2014	16466/2013	353242	09-03F	15/01/2014
15480/2013	353224	09-01D	15/01/2014	16467/2013	353248	09-03F	16/01/2014
15481/2013	353225	09-01D	15/01/2014	16468/2013	353249	09-03F	16/01/2014
15504/2013	353266	08-08NES	17/01/2014	16469/2013	353250	09-03F	16/01/2014
15505/2013	353267	08-08NES	17/01/2014	16471/2013	353251	09-03F	16/01/2014
15509/2013	353213	25-02NES	14/01/2014	16487/2013	353268	09-01NES	17/01/2014
15649/2013	353226	11-01D	15/01/2014	16488/2013	353252	21-02C	16/01/2014
15665/2013	353207	13-03E	10/01/2014	16490/2013	353253	09-01NES	16/01/2014
15818/2013	353203	08-08NES	08/01/2014	16491/2013	353254	21-01N	16/01/2014
15853/2013	353214	24-04	14/01/2014	16495/2013	353269	09-03NES	17/01/2014
15854/2013	353215	24-04	14/01/2014	16649/2013	353258	26-05A	16/01/2014
15880/2013	353208	08-03	10/01/2014	16650/2013	353259	26-05A	16/01/2014
15884/2013	353209	08-03	10/01/2014	16651/2013	353260	26-05A	16/01/2014
15885/2013	353210	08-03	10/01/2014	16652/2013	353261	26-05A	16/01/2014
16080/2013	353211	15-03B	10/01/2014				
16157/2013	353227	20-02NES	15/01/2014				

Publication and Registration Proceedings

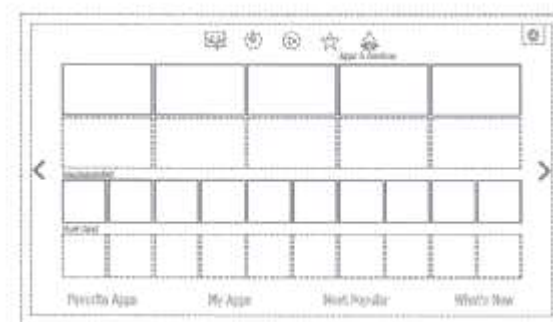
Class Listing of Designs Published or Registered

The following section shows an International Classification Code listing of the Registered or Published Designs covered in this supplement.

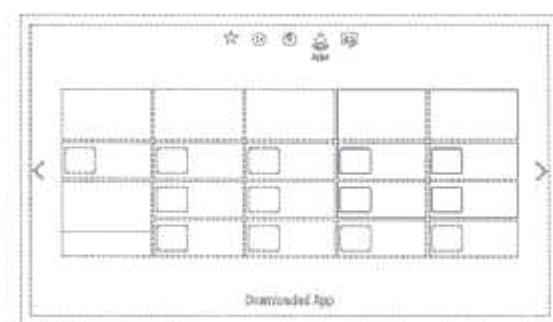
Classification	Registration Number	Design Number	Classification	Registration Number	Design Number
01-01	353238	16457/2013	14-01	353260	16651/2013
01-01	353239	16458/2013	14-01	353261	16652/2013
06-01D	353246	15210/2013	14-02	353196	16287/2013
06-01D	353247	15211/2013	14-02	353197	16288/2013
06-01D	353263	15272/2013	14-02	353198	16289/2013
06-01F	353216	16449/2013	14-02	353199	16290/2013
06-01F	353218	16451/2013	14-02	353200	16291/2013
06-01F	353219	16453/2013	14-02	353201	16292/2013
06-01F	353232	16218/2013	14-02	353202	16293/2013
06-01F	353236	16452/2013	14-04	353196	16287/2013
06-01H	353262	15271/2013	14-04	353197	16288/2013
06-03B	353220	16454/2013	14-04	353198	16289/2013
06-06G	353212	14615/2013	14-04	353199	16290/2013
06-06G	353232	16218/2013	14-04	353200	16291/2013
06-11	353255	15144/2013	14-04	353201	16292/2013
06-11	353256	15145/2013	14-04	353202	16293/2013
06-11	353257	15146/2013	15-03B	353211	16080/2013
07-05D	353270	15367/2013	15-04	353272	10742/2013
08-03	353208	15880/2013	15-04	353273	10743/2013
08-03	353209	15884/2013	15-04	353274	10744/2013
08-03	353210	15885/2013	15-04	353275	10745/2013
08-08NES	353203	15818/2013	15-04	353276	10746/2013
08-08NES	353213	15509/2013	15-04	353277	10747/2013
08-08NES	353230	16212/2013	15-04	353278	10748/2013
08-08NES	353266	15504/2013	15-04	353279	10749/2013
08-08NES	353267	15505/2013	15-04	353280	10750/2013
09-01D	353223	15479/2013	15-04	353281	10751/2013
09-01D	353224	15480/2013	15-07	353204	15335/2013
09-01D	353225	15481/2013	20-02NES	353227	16157/2013
09-01G	353205	15336/2013	21-01N	353254	16491/2013
09-01NES	353228	16175/2013	21-02C	353252	16488/2013
09-01NES	353229	16176/2013	21-02F	353264	15301/2013
09-01NES	353253	16490/2013	24-02	353265	15391/2013
09-01NES	353268	16487/2013	24-04	353214	15853/2013
09-03F	353221	16461/2013	24-04	353215	15854/2013
09-03F	353222	16462/2013	24-04	353244	15195/2013
09-03F	353240	16464/2013	25-02NES	353213	15509/2013
09-03F	353241	16465/2013	26-05A	353258	16649/2013
09-03F	353242	16466/2013	26-05A	353259	16650/2013
09-03F	353248	16467/2013	26-05A	353260	16651/2013
09-03F	353249	16468/2013	26-05A	353261	16652/2013
09-03F	353250	16469/2013	26-06	353206	15191/2013
09-03F	353251	16471/2013	26-06	353243	15194/2013
09-03NES	353269	16495/2013	26-06	353245	15197/2013
10-05	353230	16212/2013	27-02	353233	16393/2013
10-05	353231	16213/2013	27-02	353234	16396/2013
11-01D	353226	15649/2013	27-02	353235	16398/2013
12-11	353217	16450/2013	27-99	353233	16393/2013
12-11	353237	16456/2013	27-99	353234	16396/2013
13-03E	353207	15665/2013	27-99	353235	16398/2013
13-03NES	353231	16213/2013	99-00	353271	12396/2013
14-01	353258	16649/2013			
14-01	353259	16650/2013			

Registration Proceedings - Class Listing of Designs Published or Registered cont'd

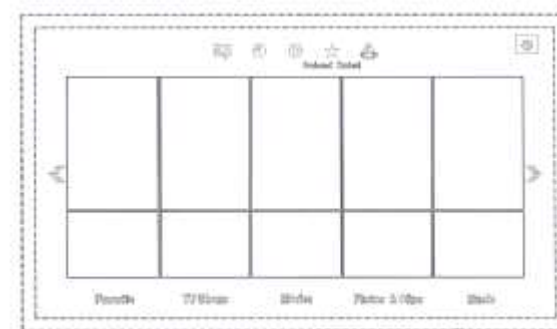
(21) Design Number: **16287/2013**
(22) Date of Filing Application: **03 December 2013**
(24) Date from which industrial property rights may have effect: **03 December 2013**
(54) Product in respect of which the design is registered: **Display screen with graphical user interface**
(51) International Design Classification: **14-02, 14-04**
(74) Name(s) of Attorney(s): **IP Gateway Patent & Trademark Attorneys Pty Ltd**
(71) Name(s) and Address(s) of Applicant(s):
Samsung Electronics Co., Ltd.
129, Samsung-ro Yeongtong-gu Suwon-si Gyeonggi-do 443-742
Republic of Korea
(72) Name(s) of Designer(s): **Hyeryung Kim and Yong-Hwan Kwon and Jieun Kim and Jihong Kim and Jangwon Seo and Seran Jeon and Danny Hwang**
(45) Registration Date: **08 January 2014**
(30) Convention priority data:
(31) Number (32) Date (33) Country
30-2013-0029440 05 Jun 2013 REPUBLIC OF KOREA
(56) Related Art Documents: **Not Applicable**
(57) Statement of Newness and Distinctiveness: **Newness & Distinctiveness reside in the visual features resulting from the layout of elements shown in solid lines in the representation. The solid lines define a number of areas that may be used to display text and/or images. The features shown in broken lines should be given minimum emphasis when considering the overall impression of the design. The specific characters of text and the specific symbols, shown in the representation in broken lines, do not form part of the design, but are indicative of positions where some text and symbols may be displayed.**



(21) Design Number: **16288/2013**
(22) Date of Filing Application: **03 December 2013**
(24) Date from which industrial property rights may have effect: **03 December 2013**
(54) Product in respect of which the design is registered: **Display screen with graphical user interface**
(51) International Design Classification: **14-02, 14-04**
(74) Name(s) of Attorney(s): **IP Gateway Patent & Trademark Attorneys Pty Ltd**
(71) Name(s) and Address(s) of Applicant(s):
Samsung Electronics Co., Ltd.
129, Samsung-ro Yeongtong-gu Suwon-si Gyeonggi-do 443-742
Republic of Korea
(72) Name(s) of Designer(s): **Hyeryung Kim and Yong-Hwan Kwon and Jieun Kim and Jihong Kim and Jangwon Seo and Seran Jeon and Danny Hwang**
(45) Registration Date: **08 January 2014**
(30) Convention priority data:
(31) Number (32) Date (33) Country
30-2013-0029439 05 Jun 2013 REPUBLIC OF KOREA
(56) Related Art Documents: **Not Applicable**
(57) Statement of Newness and Distinctiveness: **Newness & Distinctiveness reside in the visual features resulting from the layout of elements shown in solid lines in the representation. The solid lines define a number of areas that may be used to display text and/or images. The features shown in broken lines should be given minimum emphasis when considering the overall impression of the design. The specific characters of text and the specific symbols, shown in the representation in broken lines, do not form part of the design, but are indicative of positions where some text and symbols may be displayed.**

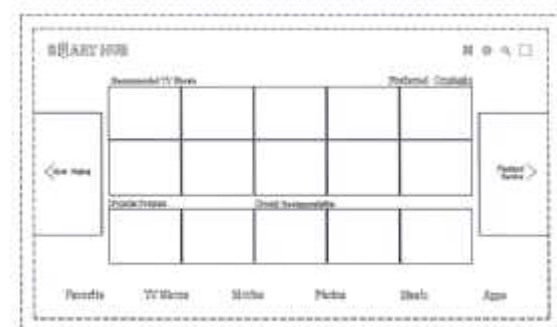


(21) Design Number: **16289/2013**
(22) Date of Filing Application: **03 December 2013**
(24) Date from which industrial property rights may have effect: **03 December 2013**
(54) Product in respect of which the design is registered: **Display screen with graphical user interface**
(51) International Design Classification: **14-02, 14-04**
(74) Name(s) of Attorney(s): **IP Gateway Patent & Trademark Attorneys Pty Ltd**
(71) Name(s) and Address(s) of Applicant(s):
Samsung Electronics Co., Ltd.
129, Samsung-ro Yeongtong-gu Suwon-si Gyeonggi-do 443-742
Republic of Korea



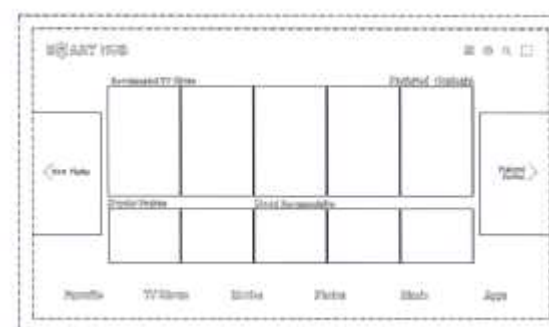
(72) Name(s) of Designer(s): **Hyeryung Kim and Yong-Hwan Kwon and Jieun Kim and Jihong Kim and Jangwon Seo and Seran Jeon and Danny Hwang**
(45) Registration Date: **08 January 2014**
(30) Convention priority data:
(31) Number (32) Date (33) Country
30-2013-0029437 05 Jun 2013 REPUBLIC OF KOREA
(56) Related Art Documents: **Not Applicable**
(57) Statement of Newness and Distinctiveness: **Newness & Distinctiveness reside in the visual features resulting from the layout of elements shown in solid lines in the representation. The solid lines define a number of areas that may be used to display text and/or images. The features shown in broken lines should be given minimum emphasis when considering the overall impression of the design. The specific characters of text and the specific symbols, shown in the representation in broken lines, do not form part of the design, but are indicative of positions where some text and symbols may be displayed.**

(21) Design Number: **16290/2013**
(22) Date of Filing Application: **03 December 2013**
(24) Date from which industrial property rights may have effect: **03 December 2013**
(54) Product in respect of which the design is registered: **Display screen with graphical user interface**
(51) International Design Classification: **14-02, 14-04**
(74) Name(s) of Attorney(s): **IP Gateway Patent & Trademark Attorneys Pty Ltd**
(71) Name(s) and Address(s) of Applicant(s):
Samsung Electronics Co., Ltd.
129, Samsung-ro Yeongtong-gu Suwon-si Gyeonggi-do 443-742
Republic of Korea



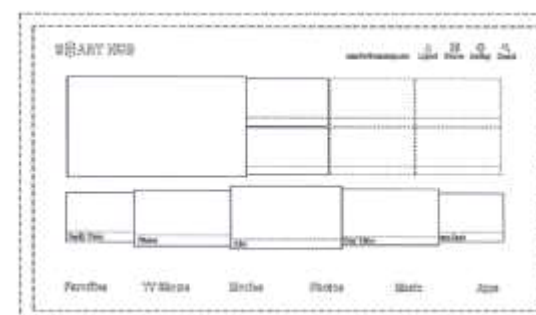
(72) Name(s) of Designer(s): **Hyeryung Kim and Yong-Hwan Kwon and Jieun Kim and Jihong Kim and Jangwon Seo and Seran Jeon and Danny Hwang**
(45) Registration Date: **08 January 2014**
(30) Convention priority data:
(31) Number (32) Date (33) Country
30-2013-0029436 05 Jun 2013 REPUBLIC OF KOREA
(56) Related Art Documents: **Not Applicable**
(57) Statement of Newness and Distinctiveness: **Newness & Distinctiveness reside in the visual features resulting from the layout of elements shown in solid lines in the representation. The solid lines define a number of areas that may be used to display text and/or images. The features shown in broken lines should be given minimum emphasis when considering the overall impression of the design. The specific characters of text and the specific symbols, shown in the representation in broken lines, do not form part of the design, but are indicative of positions where some text and symbols may be displayed.**

(21) Design Number: **16291/2013**
(22) Date of Filing Application: **03 December 2013**
(24) Date from which industrial property rights may have effect: **03 December 2013**
(54) Product in respect of which the design is registered: **Display screen with graphical user interface**
(51) International Design Classification: **14-02, 14-04**
(74) Name(s) of Attorney(s): **IP Gateway Patent & Trademark Attorneys Pty Ltd**
(71) Name(s) and Address(s) of Applicant(s):
Samsung Electronics Co., Ltd.
129, Samsung-ro Yeongtong-gu Suwon-si Gyeonggi-do 443-742
Republic of Korea
(72) Name(s) of Designer(s): **Hyeryung Kim and Yong-Hwan Kwon and Jieun Kim and Jihong Kim and Jangwon Seo and Seran Jeon and Danny Hwang**
(45) Registration Date: **08 January 2014**
(30) Convention priority data:
(31) Number (32) Date (33) Country
30-2013-0029435 05 Jun 2013 REPUBLIC OF KOREA
(56) Related Art Documents: **Not Applicable**



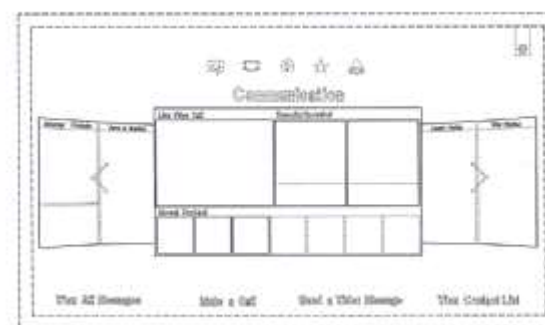
(57) Statement of Newness and Distinctiveness: **Newness & Distinctiveness reside in the visual features resulting from the layout of elements shown in solid lines in the representation. The solid lines define a number of areas that may be used to display text and/or images. The features shown in broken lines should be given minimum emphasis when considering the overall impression of the design. The specific characters of text and the specific symbols, shown in the representation in broken lines, do not form part of the design, but are indicative of positions where some text and symbols may be displayed.**

(21) Design Number: **16292/2013**
(22) Date of Filing Application: **03 December 2013**
(24) Date from which industrial property rights may have effect: **03 December 2013**
(54) Product in respect of which the design is registered: **Display screen with graphical user interface**
(51) International Design Classification: **14-02, 14-04**
(74) Name(s) of Attorney(s): **IP Gateway Patent & Trademark Attorneys Pty Ltd**
(71) Name(s) and Address(s) of Applicant(s):
Samsung Electronics Co., Ltd.
129, Samsung-ro Yeongtong-gu Suwon-si Gyeonggi-do 443-742
Republic of Korea
(72) Name(s) of Designer(s): **Hyeryung Kim and Yong-Hwan Kwon and Jieun Kim and Jihong Kim and Jangwon Seo and Seran Jeon and Danny Hwang**
(45) Registration Date: **08 January 2014**
(30) Convention priority data:
(31) Number (32) Date (33) Country
30-2013-0029434 05 Jun 2013 REPUBLIC OF KOREA
(56) Related Art Documents: **Not Applicable**



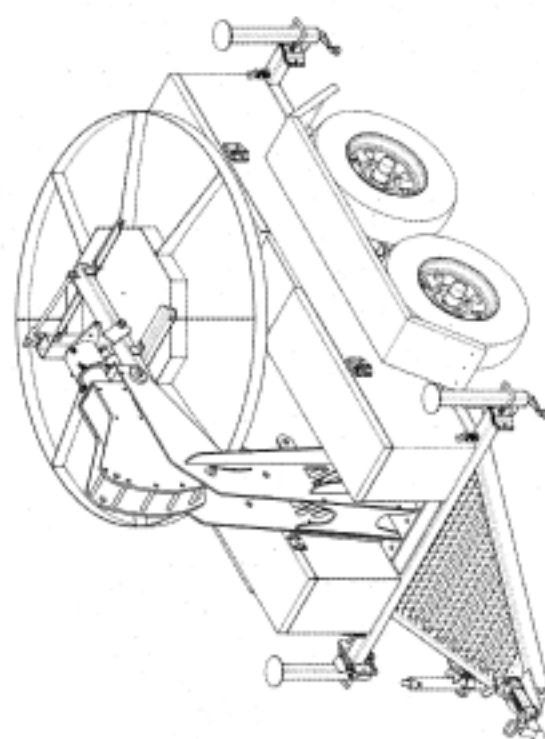
(57) Statement of Newness and Distinctiveness: **Newness & Distinctiveness reside in the visual features resulting from the layout of elements shown in solid lines in the representation. The solid lines define a number of areas that may be used to display text and/or images. The features shown in broken lines should be given minimum emphasis when considering the overall impression of the design. The specific characters of text and the specific symbols, shown in the representation in broken lines, do not form part of the design, but are indicative of positions where some text and symbols may be displayed.**

- (21) Design Number: **16293/2013**
(22) Date of Filing Application: **03 December 2013**
(24) Date from which industrial property rights may have effect: **03 December 2013**
(54) Product in respect of which the design is registered: **Display screen with graphical user interface**
(51) International Design Classification: **14-02, 14-04**
(74) Name(s) of Attorney(s): **IP Gateway Patent & Trademark Attorneys Pty Ltd**
(71) Name(s) and Address(s) of Applicant(s):
Samsung Electronics Co., Ltd.
129, Samsung-ro Yeongtong-gu Suwon-si Gyeonggi-do 443-742
Republic of Korea
(72) Name(s) of Designer(s): **Hyeryung Kim and Yong-Hwan Kwon and Jieun Kim and Jihong Kim and Jangwon Seo and Seran Jeon and Danny Hwang**
(45) Registration Date: **08 January 2014**
(30) Convention priority data:
(31) Number (32) Date (33) Country
30-2013-0029433 05 Jun 2013 REPUBLIC OF KOREA



- (56) Related Art Documents: **Not Applicable**
(57) Statement of Newness and Distinctiveness: **Newness & Distinctiveness reside in the visual features resulting from the layout of elements shown in solid lines in the representation. The solid lines define a number of areas that may be used to display text and/or images. The features shown in broken lines should be given minimum emphasis when considering the overall impression of the design. The specific characters of text and the specific symbols, shown in the representation in broken lines, do not form part of the design, but are indicative of positions where some text and symbols may be displayed.**

- (21) Design Number: **15818/2013**
(22) Date of Filing Application: **12 November 2013**
(24) Date from which industrial property rights may have effect: **12 November 2013**
(54) Product in respect of which the design is registered: **A support**
(51) International Design Classification: **08-08NES**
(74) Name(s) of Attorney(s): **Wrays**
(71) Name(s) and Address(s) of Applicant(s):
David Keith Elsegood
17-23 Hoskins Rd Landsdale WA 6065 Australia
Sunny May Elsegood
17-23 Hoskins Rd Landsdale WA 6065 Australia
Bradley Keith Elsegood
17-23 Hoskins Rd Landsdale WA 6065 Australia
Darren Steven Elsegood
17-23 Hoskins Rd Landsdale WA 6065 Australia
Kylie May Elsegood-Smith
17-23 Hoskins Rd Landsdale WA 6065 Australia
Elsegood Holdings Pty Ltd trading as Combined Metal Industries
17-23 Hoskins Rd Landsdale WA 6065 Australia
Falconcrest Holdings Pty Ltd trading as Combined Metal Industries
17-23 Hoskins Rd Landsdale WA 6065 Australia

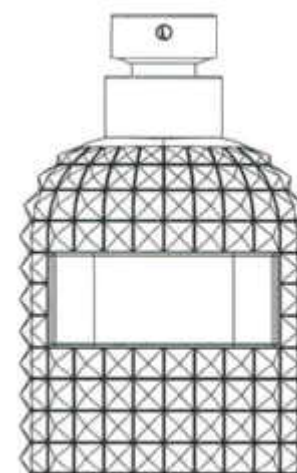


- (72) Name(s) of Designer(s): **Wally Wodzianski**
(45) Registration Date: **08 January 2014**
(56) Related Art Documents: **Not Applicable**
(57) Statement of Newness and Distinctiveness: **Newness and distinctiveness resides in the visual features of shape, configuration, pattern and/or ornamentation of a support as shown in the accompanying representations. The features shown in broken lines are for illustrative purposes only and do not form part of the design.**

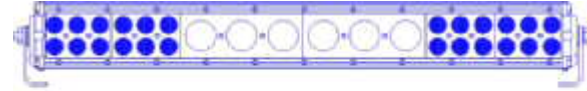
(21) Design Number: **15335/2013**
(22) Date of Filing Application: **21 October 2013**
(24) Date from which industrial property rights may have effect: **21 October 2013**
(54) Product in respect of which the design is registered: **Shelf of the refrigerator**
(51) International Design Classification: **15-07**
(74) Name(s) of Attorney(s):
(71) Name(s) and Address(s) of Applicant(s):
FOSHAN PIONEER ENTERPRISE
4/F, Wealth Associations Building No.34 North Nanhai Avenue Nanhai
District, Foshan City Guangdong Province, 528200 China
(72) Name(s) of Designer(s): **Weibiao Huang**
(45) Registration Date: **09 January 2014**
(30) Convention priority data:
(31) Number (32) Date (33) Country
201330463833.8 28 Sep 2013 CHINA
(56) Related Art Documents: **Not Applicable**
(57) Statement of Newness and Distinctiveness: **Nil**



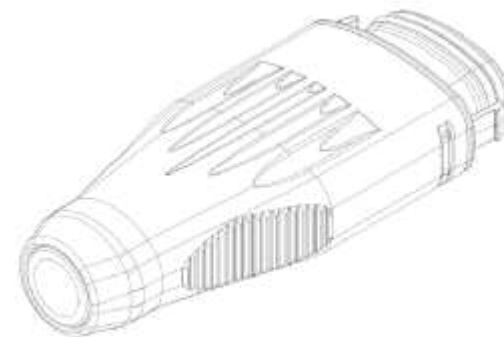
(21) Design Number: **15336/2013**
(22) Date of Filing Application: **21 October 2013**
(24) Date from which industrial property rights may have effect: **21 October 2013**
(54) Product in respect of which the design is registered: **Container for perfumes**
(51) International Design Classification: **09-01G**
(74) Name(s) of Attorney(s): **Griffith Hack**
(71) Name(s) and Address(s) of Applicant(s):
Antonio Puig S.A.
Travesera De Gracia 9 Barcelona 08021 Spain
(72) Name(s) of Designer(s): **Jerome Faillant Dumas**
(45) Registration Date: **09 January 2014**
(56) Related Art Documents: **Not Applicable**
(57) Statement of Newness and Distinctiveness: **Nil**



- (21) Design Number: **15191/2013**
(22) Date of Filing Application: **11 October 2013**
(24) Date from which industrial property rights may have effect: **11 October 2013**
(54) Product in respect of which the design is registered: **Light bar**
(51) International Design Classification: **26-06**
(74) Name(s) of Attorney(s): **Davies Collison Cave**
(71) Name(s) and Address(s) of Applicant(s):
Sun Yee International Pty. Ltd.
3/323 Ingles St Port Melbourne VIC 3207 Australia
(72) Name(s) of Designer(s): **Kun Lv**
(45) Registration Date: **10 January 2014**
(56) Related Art Documents: **Not Applicable**
(57) Statement of Newness and Distinctiveness: **The features of shape and configuration shown in Section "A" of the accompanying representations are considered to be new and distinctive.**



- (21) Design Number: **15665/2013**
(22) Date of Filing Application: **05 November 2013**
(24) Date from which industrial property rights may have effect: **05 November 2013**
(54) Product in respect of which the design is registered: **Connector**
(51) International Design Classification: **13-03E**
(74) Name(s) of Attorney(s): **Fisher Adams Kelly Pty Ltd**
(71) Name(s) and Address(s) of Applicant(s):
Multi-Holding AG
Stockbrunnrain 8 Allschwil 4123 Switzerland
(72) Name(s) of Designer(s): **Thomas Kuhnert**
(45) Registration Date: **10 January 2014**
(30) Convention priority data:
(31) Number (32) Date (33) Country
741054001 30 May 2013 SWITZERLAND
(56) Related Art Documents: **Not Applicable**
(57) Statement of Newness and Distinctiveness: **The newness and distinctiveness of the design resides in the shape and/or configuration of the CONNECTOR shown in the representations.**



(21) Design Number: **15880/2013**

(22) Date of Filing Application: **15 November 2013**

(24) Date from which industrial property rights may have effect: **15 November 2013**

(54) Product in respect of which the design is registered: **Accessory for a string trimmer**

(51) International Design Classification: **08-03**

(74) Name(s) of Attorney(s): **Davies Collison Cave**

(71) Name(s) and Address(s) of Applicant(s):

Black & Decker Inc.

1207 Drummond Plaza Newark Delaware 19711 United States of America

(72) Name(s) of Designer(s): **Graham Bone and Mark Baxter**

(45) Registration Date: **10 January 2014**

(30) Convention priority data:

(31) Number

(32) Date

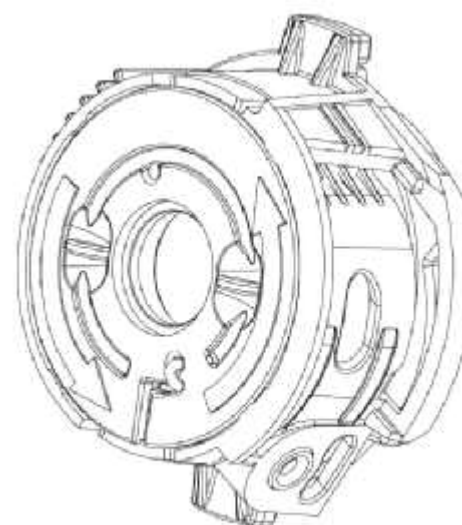
(33) Country

001371454-0003 16 May 2013

**OFFICE FOR HARMONISATION IN
THE INTERNAL MARKET (OHIM)**

(56) Related Art Documents: **Not Applicable**

(57) Statement of Newness and Distinctiveness: **Nil**



(21) Design Number: **15884/2013**

(22) Date of Filing Application: **15 November 2013**

(24) Date from which industrial property rights may have effect: **15 November 2013**

(54) Product in respect of which the design is registered: **Accessory for a string trimmer**

(51) International Design Classification: **08-03**

(74) Name(s) of Attorney(s): **Davies Collison Cave**

(71) Name(s) and Address(s) of Applicant(s):

Black & Decker Inc.

1207 Drummond Plaza Newark Delaware 19711 United States of America

(72) Name(s) of Designer(s): **Graham Bone and Mark Baxter**

(45) Registration Date: **10 January 2014**

(30) Convention priority data:

(31) Number

(32) Date

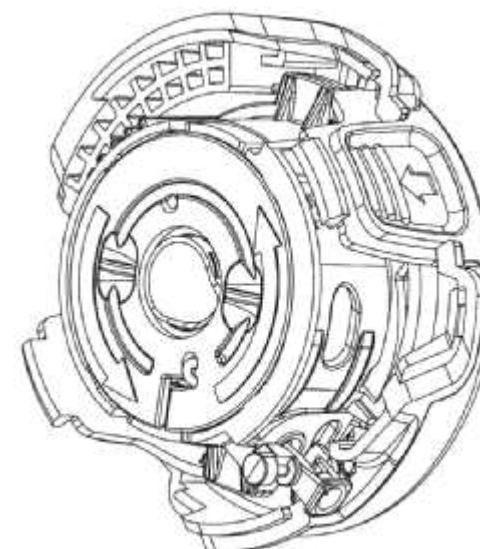
(33) Country

001371454-0002 16 May 2013

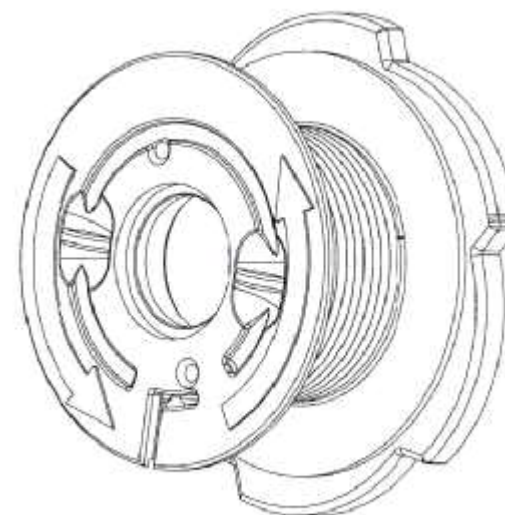
**OFFICE FOR HARMONISATION IN
THE INTERNAL MARKET (OHIM)**

(56) Related Art Documents: **Not Applicable**

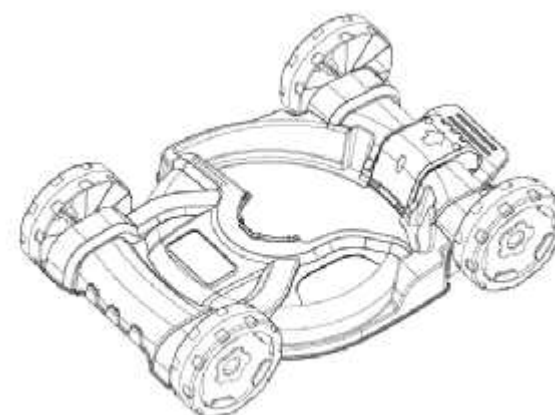
(57) Statement of Newness and Distinctiveness: **Newness is claimed in the shape and/or configuration.**



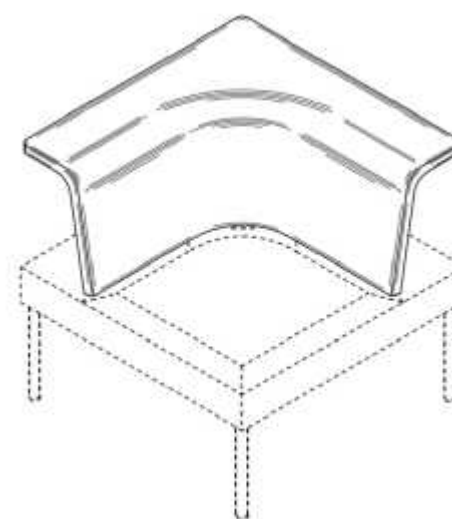
(21) Design Number: **15885/2013**
(22) Date of Filing Application: **15 November 2013**
(24) Date from which industrial property rights may have effect: **15 November 2013**
(54) Product in respect of which the design is registered: **Accessory for a string trimmer**
(51) International Design Classification: **08-03**
(74) Name(s) of Attorney(s): **Davies Collison Cave**
(71) Name(s) and Address(s) of Applicant(s):
Black & Decker Inc.
1207 Drummond Plaza Newark Delaware 19711 United States of America
(72) Name(s) of Designer(s): **Graham Bone and Mark Baxter**
(45) Registration Date: **10 January 2014**
(30) Convention priority data:
(31) Number (32) Date (33) Country
001371454-0004 16 May 2013 OFFICE FOR HARMONISATION IN THE INTERNAL MARKET (OHIM)
(56) Related Art Documents: **Not Applicable**
(57) Statement of Newness and Distinctiveness: **Nil**



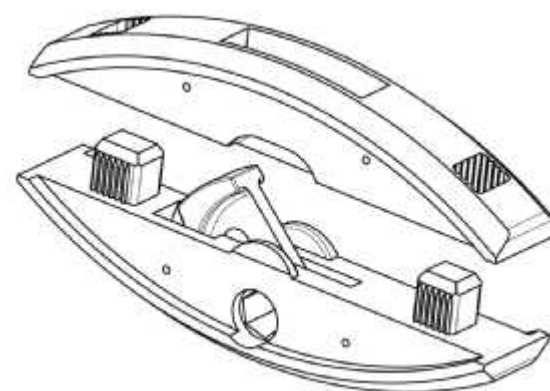
(21) Design Number: **16080/2013**
(22) Date of Filing Application: **25 November 2013**
(24) Date from which industrial property rights may have effect: **25 November 2013**
(54) Product in respect of which the design is registered: **Lawnmower**
(51) International Design Classification: **15-03B**
(74) Name(s) of Attorney(s): **Davies Collison Cave**
(71) Name(s) and Address(s) of Applicant(s):
Black & Decker Inc
1207 Drummond Plaza Newark Delaware 19711 United States of America
(72) Name(s) of Designer(s): **Mark Baxter**
(45) Registration Date: **10 January 2014**
(30) Convention priority data:
(31) Number (32) Date (33) Country
001372635 30 May 2013 OFFICE FOR HARMONISATION IN THE INTERNAL MARKET (OHIM)
(56) Related Art Documents: **Not Applicable**
(57) Statement of Newness and Distinctiveness: **Nil**



- (21) Design Number: **14615/2013**
(22) Date of Filing Application: **13 September 2013**
(24) Date from which industrial property rights may have effect: **13 September 2013**
(54) Product in respect of which the design is registered: **Furniture**
(51) International Design Classification: **06-06G**
(74) Name(s) of Attorney(s): **Griffith Hack**
(71) Name(s) and Address(s) of Applicant(s):
Herman Miller, Inc.
855 East Main Street Zeeland Michigan 49464 United States of America
(72) Name(s) of Designer(s): **Yves Behar and Qin Li and Naoya Edahiro and Noah Murphy-Reinhertz and Diana Chang and Matthew Malone and Casey Doran Lewis**
(45) Registration Date: **14 January 2014**
(30) Convention priority data:
(31) Number (32) Date (33) Country
29/450,168 15 Mar 2013 UNITED STATES OF AMERICA
(56) Related Art Documents: **Not Applicable**
(57) Statement of Newness and Distinctiveness: **Newness and distinctiveness resides in the visual features, including the shape and configuration of the product as depicted by the solid lines in the representations.**



- (21) Design Number: **15509/2013**
(22) Date of Filing Application: **28 October 2013**
(24) Date from which industrial property rights may have effect: **28 October 2013**
(54) Product in respect of which the design is registered: **Connecting device**
(51) International Design Classification: **25-02NES, 08-08NES**
(74) Name(s) of Attorney(s): **Davies Collison Cave**
(71) Name(s) and Address(s) of Applicant(s):
Lamello AG
Hauptstrasse 149 Bubendorf 4416 Switzerland
Franz Baur
Hochstrass 13 Oberstaufen 87534 Germany
Franz Haser
Buchenegg 5 Oberstaufen 87534 Germany
(72) Name(s) of Designer(s): **Franz Baur and Franz Haser and Philipp Seiler and Patrick Jeker**
(45) Registration Date: **14 January 2014**
(30) Convention priority data:
(31) Number (32) Date (33) Country
002230250-0003 30 Apr 2013 OFFICE FOR HARMONISATION IN THE INTERNAL MARKET (OHIM)
(56) Related Art Documents: **Not Applicable**
(57) Statement of Newness and Distinctiveness: **Nil**



- (21) Design Number: **15853/2013**
(22) Date of Filing Application: **14 November 2013**
(24) Date from which industrial property rights may have effect: **14 November 2013**
(54) Product in respect of which the design is registered: **Instant reusable heat pack**
(51) International Design Classification: **24-04**
(74) Name(s) of Attorney(s):
(71) Name(s) and Address(s) of Applicant(s):
Barbara Nicholson
PO BOX 3075 Victoria Gardens Richmond VIC 3121 Australia
(72) Name(s) of Designer(s): **Barbara Nicholson**
(45) Registration Date: **14 January 2014**
(56) Related Art Documents: **Not Applicable**

(57) Statement of Newness and Distinctiveness: **The newness and distinctiveness resides in providing an Instant Reusable Heat Pack with visual feature and shape of sports balls as shown in accompanying representation, (that you can keep in your pockets whilst watching or partaking in the sport). Varying sizes to be from 9cm diameter/ oval upwards. The heat packs are shaped either round or oval to suit the individual balls. The packs are made out of a medical graded plastic, filled with non-toxic sodium acetate and water and a small metal disc that you bend/click to activate the heat pack. To reuse the heat packs you place them in boiling water for 5 minutes and wait for the crystals to liquefy again. The idea of printing the images of Sports Balls is very novel and unique and will promote the sale of the heat packs and has not been done in Australia.**



- (21) Design Number: **15854/2013**
(22) Date of Filing Application: **14 November 2013**
(24) Date from which industrial property rights may have effect: **14 November 2013**
(54) Product in respect of which the design is registered: **Instant reusable heat pack**
(51) International Design Classification: **24-04**
(74) Name(s) of Attorney(s):
(71) Name(s) and Address(s) of Applicant(s):
Barbara Nicholson
PO BOX 3075 Victoria Gardens Richmond VIC 3121 Australia
(72) Name(s) of Designer(s): **Barbara Nicholson**
(45) Registration Date: **14 January 2014**
(56) Related Art Documents: **Not Applicable**

(57) Statement of Newness and Distinctiveness: **The newness and distinctiveness resides in providing an Instant Reusable Heat Pack with visual feature and shape of sports balls as shown in accompanying representation (that you can keep in your pockets whilst watching or partaking in the sport). Varying sizes to be from 9cm diameter/ oval upwards. The heat packs are shaped either round or oval to suit the individual balls. The packs are made out of a medical graded plastic, filled with non-toxic sodium acetate and water and a small metal disc that you bend/click to activate the heat pack. To reuse the heat packs you place them in boiling water for 5 minutes and wait for the crystals to liquefy again. The idea of printing the images of Sports Balls is very novel and unique and will promote the sale of the heat packs and has not been done in Australia.**



(21) Design Number: **16449/2013**
(22) Date of Filing Application: **11 December 2013**
(24) Date from which industrial property rights may have effect: **11 December 2013**
(54) Product in respect of which the design is registered: **Chair or bosun chair**
(51) International Design Classification: **06-01F**
(74) Name(s) of Attorney(s): **Shelston IP**
(71) Name(s) and Address(s) of Applicant(s):
Starway International Home-Living Co., Ltd.
No. 97 Shiyuan Road Nancheng Huangyan Taizhou Zhejiang People's
Republic of China
(72) Name(s) of Designer(s): **Genlin Ye**
(45) Registration Date: **14 January 2014**
(30) Convention priority data:
(31) Number (32) Date (33) Country
201330257419.1 18 Jun 2013 CHINA
(56) Related Art Documents: **Not Applicable**
(57) Statement of Newness and Distinctiveness: **Newness and distinctiveness**
reside in the features of shape and/or configuration of a CHAIR OR
BOSUN CHAIR as illustrated in the accompanying representations. The
colour depicted does not form part of the design.



(21) Design Number: **16450/2013**
(22) Date of Filing Application: **11 December 2013**
(24) Date from which industrial property rights may have effect: **11 December 2013**
(54) Product in respect of which the design is registered: **A motorcycle**
(51) International Design Classification: **12-11**
(74) Name(s) of Attorney(s): **Shelston IP**
(71) Name(s) and Address(s) of Applicant(s):
KTM-Sportmotorcycle AG
Stallhofner Strasse 3 Mattighofen 5230 Austria
(72) Name(s) of Designer(s): **Gerald Kiska**
(45) Registration Date: **14 January 2014**
(30) Convention priority data:
(31) Number (32) Date (33) Country
MU 554/2013 19 Aug 2013 AUSTRIA
(56) Related Art Documents: **Not Applicable**
(57) Statement of Newness and Distinctiveness: **Newness and distinctiveness**
reside in the features of shape and/or configuration of a motorcycle as
illustrated in the accompanying representations.



(21) Design Number: **16451/2013**
(22) Date of Filing Application: **11 December 2013**
(24) Date from which industrial property rights may have effect: **11 December 2013**
(54) Product in respect of which the design is registered: **Chair**
(51) International Design Classification: **06-01F**
(74) Name(s) of Attorney(s): **Shelston IP**
(71) Name(s) and Address(s) of Applicant(s):
Starway International Home-Living Co., Ltd.
No. 97 Shiyuan Road Nancheng Huangyan Taizhou Zhejiang People's
Republic of China
(72) Name(s) of Designer(s): **Genlin Ye**
(45) Registration Date: **14 January 2014**
(30) Convention priority data:
(31) Number (32) Date (33) Country
201330257506.7 18 Jun 2013 CHINA
(56) Related Art Documents: **Not Applicable**
(57) Statement of Newness and Distinctiveness: **Newness and distinctiveness**
reside in the features of shape and/or configuration of a CHAIR as
illustrated in the accompanying representations.



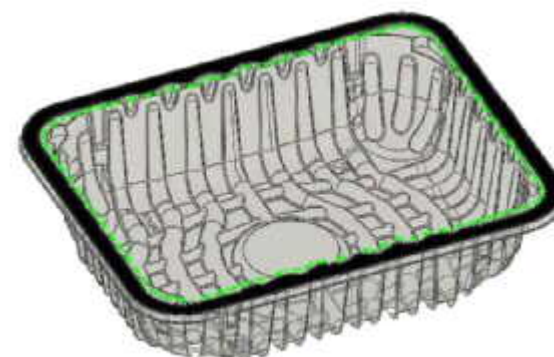
(21) Design Number: **16453/2013**
(22) Date of Filing Application: **11 December 2013**
(24) Date from which industrial property rights may have effect: **11 December 2013**
(54) Product in respect of which the design is registered: **Chair**
(51) International Design Classification: **06-01F**
(74) Name(s) of Attorney(s): **Shelston IP**
(71) Name(s) and Address(s) of Applicant(s):
Starway International Home-Living Co., Ltd.
No. 97 Shiyuan Road Nancheng Huangyan Taizhou Zhejiang People's
Republic of China
(72) Name(s) of Designer(s): **Genlin Ye**
(45) Registration Date: **14 January 2014**
(30) Convention priority data:
(31) Number (32) Date (33) Country
201330257459.6 18 Jun 2013 CHINA
(56) Related Art Documents: **Not Applicable**
(57) Statement of Newness and Distinctiveness: **Newness and distinctiveness**
reside in the features of shape and/or configuration of a CHAIR as
illustrated in the accompanying representations.



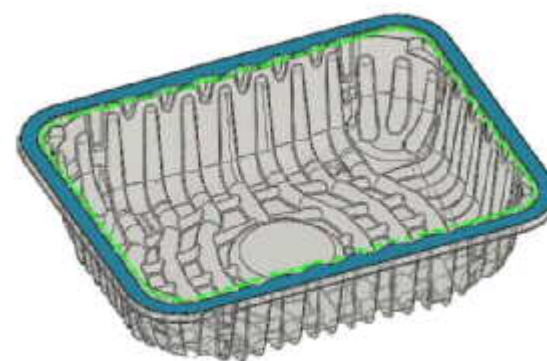
(21) Design Number: **16454/2013**
(22) Date of Filing Application: **11 December 2013**
(24) Date from which industrial property rights may have effect: **11 December 2013**
(54) Product in respect of which the design is registered: **Table**
(51) International Design Classification: **06-03B**
(74) Name(s) of Attorney(s): **Shelston IP**
(71) Name(s) and Address(s) of Applicant(s):
Starway International Home-Living Co., Ltd.
No. 97 Shiyuan Road Nancheng Huangyan Taizhou Zhejiang People's
Republic of China
(72) Name(s) of Designer(s): **Genlin Ye**
(45) Registration Date: **14 January 2014**
(30) Convention priority data:
(31) Number (32) Date (33) Country
201330306760.1 18 Jun 2013 CHINA
(56) Related Art Documents: **Not Applicable**
(57) Statement of Newness and Distinctiveness: **Newness and distinctiveness**
reside in the features of shape and/or configuration of a TABLE as
illustrated in the accompanying representations.



(21) Design Number: **16461/2013**
(22) Date of Filing Application: **11 December 2013**
(24) Date from which industrial property rights may have effect: **11 December 2013**
(54) Product in respect of which the design is registered: **A tray**
(51) International Design Classification: **09-03F**
(74) Name(s) of Attorney(s): **Griffith Hack**
(71) Name(s) and Address(s) of Applicant(s):
LINPAC Packaging Limited
Wakefield Road Featherstone Pontefract West Yorkshire WF7 5DE
United Kingdom
(72) Name(s) of Designer(s): **Richard Kershaw**
(45) Registration Date: **14 January 2014**
(30) Convention priority data:
(31) Number (32) Date (33) Country
001374607-0001 11 Jun 2013 OFFICE FOR HARMONISATION IN
THE INTERNAL MARKET (OHIM)
(56) Related Art Documents: **Not Applicable**
(57) Statement of Newness and Distinctiveness: **The shape and configuration**
and colour of those parts of the design shown outside the dotted line are
new and distinctive.



(21) Design Number: **16462/2013**
(22) Date of Filing Application: **11 December 2013**
(24) Date from which industrial property rights may have effect: **11 December 2013**
(54) Product in respect of which the design is registered: **A tray**
(51) International Design Classification: **09-03F**
(74) Name(s) of Attorney(s): **Griffith Hack**
(71) Name(s) and Address(s) of Applicant(s):



LINPAC Packaging Limited
Wakefield Road Featherstone Pontefract West Yorkshire WF7 5DE
United Kingdom

(72) Name(s) of Designer(s): **Richard Kershaw**

(45) Registration Date: **14 January 2014**

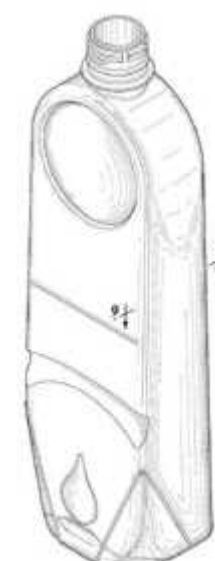
(30) Convention priority data:

(31) Number	(32) Date	(33) Country
001374607-0002	11 Jun 2013	OFFICE FOR HARMONISATION IN THE INTERNAL MARKET (OHIM)

(56) Related Art Documents: **Not Applicable**

(57) Statement of Newness and Distinctiveness: **The shape and configuration and colour of those parts of the design shown outside the dotted line are new and distinctive.**

(21) Design Number: **15479/2013**
(22) Date of Filing Application: **25 October 2013**
(24) Date from which industrial property rights may have effect: **22 July 2013**
(54) Product in respect of which the design is registered: **Bottle**
(51) International Design Classification: **09-01D**
(74) Name(s) of Attorney(s): **Davies Collison Cave**
(71) Name(s) and Address(s) of Applicant(s):



RC02 Washington, Inc.
701 Fifth Avenue Suite 4200 Seattle Washington 98104 United States of America

(72) Name(s) of Designer(s): **Thomson Donald William**

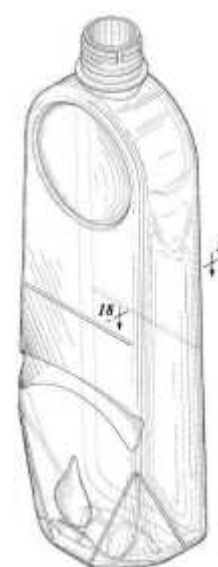
(45) Registration Date: **15 January 2014**

(62) Divisional of: **353008**

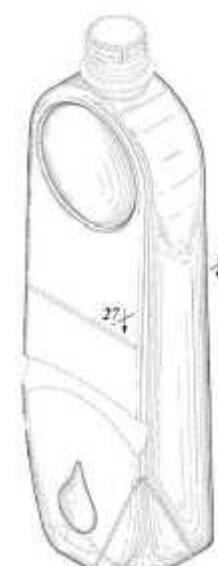
(56) Related Art Documents: **Not Applicable**

(57) Statement of Newness and Distinctiveness: **Newness and distinctiveness is claimed in the visual features of the bottle comprising an opaque material shown in solid lines in the representations.**

- (21) Design Number: **15480/2013**
(22) Date of Filing Application: **25 October 2013**
(24) Date from which industrial property rights may have effect: **22 July 2013**
(54) Product in respect of which the design is registered: **Bottle**
(51) International Design Classification: **09-01D**
(74) Name(s) of Attorney(s): **Davies Collison Cave**
(71) Name(s) and Address(s) of Applicant(s):
RC02 Washington, Inc.
701 Fifth Avenue Suite 4200 Seattle Washington 98104 United States of America
(72) Name(s) of Designer(s): **Thomson Donald William**
(45) Registration Date: **15 January 2014**
(62) Divisional of: **353008**
(56) Related Art Documents: **Not Applicable**
(57) Statement of Newness and Distinctiveness: **Newness and distinctiveness is claimed in the visual features of the bottle comprising a transparent material shown in solid lines in the representations.**



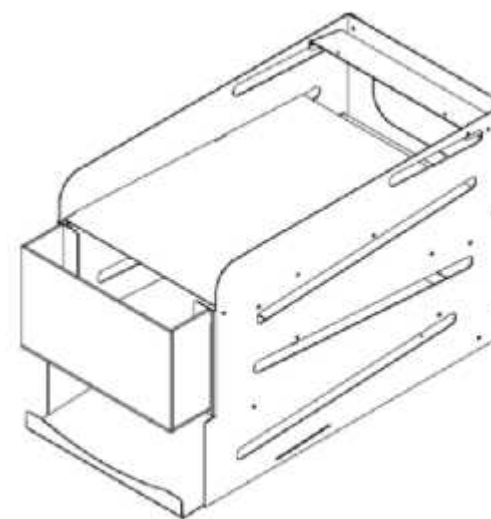
- (21) Design Number: **15481/2013**
(22) Date of Filing Application: **25 October 2013**
(24) Date from which industrial property rights may have effect: **22 July 2013**
(54) Product in respect of which the design is registered: **Bottle**
(51) International Design Classification: **09-01D**
(74) Name(s) of Attorney(s): **Davies Collison Cave**
(71) Name(s) and Address(s) of Applicant(s):
RC02 Washington, Inc.
701 Fifth Avenue Suite 4200 Seattle Washington 98104 United States of America
(72) Name(s) of Designer(s): **Thomson Donald William**
(45) Registration Date: **15 January 2014**
(62) Divisional of: **353008**
(56) Related Art Documents: **Not Applicable**
(57) Statement of Newness and Distinctiveness: **Newness and distinctiveness is claimed in the visual features of the bottle comprising an opaque material shown in solid lines in the representations.**



- (21) Design Number: **15649/2013**
(22) Date of Filing Application: **03 November 2013**
(24) Date from which industrial property rights may have effect: **03 November 2013**
(54) Product in respect of which the design is registered: **Earrings**
(51) International Design Classification: **11-01D**
(74) Name(s) of Attorney(s):
(71) Name(s) and Address(s) of Applicant(s):
Michelle Helgeland
21 Vista CI Edgewater WA 6027 Australia
(72) Name(s) of Designer(s): **Michelle Helgeland**
(45) Registration Date: **15 January 2014**
(56) Related Art Documents: **Not Applicable**
(57) Statement of Newness and Distinctiveness: **Manufacture of each DROP earring is of monobloc construction (1 piece). The main body of each earring is tapered, irrespective of diameter and length, to smoothly and tangentially form a bulbous drop that mimics the graphical interpretation of a liquid drop. The thin section of shaft is formed into an ear hook where shape and length may vary. DROP earrings are laser engraved with logo and serial numbers on reverse of taper.**



- (21) Design Number: **16157/2013**
(22) Date of Filing Application: **26 November 2013**
(24) Date from which industrial property rights may have effect: **26 November 2013**
(54) Product in respect of which the design is registered: **A dispenser**
(51) International Design Classification: **20-02NES**
(74) Name(s) of Attorney(s): **SPRUSON & FERGUSON**
(71) Name(s) and Address(s) of Applicant(s):
H.B. Fuller Company Australia Pty Ltd
16-22 Redgum Dr Dandenong South VIC 3175 Australia
(72) Name(s) of Designer(s): **Chris Blenkiron and Wayne Murphy**
(45) Registration Date: **15 January 2014**
(56) Related Art Documents: **Not Applicable**
(57) Statement of Newness and Distinctiveness: **Newness and distinctiveness is claimed in the features of shape and/or configuration of a dispenser as illustrated in the accompanying representations.**



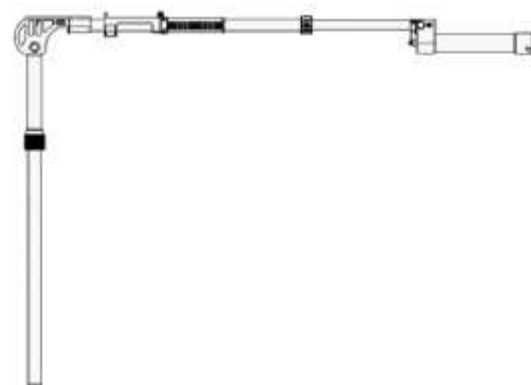
- (21) Design Number: **16175/2013**
(22) Date of Filing Application: **27 November 2013**
(24) Date from which industrial property rights may have effect: **27 November 2013**
(54) Product in respect of which the design is registered: **Pouring container**
(51) International Design Classification: **09-01NES**
(74) Name(s) of Attorney(s): **Davies Collison Cave**
(71) Name(s) and Address(s) of Applicant(s):
Cryovac Australia Pty Ltd
90 Keilor Park Dr Tullamarine VIC 3043 Australia
(72) Name(s) of Designer(s): **Brian Terry**
(45) Registration Date: **15 January 2014**
(56) Related Art Documents: **Not Applicable**
(57) Statement of Newness and Distinctiveness: **Newness and distinctiveness is claimed in the features of shape and configuration of a pouring container having a pouring spout, as shown in the drawings, but not in the shading/ colouring of the pouring container.**



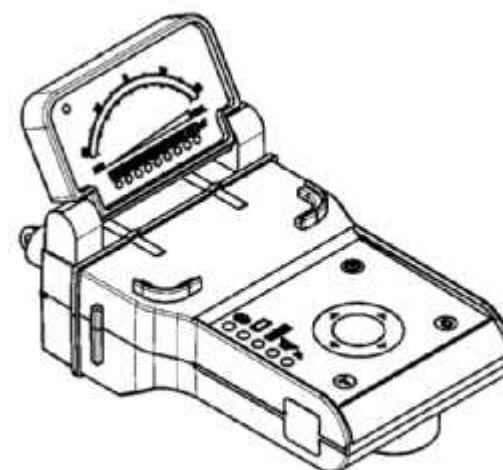
- (21) Design Number: **16176/2013**
(22) Date of Filing Application: **27 November 2013**
(24) Date from which industrial property rights may have effect: **27 November 2013**
(54) Product in respect of which the design is registered: **Pouring container**
(51) International Design Classification: **09-01NES**
(74) Name(s) of Attorney(s): **Davies Collison Cave**
(71) Name(s) and Address(s) of Applicant(s):
Cryovac Australia Pty Ltd
90 Keilor Park Dr Tullamarine VIC 3043 Australia
(72) Name(s) of Designer(s): **Brian Terry**
(45) Registration Date: **15 January 2014**
(56) Related Art Documents: **Not Applicable**
(57) Statement of Newness and Distinctiveness: **Newness and distinctiveness is claimed in the features of shape and configuration of a pouring container having a pouring spout, as shown in the drawings, but not in the shading/ colouring of the pouring container.**



(21) Design Number: **16212/2013**
(22) Date of Filing Application: **29 November 2013**
(24) Date from which industrial property rights may have effect: **29 November 2013**
(54) Product in respect of which the design is registered: **Telescope handling arm**
(51) International Design Classification: **10-05, 08-08NES**
(74) Name(s) of Attorney(s): **Callinans**
(71) Name(s) and Address(s) of Applicant(s):
Vallon GmbH
Arbachtalstr. 10 Eningen 72800 Germany
(72) Name(s) of Designer(s): **Joachim Brucksch**
(45) Registration Date: **15 January 2014**
(30) Convention priority data:
(31) Number (32) Date (33) Country
002266007 01 Jul 2013 OFFICE FOR HARMONISATION IN
THE INTERNAL MARKET (OHIM)
(56) Related Art Documents: **Not Applicable**
(57) Statement of Newness and Distinctiveness: **Nil**



(21) Design Number: **16213/2013**
(22) Date of Filing Application: **29 November 2013**
(24) Date from which industrial property rights may have effect: **29 November 2013**
(54) Product in respect of which the design is registered: **Electronic control panel**
(51) International Design Classification: **13-03NES, 10-05**
(74) Name(s) of Attorney(s): **Callinans**
(71) Name(s) and Address(s) of Applicant(s):
Vallon GmbH
Arbachtalstr. 10 Eningen 72800 Germany
(72) Name(s) of Designer(s): **Joachim Brucksch**
(45) Registration Date: **15 January 2014**
(30) Convention priority data:
(31) Number (32) Date (33) Country
002266007 01 Jul 2013 OFFICE FOR HARMONISATION IN
THE INTERNAL MARKET (OHIM)
(56) Related Art Documents: **Not Applicable**
(57) Statement of Newness and Distinctiveness: **Nil**



- (21) Design Number: **16218/2013**
(22) Date of Filing Application: **29 November 2013**
(24) Date from which industrial property rights may have effect: **29 November 2013**
(54) Product in respect of which the design is registered: **Chair**
(51) International Design Classification: **06-06G, 06-01F**
(74) Name(s) of Attorney(s): **FB Rice**
(71) Name(s) and Address(s) of Applicant(s):
Okamura Corporation
7-18 Kitasaiwai 2-chome Nishi-ku Yokohama-shi Kanagawa 220-0004
Japan
(72) Name(s) of Designer(s): **Fabrizio Giugiaro**
(45) Registration Date: **15 January 2014**
(30) Convention priority data:
(31) Number (32) Date (33) Country
2013-012510 05 Jun 2013 JAPAN
(56) Related Art Documents: **Not Applicable**
(57) Statement of Newness and Distinctiveness: **Newness and distinctiveness reside in the features of the design shown in grey in the representations not limited to the colour grey and excluding those features shown in red.**



- (21) Design Number: **16393/2013**
(22) Date of Filing Application: **06 December 2013**
(24) Date from which industrial property rights may have effect: **06 December 2013**
(54) Product in respect of which the design is registered: **Oil pourer stem**
(51) International Design Classification: **27-02, 27-99**
(74) Name(s) of Attorney(s):
(71) Name(s) and Address(s) of Applicant(s):
Trio Brothers Trading Pty Ltd
18 Beal St Meadowbrook QLD 4131 Australia
(72) Name(s) of Designer(s): **Jack Qin**
(45) Registration Date: **15 January 2014**
(56) Related Art Documents: **Not Applicable**
(57) Statement of Newness and Distinctiveness: **Pen look alike with screws in cone pieces on each end.**



- (21) Design Number: **16396/2013**
(22) Date of Filing Application: **06 December 2013**
(24) Date from which industrial property rights may have effect: **06 December 2013**
(54) Product in respect of which the design is registered: **Oil pourer stem**
(51) International Design Classification: **27-02, 27-99**
(74) Name(s) of Attorney(s):
(71) Name(s) and Address(s) of Applicant(s):
TRIO BROTHERS TRADING PTY LTD
18 Beal St Meadowbrook QLD 4131 Australia
(72) Name(s) of Designer(s): **Jack Qin**
(45) Registration Date: **15 January 2014**
(56) Related Art Documents: **Not Applicable**
(57) Statement of Newness and Distinctiveness: **Screwed in cone piece.**



- (21) Design Number: **16398/2013**
(22) Date of Filing Application: **06 December 2013**
(24) Date from which industrial property rights may have effect: **06 December 2013**
(54) Product in respect of which the design is registered: **Oil pourer stem**
(51) International Design Classification: **27-02, 27-99**
(74) Name(s) of Attorney(s):
(71) Name(s) and Address(s) of Applicant(s):
TRIO BROTHERS TRADING PTY LTD
18 Beal St Meadowbrook QLD 4131 Australia
(72) Name(s) of Designer(s): **Jack Qin**
(45) Registration Date: **15 January 2014**
(56) Related Art Documents: **Not Applicable**
(57) Statement of Newness and Distinctiveness: **Glass tube pourer stem with tapered end.**



(21) Design Number: **16452/2013**
(22) Date of Filing Application: **11 December 2013**
(24) Date from which industrial property rights may have effect: **11 December 2013**
(54) Product in respect of which the design is registered: **Chair**
(51) International Design Classification: **06-01F**
(74) Name(s) of Attorney(s): **Shelston IP**
(71) Name(s) and Address(s) of Applicant(s):
Starway International Home-Living Co., Ltd.
No. 97 Shiyuan Road Nancheng Huangyan Taizhou Zhejiang People's
Republic of China
(72) Name(s) of Designer(s): **Genlin Ye**
(45) Registration Date: **15 January 2014**
(30) Convention priority data:
(31) Number (32) Date (33) Country
201330257420.4 18 Jun 2013 CHINA
(56) Related Art Documents: **Not Applicable**
(57) Statement of Newness and Distinctiveness: **Newness and distinctiveness**
reside in the features of shape and/or configuration of a CHAIR as
illustrated in the accompanying representations.



(21) Design Number: **16456/2013**
(22) Date of Filing Application: **11 December 2013**
(24) Date from which industrial property rights may have effect: **11 December 2013**
(54) Product in respect of which the design is registered: **A motorcycle**
(51) International Design Classification: **12-11**
(74) Name(s) of Attorney(s): **Shelston IP**
(71) Name(s) and Address(s) of Applicant(s):
KTM-Sportmotorcycle AG
Stallhofner Strasse 3 Mattighofen 5230 Austria
(72) Name(s) of Designer(s): **Gerald Kiska**
(45) Registration Date: **15 January 2014**
(30) Convention priority data:
(31) Number (32) Date (33) Country
MU 554/2013 19 Aug 2013 AUSTRIA
(56) Related Art Documents: **Not Applicable**
(57) Statement of Newness and Distinctiveness: **Newness and distinctiveness**
reside in the features of pattern and/or ornamentation of a motorcycle as
illustrated in the accompanying representations.



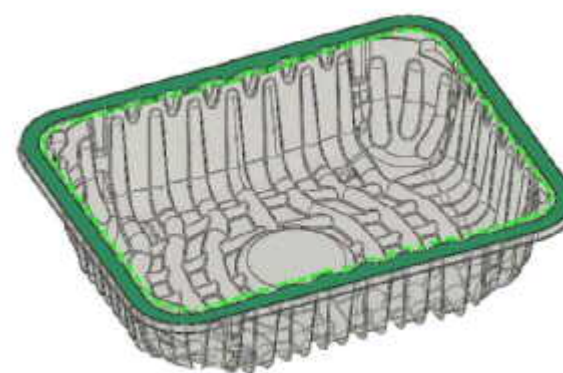
(21) Design Number: **16457/2013**
(22) Date of Filing Application: **11 December 2013**
(24) Date from which industrial property rights may have effect: **11 December 2013**
(54) Product in respect of which the design is registered: **A chocolate tablet**
(51) International Design Classification: **01-01**
(74) Name(s) of Attorney(s): **Banki Haddock Fiora**
(71) Name(s) and Address(s) of Applicant(s):
Societe des Produits Nestle S.A.
Vevey Canton of Vaud 1800 Switzerland
(72) Name(s) of Designer(s): **Daniel Grolimund**
(45) Registration Date: **15 January 2014**
(30) Convention priority data:
(31) Number (32) Date (33) Country
139 890 13 Jun 2013 SWITZERLAND
(56) Related Art Documents: **Not Applicable**
(57) Statement of Newness and Distinctiveness: **Nil**



(21) Design Number: **16458/2013**
(22) Date of Filing Application: **11 December 2013**
(24) Date from which industrial property rights may have effect: **11 December 2013**
(54) Product in respect of which the design is registered: **A chocolate tablet**
(51) International Design Classification: **01-01**
(74) Name(s) of Attorney(s): **Banki Haddock Fiora**
(71) Name(s) and Address(s) of Applicant(s):
Societe des Produits Nestle S.A.
Vevey Canton of Vaud 1800 Switzerland
(72) Name(s) of Designer(s): **Daniel Grolimund**
(45) Registration Date: **15 January 2014**
(30) Convention priority data:
(31) Number (32) Date (33) Country
139 890 13 Jun 2013 SWITZERLAND
(56) Related Art Documents: **Not Applicable**
(57) Statement of Newness and Distinctiveness: **Nil**



(21) Design Number: **16464/2013**
(22) Date of Filing Application: **11 December 2013**
(24) Date from which industrial property rights may have effect: **11 December 2013**
(54) Product in respect of which the design is registered: **A tray**
(51) International Design Classification: **09-03F**
(74) Name(s) of Attorney(s): **Griffith Hack**
(71) Name(s) and Address(s) of Applicant(s):



LINPAC Packaging Limited
Wakefield Road Featherstone Pontefract West Yorkshire WF7 5DE
United Kingdom

(72) Name(s) of Designer(s): **Richard Kershaw**

(45) Registration Date: **15 January 2014**

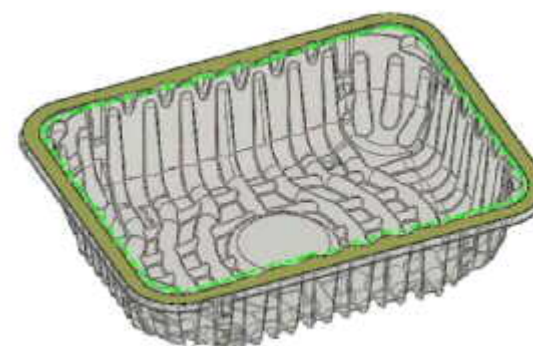
(30) Convention priority data:

(31) Number	(32) Date	(33) Country
001374607-0003	11 Jun 2013	OFFICE FOR HARMONISATION IN THE INTERNAL MARKET (OHIM)

(56) Related Art Documents: **Not Applicable**

(57) Statement of Newness and Distinctiveness: **The shape and configuration and colour of those parts of the design shown outside the dotted line are new and distinctive.**

(21) Design Number: **16465/2013**
(22) Date of Filing Application: **11 December 2013**
(24) Date from which industrial property rights may have effect: **11 December 2013**
(54) Product in respect of which the design is registered: **A tray**
(51) International Design Classification: **09-03F**
(74) Name(s) of Attorney(s): **Griffith Hack**
(71) Name(s) and Address(s) of Applicant(s):



LINPAC Packaging Limited
Wakefield Road Featherstone Pontefract West Yorkshire WF7 5DE
United Kingdom

(72) Name(s) of Designer(s): **Richard Kershaw**

(45) Registration Date: **15 January 2014**

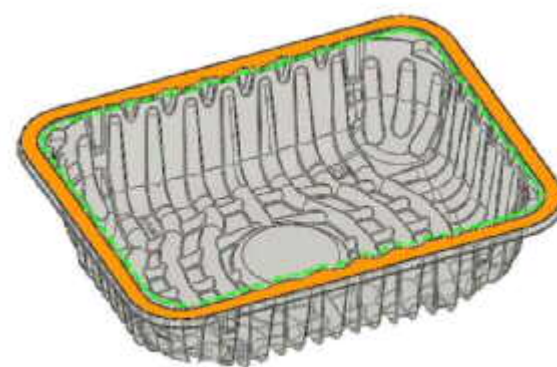
(30) Convention priority data:

(31) Number	(32) Date	(33) Country
001374607-0004	11 Jun 2013	OFFICE FOR HARMONISATION IN THE INTERNAL MARKET (OHIM)

(56) Related Art Documents: **Not Applicable**

(57) Statement of Newness and Distinctiveness: **The shape and configuration and colour of those parts of the design shown outside the dotted line are new and distinctive.**

(21) Design Number: **16466/2013**
(22) Date of Filing Application: **11 December 2013**
(24) Date from which industrial property rights may have effect: **11 December 2013**
(54) Product in respect of which the design is registered: **A tray**
(51) International Design Classification: **09-03F**
(74) Name(s) of Attorney(s): **Griffith Hack**
(71) Name(s) and Address(s) of Applicant(s):



LINPAC Packaging Limited
Wakefield Road Featherstone Pontefract West Yorkshire WF7 5DE
United Kingdom

(72) Name(s) of Designer(s): **Richard Kershaw**

(45) Registration Date: **15 January 2014**

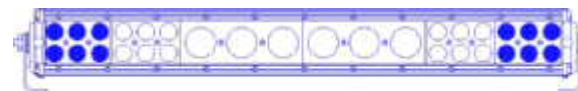
(30) Convention priority data:

(31) Number	(32) Date	(33) Country
001374607-0005	11 Jun 2013	OFFICE FOR HARMONISATION IN THE INTERNAL MARKET (OHIM)

(56) Related Art Documents: **Not Applicable**

(57) Statement of Newness and Distinctiveness: **The shape and configuration and colour of those parts of the design shown outside the dotted line are new and distinctive.**

(21) Design Number: **15194/2013**
(22) Date of Filing Application: **11 October 2013**
(24) Date from which industrial property rights may have effect: **11 October 2013**
(54) Product in respect of which the design is registered: **Light bar**
(51) International Design Classification: **26-06**
(74) Name(s) of Attorney(s): **Davies Collison Cave**
(71) Name(s) and Address(s) of Applicant(s):



Sun Yee International Pty. Ltd.
3/323 Ingles St Port Melbourne VIC 3207 Australia

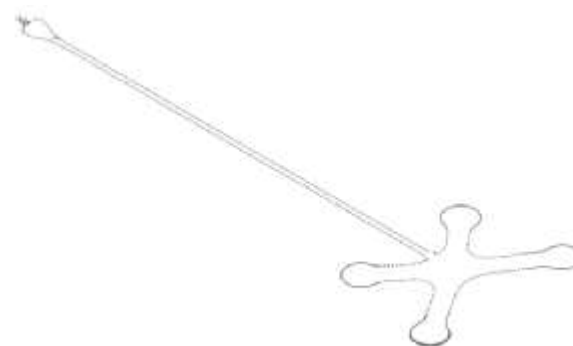
(72) Name(s) of Designer(s): **Kun Lv**

(45) Registration Date: **16 January 2014**

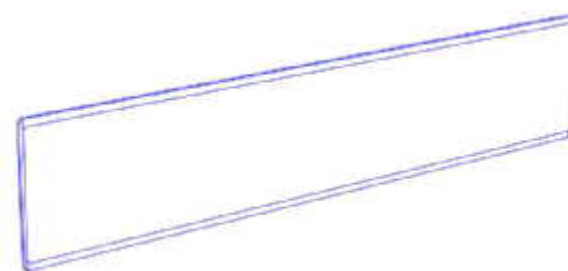
(56) Related Art Documents: **Not Applicable**

(57) Statement of Newness and Distinctiveness: **The features of shape and configuration shown in Section "A" of the accompanying representations are considered to be new and distinctive.**

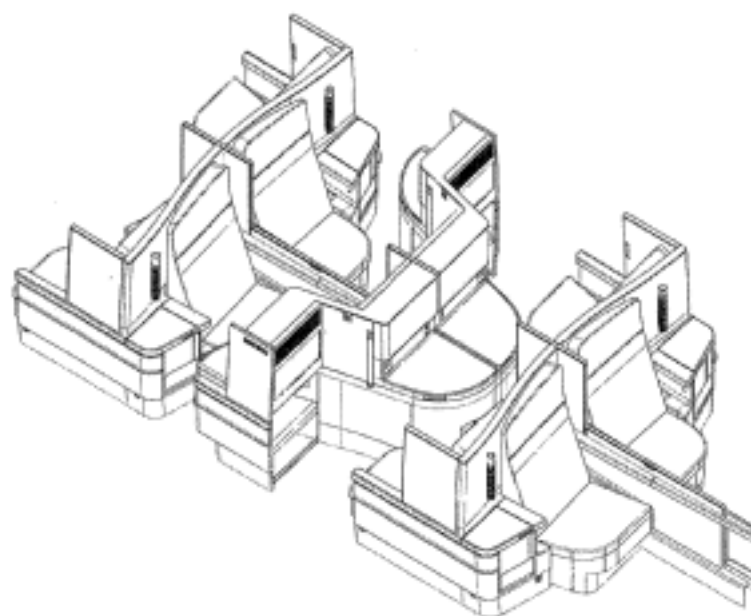
- (21) Design Number: **15195/2013**
(22) Date of Filing Application: **11 October 2013**
(24) Date from which industrial property rights may have effect: **11 October 2013**
(54) Product in respect of which the design is registered: **Electrical connector**
(51) International Design Classification: **24-04**
(74) Name(s) of Attorney(s): **FB Rice**
(71) Name(s) and Address(s) of Applicant(s):
Murdoch Childrens Research Institute
The Royal Children's Hospital Flemington Rd Parkville VIC 3052
Australia
(72) Name(s) of Designer(s): **Rod Wiebenga and Bridget Rae Southwell**
(45) Registration Date: **16 January 2014**
(56) Related Art Documents: **Not Applicable**
(57) Statement of Newness and Distinctiveness: **Newness and distinctiveness reside in the features of the design shown in solid lines in the representations excluding those features shown in broken lines.**



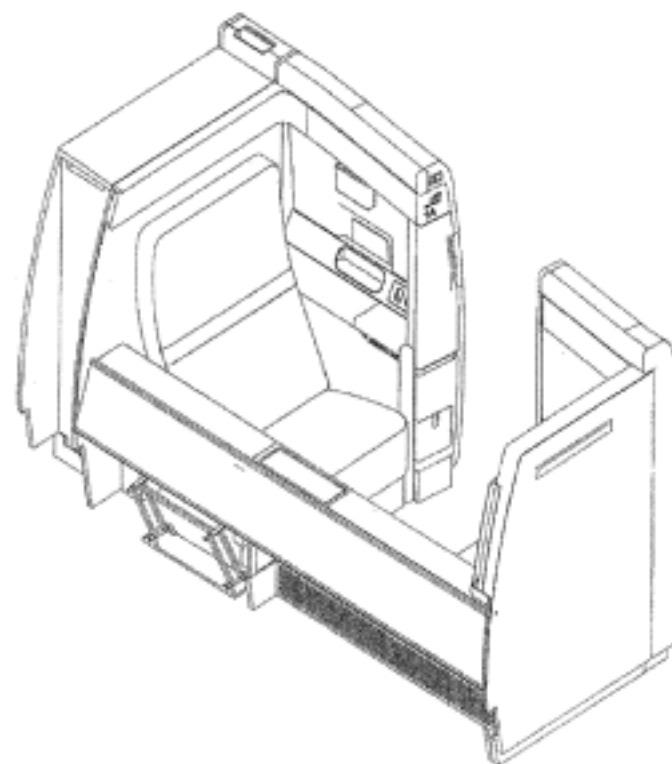
- (21) Design Number: **15197/2013**
(22) Date of Filing Application: **11 October 2013**
(24) Date from which industrial property rights may have effect: **11 October 2013**
(54) Product in respect of which the design is registered: **A transparent cover for a light bar**
(51) International Design Classification: **26-06**
(74) Name(s) of Attorney(s): **Davies Collison Cave**
(71) Name(s) and Address(s) of Applicant(s):
Sun Yee International Pty. Ltd.
3/323 Ingles St Port Melbourne VIC 3207 Australia
(72) Name(s) of Designer(s): **Kun Lv**
(45) Registration Date: **16 January 2014**
(56) Related Art Documents: **Not Applicable**
(57) Statement of Newness and Distinctiveness: **The features of shape and configuration of the cover shown in the accompanying representations are considered to be new and distinctive.**



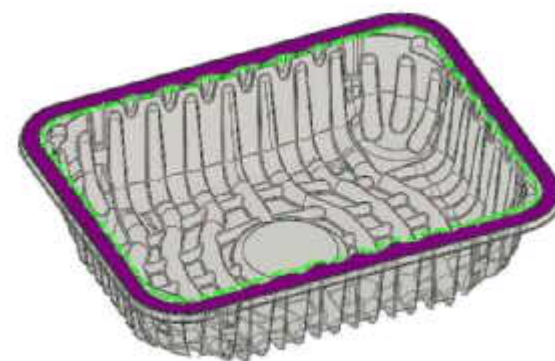
(21) Design Number: **15210/2013**
(22) Date of Filing Application: **10 October 2013**
(24) Date from which industrial property rights may have effect: **10 October 2013**
(54) Product in respect of which the design is registered: **Seating module**
(51) International Design Classification: **06-01D**
(74) Name(s) of Attorney(s): **Davies Collison Cave**
(71) Name(s) and Address(s) of Applicant(s):
Etihad Airways
PO Box 35566 New Airport Road Abu Dhabi United Arab Emirates
(72) Name(s) of Designer(s): **Andrew Williams and John McKeever and Edson Alexandrino**
(45) Registration Date: **16 January 2014**
(30) Convention priority data:
(31) Number (32) Date (33) Country
002217950 10 Apr 2013 OFFICE FOR HARMONISATION IN THE INTERNAL MARKET (OHIM)
(56) Related Art Documents: **Not Applicable**
(57) Statement of Newness and Distinctiveness: **Nil**



(21) Design Number: **15211/2013**
(22) Date of Filing Application: **10 October 2013**
(24) Date from which industrial property rights may have effect: **10 October 2013**
(54) Product in respect of which the design is registered: **Single suite**
(51) International Design Classification: **06-01D**
(74) Name(s) of Attorney(s): **Davies Collison Cave**
(71) Name(s) and Address(s) of Applicant(s):
Etihad Airways
PO Box 35566 New Airport Road Abu Dhabi United Arab Emirates
(72) Name(s) of Designer(s): **Richard Nicholas and Ian Dryburgh**
(45) Registration Date: **16 January 2014**
(30) Convention priority data:
(31) Number (32) Date (33) Country
002217976-0002 10 Apr 2013 OFFICE FOR HARMONISATION IN THE INTERNAL MARKET (OHIM)
(56) Related Art Documents: **Not Applicable**
(57) Statement of Newness and Distinctiveness: **Nil**



(21) Design Number: **16467/2013**
(22) Date of Filing Application: **11 December 2013**
(24) Date from which industrial property rights may have effect: **11 December 2013**
(54) Product in respect of which the design is registered: **A tray**
(51) International Design Classification: **09-03F**
(74) Name(s) of Attorney(s): **Griffith Hack**
(71) Name(s) and Address(s) of Applicant(s):



LINPAC Packaging Limited
Wakefield Road Featherstone Pontefract West Yorkshire WF7 5DE
United Kingdom

(72) Name(s) of Designer(s): **Richard Kershaw**

(45) Registration Date: **16 January 2014**

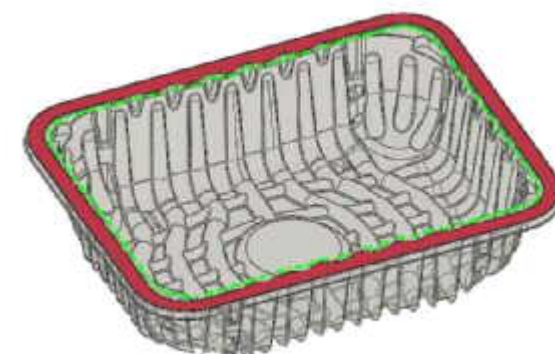
(30) Convention priority data:

(31) Number	(32) Date	(33) Country
001374607-0006	11 Jun 2013	OFFICE FOR HARMONISATION IN THE INTERNAL MARKET (OHIM)

(56) Related Art Documents: **Not Applicable**

(57) Statement of Newness and Distinctiveness: **The shape and configuration and colour of those parts of the design shown outside the dotted line are new and distinctive.**

(21) Design Number: **16468/2013**
(22) Date of Filing Application: **11 December 2013**
(24) Date from which industrial property rights may have effect: **11 December 2013**
(54) Product in respect of which the design is registered: **A tray**
(51) International Design Classification: **09-03F**
(74) Name(s) of Attorney(s): **Griffith Hack**
(71) Name(s) and Address(s) of Applicant(s):



LINPAC Packaging Limited
Wakefield Road Featherstone Pontefract West Yorkshire WF7 5DE
United Kingdom

(72) Name(s) of Designer(s): **Richard Kershaw**

(45) Registration Date: **16 January 2014**

(30) Convention priority data:

(31) Number	(32) Date	(33) Country
001374607-0007	11 Jun 2013	OFFICE FOR HARMONISATION IN THE INTERNAL MARKET (OHIM)

(56) Related Art Documents: **Not Applicable**

(57) Statement of Newness and Distinctiveness: **The shape and configuration and colour of those parts of the design shown outside the dotted line are new and distinctive.**

(21) Design Number: **16469/2013**
(22) Date of Filing Application: **11 December 2013**
(24) Date from which industrial property rights may have effect: **11 December 2013**
(54) Product in respect of which the design is registered: **A tray**
(51) International Design Classification: **09-03F**
(74) Name(s) of Attorney(s): **Griffith Hack**
(71) Name(s) and Address(s) of Applicant(s):

LINPAC Packaging Limited
Wakefield Road Featherstone Pontefract West Yorkshire WF7 5DE
United Kingdom

(72) Name(s) of Designer(s): **Richard Kershaw**

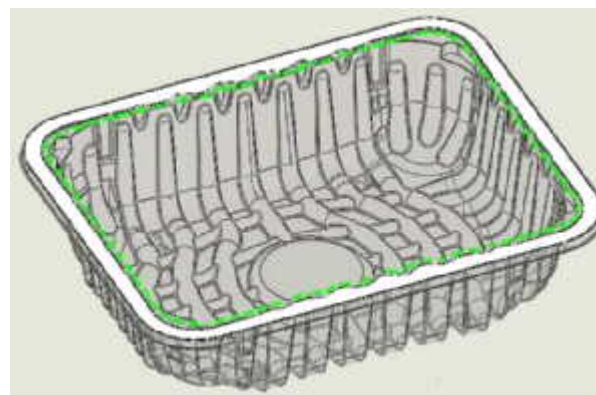
(45) Registration Date: **16 January 2014**

(30) Convention priority data:

(31) Number	(32) Date	(33) Country
001374607-0008	11 Jun 2013	OFFICE FOR HARMONISATION IN THE INTERNAL MARKET (OHIM)

(56) Related Art Documents: **Not Applicable**

(57) Statement of Newness and Distinctiveness: **The shape and configuration and colour of those parts of the design shown outside the dotted line are new and distinctive.**



(21) Design Number: **16471/2013**
(22) Date of Filing Application: **11 December 2013**
(24) Date from which industrial property rights may have effect: **11 December 2013**
(54) Product in respect of which the design is registered: **A tray**
(51) International Design Classification: **09-03F**
(74) Name(s) of Attorney(s): **Griffith Hack**
(71) Name(s) and Address(s) of Applicant(s):

LINPAC Packaging Limited
Wakefield Road Featherstone Pontefract West Yorkshire WF7 5DE
United Kingdom

(72) Name(s) of Designer(s): **Richard Kershaw**

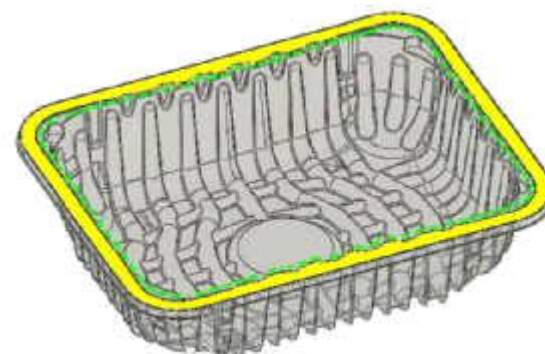
(45) Registration Date: **16 January 2014**

(30) Convention priority data:

(31) Number	(32) Date	(33) Country
001374607-0009	11 Jun 2013	OFFICE FOR HARMONISATION IN THE INTERNAL MARKET (OHIM)

(56) Related Art Documents: **Not Applicable**

(57) Statement of Newness and Distinctiveness: **The shape and configuration and colour of those parts of the design shown outside the dotted line are new and distinctive.**



(21) Design Number: **16488/2013**

(22) Date of Filing Application: **12 December 2013**

(24) Date from which industrial property rights may have effect: **12 December 2013**

(54) Product in respect of which the design is registered: **Golf club head**

(51) International Design Classification: **21-02C**

(74) Name(s) of Attorney(s): **Davies Collison Cave**

(71) Name(s) and Address(s) of Applicant(s):

Karsten Manufacturing Corporation

2201 West Desert Cove Phoenix Arizona 85029 United States of America

(72) Name(s) of Designer(s): **Cory S Bacon and Daniel K Lee**

(45) Registration Date: **16 January 2014**

(30) Convention priority data:

(31) Number

(32) Date

(33) Country

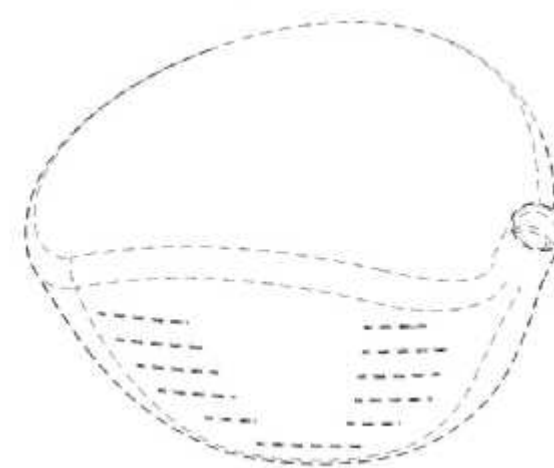
29/458022

14 Jun 2013

UNITED STATES OF AMERICA

(56) Related Art Documents: **Not Applicable**

(57) Statement of Newness and Distinctiveness: **Newness and distinctiveness is claimed in the visual features shown in solid lines in the representations. In considering the extent of the design rights, the broken lines shown in the representations are for illustrative purposes only and do not form part of the design.**



(21) Design Number: **16490/2013**

(22) Date of Filing Application: **12 December 2013**

(24) Date from which industrial property rights may have effect: **12 December 2013**

(54) Product in respect of which the design is registered: **Bottle**

(51) International Design Classification: **09-01NES**

(74) Name(s) of Attorney(s): **PIZZEYS**

(71) Name(s) and Address(s) of Applicant(s):

Novartis AG

Lichtstrasse 35 Basel 4056 Switzerland

(72) Name(s) of Designer(s): **Christopher House and Timothy James**

(45) Registration Date: **16 January 2014**

(30) Convention priority data:

(31) Number

(32) Date

(33) Country

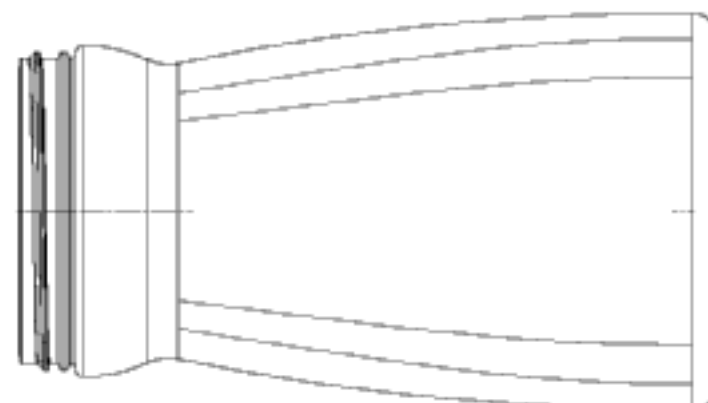
29/457743

12 Jun 2013

UNITED STATES OF AMERICA

(56) Related Art Documents: **Not Applicable**

(57) Statement of Newness and Distinctiveness: **The newness and distinctiveness of the design resides in the shape of the bottle as shown in the accompanying representations. The broken lines are not part of the design and are to be disregarded when considering the overall impression of the design.**

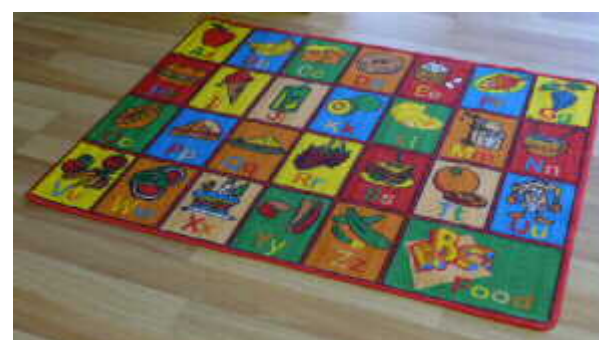


(21) Design Number: **16491/2013**
(22) Date of Filing Application: **12 December 2013**
(24) Date from which industrial property rights may have effect: **12 December 2013**
(54) Product in respect of which the design is registered: **Display stand for tablet computer**
(51) International Design Classification: **21-01N**
(74) Name(s) of Attorney(s): **PATENT ATTORNEY SERVICES**
(71) Name(s) and Address(s) of Applicant(s):
Bonzai Design Group Inc.
27 Coral Gables Cres Elmira Ontario N3B 3P4 Canada
(72) Name(s) of Designer(s): **Iles Z Guran**
(45) Registration Date: **16 January 2014**
(30) Convention priority data:
(31) Number (32) Date (33) Country
152696 28 Aug 2013 CANADA



(56) Related Art Documents: **Not Applicable**
(57) Statement of Newness and Distinctiveness: **Visual features of the design which are new and distinctive are the features of shape and configuration of a display stand for a tablet computer as illustrated in the representations. The following visible features of the display stand in the representations do not form part of the design and are to be disregarded: (i) the feet under the base, (ii) the features of shape and configuration of the rear of the support visible in the rear view, (iii) the features of shape and configuration of the underside of the base visible in the bottom view.**

(21) Design Number: **15144/2013**
(22) Date of Filing Application: **10 October 2013**
(24) Date from which industrial property rights may have effect: **10 October 2013**
(54) Product in respect of which the design is registered: **Floor rug**
(51) International Design Classification: **06-11**
(74) Name(s) of Attorney(s): **EKM patent & trade marks**
(71) Name(s) and Address(s) of Applicant(s):
MOS International Imports
347 - 349 Warrigal Rd Cheltenham VIC 3192 Australia
(72) Name(s) of Designer(s): **Adrian Harvey**
(45) Registration Date: **16 January 2014**
(56) Related Art Documents: **Not Applicable**
(57) Statement of Newness and Distinctiveness: **The newest and distinctiveness of the design resides in the actual design ABC FRUIT print on the rug.**



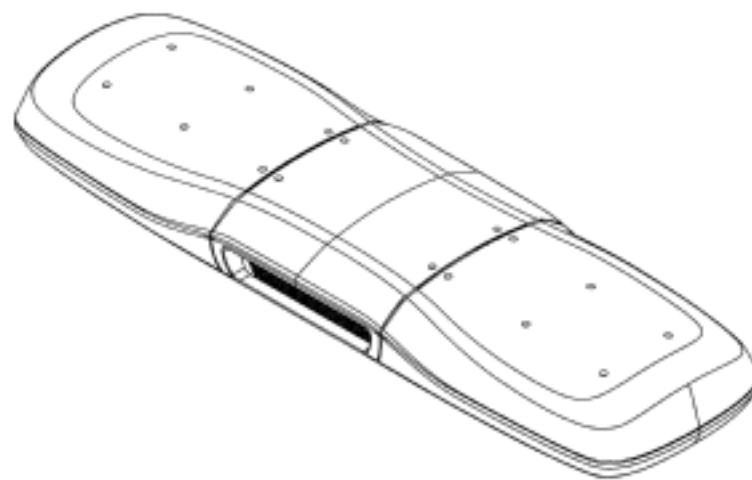
- (21) Design Number: **15145/2013**
(22) Date of Filing Application: **10 October 2013**
(24) Date from which industrial property rights may have effect: **10 October 2013**
(54) Product in respect of which the design is registered: **Floor rug**
(51) International Design Classification: **06-11**
(74) Name(s) of Attorney(s): **EKM patent & trade marks**
(71) Name(s) and Address(s) of Applicant(s):
MOS International Imports
347 - 349 Warrigal Rd Cheltenham VIC 3192 Australia
(72) Name(s) of Designer(s): **Adrian Harvey**
(45) Registration Date: **16 January 2014**
(56) Related Art Documents: **Not Applicable**
(57) Statement of Newness and Distinctiveness: **The newness and distinctiveness of the design resides in the actual design ABC ANIMAL print on the rug.**



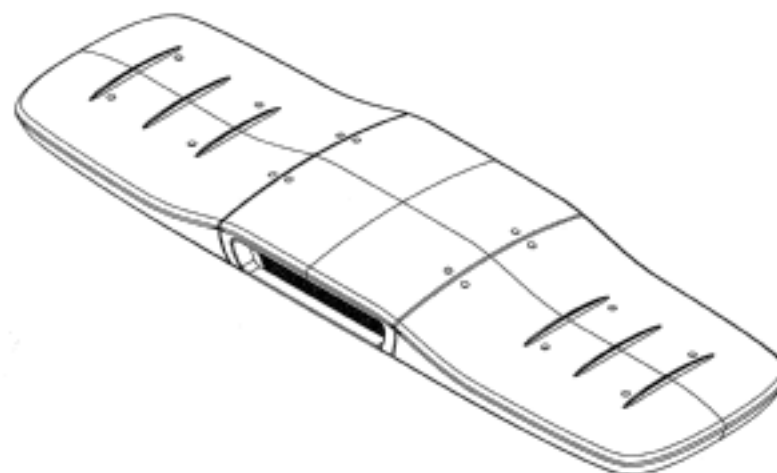
- (21) Design Number: **15146/2013**
(22) Date of Filing Application: **10 October 2013**
(24) Date from which industrial property rights may have effect: **10 October 2013**
(54) Product in respect of which the design is registered: **Floor rug**
(51) International Design Classification: **06-11**
(74) Name(s) of Attorney(s): **EKM patent & trade marks**
(71) Name(s) and Address(s) of Applicant(s):
MOS International Imports
347 - 349 Warrigal Rd Cheltenham VIC 3192 Australia
(72) Name(s) of Designer(s): **Adrian Harvey**
(45) Registration Date: **16 January 2014**
(56) Related Art Documents: **Not Applicable**
(57) Statement of Newness and Distinctiveness: **The newness and distinctiveness of the design resides in the actual design ABC TRAIN print on the rug.**



(21) Design Number: **16649/2013**
(22) Date of Filing Application: **15 November 2013**
(24) Date from which industrial property rights may have effect: **15 November 2013**
(54) Product in respect of which the design is registered: **Dual level low-profile light bar with speaker**
(51) International Design Classification: **26-05A, 14-01**
(74) Name(s) of Attorney(s):
(71) Name(s) and Address(s) of Applicant(s):
CODE 3, INC.
10986 North Warson Road, St. Louis, Missouri 63114-2029, United States of America
(72) Name(s) of Designer(s): **Paul L Stein and Brian R Merriman**
(45) Registration Date: **16 January 2014**
(30) Convention priority data:
(31) Number (32) Date (33) Country
29/457,730 12 Jun 2013 UNITED STATES OF AMERICA
(56) Related Art Documents: **Not Applicable**
(57) Statement of Newness and Distinctiveness: **Nil**



(21) Design Number: **16650/2013**
(22) Date of Filing Application: **15 November 2013**
(24) Date from which industrial property rights may have effect: **15 November 2013**
(54) Product in respect of which the design is registered: **Single level low-profile light bar with speaker**
(51) International Design Classification: **26-05A, 14-01**
(74) Name(s) of Attorney(s):
(71) Name(s) and Address(s) of Applicant(s):
CODE 3, INC.
10986 North Warson Road, St. Louis, Missouri 63114-2029, United States of America
(72) Name(s) of Designer(s): **Paul L Stein and Brian R Merriman**
(45) Registration Date: **16 January 2014**
(30) Convention priority data:
(31) Number (32) Date (33) Country
29/457,734 12 Jun 2013 UNITED STATES OF AMERICA
(56) Related Art Documents: **Not Applicable**
(57) Statement of Newness and Distinctiveness: **Nil**



(21) Design Number: **16651/2013**

(22) Date of Filing Application: **15 November 2013**

(24) Date from which industrial property rights may have effect: **15 November 2013**

(54) Product in respect of which the design is registered: **Top portion of a speaker for a light bar**

(51) International Design Classification: **26-05A, 14-01**

(74) Name(s) of Attorney(s):

(71) Name(s) and Address(s) of Applicant(s):

CODE 3, INC.

10986 North Warson Road, St. Louis, Missouri 63114-2029, United States of America

(72) Name(s) of Designer(s): **Paul L Stein and Brian R Merriman**

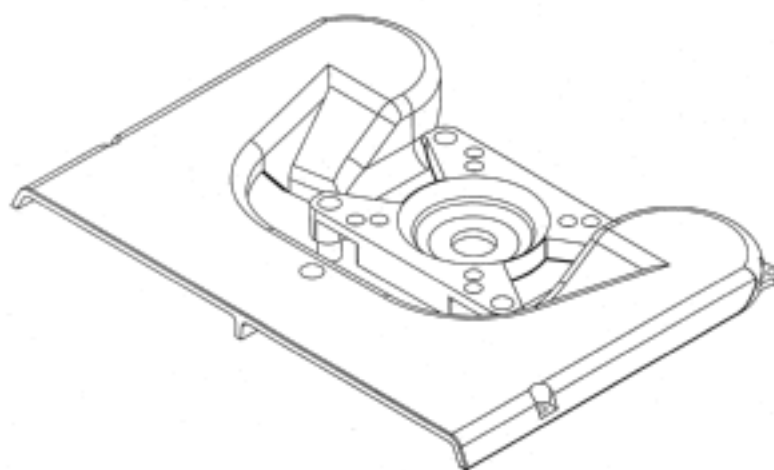
(45) Registration Date: **16 January 2014**

(30) Convention priority data:

(31) Number	(32) Date	(33) Country
29/457,729	12 Jun 2013	UNITED STATES OF AMERICA

(56) Related Art Documents: **Not Applicable**

(57) Statement of Newness and Distinctiveness: **Nil**



(21) Design Number: **16652/2013**

(22) Date of Filing Application: **15 November 2013**

(24) Date from which industrial property rights may have effect: **15 November 2013**

(54) Product in respect of which the design is registered: **Bottom portion of a speaker for a light bar**

(51) International Design Classification: **26-05A, 14-01**

(74) Name(s) of Attorney(s):

(71) Name(s) and Address(s) of Applicant(s):

CODE 3, INC.

10986 North Warson Road, St. Louis, Missouri 63114-2029, United States of America

(72) Name(s) of Designer(s): **Paul L Stein and Brian R Merriman**

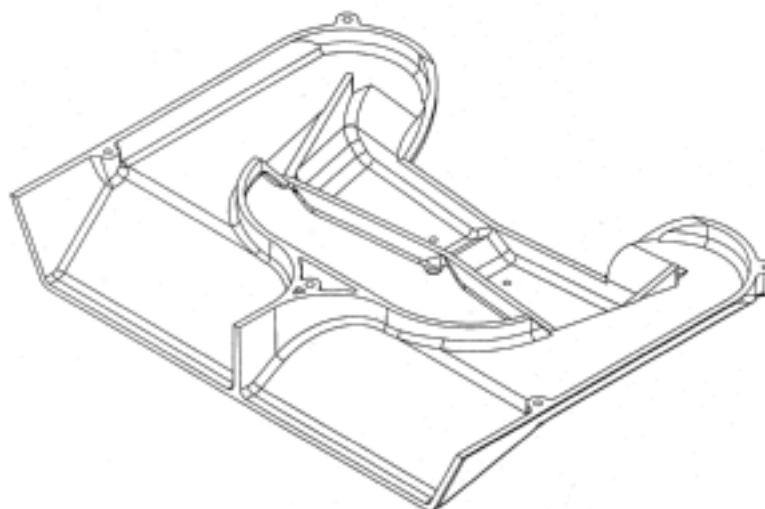
(45) Registration Date: **16 January 2014**

(30) Convention priority data:

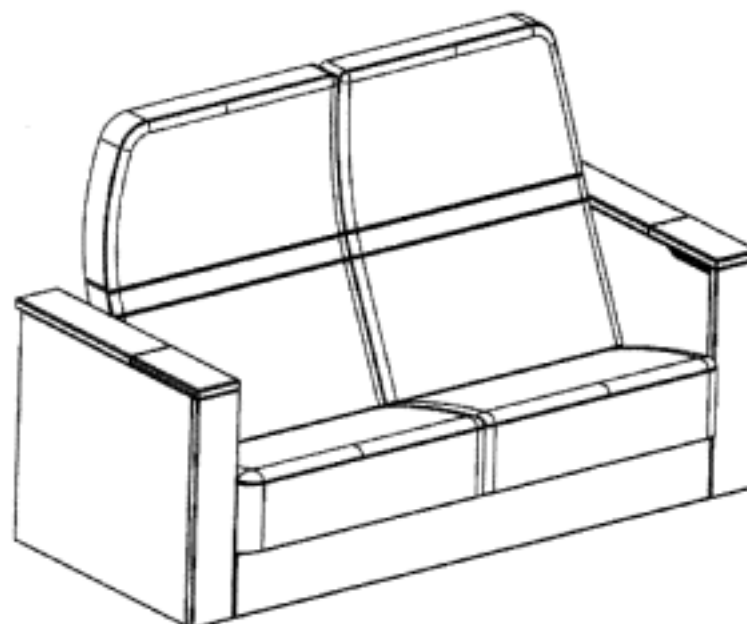
(31) Number	(32) Date	(33) Country
29/457,729	12 Jun 2013	UNITED STATES OF AMERICA

(56) Related Art Documents: **Not Applicable**

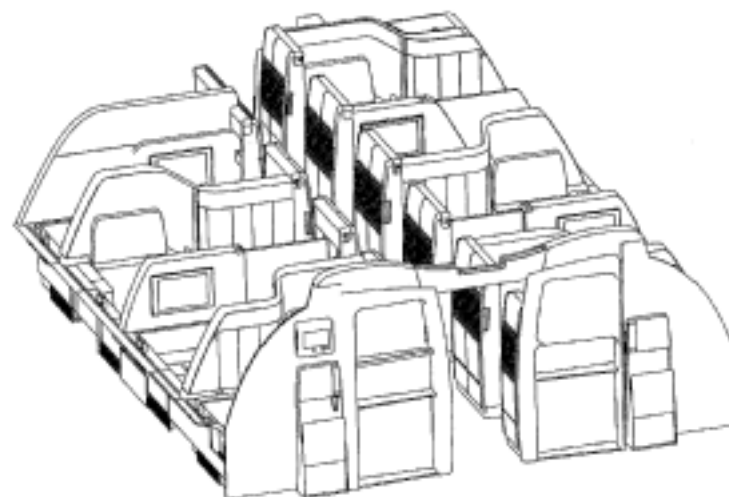
(57) Statement of Newness and Distinctiveness: **Nil**



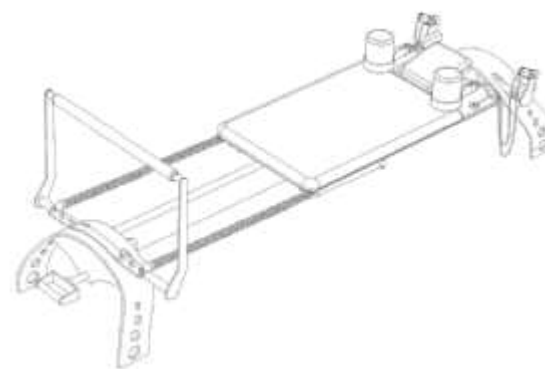
(21) Design Number: **15271/2013**
(22) Date of Filing Application: **15 October 2013**
(24) Date from which industrial property rights may have effect: **15 October 2013**
(54) Product in respect of which the design is registered: **Sofa**
(51) International Design Classification: **06-01H**
(74) Name(s) of Attorney(s): **Davies Collison Cave**
(71) Name(s) and Address(s) of Applicant(s):
Etihad Airways
PO BOX 35566 New Airport Road Abu Dhabi United Arab Emirates
(72) Name(s) of Designer(s): **Adrian Berry and Adam White and Matthew Fiddimore and Nigel Lawson and Anthony Harcup**
(45) Registration Date: **17 January 2014**
(30) Convention priority data:
(31) Number (32) Date (33) Country
002220285 15 Apr 2013 OFFICE FOR HARMONISATION IN THE INTERNAL MARKET (OHIM)
(56) Related Art Documents: **Not Applicable**
(57) Statement of Newness and Distinctiveness: **Nil**



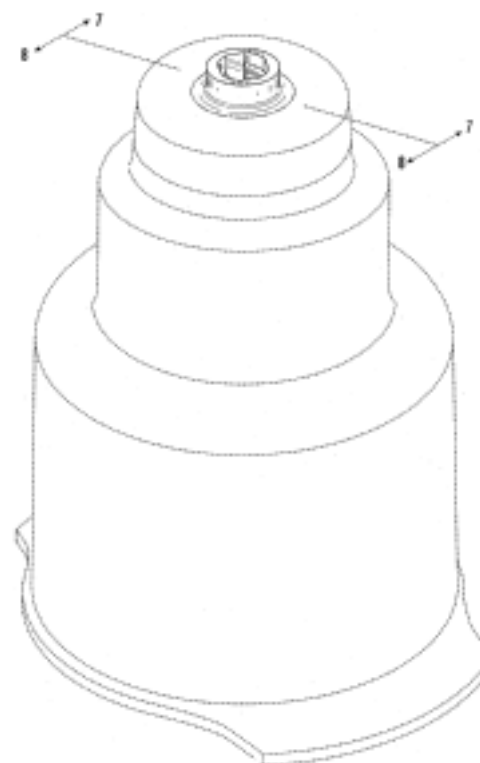
(21) Design Number: **15272/2013**
(22) Date of Filing Application: **15 October 2013**
(24) Date from which industrial property rights may have effect: **15 October 2013**
(54) Product in respect of which the design is registered: **Seating unit**
(51) International Design Classification: **06-01D**
(74) Name(s) of Attorney(s): **Davies Collison Cave**
(71) Name(s) and Address(s) of Applicant(s):
Etihad Airways
PO BOX 35566 New Airport Road Abu Dhabi United Arab Emirates
(72) Name(s) of Designer(s): **Nigel Lawson and Anthony Harcup and Ian Dryburgh**
(45) Registration Date: **17 January 2014**
(30) Convention priority data:
(31) Number (32) Date (33) Country
002220285 15 Apr 2013 OFFICE FOR HARMONISATION IN THE INTERNAL MARKET (OHIM)
(56) Related Art Documents: **Not Applicable**
(57) Statement of Newness and Distinctiveness: **Nil**



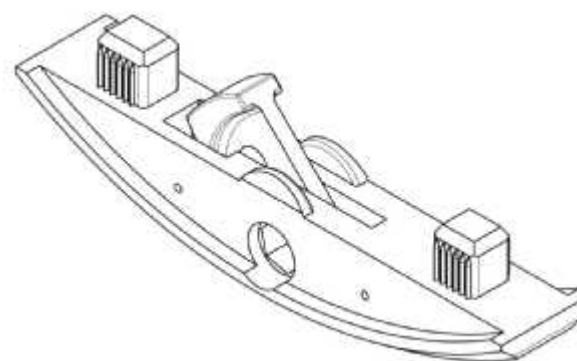
(21) Design Number: **15301/2013**
(22) Date of Filing Application: **18 October 2013**
(24) Date from which industrial property rights may have effect: **18 October 2013**
(54) Product in respect of which the design is registered: **Pilates exercise apparatus**
(51) International Design Classification: **21-02F**
(74) Name(s) of Attorney(s): **Murray Trento & Associates**
(71) Name(s) and Address(s) of Applicant(s):
Craig Phillips Holdings Pty Ltd
1 Yarra St South Yarra VIC 3141 Australia
(72) Name(s) of Designer(s): **Steve Varga**
(45) Registration Date: **17 January 2014**
(56) Related Art Documents: **Not Applicable**
(57) Statement of Newness and Distinctiveness: **Newness and Distinctiveness resides in the shape and/or configuration of a Pilates Reformer as depicted in the accompanying representations.**



(21) Design Number: **15391/2013**
(22) Date of Filing Application: **22 October 2013**
(24) Date from which industrial property rights may have effect: **22 October 2013**
(54) Product in respect of which the design is registered: **Adaptor cap with needle bore having flat internal surfaces**
(51) International Design Classification: **24-02**
(74) Name(s) of Attorney(s): **Wrays**
(71) Name(s) and Address(s) of Applicant(s):
BioMerieux, Inc.
100 Rodolphe St Durham North Carolina 27712 United States of America
(72) Name(s) of Designer(s): **Stanley Michael Philipak and Samuel B. Crandall**
(45) Registration Date: **17 January 2014**
(30) Convention priority data:
(31) Number (32) Date (33) Country
29/453,007 24 Apr 2013 UNITED STATES OF AMERICA
(56) Related Art Documents: **Not Applicable**
(57) Statement of Newness and Distinctiveness: **Newness and distinctiveness is claimed in the features of shape and/or configuration of the Adaptor Cap With Needle Bore Having Flat Internal Surfaces depicted in the accompanying representations. The features shown in broken lines are for illustrative purposes only and form no part of the claimed design.**



(21) Design Number: **15504/2013**
(22) Date of Filing Application: **28 October 2013**
(24) Date from which industrial property rights may have effect: **28 October 2013**
(54) Product in respect of which the design is registered: **Connecting device**
(51) International Design Classification: **08-08NES**
(74) Name(s) of Attorney(s): **Davies Collison Cave**
(71) Name(s) and Address(s) of Applicant(s):



Lamello AG
Hauptstrasse 149 Bubendorf 4416 Switzerland
Franz Baur
Hochstrass 13 Oberstaufen 87534 Germany
Franz Haser
Buchenegg 5 Oberstaufen 87534 Germany

(72) Name(s) of Designer(s): **Franz Baur and Franz Haser and Philipp Seiler and Patrick Jeker**

(45) Registration Date: **17 January 2014**

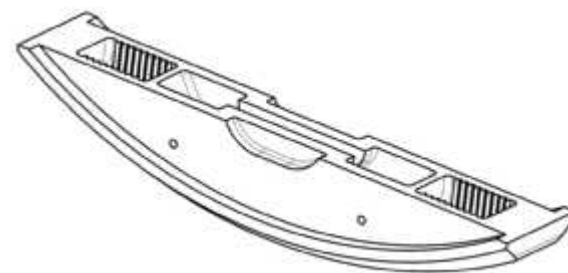
(30) Convention priority data:

(31) Number	(32) Date	(33) Country
002230250-0001	30 Apr 2013	OFFICE FOR HARMONISATION IN THE INTERNAL MARKET (OHIM)

(56) Related Art Documents: **Not Applicable**

(57) Statement of Newness and Distinctiveness: **Nil**

(21) Design Number: **15505/2013**
(22) Date of Filing Application: **28 October 2013**
(24) Date from which industrial property rights may have effect: **28 October 2013**
(54) Product in respect of which the design is registered: **Connecting device**
(51) International Design Classification: **08-08NES**
(74) Name(s) of Attorney(s): **Davies Collison Cave**
(71) Name(s) and Address(s) of Applicant(s):



Lamello AG
Hauptstrasse 149 Bubendorf 4416 Switzerland
Franz Baur
Hochstrass 13 Oberstaufen 87534 Germany
Franz Haser
Buchenegg 5 Oberstaufen 87534 Germany

(72) Name(s) of Designer(s): **Franz Baur and Franz Haser and Philipp Seiler and Patrick Jeker**

(45) Registration Date: **17 January 2014**

(30) Convention priority data:

(31) Number	(32) Date	(33) Country
002230250-0002	30 Apr 2013	OFFICE FOR HARMONISATION IN THE INTERNAL MARKET (OHIM)

(56) Related Art Documents: **Not Applicable**

(57) Statement of Newness and Distinctiveness: **Nil**

(21) Design Number: **16487/2013**
(22) Date of Filing Application: **12 December 2013**
(24) Date from which industrial property rights may have effect: **12 December 2013**
(54) Product in respect of which the design is registered: **Bottle**
(51) International Design Classification: **09-01NES**
(74) Name(s) of Attorney(s): **PIZZEYS**
(71) Name(s) and Address(s) of Applicant(s):

Novartis AG
Lichtstrasse 35 Basel 4056 Switzerland

(72) Name(s) of Designer(s): **Christopher House and Timothy James**

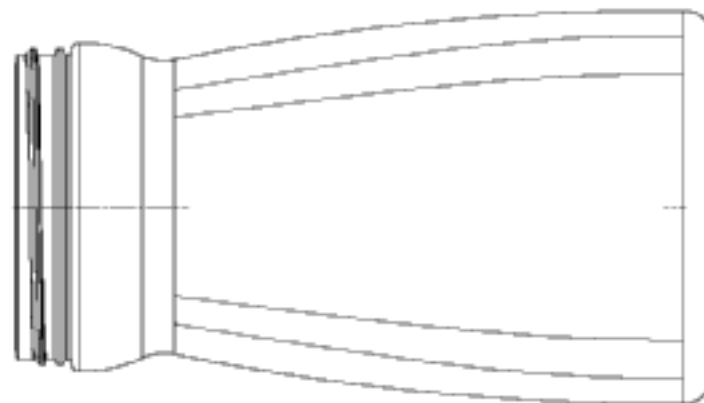
(45) Registration Date: **17 January 2014**

(30) Convention priority data:

(31) Number	(32) Date	(33) Country
29/457744	12 Jun 2013	UNITED STATES OF AMERICA

(56) Related Art Documents: **Not Applicable**

(57) Statement of Newness and Distinctiveness: **The newness and distinctiveness of the design resides in the shape of the bottle as shown in the accompanying representations. The broken lines are not part of the design and are to be disregarded when considering the overall impression of the design.**



(21) Design Number: **16495/2013**
(22) Date of Filing Application: **12 December 2013**
(24) Date from which industrial property rights may have effect: **16 September 2013**
(54) Product in respect of which the design is registered: **Cup packaging**
(51) International Design Classification: **09-03NES**
(74) Name(s) of Attorney(s): **PIZZEYS**
(71) Name(s) and Address(s) of Applicant(s):

McCormick & Company, Incorporated
Corporate Research & Development 18 Loveton Circle Sparks MD,
21152-6000 United States of America

(72) Name(s) of Designer(s): **Violaine Royer**

(45) Registration Date: **17 January 2014**

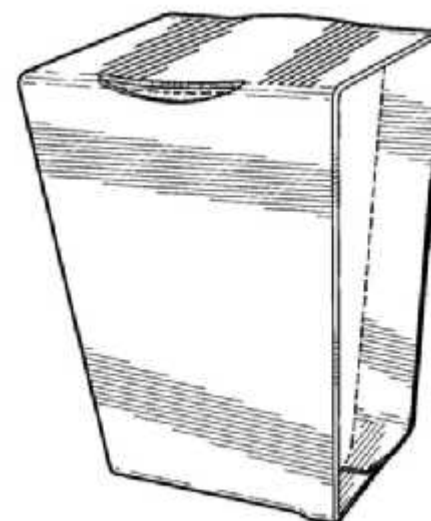
(30) Convention priority data:

(31) Number	(32) Date	(33) Country
29/450,193	15 Mar 2013	UNITED STATES OF AMERICA

(62) Divisional of: **352973**

(56) Related Art Documents: **Not Applicable**

(57) Statement of Newness and Distinctiveness: **Nil**



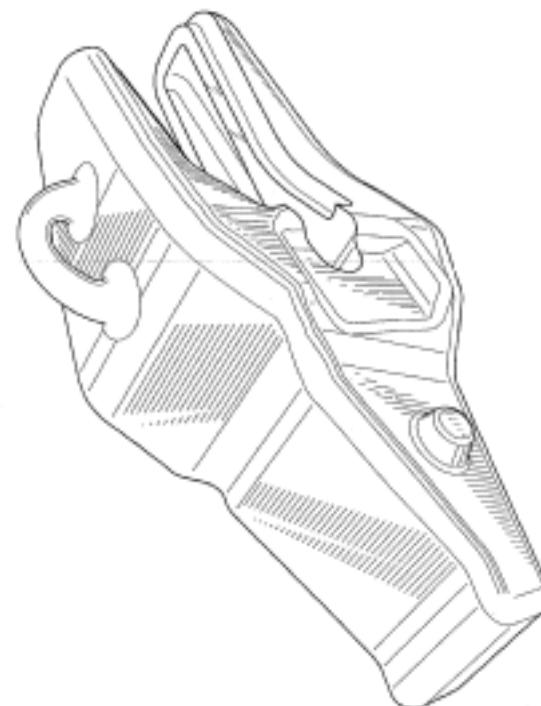
- (21) Design Number: **15367/2013**
(22) Date of Filing Application: **22 October 2013**
(24) Date from which industrial property rights may have effect: **22 October 2013**
(54) Product in respect of which the design is registered: **Modular drying assembly for drying & airing items**
(51) International Design Classification: **07-05D**
(74) Name(s) of Attorney(s):
(71) Name(s) and Address(s) of Applicant(s):
THE ASSASSIN GROUP 'ENVIRONMENTAL DIVISION' PTY. LTD.
4/10 Tennyson St St Kilda VIC 3182 Australia
(72) Name(s) of Designer(s): **Phoenix Hanna**
(45) Registration Date: **17 January 2014**
(56) Related Art Documents: **Not Applicable**
(57) Statement of Newness and Distinctiveness: **Nil**



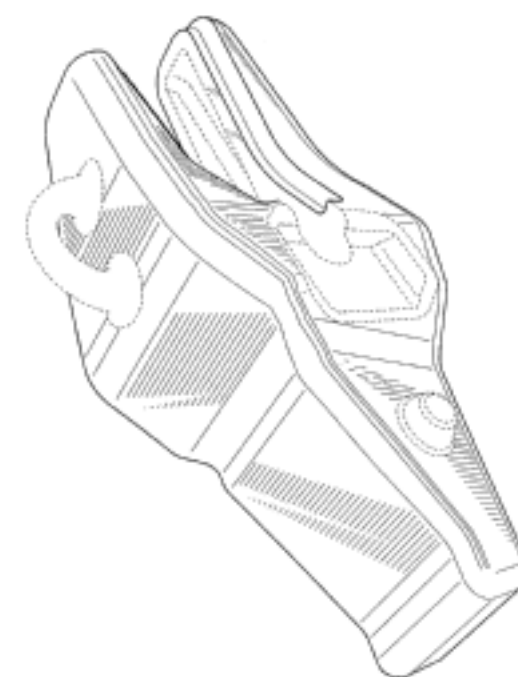
- (21) Design Number: **12396/2013**
(22) Date of Filing Application: **23 May 2013**
(24) Date from which industrial property rights may have effect: **23 May 2013**
(54) Product in respect of which the design is registered: **Cardboard pet casket/ coffin**
(51) International Design Classification: **99-00**
(74) Name(s) of Attorney(s):
(71) Name(s) and Address(s) of Applicant(s):
Matthew Edward James Bogust
150 East Coast Road Forrest Hill Auckland 0620 New Zealand
(72) Name(s) of Designer(s): **Matthew Edward James Bogust**
(45) Registration Date: **20 January 2014**
(30) Convention priority data:
(31) Number (32) Date (33) Country
417055 24 Nov 2012 NEW ZEALAND
(56) Related Art Documents: **Not Applicable**
(57) Statement of Newness and Distinctiveness: **Design is applied to pet casket. Novelty features of shape and configuration of pet casket as shown in representation.**



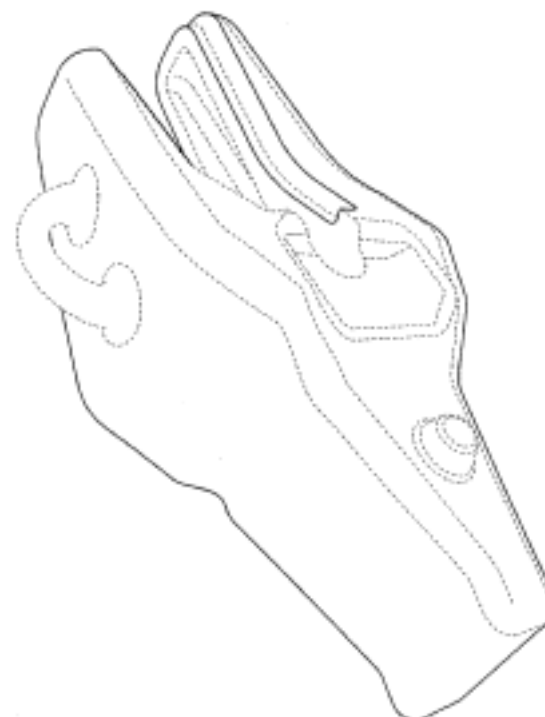
(21) Design Number: **10742/2013**
(22) Date of Filing Application: **14 February 2013**
(24) Date from which industrial property rights may have effect: **14 February 2013**
(54) Product in respect of which the design is registered: **Adapter for ground engaging machine implement**
(51) International Design Classification: **15-04**
(74) Name(s) of Attorney(s): **Freehills Patent Attorneys**
(71) Name(s) and Address(s) of Applicant(s):
Caterpillar Inc.
100 N.E. Adams Street Peoria Illinois 61629 United States of America
(72) Name(s) of Designer(s): **William J. Renski and James Robert Lahood**
(45) Registration Date: **20 January 2014**
(30) Convention priority data:
(31) Number (32) Date (33) Country
29/403594 07 Oct 2011 UNITED STATES OF AMERICA
(56) Related Art Documents: **Not Applicable**
(57) Statement of Newness and Distinctiveness: **Newness and distinctiveness of the design resides in the features of shape and configuration illustrated in solid lines in the accompanying representations.**



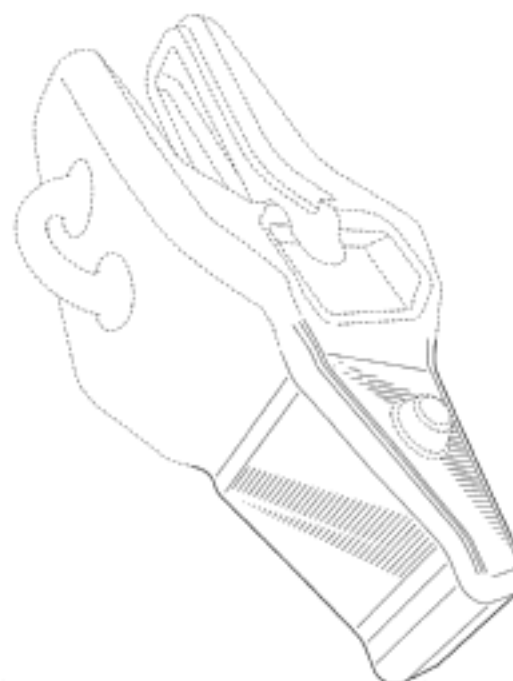
(21) Design Number: **10743/2013**
(22) Date of Filing Application: **14 February 2013**
(24) Date from which industrial property rights may have effect: **14 February 2013**
(54) Product in respect of which the design is registered: **Adapter for ground engaging machine implement**
(51) International Design Classification: **15-04**
(74) Name(s) of Attorney(s): **Freehills Patent Attorneys**
(71) Name(s) and Address(s) of Applicant(s):
Caterpillar Inc.
100 N.E. Adams Street Peoria Illinois 61629 United States of America
(72) Name(s) of Designer(s): **William J. Renski and James Robert Lahood**
(45) Registration Date: **20 January 2014**
(30) Convention priority data:
(31) Number (32) Date (33) Country
29/403594 07 Oct 2011 UNITED STATES OF AMERICA
(56) Related Art Documents: **Not Applicable**
(57) Statement of Newness and Distinctiveness: **Newness and distinctiveness of the design resides in the features of shape and configuration illustrated in solid lines in the accompanying representations.**



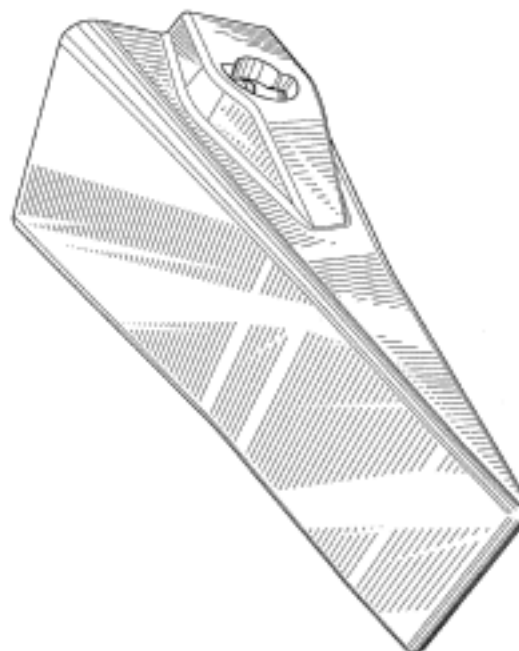
(21) Design Number: **10744/2013**
(22) Date of Filing Application: **14 February 2013**
(24) Date from which industrial property rights may have effect: **14 February 2013**
(54) Product in respect of which the design is registered: **Adapter for ground engaging machine implement**
(51) International Design Classification: **15-04**
(74) Name(s) of Attorney(s): **Freehills Patent Attorneys**
(71) Name(s) and Address(s) of Applicant(s):
Caterpillar Inc.
100 N.E. Adams Street Peoria Illinois 61629 United States of America
(72) Name(s) of Designer(s): **William J. Renski and James Robert Lahood**
(45) Registration Date: **20 January 2014**
(30) Convention priority data:
(31) Number (32) Date (33) Country
29/403594 07 Oct 2011 UNITED STATES OF AMERICA
(56) Related Art Documents: **Not Applicable**
(57) Statement of Newness and Distinctiveness: **Newness and distinctiveness of the design resides in the features of shape and configuration illustrated in solid lines in the accompanying representations.**



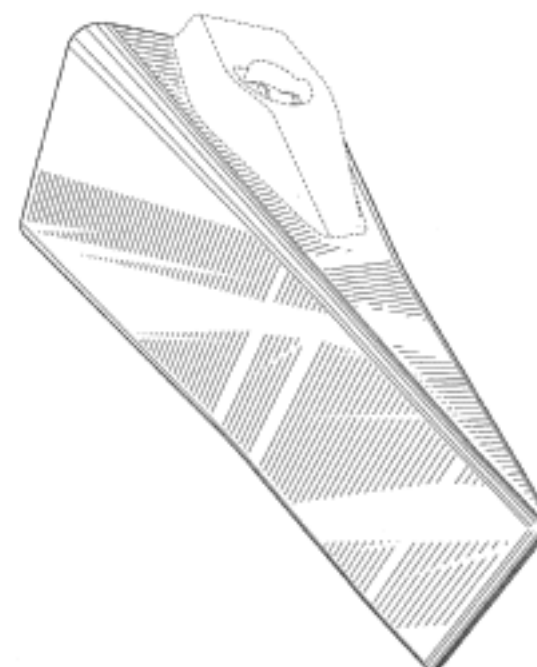
(21) Design Number: **10745/2013**
(22) Date of Filing Application: **14 February 2013**
(24) Date from which industrial property rights may have effect: **14 February 2013**
(54) Product in respect of which the design is registered: **Adapter for ground engaging machine implement**
(51) International Design Classification: **15-04**
(74) Name(s) of Attorney(s): **Freehills Patent Attorneys**
(71) Name(s) and Address(s) of Applicant(s):
Caterpillar Inc.
100 N.E. Adams Street Peoria Illinois 61629 United States of America
(72) Name(s) of Designer(s): **William J. Renski and James Robert Lahood**
(45) Registration Date: **20 January 2014**
(30) Convention priority data:
(31) Number (32) Date (33) Country
29/403594 07 Oct 2011 UNITED STATES OF AMERICA
(56) Related Art Documents: **Not Applicable**
(57) Statement of Newness and Distinctiveness: **Newness and distinctiveness of the design resides in the features of shape and configuration illustrated in solid lines in the accompanying representations.**



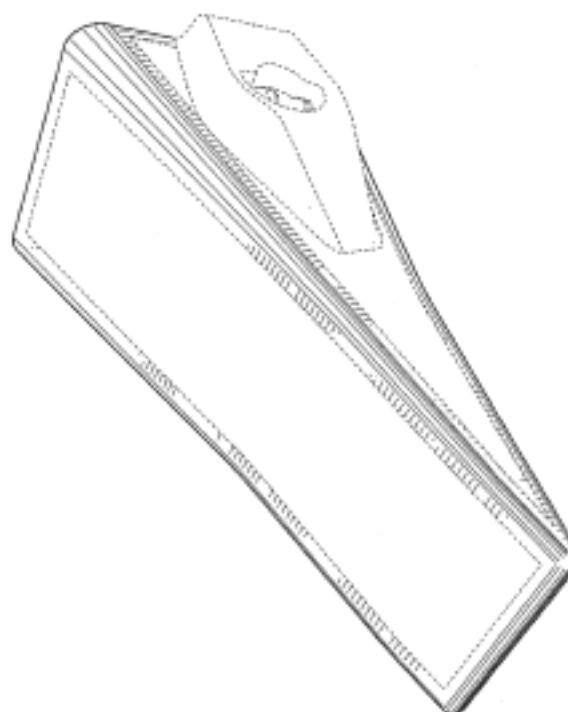
- (21) Design Number: **10746/2013**
(22) Date of Filing Application: **14 February 2013**
(24) Date from which industrial property rights may have effect: **14 February 2013**
(54) Product in respect of which the design is registered: **Tip for a ground engaging machine implement**
(51) International Design Classification: **15-04**
(74) Name(s) of Attorney(s): **Freehills Patent Attorneys**
(71) Name(s) and Address(s) of Applicant(s):
Caterpillar Inc.
100 N.E. Adams Street Peoria Illinois 61629 United States of America
(72) Name(s) of Designer(s): **William J. Renski and Thomas Marshall Congdon**
(45) Registration Date: **20 January 2014**
(30) Convention priority data:
(31) Number (32) Date (33) Country
29/403592 07 Oct 2011 UNITED STATES OF AMERICA
(56) Related Art Documents: **Not Applicable**
(57) Statement of Newness and Distinctiveness: **Newness and distinctiveness of the design resides in the features of shape and configuration illustrated in solid lines in the accompanying representations.**



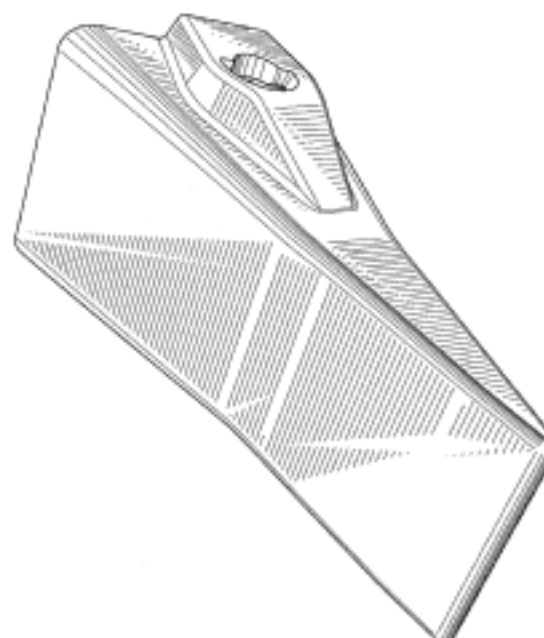
- (21) Design Number: **10747/2013**
(22) Date of Filing Application: **14 February 2013**
(24) Date from which industrial property rights may have effect: **14 February 2013**
(54) Product in respect of which the design is registered: **Tip for a ground engaging machine implement**
(51) International Design Classification: **15-04**
(74) Name(s) of Attorney(s): **Freehills Patent Attorneys**
(71) Name(s) and Address(s) of Applicant(s):
Caterpillar Inc.
100 N.E. Adams Street Peoria Illinois 61629 United States of America
(72) Name(s) of Designer(s): **William J. Renski and Thomas Marshall Congdon**
(45) Registration Date: **20 January 2014**
(30) Convention priority data:
(31) Number (32) Date (33) Country
29/403592 07 Oct 2011 UNITED STATES OF AMERICA
(56) Related Art Documents: **Not Applicable**
(57) Statement of Newness and Distinctiveness: **Newness and distinctiveness of the design resides in the features of shape and configuration illustrated in solid lines in the accompanying representations.**



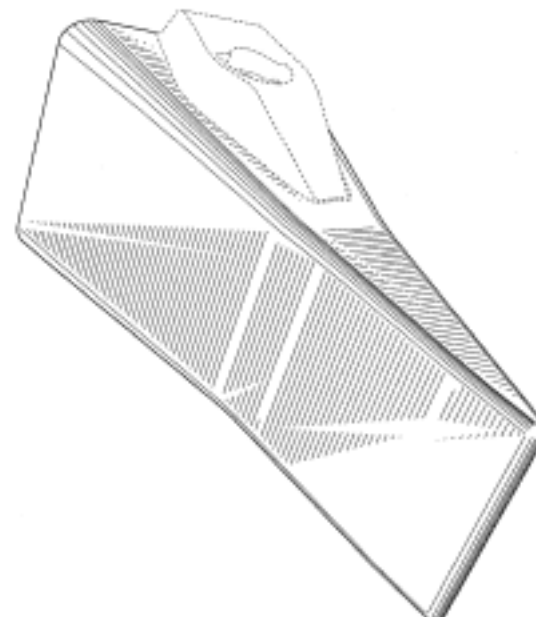
(21) Design Number: **10748/2013**
(22) Date of Filing Application: **14 February 2013**
(24) Date from which industrial property rights may have effect: **14 February 2013**
(54) Product in respect of which the design is registered: **Tip for a ground engaging machine implement**
(51) International Design Classification: **15-04**
(74) Name(s) of Attorney(s): **Freehills Patent Attorneys**
(71) Name(s) and Address(s) of Applicant(s):
Caterpillar Inc.
100 N.E. Adams Street Peoria Illinois 61629 United States of America
(72) Name(s) of Designer(s): **William J. Renski and Thomas Marshall Congdon**
(45) Registration Date: **20 January 2014**
(30) Convention priority data:
(31) Number (32) Date (33) Country
29/403592 07 Oct 2011 UNITED STATES OF AMERICA
(56) Related Art Documents: **Not Applicable**
(57) Statement of Newness and Distinctiveness: **Newness and distinctiveness of the design resides in the features of shape and configuration illustrated in solid lines in the accompanying representations.**



(21) Design Number: **10749/2013**
(22) Date of Filing Application: **14 February 2013**
(24) Date from which industrial property rights may have effect: **14 February 2013**
(54) Product in respect of which the design is registered: **Tip for a ground engaging machine implement**
(51) International Design Classification: **15-04**
(74) Name(s) of Attorney(s): **Freehills Patent Attorneys**
(71) Name(s) and Address(s) of Applicant(s):
Caterpillar Inc.
100 N.E. Adams Street Peoria Illinois 61629 United States of America
(72) Name(s) of Designer(s): **William J. Renski and Thomas Marshall Congdon**
(45) Registration Date: **20 January 2014**
(30) Convention priority data:
(31) Number (32) Date (33) Country
29/403592 07 Oct 2011 UNITED STATES OF AMERICA
(56) Related Art Documents: **Not Applicable**
(57) Statement of Newness and Distinctiveness: **Newness and distinctiveness of the design resides in the features of shape and configuration illustrated in solid lines in the accompanying representations.**



(21) Design Number: **10750/2013**
(22) Date of Filing Application: **14 February 2013**
(24) Date from which industrial property rights may have effect: **14 February 2013**
(54) Product in respect of which the design is registered: **Tip for a ground engaging machine implement**
(51) International Design Classification: **15-04**
(74) Name(s) of Attorney(s): **Freehills Patent Attorneys**
(71) Name(s) and Address(s) of Applicant(s):
Caterpillar Inc.
100 N.E. Adams Street Peoria Illinois 61629 United States of America
(72) Name(s) of Designer(s): **William J. Renski and Thomas Marshall Congdon**
(45) Registration Date: **20 January 2014**
(30) Convention priority data:
(31) Number (32) Date (33) Country
29/403592 07 Oct 2011 UNITED STATES OF AMERICA
(56) Related Art Documents: **Not Applicable**
(57) Statement of Newness and Distinctiveness: **Newness and distinctiveness of the design resides in the features of shape and configuration illustrated in solid lines in the accompanying representations.**



(21) Design Number: **10751/2013**
(22) Date of Filing Application: **14 February 2013**
(24) Date from which industrial property rights may have effect: **14 February 2013**
(54) Product in respect of which the design is registered: **Tip for a ground engaging machine implement**
(51) International Design Classification: **15-04**
(74) Name(s) of Attorney(s): **Freehills Patent Attorneys**
(71) Name(s) and Address(s) of Applicant(s):
Caterpillar Inc.
100 N.E. Adams Street Peoria Illinois 61629 United States of America
(72) Name(s) of Designer(s): **William J. Renski and Thomas Marshall Congdon**
(45) Registration Date: **20 January 2014**
(30) Convention priority data:
(31) Number (32) Date (33) Country
29/403592 07 Oct 2011 UNITED STATES OF AMERICA
(56) Related Art Documents: **Not Applicable**
(57) Statement of Newness and Distinctiveness: **Newness and distinctiveness of the design resides in the features of shape and configuration illustrated in solid lines in the accompanying representations.**

