



**Australian Government**

---

**IP Australia**

**AUSTRALIAN OFFICIAL JOURNAL**

**OF**

**DESIGNS**

Did you know a searchable version of this journal is now available online?

It's FREE and EASY to SEARCH.

Find it on our website ([www.ipaustralia.gov.au](http://www.ipaustralia.gov.au))

by using the "Journals" link on the home page.

This Page Left Intentionally Blank

**Contents**

**General Information & Notices**

**Proceedings Under the Designs Act 1906 preserved as a result of the provisions of Chapter 12  
Part 2 of the Designs Act 2003**

<b>Extension of Period of Registration of Designs .....</b>	<b>290</b>
<b>Registrations Ceased .....</b>	<b>290</b>
<b>Subsequent Owners Registered .....</b>	<b>290</b>

**Proceedings Under the Designs Act 2003**

<b>Applications for Extension of Time Under Section 137 .....</b>	<b>302</b>
<b>Applications Assigned .....</b>	<b>302</b>
<b>Applications Lodged .....</b>	<b>294</b>
<b>Certificate of Examination .....</b>	<b>304</b>
<b>Extension of Period of Registration of Design .....</b>	<b>302</b>
<b>Extension of Time Granted Under Section 137 .....</b>	<b>302</b>
<b>Names Registered - Alterations and Amendments .....</b>	<b>303</b>
<b>Publication and Registration Proceedings</b>	
<b>Designs Registered 353282 to 353545.....</b>	<b>305</b>
<b>Registrations Ceased .....</b>	<b>302</b>
<b>Subsequent Owners Registered .....</b>	<b>302</b>

This Page Left Intentionally Blank

For information on the following please see our website [www.ipaustralia.gov.au](http://www.ipaustralia.gov.au) or contact our Customer Service Network on 1300651010

[Editorial enquiries](#)

[Contact information](#)

[Freedom of Information ACT](#)

[Professional Standards Board](#)

[Sales](#)

[Requests for Information under Section 194 \(c\)](#)

[Country Codes](#)

[Trade Mark and Designs Hearing Sessions](#)

[INID \(Internationally agreed Numbers for the Identification of Data\)](#)

## “INID” NUMBERS in use on Australian Design Documents

“INID” is an acronym for “Internationally agreed Numbers for the Identification of Data”.

### (10) Data concerning the registration/renewal

- (11) Serial number of the registration and/or number of the design document
- (12) Plain language designation of the kind of published document
- (19) Identification, using the two-letter code according to WIPO Standard ST.3, of the authority publishing or registering the industrial design

### (20) Data concerning the application

- (21) Serial number of the application
- (22) Date of filing of the application
- (24) Date from which the industrial design right has effect

### (30) Data relating to priority under the Paris Convention

- (31) Serial number assigned to the priority application
- (32) Date of filing of the priority application
- (33) Two-letter code, according to WIPO Standard ST.3, identifying the authority with which the priority application was made

### (40) Date(s) of making information available to the public

- (45) Date of publication of the registered industrial design by printing or similar process, or making it available to the public by any other means

### (50) Miscellaneous Information

- (51) International Classification for Industrial Designs (class and subclass of the Locarno Classification)
- (54) Designation of article(s) or product(s) covered by the industrial design or title of the industrial design
- (55) Reproduction of the industrial design (e.g., drawing, photograph) and explanations relating to the reproduction
- (56) List of prior art documents, if separate from descriptive text
- (57) Description of characteristic features of the industrial design including indication of colours

### (60) References to other legally related application(s) and registration(s)

- (62) Serial number(s) and, if available, filing date(s) of application(s), registration(s) or document(s) related by division
- (66) Serial number(s) of the application, or the registration, of the design(s) which is (are) a variant(s) of the present one

### (70) Identification of parties concerned with the application or registration

- (71) Name(s) and address(es) of the applicant(s)
- (72) Name(s) of the creator(s) if known to be such
- (74) Name(s) and address(es) of the representative(s)

This Page Left Intentionally Blank

OFFICIAL NOTICE**Direction in relation to the payment of fees under the  
*Patents Regulations 1991*, the *Trade Marks Regulations 1995*  
and the *Designs Regulations 2004***

---

I, Fatima Beattie, Commissioner of Patents, Registrar of Trade Marks and Registrar of Designs, make the following directions under the *Patents Regulations 1991*, the *Trade Marks Regulations 1995* and the *Designs Regulations 2004*.

Dated 17/11/14

Fatima Beattie



---

**1 Commencement**

These directions commence on 15 February 2014.

**2 Authority**

These directions are made under the *Patents Regulations 1991*, the *Trade Marks Regulations 1995* and the *Designs Regulations 2004*.

**3 Revocation**

These directions revoke any previous directions made by the Commissioner under the *Patents Regulations 1991*, the Registrar under the *Trade Marks Regulations 1995* and the Registrar under the *Designs Regulations 2004*, in relation to the manner for the payment of fees.

**4 Direction under the *Patents Regulations 1991***

- (1) For the purposes of regulation 22.1(1) of the *Patents Regulations 1991*, the manner in which a fee must be paid is by one of the following means:
  - (a) eServices;
  - (b) direct debit by Business to Business customers;
  - (c) secure facsimile using a Mastercard or Visa card, and a completed payment form;
  - (d) post using a Mastercard or Visa card, cheque or money order, and a completed payment form;
  - (e) in person at an IP Lodgement Point or at IP Australia's Canberra office using a Mastercard or Visa card, cheque, money order, debit card or cash, and a completed payment form;

(f) electronic funds transfer using a completed electronic funds transfer form.

Note 1: eServices is a secure electronic portal available on the IP Australia website to access customer services and facilitate transactions

Note 2: Business to Business (B2B) is a secure electronic portal to facilitate transactions.

Note 3: IP Lodgement Points are located in all capital cities in Australia or by post to designated locked bags.

Note 4: IP Australia's Canberra office is located at Discovery House, Phillip.

Note 5: Further information regarding these payment options is available on the IP Australia website at [www.ipaustralia.gov.au](http://www.ipaustralia.gov.au)

(2) To avoid doubt, this direction is also a notice under regulation 22.2AA(1) of the *Patents Regulations 1991*, specifying the approved means for paying a fee mentioned in Schedule 7 to those Regulations.

## **5 Direction under the *Trade Marks Regulations 1995***

(1) For the purposes of regulation 21.22(3) of the *Trade Marks Regulations 1995*, in the case of a fee that is paid to the Registrar, the way in which a fee must be paid is by one of the following means:

(a) eServices;

(b) direct debit by Business to Business customers;

(c) secure facsimile using a Mastercard or Visa card, and a completed payment form;

(d) post using a Mastercard or Visa card, cheque or money order, and a completed payment form;

(e) in person at an IP Lodgement Point or at IP Australia's Canberra office using a Mastercard or Visa card, cheque, money order, debit card or cash, and a completed payment form;

(f) electronic funds transfer using a completed electronic funds transfer form.

Note 1: eServices is a secure electronic portal available on the IP Australia website to access customer services and facilitate transactions.

Note 2: Business to Business (B2B) is a secure electronic portal to facilitate transactions.

Note 3: IP Lodgement Points are located in all capital cities in Australia, or by post to designated locked bags.

Note 4: IP Australia's Canberra office is located at Discovery House, Phillip.

Note 5: Further information regarding these payment options is available on the IP Australia website at [www.ipaustralia.gov.au](http://www.ipaustralia.gov.au)

(2) To avoid doubt, this direction is also a notice under regulation 21.21AA(1) of the *Trade Marks Regulations 1995*, specifying the approved means for paying a fee mentioned in Schedule 9 to those Regulations.

## **6 Direction under the *Designs Regulations 2004***

(1) For the purposes of regulation 11.01(6) of the *Designs Regulations 2004*, the manner in which a fee must be paid is by one of the following means:

(a) eServices;

(b) direct debit by Business to Business (B2B) customers;



- (c) secure facsimile using a Mastercard or Visa card, and a completed payment form;
- (d) post using a Mastercard or Visa card, cheque or money order, and a completed payment form;
- (e) in person at an IP Lodgement Point or at IP Australia's Canberra office using a Mastercard or Visa card, cheque, money order, debit card or cash, and a completed payment form;
  
- (f) electronic funds transfer using a completed electronic funds transfer form.

Note 1: eServices is a secure electronic portal available on the IP Australia website to access customer services and facilitate transactions.

Note 2: Business to Business (B2B) is a secure electronic portal to facilitate transactions.

Note 3: IP Lodgement Points are located in all capital cities in Australia, or by post to designated locked bags.

Note 4: IP Australia's Canberra office is located at Discovery House, Phillip.

Note 5: Further information regarding these payment options is available on the IP Australia website at [www.ipaustralia.gov.au](http://www.ipaustralia.gov.au)

- (2) To avoid doubt, this direction is also a notice under regulation 11.01A(1) of the *Designs Regulations 2004*, specifying the approved means for paying a fee mentioned in Schedule 4 to those Regulations.

**Proceedings under the Designs Act 1906 preserved as a result of the provisions of Chapter 12 Part 2 of the Designs Act 2003.**

This Page Left Intentionally Blank

**Applications Lapsed**

There were no Applications Lapsed under this section

**Extension of Period of Registration of Designs**

152221	152707	153301
154247	155218	

**1st Period (Section 27A(8))**

**Subsequent Owners Registered**

(The name in parentheses is that of the subsequent owner)

**2nd Period (Section 27A(12))**

145032	<b>( Tyco Fire &amp; Security GmbH )</b> Sensormatic Electronics, LLC
--------	---

**3rd Period (Section 27A(13))**

143143	<b>( Tyco Fire &amp; Security GmbH )</b> Sensormatic Electronics, LLC
--------	---

151387	151395	151430
151431	151433	151462
151463	151464	151699
151763	151814	151865
151945	151947	152046
152309	152385	152677
152678	152679	153288
153867	154170	154461
154462	154463	154602
155083	155150	155289
155603	155622	155623
155624	155625	155626
155627	155642	155643
155644	155645	155894
156042		

143142	<b>( Tyco Fire &amp; Security GmbH )</b> Sensormatic Electronics, LLC
--------	---

**Registrations Ceased**

Note: Some of the following Registrations may have been previously advertised as ceased. In this instance, the previous advertisement still prevails.

133679	134173	134176
134415	134417	134425
134431	134449	134538
134539	134574	134587
134633	134753	134928
134929	134930	135517
136509	136510	136511
136512	136513	136514
136515	139135	148637
148906	148959	149210
149329	149330	149331
149332	149333	149334
149335	149336	149407
149408	149453	149468
149493	149559	149627
149734	149826	149827
149849	149866	149893
149894	149895	149896
149940	150071	150644
150650	150692	150693
150694	150695	150696
150697	150698	150699
150700	150701	151119

This Page Left Intentionally Blank

**Proceedings under the Designs Act 2003.**

This Page Left Intentionally Blank



**Applications Lodged**

Lodgement information is in the following order: **Applicant's Name**; International Classification, Name of Product, Lodgement Date and **Design Number**. If the applicant claims an earlier priority date under an International Convention, the Convention Country and the associated filing date are shown in parentheses before the Lodgement Date. Divisional information will also appear in parentheses before the Lodgement Date.

<b>lululemon athletica canada inc.;</b> 02-02NES, Jacket, (US, 26 Jul 2013) 24 Jan 2014	<b>10341/2014</b>	<b>AUSTRALIAN FASHION LABELS PTY LTD;</b> 05-05A, Textile print, 28 Jan 2014	<b>10389/2014</b>
<b>lululemon athletica canada inc.;</b> 02-02NES, Jacket, (US, 26 Jul 2013) 24 Jan 2014	<b>10355/2014</b>	<b>AUSTRALIAN FASHION LABELS PTY LTD;</b> 05-05A, Textile print, 28 Jan 2014	<b>10383/2014</b>
<b>lululemon athletica canada inc.;</b> 02-02NES, Jacket, (US, 26 Jul 2013) 24 Jan 2014	<b>10340/2014</b>	<b>AUSTRALIAN FASHION LABELS PTY LTD;</b> 05-05A, Textile print, 28 Jan 2014	<b>10381/2014</b>
<b>lululemon athletica canada inc.;</b> 02-02NES, Jacket, (US, 26 Jul 2013) 24 Jan 2014	<b>10337/2014</b>	<b>AUSTRALIAN FASHION LABELS PTY LTD;</b> 05-05D, Textile print, 28 Jan 2014	<b>10382/2014</b>
<b>lululemon athletica canada inc.;</b> 02-02NES, Jacket, (US, 26 Jul 2013) 24 Jan 2014	<b>10335/2014</b>	<b>Barbeques Galore (Aust) Pty Limited;China Window Industry Co., Ltd;</b> 07-02E, A barbeque, (CN, 30 Aug 2013) 28 Jan 2014	<b>10364/2014</b>
<b>lululemon athletica canada inc.;</b> 02-02NES, Jacket, (US, 26 Jul 2013) 24 Jan 2014	<b>10349/2014</b>	<b>Barrier Group Pty. Ltd.;</b> 08-10, Street furniture, bike rack and bollard, 23 Jan 2014	<b>10296/2014</b>
<b>lululemon athletica canada inc.;</b> 02-02NES, Jacket, (US, 26 Jul 2013) 24 Jan 2014	<b>10332/2014</b>	<b>Beba Enterprises Pty Ltd;Magi Enterprises Pty Ltd;</b> 02-02C, Articles of clothing, 23 Jul 2013	<b>10245/2014</b>
<b>lululemon athletica canada inc.;</b> 02-02NES, Jacket, (US, 26 Jul 2013) 24 Jan 2014	<b>10353/2014</b>	<b>Beba Enterprises Pty Ltd;Magi Enterprises Pty Ltd;</b> 02-02C, Articles of clothing, 23 Jul 2013	<b>10243/2014</b>
<b>lululemon athletica canada inc.;</b> 02-02NES, Jacket, (US, 26 Jul 2013) 24 Jan 2014	<b>10354/2014</b>	<b>Beba Enterprises Pty Ltd;Magi Enterprises Pty Ltd;</b> 02-02C, Articles of clothing, 23 Jul 2013	<b>10246/2014</b>
<b>lululemon athletica canada inc.;</b> 02-02NES, Jacket, (US, 26 Jul 2013) 24 Jan 2014	<b>10345/2014</b>	<b>Beba Enterprises Pty Ltd;Magi Enterprises Pty Ltd;</b> 02-02C, Articles of clothing, 23 Jul 2013	<b>10244/2014</b>
<b>Adminimum AG;</b> 19-02, Stamphousing, (CH, 17 May 2013) 14 Nov 2013	<b>10284/2014</b>	<b>Beba Enterprises Pty Ltd;Magi Enterprises Pty Ltd;</b> 02-02NES, Articles of clothing, 23 Jul 2013	<b>10241/2014</b>
<b>Adminimum AG;</b> 19-02, Stamphousing, (CH, 17 May 2013) 14 Nov 2013	<b>10285/2014</b>	<b>Beba Enterprises Pty Ltd;Magi Enterprises Pty Ltd;</b> 02-02C, Articles of clothing, 23 Jul 2013	<b>10240/2014</b>
<b>Adminimum AG;</b> 19-02, Stamphousing, (CH, 17 May 2013) 14 Nov 2013	<b>10286/2014</b>	<b>Beba Enterprises Pty Ltd;Magi Enterprises Pty Ltd;</b> 02-02NES, Articles of clothing, 23 Jul 2013	<b>10242/2014</b>
<b>Aktiebolaget Electrolux;</b> 15-05, Vacuum cleaner component, (Divisional of 16032/2013) 28 Jan 2014	<b>10370/2014</b>	<b>Benmarc Enterprises Pty Ltd;</b> 02-01B, Post partum undergarment, 22 Jan 2014	<b>10280/2014</b>
<b>Aliwarga, Gabriella Audrey;</b> 26-05B, Portable lamp with moveable joints, 16 Jan 2014	<b>10173/2014</b>	<b>Black &amp; Decker Inc;</b> 09-03NES, 15-05, Cartridge for a steam cleaning substance, (EM, 23 Jul 2013) 20 Jan 2014	<b>10220/2014</b>
<b>Avalanche Coffee Limited;</b> 07-01NES, Lid with plastic insert, 02 Aug 2013	<b>16843/2013</b>	<b>Bole OU;</b> 05-06NES, Flooring module, (EE, 25 Jul 2013) 24 Jan 2014	<b>10358/2014</b>
<b>Azzam, Shaker;</b> 23-03G, A barbecue, 30 Jan 2014	<b>10417/2014</b>		

<b>BUSINESS LIGHTING SOLUTIONS LIMITED;</b> 26-04, A lighting element, (NZ, 22 Jul 2013) 20 Jan 2014	<b>10227/2014</b>	<b>Compagnie Generale Des Etablissements Michelin; Michelin Recherche et Technique S.A.;</b> 12-15NES, A tyre, (EM, 26 Jul 2013) 24 Jan 2014	<b>10350/2014</b>
<b>BUSINESS LIGHTING SOLUTIONS LIMITED;</b> 26-05A, A light diffuser, (NZ, 22 Jul 2013) 20 Jan 2014	<b>10228/2014</b>	<b>Compagnie Generale Des Etablissements Michelin; Michelin Recherche et Technique S.A.;</b> 12-15NES, A tyre, (EM, 26 Jul 2013) 24 Jan 2014	<b>10344/2014</b>
<b>C R Bard, Inc;</b> 24-01, Tissue marker for identifying intracorporeal site, (US, 24 Sep 2013) 28 Jan 2014	<b>10379/2014</b>	<b>Compagnie Generale Des Etablissements Michelin; Michelin Recherche et Technique S.A.;</b> 12-15NES, A tyre, (EM, 26 Jul 2013) 24 Jan 2014	<b>10339/2014</b>
<b>C R Bard, Inc;</b> 24-01, Tissue marker for identifying intracorporeal site, (US, 24 Sep 2013) 28 Jan 2014	<b>10380/2014</b>	<b>Compagnie Generale Des Etablissements Michelin; Michelin Recherche et Technique S.A.;</b> 12-15NES, A tyre, (EM, 26 Jul 2013) 24 Jan 2014	<b>10338/2014</b>
<b>C R Bard, Inc;</b> 24-01, Tissue marker for identifying intracorporeal site, (US, 24 Sep 2013) 28 Jan 2014	<b>10378/2014</b>	<b>Compagnie Generale Des Etablissements Michelin; Michelin Recherche et Technique S.A.;</b> 12-15NES, A tyre, (EM, 26 Jul 2013) 24 Jan 2014	<b>10334/2014</b>
<b>C R Bard, Inc;</b> 24-01, Tissue marker for identifying intracorporeal site, (US, 24 Sep 2013) 28 Jan 2014	<b>10375/2014</b>	<b>Compagnie Generale Des Etablissements Michelin; Michelin Recherche et Technique S.A.;</b> 12-15NES, A tyre, (EM, 26 Jul 2013) 24 Jan 2014	<b>10351/2014</b>
<b>Caird, Clay;</b> 02-03, Base ball helmet, 17 Jan 2014	<b>10198/2014</b>	<b>Compagnie Generale Des Etablissements Michelin; Michelin Recherche et Technique S.A.;</b> 12-15NES, A tyre, (EM, 26 Jul 2013) 24 Jan 2014	<b>10333/2014</b>
<b>Caird, Clay;</b> 02-03, Base ball batter helmet, 17 Jan 2014	<b>10199/2014</b>	<b>Compagnie Generale Des Etablissements Michelin; Michelin Recherche et Technique S.A.;</b> 12-15NES, A tyre, (EM, 26 Jul 2013) 24 Jan 2014	<b>10317/2014</b>
<b>Caroma Industries Limited;</b> 23-01H, A mixer tap, 21 Jan 2014	<b>10239/2014</b>	<b>Compagnie Generale Des Etablissements Michelin; Michelin Recherche et Technique S.A.;</b> 12-15NES, A tyre, (EM, 26 Jul 2013) 24 Jan 2014	<b>10329/2014</b>
<b>Chen, Yung-Shou;</b> 08-02, Hammer head, 21 Jan 2014	<b>10250/2014</b>	<b>Compagnie Generale Des Etablissements Michelin; Michelin Recherche et Technique S.A.;</b> 12-15NES, A tyre, (EM, 26 Jul 2013) 24 Jan 2014	<b>10322/2014</b>
<b>Chen, Yung-Shou;</b> 08-02, Hammer head, 21 Jan 2014	<b>10251/2014</b>	<b>Compagnie Generale Des Etablissements Michelin; Michelin Recherche et Technique S.A.;</b> 12-15NES, A tyre, (EM, 26 Jul 2013) 24 Jan 2014	<b>10318/2014</b>
<b>China Window Industry Co., Ltd; Barbeques Galore (Aust) Pty Limited;</b> 07-02E, A barbeque, (CN, 30 Aug 2013) 28 Jan 2014	<b>10364/2014</b>	<b>Compagnie Generale Des Etablissements Michelin; Michelin Recherche et Technique S.A.;</b> 12-15NES, A tyre, (EM, 26 Jul 2013) 24 Jan 2014	<b>10328/2014</b>
<b>Coates, Tristan;</b> 20-03NES, Symbol, identifier, 22 Jan 2014	<b>10288/2014</b>		
<b>Compagnie Generale Des Etablissements Michelin; Michelin Recherche et Technique S.A.;</b> 12-15NES, A tyre, (EM, 26 Jul 2013) 24 Jan 2014	<b>10343/2014</b>		
<b>Compagnie Generale Des Etablissements Michelin; Michelin Recherche et Technique S.A.;</b> 12-15NES, A tyre, (EM, 26 Jul 2013) 24 Jan 2014	<b>10357/2014</b>		
<b>Compagnie Generale Des Etablissements Michelin; Michelin Recherche et Technique S.A.;</b> 12-15NES, A tyre, (EM, 26 Jul 2013) 24 Jan 2014	<b>10356/2014</b>		

<b>Compagnie Generale Des Etablissements Michelin; Michelin Recherche et Technique S.A.;</b> 12-15NES, A tyre, (EM, 26 Jul 2013) 24 Jan 2014	<b>10315/2014</b>	<b>Dyson Technology Limited;</b> 23-04, A fan, (EM, 01 Aug 2013) 21 Jan 2014	<b>10256/2014</b>
<b>Compagnie Generale Des Etablissements Michelin; Michelin Recherche et Technique S.A.;</b> 12-15NES, A tyre, (EM, 26 Jul 2013) 24 Jan 2014	<b>10323/2014</b>	<b>Dyson Technology Limited;</b> 23-04, A fan, (EM, 01 Aug 2013) 21 Jan 2014	<b>10258/2014</b>
<b>Compagnie Generale Des Etablissements Michelin; Michelin Recherche et Technique S.A.;</b> 12-15NES, A tyre, (EM, 26 Jul 2013) 24 Jan 2014	<b>10314/2014</b>	<b>DENTSPLY International Inc.;</b> 24-02, Stopper for dental instruments, (Divisional of 15646/2013) 20 Jan 2014	<b>10225/2014</b>
<b>Container Rotation Systems Pty Ltd;</b> 12-05, A device for lifting and rotating containers, 29 Jan 2014	<b>10403/2014</b>	<b>Eastmead, Richard;</b> 13-03D, Power board, 30 Jan 2014	<b>10404/2014</b>
<b>Country Chef Desserts Pty Limited;</b> 01-01, A dessert food product, 20 Jan 2014	<b>10233/2014</b>	<b>Eastmead, Richard;</b> 14-03NES, Remote control, 30 Jan 2014	<b>10405/2014</b>
<b>Crayola LLC;</b> 19-06, Marker cap, (US, 16 Jan 2014) 22 Jan 2014	<b>10274/2014</b>	<b>Electrolux Appliances Aktiebolag;</b> 15-05, A dishwasher shelf or rack, (EM, 07 Aug 2013) 30 Jan 2014	<b>10423/2014</b>
<b>D &amp; D Italia S.p.A.;</b> 09-01C, Container, optionally of glass, (EM, 16 Dec 2013) 16 Jan 2014	<b>10179/2014</b>	<b>Electrolux Appliances Aktiebolag;</b> 15-05, A dishwasher door, (EM, 01 Aug 2013) 30 Jan 2014	<b>10409/2014</b>
<b>Dalex Products Pty Ltd;</b> 12-16L, Tow bar, 23 Jan 2014	<b>10298/2014</b>	<b>Electrolux Appliances Aktiebolag;</b> 15-05, A dishwasher knife or cutlery or utensil holder, (EM, 01 Aug 2013) 30 Jan 2014	<b>10410/2014</b>
<b>Dalex Products Pty Ltd;</b> 12-16L, Tow bar shin guard, 23 Jan 2014	<b>10299/2014</b>	<b>Electrolux Appliances Aktiebolag;</b> 15-05, A dishwasher component, (EM, 05 Aug 2013) 30 Jan 2014	<b>10421/2014</b>
<b>Dalex Products Pty Ltd;</b> 12-16L, Tow bar, 23 Jan 2014	<b>10295/2014</b>	<b>Electrolux Appliances Aktiebolag;</b> 15-05, A dishwasher rack, (EM, 01 Aug 2013) 30 Jan 2014	<b>10413/2014</b>
<b>Dart Industries Inc.;</b> 09-01D, Bottle with penguin shape, (US, 12 Aug 2013) 23 Jan 2014	<b>10291/2014</b>	<b>Electrolux Appliances Aktiebolag;</b> 15-05, A dishwasher door, (EM, 01 Aug 2013) 30 Jan 2014	<b>10411/2014</b>
<b>Dart Industries Inc.;</b> 09-01D, Bottle with frog shape, (US, 12 Aug 2013) 23 Jan 2014	<b>10292/2014</b>	<b>Electrolux Appliances Aktiebolag;</b> 15-05, A dishwasher component, (EM, 01 Aug 2013) 30 Jan 2014	<b>10412/2014</b>
<b>Dart Industries Inc.;</b> 09-01D, Bottle with worm shape, (US, 12 Aug 2013) 23 Jan 2014	<b>10293/2014</b>	<b>Electrolux Appliances Aktiebolag;</b> 15-05, A dishwasher component, (EM, 05 Aug 2013) 30 Jan 2014	<b>10422/2014</b>
<b>David, Garry;</b> 25-02H, Window corner section joiner, 23 Jan 2014	<b>10300/2014</b>	<b>Eye Comfort Limited;</b> 28-03NES, Massage appliance, (EM, 01 Aug 2013) 21 Jan 2014	<b>10266/2014</b>
<b>Didier, Ross;</b> 06-01F, Chair, 20 Jan 2014	<b>10229/2014</b>	<b>ELC Management LLC;</b> 28-03NES, Skin cleansing device, (US, 23 Jul 2013) 23 Jan 2014	<b>10305/2014</b>
<b>Docol Metais Sanitarios Ltda.;</b> 23-01H, Faucet, (BR, 09 Sep 2013) 16 Jan 2014	<b>10178/2014</b>	<b>ELC Management LLC;</b> 28-03NES, Skin cleansing device, (US, 23 Jul 2013) 23 Jan 2014	<b>10307/2014</b>
<b>Dux Manufacturing Limited;</b> 23-03H, A water heater, 24 Jan 2014	<b>10319/2014</b>	<b>ELC Management LLC;</b> 28-03NES, Skin cleansing device, (US, 23 Jul 2013) 23 Jan 2014	<b>10308/2014</b>
<b>Dux Manufacturing Limited;</b> 23-03H, A water heater, 24 Jan 2014	<b>10320/2014</b>	<b>ELC Management LLC;</b> 28-03NES, Skin cleansing applicator base, (US, 23 Jul 2013) 23 Jan 2014	<b>10309/2014</b>
		<b>ELC Management LLC;</b> 28-03NES, Skin cleansing device, (US, 23 Jul 2013) 23 Jan 2014	<b>10304/2014</b>

<b>ELC Management LLC;</b> 08-06, 28-03NES, Handle for a skin cleansing device, (US, 23 Jul 2013) 23 Jan 2014	<b>10301/2014</b>	<b>Hofmann-Broussard, David;</b> 25-03, Pergola, gazebo, outdoor structure, 30 Jan 2014	<b>10435/2014</b>
<b>ELC Management LLC;</b> 28-03NES, Skin cleansing device, (US, 23 Jul 2013) 23 Jan 2014	<b>10302/2014</b>	<b>Holbox B.V.;</b> 20-02E, Item display rack, (JP, 26 Jul 2013) 28 Jan 2014	<b>10384/2014</b>
<b>Firmansyah, Dinda;</b> 32-02, Greeting cards, prints, 26 Jan 2014	<b>10360/2014</b>	<b>Holbox B.V.;</b> 20-02E, Item display rack, (JP, 26 Jul 2013) 28 Jan 2014	<b>10385/2014</b>
<b>Flaxman, Timothy;</b> 16-06, Sunglasses, (EM, 14 Aug 2013) 27 Jan 2014	<b>10361/2014</b>	<b>Holbox B.V.;</b> 20-02E, Item display rack, (JP, 26 Jul 2013) 28 Jan 2014	<b>10386/2014</b>
<b>France, Leroy Merlin;</b> 08-03, Secateurs, (EM, 30 Jul 2013) 21 Jan 2014	<b>10248/2014</b>	<b>Holster Fashion Pty Ltd;</b> 02-04NES, Footwear, 17 Jan 2014	<b>10206/2014</b>
<b>Gabrielle Studio, Inc;</b> 09-01G, Bottle with cap, (US, 12 Aug 2013) 29 Jan 2014	<b>10398/2014</b>	<b>Holster Fashion Pty Ltd;</b> 02-04A, Soles for footwear, 17 Jan 2014	<b>10210/2014</b>
<b>Gerber, David;Gerber, John;</b> 08-99, A tool and tool components, 22 Jan 2014	<b>10312/2014</b>	<b>Holster Fashion Pty Ltd;</b> 02-04A, Soles for footwear, 17 Jan 2014	<b>10209/2014</b>
<b>Gerber, John;Gerber, David;</b> 08-99, A tool and tool components, 22 Jan 2014	<b>10312/2014</b>	<b>Holster Fashion Pty Ltd;</b> 02-04NES, Footwear, 17 Jan 2014	<b>10207/2014</b>
<b>Golan, Yaffa;</b> 02-04NES, Massage shoe, (IL, 29 Jul 2013) 29 Jan 2014	<b>10397/2014</b>	<b>Honda Motor Co., Ltd.;</b> 12-11, A front side cowl for a motorcycle, (JP, 31 Jul 2013) 24 Jan 2014	<b>10326/2014</b>
<b>Gripple Limited;</b> 08-08NES, Side loading pipe hanger, (EM, 08 Aug 2013) 20 Jan 2014	<b>10232/2014</b>	<b>Honda Motor Co., Ltd.;</b> 12-11, A front side cowl for a motor scooter, (JP, 25 Jul 2013) 24 Jan 2014	<b>10327/2014</b>
<b>Grow Goods Pty. Ltd.;</b> 11-02B, 09-03G, Vertical planter/composter, 23 Jan 2014	<b>10290/2014</b>	<b>Honda Motor Co., Ltd.;</b> 26-06, A headlight for a motorcycle, (JP, 31 Jul 2013) 24 Jan 2014	<b>10325/2014</b>
<b>Guangdong Xinbao Electrical Appliances Holdings Co., Ltd;</b> 07-02K, Electric kettle, (CN, 31 Jul 2013) 20 Jan 2014	<b>10218/2014</b>	<b>Honda Motor Co., Ltd.;</b> 12-08, A motorcycle, (JP, 31 Jul 2013) 24 Jan 2014	<b>10316/2014</b>
<b>Hamag Proprietary Limited;</b> 20-03NES, Number holder, 20 Jan 2014	<b>10230/2014</b>	<b>Horne, Mike;</b> 21-01F, Scooter, 24 Jan 2014	<b>10346/2014</b>
<b>Hamag Proprietary Limited;</b> 20-03NES, Number holder, 20 Jan 2014	<b>10231/2014</b>	<b>Horne, Mike;</b> 21-01F, 08-08NES, Joining element, 24 Jan 2014	<b>10352/2014</b>
<b>Hansgrohe SE;</b> 23-01H, Sanitary faucet, (EM, 26 Jul 2013) 20 Jan 2014	<b>10223/2014</b>	<b>Hutzler Manufacturing Co., Inc.;</b> 09-99, Container, (US, 25 Nov 2013) 16 Jan 2014	<b>10177/2014</b>
<b>Hansgrohe SE;</b> 23-01H, Sanitary fitting, (EM, 26 Jul 2013) 20 Jan 2014	<b>10221/2014</b>	<b>Hutzler Manufacturing Co., Inc.;</b> 09-04, Container, (US, 25 Nov 2013) 16 Jan 2014	<b>10176/2014</b>
<b>Hansgrohe SE;</b> 23-01H, Sanitary faucet, (EM, 26 Jul 2013) 20 Jan 2014	<b>10222/2014</b>	<b>Industrial and Construction Group Pty Ltd;</b> 12-16NES, Vehicle securing apparatus, 21 Jan 2014	<b>10268/2014</b>
<b>Headline View Pty Ltd;</b> 19-04, A document file, 29 Jan 2014	<b>10390/2014</b>	<b>Inventure Pty Ltd;</b> 21-03, Playground equipment, 27 Jan 2014	<b>10362/2014</b>
<b>Healthy Foods, LLC;</b> 31-00, Food homogenizer, (US, 11 Nov 2013) 22 Jan 2014	<b>10277/2014</b>	<b>Jayco Corporation Pty Ltd;</b> 12-16C, Stone guard, 24 Jan 2014	<b>10331/2014</b>
		<b>Jemella Group Limited;</b> 28-03B, Nozzle for a hair dryer, (EM, 19 Jul 2013) 17 Jan 2014	<b>10197/2014</b>

<b>Jemella Group Limited;</b> 28-03B, Grille for a hair dryer, (EM, 19 Jul 2013) 17 Jan 2014	<b>10200/2014</b>	<b>LSI Industries, Inc.;</b> 26-05D, Lighting, (US, 28 Aug 2013) 24 Jan 2014	<b>10321/2014</b>
<b>Jemella Group Limited;</b> 28-03B, Hair dryer, (EM, 19 Jul 2013) 17 Jan 2014	<b>10201/2014</b>	<b>Mace Engineering Group Pty Ltd;</b> 12-16NES, Cold air intake, 13 Dec 2013	<b>16842/2013</b>
<b>Jura Elektroapparate AG;</b> 07-02L, Coffee machine for household purposes, 30 Jan 2014	<b>10419/2014</b>	<b>Magi Enterprises Pty Ltd;Beba Enterprises Pty Ltd;</b> 02-02C, Articles of clothing, 23 Jul 2013	<b>10246/2014</b>
<b>K &amp; M Products Pty Ltd;</b> 12-02, A cart, 21 Jan 2014	<b>10264/2014</b>	<b>Magi Enterprises Pty Ltd;Beba Enterprises Pty Ltd;</b> 02-02NES, Articles of clothing, 23 Jul 2013	<b>10241/2014</b>
<b>K&amp;N Engineering, Inc.;</b> 23-04, Air filter, (US, 19 Jul 2013) 17 Jan 2014	<b>10202/2014</b>	<b>Magi Enterprises Pty Ltd;Beba Enterprises Pty Ltd;</b> 02-02C, Articles of clothing, 23 Jul 2013	<b>10243/2014</b>
<b>Kirkness, Neil William;</b> 23-99, A combustion device, 08 Jan 2014	<b>10203/2014</b>	<b>Magi Enterprises Pty Ltd;Beba Enterprises Pty Ltd;</b> 02-02C, Articles of clothing, 23 Jul 2013	<b>10240/2014</b>
<b>Koninklijke Philips Electronics N.V.;</b> 28-03A, Hair removal device, (EM, 24 Jul 2013) 21 Jan 2014	<b>10262/2014</b>	<b>Magi Enterprises Pty Ltd;Beba Enterprises Pty Ltd;</b> 02-02C, Articles of clothing, 23 Jul 2013	<b>10245/2014</b>
<b>Koninklijke Philips N.V.;</b> 28-03A, Epilator, (EM, 24 Jul 2013) 21 Jan 2014	<b>10265/2014</b>	<b>Magi Enterprises Pty Ltd;Beba Enterprises Pty Ltd;</b> 02-02C, Articles of clothing, 23 Jul 2013	<b>10244/2014</b>
<b>Koninklijke Philips N.V.;</b> 28-03NES, Skin rejuvenation apparatus, (EM, 24 Jul 2013) 21 Jan 2014	<b>10260/2014</b>	<b>Magi Enterprises Pty Ltd;Beba Enterprises Pty Ltd;</b> 02-02NES, Articles of clothing, 23 Jul 2013	<b>10242/2014</b>
<b>Kyoto Medical Planning Co., Ltd.;</b> 24-03, Stent, (JP, 16 Aug 2013) 21 Jan 2014	<b>10237/2014</b>	<b>McCain Foods Limited;</b> 01-02, Root vegetable product, (US, 06 Sep 2013) 30 Jan 2014	<b>10420/2014</b>
<b>Kyoto Medical Planning Co., Ltd.;</b> 24-03, Stent, (JP, 16 Aug 2013) 21 Jan 2014	<b>10238/2014</b>	<b>McKeon, Allan Sydney;</b> 12-05, Platform shuttle, 16 Jan 2014	<b>10187/2014</b>
<b>KELLIGAN (AUSTRALIA) PTY. LTD.;</b> 25-02K, Louvre blade, 23 Jan 2014	<b>10303/2014</b>	<b>Michelin Recherche et Technique S.A.;Compagnie Generale Des Etablissements Michelin;</b> 12-15NES, A tyre, (EM, 26 Jul 2013) 24 Jan 2014	<b>10318/2014</b>
<b>Linsket, Peter;</b> 02-04B, Shoe heels, 21 Jan 2014	<b>10269/2014</b>	<b>Michelin Recherche et Technique S.A.;Compagnie Generale Des Etablissements Michelin;</b> 12-15NES, A tyre, (EM, 26 Jul 2013) 24 Jan 2014	<b>10357/2014</b>
<b>Linsket, Peter;</b> 02-04NES, Shoe, 21 Jan 2014	<b>10270/2014</b>	<b>Michelin Recherche et Technique S.A.;Compagnie Generale Des Etablissements Michelin;</b> 12-15NES, A tyre, (EM, 26 Jul 2013) 24 Jan 2014	<b>10322/2014</b>
<b>Linsket, Peter;</b> 02-04NES, Shoe, 21 Jan 2014	<b>10271/2014</b>	<b>Michelin Recherche et Technique S.A.;Compagnie Generale Des Etablissements Michelin;</b> 12-15NES, A tyre, (EM, 26 Jul 2013) 24 Jan 2014	<b>10343/2014</b>
<b>Longley, Karl;</b> 32-02, Beverages, t/shirts, 28 Jan 2014	<b>10376/2014</b>	<b>Michelin Recherche et Technique S.A.;Compagnie Generale Des Etablissements Michelin;</b> 12-15NES, A tyre, (EM, 26 Jul 2013) 24 Jan 2014	<b>10356/2014</b>
<b>Longley, Karl;</b> 32-03, Beverages, t/shirt, 28 Jan 2014	<b>10377/2014</b>		
<b>Lumisphere Products Ltd;</b> 26-05E, Festoon lighting system, (EM, 31 Jul 2013) 28 Jan 2014	<b>10387/2014</b>		
<b>LEROY MERLIN France;</b> 08-03, Secateurs, (EM, 30 Jul 2013) 21 Jan 2014	<b>10263/2014</b>		
<b>LEROY MERLIN France;</b> 08-03, Secateurs, (EM, 30 Jul 2013) 21 Jan 2014	<b>10261/2014</b>		
<b>LG Electronics Inc.;</b> 14-03B, Television receiver, (KR, 07 Jan 2014) 17 Jan 2014	<b>10195/2014</b>		

<b>Michelin Recherche et Technique S.A.;Compagnie Generale Des Etablissements Michelin;</b> 12-15NES, A tyre, (EM, 26 Jul 2013) 24 Jan 2014	<b>10339/2014</b>	<b>Michelin Recherche et Technique S.A.;Compagnie Generale Des Etablissements Michelin;</b> 12-15NES, A tyre, (EM, 26 Jul 2013) 24 Jan 2014	<b>10314/2014</b>
<b>Michelin Recherche et Technique S.A.;Compagnie Generale Des Etablissements Michelin;</b> 12-15NES, A tyre, (EM, 26 Jul 2013) 24 Jan 2014	<b>10344/2014</b>	<b>Mitsubishi Electric Corporation;</b> 23-04, Propeller fan, (JP, 05 Aug 2013) 23 Jan 2014	<b>10294/2014</b>
<b>Michelin Recherche et Technique S.A.;Compagnie Generale Des Etablissements Michelin;</b> 12-15NES, A tyre, (EM, 26 Jul 2013) 24 Jan 2014	<b>10338/2014</b>	<b>Mitsubishi Electric Corporation;</b> 23-04, Propeller fan, (JP, 05 Aug 2013) 23 Jan 2014	<b>10289/2014</b>
<b>Michelin Recherche et Technique S.A.;Compagnie Generale Des Etablissements Michelin;</b> 12-15NES, A tyre, (EM, 26 Jul 2013) 24 Jan 2014	<b>10334/2014</b>	<b>Moxey, Brett;</b> 11-05, Flag, 28 Jan 2014	<b>10388/2014</b>
<b>Michelin Recherche et Technique S.A.;Compagnie Generale Des Etablissements Michelin;</b> 12-15NES, A tyre, (EM, 26 Jul 2013) 24 Jan 2014	<b>10350/2014</b>	<b>MAM Babyartikel Gesellschaft m.b.H.;</b> 07-01E, Glass-bodied feeding bottle for infants, (EM, 25 Jul 2013) 21 Jan 2014	<b>10257/2014</b>
<b>Michelin Recherche et Technique S.A.;Compagnie Generale Des Etablissements Michelin;</b> 12-15NES, A tyre, (EM, 26 Jul 2013) 24 Jan 2014	<b>10333/2014</b>	<b>MESHIFT PTY LTD;</b> 12-05, Gridmesh lifting device, 18 Jan 2014	<b>10212/2014</b>
<b>Michelin Recherche et Technique S.A.;Compagnie Generale Des Etablissements Michelin;</b> 12-15NES, A tyre, (EM, 26 Jul 2013) 24 Jan 2014	<b>10351/2014</b>	<b>MESHIFT PTY LTD;</b> 12-05, Gridmesh lifting device, 18 Jan 2014	<b>10215/2014</b>
<b>Michelin Recherche et Technique S.A.;Compagnie Generale Des Etablissements Michelin;</b> 12-15NES, A tyre, (EM, 26 Jul 2013) 24 Jan 2014	<b>10329/2014</b>	<b>MESHIFT PTY LTD;</b> 12-05, Gridmesh lifting device, 18 Jan 2014	<b>10216/2014</b>
<b>Michelin Recherche et Technique S.A.;Compagnie Generale Des Etablissements Michelin;</b> 12-15NES, A tyre, (EM, 26 Jul 2013) 24 Jan 2014	<b>10317/2014</b>	<b>MESHIFT PTY LTD;</b> 12-05, Gridmesh lifting device, 18 Jan 2014	<b>10213/2014</b>
<b>Michelin Recherche et Technique S.A.;Compagnie Generale Des Etablissements Michelin;</b> 12-15NES, A tyre, (EM, 26 Jul 2013) 24 Jan 2014	<b>10328/2014</b>	<b>MESHIFT PTY LTD;</b> 12-05, Gridmesh lifting device, 18 Jan 2014	<b>10214/2014</b>
<b>Michelin Recherche et Technique S.A.;Compagnie Generale Des Etablissements Michelin;</b> 12-15NES, A tyre, (EM, 26 Jul 2013) 24 Jan 2014	<b>10315/2014</b>	<b>N-Vision Optics, LLC;</b> 24-01, Optics mount, (US, 19 Jul 2013) 16 Jan 2014	<b>10182/2014</b>
<b>Michelin Recherche et Technique S.A.;Compagnie Generale Des Etablissements Michelin;</b> 12-15NES, A tyre, (EM, 26 Jul 2013) 24 Jan 2014	<b>10323/2014</b>	<b>N-Vision Optics, LLC;</b> 08-08NES, Optics mount, (US, 19 Jul 2013) 16 Jan 2014	<b>10183/2014</b>
		<b>Ningbo Yinzhou Tianxiang Winch Co., Ltd.;</b> 12-16NES, Antiskid plate, (CN, 01 Nov 2013) 30 Jan 2014	<b>10434/2014</b>
		<b>Nozaki, Ayako;</b> 03-01NES, A case for mobile electronic device, (Divisional of 15493/2013) 16 Jan 2014	<b>10180/2014</b>
		<b>NUFX Pty Ltd;</b> 08-08L, Adapter to shelf-mount electrical connector unit, 29 Jan 2014	<b>10401/2014</b>
		<b>NUFX Pty Ltd;</b> 13-03NES, Electrical connector unit, casing and assembly, 29 Jan 2014	<b>10402/2014</b>
		<b>NUFX Pty Ltd;</b> 08-08L, Busbar, 29 Jan 2014	<b>10400/2014</b>
		<b>Oakley, Inc.;</b> 16-06, Eyeglass or components thereof, (US, 30 Oct 2013) 21 Jan 2014	<b>10259/2014</b>
		<b>Oakley, Inc.;</b> 16-06, Eyeglass component, (US, 30 Oct 2013) 22 Jan 2014	<b>10278/2014</b>

<b>Oakley, Inc.;</b> 16-06, Eyeglass components, (US, 25 Oct 2013) 22 Jan 2014	<b>10279/2014</b>	<b>S. C. Johnson &amp; Son, Inc.;</b> 32-03, Label for packaging, (US, 24 Jul 2013) 16 Jan 2014	<b>10175/2014</b>
<b>Palantir Technologies, Inc.;</b> 14-02, 14-04, Display screen or portion thereof, (US, 01 Aug 2013) 28 Jan 2014	<b>10369/2014</b>	<b>S. C. Johnson &amp; Son, Inc.;</b> 09-01A, 32-03, Spray dispenser with icon, (US, 24 Jul 2013) 16 Jan 2014	<b>10174/2014</b>
<b>Panasonic Corporation;</b> 07-02A, 07-02B, Ovens with microwave ovens, (EM, 23 Aug 2013) 21 Jan 2014	<b>10252/2014</b>	<b>Samsonite IP Holdings S.a r.l.;</b> 03-01A, Luggage, (EM, 19 Jul 2013) 16 Jan 2014	<b>10181/2014</b>
<b>Panasonic Corporation;</b> 07-02A, 07-02B, Ovens with microwave ovens, (EM, 23 Aug 2013) 21 Jan 2014	<b>10253/2014</b>	<b>Samsung Electronics Co., Ltd;</b> 14-02, 14-04, Display screen with icon for an electronic device, (KR, 17 Sep 2013) 21 Jan 2014	<b>10267/2014</b>
<b>Perusahaan Otomobil Nasional SDN BHD;</b> 12-08, A vehicle, (MY, 16 Aug 2013) 29 Jan 2014	<b>10399/2014</b>	<b>Samsung Electronics Co., Ltd;</b> 14-02, Input pen for an electronic device, (KR, 27 Aug 2013) 30 Jan 2014	<b>10415/2014</b>
<b>Pomper, John Robert;</b> 08-08G, Hook for a boat, 24 Jan 2014	<b>10336/2014</b>	<b>Samsung Electronics Co., Ltd;</b> 14-02, Electronic device, (KR, 27 Aug 2013) 30 Jan 2014	<b>10433/2014</b>
<b>PBM Electrics Pty LTd;The Trustee for The Power Trust;</b> 13-03NES, Portable power distribution board, 23 Jan 2014	<b>10297/2014</b>	<b>Samsung Electronics Co., Ltd;</b> 14-02, Electronic device, (KR, 27 Aug 2013) 30 Jan 2014	<b>10430/2014</b>
<b>PT. SOFTEX INDONESIA;</b> 02-01B, Diaper, 29 Jan 2014	<b>10393/2014</b>	<b>Samsung Electronics Co., Ltd;</b> 14-02, Input pen for an electronic device, (KR, 27 Aug 2013) 30 Jan 2014	<b>10416/2014</b>
<b>QuinTron Instrument Company, Inc.;</b> 10-04, Mouthpiece for breath testing, (US, 17 Jul 2013) 16 Jan 2014	<b>10186/2014</b>	<b>Samsung Electronics Co., Ltd;</b> 14-02, Electronic device, (KR, 27 Aug 2013) 30 Jan 2014	<b>10431/2014</b>
<b>Radio Systems Corporation;</b> 30-04, 30-99, Bark control device, (US, 18 Dec 2013) 17 Jan 2014	<b>10196/2014</b>	<b>Samsung Electronics Co., Ltd;</b> 14-02, Electronic device, (KR, 27 Aug 2013) 30 Jan 2014	<b>10432/2014</b>
<b>Radio Systems Corporation;</b> 30-04, 30-99, Bark control device, (US, 16 Dec 2013) 17 Jan 2014	<b>10194/2014</b>	<b>Sanofi-Aventis Deutschland GmbH;</b> 24-01, Display, (EP, 02 Aug 2013) 30 Jan 2014	<b>10406/2014</b>
<b>Ransom, Steven;</b> 26-06, 13-02, Rear lighting strip, (EP, 27 Sep 2013) 17 Jan 2014	<b>10191/2014</b>	<b>Segaram, Steve;</b> 07-04, Tea stick, 29 Jan 2014	<b>10395/2014</b>
<b>Reckitt Benckiser LLC;</b> 09-07A, Cap, (EM, 30 Jul 2013) 28 Jan 2014	<b>10374/2014</b>	<b>Sekisui Medical Co., Ltd.;</b> 24-01, Liquid chromatograph, (JP, 26 Jul 2013) 23 Jan 2014	<b>10311/2014</b>
<b>Reckitt Benckiser LLC;</b> 09-01NES, Refill container, (EM, 15 Aug 2013) 20 Jan 2014	<b>10226/2014</b>	<b>Semaan, Mario Badwi;</b> 09-05, Container, 17 Jan 2014	<b>10204/2014</b>
<b>Reckitt Benckiser LLC;</b> 09-01F, Dispenser, (EM, 15 Aug 2013) 20 Jan 2014	<b>10224/2014</b>	<b>Sheldon and Hammond Pty Ltd;</b> 07-99NES, A knife block, 29 Jan 2014	<b>10396/2014</b>
<b>ResMed Limited;</b> 24-01, Patient interface and/or components thereof, (Divisional of 15869/2013) 22 Jan 2014	<b>10313/2014</b>	<b>Smith, Angela;</b> 03-01A, Backpack, 30 Jan 2014	<b>10418/2014</b>
<b>ResMed Limited;</b> 24-01, Patient interface, (Divisional of 15855/2013) 22 Jan 2014	<b>10282/2014</b>	<b>Sojo Pty Ltd;</b> 02-02C, Garment, 21 Jan 2014	<b>10254/2014</b>
<b>RySurg, LLC;</b> 24-02, Instrument for treating an ocular disorder, (US, 24 Jul 2013) 22 Jan 2014	<b>10276/2014</b>	<b>Sojo Pty Ltd;</b> 02-02C, Garment, 21 Jan 2014	<b>10249/2014</b>
<b>RySurg, LLC;</b> 24-02, Instrument for treating an ocular disorder, (US, 24 Jul 2013) 22 Jan 2014	<b>10275/2014</b>	<b>Sonoco Development, Inc.;</b> 07-02N, Plastic tray steamer assembly, 28 Jan 2014	<b>10373/2014</b>
		<b>Swatch AG (Swatch SA) (Swatch Ltd);</b> 10-07, Watchcase, (WO, 17 Sep 2013) 20 Jan 2014	<b>10219/2014</b>



<b>SATA GmbH &amp; Co. KG;</b> 08-08E, 08-08F, Spray gun holder, (CN, 16 Aug 2013) 17 Jan 2014	<b>10189/2014</b>	<b>TDJ Australia Pty. Ltd.;</b> 12-16B, 12-16K, Double-din fascia kit for Holden Commodore VE-S1, 17 Jan 2014	<b>10193/2014</b>
<b>SHOP VAC CORPORATION;</b> 15-05, Vacuum cleaner, (US, 30 Sep 2013) 30 Jan 2014	<b>10414/2014</b>	<b>TDJ Australia Pty. Ltd.;</b> 12-16B, 12-16K, Single-din fascia kit for Holden Commodore VT/VX, 17 Jan 2014	<b>10192/2014</b>
<b>SMARTPHONE TRENDS PTY LTD;</b> 13-02, Portable power supply for electronic device, 17 Jan 2014	<b>10205/2014</b>	<b>THE DECOR CORPORATION PTY LTD;</b> 08-05A, Garden implement, 20 Jan 2014	<b>10234/2014</b>
<b>Taylor, John Victor;</b> 03-01NES, A personal fishing rod holder/holster apparatus, 24 Jan 2014	<b>10394/2014</b>	<b>Wang, Jonathan Hwan;</b> 12-02, 21-02C, Golf buggy, 28 Jan 2014	<b>10371/2014</b>
<b>The Fountainhead Group, Inc.;</b> 23-01D, 23-01F, Nozzle for a manually operated spray tank, (US, 18 Jul 2013) 17 Jan 2014	<b>10208/2014</b>	<b>Wildchild Design Pty. Ltd.;</b> 21-01F, Children's ride on toy, 24 Jan 2014	<b>10330/2014</b>
<b>The Fountainhead Group, Inc.;</b> 23-01D, 23-01F, Nozzle for a manually operated spray tank, (US, 18 Jul 2013) 17 Jan 2014	<b>10208/2014</b>	<b>Wildchild Design Pty. Ltd.;</b> 21-01F, Children's ride on toy, 24 Jan 2014	<b>10324/2014</b>
<b>The Fountainhead Group, Inc.;</b> 23-01D, Manually operated spray tank, (US, 24 Jul 2013) 24 Jan 2014	<b>10342/2014</b>	<b>Williams, Rachel;</b> 06-13B, Baby sleeping bag, 25 Jan 2014	<b>10359/2014</b>
<b>The Fountainhead Group, Inc.;</b> 23-01D, Manually operated spray tank, (US, 24 Jul 2013) 24 Jan 2014	<b>10348/2014</b>	<b>Yanmar Co., Ltd.;</b> 15-04, Excavator, (JP, 29 Jul 2013) 28 Jan 2014	<b>10363/2014</b>
<b>The Fountainhead Group, Inc.;</b> 23-01D, Manually operated spray tank, (US, 24 Jul 2013) 24 Jan 2014	<b>10348/2014</b>	<b>Yanmar Co., Ltd.;</b> 15-04, Excavator, (JP, 29 Jul 2013) 28 Jan 2014	<b>10365/2014</b>
<b>The Fountainhead Group, Inc.;</b> 23-99, Shroud for manually operated spray tank, (US, 23 Jul 2013) 23 Jan 2014	<b>10310/2014</b>	<b>Yanmar Co., Ltd.;</b> 15-04, Excavator, (JP, 29 Jul 2013) 28 Jan 2014	<b>10372/2014</b>
<b>The Gillette Company;</b> 28-03A, Razor cartridge, (US, 26 Aug 2013) 22 Jan 2014	<b>10273/2014</b>	<b>Yanmar Co., Ltd.;</b> 15-04, Excavator, (JP, 24 Jul 2013) 24 Jan 2014	<b>10347/2014</b>
<b>The Gillette Company;</b> 28-03A, Razor cartridge, (US, 26 Aug 2013) 22 Jan 2014	<b>10272/2014</b>	<b>Yanmar Co., Ltd.;</b> 12-06A, Boat, (JP, 19 Jul 2013) 16 Jan 2014	<b>10184/2014</b>
<b>The IAMS Company;</b> 09-05, Pet food packaging, (US, 03 Jun 2013) 03 Dec 2013	<b>10283/2014</b>	<b>Yanmar Co., Ltd.;</b> 12-06A, 12-16NES, Instrument panel for a boat, (JP, 19 Jul 2013) 16 Jan 2014	<b>10185/2014</b>
<b>The Quaker Oats Company;</b> 07-01C, A cup, (US, 26 Jul 2013) 22 Jan 2014	<b>10287/2014</b>	<b>Yongkang MRY Industry &amp; Trade Co., Ltd.;</b> 28-03D, Hair clipper, 21 Jan 2014	<b>10247/2014</b>
<b>The Trustee for The Power Trust;PBM Electrics Pty LTd;</b> 13-03NES, Portable power distribution board, 23 Jan 2014	<b>10297/2014</b>	<b>Zhejiang Zhengte Group Co., Ltd.;</b> 03-03, Sunshades, (CN, 16 Aug 2013) 22 Jan 2014	<b>10281/2014</b>
<b>TreeFrog Developments, Inc.;</b> 03-01NES, Case for an electronic device, (US, 11 May 2013) (Divisional of 15779/2013) 20 Jan 2014	<b>10235/2014</b>	<b>3M Innovative Properties Company;</b> 24-04, Dressing, (US, 23 Jul 2013) 21 Jan 2014	<b>10255/2014</b>
<b>TreeFrog Developments, Inc.;</b> 03-01NES, 14-02, Case for an electronic device, (US, 11 May 2013) (Divisional of 15779/2013) 20 Jan 2014	<b>10236/2014</b>	<b>3M Innovative Properties Company;</b> 29-02, Exhalation valve having multi-colored flap, (US, 15 Jul 2013) 15 Jan 2014	<b>10188/2014</b>
<b>Trymak Australia Pty Ltd;</b> 25-99, 08-10, Bike and pedestrian traffic bollard, 28 Jan 2014	<b>10391/2014</b>	<b>3M Innovative Properties Company;</b> 29-02, Exhalation valve flap, (US, 15 Jul 2013) 15 Jan 2014	<b>10190/2014</b>
<b>Trymak Australia Pty Ltd;</b> 25-99, 08-10, Bike and pedestrian traffic bollard, 28 Jan 2014	<b>10392/2014</b>		



**Extension of Period of Registration of Designs**

321043	324491	324492
324597	324603	324614
324618	324619	324694
324698	324728	324729
324730	324731	324734
324735	324736	324767
324769	324770	324782
324786	324804	324921
324930	324931	324941
324942	324951	324977
324989	324993	324994
324995	325000	325002
325005	325006	325007
325009	325010	325011
325016	325017	325018
325020	325024	325035
325036	325055	325060
325064	325330	325360
325408	325567	325692
325717	325718	325719
325720	325723	325869
325870	325871	325872
325947		

**Registrations Ceased**

320537	320561	320563
320564	320565	321297
321298	321595	321596
321600	321609	321613
321614	321620	321658
321659	321660	321661
321663	321664	321665
321668	321669	321671
321672	321673	321684
321685	321686	321692
321693	321704	321707
321710	321711	321712
321713	321742	321744
321750	321752	321753
321757	321758	321791
321831	321833	322011
322069	322240	322241
322261	322262	322263
322298	322642	322643
322662	322663	322664
322848	322849	322878
322879	322880	322881
322948	323173	323242
323243	323245	323404

323405                      323512                      323936  
324415

**Applications for Extension of time under Section 137**

Applications under section 137 for extension of time have been lodged. Objections must be lodged within 1 month from the date of this journal.

321796 **Westport Global Limited** Address for Service: Freehills Patent Attorneys ANZ Tower 161 Castlereagh Street SYDNEY NSW 2000

**Extensions of time granted under Section 137**

Applications lodged under section 137 for extension of time have been granted.

15140/2013 **Nicholas Steven Read**

15898/2013 **Desmond Wade Bankier**

16574/2013 **DePuy (Ireland)**

**Applications Assigned**

(The name in parentheses is that of the subsequent applicant)

15768/2013 ( **Rowena Wenck** ) Melke Pty Ltd

**Subsequent Owners Registered**

(The name in parentheses is that of the subsequent owner)

319690	( <b>Tyco Fire &amp; Security GmbH</b> ) Sensormatic Electronics, LLC
329426	( <b>Tyco Fire &amp; Security GmbH</b> ) Sensormatic Electronics, LLC
329467	( <b>Tyco Fire &amp; Security GmbH</b> ) Sensormatic Electronics, LLC
340335	( <b>Tyco Fire &amp; Security GmbH</b> ) Sensormatic Electronics, LLC
341556	( <b>Infuse AS Ltd</b> ) Pollogen Ltd
341557	( <b>Infuse AS Ltd</b> ) Pollogen Ltd
349295	( <b>Societe des Produits Nestle S.A.</b> ) Crown Packaging Technology, Inc.
349296	( <b>Societe des Produits Nestle S.A.</b> ) Crown Packaging Technology, Inc.
336834	( <b>Electrical Holdings LLC</b> ) Actuant Corporation
336835	( <b>Electrical Holdings LLC</b> ) Actuant Corporation
314170	( <b>Kizan (NZ) Limited</b> ) World Champ Industrial Limited
302445	( <b>CCL Label, Inc.</b> ) Avery Dennison Corporation
302446	( <b>CCL Label, Inc.</b> ) Avery Dennison Corporation
302447	( <b>CCL Label, Inc.</b> ) Avery Dennison Corporation
302448	( <b>CCL Label, Inc.</b> ) Avery Dennison Corporation
320196	( <b>CCL Label, Inc.</b> ) Avery Dennison Corporation
320197	( <b>CCL Label, Inc.</b> ) Avery Dennison Corporation
320198	( <b>CCL Label, Inc.</b> ) Avery Dennison Corporation
342843	( <b>CCL Label, Inc.</b> ) Avery Dennison Corporation
342844	( <b>CCL Label, Inc.</b> ) Avery Dennison Corporation
342845	( <b>CCL Label, Inc.</b> ) Avery Dennison Corporation
342846	( <b>CCL Label, Inc.</b> ) Avery Dennison Corporation
342994	( <b>CCL Label, Inc.</b> ) Avery Dennison Corporation

342920 ( **CCL Label, Inc.** ) Avery Dennison Corporation  
 343053 ( **CCL Label, Inc.** ) Avery Dennison Corporation  
 347012 ( **CCL Label, Inc.** ) Avery Dennison Corporation  
 347720 ( **CCL Label, Inc.** ) Avery Dennison Corporation  
 348063 ( **CCL Label, Inc.** ) Avery Dennison Corporation  
 348064 ( **CCL Label, Inc.** ) Avery Dennison Corporation  
 348065 ( **CCL Label, Inc.** ) Avery Dennison Corporation  
 349863 ( **CCL Label, Inc.** ) Avery Dennison Corporation

**Names Registered - Alterations and Amendments**

(The name in parentheses is that of the subsequent applicant)

335066 ( **BlackBerry Limited** ) Research In Motion Limited  
 335330 ( **BlackBerry Limited** ) Research In Motion Limited

**Certificate(s) of Examination**

Examination of the following Design Registration(s) has been completed. Infringement proceedings may now be commenced.

327821	12-16NES	23/01/2014
345010	07-01NES	31/01/2014
347390	14-02	21/01/2014
347488	14-02	21/01/2014
347488	14-02	21/01/2014
347806	03-01NES	21/01/2014
347883	03-01NES	23/01/2014
347907	14-02	24/01/2014
347997	14-02	31/01/2014
347997	14-02	31/01/2014
347998	14-02	31/01/2014
348104	14-02	03/02/2014
348105	14-02	03/02/2014
348106	14-02	03/02/2014
348275	07-01B	19/01/2014
348290	14-02	03/02/2014
348291	14-02	03/02/2014
348382	07-01B	19/01/2014
348384	07-01F	28/01/2014
348385	07-01G	28/01/2014
348386	07-01D	20/01/2014
348392	07-01D	20/01/2014
348416	07-01F	28/01/2014
348416	07-01F	28/01/2014
348686	15-04	03/02/2014
348786	12-16A	03/02/2014
349065	07-01B	28/01/2014
349534	13-03B	24/01/2014
349688	23-01A	21/01/2014
350222	03-01NES	28/01/2014
350328	09-07NES	28/01/2014
350357	23-01G	19/01/2014
350360	23-01G	19/01/2014
350361	23-01G	12/01/2014
350392	21-01L	28/01/2014
350435	15-99	24/01/2014
350447	09-01G	03/02/2014
350453	09-01NES	03/02/2014
350547	23-01G	12/01/2014
350611	19-04	26/01/2014
350744	19-04	24/01/2014
350778	29-02	31/01/2014
350878	14-02	28/01/2014
350879	14-02	28/01/2014
351144	19-04	24/01/2014
351145	19-04	24/01/2014
351146	19-04	30/01/2014
351147	19-04	26/01/2014
351232	12-15NES	28/01/2014
351233	03-01D	30/01/2014
351234	03-01D	30/01/2014
351235	04-02	31/01/2014
351236	04-02	31/01/2014
351253	14-02	28/01/2014
353303	06-13B	24/01/2014
353344	02-02C	31/01/2014

**Publication and Registration Proceedings**

**Designs Registered**

This section provides a concordance between design number and registration number of Designs covered in this journal. It also shows the main class and registration date.

This section covers Registration numbers 353282 to 353545 .

The registration number shown below should be used in all future correspondence.

<b>Design Number</b>	<b>Registration Number</b>	<b>International Classification Code (IDC)</b>	<b>Registration Date</b>	<b>Design Number</b>	<b>Registration Number</b>	<b>International Classification Code (IDC)</b>	<b>Registration Date</b>
11805/2013	353304	06-01L	20/01/2014	15268/2013	353315	06-01G	20/01/2014
12337/2013	353432	03-01B	23/01/2014	15270/2013	353316	06-01D	20/01/2014
12338/2013	353433	02-02B	23/01/2014	15368/2013	353367	07-05D	21/01/2014
12339/2013	353514	07-05E	31/01/2014	15409/2013	353296	03-01B	20/01/2014
12340/2013	353515	04-01	31/01/2014	15482/2013	353297	21-02B	20/01/2014
12604/2013	353346	02-02C	21/01/2014	15486/2013	353317	13-03NES	20/01/2014
12605/2013	353434	09-01D	23/01/2014	15488/2013	353318	13-03NES	20/01/2014
12865/2013	353493	07-01C	24/01/2014	15489/2013	353524	30-03	31/01/2014
12960/2013	353305	02-02C	20/01/2014	15493/2013	353319	03-01NES	20/01/2014
13302/2013	353323	25-02H	20/01/2014	15511/2013	353372	25-02NES	22/01/2014
13396/2013	353383	08-07	22/01/2014	15512/2013	353373	25-02NES	22/01/2014
13884/2013	353471	31-00	24/01/2014	15513/2013	353374	25-02NES	22/01/2014
13885/2013	353472	31-00	24/01/2014	15538/2013	353422	14-02	22/01/2014
13904/2013	353407	07-05E	22/01/2014	15547/2013	353320	06-01F	20/01/2014
14135/2013	353371	19-01	22/01/2014	15569/2013	353368	07-06D	21/01/2014
14386/2013	353306	02-02C	20/01/2014	15646/2013	353516	24-02	31/01/2014
14422/2013	353408	31-00	22/01/2014	15648/2013	353298	28-03NES	20/01/2014
14423/2013	353410	12-16NES	22/01/2014	15675/2013	353423	03-01NES	22/01/2014
14600/2013	353476	01-02	24/01/2014	15685/2013	353414	24-02	22/01/2014
14619/2013	353324	06-03C	21/01/2014	15686/2013	353415	24-02	22/01/2014
14666/2013	353307	06-06F	20/01/2014	15697/2013	353416	24-02	22/01/2014
14668/2013	353308	13-03NES	20/01/2014	15743/2013	353325	21-02F	21/01/2014
14671/2013	353282	08-08NES	20/01/2014	15744/2013	353326	21-02F	21/01/2014
14672/2013	353283	08-08NES	20/01/2014	15745/2013	353327	21-02F	21/01/2014
14673/2013	353284	08-08NES	20/01/2014	15746/2013	353328	21-02F	21/01/2014
14702/2013	353477	23-01G	24/01/2014	15747/2013	353329	21-02F	21/01/2014
14703/2013	353478	23-01G	24/01/2014	15748/2013	353330	21-02F	21/01/2014
14704/2013	353479	23-01G	24/01/2014	15749/2013	353331	21-02F	21/01/2014
14729/2013	353480	09-05	24/01/2014	15768/2013	353347	09-01G	21/01/2014
14730/2013	353481	09-05	24/01/2014	15777/2013	353299	05-05A	20/01/2014
14731/2013	353482	09-05	24/01/2014	15779/2013	353539	03-01NES	03/02/2014
14732/2013	353483	09-05	24/01/2014	15810/2013	353517	09-03NES	31/01/2014
14896/2013	353309	09-01NES	20/01/2014	15820/2013	353369	06-06E	21/01/2014
14910/2013	353310	14-02	20/01/2014	15825/2013	353321	30-06	20/01/2014
14931/2013	353285	26-05C	20/01/2014	15856/2013	353322	06-03A	20/01/2014
14932/2013	353484	26-05C	24/01/2014	15857/2013	353375	08-10	22/01/2014
14961/2013	353311	03-01A	20/01/2014	15862/2013	353332	14-01	21/01/2014
14962/2013	353312	03-01A	20/01/2014	15889/2013	353424	07-01B	22/01/2014
14992/2013	353286	23-01B	20/01/2014	15901/2013	353417	14-01	22/01/2014
14995/2013	353287	24-01	20/01/2014	15903/2013	353518	14-01	31/01/2014
15138/2013	353313	23-03A	20/01/2014	15904/2013	353418	14-01	22/01/2014
15147/2013	353314	20-02NES	20/01/2014	15974/2013	353333	26-05A	21/01/2014
15192/2013	353288	15-07	20/01/2014	15975/2013	353334	26-05A	21/01/2014
15214/2013	353289	24-01	20/01/2014	15976/2013	353335	14-01	21/01/2014
15237/2013	353290	09-09	20/01/2014	15979/2013	353419	07-99NES	22/01/2014
15245/2013	353291	02-02NES	20/01/2014	15980/2013	353300	06-03NES	20/01/2014
15246/2013	353292	24-04	20/01/2014	16018/2013	353542	12-15A	03/02/2014
15255/2013	353293	02-04NES	20/01/2014	16022/2013	353543	12-15A	03/02/2014
15256/2013	353294	02-04NES	20/01/2014	16023/2013	353544	12-15A	03/02/2014
15260/2013	353295	19-03	20/01/2014	16024/2013	353545	12-15A	03/02/2014

Publication and Registration Proceedings - Designs Registered cont'd

Design Number	Registration Number	International Classification Code (IDC)	Registration Date	Design Number	Registration Number	International Classification Code (IDC)	Registration Date
16068/2013	353348	06-01L	21/01/2014	16492/2013	353508	15-99	30/01/2014
16128/2013	353426	14-99	22/01/2014	16493/2013	353509	15-99	30/01/2014
16193/2013	353376	07-05NES	22/01/2014	16494/2013	353510	15-99	30/01/2014
16194/2013	353377	07-05NES	22/01/2014	16496/2013	353388	14-02	22/01/2014
16196/2013	353378	08-08L	22/01/2014	16497/2013	353522	06-01H	31/01/2014
16202/2013	353301	26-05NES	20/01/2014	16498/2013	353463	14-01	23/01/2014
16205/2013	353302	21-02C	20/01/2014	16499/2013	353464	14-01	23/01/2014
16206/2013	353494	06-03C	24/01/2014	16500/2013	353465	14-01	23/01/2014
16207/2013	353303	06-13B	20/01/2014	16501/2013	353466	14-01	23/01/2014
16230/2013	353420	24-02	22/01/2014	16502/2013	353467	14-01	23/01/2014
16232/2013	353379	04-02	22/01/2014	16503/2013	353468	14-01	23/01/2014
16233/2013	353380	04-02	22/01/2014	16504/2013	353461	23-04	23/01/2014
16234/2013	353381	04-02	22/01/2014	16542/2013	353435	15-05	23/01/2014
16235/2013	353382	04-02	22/01/2014	16543/2013	353389	14-02	22/01/2014
16248/2013	353495	07-01D	24/01/2014	16544/2013	353390	14-02	22/01/2014
16295/2013	353519	09-05	31/01/2014	16545/2013	353391	14-02	22/01/2014
16364/2013	353520	14-02	31/01/2014	16548/2013	353392	07-07A	22/01/2014
16376/2013	353421	26-05C	22/01/2014	16549/2013	353393	07-07A	22/01/2014
16404/2013	353349	07-02L	21/01/2014	16550/2013	353396	07-07A	22/01/2014
16405/2013	353350	06-10	21/01/2014	16551/2013	353394	07-07A	22/01/2014
16410/2013	353525	12-16NES	31/01/2014	16552/2013	353395	07-07A	22/01/2014
16414/2013	353351	03-01NES	21/01/2014	16553/2013	353397	07-01NES	22/01/2014
16415/2013	353352	15-06	21/01/2014	16556/2013	353398	08-08G	22/01/2014
16421/2013	353384	12-10	22/01/2014	16558/2013	353436	12-12	23/01/2014
16422/2013	353353	24-02	21/01/2014	16562/2013	353399	09-07A	22/01/2014
16423/2013	353354	14-01	21/01/2014	16563/2013	353400	09-07A	22/01/2014
16424/2013	353355	02-03	21/01/2014	16564/2013	353401	02-03	22/01/2014
16425/2013	353356	07-99NES	21/01/2014	16565/2013	353402	02-03	22/01/2014
16426/2013	353357	12-16L	21/01/2014	16566/2013	353403	24-01	22/01/2014
16427/2013	353358	12-16L	21/01/2014	16567/2013	353404	02-03	22/01/2014
16428/2013	353359	21-99	21/01/2014	16568/2013	353527	11-01D	31/01/2014
16429/2013	353360	28-03NES	21/01/2014	16571/2013	353405	21-01NES	22/01/2014
16430/2013	353501	01-06	28/01/2014	16573/2013	353406	11-01D	22/01/2014
16431/2013	353361	14-01	21/01/2014	16577/2013	353437	07-02L	23/01/2014
16432/2013	353362	07-05E	21/01/2014	16578/2013	353438	06-06F	23/01/2014
16433/2013	353385	07-05E	22/01/2014	16579/2013	353427	02-07A	23/01/2014
16434/2013	353386	12-11	22/01/2014	16580/2013	353428	14-03NES	23/01/2014
16435/2013	353387	09-02B	22/01/2014	16581/2013	353429	14-03NES	23/01/2014
16442/2013	353445	28-03A	23/01/2014	16582/2013	353439	10-07	23/01/2014
16443/2013	353446	28-03A	23/01/2014	16584/2013	353440	10-02	23/01/2014
16444/2013	353453	21-01N	23/01/2014	16586/2013	353430	09-07B	23/01/2014
16445/2013	353454	29-02	23/01/2014	16589/2013	353409	14-02	22/01/2014
16455/2013	353425	06-01G	22/01/2014	16590/2013	353411	14-02	22/01/2014
16459/2013	353455	14-01	23/01/2014	16591/2013	353412	14-02	22/01/2014
16463/2013	353526	15-05	31/01/2014	16593/2013	353413	14-02	22/01/2014
16472/2013	353521	06-01E	31/01/2014	16595/2013	353441	14-02	23/01/2014
16473/2013	353456	06-01NES	23/01/2014	16596/2013	353442	14-02	23/01/2014
16476/2013	353363	12-15B	21/01/2014	16597/2013	353443	12-08	23/01/2014
16477/2013	353364	12-15B	21/01/2014	16598/2013	353447	07-02F	23/01/2014
16478/2013	353365	12-15B	21/01/2014	16600/2013	353448	12-16B	23/01/2014
16479/2013	353366	14-01	21/01/2014	16601/2013	353449	12-11	23/01/2014
16480/2013	353457	06-09	23/01/2014	16602/2013	353450	26-06	23/01/2014
16481/2013	353458	01-06	23/01/2014	16603/2013	353451	12-16B	23/01/2014
16482/2013	353459	01-06	23/01/2014	16604/2013	353452	12-11	23/01/2014
16483/2013	353460	14-01	23/01/2014	16607/2013	353462	16-06	23/01/2014

Publication and Registration Proceedings - Designs Registered cont'd

Design Number	Registration Number	International Classification Code (IDC)	Registration Date	Design Number	Registration Number	International Classification Code (IDC)	Registration Date
16608/2013	353469	16-06	23/01/2014	16671/2013	353511	23-01H	30/01/2014
16609/2013	353470	23-01H	23/01/2014	16672/2013	353512	23-01H	30/01/2014
16611/2013	353473	21-02D	24/01/2014	16674/2013	353513	09-03NES	30/01/2014
16616/2013	353474	07-06C	24/01/2014	16687/2013	353533	02-02C	31/01/2014
16619/2013	353523	26-05D	31/01/2014	16688/2013	353536	03-01B	03/02/2014
16620/2013	353540	06-04D	03/02/2014	16689/2013	353537	03-01B	03/02/2014
16621/2013	353475	03-01A	24/01/2014	16690/2013	353538	03-01B	03/02/2014
16633/2013	353485	07-04	24/01/2014	16822/2013	353336	02-02C	21/01/2014
16634/2013	353486	07-04	24/01/2014	16823/2013	353337	02-02C	21/01/2014
16635/2013	353487	07-04	24/01/2014	16824/2013	353338	02-02NES	21/01/2014
16636/2013	353488	07-04	24/01/2014	16825/2013	353339	02-02NES	21/01/2014
16637/2013	353489	02-02C	24/01/2014	16826/2013	353340	02-02C	21/01/2014
16638/2013	353490	25-01K	24/01/2014	16827/2013	353370	02-02NES	21/01/2014
16639/2013	353491	08-07	24/01/2014	16837/2013	353341	02-02C	21/01/2014
16640/2013	353496	08-07	24/01/2014	16838/2013	353342	02-02C	21/01/2014
16641/2013	353497	08-07	24/01/2014	16839/2013	353343	02-02NES	21/01/2014
16642/2013	353502	08-03	30/01/2014	16840/2013	353344	02-02C	21/01/2014
16643/2013	353503	02-02NES	30/01/2014	16841/2013	353345	02-02NES	21/01/2014
16644/2013	353504	02-02C	30/01/2014	10000/2014	353498	09-07A	24/01/2014
16648/2013	353535	12-16NES	03/02/2014	10001/2014	353541	26-05E	03/02/2014
16653/2013	353528	16-06	31/01/2014	10002/2014	353499	10-05	24/01/2014
16654/2013	353529	07-02F	31/01/2014	10003/2014	353500	28-03NES	24/01/2014
16656/2013	353530	02-02C	31/01/2014	10158/2014	353431	09-05	23/01/2014
16663/2013	353531	02-02C	31/01/2014	10160/2014	353444	13-03D	23/01/2014
16664/2013	353532	02-02C	31/01/2014	10236/2014	353492	03-01NES	24/01/2014
16666/2013	353505	12-16C	30/01/2014	10283/2014	353534	09-05	31/01/2014
16669/2013	353506	23-01H	30/01/2014				
16670/2013	353507	23-01H	30/01/2014				

**Publication and Registration Proceedings**

**Class Listing of Designs Published or Registered**

The following section shows an International Classification Code listing of the Registered or Published Designs covered in this supplement.

<b>Classification</b>	<b>Registration Number</b>	<b>Design Number</b>	<b>Classification</b>	<b>Registration Number</b>	<b>Design Number</b>
01-01	353431	10158/2014	04-02	353379	16232/2013
01-02	353476	14600/2013	04-02	353380	16233/2013
01-06	353458	16481/2013	04-02	353381	16234/2013
01-06	353459	16482/2013	04-02	353382	16235/2013
01-06	353501	16430/2013	04-99	353360	16429/2013
02-02B	353433	12338/2013	05-05A	353299	15777/2013
02-02C	353305	12960/2013	06-01D	353316	15270/2013
02-02C	353306	14386/2013	06-01E	353521	16472/2013
02-02C	353336	16822/2013	06-01F	353320	15547/2013
02-02C	353337	16823/2013	06-01G	353315	15268/2013
02-02C	353340	16826/2013	06-01G	353425	16455/2013
02-02C	353341	16837/2013	06-01H	353522	16497/2013
02-02C	353342	16838/2013	06-01L	353303	16207/2013
02-02C	353344	16840/2013	06-01L	353304	11805/2013
02-02C	353346	12604/2013	06-01L	353348	16068/2013
02-02C	353489	16637/2013	06-01NES	353456	16473/2013
02-02C	353504	16644/2013	06-03A	353322	15856/2013
02-02C	353530	16656/2013	06-03C	353322	15856/2013
02-02C	353531	16663/2013	06-03C	353324	14619/2013
02-02C	353532	16664/2013	06-03C	353494	16206/2013
02-02C	353533	16687/2013	06-03NES	353300	15980/2013
02-02NES	353291	15245/2013	06-04D	353540	16620/2013
02-02NES	353305	12960/2013	06-06E	353369	15820/2013
02-02NES	353338	16824/2013	06-06F	353307	14666/2013
02-02NES	353339	16825/2013	06-06F	353308	14668/2013
02-02NES	353343	16839/2013	06-06F	353428	16580/2013
02-02NES	353345	16841/2013	06-06F	353429	16581/2013
02-02NES	353370	16827/2013	06-06F	353438	16578/2013
02-02NES	353503	16643/2013	06-06G	353369	15820/2013
02-03	353355	16424/2013	06-06NES	353324	14619/2013
02-03	353401	16564/2013	06-09	353457	16480/2013
02-03	353402	16565/2013	06-10	353350	16405/2013
02-03	353404	16567/2013	06-13B	353303	16207/2013
02-04NES	353293	15255/2013	07-01B	353424	15889/2013
02-04NES	353294	15256/2013	07-01C	353493	12865/2013
02-06	353298	15648/2013	07-01D	353495	16248/2013
02-07A	353427	16579/2013	07-01NES	353397	16553/2013
03-01A	353311	14961/2013	07-02F	353447	16598/2013
03-01A	353312	14962/2013	07-02F	353529	16654/2013
03-01A	353475	16621/2013	07-02L	353349	16404/2013
03-01B	353296	15409/2013	07-02L	353437	16577/2013
03-01B	353432	12337/2013	07-04	353485	16633/2013
03-01B	353536	16688/2013	07-04	353486	16634/2013
03-01B	353537	16689/2013	07-04	353487	16635/2013
03-01B	353538	16690/2013	07-04	353488	16636/2013
03-01C	353423	15675/2013	07-05D	353367	15368/2013
03-01NES	353319	15493/2013	07-05E	353360	16429/2013
03-01NES	353351	16414/2013	07-05E	353362	16432/2013
03-01NES	353423	15675/2013	07-05E	353385	16433/2013
03-01NES	353492	10236/2014	07-05E	353407	13904/2013
03-01NES	353517	15810/2013	07-05E	353514	12339/2013
03-01NES	353539	15779/2013	07-05NES	353376	16193/2013
04-01	353515	12340/2013	07-05NES	353377	16194/2013

Registration Proceedings - Class Listing of Designs Published or Registered cont'd

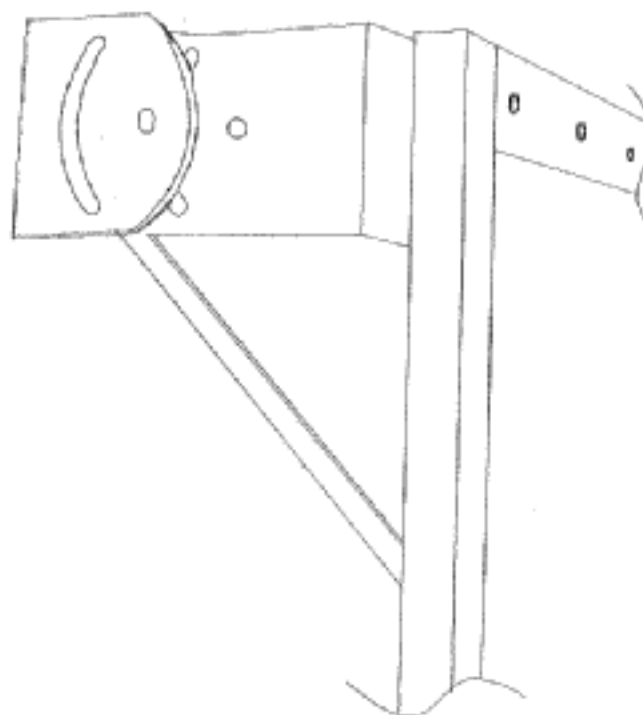
Classification	Registration Number	Design Number	Classification	Registration Number	Design Number
07-06C	353474	16616/2013	12-12	353436	16558/2013
07-06D	353368	15569/2013	12-15A	353542	16018/2013
07-07A	353392	16548/2013	12-15A	353543	16022/2013
07-07A	353393	16549/2013	12-15A	353544	16023/2013
07-07A	353394	16551/2013	12-15A	353545	16024/2013
07-07A	353395	16552/2013	12-15B	353363	16476/2013
07-07A	353396	16550/2013	12-15B	353364	16477/2013
07-99NES	353356	16425/2013	12-15B	353365	16478/2013
07-99NES	353419	15979/2013	12-16B	353448	16600/2013
08-03	353502	16642/2013	12-16B	353451	16603/2013
08-07	353383	13396/2013	12-16C	353505	16666/2013
08-07	353491	16639/2013	12-16L	353357	16426/2013
08-07	353496	16640/2013	12-16L	353358	16427/2013
08-07	353497	16641/2013	12-16NES	353410	14423/2013
08-08G	353398	16556/2013	12-16NES	353525	16410/2013
08-08L	353378	16196/2013	12-16NES	353535	16648/2013
08-08NES	353282	14671/2013	13-03D	353444	10160/2014
08-08NES	353283	14672/2013	13-03NES	353308	14668/2013
08-08NES	353284	14673/2013	13-03NES	353317	15486/2013
08-08NES	353372	15511/2013	13-03NES	353318	15488/2013
08-08NES	353373	15512/2013	14-01	353310	14910/2013
08-08NES	353374	15513/2013	14-01	353332	15862/2013
08-10	353375	15857/2013	14-01	353333	15974/2013
08-99	353435	16542/2013	14-01	353334	15975/2013
09-01D	353434	12605/2013	14-01	353335	15976/2013
09-01G	353347	15768/2013	14-01	353354	16423/2013
09-01NES	353309	14896/2013	14-01	353361	16431/2013
09-01NES	353387	16435/2013	14-01	353366	16479/2013
09-02B	353387	16435/2013	14-01	353417	15901/2013
09-03NES	353513	16674/2013	14-01	353418	15904/2013
09-03NES	353517	15810/2013	14-01	353455	16459/2013
09-05	353431	10158/2014	14-01	353460	16483/2013
09-05	353480	14729/2013	14-01	353463	16498/2013
09-05	353481	14730/2013	14-01	353464	16499/2013
09-05	353482	14731/2013	14-01	353465	16500/2013
09-05	353483	14732/2013	14-01	353466	16501/2013
09-05	353519	16295/2013	14-01	353467	16502/2013
09-05	353534	10283/2014	14-01	353468	16503/2013
09-07A	353399	16562/2013	14-01	353518	15903/2013
09-07A	353400	16563/2013	14-01	353520	16364/2013
09-07A	353498	10000/2014	14-02	353310	14910/2013
09-07B	353430	16586/2013	14-02	353388	16496/2013
09-09	353290	15237/2013	14-02	353389	16543/2013
10-02	353440	16584/2013	14-02	353390	16544/2013
10-05	353499	10002/2014	14-02	353391	16545/2013
10-07	353439	16582/2013	14-02	353409	16589/2013
11-01D	353406	16573/2013	14-02	353411	16590/2013
11-01D	353527	16568/2013	14-02	353412	16591/2013
11-05	353359	16428/2013	14-02	353413	16593/2013
12-08	353443	16597/2013	14-02	353417	15901/2013
12-10	353384	16421/2013	14-02	353418	15904/2013
12-11	353386	16434/2013	14-02	353422	15538/2013
12-11	353448	16600/2013	14-02	353441	16595/2013
12-11	353449	16601/2013	14-02	353442	16596/2013
12-11	353451	16603/2013	14-02	353492	10236/2014
12-11	353452	16604/2013	14-02	353518	15903/2013



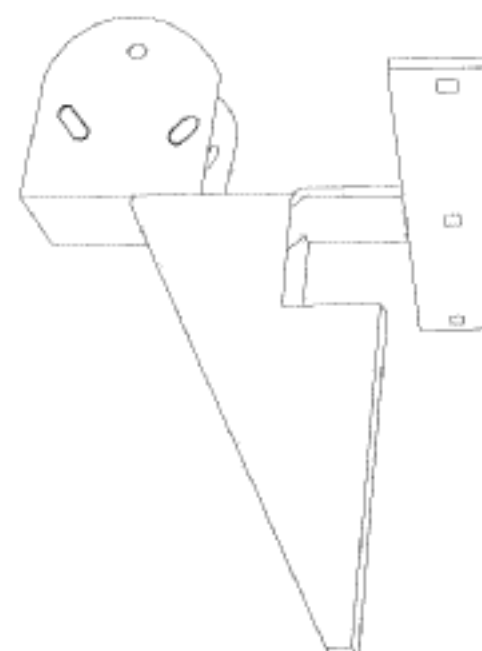
Registration Proceedings - Class Listing of Designs Published or Registered cont'd

Classification	Registration Number	Design Number	Classification	Registration Number	Design Number
14-02	353520	16364/2013	23-01H	353511	16671/2013
14-02	353539	15779/2013	23-01H	353512	16672/2013
14-03NES	353428	16580/2013	23-03A	353313	15138/2013
14-03NES	353429	16581/2013	23-04	353461	16504/2013
14-04	353411	16590/2013	24-01	353287	14995/2013
14-04	353412	16591/2013	24-01	353289	15214/2013
14-04	353413	16593/2013	24-01	353403	16566/2013
14-99	353417	15901/2013	24-01	353414	15685/2013
14-99	353418	15904/2013	24-01	353415	15686/2013
14-99	353426	16128/2013	24-01	353454	16445/2013
14-99	353518	15903/2013	24-02	353353	16422/2013
15-05	353435	16542/2013	24-02	353414	15685/2013
15-05	353526	16463/2013	24-02	353415	15686/2013
15-06	353352	16415/2013	24-02	353416	15697/2013
15-07	353288	15192/2013	24-02	353420	16230/2013
15-99	353508	16492/2013	24-02	353516	15646/2013
15-99	353509	16493/2013	24-04	353292	15246/2013
15-99	353510	16494/2013	24-04	353454	16445/2013
16-06	353462	16607/2013	25-01K	353490	16638/2013
16-06	353469	16608/2013	25-02H	353323	13302/2013
16-06	353528	16653/2013	25-02NES	353372	15511/2013
19-01	353371	14135/2013	25-02NES	353373	15512/2013
19-03	353295	15260/2013	25-02NES	353374	15513/2013
19-06	353388	16496/2013	26-05A	353333	15974/2013
19-08	353495	16248/2013	26-05A	353334	15975/2013
20-02NES	353314	15147/2013	26-05A	353335	15976/2013
20-03NES	353494	16206/2013	26-05C	353285	14931/2013
21-01N	353453	16444/2013	26-05C	353421	16376/2013
21-01NES	353405	16571/2013	26-05C	353484	14932/2013
21-02B	353297	15482/2013	26-05D	353523	16619/2013
21-02C	353302	16205/2013	26-05E	353541	10001/2014
21-02D	353473	16611/2013	26-05NES	353301	16202/2013
21-02F	353325	15743/2013	26-06	353334	15975/2013
21-02F	353326	15744/2013	26-06	353450	16602/2013
21-02F	353327	15745/2013	28-03A	353445	16442/2013
21-02F	353328	15746/2013	28-03A	353446	16443/2013
21-02F	353329	15747/2013	28-03NES	353298	15648/2013
21-02F	353330	15748/2013	28-03NES	353360	16429/2013
21-02F	353331	15749/2013	28-03NES	353500	10003/2014
21-99	353359	16428/2013	29-02	353454	16445/2013
23-01B	353286	14992/2013	30-03	353524	15489/2013
23-01G	353477	14702/2013	30-06	353321	15825/2013
23-01G	353478	14703/2013	31-00	353408	14422/2013
23-01G	353479	14704/2013	31-00	353471	13884/2013
23-01H	353470	16609/2013	31-00	353472	13885/2013
23-01H	353506	16669/2013			
23-01H	353507	16670/2013			

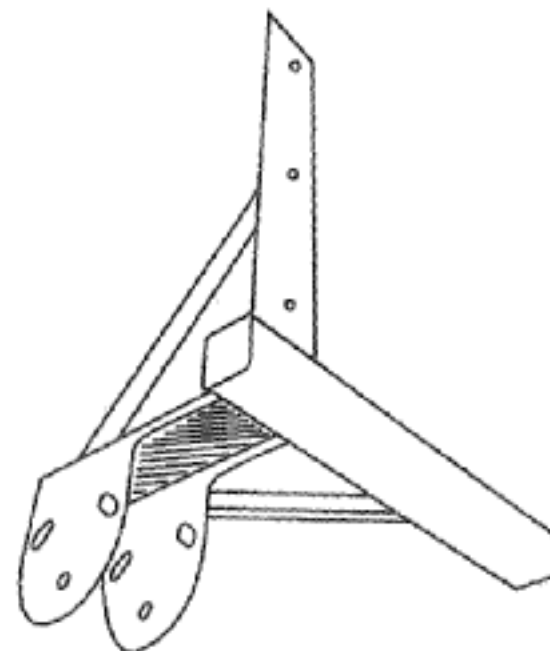
(21) Design Number: **14671/2013**  
(22) Date of Filing Application: **17 September 2013**  
(24) Date from which industrial property rights may have effect: **17 September 2013**  
(54) Product in respect of which the design is registered: **A mount for an antenna or satellite dish**  
(51) International Design Classification: **08-08NES**  
(74) Name(s) of Attorney(s):  
(71) Name(s) and Address(s) of Applicant(s):  
**GOG Dolphin Electronics Group Limited**  
**22 Haig Avenue Mount Roskill Auckland 1440 New Zealand**  
(72) Name(s) of Designer(s): **Wei Miao Huang**  
(45) Registration Date: **20 January 2014**  
(56) Related Art Documents: **Not Applicable**  
(57) Statement of Newness and Distinctiveness: **Nil**



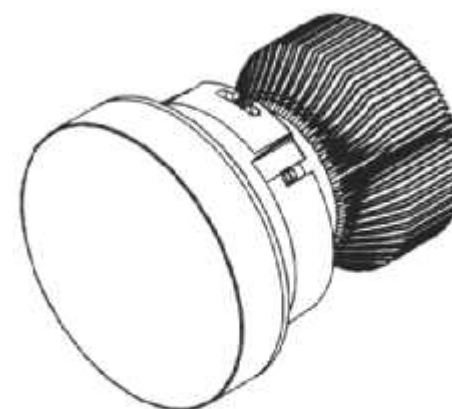
(21) Design Number: **14672/2013**  
(22) Date of Filing Application: **17 September 2013**  
(24) Date from which industrial property rights may have effect: **17 September 2013**  
(54) Product in respect of which the design is registered: **A mount for an antenna or satellite dish**  
(51) International Design Classification: **08-08NES**  
(74) Name(s) of Attorney(s): **Chrysiliou IP**  
(71) Name(s) and Address(s) of Applicant(s):  
**GOG Dolphin Electronics Group Limited**  
**22 Haig Avenue Mount Roskill Auckland 1440 New Zealand**  
(72) Name(s) of Designer(s): **Wei Miao Huang**  
(45) Registration Date: **20 January 2014**  
(56) Related Art Documents: **Not Applicable**  
(57) Statement of Newness and Distinctiveness: **Nil**



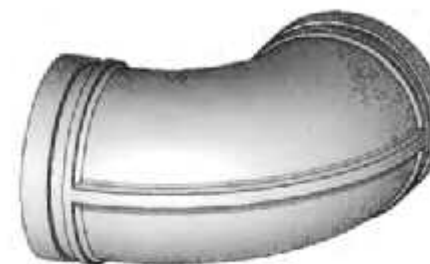
- (21) Design Number: **14673/2013**  
(22) Date of Filing Application: **17 September 2013**  
(24) Date from which industrial property rights may have effect: **17 September 2013**  
(54) Product in respect of which the design is registered: **A mount for an antenna or satellite dish**  
(51) International Design Classification: **08-08NES**  
(74) Name(s) of Attorney(s): **Chrysiliou IP**  
(71) Name(s) and Address(s) of Applicant(s):  
**GOG Dolphin Electronics Group Limited**  
**22 Haig Avenue Mount Roskill Auckland 1440 New Zealand**  
(72) Name(s) of Designer(s): **Wei Miao Huang**  
(45) Registration Date: **20 January 2014**  
(56) Related Art Documents: **Not Applicable**  
(57) Statement of Newness and Distinctiveness: **Nil**



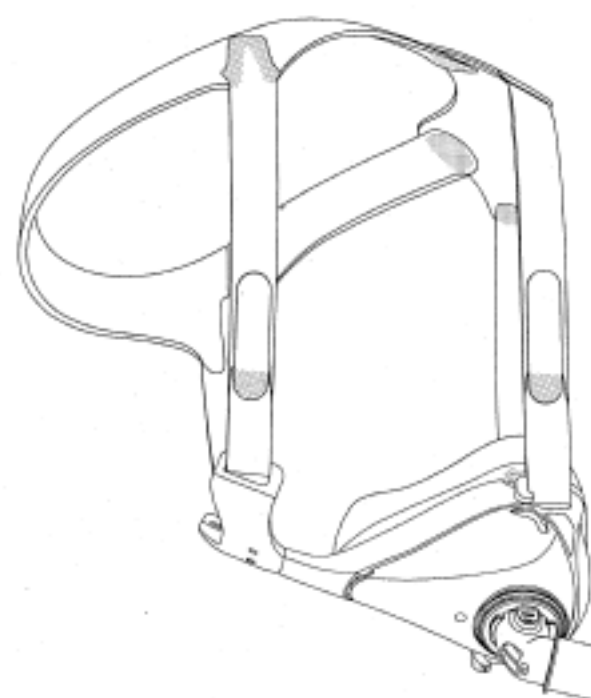
- (21) Design Number: **14931/2013**  
(22) Date of Filing Application: **26 September 2013**  
(24) Date from which industrial property rights may have effect: **26 September 2013**  
(54) Product in respect of which the design is registered: **Downlight**  
(51) International Design Classification: **26-05C**  
(74) Name(s) of Attorney(s):  
(71) Name(s) and Address(s) of Applicant(s):  
**Brightgreen Pty Ltd**  
**PO BOX 1400 Collingwood VIC 3066 Australia**  
(72) Name(s) of Designer(s): **Nathan Moffat**  
(45) Registration Date: **20 January 2014**  
(56) Related Art Documents: **Not Applicable**  
(57) Statement of Newness and Distinctiveness: **The design relates to the cylindrical attachment to the recessed downlight. The inverse dome at the centre of the fascia redirects the light to emerge from the sides of the attachment. When positioned directly overhead the source of the light is masked due to the ability for the base to be the same colour as the ceiling. When the device is in use a high intensity glow visible around the edges of the cylinder creates a 'eclipse like' unique aesthetic through indirect lighting.**



(21) Design Number: **14992/2013**  
(22) Date of Filing Application: **30 September 2013**  
(24) Date from which industrial property rights may have effect: **30 September 2013**  
(54) Product in respect of which the design is registered: **Pipe fitting**  
(51) International Design Classification: **23-01B**  
(74) Name(s) of Attorney(s): **Griffith Hack**  
(71) Name(s) and Address(s) of Applicant(s):  
**Tyco Fire Products LP**  
**1400 Pennbrook Parkway Lansdale PA 19446 United States of America**  
(72) Name(s) of Designer(s): **Anthony Gary Bednarz and Robert R. Smith and Larry E. Hall and Donald Eugene Griggs III**  
(45) Registration Date: **20 January 2014**  
(56) Related Art Documents: **Not Applicable**  
(57) Statement of Newness and Distinctiveness: **Newness and distinctiveness resides in the visual features, including shape, configuration and ornamentation of the PRODUCT as shown in the accompanying representations.**



(21) Design Number: **14995/2013**  
(22) Date of Filing Application: **26 September 2013**  
(24) Date from which industrial property rights may have effect: **26 September 2013**  
(54) Product in respect of which the design is registered: **Patient interface**  
(51) International Design Classification: **24-01**  
(74) Name(s) of Attorney(s): **Halfords IP**  
(71) Name(s) and Address(s) of Applicant(s):  
**ResMed Limited**  
**1 Elizabeth Macarthur Dr Bella Vista NSW 2153 Australia**  
(72) Name(s) of Designer(s): **Christopher Scott Skipper and Stephen Gray and Andrew Hung and Robert Thomas Burnham and Amal Shirley Amarasinghe and Ian James Matthews and Justin John Formica and Jessica Lea Dunn**  
(45) Registration Date: **20 January 2014**  
(30) Convention priority data:  
(31) Number (32) Date (33) Country  
**29/451049 27 Mar 2013 UNITED STATES OF AMERICA**  
(56) Related Art Documents: **Not Applicable**  
(57) Statement of Newness and Distinctiveness: **Nil**



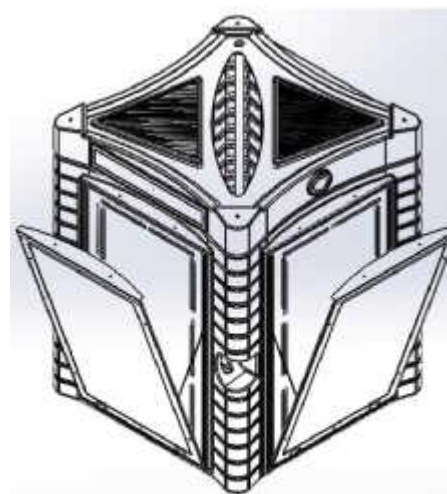
(21) Design Number: **15192/2013**  
(22) Date of Filing Application: **11 October 2013**  
(24) Date from which industrial property rights may have effect: **11 October 2013**  
(54) Product in respect of which the design is registered: **Refrigerator**  
(51) International Design Classification: **15-07**  
(74) Name(s) of Attorney(s): **Davies Collison Cave**  
(71) Name(s) and Address(s) of Applicant(s):  
**Red Bull GmbH**  
**Am Brunnen 1 5330 Fuschl am See Austria**  
(72) Name(s) of Designer(s): **Matthias Rinderer and Juergen Brenneis and David Kehoe and Mario Groth**  
(45) Registration Date: **20 January 2014**  
(30) Convention priority data:  
(31) Number (32) Date (33) Country  
**002220533-0005 15 Apr 2013 OFFICE FOR HARMONISATION IN THE INTERNAL MARKET (OHIM)**  
(56) Related Art Documents: **Not Applicable**  
(57) Statement of Newness and Distinctiveness: **Nil**



(21) Design Number: **15214/2013**  
(22) Date of Filing Application: **10 October 2013**  
(24) Date from which industrial property rights may have effect: **10 October 2013**  
(54) Product in respect of which the design is registered: **Patient interface**  
(51) International Design Classification: **24-01**  
(74) Name(s) of Attorney(s): **Halfords IP**  
(71) Name(s) and Address(s) of Applicant(s):  
**ResMed Limited**  
**1 Elizabeth Macarthur Dr Bella Vista NSW 2153 Australia**  
(72) Name(s) of Designer(s): **Lochlan von Moger and Matthew Eves and Memduh Guney and Michael Charles La Guzza**  
(45) Registration Date: **20 January 2014**  
(30) Convention priority data:  
(31) Number (32) Date (33) Country  
**29/452151 12 Apr 2013 UNITED STATES OF AMERICA**  
(56) Related Art Documents: **Not Applicable**  
(57) Statement of Newness and Distinctiveness: **Nil**



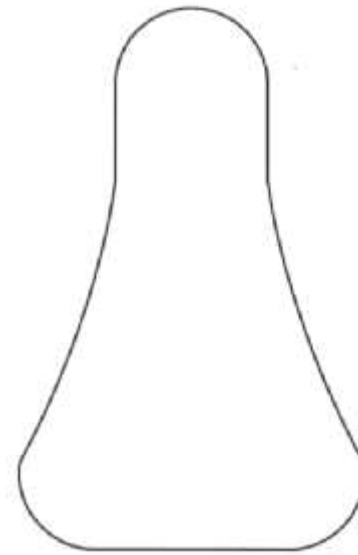
- (21) Design Number: **15237/2013**  
(22) Date of Filing Application: **15 October 2013**  
(24) Date from which industrial property rights may have effect: **15 October 2013**  
(54) Product in respect of which the design is registered: **Bin surround**  
(51) International Design Classification: **09-09**  
(74) Name(s) of Attorney(s): **Rohan Wallace Patent and Trade Mark Services**  
(71) Name(s) and Address(s) of Applicant(s):  
**Xorro Pty Ltd**  
**235A Scarborough Beach Rd Mount Hawthorn WA 6016 Australia**  
(72) Name(s) of Designer(s): **Len Luxford**  
(45) Registration Date: **20 January 2014**  
(56) Related Art Documents: **Not Applicable**  
(57) Statement of Newness and Distinctiveness: **The features of shape and/or configuration are claims to be new and distinctive. The shape and configuration of removable parts and holes therefore in top surface, shown in dashed lines, are disclaimed.**



- (21) Design Number: **15245/2013**  
(22) Date of Filing Application: **16 October 2013**  
(24) Date from which industrial property rights may have effect: **16 October 2013**  
(54) Product in respect of which the design is registered: **Equestrian vest**  
(51) International Design Classification: **02-02NES**  
(74) Name(s) of Attorney(s): **FB Rice**  
(71) Name(s) and Address(s) of Applicant(s):  
**Phoenix Performance Products, Inc.**  
**2220 King Road King City Ontario L7B1 1L3 Canada**  
(72) Name(s) of Designer(s): **Leonard Clement**  
(45) Registration Date: **20 January 2014**  
(30) Convention priority data:  
(31) Number      (32) Date      (33) Country  
**29/452658      19 Apr 2013      UNITED STATES OF AMERICA**  
(56) Related Art Documents: **Not Applicable**  
(57) Statement of Newness and Distinctiveness: **Newness and distinctiveness reside in the features of the design as shown in the representations including unique substantially rectangular elements arranged one above the other on the front and rear of the vest together with the lacings disposed on the sides of the vest.**



- (21) Design Number: **15246/2013**  
(22) Date of Filing Application: **16 October 2013**  
(24) Date from which industrial property rights may have effect: **16 October 2013**  
(54) Product in respect of which the design is registered: **Sanitary napkin**  
(51) International Design Classification: **24-04**  
(74) Name(s) of Attorney(s):  
(71) Name(s) and Address(s) of Applicant(s):  
**Joy Diana Martin**  
**7 Caleb St Marden SA 5070 Australia**  
(72) Name(s) of Designer(s): **Joy Diana Martin**  
(45) Registration Date: **20 January 2014**  
(56) Related Art Documents: **Not Applicable**  
(57) Statement of Newness and Distinctiveness: **I have completed a search and to the best of my knowledge there is no similar item registered as a Design.**



- (21) Design Number: **15255/2013**  
(22) Date of Filing Application: **16 October 2013**  
(24) Date from which industrial property rights may have effect: **16 October 2013**  
(54) Product in respect of which the design is registered: **A shoe**  
(51) International Design Classification: **02-04NES**  
(74) Name(s) of Attorney(s): **SPRUSON & FERGUSON**  
(71) Name(s) and Address(s) of Applicant(s):  
**Christian Dior Couture**  
**30 avenue Montaigne Paris 75008 France**  
(72) Name(s) of Designer(s): **Raf Simons**  
(45) Registration Date: **20 January 2014**  
(30) Convention priority data:  
(31) Number (32) Date (33) Country  
**DM/081 128 17 Apr 2013 SWITZERLAND**  
(56) Related Art Documents: **Not Applicable**  
(57) Statement of Newness and Distinctiveness: **Newness and distinctiveness is claimed in those features of shape and/or configuration of a shoe as demarcated in broken lines in the additional views.**

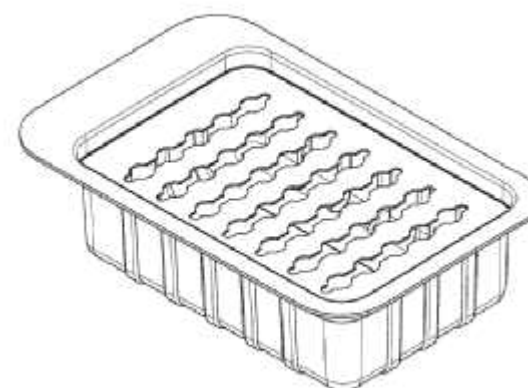




- (21) Design Number: **15256/2013**  
(22) Date of Filing Application: **16 October 2013**  
(24) Date from which industrial property rights may have effect: **16 October 2013**  
(54) Product in respect of which the design is registered: **A shoe**  
(51) International Design Classification: **02-04NES**  
(74) Name(s) of Attorney(s): **SPRUSON & FERGUSON**  
(71) Name(s) and Address(s) of Applicant(s):  
**Christian Dior Couture**  
**30 avenue Montaigne Paris 75008 France**  
(72) Name(s) of Designer(s): **Raf Simons**  
(45) Registration Date: **20 January 2014**  
(30) Convention priority data:  
(31) Number (32) Date (33) Country  
**DM/081 128 17 Apr 2013 SWITZERLAND**  
(56) Related Art Documents: **Not Applicable**  
(57) Statement of Newness and Distinctiveness: **Newness and distinctiveness is claimed in those features of shape and/or configuration of a shoe as demarcated in broken lines in the additional views.**



- (21) Design Number: **15260/2013**  
(22) Date of Filing Application: **16 October 2013**  
(24) Date from which industrial property rights may have effect: **16 October 2013**  
(54) Product in respect of which the design is registered: **Calendaring arrangement device**  
(51) International Design Classification: **19-03**  
(74) Name(s) of Attorney(s): **Davies Collison Cave**  
(71) Name(s) and Address(s) of Applicant(s):  
**Allergan, Inc.**  
**2525 Dupont Drive Irvine California 92612 United States of America**  
(72) Name(s) of Designer(s): **Michael M. Rowe and Theresa E. Cavanaugh and Lorens Slokovic and Patrick Walsh**  
(45) Registration Date: **20 January 2014**  
(56) Related Art Documents: **Not Applicable**  
(57) Statement of Newness and Distinctiveness: **Newness and distinctiveness is claimed in the visual features shown in solid lines in the representations. In considering the extent of the design rights, the broken lines shown in the representations are for illustrative purposes only and do not form part of the design.**





- (21) Design Number: **15409/2013**  
(22) Date of Filing Application: **24 October 2013**  
(24) Date from which industrial property rights may have effect: **04 March 2013**  
(54) Product in respect of which the design is registered: **Bag**  
(51) International Design Classification: **03-01B**  
(74) Name(s) of Attorney(s): **Allens Patent & Trade Mark Attorneys**  
(71) Name(s) and Address(s) of Applicant(s):  
**Forever New Clothing Pty Ltd**  
**714-716 High St Kew East VIC 3102 Australia**  
(72) Name(s) of Designer(s): **Georgia Roberts-Thomson**  
(45) Registration Date: **20 January 2014**  
(62) Divisional of: **352006**  
(56) Related Art Documents: **Not Applicable**  
(57) Statement of Newness and Distinctiveness: **Newness and distinctiveness resides in the visual features of shape, configuration, pattern and/or ornamentation of a bag as shown in the accompanying representation.**



- (21) Design Number: **15482/2013**  
(22) Date of Filing Application: **25 October 2013**  
(24) Date from which industrial property rights may have effect: **25 October 2013**  
(54) Product in respect of which the design is registered: **Sports racquet**  
(51) International Design Classification: **21-02B**  
(74) Name(s) of Attorney(s):  
(71) Name(s) and Address(s) of Applicant(s):  
**Claude Woodward**  
**570 Lacey St Sawyers Valley WA 6074 Australia**  
(72) Name(s) of Designer(s): **Claude Alan Woodward**  
(45) Registration Date: **20 January 2014**  
(56) Related Art Documents: **Not Applicable**  
(57) Statement of Newness and Distinctiveness: **The handle is behind the sprung head (playing surface) Ball or shuttlecock is 'punche' rather than 'swiped'.**



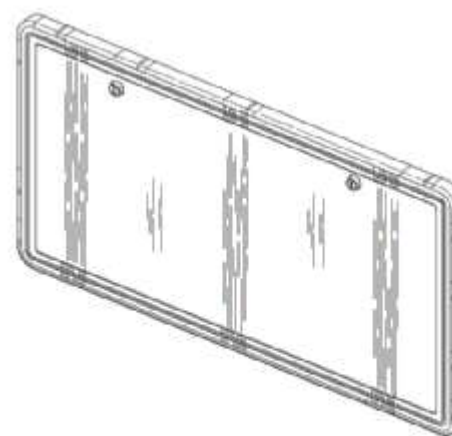
- (21) Design Number: **15648/2013**  
(22) Date of Filing Application: **03 November 2013**  
(24) Date from which industrial property rights may have effect: **03 November 2013**  
(54) Product in respect of which the design is registered: **Face and body wash mit**  
(51) International Design Classification: **28-03NES, 02-06**  
(74) Name(s) of Attorney(s):  
(71) Name(s) and Address(s) of Applicant(s):  
**Nataley Jane Norton**  
**44 Bedwell St Emu Point WA 6330 Australia**  
(72) Name(s) of Designer(s): **Nataley Jane Norton**  
(45) Registration Date: **20 January 2014**  
(56) Related Art Documents: **Not Applicable**  
(57) Statement of Newness and Distinctiveness: **Shape is square with tapered corners, 2 ply combed 100% cotton, protective finer textured fabric on thumb for gentle cleansing of eyes and lips. At the base near the wrist velcro secures the mit to wrist still posing a loose fit for ease of movement during use and for effortless removal.**



- (21) Design Number: **15777/2013**  
(22) Date of Filing Application: **11 November 2013**  
(24) Date from which industrial property rights may have effect: **11 November 2013**  
(54) Product in respect of which the design is registered: **Textile print**  
(51) International Design Classification: **05-05A**  
(74) Name(s) of Attorney(s):  
(71) Name(s) and Address(s) of Applicant(s):  
**Australian Fashion Labels Pty Ltd**  
**106 Currie St Adelaide SA 5000 Australia**  
(72) Name(s) of Designer(s): **Kathryn Forth and Siham Elmawey**  
(45) Registration Date: **20 January 2014**  
(56) Related Art Documents: **Not Applicable**  
(57) Statement of Newness and Distinctiveness: **Newness and distinctiveness resides in the features of pattern and ornamentation of a print as shown in the accompanying representations.**



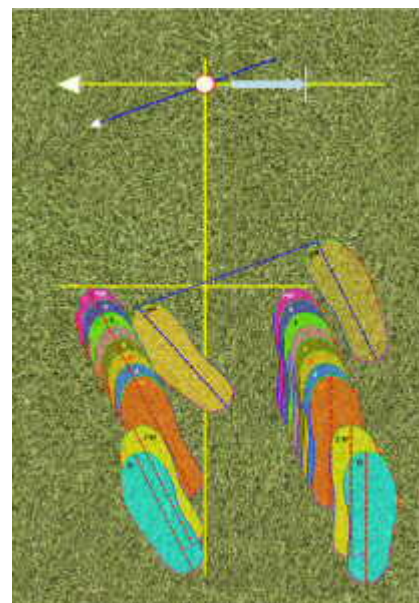
- (21) Design Number: **15980/2013**  
(22) Date of Filing Application: **19 November 2013**  
(24) Date from which industrial property rights may have effect: **19 November 2013**  
(54) Product in respect of which the design is registered: **Folding table**  
(51) International Design Classification: **06-03NES**  
(74) Name(s) of Attorney(s): **Macpherson + Kelley**  
(71) Name(s) and Address(s) of Applicant(s):  
**Buy Direct Warehouse Pty Ltd**  
**FY2 5 Salvator Dr Campbellfield VIC 3061 Australia**  
(72) Name(s) of Designer(s): **Anthony Manfre**  
(45) Registration Date: **20 January 2014**  
(56) Related Art Documents: **Not Applicable**  
(57) Statement of Newness and Distinctiveness: **Newness and distinctiveness is claimed in the features of shape and configuration of the folding table as shown in the representations.**



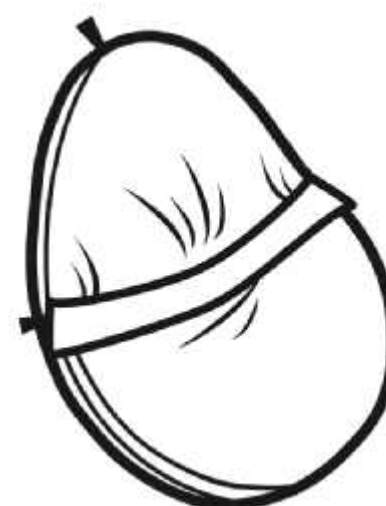
- (21) Design Number: **16202/2013**  
(22) Date of Filing Application: **28 November 2013**  
(24) Date from which industrial property rights may have effect: **28 November 2013**  
(54) Product in respect of which the design is registered: **Lighting apparatus**  
(51) International Design Classification: **26-05NES**  
(74) Name(s) of Attorney(s):  
(71) Name(s) and Address(s) of Applicant(s):  
**Brightgreen Pty Ltd**  
**PO BOX 1400 Collingwood VIC 3066 Australia**  
(72) Name(s) of Designer(s): **Rafik Waters and David O'Driscoll and Nathan Moffat and Trent Carter and Kensie Young and Robert Reid**  
(45) Registration Date: **20 January 2014**  
(56) Related Art Documents: **Not Applicable**  
(57) Statement of Newness and Distinctiveness: **The Luto is a monitor mounted computer and smart device controlled lighting device. The profile of Luto resembles th the number '7' when mounted to a monitor, and an inverted number '7' when mounted on a table or other flat surface. The profile features a flat front 'serif' on the '7' and a tapered 'descender' on the rear of the profile. From the front the 'serif' appears to be asymmetrical skewing to the left or right in a linear fashion. Similarly, the rear 'descender' skews left or right in the opposite direction to the 'serif'. From the rear the 'descender' is separate in two horizontally. The lower area is illuminated and the upper is textured with a fine bumps and the surface made reflective and coloured so as have a high level of reflectivity and light diffusion simultaneously.**



- (21) Design Number: **16205/2013**  
(22) Date of Filing Application: **28 November 2013**  
(24) Date from which industrial property rights may have effect: **28 November 2013**  
(54) Product in respect of which the design is registered: **Golf swing training mat**  
(51) International Design Classification: **21-02C**  
(74) Name(s) of Attorney(s):  
(71) Name(s) and Address(s) of Applicant(s):  
**Eric Shigeho Woolford**  
**6 Kemp Ave Mount Waverley VIC 3149 Australia**  
(72) Name(s) of Designer(s): **Eric Shigeho Woolford**  
(45) Registration Date: **20 January 2014**  
(56) Related Art Documents: **Not Applicable**  
(57) Statement of Newness and Distinctiveness: **Having searched many design registers and many internet search engines, I have not yet identified another design such as this as those even remotely close move the ball either left or right. With my design, the ball remains stationary and the user simply adjusts their feet according to the coloured feet positions. This Golf Training Mat is designed to be either printed on the underside of clear acetate which then allows the mat to be stuck to any hard surface such as the garage floor or printed directly on durable carpet. The design uses simple mathematics to calculate the distance from the ball to the tips of the the users feet using standard length clubs. Adjustments are easily applied in order to scale so to accommodate extra club lengths. Initially designed for children to practice, I soon came to realise the logic can apply for golfers of all ages to develop consistent swing technique. Applying setup instructions to the mat design, would reinforce a sound setup and practice regime.**



- (21) Design Number: **16207/2013**  
(22) Date of Filing Application: **28 November 2013**  
(24) Date from which industrial property rights may have effect: **28 November 2013**  
(54) Product in respect of which the design is registered: **Baby beanbag blanket**  
(51) International Design Classification: **06-13B, 06-01L**  
(74) Name(s) of Attorney(s):  
(71) Name(s) and Address(s) of Applicant(s):  
**BRANDS UNITED GROUP PTY. LTD.**  
**14/29-39 Kirkham Rd W Keysborough VIC 3173 Australia**  
(72) Name(s) of Designer(s): **Dennis Duplaix and Paulitta Zito**  
(45) Registration Date: **20 January 2014**  
(56) Related Art Documents: **Not Applicable**  
(57) Statement of Newness and Distinctiveness: **Nothing like it exists right now. This is a blanket to be attached to baby bean bags, This eliminates the need for a separate blanket, which is the only other option right now, and also, which is not safe if pulled over child's head. Our blanket can be unbuttoned / unzipped at the top as baby gets bigger, to extend the length at top.**

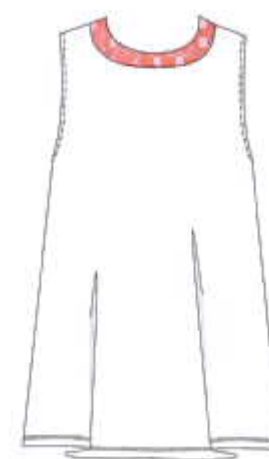




- (21) Design Number: **11805/2013**  
(22) Date of Filing Application: **17 April 2013**  
(24) Date from which industrial property rights may have effect: **17 April 2013**  
(54) Product in respect of which the design is registered: **Inner bag for baby bean bag**  
(51) International Design Classification: **06-01L**  
(74) Name(s) of Attorney(s):  
(71) Name(s) and Address(s) of Applicant(s):  
**Brands United Group Pty. Ltd.**  
**14/29-39 Kirkham Rd W Keysborough VIC 3173 Australia**  
(72) Name(s) of Designer(s): **Paulitta Zito and Dennis Duplaix**  
(45) Registration Date: **20 January 2014**  
(56) Related Art Documents: **Not Applicable**  
(57) Statement of Newness and Distinctiveness: **A separate inner bean filling bag for baby beanbags, with the same or similar shape as the baby beanbag. Inner bag is the same or similar shape as the outer baby beanbag cover. Other bean bags of the same/similar shape have beans inserted directly into them. Our design allows the beans to be inserted into a separate inner bag, the placed inside the bean bag. Is safer for children and makes washing of cover, and storage easier by simply removing and/or disposing of the beans with the inner bag.**



- (21) Design Number: **12960/2013**  
(22) Date of Filing Application: **24 June 2013**  
(24) Date from which industrial property rights may have effect: **24 June 2013**  
(54) Product in respect of which the design is registered: **Articles of clothing**  
(51) International Design Classification: **02-02C, 02-02NES**  
(74) Name(s) of Attorney(s):  
(71) Name(s) and Address(s) of Applicant(s):  
**Magi Enterprises Pty Ltd**  
**34 Garden St South Yarra VIC 3141 Australia**  
**Beba Enterprises Pty Ltd**  
**34 Garden St South Yarra VIC 3141 Australia**  
(72) Name(s) of Designer(s): **Robert Cromb**  
(45) Registration Date: **20 January 2014**  
(56) Related Art Documents: **Not Applicable**  
(57) Statement of Newness and Distinctiveness: **Nil**



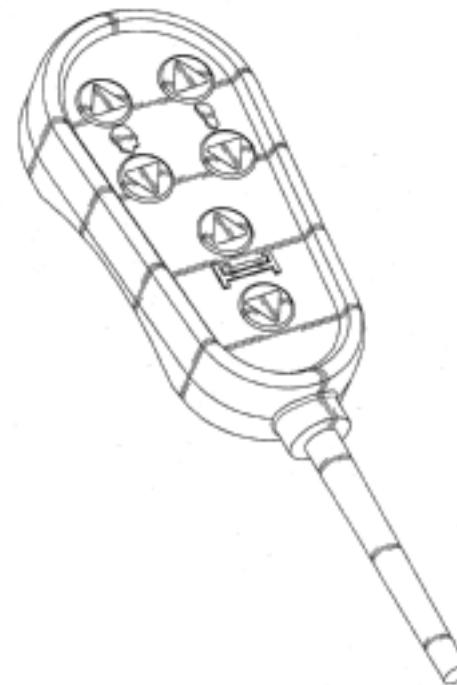
(21) Design Number: **14386/2013**  
(22) Date of Filing Application: **23 August 2013**  
(24) Date from which industrial property rights may have effect: **23 August 2013**  
(54) Product in respect of which the design is registered: **Top**  
(51) International Design Classification: **02-02C**  
(74) Name(s) of Attorney(s):  
(71) Name(s) and Address(s) of Applicant(s):  
**Magi Enterprises Pty Ltd**  
**34 Garden St South Yarra VIC 3141 Australia**  
**Beba Enterprises Pty Ltd**  
**34 Garden St South Yarra VIC 3141 Australia**  
(72) Name(s) of Designer(s): **Robert Cromb**  
(45) Registration Date: **20 January 2014**  
(56) Related Art Documents: **Not Applicable**  
(57) Statement of Newness and Distinctiveness: **Nil**



(21) Design Number: **14666/2013**  
(22) Date of Filing Application: **13 September 2013**  
(24) Date from which industrial property rights may have effect: **13 September 2013**  
(54) Product in respect of which the design is registered: **Bed rail**  
(51) International Design Classification: **06-06F**  
(74) Name(s) of Attorney(s): **Madderns**  
(71) Name(s) and Address(s) of Applicant(s):  
**Invacare Corporation**  
**One Invacare Way Elyria 44036-2126 Ohio United States of America**  
(72) Name(s) of Designer(s): **Matthew A. Zakel**  
(45) Registration Date: **20 January 2014**  
(30) Convention priority data:  
(31) Number (32) Date (33) Country  
**29/448,917 14 Mar 2013 UNITED STATES OF AMERICA**  
(56) Related Art Documents: **Not Applicable**  
(57) Statement of Newness and Distinctiveness: **Newness and distinctiveness resides in the features of shape and configuration of a bed rail as shown in the accompanying representations.**



(21) Design Number: **14668/2013**  
(22) Date of Filing Application: **13 September 2013**  
(24) Date from which industrial property rights may have effect: **13 September 2013**  
(54) Product in respect of which the design is registered: **Controller**  
(51) International Design Classification: **13-03NES, 06-06F**  
(74) Name(s) of Attorney(s): **Madderns**  
(71) Name(s) and Address(s) of Applicant(s):  
**Invacare Corporation**  
**One Invacare Way Elyria 44036-2126 Ohio United States of America**  
(72) Name(s) of Designer(s): **Ricky J. McCullar and Michael Sedlak and Kristie L. Jarrett and Michael Romano**  
(45) Registration Date: **20 January 2014**  
(30) Convention priority data:  
(31) Number (32) Date (33) Country  
**29/448,921 14 Mar 2013 UNITED STATES OF AMERICA**  
(56) Related Art Documents: **Not Applicable**  
(57) Statement of Newness and Distinctiveness: **Newness and distinctiveness resides in the features of shape and configuration of a controller as shown in the accompanying representations.**



(21) Design Number: **14896/2013**  
(22) Date of Filing Application: **25 September 2013**  
(24) Date from which industrial property rights may have effect: **25 September 2013**  
(54) Product in respect of which the design is registered: **Bottle**  
(51) International Design Classification: **09-01NES**  
(74) Name(s) of Attorney(s): **PHILLIPS ORMONDE FITZPATRICK**  
(71) Name(s) and Address(s) of Applicant(s):  
**Teisseire France (Societe par Actions Simplifree)**  
**482 av. Ambroize Croizat 38926 Crolles France**  
(72) Name(s) of Designer(s): **Anna Andersson**  
(45) Registration Date: **20 January 2014**  
(30) Convention priority data:  
(31) Number (32) Date (33) Country  
**002208488 25 Mar 2013 OFFICE FOR HARMONISATION IN THE INTERNAL MARKET (OHIM)**  
(56) Related Art Documents: **Not Applicable**  
(57) Statement of Newness and Distinctiveness: **Those features of the bottle depicted in the representations that are new and distinctive are the shape and/or configuration.**



(21) Design Number: **14910/2013**  
(22) Date of Filing Application: **25 September 2013**  
(24) Date from which industrial property rights may have effect: **25 September 2013**  
(54) Product in respect of which the design is registered: **Portable electronic device**  
(51) International Design Classification: **14-02, 14-01**  
(74) Name(s) of Attorney(s): **Davies Collison Cave**  
(71) Name(s) and Address(s) of Applicant(s):  
**Yota Devices IPR LTD**  
**177 Main Street Road Town Tortola VG1 British Virgin Islands**  
(72) Name(s) of Designer(s): **Vladislav Vladislavovich Martynov and Juhani Petri Eero Montin**  
(45) Registration Date: **20 January 2014**  
(30) Convention priority data:  
(31) Number (32) Date (33) Country  
**RU2013503123 12 Aug 2013 RUSSIAN FEDERATION**  
(56) Related Art Documents: **Not Applicable**  
(57) Statement of Newness and Distinctiveness: **Nil**



(21) Design Number: **14961/2013**  
(22) Date of Filing Application: **27 September 2013**  
(24) Date from which industrial property rights may have effect: **27 September 2013**  
(54) Product in respect of which the design is registered: **String bag**  
(51) International Design Classification: **03-01A**  
(74) Name(s) of Attorney(s): **PHILLIPS ORMONDE FITZPATRICK**  
(71) Name(s) and Address(s) of Applicant(s):  
**Dominik Marek**  
**Za sokolovnou 601 285 04 Uhlirske Janovice Czech Republic**  
(72) Name(s) of Designer(s): **Oldrich Marek**  
(45) Registration Date: **20 January 2014**  
(56) Related Art Documents: **Not Applicable**  
(57) Statement of Newness and Distinctiveness: **Newness and distinctiveness resides in the shape and configuration of a string bag as illustrated in the accompanying representations.**



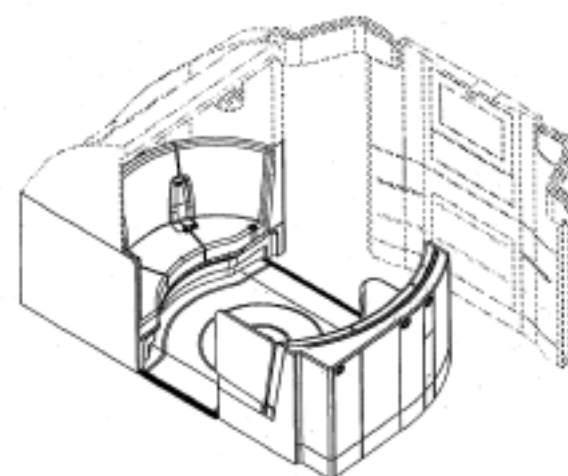




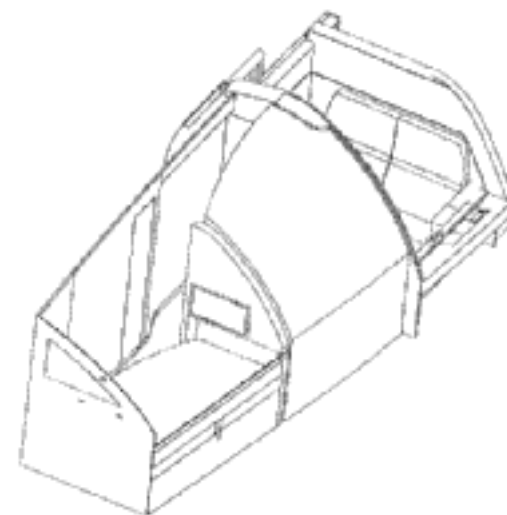
- (21) Design Number: **15147/2013**  
(22) Date of Filing Application: **10 October 2013**  
(24) Date from which industrial property rights may have effect: **10 October 2013**  
(54) Product in respect of which the design is registered: **Display box for floor rugs**  
(51) International Design Classification: **20-02NES**  
(74) Name(s) of Attorney(s): **EKM patent & trade marks**  
(71) Name(s) and Address(s) of Applicant(s):  
**MOS International Imports**  
**347 - 349 Warrigal Rd Cheltenham VIC 3192 Australia**  
(72) Name(s) of Designer(s): **Adrian Harvey**  
(45) Registration Date: **20 January 2014**  
(56) Related Art Documents: **Not Applicable**  
(57) Statement of Newness and Distinctiveness: **The newness and distinctiveness of the design resides in the actual design ABC KID EDUCATION ACTIVITY RUG BOX product & print on the box.**



- (21) Design Number: **15268/2013**  
(22) Date of Filing Application: **15 October 2013**  
(24) Date from which industrial property rights may have effect: **15 October 2013**  
(54) Product in respect of which the design is registered: **Lounge setting**  
(51) International Design Classification: **06-01G**  
(74) Name(s) of Attorney(s): **Davies Collison Cave**  
(71) Name(s) and Address(s) of Applicant(s):  
**Etihad Airways**  
**PO BOX 35566 New Airport Road Abu Dhabi United Arab Emirates**  
(72) Name(s) of Designer(s): **Adrian Berry and Adam White**  
(45) Registration Date: **20 January 2014**  
(30) Convention priority data:  
(31) Number (32) Date (33) Country  
**002220285 15 Apr 2013 OFFICE FOR HARMONISATION IN THE INTERNAL MARKET (OHIM)**  
(56) Related Art Documents: **Not Applicable**  
(57) Statement of Newness and Distinctiveness: **Nil**



(21) Design Number: **15270/2013**  
(22) Date of Filing Application: **15 October 2013**  
(24) Date from which industrial property rights may have effect: **15 October 2013**  
(54) Product in respect of which the design is registered: **Suite module**  
(51) International Design Classification: **06-01D**  
(74) Name(s) of Attorney(s): **Davies Collison Cave**  
(71) Name(s) and Address(s) of Applicant(s):  
**Etihad Airways**  
**PO BOX 35566 New Airport Road Abu Dhabi United Arab Emirates**  
(72) Name(s) of Designer(s): **Adrian Berry and Adam White and Matthew Fiddimore and Nigel Lawson and Anthony Harcup**  
(45) Registration Date: **20 January 2014**  
(30) Convention priority data:  
(31) Number (32) Date (33) Country  
**002220285 15 Apr 2013 OFFICE FOR HARMONISATION IN THE INTERNAL MARKET (OHIM)**  
(56) Related Art Documents: **Not Applicable**  
(57) Statement of Newness and Distinctiveness: **Nil**



(21) Design Number: **15486/2013**  
(22) Date of Filing Application: **25 October 2013**  
(24) Date from which industrial property rights may have effect: **18 July 2013**  
(54) Product in respect of which the design is registered: **Camera Housing**  
(51) International Design Classification: **13-03NES**  
(74) Name(s) of Attorney(s): **Davies Collison Cave**  
(71) Name(s) and Address(s) of Applicant(s):  
**Michael Hoppe**  
**4/176 Wellington St Bondi NSW 2026 Australia**  
**Joshua Morabito**  
**2 Adolphus St Balmain NSW 2041 Australia**  
**Mark Richards**  
**35 Upper Almora St Mosman NSW 2088 Australia**  
**Geoff Smith**  
**7 Panorama Pl Mt Gravatt East QLD 4122 Australia**  
**Chad O'Neill**  
**3/9 Park Rd Five Dock NSW 2046 Australia**  
(72) Name(s) of Designer(s): **Michael Hoppe and Joshua Morabito and Mark Richards and Geoff Smith and Chad O'Neill**  
(45) Registration Date: **20 January 2014**  
(62) Divisional of: **351726**  
(56) Related Art Documents: **Not Applicable**  
(57) Statement of Newness and Distinctiveness: **Nil**



- (21) Design Number: **15488/2013**  
(22) Date of Filing Application: **25 October 2013**  
(24) Date from which industrial property rights may have effect: **18 July 2013**  
(54) Product in respect of which the design is registered: **Switch**  
(51) International Design Classification: **13-03NES**  
(74) Name(s) of Attorney(s): **Davies Collison Cave**  
(71) Name(s) and Address(s) of Applicant(s):

**Michael Hoppe**  
**4/176 Wellington St Bondi NSW 2026 Australia**

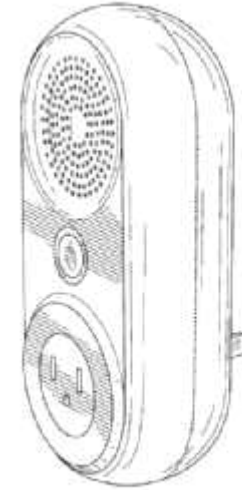
**Joshua Morabito**  
**2 Adolphus St Balmain NSW 2041 Australia**

**Mark Richards**  
**35 Upper Almora St Mosman NSW 2088 Australia**

**Geoff Smith**  
**7 Panorama Pl Mt Gravatt East QLD 4122 Australia**

**Chad O'Neill**  
**3/9 Park Rd Five Dock NSW 2046 Australia**

- (72) Name(s) of Designer(s): **Michael Hoppe and Joshua Morabito and Mark Richards and Geoff Smith and Chad O'Neill**  
(45) Registration Date: **20 January 2014**  
(62) Divisional of: **351725**  
(56) Related Art Documents: **Not Applicable**  
(57) Statement of Newness and Distinctiveness: **Newness and distinctiveness is claimed in the visual features shown in solid lines in the representations.**



- (21) Design Number: **15493/2013**  
(22) Date of Filing Application: **25 October 2013**  
(24) Date from which industrial property rights may have effect: **25 October 2013**  
(54) Product in respect of which the design is registered: **A case for mobile electronic device**  
(51) International Design Classification: **03-01NES**  
(74) Name(s) of Attorney(s):  
(71) Name(s) and Address(s) of Applicant(s):

**Ayako Nozaki**  
**309/755 George St Sydney NSW 2000 Australia**

- (72) Name(s) of Designer(s): **Ayako Nozaki**  
(45) Registration Date: **20 January 2014**  
(56) Related Art Documents: **Not Applicable**  
(57) Statement of Newness and Distinctiveness: **By opening a back cover of a certain length, this design can be easily fit onto a mobile electronic device perfectly to provide full protection, while structurally preventing the device from falling out since the force from the mobile electronic device to the back cover is reduced.**



(21) Design Number: **15547/2013**  
(22) Date of Filing Application: **29 October 2013**  
(24) Date from which industrial property rights may have effect: **29 October 2013**  
(54) Product in respect of which the design is registered: **Chair and work surface**  
(51) International Design Classification: **06-01F**  
(74) Name(s) of Attorney(s): **Davies Collison Cave**  
(71) Name(s) and Address(s) of Applicant(s):  
**Haworth, Inc.**  
**One Haworth Center Holland Michigan 49423 United States of America**  
(72) Name(s) of Designer(s): **Nicolai Czumaj-Bront**  
(45) Registration Date: **20 January 2014**  
(30) Convention priority data:  
(31) Number (32) Date (33) Country  
**29/453397 29 Apr 2013 UNITED STATES OF AMERICA**  
(56) Related Art Documents: **Not Applicable**  
(57) Statement of Newness and Distinctiveness: **Newness and distinctiveness is claimed in the visual features shown in solid lines in the representations. The portions shown in phantom lines in Figures 7 to 21 are shown for environmental purposes only and form no part of the claimed design.**



(21) Design Number: **15825/2013**  
(22) Date of Filing Application: **13 November 2013**  
(24) Date from which industrial property rights may have effect: **13 November 2013**  
(54) Product in respect of which the design is registered: **Dog bed**  
(51) International Design Classification: **30-06**  
(74) Name(s) of Attorney(s):  
(71) Name(s) and Address(s) of Applicant(s):  
**Campbell Ingram Boyer**  
**56 Boyers Lane Narrawong VIC 3285 Australia**  
(72) Name(s) of Designer(s): **Campbell Ingram Boyer**  
(45) Registration Date: **20 January 2014**  
(56) Related Art Documents: **Not Applicable**  
(57) Statement of Newness and Distinctiveness: **An x-frame dog bed with three horizontal & four vertical structural elements. The design has exposed fasteners. The cover becomes a structural component when under tension. The cover is the only flexible tensile structural component.**



- (21) Design Number: **15856/2013**  
(22) Date of Filing Application: **14 November 2013**  
(24) Date from which industrial property rights may have effect: **14 November 2013**  
(54) Product in respect of which the design is registered: **Table top**  
(51) International Design Classification: **06-03A, 06-03C**  
(74) Name(s) of Attorney(s): **Griffith Hack**  
(71) Name(s) and Address(s) of Applicant(s):

**Lifetime Products, Inc.**  
**Freeport Center Building D-11 Clearfield UT 84016 United States of America**

- (72) Name(s) of Designer(s): **Mitch Johnson and Frank Clegg**

(45) Registration Date: **20 January 2014**

(30) Convention priority data:

(31) Number	(32) Date	(33) Country
<b>29/455545</b>	<b>21 May 2013</b>	<b>UNITED STATES OF AMERICA</b>

(56) Related Art Documents: **Not Applicable**

(57) Statement of Newness and Distinctiveness: **Newness and distinctiveness resides in the shape and configuration of the product as represented in the drawings. Those parts of the product shown by means of dashed lines have been included for illustrative purposes only and do not form part of the design.**



- (21) Design Number: **13302/2013**  
(22) Date of Filing Application: **08 July 2013**  
(24) Date from which industrial property rights may have effect: **08 July 2013**  
(54) Product in respect of which the design is registered: **Window assembly**  
(51) International Design Classification: **25-02H**  
(74) Name(s) of Attorney(s):  
(71) Name(s) and Address(s) of Applicant(s):

**Camec Pty Ltd**  
**47-63 Remington Dr Dandenong South VIC 3175 Australia**

(72) Name(s) of Designer(s): **Mark LeGrew**

(45) Registration Date: **20 January 2014**

(56) Related Art Documents: **Not Applicable**

(57) Statement of Newness and Distinctiveness: **The particular visual features of the design which the Applicant hereby identifies as new and distinctive are as follows: "Window Assembly", as illustrated in the accompanying representations.**



(21) Design Number: **14619/2013**

(22) Date of Filing Application: **13 September 2013**

(24) Date from which industrial property rights may have effect: **13 September 2013**

(54) Product in respect of which the design is registered: **Frameless screen**

(51) International Design Classification: **06-03C, 06-06NES**

(74) Name(s) of Attorney(s): **Griffith Hack**

(71) Name(s) and Address(s) of Applicant(s):

**Herman Miller, Inc.**

**855 East Main Avenue Zeeland Michigan 49464 United States of America**

(72) Name(s) of Designer(s): **Brian T. Alexander and Jonathan T. Moroney and Yves Behar and Qin Li and Naoya Edahiro and Casey Doran Lewis**

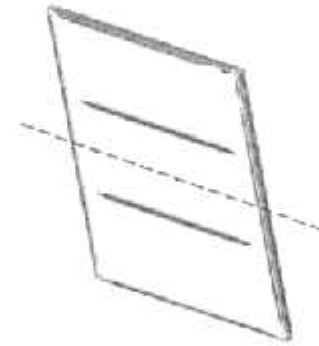
(45) Registration Date: **21 January 2014**

(30) Convention priority data:

(31) Number	(32) Date	(33) Country
<b>29/449,892</b>	<b>15 Mar 2013</b>	<b>UNITED STATES OF AMERICA</b>

(56) Related Art Documents: **Not Applicable**

(57) Statement of Newness and Distinctiveness: **Newness and distinctiveness resides in the visual features, including the shape and configuration of the product shown in the accompanying representations. The dashed line passing through the product indicates that the product may be of any height.**



(21) Design Number: **15743/2013**

(22) Date of Filing Application: **08 November 2013**

(24) Date from which industrial property rights may have effect: **08 November 2013**

(54) Product in respect of which the design is registered: **Kettlebell**

(51) International Design Classification: **21-02F**

(74) Name(s) of Attorney(s):

(71) Name(s) and Address(s) of Applicant(s):

**Gian Luca Orientali**

**112 Queens Rd Hermit Park QLD 4812 Australia**

**Dean Bodle**

**13 Tableland Tce Mount Louisa QLD 4814 Australia**

(72) Name(s) of Designer(s): **Gian Luca Orientali and Dean Bodle**

(45) Registration Date: **21 January 2014**

(56) Related Art Documents: **Not Applicable**

(57) Statement of Newness and Distinctiveness: **Nil**





- (21) Design Number: **15744/2013**  
(22) Date of Filing Application: **08 November 2013**  
(24) Date from which industrial property rights may have effect: **08 November 2013**  
(54) Product in respect of which the design is registered: **Kettlebell**  
(51) International Design Classification: **21-02F**  
(74) Name(s) of Attorney(s):  
(71) Name(s) and Address(s) of Applicant(s):  
    **Gian Luca Orientali**  
        **112 Queens Rd Hermit Park QLD 4812 Australia**  
    **Dean Bodle**  
        **13 Tableland Tce Mount Louisa QLD 4814 Australia**  
(72) Name(s) of Designer(s): **Gian Luca Orientali and Dean Bodle**  
(45) Registration Date: **21 January 2014**  
(56) Related Art Documents: **Not Applicable**  
(57) Statement of Newness and Distinctiveness: **Nil**



- (21) Design Number: **15745/2013**  
(22) Date of Filing Application: **08 November 2013**  
(24) Date from which industrial property rights may have effect: **08 November 2013**  
(54) Product in respect of which the design is registered: **Kettlebell**  
(51) International Design Classification: **21-02F**  
(74) Name(s) of Attorney(s):  
(71) Name(s) and Address(s) of Applicant(s):  
    **Gian Luca Orientali**  
        **112 Queens Rd Hermit Park QLD 4812 Australia**  
    **Dean Bodle**  
        **13 Tableland Tce Mount Louisa QLD 4814 Australia**  
(72) Name(s) of Designer(s): **Gian Luca Orientali and Dean Bodle**  
(45) Registration Date: **21 January 2014**  
(56) Related Art Documents: **Not Applicable**  
(57) Statement of Newness and Distinctiveness: **Nil**





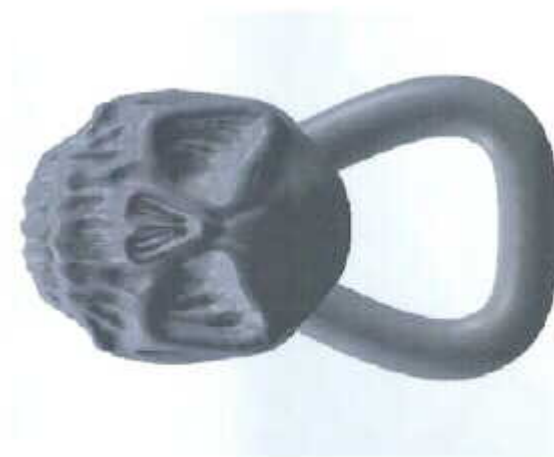
(21) Design Number: **15746/2013**  
(22) Date of Filing Application: **08 November 2013**  
(24) Date from which industrial property rights may have effect: **08 November 2013**  
(54) Product in respect of which the design is registered: **Kettlebell**  
(51) International Design Classification: **21-02F**  
(74) Name(s) of Attorney(s):  
(71) Name(s) and Address(s) of Applicant(s):  
    **Gian Luca Orientali**  
        **112 Queens Rd Hermit Park QLD 4812 Australia**  
    **Dean Bodle**  
        **13 Tableland Tce Mount Louisa QLD 4814 Australia**  
(72) Name(s) of Designer(s): **Gian Luca Orientali and Dean Bodle**  
(45) Registration Date: **21 January 2014**  
(56) Related Art Documents: **Not Applicable**  
(57) Statement of Newness and Distinctiveness: **Nil**



(21) Design Number: **15747/2013**  
(22) Date of Filing Application: **08 November 2013**  
(24) Date from which industrial property rights may have effect: **08 November 2013**  
(54) Product in respect of which the design is registered: **Kettlebell**  
(51) International Design Classification: **21-02F**  
(74) Name(s) of Attorney(s):  
(71) Name(s) and Address(s) of Applicant(s):  
    **Gian Luca Orientali**  
        **112 Queens Rd Hermit Park QLD 4812 Australia**  
    **Dean Bodle**  
        **13 Tableland Tce Mount Louisa QLD 4814 Australia**  
(72) Name(s) of Designer(s): **Gian Luca Orientali and Dean Bodle**  
(45) Registration Date: **21 January 2014**  
(56) Related Art Documents: **Not Applicable**  
(57) Statement of Newness and Distinctiveness: **Nil**



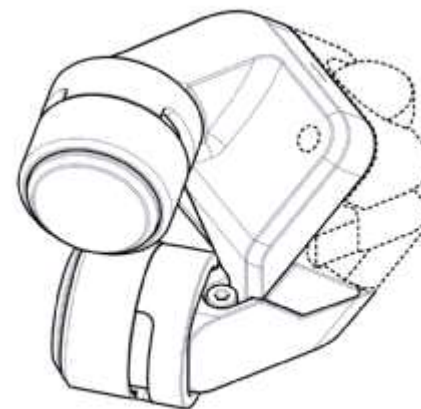
- (21) Design Number: **15748/2013**  
(22) Date of Filing Application: **08 November 2013**  
(24) Date from which industrial property rights may have effect: **08 November 2013**  
(54) Product in respect of which the design is registered: **Kettlebell**  
(51) International Design Classification: **21-02F**  
(74) Name(s) of Attorney(s):  
(71) Name(s) and Address(s) of Applicant(s):  
    **Gian Luca Orientali**  
        **112 Queens Rd Hermit Park QLD 4812 Australia**  
    **Dean Bodle**  
        **13 Tableland Tce Mount Louisa QLD 4814 Australia**  
(72) Name(s) of Designer(s): **Gian Luca Orientali and Dean Bodle**  
(45) Registration Date: **21 January 2014**  
(56) Related Art Documents: **Not Applicable**  
(57) Statement of Newness and Distinctiveness: **Nil**



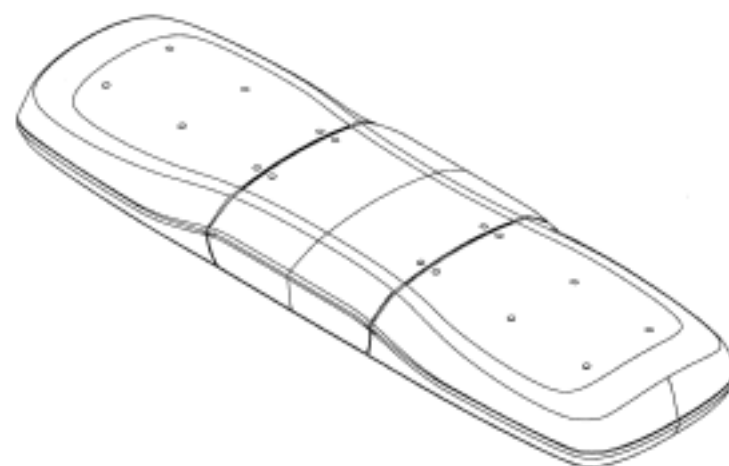
- (21) Design Number: **15749/2013**  
(22) Date of Filing Application: **08 November 2013**  
(24) Date from which industrial property rights may have effect: **08 November 2013**  
(54) Product in respect of which the design is registered: **Kettlebell**  
(51) International Design Classification: **21-02F**  
(74) Name(s) of Attorney(s):  
(71) Name(s) and Address(s) of Applicant(s):  
    **Gian Luca Orientali**  
        **112 Queens Rd Hermit Park QLD 4812 Australia**  
    **Dean Bodle**  
        **13 Tableland Tce Mount Louisa QLD 4814 Australia**  
(72) Name(s) of Designer(s): **Gian Luca Orientali and Dean Bodle**  
(45) Registration Date: **21 January 2014**  
(56) Related Art Documents: **Not Applicable**  
(57) Statement of Newness and Distinctiveness: **Nil**



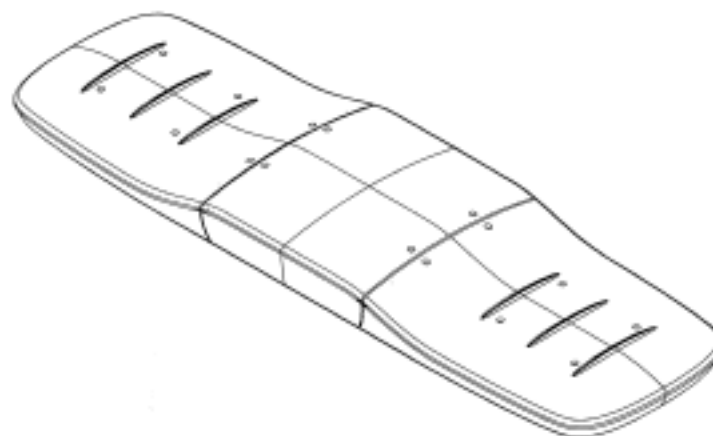
(21) Design Number: **15862/2013**  
(22) Date of Filing Application: **14 November 2013**  
(24) Date from which industrial property rights may have effect: **14 November 2013**  
(54) Product in respect of which the design is registered: **Stereo microphone**  
(51) International Design Classification: **14-01**  
(74) Name(s) of Attorney(s): **HODGKINSON McINNES PATENTS**  
(71) Name(s) and Address(s) of Applicant(s):  
**Freedman Electronics Pty Limited**  
**107 Carnarvon St Silverwater NSW 2128 Australia**  
(72) Name(s) of Designer(s): **Samuel Dean Trewartha**  
(45) Registration Date: **21 January 2014**  
(56) Related Art Documents: **Not Applicable**  
(57) Statement of Newness and Distinctiveness: **Newness and distinctiveness is claimed in the shape and configuration of a stereo microphone as shown in the representations.**



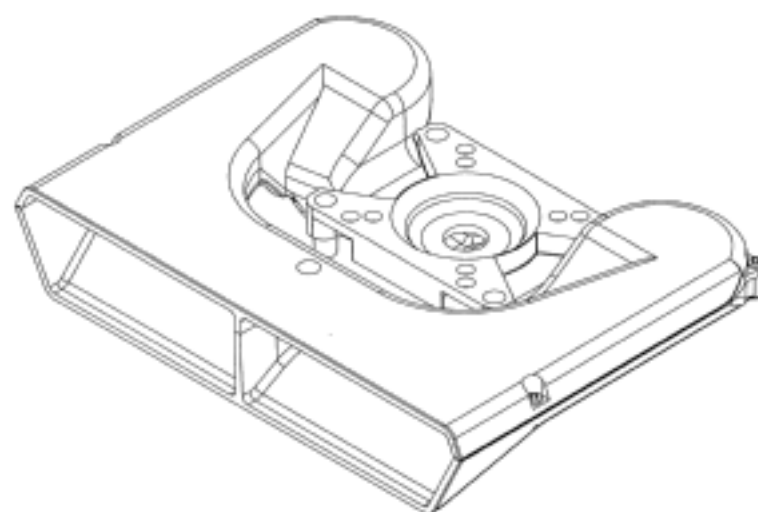
(21) Design Number: **15974/2013**  
(22) Date of Filing Application: **15 November 2013**  
(24) Date from which industrial property rights may have effect: **15 November 2013**  
(54) Product in respect of which the design is registered: **Dual level low-profile light bar with optional speaker**  
(51) International Design Classification: **26-05A, 14-01**  
(74) Name(s) of Attorney(s): **E F Wellington & Co**  
(71) Name(s) and Address(s) of Applicant(s):  
**Code 3, Inc.**  
**10986 North Warson Road St. Louis Missouri 63114-2029 United States of America**  
(72) Name(s) of Designer(s): **Paul L. Stein and Brian R. Merriman**  
(45) Registration Date: **21 January 2014**  
(30) Convention priority data:  
(31) Number      (32) Date      (33) Country  
**29/457,730      12 Jun 2013      UNITED STATES OF AMERICA**  
(56) Related Art Documents: **Not Applicable**  
(57) Statement of Newness and Distinctiveness: **Nil**



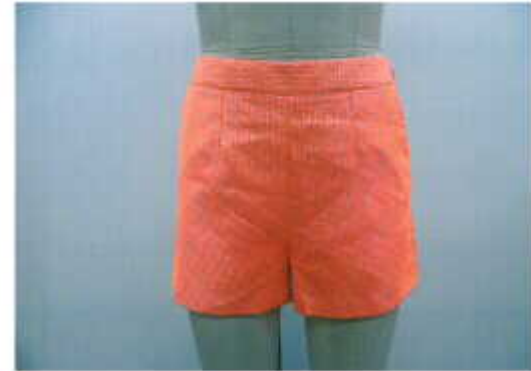
(21) Design Number: **15975/2013**  
(22) Date of Filing Application: **15 November 2013**  
(24) Date from which industrial property rights may have effect: **15 November 2013**  
(54) Product in respect of which the design is registered: **Single level low-profile light bar with optional speaker**  
(51) International Design Classification: **26-05A, 26-06, 14-01**  
(74) Name(s) of Attorney(s): **E F Wellington & Co**  
(71) Name(s) and Address(s) of Applicant(s):  
**Code 3, Inc.**  
**10986 North Warson Road St. Louis Missouri 63114-2029 United States of America**  
(72) Name(s) of Designer(s): **Paul L. Stein and Brian R. Merriman**  
(45) Registration Date: **21 January 2014**  
(30) Convention priority data:  
(31) Number (32) Date (33) Country  
**29/457,734 12 Jun 2013 UNITED STATES OF AMERICA**  
(56) Related Art Documents: **Not Applicable**  
(57) Statement of Newness and Distinctiveness: **Nil**



(21) Design Number: **15976/2013**  
(22) Date of Filing Application: **15 November 2013**  
(24) Date from which industrial property rights may have effect: **15 November 2013**  
(54) Product in respect of which the design is registered: **Speaker for a light bar**  
(51) International Design Classification: **14-01, 26-05A**  
(74) Name(s) of Attorney(s): **E F Wellington & Co**  
(71) Name(s) and Address(s) of Applicant(s):  
**Code 3, Inc.**  
**10986 North Warson Road St. Louis Missouri 63114-2029 United States of America**  
(72) Name(s) of Designer(s): **Paul L. Stein and Brian R. Merriman**  
(45) Registration Date: **21 January 2014**  
(30) Convention priority data:  
(31) Number (32) Date (33) Country  
**29/457,729 12 Jun 2013 UNITED STATES OF AMERICA**  
(56) Related Art Documents: **Not Applicable**  
(57) Statement of Newness and Distinctiveness: **Nil**



(21) Design Number: **16822/2013**  
(22) Date of Filing Application: **24 June 2013**  
(24) Date from which industrial property rights may have effect: **24 June 2013**  
(54) Product in respect of which the design is registered: **Articles of clothing**  
(51) International Design Classification: **02-02C**  
(74) Name(s) of Attorney(s): **K&L Gates**  
(71) Name(s) and Address(s) of Applicant(s):  
**Magi Enterprises Pty Ltd**  
**34 Garden St South Yarra VIC 3141 Australia**  
**Beba Enterprises Pty Ltd**  
**34 Garden St South Yarra VIC 3141 Australia**  
(72) Name(s) of Designer(s): **Robert Cromb**  
(45) Registration Date: **21 January 2014**  
(56) Related Art Documents: **Not Applicable**  
(57) Statement of Newness and Distinctiveness: **Nil**



(21) Design Number: **16823/2013**  
(22) Date of Filing Application: **24 June 2013**  
(24) Date from which industrial property rights may have effect: **24 June 2013**  
(54) Product in respect of which the design is registered: **Articles of clothing**  
(51) International Design Classification: **02-02C**  
(74) Name(s) of Attorney(s): **K&L Gates**  
(71) Name(s) and Address(s) of Applicant(s):  
**Magi Enterprises Pty Ltd**  
**34 Garden St South Yarra VIC 3141 Australia**  
**Beba Enterprises Pty Ltd**  
**34 Garden St South Yarra VIC 3141 Australia**  
(72) Name(s) of Designer(s): **Robert Cromb**  
(45) Registration Date: **21 January 2014**  
(56) Related Art Documents: **Not Applicable**  
(57) Statement of Newness and Distinctiveness: **Nil**



(21) Design Number: **16824/2013**  
(22) Date of Filing Application: **24 June 2013**  
(24) Date from which industrial property rights may have effect: **24 June 2013**  
(54) Product in respect of which the design is registered: **Articles of clothing**  
(51) International Design Classification: **02-02NES**  
(74) Name(s) of Attorney(s): **K&L Gates**  
(71) Name(s) and Address(s) of Applicant(s):  
**Magi Enterprises Pty Ltd**  
**34 Garden St South Yarra VIC 3141 Australia**  
**Beba Enterprises Pty Ltd**  
**34 Garden St South Yarra VIC 3141 Australia**  
(72) Name(s) of Designer(s): **Robert Cromb**  
(45) Registration Date: **21 January 2014**  
(56) Related Art Documents: **Not Applicable**  
(57) Statement of Newness and Distinctiveness: **Nil**



(21) Design Number: **16825/2013**  
(22) Date of Filing Application: **24 June 2013**  
(24) Date from which industrial property rights may have effect: **24 June 2013**  
(54) Product in respect of which the design is registered: **Articles of clothing**  
(51) International Design Classification: **02-02NES**  
(74) Name(s) of Attorney(s): **K&L Gates**  
(71) Name(s) and Address(s) of Applicant(s):  
**Magi Enterprises Pty Ltd**  
**34 Garden St South Yarra VIC 3141 Australia**  
**Beba Enterprises Pty Ltd**  
**34 Garden St South Yarra VIC 3141 Australia**  
(72) Name(s) of Designer(s): **Robert Cromb**  
(45) Registration Date: **21 January 2014**  
(56) Related Art Documents: **Not Applicable**  
(57) Statement of Newness and Distinctiveness: **Nil**





(21) Design Number: **16826/2013**  
(22) Date of Filing Application: **24 June 2013**  
(24) Date from which industrial property rights may have effect: **24 June 2013**  
(54) Product in respect of which the design is registered: **Articles of clothing**  
(51) International Design Classification: **02-02C**  
(74) Name(s) of Attorney(s): **K&L Gates**  
(71) Name(s) and Address(s) of Applicant(s):  
**Magi Enterprises Pty Ltd**  
**34 Garden St South Yarra VIC 3141 Australia**  
**Beba Enterprises Pty Ltd**  
**34 Garden St South Yarra VIC 3141 Australia**  
(72) Name(s) of Designer(s): **Robert Cromb**  
(45) Registration Date: **21 January 2014**  
(56) Related Art Documents: **Not Applicable**  
(57) Statement of Newness and Distinctiveness: **Nil**



(21) Design Number: **16837/2013**  
(22) Date of Filing Application: **23 August 2013**  
(24) Date from which industrial property rights may have effect: **23 August 2013**  
(54) Product in respect of which the design is registered: **Playsuit**  
(51) International Design Classification: **02-02C**  
(74) Name(s) of Attorney(s): **K&L Gates**  
(71) Name(s) and Address(s) of Applicant(s):  
**Magi Enterprises Pty Ltd**  
**34 Garden St South Yarra VIC 3141 Australia**  
**Beba Enterprises Pty Ltd**  
**34 Garden St South Yarra VIC 3141 Australia**  
(72) Name(s) of Designer(s): **Robert Cromb**  
(45) Registration Date: **21 January 2014**  
(56) Related Art Documents: **Not Applicable**  
(57) Statement of Newness and Distinctiveness: **Nil**



(21) Design Number: **16838/2013**  
(22) Date of Filing Application: **23 August 2013**  
(24) Date from which industrial property rights may have effect: **23 August 2013**  
(54) Product in respect of which the design is registered: **Dress**  
(51) International Design Classification: **02-02C**  
(74) Name(s) of Attorney(s): **K&L Gates**  
(71) Name(s) and Address(s) of Applicant(s):  
**Magi Enterprises Pty Ltd**  
**34 Garden St South Yarra VIC 3141 Australia**  
**Beba Enterprises Pty Ltd**  
**34 Garden St South Yarra VIC 3141 Australia**  
(72) Name(s) of Designer(s): **Robert Cromb**  
(45) Registration Date: **21 January 2014**  
(56) Related Art Documents: **Not Applicable**  
(57) Statement of Newness and Distinctiveness: **Nil**



(21) Design Number: **16839/2013**  
(22) Date of Filing Application: **23 August 2013**  
(24) Date from which industrial property rights may have effect: **23 August 2013**  
(54) Product in respect of which the design is registered: **Jacket**  
(51) International Design Classification: **02-02NES**  
(74) Name(s) of Attorney(s): **K&L Gates**  
(71) Name(s) and Address(s) of Applicant(s):  
**Magi Enterprises Pty Ltd**  
**34 Garden St South Yarra VIC 3141 Australia**  
**Beba Enterprises Pty Ltd**  
**34 Garden St South Yarra VIC 3141 Australia**  
(72) Name(s) of Designer(s): **Robert Cromb**  
(45) Registration Date: **21 January 2014**  
(56) Related Art Documents: **Not Applicable**  
(57) Statement of Newness and Distinctiveness: **Nil**





(21) Design Number: **16840/2013**  
(22) Date of Filing Application: **23 August 2013**  
(24) Date from which industrial property rights may have effect: **23 August 2013**  
(54) Product in respect of which the design is registered: **Jumpsuit**  
(51) International Design Classification: **02-02C**  
(74) Name(s) of Attorney(s): **K&L Gates**  
(71) Name(s) and Address(s) of Applicant(s):  
**Magi Enterprises Pty Ltd**  
**34 Garden St South Yarra VIC 3141 Australia**  
**Beba Enterprises Pty Ltd**  
**34 Garden St South Yarra VIC 3141 Australia**  
(72) Name(s) of Designer(s): **Robert Cromb**  
(45) Registration Date: **21 January 2014**  
(56) Related Art Documents: **Not Applicable**  
(57) Statement of Newness and Distinctiveness: **Nil**



(21) Design Number: **16841/2013**  
(22) Date of Filing Application: **23 August 2013**  
(24) Date from which industrial property rights may have effect: **23 August 2013**  
(54) Product in respect of which the design is registered: **Top**  
(51) International Design Classification: **02-02NES**  
(74) Name(s) of Attorney(s): **K&L Gates**  
(71) Name(s) and Address(s) of Applicant(s):  
**Magi Enterprises Pty Ltd**  
**34 Garden St South Yarra VIC 3141 Australia**  
**Beba Enterprises Pty Ltd**  
**34 Garden St South Yarra VIC 3141 Australia**  
(72) Name(s) of Designer(s): **Robert Cromb**  
(45) Registration Date: **21 January 2014**  
(56) Related Art Documents: **Not Applicable**  
(57) Statement of Newness and Distinctiveness: **Nil**



- (21) Design Number: **12604/2013**  
(22) Date of Filing Application: **05 June 2013**  
(24) Date from which industrial property rights may have effect: **05 June 2013**  
(54) Product in respect of which the design is registered: **Fashion wrap**  
(51) International Design Classification: **02-02C**  
(74) Name(s) of Attorney(s): **Lord & Company**  
(71) Name(s) and Address(s) of Applicant(s):  
**Li Liang**  
**22/31 East St Fremantle WA 6162 Australia**  
(72) Name(s) of Designer(s): **Li Liang**  
(45) Registration Date: **21 January 2014**  
(56) Related Art Documents: **Not Applicable**  
(57) Statement of Newness and Distinctiveness: **The particular visual features of the design which are new and distinctive are shape OR configuration.**



- (21) Design Number: **15768/2013**  
(22) Date of Filing Application: **11 November 2013**  
(24) Date from which industrial property rights may have effect: **11 November 2013**  
(54) Product in respect of which the design is registered: **Container**  
(51) International Design Classification: **09-01G**  
(74) Name(s) of Attorney(s): **Griffith Hack**  
(71) Name(s) and Address(s) of Applicant(s):  
**Rowena Wenck**  
**100 Renton Ave Moorebank New South Wales 2170 Australia**  
(72) Name(s) of Designer(s): **Rowena Wenck**  
(45) Registration Date: **21 January 2014**  
(56) Related Art Documents: **Not Applicable**  
(57) Statement of Newness and Distinctiveness: **Nil**



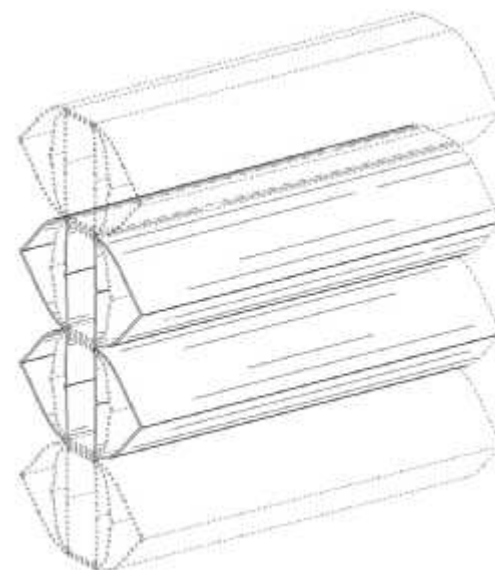
- (21) Design Number: **16068/2013**  
(22) Date of Filing Application: **20 June 2013**  
(24) Date from which industrial property rights may have effect: **17 April 2013**  
(54) Product in respect of which the design is registered: **Inner bag for baby bean bag**  
(51) International Design Classification: **06-01L**  
(74) Name(s) of Attorney(s):  
(71) Name(s) and Address(s) of Applicant(s):  
**Brands United Group Pty. Ltd.**  
**14/29-39 Kirkham Rd W Keysborough VIC 3173 Australia**  
(72) Name(s) of Designer(s): **Paulitta Zito and Dennis Duplaix**  
(45) Registration Date: **21 January 2014**  
(62) Divisional of: **353304**  
(56) Related Art Documents: **Not Applicable**  
(57) Statement of Newness and Distinctiveness: **A separate inner bean filling bag for baby beanbags, with the same or similar shape as the baby beanbag. Inner bag is the same or similar shape as the outer baby beanbag cover. Other bean bags of the same/similar shape have beans inserted directly into them. Our design allows the beans to be inserted into a separate inner bag, then placed inside the bean bag. Is safer for children and makes washing of cover, and storage easier by simply removing and/or disposing of the beans with the inner bag.**



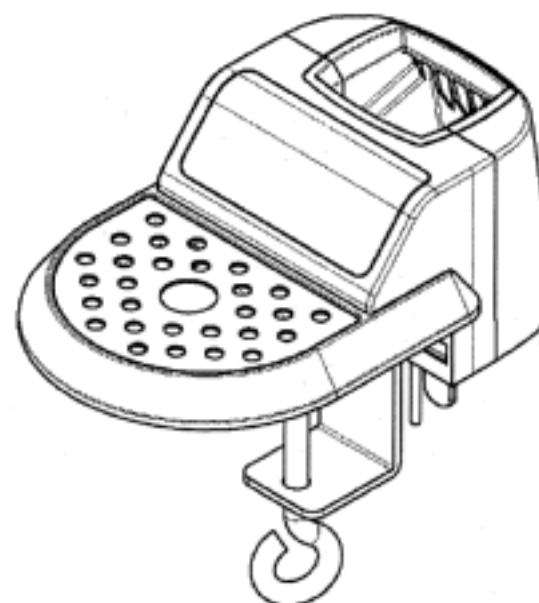
- (21) Design Number: **16404/2013**  
(22) Date of Filing Application: **06 December 2013**  
(24) Date from which industrial property rights may have effect: **06 December 2013**  
(54) Product in respect of which the design is registered: **Coffee machine**  
(51) International Design Classification: **07-02L**  
(74) Name(s) of Attorney(s): **Wynnes Patent & Trade Mark Attorneys**  
(71) Name(s) and Address(s) of Applicant(s):  
**ARZUM ELEKTRIKLI EV ALETLERI SANAYI VE TICARET ANONIM SIRKETI**  
**Otakcilar Cad. No:78 Kat:1 B Blok No:B1B Eyup Istanbul 34050 Turkey**  
(72) Name(s) of Designer(s): **Arnau Miralpeix Anglada**  
(45) Registration Date: **21 January 2014**  
(30) Convention priority data:  
(31) Number      (32) Date      (33) Country  
**2013/04714      18 Jun 2013      TURKEY**  
(56) Related Art Documents: **Not Applicable**  
(57) Statement of Newness and Distinctiveness: **Newness and distinctiveness resides in the shape, configuration, pattern and ornamentation of a coffee machine as illustrated in the accompanying representations.**



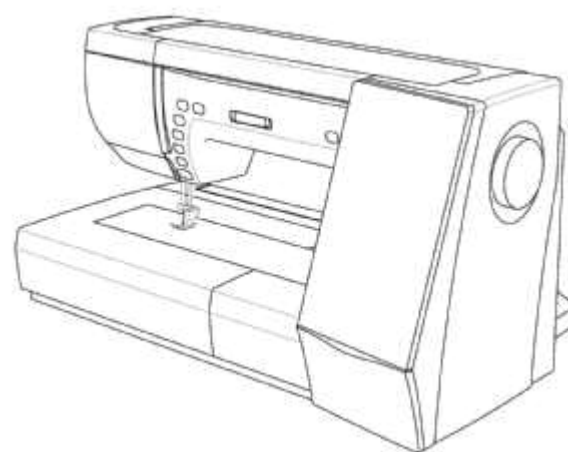
(21) Design Number: **16405/2013**  
(22) Date of Filing Application: **06 December 2013**  
(24) Date from which industrial property rights may have effect: **30 September 2013**  
(54) Product in respect of which the design is registered: **Cellular shade component**  
(51) International Design Classification: **06-10**  
(74) Name(s) of Attorney(s): **Shelston IP**  
(71) Name(s) and Address(s) of Applicant(s):  
**Hunter Douglas Inc.**  
**2 Park Way Upper Saddle River New Jersey 07458 United States of America**  
(72) Name(s) of Designer(s): **Wendell B Colson and Paul G Swiszc and Jason T Throne**  
(45) Registration Date: **21 January 2014**  
(30) Convention priority data:  
(31) Number (32) Date (33) Country  
**29/451382 01 Apr 2013 UNITED STATES OF AMERICA**  
(62) Divisional of: **352927**  
(56) Related Art Documents: **Not Applicable**  
(57) Statement of Newness and Distinctiveness: **Newness and distinctiveness reside in the features of shape and/or configuration of a Cellular Shade Component of indeterminate length as illustrated in the accompanying representations by non-dashed lines. The features shown in dashed lines are for contextual purposes only and form no part of the design.**



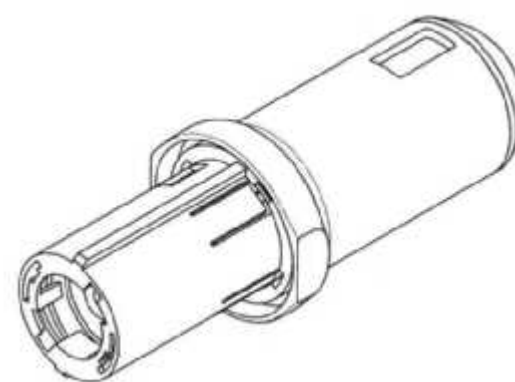
(21) Design Number: **16414/2013**  
(22) Date of Filing Application: **13 September 2013**  
(24) Date from which industrial property rights may have effect: **13 September 2013**  
(54) Product in respect of which the design is registered: **Holster**  
(51) International Design Classification: **03-01NES**  
(74) Name(s) of Attorney(s): **Fraser Old & Sohn**  
(71) Name(s) and Address(s) of Applicant(s):  
**Beverage Gun Holster Pty Ltd**  
**SE1005 275 Alfred St North Sydney NSW 2060 Australia**  
(72) Name(s) of Designer(s): **Luke Robert Mallam**  
(45) Registration Date: **21 January 2014**  
(56) Related Art Documents: **Not Applicable**  
(57) Statement of Newness and Distinctiveness: **Newness and distinctiveness is claimed in respect of the shape and/or configuration of the holster illustrated in the accompanying representations. In carrying out a consideration in accordance with Section 19 the shape and/or configuration of the clamp illustrated in the representations is/are not to be considered either new or distinctive and do/does not form part of the design.**



(21) Design Number: **16415/2013**  
(22) Date of Filing Application: **09 December 2013**  
(24) Date from which industrial property rights may have effect: **09 December 2013**  
(54) Product in respect of which the design is registered: **Sewing machine**  
(51) International Design Classification: **15-06**  
(74) Name(s) of Attorney(s): **Shelston IP**  
(71) Name(s) and Address(s) of Applicant(s):  
**Janome Sewing Machine Company Limited**  
**1463 Hazama-machi Hachioji-shi Tokyo 193-0941 Japan**  
(72) Name(s) of Designer(s): **Takashi Kanai**  
(45) Registration Date: **21 January 2014**  
(30) Convention priority data:  
(31) Number (32) Date (33) Country  
**2013-012969 10 Jun 2013 JAPAN**  
(56) Related Art Documents: **Not Applicable**  
(57) Statement of Newness and Distinctiveness: **Newness and distinctiveness reside in the features of shape and/or configuration of the Sewing Machine as shown in solid lines in the accompanying representations.**



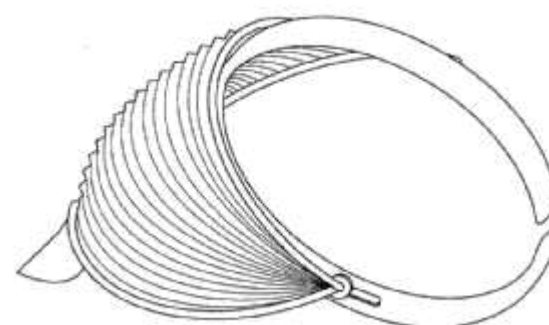
(21) Design Number: **16422/2013**  
(22) Date of Filing Application: **09 December 2013**  
(24) Date from which industrial property rights may have effect: **09 December 2013**  
(54) Product in respect of which the design is registered: **Medical syringe**  
(51) International Design Classification: **24-02**  
(74) Name(s) of Attorney(s): **Shelston IP**  
(71) Name(s) and Address(s) of Applicant(s):  
**Terumo Kabushiki Kaisha**  
**44-1 2-chome Hatagaya Shibuya-ku Tokyo 151-0072 Japan**  
(72) Name(s) of Designer(s): **Manabu Arinobe and Masaomi Imai and Ruriko Libuchi and Hideki Katsura**  
(45) Registration Date: **21 January 2014**  
(30) Convention priority data:  
(31) Number (32) Date (33) Country  
**2013-023093 02 Oct 2013 JAPAN**  
(56) Related Art Documents: **Not Applicable**  
(57) Statement of Newness and Distinctiveness: **Newness and distinctiveness reside in the features of shape and/or configuration of the medical syringe as shown in the accompanying representations.**



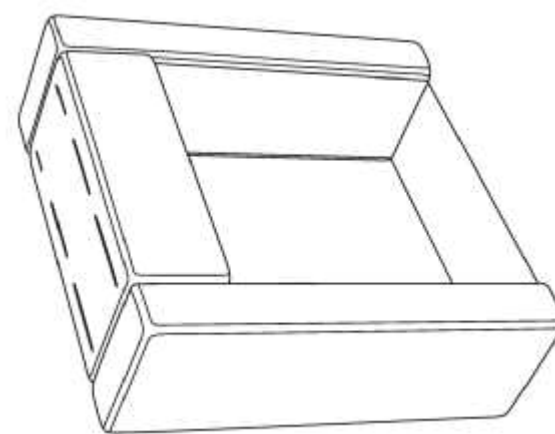
- (21) Design Number: **16423/2013**  
(22) Date of Filing Application: **09 December 2013**  
(24) Date from which industrial property rights may have effect: **09 December 2013**  
(54) Product in respect of which the design is registered: **Loudspeaker box (W18BT)**  
(51) International Design Classification: **14-01**  
(74) Name(s) of Attorney(s): **Shelston IP**  
(71) Name(s) and Address(s) of Applicant(s):  
**Shenzhen Fenda Technology Co., Ltd**  
**Fenda Hi-Tech Park Zhoushi Road Shiyan Baoan Shenzhen People's Republic of China**  
(72) Name(s) of Designer(s): **Fen Xiao and Zhenglong Gu**  
(45) Registration Date: **21 January 2014**  
(56) Related Art Documents: **Not Applicable**  
(57) Statement of Newness and Distinctiveness: **Newness and distinctiveness reside in the features of shape and/or configuration of the loudspeaker box as shown in the accompanying representations.**



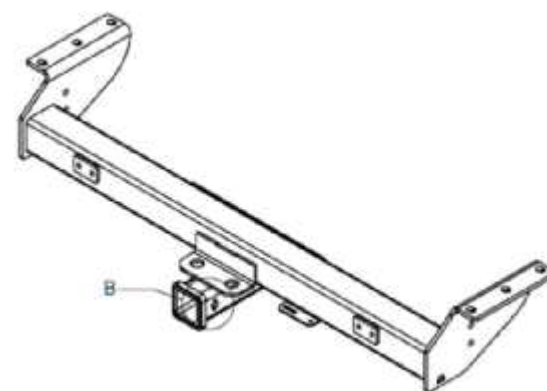
- (21) Design Number: **16424/2013**  
(22) Date of Filing Application: **10 December 2013**  
(24) Date from which industrial property rights may have effect: **10 December 2013**  
(54) Product in respect of which the design is registered: **Foldable visor**  
(51) International Design Classification: **02-03**  
(74) Name(s) of Attorney(s): **Churchill Attorneys**  
(71) Name(s) and Address(s) of Applicant(s):  
**DaVisage Beauty Limited**  
**Unit 3604 36/F Wu Chung House 213 Queen's Road East Wanchai Hong Kong**  
(72) Name(s) of Designer(s): **Davinia Elaine Tang**  
(45) Registration Date: **21 January 2014**  
(30) Convention priority data:  
(31) Number      (32) Date      (33) Country  
**1300967.5      11 Jun 2013      HONG KONG**  
(56) Related Art Documents: **Not Applicable**  
(57) Statement of Newness and Distinctiveness: **The newness and distinctiveness of the design resides in the shape of the foldable visor as shown in the continuous lines in the accompanying representations. The broken lines are not part of the design and are to be disregarded when considering the overall impression of the design.**



- (21) Design Number: **16425/2013**  
(22) Date of Filing Application: **10 December 2013**  
(24) Date from which industrial property rights may have effect: **10 December 2013**  
(54) Product in respect of which the design is registered: **A knife block**  
(51) International Design Classification: **07-99NES**  
(74) Name(s) of Attorney(s): **SPRUSON & FERGUSON**  
(71) Name(s) and Address(s) of Applicant(s):  
**Sheldon and Hammond Pty Ltd**  
**24 Salisbury Rd Asquith NSW 2077 Australia**  
(72) Name(s) of Designer(s): **Alexander Angus**  
(45) Registration Date: **21 January 2014**  
(56) Related Art Documents: **Not Applicable**  
(57) Statement of Newness and Distinctiveness: **Newness and distinctiveness is claimed in the features of shape and/or configuration of a knife block as illustrated in the accompanying representations.**

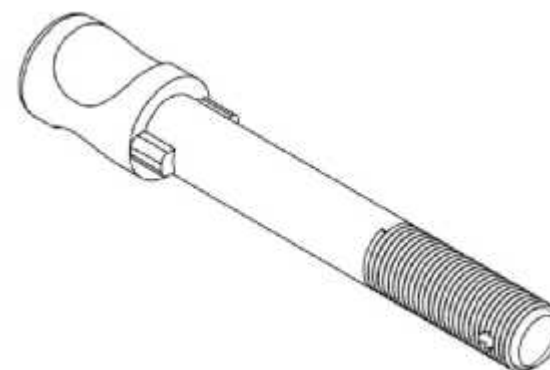


- (21) Design Number: **16426/2013**  
(22) Date of Filing Application: **10 December 2013**  
(24) Date from which industrial property rights may have effect: **10 December 2013**  
(54) Product in respect of which the design is registered: **Towbar**  
(51) International Design Classification: **12-16L**  
(74) Name(s) of Attorney(s): **Macpherson + Kelley**  
(71) Name(s) and Address(s) of Applicant(s):  
**TriMas Corporation Pty Ltd**  
**49 Pacific Dr Keysborough VIC 3173 Australia**  
(72) Name(s) of Designer(s): **Nick Verboeket**  
(45) Registration Date: **21 January 2014**  
(56) Related Art Documents: **Not Applicable**  
(57) Statement of Newness and Distinctiveness: **Newness and distinctiveness resides in the feature of the shape of the aperture through the left side of the receiver best depicted in Detail A and B of the side and perspective views of the towbar, respectively, in the accompanying representations, and the aperture may be configured through either the left or right (or both) side(s) of the receiver.**





(21) Design Number: **16427/2013**  
(22) Date of Filing Application: **10 December 2013**  
(24) Date from which industrial property rights may have effect: **10 December 2013**  
(54) Product in respect of which the design is registered: **Hitch pin**  
(51) International Design Classification: **12-16L**  
(74) Name(s) of Attorney(s): **Macpherson + Kelley**  
(71) Name(s) and Address(s) of Applicant(s):  
**TriMas Corporation Pty Ltd**  
**49 Pacific Dr Keysborough VIC 3173 Australia**  
(72) Name(s) of Designer(s): **Nick Verboeket**  
(45) Registration Date: **21 January 2014**  
(56) Related Art Documents: **Not Applicable**  
(57) Statement of Newness and Distinctiveness: **Newness and distinctiveness resides in the features of shape and/or configuration of a hitch pin as shown in the accompanying representations, in particular, the configuration of the two lugs about the shaft of the hitch pin.**

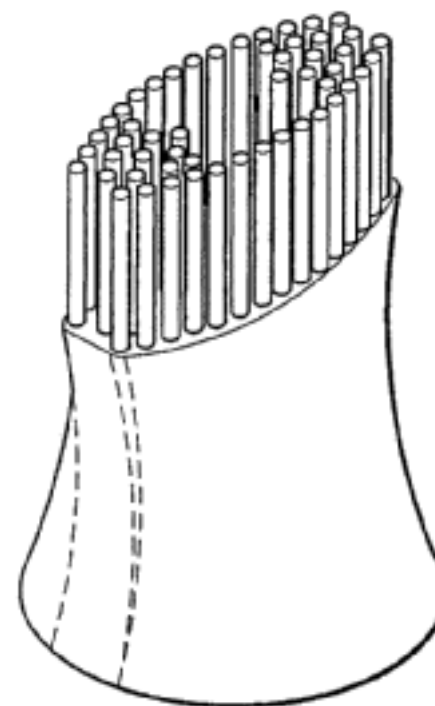


(21) Design Number: **16428/2013**  
(22) Date of Filing Application: **06 December 2013**  
(24) Date from which industrial property rights may have effect: **06 December 2013**  
(54) Product in respect of which the design is registered: **Telescopic pole**  
(51) International Design Classification: **21-99, 11-05**  
(74) Name(s) of Attorney(s): **Freehills Patent Attorneys**  
(71) Name(s) and Address(s) of Applicant(s):  
**Fameca**  
**2 rue Gutenberg 68170 Rixheim France**  
(72) Name(s) of Designer(s): **Emmanuel Munch**  
(45) Registration Date: **21 January 2014**  
(30) Convention priority data:  
(31) Number (32) Date (33) Country  
**002328740-0001 17 Oct 2013 OFFICE FOR HARMONISATION IN THE INTERNAL MARKET (OHIM)**  
(56) Related Art Documents: **Not Applicable**  
(57) Statement of Newness and Distinctiveness: **Newness and distinctiveness resides in the shape and configuration of the telescopic pole as shown in the representations.**

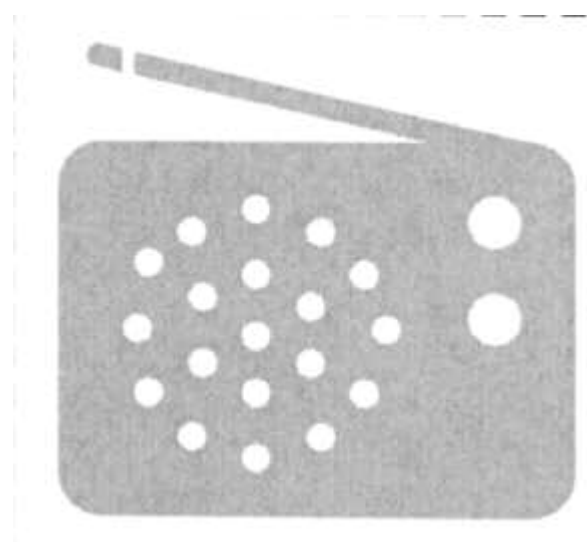




- (21) Design Number: **16429/2013**  
(22) Date of Filing Application: **06 December 2013**  
(24) Date from which industrial property rights may have effect: **06 December 2013**  
(54) Product in respect of which the design is registered: **Applicator**  
(51) International Design Classification: **28-03NES, 07-05E, 04-99**  
(74) Name(s) of Attorney(s): **Freehills Patent Attorneys**  
(71) Name(s) and Address(s) of Applicant(s):  
**Coles Supermarkets Australia Pty Ltd**  
**L6 M1/800 Toorak Rd Hawthorn East VIC 3123 Australia**  
(72) Name(s) of Designer(s): **Jana Hatfield and Adam Richard Robinson**  
(45) Registration Date: **21 January 2014**  
(56) Related Art Documents: **Not Applicable**  
(57) Statement of Newness and Distinctiveness: **Newness and distinctiveness resides in the features of shape and configuration of the applicator illustrated in the accompanying representations.**



- (21) Design Number: **16431/2013**  
(22) Date of Filing Application: **06 December 2013**  
(24) Date from which industrial property rights may have effect: **06 December 2013**  
(54) Product in respect of which the design is registered: **Display screen**  
(51) International Design Classification: **14-01**  
(74) Name(s) of Attorney(s): **Freehills Patent Attorneys**  
(71) Name(s) and Address(s) of Applicant(s):  
**Apple Inc.**  
**1 Infinite Loop Cupertino California 95014 United States of America**  
(72) Name(s) of Designer(s): **Jonathan P. Ive and Britt Nelson and Wan Si Wan and Christopher Wilson**  
(45) Registration Date: **21 January 2014**  
(30) Convention priority data:  
(31) Number      (32) Date      (33) Country  
**29/457357      10 Jun 2013      UNITED STATES OF AMERICA**  
(56) Related Art Documents: **Not Applicable**  
(57) Statement of Newness and Distinctiveness: **Newness and distinctiveness is claimed in the features of ornamentation not shown in broken lines in the accompanying representation.**



- (21) Design Number: **16432/2013**  
(22) Date of Filing Application: **10 December 2013**  
(24) Date from which industrial property rights may have effect: **10 December 2013**  
(54) Product in respect of which the design is registered: **Wiping substrate**  
(51) International Design Classification: **07-05E**  
(74) Name(s) of Attorney(s): **SPRUSON & FERGUSON**  
(71) Name(s) and Address(s) of Applicant(s):

**Kimberly-Clark Worldwide, Inc.**  
**2300 Winchester Road Neenah Wisconsin 54956 United States of America**

(72) Name(s) of Designer(s): **Jason Robert Boon**

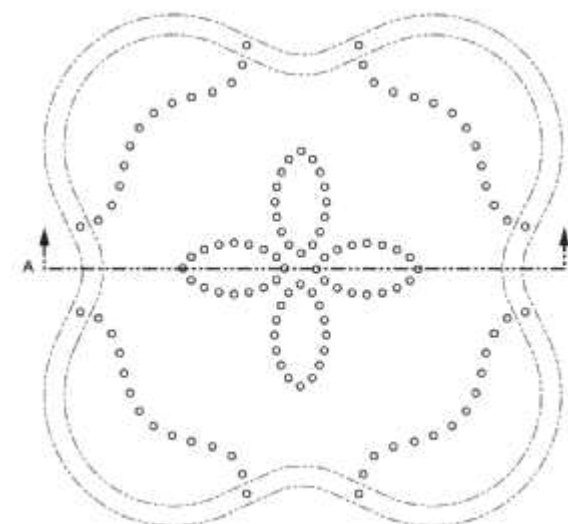
(45) Registration Date: **21 January 2014**

(30) Convention priority data:

(31) Number	(32) Date	(33) Country
<b>29/457863</b>	<b>13 Jun 2013</b>	<b>UNITED STATES OF AMERICA</b>

(56) Related Art Documents: **Not Applicable**

(57) Statement of Newness and Distinctiveness: **Newness and distinctiveness is claimed in those features of a wiping substrate illustrated in continuous lines in the accompanying representations.**



- (21) Design Number: **16476/2013**  
(22) Date of Filing Application: **12 December 2013**  
(24) Date from which industrial property rights may have effect: **12 December 2013**  
(54) Product in respect of which the design is registered: **A tyre**  
(51) International Design Classification: **12-15B**  
(74) Name(s) of Attorney(s): **WATERMARK PATENT AND TRADE MARKS ATTORNEYS**  
(71) Name(s) and Address(s) of Applicant(s):

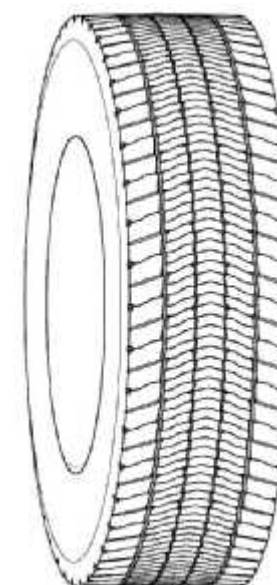
**Compagnie Generale Des Etablissements Michelin**  
**12 cours Sablon Clermont-Ferrand 63000 France**  
**Michelin Recherche et Technique S.A.**  
**Route Louis Braille 10 Granges-Paccot 1763 Switzerland**

(72) Name(s) of Designer(s): **Catherine Houis and Mathieu Vandaele and William License**

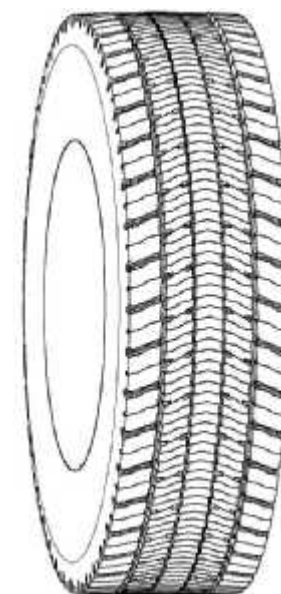
(45) Registration Date: **21 January 2014**

(56) Related Art Documents: **Not Applicable**

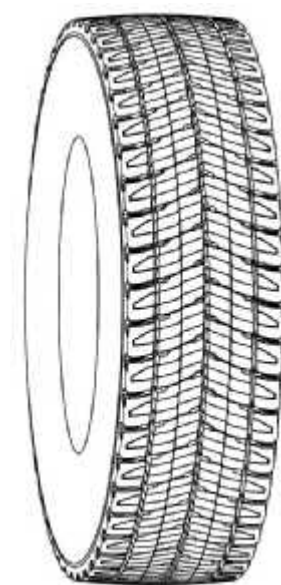
(57) Statement of Newness and Distinctiveness: **Newness and distinctiveness resides in the appearance of the tread region of the tyre as shown in the annexed drawings, the remainder of the tyre not forming part of the design.**



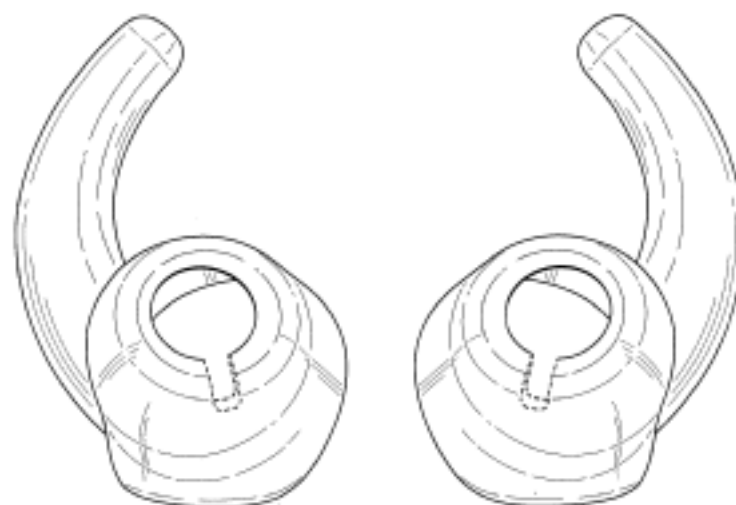
- (21) Design Number: **16477/2013**  
(22) Date of Filing Application: **12 December 2013**  
(24) Date from which industrial property rights may have effect: **12 December 2013**  
(54) Product in respect of which the design is registered: **A tyre**  
(51) International Design Classification: **12-15B**  
(74) Name(s) of Attorney(s): **WATERMARK PATENT AND TRADE MARKS ATTORNEYS**  
(71) Name(s) and Address(s) of Applicant(s):  
**Compagnie Generale Des Establisements Michelin**  
**12 cours Sablon Clermont-Ferrand 63000 France**  
**Michelin Recherche et Technique S.A.**  
**Route Louis Braille 10 Granges-Paccot 1763 Switzerland**  
(72) Name(s) of Designer(s): **Catherine Houis and Mathieu Vandaele and William License**  
(45) Registration Date: **21 January 2014**  
(56) Related Art Documents: **Not Applicable**  
(57) Statement of Newness and Distinctiveness: **Newness and distinctiveness resides in the appearance of the tread region of the tyre as shown in the annexed drawings, the remainder of the tyre not forming part of the design.**



- (21) Design Number: **16478/2013**  
(22) Date of Filing Application: **12 December 2013**  
(24) Date from which industrial property rights may have effect: **12 December 2013**  
(54) Product in respect of which the design is registered: **A tyre**  
(51) International Design Classification: **12-15B**  
(74) Name(s) of Attorney(s): **WATERMARK PATENT AND TRADE MARKS ATTORNEYS**  
(71) Name(s) and Address(s) of Applicant(s):  
**Compagnie Generale Des Establisements Michelin**  
**12 cours Sablon Clermont-Ferrand 63000 France**  
**Michelin Recherche et Technique S.A.**  
**Route Louis Braille 10 Granges-Paccot 1763 Switzerland**  
(72) Name(s) of Designer(s): **Catherine Houis and Mathieu Vandaele and William License**  
(45) Registration Date: **21 January 2014**  
(56) Related Art Documents: **Not Applicable**  
(57) Statement of Newness and Distinctiveness: **Newness and distinctiveness resides in the appearance of the tread region of the tyre as shown in the annexed drawings, the remainder of the tyre not forming part of the design.**



(21) Design Number: **16479/2013**  
(22) Date of Filing Application: **12 December 2013**  
(24) Date from which industrial property rights may have effect: **12 December 2013**  
(54) Product in respect of which the design is registered: **Earphone leverage attachments**  
(51) International Design Classification: **14-01**  
(74) Name(s) of Attorney(s): **SPRUSON & FERGUSON**  
(71) Name(s) and Address(s) of Applicant(s):  
**Beats Electronics, LLC**  
**1601 Cloverfield Boulevard Suite 5000N Santa Monica California 90404**  
**United States of America**  
(72) Name(s) of Designer(s): **Rhys Bonahoom and Robert Brunner and Seounghyun Son and Stephen Steger**  
(45) Registration Date: **21 January 2014**  
(30) Convention priority data:  
(31) Number (32) Date (33) Country  
**29/457923 13 Jun 2013 UNITED STATES OF AMERICA**  
(56) Related Art Documents: **Not Applicable**  
(57) Statement of Newness and Distinctiveness: **Newness and distinctiveness is claimed in those features of shape and/or configuration of earphone leverage attachments as illustrated in continuous lines in the accompanying representations.**



(21) Design Number: **15368/2013**  
(22) Date of Filing Application: **22 October 2013**  
(24) Date from which industrial property rights may have effect: **22 October 2013**  
(54) Product in respect of which the design is registered: **Extrusion for modular drying assembly**  
(51) International Design Classification: **07-05D**  
(74) Name(s) of Attorney(s):  
(71) Name(s) and Address(s) of Applicant(s):  
**THE ASSASSIN GROUP 'ENVIRONMENTAL DIVISION' PTY. LTD.**  
**4/10 Tennyson St St Kilda VIC 3182 Australia**  
(72) Name(s) of Designer(s): **Phoenix Hanna**  
(45) Registration Date: **21 January 2014**  
(56) Related Art Documents: **Not Applicable**  
(57) Statement of Newness and Distinctiveness: **Nil**



(21) Design Number: **15569/2013**  
(22) Date of Filing Application: **30 October 2013**  
(24) Date from which industrial property rights may have effect: **30 October 2013**  
(54) Product in respect of which the design is registered: **Bottle opener**  
(51) International Design Classification: **07-06D**  
(74) Name(s) of Attorney(s): **Acumen Intellectual Property**  
(71) Name(s) and Address(s) of Applicant(s):  
**Luigi Luca Da Riva**  
**Viale Guglielmo Marconi 4/11 Pordenone PN, 33170 Italy**  
(72) Name(s) of Designer(s): **Luigi Luca Da Riva**  
(45) Registration Date: **21 January 2014**  
(30) Convention priority data:  
(31) Number      (32) Date      (33) Country  
**002230474      30 Apr 2013      OFFICE FOR HARMONISATION IN  
THE INTERNAL MARKET (OHIM)**  
(56) Related Art Documents: **Not Applicable**  
(57) Statement of Newness and Distinctiveness: **Newness and distinctiveness  
is claimed in the features of shape and/or configuration of a bottle opener  
as illustrated in the accompanying representations.**



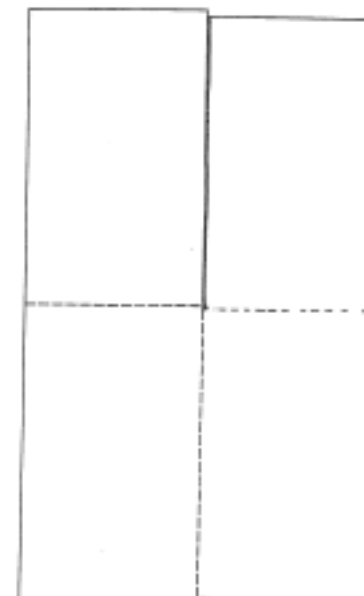
(21) Design Number: **15820/2013**  
(22) Date of Filing Application: **13 November 2013**  
(24) Date from which industrial property rights may have effect: **13 November 2013**  
(54) Product in respect of which the design is registered: **A Chair Leg, A Table Leg**  
(51) International Design Classification: **06-06E, 06-06G**  
(74) Name(s) of Attorney(s): **Griffith Hack**  
(71) Name(s) and Address(s) of Applicant(s):  
**Yotopia Pty Ltd**  
**7-13 Ardena Ct East Bentleigh VIC 3165 Australia**  
(72) Name(s) of Designer(s): **Dion Hall**  
(45) Registration Date: **21 January 2014**  
(56) Related Art Documents: **Not Applicable**  
(57) Statement of Newness and Distinctiveness: **Newness and distinctiveness  
resides in the visual features, including shape and configuration of the  
product as shown in the accompanying Figures. The dashed lines have  
been included for illustrative purposes and do not form part of the  
design.**



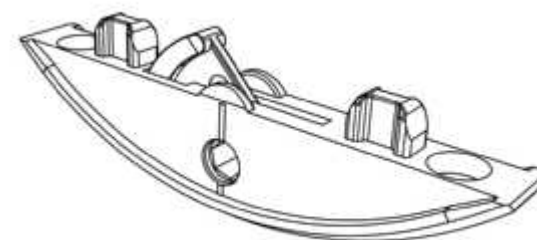
(21) Design Number: **16827/2013**  
(22) Date of Filing Application: **24 June 2013**  
(24) Date from which industrial property rights may have effect: **24 June 2013**  
(54) Product in respect of which the design is registered: **Articles of clothing**  
(51) International Design Classification: **02-02NES**  
(74) Name(s) of Attorney(s): **K&L Gates**  
(71) Name(s) and Address(s) of Applicant(s):  
**Magi Enterprises Pty Ltd**  
**34 Garden St South Yarra VIC 3141 Australia**  
**Beba Enterprises Pty Ltd**  
**34 Garden St South Yarra VIC 3141 Australia**  
(72) Name(s) of Designer(s): **Robert Cromb**  
(45) Registration Date: **21 January 2014**  
(56) Related Art Documents: **Not Applicable**  
(57) Statement of Newness and Distinctiveness: **Nil**



(21) Design Number: **14135/2013**  
(22) Date of Filing Application: **20 August 2013**  
(24) Date from which industrial property rights may have effect: **20 August 2013**  
(54) Product in respect of which the design is registered: **Visiting card**  
(51) International Design Classification: **19-01**  
(74) Name(s) of Attorney(s): **H J Rantzen**  
(71) Name(s) and Address(s) of Applicant(s):  
**Manrex Pty. Ltd.**  
**17-19 Moore St Leichhardt NSW 2040 Australia**  
(72) Name(s) of Designer(s): **Gerard Stevens**  
(45) Registration Date: **22 January 2014**  
(56) Related Art Documents: **Not Applicable**  
(57) Statement of Newness and Distinctiveness: **Nil**



(21) Design Number: **15511/2013**  
(22) Date of Filing Application: **28 October 2013**  
(24) Date from which industrial property rights may have effect: **28 October 2013**  
(54) Product in respect of which the design is registered: **Connecting device**  
(51) International Design Classification: **25-02NES, 08-08NES**  
(74) Name(s) of Attorney(s): **Davies Collison Cave**  
(71) Name(s) and Address(s) of Applicant(s):



**Lamello AG**  
**Hauptstrasse 149 Bubendorf 4416 Switzerland**  
**Franz Baur**  
**Hochstrass 13 Oberstufen 87534 Germany**  
**Franz Haser**  
**Buchenegg 5 Oberstufen 87534 Germany**

(72) Name(s) of Designer(s): **Franz Baur and Franz Haser and Philipp Seiler and Patrick Jeker**

(45) Registration Date: **22 January 2014**

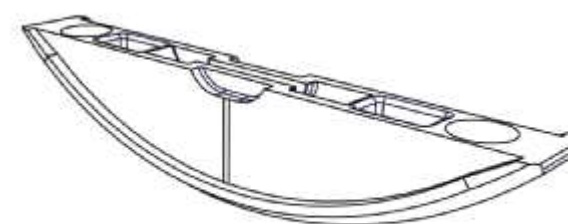
(30) Convention priority data:

(31) Number	(32) Date	(33) Country
<b>002230250-0007</b>	<b>30 Apr 2013</b>	<b>OFFICE FOR HARMONISATION IN THE INTERNAL MARKET (OHIM)</b>

(56) Related Art Documents: **Not Applicable**

(57) Statement of Newness and Distinctiveness: **Nil**

(21) Design Number: **15512/2013**  
(22) Date of Filing Application: **28 October 2013**  
(24) Date from which industrial property rights may have effect: **28 October 2013**  
(54) Product in respect of which the design is registered: **Connecting device**  
(51) International Design Classification: **25-02NES, 08-08NES**  
(74) Name(s) of Attorney(s): **Davies Collison Cave**  
(71) Name(s) and Address(s) of Applicant(s):



**Lamello AG**  
**Hauptstrasse 149 Bubendorf 4416 Switzerland**  
**Franz Baur**  
**Hochstrass 13 Oberstufen 87534 Germany**  
**Franz Haser**  
**Buchenegg 5 Oberstufen 87534 Germany**

(72) Name(s) of Designer(s): **Franz Baur and Franz Haser and Philipp Seiler and Patrick Jeker**

(45) Registration Date: **22 January 2014**

(30) Convention priority data:

(31) Number	(32) Date	(33) Country
<b>002230250-0008</b>	<b>30 Apr 2013</b>	<b>OFFICE FOR HARMONISATION IN THE INTERNAL MARKET (OHIM)</b>

(56) Related Art Documents: **Not Applicable**

(57) Statement of Newness and Distinctiveness: **Nil**



(21) Design Number: **15513/2013**

(22) Date of Filing Application: **28 October 2013**

(24) Date from which industrial property rights may have effect: **28 October 2013**

(54) Product in respect of which the design is registered: **Connecting device**

(51) International Design Classification: **25-02NES, 08-08NES**

(74) Name(s) of Attorney(s): **Davies Collison Cave**

(71) Name(s) and Address(s) of Applicant(s):

**Lamello AG**

**Hauptstrasse 149 Bubendorf 4416 Switzerland**

**Franz Baur**

**Hochstrass 13 Oberstaufen 87534 Germany**

**Franz Haser**

**Buchenegg 5 Oberstaufen 87534 Germany**

(72) Name(s) of Designer(s): **Franz Baur and Franz Haser and Philipp Seiler and Patrick Jeker**

(45) Registration Date: **22 January 2014**

(30) Convention priority data:

(31) Number

(32) Date

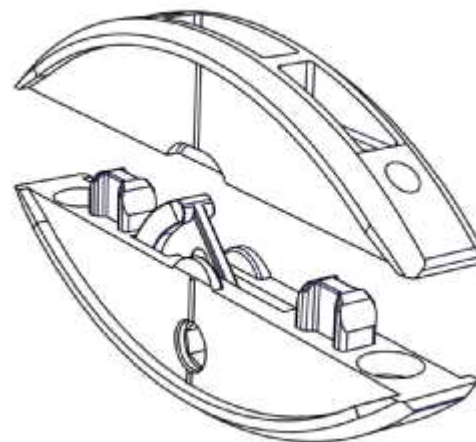
(33) Country

**002230250-0009 30 Apr 2013**

**OFFICE FOR HARMONISATION IN  
THE INTERNAL MARKET (OHIM)**

(56) Related Art Documents: **Not Applicable**

(57) Statement of Newness and Distinctiveness: **Nil**



(21) Design Number: **15857/2013**

(22) Date of Filing Application: **14 November 2013**

(24) Date from which industrial property rights may have effect: **14 November 2013**

(54) Product in respect of which the design is registered: **Wall mountable bicycle stand**

(51) International Design Classification: **08-10**

(74) Name(s) of Attorney(s): **Davies Collison Cave**

(71) Name(s) and Address(s) of Applicant(s):

**Andrew Lang Product Design Limited**

**Space 1 Fitzroy House Abbot Street London E8 3DP United Kingdom**

(72) Name(s) of Designer(s): **Andrew Lang**

(45) Registration Date: **22 January 2014**

(30) Convention priority data:

(31) Number

(32) Date

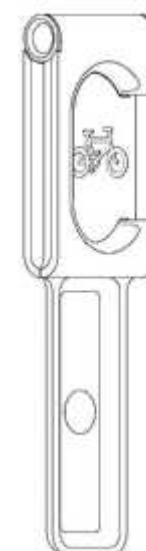
(33) Country

**002237644 15 May 2013**

**OFFICE FOR HARMONISATION IN  
THE INTERNAL MARKET (OHIM)**

(56) Related Art Documents: **Not Applicable**

(57) Statement of Newness and Distinctiveness: **Nil**





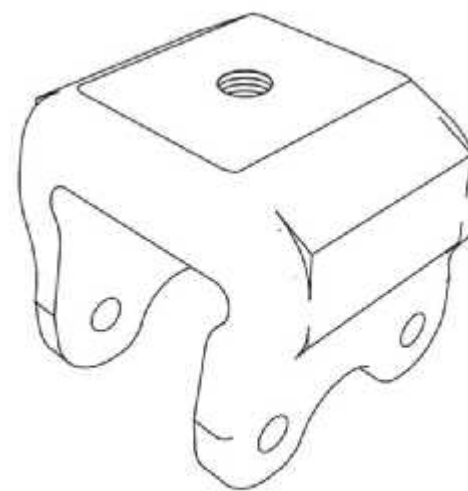
(21) Design Number: **16193/2013**  
(22) Date of Filing Application: **28 November 2013**  
(24) Date from which industrial property rights may have effect: **28 November 2013**  
(54) Product in respect of which the design is registered: **Dosage container**  
(51) International Design Classification: **07-05NES**  
(74) Name(s) of Attorney(s): **Shelston IP**  
(71) Name(s) and Address(s) of Applicant(s):  
**Reckitt Benckiser (Brands) Limited**  
**103-105 Bath Road Slough Berkshire SL1 3UH United Kingdom**  
(72) Name(s) of Designer(s): **Roberto Casonati and Umberto Toniolo and Igor Dabala and Ralf Wiedemann and Giuseppe Di Bono**  
(45) Registration Date: **22 January 2014**  
(30) Convention priority data:  
(31) Number (32) Date (33) Country  
**002260406 21 Jun 2013 OFFICE FOR HARMONISATION IN THE INTERNAL MARKET (OHIM)**  
(56) Related Art Documents: **Not Applicable**  
(57) Statement of Newness and Distinctiveness: **Newness and distinctiveness reside in the features of shape and configuration of a dosage container as illustrated in the accompanying representations.**



(21) Design Number: **16194/2013**  
(22) Date of Filing Application: **28 November 2013**  
(24) Date from which industrial property rights may have effect: **28 November 2013**  
(54) Product in respect of which the design is registered: **Lid for dosage container**  
(51) International Design Classification: **07-05NES**  
(74) Name(s) of Attorney(s): **Shelston IP**  
(71) Name(s) and Address(s) of Applicant(s):  
**Reckitt Benckiser (Brands) Limited**  
**103-105 Bath Road Slough Berkshire SL1 3UH United Kingdom**  
(72) Name(s) of Designer(s): **Roberto Casonati and Umberto Toniolo and Igor Dabala and Ralf Wiedemann and Giuseppe Di Bono**  
(45) Registration Date: **22 January 2014**  
(30) Convention priority data:  
(31) Number (32) Date (33) Country  
**002260406 21 Jun 2013 OFFICE FOR HARMONISATION IN THE INTERNAL MARKET (OHIM)**  
(56) Related Art Documents: **Not Applicable**  
(57) Statement of Newness and Distinctiveness: **Newness and distinctiveness reside in the features of shape and configuration of a lid for dosage container as illustrated in the accompanying representations.**



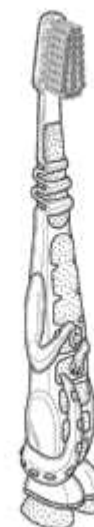
(21) Design Number: **16196/2013**  
(22) Date of Filing Application: **28 November 2013**  
(24) Date from which industrial property rights may have effect: **28 November 2013**  
(54) Product in respect of which the design is registered: **A clip**  
(51) International Design Classification: **08-08L**  
(74) Name(s) of Attorney(s): **Ellis Terry**  
(71) Name(s) and Address(s) of Applicant(s):  
**Monkey Toe Systems Limited**  
**17 Weld Street Normanby Taranaki 4614 New Zealand**  
(72) Name(s) of Designer(s): **Tim Prestidge and Vernon Prestidge and Michael Sutton**  
(45) Registration Date: **22 January 2014**  
(30) Convention priority data:  
(31) Number (32) Date (33) Country  
**417654 30 May 2013 NEW ZEALAND**  
(56) Related Art Documents: **Not Applicable**  
(57) Statement of Newness and Distinctiveness: **Nil**



(21) Design Number: **16232/2013**  
(22) Date of Filing Application: **29 November 2013**  
(24) Date from which industrial property rights may have effect: **29 November 2013**  
(54) Product in respect of which the design is registered: **Toothbrush**  
(51) International Design Classification: **04-02**  
(74) Name(s) of Attorney(s): **PHILLIPS ORMONDE FITZPATRICK**  
(71) Name(s) and Address(s) of Applicant(s):  
**Glaxo Group Limited**  
**980 Great West Road Brentford Middlesex TW8 9GS United Kingdom**  
(72) Name(s) of Designer(s): **Marcus Blachford and Alex Brian and Charles Drury and Rhodri Jones and Peter Kay and William Knight**  
(45) Registration Date: **22 January 2014**  
(30) Convention priority data:  
(31) Number (32) Date (33) Country  
**4030161 31 May 2013 UNITED KINGDOM**  
(56) Related Art Documents: **Not Applicable**  
(57) Statement of Newness and Distinctiveness: **Those features of the toothbrush depicted in the representations that are new and distinctive are the shape and/or configuration. The stipple shown in the representations illustrates a material that is different from the non-stippled areas.**



(21) Design Number: **16233/2013**  
(22) Date of Filing Application: **29 November 2013**  
(24) Date from which industrial property rights may have effect: **29 November 2013**  
(54) Product in respect of which the design is registered: **Toothbrush**  
(51) International Design Classification: **04-02**  
(74) Name(s) of Attorney(s): **PHILLIPS ORMONDE FITZPATRICK**  
(71) Name(s) and Address(s) of Applicant(s):  
**Glaxo Group Limited**  
**Glaxo Wellcome House Berkeley Avenue Greenford Middlesex UB6 0NN**  
**United Kingdom**  
(72) Name(s) of Designer(s): **Marcus Blachford and Alex Brian and Charles Drury and Rhodri Jones and Peter Kay and William Knight**  
(45) Registration Date: **22 January 2014**  
(30) Convention priority data:  
(31) Number (32) Date (33) Country  
**4030162 31 May 2013 UNITED KINGDOM**  
(56) Related Art Documents: **Not Applicable**  
(57) Statement of Newness and Distinctiveness: **Those features of the toothbrush depicted in the representations that are new and distinctive are the shape and/or configuration. The stipple shown in the representations illustrates a material that is different from the non-stippled areas.**



(21) Design Number: **16234/2013**  
(22) Date of Filing Application: **29 November 2013**  
(24) Date from which industrial property rights may have effect: **29 November 2013**  
(54) Product in respect of which the design is registered: **Toothbrush**  
(51) International Design Classification: **04-02**  
(74) Name(s) of Attorney(s): **PHILLIPS ORMONDE FITZPATRICK**  
(71) Name(s) and Address(s) of Applicant(s):  
**Glaxo Group Limited**  
**980 Great West Road Brentford Middlesex TW8 9GS United Kingdom**  
(72) Name(s) of Designer(s): **Marcus Blachford and Alex Brian and Charles Drury and Rhodri Jones and Peter Kay and William Knight**  
(45) Registration Date: **22 January 2014**  
(30) Convention priority data:  
(31) Number (32) Date (33) Country  
**4030163 31 May 2013 UNITED KINGDOM**  
(56) Related Art Documents: **Not Applicable**  
(57) Statement of Newness and Distinctiveness: **Those features of the toothbrush depicted in the representations that are new and distinctive are the shape and/or configuration. The stipple shown in the representations illustrates a material that is different from the non-stippled areas.**



(21) Design Number: **16235/2013**  
(22) Date of Filing Application: **29 November 2013**  
(24) Date from which industrial property rights may have effect: **29 November 2013**  
(54) Product in respect of which the design is registered: **Toothbrush**  
(51) International Design Classification: **04-02**  
(74) Name(s) of Attorney(s): **PHILLIPS ORMONDE FITZPATRICK**  
(71) Name(s) and Address(s) of Applicant(s):

**Glaxo Group Limited**  
**980 Great West Road Brentford Middlesex TW8 9GS United Kingdom**

(72) Name(s) of Designer(s): **Marcus Blachford and Alex Brian and Charles Drury and Rhodri Jones and Peter Kay and William Knight**

(45) Registration Date: **22 January 2014**

(30) Convention priority data:

(31) Number	(32) Date	(33) Country
<b>4030164</b>	<b>31 May 2013</b>	<b>UNITED KINGDOM</b>

(56) Related Art Documents: **Not Applicable**

(57) Statement of Newness and Distinctiveness: **Those features of the toothbrush depicted in the representations that are new and distinctive are the shape and/or configuration. The stipple shown in the representations illustrates a material that is different from the non-stippled areas.**



(21) Design Number: **13396/2013**  
(22) Date of Filing Application: **16 July 2013**  
(24) Date from which industrial property rights may have effect: **16 July 2013**  
(54) Product in respect of which the design is registered: **Lock cover**  
(51) International Design Classification: **08-07**  
(74) Name(s) of Attorney(s): **Houlihan2**  
(71) Name(s) and Address(s) of Applicant(s):

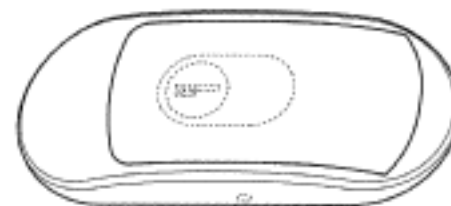
**Omega Security Controls Pty Ltd**  
**256 Hyde St Yarraville VIC 3013 Australia**

(72) Name(s) of Designer(s): **Jon Seddon**

(45) Registration Date: **22 January 2014**

(56) Related Art Documents: **Not Applicable**

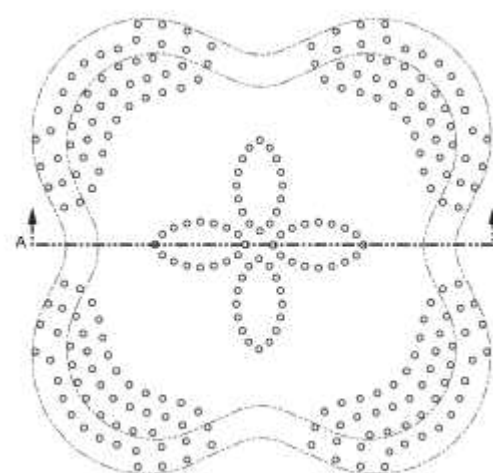
(57) Statement of Newness and Distinctiveness: **Newness and distinctiveness reside in the shape and/or configuration of a LOCK COVER as illustrated in the accompanying representations.**



(21) Design Number: **16421/2013**  
(22) Date of Filing Application: **09 December 2013**  
(24) Date from which industrial property rights may have effect: **09 December 2013**  
(54) Product in respect of which the design is registered: **Fluid spreader**  
(51) International Design Classification: **12-10**  
(74) Name(s) of Attorney(s):  
(71) Name(s) and Address(s) of Applicant(s):  
**Hi Tech Limited**  
**23 Cowley Drive Leamington Cambridge 3432 New Zealand**  
(72) Name(s) of Designer(s): **Brian Douglas Nicholson**  
(45) Registration Date: **22 January 2014**  
(30) Convention priority data:  
(31) Number (32) Date (33) Country  
**417668 10 Jun 2013 NEW ZEALAND**  
(56) Related Art Documents: **Not Applicable**  
(57) Statement of Newness and Distinctiveness: **Novelty resides in the features of shape and configuration of as shown in the accompanying representations.**



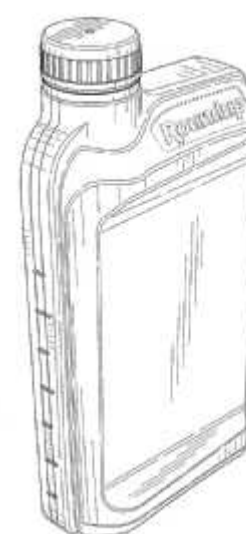
(21) Design Number: **16433/2013**  
(22) Date of Filing Application: **10 December 2013**  
(24) Date from which industrial property rights may have effect: **10 December 2013**  
(54) Product in respect of which the design is registered: **Wiping substrate**  
(51) International Design Classification: **07-05E**  
(74) Name(s) of Attorney(s): **SPRUSON & FERGUSON**  
(71) Name(s) and Address(s) of Applicant(s):  
**Kimberly-Clark Worldwide, Inc.**  
**2300 Winchester Road Neenah Wisconsin 54956 United States of America**  
(72) Name(s) of Designer(s): **Jason Robert Boon**  
(45) Registration Date: **22 January 2014**  
(30) Convention priority data:  
(31) Number (32) Date (33) Country  
**29/457863 13 Jun 2013 UNITED STATES OF AMERICA**  
(56) Related Art Documents: **Not Applicable**  
(57) Statement of Newness and Distinctiveness: **Newness and distinctiveness is claimed in those features of a wiping substrate illustrated in continuous lines in the accompanying representations.**



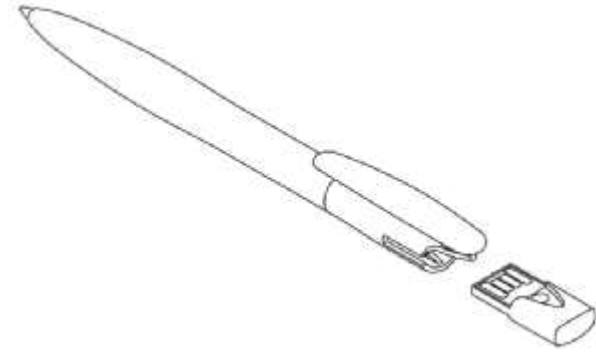
(21) Design Number: **16434/2013**  
(22) Date of Filing Application: **10 December 2013**  
(24) Date from which industrial property rights may have effect: **10 December 2013**  
(54) Product in respect of which the design is registered: **Motorcycle**  
(51) International Design Classification: **12-11**  
(74) Name(s) of Attorney(s): **SPRUSON & FERGUSON**  
(71) Name(s) and Address(s) of Applicant(s):  
**Honda Motor Co., Ltd.**  
**1-1, Minami-Aoyama 2-chome, Minato-ku Tokyo 107-8556 Japan**  
(72) Name(s) of Designer(s): **Kenji Tako and Hirotsugu Ueno**  
(45) Registration Date: **22 January 2014**  
(30) Convention priority data:  
(31) Number      (32) Date      (33) Country  
**2013-013388      13 Jun 2013      JAPAN**  
(56) Related Art Documents: **Not Applicable**  
(57) Statement of Newness and Distinctiveness: **Newness and distinctiveness is claimed in the features of shape and/or configuration of a motorcycle as illustrated in the accompanying representations.**



(21) Design Number: **16435/2013**  
(22) Date of Filing Application: **10 December 2013**  
(24) Date from which industrial property rights may have effect: **13 September 2013**  
(54) Product in respect of which the design is registered: **Container**  
(51) International Design Classification: **09-02B, 09-01NES**  
(74) Name(s) of Attorney(s): **PIZZEYS**  
(71) Name(s) and Address(s) of Applicant(s):  
**Monsanto Technology LLC**  
**800 N Lindbergh Blvd Saint Louis MO 63167-1000 United States of America**  
(72) Name(s) of Designer(s): **Wim Engelen and Hugo Smid**  
(45) Registration Date: **22 January 2014**  
(62) Divisional of: **353019**  
(56) Related Art Documents: **Not Applicable**  
(57) Statement of Newness and Distinctiveness: **The newness and distinctiveness of the design resides in the features of shape and/or configuration shown in unbroken lines in the accompanying representations.**



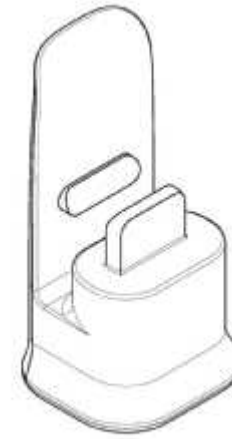
(21) Design Number: **16496/2013**  
(22) Date of Filing Application: **12 December 2013**  
(24) Date from which industrial property rights may have effect: **12 December 2013**  
(54) Product in respect of which the design is registered: **USB flash drive**  
(51) International Design Classification: **14-02, 19-06**  
(74) Name(s) of Attorney(s):  
(71) Name(s) and Address(s) of Applicant(s):  
**Groundhog S.A.**  
**40 Avenue Monterey Luxembourg L-2163 Luxembourg**  
(72) Name(s) of Designer(s): **Charles Billington**  
(45) Registration Date: **22 January 2014**  
(30) Convention priority data:  
(31) Number (32) Date (33) Country  
**002331637-0001 22 Oct 2013 OFFICE FOR HARMONISATION IN  
THE INTERNAL MARKET (OHIM)**  
(56) Related Art Documents: **Not Applicable**  
(57) Statement of Newness and Distinctiveness: **Nil**



(21) Design Number: **16543/2013**  
(22) Date of Filing Application: **13 December 2013**  
(24) Date from which industrial property rights may have effect: **13 December 2013**  
(54) Product in respect of which the design is registered: **Smartphone protector**  
(51) International Design Classification: **14-02**  
(74) Name(s) of Attorney(s): **PIZZEYS**  
(71) Name(s) and Address(s) of Applicant(s):  
**Kenu, Inc.**  
**236 8th St Unit A San Francisco CA 94103 United States of America**  
(72) Name(s) of Designer(s): **Ken Minn and David Yao and Leonard John Duran**  
(45) Registration Date: **22 January 2014**  
(56) Related Art Documents: **Not Applicable**  
(57) Statement of Newness and Distinctiveness: **Nil**



(21) Design Number: **16544/2013**  
(22) Date of Filing Application: **13 December 2013**  
(24) Date from which industrial property rights may have effect: **13 December 2013**  
(54) Product in respect of which the design is registered: **Smartphone tripod connector**  
(51) International Design Classification: **14-02**  
(74) Name(s) of Attorney(s): **PIZZEYS**  
(71) Name(s) and Address(s) of Applicant(s):  
**Kenu, Inc.**  
**236 8th St Unit A San Francisco CA 94103 United States of America**  
(72) Name(s) of Designer(s): **Ken Minn and David Yao and Leonard John Duran**  
(45) Registration Date: **22 January 2014**  
(56) Related Art Documents: **Not Applicable**  
(57) Statement of Newness and Distinctiveness: **Nil**



(21) Design Number: **16545/2013**  
(22) Date of Filing Application: **13 December 2013**  
(24) Date from which industrial property rights may have effect: **13 December 2013**  
(54) Product in respect of which the design is registered: **Releasable smartphone leash**  
(51) International Design Classification: **14-02**  
(74) Name(s) of Attorney(s): **PIZZEYS**  
(71) Name(s) and Address(s) of Applicant(s):  
**Kenu, Inc.**  
**236 8th St Unit A San Francisco CA 94103 United States of America**  
(72) Name(s) of Designer(s): **Ken Minn and David Yao and Leonard John Duran**  
(45) Registration Date: **22 January 2014**  
(56) Related Art Documents: **Not Applicable**  
(57) Statement of Newness and Distinctiveness: **Nil**





- (21) Design Number: **16548/2013**  
(22) Date of Filing Application: **13 December 2013**  
(24) Date from which industrial property rights may have effect: **13 December 2013**  
(54) Product in respect of which the design is registered: **Device for making frozen beverages**  
(51) International Design Classification: **07-07A**  
(74) Name(s) of Attorney(s): **MDP McDonald Partners**  
(71) Name(s) and Address(s) of Applicant(s):  
**Chill Factor Global Pty Ltd**  
**L2 Tower 2 Chadstone Place 1341 Dandenong Rd Chadstone VIC 3148**  
**Australia**  
(72) Name(s) of Designer(s): **Heath Saber**  
(45) Registration Date: **22 January 2014**  
(56) Related Art Documents: **Not Applicable**  
(57) Statement of Newness and Distinctiveness: **Nil**



- (21) Design Number: **16549/2013**  
(22) Date of Filing Application: **13 December 2013**  
(24) Date from which industrial property rights may have effect: **13 December 2013**  
(54) Product in respect of which the design is registered: **Device for making frozen beverages**  
(51) International Design Classification: **07-07A**  
(74) Name(s) of Attorney(s): **MDP McDonald Partners**  
(71) Name(s) and Address(s) of Applicant(s):  
**Chill Factor Global Pty Ltd**  
**L2 Tower 2 Chadstone Place 1341 Dandenong Rd Chadstone VIC 3148**  
**Australia**  
(72) Name(s) of Designer(s): **Heath Saber**  
(45) Registration Date: **22 January 2014**  
(56) Related Art Documents: **Not Applicable**  
(57) Statement of Newness and Distinctiveness: **Nil**



- (21) Design Number: **16551/2013**  
(22) Date of Filing Application: **13 December 2013**  
(24) Date from which industrial property rights may have effect: **13 December 2013**  
(54) Product in respect of which the design is registered: **Device for making frozen beverages**  
(51) International Design Classification: **07-07A**  
(74) Name(s) of Attorney(s): **MDP McDonald Partners**  
(71) Name(s) and Address(s) of Applicant(s):  
**Chill Factor Global Pty Ltd**  
**L2 Tower 2 Chadstone Place 1341 Dandenong Rd Chadstone VIC 3148**  
**Australia**  
(72) Name(s) of Designer(s): **Heath Saber**  
(45) Registration Date: **22 January 2014**  
(56) Related Art Documents: **Not Applicable**  
(57) Statement of Newness and Distinctiveness: **Nil**



- (21) Design Number: **16552/2013**  
(22) Date of Filing Application: **13 December 2013**  
(24) Date from which industrial property rights may have effect: **13 December 2013**  
(54) Product in respect of which the design is registered: **Device for making frozen beverages**  
(51) International Design Classification: **07-07A**  
(74) Name(s) of Attorney(s): **MDP McDonald Partners**  
(71) Name(s) and Address(s) of Applicant(s):  
**Chill Factor Global Pty Ltd**  
**L2 Tower 2 Chadstone Place 1341 Dandenong Rd Chadstone VIC 3148**  
**Australia**  
(72) Name(s) of Designer(s): **Heath Saber**  
(45) Registration Date: **22 January 2014**  
(56) Related Art Documents: **Not Applicable**  
(57) Statement of Newness and Distinctiveness: **Nil**



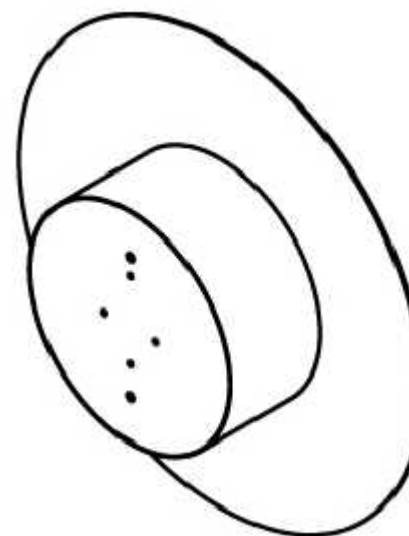
- (21) Design Number: **16550/2013**  
(22) Date of Filing Application: **13 December 2013**  
(24) Date from which industrial property rights may have effect: **13 December 2013**  
(54) Product in respect of which the design is registered: **Device for making frozen beverages**  
(51) International Design Classification: **07-07A**  
(74) Name(s) of Attorney(s): **MDP McDonald Partners**  
(71) Name(s) and Address(s) of Applicant(s):  
**Chill Factor Global Pty Ltd**  
**L2 Tower 2 Chadstone Place 1341 Dandenong Rd Chadstone VIC 3148**  
**Australia**  
(72) Name(s) of Designer(s): **Heath Saber**  
(45) Registration Date: **22 January 2014**  
(56) Related Art Documents: **Not Applicable**  
(57) Statement of Newness and Distinctiveness: **Nil**



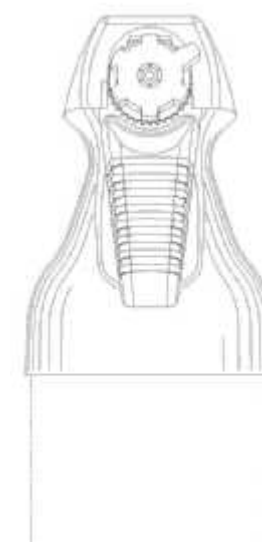
- (21) Design Number: **16553/2013**  
(22) Date of Filing Application: **13 December 2013**  
(24) Date from which industrial property rights may have effect: **13 December 2013**  
(54) Product in respect of which the design is registered: **Cover for a drinking glass**  
(51) International Design Classification: **07-01NES**  
(74) Name(s) of Attorney(s): **Griffith Hack**  
(71) Name(s) and Address(s) of Applicant(s):  
**Blossom Bench Vineyard, Inc.**  
**PO Box 1230 Summerland BC V0H 1Z0 Canada**  
(72) Name(s) of Designer(s): **Marcia M Rothfield and Dean A Colpitts**  
(45) Registration Date: **22 January 2014**  
(30) Convention priority data:  
(31) Number      (32) Date      (33) Country  
**29/458,504      20 Jun 2013      UNITED STATES OF AMERICA**  
(56) Related Art Documents: **Not Applicable**  
(57) Statement of Newness and Distinctiveness: **Newness and distinctiveness resides in the visual features, including shape and configuration, of a COVER FOR A DRINKING GLASS as shown in solid outline in the accompanying drawings. When determining whether the design is substantially similar in overall impression to another design, no regard is to be had to those features shown in dotted outline in Fig.1 of the accompanying drawings, which features are provided for illustrative purposes only.**



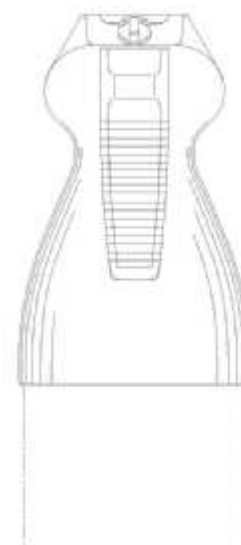
- (21) Design Number: **16556/2013**  
(22) Date of Filing Application: **13 December 2013**  
(24) Date from which industrial property rights may have effect: **13 December 2013**  
(54) Product in respect of which the design is registered: **Hose hanger**  
(51) International Design Classification: **08-08G**  
(74) Name(s) of Attorney(s): **Simpsons Solicitors**  
(71) Name(s) and Address(s) of Applicant(s):  
**DESIGN BY THEM PTY LTD**  
**L2 STU1 140 Cleveland St Chippendale NSW 2008 Australia**  
(72) Name(s) of Designer(s): **Sarah Gibson and Nicholas Karlovasitis**  
(45) Registration Date: **22 January 2014**  
(56) Related Art Documents: **Not Applicable**  
(57) Statement of Newness and Distinctiveness: **Newness and distinctiveness is claimed in the visual features shown in solid lines in the representations, including minimal aesthetics of the front surface, which is void of any contours or holes.**



- (21) Design Number: **16562/2013**  
(22) Date of Filing Application: **16 December 2013**  
(24) Date from which industrial property rights may have effect: **16 December 2013**  
(54) Product in respect of which the design is registered: **Actuator assembly for an aerosol device**  
(51) International Design Classification: **09-07A**  
(74) Name(s) of Attorney(s): **PHILLIPS ORMONDE FITZPATRICK**  
(71) Name(s) and Address(s) of Applicant(s):  
**Homax Products, Inc.**  
**200 Westerly Road Bellingham Washington 98226 United States of America**  
(72) Name(s) of Designer(s): **Randal W Hanson**  
(45) Registration Date: **22 January 2014**  
(30) Convention priority data:  
(31) Number (32) Date (33) Country  
**29/458,036 14 Jun 2013 UNITED STATES OF AMERICA**  
(56) Related Art Documents: **Not Applicable**  
(57) Statement of Newness and Distinctiveness: **Those features of the actuator assembly for an aerosol device depicted in the representations that are new and distinctive are the shape and/or configuration. The features of the aerosol device shown in broken lines are not part of the design and are to be disregarded when considering the overall impression of the design.**



(21) Design Number: **16563/2013**  
(22) Date of Filing Application: **16 December 2013**  
(24) Date from which industrial property rights may have effect: **16 December 2013**  
(54) Product in respect of which the design is registered: **Actuator assembly for an aerosol device**  
(51) International Design Classification: **09-07A**  
(74) Name(s) of Attorney(s): **PHILLIPS ORMONDE FITZPATRICK**  
(71) Name(s) and Address(s) of Applicant(s):  
**Homax Products, Inc.**  
**200 Westerly Road Bellingham Washington 98226 United States of America**  
(72) Name(s) of Designer(s): **Randal W Hanson**  
(45) Registration Date: **22 January 2014**  
(30) Convention priority data:  
(31) Number (32) Date (33) Country  
**29/458,036 14 Jun 2013 UNITED STATES OF AMERICA**

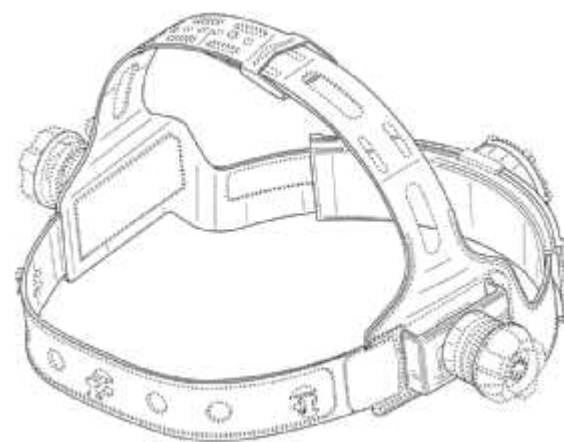


(56) Related Art Documents: **Not Applicable**  
(57) Statement of Newness and Distinctiveness: **Those features of the actuator assembly for an aerosol device depicted in the representations that are new and distinctive are the shape and/or configuration. The features of the aerosol device shown in broken lines are not part of the design and are to be disregarded when considering the overall impression of the design.**

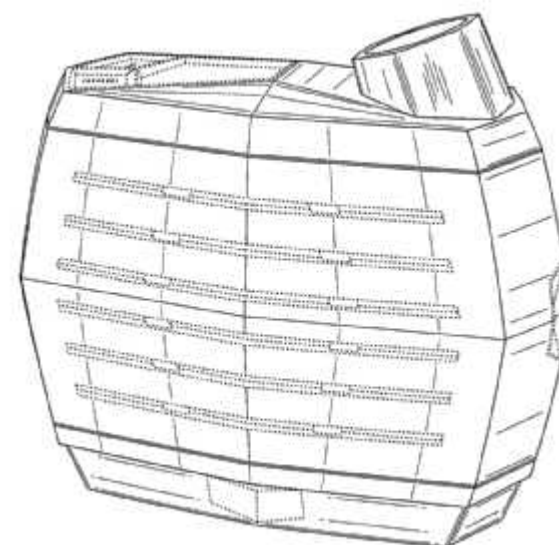
(21) Design Number: **16564/2013**  
(22) Date of Filing Application: **16 December 2013**  
(24) Date from which industrial property rights may have effect: **16 December 2013**  
(54) Product in respect of which the design is registered: **Welding helmet**  
(51) International Design Classification: **02-03**  
(74) Name(s) of Attorney(s): **FB Rice**  
(71) Name(s) and Address(s) of Applicant(s):  
**Tecmen Electronics CO., LTD.**  
**Building D No. 21 North Liuzhou Road Xiaoliu Industry Park Nanjing 210031 China**  
(72) Name(s) of Designer(s): **Ziqian Wu**  
(45) Registration Date: **22 January 2014**  
(56) Related Art Documents: **Not Applicable**  
(57) Statement of Newness and Distinctiveness: **Newness and distinctiveness reside in the features of shape and configuration of the design as shown in the representations and excluding those features shown in broken lines.**



- (21) Design Number: **16565/2013**  
(22) Date of Filing Application: **16 December 2013**  
(24) Date from which industrial property rights may have effect: **16 December 2013**  
(54) Product in respect of which the design is registered: **Head belt**  
(51) International Design Classification: **02-03**  
(74) Name(s) of Attorney(s): **FB Rice**  
(71) Name(s) and Address(s) of Applicant(s):  
**Tecmen Electronics CO., LTD.**  
**Building D No. 21 North Liuzhou Road Xiaoliu Industry Park Nanjing**  
**210031 China**  
(72) Name(s) of Designer(s): **Ziqian Wu**  
(45) Registration Date: **22 January 2014**  
(56) Related Art Documents: **Not Applicable**  
(57) Statement of Newness and Distinctiveness: **Newness and distinctiveness**  
**reside in the features of the design as shown in solid lines in the**  
**representations excluding those features shown in broken lines.**



- (21) Design Number: **16566/2013**  
(22) Date of Filing Application: **16 December 2013**  
(24) Date from which industrial property rights may have effect: **16 December 2013**  
(54) Product in respect of which the design is registered: **Respirator**  
(51) International Design Classification: **24-01**  
(74) Name(s) of Attorney(s): **FB Rice**  
(71) Name(s) and Address(s) of Applicant(s):  
**Tecmen Electronics CO., LTD.**  
**Building D No. 21 North Liuzhou Road Xiaoliu Industry Park Nanjing**  
**210031 China**  
(72) Name(s) of Designer(s): **Ziqian Wu**  
(45) Registration Date: **22 January 2014**  
(56) Related Art Documents: **Not Applicable**  
(57) Statement of Newness and Distinctiveness: **Newness and distinctiveness**  
**reside in the features of the design as shown in solid lines in the**  
**representations excluding those features shown in broken lines.**

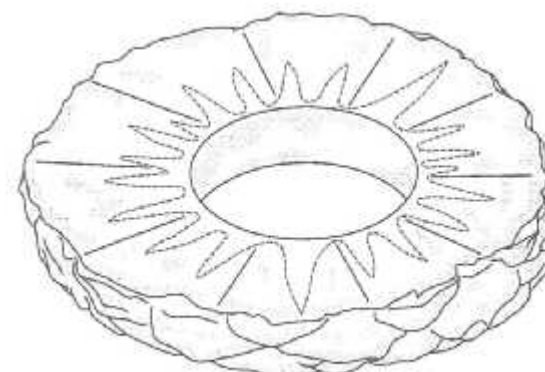




- (21) Design Number: **16567/2013**  
(22) Date of Filing Application: **16 December 2013**  
(24) Date from which industrial property rights may have effect: **16 December 2013**  
(54) Product in respect of which the design is registered: **Head belt**  
(51) International Design Classification: **02-03**  
(74) Name(s) of Attorney(s): **FB Rice**  
(71) Name(s) and Address(s) of Applicant(s):  
**Tecmen Electronics CO., LTD.**  
**Building D No. 21 North Liuzhou Road Xiaoliu Industry Park Nanjing**  
**210031 China**  
(72) Name(s) of Designer(s): **Ziqian Wu**  
(45) Registration Date: **22 January 2014**  
(56) Related Art Documents: **Not Applicable**  
(57) Statement of Newness and Distinctiveness: **Newness and distinctiveness**  
**reside in the features of the design as shown in solid lines in the**  
**representations excluding those features shown in broken lines.**



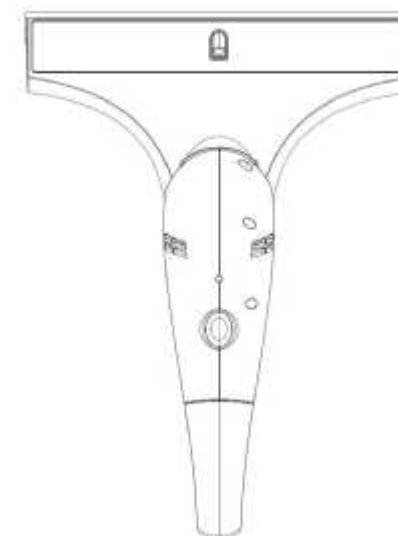
- (21) Design Number: **16571/2013**  
(22) Date of Filing Application: **16 December 2013**  
(24) Date from which industrial property rights may have effect: **16 December 2013**  
(54) Product in respect of which the design is registered: **Childs pineapple ring**  
**teething toy**  
(51) International Design Classification: **21-01NES**  
(74) Name(s) of Attorney(s): **Griffith Hack**  
(71) Name(s) and Address(s) of Applicant(s):  
**Lori A Bredemeier**  
**1968 Bayshore Boulevard Dunedin Florida, 34698 United States of**  
**America**  
**Michael K Bredemeier**  
**1968 Bayshore Boulevard Dunedin Florida, 34698 United States of**  
**America**  
(72) Name(s) of Designer(s): **Lori A Bredemeier and Michael K Bredemeier**  
(45) Registration Date: **22 January 2014**  
(30) Convention priority data:  
(31) Number      (32) Date      (33) Country  
**29/458,863      24 Jun 2013      UNITED STATES OF AMERICA**  
(56) Related Art Documents: **Not Applicable**  
(57) Statement of Newness and Distinctiveness: **Newness and distinctiveness**  
**resides in the visual features of the product, including the shape,**  
**configuration and ornamentation as shown in the accompanying**  
**representations.**



(21) Design Number: **16573/2013**  
(22) Date of Filing Application: **16 December 2013**  
(24) Date from which industrial property rights may have effect: **16 December 2013**  
(54) Product in respect of which the design is registered: **Earrings**  
(51) International Design Classification: **11-01D**  
(74) Name(s) of Attorney(s): **Callinans**  
(71) Name(s) and Address(s) of Applicant(s):  
**Bulgari S.p.A.**  
**Lungotevere Marzio 11 Rome 00186 Italy**  
(72) Name(s) of Designer(s): **Paolo Bulgari**  
(45) Registration Date: **22 January 2014**  
(30) Convention priority data:  
(31) Number (32) Date (33) Country  
**745218901 19 Jun 2013 WORLD INTELLECTUAL  
PROPERTY ORGANIZATION  
(WIPO)**  
(56) Related Art Documents: **Not Applicable**  
(57) Statement of Newness and Distinctiveness: **Nil**

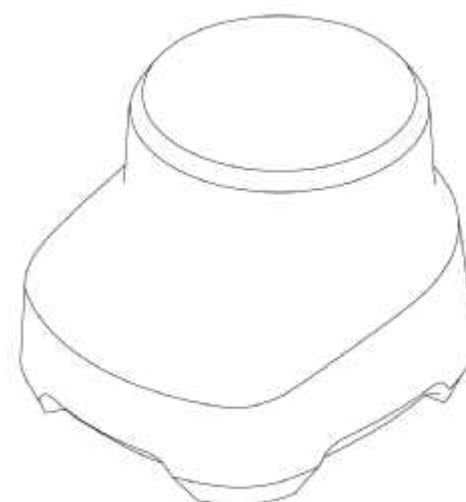


(21) Design Number: **13904/2013**  
(22) Date of Filing Application: **13 August 2013**  
(24) Date from which industrial property rights may have effect: **13 August 2013**  
(54) Product in respect of which the design is registered: **Electric kitchen  
appliance**  
(51) International Design Classification: **07-05E**  
(74) Name(s) of Attorney(s): **EKM patent & trade marks**  
(71) Name(s) and Address(s) of Applicant(s):  
**ECODROP SARL**  
**17, rue de la Foret Vendenheim 67550 France**  
(72) Name(s) of Designer(s): **Gerard Curien**  
(45) Registration Date: **22 January 2014**  
(30) Convention priority data:  
(31) Number (32) Date (33) Country  
**002184663-0003 14 Feb 2013 OFFICE FOR HARMONISATION IN  
THE INTERNAL MARKET (OHIM)**  
(56) Related Art Documents: **Not Applicable**  
(57) Statement of Newness and Distinctiveness: **Newness and distinctiveness  
resides in the features of shape and/or configuration of the product as  
shown in the accompanying representations.**

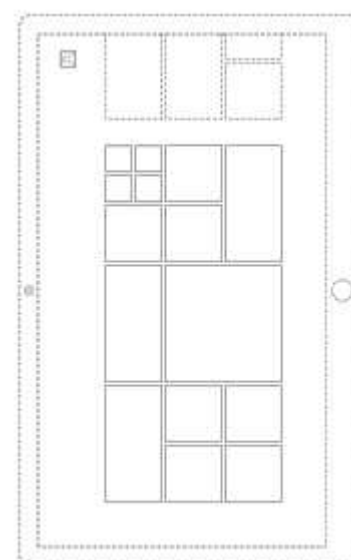




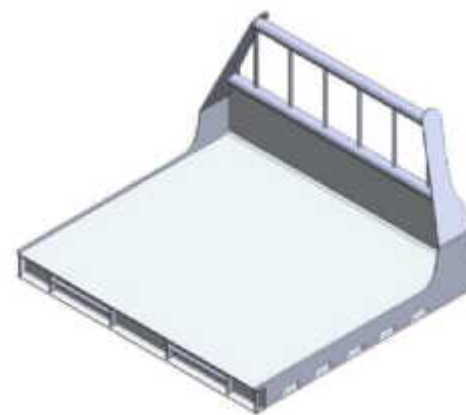
- (21) Design Number: **14422/2013**  
(22) Date of Filing Application: **05 September 2013**  
(24) Date from which industrial property rights may have effect: **05 September 2013**  
(54) Product in respect of which the design is registered: **Blender base**  
(51) International Design Classification: **31-00**  
(74) Name(s) of Attorney(s): **Molins & Co Pty Ltd**  
(71) Name(s) and Address(s) of Applicant(s):  
**Breville Pty Limited**  
**Building 2 Port Air Industrial Est 1A Hale St Botany NSW 2019 Australia**  
(72) Name(s) of Designer(s): **Mark Thomas and Greg Upston**  
(45) Registration Date: **22 January 2014**  
(56) Related Art Documents: **Not Applicable**  
(57) Statement of Newness and Distinctiveness: **Newness is claimed in the features of shape and configuration of the blender base as shown in the accompanying representations.**



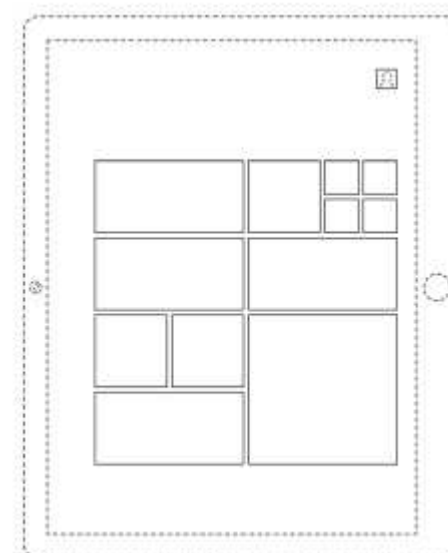
- (21) Design Number: **16589/2013**  
(22) Date of Filing Application: **17 December 2013**  
(24) Date from which industrial property rights may have effect: **17 December 2013**  
(54) Product in respect of which the design is registered: **Display screen with graphical user interface**  
(51) International Design Classification: **14-02**  
(74) Name(s) of Attorney(s): **Shelston IP**  
(71) Name(s) and Address(s) of Applicant(s):  
**Microsoft Corporation**  
**One Microsoft Way Redmond Washington 98052 United States of America**  
(72) Name(s) of Designer(s): **Alan Andrew Urdan and Hui-Chun Ku and Lauren Michelle Beckwith and Nazia Zaman and Poorva Singal**  
(45) Registration Date: **22 January 2014**  
(30) Convention priority data:  
(31) Number      (32) Date      (33) Country  
**29/466682      10 Sep 2013      UNITED STATES OF AMERICA**  
(56) Related Art Documents: **Not Applicable**  
(57) Statement of Newness and Distinctiveness: **Newness and distinctiveness reside in the features of pattern and/or ornamentation of a display screen with graphical user interface as illustrated by solid lines in the accompanying representation. The features shown in broken outline are for contextual purposes only and do not form part of the design.**



(21) Design Number: **14423/2013**  
(22) Date of Filing Application: **05 September 2013**  
(24) Date from which industrial property rights may have effect: **05 September 2013**  
(54) Product in respect of which the design is registered: **Utility or pickup tray**  
(51) International Design Classification: **12-16NES**  
(74) Name(s) of Attorney(s):  
(71) Name(s) and Address(s) of Applicant(s):  
**Exhibition & Theatre Projects Pty Ltd**  
**9 Dorset St Lonsdale SA 5061 Australia**  
(72) Name(s) of Designer(s): **Steven Christopher Conroy**  
(45) Registration Date: **22 January 2014**  
(56) Related Art Documents: **Not Applicable**  
(57) Statement of Newness and Distinctiveness: **Nil**



(21) Design Number: **16590/2013**  
(22) Date of Filing Application: **17 December 2013**  
(24) Date from which industrial property rights may have effect: **17 December 2013**  
(54) Product in respect of which the design is registered: **Display screen with graphical user interface**  
(51) International Design Classification: **14-02, 14-04**  
(74) Name(s) of Attorney(s): **Shelston IP**  
(71) Name(s) and Address(s) of Applicant(s):  
**Microsoft Corporation**  
**One Microsoft Way Redmond Washington 98052 United States of America**  
(72) Name(s) of Designer(s): **Alan Andrew Urdan and Hui-Chun Ku and Lauren Michelle Beckwith and Nazia Zaman and Poorva Singal**  
(45) Registration Date: **22 January 2014**  
(30) Convention priority data:  
(31) Number (32) Date (33) Country  
**29/466680 10 Sep 2013 UNITED STATES OF AMERICA**  
(56) Related Art Documents: **Not Applicable**  
(57) Statement of Newness and Distinctiveness: **Newness and distinctiveness reside in the features of pattern and/or ornamentation of a display screen with graphical user interface as illustrated by solid lines in the accompanying representation. The features shown in broken outline are for contextual purposes only and do not form part of the design.**



(21) Design Number: **16591/2013**  
(22) Date of Filing Application: **17 December 2013**  
(24) Date from which industrial property rights may have effect: **17 December 2013**  
(54) Product in respect of which the design is registered: **Display screen with icon**  
(51) International Design Classification: **14-02, 14-04**  
(74) Name(s) of Attorney(s): **Shelston IP**  
(71) Name(s) and Address(s) of Applicant(s):

**Microsoft Corporation**  
**One Microsoft Way Redmond Washington 98052 United States of America**

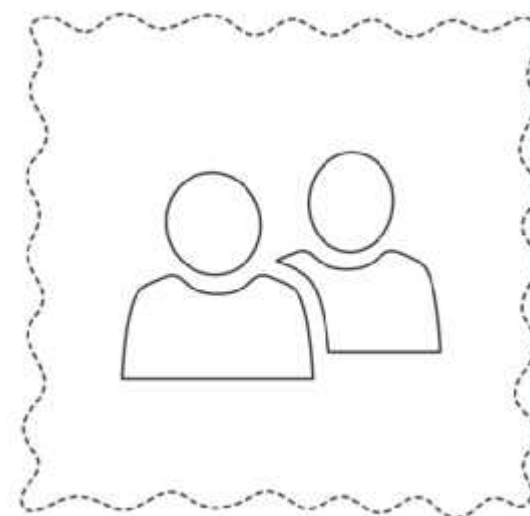
(72) Name(s) of Designer(s): **Kieran Phelan**  
(45) Registration Date: **22 January 2014**

(30) Convention priority data:

(31) Number	(32) Date	(33) Country
<b>29/466369</b>	<b>06 Sep 2013</b>	<b>UNITED STATES OF AMERICA</b>

(56) Related Art Documents: **Not Applicable**

(57) Statement of Newness and Distinctiveness: **Newness and distinctiveness reside in the features of pattern and/or ornamentation of a display screen with icon as illustrated by solid lines in the accompanying representation. The features shown in broken outline are for contextual purposes only and do not form part of the design.**



(21) Design Number: **16593/2013**  
(22) Date of Filing Application: **17 December 2013**  
(24) Date from which industrial property rights may have effect: **17 December 2013**  
(54) Product in respect of which the design is registered: **Display screen with icon group**  
(51) International Design Classification: **14-02, 14-04**  
(74) Name(s) of Attorney(s): **Shelston IP**  
(71) Name(s) and Address(s) of Applicant(s):

**Microsoft Corporation**  
**One Microsoft Way Redmond Washington 98052 United States of America**

(72) Name(s) of Designer(s): **Denise Michele Trabona**  
(45) Registration Date: **22 January 2014**

(30) Convention priority data:

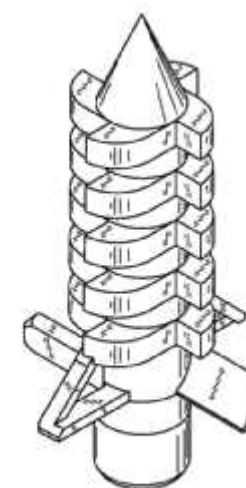
(31) Number	(32) Date	(33) Country
<b>29/466367</b>	<b>06 Sep 2013</b>	<b>UNITED STATES OF AMERICA</b>

(56) Related Art Documents: **Not Applicable**

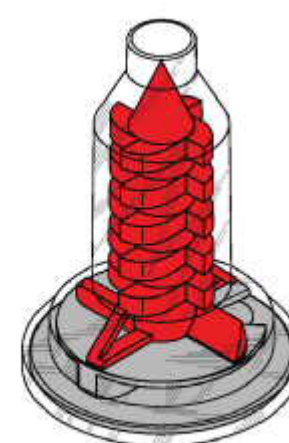
(57) Statement of Newness and Distinctiveness: **Newness and distinctiveness reside in the features of pattern and/or ornamentation of a display screen with icon group as illustrated by solid lines in the accompanying representation. The features shown in broken outline are for contextual purposes only and do not form part of the design. The letters depicted are shown by way of example only and may be substituted by other symbols.**



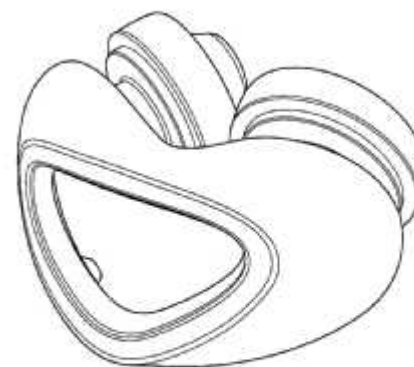
- (21) Design Number: **15685/2013**  
(22) Date of Filing Application: **06 November 2013**  
(24) Date from which industrial property rights may have effect: **06 November 2013**  
(54) Product in respect of which the design is registered: **Mixing tips**  
(51) International Design Classification: **24-02, 24-01**  
(74) Name(s) of Attorney(s): **Davies Collison Cave**  
(71) Name(s) and Address(s) of Applicant(s):  
**3M Innovative Properties Company**  
**3M Center Saint Paul Minnesota 55133-3427 United States of America**  
(72) Name(s) of Designer(s): **Rudolf Schmid and Emir Jelovac and Manfred Harre and Marc Peuker and Christian A Richter and Thomas Kletter**  
(45) Registration Date: **22 January 2014**  
(30) Convention priority data:  
(31) Number (32) Date (33) Country  
**1370720 08 May 2013 OFFICE FOR HARMONISATION IN THE INTERNAL MARKET (OHIM)**  
(56) Related Art Documents: **Not Applicable**  
(57) Statement of Newness and Distinctiveness: **Newness and distinctiveness is claimed in the visual features of the interface of the mixing element shown in solid lines in the representations.**



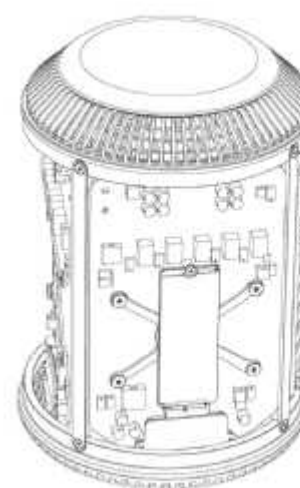
- (21) Design Number: **15686/2013**  
(22) Date of Filing Application: **06 November 2013**  
(24) Date from which industrial property rights may have effect: **06 November 2013**  
(54) Product in respect of which the design is registered: **Mixing tips**  
(51) International Design Classification: **24-02, 24-01**  
(74) Name(s) of Attorney(s): **Davies Collison Cave**  
(71) Name(s) and Address(s) of Applicant(s):  
**3M Innovative Properties Company**  
**3M Center Saint Paul Minnesota 55133-3427 United States of America**  
(72) Name(s) of Designer(s): **Rudolf Schmid and Emir Jelovac and Manfred Harre and Marc Peuker and Christian A Richter and Thomas Kletter**  
(45) Registration Date: **22 January 2014**  
(30) Convention priority data:  
(31) Number (32) Date (33) Country  
**1370720 08 May 2013 OFFICE FOR HARMONISATION IN THE INTERNAL MARKET (OHIM)**  
(56) Related Art Documents: **Not Applicable**  
(57) Statement of Newness and Distinctiveness: **Newness and distinctiveness is claimed in the visual features shown in solid lines in the representations. The mixing tips have a red mixing element and a grey base plate.**



(21) Design Number: **15697/2013**  
(22) Date of Filing Application: **06 November 2013**  
(24) Date from which industrial property rights may have effect: **06 November 2013**  
(54) Product in respect of which the design is registered: **Cushion for a patient interface assembly**  
(51) International Design Classification: **24-02**  
(74) Name(s) of Attorney(s): **FB Rice**  
(71) Name(s) and Address(s) of Applicant(s):  
**Koninklijke Philips N.V.**  
**High Tech Campus 5 5656 AE Eindhoven The Netherlands**  
(72) Name(s) of Designer(s): **Kevin Daniel Himes and Elizabeth Eury and Steven Robert Warren**  
(45) Registration Date: **22 January 2014**  
(30) Convention priority data:  
(31) Number (32) Date (33) Country  
**002233619-0005 07 May 2013 OFFICE FOR HARMONISATION IN THE INTERNAL MARKET (OHIM)**  
(56) Related Art Documents: **Not Applicable**  
(57) Statement of Newness and Distinctiveness: **Newness and distinctiveness reside in the features of shape and configuration of the design as shown in the representations.**



(21) Design Number: **15901/2013**  
(22) Date of Filing Application: **18 November 2013**  
(24) Date from which industrial property rights may have effect: **18 November 2013**  
(54) Product in respect of which the design is registered: **Electronic device**  
(51) International Design Classification: **14-01, 14-02, 14-99**  
(74) Name(s) of Attorney(s): **Freehills Patent Attorneys**  
(71) Name(s) and Address(s) of Applicant(s):  
**Apple Inc.**  
**1 Infinite Loop Cupertino California 95014 United States of America**  
(72) Name(s) of Designer(s): **Jody Akana and Bartley K Andre and Shota Aoyagi and Jeremy Bataillou and Daniel J Coster and Daniele De Iuliis and M Evans Hankey and Julian Hoenig and Richard P Howarth and Jonathan P Ive and Duncan Robert Kerr and Matthew Dean Rohrbach and Peter Russell-Clarke and Mikael Silvano and Christopher J Stringer and Eugene Antony Whang and Rico Zorkendorfer**  
(45) Registration Date: **22 January 2014**  
(30) Convention priority data:  
(31) Number (32) Date (33) Country  
**29/457337 09 Jun 2013 UNITED STATES OF AMERICA**  
(56) Related Art Documents: **Not Applicable**  
(57) Statement of Newness and Distinctiveness: **Nil**



(21) Design Number: **15904/2013**  
(22) Date of Filing Application: **18 November 2013**  
(24) Date from which industrial property rights may have effect: **18 November 2013**  
(54) Product in respect of which the design is registered: **Electronic device**  
(51) International Design Classification: **14-01, 14-02, 14-99**  
(74) Name(s) of Attorney(s): **Freehills Patent Attorneys**  
(71) Name(s) and Address(s) of Applicant(s):

**Apple Inc.**  
**1 Infinite Loop Cupertino California 95014 United States of America**

(72) Name(s) of Designer(s): **Jody Akana and Bartley K Andre and Shota Aoyagi and Jeremy Bataillou and Daniel J Coster and Daniele De Iuliis and M Evans Hankey and Julian Hoenig and Richard P Howarth and Jonathan P Ive and Duncan Robert Kerr and Matthew Dean Rohrbach and Peter Russell-Clarke and Mikael Silvano and Christopher J Stringer and Eugene Antony Whang and Rico Zorkendorfer**

(45) Registration Date: **22 January 2014**

(30) Convention priority data:

(31) Number	(32) Date	(33) Country
<b>29/457349</b>	<b>09 Jun 2013</b>	<b>UNITED STATES OF AMERICA</b>

(56) Related Art Documents: **Not Applicable**

(57) Statement of Newness and Distinctiveness: **Newness and distinctiveness of the design resides in the features of shape and configuration of the electronic device as shown in solid lines in the accompanying representations.**



(21) Design Number: **15979/2013**  
(22) Date of Filing Application: **19 November 2013**  
(24) Date from which industrial property rights may have effect: **19 November 2013**  
(54) Product in respect of which the design is registered: **Caddy**  
(51) International Design Classification: **07-99NES**  
(74) Name(s) of Attorney(s): **Davies Collison Cave**  
(71) Name(s) and Address(s) of Applicant(s):

**3M Innovative Properties Company**  
**3M Center Saint Paul Minnesota, 55133-3427 United States of America**

(72) Name(s) of Designer(s): **Angela L. Pan and Giuseppe De Bellis and Craig D. Thompson**

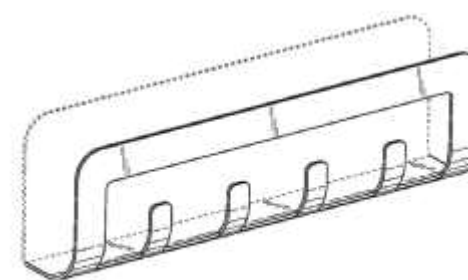
(45) Registration Date: **22 January 2014**

(30) Convention priority data:

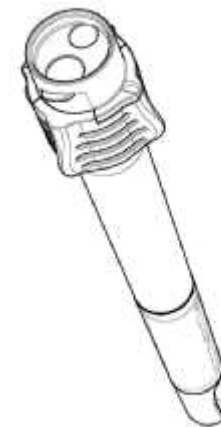
(31) Number	(32) Date	(33) Country
<b>29/455462</b>	<b>21 May 2013</b>	<b>UNITED STATES OF AMERICA</b>

(56) Related Art Documents: **Not Applicable**

(57) Statement of Newness and Distinctiveness: **Newness and distinctiveness is claimed in the visual features shown in solid lines in the representations. In considering the extent of the design rights, the broken lines shown in the representations are for illustrative purposes only and do not form part of the design.**



(21) Design Number: **16230/2013**  
(22) Date of Filing Application: **29 November 2013**  
(24) Date from which industrial property rights may have effect: **29 November 2013**  
(54) Product in respect of which the design is registered: **Rectal catheter**  
(51) International Design Classification: **24-02**  
(74) Name(s) of Attorney(s): **PHILLIPS ORMONDE FITZPATRICK**  
(71) Name(s) and Address(s) of Applicant(s):



**Dentsply IH AB**  
**Aminogatan 1 Molndal 431 21 Sweden**

(72) Name(s) of Designer(s): **Par Bergstrom and Andersson Fredrik and Erik Andreen and Michon-Gente Marie-Josee**  
(45) Registration Date: **22 January 2014**  
(30) Convention priority data:  
(31) Number      (32) Date      (33) Country  
**001372916      03 Jun 2013      OFFICE FOR HARMONISATION IN THE INTERNAL MARKET (OHIM)**

(56) Related Art Documents: **Not Applicable**  
(57) Statement of Newness and Distinctiveness: **Those features of the rectal catheter depicted in the representations that are new and distinctive are the shape and/or configuration. The features shown in broken lines are not part of the design and are to be disregarded when considering the overall impression of the design.**

(21) Design Number: **16376/2013**  
(22) Date of Filing Application: **05 December 2013**  
(24) Date from which industrial property rights may have effect: **05 December 2013**  
(54) Product in respect of which the design is registered: **Lighting apparatus**  
(51) International Design Classification: **26-05C**  
(74) Name(s) of Attorney(s): **PHILLIPS ORMONDE FITZPATRICK**  
(71) Name(s) and Address(s) of Applicant(s):

**Forma Lighting Italia S.r.l**  
**Viale Piave 15 20129 Milano Italy**

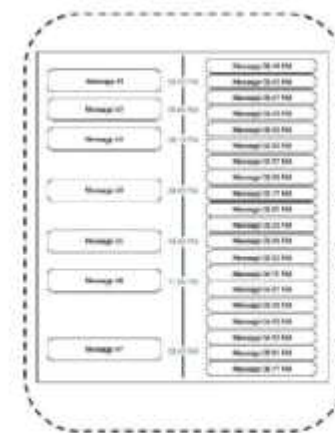
(72) Name(s) of Designer(s): **Franco Mirezni**  
(45) Registration Date: **22 January 2014**  
(30) Convention priority data:  
(31) Number      (32) Date      (33) Country  
**002250654-002      06 Jun 2013      OFFICE FOR HARMONISATION IN THE INTERNAL MARKET (OHIM)**



(56) Related Art Documents: **Not Applicable**  
(57) Statement of Newness and Distinctiveness: **Nil**



(21) Design Number: **15538/2013**  
(22) Date of Filing Application: **29 October 2013**  
(24) Date from which industrial property rights may have effect: **29 October 2013**  
(54) Product in respect of which the design is registered: **A Display Screen**  
(51) International Design Classification: **14-02**  
(74) Name(s) of Attorney(s): **Marks & Clerk Australia**  
(71) Name(s) and Address(s) of Applicant(s):  
**Viber Media, Inc.**  
**53rd E Street MMG Tower, 16th Floor Urbanizacion Marbella Republic of Panama**



(72) Name(s) of Designer(s): **Michael Shmilov and Ido lungelson**  
(45) Registration Date: **22 January 2014**  
(30) Convention priority data:  
(31) Number (32) Date (33) Country  
**29/453,608 01 May 2013 UNITED STATES OF AMERICA**

(56) Related Art Documents: **Not Applicable**  
(57) Statement of Newness and Distinctiveness: **In considering the newness or distinctiveness of the design, regard is to be given to the overall ornamentation, pattern and configuration of the graphical user interface for a display screen as shown in the representations; and the features of the display screen shown in broken lines does not form part of the design.**

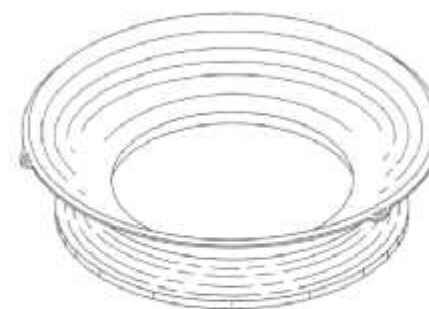
(21) Design Number: **15675/2013**  
(22) Date of Filing Application: **05 November 2013**  
(24) Date from which industrial property rights may have effect: **05 November 2013**  
(54) Product in respect of which the design is registered: **Protective case for fishing reels**  
(51) International Design Classification: **03-01NES, 03-01C**  
(74) Name(s) of Attorney(s):  
(71) Name(s) and Address(s) of Applicant(s):  
**OA Investment Management Pty Limited**  
**18 Noble St Rodd Point NSW 2046 Australia**



(72) Name(s) of Designer(s): **Simon Duff**  
(45) Registration Date: **22 January 2014**  
(56) Related Art Documents: **Not Applicable**  
(57) Statement of Newness and Distinctiveness: **Nil**



(21) Design Number: **15889/2013**  
(22) Date of Filing Application: **18 November 2013**  
(24) Date from which industrial property rights may have effect: **18 November 2013**  
(54) Product in respect of which the design is registered: **Device for stabilizing an object**  
(51) International Design Classification: **07-01B**  
(74) Name(s) of Attorney(s): **Griffith Hack**  
(71) Name(s) and Address(s) of Applicant(s):  
**Staybowlizer Inc.**  
**2600-160 Elgin Street Ottawa ON K1P 1C3 Canada**  
(72) Name(s) of Designer(s): **Stefan St. Jacques**  
(45) Registration Date: **22 January 2014**  
(30) Convention priority data:  
(31) Number (32) Date (33) Country  
**001371678-0001 17 May 2013 OFFICE FOR HARMONISATION IN THE INTERNAL MARKET (OHIM)**



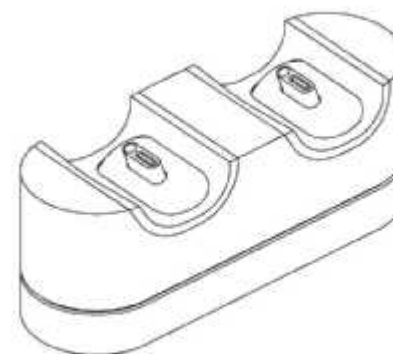
(56) Related Art Documents: **Not Applicable**  
(57) Statement of Newness and Distinctiveness: **Newness and distinctiveness resides in the visual features, including shape and configuration of the product as shown by means of solid lines in the accompanying Figures. Those parts shown by means of dashed lines, including the word "staybowlizer" shown in figure 2 and the bowl illustrated in figures 5 and 7, do not form part of the design.**

(21) Design Number: **16455/2013**  
(22) Date of Filing Application: **11 December 2013**  
(24) Date from which industrial property rights may have effect: **11 December 2013**  
(54) Product in respect of which the design is registered: **Sofa**  
(51) International Design Classification: **06-01G**  
(74) Name(s) of Attorney(s): **Shelston IP**  
(71) Name(s) and Address(s) of Applicant(s):  
**Starway International Home-Living Co., Ltd.**  
**No. 97 Shiyuan Road Nancheng Huangyan Taizhou Zhejiang People's Republic of China**  
(72) Name(s) of Designer(s): **Genlin Ye**  
(45) Registration Date: **22 January 2014**  
(30) Convention priority data:  
(31) Number (32) Date (33) Country  
**201330257357.4 18 Jun 2013 CHINA**



(56) Related Art Documents: **Not Applicable**  
(57) Statement of Newness and Distinctiveness: **Newness and distinctiveness reside in the features of shape and/or configuration of a SOFA as illustrated in the accompanying representations.**

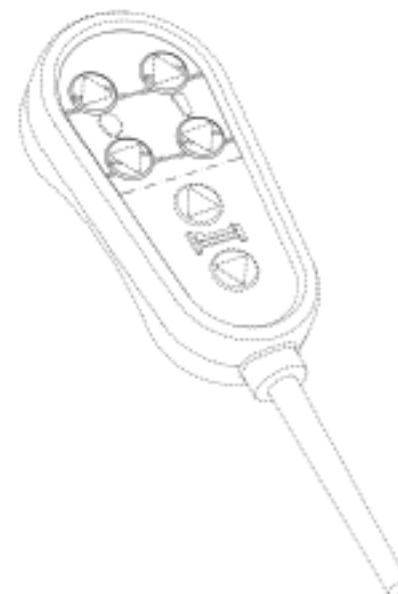
(21) Design Number: **16128/2013**  
(22) Date of Filing Application: **25 November 2013**  
(24) Date from which industrial property rights may have effect: **25 November 2013**  
(54) Product in respect of which the design is registered: **Cradle**  
(51) International Design Classification: **14-99**  
(74) Name(s) of Attorney(s): **Shelston IP**  
(71) Name(s) and Address(s) of Applicant(s):  
**Sony Computer Entertainment Inc.**  
**1-7-1 Konan Minato-ku Tokyo 108-0075 Japan**  
(72) Name(s) of Designer(s): **Tetsu Sumii**  
(45) Registration Date: **22 January 2014**  
(30) Convention priority data:  
(31) Number      (32) Date      (33) Country  
**2013-012879      07 Jun 2013      JAPAN**  
(56) Related Art Documents: **Not Applicable**  
(57) Statement of Newness and Distinctiveness: **Newness and distinctiveness reside in the features of shape and/or configuration of the cradle as shown in the accompanying representations.**



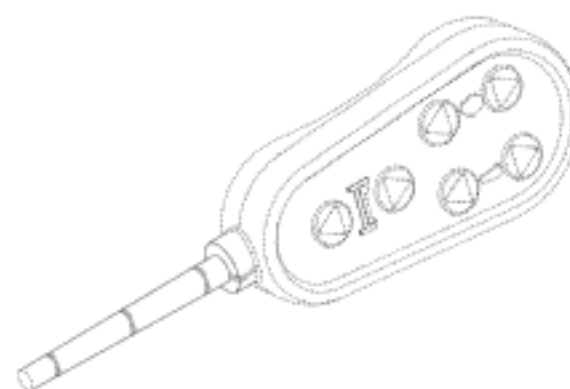
(21) Design Number: **16579/2013**  
(22) Date of Filing Application: **16 December 2013**  
(24) Date from which industrial property rights may have effect: **16 December 2013**  
(54) Product in respect of which the design is registered: **Buckle**  
(51) International Design Classification: **02-07A**  
(74) Name(s) of Attorney(s): **WATERMARK PATENT AND TRADE MARKS ATTORNEYS**  
(71) Name(s) and Address(s) of Applicant(s):  
**OMEGA SA (OMEGA AG) (OMEGA LTD.)**  
**Jakob-Stampfli-Strasse 96 Biel/Bienne 2502 Switzerland**  
(72) Name(s) of Designer(s): **Jean-Claude Monachon**  
(45) Registration Date: **23 January 2014**  
(30) Convention priority data:  
(31) Number      (32) Date      (33) Country  
**DM/081 178      21 Jun 2013      SWITZERLAND**  
(56) Related Art Documents: **Not Applicable**  
(57) Statement of Newness and Distinctiveness: **Nil**



(21) Design Number: **16580/2013**  
(22) Date of Filing Application: **16 December 2013**  
(24) Date from which industrial property rights may have effect: **13 September 2013**  
(54) Product in respect of which the design is registered: **Controller**  
(51) International Design Classification: **14-03NES, 06-06F**  
(74) Name(s) of Attorney(s): **Madderns**  
(71) Name(s) and Address(s) of Applicant(s):  
**Invacare Corporation**  
**One Invacare Way Elyria Ohio 44036-2126 United States of America**  
(72) Name(s) of Designer(s): **Ricky J McCullar and Michael Sedlak and Kristie L Jarrett and Michael Romano**  
(45) Registration Date: **23 January 2014**  
(30) Convention priority data:  
(31) Number (32) Date (33) Country  
**29/448,921 14 Mar 2013 UNITED STATES OF AMERICA**  
(62) Divisional of: **353308**  
(56) Related Art Documents: **Not Applicable**  
(57) Statement of Newness and Distinctiveness: **Nil**



(21) Design Number: **16581/2013**  
(22) Date of Filing Application: **16 December 2013**  
(24) Date from which industrial property rights may have effect: **13 September 2013**  
(54) Product in respect of which the design is registered: **Controller**  
(51) International Design Classification: **14-03NES, 06-06F**  
(74) Name(s) of Attorney(s): **Madderns**  
(71) Name(s) and Address(s) of Applicant(s):  
**Invacare Corporation**  
**One Invacare Way Elyria Ohio 44036-2126 United States of America**  
(72) Name(s) of Designer(s): **Ricky J McCullar and Michael Sedlak and Kristie L Jarrett and Michael Romano**  
(45) Registration Date: **23 January 2014**  
(30) Convention priority data:  
(31) Number (32) Date (33) Country  
**29/448,921 14 Mar 2013 UNITED STATES OF AMERICA**  
(62) Divisional of: **353308**  
(56) Related Art Documents: **Not Applicable**  
(57) Statement of Newness and Distinctiveness: **Nil**



(21) Design Number: **16586/2013**  
(22) Date of Filing Application: **16 December 2013**  
(24) Date from which industrial property rights may have effect: **16 December 2013**  
(54) Product in respect of which the design is registered: **Lid**  
(51) International Design Classification: **09-07B**  
(74) Name(s) of Attorney(s): **K&L Gates**  
(71) Name(s) and Address(s) of Applicant(s):  
**Smash Asset Management Pty Ltd**  
**33 Redland Dr Mitcham VIC 3132 Australia**  
(72) Name(s) of Designer(s): **Adam Laracy**  
(45) Registration Date: **23 January 2014**  
(56) Related Art Documents: **Not Applicable**  
(57) Statement of Newness and Distinctiveness: **Nil**



(21) Design Number: **10158/2014**  
(22) Date of Filing Application: **15 January 2014**  
(24) Date from which industrial property rights may have effect: **15 January 2014**  
(54) Product in respect of which the design is registered: **Ice pop form**  
(51) International Design Classification: **09-05, 01-01**  
(74) Name(s) of Attorney(s):  
(71) Name(s) and Address(s) of Applicant(s):  
**WIZCO LLC**  
**4957 Lakemont Blvd SE #C4-223 Bellevue WA 98006 United States of America**  
(72) Name(s) of Designer(s): **Shawna Palmer**  
(45) Registration Date: **23 January 2014**  
(30) Convention priority data:  
(31) Number      (32) Date      (33) Country  
**US 29/476331      12 Dec 2013      UNITED STATES OF AMERICA**



(56) Related Art Documents: **Not Applicable**  
(57) Statement of Newness and Distinctiveness: **Newness and distinctiveness resides in the features of shape, and/or configuration of the frozen confection form as shown in the representations. The claimed reclosable frozen confection form is used for conveniently making frozen confections without the need for sticks. Fig. 1 is a perspective view of a reclosable frozen confection form showing the new design; Fig. 2 is a front view thereof in a filled and closed position; Fig. 3 is a right side view thereof in a filled and closed position; the opposite being a mirror image thereof; Fig. 4 is a right side view thereof in a filled and open position; the opposite being a mirror image thereof; Fig. 5 is a top view thereof in a filled and closed position; Fig. 6 is a bottom view thereof in a filled and open position; Fig.7 is a front view thereof in an empty collapsed state; the opposite being a mirror image thereof.**

- (21) Design Number: **12337/2013**  
(22) Date of Filing Application: **17 May 2013**  
(24) Date from which industrial property rights may have effect: **17 May 2013**  
(54) Product in respect of which the design is registered: **Bag**  
(51) International Design Classification: **03-01B**  
(74) Name(s) of Attorney(s): **Allens Patent & Trade Mark Attorneys**  
(71) Name(s) and Address(s) of Applicant(s):  
**Forever New Clothing Pty Ltd**  
**714-716 High St Kew East Victoria 3102 Australia**  
(72) Name(s) of Designer(s): **Georgia Roberts-Thomson**  
(45) Registration Date: **23 January 2014**  
(56) Related Art Documents: **Not Applicable**  
(57) Statement of Newness and Distinctiveness: **Newness and distinctiveness resides in the visual features of shape, configuration, pattern and/or ornamentation of a bag as shown in the accompanying representations.**



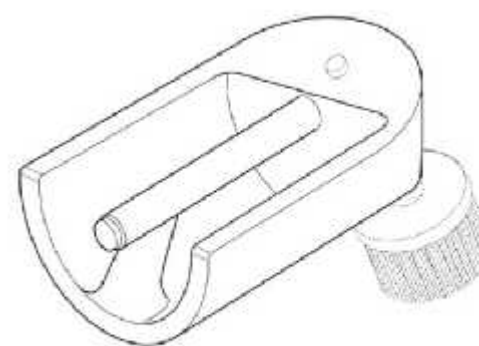
- (21) Design Number: **12338/2013**  
(22) Date of Filing Application: **17 May 2013**  
(24) Date from which industrial property rights may have effect: **17 May 2013**  
(54) Product in respect of which the design is registered: **Article of clothing**  
(51) International Design Classification: **02-02B**  
(74) Name(s) of Attorney(s): **Allens Patent & Trade Mark Attorneys**  
(71) Name(s) and Address(s) of Applicant(s):  
**Forever New Clothing Pty Ltd**  
**714-716 High St Kew East Victoria 3102 Australia**  
(72) Name(s) of Designer(s): **Alice Burrow**  
(45) Registration Date: **23 January 2014**  
(56) Related Art Documents: **Not Applicable**  
(57) Statement of Newness and Distinctiveness: **Newness and distinctiveness resides in the visual features of shape, configuration, pattern and/or ornamentation of an article of clothing as shown in the accompanying representations.**



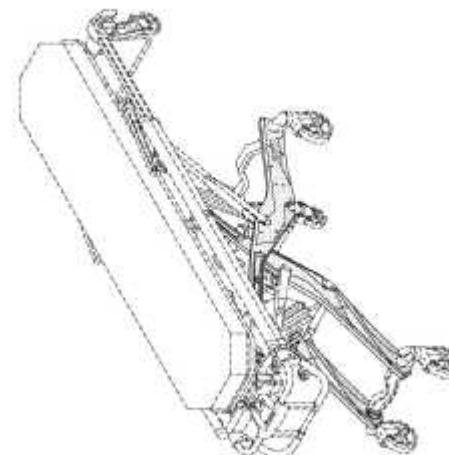
- (21) Design Number: **12605/2013**  
(22) Date of Filing Application: **04 June 2013**  
(24) Date from which industrial property rights may have effect: **04 June 2013**  
(54) Product in respect of which the design is registered: **A container**  
(51) International Design Classification: **09-01D**  
(74) Name(s) of Attorney(s): **Freehills Patent Attorneys**  
(71) Name(s) and Address(s) of Applicant(s):  
**Funtastic Limited**  
**Lvl 2 Twr 2 Chadstone PI 1341 Dandenong Rd Chadstone VIC 3148**  
**Australia**  
(72) Name(s) of Designer(s): **Billy Yip**  
(45) Registration Date: **23 January 2014**  
(56) Related Art Documents: **Not Applicable**  
(57) Statement of Newness and Distinctiveness: **Newness and distinctiveness resides in the features of shape and configuration of the container shown in the representations. In considering whether the design is similar in overall impression to another design, no regard is to be given to the depth or tone of shading used in the representations.**



- (21) Design Number: **16542/2013**  
(22) Date of Filing Application: **13 December 2013**  
(24) Date from which industrial property rights may have effect: **13 December 2013**  
(54) Product in respect of which the design is registered: **A cleaning tool**  
(51) International Design Classification: **15-05, 08-99**  
(74) Name(s) of Attorney(s): **Collison & Co**  
(71) Name(s) and Address(s) of Applicant(s):  
**Mark Scarpellini**  
**5 Farah PI Cumberland Park SA 5041 Australia**  
(72) Name(s) of Designer(s): **Mark Scarpellini**  
(45) Registration Date: **23 January 2014**  
(56) Related Art Documents: **Not Applicable**  
(57) Statement of Newness and Distinctiveness: **Newness and distinctiveness is claimed in the shape and/or configuration of the cleaning tool as shown in the accompanying representations, excluding the broken lines.**



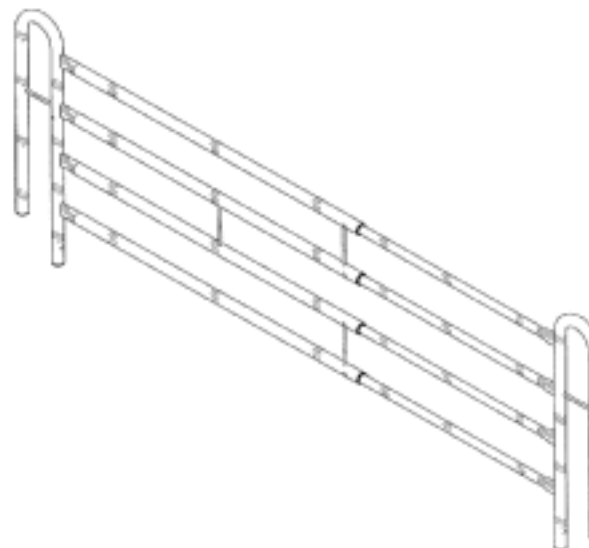
(21) Design Number: **16558/2013**  
(22) Date of Filing Application: **16 December 2013**  
(24) Date from which industrial property rights may have effect: **16 December 2013**  
(54) Product in respect of which the design is registered: **Legs of a patient transport device**  
(51) International Design Classification: **12-12**  
(74) Name(s) of Attorney(s): **Griffith Hack**  
(71) Name(s) and Address(s) of Applicant(s):  
**Ferno-Washington, Inc.**  
**70 Weil Way Wilmington Ohio 45177-9371 United States of America**  
(72) Name(s) of Designer(s): **Nicholas V Valentino**  
(45) Registration Date: **23 January 2014**  
(30) Convention priority data:  
(31) Number (32) Date (33) Country  
**29/458,150 17 Jun 2013 UNITED STATES OF AMERICA**  
(56) Related Art Documents: **Not Applicable**  
(57) Statement of Newness and Distinctiveness: **Newness and distinctiveness resides in the visual features, including shape and configuration of the product as shown in the accompanying representations. Those parts shown by means of dashed lines do not form part of the design and have been included for illustrative purposes.**



(21) Design Number: **16577/2013**  
(22) Date of Filing Application: **16 December 2013**  
(24) Date from which industrial property rights may have effect: **16 December 2013**  
(54) Product in respect of which the design is registered: **Coffee maker**  
(51) International Design Classification: **07-02L**  
(74) Name(s) of Attorney(s): **Callinans**  
(71) Name(s) and Address(s) of Applicant(s):  
**Kenwood Limited**  
**New Lane Havant Hampshire PO9 2NH England**  
(72) Name(s) of Designer(s): **Paul Palmer**  
(45) Registration Date: **23 January 2014**  
(30) Convention priority data:  
(31) Number (32) Date (33) Country  
**002266825 02 Jul 2013 OFFICE FOR HARMONISATION IN THE INTERNAL MARKET (OHIM)**  
(56) Related Art Documents: **Not Applicable**  
(57) Statement of Newness and Distinctiveness: **Nil**



(21) Design Number: **16578/2013**  
(22) Date of Filing Application: **16 December 2013**  
(24) Date from which industrial property rights may have effect: **13 September 2013**  
(54) Product in respect of which the design is registered: **Bed rail**  
(51) International Design Classification: **06-06F**  
(74) Name(s) of Attorney(s): **Madderns**  
(71) Name(s) and Address(s) of Applicant(s):  
**Invacare Corporation**  
**One Invacare Way Elyria Ohio 44036-2126 United States of America**  
(72) Name(s) of Designer(s): **Matthew A. Zakel**  
(45) Registration Date: **23 January 2014**  
(30) Convention priority data:  
(31) Number (32) Date (33) Country  
**29/448,917 14 Mar 2013 UNITED STATES OF AMERICA**  
(62) Divisional of: **353307**  
(56) Related Art Documents: **Not Applicable**  
(57) Statement of Newness and Distinctiveness: **Nil**



(21) Design Number: **16582/2013**  
(22) Date of Filing Application: **16 December 2013**  
(24) Date from which industrial property rights may have effect: **16 December 2013**  
(54) Product in respect of which the design is registered: **Dial**  
(51) International Design Classification: **10-07**  
(74) Name(s) of Attorney(s): **WATERMARK PATENT AND TRADE MARKS ATTORNEYS**  
(71) Name(s) and Address(s) of Applicant(s):  
**OMEGA SA (OMEGA AG) (OMEGA LTD.)**  
**Jakob-Stampfli-Strasse 96 Biel/Bienne 2502 Switzerland**  
(72) Name(s) of Designer(s): **Jean-Claude Monachon**  
(45) Registration Date: **23 January 2014**  
(30) Convention priority data:  
(31) Number (32) Date (33) Country  
**DM/081 178 21 Jun 2013 SWITZERLAND**  
(56) Related Art Documents: **Not Applicable**  
(57) Statement of Newness and Distinctiveness: **Nil**

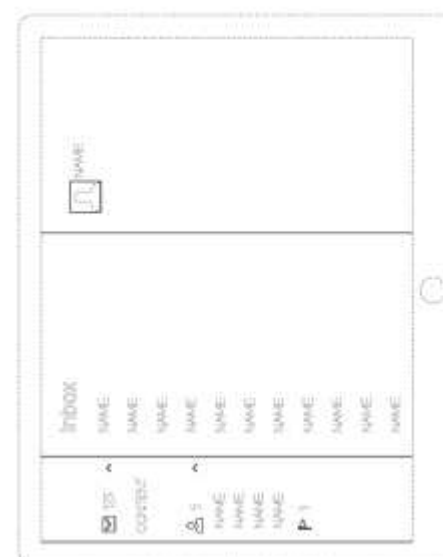




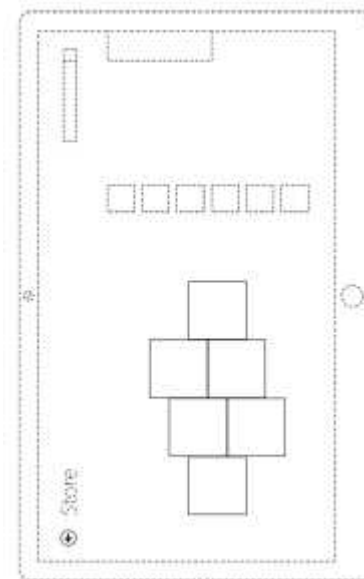
(21) Design Number: **16584/2013**  
(22) Date of Filing Application: **16 December 2013**  
(24) Date from which industrial property rights may have effect: **16 December 2013**  
(54) Product in respect of which the design is registered: **Watch**  
(51) International Design Classification: **10-02**  
(74) Name(s) of Attorney(s): **WATERMARK PATENT AND TRADE MARKS ATTORNEYS**  
(71) Name(s) and Address(s) of Applicant(s):  
**OMEGA SA (OMEGA AG) (OMEGA LTD.)**  
**Jakob-Stampfli-Strasse 96 Biel/Bienne 2502 Switzerland**  
(72) Name(s) of Designer(s): **Jean-Claude Monachon**  
(45) Registration Date: **23 January 2014**  
(30) Convention priority data:  
(31) Number (32) Date (33) Country  
**DM/081 178 21 Jun 2013 SWITZERLAND**  
(56) Related Art Documents: **Not Applicable**  
(57) Statement of Newness and Distinctiveness: **Nil**



(21) Design Number: **16595/2013**  
(22) Date of Filing Application: **17 December 2013**  
(24) Date from which industrial property rights may have effect: **17 December 2013**  
(54) Product in respect of which the design is registered: **Display screen with graphical user interface**  
(51) International Design Classification: **14-02**  
(74) Name(s) of Attorney(s): **Shelston IP**  
(71) Name(s) and Address(s) of Applicant(s):  
**Microsoft Corporation**  
**One Microsoft Way Redmond Washington 98052 United States of America**  
(72) Name(s) of Designer(s): **Dahey Yoo and Alex Anthony Tursi**  
(45) Registration Date: **23 January 2014**  
(30) Convention priority data:  
(31) Number (32) Date (33) Country  
**29/465927 03 Sep 2013 UNITED STATES OF AMERICA**  
(56) Related Art Documents: **Not Applicable**  
(57) Statement of Newness and Distinctiveness: **Newness and distinctiveness reside in the features of pattern and/or ornamentation of a display screen with graphical user interface as illustrated by solid lines in the accompanying representation. The features shown in broken outline are for contextual purposes only and do not form part of the design. The letters and numerals depicted are shown by way of example only and may be substituted by other symbols.**



- (21) Design Number: **16596/2013**  
(22) Date of Filing Application: **17 December 2013**  
(24) Date from which industrial property rights may have effect: **17 December 2013**  
(54) Product in respect of which the design is registered: **Display screen with graphical user interface**  
(51) International Design Classification: **14-02**  
(74) Name(s) of Attorney(s): **Shelston IP**  
(71) Name(s) and Address(s) of Applicant(s):  
**Microsoft Corporation**  
**One Microsoft Way Redmond Washington 98052 United States of America**  
(72) Name(s) of Designer(s): **Hui-Chun Ku and Michael Henry LaManna and Denise Michele Trabona and Alan Andrew Urdan and Yu-Hsuan Wang**  
(45) Registration Date: **23 January 2014**  
(30) Convention priority data:  
(31) Number (32) Date (33) Country  
**29/466357 06 Sep 2013 UNITED STATES OF AMERICA**  
(56) Related Art Documents: **Not Applicable**  
(57) Statement of Newness and Distinctiveness: **Newness and distinctiveness reside in the features of pattern and/or ornamentation of a display screen with graphical user interface as illustrated by solid lines in the accompanying representation. The features shown in broken outline are for contextual purposes only and do not form part of the design. The letters depicted are shown by way of example only and may be substituted by other symbols.**



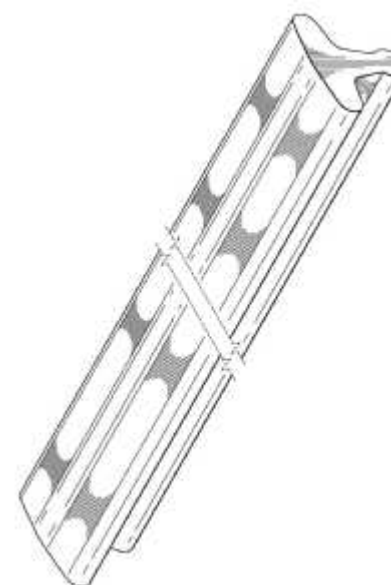
- (21) Design Number: **16597/2013**  
(22) Date of Filing Application: **17 December 2013**  
(24) Date from which industrial property rights may have effect: **17 December 2013**  
(54) Product in respect of which the design is registered: **Automobile**  
(51) International Design Classification: **12-08**  
(74) Name(s) of Attorney(s): **SPRUSON & FERGUSON**  
(71) Name(s) and Address(s) of Applicant(s):  
**Honda Motor Co., Ltd.**  
**1-1, Minami-Aoyama 2-chome, Minato-ku Tokyo 107-8556 Japan**  
(72) Name(s) of Designer(s): **Toshinobu Minami and Jun Goto**  
(45) Registration Date: **23 January 2014**  
(30) Convention priority data:  
(31) Number (32) Date (33) Country  
**2013-014747 28 Jun 2013 JAPAN**  
(56) Related Art Documents: **Not Applicable**  
(57) Statement of Newness and Distinctiveness: **Newness and distinctiveness is claimed in the features of shape and/or configuration of an automobile as illustrated in the accompanying representations.**



(21) Design Number: **10160/2014**  
(22) Date of Filing Application: **15 January 2014**  
(24) Date from which industrial property rights may have effect: **15 January 2014**  
(54) Product in respect of which the design is registered: **Power kit for solar panel**  
(51) International Design Classification: **13-03D**  
(74) Name(s) of Attorney(s):  
(71) Name(s) and Address(s) of Applicant(s):  
**Ledtek Global Pty Ltd**  
**1/11 Crown Crt Varsity Lakes QLD 4227 Australia**  
(72) Name(s) of Designer(s): **Anthony Aucone**  
(45) Registration Date: **23 January 2014**  
(56) Related Art Documents: **Not Applicable**  
(57) Statement of Newness and Distinctiveness: **Nil**



(21) Design Number: **16442/2013**  
(22) Date of Filing Application: **10 December 2013**  
(24) Date from which industrial property rights may have effect: **10 December 2013**  
(54) Product in respect of which the design is registered: **Lubricating strip**  
(51) International Design Classification: **28-03A**  
(74) Name(s) of Attorney(s): **PHILLIPS ORMONDE FITZPATRICK**  
(71) Name(s) and Address(s) of Applicant(s):  
**The Gillette Company**  
**One Gillette Park Boston Massachusetts 02127 United States of America**  
(72) Name(s) of Designer(s): **Xiandong Wang and Christian Reber Wester**  
(45) Registration Date: **23 January 2014**  
(30) Convention priority data:  
(31) Number      (32) Date      (33) Country  
**29/459,034      25 Jun 2013      UNITED STATES OF AMERICA**  
(56) Related Art Documents: **Not Applicable**  
(57) Statement of Newness and Distinctiveness: **Those features of the lubricating strip depicted in the representations that are new and distinctive are the shape and/or configuration. The lubricating strip may be of indefinite length.**



(21) Design Number: **16443/2013**

(22) Date of Filing Application: **10 December 2013**

(24) Date from which industrial property rights may have effect: **10 December 2013**

(54) Product in respect of which the design is registered: **Lubricating strip**

(51) International Design Classification: **28-03A**

(74) Name(s) of Attorney(s): **PHILLIPS ORMONDE FITZPATRICK**

(71) Name(s) and Address(s) of Applicant(s):

**The Gillette Company**

**One Gillette Park Boston Massachusetts 02127 United States of America**

(72) Name(s) of Designer(s): **Xiandong Wang and Christian Reber Wester**

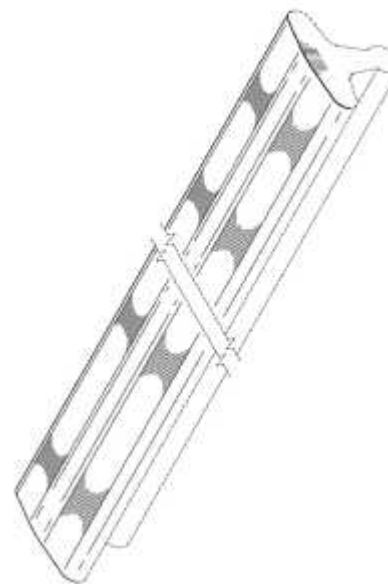
(45) Registration Date: **23 January 2014**

(30) Convention priority data:

(31) Number	(32) Date	(33) Country
<b>29/459,034</b>	<b>25 Jun 2013</b>	<b>UNITED STATES OF AMERICA</b>

(56) Related Art Documents: **Not Applicable**

(57) Statement of Newness and Distinctiveness: **Those features of the lubricating strip depicted in the representations that are new and distinctive are the shape and/or configuration. The lubricating strip may be of indefinite length. The features shown in broken line are not part of the design and are to be disregarded when considering the overall impression of the design.**



(21) Design Number: **16598/2013**

(22) Date of Filing Application: **17 December 2013**

(24) Date from which industrial property rights may have effect: **17 December 2013**

(54) Product in respect of which the design is registered: **Toaster**

(51) International Design Classification: **07-02F**

(74) Name(s) of Attorney(s): **Callinans**

(71) Name(s) and Address(s) of Applicant(s):

**Kenwood Limited**

**New Lane Havant Hampshire PO9 2NH United Kingdom**

(72) Name(s) of Designer(s): **Paul Palmer**

(45) Registration Date: **23 January 2014**

(30) Convention priority data:

(31) Number	(32) Date	(33) Country
<b>002267658</b>	<b>03 Jul 2013</b>	<b>OFFICE FOR HARMONISATION IN THE INTERNAL MARKET (OHIM)</b>

(56) Related Art Documents: **Not Applicable**

(57) Statement of Newness and Distinctiveness: **Nil**



- (21) Design Number: **16600/2013**  
(22) Date of Filing Application: **17 December 2013**  
(24) Date from which industrial property rights may have effect: **17 December 2013**  
(54) Product in respect of which the design is registered: **Side cover for motorcycle**  
(51) International Design Classification: **12-16B, 12-11**  
(74) Name(s) of Attorney(s): **SPRUSON & FERGUSON**  
(71) Name(s) and Address(s) of Applicant(s):  
**Honda Motor Co., Ltd.**  
**1-1, Minami-Aoyama 2-chome, Minato-ku Tokyo 107-8556 Japan**  
(72) Name(s) of Designer(s): **Takeshi Futamata and Masato Nagata**  
(45) Registration Date: **23 January 2014**  
(30) Convention priority data:  
(31) Number      (32) Date      (33) Country  
**2013-014582      27 Jun 2013      JAPAN**  
(56) Related Art Documents: **Not Applicable**  
(57) Statement of Newness and Distinctiveness: **Newness and distinctiveness is claimed in the features of shape and/or configuration of a side cover for motorcycle as illustrated in the accompanying representations.**



- (21) Design Number: **16601/2013**  
(22) Date of Filing Application: **17 December 2013**  
(24) Date from which industrial property rights may have effect: **17 December 2013**  
(54) Product in respect of which the design is registered: **Motorcycle**  
(51) International Design Classification: **12-11**  
(74) Name(s) of Attorney(s): **SPRUSON & FERGUSON**  
(71) Name(s) and Address(s) of Applicant(s):  
**Honda Motor Co., Ltd.**  
**1-1, Minami-Aoyama 2-chome, Minato-ku Tokyo 107-8556 Japan**  
(72) Name(s) of Designer(s): **Kiyoshi Katagiri and Jun Hirose**  
(45) Registration Date: **23 January 2014**  
(30) Convention priority data:  
(31) Number      (32) Date      (33) Country  
**2013-014580      27 Jun 2013      JAPAN**  
(56) Related Art Documents: **Not Applicable**  
(57) Statement of Newness and Distinctiveness: **Newness and distinctiveness is claimed in the features of shape and/or configuration of a motorcycle as illustrated in the accompanying representations.**



- (21) Design Number: **16602/2013**  
(22) Date of Filing Application: **17 December 2013**  
(24) Date from which industrial property rights may have effect: **17 December 2013**  
(54) Product in respect of which the design is registered: **Front combination lamp for an automobile**  
(51) International Design Classification: **26-06**  
(74) Name(s) of Attorney(s): **SPRUSON & FERGUSON**  
(71) Name(s) and Address(s) of Applicant(s):  
**Honda Motor Co., Ltd.**  
**1-1, Minami-Aoyama 2-chome, Minato-ku Tokyo 107-8556 Japan**  
(72) Name(s) of Designer(s): **Chiaki Kato and Shingo Yagihashi**  
(45) Registration Date: **23 January 2014**  
(30) Convention priority data:  
(31) Number      (32) Date      (33) Country  
**2013-014748      28 Jun 2013      JAPAN**  
(56) Related Art Documents: **Not Applicable**  
(57) Statement of Newness and Distinctiveness: **Newness and distinctiveness is claimed in the features of shape and/or configuration of a front combination lamp for an automobile as illustrated in the accompanying representations.**



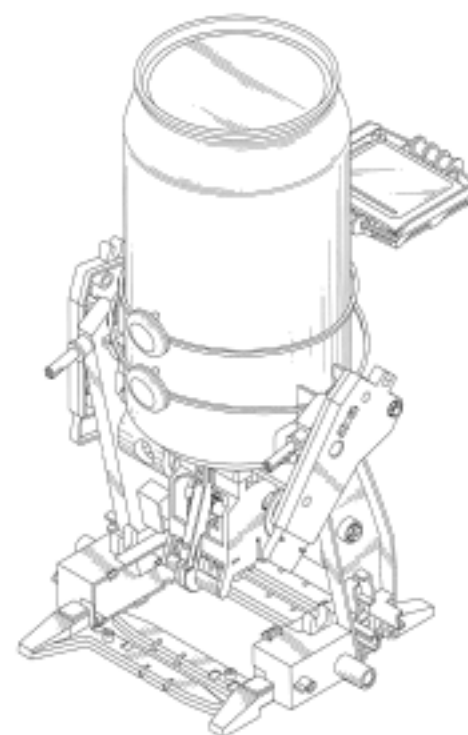
- (21) Design Number: **16603/2013**  
(22) Date of Filing Application: **17 December 2013**  
(24) Date from which industrial property rights may have effect: **17 December 2013**  
(54) Product in respect of which the design is registered: **Front side cowl for motorcycle**  
(51) International Design Classification: **12-16B, 12-11**  
(74) Name(s) of Attorney(s): **SPRUSON & FERGUSON**  
(71) Name(s) and Address(s) of Applicant(s):  
**Honda Motor Co., Ltd.**  
**1-1, Minami-Aoyama 2-chome, Minato-ku Tokyo 107-8556 Japan**  
(72) Name(s) of Designer(s): **Takeshi Futamata and Masao Nagata**  
(45) Registration Date: **23 January 2014**  
(30) Convention priority data:  
(31) Number      (32) Date      (33) Country  
**2013-014584      27 Jun 2013      JAPAN**  
(56) Related Art Documents: **Not Applicable**  
(57) Statement of Newness and Distinctiveness: **Newness and distinctiveness is claimed in the features of shape and/or configuration of a front side cowl for motorcycle as illustrated in the accompanying representations.**



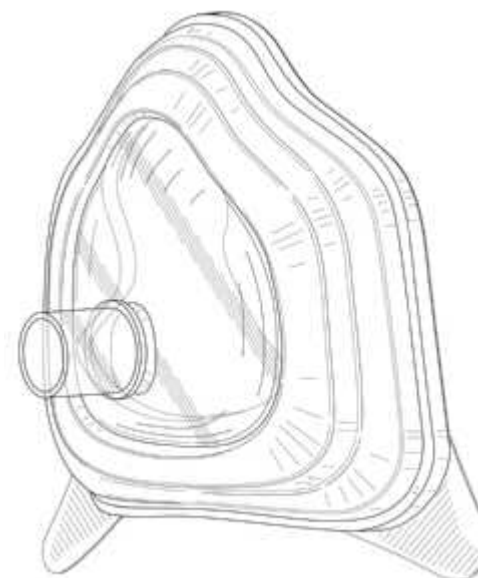
(21) Design Number: **16604/2013**  
(22) Date of Filing Application: **17 December 2013**  
(24) Date from which industrial property rights may have effect: **17 December 2013**  
(54) Product in respect of which the design is registered: **Motorcycle**  
(51) International Design Classification: **12-11**  
(74) Name(s) of Attorney(s): **SPRUSON & FERGUSON**  
(71) Name(s) and Address(s) of Applicant(s):  
**Honda Motor Co., Ltd.**  
**1-1, Minami-Aoyama 2-chome, Minato-ku Tokyo 107-8556 Japan**  
(72) Name(s) of Designer(s): **Takeshi Futamata and Masato Nagata**  
(45) Registration Date: **23 January 2014**  
(30) Convention priority data:  
(31) Number      (32) Date      (33) Country  
**2013-014583      27 Jun 2013      JAPAN**  
(56) Related Art Documents: **Not Applicable**  
(57) Statement of Newness and Distinctiveness: **Newness and distinctiveness is claimed in the features of shape and/or configuration of a motorcycle as illustrated in the accompanying representations.**



(21) Design Number: **16444/2013**  
(22) Date of Filing Application: **10 December 2013**  
(24) Date from which industrial property rights may have effect: **10 December 2013**  
(54) Product in respect of which the design is registered: **Toy**  
(51) International Design Classification: **21-01N**  
(74) Name(s) of Attorney(s): **Madderns**  
(71) Name(s) and Address(s) of Applicant(s):  
**Wen-Hsien Lee**  
**2F No. 3 Lane 130 Minquan Road Xindian Dist New Taipei City Taiwan**  
(72) Name(s) of Designer(s): **Wen-Hsien Lee**  
(45) Registration Date: **23 January 2014**  
(56) Related Art Documents: **Not Applicable**  
(57) Statement of Newness and Distinctiveness: **Nil**



(21) Design Number: **16445/2013**  
(22) Date of Filing Application: **10 December 2013**  
(24) Date from which industrial property rights may have effect: **10 December 2013**  
(54) Product in respect of which the design is registered: **Breathing mask**  
(51) International Design Classification: **29-02, 24-01, 24-04**  
(74) Name(s) of Attorney(s): **Cullens Patent and Trade Mark Attorneys**  
(71) Name(s) and Address(s) of Applicant(s):  
**The Periodic Breathing Foundation, LLC**  
**65 Dexter Road East Providence RI 02914 United States of America**  
(72) Name(s) of Designer(s): **Robert W Daly**  
(45) Registration Date: **23 January 2014**  
(30) Convention priority data:  
(31) Number (32) Date (33) Country  
**29/457,374 10 Jun 2013 UNITED STATES OF AMERICA**  
(56) Related Art Documents: **Not Applicable**  
(57) Statement of Newness and Distinctiveness: **Nil**



(21) Design Number: **16459/2013**  
(22) Date of Filing Application: **09 December 2013**  
(24) Date from which industrial property rights may have effect: **09 December 2013**  
(54) Product in respect of which the design is registered: **Display screen**  
(51) International Design Classification: **14-01**  
(74) Name(s) of Attorney(s): **Freehills Patent Attorneys**  
(71) Name(s) and Address(s) of Applicant(s):  
**Apple Inc.**  
**1 Infinite Loop Cupertino California 95014 United States of America**  
(72) Name(s) of Designer(s): **Greg Apodaca and Scott Balles and Gary Butcher and Imran Chaudhri and Christopher Foss and Jonathan P Ive and Chanaka Karunamuni and Kenneth Kocienda and Ernest Rowe and Alessandro Francesco Sabatelli and Lance Wilson**  
(45) Registration Date: **23 January 2014**  
(30) Convention priority data:  
(31) Number (32) Date (33) Country  
**29/457353 09 Jun 2013 UNITED STATES OF AMERICA**  
(56) Related Art Documents: **Not Applicable**  
(57) Statement of Newness and Distinctiveness: **Newness and distinctiveness is claimed in the features of ornamentation not shown in broken lines in the accompanying representation.**





(21) Design Number: **16473/2013**

(22) Date of Filing Application: **11 December 2013**

(24) Date from which industrial property rights may have effect: **11 December 2013**

(54) Product in respect of which the design is registered: **Hammock**

(51) International Design Classification: **06-01NES**

(74) Name(s) of Attorney(s):

(71) Name(s) and Address(s) of Applicant(s):

**ZHEJIANG JOJOY LEISURE PRODUCTS CO.,LTD.**

**No.12 Fuguangzhi Street Shangcheng District Hangzhou City Zhejiang  
China**

(72) Name(s) of Designer(s): **Songlin Pan**

(45) Registration Date: **23 January 2014**

(30) Convention priority data:

(31) Number	(32) Date	(33) Country
<b>201330448399.6</b>	<b>18 Sep 2013</b>	<b>CHINA</b>

(56) Related Art Documents: **Not Applicable**

(57) Statement of Newness and Distinctiveness: **Nil**



(21) Design Number: **16480/2013**

(22) Date of Filing Application: **12 December 2013**

(24) Date from which industrial property rights may have effect: **12 December 2013**

(54) Product in respect of which the design is registered: **Travel pillow**

(51) International Design Classification: **06-09**

(74) Name(s) of Attorney(s):

(71) Name(s) and Address(s) of Applicant(s):

**Stephanie Konstantinidis**

**7 Pinoak St Point Cook VIC 3030 Australia**

(72) Name(s) of Designer(s): **Stephanie Konstantinidis**

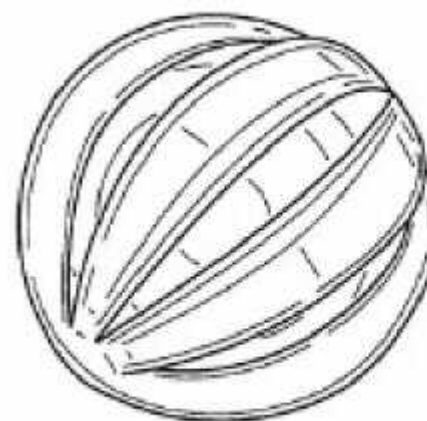
(45) Registration Date: **23 January 2014**

(56) Related Art Documents: **Not Applicable**

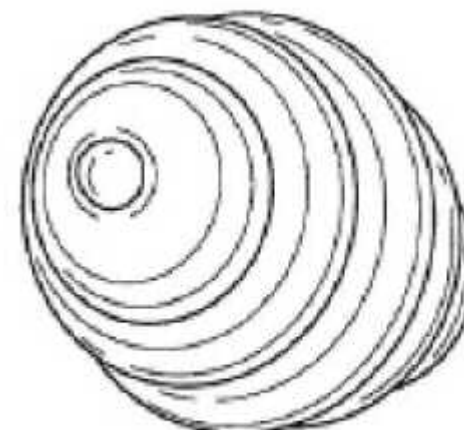
(57) Statement of Newness and Distinctiveness: **This is a travel pillow of 2 sizes, one for children and one for adults. The shape and design is new and innovative. It is more comfortable and encourages proper spinal alignment.**



(21) Design Number: **16481/2013**  
(22) Date of Filing Application: **12 December 2013**  
(24) Date from which industrial property rights may have effect: **12 December 2013**  
(54) Product in respect of which the design is registered: **Pet treat**  
(51) International Design Classification: **01-06**  
(74) Name(s) of Attorney(s): **Baker & McKenzie**  
(71) Name(s) and Address(s) of Applicant(s):  
**Mars, Incorporated**  
**6885 Elm Street McLean Virginia 22101 United States of America**  
(72) Name(s) of Designer(s): **Peter Slusarczyk and Jonathan Christopher Smith and Sjon-Paul Lee Conyer and April L. Gandy and Troy James Wilhelm**  
(45) Registration Date: **23 January 2014**  
(30) Convention priority data:  
(31) Number (32) Date (33) Country  
**29/458408 19 Jun 2013 UNITED STATES OF AMERICA**  
(56) Related Art Documents: **Not Applicable**  
(57) Statement of Newness and Distinctiveness: **Nil**



(21) Design Number: **16482/2013**  
(22) Date of Filing Application: **12 December 2013**  
(24) Date from which industrial property rights may have effect: **12 December 2013**  
(54) Product in respect of which the design is registered: **Pet treat**  
(51) International Design Classification: **01-06**  
(74) Name(s) of Attorney(s): **Baker & McKenzie**  
(71) Name(s) and Address(s) of Applicant(s):  
**Mars, Incorporated**  
**6885 Elm Street McLean Virginia 22101 United States of America**  
(72) Name(s) of Designer(s): **Peter Slusarczyk and Jonathan Christopher Smith and Sjon-Paul Lee Conyer and April L. Gandy and Troy James Wilhelm**  
(45) Registration Date: **23 January 2014**  
(30) Convention priority data:  
(31) Number (32) Date (33) Country  
**29/458408 19 Jun 2013 UNITED STATES OF AMERICA**  
(56) Related Art Documents: **Not Applicable**  
(57) Statement of Newness and Distinctiveness: **Nil**



- (21) Design Number: **16483/2013**  
(22) Date of Filing Application: **10 December 2013**  
(24) Date from which industrial property rights may have effect: **10 December 2013**  
(54) Product in respect of which the design is registered: **Display screen**  
(51) International Design Classification: **14-01**  
(74) Name(s) of Attorney(s): **Freehills Patent Attorneys**  
(71) Name(s) and Address(s) of Applicant(s):

**Apple Inc.**  
**1 Infinite Loop Cupertino California 95014 United States of America**

- (72) Name(s) of Designer(s): **Dmitri Cavander and Imran Chaudhri and Jonathan P Ive and Britt Nelson and Paul Nixon**  
(45) Registration Date: **23 January 2014**  
(30) Convention priority data:  
(31) Number (32) Date (33) Country  
**29/457357 10 Jun 2013 UNITED STATES OF AMERICA**

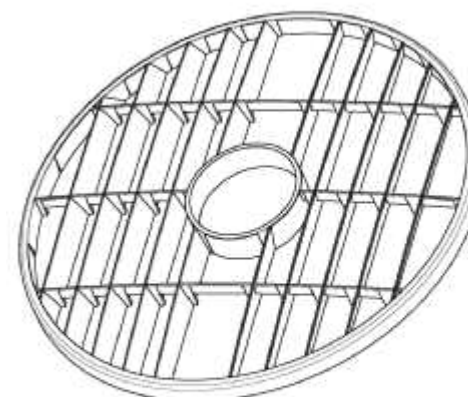
- (56) Related Art Documents: **Not Applicable**  
(57) Statement of Newness and Distinctiveness: **Newness and distinctiveness is claimed in the features of ornamentation shown in solid lines in the accompanying representation.**



- (21) Design Number: **16504/2013**  
(22) Date of Filing Application: **13 December 2013**  
(24) Date from which industrial property rights may have effect: **13 December 2013**  
(54) Product in respect of which the design is registered: **Louver for a fan**  
(51) International Design Classification: **23-04**  
(74) Name(s) of Attorney(s): **Griffith Hack**  
(71) Name(s) and Address(s) of Applicant(s):

**Chung-Yin Cheng**  
**No. 72 Xilu St Tianzhong Township Changhua County 52041 Taiwan, Province of China**

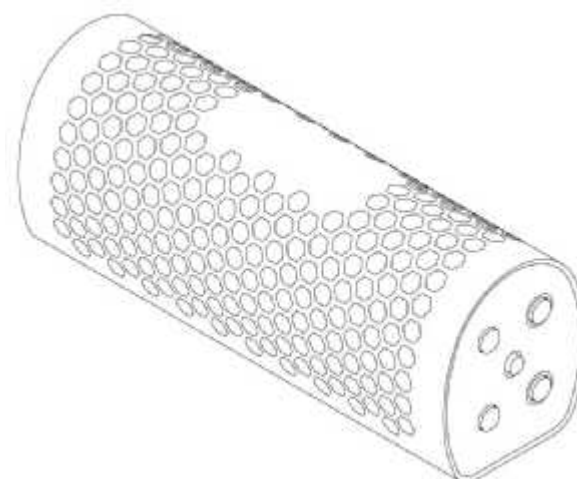
- (72) Name(s) of Designer(s): **Chung-Yin Cheng**  
(45) Registration Date: **23 January 2014**  
(56) Related Art Documents: **Not Applicable**  
(57) Statement of Newness and Distinctiveness: **Newness and distinctiveness resides in the visual features, including the shape and configuration of the product shown in the representations.**



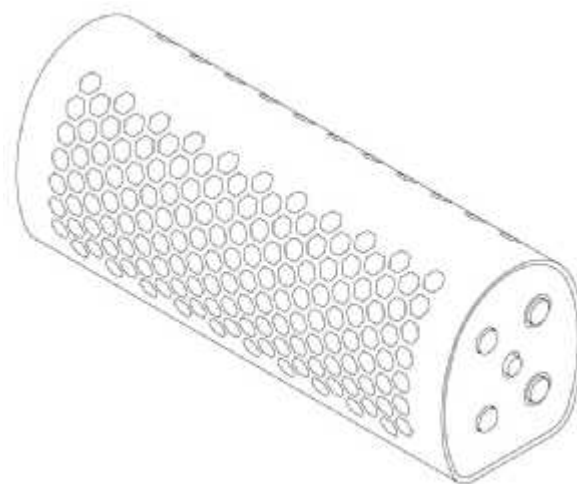
(21) Design Number: **16607/2013**  
(22) Date of Filing Application: **17 December 2013**  
(24) Date from which industrial property rights may have effect: **17 December 2013**  
(54) Product in respect of which the design is registered: **Sunglasses**  
(51) International Design Classification: **16-06**  
(74) Name(s) of Attorney(s): **PHILLIPS ORMONDE FITZPATRICK**  
(71) Name(s) and Address(s) of Applicant(s):  
**Actervis GmbH**  
**c/o Prv Provides Treuhandgesellschaft Lindenhof Dorfstr.38 CH-6341**  
**Baar (Zug) Switzerland**  
(72) Name(s) of Designer(s): **Juan Ramon Torres Martin**  
(45) Registration Date: **23 January 2014**  
(30) Convention priority data:  
(31) Number (32) Date (33) Country  
**002256818-0001 17 Jun 2013 OFFICE FOR HARMONISATION IN**  
**THE INTERNAL MARKET (OHIM)**  
(56) Related Art Documents: **Not Applicable**  
(57) Statement of Newness and Distinctiveness: **Nil**



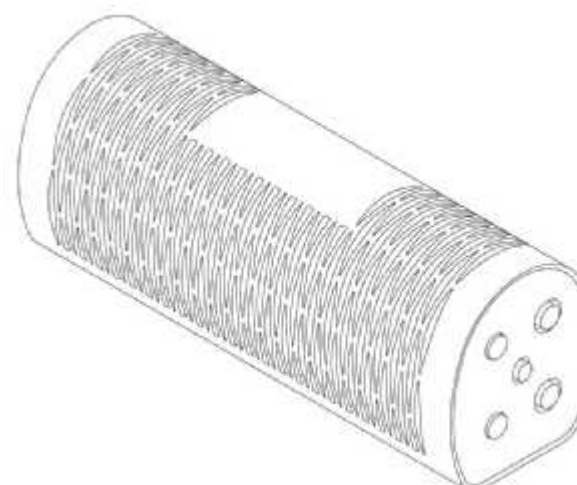
(21) Design Number: **16498/2013**  
(22) Date of Filing Application: **12 December 2013**  
(24) Date from which industrial property rights may have effect: **12 December 2013**  
(54) Product in respect of which the design is registered: **Wireless speaker system**  
(51) International Design Classification: **14-01**  
(74) Name(s) of Attorney(s):  
(71) Name(s) and Address(s) of Applicant(s):  
**Groundhog S.A.**  
**40 Avenue Monterey Luxembourg L-2163 Luxembourg**  
(72) Name(s) of Designer(s): **Charles Billington and James Roberts**  
(45) Registration Date: **23 January 2014**  
(30) Convention priority data:  
(31) Number (32) Date (33) Country  
**002336131-0001 30 Oct 2013 OFFICE FOR HARMONISATION IN**  
**THE INTERNAL MARKET (OHIM)**  
(56) Related Art Documents: **Not Applicable**  
(57) Statement of Newness and Distinctiveness: **Nil**



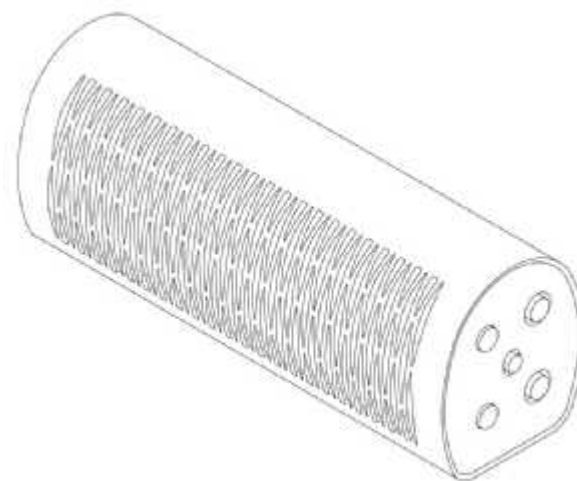
(21) Design Number: **16499/2013**  
(22) Date of Filing Application: **12 December 2013**  
(24) Date from which industrial property rights may have effect: **12 December 2013**  
(54) Product in respect of which the design is registered: **Wireless speaker system**  
(51) International Design Classification: **14-01**  
(74) Name(s) of Attorney(s):  
(71) Name(s) and Address(s) of Applicant(s):  
**Groundhog S.A.**  
**40 Avenue Monterey Luxembourg L-2163 Luxembourg**  
(72) Name(s) of Designer(s): **Charles Billington and James Roberts**  
(45) Registration Date: **23 January 2014**  
(30) Convention priority data:  
(31) Number      (32) Date      (33) Country  
**002336131-0002    30 Oct 2013      OFFICE FOR HARMONISATION IN  
THE INTERNAL MARKET (OHIM)**  
(56) Related Art Documents: **Not Applicable**  
(57) Statement of Newness and Distinctiveness: **Nil**



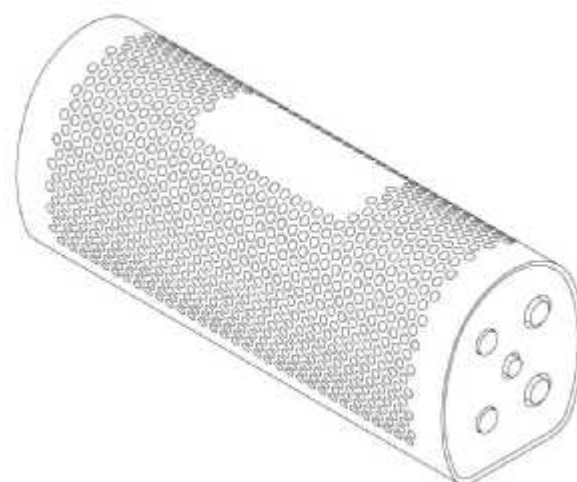
(21) Design Number: **16500/2013**  
(22) Date of Filing Application: **12 December 2013**  
(24) Date from which industrial property rights may have effect: **12 December 2013**  
(54) Product in respect of which the design is registered: **Wireless speaker system**  
(51) International Design Classification: **14-01**  
(74) Name(s) of Attorney(s):  
(71) Name(s) and Address(s) of Applicant(s):  
**Groundhog S.A.**  
**40 Avenue Monterey Luxembourg L-2163 Luxembourg**  
(72) Name(s) of Designer(s): **Charles Billington and James Roberts**  
(45) Registration Date: **23 January 2014**  
(30) Convention priority data:  
(31) Number      (32) Date      (33) Country  
**002336131-0003    30 Oct 2013      OFFICE FOR HARMONISATION IN  
THE INTERNAL MARKET (OHIM)**  
(56) Related Art Documents: **Not Applicable**  
(57) Statement of Newness and Distinctiveness: **Nil**



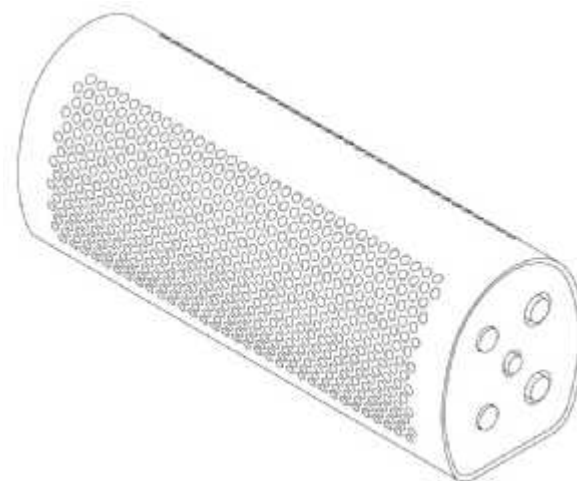
(21) Design Number: **16501/2013**  
(22) Date of Filing Application: **12 December 2013**  
(24) Date from which industrial property rights may have effect: **12 December 2013**  
(54) Product in respect of which the design is registered: **Wireless speaker system**  
(51) International Design Classification: **14-01**  
(74) Name(s) of Attorney(s):  
(71) Name(s) and Address(s) of Applicant(s):  
**Groundhog S.A.**  
**40 Avenue Monterey Luxembourg L-2163 Luxembourg**  
(72) Name(s) of Designer(s): **Charles Billington and James Roberts**  
(45) Registration Date: **23 January 2014**  
(30) Convention priority data:  
(31) Number (32) Date (33) Country  
**002336131-0004 30 Oct 2013 OFFICE FOR HARMONISATION IN THE INTERNAL MARKET (OHIM)**  
(56) Related Art Documents: **Not Applicable**  
(57) Statement of Newness and Distinctiveness: **Nil**



(21) Design Number: **16502/2013**  
(22) Date of Filing Application: **12 December 2013**  
(24) Date from which industrial property rights may have effect: **12 December 2013**  
(54) Product in respect of which the design is registered: **Wireless speaker system**  
(51) International Design Classification: **14-01**  
(74) Name(s) of Attorney(s):  
(71) Name(s) and Address(s) of Applicant(s):  
**Groundhog S.A.**  
**40 Avenue Monterey Luxembourg L-2163 Luxembourg**  
(72) Name(s) of Designer(s): **Charles Billington and James Roberts**  
(45) Registration Date: **23 January 2014**  
(30) Convention priority data:  
(31) Number (32) Date (33) Country  
**002336131-0005 30 Oct 2013 OFFICE FOR HARMONISATION IN THE INTERNAL MARKET (OHIM)**  
(56) Related Art Documents: **Not Applicable**  
(57) Statement of Newness and Distinctiveness: **Nil**



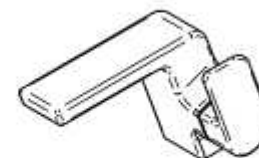
(21) Design Number: **16503/2013**  
(22) Date of Filing Application: **12 December 2013**  
(24) Date from which industrial property rights may have effect: **12 December 2013**  
(54) Product in respect of which the design is registered: **Wireless speaker system**  
(51) International Design Classification: **14-01**  
(74) Name(s) of Attorney(s):  
(71) Name(s) and Address(s) of Applicant(s):  
**Groundhog S.A.**  
**40 Avenue Monterey Luxembourg L-2163 Luxembourg**  
(72) Name(s) of Designer(s): **Charles Billington and James Roberts**  
(45) Registration Date: **23 January 2014**  
(30) Convention priority data:  
(31) Number (32) Date (33) Country  
**002336131-0006 30 Oct 2013 OFFICE FOR HARMONISATION IN THE INTERNAL MARKET (OHIM)**  
(56) Related Art Documents: **Not Applicable**  
(57) Statement of Newness and Distinctiveness: **Nil**



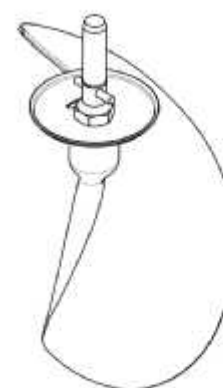
(21) Design Number: **16608/2013**  
(22) Date of Filing Application: **17 December 2013**  
(24) Date from which industrial property rights may have effect: **17 December 2013**  
(54) Product in respect of which the design is registered: **Sunglasses**  
(51) International Design Classification: **16-06**  
(74) Name(s) of Attorney(s): **PHILLIPS ORMONDE FITZPATRICK**  
(71) Name(s) and Address(s) of Applicant(s):  
**Actervis GmbH**  
**c/o Prv Provides Treuhandgesellschaft Lindenhof Dorfstr.38 CH-6341 Baar (Zug) Switzerland**  
(72) Name(s) of Designer(s): **Torres Martin Juan Ramon**  
(45) Registration Date: **23 January 2014**  
(30) Convention priority data:  
(31) Number (32) Date (33) Country  
**002256818-0002 17 Jun 2013 OFFICE FOR HARMONISATION IN THE INTERNAL MARKET (OHIM)**  
(56) Related Art Documents: **Not Applicable**  
(57) Statement of Newness and Distinctiveness: **Nil**



- (21) Design Number: **16609/2013**  
(22) Date of Filing Application: **17 December 2013**  
(24) Date from which industrial property rights may have effect: **17 December 2013**  
(54) Product in respect of which the design is registered: **Mixer tap**  
(51) International Design Classification: **23-01H**  
(74) Name(s) of Attorney(s):  
(71) Name(s) and Address(s) of Applicant(s):  
**Astra Walker Pty Ltd**  
**15 Prince William Dr Seven Hills NSW 2147 Australia**  
(72) Name(s) of Designer(s): **David R Shirliff**  
(45) Registration Date: **23 January 2014**  
(56) Related Art Documents: **Not Applicable**  
(57) Statement of Newness and Distinctiveness: **Newness and distinctiveness is claimed in the features of shape and/or configuration of a mixer tap as illustrated in the accompanying representations.**

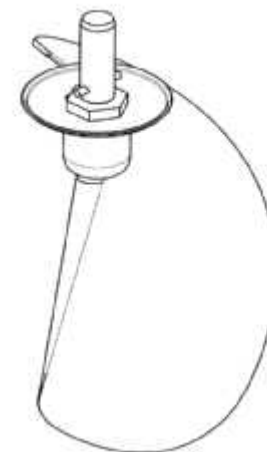


- (21) Design Number: **13884/2013**  
(22) Date of Filing Application: **12 August 2013**  
(24) Date from which industrial property rights may have effect: **12 August 2013**  
(54) Product in respect of which the design is registered: **Electric mixer blade**  
(51) International Design Classification: **31-00**  
(74) Name(s) of Attorney(s): **Callinans**  
(71) Name(s) and Address(s) of Applicant(s):  
**Kenwood Limited**  
**New Lane Havant Hampshire PO9 2NH United Kingdom**  
(72) Name(s) of Designer(s): **Oliver Pendleton and Mark Johns**  
(45) Registration Date: **24 January 2014**  
(30) Convention priority data:  
(31) Number (32) Date (33) Country  
**002188573 21 Feb 2013 OFFICE FOR HARMONISATION IN THE INTERNAL MARKET (OHIM)**  
(56) Related Art Documents: **Not Applicable**  
(57) Statement of Newness and Distinctiveness: **Nil**





(21) Design Number: **13885/2013**  
(22) Date of Filing Application: **12 August 2013**  
(24) Date from which industrial property rights may have effect: **12 August 2013**  
(54) Product in respect of which the design is registered: **Electric mixer blade**  
(51) International Design Classification: **31-00**  
(74) Name(s) of Attorney(s): **Callinans**  
(71) Name(s) and Address(s) of Applicant(s):  
**Kenwood Limited**  
**New Lane Havant Hampshire PO9 2NH United Kingdom**  
(72) Name(s) of Designer(s): **Oliver Pendleton and Mark Johns**  
(45) Registration Date: **24 January 2014**  
(30) Convention priority data:  
(31) Number      (32) Date      (33) Country  
**002188573      21 Feb 2013      OFFICE FOR HARMONISATION IN  
THE INTERNAL MARKET (OHIM)**  
(56) Related Art Documents: **Not Applicable**  
(57) Statement of Newness and Distinctiveness: **Nil**



(21) Design Number: **16611/2013**  
(22) Date of Filing Application: **17 December 2013**  
(24) Date from which industrial property rights may have effect: **17 December 2013**  
(54) Product in respect of which the design is registered: **Swim fin**  
(51) International Design Classification: **21-02D**  
(74) Name(s) of Attorney(s): **FB Rice**  
(71) Name(s) and Address(s) of Applicant(s):  
**Sperling Enterprises Pty Limited**  
**16 Helles Ave Moorebank NSW 2170 Australia**  
(72) Name(s) of Designer(s): **Peter Sperling**  
(45) Registration Date: **24 January 2014**  
(56) Related Art Documents: **Not Applicable**  
(57) Statement of Newness and Distinctiveness: **Newness and distinctiveness  
reside in the following features of shape and/or configuration of the  
design: integral central anchor point for fastening strap; integral side  
anchor points for fastening strap; and tread pattern on underside.**



(21) Design Number: **16616/2013**  
(22) Date of Filing Application: **17 December 2013**  
(24) Date from which industrial property rights may have effect: **17 December 2013**  
(54) Product in respect of which the design is registered: **Seasoning grinder**  
(51) International Design Classification: **07-06C**  
(74) Name(s) of Attorney(s): **TELLER & ASSOCIATES**  
(71) Name(s) and Address(s) of Applicant(s):  
**Anchor Foods Pty Ltd**  
**148 Carrington St Fremantle WA 6163 Australia**  
(72) Name(s) of Designer(s): **David Clapin**  
(45) Registration Date: **24 January 2014**  
(56) Related Art Documents: **Not Applicable**  
(57) Statement of Newness and Distinctiveness: **Nil**



(21) Design Number: **16621/2013**  
(22) Date of Filing Application: **13 December 2013**  
(24) Date from which industrial property rights may have effect: **13 December 2013**  
(54) Product in respect of which the design is registered: **Bag**  
(51) International Design Classification: **03-01A**  
(74) Name(s) of Attorney(s): **Freehills Patent Attorneys**  
(71) Name(s) and Address(s) of Applicant(s):  
**Oi Oi Pty Ltd**  
**25 Claremont Ave Malvern VIC 3144 Australia**  
(72) Name(s) of Designer(s): **Lisa Bennetts**  
(45) Registration Date: **24 January 2014**  
(56) Related Art Documents: **Not Applicable**  
(57) Statement of Newness and Distinctiveness: **Newness and distinctiveness of the design resides in the shape and configuration, including the quilting, of a bag of block colour, as shown in the accompanying representations.**



(21) Design Number: **14600/2013**

(22) Date of Filing Application: **13 September 2013**

(24) Date from which industrial property rights may have effect: **13 September 2013**

(54) Product in respect of which the design is registered: **Spiral potato piece**

(51) International Design Classification: **01-02**

(74) Name(s) of Attorney(s): **Shelston IP**

(71) Name(s) and Address(s) of Applicant(s):

**J.R. Simplot Company**

**999 Main Street Suite 1300 Boise Idaho 83702 United States of America**

(72) Name(s) of Designer(s): **David B. Walker and Allen J. Neel**

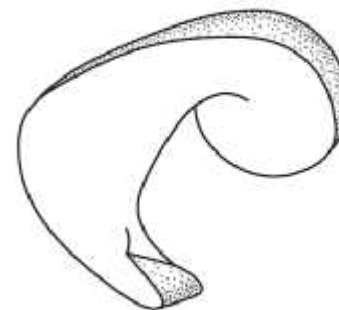
(45) Registration Date: **24 January 2014**

(30) Convention priority data:

(31) Number	(32) Date	(33) Country
<b>29/450019</b>	<b>15 Mar 2013</b>	<b>UNITED STATES OF AMERICA</b>

(56) Related Art Documents: **Not Applicable**

(57) Statement of Newness and Distinctiveness: **Newness and distinctiveness reside in the features of shape and/or configuration of a SPIRAL POTATO PIECE as illustrated in the accompanying representations.**



(21) Design Number: **14702/2013**

(22) Date of Filing Application: **19 September 2013**

(24) Date from which industrial property rights may have effect: **19 September 2013**

(54) Product in respect of which the design is registered: **Supply for water filter cartridges**

(51) International Design Classification: **23-01G**

(74) Name(s) of Attorney(s): **Griffith Hack**

(71) Name(s) and Address(s) of Applicant(s):

**BRITA Professional GmbH & Co. KG**

**Heinrich-Hertz-Strasse 4 Taunusstein 65232 Germany**

(72) Name(s) of Designer(s): **Jochen Zoller**

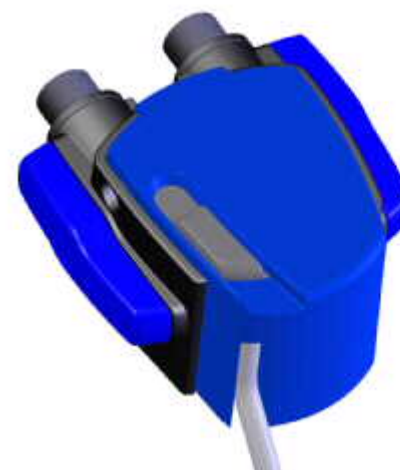
(45) Registration Date: **24 January 2014**

(30) Convention priority data:

(31) Number	(32) Date	(33) Country
<b>402013100 257.3</b>	<b>21 Mar 2013</b>	<b>OFFICE FOR HARMONISATION IN THE INTERNAL MARKET (OHIM)</b>

(56) Related Art Documents: **Not Applicable**

(57) Statement of Newness and Distinctiveness: **Newness and distinctiveness resides in the visual features, including shape, configuration and colour, of a SUPPLY FOR WATER FILTER CARTRIDGES as shown in the accompanying drawings.**



(21) Design Number: **14703/2013**  
(22) Date of Filing Application: **19 September 2013**  
(24) Date from which industrial property rights may have effect: **19 September 2013**  
(54) Product in respect of which the design is registered: **Supply for water filter cartridges**  
(51) International Design Classification: **23-01G**  
(74) Name(s) of Attorney(s): **Griffith Hack**  
(71) Name(s) and Address(s) of Applicant(s):  
**BRITA Professional GmbH & Co. KG**  
**Heinrich-Hertz-Strasse 4 Taunusstein 65232 Germany**  
(72) Name(s) of Designer(s): **Jochen Zoller**  
(45) Registration Date: **24 January 2014**  
(30) Convention priority data:  
(31) Number (32) Date (33) Country  
**402013100 257.3 21 Mar 2013 OFFICE FOR HARMONISATION IN**  
**THE INTERNAL MARKET (OHIM)**  
(56) Related Art Documents: **Not Applicable**  
(57) Statement of Newness and Distinctiveness: **Newness and distinctiveness resides in the visual features, including shape, configuration and colour, of a SUPPLY FOR WATER FILTER CARTRIDGES as shown in the accompanying drawings.**



(21) Design Number: **14704/2013**  
(22) Date of Filing Application: **19 September 2013**  
(24) Date from which industrial property rights may have effect: **19 September 2013**  
(54) Product in respect of which the design is registered: **Supply for water filter cartridges**  
(51) International Design Classification: **23-01G**  
(74) Name(s) of Attorney(s): **Griffith Hack**  
(71) Name(s) and Address(s) of Applicant(s):  
**BRITA Professional GmbH & Co. KG**  
**Heinrich-Hertz-Strasse 4 Taunusstein 65232 Germany**  
(72) Name(s) of Designer(s): **Jochen Zoller**  
(45) Registration Date: **24 January 2014**  
(30) Convention priority data:  
(31) Number (32) Date (33) Country  
**402013100 257.3 21 Mar 2013 OFFICE FOR HARMONISATION IN**  
**THE INTERNAL MARKET (OHIM)**  
(56) Related Art Documents: **Not Applicable**  
(57) Statement of Newness and Distinctiveness: **Newness and distinctiveness resides in the visual features, including shape and configuration and colour, of a SUPPLY FOR WATER FILTER CARTRIDGES as shown in the accompanying drawings.**



(21) Design Number: **14729/2013**  
(22) Date of Filing Application: **19 September 2013**  
(24) Date from which industrial property rights may have effect: **19 September 2013**  
(54) Product in respect of which the design is registered: **Tea Capsule**  
(51) International Design Classification: **09-05**  
(74) Name(s) of Attorney(s): **Davies Collison Cave**  
(71) Name(s) and Address(s) of Applicant(s):

**Unilever PLC**  
**100 Victoria Embankment London EC4Y 0DY United Kingdom**

(72) Name(s) of Designer(s): **Michael Paton and Daniel Thomas Toon**

(45) Registration Date: **24 January 2014**

(30) Convention priority data:

(31) Number	(32) Date	(33) Country
<b>002206375-0001</b>	<b>21 Mar 2013</b>	<b>OFFICE FOR HARMONISATION IN THE INTERNAL MARKET (OHIM)</b>



(56) Related Art Documents: **Not Applicable**

(57) Statement of Newness and Distinctiveness: **Newness and distinctiveness is claimed in the visual features shown in solid lines in the representations.**

(21) Design Number: **14730/2013**  
(22) Date of Filing Application: **19 September 2013**  
(24) Date from which industrial property rights may have effect: **19 September 2013**  
(54) Product in respect of which the design is registered: **Tea Capsule**  
(51) International Design Classification: **09-05**  
(74) Name(s) of Attorney(s): **Davies Collison Cave**  
(71) Name(s) and Address(s) of Applicant(s):

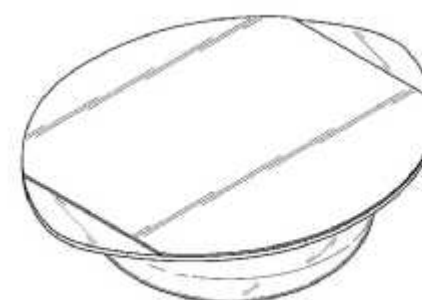
**Unilever PLC**  
**100 Victoria Embankment London EC4Y 0DY United Kingdom**

(72) Name(s) of Designer(s): **Michael Paton and Daniel Thomas Toon**

(45) Registration Date: **24 January 2014**

(30) Convention priority data:

(31) Number	(32) Date	(33) Country
<b>002206375-0001</b>	<b>21 Mar 2013</b>	<b>OFFICE FOR HARMONISATION IN THE INTERNAL MARKET (OHIM)</b>



(56) Related Art Documents: **Not Applicable**

(57) Statement of Newness and Distinctiveness: **Newness and distinctiveness is claimed in the visual features shown in solid lines in the representations.**

(21) Design Number: **14731/2013**  
(22) Date of Filing Application: **19 September 2013**  
(24) Date from which industrial property rights may have effect: **19 September 2013**  
(54) Product in respect of which the design is registered: **Tea Capsule**  
(51) International Design Classification: **09-05**  
(74) Name(s) of Attorney(s): **Davies Collison Cave**  
(71) Name(s) and Address(s) of Applicant(s):

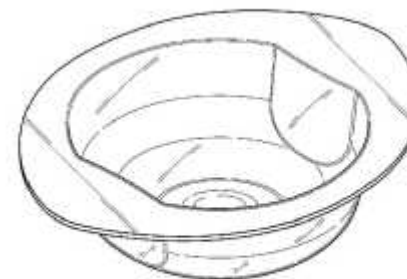
**Unilever PLC**  
**100 Victoria Embankment London EC4Y 0DY United Kingdom**

(72) Name(s) of Designer(s): **Michael Paton and Daniel Thomas Toon**

(45) Registration Date: **24 January 2014**

(30) Convention priority data:

(31) Number	(32) Date	(33) Country
<b>002206326-0002</b>	<b>21 Mar 2013</b>	<b>OFFICE FOR HARMONISATION IN THE INTERNAL MARKET (OHIM)</b>



(56) Related Art Documents: **Not Applicable**

(57) Statement of Newness and Distinctiveness: **Newness and distinctiveness is claimed in the visual features shown in solid lines in the representations.**

(21) Design Number: **14732/2013**  
(22) Date of Filing Application: **19 September 2013**  
(24) Date from which industrial property rights may have effect: **19 September 2013**  
(54) Product in respect of which the design is registered: **Tea Capsule**  
(51) International Design Classification: **09-05**  
(74) Name(s) of Attorney(s): **Davies Collison Cave**  
(71) Name(s) and Address(s) of Applicant(s):

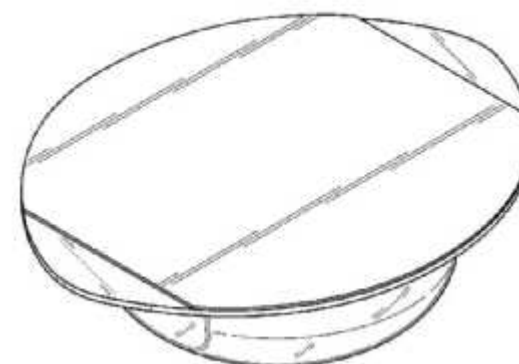
**Unilever PLC**  
**100 Victoria Embankment London EC4Y 0DY United Kingdom**

(72) Name(s) of Designer(s): **Michael Paton and Daniel Thomas Toon**

(45) Registration Date: **24 January 2014**

(30) Convention priority data:

(31) Number	(32) Date	(33) Country
<b>002206326-0001</b>	<b>21 Mar 2013</b>	<b>OFFICE FOR HARMONISATION IN THE INTERNAL MARKET (OHIM)</b>

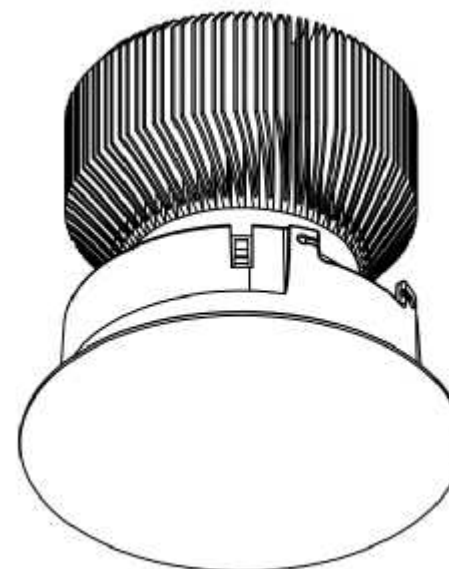


(56) Related Art Documents: **Not Applicable**

(57) Statement of Newness and Distinctiveness: **Newness and distinctiveness is claimed in the visual features shown in solid lines in the representations.**



- (21) Design Number: **14932/2013**  
(22) Date of Filing Application: **26 September 2013**  
(24) Date from which industrial property rights may have effect: **26 September 2013**  
(54) Product in respect of which the design is registered: **Downlight**  
(51) International Design Classification: **26-05C**  
(74) Name(s) of Attorney(s):  
(71) Name(s) and Address(s) of Applicant(s):  
**Brightgreen Pty Ltd**  
**PO BOX 1400 Collingwood VIC 3066 Australia**  
(72) Name(s) of Designer(s): **Nathan Moffat**  
(45) Registration Date: **24 January 2014**  
(56) Related Art Documents: **Not Applicable**  
(57) Statement of Newness and Distinctiveness: **The design has a unique matte semi-opaque disk that disguises the conventional downlight. When the device is in use, the fascia become the source for an 180 degree dispersion of light. When not in use, the fascia's slim-line profile allows the light source to remain unobtrusive in the room's overall aesthetic.**



- (21) Design Number: **16633/2013**  
(22) Date of Filing Application: **18 December 2013**  
(24) Date from which industrial property rights may have effect: **18 December 2013**  
(54) Product in respect of which the design is registered: **A device for making instant jelly**  
(51) International Design Classification: **07-04**  
(74) Name(s) of Attorney(s): **MDP McDonald Partners**  
(71) Name(s) and Address(s) of Applicant(s):  
**Chill Factor Global Pty Ltd**  
**L2 Tower 2 Chadstone Place 1341 Dandenong Rd Chadstone VIC 3148**  
**Australia**  
(72) Name(s) of Designer(s): **Heath Saber**  
(45) Registration Date: **24 January 2014**  
(56) Related Art Documents: **Not Applicable**  
(57) Statement of Newness and Distinctiveness: **Nil**



(21) Design Number: **16634/2013**  
(22) Date of Filing Application: **18 December 2013**  
(24) Date from which industrial property rights may have effect: **18 December 2013**  
(54) Product in respect of which the design is registered: **A device for making instant jelly**  
(51) International Design Classification: **07-04**  
(74) Name(s) of Attorney(s): **MDP McDonald Partners**  
(71) Name(s) and Address(s) of Applicant(s):  
**Chill Factor Global Pty Ltd**  
**L2 Tower 2 Chadstone Place 1341 Dandenong Rd Chadstone VIC 3148**  
**Australia**  
(72) Name(s) of Designer(s): **Heath Saber**  
(45) Registration Date: **24 January 2014**  
(56) Related Art Documents: **Not Applicable**  
(57) Statement of Newness and Distinctiveness: **Nil**



(21) Design Number: **16635/2013**  
(22) Date of Filing Application: **18 December 2013**  
(24) Date from which industrial property rights may have effect: **18 December 2013**  
(54) Product in respect of which the design is registered: **A device for making instant jelly**  
(51) International Design Classification: **07-04**  
(74) Name(s) of Attorney(s): **MDP McDonald Partners**  
(71) Name(s) and Address(s) of Applicant(s):  
**Chill Factor Global Pty Ltd**  
**L2 Tower 2 Chadstone Place 1341 Dandenong Rd Chadstone VIC 3148**  
**Australia**  
(72) Name(s) of Designer(s): **Heath Saber**  
(45) Registration Date: **24 January 2014**  
(56) Related Art Documents: **Not Applicable**  
(57) Statement of Newness and Distinctiveness: **Nil**





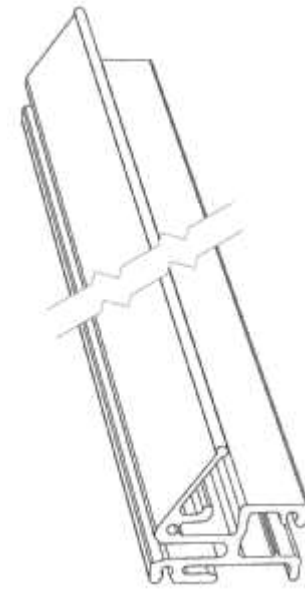
(21) Design Number: **16636/2013**  
(22) Date of Filing Application: **18 December 2013**  
(24) Date from which industrial property rights may have effect: **18 December 2013**  
(54) Product in respect of which the design is registered: **A device for making instant jelly**  
(51) International Design Classification: **07-04**  
(74) Name(s) of Attorney(s): **MDP McDonald Partners**  
(71) Name(s) and Address(s) of Applicant(s):  
**Chill Factor Global Pty Ltd**  
**L2 Tower 2 Chadstone Place 1341 Dandenong Rd Chadstone VIC 3148**  
**Australia**  
(72) Name(s) of Designer(s): **Heath Saber**  
(45) Registration Date: **24 January 2014**  
(56) Related Art Documents: **Not Applicable**  
(57) Statement of Newness and Distinctiveness: **Nil**



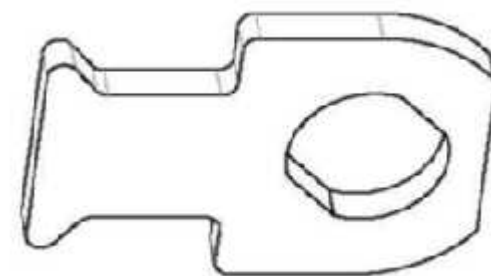
(21) Design Number: **16637/2013**  
(22) Date of Filing Application: **18 December 2013**  
(24) Date from which industrial property rights may have effect: **18 December 2013**  
(54) Product in respect of which the design is registered: **Shorts**  
(51) International Design Classification: **02-02C**  
(74) Name(s) of Attorney(s):  
(71) Name(s) and Address(s) of Applicant(s):  
**Australian Fashion Labels Pty Ltd**  
**106 Currie St Adelaide SA 5000 Australia**  
(72) Name(s) of Designer(s): **Kathryn Forth and Siham Elmawey**  
(45) Registration Date: **24 January 2014**  
(56) Related Art Documents: **Not Applicable**  
(57) Statement of Newness and Distinctiveness: **Newness and distinctiveness resides in the features of shape and configuration of shorts as shown in the accompanying representations.**



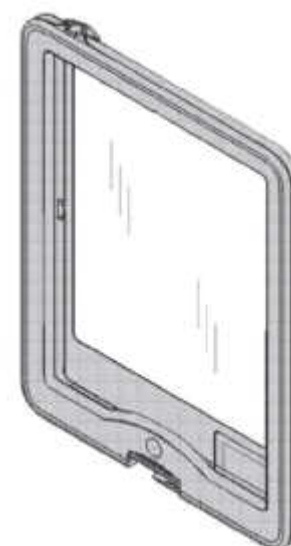
(21) Design Number: **16638/2013**  
(22) Date of Filing Application: **18 December 2013**  
(24) Date from which industrial property rights may have effect: **18 December 2013**  
(54) Product in respect of which the design is registered: **Extrusion**  
(51) International Design Classification: **25-01K**  
(74) Name(s) of Attorney(s): **PHILLIPS ORMONDE FITZPATRICK**  
(71) Name(s) and Address(s) of Applicant(s):  
**Bordo International Pty. Ltd.**  
**3 Kingston Park Ct Scoresby VIC 3179 Australia**  
(72) Name(s) of Designer(s): **Nostis Bobolas and Simon Andresen**  
(45) Registration Date: **24 January 2014**  
(56) Related Art Documents: **Not Applicable**  
(57) Statement of Newness and Distinctiveness: **Those features of the extrusion depicted in the representations that are new and distinctive are the shape and/or configuration. The extrusion may be of indefinite length.**



(21) Design Number: **16639/2013**  
(22) Date of Filing Application: **18 December 2013**  
(24) Date from which industrial property rights may have effect: **18 December 2013**  
(54) Product in respect of which the design is registered: **Cam for use with a lock mechanism**  
(51) International Design Classification: **08-07**  
(74) Name(s) of Attorney(s): **PHILLIPS ORMONDE FITZPATRICK**  
(71) Name(s) and Address(s) of Applicant(s):  
**ASSA ABLOY Australia Pty Limited**  
**235 Huntingdale Rd Oakleigh VIC 3166 Australia**  
(72) Name(s) of Designer(s): **Paul Thomas Spencer**  
(45) Registration Date: **24 January 2014**  
(56) Related Art Documents: **Not Applicable**  
(57) Statement of Newness and Distinctiveness: **Nil**



(21) Design Number: **10236/2014**  
(22) Date of Filing Application: **20 January 2014**  
(24) Date from which industrial property rights may have effect: **11 November 2013**  
(54) Product in respect of which the design is registered: **Case for an electronic device**  
(51) International Design Classification: **03-01NES, 14-02**  
(74) Name(s) of Attorney(s): **Cullens Patent and Trade Mark Attorneys**  
(71) Name(s) and Address(s) of Applicant(s):  
**TreeFrog Developments, Inc.**  
**15110 Avenue of Science San Diego CA 92132 United States of America**  
(72) Name(s) of Designer(s): **Gary Rayner**  
(45) Registration Date: **24 January 2014**  
(30) Convention priority data:  
(31) Number (32) Date (33) Country  
**29/454587 11 May 2013 UNITED STATES OF AMERICA**  
(62) Divisional of: **353539**  
(56) Related Art Documents: **Not Applicable**  
(57) Statement of Newness and Distinctiveness: **Newness and distinctiveness resides in the shape or configuration of a case for an electronic device as shown in the accompanying representations.**



(21) Design Number: **12865/2013**  
(22) Date of Filing Application: **21 June 2013**  
(24) Date from which industrial property rights may have effect: **21 June 2013**  
(54) Product in respect of which the design is registered: **Champagne flute**  
(51) International Design Classification: **07-01C**  
(74) Name(s) of Attorney(s): **SPRUSON & FERGUSON**  
(71) Name(s) and Address(s) of Applicant(s):  
**G.H. MUMM & Cie, Societe Vinicole de Champagne, Successeur**  
**29 rue du Champ de Mars, Reims 51100 France**  
(72) Name(s) of Designer(s): **Francois Takounseun**  
(45) Registration Date: **24 January 2014**  
(30) Convention priority data:  
(31) Number (32) Date (33) Country  
**002158303-0001 21 Dec 2012 OFFICE FOR HARMONISATION IN THE INTERNAL MARKET (OHIM)**  
(56) Related Art Documents: **Not Applicable**  
(57) Statement of Newness and Distinctiveness: **Shape and/or configuration of a flute as shown in the representations.**



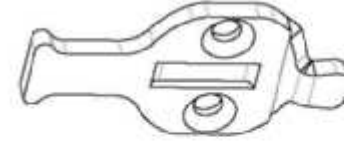
- (21) Design Number: **16206/2013**  
(22) Date of Filing Application: **28 November 2013**  
(24) Date from which industrial property rights may have effect: **28 November 2013**  
(54) Product in respect of which the design is registered: **A pop-up food/drinks serving counter**  
(51) International Design Classification: **06-03C, 20-03NES**  
(74) Name(s) of Attorney(s):  
(71) Name(s) and Address(s) of Applicant(s):  
**Misschu Pty Ltd**  
**SE701 88 Foveaux St Surry Hills NSW 2010 Australia**  
(72) Name(s) of Designer(s): **Lisa Oaten**  
(45) Registration Date: **24 January 2014**  
(56) Related Art Documents: **Not Applicable**  
(57) Statement of Newness and Distinctiveness: **The Misschu Cardboard Tuckshop is made from corrugated board and constructed using eight parts. The idea is to create a food and drink serving counter which can easily pop-up at events whereby a staff member serves food and drinks from behind the product and through the window. All parts are folded and connected to each other by cut out slots and when constructed creates a complete tuckshop window. All parts are delivered flat-packed in a neat sleeve.**



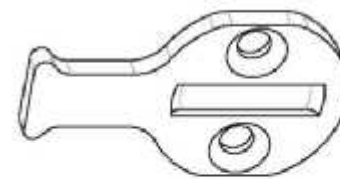
- (21) Design Number: **16248/2013**  
(22) Date of Filing Application: **02 December 2013**  
(24) Date from which industrial property rights may have effect: **02 December 2013**  
(54) Product in respect of which the design is registered: **Printed label for a cardboard cup**  
(51) International Design Classification: **07-01D, 19-08**  
(74) Name(s) of Attorney(s):  
(71) Name(s) and Address(s) of Applicant(s):  
**ZAMMIT SALES MARKETING & MANAGEMENT PTY LTD**  
**U1H Waterside 164 Burwood Rd Concord NSW 2137 Australia**  
(72) Name(s) of Designer(s): **Imogen McLoughlin**  
(45) Registration Date: **24 January 2014**  
(56) Related Art Documents: **Not Applicable**  
(57) Statement of Newness and Distinctiveness: **Nil**



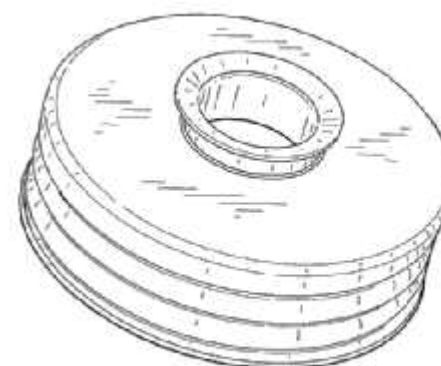
(21) Design Number: **16640/2013**  
(22) Date of Filing Application: **18 December 2013**  
(24) Date from which industrial property rights may have effect: **18 December 2013**  
(54) Product in respect of which the design is registered: **Cam for use with a lock mechanism**  
(51) International Design Classification: **08-07**  
(74) Name(s) of Attorney(s): **PHILLIPS ORMONDE FITZPATRICK**  
(71) Name(s) and Address(s) of Applicant(s):  
**ASSA ABLOY Australia Pty Limited**  
**235 Huntingdale Rd Oakleigh VIC 3166 Australia**  
(72) Name(s) of Designer(s): **Simon Paul Tyzzer**  
(45) Registration Date: **24 January 2014**  
(56) Related Art Documents: **Not Applicable**  
(57) Statement of Newness and Distinctiveness: **Nil**



(21) Design Number: **16641/2013**  
(22) Date of Filing Application: **18 December 2013**  
(24) Date from which industrial property rights may have effect: **18 December 2013**  
(54) Product in respect of which the design is registered: **Cam for use with a lock mechanism**  
(51) International Design Classification: **08-07**  
(74) Name(s) of Attorney(s): **PHILLIPS ORMONDE FITZPATRICK**  
(71) Name(s) and Address(s) of Applicant(s):  
**ASSA ABLOY Australia Pty Limited**  
**235 Huntingdale Rd Oakleigh VIC 3166 Australia**  
(72) Name(s) of Designer(s): **Simon Paul Tyzzer**  
(45) Registration Date: **24 January 2014**  
(56) Related Art Documents: **Not Applicable**  
(57) Statement of Newness and Distinctiveness: **Nil**



(21) Design Number: **10000/2014**  
(22) Date of Filing Application: **02 January 2014**  
(24) Date from which industrial property rights may have effect: **02 January 2014**  
(54) Product in respect of which the design is registered: **Pour spout**  
(51) International Design Classification: **09-07A**  
(74) Name(s) of Attorney(s): **Henry Hughes Ltd**  
(71) Name(s) and Address(s) of Applicant(s):  
**Windy Hill Spirits, Inc.**  
**118 16th Avenue South Suite #260E Nashville Tennessee 37203 United States of America**



(72) Name(s) of Designer(s): **Sean M Koffel and Patrick M Dillingham**  
(45) Registration Date: **24 January 2014**  
(30) Convention priority data:  
(31) Number      (32) Date      (33) Country  
**29/459702      02 Jul 2013      UNITED STATES OF AMERICA**  
(56) Related Art Documents: **Not Applicable**  
(57) Statement of Newness and Distinctiveness: **Newness and distinctiveness is claimed in the features of shape and/or configuration of a pour spout as illustrated in the accompanying representations. No regard is to be had to the dashed lines in the figures; they are for environmental purposes only and form no part of the claimed design.**

(21) Design Number: **10002/2014**  
(22) Date of Filing Application: **02 January 2014**  
(24) Date from which industrial property rights may have effect: **02 January 2014**  
(54) Product in respect of which the design is registered: **Hand held metal detector**  
(51) International Design Classification: **10-05**  
(74) Name(s) of Attorney(s): **PHILLIPS ORMONDE FITZPATRICK**  
(71) Name(s) and Address(s) of Applicant(s):  
**Costruzioni Elettroniche Industriali Automatismi S.P.A. C.E.I.A. S.P.A.**  
**Civitella in Val Di Chiana (AR) Via Strada Provinciale Pesciola 54/G-56**  
**CAP I-52040 Frazione Viciomaggio Italy**

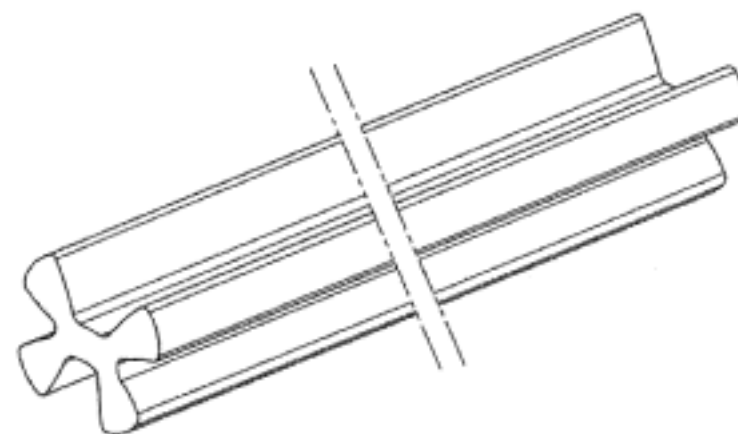


(72) Name(s) of Designer(s): **Alessandro Manneschi**  
(45) Registration Date: **24 January 2014**  
(30) Convention priority data:  
(31) Number      (32) Date      (33) Country  
**002283010-0001      29 Jul 2013      OFFICE FOR HARMONISATION IN THE INTERNAL MARKET (OHIM)**  
(56) Related Art Documents: **Not Applicable**  
(57) Statement of Newness and Distinctiveness: **Nil**

(21) Design Number: **10003/2014**  
(22) Date of Filing Application: **02 January 2014**  
(24) Date from which industrial property rights may have effect: **02 January 2014**  
(54) Product in respect of which the design is registered: **Massaging backrest**  
(51) International Design Classification: **28-03NES**  
(74) Name(s) of Attorney(s): **PHILLIPS ORMONDE FITZPATRICK**  
(71) Name(s) and Address(s) of Applicant(s):  
**Hoi Ming Michael Ho**  
**6 Alta Drive Stouffville Uxbridge Ontario, L4A 7X4 Canada**  
(72) Name(s) of Designer(s): **Hui-Fang Li**  
(45) Registration Date: **24 January 2014**  
(30) Convention priority data:  
(31) Number (32) Date (33) Country  
**201330330628.4 15 Jul 2013 CHINA**  
(56) Related Art Documents: **Not Applicable**  
(57) Statement of Newness and Distinctiveness: **Nil**

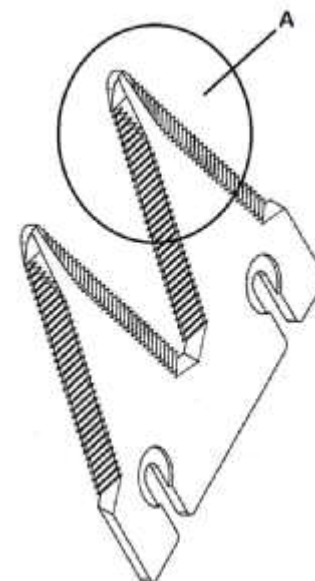


(21) Design Number: **16430/2013**  
(22) Date of Filing Application: **06 December 2013**  
(24) Date from which industrial property rights may have effect: **06 December 2013**  
(54) Product in respect of which the design is registered: **Pet chew**  
(51) International Design Classification: **01-06**  
(74) Name(s) of Attorney(s): **Freehills Patent Attorneys**  
(71) Name(s) and Address(s) of Applicant(s):  
**Coles Supermarkets Australia Pty Ltd**  
**L6 M1/800 Toorak Rd Hawthorn East VIC 3123 Australia**  
(72) Name(s) of Designer(s): **Jeffrey Taylor**  
(45) Registration Date: **28 January 2014**  
(56) Related Art Documents: **Not Applicable**  
(57) Statement of Newness and Distinctiveness: **The newness and distinctiveness resides in the features of shape and configuration of the pet chew illustrated in the accompanying representations. The pet chew is of indefinite length.**





- (21) Design Number: **16642/2013**  
(22) Date of Filing Application: **18 December 2013**  
(24) Date from which industrial property rights may have effect: **18 December 2013**  
(54) Product in respect of which the design is registered: **Blade for a sickle**  
(51) International Design Classification: **08-03**  
(74) Name(s) of Attorney(s): **IP Gateway Patent & Trademark Attorneys Pty Ltd**  
(71) Name(s) and Address(s) of Applicant(s):  
**MacDon Industries Ltd.**  
**680 Moray Street Winnipeg Manitoba R3J 3S3 Canada**  
(72) Name(s) of Designer(s): **Francois R Talbot**  
(45) Registration Date: **30 January 2014**  
(30) Convention priority data:  
(31) Number (32) Date (33) Country  
**151843 03 Jul 2013 CANADA**  
(56) Related Art Documents: **Not Applicable**  
(57) Statement of Newness and Distinctiveness: **Newness and Distinctiveness resides in the visual features of shape and/or configuration of the top portion of a blade finger of the blade for a sickle that is referenced by the letter A as shown in the accompanying representations.**



- (21) Design Number: **16643/2013**  
(22) Date of Filing Application: **18 December 2013**  
(24) Date from which industrial property rights may have effect: **18 December 2013**  
(54) Product in respect of which the design is registered: **A bustier**  
(51) International Design Classification: **02-02NES**  
(74) Name(s) of Attorney(s):  
(71) Name(s) and Address(s) of Applicant(s):  
**Australian Fashion Labels Pty Ltd**  
**106 Currie St Adelaide SA 5000 Australia**  
(72) Name(s) of Designer(s): **Kathryn Forth and Siham Elmawey**  
(45) Registration Date: **30 January 2014**  
(56) Related Art Documents: **Not Applicable**  
(57) Statement of Newness and Distinctiveness: **Newness and distinctiveness resides in the features of shape and configuration of a bustier as shown in the representations. No design rights are claimed in relation to the skirt as shown in the representations and the skirt is to be disregarded in determining the scope of the design.**





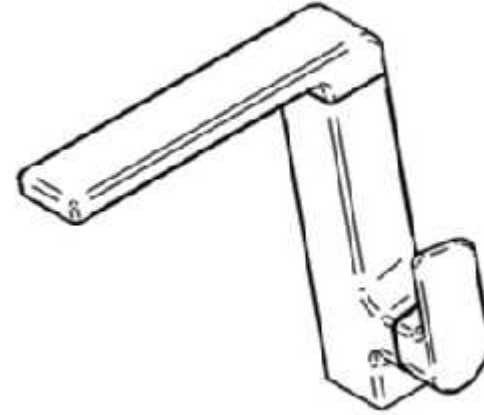
- (21) Design Number: **16644/2013**  
(22) Date of Filing Application: **18 December 2013**  
(24) Date from which industrial property rights may have effect: **18 December 2013**  
(54) Product in respect of which the design is registered: **A dress**  
(51) International Design Classification: **02-02C**  
(74) Name(s) of Attorney(s):  
(71) Name(s) and Address(s) of Applicant(s):  
**Australian Fashion Labels Pty Ltd**  
**106 Currie St Adelaide SA 5000 Australia**  
(72) Name(s) of Designer(s): **Kathryn Forth and Siham Elmawey**  
(45) Registration Date: **30 January 2014**  
(56) Related Art Documents: **Not Applicable**  
(57) Statement of Newness and Distinctiveness: **Newness and distinctiveness resides in the features of shape and configuration of a dress as shown in the accompanying representations.**



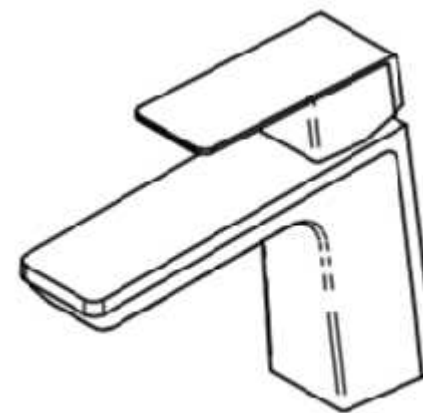
- (21) Design Number: **16666/2013**  
(22) Date of Filing Application: **19 December 2013**  
(24) Date from which industrial property rights may have effect: **19 December 2013**  
(54) Product in respect of which the design is registered: **Front bumper for an automobile**  
(51) International Design Classification: **12-16C**  
(74) Name(s) of Attorney(s): **SPRUSON & FERGUSON**  
(71) Name(s) and Address(s) of Applicant(s):  
**Honda Motor Co., Ltd.**  
**1-1, Minami-Aoyama 2-chome, Minato-ku Tokyo 107-8556 Japan**  
(72) Name(s) of Designer(s): **Chiaki Kato**  
(45) Registration Date: **30 January 2014**  
(30) Convention priority data:  
(31) Number      (32) Date      (33) Country  
**2013-014750      28 Jun 2013      JAPAN**  
(56) Related Art Documents: **Not Applicable**  
(57) Statement of Newness and Distinctiveness: **Newness and distinctiveness is claimed in the features of shape and/or configuration of a front bumper for an automobile as illustrated in the accompanying representations.**



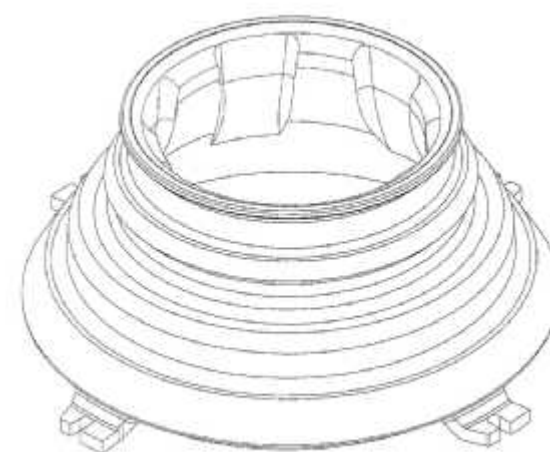
- (21) Design Number: **16669/2013**  
(22) Date of Filing Application: **19 December 2013**  
(24) Date from which industrial property rights may have effect: **19 December 2013**  
(54) Product in respect of which the design is registered: **Mixer tap**  
(51) International Design Classification: **23-01H**  
(74) Name(s) of Attorney(s):  
(71) Name(s) and Address(s) of Applicant(s):  
**Astra Walker Pty Ltd**  
**15 Prince William Dr Seven Hills NSW 2147 Australia**  
(72) Name(s) of Designer(s): **David R Shirliff**  
(45) Registration Date: **30 January 2014**  
(56) Related Art Documents: **Not Applicable**  
(57) Statement of Newness and Distinctiveness: **Newness and distinctiveness is claimed in the features of shape and/or configuration of a mixer tap as illustrated in the accompanying representations.**



- (21) Design Number: **16670/2013**  
(22) Date of Filing Application: **19 December 2013**  
(24) Date from which industrial property rights may have effect: **19 December 2013**  
(54) Product in respect of which the design is registered: **Mixer tap**  
(51) International Design Classification: **23-01H**  
(74) Name(s) of Attorney(s):  
(71) Name(s) and Address(s) of Applicant(s):  
**Astra Walker Pty Ltd**  
**15 Prince William Dr Seven Hills NSW 2147 Australia**  
(72) Name(s) of Designer(s): **David R Shirliff**  
(45) Registration Date: **30 January 2014**  
(56) Related Art Documents: **Not Applicable**  
(57) Statement of Newness and Distinctiveness: **Newness and distinctiveness is claimed in the features of shape and/or configuration of a mixer tap as illustrated in the accompanying representations.**



(21) Design Number: **16492/2013**  
(22) Date of Filing Application: **12 December 2013**  
(24) Date from which industrial property rights may have effect: **12 December 2013**  
(54) Product in respect of which the design is registered: **Crushing shell**  
(51) International Design Classification: **15-99**  
(74) Name(s) of Attorney(s): **Griffith Hack**  
(71) Name(s) and Address(s) of Applicant(s):  
**Sandvik Intellectual Property AB**  
**Sandviken SE-811 81 Sandviken Sweden**  
(72) Name(s) of Designer(s): **Per Svedensten and Elisabeth Lee and Hannes Larheden**  
(45) Registration Date: **30 January 2014**  
(30) Convention priority data:  
(31) Number (32) Date (33) Country  
**001376073-0001 27 Jun 2013 OFFICE FOR HARMONISATION IN THE INTERNAL MARKET (OHIM)**



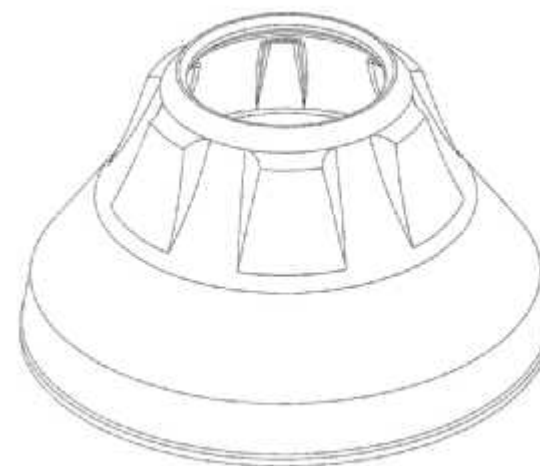
(56) Related Art Documents: **Not Applicable**  
(57) Statement of Newness and Distinctiveness: **Newness and distinctiveness resides in the visual features, including shape and configuration, of a profiled crushing surface of a CRUSHING SHELL, including the plurality of wedges that project radially from the crushing surface, as shown in the accompanying drawings.**

(21) Design Number: **16493/2013**  
(22) Date of Filing Application: **12 December 2013**  
(24) Date from which industrial property rights may have effect: **12 December 2013**  
(54) Product in respect of which the design is registered: **Crushing shell**  
(51) International Design Classification: **15-99**  
(74) Name(s) of Attorney(s): **Griffith Hack**  
(71) Name(s) and Address(s) of Applicant(s):  
**Sandvik Intellectual Property AB**  
**Sandviken SE-811 81 Sandviken Sweden**  
(72) Name(s) of Designer(s): **Hannes Larheden and Per Svedensten and Elisabeth Lee**  
(45) Registration Date: **30 January 2014**  
(30) Convention priority data:  
(31) Number (32) Date (33) Country  
**001376073-0001 27 Jun 2013 OFFICE FOR HARMONISATION IN THE INTERNAL MARKET (OHIM)**



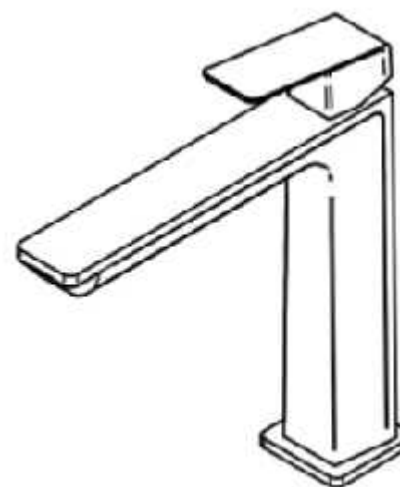
(56) Related Art Documents: **Not Applicable**  
(57) Statement of Newness and Distinctiveness: **Newness and distinctiveness resides in the visual features, including shape and configuration, of a profiled crushing surface of a CRUSHING SHELL, including the plurality of wedges that project radially from the crushing surface, as shown in the accompanying drawings.**

(21) Design Number: **16494/2013**  
(22) Date of Filing Application: **12 December 2013**  
(24) Date from which industrial property rights may have effect: **12 December 2013**  
(54) Product in respect of which the design is registered: **Crushing shell**  
(51) International Design Classification: **15-99**  
(74) Name(s) of Attorney(s): **Griffith Hack**  
(71) Name(s) and Address(s) of Applicant(s):  
**Sandvik Intellectual Property AB**  
**Sandviken SE-811 81 Sandviken Sweden**  
(72) Name(s) of Designer(s): **Per Svedensten and Elisabeth Lee and Hannes Larheden**  
(45) Registration Date: **30 January 2014**  
(30) Convention priority data:  
(31) Number (32) Date (33) Country  
**001376073-0001 27 Jun 2013 OFFICE FOR HARMONISATION IN THE INTERNAL MARKET (OHIM)**

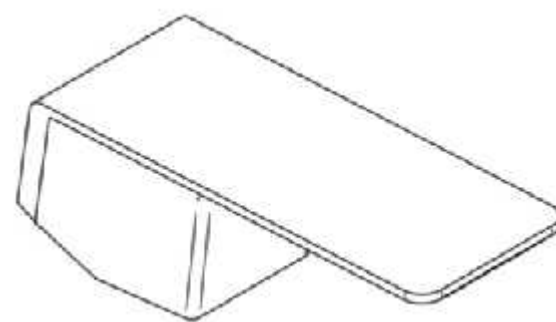


(56) Related Art Documents: **Not Applicable**  
(57) Statement of Newness and Distinctiveness: **Newness and distinctiveness resides in the visual features, including shape and configuration, of a profiled crushing surface of a CRUSHING SHELL, including the plurality of wedges that project radially from the crushing surface, as shown in the accompanying drawings.**

(21) Design Number: **16671/2013**  
(22) Date of Filing Application: **19 December 2013**  
(24) Date from which industrial property rights may have effect: **19 December 2013**  
(54) Product in respect of which the design is registered: **Mixer tap**  
(51) International Design Classification: **23-01H**  
(74) Name(s) of Attorney(s):  
(71) Name(s) and Address(s) of Applicant(s):  
**Astra Walker Pty Ltd**  
**15 Prince William Dr Seven Hills NSW 2147 Australia**  
(72) Name(s) of Designer(s): **David R Shirliff**  
(45) Registration Date: **30 January 2014**  
(56) Related Art Documents: **Not Applicable**  
(57) Statement of Newness and Distinctiveness: **Newness and distinctiveness is claimed in the features of shape and/or configuration of a mixer tap as illustrated in the accompanying representations.**



- (21) Design Number: **16672/2013**  
(22) Date of Filing Application: **19 December 2013**  
(24) Date from which industrial property rights may have effect: **19 December 2013**  
(54) Product in respect of which the design is registered: **Mixer tap handle**  
(51) International Design Classification: **23-01H**  
(74) Name(s) of Attorney(s):  
(71) Name(s) and Address(s) of Applicant(s):  
**Astra Walker Pty Ltd**  
**15 Prince William Dr Seven Hills NSW 2147 Australia**  
(72) Name(s) of Designer(s): **David R Shirliff**  
(45) Registration Date: **30 January 2014**  
(56) Related Art Documents: **Not Applicable**  
(57) Statement of Newness and Distinctiveness: **Newness and distinctiveness is claimed in the features of shape and/or configuration of a mixer tap handle as illustrated in the accompanying representations.**



- (21) Design Number: **16674/2013**  
(22) Date of Filing Application: **19 December 2013**  
(24) Date from which industrial property rights may have effect: **19 December 2013**  
(54) Product in respect of which the design is registered: **Oral care implement package**  
(51) International Design Classification: **09-03NES**  
(74) Name(s) of Attorney(s): **FB Rice**  
(71) Name(s) and Address(s) of Applicant(s):  
**Colgate-Palmolive Company**  
**300 Park Avenue New York New York 10022 United States of America**  
(72) Name(s) of Designer(s): **Brian Bloch and Quang Nguyen**  
(45) Registration Date: **30 January 2014**  
(30) Convention priority data:  
(31) Number      (32) Date      (33) Country  
**29/461014      17 Jul 2013      UNITED STATES OF AMERICA**  
(56) Related Art Documents: **Not Applicable**  
(57) Statement of Newness and Distinctiveness: **Newness and distinctiveness reside in the features of shape and configuration of the design as shown in the representations.**



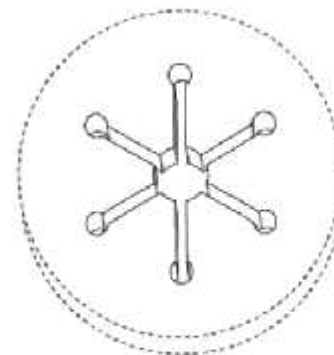
- (21) Design Number: **12339/2013**  
(22) Date of Filing Application: **21 May 2013**  
(24) Date from which industrial property rights may have effect: **21 May 2013**  
(54) Product in respect of which the design is registered: **Dustpan**  
(51) International Design Classification: **07-05E**  
(74) Name(s) of Attorney(s): **Allens Patent & Trade Mark Attorneys**  
(71) Name(s) and Address(s) of Applicant(s):  
**E.D. Oates Pty Ltd**  
**13-21 Maygar Bld Broadmeadows VIC 3047 Australia**  
(72) Name(s) of Designer(s): **Brendan Abbenhuys**  
(45) Registration Date: **31 January 2014**  
(56) Related Art Documents: **Not Applicable**  
(57) Statement of Newness and Distinctiveness: **Newness and distinctiveness resides in the visual features of shape and/or configuration of a dustpan as illustrated in the accompanying representations.**



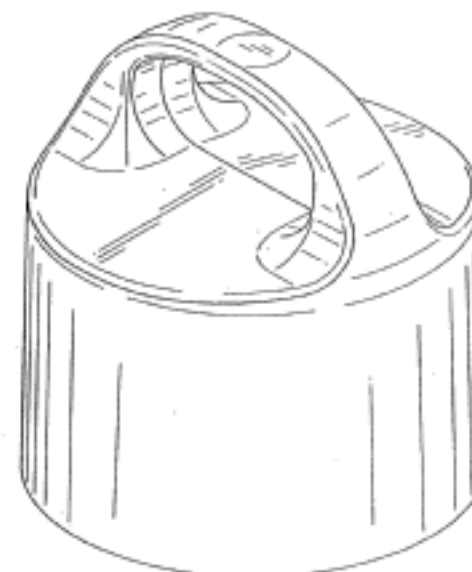
- (21) Design Number: **12340/2013**  
(22) Date of Filing Application: **21 May 2013**  
(24) Date from which industrial property rights may have effect: **21 May 2013**  
(54) Product in respect of which the design is registered: **Broom**  
(51) International Design Classification: **04-01**  
(74) Name(s) of Attorney(s): **Allens Patent & Trade Mark Attorneys**  
(71) Name(s) and Address(s) of Applicant(s):  
**E.D. Oates Pty Ltd**  
**13-21 Maygar Bld Broadmeadows VIC 3047 Australia**  
(72) Name(s) of Designer(s): **Brendan Abbenhuys**  
(45) Registration Date: **31 January 2014**  
(56) Related Art Documents: **Not Applicable**  
(57) Statement of Newness and Distinctiveness: **Newness and distinctiveness resides in the visual features of shape and/or configuration of a broom as illustrated in the accompanying representations.**



(21) Design Number: **15646/2013**  
(22) Date of Filing Application: **01 November 2013**  
(24) Date from which industrial property rights may have effect: **01 November 2013**  
(54) Product in respect of which the design is registered: **Stopper for dental instruments**  
(51) International Design Classification: **24-02**  
(74) Name(s) of Attorney(s): **Davies Collison Cave**  
(71) Name(s) and Address(s) of Applicant(s):  
**Dentsply International Inc.**  
**570 West College Avenue York Pennsylvania 17401-3880 United States of America**  
(72) Name(s) of Designer(s): **Vincent Shotton and Kevin Wilkinson**  
(45) Registration Date: **31 January 2014**  
(30) Convention priority data:  
(31) Number (32) Date (33) Country  
**29/453,764 02 May 2013 UNITED STATES OF AMERICA**  
(56) Related Art Documents: **Not Applicable**  
(57) Statement of Newness and Distinctiveness: **Newness and distinctiveness is claimed in the visual features shown in solid lines in the representations.**



(21) Design Number: **15810/2013**  
(22) Date of Filing Application: **12 November 2013**  
(24) Date from which industrial property rights may have effect: **12 November 2013**  
(54) Product in respect of which the design is registered: **Carrier for a dispenser**  
(51) International Design Classification: **09-03NES, 03-01NES**  
(74) Name(s) of Attorney(s): **SPRUSON & FERGUSON**  
(71) Name(s) and Address(s) of Applicant(s):  
**S. C. Johnson & Son, Inc.**  
**1525 Howe Street, Racine WI, 53403-2236 United States of America**  
(72) Name(s) of Designer(s): **Mark W. Geis and Donald J. Schumacher**  
(45) Registration Date: **31 January 2014**  
(30) Convention priority data:  
(31) Number (32) Date (33) Country  
**29/454904 15 May 2013 UNITED STATES OF AMERICA**  
(56) Related Art Documents: **Not Applicable**  
(57) Statement of Newness and Distinctiveness: **Newness and distinctiveness is claimed in those features of shape and/or configuration of a carrier for a dispenser illustrated in continuous lines in the accompanying representations.**



(21) Design Number: **15903/2013**  
(22) Date of Filing Application: **18 November 2013**  
(24) Date from which industrial property rights may have effect: **18 November 2013**  
(54) Product in respect of which the design is registered: **Electronic device**  
(51) International Design Classification: **14-01, 14-02, 14-99**  
(74) Name(s) of Attorney(s): **Freehills Patent Attorneys**  
(71) Name(s) and Address(s) of Applicant(s):



**Apple Inc.**

**1 Infinite Loop Cupertino California 95014 United States of America**

(72) Name(s) of Designer(s): **Jody Akana and Bartley K Andre and Shota Aoyagi and Jeremy Bataillou and Daniel J Coster and Daniele De Iuliis and M Evans Hankey and Julian Hoenig and Richard P Howarth and Jonathan P Ive and Duncan Robert Kerr and Matthew Dean Rohrbach and Peter Russell-Clarke and Mikael Silvano and Christopher J Stringer and Eugene Antony Whang and Rico Zorkendorfer**

(45) Registration Date: **31 January 2014**

(30) Convention priority data:

(31) Number	(32) Date	(33) Country
<b>29/457349</b>	<b>09 Jun 2013</b>	<b>UNITED STATES OF AMERICA</b>

(56) Related Art Documents: **Not Applicable**

(57) Statement of Newness and Distinctiveness: **Newness and distinctiveness of the design resides in the features of shape and configuration of the electronic device as shown in solid lines in the accompanying representations.**

(21) Design Number: **16295/2013**  
(22) Date of Filing Application: **03 December 2013**  
(24) Date from which industrial property rights may have effect: **03 December 2013**  
(54) Product in respect of which the design is registered: **Pet food packaging**  
(51) International Design Classification: **09-05**  
(74) Name(s) of Attorney(s): **PHILLIPS ORMONDE FITZPATRICK**  
(71) Name(s) and Address(s) of Applicant(s):



**The IAMS Company**

**One Procter & Gamble Plaza Cincinnati Ohio 45202-3315 United States of America**

(72) Name(s) of Designer(s): **Luisa Valerio Gonzalez and Giles Michael Owen Hopley**

(45) Registration Date: **31 January 2014**

(30) Convention priority data:

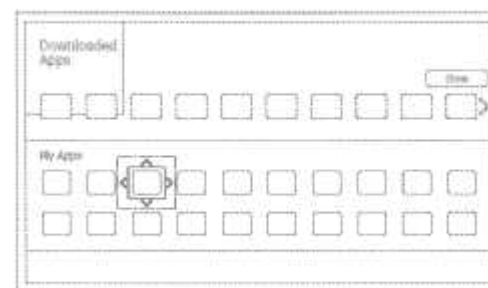
(31) Number	(32) Date	(33) Country
<b>29/456,688</b>	<b>03 Jun 2013</b>	<b>UNITED STATES OF AMERICA</b>

(56) Related Art Documents: **Not Applicable**

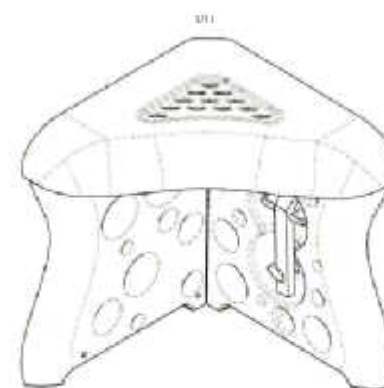
(57) Statement of Newness and Distinctiveness: **Newness and distinctiveness resides in the ornamentation of the pet food packaging as illustrated in the accompanying representations. The features shown in broken lines are not part of the design and are to be disregarded when considering the overall impression of the design.**



- (21) Design Number: **16364/2013**  
(22) Date of Filing Application: **04 December 2013**  
(24) Date from which industrial property rights may have effect: **04 December 2013**  
(54) Product in respect of which the design is registered: **Display screen with graphical user interface**  
(51) International Design Classification: **14-02, 14-01**  
(74) Name(s) of Attorney(s): **IP Gateway Patent & Trademark Attorneys Pty Ltd**  
(71) Name(s) and Address(s) of Applicant(s):  
**Samsung Electronics Co., Ltd.**  
**129, Samsung-ro Yeongtong-gu Suwon-si Gyeonggi-do 443-742**  
**Republic of Korea**  
(72) Name(s) of Designer(s): **Hyeryung Kim and Yong-Hwan Kwon and Jieun Kim and Jihong Kim and Jang-Won Seo and Seran Jeon and Danny Hwang**  
(45) Registration Date: **31 January 2014**  
(30) Convention priority data:  
(31) Number (32) Date (33) Country  
**30-2013-0029467 05 Jun 2013 REPUBLIC OF KOREA**  
(56) Related Art Documents: **Not Applicable**  
(57) Statement of Newness and Distinctiveness: **Newness & Distinctiveness reside in the visual features of the design shown in solid lines in the representation and delineated by the dot-and-dash lines. The area enclosed by the solid lines may be used to display text and/or images. The features shown in broken lines should be given minimum emphasis when considering the overall impression of the design.**



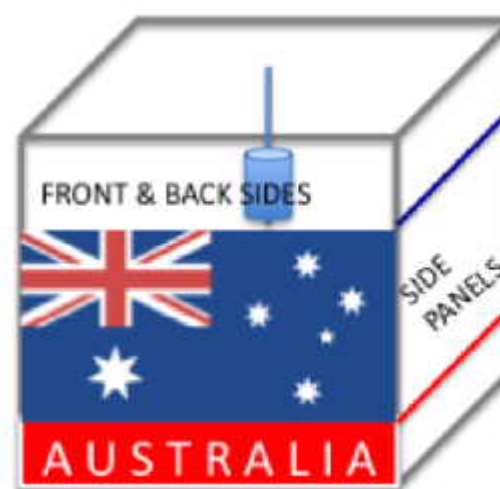
- (21) Design Number: **16472/2013**  
(22) Date of Filing Application: **11 December 2013**  
(24) Date from which industrial property rights may have effect: **11 December 2013**  
(54) Product in respect of which the design is registered: **A folding stool**  
(51) International Design Classification: **06-01E**  
(74) Name(s) of Attorney(s): **Cullens Patent and Trade Mark Attorneys**  
(71) Name(s) and Address(s) of Applicant(s):  
**Bath Art Pty Ltd**  
**28 Woodcliffe Cres Woody Point QLD 4019 Australia**  
(72) Name(s) of Designer(s): **Victor Paul Nicholls and Angela Gaye Nicholls**  
(45) Registration Date: **31 January 2014**  
(56) Related Art Documents: **Not Applicable**  
(57) Statement of Newness and Distinctiveness: **The features of shape and configuration (but not colour or shading) of the folding stool shown in the accompanying representations are new and distinctive, except that the following do not form part of the design: words, numbers or other lettering appearing on any part of the folding stool; the razor (which is shown for illustrative purposes only, including in Figures 1 and 4); those strengthening/reinforcing ribs which are visible only on the rear or underside of parts of the folding stool; the arrows indicating the direction of unfolding in Figure 11.**



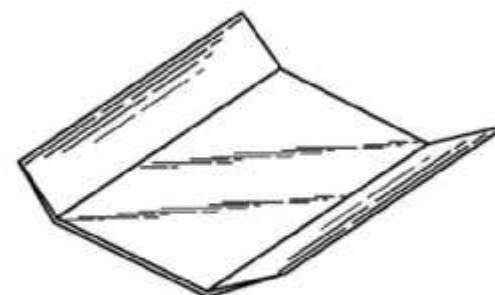
- (21) Design Number: **16497/2013**  
(22) Date of Filing Application: **12 December 2013**  
(24) Date from which industrial property rights may have effect: **12 December 2013**  
(54) Product in respect of which the design is registered: **Reclining chair**  
(51) International Design Classification: **06-01H**  
(74) Name(s) of Attorney(s):  
(71) Name(s) and Address(s) of Applicant(s):  
**James O'Brien**  
**29 Laura Pl North Fitzroy VIC 3068 Australia**  
(72) Name(s) of Designer(s): **James O'Brien and Angela Amoros**  
(45) Registration Date: **31 January 2014**  
(56) Related Art Documents: **Not Applicable**  
(57) Statement of Newness and Distinctiveness: **The Shape enables the chair to function in its reclined manner allowing three sitting positions.**



- (21) Design Number: **16619/2013**  
(22) Date of Filing Application: **17 December 2013**  
(24) Date from which industrial property rights may have effect: **17 December 2013**  
(54) Product in respect of which the design is registered: **Lighting**  
(51) International Design Classification: **26-05D**  
(74) Name(s) of Attorney(s):  
(71) Name(s) and Address(s) of Applicant(s):  
**Simone Denereaz**  
**U104 242 Rouse St Port Melbourne VIC 3207 Australia**  
(72) Name(s) of Designer(s): **Simone Denereaz**  
(45) Registration Date: **31 January 2014**  
(56) Related Art Documents: **Not Applicable**  
(57) Statement of Newness and Distinctiveness: **The newness and distinctiveness of the design resides in the use of a box shape decorated with a picture of the Australian or/ the Aboriginal flag, as a light, which can illustrate an area.**



- (21) Design Number: **15489/2013**  
(22) Date of Filing Application: **25 October 2013**  
(24) Date from which industrial property rights may have effect: **25 October 2013**  
(54) Product in respect of which the design is registered: **Hay scooping implement**  
(51) International Design Classification: **30-03**  
(74) Name(s) of Attorney(s): **PIZZEYS**  
(71) Name(s) and Address(s) of Applicant(s):  
**Sandra Kersten**  
**3900 E. Calle Agassiz Vail AZ, 85741 United States of America**  
(72) Name(s) of Designer(s): **Sandra Kersten**  
(45) Registration Date: **31 January 2014**  
(56) Related Art Documents: **Not Applicable**  
(57) Statement of Newness and Distinctiveness: **Nil**



- (21) Design Number: **16410/2013**  
(22) Date of Filing Application: **06 December 2013**  
(24) Date from which industrial property rights may have effect: **06 December 2013**  
(54) Product in respect of which the design is registered: **Console for drill rig**  
(51) International Design Classification: **12-16NES**  
(74) Name(s) of Attorney(s): **Griffith Hack**  
(71) Name(s) and Address(s) of Applicant(s):  
**Sandvik Mining and Construction Australia (Production/Supply) Pty Ltd**  
**60-62 Qantas Dr Brisbane Airport QLD 4008 Australia**  
(72) Name(s) of Designer(s): **Matti Linna and Janni Jaakkola and Isto Virtanen and Arttu Rantanen and Jacob Van der loos and Frances Hallett and Russell Beetham**  
(45) Registration Date: **31 January 2014**  
(56) Related Art Documents: **Not Applicable**  
(57) Statement of Newness and Distinctiveness: **Newness and distinctiveness resides in the visual features including shape and configuration of the product as shown in the representations.**



(21) Design Number: **16463/2013**

(22) Date of Filing Application: **11 December 2013**

(24) Date from which industrial property rights may have effect: **11 December 2013**

(54) Product in respect of which the design is registered: **Hand-holdable vacuum cleaner**

(51) International Design Classification: **15-05**

(74) Name(s) of Attorney(s): **Davies Collison Cave**

(71) Name(s) and Address(s) of Applicant(s):

**Black & Decker, Inc.**

**1207 Drummond Plaza Newark Delaware 19711 United States of America**

(72) Name(s) of Designer(s): **Milligan David**

(45) Registration Date: **31 January 2014**

(30) Convention priority data:

(31) Number

(32) Date

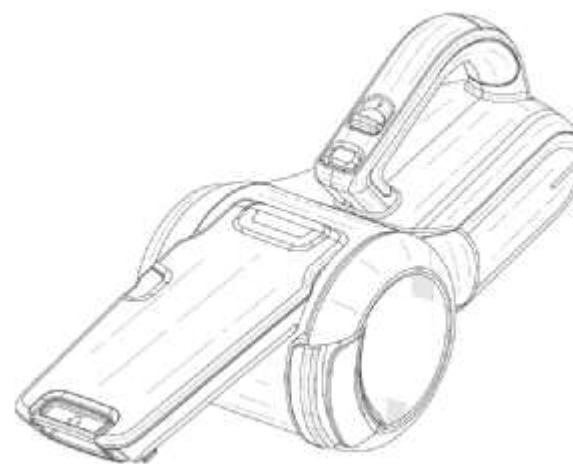
(33) Country

**001374268-0001 11 Jun 2013**

**OFFICE FOR HARMONISATION IN  
THE INTERNAL MARKET (OHIM)**

(56) Related Art Documents: **Not Applicable**

(57) Statement of Newness and Distinctiveness: **Nil**



(21) Design Number: **16568/2013**

(22) Date of Filing Application: **16 December 2013**

(24) Date from which industrial property rights may have effect: **16 December 2013**

(54) Product in respect of which the design is registered: **Earring**

(51) International Design Classification: **11-01D**

(74) Name(s) of Attorney(s): **Callinans**

(71) Name(s) and Address(s) of Applicant(s):

**Bulgari S.p.A.**

**Lungotevere Marzio 11 Rome 00186 Italy**

(72) Name(s) of Designer(s): **Paolo Bulgari**

(45) Registration Date: **31 January 2014**

(30) Convention priority data:

(31) Number

(32) Date

(33) Country

**745218901 19 Jun 2013**

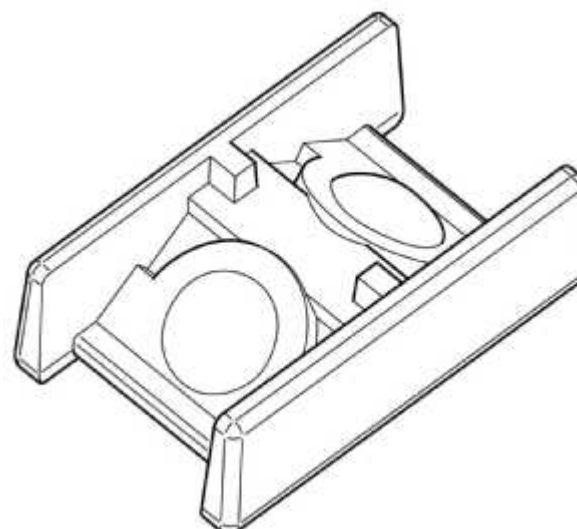
**WORLD INTELLECTUAL  
PROPERTY ORGANIZATION  
(WIPO)**

(56) Related Art Documents: **Not Applicable**

(57) Statement of Newness and Distinctiveness: **Nil**



(21) Design Number: **16653/2013**  
(22) Date of Filing Application: **19 December 2013**  
(24) Date from which industrial property rights may have effect: **19 December 2013**  
(54) Product in respect of which the design is registered: **Optical element for assay device**  
(51) International Design Classification: **16-06**  
(74) Name(s) of Attorney(s): **FB Rice**  
(71) Name(s) and Address(s) of Applicant(s):  
**Ellume Pty Ltd**  
**57 Didsbury St East Brisbane QLD 4169**  
(72) Name(s) of Designer(s): **Sean Andrew Parsons and David Lara and Michael Stuart Hazell**  
(45) Registration Date: **31 January 2014**  
(30) Convention priority data:  
(31) Number (32) Date (33) Country  
**002258335-0002 19 Jun 2013 OFFICE FOR HARMONISATION IN THE INTERNAL MARKET (OHIM)**  
(56) Related Art Documents: **Not Applicable**  
(57) Statement of Newness and Distinctiveness: **Newness and distinctiveness reside in the shape and configuration of the design as shown in the representations including a V-shaped section with lenses formed therein.**



(21) Design Number: **16654/2013**  
(22) Date of Filing Application: **19 December 2013**  
(24) Date from which industrial property rights may have effect: **19 December 2013**  
(54) Product in respect of which the design is registered: **Toaster**  
(51) International Design Classification: **07-02F**  
(74) Name(s) of Attorney(s): **Callinans**  
(71) Name(s) and Address(s) of Applicant(s):  
**Kenwood Limited**  
**New Lane Havant Hampshire PO9 2NH United Kingdom**  
(72) Name(s) of Designer(s): **Nicholas Brook**  
(45) Registration Date: **31 January 2014**  
(30) Convention priority data:  
(31) Number (32) Date (33) Country  
**002269415 05 Jul 2013 OFFICE FOR HARMONISATION IN THE INTERNAL MARKET (OHIM)**  
(56) Related Art Documents: **Not Applicable**  
(57) Statement of Newness and Distinctiveness: **Nil**



- (21) Design Number: **16656/2013**  
(22) Date of Filing Application: **19 December 2013**  
(24) Date from which industrial property rights may have effect: **19 December 2013**  
(54) Product in respect of which the design is registered: **A playsuit**  
(51) International Design Classification: **02-02C**  
(74) Name(s) of Attorney(s):  
(71) Name(s) and Address(s) of Applicant(s):  
**AUSTRALIAN FASHION LABELS PTY LTD**  
**106 Currie St Adelaide SA 5000 Australia**  
(72) Name(s) of Designer(s): **Carmen Dugan and Joanne Altham**  
(45) Registration Date: **31 January 2014**  
(56) Related Art Documents: **Not Applicable**  
(57) Statement of Newness and Distinctiveness: **Newness and distinctiveness resides in the features of shape and configuration of a playsuit as shown in the accompanying representations.**

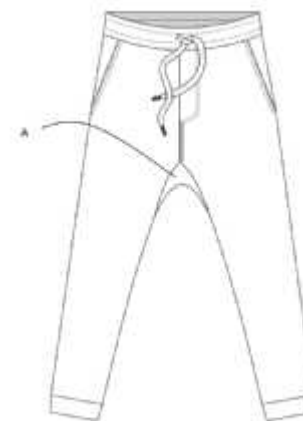


- (21) Design Number: **16663/2013**  
(22) Date of Filing Application: **19 December 2013**  
(24) Date from which industrial property rights may have effect: **31 October 2013**  
(54) Product in respect of which the design is registered: **Article of clothing**  
(51) International Design Classification: **02-02C**  
(74) Name(s) of Attorney(s): **Adams Pluck**  
(71) Name(s) and Address(s) of Applicant(s):  
**Zanerobe Global Brands Pty Ltd**  
**Rear Warehouse 522 Military Rd Mosman NSW 2088 Australia**  
(72) Name(s) of Designer(s): **Nat Taubman**  
(45) Registration Date: **31 January 2014**  
(62) Divisional of: **353175**  
(56) Related Art Documents: **Not Applicable**  
(57) Statement of Newness and Distinctiveness: **The newness and distinctiveness of the design resides in the shape of the crotch panel labelled A in the representations. The pockets, cuffs, waistband and drawstring are not part of the design and are to be disregarded when considering the overall impression of the design.**





- (21) Design Number: **16664/2013**  
(22) Date of Filing Application: **19 December 2013**  
(24) Date from which industrial property rights may have effect: **31 October 2013**  
(54) Product in respect of which the design is registered: **Article of clothing**  
(51) International Design Classification: **02-02C**  
(74) Name(s) of Attorney(s): **Adams Pluck**  
(71) Name(s) and Address(s) of Applicant(s):  
**Zanero Global Brands Pty Ltd**  
**Rear Warehouse 522 Military Rd Mosman NSW 2088 Australia**  
(72) Name(s) of Designer(s): **Nat Taubman**  
(45) Registration Date: **31 January 2014**  
(62) Divisional of: **353175**  
(56) Related Art Documents: **Not Applicable**  
(57) Statement of Newness and Distinctiveness: **The newness and distinctiveness of the design resides in the shape of the crotch panel labelled A in the representations. The pockets, cuffs, waistband and drawstring are not part of the design and are to be disregarded when considering the overall impression of the design.**



- (21) Design Number: **16687/2013**  
(22) Date of Filing Application: **19 December 2013**  
(24) Date from which industrial property rights may have effect: **19 December 2013**  
(54) Product in respect of which the design is registered: **A dress**  
(51) International Design Classification: **02-02C**  
(74) Name(s) of Attorney(s):  
(71) Name(s) and Address(s) of Applicant(s):  
**Australian Fashion Labels Pty Ltd**  
**106 Currie St Adelaide SA 5000 Australia**  
(72) Name(s) of Designer(s): **Carmen Dugan and Joanne Altham**  
(45) Registration Date: **31 January 2014**  
(56) Related Art Documents: **Not Applicable**  
(57) Statement of Newness and Distinctiveness: **Newness and distinctiveness resides in the features of shape and configuration of a dress as shown in the accompanying representations.**



(21) Design Number: **10283/2014**  
(22) Date of Filing Application: **03 December 2013**  
(24) Date from which industrial property rights may have effect: **03 December 2013**  
(54) Product in respect of which the design is registered: **Pet food packaging**  
(51) International Design Classification: **09-05**  
(74) Name(s) of Attorney(s): **PHILLIPS ORMONDE FITZPATRICK**  
(71) Name(s) and Address(s) of Applicant(s):

**The IAMS Company**  
**One Procter & Gamble Plaza Cincinnati Ohio 45202-3315 United States of America**

(72) Name(s) of Designer(s): **Luisa Valerio Gonzalez and Giles Michael Owen Hopley**

(45) Registration Date: **31 January 2014**

(30) Convention priority data:

(31) Number	(32) Date	(33) Country
<b>29/456,688</b>	<b>03 Jun 2013</b>	<b>UNITED STATES OF AMERICA</b>

(56) Related Art Documents: **Not Applicable**

(57) Statement of Newness and Distinctiveness: **Newness and distinctiveness resides in the ornamentation of the pet food packaging as illustrated in the accompanying representations. The features shown in broken lines are not part of the design and are to be disregarded when considering the overall impression of the design.**



(21) Design Number: **16648/2013**  
(22) Date of Filing Application: **19 December 2013**  
(24) Date from which industrial property rights may have effect: **19 December 2013**  
(54) Product in respect of which the design is registered: **Micro activation device**  
(51) International Design Classification: **12-16NES**  
(74) Name(s) of Attorney(s): **IP Service International**  
(71) Name(s) and Address(s) of Applicant(s):

**Pfitzner Performance Gearbox Pty Ltd**  
**14A Watervale Dr Green Fields SA 5107 Australia**

(72) Name(s) of Designer(s): **Simon Pfitzner**

(45) Registration Date: **03 February 2014**

(56) Related Art Documents: **Not Applicable**

(57) Statement of Newness and Distinctiveness: **This complete Micro Activation Device is specifically designed to alter the existing linear selector configuration (within the above standard 6 Speed H pattern manual transmissions) by converting same to a rotary motion selector, enabling the selection of the six gears sequentially i.e. moving the gear shifter either forwards or backwards to effect gear changes. The device mounts to the existing main T56 and TR6060 gearbox housings at the point through which, the standard selection mechanism operates. The micro activation device was designed, developed and is applied to and within the gear case, for the purpose of quicker/more effective gear changing for racing applications, particularly with a special 6 speed dog drive gear set.**





- (21) Design Number: **16688/2013**  
(22) Date of Filing Application: **19 December 2013**  
(24) Date from which industrial property rights may have effect: **17 May 2013**  
(54) Product in respect of which the design is registered: **Bag**  
(51) International Design Classification: **03-01B**  
(74) Name(s) of Attorney(s): **Allens Patent & Trade Mark Attorneys**  
(71) Name(s) and Address(s) of Applicant(s):  
**Forever New Clothing Pty Ltd**  
**714-716 High St Kew East VIC 3102 Australia**  
(72) Name(s) of Designer(s): **Georgia Roberts-Thomson**  
(45) Registration Date: **03 February 2014**  
(62) Divisional of: **353432**  
(56) Related Art Documents: **Not Applicable**  
(57) Statement of Newness and Distinctiveness: **Newness and distinctiveness resides in the visual features of shape, configuration, pattern and/or ornamentation of a bag as shown in the accompanying representation.**



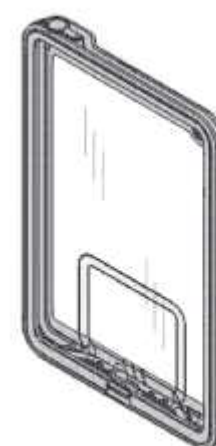
- (21) Design Number: **16689/2013**  
(22) Date of Filing Application: **19 December 2013**  
(24) Date from which industrial property rights may have effect: **17 May 2013**  
(54) Product in respect of which the design is registered: **Clutch**  
(51) International Design Classification: **03-01B**  
(74) Name(s) of Attorney(s): **Allens Patent & Trade Mark Attorneys**  
(71) Name(s) and Address(s) of Applicant(s):  
**Forever New Clothing Pty Ltd**  
**714-716 High St Kew East VIC 3102 Australia**  
(72) Name(s) of Designer(s): **Georgia Roberts-Thomson**  
(45) Registration Date: **03 February 2014**  
(62) Divisional of: **353432**  
(56) Related Art Documents: **Not Applicable**  
(57) Statement of Newness and Distinctiveness: **Newness and distinctiveness resides in the visual features of shape, configuration, pattern and/or ornamentation of a clutch as shown in the accompanying representation.**



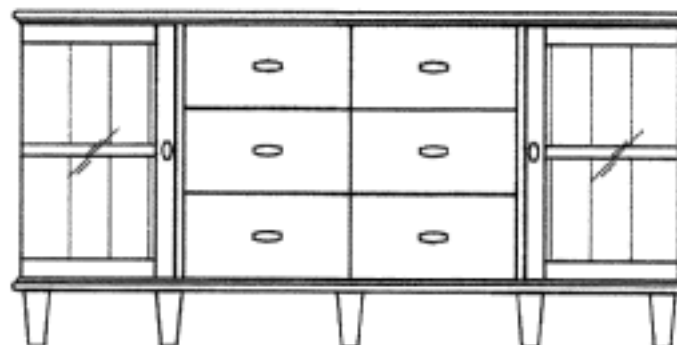
- (21) Design Number: **16690/2013**  
(22) Date of Filing Application: **19 December 2013**  
(24) Date from which industrial property rights may have effect: **17 May 2013**  
(54) Product in respect of which the design is registered: **Clutch**  
(51) International Design Classification: **03-01B**  
(74) Name(s) of Attorney(s): **Allens Patent & Trade Mark Attorneys**  
(71) Name(s) and Address(s) of Applicant(s):  
**Forever New Clothing Pty Ltd**  
**714-716 High St Kew East VIC 3102 Australia**  
(72) Name(s) of Designer(s): **Georgia Roberts-Thomson**  
(45) Registration Date: **03 February 2014**  
(62) Divisional of: **353432**  
(56) Related Art Documents: **Not Applicable**  
(57) Statement of Newness and Distinctiveness: **Newness and distinctiveness resides in the visual features of shape, configuration, pattern and/or ornamentation of a clutch as shown in the accompanying representation.**



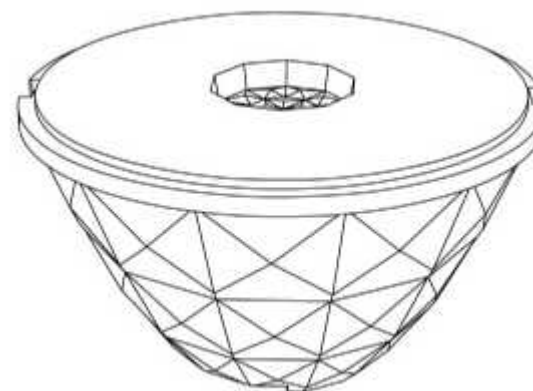
- (21) Design Number: **15779/2013**  
(22) Date of Filing Application: **11 November 2013**  
(24) Date from which industrial property rights may have effect: **11 November 2013**  
(54) Product in respect of which the design is registered: **Case for an electronic device**  
(51) International Design Classification: **03-01NES, 14-02**  
(74) Name(s) of Attorney(s): **Cullens Patent and Trade Mark Attorneys**  
(71) Name(s) and Address(s) of Applicant(s):  
**TreeFrog Developments, Inc.**  
**15110 Avenue of Science San Diego CA 92132 United States of America**  
(72) Name(s) of Designer(s): **Gary Rayner**  
(45) Registration Date: **03 February 2014**  
(30) Convention priority data:  
(31) Number      (32) Date      (33) Country  
**29/454,587      11 May 2013      UNITED STATES OF AMERICA**  
(56) Related Art Documents: **Not Applicable**  
(57) Statement of Newness and Distinctiveness: **Newness and distinctiveness resides in the shape or configuraton of a cases for an electronic device as shown in the accompanying representations.**



- (21) Design Number: **16620/2013**  
(22) Date of Filing Application: **16 December 2013**  
(24) Date from which industrial property rights may have effect: **16 December 2013**  
(54) Product in respect of which the design is registered: **A cabinet**  
(51) International Design Classification: **06-04D**  
(74) Name(s) of Attorney(s):  
(71) Name(s) and Address(s) of Applicant(s):  
**Ian James Burden**  
**17 Excalibur Ct Sovereign Islands QLD 4216 Australia**  
(72) Name(s) of Designer(s): **Ian James Burden**  
(45) Registration Date: **03 February 2014**  
(56) Related Art Documents: **Not Applicable**  
(57) Statement of Newness and Distinctiveness: **The design relates to a cabinet and the novelty resides in the features of shape and configuration of the article as shown in the accompanying representations.**



- (21) Design Number: **10001/2014**  
(22) Date of Filing Application: **02 January 2014**  
(24) Date from which industrial property rights may have effect: **02 January 2014**  
(54) Product in respect of which the design is registered: **LED lens**  
(51) International Design Classification: **26-05E**  
(74) Name(s) of Attorney(s): **FB Rice**  
(71) Name(s) and Address(s) of Applicant(s):  
**Shenzhen Kinglumi (K&L) Photoelectric Technology Co., Ltd.**  
**Bldg 3 Nangang Third Industrial Zone Tangtou Shiyuan Baoan District**  
**Shenzhen People's Republic of China**  
(72) Name(s) of Designer(s): **Qiming Wang and Dongliang Zhu**  
(45) Registration Date: **03 February 2014**  
(30) Convention priority data:  
(31) Number      (32) Date      (33) Country  
**201330301200.7**   **02 Jul 2013**      **CHINA**  
(56) Related Art Documents: **Not Applicable**  
(57) Statement of Newness and Distinctiveness: **Newness and distinctiveness reside in the features of shape and configuration of the design as shown in the representations.**



(21) Design Number: **16018/2013**  
(22) Date of Filing Application: **21 November 2013**  
(24) Date from which industrial property rights may have effect: **21 November 2013**  
(54) Product in respect of which the design is registered: **Tire**  
(51) International Design Classification: **12-15A**  
(74) Name(s) of Attorney(s): **PHILLIPS ORMONDE FITZPATRICK**  
(71) Name(s) and Address(s) of Applicant(s):

**Cooper Tire & Rubber Company**  
**701 Lima Avenue Findlay Ohio 45840 United States of America**

(72) Name(s) of Designer(s): **Ryan J. Schimmoeller**

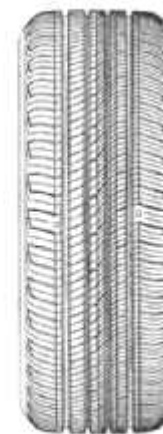
(45) Registration Date: **03 February 2014**

(30) Convention priority data:

(31) Number	(32) Date	(33) Country
<b>29/466,677</b>	<b>10 Sep 2013</b>	<b>UNITED STATES OF AMERICA</b>

(56) Related Art Documents: **Not Applicable**

(57) Statement of Newness and Distinctiveness: **Those features of the tire depicted in the representations that are new and distinctive are the shape and/or configuration of the tread of the tire with visual wear indicator. The sidewall, inner bead, and the peripheral boundary between the tire tread and the sidewall are not part of the design and are to be disregarded when considering the overall impression of the design.**



(21) Design Number: **16022/2013**  
(22) Date of Filing Application: **21 November 2013**  
(24) Date from which industrial property rights may have effect: **21 November 2013**  
(54) Product in respect of which the design is registered: **Tire**  
(51) International Design Classification: **12-15A**  
(74) Name(s) of Attorney(s): **PHILLIPS ORMONDE FITZPATRICK**  
(71) Name(s) and Address(s) of Applicant(s):

**Cooper Tire & Rubber Company**  
**701 Lima Avenue Findlay Ohio 45840 United States of America**

(72) Name(s) of Designer(s): **Ryan J. Schimmoeller and Jeremy J. Jacobs**

(45) Registration Date: **03 February 2014**

(30) Convention priority data:

(31) Number	(32) Date	(33) Country
<b>29/466,681</b>	<b>10 Sep 2013</b>	<b>UNITED STATES OF AMERICA</b>

(56) Related Art Documents: **Not Applicable**

(57) Statement of Newness and Distinctiveness: **Those features of the tire depicted in the representations that are new and distinctive are the shape and/or configuration of the visual wear indicator of the tire. The tire tread shown in broken lines, sidewall, inner bead, and the peripheral boundary between the tire tread and the sidewall are not part of the design and are to be disregarded when considering the overall impression of the design.**



(21) Design Number: **16023/2013**  
(22) Date of Filing Application: **21 November 2013**  
(24) Date from which industrial property rights may have effect: **21 November 2013**  
(54) Product in respect of which the design is registered: **Tire**  
(51) International Design Classification: **12-15A**  
(74) Name(s) of Attorney(s): **PHILLIPS ORMONDE FITZPATRICK**  
(71) Name(s) and Address(s) of Applicant(s):

**Cooper Tire & Rubber Company**  
**701 Lima Avenue Findlay Ohio 45840 United States of America**

(72) Name(s) of Designer(s): **Ryan J. Schimmoeller**

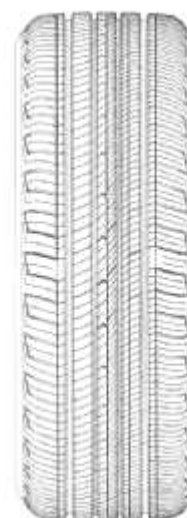
(45) Registration Date: **03 February 2014**

(30) Convention priority data:

(31) Number	(32) Date	(33) Country
<b>29/466,685</b>	<b>10 Sep 2013</b>	<b>UNITED STATES OF AMERICA</b>

(56) Related Art Documents: **Not Applicable**

(57) Statement of Newness and Distinctiveness: **Those features of the tire depicted in the representations that are new and distinctive are the shape and/or configuration of the linear hole pattern visual wear indicator of the tire. The tire tread shown in broken lines, sidewall, inner bead, and the peripheral boundary between the tire tread and the sidewall are not part of the design and are to be disregarded when considering the overall impression of the design.**



(21) Design Number: **16024/2013**  
(22) Date of Filing Application: **21 November 2013**  
(24) Date from which industrial property rights may have effect: **21 November 2013**  
(54) Product in respect of which the design is registered: **Tire**  
(51) International Design Classification: **12-15A**  
(74) Name(s) of Attorney(s): **PHILLIPS ORMONDE FITZPATRICK**  
(71) Name(s) and Address(s) of Applicant(s):

**Cooper Tire & Rubber Company**  
**701 Lima Avenue Findlay Ohio 45840 United States of America**

(72) Name(s) of Designer(s): **Ryan J. Schimmoeller**

(45) Registration Date: **03 February 2014**

(30) Convention priority data:

(31) Number	(32) Date	(33) Country
<b>29/466,683</b>	<b>10 Sep 2013</b>	<b>UNITED STATES OF AMERICA</b>

(56) Related Art Documents: **Not Applicable**

(57) Statement of Newness and Distinctiveness: **Those features of the tire depicted in the representations that are new and distinctive are the shape and/or configuration of the circular hole pattern visual wear indicator of the tire. The tire tread shown in broken lines, sidewall, inner bead, and the peripheral boundary between the tire tread and the sidewall are not part of the design and are to be disregarded when considering the overall impression of the design.**

