



Australian Government

IP Australia

AUSTRALIAN OFFICIAL JOURNAL

OF

DESIGNS

Did you know a searchable version of this journal is now available online?

It's FREE and EASY to SEARCH.

Find it on our website (www.ipaustralia.gov.au)

by using the "Journals" link on the home page.

This Page Left Intentionally Blank

Contents

General Information & Notices

**Proceedings Under the Designs Act 1906 preserved as a result of the provisions of Chapter 12
Part 2 of the Designs Act 2003**

Extension of Period of Registration of Designs	444
Names Registered - Alterations and Amendments	444
Subsequent Owners Registered	444

Proceedings Under the Designs Act 2003

Applications Lapsed	455
Applications Lodged	448
Applications Withdrawn	455
Certificate of Examination	458
Extension of Period of Registration of Design	456
Extension of Time Granted Under Section 137	456
Names Registered - Alterations and Amendments	457
Publication and Registration Proceedings	
Designs Registered 353546 to 353747.....	459
Registrations Ceased	456
Subsequent Owners Registered	456

This Page Left Intentionally Blank

For information on the following please see our website www.ipaustralia.gov.au or contact our Customer Service Network on 1300651010

[Editorial enquiries](#)

[Contact information](#)

[Freedom of Information ACT](#)

[Professional Standards Board](#)

[Sales](#)

[Requests for Information under Section 194 \(c\)](#)

[Country Codes](#)

[Trade Mark and Designs Hearing Sessions](#)

[INID \(Internationally agreed Numbers for the Identification of Data\)](#)

“INID” NUMBERS in use on Australian Design Documents

“INID” is an acronym for “Internationally agreed Numbers for the Identification of Data”.

(10) Data concerning the registration/renewal

- (11) Serial number of the registration and/or number of the design document
- (12) Plain language designation of the kind of published document
- (19) Identification, using the two-letter code according to WIPO Standard ST.3, of the authority publishing or registering the industrial design

(20) Data concerning the application

- (21) Serial number of the application
- (22) Date of filing of the application
- (24) Date from which the industrial design right has effect

(30) Data relating to priority under the Paris Convention

- (31) Serial number assigned to the priority application
- (32) Date of filing of the priority application
- (33) Two-letter code, according to WIPO Standard ST.3, identifying the authority with which the priority application was made

(40) Date(s) of making information available to the public

- (45) Date of publication of the registered industrial design by printing or similar process, or making it available to the public by any other means

(50) Miscellaneous Information

- (51) International Classification for Industrial Designs (class and subclass of the Locarno Classification)
- (54) Designation of article(s) or product(s) covered by the industrial design or title of the industrial design
- (55) Reproduction of the industrial design (e.g., drawing, photograph) and explanations relating to the reproduction
- (56) List of prior art documents, if separate from descriptive text
- (57) Description of characteristic features of the industrial design including indication of colours

(60) References to other legally related application(s) and registration(s)

- (62) Serial number(s) and, if available, filing date(s) of application(s), registration(s) or document(s) related by division
- (66) Serial number(s) of the application, or the registration, of the design(s) which is (are) a variant(s) of the present one

(70) Identification of parties concerned with the application or registration

- (71) Name(s) and address(es) of the applicant(s)
- (72) Name(s) of the creator(s) if known to be such
- (74) Name(s) and address(es) of the representative(s)

This Page Left Intentionally Blank

Nil notices for this journal issue.

Proceedings under the Designs Act 1906 preserved as a result of the provisions of Chapter 12 Part 2 of the Designs Act 2003.

This Page Left Intentionally Blank

Applications Lapsed

There were no Applications Lapsed under this section

Extension of Period of Registration of Designs

1st Period (Section 27A(8))

2nd Period (Section 27A(12))

3rd Period (Section 27A(13))

151432	151465	151466
151467	151646	151700
151722	151723	151734
151770	151866	151867
151868	151964	151988
152027	152029	152030
152105	152106	152138
152139	152333	152530
152609	152804	153181
153226	153590	154089
154349	154350	154945
155530	155576	155652
155696	155835	156301
156661	156662	156663
156664	156665	156666
156667	156668	156985
157720	157721	

Subsequent Owners Registered

(The name in parentheses is that of the subsequent owner)

139954	(Monaco Corporation Ltd) Parbury Pty Limited
134941	(Soremartec S.A. a corporation of Luxembourg) Soremartec S.A.
141931	(Soremartec S.A. a corporation of Luxembourg) Soremartec S.A.
154241	(Soremartec S.A. a corporation of Luxembourg) Soremartec S.A.

Names Registered - Alterations and Amendments

(The name in parentheses is the new name of the proprietor)

151401	(Vortice Elettrosociali S.p.A.) Consolcap S.p.A.
--------	--

This Page Left Intentionally Blank

Proceedings under the Designs Act 2003.

This Page Left Intentionally Blank

Applications Lodged

Lodgement information is in the following order: **Applicant's Name**; International Classification, Name of Product, Lodgement Date and **Design Number**. If the applicant claims an earlier priority date under an International Convention, the Convention Country and the associated filing date are shown in parentheses before the Lodgement Date. Divisional information will also appear in parentheses before the Lodgement Date.

jWIN Electronics Corp.; 03-01NES, 14-03NES, Cell phone case with remote key, (US, 06 Dec 2013) 07 Feb 2014	10605/2014	Atlantis Bathroom Style Pty Ltd; 06-04NES, A recessed shelf, 31 Jan 2014	10454/2014
Actervis GmbH; 08-05P, Universal wrench, (EM, 07 Aug 2013) 07 Feb 2014	10616/2014	Australian Event Awards Pty Ltd; 11-02D, Trophy, 04 Feb 2014	10497/2014
Actervis GmbH; 08-05P, Universal wrench, (EM, 07 Aug 2013) 07 Feb 2014	10617/2014	Automatic Technology (Australia) Pty Ltd; 14-03NES, Transmitter, 04 Feb 2014	10510/2014
Acteuro Limited; 29-99, Safety cap, 03 Feb 2014	10472/2014	Automatic Technology (Australia) Pty Ltd; 14-03NES, Controller, 04 Feb 2014	10511/2014
Aktiebolaget Electrolux; 15-05, 04-01, A brush for a vacuum cleaner, (EM, 24 Oct 2013) 06 Feb 2014	10565/2014	Automatic Technology (Australia) Pty Ltd; 14-03NES, Controller, 03 Feb 2014	10483/2014
Aktiebolaget Electrolux; 15-05, Robot vacuum cleaner, (EM, 24 Oct 2013) 06 Feb 2014	10571/2014	ASSA ABLOY Australia Pty Limited; 08-06, Lever, 03 Feb 2014	10478/2014
Aktiebolaget Electrolux; 15-05, Robot vacuum cleaner, (EM, 24 Oct 2013) 06 Feb 2014	10572/2014	ASSA ABLOY Australia Pty Limited; 08-06, Lever, 03 Feb 2014	10479/2014
Aktiebolaget Electrolux; 15-05, A filter for a vacuum cleaner, (EM, 24 Oct 2013) 06 Feb 2014	10569/2014	ASSA ABLOY New Zealand Limited; 08-07, An adjustable housing, (NZ, 09 Oct 2013) 05 Feb 2014	10536/2014
Aktiebolaget Electrolux; 15-05, Robot vacuum cleaner, (EM, 24 Oct 2013) 06 Feb 2014	10570/2014	B-Cam Ltd; 14-01, Wearable recording device, (EP, 12 Aug 2013) 03 Feb 2014	10468/2014
Aktiebolaget Electrolux; 15-05, 09-09, A dustbin for a vacuum cleaner, (EM, 24 Oct 2013) 06 Feb 2014	10568/2014	Banks, Peter Leslie; 12-02, Body for a sports trolley, 04 Feb 2014	10494/2014
Aktiebolaget Electrolux; 15-05, 13-02, A charger for a vacuum cleaner, (EM, 24 Oct 2013) 06 Feb 2014	10566/2014	Barzen, Michelle Gai; 06-13B, Product is hand-made with material and foam, 04 Feb 2014	10532/2014
Aldrin, John Errol; 02-03, Attachment for headgear, (ZA, 30 Oct 2013) 10 Feb 2014	10630/2014	BevWizz Group Pty Ltd; 15-07, 20-02E, A display merchandising unit with an open refrigerated compartment, 12 Feb 2014	10690/2014
Anchor Foods Pty Ltd; 07-01NES, Square tub with tab, 11 Feb 2014	10680/2014	Black & Decker Inc; 03-01D, Tool stand, (US, 13 Aug 2013) 11 Feb 2014	10652/2014
Arlec Australia Pty Ltd; 21-01B, Inflatable decoration, 05 Feb 2014	10537/2014	Brennan, Katherine Ann; 05-06NES, 32-04, 05-06Z 11-02F 32-04 (05-06A 05-05Z), 11 Feb 2014	10658/2014
Arlec Australia Pty Ltd; 21-01B, Inflatable decoration, 05 Feb 2014	10539/2014	Brennan, Katherine Ann; 05-06NES, 11-02F, 32-04, 05-06A, 05-05NES, 05-05A, 05-06Z 11-02F 32-04 (05-06A 05-05Z), 11 Feb 2014	10659/2014
Arlec Australia Pty Ltd; 21-01B, Inflatable decoration, 05 Feb 2014	10540/2014	Brennan, Katherine Ann; 05-06NES, 11-02F, 32-04, 05-06A, 05-05NES, 05-05A, 05-06Z 11-02F 32-04 (05-06A 05-05Z), 11 Feb 2014	10660/2014
Arlec Australia Pty Ltd; 21-01B, Inflatable decoration, 05 Feb 2014	10541/2014	Brennan, Katherine Ann; 32-04, 05-05NES, 05-06NES, 05-06Z 11-02F 32-04 (05-06A 05-05A), 11 Feb 2014	10666/2014
Art Plastics Pty Ltd; 23-01NES, Exploded tundish, 28 May 2013	16845/2013		
Art Plastics Pty Ltd; 23-01NES, Exploded tundish, 28 May 2013	16844/2013		

Brennan, Katherine Ann; 32-04, 05-05C, 05-06NES, 05-06Z 11-02F 32-04 (05-06A 05-05B), 11 Feb 2014	10665/2014	Crawford, Anthony Michael; 09-03E, Drink carrier, (Divisional of 16647/2013) 10 Feb 2014	10649/2014
Breville Pty Limited; 31-00, Hand mixer, 06 Feb 2014	10578/2014	Crossfor Co., Ltd.; 11-01NES, Holding assembly of ornaments, 04 Feb 2014	10495/2014
Bromade Pty Ltd; 25-01E, Retaining wall fence bracket, 03 Feb 2014	10476/2014	CAFFITA SYSTEM S.p.A.; 09-05, 07-02L, Capsule for making beverages, (US, 13 Aug 2013) 05 Feb 2014	10544/2014
Burns, Gregory; 12-10, Camper trailer, 31 Jan 2014	10464/2014	CAMANA PROPRIETARY LIMITED; 06-04D, Entertainment unit, AV unit or TV unit, 03 Feb 2014	10486/2014
Burns, Gregory; 12-10, Camper trailer, 31 Jan 2014	10463/2014	CLAYMONT BOND PTY. LTD.;ILUXE PTY LTD.; 28-03NES, Skin caring and cleansing device, 11 Feb 2014	10681/2014
BIOSENSE WEBSTER (ISRAEL) LTD.; 14-02, 14-04, Display screen with icon, (US, 20 Aug 2013) 07 Feb 2014	10611/2014	CPR Global Ltd; 14-03A, 14-03NES, Telecommunications apparatus, (EM, 02 Aug 2013) 03 Feb 2014	10488/2014
BRITA Professional GmbH & Co. KG; 14-02, 32-02, App icon for user interface of electronic device, (DE, 06 Aug 2013) 06 Feb 2014	10558/2014	Daniel, Anthony; 02-02NES, Hidden microfiber cloth in a shirt, 06 Feb 2014	10573/2014
BRITA Professional GmbH & Co. KG; 14-02, 32-02, App icon for user interface of electronic device, (DE, 06 Aug 2013) 06 Feb 2014	10557/2014	Dart Industries Inc.; 07-04, Cooking brush, (US, 04 Sep 2013) 11 Feb 2014	10676/2014
Caterpillar Inc.; 15-04, Coupler and tip for a ground engaging machine implement, (US, 01 Aug 2013) 31 Jan 2014	10491/2014	Dee Daa Licensing LLC; 09-03NES, Carrier, (US, 07 Aug 2013) 31 Jan 2014	10442/2014
Caterpillar Inc.; 15-04, Coupler for a ground engaging machine implement, (US, 01 Aug 2013) 31 Jan 2014	10490/2014	Dungar, Nikki; 02-02NES, Maternity t-shirts with a baby print, 11 Feb 2014	10670/2014
Caterpillar Inc.; 15-04, Tip for a ground engaging machine implement, (US, 01 Aug 2013) 31 Jan 2014	10489/2014	Dunlop Sports Co. Ltd.; 21-02C, Golf club head, (US, 21 Aug 2013) 11 Feb 2014	10675/2014
Chairlt of Sweden AB; 06-06H, Chair, 04 Feb 2014	10535/2014	Dunlop Sports Co. Ltd.; 21-02C, Golf club head, (US, 21 Aug 2013) 11 Feb 2014	10677/2014
Cleveland, Lewis Roy; 08-08L, Scaffolding bracket, (NZ, 16 Aug 2013) 07 Feb 2014	10601/2014	Dunlop Sports Co. Ltd.; 21-02C, Golf club head, (US, 21 Aug 2013) 11 Feb 2014	10673/2014
Collett, Trevor C;Collett, Brent P;Collett, Sally-Anne A; 25-01K, An extruded rail, 12 Feb 2014	10692/2014	Dunlop Sports Co. Ltd.; 21-02C, Golf club head, (US, 21 Aug 2013) 11 Feb 2014	10674/2014
Collett, Brent P;Collett, Sally-Anne A;Collett, Trevor C; 25-01K, An extruded rail, 12 Feb 2014	10692/2014	Dunlop Sports Co. Ltd.; 21-02C, Golf club head, (US, 21 Aug 2013) 11 Feb 2014	10672/2014
Collett, Sally-Anne A;Collett, Brent P;Collett, Trevor C; 25-01K, An extruded rail, 12 Feb 2014	10692/2014	DG International Holdings Limited; 09-06, Luggage straps (part of -), (EM, 14 Aug 2013) 12 Feb 2014	10687/2014
Container Rotation Systems Pty Ltd; 07-01NES, A container lid, 11 Feb 2014	10682/2014	DJB Engineering Solutions Pty Ltd; 08-08NES, Assembly for securing a grating, 07 Feb 2014	10613/2014
Cook, Brian Frank John; 08-07, Caravan door go-between, 04 Feb 2014	10533/2014	Electrolux Appliances Aktiebolag; 15-05, A dishwasher rack, (EM, 07 Aug 2013) 30 Jan 2014	10426/2014
Coughran, Nathan; 08-06, Blind anchor device, 03 Feb 2014	10470/2014		

Electrolux Appliances Aktiebolag; 31-00, Blender, (EM, 24 Sep 2013) 05 Feb 2014	10545/2014	Forever New Clothing Pty Ltd; 03-01B, Bag, (Divisional of 12941/2013) 04 Feb 2014	10502/2014
Electrolux Appliances Aktiebolag; 31-00, Blender, (EM, 24 Sep 2013) 05 Feb 2014	10546/2014	Forever New Clothing Pty Ltd; 03-01B, Bag, (Divisional of 12941/2013) 04 Feb 2014	10503/2014
Eveready Battery Company, Inc.; 28-03A, Safety razor with trimmer, (US, 11 Sep 2013) 11 Feb 2014	10671/2014	Forever New Clothing Pty Ltd; 03-01B, Bag, (Divisional of 12941/2013) 04 Feb 2014	10501/2014
EverHeart Systems Inc.; 24-01, Wireless power transmitter, (US, 21 Aug 2013) 31 Jan 2014	10458/2014	Forever New Clothing Pty Ltd; 03-01B, Bag, (Divisional of 12941/2013) 04 Feb 2014	10499/2014
ELC Management LLC; 28-03NES, Skin cleansing device, (US, 23 Jul 2013) 23 Jan 2014	10306/2014	Forever New Clothing Pty Ltd; 03-01NES, Mobile device cover, (Divisional of 12941/2013) 04 Feb 2014	10506/2014
Fitness Engineers Pty Ltd; 21-02NES, An exercise device, 11 Feb 2014	10678/2014	Forever New Clothing Pty Ltd; 03-01B, Carrybag, (Divisional of 12941/2013) 04 Feb 2014	10507/2014
Food Plastics Co. Pty Ltd; 09-01B, Bottle, 07 Feb 2014	10608/2014	Forever New Clothing Pty Ltd; 02-02C, 02-02NES, Article of clothing, 28 Jan 2014	10408/2014
Food Plastics Co. Pty Ltd; 09-01B, Bottle, 07 Feb 2014	10606/2014	Forever New Clothing Pty Ltd; 02-02C, Article of clothing, (Divisional of 12942/2013) 04 Feb 2014	10526/2014
Forever New Clothing Pty Ltd; 03-01B, Bag, (Divisional of 12941/2013) 04 Feb 2014	10500/2014	Forever New Clothing Pty Ltd; 02-02NES, Article of clothing, (Divisional of 12942/2013) 04 Feb 2014	10528/2014
Forever New Clothing Pty Ltd; 02-02C, Article of clothing, (Divisional of 12942/2013) 04 Feb 2014	10513/2014	Forever New Clothing Pty Ltd; 02-02NES, Article of clothing, (Divisional of 12942/2013) 04 Feb 2014	10527/2014
Forever New Clothing Pty Ltd; 02-02C, Article of clothing, (Divisional of 12942/2013) 04 Feb 2014	10514/2014	Forever New Clothing Pty Ltd; 02-02C, 02-02NES, Article of clothing, (Divisional of 12942/2013) 04 Feb 2014	10531/2014
Forever New Clothing Pty Ltd; 03-01B, Carrybag, (Divisional of 12941/2013) 04 Feb 2014	10508/2014	Forever New Clothing Pty Ltd; 02-02C, Article of clothing, (Divisional of 12942/2013) 04 Feb 2014	10523/2014
Forever New Clothing Pty Ltd; 02-02NES, Article of clothing, (Divisional of 12942/2013) 04 Feb 2014	10517/2014	Forever New Clothing Pty Ltd; 02-02C, Article of clothing, (Divisional of 12942/2013) 04 Feb 2014	10521/2014
Forever New Clothing Pty Ltd; 02-02C, Article of clothing, (Divisional of 12942/2013) 04 Feb 2014	10515/2014	Forever New Clothing Pty Ltd; 02-02C, Article of clothing, (Divisional of 12942/2013) 04 Feb 2014	10522/2014
Forever New Clothing Pty Ltd; 02-02NES, Article of clothing, (Divisional of 12942/2013) 04 Feb 2014	10516/2014	Forever New Clothing Pty Ltd; 02-02NES, Article of clothing, (Divisional of 12942/2013) 04 Feb 2014	10519/2014
Forever New Clothing Pty Ltd; 02-02C, Article of clothing, (Divisional of 12942/2013) 04 Feb 2014	10512/2014	Forever New Clothing Pty Ltd; 02-02C, Article of clothing, (Divisional of 12942/2013) 04 Feb 2014	10520/2014
Forever New Clothing Pty Ltd; 03-01B, Bag, (Divisional of 12941/2013) 04 Feb 2014	10509/2014	Forever New Clothing Pty Ltd; 02-02C, 02-02NES, Article of clothing, (Divisional of 12942/2013) 04 Feb 2014	10530/2014
Forever New Clothing Pty Ltd; 03-01B, Bag, (Divisional of 12941/2013) 04 Feb 2014	10504/2014	Forever New Clothing Pty Ltd; 02-02NES, Article of clothing, (Divisional of 12942/2013) 04 Feb 2014	10518/2014
Forever New Clothing Pty Ltd; 03-01B, Bag, (Divisional of 12941/2013) 04 Feb 2014	10505/2014		

Forever New Clothing Pty Ltd; 03-01B, Bag, (Divisional of 12941/2013) 04 Feb 2014	10498/2014	Fusion HVAC Pty Limited; 23-04, A heating, ventilation and air-conditioning unit, 06 Feb 2014	10574/2014
Forever New Clothing Pty Ltd; 02-02C, Article of clothing, (Divisional of 12942/2013) 04 Feb 2014	10524/2014	Fusion HVAC Pty Limited; 23-04, A heating, ventilation and air-conditioning unit, 06 Feb 2014	10585/2014
Forever New Clothing Pty Ltd; 02-02C, Article of clothing, (Divisional of 12942/2013) 04 Feb 2014	10525/2014	Fusion HVAC Pty Limited; 23-04, A heating, ventilation and air-conditioning unit, 06 Feb 2014	10586/2014
Forever New Clothing Pty Ltd; 02-02C, 02-02NES, Article of clothing, (Divisional of 12942/2013) 04 Feb 2014	10529/2014	Fusion HVAC Pty Limited; 23-04, A heating, ventilation and air-conditioning unit, 06 Feb 2014	10590/2014
Forever New Clothing Pty Ltd; 02-05, Accessory item, 28 Jan 2014	10407/2014	Fusion HVAC Pty Limited; 23-04, A heating, ventilation and air-conditioning unit, 06 Feb 2014	10580/2014
Fresenius Kabi Deutschland GmbH; 09-01A, Ampoule (with connector), (EM, 09 Aug 2013) 07 Feb 2014	10604/2014	Fusion HVAC Pty Limited; 23-04, A heating, ventilation and air-conditioning unit, 06 Feb 2014	10591/2014
Fresenius Kabi Deutschland GmbH; 09-01A, Ampoule, (EM, 09 Aug 2013) 07 Feb 2014	10610/2014	Gema Switzerland GmbH; 15-02, Powder pump, (EM, 27 Aug 2013) 12 Feb 2014	10689/2014
Fresenius Kabi Deutschland GmbH; 09-01A, Ampoule, (EM, 09 Aug 2013) 07 Feb 2014	10609/2014	Glass, Siobhan; 07-05D, Clothes horse/stand, 31 Jan 2014	10446/2014
Fresenius Kabi Deutschland GmbH; 09-01A, Ampoule, (EM, 09 Aug 2013) 07 Feb 2014	10607/2014	Green Mountain Coffee Roasters, Inc.; 07-02L, Beverage machine, (US, 06 Sep 2013) 11 Feb 2014	10669/2014
Fusion HVAC Pty Limited; 23-04, A heating, ventilation and air-conditioning unit, 06 Feb 2014	10575/2014	Gruber, Kurt J; 15-05, Battery operated vacuum device, 03 Feb 2014	10473/2014
Fusion HVAC Pty Limited; 23-04, A heating, ventilation and air-conditioning unit, 06 Feb 2014	10576/2014	Grund & Mobil Verwaltungs AG; 07-01C, A glass, (EM, 10 Sep 2013) 11 Feb 2014	10650/2014
Fusion HVAC Pty Limited; 23-04, A heating, ventilation and air-conditioning unit, 06 Feb 2014	10577/2014	Hans-Ulrich Petermann Beratungs-und Vertriebs GmbH & Co. KG; 15-05, Hand-held rechargeable vacuum cleaner, (EM, 12 Aug 2013) 10 Feb 2014	10639/2014
Fusion HVAC Pty Limited; 23-04, A heating, ventilation and air-conditioning unit, 06 Feb 2014	10589/2014	Hans-Ulrich Petermann Beratungs-und Vertriebs GmbH & Co. KG; 15-05, Hand-held rechargeable vacuum cleaner, (EM, 12 Aug 2013) 10 Feb 2014	10640/2014
Fusion HVAC Pty Limited; 23-04, A heating, ventilation and air-conditioning unit, 06 Feb 2014	10581/2014	Harley, Richard James; 02-04A, Footwear cover, 10 Feb 2014	10648/2014
Fusion HVAC Pty Limited; 23-04, A heating, ventilation and air-conditioning unit, 06 Feb 2014	10582/2014	Healthy Foods, LLC; 31-00, Food homogenizer, (US, 11 Nov 2013) 03 Feb 2014	10467/2014
Fusion HVAC Pty Limited; 23-04, A heating, ventilation and air-conditioning unit, 06 Feb 2014	10588/2014	Herman Miller, Inc.; 06-01G, Couch, (Divisional of 16382/2013) 12 Feb 2014	10688/2014
Fusion HVAC Pty Limited; 23-04, A heating, ventilation and air-conditioning unit, 06 Feb 2014	10583/2014	Herman Miller, Inc.; 06-06G, Chair and backrest support, (Divisional of 16378/2013) 12 Feb 2014	10684/2014
Fusion HVAC Pty Limited; 23-04, A heating, ventilation and air-conditioning unit, 06 Feb 2014	10584/2014	Herman Miller, Inc.; 06-01F, Chair and backrest support, (Divisional of 16378/2013) 12 Feb 2014	10685/2014
Fusion HVAC Pty Limited; 23-04, A heating, ventilation and air-conditioning unit, 06 Feb 2014	10587/2014		

Hitachi Appliances, Inc.; 26-05C, 26-05NES, Lamp fixture, (JP, 09 Aug 2013) 31 Jan 2014	10465/2014	McInerney, Scott Gordon; 02-04NES, Footwear, 11 Feb 2014	10662/2014
Honda Motor Co., Ltd.; 12-11, Motor scooter, (JP, 08 Aug 2013) 31 Jan 2014	10460/2014	McInerney, Scott Gordon; 02-04NES, Footwear, 11 Feb 2014	10663/2014
HDT Special Vehicles Pty Ltd; 12-16B, Front grille to suit VY commodore, 12 Feb 2014	10693/2014	McInerney, Scott Gordon; 02-04NES, Footwear, 11 Feb 2014	10667/2014
ILUXE PTY LTD;CLAYMONT BOND PTY. LTD.; 28-03NES, Skin caring and cleansing device, 11 Feb 2014	10681/2014	McInerney, Scott Gordon; 02-04NES, Footwear, 11 Feb 2014	10668/2014
Jochnic Packaging Co Ltd.; 09-03F, Take away food container with snap cap lid, 03 Feb 2014	10466/2014	McInerney, Scott Gordon; 02-04NES, Footwear, 07 Feb 2014	10603/2014
Keurig, Incorporated; 07-02L, Brew head for a beverage machine, (US, 06 Sep 2013) 12 Feb 2014	10686/2014	McInerney, Scott Gordon; 02-04NES, Footwear, 07 Feb 2014	10599/2014
Kopin Corporation; 16-99, Eyewear viewing device, (US, 09 Aug 2013) 07 Feb 2014	10612/2014	McInerney, Scott Gordon; 02-04NES, Footwear, 07 Feb 2014	10597/2014
Licensys Pty Ltd; 12-16NES, Personalised number plate, 04 Feb 2014	10493/2014	McInerney, Scott Gordon; 02-04NES, Footwear, 07 Feb 2014	10602/2014
Lifetime Products, Inc.; 06-01F, Chair, (US, 09 Sep 2013) 03 Feb 2014	10477/2014	Method Products, PBC; 09-01H, Bottle, (US, 08 Aug 2013) 06 Feb 2014	10562/2014
Lockyer, L L;Lockyer, D G; 21-01C, A balloon powered boat, 13 Jan 2014	10114/2014	Metro Plastic Indusrtly Pte. Ltd.; 19-02, A document tray, 11 Feb 2014	10679/2014
Lockyer, D G;Lockyer, L L; 21-01C, A balloon powered boat, 13 Jan 2014	10114/2014	Microsoft Corporation; 14-02, 14-04, Display screen with graphical user interface, (US, 30 Aug 2013) 10 Feb 2014	10646/2014
LG Electronics, Inc.; 14-01, Headphone, (KR, 09 Aug 2013) 07 Feb 2014	10594/2014	Microsoft Corporation; 14-02, Display screen with graphical user interface, (US, 09 Aug 2013) 10 Feb 2014	10636/2014
LIVAC PTY LTD; 24-01, Suction retractor, 05 Feb 2014	10543/2014	Microsoft Corporation; 14-02, 14-04, Display screen with graphical user interface, (US, 30 Aug 2013) 10 Feb 2014	10644/2014
Mars, Incorporated; 09-01NES, Sauce bottle, (EM, 01 Aug 2013) 31 Jan 2014	10450/2014	Microsoft Corporation; 14-02, 14-04, Display screen with graphical user interface, (US, 09 Aug 2013) 10 Feb 2014	10641/2014
Mars, Incorporated; 09-01NES, Sauce bottle, (EM, 01 Aug 2013) 31 Jan 2014	10452/2014	Microsoft Corporation; 14-02, 14-04, Display screen with graphical user interface, (US, 09 Aug 2013) 10 Feb 2014	10643/2014
Mars, Incorporated; 09-01NES, Sauce bottle, (EM, 01 Aug 2013) 31 Jan 2014	10453/2014	Microsoft Corporation; 14-02, Display screen with graphical user interface, (US, 09 Aug 2013) 10 Feb 2014	10635/2014
Mars, Incorporated; 09-01NES, Sauce bottle, (EM, 01 Aug 2013) 31 Jan 2014	10451/2014	Microsoft Corporation; 14-02, 14-04, Display screen with graphical user interface, (US, 09 Aug 2013) 10 Feb 2014	10642/2014
Martin Engineering Company; 23-04, Air cannon nozzle, (US, 01 Oct 2013) 07 Feb 2014	10592/2014	Microsoft Corporation; 14-02, Display screen with graphical user interface, (US, 09 Aug 2013) 10 Feb 2014	10634/2014
McInerney, Scott Gordon; 02-04NES, Footwear, 07 Feb 2014	10600/2014		

Microsoft Corporation; 14-02, 14-04, Display screen with graphical user interface, (US, 09 Aug 2013) 10 Feb 2014	10637/2014	Palantir Technologies, Inc.; 14-02, Display screen or portion thereof, (US, 01 Aug 2013) 31 Jan 2014	10443/2014
Microsoft Corporation; 14-02, 14-04, Display screen with graphical user interface, (US, 09 Aug 2013) 10 Feb 2014	10638/2014	Palantir Technologies, Inc.; 14-02, 14-04, Display screen or portion thereof, (US, 01 Aug 2013) 31 Jan 2014	10457/2014
Microsoft Corporation; 14-02, Display screen with graphical user interface, (US, 29 May 2013) 06 Feb 2014	10563/2014	Palantir Technologies, Inc.; 14-02, Display screen or portion thereof, (US, 01 Aug 2013) 31 Jan 2014	10461/2014
Microsoft Corporation; 14-02, 14-04, Display screen with graphical user interface, (US, 29 May 2013) (Divisional of 16224/2013) 06 Feb 2014	10567/2014	Palantir Technologies, Inc.; 14-02, Display screen or portion thereof, (US, 01 Aug 2013) 31 Jan 2014	10447/2014
Microsoft Corporation; 14-02, Display screen with graphical user interface, (US, 29 May 2013) (Divisional of 16224/2013) 06 Feb 2014	10559/2014	Palantir Technologies, Inc.; 14-02, Display screen or portion thereof, (US, 01 Aug 2013) 31 Jan 2014	10444/2014
Microsoft Corporation; 14-02, Display screen with graphical user interface, (US, 29 May 2013) (Divisional of 16224/2013) 06 Feb 2014	10564/2014	Palantir Technologies, Inc.; 14-02, Display screen or portion thereof, (US, 01 Aug 2013) 31 Jan 2014	10445/2014
Microsoft Corporation; 14-02, Display screen with graphical user interface, (US, 29 May 2013) (Divisional of 16224/2013) 06 Feb 2014	10561/2014	Palantir Technologies, Inc.; 14-02, 14-04, Display screen or portion thereof, (US, 01 Aug 2013) 31 Jan 2014	10449/2014
Microsoft Corporation; 14-02, Display screen with graphical user interface, (US, 29 May 2013) (Divisional of 16224/2013) 06 Feb 2014	10561/2014	Pi-Design AG; 07-06B, 07-06NES, Trivet, (EM, 12 Sep 2013) 10 Feb 2014	10645/2014
Moore, Stephen; 14-01, Headset with microphone and speaker, 05 Feb 2014	10549/2014	Pianta, John Geoffery; 19-08, 29-99, Danger extreme stored pressure tyre warning labels, 07 Feb 2014	10598/2014
Morris, Kirsty;Shirra, Amanda; 05-05D, Tartan cloth - in order for other products to be made from that cloth by manufacturers eg cloth, ties, shawls, scarves,, skirts, kilts, ribbon, umbrellas, socks, mugs, picnic blankets, whisky etc. not yet decided, 28 Jan 2014	10436/2014	Pierenkemper GmbH; 24-04, Electrostimulation apparatus, (EM, 02 Oct 2013) 06 Feb 2014	10555/2014
MAE Products & Services Pty Ltd; 25-99, 25-02NES, Bollard, call point, 10 Feb 2014	10647/2014	Polti S.p.A.; 15-05, Vacuum and steam cleaning machine, (EM, 08 Aug 2013) 05 Feb 2014	10547/2014
Nedsyp Nominees Pty Ltd;Zatara Nominees Pty Ltd; 02-02B, 29-99, Armour, 03 Feb 2014	10487/2014	Quatius Limited; 14-02, 14-04, Display screen with graphical user interface, 03 Feb 2014	10484/2014
Nicholson, Matthew Irving; 11-02B, Modular hanging garden with pockets, 07 Feb 2014	10625/2014	Quatius Limited; 14-02, 14-04, Display screen with graphical user interface, 03 Feb 2014	10485/2014
Omni United (S) Pte Ltd; 12-15B, Tyre, (US, 30 Sep 2013) 10 Feb 2014	10631/2014	Quatius Limited; 14-04, 14-02, Display screen with graphical user interface, 03 Feb 2014	10481/2014
Omni United (S) Pte Ltd; 12-15B, Tyre, (US, 30 Sep 2013) 10 Feb 2014	10632/2014	Quatius Limited; 14-04, 14-02, Display screen with graphical user interface, 03 Feb 2014	10482/2014
Orbital Systems AB; 13-03D, 13-03E, Socket, (EM, 01 Aug 2013) 31 Jan 2014	10462/2014	Reckitt Benckiser (Brands) Limited; 09-07A, Top for cap, (EM, 05 Aug 2013) 05 Feb 2014	10552/2014
Paceko Trade Co.; 24-04, Paceko lavender heat pack koala, 04 Feb 2014	10534/2014	Reckitt Benckiser (Brands) Limited; 09-01NES, Bottle, (EM, 05 Aug 2013) 05 Feb 2014	10553/2014
		Reckitt Benckiser (Brands) Limited; 09-01NES, Bottle with cap, (EM, 05 Aug 2013) 05 Feb 2014	10554/2014

Reckitt Benckiser (Brands) Limited; 09-01NES, Bottle with cap, (EM, 05 Aug 2013) 05 Feb 2014	10550/2014	Samsung Electronics Co., Ltd.; 14-04, 14-02, Display screen with icon for an electronic device, (KR, 30 Aug 2013) 03 Feb 2014	10474/2014
Reckitt Benckiser (Brands) Limited; 09-07A, Cap for bottle, (EM, 16 Sep 2013) 05 Feb 2014	10551/2014	Samsung Electronics Co., Ltd.; 14-04, 14-02, Display screen with icon for an electronic device, (KR, 03 Sep 2013) 03 Feb 2014	10475/2014
Rigel, Doron; 09-07A, Pourer for a bottle, (EM, 06 Aug 2013) 05 Feb 2014	10538/2014	Sandvik Intellectual Property AB; 15-99, Crusher mounted in frame with motor, (EM, 20 Sep 2013) 11 Feb 2014	10657/2014
Robinsons Soft Drinks Limited; 09-01K, Bottle, (EM, 08 Aug 2013) 05 Feb 2014	10542/2014	Sandvik Intellectual Property AB; 15-04, 15-99, Crusher mounted in frame with motor, (EM, 20 Sep 2013) 11 Feb 2014	10654/2014
Royalty Bugaboo GmbH; 12-02, Luggage assemblies and subassemblies, 09 Feb 2014	10628/2014	Sandvik Intellectual Property AB; 15-04, 15-99, Crusher, (EM, 20 Sep 2013) 11 Feb 2014	10653/2014
Royalty Bugaboo GmbH; 03-01A, Luggage case, 07 Feb 2014	10620/2014	Sandvik Intellectual Property AB; 15-99, Crusher, (EM, 20 Sep 2013) 11 Feb 2014	10656/2014
Royalty Bugaboo GmbH; 03-01A, Luggage case, 07 Feb 2014	10621/2014	Sanofi-Aventis Deutschland GmbH; 24-02, Blood glucose meter, (EP, 07 Aug 2013) 06 Feb 2014	10556/2014
Royalty Bugaboo GmbH; 12-02, Luggage assemblies and subassemblies, 09 Feb 2014	10629/2014	Sansai Japan Australia Pty Ltd; 13-03D, Electrical plug travel adaptor, 04 Feb 2014	10492/2014
Royalty Bugaboo GmbH; 03-01A, Bag, 07 Feb 2014	10618/2014	Sherborne Pty Ltd; 28-03NES, Neck exerciser, 07 Feb 2014	10624/2014
Royalty Bugaboo GmbH; 03-01A, Bag, 07 Feb 2014	10619/2014	Shirra, Amanda;Morris, Kirsty; 05-05D, Tartan cloth - in order for other products to be made from that cloth by manufacturers eg cloth, ties, shawls, scarves,, skirts, kilts, ribbon, umbrellas, socks, mugs, picnic blankets, whisky etc. not yet decided, 28 Jan 2014	10436/2014
Royalty Bugaboo GmbH; 12-02, Luggage assemblies and subassemblies, 09 Feb 2014	10627/2014	Siemens Medical Instruments Pte. Ltd.; 14-03NES, 24-99, Remote control for hearing aids, (EM, 30 Aug 2013) 07 Feb 2014	10595/2014
Royalty Bugaboo GmbH; 12-02, Luggage accessory, 07 Feb 2014	10622/2014	Siemens Medical Instruments Pte. Ltd.; 14-03NES, 24-99, Remote control for hearing aids, (EM, 30 Aug 2013) 07 Feb 2014	10596/2014
Royalty Bugaboo GmbH; 03-01A, Luggage case, 07 Feb 2014	10623/2014	Skull Shaver, LLC; 28-03D, Electric hair clipper, (US, 08 Aug 2013) 04 Feb 2014	10496/2014
Royalty Bugaboo GmbH; 12-02, Luggage assemblies and subassemblies, 09 Feb 2014	10626/2014	Societe des Produits Nestle S.A.; 07-02L, A coffee machine, (CH, 17 Oct 2013) 10 Feb 2014	10633/2014
Samsung Electronics Co., Ltd.; 14-02, Electronic device, (KR, 27 Aug 2013) 30 Jan 2014	10427/2014	Sony Computer Entertainment Inc.; 21-01N, Portable information terminal, (JP, 09 Aug 2013) 31 Jan 2014	10455/2014
Samsung Electronics Co., Ltd.; 14-02, Electronic device, (KR, 27 Aug 2013) 12 Feb 2014	10691/2014	Sony Computer Entertainment Inc.; 21-01N, Portable information terminal, (JP, 09 Aug 2013) 31 Jan 2014	10456/2014
Samsung Electronics Co., Ltd.; 14-02, Electronic device, (KR, 27 Aug 2013) 30 Jan 2014	10428/2014		
Samsung Electronics Co., Ltd.; 14-02, Electronic device, (KR, 27 Aug 2013) 30 Jan 2014	10429/2014		
Samsung Electronics Co., Ltd.; 14-02, Electronic device, (KR, 27 Aug 2013) 30 Jan 2014	10424/2014		
Samsung Electronics Co., Ltd.; 14-02, Electronic device, (KR, 27 Aug 2013) 30 Jan 2014	10425/2014		

Sony Computer Entertainment Inc.; 21-01N, Portable information terminal, (JP, 09 Aug 2013) 31 Jan 2014	10448/2014	Triamble Pty Limited; 14-01, Wagering layout for a display apparatus, 07 Feb 2014	10593/2014
Spicon Industries Pty Ltd; 26-05E, LED light source, 10 Feb 2014	10683/2014	Truong, Thi Nguyet Nga; 21-01M, Puzzle, 03 Feb 2014	10480/2014
Standard Brands (UK) Limited; 07-02C, Cooking stove panel and assemblies thereof, (EP, 06 Aug 2013) 06 Feb 2014	10560/2014	Unilever PLC; 31-00, Ice cream dispensing apparatus, (EM, 07 Aug 2013) 13 Jan 2014	10113/2014
Stryker Corporation; 32-04, Line management device, (US, 31 Jul 2013) 31 Jan 2014	10459/2014	Unip Plastic Industries Sdn. Bhd.; 24-99, Tongue scraper, 31 Jan 2014	10440/2014
StyleRide Pty Ltd; 06-06H, Bus seat frame, 06 Feb 2014	10579/2014	Waterbox Oy; 25-03, Water sports facility, (EM, 08 Jan 2014) 03 Feb 2014	10469/2014
SIGMA di Evaristo Ambrogiani & C. Snc; 08-03, Manual tile cutters, 07 Feb 2014	10615/2014	Zatara Nominees Pty Ltd;Nedsyp Nominees Pty Ltd; 02-02B, 29-99, Armour, 03 Feb 2014	10487/2014
Tacca-Plastics Australia Pty Ltd; 08-06, A handle insert, 05 Feb 2014	10548/2014	Zweibruder Optoelectronics GmbH & Co. KG; 26-02, Dial for a headlamp, headlamp battery compartment, (US, 12 Aug 2013) 11 Feb 2014	10655/2014
Taiwan Fu Hsing Industrial Co., Ltd.; 08-06, Handle, (TW, 11 Dec 2013) 13 Jan 2014	10115/2014	Zweibruder Optoelectronics GmbH & Co. KG; 26-02, 10-07, 13-02, Dial for a headlamp, headlamp battery compartment, (US, 12 Aug 2013) 11 Feb 2014	10661/2014
Techtronic Floor Care Technology Limited; 15-05, Carpet washer, (EM, 09 Aug 2013) 07 Feb 2014	10614/2014	Zweibruder Optoelectronics GmbH & Co. KG; 26-02, Flashlight, (US, 12 Aug 2013) 11 Feb 2014	10651/2014
The Procter & Gamble Company; 24-04, Interdental picks, (US, 06 Aug 2013) 31 Jan 2014	10441/2014		
Tildy Supplies Pty Ltd; 10-04, Calibrated 1 litre paint mixing cup, 03 Feb 2014	10471/2014		

Applications Withdrawn

15650 / 2013 (31-00)	15651 / 2013 (07-02L)
15652 / 2013 (31-00)	15655 / 2013 (07-02L)
16794 / 2013 (14-02)	16795 / 2013 (14-02)
16796 / 2013 (14-02)	16797 / 2013 (14-02)
16798 / 2013 (14-02)	16799 / 2013 (14-02)
16800 / 2013 (14-02)	16801 / 2013 (14-02)
16802 / 2013 (14-02)	16803 / 2013 (14-02)
10211 / 2014 (32-03)	

Applications Lapsed

13451 / 2013 (12-16K)

Extension of Period of Registration of Designs

323197	324828	324834
324835	324857	324860
324880	324888	324923
324940	324943	324944
324953	324959	324960
324961	324962	324975
324976	324990	325052
325059	325068	325069
325074	325075	325076
325077	325118	325119
325142	325162	325174
325199	325222	325242
325244	325247	325251
325254	325255	325256
325302	325305	325308
325309	325411	325445
325447	325448	325471
325472	325474	325475
325500	325533	325535
325543	325626	325660
325661	325671	325697
325735	325746	325755
325756	325771	325772
325782	325799	325800
325801	325837	325838
325864	325903	325919
327554	328001	

Registrations Ceased

320793	320794	320811
320812	320817	320818
320819	321779	321844
321845	321846	321847
321848	321849	321850
321851	321852	321853
321878	321883	321884
321885	321886	321887
321889	321890	321933
321935	321943	321950
321963	321966	321971
321972	321974	321977
321983	321985	321989
322002	322003	322004
322005	322026	322037
322038	322039	322040
322041	322042	322043
322056	322062	322065
322070	322072	322075
322112	322130	322131

322132	322160	322192
322193	322194	322195
322202	322205	322206
322207	322242	322244
322300	322382	322434
322563	322666	322701
322702	322703	322704
322716	322850	322917
322918	322919	323123
323148	323149	323174
323175	323176	323192
323246	323247	323349
323350	323407	323412
323431	323496	323514
323522	323551	323619
323635	323636	323637
323758	323967	324357
324423	324424	324624
346409	348357	

Extensions of time granted under Section 137

Applications lodged under section 137 for extension of time have been granted.

15140/2013 **Nicholas Steven Read**

Subsequent Owners Registered

(The name in parentheses is that of the subsequent owner)

321120	(Monaco Corporation Ltd) Parbury Pty Limited
321121	(Monaco Corporation Ltd) Parbury Pty Limited
321122	(Monaco Corporation Ltd) Parbury Pty Limited
345122	(Ledtek Global Pty Ltd) HQA Pty Ltd
345123	(Ledtek Global Pty Ltd) HQA Pty Ltd
345365	(Ledtek Global Pty Ltd) HQA Pty Ltd
340960	(Stella McCartney Limited) YSL Beaute
340961	(Stella McCartney Limited) YSL Beaute
323746	(Caprice Australia Pty Ltd) Wildcard Pty Ltd
323747	(Caprice Australia Pty Ltd) Wildcard Pty Ltd
323748	(Caprice Australia Pty Ltd) Wildcard Pty Ltd
323749	(Caprice Australia Pty Ltd) Wildcard Pty Ltd
323750	(Caprice Australia Pty Ltd) Wildcard Pty Ltd
300034	(Soremartec S.A. a corporation of Luxembourg) Soremartec S.A.
300035	(Soremartec S.A. a corporation of Luxembourg) Soremartec S.A.
300036	(Soremartec S.A. a corporation of Luxembourg) Soremartec S.A.
301208	(Soremartec S.A. a corporation of Luxembourg) Soremartec S.A.
301209	(Soremartec S.A. a corporation of Luxembourg) Soremartec S.A.
304099	(Soremartec S.A. a corporation of Luxembourg) Soremartec S.A.
304231	(Soremartec S.A. a corporation of Luxembourg) Soremartec S.A.
306211	(Soremartec S.A. a corporation of Luxembourg) Soremartec S.A.
307529	(Soremartec S.A. a corporation of Luxembourg) Soremartec S.A.

- 312503 (**Soremartec S.A. a corporation of Luxembourg**)
Soremartec S.A.
- 312504 (**Soremartec S.A. a corporation of Luxembourg**)
Soremartec S.A.
- 312937 (**Soremartec S.A. a corporation of Luxembourg**)
Soremartec S.A.
- 318441 (**Soremartec S.A. a corporation of Luxembourg**)
Soremartec S.A.
- 318744 (**Soremartec S.A. a corporation of Luxembourg**)
Soremartec S.A.
- 335502 (**Soremartec S.A. a corporation of Luxembourg**)
Soremartec S.A.
- 335503 (**Soremartec S.A. a corporation of Luxembourg**)
Soremartec S.A.
- 336360 (**Soremartec S.A. a corporation of Luxembourg**)
Soremartec S.A.
- 343299 (**Soremartec S.A. a corporation of Luxembourg**)
Soremartec S.A.
- 343478 (**Soremartec S.A. a corporation of Luxembourg**)
Soremartec S.A.
- 347047 (**Soremartec S.A. a corporation of Luxembourg**)
Soremartec S.A.
- 347825 (**Tympanix IP Pty Ltd**) Nathah Orbach
- 347564 (**Tympanix IP Pty Ltd**) Nathah Orbach
- 347826 (**Tympanix IP Pty Ltd**) Nathah Orbach
- 347575 (**Tympanix IP Pty Ltd**) Nathan Orbach
- 347827 (**Tympanix IP Pty Ltd**) Nathan Orbach
- 347565 (**Tympanix IP Pty Ltd**) Nathah Orbach

Names Registered - Alterations and Amendments

(The name in parentheses is that of the subsequent applicant)

- 350466 (**IMP Technologies Pty Limited**) Kadtec Pty Ltd
- 350465 (**IMP Technologies Pty Limited**) Kadtec Pty Ltd
- 333152 (**Barbara Cook**) Barbara Coleman
- 324112 (**EJ EMEA**) NORINCO
- 324195 (**EJ EMEA**) NORINCO
- 327076 (**Cater Mart Pty Ltd**) Genfac Property Investments Pty Ltd
- 332370 (**Cater Mart Pty Ltd**) Genfac Property Investments Pty Ltd

Certificate(s) of Examination

Examination of the following Design Registration(s) has been completed. Infringement proceedings may now be commenced.

307234	02-04NES	14/02/2014
335711	08-08B	04/10/2013
335712	08-08B	04/10/2013
341978	26-06	04/02/2014
347253	09-08	07/02/2014
347965	31-00	14/02/2014
348753	15-02	07/02/2014
350289	14-02	04/02/2014
350366	07-05A	10/02/2014
350465	15-09	14/02/2014
350466	15-09	14/02/2014
350468	08-06	04/02/2014
350534	09-05	12/02/2014
350563	09-05	12/02/2014
350759	26-05C	10/02/2014
350781	14-02	04/02/2014
350820	14-02	04/02/2014
350957	08-08L	11/02/2014
350986	26-02	06/02/2014
350987	13-02	14/02/2014
351011	23-04	05/02/2014
351012	23-04	05/02/2014
351013	23-04	05/02/2014
351014	23-04	05/02/2014
351021	23-04	05/02/2014
351029	08-08L	14/02/2014
351111	26-05D	10/02/2014
351136	26-05C	10/02/2014
351174	19-08	12/02/2014
351213	26-05C	10/02/2014
351306	26-05A	13/02/2014
351517	13-02	14/02/2014
351558	26-02	06/02/2014
352765	06-03NES	07/02/2014

Publication and Registration Proceedings

Designs Registered

This section provides a concordance between design number and registration number of Designs covered in this journal. It also shows the main class and registration date.

This section covers Registration numbers 353546 to 353747 .

The registration number shown below should be used in all future correspondence.

Design Number	Registration Number	International Classification Code (IDC)	Registration Date	Design Number	Registration Number	International Classification Code (IDC)	Registration Date
12237/2013	353574	13-03D	06/02/2014	16506/2013	353561	19-08	04/02/2014
12686/2013	353613	09-08	11/02/2014	16507/2013	353562	19-08	04/02/2014
13745/2013	353557	25-01E	04/02/2014	16508/2013	353563	19-08	04/02/2014
13796/2013	353707	07-03	14/02/2014	16509/2013	353564	19-08	04/02/2014
13797/2013	353645	07-03	12/02/2014	16510/2013	353565	19-08	04/02/2014
13798/2013	353646	07-03	12/02/2014	16511/2013	353566	19-08	04/02/2014
13897/2013	353614	31-00	11/02/2014	16512/2013	353567	19-08	04/02/2014
13898/2013	353615	31-00	11/02/2014	16513/2013	353568	19-08	04/02/2014
13899/2013	353620	31-00	11/02/2014	16515/2013	353569	19-08	04/02/2014
14036/2013	353690	13-03NES	14/02/2014	16574/2013	353710	24-02	17/02/2014
14037/2013	353691	13-03NES	14/02/2014	16585/2013	353594	23-01F	10/02/2014
14038/2013	353692	13-03NES	14/02/2014	16612/2013	353595	06-01F	10/02/2014
14076/2013	353693	25-01NES	14/02/2014	16628/2013	353650	21-02F	12/02/2014
14397/2013	353573	10-02	05/02/2014	16629/2013	353651	14-03E	12/02/2014
14444/2013	353647	08-08NES	12/02/2014	16631/2013	353652	31-00	12/02/2014
14937/2013	353648	20-03NES	12/02/2014	16632/2013	353653	31-00	12/02/2014
14938/2013	353649	20-03NES	12/02/2014	16647/2013	353663	09-03E	13/02/2014
15157/2013	353558	19-08	04/02/2014	16655/2013	353664	02-02C	13/02/2014
15240/2013	353570	06-06E	05/02/2014	16657/2013	353589	23-01H	10/02/2014
15837/2013	353571	12-06NES	05/02/2014	16658/2013	353636	15-99	12/02/2014
15852/2013	353575	19-02	07/02/2014	16659/2013	353637	15-99	12/02/2014
15855/2013	353572	24-01	05/02/2014	16660/2013	353590	23-01H	10/02/2014
15869/2013	353546	24-01	04/02/2014	16661/2013	353638	25-02H	12/02/2014
15875/2013	353554	14-99	04/02/2014	16662/2013	353639	25-02H	12/02/2014
15876/2013	353553	14-99	04/02/2014	16678/2013	353547	08-99	04/02/2014
15877/2013	353555	11-02B	04/02/2014	16679/2013	353556	08-99	04/02/2014
15998/2013	353709	02-04NES	17/02/2014	16680/2013	353548	08-99	04/02/2014
16031/2013	353618	15-05	11/02/2014	16681/2013	353549	08-01	04/02/2014
16032/2013	353619	15-05	11/02/2014	16683/2013	353550	08-99	04/02/2014
16046/2013	353580	02-02NES	07/02/2014	16684/2013	353583	12-08	07/02/2014
16047/2013	353581	02-02NES	07/02/2014	16685/2013	353551	08-01	04/02/2014
16129/2013	353584	01-02	10/02/2014	16686/2013	353552	08-01	04/02/2014
16165/2013	353559	26-05D	04/02/2014	16692/2013	353596	07-01C	11/02/2014
16166/2013	353694	26-05B	14/02/2014	16693/2013	353621	02-02C	11/02/2014
16180/2013	353560	07-05A	04/02/2014	16694/2013	353591	02-02NES	10/02/2014
16195/2013	353577	11-04	07/02/2014	16695/2013	353592	02-02C	10/02/2014
16224/2013	353662	14-01	13/02/2014	16696/2013	353622	02-02C	11/02/2014
16276/2013	353634	12-15B	12/02/2014	16698/2013	353597	12-15B	11/02/2014
16277/2013	353635	12-15B	12/02/2014	16699/2013	353598	06-06C	11/02/2014
16327/2013	353588	09-03M	10/02/2014	16700/2013	353623	15-99	11/02/2014
16331/2013	353578	10-04	07/02/2014	16701/2013	353624	15-99	11/02/2014
16368/2013	353654	14-01	12/02/2014	16702/2013	353625	15-99	11/02/2014
16372/2013	353579	09-01G	07/02/2014	16703/2013	353626	15-99	11/02/2014
16373/2013	353655	14-01	12/02/2014	16704/2013	353627	15-99	11/02/2014
16386/2013	353582	19-04	07/02/2014	16705/2013	353628	15-99	11/02/2014
16438/2013	353695	23-01F	14/02/2014	16706/2013	353629	15-99	11/02/2014
16441/2013	353696	01-06	14/02/2014	16707/2013	353630	08-08L	11/02/2014
16470/2013	353585	15-05	10/02/2014	16718/2013	353593	15-05	10/02/2014
16486/2013	353586	03-01NES	10/02/2014	16720/2013	353599	30-02	11/02/2014
16489/2013	353587	03-01NES	10/02/2014	16722/2013	353600	15-05	11/02/2014

Publication and Registration Proceedings - Designs Registered cont'd

Design Number	Registration Number	International Classification Code (IDC)	Registration Date	Design Number	Registration Number	International Classification Code (IDC)	Registration Date
16723/2013	353656	12-16NES	12/02/2014	10009/2014	353681	14-01	13/02/2014
16724/2013	353631	08-03	11/02/2014	10010/2014	353687	14-01	13/02/2014
16725/2013	353601	15-05	11/02/2014	10011/2014	353688	14-01	13/02/2014
16726/2013	353632	12-08	11/02/2014	10012/2014	353689	08-03	13/02/2014
16728/2013	353602	12-16B	11/02/2014	10015/2014	353697	07-04	14/02/2014
16729/2013	353633	12-16NES	11/02/2014	10017/2014	353698	12-15B	14/02/2014
16731/2013	353603	13-03D	11/02/2014	10018/2014	353699	12-16P	14/02/2014
16732/2013	353640	13-03D	12/02/2014	10019/2014	353700	14-02	14/02/2014
16733/2013	353604	13-03D	11/02/2014	10024/2014	353701	19-06	14/02/2014
16734/2013	353605	13-03D	11/02/2014	10025/2014	353702	20-01	14/02/2014
16735/2013	353606	13-03D	11/02/2014	10028/2014	353703	21-02C	14/02/2014
16736/2013	353607	21-01NES	11/02/2014	10029/2014	353704	21-02C	14/02/2014
16737/2013	353608	21-01NES	11/02/2014	10030/2014	353705	07-07NES	14/02/2014
16739/2013	353609	14-03NES	11/02/2014	10032/2014	353706	23-02F	14/02/2014
16740/2013	353610	12-16B	11/02/2014	10038/2014	353716	27-02	17/02/2014
16741/2013	353611	12-16L	11/02/2014	10039/2014	353717	04-02	17/02/2014
16744/2013	353612	12-16L	11/02/2014	10040/2014	353718	14-02	17/02/2014
16752/2013	353641	08-08NES	12/02/2014	10041/2014	353719	14-02	17/02/2014
16753/2013	353682	08-08G	13/02/2014	10042/2014	353720	14-02	17/02/2014
16758/2013	353657	09-03NES	12/02/2014	10043/2014	353721	14-02	17/02/2014
16759/2013	353658	09-03NES	12/02/2014	10044/2014	353722	14-03E	17/02/2014
16760/2013	353659	10-05	12/02/2014	10045/2014	353723	14-02	17/02/2014
16761/2013	353660	12-11	12/02/2014	10046/2014	353724	14-02	17/02/2014
16763/2013	353661	15-06	12/02/2014	10047/2014	353725	12-11	17/02/2014
16766/2013	353642	12-11	12/02/2014	10048/2014	353726	12-11	17/02/2014
16774/2013	353711	26-05D	17/02/2014	10049/2014	353727	10-06	17/02/2014
16775/2013	353712	06-01G	17/02/2014	10050/2014	353728	16-06	17/02/2014
16776/2013	353713	06-01H	17/02/2014	10051/2014	353729	16-06	17/02/2014
16777/2013	353714	23-01A	17/02/2014	10052/2014	353730	16-06	17/02/2014
16778/2013	353715	23-01A	17/02/2014	10062/2014	353731	26-03	17/02/2014
16785/2013	353665	26-05D	13/02/2014	10063/2014	353732	07-02N	17/02/2014
16786/2013	353666	23-01A	13/02/2014	10064/2014	353733	21-02C	17/02/2014
16787/2013	353667	23-01A	13/02/2014	10065/2014	353734	24-04	17/02/2014
16788/2013	353683	21-02C	13/02/2014	10069/2014	353735	09-05	17/02/2014
16789/2013	353684	21-02C	13/02/2014	10073/2014	353736	08-03	17/02/2014
16790/2013	353668	09-05	13/02/2014	10074/2014	353737	29-02	17/02/2014
16791/2013	353669	21-02D	13/02/2014	10075/2014	353738	08-03	17/02/2014
16793/2013	353616	24-01	11/02/2014	10076/2014	353739	08-03	17/02/2014
16805/2013	353685	24-02	13/02/2014	10115/2014	353617	08-06	11/02/2014
16806/2013	353670	14-02	13/02/2014	10199/2014	353740	02-03	17/02/2014
16807/2013	353671	14-02	13/02/2014	10284/2014	353576	19-02	07/02/2014
16808/2013	353686	14-02	13/02/2014	10285/2014	353643	19-02	12/02/2014
16809/2013	353672	14-02	13/02/2014	10286/2014	353644	19-02	12/02/2014
16810/2013	353673	14-02	13/02/2014	10505/2014	353741	03-01B	17/02/2014
16811/2013	353674	14-02	13/02/2014	10506/2014	353742	03-01NES	17/02/2014
16812/2013	353675	14-02	13/02/2014	10507/2014	353743	03-01B	17/02/2014
16813/2013	353676	14-02	13/02/2014	10508/2014	353744	03-01B	17/02/2014
16814/2013	353677	14-02	13/02/2014	10509/2014	353745	03-01B	17/02/2014
16815/2013	353678	14-02	13/02/2014	10512/2014	353746	02-02C	17/02/2014
16816/2013	353679	03-01A	13/02/2014	10513/2014	353747	02-02C	17/02/2014
16818/2013	353680	07-01F	13/02/2014				
10006/2014	353708	03-01B	14/02/2014				

Publication and Registration Proceedings

Class Listing of Designs Published or Registered

The following section shows an International Classification Code listing of the Registered or Published Designs covered in this supplement.

Classification	Registration Number	Design Number	Classification	Registration Number	Design Number
01-02	353584	16129/2013	08-08L	353693	14076/2013
01-06	353696	16441/2013	08-08NES	353641	16752/2013
02-02C	353592	16695/2013	08-08NES	353647	14444/2013
02-02C	353621	16693/2013	08-99	353547	16678/2013
02-02C	353622	16696/2013	08-99	353548	16680/2013
02-02C	353664	16655/2013	08-99	353550	16683/2013
02-02C	353746	10512/2014	08-99	353556	16679/2013
02-02C	353747	10513/2014	09-01G	353579	16372/2013
02-02NES	353580	16046/2013	09-03E	353663	16647/2013
02-02NES	353581	16047/2013	09-03M	353588	16327/2013
02-02NES	353591	16694/2013	09-03NES	353657	16758/2013
02-03	353740	10199/2014	09-03NES	353658	16759/2013
02-04NES	353709	15998/2013	09-03NES	353705	10030/2014
03-01A	353679	16816/2013	09-05	353657	16758/2013
03-01B	353708	10006/2014	09-05	353658	16759/2013
03-01B	353741	10505/2014	09-05	353668	16790/2013
03-01B	353743	10507/2014	09-05	353735	10069/2014
03-01B	353744	10508/2014	09-07NES	353578	16331/2013
03-01B	353745	10509/2014	09-08	353613	12686/2013
03-01NES	353553	15876/2013	10-02	353573	14397/2013
03-01NES	353554	15875/2013	10-02	353670	16806/2013
03-01NES	353586	16486/2013	10-02	353671	16807/2013
03-01NES	353587	16489/2013	10-02	353672	16809/2013
03-01NES	353742	10506/2014	10-02	353673	16810/2013
04-02	353717	10039/2014	10-02	353674	16811/2013
06-01F	353595	16612/2013	10-02	353675	16812/2013
06-01G	353712	16775/2013	10-02	353676	16813/2013
06-01H	353713	16776/2013	10-02	353677	16814/2013
06-03NES	353570	15240/2013	10-02	353678	16815/2013
06-06C	353598	16699/2013	10-02	353686	16808/2013
06-06E	353570	15240/2013	10-04	353578	16331/2013
06-06NES	353598	16699/2013	10-05	353659	16760/2013
07-01C	353596	16692/2013	10-06	353727	10049/2014
07-01F	353680	16818/2013	10-07	353659	16760/2013
07-02N	353732	10063/2014	11-02B	353555	15877/2013
07-02P	353653	16632/2013	11-04	353577	16195/2013
07-03	353645	13797/2013	12-06NES	353571	15837/2013
07-03	353646	13798/2013	12-08	353583	16684/2013
07-03	353707	13796/2013	12-08	353632	16726/2013
07-04	353697	10015/2014	12-08	353725	10047/2014
07-05A	353560	16180/2013	12-08	353726	10048/2014
07-07NES	353705	10030/2014	12-11	353642	16766/2013
08-01	353549	16681/2013	12-11	353660	16761/2013
08-01	353551	16685/2013	12-11	353725	10047/2014
08-01	353552	16686/2013	12-11	353726	10048/2014
08-03	353631	16724/2013	12-15B	353597	16698/2013
08-03	353689	10012/2014	12-15B	353634	16276/2013
08-03	353736	10073/2014	12-15B	353635	16277/2013
08-03	353738	10075/2014	12-15B	353698	10017/2014
08-03	353739	10076/2014	12-16B	353602	16728/2013
08-06	353617	10115/2014	12-16B	353610	16740/2013
08-08G	353682	16753/2013	12-16L	353611	16741/2013
08-08L	353630	16707/2013	12-16L	353612	16744/2013

Registration Proceedings - Class Listing of Designs Published or Registered cont'd

Classification	Registration Number	Design Number	Classification	Registration Number	Design Number
12-16NES	353633	16729/2013	15-05	353600	16722/2013
12-16NES	353656	16723/2013	15-05	353601	16725/2013
12-16P	353699	10018/2014	15-05	353618	16031/2013
13-03D	353574	12237/2013	15-05	353619	16032/2013
13-03D	353603	16731/2013	15-06	353661	16763/2013
13-03D	353604	16733/2013	15-99	353623	16700/2013
13-03D	353605	16734/2013	15-99	353624	16701/2013
13-03D	353606	16735/2013	15-99	353625	16702/2013
13-03D	353640	16732/2013	15-99	353626	16703/2013
13-03NES	353690	14036/2013	15-99	353627	16704/2013
13-03NES	353691	14037/2013	15-99	353628	16705/2013
13-03NES	353692	14038/2013	15-99	353629	16706/2013
14-01	353654	16368/2013	15-99	353636	16658/2013
14-01	353655	16373/2013	15-99	353637	16659/2013
14-01	353662	16224/2013	16-06	353728	10050/2014
14-01	353670	16806/2013	16-06	353729	10051/2014
14-01	353671	16807/2013	16-06	353730	10052/2014
14-01	353672	16809/2013	19-02	353575	15852/2013
14-01	353673	16810/2013	19-02	353576	10284/2014
14-01	353674	16811/2013	19-02	353643	10285/2014
14-01	353675	16812/2013	19-02	353644	10286/2014
14-01	353676	16813/2013	19-04	353582	16386/2013
14-01	353677	16814/2013	19-06	353701	10024/2014
14-01	353678	16815/2013	19-08	353558	15157/2013
14-01	353681	10009/2014	19-08	353561	16506/2013
14-01	353686	16808/2013	19-08	353562	16507/2013
14-01	353687	10010/2014	19-08	353563	16508/2013
14-01	353688	10011/2014	19-08	353564	16509/2013
14-01	353724	10046/2014	19-08	353565	16510/2013
14-02	353553	15876/2013	19-08	353566	16511/2013
14-02	353554	15875/2013	19-08	353567	16512/2013
14-02	353662	16224/2013	19-08	353568	16513/2013
14-02	353670	16806/2013	19-08	353569	16515/2013
14-02	353671	16807/2013	20-01	353702	10025/2014
14-02	353672	16809/2013	20-03NES	353648	14937/2013
14-02	353673	16810/2013	20-03NES	353649	14938/2013
14-02	353674	16811/2013	21-01C	353583	16684/2013
14-02	353675	16812/2013	21-01NES	353607	16736/2013
14-02	353676	16813/2013	21-01NES	353608	16737/2013
14-02	353677	16814/2013	21-02C	353683	16788/2013
14-02	353678	16815/2013	21-02C	353684	16789/2013
14-02	353686	16808/2013	21-02C	353703	10028/2014
14-02	353700	10019/2014	21-02C	353704	10029/2014
14-02	353718	10040/2014	21-02C	353733	10064/2014
14-02	353719	10041/2014	21-02D	353571	15837/2013
14-02	353720	10042/2014	21-02D	353669	16791/2013
14-02	353721	10043/2014	21-02F	353650	16628/2013
14-02	353723	10045/2014	23-01A	353666	16786/2013
14-02	353724	10046/2014	23-01A	353667	16787/2013
14-03E	353651	16629/2013	23-01A	353714	16777/2013
14-03E	353722	10044/2014	23-01A	353715	16778/2013
14-03NES	353609	16739/2013	23-01F	353594	16585/2013
14-99	353553	15876/2013	23-01F	353695	16438/2013
14-99	353554	15875/2013	23-01H	353589	16657/2013
15-05	353585	16470/2013	23-01H	353590	16660/2013
15-05	353593	16718/2013	23-02F	353706	10032/2014

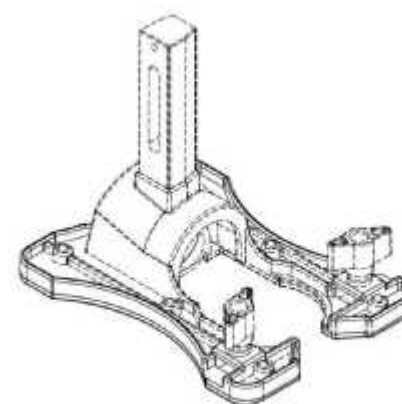
Registration Proceedings - Class Listing of Designs Published or Registered cont'd

Classification	Registration Number	Design Number	Classification	Registration Number	Design Number
24-01	353546	15869/2013	26-05D	353559	16165/2013
24-01	353572	15855/2013	26-05D	353665	16785/2013
24-01	353616	16793/2013	26-05D	353711	16774/2013
24-02	353685	16805/2013	27-02	353716	10038/2014
24-02	353710	16574/2013	27-99	353716	10038/2014
24-04	353734	10065/2014	29-02	353737	10074/2014
25-01E	353557	13745/2013	30-02	353599	16720/2013
25-01NES	353693	14076/2013	31-00	353614	13897/2013
25-02H	353638	16661/2013	31-00	353615	13898/2013
25-02H	353639	16662/2013	31-00	353620	13899/2013
25-03	353599	16720/2013	31-00	353652	16631/2013
26-03	353731	10062/2014	31-00	353653	16632/2013
26-05B	353665	16785/2013			
26-05B	353694	16166/2013			

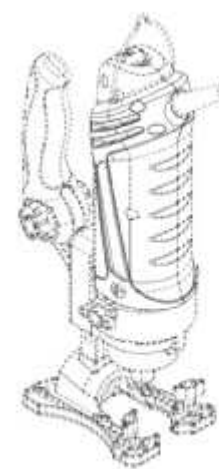
- (21) Design Number: **15869/2013**
(22) Date of Filing Application: **13 November 2013**
(24) Date from which industrial property rights may have effect: **13 November 2013**
(54) Product in respect of which the design is registered: **Headgear for patient interface**
(51) International Design Classification: **24-01**
(74) Name(s) of Attorney(s): **Halfords IP**
(71) Name(s) and Address(s) of Applicant(s):
ResMed Limited
1 Elizabeth Macarthur Dr Bella Vista NSW 2153 Australia
(72) Name(s) of Designer(s): **Alicia Kristianne Wells and Kirrily Michele Haskard and Anthony Paul Barbara**
(45) Registration Date: **04 February 2014**
(30) Convention priority data:
(31) Number (32) Date (33) Country
29/461681 26 Jul 2013 UNITED STATES OF AMERICA
(56) Related Art Documents: **Not Applicable**
(57) Statement of Newness and Distinctiveness: **Features shown in broken lines do not form a portion of the claimed design.**



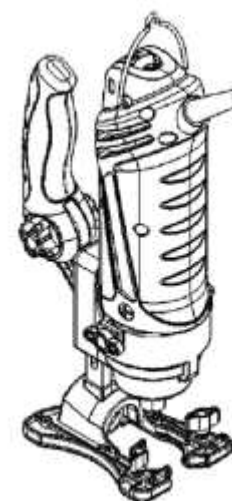
- (21) Design Number: **16678/2013**
(22) Date of Filing Application: **19 December 2013**
(24) Date from which industrial property rights may have effect: **19 December 2013**
(54) Product in respect of which the design is registered: **Foot plate**
(51) International Design Classification: **08-99**
(74) Name(s) of Attorney(s): **Griffith Hack**
(71) Name(s) and Address(s) of Applicant(s):
Brand Developers Ltd
519-521 Lake Road Takapuna Auckland 0622 New Zealand
(72) Name(s) of Designer(s): **James Fisher**
(45) Registration Date: **04 February 2014**
(56) Related Art Documents: **Not Applicable**
(57) Statement of Newness and Distinctiveness: **Newness and distinctiveness is claimed in the features shown in the figures in solid lines. Features shown in broken lines have been provided for illustrative purposes only.**



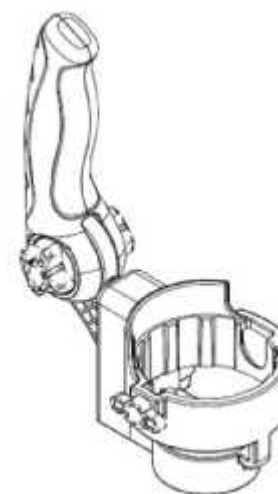
- (21) Design Number: **16680/2013**
(22) Date of Filing Application: **19 December 2013**
(24) Date from which industrial property rights may have effect: **19 December 2013**
(54) Product in respect of which the design is registered: **Grip and vent detail for power tool**
(51) International Design Classification: **08-99**
(74) Name(s) of Attorney(s): **Griffith Hack**
(71) Name(s) and Address(s) of Applicant(s):
Brand Developers Ltd
519-521 Lake Road Takapuna Auckland 0622 New Zealand
(72) Name(s) of Designer(s): **James Fisher**
(45) Registration Date: **04 February 2014**
(56) Related Art Documents: **Not Applicable**
(57) Statement of Newness and Distinctiveness: **Newness and distinctiveness is claimed in the features shown in the figures in solid lines. Features shown in broken lines have been provided for illustrative purposes only.**



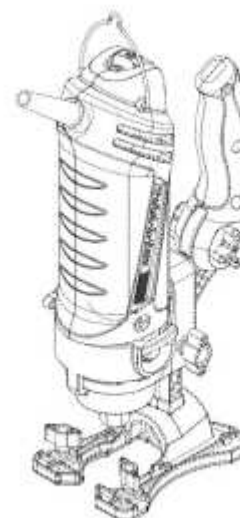
- (21) Design Number: **16681/2013**
(22) Date of Filing Application: **19 December 2013**
(24) Date from which industrial property rights may have effect: **19 December 2013**
(54) Product in respect of which the design is registered: **Power tool assembly**
(51) International Design Classification: **08-01**
(74) Name(s) of Attorney(s): **Griffith Hack**
(71) Name(s) and Address(s) of Applicant(s):
Brand Developers Ltd
519-521 Lake Road Takapuna Auckland 0622 New Zealand
(72) Name(s) of Designer(s): **James Fisher**
(45) Registration Date: **04 February 2014**
(56) Related Art Documents: **Not Applicable**
(57) Statement of Newness and Distinctiveness: **Newness and distinctiveness is claimed in the features shown in the figures in solid lines. Features shown in broken lines have been provided for illustrative purposes only.**



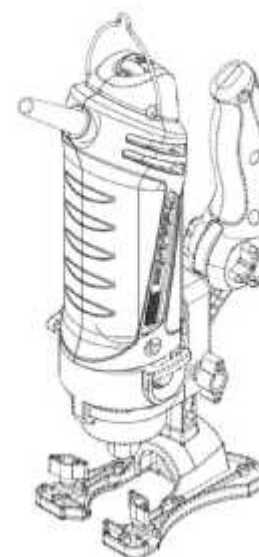
- (21) Design Number: **16683/2013**
(22) Date of Filing Application: **19 December 2013**
(24) Date from which industrial property rights may have effect: **19 December 2013**
(54) Product in respect of which the design is registered: **Handle and support arrangement for power tool**
(51) International Design Classification: **08-99**
(74) Name(s) of Attorney(s): **Griffith Hack**
(71) Name(s) and Address(s) of Applicant(s):
Brand Developers Ltd
519-521 Lake Road Takapuna Auckland 0622 New Zealand
(72) Name(s) of Designer(s): **James Fisher**
(45) Registration Date: **04 February 2014**
(56) Related Art Documents: **Not Applicable**
(57) Statement of Newness and Distinctiveness: **Newness and distinctiveness is claimed in the features shown in the figures in solid lines. Features shown in broken lines have been provided for illustrative purposes only.**



- (21) Design Number: **16685/2013**
(22) Date of Filing Application: **19 December 2013**
(24) Date from which industrial property rights may have effect: **19 December 2013**
(54) Product in respect of which the design is registered: **Grip detail for power tool**
(51) International Design Classification: **08-01**
(74) Name(s) of Attorney(s): **Griffith Hack**
(71) Name(s) and Address(s) of Applicant(s):
Brand Developers Ltd
519-521 Lake Road Takapuna Auckland 0622 New Zealand
(72) Name(s) of Designer(s): **James Fisher**
(45) Registration Date: **04 February 2014**
(56) Related Art Documents: **Not Applicable**
(57) Statement of Newness and Distinctiveness: **Newness and distinctiveness is claimed in the features shown in the figures in solid lines. Features shown in broken lines have been provided for illustrative purposes only.**



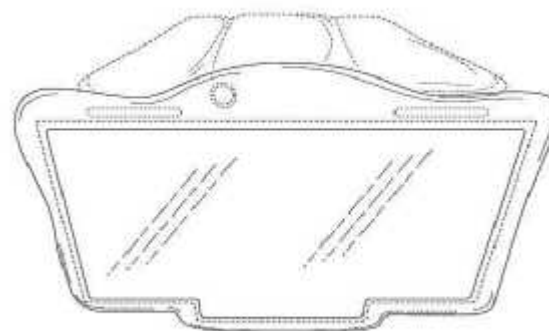
- (21) Design Number: **16686/2013**
(22) Date of Filing Application: **19 December 2013**
(24) Date from which industrial property rights may have effect: **19 December 2013**
(54) Product in respect of which the design is registered: **Grip detail for power tool**
(51) International Design Classification: **08-01**
(74) Name(s) of Attorney(s): **Griffith Hack**
(71) Name(s) and Address(s) of Applicant(s):
Brand Developers Ltd
519-521 Lake Road Takapuna Auckland 0622 New Zealand
(72) Name(s) of Designer(s): **James Fisher**
(45) Registration Date: **04 February 2014**
(56) Related Art Documents: **Not Applicable**
(57) Statement of Newness and Distinctiveness: **Newness and distinctiveness is claimed in the features shown in the figures in solid lines. Features shown in broken lines have been provided for illustrative purposes only.**



- (21) Design Number: **15876/2013**
(22) Date of Filing Application: **15 November 2013**
(24) Date from which industrial property rights may have effect: **15 November 2013**
(54) Product in respect of which the design is registered: **Electronic device**
(51) International Design Classification: **14-99, 03-01NES, 14-02**
(74) Name(s) of Attorney(s): **Acumen Intellectual Property**
(71) Name(s) and Address(s) of Applicant(s):
Franz Antonio Wakefield
17731 NW 14th Ct Miami FL 33169-4686 United States of America
(72) Name(s) of Designer(s): **Franz Antonio Wakefield**
(45) Registration Date: **04 February 2014**
(56) Related Art Documents: **Not Applicable**
(57) Statement of Newness and Distinctiveness: **Nil**



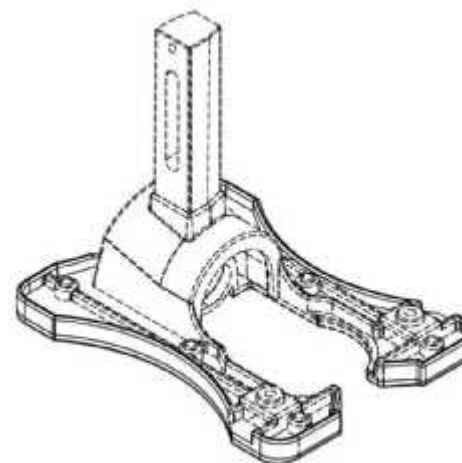
(21) Design Number: **15875/2013**
(22) Date of Filing Application: **15 November 2013**
(24) Date from which industrial property rights may have effect: **15 November 2013**
(54) Product in respect of which the design is registered: **Electronic device**
(51) International Design Classification: **14-99, 03-01NES, 14-02**
(74) Name(s) of Attorney(s): **Acumen Intellectual Property**
(71) Name(s) and Address(s) of Applicant(s):
Franz Antonio Wakefield
17731 NW 14th Ct Miami FL 33169-4686 United States of America
(72) Name(s) of Designer(s): **Franz Antonio Wakefield**
(45) Registration Date: **04 February 2014**
(56) Related Art Documents: **Not Applicable**
(57) Statement of Newness and Distinctiveness: **Nil**



(21) Design Number: **15877/2013**
(22) Date of Filing Application: **15 November 2013**
(24) Date from which industrial property rights may have effect: **15 November 2013**
(54) Product in respect of which the design is registered: **A floating vegetation support element**
(51) International Design Classification: **11-02B**
(74) Name(s) of Attorney(s): **Baldwins Intellectual Property**
(71) Name(s) and Address(s) of Applicant(s):
CLEANERENVIRO LIMITED
202 Ponsonby Road Ponsonby Auckland
(72) Name(s) of Designer(s): **Robert Stanley Shearer**
(45) Registration Date: **04 February 2014**
(30) Convention priority data:
(31) Number (32) Date (33) Country
417611 17 May 2013 NEW ZEALAND
(56) Related Art Documents: **Not Applicable**
(57) Statement of Newness and Distinctiveness: **Newness and distinctiveness resides in the features of shape and/or configuration, all as shown in the accompanying representations.**



- (21) Design Number: **16679/2013**
(22) Date of Filing Application: **19 December 2013**
(24) Date from which industrial property rights may have effect: **19 December 2013**
(54) Product in respect of which the design is registered: **Foot plate**
(51) International Design Classification: **08-99**
(74) Name(s) of Attorney(s): **Griffith Hack**
(71) Name(s) and Address(s) of Applicant(s):
Brand Developers Ltd
519-521 Lake Road Takapuna Auckland 0622 New Zealand
(72) Name(s) of Designer(s): **James Fisher**
(45) Registration Date: **04 February 2014**
(56) Related Art Documents: **Not Applicable**
(57) Statement of Newness and Distinctiveness: **Newness and distinctiveness is claimed in the features shown in the figures in solid lines. Features shown in broken lines have been provided for illustrative purposes only.**



- (21) Design Number: **13745/2013**
(22) Date of Filing Application: **06 August 2013**
(24) Date from which industrial property rights may have effect: **06 August 2013**
(54) Product in respect of which the design is registered: **Edger for landscaping**
(51) International Design Classification: **25-01E**
(74) Name(s) of Attorney(s): **Griffith Hack**
(71) Name(s) and Address(s) of Applicant(s):
Anchor Wall Systems, Inc.
5959 Baker Road Suite 390 Minnetonka Minnesota 55345-5996 United States of America
(72) Name(s) of Designer(s): **Jay J. Johnson and Robert B. Burnquist and Steven Paul Bennett**
(45) Registration Date: **04 February 2014**
(30) Convention priority data:
(31) Number (32) Date (33) Country
29/445,109 07 Feb 2013 UNITED STATES OF AMERICA
(56) Related Art Documents: **Not Applicable**
(57) Statement of Newness and Distinctiveness: **Newness and distinctiveness resides in the visual features including shape and configuration of the exterior of the product as shown by means of the solid lines in the accompanying representations. The profile of the product as shown by means of dashed lines does not form part of the design and the product may be of any height.**



(21) Design Number: **15157/2013**

(22) Date of Filing Application: **09 October 2013**

(24) Date from which industrial property rights may have effect: **09 October 2013**

(54) Product in respect of which the design is registered: **Label**

(51) International Design Classification: **19-08**

(74) Name(s) of Attorney(s): **PHILLIPS ORMONDE FITZPATRICK**

(71) Name(s) and Address(s) of Applicant(s):

Glaxo Group Limited

980 Great West Road Brentford Middlesex TW8 9GS United Kingdom

(72) Name(s) of Designer(s): **William Bull**

(45) Registration Date: **04 February 2014**

(30) Convention priority data:

(31) Number
002218982

(32) Date
11 Apr 2013

(33) Country
**OFFICE FOR HARMONISATION IN
THE INTERNAL MARKET (OHIM)**

(56) Related Art Documents: **Not Applicable**

(57) Statement of Newness and Distinctiveness: **Those features of the labels depicted in the representations that are new and distinctive are the shape, configuration, ornamentation and colour. The labels may be the colour illustrated in the representations or any colour or combination of colours as indicated by the use of stipple or combination of colours as shown in the representations. The text appearing on the labels "BREO ELLIPA" "REVLAR ELLIPTA", "ANORO ELLIPTA" and the graphic element at the bottom of the labels where shown may or may not form part of the design.**



(21) Design Number: **16165/2013**

(22) Date of Filing Application: **26 November 2013**

(24) Date from which industrial property rights may have effect: **26 November 2013**

(54) Product in respect of which the design is registered: **Lighting**

(51) International Design Classification: **26-05D**

(74) Name(s) of Attorney(s):

(71) Name(s) and Address(s) of Applicant(s):

Jansen Lye

11/67 Moonya Rd Carnegie VIC 3163 Australia

(72) Name(s) of Designer(s): **Jansen Lye**

(45) Registration Date: **04 February 2014**

(56) Related Art Documents: **Not Applicable**

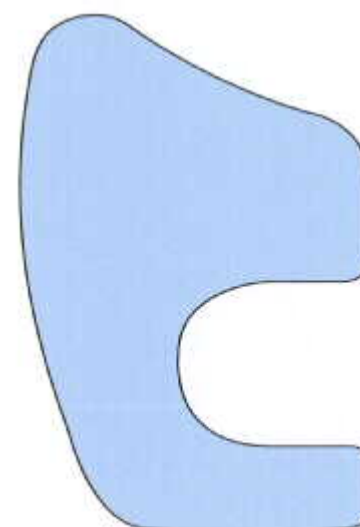
(57) Statement of Newness and Distinctiveness: **The unique features of Fez Light are instant manufacturing, changeable cover and sustainability. The light is created in two parts, the first part is the base. It is designed inspired by fez hat and fabricated by wood. The second part is the changeable cover. This is made through latest manufacturing process called Selective laser sintering (SLS) which create freedom for the designer to design any type of complex forms and expressions when a normal manufacturing cannot be done in an instant. The use of this manufacturing process creates three advantages, small to medium production without investment tooling and overstock supply, limited editions and sustainability. The product will only be manufactured when there is an order thus the sustainability factor comes to mind and this allow limited editions run to be produced without investing in tooling process which would increase the production cost.**



(21) Design Number: **16180/2013**
(22) Date of Filing Application: **27 November 2013**
(24) Date from which industrial property rights may have effect: **27 November 2013**
(54) Product in respect of which the design is registered: **Iron with steam generator base**
(51) International Design Classification: **07-05A**
(74) Name(s) of Attorney(s): **Cullens Patent and Trade Mark Attorneys**
(71) Name(s) and Address(s) of Applicant(s):
De'Longhi Appliances SRL Con Unico Socio
Via L. Sietz 47 31100 Treviso (TV) Italy
(72) Name(s) of Designer(s): **Giuseppe De' Longhi and Francesco Curreli**
(45) Registration Date: **04 February 2014**
(30) Convention priority data:
(31) Number (32) Date (33) Country
2247726-0001 31 May 2013 OFFICE FOR HARMONISATION IN
THE INTERNAL MARKET (OHIM)
(56) Related Art Documents: **Not Applicable**
(57) Statement of Newness and Distinctiveness: **The new and distinctive features are the features of shape and configuration of the Ironing and Pressing Equipment as shown in the representations.**



(21) Design Number: **16506/2013**
(22) Date of Filing Application: **09 October 2013**
(24) Date from which industrial property rights may have effect: **09 October 2013**
(54) Product in respect of which the design is registered: **Label**
(51) International Design Classification: **19-08**
(74) Name(s) of Attorney(s): **PHILLIPS ORMONDE FITZPATRICK**
(71) Name(s) and Address(s) of Applicant(s):
Glaxo Group Limited
980 Great West Road Brentford Middlesex TW8 9GS United Kingdom
(72) Name(s) of Designer(s): **William Bull and Karen McCulloch and Richard Adams and Philippe Ragot and Carlo Brunelli and Lisa Olivieri and Alec Johnson and Jeff Schons**
(45) Registration Date: **04 February 2014**
(30) Convention priority data:
(31) Number (32) Date (33) Country
002218982 11 Apr 2013 OFFICE FOR HARMONISATION IN
THE INTERNAL MARKET (OHIM)
(56) Related Art Documents: **Not Applicable**
(57) Statement of Newness and Distinctiveness: **Those features of the label depicted in the representations that are new and distinctive are the shape and/or configuration and/or colour.**



(21) Design Number: **16507/2013**

(22) Date of Filing Application: **09 October 2013**

(24) Date from which industrial property rights may have effect: **09 October 2013**

(54) Product in respect of which the design is registered: **Label**

(51) International Design Classification: **19-08**

(74) Name(s) of Attorney(s): **PHILLIPS ORMONDE FITZPATRICK**

(71) Name(s) and Address(s) of Applicant(s):

Glaxo Group Limited

980 Great West Road Brentford Middlesex TW8 9GS United Kingdom

(72) Name(s) of Designer(s): **William Bull and Richard Adams and Philippe Ragot and Carlo Brunelli and Lisa Olivieri and Alec Johnson and Jeff Schons**

(45) Registration Date: **04 February 2014**

(30) Convention priority data:

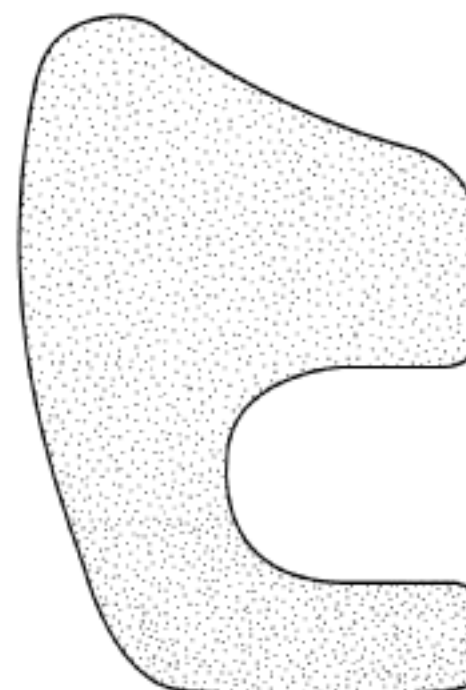
(31) Number
002218982

(32) Date
11 Apr 2013

(33) Country
**OFFICE FOR HARMONISATION IN
THE INTERNAL MARKET (OHIM)**

(56) Related Art Documents: **Not Applicable**

(57) Statement of Newness and Distinctiveness: **Those features of the label depicted in the representations that are new and distinctive are the shape and/or configuration. The stipple represents a colour but is not limited to any particular colour.**



(21) Design Number: **16508/2013**

(22) Date of Filing Application: **09 October 2013**

(24) Date from which industrial property rights may have effect: **09 October 2013**

(54) Product in respect of which the design is registered: **Label**

(51) International Design Classification: **19-08**

(74) Name(s) of Attorney(s): **PHILLIPS ORMONDE FITZPATRICK**

(71) Name(s) and Address(s) of Applicant(s):

Glaxo Group Limited

980 Great West Road Brentford Middlesex TW8 9GS United Kingdom

(72) Name(s) of Designer(s): **William Bull and Karen McCulloch and Richard Adams and Philippe Ragot and Carlo Brunelli and Lisa Olivieri and Alec Johnson and Jeff Schons**

(45) Registration Date: **04 February 2014**

(30) Convention priority data:

(31) Number
002218982

(32) Date
11 Apr 2013

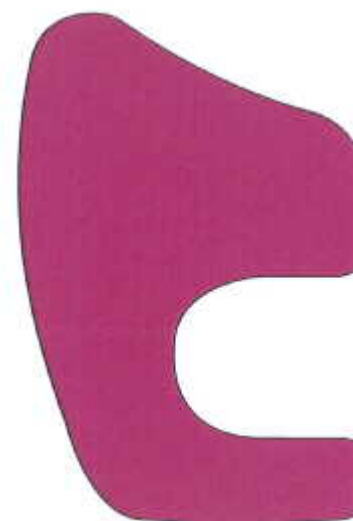
(33) Country
**OFFICE FOR HARMONISATION IN
THE INTERNAL MARKET (OHIM)**

(56) Related Art Documents: **Not Applicable**

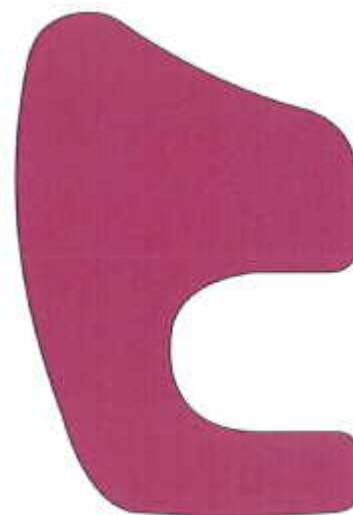
(57) Statement of Newness and Distinctiveness: **Those features of the label depicted in the representations that are new and distinctive are the shape and/or configuration and/or ornamentation and/or colour.**



- (21) Design Number: **16509/2013**
(22) Date of Filing Application: **09 October 2013**
(24) Date from which industrial property rights may have effect: **09 October 2013**
(54) Product in respect of which the design is registered: **Label**
(51) International Design Classification: **19-08**
(74) Name(s) of Attorney(s): **PHILLIPS ORMONDE FITZPATRICK**
(71) Name(s) and Address(s) of Applicant(s):
Glaxo Group Limited
980 Great West Road Brentford Middlesex TW8 9GS United Kingdom
(72) Name(s) of Designer(s): **William Bull and Richard Adams and Philippe Ragot and Carlo Brunelli and Lisa Olivieri and Alec Johnson and Jeff Schons**
(45) Registration Date: **04 February 2014**
(30) Convention priority data:
(31) Number (32) Date (33) Country
002218982 11 Apr 2013 OFFICE FOR HARMONISATION IN THE INTERNAL MARKET (OHIM)
(56) Related Art Documents: **Not Applicable**
(57) Statement of Newness and Distinctiveness: **Those features of the label depicted in the representations that are new and distinctive are the shape and/or configuration and/or ornamentation and/or colour. The colour shown in the representations is pantone colour 233.**



- (21) Design Number: **16510/2013**
(22) Date of Filing Application: **09 October 2013**
(24) Date from which industrial property rights may have effect: **09 October 2013**
(54) Product in respect of which the design is registered: **Label**
(51) International Design Classification: **19-08**
(74) Name(s) of Attorney(s): **PHILLIPS ORMONDE FITZPATRICK**
(71) Name(s) and Address(s) of Applicant(s):
Glaxo Group Limited
980 Great West Road Brentford Middlesex TW8 9GS United Kingdom
(72) Name(s) of Designer(s): **William Bull and Karen McCulloch and Richard Adams and Philippe Ragot and Carlo Brunelli and Lisa Olivieri and Alec Johnson and Jeff Schons**
(45) Registration Date: **04 February 2014**
(30) Convention priority data:
(31) Number (32) Date (33) Country
002218982 11 Apr 2013 OFFICE FOR HARMONISATION IN THE INTERNAL MARKET (OHIM)
(56) Related Art Documents: **Not Applicable**
(57) Statement of Newness and Distinctiveness: **Those features of the label depicted in the representations that are new and distinctive are the shape and/or configuration and/or colour. The colour shown in the representations is pantone colour 207.**



(21) Design Number: **16511/2013**

(22) Date of Filing Application: **09 October 2013**

(24) Date from which industrial property rights may have effect: **09 October 2013**

(54) Product in respect of which the design is registered: **Label**

(51) International Design Classification: **19-08**

(74) Name(s) of Attorney(s): **PHILLIPS ORMONDE FITZPATRICK**

(71) Name(s) and Address(s) of Applicant(s):

Glaxo Group Limited

980 Great West Road Brentford Middlesex TW8 9GS United Kingdom

(72) Name(s) of Designer(s): **William Bull and David Elder and Richard Adams and Philippe Ragot and Carlo Brunelli and Lisa Olivieri and Alec Johnson and Jeff Schons**

(45) Registration Date: **04 February 2014**

(30) Convention priority data:

(31) Number
002218982

(32) Date
11 Apr 2013

(33) Country
**OFFICE FOR HARMONISATION IN
THE INTERNAL MARKET (OHIM)**

(56) Related Art Documents: **Not Applicable**

(57) Statement of Newness and Distinctiveness: **Those features of the label depicted in the representations that are new and distinctive are the shape and/or configuration and/or ornamentation and/or colour. The colour shown in the representations is pantone colour 207.**



(21) Design Number: **16512/2013**

(22) Date of Filing Application: **09 October 2013**

(24) Date from which industrial property rights may have effect: **09 October 2013**

(54) Product in respect of which the design is registered: **Label**

(51) International Design Classification: **19-08**

(74) Name(s) of Attorney(s): **PHILLIPS ORMONDE FITZPATRICK**

(71) Name(s) and Address(s) of Applicant(s):

Glaxo Group Limited

980 Great West Road Brentford Middlesex TW8 9GS United Kingdom

(72) Name(s) of Designer(s): **William Bull and Richard Adams and Philippe Ragot and Carlo Brunelli and Lisa Olivieri and Alec Johnson and Jeff Schons**

(45) Registration Date: **04 February 2014**

(30) Convention priority data:

(31) Number
002218982

(32) Date
11 Apr 2013

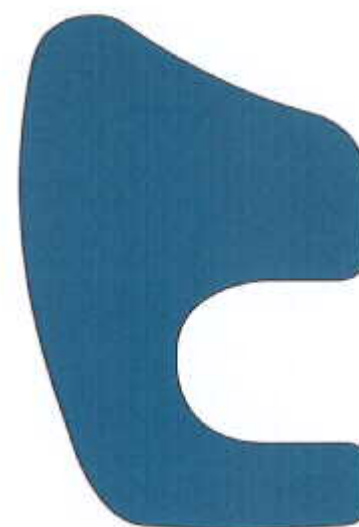
(33) Country
**OFFICE FOR HARMONISATION IN
THE INTERNAL MARKET (OHIM)**

(56) Related Art Documents: **Not Applicable**

(57) Statement of Newness and Distinctiveness: **Those features of the label depicted in the representations that are new and distinctive are the shape and/or configuration and/or ornamentation. The stipple shown in the representations represents a colour but is not limited to any particular colour.**



(21) Design Number: **16513/2013**
(22) Date of Filing Application: **09 October 2013**
(24) Date from which industrial property rights may have effect: **09 October 2013**
(54) Product in respect of which the design is registered: **Label**
(51) International Design Classification: **19-08**
(74) Name(s) of Attorney(s): **PHILLIPS ORMONDE FITZPATRICK**
(71) Name(s) and Address(s) of Applicant(s):
Glaxo Group Limited
980 Great West Road Brentford Middlesex TW8 9GS United Kingdom
(72) Name(s) of Designer(s): **William Bull and Richard Adams and Philippe Ragot and Carlo Brunelli and Lisa Olivieri and Alec Johnson and Jeff Schons**
(45) Registration Date: **04 February 2014**
(30) Convention priority data:
(31) Number (32) Date (33) Country
002218982 11 Apr 2013 OFFICE FOR HARMONISATION IN THE INTERNAL MARKET (OHIM)
(56) Related Art Documents: **Not Applicable**
(57) Statement of Newness and Distinctiveness: **Those features of the label depicted in the representations that are new and distinctive are the shape and/or configuration and/or colour.**



(21) Design Number: **16515/2013**
(22) Date of Filing Application: **09 October 2013**
(24) Date from which industrial property rights may have effect: **09 October 2013**
(54) Product in respect of which the design is registered: **Label**
(51) International Design Classification: **19-08**
(74) Name(s) of Attorney(s): **PHILLIPS ORMONDE FITZPATRICK**
(71) Name(s) and Address(s) of Applicant(s):
Glaxo Group Limited
980 Great West Road Brentford Middlesex TW8 9GS United Kingdom
(72) Name(s) of Designer(s): **William Bull and Richard Adams and Philippe Ragot and Carlo Brunelli and Lisa Olivieri and Alec Johnson and Jeff Schons**
(45) Registration Date: **04 February 2014**
(30) Convention priority data:
(31) Number (32) Date (33) Country
002218982 11 Apr 2013 OFFICE FOR HARMONISATION IN THE INTERNAL MARKET (OHIM)
(56) Related Art Documents: **Not Applicable**
(57) Statement of Newness and Distinctiveness: **Those features of the label depicted in the representations that are new and distinctive are the shape and/or configuration, ornamentation and/or colour.**



- (21) Design Number: **15240/2013**
(22) Date of Filing Application: **15 October 2013**
(24) Date from which industrial property rights may have effect: **15 October 2013**
(54) Product in respect of which the design is registered: **Furniture entertainment unit for a turntable**
(51) International Design Classification: **06-06E, 06-03NES**
(74) Name(s) of Attorney(s):
(71) Name(s) and Address(s) of Applicant(s):
Louise Suzette Vieusseux
223 Quarter Sessions Rd Westleigh NSW 2120 Australia
(72) Name(s) of Designer(s): **Louise Suzette Vieusseux**
(45) Registration Date: **05 February 2014**
(56) Related Art Documents: **Not Applicable**
(57) Statement of Newness and Distinctiveness: **The newness and distinctiveness of the design resides in the CNC machined grooves on the top surface of the unit as shown in the wavy lines extending the entire length of the design, and the recessed cut-out, to neatly house commercially available record players, that makes the turntable platter blend into the grooved top surface. The CNC machined grooves represent the grooves of a vinyl record at microscopic scale. The unit is designed for two solutions, a shelf and a table, as shown in the representations. The shelf solution uses the arrangement of internal brackets which are blind.**



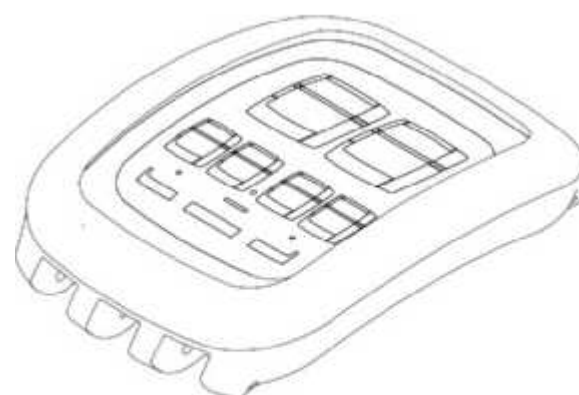
- (21) Design Number: **15837/2013**
(22) Date of Filing Application: **14 November 2013**
(24) Date from which industrial property rights may have effect: **14 November 2013**
(54) Product in respect of which the design is registered: **Boating accessory**
(51) International Design Classification: **12-06NES, 21-02D**
(74) Name(s) of Attorney(s): **FB Rice**
(71) Name(s) and Address(s) of Applicant(s):
Sport Marine Technologies, Inc.
11552 Massey Rd Pilot Point Texas 76258 United States of America
(72) Name(s) of Designer(s): **James F. Corn**
(45) Registration Date: **05 February 2014**
(30) Convention priority data:
(31) Number (32) Date (33) Country
29/455241 17 May 2013 UNITED STATES OF AMERICA
(56) Related Art Documents: **Not Applicable**
(57) Statement of Newness and Distinctiveness: **Newness and distinctiveness resides in the features of the design as shown in the representations.**



- (21) Design Number: **15855/2013**
(22) Date of Filing Application: **14 November 2013**
(24) Date from which industrial property rights may have effect: **14 November 2013**
(54) Product in respect of which the design is registered: **Patient interface**
(51) International Design Classification: **24-01**
(74) Name(s) of Attorney(s): **Halfords IP**
(71) Name(s) and Address(s) of Applicant(s):
ResMed Limited
1 Elizabeth Macarthur Dr Bella Vista NSW 2153 Australia
(72) Name(s) of Designer(s): **Alicia Kristianne Wells and Craig David Edwards and Shiva Kumar Shanmuga Sundara and Murray William Lee and Kirrily Michele Haskard and Anthony Paul Barbara and Stewart Joseph Wagner and Frederick Arlet May and Lachlan Richard Goldspink and Chia Ik Tan and Martin Forrester and Ralph Jourdan**
(45) Registration Date: **05 February 2014**
(30) Convention priority data:
(31) Number (32) Date (33) Country
29/461680 26 Jul 2013 UNITED STATES OF AMERICA
(56) Related Art Documents: **Not Applicable**
(57) Statement of Newness and Distinctiveness: **Nil**



- (21) Design Number: **14397/2013**
(22) Date of Filing Application: **04 September 2013**
(24) Date from which industrial property rights may have effect: **04 September 2013**
(54) Product in respect of which the design is registered: **Wristwatch**
(51) International Design Classification: **10-02**
(74) Name(s) of Attorney(s): **WATERMARK PATENT AND TRADE MARKS ATTORNEYS**
(71) Name(s) and Address(s) of Applicant(s):
Swatch AG (Swatch SA) (Swatch Ltd)
Jakob-Staempfli-Strasse 94 Biel/Bienne 2502 Switzerland
(72) Name(s) of Designer(s): **Alphonse Arellano and Antonio Fazio**
(45) Registration Date: **05 February 2014**
(30) Convention priority data:
(31) Number (32) Date (33) Country
DM 080 590 10 Apr 2013 SWITZERLAND
(56) Related Art Documents: **Not Applicable**
(57) Statement of Newness and Distinctiveness: **The statement of novelty in which the features of the design to be claimed are the pattern, ornament, shape and/or configuration of the articles.**



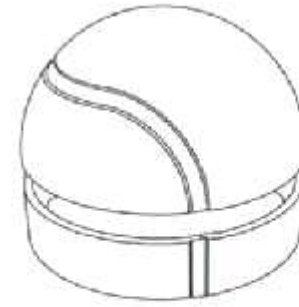
(21) Design Number: **12237/2013**
(22) Date of Filing Application: **15 May 2013**
(24) Date from which industrial property rights may have effect: **15 May 2013**
(54) Product in respect of which the design is registered: **Dual safety plug**
(51) International Design Classification: **13-03D**
(74) Name(s) of Attorney(s): **Macpherson + Kelley**
(71) Name(s) and Address(s) of Applicant(s):
Nicole Slater
13 Bellevue St Richmond VIC 3121 Australia
(72) Name(s) of Designer(s): **Nicole Slater**
(45) Registration Date: **06 February 2014**
(56) Related Art Documents: **Not Applicable**
(57) Statement of Newness and Distinctiveness: **Monopoly is claimed in the features of shape and/or configuration of the safety plug as shown in the accompanying representations.**



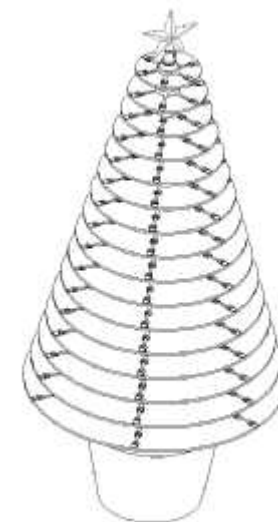
(21) Design Number: **15852/2013**
(22) Date of Filing Application: **14 November 2013**
(24) Date from which industrial property rights may have effect: **14 November 2013**
(54) Product in respect of which the design is registered: **Stamphousing**
(51) International Design Classification: **19-02**
(74) Name(s) of Attorney(s): **PHILLIPS ORMONDE FITZPATRICK**
(71) Name(s) and Address(s) of Applicant(s):
Adminimum AG
Langensandhohe 9 CH-6005 St. Niklausen Switzerland
(72) Name(s) of Designer(s): **Annette Lehmann and Mario Tronza**
(45) Registration Date: **07 February 2014**
(30) Convention priority data:
(31) Number (32) Date (33) Country
139918 17 May 2013 SWITZERLAND
(56) Related Art Documents: **Not Applicable**
(57) Statement of Newness and Distinctiveness: **Nil**



(21) Design Number: **10284/2014**
(22) Date of Filing Application: **14 November 2013**
(24) Date from which industrial property rights may have effect: **14 November 2013**
(54) Product in respect of which the design is registered: **Stamphousing**
(51) International Design Classification: **19-02**
(74) Name(s) of Attorney(s): **PHILLIPS ORMONDE FITZPATRICK**
(71) Name(s) and Address(s) of Applicant(s):
Adminimum AG
Langensandhohe 9 CH-6005 St. Niklausen Switzerland
(72) Name(s) of Designer(s): **Annette Lehmann and Mario Tronza**
(45) Registration Date: **07 February 2014**
(30) Convention priority data:
(31) Number (32) Date (33) Country
139918 17 May 2013 SWITZERLAND
(56) Related Art Documents: **Not Applicable**
(57) Statement of Newness and Distinctiveness: **Nil**



(21) Design Number: **16195/2013**
(22) Date of Filing Application: **28 November 2013**
(24) Date from which industrial property rights may have effect: **28 November 2013**
(54) Product in respect of which the design is registered: **Christmas tree**
(51) International Design Classification: **11-04**
(74) Name(s) of Attorney(s):
(71) Name(s) and Address(s) of Applicant(s):
Applidyne Australia Pty Ltd
27 Queen Street Thebarton SA 5031
(72) Name(s) of Designer(s): **Nicholas Kurt Schulze**
(45) Registration Date: **07 February 2014**
(56) Related Art Documents: **Not Applicable**
(57) Statement of Newness and Distinctiveness: **The newness and distinctiveness of the design resides in the spaced stack of circular discs, of reducing diameter with height above the base, each disc substantially transparent or translucent, and each disc supporting a series of lamps such as light emitting diodes, as shown in the accompanying representations.**



(21) Design Number: **16331/2013**
(22) Date of Filing Application: **02 December 2013**
(24) Date from which industrial property rights may have effect: **02 December 2013**
(54) Product in respect of which the design is registered: **Measuring cap**
(51) International Design Classification: **10-04, 09-07NES**
(74) Name(s) of Attorney(s):
(71) Name(s) and Address(s) of Applicant(s):
Logue and Co. Pty Ltd
199 Kiara Rd Yowie Bay NSW 2228 Australia
(72) Name(s) of Designer(s): **Anthony Thomas Logue**
(45) Registration Date: **07 February 2014**
(56) Related Art Documents: **Not Applicable**
(57) Statement of Newness and Distinctiveness: **Newness and distinctiveness is claimed in the features of shape and/or configuration of a measuring cap as depicted in the accompanying drawings.**



(21) Design Number: **16372/2013**
(22) Date of Filing Application: **05 December 2013**
(24) Date from which industrial property rights may have effect: **05 December 2013**
(54) Product in respect of which the design is registered: **Bottle**
(51) International Design Classification: **09-01G**
(74) Name(s) of Attorney(s): **PIZZEYS**
(71) Name(s) and Address(s) of Applicant(s):
Mary Kay Inc.
16251 N. Dallas Parkway Addison Texas 75001 United States of America
(72) Name(s) of Designer(s): **Jenny DeMarco**
(45) Registration Date: **07 February 2014**
(30) Convention priority data:
(31) Number (32) Date (33) Country
29/456,950 05 Jun 2013 UNITED STATES OF AMERICA
(56) Related Art Documents: **Not Applicable**
(57) Statement of Newness and Distinctiveness: **Nil**



- (21) Design Number: **16046/2013**
(22) Date of Filing Application: **21 November 2013**
(24) Date from which industrial property rights may have effect: **21 November 2013**
(54) Product in respect of which the design is registered: **T-shirt**
(51) International Design Classification: **02-02NES**
(74) Name(s) of Attorney(s):
(71) Name(s) and Address(s) of Applicant(s):
Joerg Jendras
PO BOX 844 Torquay VIC 3228
(72) Name(s) of Designer(s): **Joerg Jendras**
(45) Registration Date: **07 February 2014**
(56) Related Art Documents: **Not Applicable**
(57) Statement of Newness and Distinctiveness: **Collaboration of members of different ages and nationalities. Combination of animals and sport activity under the trademarked logo "I'M Massive". It provides a positive message that encourages children to participate in outside activities and promotes resilience and bravery.**



- (21) Design Number: **16047/2013**
(22) Date of Filing Application: **21 November 2013**
(24) Date from which industrial property rights may have effect: **21 November 2013**
(54) Product in respect of which the design is registered: **T-shirt**
(51) International Design Classification: **02-02NES**
(74) Name(s) of Attorney(s):
(71) Name(s) and Address(s) of Applicant(s):
Joerg Jendras
PO BOX 844 Torquay VIC 3228
(72) Name(s) of Designer(s): **Joerg Jendras**
(45) Registration Date: **07 February 2014**
(56) Related Art Documents: **Not Applicable**
(57) Statement of Newness and Distinctiveness: **Collaboration of people of different ages and nationalities. Based on personal unique experiences. Combination of animals and daring activities under the trademark registered logo "I'M Massive". Promotes outside activities for children. Embraces Australian Culture.**



- (21) Design Number: **16386/2013**
(22) Date of Filing Application: **06 December 2013**
(24) Date from which industrial property rights may have effect: **06 December 2013**
(54) Product in respect of which the design is registered: **A sheet holder**
(51) International Design Classification: **19-04**
(74) Name(s) of Attorney(s): **Adams Pluck**
(71) Name(s) and Address(s) of Applicant(s):

Jeanie Kwa
25 Braeside St Wahroonga NSW 2076 Australia

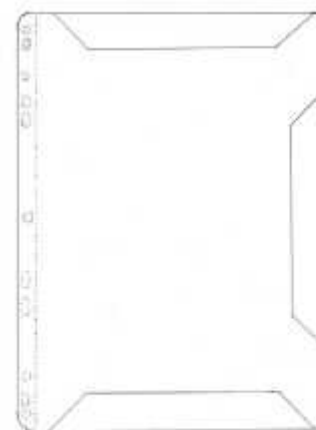
Jian Ge
10 Stringybark Cl Westleigh NSW 2120 Australia

(72) Name(s) of Designer(s): **Jeanie Kwa and Jian Ge**

(45) Registration Date: **07 February 2014**

(56) Related Art Documents: **Not Applicable**

(57) Statement of Newness and Distinctiveness: **Newness and distinctiveness resides in the shape and configuration of the sheet holder depicted in the representations. The features depicted by broken lines are for illustrative purposes only and form no part of the claimed design.**



- (21) Design Number: **16684/2013**
(22) Date of Filing Application: **19 December 2013**
(24) Date from which industrial property rights may have effect: **19 December 2013**
(54) Product in respect of which the design is registered: **Car; toy-car**
(51) International Design Classification: **12-08, 21-01C**
(74) Name(s) of Attorney(s): **PHILLIPS ORMONDE FITZPATRICK**
(71) Name(s) and Address(s) of Applicant(s):

Ferrari S.p.A.
Via Emilia Est 1163 I-41100 Modena Italy

(72) Name(s) of Designer(s): **Flavio Manzoni**

(45) Registration Date: **07 February 2014**

(30) Convention priority data:

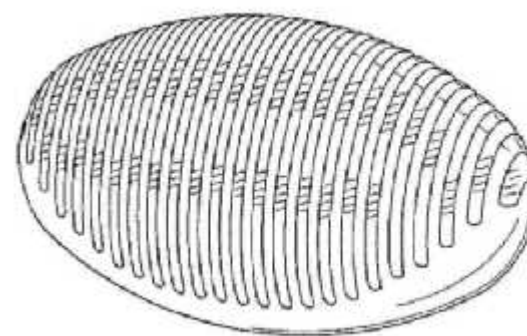
(31) Number	(32) Date	(33) Country
002293225	19 Aug 2013	OFFICE FOR HARMONISATION IN THE INTERNAL MARKET (OHIM)

(56) Related Art Documents: **Not Applicable**

(57) Statement of Newness and Distinctiveness: **Those features of the car and toy-car depicted in the representations that are new and distinctive are the shape and/or configuration. The wheels and tyres of the car and toy-car shown in broken lines are not part of the design and are to be disregarded when considering the overall impression of the design.**



(21) Design Number: **16129/2013**
(22) Date of Filing Application: **25 November 2013**
(24) Date from which industrial property rights may have effect: **25 November 2013**
(54) Product in respect of which the design is registered: **Root vegetable product**
(51) International Design Classification: **01-02**
(74) Name(s) of Attorney(s): **FB Rice**
(71) Name(s) and Address(s) of Applicant(s):
McCain Foods Limited
8800 Main Street Florenceville-Bristol New Brunswick, E7L 1B2 Canada
(72) Name(s) of Designer(s): **David M. Rodgers and John Aikens**
(45) Registration Date: **10 February 2014**
(30) Convention priority data:
(31) Number (32) Date (33) Country
29/456296 30 May 2013 UNITED STATES OF AMERICA
(56) Related Art Documents: **Not Applicable**
(57) Statement of Newness and Distinctiveness: **Newness and distinctiveness reside in the features of shape and configuration of the design as shown in the representations.**



(21) Design Number: **16470/2013**
(22) Date of Filing Application: **11 December 2013**
(24) Date from which industrial property rights may have effect: **11 December 2013**
(54) Product in respect of which the design is registered: **Hand-holdable vacuum cleaner**
(51) International Design Classification: **15-05**
(74) Name(s) of Attorney(s): **Davies Collison Cave**
(71) Name(s) and Address(s) of Applicant(s):
Black & Decker, Inc.
1207 Drummond Plaza Newark Delaware 19711 United States of America
(72) Name(s) of Designer(s): **David Milligan**
(45) Registration Date: **10 February 2014**
(30) Convention priority data:
(31) Number (32) Date (33) Country
001374052-0001 11 Jun 2013 OFFICE FOR HARMONISATION IN THE INTERNAL MARKET (OHIM)
(56) Related Art Documents: **Not Applicable**
(57) Statement of Newness and Distinctiveness: **Nil**



(21) Design Number: **16486/2013**

(22) Date of Filing Application: **12 December 2013**

(24) Date from which industrial property rights may have effect: **12 December 2013**

(54) Product in respect of which the design is registered: **Mobile phone case**

(51) International Design Classification: **03-01NES**

(74) Name(s) of Attorney(s): **Davies Collison Cave**

(71) Name(s) and Address(s) of Applicant(s):

Dastek Co., Ltd.

ilsung-building, 14 403 Pungdeokcheon-ro, 139 beon-gil Suji-gu, Yongin-si Gyeonggi-do Republic of Korea

(72) Name(s) of Designer(s): **Seo Jeung Ki**

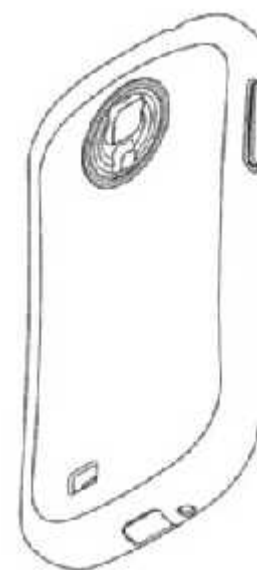
(45) Registration Date: **10 February 2014**

(30) Convention priority data:

(31) Number	(32) Date	(33) Country
30-2013-0030846	14 Jun 2013	REPUBLIC OF KOREA

(56) Related Art Documents: **Not Applicable**

(57) Statement of Newness and Distinctiveness: **Newness and distinctiveness is claimed in the visual features shown in solid lines in the representations.**



(21) Design Number: **16489/2013**

(22) Date of Filing Application: **12 December 2013**

(24) Date from which industrial property rights may have effect: **12 December 2013**

(54) Product in respect of which the design is registered: **Mobile phone case**

(51) International Design Classification: **03-01NES**

(74) Name(s) of Attorney(s): **Davies Collison Cave**

(71) Name(s) and Address(s) of Applicant(s):

Dastek Co., Ltd.

ilsung-building, 14 403 Pungdeokcheon-ro, 139 beon-gil Suji-gu, Yongin-si Gyeonggi-do Republic of Korea

(72) Name(s) of Designer(s): **Seo Jeung Ki**

(45) Registration Date: **10 February 2014**

(30) Convention priority data:

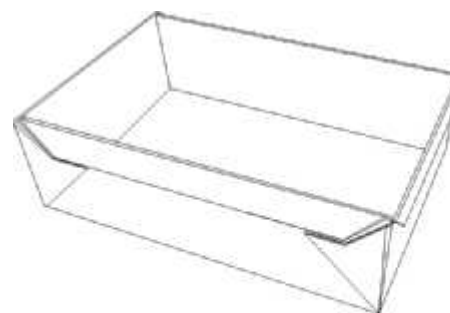
(31) Number	(32) Date	(33) Country
30-2013-0030845	14 Jun 2013	REPUBLIC OF KOREA

(56) Related Art Documents: **Not Applicable**

(57) Statement of Newness and Distinctiveness: **Newness and distinctiveness is claimed in the visual features shown in solid lines in the representations.**



- (21) Design Number: **16327/2013**
(22) Date of Filing Application: **03 December 2013**
(24) Date from which industrial property rights may have effect: **03 December 2013**
(54) Product in respect of which the design is registered: **Blank for forming a container**
(51) International Design Classification: **09-03M**
(74) Name(s) of Attorney(s): **Davies Collison Cave**
(71) Name(s) and Address(s) of Applicant(s):
Visy R & D Pty Ltd
L11 2 Southbank Bvd Southbank VIC 3006 Australia
(72) Name(s) of Designer(s): **Gary George Gravenall**
(45) Registration Date: **10 February 2014**
(56) Related Art Documents: **Not Applicable**
(57) Statement of Newness and Distinctiveness: **The features of shape and configuration of the blank shown in the accompanying representations are considered to be new and distinctive, wherein the lines within the boundary of the blank are lines of deformation that facilitate folding of the blank.**



- (21) Design Number: **16657/2013**
(22) Date of Filing Application: **19 December 2013**
(24) Date from which industrial property rights may have effect: **19 December 2013**
(54) Product in respect of which the design is registered: **Spout**
(51) International Design Classification: **23-01H**
(74) Name(s) of Attorney(s): **Wadeson**
(71) Name(s) and Address(s) of Applicant(s):
Oliver MacLatchy
146 Melville Rd Brunswick West VIC 3055 Australia
(72) Name(s) of Designer(s): **Oliver MacLatchy**
(45) Registration Date: **10 February 2014**
(56) Related Art Documents: **Not Applicable**
(57) Statement of Newness and Distinctiveness: **Newness and distinctiveness resides in the visual appearance of wood grain.**



- (21) Design Number: **16660/2013**
(22) Date of Filing Application: **19 December 2013**
(24) Date from which industrial property rights may have effect: **19 December 2013**
(54) Product in respect of which the design is registered: **Spout**
(51) International Design Classification: **23-01H**
(74) Name(s) of Attorney(s): **Wadeson**
(71) Name(s) and Address(s) of Applicant(s):
Oliver MacLatchy
146 Melville Rd Brunswick West VIC 3055 Australia
(72) Name(s) of Designer(s): **Oliver MacLatchy**
(45) Registration Date: **10 February 2014**
(56) Related Art Documents: **Not Applicable**
(57) Statement of Newness and Distinctiveness: **Newness and distinctiveness resides in the visual appearance of wood grain.**



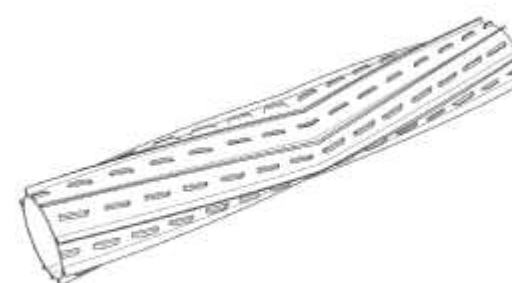
- (21) Design Number: **16694/2013**
(22) Date of Filing Application: **19 December 2013**
(24) Date from which industrial property rights may have effect: **19 December 2013**
(54) Product in respect of which the design is registered: **A bustier**
(51) International Design Classification: **02-02NES**
(74) Name(s) of Attorney(s):
(71) Name(s) and Address(s) of Applicant(s):
AUSTRALIAN FASHION LABELS PTY LTD
106 Currie St Adelaide SA 5000 Australia
(72) Name(s) of Designer(s): **Kate Anderson and Amy Hicks**
(45) Registration Date: **10 February 2014**
(56) Related Art Documents: **Not Applicable**
(57) Statement of Newness and Distinctiveness: **Newness and distinctiveness resides in the features of shape and configuration of a bustier as shown in the representations. No design rights are claimed in relation to the skirt as shown in the representations and the skirt is to be disregarded in determining the scope of the design.**



(21) Design Number: **16695/2013**
(22) Date of Filing Application: **19 December 2013**
(24) Date from which industrial property rights may have effect: **19 December 2013**
(54) Product in respect of which the design is registered: **A dress**
(51) International Design Classification: **02-02C**
(74) Name(s) of Attorney(s):
(71) Name(s) and Address(s) of Applicant(s):
AUSTRALIAN FASHION LABELS PTY LTD
106 Currie St Adelaide SA 5000 Australia
(72) Name(s) of Designer(s): **Kate Anderson and Amy Hicks**
(45) Registration Date: **10 February 2014**
(56) Related Art Documents: **Not Applicable**
(57) Statement of Newness and Distinctiveness: **Newness and distinctiveness resides in the features of shape and configuration of a dress as shown in the accompanying representations.**



(21) Design Number: **16718/2013**
(22) Date of Filing Application: **20 December 2013**
(24) Date from which industrial property rights may have effect: **20 December 2013**
(54) Product in respect of which the design is registered: **Vacuum roller**
(51) International Design Classification: **15-05**
(74) Name(s) of Attorney(s): **Fisher Adams Kelly Pty Ltd**
(71) Name(s) and Address(s) of Applicant(s):
iRobot Corporation
8 Crosby Drive Bedford MA 01730-1402 United States of America
(72) Name(s) of Designer(s): **Richard Joseph Therrien**
(45) Registration Date: **10 February 2014**
(30) Convention priority data:
(31) Number (32) Date (33) Country
29/470225 18 Oct 2013 UNITED STATES OF AMERICA
(56) Related Art Documents: **Not Applicable**
(57) Statement of Newness and Distinctiveness: **The newness and distinctiveness of the design resides in the shape and/or configuration of the VACUUM ROLLER shown in the representations.**



- (21) Design Number: **16585/2013**
(22) Date of Filing Application: **16 December 2013**
(24) Date from which industrial property rights may have effect: **16 December 2013**
(54) Product in respect of which the design is registered: **Portable automatic water leveller**
(51) International Design Classification: **23-01F**
(74) Name(s) of Attorney(s):
(71) Name(s) and Address(s) of Applicant(s):
Colin Dennett
44 Burnett Drive Clarkson WA 6030
(72) Name(s) of Designer(s): **Colin Dennett**
(45) Registration Date: **10 February 2014**
(56) Related Art Documents: **Not Applicable**
(57) Statement of Newness and Distinctiveness: **My "Portable" Automatic Water Leveller (Filler) is a portable solution for people who need a means of automatic water levelling as in Agriculture eg Farmers needing to fill water tanks or filling cattle water troughs or in the domestic market topping up swimming pools, spas & ponds and is designed to be "Plug n Play". My leveller is made from tough PVC & weighted in the bottom for downwards buoyancy Its simply submerged in water at the desired height and when the water level reaches the black line around the unit it stops! (and starts again if the level drops). As I can't know how or where the unit will be used its simply suspended by means of rope, straps or chains via carabiner hooks? 225mm x 115mm 1.4kg.**



- (21) Design Number: **16612/2013**
(22) Date of Filing Application: **17 December 2013**
(24) Date from which industrial property rights may have effect: **29 October 2013**
(54) Product in respect of which the design is registered: **Chair and work surface**
(51) International Design Classification: **06-01F**
(74) Name(s) of Attorney(s): **Davies Collison Cave**
(71) Name(s) and Address(s) of Applicant(s):
Haworth, Inc
One Haworth Center 1400 Highway M-40 Holland Michigan 49423 United States of America
(72) Name(s) of Designer(s): **Nicolai Czumaj-Bront**
(45) Registration Date: **10 February 2014**
(62) Divisional of: **353320**
(56) Related Art Documents: **Not Applicable**
(57) Statement of Newness and Distinctiveness: **Newness and distinctiveness is claimed in the visual features shown in solid lines in the representations. The portions shown in phantom lines are shown for environmental purposes only and form no part of the claimed design.**



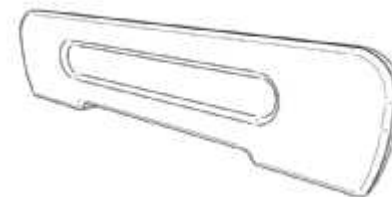
(21) Design Number: **16692/2013**
(22) Date of Filing Application: **19 December 2013**
(24) Date from which industrial property rights may have effect: **19 December 2013**
(54) Product in respect of which the design is registered: **Stout glass**
(51) International Design Classification: **07-01C**
(74) Name(s) of Attorney(s): **WATERMARK PATENT AND TRADE MARKS ATTORNEYS**
(71) Name(s) and Address(s) of Applicant(s):
Nachtmann GmbH
Zacharias-Frank-Strasse 7 Neustadt a. d. Waldnaab 92660 Germany
(72) Name(s) of Designer(s): **George Riedel**
(45) Registration Date: **11 February 2014**
(30) Convention priority data:
(31) Number (32) Date (33) Country
2367334 11 Dec 2013 OFFICE FOR HARMONISATION IN THE INTERNAL MARKET (OHIM)
(56) Related Art Documents: **Not Applicable**
(57) Statement of Newness and Distinctiveness: **Nil**



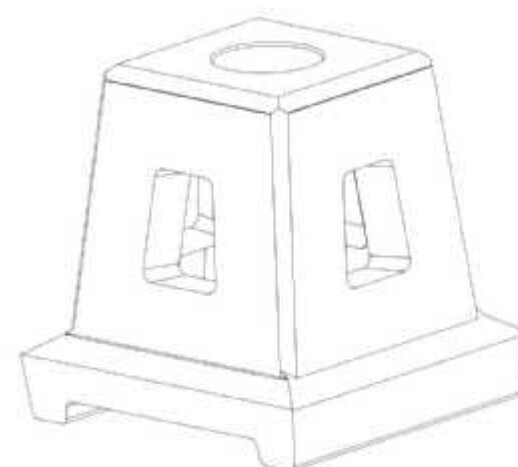
(21) Design Number: **16698/2013**
(22) Date of Filing Application: **19 December 2013**
(24) Date from which industrial property rights may have effect: **19 December 2013**
(54) Product in respect of which the design is registered: **Tyres**
(51) International Design Classification: **12-15B**
(74) Name(s) of Attorney(s):
(71) Name(s) and Address(s) of Applicant(s):
WCSA PTY LTD
PO BOX 79 Banksia NSW 2216 Australia
(72) Name(s) of Designer(s): **Sam Taleb**
(45) Registration Date: **11 February 2014**
(56) Related Art Documents: **Not Applicable**
(57) Statement of Newness and Distinctiveness: **New design not available in Australia specifically designed for our instruction and requirements.**



- (21) Design Number: **16699/2013**
(22) Date of Filing Application: **19 December 2013**
(24) Date from which industrial property rights may have effect: **19 December 2013**
(54) Product in respect of which the design is registered: **Furniture safety cap**
(51) International Design Classification: **06-06C, 06-06NES**
(74) Name(s) of Attorney(s): **Cotters Patent & Trade Mark Attorneys**
(71) Name(s) and Address(s) of Applicant(s):
Felton International Group Pty Ltd
92 Parkes Rd Condobolin NSW 2877 Australia
(72) Name(s) of Designer(s): **Peter J Wiggins**
(45) Registration Date: **11 February 2014**
(56) Related Art Documents: **Not Applicable**
(57) Statement of Newness and Distinctiveness: **Newness and distinctiveness is claimed in the features of shape and/or configuration of a furniture safety cap as depicted in the accompanying drawings.**



- (21) Design Number: **16720/2013**
(22) Date of Filing Application: **20 December 2013**
(24) Date from which industrial property rights may have effect: **20 December 2013**
(54) Product in respect of which the design is registered: **Concrete artificial fish habitat/breakwater module**
(51) International Design Classification: **30-02, 25-03**
(74) Name(s) of Attorney(s):
(71) Name(s) and Address(s) of Applicant(s):
Savannah Global Pty Ltd
PO BOX 244 Noosa Heads QLD 4567 Australia
(72) Name(s) of Designer(s): **David Winton Heckendorf**
(45) Registration Date: **11 February 2014**
(56) Related Art Documents: **Not Applicable**
(57) Statement of Newness and Distinctiveness: **This design has not been used before based on extensive internet searches. The concept of a dual purpose module to be a breakwater component and/or also act as an artificial fish habitat appears to be unique. The concrete module has base rails built in so that it can be easily picked up by a forklift. The pallet sized modules will weigh approximately 1.2 tonnes to 1.5 tonnes depending on the size of the interior void and the size and number of the openings in the side walls. A further option is that with no openings in the side walls, the module could be filled with soil for the establishment of mangrove seedlings where wave action would normally prevent that occurring.**



(21) Design Number: **16722/2013**
(22) Date of Filing Application: **20 December 2013**
(24) Date from which industrial property rights may have effect: **20 December 2013**
(54) Product in respect of which the design is registered: **Vacuum roller**
(51) International Design Classification: **15-05**
(74) Name(s) of Attorney(s): **Fisher Adams Kelly Pty Ltd**
(71) Name(s) and Address(s) of Applicant(s):



iRobot Corporation
8 Crosby Drive Bedford MA 01730-1402 United States of America

(72) Name(s) of Designer(s): **Richard Joseph Therrien**

(45) Registration Date: **11 February 2014**

(30) Convention priority data:

(31) Number	(32) Date	(33) Country
29/470225	18 Oct 2013	UNITED STATES OF AMERICA

(56) Related Art Documents: **Not Applicable**

(57) Statement of Newness and Distinctiveness: **The newness and distinctiveness of the design resides in the shape and/or configuration of the VACUUM ROLLER shown in the representations. The broken lines showing of features of the vacuum roller are for environmental purposes only and form no part of the claimed design.**

(21) Design Number: **16725/2013**
(22) Date of Filing Application: **20 December 2013**
(24) Date from which industrial property rights may have effect: **20 December 2013**
(54) Product in respect of which the design is registered: **Vacuum roller**
(51) International Design Classification: **15-05**
(74) Name(s) of Attorney(s): **Fisher Adams Kelly Pty Ltd**
(71) Name(s) and Address(s) of Applicant(s):



iRobot Corporation
8 Crosby Drive Bedford MA 01730-1402 United States of America

(72) Name(s) of Designer(s): **Richard Joseph Therrien**

(45) Registration Date: **11 February 2014**

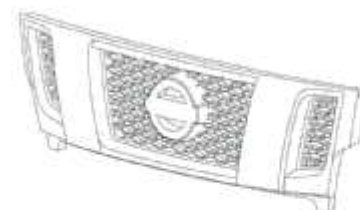
(30) Convention priority data:

(31) Number	(32) Date	(33) Country
29/470255	18 Oct 2013	UNITED STATES OF AMERICA

(56) Related Art Documents: **Not Applicable**

(57) Statement of Newness and Distinctiveness: **The newness and distinctiveness of the design resides in the shape and/or configuration of the VACUUM ROLLER shown in the representations. The broken lines showing of features of the vacuum roller are for environmental purposes only and form no part of the claimed design.**

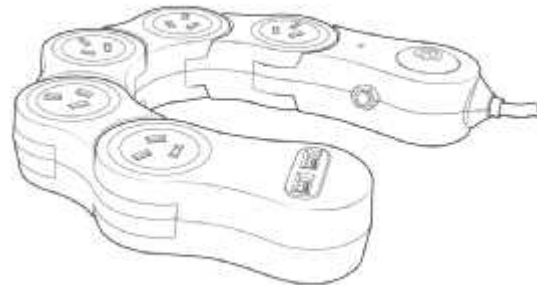
- (21) Design Number: **16728/2013**
(22) Date of Filing Application: **20 December 2013**
(24) Date from which industrial property rights may have effect: **20 December 2013**
(54) Product in respect of which the design is registered: **Radiator grill for automobile**
(51) International Design Classification: **12-16B**
(74) Name(s) of Attorney(s): **Griffith Hack**
(71) Name(s) and Address(s) of Applicant(s):
Nissan Jidosha Kabushiki Kaisha
No. 2 Takaracho Kanagawa-ku Yokohama-shi Kanagawa-Ken 221-0023
Japan
(72) Name(s) of Designer(s): **Kazuhiko Watanabe**
(45) Registration Date: **11 February 2014**
(30) Convention priority data:
(31) Number (32) Date (33) Country
2013-014494 26 Jun 2013 JAPAN
(56) Related Art Documents: **Not Applicable**
(57) Statement of Newness and Distinctiveness: **Newness and distinctiveness resides in the shape and configuration of a RADIATOR GRILL FOR AUTOMOBILE as shown in the representations.**



- (21) Design Number: **16731/2013**
(22) Date of Filing Application: **20 December 2013**
(24) Date from which industrial property rights may have effect: **20 December 2013**
(54) Product in respect of which the design is registered: **A powerboard**
(51) International Design Classification: **13-03D**
(74) Name(s) of Attorney(s): **Meskin IP**
(71) Name(s) and Address(s) of Applicant(s):
Yale Prima Pty Ltd
UB&C/25-55 Rothschild Ave Rosebery NSW 2018 Australia
(72) Name(s) of Designer(s): **Leonard Kirsch**
(45) Registration Date: **11 February 2014**
(56) Related Art Documents: **Not Applicable**
(57) Statement of Newness and Distinctiveness: **Newness and distinctiveness is claimed in the shape and/or configuration of a powerboard as illustrated in the accompanying representations.**



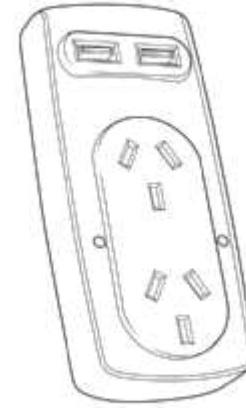
- (21) Design Number: **16733/2013**
(22) Date of Filing Application: **20 December 2013**
(24) Date from which industrial property rights may have effect: **20 December 2013**
(54) Product in respect of which the design is registered: **A flexible powerboard**
(51) International Design Classification: **13-03D**
(74) Name(s) of Attorney(s): **Meskin IP**
(71) Name(s) and Address(s) of Applicant(s):
Yale Prima Pty Ltd
UB&C/25-55 Rothschild Ave Rosebery NSW 2018 Australia
(72) Name(s) of Designer(s): **Leonard Kirsch**
(45) Registration Date: **11 February 2014**
(56) Related Art Documents: **Not Applicable**
(57) Statement of Newness and Distinctiveness: **Newness and distinctiveness is claimed in the shape and/or configuration of a powerboard as illustrated in the accompanying representations.**



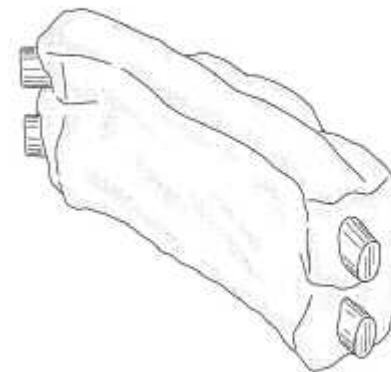
- (21) Design Number: **16734/2013**
(22) Date of Filing Application: **20 December 2013**
(24) Date from which industrial property rights may have effect: **20 December 2013**
(54) Product in respect of which the design is registered: **A powerboard**
(51) International Design Classification: **13-03D**
(74) Name(s) of Attorney(s): **Meskin IP**
(71) Name(s) and Address(s) of Applicant(s):
Yale Prima Pty Ltd
UB&C/25-55 Rothschild Ave Rosebery NSW 2018 Australia
(72) Name(s) of Designer(s): **Leonard Kirsch**
(45) Registration Date: **11 February 2014**
(56) Related Art Documents: **Not Applicable**
(57) Statement of Newness and Distinctiveness: **Newness and distinctiveness is claimed in the shape and/or configuration of a powerboard as illustrated in the accompanying representations.**



- (21) Design Number: **16735/2013**
(22) Date of Filing Application: **20 December 2013**
(24) Date from which industrial property rights may have effect: **20 December 2013**
(54) Product in respect of which the design is registered: **A powerboard**
(51) International Design Classification: **13-03D**
(74) Name(s) of Attorney(s): **Meskin IP**
(71) Name(s) and Address(s) of Applicant(s):
Yale Prima Pty Ltd
UB&C/25-55 Rothschild Ave Rosebery NSW 2018 Australia
(72) Name(s) of Designer(s): **Leonard Kirsch**
(45) Registration Date: **11 February 2014**
(56) Related Art Documents: **Not Applicable**
(57) Statement of Newness and Distinctiveness: **Newness and distinctiveness is claimed in the shape and/or configuration of a powerboard as illustrated in the accompanying representations.**



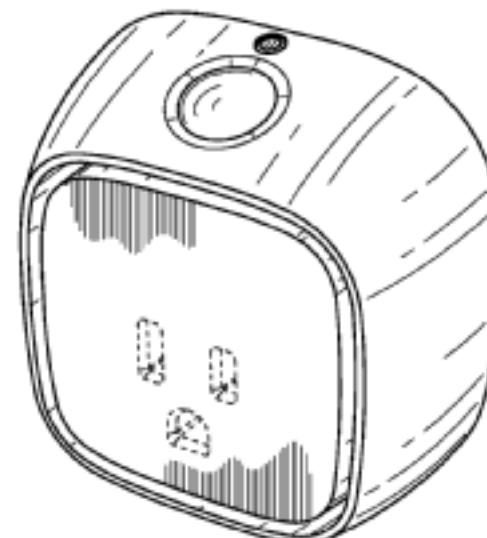
- (21) Design Number: **16736/2013**
(22) Date of Filing Application: **20 December 2013**
(24) Date from which industrial property rights may have effect: **20 December 2013**
(54) Product in respect of which the design is registered: **Child's two rib teething toy**
(51) International Design Classification: **21-01NES**
(74) Name(s) of Attorney(s): **Griffith Hack**
(71) Name(s) and Address(s) of Applicant(s):
Michael K Bredemeier
1968 Bayshore Boulevard Dunedin FL, 34698 United States of America
Lori A Bredemeier
1968 Bayshore Boulevard Dunedin FL, 34698 United States of America
(72) Name(s) of Designer(s): **Michael K Bredemeier and Lori A Bredemeier**
(45) Registration Date: **11 February 2014**
(30) Convention priority data:
(31) Number (32) Date (33) Country
29/458,826 24 Jun 2013 UNITED STATES OF AMERICA
(56) Related Art Documents: **Not Applicable**
(57) Statement of Newness and Distinctiveness: **Nil**



(21) Design Number: **16737/2013**
(22) Date of Filing Application: **20 December 2013**
(24) Date from which industrial property rights may have effect: **20 December 2013**
(54) Product in respect of which the design is registered: **Child's ice cream bar teething toy**
(51) International Design Classification: **21-01NES**
(74) Name(s) of Attorney(s): **Griffith Hack**
(71) Name(s) and Address(s) of Applicant(s):
Michael K Bredemeier
1968 Bayshore Boulevard Dunedin FL, 34698 United States of America
Lori A Bredemeier
1968 Bayshore Boulevard Dunedin FL, 34698 United States of America
(72) Name(s) of Designer(s): **Michael K Bredemeier and Lori A Bredemeier**
(45) Registration Date: **11 February 2014**
(30) Convention priority data:
(31) Number (32) Date (33) Country
29/458,864 24 Jun 2013 UNITED STATES OF AMERICA
(56) Related Art Documents: **Not Applicable**
(57) Statement of Newness and Distinctiveness: **Nil**



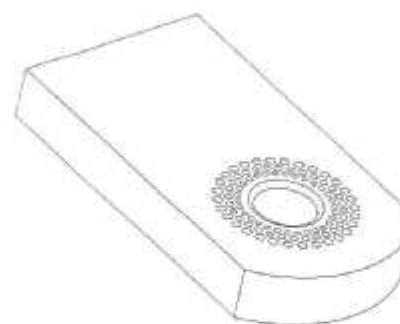
(21) Design Number: **16739/2013**
(22) Date of Filing Application: **20 December 2013**
(24) Date from which industrial property rights may have effect: **20 December 2013**
(54) Product in respect of which the design is registered: **Electronic device**
(51) International Design Classification: **14-03NES**
(74) Name(s) of Attorney(s): **SPRUSON & FERGUSON**
(71) Name(s) and Address(s) of Applicant(s):
Belkin International, Inc.
12045 East Waterfront Drive Playa Vista California 90094 United States of America
(72) Name(s) of Designer(s): **Thorben Neu and Joshua Seal and Ernesto Victor Quinteros and David A Kleeman and Vincent Razo**
(45) Registration Date: **11 February 2014**
(30) Convention priority data:
(31) Number (32) Date (33) Country
29/462178 31 Jul 2013 UNITED STATES OF AMERICA
(56) Related Art Documents: **Not Applicable**
(57) Statement of Newness and Distinctiveness: **Newness and distinctiveness is claimed in the features of shape and/or configuration of an electronic device as illustrated in continuous lines in the accompanying representations.**



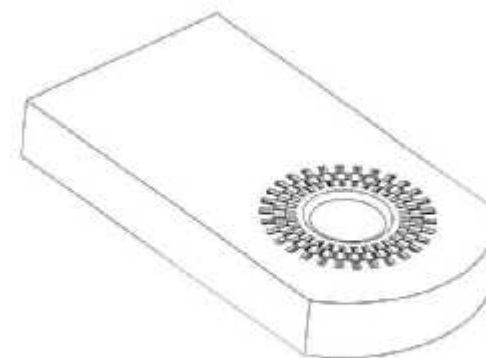
(21) Design Number: **16740/2013**
(22) Date of Filing Application: **20 December 2013**
(24) Date from which industrial property rights may have effect: **20 December 2013**
(54) Product in respect of which the design is registered: **Grill for an automobile**
(51) International Design Classification: **12-16B**
(74) Name(s) of Attorney(s): **SPRUSON & FERGUSON**
(71) Name(s) and Address(s) of Applicant(s):
Honda Motor Co., Ltd.
1-1, Minami-Aoyama 2-chome, Minato-ku Tokyo 107-8556 Japan
(72) Name(s) of Designer(s): **Chiaki Kato**
(45) Registration Date: **11 February 2014**
(30) Convention priority data:
(31) Number (32) Date (33) Country
2013-014752 28 Jun 2013 JAPAN
(56) Related Art Documents: **Not Applicable**
(57) Statement of Newness and Distinctiveness: **Newness and distinctiveness is claimed in the features of shape and/or configuration of a grill for an automobile as illustrated in the accompanying representations.**



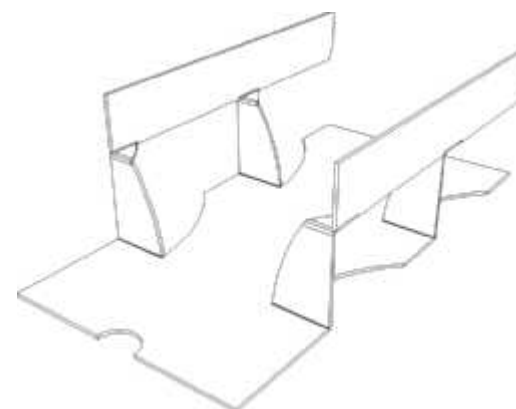
(21) Design Number: **16741/2013**
(22) Date of Filing Application: **20 December 2013**
(24) Date from which industrial property rights may have effect: **20 December 2013**
(54) Product in respect of which the design is registered: **A ball mount**
(51) International Design Classification: **12-16L**
(74) Name(s) of Attorney(s): **Murray Trento & Associates**
(71) Name(s) and Address(s) of Applicant(s):
Towline Automotive Pty Ltd
16 Gaine Rd Dandenong South VIC 3175 Australia
(72) Name(s) of Designer(s): **Alessandro Bernardo and Karl Papp**
(45) Registration Date: **11 February 2014**
(56) Related Art Documents: **Not Applicable**
(57) Statement of Newness and Distinctiveness: **Nil**



- (21) Design Number: **16744/2013**
(22) Date of Filing Application: **20 December 2013**
(24) Date from which industrial property rights may have effect: **20 December 2013**
(54) Product in respect of which the design is registered: **A ball mount**
(51) International Design Classification: **12-16L**
(74) Name(s) of Attorney(s): **Murray Trento & Associates**
(71) Name(s) and Address(s) of Applicant(s):
Towline Automotive Pty Ltd
16 Gaine Rd Dandenong South VIC 3175 Australia
(72) Name(s) of Designer(s): **Alessandro Bernardo and Karl Papp**
(45) Registration Date: **11 February 2014**
(56) Related Art Documents: **Not Applicable**
(57) Statement of Newness and Distinctiveness: **Nil**



- (21) Design Number: **12686/2013**
(22) Date of Filing Application: **11 June 2013**
(24) Date from which industrial property rights may have effect: **11 June 2013**
(54) Product in respect of which the design is registered: **Blank for forming support apparatus therefrom**
(51) International Design Classification: **09-08**
(74) Name(s) of Attorney(s): **Davies Collison Cave**
(71) Name(s) and Address(s) of Applicant(s):
Visy R & D Pty Ltd
L11 2 Southbank Bvd Southbank VIC 3006 Australia
(72) Name(s) of Designer(s): **Clint Paul Moka**
(45) Registration Date: **11 February 2014**
(56) Related Art Documents: **Not Applicable**
(57) Statement of Newness and Distinctiveness: **The features of shape and configuration of the blank shown in the accompanying representations are considered to be new and distinctive. Broken lines are indicative of lines of deformation along which the blank can be folded.**



- (21) Design Number: **13897/2013**
(22) Date of Filing Application: **12 August 2013**
(24) Date from which industrial property rights may have effect: **12 August 2013**
(54) Product in respect of which the design is registered: **Beverage dispenser**
(51) International Design Classification: **31-00**
(74) Name(s) of Attorney(s): **Madderns**
(71) Name(s) and Address(s) of Applicant(s):
Coopers Brewery Limited
461 South Rd Regency Park SA 5010 Australia
(72) Name(s) of Designer(s): **Brian Johns and Scott Harris**
(45) Registration Date: **11 February 2014**
(56) Related Art Documents: **Not Applicable**
(57) Statement of Newness and Distinctiveness: **Newness and distinctiveness is claimed in the features of shape and/or configuration of a BEVERAGE DISPENSER as shown in the accompanying drawings. When considering the scope of protection, no regard is to be had to the features depicted in dotted lines.**



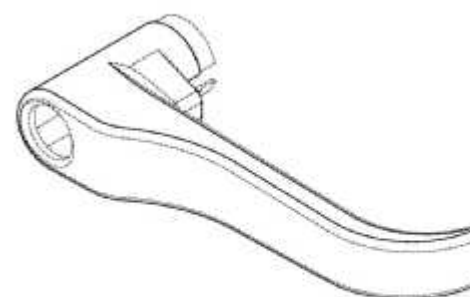
- (21) Design Number: **13898/2013**
(22) Date of Filing Application: **12 August 2013**
(24) Date from which industrial property rights may have effect: **12 August 2013**
(54) Product in respect of which the design is registered: **Fermenter**
(51) International Design Classification: **31-00**
(74) Name(s) of Attorney(s): **Madderns**
(71) Name(s) and Address(s) of Applicant(s):
Coopers Brewery Limited
461 South Rd Regency Park SA 5010 Australia
(72) Name(s) of Designer(s): **Brian Johns and Scott Harris**
(45) Registration Date: **11 February 2014**
(56) Related Art Documents: **Not Applicable**
(57) Statement of Newness and Distinctiveness: **Newness and distinctiveness is claimed in the features of shape and/or configuration of a BEVERAGE DISPENSER as shown in the accompanying drawings. When considering the scope of protection, no regard is to be had to the features depicted in dotted lines.**



(21) Design Number: **16793/2013**
(22) Date of Filing Application: **24 December 2013**
(24) Date from which industrial property rights may have effect: **24 December 2013**
(54) Product in respect of which the design is registered: **Incubator lid**
(51) International Design Classification: **24-01**
(74) Name(s) of Attorney(s):
(71) Name(s) and Address(s) of Applicant(s):
Shane Nicholson
4 Morwick St Casino NSW 2470 Australia
(72) Name(s) of Designer(s): **Shane Nicholson**
(45) Registration Date: **11 February 2014**
(56) Related Art Documents: **Not Applicable**
(57) Statement of Newness and Distinctiveness: **Newness and distinctiveness resides in the visual features of shape and/or configuration of a incubator lid as illustrated in the accompanying representations.**



(21) Design Number: **10115/2014**
(22) Date of Filing Application: **13 January 2014**
(24) Date from which industrial property rights may have effect: **13 January 2014**
(54) Product in respect of which the design is registered: **Handle**
(51) International Design Classification: **08-06**
(74) Name(s) of Attorney(s): **A.P.T. Patent and Trade Mark Attorneys**
(71) Name(s) and Address(s) of Applicant(s):
Taiwan Fu Hsing Industrial Co., Ltd.
No. 88 Yucai Rd Gangshan District Kaohsiung City Taiwan, Province of China
(72) Name(s) of Designer(s): **Tsung-Yu Lee**
(45) Registration Date: **11 February 2014**
(30) Convention priority data:
(31) Number (32) Date (33) Country
102308027 11 Dec 2013 TAIWAN
(56) Related Art Documents: **Not Applicable**
(57) Statement of Newness and Distinctiveness: **Nil**



(21) Design Number: **16031/2013**
(22) Date of Filing Application: **18 November 2013**
(24) Date from which industrial property rights may have effect: **18 November 2013**
(54) Product in respect of which the design is registered: **Vacuum cleaner**
(51) International Design Classification: **15-05**
(74) Name(s) of Attorney(s): **Halfords IP**
(71) Name(s) and Address(s) of Applicant(s):

Aktiebolaget Electrolux
S:t Goransgatan 143 SE-105 45 Stockholm Sweden

(72) Name(s) of Designer(s): **Anna-Karin Gray**

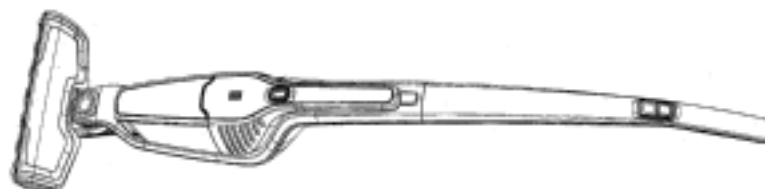
(45) Registration Date: **11 February 2014**

(30) Convention priority data:

(31) Number	(32) Date	(33) Country
002240200	20 May 2013	OFFICE FOR HARMONISATION IN THE INTERNAL MARKET (OHIM)

(56) Related Art Documents: **Not Applicable**

(57) Statement of Newness and Distinctiveness: **Newness and distinctiveness resides in the shape and or configuration of a vacuum cleaner as depicted in the accompanying representations.**



(21) Design Number: **16032/2013**
(22) Date of Filing Application: **18 November 2013**
(24) Date from which industrial property rights may have effect: **18 November 2013**
(54) Product in respect of which the design is registered: **Vacuum cleaner**
(51) International Design Classification: **15-05**
(74) Name(s) of Attorney(s): **Halfords IP**
(71) Name(s) and Address(s) of Applicant(s):

Aktiebolaget Electrolux
S:t Goransgatan 143 SE-105 45 Stockholm Sweden

(72) Name(s) of Designer(s): **Anna-Karin Gray**

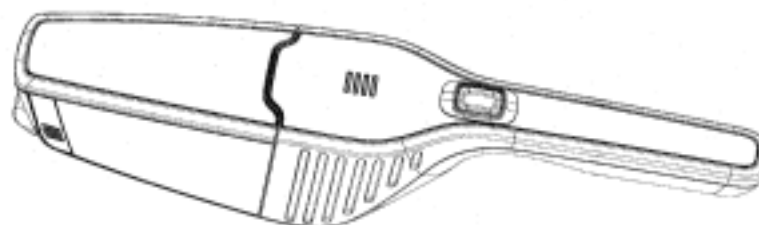
(45) Registration Date: **11 February 2014**

(30) Convention priority data:

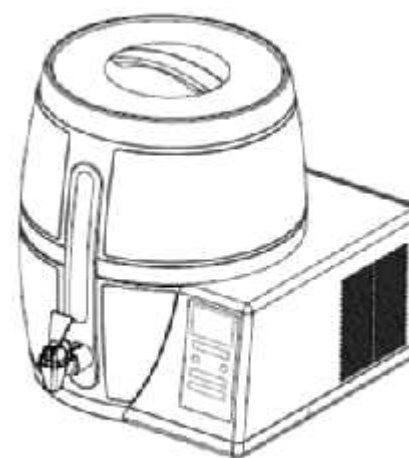
(31) Number	(32) Date	(33) Country
002240168	20 May 2013	OFFICE FOR HARMONISATION IN THE INTERNAL MARKET (OHIM)

(56) Related Art Documents: **Not Applicable**

(57) Statement of Newness and Distinctiveness: **Newness and distinctiveness resides in the shape and or configuration of a vacuum cleaner as depicted in the accompanying representations.**



- (21) Design Number: **13899/2013**
(22) Date of Filing Application: **12 August 2013**
(24) Date from which industrial property rights may have effect: **12 August 2013**
(54) Product in respect of which the design is registered: **Fermenter**
(51) International Design Classification: **31-00**
(74) Name(s) of Attorney(s): **Madderns**
(71) Name(s) and Address(s) of Applicant(s):
Coopers Brewery Limited
461 South Rd Regency Park SA 5010 Australia
(72) Name(s) of Designer(s): **Brian Johns and Scott Harris**
(45) Registration Date: **11 February 2014**
(56) Related Art Documents: **Not Applicable**
(57) Statement of Newness and Distinctiveness: **Newness and distinctiveness is claimed in the features of shape and/or configuration of a FERMENTER as shown in the accompanying drawings. When considering the scope of protection, no regard is to be had to the features depicted in dotted lines.**



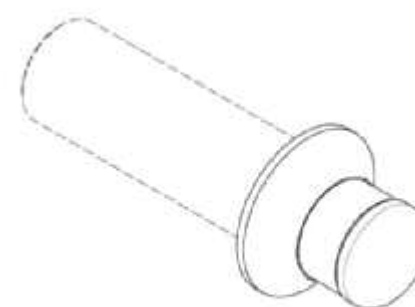
- (21) Design Number: **16693/2013**
(22) Date of Filing Application: **19 December 2013**
(24) Date from which industrial property rights may have effect: **19 December 2013**
(54) Product in respect of which the design is registered: **A dress**
(51) International Design Classification: **02-02C**
(74) Name(s) of Attorney(s):
(71) Name(s) and Address(s) of Applicant(s):
AUSTRALIAN FASHION LABELS PTY LTD
106 Currie St Adelaide SA 5000 Australia
(72) Name(s) of Designer(s): **Carmen Dugan and Joanne Altham**
(45) Registration Date: **11 February 2014**
(56) Related Art Documents: **Not Applicable**
(57) Statement of Newness and Distinctiveness: **Newness and distinctiveness resides in the features of shape and configuration of a dress as shown in the accompanying representations.**



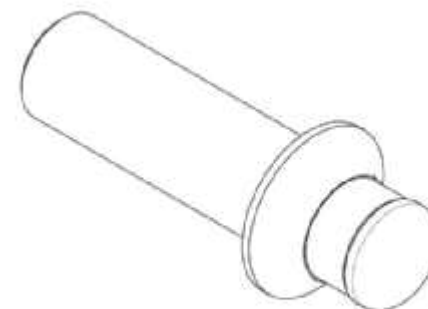
- (21) Design Number: **16696/2013**
(22) Date of Filing Application: **19 December 2013**
(24) Date from which industrial property rights may have effect: **19 December 2013**
(54) Product in respect of which the design is registered: **Shorts**
(51) International Design Classification: **02-02C**
(74) Name(s) of Attorney(s):
(71) Name(s) and Address(s) of Applicant(s):
AUSTRALIAN FASHION LABELS PTY LTD
106 Currie St Adelaide SA 5000 Australia
(72) Name(s) of Designer(s): **Kate Anderson and Amy Hicks**
(45) Registration Date: **11 February 2014**
(56) Related Art Documents: **Not Applicable**
(57) Statement of Newness and Distinctiveness: **Newness and distinctiveness resides in the features of shape, configuration, pattern and ornamentation of shorts as shown in the accompanying representations.**



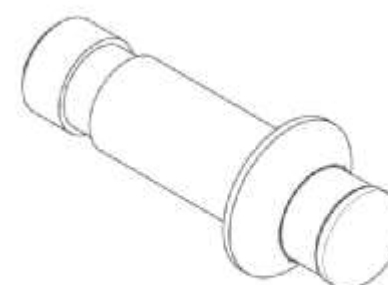
- (21) Design Number: **16700/2013**
(22) Date of Filing Application: **20 December 2013**
(24) Date from which industrial property rights may have effect: **20 December 2013**
(54) Product in respect of which the design is registered: **Adaptor for an inverted pick system**
(51) International Design Classification: **15-99**
(74) Name(s) of Attorney(s): **Griffith Hack**
(71) Name(s) and Address(s) of Applicant(s):
Sandvik Intellectual Property AB
SE-811 81 Sandviken Sweden
(72) Name(s) of Designer(s): **Joseph Fader and Hannes Voitc**
(45) Registration Date: **11 February 2014**
(30) Convention priority data:
(31) Number (32) Date (33) Country
002271155-0001 09 Jul 2013 OFFICE FOR HARMONISATION IN THE INTERNAL MARKET (OHIM)
(56) Related Art Documents: **Not Applicable**
(57) Statement of Newness and Distinctiveness: **Newness and distinctiveness resides in the visual features, including shape and configuration, of an Adaptor for an Inverted Pick System as shown by solid lines in the accompanying representations. Those features shown by means of dashed lines have been included for illustrative purposes only and do not form part of the design.**



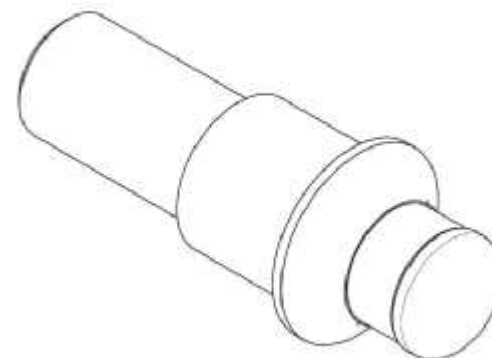
(21) Design Number: **16701/2013**
(22) Date of Filing Application: **20 December 2013**
(24) Date from which industrial property rights may have effect: **20 December 2013**
(54) Product in respect of which the design is registered: **Adaptor for an inverted pick system**
(51) International Design Classification: **15-99**
(74) Name(s) of Attorney(s): **Griffith Hack**
(71) Name(s) and Address(s) of Applicant(s):
Sandvik Intellectual Property AB
SE-811 81 Sandviken Sweden
(72) Name(s) of Designer(s): **Joseph Fader and Hannes Voitc**
(45) Registration Date: **11 February 2014**
(30) Convention priority data:
(31) Number (32) Date (33) Country
002271155-0002 09 Jul 2013 OFFICE FOR HARMONISATION IN
THE INTERNAL MARKET (OHIM)
(56) Related Art Documents: **Not Applicable**
(57) Statement of Newness and Distinctiveness: **Nil**



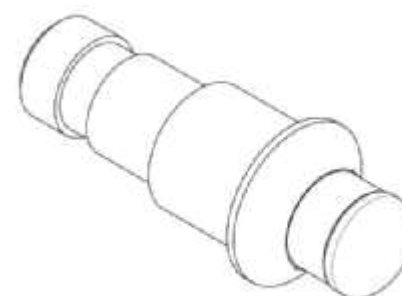
(21) Design Number: **16702/2013**
(22) Date of Filing Application: **20 December 2013**
(24) Date from which industrial property rights may have effect: **20 December 2013**
(54) Product in respect of which the design is registered: **Adaptor for an inverted pick system**
(51) International Design Classification: **15-99**
(74) Name(s) of Attorney(s): **Griffith Hack**
(71) Name(s) and Address(s) of Applicant(s):
Sandvik Intellectual Property AB
SE-811 81 Sandviken Sweden
(72) Name(s) of Designer(s): **Joseph Fader and Hannes Voitc**
(45) Registration Date: **11 February 2014**
(30) Convention priority data:
(31) Number (32) Date (33) Country
002271155-0003 09 Jul 2013 OFFICE FOR HARMONISATION IN
THE INTERNAL MARKET (OHIM)
(56) Related Art Documents: **Not Applicable**
(57) Statement of Newness and Distinctiveness: **Nil**



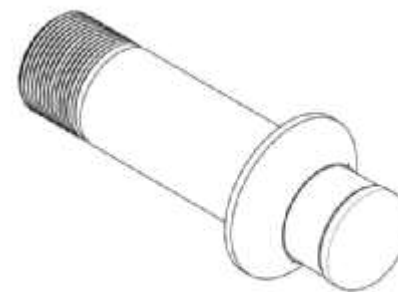
(21) Design Number: **16703/2013**
(22) Date of Filing Application: **20 December 2013**
(24) Date from which industrial property rights may have effect: **20 December 2013**
(54) Product in respect of which the design is registered: **Adaptor for an inverted pick system**
(51) International Design Classification: **15-99**
(74) Name(s) of Attorney(s): **Griffith Hack**
(71) Name(s) and Address(s) of Applicant(s):
Sandvik Intellectual Property AB
SE-811 81 Sandviken Sweden
(72) Name(s) of Designer(s): **Joseph Fader and Hannes Voitc**
(45) Registration Date: **11 February 2014**
(30) Convention priority data:
(31) Number (32) Date (33) Country
002271155-0004 09 Jul 2013 OFFICE FOR HARMONISATION IN
THE INTERNAL MARKET (OHIM)
(56) Related Art Documents: **Not Applicable**
(57) Statement of Newness and Distinctiveness: **Nil**



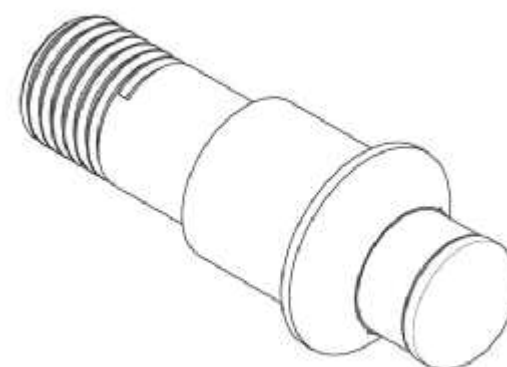
(21) Design Number: **16704/2013**
(22) Date of Filing Application: **20 December 2013**
(24) Date from which industrial property rights may have effect: **20 December 2013**
(54) Product in respect of which the design is registered: **Adaptor for an inverted pick system**
(51) International Design Classification: **15-99**
(74) Name(s) of Attorney(s): **Griffith Hack**
(71) Name(s) and Address(s) of Applicant(s):
Sandvik Intellectual Property AB
SE-811 81 Sandviken Sweden
(72) Name(s) of Designer(s): **Joseph Fader and Hannes Voitc**
(45) Registration Date: **11 February 2014**
(30) Convention priority data:
(31) Number (32) Date (33) Country
002271155-0005 09 Jul 2013 OFFICE FOR HARMONISATION IN
THE INTERNAL MARKET (OHIM)
(56) Related Art Documents: **Not Applicable**
(57) Statement of Newness and Distinctiveness: **Nil**



(21) Design Number: **16705/2013**
(22) Date of Filing Application: **20 December 2013**
(24) Date from which industrial property rights may have effect: **20 December 2013**
(54) Product in respect of which the design is registered: **Adaptor for an inverted pick system**
(51) International Design Classification: **15-99**
(74) Name(s) of Attorney(s): **Griffith Hack**
(71) Name(s) and Address(s) of Applicant(s):
Sandvik Intellectual Property AB
SE-811 81 Sandviken Sweden
(72) Name(s) of Designer(s): **Joseph Fader and Hannes Voitc**
(45) Registration Date: **11 February 2014**
(30) Convention priority data:
(31) Number (32) Date (33) Country
002271155-0006 09 Jul 2013 OFFICE FOR HARMONISATION IN
THE INTERNAL MARKET (OHIM)
(56) Related Art Documents: **Not Applicable**
(57) Statement of Newness and Distinctiveness: **Nil**



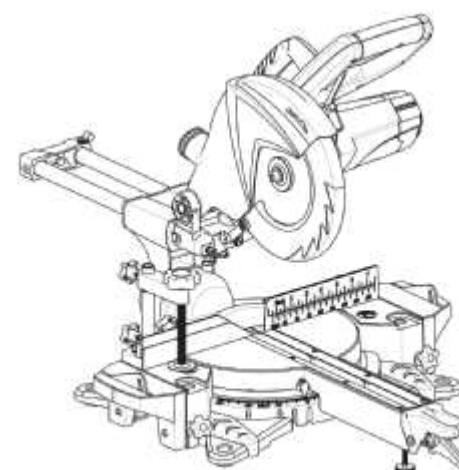
(21) Design Number: **16706/2013**
(22) Date of Filing Application: **20 December 2013**
(24) Date from which industrial property rights may have effect: **20 December 2013**
(54) Product in respect of which the design is registered: **Adaptor for an inverted pick system**
(51) International Design Classification: **15-99**
(74) Name(s) of Attorney(s): **Griffith Hack**
(71) Name(s) and Address(s) of Applicant(s):
Sandvik Intellectual Property AB
SE-811 81 Sandviken Sweden
(72) Name(s) of Designer(s): **Joseph Fader and Hannes Voitc**
(45) Registration Date: **11 February 2014**
(30) Convention priority data:
(31) Number (32) Date (33) Country
002271155-0007 09 Jul 2013 OFFICE FOR HARMONISATION IN
THE INTERNAL MARKET (OHIM)
(56) Related Art Documents: **Not Applicable**
(57) Statement of Newness and Distinctiveness: **Nil**



- (21) Design Number: **16707/2013**
(22) Date of Filing Application: **20 December 2013**
(24) Date from which industrial property rights may have effect: **20 December 2013**
(54) Product in respect of which the design is registered: **Bracket**
(51) International Design Classification: **08-08L**
(74) Name(s) of Attorney(s): **WATERMARK PATENT AND TRADE MARKS ATTORNEYS**
(71) Name(s) and Address(s) of Applicant(s):
Colin Guest & Company Pty Ltd
11 Pascal Rd Seaford VIC 3198 Australia
(72) Name(s) of Designer(s): **David Smith and Andrew Guest and Jayson Lobascher and Geoff Guest**
(45) Registration Date: **11 February 2014**
(56) Related Art Documents: **Not Applicable**
(57) Statement of Newness and Distinctiveness: **Newness and distinctiveness resides in the visual features of shape and/or configuration of the bracket as shown in the accompanying representations.**



- (21) Design Number: **16724/2013**
(22) Date of Filing Application: **20 December 2013**
(24) Date from which industrial property rights may have effect: **20 December 2013**
(54) Product in respect of which the design is registered: **Miter saw**
(51) International Design Classification: **08-03**
(74) Name(s) of Attorney(s): **A.P.T. Patent and Trade Mark Attorneys**
(71) Name(s) and Address(s) of Applicant(s):
Scheppach Fabrikation von Holzbearbeitungsmaschinen GmbH
Gunzburger Str. 69 Ichenhausen 89335 Germany
Wang Xian
Suite 4-1-302, No. 59 Ming-Jiang-Er Road Qingdao, Shandong 266071
China
(72) Name(s) of Designer(s): **Wang Xian**
(45) Registration Date: **11 February 2014**
(30) Convention priority data:
(31) Number (32) Date (33) Country
002270876-0003 09 Jul 2013 OFFICE FOR HARMONISATION IN
THE INTERNAL MARKET (OHIM)
(56) Related Art Documents: **Not Applicable**
(57) Statement of Newness and Distinctiveness: **Nil**



- (21) Design Number: **16726/2013**
(22) Date of Filing Application: **20 December 2013**
(24) Date from which industrial property rights may have effect: **20 December 2013**
(54) Product in respect of which the design is registered: **Cabin for truck**
(51) International Design Classification: **12-08**
(74) Name(s) of Attorney(s): **Griffith Hack**
(71) Name(s) and Address(s) of Applicant(s):
Nissan Jidosha Kabushiki Kaisha
No. 2 Takaracho Kanagawa-ku Yokohama-shi Kanagawa-Ken 221-0023
Japan
(72) Name(s) of Designer(s): **Ryosuke Kishimoto**
(45) Registration Date: **11 February 2014**
(30) Convention priority data:
(31) Number (32) Date (33) Country
2013-014506 26 Jun 2013 JAPAN
(56) Related Art Documents: **Not Applicable**
(57) Statement of Newness and Distinctiveness: **Newness and distinctiveness resides in the shape and configuration of a CABIN FOR TRUCK as shown in the representations.**



- (21) Design Number: **16729/2013**
(22) Date of Filing Application: **20 December 2013**
(24) Date from which industrial property rights may have effect: **20 December 2013**
(54) Product in respect of which the design is registered: **Air intake snorkel for a vehicle**
(51) International Design Classification: **12-16NES**
(74) Name(s) of Attorney(s): **HODGKINSON McINNES PATENTS**
(71) Name(s) and Address(s) of Applicant(s):
Australian Performance Development Pty Ltd
73 Merrindale Dr South Croydon VIC 3136 Australia
(72) Name(s) of Designer(s): **Andrew Berry**
(45) Registration Date: **11 February 2014**
(56) Related Art Documents: **Not Applicable**
(57) Statement of Newness and Distinctiveness: **Newness and distinctiveness is claimed in the shape and configuration of an air intake snorkel for a vehicle as shown in the representations.**



- (21) Design Number: **16276/2013**
(22) Date of Filing Application: **29 November 2013**
(24) Date from which industrial property rights may have effect: **29 November 2013**
(54) Product in respect of which the design is registered: **Tyre**
(51) International Design Classification: **12-15B**
(74) Name(s) of Attorney(s): **Freehills Patent Attorneys**
(71) Name(s) and Address(s) of Applicant(s):
Omni United (S) Pte Ltd
One Raffles Place #30-03 Singapore 048616 Singapore
(72) Name(s) of Designer(s): **G S Sareen**
(45) Registration Date: **12 February 2014**
(30) Convention priority data:
(31) Number (32) Date (33) Country
23723/2013 10 Oct 2013 JAPAN
(56) Related Art Documents: **Not Applicable**
(57) Statement of Newness and Distinctiveness: **Newness and distinctiveness resides in the visual features of the tread of a tyre as shown in the accompanying representations.**



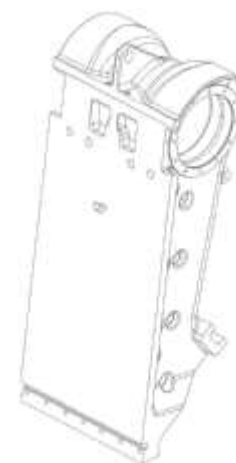
- (21) Design Number: **16277/2013**
(22) Date of Filing Application: **29 November 2013**
(24) Date from which industrial property rights may have effect: **29 November 2013**
(54) Product in respect of which the design is registered: **Tyre**
(51) International Design Classification: **12-15B**
(74) Name(s) of Attorney(s): **Freehills Patent Attorneys**
(71) Name(s) and Address(s) of Applicant(s):
Omni United (S) Pte Ltd
One Raffles Place #30-03 Singapore 048616 Singapore
(72) Name(s) of Designer(s): **G S Sareen**
(45) Registration Date: **12 February 2014**
(30) Convention priority data:
(31) Number (32) Date (33) Country
23724/2013 10 Oct 2013 JAPAN
(56) Related Art Documents: **Not Applicable**
(57) Statement of Newness and Distinctiveness: **Newness and distinctiveness resides in the visual features of the tread of a tyre as shown in the accompanying representations.**



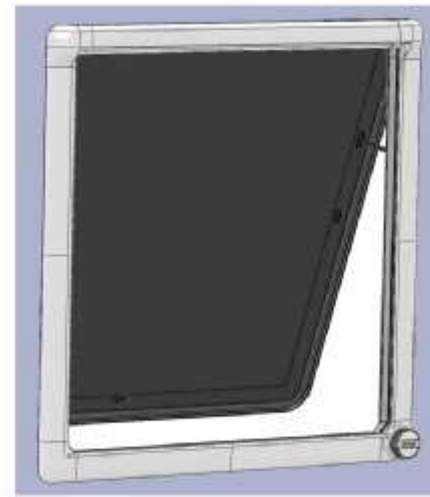
(21) Design Number: **16658/2013**
(22) Date of Filing Application: **19 December 2013**
(24) Date from which industrial property rights may have effect: **19 December 2013**
(54) Product in respect of which the design is registered: **Crushing jaw for a jaw crusher**
(51) International Design Classification: **15-99**
(74) Name(s) of Attorney(s): **Griffith Hack**
(71) Name(s) and Address(s) of Applicant(s):
Sandvik Intellectual Property AB
SE-811 81 Sandviken Sweden
(72) Name(s) of Designer(s): **Johan Svensson and Roger Sjobeck**
(45) Registration Date: **12 February 2014**
(30) Convention priority data:
(31) Number (32) Date (33) Country
001376263-0001 02 Jul 2013 OFFICE FOR HARMONISATION IN
THE INTERNAL MARKET (OHIM)
(56) Related Art Documents: **Not Applicable**
(57) Statement of Newness and Distinctiveness: **Nil**



(21) Design Number: **16659/2013**
(22) Date of Filing Application: **19 December 2013**
(24) Date from which industrial property rights may have effect: **19 December 2013**
(54) Product in respect of which the design is registered: **Crushing Jaw for a Jaw Crusher**
(51) International Design Classification: **15-99**
(74) Name(s) of Attorney(s): **Griffith Hack**
(71) Name(s) and Address(s) of Applicant(s):
Sandvik Intellectual Property AB
SE-811 81 Sandviken Sweden
(72) Name(s) of Designer(s): **Johan Svensson and Roger Sjobeck**
(45) Registration Date: **12 February 2014**
(30) Convention priority data:
(31) Number (32) Date (33) Country
001376263-0003 02 Jul 2013 OFFICE FOR HARMONISATION IN
THE INTERNAL MARKET (OHIM)
(56) Related Art Documents: **Not Applicable**
(57) Statement of Newness and Distinctiveness: **Nil**



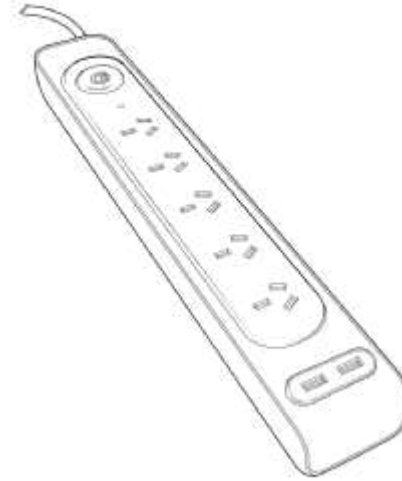
(21) Design Number: **16661/2013**
(22) Date of Filing Application: **19 December 2013**
(24) Date from which industrial property rights may have effect: **08 July 2013**
(54) Product in respect of which the design is registered: **Window assembly**
(51) International Design Classification: **25-02H**
(74) Name(s) of Attorney(s): **Macpherson + Kelley**
(71) Name(s) and Address(s) of Applicant(s):
Camec Pty Ltd
47-63 Remington Dr Dandenong South VIC 3175 Australia
(72) Name(s) of Designer(s): **Mark LeGrew**
(45) Registration Date: **12 February 2014**
(62) Divisional of: **353323**
(56) Related Art Documents: **Not Applicable**
(57) Statement of Newness and Distinctiveness: **Nil**



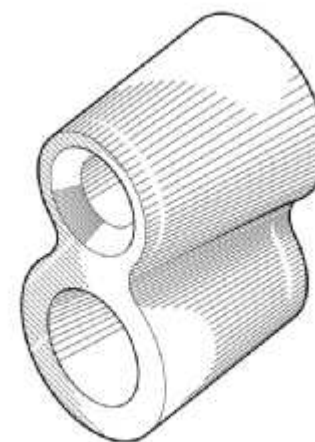
(21) Design Number: **16662/2013**
(22) Date of Filing Application: **19 December 2013**
(24) Date from which industrial property rights may have effect: **08 July 2013**
(54) Product in respect of which the design is registered: **Window assembly**
(51) International Design Classification: **25-02H**
(74) Name(s) of Attorney(s): **Macpherson + Kelley**
(71) Name(s) and Address(s) of Applicant(s):
Camec Pty Ltd
47-63 Remington Dr Dandenong South VIC 3175 Australia
(72) Name(s) of Designer(s): **Mark LeGrew**
(45) Registration Date: **12 February 2014**
(62) Divisional of: **353323**
(56) Related Art Documents: **Not Applicable**
(57) Statement of Newness and Distinctiveness: **Nil**



- (21) Design Number: **16732/2013**
(22) Date of Filing Application: **20 December 2013**
(24) Date from which industrial property rights may have effect: **20 December 2013**
(54) Product in respect of which the design is registered: **A powerboard**
(51) International Design Classification: **13-03D**
(74) Name(s) of Attorney(s): **Meskin IP**
(71) Name(s) and Address(s) of Applicant(s):
Yale Prima Pty Ltd
UB&C/25-55 Rothschild Ave Rosebery NSW 2018 Australia
(72) Name(s) of Designer(s): **Leonard Kirsch**
(45) Registration Date: **12 February 2014**
(56) Related Art Documents: **Not Applicable**
(57) Statement of Newness and Distinctiveness: **Newness and distinctiveness is claimed in the shape and/or configuration of a powerboard as illustrated in the accompanying representations.**



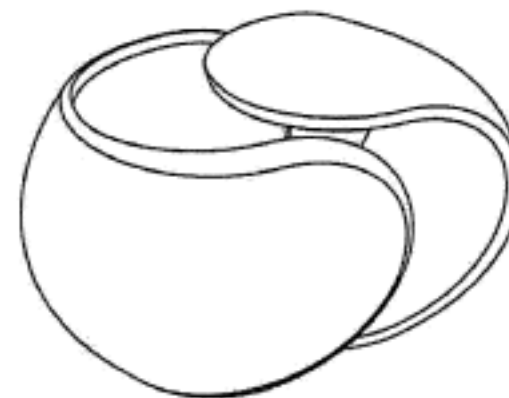
- (21) Design Number: **16752/2013**
(22) Date of Filing Application: **23 December 2013**
(24) Date from which industrial property rights may have effect: **23 December 2013**
(54) Product in respect of which the design is registered: **A device for securing a wire or cable**
(51) International Design Classification: **08-08NES**
(74) Name(s) of Attorney(s):
(71) Name(s) and Address(s) of Applicant(s):
Michael Davis
118 Stephen St Warialda NSW 2402 Australia
(72) Name(s) of Designer(s): **Michael Davis**
(45) Registration Date: **12 February 2014**
(56) Related Art Documents: **Not Applicable**
(57) Statement of Newness and Distinctiveness: **Newness and distinctiveness resides in the overall shape and configuration of the features shown in the representations.**



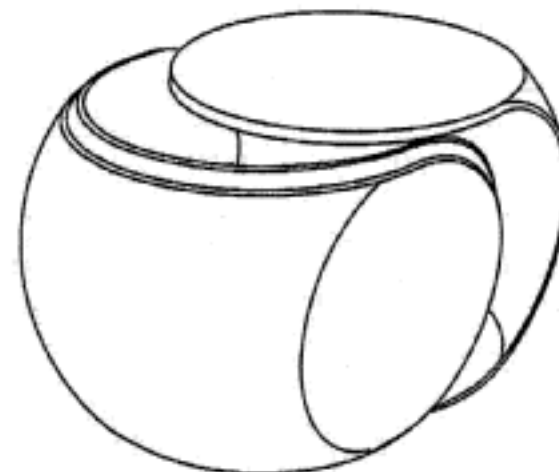
- (21) Design Number: **16766/2013**
(22) Date of Filing Application: **23 December 2013**
(24) Date from which industrial property rights may have effect: **23 December 2013**
(54) Product in respect of which the design is registered: **A rear cowl for a motorcycle**
(51) International Design Classification: **12-11**
(74) Name(s) of Attorney(s): **SPRUSON & FERGUSON**
(71) Name(s) and Address(s) of Applicant(s):
Honda Motor Co., Ltd.
1-1 Minami-Aoyama 2-Chome Minato-ku Tokyo Japan
(72) Name(s) of Designer(s): **Kiyoshi Katagiri and Kanya Takigawa**
(45) Registration Date: **12 February 2014**
(30) Convention priority data:
(31) Number (32) Date (33) Country
2013-014624 27 Jun 2013 JAPAN
(56) Related Art Documents: **Not Applicable**
(57) Statement of Newness and Distinctiveness: **Newness and distinctiveness is claimed in the features of shape and/or configuration of a rear cowl for a motorcycle as illustrated in the accompanying representations.**



- (21) Design Number: **10285/2014**
(22) Date of Filing Application: **14 November 2013**
(24) Date from which industrial property rights may have effect: **14 November 2013**
(54) Product in respect of which the design is registered: **Stamphousing**
(51) International Design Classification: **19-02**
(74) Name(s) of Attorney(s): **PHILLIPS ORMONDE FITZPATRICK**
(71) Name(s) and Address(s) of Applicant(s):
Adminimum AG
Langensandhohe 9 CH-6005 St. Niklausen Switzerland
(72) Name(s) of Designer(s): **Annette Lehmann and Mario Tronza**
(45) Registration Date: **12 February 2014**
(30) Convention priority data:
(31) Number (32) Date (33) Country
139918 17 May 2013 SWITZERLAND
(56) Related Art Documents: **Not Applicable**
(57) Statement of Newness and Distinctiveness: **Nil**



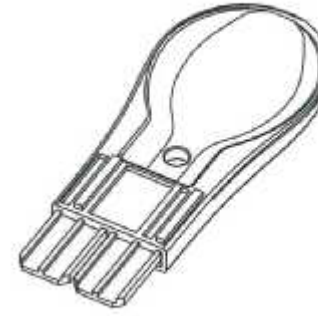
(21) Design Number: **10286/2014**
(22) Date of Filing Application: **14 November 2013**
(24) Date from which industrial property rights may have effect: **14 November 2013**
(54) Product in respect of which the design is registered: **Stamphousing**
(51) International Design Classification: **19-02**
(74) Name(s) of Attorney(s): **PHILLIPS ORMONDE FITZPATRICK**
(71) Name(s) and Address(s) of Applicant(s):
Adminimum AG
Langensandhohe 9 CH-6005 St. Niklausen Switzerland
(72) Name(s) of Designer(s): **Annette Lehmann and Mario Tronza**
(45) Registration Date: **12 February 2014**
(30) Convention priority data:
(31) Number (32) Date (33) Country
139918 17 May 2013 SWITZERLAND
(56) Related Art Documents: **Not Applicable**
(57) Statement of Newness and Distinctiveness: **Nil**



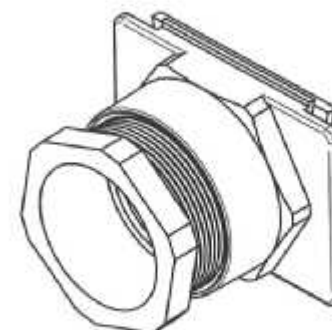
(21) Design Number: **13797/2013**
(22) Date of Filing Application: **08 August 2013**
(24) Date from which industrial property rights may have effect: **08 August 2013**
(54) Product in respect of which the design is registered: **A spoon assembly**
(51) International Design Classification: **07-03**
(74) Name(s) of Attorney(s): **AJ Park**
(71) Name(s) and Address(s) of Applicant(s):
Alto Packaging Limited
Level 6 57 Symonds Street Grafton Auckland 1010 New Zealand
(72) Name(s) of Designer(s): **Christina Theodora Maria Koeleman**
(45) Registration Date: **12 February 2014**
(56) Related Art Documents: **Not Applicable**
(57) Statement of Newness and Distinctiveness: **The newness and distinctiveness resides in the features of shape and/or configuration as shown in the representations.**



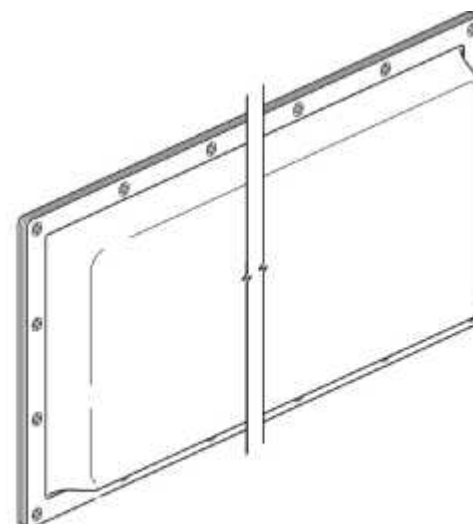
- (21) Design Number: **13798/2013**
(22) Date of Filing Application: **08 August 2013**
(24) Date from which industrial property rights may have effect: **08 August 2013**
(54) Product in respect of which the design is registered: **A spoon assembly**
(51) International Design Classification: **07-03**
(74) Name(s) of Attorney(s): **AJ Park**
(71) Name(s) and Address(s) of Applicant(s):
Alto Packaging Limited
Level 6 57 Symonds Street Grafton Auckland 1010 New Zealand
(72) Name(s) of Designer(s): **Christina Theodora Maria Koeleman**
(45) Registration Date: **12 February 2014**
(56) Related Art Documents: **Not Applicable**
(57) Statement of Newness and Distinctiveness: **The newness and distinctiveness resides in the features of shape and/or configuration as shown in the representations.**



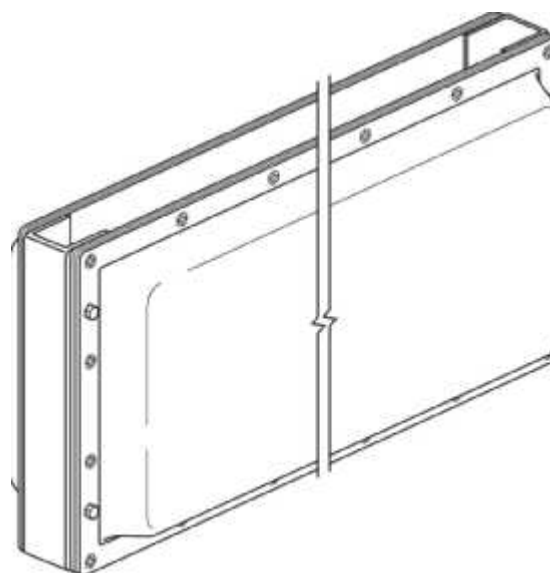
- (21) Design Number: **14444/2013**
(22) Date of Filing Application: **06 September 2013**
(24) Date from which industrial property rights may have effect: **06 September 2013**
(54) Product in respect of which the design is registered: **Cable fitting**
(51) International Design Classification: **08-08NES**
(74) Name(s) of Attorney(s): **PHILLIPS ORMONDE FITZPATRICK**
(71) Name(s) and Address(s) of Applicant(s):
bopla Gehäuse Systeme GmbH
Borsigstrasse 17-25 Bunde 32257 Germany
(72) Name(s) of Designer(s): **Andreas Kromer**
(45) Registration Date: **12 February 2014**
(56) Related Art Documents: **Not Applicable**
(57) Statement of Newness and Distinctiveness: **Nil**



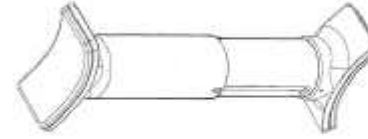
- (21) Design Number: **14937/2013**
(22) Date of Filing Application: **26 September 2013**
(24) Date from which industrial property rights may have effect: **26 September 2013**
(54) Product in respect of which the design is registered: **Sign light box**
(51) International Design Classification: **20-03NES**
(74) Name(s) of Attorney(s): **O'Sullivan**
(71) Name(s) and Address(s) of Applicant(s):
Low Light Signage Pty Ltd
1/25 Pearl Rd Cloverdale WA 6105 Australia
(72) Name(s) of Designer(s): **Damien Russell**
(45) Registration Date: **12 February 2014**
(56) Related Art Documents: **Not Applicable**
(57) Statement of Newness and Distinctiveness: **Monopoly is claimed in the shape and configuration of a sign light box of indefinite length as shown in the attached representations. When considering the scope of the monopoly no consideration is to be given to the shape, configuration or positioning of the screws and bolts around the perimeter of the sign light box.**



- (21) Design Number: **14938/2013**
(22) Date of Filing Application: **26 September 2013**
(24) Date from which industrial property rights may have effect: **26 September 2013**
(54) Product in respect of which the design is registered: **Two-way sign light box**
(51) International Design Classification: **20-03NES**
(74) Name(s) of Attorney(s): **O'Sullivan**
(71) Name(s) and Address(s) of Applicant(s):
Low Light Signage Pty Ltd
1/25 Pearl Rd Cloverdale WA 6105 Australia
(72) Name(s) of Designer(s): **Damien Russell**
(45) Registration Date: **12 February 2014**
(56) Related Art Documents: **Not Applicable**
(57) Statement of Newness and Distinctiveness: **Monopoly is claimed in the shape and configuration of a two-way sign light box of indefinite length as shown in the attached representations. When considering the scope of the monopoly no consideration is to be given to the shape, configuration or positioning of the screws and bolts around the perimeter of the two-way sign light box.**



- (21) Design Number: **16628/2013**
(22) Date of Filing Application: **18 December 2013**
(24) Date from which industrial property rights may have effect: **18 December 2013**
(54) Product in respect of which the design is registered: **An exercise apparatus**
(51) International Design Classification: **21-02F**
(74) Name(s) of Attorney(s):
(71) Name(s) and Address(s) of Applicant(s):
 Danny Adcock
 33 Crystal St Petersham NSW 2049 Australia
(72) Name(s) of Designer(s): **Danny Adcock**
(45) Registration Date: **12 February 2014**
(56) Related Art Documents: **Not Applicable**
(57) Statement of Newness and Distinctiveness: **The newness and distinctiveness resides in the shape and configuration of the exercise apparatus.**



- (21) Design Number: **16629/2013**
(22) Date of Filing Application: **18 December 2013**
(24) Date from which industrial property rights may have effect: **18 December 2013**
(54) Product in respect of which the design is registered: **Mobile phone**
(51) International Design Classification: **14-03E**
(74) Name(s) of Attorney(s): **FB Rice**
(71) Name(s) and Address(s) of Applicant(s):
 LG Electronics Inc.
 20 Yeouido-dong Yeongdeungpo-gu Seoul 150-721 Republic of Korea
(72) Name(s) of Designer(s): **Hyunjin Yoon and Jeeyoung Yeon and Hongsik Kim**
(45) Registration Date: **12 February 2014**
(30) Convention priority data:
 (31) Number (32) Date (33) Country
 30-2013-0040138 02 Aug 2013 REPUBLIC OF KOREA
(56) Related Art Documents: **Not Applicable**
(57) Statement of Newness and Distinctiveness: **Newness and distinctiveness reside in the features of shape and configuration as shown in the representations.**



(21) Design Number: **16631/2013**
(22) Date of Filing Application: **18 December 2013**
(24) Date from which industrial property rights may have effect: **18 December 2013**
(54) Product in respect of which the design is registered: **Electric mixer**
(51) International Design Classification: **31-00**
(74) Name(s) of Attorney(s): **Callinans**
(71) Name(s) and Address(s) of Applicant(s):

Kenwood Limited
New Lane Havant Hampshire PO9 2NH United Kingdom

(72) Name(s) of Designer(s): **Darren Mullen**

(45) Registration Date: **12 February 2014**

(30) Convention priority data:

(31) Number	(32) Date	(33) Country
002267740	03 Jul 2013	OFFICE FOR HARMONISATION IN THE INTERNAL MARKET (OHIM)

(56) Related Art Documents: **Not Applicable**

(57) Statement of Newness and Distinctiveness: **Newness and distinctiveness are provided by the shape and/or configuration of the design shown in the representations. The features of the electrical cord and plug in the representations are for illustrative purposes only and should not be considered when construing visual features of the design.**



(21) Design Number: **16632/2013**
(22) Date of Filing Application: **18 December 2013**
(24) Date from which industrial property rights may have effect: **18 December 2013**
(54) Product in respect of which the design is registered: **A device for making instant jelly**
(51) International Design Classification: **31-00, 07-02P**
(74) Name(s) of Attorney(s):
(71) Name(s) and Address(s) of Applicant(s):

Chill Factor Global Pty Ltd
L2 Tower 2 Chadstone PI 1341 Dandenong Rd Chadstone VIC 3148
Australia

(72) Name(s) of Designer(s): **Heath Saber**

(45) Registration Date: **12 February 2014**

(56) Related Art Documents: **Not Applicable**

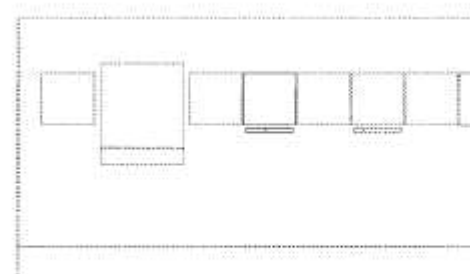
(57) Statement of Newness and Distinctiveness: **Nil**



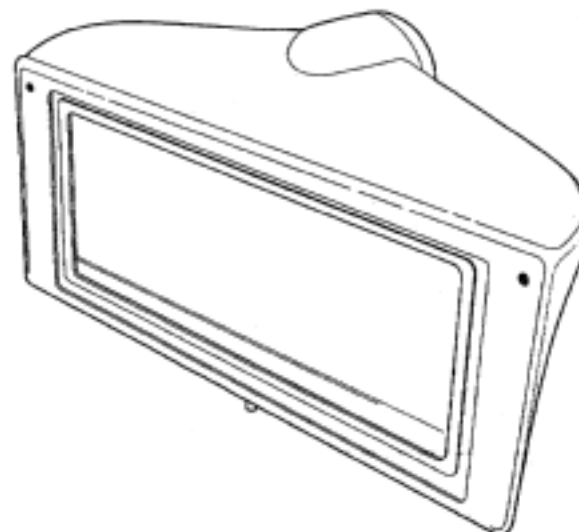
- (21) Design Number: **16368/2013**
(22) Date of Filing Application: **05 December 2013**
(24) Date from which industrial property rights may have effect: **05 December 2013**
(54) Product in respect of which the design is registered: **Display screen with user interface**
(51) International Design Classification: **14-01**
(74) Name(s) of Attorney(s): **Shelston IP**
(71) Name(s) and Address(s) of Applicant(s):
Sony Computer Entertainment Inc.
1-7-1 Konan Minato-ku Tokyo 108-0075 Japan
(72) Name(s) of Designer(s): **Taku Sugawara and Ikuo Kobayashi**
(45) Registration Date: **12 February 2014**
(30) Convention priority data:
(31) Number (32) Date (33) Country
2013-012936 07 Jun 2013 JAPAN
(56) Related Art Documents: **Not Applicable**
(57) Statement of Newness and Distinctiveness: **Newness and distinctiveness reside in the features of pattern and/or ornamentation of the Display Screen with User Interface as shown in solid lines in the accompanying representations. The features shown in broken lines form no part of the design.**



- (21) Design Number: **16373/2013**
(22) Date of Filing Application: **05 December 2013**
(24) Date from which industrial property rights may have effect: **05 December 2013**
(54) Product in respect of which the design is registered: **Display screen with user interface**
(51) International Design Classification: **14-01**
(74) Name(s) of Attorney(s): **Shelston IP**
(71) Name(s) and Address(s) of Applicant(s):
Sony Computer Entertainment Inc.
1-7-1 Konan Minato-ku Tokyo 108-0075 Japan
(72) Name(s) of Designer(s): **Taku Sugawara**
(45) Registration Date: **12 February 2014**
(30) Convention priority data:
(31) Number (32) Date (33) Country
2013-012939 07 Jun 2013 JAPAN
(56) Related Art Documents: **Not Applicable**
(57) Statement of Newness and Distinctiveness: **Newness and distinctiveness reside in the features of pattern and/or ornamentation of the Display Screen with User Interface as shown in solid lines in the accompanying representations. The features shown in broken lines form no part of the design.**



- (21) Design Number: **16723/2013**
(22) Date of Filing Application: **18 December 2013**
(24) Date from which industrial property rights may have effect: **18 December 2013**
(54) Product in respect of which the design is registered: **Air intake for a motor vehicle**
(51) International Design Classification: **12-16NES**
(74) Name(s) of Attorney(s):
(71) Name(s) and Address(s) of Applicant(s):
OMF Engineering Pty Ltd
90 Waterloo Rd Moe VIC 3825 Australia
(72) Name(s) of Designer(s): **Jonathon Ouellette**
(45) Registration Date: **12 February 2014**
(56) Related Art Documents: **Not Applicable**
(57) Statement of Newness and Distinctiveness: **Newness and distinctiveness is claimed in the feature of shape and or configuration of a motor vehicle air intake device as illustrated in the accompanying representations.**



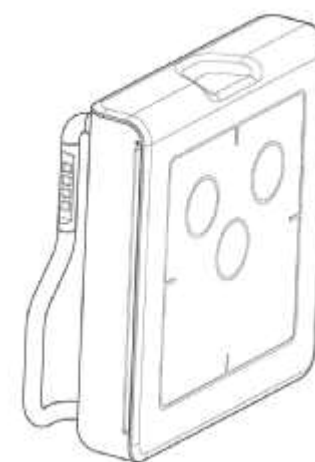
- (21) Design Number: **16758/2013**
(22) Date of Filing Application: **23 December 2013**
(24) Date from which industrial property rights may have effect: **23 December 2013**
(54) Product in respect of which the design is registered: **Oral care implement package**
(51) International Design Classification: **09-03NES, 09-05**
(74) Name(s) of Attorney(s): **FB Rice**
(71) Name(s) and Address(s) of Applicant(s):
Colgate-Palmolive Company
300 Park Avenue New York New York 10022 United States of America
(72) Name(s) of Designer(s): **Brian Bloch and Quang Nguyen**
(45) Registration Date: **12 February 2014**
(30) Convention priority data:
(31) Number (32) Date (33) Country
29/461014 17 Jul 2013 UNITED STATES OF AMERICA
(56) Related Art Documents: **Not Applicable**
(57) Statement of Newness and Distinctiveness: **Newness and distinctiveness reside in the features of shape and configuration of the design as shown in solid lines in the representations excluding those features shown in broken lines.**



(21) Design Number: **16759/2013**
(22) Date of Filing Application: **23 December 2013**
(24) Date from which industrial property rights may have effect: **23 December 2013**
(54) Product in respect of which the design is registered: **Oral care implement package**
(51) International Design Classification: **09-03NES, 09-05**
(74) Name(s) of Attorney(s): **FB Rice**
(71) Name(s) and Address(s) of Applicant(s):
Colgate-Palmolive Company
300 Park Avenue New York New York 10022 United States of America
(72) Name(s) of Designer(s): **Brian Bloch and Quang Nguyen**
(45) Registration Date: **12 February 2014**
(30) Convention priority data:
(31) Number (32) Date (33) Country
29/461014 17 Jul 2013 UNITED STATES OF AMERICA
(56) Related Art Documents: **Not Applicable**
(57) Statement of Newness and Distinctiveness: **Newness and distinctiveness reside in the features of shape and configuration of the design as shown in the representations.**



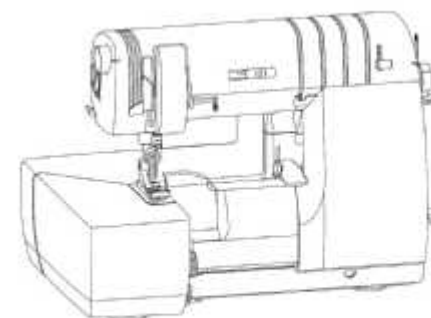
(21) Design Number: **16760/2013**
(22) Date of Filing Application: **23 December 2013**
(24) Date from which industrial property rights may have effect: **23 December 2013**
(54) Product in respect of which the design is registered: **Carrier for detector**
(51) International Design Classification: **10-05, 10-07**
(74) Name(s) of Attorney(s): **FB Rice**
(71) Name(s) and Address(s) of Applicant(s):
Koninklijke Philips N.V.
High Tech Campus 5 5656 AE Eindhoven The Netherlands
(72) Name(s) of Designer(s): **Yan Zhuang and Jacco Christof Eerden**
(45) Registration Date: **12 February 2014**
(30) Convention priority data:
(31) Number (32) Date (33) Country
002262014-0001 25 Jun 2013 OFFICE FOR HARMONISATION IN THE INTERNAL MARKET (OHIM)
(56) Related Art Documents: **Not Applicable**
(57) Statement of Newness and Distinctiveness: **Newness and distinctiveness reside in the features of shape and configuration of the design as shown in the representations.**



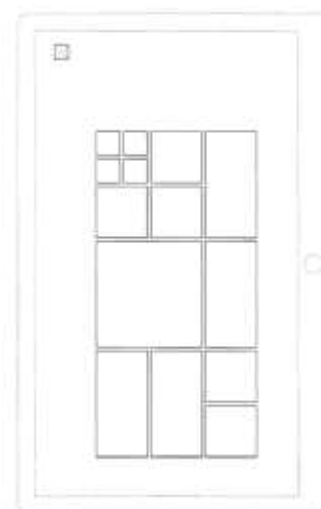
(21) Design Number: **16761/2013**
(22) Date of Filing Application: **23 December 2013**
(24) Date from which industrial property rights may have effect: **23 December 2013**
(54) Product in respect of which the design is registered: **A motorcycle**
(51) International Design Classification: **12-11**
(74) Name(s) of Attorney(s): **SPRUSON & FERGUSON**
(71) Name(s) and Address(s) of Applicant(s):
Honda Motor Co., Ltd.
1-1 Minami-Aoyama 2-chome Minato-ku Tokyo Japan
(72) Name(s) of Designer(s): **Takeshi Futamata and Akiko Sakai**
(45) Registration Date: **12 February 2014**
(30) Convention priority data:
(31) Number (32) Date (33) Country
2013-014620 27 Jun 2013 JAPAN
(56) Related Art Documents: **Not Applicable**
(57) Statement of Newness and Distinctiveness: **Newness and distinctiveness is claimed in the features of shape and/or configuration of a motorcycle as illustrated in the accompanying representations.**



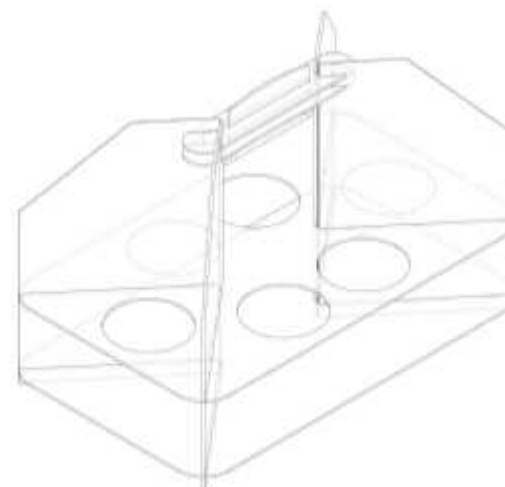
(21) Design Number: **16763/2013**
(22) Date of Filing Application: **23 December 2013**
(24) Date from which industrial property rights may have effect: **23 December 2013**
(54) Product in respect of which the design is registered: **Overlock sewing machine**
(51) International Design Classification: **15-06**
(74) Name(s) of Attorney(s): **Davies Collison Cave**
(71) Name(s) and Address(s) of Applicant(s):
Suzuki Manufacturing, Ltd.
1-12-7 Shimaminami Yamagata-shi Yamagata 990-0886 Japan
(72) Name(s) of Designer(s): **Shigenori Kudo**
(45) Registration Date: **12 February 2014**
(30) Convention priority data:
(31) Number (32) Date (33) Country
2013-016427 19 Jul 2013 JAPAN
(56) Related Art Documents: **Not Applicable**
(57) Statement of Newness and Distinctiveness: **Newness and Distinctiveness is claimed in the visual features of: the semi-ellipsoidal slits for adjusting the thread tensioning located at the left side of the arm; the round dial located at the left end of the arm; the smaller rectangular portion and the larger rectangular portion located in juxtaposition at the right side of the semi-ellipsoidal slits; the semi-ellipsoidal slits for supplying the threads located at the right side of the arm; the wider space that is arranged between the pillar post which connects the arm with the bed and the needle portion; and/or the high-profile manual lever for changing over between the stitch sewing operation and the threading operation located on the pillar post.**



- (21) Design Number: **16224/2013**
(22) Date of Filing Application: **29 November 2013**
(24) Date from which industrial property rights may have effect: **29 November 2013**
(54) Product in respect of which the design is registered: **Display screen with graphical user interface**
(51) International Design Classification: **14-01, 14-02**
(74) Name(s) of Attorney(s): **Shelston IP**
(71) Name(s) and Address(s) of Applicant(s):
Microsoft Corporation
One Microsoft Way Redmond Washington 98052 United States of America
(72) Name(s) of Designer(s): **Hui-Chun Ku and Lauren Michelle Beckwith and Alan Andrew Urdan and Poorva Singal and Nazia Zaman**
(45) Registration Date: **13 February 2014**
(30) Convention priority data:
(31) Number (32) Date (33) Country
29/456219 29 May 2013 UNITED STATES OF AMERICA
(56) Related Art Documents: **Not Applicable**
(57) Statement of Newness and Distinctiveness: **Newness and distinctiveness reside in the features of pattern and/or ornamentation of a display screen with graphical user interface as illustrated by solid lines in the accompanying representation. The features shown in broken outline are for contextual purposes only and do not form part of the design.**



- (21) Design Number: **16647/2013**
(22) Date of Filing Application: **18 December 2013**
(24) Date from which industrial property rights may have effect: **18 December 2013**
(54) Product in respect of which the design is registered: **Drink carrier**
(51) International Design Classification: **09-03E**
(74) Name(s) of Attorney(s):
(71) Name(s) and Address(s) of Applicant(s):
Anthony Michael Crawford
30 Green St Invermay Tas 7248 Australia
(72) Name(s) of Designer(s): **Anthony Michael Crawford**
(45) Registration Date: **13 February 2014**
(56) Related Art Documents: **Not Applicable**
(57) Statement of Newness and Distinctiveness: **The newness and distinctiveness of the design resides in the flatpack nature of the product, including the method of assembly/disassembly. The shape is distinctive and dictates the overall structure of the product and the way it is intended to be used. The halving joint slot width is determined by the material thickness and could be altered accordingly. This object is designed to hold/support six beverages. The broken lines are not part of the design and are to be disregarded when considering the overall impression of the design.**



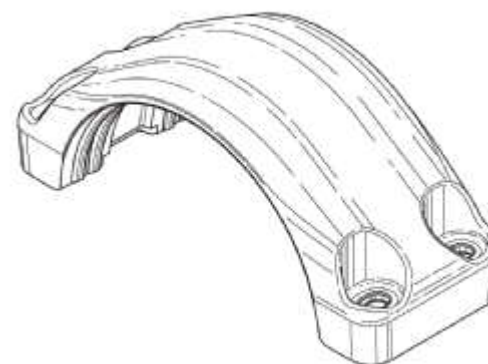
- (21) Design Number: **16655/2013**
(22) Date of Filing Application: **19 December 2013**
(24) Date from which industrial property rights may have effect: **19 December 2013**
(54) Product in respect of which the design is registered: **A skirt**
(51) International Design Classification: **02-02C**
(74) Name(s) of Attorney(s):
(71) Name(s) and Address(s) of Applicant(s):
AUSTRALIAN FASHION LABELS PTY LTD
106 Currie St Adelaide SA 5000 Australia
(72) Name(s) of Designer(s): **Kathryn Forth and Siham Elmawey**
(45) Registration Date: **13 February 2014**
(56) Related Art Documents: **Not Applicable**
(57) Statement of Newness and Distinctiveness: **Newness and distinctiveness resides in the features of shape and configuration of a dress as shown in the accompanying representations.**



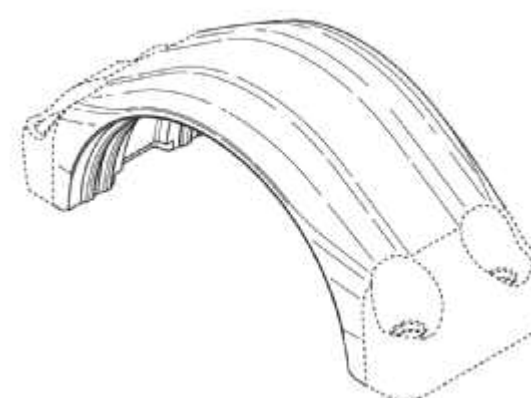
- (21) Design Number: **16785/2013**
(22) Date of Filing Application: **24 December 2013**
(24) Date from which industrial property rights may have effect: **24 December 2013**
(54) Product in respect of which the design is registered: **Light assembly**
(51) International Design Classification: **26-05D, 26-05B**
(74) Name(s) of Attorney(s): **Shelston IP**
(71) Name(s) and Address(s) of Applicant(s):
Hangzhou China Art Industrial Co. Ltd.
No. 169 Wuchang Avenue Yuhang District Hangzhou 310023 People's Republic of China
(72) Name(s) of Designer(s): **Ren Li**
(45) Registration Date: **13 February 2014**
(56) Related Art Documents: **Not Applicable**
(57) Statement of Newness and Distinctiveness: **Newness and distinctiveness reside in the features of shape and/or configuration of a LIGHT ASSEMBLY as illustrated in the accompanying representations. The colours depicted do not form part of the design.**



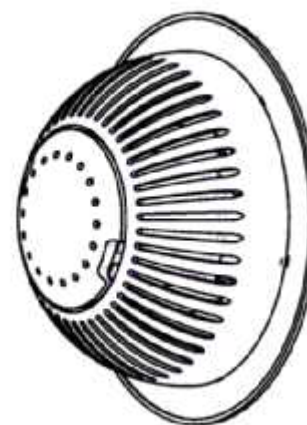
(21) Design Number: **16786/2013**
(22) Date of Filing Application: **24 December 2013**
(24) Date from which industrial property rights may have effect: **24 December 2013**
(54) Product in respect of which the design is registered: **Pipe coupling segment**
(51) International Design Classification: **23-01A**
(74) Name(s) of Attorney(s): **SPRUSON & FERGUSON**
(71) Name(s) and Address(s) of Applicant(s):
Victaulic Company of America
4901 Kesslersville Road, Easton Pennsylvania 18040 United States of America
(72) Name(s) of Designer(s): **Mark J Sewell and Craig Haney and Loretta Marsicano**
(45) Registration Date: **13 February 2014**
(30) Convention priority data:
(31) Number (32) Date (33) Country
29/459520 01 Jul 2013 UNITED STATES OF AMERICA
(56) Related Art Documents: **Not Applicable**
(57) Statement of Newness and Distinctiveness: **Newness and distinctiveness is claimed in the features of shape and/or configuration of a pipe coupling segment as illustrated in the accompanying representations.**



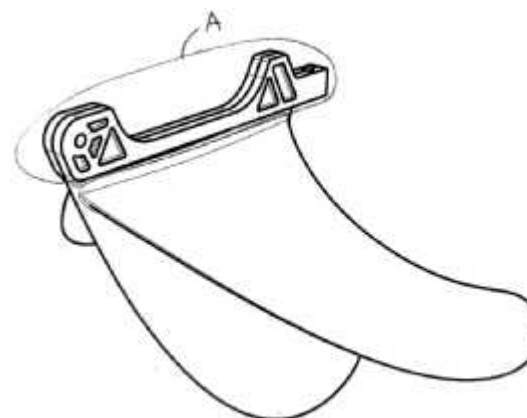
(21) Design Number: **16787/2013**
(22) Date of Filing Application: **24 December 2013**
(24) Date from which industrial property rights may have effect: **24 December 2013**
(54) Product in respect of which the design is registered: **Pipe coupling segment**
(51) International Design Classification: **23-01A**
(74) Name(s) of Attorney(s): **SPRUSON & FERGUSON**
(71) Name(s) and Address(s) of Applicant(s):
Victaulic Company of America
4901 Kesslersville Road, Easton Pennsylvania 18040 United States of America
(72) Name(s) of Designer(s): **Mark J Sewell and Craig Haney and Loretta Marsicano**
(45) Registration Date: **13 February 2014**
(30) Convention priority data:
(31) Number (32) Date (33) Country
29/459520 01 Jul 2013 UNITED STATES OF AMERICA
(56) Related Art Documents: **Not Applicable**
(57) Statement of Newness and Distinctiveness: **Newness and distinctiveness is claimed in those features of shape and/or configuration of a pipe coupling segment illustrated in continuous lines the accompanying representations.**



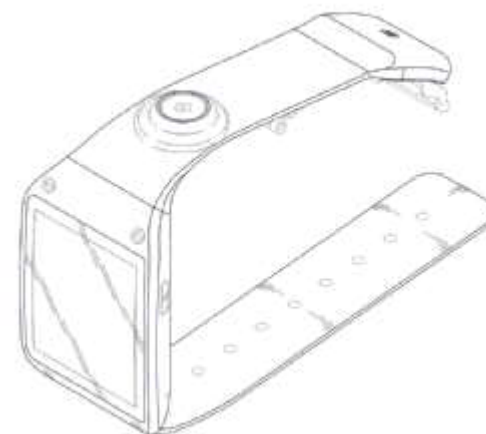
- (21) Design Number: **16790/2013**
(22) Date of Filing Application: **24 December 2013**
(24) Date from which industrial property rights may have effect: **24 December 2013**
(54) Product in respect of which the design is registered: **Urinal deodoriser**
(51) International Design Classification: **09-05**
(74) Name(s) of Attorney(s): **SPRUSON & FERGUSON**
(71) Name(s) and Address(s) of Applicant(s):
Calfarme Australia Pty Ltd
U42/55 Norman St Peakhurst NSW 2210 Australia
(72) Name(s) of Designer(s): **Boon Lye Paul Neo**
(45) Registration Date: **13 February 2014**
(56) Related Art Documents: **Not Applicable**
(57) Statement of Newness and Distinctiveness: **Newness and distinctiveness is claimed in the features of shape and/or configuration of a urinal deodoriser as illustrated in the accompanying representations.**



- (21) Design Number: **16791/2013**
(22) Date of Filing Application: **24 December 2013**
(24) Date from which industrial property rights may have effect: **24 December 2013**
(54) Product in respect of which the design is registered: **Surfcraft fin**
(51) International Design Classification: **21-02D**
(74) Name(s) of Attorney(s): **FB Rice**
(71) Name(s) and Address(s) of Applicant(s):
Darryl James Wilkes
U2/1 Singleton Beach Rd Singleton WA 6175 Australia
(72) Name(s) of Designer(s): **Darryl James Wilkes**
(45) Registration Date: **13 February 2014**
(56) Related Art Documents: **Not Applicable**
(57) Statement of Newness and Distinctiveness: **Newness and distinctiveness reside in the features of shape and configuration of the surfcraft fin shown in the representations, excluding any features of shape and configuration of the base portion indicated as A in the representations.**



(21) Design Number: **16806/2013**
(22) Date of Filing Application: **27 December 2013**
(24) Date from which industrial property rights may have effect: **27 December 2013**
(54) Product in respect of which the design is registered: **Electronic device**
(51) International Design Classification: **14-02, 10-02, 14-01**
(74) Name(s) of Attorney(s): **IP Gateway Patent & Trademark Attorneys Pty Ltd**
(71) Name(s) and Address(s) of Applicant(s):
Samsung Electronics Co., Ltd.
129, Samsung-ro, Yeongtong-gu Suwon-si Gyeonggi-do, 443-742
Republic of Korea
(72) Name(s) of Designer(s): **Junyong Song**
(45) Registration Date: **13 February 2014**
(30) Convention priority data:
(31) Number (32) Date (33) Country
30-2013-0044696 30 Aug 2013 REPUBLIC OF KOREA
(56) Related Art Documents: **Not Applicable**
(57) Statement of Newness and Distinctiveness: **Newness and distinctiveness reside in the visual features of shape and/or configuration of an electronic device as shown in the solid lines in the accompanying representations. The features shown in broken lines should be given minimum emphasis when considering the overall impression of the design.**



(21) Design Number: **16807/2013**
(22) Date of Filing Application: **27 December 2013**
(24) Date from which industrial property rights may have effect: **27 December 2013**
(54) Product in respect of which the design is registered: **Electronic device**
(51) International Design Classification: **14-02, 10-02, 14-01**
(74) Name(s) of Attorney(s): **IP Gateway Patent & Trademark Attorneys Pty Ltd**
(71) Name(s) and Address(s) of Applicant(s):
Samsung Electronics Co., Ltd.
129, Samsung-ro, Yeongtong-gu Suwon-si Gyeonggi-do, 443-742
Republic of Korea
(72) Name(s) of Designer(s): **Junyong Song**
(45) Registration Date: **13 February 2014**
(30) Convention priority data:
(31) Number (32) Date (33) Country
30-2013-44694 30 Aug 2013 REPUBLIC OF KOREA
(56) Related Art Documents: **Not Applicable**
(57) Statement of Newness and Distinctiveness: **Newness and Distinctiveness resides in the visual features of shape and/or configuration of a portion of an ELECTRONIC DEVICE as shown in solid lines and delineated by dot and dash lines in the accompanying representations. The features shown in dotted lines should be given minimum emphasis when considering the overall impression of the design.**



(21) Design Number: **16809/2013**

(22) Date of Filing Application: **27 December 2013**

(24) Date from which industrial property rights may have effect: **27 December 2013**

(54) Product in respect of which the design is registered: **Electronic device**

(51) International Design Classification: **14-02, 10-02, 14-01**

(74) Name(s) of Attorney(s): **IP Gateway Patent & Trademark Attorneys Pty Ltd**

(71) Name(s) and Address(s) of Applicant(s):

Samsung Electronics Co., Ltd.

129 Samsung-ro Yeongtong-gu Suwon-si Gyeonggi-do 443-742 Republic of Korea

(72) Name(s) of Designer(s): **Junyong Song**

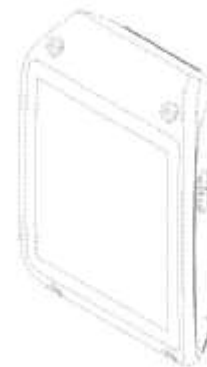
(45) Registration Date: **13 February 2014**

(30) Convention priority data:

(31) Number	(32) Date	(33) Country
30-2013-44692	30 Aug 2013	REPUBLIC OF KOREA

(56) Related Art Documents: **Not Applicable**

(57) Statement of Newness and Distinctiveness: **Newness and Distinctiveness resides in the visual features of shape and/or configuration of a PORTION OF AN ELECTRONIC DEVICE as shown in solid lines in the accompanying representations 1 to 7. Those features of the electronic device that are shown in dotted lines should be given minimum emphasis when considering the overall impression of the design.**



(21) Design Number: **16810/2013**

(22) Date of Filing Application: **27 December 2013**

(24) Date from which industrial property rights may have effect: **27 December 2013**

(54) Product in respect of which the design is registered: **Electronic device**

(51) International Design Classification: **14-02, 10-02, 14-01**

(74) Name(s) of Attorney(s): **IP Gateway Patent & Trademark Attorneys Pty Ltd**

(71) Name(s) and Address(s) of Applicant(s):

Samsung Electronics Co., Ltd.

129 Samsung-ro Yeongtong-gu Suwon-si Gyeonggi-do 443-742 Republic of Korea

(72) Name(s) of Designer(s): **Junyong Song**

(45) Registration Date: **13 February 2014**

(30) Convention priority data:

(31) Number	(32) Date	(33) Country
30-2013-44691	30 Aug 2013	REPUBLIC OF KOREA

(56) Related Art Documents: **Not Applicable**

(57) Statement of Newness and Distinctiveness: **Newness and Distinctiveness resides in the visual features of shape and/or configuration of a portion of an ELECTRONIC DEVICE as shown in solid lines in the accompanying representations 1 to 7. Those features of the electronic device that are shown in dotted lines should be given minimum emphasis when considering the overall impression of the design.**



(21) Design Number: **16811/2013**

(22) Date of Filing Application: **27 December 2013**

(24) Date from which industrial property rights may have effect: **27 December 2013**

(54) Product in respect of which the design is registered: **Electronic device**

(51) International Design Classification: **14-02, 10-02, 14-01**

(74) Name(s) of Attorney(s): **IP Gateway Patent & Trademark Attorneys Pty Ltd**

(71) Name(s) and Address(s) of Applicant(s):

Samsung Electronics Co., Ltd.

129 Samsung-ro Yeongtong-gu Suwon-si Gyeonggi-do 443-742 Republic of Korea

(72) Name(s) of Designer(s): **Junyong Song**

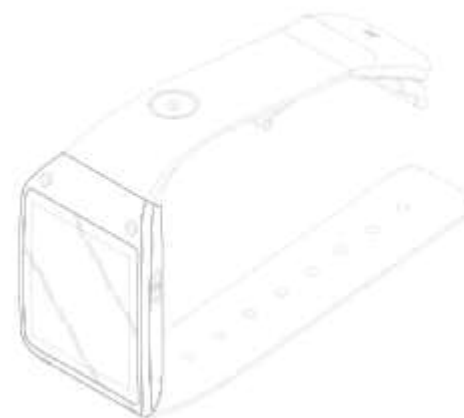
(45) Registration Date: **13 February 2014**

(30) Convention priority data:

(31) Number	(32) Date	(33) Country
30-2013-44690	30 Aug 2013	REPUBLIC OF KOREA

(56) Related Art Documents: **Not Applicable**

(57) Statement of Newness and Distinctiveness: **Newness and Distinctiveness resides in the visual features of shape and/or configuration of a portion of an ELECTRONIC DEVICE as shown in solid lines in the accompanying representations. Those features of the electronic device that are shown in dotted lines should be given minimum emphasis when considering the overall impression of the design.**



(21) Design Number: **16812/2013**

(22) Date of Filing Application: **27 December 2013**

(24) Date from which industrial property rights may have effect: **27 December 2013**

(54) Product in respect of which the design is registered: **Electronic device**

(51) International Design Classification: **14-02, 10-02, 14-01**

(74) Name(s) of Attorney(s): **IP Gateway Patent & Trademark Attorneys Pty Ltd**

(71) Name(s) and Address(s) of Applicant(s):

Samsung Electronics Co., Ltd.

129 Samsung-ro Yeongtong-gu Suwon-si Gyeonggi-do 443-742 Republic of Korea

(72) Name(s) of Designer(s): **Junyong Song**

(45) Registration Date: **13 February 2014**

(30) Convention priority data:

(31) Number	(32) Date	(33) Country
30-2013-0044689	30 Aug 2013	REPUBLIC OF KOREA

(56) Related Art Documents: **Not Applicable**

(57) Statement of Newness and Distinctiveness: **Newness and Distinctiveness resides in the visual features of shape and/or configuration of a portion of an ELECTRONIC DEVICE as shown in solid lines and delineated by dot dash lines in the accompanying representations. Those features of the electronic device that are shown in dotted lines and should be given minimum emphasis when considering the overall impression of the design.**



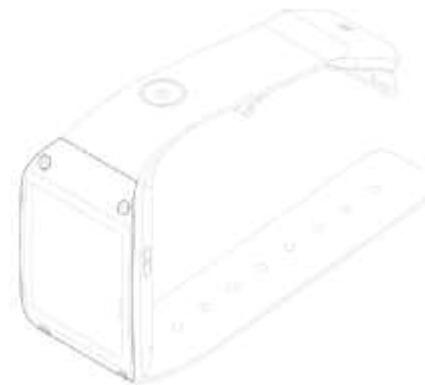
(21) Design Number: **16813/2013**
(22) Date of Filing Application: **27 December 2013**
(24) Date from which industrial property rights may have effect: **27 December 2013**
(54) Product in respect of which the design is registered: **Electronic device**
(51) International Design Classification: **14-02, 10-02, 14-01**
(74) Name(s) of Attorney(s): **IP Gateway Patent & Trademark Attorneys Pty Ltd**
(71) Name(s) and Address(s) of Applicant(s):
Samsung Electronics Co., Ltd.
129 Samsung-ro Yeongtong-gu Suwon-si Gyeonggi-do 443-742 Republic of Korea
(72) Name(s) of Designer(s): **Junyong Song**
(45) Registration Date: **13 February 2014**
(30) Convention priority data:
(31) Number (32) Date (33) Country
30-2013-44695 30 Aug 2013 REPUBLIC OF KOREA
(56) Related Art Documents: **Not Applicable**
(57) Statement of Newness and Distinctiveness: **Newness and Distinctiveness resides in the visual features of shape and/or configuration of a portion of an ELECTRONIC DEVICE as shown in solid lines in the accompanying representations. Those features of the electronic device that are shown in dotted lines should be given minimum emphasis when considering the overall impression of the design.**



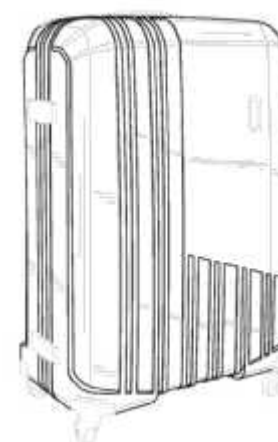
(21) Design Number: **16814/2013**
(22) Date of Filing Application: **27 December 2013**
(24) Date from which industrial property rights may have effect: **27 December 2013**
(54) Product in respect of which the design is registered: **Electronic device**
(51) International Design Classification: **14-02, 10-02, 14-01**
(74) Name(s) of Attorney(s): **IP Gateway Patent & Trademark Attorneys Pty Ltd**
(71) Name(s) and Address(s) of Applicant(s):
Samsung Electronics Co., Ltd.
129 Samsung-ro Yeongtong-gu Suwon-si Gyeonggi-do 442-742 Republic of Korea
(72) Name(s) of Designer(s): **Junyong Song**
(45) Registration Date: **13 February 2014**
(30) Convention priority data:
(31) Number (32) Date (33) Country
30-2013-44687 30 Aug 2013 REPUBLIC OF KOREA
(56) Related Art Documents: **Not Applicable**
(57) Statement of Newness and Distinctiveness: **Newness and Distinctiveness resides in the visual features of shape and/or configuration of a portion of an ELECTRONIC DEVICE as shown in solid lines in the accompanying representations. The features shown in broken lines should be given minimum emphasis when considering the overall impression of the design.**



- (21) Design Number: **16815/2013**
(22) Date of Filing Application: **27 December 2013**
(24) Date from which industrial property rights may have effect: **27 December 2013**
(54) Product in respect of which the design is registered: **Electronic device**
(51) International Design Classification: **14-02, 10-02, 14-01**
(74) Name(s) of Attorney(s): **IP Gateway Patent & Trademark Attorneys Pty Ltd**
(71) Name(s) and Address(s) of Applicant(s):
Samsung Electronics Co., Ltd.
Samsung-ro 129 Yeongtong-gu Gyeonggi-do 443-742 Republic of Korea
(72) Name(s) of Designer(s): **Junyong Song**
(45) Registration Date: **13 February 2014**
(30) Convention priority data:
(31) Number (32) Date (33) Country
30-2013-0044688 30 Aug 2013 REPUBLIC OF KOREA
(56) Related Art Documents: **Not Applicable**
(57) Statement of Newness and Distinctiveness: **Newness and Distinctiveness resides in the visual features of shape and/or configuration of a portion of an ELECTRONIC DEVICE as shown in solid lines in the accompanying representations. The features shown in dotted lines should be given minimum emphasis when considering the overall impression of the design.**



- (21) Design Number: **16816/2013**
(22) Date of Filing Application: **30 December 2013**
(24) Date from which industrial property rights may have effect: **30 December 2013**
(54) Product in respect of which the design is registered: **Luggage**
(51) International Design Classification: **03-01A**
(74) Name(s) of Attorney(s): **Griffith Hack**
(71) Name(s) and Address(s) of Applicant(s):
Samsonite IP Holdings S.a r.l.
13-15 Avenue de la Liberte Luxembourg L-1931 Luxembourg
(72) Name(s) of Designer(s): **Andrea Della Vecchia**
(45) Registration Date: **13 February 2014**
(30) Convention priority data:
(31) Number (32) Date (33) Country
002267005-0001 02 Jul 2013 EUROPEAN PATENT OFFICE (EPO)
(56) Related Art Documents: **Not Applicable**
(57) Statement of Newness and Distinctiveness: **Newness and Distinctiveness resides in the shape and configuration of the product as represented by the solid lines in the drawings.**



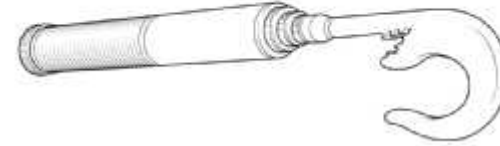
(21) Design Number: **16818/2013**
(22) Date of Filing Application: **31 December 2013**
(24) Date from which industrial property rights may have effect: **31 December 2013**
(54) Product in respect of which the design is registered: **Beverage carafe**
(51) International Design Classification: **07-01F**
(74) Name(s) of Attorney(s): **PIZZEYS**
(71) Name(s) and Address(s) of Applicant(s):
Keurig, Incorporated
55 Walkers Brook Drive Reading MA 01867 United States of America
(72) Name(s) of Designer(s): **Steffen F Koury and Paul K Metaxatos and James T McGee and Da Deng**
(45) Registration Date: **13 February 2014**
(30) Convention priority data:
(31) Number (32) Date (33) Country
29/460,399 10 Jul 2013 UNITED STATES OF AMERICA
(56) Related Art Documents: **Not Applicable**
(57) Statement of Newness and Distinctiveness: **Nil**



(21) Design Number: **10009/2014**
(22) Date of Filing Application: **03 January 2014**
(24) Date from which industrial property rights may have effect: **03 January 2014**
(54) Product in respect of which the design is registered: **Speaker having expandable base**
(51) International Design Classification: **14-01**
(74) Name(s) of Attorney(s): **SPRUSON & FERGUSON**
(71) Name(s) and Address(s) of Applicant(s):
Aliphcom
99 Rhode Island Street 3rd Floor San Francisco California 94103 United States of America
(72) Name(s) of Designer(s): **Yves Albert Behar and Naoya Edihiro and Qin Li and Gabriel J Lamb and William Hardy Chambliss**
(45) Registration Date: **13 February 2014**
(30) Convention priority data:
(31) Number (32) Date (33) Country
29/459900 03 Jul 2013 UNITED STATES OF AMERICA
(56) Related Art Documents: **Not Applicable**
(57) Statement of Newness and Distinctiveness: **Newness and distinctiveness is claimed in those features of shape and/or configuration of a speaker having expandable base illustrated in continuous lines in the accompanying representations.**



- (21) Design Number: **16753/2013**
(22) Date of Filing Application: **23 December 2013**
(24) Date from which industrial property rights may have effect: **23 December 2013**
(54) Product in respect of which the design is registered: **Telescopic Hook**
(51) International Design Classification: **08-08G**
(74) Name(s) of Attorney(s):
(71) Name(s) and Address(s) of Applicant(s):
PHAR-CUP Pty Ltd
13 Plymouth Cl Macquarie Hills NSW 2285 Australia
(72) Name(s) of Designer(s): **Andrew Lance Gilkinson**
(45) Registration Date: **13 February 2014**
(56) Related Art Documents: **Not Applicable**
(57) Statement of Newness and Distinctiveness: **Newness and distinctiveness resides in the overall shape and configuration of the features shown in the representations.**



- (21) Design Number: **16788/2013**
(22) Date of Filing Application: **24 December 2013**
(24) Date from which industrial property rights may have effect: **24 December 2013**
(54) Product in respect of which the design is registered: **Head for golf club**
(51) International Design Classification: **21-02C**
(74) Name(s) of Attorney(s): **SPRUSON & FERGUSON**
(71) Name(s) and Address(s) of Applicant(s):
Dunlop Sports Co., Ltd.
6-9, Wakino-hama-cho 3-chome, Chuo-ku, Kobe-shi Hyogo Japan
(72) Name(s) of Designer(s): **Hajime Asatsuma**
(45) Registration Date: **13 February 2014**
(56) Related Art Documents: **Not Applicable**
(57) Statement of Newness and Distinctiveness: **Newness and distinctiveness is claimed in the features of shape and/or configuration of a head for golf club as illustrated in the accompanying representations.**



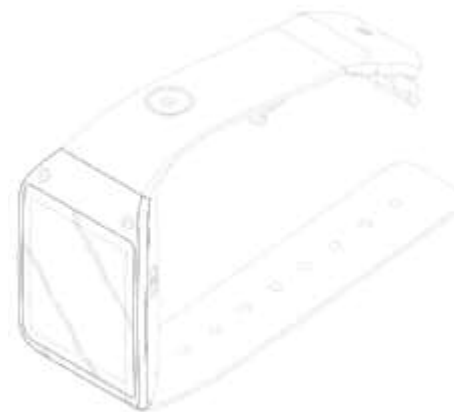
- (21) Design Number: **16789/2013**
(22) Date of Filing Application: **24 December 2013**
(24) Date from which industrial property rights may have effect: **24 December 2013**
(54) Product in respect of which the design is registered: **Head for golf club**
(51) International Design Classification: **21-02C**
(74) Name(s) of Attorney(s): **SPRUSON & FERGUSON**
(71) Name(s) and Address(s) of Applicant(s):
Dunlop Sports Co., Ltd.
6-9, Wakinohama-cho 3-chome, Chuo-ku, Kobe-shi Hyogo Japan
(72) Name(s) of Designer(s): **Hajime Asatsuma**
(45) Registration Date: **13 February 2014**
(56) Related Art Documents: **Not Applicable**
(57) Statement of Newness and Distinctiveness: **Newness and distinctiveness is claimed in the features of shape and/or configuration of a head for golf club as illustrated in the accompanying representations.**



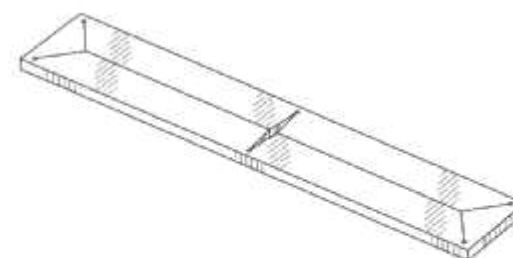
- (21) Design Number: **16805/2013**
(22) Date of Filing Application: **26 December 2013**
(24) Date from which industrial property rights may have effect: **26 December 2013**
(54) Product in respect of which the design is registered: **Blood lancet**
(51) International Design Classification: **24-02**
(74) Name(s) of Attorney(s):
(71) Name(s) and Address(s) of Applicant(s):
YSP CO., LTD.
3F., No. 54, Guanghua 2nd St. North Dist Hsinchu City 300 Taiwan
(72) Name(s) of Designer(s): **Fu-Yuan Li and Tien-Tsai Hsu**
(45) Registration Date: **13 February 2014**
(30) Convention priority data:
(31) Number (32) Date (33) Country
102306698 11 Oct 2013 TAIWAN
(56) Related Art Documents: **Not Applicable**
(57) Statement of Newness and Distinctiveness: **Newness and distinctiveness is claimed in those features of shape and/or configuration of a blood lancet as illustrated in solid lines in the accompanying representations (the broken lines are shown for illustrative purposes only and form no part of the claimed design).**



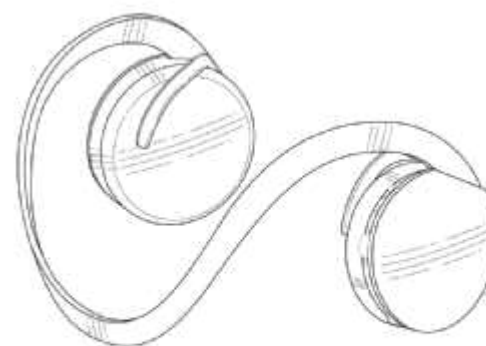
- (21) Design Number: **16808/2013**
(22) Date of Filing Application: **27 December 2013**
(24) Date from which industrial property rights may have effect: **27 December 2013**
(54) Product in respect of which the design is registered: **Electronic device**
(51) International Design Classification: **14-02, 10-02, 14-01**
(74) Name(s) of Attorney(s): **IP Gateway Patent & Trademark Attorneys Pty Ltd**
(71) Name(s) and Address(s) of Applicant(s):
Samsung Electronics Co., Ltd.
129 Samsung-ro Yeongtong-gu Suwon-si Gyeonggi-do 443-742 Republic of Korea
(72) Name(s) of Designer(s): **Junyong Song**
(45) Registration Date: **13 February 2014**
(30) Convention priority data:
(31) Number (32) Date (33) Country
30-2013-44693 30 Aug 2013 REPUBLIC OF KOREA
(56) Related Art Documents: **Not Applicable**
(57) Statement of Newness and Distinctiveness: **Newness and Distinctiveness resides in the visual features of shape and/or configuration of a portion of an ELECTRONIC DEVICE as shown in solid lines in the accompanying representations. Those features of the electronic device that are shown in dotted lines should be given minimum emphasis when considering the overall impression of the design.**



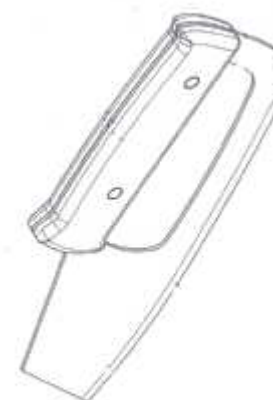
- (21) Design Number: **10010/2014**
(22) Date of Filing Application: **03 January 2014**
(24) Date from which industrial property rights may have effect: **03 January 2014**
(54) Product in respect of which the design is registered: **Expandable speaker base**
(51) International Design Classification: **14-01**
(74) Name(s) of Attorney(s): **SPRUSON & FERGUSON**
(71) Name(s) and Address(s) of Applicant(s):
Aliphcom
99 Rhode Island Street 3rd Floor San Francisco California 94103 United States of America
(72) Name(s) of Designer(s): **Yves Albert Behar and Naoya Edihiro and Qin Li and Gabriel J Lamb and William Hardy Chambliss**
(45) Registration Date: **13 February 2014**
(30) Convention priority data:
(31) Number (32) Date (33) Country
29/459900 03 Jul 2013 UNITED STATES OF AMERICA
(56) Related Art Documents: **Not Applicable**
(57) Statement of Newness and Distinctiveness: **Newness and distinctiveness is claimed in the features of shape and/or configuration of an expandable speaker base as illustrated in the accompanying representations.**



- (21) Design Number: **10011/2014**
(22) Date of Filing Application: **03 January 2014**
(24) Date from which industrial property rights may have effect: **03 January 2014**
(54) Product in respect of which the design is registered: **Headset**
(51) International Design Classification: **14-01**
(74) Name(s) of Attorney(s): **SPRUSON & FERGUSON**
(71) Name(s) and Address(s) of Applicant(s):
Aliphcom
99 Rhode Island Street 3rd Floor San Francisco California 94103 United States of America
(72) Name(s) of Designer(s): **Yves Albert Behar and Naoya Edihiro and Qin Li and William Hardy Chambliss**
(45) Registration Date: **13 February 2014**
(30) Convention priority data:
(31) Number (32) Date (33) Country
29/459899 03 Jul 2013 UNITED STATES OF AMERICA
(56) Related Art Documents: **Not Applicable**
(57) Statement of Newness and Distinctiveness: **Newness and distinctiveness is claimed in those features of shape and/or configuration of a headset illustrated in continuous lines in the accompanying representations.**



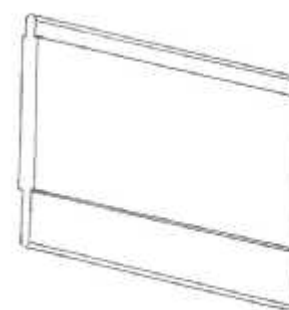
- (21) Design Number: **10012/2014**
(22) Date of Filing Application: **03 January 2014**
(24) Date from which industrial property rights may have effect: **03 January 2014**
(54) Product in respect of which the design is registered: **Knife**
(51) International Design Classification: **08-03**
(74) Name(s) of Attorney(s):
(71) Name(s) and Address(s) of Applicant(s):
Kasey Tai
17 Tarrabool St Westlake QLD 4074 Australia
(72) Name(s) of Designer(s): **Kasey Tai**
(45) Registration Date: **13 February 2014**
(56) Related Art Documents: **Not Applicable**
(57) Statement of Newness and Distinctiveness: **A knife can be used more effortlessly.**



- (21) Design Number: **14036/2013**
(22) Date of Filing Application: **15 August 2013**
(24) Date from which industrial property rights may have effect: **15 August 2013**
(54) Product in respect of which the design is registered: **Busbar**
(51) International Design Classification: **13-03NES**
(74) Name(s) of Attorney(s): **Lord & Company**
(71) Name(s) and Address(s) of Applicant(s):
Albus Industries Pty Ltd
U3/8 Carole Rd Maddington WA 6109 Australia
(72) Name(s) of Designer(s): **Richard Lionel De Laeter**
(45) Registration Date: **14 February 2014**
(56) Related Art Documents: **Not Applicable**
(57) Statement of Newness and Distinctiveness: **The particular visual features of the design which are new and distinctive are the features of shape or configuration as illustrated in the accompanying representations. The busbar is of constant cross section and can be provided in a variety of lengths.**



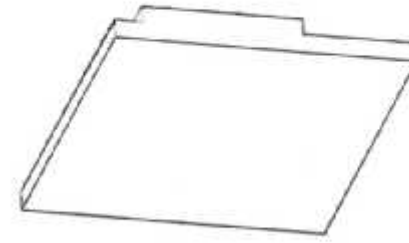
- (21) Design Number: **14037/2013**
(22) Date of Filing Application: **15 August 2013**
(24) Date from which industrial property rights may have effect: **15 August 2013**
(54) Product in respect of which the design is registered: **Busbar**
(51) International Design Classification: **13-03NES**
(74) Name(s) of Attorney(s): **Lord & Company**
(71) Name(s) and Address(s) of Applicant(s):
Albus Industries Pty Ltd
U3/8 Carole Rd Maddington WA 6109 Australia
(72) Name(s) of Designer(s): **Richard Lionel De Laeter**
(45) Registration Date: **14 February 2014**
(56) Related Art Documents: **Not Applicable**
(57) Statement of Newness and Distinctiveness: **The particular visual features of the design which are new and distinctive are the features of shape or configuration as illustrated in the accompanying representations. The busbar is of constant cross section and can be provided in a variety of lengths.**



- (21) Design Number: **14038/2013**
(22) Date of Filing Application: **15 August 2013**
(24) Date from which industrial property rights may have effect: **15 August 2013**
(54) Product in respect of which the design is registered: **Busbar**
(51) International Design Classification: **13-03NES**
(74) Name(s) of Attorney(s): **Lord & Company**
(71) Name(s) and Address(s) of Applicant(s):

Albus Industries Pty Ltd
U3/8 Carole Rd Maddington WA 6109 Australia

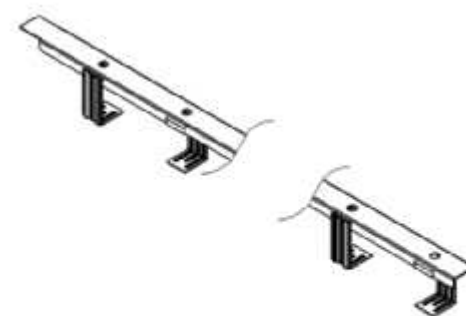
- (72) Name(s) of Designer(s): **Richard Lionel De Laeter**
(45) Registration Date: **14 February 2014**
(56) Related Art Documents: **Not Applicable**
(57) Statement of Newness and Distinctiveness: **The particular visual features of the design which are new and distinctive are the shape or configuration as illustrated in the accompanying representations. The busbar is of constant cross section and can be provided in a variety of lengths.**



- (21) Design Number: **14076/2013**
(22) Date of Filing Application: **19 August 2013**
(24) Date from which industrial property rights may have effect: **19 August 2013**
(54) Product in respect of which the design is registered: **Roofing spacer**
(51) International Design Classification: **25-01NES, 08-08L**
(74) Name(s) of Attorney(s): **Houlihan2**
(71) Name(s) and Address(s) of Applicant(s):

KDC Holdings (Aust) Pty Ltd
C/- QGR Accountants Pty Ltd SE2 43 Commerce Dr Robina QLD 4226
Australia

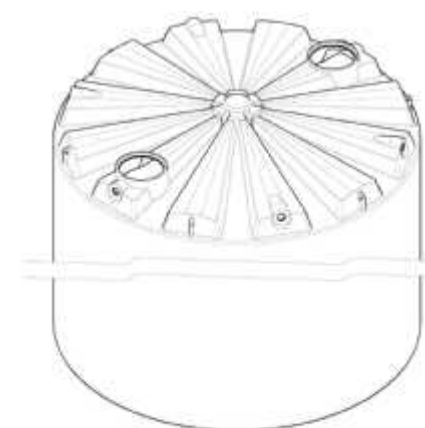
- (72) Name(s) of Designer(s): **Kevin Frederick Carey**
(45) Registration Date: **14 February 2014**
(56) Related Art Documents: **Not Applicable**
(57) Statement of Newness and Distinctiveness: **Newness and distinctiveness reside in the shape and/or configuration of a ROOFING SPACER of indefinite length as illustrated in the accompanying representations.**



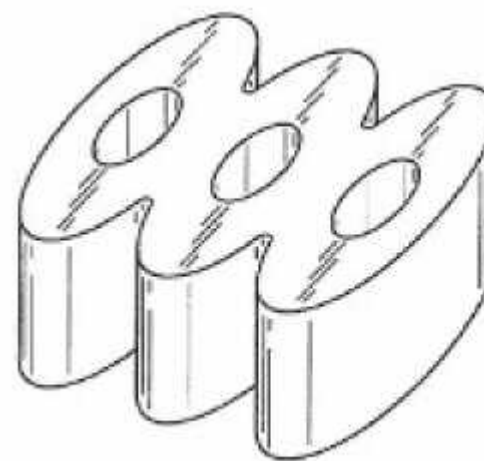
- (21) Design Number: **16166/2013**
(22) Date of Filing Application: **26 November 2013**
(24) Date from which industrial property rights may have effect: **26 November 2013**
(54) Product in respect of which the design is registered: **Table lamp**
(51) International Design Classification: **26-05B**
(74) Name(s) of Attorney(s):
(71) Name(s) and Address(s) of Applicant(s):
Ling Kiu Lam
919/570 Swanston St Carlton VIC 3053 Australia
(72) Name(s) of Designer(s): **Ling Kiu Lam**
(45) Registration Date: **14 February 2014**
(56) Related Art Documents: **Not Applicable**
(57) Statement of Newness and Distinctiveness: **Comb is a table lamp made from solid timber. Comb exhibits the striking natural texture of wood grain and switches on with magnetic mechanisms instead of a formal switch. This mechanism increases the interaction between the lighting and user. The form of comb also gives a plenty space for presenting the natural wood grain which gives users a sense of valuableness. It reduces the distance from the product to the user themselves by resisting the traditional boundary which is "Lamp must has a formal switch."**



- (21) Design Number: **16438/2013**
(22) Date of Filing Application: **10 December 2013**
(24) Date from which industrial property rights may have effect: **10 December 2013**
(54) Product in respect of which the design is registered: **Tank**
(51) International Design Classification: **23-01F**
(74) Name(s) of Attorney(s): **PHILLIPS ORMONDE FITZPATRICK**
(71) Name(s) and Address(s) of Applicant(s):
Polymaster Pty Ltd
161 Karinie St Swan Hill VIC 3585 Australia
(72) Name(s) of Designer(s): **David Mark Steele and Garth Perryman**
(45) Registration Date: **14 February 2014**
(56) Related Art Documents: **Not Applicable**
(57) Statement of Newness and Distinctiveness: **Those features of the tank depicted in the representations that are new and distinctive are the shape and/or configuration. The tank may be of indefinite height.**



(21) Design Number: **16441/2013**
(22) Date of Filing Application: **10 December 2013**
(24) Date from which industrial property rights may have effect: **10 December 2013**
(54) Product in respect of which the design is registered: **Pet treat**
(51) International Design Classification: **01-06**
(74) Name(s) of Attorney(s): **Baker & McKenzie**
(71) Name(s) and Address(s) of Applicant(s):
Mars, Incorporated
6885 Elm Street McLean Virginia 22101 United States of America
(72) Name(s) of Designer(s): **Peter Slusarczyk and Jonathan Christopher Smith and Sjon-Paul Lee Conyer and April L. Gandy and Troy James Wilhelm**
(45) Registration Date: **14 February 2014**
(30) Convention priority data:
(31) Number (32) Date (33) Country
29/458450 19 Jun 2013 UNITED STATES OF AMERICA
(56) Related Art Documents: **Not Applicable**
(57) Statement of Newness and Distinctiveness: **Nil**



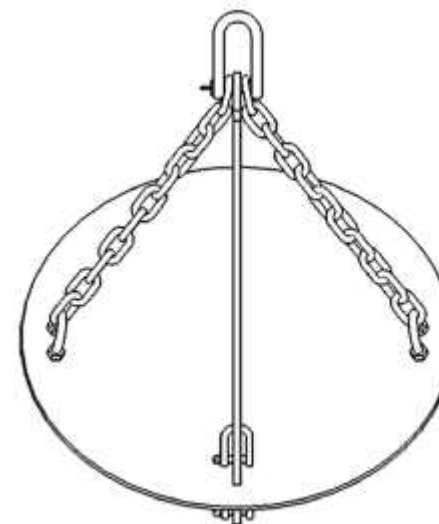
(21) Design Number: **10015/2014**
(22) Date of Filing Application: **03 January 2014**
(24) Date from which industrial property rights may have effect: **03 January 2014**
(54) Product in respect of which the design is registered: **Salad vegetable spinner**
(51) International Design Classification: **07-04**
(74) Name(s) of Attorney(s):
(71) Name(s) and Address(s) of Applicant(s):
Yan Kwong Wong
Unit 403-404 4th Floor Po Lung Centre 11 Wang Chiu Road Kowloon Bay
Kowloon Hong Kong
(72) Name(s) of Designer(s): **Yan Kwong Wong**
(45) Registration Date: **14 February 2014**
(30) Convention priority data:
(31) Number (32) Date (33) Country
1301187.1 16 Jul 2013 HONG KONG
(56) Related Art Documents: **Not Applicable**
(57) Statement of Newness and Distinctiveness: **The features of the design for which newness and distinctiveness claimed are the shape, pattern, ornament and configuration of the article as shown in the representations.**



- (21) Design Number: **10017/2014**
(22) Date of Filing Application: **03 January 2014**
(24) Date from which industrial property rights may have effect: **03 January 2014**
(54) Product in respect of which the design is registered: **A tyre**
(51) International Design Classification: **12-15B**
(74) Name(s) of Attorney(s): **WATERMARK PATENT AND TRADE MARKS ATTORNEYS**
(71) Name(s) and Address(s) of Applicant(s):
Compagnie Generale Des Etablissements Michelin
12 cours Sablon Clermont-Ferrand 63000 France
Michelin Recherche Et Technique S.A.
Route Louis Braille 10 Granges- Paccot 1763 Switzerland
(72) Name(s) of Designer(s): **Arnaud Frappart**
(45) Registration Date: **14 February 2014**
(30) Convention priority data:
(31) Number (32) Date (33) Country
002274001-0001 15 Jul 2013 OFFICE FOR HARMONISATION IN THE INTERNAL MARKET (OHIM)
(56) Related Art Documents: **Not Applicable**
(57) Statement of Newness and Distinctiveness: **Newness and distinctiveness resides in the appearance of the side wall of the tyre as represented in the annexed drawings, the remainder of the tyre not forming part of the design.**



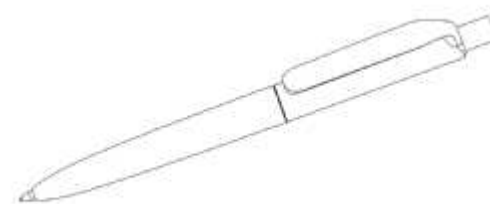
- (21) Design Number: **10018/2014**
(22) Date of Filing Application: **04 January 2014**
(24) Date from which industrial property rights may have effect: **04 January 2014**
(54) Product in respect of which the design is registered: **Anchor**
(51) International Design Classification: **12-16P**
(74) Name(s) of Attorney(s):
(71) Name(s) and Address(s) of Applicant(s):
Ian Rochfort
177 Lackrana Rd Ranga TAS 7255 Australia
(72) Name(s) of Designer(s): **Ian Rochfort**
(45) Registration Date: **14 February 2014**
(56) Related Art Documents: **Not Applicable**
(57) Statement of Newness and Distinctiveness: **Newness and distinctiveness is claimed in the features of shape and/or configuration of an anchor as shown in the accompanying representations. No newness and distinctiveness is claimed in respect of the depicted chain, D-shackles, U-bolts and nuts per se.**



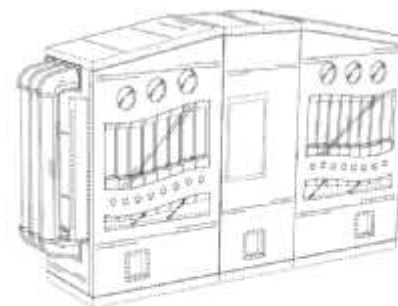
(21) Design Number: **10019/2014**
(22) Date of Filing Application: **06 January 2014**
(24) Date from which industrial property rights may have effect: **06 January 2014**
(54) Product in respect of which the design is registered: **Portable computer**
(51) International Design Classification: **14-02**
(74) Name(s) of Attorney(s): **Griffith Hack**
(71) Name(s) and Address(s) of Applicant(s):
Nintendo Co., Ltd.
11-1 Hokotate-cho Kamitoba Minami-ku Kyoto 601-8501 Japan
(72) Name(s) of Designer(s): **Takaki Fujino and Yui Ehara and Tetsuya Akama
and Kochi Kawai and Kazuhiko Koriyama**
(45) Registration Date: **14 February 2014**
(30) Convention priority data:
(31) Number (32) Date (33) Country
2013-019285 23 Aug 2013 JAPAN
(56) Related Art Documents: **Not Applicable**
(57) Statement of Newness and Distinctiveness: **Newness and distinctiveness
resides in the visual features, including the shape and configuration of
the product shown in the representations.**



(21) Design Number: **10024/2014**
(22) Date of Filing Application: **06 January 2014**
(24) Date from which industrial property rights may have effect: **06 January 2014**
(54) Product in respect of which the design is registered: **Writing instrument**
(51) International Design Classification: **19-06**
(74) Name(s) of Attorney(s): **Baker & McKenzie**
(71) Name(s) and Address(s) of Applicant(s):
Prodir S.A.
Cadempino 6814 Switzerland
(72) Name(s) of Designer(s): **Christoph Schnug**
(45) Registration Date: **14 February 2014**
(30) Convention priority data:
(31) Number (32) Date (33) Country
**DM/082 338 29 Nov 2013 OFFICE FOR HARMONISATION IN
THE INTERNAL MARKET (OHIM)**
(56) Related Art Documents: **Not Applicable**
(57) Statement of Newness and Distinctiveness: **Nil**



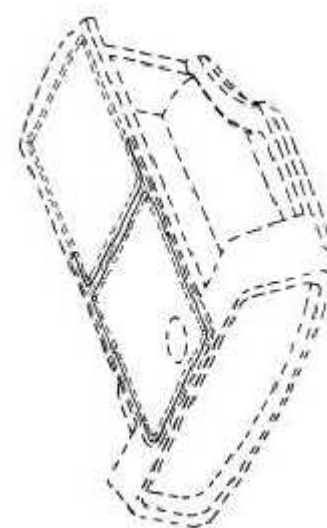
- (21) Design Number: **10025/2014**
(22) Date of Filing Application: **06 January 2014**
(24) Date from which industrial property rights may have effect: **06 January 2014**
(54) Product in respect of which the design is registered: **Vending apparatus**
(51) International Design Classification: **20-01**
(74) Name(s) of Attorney(s): **SPRUSON & FERGUSON**
(71) Name(s) and Address(s) of Applicant(s):
Lama Group, LLC
PO Box 190, Albertson New York, 11507 United States of America
(72) Name(s) of Designer(s): **Robert Bruck and Christopher Gerding**
(45) Registration Date: **14 February 2014**
(30) Convention priority data:
(31) Number (32) Date (33) Country
29/463029 09 Jul 2013 UNITED STATES OF AMERICA
(56) Related Art Documents: **Not Applicable**
(57) Statement of Newness and Distinctiveness: **Newness and distinctiveness is claimed in those features of shape and/or configuration of a vending apparatus illustrated in continuous lines in the accompanying representations.**



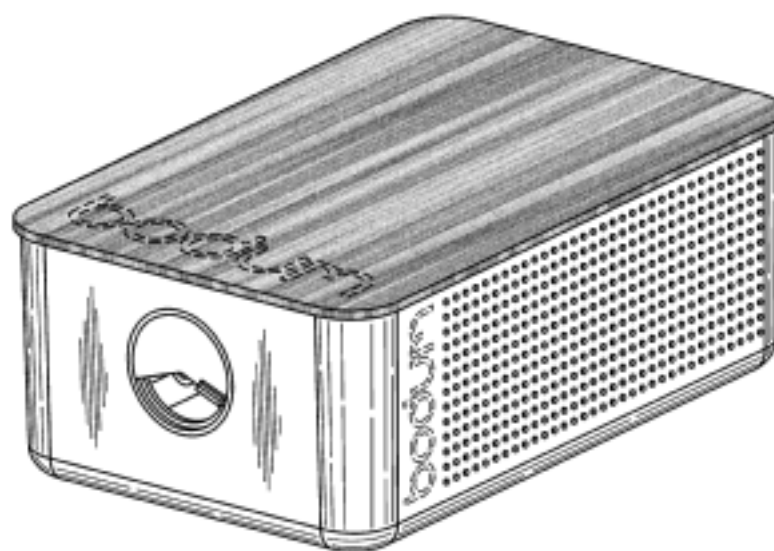
- (21) Design Number: **10028/2014**
(22) Date of Filing Application: **07 January 2014**
(24) Date from which industrial property rights may have effect: **07 January 2014**
(54) Product in respect of which the design is registered: **A golf club head**
(51) International Design Classification: **21-02C**
(74) Name(s) of Attorney(s): **Cullens Patent and Trade Mark Attorneys**
(71) Name(s) and Address(s) of Applicant(s):
Dunlop Sports Company, Ltd.
6-9, 3-Chome Wakinohama-cho, Chuo-ku Kobe 651-0072 Japan
(72) Name(s) of Designer(s): **Nick Trahan and Thomas Carlson and Chris Cooper and Adam Sheldon**
(45) Registration Date: **14 February 2014**
(30) Convention priority data:
(31) Number (32) Date (33) Country
29/460373 10 Jul 2013 UNITED STATES OF AMERICA
(56) Related Art Documents: **Not Applicable**
(57) Statement of Newness and Distinctiveness: **Newness and distinctiveness is claimed in the features depicted by solid line in the representations. Newness and distinctiveness is not claimed in the features depicted by phantom lines in the representations.**



(21) Design Number: **10029/2014**
(22) Date of Filing Application: **07 January 2014**
(24) Date from which industrial property rights may have effect: **07 January 2014**
(54) Product in respect of which the design is registered: **A golf club head**
(51) International Design Classification: **21-02C**
(74) Name(s) of Attorney(s): **Cullens Patent and Trade Mark Attorneys**
(71) Name(s) and Address(s) of Applicant(s):
Dunlop Sports Company, Ltd.
6-9 3-Chome Wakinohama-cho Chuo-ku Kobe 651-0072 Japan
(72) Name(s) of Designer(s): **Nick Trahan and Thomas Carlson and Chris Cooper and Adam Sheldon**
(45) Registration Date: **14 February 2014**
(30) Convention priority data:
(31) Number (32) Date (33) Country
29/460374 10 Jul 2013 UNITED STATES OF AMERICA
(56) Related Art Documents: **Not Applicable**
(57) Statement of Newness and Distinctiveness: **Newness and distinctiveness is claimed in the features depicted by solid lines in the representations. Newness and distinctiveness is not claimed in the features depicted by phantom lines in the representations.**



(21) Design Number: **10030/2014**
(22) Date of Filing Application: **07 January 2014**
(24) Date from which industrial property rights may have effect: **07 January 2014**
(54) Product in respect of which the design is registered: **Bread box**
(51) International Design Classification: **07-07NES, 09-03NES**
(74) Name(s) of Attorney(s): **Banki Haddock Fiora**
(71) Name(s) and Address(s) of Applicant(s):
Pi-Design AG
Kantonsstrasse 100 Triengen CH - 6234 Switzerland
(72) Name(s) of Designer(s): **Jorgen Bodum**
(45) Registration Date: **14 February 2014**
(30) Convention priority data:
(31) Number (32) Date (33) Country
DM/081416 25 Jul 2013 WORLD INTELLECTUAL PROPERTY ORGANIZATION (WIPO)
(56) Related Art Documents: **Not Applicable**
(57) Statement of Newness and Distinctiveness: **The visual features of the bread box depicted in the representations that are new and distinctive are the shape and/or configuration. No protection is claimed for the word "bodum" shown in broken lines.**



(21) Design Number: **10032/2014**

(22) Date of Filing Application: **07 January 2014**

(24) Date from which industrial property rights may have effect: **07 January 2014**

(54) Product in respect of which the design is registered: **A basin**

(51) International Design Classification: **23-02F**

(74) Name(s) of Attorney(s): **SPRUSON & FERGUSON**

(71) Name(s) and Address(s) of Applicant(s):

Caroma Industries Limited

L2 HQ South Tower 520 Wickham St Fortitude Valley QLD 4006 Australia

(72) Name(s) of Designer(s): **Luke Anthony Di Michiel**

(45) Registration Date: **14 February 2014**

(56) Related Art Documents: **Not Applicable**

(57) Statement of Newness and Distinctiveness: **Newness and distinctiveness is claimed in the features of shape and/or configuration of a basin as illustrated in the accompanying representations.**



(21) Design Number: **13796/2013**

(22) Date of Filing Application: **08 August 2013**

(24) Date from which industrial property rights may have effect: **08 August 2013**

(54) Product in respect of which the design is registered: **A spoon**

(51) International Design Classification: **07-03**

(74) Name(s) of Attorney(s): **AJ Park**

(71) Name(s) and Address(s) of Applicant(s):

Alto Packaging Limited

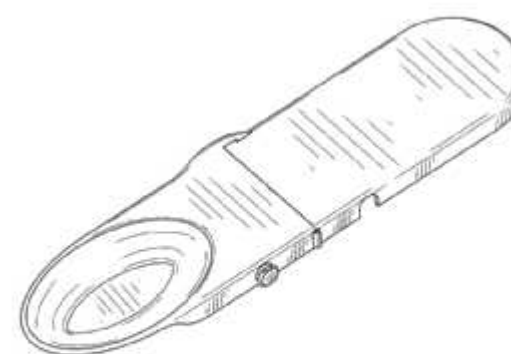
Level 6 57 Symonds Street Grafton Auckland 1010 New Zealand

(72) Name(s) of Designer(s): **Christina Theodora Maria Koeleman**

(45) Registration Date: **14 February 2014**

(56) Related Art Documents: **Not Applicable**

(57) Statement of Newness and Distinctiveness: **The newness and distinctiveness resides in the features of shape and/or configuration as shown in the representations.**



(21) Design Number: **10006/2014**
(22) Date of Filing Application: **03 January 2014**
(24) Date from which industrial property rights may have effect: **03 January 2014**
(54) Product in respect of which the design is registered: **Handbag**
(51) International Design Classification: **03-01B**
(74) Name(s) of Attorney(s): **A.P.T. Patent and Trade Mark Attorneys**
(71) Name(s) and Address(s) of Applicant(s):
Ping-Chien Chen
No. 29, Ln. 385, Sec 2, Jinhua Rd. South Dist. Tainan City 702 Taiwan
(72) Name(s) of Designer(s): **Ping-Chien Chen**
(45) Registration Date: **14 February 2014**
(30) Convention priority data:
(31) Number (32) Date (33) Country
102304705 05 Jul 2013 TAIWAN
(56) Related Art Documents: **Not Applicable**
(57) Statement of Newness and Distinctiveness: **Nil**



(21) Design Number: **15998/2013**
(22) Date of Filing Application: **20 November 2013**
(24) Date from which industrial property rights may have effect: **20 November 2013**
(54) Product in respect of which the design is registered: **A football boot**
(51) International Design Classification: **02-04NES**
(74) Name(s) of Attorney(s): **SPRUSON & FERGUSON**
(71) Name(s) and Address(s) of Applicant(s):
Boot Technology Limited
Sarnia House Le Truchot St Peter Port Guernsey GY1 4NA Channel Islands
(72) Name(s) of Designer(s): **John Serafino**
(45) Registration Date: **17 February 2014**
(56) Related Art Documents: **Not Applicable**
(57) Statement of Newness and Distinctiveness: **Newness and distinctiveness is claimed in the features of shape and/or configuration of the front portion "A" of a football boot as illustrated in the accompanying drawings.**



(21) Design Number: **16574/2013**
(22) Date of Filing Application: **16 December 2013**
(24) Date from which industrial property rights may have effect: **16 December 2013**
(54) Product in respect of which the design is registered: **Surgical handle**
(51) International Design Classification: **24-02**
(74) Name(s) of Attorney(s): **Callinans**
(71) Name(s) and Address(s) of Applicant(s):
DePuy (Ireland)
Loughbeg Industrial Estate Ringaskiddy, Co Cork Republic of Ireland
(72) Name(s) of Designer(s): **Janelle M. Lubensky and Duncan G. Young and Francisco A. Amaral and Craig S. Tsukayama and Carl F. Livorsi and Jeffrey M. Walcutt**
(45) Registration Date: **17 February 2014**
(30) Convention priority data:
(31) Number (32) Date (33) Country
29/457,179 07 Jun 2013 UNITED STATES OF AMERICA
(56) Related Art Documents: **Not Applicable**
(57) Statement of Newness and Distinctiveness: **Nil**



(21) Design Number: **16774/2013**
(22) Date of Filing Application: **24 December 2013**
(24) Date from which industrial property rights may have effect: **24 December 2013**
(54) Product in respect of which the design is registered: **Light assembly**
(51) International Design Classification: **26-05D**
(74) Name(s) of Attorney(s): **Shelston IP**
(71) Name(s) and Address(s) of Applicant(s):
Hangzhou China Art Industrial Co. Ltd.
No. 169 Wuchang Avenue Yuhang District Hangzhou 310023 People's Republic of China
(72) Name(s) of Designer(s): **Ren Li and Chenfei Ye**
(45) Registration Date: **17 February 2014**
(56) Related Art Documents: **Not Applicable**
(57) Statement of Newness and Distinctiveness: **Newness and distinctiveness reside in the features of shape and/or configuration of a LIGHT ASSEMBLY as illustrated in the accompanying representations. The colours depicted do not form part of the design.**



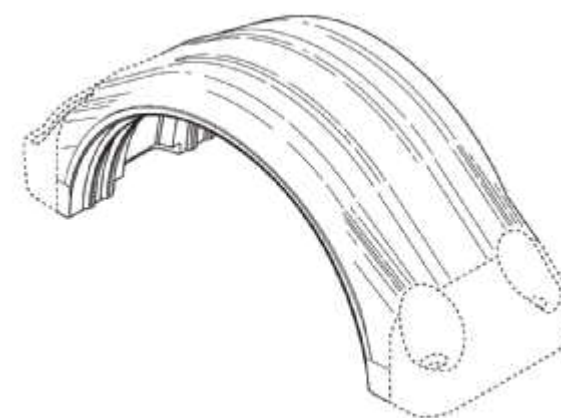
- (21) Design Number: **16775/2013**
(22) Date of Filing Application: **24 December 2013**
(24) Date from which industrial property rights may have effect: **24 December 2013**
(54) Product in respect of which the design is registered: **Sofa**
(51) International Design Classification: **06-01G**
(74) Name(s) of Attorney(s): **Shelston IP**
(71) Name(s) and Address(s) of Applicant(s):
Hangzhou China Art Industrial Co. Ltd.
No. 169 Wuchang Avenue Yuhang District Hangzhou 310023 People's Republic of China
(72) Name(s) of Designer(s): **Ren Li and Fei Wang**
(45) Registration Date: **17 February 2014**
(56) Related Art Documents: **Not Applicable**
(57) Statement of Newness and Distinctiveness: **Newness and distinctiveness reside in the features of shape and/or configuration of a SOFA as illustrated in the accompanying representation.**



- (21) Design Number: **16776/2013**
(22) Date of Filing Application: **24 December 2013**
(24) Date from which industrial property rights may have effect: **24 December 2013**
(54) Product in respect of which the design is registered: **Chair**
(51) International Design Classification: **06-01H**
(74) Name(s) of Attorney(s): **Shelston IP**
(71) Name(s) and Address(s) of Applicant(s):
Hangzhou China Art Industrial Co. Ltd.
No. 169 Wuchang Avenue Yuhang District Hangzhou 310023 People's Republic of China
(72) Name(s) of Designer(s): **Ren Li**
(45) Registration Date: **17 February 2014**
(56) Related Art Documents: **Not Applicable**
(57) Statement of Newness and Distinctiveness: **Newness and distinctiveness reside in the features of shape and/or configuration of a CHAIR as illustrated in the accompanying representations. The colours depicted do not form part of the design.**



(21) Design Number: **16777/2013**
(22) Date of Filing Application: **24 December 2013**
(24) Date from which industrial property rights may have effect: **24 December 2013**
(54) Product in respect of which the design is registered: **Pipe coupling segment**
(51) International Design Classification: **23-01A**
(74) Name(s) of Attorney(s): **SPRUSON & FERGUSON**
(71) Name(s) and Address(s) of Applicant(s):



Victaulic Company
4901 Kesslersville Road Easton Pennsylvania 18040 United States of America

(72) Name(s) of Designer(s): **Loretta Marsicano and Craig Haney and Mark J Sewell**

(45) Registration Date: **17 February 2014**

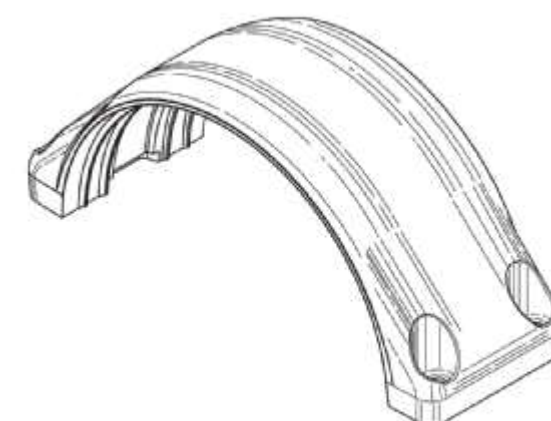
(30) Convention priority data:

(31) Number	(32) Date	(33) Country
29/459522	01 Jul 2013	UNITED STATES OF AMERICA

(56) Related Art Documents: **Not Applicable**

(57) Statement of Newness and Distinctiveness: **Newness and distinctiveness is claimed in those features of shape and/or configuration of a pipe coupling segment illustrated in continuous lines in the accompanying representations.**

(21) Design Number: **16778/2013**
(22) Date of Filing Application: **24 December 2013**
(24) Date from which industrial property rights may have effect: **24 December 2013**
(54) Product in respect of which the design is registered: **Pipe coupling segment**
(51) International Design Classification: **23-01A**
(74) Name(s) of Attorney(s): **SPRUSON & FERGUSON**
(71) Name(s) and Address(s) of Applicant(s):



Victaulic Company
4901 Kesslersville Road Easton Pennsylvania 18040 United States of America

(72) Name(s) of Designer(s): **Craig Haney and Loretta Marsicano and Mark J Sewell**

(45) Registration Date: **17 February 2014**

(30) Convention priority data:

(31) Number	(32) Date	(33) Country
29/459523	01 Jul 2013	UNITED STATES OF AMERICA

(56) Related Art Documents: **Not Applicable**

(57) Statement of Newness and Distinctiveness: **Newness and distinctiveness is claimed in the features of shape and/or configuration of a pipe coupling segment as illustrated in the accompanying representations.**

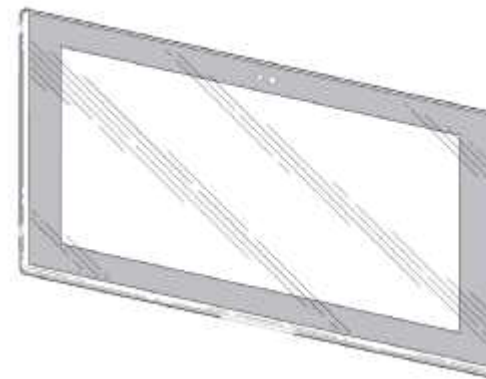
- (21) Design Number: **10038/2014**
(22) Date of Filing Application: **07 January 2014**
(24) Date from which industrial property rights may have effect: **07 January 2014**
(54) Product in respect of which the design is registered: **Hand hold vaporizer for smoking**
(51) International Design Classification: **27-02, 27-99**
(74) Name(s) of Attorney(s):
(71) Name(s) and Address(s) of Applicant(s):
TRIO BROTHERS TRADING PTY LTD
18 Beal St Meadowbrook QLD 4131 Australia
(72) Name(s) of Designer(s): **Jack Qin**
(45) Registration Date: **17 February 2014**
(56) Related Art Documents: **Not Applicable**
(57) Statement of Newness and Distinctiveness: **Cylindric body, blowed glass bulb with bent taper on top.**



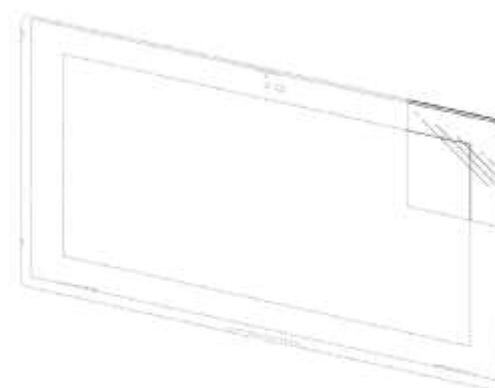
- (21) Design Number: **10039/2014**
(22) Date of Filing Application: **07 January 2014**
(24) Date from which industrial property rights may have effect: **07 January 2014**
(54) Product in respect of which the design is registered: **Toothbrush with LED**
(51) International Design Classification: **04-02**
(74) Name(s) of Attorney(s): **Marks & Clerk Australia**
(71) Name(s) and Address(s) of Applicant(s):
Barrie R D Gillings
121 Bannockburn Rd Turramurra NSW 2074 Australia
Mark William Knapp
41 Toorak Rd South Yarra VIC 3141 Australia
Andrew Charles Stray
55 Montana Pde Croydon VIC 3136 Australia
(72) Name(s) of Designer(s): **Barrie R D Gillings and Mark William Knapp and Andrew Charles Stray**
(45) Registration Date: **17 February 2014**
(56) Related Art Documents: **Not Applicable**
(57) Statement of Newness and Distinctiveness: **Newness and distinctiveness resides in the features of the design of a toothbrush handle with LED as shown in the accompanying representations, excluding the toothbrush head and bristles.**



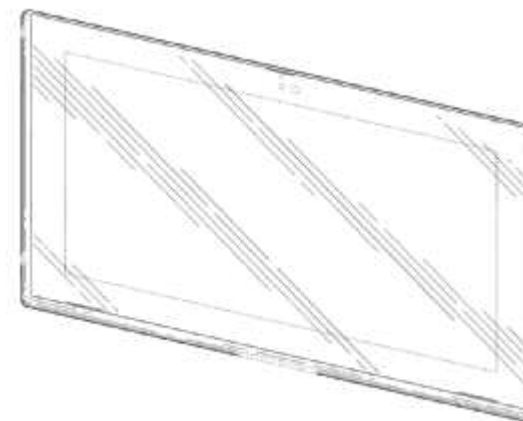
(21) Design Number: **10040/2014**
(22) Date of Filing Application: **08 January 2014**
(24) Date from which industrial property rights may have effect: **08 January 2014**
(54) Product in respect of which the design is registered: **Tablet computer**
(51) International Design Classification: **14-02**
(74) Name(s) of Attorney(s): **SPRUSON & FERGUSON**
(71) Name(s) and Address(s) of Applicant(s):
Nokia Corporation
Keilalahdentie 4 Espoo 02150 Finland
(72) Name(s) of Designer(s): **Boris Landwehr**
(45) Registration Date: **17 February 2014**
(30) Convention priority data:
(31) Number (32) Date (33) Country
29/464957 22 Aug 2013 UNITED STATES OF AMERICA
(56) Related Art Documents: **Not Applicable**
(57) Statement of Newness and Distinctiveness: **Newness and distinctiveness is claimed in the features of shape and/or configuration of a tablet computer as illustrated in continuous lines in the accompanying representations.**



(21) Design Number: **10041/2014**
(22) Date of Filing Application: **08 January 2014**
(24) Date from which industrial property rights may have effect: **08 January 2014**
(54) Product in respect of which the design is registered: **Tablet computer**
(51) International Design Classification: **14-02**
(74) Name(s) of Attorney(s): **SPRUSON & FERGUSON**
(71) Name(s) and Address(s) of Applicant(s):
Nokia Corporation
Keilalahdentie 4 Espoo 02150 Finland
(72) Name(s) of Designer(s): **Boris Landwehr**
(45) Registration Date: **17 February 2014**
(30) Convention priority data:
(31) Number (32) Date (33) Country
29/464957 22 Aug 2013 UNITED STATES OF AMERICA
(56) Related Art Documents: **Not Applicable**
(57) Statement of Newness and Distinctiveness: **Newness and distinctiveness is claimed in the features of shape and/or configuration of a tablet computer as illustrated in continuous lines in the accompanying representations.**

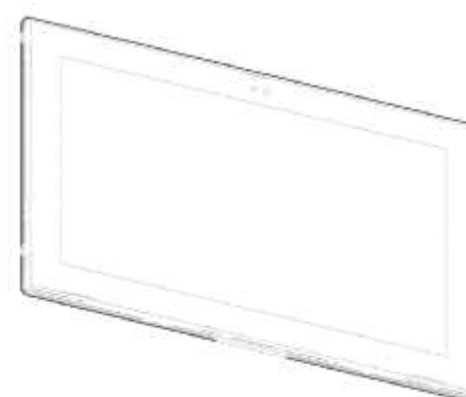


(21) Design Number: **10042/2014**
(22) Date of Filing Application: **08 January 2014**
(24) Date from which industrial property rights may have effect: **08 January 2014**
(54) Product in respect of which the design is registered: **Tablet computer**
(51) International Design Classification: **14-02**
(74) Name(s) of Attorney(s): **SPRUSON & FERGUSON**
(71) Name(s) and Address(s) of Applicant(s):
Nokia Corporation
Keilalahdentie 4 Espoo 02150 Finland
(72) Name(s) of Designer(s): **Boris Landwehr**
(45) Registration Date: **17 February 2014**
(30) Convention priority data:
(31) Number (32) Date (33) Country
29/464957 22 Aug 2013 UNITED STATES OF AMERICA



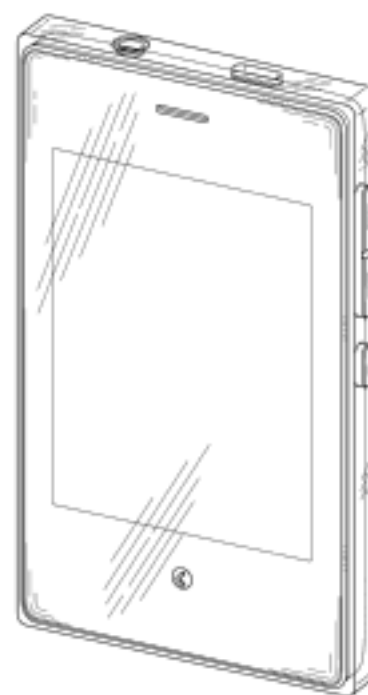
(56) Related Art Documents: **Not Applicable**
(57) Statement of Newness and Distinctiveness: **Newness and distinctiveness is claimed in the features of shape and/or configuration of a tablet computer as illustrated in continuous lines in the accompanying representations.**

(21) Design Number: **10043/2014**
(22) Date of Filing Application: **08 January 2014**
(24) Date from which industrial property rights may have effect: **08 January 2014**
(54) Product in respect of which the design is registered: **Tablet computer**
(51) International Design Classification: **14-02**
(74) Name(s) of Attorney(s): **SPRUSON & FERGUSON**
(71) Name(s) and Address(s) of Applicant(s):
Nokia Corporation
Keilalahdentie 4 Espoo 02150 Finland
(72) Name(s) of Designer(s): **Boris Landwehr**
(45) Registration Date: **17 February 2014**
(30) Convention priority data:
(31) Number (32) Date (33) Country
29/464957 22 Aug 2013 UNITED STATES OF AMERICA

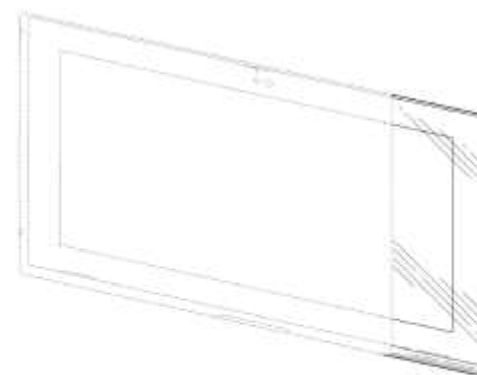


(56) Related Art Documents: **Not Applicable**
(57) Statement of Newness and Distinctiveness: **Newness and distinctiveness is claimed in the features of shape and/or configuration of a tablet computer as illustrated in continuous lines in the accompanying representations.**

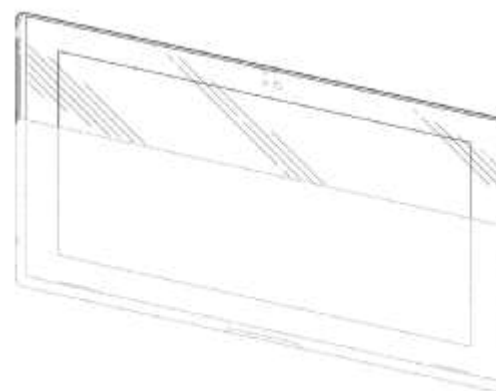
(21) Design Number: **10044/2014**
(22) Date of Filing Application: **08 January 2014**
(24) Date from which industrial property rights may have effect: **08 January 2014**
(54) Product in respect of which the design is registered: **Handset**
(51) International Design Classification: **14-03E**
(74) Name(s) of Attorney(s): **SPRUSON & FERGUSON**
(71) Name(s) and Address(s) of Applicant(s):
Nokia Corporation
Keilalahdentie 4 Espoo 02150 Finland
(72) Name(s) of Designer(s): **Jing Wang and Wei Wang**
(45) Registration Date: **17 February 2014**
(30) Convention priority data:
(31) Number (32) Date (33) Country
29/465742 30 Aug 2013 UNITED STATES OF AMERICA
(56) Related Art Documents: **Not Applicable**
(57) Statement of Newness and Distinctiveness: **Newness and distinctiveness is claimed in the features of shape and/or configuration of a handset as illustrated in the accompanying representations.**



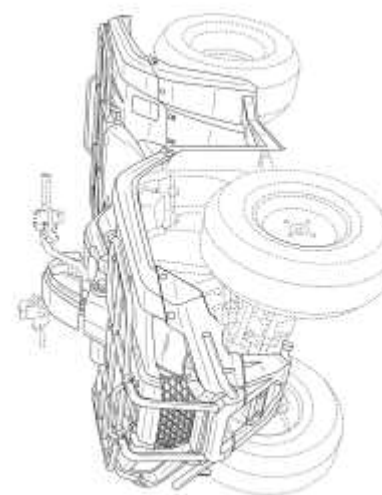
(21) Design Number: **10045/2014**
(22) Date of Filing Application: **08 January 2014**
(24) Date from which industrial property rights may have effect: **08 January 2014**
(54) Product in respect of which the design is registered: **Tablet computer**
(51) International Design Classification: **14-02**
(74) Name(s) of Attorney(s): **SPRUSON & FERGUSON**
(71) Name(s) and Address(s) of Applicant(s):
Nokia Corporation
Keilalahdentie 4 Espoo 02150 Finland
(72) Name(s) of Designer(s): **Boris Landwehr**
(45) Registration Date: **17 February 2014**
(30) Convention priority data:
(31) Number (32) Date (33) Country
29/464957 22 Aug 2013 UNITED STATES OF AMERICA
(56) Related Art Documents: **Not Applicable**
(57) Statement of Newness and Distinctiveness: **Newness and distinctiveness is claimed in the features of shape and/or configuration of a tablet computer as illustrated in continuous lines in the accompanying representations.**



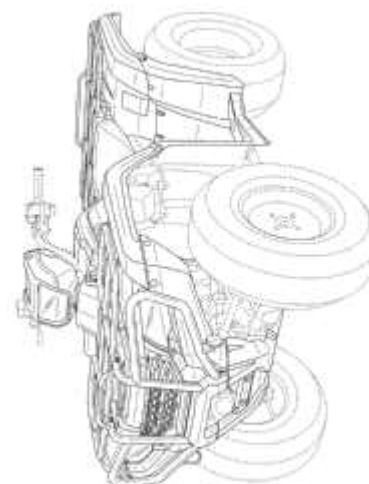
(21) Design Number: **10046/2014**
(22) Date of Filing Application: **08 January 2014**
(24) Date from which industrial property rights may have effect: **08 January 2014**
(54) Product in respect of which the design is registered: **Tablet computer**
(51) International Design Classification: **14-02, 14-01**
(74) Name(s) of Attorney(s): **SPRUSON & FERGUSON**
(71) Name(s) and Address(s) of Applicant(s):
Nokia Corporation
Keilalahdentie 4, Espoo 02150 Finland
(72) Name(s) of Designer(s): **Boris Landwehr**
(45) Registration Date: **17 February 2014**
(30) Convention priority data:
(31) Number (32) Date (33) Country
29/464957 22 Aug 2013 UNITED STATES OF AMERICA
(56) Related Art Documents: **Not Applicable**
(57) Statement of Newness and Distinctiveness: **Newness and distinctiveness is claimed in the features of shape and/or configuration of a tablet computer as illustrated in continuous lines in the accompanying representations.**



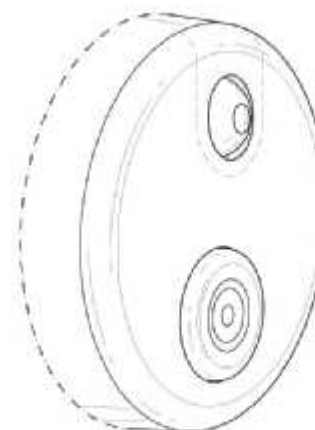
(21) Design Number: **10047/2014**
(22) Date of Filing Application: **08 January 2014**
(24) Date from which industrial property rights may have effect: **08 January 2014**
(54) Product in respect of which the design is registered: **All terrain vehicle**
(51) International Design Classification: **12-11, 12-08**
(74) Name(s) of Attorney(s): **SPRUSON & FERGUSON**
(71) Name(s) and Address(s) of Applicant(s):
Honda Motor Co., Ltd.
1-1, Minami-Aoyama, 2-chome Minato-ku, Tokyo 107-8556 Japan
(72) Name(s) of Designer(s): **Asao Itaya and Erik Dunshee and Jessica Vera and Takao Mikami**
(45) Registration Date: **17 February 2014**
(30) Convention priority data:
(31) Number (32) Date (33) Country
29/460127 08 Jul 2013 UNITED STATES OF AMERICA
(56) Related Art Documents: **Not Applicable**
(57) Statement of Newness and Distinctiveness: **Newness and distinctiveness is claimed in the features of shape and/or configuration of an all terrain vehicle as illustrated in solid lines in the accompanying representations.**



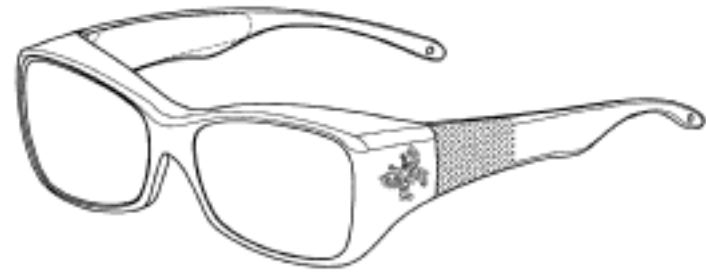
(21) Design Number: **10048/2014**
(22) Date of Filing Application: **08 January 2014**
(24) Date from which industrial property rights may have effect: **08 January 2014**
(54) Product in respect of which the design is registered: **All terrain vehicle**
(51) International Design Classification: **12-11, 12-08**
(74) Name(s) of Attorney(s): **SPRUSON & FERGUSON**
(71) Name(s) and Address(s) of Applicant(s):
Honda Motor Co., Ltd.
1-1, Minami-Aoyama, 2-chome Minato-ku, Tokyo 107-8556 Japan
(72) Name(s) of Designer(s): **Asao Itaya and Erik Dunshee and Jessica Vera and Takao Mikami**
(45) Registration Date: **17 February 2014**
(30) Convention priority data:
(31) Number (32) Date (33) Country
29/460127 08 Jul 2013 UNITED STATES OF AMERICA
(56) Related Art Documents: **Not Applicable**
(57) Statement of Newness and Distinctiveness: **Newness and distinctiveness is claimed in the features of shape and/or configuration of an all terrain vehicle as illustrated in solid lines in the accompanying representations.**



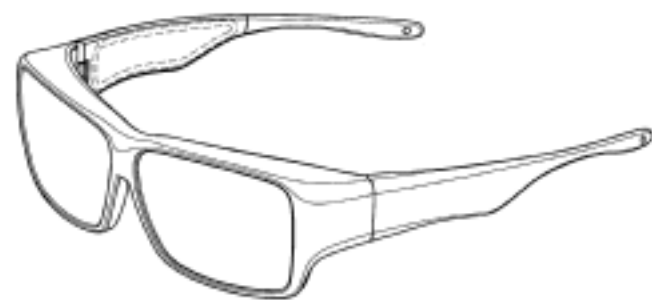
(21) Design Number: **10049/2014**
(22) Date of Filing Application: **08 January 2014**
(24) Date from which industrial property rights may have effect: **08 January 2014**
(54) Product in respect of which the design is registered: **Doorbell**
(51) International Design Classification: **10-06**
(74) Name(s) of Attorney(s): **Cullens Patent and Trade Mark Attorneys**
(71) Name(s) and Address(s) of Applicant(s):
SkyBell Technologies, Inc.
16530 Bake Parkway Suite 101 Irvine California 92618 United States of America
(72) Name(s) of Designer(s): **Joseph Frank Scalisi**
(45) Registration Date: **17 February 2014**
(30) Convention priority data:
(31) Number (32) Date (33) Country
29/461758 26 Jul 2013 UNITED STATES OF AMERICA
(56) Related Art Documents: **Not Applicable**
(57) Statement of Newness and Distinctiveness: **The features of shape and configuration of the doorbell shown in the accompanying representations are new and distinctive, except that features illustrated in dot-dash lines and other broken lines do not form part of the design.**



- (21) Design Number: **10050/2014**
(22) Date of Filing Application: **08 January 2014**
(24) Date from which industrial property rights may have effect: **08 January 2014**
(54) Product in respect of which the design is registered: **Sunglasses**
(51) International Design Classification: **16-06**
(74) Name(s) of Attorney(s):
(71) Name(s) and Address(s) of Applicant(s):
Jonathan Paul Eyewear Pty Limited
PO BOX 5475 Chittaway Bay NSW 2261 Australia
Lava Ltd
PO Box 80589 Cheung Sha Wan Post Office Hong Kong
(72) Name(s) of Designer(s): **Paul Jonathan Stables**
(45) Registration Date: **17 February 2014**
(56) Related Art Documents: **Not Applicable**
(57) Statement of Newness and Distinctiveness: **Nil**



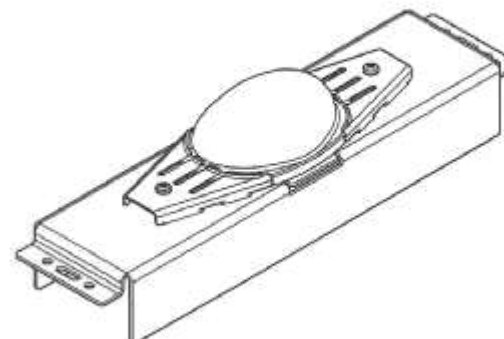
- (21) Design Number: **10051/2014**
(22) Date of Filing Application: **08 January 2014**
(24) Date from which industrial property rights may have effect: **08 January 2014**
(54) Product in respect of which the design is registered: **Sunglasses**
(51) International Design Classification: **16-06**
(74) Name(s) of Attorney(s):
(71) Name(s) and Address(s) of Applicant(s):
Jonathan Paul Eyewear Pty Limited
PO BOX 5475 Chittaway Bay NSW 2261 Australia
LAVA LTD
PO Box 80589 CHEUNG SHA WAN POST OFFICE HONG KONG HONG KONG
(72) Name(s) of Designer(s): **Paul Jonathan Stables**
(45) Registration Date: **17 February 2014**
(56) Related Art Documents: **Not Applicable**
(57) Statement of Newness and Distinctiveness: **Nil**



- (21) Design Number: **10052/2014**
(22) Date of Filing Application: **08 January 2014**
(24) Date from which industrial property rights may have effect: **08 January 2014**
(54) Product in respect of which the design is registered: **Sunglasses**
(51) International Design Classification: **16-06**
(74) Name(s) of Attorney(s):
(71) Name(s) and Address(s) of Applicant(s):
Jonathan Paul Eyewear Pty Limited
PO BOX 5475 Chittaway Bay NSW 2261 Australia
LAVA LTD
PO Box 80589 CHEUNG SHA WAN POST OFFICE HONG KONG HONG KONG
(72) Name(s) of Designer(s): **Paul Jonathan Stables**
(45) Registration Date: **17 February 2014**
(56) Related Art Documents: **Not Applicable**
(57) Statement of Newness and Distinctiveness: **Nil**



- (21) Design Number: **10062/2014**
(22) Date of Filing Application: **09 January 2014**
(24) Date from which industrial property rights may have effect: **09 January 2014**
(54) Product in respect of which the design is registered: **LED module for road lighting**
(51) International Design Classification: **26-03**
(74) Name(s) of Attorney(s): **FB Rice**
(71) Name(s) and Address(s) of Applicant(s):
Koninklijke Philips N.V.
High Tech Campus 5 Eindhoven 5656 AE The Netherlands
(72) Name(s) of Designer(s): **Walter Johannes Marie Goerts and Chrysoula Sismanidou and Niels De Koning and Willem Henricus Cornelis Van Den Corput**
(45) Registration Date: **17 February 2014**
(30) Convention priority data:
(31) Number (32) Date (33) Country
002272179-0001 10 Jul 2013 OFFICE FOR HARMONISATION IN THE INTERNAL MARKET (OHIM)
(56) Related Art Documents: **Not Applicable**
(57) Statement of Newness and Distinctiveness: **Newness and distinctiveness reside in the features of shape and configuration of the design as shown in the representations.**



(21) Design Number: **10063/2014**

(22) Date of Filing Application: **09 January 2014**

(24) Date from which industrial property rights may have effect: **09 January 2014**

(54) Product in respect of which the design is registered: **Pan for airfryer**

(51) International Design Classification: **07-02N**

(74) Name(s) of Attorney(s): **FB Rice**

(71) Name(s) and Address(s) of Applicant(s):

Koninklijke Philips N.V.
High Tech Campus 5 5656 AE Eindhoven The Netherlands

(72) Name(s) of Designer(s): **Godwin Dirk Zwanenburg and Janine Willemijn Medema and Marc Alexander Pastoors**

(45) Registration Date: **17 February 2014**

(30) Convention priority data:

(31) Number	(32) Date	(33) Country
002271940-0001	10 Jul 2013	OFFICE FOR HARMONISATION IN THE INTERNAL MARKET (OHIM)

(56) Related Art Documents: **Not Applicable**

(57) Statement of Newness and Distinctiveness: **Newness and distinctiveness reside in the features of shape and configuration of the design as shown in the representations.**



(21) Design Number: **10064/2014**

(22) Date of Filing Application: **09 January 2014**

(24) Date from which industrial property rights may have effect: **09 January 2014**

(54) Product in respect of which the design is registered: **Head for golf club**

(51) International Design Classification: **21-02C**

(74) Name(s) of Attorney(s): **SPRUSON & FERGUSON**

(71) Name(s) and Address(s) of Applicant(s):

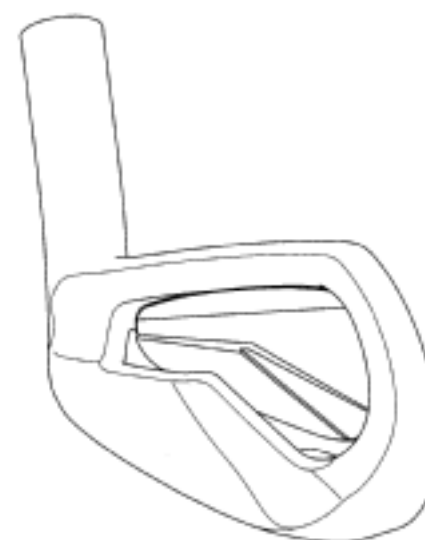
Dunlop Sports Co. Ltd.
6-9 Wakinohama-cho 3-chome Chuo-ku Kobe-shi Hyogo Japan

(72) Name(s) of Designer(s): **Hajime Asatsuma**

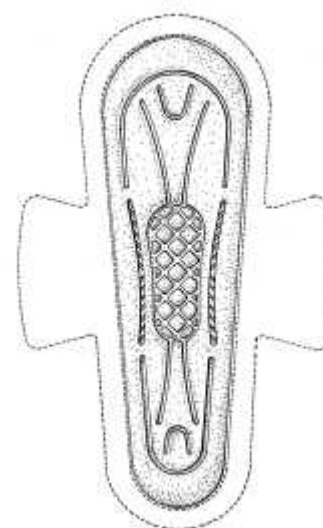
(45) Registration Date: **17 February 2014**

(56) Related Art Documents: **Not Applicable**

(57) Statement of Newness and Distinctiveness: **Newness and distinctiveness is claimed in the features of shape and/or configuration of a head for golf club as illustrated in the accompanying representations.**



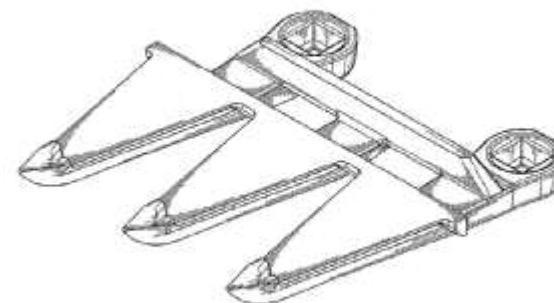
- (21) Design Number: **10065/2014**
(22) Date of Filing Application: **09 January 2014**
(24) Date from which industrial property rights may have effect: **09 January 2014**
(54) Product in respect of which the design is registered: **Embossed absorbent article**
(51) International Design Classification: **24-04**
(74) Name(s) of Attorney(s): **Shelston IP**
(71) Name(s) and Address(s) of Applicant(s):
McNeil-PPC, Inc.
199 Grandview Road Skillman New Jersey 08858 United States of America
(72) Name(s) of Designer(s): **Joana C O Ferraz and Marco A Alkmin**
(45) Registration Date: **17 February 2014**
(30) Convention priority data:
(31) Number (32) Date (33) Country
29/460985 17 Jul 2013 UNITED STATES OF AMERICA
(56) Related Art Documents: **Not Applicable**
(57) Statement of Newness and Distinctiveness: **Newness and Distinctiveness reside in the visual features of a design for an Embossed Absorbent Article as shown in solid line.**



- (21) Design Number: **10069/2014**
(22) Date of Filing Application: **09 January 2014**
(24) Date from which industrial property rights may have effect: **09 January 2014**
(54) Product in respect of which the design is registered: **Plastic pouch for ice confection**
(51) International Design Classification: **09-05**
(74) Name(s) of Attorney(s):
(71) Name(s) and Address(s) of Applicant(s):
James Richard Cross
4/12 Viewtech PI Rowville VIC 3178 Australia
(72) Name(s) of Designer(s): **James Richard Cross**
(45) Registration Date: **17 February 2014**
(56) Related Art Documents: **Not Applicable**
(57) Statement of Newness and Distinctiveness: **The newness and distinctiveness of the design resides in the shape of the opening, tear notches, zipper mechanism and perimeter seal of the pouch as shown in the continuous lines in the accompanying representations. The broken lines are not part of the design and are to be disregarded when considering the overall impression of the design.**



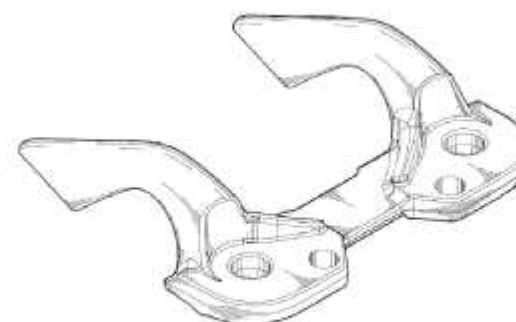
(21) Design Number: **10073/2014**
 (22) Date of Filing Application: **09 January 2014**
 (24) Date from which industrial property rights may have effect: **09 January 2014**
 (54) Product in respect of which the design is registered: **Pointed guard for a sickle**
 (51) International Design Classification: **08-03**
 (74) Name(s) of Attorney(s): **IP Gateway Patent & Trademark Attorneys Pty Ltd**
 (71) Name(s) and Address(s) of Applicant(s):
MacDon Industries Ltd.
680 Moray Street Winnipeg Manitoba R3J 3S3 Canada
 (72) Name(s) of Designer(s): **Francois R Talbot**
 (45) Registration Date: **17 February 2014**
 (30) Convention priority data:
 (31) Number (32) Date (33) Country
151945 10 Jul 2013 CANADA
 (56) Related Art Documents: **Not Applicable**
 (57) Statement of Newness and Distinctiveness: **Newness and Distinctiveness reside in the visual features of shape and/or configuration of the fingers of a POINTED GUARD FOR A SICKLE, in particular the ratio of length to width of the fingers and the size of the fingers relative to the guard as a whole, as shown in the representations.**



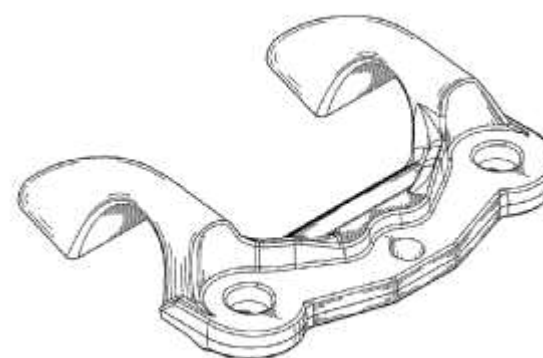
(21) Design Number: **10074/2014**
 (22) Date of Filing Application: **09 January 2014**
 (24) Date from which industrial property rights may have effect: **09 January 2014**
 (54) Product in respect of which the design is registered: **Stub guard for a sickle**
 (51) International Design Classification: **29-02**
 (74) Name(s) of Attorney(s): **IP Gateway Patent & Trademark Attorneys Pty Ltd**
 (71) Name(s) and Address(s) of Applicant(s):
MacDon Industries Ltd.
680 Moray Street Winnipeg Manitoba R3J 3S3 Canada
 (72) Name(s) of Designer(s): **Francois R Talbot**
 (45) Registration Date: **17 February 2014**
 (30) Convention priority data:
 (31) Number (32) Date (33) Country
154400 20 Dec 2013 CANADA
 (56) Related Art Documents: **Not Applicable**
 (57) Statement of Newness and Distinctiveness: **Newness and Distinctiveness reside in the visual features of shape and/or configuration of the fingers of a STUB GUARD FOR A SICKLE, in particular the ratio of length to width of the fingers and the distinct separation therebetween, as shown in the representations.**



(21) Design Number: **10075/2014**
(22) Date of Filing Application: **09 January 2014**
(24) Date from which industrial property rights may have effect: **09 January 2014**
(54) Product in respect of which the design is registered: **Hold down for a blade of a sickle**
(51) International Design Classification: **08-03**
(74) Name(s) of Attorney(s): **IP Gateway Patent & Trademark Attorneys Pty Ltd**
(71) Name(s) and Address(s) of Applicant(s):
MacDon Industries Ltd.
680 Moray Street Winnipeg Manitoba R3J 3S3 Canada
(72) Name(s) of Designer(s): **Francois R Talbot**
(45) Registration Date: **17 February 2014**
(30) Convention priority data:
(31) Number (32) Date (33) Country
154399 20 Dec 2013 CANADA
(56) Related Art Documents: **Not Applicable**
(57) Statement of Newness and Distinctiveness: **Newness and Distinctiveness reside in the visual features of shape and/or configuration of the fingers and base of a HOLD DOWN FOR A BLADE OF A SICKLE as shown in the accompanying representations and in particular as shown in the top plan view.**



(21) Design Number: **10076/2014**
(22) Date of Filing Application: **09 January 2014**
(24) Date from which industrial property rights may have effect: **09 January 2014**
(54) Product in respect of which the design is registered: **Hold down for a blade of a sickle**
(51) International Design Classification: **08-03**
(74) Name(s) of Attorney(s): **IP Gateway Patent & Trademark Attorneys Pty Ltd**
(71) Name(s) and Address(s) of Applicant(s):
MacDon Industries Ltd.
680 Moray Street Winnipeg Manitoba R3J 3S3 Canada
(72) Name(s) of Designer(s): **Francois R Talbot**
(45) Registration Date: **17 February 2014**
(30) Convention priority data:
(31) Number (32) Date (33) Country
151944 10 Jul 2013 CANADA
(56) Related Art Documents: **Not Applicable**
(57) Statement of Newness and Distinctiveness: **Newness and Distinctiveness reside in the visual features of shape and/or configuration of the two fingers on each side of a HOLD DOWN FOR A BLADE OF A SICKLE as shown in the accompanying representations and in particular as shown in the top plan view.**



- (21) Design Number: **10199/2014**
(22) Date of Filing Application: **17 January 2014**
(24) Date from which industrial property rights may have effect: **17 January 2014**
(54) Product in respect of which the design is registered: **Base ball batter helmet**
(51) International Design Classification: **02-03**
(74) Name(s) of Attorney(s):
(71) Name(s) and Address(s) of Applicant(s):
Clay Caird
733 Maddisons Road RD 5 Christchurch 7675 New Zealand
(72) Name(s) of Designer(s): **Clay Caird**
(45) Registration Date: **17 February 2014**
(56) Related Art Documents: **Not Applicable**
(57) Statement of Newness and Distinctiveness: **Newness and distinctiveness resides in the shape, configuration and ornamentation of a blank for a helmet as shown in the representatives.**



- (21) Design Number: **10505/2014**
(22) Date of Filing Application: **04 February 2014**
(24) Date from which industrial property rights may have effect: **21 June 2013**
(54) Product in respect of which the design is registered: **Bag**
(51) International Design Classification: **03-01B**
(74) Name(s) of Attorney(s): **Allens Patent & Trade Mark Attorneys**
(71) Name(s) and Address(s) of Applicant(s):
Forever New Clothing Pty Ltd
714-716 High St Kew East VIC 3102 Australia
(72) Name(s) of Designer(s): **Georgia Roberts-Thomson**
(45) Registration Date: **17 February 2014**
(62) Divisional of: **12941/2013**
(56) Related Art Documents: **Not Applicable**
(57) Statement of Newness and Distinctiveness: **Newness and distinctiveness resides in the visual features of shape, configuration, pattern and/or ornamentation of a bag as shown in the accompanying representations.**



- (21) Design Number: **10506/2014**
(22) Date of Filing Application: **04 February 2014**
(24) Date from which industrial property rights may have effect: **21 June 2013**
(54) Product in respect of which the design is registered: **Mobile device cover**
(51) International Design Classification: **03-01NES**
(74) Name(s) of Attorney(s): **Allens Patent & Trade Mark Attorneys**
(71) Name(s) and Address(s) of Applicant(s):
Forever New Clothing Pty Ltd
714-716 High St Kew East VIC 3102 Australia
(72) Name(s) of Designer(s): **Georgia Roberts-Thomson**
(45) Registration Date: **17 February 2014**
(62) Divisional of: **12941/2013**
(56) Related Art Documents: **Not Applicable**
(57) Statement of Newness and Distinctiveness: **Newness and distinctiveness resides in the visual features of shape, configuration, pattern and/or ornamentation of a mobile device cover as shown in the accompanying representation.**



- (21) Design Number: **10507/2014**
(22) Date of Filing Application: **04 February 2014**
(24) Date from which industrial property rights may have effect: **21 June 2013**
(54) Product in respect of which the design is registered: **Carrybag**
(51) International Design Classification: **03-01B**
(74) Name(s) of Attorney(s): **Allens Patent & Trade Mark Attorneys**
(71) Name(s) and Address(s) of Applicant(s):
Forever New Clothing Pty Ltd
714-716 High St Kew East VIC 3102 Australia
(72) Name(s) of Designer(s): **Georgia Roberts-Thomson**
(45) Registration Date: **17 February 2014**
(62) Divisional of: **12941/2013**
(56) Related Art Documents: **Not Applicable**
(57) Statement of Newness and Distinctiveness: **Newness and distinctiveness resides in the visual features of shape, configuration, pattern and/or ornamentation of a carrybag as shown in the accompanying representation.**



- (21) Design Number: **10508/2014**
(22) Date of Filing Application: **04 February 2014**
(24) Date from which industrial property rights may have effect: **21 June 2013**
(54) Product in respect of which the design is registered: **Carrybag**
(51) International Design Classification: **03-01B**
(74) Name(s) of Attorney(s): **Allens Patent & Trade Mark Attorneys**
(71) Name(s) and Address(s) of Applicant(s):
Forever New Clothing Pty Ltd
714-716 High St Kew East VIC 3102 Australia
(72) Name(s) of Designer(s): **Georgia Roberts-Thomson**
(45) Registration Date: **17 February 2014**
(62) Divisional of: **12941/2013**
(56) Related Art Documents: **Not Applicable**
(57) Statement of Newness and Distinctiveness: **Newness and distinctiveness resides in the visual features of shape, configuration, pattern and/or ornamentation of a carrybag as shown in the accompanying representation.**



- (21) Design Number: **10509/2014**
(22) Date of Filing Application: **04 February 2014**
(24) Date from which industrial property rights may have effect: **21 June 2013**
(54) Product in respect of which the design is registered: **Bag**
(51) International Design Classification: **03-01B**
(74) Name(s) of Attorney(s): **Allens Patent & Trade Mark Attorneys**
(71) Name(s) and Address(s) of Applicant(s):
Forever New Clothing Pty Ltd
714-716 High St Kew East VIC 3102 Australia
(72) Name(s) of Designer(s): **Georgia Roberts-Thomson**
(45) Registration Date: **17 February 2014**
(62) Divisional of: **12941/2013**
(56) Related Art Documents: **Not Applicable**
(57) Statement of Newness and Distinctiveness: **Newness and distinctiveness resides in the visual features of shape, configuration, pattern and/or ornamentation of a bag as shown in the accompanying representations.**



- (21) Design Number: **10512/2014**
(22) Date of Filing Application: **04 February 2014**
(24) Date from which industrial property rights may have effect: **21 June 2013**
(54) Product in respect of which the design is registered: **Article of clothing**
(51) International Design Classification: **02-02C**
(74) Name(s) of Attorney(s): **Allens Patent & Trade Mark Attorneys**
(71) Name(s) and Address(s) of Applicant(s):
Forever New Clothing Pty Ltd
714-716 High St Kew East VIC 3102 Australia
(72) Name(s) of Designer(s): **Octavia Miller**
(45) Registration Date: **17 February 2014**
(62) Divisional of: **12942/2013**
(56) Related Art Documents: **Not Applicable**
(57) Statement of Newness and Distinctiveness: **Newness and distinctiveness resides in the visual features of shape, configuration, pattern and/or ornamentation of an article of clothing as shown in the accompanying representations.**



- (21) Design Number: **10513/2014**
(22) Date of Filing Application: **04 February 2014**
(24) Date from which industrial property rights may have effect: **21 June 2013**
(54) Product in respect of which the design is registered: **Article of clothing**
(51) International Design Classification: **02-02C**
(74) Name(s) of Attorney(s): **Allens Patent & Trade Mark Attorneys**
(71) Name(s) and Address(s) of Applicant(s):
Forever New Clothing Pty Ltd
714-716 High St Kew East VIC 3102 Australia
(72) Name(s) of Designer(s): **Octavia Miller**
(45) Registration Date: **17 February 2014**
(62) Divisional of: **12942/2013**
(56) Related Art Documents: **Not Applicable**
(57) Statement of Newness and Distinctiveness: **Newness and distinctiveness resides in the visual features of shape, configuration, pattern and/or ornamentation of an article of clothing as shown in the accompanying representations.**

