



Australian Government

IP Australia

AUSTRALIAN OFFICIAL JOURNAL

OF

DESIGNS

Did you know a searchable version of this journal is now available online?

It's FREE and EASY to SEARCH.

Find it on our website (www.ipaustralia.gov.au)

by using the "Journals" link on the home page.

This Page Left Intentionally Blank

Contents

General Information & Notices

**Proceedings Under the Designs Act 1906 preserved as a result of the provisions of Chapter 12
Part 2 of the Designs Act 2003**

Extension of Period of Registration of Designs	566
Names Registered - Alterations and Amendments	566
Registrations Ceased	566
Subsequent Owners Registered	566

Proceedings Under the Designs Act 2003

Applications for Extension of Time Under Section 137	578
Applications Lapsed	577
Applications Lodged	570
Applications Withdrawn	577
Certificate of Examination	580
Extension of Period of Registration of Design	578
Extension of Time Granted Under Section 137	578
Names Registered - Alterations and Amendments	579
Publication and Registration Proceedings	
Designs Registered 353748 to 354162.....	581
Registrations Ceased	578
Revocation of Design Registrations	578
Subsequent Owners Registered	579

This Page Left Intentionally Blank

For information on the following please see our website www.ipaustralia.gov.au or contact our Customer Service Network on 1300651010

[Editorial enquiries](#)

[Contact information](#)

[Freedom of Information ACT](#)

[Professional Standards Board](#)

[Sales](#)

[Requests for Information under Section 194 \(c\)](#)

[Country Codes](#)

[Trade Mark and Designs Hearing Sessions](#)

[INID \(Internationally agreed Numbers for the Identification of Data\)](#)

“INID” NUMBERS in use on Australian Design Documents

“INID” is an acronym for “Internationally agreed Numbers for the Identification of Data”.

(10) Data concerning the registration/renewal

- (11) Serial number of the registration and/or number of the design document
- (12) Plain language designation of the kind of published document
- (19) Identification, using the two-letter code according to WIPO Standard ST.3, of the authority publishing or registering the industrial design

(20) Data concerning the application

- (21) Serial number of the application
- (22) Date of filing of the application
- (24) Date from which the industrial design right has effect

(30) Data relating to priority under the Paris Convention

- (31) Serial number assigned to the priority application
- (32) Date of filing of the priority application
- (33) Two-letter code, according to WIPO Standard ST.3, identifying the authority with which the priority application was made

(40) Date(s) of making information available to the public

- (45) Date of publication of the registered industrial design by printing or similar process, or making it available to the public by any other means

(50) Miscellaneous Information

- (51) International Classification for Industrial Designs (class and subclass of the Locarno Classification)
- (54) Designation of article(s) or product(s) covered by the industrial design or title of the industrial design
- (55) Reproduction of the industrial design (e.g., drawing, photograph) and explanations relating to the reproduction
- (56) List of prior art documents, if separate from descriptive text
- (57) Description of characteristic features of the industrial design including indication of colours

(60) References to other legally related application(s) and registration(s)

- (62) Serial number(s) and, if available, filing date(s) of application(s), registration(s) or document(s) related by division
- (66) Serial number(s) of the application, or the registration, of the design(s) which is (are) a variant(s) of the present one

(70) Identification of parties concerned with the application or registration

- (71) Name(s) and address(es) of the applicant(s)
- (72) Name(s) of the creator(s) if known to be such
- (74) Name(s) and address(es) of the representative(s)

This Page Left Intentionally Blank

Nil notices for this journal issue.

Proceedings under the Designs Act 1906 preserved as a result of the provisions of Chapter 12 Part 2 of the Designs Act 2003.

This Page Left Intentionally Blank

Applications Lapsed

There were no Applications Lapsed under this section

Extension of Period of Registration of Designs

1st Period (Section 27A(8))

2nd Period (Section 27A(12))

3rd Period (Section 27A(13))

151640	151813	152239
152240	152241	152271
152349	152450	152451
152590	152591	152789
153020	153243	153365
153366	153444	153445
154306	154457	155671
155672	156441	156442
156443	156444	156445
157034		

Registrations Ceased

Note: Some of the following Registrations may have been previously advertised as ceased. In this instance, the previous advertisement still prevails.

133196	133475	133476
133477	133682	133685
134433	134457	134458
134476	134477	134515
134516	134517	134557
134559	134560	134588
134616	134647	134695
134729	134770	134897
134913	134914	134915
134916	135033	135034
135035	135036	135130
135166	135184	135203
135259	135260	135261
135262	135263	135264
135318	135319	135502
135556	135594	135595
135596	135619	135620
135738	135739	135817
135818	135903	135945
136134	136608	136769
136943	137131	137177
137580	138497	139287
140353	148547	148907
148908	149339	149340
149341	149342	149343
149344	149463	149516
149587	149640	149678
149679	149828	149902

149941	149942	149943
149984	150052	150114
150115	150244	150321
150584	150759	150940
150941	151055	151073
151208	151221	151566
152325	152984	153382
153984	154324	154330
154403	154582	155080

Subsequent Owners Registered

(The name in parentheses is that of the subsequent owner)

153867	(Pago Designs Australia Pty Ltd) Pelican Group (Proprietary) Limited
--------	---

Names Registered - Alterations and Amendments

(The name in parentheses is the new name of the proprietor)

141083	(Evoqua Water Technologies LLC) Siemens Water Technologies LLC
142387	(Evoqua Water Technologies LLC) Siemens Water Technologies LLC
140046	(Evoqua Water Technologies LLC) Siemens Water Technologies LLC

This Page Left Intentionally Blank

Proceedings under the Designs Act 2003.

This Page Left Intentionally Blank

Applications Lodged

Lodgement information is in the following order: **Applicant's Name**; International Classification, Name of Product, Lodgement Date and **Design Number**. If the applicant claims an earlier priority date under an International Convention, the Convention Country and the associated filing date are shown in parentheses before the Lodgement Date. Divisional information will also appear in parentheses before the Lodgement Date.

Abrie, Quintin;Gouws, Petrus Christiaan; 21-02NES, Tackle training device, 24 Feb 2014	10812/2014	AUSTRALIAN FASHION LABELS PTY LTD; 05-05NES, A textile print, 25 Feb 2014	10855/2014
Aktiebolaget Electrolux; 08-05L, 15-99, A brush for a machine, (EM, 29 Jan 2014) 25 Feb 2014	10820/2014	Bang & Olufsen Medicom A/S;Bayer Pharma Aktiengesellschaft; 24-02, Electronic autoinjector, (EM, 20 Sep 2013) 18 Feb 2014	10761/2014
Alpargatas S.A.; 02-07A, Accessory for clothing apparel, (EM, 30 Dec 2013) 17 Feb 2014	10750/2014	Bang & Olufsen Medicom A/S;Bayer Pharma Aktiengesellschaft; 24-02, Electronic autoinjector, (EM, 20 Sep 2013) 18 Feb 2014	10762/2014
Amartey, Daniel Anum; 10-04, Electronic safety device for domestic ovens, 01 Mar 2014	10949/2014	Baruko Pty Ltd; 11-01A, Ring, 27 Feb 2014	10899/2014
Apple Inc.; 14-03E, Electronic device, (US, 09 Sep 2013) 28 Feb 2014	10912/2014	Bayer Pharma Aktiengesellschaft;Bang & Olufsen Medicom A/S; 24-02, Electronic autoinjector, (EM, 20 Sep 2013) 18 Feb 2014	10762/2014
Apple Inc.; 14-03E, Electronic device, (US, 09 Sep 2013) 28 Feb 2014	10930/2014	Bayer Pharma Aktiengesellschaft;Bang & Olufsen Medicom A/S; 24-02, Electronic autoinjector, (EM, 20 Sep 2013) 18 Feb 2014	10761/2014
Apple Inc.; 14-03E, Electronic device, (US, 09 Sep 2013) 28 Feb 2014	10928/2014	Beauty Union Global Limited; 09-03L, Container for dispenser, (Divisional of 15345/2013) 17 Feb 2014	10738/2014
Apple Inc.; 03-01NES, Case, (US, 09 Sep 2013) 28 Feb 2014	10910/2014	Black & Decker Inc; 04-01, 07-05E, Floorhead for a steam mop, (EM, 20 Aug 2013) 17 Feb 2014	10733/2014
Aurizon Operations Limited; 12-03, Rail wagon, 13 Feb 2014	10699/2014	Brand Developers Ltd; 08-06, Handle for controlling power tool, 19 Dec 2013	16676/2013
Aurizon Operations Limited; 12-03, Rail wagon, 13 Feb 2014	10700/2014	Brand Developers Ltd; 07-02H, Grilling apparatus, 26 Feb 2014	10859/2014
ABB Technology Ltd; 13-03A, INSULATOR, (EM, 05 Sep 2013) 18 Feb 2014	10754/2014	Breville Pty Limited; 07-02N, Multi cooker, 18 Feb 2014	10760/2014
APEX MEDICAL CORP.; 24-01, Part for respiratory mask, (TW, 06 Sep 2013) 24 Feb 2014	10801/2014	Burden, Ian James; 06-04F, A dresser, 26 Feb 2014	10890/2014
APEX MEDICAL CORP.; 24-01, Respiratory mask, (TW, 06 Sep 2013) 24 Feb 2014	10802/2014	Burden, Ian James; 06-06F, A headboard, 26 Feb 2014	10891/2014
ASSA ABLOY Australia Pty Limited; 08-09, An escutcheon, 28 Feb 2014	10938/2014	Burden, Ian James; 06-06F, A headboard, 26 Feb 2014	10886/2014
AUSTRALIAN FASHION LABELS PTY LTD; 05-05B, 05-05NES, A textile print, 26 Feb 2014	10858/2014	Burden, Ian James; 06-04F, A tallboy, 26 Feb 2014	10888/2014
AUSTRALIAN FASHION LABELS PTY LTD; 05-05A, A textile print, 25 Feb 2014	10852/2014	Burden, Ian James; 06-06F, A footboard, 26 Feb 2014	10889/2014
AUSTRALIAN FASHION LABELS PTY LTD; 05-05A, A textile print, 25 Feb 2014	10854/2014	Burden, Ian James; 06-06F, A headboard, 26 Feb 2014	10887/2014
AUSTRALIAN FASHION LABELS PTY LTD; 05-05A, A textile print, 25 Feb 2014		Burden, Ian James; 06-03NES, A bedside cabinet, 26 Feb 2014	10885/2014

Burgun, David Anthony; 09-09, A bag for asbestos, 27 Feb 2014	10884/2014	Electrolux Appliances Aktiebolag; 31-00, Hand held electric mixer, (EM, 22 Oct 2013) 13 Feb 2014	10694/2014
BFX Ho Pty Ltd; 06-01C, Mobile tiered seating, 17 Feb 2014	10751/2014	Electrolux Appliances Aktiebolag; 31-00, Stand for a Hand Held Electric Mixer, (EM, 22 Oct 2013) 13 Feb 2014	10695/2014
Chemring Detection Systems, Inc.; 10-05, Detector, (US, 23 Sep 2013) 19 Feb 2014	10768/2014	Engineered Endodontics, LLC; 24-01, Dental tool, (US, 07 Oct 2013) 20 Feb 2014	10784/2014
Choon's Design LLC; 02-07D, Loom hook tool, (US, 26 Aug 2013) 26 Feb 2014	10868/2014	EUROLUX AUSTRALIA PTY LTD; 08-03, Trimmer line, 20 Feb 2014	10783/2014
Cooper Technologies Company; 08-08L, 25-01B, Rooftop support, 21 Feb 2014	10791/2014	Fiskars Garden Oy Ab; 08-03, Brush axe, (EM, 16 Aug 2013) 14 Feb 2014	10721/2014
Cooper Technologies Company; 08-08L, 25-01B, Rooftop support, 21 Feb 2014	10792/2014	Fiskars Garden Oy Ab; 08-03, Lifting hook, (EM, 16 Aug 2013) 14 Feb 2014	10722/2014
Dann, Anthony; 06-01E, Furniture - stool, (EM, 31 Jan 2014) 22 Feb 2014	10800/2014	Fonterra Brands (New Zealand) Limited; 15-99, Frame for an appliance, (NZ, 29 Aug 2013) 28 Feb 2014	10909/2014
Dart Industries Inc.; 07-04, Tongs, (US, 25 Sep 2013) 28 Feb 2014	10943/2014	Fonterra Brands (New Zealand) Limited; 15-99, Frame for an appliance, (NZ, 29 Aug 2013) 28 Feb 2014	10903/2014
Darvish, Daniel; 12-02, Foldable shopping cart, (US, 15 Aug 2013) 17 Feb 2014	10742/2014	Fortune Gold Enterprises Ltd; 12-15C, Tyre, 28 Feb 2014	10911/2014
Deere & Company; 12-16B, A hood, (US, 20 Aug 2013) 18 Feb 2014	10759/2014	France, Rowenta; 23-04, Air purifier, (EM, 17 Jan 2014) 19 Feb 2014	10770/2014
DePuy (Ireland); 24-01, Femoral cutting block, (Divisional of 16388/2013) 17 Feb 2014	10737/2014	FONTERRA BRANDS (New Zealand) LIMITED; 15-99, Bay section of an appliance, (NZ, 29 Aug 2013) 28 Feb 2014	10914/2014
DePuy (Ireland); 24-01, Femoral cutting block, (Divisional of 16388/2013) 17 Feb 2014	10736/2014	FONTERRA BRANDS (New Zealand) LIMITED; 08-08B, Section divider for appliance, (NZ, 29 Aug 2013) 28 Feb 2014	10919/2014
DePuy (Ireland); 24-02, Intramedullary surgical instrument, (Divisional of 16391/2013) 17 Feb 2014	10739/2014	FONTERRA BRANDS (New Zealand) LIMITED; 15-99, Frame for an appliance, (NZ, 29 Aug 2013) 28 Feb 2014	10916/2014
Dias Aluminium Products Pty. Ltd.; 25-01K, Head/sill, 17 Feb 2014	10753/2014	Geberit International AG; 23-02C, Control panels for toilets and/or urinals, (WO, 17 Jan 2014) 28 Feb 2014	10940/2014
DESIGN BY THEM PTY LTD; 06-01E, Furniture, 25 Feb 2014	10850/2014	Geberit International AG; 23-02C, Control panels for toilets and/or urinals, (WO, 17 Jan 2014) 28 Feb 2014	10941/2014
E.D. Oates Pty Ltd; 08-08B, Ferrule, 17 Feb 2014	10749/2014	Geberit International AG; 23-02C, Control panels for toilets and/or urinals, (WO, 17 Jan 2014) 28 Feb 2014	10942/2014
Edsal Manufacturing Co., Inc.; 06-04NES, Wire shelf, (US, 16 Aug 2013) 14 Feb 2014	10713/2014	Goliathtech Inc.; 08-01, Pile head connector, (CA, 22 Aug 2013) 20 Feb 2014	10786/2014
Edsal Manufacturing Co., Inc.; 06-04NES, Wire shelf, (US, 16 Aug 2013) 14 Feb 2014	10714/2014	Goliathtech Inc.; 08-01, Helix adaptor for a pile, (CA, 22 Aug 2013) 20 Feb 2014	10787/2014
Edsal Manufacturing Co., Inc.; 06-04NES, Wire shelf, (US, 16 Aug 2013) 14 Feb 2014	10712/2014		
Edsal Manufacturing Co., Inc.; 06-04NES, Wire shelf, (US, 16 Aug 2013) 14 Feb 2014	10715/2014		

Google, Inc.; 14-03NES, 14-01, 14-99, Terrestrial unit for connectivity to a balloon network, (US, 05 Jun 2013) (Divisional of 16208/2013) 13 Feb 2014	10726/2014	Herman Miller, Inc.; 06-04F, Storage component, (Divisional of 16379/2013) 17 Feb 2014	10732/2014
Google, Inc.; 14-03NES, 14-01, 14-99, Terrestrial unit for connectivity to a balloon network, (US, 05 Jun 2013) (Divisional of 16208/2013) 13 Feb 2014	10728/2014	Herman Miller, Inc.; 06-04NES, Storage component, (Divisional of 16379/2013) 17 Feb 2014	10730/2014
Google, Inc.; 14-03NES, 14-01, 14-99, Terrestrial unit for connectivity to a balloon network, (US, 05 Jun 2013) (Divisional of 16208/2013) 13 Feb 2014	10727/2014	Herman Miller, Inc.; 06-04NES, Storage component, (Divisional of 16379/2013) 17 Feb 2014	10725/2014
Gouws, Petrus Christiaan;Abrie, Quintin; 21-02NES, Tackle training device, 24 Feb 2014	10812/2014	I.AM.SYMBOLIC, LLC; 10-02, 14-02, Multi-media wireless watch, (US, 15 Aug 2013) 14 Feb 2014	10729/2014
Great Wall Motor Company Limited; 12-08, Automobile, (CN, 31 Aug 2013) 14 Feb 2014	10717/2014	Iconic Worldwide Gaming Limited; 21-01L, Playthings, game, toy, game component, graphical user interface, icon, display screen, graphical user interface, element, (EP, 16 Aug 2013) 14 Feb 2014	10716/2014
Gree Electric Appliances, Inc. of Zhuhai; 23-04, Air conditioner, (CN, 20 Aug 2013) 19 Feb 2014	10771/2014	Illinois Tool Works Inc.; 08-08G, Apparatus for suspending a carcass, 18 Feb 2014	10752/2014
Green Mountain Coffee Roasters, Inc.; 07-02L, Dispenser head for a beverage machine, (US, 06 Sep 2013) 17 Feb 2014	10735/2014	Illinois Tool Works Inc.; 20-02E, 20-02NES, Display, 20 Feb 2014	10764/2014
Green Mountain Coffee Roasters, Inc.; 07-02L, Beverage machine, (US, 06 Sep 2013) 20 Feb 2014	10788/2014	Intercontinental Great Brands LLC; 07-01NES, Container, (US, 29 Aug 2013) 28 Feb 2014	10790/2014
GSA Industries (Aust.) Pty Ltd; 23-01A, Pipe connection fitting, 28 Feb 2014	10922/2014	IDOIT Co., Ltd.; 08-08NES, 14-03NES, Satellite antenna support, (KR, 07 Feb 2014) 25 Feb 2014	10902/2014
GSA Industries (Aust.) Pty Ltd; 23-01A, Pipe connection fitting, 28 Feb 2014	10929/2014	IDOIT Co., Ltd.; 08-08NES, 14-03NES, Satellite antenna support, (KR, 10 Feb 2014) 25 Feb 2014	10839/2014
GSA Industries (Aust.) Pty Ltd; 23-01A, Pipe connection fitting, 28 Feb 2014	10931/2014	IDOIT Co., Ltd.; 14-03NES, Satellite antenna, (KR, 10 Feb 2014) 25 Feb 2014	10821/2014
GSA Industries (Aust.) Pty Ltd; 23-01A, Pipe connection fitting, 28 Feb 2014	10927/2014	Jardin Netherlands B.V.; 06-01H, Sofa, (IL, 26 Aug 2013) 24 Feb 2014	10822/2014
GSA Industries (Aust.) Pty Ltd; 23-01A, Pipe connection fitting, 28 Feb 2014	10920/2014	Jardin Netherlands B.V.; 06-01H, Chair, (IL, 26 Aug 2013) 24 Feb 2014	10811/2014
GSA Industries (Aust.) Pty Ltd; 23-01A, Pipe connection fitting, 28 Feb 2014	10918/2014	Jardin Netherlands B.V.; 06-01H, Chair, (IL, 26 Aug 2013) 24 Feb 2014	10807/2014
GSA Industries (Aust) Pty Ltd; 23-01A, Pipe connection fitting, 28 Feb 2014	10917/2014	Jardin Netherlands B.V.; 06-03A, Table, (IL, 26 Aug 2013) 24 Feb 2014	10808/2014
Hager Electro Pty Ltd; 13-03D, Electrical socket, 27 Feb 2014	10881/2014	Jardin Netherlands B.V.; 06-01G, Sofa, (IL, 26 Aug 2013) 24 Feb 2014	10809/2014
Hager Electro Pty Ltd; 13-03NES, Electrical Switch, 27 Feb 2014	10882/2014	Jardin Netherlands B.V.; 06-01H, Chair, (IL, 26 Aug 2013) 24 Feb 2014	10805/2014
Hello Products, LLC; 09-01G, Bottle, (US, 13 Mar 2013) (Divisional of 14544/2013) 17 Feb 2014	10741/2014	Jardin Netherlands B.V.; 06-01H, Chair, (IL, 26 Aug 2013) 24 Feb 2014	10810/2014
Hendriks, David John; 12-16NES, Dust guard assembly for a bus, 28 Feb 2014	10901/2014		

Kabushiki Kaisha Pilot Corporation, (also trading as Pilot Corporation); 19-06, Colored pencil with materials for changing the color of writing, (JP, 02 Sep 2013) 25 Feb 2014	10831/2014	Madderns; 12-16NES, Impact energy absorbing element, 27 Feb 2014	10896/2014
Kagi IP Holding Company Limited; 20-02E, Jewellery display device, (US, 20 Aug 2013) 19 Feb 2014	10777/2014	Mass Technology (H.K.) Limited; 26-04, Lamp, (HK, 06 Sep 2013) 27 Feb 2014	10900/2014
Keurig, Incorporated; 07-02L, Front panel for a beverage machine, (US, 06 Sep 2013) 17 Feb 2014	10740/2014	Mr Box Limited; 08-08A, 08-08L, 08-08NES, A stake, (NZ, 28 Aug 2013) 27 Feb 2014	10895/2014
Keurig, Incorporated; 07-02L, Handle for a beverage machine, (US, 06 Sep 2013) 17 Feb 2014	10734/2014	Nexus Couplers Pty Ltd; 25-01B, A concrete reinforcing bar coupler part, 18 Feb 2014	10755/2014
Keurig, Incorporated; 07-02L, Beverage machine, (US, 06 Sep 2013) 17 Feb 2014	10731/2014	Nexus Couplers Pty Ltd; 25-01B, A concrete reinforcing bar coupler part, 18 Feb 2014	10756/2014
Kimberley Products Pty Ltd; 26-05C, Recessed lighting fixture, 14 Feb 2014	10720/2014	NEC Infrontia Corporation; 14-03E, Telephone, (JP, 20 Dec 2013) 21 Feb 2014	10796/2014
Koninklijke Philips N.V.; 14-01, Portable activity monitor, (EM, 16 Aug 2013) 14 Feb 2014	10719/2014	NEC Infrontia Corporation; 14-03E, Telephone, (JP, 20 Dec 2013) 21 Feb 2014	10795/2014
Kumho Tire., Inc.; 12-15B, Tire for a car, (KR, 25 Oct 2013) 18 Feb 2014	10757/2014	NU-D LIMITED; 08-99, Shackle pin, (NZ, 13 Sep 2013) 24 Feb 2014	10803/2014
KONE Corporation; 25-02C, Gate, (EM, 30 Sep 2013) 13 Feb 2014	10701/2014	Oakley Inc.; 16-06, Eyeglass, (US, 20 Dec 2013) 28 Feb 2014	10915/2014
KONE Corporation; 25-02C, Gate, (EM, 30 Sep 2013) 13 Feb 2014	10702/2014	Oakley, Inc.; 16-06, Eyeglass or components thereof, (US, 20 Dec 2013) 28 Feb 2014	10908/2014
Leatherman Tool Group, Inc.; 05-05NES, Tarpaulin, (US, 03 Sep 2013) 28 Feb 2014	10935/2014	Oakley, Inc.; 16-06, Eyeglass or components thereof, (US, 20 Dec 2013) 28 Feb 2014	10913/2014
Leatherman Tool Group, Inc.; 06-13NES, Multipurpose blanket, (US, 03 Sep 2013) 28 Feb 2014	10936/2014	Oakley, Inc.; 16-06, Eyeglass or components thereof, (US, 20 Dec 2013) 28 Feb 2014	10926/2014
Lightforce Australia Pty. Limited; 26-06, Housing for driving light, (US, 24 Sep 2013) 25 Feb 2014	10853/2014	Oakley, Inc.; 16-06, Eyeglass or components thereof, (US, 20 Dec 2013) 28 Feb 2014	10906/2014
Lotus Caravans Pty Ltd; 06-01E, Caravan foot stool, 27 Feb 2014	10897/2014	Parsons, Andrew James; 09-99, Garden product, 18 Feb 2014	10765/2014
Lotus Caravans Pty Ltd; 12-16NES, Caravan suspension, 27 Feb 2014	10898/2014	Parsons, Andrew James; 09-99, Garden product, 18 Feb 2014	10766/2014
LES CHAUSSURES STC INC.; 02-04NES, Seamless boot, (US, 21 Jan 2014) 18 Feb 2014	10758/2014	Pate, Simon Michael; 20-02NES, Cigarette stickers, 26 Feb 2014	10857/2014
LSI Industries, Inc.; 26-05D, Lighting, (Divisional of 10321/2014) 26 Feb 2014	10870/2014	PepsiCo, Inc.; 31-00, Ice dispenser, (US, 21 Aug 2013) 20 Feb 2014	10789/2014
Macdonald, John Andrew; 08-08B, Screw, 27 Feb 2014	10883/2014	Premaco Limited; 14-01, Recessed media hub, 28 Feb 2014	10937/2014
		Radio Flyer Inc.; 21-01F, Hand driven ride-on vehicle, (US, 29 Aug 2013) 20 Feb 2014	10781/2014

Rapid Resource Solutions Pty. Ltd.; Australian Brake Company; 12-16M, Brake rotors, 19 Feb 2014	10767/2014	Sensio Inc.; 23-01G, Filter, (US, 05 Dec 2012) 05 Jun 2013	16847/2013
Reckitt Benckiser (Brands) Limited; 09-03NES, Dispenser, (EM, 06 Sep 2013) 26 Feb 2014	10861/2014	Sensio Inc.; 23-01G, Filter, (US, 05 Dec 2012) 05 Jun 2013	16846/2013
Reckitt Benckiser (Brands) Limited; 23-02A, Dispenser, (EM, 06 Sep 2013) 26 Feb 2014	10860/2014	Sergienko, Vadim; 02-04NES, Footwear, 26 Feb 2014	10871/2014
Reflex Technology Pty Ltd; 08-05F, Alignment device, 28 Feb 2014	10948/2014	Sergienko, Vadim; 02-04NES, Footwear, 26 Feb 2014	10867/2014
ResMed Limited; 24-01, Positive airway pressure delivery console, (Divisional of 16209/2013) 18 Feb 2014	10782/2014	Sergienko, Vadim; 02-04NES, Footwear, 26 Feb 2014	10869/2014
Roadvision Pty. Ltd.; 26-06, Automotive driving lamp, 31 Jan 2014	10437/2014	Sheldon and Hammond Pty Ltd; 07-01F, A water pitcher, 31 Jan 2014	10438/2014
Roadvision Pty. Ltd.; 08-05E, Aiming tool, 31 Jan 2014	10439/2014	Shift Geophysics Pty Ltd; 10-99, Frame structure for towed survey bird, 21 Feb 2014	10798/2014
Rolling Stone Cleaning Co. Limited; 08-05A, A pair of gardening tongs, (NZ, 20 Aug 2013) 20 Feb 2014	10780/2014	Shirtliff, Ian; 23-01H, 23-01E, 23-01B, Knurled spout, 27 Feb 2014	10880/2014
Rowenta France; 23-04, Air purifier, (EM, 17 Jan 2014) 19 Feb 2014	10775/2014	Shirtliff, Ian; 23-01H, Tap handle, 27 Feb 2014	10879/2014
Runway Blue, LLC; 07-01NES, 10-04, Container, (US, 03 Sep 2013) 17 Feb 2014	10746/2014	Simplehuman, LLC; 06-07, Vanity mirror, (US, 22 Aug 2013) 21 Feb 2014	10797/2014
Sandvik Intellectual Property AB; 15-99, Three row core tray, 13 Feb 2014	10704/2014	Smith, Roy; 06-06NES, Hands free didgeridoo stand, 15 Feb 2014	10724/2014
Sandvik Intellectual Property AB; 09-02A, 08-05NES, 15-99, Tank for use with a crusher, (EM, 20 Sep 2013) 21 Feb 2014	10793/2014	Sony Computer Entertainment Inc.; 14-04, Display screen with user interface, (JP, 01 Nov 2013) 28 Feb 2014	10921/2014
Sandvik Intellectual Property AB; 15-99, Four row core tray, 13 Feb 2014	10703/2014	Sprue Safety Products Ltd.; 10-05, Fire alarm, (EM, 04 Sep 2013) 27 Feb 2014	10894/2014
Sandvik Intellectual Property AB; 15-99, Five row core tray, 13 Feb 2014	10705/2014	Sprue Safety Products Ltd.; 10-05, Fire alarm, (EM, 04 Sep 2013) 27 Feb 2014	10893/2014
Schneider Electric (Australia) Pty Limited; 13-03NES, Electrical enclosure, 26 Feb 2014	10874/2014	Stemco LP; 12-16A, Hub cap, (US, 21 Aug 2013) 19 Feb 2014	10772/2014
Schneider Electric (Australia) Pty Limited; 13-03NES, Electrical enclosure, 26 Feb 2014	10877/2014	Stemco LP; 12-16A, Hub cap, (US, 21 Aug 2013) 19 Feb 2014	10773/2014
Schneider Electric (Australia) Pty Limited; 13-03NES, Electrical enclosure, 26 Feb 2014	10875/2014	Stemco LP; 12-16A, Hub cap, (US, 21 Aug 2013) 19 Feb 2014	10774/2014
Schneider Electric (Australia) Pty Limited; 13-03NES, Electrical enclosure, 26 Feb 2014	10876/2014	Sunbeam Corporation Limited; 07-02G, Sandwich toaster, 24 Feb 2014	10806/2014
Schneider Electric (Australia) Pty Limited; 13-03NES, Electrical enclosure, 26 Feb 2014	10872/2014	Sunbeam Corporation Limited; 07-02G, Sandwich toaster, 24 Feb 2014	10804/2014
Schneider Electric (Australia) Pty Limited; 13-03NES, Electrical enclosure, 26 Feb 2014	10873/2014	Superior Engineering (QLD) Pty Ltd; 12-16NES, An automotive stabilizer arm, 20 Feb 2014	10785/2014
Schneider Electric Industries SAS; 26-02, Hand lamp, (EP, 05 Sep 2013) 28 Feb 2014	10907/2014		
Seafolly Pty Ltd; 02-02A, Swimwear, 12 Feb 2014	10710/2014		

SAMSUNG ELECTRONICS CO., LTD.; 14-04, Display screen with icon for an electronic device, (US, 03 Sep 2013) 25 Feb 2014	10826/2014	SAMSUNG ELECTRONICS CO., LTD.; 14-04, Display screen with icon for an electronic device, (US, 03 Sep 2013) 25 Feb 2014	10843/2014
SAMSUNG ELECTRONICS CO., LTD.; 14-04, Display screen with icon for an electronic device, (US, 03 Sep 2013) 25 Feb 2014	10827/2014	SAMSUNG ELECTRONICS CO., LTD.; 14-04, 14-02, Display screen with icon for an electronic device, (US, 03 Sep 2013) 25 Feb 2014	10835/2014
SAMSUNG ELECTRONICS CO., LTD.; 03-01NES, Cover for mobile phone, (KR, 30 Aug 2013) 25 Feb 2014	10828/2014	SAMSUNG ELECTRONICS CO., LTD.; 14-04, 14-02, Display screen with icon for an electronic device, (US, 03 Sep 2013) 25 Feb 2014	10836/2014
SAMSUNG ELECTRONICS CO., LTD.; 14-04, Display screen with icon for an electronic device, (US, 03 Sep 2013) 25 Feb 2014	10825/2014	SAMSUNG ELECTRONICS CO., LTD.; 14-04, Display screen with icon for an electronic device, (US, 03 Sep 2013) 25 Feb 2014	10844/2014
SAMSUNG ELECTRONICS CO., LTD.; 03-01NES, Cover for mobile phone, (KR, 30 Aug 2013) 25 Feb 2014	10833/2014	SAMSUNG ELECTRONICS CO., LTD.; 14-04, Display screen with icon for an electronic device, (US, 03 Sep 2013) 25 Feb 2014	10841/2014
SAMSUNG ELECTRONICS CO., LTD.; 14-04, 14-02, Display screen with icon for an electronic device, (KR, 03 Sep 2013) 25 Feb 2014	10834/2014	SAMSUNG ELECTRONICS CO., LTD.; 14-04, Display screen with icon for an electronic device, (US, 03 Sep 2013) 25 Feb 2014	10842/2014
SAMSUNG ELECTRONICS CO., LTD.; 03-01NES, Cover for mobile phone, (KR, 30 Aug 2013) 25 Feb 2014	10829/2014	SAMSUNG ELECTRONICS CO., LTD.; 14-04, Display screen with icon for an electronic device, (US, 03 Sep 2013) 25 Feb 2014	10840/2014
SAMSUNG ELECTRONICS CO., LTD.; 03-01NES, Cover for mobile phone, (KR, 30 Aug 2013) 25 Feb 2014	10830/2014	SAMSUNG ELECTRONICS CO., LTD.; 03-01NES, Cover for mobile phone, (KR, 30 Aug 2013) 25 Feb 2014	10823/2014
SAMSUNG ELECTRONICS CO., LTD.; 14-04, Display screen with icon for an electronic device, (US, 03 Sep 2013) 25 Feb 2014	10847/2014	SAMSUNG ELECTRONICS CO., LTD.; 14-04, Display screen with icon for an electronic device, (US, 03 Sep 2013) 25 Feb 2014	10824/2014
SAMSUNG ELECTRONICS CO., LTD.; 14-04, Display screen with icon for an electronic device, (US, 03 Sep 2013) 25 Feb 2014	10848/2014	SAMSUNG ELECTRONICS CO., LTD.; 03-01NES, A case for a portable terminal, (KR, 30 Aug 2013) 17 Feb 2014	10743/2014
SAMSUNG ELECTRONICS CO., LTD.; 14-04, Display screen with icon for an electronic device, (US, 03 Sep 2013) 25 Feb 2014	10845/2014	SAMSUNG ELECTRONICS CO., LTD.; 03-01NES, A case for a portable terminal, (KR, 30 Aug 2013) 17 Feb 2014	10744/2014
SAMSUNG ELECTRONICS CO., LTD.; 03-01NES, Cover for mobile phone, (KR, 30 Aug 2013) 25 Feb 2014	10832/2014	SAMSUNG ELECTRONICS CO., LTD.; 03-01NES, A case for a portable terminal, (KR, 30 Aug 2013) 17 Feb 2014	10747/2014
SAMSUNG ELECTRONICS CO., LTD.; 14-04, Display screen with icon for an electronic device, (US, 03 Sep 2013) 25 Feb 2014	10849/2014	SAMSUNG ELECTRONICS CO., LTD.; 03-01NES, A case for a portable terminal, (KR, 30 Aug 2013) 17 Feb 2014	10745/2014
SAMSUNG ELECTRONICS CO., LTD.; 14-04, 14-02, Display screen with icon for an electronic device, (US, 03 Sep 2013) 25 Feb 2014	10837/2014	SAVERGLASS; 09-01H, Bottle, (EM, 23 Sep 2013) 18 Feb 2014	10763/2014
SAMSUNG ELECTRONICS CO., LTD.; 14-04, Display screen with icon for an electronic device, (US, 03 Sep 2013) 25 Feb 2014	10846/2014	SIS Resources, Ltd.; 13-02, 27-01, Charger for electronic cigarette, (US, 29 Aug 2013) 25 Feb 2014	10819/2014
		Tadano Ltd.; 22-05, Removable outrigger, (JP, 21 Aug 2013) 19 Feb 2014	10769/2014

Tait, Harrison;Tait, Perry; 08-08D, Telescopic pole clamp, 13 Feb 2014	10706/2014	Tyco Fire & Security GmbH; 10-05, Security tag, (US, 30 Aug 2013) 28 Feb 2014	10932/2014
Tait, Perry;Tait, Harrison; 08-08D, Telescopic pole clamp, 13 Feb 2014	10706/2014	Tyco Fire & Security GmbH; 10-05, Security tag, (US, 30 Aug 2013) 28 Feb 2014	10934/2014
The Australian Brake Company;Rapid Resource Solutions Pty. Ltd.; 12-16M, Brake rotors, 19 Feb 2014	10767/2014	TRAXXAS LP; 21-01C, Quadrotor model helicopter, (US, 15 Aug 2013) 14 Feb 2014	10707/2014
The Burton Corporation; 08-08NES, Surfboard leash, (US, 30 Aug 2013) 28 Feb 2014	10904/2014	TRAXXAS LP; 14-03NES, 21-01C, Remote control unit for a model vehicle, (US, 15 Aug 2013) 14 Feb 2014	10711/2014
The Decor Corporation Pty Ltd; 07-01NES, Container, 28 Feb 2014	10944/2014	TRAXXAS LP; 21-01C, Canopy for a quadrotor model helicopter, (US, 15 Aug 2013) 14 Feb 2014	10709/2014
The Decor Corporation Pty Ltd; 07-01NES, Handle, 28 Feb 2014	10945/2014	TRAXXAS LP; 21-01C, Quadrotor model helicopter airframe, (US, 15 Aug 2013) 14 Feb 2014	10708/2014
The Decor Corporation Pty Ltd; 07-01NES, Lid, 28 Feb 2014	10946/2014	Visy R & D Pty Ltd; 09-03H, A blank for a cross bearer of a cardboard pallet, 17 Feb 2014	10748/2014
The Procter & Gamble Company; 09-01G, Bottle with cap and bow, (WO, 07 Oct 2013) 26 Feb 2014	10864/2014	Wax, Saul Barry; 09-03H, Suitcase insert, (US, 14 Aug 2013) 14 Feb 2014	10718/2014
The Procter & Gamble Company; 09-01G, Bottle with cap and bow, (WO, 07 Oct 2013) 26 Feb 2014	10865/2014	Weeks Holdings Pty Ltd; 25-01G, Roof sheeting, 24 Feb 2014	10814/2014
The Procter & Gamble Company; 09-01G, Bottle with cap and bow, (WO, 07 Oct 2013) 26 Feb 2014	10866/2014	Weeks Holdings Pty Ltd; 25-01C, Batten for roof sheeting, 24 Feb 2014	10815/2014
The Procter & Gamble Company; 09-01G, Bottle with cap and bow, (WO, 07 Oct 2013) 26 Feb 2014	10862/2014	Weeks Holdings Pty Ltd; 25-01G, Roof sheeting, 24 Feb 2014	10813/2014
The Procter & Gamble Company; 09-07A, Cap for a bottle, (WO, 07 Oct 2013) 26 Feb 2014	10863/2014	Wheeler, Christian John;Wheeler, Christian; 03-01B, 26-99, A light mount, 26 Feb 2014	10878/2014
The Spacer Co Pty Ltd; 09-03M, Bag for concrete blocks, 28 Feb 2014	10924/2014	Wheeler, Christian;Wheeler, Christian John; 03-01B, 26-99, A light mount, 26 Feb 2014	10878/2014
The Trustee for Andrew Molnar Family Trust; 06-06NES, Ipad stand, 19 Feb 2014	10778/2014	Wilton Industries, Inc.; 07-99NES, Scoop, (US, 04 Sep 2013) 25 Feb 2014	10851/2014
The Trustee for Andrew Molnar Family Trust; 06-06NES, Lectern, 19 Feb 2014	10776/2014	Wood, Sharynne Elise; 21-01A, A soft toy, 19 Feb 2014	10779/2014
The Trustee for Hopkins Family Trust; 25-01A, Building block, 14 Feb 2014	10723/2014	WOBBLEWORKS, INC.; 19-06, Instrument for drawing, (EM, 25 Sep 2013) 27 Feb 2014	10892/2014
Thinking Ergonomix Pty Limited; 06-01F, A chair, 21 Feb 2014	10799/2014	Zayne Pty Ltd; 09-06, Reusable strap for holding goods, 28 Feb 2014	10947/2014
TreeFrog Developments, Inc.; 03-01NES, A hat, (US, 23 Aug 2013) 21 Feb 2014	10794/2014	Zhejiang CFMOTO Power Co., Ltd; 12-08, All-terrain vehicle, (CN, 18 Dec 2013) 28 Feb 2014	10905/2014
Tribu N.V.; 06-01G, Sofa, (EM, 04 Sep 2013) 13 Feb 2014	10697/2014	Zurn Industries, LLC.; 23-02C, Urinal, (US, 03 Sep 2013) 28 Feb 2014	10939/2014
Tribu N.V.; 06-01G, Chair, (EM, 04 Sep 2013) 13 Feb 2014	10696/2014		
Trupp, Helena Jane; 26-05D, Wire lamp cage guard, 25 Feb 2014	10856/2014		

3M Innovative Properties Company; **10838/2014**
 08-08G, Hooks, (US, 28 Aug 2013) 25 Feb
 2014

Applications Withdrawn

13482 / 2013 (08-05A) 14428 / 2013 (99-00)

Applications Lapsed

15028 / 2012 (15-07)	15107 / 2012 (02-02C)
16054 / 2012 (25-01C)	16086 / 2012 (02-02C)
16136 / 2012 (02-07NES)	16545 / 2012 (02-02C)
16550 / 2012 (21-02F)	16610 / 2012 (06-01E)
16611 / 2012 (06-01E)	16612 / 2012 (06-01E)
16655 / 2012 (03-01B)	10029 / 2013 (25-01E)
10053 / 2013 (12-16B)	10054 / 2013 (12-16B)
10174 / 2013 (12-16B)	10202 / 2013 (20-01)
10249 / 2013 (14-04)	10313 / 2013 (09-03F)
10364 / 2013 (23-02A)	10367 / 2013 (03-01B)
10368 / 2013 (03-01B)	10369 / 2013 (03-01B)
10370 / 2013 (03-01B)	10371 / 2013 (03-01B)
10372 / 2013 (03-01B)	10375 / 2013 (07-01E)
10471 / 2013 (05-99)	10625 / 2013 (06-13B)
10629 / 2013 (07-01B)	10644 / 2013 (99-00)
10674 / 2013 (09-01B)	10734 / 2013 (09-02C)
10794 / 2013 (25-03)	10804 / 2013 (06-03A)
10812 / 2013 (15-99)	10871 / 2013 (02-02C)
10882 / 2013 (25-03)	10955 / 2013 (12-11)
11092 / 2013 (23-02A)	11135 / 2013 (06-02)
11212 / 2013 (06-13NES)	11232 / 2013 (07-02K)
11297 / 2013 (14-02)	11363 / 2013 (09-01K)
11400 / 2013 (21-04)	11401 / 2013 (05-05D)
11405 / 2013 (21-03)	11406 / 2013 (21-03)
11501 / 2013 (24-02)	11516 / 2013 (28-01)
11565 / 2013 (02-02C)	11568 / 2013 (08-08B)
11575 / 2013 (28-01)	11592 / 2013 (09-03F)
11594 / 2013 (09-03F)	11599 / 2013 (25-01D)
11611 / 2013 (30-03)	11631 / 2013 (26-04)
11688 / 2013 (10-04)	11703 / 2013 (11-01NES)
11722 / 2013 (02-04A)	11786 / 2013 (15-04)
11880 / 2013 (09-07B)	11881 / 2013 (09-07B)
11882 / 2013 (09-07B)	11901 / 2013 (08-07)
11905 / 2013 (09-03F)	11906 / 2013 (09-03F)
11907 / 2013 (09-03F)	11908 / 2013 (09-03F)
11909 / 2013 (09-03F)	11938 / 2013 (20-03NES)
11939 / 2013 (20-03NES)	11969 / 2013 (25-01D)
11995 / 2013 (20-02C)	12019 / 2013 (09-09)
12184 / 2013 (20-03A)	12185 / 2013 (08-08L)
12186 / 2013 (25-01C)	12233 / 2013 (15-01)
12239 / 2013 (09-03F)	12240 / 2013 (09-03F)
12284 / 2013 (29-02)	12303 / 2013 (19-08)
12304 / 2013 (20-03NES)	12305 / 2013 (20-03NES)
12306 / 2013 (20-03NES)	12307 / 2013 (20-03NES) - 577 -
12308 / 2013 (20-03NES)	12310 / 2013 (06-08)
12336 / 2013 (14-02)	12383 / 2013 (19-08)
12391 / 2013 (25-01K)	12402 / 2013 (09-06)
12439 / 2013 (13-99)	12476 / 2013 (26-06)

Extension of Period of Registration of Designs

323062	324882	324883
324884	324963	324964
324965	324966	324997
324999	325008	325012
325019	325021	325022
325023	325025	325026
325027	325028	325062
325098	325100	325135
325139	325141	325169
325171	325245	325253
325316	325317	325335
325341	325342	325365
325367	325371	325377
325413	325414	325415
325416	325432	325444
325468	325469	325630
325631	325670	325729
325747	325789	325802
325803	325817	325819
325820	325852	325853
325854	325855	325859
325901	325910	325911
325912	325913	325915
325921	325958	325959
325962	325963	325964
325965	325966	325988
326015	326016	326027
326046	326053	326055
326065	326068	326069
326070	326107	326452
326456	327912	

322187	322188	322204
322239	322264	322265
322282	322283	322284
322287	322288	322289
322310	322313	322320
322339	322341	322344
322346	322347	322348
322353	322354	322355
322356	322396	322397
322398	322399	322401
322402	322403	322407
322449	322866	322867
322868	322869	322870
322871	322872	322873
322874	322875	322876
322877	322893	323064
323077	323078	323125
323193	323211	323248
323510	323524	323525
323526	323527	323592
323593	323594	323595
323596	323597	323598
323599	323600	323601
323602	323603	323604
323605	323606	323607
323608	323609	323610
323611	323612	323613
323614	323615	323622
323741	323759	323795
323796	323872	323968
323969	324037	324038
324039	324040	324041
324042	324043	324139
324140	324896	324897
324898	324899	324900
335426	339501	347914

Revocation of Design Registrations

The following Design Registration(s) have been revoked and are taken never to have been registered:

348302 08-03

Registrations Ceased

321554	321772	322086
322087	322088	322095
322097	322098	322099
322100	322101	322102
322105	322122	322123
322125	322161	322164
322165	322166	322180
322181	322182	322183
322184	322185	322186

Applications for Extension of time under Section 137

Applications under section 137 for extension of time have been lodged. Objections must be lodged within 1 month from the date of this journal.

323062 **Yetimo International Pty Ltd** Address for Service: Griffith Hack GPO Box 4164 SYDNEY NSW 2001

Extensions of time granted under Section 137

Applications lodged under section 137 for extension of time have been granted.

12310/2013 **Tulin Sinmaz**

354048 **Art Plastics Pty Ltd**

13382/2013 **Velia Josephine Christie**

13561/2013 **Architectural Window Systems Pty Ltd**
 13770/2013 **Eric Joseph Kriznik**
 353890 **Fifty-Fourth Rischell Pty Ltd**
 353891 **Fifty-Fourth Rischell Pty Ltd**
 354152 **Forever New Clothing Pty Ltd**
 354160 **Forever New Clothing Pty Ltd**
 14783/2013 **Engineering Pty Limited**
 354118 **Martin Roth**

Subsequent Owners Registered

(The name in parentheses is that of the subsequent owner)

343322 (**Free-Gen Innovations Pty Ltd**) Tom Freeman;Moana Nguyen
 350683 (**Free-Gen Innovations Pty Ltd**) Tom Freeman;Moana Nguyen
 340030 (**JUVO Solutions Pty Ltd**) Crescent Healthcare Pty Ltd
 335818 (**Lock Solar Co., Ltd**) Lock Solar Ltd
 335819 (**Lock Solar Co., Ltd**) Lock Solar Ltd
 335820 (**Lock Solar Co., Ltd**) Lock Solar Ltd
 340138 (**Ezy Brands International Pty Limited**) FBA Imports Pty Ltd
 340139 (**Ezy Brands International Pty Limited**) FBA Imports Pty Ltd
 342880 (**Ezy Brands International Pty Limited**) FBA Imports Pty Ltd
 342866 (**Ezy Brands International Pty Limited**) FBA Imports Pty Ltd
 342865 (**Ezy Brands International Pty Limited**) FBA Imports Pty Ltd
 347070 (**Ezy Brands International Pty Limited**) FBA Imports Pty Ltd
 317731 (**Oakstrong International Ltd**) Alan Frederick Sandy;Gillian Paula Wright
 350325 (**John Cross**) Recycling Solutions Pty Ltd
 350326 (**John Cross**) Recycling Solutions Pty Ltd
 350433 (**Knew Foundation Limited**) Gary Kenneth Lord;Kevin Allan Saunders
 350434 (**Knew Foundation Limited**) Gary Kenneth Lord;Kevin Allan Saunders
 321997 (**Husqvarna AB**) GARDENA Manufacturing GmbH
 321998 (**Husqvarna AB**) GARDENA Manufacturing GmbH
 321999 (**Husqvarna AB**) GARDENA Manufacturing GmbH
 340529 (**Husqvarna AB**) GARDENA Manufacturing GmbH
 342973 (**Husqvarna AB**) GARDENA Manufacturing GmbH
 342974 (**Husqvarna AB**) GARDENA Manufacturing GmbH
 342976 (**Husqvarna AB**) GARDENA Manufacturing GmbH
 342975 (**Husqvarna AB**) GARDENA Manufacturing GmbH
 342977 (**Husqvarna AB**) GARDENA Manufacturing GmbH
 342978 (**Husqvarna AB**) GARDENA Manufacturing GmbH
 346608 (**Husqvarna AB**) GARDENA Manufacturing GmbH
 346537 (**Husqvarna AB**) GARDENA Manufacturing GmbH
 346607 (**Husqvarna AB**) GARDENA Manufacturing GmbH
 346538 (**Husqvarna AB**) GARDENA Manufacturing GmbH
 346596 (**Husqvarna AB**) GARDENA Manufacturing GmbH
 346539 (**Husqvarna AB**) GARDENA Manufacturing GmbH
 346611 (**Husqvarna AB**) GARDENA Manufacturing GmbH
 346742 (**Husqvarna AB**) GARDENA Manufacturing GmbH
 346610 (**Husqvarna AB**) GARDENA Manufacturing GmbH
 346577 (**Husqvarna AB**) GARDENA Manufacturing GmbH

346609 (**Husqvarna AB**) GARDENA Manufacturing GmbH
 346540 (**Husqvarna AB**) GARDENA Manufacturing GmbH
 344054 (**Husqvarna AB**) GARDENA Manufacturing GmbH
 344055 (**Husqvarna AB**) GARDENA Manufacturing GmbH
 346851 (**Husqvarna AB**) GARDENA Manufacturing GmbH
 346896 (**Husqvarna AB**) GARDENA Manufacturing GmbH
 346897 (**Husqvarna AB**) GARDENA Manufacturing GmbH
 346852 (**Husqvarna AB**) GARDENA Manufacturing GmbH
 310796 (**Taxi Services Commission**) Secretary to the Department of Transport
 329708 (**Protective Wire Mesh Industries Pty Ltd**) Angas Industrial Pty Ltd
 341743 (**Protective Wire Mesh Industries Pty Ltd**) Angas Industrial Pty Ltd
 336072 (**Protective Wire Mesh Industries Pty Ltd**) Angas Industrial Pty Ltd

Names Registered - Alterations and Amendments

(The name in parentheses is that of the subsequent applicant)

345286 (**Evoqua Water Technologies LLC**) Siemens Water Technologies LLC
 309518 (**Evoqua Water Technologies LLC**) Siemens Water Technologies LLC
 324843 (**Evoqua Water Technologies LLC**) Siemens Water Technologies LLC
 350357 (**Evoqua Water Technologies LLC**) Siemens Water Technologies LLC
 350360 (**Evoqua Water Technologies LLC**) Siemens Water Technologies LLC
 350547 (**Evoqua Water Technologies LLC**) Siemens Water Technologies LLC
 350361 (**Evoqua Water Technologies LLC**) Siemens Water Technologies LLC

Certificate(s) of Examination

Examination of the following Design Registration(s) has been completed. Infringement proceedings may now be commenced.

302737	08-03	04/03/2014
319604	12-16B	17/02/2014
319605	12-16B	17/02/2014
319606	12-16B	17/02/2014
319607	12-16B	17/02/2014
323319	15-09	24/02/2014
334110	08-07	18/02/2014
335369	09-03K	30/10/2013
336018	23-04	24/07/2013
341751	09-07C	28/02/2014
345743	14-03NES	26/02/2014
347133	16-01	25/02/2014
347502	12-16NES	26/02/2014
347817	07-05E	26/02/2014
347818	07-05E	25/02/2014
347819	07-05E	26/02/2014
348107	12-16NES	26/02/2014
348119	14-01	25/02/2014
348209	15-04	21/02/2014
348210	15-04	21/02/2014
348211	15-04	21/02/2014
348289	15-04	18/09/2014
348821	23-01A	26/02/2014
349352	09-07C	04/03/2014
350132	25-01F	26/02/2014
350227	21-01N	04/03/2014
350557	08-07	28/02/2014
350805	30-99	24/02/2014
351022	08-07	28/02/2014
351023	08-07	28/02/2014
351085	26-02	18/02/2014
351107	31-00	20/02/2014
351112	26-04	24/02/2014
351113	26-04	24/02/2014
351114	26-04	24/02/2014
351133	16-06	26/02/2014
351212	31-00	25/02/2014
351367	12-08	23/02/2014
351368	12-08	23/02/2014
351483	01-02	02/03/2014
351484	01-02	02/03/2014
351485	01-02	03/03/2014
351486	01-02	03/03/2014
351487	01-02	03/03/2014
351488	01-02	03/03/2014

Publication and Registration Proceedings

Designs Registered

This section provides a concordance between design number and registration number of Designs covered in this journal. It also shows the main class and registration date.

This section covers Registration numbers 353748 to 354162 .

The registration number shown below should be used in all future correspondence.

Design Number	Registration Number	International Classification Code (IDC)	Registration Date	Design Number	Registration Number	International Classification Code (IDC)	Registration Date
11188/2013	354013	23-01K	27/02/2014	16517/2013	353806	19-08	19/02/2014
12463/2013	354048	23-01NES	28/02/2014	16518/2013	353807	19-08	19/02/2014
12752/2013	354047	12-05	28/02/2014	16519/2013	353808	19-08	19/02/2014
12861/2013	354014	06-06D	27/02/2014	16520/2013	353809	19-08	19/02/2014
12941/2013	353829	03-01B	24/02/2014	16521/2013	353810	19-08	19/02/2014
12942/2013	353830	02-02C	24/02/2014	16522/2013	353827	19-08	21/02/2014
13079/2013	354059	14-02	03/03/2014	16523/2013	353811	19-08	19/02/2014
13138/2013	353876	07-05C	25/02/2014	16524/2013	353812	19-08	19/02/2014
13139/2013	353877	07-05C	25/02/2014	16525/2013	353813	19-08	19/02/2014
13310/2013	353831	07-02L	24/02/2014	16526/2013	353814	19-08	19/02/2014
13473/2013	353843	06-04NES	25/02/2014	16527/2013	353815	19-08	19/02/2014
13703/2013	353889	07-01NES	25/02/2014	16529/2013	353848	24-04	25/02/2014
13866/2013	353832	26-05D	24/02/2014	16530/2013	353849	24-04	25/02/2014
13958/2013	353890	02-02C	25/02/2014	16531/2013	353850	24-04	25/02/2014
13959/2013	353891	02-02NES	25/02/2014	16532/2013	353851	24-04	25/02/2014
13985/2013	354152	02-02NES	04/03/2014	16533/2013	353852	24-04	25/02/2014
14003/2013	354160	02-02C	04/03/2014	16534/2013	353853	24-04	25/02/2014
14094/2013	354161	02-02C	04/03/2014	16535/2013	353854	24-04	25/02/2014
14492/2013	353878	08-08NES	25/02/2014	16536/2013	353855	24-04	25/02/2014
14493/2013	353879	08-08NES	25/02/2014	16537/2013	353856	24-04	25/02/2014
14544/2013	353749	09-01NES	18/02/2014	16538/2013	353857	24-04	25/02/2014
14547/2013	353750	09-01K	18/02/2014	16539/2013	353858	24-04	25/02/2014
14550/2013	353751	09-01A	18/02/2014	16540/2013	353859	24-04	25/02/2014
14746/2013	353880	06-01D	25/02/2014	16572/2013	353895	08-05NES	25/02/2014
14747/2013	353881	06-06G	25/02/2014	16576/2013	353896	03-01NES	25/02/2014
14748/2013	353882	06-01D	25/02/2014	16599/2013	353887	04-02	25/02/2014
14749/2013	353883	06-06G	25/02/2014	16618/2013	353840	26-05A	24/02/2014
14750/2013	353884	06-01D	25/02/2014	16624/2013	354154	07-06D	04/03/2014
14751/2013	353885	06-01D	25/02/2014	16625/2013	354155	06-01D	04/03/2014
15158/2013	353833	19-08	24/02/2014	16626/2013	354156	06-01D	04/03/2014
15159/2013	353834	24-04	24/02/2014	16627/2013	354157	06-01D	04/03/2014
15345/2013	353752	09-07A	18/02/2014	16667/2013	353897	03-01NES	25/02/2014
15540/2013	354118	08-07	03/03/2014	16697/2013	353865	03-01D	25/02/2014
15733/2013	353844	13-02	25/02/2014	16713/2013	353860	08-03	25/02/2014
15977/2013	353892	21-01H	25/02/2014	16714/2013	353898	08-03	25/02/2014
16208/2013	353835	14-03NES	24/02/2014	16715/2013	353861	08-03	25/02/2014
16209/2013	353845	24-01	25/02/2014	16716/2013	353862	08-03	25/02/2014
16257/2013	353907	12-05	26/02/2014	16727/2013	353866	08-03	25/02/2014
16328/2013	353753	21-01L	18/02/2014	16745/2013	353847	08-07	25/02/2014
16378/2013	353846	06-01F	25/02/2014	16770/2013	354125	14-03E	03/03/2014
16379/2013	353886	06-04NES	25/02/2014	16771/2013	354126	14-03E	03/03/2014
16382/2013	353836	06-01G	24/02/2014	16779/2013	353867	25-03	25/02/2014
16383/2013	353893	09-01A	25/02/2014	16780/2013	353754	23-01A	18/02/2014
16384/2013	353894	09-01A	25/02/2014	16781/2013	353755	08-05P	18/02/2014
16388/2013	353837	24-01	24/02/2014	16782/2013	353756	23-01A	18/02/2014
16389/2013	353838	12-02	24/02/2014	16783/2013	353868	25-03	25/02/2014
16402/2013	354030	14-01	28/02/2014	16784/2013	353869	25-03	25/02/2014
16403/2013	354031	14-01	28/02/2014	16817/2013	353757	07-02L	18/02/2014
16407/2013	353839	19-04	24/02/2014	16842/2013	353816	12-16NES	19/02/2014
16436/2013	353776	15-05	18/02/2014	16844/2013	354049	23-01NES	28/02/2014

Publication and Registration Proceedings - Designs Registered cont'd

Design Number	Registration Number	International Classification Code (IDC)	Registration Date	Design Number	Registration Number	International Classification Code (IDC)	Registration Date
16845/2013	354050	23-01NES	28/02/2014	10181/2014	353931	03-01A	26/02/2014
10013/2014	353870	14-02	25/02/2014	10182/2014	353932	24-01	26/02/2014
10014/2014	353777	23-04	18/02/2014	10183/2014	353933	08-08NES	26/02/2014
10034/2014	353748	12-16C	17/02/2014	10184/2014	353934	12-06A	26/02/2014
10053/2014	353758	28-03NES	18/02/2014	10185/2014	353935	12-06A	26/02/2014
10054/2014	353759	07-01NES	18/02/2014	10187/2014	353936	12-05	26/02/2014
10077/2014	353817	08-03	19/02/2014	10188/2014	353937	29-02	26/02/2014
10078/2014	353818	08-03	19/02/2014	10189/2014	353952	08-08E	26/02/2014
10080/2014	353819	08-03	19/02/2014	10194/2014	353953	30-04	26/02/2014
10083/2014	353820	15-05	19/02/2014	10196/2014	353954	30-04	26/02/2014
10096/2014	353760	04-02	18/02/2014	10198/2014	353766	02-03	18/02/2014
10097/2014	353761	04-02	18/02/2014	10204/2014	353955	09-05	26/02/2014
10098/2014	353762	09-05	18/02/2014	10206/2014	353842	02-04NES	24/02/2014
10099/2014	353763	28-99	18/02/2014	10207/2014	353888	02-04NES	25/02/2014
10100/2014	353764	24-04	18/02/2014	10208/2014	353828	23-01D	21/02/2014
10102/2014	353765	05-06NES	18/02/2014	10209/2014	353956	02-04B	26/02/2014
10103/2014	353821	05-06NES	19/02/2014	10218/2014	353957	07-02K	26/02/2014
10104/2014	353822	05-06NES	19/02/2014	10219/2014	353958	10-07	26/02/2014
10105/2014	353823	05-06NES	19/02/2014	10221/2014	353959	23-01H	26/02/2014
10106/2014	353824	05-06NES	19/02/2014	10222/2014	353960	23-01H	26/02/2014
10108/2014	353825	23-04	19/02/2014	10223/2014	354015	23-01H	27/02/2014
10110/2014	354162	19-08	04/03/2014	10224/2014	353961	09-01F	26/02/2014
10113/2014	353778	31-00	18/02/2014	10226/2014	353969	09-01NES	26/02/2014
10119/2014	353871	02-02C	25/02/2014	10227/2014	353970	26-04	26/02/2014
10120/2014	353872	02-02C	25/02/2014	10228/2014	353971	26-05A	26/02/2014
10121/2014	353873	02-02C	25/02/2014	10229/2014	353972	06-01F	26/02/2014
10122/2014	353874	02-02C	25/02/2014	10230/2014	353938	20-03NES	26/02/2014
10128/2014	353875	15-05	25/02/2014	10231/2014	353939	20-03NES	26/02/2014
10137/2014	353841	24-02	24/02/2014	10232/2014	353973	08-08NES	26/02/2014
10138/2014	353863	14-02	25/02/2014	10233/2014	353974	01-01	26/02/2014
10139/2014	353864	14-02	25/02/2014	10234/2014	353975	08-05A	26/02/2014
10143/2014	353908	08-05F	26/02/2014	10235/2014	353976	03-01NES	26/02/2014
10144/2014	353909	08-03	26/02/2014	10237/2014	353977	24-03	26/02/2014
10145/2014	353910	01-01	26/02/2014	10238/2014	353978	24-03	26/02/2014
10146/2014	353911	01-01	26/02/2014	10239/2014	353767	23-01H	18/02/2014
10147/2014	353912	01-01	26/02/2014	10247/2014	353768	28-03D	18/02/2014
10148/2014	353913	01-01	26/02/2014	10248/2014	353769	08-03	18/02/2014
10149/2014	353914	01-01	26/02/2014	10249/2014	353779	02-02C	18/02/2014
10150/2014	353915	01-01	26/02/2014	10250/2014	353770	08-02	18/02/2014
10151/2014	353916	06-06G	26/02/2014	10251/2014	353771	08-02	18/02/2014
10152/2014	353917	01-01	26/02/2014	10254/2014	353772	02-02C	18/02/2014
10153/2014	353918	01-01	26/02/2014	10256/2014	353773	23-04	18/02/2014
10154/2014	353919	01-01	26/02/2014	10257/2014	353774	07-01E	18/02/2014
10155/2014	353920	01-01	26/02/2014	10258/2014	353775	23-04	18/02/2014
10156/2014	353921	01-01	26/02/2014	10260/2014	353940	28-03NES	26/02/2014
10157/2014	353922	01-01	26/02/2014	10261/2014	353941	08-03	26/02/2014
10166/2014	353923	24-04	26/02/2014	10262/2014	353942	28-03A	26/02/2014
10168/2014	353826	21-02C	19/02/2014	10263/2014	353943	08-03	26/02/2014
10169/2014	353924	12-06A	26/02/2014	10265/2014	353944	28-03A	26/02/2014
10170/2014	353925	09-01NES	26/02/2014	10266/2014	353945	28-03NES	26/02/2014
10172/2014	353926	09-01NES	26/02/2014	10267/2014	353946	14-02	26/02/2014
10173/2014	353927	26-05B	26/02/2014	10268/2014	353947	12-16NES	26/02/2014
10178/2014	353928	23-01H	26/02/2014	10272/2014	353948	28-03A	26/02/2014
10179/2014	353929	09-01C	26/02/2014	10273/2014	353949	28-03A	26/02/2014
10180/2014	353930	03-01NES	26/02/2014	10274/2014	353950	19-06	26/02/2014

Publication and Registration Proceedings - Designs Registered cont'd

Design Number	Registration Number	International Classification Code (IDC)	Registration Date	Design Number	Registration Number	International Classification Code (IDC)	Registration Date
10275/2014	354089	24-02	03/03/2014	10351/2014	354101	12-15NES	03/03/2014
10276/2014	354090	24-02	03/03/2014	10353/2014	354102	02-02NES	03/03/2014
10277/2014	354091	31-00	03/03/2014	10354/2014	354103	02-02NES	03/03/2014
10287/2014	353951	07-01C	26/02/2014	10355/2014	354104	02-02NES	03/03/2014
10289/2014	353962	23-04	26/02/2014	10356/2014	354105	12-15NES	03/03/2014
10291/2014	353963	09-01D	26/02/2014	10357/2014	354106	12-15NES	03/03/2014
10292/2014	353964	09-01D	26/02/2014	10358/2014	353999	05-06NES	27/02/2014
10293/2014	353965	09-01D	26/02/2014	10361/2014	354000	16-06	27/02/2014
10294/2014	353966	23-04	26/02/2014	10362/2014	354001	21-03	27/02/2014
10295/2014	353967	12-16L	26/02/2014	10363/2014	354002	15-04	27/02/2014
10298/2014	353968	12-16L	26/02/2014	10364/2014	354016	07-02E	27/02/2014
10299/2014	353979	12-16L	26/02/2014	10365/2014	354017	15-04	27/02/2014
10300/2014	353980	25-02H	26/02/2014	10370/2014	354018	15-05	27/02/2014
10301/2014	353981	08-06	26/02/2014	10372/2014	354019	15-04	27/02/2014
10302/2014	353982	28-03NES	26/02/2014	10373/2014	354020	07-02N	27/02/2014
10304/2014	353983	28-03NES	27/02/2014	10374/2014	354021	09-07A	27/02/2014
10305/2014	353984	28-03NES	27/02/2014	10375/2014	354022	24-02	27/02/2014
10306/2014	353985	28-03NES	27/02/2014	10378/2014	354023	24-02	27/02/2014
10307/2014	353986	28-03NES	27/02/2014	10379/2014	354035	24-02	28/02/2014
10308/2014	353987	28-03NES	27/02/2014	10380/2014	354036	24-02	28/02/2014
10309/2014	353988	28-03NES	27/02/2014	10381/2014	354037	05-05A	28/02/2014
10310/2014	353989	23-99	27/02/2014	10382/2014	354038	05-05D	28/02/2014
10311/2014	353990	24-01	27/02/2014	10383/2014	354039	05-05A	28/02/2014
10314/2014	353899	12-15NES	25/02/2014	10387/2014	354040	26-04	28/02/2014
10315/2014	353900	12-15NES	25/02/2014	10388/2014	354041	11-05	28/02/2014
10316/2014	353991	12-08	27/02/2014	10389/2014	354042	05-05A	28/02/2014
10317/2014	353901	12-15NES	25/02/2014	10390/2014	354043	19-04	28/02/2014
10318/2014	353902	12-15NES	25/02/2014	10393/2014	354044	02-01B	28/02/2014
10321/2014	354153	26-05D	04/03/2014	10395/2014	354045	07-04	28/02/2014
10322/2014	353992	12-15NES	27/02/2014	10396/2014	354046	07-99NES	28/02/2014
10323/2014	353993	12-15NES	27/02/2014	10398/2014	354051	09-01G	28/02/2014
10324/2014	353994	21-01F	27/02/2014	10399/2014	354052	12-08	28/02/2014
10325/2014	353995	26-06	27/02/2014	10403/2014	354053	12-05	28/02/2014
10326/2014	353996	12-11	27/02/2014	10409/2014	354054	15-05	28/02/2014
10327/2014	353997	12-11	27/02/2014	10410/2014	354055	15-05	28/02/2014
10328/2014	353903	12-15NES	25/02/2014	10411/2014	354056	15-05	28/02/2014
10329/2014	353904	12-15NES	25/02/2014	10412/2014	354129	15-05	04/03/2014
10330/2014	353998	21-01F	27/02/2014	10413/2014	354057	15-05	28/02/2014
10333/2014	354148	12-15NES	04/03/2014	10414/2014	354058	15-05	28/02/2014
10334/2014	354127	12-15NES	04/03/2014	10415/2014	354107	14-02	03/03/2014
10335/2014	354032	02-02NES	28/02/2014	10416/2014	354108	14-02	03/03/2014
10336/2014	354033	08-08G	28/02/2014	10417/2014	354060	23-03G	03/03/2014
10338/2014	353905	12-15NES	25/02/2014	10419/2014	354061	07-02L	03/03/2014
10339/2014	353906	12-15NES	25/02/2014	10421/2014	354062	15-05	03/03/2014
10340/2014	354034	02-02NES	28/02/2014	10422/2014	354063	15-05	03/03/2014
10341/2014	354128	02-02NES	04/03/2014	10423/2014	354064	15-05	03/03/2014
10342/2014	354092	23-01D	03/03/2014	10424/2014	354065	14-02	03/03/2014
10343/2014	354093	12-15NES	03/03/2014	10425/2014	354066	14-02	03/03/2014
10344/2014	354094	12-15NES	03/03/2014	10426/2014	354067	15-05	03/03/2014
10345/2014	354095	02-02NES	03/03/2014	10427/2014	354068	14-02	03/03/2014
10346/2014	354096	21-01F	03/03/2014	10428/2014	354069	14-02	03/03/2014
10347/2014	354097	15-04	03/03/2014	10429/2014	354070	14-02	03/03/2014
10348/2014	354098	23-01D	03/03/2014	10430/2014	354071	14-02	03/03/2014
10349/2014	354099	02-02NES	03/03/2014	10431/2014	354072	14-02	03/03/2014
10350/2014	354100	12-15NES	03/03/2014	10432/2014	354073	14-02	03/03/2014

Publication and Registration Proceedings - Designs Registered cont'd

Design Number	Registration Number	International Classification Code (IDC)	Registration Date	Design Number	Registration Number	International Classification Code (IDC)	Registration Date
10433/2014	354074	14-02	03/03/2014	10531/2014	353804	02-02C	18/02/2014
10434/2014	354075	12-16NES	03/03/2014	10535/2014	354109	06-06H	03/03/2014
10437/2014	354076	26-06	03/03/2014	10536/2014	354117	08-07	03/03/2014
10438/2014	354077	07-01F	03/03/2014	10537/2014	354110	21-01B	03/03/2014
10442/2014	354078	09-03NES	03/03/2014	10538/2014	354111	09-07A	03/03/2014
10448/2014	354079	21-01N	03/03/2014	10539/2014	354112	21-01B	03/03/2014
10464/2014	354080	12-10	03/03/2014	10540/2014	354130	11-05	04/03/2014
10478/2014	354081	08-06	03/03/2014	10541/2014	354149	11-05	04/03/2014
10479/2014	354082	08-06	03/03/2014	10542/2014	354131	09-01K	04/03/2014
10480/2014	354083	21-01M	03/03/2014	10543/2014	354132	24-02	04/03/2014
10481/2014	354084	14-04	03/03/2014	10545/2014	354133	31-00	04/03/2014
10482/2014	354085	14-04	03/03/2014	10546/2014	354150	31-00	04/03/2014
10484/2014	354086	14-02	03/03/2014	10547/2014	354134	15-05	04/03/2014
10485/2014	354087	14-02	03/03/2014	10549/2014	354135	14-03A	04/03/2014
10488/2014	354088	14-03A	03/03/2014	10550/2014	354136	09-01NES	04/03/2014
10489/2014	354119	15-04	03/03/2014	10551/2014	354137	09-07A	04/03/2014
10490/2014	354120	15-04	03/03/2014	10552/2014	354138	09-07A	04/03/2014
10491/2014	354121	15-04	03/03/2014	10553/2014	354151	09-01K	04/03/2014
10492/2014	354122	13-03D	03/03/2014	10554/2014	354139	09-01NES	04/03/2014
10494/2014	354123	12-02	03/03/2014	10555/2014	354140	24-02	04/03/2014
10495/2014	354124	11-01NES	03/03/2014	10559/2014	354024	14-02	27/02/2014
10496/2014	354113	28-03D	03/03/2014	10561/2014	354025	14-02	27/02/2014
10497/2014	354114	11-02D	03/03/2014	10562/2014	354141	09-01H	04/03/2014
10498/2014	353780	03-01B	18/02/2014	10563/2014	354003	14-02	27/02/2014
10499/2014	353781	03-01B	18/02/2014	10564/2014	354004	14-02	27/02/2014
10500/2014	353786	03-01B	18/02/2014	10565/2014	354142	15-05	04/03/2014
10501/2014	353782	03-01B	18/02/2014	10566/2014	354143	15-05	04/03/2014
10502/2014	353783	03-01B	18/02/2014	10567/2014	354144	14-02	04/03/2014
10503/2014	353784	03-01B	18/02/2014	10568/2014	354158	15-05	04/03/2014
10504/2014	353785	03-01B	18/02/2014	10569/2014	354145	15-05	04/03/2014
10510/2014	354115	14-03NES	03/03/2014	10570/2014	354146	15-05	04/03/2014
10511/2014	354116	14-03NES	03/03/2014	10571/2014	354147	15-05	04/03/2014
10514/2014	353787	02-02C	18/02/2014	10572/2014	354159	15-05	04/03/2014
10515/2014	353788	02-02C	18/02/2014	10593/2014	353805	14-01	18/02/2014
10516/2014	353789	02-02NES	18/02/2014	10649/2014	354005	09-03E	27/02/2014
10517/2014	353790	02-02NES	18/02/2014	10684/2014	354006	06-01F	27/02/2014
10518/2014	353791	02-02NES	18/02/2014	10685/2014	354026	06-01F	27/02/2014
10519/2014	353792	02-02NES	18/02/2014	10688/2014	354007	06-01G	27/02/2014
10520/2014	353793	02-02C	18/02/2014	10725/2014	354008	06-04NES	27/02/2014
10521/2014	353794	02-02C	18/02/2014	10726/2014	354009	14-03NES	27/02/2014
10522/2014	353795	02-02C	18/02/2014	10727/2014	354010	14-03NES	27/02/2014
10523/2014	353796	02-02C	18/02/2014	10728/2014	354011	14-03NES	27/02/2014
10524/2014	353797	02-02C	18/02/2014	10729/2014	354012	06-04NES	27/02/2014
10525/2014	353798	02-02C	18/02/2014	10730/2014	354027	06-04NES	27/02/2014
10526/2014	353799	02-02C	18/02/2014	10739/2014	354028	24-02	27/02/2014
10527/2014	353800	02-02NES	18/02/2014	10741/2014	354029	09-01G	27/02/2014
10528/2014	353801	02-02NES	18/02/2014				
10529/2014	353802	02-02C	18/02/2014				
10530/2014	353803	02-02C	18/02/2014				

Publication and Registration Proceedings

Class Listing of Designs Published or Registered

The following section shows an International Classification Code listing of the Registered or Published Designs covered in this supplement.

Classification	Registration Number	Design Number	Classification	Registration Number	Design Number
01-01	353910	10145/2014	02-02NES	354104	10355/2014
01-01	353911	10146/2014	02-02NES	354128	10341/2014
01-01	353912	10147/2014	02-02NES	354152	13985/2013
01-01	353913	10148/2014	02-03	353766	10198/2014
01-01	353914	10149/2014	02-04B	353956	10209/2014
01-01	353915	10150/2014	02-04NES	353842	10206/2014
01-01	353917	10152/2014	02-04NES	353888	10207/2014
01-01	353918	10153/2014	03-01A	353931	10181/2014
01-01	353919	10154/2014	03-01B	353780	10498/2014
01-01	353920	10155/2014	03-01B	353781	10499/2014
01-01	353921	10156/2014	03-01B	353782	10501/2014
01-01	353922	10157/2014	03-01B	353783	10502/2014
01-01	353974	10233/2014	03-01B	353784	10503/2014
01-99	354045	10395/2014	03-01B	353785	10504/2014
02-01B	354044	10393/2014	03-01B	353786	10500/2014
02-02C	353772	10254/2014	03-01B	353829	12941/2013
02-02C	353779	10249/2014	03-01D	353865	16697/2013
02-02C	353787	10514/2014	03-01NES	353896	16576/2013
02-02C	353788	10515/2014	03-01NES	353897	16667/2013
02-02C	353793	10520/2014	03-01NES	353930	10180/2014
02-02C	353794	10521/2014	03-01NES	353976	10235/2014
02-02C	353795	10522/2014	04-01	354142	10565/2014
02-02C	353796	10523/2014	04-02	353760	10096/2014
02-02C	353797	10524/2014	04-02	353761	10097/2014
02-02C	353798	10525/2014	04-02	353887	16599/2013
02-02C	353799	10526/2014	05-05A	354037	10381/2014
02-02C	353802	10529/2014	05-05A	354039	10383/2014
02-02C	353803	10530/2014	05-05A	354042	10389/2014
02-02C	353804	10531/2014	05-05D	354038	10382/2014
02-02C	353830	12942/2013	05-06NES	353765	10102/2014
02-02C	353871	10119/2014	05-06NES	353821	10103/2014
02-02C	353872	10120/2014	05-06NES	353822	10104/2014
02-02C	353873	10121/2014	05-06NES	353823	10105/2014
02-02C	353874	10122/2014	05-06NES	353824	10106/2014
02-02C	353890	13958/2013	05-06NES	353999	10358/2014
02-02C	354160	14003/2013	05-06NES	354162	10110/2014
02-02C	354161	14094/2013	05-99	354162	10110/2014
02-02NES	353789	10516/2014	06-01D	353880	14746/2013
02-02NES	353790	10517/2014	06-01D	353882	14748/2013
02-02NES	353791	10518/2014	06-01D	353884	14750/2013
02-02NES	353792	10519/2014	06-01D	353885	14751/2013
02-02NES	353800	10527/2014	06-01D	354155	16625/2013
02-02NES	353801	10528/2014	06-01D	354156	16626/2013
02-02NES	353802	10529/2014	06-01D	354157	16627/2013
02-02NES	353803	10530/2014	06-01F	353846	16378/2013
02-02NES	353804	10531/2014	06-01F	353972	10229/2014
02-02NES	353891	13959/2013	06-01F	354006	10684/2014
02-02NES	354032	10335/2014	06-01F	354026	10685/2014
02-02NES	354034	10340/2014	06-01G	353836	16382/2013
02-02NES	354095	10345/2014	06-01G	354007	10688/2014
02-02NES	354099	10349/2014	06-03C	353838	16389/2013
02-02NES	354102	10353/2014	06-04NES	353843	13473/2013
02-02NES	354103	10354/2014	06-04NES	353886	16379/2013

Registration Proceedings - Class Listing of Designs Published or Registered cont'd

Classification	Registration Number	Design Number	Classification	Registration Number	Design Number
06-04NES	354008	10725/2014	08-08NES	353879	14493/2013
06-04NES	354012	10729/2014	08-08NES	353932	10182/2014
06-04NES	354027	10730/2014	08-08NES	353933	10183/2014
06-06D	354014	12861/2013	08-08NES	353973	10232/2014
06-06G	353881	14747/2013	09-01A	353751	14550/2013
06-06G	353883	14749/2013	09-01A	353752	15345/2013
06-06G	353916	10151/2014	09-01A	353893	16383/2013
06-06G	354155	16625/2013	09-01A	353894	16384/2013
06-06H	354109	10535/2014	09-01C	353929	10179/2014
07-01C	353951	10287/2014	09-01D	353963	10291/2014
07-01E	353774	10257/2014	09-01D	353964	10292/2014
07-01F	354077	10438/2014	09-01D	353965	10293/2014
07-01NES	353759	10054/2014	09-01F	353961	10224/2014
07-01NES	353889	13703/2013	09-01G	354029	10741/2014
07-02E	354016	10364/2014	09-01G	354051	10398/2014
07-02K	353957	10218/2014	09-01H	354141	10562/2014
07-02L	353757	16817/2013	09-01K	353750	14547/2013
07-02L	353831	13310/2013	09-01K	353925	10170/2014
07-02L	354061	10419/2014	09-01K	353926	10172/2014
07-02N	354020	10373/2014	09-01K	354131	10542/2014
07-04	354045	10395/2014	09-01K	354151	10553/2014
07-04	354091	10277/2014	09-01NES	353749	14544/2013
07-05C	353876	13138/2013	09-01NES	353925	10170/2014
07-05C	353877	13139/2013	09-01NES	353926	10172/2014
07-06D	354154	16624/2013	09-01NES	353969	10226/2014
07-99NES	354046	10396/2014	09-01NES	354136	10550/2014
08-02	353770	10250/2014	09-01NES	354139	10554/2014
08-02	353771	10251/2014	09-03E	354005	10649/2014
08-03	353769	10248/2014	09-03NES	354078	10442/2014
08-03	353817	10077/2014	09-05	353762	10098/2014
08-03	353818	10078/2014	09-05	353955	10204/2014
08-03	353819	10080/2014	09-07A	353752	15345/2013
08-03	353860	16713/2013	09-07A	354021	10374/2014
08-03	353861	16715/2013	09-07A	354111	10538/2014
08-03	353862	16716/2013	09-07A	354137	10551/2014
08-03	353866	16727/2013	09-07A	354138	10552/2014
08-03	353898	16714/2013	09-09	354158	10568/2014
08-03	353909	10144/2014	10-04	354013	11188/2013
08-03	353941	10261/2014	10-07	353958	10219/2014
08-03	353943	10263/2014	11-01NES	354124	10495/2014
08-05A	353975	10234/2014	11-02D	354114	10497/2014
08-05A	354092	10342/2014	11-05	354041	10388/2014
08-05A	354098	10348/2014	11-05	354130	10540/2014
08-05F	353908	10143/2014	11-05	354149	10541/2014
08-05NES	353895	16572/2013	12-02	353838	16389/2013
08-05P	353755	16781/2013	12-02	354123	10494/2014
08-06	353981	10301/2014	12-05	353907	16257/2013
08-06	354081	10478/2014	12-05	353936	10187/2014
08-06	354082	10479/2014	12-05	354047	12752/2013
08-07	353847	16745/2013	12-05	354053	10403/2014
08-07	354117	10536/2014	12-06A	353924	10169/2014
08-07	354118	15540/2013	12-06A	353934	10184/2014
08-08E	353952	10189/2014	12-06A	353935	10185/2014
08-08F	353952	10189/2014	12-07	353924	10169/2014
08-08G	354033	10336/2014	12-08	353991	10316/2014
08-08NES	353878	14492/2013	12-08	354052	10399/2014

Registration Proceedings - Class Listing of Designs Published or Registered cont'd

Classification	Registration Number	Design Number	Classification	Registration Number	Design Number
12-10	354080	10464/2014	14-02	354072	10431/2014
12-11	353996	10326/2014	14-02	354073	10432/2014
12-11	353997	10327/2014	14-02	354074	10433/2014
12-15F	354075	10434/2014	14-02	354084	10481/2014
12-15NES	353899	10314/2014	14-02	354085	10482/2014
12-15NES	353900	10315/2014	14-02	354086	10484/2014
12-15NES	353901	10317/2014	14-02	354087	10485/2014
12-15NES	353902	10318/2014	14-02	354107	10415/2014
12-15NES	353903	10328/2014	14-02	354108	10416/2014
12-15NES	353904	10329/2014	14-02	354125	16770/2013
12-15NES	353905	10338/2014	14-02	354126	16771/2013
12-15NES	353906	10339/2014	14-02	354144	10567/2014
12-15NES	353992	10322/2014	14-03A	354088	10488/2014
12-15NES	353993	10323/2014	14-03A	354135	10549/2014
12-15NES	354093	10343/2014	14-03E	354125	16770/2013
12-15NES	354094	10344/2014	14-03E	354126	16771/2013
12-15NES	354100	10350/2014	14-03NES	353835	16208/2013
12-15NES	354101	10351/2014	14-03NES	354009	10726/2014
12-15NES	354105	10356/2014	14-03NES	354010	10727/2014
12-15NES	354106	10357/2014	14-03NES	354011	10728/2014
12-15NES	354127	10334/2014	14-03NES	354088	10488/2014
12-15NES	354148	10333/2014	14-03NES	354115	10510/2014
12-16C	353748	10034/2014	14-03NES	354116	10511/2014
12-16L	353967	10295/2014	14-04	353753	16328/2013
12-16L	353968	10298/2014	14-04	353946	10267/2014
12-16L	353979	10299/2014	14-04	354084	10481/2014
12-16NES	353816	16842/2013	14-04	354085	10482/2014
12-16NES	353935	10185/2014	14-04	354086	10484/2014
12-16NES	353947	10268/2014	14-04	354087	10485/2014
12-16NES	354075	10434/2014	14-04	354144	10567/2014
13-02	353844	15733/2013	14-99	353835	16208/2013
13-02	354143	10566/2014	14-99	354009	10726/2014
13-03C	353896	16576/2013	14-99	354010	10727/2014
13-03D	354122	10492/2014	14-99	354011	10728/2014
14-01	353805	10593/2014	15-04	354002	10363/2014
14-01	353835	16208/2013	15-04	354017	10365/2014
14-01	354009	10726/2014	15-04	354019	10372/2014
14-01	354010	10727/2014	15-04	354097	10347/2014
14-01	354011	10728/2014	15-04	354119	10489/2014
14-01	354030	16402/2013	15-04	354120	10490/2014
14-01	354031	16403/2013	15-04	354121	10491/2014
14-02	353863	10138/2014	15-05	353776	16436/2013
14-02	353864	10139/2014	15-05	353820	10083/2014
14-02	353870	10013/2014	15-05	353875	10128/2014
14-02	353946	10267/2014	15-05	354018	10370/2014
14-02	354003	10563/2014	15-05	354054	10409/2014
14-02	354004	10564/2014	15-05	354055	10410/2014
14-02	354024	10559/2014	15-05	354056	10411/2014
14-02	354025	10561/2014	15-05	354057	10413/2014
14-02	354059	13079/2013	15-05	354058	10414/2014
14-02	354065	10424/2014	15-05	354062	10421/2014
14-02	354066	10425/2014	15-05	354063	10422/2014
14-02	354068	10427/2014	15-05	354064	10423/2014
14-02	354069	10428/2014	15-05	354067	10426/2014
14-02	354070	10429/2014	15-05	354129	10412/2014
14-02	354071	10430/2014	15-05	354134	10547/2014

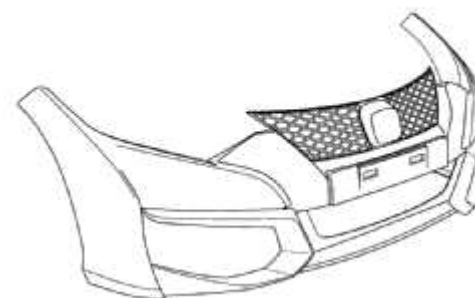
Registration Proceedings - Class Listing of Designs Published or Registered cont'd

Classification	Registration Number	Design Number	Classification	Registration Number	Design Number
15-05	354142	10565/2014	23-04	353777	10014/2014
15-05	354143	10566/2014	23-04	353825	10108/2014
15-05	354145	10569/2014	23-04	353962	10289/2014
15-05	354146	10570/2014	23-04	353966	10294/2014
15-05	354147	10571/2014	23-99	353989	10310/2014
15-05	354158	10568/2014	24-01	353837	16388/2013
15-05	354159	10572/2014	24-01	353845	16209/2013
16-06	354000	10361/2014	24-01	353932	10182/2014
19-04	353839	16407/2013	24-01	353990	10311/2014
19-04	354043	10390/2014	24-02	353841	10137/2014
19-06	353950	10274/2014	24-02	354022	10375/2014
19-08	353806	16517/2013	24-02	354023	10378/2014
19-08	353807	16518/2013	24-02	354028	10739/2014
19-08	353808	16519/2013	24-02	354035	10379/2014
19-08	353809	16520/2013	24-02	354036	10380/2014
19-08	353810	16521/2013	24-02	354089	10275/2014
19-08	353811	16523/2013	24-02	354090	10276/2014
19-08	353812	16524/2013	24-02	354132	10543/2014
19-08	353813	16525/2013	24-02	354140	10555/2014
19-08	353814	16526/2013	24-03	353977	10237/2014
19-08	353815	16527/2013	24-03	353978	10238/2014
19-08	353827	16522/2013	24-04	353764	10100/2014
19-08	353833	15158/2013	24-04	353834	15159/2013
19-08	354162	10110/2014	24-04	353848	16529/2013
20-03NES	353938	10230/2014	24-04	353849	16530/2013
20-03NES	353939	10231/2014	24-04	353850	16531/2013
21-01B	354110	10537/2014	24-04	353851	16532/2013
21-01B	354112	10539/2014	24-04	353852	16533/2013
21-01F	353994	10324/2014	24-04	353853	16534/2013
21-01F	353998	10330/2014	24-04	353854	16535/2013
21-01F	354096	10346/2014	24-04	353855	16536/2013
21-01H	353892	15977/2013	24-04	353856	16537/2013
21-01L	353753	16328/2013	24-04	353857	16538/2013
21-01M	354083	10480/2014	24-04	353858	16539/2013
21-01N	354079	10448/2014	24-04	353859	16540/2013
21-02C	353826	10168/2014	24-04	353923	10166/2014
21-03	354001	10362/2014	25-02H	353980	10300/2014
22-01	353932	10182/2014	25-03	353867	16779/2013
22-01	353933	10183/2014	25-03	353868	16783/2013
23-01A	353754	16780/2013	25-03	353869	16784/2013
23-01A	353756	16782/2013	26-04	353970	10227/2014
23-01D	353828	10208/2014	26-04	354040	10387/2014
23-01D	354092	10342/2014	26-05A	353840	16618/2013
23-01D	354098	10348/2014	26-05A	353971	10228/2014
23-01H	353767	10239/2014	26-05B	353927	10173/2014
23-01H	353928	10178/2014	26-05D	353832	13866/2013
23-01H	353959	10221/2014	26-05D	354153	10321/2014
23-01H	353960	10222/2014	26-05NES	353927	10173/2014
23-01H	354015	10223/2014	26-06	353995	10325/2014
23-01K	354013	11188/2013	26-06	354076	10437/2014
23-01NES	354048	12463/2013	28-03A	353942	10262/2014
23-01NES	354049	16844/2013	28-03A	353944	10265/2014
23-01NES	354050	16845/2013	28-03A	353948	10272/2014
23-03G	354060	10417/2014	28-03A	353949	10273/2014
23-04	353773	10256/2014	28-03D	353768	10247/2014
23-04	353775	10258/2014	28-03D	354113	10496/2014

Registration Proceedings - Class Listing of Designs Published or Registered cont'd

Classification	Registration Number	Design Number	Classification	Registration Number	Design Number
28-03NES	353758	10053/2014	28-99	353763	10099/2014
28-03NES	353940	10260/2014	29-02	353937	10188/2014
28-03NES	353945	10266/2014	30-04	353953	10194/2014
28-03NES	353981	10301/2014	30-04	353954	10196/2014
28-03NES	353982	10302/2014	30-99	353953	10194/2014
28-03NES	353983	10304/2014	30-99	353954	10196/2014
28-03NES	353984	10305/2014	31-00	353778	10113/2014
28-03NES	353985	10306/2014	31-00	354091	10277/2014
28-03NES	353986	10307/2014	31-00	354133	10545/2014
28-03NES	353987	10308/2014	31-00	354150	10546/2014
28-03NES	353988	10309/2014			
28-99	353758	10053/2014			

(21) Design Number: **10034/2014**
(22) Date of Filing Application: **07 January 2014**
(24) Date from which industrial property rights may have effect: **07 January 2014**
(54) Product in respect of which the design is registered: **Front bumper for automobile**
(51) International Design Classification: **12-16C**
(74) Name(s) of Attorney(s): **SPRUSON & FERGUSON**
(71) Name(s) and Address(s) of Applicant(s):
Honda Motor Co., Ltd.
1-1 Minami-Aoyama 2-chome Minato-ku Tokyo 107-8556 Japan
(72) Name(s) of Designer(s): **Norishige Kanai**
(45) Registration Date: **17 February 2014**
(30) Convention priority data:
(31) Number (32) Date (33) Country
2013-015872 11 Jul 2013 JAPAN
(56) Related Art Documents: **Not Applicable**
(57) Statement of Newness and Distinctiveness: **Newness and distinctiveness is claimed in the features of shape and/or configuration of a front bumper for automobile as illustrated in the accompanying representations.**



(21) Design Number: **14544/2013**
(22) Date of Filing Application: **12 September 2013**
(24) Date from which industrial property rights may have effect: **12 September 2013**
(54) Product in respect of which the design is registered: **Bottle**
(51) International Design Classification: **09-01NES**
(74) Name(s) of Attorney(s): **King & Wood Mallesons**
(71) Name(s) and Address(s) of Applicant(s):
Hello Products, LLC
363 Bloomfield Ave., Suite 2D Montclair NJ, 07042 United States of America
(72) Name(s) of Designer(s): **Craig Dubitsky and Matthew E. Chrostowski and Elisabeth Schwartz and Peter Falt and Michael Murphy**
(45) Registration Date: **18 February 2014**
(30) Convention priority data:
(31) Number (32) Date (33) Country
29/448,783 13 Mar 2013 UNITED STATES OF AMERICA
(56) Related Art Documents: **Not Applicable**
(57) Statement of Newness and Distinctiveness: **Newness and distinctiveness reside in the features of a bottle as shown in the representations, excluding those features shown in dashed lines.**



(21) Design Number: **14547/2013**
(22) Date of Filing Application: **12 September 2013**
(24) Date from which industrial property rights may have effect: **12 September 2013**
(54) Product in respect of which the design is registered: **Bottle**
(51) International Design Classification: **09-01K**
(74) Name(s) of Attorney(s): **King & Wood Mallesons**
(71) Name(s) and Address(s) of Applicant(s):

Hello Products, LLC
363 Bloomfield Ave., Suite 2D Montclair NJ, 07042 United States of America

(72) Name(s) of Designer(s): **Craig Dubitsky and Matthew E. Chrostowski and Elisabeth Schwartz and Peter Falt and Timothy Jacobs**

(45) Registration Date: **18 February 2014**

(30) Convention priority data:

(31) Number	(32) Date	(33) Country
29/448,785	13 Mar 2013	UNITED STATES OF AMERICA

(56) Related Art Documents: **Not Applicable**

(57) Statement of Newness and Distinctiveness: **Newness and distinctiveness reside in the features of a bottle as shown in the representations, excluding those features shown in dashed lines.**



(21) Design Number: **14550/2013**
(22) Date of Filing Application: **12 September 2013**
(24) Date from which industrial property rights may have effect: **12 September 2013**
(54) Product in respect of which the design is registered: **Bottle**
(51) International Design Classification: **09-01A**
(74) Name(s) of Attorney(s): **King & Wood Mallesons**
(71) Name(s) and Address(s) of Applicant(s):

Hello Products, LLC
363 Bloomfield Ave., Suite 2D Montclair NJ, 07042 United States of America

(72) Name(s) of Designer(s): **Craig Dubitsky and Matthew E. Chrostowski and Peter Falt and Philip D'Andrea and Elisabeth Schwartz**

(45) Registration Date: **18 February 2014**

(30) Convention priority data:

(31) Number	(32) Date	(33) Country
29/448,787	13 Mar 2013	UNITED STATES OF AMERICA

(56) Related Art Documents: **Not Applicable**

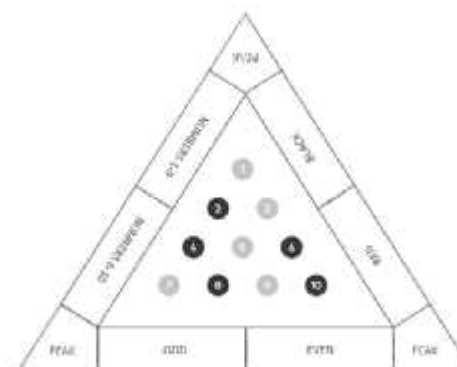
(57) Statement of Newness and Distinctiveness: **Newness and distinctiveness reside in the features of a bottle as shown in the representations, excluding those features shown in dashed lines.**



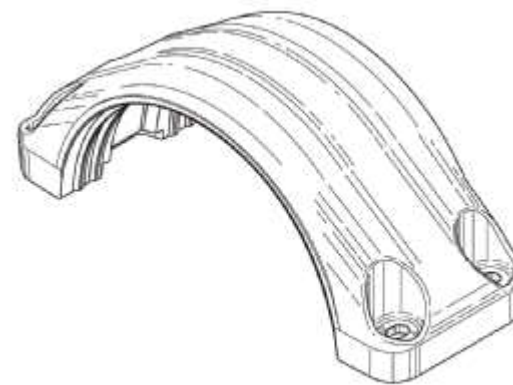
(21) Design Number: **15345/2013**
(22) Date of Filing Application: **21 October 2013**
(24) Date from which industrial property rights may have effect: **21 October 2013**
(54) Product in respect of which the design is registered: **Refill cartridge with dispenser**
(51) International Design Classification: **09-07A, 09-01A**
(74) Name(s) of Attorney(s): **Allens Patent & Trade Mark Attorneys**
(71) Name(s) and Address(s) of Applicant(s):
Beauty Union Global Limited
Unit B, 19/F Federal Center 77 Sheung On Street Chai Wan Hong Kong
(72) Name(s) of Designer(s): **Yi Ming Hui and Zhi Wang**
(45) Registration Date: **18 February 2014**
(30) Convention priority data:
(31) Number (32) Date (33) Country
53938 22 Apr 2013 ISRAEL
(56) Related Art Documents: **Not Applicable**
(57) Statement of Newness and Distinctiveness: **Newness and distinctiveness resides in the visual features of shape and/or configuration of a refill cartridge for a dispenser as illustrated in the accompanying representations.**



(21) Design Number: **16328/2013**
(22) Date of Filing Application: **03 December 2013**
(24) Date from which industrial property rights may have effect: **03 December 2013**
(54) Product in respect of which the design is registered: **Wagering layout for display apparatus**
(51) International Design Classification: **21-01L, 14-04**
(74) Name(s) of Attorney(s): **Adams Pluck**
(71) Name(s) and Address(s) of Applicant(s):
Triamble Pty Limited
28 Chesterfield Pde Bronte NSW 2024 Australia
(72) Name(s) of Designer(s): **Stuart O'Brien**
(45) Registration Date: **18 February 2014**
(56) Related Art Documents: **Not Applicable**
(57) Statement of Newness and Distinctiveness: **Newness and distinctiveness is claimed in the features of pattern and/or ornamentation of the wagering layout applied to a display screen of an electronic device or a physical game table as shown in the accompanying representations. The features depicted by broken lines in the representations are for illustrative purposes only and form no part of the claimed design.**



(21) Design Number: **16780/2013**
(22) Date of Filing Application: **24 December 2013**
(24) Date from which industrial property rights may have effect: **24 December 2013**
(54) Product in respect of which the design is registered: **Pipe coupling segment**
(51) International Design Classification: **23-01A**
(74) Name(s) of Attorney(s): **SPRUSON & FERGUSON**
(71) Name(s) and Address(s) of Applicant(s):



Victaulic Company
4901 Kesslersville Road Easton Pennsylvania 18040 United States of America

(72) Name(s) of Designer(s): **Loretta Marsicano and Craig Haney and Mark J Sewell**

(45) Registration Date: **18 February 2014**

(30) Convention priority data:

(31) Number	(32) Date	(33) Country
29/459522	01 Jul 2013	UNITED STATES OF AMERICA

(56) Related Art Documents: **Not Applicable**

(57) Statement of Newness and Distinctiveness: **Newness and distinctiveness is claimed in the features of shape and/or configuration of a pipe coupling segment as illustrated in the accompanying representations.**

(21) Design Number: **16781/2013**
(22) Date of Filing Application: **24 December 2013**
(24) Date from which industrial property rights may have effect: **24 December 2013**
(54) Product in respect of which the design is registered: **Pawl pipe wrench**
(51) International Design Classification: **08-05P**
(74) Name(s) of Attorney(s):
(71) Name(s) and Address(s) of Applicant(s):



Zhangmei Jiang
Room 201 No.1 Bldg Zhonghang New Village Gulou District Fuzhou City Fujian Province 350003 People's Republic of China

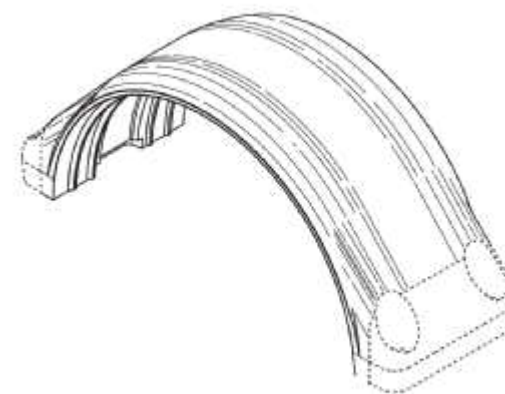
(72) Name(s) of Designer(s): **Zhangmei Jiang**

(45) Registration Date: **18 February 2014**

(56) Related Art Documents: **Not Applicable**

(57) Statement of Newness and Distinctiveness: **The shape and configuration of a pawl pipe wrench as depicted in the accompanying representations.**

(21) Design Number: **16782/2013**
(22) Date of Filing Application: **24 December 2013**
(24) Date from which industrial property rights may have effect: **24 December 2013**
(54) Product in respect of which the design is registered: **Pipe coupling segment**
(51) International Design Classification: **23-01A**
(74) Name(s) of Attorney(s): **SPRUSON & FERGUSON**
(71) Name(s) and Address(s) of Applicant(s):



Victaulic Company
4901 Kesslersville Road Easton Pennsylvania 18040 United States of America

(72) Name(s) of Designer(s): **Craig Haney and Loretta Marsicano and Mark J Sewell**

(45) Registration Date: **18 February 2014**

(30) Convention priority data:

(31) Number	(32) Date	(33) Country
29/459523	01 Jul 2013	UNITED STATES OF AMERICA

(56) Related Art Documents: **Not Applicable**

(57) Statement of Newness and Distinctiveness: **Newness and distinctiveness is claimed in those features of shape and/or configuration of a pipe coupling segment illustrated in continuous lines in the accompanying representations.**

(21) Design Number: **16817/2013**
(22) Date of Filing Application: **31 December 2013**
(24) Date from which industrial property rights may have effect: **31 December 2013**
(54) Product in respect of which the design is registered: **Beverage machine**
(51) International Design Classification: **07-02L**
(74) Name(s) of Attorney(s): **PIZZEYS**
(71) Name(s) and Address(s) of Applicant(s):



Keurig, Incorporated
55 Walkers Brook Drive Reading MA 01867 United States of America

(72) Name(s) of Designer(s): **Steffan F Koury and Paul K Metaxatos and James T McGee and Da Deng**

(45) Registration Date: **18 February 2014**

(30) Convention priority data:

(31) Number	(32) Date	(33) Country
29/460,395	10 Jul 2013	UNITED STATES OF AMERICA

(56) Related Art Documents: **Not Applicable**

(57) Statement of Newness and Distinctiveness: **Nil**

- (21) Design Number: **10053/2014**
(22) Date of Filing Application: **08 January 2014**
(24) Date from which industrial property rights may have effect: **08 January 2014**
(54) Product in respect of which the design is registered: **Rubber tongue adult toy**
(51) International Design Classification: **28-03NES, 28-99**
(74) Name(s) of Attorney(s):
(71) Name(s) and Address(s) of Applicant(s):
Reginald Leigh Faulkner
PO BOX 490 Gosnells WA 6990 Australia
(72) Name(s) of Designer(s): **Reginald Leigh Faulkner**
(45) Registration Date: **18 February 2014**
(56) Related Art Documents: **Not Applicable**
(57) Statement of Newness and Distinctiveness: **The round ball shaped hand grip with its positioning groove and the overall shape and configuration, are new and distinctive.**



- (21) Design Number: **10054/2014**
(22) Date of Filing Application: **08 January 2014**
(24) Date from which industrial property rights may have effect: **08 January 2014**
(54) Product in respect of which the design is registered: **Dual compartment container with lid**
(51) International Design Classification: **07-01NES**
(74) Name(s) of Attorney(s): **PHILLIPS ORMONDE FITZPATRICK**
(71) Name(s) and Address(s) of Applicant(s):
Dart Industries Inc.
14901 S. Orange Blossom Trail Orlando Florida 32877 United States of America
(72) Name(s) of Designer(s): **Jan-Hendrik de Groote and Nathan E Shirley**
(45) Registration Date: **18 February 2014**
(56) Related Art Documents: **Not Applicable**
(57) Statement of Newness and Distinctiveness: **Those features of the dual compartment container with lid depicted in the representations that are new and distinctive are the shape and/or configuration.**



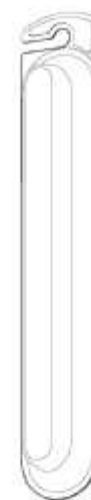
(21) Design Number: **10096/2014**
(22) Date of Filing Application: **10 January 2014**
(24) Date from which industrial property rights may have effect: **10 January 2014**
(54) Product in respect of which the design is registered: **Toothbrush**
(51) International Design Classification: **04-02**
(74) Name(s) of Attorney(s): **FB Rice**
(71) Name(s) and Address(s) of Applicant(s):
Colgate-Palmolive Company
300 Park Avenue New York New York 10022 United States of America
(72) Name(s) of Designer(s): **Wen Jin Xi and Ting Yan and Bo Zhang**
(45) Registration Date: **18 February 2014**
(30) Convention priority data:
(31) Number (32) Date (33) Country
29/461011 17 Jul 2013 UNITED STATES OF AMERICA
(56) Related Art Documents: **Not Applicable**
(57) Statement of Newness and Distinctiveness: **Newness and distinctiveness reside in the visual features of the design as shown in the representations.**



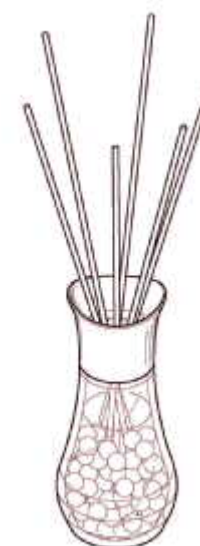
(21) Design Number: **10097/2014**
(22) Date of Filing Application: **10 January 2014**
(24) Date from which industrial property rights may have effect: **10 January 2014**
(54) Product in respect of which the design is registered: **Toothbrush**
(51) International Design Classification: **04-02**
(74) Name(s) of Attorney(s): **FB Rice**
(71) Name(s) and Address(s) of Applicant(s):
Colgate-Palmolive Company
300 Park Avenue New York New York 10022 United States of America
(72) Name(s) of Designer(s): **Wen Jin Xi and Ting Yan and Bo Zhang**
(45) Registration Date: **18 February 2014**
(30) Convention priority data:
(31) Number (32) Date (33) Country
29/461011 17 Jul 2013 UNITED STATES OF AMERICA
(56) Related Art Documents: **Not Applicable**
(57) Statement of Newness and Distinctiveness: **Newness and distinctiveness reside in the visual features of the design as shown in the representations.**



- (21) Design Number: **10098/2014**
(22) Date of Filing Application: **10 January 2014**
(24) Date from which industrial property rights may have effect: **10 January 2014**
(54) Product in respect of which the design is registered: **Oral care implement package**
(51) International Design Classification: **09-05**
(74) Name(s) of Attorney(s): **FB Rice**
(71) Name(s) and Address(s) of Applicant(s):
Colgate-Palmolive Company
300 Park Avenue New York New York 10022 United States of America
(72) Name(s) of Designer(s): **Robert Moskovich and Alan Sorrentino and Francisco Dondo and David Demar and David Gurley**
(45) Registration Date: **18 February 2014**
(30) Convention priority data:
(31) Number (32) Date (33) Country
29/462730 07 Aug 2013 UNITED STATES OF AMERICA
(56) Related Art Documents: **Not Applicable**
(57) Statement of Newness and Distinctiveness: **Newness and distinctiveness reside in the features of shape and/or configuration of the design as shown in the representations.**



- (21) Design Number: **10099/2014**
(22) Date of Filing Application: **10 January 2014**
(24) Date from which industrial property rights may have effect: **10 January 2014**
(54) Product in respect of which the design is registered: **Air freshener**
(51) International Design Classification: **28-99**
(74) Name(s) of Attorney(s): **Shelston IP**
(71) Name(s) and Address(s) of Applicant(s):
Reckitt Benckiser (Brands) Limited
103-105 Bath Road Slough Berkshire SL1 3UH United Kingdom
(72) Name(s) of Designer(s): **David Sanders and Jos Harrison**
(45) Registration Date: **18 February 2014**
(30) Convention priority data:
(31) Number (32) Date (33) Country
002275842-0004 17 Jul 2013 OFFICE FOR HARMONISATION IN THE INTERNAL MARKET (OHIM)
(56) Related Art Documents: **Not Applicable**
(57) Statement of Newness and Distinctiveness: **Newness and distinctiveness reside in the features of shape and/or configuration of an air freshener as illustrated in the accompanying representations.**



- (21) Design Number: **10100/2014**
(22) Date of Filing Application: **10 January 2014**
(24) Date from which industrial property rights may have effect: **10 January 2014**
(54) Product in respect of which the design is registered: **Release liner**
(51) International Design Classification: **24-04**
(74) Name(s) of Attorney(s): **Shelston IP**
(71) Name(s) and Address(s) of Applicant(s):

McNeil-PPC, Inc.
199 Grandview Road Skillman New Jersey 08858 United States of America

(72) Name(s) of Designer(s): **Tatiana Negreli Menegatti**

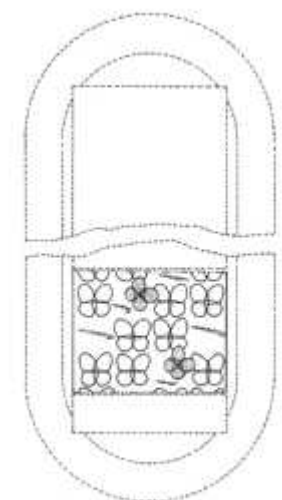
(45) Registration Date: **18 February 2014**

(30) Convention priority data:

(31) Number	(32) Date	(33) Country
29/460988	17 Jul 2013	UNITED KINGDOM

(56) Related Art Documents: **Not Applicable**

(57) Statement of Newness and Distinctiveness: **Newness and distinctiveness reside in the pattern and ornamentation of a print design for a printed Release Liner as shown in solid line.**



- (21) Design Number: **10102/2014**
(22) Date of Filing Application: **10 January 2014**
(24) Date from which industrial property rights may have effect: **10 January 2014**
(54) Product in respect of which the design is registered: **Paper for household, medical or similar purposes**
(51) International Design Classification: **05-06NES**
(74) Name(s) of Attorney(s): **IP Gateway Patent & Trademark Attorneys Pty Ltd**
(71) Name(s) and Address(s) of Applicant(s):

Medline Industries, Inc.
One Medline Place Mundelein IL 60060 United States of America

(72) Name(s) of Designer(s): **Benjamin Duck**

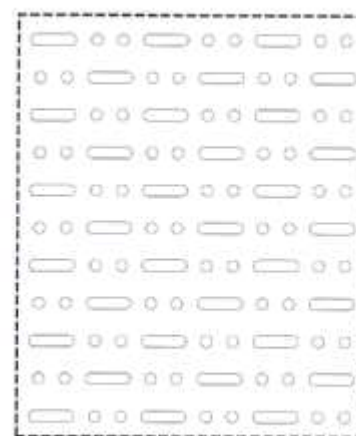
(45) Registration Date: **18 February 2014**

(30) Convention priority data:

(31) Number	(32) Date	(33) Country
29/460,684	12 Jul 2013	UNITED STATES OF AMERICA

(56) Related Art Documents: **Not Applicable**

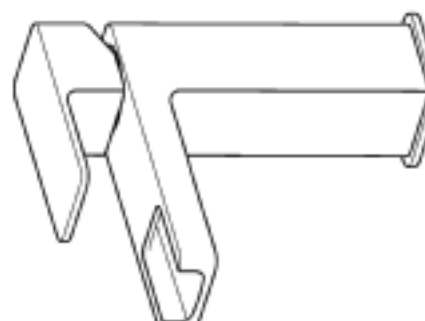
(57) Statement of Newness and Distinctiveness: **Newness and distinctiveness reside in the visual features of pattern and/or ornamentation of absorbent paper, as shown in the representation. The visual features of pattern and/or ornamentation, as delineated by broken lines in the representation, may repeat an indefinite number of times in any direction. The design may be embossed onto the product.**



- (21) Design Number: **10198/2014**
(22) Date of Filing Application: **17 January 2014**
(24) Date from which industrial property rights may have effect: **17 January 2014**
(54) Product in respect of which the design is registered: **Base ball helmet**
(51) International Design Classification: **02-03**
(74) Name(s) of Attorney(s):
(71) Name(s) and Address(s) of Applicant(s):
Clay Caird
733 Maddisons Road RD 5 Christchurch 7675 New Zealand
(72) Name(s) of Designer(s): **Clay Caird**
(45) Registration Date: **18 February 2014**
(56) Related Art Documents: **Not Applicable**
(57) Statement of Newness and Distinctiveness: **Newness and distinctiveness resides in the shape, configuration and ornamentation of a blank for a helmet as shown in the representations.**



- (21) Design Number: **10239/2014**
(22) Date of Filing Application: **21 January 2014**
(24) Date from which industrial property rights may have effect: **21 January 2014**
(54) Product in respect of which the design is registered: **A mixer tap**
(51) International Design Classification: **23-01H**
(74) Name(s) of Attorney(s): **SPRUSON & FERGUSON**
(71) Name(s) and Address(s) of Applicant(s):
Caroma Industries Limited
L2 HQ South Tower 520 Wickham St Fortitude Valley QLD 4006 Australia
(72) Name(s) of Designer(s): **Leonie Carolyn Brickwood**
(45) Registration Date: **18 February 2014**
(56) Related Art Documents: **Not Applicable**
(57) Statement of Newness and Distinctiveness: **Newness and distinctiveness is claimed in the features of shape and/or configuration of a mixer tap as illustrated in the accompanying representations.**



- (21) Design Number: **10247/2014**
(22) Date of Filing Application: **21 January 2014**
(24) Date from which industrial property rights may have effect: **21 January 2014**
(54) Product in respect of which the design is registered: **Hair clipper**
(51) International Design Classification: **28-03D**
(74) Name(s) of Attorney(s):
(71) Name(s) and Address(s) of Applicant(s):
Yongkang MRY Industry & Trade Co., Ltd
No 185 Chengdong Road Yongkang Zhejiang China
(72) Name(s) of Designer(s): **Fusheng Li**
(45) Registration Date: **18 February 2014**
(56) Related Art Documents: **Not Applicable**
(57) Statement of Newness and Distinctiveness: **Newness and distinctiveness is claimed in the unique shape and colour combination.**



- (21) Design Number: **10248/2014**
(22) Date of Filing Application: **21 January 2014**
(24) Date from which industrial property rights may have effect: **21 January 2014**
(54) Product in respect of which the design is registered: **Secateurs**
(51) International Design Classification: **08-03**
(74) Name(s) of Attorney(s): **Allens Patent & Trade Mark Attorneys**
(71) Name(s) and Address(s) of Applicant(s):
Leroy Merlin France
Rue Chanzy Lezennes 59260 France
(72) Name(s) of Designer(s): **Olivier Lambin**
(45) Registration Date: **18 February 2014**
(30) Convention priority data:
(31) Number (32) Date (33) Country
002283895-0001 30 Jul 2013 OFFICE FOR HARMONISATION IN THE INTERNAL MARKET (OHIM)
(56) Related Art Documents: **Not Applicable**
(57) Statement of Newness and Distinctiveness: **Newness and distinctiveness is claimed in the shape and/or configuration of the secateurs shown in the accompanying representations.**



(21) Design Number: **10250/2014**

(22) Date of Filing Application: **21 January 2014**

(24) Date from which industrial property rights may have effect: **21 January 2014**

(54) Product in respect of which the design is registered: **Hammer head**

(51) International Design Classification: **08-02**

(74) Name(s) of Attorney(s): **SPRUSON & FERGUSON**

(71) Name(s) and Address(s) of Applicant(s):

Yung-Shou Chen

No. 1, Alley 66, Lane 216, Gong Yeh Rd., Chung Ho Tsuen, Long-Ching Dist., Taichung City Taiwan

(72) Name(s) of Designer(s): **Yung-Shou Chen**

(45) Registration Date: **18 February 2014**

(56) Related Art Documents: **Not Applicable**

(57) Statement of Newness and Distinctiveness: **Newness and distinctiveness is claimed in the features of shape and/or configuration of a hammer head as illustrated in the accompanying representations.**



(21) Design Number: **10251/2014**

(22) Date of Filing Application: **21 January 2014**

(24) Date from which industrial property rights may have effect: **21 January 2014**

(54) Product in respect of which the design is registered: **Hammer head**

(51) International Design Classification: **08-02**

(74) Name(s) of Attorney(s): **SPRUSON & FERGUSON**

(71) Name(s) and Address(s) of Applicant(s):

Yung-Shou Chen

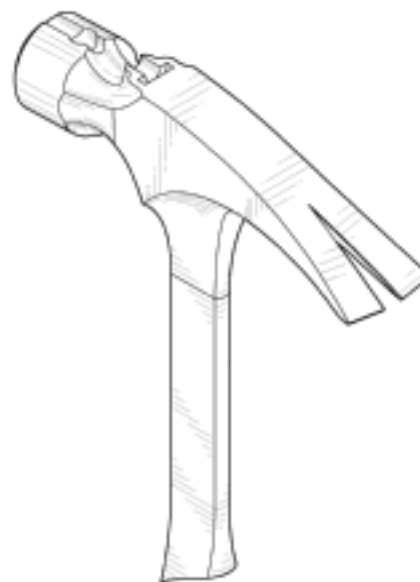
No. 1, Alley 66, Lane 216, Gong Yeh Rd., Chung Ho Tsuen, Long-Ching Dist., Taichung City Taiwan

(72) Name(s) of Designer(s): **Yung-Shou Chen**

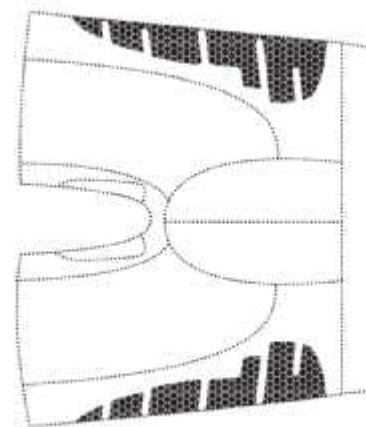
(45) Registration Date: **18 February 2014**

(56) Related Art Documents: **Not Applicable**

(57) Statement of Newness and Distinctiveness: **Newness and distinctiveness is claimed in the features of shape and/or configuration of a hammer head as illustrated in the accompanying representations.**



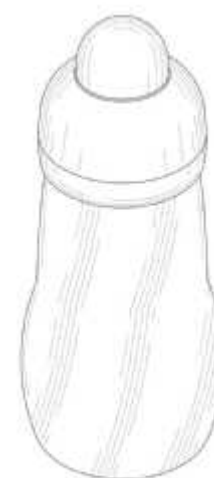
- (21) Design Number: **10254/2014**
(22) Date of Filing Application: **21 January 2014**
(24) Date from which industrial property rights may have effect: **21 January 2014**
(54) Product in respect of which the design is registered: **Garment**
(51) International Design Classification: **02-02C**
(74) Name(s) of Attorney(s): **Callinans**
(71) Name(s) and Address(s) of Applicant(s):
Sojo Pty Ltd
12 Lakeview Dr Carribean Business Park Scoresby VIC 3179 Australia
(72) Name(s) of Designer(s): **Katherine Stevens**
(45) Registration Date: **18 February 2014**
(56) Related Art Documents: **Not Applicable**
(57) Statement of Newness and Distinctiveness: **Newness and distinctiveness lies in the shape of the panels depicted in solid lines in the representations.**



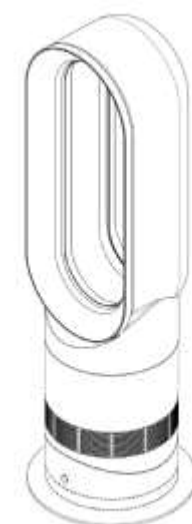
- (21) Design Number: **10256/2014**
(22) Date of Filing Application: **21 January 2014**
(24) Date from which industrial property rights may have effect: **21 January 2014**
(54) Product in respect of which the design is registered: **A fan**
(51) International Design Classification: **23-04**
(74) Name(s) of Attorney(s): **Shelston IP**
(71) Name(s) and Address(s) of Applicant(s):
Dyson Technology Limited
Tetbury Hill Malmesbury Wiltshire SN16 0RP United Kingdom
(72) Name(s) of Designer(s): **James Dyson and David Dos Reis and Adam James Bates and Arran George Smith and Roy Edward Poulton and Joseph Eric Hodgetts and David Robert Sunderland**
(45) Registration Date: **18 February 2014**
(30) Convention priority data:
(31) Number (32) Date (33) Country
001379531-0003 01 Aug 2013 OFFICE FOR HARMONISATION IN THE INTERNAL MARKET (OHIM)
(56) Related Art Documents: **Not Applicable**
(57) Statement of Newness and Distinctiveness: **Newness and distinctiveness reside in the features of shape and/or configuration defining a second air outlet located towards the front of the FAN nozzle as illustrated in the accompanying representations.**



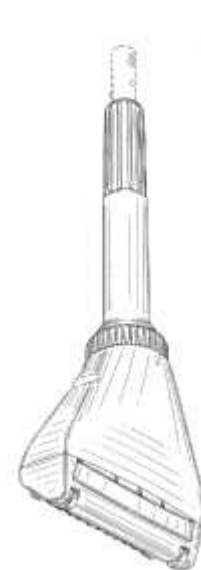
(21) Design Number: **10257/2014**
(22) Date of Filing Application: **21 January 2014**
(24) Date from which industrial property rights may have effect: **21 January 2014**
(54) Product in respect of which the design is registered: **Glass-bodied feeding bottle for infants**
(51) International Design Classification: **07-01E**
(74) Name(s) of Attorney(s): **SPRUSON & FERGUSON**
(71) Name(s) and Address(s) of Applicant(s):
MAM Babyartikel Gesellschaft m.b.H.
Lorenz-Mandl-Gasse 50, Wien 1160 Austria
(72) Name(s) of Designer(s): **Peter Roehrig**
(45) Registration Date: **18 February 2014**
(30) Convention priority data:
(31) Number (32) Date (33) Country
2280727-0002 25 Jul 2013 OFFICE FOR HARMONISATION IN
THE INTERNAL MARKET (OHIM)
(56) Related Art Documents: **Not Applicable**
(57) Statement of Newness and Distinctiveness: **Newness and distinctiveness is claimed in the features of shape and/or configuration of a glass-bodied feeding bottle for infants as illustrated in the accompanying representations.**



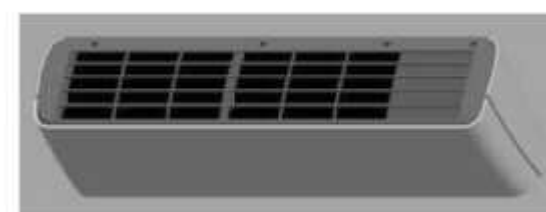
(21) Design Number: **10258/2014**
(22) Date of Filing Application: **21 January 2014**
(24) Date from which industrial property rights may have effect: **21 January 2014**
(54) Product in respect of which the design is registered: **A fan**
(51) International Design Classification: **23-04**
(74) Name(s) of Attorney(s): **Shelston IP**
(71) Name(s) and Address(s) of Applicant(s):
Dyson Technology Limited
Tetbury Hill Malmesbury Wiltshire SN16 0RP United Kingdom
(72) Name(s) of Designer(s): **Roy Edward Poulton and Joseph Eric Hodgetts and David Robert Sunderland**
(45) Registration Date: **18 February 2014**
(30) Convention priority data:
(31) Number (32) Date (33) Country
001379531-0005 01 Aug 2013 OFFICE FOR HARMONISATION IN
THE INTERNAL MARKET (OHIM)
(56) Related Art Documents: **Not Applicable**
(57) Statement of Newness and Distinctiveness: **Newness and distinctiveness reside in the features of shape and/or configuration defining a second air outlet located towards the front of the FAN nozzle as shown in solid lines in the accompanying representations. The features shown in broken lines are illustrative only and do not form part of the design.**



(21) Design Number: **16436/2013**
(22) Date of Filing Application: **10 December 2013**
(24) Date from which industrial property rights may have effect: **10 December 2013**
(54) Product in respect of which the design is registered: **Hand-held submersible broom vacuum cleaner**
(51) International Design Classification: **15-05**
(74) Name(s) of Attorney(s): **Ahearn Fox**
(71) Name(s) and Address(s) of Applicant(s):
Water Tech LLC
10 Alvin Ct. Suit 111 East Brunswick New Jersey, 08816 United States of America
(72) Name(s) of Designer(s): **Guy Erlich and Jon Elmaleh and James Kosmyna**
(45) Registration Date: **18 February 2014**
(30) Convention priority data:
(31) Number (32) Date (33) Country
29458984 25 Jun 2013 UNITED STATES OF AMERICA
(56) Related Art Documents: **Not Applicable**
(57) Statement of Newness and Distinctiveness: **Newness and distinctiveness resides in the shape and configuration of a hand-held submersible broom vacuum cleaner as illustrated in the accompanying drawings wherein: Fig. 1 is a bottom, front, left side perspective view of a hand-held submersible power cleaner including the design; Fig. 2 is a front view of the power cleaner illustrated in Fig. 1; Fig. 3 is a bottom view of the power cleaner illustrated in Fig. 1; Fig. 4. is a right side view of the power cleaner illustrated in Fig. 1; Fig. 5 is a top view of the power cleaner illustrated in Fig. 1; Fig. 6 is a rear view of the power cleaner illustrated in Fig. 1.**



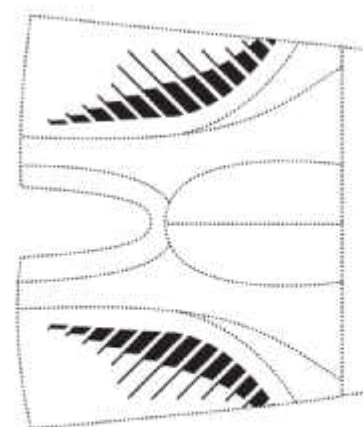
(21) Design Number: **10014/2014**
(22) Date of Filing Application: **03 January 2014**
(24) Date from which industrial property rights may have effect: **03 January 2014**
(54) Product in respect of which the design is registered: **Air conditioner case**
(51) International Design Classification: **23-04**
(74) Name(s) of Attorney(s): **AJ Park**
(71) Name(s) and Address(s) of Applicant(s):
Gree Electric Appliances, Inc. of Zhuhai
Qianshan Jinji West Road Zhuhai Guangdong 519070 People's Republic of China
(72) Name(s) of Designer(s): **Hui Huang and Zhen Zhang and Sha Li and Shaolin Chen and Yan Ruan and Zhaigu Fu and Yongliang An and Caihua Peng and Tangtang Gu and Heqing Zheng**
(45) Registration Date: **18 February 2014**
(30) Convention priority data:
(31) Number (32) Date (33) Country
201330308055.5 04 Jul 2013 CHINA
(56) Related Art Documents: **Not Applicable**
(57) Statement of Newness and Distinctiveness: **Newness and distinctiveness reside in the features of shape and/or configuration of the air conditioner case as shown in the representations.**



(21) Design Number: **10113/2014**
(22) Date of Filing Application: **13 January 2014**
(24) Date from which industrial property rights may have effect: **13 January 2014**
(54) Product in respect of which the design is registered: **Ice cream dispensing apparatus**
(51) International Design Classification: **31-00**
(74) Name(s) of Attorney(s): **Griffith Hack**
(71) Name(s) and Address(s) of Applicant(s):
Unilever PLC
Unilever House 100 Victoria Embankment London EC4Y 0DY United Kingdom
(72) Name(s) of Designer(s): **Stefano Cappelli and Varkey Berty Jacob**
(45) Registration Date: **18 February 2014**
(30) Convention priority data:
(31) Number (32) Date (33) Country
002287938-0001 07 Aug 2013 OFFICE FOR HARMONISATION IN THE INTERNAL MARKET (OHIM)
(56) Related Art Documents: **Not Applicable**
(57) Statement of Newness and Distinctiveness: **Newness and distinctiveness resides in the visual features, including shape and configuration, of an ICE CREAM DISPENSING APPARATUS as shown in the accompanying drawings.**



(21) Design Number: **10249/2014**
(22) Date of Filing Application: **21 January 2014**
(24) Date from which industrial property rights may have effect: **21 January 2014**
(54) Product in respect of which the design is registered: **Garment**
(51) International Design Classification: **02-02C**
(74) Name(s) of Attorney(s): **Callinans**
(71) Name(s) and Address(s) of Applicant(s):
Sojo Pty Ltd
12 Lakeview Dr Carribean Business Park Scoresby VIC 3179 Australia
(72) Name(s) of Designer(s): **Katherine Stevens**
(45) Registration Date: **18 February 2014**
(56) Related Art Documents: **Not Applicable**
(57) Statement of Newness and Distinctiveness: **Newness and distinctiveness lies in the shape of the panels depicted in solid lines in the representations.**



- (21) Design Number: **10498/2014**
(22) Date of Filing Application: **04 February 2014**
(24) Date from which industrial property rights may have effect: **21 June 2013**
(54) Product in respect of which the design is registered: **Bag**
(51) International Design Classification: **03-01B**
(74) Name(s) of Attorney(s): **Allens Patent & Trade Mark Attorneys**
(71) Name(s) and Address(s) of Applicant(s):
Forever New Clothing Pty Ltd
714-716 High St Kew East VIC 3102 Australia
(72) Name(s) of Designer(s): **Georgia Roberts-Thomson**
(45) Registration Date: **18 February 2014**
(62) Divisional of: **353829**
(56) Related Art Documents: **Not Applicable**
(57) Statement of Newness and Distinctiveness: **Newness and distinctiveness resides in the visual features of shape, configuration, pattern and/or ornamentation of a bag as shown in the accompanying representation.**



- (21) Design Number: **10499/2014**
(22) Date of Filing Application: **04 February 2014**
(24) Date from which industrial property rights may have effect: **21 June 2013**
(54) Product in respect of which the design is registered: **Bag**
(51) International Design Classification: **03-01B**
(74) Name(s) of Attorney(s): **Allens Patent & Trade Mark Attorneys**
(71) Name(s) and Address(s) of Applicant(s):
Forever New Clothing Pty Ltd
714-716 High St Kew East VIC 3102 Australia
(72) Name(s) of Designer(s): **Georgia Roberts-Thomson**
(45) Registration Date: **18 February 2014**
(62) Divisional of: **353829**
(56) Related Art Documents: **Not Applicable**
(57) Statement of Newness and Distinctiveness: **Newness and distinctiveness resides in the visual features of shape, configuration, pattern and/or ornamentation of a bag as shown in the accompanying representations.**



- (21) Design Number: **10501/2014**
(22) Date of Filing Application: **04 February 2014**
(24) Date from which industrial property rights may have effect: **21 June 2013**
(54) Product in respect of which the design is registered: **Bag**
(51) International Design Classification: **03-01B**
(74) Name(s) of Attorney(s): **Allens Patent & Trade Mark Attorneys**
(71) Name(s) and Address(s) of Applicant(s):
Forever New Clothing Pty Ltd
714-716 High St Kew East VIC 3102 Australia
(72) Name(s) of Designer(s): **Georgia Roberts-Thomson**
(45) Registration Date: **18 February 2014**
(62) Divisional of: **353829**
(56) Related Art Documents: **Not Applicable**
(57) Statement of Newness and Distinctiveness: **Newness and distinctiveness resides in the visual features of shape, configuration, pattern and/or ornamentation of a bag as shown in the accompanying representations.**



- (21) Design Number: **10502/2014**
(22) Date of Filing Application: **04 February 2014**
(24) Date from which industrial property rights may have effect: **21 June 2013**
(54) Product in respect of which the design is registered: **Bag**
(51) International Design Classification: **03-01B**
(74) Name(s) of Attorney(s): **Allens Patent & Trade Mark Attorneys**
(71) Name(s) and Address(s) of Applicant(s):
Forever New Clothing Pty Ltd
714-716 High St Kew East VIC 3102 Australia
(72) Name(s) of Designer(s): **Georgia Roberts-Thomson**
(45) Registration Date: **18 February 2014**
(62) Divisional of: **353829**
(56) Related Art Documents: **Not Applicable**
(57) Statement of Newness and Distinctiveness: **Newness and distinctiveness resides in the visual features of shape, configuration, pattern and/or ornamentation of a bag as shown in the accompanying representations.**



- (21) Design Number: **10503/2014**
(22) Date of Filing Application: **04 February 2014**
(24) Date from which industrial property rights may have effect: **21 June 2013**
(54) Product in respect of which the design is registered: **Bag**
(51) International Design Classification: **03-01B**
(74) Name(s) of Attorney(s): **Allens Patent & Trade Mark Attorneys**
(71) Name(s) and Address(s) of Applicant(s):
Forever New Clothing Pty Ltd
714-716 High St Kew East VIC 3102 Australia
(72) Name(s) of Designer(s): **Georgia Roberts-Thomson**
(45) Registration Date: **18 February 2014**
(62) Divisional of: **353829**
(56) Related Art Documents: **Not Applicable**
(57) Statement of Newness and Distinctiveness: **Newness and distinctiveness resides in the visual features of shape, configuration, pattern and/or ornamentation of a bag as shown in the accompanying representation.**



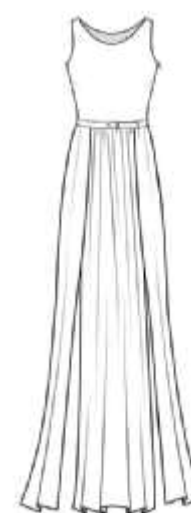
- (21) Design Number: **10504/2014**
(22) Date of Filing Application: **04 February 2014**
(24) Date from which industrial property rights may have effect: **21 June 2013**
(54) Product in respect of which the design is registered: **Bag**
(51) International Design Classification: **03-01B**
(74) Name(s) of Attorney(s): **Allens Patent & Trade Mark Attorneys**
(71) Name(s) and Address(s) of Applicant(s):
Forever New Clothing Pty Ltd
714-716 High St Kew East VIC 3102 Australia
(72) Name(s) of Designer(s): **Georgia Roberts-Thomson**
(45) Registration Date: **18 February 2014**
(62) Divisional of: **353829**
(56) Related Art Documents: **Not Applicable**
(57) Statement of Newness and Distinctiveness: **Newness and distinctiveness resides in the visual features of shape, configuration, pattern and/or ornamentation of a bag as shown in the accompanying representation.**



- (21) Design Number: **10500/2014**
(22) Date of Filing Application: **04 February 2014**
(24) Date from which industrial property rights may have effect: **21 June 2013**
(54) Product in respect of which the design is registered: **Bag**
(51) International Design Classification: **03-01B**
(74) Name(s) of Attorney(s): **Allens Patent & Trade Mark Attorneys**
(71) Name(s) and Address(s) of Applicant(s):
Forever New Clothing Pty Ltd
714-716 High St Kew East VIC 3102 Australia
(72) Name(s) of Designer(s): **Georgia Roberts-Thomson**
(45) Registration Date: **18 February 2014**
(62) Divisional of: **353829**
(56) Related Art Documents: **Not Applicable**
(57) Statement of Newness and Distinctiveness: **Newness and distinctiveness resides in the visual features of shape, configuration, pattern and/or ornamentation of a bag as shown in the accompanying representations.**



- (21) Design Number: **10514/2014**
(22) Date of Filing Application: **04 February 2014**
(24) Date from which industrial property rights may have effect: **21 June 2013**
(54) Product in respect of which the design is registered: **Article of clothing**
(51) International Design Classification: **02-02C**
(74) Name(s) of Attorney(s): **Allens Patent & Trade Mark Attorneys**
(71) Name(s) and Address(s) of Applicant(s):
Forever New Clothing Pty Ltd
714-716 High St Kew East VIC 3102 Australia
(72) Name(s) of Designer(s): **Octavia Miller**
(45) Registration Date: **18 February 2014**
(62) Divisional of: **353830**
(56) Related Art Documents: **Not Applicable**
(57) Statement of Newness and Distinctiveness: **Newness and distinctiveness resides in the visual features of shape, configuration, pattern and/or ornamentation of an article of clothing as shown in the accompanying representations.**



- (21) Design Number: **10515/2014**
(22) Date of Filing Application: **04 February 2014**
(24) Date from which industrial property rights may have effect: **21 June 2013**
(54) Product in respect of which the design is registered: **Article of clothing**
(51) International Design Classification: **02-02C**
(74) Name(s) of Attorney(s): **Allens Patent & Trade Mark Attorneys**
(71) Name(s) and Address(s) of Applicant(s):
Forever New Clothing Pty Ltd
714-716 High St Kew East VIC 3102 Australia
(72) Name(s) of Designer(s): **Octavia Miller**
(45) Registration Date: **18 February 2014**
(62) Divisional of: **353830**
(56) Related Art Documents: **Not Applicable**
(57) Statement of Newness and Distinctiveness: **Newness and distinctiveness resides in the visual features of shape, configuration, pattern and/or ornamentation of an article of clothing as shown in the accompanying representations.**



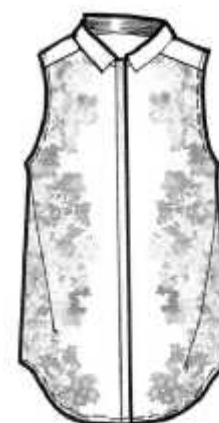
- (21) Design Number: **10516/2014**
(22) Date of Filing Application: **04 February 2014**
(24) Date from which industrial property rights may have effect: **21 June 2013**
(54) Product in respect of which the design is registered: **Article of clothing**
(51) International Design Classification: **02-02NES**
(74) Name(s) of Attorney(s): **Allens Patent & Trade Mark Attorneys**
(71) Name(s) and Address(s) of Applicant(s):
Forever New Clothing Pty Ltd
714-716 High St Kew East VIC 3102 Australia
(72) Name(s) of Designer(s): **Chloe Atkinson**
(45) Registration Date: **18 February 2014**
(62) Divisional of: **353830**
(56) Related Art Documents: **Not Applicable**
(57) Statement of Newness and Distinctiveness: **Newness and distinctiveness resides in the visual features of shape, configuration, pattern and/or ornamentation of an article of clothing as shown in the accompanying representations.**



- (21) Design Number: **10517/2014**
(22) Date of Filing Application: **04 February 2014**
(24) Date from which industrial property rights may have effect: **21 June 2013**
(54) Product in respect of which the design is registered: **Article of clothing**
(51) International Design Classification: **02-02NES**
(74) Name(s) of Attorney(s): **Allens Patent & Trade Mark Attorneys**
(71) Name(s) and Address(s) of Applicant(s):
Forever New Clothing Pty Ltd
714-716 High St Kew East VIC 3102 Australia
(72) Name(s) of Designer(s): **Chloe Atkinson**
(45) Registration Date: **18 February 2014**
(62) Divisional of: **353830**
(56) Related Art Documents: **Not Applicable**
(57) Statement of Newness and Distinctiveness: **Newness and distinctiveness resides in the visual features of shape, configuration, pattern and/or ornamentation of an article of clothing as shown in the accompanying representations.**



- (21) Design Number: **10518/2014**
(22) Date of Filing Application: **04 February 2014**
(24) Date from which industrial property rights may have effect: **21 June 2013**
(54) Product in respect of which the design is registered: **Article of clothing**
(51) International Design Classification: **02-02NES**
(74) Name(s) of Attorney(s): **Allens Patent & Trade Mark Attorneys**
(71) Name(s) and Address(s) of Applicant(s):
Forever New Clothing Pty Ltd
714-716 High St Kew East VIC 3102 Australia
(72) Name(s) of Designer(s): **Chloe Atkinson**
(45) Registration Date: **18 February 2014**
(62) Divisional of: **353830**
(56) Related Art Documents: **Not Applicable**
(57) Statement of Newness and Distinctiveness: **Newness and distinctiveness resides in the visual features of shape, configuration, pattern and/or ornamentation of an article of clothing as shown in the accompanying representations.**



- (21) Design Number: **10519/2014**
(22) Date of Filing Application: **04 February 2014**
(24) Date from which industrial property rights may have effect: **21 June 2013**
(54) Product in respect of which the design is registered: **Article of clothing**
(51) International Design Classification: **02-02NES**
(74) Name(s) of Attorney(s): **Allens Patent & Trade Mark Attorneys**
(71) Name(s) and Address(s) of Applicant(s):
Forever New Clothing Pty Ltd
714-716 High St Kew East VIC 3102 Australia
(72) Name(s) of Designer(s): **Chloe Atkinson**
(45) Registration Date: **18 February 2014**
(62) Divisional of: **353830**
(56) Related Art Documents: **Not Applicable**
(57) Statement of Newness and Distinctiveness: **Newness and distinctiveness resides in the visual features of shape, configuration, pattern and/or ornamentation of an article of clothing as shown in the accompanying representations**



- (21) Design Number: **10520/2014**
(22) Date of Filing Application: **04 February 2014**
(24) Date from which industrial property rights may have effect: **21 June 2013**
(54) Product in respect of which the design is registered: **Article of clothing**
(51) International Design Classification: **02-02C**
(74) Name(s) of Attorney(s): **Allens Patent & Trade Mark Attorneys**
(71) Name(s) and Address(s) of Applicant(s):
Forever New Clothing Pty Ltd
714 - 716 High St Kew East VIC 3102 Australia
(72) Name(s) of Designer(s): **Mantra Ahrendt**
(45) Registration Date: **18 February 2014**
(62) Divisional of: **353830**
(56) Related Art Documents: **Not Applicable**
(57) Statement of Newness and Distinctiveness: **Newness and distinctiveness resides in the visual features of shape, configuration, pattern and/or ornamentation of an article of clothing as shown in the accompanying representations**



- (21) Design Number: **10521/2014**
(22) Date of Filing Application: **04 February 2014**
(24) Date from which industrial property rights may have effect: **21 June 2013**
(54) Product in respect of which the design is registered: **Article of clothing**
(51) International Design Classification: **02-02C**
(74) Name(s) of Attorney(s): **Allens Patent & Trade Mark Attorneys**
(71) Name(s) and Address(s) of Applicant(s):
Forever New Clothing Pty Ltd
714-716 High St Kew East VIC 3102 Australia
(72) Name(s) of Designer(s): **Laura Mitchell**
(45) Registration Date: **18 February 2014**
(62) Divisional of: **353830**
(56) Related Art Documents: **Not Applicable**
(57) Statement of Newness and Distinctiveness: **Newness and distinctiveness resides in the visual features of shape, configuration, pattern and/or ornamentation of an article of clothing as shown in the accompanying representations**



- (21) Design Number: **10522/2014**
(22) Date of Filing Application: **04 February 2014**
(24) Date from which industrial property rights may have effect: **21 June 2013**
(54) Product in respect of which the design is registered: **Article of clothing**
(51) International Design Classification: **02-02C**
(74) Name(s) of Attorney(s): **Allens Patent & Trade Mark Attorneys**
(71) Name(s) and Address(s) of Applicant(s):
Forever New Clothing Pty Ltd
714-716 High St Kew East VIC 3102 Australia
(72) Name(s) of Designer(s): **Laura Mitchell**
(45) Registration Date: **18 February 2014**
(62) Divisional of: **353830**
(56) Related Art Documents: **Not Applicable**
(57) Statement of Newness and Distinctiveness: **Newness and distinctiveness resides in the visual features of shape, configuration, pattern and/or ornamentation of an article of clothing as shown in the accompanying representations**



- (21) Design Number: **10523/2014**
(22) Date of Filing Application: **04 February 2014**
(24) Date from which industrial property rights may have effect: **21 June 2013**
(54) Product in respect of which the design is registered: **Article of clothing**
(51) International Design Classification: **02-02C**
(74) Name(s) of Attorney(s): **Allens Patent & Trade Mark Attorneys**
(71) Name(s) and Address(s) of Applicant(s):
Forever New Clothing Pty Ltd
714-716 High St Kew East VIC 3102 Australia
(72) Name(s) of Designer(s): **Tristan Melle**
(45) Registration Date: **18 February 2014**
(62) Divisional of: **353830**
(56) Related Art Documents: **Not Applicable**
(57) Statement of Newness and Distinctiveness: **Newness and distinctiveness resides in the visual features of shape, configuration, pattern and/or ornamentation of an article of clothing as shown in the accompanying representations**



- (21) Design Number: **10524/2014**
(22) Date of Filing Application: **04 February 2014**
(24) Date from which industrial property rights may have effect: **21 June 2013**
(54) Product in respect of which the design is registered: **Article of clothing**
(51) International Design Classification: **02-02C**
(74) Name(s) of Attorney(s): **Allens Patent & Trade Mark Attorneys**
(71) Name(s) and Address(s) of Applicant(s):
Forever New Clothing Pty Ltd
714-716 High St Kew East VIC 3102 Australia
(72) Name(s) of Designer(s): **Karen Thai**
(45) Registration Date: **18 February 2014**
(62) Divisional of: **353830**
(56) Related Art Documents: **Not Applicable**
(57) Statement of Newness and Distinctiveness: **Newness and distinctiveness resides in the visual features of shape, configuration, pattern and/or ornamentation of an article of clothing as shown in the accompanying representations**



- (21) Design Number: **10525/2014**
(22) Date of Filing Application: **04 February 2014**
(24) Date from which industrial property rights may have effect: **21 June 2013**
(54) Product in respect of which the design is registered: **Article of clothing**
(51) International Design Classification: **02-02C**
(74) Name(s) of Attorney(s): **Allens Patent & Trade Mark Attorneys**
(71) Name(s) and Address(s) of Applicant(s):
Forever New Clothing Pty Ltd
714-716 High St Kew East VIC 3102 Australia
(72) Name(s) of Designer(s): **Karen Thai**
(45) Registration Date: **18 February 2014**
(62) Divisional of: **353830**
(56) Related Art Documents: **Not Applicable**
(57) Statement of Newness and Distinctiveness: **Newness and distinctiveness resides in the visual features of shape, configuration, pattern and/or ornamentation of an article of clothing as shown in the accompanying representations**



- (21) Design Number: **10526/2014**
(22) Date of Filing Application: **04 February 2014**
(24) Date from which industrial property rights may have effect: **21 June 2013**
(54) Product in respect of which the design is registered: **Article of clothing**
(51) International Design Classification: **02-02C**
(74) Name(s) of Attorney(s): **Allens Patent & Trade Mark Attorneys**
(71) Name(s) and Address(s) of Applicant(s):
Forever New Clothing Pty Ltd
714-716 High St Kew East VIC 3102 Australia
(72) Name(s) of Designer(s): **Tristan Melle**
(45) Registration Date: **18 February 2014**
(62) Divisional of: **353830**
(56) Related Art Documents: **Not Applicable**
(57) Statement of Newness and Distinctiveness: **Newness and distinctiveness resides in the visual features of shape, configuration, pattern and/or ornamentation of an article of clothing as shown in the accompanying representations**



- (21) Design Number: **10527/2014**
(22) Date of Filing Application: **04 February 2014**
(24) Date from which industrial property rights may have effect: **21 June 2013**
(54) Product in respect of which the design is registered: **Article of clothing**
(51) International Design Classification: **02-02NES**
(74) Name(s) of Attorney(s): **Allens Patent & Trade Mark Attorneys**
(71) Name(s) and Address(s) of Applicant(s):
Forever New Clothing Pty Ltd
714-716 High St Kew East VIC 3102 Australia
(72) Name(s) of Designer(s): **Jennifer Hall**
(45) Registration Date: **18 February 2014**
(62) Divisional of: **353830**
(56) Related Art Documents: **Not Applicable**
(57) Statement of Newness and Distinctiveness: **Newness and distinctiveness resides in the visual features of shape, configuration, pattern and/or ornamentation of an article of clothing as shown in the accompanying representations**



- (21) Design Number: **10528/2014**
(22) Date of Filing Application: **04 February 2014**
(24) Date from which industrial property rights may have effect: **21 June 2013**
(54) Product in respect of which the design is registered: **Article of clothing**
(51) International Design Classification: **02-02NES**
(74) Name(s) of Attorney(s): **Allens Patent & Trade Mark Attorneys**
(71) Name(s) and Address(s) of Applicant(s):
Forever New Clothing Pty Ltd
714-716 High St Kew East VIC 3102 Australia
(72) Name(s) of Designer(s): **Jennifer Hall**
(45) Registration Date: **18 February 2014**
(62) Divisional of: **353830**
(56) Related Art Documents: **Not Applicable**
(57) Statement of Newness and Distinctiveness: **Newness and distinctiveness resides in the visual features of shape, configuration, pattern and/or ornamentation of an article of clothing as shown in the accompanying representations**



- (21) Design Number: **10529/2014**
(22) Date of Filing Application: **04 February 2014**
(24) Date from which industrial property rights may have effect: **21 June 2013**
(54) Product in respect of which the design is registered: **Article of clothing**
(51) International Design Classification: **02-02C, 02-02NES**
(74) Name(s) of Attorney(s): **Allens Patent & Trade Mark Attorneys**
(71) Name(s) and Address(s) of Applicant(s):
Forever New Clothing Pty Ltd
714-716 High St Kew East VIC 3102 Australia
(72) Name(s) of Designer(s): **Jennifer Hall**
(45) Registration Date: **18 February 2014**
(62) Divisional of: **353830**
(56) Related Art Documents: **Not Applicable**
(57) Statement of Newness and Distinctiveness: **Newness and distinctiveness resides in the visual features of shape, configuration, pattern and/or ornamentation of an article of clothing as shown in the accompanying representations.**



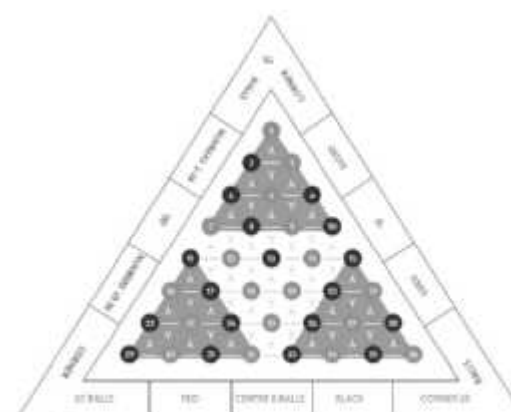
- (21) Design Number: **10530/2014**
(22) Date of Filing Application: **04 February 2014**
(24) Date from which industrial property rights may have effect: **21 June 2013**
(54) Product in respect of which the design is registered: **Article of clothing**
(51) International Design Classification: **02-02C, 02-02NES**
(74) Name(s) of Attorney(s): **Allens Patent & Trade Mark Attorneys**
(71) Name(s) and Address(s) of Applicant(s):
Forever New Clothing Pty Ltd
714-716 High St Kew East VIC 3102 Australia
(72) Name(s) of Designer(s): **Jennifer Hall**
(45) Registration Date: **18 February 2014**
(62) Divisional of: **353830**
(56) Related Art Documents: **Not Applicable**
(57) Statement of Newness and Distinctiveness: **Newness and distinctiveness resides in the visual features of shape, configuration, pattern and/or ornamentation of an article of clothing as shown in the accompanying representations.**



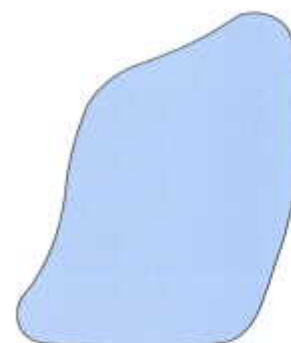
- (21) Design Number: **10531/2014**
(22) Date of Filing Application: **04 February 2014**
(24) Date from which industrial property rights may have effect: **21 June 2013**
(54) Product in respect of which the design is registered: **Article of clothing**
(51) International Design Classification: **02-02C, 02-02NES**
(74) Name(s) of Attorney(s): **Allens Patent & Trade Mark Attorneys**
(71) Name(s) and Address(s) of Applicant(s):
Forever New Clothing Pty Ltd
714-716 High St Kew East VIC 3102 Australia
(72) Name(s) of Designer(s): **Jennifer Hall**
(45) Registration Date: **18 February 2014**
(62) Divisional of: **353830**
(56) Related Art Documents: **Not Applicable**
(57) Statement of Newness and Distinctiveness: **Newness and distinctiveness resides in the visual features of shape, configuration, pattern and/or ornamentation of an article of clothing as shown in the accompanying representations.**



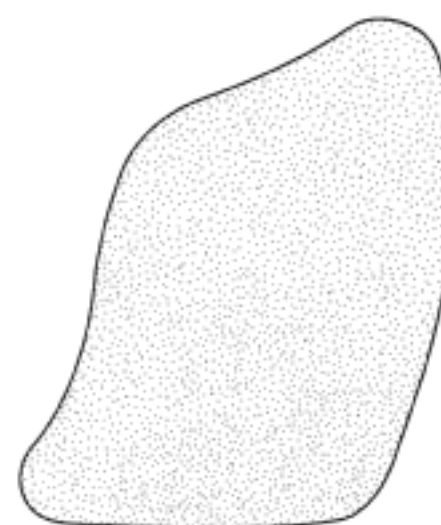
- (21) Design Number: **10593/2014**
(22) Date of Filing Application: **07 February 2014**
(24) Date from which industrial property rights may have effect: **07 February 2014**
(54) Product in respect of which the design is registered: **Wagering layout for a display apparatus**
(51) International Design Classification: **14-01**
(74) Name(s) of Attorney(s): **Adams Pluck**
(71) Name(s) and Address(s) of Applicant(s):
Triamble Pty Limited
28 Chesterfield Pde Bronte NSW 2024 Australia
(72) Name(s) of Designer(s): **Stuart O'Brien**
(45) Registration Date: **18 February 2014**
(56) Related Art Documents: **Not Applicable**
(57) Statement of Newness and Distinctiveness: **Newness and distinctiveness is claimed in the features of pattern and/or ornamentation of the wagering layout applied to a display screen of an electronic device or a physical game table as shown in the accompanying representations. The features depicted by broken lines in the representations are for illustrative purposes only and form no part of the design.**



(21) Design Number: **16517/2013**
(22) Date of Filing Application: **09 October 2013**
(24) Date from which industrial property rights may have effect: **09 October 2013**
(54) Product in respect of which the design is registered: **Label**
(51) International Design Classification: **19-08**
(74) Name(s) of Attorney(s): **PHILLIPS ORMONDE FITZPATRICK**
(71) Name(s) and Address(s) of Applicant(s):
Glaxo Group Limited
980 Great West Road Brentford Middlesex TW8 9GS United Kingdom
(72) Name(s) of Designer(s): **William Bull and Karen McCulloch and Richard Adams and Philippe Ragot and Carlo Brunelli and Lisa Olivieri and Alec Johnson and Jeff Schons**
(45) Registration Date: **19 February 2014**
(30) Convention priority data:
(31) Number (32) Date (33) Country
002219006 11 Apr 2013 OFFICE FOR HARMONISATION IN THE INTERNAL MARKET (OHIM)
(56) Related Art Documents: **Not Applicable**
(57) Statement of Newness and Distinctiveness: **Those features of the label depicted in the representations that are new and distinctive are the shape and/or configuration and/or colour.**



(21) Design Number: **16518/2013**
(22) Date of Filing Application: **09 October 2013**
(24) Date from which industrial property rights may have effect: **09 October 2013**
(54) Product in respect of which the design is registered: **Label**
(51) International Design Classification: **19-08**
(74) Name(s) of Attorney(s): **PHILLIPS ORMONDE FITZPATRICK**
(71) Name(s) and Address(s) of Applicant(s):
Glaxo Group Limited
980 Great West Road Brentford Middlesex TW8 9GS United Kingdom
(72) Name(s) of Designer(s): **William Bull and Richard Adams and Philippe Ragot and Carlo Brunelli and Lisa Olivieri and Alec Johnson and Jeff Schons**
(45) Registration Date: **19 February 2014**
(30) Convention priority data:
(31) Number (32) Date (33) Country
002219006 11 Apr 2013 OFFICE FOR HARMONISATION IN THE INTERNAL MARKET (OHIM)
(56) Related Art Documents: **Not Applicable**
(57) Statement of Newness and Distinctiveness: **Those features of the label depicted in the representations that are new and distinctive are the shape and/or configuration. The stipple represents a colour but is not limited to any particular colour.**



(21) Design Number: **16519/2013**

(22) Date of Filing Application: **09 October 2013**

(24) Date from which industrial property rights may have effect: **09 October 2013**

(54) Product in respect of which the design is registered: **Label**

(51) International Design Classification: **19-08**

(74) Name(s) of Attorney(s): **PHILLIPS ORMONDE FITZPATRICK**

(71) Name(s) and Address(s) of Applicant(s):

Glaxo Group Limited

980 Great West Road Brentford Middlesex TW8 9GS United Kingdom

(72) Name(s) of Designer(s): **William Bull and Karen McCulloch and Richard Adams and Philippe Ragot and Carlo Brunelli and Lisa Olivieri and Alec Johnson and Jeff Schons**

(45) Registration Date: **19 February 2014**

(30) Convention priority data:

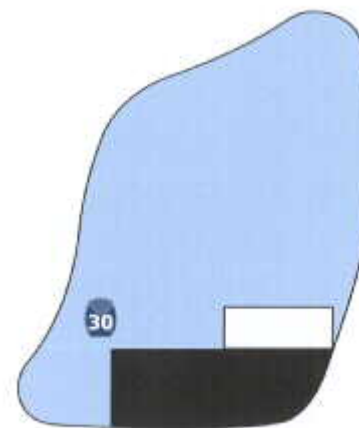
(31) Number
002219006

(32) Date
11 Apr 2013

(33) Country
**OFFICE FOR HARMONISATION IN
THE INTERNAL MARKET (OHIM)**

(56) Related Art Documents: **Not Applicable**

(57) Statement of Newness and Distinctiveness: **Those features of the label depicted in the representations that are new and distinctive are the shape and/or configuration and/or ornamentation and/or colour.**



(21) Design Number: **16520/2013**

(22) Date of Filing Application: **09 October 2013**

(24) Date from which industrial property rights may have effect: **09 October 2013**

(54) Product in respect of which the design is registered: **Label**

(51) International Design Classification: **19-08**

(74) Name(s) of Attorney(s): **PHILLIPS ORMONDE FITZPATRICK**

(71) Name(s) and Address(s) of Applicant(s):

Glaxo Group Limited

980 Great West Road Brentford Middlesex TW8 9GS United Kingdom

(72) Name(s) of Designer(s): **William Bull and Richard Adams and Philippe Ragot and Carlo Brunelli and Lisa Olivieri and Alec Johnson and Jeff Schons**

(45) Registration Date: **19 February 2014**

(30) Convention priority data:

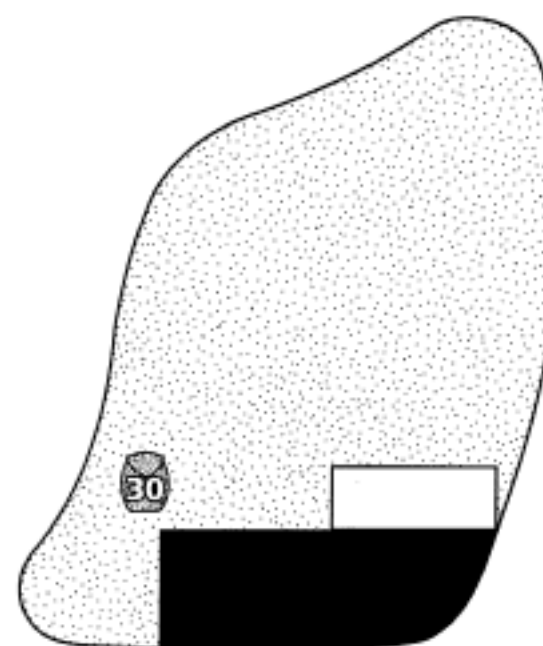
(31) Number
002219006

(32) Date
11 Apr 2013

(33) Country
**OFFICE FOR HARMONISATION IN
THE INTERNAL MARKET (OHIM)**

(56) Related Art Documents: **Not Applicable**

(57) Statement of Newness and Distinctiveness: **Those features of the label depicted in the representations that are new and distinctive are the shape and/or configuration and/or ornamentation and/or colour. The stipple represents a colour but is not limited to any particular colour.**



(21) Design Number: **16521/2013**

(22) Date of Filing Application: **09 October 2013**

(24) Date from which industrial property rights may have effect: **09 October 2013**

(54) Product in respect of which the design is registered: **Label**

(51) International Design Classification: **19-08**

(74) Name(s) of Attorney(s): **PHILLIPS ORMONDE FITZPATRICK**

(71) Name(s) and Address(s) of Applicant(s):

Glaxo Group Limited

980 Great West Road Brentford Middlesex TW8 9GS United Kingdom

(72) Name(s) of Designer(s): **William Bull and Richard Adams and Philippe Ragot and Carlo Brunelli and Lisa Olivieri and Alec Johnson and Jeff Schons**

(45) Registration Date: **19 February 2014**

(30) Convention priority data:

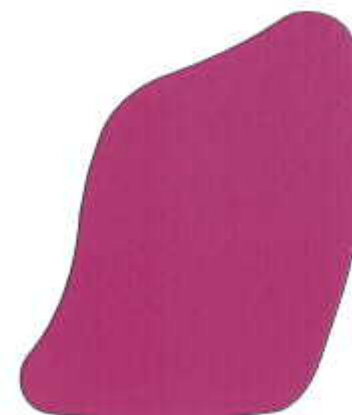
(31) Number
002219006

(32) Date
11 Apr 2013

(33) Country
**OFFICE FOR HARMONISATION IN
THE INTERNAL MARKET (OHIM)**

(56) Related Art Documents: **Not Applicable**

(57) Statement of Newness and Distinctiveness: **Those features of the label depicted in the representations that are new and distinctive are the shape and/or configuration and/or colour. The colour shown in the representations is pantone colour 233.**



(21) Design Number: **16523/2013**

(22) Date of Filing Application: **09 October 2013**

(24) Date from which industrial property rights may have effect: **09 October 2013**

(54) Product in respect of which the design is registered: **Label**

(51) International Design Classification: **19-08**

(74) Name(s) of Attorney(s): **PHILLIPS ORMONDE FITZPATRICK**

(71) Name(s) and Address(s) of Applicant(s):

Glaxo Group Limited

980 Great West Road Brentford Middlesex TW8 9GS United Kingdom

(72) Name(s) of Designer(s): **William Bull and David Elder and Richard Adams and Philippe Ragot and Carlo Brunelli and Lisa Olivieri and Alec Johnson and Jeff Schons**

(45) Registration Date: **19 February 2014**

(30) Convention priority data:

(31) Number
002219006

(32) Date
11 Apr 2013

(33) Country
**OFFICE FOR HARMONISATION IN
THE INTERNAL MARKET (OHIM)**

(56) Related Art Documents: **Not Applicable**

(57) Statement of Newness and Distinctiveness: **Those features of the label depicted in the representations that are new and distinctive are the shape and/or configuration and/or colour. The colour shown in the representations is pantone colour 207.**



(21) Design Number: **16524/2013**

(22) Date of Filing Application: **09 October 2013**

(24) Date from which industrial property rights may have effect: **09 October 2013**

(54) Product in respect of which the design is registered: **Label**

(51) International Design Classification: **19-08**

(74) Name(s) of Attorney(s): **PHILLIPS ORMONDE FITZPATRICK**

(71) Name(s) and Address(s) of Applicant(s):

Glaxo Group Limited

980 Great West Road Brentford Middlesex TW8 9GS United Kingdom

(72) Name(s) of Designer(s): **William Bull and Richard Adams and Philippe Ragot and Carlo Brunelli and Lisa Olivieri and Alec Johnson and Jeff Schons**

(45) Registration Date: **19 February 2014**

(30) Convention priority data:

(31) Number
002219006

(32) Date
11 Apr 2013

(33) Country
**OFFICE FOR HARMONISATION IN
THE INTERNAL MARKET (OHIM)**

(56) Related Art Documents: **Not Applicable**

(57) Statement of Newness and Distinctiveness: **Those features of the label depicted in the representations that are new and distinctive are the shape and/or configuration and/or colour.**



(21) Design Number: **16525/2013**

(22) Date of Filing Application: **09 October 2013**

(24) Date from which industrial property rights may have effect: **09 October 2013**

(54) Product in respect of which the design is registered: **Label**

(51) International Design Classification: **19-08**

(74) Name(s) of Attorney(s): **PHILLIPS ORMONDE FITZPATRICK**

(71) Name(s) and Address(s) of Applicant(s):

Glaxo Group Limited

980 Great West Road Brentford Middlesex TW8 9GS United Kingdom

(72) Name(s) of Designer(s): **William Bull and David Elder and Richard Adams and Philippe Ragot and Carlo Brunelli and Lisa Olivieri and Alec Johnson and Jeff Schons**

(45) Registration Date: **19 February 2014**

(30) Convention priority data:

(31) Number
002219006

(32) Date
11 Apr 2013

(33) Country
**OFFICE FOR HARMONISATION IN
THE INTERNAL MARKET (OHIM)**

(56) Related Art Documents: **Not Applicable**

(57) Statement of Newness and Distinctiveness: **Those features of the label depicted in the representations that are new and distinctive are the shape and/or configuration and/or ornamentation and/or colour. The colour shown in the representations is pantone colour 207.**



(21) Design Number: **16526/2013**

(22) Date of Filing Application: **09 October 2013**

(24) Date from which industrial property rights may have effect: **09 October 2013**

(54) Product in respect of which the design is registered: **Label**

(51) International Design Classification: **19-08**

(74) Name(s) of Attorney(s): **PHILLIPS ORMONDE FITZPATRICK**

(71) Name(s) and Address(s) of Applicant(s):

Glaxo Group Limited

980 Great West Road Brentford Middlesex TW8 9GS United Kingdom

(72) Name(s) of Designer(s): **William Bull and Richard Adams and Philippe Ragot and Carlo Brunelli and Lisa Olivieri and Alec Johnson and Jeff Schons**

(45) Registration Date: **19 February 2014**

(30) Convention priority data:

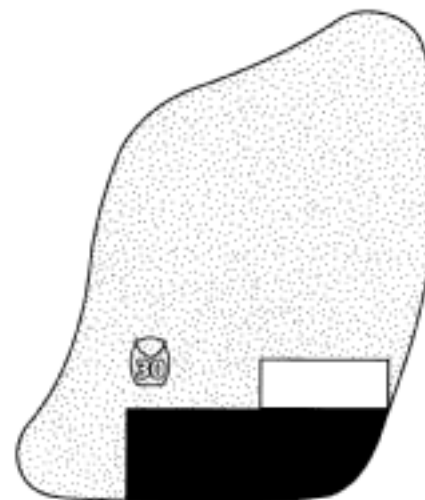
(31) Number
002219006

(32) Date
11 Apr 2013

(33) Country
**OFFICE FOR HARMONISATION IN
THE INTERNAL MARKET (OHIM)**

(56) Related Art Documents: **Not Applicable**

(57) Statement of Newness and Distinctiveness: **Those features of the label depicted in the representations that are new and distinctive are the shape and/or configuration and/or ornamentation and/or colour. The stipple represents a colour but is not limited to any particular colour.**



(21) Design Number: **16527/2013**

(22) Date of Filing Application: **09 October 2013**

(24) Date from which industrial property rights may have effect: **09 October 2013**

(54) Product in respect of which the design is registered: **Label**

(51) International Design Classification: **19-08**

(74) Name(s) of Attorney(s): **PHILLIPS ORMONDE FITZPATRICK**

(71) Name(s) and Address(s) of Applicant(s):

Glaxo Group Limited

980 Great West Road Brentford Middlesex TW8 9GS United Kingdom

(72) Name(s) of Designer(s): **William Bull and Richard Adams and Philippe Ragot and Carlo Brunelli and Lisa Olivieri and Alec Johnson and Jeff Schons**

(45) Registration Date: **19 February 2014**

(30) Convention priority data:

(31) Number
002219006

(32) Date
11 Apr 2013

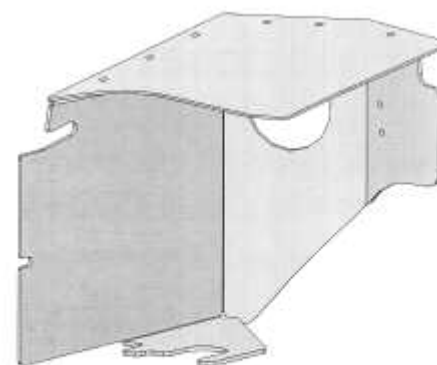
(33) Country
**OFFICE FOR HARMONISATION IN
THE INTERNAL MARKET (OHIM)**

(56) Related Art Documents: **Not Applicable**

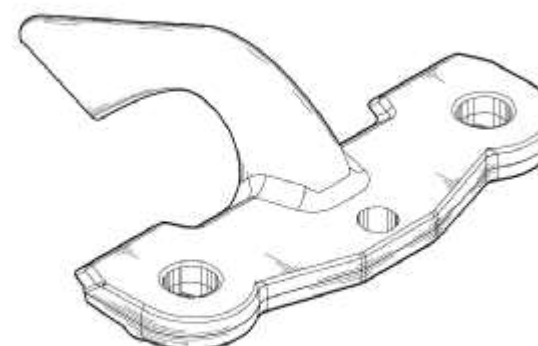
(57) Statement of Newness and Distinctiveness: **Those features of the label depicted in the representations that are new and distinctive are the shape and/or configuration and/or ornamentation and/or colour.**



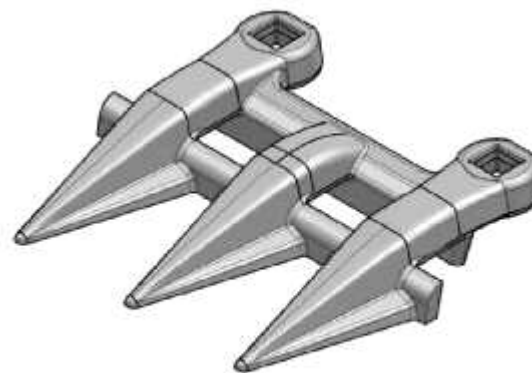
- (21) Design Number: **16842/2013**
(22) Date of Filing Application: **13 December 2013**
(24) Date from which industrial property rights may have effect: **13 December 2013**
(54) Product in respect of which the design is registered: **Cold air intake**
(51) International Design Classification: **12-16NES**
(74) Name(s) of Attorney(s):
(71) Name(s) and Address(s) of Applicant(s):
Mace Engineering Group Pty Ltd
1A East Ct Lalor VIC 3075 Australia
(72) Name(s) of Designer(s): **Steven Angelovski**
(45) Registration Date: **19 February 2014**
(56) Related Art Documents: **Not Applicable**
(57) Statement of Newness and Distinctiveness: **The uniqueness is within the shape and form of the enclosure with specific contours for the engine bays the Ford Falcon FG range, including both 6 and 8 cylinder vehicles.**



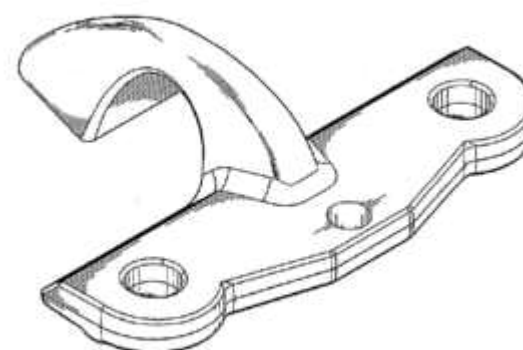
- (21) Design Number: **10077/2014**
(22) Date of Filing Application: **09 January 2014**
(24) Date from which industrial property rights may have effect: **09 January 2014**
(54) Product in respect of which the design is registered: **Hold down for a blade of a sickle**
(51) International Design Classification: **08-03**
(74) Name(s) of Attorney(s): **IP Gateway Patent & Trademark Attorneys Pty Ltd**
(71) Name(s) and Address(s) of Applicant(s):
MacDon Industries Ltd.
680 Moray Street Winnipeg Manitoba R3J 3S3 Canada
(72) Name(s) of Designer(s): **Francois R Talbot**
(45) Registration Date: **19 February 2014**
(30) Convention priority data:
(31) Number (32) Date (33) Country
UNKNOWN 20 Dec 2013 CANADA
(56) Related Art Documents: **Not Applicable**
(57) Statement of Newness and Distinctiveness: **Newness and Distinctiveness reside in the visual features of shape and/or configuration of the central single finger of a HOLD DOWN FOR A BLADE OF A SICKLE as shown in the accompanying representations and in particular as shown in the top plan view.**



- (21) Design Number: **10078/2014**
(22) Date of Filing Application: **09 January 2014**
(24) Date from which industrial property rights may have effect: **09 January 2014**
(54) Product in respect of which the design is registered: **Stub guard for a sickle**
(51) International Design Classification: **08-03**
(74) Name(s) of Attorney(s): **IP Gateway Patent & Trademark Attorneys Pty Ltd**
(71) Name(s) and Address(s) of Applicant(s):
MacDon Industries Ltd.
680 Moray Street Winnipeg Manitoba R3J 3S3 Canada
(72) Name(s) of Designer(s): **Francois R Talbot**
(45) Registration Date: **19 February 2014**
(30) Convention priority data:
(31) Number (32) Date (33) Country
151948 10 Jul 2013 CANADA
(56) Related Art Documents: **Not Applicable**
(57) Statement of Newness and Distinctiveness: **Newness and Distinctiveness reside in the visual features of shape and/or configuration of the fingers of a STUB GUARD FOR A SICKLE, in particular the ratio of length to width of the fingers and the size of the fingers relative to the guard as whole as shown in the representations.**



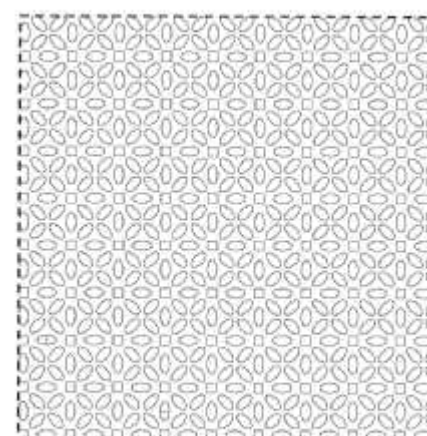
- (21) Design Number: **10080/2014**
(22) Date of Filing Application: **09 January 2014**
(24) Date from which industrial property rights may have effect: **09 January 2014**
(54) Product in respect of which the design is registered: **Hold down for a blade of a sickle**
(51) International Design Classification: **08-03**
(74) Name(s) of Attorney(s): **IP Gateway Patent & Trademark Attorneys Pty Ltd**
(71) Name(s) and Address(s) of Applicant(s):
MacDon Industries Ltd.
680 Moray Street Winnipeg Manitoba R3J 3S3 Canada
(72) Name(s) of Designer(s): **Francois R Talbot**
(45) Registration Date: **19 February 2014**
(30) Convention priority data:
(31) Number (32) Date (33) Country
151946 10 Jul 2013 CANADA
(56) Related Art Documents: **Not Applicable**
(57) Statement of Newness and Distinctiveness: **Newness and Distinctiveness reside in the visual features of shape and/or configuration of the central single finger of a HOLD DOWN FOR A BLADE OF A SICKLE as shown in the accompanying representations and in particular as shown in the top plan view.**



- (21) Design Number: **10083/2014**
(22) Date of Filing Application: **09 January 2014**
(24) Date from which industrial property rights may have effect: **09 January 2014**
(54) Product in respect of which the design is registered: **Commercial vacuum carpet cleaner**
(51) International Design Classification: **15-05**
(74) Name(s) of Attorney(s):
(71) Name(s) and Address(s) of Applicant(s):
Rod Newman
167 Cheltenham Rd Dandenong VIC 3175 Australia
(72) Name(s) of Designer(s): **Rod Newman**
(45) Registration Date: **19 February 2014**
(56) Related Art Documents: **Not Applicable**
(57) Statement of Newness and Distinctiveness: **The design contains new and distinctive features including integrated handles, inlets & outlets, top cover and perimeter skirt. The design features an embossed logo on 2 sides & a hidden internal tank.**



- (21) Design Number: **10103/2014**
(22) Date of Filing Application: **10 January 2014**
(24) Date from which industrial property rights may have effect: **10 January 2014**
(54) Product in respect of which the design is registered: **Paper for household, medical or similar purposes**
(51) International Design Classification: **05-06NES**
(74) Name(s) of Attorney(s): **IP Gateway Patent & Trademark Attorneys Pty Ltd**
(71) Name(s) and Address(s) of Applicant(s):
Medline Industries, Inc.
One Medline Place Mundelein IL 60060 United States of America
(72) Name(s) of Designer(s): **Dan Love**
(45) Registration Date: **19 February 2014**
(30) Convention priority data:
(31) Number (32) Date (33) Country
29/460,687 12 Jul 2013 UNITED STATES OF AMERICA
(56) Related Art Documents: **Not Applicable**
(57) Statement of Newness and Distinctiveness: **Newness and distinctiveness reside in the visual features of pattern and/or ornamentation of absorbent paper, as shown in the representation. The visual features of pattern and/or ornamentation, as delineated by broken lines in the representation, may repeat an indefinite number of times in any direction. The design may be embossed onto the product.**

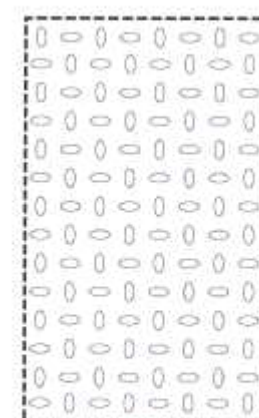


(21) Design Number: **10104/2014**
(22) Date of Filing Application: **10 January 2014**
(24) Date from which industrial property rights may have effect: **10 January 2014**
(54) Product in respect of which the design is registered: **Paper for household, medical or similar purposes**
(51) International Design Classification: **05-06NES**
(74) Name(s) of Attorney(s): **IP Gateway Patent & Trademark Attorneys Pty Ltd**
(71) Name(s) and Address(s) of Applicant(s):
Medline Industries, Inc.
One Medline Place Mundelein IL 60060 United States of America
(72) Name(s) of Designer(s): **Paul Lishnevsky**
(45) Registration Date: **19 February 2014**
(30) Convention priority data:
(31) Number (32) Date (33) Country
29/460,685 12 Jul 2013 UNITED STATES OF AMERICA



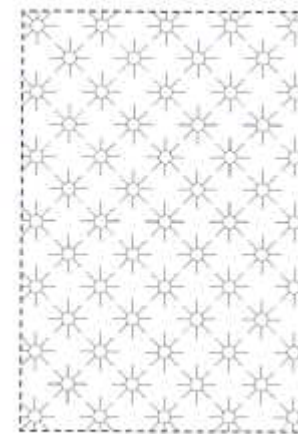
(56) Related Art Documents: **Not Applicable**
(57) Statement of Newness and Distinctiveness: **Newness and distinctiveness reside in the visual features of pattern and/or ornamentation of absorbent paper, as shown in the representation. The visual features of pattern and/or ornamentation, as delineated by broken lines in the representation, may repeat an indefinite number of times in any direction. The design may be embossed onto the product.**

(21) Design Number: **10105/2014**
(22) Date of Filing Application: **10 January 2014**
(24) Date from which industrial property rights may have effect: **10 January 2014**
(54) Product in respect of which the design is registered: **Paper for household, medical or similar purposes**
(51) International Design Classification: **05-06NES**
(74) Name(s) of Attorney(s): **IP Gateway Patent & Trademark Attorneys Pty Ltd**
(71) Name(s) and Address(s) of Applicant(s):
Medline Industries, Inc.
One Medline Place Mundelein IL 60060 United States of America
(72) Name(s) of Designer(s): **Dan Love**
(45) Registration Date: **19 February 2014**
(30) Convention priority data:
(31) Number (32) Date (33) Country
29/460,693 12 Jul 2013 UNITED STATES OF AMERICA

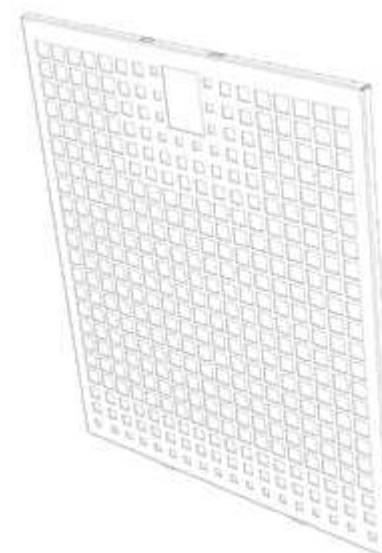


(56) Related Art Documents: **Not Applicable**
(57) Statement of Newness and Distinctiveness: **Newness and distinctiveness reside in the visual features of pattern and/or ornamentation of absorbent paper, as shown in the representation. The visual features of pattern and/or ornamentation, as delineated by broken lines in the representation, may repeat an indefinite number of times in any direction. The design may be embossed onto the product.**

- (21) Design Number: **10106/2014**
(22) Date of Filing Application: **10 January 2014**
(24) Date from which industrial property rights may have effect: **10 January 2014**
(54) Product in respect of which the design is registered: **Paper for household, medical or similar purposes**
(51) International Design Classification: **05-06NES**
(74) Name(s) of Attorney(s): **IP Gateway Patent & Trademark Attorneys Pty Ltd**
(71) Name(s) and Address(s) of Applicant(s):
Medline Industries, Inc.
One Medline Place Mundelein IL 60060 United States of America
(72) Name(s) of Designer(s): **Dan Love**
(45) Registration Date: **19 February 2014**
(30) Convention priority data:
(31) Number (32) Date (33) Country
29/460,690 12 Jul 2013 UNITED STATES OF AMERICA
(56) Related Art Documents: **Not Applicable**
(57) Statement of Newness and Distinctiveness: **Newness and distinctiveness reside in the visual features of pattern and/or ornamentation of absorbent paper, as shown in the representation. The visual features of pattern and/or ornamentation, as delineated by broken lines in the representation, may repeat an indefinite number of times in any direction. The design may be embossed onto the product.**



- (21) Design Number: **10108/2014**
(22) Date of Filing Application: **11 January 2014**
(24) Date from which industrial property rights may have effect: **11 January 2014**
(54) Product in respect of which the design is registered: **A filter for hoods**
(51) International Design Classification: **23-04**
(74) Name(s) of Attorney(s): **Halfords IP**
(71) Name(s) and Address(s) of Applicant(s):
Electrolux Appliances Aktiebolag
S:t Goransgatan 143 Stockholm 105 45 Sweden
(72) Name(s) of Designer(s): **Samuele Meda and Jan Ctvrtnik and Ondrej Vaclavik**
(45) Registration Date: **19 February 2014**
(30) Convention priority data:
(31) Number (32) Date (33) Country
002273227 12 Jul 2013 OFFICE FOR HARMONISATION IN THE INTERNAL MARKET (OHIM)
(56) Related Art Documents: **Not Applicable**
(57) Statement of Newness and Distinctiveness: **Newness and distinctiveness resides in the shape and or cofiguration of a filter for a hood such as a range hood.**



(21) Design Number: **10168/2014**

(22) Date of Filing Application: **15 January 2014**

(24) Date from which industrial property rights may have effect: **15 January 2014**

(54) Product in respect of which the design is registered: **Golf club head**

(51) International Design Classification: **21-02C**

(74) Name(s) of Attorney(s): **Davies Collison Cave**

(71) Name(s) and Address(s) of Applicant(s):

**Karsten Manufacturing Corporation
2201 West Desert Cove Phoenix Arizona 85029 United States of America**

(72) Name(s) of Designer(s): **Anthony D. Serrano and Xiaojian Chen**

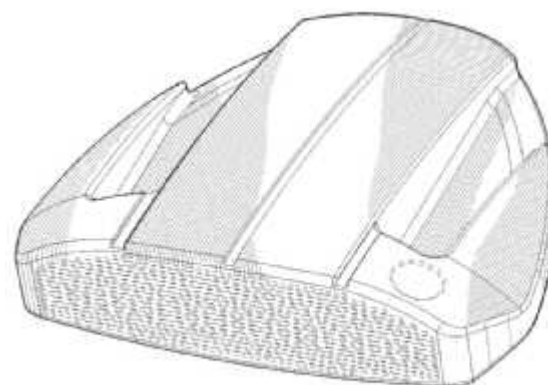
(45) Registration Date: **19 February 2014**

(30) Convention priority data:

(31) Number	(32) Date	(33) Country
29/462129	31 Jul 2013	UNITED STATES OF AMERICA

(56) Related Art Documents: **Not Applicable**

(57) Statement of Newness and Distinctiveness: **Newness and distinctiveness is claimed in the visual features shown in solid lines in the representations. In considering the extent of the design rights, the broken lines shown in the representations are for illustrative purposes only and do not form part of the design.**



(21) Design Number: **16522/2013**

(22) Date of Filing Application: **09 October 2013**

(24) Date from which industrial property rights may have effect: **09 October 2013**

(54) Product in respect of which the design is registered: **Label**

(51) International Design Classification: **19-08**

(74) Name(s) of Attorney(s): **PHILLIPS ORMONDE FITZPATRICK**

(71) Name(s) and Address(s) of Applicant(s):

**Glaxo Group Limited
980 Great West Road Brentford Middlesex TW8 9GS United Kingdom**

(72) Name(s) of Designer(s): **William Bull and Richard Adams and Philippe Ragot and Carlo Brunelli and Lisa Olivieri and Alec Johnson and Jeff Schons**

(45) Registration Date: **21 February 2014**

(30) Convention priority data:

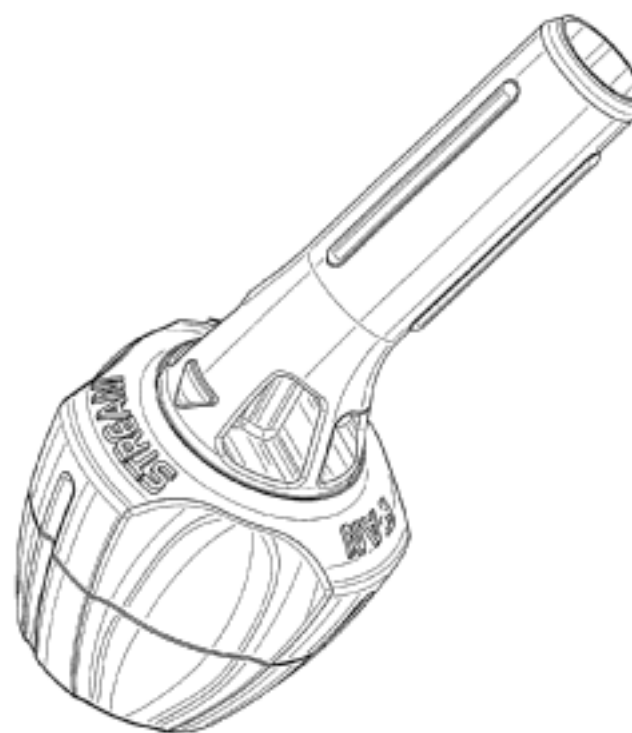
(31) Number	(32) Date	(33) Country
002219006	11 Apr 2013	OFFICE FOR HARMONISATION IN THE INTERNAL MARKET (OHIM)

(56) Related Art Documents: **Not Applicable**

(57) Statement of Newness and Distinctiveness: **Those features of the label depicted in the representations that are new and distinctive are the shape and/or configuration and/or ornamentation and/or colour. The colour shown in the representations is pantone colour 233.**



- (21) Design Number: **10208/2014**
(22) Date of Filing Application: **17 January 2014**
(24) Date from which industrial property rights may have effect: **17 January 2014**
(54) Product in respect of which the design is registered: **Nozzle for a manually operated spray tank**
(51) International Design Classification: **23-01D**
(74) Name(s) of Attorney(s): **SPRUSON & FERGUSON**
(71) Name(s) and Address(s) of Applicant(s):
The Fountainhead Group, Inc.
23 Garden Street New York Mills New York 13417-1318 United States of America
(72) Name(s) of Designer(s): **Todd B Abernethy and Ernest Allotey and Jeffrey D Nicolia**
(45) Registration Date: **21 February 2014**
(30) Convention priority data:
(31) Number (32) Date (33) Country
29/461104 18 Jul 2013 UNITED STATES OF AMERICA
(56) Related Art Documents: **Not Applicable**
(57) Statement of Newness and Distinctiveness: **Newness and distinctiveness is claimed in the features of shape and/or configuration of a nozzle for a manually operated spray tank as illustrated in the accompanying representations.**



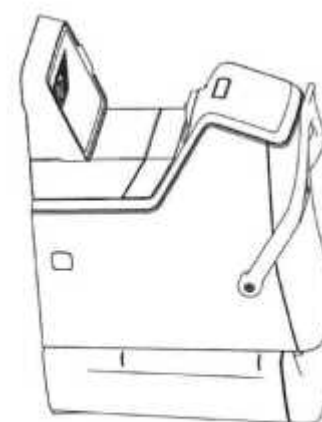
- (21) Design Number: **12941/2013**
(22) Date of Filing Application: **21 June 2013**
(24) Date from which industrial property rights may have effect: **21 June 2013**
(54) Product in respect of which the design is registered: **Carrybag**
(51) International Design Classification: **03-01B**
(74) Name(s) of Attorney(s): **Allens Patent & Trade Mark Attorneys**
(71) Name(s) and Address(s) of Applicant(s):
Forever New Clothing Pty Ltd
714-716 High St Kew East VIC 3102 Australia
(72) Name(s) of Designer(s): **Georgia Roberts-Thomson**
(45) Registration Date: **24 February 2014**
(56) Related Art Documents: **Not Applicable**
(57) Statement of Newness and Distinctiveness: **Newness and distinctiveness resides in the visual features of shape, configuration, pattern and/or ornamentation of a carrybag as shown in the accompanying representations.**



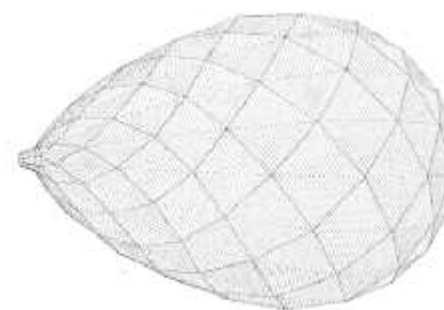
- (21) Design Number: **12942/2013**
(22) Date of Filing Application: **21 June 2013**
(24) Date from which industrial property rights may have effect: **21 June 2013**
(54) Product in respect of which the design is registered: **Article of clothing**
(51) International Design Classification: **02-02C**
(74) Name(s) of Attorney(s): **Allens Patent & Trade Mark Attorneys**
(71) Name(s) and Address(s) of Applicant(s):
Forever New Clothing Pty Ltd
714-716 High St Kew East VIC 3102 Australia
(72) Name(s) of Designer(s): **Anna Pham**
(45) Registration Date: **24 February 2014**
(56) Related Art Documents: **Not Applicable**
(57) Statement of Newness and Distinctiveness: **Newness and distinctiveness resides in the visual features of shape, configuration, pattern and/or ornamentation of an article of clothing as shown in the accompanying representations.**



- (21) Design Number: **13310/2013**
(22) Date of Filing Application: **10 July 2013**
(24) Date from which industrial property rights may have effect: **10 July 2013**
(54) Product in respect of which the design is registered: **Coffee machine**
(51) International Design Classification: **07-02L**
(74) Name(s) of Attorney(s): **Halfords IP**
(71) Name(s) and Address(s) of Applicant(s):
Aktiebolaget Electrolux
S:t Goransgatan 143 Stockholm SE-105 45 Sweden
(72) Name(s) of Designer(s): **Jerome Esteve**
(45) Registration Date: **24 February 2014**
(30) Convention priority data:
(31) Number (32) Date (33) Country
**002181230 08 Feb 2013 OFFICE FOR HARMONISATION IN
THE INTERNAL MARKET (OHIM)**
(56) Related Art Documents: **Not Applicable**
(57) Statement of Newness and Distinctiveness: **Newness and Distinctiveness is claimed in those features of shape and or configuration of a Coffee Machine as depicted in the representations.**



(21) Design Number: **13866/2013**
(22) Date of Filing Application: **09 August 2013**
(24) Date from which industrial property rights may have effect: **09 August 2013**
(54) Product in respect of which the design is registered: **Lamp shade**
(51) International Design Classification: **26-05D**
(74) Name(s) of Attorney(s):
(71) Name(s) and Address(s) of Applicant(s):
Trinh Vu
900 Dandenong Rd Caulfield East VIC 3145 Australia
(72) Name(s) of Designer(s): **Trinh Vu**
(45) Registration Date: **24 February 2014**
(56) Related Art Documents: **Not Applicable**
(57) Statement of Newness and Distinctiveness: **Adapting pattern of a magnolia bud on a spiral structure.**



(21) Design Number: **15158/2013**
(22) Date of Filing Application: **09 October 2013**
(24) Date from which industrial property rights may have effect: **09 October 2013**
(54) Product in respect of which the design is registered: **Label**
(51) International Design Classification: **19-08**
(74) Name(s) of Attorney(s): **PHILLIPS ORMONDE FITZPATRICK**
(71) Name(s) and Address(s) of Applicant(s):
Glaxo Group Limited
980 Great West Road Brentford Middlesex TW8 9GS United Kingdom
(72) Name(s) of Designer(s): **William Bull**
(45) Registration Date: **24 February 2014**
(30) Convention priority data:
(31) Number (32) Date (33) Country
**002219006 11 Apr 2013 OFFICE FOR HARMONISATION IN
THE INTERNAL MARKET (OHIM)**
(56) Related Art Documents: **Not Applicable**
(57) Statement of Newness and Distinctiveness: **Those features of the label depicted in the representations that are new and distinctive are the shape and/or configuration.**



(21) Design Number: **15159/2013**

(22) Date of Filing Application: **09 October 2013**

(24) Date from which industrial property rights may have effect: **09 October 2013**

(54) Product in respect of which the design is registered: **Inhaler**

(51) International Design Classification: **24-04**

(74) Name(s) of Attorney(s): **PHILLIPS ORMONDE FITZPATRICK**

(71) Name(s) and Address(s) of Applicant(s):

Glaxo Group Limited

980 Great West Road Brentford Middlesex TW8 9GS United Kingdom

(72) Name(s) of Designer(s): **William Bull and Stephen James Harvey and Paul Matthew Phillips and Robert William Wansley**

(45) Registration Date: **24 February 2014**

(30) Convention priority data:

(31) Number

(32) Date

(33) Country

002219022-0001 11 Apr 2013

OFFICE FOR HARMONISATION IN THE INTERNAL MARKET (OHIM)

(56) Related Art Documents: **Not Applicable**

(57) Statement of Newness and Distinctiveness: **Those features of the inhaler devices with label depicted in the representations that are new and distinctive are the shape, configuration, ornamentation and colour. The lid and front and rear labels of the inhaler devices may be the colour illustrated by the use of stipple or combination of colours as shown in the representations. The text appearing on the front of the labels "BREQ ELLIPA", "REVLAR ELLIPTA", "ANORO ELLIPTA" and graphic element at the bottom of the front and rear labels may or may not form part of the design.**



(21) Design Number: **16208/2013**

(22) Date of Filing Application: **27 November 2013**

(24) Date from which industrial property rights may have effect: **27 November 2013**

(54) Product in respect of which the design is registered: **Terrestrial unit for connectivity to a balloon network**

(51) International Design Classification: **14-03NES, 14-01, 14-99**

(74) Name(s) of Attorney(s): **Fisher Adams Kelly Pty Ltd**

(71) Name(s) and Address(s) of Applicant(s):

Google, Inc.

1600 Amphitheatre Parkway MOUNTAIN VIEW 94043 California United States of America

(72) Name(s) of Designer(s): **Mitchell Joseph Heinrich and Yoshimichi Matsuoka and Brian Wasson**

(45) Registration Date: **24 February 2014**

(30) Convention priority data:

(31) Number

(32) Date

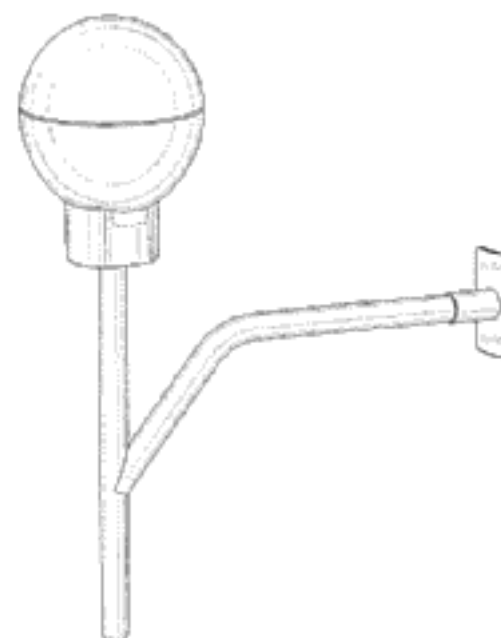
(33) Country

29/456910 05 Jun 2013

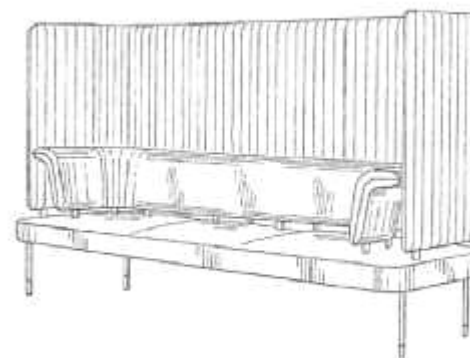
UNITED STATES OF AMERICA

(56) Related Art Documents: **Not Applicable**

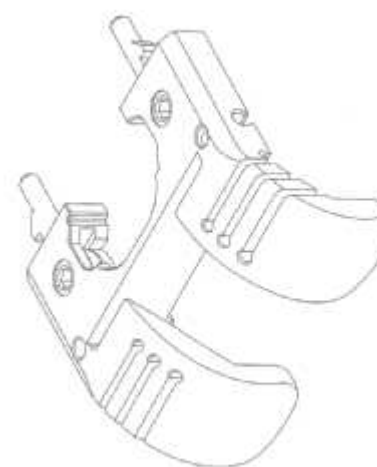
(57) Statement of Newness and Distinctiveness: **The newness and distinctiveness of the design resides in the TERRESTRIAL UNIT FOR CONNECTIVITY TO A BALLOON NETWORK shown in the representations. The portions shown in broken lines should be disregarded when assessing the newness and distinctiveness of the design.**



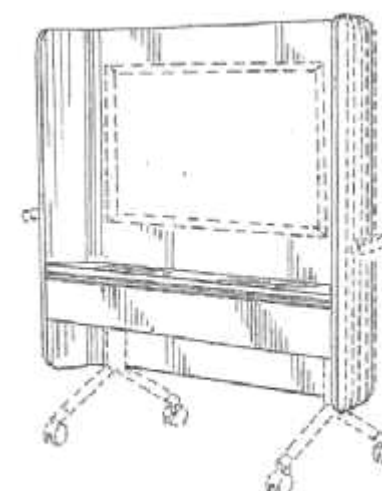
(21) Design Number: **16382/2013**
(22) Date of Filing Application: **06 December 2013**
(24) Date from which industrial property rights may have effect: **06 December 2013**
(54) Product in respect of which the design is registered: **Couch**
(51) International Design Classification: **06-01G**
(74) Name(s) of Attorney(s): **Griffith Hack**
(71) Name(s) and Address(s) of Applicant(s):
Herman Miller, Inc.
MS 0440 855 East Main Avenue Zeeland Michigan 49464-0302 United States of America
(72) Name(s) of Designer(s): **Yves Behar and Qin Li and Erik Kreider and Naoya Edahiro and Noah Murphy-Reinhertz and Casey Doran Lewis**
(45) Registration Date: **24 February 2014**
(30) Convention priority data:
(31) Number (32) Date (33) Country
29/457,273 07 Jun 2013 UNITED STATES OF AMERICA
(56) Related Art Documents: **Not Applicable**
(57) Statement of Newness and Distinctiveness: **Newness and distinctiveness resides in the visual features, including the shape and configuration as shown in the accompanying representations.**



(21) Design Number: **16388/2013**
(22) Date of Filing Application: **06 December 2013**
(24) Date from which industrial property rights may have effect: **06 December 2013**
(54) Product in respect of which the design is registered: **Intramedullary surgical instrument**
(51) International Design Classification: **24-01**
(74) Name(s) of Attorney(s): **Callinans**
(71) Name(s) and Address(s) of Applicant(s):
DePuy (Ireland)
Loughbeg Industrial Estate Ringaskiddy, Co Cork Republic of Ireland
(72) Name(s) of Designer(s): **Rebecca L. Chaney and Craig S. Tsukayama and Benjamin J. Sordelet and Jonathan C. Lee**
(45) Registration Date: **24 February 2014**
(30) Convention priority data:
(31) Number (32) Date (33) Country
29/457,162 07 Jun 2013 UNITED STATES OF AMERICA
(56) Related Art Documents: **Not Applicable**
(57) Statement of Newness and Distinctiveness: **Nil**



(21) Design Number: **16389/2013**
(22) Date of Filing Application: **06 December 2013**
(24) Date from which industrial property rights may have effect: **06 December 2013**
(54) Product in respect of which the design is registered: **Cart**
(51) International Design Classification: **12-02, 06-03C**
(74) Name(s) of Attorney(s): **Griffith Hack**
(71) Name(s) and Address(s) of Applicant(s):
Herman Miller, Inc.
855 East Main Avenue Zeeland Michigan 49464 United States of America



(72) Name(s) of Designer(s): **Yves Behar and Qin Li and Erik Kreider and Naoya Edahiro and Noah Murphy Reinhertz and Diana Chang and Casey Lewis**

(45) Registration Date: **24 February 2014**

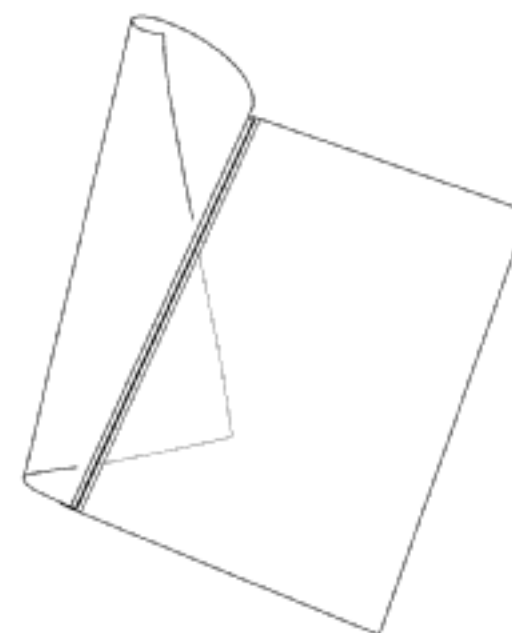
(30) Convention priority data:

(31) Number	(32) Date	(33) Country
29/457,255	07 Jun 2013	UNITED STATES OF AMERICA

(56) Related Art Documents: **Not Applicable**

(57) Statement of Newness and Distinctiveness: **Newness and distinctiveness resides in the visual features, including the shape and configuration of the product as shown by means of solid lines in the representations. Those parts shown by means of dashed lines have been included for illustrative purposes and do not form part of the design.**

(21) Design Number: **16407/2013**
(22) Date of Filing Application: **06 December 2013**
(24) Date from which industrial property rights may have effect: **06 December 2013**
(54) Product in respect of which the design is registered: **Binding map**
(51) International Design Classification: **19-04**
(74) Name(s) of Attorney(s): **Madderns**
(71) Name(s) and Address(s) of Applicant(s):
Unibind Limited
Margarita House 15 Them Dervis Street Nicosia 136 Cyprus



(72) Name(s) of Designer(s): **Guido Peleman**

(45) Registration Date: **24 February 2014**

(30) Convention priority data:

(31) Number	(32) Date	(33) Country
002251033	06 Jun 2013	EUROPEAN PATENT OFFICE (EPO)

(56) Related Art Documents: **Not Applicable**

(57) Statement of Newness and Distinctiveness: **Newness and distinctiveness are claimed in the features of shape and configuration as applied to a Binding Map as illustrated in the accompanying representations.**

- (21) Design Number: **16618/2013**
(22) Date of Filing Application: **17 December 2013**
(24) Date from which industrial property rights may have effect: **17 December 2013**
(54) Product in respect of which the design is registered: **Lamp**
(51) International Design Classification: **26-05A**
(74) Name(s) of Attorney(s):
(71) Name(s) and Address(s) of Applicant(s):

Simone Denereaz
U104 242 Rouse St Port Melbourne VIC 3207 Australia

(72) Name(s) of Designer(s): **Simone Denereaz**

(45) Registration Date: **24 February 2014**

(56) Related Art Documents: **Not Applicable**

(57) Statement of Newness and Distinctiveness: **The newness and distinctiveness of the design resides in: 1. the shape which is a standard Australian boomerang shape and, 2. the use of a boomerang shape to create a lamp. Lights placed at regular intervals along the boomerang shape will illuminate the area where the lamp is placed. Both ends of the boomerang shape will rest on a stand so it can stand upright.**



- (21) Design Number: **10137/2014**
(22) Date of Filing Application: **22 October 2013**
(24) Date from which industrial property rights may have effect: **22 October 2013**
(54) Product in respect of which the design is registered: **Adaptor cap with needle bore having flat internal surfaces**
(51) International Design Classification: **24-02**
(74) Name(s) of Attorney(s): **Wrays**
(71) Name(s) and Address(s) of Applicant(s):

BioMerieux, Inc.
100 Rodolphe St Durham North Carolina 27712 United States of America

(72) Name(s) of Designer(s): **Stanley Michael Philipak and Samuel B Crandall**

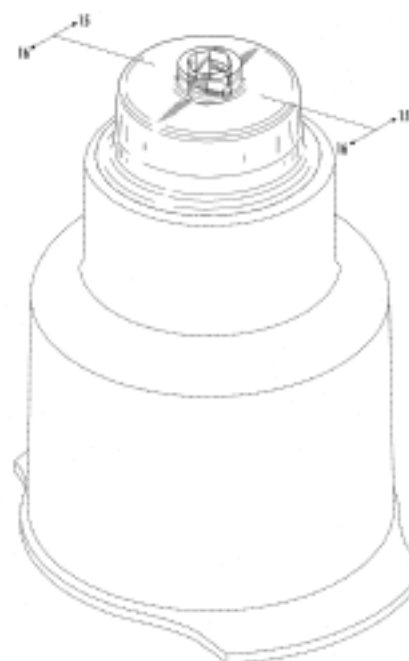
(45) Registration Date: **24 February 2014**

(30) Convention priority data:

(31) Number	(32) Date	(33) Country
29/453,007	24 Apr 2013	UNITED STATES OF AMERICA

(56) Related Art Documents: **Not Applicable**

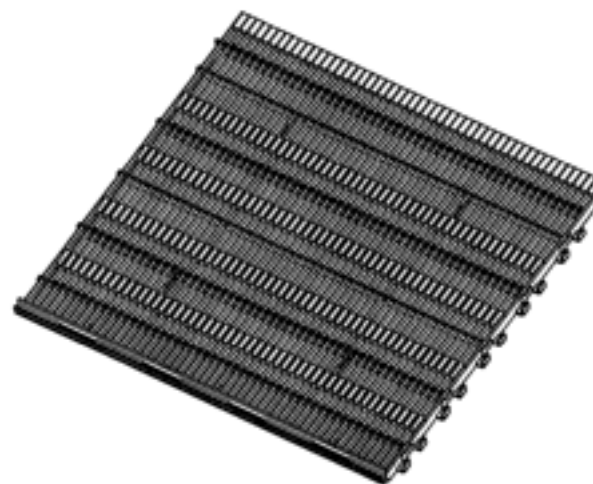
(57) Statement of Newness and Distinctiveness: **Newness and distinctiveness is claimed in the features of shape and/or configuration of the Adaptor Cap With Needle Bore Having Flat Internal Surfaces depicted in the accompanying representations. The features shown in broken lines are for illustrative purposes only and form no part of the claimed design.**



- (21) Design Number: **10206/2014**
(22) Date of Filing Application: **17 January 2014**
(24) Date from which industrial property rights may have effect: **17 January 2014**
(54) Product in respect of which the design is registered: **Footwear**
(51) International Design Classification: **02-04NES**
(74) Name(s) of Attorney(s): **MMLC Murphy Wang Solicitors**
(71) Name(s) and Address(s) of Applicant(s):
Holster Fashion Pty Ltd
6-55 Gateway Dr Noosaville QLD 4566 Australia
(72) Name(s) of Designer(s): **Natalie Jean Miller**
(45) Registration Date: **24 February 2014**
(56) Related Art Documents: **Not Applicable**
(57) Statement of Newness and Distinctiveness: **Newness and distinctiveness reside in the shape and configuration of the footwear and components, as shown in the accompanying representations.**



- (21) Design Number: **13473/2013**
(22) Date of Filing Application: **19 July 2013**
(24) Date from which industrial property rights may have effect: **19 July 2013**
(54) Product in respect of which the design is registered: **Shelving**
(51) International Design Classification: **06-04NES**
(74) Name(s) of Attorney(s):
(71) Name(s) and Address(s) of Applicant(s):
Checkmate International Pty Ltd
1/13 Network Dr Carrum Downs VIC 3201 Australia
(72) Name(s) of Designer(s): **John Leahy**
(45) Registration Date: **25 February 2014**
(56) Related Art Documents: **Not Applicable**
(57) Statement of Newness and Distinctiveness: **Monopoly is claimed in the features of shape or configuration of the mat with front shoulder lock as illustrated in the presentations.**



(21) Design Number: **15733/2013**
(22) Date of Filing Application: **08 November 2013**
(24) Date from which industrial property rights may have effect: **08 November 2013**
(54) Product in respect of which the design is registered: **Battery packs**
(51) International Design Classification: **13-02**
(74) Name(s) of Attorney(s): **Davies Collison Cave**
(71) Name(s) and Address(s) of Applicant(s):

Hugh Brogan
The Flat Brookville Main Road Ballabeg IM9 4LE Isle of Man

(72) Name(s) of Designer(s): **Hugh Brogan**

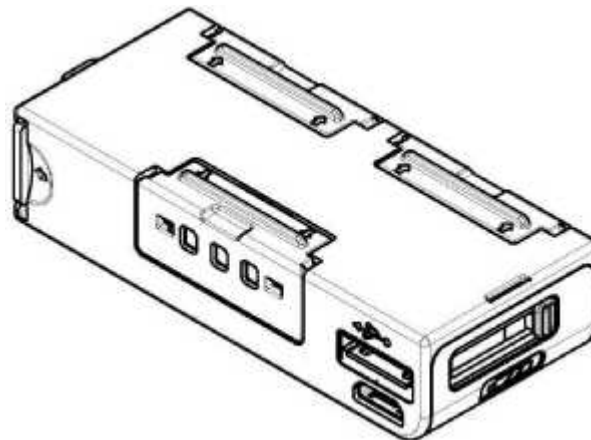
(45) Registration Date: **25 February 2014**

(30) Convention priority data:

(31) Number	(32) Date	(33) Country
002234369	08 May 2013	OFFICE FOR HARMONISATION IN THE INTERNAL MARKET (OHIM)

(56) Related Art Documents: **Not Applicable**

(57) Statement of Newness and Distinctiveness: **Newness and distinctiveness is claimed in the visual features shown in solid lines in the representations.**



(21) Design Number: **16209/2013**
(22) Date of Filing Application: **27 November 2013**
(24) Date from which industrial property rights may have effect: **27 November 2013**
(54) Product in respect of which the design is registered: **Positive airway pressure delivery console**
(51) International Design Classification: **24-01**
(74) Name(s) of Attorney(s): **Halfords IP**
(71) Name(s) and Address(s) of Applicant(s):

ResMed Limited
1 Elizabeth Macarthur Dr Bella Vista NSW 2153 Australia

(72) Name(s) of Designer(s): **Justin John Formica and Jose Ignacio Romagnoli and Jessica Lea Dunn and Mark Bertinetti and Henri Spaille and Justin Peter Wagemakers and Mark Armstrong**

(45) Registration Date: **25 February 2014**

(30) Convention priority data:

(31) Number	(32) Date	(33) Country
29/456477	31 May 2013	UNITED STATES OF AMERICA

(56) Related Art Documents: **Not Applicable**

(57) Statement of Newness and Distinctiveness: **Nil**



(21) Design Number: **16378/2013**
(22) Date of Filing Application: **06 December 2013**
(24) Date from which industrial property rights may have effect: **06 December 2013**
(54) Product in respect of which the design is registered: **Chair and backrest support**
(51) International Design Classification: **06-01F**
(74) Name(s) of Attorney(s): **Griffith Hack**
(71) Name(s) and Address(s) of Applicant(s):
Herman Miller, Inc.
855 East Main Avenue Zeeland Michigan 49464 United States of America
(72) Name(s) of Designer(s): **Claudia Plikat and Johann Burkhard Schmitz and Roland Rolf Otto Zwick and Janja Maidl and Carola Eva Mariane Zwick**
(45) Registration Date: **25 February 2014**
(30) Convention priority data:
(31) Number (32) Date (33) Country
29/457,262 07 Jun 2013 UNITED STATES OF AMERICA



(56) Related Art Documents: **Not Applicable**
(57) Statement of Newness and Distinctiveness: **Newness and distinctiveness resides in the visual features, including the shape and configuration of those parts of the product shown by means of solid lines in the representations. Those parts shown by means of dashed lines in the representations have been included for illustrative purposes and do not form part of the design.**

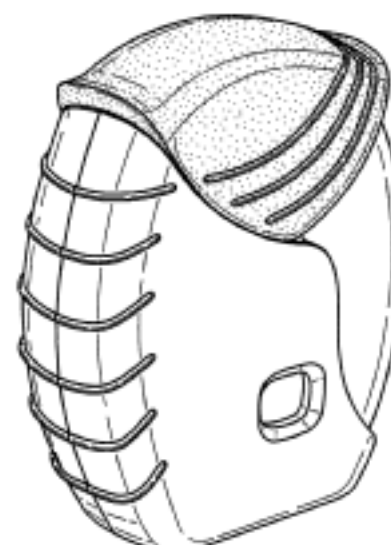
(21) Design Number: **16745/2013**
(22) Date of Filing Application: **20 December 2013**
(24) Date from which industrial property rights may have effect: **20 December 2013**
(54) Product in respect of which the design is registered: **Adhesive mag lock key**
(51) International Design Classification: **08-07**
(74) Name(s) of Attorney(s): **Thomsons Lawyers**
(71) Name(s) and Address(s) of Applicant(s):
Elbee Pty Ltd
PO BOX 2022 Bondi Junction NSW 1355 Australia
(72) Name(s) of Designer(s): **Carolyn Ziegler**
(45) Registration Date: **25 February 2014**
(56) Related Art Documents: **Not Applicable**
(57) Statement of Newness and Distinctiveness: **Nil**



(21) Design Number: **16529/2013**
(22) Date of Filing Application: **09 October 2013**
(24) Date from which industrial property rights may have effect: **09 October 2013**
(54) Product in respect of which the design is registered: **Inhaler**
(51) International Design Classification: **24-04**
(74) Name(s) of Attorney(s): **PHILLIPS ORMONDE FITZPATRICK**
(71) Name(s) and Address(s) of Applicant(s):
Glaxo Group Limited
980 Great West Road Brentford Middlesex TW8 9GS United Kingdom
(72) Name(s) of Designer(s): **Paul Matthew Phillips and Robert William Wansley and Karen McCulloch**
(45) Registration Date: **25 February 2014**
(30) Convention priority data:
(31) Number (32) Date (33) Country
002219022 11 Apr 2013 OFFICE FOR HARMONISATION IN THE INTERNAL MARKET (OHIM)
(56) Related Art Documents: **Not Applicable**
(57) Statement of Newness and Distinctiveness: **Those features of the inhaler depicted in the representations that are new and distinctive are the shape and/or configuration and/or the colour of the inhaler lid.**



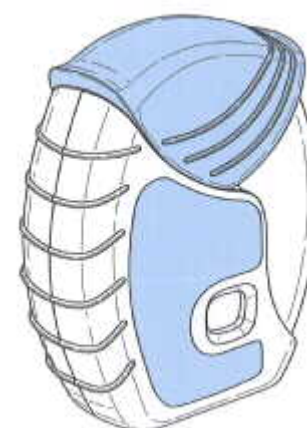
(21) Design Number: **16530/2013**
(22) Date of Filing Application: **09 October 2013**
(24) Date from which industrial property rights may have effect: **09 October 2013**
(54) Product in respect of which the design is registered: **Inhaler**
(51) International Design Classification: **24-04**
(74) Name(s) of Attorney(s): **PHILLIPS ORMONDE FITZPATRICK**
(71) Name(s) and Address(s) of Applicant(s):
Glaxo Group Limited
980 Great West Road Brentford Middlesex TW8 9GS United Kingdom
(72) Name(s) of Designer(s): **Paul Matthew Phillips and Robert William Wansley**
(45) Registration Date: **25 February 2014**
(30) Convention priority data:
(31) Number (32) Date (33) Country
002219022 11 Apr 2013 OFFICE FOR HARMONISATION IN THE INTERNAL MARKET (OHIM)
(56) Related Art Documents: **Not Applicable**
(57) Statement of Newness and Distinctiveness: **Those features of the inhaler depicted in the representations that are new and distinctive are the shape and/or configuration. The stipple shown in the representations represents a colour but is not limited to any particular colour.**



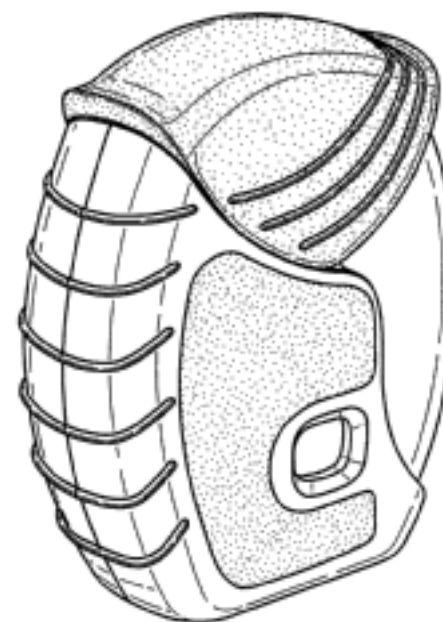
- (21) Design Number: **16531/2013**
(22) Date of Filing Application: **09 October 2013**
(24) Date from which industrial property rights may have effect: **09 October 2013**
(54) Product in respect of which the design is registered: **Inhaler**
(51) International Design Classification: **24-04**
(74) Name(s) of Attorney(s): **PHILLIPS ORMONDE FITZPATRICK**
(71) Name(s) and Address(s) of Applicant(s):
Glaxo Group Limited
980 Great West Road Brentford Middlesex TW8 9GS United Kingdom
(72) Name(s) of Designer(s): **Paul Matthew Phillips and Robert William Wansley and David Elder**
(45) Registration Date: **25 February 2014**
(30) Convention priority data:
(31) Number (32) Date (33) Country
002219022 11 Apr 2013 OFFICE FOR HARMONISATION IN THE INTERNAL MARKET (OHIM)
(56) Related Art Documents: **Not Applicable**
(57) Statement of Newness and Distinctiveness: **Those features of the inhaler depicted in the representations that are new and distinctive are the shape and/or configuration and/or the colour of the inhaler lid. The colour of the inhaler lid is pantone colour 207.**



- (21) Design Number: **16532/2013**
(22) Date of Filing Application: **09 October 2013**
(24) Date from which industrial property rights may have effect: **09 October 2013**
(54) Product in respect of which the design is registered: **Inhaler**
(51) International Design Classification: **24-04**
(74) Name(s) of Attorney(s): **PHILLIPS ORMONDE FITZPATRICK**
(71) Name(s) and Address(s) of Applicant(s):
Glaxo Group Limited
980 Great West Road Brentford Middlesex TW8 9GS United Kingdom
(72) Name(s) of Designer(s): **William Bull and Stephen James Harvey and Paul Matthew Phillips and Robert William Wansley and Karen McCulloch and Richard Adams and Philippe Ragot and Carlo Brunelli and Lisa Olivieri and Alec Johnson and Jeff Schons**
(45) Registration Date: **25 February 2014**
(30) Convention priority data:
(31) Number (32) Date (33) Country
002219022 11 Apr 2013 OFFICE FOR HARMONISATION IN THE INTERNAL MARKET (OHIM)
(56) Related Art Documents: **Not Applicable**
(57) Statement of Newness and Distinctiveness: **Those features of the inhaler depicted in the representations that are new and distinctive are the shape and/or configuration and/or ornamentation, including the colour of the lid, front and rear labels of the inhaler.**



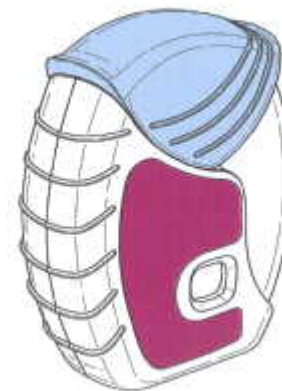
- (21) Design Number: **16533/2013**
(22) Date of Filing Application: **09 October 2013**
(24) Date from which industrial property rights may have effect: **09 October 2013**
(54) Product in respect of which the design is registered: **Inhaler**
(51) International Design Classification: **24-04**
(74) Name(s) of Attorney(s): **PHILLIPS ORMONDE FITZPATRICK**
(71) Name(s) and Address(s) of Applicant(s):
Glaxo Group Limited
980 Great West Road Brentford Middlesex TW8 9GS United Kingdom
(72) Name(s) of Designer(s): **William Bull and Stephen James Harvey and Paul Matthew Phillips and Robert William Wansley and Karen McCulloch and Richard Adams and Philippe Ragot and Carlo Brunelli and Lisa Olivieri and Alec Johnson and Jeff Schons**
(45) Registration Date: **25 February 2014**
(30) Convention priority data:
(31) Number (32) Date (33) Country
002219022 11 Apr 2013 OFFICE FOR HARMONISATION IN THE INTERNAL MARKET (OHIM)
(56) Related Art Documents: **Not Applicable**
(57) Statement of Newness and Distinctiveness: **Those features of the inhaler depicted in the representations that are new and distinctive are the shape and/or configuration and/or ornamentation. The stipple shown in the representations represents a colour or combination of colours but is not limited to any particular colour or combination of colours.**



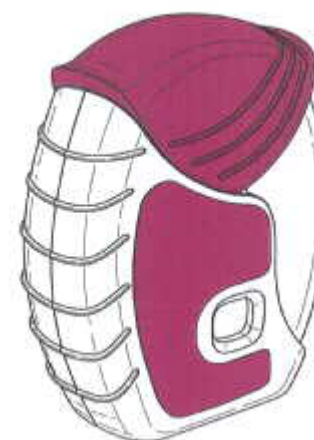
- (21) Design Number: **16534/2013**
(22) Date of Filing Application: **09 October 2013**
(24) Date from which industrial property rights may have effect: **09 October 2013**
(54) Product in respect of which the design is registered: **Inhaler**
(51) International Design Classification: **24-04**
(74) Name(s) of Attorney(s): **PHILLIPS ORMONDE FITZPATRICK**
(71) Name(s) and Address(s) of Applicant(s):
Glaxo Group Limited
980 Great West Road Brentford Middlesex TW8 9GS United Kingdom
(72) Name(s) of Designer(s): **William Bull and Stephen James Harvey and Paul Matthew Phillips and Robert William Wansley and Karen McCulloch and Richard Adams and Philippe Ragot and Carlo Brunelli and Lisa Olivieri and Alec Johnson and Jeff Schons**
(45) Registration Date: **25 February 2014**
(30) Convention priority data:
(31) Number (32) Date (33) Country
002219022 11 Apr 2013 OFFICE FOR HARMONISATION IN THE INTERNAL MARKET (OHIM)
(56) Related Art Documents: **Not Applicable**
(57) Statement of Newness and Distinctiveness: **Those features of the inhaler depicted in the representations that are new and distinctive are the shape and/or configuration and/or ornamentation, including the colour of the lid, front and rear labels of the inhaler.**



- (21) Design Number: **16535/2013**
(22) Date of Filing Application: **09 October 2013**
(24) Date from which industrial property rights may have effect: **09 October 2013**
(54) Product in respect of which the design is registered: **Inhaler**
(51) International Design Classification: **24-04**
(74) Name(s) of Attorney(s): **PHILLIPS ORMONDE FITZPATRICK**
(71) Name(s) and Address(s) of Applicant(s):
Glaxo Group Limited
980 Great West Road Brentford Middlesex TW8 9GS United Kingdom
(72) Name(s) of Designer(s): **William Bull and Stephen James Harvey and Paul Matthew Phillips and Robert William Wansley and Karen McCulloch and Richard Adams and Philippe Ragot and Carlo Brunelli and Lisa Olivieri and Alec Johnson**
(45) Registration Date: **25 February 2014**
(30) Convention priority data:
(31) Number (32) Date (33) Country
002219022 11 Apr 2013 OFFICE FOR HARMONISATION IN THE INTERNAL MARKET (OHIM)
(56) Related Art Documents: **Not Applicable**
(57) Statement of Newness and Distinctiveness: **Those features of the inhaler depicted in the representations that are new and distinctive are the shape and/or configuration and/or ornamentation, including the colour of the lid, front and rear labels of the inhaler. The colour of the front and rear labels is pantone colour 233.**



- (21) Design Number: **16536/2013**
(22) Date of Filing Application: **09 October 2013**
(24) Date from which industrial property rights may have effect: **09 October 2013**
(54) Product in respect of which the design is registered: **Inhaler**
(51) International Design Classification: **24-04**
(74) Name(s) of Attorney(s): **PHILLIPS ORMONDE FITZPATRICK**
(71) Name(s) and Address(s) of Applicant(s):
Glaxo Group Limited
980 Great West Road Brentford Middlesex TW8 9GS United Kingdom
(72) Name(s) of Designer(s): **William Bull and Stephen James Harvey and Paul Matthew Phillips and Robert William Wansley and David Elder and Richard Adams and Philippe Ragot and Carlo Brunelli and Lisa Olivieri and Alec Johnson and Jeff Schons**
(45) Registration Date: **25 February 2014**
(30) Convention priority data:
(31) Number (32) Date (33) Country
002219022 11 Apr 2013 OFFICE FOR HARMONISATION IN THE INTERNAL MARKET (OHIM)
(56) Related Art Documents: **Not Applicable**
(57) Statement of Newness and Distinctiveness: **Those features of the inhaler depicted in the representations that are new and distinctive are the shape and/or configuration and/or ornamentation, including the colour of the lid, front and rear labels of the inhaler. The colour of the lid, front and rear labels is pantone colour 207.**



(21) Design Number: **16537/2013**

(22) Date of Filing Application: **09 October 2013**

(24) Date from which industrial property rights may have effect: **09 October 2013**

(54) Product in respect of which the design is registered: **Inhaler**

(51) International Design Classification: **24-04**

(74) Name(s) of Attorney(s): **PHILLIPS ORMONDE FITZPATRICK**

(71) Name(s) and Address(s) of Applicant(s):

Glaxo Group Limited

980 Great West Road Brentford Middlesex TW8 9GS United Kingdom

(72) Name(s) of Designer(s): **William Bull and Stephen James Harvey and Paul Matthew Phillips and Robert William Wansley and David Elder and Richard Adams and Philippe Ragot and Carlo Brunelli and Lisa Olivieri and Alec Johnson and Jeff Schons**

(45) Registration Date: **25 February 2014**

(30) Convention priority data:

(31) Number
002219022

(32) Date
11 Apr 2013

(33) Country
**OFFICE FOR HARMONISATION IN
THE INTERNAL MARKET (OHIM)**

(56) Related Art Documents: **Not Applicable**

(57) Statement of Newness and Distinctiveness: **Those features of the inhaler depicted in the representations that are new and distinctive are the shape and/or configuration and/or ornamentation, including the colour of the lid, front and rear labels of the inhaler. The colour of the lid, front and rear labels is pantone colour 207.**



(21) Design Number: **16538/2013**

(22) Date of Filing Application: **09 October 2013**

(24) Date from which industrial property rights may have effect: **09 October 2013**

(54) Product in respect of which the design is registered: **Inhaler**

(51) International Design Classification: **24-04**

(74) Name(s) of Attorney(s): **PHILLIPS ORMONDE FITZPATRICK**

(71) Name(s) and Address(s) of Applicant(s):

Glaxo Group Limited

980 Great West Road Brentford Middlesex TW8 9GS United Kingdom

(72) Name(s) of Designer(s): **William Bull and Stephen James Harvey and Paul Matthew Phillips and Robert William Wansley and Richard Adams and Philippe Ragot and Carlo Brunelli and Lisa Olivieri and Alec Johnson and Jeff Schons**

(45) Registration Date: **25 February 2014**

(30) Convention priority data:

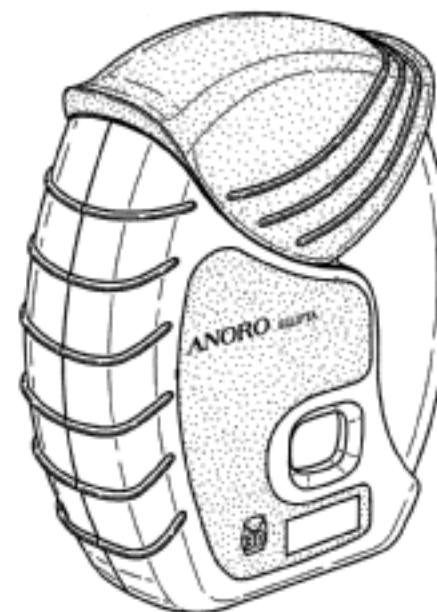
(31) Number
002219022

(32) Date
11 Apr 2013

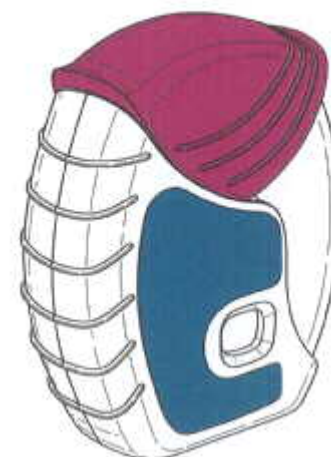
(33) Country
**OFFICE FOR HARMONISATION IN
THE INTERNAL MARKET (OHIM)**

(56) Related Art Documents: **Not Applicable**

(57) Statement of Newness and Distinctiveness: **Those features of the inhaler depicted in the representations that are new and distinctive are the shape and/or configuration and/or ornamentation. The stipple shown in the representations represents a colour or combination of colours but is not limited to any particular colour or combination of colours.**



(21) Design Number: **16539/2013**
(22) Date of Filing Application: **09 October 2013**
(24) Date from which industrial property rights may have effect: **09 October 2013**
(54) Product in respect of which the design is registered: **Inhaler**
(51) International Design Classification: **24-04**
(74) Name(s) of Attorney(s): **PHILLIPS ORMONDE FITZPATRICK**
(71) Name(s) and Address(s) of Applicant(s):
Glaxo Group Limited
980 Great West Road Brentford Middlesex TW8 9GS United Kingdom
(72) Name(s) of Designer(s): **William Bull and Stephen James Harvey and Paul Matthew Phillips and Robert William Wansley and David Elder and Richard Adams and Philippe Ragot and Carlo Brunelli and Lisa Olivieri and Alec Johnson and Jeff Schons**
(45) Registration Date: **25 February 2014**
(30) Convention priority data:
(31) Number (32) Date (33) Country
002219022 11 Apr 2013 OFFICE FOR HARMONISATION IN THE INTERNAL MARKET (OHIM)
(56) Related Art Documents: **Not Applicable**
(57) Statement of Newness and Distinctiveness: **Those features of the inhaler depicted in the representations that are new and distinctive are the shape and/or configuration and/or ornamentation, including the colour of the lid, front and rear labels of the inhaler. The colour of the lid is pantone colour 207.**



(21) Design Number: **16540/2013**
(22) Date of Filing Application: **09 October 2013**
(24) Date from which industrial property rights may have effect: **09 October 2013**
(54) Product in respect of which the design is registered: **Inhaler**
(51) International Design Classification: **24-04**
(74) Name(s) of Attorney(s): **PHILLIPS ORMONDE FITZPATRICK**
(71) Name(s) and Address(s) of Applicant(s):
Glaxo Group Limited
980 Great West Road Brentford Middlesex TW8 9GS United Kingdom
(72) Name(s) of Designer(s): **William Bull and Stephen James Harvey and Paul Matthew Phillips and Robert William Wansley and David Elder and Richard Adams and Philippe Ragot and Carlo Brunelli and Lisa Olivieri and Alec Johnson and Jeff Schons**
(45) Registration Date: **25 February 2014**
(30) Convention priority data:
(31) Number (32) Date (33) Country
002219022 11 Apr 2013 OFFICE FOR HARMONISATION IN THE INTERNAL MARKET (OHIM)
(56) Related Art Documents: **Not Applicable**
(57) Statement of Newness and Distinctiveness: **Those features of the inhaler depicted in the representations that are new and distinctive are the shape and/or configuration and/or ornamentation, including the colour of the lid, front and rear labels of the inhaler. The colour of the lid is pantone colour 207.**



(21) Design Number: **16713/2013**

(22) Date of Filing Application: **20 December 2013**

(24) Date from which industrial property rights may have effect: **20 December 2013**

(54) Product in respect of which the design is registered: **String trimmer**

(51) International Design Classification: **08-03**

(74) Name(s) of Attorney(s): **Davies Collison Cave**

(71) Name(s) and Address(s) of Applicant(s):

Black & Decker Inc.

1207 Drummond Plaza Newark Delaware 19711 United States of America

(72) Name(s) of Designer(s): **Clare Tate and Mark Baxter**

(45) Registration Date: **25 February 2014**

(30) Convention priority data:

(31) Number (32) Date
001375356-0002 20 Jun 2013

(33) Country
**OFFICE FOR HARMONISATION IN
THE INTERNAL MARKET (OHIM)**



(56) Related Art Documents: **Not Applicable**

(57) Statement of Newness and Distinctiveness: **Nil**

(21) Design Number: **16715/2013**

(22) Date of Filing Application: **20 December 2013**

(24) Date from which industrial property rights may have effect: **20 December 2013**

(54) Product in respect of which the design is registered: **String trimmer**

(51) International Design Classification: **08-03**

(74) Name(s) of Attorney(s): **Davies Collison Cave**

(71) Name(s) and Address(s) of Applicant(s):

Black & Decker Inc.

1207 Drummond Plaza Newark Delaware 19711 United States of America

(72) Name(s) of Designer(s): **Clare Tate and Mark Baxter**

(45) Registration Date: **25 February 2014**

(30) Convention priority data:

(31) Number (32) Date
001375356-0004 20 Jun 2013

(33) Country
**OFFICE FOR HARMONISATION IN
THE INTERNAL MARKET (OHIM)**



(56) Related Art Documents: **Not Applicable**

(57) Statement of Newness and Distinctiveness: **Nil**

(21) Design Number: **16716/2013**

(22) Date of Filing Application: **20 December 2013**

(24) Date from which industrial property rights may have effect: **20 December 2013**

(54) Product in respect of which the design is registered: **String trimmer**

(51) International Design Classification: **08-03**

(74) Name(s) of Attorney(s): **Davies Collison Cave**

(71) Name(s) and Address(s) of Applicant(s):

Black & Decker Inc.

1207 Drummond Plaza Newark Delaware 19711 United States of America

(72) Name(s) of Designer(s): **Clare Tate and Mark Baxter**

(45) Registration Date: **25 February 2014**

(30) Convention priority data:

(31) Number

(32) Date

(33) Country

001375356-0005 20 Jun 2013

**OFFICE FOR HARMONISATION IN
THE INTERNAL MARKET (OHIM)**



(56) Related Art Documents: **Not Applicable**

(57) Statement of Newness and Distinctiveness: **Nil**

(21) Design Number: **10138/2014**

(22) Date of Filing Application: **10 January 2014**

(24) Date from which industrial property rights may have effect: **10 January 2014**

(54) Product in respect of which the design is registered: **Toner cartridge**

(51) International Design Classification: **14-02**

(74) Name(s) of Attorney(s): **Freehills Patent Attorneys**

(71) Name(s) and Address(s) of Applicant(s):

Oki Data Corporation

11-22 Shibaura 4-chome Minato-ku Tokyo 108-0014 Japan

(72) Name(s) of Designer(s): **Yukiyoshi Oda and Shigenori Koido and Shinichi Otani**

(45) Registration Date: **25 February 2014**

(30) Convention priority data:

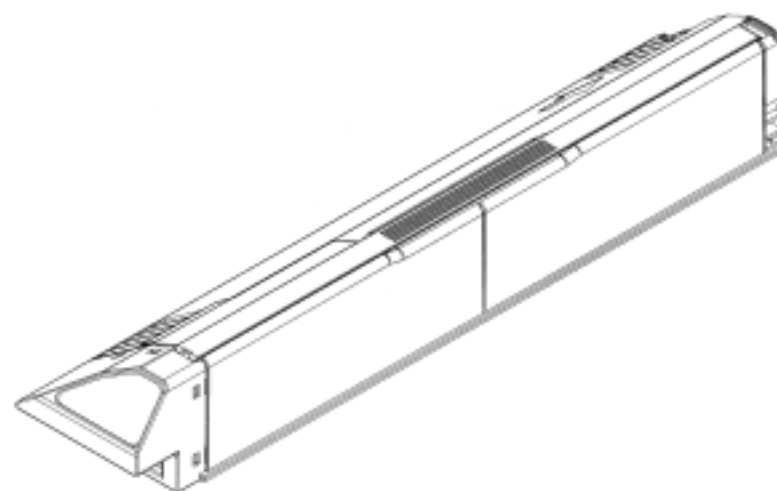
(31) Number

(32) Date

(33) Country

2013-015965 12 Jul 2013

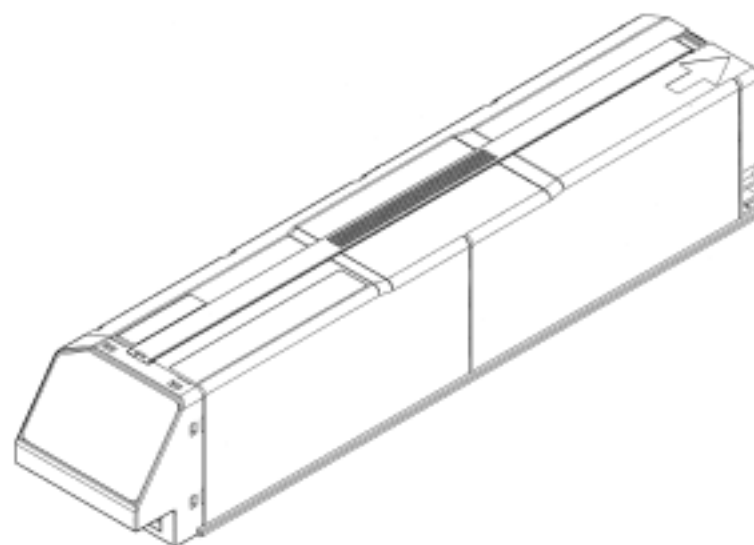
JAPAN



(56) Related Art Documents: **Not Applicable**

(57) Statement of Newness and Distinctiveness: **Nil**

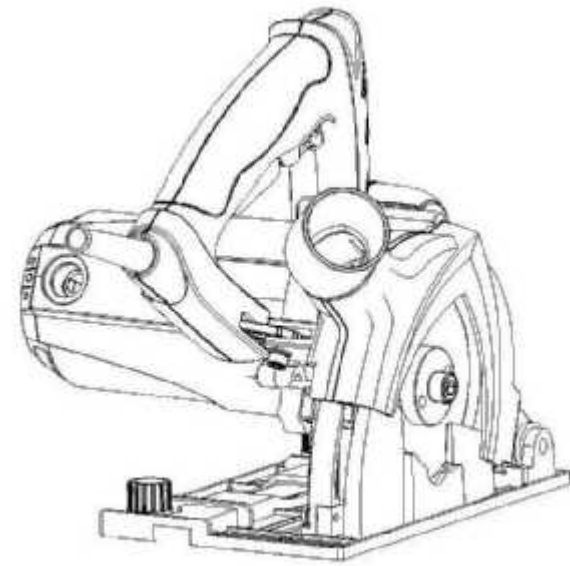
(21) Design Number: **10139/2014**
(22) Date of Filing Application: **10 January 2014**
(24) Date from which industrial property rights may have effect: **10 January 2014**
(54) Product in respect of which the design is registered: **Toner cartridge**
(51) International Design Classification: **14-02**
(74) Name(s) of Attorney(s): **Freehills Patent Attorneys**
(71) Name(s) and Address(s) of Applicant(s):
Oki Data Corporation
11-22 Shibaura 4-chome Minato-ku Tokyo 108-0014 Japan
(72) Name(s) of Designer(s): **Yukiyoshi Oda and Shigenori Koido and Shinichi Otani**
(45) Registration Date: **25 February 2014**
(30) Convention priority data:
(31) Number (32) Date (33) Country
2013-015966 12 Jul 2013 JAPAN
(56) Related Art Documents: **Not Applicable**
(57) Statement of Newness and Distinctiveness: **Nil**



(21) Design Number: **16697/2013**
(22) Date of Filing Application: **19 December 2013**
(24) Date from which industrial property rights may have effect: **19 December 2013**
(54) Product in respect of which the design is registered: **Organiser**
(51) International Design Classification: **03-01D**
(74) Name(s) of Attorney(s): **Davies Collison Cave**
(71) Name(s) and Address(s) of Applicant(s):
The Stanley Works Israel Ltd.
19 Ha'Melacha Street Rosh Ha'Ayin 48091 Israel
(72) Name(s) of Designer(s): **Nadin Daniel Horovitz and Elad Hay Shitrit**
(45) Registration Date: **25 February 2014**
(30) Convention priority data:
(31) Number (32) Date (33) Country
**001375224-0001 19 Jun 2013 OFFICE FOR HARMONISATION IN
THE INTERNAL MARKET (OHIM)**
(56) Related Art Documents: **Not Applicable**
(57) Statement of Newness and Distinctiveness: **Nil**



- (21) Design Number: **16727/2013**
(22) Date of Filing Application: **20 December 2013**
(24) Date from which industrial property rights may have effect: **20 December 2013**
(54) Product in respect of which the design is registered: **Hand-operated hand saw**
(51) International Design Classification: **08-03**
(74) Name(s) of Attorney(s): **A.P.T. Patent and Trade Mark Attorneys**
(71) Name(s) and Address(s) of Applicant(s):
Scheppach Fabrikation von Holzbearbeitungsmaschinen GmbH
Gunzburger Str. 69 Ichenhausen 89335 Germany
Wang Xian
Suite 4-1-302, No. 59 Ming-Jiang-Er Road Qingdao, Shandong 266071
China
(72) Name(s) of Designer(s): **Wang Xian**
(45) Registration Date: **25 February 2014**
(30) Convention priority data:
(31) Number (32) Date (33) Country
002270876-0001 09 Jul 2013 OFFICE FOR HARMONISATION IN
THE INTERNAL MARKET (OHIM)
(56) Related Art Documents: **Not Applicable**
(57) Statement of Newness and Distinctiveness: **Nil**



- (21) Design Number: **16779/2013**
(22) Date of Filing Application: **24 December 2013**
(24) Date from which industrial property rights may have effect: **23 May 2013**
(54) Product in respect of which the design is registered: **Mail and parcel delivery box**
(51) International Design Classification: **25-03**
(74) Name(s) of Attorney(s): **Halfords IP**
(71) Name(s) and Address(s) of Applicant(s):
Mayo Hardware Pty Ltd
4 Secombe PI Moorebank NSW 2170 Australia
(72) Name(s) of Designer(s): **John Thomas and Jack Martinich and Mark Thame**
(45) Registration Date: **25 February 2014**
(62) Divisional of: **353192**
(56) Related Art Documents: **Not Applicable**
(57) Statement of Newness and Distinctiveness: **Newness and Distinctiveness resides in the features of shape and or configuration of a mail and parcel delivery box as depicted in the representations.**



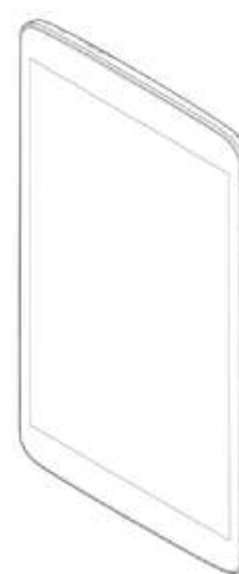
- (21) Design Number: **16783/2013**
(22) Date of Filing Application: **24 December 2013**
(24) Date from which industrial property rights may have effect: **23 May 2013**
(54) Product in respect of which the design is registered: **Mail and parcel delivery box**
(51) International Design Classification: **25-03**
(74) Name(s) of Attorney(s): **Halfords IP**
(71) Name(s) and Address(s) of Applicant(s):
Mayo Hardware Pty Ltd
4 Secombe PI Moorebank NSW 2170 Australia
(72) Name(s) of Designer(s): **John Thomas and Jack Martinich and Mark Thame**
(45) Registration Date: **25 February 2014**
(62) Divisional of: **353192**
(56) Related Art Documents: **Not Applicable**
(57) Statement of Newness and Distinctiveness: **Newness and Distinctiveness resides in the features of shape and or configuration of a mail and parcel delivery box as depicted in the representations.**



- (21) Design Number: **16784/2013**
(22) Date of Filing Application: **24 December 2013**
(24) Date from which industrial property rights may have effect: **23 May 2013**
(54) Product in respect of which the design is registered: **Mail and parcel delivery box**
(51) International Design Classification: **25-03**
(74) Name(s) of Attorney(s): **Halfords IP**
(71) Name(s) and Address(s) of Applicant(s):
Mayo Hardware Pty Ltd
4 Secombe PI Moorebank NSW 2170 Australia
(72) Name(s) of Designer(s): **John Thomas and Jack Martinich and Mark Thame**
(45) Registration Date: **25 February 2014**
(62) Divisional of: **353192**
(56) Related Art Documents: **Not Applicable**
(57) Statement of Newness and Distinctiveness: **Newness and Distinctiveness resides in the features of shape and or configuration of a mail and parcel delivery box as depicted in the representations.**



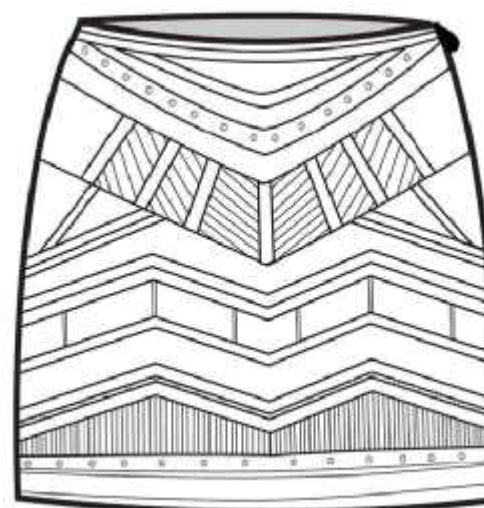
(21) Design Number: **10013/2014**
(22) Date of Filing Application: **03 January 2014**
(24) Date from which industrial property rights may have effect: **03 January 2014**
(54) Product in respect of which the design is registered: **Tablet PC**
(51) International Design Classification: **14-02**
(74) Name(s) of Attorney(s): **FB Rice**
(71) Name(s) and Address(s) of Applicant(s):
LG Electronics Inc.
20 Yeouido-dong Yeongdeungpo-gu Seoul 150-721 Republic of Korea
(72) Name(s) of Designer(s): **Jiyoun Cha and Hyon Kim and Youngho Kim**
(45) Registration Date: **25 February 2014**
(30) Convention priority data:
(31) Number (32) Date (33) Country
30-2013-0034481 04 Jul 2013 REPUBLIC OF KOREA
(56) Related Art Documents: **Not Applicable**
(57) Statement of Newness and Distinctiveness: **Newness and distinctiveness reside in the features of the design as shown in the representations excluding those features shown in broken lines.**



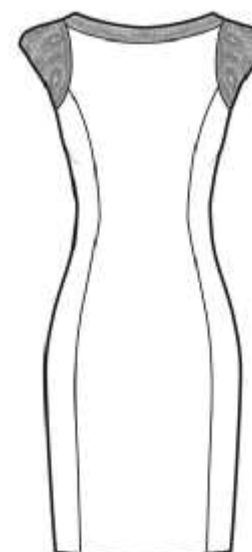
(21) Design Number: **10119/2014**
(22) Date of Filing Application: **13 January 2014**
(24) Date from which industrial property rights may have effect: **17 May 2013**
(54) Product in respect of which the design is registered: **Article of clothing**
(51) International Design Classification: **02-02C**
(74) Name(s) of Attorney(s): **Allens Patent & Trade Mark Attorneys**
(71) Name(s) and Address(s) of Applicant(s):
Forever New Clothing Pty Ltd
714-716 High St Kew East VIC 3102 Australia
(72) Name(s) of Designer(s): **Octavia Miller**
(45) Registration Date: **25 February 2014**
(62) Divisional of: **353433**
(56) Related Art Documents: **Not Applicable**
(57) Statement of Newness and Distinctiveness: **Newness and distinctiveness resides in the visual features of shape, configuration, pattern and/or ornamentation of an article of clothing as shown in the accompanying representations.**



- (21) Design Number: **10120/2014**
(22) Date of Filing Application: **13 January 2014**
(24) Date from which industrial property rights may have effect: **17 May 2013**
(54) Product in respect of which the design is registered: **Article of clothing**
(51) International Design Classification: **02-02C**
(74) Name(s) of Attorney(s): **Allens Patent & Trade Mark Attorneys**
(71) Name(s) and Address(s) of Applicant(s):
Forever New Clothing Pty Ltd
714-716 High St Kew East VIC 3102 Australia
(72) Name(s) of Designer(s): **Octavia Miller**
(45) Registration Date: **25 February 2014**
(62) Divisional of: **353433**
(56) Related Art Documents: **Not Applicable**
(57) Statement of Newness and Distinctiveness: **Newness and distinctiveness resides in the visual features of shape, configuration, pattern and/or ornamentation of an article of clothing as shown in the accompanying representations.**



- (21) Design Number: **10121/2014**
(22) Date of Filing Application: **13 January 2014**
(24) Date from which industrial property rights may have effect: **17 May 2013**
(54) Product in respect of which the design is registered: **Article of clothing**
(51) International Design Classification: **02-02C**
(74) Name(s) of Attorney(s): **Allens Patent & Trade Mark Attorneys**
(71) Name(s) and Address(s) of Applicant(s):
Forever New Clothing Pty Ltd
714-716 High St Kew East VIC 3102 Australia
(72) Name(s) of Designer(s): **Laura Mitchell**
(45) Registration Date: **25 February 2014**
(62) Divisional of: **353433**
(56) Related Art Documents: **Not Applicable**
(57) Statement of Newness and Distinctiveness: **Newness and distinctiveness resides in the visual features of shape, configuration, pattern and/or ornamentation of an article of clothing as shown in the accompanying representations.**



- (21) Design Number: **10122/2014**
(22) Date of Filing Application: **13 January 2014**
(24) Date from which industrial property rights may have effect: **17 May 2013**
(54) Product in respect of which the design is registered: **Article of clothing**
(51) International Design Classification: **02-02C**
(74) Name(s) of Attorney(s): **Allens Patent & Trade Mark Attorneys**
(71) Name(s) and Address(s) of Applicant(s):
Forever New Clothing Pty Ltd
714-716 High St Kew East VIC 3102 Australia
(72) Name(s) of Designer(s): **Laura Mitchell**
(45) Registration Date: **25 February 2014**
(62) Divisional of: **353433**
(56) Related Art Documents: **Not Applicable**
(57) Statement of Newness and Distinctiveness: **Newness and distinctiveness resides in the visual features of shape, configuration, pattern and/or ornamentation of an article of clothing as shown in the accompanying representations.**



- (21) Design Number: **10128/2014**
(22) Date of Filing Application: **13 January 2014**
(24) Date from which industrial property rights may have effect: **13 January 2014**
(54) Product in respect of which the design is registered: **Blower**
(51) International Design Classification: **15-05**
(74) Name(s) of Attorney(s): **Wrays**
(71) Name(s) and Address(s) of Applicant(s):
Chervon (HK) Limited
Room 803B 8/F Allied Kajima Building 138 Gloucester Road Wanchai
Hong Kong
(72) Name(s) of Designer(s): **Su Zhang**
(45) Registration Date: **25 February 2014**
(56) Related Art Documents: **Not Applicable**
(57) Statement of Newness and Distinctiveness: **Newness and distinctiveness is claimed in the features of shape and/or configuration of the Blower depicted in the accompanying representations.**



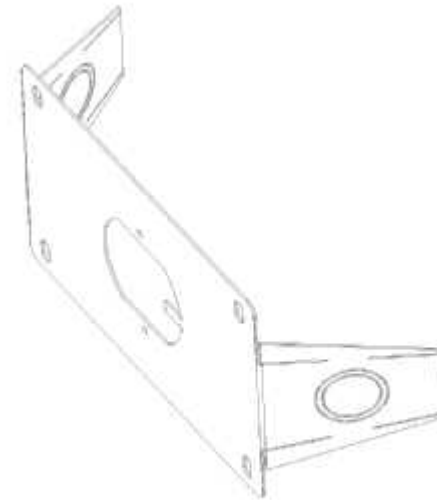
- (21) Design Number: **13138/2013**
(22) Date of Filing Application: **02 July 2013**
(24) Date from which industrial property rights may have effect: **02 July 2013**
(54) Product in respect of which the design is registered: **Clothes peg**
(51) International Design Classification: **07-05C**
(74) Name(s) of Attorney(s): **Davies Collison Cave**
(71) Name(s) and Address(s) of Applicant(s):
Willow Ware Australia Pty Limited
60 Annandale Rd Melbourne Airport VIC 3045 Australia
(72) Name(s) of Designer(s): **David Flynn**
(45) Registration Date: **25 February 2014**
(56) Related Art Documents: **Not Applicable**
(57) Statement of Newness and Distinctiveness: **Newness and distinctiveness is claimed in the shape and configuration of the clothes peg as shown in the accompanying representations.**



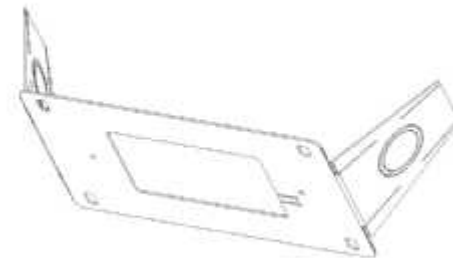
- (21) Design Number: **13139/2013**
(22) Date of Filing Application: **02 July 2013**
(24) Date from which industrial property rights may have effect: **02 July 2013**
(54) Product in respect of which the design is registered: **Clothes peg**
(51) International Design Classification: **07-05C**
(74) Name(s) of Attorney(s): **Davies Collison Cave**
(71) Name(s) and Address(s) of Applicant(s):
Willow Ware Australia Pty Limited
60 Annandale Rd Melbourne Airport VIC 3045 Australia
(72) Name(s) of Designer(s): **David Flynn**
(45) Registration Date: **25 February 2014**
(56) Related Art Documents: **Not Applicable**
(57) Statement of Newness and Distinctiveness: **Newness and distinctiveness is claimed in the shape and configuration of the clothes peg as shown in the accompanying representations.**



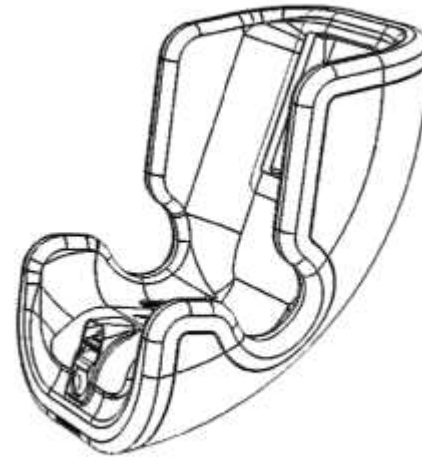
- (21) Design Number: **14492/2013**
(22) Date of Filing Application: **10 September 2013**
(24) Date from which industrial property rights may have effect: **10 September 2013**
(54) Product in respect of which the design is registered: **An electrical component mounting bracket**
(51) International Design Classification: **08-08NES**
(74) Name(s) of Attorney(s): **Acumen Intellectual Property**
(71) Name(s) and Address(s) of Applicant(s):
Stephen Murray Holgate
137 Connells Lane Murrumbateman NSW 2582 Australia
(72) Name(s) of Designer(s): **Stephen Murray Holgate**
(45) Registration Date: **25 February 2014**
(56) Related Art Documents: **Not Applicable**
(57) Statement of Newness and Distinctiveness: **Newness and distinctiveness is claimed in the features of shape and/or configuration of an electrical component mounting bracket as illustrated in the accompanying representations.**



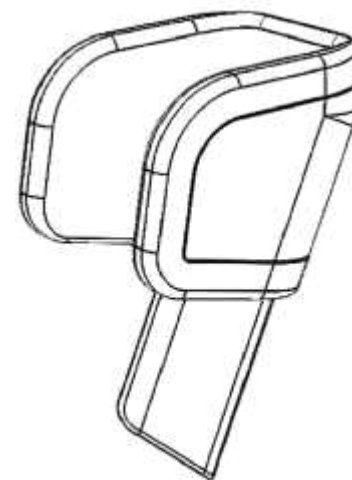
- (21) Design Number: **14493/2013**
(22) Date of Filing Application: **10 September 2013**
(24) Date from which industrial property rights may have effect: **10 September 2013**
(54) Product in respect of which the design is registered: **An electrical component mounting bracket**
(51) International Design Classification: **08-08NES**
(74) Name(s) of Attorney(s): **Acumen Intellectual Property**
(71) Name(s) and Address(s) of Applicant(s):
Stephen Murray Holgate
137 Connells Lane Murrumbateman NSW 2582 Australia
(72) Name(s) of Designer(s): **Stephen Murray Holgate**
(45) Registration Date: **25 February 2014**
(56) Related Art Documents: **Not Applicable**
(57) Statement of Newness and Distinctiveness: **Newness and distinctiveness is claimed in the features of shape and/or configuration of an electrical component mounting bracket as illustrated in the accompanying representations.**



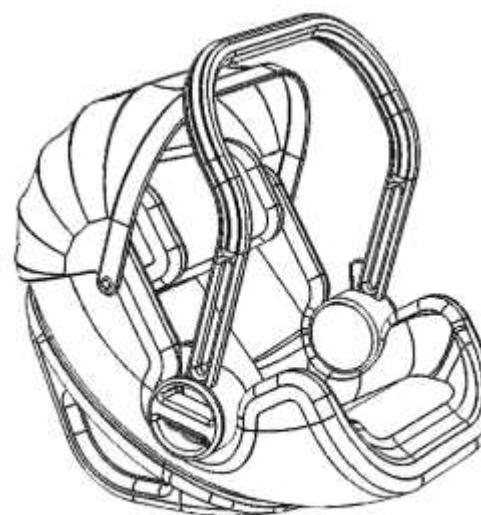
- (21) Design Number: **14746/2013**
(22) Date of Filing Application: **19 September 2013**
(24) Date from which industrial property rights may have effect: **19 September 2013**
(54) Product in respect of which the design is registered: **A child safety seat for a vehicle**
(51) International Design Classification: **06-01D**
(74) Name(s) of Attorney(s): **Tatlocks Chrysiliou IP**
(71) Name(s) and Address(s) of Applicant(s):
Infa-Secure Pty Ltd
110-114 Old Bathurst Rd Emu PLains NSW 2750 Australia
(72) Name(s) of Designer(s): **Steve Horsfall**
(45) Registration Date: **25 February 2014**
(56) Related Art Documents: **Not Applicable**
(57) Statement of Newness and Distinctiveness: **Newness and distinctiveness resides in the features of the child safety seat as depicted in the representations.**



- (21) Design Number: **14747/2013**
(22) Date of Filing Application: **19 September 2013**
(24) Date from which industrial property rights may have effect: **19 September 2013**
(54) Product in respect of which the design is registered: **A headrest for a child safety seat**
(51) International Design Classification: **06-06G**
(74) Name(s) of Attorney(s): **Tatlocks Chrysiliou IP**
(71) Name(s) and Address(s) of Applicant(s):
Infa-Secure Pty Ltd
110-114 Old Bathurst Rd Emu PLains NSW 2750 Australia
(72) Name(s) of Designer(s): **Steven Horsfall**
(45) Registration Date: **25 February 2014**
(56) Related Art Documents: **Not Applicable**
(57) Statement of Newness and Distinctiveness: **Newness and distinctiveness resides in the headrest for a child safety seat as depicted in the representations.**



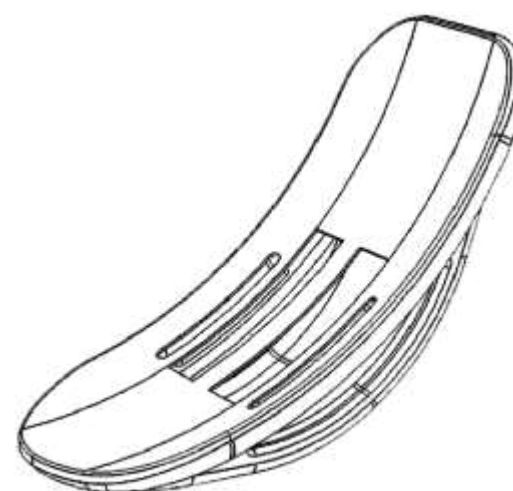
- (21) Design Number: **14748/2013**
(22) Date of Filing Application: **19 September 2013**
(24) Date from which industrial property rights may have effect: **19 September 2013**
(54) Product in respect of which the design is registered: **An infant carrier device**
(51) International Design Classification: **06-01D**
(74) Name(s) of Attorney(s): **Tatlocks Chrysiliou IP**
(71) Name(s) and Address(s) of Applicant(s):
Infa-Secure Pty Ltd
110-114 Old Bathurst Rd Emu PLains NSW 2750 Australia
(72) Name(s) of Designer(s): **Steven Horsfall**
(45) Registration Date: **25 February 2014**
(56) Related Art Documents: **Not Applicable**
(57) Statement of Newness and Distinctiveness: **Newness and distinctiveness of the design reside in the features of the infant carrier device as depicted in the representations.**



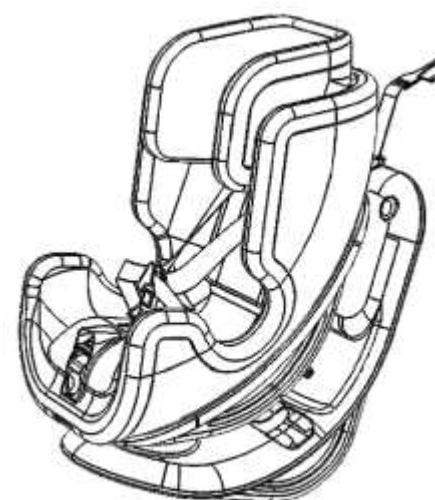
- (21) Design Number: **14749/2013**
(22) Date of Filing Application: **19 September 2013**
(24) Date from which industrial property rights may have effect: **19 September 2013**
(54) Product in respect of which the design is registered: **A docking station for a child restraint**
(51) International Design Classification: **06-06G**
(74) Name(s) of Attorney(s): **Tatlocks Chrysiliou IP**
(71) Name(s) and Address(s) of Applicant(s):
Infa-Secure Pty Ltd
110-114 Old Bathurst Rd Emu PLains NSW 2750 Australia
(72) Name(s) of Designer(s): **Steven Horsfall**
(45) Registration Date: **25 February 2014**
(56) Related Art Documents: **Not Applicable**
(57) Statement of Newness and Distinctiveness: **Newness and distinctiveness resides in the features of the docking station as depicted in the representations. The presence of the tether strap is to be disregarded when assessing the newness and distinctiveness of the design.**



- (21) Design Number: **14750/2013**
(22) Date of Filing Application: **19 September 2013**
(24) Date from which industrial property rights may have effect: **19 September 2013**
(54) Product in respect of which the design is registered: **A carriage device for a child safety seat**
(51) International Design Classification: **06-01D**
(74) Name(s) of Attorney(s): **Tatlocks Chrysiliou IP**
(71) Name(s) and Address(s) of Applicant(s):
Infa-Secure Pty Ltd
110-114 Old Bathurst Rd Emu PLains NSW 2750 Australia
(72) Name(s) of Designer(s): **Steven Horsfall**
(45) Registration Date: **25 February 2014**
(56) Related Art Documents: **Not Applicable**
(57) Statement of Newness and Distinctiveness: **Newness and distinctiveness of the design resides in the features of the carriage device as depicted in the representations.**



- (21) Design Number: **14751/2013**
(22) Date of Filing Application: **19 September 2013**
(24) Date from which industrial property rights may have effect: **19 September 2013**
(54) Product in respect of which the design is registered: **A child restraint assembly for a vehicle**
(51) International Design Classification: **06-01D**
(74) Name(s) of Attorney(s): **Tatlocks Chrysiliou IP**
(71) Name(s) and Address(s) of Applicant(s):
Infa-Secure Pty Ltd
110-114 Old Bathurst Rd Emu PLains NSW 2750 Australia
(72) Name(s) of Designer(s): **Steven Horsfall**
(45) Registration Date: **25 February 2014**
(56) Related Art Documents: **Not Applicable**
(57) Statement of Newness and Distinctiveness: **Newness and distinctiveness resides in the features of the design of the child restraint assembly as depicted in the representations. Those features of the design relating to harness straps and tether straps are to be disregarded.**



- (21) Design Number: **16379/2013**
(22) Date of Filing Application: **06 December 2013**
(24) Date from which industrial property rights may have effect: **06 December 2013**
(54) Product in respect of which the design is registered: **Storage component**
(51) International Design Classification: **06-04NES**
(74) Name(s) of Attorney(s): **Griffith Hack**
(71) Name(s) and Address(s) of Applicant(s):

Herman Miller, Inc.
MS 0440 855 East Main Avenue Zeeland Michigan 49464-0302 United States of America

- (72) Name(s) of Designer(s): **Sam Hecht and Kimberlee Colin and Philipp Von Lintel and Ippei Matsumoto**

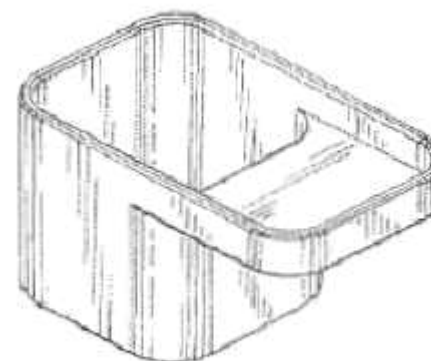
(45) Registration Date: **25 February 2014**

- (30) Convention priority data:

(31) Number	(32) Date	(33) Country
29/457,260	07 Jun 2013	UNITED STATES OF AMERICA

- (56) Related Art Documents: **Not Applicable**

- (57) Statement of Newness and Distinctiveness: **Newness and distinctiveness resides in the visual features, including the shape and configuration of the product shown in the representations.**



- (21) Design Number: **16599/2013**
(22) Date of Filing Application: **17 December 2013**
(24) Date from which industrial property rights may have effect: **17 December 2013**
(54) Product in respect of which the design is registered: **Hair brush**
(51) International Design Classification: **04-02**
(74) Name(s) of Attorney(s):
(71) Name(s) and Address(s) of Applicant(s):

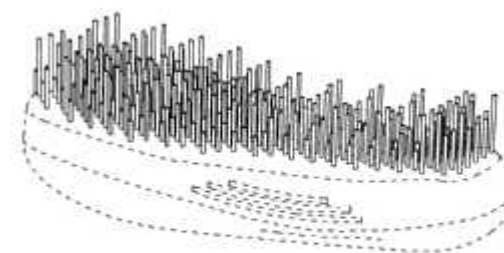
Anthony Jenkins
2 Aveling St Blakehurst NSW 2221 Australia

- (72) Name(s) of Designer(s): **Anthony Jenkins**

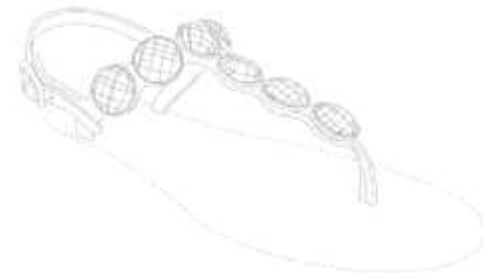
(45) Registration Date: **25 February 2014**

- (56) Related Art Documents: **Not Applicable**

- (57) Statement of Newness and Distinctiveness: **Novelty of the design resides in the bristle profile of the hair brush shown in and represented by solid lines in Figures. The parts of the hair brush shown in dotted lines in Figures are included to assist understanding of the representation but do not form part of the claimed design.**



- (21) Design Number: **10207/2014**
(22) Date of Filing Application: **17 January 2014**
(24) Date from which industrial property rights may have effect: **17 January 2014**
(54) Product in respect of which the design is registered: **Footwear**
(51) International Design Classification: **02-04NES**
(74) Name(s) of Attorney(s): **MMLC Murphy Wang Solicitors**
(71) Name(s) and Address(s) of Applicant(s):
Holster Fashion Pty Ltd
6-55 Gateway Dr Noosaville QLD 4566 Australia
(72) Name(s) of Designer(s): **Natalie Jean Miller**
(45) Registration Date: **25 February 2014**
(56) Related Art Documents: **Not Applicable**
(57) Statement of Newness and Distinctiveness: **Newness and distinctiveness reside in the shape and configuration of the footwear and components, as shown in the accompanying representations.**



- (21) Design Number: **13703/2013**
(22) Date of Filing Application: **02 August 2013**
(24) Date from which industrial property rights may have effect: **02 August 2013**
(54) Product in respect of which the design is registered: **Jar with lid**
(51) International Design Classification: **07-01NES**
(74) Name(s) of Attorney(s): **Hazan Hollander**
(71) Name(s) and Address(s) of Applicant(s):
Avalanche Coffee Limited
11B Westward Ho Road Glen Eden Auckland 0602 New Zealand
(72) Name(s) of Designer(s): **Beiqing Cai and Lvdi Zheng**
(45) Registration Date: **25 February 2014**
(56) Related Art Documents: **Not Applicable**
(57) Statement of Newness and Distinctiveness: **Newness and distinctiveness is claimed in the features of shape and/or configuration of a jar and lid with plastic insert as illustrated in the accompanying representations.**



(21) Design Number: **13958/2013**
(22) Date of Filing Application: **11 January 2013**
(24) Date from which industrial property rights may have effect: **11 January 2013**
(54) Product in respect of which the design is registered: **Men's clothing**
(51) International Design Classification: **02-02C**
(74) Name(s) of Attorney(s): **K&L Gates**
(71) Name(s) and Address(s) of Applicant(s):
Fifty-Fourth Rischell Pty Ltd
29 Simmons St South Yarra VIC 3141 Australia
(72) Name(s) of Designer(s): **Ty Henschke**
(45) Registration Date: **25 February 2014**
(56) Related Art Documents: **Not Applicable**
(57) Statement of Newness and Distinctiveness: **Nil**



(21) Design Number: **13959/2013**
(22) Date of Filing Application: **11 January 2013**
(24) Date from which industrial property rights may have effect: **11 January 2013**
(54) Product in respect of which the design is registered: **Men's clothing**
(51) International Design Classification: **02-02NES**
(74) Name(s) of Attorney(s): **K&L Gates**
(71) Name(s) and Address(s) of Applicant(s):
Fifty-Fourth Rischell Pty Ltd
29 Simmons St South Yarra VIC 3141 Australia
(72) Name(s) of Designer(s): **Ty Henschke**
(45) Registration Date: **25 February 2014**
(56) Related Art Documents: **Not Applicable**
(57) Statement of Newness and Distinctiveness: **Nil**



- (21) Design Number: **15977/2013**
(22) Date of Filing Application: **19 November 2013**
(24) Date from which industrial property rights may have effect: **19 November 2013**
(54) Product in respect of which the design is registered: **Portable darts stand**
(51) International Design Classification: **21-01H**
(74) Name(s) of Attorney(s):
(71) Name(s) and Address(s) of Applicant(s):

Anthony Salole
3/186 Hampden Rd Abbotsford NSW 2046 Australia

Michael Plested
15C/31 Quirk Rd Manly Vale NSW 2093 Australia

- (72) Name(s) of Designer(s): **Anthony Salole and Michael Plested**
(45) Registration Date: **25 February 2014**
(56) Related Art Documents: **Not Applicable**

- (57) Statement of Newness and Distinctiveness: **Newness and distinctiveness is claimed in the features of shape and configuration of the Portable Darts Stand obtained by the product leaning against a wall, bi-fold hinged flat pack configuration, built-in hinged light, hinged scoreboards, pen and dart holder, height guide and adjustable feet shown in the representation.**



- (21) Design Number: **16383/2013**
(22) Date of Filing Application: **06 December 2013**
(24) Date from which industrial property rights may have effect: **06 December 2013**
(54) Product in respect of which the design is registered: **Dispenser**
(51) International Design Classification: **09-01A**
(74) Name(s) of Attorney(s): **SPRUSON & FERGUSON**
(71) Name(s) and Address(s) of Applicant(s):

S. C. Johnson & Son, Inc.
1525 Howe Street Racine Wisconsin 53403 United States of America

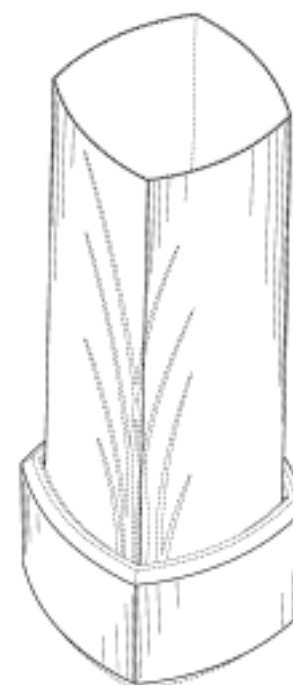
- (72) Name(s) of Designer(s): **Paul E. Furner and Graham C. Hufton and Jennessa C. Payne**
(45) Registration Date: **25 February 2014**

- (30) Convention priority data:

(31) Number	(32) Date	(33) Country
29/458183	17 Jun 2013	UNITED STATES OF AMERICA

- (56) Related Art Documents: **Not Applicable**

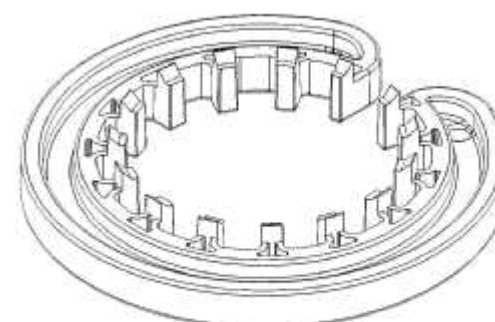
- (57) Statement of Newness and Distinctiveness: **Newness and distinctiveness is claimed in those features of shape and/or configuration of a dispenser illustrated in continuous lines in the accompanying representations.**



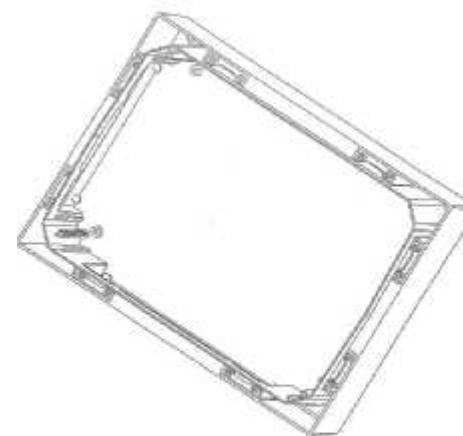
(21) Design Number: **16384/2013**
(22) Date of Filing Application: **06 December 2013**
(24) Date from which industrial property rights may have effect: **06 December 2013**
(54) Product in respect of which the design is registered: **Dispenser**
(51) International Design Classification: **09-01A**
(74) Name(s) of Attorney(s): **SPRUSON & FERGUSON**
(71) Name(s) and Address(s) of Applicant(s):
S. C. Johnson & Son, Inc.
1525 Howe Street Racine Wisconsin 53403 United States of America
(72) Name(s) of Designer(s): **Paul E. Furner and Graham C. Hufton and Jennessa C. Payne**
(45) Registration Date: **25 February 2014**
(30) Convention priority data:
(31) Number (32) Date (33) Country
29/458183 17 Jun 2013 UNITED STATES OF AMERICA
(56) Related Art Documents: **Not Applicable**
(57) Statement of Newness and Distinctiveness: **Newness and distinctiveness is claimed in those features of shape and/or configuration of a dispenser illustrated in continuous lines in the accompanying representations.**



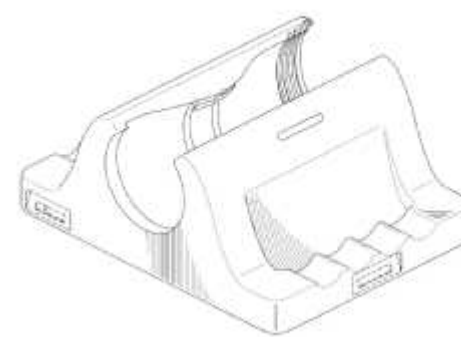
(21) Design Number: **16572/2013**
(22) Date of Filing Application: **16 December 2013**
(24) Date from which industrial property rights may have effect: **16 December 2013**
(54) Product in respect of which the design is registered: **Optic assembly removal tool**
(51) International Design Classification: **08-05NES**
(74) Name(s) of Attorney(s): **PHILLIPS ORMONDE FITZPATRICK**
(71) Name(s) and Address(s) of Applicant(s):
Gerard Lighting Pty Ltd
142-144 Fullarton Rd Rose Park SA 5067 Australia
(72) Name(s) of Designer(s): **Jason Andrew Gerard and Maxwell Dickison and Ye Zhong Ming**
(45) Registration Date: **25 February 2014**
(56) Related Art Documents: **Not Applicable**
(57) Statement of Newness and Distinctiveness: **Newness and distinctiveness resides in the shape and/or configuration of an optic assembly removal tool as shown in the accompanying drawings, in particular the shape and configuration of the plurality of spaced apart projections of the tool.**



(21) Design Number: **16576/2013**
(22) Date of Filing Application: **16 December 2013**
(24) Date from which industrial property rights may have effect: **16 December 2013**
(54) Product in respect of which the design is registered: **Bottom part of casing for electrical device**
(51) International Design Classification: **03-01NES, 13-03C**
(74) Name(s) of Attorney(s): **WATERMARK PATENT AND TRADE MARKS ATTORNEYS**
(71) Name(s) and Address(s) of Applicant(s):
Fibox Oy Ab
Keilaranta 19 Espoo FI-02150 Finland
(72) Name(s) of Designer(s): **Kenneth Weber**
(45) Registration Date: **25 February 2014**
(30) Convention priority data:
(31) Number (32) Date (33) Country
001377253-0003 27 Jun 2013 OFFICE FOR HARMONISATION IN THE INTERNAL MARKET (OHIM)
(56) Related Art Documents: **Not Applicable**
(57) Statement of Newness and Distinctiveness: **Nil**



(21) Design Number: **16667/2013**
(22) Date of Filing Application: **19 December 2013**
(24) Date from which industrial property rights may have effect: **19 December 2013**
(54) Product in respect of which the design is registered: **Tablet computer holder**
(51) International Design Classification: **03-01NES**
(74) Name(s) of Attorney(s): **SPRUSON & FERGUSON**
(71) Name(s) and Address(s) of Applicant(s):
Steven A. Shubin Sr
300 Texas Longhorn Trail Dripping Springs TX 78620 United States of America
(72) Name(s) of Designer(s): **Steven A. Shubin Sr**
(45) Registration Date: **25 February 2014**
(30) Convention priority data:
(31) Number (32) Date (33) Country
29/459510 01 Jul 2013 UNITED STATES OF AMERICA
(56) Related Art Documents: **Not Applicable**
(57) Statement of Newness and Distinctiveness: **Newness and distinctiveness is claimed in those features of shape and/or configuration of a tablet computer holder illustrated in continuous lines in the accompanying representations.**



(21) Design Number: **16714/2013**

(22) Date of Filing Application: **20 December 2013**

(24) Date from which industrial property rights may have effect: **20 December 2013**

(54) Product in respect of which the design is registered: **String trimmer**

(51) International Design Classification: **08-03**

(74) Name(s) of Attorney(s): **Davies Collison Cave**

(71) Name(s) and Address(s) of Applicant(s):

Black & Decker Inc.

1207 Drummond Plaza Newark Delaware 19711 United States of America

(72) Name(s) of Designer(s): **Clare Tate and Mark Baxter**

(45) Registration Date: **25 February 2014**

(30) Convention priority data:

(31) Number

(32) Date

(33) Country

001375356-0001 20 Jun 2013

**OFFICE FOR HARMONISATION IN
THE INTERNAL MARKET (OHIM)**

(56) Related Art Documents: **Not Applicable**

(57) Statement of Newness and Distinctiveness: **Nil**



(21) Design Number: **10314/2014**

(22) Date of Filing Application: **24 January 2014**

(24) Date from which industrial property rights may have effect: **24 January 2014**

(54) Product in respect of which the design is registered: **A tyre**

(51) International Design Classification: **12-15NES**

(74) Name(s) of Attorney(s): **WATERMARK PATENT AND TRADE MARKS
ATTORNEYS**

(71) Name(s) and Address(s) of Applicant(s):

Compagnie Generale Des Etablissements Michelin

12 cours Sablon Clermont-Ferrand 63000 France

Michelin Recherche et Technique S.A.

Route Louis Braille 10 Granges-Paccot 1763 Switzerland

(72) Name(s) of Designer(s): **Arnaud Frappart**

(45) Registration Date: **25 February 2014**

(30) Convention priority data:

(31) Number

(32) Date

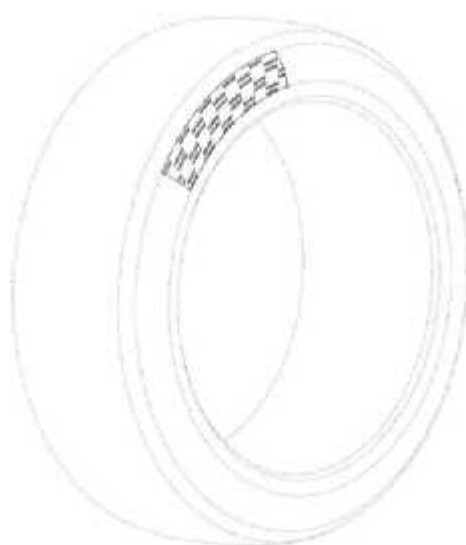
(33) Country

002281758-0001 26 Jul 2013

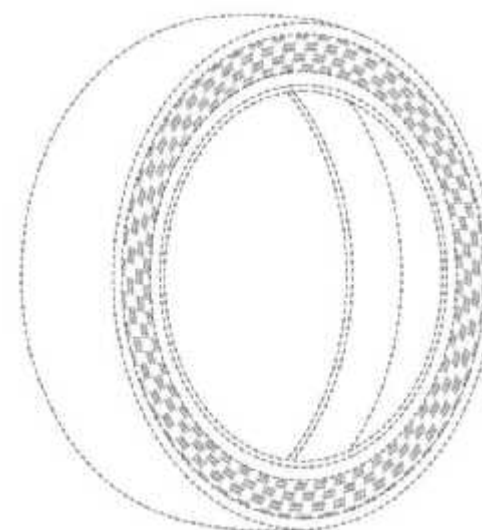
**OFFICE FOR HARMONISATION IN
THE INTERNAL MARKET (OHIM)**

(56) Related Art Documents: **Not Applicable**

(57) Statement of Newness and Distinctiveness: **Newness and distinctiveness
resides in the appearance of a side wall of a tyre as shown in the annexed
drawings, the remainder of the tyre not forming part of the design.**



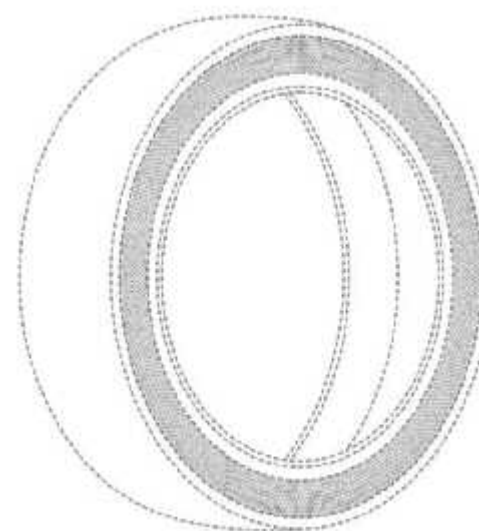
- (21) Design Number: **10315/2014**
(22) Date of Filing Application: **24 January 2014**
(24) Date from which industrial property rights may have effect: **24 January 2014**
(54) Product in respect of which the design is registered: **A tyre**
(51) International Design Classification: **12-15NES**
(74) Name(s) of Attorney(s): **WATERMARK PATENT AND TRADE MARKS ATTORNEYS**
(71) Name(s) and Address(s) of Applicant(s):
Compagnie Generale Des Etablissements Michelin
12 cours Sablon Clermont-Ferrand 63000 France
Michelin Recherche et Technique S.A.
Route Louis Braille 10 Granges-Paccot 1763 Switzerland
(72) Name(s) of Designer(s): **Arnaud Frappart**
(45) Registration Date: **25 February 2014**
(30) Convention priority data:
(31) Number (32) Date (33) Country
002281758-0001 26 Jul 2013 OFFICE FOR HARMONISATION IN
THE INTERNAL MARKET (OHIM)
(56) Related Art Documents: **Not Applicable**
(57) Statement of Newness and Distinctiveness: **Newness and distinctiveness resides in the appearance of a side wall of a tyre as shown in the annexed drawings, the remainder of the tyre not forming part of the design.**



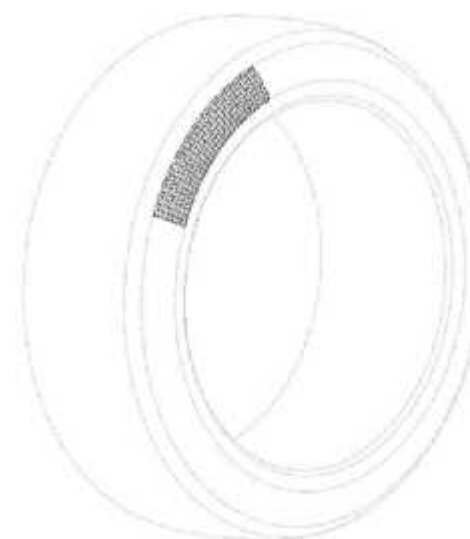
- (21) Design Number: **10317/2014**
(22) Date of Filing Application: **24 January 2014**
(24) Date from which industrial property rights may have effect: **24 January 2014**
(54) Product in respect of which the design is registered: **A tyre**
(51) International Design Classification: **12-15NES**
(74) Name(s) of Attorney(s): **WATERMARK PATENT AND TRADE MARKS ATTORNEYS**
(71) Name(s) and Address(s) of Applicant(s):
Compagnie Generale Des Etablissements Michelin
12 cours Sablon Clermont-Ferrand 63000 France
Michelin Recherche et Technique S.A.
Route Louis Braille 10 Granges-Paccot 1763 Switzerland
(72) Name(s) of Designer(s): **Arnaud Frappart and Masayoshi Nomura**
(45) Registration Date: **25 February 2014**
(30) Convention priority data:
(31) Number (32) Date (33) Country
002281634-0001 26 Jul 2013 OFFICE FOR HARMONISATION IN
THE INTERNAL MARKET (OHIM)
(56) Related Art Documents: **Not Applicable**
(57) Statement of Newness and Distinctiveness: **Newness and distinctiveness resides in the appearance of a side wall of a tyre as shown in the annexed drawings, the remainder of the tyre not forming part of the design.**



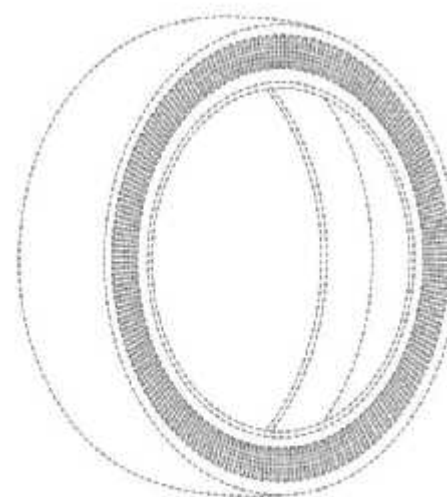
- (21) Design Number: **10318/2014**
(22) Date of Filing Application: **24 January 2014**
(24) Date from which industrial property rights may have effect: **24 January 2014**
(54) Product in respect of which the design is registered: **A tyre**
(51) International Design Classification: **12-15NES**
(74) Name(s) of Attorney(s): **WATERMARK PATENT AND TRADE MARKS ATTORNEYS**
(71) Name(s) and Address(s) of Applicant(s):
Compagnie Generale Des Etablissements Michelin
12 cours Sablon Clermont-Ferrand 63000 France
Michelin Recherche et Technique S.A.
Route Louis Braille 10 Granges-Paccot 1763 Switzerland
(72) Name(s) of Designer(s): **Arnaud Frappart and Masayoshi Nomura**
(45) Registration Date: **25 February 2014**
(30) Convention priority data:
(31) Number (32) Date (33) Country
002281634-0001 26 Jul 2013 OFFICE FOR HARMONISATION IN
THE INTERNAL MARKET (OHIM)
(56) Related Art Documents: **Not Applicable**
(57) Statement of Newness and Distinctiveness: **Newness and distinctiveness resides in the appearance of a side wall of a tyre as shown in the annexed drawings, the remainder of the tyre not forming part of the design.**



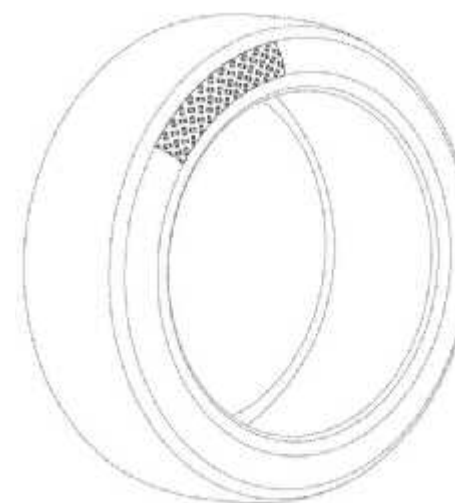
- (21) Design Number: **10328/2014**
(22) Date of Filing Application: **24 January 2014**
(24) Date from which industrial property rights may have effect: **24 January 2014**
(54) Product in respect of which the design is registered: **A tyre**
(51) International Design Classification: **12-15NES**
(74) Name(s) of Attorney(s): **WATERMARK PATENT AND TRADE MARKS ATTORNEYS**
(71) Name(s) and Address(s) of Applicant(s):
Compagnie Generale Des Etablissements Michelin
12 cours Sablon Clermont-Ferrand 63000 France
Michelin Recherche et Technique S.A.
Route Louis Braille 10 Granges-Paccot 1763 Switzerland
(72) Name(s) of Designer(s): **Olivier Ropars**
(45) Registration Date: **25 February 2014**
(30) Convention priority data:
(31) Number (32) Date (33) Country
002281725-0001 26 Jul 2013 OFFICE FOR HARMONISATION IN
THE INTERNAL MARKET (OHIM)
(56) Related Art Documents: **Not Applicable**
(57) Statement of Newness and Distinctiveness: **Newness and distinctiveness resides in the appearance of a side wall of a tyre as shown in the annexed drawings, the remainder of the tyre not forming part of the design.**



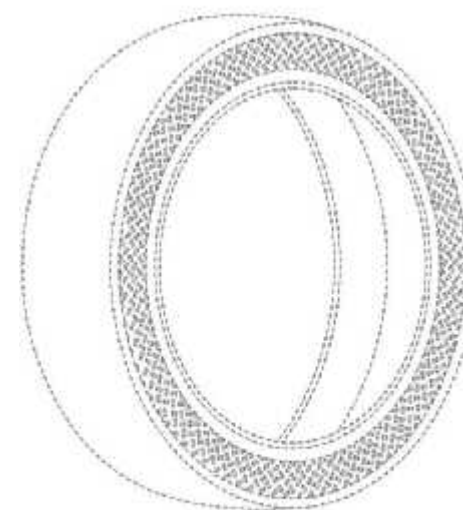
- (21) Design Number: **10329/2014**
(22) Date of Filing Application: **24 January 2014**
(24) Date from which industrial property rights may have effect: **24 January 2014**
(54) Product in respect of which the design is registered: **A tyre**
(51) International Design Classification: **12-15NES**
(74) Name(s) of Attorney(s): **WATERMARK PATENT AND TRADE MARKS ATTORNEYS**
(71) Name(s) and Address(s) of Applicant(s):
Compagnie Generale Des Etablissements Michelin
12 cours Sablon Clermont-Ferrand 63000 France
Michelin Recherche et Technique S.A.
Route Louis Braille 10 Granges-Paccot 1763 Switzerland
(72) Name(s) of Designer(s): **Olivier Ropars**
(45) Registration Date: **25 February 2014**
(30) Convention priority data:
(31) Number (32) Date (33) Country
002281725-0001 26 Jul 2013 OFFICE FOR HARMONISATION IN
THE INTERNAL MARKET (OHIM)
(56) Related Art Documents: **Not Applicable**
(57) Statement of Newness and Distinctiveness: **Newness and distinctiveness resides in the appearance of a side wall of a tyre as shown in the annexed drawings, the remainder of the tyre not forming part of the design.**



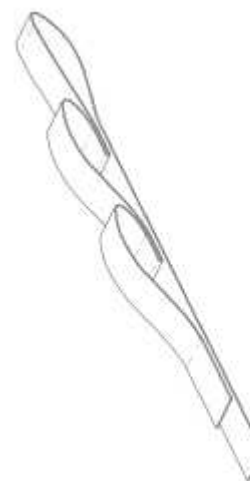
- (21) Design Number: **10338/2014**
(22) Date of Filing Application: **24 January 2014**
(24) Date from which industrial property rights may have effect: **24 January 2014**
(54) Product in respect of which the design is registered: **A tyre**
(51) International Design Classification: **12-15NES**
(74) Name(s) of Attorney(s): **WATERMARK PATENT AND TRADE MARKS ATTORNEYS**
(71) Name(s) and Address(s) of Applicant(s):
Compagnie Generale Des Etablissements Michelin
12 cours Sablon Clermont-Ferrand 63000 France
Michelin Recherche et Technique S.A.
Route Louis Braille 10 Granges-Paccot 1763 Switzerland
(72) Name(s) of Designer(s): **Arnaud Frappart**
(45) Registration Date: **25 February 2014**
(30) Convention priority data:
(31) Number (32) Date (33) Country
002281683-0001 26 Jul 2013 OFFICE FOR HARMONISATION IN
THE INTERNAL MARKET (OHIM)
(56) Related Art Documents: **Not Applicable**
(57) Statement of Newness and Distinctiveness: **Newness and distinctiveness resides in the appearance of a side wall of a tyre as shown in the annexed drawings, the remainder of the tyre not forming part of the design.**



- (21) Design Number: **10339/2014**
(22) Date of Filing Application: **24 January 2014**
(24) Date from which industrial property rights may have effect: **24 January 2014**
(54) Product in respect of which the design is registered: **A tyre**
(51) International Design Classification: **12-15NES**
(74) Name(s) of Attorney(s): **WATERMARK PATENT AND TRADE MARKS ATTORNEYS**
(71) Name(s) and Address(s) of Applicant(s):
Compagnie Generale Des Etablissements Michelin
12 cours Sablon Clermont-Ferrand 63000 France
Michelin Recherche et Technique S.A.
Route Louis Braille 10 Granges-Paccot 1763 Switzerland
(72) Name(s) of Designer(s): **Arnaud Frappart**
(45) Registration Date: **25 February 2014**
(30) Convention priority data:
(31) Number (32) Date (33) Country
002281683-0001 26 Jul 2013 OFFICE FOR HARMONISATION IN THE INTERNAL MARKET (OHIM)
(56) Related Art Documents: **Not Applicable**
(57) Statement of Newness and Distinctiveness: **Newness and distinctiveness resides in the appearance of a side wall of a tyre as shown in the annexed drawings, the remainder of the tyre not forming part of the design.**



- (21) Design Number: **16257/2013**
(22) Date of Filing Application: **03 December 2013**
(24) Date from which industrial property rights may have effect: **03 December 2013**
(54) Product in respect of which the design is registered: **Loop**
(51) International Design Classification: **12-05**
(74) Name(s) of Attorney(s): **Cotters Patent & Trade Mark Attorneys**
(71) Name(s) and Address(s) of Applicant(s):
Arjo Hospital Equipment AB
Verkstadsvagen 5 Eslov 241 38 Sweden
(72) Name(s) of Designer(s): **Eva Berg**
(45) Registration Date: **26 February 2014**
(30) Convention priority data:
(31) Number (32) Date (33) Country
002249276-0001 04 Jun 2013 OFFICE FOR HARMONISATION IN THE INTERNAL MARKET (OHIM)
(56) Related Art Documents: **Not Applicable**
(57) Statement of Newness and Distinctiveness: **Newness and distinctiveness are claimed in the features of shape and/or configuration of a loop as depicted in the accompanying drawings.**



- (21) Design Number: **10143/2014**
(22) Date of Filing Application: **14 January 2014**
(24) Date from which industrial property rights may have effect: **14 January 2014**
(54) Product in respect of which the design is registered: **Self gripping clamp**
(51) International Design Classification: **08-05F**
(74) Name(s) of Attorney(s): **FB Rice**
(71) Name(s) and Address(s) of Applicant(s):
Powercom SA
Via Mulino, 11 Stabio 6855 Switzerland
(72) Name(s) of Designer(s): **Ugo Balestrieri**
(45) Registration Date: **26 February 2014**
(56) Related Art Documents: **Not Applicable**
(57) Statement of Newness and Distinctiveness: **Newness and distinctiveness reside in the features of the shape and configuration of the clamp as shown in the representations and in particular in the features of the elongate aperture in the lever and the hole at one end of that lever, in the aperture, and in the slightly arched sliding scroll in the body portion, in the profile of the top of the movable jaw, in the profile of the underside of the body portion, and in the ring formed in the underside of the body portion.**



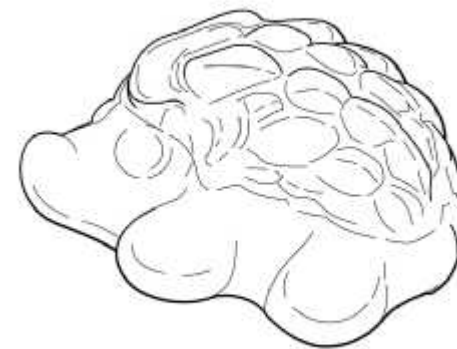
- (21) Design Number: **10144/2014**
(22) Date of Filing Application: **14 January 2014**
(24) Date from which industrial property rights may have effect: **14 January 2014**
(54) Product in respect of which the design is registered: **Component for cutting tool or implement**
(51) International Design Classification: **08-03**
(74) Name(s) of Attorney(s): **Griffith Hack**
(71) Name(s) and Address(s) of Applicant(s):
WIRTGEN GmbH
Reinhard-Wirtgen-Str. 2 Windhagen 53578 Germany
(72) Name(s) of Designer(s): **Dirk Brassel and Thomas Lehnert and Cyrus Barimani and Gunter Hahn**
(45) Registration Date: **26 February 2014**
(30) Convention priority data:
(31) Number (32) Date (33) Country
**002274407 15 Jul 2013 OFFICE FOR HARMONISATION IN
THE INTERNAL MARKET (OHIM)**
(56) Related Art Documents: **Not Applicable**
(57) Statement of Newness and Distinctiveness: **Nil**



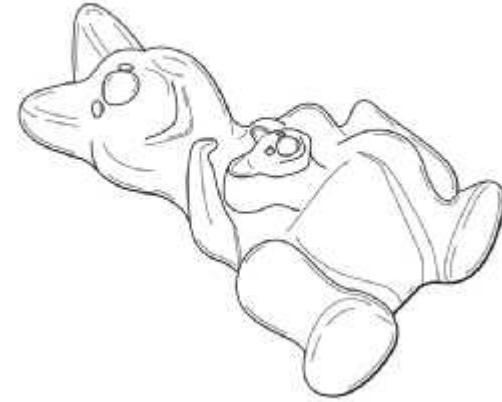
(21) Design Number: **10145/2014**
(22) Date of Filing Application: **14 January 2014**
(24) Date from which industrial property rights may have effect: **14 January 2014**
(54) Product in respect of which the design is registered: **Confectionery**
(51) International Design Classification: **01-01**
(74) Name(s) of Attorney(s): **Griffith Hack**
(71) Name(s) and Address(s) of Applicant(s):
Intercontinental Great Brands LLC
100 Deforest Avenue East Hanover NJ 07936-2813 United States of America
(72) Name(s) of Designer(s): **Julian Herreros**
(45) Registration Date: **26 February 2014**
(30) Convention priority data:
(31) Number (32) Date (33) Country
002274126-0001 15 Jul 2013 UNITED KINGDOM
(56) Related Art Documents: **Not Applicable**
(57) Statement of Newness and Distinctiveness: **Nil**



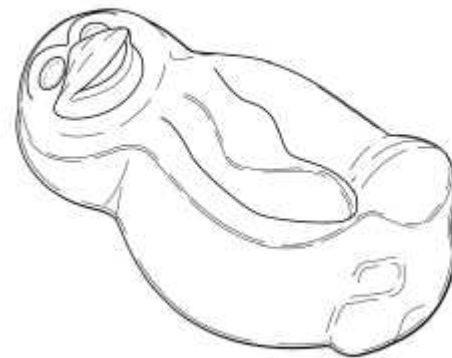
(21) Design Number: **10146/2014**
(22) Date of Filing Application: **14 January 2014**
(24) Date from which industrial property rights may have effect: **14 January 2014**
(54) Product in respect of which the design is registered: **Confectionery**
(51) International Design Classification: **01-01**
(74) Name(s) of Attorney(s): **Griffith Hack**
(71) Name(s) and Address(s) of Applicant(s):
Intercontinental Great Brands LLC
100 Deforest Avenue East Hanover NJ 07936-2813 United States of America
(72) Name(s) of Designer(s): **Julian Herreros**
(45) Registration Date: **26 February 2014**
(30) Convention priority data:
(31) Number (32) Date (33) Country
002274126-0002 15 Jul 2013 UNITED KINGDOM
(56) Related Art Documents: **Not Applicable**
(57) Statement of Newness and Distinctiveness: **Nil**



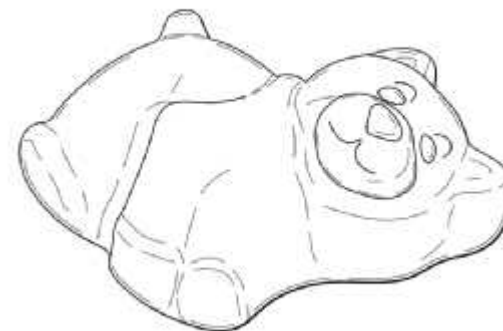
(21) Design Number: **10147/2014**
(22) Date of Filing Application: **14 January 2014**
(24) Date from which industrial property rights may have effect: **14 January 2014**
(54) Product in respect of which the design is registered: **Confectionery**
(51) International Design Classification: **01-01**
(74) Name(s) of Attorney(s): **Griffith Hack**
(71) Name(s) and Address(s) of Applicant(s):
Intercontinental Great Brands LLC
100 Deforest Avenue East Hanover NJ 07936-2813 United States of America
(72) Name(s) of Designer(s): **Julian Herreros**
(45) Registration Date: **26 February 2014**
(30) Convention priority data:
(31) Number (32) Date (33) Country
002274126-0003 15 Jul 2013 UNITED KINGDOM
(56) Related Art Documents: **Not Applicable**
(57) Statement of Newness and Distinctiveness: **Nil**



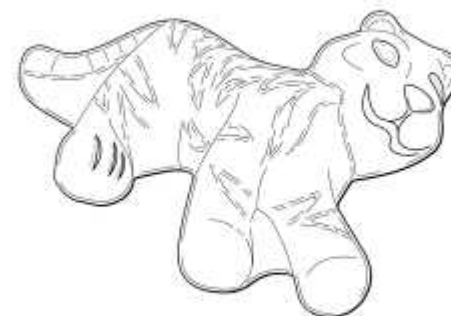
(21) Design Number: **10148/2014**
(22) Date of Filing Application: **14 January 2014**
(24) Date from which industrial property rights may have effect: **14 January 2014**
(54) Product in respect of which the design is registered: **Confectionery**
(51) International Design Classification: **01-01**
(74) Name(s) of Attorney(s): **Griffith Hack**
(71) Name(s) and Address(s) of Applicant(s):
Intercontinental Great Brands LLC
100 Deforest Avenue East Hanover NJ 07936-2813 United States of America
(72) Name(s) of Designer(s): **Julian Herreros**
(45) Registration Date: **26 February 2014**
(30) Convention priority data:
(31) Number (32) Date (33) Country
002274126-0004 15 Jul 2013 UNITED KINGDOM
(56) Related Art Documents: **Not Applicable**
(57) Statement of Newness and Distinctiveness: **Nil**



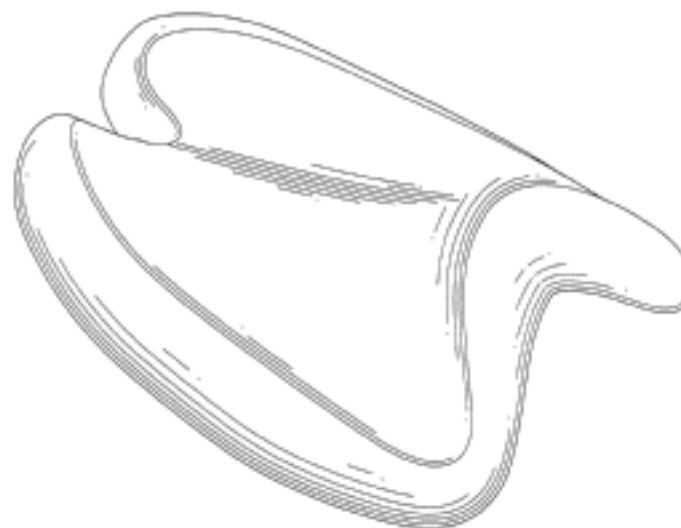
(21) Design Number: **10149/2014**
(22) Date of Filing Application: **14 January 2014**
(24) Date from which industrial property rights may have effect: **14 January 2014**
(54) Product in respect of which the design is registered: **Confectionery**
(51) International Design Classification: **01-01**
(74) Name(s) of Attorney(s): **Griffith Hack**
(71) Name(s) and Address(s) of Applicant(s):
Intercontinental Great Brands LLC
100 Deforest Avenue East Hanover NJ 07936-2813 United States of America
(72) Name(s) of Designer(s): **Julian Herreros**
(45) Registration Date: **26 February 2014**
(30) Convention priority data:
(31) Number (32) Date (33) Country
002274126-0005 15 Jul 2013 UNITED KINGDOM
(56) Related Art Documents: **Not Applicable**
(57) Statement of Newness and Distinctiveness: **Nil**



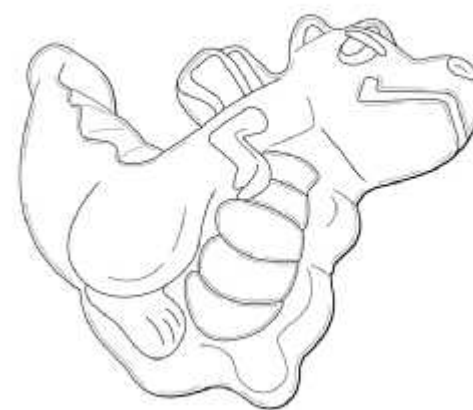
(21) Design Number: **10150/2014**
(22) Date of Filing Application: **14 January 2014**
(24) Date from which industrial property rights may have effect: **14 January 2014**
(54) Product in respect of which the design is registered: **Confectionery**
(51) International Design Classification: **01-01**
(74) Name(s) of Attorney(s): **Griffith Hack**
(71) Name(s) and Address(s) of Applicant(s):
Intercontinental Great Brands LLC
100 Deforest Avenue East Hanover NJ 07936-2813 United States of America
(72) Name(s) of Designer(s): **Julian Herreros**
(45) Registration Date: **26 February 2014**
(30) Convention priority data:
(31) Number (32) Date (33) Country
002274126-0006 15 Jul 2013 UNITED KINGDOM
(56) Related Art Documents: **Not Applicable**
(57) Statement of Newness and Distinctiveness: **Nil**



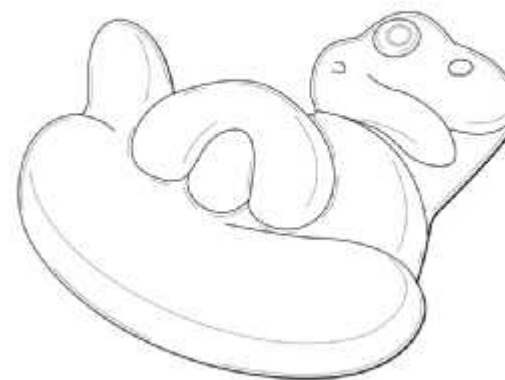
(21) Design Number: **10151/2014**
(22) Date of Filing Application: **14 January 2014**
(24) Date from which industrial property rights may have effect: **14 January 2014**
(54) Product in respect of which the design is registered: **Chair seat**
(51) International Design Classification: **06-06G**
(74) Name(s) of Attorney(s): **Madderns**
(71) Name(s) and Address(s) of Applicant(s):
SHC Technology Co., Ltd
No. 8, Industrial North 2nd Road Nankang Industrial Park Nantou City
Nantou Hsien Taiwan
(72) Name(s) of Designer(s): **I-Chun Liao**
(45) Registration Date: **26 February 2014**
(56) Related Art Documents: **Not Applicable**
(57) Statement of Newness and Distinctiveness: **Newness and distinctiveness resides in the shape and configuration of a CHAIR SEAT as shown in the attached drawings.**



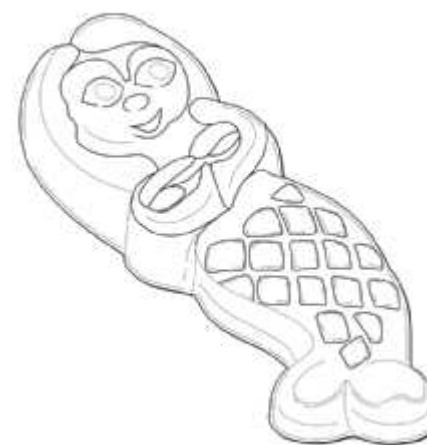
(21) Design Number: **10152/2014**
(22) Date of Filing Application: **14 January 2014**
(24) Date from which industrial property rights may have effect: **14 January 2014**
(54) Product in respect of which the design is registered: **Confectionery**
(51) International Design Classification: **01-01**
(74) Name(s) of Attorney(s): **Griffith Hack**
(71) Name(s) and Address(s) of Applicant(s):
Intercontinental Great Brands LLC
100 Deforest Avenue East Hanover NJ 07936-2813 United States of
America
(72) Name(s) of Designer(s): **Patrick Smith**
(45) Registration Date: **26 February 2014**
(30) Convention priority data:
(31) Number (32) Date (33) Country
002274175-0001 15 Jul 2013 UNITED KINGDOM
(56) Related Art Documents: **Not Applicable**
(57) Statement of Newness and Distinctiveness: **Nil**



(21) Design Number: **10153/2014**
(22) Date of Filing Application: **14 January 2014**
(24) Date from which industrial property rights may have effect: **14 January 2014**
(54) Product in respect of which the design is registered: **Confectionery**
(51) International Design Classification: **01-01**
(74) Name(s) of Attorney(s): **Griffith Hack**
(71) Name(s) and Address(s) of Applicant(s):
Intercontinental Great Brands LLC
100 Deforest Avenue East Hanover NJ 07936-2813 United States of America
(72) Name(s) of Designer(s): **Patrick Smith**
(45) Registration Date: **26 February 2014**
(30) Convention priority data:
(31) Number (32) Date (33) Country
002274175-0002 15 Jul 2013 UNITED KINGDOM
(56) Related Art Documents: **Not Applicable**
(57) Statement of Newness and Distinctiveness: **Nil**



(21) Design Number: **10154/2014**
(22) Date of Filing Application: **14 January 2014**
(24) Date from which industrial property rights may have effect: **14 January 2014**
(54) Product in respect of which the design is registered: **Confectionery**
(51) International Design Classification: **01-01**
(74) Name(s) of Attorney(s): **Griffith Hack**
(71) Name(s) and Address(s) of Applicant(s):
Intercontinental Great Brands LLC
100 Deforest Avenue East Hanover NJ 07936-2813 United States of America
(72) Name(s) of Designer(s): **Patrick Smith**
(45) Registration Date: **26 February 2014**
(30) Convention priority data:
(31) Number (32) Date (33) Country
002274175-0003 15 Jul 2013 UNITED KINGDOM
(56) Related Art Documents: **Not Applicable**
(57) Statement of Newness and Distinctiveness: **Nil**



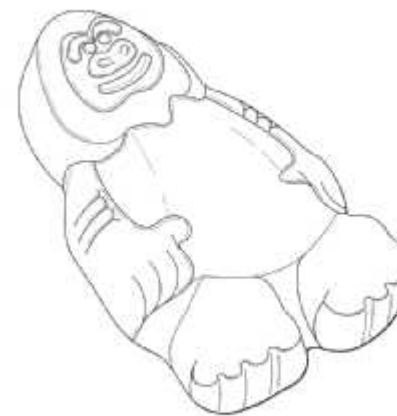
(21) Design Number: **10155/2014**
(22) Date of Filing Application: **14 January 2014**
(24) Date from which industrial property rights may have effect: **14 January 2014**
(54) Product in respect of which the design is registered: **Confectionery**
(51) International Design Classification: **01-01**
(74) Name(s) of Attorney(s): **Griffith Hack**
(71) Name(s) and Address(s) of Applicant(s):
Intercontinental Great Brands LLC
100 Deforest Avenue East Hanover NJ 07936-2813 United States of America
(72) Name(s) of Designer(s): **Patrick Smith**
(45) Registration Date: **26 February 2014**
(30) Convention priority data:
(31) Number (32) Date (33) Country
002274175-0004 15 Jul 2013 UNITED KINGDOM
(56) Related Art Documents: **Not Applicable**
(57) Statement of Newness and Distinctiveness: **Nil**



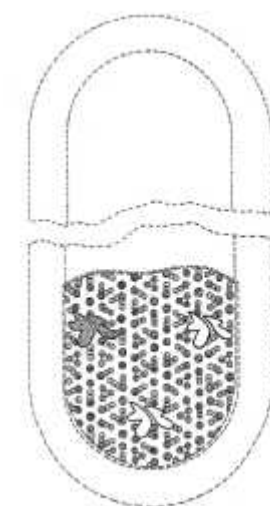
(21) Design Number: **10156/2014**
(22) Date of Filing Application: **14 January 2014**
(24) Date from which industrial property rights may have effect: **14 January 2014**
(54) Product in respect of which the design is registered: **Confectionery**
(51) International Design Classification: **01-01**
(74) Name(s) of Attorney(s): **Griffith Hack**
(71) Name(s) and Address(s) of Applicant(s):
Intercontinental Great Brands LLC
100 Deforest Avenue East Hanover NJ 07936-2813 United States of America
(72) Name(s) of Designer(s): **Patrick Smith**
(45) Registration Date: **26 February 2014**
(30) Convention priority data:
(31) Number (32) Date (33) Country
002274175-0005 15 Jul 2013 UNITED KINGDOM
(56) Related Art Documents: **Not Applicable**
(57) Statement of Newness and Distinctiveness: **Nil**



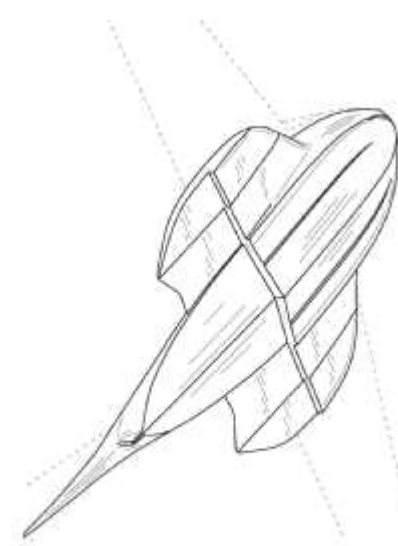
(21) Design Number: **10157/2014**
(22) Date of Filing Application: **14 January 2014**
(24) Date from which industrial property rights may have effect: **14 January 2014**
(54) Product in respect of which the design is registered: **Confectionery**
(51) International Design Classification: **01-01**
(74) Name(s) of Attorney(s): **Griffith Hack**
(71) Name(s) and Address(s) of Applicant(s):
Intercontinental Great Brands LLC
100 Deforest Avenue East Hanover NJ 07936-2813 United States of America
(72) Name(s) of Designer(s): **Patrick Smith**
(45) Registration Date: **26 February 2014**
(30) Convention priority data:
(31) Number (32) Date (33) Country
002274175-0006 15 Jul 2013 UNITED KINGDOM
(56) Related Art Documents: **Not Applicable**
(57) Statement of Newness and Distinctiveness: **Nil**



(21) Design Number: **10166/2014**
(22) Date of Filing Application: **15 January 2014**
(24) Date from which industrial property rights may have effect: **15 January 2014**
(54) Product in respect of which the design is registered: **Printed backing layer for an absorbent article**
(51) International Design Classification: **24-04**
(74) Name(s) of Attorney(s): **Shelston IP**
(71) Name(s) and Address(s) of Applicant(s):
McNeil-PPC, Inc.
199 Grandview Road Skillman New Jersey 08858 United States of America
(72) Name(s) of Designer(s): **Tatiana Negreli Menegatti**
(45) Registration Date: **26 February 2014**
(30) Convention priority data:
(31) Number (32) Date (33) Country
29/462116 31 Jul 2013 UNITED STATES OF AMERICA
(56) Related Art Documents: **Not Applicable**
(57) Statement of Newness and Distinctiveness: **Newness and distinctiveness reside in the pattern and ornamentation of a design for a backing layer of an absorbent article as shown in solid lines.**



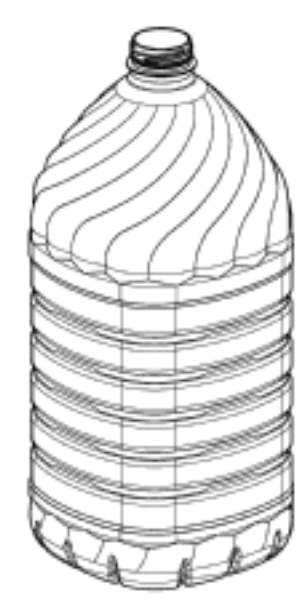
(21) Design Number: **10169/2014**
(22) Date of Filing Application: **15 January 2014**
(24) Date from which industrial property rights may have effect: **15 January 2014**
(54) Product in respect of which the design is registered: **Amphibious aircraft hull**
(51) International Design Classification: **12-06A, 12-07**
(74) Name(s) of Attorney(s): **WALLINGTON-DUMMER**
(71) Name(s) and Address(s) of Applicant(s):
ICON Aircraft, Inc.
12511 Beatrice St Los Angeles CA 90066-7001 United States of America



(72) Name(s) of Designer(s): **Jon Karkow and Brant R Savander**
(45) Registration Date: **26 February 2014**
(30) Convention priority data:
(31) Number (32) Date (33) Country
29460776 15 Jul 2013 UNITED STATES OF AMERICA

(56) Related Art Documents: **Not Applicable**
(57) Statement of Newness and Distinctiveness: **Newness and distinctness resides in the visual features, including shape and configuration of an amphibious aircraft hull as shown in the accompanying drawings. When determining whether the design is substantially similar in overall impression to another design, no particular regard is to be had to the remaining features of an amphibious aircraft shown in dotted outline in the drawings, which features are provided for illustrative purposes only.**

(21) Design Number: **10170/2014**
(22) Date of Filing Application: **15 January 2014**
(24) Date from which industrial property rights may have effect: **15 January 2014**
(54) Product in respect of which the design is registered: **Bottle**
(51) International Design Classification: **09-01NES, 09-01K**
(74) Name(s) of Attorney(s): **Pizzeys**
(71) Name(s) and Address(s) of Applicant(s):
Cargill Incorporated
15407 McGinty Road West Wayzata Minnesota 55391-5624 United States of America



(72) Name(s) of Designer(s): **Daniel A C Wardenier**
(45) Registration Date: **26 February 2014**
(30) Convention priority data:
(31) Number (32) Date (33) Country
29/460,889 16 Jul 2013 UNITED STATES OF AMERICA

(56) Related Art Documents: **Not Applicable**
(57) Statement of Newness and Distinctiveness: **The newness and distinctiveness resides in the shape of the bottle as shown in the accompanying representations.**

(21) Design Number: **10172/2014**

(22) Date of Filing Application: **15 January 2014**

(24) Date from which industrial property rights may have effect: **15 January 2014**

(54) Product in respect of which the design is registered: **Bottle**

(51) International Design Classification: **09-01NES, 09-01K**

(74) Name(s) of Attorney(s): **Pizzeys**

(71) Name(s) and Address(s) of Applicant(s):

Cargill Incorporated

15407 McGinty Road West Wayzata Minnesota, 55391-5624 United States of America

(72) Name(s) of Designer(s): **Daniel A C Wardenier**

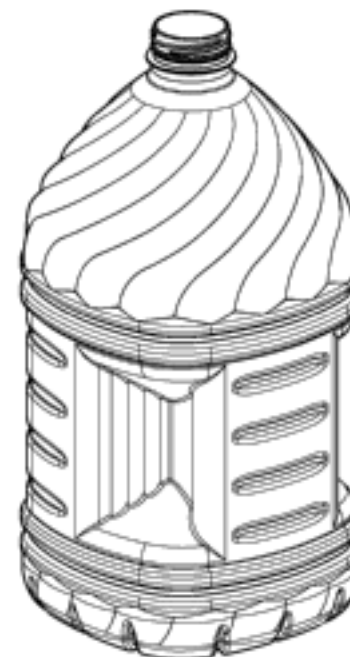
(45) Registration Date: **26 February 2014**

(30) Convention priority data:

(31) Number	(32) Date	(33) Country
29/460,889	16 Jul 2013	UNITED STATES OF AMERICA

(56) Related Art Documents: **Not Applicable**

(57) Statement of Newness and Distinctiveness: **The newness and distinctiveness resides in the shape of the bottle as shown in the accompanying representations.**



(21) Design Number: **10173/2014**

(22) Date of Filing Application: **16 January 2014**

(24) Date from which industrial property rights may have effect: **16 January 2014**

(54) Product in respect of which the design is registered: **Portable lamp with moveable joints**

(51) International Design Classification: **26-05B, 26-05NES**

(74) Name(s) of Attorney(s):

(71) Name(s) and Address(s) of Applicant(s):

Gabriella Audrey Aliwarga

507 / 32 Bray St South Yarra VIC 3141 Australia

(72) Name(s) of Designer(s): **Gabriella Audrey Aliwarga**

(45) Registration Date: **26 February 2014**

(56) Related Art Documents: **Not Applicable**

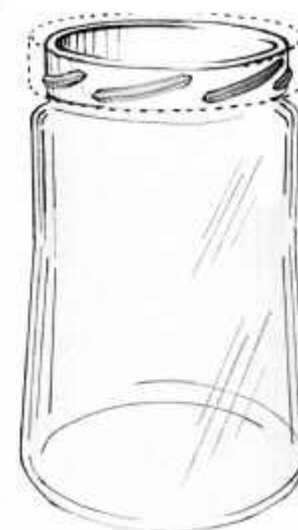
(57) Statement of Newness and Distinctiveness: **Flip lamp is a compact lamp that shaped like a box. The body of the lamp can be turned around to provide directional lighting to the user because of the specially designed joints on the frame of the lamp. It's lightweight , small size and have rechargeable batteries which allows it to be portable. If it's connected to main power source, the lamp can be positioned to be a side table lamp. The rechargeable batteries last up to 9 hours.**



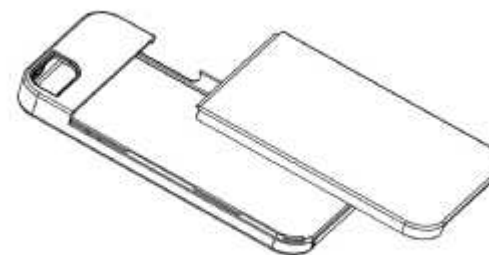
(21) Design Number: **10178/2014**
(22) Date of Filing Application: **16 January 2014**
(24) Date from which industrial property rights may have effect: **16 January 2014**
(54) Product in respect of which the design is registered: **Faucet**
(51) International Design Classification: **23-01H**
(74) Name(s) of Attorney(s): **SPRUSON & FERGUSON**
(71) Name(s) and Address(s) of Applicant(s):
Docol Metais Sanitarios Ltda.
Rua Edmundo Doubrawa 1001 - Distrito de Pirabeiraba, Joinville SC,
89239-280 Brazil
(72) Name(s) of Designer(s): **Ingo Doubrawa**
(45) Registration Date: **26 February 2014**
(30) Convention priority data:
(31) Number (32) Date (33) Country
302013004515-3 09 Sep 2013 BRAZIL
(56) Related Art Documents: **Not Applicable**
(57) Statement of Newness and Distinctiveness: **Newness and distinctiveness is claimed in the features of shape and/or configuration of a faucet as illustrated in the accompanying representations.**



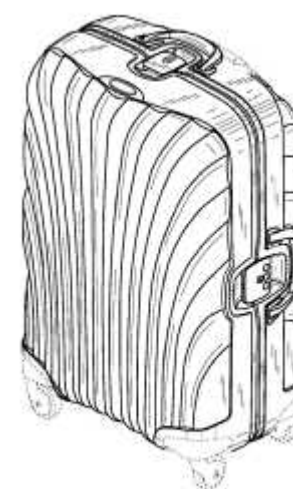
(21) Design Number: **10179/2014**
(22) Date of Filing Application: **16 January 2014**
(24) Date from which industrial property rights may have effect: **16 January 2014**
(54) Product in respect of which the design is registered: **Container, optionally of glass**
(51) International Design Classification: **09-01C**
(74) Name(s) of Attorney(s): **Griffith Hack**
(71) Name(s) and Address(s) of Applicant(s):
D & D Italia S.p.A.
Via Gramsci 17/b Napoli 80122 Italy
(72) Name(s) of Designer(s): **Marcello Panza**
(45) Registration Date: **26 February 2014**
(30) Convention priority data:
(31) Number (32) Date (33) Country
002370759-0001 16 Dec 2013 OFFICE FOR HARMONISATION IN THE INTERNAL MARKET (OHIM)
(56) Related Art Documents: **Not Applicable**
(57) Statement of Newness and Distinctiveness: **Newness and distinctiveness resides in the visual features, including shape and configuration, of a CONTAINER as shown in solid outline in the accompanying drawings. When determining whether the design is substantially similar in overall impression to another design, no regard is to be had to those features shown in dotted outline in the accompanying drawings, which features are provided for illustrative purposes only.**



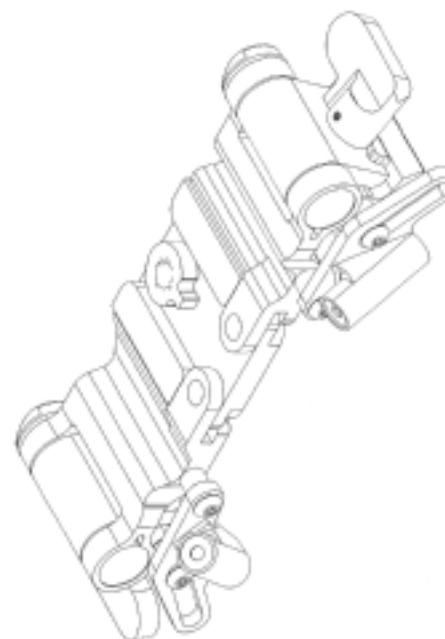
(21) Design Number: **10180/2014**
(22) Date of Filing Application: **16 January 2014**
(24) Date from which industrial property rights may have effect: **25 October 2013**
(54) Product in respect of which the design is registered: **A case for mobile electronic device**
(51) International Design Classification: **03-01NES**
(74) Name(s) of Attorney(s):
(71) Name(s) and Address(s) of Applicant(s):
Ayako Nozaki
309/755 George St Sydney NSW 2000 Australia
(72) Name(s) of Designer(s): **Ayako Nozaki**
(45) Registration Date: **26 February 2014**
(62) Divisional of: **353319**
(56) Related Art Documents: **Not Applicable**
(57) Statement of Newness and Distinctiveness: **Nil**



(21) Design Number: **10181/2014**
(22) Date of Filing Application: **16 January 2014**
(24) Date from which industrial property rights may have effect: **16 January 2014**
(54) Product in respect of which the design is registered: **Luggage**
(51) International Design Classification: **03-01A**
(74) Name(s) of Attorney(s): **Griffith Hack**
(71) Name(s) and Address(s) of Applicant(s):
Samsonite IP Holdings S.a r.l.
13-15 Avenue de la Liberte Luxembourg L-1931 Luxembourg
(72) Name(s) of Designer(s): **Erik Sijmons**
(45) Registration Date: **26 February 2014**
(30) Convention priority data:
(31) Number (32) Date (33) Country
**002277962-0003 19 Jul 2013 OFFICE FOR HARMONISATION IN
THE INTERNAL MARKET (OHIM)**
(56) Related Art Documents: **Not Applicable**
(57) Statement of Newness and Distinctiveness: **Newness and distinctiveness resides in the shape and configuration of the product as represented in the drawings. Those parts of the product shown by means of dashed lines have been included for illustrative purposes only and do not form part of the design.**



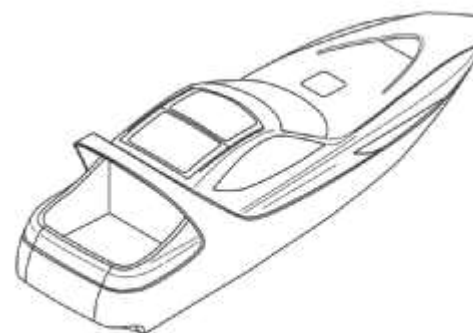
(21) Design Number: **10182/2014**
(22) Date of Filing Application: **16 January 2014**
(24) Date from which industrial property rights may have effect: **16 January 2014**
(54) Product in respect of which the design is registered: **Optics mount**
(51) International Design Classification: **24-01, 08-08NES, 22-01**
(74) Name(s) of Attorney(s): **SPRUSON & FERGUSON**
(71) Name(s) and Address(s) of Applicant(s):
N-Vision Optics, LLC
Needham Massachusetts United States of America
(72) Name(s) of Designer(s): **Maxim Rivkin and Gintautas Narkevicius and Maciej Wojcik**
(45) Registration Date: **26 February 2014**
(30) Convention priority data:
(31) Number (32) Date (33) Country
29/461194 19 Jul 2013 UNITED STATES OF AMERICA
(56) Related Art Documents: **Not Applicable**
(57) Statement of Newness and Distinctiveness: **Newness and distinctiveness is claimed in the features of shape and/or configuration of an optics mount as illustrated in the accompanying representations.**



(21) Design Number: **10183/2014**
(22) Date of Filing Application: **16 January 2014**
(24) Date from which industrial property rights may have effect: **16 January 2014**
(54) Product in respect of which the design is registered: **Optics mount**
(51) International Design Classification: **08-08NES, 22-01**
(74) Name(s) of Attorney(s): **SPRUSON & FERGUSON**
(71) Name(s) and Address(s) of Applicant(s):
N-Vision Optics, LLC
Needham Massachusetts United States of America
(72) Name(s) of Designer(s): **Gintautas Narkevicius and Maciej Wojcik and Maxim Rivkin**
(45) Registration Date: **26 February 2014**
(30) Convention priority data:
(31) Number (32) Date (33) Country
29/461192 19 Jul 2013 UNITED STATES OF AMERICA
(56) Related Art Documents: **Not Applicable**
(57) Statement of Newness and Distinctiveness: **Newness and distinctiveness is claimed in the features of shape and/or configuration of an optics mount as illustrated in the accompanying representations.**



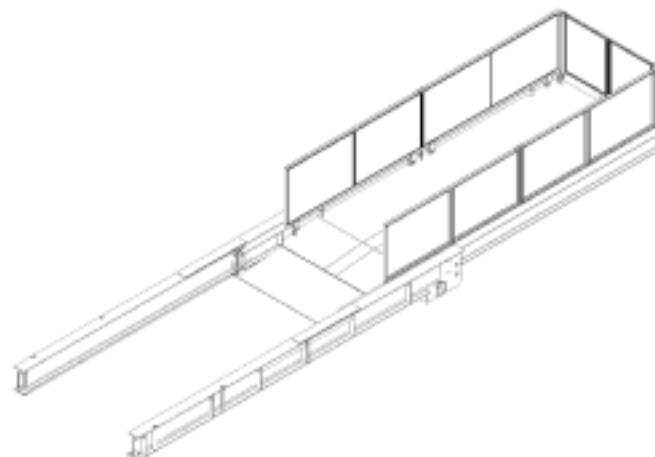
- (21) Design Number: **10184/2014**
(22) Date of Filing Application: **16 January 2014**
(24) Date from which industrial property rights may have effect: **16 January 2014**
(54) Product in respect of which the design is registered: **Boat**
(51) International Design Classification: **12-06A**
(74) Name(s) of Attorney(s): **FB Rice**
(71) Name(s) and Address(s) of Applicant(s):
Yanmar Co., Ltd.
1-9 Tsurunocho Kita-ku Osaka-shi Osaka 530-8311 Japan
(72) Name(s) of Designer(s): **Kiyoyuki Okuyama and Akira Terazawa and Shinya Shiina**
(45) Registration Date: **26 February 2014**
(30) Convention priority data:
(31) Number (32) Date (33) Country
2013-16517 19 Jul 2013 JAPAN
(56) Related Art Documents: **Not Applicable**
(57) Statement of Newness and Distinctiveness: **Newness and distinctiveness reside in the features of the design as shown in the representations with transparent areas shaded.**



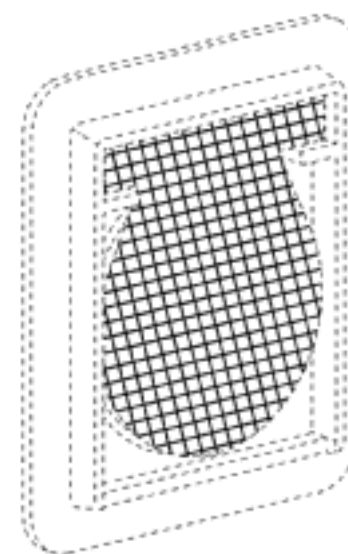
- (21) Design Number: **10185/2014**
(22) Date of Filing Application: **16 January 2014**
(24) Date from which industrial property rights may have effect: **16 January 2014**
(54) Product in respect of which the design is registered: **Instrument panel for a boat**
(51) International Design Classification: **12-06A, 12-16NES**
(74) Name(s) of Attorney(s): **FB Rice**
(71) Name(s) and Address(s) of Applicant(s):
Yanmar Co., Ltd.
1-9 Tsurunocho Kita-ku Osaka-shi Osaka 530-8311 Japan
(72) Name(s) of Designer(s): **Kiyoyuki Okuyama and Akira Terazawa**
(45) Registration Date: **26 February 2014**
(30) Convention priority data:
(31) Number (32) Date (33) Country
2013-16518 19 Jul 2013 JAPAN
(56) Related Art Documents: **Not Applicable**
(57) Statement of Newness and Distinctiveness: **Newness and distinctiveness reside in the features of the design as shown in the representations.**



- (21) Design Number: **10187/2014**
(22) Date of Filing Application: **16 January 2014**
(24) Date from which industrial property rights may have effect: **16 January 2014**
(54) Product in respect of which the design is registered: **Platform shuttle**
(51) International Design Classification: **12-05**
(74) Name(s) of Attorney(s): **Adams Pluck**
(71) Name(s) and Address(s) of Applicant(s):
Allan Sydney McKeon
75 Beethoven St Seven Hills NSW 2147 Australia
(72) Name(s) of Designer(s): **Allan Sydney McKeon**
(45) Registration Date: **26 February 2014**
(56) Related Art Documents: **Not Applicable**
(57) Statement of Newness and Distinctiveness: **Newness and distinctiveness reside in the features of shape and/or configuration of the platform shuttle as shown in the representations.**



- (21) Design Number: **10188/2014**
(22) Date of Filing Application: **15 January 2014**
(24) Date from which industrial property rights may have effect: **15 January 2014**
(54) Product in respect of which the design is registered: **Exhalation valve having multi-colored flap**
(51) International Design Classification: **29-02**
(74) Name(s) of Attorney(s): **Freehills Patent Attorneys**
(71) Name(s) and Address(s) of Applicant(s):
3M Innovative Properties Company
3M Center Post Office Box 33427 Saint Paul Minnesota 55133-3427
United States of America
(72) Name(s) of Designer(s): **Caroline Melkonian Ylitalo and Philip Gene Martin**
(45) Registration Date: **26 February 2014**
(30) Convention priority data:
(31) Number (32) Date (33) Country
29/460791 15 Jul 2013 UNITED STATES OF AMERICA
(56) Related Art Documents: **Not Applicable**
(57) Statement of Newness and Distinctiveness: **Newness and distinctiveness of the design resides in the configuration and ornamentation of the exhalation valve having multi-coloured flap as shown in the accompanying representations. The cross-hatching on the valve flap in Figures 1 to 3 represents a first colour that is exhibited by the valve flap when in a closed position. The horizontal lines on the valve flap in Figure 7 represent a second colour, different from the first colour, that is exhibited by the valve flap when in an open position. The cross-hatching and horizontal lines illustrated on the valve flap in the representations do not illustrate a cross-hatched or lined pattern/ornamentation applied to the valve flap, but instead represent the first colour and second colour respectively exhibited by the valve flap.**



- (21) Design Number: **10230/2014**
(22) Date of Filing Application: **20 January 2014**
(24) Date from which industrial property rights may have effect: **20 January 2014**
(54) Product in respect of which the design is registered: **Number holder**
(51) International Design Classification: **20-03NES**
(74) Name(s) of Attorney(s): **K&L Gates**
(71) Name(s) and Address(s) of Applicant(s):
Hamag Proprietary Limited
305 Bridge Inn Rd Wollert VIC 3750 Australia
(72) Name(s) of Designer(s): **Kellet McDonell and Hamish McDonell**
(45) Registration Date: **26 February 2014**
(56) Related Art Documents: **Not Applicable**
(57) Statement of Newness and Distinctiveness: **The numbers "111", the trade mark "Hamag", and the Kangaroo and circle device are not claimed as part of the design.**



- (21) Design Number: **10231/2014**
(22) Date of Filing Application: **20 January 2014**
(24) Date from which industrial property rights may have effect: **20 January 2014**
(54) Product in respect of which the design is registered: **Number holder**
(51) International Design Classification: **20-03NES**
(74) Name(s) of Attorney(s): **K&L Gates**
(71) Name(s) and Address(s) of Applicant(s):
Hamag Proprietary Limited
305 Bridge Inn Rd Wollert VIC 3750 Australia
(72) Name(s) of Designer(s): **Kellet McDonell and Hamish McDonell**
(45) Registration Date: **26 February 2014**
(56) Related Art Documents: **Not Applicable**
(57) Statement of Newness and Distinctiveness: **The numbers "111", the trade mark "Hamag", and the Kangaroo and circle device are not claimed as part of the design.**



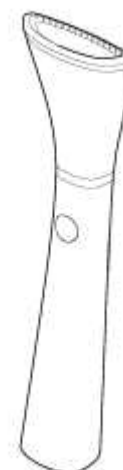
(21) Design Number: **10260/2014**
(22) Date of Filing Application: **21 January 2014**
(24) Date from which industrial property rights may have effect: **21 January 2014**
(54) Product in respect of which the design is registered: **Skin rejuvenation apparatus**
(51) International Design Classification: **28-03NES**
(74) Name(s) of Attorney(s): **FB Rice**
(71) Name(s) and Address(s) of Applicant(s):
Koninklijke Philips N.V.
High Tech Campus 5 Eindhoven 5656 AE The Netherlands
(72) Name(s) of Designer(s): **Kim Helmbold and Sonny Lim**
(45) Registration Date: **26 February 2014**
(30) Convention priority data:
(31) Number (32) Date (33) Country
002280313-0004 24 Jul 2013 OFFICE FOR HARMONISATION IN THE INTERNAL MARKET (OHIM)
(56) Related Art Documents: **Not Applicable**
(57) Statement of Newness and Distinctiveness: **Newness and distinctiveness reside in the features of shape and configuration of the design as shown in the representations.**



(21) Design Number: **10261/2014**
(22) Date of Filing Application: **21 January 2014**
(24) Date from which industrial property rights may have effect: **21 January 2014**
(54) Product in respect of which the design is registered: **Secateurs**
(51) International Design Classification: **08-03**
(74) Name(s) of Attorney(s): **Allens Patent & Trade Mark Attorneys**
(71) Name(s) and Address(s) of Applicant(s):
LEROY MERLIN France
Rue Chanzy Lezennes 59260 France
(72) Name(s) of Designer(s): **Olivier Lambin**
(45) Registration Date: **26 February 2014**
(30) Convention priority data:
(31) Number (32) Date (33) Country
002283895-0003 30 Jul 2013 OFFICE FOR HARMONISATION IN THE INTERNAL MARKET (OHIM)
(56) Related Art Documents: **Not Applicable**
(57) Statement of Newness and Distinctiveness: **Newness and distinctiveness is claimed in the shape and/or configuration of the secateurs shown in the accompanying representations.**



(21) Design Number: **10262/2014**
(22) Date of Filing Application: **21 January 2014**
(24) Date from which industrial property rights may have effect: **21 January 2014**
(54) Product in respect of which the design is registered: **Hair removal device**
(51) International Design Classification: **28-03A**
(74) Name(s) of Attorney(s): **FB Rice**
(71) Name(s) and Address(s) of Applicant(s):
Koninklijke Philips N.V.
High Tech Campus 5 Eindhoven 5656 AE The Netherlands
(72) Name(s) of Designer(s): **Kim Helmbold and Sonny Lim**
(45) Registration Date: **26 February 2014**
(30) Convention priority data:
(31) Number (32) Date (33) Country
**002280313-0003 24 Jul 2013 OFFICE FOR HARMONISATION IN
THE INTERNAL MARKET (OHIM)**
(56) Related Art Documents: **Not Applicable**
(57) Statement of Newness and Distinctiveness: **Newness and distinctiveness
reside in the features of shape and configuration of the design as shown
in the representations.**



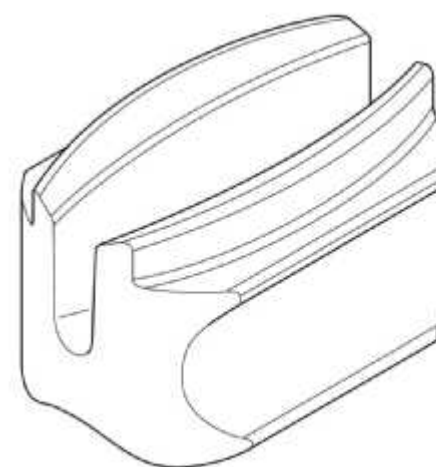
(21) Design Number: **10263/2014**
(22) Date of Filing Application: **21 January 2014**
(24) Date from which industrial property rights may have effect: **21 January 2014**
(54) Product in respect of which the design is registered: **Secateurs**
(51) International Design Classification: **08-03**
(74) Name(s) of Attorney(s): **Allens Patent & Trade Mark Attorneys**
(71) Name(s) and Address(s) of Applicant(s):
LEROY MERLIN France
Rue Chanzy Lezennes 59260 France
(72) Name(s) of Designer(s): **Olivier Lambin**
(45) Registration Date: **26 February 2014**
(30) Convention priority data:
(31) Number (32) Date (33) Country
**002283895-0002 30 Jul 2013 OFFICE FOR HARMONISATION IN
THE INTERNAL MARKET (OHIM)**
(56) Related Art Documents: **Not Applicable**
(57) Statement of Newness and Distinctiveness: **Newness and distinctiveness
is claimed in the shape and/or configuration of the secateurs shown in
the accompanying representations.**



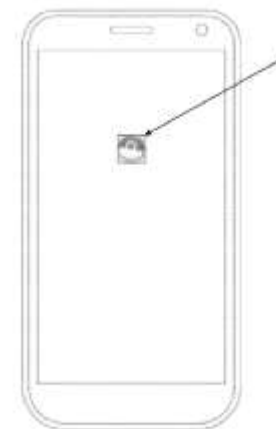
(21) Design Number: **10265/2014**
(22) Date of Filing Application: **21 January 2014**
(24) Date from which industrial property rights may have effect: **21 January 2014**
(54) Product in respect of which the design is registered: **Epilator**
(51) International Design Classification: **28-03A**
(74) Name(s) of Attorney(s): **FB Rice**
(71) Name(s) and Address(s) of Applicant(s):
Koninklijke Philips N.V.
High Tech Campus 5 Eindhoven 5656 AE The Netherlands
(72) Name(s) of Designer(s): **Ozgur Tasar and Sonny Lim and Kim Helmbold**
(45) Registration Date: **26 February 2014**
(30) Convention priority data:
(31) Number (32) Date (33) Country
**002280313-0005 24 Jul 2013 OFFICE FOR HARMONISATION IN
THE INTERNAL MARKET (OHIM)**
(56) Related Art Documents: **Not Applicable**
(57) Statement of Newness and Distinctiveness: **Newness and distinctiveness
reside in the features of shape and configuration of the design as shown
in the representations.**



(21) Design Number: **10266/2014**
(22) Date of Filing Application: **21 January 2014**
(24) Date from which industrial property rights may have effect: **21 January 2014**
(54) Product in respect of which the design is registered: **Massage appliance**
(51) International Design Classification: **28-03NES**
(74) Name(s) of Attorney(s): **Cotters Patent & Trade Mark Attorneys**
(71) Name(s) and Address(s) of Applicant(s):
Eye Comfort Limited
25-51 York Street Belfast County Antrim, Northern Ireland BT15 1ED
United Kingdom
(72) Name(s) of Designer(s): **Laurent Lementec and Leon Williams and Belen
Iglesias Bares and Jonathan Moore and Benjamin Sharma and Anant
Sharma**
(45) Registration Date: **26 February 2014**
(30) Convention priority data:
(31) Number (32) Date (33) Country
**002285494-0001 01 Aug 2013 OFFICE FOR HARMONISATION IN
THE INTERNAL MARKET (OHIM)**
(56) Related Art Documents: **Not Applicable**
(57) Statement of Newness and Distinctiveness: **Newness and distinctiveness
is claimed in the features of shape and/or configuration of a massage
appliance as illustrated in the accompanying representations.**

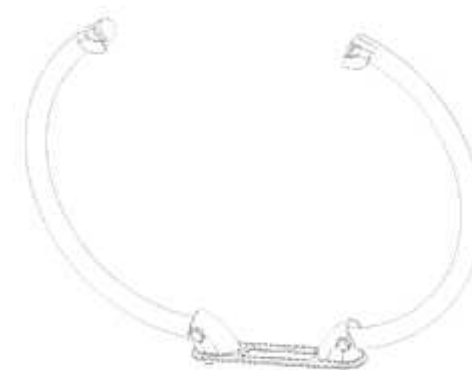


(21) Design Number: **10267/2014**
(22) Date of Filing Application: **21 January 2014**
(24) Date from which industrial property rights may have effect: **21 January 2014**
(54) Product in respect of which the design is registered: **Display screen with icon for an electronic device**
(51) International Design Classification: **14-02, 14-04**
(74) Name(s) of Attorney(s): **Wrays**
(71) Name(s) and Address(s) of Applicant(s):
Samsung Electronics Co., Ltd
129, Samsung-ro Yeongtong-gu, Suwon-si Gyeonggi-do 443-742
Republic of Korea
(72) Name(s) of Designer(s): **Yong-Man Park and Min-Sun Kim**
(45) Registration Date: **26 February 2014**
(30) Convention priority data:
(31) Number (32) Date (33) Country
30-2013-0048046 17 Sep 2013 REPUBLIC OF KOREA



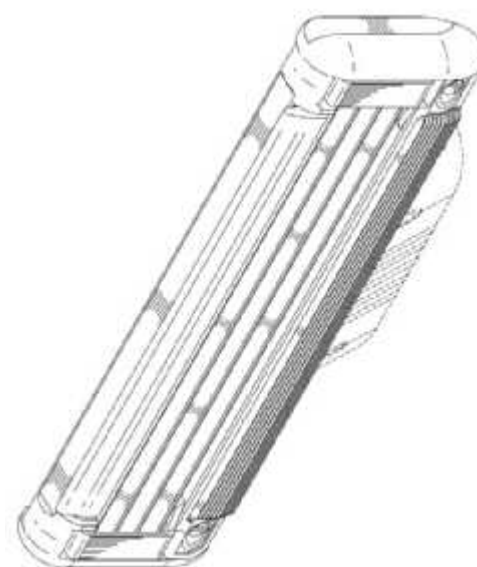
(56) Related Art Documents: **Not Applicable**
(57) Statement of Newness and Distinctiveness: **Newness and distinctiveness is claimed in the features of pattern and/or ornamentation of the Display Screen with Icon for an Electronic Device as shown in the accompanying representations: namely, the icon depicted in Figure 1 referenced by an A. The features depicted by broken lines in Figure 1 are for illustrative purposes only and form no part of the claimed design. The alternate long and short dash broken lines define boundaries of the claimed design and form no part of the claimed design.**

(21) Design Number: **10268/2014**
(22) Date of Filing Application: **21 January 2014**
(24) Date from which industrial property rights may have effect: **21 January 2014**
(54) Product in respect of which the design is registered: **Vehicle securing apparatus**
(51) International Design Classification: **12-16NES**
(74) Name(s) of Attorney(s): **Armour IP**
(71) Name(s) and Address(s) of Applicant(s):
Industrial and Construction Group Pty Ltd
163 Railway Rd Gooseberry Hill WA 6076 Australia
(72) Name(s) of Designer(s): **Stuart Neville Kirkham and Matthew Robert Kirkham**

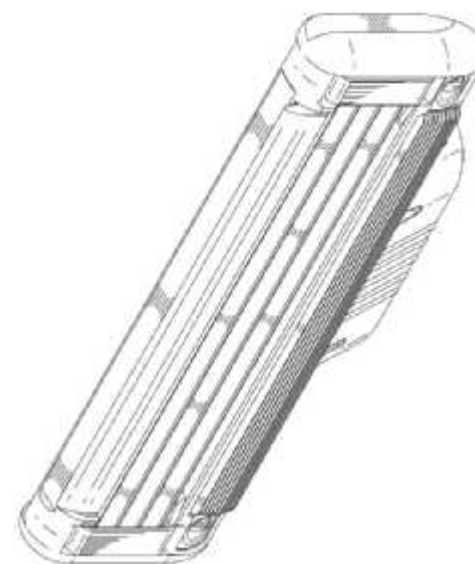


(45) Registration Date: **26 February 2014**
(56) Related Art Documents: **Not Applicable**
(57) Statement of Newness and Distinctiveness: **Newness and distinctiveness resides in the shape and configuration of the part-hoop portions of the vehicle securing apparatus as shown in the accompanying representations. The portion of the device for fixing to the ground, and the locking means for the two part-hoop portions, shown in phantom, do not represent part of the design.**

- (21) Design Number: **10272/2014**
(22) Date of Filing Application: **22 January 2014**
(24) Date from which industrial property rights may have effect: **22 January 2014**
(54) Product in respect of which the design is registered: **Razor cartridge**
(51) International Design Classification: **28-03A**
(74) Name(s) of Attorney(s): **PHILLIPS ORMONDE FITZPATRICK**
(71) Name(s) and Address(s) of Applicant(s):
The Gillette Company
One Gillette Park Boston Massachusetts 02127 United States of America
(72) Name(s) of Designer(s): **Michael Hal Bruno and Matthew Michael Long and Christopher Ramm and Alexander Stephen Forti and Jessy Lee Cusack and Neil Lettenberger and Shrikant Prasad Pattnaik**
(45) Registration Date: **26 February 2014**
(30) Convention priority data:
(31) Number (32) Date (33) Country
29/465,287 26 Aug 2013 UNITED STATES OF AMERICA
(56) Related Art Documents: **Not Applicable**
(57) Statement of Newness and Distinctiveness: **Those features of the razor cartridge depicted in the representations that are new and distinctive are the shape and/or configuration. The features shown in broken lines are not part of the design and are to be disregarded when considering the overall impression of the design.**



- (21) Design Number: **10273/2014**
(22) Date of Filing Application: **22 January 2014**
(24) Date from which industrial property rights may have effect: **22 January 2014**
(54) Product in respect of which the design is registered: **Razor cartridge**
(51) International Design Classification: **28-03A**
(74) Name(s) of Attorney(s): **PHILLIPS ORMONDE FITZPATRICK**
(71) Name(s) and Address(s) of Applicant(s):
The Gillette Company
One Gillette Park Boston Massachusetts 02127 United States of America
(72) Name(s) of Designer(s): **Michael Hal Bruno and Matthew Michael Long and Christopher Ramm and Alexander Stephen Forti and Jessy Lee Cusack and Neil Lettenberger and Shrikant Prasad Pattnaik**
(45) Registration Date: **26 February 2014**
(30) Convention priority data:
(31) Number (32) Date (33) Country
29/465,283 26 Aug 2013 UNITED STATES OF AMERICA
(56) Related Art Documents: **Not Applicable**
(57) Statement of Newness and Distinctiveness: **Those features of the razor cartridge depicted in the representations that are new and distinctive are the shape and/or configuration.**

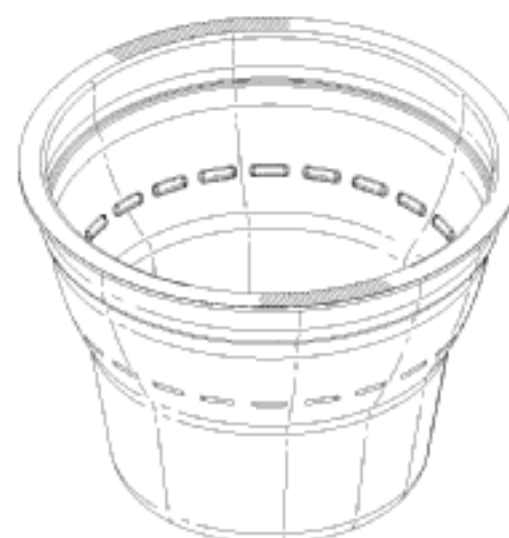


(21) Design Number: **10274/2014**
(22) Date of Filing Application: **22 January 2014**
(24) Date from which industrial property rights may have effect: **22 January 2014**
(54) Product in respect of which the design is registered: **Marker cap**
(51) International Design Classification: **19-06**
(74) Name(s) of Attorney(s): **PHILLIPS ORMONDE FITZPATRICK**
(71) Name(s) and Address(s) of Applicant(s):
Crayola LLC
1100 Church Lane Easton Pennsylvania 18040-6638 United States of America



(72) Name(s) of Designer(s): **Thomas R Rau and Vito Niosi**
(45) Registration Date: **26 February 2014**
(30) Convention priority data:
(31) Number (32) Date (33) Country
29/479,489 16 Jan 2014 UNITED STATES OF AMERICA
(56) Related Art Documents: **Not Applicable**
(57) Statement of Newness and Distinctiveness: **Those features of the marker cap depicted in the representations that are new and distinctive are the shape and/or configuration. The features of the marker cap shown in evenly spaced broken lines are not part of the design and are to be disregarded when considering the overall impression of the design. The long and short broken lines are boundary lines which define the boundaries of the design. The design extends to these boundaries but does not include these boundaries. The surface shading and/or any contour or curvature of the surfaces of the marker cap. They do not indicate colour, texture, markings that exist thereon, indicia, graphical representations, surface treatment or any other ornamentation applied to the marker cap.**

(21) Design Number: **10287/2014**
(22) Date of Filing Application: **22 January 2014**
(24) Date from which industrial property rights may have effect: **22 January 2014**
(54) Product in respect of which the design is registered: **A cup**
(51) International Design Classification: **07-01C**
(74) Name(s) of Attorney(s): **Allens Patent & Trade Mark Attorneys**
(71) Name(s) and Address(s) of Applicant(s):
The Quaker Oats Company
555 West Monroe Street Chicago Illinois 60661 United States of America



(72) Name(s) of Designer(s): **James Maki and Eric T Henderson**
(45) Registration Date: **26 February 2014**
(30) Convention priority data:
(31) Number (32) Date (33) Country
29/461731 26 Jul 2013 UNITED STATES OF AMERICA
(56) Related Art Documents: **Not Applicable**
(57) Statement of Newness and Distinctiveness: **Nil**

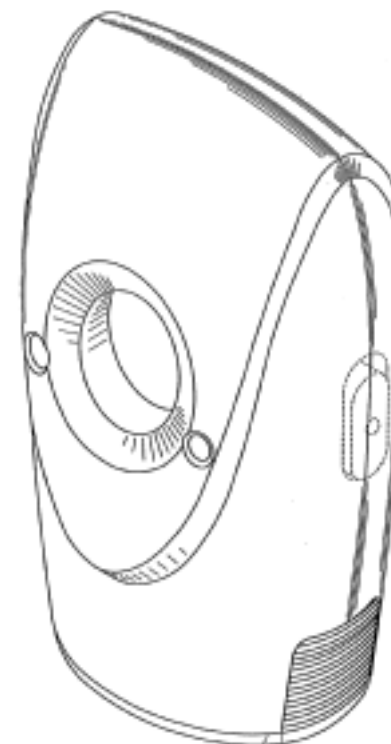
(21) Design Number: **10189/2014**
(22) Date of Filing Application: **17 January 2014**
(24) Date from which industrial property rights may have effect: **17 January 2014**
(54) Product in respect of which the design is registered: **Spray gun holder**
(51) International Design Classification: **08-08E, 08-08F**
(74) Name(s) of Attorney(s): **SPRUSON & FERGUSON**
(71) Name(s) and Address(s) of Applicant(s):



SATA GmbH & Co. KG
Domertalstrasse 20 Kornwestheim D-70806 Germany

(72) Name(s) of Designer(s): **Alexander Tschan**
(45) Registration Date: **26 February 2014**
(30) Convention priority data:
(31) Number (32) Date (33) Country
201330393773.7 16 Aug 2013 CHINA
(56) Related Art Documents: **Not Applicable**
(57) Statement of Newness and Distinctiveness: **Newness and distinctiveness is claimed in the features of shape and/or configuration of a spray gun holder as illustrated in the accompanying representations.**

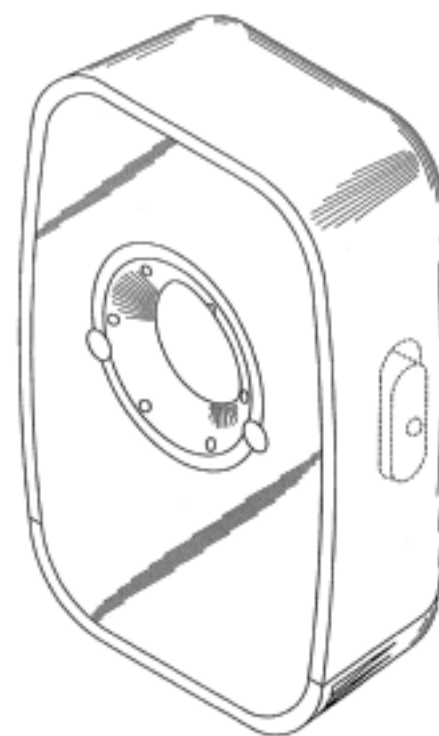
(21) Design Number: **10194/2014**
(22) Date of Filing Application: **17 January 2014**
(24) Date from which industrial property rights may have effect: **17 January 2014**
(54) Product in respect of which the design is registered: **Bark control device**
(51) International Design Classification: **30-04, 30-99**
(74) Name(s) of Attorney(s): **Chrysiliou IP**
(71) Name(s) and Address(s) of Applicant(s):



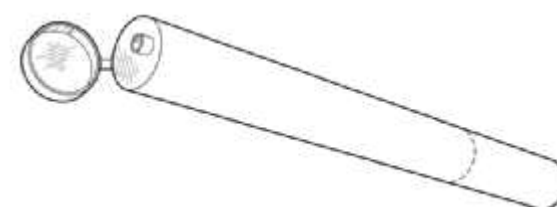
Radio Systems Corporation
10427 PetSafe Way Knoxville Tennessee 37932 United States of America

(72) Name(s) of Designer(s): **Fang Lora Fang and Jeff Brown**
(45) Registration Date: **26 February 2014**
(30) Convention priority data:
(31) Number (32) Date (33) Country
29/476,603 16 Dec 2013 UNITED STATES OF AMERICA
(56) Related Art Documents: **Not Applicable**
(57) Statement of Newness and Distinctiveness: **Newness and distinctiveness is claimed in the features of shape and/or configuration of a bark control device as illustrated in the accompanying representations. In considering which features are new and distinctive, the portions depicted in broken lines are to be disregarded.**

(21) Design Number: **10196/2014**
(22) Date of Filing Application: **17 January 2014**
(24) Date from which industrial property rights may have effect: **17 January 2014**
(54) Product in respect of which the design is registered: **Bark control device**
(51) International Design Classification: **30-04, 30-99**
(74) Name(s) of Attorney(s): **Chrysiliou IP**
(71) Name(s) and Address(s) of Applicant(s):
Radio Systems Corporation
10427 PetSafe Way Knoxville Tennessee 37932 United States of America
(72) Name(s) of Designer(s): **Steven M Schrick**
(45) Registration Date: **26 February 2014**
(30) Convention priority data:
(31) Number (32) Date (33) Country
29/476,892 18 Dec 2013 UNITED STATES OF AMERICA
(56) Related Art Documents: **Not Applicable**
(57) Statement of Newness and Distinctiveness: **Newness and distinctiveness is claimed in the features of shape and/or configuration of a bark control device as illustrated in the accompanying representations. In considering which features are new and distinctive, the portions depicted in broken lines are to be disregarded.**



(21) Design Number: **10204/2014**
(22) Date of Filing Application: **17 January 2014**
(24) Date from which industrial property rights may have effect: **17 January 2014**
(54) Product in respect of which the design is registered: **Container**
(51) International Design Classification: **09-05**
(74) Name(s) of Attorney(s):
(71) Name(s) and Address(s) of Applicant(s):
Mario Badwi Semaan
409 Merrylands Rd Merrylands NSW 2160 Australia
(72) Name(s) of Designer(s): **Mario Badwi Semaan**
(45) Registration Date: **26 February 2014**
(56) Related Art Documents: **Not Applicable**
(57) Statement of Newness and Distinctiveness: **Newness and distinctiveness resides in the overall shape and configuration of the features shown in solid lines in the representations.**



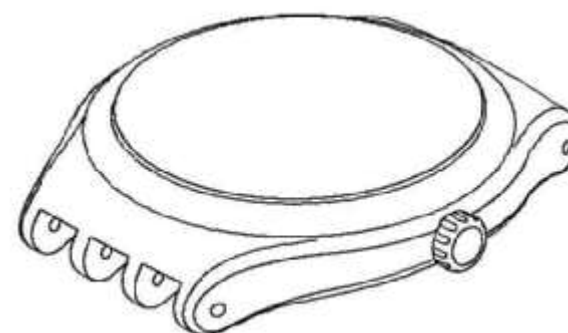
- (21) Design Number: **10209/2014**
(22) Date of Filing Application: **17 January 2014**
(24) Date from which industrial property rights may have effect: **17 January 2014**
(54) Product in respect of which the design is registered: **Soles for footwear**
(51) International Design Classification: **02-04B**
(74) Name(s) of Attorney(s): **MMLC Murphy Wang Solicitors**
(71) Name(s) and Address(s) of Applicant(s):
Holster Fashion Pty Ltd
6-55 Gateway Dr Noosaville QLD 4566 Australia
(72) Name(s) of Designer(s): **Natalie Jean Miller**
(45) Registration Date: **26 February 2014**
(56) Related Art Documents: **Not Applicable**
(57) Statement of Newness and Distinctiveness: **Newness and distinctiveness reside in the outline shape of the sole, the tread/grip pattern, heel height and shape (heel height outlines) and plug positions for upper straps, as shown in the accompanying representations.**



- (21) Design Number: **10218/2014**
(22) Date of Filing Application: **20 January 2014**
(24) Date from which industrial property rights may have effect: **20 January 2014**
(54) Product in respect of which the design is registered: **Electric kettle**
(51) International Design Classification: **07-02K**
(74) Name(s) of Attorney(s): **Griffith Hack**
(71) Name(s) and Address(s) of Applicant(s):
Guangdong Xinbao Electrical Appliances Holdings Co., Ltd
Zhenghenan Road Leliu Town Shunde District Foshan City Guangdong
Province 528322 China
(72) Name(s) of Designer(s): **Jiangang Guo and Qifeng Chen and Longhui Chen**
(45) Registration Date: **26 February 2014**
(30) Convention priority data:
(31) Number (32) Date (33) Country
201330365823.0 **31 Jul 2013** **CHINA**
(56) Related Art Documents: **Not Applicable**
(57) Statement of Newness and Distinctiveness: **Nil**



(21) Design Number: **10219/2014**
(22) Date of Filing Application: **20 January 2014**
(24) Date from which industrial property rights may have effect: **20 January 2014**
(54) Product in respect of which the design is registered: **Watchcase**
(51) International Design Classification: **10-07**
(74) Name(s) of Attorney(s): **WATERMARK PATENT AND TRADE MARKS ATTORNEYS**
(71) Name(s) and Address(s) of Applicant(s):
Swatch AG (Swatch SA) (Swatch Ltd)
Jakob-Stampfli-Strasse 94 Bienne CH 2502 Switzerland
(72) Name(s) of Designer(s): **Raphael Waecker**
(45) Registration Date: **26 February 2014**
(30) Convention priority data:
(31) Number (32) Date (33) Country
DM/081 782 17 Sep 2013 WORLD INTELLECTUAL PROPERTY ORGANIZATION (WIPO)
(56) Related Art Documents: **Not Applicable**
(57) Statement of Newness and Distinctiveness: **Nil**



(21) Design Number: **10221/2014**
(22) Date of Filing Application: **20 January 2014**
(24) Date from which industrial property rights may have effect: **20 January 2014**
(54) Product in respect of which the design is registered: **Sanitary fitting**
(51) International Design Classification: **23-01H**
(74) Name(s) of Attorney(s): **Griffith Hack**
(71) Name(s) and Address(s) of Applicant(s):
Hansgrohe SE
Auestr. 5-9 Schiltach 77761 Germany
(72) Name(s) of Designer(s): **Antonio Citterio**
(45) Registration Date: **26 February 2014**
(30) Convention priority data:
(31) Number (32) Date (33) Country
001379093-0007 26 Jul 2013 OFFICE FOR HARMONISATION IN THE INTERNAL MARKET (OHIM)
(57) Statement of Newness and Distinctiveness: **Newness and distinctiveness resides in the visual features, including shape and configuration of the product as shown in the attached representations.**



(21) Design Number: **10222/2014**

(22) Date of Filing Application: **20 January 2014**

(24) Date from which industrial property rights may have effect: **20 January 2014**

(54) Product in respect of which the design is registered: **Sanitary faucet**

(51) International Design Classification: **23-01H**

(74) Name(s) of Attorney(s): **Griffith Hack**

(71) Name(s) and Address(s) of Applicant(s):

Hansgrohe SE

Austr. 5-9 Schiltach 77761 Germany

(72) Name(s) of Designer(s): **Antonio Citterio**

(45) Registration Date: **26 February 2014**

(30) Convention priority data:

(31) Number

(32) Date

(33) Country

001379093-0002 26 Jul 2013

**OFFICE FOR HARMONISATION IN
THE INTERNAL MARKET (OHIM)**

(56) Related Art Documents: **Not Applicable**

(57) Statement of Newness and Distinctiveness: **Newness and distinctiveness resides in the visual features, including shape and configuration of the product as shown in the attached representations.**



(21) Design Number: **10224/2014**

(22) Date of Filing Application: **20 January 2014**

(24) Date from which industrial property rights may have effect: **20 January 2014**

(54) Product in respect of which the design is registered: **Dispenser**

(51) International Design Classification: **09-01F**

(74) Name(s) of Attorney(s): **Shelston IP**

(71) Name(s) and Address(s) of Applicant(s):

Reckitt Benckiser LLC

**Morris Corporate Center IV 399 Interpace Parkway Parsippany New
Jersey 07054 United States of America**

(72) Name(s) of Designer(s): **Randy Bos and James C O'Hara and Stephanie
Anne Marije Verschoor and Taco Dietvorst and Christopher Leonard
Padain**

(45) Registration Date: **26 February 2014**

(30) Convention priority data:

(31) Number

(32) Date

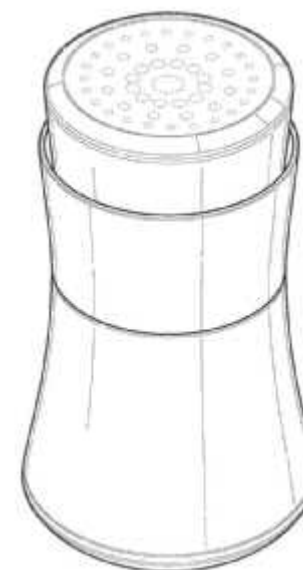
(33) Country

002292334-0001 15 Aug 2013

**OFFICE FOR HARMONISATION IN
THE INTERNAL MARKET (OHIM)**

(56) Related Art Documents: **Not Applicable**

(57) Statement of Newness and Distinctiveness: **Newness and distinctiveness resides in the features of shape and configuration of a dispenser as shown in solid lines in the accompanying representations.**



(21) Design Number: **10289/2014**
(22) Date of Filing Application: **23 January 2014**
(24) Date from which industrial property rights may have effect: **23 January 2014**
(54) Product in respect of which the design is registered: **Propeller fan**
(51) International Design Classification: **23-04**
(74) Name(s) of Attorney(s): **Griffith Hack**
(71) Name(s) and Address(s) of Applicant(s):
Mitsubishi Electric Corporation
7-3 Marunouchi 2-chome Chiyoda-ku Tokyo 100-8310 Japan
(72) Name(s) of Designer(s): **Shingo Hamada and Hiroshi Yoshikawa and**
Katsumi Shibayama and Noriko Semii and Katsuhiko Tozuka and Hiroaki
Makino
(45) Registration Date: **26 February 2014**
(30) Convention priority data:
(31) Number (32) Date (33) Country
2013-017797 05 Aug 2013 JAPAN
(56) Related Art Documents: **Not Applicable**
(57) Statement of Newness and Distinctiveness: **Nil**



(21) Design Number: **10291/2014**
(22) Date of Filing Application: **23 January 2014**
(24) Date from which industrial property rights may have effect: **23 January 2014**
(54) Product in respect of which the design is registered: **Bottle with penguin shape**
(51) International Design Classification: **09-01D**
(74) Name(s) of Attorney(s): **PHILLIPS ORMONDE FITZPATRICK**
(71) Name(s) and Address(s) of Applicant(s):
Dart Industries Inc.
14901 S. Orange Blossom Trail Orlando Florida 32837 United States of
America
(72) Name(s) of Designer(s): **Sara L Delgado Carmona**
(45) Registration Date: **26 February 2014**
(30) Convention priority data:
(31) Number (32) Date (33) Country
29/462,990 12 Aug 2013 UNITED STATES OF AMERICA
(56) Related Art Documents: **Not Applicable**
(57) Statement of Newness and Distinctiveness: **Nil**



(21) Design Number: **10292/2014**
(22) Date of Filing Application: **23 January 2014**
(24) Date from which industrial property rights may have effect: **23 January 2014**
(54) Product in respect of which the design is registered: **Bottle with frog shape**
(51) International Design Classification: **09-01D**
(74) Name(s) of Attorney(s): **PHILLIPS ORMONDE FITZPATRICK**
(71) Name(s) and Address(s) of Applicant(s):
Dart Industries Inc.
14901 S. Orange Blossom Trail Orlando Florida 32837 United States of America
(72) Name(s) of Designer(s): **Sara L Delgado Carmona**
(45) Registration Date: **26 February 2014**
(30) Convention priority data:
(31) Number (32) Date (33) Country
29/462,989 12 Aug 2013 UNITED STATES OF AMERICA
(56) Related Art Documents: **Not Applicable**
(57) Statement of Newness and Distinctiveness: **Nil**



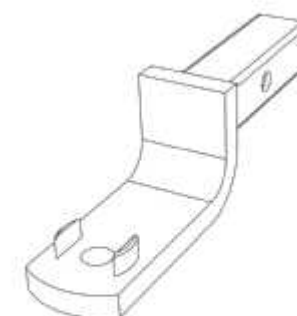
(21) Design Number: **10293/2014**
(22) Date of Filing Application: **23 January 2014**
(24) Date from which industrial property rights may have effect: **23 January 2014**
(54) Product in respect of which the design is registered: **Bottle with worm shape**
(51) International Design Classification: **09-01D**
(74) Name(s) of Attorney(s): **PHILLIPS ORMONDE FITZPATRICK**
(71) Name(s) and Address(s) of Applicant(s):
Dart Industries Inc.
14901 S. Orange Blossom Trail Orlando Florida 32837 United States of America
(72) Name(s) of Designer(s): **Sara L Delgado Carmona**
(45) Registration Date: **26 February 2014**
(30) Convention priority data:
(31) Number (32) Date (33) Country
29/462,992 12 Aug 2013 UNITED STATES OF AMERICA
(56) Related Art Documents: **Not Applicable**
(57) Statement of Newness and Distinctiveness: **Nil**



- (21) Design Number: **10294/2014**
(22) Date of Filing Application: **23 January 2014**
(24) Date from which industrial property rights may have effect: **23 January 2014**
(54) Product in respect of which the design is registered: **Propeller fan**
(51) International Design Classification: **23-04**
(74) Name(s) of Attorney(s): **Griffith Hack**
(71) Name(s) and Address(s) of Applicant(s):
Mitsubishi Electric Corporation
7-3 Marunouchi 2-chome Chiyoda-ku Tokyo 100-8310 Japan
(72) Name(s) of Designer(s): **Shingo Hamada and Hiroshi Yoshikawa and**
Katsumi Shibayama and Noriko Semii and Katsuhiko Tozuka and Hiroaki
Makino
(45) Registration Date: **26 February 2014**
(30) Convention priority data:
(31) Number (32) Date (33) Country
2013-017798 05 Aug 2013 JAPAN
(56) Related Art Documents: **Not Applicable**
(57) Statement of Newness and Distinctiveness: **Newness and distinctiveness**
resides in the visual features, including shape and configuration, of
a blade of a PROPELLER FAN as shown in solid outline in the
accompanying drawings. When determining whether the design is
substantially similar in overall impression to another design, no regard is
to be had to those features shown in dotted outline in the accompanying
drawings, or of the air conditioning unit of figure 10, which features are
provided for illustrative purposes only.



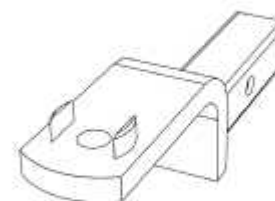
- (21) Design Number: **10295/2014**
(22) Date of Filing Application: **23 January 2014**
(24) Date from which industrial property rights may have effect: **23 January 2014**
(54) Product in respect of which the design is registered: **Tow bar**
(51) International Design Classification: **12-16L**
(74) Name(s) of Attorney(s): **Lesicar Maynard Andrews Pty Ltd**
(71) Name(s) and Address(s) of Applicant(s):
Dalex Products Pty Ltd
PO BOX 246 Prospect SA 5082 Australia
(72) Name(s) of Designer(s): **Athan Lekkas**
(45) Registration Date: **26 February 2014**
(56) Related Art Documents: **Not Applicable**
(57) Statement of Newness and Distinctiveness: **The new and distinctive feature**
of this design is the provision of the protrusions on the tow tongue
adapted to prevent rotational movement of a correspondingly shaped
tow ball.



- (21) Design Number: **10298/2014**
(22) Date of Filing Application: **23 January 2014**
(24) Date from which industrial property rights may have effect: **23 January 2014**
(54) Product in respect of which the design is registered: **Tow bar**
(51) International Design Classification: **12-16L**
(74) Name(s) of Attorney(s): **Lesicar Maynard Andrews Pty Ltd**
(71) Name(s) and Address(s) of Applicant(s):

Dalex Products Pty Ltd
PO BOX 246 Prospect SA 5082 Australia

- (72) Name(s) of Designer(s): **Athan Lekkas**
(45) Registration Date: **26 February 2014**
(56) Related Art Documents: **Not Applicable**
(57) Statement of Newness and Distinctiveness: **The new and distinctive feature of this design is the provision of the protrusions on the tow tongue adapted to prevent rotational movement of a correspondingly shaped tow ball.**



- (21) Design Number: **10226/2014**
(22) Date of Filing Application: **20 January 2014**
(24) Date from which industrial property rights may have effect: **20 January 2014**
(54) Product in respect of which the design is registered: **Refill container**
(51) International Design Classification: **09-01NES**
(74) Name(s) of Attorney(s): **Shelston IP**
(71) Name(s) and Address(s) of Applicant(s):

Reckitt Benckiser LLC
Morris Corporate Center IV 399 Interpace Parkway Parsippany New Jersey 07054 United States of America

- (72) Name(s) of Designer(s): **Randy Bos and James C O'Hara and Stephanie Anne Marije Verschoor and Taco Dietvorst and Christopher Leonard Padain**

(45) Registration Date: **26 February 2014**

(30) Convention priority data:

(31) Number	(32) Date	(33) Country
002292334-0002	15 Aug 2013	OFFICE FOR HARMONISATION IN THE INTERNAL MARKET (OHIM)

(56) Related Art Documents: **Not Applicable**

- (57) Statement of Newness and Distinctiveness: **Newness and distinctiveness resides in the features of shape and configuration of a refill container as shown in solid lines in the accompanying representations.**



(21) Design Number: **10227/2014**
(22) Date of Filing Application: **20 January 2014**
(24) Date from which industrial property rights may have effect: **20 January 2014**
(54) Product in respect of which the design is registered: **A lighting element**
(51) International Design Classification: **26-04**
(74) Name(s) of Attorney(s): **AJ Park**
(71) Name(s) and Address(s) of Applicant(s):

BUSINESS LIGHTING SOLUTIONS LIMITED
43 Bush Road Waitarua Auckland 0604 New Zealand

(72) Name(s) of Designer(s): **Christopher John Wheatley**

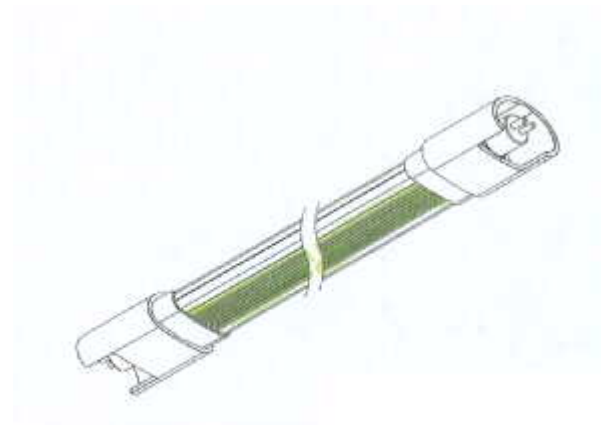
(45) Registration Date: **26 February 2014**

(30) Convention priority data:

(31) Number	(32) Date	(33) Country
417813	22 Jul 2013	NEW ZEALAND

(56) Related Art Documents: **Not Applicable**

(57) Statement of Newness and Distinctiveness: **The newness and distinctiveness resides in the features of shape and/or configuration of A LIGHTING ELEMENT all as shown in the representations, which may be of any length as indicated by the break line. No newness and distinctiveness resides in the highlighted region.**



(21) Design Number: **10228/2014**
(22) Date of Filing Application: **20 January 2014**
(24) Date from which industrial property rights may have effect: **20 January 2014**
(54) Product in respect of which the design is registered: **A light diffuser**
(51) International Design Classification: **26-05A**
(74) Name(s) of Attorney(s): **AJ Park**
(71) Name(s) and Address(s) of Applicant(s):

BUSINESS LIGHTING SOLUTIONS LIMITED
43 Bush Road Waitarua Auckland 0604 New Zealand

(72) Name(s) of Designer(s): **Christopher John Wheatley**

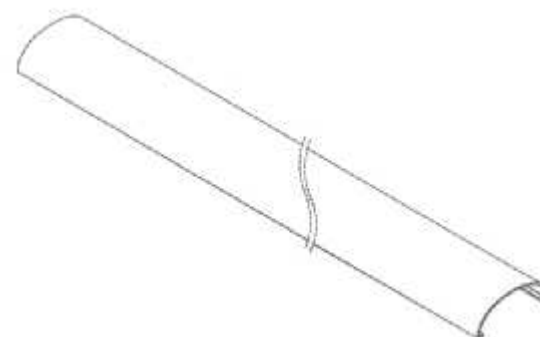
(45) Registration Date: **26 February 2014**

(30) Convention priority data:

(31) Number	(32) Date	(33) Country
417814	22 Jul 2013	NEW ZEALAND

(56) Related Art Documents: **Not Applicable**

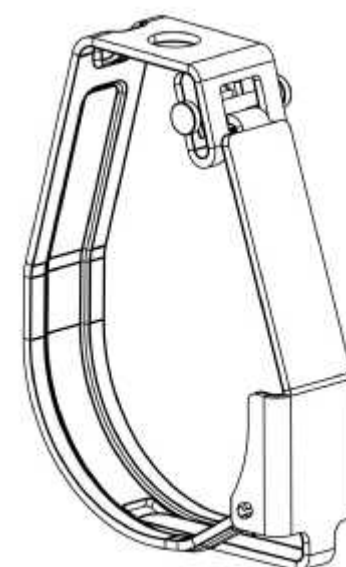
(57) Statement of Newness and Distinctiveness: **The newness and distinctiveness resides in the features of shape and/or configuration of A LIGHT DIFFUSER all as shown in the representations, which article may be of any length as indicated by the break line.**



(21) Design Number: **10229/2014**
(22) Date of Filing Application: **20 January 2014**
(24) Date from which industrial property rights may have effect: **20 January 2014**
(54) Product in respect of which the design is registered: **Chair**
(51) International Design Classification: **06-01F**
(74) Name(s) of Attorney(s):
(71) Name(s) and Address(s) of Applicant(s):
Ross Didier
28 Mologa Rd Heidelberg West VIC 3081 Australia
(72) Name(s) of Designer(s): **Ross Didier**
(45) Registration Date: **26 February 2014**
(56) Related Art Documents: **Not Applicable**
(57) Statement of Newness and Distinctiveness: **Nil**



(21) Design Number: **10232/2014**
(22) Date of Filing Application: **20 January 2014**
(24) Date from which industrial property rights may have effect: **20 January 2014**
(54) Product in respect of which the design is registered: **Side loading pipe hanger**
(51) International Design Classification: **08-08NES**
(74) Name(s) of Attorney(s): **Cullens Patent and Trade Mark Attorneys**
(71) Name(s) and Address(s) of Applicant(s):
Gripple Limited
The Old West Gun Works Saville Street East Sheffield S4 7UQ United Kingdom
(72) Name(s) of Designer(s): **Matthew Bacon**
(45) Registration Date: **26 February 2014**
(30) Convention priority data:
(31) Number (32) Date (33) Country
002288860 08 Aug 2013 OFFICE FOR HARMONISATION IN THE INTERNAL MARKET (OHIM)
(56) Related Art Documents: **Not Applicable**
(57) Statement of Newness and Distinctiveness: **Nil**



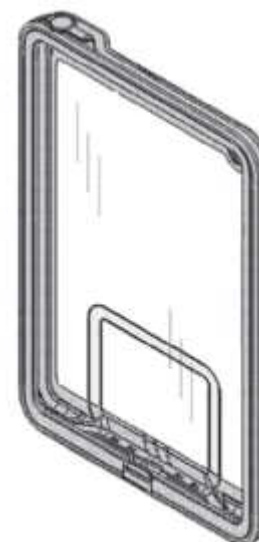
- (21) Design Number: **10233/2014**
(22) Date of Filing Application: **20 January 2014**
(24) Date from which industrial property rights may have effect: **20 January 2014**
(54) Product in respect of which the design is registered: **A dessert food product**
(51) International Design Classification: **01-01**
(74) Name(s) of Attorney(s): **Cullens Patent and Trade Mark Attorneys**
(71) Name(s) and Address(s) of Applicant(s):
Country Chef Desserts Pty Limited
7 Hi-Tech Dr Kunda Park QLD 4556 Australia
(72) Name(s) of Designer(s): **Kenneth Norman Bartlett**
(45) Registration Date: **26 February 2014**
(56) Related Art Documents: **Not Applicable**
(57) Statement of Newness and Distinctiveness: **Newness and distinctiveness reside in the features of shape and configuration of the peaks on the dessert food product illustrated in the accompanying representations and in particular, the distinctive pointed shape of the peaks together with the ridged nature of the sidewalls of the peaks. The design is not intended to be limited by the particular shape of the base (other than a generally freeform shape), nor the number, location and dimension of the peaks illustrated in the accompanying representations.**



- (21) Design Number: **10234/2014**
(22) Date of Filing Application: **20 January 2014**
(24) Date from which industrial property rights may have effect: **20 January 2014**
(54) Product in respect of which the design is registered: **Garden implement**
(51) International Design Classification: **08-05A**
(74) Name(s) of Attorney(s): **Griffith Hack**
(71) Name(s) and Address(s) of Applicant(s):
THE DECOR CORPORATION PTY LTD
1314 Ferntree Gully Rd Scoresby VIC 3179 Australia
(72) Name(s) of Designer(s): **Justin Armistead**
(45) Registration Date: **26 February 2014**
(56) Related Art Documents: **Not Applicable**
(57) Statement of Newness and Distinctiveness: **Newness and distinctiveness resides in the visual features, including the shape and configuration of the product as shown in the representations.**



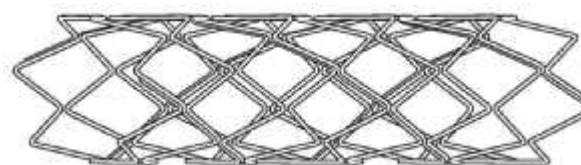
(21) Design Number: **10235/2014**
(22) Date of Filing Application: **20 January 2014**
(24) Date from which industrial property rights may have effect: **11 November 2013**
(54) Product in respect of which the design is registered: **Case for an electronic device**
(51) International Design Classification: **03-01NES**
(74) Name(s) of Attorney(s): **Cullens Patent and Trade Mark Attorneys**
(71) Name(s) and Address(s) of Applicant(s):
TreeFrog Developments, Inc.
15110 Avenue of Science San Diego CA 92132 United States of America
(72) Name(s) of Designer(s): **Gary Rayner**
(45) Registration Date: **26 February 2014**
(30) Convention priority data:
(31) Number (32) Date (33) Country
29/454587 11 May 2013 UNITED STATES OF AMERICA
(62) Divisional of: **353539**
(56) Related Art Documents: **Not Applicable**
(57) Statement of Newness and Distinctiveness: **Newness and distinctiveness resides in the shape or configuration of a case for an electronic device as shown in the accompanying representations.**



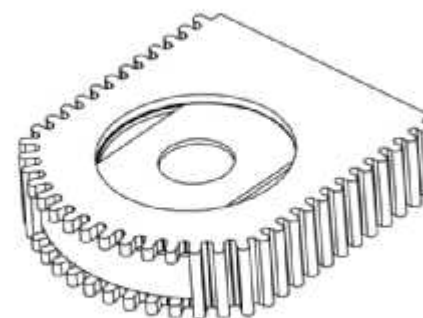
(21) Design Number: **10237/2014**
(22) Date of Filing Application: **21 January 2014**
(24) Date from which industrial property rights may have effect: **21 January 2014**
(54) Product in respect of which the design is registered: **Stent**
(51) International Design Classification: **24-03**
(74) Name(s) of Attorney(s): **K&L Gates**
(71) Name(s) and Address(s) of Applicant(s):
Kyoto Medical Planning Co., Ltd.
Furuhashi Yamashina Bldg. 4, Kanda-cho, Shinomiya Yamashina-ku
Kyoto-shi Kyoto, 607-8035 Japan
(72) Name(s) of Designer(s): **Keiji Igaki and Hirokazu Yamada and Chisa Matsubara**
(45) Registration Date: **26 February 2014**
(30) Convention priority data:
(31) Number (32) Date (33) Country
2013-18784 16 Aug 2013 JAPAN
(56) Related Art Documents: **Not Applicable**
(57) Statement of Newness and Distinctiveness: **Nil**



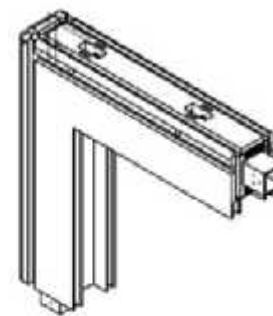
- (21) Design Number: **10238/2014**
(22) Date of Filing Application: **21 January 2014**
(24) Date from which industrial property rights may have effect: **21 January 2014**
(54) Product in respect of which the design is registered: **Stent**
(51) International Design Classification: **24-03**
(74) Name(s) of Attorney(s): **K&L Gates**
(71) Name(s) and Address(s) of Applicant(s):
Kyoto Medical Planning Co., Ltd.
Furuhashi Yamashina Bldg. 4, Kanda-cho, Shinomiya Yamashina-ku
Kyoto-shi Kyoto, 607-8035 Japan
(72) Name(s) of Designer(s): **Keiji Igaki and Hirokazu Yamada and Chisa**
Matsubara
(45) Registration Date: **26 February 2014**
(30) Convention priority data:
(31) Number (32) Date (33) Country
2013-18783 16 Aug 2013 JAPAN
(56) Related Art Documents: **Not Applicable**
(57) Statement of Newness and Distinctiveness: **Nil**



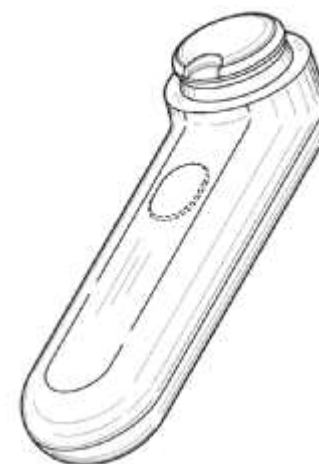
- (21) Design Number: **10299/2014**
(22) Date of Filing Application: **23 January 2014**
(24) Date from which industrial property rights may have effect: **23 January 2014**
(54) Product in respect of which the design is registered: **Tow bar shin guard**
(51) International Design Classification: **12-16L**
(74) Name(s) of Attorney(s): **Lesicar Maynard Andrews Pty Ltd**
(71) Name(s) and Address(s) of Applicant(s):
Dalex Products Pty Ltd
PO BOX 246 Prospect SA 5082 Australia
(72) Name(s) of Designer(s): **Athan Lekkas**
(45) Registration Date: **26 February 2014**
(56) Related Art Documents: **Not Applicable**
(57) Statement of Newness and Distinctiveness: **The new and distinctive feature of this design is the provision of the smooth surface on the outer edge of the shin guard adapted to provide space for attachment of articles such as but not limited to advertising strips or illuminating strips.**



(21) Design Number: **10300/2014**
(22) Date of Filing Application: **23 January 2014**
(24) Date from which industrial property rights may have effect: **23 January 2014**
(54) Product in respect of which the design is registered: **Window corner section joiner**
(51) International Design Classification: **25-02H**
(74) Name(s) of Attorney(s):
(71) Name(s) and Address(s) of Applicant(s):
Garry David
PO BOX 405 Katherine NT 0851 Australia
(72) Name(s) of Designer(s): **Garry David**
(45) Registration Date: **26 February 2014**
(56) Related Art Documents: **Not Applicable**
(57) Statement of Newness and Distinctiveness: **Nil**



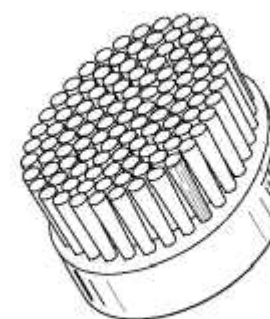
(21) Design Number: **10301/2014**
(22) Date of Filing Application: **23 January 2014**
(24) Date from which industrial property rights may have effect: **23 January 2014**
(54) Product in respect of which the design is registered: **Handle for a skin cleansing device**
(51) International Design Classification: **08-06, 28-03NES**
(74) Name(s) of Attorney(s): **PHILLIPS ORMONDE FITZPATRICK**
(71) Name(s) and Address(s) of Applicant(s):
ELC Management LLC
155 Pinelawn Road Suite 345 South Melville New York 11747 United States of America
(72) Name(s) of Designer(s): **Thomas Edward Owen and Chong Won Jessica Woo-Kim and Jenny Wong and Richard LaPosta**
(45) Registration Date: **26 February 2014**
(30) Convention priority data:
(31) Number (32) Date (33) Country
29/461,382 23 Jul 2013 UNITED STATES OF AMERICA
(56) Related Art Documents: **Not Applicable**
(57) Statement of Newness and Distinctiveness: **Those features of the handle for a skin cleansing device depicted in the representations that are new and distinctive are the shape and/or configuration. The feature shown in broken lines is not part of the design and is to be disregarded when considering the overall impression of the design.**



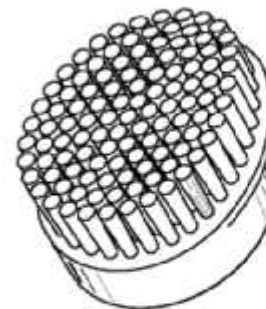
(21) Design Number: **10302/2014**
(22) Date of Filing Application: **23 January 2014**
(24) Date from which industrial property rights may have effect: **23 January 2014**
(54) Product in respect of which the design is registered: **Skin cleansing device**
(51) International Design Classification: **28-03NES**
(74) Name(s) of Attorney(s): **PHILLIPS ORMONDE FITZPATRICK**
(71) Name(s) and Address(s) of Applicant(s):
ELC Management LLC
155 Pinelawn Road Suite 345 South Melville New York 11747 United States of America
(72) Name(s) of Designer(s): **Thomas Edward Owen and Jenny Wong and Lois Cecere and Richard LaPosta and Chong Won Jessica Woo-Kim**
(45) Registration Date: **26 February 2014**
(30) Convention priority data:
(31) Number (32) Date (33) Country
29/461,379 23 Jul 2013 UNITED STATES OF AMERICA
(56) Related Art Documents: **Not Applicable**
(57) Statement of Newness and Distinctiveness: **Those features of the skin cleansing device depicted in the representations that are new and distinctive are the shape and/or configuration. The feature shown in broken lines is not part of the design and is to be disregarded when considering the overall impression of the design.**



(21) Design Number: **10304/2014**
(22) Date of Filing Application: **23 January 2014**
(24) Date from which industrial property rights may have effect: **23 January 2014**
(54) Product in respect of which the design is registered: **Skin cleansing device**
(51) International Design Classification: **28-03NES**
(74) Name(s) of Attorney(s): **PHILLIPS ORMONDE FITZPATRICK**
(71) Name(s) and Address(s) of Applicant(s):
ELC Management LLC
767 Fifth Avenue New York New York 10153 United States of America
(72) Name(s) of Designer(s): **Thomas Edward Owen and Jenny Wong and Lois Cecere and Richard LaPosta and Chong Won Jessica Woo-Kim**
(45) Registration Date: **27 February 2014**
(30) Convention priority data:
(31) Number (32) Date (33) Country
29/461,383 23 Jul 2013 UNITED STATES OF AMERICA
(56) Related Art Documents: **Not Applicable**
(57) Statement of Newness and Distinctiveness: **Those features of the skin cleansing device depicted in the representations that are new and distinctive are the shape and/or configuration. The tufts are comprised of numerous bristles as shown in Fig 8 of the representations. The feature shown in broken lines is not part of the design and is to be disregarded when considering the overall impression of the design.**



- (21) Design Number: **10305/2014**
(22) Date of Filing Application: **23 January 2014**
(24) Date from which industrial property rights may have effect: **23 January 2014**
(54) Product in respect of which the design is registered: **Skin cleansing device**
(51) International Design Classification: **28-03NES**
(74) Name(s) of Attorney(s): **PHILLIPS ORMONDE FITZPATRICK**
(71) Name(s) and Address(s) of Applicant(s):
ELC Management LLC
155 Pinelawn Road Suite 345 South Melville New York 11747 United States of America
(72) Name(s) of Designer(s): **Thomas Edward Owen and Jenny Wong and Lois Cecere and Richard LaPosta and Jenny Belknap and Chong Won Jessica Woo-Kim**
(45) Registration Date: **27 February 2014**
(30) Convention priority data:
(31) Number (32) Date (33) Country
29/461,384 23 Jul 2013 UNITED STATES OF AMERICA
(56) Related Art Documents: **Not Applicable**
(57) Statement of Newness and Distinctiveness: **Those features of the skin cleansing device depicted in the representations that are new and distinctive are the shape and/or configuration. The tufts are comprised of numerous bristles as shown in Fig 8 of the representations. The feature shown in broken lines is not part of the design and is to be disregarded when considering the overall impression of the design.**



- (21) Design Number: **10306/2014**
(22) Date of Filing Application: **23 January 2014**
(24) Date from which industrial property rights may have effect: **23 January 2014**
(54) Product in respect of which the design is registered: **Skin cleansing device**
(51) International Design Classification: **28-03NES**
(74) Name(s) of Attorney(s): **PHILLIPS ORMONDE FITZPATRICK**
(71) Name(s) and Address(s) of Applicant(s):
ELC Management LLC
155 Pinelawn Road Suite 345 South Melville New York 11747 United States of America
(72) Name(s) of Designer(s): **Thomas Edward Owen and Jenny Wong and Lois Cecere and Richard LaPosta and Chong Won Jessica Woo-Kim**
(45) Registration Date: **27 February 2014**
(30) Convention priority data:
(31) Number (32) Date (33) Country
29/461,379 23 Jul 2013 UNITED STATES OF AMERICA
(56) Related Art Documents: **Not Applicable**
(57) Statement of Newness and Distinctiveness: **Those features of the skin cleansing device depicted in the representations that are new and distinctive are the shape and/or configuration. The tufts are comprised of numerous bristles as shown in Fig 8 of the representations. The feature shown in broken lines is not part of the design and is to be disregarded when considering the overall impression of the design.**

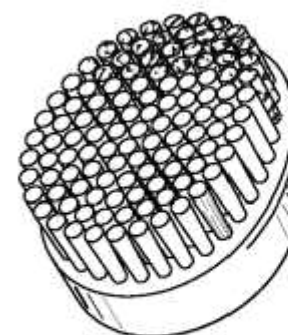


(21) Design Number: **10307/2014**
(22) Date of Filing Application: **23 January 2014**
(24) Date from which industrial property rights may have effect: **23 January 2014**
(54) Product in respect of which the design is registered: **Skin cleansing device**
(51) International Design Classification: **28-03NES**
(74) Name(s) of Attorney(s): **PHILLIPS ORMONDE FITZPATRICK**
(71) Name(s) and Address(s) of Applicant(s):
ELC Management LLC
767 Fifth Avenue New York New York 10153 United States of America
(72) Name(s) of Designer(s): **Thomas Edward Owen and Jenny Wong and Lois Cecere and Richard LaPosta and Chong Won Jessica Woo-Kim**
(45) Registration Date: **27 February 2014**
(30) Convention priority data:
(31) Number (32) Date (33) Country
29/461,383 23 Jul 2013 UNITED STATES OF AMERICA



(56) Related Art Documents: **Not Applicable**
(57) Statement of Newness and Distinctiveness: **Those features of the skin cleansing device depicted in the representations that are new and distinctive are the shape and/or configuration. The tufts are comprised of numerous bristles as shown in Fig 8 of the representations. The shading of the bristle tufts indicate proportions of bristle tufts that may or may not vary in colour and are included for illustrative purposes only and form no part of the claimed design. The feature shown in broken lines is not part of the design and is to be disregarded.**

(21) Design Number: **10308/2014**
(22) Date of Filing Application: **23 January 2014**
(24) Date from which industrial property rights may have effect: **23 January 2014**
(54) Product in respect of which the design is registered: **Skin cleansing device**
(51) International Design Classification: **28-03NES**
(74) Name(s) of Attorney(s): **PHILLIPS ORMONDE FITZPATRICK**
(71) Name(s) and Address(s) of Applicant(s):
ELC Management LLC
155 Pinelawn Road Suite 345 South Melville New York 11747 United States of America
(72) Name(s) of Designer(s): **Thomas Edward Owen and Jenny Wong and Lois Cecere and Richard LaPosta and Jenny Belknap and Chong Won Jessica Woo-Kim**
(45) Registration Date: **27 February 2014**
(30) Convention priority data:
(31) Number (32) Date (33) Country
29/461,384 23 Jul 2013 UNITED STATES OF AMERICA

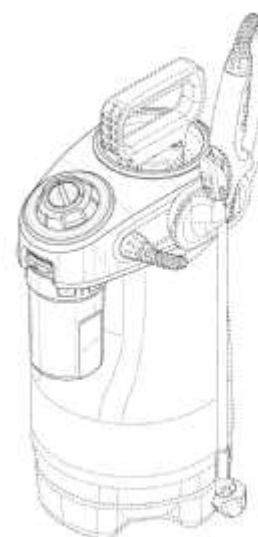


(56) Related Art Documents: **Not Applicable**
(57) Statement of Newness and Distinctiveness: **Those features of the skin cleansing device depicted in the representations that are new and distinctive are the shape and/or configuration. The tufts are comprised of numerous bristles as shown in Fig 8 of the representations. The shading of the bristle tufts indicate proportions of bristles tufts that may or may not vary in colour and are included for illustrative purposes only and form no part of the claimed design. The feature shown in broken lines is not part of the design and is to be disregarded.**

- (21) Design Number: **10309/2014**
(22) Date of Filing Application: **23 January 2014**
(24) Date from which industrial property rights may have effect: **23 January 2014**
(54) Product in respect of which the design is registered: **Skin cleansing applicator base**
(51) International Design Classification: **28-03NES**
(74) Name(s) of Attorney(s): **PHILLIPS ORMONDE FITZPATRICK**
(71) Name(s) and Address(s) of Applicant(s):
ELC Management LLC
155 Pinelawn Road Suite 345 South Melville New York 11747 United States of America
(72) Name(s) of Designer(s): **Thomas Edward Owen and Jenny Wong and Richard LaPosta and Lois Cecere and Chong Won Jessica Woo-Kim**
(45) Registration Date: **27 February 2014**
(30) Convention priority data:
(31) Number (32) Date (33) Country
29/461,388 23 Jul 2013 UNITED STATES OF AMERICA
(56) Related Art Documents: **Not Applicable**
(57) Statement of Newness and Distinctiveness: **Those features of the skin cleansing applicator base depicted in the representations that are new and distinctive are the shape and/or configuration. The features shown in broken lines are not part of the design and are to be disregarded when considering the overall impression of the design.**



- (21) Design Number: **10310/2014**
(22) Date of Filing Application: **23 January 2014**
(24) Date from which industrial property rights may have effect: **23 January 2014**
(54) Product in respect of which the design is registered: **Shroud for manually operated spray tank**
(51) International Design Classification: **23-99**
(74) Name(s) of Attorney(s): **SPRUSON & FERGUSON**
(71) Name(s) and Address(s) of Applicant(s):
The Fountainhead Group, Inc.
23 Garden Street New York Mills New York 13417-1318 United States of America
(72) Name(s) of Designer(s): **Todd B Abernethy and Mario J Restive and George A Mitchell and Donwoong Kang and David J Hine**
(45) Registration Date: **27 February 2014**
(30) Convention priority data:
(31) Number (32) Date (33) Country
29/461432 23 Jul 2013 UNITED STATES OF AMERICA
(56) Related Art Documents: **Not Applicable**
(57) Statement of Newness and Distinctiveness: **Newness and distinctiveness is claimed in those features of shape and/or configuration of a shroud for manually operated spray tank illustrated in continuous lines in the accompanying representations.**



(21) Design Number: **10311/2014**
(22) Date of Filing Application: **23 January 2014**
(24) Date from which industrial property rights may have effect: **23 January 2014**
(54) Product in respect of which the design is registered: **Liquid chromatograph**
(51) International Design Classification: **24-01**
(74) Name(s) of Attorney(s): **PHILLIPS ORMONDE FITZPATRICK**
(71) Name(s) and Address(s) of Applicant(s):
Sekisui Medical Co., Ltd.
13-5, Nihonbashi 3-chome Chuo-ku Tokyo Japan
(72) Name(s) of Designer(s): **Masato Nishikawa and Takayuki Oka and Takuya Yotani**
(45) Registration Date: **27 February 2014**
(30) Convention priority data:
(31) Number (32) Date (33) Country
2013-017073 26 Jul 2013 JAPAN



(56) Related Art Documents: **Not Applicable**
(57) Statement of Newness and Distinctiveness: **Those features of the liquid chromatograph depicted in the representations that are new and distinctive are the shape and/or configuration. The lid of the liquid chromatograph marked "A" is transparent. The feet of the liquid chromatograph marked "B" are not part of the design and are to be disregarded when considering the overall impression of the design.**

(21) Design Number: **10316/2014**
(22) Date of Filing Application: **24 January 2014**
(24) Date from which industrial property rights may have effect: **24 January 2014**
(54) Product in respect of which the design is registered: **A motorcycle**
(51) International Design Classification: **12-08**
(74) Name(s) of Attorney(s): **SPRUSON & FERGUSON**
(71) Name(s) and Address(s) of Applicant(s):
Honda Motor Co., Ltd.
1-1, Minami-Aoyama 2-chome, Minato-ku Tokyo 107-8556 Japan
(72) Name(s) of Designer(s): **Daisuke Tokumura and Akira Omae**
(45) Registration Date: **27 February 2014**
(30) Convention priority data:
(31) Number (32) Date (33) Country
2013-017457 31 Jul 2013 JAPAN

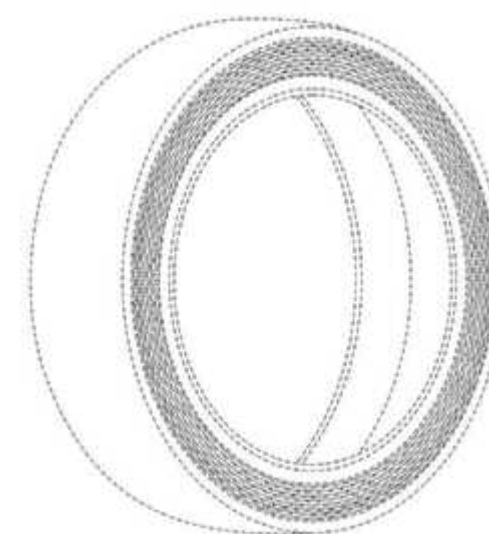


(56) Related Art Documents: **Not Applicable**
(57) Statement of Newness and Distinctiveness: **Newness and distinctiveness is claimed in the features of shape and/or configuration of a motorcycle as illustrated in the accompanying representations.**

- (21) Design Number: **10322/2014**
(22) Date of Filing Application: **24 January 2014**
(24) Date from which industrial property rights may have effect: **24 January 2014**
(54) Product in respect of which the design is registered: **A tyre**
(51) International Design Classification: **12-15NES**
(74) Name(s) of Attorney(s): **WATERMARK PATENT AND TRADE MARKS ATTORNEYS**
(71) Name(s) and Address(s) of Applicant(s):
Compagnie Generale Des Etablissements Michelin
12 cours Sablon Clermont-Ferrand 63000 France
Michelin Recherche et Technique S.A.
Route Louis Braille 10 Granges-Paccot 1763 Switzerland
(72) Name(s) of Designer(s): **Tomohiro Seii**
(45) Registration Date: **27 February 2014**
(30) Convention priority data:
(31) Number (32) Date (33) Country
002281741-0001 26 Jul 2013 OFFICE FOR HARMONISATION IN
THE INTERNAL MARKET (OHIM)
(56) Related Art Documents: **Not Applicable**
(57) Statement of Newness and Distinctiveness: **Newness and distinctiveness resides in the appearance of a side wall of a tyre as shown in the annexed drawings, the remainder of the tyre not forming part of the design.**



- (21) Design Number: **10323/2014**
(22) Date of Filing Application: **24 January 2014**
(24) Date from which industrial property rights may have effect: **24 January 2014**
(54) Product in respect of which the design is registered: **A tyre**
(51) International Design Classification: **12-15NES**
(74) Name(s) of Attorney(s): **WATERMARK PATENT AND TRADE MARKS ATTORNEYS**
(71) Name(s) and Address(s) of Applicant(s):
Compagnie Generale Des Etablissements Michelin
12 cours Sablon Clermont-Ferrand 63000 France
Michelin Recherche et Technique S.A.
Route Louis Braille 10 Granges-Paccot 1763 Switzerland
(72) Name(s) of Designer(s): **Tomohiro Seii**
(45) Registration Date: **27 February 2014**
(30) Convention priority data:
(31) Number (32) Date (33) Country
002281741-0001 26 Jul 2013 OFFICE FOR HARMONISATION IN
THE INTERNAL MARKET (OHIM)
(56) Related Art Documents: **Not Applicable**
(57) Statement of Newness and Distinctiveness: **Newness and distinctiveness resides in the appearance of a side wall of a tyre as shown in the annexed drawings, the remainder of the tyre not forming part of the design.**



- (21) Design Number: **10324/2014**
(22) Date of Filing Application: **24 January 2014**
(24) Date from which industrial property rights may have effect: **24 January 2014**
(54) Product in respect of which the design is registered: **Children's ride on toy**
(51) International Design Classification: **21-01F**
(74) Name(s) of Attorney(s):
(71) Name(s) and Address(s) of Applicant(s):
Wildchild Design Pty. Ltd.
PO BOX 373 Kuranda QLD 4881 Australia
(72) Name(s) of Designer(s): **Christiane Child**
(45) Registration Date: **27 February 2014**
(56) Related Art Documents: **Not Applicable**
(57) Statement of Newness and Distinctiveness: **The newness and distinctiveness of the design resides in the shape of the animal in the accompanying representations.**



- (21) Design Number: **10325/2014**
(22) Date of Filing Application: **24 January 2014**
(24) Date from which industrial property rights may have effect: **24 January 2014**
(54) Product in respect of which the design is registered: **A headlight for a motorcycle**
(51) International Design Classification: **26-06**
(74) Name(s) of Attorney(s): **SPRUSON & FERGUSON**
(71) Name(s) and Address(s) of Applicant(s):
Honda Motor Co., Ltd.
1-1 Minami-Aoyama 2-Chome Minato-ku Tokyo Japan
(72) Name(s) of Designer(s): **Daisuke Kuriki and Mao Yoshida**
(45) Registration Date: **27 February 2014**
(30) Convention priority data:
(31) Number (32) Date (33) Country
2013-017459 31 Jul 2013 JAPAN
(56) Related Art Documents: **Not Applicable**
(57) Statement of Newness and Distinctiveness: **Newness and distinctiveness is claimed in the features of shape and/or configuration of a headlight for a motorcycle as illustrated in the accompanying representations.**



- (21) Design Number: **10326/2014**
(22) Date of Filing Application: **24 January 2014**
(24) Date from which industrial property rights may have effect: **24 January 2014**
(54) Product in respect of which the design is registered: **A front side cowl for a motorcycle**
(51) International Design Classification: **12-11**
(74) Name(s) of Attorney(s): **SPRUSON & FERGUSON**
(71) Name(s) and Address(s) of Applicant(s):
Honda Motor Co., Ltd.
1-1 Minami-Aoyama 2-Chome Minato-ku Tokyo Japan
(72) Name(s) of Designer(s): **Daisuke Tokumura and Akira Omae**
(45) Registration Date: **27 February 2014**
(30) Convention priority data:
(31) Number (32) Date (33) Country
2013-017458 31 Jul 2013 JAPAN
(56) Related Art Documents: **Not Applicable**
(57) Statement of Newness and Distinctiveness: **Newness and distinctiveness is claimed in the features of shape and/or configuration of a front side cowl for a motorcycle as illustrated in the accompanying representations.**



- (21) Design Number: **10327/2014**
(22) Date of Filing Application: **24 January 2014**
(24) Date from which industrial property rights may have effect: **24 January 2014**
(54) Product in respect of which the design is registered: **A front side cowl for a motor scooter**
(51) International Design Classification: **12-11**
(74) Name(s) of Attorney(s): **SPRUSON & FERGUSON**
(71) Name(s) and Address(s) of Applicant(s):
Honda Motor Co., Ltd.
1-1 Minami-Aoyama 2-Chome Minato-ku Tokyo Japan
(72) Name(s) of Designer(s): **Hiroki Yoshitomi and Kohei Suzuki**
(45) Registration Date: **27 February 2014**
(30) Convention priority data:
(31) Number (32) Date (33) Country
2013-016973 25 Jul 2013 JAPAN
(56) Related Art Documents: **Not Applicable**
(57) Statement of Newness and Distinctiveness: **Newness and distinctiveness is claimed in the features of shape and/or configuration of a front side cowl for a motor scooter as illustrated in the accompanying representations.**



(21) Design Number: **10330/2014**
(22) Date of Filing Application: **24 January 2014**
(24) Date from which industrial property rights may have effect: **24 January 2014**
(54) Product in respect of which the design is registered: **Children's ride on toy**
(51) International Design Classification: **21-01F**
(74) Name(s) of Attorney(s):
(71) Name(s) and Address(s) of Applicant(s):
Wildchild Design Pty. Ltd.
PO BOX 373 Kuranda QLD 4881 Australia
(72) Name(s) of Designer(s): **Christiane Child**
(45) Registration Date: **27 February 2014**
(56) Related Art Documents: **Not Applicable**
(57) Statement of Newness and Distinctiveness: **The newness and distinctiveness of the design resides in the shape of the animal as shown in the accompanying representations.**



(21) Design Number: **10358/2014**
(22) Date of Filing Application: **24 January 2014**
(24) Date from which industrial property rights may have effect: **24 January 2014**
(54) Product in respect of which the design is registered: **Flooring module**
(51) International Design Classification: **05-06NES**
(74) Name(s) of Attorney(s): **Baxter IP**
(71) Name(s) and Address(s) of Applicant(s):
Bole OU
Louna 6B Paldiski Harju maakond 76805 Estonia
(72) Name(s) of Designer(s): **Hannes Tarn**
(45) Registration Date: **27 February 2014**
(30) Convention priority data:
(31) Number (32) Date (33) Country
D201300039 25 Jul 2013 ESTONIA
(56) Related Art Documents: **Not Applicable**
(57) Statement of Newness and Distinctiveness: **Nil**



(21) Design Number: **10361/2014**

(22) Date of Filing Application: **27 January 2014**

(24) Date from which industrial property rights may have effect: **27 January 2014**

(54) Product in respect of which the design is registered: **Sunglasses**

(51) International Design Classification: **16-06**

(74) Name(s) of Attorney(s): **AJ Park**

(71) Name(s) and Address(s) of Applicant(s):

Timothy Flaxman

**Whispering Reeds, The Dell Butt Lane, Burgh Castle Great Yarmouth
Norfolk NR31 9AJ United Kingdom**

(72) Name(s) of Designer(s): **Timothy Flaxman**

(45) Registration Date: **27 February 2014**

(30) Convention priority data:

(31) Number

(32) Date

(33) Country

002291831-0001 14 Aug 2013

**OFFICE FOR HARMONISATION IN
THE INTERNAL MARKET (OHIM)**

(56) Related Art Documents: **Not Applicable**

(57) Statement of Newness and Distinctiveness: **Newness and distinctiveness
reside in the features of shape and/or configuration of the SUNGLASSES
as shown in the representations.**



(21) Design Number: **10362/2014**

(22) Date of Filing Application: **27 January 2014**

(24) Date from which industrial property rights may have effect: **27 January 2014**

(54) Product in respect of which the design is registered: **Playground equipment**

(51) International Design Classification: **21-03**

(74) Name(s) of Attorney(s):

(71) Name(s) and Address(s) of Applicant(s):

Inventure Pty Ltd

PO BOX 799 Narellan NSW 2567 Australia

(72) Name(s) of Designer(s): **Peter Ingram**

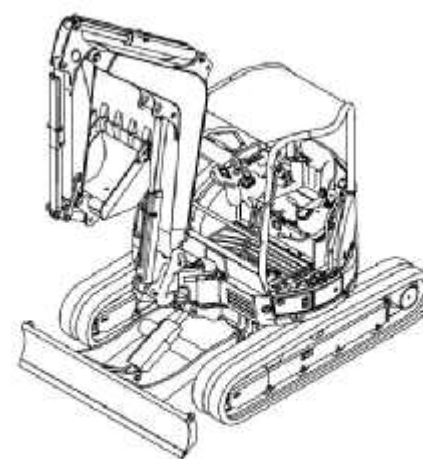
(45) Registration Date: **27 February 2014**

(56) Related Art Documents: **Not Applicable**

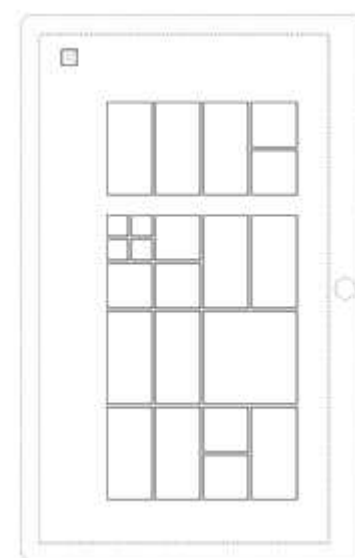
(57) Statement of Newness and Distinctiveness: **The newness and
distinctiveness of the design resides in the shape of the saddle as shown
in the accompanying image/s.**



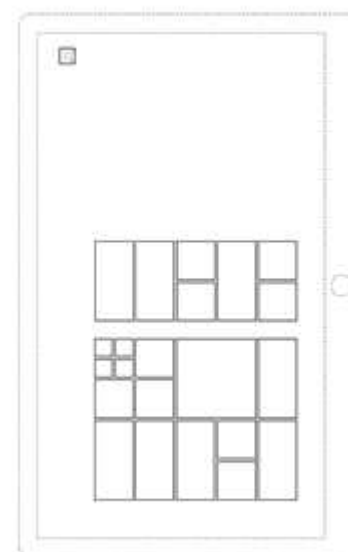
- (21) Design Number: **10363/2014**
(22) Date of Filing Application: **28 January 2014**
(24) Date from which industrial property rights may have effect: **28 January 2014**
(54) Product in respect of which the design is registered: **Excavator**
(51) International Design Classification: **15-04**
(74) Name(s) of Attorney(s): **WATERMARK PATENT AND TRADE MARKS ATTORNEYS**
(71) Name(s) and Address(s) of Applicant(s):
Yanmar Co., Ltd
Umeda Gate Tower, 1-9 Tsurunocho, Kita-ku Osaka-shi Osaka 530-8311
Japan
(72) Name(s) of Designer(s): **Hisayuki Ishii**
(45) Registration Date: **27 February 2014**
(30) Convention priority data:
(31) Number (32) Date (33) Country
2013-017224 29 Jul 2013 JAPAN
(56) Related Art Documents: **Not Applicable**
(57) Statement of Newness and Distinctiveness: **Newness and distinctiveness resides in the features of shape and configuration of the excavator as shown in the accompanying representations.**



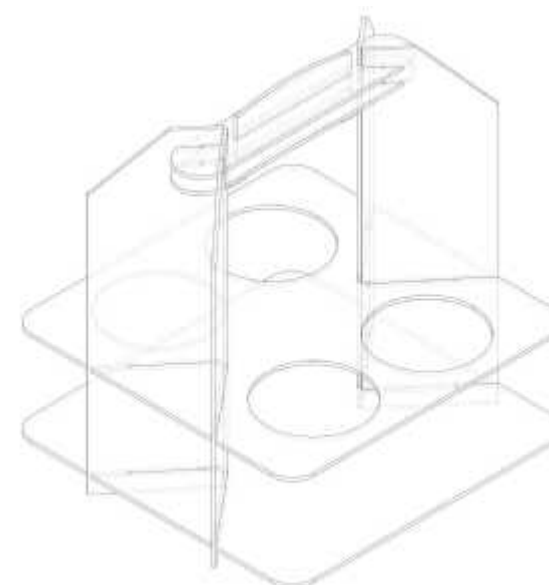
- (21) Design Number: **10563/2014**
(22) Date of Filing Application: **06 February 2014**
(24) Date from which industrial property rights may have effect: **06 February 2014**
(54) Product in respect of which the design is registered: **Display screen with graphical user interface**
(51) International Design Classification: **14-02**
(74) Name(s) of Attorney(s): **Shelston IP**
(71) Name(s) and Address(s) of Applicant(s):
Microsoft Corporation
One Microsoft Way Redmond Washington 98052 United States of America
(72) Name(s) of Designer(s): **Hui-Chun Ku and Lauren Michelle Beckwith and Alan Andrew Urdan and Poorva Singal and Nazia Zaman**
(45) Registration Date: **27 February 2014**
(30) Convention priority data:
(31) Number (32) Date (33) Country
29/456219 29 May 2013 UNITED STATES OF AMERICA
(56) Related Art Documents: **Not Applicable**
(57) Statement of Newness and Distinctiveness: **Newness and distinctiveness reside in the features of pattern and/or ornamentation of a display screen with graphical use interface as illustrated by solid lines in the accompanying representation. The features shown in broken outline are for contextual purposes only and do not form part of the design.**



- (21) Design Number: **10564/2014**
(22) Date of Filing Application: **06 February 2014**
(24) Date from which industrial property rights may have effect: **29 November 2013**
(54) Product in respect of which the design is registered: **Display screen with graphical user interface**
(51) International Design Classification: **14-02**
(74) Name(s) of Attorney(s): **Shelston IP**
(71) Name(s) and Address(s) of Applicant(s):
Microsoft Corporation
One Microsoft Way Redmond Washington 98052 United States of America
(72) Name(s) of Designer(s): **Hui-Chun Ku and Lauren Michelle Beckwith and Alan Andrew Urdan and Poorva Singal and Nazia Zaman**
(45) Registration Date: **27 February 2014**
(30) Convention priority data:
(31) Number (32) Date (33) Country
29/456219 29 May 2013 UNITED STATES OF AMERICA
(62) Divisional of: **353662**
(56) Related Art Documents: **Not Applicable**
(57) Statement of Newness and Distinctiveness: **Newness and distinctiveness reside in the features of pattern and/or ornamentation of a display screen with graphical use interface as illustrated by solid lines in the accompanying representation. The features shown in broken outline are for contextual purposes only and do not form part of the design.**



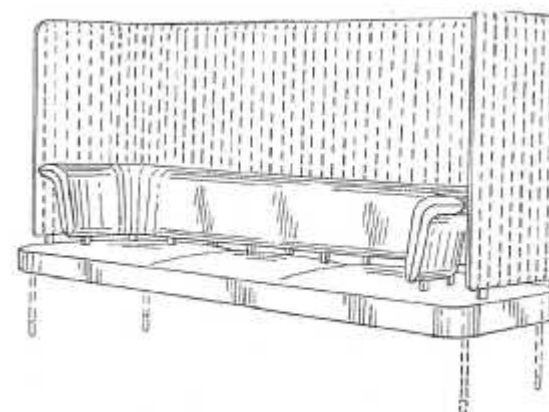
- (21) Design Number: **10649/2014**
(22) Date of Filing Application: **10 February 2014**
(24) Date from which industrial property rights may have effect: **18 December 2013**
(54) Product in respect of which the design is registered: **Drink carrier**
(51) International Design Classification: **09-03E**
(74) Name(s) of Attorney(s):
(71) Name(s) and Address(s) of Applicant(s):
Anthony Michael Crawford
30 Green St Invermay TAS 7248 Australia
(72) Name(s) of Designer(s): **Anthony Michael Crawford**
(45) Registration Date: **27 February 2014**
(62) Divisional of: **353663**
(56) Related Art Documents: **Not Applicable**
(57) Statement of Newness and Distinctiveness: **The newness and distinctiveness of the design resides in the flatpack nature of the product, including the method of assembly/disassembly. The shape is distinctive and dictates the overall structure of the product and the way it is intended to be used. The halving joint slot width is determined by the material thickness and could be altered accordingly. Both the graphical representations and photographs of prototypes demonstrate the product in both an assembled and disassembled state. This object has been designed to carry/support four beverages. The broken lines are not part of the design and are to be disregarded when considering the overall impression of the design.**



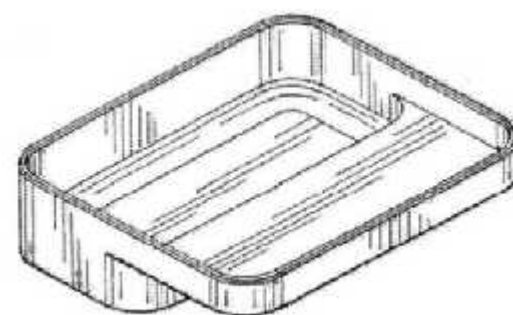
- (21) Design Number: **10684/2014**
(22) Date of Filing Application: **12 February 2014**
(24) Date from which industrial property rights may have effect: **06 December 2013**
(54) Product in respect of which the design is registered: **Chair and backrest support**
(51) International Design Classification: **06-01F**
(74) Name(s) of Attorney(s): **Griffith Hack**
(71) Name(s) and Address(s) of Applicant(s):
Herman Miller, Inc.
855 East Main Avenue Zeeland Michigan 49464 United States of America
(72) Name(s) of Designer(s): **Claudia Plikat and Johann Burkhard Schmitz and Carola Eva Mariane Zwick and Roland Rolf Otto Zwick and Janja Maidl**
(45) Registration Date: **27 February 2014**
(62) Divisional of: **353846**
(56) Related Art Documents: **Not Applicable**
(57) Statement of Newness and Distinctiveness: **Newness and distinctiveness resides in the visual features, including the shape and configuration of those parts of the product shown by means of solid lines. Those parts shown in dashed lines have been included for illustrative purposes and do not form part of the design.**



- (21) Design Number: **10688/2014**
(22) Date of Filing Application: **12 February 2014**
(24) Date from which industrial property rights may have effect: **06 December 2013**
(54) Product in respect of which the design is registered: **Couch**
(51) International Design Classification: **06-01G**
(74) Name(s) of Attorney(s): **Griffith Hack**
(71) Name(s) and Address(s) of Applicant(s):
Herman Miller, Inc.
MS 0440 855 East Main Avenue Zeeland Michigan 49464-0302 United States of America
(72) Name(s) of Designer(s): **Yves Behar and Qin Li and Erik Kreider and Naoya Edahiro and Noah Murphy-Reinhertz and Casey Doran Lewis**
(45) Registration Date: **27 February 2014**
(62) Divisional of: **353836**
(56) Related Art Documents: **Not Applicable**
(57) Statement of Newness and Distinctiveness: **Newness and distinctiveness resides in the visual features, including the shape and configuration of the product as shown by means of solid lines in the representations. Those parts shown by means of dashed lines have been included for illustrative purposes and do not form part of the design.**



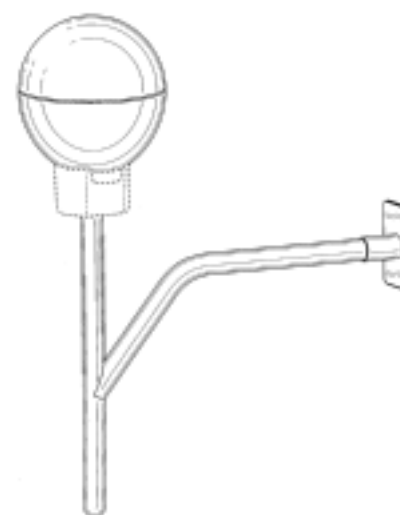
- (21) Design Number: **10725/2014**
(22) Date of Filing Application: **17 February 2014**
(24) Date from which industrial property rights may have effect: **06 December 2013**
(54) Product in respect of which the design is registered: **Storage component**
(51) International Design Classification: **06-04NES**
(74) Name(s) of Attorney(s): **Griffith Hack**
(71) Name(s) and Address(s) of Applicant(s):
Herman Miller, Inc
MS 0440 855 East Main Avenue Zeeland MI, 49464-0302 United States of America
(72) Name(s) of Designer(s): **Sam Hecht and Kimberlee Colin and Philipp Von Lintel and Ippei Matsumoto**
(45) Registration Date: **27 February 2014**
(62) Divisional of: **353886**
(56) Related Art Documents: **Not Applicable**
(57) Statement of Newness and Distinctiveness: **Newness and distinctiveness resides in the visual features, including the shape and configuration of the product shown in the representations.**



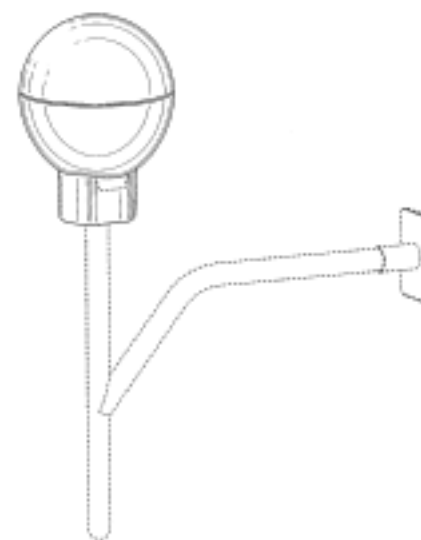
- (21) Design Number: **10726/2014**
(22) Date of Filing Application: **13 February 2014**
(24) Date from which industrial property rights may have effect: **27 November 2013**
(54) Product in respect of which the design is registered: **Terrestrial unit for connectivity to a balloon network**
(51) International Design Classification: **14-03NES, 14-01, 14-99**
(74) Name(s) of Attorney(s): **Fisher Adams Kelly Pty Ltd**
(71) Name(s) and Address(s) of Applicant(s):
Google, Inc.
1600 Amphitheatre Parkway MOUNTAIN VIEW 94043 California United States of America
(72) Name(s) of Designer(s): **Mitchell Joseph Heinrich and Yoshimichi Matsuoka and Brian Wasson**
(45) Registration Date: **27 February 2014**
(30) Convention priority data:

(31) Number	(32) Date	(33) Country
29/456910	05 Jun 2013	UNITED STATES OF AMERICA

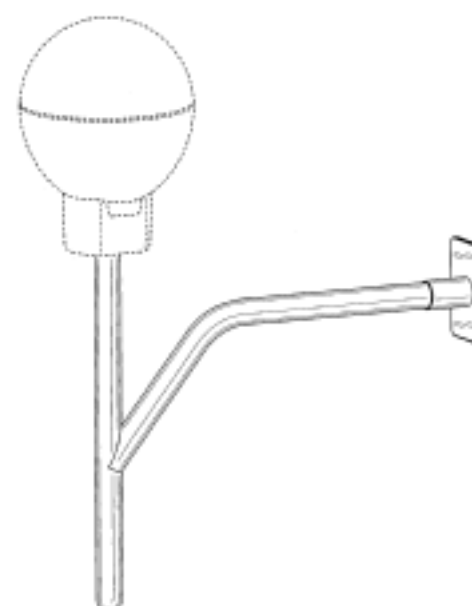
(62) Divisional of: **353835**
(56) Related Art Documents: **Not Applicable**
(57) Statement of Newness and Distinctiveness: **The newness and distinctiveness of the design resides in the shape and/or configuration of the TERRESTRIAL UNIT FOR CONNECTIVITY TO A BALLOON NETWORK shown in the representations. The portions shown in broken lines should be disregarded when assessing the newness and distinctiveness of the design.**



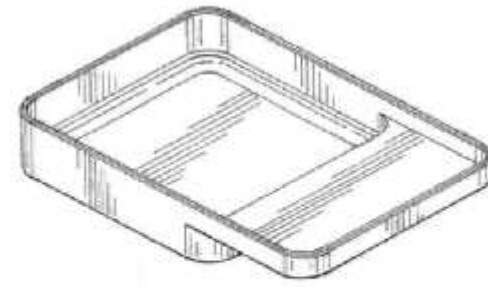
(21) Design Number: **10727/2014**
(22) Date of Filing Application: **13 February 2014**
(24) Date from which industrial property rights may have effect: **27 November 2013**
(54) Product in respect of which the design is registered: **Terrestrial unit for connectivity to a balloon network**
(51) International Design Classification: **14-03NES, 14-01, 14-99**
(74) Name(s) of Attorney(s): **Fisher Adams Kelly Pty Ltd**
(71) Name(s) and Address(s) of Applicant(s):
Google, Inc.
1600 Amphitheatre Parkway MOUNTAIN VIEW 94043 California United States of America
(72) Name(s) of Designer(s): **Mitchell Joseph Heinrich and Yoshimichi Matsuoka and Brian Wasson**
(45) Registration Date: **27 February 2014**
(30) Convention priority data:
(31) Number (32) Date (33) Country
29/456910 05 Jun 2013 UNITED STATES OF AMERICA
(62) Divisional of: **353835**
(56) Related Art Documents: **Not Applicable**
(57) Statement of Newness and Distinctiveness: **The newness and distinctiveness of the design resides in the shape and/or configuration of the TERRESTRIAL UNIT FOR CONNECTIVITY TO A BALLOON NETWORK shown in the representations. The portions shown in broken lines should be disregarded when assessing the newness and distinctiveness of the design.**



(21) Design Number: **10728/2014**
(22) Date of Filing Application: **13 February 2014**
(24) Date from which industrial property rights may have effect: **27 November 2013**
(54) Product in respect of which the design is registered: **Terrestrial unit for connectivity to a balloon network**
(51) International Design Classification: **14-03NES, 14-01, 14-99**
(74) Name(s) of Attorney(s): **Fisher Adams Kelly Pty Ltd**
(71) Name(s) and Address(s) of Applicant(s):
Google, Inc.
1600 Amphitheatre Parkway MOUNTAIN VIEW 94043 California United States of America
(72) Name(s) of Designer(s): **Mitchell Joseph Heinrich and Yoshimichi Matsuoka and Brian Wasson**
(45) Registration Date: **27 February 2014**
(30) Convention priority data:
(31) Number (32) Date (33) Country
29/456910 05 Jun 2013 UNITED STATES OF AMERICA
(62) Divisional of: **353835**
(56) Related Art Documents: **Not Applicable**
(57) Statement of Newness and Distinctiveness: **The newness and distinctiveness of the design resides in the shape and/or configuration of the TERRESTRIAL UNIT FOR CONNECTIVITY TO A BALLOON NETWORK shown in the representations. The portions shown in broken lines should be disregarded when assessing the newness and distinctiveness of the design.**



- (21) Design Number: **10729/2014**
(22) Date of Filing Application: **17 February 2014**
(24) Date from which industrial property rights may have effect: **06 December 2013**
(54) Product in respect of which the design is registered: **Storage component**
(51) International Design Classification: **06-04NES**
(74) Name(s) of Attorney(s): **Griffith Hack**
(71) Name(s) and Address(s) of Applicant(s):
Herman Miller, Inc
MS 0440 855 East Main Avenue Zeeland MI, 49464-0302 United States of America
(72) Name(s) of Designer(s): **Sam Hecht and Kimberlee Colin and Philipp Von Lintel and Ippei Matsumoto**
(45) Registration Date: **27 February 2014**
(62) Divisional of: **353886**
(56) Related Art Documents: **Not Applicable**
(57) Statement of Newness and Distinctiveness: **Newness and distinctiveness resides in the visual features, including the shape and configuration of the product shown in the representations.**



- (21) Design Number: **11188/2013**
(22) Date of Filing Application: **12 March 2013**
(24) Date from which industrial property rights may have effect: **12 March 2013**
(54) Product in respect of which the design is registered: **Insert for a temperature regulating valve**
(51) International Design Classification: **23-01K, 10-04**
(74) Name(s) of Attorney(s): **Callinans**
(71) Name(s) and Address(s) of Applicant(s):
GSA Industries (Aust) Pty Ltd
27-28 Chapman PI Eagle Farm QLD 4009 Australia
(72) Name(s) of Designer(s): **David Forrestal**
(45) Registration Date: **27 February 2014**
(56) Related Art Documents: **Not Applicable**
(57) Statement of Newness and Distinctiveness: **Novelty and distinctiveness lies in the shape of the insert for a temperature regulating valve as shown in the representations.**



- (21) Design Number: **12861/2013**
(22) Date of Filing Application: **21 June 2013**
(24) Date from which industrial property rights may have effect: **21 June 2013**
(54) Product in respect of which the design is registered: **Side Wall of a Metal Draw**
(51) International Design Classification: **06-06D**
(74) Name(s) of Attorney(s): **Griffith Hack**
(71) Name(s) and Address(s) of Applicant(s):
Harn Marketing Sdn. Bhd.
Plot 32 Lengkok Rishah 1 Kawasan Perindustrian Silibin Ipoh Perak
30100 Malaysia
(72) Name(s) of Designer(s): **Harn Lian Lam and Harn Yan Lam**
(45) Registration Date: **27 February 2014**
(30) Convention priority data:
(31) Number (32) Date (33) Country
12-01766-0101 21 Dec 2012 MALAYSIA
(56) Related Art Documents: **Not Applicable**
(57) Statement of Newness and Distinctiveness: **Newness and distinctiveness resides in the visual features, including the shape and configuration of the product as shown in the representation.**



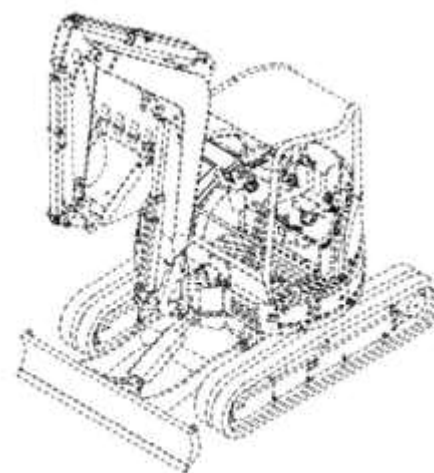
- (21) Design Number: **10223/2014**
(22) Date of Filing Application: **20 January 2014**
(24) Date from which industrial property rights may have effect: **20 January 2014**
(54) Product in respect of which the design is registered: **Sanitary faucet**
(51) International Design Classification: **23-01H**
(74) Name(s) of Attorney(s): **Griffith Hack**
(71) Name(s) and Address(s) of Applicant(s):
Hansgrohe SE
Auestr. 5-9 Schiltach 77761 Germany
(72) Name(s) of Designer(s): **Antonio Citterio**
(45) Registration Date: **27 February 2014**
(30) Convention priority data:
(31) Number (32) Date (33) Country
001379093-0004 26 Jul 2013 OFFICE FOR HARMONISATION IN THE INTERNAL MARKET (OHIM)
(56) Related Art Documents: **Not Applicable**
(57) Statement of Newness and Distinctiveness: **Newness and distinctiveness resides in the visual features, including shape and configuration of the product as shown in the attached representations.**



- (21) Design Number: **10364/2014**
(22) Date of Filing Application: **28 January 2014**
(24) Date from which industrial property rights may have effect: **28 January 2014**
(54) Product in respect of which the design is registered: **A barbecue**
(51) International Design Classification: **07-02E**
(74) Name(s) of Attorney(s): **Halfords IP**
(71) Name(s) and Address(s) of Applicant(s):
Barbeques Galore (Aust) Pty Limited
Building 2A Campus Business Park 350-374 Parramatta Rd Homebush
NSW 2140 Australia
China Window Industry Co., Ltd
27F, No.4013, Shennan Road Shenzhen 518026 China
(72) Name(s) of Designer(s): **Peter Anderson and Stephen Spencer and Chih Jen Lin**
(45) Registration Date: **27 February 2014**
(30) Convention priority data:
(31) Number (32) Date (33) Country
201330419165.9 30 Aug 2013 CHINA
(56) Related Art Documents: **Not Applicable**
(57) Statement of Newness and Distinctiveness: **Newness and distinctiveness resides in those features of shape and or configuration of a barbecue as depicted in the representations.**



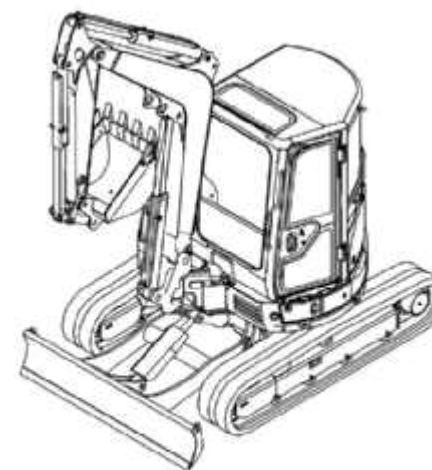
- (21) Design Number: **10365/2014**
(22) Date of Filing Application: **28 January 2014**
(24) Date from which industrial property rights may have effect: **28 January 2014**
(54) Product in respect of which the design is registered: **Excavator**
(51) International Design Classification: **15-04**
(74) Name(s) of Attorney(s): **WATERMARK PATENT AND TRADE MARKS ATTORNEYS**
(71) Name(s) and Address(s) of Applicant(s):
Yanmar Co., Ltd
Umeda Gate Tower, 1-9 Tsurunocho, Kita-ku Osaka-shi Osaka 530-8311
Japan
(72) Name(s) of Designer(s): **Yoshihiro Hayami and Masamitsu Uemura and Masataka Miyoshi and Hisayuki Ishii and Masaru Shimada**
(45) Registration Date: **27 February 2014**
(30) Convention priority data:
(31) Number (32) Date (33) Country
2013-017223 29 Jul 2013 JAPAN
(56) Related Art Documents: **Not Applicable**
(57) Statement of Newness and Distinctiveness: **Newness and distinctiveness resides in the features of shape and configuration of the excavator as shown in the accompanying representations. Each part expressed in slanted lines represents a transparent portion of the design.**



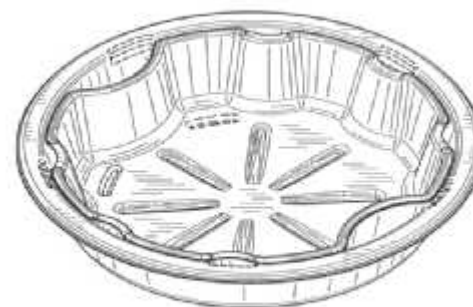
- (21) Design Number: **10370/2014**
(22) Date of Filing Application: **28 January 2014**
(24) Date from which industrial property rights may have effect: **18 November 2013**
(54) Product in respect of which the design is registered: **Vacuum cleaner component**
(51) International Design Classification: **15-05**
(74) Name(s) of Attorney(s): **Halfords IP**
(71) Name(s) and Address(s) of Applicant(s):
Aktiebolaget Electrolux
S:t Goransgatan 143 Stockholm SE-105 45 Sweden
(72) Name(s) of Designer(s): **Anna-Karin Gray**
(45) Registration Date: **27 February 2014**
(62) Divisional of: **353619**
(56) Related Art Documents: **Not Applicable**
(57) Statement of Newness and Distinctiveness: **Newness and distinctiveness resides in the features of shape and or configuration of a vacuum cleaner component as depicted in the representations.**



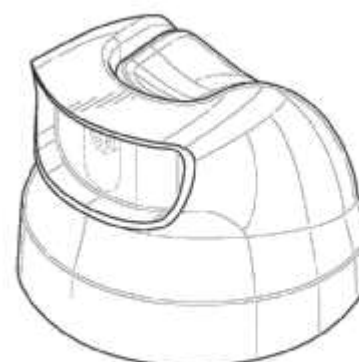
- (21) Design Number: **10372/2014**
(22) Date of Filing Application: **28 January 2014**
(24) Date from which industrial property rights may have effect: **28 January 2014**
(54) Product in respect of which the design is registered: **Excavator**
(51) International Design Classification: **15-04**
(74) Name(s) of Attorney(s): **WATERMARK PATENT AND TRADE MARKS ATTORNEYS**
(71) Name(s) and Address(s) of Applicant(s):
Yanmar Co., Ltd
Umeda Gate Tower, 1-9 Tsurunocho, Kita-ku Osaka-shi Osaka 530-8311 Japan
(72) Name(s) of Designer(s): **Yoshihiro Hayami and Masamitsu Uemura and Masataka Miyoshi and Hisayuki Ishii and Masaru Shimada**
(45) Registration Date: **27 February 2014**
(30) Convention priority data:
(31) Number (32) Date (33) Country
2013-017222 29 Jul 2013 JAPAN
(56) Related Art Documents: **Not Applicable**
(57) Statement of Newness and Distinctiveness: **Newness and distinctiveness resides in the features of shape and configuration of the excavator as shown in the accompanying representation.**



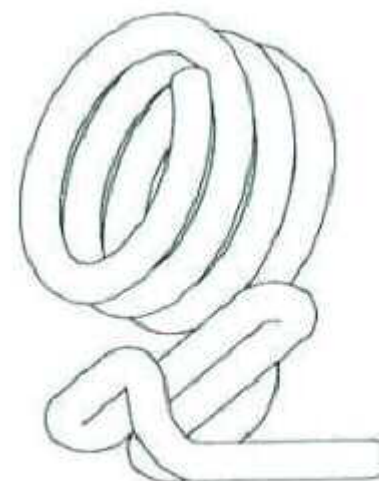
- (21) Design Number: **10373/2014**
(22) Date of Filing Application: **28 January 2014**
(24) Date from which industrial property rights may have effect: **28 January 2014**
(54) Product in respect of which the design is registered: **Plastic tray steamer assembly**
(51) International Design Classification: **07-02N**
(74) Name(s) of Attorney(s): **MINTER ELLISON**
(71) Name(s) and Address(s) of Applicant(s):
Sonoco Development, Inc.
North Second Street Hartsville South Carolina 29550 United States of America
(72) Name(s) of Designer(s): **Charles Phillips**
(45) Registration Date: **27 February 2014**
(56) Related Art Documents: **Not Applicable**
(57) Statement of Newness and Distinctiveness: **The shape and configuration of the Plastic tray steamer assembly is claimed to be new and distinctive. When considering the newness and distinctiveness of the design, the position of the indents on the base of the assembly, shown in dotted outline, may vary.**



- (21) Design Number: **10374/2014**
(22) Date of Filing Application: **28 January 2014**
(24) Date from which industrial property rights may have effect: **28 January 2014**
(54) Product in respect of which the design is registered: **Cap**
(51) International Design Classification: **09-07A**
(74) Name(s) of Attorney(s): **Shelston IP**
(71) Name(s) and Address(s) of Applicant(s):
Reckitt Benckiser LLC
Morris Corporate Center IV 399 Interpace Parkway Parsippany New Jersey 07054 United States of America
(72) Name(s) of Designer(s): **Sander Willem Thijssen and Teun Franciscus Van Wetten**
(45) Registration Date: **27 February 2014**
(30) Convention priority data:
(31) Number (32) Date (33) Country
002283291-0001 30 Jul 2013 OFFICE FOR HARMONISATION IN THE INTERNAL MARKET (OHIM)
(56) Related Art Documents: **Not Applicable**
(57) Statement of Newness and Distinctiveness: **Newness and distinctiveness resides in the features of shape and configuration of a cap as shown in solid lines in the accompanying representations.**



(21) Design Number: **10375/2014**
(22) Date of Filing Application: **28 January 2014**
(24) Date from which industrial property rights may have effect: **28 January 2014**
(54) Product in respect of which the design is registered: **Tissue marker for identifying intracorporeal site**
(51) International Design Classification: **24-02**
(74) Name(s) of Attorney(s): **WATERMARK PATENT AND TRADE MARKS ATTORNEYS**
(71) Name(s) and Address(s) of Applicant(s):
C R Bard, Inc
1415 W 3rd Street Tempe AZ 85281 United States of America
(72) Name(s) of Designer(s): **Timothy S Allen and Jennifer M Smith**
(45) Registration Date: **27 February 2014**
(30) Convention priority data:
(31) Number (32) Date (33) Country
29/467,897 24 Sep 2013 UNITED STATES OF AMERICA



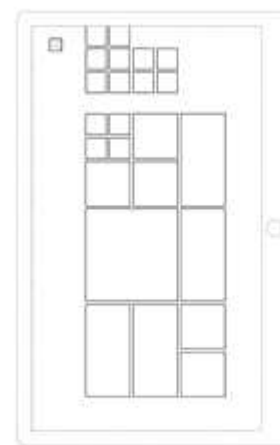
(56) Related Art Documents: **Not Applicable**
(57) Statement of Newness and Distinctiveness: **Newness and distinctiveness of the design is claimed in the features of shape and configuration applicable to a tissue marker for intracorporeal site identification. Shown in the accompanying figures when considering the scope of the design, the terms 'front', 'rear', 'upper', 'lower', 'right', 'left', 'top' and 'bottom' are used to label the figures for convenience only and are not necessarily reflective of the orientation of the tissue marker before or after placement at the intracorporeal site.**

(21) Design Number: **10378/2014**
(22) Date of Filing Application: **28 January 2014**
(24) Date from which industrial property rights may have effect: **28 January 2014**
(54) Product in respect of which the design is registered: **Tissue marker for identifying intracorporeal site**
(51) International Design Classification: **24-02**
(74) Name(s) of Attorney(s): **WATERMARK PATENT AND TRADE MARKS ATTORNEYS**
(71) Name(s) and Address(s) of Applicant(s):
C R Bard, Inc
1415 W 3rd Street Tempe AZ 85281 United States of America
(72) Name(s) of Designer(s): **Timothy S Allen and Jennifer M Smith**
(45) Registration Date: **27 February 2014**
(30) Convention priority data:
(31) Number (32) Date (33) Country
29/467,895 24 Sep 2013 UNITED STATES OF AMERICA

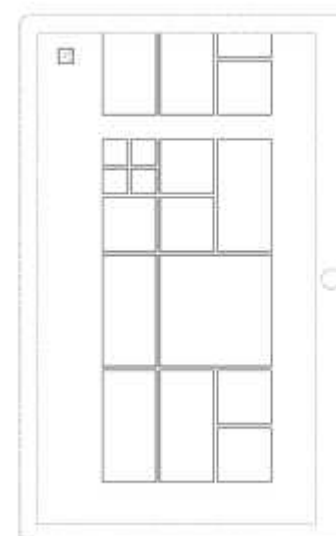


(56) Related Art Documents: **Not Applicable**
(57) Statement of Newness and Distinctiveness: **Newness and distinctiveness of the design is claimed in the features of shape and configuration applicable to a tissue marker for intracorporeal site identification. Shown in the accompanying figures when considering the scope of the design, the terms 'front', 'rear', 'upper', 'lower', 'right', 'left', 'top' and 'bottom' are used to label the figures for convenience only and are not necessarily reflective of the orientation of the tissue marker before or after placement at the intracorporeal site.**

- (21) Design Number: **10559/2014**
(22) Date of Filing Application: **06 February 2014**
(24) Date from which industrial property rights may have effect: **29 November 2013**
(54) Product in respect of which the design is registered: **Display screen with graphical user interface**
(51) International Design Classification: **14-02**
(74) Name(s) of Attorney(s): **Shelston IP**
(71) Name(s) and Address(s) of Applicant(s):
Microsoft Corporation
One Microsoft Way Redmond Washington 98052 United States of America
(72) Name(s) of Designer(s): **Hui-Chun Ku and Lauren Michelle Beckwith and Alan Andrew Urdan and Poorva Singal and Nazia Zaman**
(45) Registration Date: **27 February 2014**
(30) Convention priority data:
(31) Number (32) Date (33) Country
29/456219 29 May 2013 UNITED STATES OF AMERICA
(62) Divisional of: **353662**
(56) Related Art Documents: **Not Applicable**
(57) Statement of Newness and Distinctiveness: **Newness and distinctiveness reside in the features of pattern and/or ornamentation of a display screen with graphical use interface as illustrated by solid lines in the accompanying representation. The features shown in broken outline are for contextual purposes only and do not form part of the design.**



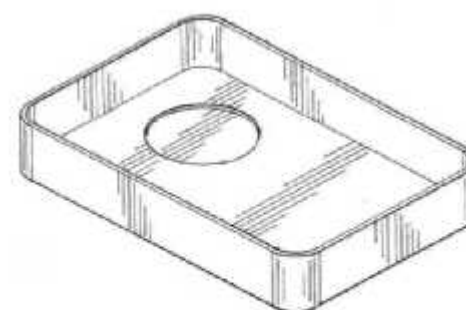
- (21) Design Number: **10561/2014**
(22) Date of Filing Application: **06 February 2014**
(24) Date from which industrial property rights may have effect: **29 November 2013**
(54) Product in respect of which the design is registered: **Display screen with graphical user interface**
(51) International Design Classification: **14-02**
(74) Name(s) of Attorney(s): **Shelston IP**
(71) Name(s) and Address(s) of Applicant(s):
Microsoft Corporation
One Microsoft Way Redmond Washington 98052 United States of America
(72) Name(s) of Designer(s): **Hui-Chun Ku and Lauren Michelle Beckwith and Alan Andrew Urdan and Poorva Singal and Nazia Zaman**
(45) Registration Date: **27 February 2014**
(30) Convention priority data:
(31) Number (32) Date (33) Country
29/456219 29 May 2013 UNITED STATES OF AMERICA
(62) Divisional of: **353662**
(56) Related Art Documents: **Not Applicable**
(57) Statement of Newness and Distinctiveness: **Newness and distinctiveness reside in the features of pattern and/or ornamentation of a display screen with graphical use interface as illustrated by solid lines in the accompanying representation. The features shown in broken outline are for contextual purposes only and do not form part of the design.**



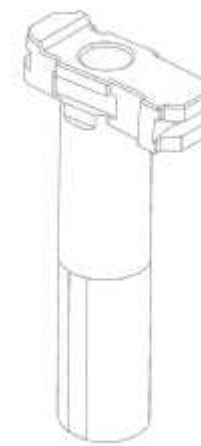
- (21) Design Number: **10685/2014**
(22) Date of Filing Application: **12 February 2014**
(24) Date from which industrial property rights may have effect: **06 December 2013**
(54) Product in respect of which the design is registered: **Chair and backrest support**
(51) International Design Classification: **06-01F**
(74) Name(s) of Attorney(s): **Griffith Hack**
(71) Name(s) and Address(s) of Applicant(s):
Herman Miller, Inc.
855 East Main Avenue Zeeland Michigan 49464 United States of America
(72) Name(s) of Designer(s): **Claudia Plikat and Johann Burkhard Schmitz and Carola Eva Mariane Zwick and Roland Rolf Otto Zwick and Janja Maidl**
(45) Registration Date: **27 February 2014**
(62) Divisional of: **353846**
(56) Related Art Documents: **Not Applicable**
(57) Statement of Newness and Distinctiveness: **Newness and distinctiveness resides in the visual features, including the shape and configuration of those parts of the product shown by means of solid lines. Those parts shown in dashed lines have been included for illustrative purposes and do not form part of the design.**



- (21) Design Number: **10730/2014**
(22) Date of Filing Application: **17 February 2014**
(24) Date from which industrial property rights may have effect: **06 December 2013**
(54) Product in respect of which the design is registered: **Storage component**
(51) International Design Classification: **06-04NES**
(74) Name(s) of Attorney(s): **Griffith Hack**
(71) Name(s) and Address(s) of Applicant(s):
Herman Miller, Inc
MS 0440 855 East Main Avenue Zeeland MI 49464-0302 United States of America
(72) Name(s) of Designer(s): **Sam Hecht and Kimberlee Colin and Philipp Von Lintel and Ippei Matsumoto**
(45) Registration Date: **27 February 2014**
(62) Divisional of: **353886**
(56) Related Art Documents: **Not Applicable**
(57) Statement of Newness and Distinctiveness: **Newness and distinctiveness resides in the visual features, including the shape and configuration of the product shown in the representations.**



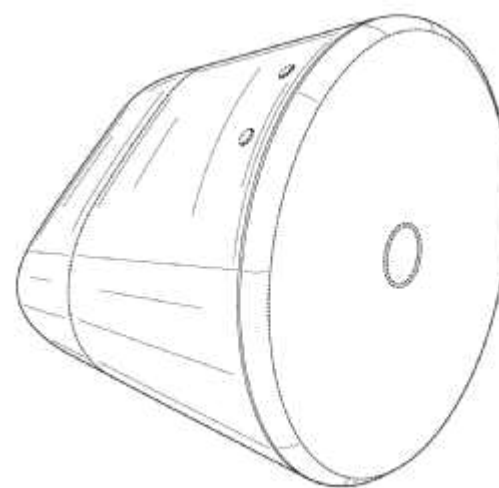
(21) Design Number: **10739/2014**
(22) Date of Filing Application: **17 February 2014**
(24) Date from which industrial property rights may have effect: **06 December 2013**
(54) Product in respect of which the design is registered: **Intramedullary surgical instrument**
(51) International Design Classification: **24-02**
(74) Name(s) of Attorney(s): **Callinans**
(71) Name(s) and Address(s) of Applicant(s):
DePuy (Ireland)
Loughbeg Industrial Estate Ringaskiddy Co Cork IRELAND
(72) Name(s) of Designer(s): **Rebecca L Chaney and Benjamin J Sordelet and Craig S Tsukayama and Jonathan C Lee**
(45) Registration Date: **27 February 2014**
(62) Divisional of: **16391/2013**
(56) Related Art Documents: **Not Applicable**
(57) Statement of Newness and Distinctiveness: **Nil**



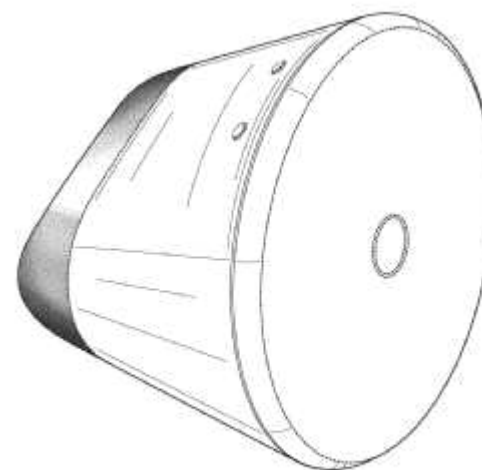
(21) Design Number: **10741/2014**
(22) Date of Filing Application: **17 February 2014**
(24) Date from which industrial property rights may have effect: **12 September 2013**
(54) Product in respect of which the design is registered: **Bottle**
(51) International Design Classification: **09-01G**
(74) Name(s) of Attorney(s): **King & Wood Mallesons**
(71) Name(s) and Address(s) of Applicant(s):
Hello Products, LLC
363 Bloomfield Ave., Suite 2D Montclair NJ, 07042 United States of America
(72) Name(s) of Designer(s): **Craig Dubitsky and Matthew E Chrostowski and Elisabeth Schwartz and Peter Falt and Michael Murphy**
(45) Registration Date: **27 February 2014**
(30) Convention priority data:
(31) Number (32) Date (33) Country
29/448,783 13 Mar 2013 UNITED STATES OF AMERICA
(62) Divisional of: **353749**
(56) Related Art Documents: **Not Applicable**
(57) Statement of Newness and Distinctiveness: **Newness and distinctiveness resides in the features of a bottle as shown in the representations, excluding those features shown in dashed lines.**



- (21) Design Number: **16402/2013**
(22) Date of Filing Application: **06 December 2013**
(24) Date from which industrial property rights may have effect: **06 December 2013**
(54) Product in respect of which the design is registered: **Speaker**
(51) International Design Classification: **14-01**
(74) Name(s) of Attorney(s): **SPRUSON & FERGUSON**
(71) Name(s) and Address(s) of Applicant(s):
Wyoming West, LLC
2711 Centerville Road, Suite 400, Wilmington Delaware, 19808 United States of America
(72) Name(s) of Designer(s): **John Anthony Evans and Thomas Andrea Moltoni and Casper Asmussen and Amina Horozic and Mika Nenonen**
(45) Registration Date: **28 February 2014**
(30) Convention priority data:
(31) Number (32) Date (33) Country
29/457272 07 Jun 2013 UNITED STATES OF AMERICA
(56) Related Art Documents: **Not Applicable**
(57) Statement of Newness and Distinctiveness: **Newness and distinctiveness is claimed in the features of shape and/or configuration of a speaker as illustrated in continuous lines in the accompanying representations.**



- (21) Design Number: **16403/2013**
(22) Date of Filing Application: **06 December 2013**
(24) Date from which industrial property rights may have effect: **06 December 2013**
(54) Product in respect of which the design is registered: **Speaker**
(51) International Design Classification: **14-01**
(74) Name(s) of Attorney(s): **SPRUSON & FERGUSON**
(71) Name(s) and Address(s) of Applicant(s):
Wyoming West, LLC
2711 Centerville Road, Suite 400, Wilmington Delaware, 19808 United States of America
(72) Name(s) of Designer(s): **John Anthony Evans and Thomas Andrea Moltoni and Casper Asmussen and Amina Horozic and Mika Nenonen**
(45) Registration Date: **28 February 2014**
(30) Convention priority data:
(31) Number (32) Date (33) Country
29/457272 07 Jun 2013 UNITED STATES OF AMERICA
(56) Related Art Documents: **Not Applicable**
(57) Statement of Newness and Distinctiveness: **Newness and distinctiveness is claimed in the features of shape and/or configuration and pattern and/or ornamentation of a speaker as illustrated in continuous lines in the accompanying representations.**



(21) Design Number: **10335/2014**

(22) Date of Filing Application: **24 January 2014**

(24) Date from which industrial property rights may have effect: **24 January 2014**

(54) Product in respect of which the design is registered: **Jacket**

(51) International Design Classification: **02-02NES**

(74) Name(s) of Attorney(s): **Shelston IP**

(71) Name(s) and Address(s) of Applicant(s):

lululemon athletica canada inc.

400-1818 Cornwall Avenue Vancouver British Columbia V6J 1C7 Canada

(72) Name(s) of Designer(s): **Antonia lamartino**

(45) Registration Date: **28 February 2014**

(30) Convention priority data:

(31) Number

(32) Date

(33) Country

29/461767

26 Jul 2013

UNITED STATES OF AMERICA

(56) Related Art Documents: **Not Applicable**

(57) Statement of Newness and Distinctiveness: **Newness and distinctiveness reside in the visual features of a design for a JACKET as shown in FIGs. 1 - 4. The fine broken lines shown in the drawings represent stitching and are part of the claimed design.**



(21) Design Number: **10336/2014**

(22) Date of Filing Application: **24 January 2014**

(24) Date from which industrial property rights may have effect: **24 January 2014**

(54) Product in respect of which the design is registered: **Hook for a boat**

(51) International Design Classification: **08-08G**

(74) Name(s) of Attorney(s):

(71) Name(s) and Address(s) of Applicant(s):

John Robert Pomper

46 Cove Bvd River Heads QLD 4655 Australia

(72) Name(s) of Designer(s): **John Robert Pomper**

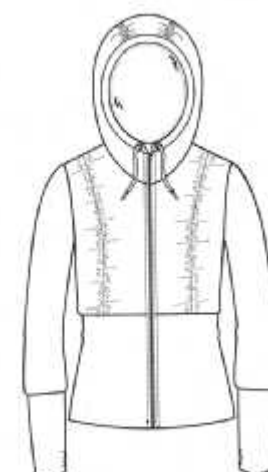
(45) Registration Date: **28 February 2014**

(56) Related Art Documents: **Not Applicable**

(57) Statement of Newness and Distinctiveness: **The Newness and distinctiveness resides in the shape and/or configuration of the hook body which includes a triangular hole and a smaller round hole in relation to each other as shown in the representations. The hook is cut out of a piece of Aluminium and is welded to the bow of a Aluminium constructed boat.**



(21) Design Number: **10340/2014**
(22) Date of Filing Application: **24 January 2014**
(24) Date from which industrial property rights may have effect: **24 January 2014**
(54) Product in respect of which the design is registered: **Jacket**
(51) International Design Classification: **02-02NES**
(74) Name(s) of Attorney(s): **Shelston IP**
(71) Name(s) and Address(s) of Applicant(s):
lululemon athletica canada inc.
400-1818 Cornwall Avenue Vancouver British Columbia V6J 1C7 Canada
(72) Name(s) of Designer(s): **Antonia lamartino**
(45) Registration Date: **28 February 2014**
(30) Convention priority data:
(31) Number (32) Date (33) Country
29/461767 26 Jul 2013 UNITED STATES OF AMERICA



(56) Related Art Documents: **Not Applicable**
(57) Statement of Newness and Distinctiveness: **Newness and distinctiveness reside in the visual features of a design for a JACKET as shown in FIGs. 1 - 4. The fine broken lines shown in the drawings represent stitching and are part of the claimed design. The symbol depicted in FIGs. 2 and 3 forming part of the claimed design is a registered trademark of Lululemon Athletica Canada Inc.**

(21) Design Number: **10379/2014**
(22) Date of Filing Application: **28 January 2014**
(24) Date from which industrial property rights may have effect: **28 January 2014**
(54) Product in respect of which the design is registered: **Tissue marker for identifying intracorporeal site**
(51) International Design Classification: **24-02**
(74) Name(s) of Attorney(s): **WATERMARK PATENT AND TRADE MARKS ATTORNEYS**
(71) Name(s) and Address(s) of Applicant(s):
C R Bard, Inc
1415 W 3rd Street Tempe AZ 85281 United States of America
(72) Name(s) of Designer(s): **Timothy S Allen and Jennifer M Smith**
(45) Registration Date: **28 February 2014**
(30) Convention priority data:
(31) Number (32) Date (33) Country
29/467,888 24 Sep 2013 UNITED STATES OF AMERICA



(56) Related Art Documents: **Not Applicable**
(57) Statement of Newness and Distinctiveness: **Newness and distinctiveness of the design is claimed in the features of shape and configuration applicable to a tissue marker for intracorporeal site identification. Shown in the accompanying figures when considering the scope of the design, the terms 'front', 'rear', 'upper', 'lower', 'right', 'left', 'top' and 'bottom' are used to label the figures for convenience only and are not necessarily reflective of the orientation of the tissue marker before or after placement at the intracorporeal site.**

(21) Design Number: **10380/2014**
(22) Date of Filing Application: **28 January 2014**
(24) Date from which industrial property rights may have effect: **28 January 2014**
(54) Product in respect of which the design is registered: **Tissue marker for identifying intracorporeal site**
(51) International Design Classification: **24-02**
(74) Name(s) of Attorney(s): **WATERMARK PATENT AND TRADE MARKS ATTORNEYS**
(71) Name(s) and Address(s) of Applicant(s):
C R Bard, Inc
1415 W 3rd Street Tempe AZ 85281 United States of America
(72) Name(s) of Designer(s): **Timothy S Allen and Jennifer M Smith**
(45) Registration Date: **28 February 2014**
(30) Convention priority data:
(31) Number (32) Date (33) Country
29/467,892 24 Sep 2013 UNITED STATES OF AMERICA

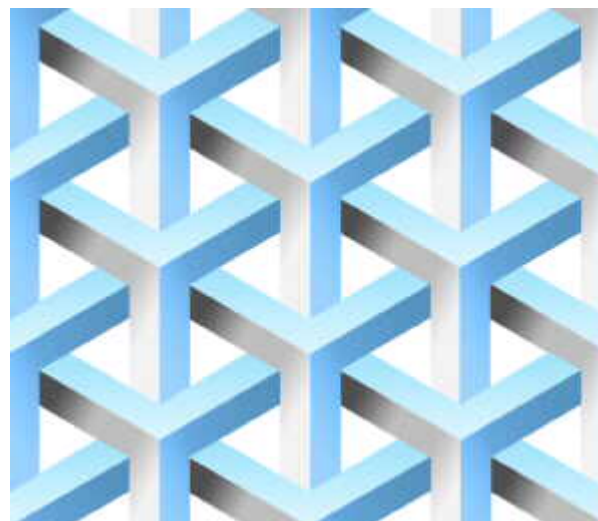


(56) Related Art Documents: **Not Applicable**
(57) Statement of Newness and Distinctiveness: **Newness and distinctiveness of the design is claimed in the features of shape and configuration applicable to a tissue marker for intracorporeal site identification. Shown in the accompanying figures when considering the scope of the design, the terms 'front', 'rear', 'upper', 'lower', 'right', 'left', 'top' and 'bottom' are used to label the figures for convenience only and are not necessarily reflective of the orientation of the tissue marker before or after placement at the intracorporeal site.**

(21) Design Number: **10381/2014**
(22) Date of Filing Application: **28 January 2014**
(24) Date from which industrial property rights may have effect: **28 January 2014**
(54) Product in respect of which the design is registered: **Textile print**
(51) International Design Classification: **05-05A**
(74) Name(s) of Attorney(s):
(71) Name(s) and Address(s) of Applicant(s):
AUSTRALIAN FASHION LABELS PTY LTD
106 Currie St Adelaide SA 5000 Australia
(72) Name(s) of Designer(s): **Kate Anderson and Amy Hicks**
(45) Registration Date: **28 February 2014**
(56) Related Art Documents: **Not Applicable**
(57) Statement of Newness and Distinctiveness: **Newness and distinctiveness resides in the features of pattern and ornamentation of a textile print as shown in the accompanying representations.**



- (21) Design Number: **10382/2014**
(22) Date of Filing Application: **28 January 2014**
(24) Date from which industrial property rights may have effect: **28 January 2014**
(54) Product in respect of which the design is registered: **Textile print**
(51) International Design Classification: **05-05D**
(74) Name(s) of Attorney(s):
(71) Name(s) and Address(s) of Applicant(s):
AUSTRALIAN FASHION LABELS PTY LTD
106 Currie St Adelaide SA 5000 Australia
(72) Name(s) of Designer(s): **Kathryn Forth and Siham Elmawey and Kirby Manning**
(45) Registration Date: **28 February 2014**
(56) Related Art Documents: **Not Applicable**
(57) Statement of Newness and Distinctiveness: **Newness and distinctiveness resides in the features of pattern and ornamentation of a textile print as shown in the accompanying representations.**



- (21) Design Number: **10383/2014**
(22) Date of Filing Application: **28 January 2014**
(24) Date from which industrial property rights may have effect: **28 January 2014**
(54) Product in respect of which the design is registered: **Textile print**
(51) International Design Classification: **05-05A**
(74) Name(s) of Attorney(s):
(71) Name(s) and Address(s) of Applicant(s):
AUSTRALIAN FASHION LABELS PTY LTD
106 Currie St Adelaide SA 5000 Australia
(72) Name(s) of Designer(s): **Kathryn Forth and Siham Elmawey and Kirby Manning**
(45) Registration Date: **28 February 2014**
(56) Related Art Documents: **Not Applicable**
(57) Statement of Newness and Distinctiveness: **Newness and distinctiveness resides in the features of pattern and ornamentation of a textile print as shown in the accompanying representations.**



(21) Design Number: **10387/2014**
(22) Date of Filing Application: **28 January 2014**
(24) Date from which industrial property rights may have effect: **28 January 2014**
(54) Product in respect of which the design is registered: **Festoon lighting system**
(51) International Design Classification: **26-04**
(74) Name(s) of Attorney(s): **PATENT ATTORNEY SERVICES**
(71) Name(s) and Address(s) of Applicant(s):
Lumisphere Products Ltd
Red House, Rosedale Abbey Pickering YO18 8SE United Kingdom
(72) Name(s) of Designer(s): **Anthony Davies and Robert Myson**
(45) Registration Date: **28 February 2014**
(30) Convention priority data:
(31) Number (32) Date (33) Country
002284679 31 Jul 2013 OFFICE FOR HARMONISATION IN
THE INTERNAL MARKET (OHIM)

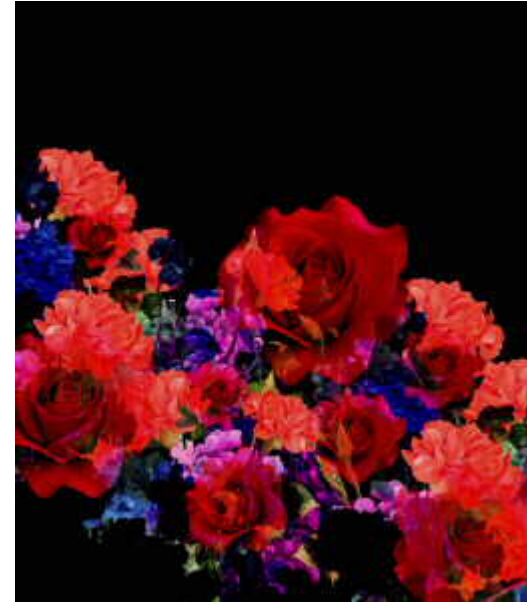


(56) Related Art Documents: **Not Applicable**
(57) Statement of Newness and Distinctiveness: **Newness and distinctiveness is claimed in the shape and configuration of a festoon lighting system consisting of an indefinite number of lighting modules, one of which is illustrated in the accompanying representations, spaced along a wire of indefinite length.**

(21) Design Number: **10388/2014**
(22) Date of Filing Application: **28 January 2014**
(24) Date from which industrial property rights may have effect: **28 January 2014**
(54) Product in respect of which the design is registered: **Flag**
(51) International Design Classification: **11-05**
(74) Name(s) of Attorney(s):
(71) Name(s) and Address(s) of Applicant(s):
Brett Moxey
160/88 Kavanagh St Southbank VIC 3006 Australia
(72) Name(s) of Designer(s): **Brett Moxey**
(45) Registration Date: **28 February 2014**
(56) Related Art Documents: **Not Applicable**
(57) Statement of Newness and Distinctiveness: **White Commonwealth Star and Southern Cross on blue above waves of Green and Gold.**



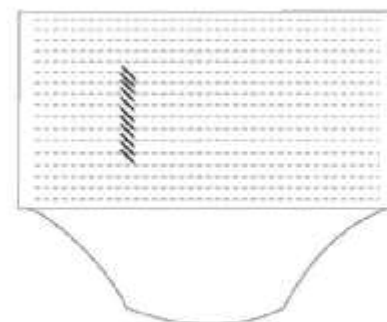
- (21) Design Number: **10389/2014**
(22) Date of Filing Application: **28 January 2014**
(24) Date from which industrial property rights may have effect: **28 January 2014**
(54) Product in respect of which the design is registered: **Textile print**
(51) International Design Classification: **05-05A**
(74) Name(s) of Attorney(s):
(71) Name(s) and Address(s) of Applicant(s):
AUSTRALIAN FASHION LABELS PTY LTD
106 Currie St Adelaide SA 5000 Australia
(72) Name(s) of Designer(s): **Carmen Dugan and Joanne Altham**
(45) Registration Date: **28 February 2014**
(56) Related Art Documents: **Not Applicable**
(57) Statement of Newness and Distinctiveness: **Newness and distinctiveness resides in the features of pattern and ornamentation of a textile print as shown in the accompanying representations.**



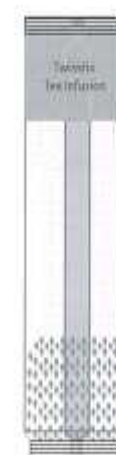
- (21) Design Number: **10390/2014**
(22) Date of Filing Application: **29 January 2014**
(24) Date from which industrial property rights may have effect: **29 January 2014**
(54) Product in respect of which the design is registered: **A document file**
(51) International Design Classification: **19-04**
(74) Name(s) of Attorney(s): **Davies Collison Cave**
(71) Name(s) and Address(s) of Applicant(s):
Headline View Pty Ltd
4 Ebbott Lane Malvern VIC 3144 Australia
(72) Name(s) of Designer(s): **Stephen Grant**
(45) Registration Date: **28 February 2014**
(56) Related Art Documents: **Not Applicable**
(57) Statement of Newness and Distinctiveness: **Nil**



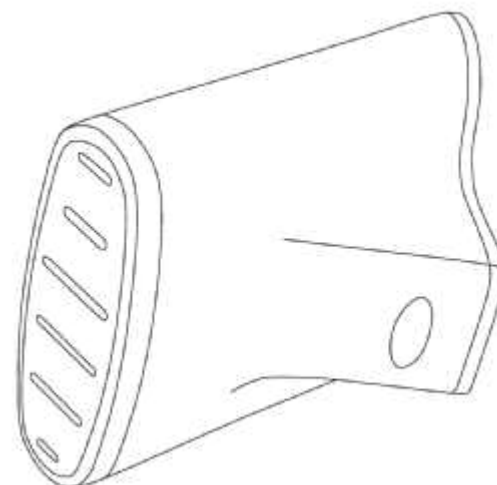
- (21) Design Number: **10393/2014**
(22) Date of Filing Application: **29 January 2014**
(24) Date from which industrial property rights may have effect: **29 January 2014**
(54) Product in respect of which the design is registered: **Diaper**
(51) International Design Classification: **02-01B**
(74) Name(s) of Attorney(s): **Griffith Hack**
(71) Name(s) and Address(s) of Applicant(s):
PT. SOFTEX INDONESIA
Jl. Taman Kebon Sirih II No. 3A Jakarta Pusat Indonesia
(72) Name(s) of Designer(s): **Alexander Valle Burkert and Reinata Sidik**
(45) Registration Date: **28 February 2014**
(56) Related Art Documents: **Not Applicable**
(57) Statement of Newness and Distinctiveness: **Newness and distinctiveness resides in the visual features, including the shape and configuration of the product shown in the representations.**



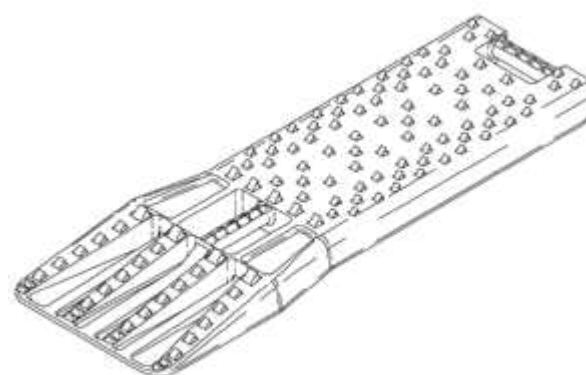
- (21) Design Number: **10395/2014**
(22) Date of Filing Application: **29 January 2014**
(24) Date from which industrial property rights may have effect: **29 January 2014**
(54) Product in respect of which the design is registered: **Tea stick**
(51) International Design Classification: **07-04, 01-99**
(74) Name(s) of Attorney(s): **Griffith Hack**
(71) Name(s) and Address(s) of Applicant(s):
Steve Segaram
10 Thomas Clarke St Westmead NSW 2145 Australia
(72) Name(s) of Designer(s): **Steve Segaram**
(45) Registration Date: **28 February 2014**
(56) Related Art Documents: **Not Applicable**
(57) Statement of Newness and Distinctiveness: **Newness and distinctiveness resides in the visual features, including shape and configuration, of a TEA STICK as shown in solid outline in the accompanying drawings. When determining whether the design is substantially similar in overall impression to another design, no regard is to be had to those features shown in dotted outline. Most specifically the words and labelling, which features are provided for illustrative purposes only. Moreover no regard is to be had to the spacing of material held within the TEA STICK shown as particles in grey.**



- (21) Design Number: **10396/2014**
(22) Date of Filing Application: **29 January 2014**
(24) Date from which industrial property rights may have effect: **29 January 2014**
(54) Product in respect of which the design is registered: **A knife block**
(51) International Design Classification: **07-99NES**
(74) Name(s) of Attorney(s): **SPRUSON & FERGUSON**
(71) Name(s) and Address(s) of Applicant(s):
Sheldon and Hammond Pty Ltd
24 Salisbury Rd Asquith NSW 2077 Australia
(72) Name(s) of Designer(s): **Alexander Angus**
(45) Registration Date: **28 February 2014**
(56) Related Art Documents: **Not Applicable**
(57) Statement of Newness and Distinctiveness: **Newness and distinctiveness is claimed in the features of shape and/or configuration of a knife block as illustrated in the accompanying representations.**



- (21) Design Number: **12752/2013**
(22) Date of Filing Application: **14 June 2013**
(24) Date from which industrial property rights may have effect: **14 June 2013**
(54) Product in respect of which the design is registered: **Vehicle recovery track**
(51) International Design Classification: **12-05**
(74) Name(s) of Attorney(s): **Halfords IP**
(71) Name(s) and Address(s) of Applicant(s):
Natural Product Solutions Pty Ltd
1072 Centre Rd South Oakley VIC 3167 Australia
(72) Name(s) of Designer(s): **Ray O'Dell and Paul Ryan and Sue Boyd and David Auld and Miroslav Egorov**
(45) Registration Date: **28 February 2014**
(56) Related Art Documents: **Not Applicable**
(57) Statement of Newness and Distinctiveness: **Newness and Distinctiveness resides in the shape and or configuration of a Vehicle Recovery Track as depicted in the representations.**



(21) Design Number: **12463/2013**
(22) Date of Filing Application: **28 May 2013**
(24) Date from which industrial property rights may have effect: **28 May 2013**
(54) Product in respect of which the design is registered: **Tundish body**
(51) International Design Classification: **23-01NES**
(74) Name(s) of Attorney(s):
(71) Name(s) and Address(s) of Applicant(s):
Art Plastics Pty Ltd
PO BOX 610 Wentworthville NSW 2145 Australia
(72) Name(s) of Designer(s): **Tim Lucas**
(45) Registration Date: **28 February 2014**
(56) Related Art Documents: **Not Applicable**
(57) Statement of Newness and Distinctiveness: **Nil**



(21) Design Number: **16844/2013**
(22) Date of Filing Application: **28 May 2013**
(24) Date from which industrial property rights may have effect: **28 May 2013**
(54) Product in respect of which the design is registered: **Tundish front cover**
(51) International Design Classification: **23-01NES**
(74) Name(s) of Attorney(s):
(71) Name(s) and Address(s) of Applicant(s):
Art Plastics Pty Ltd
PO BOX 610 Wentworthville NSW 2145 Australia
(72) Name(s) of Designer(s): **Tim Lucas**
(45) Registration Date: **28 February 2014**
(56) Related Art Documents: **Not Applicable**
(57) Statement of Newness and Distinctiveness: **Nil**



(21) Design Number: **16845/2013**
(22) Date of Filing Application: **28 May 2013**
(24) Date from which industrial property rights may have effect: **28 May 2013**
(54) Product in respect of which the design is registered: **Tundish top lid**
(51) International Design Classification: **23-01NES**
(74) Name(s) of Attorney(s):
(71) Name(s) and Address(s) of Applicant(s):
Art Plastics Pty Ltd
PO BOX 610 Wentworthville NSW 2145 Australia
(72) Name(s) of Designer(s): **Tim Lucas**
(45) Registration Date: **28 February 2014**
(56) Related Art Documents: **Not Applicable**
(57) Statement of Newness and Distinctiveness: **Nil**



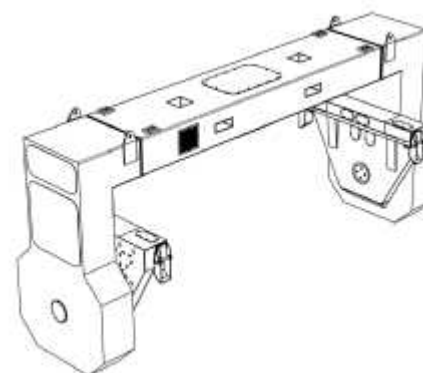
(21) Design Number: **10398/2014**
(22) Date of Filing Application: **29 January 2014**
(24) Date from which industrial property rights may have effect: **29 January 2014**
(54) Product in respect of which the design is registered: **Bottle with cap**
(51) International Design Classification: **09-01G**
(74) Name(s) of Attorney(s): **PHILLIPS ORMONDE FITZPATRICK**
(71) Name(s) and Address(s) of Applicant(s):
Gabrielle Studio, Inc
550 Seventh Avenue New York New York 10018 United States of America
(72) Name(s) of Designer(s): **Richard Lavigne**
(45) Registration Date: **28 February 2014**
(30) Convention priority data:
(31) Number (32) Date (33) Country
29/462,998 12 Aug 2013 UNITED STATES OF AMERICA
(56) Related Art Documents: **Not Applicable**
(57) Statement of Newness and Distinctiveness: **Nil**



- (21) Design Number: **10399/2014**
(22) Date of Filing Application: **29 January 2014**
(24) Date from which industrial property rights may have effect: **29 January 2014**
(54) Product in respect of which the design is registered: **A vehicle**
(51) International Design Classification: **12-08**
(74) Name(s) of Attorney(s): **Colin Biggers & Paisley**
(71) Name(s) and Address(s) of Applicant(s):
Perusahaan Otomobil Nasional SDN BHD
Centre of Excellence Complex KM33.8 Westbound Shah Alam
Expressway 47600 Suban Jaya Selangor Darul Ehsan Malaysia
(72) Name(s) of Designer(s): **M.K. Fiqri Bin Jaffar**
(45) Registration Date: **28 February 2014**
(30) Convention priority data:
(31) Number (32) Date (33) Country
13-01204-0101 16 Aug 2013 MALAYSIA
(56) Related Art Documents: **Not Applicable**
(57) Statement of Newness and Distinctiveness: **Novelty and distinctiveness reside in the shape and configuration of the vehicle when viewed from the front, rear, side and top.**



- (21) Design Number: **10403/2014**
(22) Date of Filing Application: **29 January 2014**
(24) Date from which industrial property rights may have effect: **29 January 2014**
(54) Product in respect of which the design is registered: **A device for lifting and rotating containers**
(51) International Design Classification: **12-05**
(74) Name(s) of Attorney(s): **Australian Patent & TradeMark Services Pty Ltd**
(71) Name(s) and Address(s) of Applicant(s):
Container Rotation Systems Pty Ltd
SE3 18 Sleigh PI Wetherill Park NSW 2164 Australia
(72) Name(s) of Designer(s): **Murray Robert Bridle**
(45) Registration Date: **28 February 2014**
(56) Related Art Documents: **Not Applicable**
(57) Statement of Newness and Distinctiveness: **Newness and distinctiveness is claimed in the shape and/or configuration of a device for lifting and rotating containers, as illustrated in the accompanying representations.**



(21) Design Number: **10409/2014**

(22) Date of Filing Application: **30 January 2014**

(24) Date from which industrial property rights may have effect: **30 January 2014**

(54) Product in respect of which the design is registered: **A dishwasher door**

(51) International Design Classification: **15-05**

(74) Name(s) of Attorney(s): **Halfords IP**

(71) Name(s) and Address(s) of Applicant(s):

**Electrolux Appliances Aktiebolag
S:t Goransgatan 143 Stockholm 105 45 Sweden**

(72) Name(s) of Designer(s): **Michael Edenius and Rodrigo Scandelari**

(45) Registration Date: **28 February 2014**

(30) Convention priority data:

(31) Number	(32) Date	(33) Country
002285155	01 Aug 2013	OFFICE FOR HARMONISATION IN THE INTERNAL MARKET (OHIM)

(56) Related Art Documents: **Not Applicable**

(57) Statement of Newness and Distinctiveness: **Newness and distinctiveness resides in those features of shape and or configuration of a dishwasher door as depicted in the representations.**



(21) Design Number: **10410/2014**

(22) Date of Filing Application: **30 January 2014**

(24) Date from which industrial property rights may have effect: **30 January 2014**

(54) Product in respect of which the design is registered: **A dishwasher knife or cutlery or utensil holder**

(51) International Design Classification: **15-05**

(74) Name(s) of Attorney(s): **Halfords IP**

(71) Name(s) and Address(s) of Applicant(s):

**Electrolux Appliances Aktiebolag
S:t Goransgatan 143 Stockholm 105 45 Sweden**

(72) Name(s) of Designer(s): **Rickard Hederstierna**

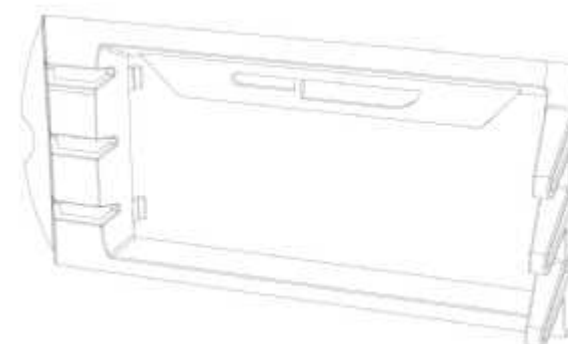
(45) Registration Date: **28 February 2014**

(30) Convention priority data:

(31) Number	(32) Date	(33) Country
002285155	01 Aug 2013	OFFICE FOR HARMONISATION IN THE INTERNAL MARKET (OHIM)

(56) Related Art Documents: **Not Applicable**

(57) Statement of Newness and Distinctiveness: **Newness and distinctiveness resides in those features of shape and or configuration of a dishwasher knife or cutlery or utensil holder as depicted in the representations.**



(21) Design Number: **10411/2014**

(22) Date of Filing Application: **30 January 2014**

(24) Date from which industrial property rights may have effect: **30 January 2014**

(54) Product in respect of which the design is registered: **A dishwasher door**

(51) International Design Classification: **15-05**

(74) Name(s) of Attorney(s): **Halfords IP**

(71) Name(s) and Address(s) of Applicant(s):

**Electrolux Appliances Aktiebolag
S:t Goransgatan 143 Stockholm 105 45 Sweden**

(72) Name(s) of Designer(s): **Samuele Meda**

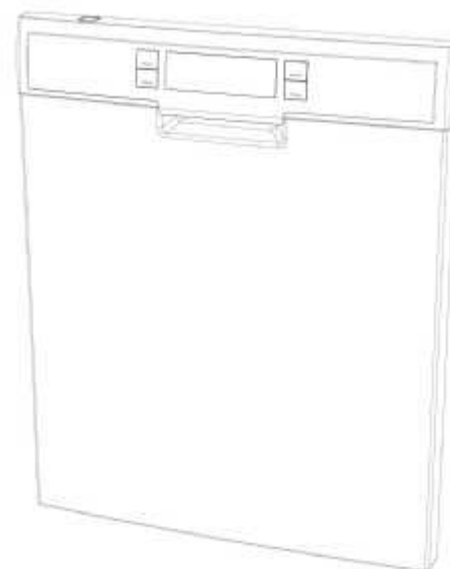
(45) Registration Date: **28 February 2014**

(30) Convention priority data:

(31) Number	(32) Date	(33) Country
002285155	01 Aug 2013	OFFICE FOR HARMONISATION IN THE INTERNAL MARKET (OHIM)

(56) Related Art Documents: **Not Applicable**

(57) Statement of Newness and Distinctiveness: **Newness and distinctiveness resides in those features of shape and or configuration of a dishwasher door as depicted in the representations.**



(21) Design Number: **10413/2014**

(22) Date of Filing Application: **30 January 2014**

(24) Date from which industrial property rights may have effect: **30 January 2014**

(54) Product in respect of which the design is registered: **A dishwasher rack**

(51) International Design Classification: **15-05**

(74) Name(s) of Attorney(s): **Halfords IP**

(71) Name(s) and Address(s) of Applicant(s):

**Electrolux Appliances Aktiebolag
S:t Goransgatan 143 Stockholm 105 45 Sweden**

(72) Name(s) of Designer(s): **Rickard Hederstierna and Daniel Mesa and Pontus Kaberg and Adam Szczepanowski and Rodrigo Scandelari**

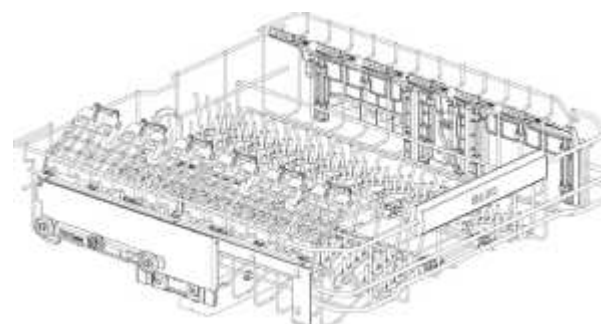
(45) Registration Date: **28 February 2014**

(30) Convention priority data:

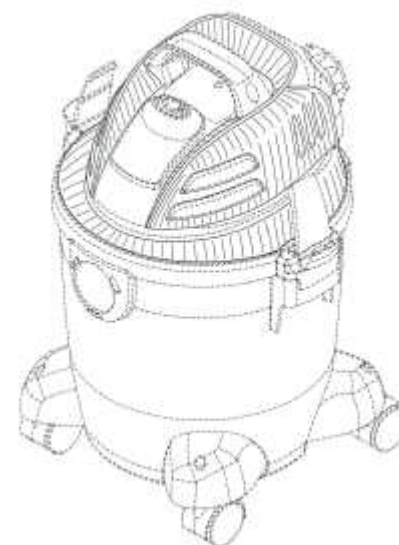
(31) Number	(32) Date	(33) Country
002285155	01 Aug 2013	OFFICE FOR HARMONISATION IN THE INTERNAL MARKET (OHIM)

(56) Related Art Documents: **Not Applicable**

(57) Statement of Newness and Distinctiveness: **Newness and distinctiveness resides in those features of shape and or configuration of a dishwasher rack as depicted in the representations.**



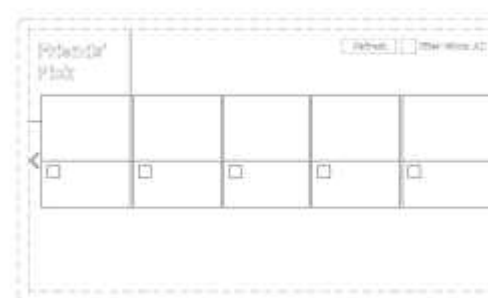
(21) Design Number: **10414/2014**
(22) Date of Filing Application: **30 January 2014**
(24) Date from which industrial property rights may have effect: **30 January 2014**
(54) Product in respect of which the design is registered: **Vacuum cleaner**
(51) International Design Classification: **15-05**
(74) Name(s) of Attorney(s): **Griffith Hack**
(71) Name(s) and Address(s) of Applicant(s):
SHOP VAC CORPORATION
2323 Reach Road Williamsport Pennsylvania 17701 United States of America



(72) Name(s) of Designer(s): **Jason Gottschall and Kevin D Fry and John Griffin and Robert Lent Crevling Jr and Melvin E Wolfe Jr**
(45) Registration Date: **28 February 2014**
(30) Convention priority data:
(31) Number (32) Date (33) Country
29/468,408 30 Sep 2013 UNITED STATES OF AMERICA

(56) Related Art Documents: **Not Applicable**
(57) Statement of Newness and Distinctiveness: **Newness and distinctiveness resides in the visual features, including shape and configuration, of a VACUUM CLEANER as shown in solid outline in the accompanying drawings. When determining whether the design is substantially similar in overall impression to another design, no regard is to be had to those features shown in dotted outline in the accompanying drawings, which features are provided for illustrative purposes only.**

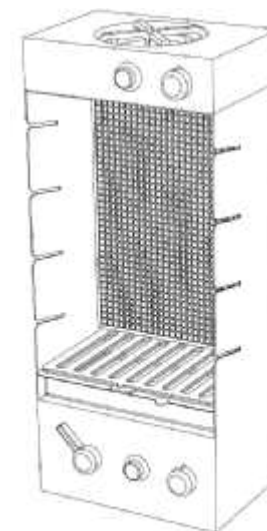
(21) Design Number: **13079/2013**
(22) Date of Filing Application: **28 June 2013**
(24) Date from which industrial property rights may have effect: **28 June 2013**
(54) Product in respect of which the design is registered: **Display Screen For An Electronic Device**
(51) International Design Classification: **14-02**
(74) Name(s) of Attorney(s): **Wrays**
(71) Name(s) and Address(s) of Applicant(s):
Samsung Electronics Co., Ltd
129 Samsung-ro Yeongtong-gu Suwon-si Gyeonggi-do 443-742 Republic of Korea



(72) Name(s) of Designer(s): **Hye-Ryung Kim**
(45) Registration Date: **03 March 2014**
(30) Convention priority data:
(31) Number (32) Date (33) Country
30-2013-0000647 04 Jan 2013 REPUBLIC OF KOREA

(56) Related Art Documents: **Not Applicable**
(57) Statement of Newness and Distinctiveness: **Newness and distinctiveness is claimed in the features of pattern and/or ornamentation of the Display Screen For An Electronic Device as shown in the accompanying representations. The features shown in broken lines are for illustrative purposes only and do not form part of the claimed design.**

- (21) Design Number: **10417/2014**
(22) Date of Filing Application: **30 January 2014**
(24) Date from which industrial property rights may have effect: **30 January 2014**
(54) Product in respect of which the design is registered: **A barbecue**
(51) International Design Classification: **23-03G**
(74) Name(s) of Attorney(s):
(71) Name(s) and Address(s) of Applicant(s):
Shaker Azzam
4 Enterprise PI Wetherill Park NSW 2164 Australia
(72) Name(s) of Designer(s): **Shaker Azzam**
(45) Registration Date: **03 March 2014**
(56) Related Art Documents: **Not Applicable**
(57) Statement of Newness and Distinctiveness: **Newness and distinctiveness is claimed in the features of shape and/or configuration of a barbecue as illustrated in the accompanying drawings.**



- (21) Design Number: **10419/2014**
(22) Date of Filing Application: **30 January 2014**
(24) Date from which industrial property rights may have effect: **30 January 2014**
(54) Product in respect of which the design is registered: **Coffee machine for household purposes**
(51) International Design Classification: **07-02L**
(74) Name(s) of Attorney(s): **Griffith Hack**
(71) Name(s) and Address(s) of Applicant(s):
Jura Elektroapparate AG
Kaffeeweltstrasse 10 Niederbuchsiten 4626 Switzerland
(72) Name(s) of Designer(s): **Ronald Buettler**
(45) Registration Date: **03 March 2014**
(56) Related Art Documents: **Not Applicable**
(57) Statement of Newness and Distinctiveness: **Newness and distinctiveness resides in the visual features, including the shape and configuration of the product shown in the representations.**



(21) Design Number: **10421/2014**

(22) Date of Filing Application: **30 January 2014**

(24) Date from which industrial property rights may have effect: **30 January 2014**

(54) Product in respect of which the design is registered: **A dishwasher component**

(51) International Design Classification: **15-05**

(74) Name(s) of Attorney(s): **Halfords IP**

(71) Name(s) and Address(s) of Applicant(s):

**Electrolux Appliances Aktiebolag
S:t Goransgatan 143 Stockholm 105 45 Sweden**

(72) Name(s) of Designer(s): **Rickard Hederstierna and Pontus Kaberg and Adam Szczepanowski and Daniel Mesa**

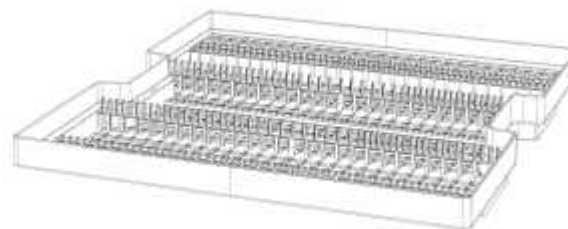
(45) Registration Date: **03 March 2014**

(30) Convention priority data:

(31) Number	(32) Date	(33) Country
002286468	05 Aug 2013	OFFICE FOR HARMONISATION IN THE INTERNAL MARKET (OHIM)

(56) Related Art Documents: **Not Applicable**

(57) Statement of Newness and Distinctiveness: **Newness and distinctiveness resides in those features of shape and or configuration of a dishwasher component as depicted in the representations.**



(21) Design Number: **10422/2014**

(22) Date of Filing Application: **30 January 2014**

(24) Date from which industrial property rights may have effect: **30 January 2014**

(54) Product in respect of which the design is registered: **A dishwasher component**

(51) International Design Classification: **15-05**

(74) Name(s) of Attorney(s): **Halfords IP**

(71) Name(s) and Address(s) of Applicant(s):

**Electrolux Appliances Aktiebolag
S:t Goransgatan 143 Stockholm 105 45 Sweden**

(72) Name(s) of Designer(s): **Pontus Kaberg and Daniel Mesa**

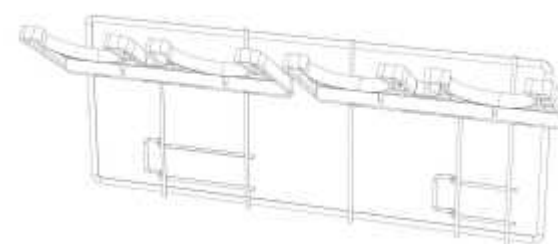
(45) Registration Date: **03 March 2014**

(30) Convention priority data:

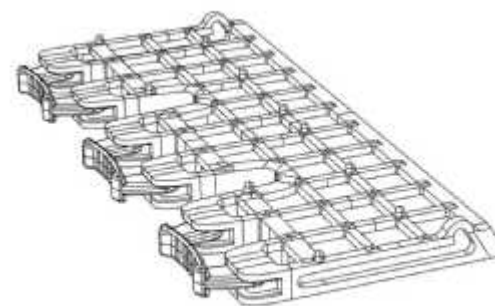
(31) Number	(32) Date	(33) Country
002286468	05 Aug 2013	OFFICE FOR HARMONISATION IN THE INTERNAL MARKET (OHIM)

(56) Related Art Documents: **Not Applicable**

(57) Statement of Newness and Distinctiveness: **Newness and distinctiveness resides in those features of shape and or configuration of a dishwasher component as depicted in the representations.**



(21) Design Number: **10423/2014**
(22) Date of Filing Application: **30 January 2014**
(24) Date from which industrial property rights may have effect: **30 January 2014**
(54) Product in respect of which the design is registered: **A dishwasher shelf or rack**
(51) International Design Classification: **15-05**
(74) Name(s) of Attorney(s): **Halfords IP**
(71) Name(s) and Address(s) of Applicant(s):
Electrolux Appliances Aktiebolag
S:t Goransgatan 143 Stockholm 105 45 Sweden
(72) Name(s) of Designer(s): **Rickard Hederstierna and Pontus Kaberg and Adam Szczepanowski and Daniel Mesa**
(45) Registration Date: **03 March 2014**
(30) Convention priority data:
(31) Number (32) Date (33) Country
002287888 07 Aug 2013 OFFICE FOR HARMONISATION IN THE INTERNAL MARKET (OHIM)
(56) Related Art Documents: **Not Applicable**
(57) Statement of Newness and Distinctiveness: **Newness and distinctiveness resides in those features of shape and or configuration of a dishwasher shelf or rack as depicted in the representations.**



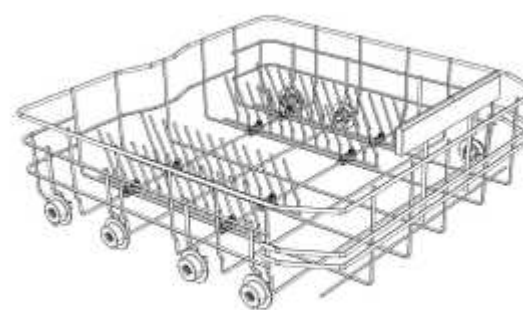
(21) Design Number: **10424/2014**
(22) Date of Filing Application: **30 January 2014**
(24) Date from which industrial property rights may have effect: **30 January 2014**
(54) Product in respect of which the design is registered: **Electronic device**
(51) International Design Classification: **14-02**
(74) Name(s) of Attorney(s): **Wrays**
(71) Name(s) and Address(s) of Applicant(s):
Samsung Electronics Co., Ltd
129 Samsung-ro Yeongtong-gu Suwon-si Gyeonggi-do 443-742 Republic of Korea
(72) Name(s) of Designer(s): **Da-Hyun Lee and Christine Rhea Oh and Tae-Joong Kim**
(45) Registration Date: **03 March 2014**
(30) Convention priority data:
(31) Number (32) Date (33) Country
30-2013-0043821 27 Aug 2013 REPUBLIC OF KOREA
(56) Related Art Documents: **Not Applicable**
(57) Statement of Newness and Distinctiveness: **Newness and distinctiveness is claimed in the features of shape and/or configuration of the Electronic Device as shown in the accompanying representations. The features depicted by broken lines are for illustrative purposes only and form no part of the claimed design.**



- (21) Design Number: **10425/2014**
(22) Date of Filing Application: **30 January 2014**
(24) Date from which industrial property rights may have effect: **30 January 2014**
(54) Product in respect of which the design is registered: **Electronic device**
(51) International Design Classification: **14-02**
(74) Name(s) of Attorney(s): **Wrays**
(71) Name(s) and Address(s) of Applicant(s):
Samsung Electronics Co., Ltd
129 Samsung-ro Yeongtong-gu Suwon-si Gyeonggi-do 443-742 Republic of Korea
(72) Name(s) of Designer(s): **Da-Hyun Lee and Christine Rhea Oh and Tae-Joong Kim**
(45) Registration Date: **03 March 2014**
(30) Convention priority data:
(31) Number (32) Date (33) Country
30-2013-0043819 27 Aug 2013 REPUBLIC OF KOREA
(56) Related Art Documents: **Not Applicable**
(57) Statement of Newness and Distinctiveness: **Newness and distinctiveness is claimed in the features of shape and/or configuration of the Electronic Device as shown in the accompanying representations. The features depicted by broken lines are for illustrative purposes only and form no part of the claimed design.**



- (21) Design Number: **10426/2014**
(22) Date of Filing Application: **30 January 2014**
(24) Date from which industrial property rights may have effect: **30 January 2014**
(54) Product in respect of which the design is registered: **A dishwasher rack**
(51) International Design Classification: **15-05**
(74) Name(s) of Attorney(s): **Halfords IP**
(71) Name(s) and Address(s) of Applicant(s):
Electrolux Appliances Aktiebolag
S:t Goransgatan 143 Stockholm 105 45 Sweden
(72) Name(s) of Designer(s): **Rickard Hederstierna and Pontus Kaberg and Adam Szczepanowski and Daniel Mesa and Rodrigo Scandelari**
(45) Registration Date: **03 March 2014**
(30) Convention priority data:
(31) Number (32) Date (33) Country
002287888 07 Aug 2013 OFFICE FOR HARMONISATION IN THE INTERNAL MARKET (OHIM)
(56) Related Art Documents: **Not Applicable**
(57) Statement of Newness and Distinctiveness: **Newness and distinctiveness resides in those features of shape and or configuration of a dishwasher rack as depicted in the representations.**



(21) Design Number: **10427/2014**

(22) Date of Filing Application: **30 January 2014**

(24) Date from which industrial property rights may have effect: **30 January 2014**

(54) Product in respect of which the design is registered: **Electronic device**

(51) International Design Classification: **14-02**

(74) Name(s) of Attorney(s): **Wrays**

(71) Name(s) and Address(s) of Applicant(s):

Samsung Electronics Co., Ltd
129 Samsung-ro Yeongtong-gu Suwon-si Gyeonggi-do 443-742 Republic
of Korea

(72) Name(s) of Designer(s): **Da-Hyun Lee and Christine Rhea Oh and Tae-Joong Kim**

(45) Registration Date: **03 March 2014**

(30) Convention priority data:

(31) Number	(32) Date	(33) Country
30-2013-0043830	27 Aug 2013	REPUBLIC OF KOREA

(56) Related Art Documents: **Not Applicable**

(57) Statement of Newness and Distinctiveness: **Newness and distinctiveness is claimed in the features of shape and/or configuration of the Electronic Device as shown in the accompanying representations. The features depicted by broken lines are for illustrative purposes only and form no part of the claimed design. The dot-dash broken lines define boundaries of the claimed design and form no part thereof.**



(21) Design Number: **10428/2014**

(22) Date of Filing Application: **30 January 2014**

(24) Date from which industrial property rights may have effect: **30 January 2014**

(54) Product in respect of which the design is registered: **Electronic device**

(51) International Design Classification: **14-02**

(74) Name(s) of Attorney(s): **Wrays**

(71) Name(s) and Address(s) of Applicant(s):

Samsung Electronics Co., Ltd
129 Samsung-ro Yeongtong-gu Suwon-si Gyeonggi-do 443-742 Republic
of Korea

(72) Name(s) of Designer(s): **Da-Hyun Lee and Christine Rhea Oh and Tae-Joong Kim**

(45) Registration Date: **03 March 2014**

(30) Convention priority data:

(31) Number	(32) Date	(33) Country
30-2013-0043832	27 Aug 2013	REPUBLIC OF KOREA

(56) Related Art Documents: **Not Applicable**

(57) Statement of Newness and Distinctiveness: **Newness and distinctiveness is claimed in the features of shape and/or configuration of the Electronic Device as shown in the accompanying representations. The features depicted by broken lines are for illustrative purposes only and form no part of the claimed design.**



- (21) Design Number: **10429/2014**
(22) Date of Filing Application: **30 January 2014**
(24) Date from which industrial property rights may have effect: **30 January 2014**
(54) Product in respect of which the design is registered: **Electronic device**
(51) International Design Classification: **14-02**
(74) Name(s) of Attorney(s): **Wrays**
(71) Name(s) and Address(s) of Applicant(s):
Samsung Electronics Co., Ltd
129 Samsung-ro Yeongtong-gu Suwon-si Gyeonggi-do 443-742 Republic of Korea
(72) Name(s) of Designer(s): **Da-Hyun Lee and Christine Rhea Oh and Tae-Joong Kim**
(45) Registration Date: **03 March 2014**
(30) Convention priority data:
(31) Number (32) Date (33) Country
30-2013-0043829 27 Aug 2013 REPUBLIC OF KOREA
(56) Related Art Documents: **Not Applicable**
(57) Statement of Newness and Distinctiveness: **Newness and distinctiveness is claimed in the features of shape and/or configuration of the Electronic Device as shown in the accompanying representations. The features depicted by broken lines are for illustrative purposes only and form no part of the claimed design.**



- (21) Design Number: **10430/2014**
(22) Date of Filing Application: **30 January 2014**
(24) Date from which industrial property rights may have effect: **30 January 2014**
(54) Product in respect of which the design is registered: **Electronic device**
(51) International Design Classification: **14-02**
(74) Name(s) of Attorney(s): **Wrays**
(71) Name(s) and Address(s) of Applicant(s):
Samsung Electronics Co., Ltd
129 Samsung-ro Yeongtong-gu Suwon-si Gyeonggi-do 443-742 Republic of Korea
(72) Name(s) of Designer(s): **Da-Hyun Lee and Christine Rhea Oh and Tae-Joong Kim**
(45) Registration Date: **03 March 2014**
(30) Convention priority data:
(31) Number (32) Date (33) Country
30-2013-0043835 27 Aug 2013 REPUBLIC OF KOREA
(56) Related Art Documents: **Not Applicable**
(57) Statement of Newness and Distinctiveness: **Newness and distinctiveness is claimed in the features of shape and/or configuration of the Electronic Device as shown in the accompanying representations. The features depicted by broken lines are for illustrative purposes only and form no part of the claimed design. The dot-dash broken lines define boundaries of the claimed design and form no part thereof.**



- (21) Design Number: **10431/2014**
(22) Date of Filing Application: **30 January 2014**
(24) Date from which industrial property rights may have effect: **30 January 2014**
(54) Product in respect of which the design is registered: **Electronic device**
(51) International Design Classification: **14-02**
(74) Name(s) of Attorney(s): **Wrays**
(71) Name(s) and Address(s) of Applicant(s):
Samsung Electronics Co., Ltd
129 Samsung-ro Yeongtong-gu Suwon-si Gyeonggi-do 443-742 Republic of Korea
(72) Name(s) of Designer(s): **Da-Hyun Lee and Christine Rhea Oh and Tae-Joong Kim**
(45) Registration Date: **03 March 2014**
(30) Convention priority data:
(31) Number (32) Date (33) Country
30-2013-0043826 27 Aug 2013 REPUBLIC OF KOREA
(56) Related Art Documents: **Not Applicable**
(57) Statement of Newness and Distinctiveness: **Newness and distinctiveness is claimed in the features of shape and/or configuration of the Electronic Device as shown in the accompanying representations. The features depicted by broken lines are for illustrative purposes only and form no part of the claimed design. The dot-dash broken lines define boundaries of the claimed design and form no part thereof.**



- (21) Design Number: **10432/2014**
(22) Date of Filing Application: **30 January 2014**
(24) Date from which industrial property rights may have effect: **30 January 2014**
(54) Product in respect of which the design is registered: **Electronic device**
(51) International Design Classification: **14-02**
(74) Name(s) of Attorney(s): **Wrays**
(71) Name(s) and Address(s) of Applicant(s):
Samsung Electronics Co., Ltd
129 Samsung-ro Yeongtong-gu Suwon-si Gyeonggi-do 443-742 Republic of Korea
(72) Name(s) of Designer(s): **Da-Hyun Lee and Christine Rhea Oh and Tae-Joong Kim**
(45) Registration Date: **03 March 2014**
(30) Convention priority data:
(31) Number (32) Date (33) Country
30-2013-0043824 27 Aug 2013 REPUBLIC OF KOREA
(56) Related Art Documents: **Not Applicable**
(57) Statement of Newness and Distinctiveness: **Newness and distinctiveness is claimed in the features of shape and/or configuration of the Electronic Device as shown in the accompanying representations. The features depicted by broken lines are for illustrative purposes only and form no part of the claimed design. The dot-dash broken lines define boundaries of the claimed design and form no part thereof.**



(21) Design Number: **10433/2014**

(22) Date of Filing Application: **30 January 2014**

(24) Date from which industrial property rights may have effect: **30 January 2014**

(54) Product in respect of which the design is registered: **Electronic device**

(51) International Design Classification: **14-02**

(74) Name(s) of Attorney(s): **Wrays**

(71) Name(s) and Address(s) of Applicant(s):

Samsung Electronics Co., Ltd
129 Samsung-ro Yeongtong-gu Suwon-si Gyeonggi-do 443-742 Republic of Korea

(72) Name(s) of Designer(s): **Da-Hyun Lee and Christine Rhea Oh and Tae-Joong Kim**

(45) Registration Date: **03 March 2014**

(30) Convention priority data:

(31) Number	(32) Date	(33) Country
30-2013-0043828	27 Aug 2013	REPUBLIC OF KOREA

(56) Related Art Documents: **Not Applicable**

(57) Statement of Newness and Distinctiveness: **Newness and distinctiveness is claimed in the features of shape and/or configuration of the Electronic Device as shown in the accompanying representations. The features depicted by broken lines are for illustrative purposes only and form no part of the claimed design. The dot-dash broken lines define boundaries of the claimed design and form no part thereof.**



(21) Design Number: **10434/2014**

(22) Date of Filing Application: **30 January 2014**

(24) Date from which industrial property rights may have effect: **30 January 2014**

(54) Product in respect of which the design is registered: **Antiskid plate**

(51) International Design Classification: **12-16NES, 12-15F**

(74) Name(s) of Attorney(s): **A.P.T. Patent and Trade Mark Attorneys**

(71) Name(s) and Address(s) of Applicant(s):

Ningbo Yinzhou Tianxiang Winch Co., Ltd.
Yanshan Village Yinjiang Town Yinzhou County Ningbo City Zhejiang Province People's Republic of China

(72) Name(s) of Designer(s): **Ting Cui**

(45) Registration Date: **03 March 2014**

(30) Convention priority data:

(31) Number	(32) Date	(33) Country
CN201330521768X01	Nov 2013	CHINA

(56) Related Art Documents: **Not Applicable**

(57) Statement of Newness and Distinctiveness: **Nil**



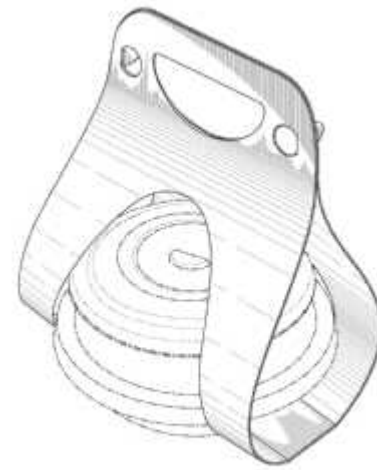
- (21) Design Number: **10437/2014**
(22) Date of Filing Application: **31 January 2014**
(24) Date from which industrial property rights may have effect: **31 January 2014**
(54) Product in respect of which the design is registered: **Automotive driving lamp**
(51) International Design Classification: **26-06**
(74) Name(s) of Attorney(s):
(71) Name(s) and Address(s) of Applicant(s):
Roadvision Pty. Ltd.
10 Kingston Park Ct Knoxfield VIC 3180 Australia
(72) Name(s) of Designer(s): **Gary Parker**
(45) Registration Date: **03 March 2014**
(56) Related Art Documents: **Not Applicable**
(57) Statement of Newness and Distinctiveness: **Newness and distinctiveness resides in the shape and configuration of the driving lamp assembly illustrated in the accompanying representations, and in particular 1) the unique shape, configuration and contour of the 3 housing extrusions (most evident in the front and rear views) and 2) the distinctive contour and shape of the housing, and 3) The distinctive shape of the mounting bracket. The unique shading, colour and ornamentation are to be disregarded.**



- (21) Design Number: **10438/2014**
(22) Date of Filing Application: **31 January 2014**
(24) Date from which industrial property rights may have effect: **31 January 2014**
(54) Product in respect of which the design is registered: **A water pitcher**
(51) International Design Classification: **07-01F**
(74) Name(s) of Attorney(s): **SPRUSON & FERGUSON**
(71) Name(s) and Address(s) of Applicant(s):
Sheldon and Hammond Pty Ltd
24 Salisbury Rd Asquith NSW 2077 Australia
(72) Name(s) of Designer(s): **Alexander Angus**
(45) Registration Date: **03 March 2014**
(56) Related Art Documents: **Not Applicable**
(57) Statement of Newness and Distinctiveness: **Newness and distinctiveness is claimed in the features of shape and/or configuration of a water pitcher as illustrated in the accompanying representations.**



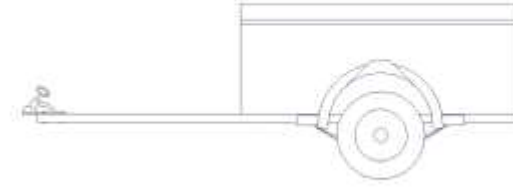
(21) Design Number: **10442/2014**
(22) Date of Filing Application: **31 January 2014**
(24) Date from which industrial property rights may have effect: **31 January 2014**
(54) Product in respect of which the design is registered: **Carrier**
(51) International Design Classification: **09-03NES**
(74) Name(s) of Attorney(s): **Pizzeys**
(71) Name(s) and Address(s) of Applicant(s):
Dee Daa Licensing LLC
229 Chrystie St Apt 340 New York NY 10002 United States of America
(72) Name(s) of Designer(s): **M. L. Poramats Varavarna**
(45) Registration Date: **03 March 2014**
(30) Convention priority data:
(31) Number (32) Date (33) Country
29/462,724 07 Aug 2013 UNITED STATES OF AMERICA
(56) Related Art Documents: **Not Applicable**
(57) Statement of Newness and Distinctiveness: **Nil**



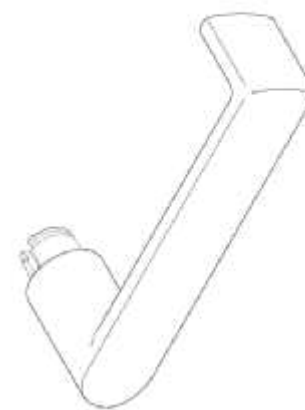
(21) Design Number: **10448/2014**
(22) Date of Filing Application: **31 January 2014**
(24) Date from which industrial property rights may have effect: **31 January 2014**
(54) Product in respect of which the design is registered: **Portable information terminal**
(51) International Design Classification: **21-01N**
(74) Name(s) of Attorney(s): **Shelston IP**
(71) Name(s) and Address(s) of Applicant(s):
Sony Computer Entertainment Inc.
1-7-1 Konan Minato-ku Tokyo 108-0075 Japan
(72) Name(s) of Designer(s): **Taichi Nokuo**
(45) Registration Date: **03 March 2014**
(30) Convention priority data:
(31) Number (32) Date (33) Country
2013-018458 09 Aug 2013 JAPAN
(56) Related Art Documents: **Not Applicable**
(57) Statement of Newness and Distinctiveness: **Newness and distinctiveness reside in the features of shape and/or configuration of the Portable Information Terminal as shown in solid lines in the accompanying representations. The features of Portable Information Terminal in broken lines are shown for illustrative purposes only and form no part of the claimed design.**



- (21) Design Number: **10464/2014**
(22) Date of Filing Application: **31 January 2014**
(24) Date from which industrial property rights may have effect: **31 January 2014**
(54) Product in respect of which the design is registered: **Camper trailer**
(51) International Design Classification: **12-10**
(74) Name(s) of Attorney(s):
(71) Name(s) and Address(s) of Applicant(s):
Gregory Burns
9 Cato Ct Torquay QLD 4655 Australia
(72) Name(s) of Designer(s): **Gregory Burns**
(45) Registration Date: **03 March 2014**
(56) Related Art Documents: **Not Applicable**
(57) Statement of Newness and Distinctiveness: **As per first reference except it has it's own trailer.**



- (21) Design Number: **10478/2014**
(22) Date of Filing Application: **03 February 2014**
(24) Date from which industrial property rights may have effect: **03 February 2014**
(54) Product in respect of which the design is registered: **Lever**
(51) International Design Classification: **08-06**
(74) Name(s) of Attorney(s): **PHILLIPS ORMONDE FITZPATRICK**
(71) Name(s) and Address(s) of Applicant(s):
ASSA ABLOY Australia Pty Limited
235 Huntingdale Rd Oakleigh VIC 3166 Australia
(72) Name(s) of Designer(s): **Craig Anthony Caspersz**
(45) Registration Date: **03 March 2014**
(56) Related Art Documents: **Not Applicable**
(57) Statement of Newness and Distinctiveness: **Those features of the lever depicted in the representations that are new and distinctive are the shape and/or configuration. The stub shaft portion of the lever shown in broken line is not part of the design and is not to be considered when considering the overall impression of the design.**



- (21) Design Number: **10479/2014**
(22) Date of Filing Application: **03 February 2014**
(24) Date from which industrial property rights may have effect: **03 February 2014**
(54) Product in respect of which the design is registered: **Lever**
(51) International Design Classification: **08-06**
(74) Name(s) of Attorney(s): **PHILLIPS ORMONDE FITZPATRICK**
(71) Name(s) and Address(s) of Applicant(s):
ASSA ABLOY Australia Pty Limited
235 Huntingdale Rd Oakleigh VIC 3166 Australia
(72) Name(s) of Designer(s): **Craig Anthony Caspersz**
(45) Registration Date: **03 March 2014**
(56) Related Art Documents: **Not Applicable**
(57) Statement of Newness and Distinctiveness: **Those features of the lever depicted in the representations that are new and distinctive are the shape and/or configuration. The stub shaft portion of the lever shown in broken line is not part of the design and is not to be considered when considering the overall impression of the design.**



- (21) Design Number: **10480/2014**
(22) Date of Filing Application: **03 February 2014**
(24) Date from which industrial property rights may have effect: **03 February 2014**
(54) Product in respect of which the design is registered: **Puzzle**
(51) International Design Classification: **21-01M**
(74) Name(s) of Attorney(s): **Baxter IP**
(71) Name(s) and Address(s) of Applicant(s):
Thi Nguyet Nga Truong
5 Harriet St Marrickville NSW 2204 Australia
(72) Name(s) of Designer(s): **Thi Nguyet Nga Truong**
(45) Registration Date: **03 March 2014**
(56) Related Art Documents: **Not Applicable**
(57) Statement of Newness and Distinctiveness: **Nil**

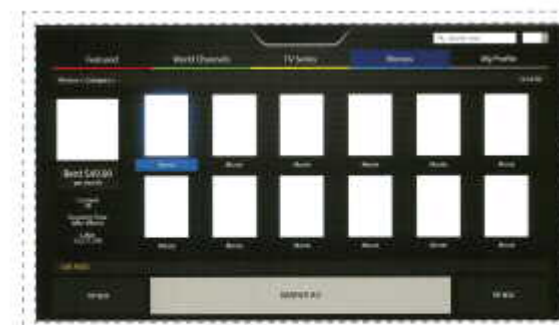


(21) Design Number: **10481/2014**
(22) Date of Filing Application: **03 February 2014**
(24) Date from which industrial property rights may have effect: **03 February 2014**
(54) Product in respect of which the design is registered: **Display screen with graphical user interface**
(51) International Design Classification: **14-04, 14-02**
(74) Name(s) of Attorney(s): **Madderns**
(71) Name(s) and Address(s) of Applicant(s):
Quatius Limited
Units 05-07 16/F Greenfield Tower, Concordia Plaza 1 Science Museum
Road TST East, KIn Hong Kong



(72) Name(s) of Designer(s): **Bunthoeun Thov**
(45) Registration Date: **03 March 2014**
(56) Related Art Documents: **Not Applicable**
(57) Statement of Newness and Distinctiveness: **Newness and distinctiveness reside in the features of pattern and/or ornamentation of a display screen with graphical user interface as illustrated in the accompanying representation. The letters and numerals depicted are shown by way of example only and may be substituted by other symbols. In considering the scope of monopoly, no regard should be had to the elements depicted in broken lines.**

(21) Design Number: **10482/2014**
(22) Date of Filing Application: **03 February 2014**
(24) Date from which industrial property rights may have effect: **03 February 2014**
(54) Product in respect of which the design is registered: **Display screen with graphical user interface**
(51) International Design Classification: **14-04, 14-02**
(74) Name(s) of Attorney(s): **Madderns**
(71) Name(s) and Address(s) of Applicant(s):
Quatius Limited
Units 05-07 16/F Greenfield Tower, Concordia Plaza 1 Science Museum
Road TST East, KIn Hong Kong



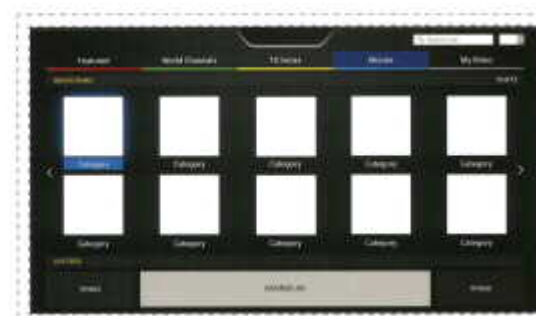
(72) Name(s) of Designer(s): **Bunthoeun Thov**
(45) Registration Date: **03 March 2014**
(56) Related Art Documents: **Not Applicable**
(57) Statement of Newness and Distinctiveness: **Newness and distinctiveness reside in the features of pattern and/or ornamentation of a display screen with graphical user interface as illustrated in the accompanying representation. The letters and numerals depicted are shown by way of example only and may be substituted by other symbols. In considering the scope of monopoly, no regard should be had to the elements depicted in broken lines.**

(21) Design Number: **10484/2014**
(22) Date of Filing Application: **03 February 2014**
(24) Date from which industrial property rights may have effect: **03 February 2014**
(54) Product in respect of which the design is registered: **Display screen with graphical user interface**
(51) International Design Classification: **14-02, 14-04**
(74) Name(s) of Attorney(s): **Madderns**
(71) Name(s) and Address(s) of Applicant(s):
Quatius Limited
Units 05-07 16/F Greenfield Tower, Concordia Plaza 1 Science Museum
Road TST East, KIn Hong Kong



(72) Name(s) of Designer(s): **Bunthoeun Thov**
(45) Registration Date: **03 March 2014**
(56) Related Art Documents: **Not Applicable**
(57) Statement of Newness and Distinctiveness: **Newness and distinctiveness reside in the features of pattern and/or ornamentation of a display screen with graphical user interface as illustrated in the accompanying representation. The letters and numerals depicted are shown by way of example only and may be substituted by other symbols. In considering the scope of monopoly, no regard should be had to the elements depicted in broken lines.**

(21) Design Number: **10485/2014**
(22) Date of Filing Application: **03 February 2014**
(24) Date from which industrial property rights may have effect: **03 February 2014**
(54) Product in respect of which the design is registered: **Display screen with graphical user interface**
(51) International Design Classification: **14-02, 14-04**
(74) Name(s) of Attorney(s): **Madderns**
(71) Name(s) and Address(s) of Applicant(s):
Quatius Limited
Units 05-07 16/F Greenfield Tower, Concordia Plaza 1 Science Museum
Road TST East, KIn Hong Kong

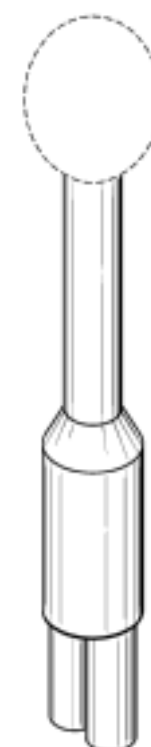


(72) Name(s) of Designer(s): **Bunthoeun Thov**
(45) Registration Date: **03 March 2014**
(56) Related Art Documents: **Not Applicable**
(57) Statement of Newness and Distinctiveness: **Newness and distinctiveness reside in the features of pattern and/or ornamentation of a display screen with graphical user interface as illustrated in the accompanying representation. The letters and numerals depicted are shown by way of example only and may be substituted by other symbols. In considering the scope of monopoly, no regard should be had to the elements depicted in broken lines.**

(21) Design Number: **10488/2014**
(22) Date of Filing Application: **03 February 2014**
(24) Date from which industrial property rights may have effect: **03 February 2014**
(54) Product in respect of which the design is registered: **Telecommunications apparatus**
(51) International Design Classification: **14-03A, 14-03NES**
(74) Name(s) of Attorney(s):
(71) Name(s) and Address(s) of Applicant(s):
CPR Global Ltd
York Chambers York Street Swansea West Glamorgan, SA1 3LZ United Kingdom
(72) Name(s) of Designer(s): **Andrew Sandbrook**
(45) Registration Date: **03 March 2014**
(30) Convention priority data:
(31) Number (32) Date (33) Country
002286138-0002 02 Aug 2013 OFFICE FOR HARMONISATION IN THE INTERNAL MARKET (OHIM)
(56) Related Art Documents: **Not Applicable**
(57) Statement of Newness and Distinctiveness: **The novelty of the design resides in the shape of the apparatus and the shape and disposition of the control buttons and screen thereon.**



(21) Design Number: **10275/2014**
(22) Date of Filing Application: **22 January 2014**
(24) Date from which industrial property rights may have effect: **22 January 2014**
(54) Product in respect of which the design is registered: **Instrument for treating an ocular disorder**
(51) International Design Classification: **24-02**
(74) Name(s) of Attorney(s): **SPRUSON & FERGUSON**
(71) Name(s) and Address(s) of Applicant(s):
RySurg, LLC
335 S. Houghton Street Suite 3 Milford Michigan 48381 United States of America
(72) Name(s) of Designer(s): **James M Rynerson and John R Choate**
(45) Registration Date: **03 March 2014**
(30) Convention priority data:
(31) Number (32) Date (33) Country
29/461500 24 Jul 2013 UNITED STATES OF AMERICA
(56) Related Art Documents: **Not Applicable**
(57) Statement of Newness and Distinctiveness: **Newness and distinctiveness is claimed in those features of shape and/or configuration of an instrument for treating an ocular disorder illustrated in continuous lines in the accompanying representations.**



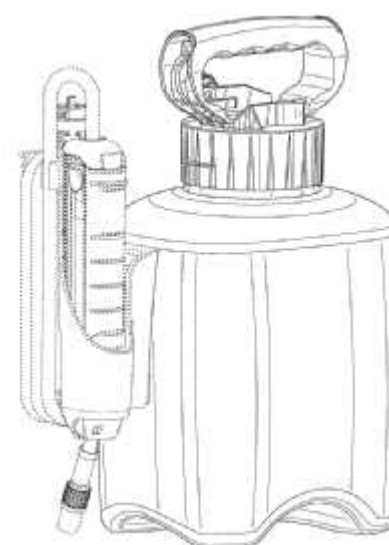
(21) Design Number: **10276/2014**
(22) Date of Filing Application: **22 January 2014**
(24) Date from which industrial property rights may have effect: **22 January 2014**
(54) Product in respect of which the design is registered: **Instrument for treating an ocular disorder**
(51) International Design Classification: **24-02**
(74) Name(s) of Attorney(s): **SPRUSON & FERGUSON**
(71) Name(s) and Address(s) of Applicant(s):
RySurg, LLC
335 S. Houghton Street Suite 3 Milford Michigan 48381 United States of America
(72) Name(s) of Designer(s): **James M Rynerson and John R Choate**
(45) Registration Date: **03 March 2014**
(30) Convention priority data:
(31) Number (32) Date (33) Country
29/461500 24 Jul 2013 UNITED STATES OF AMERICA
(56) Related Art Documents: **Not Applicable**
(57) Statement of Newness and Distinctiveness: **Newness and distinctiveness is claimed in those features of shape and/or configuration of an instrument for treating an ocular disorder illustrated in continuous lines in the accompanying representations.**



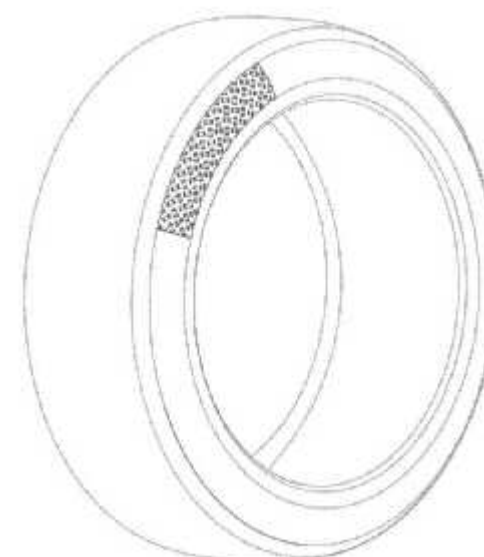
(21) Design Number: **10277/2014**
(22) Date of Filing Application: **22 January 2014**
(24) Date from which industrial property rights may have effect: **22 January 2014**
(54) Product in respect of which the design is registered: **Food homogenizer**
(51) International Design Classification: **31-00, 07-04**
(74) Name(s) of Attorney(s): **PETER MAXWELL & ASSOCIATES**
(71) Name(s) and Address(s) of Applicant(s):
Healthy Foods, LLC
30339 Diamond Parkway Suite 105 Cleveland Ohio 44139 United States of America
(72) Name(s) of Designer(s): **Brian Louis Machovina and Robert Johnson and Robert Schmidt and Winston Breeden III and Douglas Edward Whitner and Ryan Scott Crisp and Eileen McHale**
(45) Registration Date: **03 March 2014**
(30) Convention priority data:
(31) Number (32) Date (33) Country
29/472,311 11 Nov 2013 UNITED STATES OF AMERICA
(56) Related Art Documents: **Not Applicable**
(57) Statement of Newness and Distinctiveness: **Newness and distinctiveness is claimed in the shape and/or configuration of SUPPLY ASSEMBLY FOR A FOOD HOMOGENIZER.**



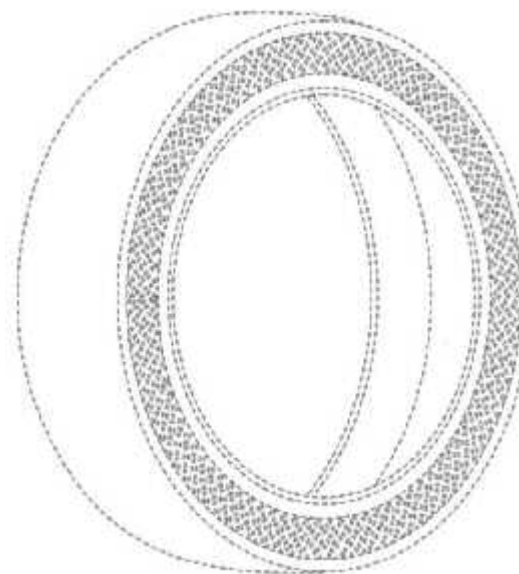
(21) Design Number: **10342/2014**
(22) Date of Filing Application: **24 January 2014**
(24) Date from which industrial property rights may have effect: **24 January 2014**
(54) Product in respect of which the design is registered: **Manually operated spray tank**
(51) International Design Classification: **23-01D, 08-05A**
(74) Name(s) of Attorney(s): **SPRUSON & FERGUSON**
(71) Name(s) and Address(s) of Applicant(s):
The Fountainhead Group, Inc.
23 Garden Street New York Mills New York 13417-1318 United States of America
(72) Name(s) of Designer(s): **Jeffrey D Nicolia and George A Mitchell and Andrew C Clarey**
(45) Registration Date: **03 March 2014**
(30) Convention priority data:
(31) Number (32) Date (33) Country
29/461499 24 Jul 2013 UNITED STATES OF AMERICA
(56) Related Art Documents: **Not Applicable**
(57) Statement of Newness and Distinctiveness: **Newness and distinctiveness is claimed in those features of shape and/or configuration of a manually operated spray tank illustrated in continuous lines the accompanying representations.**



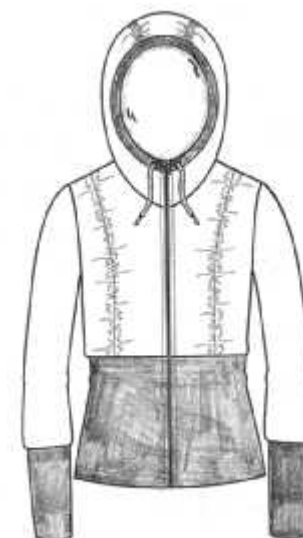
(21) Design Number: **10343/2014**
(22) Date of Filing Application: **24 January 2014**
(24) Date from which industrial property rights may have effect: **24 January 2014**
(54) Product in respect of which the design is registered: **A tyre**
(51) International Design Classification: **12-15NES**
(74) Name(s) of Attorney(s): **WATERMARK PATENT AND TRADE MARKS ATTORNEYS**
(71) Name(s) and Address(s) of Applicant(s):
Compagnie Generale Des Etablissements Michelin
12 cours Sablon Clermont-Ferrand 63000 France
Michelin Recherche et Technique S.A.
Route Louis Braille 10 Granges-Paccot 1763 Switzerland
(72) Name(s) of Designer(s): **Heloise Debordeaux**
(45) Registration Date: **03 March 2014**
(30) Convention priority data:
(31) Number (32) Date (33) Country
002281642-0001 26 Jul 2013 OFFICE FOR HARMONISATION IN THE INTERNAL MARKET (OHIM)
(56) Related Art Documents: **Not Applicable**
(57) Statement of Newness and Distinctiveness: **Newness and distinctiveness resides in the appearance of a side wall of a tyre as shown in the annexed drawings, the remainder of the tyre not forming part of the design.**



- (21) Design Number: **10344/2014**
(22) Date of Filing Application: **24 January 2014**
(24) Date from which industrial property rights may have effect: **24 January 2014**
(54) Product in respect of which the design is registered: **A tyre**
(51) International Design Classification: **12-15NES**
(74) Name(s) of Attorney(s): **WATERMARK PATENT AND TRADE MARKS ATTORNEYS**
(71) Name(s) and Address(s) of Applicant(s):
Compagnie Generale Des Etablissements Michelin
12 cours Sablon Clermont-Ferrand 63000 France
Michelin Recherche et Technique S.A.
Route Louis Braille 10 Granges-Paccot 1763 Switzerland
(72) Name(s) of Designer(s): **Heloise Debordeaux**
(45) Registration Date: **03 March 2014**
(30) Convention priority data:
(31) Number (32) Date (33) Country
002281642-0001 26 Jul 2013 OFFICE FOR HARMONISATION IN THE INTERNAL MARKET (OHIM)
(56) Related Art Documents: **Not Applicable**
(57) Statement of Newness and Distinctiveness: **Newness and distinctiveness resides in the appearance of a side wall of a tyre as shown in the annexed drawings, the remainder of the tyre not forming part of the design.**



- (21) Design Number: **10345/2014**
(22) Date of Filing Application: **24 January 2014**
(24) Date from which industrial property rights may have effect: **24 January 2014**
(54) Product in respect of which the design is registered: **Jacket**
(51) International Design Classification: **02-02NES**
(74) Name(s) of Attorney(s): **Shelston IP**
(71) Name(s) and Address(s) of Applicant(s):
lululemon athletica canada inc.
400-1818 Cornwall Avenue Vancouver British Columbia V6J 1C7 Canada
(72) Name(s) of Designer(s): **Antonia lamartino**
(45) Registration Date: **03 March 2014**
(30) Convention priority data:
(31) Number (32) Date (33) Country
29/461767 26 Jul 2013 UNITED STATES OF AMERICA
(56) Related Art Documents: **Not Applicable**
(57) Statement of Newness and Distinctiveness: **Newness and distinctiveness reside in the visual features of a design for a JACKET as shown in FIGs. 1 - 4. The fine broken lines shown in the drawings represent stitching and are part of the claimed design. The shading shown on the hood rim, sleeve cuffs, and lower trunk portions of the jacket in FIGs. 1 - 4 indicates contrasting texture or tone.**



- (21) Design Number: **10346/2014**
(22) Date of Filing Application: **24 January 2014**
(24) Date from which industrial property rights may have effect: **24 January 2014**
(54) Product in respect of which the design is registered: **Scooter**
(51) International Design Classification: **21-01F**
(74) Name(s) of Attorney(s): **Collison & Co**
(71) Name(s) and Address(s) of Applicant(s):
Mike Horne
12/35 Garden Rd Clayton VIC 3168 Australia
(72) Name(s) of Designer(s): **Mike Horne**
(45) Registration Date: **03 March 2014**
(56) Related Art Documents: **Not Applicable**
(57) Statement of Newness and Distinctiveness: **Newness and distinctiveness resides in the shape and / or configuration of the scooter as shown in the attached representations.**



- (21) Design Number: **10347/2014**
(22) Date of Filing Application: **24 January 2014**
(24) Date from which industrial property rights may have effect: **24 January 2014**
(54) Product in respect of which the design is registered: **Excavator**
(51) International Design Classification: **15-04**
(74) Name(s) of Attorney(s): **FB Rice**
(71) Name(s) and Address(s) of Applicant(s):
Yanmar Co., Ltd.
1-9 Tsurunocho Kita-ku Osaka-shi Osaka 530-8311 Japan
(72) Name(s) of Designer(s): **Satoru Mishio and Kazuya Hokimoto and Keiichi Nishihara**
(45) Registration Date: **03 March 2014**
(30) Convention priority data:
(31) Number (32) Date (33) Country
2013-16888 24 Jul 2013 JAPAN
(56) Related Art Documents: **Not Applicable**
(57) Statement of Newness and Distinctiveness: **Newness and distinctiveness reside in the features of the design as shown in the representations with transparent areas shaded.**



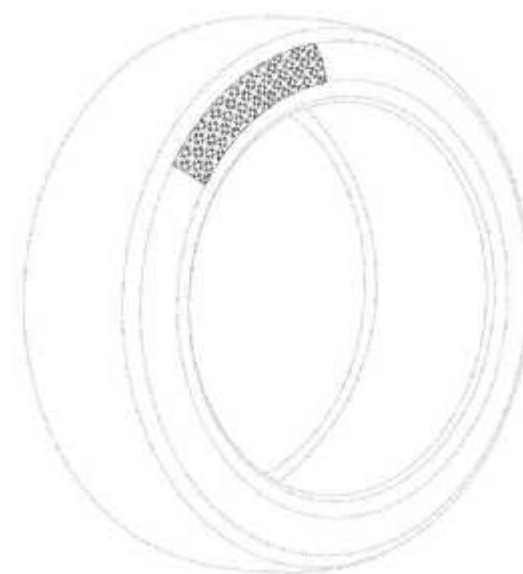
(21) Design Number: **10348/2014**
(22) Date of Filing Application: **24 January 2014**
(24) Date from which industrial property rights may have effect: **24 January 2014**
(54) Product in respect of which the design is registered: **Manually operated spray tank**
(51) International Design Classification: **23-01D, 08-05A**
(74) Name(s) of Attorney(s): **SPRUSON & FERGUSON**
(71) Name(s) and Address(s) of Applicant(s):
The Fountainhead Group, Inc.
23 Garden Street New York Mills New York 13417-1318 United States of America
(72) Name(s) of Designer(s): **Todd B Abernethy and Mario J Restive and George A Mitchell and Donwoong Kang and David J Hine**
(45) Registration Date: **03 March 2014**
(30) Convention priority data:
(31) Number (32) Date (33) Country
29/461521 24 Jul 2013 UNITED STATES OF AMERICA
(56) Related Art Documents: **Not Applicable**
(57) Statement of Newness and Distinctiveness: **Newness and distinctiveness is claimed in those features of shape and/or configuration of a manually operated spray tank illustrated in continuous lines in the accompanying representations.**



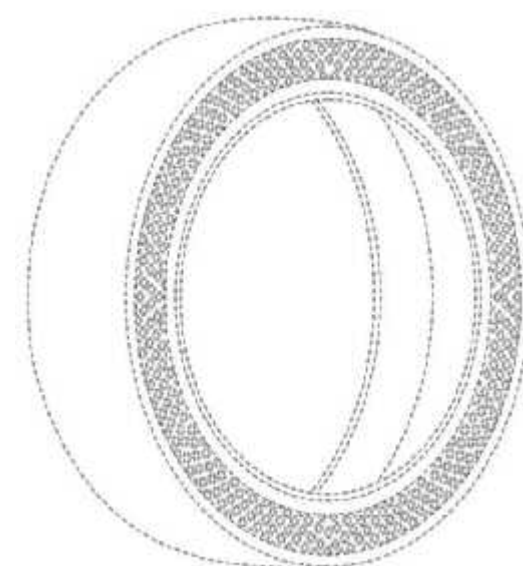
(21) Design Number: **10349/2014**
(22) Date of Filing Application: **24 January 2014**
(24) Date from which industrial property rights may have effect: **24 January 2014**
(54) Product in respect of which the design is registered: **Jacket**
(51) International Design Classification: **02-02NES**
(74) Name(s) of Attorney(s): **Shelston IP**
(71) Name(s) and Address(s) of Applicant(s):
lululemon athletica canada inc.
400-1818 Cornwall Avenue Vancouver British Columbia V6J 1C7 Canada
(72) Name(s) of Designer(s): **Antonia lamartino**
(45) Registration Date: **03 March 2014**
(30) Convention priority data:
(31) Number (32) Date (33) Country
29/461767 26 Jul 2013 UNITED STATES OF AMERICA
(56) Related Art Documents: **Not Applicable**
(57) Statement of Newness and Distinctiveness: **Newness and distinctiveness reside in the visual features of a design for a JACKET as shown in FIGs. 1 - 4. The fine broken lines shown in the drawings represent stitching and are part of the claimed design. The shading shown on the hood rim, sleeve cuffs, and lower trunk portions of the jacket in FIGs. 1 - 4 indicates contrasting texture or tone. The symbol/s depicted in FIGs. 1 - 4, forming part of the claimed design is a registered trademark of Lululemon Athletica Canada Inc.**



- (21) Design Number: **10350/2014**
(22) Date of Filing Application: **24 January 2014**
(24) Date from which industrial property rights may have effect: **24 January 2014**
(54) Product in respect of which the design is registered: **A tyre**
(51) International Design Classification: **12-15NES**
(74) Name(s) of Attorney(s): **WATERMARK PATENT AND TRADE MARKS ATTORNEYS**
(71) Name(s) and Address(s) of Applicant(s):
Compagnie Generale Des Etablissements Michelin
12 cours Sablon Clermont-Ferrand 63000 France
Michelin Recherche et Technique S.A.
Route Louis Braille 10 Granges-Paccot 1763 Switzerland
(72) Name(s) of Designer(s): **Olivier Ropars**
(45) Registration Date: **03 March 2014**
(30) Convention priority data:
(31) Number (32) Date (33) Country
002281592-0001 26 Jul 2013 OFFICE FOR HARMONISATION IN
THE INTERNAL MARKET (OHIM)
(56) Related Art Documents: **Not Applicable**
(57) Statement of Newness and Distinctiveness: **Newness and distinctiveness resides in the appearance of a side wall of a tyre as shown in the annexed drawings, the remainder of the tyre not forming part of the design.**



- (21) Design Number: **10351/2014**
(22) Date of Filing Application: **24 January 2014**
(24) Date from which industrial property rights may have effect: **24 January 2014**
(54) Product in respect of which the design is registered: **A tyre**
(51) International Design Classification: **12-15NES**
(74) Name(s) of Attorney(s): **WATERMARK PATENT AND TRADE MARKS ATTORNEYS**
(71) Name(s) and Address(s) of Applicant(s):
Compagnie Generale Des Etablissements Michelin
12 cours Sablon Clermont-Ferrand 63000 France
Michelin Recherche et Technique S.A.
Route Louis Braille 10 Granges-Paccot 1763 Switzerland
(72) Name(s) of Designer(s): **Olivier Ropars**
(45) Registration Date: **03 March 2014**
(30) Convention priority data:
(31) Number (32) Date (33) Country
002281592-0001 26 Jul 2013 OFFICE FOR HARMONISATION IN
THE INTERNAL MARKET (OHIM)
(56) Related Art Documents: **Not Applicable**
(57) Statement of Newness and Distinctiveness: **Newness and distinctiveness resides in the appearance of a side wall of a tyre as shown in the annexed drawings, the remainder of the tyre not forming part of the design.**



(21) Design Number: **10353/2014**

(22) Date of Filing Application: **24 January 2014**

(24) Date from which industrial property rights may have effect: **24 January 2014**

(54) Product in respect of which the design is registered: **Jacket**

(51) International Design Classification: **02-02NES**

(74) Name(s) of Attorney(s): **Shelston IP**

(71) Name(s) and Address(s) of Applicant(s):

lululemon athletica canada inc.

400-1818 Cornwall Avenue Vancouver British Columbia V6J 1C7 Canada

(72) Name(s) of Designer(s): **Antonia lamartino**

(45) Registration Date: **03 March 2014**

(30) Convention priority data:

(31) Number

(32) Date

(33) Country

29/461767

26 Jul 2013

UNITED STATES OF AMERICA

(56) Related Art Documents: **Not Applicable**

(57) Statement of Newness and Distinctiveness: **Newness and distinctiveness reside in the visual features of a design for a JACKET as shown in FIGs. 1 - 4. The fine broken lines shown in the drawings represent stitching and are part of the claimed design. The shading shown on the hood rim, sleeve cuffs, and lower trunk portions of the jacket in FIGs. 1 - 4 indicates contrasting texture or tone. The symbol depicted in FIGs. 2 and 3 forming part of the claimed design is a registered trademark of Lululemon Athletica Canada Inc.**



(21) Design Number: **10354/2014**

(22) Date of Filing Application: **24 January 2014**

(24) Date from which industrial property rights may have effect: **24 January 2014**

(54) Product in respect of which the design is registered: **Jacket**

(51) International Design Classification: **02-02NES**

(74) Name(s) of Attorney(s): **Shelston IP**

(71) Name(s) and Address(s) of Applicant(s):

lululemon athletica canada inc.

400-1818 Cornwall Avenue Vancouver British Columbia V6J 1C7 Canada

(72) Name(s) of Designer(s): **Antonia lamartino**

(45) Registration Date: **03 March 2014**

(30) Convention priority data:

(31) Number

(32) Date

(33) Country

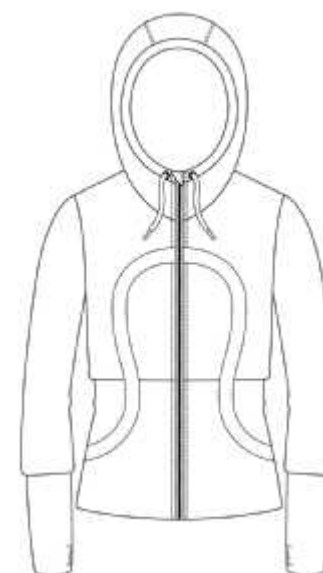
29/461767

26 Jul 2013

UNITED STATES OF AMERICA

(56) Related Art Documents: **Not Applicable**

(57) Statement of Newness and Distinctiveness: **Newness and distinctiveness reside in the visual features of a design for a JACKET as shown in FIGs. 1 - 4. The fine broken lines shown in the drawings represent stitching and are part of the claimed design. The symbol depicted in FIGs. 1, 3 and 4, forming part of the claimed design is a registered trademark of Lululemon Athletica Canada Inc.**



(21) Design Number: **10355/2014**

(22) Date of Filing Application: **24 January 2014**

(24) Date from which industrial property rights may have effect: **24 January 2014**

(54) Product in respect of which the design is registered: **Jacket**

(51) International Design Classification: **02-02NES**

(74) Name(s) of Attorney(s): **Shelston IP**

(71) Name(s) and Address(s) of Applicant(s):

lululemon athletica canada inc.

400-1818 Cornwall Avenue Vancouver British Columbia V6J 1C7 Canada

(72) Name(s) of Designer(s): **Antonia lamartino**

(45) Registration Date: **03 March 2014**

(30) Convention priority data:

(31) Number

(32) Date

(33) Country

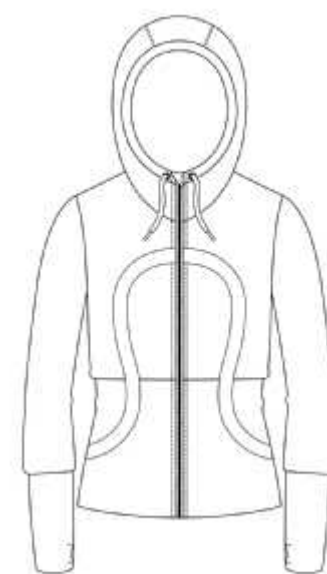
29/461767

26 Jul 2013

UNITED STATES OF AMERICA

(56) Related Art Documents: **Not Applicable**

(57) Statement of Newness and Distinctiveness: **Newness and distinctiveness reside in the visual features of a design for a JACKET as shown in FIGs. 1 - 4. The fine broken lines shown in the drawings represent stitching and are part of the claimed design. The symbol/s depicted in FIGs. 1 - 4, forming part of the claimed design is a registered trademark of Lululemon Athletica Canada Inc.**



(21) Design Number: **10356/2014**

(22) Date of Filing Application: **24 January 2014**

(24) Date from which industrial property rights may have effect: **24 January 2014**

(54) Product in respect of which the design is registered: **A tyre**

(51) International Design Classification: **12-15NES**

(74) Name(s) of Attorney(s): **WATERMARK PATENT AND TRADE MARKS ATTORNEYS**

(71) Name(s) and Address(s) of Applicant(s):

Compagnie Generale Des Etablissements Michelin

12 cours Sablon Clermont-Ferrand 63000 France

Michelin Recherche et Technique S.A.

Route Louis Braille 10 Granges-Paccot 1763 Switzerland

(72) Name(s) of Designer(s): **Tomohiro Seii**

(45) Registration Date: **03 March 2014**

(30) Convention priority data:

(31) Number

(32) Date

(33) Country

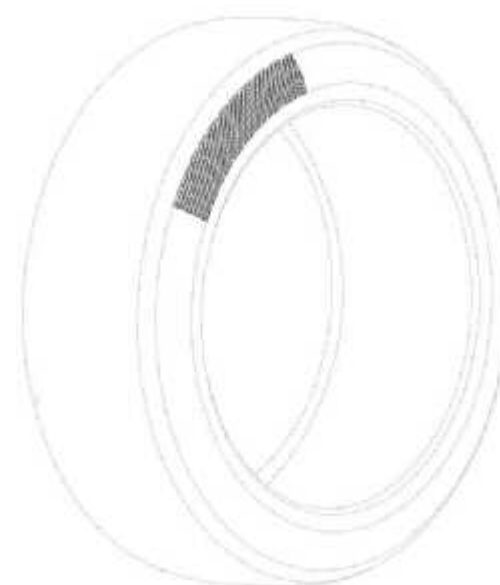
002281600-0001

26 Jul 2013

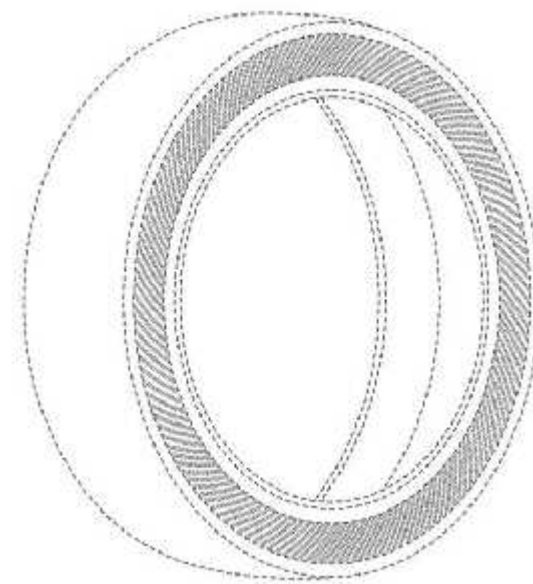
OFFICE FOR HARMONISATION IN THE INTERNAL MARKET (OHIM)

(56) Related Art Documents: **Not Applicable**

(57) Statement of Newness and Distinctiveness: **Newness and distinctiveness resides in the appearance of a side wall of a tyre as shown in the annexed drawings, the remainder of the tyre not forming part of the design.**



- (21) Design Number: **10357/2014**
(22) Date of Filing Application: **24 January 2014**
(24) Date from which industrial property rights may have effect: **24 January 2014**
(54) Product in respect of which the design is registered: **A tyre**
(51) International Design Classification: **12-15NES**
(74) Name(s) of Attorney(s): **WATERMARK PATENT AND TRADE MARKS ATTORNEYS**
(71) Name(s) and Address(s) of Applicant(s):
Compagnie Generale Des Etablissements Michelin
12 cours Sablon Clermont-Ferrand 63000 France
Michelin Recherche et Technique S.A.
Route Louis Braille 10 Granges-Paccot 1763 Switzerland
(72) Name(s) of Designer(s): **Tomohiro Seii**
(45) Registration Date: **03 March 2014**
(30) Convention priority data:
(31) Number (32) Date (33) Country
002281600-0001 26 Jul 2013 OFFICE FOR HARMONISATION IN THE INTERNAL MARKET (OHIM)
(56) Related Art Documents: **Not Applicable**
(57) Statement of Newness and Distinctiveness: **Newness and distinctiveness resides in the appearance of a side wall of a tyre as shown in the annexed drawings, the remainder of the tyre not forming part of the design.**



- (21) Design Number: **10415/2014**
(22) Date of Filing Application: **30 January 2014**
(24) Date from which industrial property rights may have effect: **30 January 2014**
(54) Product in respect of which the design is registered: **Input pen for an electronic device**
(51) International Design Classification: **14-02**
(74) Name(s) of Attorney(s): **Wrays**
(71) Name(s) and Address(s) of Applicant(s):
Samsung Electronics Co., Ltd
129 Samsung-ro Yeongtong-gu Suwon-si Gyeonggi-do 443-742 Republic of Korea
(72) Name(s) of Designer(s): **Da-Hyun Lee and Christine Rhea Oh and Tae-Joong Kim**
(45) Registration Date: **03 March 2014**
(30) Convention priority data:
(31) Number (32) Date (33) Country
30-2013-0043836 27 Aug 2013 REPUBLIC OF KOREA
(56) Related Art Documents: **Not Applicable**
(57) Statement of Newness and Distinctiveness: **Newness and distinctiveness is claimed in the features of shape and/or configuration of the Input Pen For An Electronic Device as shown in the accompanying representations. The features depicted by broken lines are for illustrative purposes only and form no part of the claimed design.**



(21) Design Number: **10416/2014**

(22) Date of Filing Application: **30 January 2014**

(24) Date from which industrial property rights may have effect: **30 January 2014**

(54) Product in respect of which the design is registered: **Input pen for an electronic device**

(51) International Design Classification: **14-02**

(74) Name(s) of Attorney(s): **Wrays**

(71) Name(s) and Address(s) of Applicant(s):

Samsung Electronics Co., Ltd
129, Samsung-ro Yeongtong-gu Suwon-si Gyeonggi-do 443-742 Republic of Korea

(72) Name(s) of Designer(s): **Da-Hyun Lee and Christine Rhea Oh and Tae-Joong Kim**

(45) Registration Date: **03 March 2014**

(30) Convention priority data:

(31) Number	(32) Date	(33) Country
30-2013-0043839	27 Aug 2013	REPUBLIC OF KOREA

(56) Related Art Documents: **Not Applicable**

(57) Statement of Newness and Distinctiveness: **Newness and distinctiveness is claimed in the features of shape and/or configuration of the Input Pen For An Electronic Device as shown in the accompanying representations. The features depicted by broken lines are for illustrative purposes only and form no part of the claimed design. The dot-dash broken lines define boundaries of the claimed design and form no part thereof.**



(21) Design Number: **10535/2014**

(22) Date of Filing Application: **04 February 2014**

(24) Date from which industrial property rights may have effect: **04 February 2014**

(54) Product in respect of which the design is registered: **Chair**

(51) International Design Classification: **06-06H**

(74) Name(s) of Attorney(s):

(71) Name(s) and Address(s) of Applicant(s):

Chairlt of Sweden AB
C/O Arsta Park Kontorshotell Byaengsgraend 14 Aarsta Stockholms Laen 120 40 Sweden

(72) Name(s) of Designer(s): **Carl-Johan Markoo and Oskar Jansson**

(45) Registration Date: **03 March 2014**

(56) Related Art Documents: **Not Applicable**

(57) Statement of Newness and Distinctiveness: **The ornamental design for a chair, as shown and described. The construction is solid and strongly built with new solutions for a chair designed for several people.**



(21) Design Number: **10539/2014**
(22) Date of Filing Application: **05 February 2014**
(24) Date from which industrial property rights may have effect: **05 February 2014**
(54) Product in respect of which the design is registered: **Inflatable decoration**
(51) International Design Classification: **21-01B**
(74) Name(s) of Attorney(s): **Davies Collison Cave**
(71) Name(s) and Address(s) of Applicant(s):
Arlec Australia Pty Ltd
Building 3 31-41 Joseph St Blackburn North VIC 3130 Australia
(72) Name(s) of Designer(s): **Paul William Renton**
(45) Registration Date: **03 March 2014**
(56) Related Art Documents: **Not Applicable**
(57) Statement of Newness and Distinctiveness: **Newness and distinctiveness is claimed in the features of shape and configuration of the inflatable decoration shown in the representations as viewed from the front and sides but not in the particular colours shown in the representations.**



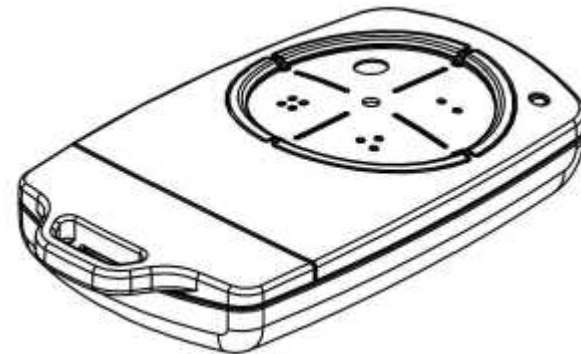
(21) Design Number: **10496/2014**
(22) Date of Filing Application: **04 February 2014**
(24) Date from which industrial property rights may have effect: **04 February 2014**
(54) Product in respect of which the design is registered: **Electric hair clipper**
(51) International Design Classification: **28-03D**
(74) Name(s) of Attorney(s): **SPRUSON & FERGUSON**
(71) Name(s) and Address(s) of Applicant(s):
Skull Shaver, LLC
19 Grant Street Mount Holly New Jersey 08060 United States of America
(72) Name(s) of Designer(s): **Neel Kulshreshtha**
(45) Registration Date: **03 March 2014**
(30) Convention priority data:
(31) Number (32) Date (33) Country
29/462783 08 Aug 2013 UNITED STATES OF AMERICA
(56) Related Art Documents: **Not Applicable**
(57) Statement of Newness and Distinctiveness: **Newness and distinctiveness is claimed in the features of shape and/or configuration of an electric hair clipper as illustrated in the accompanying representations.**



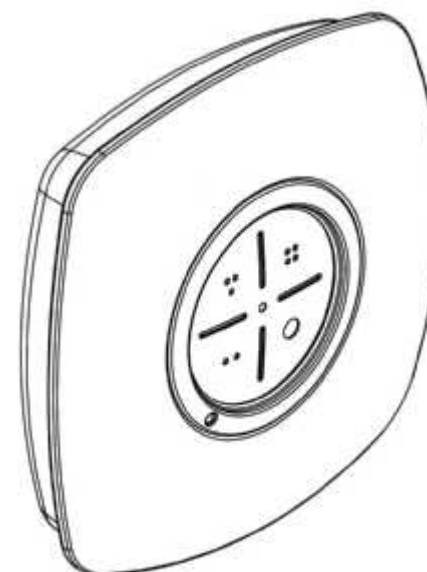
- (21) Design Number: **10497/2014**
(22) Date of Filing Application: **04 February 2014**
(24) Date from which industrial property rights may have effect: **04 February 2014**
(54) Product in respect of which the design is registered: **Trophy**
(51) International Design Classification: **11-02D**
(74) Name(s) of Attorney(s):
(71) Name(s) and Address(s) of Applicant(s):
Australian Event Awards Pty Ltd
SE1A1 410 Elizabeth St Surry Hills NSW 2010 Australia
(72) Name(s) of Designer(s): **Ian Steigrad**
(45) Registration Date: **03 March 2014**
(56) Related Art Documents: **Not Applicable**
(57) Statement of Newness and Distinctiveness: **The design was developed by Ian Steigrad and other employees and contractors of the Australian Event Awards in 2009 as an entirely new and unique trophy for the inaugural Australian Event Awards.**



- (21) Design Number: **10510/2014**
(22) Date of Filing Application: **04 February 2014**
(24) Date from which industrial property rights may have effect: **04 February 2014**
(54) Product in respect of which the design is registered: **Transmitter**
(51) International Design Classification: **14-03NES**
(74) Name(s) of Attorney(s): **Allens Patent & Trade Mark Attorneys**
(71) Name(s) and Address(s) of Applicant(s):
Automatic Technology (Australia) Pty Ltd
6-8 Fiveways Bvd Keysborough VIC 3173 Australia
(72) Name(s) of Designer(s): **Travis Smith**
(45) Registration Date: **03 March 2014**
(56) Related Art Documents: **Not Applicable**
(57) Statement of Newness and Distinctiveness: **Newness and distinctiveness is claimed in the shape and/or configuration of a transmitter as shown in the representations.**



(21) Design Number: **10511/2014**
(22) Date of Filing Application: **04 February 2014**
(24) Date from which industrial property rights may have effect: **04 February 2014**
(54) Product in respect of which the design is registered: **Controller**
(51) International Design Classification: **14-03NES**
(74) Name(s) of Attorney(s): **Allens Patent & Trade Mark Attorneys**
(71) Name(s) and Address(s) of Applicant(s):
Automatic Technology (Australia) Pty Ltd
6-8 Fiveways Bvd Keysborough VIC 3173 Australia
(72) Name(s) of Designer(s): **Travis Smith**
(45) Registration Date: **03 March 2014**
(56) Related Art Documents: **Not Applicable**
(57) Statement of Newness and Distinctiveness: **Newness and distinctiveness is claimed in the shape and/or configuration of a controller as shown in the representations.**



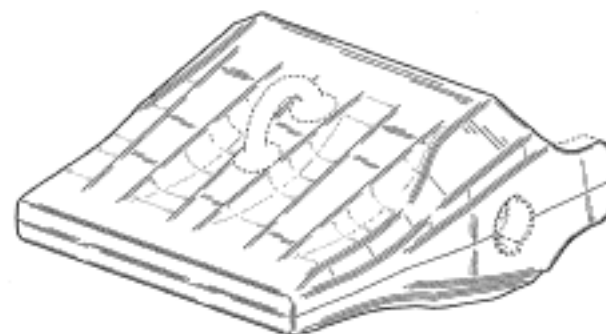
(21) Design Number: **10536/2014**
(22) Date of Filing Application: **05 February 2014**
(24) Date from which industrial property rights may have effect: **05 February 2014**
(54) Product in respect of which the design is registered: **An adjustable housing**
(51) International Design Classification: **08-07**
(74) Name(s) of Attorney(s): **Ellis Terry**
(71) Name(s) and Address(s) of Applicant(s):
ASSA ABLOY New Zealand Limited
6 Armstrong Place North Harbour Industrial Estate Albany Auckland
0632 New Zealand
(72) Name(s) of Designer(s): **Lewis Isaacson**
(45) Registration Date: **03 March 2014**
(30) Convention priority data:
(31) Number (32) Date (33) Country
418131 09 Oct 2013 NEW ZEALAND
(56) Related Art Documents: **Not Applicable**
(57) Statement of Newness and Distinctiveness: **Nil**



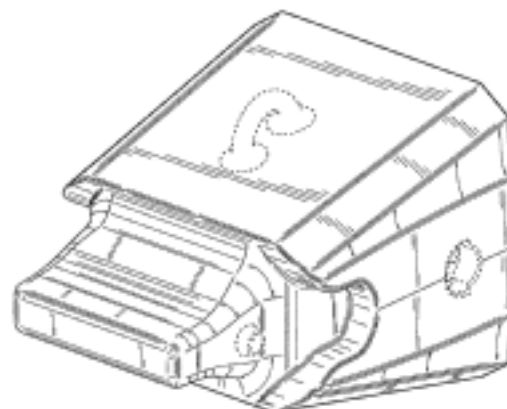
(21) Design Number: **15540/2013**
(22) Date of Filing Application: **29 October 2013**
(24) Date from which industrial property rights may have effect: **29 October 2013**
(54) Product in respect of which the design is registered: **Toilet door indicator bolt**
(51) International Design Classification: **08-07**
(74) Name(s) of Attorney(s):
(71) Name(s) and Address(s) of Applicant(s):
Martin Roth
20 Enterprise St Caloundra QLD 4551 Australia
(72) Name(s) of Designer(s): **Martin Roth**
(45) Registration Date: **03 March 2014**
(56) Related Art Documents: **Not Applicable**
(57) Statement of Newness and Distinctiveness: **New handle to operate the Toilet door indicator bolt.**



(21) Design Number: **10489/2014**
(22) Date of Filing Application: **31 January 2014**
(24) Date from which industrial property rights may have effect: **31 January 2014**
(54) Product in respect of which the design is registered: **Tip for a ground engaging machine implement**
(51) International Design Classification: **15-04**
(74) Name(s) of Attorney(s): **Freehills Patent Attorneys**
(71) Name(s) and Address(s) of Applicant(s):
Caterpillar Inc.
100 N.E. Adams Street Peoria Illinois 61629 United States of America
(72) Name(s) of Designer(s): **Phillip J Kunz**
(45) Registration Date: **03 March 2014**
(30) Convention priority data:
(31) Number (32) Date (33) Country
29/462285 01 Aug 2013 UNITED STATES OF AMERICA
(56) Related Art Documents: **Not Applicable**
(57) Statement of Newness and Distinctiveness: **Newness and distinctiveness of the design resides in the features of shape and configuration of the product as shown in solid lines in the accompanying representations.**



- (21) Design Number: **10490/2014**
(22) Date of Filing Application: **31 January 2014**
(24) Date from which industrial property rights may have effect: **31 January 2014**
(54) Product in respect of which the design is registered: **Coupler for a ground engaging machine implement**
(51) International Design Classification: **15-04**
(74) Name(s) of Attorney(s): **Freehills Patent Attorneys**
(71) Name(s) and Address(s) of Applicant(s):
Caterpillar Inc.
100 N.E. Adams Street Peoria Illinois 61629 United States of America
(72) Name(s) of Designer(s): **Phillip J Kunz**
(45) Registration Date: **03 March 2014**
(30) Convention priority data:
(31) Number (32) Date (33) Country
29/462274 01 Aug 2013 UNITED STATES OF AMERICA
(56) Related Art Documents: **Not Applicable**
(57) Statement of Newness and Distinctiveness: **Newness and distinctiveness of the design resides in the features of shape and configuration of the product as shown in solid lines in the accompanying representations.**



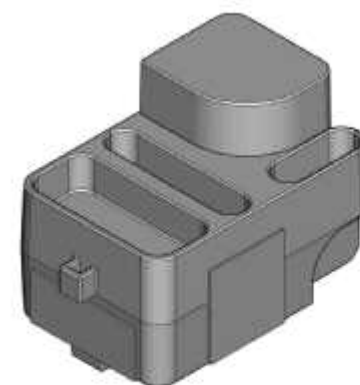
- (21) Design Number: **10491/2014**
(22) Date of Filing Application: **31 January 2014**
(24) Date from which industrial property rights may have effect: **31 January 2014**
(54) Product in respect of which the design is registered: **Coupler and tip for a ground engaging machine implement**
(51) International Design Classification: **15-04**
(74) Name(s) of Attorney(s): **Freehills Patent Attorneys**
(71) Name(s) and Address(s) of Applicant(s):
Caterpillar Inc.
100 N.E. Adams Street Peoria Illinois 61629 United States of America
(72) Name(s) of Designer(s): **Phillip J Kunz**
(45) Registration Date: **03 March 2014**
(30) Convention priority data:
(31) Number (32) Date (33) Country
29/462281 01 Aug 2013 UNITED STATES OF AMERICA
(56) Related Art Documents: **Not Applicable**
(57) Statement of Newness and Distinctiveness: **Newness and distinctiveness of the design resides in the features of shape and configuration of the product as shown in solid lines in the accompanying representations.**



- (21) Design Number: **10492/2014**
(22) Date of Filing Application: **04 February 2014**
(24) Date from which industrial property rights may have effect: **04 February 2014**
(54) Product in respect of which the design is registered: **Electrical plug travel adaptor**
(51) International Design Classification: **13-03D**
(74) Name(s) of Attorney(s):
(71) Name(s) and Address(s) of Applicant(s):
Sansai Japan Australia Pty Ltd
3 Fiveways Bvd Keysborough VIC 3173 Australia
(72) Name(s) of Designer(s): **Tony Chen**
(45) Registration Date: **03 March 2014**
(56) Related Art Documents: **Not Applicable**
(57) Statement of Newness and Distinctiveness: **Newness and distinctiveness is claimed in the features of shape and/or configuration of the Universal travel adaptor as illustrated in the accompanying representations.**



- (21) Design Number: **10494/2014**
(22) Date of Filing Application: **04 February 2014**
(24) Date from which industrial property rights may have effect: **04 February 2014**
(54) Product in respect of which the design is registered: **Body for a sports trolley**
(51) International Design Classification: **12-02**
(74) Name(s) of Attorney(s): **Armour IP**
(71) Name(s) and Address(s) of Applicant(s):
Peter Leslie Banks
4 Talia Pl Dudley Park WA 6210 Australia
(72) Name(s) of Designer(s): **Peter Leslie Banks**
(45) Registration Date: **03 March 2014**
(56) Related Art Documents: **Not Applicable**
(57) Statement of Newness and Distinctiveness: **Nil**



- (21) Design Number: **10495/2014**
(22) Date of Filing Application: **04 February 2014**
(24) Date from which industrial property rights may have effect: **04 February 2014**
(54) Product in respect of which the design is registered: **Holding assembly of ornaments**
(51) International Design Classification: **11-01NES**
(74) Name(s) of Attorney(s): **Shelston IP**
(71) Name(s) and Address(s) of Applicant(s):
Crossfor Co., Ltd.
1-2-60 Asake Kofu-city Yamanashi 400-0862 Japan
(72) Name(s) of Designer(s): **Hidetaka Dobashi**
(45) Registration Date: **03 March 2014**
(56) Related Art Documents: **Not Applicable**
(57) Statement of Newness and Distinctiveness: **Newness and distinctiveness reside in the features of shape and/or configuration of the holding assembly of ornaments as shown in the accompanying representations. The reference views of the holding assembly of ornaments are for illustrative purposes only and form no part of the claimed design.**



- (21) Design Number: **16770/2013**
(22) Date of Filing Application: **23 December 2013**
(24) Date from which industrial property rights may have effect: **25 September 2013**
(54) Product in respect of which the design is registered: **Portable electronic device**
(51) International Design Classification: **14-03E, 14-02**
(74) Name(s) of Attorney(s): **Davies Collison Cave**
(71) Name(s) and Address(s) of Applicant(s):
Yota Devices IPR LTD
177 Main Street Road Town Tortola VG1 British Virgin Islands
(72) Name(s) of Designer(s): **Vladislav Vladislavovich Martynov and Juhani Petri Eero Montin**
(45) Registration Date: **03 March 2014**
(62) Divisional of: **353310**
(56) Related Art Documents: **Not Applicable**
(57) Statement of Newness and Distinctiveness: **Nil**



(21) Design Number: **10341/2014**

(22) Date of Filing Application: **24 January 2014**

(24) Date from which industrial property rights may have effect: **24 January 2014**

(54) Product in respect of which the design is registered: **Jacket**

(51) International Design Classification: **02-02NES**

(74) Name(s) of Attorney(s): **Shelston IP**

(71) Name(s) and Address(s) of Applicant(s):

lululemon athletica canada inc.

400-1818 Cornwall Avenue Vancouver British Columbia V6J 1C7 Canada

(72) Name(s) of Designer(s): **Antonia lamartino**

(45) Registration Date: **04 March 2014**

(30) Convention priority data:

(31) Number

(32) Date

(33) Country

29/461767

26 Jul 2013

UNITED STATES OF AMERICA

(56) Related Art Documents: **Not Applicable**

(57) Statement of Newness and Distinctiveness: **Newness and distinctiveness reside in the visual features of a design for a JACKET as shown in FIGs. 1 - 4. The fine broken lines shown in the drawings represent stitching and are part of the claimed design. The shading shown on the hood rim, sleeve cuffs, and lower trunk portions of the jacket in FIGs. 1 - 4 indicates contrasting texture or tone. The symbol depicted in FIGs. 1, 3 and 4, forming part of the claimed design is a registered trademark of Lululemon Athletica Canada Inc.**



(21) Design Number: **10412/2014**

(22) Date of Filing Application: **30 January 2014**

(24) Date from which industrial property rights may have effect: **30 January 2014**

(54) Product in respect of which the design is registered: **A dishwasher component**

(51) International Design Classification: **15-05**

(74) Name(s) of Attorney(s): **Halfords IP**

(71) Name(s) and Address(s) of Applicant(s):

Electrolux Appliances Aktiebolag

S:t Goransgatan 143 Stockholm 105 45 Sweden

(72) Name(s) of Designer(s): **Rickard Hederstierna**

(45) Registration Date: **04 March 2014**

(30) Convention priority data:

(31) Number

(32) Date

(33) Country

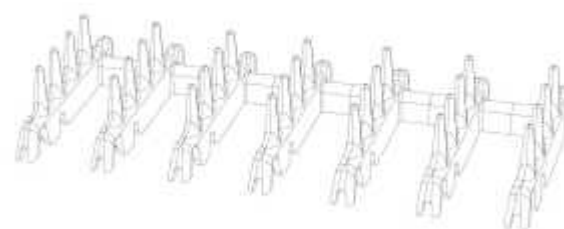
002285155

01 Aug 2013

**OFFICE FOR HARMONISATION IN
THE INTERNAL MARKET (OHIM)**

(56) Related Art Documents: **Not Applicable**

(57) Statement of Newness and Distinctiveness: **Newness and distinctiveness resides in those features of shape and or configuration of a dishwasher component as depicted in the representations.**



- (21) Design Number: **10543/2014**
(22) Date of Filing Application: **05 February 2014**
(24) Date from which industrial property rights may have effect: **05 February 2014**
(54) Product in respect of which the design is registered: **Suction retractor**
(51) International Design Classification: **24-02**
(74) Name(s) of Attorney(s): **Houlihan2**
(71) Name(s) and Address(s) of Applicant(s):
LIVAC PTY LTD
8 Melaleuca Ct Warrnambool VIC 3280 Australia
(72) Name(s) of Designer(s): **Philip Gan**
(45) Registration Date: **04 March 2014**
(56) Related Art Documents: **Not Applicable**
(57) Statement of Newness and Distinctiveness: **Newness and distinctiveness reside in the shape and/or configuration of a SUCTION RETRACTOR as illustrated in the accompanying representations, not including the attached tube.**



- (21) Design Number: **10545/2014**
(22) Date of Filing Application: **05 February 2014**
(24) Date from which industrial property rights may have effect: **05 February 2014**
(54) Product in respect of which the design is registered: **Blender**
(51) International Design Classification: **31-00**
(74) Name(s) of Attorney(s): **Halfords IP**
(71) Name(s) and Address(s) of Applicant(s):
Electrolux Appliances Aktiebolag
S:t Goransgatan 143 Stockholm 105 45 Sweden
(72) Name(s) of Designer(s): **Alejandro Sanguinetti**
(45) Registration Date: **04 March 2014**
(30) Convention priority data:
(31) Number (32) Date (33) Country
**002314567 24 Sep 2013 OFFICE FOR HARMONISATION IN
THE INTERNAL MARKET (OHIM)**
(56) Related Art Documents: **Not Applicable**
(57) Statement of Newness and Distinctiveness: **Newness and distinctiveness resides in those features of shape and or configuration of a blender as depicted in the representations.**



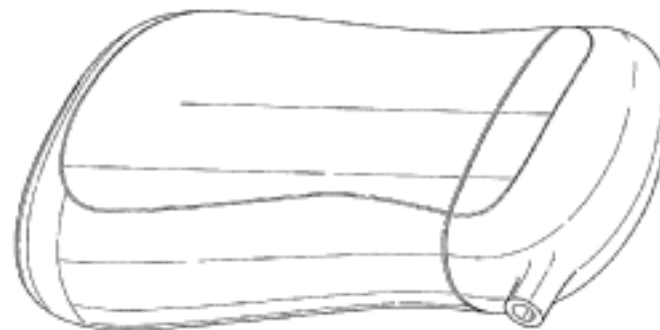
(21) Design Number: **10547/2014**
(22) Date of Filing Application: **05 February 2014**
(24) Date from which industrial property rights may have effect: **05 February 2014**
(54) Product in respect of which the design is registered: **Vacuum and steam cleaning machine**
(51) International Design Classification: **15-05**
(74) Name(s) of Attorney(s): **PHILLIPS ORMONDE FITZPATRICK**
(71) Name(s) and Address(s) of Applicant(s):
Polti S.p.A.
Via Ferloni, 83 22070 Bulgarograsso (CO) Italy
(72) Name(s) of Designer(s): **Francesca Polti and Riccardo Turati**
(45) Registration Date: **04 March 2014**
(30) Convention priority data:
(31) Number (32) Date (33) Country
**002288589 08 Aug 2013 OFFICE FOR HARMONISATION IN
THE INTERNAL MARKET (OHIM)**
(56) Related Art Documents: **Not Applicable**
(57) Statement of Newness and Distinctiveness: **Nil**



(21) Design Number: **10549/2014**
(22) Date of Filing Application: **05 February 2014**
(24) Date from which industrial property rights may have effect: **05 February 2014**
(54) Product in respect of which the design is registered: **Headset with microphone and speaker**
(51) International Design Classification: **14-03A**
(74) Name(s) of Attorney(s):
(71) Name(s) and Address(s) of Applicant(s):
Stephen Moore
No 6 Pui O Au Lantau Island New Territories Hong Kong
(72) Name(s) of Designer(s): **Stephen Moore**
(45) Registration Date: **04 March 2014**
(56) Related Art Documents: **Not Applicable**
(57) Statement of Newness and Distinctiveness: **The newness and distinctiveness of this computer / mobile phone headset is entirely due to the shape. The shape is that of a human hand pretending to take a phone call with thumb and little finger extended. This shape has not previously been used as a headset.**



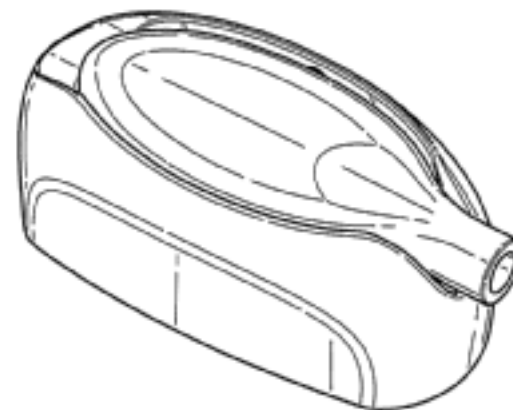
(21) Design Number: **10550/2014**
(22) Date of Filing Application: **05 February 2014**
(24) Date from which industrial property rights may have effect: **05 February 2014**
(54) Product in respect of which the design is registered: **Bottle with cap**
(51) International Design Classification: **09-01NES**
(74) Name(s) of Attorney(s): **Madderns**
(71) Name(s) and Address(s) of Applicant(s):
Reckitt Benckiser (Brands) Limited
103-105 Bath Road Slough Berkshire SL1 3UH United Kingdom
(72) Name(s) of Designer(s): **Sukanta Bhattacharyya and Randy Bos and Christopher Leonard Padain and Sander Willem Thijssen and Stephanie Anne Marije Verschoor**
(45) Registration Date: **04 March 2014**
(30) Convention priority data:
(31) Number (32) Date (33) Country
002286617-0001 05 Aug 2013 OFFICE FOR HARMONISATION IN THE INTERNAL MARKET (OHIM)
(56) Related Art Documents: **Not Applicable**
(57) Statement of Newness and Distinctiveness: **Nil**



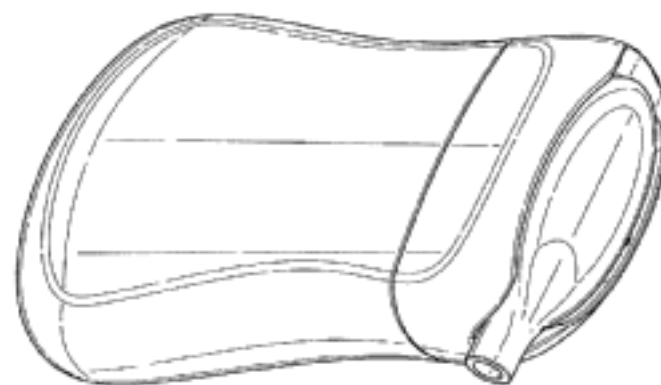
(21) Design Number: **10551/2014**
(22) Date of Filing Application: **05 February 2014**
(24) Date from which industrial property rights may have effect: **05 February 2014**
(54) Product in respect of which the design is registered: **Cap for bottle**
(51) International Design Classification: **09-07A**
(74) Name(s) of Attorney(s): **Madderns**
(71) Name(s) and Address(s) of Applicant(s):
Reckitt Benckiser (Brands) Limited
103-105 Bath Road Slough Berkshire SL1 3UH United Kingdom
(72) Name(s) of Designer(s): **Sukanta Bhattacharyya and Randy Bos and Christopher Leonard Padain and Sander Willem Thijssen and Stephanie Anne Marije Verschoor**
(45) Registration Date: **04 March 2014**
(30) Convention priority data:
(31) Number (32) Date (33) Country
002310243-0001 16 Sep 2013 OFFICE FOR HARMONISATION IN THE INTERNAL MARKET (OHIM)
(56) Related Art Documents: **Not Applicable**
(57) Statement of Newness and Distinctiveness: **Newness and distinctiveness of the design reside in the shape and/or configuration of those features of the cap shown in solid lines in the representations, wherein the features shown in broken lines are to be disregarded when considering the overall impression of the design.**



- (21) Design Number: **10552/2014**
(22) Date of Filing Application: **05 February 2014**
(24) Date from which industrial property rights may have effect: **05 February 2014**
(54) Product in respect of which the design is registered: **Top for cap**
(51) International Design Classification: **09-07A**
(74) Name(s) of Attorney(s): **Madderns**
(71) Name(s) and Address(s) of Applicant(s):
Reckitt Benckiser (Brands) Limited
103-105 Bath Road Slough Berkshire SL1 3UH United Kingdom
(72) Name(s) of Designer(s): **Sukanta Bhattacharyya and Randy Bos and Christopher Leonard Padain and Sander Willem Thijssen and Stephanie Anne Marije Verschoor**
(45) Registration Date: **04 March 2014**
(30) Convention priority data:
(31) Number (32) Date (33) Country
002286617-0001 05 Aug 2013 OFFICE FOR HARMONISATION IN THE INTERNAL MARKET (OHIM)
(56) Related Art Documents: **Not Applicable**
(57) Statement of Newness and Distinctiveness: **Newness and distinctiveness of the design reside in the shape and/or configuration of those features of the cap shown in solid lines in the representations, wherein the features shown in broken lines are to be disregarded when considering the overall impression of the design.**



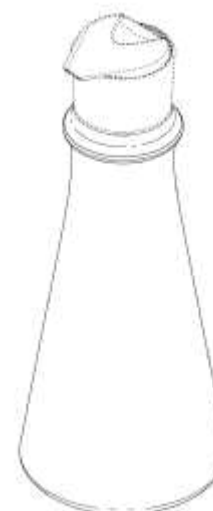
- (21) Design Number: **10554/2014**
(22) Date of Filing Application: **05 February 2014**
(24) Date from which industrial property rights may have effect: **05 February 2014**
(54) Product in respect of which the design is registered: **Bottle with cap**
(51) International Design Classification: **09-01NES**
(74) Name(s) of Attorney(s): **Madderns**
(71) Name(s) and Address(s) of Applicant(s):
Reckitt Benckiser (Brands) Limited
103-105 Bath Road Slough Berkshire SL1 3UH United Kingdom
(72) Name(s) of Designer(s): **Sukanta Bhattacharyya and Randy Bos and Christopher Leonard Padain and Sander Willem Thijssen and Stephanie Anne Marije Verschoor**
(45) Registration Date: **04 March 2014**
(30) Convention priority data:
(31) Number (32) Date (33) Country
002286617-0001 05 Aug 2013 OFFICE FOR HARMONISATION IN THE INTERNAL MARKET (OHIM)
(56) Related Art Documents: **Not Applicable**
(57) Statement of Newness and Distinctiveness: **Nil**



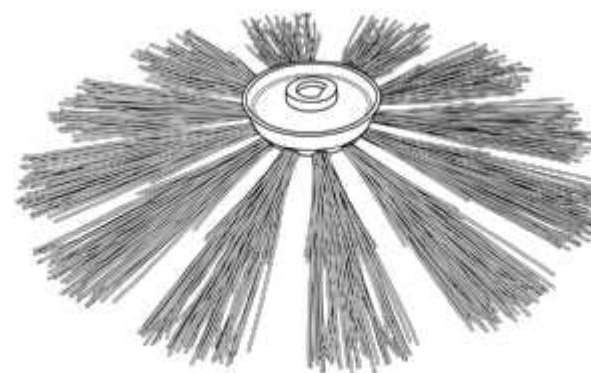
(21) Design Number: **10555/2014**
(22) Date of Filing Application: **06 February 2014**
(24) Date from which industrial property rights may have effect: **06 February 2014**
(54) Product in respect of which the design is registered: **Electrostimulation apparatus**
(51) International Design Classification: **24-02**
(74) Name(s) of Attorney(s): **Shelston IP**
(71) Name(s) and Address(s) of Applicant(s):
Pierenkemper GmbH
Am Geiersberg 6 Ehringshausen 35630 Germany
(72) Name(s) of Designer(s): **iur Roger Pierenkemper**
(45) Registration Date: **04 March 2014**
(30) Convention priority data:
(31) Number (32) Date (33) Country
002319442-0001 02 Oct 2013 OFFICE FOR HARMONISATION IN THE INTERNAL MARKET (OHIM)
(56) Related Art Documents: **Not Applicable**
(57) Statement of Newness and Distinctiveness: **Newness and distinctiveness resides in the features of shape and configuration of the electrostimulation apparatus as shown in the accompanying representations.**



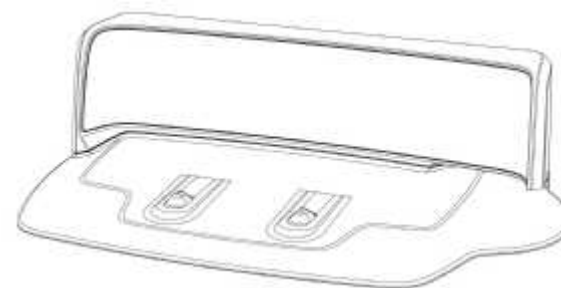
(21) Design Number: **10562/2014**
(22) Date of Filing Application: **06 February 2014**
(24) Date from which industrial property rights may have effect: **06 February 2014**
(54) Product in respect of which the design is registered: **Bottle**
(51) International Design Classification: **09-01H**
(74) Name(s) of Attorney(s): **Freehills Patent Attorneys**
(71) Name(s) and Address(s) of Applicant(s):
Method Products, PBC
637 Commercial Street Suite 300 San Francisco CA 94111 United States of America
(72) Name(s) of Designer(s): **Francis J. Handy**
(45) Registration Date: **04 March 2014**
(30) Convention priority data:
(31) Number (32) Date (33) Country
29/462831 08 Aug 2013 UNITED STATES OF AMERICA
(56) Related Art Documents: **Not Applicable**
(57) Statement of Newness and Distinctiveness: **Newness and distinctiveness resides in the features of shape of the bottle as shown in solid lines in the accompanying representations.**



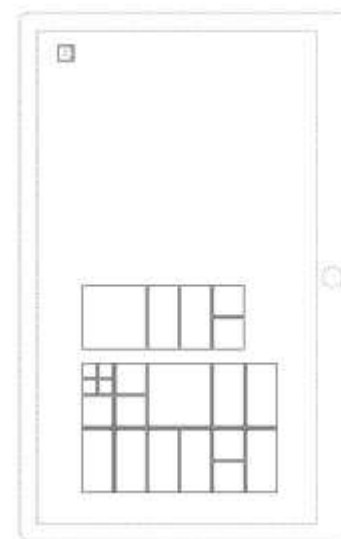
(21) Design Number: **10565/2014**
(22) Date of Filing Application: **06 February 2014**
(24) Date from which industrial property rights may have effect: **06 February 2014**
(54) Product in respect of which the design is registered: **A brush for a vacuum cleaner**
(51) International Design Classification: **15-05, 04-01**
(74) Name(s) of Attorney(s): **Halfords IP**
(71) Name(s) and Address(s) of Applicant(s):
Aktiebolaget Electrolux
S:t Goransgatan 143 Stockholm SE-105 45 Sweden
(72) Name(s) of Designer(s): **Oskar Fjellman**
(45) Registration Date: **04 March 2014**
(30) Convention priority data:
(31) Number (32) Date (33) Country
**001394068 24 Oct 2013 OFFICE FOR HARMONISATION IN
THE INTERNAL MARKET (OHIM)**
(56) Related Art Documents: **Not Applicable**
(57) Statement of Newness and Distinctiveness: **Newness and distinctiveness resides in those features of shape and or configuration of a brush for a vacuum cleaner as depicted in the representations.**



(21) Design Number: **10566/2014**
(22) Date of Filing Application: **06 February 2014**
(24) Date from which industrial property rights may have effect: **06 February 2014**
(54) Product in respect of which the design is registered: **A charger for a vacuum cleaner**
(51) International Design Classification: **15-05, 13-02**
(74) Name(s) of Attorney(s): **Halfords IP**
(71) Name(s) and Address(s) of Applicant(s):
Aktiebolaget Electrolux
S:t Goransgatan 143 Stockholm SE-105 45 Sweden
(72) Name(s) of Designer(s): **Oskar Fjellman**
(45) Registration Date: **04 March 2014**
(30) Convention priority data:
(31) Number (32) Date (33) Country
**001394084 24 Oct 2013 OFFICE FOR HARMONISATION IN
THE INTERNAL MARKET (OHIM)**
(56) Related Art Documents: **Not Applicable**
(57) Statement of Newness and Distinctiveness: **Newness and distinctiveness resides in those features of shape and or configuration of a charger for a vacuum cleaner as depicted in the representations.**



- (21) Design Number: **10567/2014**
(22) Date of Filing Application: **06 February 2014**
(24) Date from which industrial property rights may have effect: **29 November 2013**
(54) Product in respect of which the design is registered: **Display screen with graphical user interface**
(51) International Design Classification: **14-02, 14-04**
(74) Name(s) of Attorney(s): **Shelston IP**
(71) Name(s) and Address(s) of Applicant(s):
Microsoft Corporation
One Microsoft Way Redmond Washington 98052 United States of America
(72) Name(s) of Designer(s): **Hui-Chun Ku and Lauren Michelle Beckwith and Alan Andrew Urdan and Poorva Singal and Nazia Zaman**
(45) Registration Date: **04 March 2014**
(30) Convention priority data:
(31) Number (32) Date (33) Country
29/456219 29 May 2013 UNITED STATES OF AMERICA
(62) Divisional of: **353662**
(56) Related Art Documents: **Not Applicable**
(57) Statement of Newness and Distinctiveness: **Newness and distinctiveness reside in the features of pattern and/or ornamentation of a display screen with graphical user interface as illustrated by solid lines in the accompanying representation. The features shown in broken outline are for contextual purposes only and do not form part of the design.**



- (21) Design Number: **10569/2014**
(22) Date of Filing Application: **06 February 2014**
(24) Date from which industrial property rights may have effect: **06 February 2014**
(54) Product in respect of which the design is registered: **A filter for a vacuum cleaner**
(51) International Design Classification: **15-05**
(74) Name(s) of Attorney(s): **Halfords IP**
(71) Name(s) and Address(s) of Applicant(s):
Aktiebolaget Electrolux
S:t Goransgatan 143 Stockholm SE-105 45 Sweden
(72) Name(s) of Designer(s): **Oskar Fjellman**
(45) Registration Date: **04 March 2014**
(30) Convention priority data:
(31) Number (32) Date (33) Country
001394092 24 Oct 2013 OFFICE FOR HARMONISATION IN THE INTERNAL MARKET (OHIM)
(56) Related Art Documents: **Not Applicable**
(57) Statement of Newness and Distinctiveness: **Newness and distinctiveness resides in those features of shape and or configuration of a filter for a vacuum cleaner as depicted in the representations.**



(21) Design Number: **10570/2014**
(22) Date of Filing Application: **06 February 2014**
(24) Date from which industrial property rights may have effect: **06 February 2014**
(54) Product in respect of which the design is registered: **Robot vacuum cleaner**
(51) International Design Classification: **15-05**
(74) Name(s) of Attorney(s): **Halfords IP**
(71) Name(s) and Address(s) of Applicant(s):

Aktiebolaget Electrolux
S:t Goransgatan 143 Stockholm SE-105 45 Sweden

(72) Name(s) of Designer(s): **Oskar Fjellman**

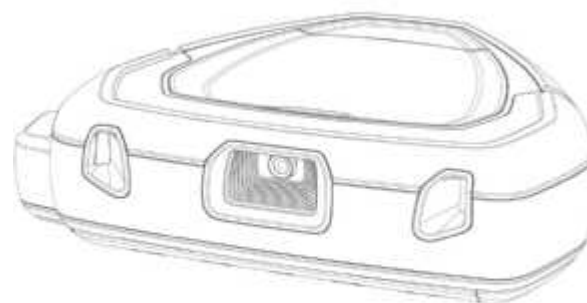
(45) Registration Date: **04 March 2014**

(30) Convention priority data:

(31) Number	(32) Date	(33) Country
001394092	24 Oct 2013	OFFICE FOR HARMONISATION IN THE INTERNAL MARKET (OHIM)

(56) Related Art Documents: **Not Applicable**

(57) Statement of Newness and Distinctiveness: **Newness and distinctiveness resides in those features of shape and or configuration of a robot vacuum cleaner as depicted in the representations.**



(21) Design Number: **10571/2014**
(22) Date of Filing Application: **06 February 2014**
(24) Date from which industrial property rights may have effect: **06 February 2014**
(54) Product in respect of which the design is registered: **Robot vacuum cleaner**
(51) International Design Classification: **15-05**
(74) Name(s) of Attorney(s): **Halfords IP**
(71) Name(s) and Address(s) of Applicant(s):

Aktiebolaget Electrolux
S:t Goransgatan 143 Stockholm SE-105 45 Sweden

(72) Name(s) of Designer(s): **Oskar Fjellman**

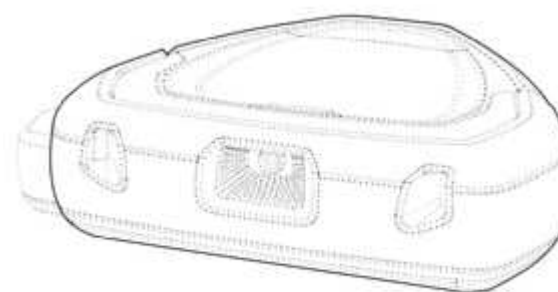
(45) Registration Date: **04 March 2014**

(30) Convention priority data:

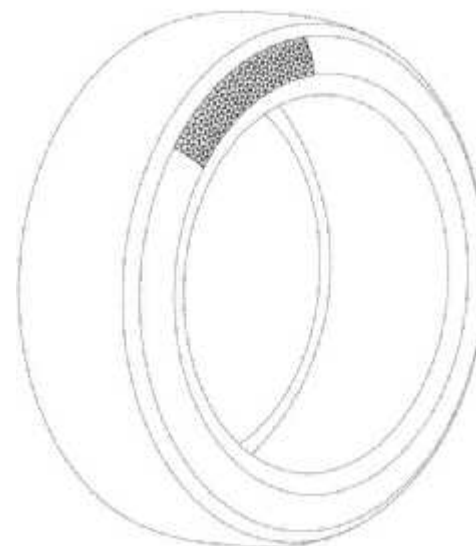
(31) Number	(32) Date	(33) Country
001394092	24 Oct 2013	OFFICE FOR HARMONISATION IN THE INTERNAL MARKET (OHIM)

(56) Related Art Documents: **Not Applicable**

(57) Statement of Newness and Distinctiveness: **Newness and distinctiveness resides in those features of shape and or configuration of a robot vacuum cleaner as depicted in the representations. Features shown in broken lines do not form part of the design.**



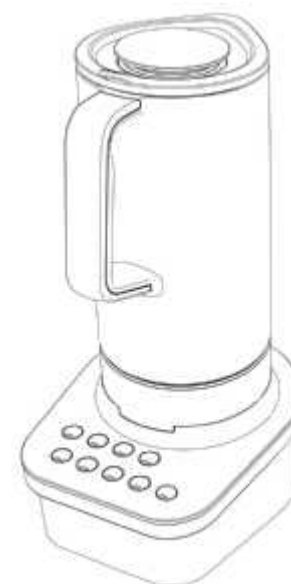
- (21) Design Number: **10333/2014**
(22) Date of Filing Application: **24 January 2014**
(24) Date from which industrial property rights may have effect: **24 January 2014**
(54) Product in respect of which the design is registered: **A tyre**
(51) International Design Classification: **12-15NES**
(74) Name(s) of Attorney(s): **WATERMARK PATENT AND TRADE MARKS ATTORNEYS**
(71) Name(s) and Address(s) of Applicant(s):
Compagnie Generale Des Etablissements Michelin
12 cours Sablon Clermont-Ferrand 63000 France
Michelin Recherche et Technique S.A.
Route Louis Braille 10 Granges-Paccot 1763 Switzerland
(72) Name(s) of Designer(s): **Masayoshi Nomura**
(45) Registration Date: **04 March 2014**
(30) Convention priority data:
(31) Number (32) Date (33) Country
002281709-0001 26 Jul 2013 OFFICE FOR HARMONISATION IN THE INTERNAL MARKET (OHIM)
(56) Related Art Documents: **Not Applicable**
(57) Statement of Newness and Distinctiveness: **Newness and distinctiveness resides in the appearance of a side wall of a tyre as shown in the annexed drawings, the remainder of the tyre not forming part of the design.**



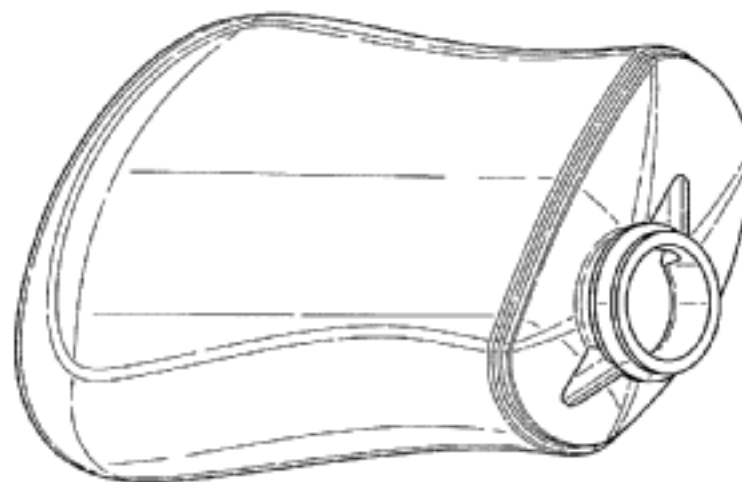
- (21) Design Number: **10541/2014**
(22) Date of Filing Application: **05 February 2014**
(24) Date from which industrial property rights may have effect: **05 February 2014**
(54) Product in respect of which the design is registered: **Inflatable decoration**
(51) International Design Classification: **11-05**
(74) Name(s) of Attorney(s): **Davies Collison Cave**
(71) Name(s) and Address(s) of Applicant(s):
Arlec Australia Pty Ltd
Building 3 31-41 Joseph St Blackburn North VIC 3130 Australia
(72) Name(s) of Designer(s): **Paul William Renton**
(45) Registration Date: **04 March 2014**
(56) Related Art Documents: **Not Applicable**
(57) Statement of Newness and Distinctiveness: **Newness and distinctiveness is claimed in the features of shape and configuration of the inflatable decoration shown in the representations as viewed from the front and sides but not in the particular colours shown in the representations.**



(21) Design Number: **10546/2014**
(22) Date of Filing Application: **05 February 2014**
(24) Date from which industrial property rights may have effect: **05 February 2014**
(54) Product in respect of which the design is registered: **Blender**
(51) International Design Classification: **31-00**
(74) Name(s) of Attorney(s): **Halfords IP**
(71) Name(s) and Address(s) of Applicant(s):
Electrolux Appliances Aktiebolag
S:t Goransgatan 143 Stockholm 105 45 Sweden
(72) Name(s) of Designer(s): **Alejandro Sanguinetti**
(45) Registration Date: **04 March 2014**
(30) Convention priority data:
(31) Number (32) Date (33) Country
002314526 24 Sep 2013 OFFICE FOR HARMONISATION IN
THE INTERNAL MARKET (OHIM)
(56) Related Art Documents: **Not Applicable**
(57) Statement of Newness and Distinctiveness: **Newness and distinctiveness**
resides in those features of shape and or configuration of a blender as
depicted in the representations.



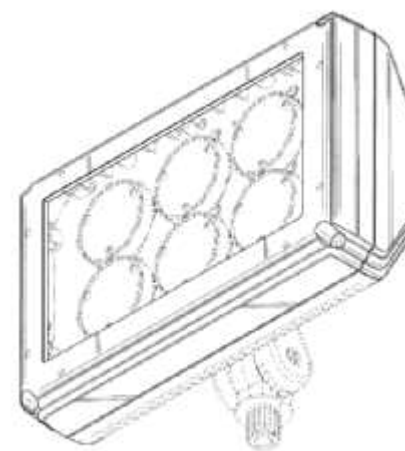
(21) Design Number: **10553/2014**
(22) Date of Filing Application: **05 February 2014**
(24) Date from which industrial property rights may have effect: **05 February 2014**
(54) Product in respect of which the design is registered: **Bottle**
(51) International Design Classification: **09-01K**
(74) Name(s) of Attorney(s): **Madderns**
(71) Name(s) and Address(s) of Applicant(s):
Reckitt Benckiser (Brands) Limited
103-105 Bath Road Slough Berkshire SL1 3UH United Kingdom
(72) Name(s) of Designer(s): **Sukanta Bhattacharyya and Randy Bos and**
Christopher Leonard Padain and Sander Willem Thijssen and Stephanie
Anne Marije Verschoor
(45) Registration Date: **04 March 2014**
(30) Convention priority data:
(31) Number (32) Date (33) Country
002286617-0001 05 Aug 2013 OFFICE FOR HARMONISATION IN
THE INTERNAL MARKET (OHIM)
(56) Related Art Documents: **Not Applicable**
(57) Statement of Newness and Distinctiveness: **Nil**



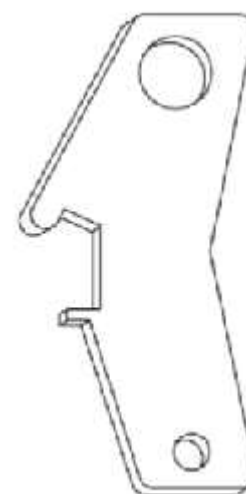
(21) Design Number: **13985/2013**
(22) Date of Filing Application: **12 August 2013**
(24) Date from which industrial property rights may have effect: **07 December 2012**
(54) Product in respect of which the design is registered: **Article of clothing**
(51) International Design Classification: **02-02NES**
(74) Name(s) of Attorney(s): **Allens Patent & Trade Mark Attorneys**
(71) Name(s) and Address(s) of Applicant(s):
Forever New Clothing Pty Ltd
714-716 High St Kew East VIC 3102 Australia
(72) Name(s) of Designer(s): **Gemma Henderson**
(45) Registration Date: **04 March 2014**
(62) Divisional of: **350742**
(56) Related Art Documents: **Not Applicable**
(57) Statement of Newness and Distinctiveness: **Newness and distinctiveness resides in the visual features of shape, configuration, pattern and/or ornamentation of an article of clothing as shown in the accompanying representations.**



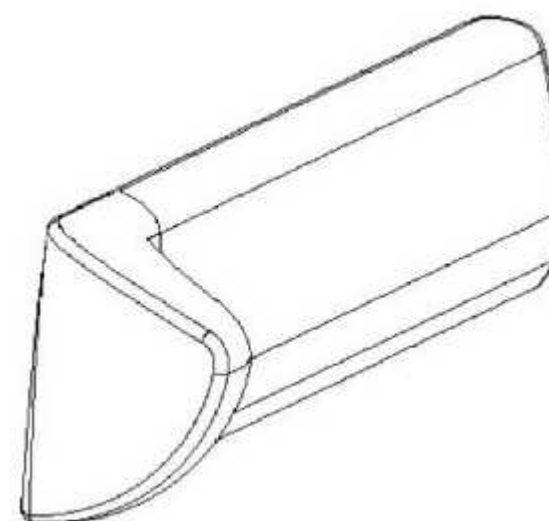
(21) Design Number: **10321/2014**
(22) Date of Filing Application: **24 January 2014**
(24) Date from which industrial property rights may have effect: **24 January 2014**
(54) Product in respect of which the design is registered: **Lighting**
(51) International Design Classification: **26-05D**
(74) Name(s) of Attorney(s): **Pizzeys**
(71) Name(s) and Address(s) of Applicant(s):
LSI Industries, Inc.
10000 Alliance Road Cincinnati OH 45242 United States of America
(72) Name(s) of Designer(s): **Mark J Krogman and Hongquan Liu**
(45) Registration Date: **04 March 2014**
(30) Convention priority data:
(31) Number (32) Date (33) Country
29/465,471 28 Aug 2013 UNITED STATES OF AMERICA
(56) Related Art Documents: **Not Applicable**
(57) Statement of Newness and Distinctiveness: **Nil**



(21) Design Number: **16624/2013**
(22) Date of Filing Application: **18 December 2013**
(24) Date from which industrial property rights may have effect: **18 December 2013**
(54) Product in respect of which the design is registered: **Container opener**
(51) International Design Classification: **07-06D**
(74) Name(s) of Attorney(s): **SPRUSON & FERGUSON**
(71) Name(s) and Address(s) of Applicant(s):
JACO Services Pty Ltd
278 Kissing Point Rd Turramurra NSW 2074 Australia
(72) Name(s) of Designer(s): **John Geoffrey Orr**
(45) Registration Date: **04 March 2014**
(56) Related Art Documents: **Not Applicable**
(57) Statement of Newness and Distinctiveness: **Newness and distinctiveness is claimed in the features of shape and/or configuration of a container opener as illustrated in the accompanying representations.**



(21) Design Number: **16625/2013**
(22) Date of Filing Application: **18 December 2013**
(24) Date from which industrial property rights may have effect: **18 December 2013**
(54) Product in respect of which the design is registered: **Headrest**
(51) International Design Classification: **06-01D, 06-06G**
(74) Name(s) of Attorney(s): **Davies Collison Cave**
(71) Name(s) and Address(s) of Applicant(s):
Etihad Airways
PO BOX 35566 New Airport Road Abu Dhabi United Arab Emirates
(72) Name(s) of Designer(s): **Richard Nicholas**
(45) Registration Date: **04 March 2014**
(30) Convention priority data:
(31) Number (32) Date (33) Country
002270918-0001 09 Jul 2013 OFFICE FOR HARMONISATION IN THE INTERNAL MARKET (OHIM)
(56) Related Art Documents: **Not Applicable**
(57) Statement of Newness and Distinctiveness: **Newness and distinctiveness is claimed in the visual features shown in solid lines in the representations.**



(21) Design Number: **16626/2013**
(22) Date of Filing Application: **18 December 2013**
(24) Date from which industrial property rights may have effect: **18 December 2013**
(54) Product in respect of which the design is registered: **Row of seats**
(51) International Design Classification: **06-01D**
(74) Name(s) of Attorney(s): **Davies Collison Cave**
(71) Name(s) and Address(s) of Applicant(s):

Etihad Airways
PO BOX 35566 New Airport Road Abu Dhabi United Arab Emirates

(72) Name(s) of Designer(s): **Richard Nicholas**

(45) Registration Date: **04 March 2014**

(30) Convention priority data:

(31) Number	(32) Date	(33) Country
002270918-0003	09 Jul 2013	OFFICE FOR HARMONISATION IN THE INTERNAL MARKET (OHIM)

(56) Related Art Documents: **Not Applicable**

(57) Statement of Newness and Distinctiveness: **Newness and distinctiveness is claimed in the visual features shown in solid lines in the representations.**



(21) Design Number: **16627/2013**
(22) Date of Filing Application: **18 December 2013**
(24) Date from which industrial property rights may have effect: **18 December 2013**
(54) Product in respect of which the design is registered: **Row of seats**
(51) International Design Classification: **06-01D**
(74) Name(s) of Attorney(s): **Davies Collison Cave**
(71) Name(s) and Address(s) of Applicant(s):

Etihad Airways
PO BOX 35566 New Airport Road Abu Dhabi United Arab Emirates

(72) Name(s) of Designer(s): **Richard Nicholas**

(45) Registration Date: **04 March 2014**

(30) Convention priority data:

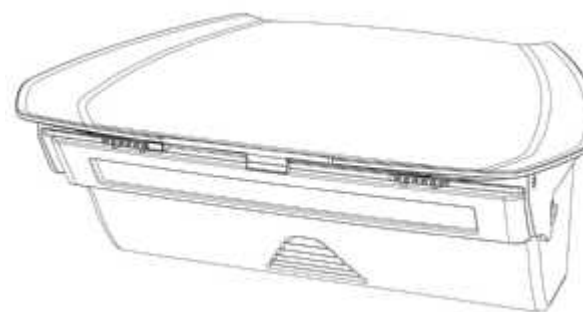
(31) Number	(32) Date	(33) Country
002270918-0002	09 Jul 2013	OFFICE FOR HARMONISATION IN THE INTERNAL MARKET (OHIM)

(56) Related Art Documents: **Not Applicable**

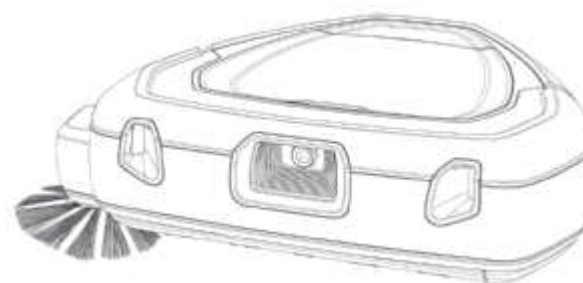
(57) Statement of Newness and Distinctiveness: **Newness and distinctiveness is claimed in the visual features shown in solid lines in the representations.**



(21) Design Number: **10568/2014**
(22) Date of Filing Application: **06 February 2014**
(24) Date from which industrial property rights may have effect: **06 February 2014**
(54) Product in respect of which the design is registered: **A dustbin for a vacuum cleaner**
(51) International Design Classification: **15-05, 09-09**
(74) Name(s) of Attorney(s): **Halfords IP**
(71) Name(s) and Address(s) of Applicant(s):
Aktiebolaget Electrolux
S:t Goransgatan 143 Stockholm SE-105 45 Sweden
(72) Name(s) of Designer(s): **Oskar Fjellman**
(45) Registration Date: **04 March 2014**
(30) Convention priority data:
(31) Number (32) Date (33) Country
**001394092 24 Oct 2013 OFFICE FOR HARMONISATION IN
THE INTERNAL MARKET (OHIM)**
(56) Related Art Documents: **Not Applicable**
(57) Statement of Newness and Distinctiveness: **Newness and distinctiveness resides in those features of shape and or configuration of a dustbin for a vacuum cleaner as depicted in the representations.**



(21) Design Number: **10572/2014**
(22) Date of Filing Application: **06 February 2014**
(24) Date from which industrial property rights may have effect: **06 February 2014**
(54) Product in respect of which the design is registered: **Robot vacuum cleaner**
(51) International Design Classification: **15-05**
(74) Name(s) of Attorney(s): **Halfords IP**
(71) Name(s) and Address(s) of Applicant(s):
Aktiebolaget Electrolux
S:t Goransgatan 143 Stockholm SE-105 45 Sweden
(72) Name(s) of Designer(s): **Oskar Fjellman**
(45) Registration Date: **04 March 2014**
(30) Convention priority data:
(31) Number (32) Date (33) Country
**001394092 24 Oct 2013 OFFICE FOR HARMONISATION IN
THE INTERNAL MARKET (OHIM)**
(56) Related Art Documents: **Not Applicable**
(57) Statement of Newness and Distinctiveness: **Newness and distinctiveness resides in those features of shape and or configuration of a robot vacuum cleaner as depicted in the representations.**



- (21) Design Number: **14003/2013**
(22) Date of Filing Application: **12 August 2013**
(24) Date from which industrial property rights may have effect: **24 December 2012**
(54) Product in respect of which the design is registered: **Article of clothing**
(51) International Design Classification: **02-02C**
(74) Name(s) of Attorney(s): **Allens Patent & Trade Mark Attorneys**
(71) Name(s) and Address(s) of Applicant(s):
Forever New Clothing Pty Ltd
714-716 High St Kew East VIC 3102 Australia
(72) Name(s) of Designer(s): **Octavia Miller**
(45) Registration Date: **04 March 2014**
(62) Divisional of: **350914**
(56) Related Art Documents: **Not Applicable**
(57) Statement of Newness and Distinctiveness: **Newness and distinctiveness resides in the visual features of shape, configuration, pattern and/or ornamentation of an article of clothing as shown in the accompanying representations.**



- (21) Design Number: **14094/2013**
(22) Date of Filing Application: **19 August 2013**
(24) Date from which industrial property rights may have effect: **19 August 2013**
(54) Product in respect of which the design is registered: **Garment**
(51) International Design Classification: **02-02C**
(74) Name(s) of Attorney(s): **Davies Collison Cave**
(71) Name(s) and Address(s) of Applicant(s):
AG (Syd) Fashion Pty Ltd
125-135 Langridge St Collingwood VIC 3066 Australia
(72) Name(s) of Designer(s): **Sloane Roccisano**
(45) Registration Date: **04 March 2014**
(56) Related Art Documents: **Not Applicable**
(57) Statement of Newness and Distinctiveness: **Newness and distinctiveness is claimed in the shape and configuration of the top shown in the accompanying drawings.**



- (21) Design Number: **10110/2014**
(22) Date of Filing Application: **12 January 2014**
(24) Date from which industrial property rights may have effect: **12 January 2014**
(54) Product in respect of which the design is registered: **Giant family tree for a wall sticker**
(51) International Design Classification: **19-08, 05-99, 05-06NES**
(74) Name(s) of Attorney(s):
(71) Name(s) and Address(s) of Applicant(s):
Xianpeng Liu
8/1-3 Belgian St Westmead NSW 2145 Australia
(72) Name(s) of Designer(s): **Xianpeng Liu**
(45) Registration Date: **04 March 2014**
(56) Related Art Documents: **Not Applicable**
(57) Statement of Newness and Distinctiveness: **It is newness and distinctiveness. I made it on 2013 ,and checked database, no similar design.**

