



Australian Government

IP Australia

AUSTRALIAN OFFICIAL JOURNAL

OF

DESIGNS

Did you know a searchable version of this journal is now available online?

It's FREE and EASY to SEARCH.

Find it on our website (www.ipaustralia.gov.au)

by using the "Journals" link on the home page.

This Page Left Intentionally Blank

Contents

General Information & Notices

**Proceedings Under the Designs Act 1906 preserved as a result of the provisions of Chapter 12
Part 2 of the Designs Act 2003**

Extension of Period of Registration of Designs 798

Subsequent Owners Registered 798

Proceedings Under the Designs Act 2003

Applications Assigned 811

Applications Lapsed 808

Applications Lodged 802

Certificate of Examination 812

Designs Refused 809

Extension of Period of Registration of Design 810

Extension of Time Granted Under Section 137 810

Names Registered - Alterations and Amendments 811

Publication and Registration Proceedings

Designs Registered 354163 to 354426..... 813

Registrations Ceased 810

Revocation of Design Registrations 810

Subsequent Owners Registered 811

This Page Left Intentionally Blank

For information on the following please see our website www.ipaustralia.gov.au or contact our Customer Service Network on 1300651010

[Editorial enquiries](#)

[Contact information](#)

[Freedom of Information ACT](#)

[Professional Standards Board](#)

[Sales](#)

[Requests for Information under Section 194 \(c\)](#)

[Country Codes](#)

[Trade Mark and Designs Hearing Sessions](#)

[INID \(Internationally agreed Numbers for the Identification of Data\)](#)

“INID” NUMBERS in use on Australian Design Documents

“INID” is an acronym for “Internationally agreed Numbers for the Identification of Data”.

(10) Data concerning the registration/renewal

- (11) Serial number of the registration and/or number of the design document
- (12) Plain language designation of the kind of published document
- (19) Identification, using the two-letter code according to WIPO Standard ST.3, of the authority publishing or registering the industrial design

(20) Data concerning the application

- (21) Serial number of the application
- (22) Date of filing of the application
- (24) Date from which the industrial design right has effect

(30) Data relating to priority under the Paris Convention

- (31) Serial number assigned to the priority application
- (32) Date of filing of the priority application
- (33) Two-letter code, according to WIPO Standard ST.3, identifying the authority with which the priority application was made

(40) Date(s) of making information available to the public

- (45) Date of publication of the registered industrial design by printing or similar process, or making it available to the public by any other means

(50) Miscellaneous Information

- (51) International Classification for Industrial Designs (class and subclass of the Locarno Classification)
- (54) Designation of article(s) or product(s) covered by the industrial design or title of the industrial design
- (55) Reproduction of the industrial design (e.g., drawing, photograph) and explanations relating to the reproduction
- (56) List of prior art documents, if separate from descriptive text
- (57) Description of characteristic features of the industrial design including indication of colours

(60) References to other legally related application(s) and registration(s)

- (62) Serial number(s) and, if available, filing date(s) of application(s), registration(s) or document(s) related by division
- (66) Serial number(s) of the application, or the registration, of the design(s) which is (are) a variant(s) of the present one

(70) Identification of parties concerned with the application or registration

- (71) Name(s) and address(es) of the applicant(s)
- (72) Name(s) of the creator(s) if known to be such
- (74) Name(s) and address(es) of the representative(s)

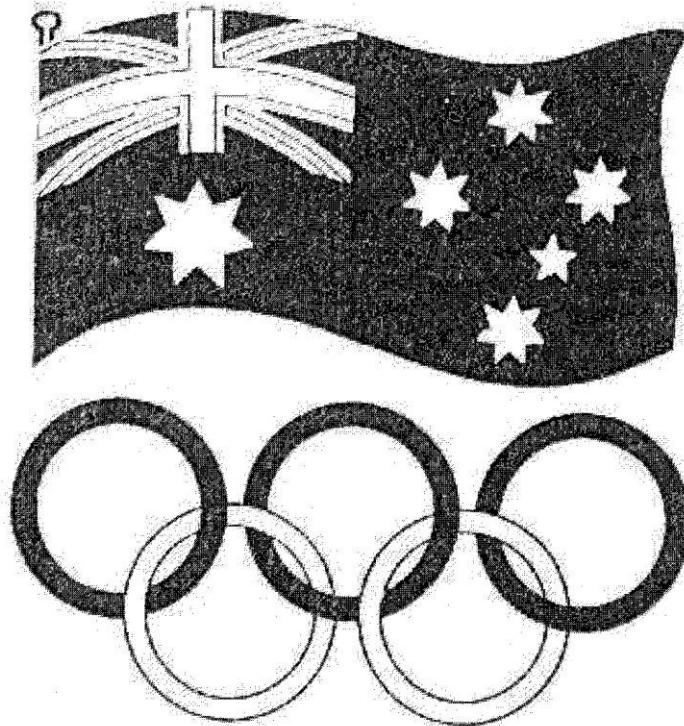
This Page Left Intentionally Blank

OFFICIAL NOTICE

Olympic Insignia Protection Act 1987

NOTICE TO EXTEND THE PROTECTION PERIOD OF OLYMPIC DESIGN

Notice is hereby given pursuant to sub-section 11(8) of the *Olympic Insignia Protection Act 1987* that the Registrar has Extended the Period of Registration, under sub-section 11(6), of the following registration held by the Australian Olympic Committee Incorporated.



REGISTRATION NO: OD 010

Date of Registration: 05 March 1990

Date of end of protection period: 27 September 2013

Date extension applied to: 27 September 2025

Contact: IP Australia

Phone: 1300 651 010

Web: www.ipaustralia.gov.au

Proceedings under the Designs Act 1906 preserved as a result of the provisions of Chapter 12 Part 2 of the Designs Act 2003.

This Page Left Intentionally Blank

Applications Lapsed

There were no Applications Lapsed under this section

Extension of Period of Registration of Designs

1st Period (Section 27A(8))

2nd Period (Section 27A(12))

3rd Period (Section 27A(13))

151601	151788	151789
151809	151810	151811
151929	151930	152208
152312	152330	152331
152332	152347	152348
152387	152414	152462
152537	152761	152762
152791	152895	152938
152958	152959	152960
152961	152962	152963
152965	153112	153113
153114	153115	153185
153186	153241	153269
153270	153446	153447
153553	153573	153574
154110	154111	154127
154210	154286	154385
154412	154431	154432
154607	154614	154829
155468	155668	155961
156005	156081	156144
156154	156262	156263
156283	156364	156461
156481	156482	156483
156931	156932	156933
157328		

Subsequent Owners Registered

(The name in parentheses is that of the subsequent owner)

138121	(ALSTOM Transport Technologies a French simplified joint stock company) Alstom Transport S.A.
--------	--

This Page Left Intentionally Blank

Proceedings under the Designs Act 2003.

This Page Left Intentionally Blank

Applications Lodged

Lodgement information is in the following order: **Applicant's Name**; International Classification, Name of Product, Lodgement Date and **Design Number**. If the applicant claims an earlier priority date under an International Convention, the Convention Country and the associated filing date are shown in parentheses before the Lodgement Date. Divisional information will also appear in parentheses before the Lodgement Date.

eBay, Inc.; 14-02, Bluetooth low energy beacon, (US, 09 Sep 2013) 07 Mar 2014	11057/2014	Armstrong World Industries, Inc.; 25-02E, Ceiling baffle, (US, 06 Sep 2013) 04 Mar 2014	10988/2014
African Oxygen Limited; 24-01, Encapsulated valve for a medical integrated valve, (ZA, 04 Sep 2013) 03 Mar 2014	10959/2014	Associated Retailers Ltd; 21-02F, Trampoline mat, 03 Mar 2014	10967/2014
Agha, Ahmad; 12-16A, Vehicle wheel, 04 Mar 2014	10968/2014	Aus, Kristian; 08-08G, Hanging hook, 03 Mar 2014	10950/2014
Air Systems International, Inc.; 13-03C, Housing for a power supply and controller, (US, 15 Oct 2013) 14 Mar 2014	11203/2014	ACCLARENT, INC.; 08-05E, Inflator, (US, 09 Sep 2013) 05 Mar 2014	10997/2014
Aircommand Australia Pty Ltd; 23-04, Air conditioner outlet, 06 Mar 2014	11023/2014	AUSTRALIAN FASHION LABELS PTY LTD; 02-02C, A playsuit, 11 Mar 2014	11120/2014
Alder, Anthony Leonard; 23-01H, Mixer tap, 03 Mar 2014	10956/2014	AUSTRALIAN FASHION LABELS PTY LTD; 02-02C, A playsuit, 11 Mar 2014	11124/2014
AliphCom; 14-01, Speaker, (US, 09 Sep 2013) 07 Mar 2014	11056/2014	AUSTRALIAN FASHION LABELS PTY LTD; 05-05NES, A textile print, 07 Mar 2014	11071/2014
AliphCom; 14-01, Speaker, (US, 09 Sep 2013) 07 Mar 2014	11053/2014	AUSTRALIAN FASHION LABELS PTY LTD; 02-02C, Flared playsuit, 07 Mar 2014	11079/2014
AliphCom; 14-01, Speaker, (US, 09 Sep 2013) 07 Mar 2014	11048/2014	AUSTRALIAN FASHION LABELS PTY LTD; 02-02NES, A top, 07 Mar 2014	11078/2014
AliphCom; 14-01, Speaker, (US, 09 Sep 2013) 07 Mar 2014	11055/2014	AUSTRALIAN FASHION LABELS PTY LTD; 02-02C, A dress, 07 Mar 2014	11068/2014
AliphCom; 14-01, Speaker, (US, 09 Sep 2013) 07 Mar 2014	11051/2014	AUSTRALIAN FASHION LABELS PTY LTD; 02-02NES, A top, 12 Mar 2014	11163/2014
Apple Inc.; 03-01NES, 14-03A, Case, (US, 10 Sep 2013) 04 Mar 2014	10978/2014	AUSTRALIAN FASHION LABELS PTY LTD; 02-02C, A dress, 12 Mar 2014	11151/2014
Apple Inc.; 03-01NES, 14-03A, Case, (US, 10 Sep 2013) 04 Mar 2014	10979/2014	Balustrading Systems Australia Pty Ltd; 25-01K, Extrusion, 06 Mar 2014	11037/2014
Apple Inc.; 03-01NES, 14-03A, Case, (US, 10 Sep 2013) 04 Mar 2014	10980/2014	Balustrading Systems Australia Pty Ltd; 25-01K, Extrusion, 06 Mar 2014	11038/2014
Apple Inc.; 03-01NES, 14-03A, Case, (US, 10 Sep 2013) 04 Mar 2014	10981/2014	Balustrading Systems Australia Pty Ltd; 25-01K, Extrusion, 06 Mar 2014	11036/2014
Apple Inc.; 03-01NES, 14-03A, Case, (US, 10 Sep 2013) 04 Mar 2014	10981/2014	Bang & Olufsen a/s; 14-01, Loudspeaker, (DK, 20 Sep 2013) 17 Mar 2014	11216/2014
Armstrong World Industries, Inc.; 25-02E, Ceiling baffle, (US, 06 Sep 2013) 04 Mar 2014	10989/2014	Bang & Olufsen a/s; 14-01, Loudspeaker, (DK, 20 Sep 2013) 17 Mar 2014	11218/2014
Armstrong World Industries, Inc.; 25-02E, Ceiling baffle, (US, 06 Sep 2013) 04 Mar 2014	10992/2014	Bang & Olufsen A/S; 14-01, Loudspeaker, (DK, 20 Sep 2013) 17 Mar 2014	11217/2014

Banks, Peter Leslie; 10-07, Watch band with safety lights, 07 Mar 2014	11066/2014	Compagnie Generale Des Etablissements Michelin; Michelin Recherche et Technique S.A.; 12-15B, A tyre, (FR, 17 Sep 2013) 05 Mar 2014	11001/2014
Bend-tech Investments 1 Pty Ltd; 06-06A, Whiteboard stand, 14 Mar 2014	11204/2014	Cooper Tire & Rubber Company; 12-15B, Tire, (US, 10 Sep 2013) 06 Mar 2014	11041/2014
Bend-tech Investments 1 Pty Ltd; 06-06A, A whiteboard stand, 14 Mar 2014	11205/2014	Covidien LP; 15-02, Pump and base, (US, 13 Sep 2013) 10 Mar 2014	11105/2014
Bloomberg Finance L.P.; 14-02, Keyboard, (US, 27 Sep 2013) 12 Mar 2014	11164/2014	Covidien LP; 15-02, Pump, (US, 13 Sep 2013) 10 Mar 2014	11107/2014
Bloomberg Finance L.P.; 10-05, Electronic access device, (US, 27 Sep 2013) 12 Mar 2014	11165/2014	Covidien LP; 15-02, Base, (US, 13 Sep 2013) 10 Mar 2014	11106/2014
Burgis, Wayne Desmond; 07-99C, A dual compartment wipe dispenser, 10 Mar 2014	11090/2014	Diener, Rudy; Milner, Wayne; Vater, Lance; 08-08K, Connection fixture, 04 Mar 2014	10977/2014
Burgis, Wayne Desmond; 07-99C, A dual compartment wipe dispenser, 10 Mar 2014	11091/2014	Diener, Rudy; Milner, Wayne; Vater, Lance; 08-08K, Connection Fixture, 04 Mar 2014	10976/2014
Burgis, Wayne Desmond; 07-99C, A dual compartment wipe dispenser, 10 Mar 2014	11089/2014	Digilock Asia Ltd; 08-07, Keypad lock, (US, 08 Oct 2013) 14 Mar 2014	11195/2014
Burgis, Wayne Desmond; 07-99C, A Dual Compartment Wipe Dispenser, 10 Mar 2014	11092/2014	Digilock Asia Ltd; 14-03NES, Keypad, 13 Mar 2014	11176/2014
BIOMAXA LIMITED; 09-01NES, A bottle, (NZ, 13 Sep 2013) 12 Mar 2014	11157/2014	Digilock Asia Ltd; 06-04B, Garment locker, 12 Mar 2014	11166/2014
Castelli Estate Pty Ltd; 32-04, 09-01H, Wine label, 13 Mar 2014	11187/2014	Digilock Asia Ltd; 06-04B, Garment locker, 12 Mar 2014	11167/2014
Cequent Consumer Products, Inc.; 12-16L, Coupler lock, (US, 04 Sep 2013) 04 Mar 2014	10986/2014	Digilock Asia Ltd; 08-07, 14-02, Touch keypad lock, (US, 09 Oct 2013) 14 Mar 2014	11196/2014
Cequent Consumer Products, Inc.; 12-16L, Coupler lock, (US, 04 Sep 2013) 04 Mar 2014	10987/2014	Digilock Asia Ltd; 08-07, 14-02, Touch keypad lock, (US, 09 Oct 2013) 14 Mar 2014	11197/2014
Christie Engineering Pty Ltd; 15-01, Plastic guard for small engine, 06 Mar 2014	11021/2014	Digilock Asia Ltd; 08-06, 08-07, Rotatable knob for a lock, (US, 09 Oct 2013) 14 Mar 2014	11198/2014
Colgate-Palmolive Company; 09-01NES, Container, (US, 28 Oct 2013) 07 Mar 2014	11061/2014	Dyson Technology Limited; 28-03B, A hair dryer, (EM, 26 Sep 2013) 05 Mar 2014	11010/2014
Colgate-Palmolive Company; 09-07C, Cap for container, (US, 28 Oct 2013) 07 Mar 2014	11070/2014	Dyson Technology Limited; 28-03B, A hair dryer, (EM, 26 Sep 2013) 05 Mar 2014	11008/2014
Colgate-Palmolive Company; 09-07C, Cap for container, (US, 28 Oct 2013) 07 Mar 2014	11047/2014	Dyson Technology Limited; 28-03B, A hair dryer, (EM, 26 Sep 2013) 05 Mar 2014	11007/2014
Colgate-Palmolive Company; 09-07A, Cap for container, (US, 28 Oct 2013) 07 Mar 2014	11054/2014	DJB Engineering Solutions Pty Ltd; 08-05F, Device for securing a grating, 14 Mar 2014	11199/2014
Colgate-Palmolive Company; 09-07B, Cap for container, (US, 28 Oct 2013) 05 Mar 2014	11018/2014	Electrolux Appliances Aktiebolag; 15-99, Extractor hood, (EM, 05 Sep 2013) 05 Mar 2014	11003/2014

Electrolux Appliances Aktiebolag; 23-04, Extractor hood, (EM, 05 Sep 2013) 05 Mar 2014	11004/2014	Forever New Clothing Pty Ltd; 03-01B, Bag, (Divisional of 14355/2013) 13 Mar 2014	11179/2014
Ethicon Endo-Surgery Inc.; 24-02, Torque wrench for a surgical instrument, (US, 18 Sep 2013) 11 Mar 2014	11115/2014	Forever New Clothing Pty Ltd; 02-05, Accessory item, 03 Mar 2014	10999/2014
Etihad Airways; 06-01D, Lounge setting, (Divisional of 10132/2014) 05 Mar 2014	11016/2014	Forever New Clothing Pty Ltd; 02-02C, Article of clothing, 03 Mar 2014	11000/2014
Euro-Pro Operating LLC; 09-01NES, Bottle, (US, 11 Sep 2013) 11 Mar 2014	11112/2014	Fujitsu Limited; 14-02, Keyboard, (JP, 27 Sep 2013) 07 Mar 2014	11065/2014
Euro-Pro Operating LLC; 24-04, Surface treatment pad, (US, 19 Sep 2013) 17 Mar 2014	11213/2014	Fujitsu Limited; 14-02, Keyboard, (JP, 27 Sep 2013) 07 Mar 2014	11062/2014
Eveready Battery Company, Inc.; 26-02, Lighting device, (US, 09 Sep 2013) 03 Mar 2014	10951/2014	Fujitsu Limited; 14-02, Personal computer, (JP, 27 Sep 2013) 07 Mar 2014	11063/2014
Eye Care and Cure Asia Pte; 24-02, Anterior capsulotomy device, (US, 18 Sep 2013) 17 Mar 2014	11214/2014	Fujitsu Limited; 14-02, Personal computer, (JP, 27 Sep 2013) 07 Mar 2014	11064/2014
EKWB LTD; 14-99, Water blocks for cooling CPU and processors, (EP, 17 Apr 2013) 12 Jul 2013	13489/2013	Futurewood Pty Ltd; 25-02C, Fence system, 05 Mar 2014	11017/2014
EKWB LTD; 14-99, Water blocks for cooling CPU and processors, (EP, 16 Jan 2013) 12 Jul 2013	13488/2013	FEFLP Pty Ltd; 14-03NES, A portable tower assembly, 13 Mar 2014	11178/2014
EXHIBITION STUDIOS PTY LTD; 06-01C, Outdoor urban furniture the tonsley, 17 Mar 2014	11212/2014	Gallagher, Lee Ann; 25-01B, Plastic bar chair for chairing reinforcing steel, 06 Mar 2014	11034/2014
Flexo Solutions, LLC; 25-02H, Window coverings, (US, 20 Sep 2013) 12 Mar 2014	11162/2014	Gallagher, Lee Ann; 25-01B, Plastic bar chairs for chairing reinforcing steel, 06 Mar 2014	11035/2014
Forever New Clothing Pty Ltd; 03-01NES, Mobile device cover, (Divisional of 14355/2013) 13 Mar 2014	11186/2014	Gallagher, Lee Ann; 25-01B, Plastic bar chair for chairing reinforcing steel, 06 Mar 2014	11032/2014
Forever New Clothing Pty Ltd; 03-01B, Bag, (Divisional of 14355/2013) 13 Mar 2014	11182/2014	Geberit International AG; 23-02C, Flush button for toilets and/or urinals, (WO, 07 Oct 2013) 14 Mar 2014	11192/2014
Forever New Clothing Pty Ltd; 03-01B, Wallet, (Divisional of 14355/2013) 13 Mar 2014	11183/2014	Geberit International AG; 23-02C, Flush button for toilets and/or urinals, (WO, 07 Oct 2013) 14 Mar 2014	11191/2014
Forever New Clothing Pty Ltd; 03-01B, Clutch, (Divisional of 14355/2013) 13 Mar 2014	11180/2014	Get Element Pty Ltd; 10-04, Activity tracker, 05 Mar 2014	11020/2014
Forever New Clothing Pty Ltd; 03-01NES, Mobile device cover, (Divisional of 14355/2013) 13 Mar 2014	11184/2014	Gremarnig Investments Pty Ltd; 08-08L, Isolator bracket, 04 Mar 2014	10994/2014
Forever New Clothing Pty Ltd; 03-01NES, Mobile device cover, (Divisional of 14355/2013) 13 Mar 2014	11185/2014	Gunnar Englund Byggare AB; 25-02NES, Crash barrier element, 06 Mar 2014	11040/2014
Forever New Clothing Pty Ltd; 03-01B, Clutch, (Divisional of 14355/2013) 13 Mar 2014	11181/2014	H&H Asia Ltd.; 07-02E, Barbecue, (CN, 26 Feb 2014) 07 Mar 2014	11069/2014
		Hard Metals Australia Pty Ltd; 15-03A, A disc harrow blade, 03 Mar 2014	10965/2014
		Hunza Holdings Ltd; 26-05C, LED Lighting fixture, 11 Mar 2014	11119/2014

Hustler Equipment Limited; 23-01F, A tank, (NZ, 05 Sep 2013) 03 Mar 2014	10955/2014	Juvi Group Pty Ltd; 30-02, Dog Kennel, 14 Mar 2014	11200/2014
HDT SPECIAL VEHICLES PTY LTD; 12-16B, Bonnet scoop for motor vehicle, 07 Mar 2014	11059/2014	JETS Swimwear Pty Limited; 02-02A, Swimwear garment, 11 Mar 2014	11132/2014
Idea Gallery; 19-07, Surf practice mat, 05 Mar 2014	10995/2014	JETS Swimwear Pty Limited; 02-02A, Swimwear garment, 11 Mar 2014	11142/2014
Illinois Tool Works Inc.; 08-08B, Plate washer for use in fastening sheet material, 03 Mar 2014	10960/2014	JETS Swimwear Pty Limited; 02-02A, Swimwear garment, 11 Mar 2014	11146/2014
Indian Motorcycle International, LLC; 12-11, Two wheeled vehicle, (US, 24 Sep 2013) 04 Mar 2014	10971/2014	JETS Swimwear Pty Limited; 02-02A, Swimwear garment, 11 Mar 2014	11143/2014
Indian Motorcycle International, LLC; 12-11, Two wheeled vehicle, (US, 06 Sep 2013) 04 Mar 2014	10974/2014	JETS Swimwear Pty Limited; 02-02A, Swimwear garment, 11 Mar 2014	11138/2014
Indian Motorcycle International, LLC; 12-11, Two wheeled vehicle, (US, 24 Sep 2013) 04 Mar 2014	10969/2014	JETS Swimwear Pty Limited; 02-02A, Swimwear garment, 11 Mar 2014	11144/2014
Infusion Brands, Inc.; 08-03, Pair of oscillating saw blades, 05 Mar 2014	11012/2014	JETS Swimwear Pty Limited; 02-02A, Swimwear garment, 11 Mar 2014	11145/2014
Infusion Brands, Inc.; 08-03, Reciprocating saw, (US, 17 Sep 2013) 14 Mar 2014	11194/2014	JETS Swimwear Pty Limited; 02-02A, Swimwear garment, 11 Mar 2014	11139/2014
Infusion Brands, Inc.; 08-03, Pair of oscillating saw blades, 05 Mar 2014	11014/2014	JETS Swimwear Pty Limited; 02-02A, Swimwear garment, 11 Mar 2014	11136/2014
Infusion Brands, Inc.; 08-03, Oscillating saw, (US, 17 Sep 2013) 14 Mar 2014	11193/2014	JETS Swimwear Pty Limited; 02-02A, Swimwear garment, 11 Mar 2014	11137/2014
Infusion Brands, Inc.; 08-03, Pair of oscillating saw blades, 05 Mar 2014	11013/2014	JETS Swimwear Pty Limited; 02-02A, Swimwear garment, 11 Mar 2014	11134/2014
Infusion Brands, Inc.; 08-03, Pair of oscillating saw blades, 05 Mar 2014	11006/2014	JETS Swimwear Pty Limited; 02-02A, Swimwear garment, 11 Mar 2014	11135/2014
Infusion Brands, Inc.; 08-03, Pair of oscillating saw blades, 05 Mar 2014	11005/2014	JETS Swimwear Pty Limited; 02-02A, Swimwear garment, 11 Mar 2014	11133/2014
Intex Holdings Pty Ltd; 23-03D, Solar energy collector, 24 Feb 2014	10816/2014	JETS Swimwear Pty Limited; 02-02A, Swimwear garment, 11 Mar 2014	11130/2014
Intex Holdings Pty Ltd; 23-03D, Solar energy collector, 24 Feb 2014	10817/2014	JETS Swimwear Pty Limited; 02-02A, Swimwear garment, 11 Mar 2014	11131/2014
IGT; 21-03, Gaming device cabinet, (US, 20 Sep 2013) 13 Mar 2014	11170/2014	Kabushiki Kaisha Toshiba; 14-02, Recording medium, (JP, 11 Sep 2013) 07 Mar 2014	11128/2014
J. Boag (Clothing) Pty. Ltd.; 02-02NES, Garment, 04 Mar 2014	10973/2014	Kelly, Christopher William; 24-01, Dental appliance, 07 Mar 2014	11045/2014
Jacobson, Craig Rohan; 02-03, Hat with aural apertures, 11 Mar 2014	11121/2014	Kelly, Christopher William; 24-01, Dental appliance, 07 Mar 2014	11046/2014
Jorgenson-Watts Pty Ltd; 25-01K, Extrusion, 03 Mar 2014	10954/2014	Koninklijke Philips N.V.; 14-01, 10-05, Baby monitor, (EM, 03 Sep 2013) 03 Mar 2014	10957/2014

Koninklijke Philips N.V.; 07-02L, Coffee maker, (EM, 04 Sep 2013) 03 Mar 2014	10952/2014	LSI Industries, Inc.; 26-05D, Lighting, (US, 27 Sep 2013) 12 Mar 2014	11158/2014
Koninklijke Philips N.V.; 07-02L, Spout for coffee maker, (EM, 04 Sep 2013) 04 Mar 2014	10972/2014	LSI Industries, Inc.; 26-05D, Lighting, (US, 27 Sep 2013) 12 Mar 2014	11160/2014
Kraft Foods Group Brands LLC; 07-01NES, Container for food product, (US, 06 Sep 2013) 04 Mar 2014	10984/2014	LSI Industries, Inc.; 26-05D, Lighting, (US, 27 Sep 2013) 12 Mar 2014	11161/2014
Kraft Foods Group Brands LLC; 07-01NES, Container, container and lid, and lid, (US, 09 Sep 2013) 07 Mar 2014	11052/2014	LSI Industries, Inc.; 26-05A, Lighting, (US, 27 Sep 2013) 11 Mar 2014	11113/2014
Kraft Foods Group Brands LLC; 07-01NES, Container for food product, (US, 06 Sep 2013) 04 Mar 2014	10985/2014	LSI Industries, Inc.; 26-05A, Lighting, (US, 27 Sep 2013) 12 Mar 2014	11154/2014
Kraft Foods Group Brands LLC; 07-01NES, Container for food product, (US, 06 Sep 2013) 04 Mar 2014	10982/2014	LSI Industries, Inc.; 26-05A, Lighting, (US, 27 Sep 2013) 12 Mar 2014	11155/2014
Kraft Foods Group Brands LLC; 07-01NES, Container for food product, (US, 06 Sep 2013) 04 Mar 2014	10983/2014	Markham, Andrew Robert; 21-01F, Scooter deck wheel spacer, 11 Mar 2014	11123/2014
KAIP Pty Limited; 23-04, 23-03NES, A diffuser for heating, ventilation and air-conditioning, 06 Mar 2014	11024/2014	Markham, Andrew Robert; 21-01F, Scooter deck extrusion, 11 Mar 2014	11122/2014
KAIP Pty Limited; 23-04, 23-03NES, A diffuser for heating, ventilation and air-conditioning, 06 Mar 2014	11029/2014	Mass Technology (H.K.) Limited; 26-05NES, Lamp, (HK, 06 Sep 2013) 04 Mar 2014	10993/2014
KAIP Pty Limited; 23-04, 23-03NES, A diffuser for heating, ventilation and air-conditioning, 06 Mar 2014	11028/2014	McKeon, Seaton; 06-04NES, Magazine rack, 05 Mar 2014	11009/2014
KAIP Pty Limited; 23-04, 23-03NES, A diffuser for heating, ventilation and air-conditioning, 06 Mar 2014	11025/2014	McKeon, Seaton; 26-05D, Lighting product, 06 Mar 2014	11042/2014
Lau, Shuk Man; 21-01E, 06-11, Play mats and blocks, 03 Mar 2014	10953/2014	Meinl, Benjamin John; 25-01B, 08-08L, Concrete form clamp, 13 Mar 2014	11171/2014
Living Proof, Inc.; 28-03NES, Skincare applicator, (US, 10 Sep 2013) 05 Mar 2014	11015/2014	Michelin Recherche et Technique S.A.;Compagnie Generale Des Etablissements Michelin; 12-15B, A tyre, (FR, 17 Sep 2013) 05 Mar 2014	11001/2014
Llambi, Ian; 21-02E, Skateboard, 06 Mar 2014	11043/2014	Miesto; 22-05, A fishing float, 14 Mar 2014	11189/2014
Llambi, Ian; 21-02E, Skateboard deck, 06 Mar 2014	11044/2014	Milner, Wayne;Diener, Rudy;Vater, Lance; 08-08K, Connection Fixture, 04 Mar 2014	10976/2014
Loza, Andrzej; 26-05E, Lamp cloud, 04 Mar 2014	10990/2014	Milner, Wayne;Diener, Rudy;Vater, Lance; 08-08K, Connection fixture, 04 Mar 2014	10977/2014
LACEJAM LIMITED; 02-04A, Shoe lace holder, (NZ, 26 Sep 2013) 11 Mar 2014	11094/2014	Mont Adventure Equipment Pty Limited; 03-01A, Backpack compression side straps, 13 Mar 2014	11173/2014
LSI Industries, Inc.; 26-05A, Lighting, (US, 27 Sep 2013) 12 Mar 2014	11152/2014	MASTER LOCK COMPANY LLC; 08-07, Lock, (US, 13 Sep 2013) 12 Mar 2014	11153/2014
LSI Industries, Inc.; 26-05D, Lighting, (US, 27 Sep 2013) 12 Mar 2014	11159/2014	MONASH UNIVERSITY; 12-10, Camping trailer, 07 Mar 2014	11060/2014
		Neale, Daniel; 08-05P, Hex key wrench, 12 Mar 2014	11156/2014
		NAK Australia Pty Limited; 25-01K, Seal, 06 Mar 2014	11033/2014

NUC Electronics Co., Ltd.; 31-00, Juicer, (KR, 06 Sep 2013) 05 Mar 2014	11002/2014	Revent International AB; 07-02A, Oven, (EM, 18 Sep 2013) 12 Mar 2014	11149/2014
O'Brien, Damon; 13-03NES, Electrical box, 11 Mar 2014	11148/2014	Rhino Rack Australia Pty Limited; 08-08NES, Bracket, 06 Mar 2014	11039/2014
Oisoom SDN BHD; 11-01A, 11-01C, 11-99, Organizers, ring, bracelet and pendant, (MY, 03 Sep 2013) 04 Mar 2014	10991/2014	Sandvik Mining and Construction Australia (Production/Supply) Pty Ltd; 08-01, A drill rod, 13 Mar 2014	11172/2014
Okamura Corporation; 06-01E, Stool, (JP, 06 Sep 2013) 04 Mar 2014	10970/2014	Sanofi-Aventis Deutschland GmbH; 03-01NES, Measuring instrument case, (EM, 19 Sep 2013) 05 Mar 2014	11019/2014
Orora Limited; 09-03F, Carton and blanks therefor, 11 Mar 2014	11147/2014	Santos, (a French societe par actions simplifiee); 31-00, Juice extractor, (EM, 17 Sep 2013) 11 Mar 2014	11117/2014
Owens-Brockway Glass Container Inc.; 09-01H, Container, (US, 06 Dec 2013) 06 Mar 2014	11030/2014	Schiavello (Vic) Pty Ltd; 23-02B, Bath, 06 Mar 2014	11022/2014
Pacific Holdings (Aust) Pty Ltd; 08-06, Window closure housing and handle, 03 Mar 2014	10966/2014	Security People Inc.; 14-03NES, Keypad, 13 Mar 2014	11177/2014
PepsiCo, Inc.; 09-01NES, Bottle, (US, 11 Sep 2013) 11 Mar 2014	11098/2014	Sheldon and Hammond Pty Ltd; 07-02R, A cookware handle, 07 Mar 2014	11050/2014
Pirie, Karen Anne; 25-02G, Aluminium floor strip drain, 11 Mar 2014	11097/2014	Societe des Produits Nestle S.A.; 30-99, 01-06, 09-01NES, Animal treat dispenser, (US, 01 Oct 2013) 13 Mar 2014	11169/2014
Polaris Industries, Inc.; 12-11, Two wheeled vehicle, (US, 24 Sep 2013) 04 Mar 2014	10975/2014	Sony Computer Entertainment Inc.; 14-01, Display screen with user interface, (JP, 01 Nov 2013) 28 Feb 2014	10923/2014
Polaris Industries, Inc.; 12-11, Two wheeled vehicle, (US, 11 Oct 2013) 05 Mar 2014	10998/2014	SATA GmbH & Co. KG; 08-05L, Spray gun, (CN, 27 Sep 2013) 06 Mar 2014	11031/2014
Prism Surgical Designs Pty Ltd; 24-01, Spinal cage, 17 Mar 2014	11215/2014	SATA GmbH & Co. KG; 19-08, Label, (CN, 27 Sep 2013) 11 Mar 2014	11096/2014
PARFUMS CHRISTIAN DIOR; 06-01E, 06-01G, Seating furniture, (EM, 03 Oct 2013) 07 Mar 2014	11075/2014	SATA GmbH & Co. KG; 19-08, Label, (CN, 27 Sep 2013) 11 Mar 2014	11103/2014
PARFUMS CHRISTIAN DIOR; 06-01E, 06-01G, Seating furniture, (EM, 03 Oct 2013) 07 Mar 2014	11077/2014	SATA GmbH & Co. KG; 08-05L, Marking device for spray guns, (CN, 27 Sep 2013) 11 Mar 2014	11100/2014
PARFUMS CHRISTIAN DIOR; 06-01E, 06-01G, Seating furniture, (EM, 03 Oct 2013) 07 Mar 2014	11076/2014	SATA GmbH & Co. KG; 19-08, Label, (CN, 27 Sep 2013) 11 Mar 2014	11104/2014
PARFUMS CHRISTIAN DIOR; 06-01E, 06-01G, Seating furniture, (EM, 03 Oct 2013) 07 Mar 2014	11073/2014	SATA GmbH & Co. KG; 08-05L, Marking device for spray guns, (CN, 27 Sep 2013) 11 Mar 2014	11102/2014
PARFUMS CHRISTIAN DIOR; 06-01E, 06-01G, Seating furniture, (EM, 03 Oct 2013) 07 Mar 2014	11074/2014	SATA GmbH & Co. KG; 19-08, Label, (CN, 27 Sep 2013) 11 Mar 2014	11101/2014
PURE WARM PTY LTD; 25-01G, Trim Zigzag Roofing, 14 Mar 2014	11190/2014	SATA GmbH & Co. KG; 19-08, Label, (CN, 27 Sep 2013) 11 Mar 2014	11095/2014
Revent International AB; 07-02A, Oven, (EM, 18 Sep 2013) 12 Mar 2014	11150/2014	SATA GmbH & Co. KG; 19-08, Label, (CN, 27 Sep 2013) 11 Mar 2014	11099/2014

SATA GmbH & Co. KG; 09-03M, Packing box, (CN, 27 Sep 2013) 07 Mar 2014	11058/2014	The Decor Corporation Pty Ltd; 07-01F, Jug with handle, 13 Mar 2014	11174/2014
SATA GmbH & Co. KG; 08-05L, Spray gun, (CN, 27 Sep 2013) 06 Mar 2014	11027/2014	The Decor Corporation Pty. Ltd.; 09-03NES, Container, 03 Mar 2014	10962/2014
SATA GmbH & Co. KG; 08-05L, Spray gun, (CN, 27 Sep 2013) 06 Mar 2014	11026/2014	The Decor Corporation Pty. Ltd.; 09-03NES, Container, 03 Mar 2014	10963/2014
SATA GmbH & Co. KG; 09-03M, Packing box, (CN, 27 Sep 2013) 07 Mar 2014	11049/2014	The Decor Corporation Pty. Ltd.; 08-08L, Bracket, 03 Mar 2014	10964/2014
SAVANNAH GLOBAL PTY LTD; 22-05, Artificial fish habitat, deep water fish enhancer, 03 Mar 2014	10961/2014	The Sun Products Corporation; 09-01C, Container, (US, 11 Sep 2013) 11 Mar 2014	11127/2014
SIS Resources, Ltd.; 27-02, Personal carrying case for electronic cigarettes, (US, 10 Sep 2013) 11 Mar 2014	11116/2014	The Sun Products Corporation; 09-01C, 09-07B, Container, (US, 11 Sep 2013) 11 Mar 2014	11126/2014
Takasho Co., Ltd.; 06-06A, Plant pot stand, (JP, 23 Aug 2013) 13 Mar 2014	11168/2014	The Sun Products Corporation; 09-01C, Container, (US, 11 Sep 2013) 11 Mar 2014	11125/2014
Techtronic Floor Care Technology Limited; Floor cleaning device, (CN, 12 Sep 2013) 07 Mar 2014	11080/2014	TEFAL; 07-02R, Handle with a silicone insert, (EM, 13 Sep 2013) 13 Mar 2014	11175/2014
Techtronic Floor Care Technology Limited; 15-05, Floor cleaning device, (CN, 24 Sep 2013) 11 Mar 2014	11109/2014	Vater, Lance;Milner, Wayne;Diener, Rudy; 08-08K, Connection fixture, 04 Mar 2014	10977/2014
Techtronic Floor Care Technology Limited; 15-05, Floor cleaning device, (CN, 24 Sep 2013) 11 Mar 2014	11114/2014	Vater, Lance;Milner, Wayne;Diener, Rudy; 08-08K, Connection Fixture, 04 Mar 2014	10976/2014
Techtronic Floor Care Technology Limited; 15-05, Floor cleaning device, (CN, 09 Sep 2013) 07 Mar 2014	11072/2014	Verto Medical Solutions, LLC; 14-01, Earbud, (US, 09 Mar 2014) 11 Mar 2014	11118/2014
Tegometall International AG; 20-02NES, Individual components for a rack, (EM, 02 Sep 2013) 03 Mar 2014	10958/2014	Vuly Pty Ltd; 21-02F, 08-08NES, Hook mount, (NZ, 10 Oct 2013) 11 Mar 2014	11108/2014
The trustee for 121 Group Management Trust; 06-01E, Baby shower chair, 14 Mar 2014	11188/2014	Ward, Duncan James Fraser; 26-05D, Pendant light fixture, 11 Mar 2014	11110/2014
The Coca-Cola Company; 09-01NES, Bottle, (US, 09 Sep 2013) 05 Mar 2014	11011/2014	Ward, Duncan James Fraser; 26-05D, Pendant light fitting, 11 Mar 2014	11111/2014
		William White Industries Pty Ltd; 23-01B, An extruded pipe, 14 Mar 2014	11201/2014
		William White Industries Pty Ltd; 23-01A, A joiner for pipes, 14 Mar 2014	11202/2014
		Willson, Lisa Michelle; 28-03D, Hair pin, 05 Mar 2014	10996/2014
		Wiseman, Jason Kane; 06-04NES, Wine rack, 24 Feb 2014	10818/2014

Applications Lapsed

10056 / 2013 (12-16B)

14245 / 2013 (12-02)	10521 / 2013 (11-05)
14254 / 2013 (13-03NES)	14253 / 2013 (13-03NES)
14256 / 2013 (13-03NES)	14255 / 2013 (13-03NES)
14498 / 2013 (06-01NES)	14334 / 2013 (11-01NES)
14780 / 2013 (26-05C)	14752 / 2013 (03-01C)
16242 / 2013 (02-02NES)	15871 / 2013 (13-01)
	16258 / 2013 (25-02NES)

Designs Refused

11331 / 2013 (19-08)

Extension of Period of Registration of Designs

321796	324764	324987
324992	325061	325063
325081	325083	325091
325093	325095	325134
325149	325150	325151
325152	325153	325154
325155	325156	325157
325158	325159	325168
325173	325176	325180
325183	325193	325194
325241	325248	325249
325250	325252	325260
325261	325262	325263
325264	325265	325266
325267	325268	325269
325270	325271	325272
325273	325274	325275
325286	325287	325320
325321	325331	325332
325334	325370	325374
325378	325428	325452
325456	325511	325513
325523	325556	325557
325558	325559	325563
325564	325565	325566
325575	325576	325605
325632	325633	325703
325704	325705	325713
325730	325732	325741
325743	325744	325749
325750	325762	325775
325813	325828	325830
325831	325891	325894
325895	325896	325897
325967	325980	325989
326001	326002	326103
326108	326110	326164
326169	326187	326188
326192	326193	326221
326223	326268	326269
326275	326277	326343
326344	326425	326638
326639	326640	326641
326680	326718	326749
326750	326762	326780
327222	327757	327760
327761	327831	

Revocation of Design Registrations

The following Design Registration(s) have been revoked and are taken never to have been registered:

336411	11-05
350261	27-99
350262	27-99

Registrations Ceased

320892	322311	322326
322422	322423	322424
322425	322435	322444
322454	322456	322457
322461	322462	322463
322466	322467	322468
322469	322470	322471
322473	322484	322485
322486	322487	322491
322492	322499	322500
322504	322507	322534
322564	322567	322568
322750	322756	322894
322934	322950	322951
322952	322953	323028
323081	323178	323179
323180	323181	323194
323212	323213	323214
323215	323363	323529
323623	323624	323625
323626	323644	323647
323648	323649	323651
323653	323654	323656
323666	323679	323698
323715	323716	323719
323742	323761	323830
323873	323916	323970
324002	324019	324417
324425	324704	324748
325690	345986	

Extensions of time granted under Section 137

Applications lodged under section 137 for extension of time have been granted.

11806/2013 **SLT Group Pty Ltd**

13370/2013 **Bulgari S.p.A.**

13451/2013 **Rhino Rack Australia Pty Limited**

14369/2013 **Dyson Technology Limited**

15495/2013 **Christopher Lyndon Higgins**

354317 **Joseph Joseph Limited**

Applications Assigned

(The name in parentheses is that of the subsequent applicant)

10544/2014 (**Caffitaly System S.p.A.**) CAFFITA SYSTEM S.p.A.

Subsequent Owners Registered

(The name in parentheses is that of the subsequent owner)

- 329709 (**Protective Wire Mesh Industries Pty Ltd**) Angas Industrial Pty Ltd
- 310619 (**Cipla Europe NV**) Neo-Inhalation Products Limited
- 311118 (**Cipla Europe NV**) Neo-Inhalation Products Limited
- 311116 (**Cipla Europe NV**) Neo-Inhalation Products Limited
- 308490 (**Wagner Group GmbH**) Wagner Alarm-und Sicherungssysteme GmbH
- 347003 (**JST Performance, Inc.**) Stephen P Adams
- 318259 (**Strata Innovations Pty Limited**) Benjamin Douglas Gooden;Rebecca Gooden;Joseph Gooden;Chester Gooden
- 343534 (**Aridon IP Holdings Limited**) Seashore Futures Ltd
- 343539 (**Aridon IP Holdings Limited**) Seashore Futures Ltd
- 328059 (**Weeks Holdings Pty Ltd**) Weeks Group Pty Ltd
- 342289 (**Anne-Marie Bevis**) Funky Theme Kids Beds Pty Ltd
- 342287 (**Anne-Marie Bevis**) Funky Theme Kids Beds Pty Ltd
- 342288 (**Anne-Marie Bevis**) Funky Theme Kids Beds Pty Ltd
- 336353 (**Evoqua Water Technologies LLC**) Siemens Industry, Inc.
- 336074 (**Evoqua Water Technologies LLC**) Siemens Industry, Inc.
- 331537 (**Diageo Brands B.V.**) Peligroso Spirits Company, LLC
- 305678 (**Lifetime Brands, Inc.**) Built NY, Inc.
- 305360 (**Lifetime Brands, Inc.**) Built NY, Inc.
- 308504 (**Lifetime Brands, Inc.**) Built NY, Inc.
- 329030 (**Lifetime Brands, Inc.**) Built NY, Inc.
- 336609 (**Lifetime Brands, Inc.**) Built NY, Inc.
- 311857 (**Lifetime Brands, Inc.**) Built NY, Inc.
- 320505 (**govino, LLC**) By the Glass, LLC

Names Registered - Alterations and Amendments

(The name in parentheses is that of the subsequent applicant)

- 324844 (**Evoqua Water Technologies LLC**) Siemens Water Technologies LLC
- 324845 (**Evoqua Water Technologies LLC**) Siemens Water Technologies LLC
- 324846 (**Evoqua Water Technologies LLC**) Siemens Water Technologies LLC
- 324847 (**Evoqua Water Technologies LLC**) Siemens Water Technologies LLC
- 324848 (**Evoqua Water Technologies LLC**) Siemens Water Technologies LLC
- 324849 (**Evoqua Water Technologies LLC**) Siemens Water Technologies LLC
- 324850 (**Evoqua Water Technologies LLC**) Siemens Water Technologies LLC

Certificate(s) of Examination

Examination of the following Design Registration(s) has been completed. Infringement proceedings may now be commenced.

307939	19-06	11/03/2014
336356	23-01H	12/03/2014
336357	23-01H	04/03/2014
345758	09-01NES	13/03/2014
345759	09-01NES	13/03/2014
346002	12-15C	11/03/2014
346003	12-15C	11/03/2014
348214	19-02	13/03/2014
348215	19-02	09/03/2014
348218	19-02	09/03/2014
348362	06-03C	14/03/2014
348588	07-04	11/03/2014
348730	28-03B	14/03/2014
348960	12-15B	04/03/2014
348961	12-15B	05/03/2014
349223	06-02	17/03/2014
349224	06-04D	13/03/2014
349225	06-04D	13/03/2014
349265	06-04D	13/03/2014
349606	12-15C	12/03/2014
350591	14-03NES	11/03/2014
351115	26-05C	18/03/2014
351284	15-04	11/03/2014
351316	04-02	17/03/2014
351317	04-02	17/03/2014
351364	06-04NES	18/03/2014
351468	09-03NES	11/03/2014
351661	02-04NES	17/03/2014
351813	24-03	16/03/2014
351843	24-03	16/03/2014
351981	06-06F	07/03/2014
351983	06-06F	06/03/2014
351984	06-06F	13/03/2014
352000	06-06F	06/03/2014
352001	06-06F	11/03/2014
352002	06-06F	06/03/2014
352003	06-06F	06/03/2014
352004	06-06F	06/03/2014
352923	06-04D	07/03/2014
354153	26-05D	18/03/2014
354276	26-05D	18/03/2014

Publication and Registration Proceedings

Designs Registered

This section provides a concordance between design number and registration number of Designs covered in this journal. It also shows the main class and registration date.

This section covers Registration numbers 354163 to 354426 .

The registration number shown below should be used in all future correspondence.

Design Number	Registration Number	International Classification Code (IDC)	Registration Date	Design Number	Registration Number	International Classification Code (IDC)	Registration Date
11596/2013	354165	03-01A	05/03/2014	10132/2014	354314	06-01D	17/03/2014
11597/2013	354166	02-02NES	05/03/2014	10133/2014	354315	06-01D	17/03/2014
11705/2013	354217	25-03	11/03/2014	10140/2014	354275	14-02	12/03/2014
11846/2013	354218	25-03	11/03/2014	10167/2014	354384	06-04NES	18/03/2014
12013/2013	354426	23-03D	19/03/2014	10192/2014	354277	12-16B	13/03/2014
12464/2013	354164	23-01K	05/03/2014	10193/2014	354278	12-16B	13/03/2014
12589/2013	354177	23-01G	05/03/2014	10203/2014	354387	23-99	18/03/2014
12783/2013	354163	02-02C	05/03/2014	10210/2014	354181	02-04B	05/03/2014
12874/2013	354204	06-02	07/03/2014	10240/2014	354279	02-02C	13/03/2014
13382/2013	354311	28-03C	17/03/2014	10241/2014	354280	02-02NES	13/03/2014
13395/2013	354316	08-08NES	17/03/2014	10242/2014	354297	02-02NES	13/03/2014
13545/2013	354296	02-02NES	13/03/2014	10243/2014	354281	02-02C	13/03/2014
13561/2013	354219	25-01K	11/03/2014	10244/2014	354282	02-02C	13/03/2014
14053/2013	354265	23-01NES	12/03/2014	10245/2014	354298	02-02C	13/03/2014
14251/2013	354220	13-03NES	11/03/2014	10246/2014	354283	02-02C	13/03/2014
14252/2013	354221	13-03NES	11/03/2014	10278/2014	354407	16-06	18/03/2014
14277/2013	354222	12-08	11/03/2014	10296/2014	354319	08-10	17/03/2014
14279/2013	354223	12-08	11/03/2014	10359/2014	354266	06-13B	12/03/2014
14758/2013	354402	12-10	18/03/2014	10391/2014	354284	25-99	13/03/2014
15676/2013	354317	07-01NES	17/03/2014	10404/2014	354183	13-03D	05/03/2014
15898/2013	354312	11-02F	17/03/2014	10405/2014	354184	14-03NES	05/03/2014
16391/2013	354190	24-02	06/03/2014	10450/2014	354239	09-01NES	11/03/2014
16460/2013	354224	14-01	11/03/2014	10451/2014	354240	09-01NES	11/03/2014
16569/2013	354385	24-01	18/03/2014	10452/2014	354241	09-01NES	11/03/2014
16570/2013	354386	24-01	18/03/2014	10453/2014	354242	09-01NES	11/03/2014
16617/2013	354383	08-07	18/03/2014	10454/2014	354243	06-04NES	11/03/2014
16630/2013	354318	14-01	17/03/2014	10455/2014	354320	21-01N	17/03/2014
16677/2013	354209	30-04	07/03/2014	10456/2014	354321	21-01N	17/03/2014
16691/2013	354210	03-01B	07/03/2014	10458/2014	354322	24-01	17/03/2014
16738/2013	354205	23-01K	07/03/2014	10460/2014	354323	12-11	17/03/2014
16751/2013	354285	07-04	13/03/2014	10466/2014	354324	09-03F	17/03/2014
16767/2013	354211	23-03NES	07/03/2014	10467/2014	354325	31-00	17/03/2014
16768/2013	354212	23-03NES	07/03/2014	10468/2014	354244	14-01	11/03/2014
16833/2013	354178	25-02NES	05/03/2014	10470/2014	354326	08-06	17/03/2014
16846/2013	354179	23-01G	05/03/2014	10471/2014	354245	10-04	11/03/2014
16847/2013	354180	23-01G	05/03/2014	10474/2014	354208	14-04	07/03/2014
10004/2014	354304	08-08G	14/03/2014	10475/2014	354246	14-04	11/03/2014
10007/2014	354206	09-07A	07/03/2014	10544/2014	354247	09-05	11/03/2014
10008/2014	354207	09-07A	07/03/2014	10574/2014	354167	23-04	05/03/2014
10020/2014	354213	03-01NES	07/03/2014	10575/2014	354168	23-04	05/03/2014
10035/2014	354403	07-04	18/03/2014	10576/2014	354196	23-04	06/03/2014
10036/2014	354404	07-06NES	18/03/2014	10577/2014	354169	23-04	05/03/2014
10061/2014	354313	30-03	17/03/2014	10579/2014	354170	06-01D	05/03/2014
10068/2014	354214	26-05A	07/03/2014	10580/2014	354197	23-04	06/03/2014
10070/2014	354215	26-05A	07/03/2014	10581/2014	354198	23-04	06/03/2014
10079/2014	354286	08-03	13/03/2014	10582/2014	354171	23-04	05/03/2014
10091/2014	354405	09-03NES	18/03/2014	10583/2014	354172	23-04	05/03/2014
10101/2014	354406	03-01NES	18/03/2014	10584/2014	354199	23-04	06/03/2014
10118/2014	354216	02-02NES	07/03/2014	10585/2014	354173	23-04	05/03/2014
10123/2014	354225	02-02C	11/03/2014	10586/2014	354200	23-04	06/03/2014

Publication and Registration Proceedings - Designs Registered cont'd

Design Number	Registration Number	International Classification Code (IDC)	Registration Date	Design Number	Registration Number	International Classification Code (IDC)	Registration Date
10587/2014	354174	23-04	05/03/2014	10695/2014	354269	31-00	12/03/2014
10588/2014	354175	23-04	05/03/2014	10699/2014	354290	12-03	13/03/2014
10589/2014	354176	23-04	05/03/2014	10700/2014	354270	12-03	12/03/2014
10590/2014	354248	23-04	11/03/2014	10701/2014	354305	25-02C	14/03/2014
10591/2014	354226	23-04	11/03/2014	10703/2014	354291	15-99	13/03/2014
10595/2014	354227	14-03NES	11/03/2014	10704/2014	354261	15-99	12/03/2014
10596/2014	354228	14-03NES	11/03/2014	10705/2014	354292	15-99	13/03/2014
10597/2014	354229	02-04NES	11/03/2014	10712/2014	354262	06-04NES	12/03/2014
10599/2014	354230	02-04NES	11/03/2014	10713/2014	354263	06-04NES	12/03/2014
10600/2014	354231	02-04NES	11/03/2014	10714/2014	354293	06-04NES	13/03/2014
10601/2014	354232	08-08L	11/03/2014	10715/2014	354264	06-04NES	12/03/2014
10602/2014	354233	02-04NES	11/03/2014	10716/2014	354271	10-02	12/03/2014
10603/2014	354234	02-04NES	11/03/2014	10717/2014	354272	12-08	12/03/2014
10614/2014	354235	15-05	11/03/2014	10718/2014	354273	09-03H	12/03/2014
10630/2014	354182	02-03	05/03/2014	10720/2014	354274	26-05C	12/03/2014
10633/2014	354201	07-02L	06/03/2014	10731/2014	354335	07-02L	17/03/2014
10634/2014	354191	14-02	06/03/2014	10732/2014	354336	06-04F	17/03/2014
10635/2014	354192	14-02	06/03/2014	10734/2014	354337	07-02L	17/03/2014
10636/2014	354193	14-02	06/03/2014	10736/2014	354338	24-01	17/03/2014
10637/2014	354194	14-02	06/03/2014	10737/2014	354339	24-01	17/03/2014
10638/2014	354195	14-02	06/03/2014	10738/2014	354340	09-03L	17/03/2014
10639/2014	354202	15-05	06/03/2014	10743/2014	354288	03-01NES	13/03/2014
10640/2014	354185	15-05	06/03/2014	10744/2014	354289	03-01NES	13/03/2014
10641/2014	354186	14-02	06/03/2014	10745/2014	354294	03-01NES	13/03/2014
10642/2014	354203	14-02	06/03/2014	10747/2014	354299	03-01NES	13/03/2014
10643/2014	354187	14-02	06/03/2014	10750/2014	354300	02-07A	13/03/2014
10644/2014	354188	14-02	06/03/2014	10755/2014	354301	25-01B	13/03/2014
10645/2014	354189	07-06B	06/03/2014	10756/2014	354302	25-01B	13/03/2014
10646/2014	354327	14-02	17/03/2014	10757/2014	354303	12-15B	13/03/2014
10648/2014	354328	02-04A	17/03/2014	10758/2014	354295	02-04NES	13/03/2014
10650/2014	354329	07-01C	17/03/2014	10763/2014	354341	09-01H	17/03/2014
10651/2014	354330	26-02	17/03/2014	10775/2014	354388	23-04	18/03/2014
10653/2014	354331	15-04	17/03/2014	10777/2014	354306	20-02E	14/03/2014
10654/2014	354332	15-04	17/03/2014	10780/2014	354307	08-05A	14/03/2014
10656/2014	354333	15-99	17/03/2014	10781/2014	354389	21-01F	18/03/2014
10657/2014	354334	15-99	17/03/2014	10783/2014	354308	08-03	14/03/2014
10662/2014	354236	02-04NES	11/03/2014	10785/2014	354309	12-16NES	14/03/2014
10663/2014	354237	02-04NES	11/03/2014	10786/2014	354310	08-08B	14/03/2014
10664/2014	354238	02-04NES	11/03/2014	10787/2014	354390	08-01	18/03/2014
10667/2014	354249	02-04NES	11/03/2014	10795/2014	354342	14-03E	17/03/2014
10668/2014	354250	02-04NES	11/03/2014	10796/2014	354408	14-03E	18/03/2014
10669/2014	354251	07-02L	11/03/2014	10798/2014	354409	10-99	18/03/2014
10671/2014	354252	28-03A	11/03/2014	10799/2014	354343	06-01F	17/03/2014
10672/2014	354253	21-02C	11/03/2014	10800/2014	354410	06-01E	18/03/2014
10673/2014	354254	21-02C	11/03/2014	10801/2014	354414	24-02	18/03/2014
10674/2014	354255	21-02C	11/03/2014	10802/2014	354344	24-02	17/03/2014
10675/2014	354256	21-02C	11/03/2014	10821/2014	354345	08-08NES	17/03/2014
10676/2014	354257	07-04	11/03/2014	10822/2014	354346	14-03NES	17/03/2014
10677/2014	354258	21-02C	11/03/2014	10823/2014	354347	03-01NES	17/03/2014
10682/2014	354418	07-01NES	19/03/2014	10828/2014	354348	03-01NES	17/03/2014
10686/2014	354259	07-02L	11/03/2014	10829/2014	354349	03-01NES	17/03/2014
10689/2014	354260	15-02	11/03/2014	10830/2014	354350	03-01NES	17/03/2014
10691/2014	354287	14-02	13/03/2014	10831/2014	354351	19-06	17/03/2014
10692/2014	354267	25-01K	12/03/2014	10832/2014	354352	03-01NES	17/03/2014
10694/2014	354268	31-00	12/03/2014	10833/2014	354353	03-01NES	17/03/2014

Publication and Registration Proceedings - Designs Registered cont'd

Design Number	Registration Number	International Classification Code (IDC)	Registration Date	Design Number	Registration Number	International Classification Code (IDC)	Registration Date
10839/2014	354354	08-08NES	17/03/2014	10893/2014	354381	10-05	17/03/2014
10862/2014	354355	09-01G	17/03/2014	10894/2014	354391	10-05	18/03/2014
10863/2014	354356	09-07A	17/03/2014	10895/2014	354411	08-08A	18/03/2014
10864/2014	354357	09-01G	17/03/2014	10899/2014	354392	11-01A	18/03/2014
10865/2014	354358	09-01G	17/03/2014	10900/2014	354412	26-04	18/03/2014
10866/2014	354359	09-01G	17/03/2014	10905/2014	354393	12-08	18/03/2014
10867/2014	354360	02-04NES	17/03/2014	10907/2014	354394	26-02	18/03/2014
10868/2014	354361	02-07D	17/03/2014	10910/2014	354395	03-01NES	18/03/2014
10869/2014	354362	02-04NES	17/03/2014	10911/2014	354396	12-15C	18/03/2014
10870/2014	354276	26-05D	12/03/2014	10912/2014	354419	14-03E	19/03/2014
10871/2014	354363	02-04NES	17/03/2014	10917/2014	354397	23-01A	18/03/2014
10872/2014	354364	13-03NES	17/03/2014	10918/2014	354398	23-01A	18/03/2014
10873/2014	354365	13-03NES	17/03/2014	10920/2014	354399	23-01A	18/03/2014
10874/2014	354373	13-03NES	17/03/2014	10922/2014	354413	23-01A	18/03/2014
10875/2014	354374	13-03NES	17/03/2014	10927/2014	354400	23-01A	18/03/2014
10876/2014	354375	13-03NES	17/03/2014	10928/2014	354401	14-03E	18/03/2014
10877/2014	354376	13-03NES	17/03/2014	10929/2014	354415	23-01A	18/03/2014
10881/2014	354377	13-03D	17/03/2014	10930/2014	354416	14-03E	18/03/2014
10882/2014	354378	13-03NES	17/03/2014	10931/2014	354417	23-01A	18/03/2014
10883/2014	354379	08-08B	17/03/2014	10932/2014	354420	10-05	19/03/2014
10885/2014	354366	06-03NES	17/03/2014	10947/2014	354421	09-06	19/03/2014
10886/2014	354367	06-06F	17/03/2014	10950/2014	354422	08-08G	19/03/2014
10887/2014	354368	06-06F	17/03/2014	10951/2014	354423	26-02	19/03/2014
10888/2014	354369	06-04F	17/03/2014	10952/2014	354424	07-02L	19/03/2014
10889/2014	354370	06-06F	17/03/2014	10953/2014	354425	21-01E	19/03/2014
10890/2014	354371	06-04F	17/03/2014	11016/2014	354382	06-01D	17/03/2014
10891/2014	354372	06-06F	17/03/2014				
10892/2014	354380	19-06	17/03/2014				

Publication and Registration Proceedings

Class Listing of Designs Published or Registered

The following section shows an International Classification Code listing of the Registered or Published Designs covered in this supplement.

Classification	Registration Number	Design Number	Classification	Registration Number	Design Number
02-02C	354163	12783/2013	06-01F	354343	10799/2014
02-02C	354225	10123/2014	06-02	354204	12874/2013
02-02C	354279	10240/2014	06-03NES	354366	10885/2014
02-02C	354281	10243/2014	06-04F	354336	10732/2014
02-02C	354282	10244/2014	06-04F	354369	10888/2014
02-02C	354283	10246/2014	06-04F	354371	10890/2014
02-02C	354298	10245/2014	06-04NES	354243	10454/2014
02-02NES	354166	11597/2013	06-04NES	354262	10712/2014
02-02NES	354216	10118/2014	06-04NES	354263	10713/2014
02-02NES	354280	10241/2014	06-04NES	354264	10715/2014
02-02NES	354296	13545/2013	06-04NES	354293	10714/2014
02-02NES	354297	10242/2014	06-04NES	354336	10732/2014
02-03	354182	10630/2014	06-04NES	354384	10167/2014
02-03	354385	16569/2013	06-06F	354367	10886/2014
02-03	354386	16570/2013	06-06F	354368	10887/2014
02-04A	354328	10648/2014	06-06F	354370	10889/2014
02-04B	354181	10210/2014	06-06F	354372	10891/2014
02-04NES	354229	10597/2014	06-06NES	354178	16833/2013
02-04NES	354230	10599/2014	06-11	354425	10953/2014
02-04NES	354231	10600/2014	06-13B	354266	10359/2014
02-04NES	354233	10602/2014	07-01C	354329	10650/2014
02-04NES	354234	10603/2014	07-01F	354285	16751/2013
02-04NES	354236	10662/2014	07-01NES	354317	15676/2013
02-04NES	354237	10663/2014	07-01NES	354324	10466/2014
02-04NES	354238	10664/2014	07-01NES	354418	10682/2014
02-04NES	354249	10667/2014	07-02L	354201	10633/2014
02-04NES	354250	10668/2014	07-02L	354247	10544/2014
02-04NES	354295	10758/2014	07-02L	354251	10669/2014
02-04NES	354360	10867/2014	07-02L	354259	10686/2014
02-04NES	354362	10869/2014	07-02L	354335	10731/2014
02-04NES	354363	10871/2014	07-02L	354337	10734/2014
02-07A	354300	10750/2014	07-02L	354424	10952/2014
02-07D	354361	10868/2014	07-04	354257	10676/2014
03-01A	354165	11596/2013	07-04	354285	16751/2013
03-01B	354210	16691/2013	07-04	354403	10035/2014
03-01NES	354213	10020/2014	07-04	354404	10036/2014
03-01NES	354288	10743/2014	07-06B	354189	10645/2014
03-01NES	354289	10744/2014	07-06NES	354189	10645/2014
03-01NES	354294	10745/2014	07-06NES	354404	10036/2014
03-01NES	354299	10747/2014	08-01	354390	10787/2014
03-01NES	354347	10823/2014	08-03	354286	10079/2014
03-01NES	354348	10828/2014	08-03	354308	10783/2014
03-01NES	354349	10829/2014	08-05A	354307	10780/2014
03-01NES	354350	10830/2014	08-06	354326	10470/2014
03-01NES	354352	10832/2014	08-07	354383	16617/2013
03-01NES	354353	10833/2014	08-08A	354411	10895/2014
03-01NES	354395	10910/2014	08-08B	354310	10786/2014
03-01NES	354406	10101/2014	08-08B	354379	10883/2014
06-01D	354170	10579/2014	08-08G	354304	10004/2014
06-01D	354314	10132/2014	08-08G	354316	13395/2013
06-01D	354315	10133/2014	08-08G	354422	10950/2014
06-01D	354382	11016/2014	08-08H	354326	10470/2014
06-01E	354410	10800/2014	08-08L	354232	10601/2014

Registration Proceedings - Class Listing of Designs Published or Registered cont'd

Classification	Registration Number	Design Number	Classification	Registration Number	Design Number
08-08L	354411	10895/2014	13-03D	354377	10881/2014
08-08NES	354316	13395/2013	13-03NES	354220	14251/2013
08-08NES	354345	10821/2014	13-03NES	354221	14252/2013
08-08NES	354354	10839/2014	13-03NES	354364	10872/2014
08-08NES	354411	10895/2014	13-03NES	354365	10873/2014
08-10	354319	10296/2014	13-03NES	354373	10874/2014
09-01F	354285	16751/2013	13-03NES	354374	10875/2014
09-01G	354355	10862/2014	13-03NES	354375	10876/2014
09-01G	354356	10863/2014	13-03NES	354376	10877/2014
09-01G	354357	10864/2014	13-03NES	354378	10882/2014
09-01G	354358	10865/2014	14-01	354224	16460/2013
09-01G	354359	10866/2014	14-01	354244	10468/2014
09-01H	354341	10763/2014	14-01	354318	16630/2013
09-01NES	354239	10450/2014	14-02	354186	10641/2014
09-01NES	354240	10451/2014	14-02	354187	10643/2014
09-01NES	354241	10452/2014	14-02	354188	10644/2014
09-01NES	354242	10453/2014	14-02	354191	10634/2014
09-03F	354324	10466/2014	14-02	354192	10635/2014
09-03H	354273	10718/2014	14-02	354193	10636/2014
09-03L	354340	10738/2014	14-02	354194	10637/2014
09-03NES	354405	10091/2014	14-02	354195	10638/2014
09-05	354247	10544/2014	14-02	354203	10642/2014
09-06	354421	10947/2014	14-02	354208	10474/2014
09-07A	354206	10007/2014	14-02	354246	10475/2014
09-07A	354207	10008/2014	14-02	354271	10716/2014
09-07A	354355	10862/2014	14-02	354275	10140/2014
09-07A	354356	10863/2014	14-02	354287	10691/2014
09-07A	354357	10864/2014	14-02	354327	10646/2014
09-07A	354358	10865/2014	14-03A	354406	10101/2014
10-02	354271	10716/2014	14-03E	354342	10795/2014
10-04	354245	10471/2014	14-03E	354401	10928/2014
10-05	354381	10893/2014	14-03E	354408	10796/2014
10-05	354391	10894/2014	14-03E	354416	10930/2014
10-05	354420	10932/2014	14-03E	354419	10912/2014
10-06	354284	10391/2014	14-03NES	354184	10405/2014
10-99	354409	10798/2014	14-03NES	354227	10595/2014
11-01A	354392	10899/2014	14-03NES	354228	10596/2014
11-02F	354312	15898/2013	14-03NES	354345	10821/2014
12-03	354270	10700/2014	14-03NES	354346	10822/2014
12-03	354290	10699/2014	14-03NES	354354	10839/2014
12-08	354222	14277/2013	14-04	354186	10641/2014
12-08	354223	14279/2013	14-04	354187	10643/2014
12-08	354272	10717/2014	14-04	354188	10644/2014
12-08	354393	10905/2014	14-04	354194	10637/2014
12-10	354402	14758/2013	14-04	354195	10638/2014
12-11	354323	10460/2014	14-04	354203	10642/2014
12-15B	354303	10757/2014	14-04	354208	10474/2014
12-15C	354396	10911/2014	14-04	354246	10475/2014
12-16B	354277	10192/2014	14-04	354327	10646/2014
12-16B	354278	10193/2014	15-02	354260	10689/2014
12-16K	354277	10192/2014	15-04	354331	10653/2014
12-16K	354278	10193/2014	15-04	354332	10654/2014
12-16NES	354309	10785/2014	15-05	354185	10640/2014
13-03D	354183	10404/2014	15-05	354202	10639/2014
13-03D	354211	16767/2013	15-05	354235	10614/2014
13-03D	354212	16768/2013	15-99	354261	10704/2014

Registration Proceedings - Class Listing of Designs Published or Registered cont'd

Classification	Registration Number	Design Number	Classification	Registration Number	Design Number
15-99	354291	10703/2014	23-04	354199	10584/2014
15-99	354292	10705/2014	23-04	354200	10586/2014
15-99	354331	10653/2014	23-04	354226	10591/2014
15-99	354332	10654/2014	23-04	354248	10590/2014
15-99	354333	10656/2014	23-04	354388	10775/2014
15-99	354334	10657/2014	23-99	354387	10203/2014
16-06	354407	10278/2014	24-01	354322	10458/2014
19-06	354351	10831/2014	24-01	354338	10736/2014
19-06	354380	10892/2014	24-01	354339	10737/2014
20-02E	354306	10777/2014	24-01	354385	16569/2013
21-01E	354425	10953/2014	24-01	354386	16570/2013
21-01F	354389	10781/2014	24-02	354190	16391/2013
21-01N	354320	10455/2014	24-02	354338	10736/2014
21-01N	354321	10456/2014	24-02	354339	10737/2014
21-02C	354253	10672/2014	24-02	354344	10802/2014
21-02C	354254	10673/2014	24-02	354414	10801/2014
21-02C	354255	10674/2014	24-99	354227	10595/2014
21-02C	354256	10675/2014	24-99	354228	10596/2014
21-02C	354258	10677/2014	25-01B	354301	10755/2014
23-01A	354397	10917/2014	25-01B	354302	10756/2014
23-01A	354398	10918/2014	25-01D	354312	15898/2013
23-01A	354399	10920/2014	25-01K	354219	13561/2013
23-01A	354400	10927/2014	25-01K	354267	10692/2014
23-01A	354413	10922/2014	25-02C	354305	10701/2014
23-01A	354415	10929/2014	25-02NES	354178	16833/2013
23-01A	354417	10931/2014	25-03	354217	11705/2013
23-01G	354177	12589/2013	25-03	354218	11846/2013
23-01G	354179	16846/2013	25-99	354284	10391/2014
23-01G	354180	16847/2013	25-99	354384	10167/2014
23-01K	354164	12464/2013	26-02	354330	10651/2014
23-01K	354205	16738/2013	26-02	354394	10907/2014
23-01NES	354265	14053/2013	26-02	354423	10951/2014
23-03D	354426	12013/2013	26-04	354412	10900/2014
23-03NES	354211	16767/2013	26-05A	354214	10068/2014
23-03NES	354212	16768/2013	26-05A	354215	10070/2014
23-04	354167	10574/2014	26-05C	354274	10720/2014
23-04	354168	10575/2014	26-05D	354276	10870/2014
23-04	354169	10577/2014	26-05E	354276	10870/2014
23-04	354171	10582/2014	28-03A	354252	10671/2014
23-04	354172	10583/2014	28-03C	354311	13382/2013
23-04	354173	10585/2014	30-03	354313	10061/2014
23-04	354174	10587/2014	30-04	354209	16677/2013
23-04	354175	10588/2014	31-00	354268	10694/2014
23-04	354176	10589/2014	31-00	354269	10695/2014
23-04	354196	10576/2014	31-00	354325	10467/2014
23-04	354197	10580/2014			
23-04	354198	10581/2014			

(21) Design Number: **12783/2013**
(22) Date of Filing Application: **17 June 2013**
(24) Date from which industrial property rights may have effect: **17 June 2013**
(54) Product in respect of which the design is registered: **Pants**
(51) International Design Classification: **02-02C**
(74) Name(s) of Attorney(s):
(71) Name(s) and Address(s) of Applicant(s):
Industrie Clothing Pty Limited
55 Railway Pde Marrickville NSW 2204 Australia
(72) Name(s) of Designer(s): **Nick Kelly**
(45) Registration Date: **05 March 2014**
(56) Related Art Documents: **Not Applicable**
(57) Statement of Newness and Distinctiveness: **Nil**



(21) Design Number: **12464/2013**
(22) Date of Filing Application: **28 May 2013**
(24) Date from which industrial property rights may have effect: **28 May 2013**
(54) Product in respect of which the design is registered: **Pop down valve mechanism**
(51) International Design Classification: **23-01K**
(74) Name(s) of Attorney(s):
(71) Name(s) and Address(s) of Applicant(s):
Art Plastics Pty Ltd
PO BOX 610 Wentworthville NSW 2145 Australia
(72) Name(s) of Designer(s): **Tim Lucas**
(45) Registration Date: **05 March 2014**
(56) Related Art Documents: **Not Applicable**
(57) Statement of Newness and Distinctiveness: **Nil**



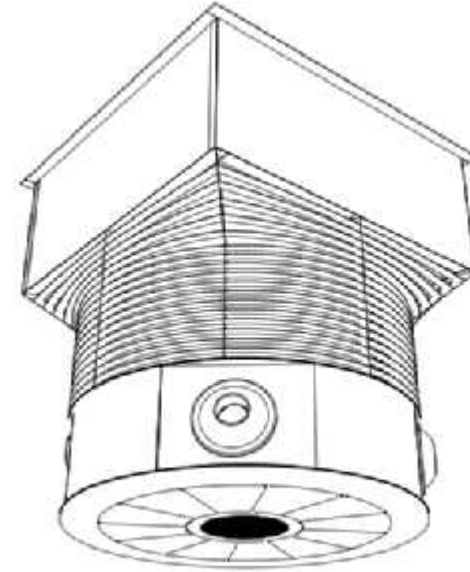
- (21) Design Number: **11596/2013**
(22) Date of Filing Application: **28 March 2013**
(24) Date from which industrial property rights may have effect: **28 March 2013**
(54) Product in respect of which the design is registered: **Suitcase**
(51) International Design Classification: **03-01A**
(74) Name(s) of Attorney(s): **Allens Patent & Trade Mark Attorneys**
(71) Name(s) and Address(s) of Applicant(s):
Forever New Clothing Pty Ltd
714-716 High St Kew East VIC 3102 Australia
(72) Name(s) of Designer(s): **Georgie Roberts-Thompson**
(45) Registration Date: **05 March 2014**
(56) Related Art Documents: **Not Applicable**
(57) Statement of Newness and Distinctiveness: **Newness and distinctiveness resides in the visual features of shape, configuration, pattern and/or ornamentation of a suitcase as shown in the accompanying representations.**



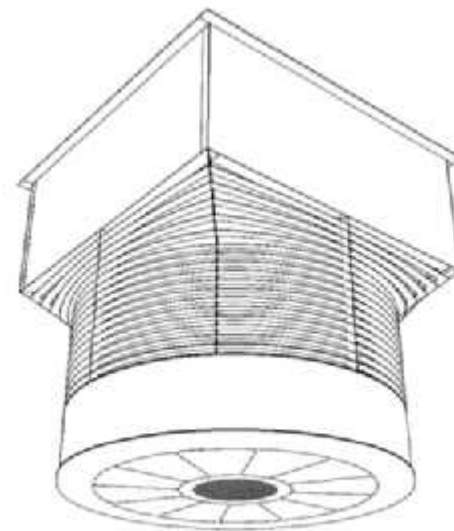
- (21) Design Number: **11597/2013**
(22) Date of Filing Application: **28 March 2013**
(24) Date from which industrial property rights may have effect: **28 March 2013**
(54) Product in respect of which the design is registered: **Article of clothing**
(51) International Design Classification: **02-02NES**
(74) Name(s) of Attorney(s): **Allens Patent & Trade Mark Attorneys**
(71) Name(s) and Address(s) of Applicant(s):
Forever New Clothing Pty Ltd
714-716 High St Kew East VIC 3102 Australia
(72) Name(s) of Designer(s): **Mantra Ahrendt**
(45) Registration Date: **05 March 2014**
(56) Related Art Documents: **Not Applicable**
(57) Statement of Newness and Distinctiveness: **Newness and distinctiveness resides in the visual features of shape, configuration, pattern and/or ornamentation of an article of clothing as shown in the accompanying representations.**



- (21) Design Number: **10574/2014**
(22) Date of Filing Application: **06 February 2014**
(24) Date from which industrial property rights may have effect: **06 February 2014**
(54) Product in respect of which the design is registered: **A heating, ventilation and air-conditioning unit**
(51) International Design Classification: **23-04**
(74) Name(s) of Attorney(s): **Banki Haddock Fiora**
(71) Name(s) and Address(s) of Applicant(s):
Fusion HVAC Pty Limited
281 Montague Rd West End QLD 4101 Australia
(72) Name(s) of Designer(s): **Kevin Harris**
(45) Registration Date: **05 March 2014**
(56) Related Art Documents: **Not Applicable**
(57) Statement of Newness and Distinctiveness: **Nil**



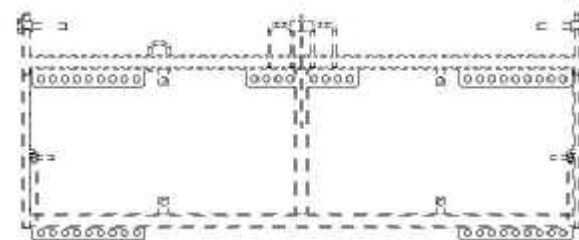
- (21) Design Number: **10575/2014**
(22) Date of Filing Application: **06 February 2014**
(24) Date from which industrial property rights may have effect: **06 February 2014**
(54) Product in respect of which the design is registered: **A heating, ventilation and air-conditioning unit**
(51) International Design Classification: **23-04**
(74) Name(s) of Attorney(s): **Banki Haddock Fiora**
(71) Name(s) and Address(s) of Applicant(s):
Fusion HVAC Pty Limited
281 Montague Rd West End QLD 4101 Australia
(72) Name(s) of Designer(s): **Kevin Harris**
(45) Registration Date: **05 March 2014**
(56) Related Art Documents: **Not Applicable**
(57) Statement of Newness and Distinctiveness: **Nil**



(21) Design Number: **10577/2014**
(22) Date of Filing Application: **06 February 2014**
(24) Date from which industrial property rights may have effect: **06 February 2014**
(54) Product in respect of which the design is registered: **A heating, ventilation and air-conditioning unit**
(51) International Design Classification: **23-04**
(74) Name(s) of Attorney(s): **Banki Haddock Fiora**
(71) Name(s) and Address(s) of Applicant(s):
Fusion HVAC Pty Limited
281 Montague Rd West End QLD 4101 Australia
(72) Name(s) of Designer(s): **Kevin Harris**
(45) Registration Date: **05 March 2014**
(56) Related Art Documents: **Not Applicable**
(57) Statement of Newness and Distinctiveness: **Nil**



(21) Design Number: **10579/2014**
(22) Date of Filing Application: **06 February 2014**
(24) Date from which industrial property rights may have effect: **06 February 2014**
(54) Product in respect of which the design is registered: **Bus seat frame**
(51) International Design Classification: **06-01D**
(74) Name(s) of Attorney(s): **Cullens Patent and Trade Mark Attorneys**
(71) Name(s) and Address(s) of Applicant(s):
StyleRide Pty Ltd
9 Success St Acacia Ridge QLD 4110 Australia
(72) Name(s) of Designer(s): **Matthew Lukan**
(45) Registration Date: **05 March 2014**
(56) Related Art Documents: **Not Applicable**
(57) Statement of Newness and Distinctiveness: **Newness and distinctiveness is claimed in the features depicted by solid lines in the representations. Newness and distinctiveness is not claimed in the features depicted by dashed lines in the representations.**



- (21) Design Number: **10582/2014**
(22) Date of Filing Application: **06 February 2014**
(24) Date from which industrial property rights may have effect: **06 February 2014**
(54) Product in respect of which the design is registered: **A heating, ventilation and air-conditioning unit**
(51) International Design Classification: **23-04**
(74) Name(s) of Attorney(s): **Banki Haddock Fiora**
(71) Name(s) and Address(s) of Applicant(s):
Fusion HVAC Pty Limited
281 Montague Rd West End QLD 4101 Australia
(72) Name(s) of Designer(s): **Kevin Harris**
(45) Registration Date: **05 March 2014**
(56) Related Art Documents: **Not Applicable**
(57) Statement of Newness and Distinctiveness: **Nil**



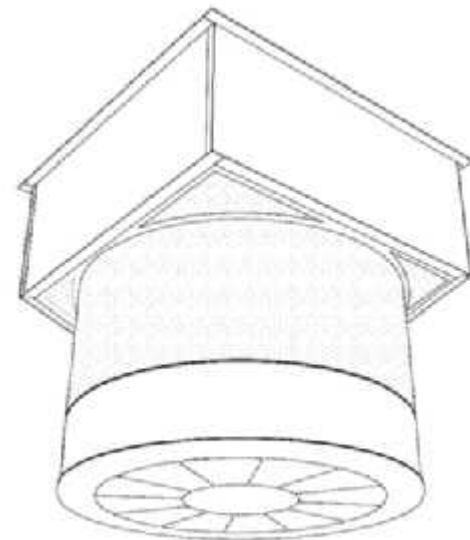
- (21) Design Number: **10583/2014**
(22) Date of Filing Application: **06 February 2014**
(24) Date from which industrial property rights may have effect: **06 February 2014**
(54) Product in respect of which the design is registered: **A heating, ventilation and air-conditioning unit**
(51) International Design Classification: **23-04**
(74) Name(s) of Attorney(s): **Banki Haddock Fiora**
(71) Name(s) and Address(s) of Applicant(s):
Fusion HVAC Pty Limited
281 Montague Rd West End QLD 4101 Australia
(72) Name(s) of Designer(s): **Kevin Harris**
(45) Registration Date: **05 March 2014**
(56) Related Art Documents: **Not Applicable**
(57) Statement of Newness and Distinctiveness: **Nil**



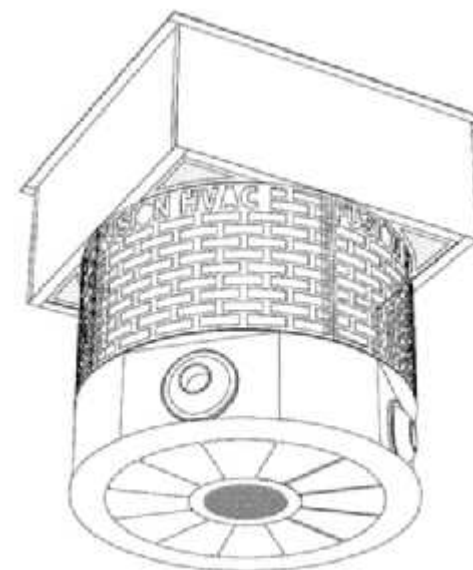
(21) Design Number: **10585/2014**
(22) Date of Filing Application: **06 February 2014**
(24) Date from which industrial property rights may have effect: **06 February 2014**
(54) Product in respect of which the design is registered: **A heating, ventilation and air-conditioning unit**
(51) International Design Classification: **23-04**
(74) Name(s) of Attorney(s): **Banki Haddock Fiora**
(71) Name(s) and Address(s) of Applicant(s):
Fusion HVAC Pty Limited
281 Montague Rd West End QLD 4101 Australia
(72) Name(s) of Designer(s): **Kevin Harris**
(45) Registration Date: **05 March 2014**
(56) Related Art Documents: **Not Applicable**
(57) Statement of Newness and Distinctiveness: **Nil**



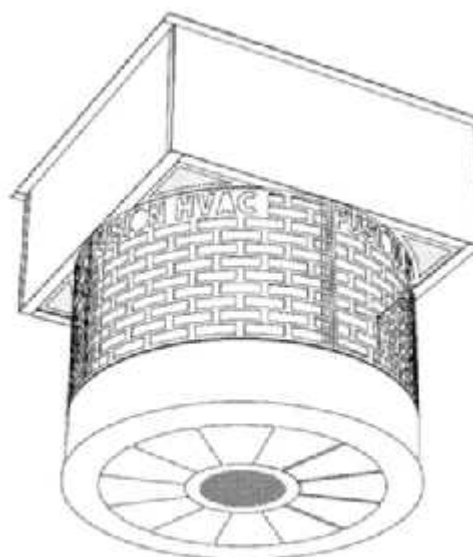
(21) Design Number: **10587/2014**
(22) Date of Filing Application: **06 February 2014**
(24) Date from which industrial property rights may have effect: **06 February 2014**
(54) Product in respect of which the design is registered: **A heating, ventilation and air-conditioning unit**
(51) International Design Classification: **23-04**
(74) Name(s) of Attorney(s): **Banki Haddock Fiora**
(71) Name(s) and Address(s) of Applicant(s):
Fusion HVAC Pty Limited
281 Montague Rd West End QLD 4101 Australia
(72) Name(s) of Designer(s): **Kevin Harris**
(45) Registration Date: **05 March 2014**
(56) Related Art Documents: **Not Applicable**
(57) Statement of Newness and Distinctiveness: **Nil**



- (21) Design Number: **10588/2014**
(22) Date of Filing Application: **06 February 2014**
(24) Date from which industrial property rights may have effect: **06 February 2014**
(54) Product in respect of which the design is registered: **A heating, ventilation and air-conditioning unit**
(51) International Design Classification: **23-04**
(74) Name(s) of Attorney(s): **Banki Haddock Fiora**
(71) Name(s) and Address(s) of Applicant(s):
Fusion HVAC Pty Limited
281 Montague Rd West End QLD 4101 Australia
(72) Name(s) of Designer(s): **Kevin Harris**
(45) Registration Date: **05 March 2014**
(56) Related Art Documents: **Not Applicable**
(57) Statement of Newness and Distinctiveness: **The visual features of the heating, ventilation and air-conditioning unit depicted in the representations that are new and distinctive are the shape and/or configuration. No protection is claimed for the words "FUSION HVAC".**



- (21) Design Number: **10589/2014**
(22) Date of Filing Application: **06 February 2014**
(24) Date from which industrial property rights may have effect: **06 February 2014**
(54) Product in respect of which the design is registered: **A heating, ventilation and air-conditioning unit**
(51) International Design Classification: **23-04**
(74) Name(s) of Attorney(s): **Banki Haddock Fiora**
(71) Name(s) and Address(s) of Applicant(s):
Fusion HVAC Pty Limited
281 Montague Rd West End QLD 4101 Australia
(72) Name(s) of Designer(s): **Kevin Harris**
(45) Registration Date: **05 March 2014**
(56) Related Art Documents: **Not Applicable**
(57) Statement of Newness and Distinctiveness: **The visual features of the heating, ventilation and air-conditioning unit depicted in the representations that are new and distinctive are the shape and/or configuration. No protection is claimed for the words "FUSION HVAC".**



(21) Design Number: **12589/2013**
(22) Date of Filing Application: **05 June 2013**
(24) Date from which industrial property rights may have effect: **05 June 2013**
(54) Product in respect of which the design is registered: **Filter**
(51) International Design Classification: **23-01G**
(74) Name(s) of Attorney(s): **Allens Patent & Trade Mark Attorneys**
(71) Name(s) and Address(s) of Applicant(s):

Sensio Inc.
1175 Place du Frere Andre Montreal Quebec H3B 3X9 Canada

(72) Name(s) of Designer(s): **Zhou Hui and Wai Wang and Ding Li Guo**

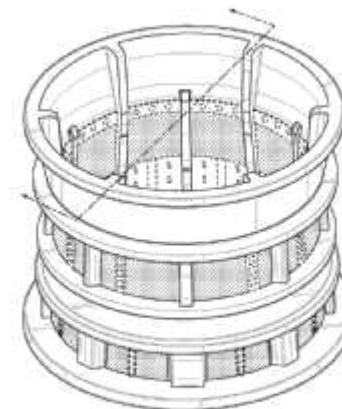
(45) Registration Date: **05 March 2014**

(30) Convention priority data:

(31) Number	(32) Date	(33) Country
29/438,981	05 Dec 2012	UNITED STATES OF AMERICA

(56) Related Art Documents: **Not Applicable**

(57) Statement of Newness and Distinctiveness: **Newness and distinctiveness is claimed in the shape and/or configuration of a filter shown in the accompanying representations. The portions indicated in broken lines in the representations are for illustrative purposes and form no part of the claimed design.**



(21) Design Number: **16833/2013**
(22) Date of Filing Application: **24 December 2013**
(24) Date from which industrial property rights may have effect: **24 December 2013**
(54) Product in respect of which the design is registered: **Organisational element**
(51) International Design Classification: **25-02NES, 06-06NES**
(74) Name(s) of Attorney(s): **Griffith Hack**
(71) Name(s) and Address(s) of Applicant(s):

USM Holding AG
Pourtalesstrasse 103 3074 Muri bei Bern Switzerland

(72) Name(s) of Designer(s): **Alexander Scharer and Thomas Dienes and Aurel Aebi**

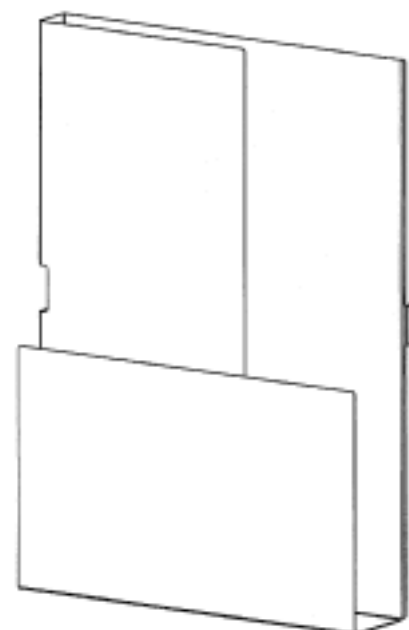
(45) Registration Date: **05 March 2014**

(30) Convention priority data:

(31) Number	(32) Date	(33) Country
32224	01 Jul 2013	WORLD INTELLECTUAL PROPERTY ORGANIZATION (WIPO)

(56) Related Art Documents: **Not Applicable**

(57) Statement of Newness and Distinctiveness: **Nil**



(21) Design Number: **16846/2013**
(22) Date of Filing Application: **05 June 2013**
(24) Date from which industrial property rights may have effect: **05 June 2013**
(54) Product in respect of which the design is registered: **Filter**
(51) International Design Classification: **23-01G**
(74) Name(s) of Attorney(s): **Allens Patent & Trade Mark Attorneys**
(71) Name(s) and Address(s) of Applicant(s):

Sensio Inc.
1175 Place du Frere Andre Montreal Quebec H3B 3X9 Canada

(72) Name(s) of Designer(s): **Zhou Hui and Wai Wang and Ding Li Guo**

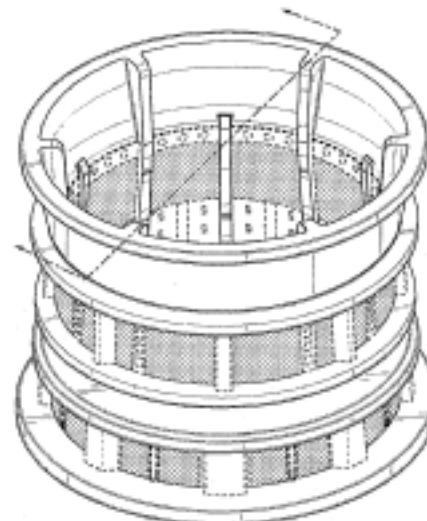
(45) Registration Date: **05 March 2014**

(30) Convention priority data:

(31) Number	(32) Date	(33) Country
29/438,981	05 Dec 2012	UNITED STATES OF AMERICA

(56) Related Art Documents: **Not Applicable**

(57) Statement of Newness and Distinctiveness: **Newness and distinctiveness is claimed in the shape and/or configuration of a filter shown in the accompanying representations. The portions indicated in broken lines in the representations are for illustrative purposes and form no part of the claimed design.**



(21) Design Number: **16847/2013**
(22) Date of Filing Application: **05 June 2013**
(24) Date from which industrial property rights may have effect: **05 June 2013**
(54) Product in respect of which the design is registered: **Filter**
(51) International Design Classification: **23-01G**
(74) Name(s) of Attorney(s): **Allens Patent & Trade Mark Attorneys**
(71) Name(s) and Address(s) of Applicant(s):

Sensio Inc.
1175 Place du Frere Andre Montreal Quebec H3B 3X9 Canada

(72) Name(s) of Designer(s): **Zhou Hui and Wai Wang and Ding Li Guo**

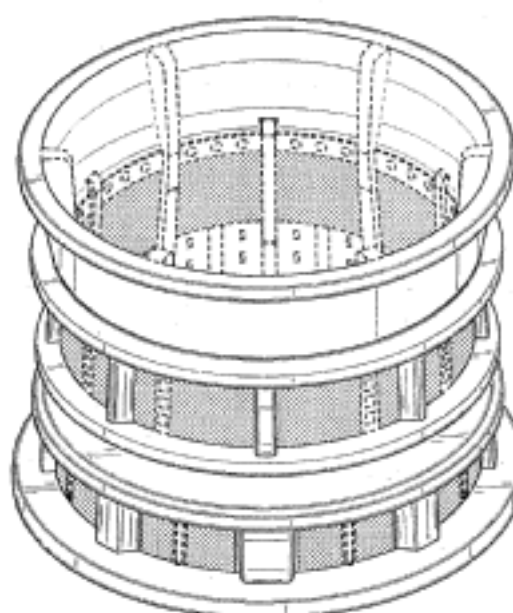
(45) Registration Date: **05 March 2014**

(30) Convention priority data:

(31) Number	(32) Date	(33) Country
29/438,981	05 Dec 2012	UNITED STATES OF AMERICA

(56) Related Art Documents: **Not Applicable**

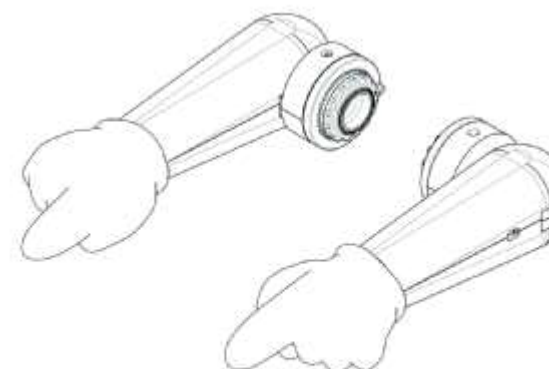
(57) Statement of Newness and Distinctiveness: **Newness and distinctiveness is claimed in the shape and/or configuration of a filter shown in the accompanying representations. The portions indicated in broken lines in the representations are for illustrative purposes and form no part of the claimed design.**



(21) Design Number: **10210/2014**
(22) Date of Filing Application: **17 January 2014**
(24) Date from which industrial property rights may have effect: **17 January 2014**
(54) Product in respect of which the design is registered: **Soles for footwear**
(51) International Design Classification: **02-04B**
(74) Name(s) of Attorney(s): **MMLC Murphy Wang Solicitors**
(71) Name(s) and Address(s) of Applicant(s):
Holster Fashion Pty Ltd
6-55 Gateway Dr Noosaville QLD 4566 Australia
(72) Name(s) of Designer(s): **Natalie Jean Miller**
(45) Registration Date: **05 March 2014**
(56) Related Art Documents: **Not Applicable**
(57) Statement of Newness and Distinctiveness: **Newness and distinctiveness reside in the outline shape of the sole, the tread/grip pattern, heel height and shape (heel height outlines) and plug positions for upper straps, as shown in the accompanying representations.**



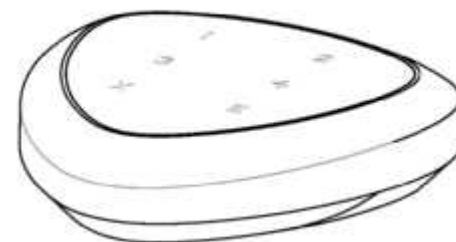
(21) Design Number: **10630/2014**
(22) Date of Filing Application: **10 February 2014**
(24) Date from which industrial property rights may have effect: **10 February 2014**
(54) Product in respect of which the design is registered: **Attachment for headgear**
(51) International Design Classification: **02-03**
(74) Name(s) of Attorney(s): **Churchill Attorneys**
(71) Name(s) and Address(s) of Applicant(s):
John Errol Aldrin
19 Ngobit Street Sunninghill Johannesburg, 2157 South Africa
(72) Name(s) of Designer(s): **John Errol Aldrin and Johan Lodewikus Combrinck**
(45) Registration Date: **05 March 2014**
(30) Convention priority data:
(31) Number (32) Date (33) Country
A2013/01974 30 Oct 2013 SOUTH AFRICA
(56) Related Art Documents: **Not Applicable**
(57) Statement of Newness and Distinctiveness: **The newness and distinctiveness of the design resides in the shape of the headgear attachment as shown in the continuous lines in the accompanying representations. The broken lines are not part of the design and are to be disregarded when considering the overall impression of the design.**



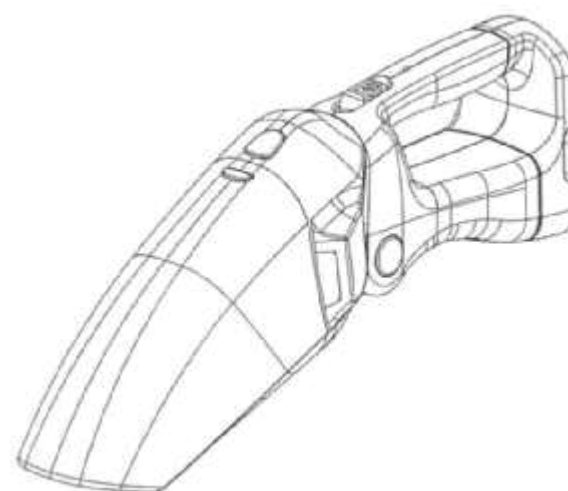
(21) Design Number: **10404/2014**
(22) Date of Filing Application: **30 January 2014**
(24) Date from which industrial property rights may have effect: **30 January 2014**
(54) Product in respect of which the design is registered: **Power board**
(51) International Design Classification: **13-03D**
(74) Name(s) of Attorney(s):
(71) Name(s) and Address(s) of Applicant(s):
Richard Eastmead
34 Plateau Pde Blaxland NSW 2774 Australia
(72) Name(s) of Designer(s): **Lisa Gyecsek and Robert Tiller and Brandon Jin Siew Liew**
(45) Registration Date: **05 March 2014**
(56) Related Art Documents: **Not Applicable**
(57) Statement of Newness and Distinctiveness: **Nil**



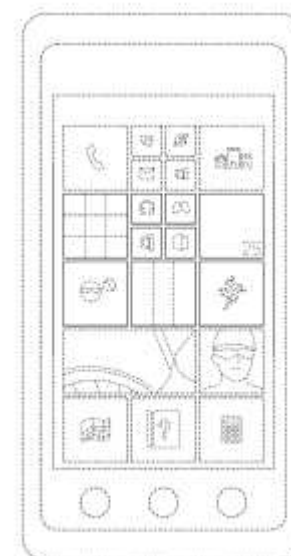
(21) Design Number: **10405/2014**
(22) Date of Filing Application: **30 January 2014**
(24) Date from which industrial property rights may have effect: **30 January 2014**
(54) Product in respect of which the design is registered: **Remote control**
(51) International Design Classification: **14-03NES**
(74) Name(s) of Attorney(s):
(71) Name(s) and Address(s) of Applicant(s):
Richard Eastmead
34 Plateau Pde Blaxland NSW 2774 Australia
(72) Name(s) of Designer(s): **Lisa Gyecsek and Robert Tiller and Brandon Jin Siew Liew**
(45) Registration Date: **05 March 2014**
(56) Related Art Documents: **Not Applicable**
(57) Statement of Newness and Distinctiveness: **Nil**



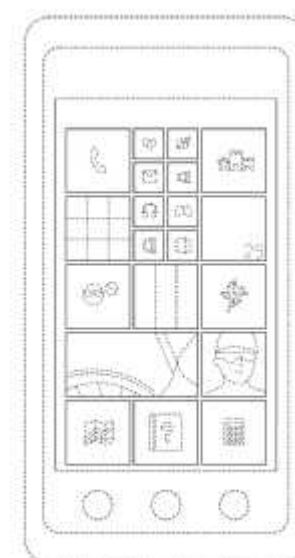
(21) Design Number: **10640/2014**
(22) Date of Filing Application: **10 February 2014**
(24) Date from which industrial property rights may have effect: **10 February 2014**
(54) Product in respect of which the design is registered: **Hand-held rechargeable vacuum cleaner**
(51) International Design Classification: **15-05**
(74) Name(s) of Attorney(s): **Griffith Hack**
(71) Name(s) and Address(s) of Applicant(s):
Hans-Ulrich Petermann Beratungs-und Vertriebs GmbH & Co. KG
Schlagenhofener Weg 40 Seefeld 82229 Germany
(72) Name(s) of Designer(s): **Kwok Hung Leung**
(45) Registration Date: **06 March 2014**
(30) Convention priority data:
(31) Number (32) Date (33) Country
001380315-0002 12 Aug 2013 OFFICE FOR HARMONISATION IN
THE INTERNAL MARKET (OHIM)
(56) Related Art Documents: **Not Applicable**
(57) Statement of Newness and Distinctiveness: **Newness and distinctiveness resides in the visual features of the product, including the shape, configuration and ornamentation as shown in the accompanying representations.**



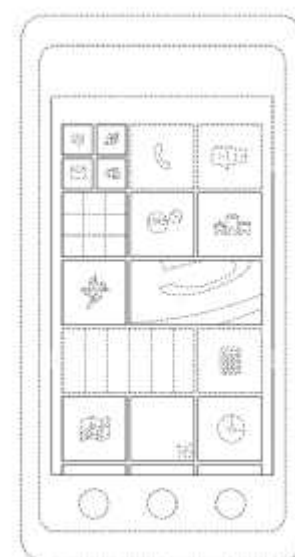
(21) Design Number: **10641/2014**
(22) Date of Filing Application: **10 February 2014**
(24) Date from which industrial property rights may have effect: **10 February 2014**
(54) Product in respect of which the design is registered: **Display screen with graphical user interface**
(51) International Design Classification: **14-02, 14-04**
(74) Name(s) of Attorney(s): **Shelston IP**
(71) Name(s) and Address(s) of Applicant(s):
Microsoft Corporation
One Microsoft Way Redmond Washington 98052 United States of America
(72) Name(s) of Designer(s): **Chad Michael Roberts and Andrea Michelle Simons and Janis J Lee**
(45) Registration Date: **06 March 2014**
(30) Convention priority data:
(31) Number (32) Date (33) Country
29/462873 09 Aug 2013 UNITED STATES OF AMERICA
(56) Related Art Documents: **Not Applicable**
(57) Statement of Newness and Distinctiveness: **Newness and distinctiveness reside in the features of pattern and/or ornamentation of a display screen with graphical user interface as illustrated by solid lines in the accompanying representation. The features shown in broken outline are for contextual purposes only and do not form part of the design.**



- (21) Design Number: **10643/2014**
(22) Date of Filing Application: **10 February 2014**
(24) Date from which industrial property rights may have effect: **10 February 2014**
(54) Product in respect of which the design is registered: **Display screen with graphical user interface**
(51) International Design Classification: **14-02, 14-04**
(74) Name(s) of Attorney(s): **Shelston IP**
(71) Name(s) and Address(s) of Applicant(s):
Microsoft Corporation
One Microsoft Way Redmond Washington 98052 United States of America
(72) Name(s) of Designer(s): **Chad Michael Roberts and Andrea Michelle Simons and Janis J Lee**
(45) Registration Date: **06 March 2014**
(30) Convention priority data:
(31) Number (32) Date (33) Country
29/462897 09 Aug 2013 UNITED STATES OF AMERICA
(56) Related Art Documents: **Not Applicable**
(57) Statement of Newness and Distinctiveness: **Newness and distinctiveness reside in the features of pattern and/or ornamentation of a display screen with graphical user interface as illustrated by solid lines in the accompanying representation. The features shown in broken outline are for contextual purposes only and do not form part of the design.**



- (21) Design Number: **10644/2014**
(22) Date of Filing Application: **10 February 2014**
(24) Date from which industrial property rights may have effect: **10 February 2014**
(54) Product in respect of which the design is registered: **Display screen with graphical user interface**
(51) International Design Classification: **14-02, 14-04**
(74) Name(s) of Attorney(s): **Shelston IP**
(71) Name(s) and Address(s) of Applicant(s):
Microsoft Corporation
One Microsoft Way Redmond Washington, 98052 United States of America
(72) Name(s) of Designer(s): **Chad Michael Roberts and Andrea Michelle Simons and Janis J Lee**
(45) Registration Date: **06 March 2014**
(30) Convention priority data:
(31) Number (32) Date (33) Country
29/465677 30 Aug 2013 UNITED STATES OF AMERICA
(56) Related Art Documents: **Not Applicable**
(57) Statement of Newness and Distinctiveness: **Newness and distinctiveness reside in the features of pattern and/or ornamentation of a display screen with graphical user interface as illustrated by solid lines in the accompanying representation. The features shown in broken outline are for contextual purposes only and do not form part of the design.**



(21) Design Number: **10645/2014**
(22) Date of Filing Application: **10 February 2014**
(24) Date from which industrial property rights may have effect: **10 February 2014**
(54) Product in respect of which the design is registered: **Trivet**
(51) International Design Classification: **07-06B, 07-06NES**
(74) Name(s) of Attorney(s): **Banki Haddock Fiora**
(71) Name(s) and Address(s) of Applicant(s):



Pi-Design AG
Kantonsstrasse 100 Triengen CH - 6234 Switzerland

(72) Name(s) of Designer(s): **Jorgen Bodum**

(45) Registration Date: **06 March 2014**

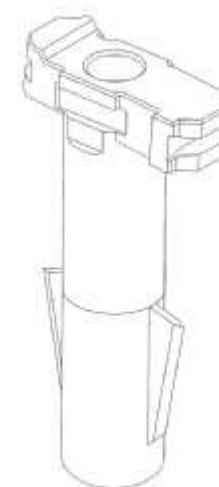
(30) Convention priority data:

(31) Number	(32) Date	(33) Country
DM/081745	12 Sep 2013	OFFICE FOR HARMONISATION IN THE INTERNAL MARKET (OHIM)

(56) Related Art Documents: **Not Applicable**

(57) Statement of Newness and Distinctiveness: **The visual features of the trivet depicted in the representations that are new and distinctive are the shape and/or configuration. No protection is claimed for the word "bodum" shown in broken lines.**

(21) Design Number: **16391/2013**
(22) Date of Filing Application: **06 December 2013**
(24) Date from which industrial property rights may have effect: **06 December 2013**
(54) Product in respect of which the design is registered: **Intramedullary surgical instrument**
(51) International Design Classification: **24-02**
(74) Name(s) of Attorney(s): **Callinans**
(71) Name(s) and Address(s) of Applicant(s):



DePuy (Ireland)
Loughbeg Industrial Estate Ringaskiddy, Co Cork Republic of Ireland

(72) Name(s) of Designer(s): **Rebecca L. Chaney and Benjamin J. Sordelet and Craig S. Tsukayama and Jonathan C. Lee**

(45) Registration Date: **06 March 2014**

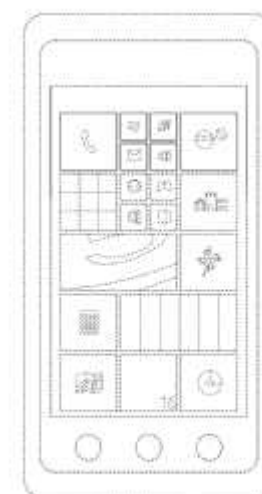
(30) Convention priority data:

(31) Number	(32) Date	(33) Country
29/457,177	07 Jun 2013	UNITED STATES OF AMERICA

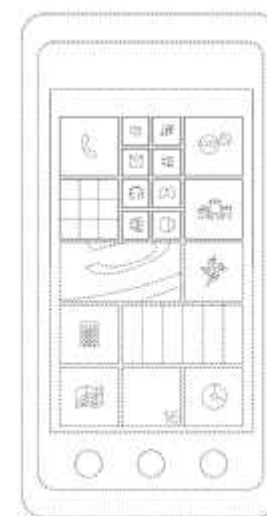
(56) Related Art Documents: **Not Applicable**

(57) Statement of Newness and Distinctiveness: **Nil**

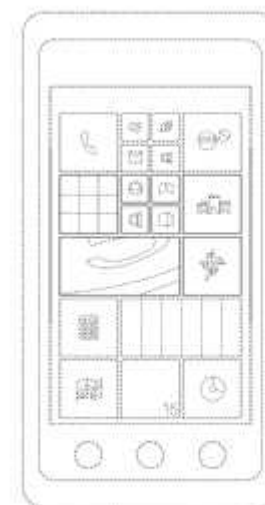
- (21) Design Number: **10634/2014**
(22) Date of Filing Application: **10 February 2014**
(24) Date from which industrial property rights may have effect: **10 February 2014**
(54) Product in respect of which the design is registered: **Display screen with graphical user interface**
(51) International Design Classification: **14-02**
(74) Name(s) of Attorney(s): **Shelston IP**
(71) Name(s) and Address(s) of Applicant(s):
Microsoft Corporation
One Microsoft Way Redmond Washington 98052 United States of America
(72) Name(s) of Designer(s): **Chad Michael Roberts and Andrea Michelle Simons and Janis J Lee**
(45) Registration Date: **06 March 2014**
(30) Convention priority data:
(31) Number (32) Date (33) Country
29/462865 09 Aug 2013 UNITED STATES OF AMERICA
(56) Related Art Documents: **Not Applicable**
(57) Statement of Newness and Distinctiveness: **Newness and distinctiveness reside in the features of pattern and/or ornamentation of a display screen with graphical user interface as illustrated by solid lines in the accompanying representation. The features shown in broken outline are for contextual purposes only and do not form part of the design.**



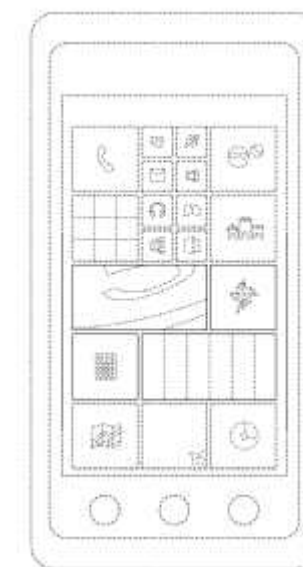
- (21) Design Number: **10635/2014**
(22) Date of Filing Application: **10 February 2014**
(24) Date from which industrial property rights may have effect: **10 February 2014**
(54) Product in respect of which the design is registered: **Display screen with graphical user interface**
(51) International Design Classification: **14-02**
(74) Name(s) of Attorney(s): **Shelston IP**
(71) Name(s) and Address(s) of Applicant(s):
Microsoft Corporation
One Microsoft Way Redmond Washington 98052 United States of America
(72) Name(s) of Designer(s): **Chad Michael Roberts and Andrea Michelle Simons and Janis J Lee**
(45) Registration Date: **06 March 2014**
(30) Convention priority data:
(31) Number (32) Date (33) Country
29/462866 09 Aug 2013 UNITED STATES OF AMERICA
(56) Related Art Documents: **Not Applicable**
(57) Statement of Newness and Distinctiveness: **Newness and distinctiveness reside in the features of pattern and/or ornamentation of a display screen with graphical user interface as illustrated by solid lines in the accompanying representation. The features shown in broken outline are for contextual purposes only and do not form part of the design.**



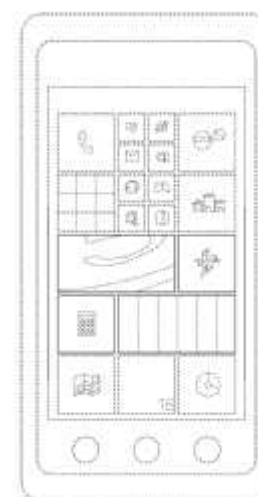
- (21) Design Number: **10636/2014**
(22) Date of Filing Application: **10 February 2014**
(24) Date from which industrial property rights may have effect: **10 February 2014**
(54) Product in respect of which the design is registered: **Display screen with graphical user interface**
(51) International Design Classification: **14-02**
(74) Name(s) of Attorney(s): **Shelston IP**
(71) Name(s) and Address(s) of Applicant(s):
Microsoft Corporation
One Microsoft Way Redmond Washington 98052 United States of America
(72) Name(s) of Designer(s): **Chad Michael Roberts and Andrea Michelle Simons and Janis J Lee**
(45) Registration Date: **06 March 2014**
(30) Convention priority data:
(31) Number (32) Date (33) Country
29/462867 09 Aug 2013 UNITED STATES OF AMERICA
(56) Related Art Documents: **Not Applicable**
(57) Statement of Newness and Distinctiveness: **Newness and distinctiveness reside in the features of pattern and/or ornamentation of a display screen with graphical user interface as illustrated by solid lines in the accompanying representation. The features shown in broken outline are for contextual purposes only and do not form part of the design.**



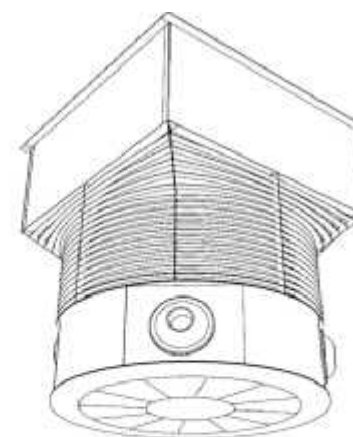
- (21) Design Number: **10637/2014**
(22) Date of Filing Application: **10 February 2014**
(24) Date from which industrial property rights may have effect: **10 February 2014**
(54) Product in respect of which the design is registered: **Display screen with graphical user interface**
(51) International Design Classification: **14-02, 14-04**
(74) Name(s) of Attorney(s): **Shelston IP**
(71) Name(s) and Address(s) of Applicant(s):
Microsoft Corporation
One Microsoft Way Redmond Washington 98052 United States of America
(72) Name(s) of Designer(s): **Chad Michael Roberts and Andrea Michelle Simons and Janis J Lee**
(45) Registration Date: **06 March 2014**
(30) Convention priority data:
(31) Number (32) Date (33) Country
29/462868 09 Aug 2013 UNITED STATES OF AMERICA
(56) Related Art Documents: **Not Applicable**
(57) Statement of Newness and Distinctiveness: **Newness and distinctiveness reside in the features of pattern and/or ornamentation of a display screen with graphical user interface as illustrated by solid lines in the accompanying representation. The features shown in broken outline are for contextual purposes only and do not form part of the design.**



- (21) Design Number: **10638/2014**
(22) Date of Filing Application: **10 February 2014**
(24) Date from which industrial property rights may have effect: **10 February 2014**
(54) Product in respect of which the design is registered: **Display screen with graphical user interface**
(51) International Design Classification: **14-02, 14-04**
(74) Name(s) of Attorney(s): **Shelston IP**
(71) Name(s) and Address(s) of Applicant(s):
Microsoft Corporation
One Microsoft Way Redmond Washington 98052 United States of America
(72) Name(s) of Designer(s): **Chad Michael Roberts and Andrea Michelle Simons and Janis J Lee**
(45) Registration Date: **06 March 2014**
(30) Convention priority data:
(31) Number (32) Date (33) Country
29/462870 09 Aug 2013 UNITED STATES OF AMERICA
(56) Related Art Documents: **Not Applicable**
(57) Statement of Newness and Distinctiveness: **Newness and distinctiveness reside in the features of pattern and/or ornamentation of a display screen with graphical user interface as illustrated by solid lines in the accompanying representation. The features shown in broken outline are for contextual purposes only and do not form part of the design.**



- (21) Design Number: **10576/2014**
(22) Date of Filing Application: **06 February 2014**
(24) Date from which industrial property rights may have effect: **06 February 2014**
(54) Product in respect of which the design is registered: **A heating, ventilation and air-conditioning unit**
(51) International Design Classification: **23-04**
(74) Name(s) of Attorney(s): **Banki Haddock Fiora**
(71) Name(s) and Address(s) of Applicant(s):
Fusion HVAC Pty Limited
281 Montague Rd West End QLD 4101 Australia
(72) Name(s) of Designer(s): **Kevin Harris**
(45) Registration Date: **06 March 2014**
(56) Related Art Documents: **Not Applicable**
(57) Statement of Newness and Distinctiveness: **Nil**



(21) Design Number: **10580/2014**
(22) Date of Filing Application: **06 February 2014**
(24) Date from which industrial property rights may have effect: **06 February 2014**
(54) Product in respect of which the design is registered: **A heating, ventilation and air-conditioning unit**
(51) International Design Classification: **23-04**
(74) Name(s) of Attorney(s): **Banki Haddock Fiora**
(71) Name(s) and Address(s) of Applicant(s):
Fusion HVAC Pty Limited
281 Montague Rd West End QLD 4101 Australia
(72) Name(s) of Designer(s): **Kevin Harris**
(45) Registration Date: **06 March 2014**
(56) Related Art Documents: **Not Applicable**
(57) Statement of Newness and Distinctiveness: **Nil**



(21) Design Number: **10581/2014**
(22) Date of Filing Application: **06 February 2014**
(24) Date from which industrial property rights may have effect: **06 February 2014**
(54) Product in respect of which the design is registered: **A heating, ventilation and air-conditioning unit**
(51) International Design Classification: **23-04**
(74) Name(s) of Attorney(s): **Banki Haddock Fiora**
(71) Name(s) and Address(s) of Applicant(s):
Fusion HVAC Pty Limited
281 Montague Rd West End QLD 4101 Australia
(72) Name(s) of Designer(s): **Kevin Harris**
(45) Registration Date: **06 March 2014**
(56) Related Art Documents: **Not Applicable**
(57) Statement of Newness and Distinctiveness: **Nil**



- (21) Design Number: **10584/2014**
(22) Date of Filing Application: **06 February 2014**
(24) Date from which industrial property rights may have effect: **06 February 2014**
(54) Product in respect of which the design is registered: **A heating, ventilation and air-conditioning unit**
(51) International Design Classification: **23-04**
(74) Name(s) of Attorney(s): **Banki Haddock Fiora**
(71) Name(s) and Address(s) of Applicant(s):
Fusion HVAC Pty Limited
281 Montague Rd West End QLD 4101 Australia
(72) Name(s) of Designer(s): **Kevin Harris**
(45) Registration Date: **06 March 2014**
(56) Related Art Documents: **Not Applicable**
(57) Statement of Newness and Distinctiveness: **Nil**



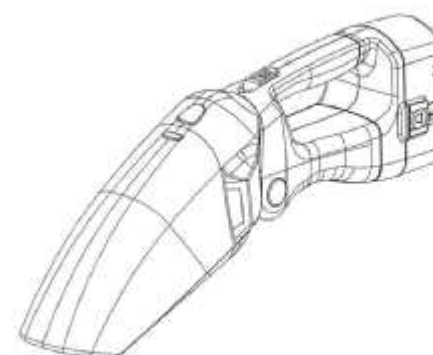
- (21) Design Number: **10586/2014**
(22) Date of Filing Application: **06 February 2014**
(24) Date from which industrial property rights may have effect: **06 February 2014**
(54) Product in respect of which the design is registered: **A heating, ventilation and air-conditioning unit**
(51) International Design Classification: **23-04**
(74) Name(s) of Attorney(s): **Banki Haddock Fiora**
(71) Name(s) and Address(s) of Applicant(s):
Fusion HVAC Pty Limited
281 Montague Rd West End QLD 4101 Australia
(72) Name(s) of Designer(s): **Kevin Harris**
(45) Registration Date: **06 March 2014**
(56) Related Art Documents: **Not Applicable**
(57) Statement of Newness and Distinctiveness: **Nil**



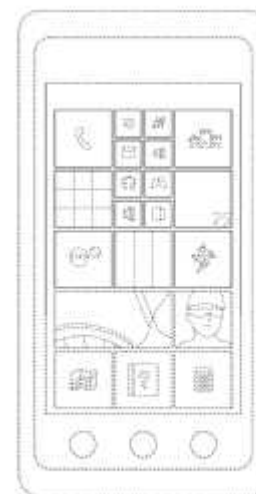
(21) Design Number: **10633/2014**
(22) Date of Filing Application: **10 February 2014**
(24) Date from which industrial property rights may have effect: **10 February 2014**
(54) Product in respect of which the design is registered: **A coffee machine**
(51) International Design Classification: **07-02L**
(74) Name(s) of Attorney(s): **Banki Haddock Fiora**
(71) Name(s) and Address(s) of Applicant(s):
Societe des Produits Nestle S.A.
Vevey Canton of Vaud 1800 Switzerland
(72) Name(s) of Designer(s): **Frank Rousselin**
(45) Registration Date: **06 March 2014**
(30) Convention priority data:
(31) Number (32) Date (33) Country
140146 17 Oct 2013 SWITZERLAND
(56) Related Art Documents: **Not Applicable**
(57) Statement of Newness and Distinctiveness: **Nil**



(21) Design Number: **10639/2014**
(22) Date of Filing Application: **10 February 2014**
(24) Date from which industrial property rights may have effect: **10 February 2014**
(54) Product in respect of which the design is registered: **Hand-held rechargeable vacuum cleaner**
(51) International Design Classification: **15-05**
(74) Name(s) of Attorney(s): **Griffith Hack**
(71) Name(s) and Address(s) of Applicant(s):
Hans-Ulrich Petermann Beratungs-und Vertriebs GmbH & Co. KG
Schlagenhofener Weg 40 Seefeld 82229 Germany
(72) Name(s) of Designer(s): **Kwok Hung Leung**
(45) Registration Date: **06 March 2014**
(30) Convention priority data:
(31) Number (32) Date (33) Country
001380315-0001 12 Aug 2013 OFFICE FOR HARMONISATION IN THE INTERNAL MARKET (OHIM)
(56) Related Art Documents: **Not Applicable**
(57) Statement of Newness and Distinctiveness: **Newness and distinctiveness resides in the visual features of the product, including the shape, configuration and ornamentation as shown in the accompanying representations.**



- (21) Design Number: **10642/2014**
(22) Date of Filing Application: **10 February 2014**
(24) Date from which industrial property rights may have effect: **10 February 2014**
(54) Product in respect of which the design is registered: **Display screen with graphical user interface**
(51) International Design Classification: **14-02, 14-04**
(74) Name(s) of Attorney(s): **Shelston IP**
(71) Name(s) and Address(s) of Applicant(s):
Microsoft Corporation
One Microsoft Way Redmond Washington 98052 United States of America
(72) Name(s) of Designer(s): **Chad Michael Roberts and Andrea Michelle Simons and Janis J Lee**
(45) Registration Date: **06 March 2014**
(30) Convention priority data:
(31) Number (32) Date (33) Country
29/462895 09 Aug 2013 UNITED STATES OF AMERICA
(56) Related Art Documents: **Not Applicable**
(57) Statement of Newness and Distinctiveness: **Newness and distinctiveness reside in the features of pattern and/or ornamentation of a display screen with graphical user interface as illustrated by solid lines in the accompanying representation. The features shown in broken outline are for contextual purposes only and do not form part of the design.**



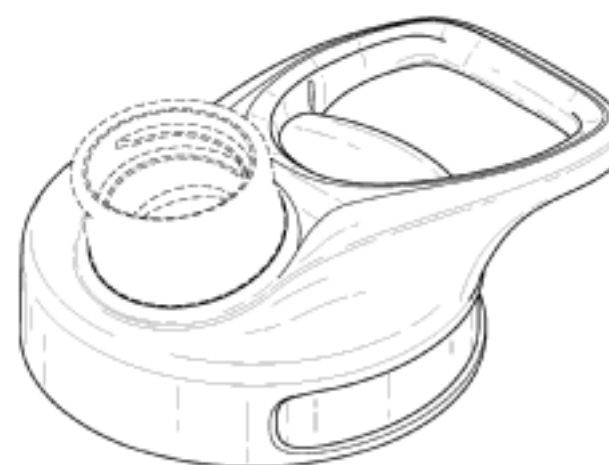
- (21) Design Number: **12874/2013**
(22) Date of Filing Application: **21 June 2013**
(24) Date from which industrial property rights may have effect: **21 June 2013**
(54) Product in respect of which the design is registered: **A bed frame**
(51) International Design Classification: **06-02**
(74) Name(s) of Attorney(s): **Stone Lawyers Pty Ltd**
(71) Name(s) and Address(s) of Applicant(s):
Ian James Burden
17 Excalibur Ct Sovereign Islands QLD 4216 Australia
(72) Name(s) of Designer(s): **Ian James Burden**
(45) Registration Date: **07 March 2014**
(56) Related Art Documents: **Not Applicable**
(57) Statement of Newness and Distinctiveness: **The design relates to a bed frame and the novelty resides in the features of shape and configuration of the article as shown in the accompanying representation.**



(21) Design Number: **16738/2013**
(22) Date of Filing Application: **20 December 2013**
(24) Date from which industrial property rights may have effect: **20 December 2013**
(54) Product in respect of which the design is registered: **Valve**
(51) International Design Classification: **23-01K**
(74) Name(s) of Attorney(s): **AJ Park**
(71) Name(s) and Address(s) of Applicant(s):
WIPF AG
Industriestrasse 29 Volketswil 8604 Switzerland
(72) Name(s) of Designer(s): **Markus SCHULTHESS and Othmar WOHLHAUSER**
(45) Registration Date: **07 March 2014**
(56) Related Art Documents: **Not Applicable**
(57) Statement of Newness and Distinctiveness: **Newness and distinctiveness reside in the features of shape and/or configuration of the VALVE as shown in the representations.**



(21) Design Number: **10007/2014**
(22) Date of Filing Application: **03 January 2014**
(24) Date from which industrial property rights may have effect: **03 January 2014**
(54) Product in respect of which the design is registered: **Beverage container cap**
(51) International Design Classification: **09-07A**
(74) Name(s) of Attorney(s): **SPRUSON & FERGUSON**
(71) Name(s) and Address(s) of Applicant(s):
CamelBak Products, LLC
2000 S. McDowell, Suite 200, Petaluma California 94954 United States of America
(72) Name(s) of Designer(s): **Derek Gavin Sullivan**
(45) Registration Date: **07 March 2014**
(30) Convention priority data:
(31) Number (32) Date (33) Country
29/461793 26 Jul 2013 UNITED STATES OF AMERICA
(56) Related Art Documents: **Not Applicable**
(57) Statement of Newness and Distinctiveness: **Newness and distinctiveness is claimed in those features of shape and/or configuration of a beverage container cap illustrated in continuous lines in the accompanying representations.**

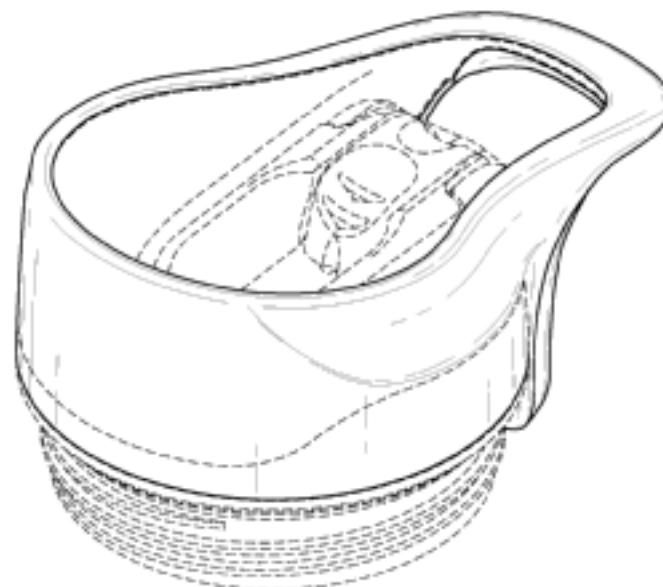


(21) Design Number: **10008/2014**
(22) Date of Filing Application: **03 January 2014**
(24) Date from which industrial property rights may have effect: **03 January 2014**
(54) Product in respect of which the design is registered: **Beverage container cap**
(51) International Design Classification: **09-07A**
(74) Name(s) of Attorney(s): **SPRUSON & FERGUSON**
(71) Name(s) and Address(s) of Applicant(s):
CamelBak Products, LLC
2000 S. McDowell, Suite 200, Petaluma California 94954 United States of America

(72) Name(s) of Designer(s): **Greg Caneer**
(45) Registration Date: **07 March 2014**

(30) Convention priority data:
(31) Number (32) Date (33) Country
29/461855 29 Jul 2013 UNITED STATES OF AMERICA

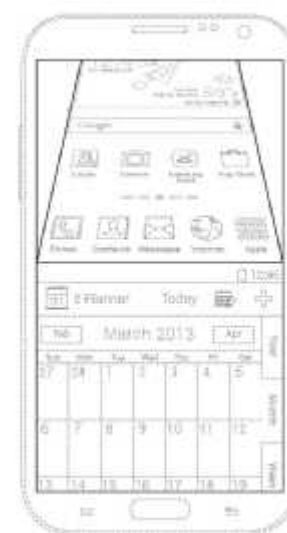
(56) Related Art Documents: **Not Applicable**
(57) Statement of Newness and Distinctiveness: **Newness and distinctiveness is claimed in those features of shape and/or configuration of a beverage container cap illustrated in continuous lines in the accompanying representations.**



(21) Design Number: **10474/2014**
(22) Date of Filing Application: **03 February 2014**
(24) Date from which industrial property rights may have effect: **03 February 2014**
(54) Product in respect of which the design is registered: **Display screen with icon for an electronic device**
(51) International Design Classification: **14-04, 14-02**
(74) Name(s) of Attorney(s): **Griffith Hack**
(71) Name(s) and Address(s) of Applicant(s):
Samsung Electronics Co., Ltd.
129, Samsung-ro Yeongtong-gu Suwon-si Gyeonggi-do 443-742 Republic of Korea

(72) Name(s) of Designer(s): **Chang-Mo Yang and Joong-Hun Kwon and Annie Kim and Chul-Ho Jang and Jong-Sung Joo**
(45) Registration Date: **07 March 2014**
(30) Convention priority data:
(31) Number (32) Date (33) Country
30-2013-0044751 30 Aug 2013 REPUBLIC OF KOREA

(56) Related Art Documents: **Not Applicable**
(57) Statement of Newness and Distinctiveness: **Newness and Distinctiveness resides in the visual features, including the shape, configuration and ornamentation of those parts of the product shown by means of solid lines in the attached representation.**



- (21) Design Number: **16677/2013**
(22) Date of Filing Application: **19 December 2013**
(24) Date from which industrial property rights may have effect: **19 December 2013**
(54) Product in respect of which the design is registered: **Removable cantle panel for equestrian saddles**
(51) International Design Classification: **30-04**
(74) Name(s) of Attorney(s): **Davies Collison Cave**
(71) Name(s) and Address(s) of Applicant(s):
Hammersmith Nominees Pty Ltd
430 Newcastle St West Perth WA 6005 Australia
(72) Name(s) of Designer(s): **Ronald Gordon Bates**
(45) Registration Date: **07 March 2014**
(56) Related Art Documents: **Not Applicable**
(57) Statement of Newness and Distinctiveness: **Removable cantle panel for equestrian saddles.**



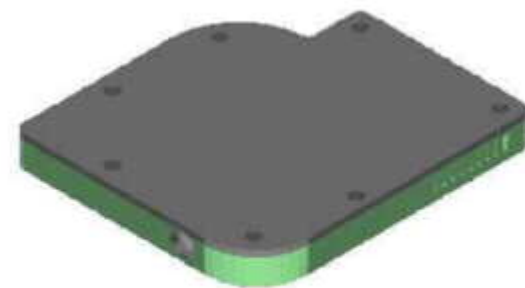
- (21) Design Number: **16691/2013**
(22) Date of Filing Application: **19 December 2013**
(24) Date from which industrial property rights may have effect: **17 May 2013**
(54) Product in respect of which the design is registered: **Clutch**
(51) International Design Classification: **03-01B**
(74) Name(s) of Attorney(s): **Allens Patent & Trade Mark Attorneys**
(71) Name(s) and Address(s) of Applicant(s):
Forever New Clothing Pty Ltd
714-716 High St Kew East VIC 3102 Australia
(72) Name(s) of Designer(s): **Georgia Roberts-Thomson**
(45) Registration Date: **07 March 2014**
(62) Divisional of: **353432**
(56) Related Art Documents: **Not Applicable**
(57) Statement of Newness and Distinctiveness: **Newness and distinctiveness resides in the visual features of shape, configuration, pattern and/or ornamentation of a clutch as shown in the accompanying representations.**



(21) Design Number: **16767/2013**
(22) Date of Filing Application: **23 December 2013**
(24) Date from which industrial property rights may have effect: **23 December 2013**
(54) Product in respect of which the design is registered: **Heater control**
(51) International Design Classification: **23-03NES, 13-03D**
(74) Name(s) of Attorney(s): **Davies Collison Cave**
(71) Name(s) and Address(s) of Applicant(s):
Arlec Australia Pty Ltd
Building 3 31-41 Joseph St Blackburn VIC 3130 Australia
(72) Name(s) of Designer(s): **Filipe Lim**
(45) Registration Date: **07 March 2014**
(56) Related Art Documents: **Not Applicable**
(57) Statement of Newness and Distinctiveness: **Nil**



(21) Design Number: **16768/2013**
(22) Date of Filing Application: **23 December 2013**
(24) Date from which industrial property rights may have effect: **23 December 2013**
(54) Product in respect of which the design is registered: **Heater control**
(51) International Design Classification: **23-03NES, 13-03D**
(74) Name(s) of Attorney(s): **Davies Collison Cave**
(71) Name(s) and Address(s) of Applicant(s):
Arlec Australia Pty Ltd
Building 3 31-41 Joseph St Blackburn VIC 3130 Australia
(72) Name(s) of Designer(s): **Filipe Lim**
(45) Registration Date: **07 March 2014**
(56) Related Art Documents: **Not Applicable**
(57) Statement of Newness and Distinctiveness: **Nil**



(21) Design Number: **10020/2014**
(22) Date of Filing Application: **06 January 2014**
(24) Date from which industrial property rights may have effect: **06 January 2014**
(54) Product in respect of which the design is registered: **Mobile phone case**
(51) International Design Classification: **03-01NES**
(74) Name(s) of Attorney(s): **Davies Collison Cave**
(71) Name(s) and Address(s) of Applicant(s):

Dastek Co., Ltd.
ilsung-building, 14 403 Pungdeokcheon-ro, 139 beon-gil Suji-gu, Yongin-
si Gyeonggi-do Republic of Korea

(72) Name(s) of Designer(s): **Seo Jeung Ki**

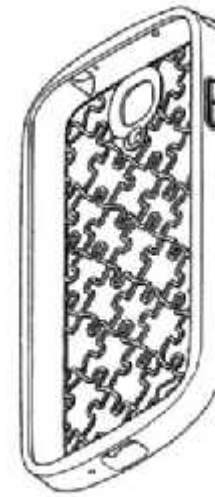
(45) Registration Date: **07 March 2014**

(30) Convention priority data:

(31) Number	(32) Date	(33) Country
30-2013-0035156	09 Jul 2013	REPUBLIC OF KOREA

(56) Related Art Documents: **Not Applicable**

(57) Statement of Newness and Distinctiveness: **Nil**



(21) Design Number: **10068/2014**
(22) Date of Filing Application: **09 January 2014**
(24) Date from which industrial property rights may have effect: **09 January 2014**
(54) Product in respect of which the design is registered: **Lighting component for industrial lighting**
(51) International Design Classification: **26-05A**
(74) Name(s) of Attorney(s): **KLIGER PARTNERS Lawyers**
(71) Name(s) and Address(s) of Applicant(s):

Greenearth Energy Ltd
L14 500 Collins St Melbourne VIC 3000 Australia

(72) Name(s) of Designer(s): **Urbain du Plessis**

(45) Registration Date: **07 March 2014**

(56) Related Art Documents: **Not Applicable**

(57) Statement of Newness and Distinctiveness: **Nil**



(21) Design Number: **10070/2014**
(22) Date of Filing Application: **09 January 2014**
(24) Date from which industrial property rights may have effect: **09 January 2014**
(54) Product in respect of which the design is registered: **Lighting component for industrial lighting**
(51) International Design Classification: **26-05A**
(74) Name(s) of Attorney(s): **KLIGER PARTNERS Lawyers**
(71) Name(s) and Address(s) of Applicant(s):
Greenearth Energy Ltd
L14 500 Collins St Melbourne VIC 3000 Australia
(72) Name(s) of Designer(s): **Urbain du Plessis**
(45) Registration Date: **07 March 2014**
(56) Related Art Documents: **Not Applicable**
(57) Statement of Newness and Distinctiveness: **Nil**



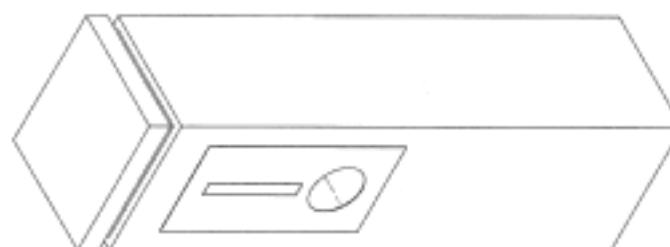
(21) Design Number: **10118/2014**
(22) Date of Filing Application: **13 January 2014**
(24) Date from which industrial property rights may have effect: **17 May 2013**
(54) Product in respect of which the design is registered: **Article of clothing**
(51) International Design Classification: **02-02NES**
(74) Name(s) of Attorney(s): **Allens Patent & Trade Mark Attorneys**
(71) Name(s) and Address(s) of Applicant(s):
Forever New Clothing Pty Ltd
714-716 High St Kew East VIC 3102 Australia
(72) Name(s) of Designer(s): **Alice Burrow**
(45) Registration Date: **07 March 2014**
(62) Divisional of: **353433**
(56) Related Art Documents: **Not Applicable**
(57) Statement of Newness and Distinctiveness: **Newness and distinctiveness resides in the visual features of shape, configuration, pattern and/or ornamentation of an article of clothing as shown in the accompanying representations.**



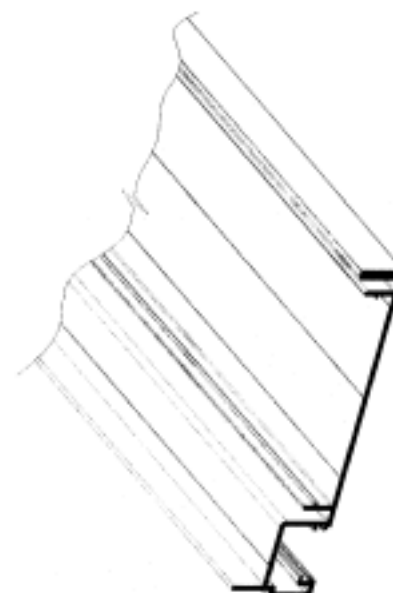
- (21) Design Number: **11705/2013**
(22) Date of Filing Application: **11 April 2013**
(24) Date from which industrial property rights may have effect: **11 April 2013**
(54) Product in respect of which the design is registered: **Postbox**
(51) International Design Classification: **25-03**
(74) Name(s) of Attorney(s):
(71) Name(s) and Address(s) of Applicant(s):
Dylan Lake
27/350 Settlement Rd Thomatown VIC 3074 Australia
(72) Name(s) of Designer(s): **Dylan Lake**
(45) Registration Date: **11 March 2014**
(56) Related Art Documents: **Not Applicable**
(57) Statement of Newness and Distinctiveness: **The newness and distinctiveness of the design resides in the shape and/or configuration of the letterbox shown in the representations.**



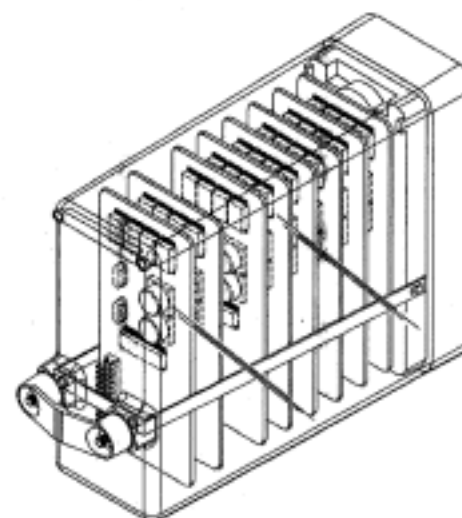
- (21) Design Number: **11846/2013**
(22) Date of Filing Application: **19 April 2013**
(24) Date from which industrial property rights may have effect: **19 April 2013**
(54) Product in respect of which the design is registered: **Post box**
(51) International Design Classification: **25-03**
(74) Name(s) of Attorney(s):
(71) Name(s) and Address(s) of Applicant(s):
Dylan James Lake
27/350 Settlement Rd Thomastown VIC 4074 Australia
(72) Name(s) of Designer(s): **Dylan James Lake**
(45) Registration Date: **11 March 2014**
(56) Related Art Documents: **Not Applicable**
(57) Statement of Newness and Distinctiveness: **The newness and distinctiveness of the design resides in the shape and/or configuration of a letterbox shown in the representations.**



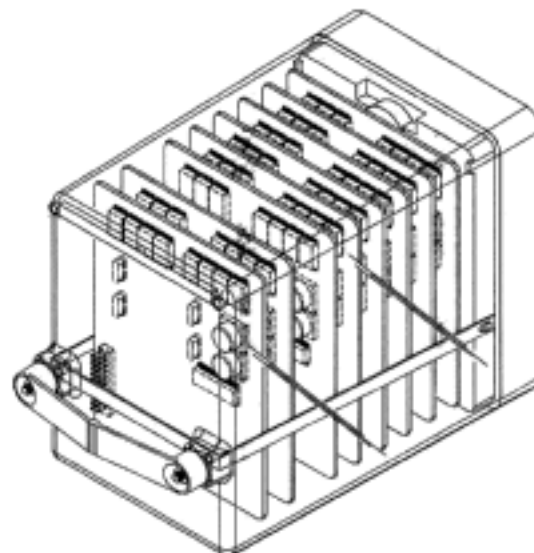
- (21) Design Number: **13561/2013**
(22) Date of Filing Application: **25 July 2013**
(24) Date from which industrial property rights may have effect: **25 July 2013**
(54) Product in respect of which the design is registered: **An extrusion**
(51) International Design Classification: **25-01K**
(74) Name(s) of Attorney(s): **SPRUSON & FERGUSON**
(71) Name(s) and Address(s) of Applicant(s):
Architectural Window Systems Pty Ltd
76-78 Jedda Road Prestons NSW 2170 Australia
(72) Name(s) of Designer(s): **David McCleary**
(45) Registration Date: **11 March 2014**
(56) Related Art Documents: **Not Applicable**
(57) Statement of Newness and Distinctiveness: **Newness and distinctiveness is claimed in the features of shape and/or configuration of the cross-section of an extrusion as illustrated in the accompanying representation wherein the cross-section of the extrusion is constant along its length.**



- (21) Design Number: **14251/2013**
(22) Date of Filing Application: **28 August 2013**
(24) Date from which industrial property rights may have effect: **28 August 2013**
(54) Product in respect of which the design is registered: **Signalling relay**
(51) International Design Classification: **13-03NES**
(74) Name(s) of Attorney(s): **Houlihan2**
(71) Name(s) and Address(s) of Applicant(s):
David Stuckey Investments Pty Ltd
Pitcher Partners 6FI 161 Collins St Melbourne VIC 3000 Australia
(72) Name(s) of Designer(s): **Michael Strike and Brent Graham and Jarrod Crivelli and Ingot Marito Nainggolan and Tenry Kusuma Negara and Heri Ekonanto**
(45) Registration Date: **11 March 2014**
(56) Related Art Documents: **Not Applicable**
(57) Statement of Newness and Distinctiveness: **Newness and distinctiveness reside in the shape and/or configuration of a SIGNALLING RELAY as illustrated in the accompanying representations.**



- (21) Design Number: **14252/2013**
(22) Date of Filing Application: **28 August 2013**
(24) Date from which industrial property rights may have effect: **28 August 2013**
(54) Product in respect of which the design is registered: **Signalling relay**
(51) International Design Classification: **13-03NES**
(74) Name(s) of Attorney(s): **Houlihan2**
(71) Name(s) and Address(s) of Applicant(s):
David Stuckey Investments Pty Ltd
Pitcher Partners 6Fl 161 Collins St Melbourne VIC 3000 Australia
(72) Name(s) of Designer(s): **Michael Strike and Brent Graham and Jarrod Crivelli and Ingot Marito Nainggolan and Tenry Kusuma Negara and Heri Ekonanto**
(45) Registration Date: **11 March 2014**
(56) Related Art Documents: **Not Applicable**
(57) Statement of Newness and Distinctiveness: **Newness and distinctiveness reside in the shape and/or configuration of a SIGNALLING RELAY as illustrated in the accompanying representations.**



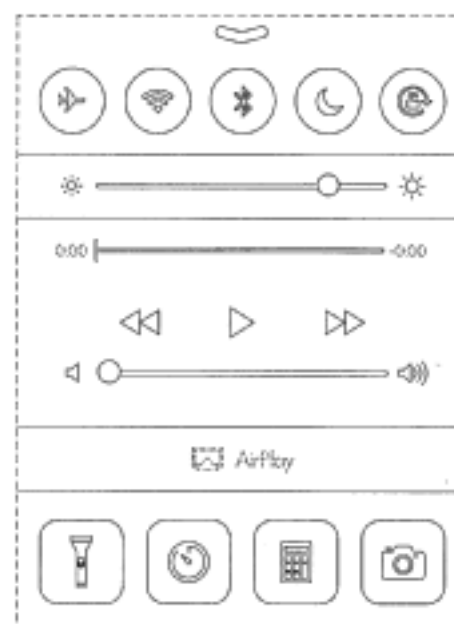
- (21) Design Number: **14277/2013**
(22) Date of Filing Application: **29 August 2013**
(24) Date from which industrial property rights may have effect: **29 August 2013**
(54) Product in respect of which the design is registered: **Automobile**
(51) International Design Classification: **12-08**
(74) Name(s) of Attorney(s): **SPRUSON & FERGUSON**
(71) Name(s) and Address(s) of Applicant(s):
Toyota Jidosha Kabushiki Kaisha
1 Toyota-cho Toyota-shi Aichi-Ken 471-8571 Japan
(72) Name(s) of Designer(s): **Hirofumi Fukui and Manabu Kojima**
(45) Registration Date: **11 March 2014**
(56) Related Art Documents: **Not Applicable**
(57) Statement of Newness and Distinctiveness: **Newness and distinctiveness is claimed in the features of the shape and/or configuration of an automobile as illustrated in the accompanying representations, apart from Toyota emblems.**



(21) Design Number: **14279/2013**
(22) Date of Filing Application: **29 August 2013**
(24) Date from which industrial property rights may have effect: **29 August 2013**
(54) Product in respect of which the design is registered: **Automobile**
(51) International Design Classification: **12-08**
(74) Name(s) of Attorney(s): **SPRUSON & FERGUSON**
(71) Name(s) and Address(s) of Applicant(s):
Toyota Jidosha Kabushiki Kaisha
1 Toyota-cho Toyota-shi Aichi-Ken 471-8571 Japan
(72) Name(s) of Designer(s): **Hirofumi Fukui and Takafumi Ito**
(45) Registration Date: **11 March 2014**
(56) Related Art Documents: **Not Applicable**
(57) Statement of Newness and Distinctiveness: **Newness and distinctiveness is claimed in the features of shape and/or configuration of an automobile as illustrated in the accompanying representations.**



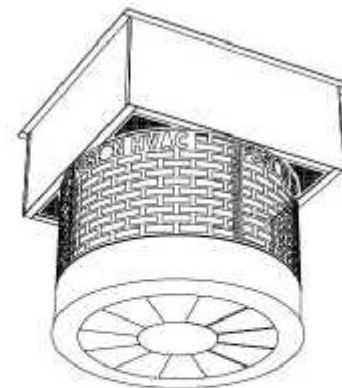
(21) Design Number: **16460/2013**
(22) Date of Filing Application: **09 December 2013**
(24) Date from which industrial property rights may have effect: **09 December 2013**
(54) Product in respect of which the design is registered: **Display screen for an electronic device**
(51) International Design Classification: **14-01**
(74) Name(s) of Attorney(s): **Freehills Patent Attorneys**
(71) Name(s) and Address(s) of Applicant(s):
Apple Inc.
1 Infinite Loop Cupertino California 95014 United States of America
(72) Name(s) of Designer(s): **Freddy Anzures and Greg Apodaca and Ismael Basso and Imran Chaudhri and Jonathan Dascola and Christopher Foss and Chance Graham and Jonathan P Ive and Matthew Dean Rohrbach and Brian Andrew Schmitt and Christopher Daryl Soli and Wan Si Wan and Christopher Wilson**
(45) Registration Date: **11 March 2014**
(30) Convention priority data:
(31) Number (32) Date (33) Country
29/457338 09 Jun 2013 UNITED STATES OF AMERICA
(56) Related Art Documents: **Not Applicable**
(57) Statement of Newness and Distinctiveness: **Newness and distinctiveness is claimed in the features of pattern and/or ornamentation of a display screen for an electronic device as shown in solid lines in the accompanying representation.**



- (21) Design Number: **10123/2014**
(22) Date of Filing Application: **13 January 2014**
(24) Date from which industrial property rights may have effect: **17 May 2013**
(54) Product in respect of which the design is registered: **Article of clothing**
(51) International Design Classification: **02-02C**
(74) Name(s) of Attorney(s): **Allens Patent & Trade Mark Attorneys**
(71) Name(s) and Address(s) of Applicant(s):
Forever New Clothing Pty Ltd
714-716 High St Kew East VIC 3102 Australia
(72) Name(s) of Designer(s): **Laura Mitchell**
(45) Registration Date: **11 March 2014**
(62) Divisional of: **353433**
(56) Related Art Documents: **Not Applicable**
(57) Statement of Newness and Distinctiveness: **Newness and distinctiveness resides in the visual features of shape, configuration, pattern and/or ornamentation of an article of clothing as shown in the accompanying representations.**



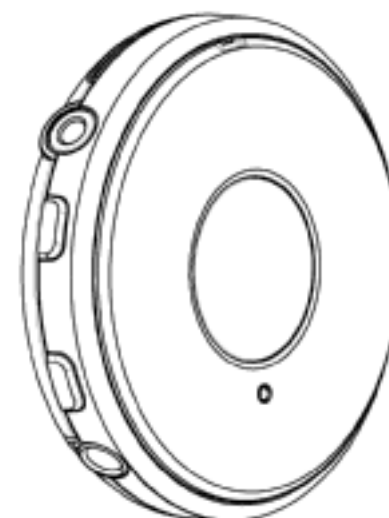
- (21) Design Number: **10591/2014**
(22) Date of Filing Application: **06 February 2014**
(24) Date from which industrial property rights may have effect: **06 February 2014**
(54) Product in respect of which the design is registered: **A heating, ventilation and air-conditioning unit**
(51) International Design Classification: **23-04**
(74) Name(s) of Attorney(s): **Banki Haddock Fiora**
(71) Name(s) and Address(s) of Applicant(s):
Fusion HVAC Pty Limited
281 Montague Rd West End QLD 4101 Australia
(72) Name(s) of Designer(s): **Kevin Harris**
(45) Registration Date: **11 March 2014**
(56) Related Art Documents: **Not Applicable**
(57) Statement of Newness and Distinctiveness: **The visual features of the heating, ventilation and air-conditioning unit depicted in the representations that are new and distinctive are the shape and/or configuration. No protection is claimed for the words "FUSION HVAC".**



(21) Design Number: **10595/2014**
(22) Date of Filing Application: **07 February 2014**
(24) Date from which industrial property rights may have effect: **07 February 2014**
(54) Product in respect of which the design is registered: **Remote control for hearing aids**
(51) International Design Classification: **14-03NES, 24-99**
(74) Name(s) of Attorney(s): **SPRUSON & FERGUSON**
(71) Name(s) and Address(s) of Applicant(s):
Siemens Medical Instruments Pte. Ltd.
Block 28 Ayer Rajah Crescent No. 06-08 139959 Singapore Singapore
(72) Name(s) of Designer(s): **Michael Brandis and Jan Brechmann and Marco Reitwiessner**
(45) Registration Date: **11 March 2014**
(30) Convention priority data:
(31) Number (32) Date (33) Country
001381982 30 Aug 2013 OFFICE FOR HARMONISATION IN THE INTERNAL MARKET (OHIM)
(56) Related Art Documents: **Not Applicable**
(57) Statement of Newness and Distinctiveness: **Newness and distinctiveness is claimed in the features of shape and/or configuration of a remote control for hearing aids as illustrated in the accompanying representations.**



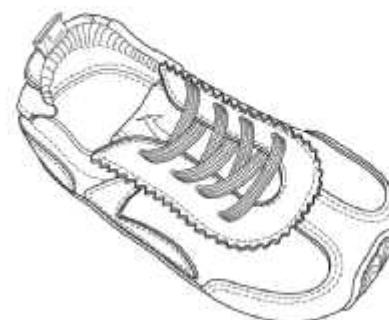
(21) Design Number: **10596/2014**
(22) Date of Filing Application: **07 February 2014**
(24) Date from which industrial property rights may have effect: **07 February 2014**
(54) Product in respect of which the design is registered: **Remote control for hearing aids**
(51) International Design Classification: **14-03NES, 24-99**
(74) Name(s) of Attorney(s): **SPRUSON & FERGUSON**
(71) Name(s) and Address(s) of Applicant(s):
Siemens Medical Instruments Pte. Ltd.
Block 28 Ayer Rajah Crescent No. 06-08 139959 Singapore Singapore
(72) Name(s) of Designer(s): **Michael Brandis and Jan Brechmann and Marco Reitwiessner**
(45) Registration Date: **11 March 2014**
(30) Convention priority data:
(31) Number (32) Date (33) Country
001381982 30 Aug 2013 OFFICE FOR HARMONISATION IN THE INTERNAL MARKET (OHIM)
(56) Related Art Documents: **Not Applicable**
(57) Statement of Newness and Distinctiveness: **Newness and distinctiveness is claimed in the features of shape and/or configuration of a remote control for hearing aids as illustrated in the accompanying representations.**



- (21) Design Number: **10597/2014**
(22) Date of Filing Application: **07 February 2014**
(24) Date from which industrial property rights may have effect: **07 February 2014**
(54) Product in respect of which the design is registered: **Footwear**
(51) International Design Classification: **02-04NES**
(74) Name(s) of Attorney(s): **Fisher Adams Kelly Pty Ltd**
(71) Name(s) and Address(s) of Applicant(s):
Scott Gordon McInerney
7 Dalby St Maroochydore QLD 4558 Australia
(72) Name(s) of Designer(s): **Scott Gordon McInerney**
(45) Registration Date: **11 March 2014**
(56) Related Art Documents: **Not Applicable**
(57) Statement of Newness and Distinctiveness: **The newness and distinctiveness of the design resides in the shape and/or configuration of the FOOTWEAR shown in the representations.**



- (21) Design Number: **10599/2014**
(22) Date of Filing Application: **07 February 2014**
(24) Date from which industrial property rights may have effect: **07 February 2014**
(54) Product in respect of which the design is registered: **Footwear**
(51) International Design Classification: **02-04NES**
(74) Name(s) of Attorney(s): **Fisher Adams Kelly Pty Ltd**
(71) Name(s) and Address(s) of Applicant(s):
Scott Gordon McInerney
7 Dalby St Maroochydore QLD 4558 Australia
(72) Name(s) of Designer(s): **Scott Gordon McInerney**
(45) Registration Date: **11 March 2014**
(56) Related Art Documents: **Not Applicable**
(57) Statement of Newness and Distinctiveness: **The newness and distinctiveness of the design resides in the shape and/or configuration of the FOOTWEAR shown in the representations.**



- (21) Design Number: **10600/2014**
(22) Date of Filing Application: **07 February 2014**
(24) Date from which industrial property rights may have effect: **07 February 2014**
(54) Product in respect of which the design is registered: **Footwear**
(51) International Design Classification: **02-04NES**
(74) Name(s) of Attorney(s): **Fisher Adams Kelly Pty Ltd**
(71) Name(s) and Address(s) of Applicant(s):
Scott Gordon McInerney
7 Dalby St Maroochydore QLD 4558 Australia
(72) Name(s) of Designer(s): **Scott Gordon McInerney**
(45) Registration Date: **11 March 2014**
(56) Related Art Documents: **Not Applicable**
(57) Statement of Newness and Distinctiveness: **The newness and distinctiveness of the design resides in the shape and/or configuration of the FOOTWEAR shown in the representations.**



- (21) Design Number: **10601/2014**
(22) Date of Filing Application: **07 February 2014**
(24) Date from which industrial property rights may have effect: **07 February 2014**
(54) Product in respect of which the design is registered: **Scaffolding bracket**
(51) International Design Classification: **08-08L**
(74) Name(s) of Attorney(s): **James & Wells**
(71) Name(s) and Address(s) of Applicant(s):
Lewis Roy Cleveland
51 Hollister Lane Ohauti Tauranga 3112 New Zealand
(72) Name(s) of Designer(s): **Lewis Roy Cleveland**
(45) Registration Date: **11 March 2014**
(30) Convention priority data:
(31) Number (32) Date (33) Country
417937 16 Aug 2013 NEW ZEALAND
(56) Related Art Documents: **Not Applicable**
(57) Statement of Newness and Distinctiveness: **The design is to be applied to a bracket to secure a toe board to a work platform and novelty resides in the features of shape and configuration as shown in the accompanying representations.**



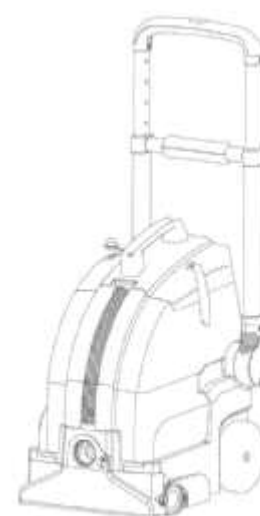
- (21) Design Number: **10602/2014**
(22) Date of Filing Application: **07 February 2014**
(24) Date from which industrial property rights may have effect: **07 February 2014**
(54) Product in respect of which the design is registered: **Footwear**
(51) International Design Classification: **02-04NES**
(74) Name(s) of Attorney(s): **Fisher Adams Kelly Pty Ltd**
(71) Name(s) and Address(s) of Applicant(s):
Scott Gordon McInerney
7 Dalby St Maroochydore QLD 4558 Australia
(72) Name(s) of Designer(s): **Scott Gordon McInerney**
(45) Registration Date: **11 March 2014**
(56) Related Art Documents: **Not Applicable**
(57) Statement of Newness and Distinctiveness: **The newness and distinctiveness of the design resides in the shape and/or configuration of the FOOTWEAR shown in the representations.**



- (21) Design Number: **10603/2014**
(22) Date of Filing Application: **07 February 2014**
(24) Date from which industrial property rights may have effect: **07 February 2014**
(54) Product in respect of which the design is registered: **Footwear**
(51) International Design Classification: **02-04NES**
(74) Name(s) of Attorney(s): **Fisher Adams Kelly Pty Ltd**
(71) Name(s) and Address(s) of Applicant(s):
Scott Gordon McInerney
7 Dalby St Maroochydore QLD 4558 Australia
(72) Name(s) of Designer(s): **Scott Gordon McInerney**
(45) Registration Date: **11 March 2014**
(56) Related Art Documents: **Not Applicable**
(57) Statement of Newness and Distinctiveness: **The newness and distinctiveness of the design resides in the pattern and/or ornamentation applied to the FOOTWEAR shown in the representations. The material shown in dashed lines forms no part of the design.**



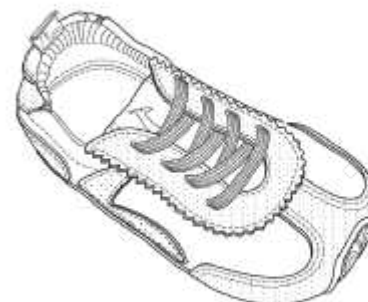
(21) Design Number: **10614/2014**
(22) Date of Filing Application: **07 February 2014**
(24) Date from which industrial property rights may have effect: **07 February 2014**
(54) Product in respect of which the design is registered: **Carpet washer**
(51) International Design Classification: **15-05**
(74) Name(s) of Attorney(s): **Griffith Hack**
(71) Name(s) and Address(s) of Applicant(s):
Techtronic Floor Care Technology Limited
PO Box 957 Offshore Incorporations Centre Road Town Tortola British
Virgin Islands
(72) Name(s) of Designer(s): **Edward George Thomas Barrett and Jennifer**
Kathryn Marsden
(45) Registration Date: **11 March 2014**
(30) Convention priority data:
(31) Number (32) Date (33) Country
002289520-0001 09 Aug 2013 OFFICE FOR HARMONISATION IN
THE INTERNAL MARKET (OHIM)
(56) Related Art Documents: **Not Applicable**
(57) Statement of Newness and Distinctiveness: **Nil**



(21) Design Number: **10662/2014**
(22) Date of Filing Application: **11 February 2014**
(24) Date from which industrial property rights may have effect: **11 February 2014**
(54) Product in respect of which the design is registered: **Footwear**
(51) International Design Classification: **02-04NES**
(74) Name(s) of Attorney(s): **Fisher Adams Kelly Pty Ltd**
(71) Name(s) and Address(s) of Applicant(s):
Scott Gordon McInerney
7 Dalby St Maroochydore QLD 4558 Australia
(72) Name(s) of Designer(s): **Scott Gordon McInerney**
(45) Registration Date: **11 March 2014**
(56) Related Art Documents: **Not Applicable**
(57) Statement of Newness and Distinctiveness: **The newness and**
distinctiveness of the design resides in the shape and/or configuration
of the FOOTWEAR shown in the representations.



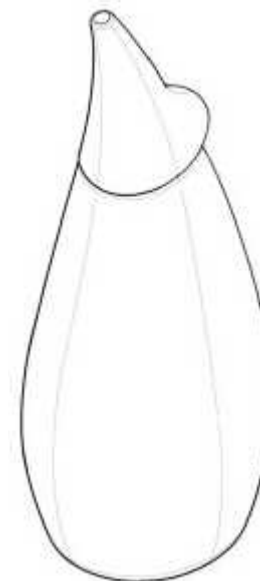
- (21) Design Number: **10663/2014**
(22) Date of Filing Application: **11 February 2014**
(24) Date from which industrial property rights may have effect: **11 February 2014**
(54) Product in respect of which the design is registered: **Footwear**
(51) International Design Classification: **02-04NES**
(74) Name(s) of Attorney(s): **Fisher Adams Kelly Pty Ltd**
(71) Name(s) and Address(s) of Applicant(s):
Scott Gordon McInerney
7 Dalby St Maroochydore QLD 4558 Australia
(72) Name(s) of Designer(s): **Scott Gordon McInerney**
(45) Registration Date: **11 March 2014**
(56) Related Art Documents: **Not Applicable**
(57) Statement of Newness and Distinctiveness: **The newness and distinctiveness of the design resides in the shape and/or configuration of the FOOTWEAR shown in the representations.**



- (21) Design Number: **10664/2014**
(22) Date of Filing Application: **11 February 2014**
(24) Date from which industrial property rights may have effect: **11 February 2014**
(54) Product in respect of which the design is registered: **Footwear**
(51) International Design Classification: **02-04NES**
(74) Name(s) of Attorney(s): **Fisher Adams Kelly Pty Ltd**
(71) Name(s) and Address(s) of Applicant(s):
Scott Gordon McInerney
7 Dalby St Maroochydore QLD 4558 Australia
(72) Name(s) of Designer(s): **Scott Gordon McInerney**
(45) Registration Date: **11 March 2014**
(56) Related Art Documents: **Not Applicable**
(57) Statement of Newness and Distinctiveness: **The newness and distinctiveness of the design resides in the shape and/or configuration of the FOOTWEAR shown in the representations.**



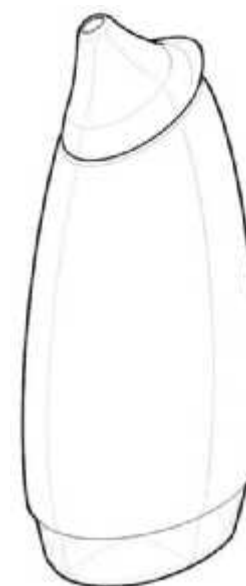
(21) Design Number: **10450/2014**
(22) Date of Filing Application: **31 January 2014**
(24) Date from which industrial property rights may have effect: **31 January 2014**
(54) Product in respect of which the design is registered: **Sauce bottle**
(51) International Design Classification: **09-01NES**
(74) Name(s) of Attorney(s): **Baker & McKenzie**
(71) Name(s) and Address(s) of Applicant(s):
Mars, Incorporated
6885 Elm Street McLean Virginia 22101 United States of America
(72) Name(s) of Designer(s): **Stuart May and Giovanni Ciampa**
(45) Registration Date: **11 March 2014**
(30) Convention priority data:
(31) Number (32) Date (33) Country
**2285049-0002 01 Aug 2013 OFFICE FOR HARMONISATION IN
THE INTERNAL MARKET (OHIM)**
(56) Related Art Documents: **Not Applicable**
(57) Statement of Newness and Distinctiveness: **Nil**



(21) Design Number: **10451/2014**
(22) Date of Filing Application: **31 January 2014**
(24) Date from which industrial property rights may have effect: **31 January 2014**
(54) Product in respect of which the design is registered: **Sauce bottle**
(51) International Design Classification: **09-01NES**
(74) Name(s) of Attorney(s): **Baker & McKenzie**
(71) Name(s) and Address(s) of Applicant(s):
Mars, Incorporated
6885 Elm Street McLean Virginia 22101 United States of America
(72) Name(s) of Designer(s): **Stuart May and Giovanni Ciampa**
(45) Registration Date: **11 March 2014**
(30) Convention priority data:
(31) Number (32) Date (33) Country
**2285049-0003 01 Aug 2013 OFFICE FOR HARMONISATION IN
THE INTERNAL MARKET (OHIM)**
(56) Related Art Documents: **Not Applicable**
(57) Statement of Newness and Distinctiveness: **Nil**



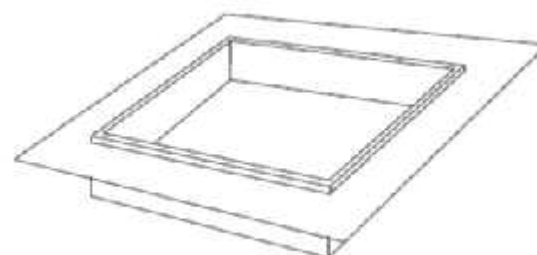
(21) Design Number: **10452/2014**
(22) Date of Filing Application: **31 January 2014**
(24) Date from which industrial property rights may have effect: **31 January 2014**
(54) Product in respect of which the design is registered: **Sauce bottle**
(51) International Design Classification: **09-01NES**
(74) Name(s) of Attorney(s): **Baker & McKenzie**
(71) Name(s) and Address(s) of Applicant(s):
Mars, Incorporated
6885 Elm Street McLean Virginia 22101 United States of America
(72) Name(s) of Designer(s): **Stuart May and Giovanni Ciampa**
(45) Registration Date: **11 March 2014**
(30) Convention priority data:
(31) Number (32) Date (33) Country
**2285049-0004 01 Aug 2013 OFFICE FOR HARMONISATION IN
THE INTERNAL MARKET (OHIM)**
(56) Related Art Documents: **Not Applicable**
(57) Statement of Newness and Distinctiveness: **Nil**



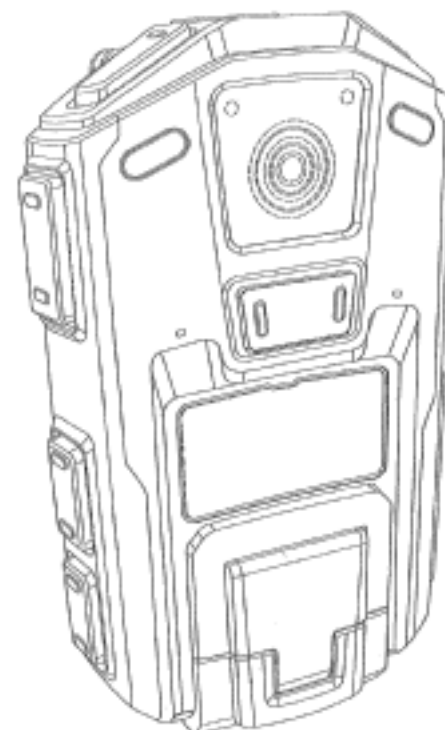
(21) Design Number: **10453/2014**
(22) Date of Filing Application: **31 January 2014**
(24) Date from which industrial property rights may have effect: **31 January 2014**
(54) Product in respect of which the design is registered: **Sauce bottle**
(51) International Design Classification: **09-01NES**
(74) Name(s) of Attorney(s): **Baker & McKenzie**
(71) Name(s) and Address(s) of Applicant(s):
Mars, Incorporated
6885 Elm Street McLean Virginia 22101 United States of America
(72) Name(s) of Designer(s): **Stuart May and Giovanni Ciampa**
(45) Registration Date: **11 March 2014**
(30) Convention priority data:
(31) Number (32) Date (33) Country
**2285049-0005 01 Aug 2013 OFFICE FOR HARMONISATION IN
THE INTERNAL MARKET (OHIM)**
(56) Related Art Documents: **Not Applicable**
(57) Statement of Newness and Distinctiveness: **Nil**



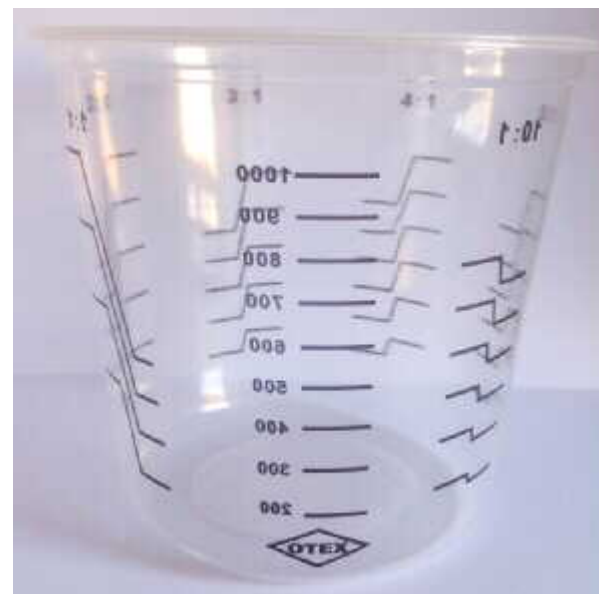
- (21) Design Number: **10454/2014**
(22) Date of Filing Application: **31 January 2014**
(24) Date from which industrial property rights may have effect: **31 January 2014**
(54) Product in respect of which the design is registered: **A recessed shelf**
(51) International Design Classification: **06-04NES**
(74) Name(s) of Attorney(s):
(71) Name(s) and Address(s) of Applicant(s):
Atlantis Bathroom Style Pty Ltd
26 Porutu Place Tauriko Tauranga Bay of Plenty New Zealand
(72) Name(s) of Designer(s): **Bruce Nathan Warner**
(45) Registration Date: **11 March 2014**
(56) Related Art Documents: **Not Applicable**
(57) Statement of Newness and Distinctiveness: **The design is to be applied to a recessed shelf and the novelty resides in the features of the shape.**



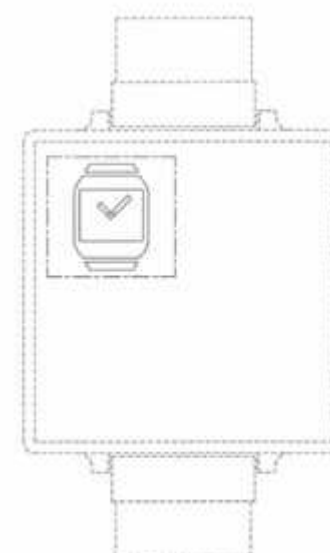
- (21) Design Number: **10468/2014**
(22) Date of Filing Application: **03 February 2014**
(24) Date from which industrial property rights may have effect: **03 February 2014**
(54) Product in respect of which the design is registered: **Wearable recording device**
(51) International Design Classification: **14-01**
(74) Name(s) of Attorney(s): **Chrysiliou IP**
(71) Name(s) and Address(s) of Applicant(s):
B-Cam Ltd
Watergates Trelights Port Isaac Cornwall PL29 3TJ United Kingdom
(72) Name(s) of Designer(s): **Jan Hermanus Vermaak**
(45) Registration Date: **11 March 2014**
(30) Convention priority data:
(31) Number (32) Date (33) Country
002290544-0001 12 Aug 2013 EUROPEAN PATENT OFFICE (EPO)
(56) Related Art Documents: **Not Applicable**
(57) Statement of Newness and Distinctiveness: **Newness and distinctiveness reside in the features of the design shown in solid lines in the representations excluding those features shown in broken lines.**



- (21) Design Number: **10471/2014**
(22) Date of Filing Application: **03 February 2014**
(24) Date from which industrial property rights may have effect: **03 February 2014**
(54) Product in respect of which the design is registered: **Calibrated 1 litre paint mixing cup**
(51) International Design Classification: **10-04**
(74) Name(s) of Attorney(s):
(71) Name(s) and Address(s) of Applicant(s):
Tildy Supplies Pty Ltd
32/13 Berry St Clyde NSW 2142 Australia
(72) Name(s) of Designer(s): **Albert Haddad**
(45) Registration Date: **11 March 2014**
(56) Related Art Documents: **Not Applicable**
(57) Statement of Newness and Distinctiveness: **Made from PP plastic material, makes it flexible but unbreakable. It is accurately calibrated to six different mixing ratios use in automotive refinish workshops.**



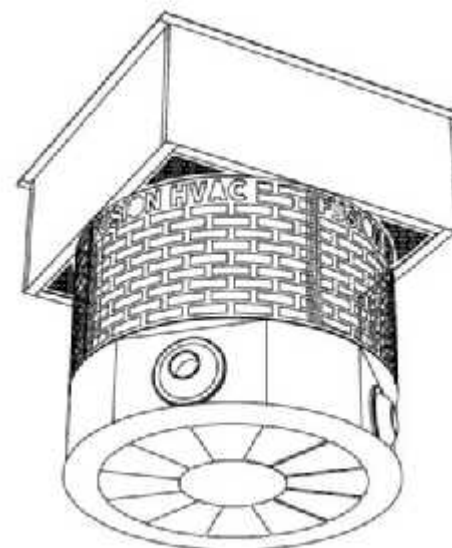
- (21) Design Number: **10475/2014**
(22) Date of Filing Application: **03 February 2014**
(24) Date from which industrial property rights may have effect: **03 February 2014**
(54) Product in respect of which the design is registered: **Display screen with icon for an electronic device**
(51) International Design Classification: **14-04, 14-02**
(74) Name(s) of Attorney(s): **Griffith Hack**
(71) Name(s) and Address(s) of Applicant(s):
Samsung Electronics Co., Ltd.
129, Samsung-ro Yeongtong-gu Suwon-si Gyeonggi-do 443-742
Republic of Korea
(72) Name(s) of Designer(s): **Joo-Hyung Lee and You-Jin Im and So-Ra Kim and Hye-Bin Park**
(45) Registration Date: **11 March 2014**
(30) Convention priority data:
(31) Number (32) Date (33) Country
30-2013-0045426 03 Sep 2013 REPUBLIC OF KOREA
(56) Related Art Documents: **Not Applicable**
(57) Statement of Newness and Distinctiveness: **Newness and Distinctiveness resides in the visual features, including the shape, configuration and ornamentation of those parts of the product shown by means of solid lines in the attached representation. Figure 2 is an enlarged view of part of the design shown in Figure 1. Figure 3 has been included for illustrative purposes and does not form part of the design.**



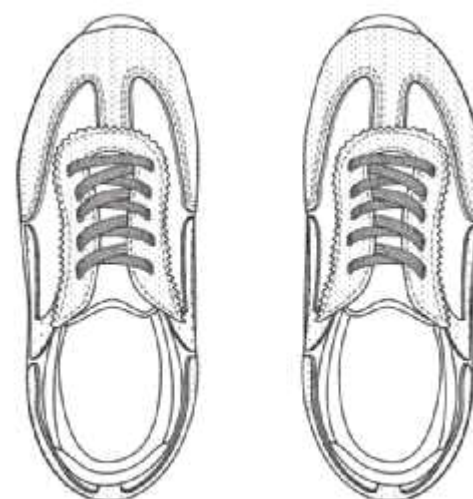
- (21) Design Number: **10544/2014**
(22) Date of Filing Application: **05 February 2014**
(24) Date from which industrial property rights may have effect: **05 February 2014**
(54) Product in respect of which the design is registered: **Capsule for making beverages**
(51) International Design Classification: **09-05, 07-02L**
(74) Name(s) of Attorney(s): **PATENT ATTORNEY SERVICES**
(71) Name(s) and Address(s) of Applicant(s):
Caffitaly System S.p.A.
Via Panigali 38 40041 Gaggio Montano (Bo) Italy
(72) Name(s) of Designer(s): **Franco Casiddu**
(45) Registration Date: **11 March 2014**
(30) Convention priority data:
(31) Number (32) Date (33) Country
29/464 107 13 Aug 2013 UNITED STATES OF AMERICA
(56) Related Art Documents: **Not Applicable**
(57) Statement of Newness and Distinctiveness: **Newness and distinctiveness is claimed in the shape and configuration of the capsule for making beverages as depicted in the representations.**



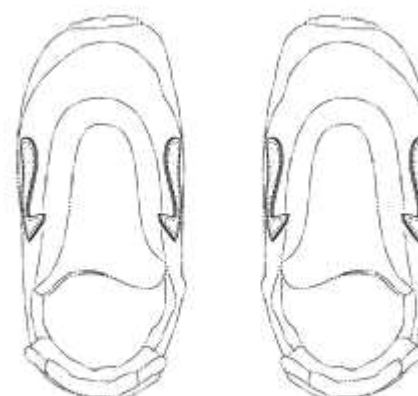
- (21) Design Number: **10590/2014**
(22) Date of Filing Application: **06 February 2014**
(24) Date from which industrial property rights may have effect: **06 February 2014**
(54) Product in respect of which the design is registered: **A heating, ventilation and air-conditioning unit**
(51) International Design Classification: **23-04**
(74) Name(s) of Attorney(s): **Banki Haddock Fiora**
(71) Name(s) and Address(s) of Applicant(s):
Fusion HVAC Pty Limited
281 Montague Rd West End QLD 4101 Australia
(72) Name(s) of Designer(s): **Kevin Harris**
(45) Registration Date: **11 March 2014**
(56) Related Art Documents: **Not Applicable**
(57) Statement of Newness and Distinctiveness: **The visual features of the heating, ventilation and air-conditioning unit depicted in the representations that are new and distinctive are the shape and/or configuration. No protection is claimed for the words "FUSION HVAC".**



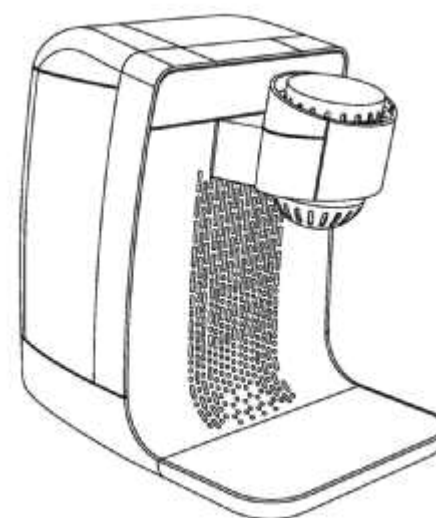
- (21) Design Number: **10667/2014**
(22) Date of Filing Application: **11 February 2014**
(24) Date from which industrial property rights may have effect: **11 February 2014**
(54) Product in respect of which the design is registered: **Footwear**
(51) International Design Classification: **02-04NES**
(74) Name(s) of Attorney(s): **Fisher Adams Kelly Pty Ltd**
(71) Name(s) and Address(s) of Applicant(s):
Scott Gordon McInerney
7 Dalby St Maroochydore QLD 4558 Australia
(72) Name(s) of Designer(s): **Scott Gordon McInerney**
(45) Registration Date: **11 March 2014**
(56) Related Art Documents: **Not Applicable**
(57) Statement of Newness and Distinctiveness: **The newness and distinctiveness of the design resides in the shape and/or configuration of the FOOTWEAR shown in the representations.**



- (21) Design Number: **10668/2014**
(22) Date of Filing Application: **11 February 2014**
(24) Date from which industrial property rights may have effect: **11 February 2014**
(54) Product in respect of which the design is registered: **Footwear**
(51) International Design Classification: **02-04NES**
(74) Name(s) of Attorney(s): **Fisher Adams Kelly Pty Ltd**
(71) Name(s) and Address(s) of Applicant(s):
Scott Gordon McInerney
7 Dalby St Maroochydore QLD 4558 Australia
(72) Name(s) of Designer(s): **Scott Gordon McInerney**
(45) Registration Date: **11 March 2014**
(56) Related Art Documents: **Not Applicable**
(57) Statement of Newness and Distinctiveness: **The newness and distinctiveness of the design resides in the pattern and/or ornamentation applied to the FOOTWEAR shown in the representations. The material shown in dashed lines forms no part of the design.**



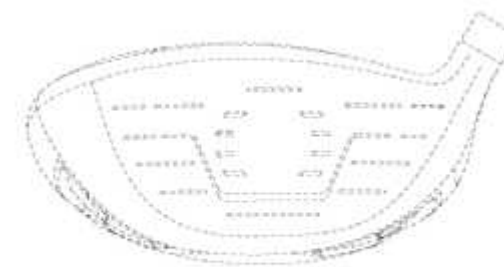
(21) Design Number: **10669/2014**
(22) Date of Filing Application: **11 February 2014**
(24) Date from which industrial property rights may have effect: **11 February 2014**
(54) Product in respect of which the design is registered: **Beverage machine**
(51) International Design Classification: **07-02L**
(74) Name(s) of Attorney(s): **PIZZEYS**
(71) Name(s) and Address(s) of Applicant(s):
Green Mountain Coffee Roasters, Inc.
33 Coffee Lane Waterbury VT 05676 United States of America
(72) Name(s) of Designer(s): **Matthew John Maitland and Keith Paul Thompson**
and Peter David Cauwood and Iain James Sabberton
(45) Registration Date: **11 March 2014**
(30) Convention priority data:
(31) Number (32) Date (33) Country
29/466,329 06 Sep 2013 UNITED STATES OF AMERICA
(56) Related Art Documents: **Not Applicable**
(57) Statement of Newness and Distinctiveness: **Nil**



(21) Design Number: **10671/2014**
(22) Date of Filing Application: **11 February 2014**
(24) Date from which industrial property rights may have effect: **11 February 2014**
(54) Product in respect of which the design is registered: **Safety razor with trimmer**
(51) International Design Classification: **28-03A**
(74) Name(s) of Attorney(s): **Halfords IP**
(71) Name(s) and Address(s) of Applicant(s):
Eveready Battery Company, Inc.
533 Maryville University Drive St Louis Missouri 63141 United States of America
(72) Name(s) of Designer(s): **Gregg Micinilio**
(45) Registration Date: **11 March 2014**
(30) Convention priority data:
(31) Number (32) Date (33) Country
29/466749 11 Sep 2013 UNITED STATES OF AMERICA
(56) Related Art Documents: **Not Applicable**
(57) Statement of Newness and Distinctiveness: **Newness and distinctiveness resides in those features of shape and or configuration of a safety razor with trimmer as depicted in the representations. Shading lines and features shown in broken lines do not form part of the design.**



(21) Design Number: **10672/2014**
(22) Date of Filing Application: **11 February 2014**
(24) Date from which industrial property rights may have effect: **11 February 2014**
(54) Product in respect of which the design is registered: **Golf club head**
(51) International Design Classification: **21-02C**
(74) Name(s) of Attorney(s): **PHILLIPS ORMONDE FITZPATRICK**
(71) Name(s) and Address(s) of Applicant(s):



Dunlop Sports Co. Ltd.
6-9 Wakinohama-cho 3-chome Chuo-ku Kobe-shi Hyogo Japan
(72) Name(s) of Designer(s): **Nick S Trahan and Keith F Dolezel and Brian R Herr**

(45) Registration Date: **11 March 2014**

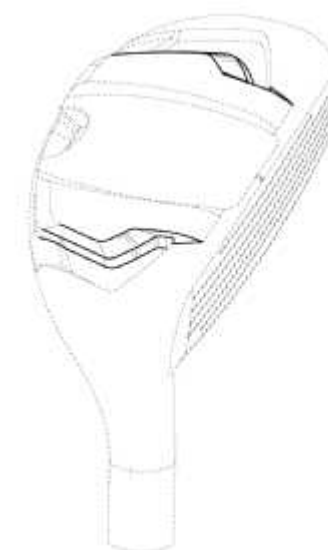
(30) Convention priority data:

(31) Number	(32) Date	(33) Country
29/464,827	21 Aug 2013	UNITED STATES OF AMERICA

(56) Related Art Documents: **Not Applicable**

(57) Statement of Newness and Distinctiveness: **Newness and distinctiveness resides in the shape and/or configuration of the golf club head as shown in continuous lines in the accompanying representations. The feature shown in dot-dash chain lines represents a boundary of the claimed design whereas the broken lines are included for illustrative purposes only. The dot-dash chain lines and broken lines are not part of the design and are to be disregarded when considering the overall impression of the design.**

(21) Design Number: **10673/2014**
(22) Date of Filing Application: **11 February 2014**
(24) Date from which industrial property rights may have effect: **11 February 2014**
(54) Product in respect of which the design is registered: **Golf club head**
(51) International Design Classification: **21-02C**
(74) Name(s) of Attorney(s): **PHILLIPS ORMONDE FITZPATRICK**
(71) Name(s) and Address(s) of Applicant(s):



Dunlop Sports Co. Ltd.
6-9 Wakinohama-cho 3-chome Chuo-ku Kobe-shi Hyogo Japan

(72) Name(s) of Designer(s): **Keith F Dolezel and Nick S Trahan**

(45) Registration Date: **11 March 2014**

(30) Convention priority data:

(31) Number	(32) Date	(33) Country
29/464,832	21 Aug 2013	UNITED STATES OF AMERICA

(56) Related Art Documents: **Not Applicable**

(57) Statement of Newness and Distinctiveness: **Newness and distinctiveness resides in the shape and/or configuration of the golf club head as shown in continuous lines in the accompanying representations. The feature shown in dot-dash chain lines represents a boundary of the claimed design whereas the broken lines are included for illustrative purposes only. The dot-dash chain lines and broken lines are not part of the design and are to be disregarded when considering the overall impression of the design.**

(21) Design Number: **10674/2014**
(22) Date of Filing Application: **11 February 2014**
(24) Date from which industrial property rights may have effect: **11 February 2014**
(54) Product in respect of which the design is registered: **Golf club head**
(51) International Design Classification: **21-02C**
(74) Name(s) of Attorney(s): **PHILLIPS ORMONDE FITZPATRICK**
(71) Name(s) and Address(s) of Applicant(s):



Dunlop Sports Co. Ltd.
6-9 Wakinohama-cho 3-chome Chuo-ku Kobe-shi Hyogo Japan
(72) Name(s) of Designer(s): **Keith F Dolezel and Nick S Trahan and Michael Prichard**

(45) Registration Date: **11 March 2014**

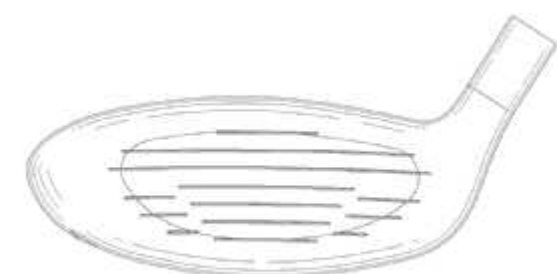
(30) Convention priority data:

(31) Number	(32) Date	(33) Country
29/464,855	21 Aug 2013	UNITED STATES OF AMERICA

(56) Related Art Documents: **Not Applicable**

(57) Statement of Newness and Distinctiveness: **Newness and distinctiveness resides in the shape and/or configuration of the golf club head as shown in continuous lines in the accompanying representations. The feature shown in dot-dash chain lines represents a boundary of the claimed design whereas the broken lines are included for illustrative purposes only. The dot-dash chain lines and broken lines are not part of the design and are to be disregarded when considering the overall impression of the design.**

(21) Design Number: **10675/2014**
(22) Date of Filing Application: **11 February 2014**
(24) Date from which industrial property rights may have effect: **11 February 2014**
(54) Product in respect of which the design is registered: **Golf club head**
(51) International Design Classification: **21-02C**
(74) Name(s) of Attorney(s): **PHILLIPS ORMONDE FITZPATRICK**
(71) Name(s) and Address(s) of Applicant(s):



Dunlop Sports Co. Ltd.
6-9 Wakinohama-cho 3-chome Chuo-ku Kobe-shi Hyogo Japan

(72) Name(s) of Designer(s): **Keith F Dolezel and Nick S Trahan**

(45) Registration Date: **11 March 2014**

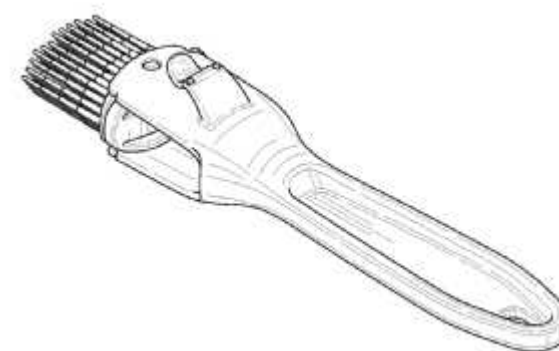
(30) Convention priority data:

(31) Number	(32) Date	(33) Country
29/464,837	21 Aug 2013	UNITED STATES OF AMERICA

(56) Related Art Documents: **Not Applicable**

(57) Statement of Newness and Distinctiveness: **Newness and distinctiveness resides in the shape and/or configuration of the golf club head as shown in continuous lines in the accompanying representations.**

(21) Design Number: **10676/2014**
(22) Date of Filing Application: **11 February 2014**
(24) Date from which industrial property rights may have effect: **11 February 2014**
(54) Product in respect of which the design is registered: **Cooking brush**
(51) International Design Classification: **07-04**
(74) Name(s) of Attorney(s): **PHILLIPS ORMONDE FITZPATRICK**
(71) Name(s) and Address(s) of Applicant(s):
Dart Industries Inc.
14901 S. Orange Blossom Trail Orlando Florida 32837 United States of America



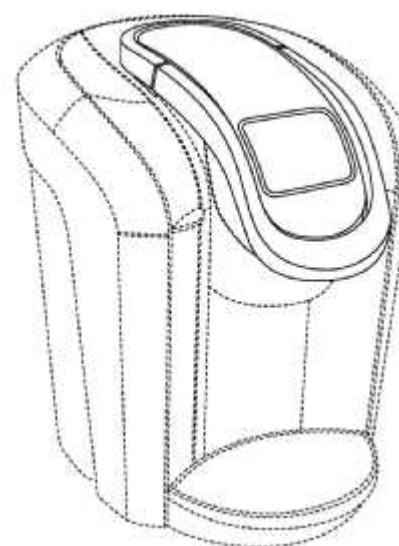
(72) Name(s) of Designer(s): **Vincent Jalet and Simone Pallotto**
(45) Registration Date: **11 March 2014**
(30) Convention priority data:
(31) Number (32) Date (33) Country
29/466,024 04 Sep 2013 UNITED STATES OF AMERICA
(56) Related Art Documents: **Not Applicable**
(57) Statement of Newness and Distinctiveness: **Those features of the cooking brush depicted in the representations that are new and distinctive are the shape and/or configuration.**

(21) Design Number: **10677/2014**
(22) Date of Filing Application: **11 February 2014**
(24) Date from which industrial property rights may have effect: **11 February 2014**
(54) Product in respect of which the design is registered: **Golf club head**
(51) International Design Classification: **21-02C**
(74) Name(s) of Attorney(s): **PHILLIPS ORMONDE FITZPATRICK**
(71) Name(s) and Address(s) of Applicant(s):
Dunlop Sports Co. Ltd.
6-9 Wakinohama-cho 3-chome Chuo-ku Kobe-shi Hyogo Japan
(72) Name(s) of Designer(s): **Keith F Dolezel and Nick S Trahan and Michael Prichard**



(45) Registration Date: **11 March 2014**
(30) Convention priority data:
(31) Number (32) Date (33) Country
29/464,831 21 Aug 2013 UNITED STATES OF AMERICA
(56) Related Art Documents: **Not Applicable**
(57) Statement of Newness and Distinctiveness: **Newness and distinctiveness resides in the shape and/or configuration of the golf club head as shown in continuous lines in the accompanying representations. The feature shown in dot-dash chain lines represents a boundary of the claimed design whereas the broken lines are included for illustrative purposes only. The dot-dash chain lines and broken lines are not part of the design and are to be disregarded when considering the overall impression of the design.**

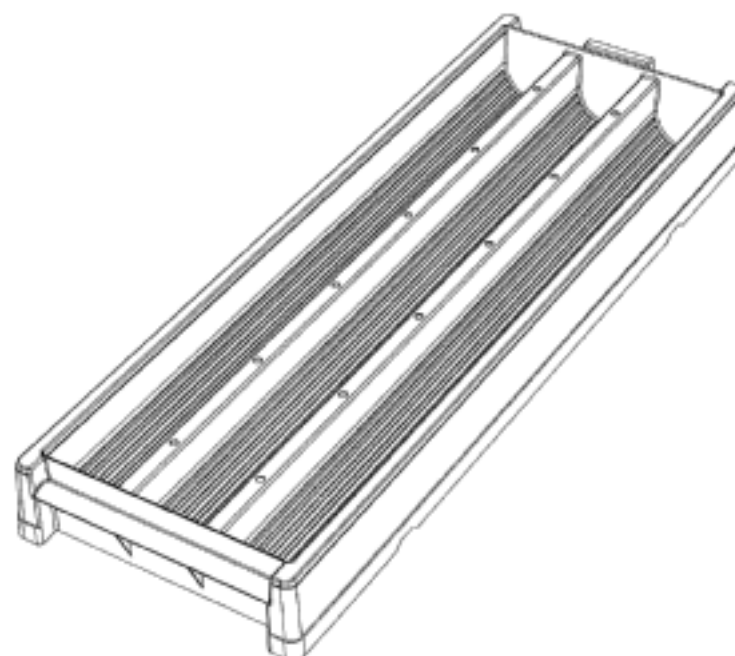
- (21) Design Number: **10686/2014**
(22) Date of Filing Application: **12 February 2014**
(24) Date from which industrial property rights may have effect: **12 February 2014**
(54) Product in respect of which the design is registered: **Brew head for a beverage machine**
(51) International Design Classification: **07-02L**
(74) Name(s) of Attorney(s): **PIZZEYS**
(71) Name(s) and Address(s) of Applicant(s):
Keurig, Incorporated
55 Walkers Brook Drive Reading MA 01867-3272 United States of America
(72) Name(s) of Designer(s): **Steffen F Koury and James E Shepard and Paul K Metaxatos and James T McGee and Da Deng and David Manly and Karen Gallagher and Michelle V Stacy and Ben C Yoder and Scott M Vogel and Allison Cummings and Stephanie Simione**
(45) Registration Date: **11 March 2014**
(30) Convention priority data:
(31) Number (32) Date (33) Country
29/466,349 06 Sep 2013 UNITED STATES OF AMERICA
(56) Related Art Documents: **Not Applicable**
(57) Statement of Newness and Distinctiveness: **The newness and distinctiveness of the design resides in the features of shape and/or configuration shown in unbroken lines in the accompanying representations. (if required, see Convention document).**



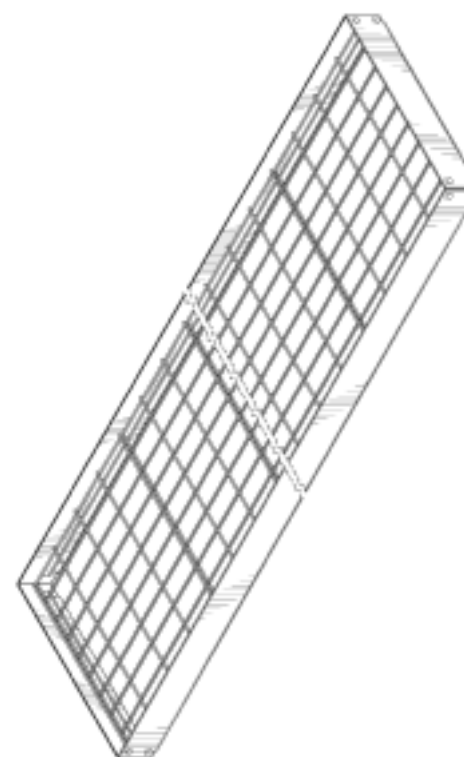
- (21) Design Number: **10689/2014**
(22) Date of Filing Application: **12 February 2014**
(24) Date from which industrial property rights may have effect: **12 February 2014**
(54) Product in respect of which the design is registered: **Powder pump**
(51) International Design Classification: **15-02**
(74) Name(s) of Attorney(s): **PHILLIPS ORMONDE FITZPATRICK**
(71) Name(s) and Address(s) of Applicant(s):
Gema Switzerland GmbH
Movenstrasse 17 9015 St. Gallen Switzerland
(72) Name(s) of Designer(s): **Felix Mauchle and Hans-Peter Luthi and Hanspeter Vieli**
(45) Registration Date: **11 March 2014**
(30) Convention priority data:
(31) Number (32) Date (33) Country
001382501 27 Aug 2013 OFFICE FOR HARMONISATION IN THE INTERNAL MARKET (OHIM)
(56) Related Art Documents: **Not Applicable**
(57) Statement of Newness and Distinctiveness: **Hose features of the powder pump depicted in the representations that are new and distinctive are the shape and/or configuration.**



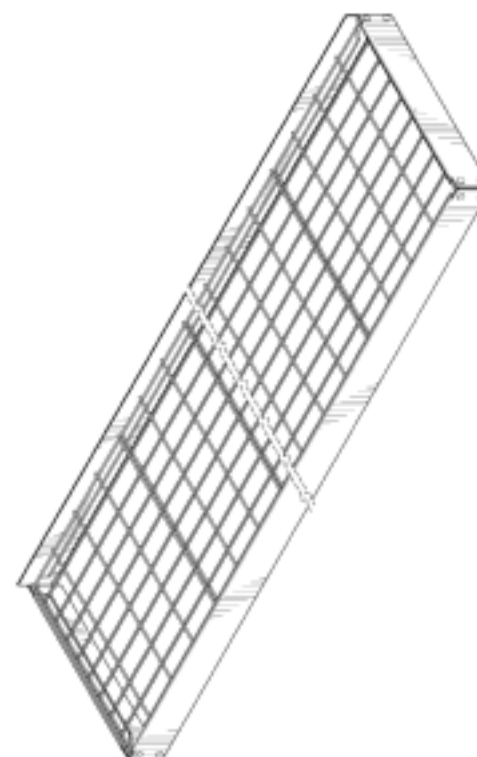
- (21) Design Number: **10704/2014**
(22) Date of Filing Application: **13 February 2014**
(24) Date from which industrial property rights may have effect: **13 February 2014**
(54) Product in respect of which the design is registered: **Three row core tray**
(51) International Design Classification: **15-99**
(74) Name(s) of Attorney(s): **Madderns**
(71) Name(s) and Address(s) of Applicant(s):
Sandvik Intellectual Property AB
SE-811 81 Sandviken Sweden
(72) Name(s) of Designer(s): **Stewart Ernest Abbott and Tobias James Huigens**
(45) Registration Date: **12 March 2014**
(56) Related Art Documents: **Not Applicable**
(57) Statement of Newness and Distinctiveness: **Newness and distinctiveness resides in the features of shape and configuration of a core tray as shown in the accompanying drawings**



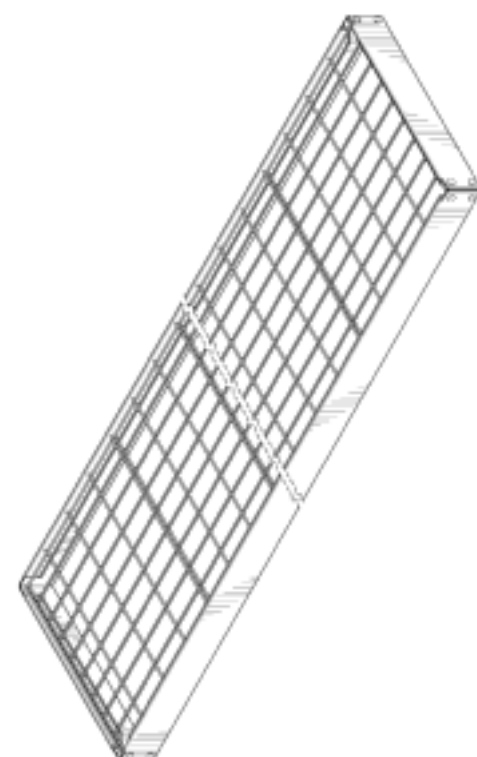
- (21) Design Number: **10712/2014**
(22) Date of Filing Application: **14 February 2014**
(24) Date from which industrial property rights may have effect: **14 February 2014**
(54) Product in respect of which the design is registered: **Wire shelf**
(51) International Design Classification: **06-04NES**
(74) Name(s) of Attorney(s): **SPRUSON & FERGUSON**
(71) Name(s) and Address(s) of Applicant(s):
Edsal Manufacturing Co., Inc.
4400 South Packers Avenue, Chicago Illinois 60609 United States of America
(72) Name(s) of Designer(s): **Scott Fitzgerald and David J Wojtowicz and Thomas St. Germain and Mitchell Liss and Al Dunaj**
(45) Registration Date: **12 March 2014**
(30) Convention priority data:
(31) Number (32) Date (33) Country
29/464476 16 Aug 2013 UNITED STATES OF AMERICA
(56) Related Art Documents: **Not Applicable**
(57) Statement of Newness and Distinctiveness: **Newness and distinctiveness is claimed in those features of shape and/or configuration of a wire shelf illustrated in continuous lines in the accompanying representations.**



- (21) Design Number: **10713/2014**
(22) Date of Filing Application: **14 February 2014**
(24) Date from which industrial property rights may have effect: **14 February 2014**
(54) Product in respect of which the design is registered: **Wire shelf**
(51) International Design Classification: **06-04NES**
(74) Name(s) of Attorney(s): **SPRUSON & FERGUSON**
(71) Name(s) and Address(s) of Applicant(s):
Edsal Manufacturing Co., Inc.
4400 South Packers Avenue, Chicago Illinois 60609 United States of America
(72) Name(s) of Designer(s): **Scott Fitzgerald and David J Wojtowicz and Thomas St. Germain and Mitchell Liss and Al Dunaj**
(45) Registration Date: **12 March 2014**
(30) Convention priority data:
(31) Number (32) Date (33) Country
29/464476 16 Aug 2013 UNITED STATES OF AMERICA
(56) Related Art Documents: **Not Applicable**
(57) Statement of Newness and Distinctiveness: **Newness and distinctiveness is claimed in those features of shape and/or configuration of a wire shelf illustrated in continuous lines in the accompanying representations.**



- (21) Design Number: **10715/2014**
(22) Date of Filing Application: **14 February 2014**
(24) Date from which industrial property rights may have effect: **14 February 2014**
(54) Product in respect of which the design is registered: **Wire shelf**
(51) International Design Classification: **06-04NES**
(74) Name(s) of Attorney(s): **SPRUSON & FERGUSON**
(71) Name(s) and Address(s) of Applicant(s):
Edsal Manufacturing Co., Inc.
4400 South Packers Avenue, Chicago Illinois 60609 United States of America
(72) Name(s) of Designer(s): **Scott Fitzgerald and David J Wojtowicz and Thomas St. Germain and Mitchell Liss and Al Dunaj**
(45) Registration Date: **12 March 2014**
(30) Convention priority data:
(31) Number (32) Date (33) Country
29/464476 16 Aug 2013 UNITED STATES OF AMERICA
(56) Related Art Documents: **Not Applicable**
(57) Statement of Newness and Distinctiveness: **Newness and distinctiveness is claimed in those features of shape and/or configuration of a wire shelf illustrated in continuous lines in the accompanying representations.**



(21) Design Number: **14053/2013**
(22) Date of Filing Application: **16 August 2013**
(24) Date from which industrial property rights may have effect: **16 August 2013**
(54) Product in respect of which the design is registered: **Beverage fount**
(51) International Design Classification: **23-01NES**
(74) Name(s) of Attorney(s): **Allens Patent & Trade Mark Attorneys**
(71) Name(s) and Address(s) of Applicant(s):

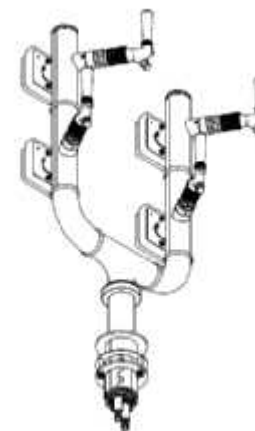
CUB Pty Ltd
77 Southbank Bvd Southbank VIC 3006 Australia

(72) Name(s) of Designer(s): **Karl McIntyre**

(45) Registration Date: **12 March 2014**

(56) Related Art Documents: **Not Applicable**

(57) Statement of Newness and Distinctiveness: **Newness and distinctiveness resides in the visual features of shape and/or configuration of a beverage fount as illustrated in the accompanying representations. The shape and/or configuration of the lower part of the vertical stem marked 'A' in the accompanying representations does not form part of the design and is to be disregarded when considering whether the design is identical or substantially similar in overall impression to another design.**



(21) Design Number: **10359/2014**
(22) Date of Filing Application: **25 January 2014**
(24) Date from which industrial property rights may have effect: **25 January 2014**
(54) Product in respect of which the design is registered: **Baby sleeping bag**
(51) International Design Classification: **06-13B**
(74) Name(s) of Attorney(s):
(71) Name(s) and Address(s) of Applicant(s):

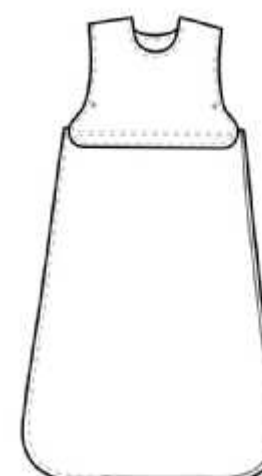
Rachel Williams
15 Chapel St Lynbrook VIC 3975 Australia

(72) Name(s) of Designer(s): **Rachel Williams**

(45) Registration Date: **12 March 2014**

(56) Related Art Documents: **Not Applicable**

(57) Statement of Newness and Distinctiveness: **This design is new and distinct as it is a baby sleeping bag that has a detachable bib capability. The removable bib is secured by a zipper into the sleeping bag and can be detached easily and interchanged with a fresh, clean bib whenever required.**



- (21) Design Number: **10692/2014**
(22) Date of Filing Application: **12 February 2014**
(24) Date from which industrial property rights may have effect: **12 February 2014**
(54) Product in respect of which the design is registered: **An extruded rail**
(51) International Design Classification: **25-01K**
(74) Name(s) of Attorney(s): **Cullens Patent and Trade Mark Attorneys**
(71) Name(s) and Address(s) of Applicant(s):

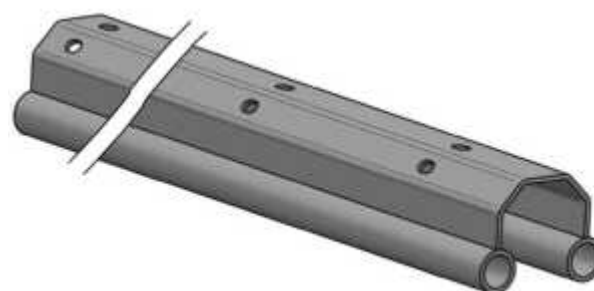
Brent P Collett
6 Tamper St Nambour West QLD 4560 Australia
Sally-Anne A Collett
6 Tamper St Nambour West QLD 4560 Australia
Trevor C Collett
PO BOX 5022 Sunshine Coast MC QLD 4560 Australia

(72) Name(s) of Designer(s): **Brent P Collett and Trevor C Collett**

(45) Registration Date: **12 March 2014**

(56) Related Art Documents: **Not Applicable**

(57) Statement of Newness and Distinctiveness: **Newness and distinctiveness is claimed in features of shape and configuration of the extruded rail as shown in the accompanying representations. The extruded rail is claimed in indefinite length as illustrated.**



- (21) Design Number: **10694/2014**
(22) Date of Filing Application: **13 February 2014**
(24) Date from which industrial property rights may have effect: **13 February 2014**
(54) Product in respect of which the design is registered: **Hand held electric mixer**
(51) International Design Classification: **31-00**
(74) Name(s) of Attorney(s): **Halfords IP**
(71) Name(s) and Address(s) of Applicant(s):

Electrolux Appliances Aktiebolag
S:t Goransgatan 143 Stockholm 105 45 Sweden

(72) Name(s) of Designer(s): **Alejandro Sanguinetti**

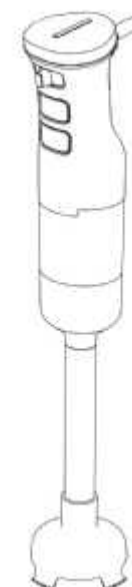
(45) Registration Date: **12 March 2014**

(30) Convention priority data:

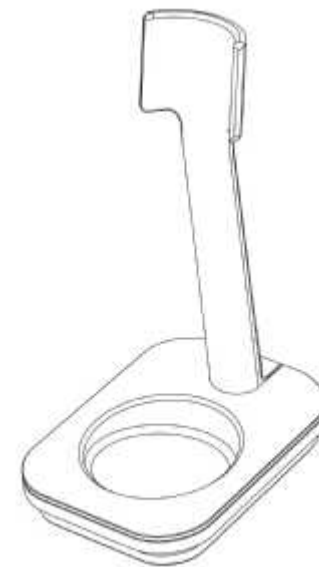
(31) Number	(32) Date	(33) Country
002330621	22 Oct 2013	OFFICE FOR HARMONISATION IN THE INTERNAL MARKET (OHIM)

(56) Related Art Documents: **Not Applicable**

(57) Statement of Newness and Distinctiveness: **Newness and Distinctiveness resides in those features of shape and or configuration of a hand held electric mixer as depicted in the representations.**



(21) Design Number: **10695/2014**
(22) Date of Filing Application: **13 February 2014**
(24) Date from which industrial property rights may have effect: **13 February 2014**
(54) Product in respect of which the design is registered: **Stand for a Hand Held Electric Mixer**
(51) International Design Classification: **31-00**
(74) Name(s) of Attorney(s): **Halfords IP**
(71) Name(s) and Address(s) of Applicant(s):
Electrolux Appliances Aktiebolag
S:t Goransgatan 143 Stockholm 105 45 Sweden
(72) Name(s) of Designer(s): **Alejandro Sanguinetti**
(45) Registration Date: **12 March 2014**
(30) Convention priority data:
(31) Number (32) Date (33) Country
002330621 22 Oct 2013 OFFICE FOR HARMONISATION IN
THE INTERNAL MARKET (OHIM)
(56) Related Art Documents: **Not Applicable**
(57) Statement of Newness and Distinctiveness: **Newness and distinctiveness resides in those features of shape and or configuration of a stand for a hand held electric mixer as depicted in the representations.**



(21) Design Number: **10700/2014**
(22) Date of Filing Application: **13 February 2014**
(24) Date from which industrial property rights may have effect: **13 February 2014**
(54) Product in respect of which the design is registered: **Rail wagon**
(51) International Design Classification: **12-03**
(74) Name(s) of Attorney(s): **Cullens Patent and Trade Mark Attorneys**
(71) Name(s) and Address(s) of Applicant(s):
Aurizon Operations Limited
175 Eagle St Brisbane QLD 4000 Australia
(72) Name(s) of Designer(s): **Roshan Thomas John and Brett Alexander and Brett Elliot**
(45) Registration Date: **12 March 2014**
(56) Related Art Documents: **Not Applicable**
(57) Statement of Newness and Distinctiveness: **Nil**



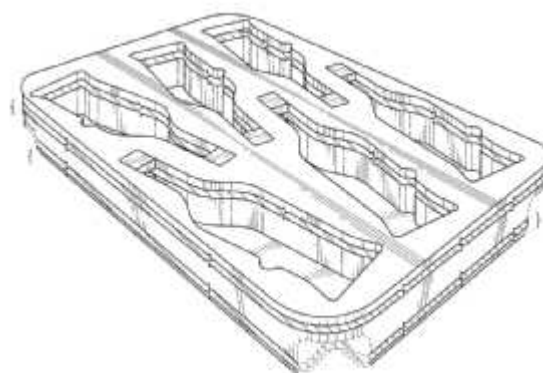
- (21) Design Number: **10716/2014**
(22) Date of Filing Application: **14 February 2014**
(24) Date from which industrial property rights may have effect: **14 February 2014**
(54) Product in respect of which the design is registered: **Multi-media wireless watch**
(51) International Design Classification: **10-02, 14-02**
(74) Name(s) of Attorney(s): **Griffith Hack**
(71) Name(s) and Address(s) of Applicant(s):
I.AM.SYMBOLIC, LLC
450 North Roxbury Drive 8th Floor Beverly Hills CA 90210 United States of America
(72) Name(s) of Designer(s): **William Adams and Chandrasekar Rathakrishnan and Goh Chee Wei Jaren**
(45) Registration Date: **12 March 2014**
(30) Convention priority data:
(31) Number (32) Date (33) Country
29/464,381 15 Aug 2013 UNITED STATES OF AMERICA
(56) Related Art Documents: **Not Applicable**
(57) Statement of Newness and Distinctiveness: **Newness and distinctiveness resides in the visual features of the product, including shape, configuration and ornamentation shown by means of the solid lines in the attached representations. Those parts shown by means of dashed lines are included for illustrative purposes only and do not form part of the design.**



- (21) Design Number: **10717/2014**
(22) Date of Filing Application: **14 February 2014**
(24) Date from which industrial property rights may have effect: **14 February 2014**
(54) Product in respect of which the design is registered: **Automobile**
(51) International Design Classification: **12-08**
(74) Name(s) of Attorney(s): **Shelston IP**
(71) Name(s) and Address(s) of Applicant(s):
Great Wall Motor Company Limited
No. 2266 Chaoyang South Ave. Baoding city Hebei 071000 China
(72) Name(s) of Designer(s): **Yong Huang and Qingsong Shi and Ming Zhang and Hui Zhang and Xiuhong Wang and Yu Liu and Hanbiao Wang and Fei Wan and Shusong Ma and Shan Zhang and Yueshuang Hu**
(45) Registration Date: **12 March 2014**
(30) Convention priority data:
(31) Number (32) Date (33) Country
201330420566.6 31 Aug 2013 CHINA
(56) Related Art Documents: **Not Applicable**
(57) Statement of Newness and Distinctiveness: **Newness and distinctiveness reside in the features of shape and/or configuration of an AUTOMOBILE as illustrated in the accompanying representations.**



(21) Design Number: **10718/2014**
(22) Date of Filing Application: **14 February 2014**
(24) Date from which industrial property rights may have effect: **14 February 2014**
(54) Product in respect of which the design is registered: **Suitcase insert**
(51) International Design Classification: **09-03H**
(74) Name(s) of Attorney(s): **Callinans**
(71) Name(s) and Address(s) of Applicant(s):
Saul Barry Wax
c/o Suite 1340 201 Third Street, N.W. Albuquerque NM 87102-3368 United States of America



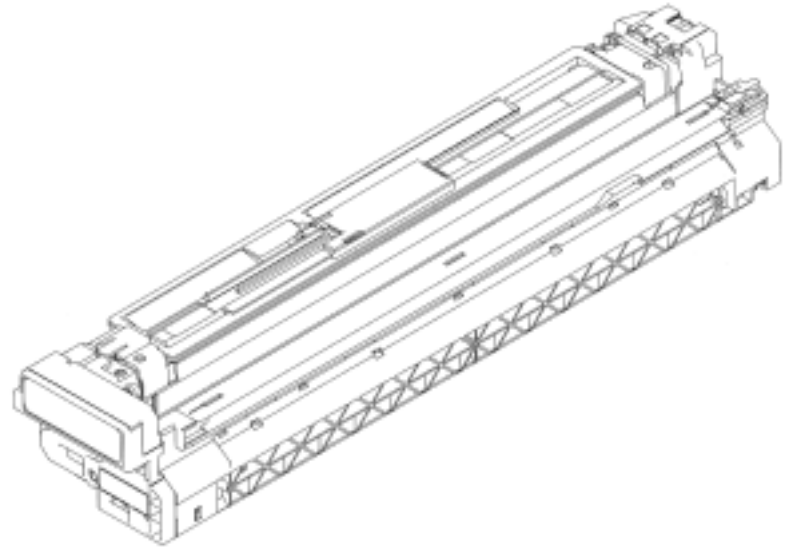
(72) Name(s) of Designer(s): **Saul Barry Wax**
(45) Registration Date: **12 March 2014**
(30) Convention priority data:
(31) Number (32) Date (33) Country
13/967,177 14 Aug 2013 UNITED STATES OF AMERICA
(56) Related Art Documents: **Not Applicable**
(57) Statement of Newness and Distinctiveness: **Newness and distinctiveness are provided by the shape and/or configuration of the design shown in the representations. The features shown in broken lines in the representations are for illustrative purposes only and should not be considered when construing visual features of the design. The design may be of indefinite height.**

(21) Design Number: **10720/2014**
(22) Date of Filing Application: **14 February 2014**
(24) Date from which industrial property rights may have effect: **14 February 2014**
(54) Product in respect of which the design is registered: **Recessed lighting fixture**
(51) International Design Classification: **26-05C**
(74) Name(s) of Attorney(s): **PHILLIPS ORMONDE FITZPATRICK**
(71) Name(s) and Address(s) of Applicant(s):
Kimberley Products Pty Ltd
5 Abbots Rd Dandenong South VIC 3175 Australia

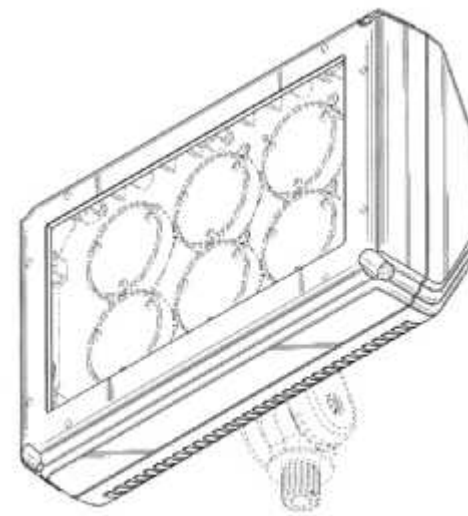


(72) Name(s) of Designer(s): **Brian Kimberley**
(45) Registration Date: **12 March 2014**
(56) Related Art Documents: **Not Applicable**
(57) Statement of Newness and Distinctiveness: **Newness and distinctiveness resides in the visual features, including shape and configuration of the recessed lighting fixture as shown in the representations.**

(21) Design Number: **10140/2014**
(22) Date of Filing Application: **10 January 2014**
(24) Date from which industrial property rights may have effect: **10 January 2014**
(54) Product in respect of which the design is registered: **Image drum cartridge**
(51) International Design Classification: **14-02**
(74) Name(s) of Attorney(s): **Freehills Patent Attorneys**
(71) Name(s) and Address(s) of Applicant(s):
Oki Data Corporation
11-22 Shibaura 4-chome Minato-ku Tokyo 108-0014 Japan
(72) Name(s) of Designer(s): **Shigenori Koido and Yukiyoishi Oda and Shinichi Otani**
(45) Registration Date: **12 March 2014**
(30) Convention priority data:
(31) Number (32) Date (33) Country
2013-015963 12 Jul 2013 JAPAN
(56) Related Art Documents: **Not Applicable**
(57) Statement of Newness and Distinctiveness: **Nil**



(21) Design Number: **10870/2014**
(22) Date of Filing Application: **26 February 2014**
(24) Date from which industrial property rights may have effect: **24 January 2014**
(54) Product in respect of which the design is registered: **Lighting**
(51) International Design Classification: **26-05D, 26-05E**
(74) Name(s) of Attorney(s): **Pizzeys**
(71) Name(s) and Address(s) of Applicant(s):
LSI Industries, Inc.
10000 Alliance Road Cincinnati OH 45242 United States of America
(72) Name(s) of Designer(s): **Mark J Krogman and Hongquan Liu**
(45) Registration Date: **12 March 2014**
(62) Divisional of: **354153**
(56) Related Art Documents: **Not Applicable**
(57) Statement of Newness and Distinctiveness: **Nil**



- (21) Design Number: **10192/2014**
(22) Date of Filing Application: **17 January 2014**
(24) Date from which industrial property rights may have effect: **17 January 2014**
(54) Product in respect of which the design is registered: **Single-din fascia kit for Holden Commodore VT/VX**
(51) International Design Classification: **12-16B, 12-16K**
(74) Name(s) of Attorney(s):
(71) Name(s) and Address(s) of Applicant(s):
TDJ Australia Pty. Ltd.
78 Mills Rd Braeside VIC 3195 Australia
(72) Name(s) of Designer(s): **Lloyd Lamberty**
(45) Registration Date: **13 March 2014**
(56) Related Art Documents: **Not Applicable**
(57) Statement of Newness and Distinctiveness: **This The 1997-2002 Holden Commodore VT/VX Fascia Kit is unique to the Australian market in terms of design, functionality and assembly. It is a single-din Fascia kit which incorporates a pocket and adjustable mounting brackets. There is no other VT/VX Single-din fascia like this on the market. The closest solution currently being used for this vehicle type is a Mazda pocket which manages to fit underneath the headunit.**



- (21) Design Number: **10193/2014**
(22) Date of Filing Application: **17 January 2014**
(24) Date from which industrial property rights may have effect: **17 January 2014**
(54) Product in respect of which the design is registered: **Double-din fascia kit for Holden Commodore VE-S1**
(51) International Design Classification: **12-16B, 12-16K**
(74) Name(s) of Attorney(s):
(71) Name(s) and Address(s) of Applicant(s):
TDJ Australia Pty. Ltd.
78 Mills Rd Braeside VIC 3195 Australia
(72) Name(s) of Designer(s): **Lloyd Lamberty**
(45) Registration Date: **13 March 2014**
(56) Related Art Documents: **Not Applicable**
(57) Statement of Newness and Distinctiveness: **The 2006-2010 Series 1 Holden VE Commodore fascia kit is unique to the Australian market in terms of design, functionality and assembly. It incorporates a newly designed climate control system with an existing double-din cage and newly designed plastic surround insert to cover the cage. This fascia kit will also incorporate new mounting points to the dash which will make it unique to existing VE fascia kits currently on the market.**



(21) Design Number: **10240/2014**
(22) Date of Filing Application: **23 July 2013**
(24) Date from which industrial property rights may have effect: **23 July 2013**
(54) Product in respect of which the design is registered: **Dress**
(51) International Design Classification: **02-02C**
(74) Name(s) of Attorney(s): **K&L Gates**
(71) Name(s) and Address(s) of Applicant(s):
Magi Enterprises Pty Ltd
34 Garden St South Yarra VIC 3141 Australia
Beba Enterprises Pty Ltd
34 Garden St South Yarra VIC 3141 Australia
(72) Name(s) of Designer(s): **Robert Cromb**
(45) Registration Date: **13 March 2014**
(56) Related Art Documents: **Not Applicable**
(57) Statement of Newness and Distinctiveness: **Nil**



(21) Design Number: **10241/2014**
(22) Date of Filing Application: **23 July 2013**
(24) Date from which industrial property rights may have effect: **23 July 2013**
(54) Product in respect of which the design is registered: **Top**
(51) International Design Classification: **02-02NES**
(74) Name(s) of Attorney(s): **K&L Gates**
(71) Name(s) and Address(s) of Applicant(s):
Magi Enterprises Pty Ltd
34 Garden St South Yarra VIC 3141 Australia
Beba Enterprises Pty Ltd
34 Garden St South Yarra VIC 3141 Australia
(72) Name(s) of Designer(s): **Robert Cromb**
(45) Registration Date: **13 March 2014**
(56) Related Art Documents: **Not Applicable**
(57) Statement of Newness and Distinctiveness: **Nil**



- (21) Design Number: **10243/2014**
(22) Date of Filing Application: **23 July 2013**
(24) Date from which industrial property rights may have effect: **23 July 2013**
(54) Product in respect of which the design is registered: **Dress**
(51) International Design Classification: **02-02C**
(74) Name(s) of Attorney(s): **K&L Gates**
(71) Name(s) and Address(s) of Applicant(s):
Magi Enterprises Pty Ltd
34 Garden St South Yarra VIC 3141 Australia
Beba Enterprises Pty Ltd
34 Garden St South Yarra VIC 3141 Australia
(72) Name(s) of Designer(s): **Robert Cromb**
(45) Registration Date: **13 March 2014**
(56) Related Art Documents: **Not Applicable**
(57) Statement of Newness and Distinctiveness: **Nil**



- (21) Design Number: **10244/2014**
(22) Date of Filing Application: **23 July 2013**
(24) Date from which industrial property rights may have effect: **23 July 2013**
(54) Product in respect of which the design is registered: **Dress**
(51) International Design Classification: **02-02C**
(74) Name(s) of Attorney(s): **K&L Gates**
(71) Name(s) and Address(s) of Applicant(s):
Magi Enterprises Pty Ltd
34 Garden St South Yarra VIC 3141 Australia
Beba Enterprises Pty Ltd
34 Garden St South Yarra VIC 3141 Australia
(72) Name(s) of Designer(s): **Robert Cromb**
(45) Registration Date: **13 March 2014**
(56) Related Art Documents: **Not Applicable**
(57) Statement of Newness and Distinctiveness: **Nil**



- (21) Design Number: **10246/2014**
(22) Date of Filing Application: **23 July 2013**
(24) Date from which industrial property rights may have effect: **23 July 2013**
(54) Product in respect of which the design is registered: **Playsuit**
(51) International Design Classification: **02-02C**
(74) Name(s) of Attorney(s): **K&L Gates**
(71) Name(s) and Address(s) of Applicant(s):
Magi Enterprises Pty Ltd
34 Garden St South Yarra VIC 3141 Australia
Beba Enterprises Pty Ltd
34 Garden St South Yarra VIC 3141 Australia
(72) Name(s) of Designer(s): **Robert Cromb**
(45) Registration Date: **13 March 2014**
(56) Related Art Documents: **Not Applicable**
(57) Statement of Newness and Distinctiveness: **Nil**



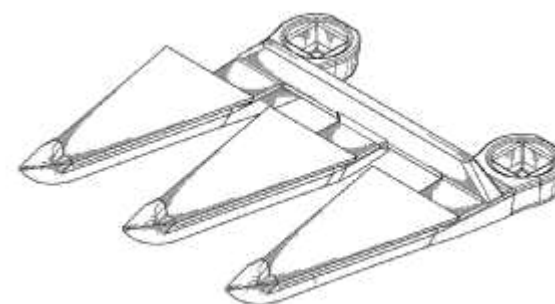
- (21) Design Number: **10391/2014**
(22) Date of Filing Application: **28 January 2014**
(24) Date from which industrial property rights may have effect: **28 January 2014**
(54) Product in respect of which the design is registered: **Bike and pedestrian traffic bollard**
(51) International Design Classification: **25-99, 10-06**
(74) Name(s) of Attorney(s):
(71) Name(s) and Address(s) of Applicant(s):
Trymak Australia Pty Ltd
15/2 Garden Bvd Dingley VIC 3172 Australia
(72) Name(s) of Designer(s): **Angus McDonald**
(45) Registration Date: **13 March 2014**
(56) Related Art Documents: **Not Applicable**
(57) Statement of Newness and Distinctiveness: **The design has new & distinctive features including but not limited to its shape, flexible hinge region, rebate for signage, split base region & distinctive 'flatter' region towards the top of the bollard.**



- (21) Design Number: **16751/2013**
(22) Date of Filing Application: **21 December 2013**
(24) Date from which industrial property rights may have effect: **21 December 2013**
(54) Product in respect of which the design is registered: **Shaker bottle**
(51) International Design Classification: **07-04, 09-01F, 07-01F**
(74) Name(s) of Attorney(s):
(71) Name(s) and Address(s) of Applicant(s):
 Matthew David Kempe
 12/82 Cromwell Rd South Yarra VIC 3141 Australia
 Jarahad Valeri
 12/82 Cromwell Rd South Yarra VIC 3141 Australia
(72) Name(s) of Designer(s): **Matthew David Kempe and Jarahad Valeri**
(45) Registration Date: **13 March 2014**
(56) Related Art Documents: **Not Applicable**
(57) Statement of Newness and Distinctiveness: **Newness and distinctiveness of the design resides in the shape and configuration of the rounded cup suspended by a support frame as shown in solid lines in the accompanying representations.**



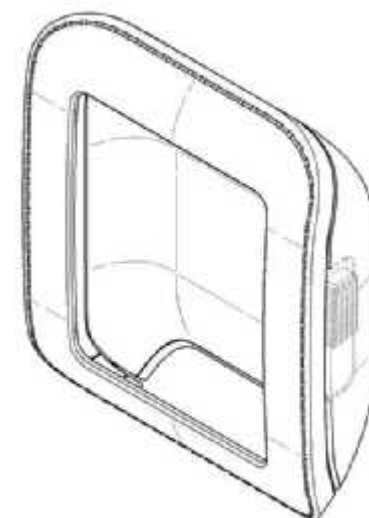
- (21) Design Number: **10079/2014**
(22) Date of Filing Application: **09 January 2014**
(24) Date from which industrial property rights may have effect: **09 January 2014**
(54) Product in respect of which the design is registered: **Pointed guard for a sickle**
(51) International Design Classification: **08-03**
(74) Name(s) of Attorney(s): **IP Gateway Patent & Trademark Attorneys Pty Ltd**
(71) Name(s) and Address(s) of Applicant(s):
 MacDon Industries Ltd.
 680 Moray Street Winnipeg Manitoba R3J 3S3 Canada
(72) Name(s) of Designer(s): **Francois R Talbot**
(45) Registration Date: **13 March 2014**
(30) Convention priority data:
 (31) Number (32) Date (33) Country
 151947 10 Jul 2013 CANADA
(56) Related Art Documents: **Not Applicable**
(57) Statement of Newness and Distinctiveness: **Newness and Distinctiveness reside in the visual features of shape and/or configuration of the fingers of a POINTED GUARD FOR A SICKLE as shown in the representations and in particular, the features of the ratio of the length to the width of the fingers and the distinct separation therebetween.**



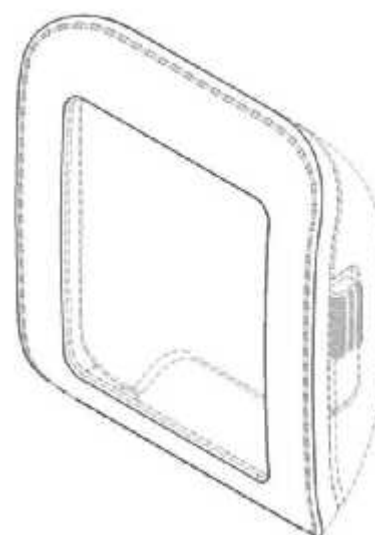
(21) Design Number: **10691/2014**
(22) Date of Filing Application: **12 February 2014**
(24) Date from which industrial property rights may have effect: **12 February 2014**
(54) Product in respect of which the design is registered: **Electronic device**
(51) International Design Classification: **14-02**
(74) Name(s) of Attorney(s): **Wrays**
(71) Name(s) and Address(s) of Applicant(s):
Samsung Electronics Co., Ltd
129 Samsung-ro Yeongtong-gu Suwon-si Gyeonggi-do 443-742 Republic of Korea
(72) Name(s) of Designer(s): **Christine Rhea Oh and Tae-Joong Kim**
(45) Registration Date: **13 March 2014**
(30) Convention priority data:
(31) Number (32) Date (33) Country
30-2013-0043844 27 Aug 2013 REPUBLIC OF KOREA
(56) Related Art Documents: **Not Applicable**
(57) Statement of Newness and Distinctiveness: **Newness and distinctiveness is claimed in the features of shape and/or configuration of the Electronic Device as shown in the accompanying representations. The features depicted by broken lines are for illustrative purposes only and form no part of the claimed design.**



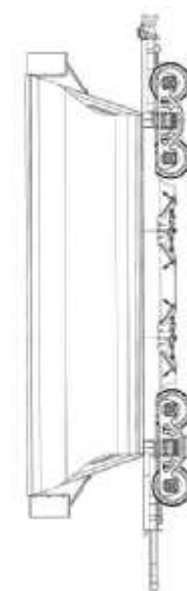
(21) Design Number: **10743/2014**
(22) Date of Filing Application: **17 February 2014**
(24) Date from which industrial property rights may have effect: **17 February 2014**
(54) Product in respect of which the design is registered: **A case for a portable terminal**
(51) International Design Classification: **03-01NES**
(74) Name(s) of Attorney(s): **Griffith Hack**
(71) Name(s) and Address(s) of Applicant(s):
SAMSUNG ELECTRONICS CO., LTD.
129, Samsung-ro Yeongtong-gu Suwon-si Gyeonggi-do 443-742 Republic of Korea
(72) Name(s) of Designer(s): **Jun Yong Song**
(45) Registration Date: **13 March 2014**
(30) Convention priority data:
(31) Number (32) Date (33) Country
30-2013-0044829 30 Aug 2013 REPUBLIC OF KOREA
(56) Related Art Documents: **Not Applicable**
(57) Statement of Newness and Distinctiveness: **Newness and distinctiveness resides in the visual features, including the shape, configuration and ornamentation of the product shown by means of solid lines or bold lines in the representations.**



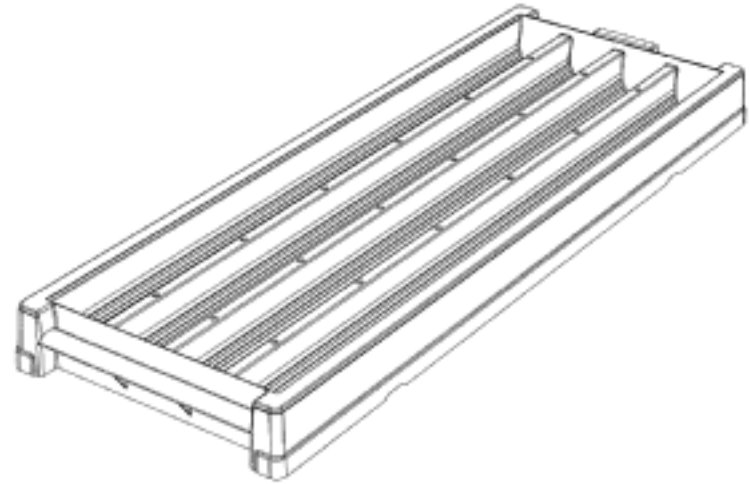
(21) Design Number: **10744/2014**
(22) Date of Filing Application: **17 February 2014**
(24) Date from which industrial property rights may have effect: **17 February 2014**
(54) Product in respect of which the design is registered: **A case for a portable terminal**
(51) International Design Classification: **03-01NES**
(74) Name(s) of Attorney(s): **Griffith Hack**
(71) Name(s) and Address(s) of Applicant(s):
SAMSUNG ELECTRONICS CO., LTD.
129, Samsung-ro Yeongtong-gu Suwon-si Gyeonggi-do 443-742
Republic of Korea
(72) Name(s) of Designer(s): **Jun Yong Song**
(45) Registration Date: **13 March 2014**
(30) Convention priority data:
(31) Number (32) Date (33) Country
30-2013-0044830 30 Aug 2013 REPUBLIC OF KOREA
(56) Related Art Documents: **Not Applicable**
(57) Statement of Newness and Distinctiveness: **Newness and distinctiveness resides in the visual features, including the shape, configuration and ornamentation of the product shown by means of solid lines or bold lines in the representations.**



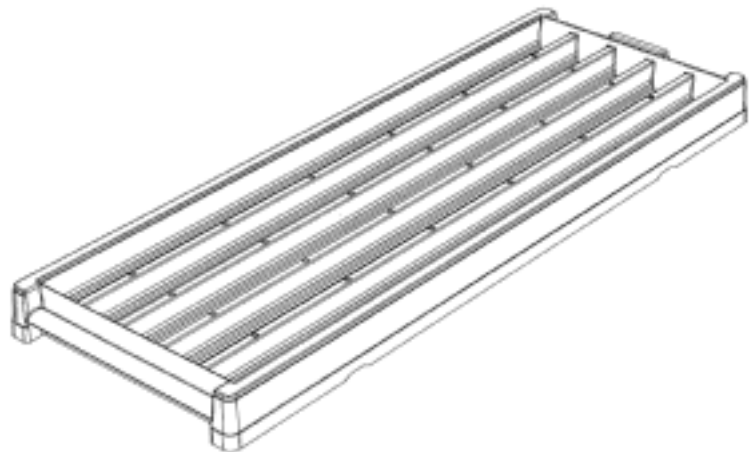
(21) Design Number: **10699/2014**
(22) Date of Filing Application: **13 February 2014**
(24) Date from which industrial property rights may have effect: **13 February 2014**
(54) Product in respect of which the design is registered: **Rail wagon**
(51) International Design Classification: **12-03**
(74) Name(s) of Attorney(s): **Cullens Patent and Trade Mark Attorneys**
(71) Name(s) and Address(s) of Applicant(s):
Aurizon Operations Limited
175 Eagle St Brisbane QLD 4000 Australia
(72) Name(s) of Designer(s): **Roshan Thomas John and Brett Alexander and Brett Elliot**
(45) Registration Date: **13 March 2014**
(56) Related Art Documents: **Not Applicable**
(57) Statement of Newness and Distinctiveness: **Nil**



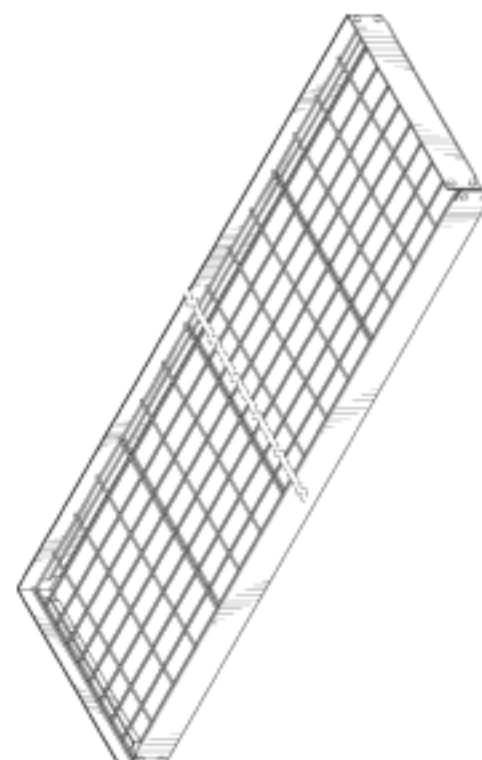
- (21) Design Number: **10703/2014**
(22) Date of Filing Application: **13 February 2014**
(24) Date from which industrial property rights may have effect: **13 February 2014**
(54) Product in respect of which the design is registered: **Four row core tray**
(51) International Design Classification: **15-99**
(74) Name(s) of Attorney(s): **Madderns**
(71) Name(s) and Address(s) of Applicant(s):
Sandvik Intellectual Property AB
SE-811 81 Sandviken Sweden
(72) Name(s) of Designer(s): **Stewart Ernest Abbott and Tobias James Huigens**
(45) Registration Date: **13 March 2014**
(56) Related Art Documents: **Not Applicable**
(57) Statement of Newness and Distinctiveness: **Newness and distinctiveness resides in the features of shape and configuration applied to a core tray as shown in the accompanying drawings**



- (21) Design Number: **10705/2014**
(22) Date of Filing Application: **13 February 2014**
(24) Date from which industrial property rights may have effect: **13 February 2014**
(54) Product in respect of which the design is registered: **Five row core tray**
(51) International Design Classification: **15-99**
(74) Name(s) of Attorney(s): **Madderns**
(71) Name(s) and Address(s) of Applicant(s):
Sandvik Intellectual Property AB
SE-811 81 Sandviken Sweden
(72) Name(s) of Designer(s): **Tobias James Huigens and Stewart Ernest Abbott**
(45) Registration Date: **13 March 2014**
(56) Related Art Documents: **Not Applicable**
(57) Statement of Newness and Distinctiveness: **Newness and distinctiveness resides in the features of shape and configuration of a core tray as shown in the accompanying drawings.**



- (21) Design Number: **10714/2014**
(22) Date of Filing Application: **14 February 2014**
(24) Date from which industrial property rights may have effect: **14 February 2014**
(54) Product in respect of which the design is registered: **Wire shelf**
(51) International Design Classification: **06-04NES**
(74) Name(s) of Attorney(s): **SPRUSON & FERGUSON**
(71) Name(s) and Address(s) of Applicant(s):
Edsal Manufacturing Co., Inc.
4400 South Packers Avenue, Chicago Illinois 60609 United States of America
(72) Name(s) of Designer(s): **Scott Fitzgerald and David J Wojtowicz and Thomas St. Germain and Mitchell Liss and Al Dunaj**
(45) Registration Date: **13 March 2014**
(30) Convention priority data:
(31) Number (32) Date (33) Country
29/464476 16 Aug 2013 UNITED STATES OF AMERICA
(56) Related Art Documents: **Not Applicable**
(57) Statement of Newness and Distinctiveness: **Newness and distinctiveness is claimed in those features of shape and/or configuration of a wire shelf illustrated in continuous lines in the accompanying representations.**



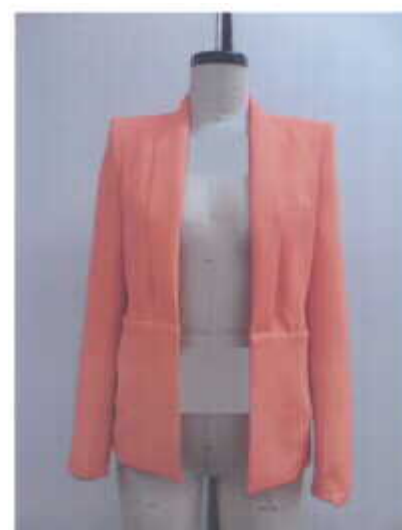
- (21) Design Number: **10745/2014**
(22) Date of Filing Application: **17 February 2014**
(24) Date from which industrial property rights may have effect: **17 February 2014**
(54) Product in respect of which the design is registered: **A case for a portable terminal**
(51) International Design Classification: **03-01NES**
(74) Name(s) of Attorney(s): **Griffith Hack**
(71) Name(s) and Address(s) of Applicant(s):
SAMSUNG ELECTRONICS CO., LTD.
129, Samsung-ro Yeongtong-gu Suwon-si Gyeonggi-do 443-742 Republic of Korea
(72) Name(s) of Designer(s): **Jun Yong Song**
(45) Registration Date: **13 March 2014**
(30) Convention priority data:
(31) Number (32) Date (33) Country
30-2013-0044831 30 Aug 2013 REPUBLIC OF KOREA
(56) Related Art Documents: **Not Applicable**
(57) Statement of Newness and Distinctiveness: **Newness and distinctiveness resides in the visual features, including the shape, configuration and ornamentation of the product shown by means of solid lines or bold lines in the representations.**



(21) Design Number: **10758/2014**
(22) Date of Filing Application: **18 February 2014**
(24) Date from which industrial property rights may have effect: **18 February 2014**
(54) Product in respect of which the design is registered: **Seamless boot**
(51) International Design Classification: **02-04NES**
(74) Name(s) of Attorney(s): **Griffith Hack**
(71) Name(s) and Address(s) of Applicant(s):
LES CHAUSSURES STC INC.
10 100 rue Colbert Anjou QC H1J 2J8 Canada
(72) Name(s) of Designer(s): **Michel Bisson**
(45) Registration Date: **13 March 2014**
(30) Convention priority data:
(31) Number (32) Date (33) Country
29/479,845 21 Jan 2014 UNITED STATES OF AMERICA
(56) Related Art Documents: **Not Applicable**
(57) Statement of Newness and Distinctiveness: **Newness and distinctiveness resides in the visual features, including shape and configuration of the product as shown in the accompanying representations. Those parts shown by means of dashed lines do not form part of the design and have been included for illustrative purposes.**



(21) Design Number: **13545/2013**
(22) Date of Filing Application: **23 July 2013**
(24) Date from which industrial property rights may have effect: **23 July 2013**
(54) Product in respect of which the design is registered: **Jacket**
(51) International Design Classification: **02-02NES**
(74) Name(s) of Attorney(s):
(71) Name(s) and Address(s) of Applicant(s):
Magi Enterprises Pty Ltd
34 Garden St South Yarra VIC 3141 Australia
Beba Enterprises Pty Ltd
34 Garden St South Yarra VIC 3141 Australia
(72) Name(s) of Designer(s): **Robert Cromb**
(45) Registration Date: **13 March 2014**
(56) Related Art Documents: **Not Applicable**
(57) Statement of Newness and Distinctiveness: **Nil**



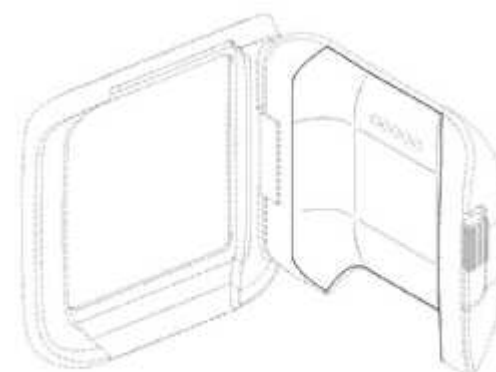
(21) Design Number: **10242/2014**
(22) Date of Filing Application: **23 July 2013**
(24) Date from which industrial property rights may have effect: **23 July 2013**
(54) Product in respect of which the design is registered: **Top**
(51) International Design Classification: **02-02NES**
(74) Name(s) of Attorney(s): **K&L Gates**
(71) Name(s) and Address(s) of Applicant(s):
Magi Enterprises Pty Ltd
34 Garden St South Yarra VIC 3141 Australia
Beba Enterprises Pty Ltd
34 Garden St South Yarra VIC 3141 Australia
(72) Name(s) of Designer(s): **Robert Cromb**
(45) Registration Date: **13 March 2014**
(56) Related Art Documents: **Not Applicable**
(57) Statement of Newness and Distinctiveness: **Nil**



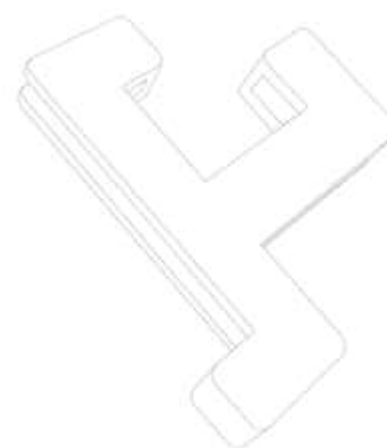
(21) Design Number: **10245/2014**
(22) Date of Filing Application: **23 July 2013**
(24) Date from which industrial property rights may have effect: **23 July 2013**
(54) Product in respect of which the design is registered: **Dress**
(51) International Design Classification: **02-02C**
(74) Name(s) of Attorney(s): **K&L Gates**
(71) Name(s) and Address(s) of Applicant(s):
Magi Enterprises Pty Ltd
34 Garden St South Yarra VIC 3141 Australia
Beba Enterprises Pty Ltd
34 Garden St South Yarra VIC 3141 Australia
(72) Name(s) of Designer(s): **Robert Cromb**
(45) Registration Date: **13 March 2014**
(56) Related Art Documents: **Not Applicable**
(57) Statement of Newness and Distinctiveness: **Nil**



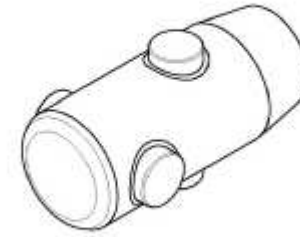
(21) Design Number: **10747/2014**
(22) Date of Filing Application: **17 February 2014**
(24) Date from which industrial property rights may have effect: **17 February 2014**
(54) Product in respect of which the design is registered: **A case for a portable terminal**
(51) International Design Classification: **03-01NES**
(74) Name(s) of Attorney(s): **Griffith Hack**
(71) Name(s) and Address(s) of Applicant(s):
SAMSUNG ELECTRONICS CO., LTD.
129, Samsung-ro Yeongtong-gu Suwon-si Gyeonggi-do 443-742
Republic of Korea
(72) Name(s) of Designer(s): **Jun Yong Song**
(45) Registration Date: **13 March 2014**
(30) Convention priority data:
(31) Number (32) Date (33) Country
30-2013-0044832 30 Aug 2013 REPUBLIC OF KOREA
(56) Related Art Documents: **Not Applicable**
(57) Statement of Newness and Distinctiveness: **Newness and distinctiveness resides in the visual features, including the shape, configuration and ornamentation of the product shown by means of solid lines or bold lines in the representations.**



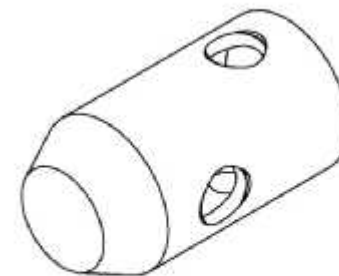
(21) Design Number: **10750/2014**
(22) Date of Filing Application: **17 February 2014**
(24) Date from which industrial property rights may have effect: **17 February 2014**
(54) Product in respect of which the design is registered: **Accessory for clothing apparel**
(51) International Design Classification: **02-07A**
(74) Name(s) of Attorney(s): **Freehills Patent Attorneys**
(71) Name(s) and Address(s) of Applicant(s):
Alpargatas S.A.
Av. Doutor Cardoso de Melo 1336 Vila Olimpia Sao Paulo, SP 04548-005
Brazil
(72) Name(s) of Designer(s): **Clara Oliva De Paiva**
(45) Registration Date: **13 March 2014**
(30) Convention priority data:
(31) Number (32) Date (33) Country
002378661 30 Dec 2013 OFFICE FOR HARMONISATION IN
THE INTERNAL MARKET (OHIM)
(56) Related Art Documents: **Not Applicable**
(57) Statement of Newness and Distinctiveness: **Newness and distinctiveness resides in the shape of the front surface of an accessory for clothing apparel as illustrated in Figure 2 of the accompanying representations.**



- (21) Design Number: **10755/2014**
(22) Date of Filing Application: **18 February 2014**
(24) Date from which industrial property rights may have effect: **18 February 2014**
(54) Product in respect of which the design is registered: **A concrete reinforcing bar coupler part**
(51) International Design Classification: **25-01B**
(74) Name(s) of Attorney(s): **Pegasus IP**
(71) Name(s) and Address(s) of Applicant(s):
Nexus Couplers Pty Ltd
9 Walters St Glen Aplin QLD 4381 Australia
(72) Name(s) of Designer(s): **Ernest Comerford and Mark Rankin**
(45) Registration Date: **13 March 2014**
(56) Related Art Documents: **Not Applicable**
(57) Statement of Newness and Distinctiveness: **Newness and distinctiveness resides in the features of shape and/or configuration of the product shown in the reps.**



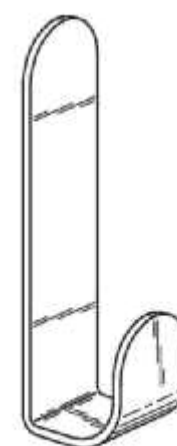
- (21) Design Number: **10756/2014**
(22) Date of Filing Application: **18 February 2014**
(24) Date from which industrial property rights may have effect: **18 February 2014**
(54) Product in respect of which the design is registered: **A concrete reinforcing bar coupler part**
(51) International Design Classification: **25-01B**
(74) Name(s) of Attorney(s): **Pegasus IP**
(71) Name(s) and Address(s) of Applicant(s):
Nexus Couplers Pty Ltd
9 Walters St Glen Aplin QLD 4381 Australia
(72) Name(s) of Designer(s): **Ernest Comerford and Mark Rankin**
(45) Registration Date: **13 March 2014**
(56) Related Art Documents: **Not Applicable**
(57) Statement of Newness and Distinctiveness: **Newness and Distinctiveness resides in the features of shape and/or configuration of the product shown in the reps.**



- (21) Design Number: **10757/2014**
(22) Date of Filing Application: **18 February 2014**
(24) Date from which industrial property rights may have effect: **18 February 2014**
(54) Product in respect of which the design is registered: **Tire for a car**
(51) International Design Classification: **12-15B**
(74) Name(s) of Attorney(s): **WATERMARK PATENT AND TRADE MARKS ATTORNEYS**
(71) Name(s) and Address(s) of Applicant(s):
Kumho Tire., Inc
555, Sochon-dong Gwangsan-gu Gwangju 506-711 Republic of Korea
(72) Name(s) of Designer(s): **Hae-Dong Jeong and Jae-Hyun Han and Tae-Min Kim and Jae-Phil Park and Chang-Jung Park and In-Hee Park and Uk Seo and Sung-Hoon In**
(45) Registration Date: **13 March 2014**
(30) Convention priority data:
(31) Number (32) Date (33) Country
30-2013-0053755 25 Oct 2013 REPUBLIC OF KOREA
(56) Related Art Documents: **Not Applicable**
(57) Statement of Newness and Distinctiveness: **The newness and distinctiveness resides in the shape and configuration and/or pattern and ornamentation of the tread pattern of a tyre as shown in the accompanying representations.**



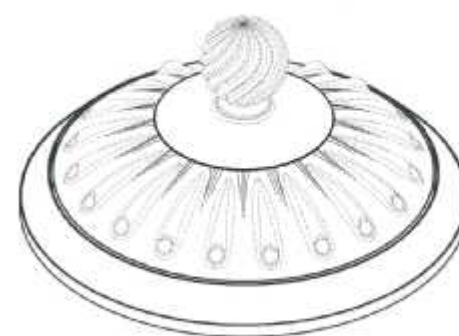
- (21) Design Number: **10004/2014**
(22) Date of Filing Application: **02 January 2014**
(24) Date from which industrial property rights may have effect: **02 January 2014**
(54) Product in respect of which the design is registered: **Hook**
(51) International Design Classification: **08-08G**
(74) Name(s) of Attorney(s): **Davies Collison Cave**
(71) Name(s) and Address(s) of Applicant(s):
3M Innovative Properties Company
3M Center Saint Paul Minnesota, 55133-3427 United States of America
(72) Name(s) of Designer(s): **Angela L. Pan**
(45) Registration Date: **14 March 2014**
(30) Convention priority data:
(31) Number (32) Date (33) Country
29/459497 01 Jul 2013 UNITED STATES OF AMERICA
(56) Related Art Documents: **Not Applicable**
(57) Statement of Newness and Distinctiveness: **Newness and distinctiveness is claimed in the visual features shown in solid lines in the representations.**



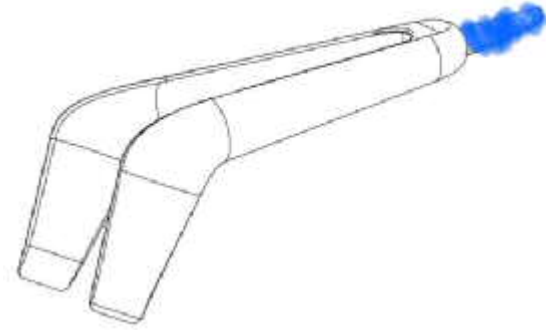
(21) Design Number: **10701/2014**
(22) Date of Filing Application: **13 February 2014**
(24) Date from which industrial property rights may have effect: **13 February 2014**
(54) Product in respect of which the design is registered: **Gate**
(51) International Design Classification: **25-02C**
(74) Name(s) of Attorney(s): **Ashurst Australia**
(71) Name(s) and Address(s) of Applicant(s):
KONE Corporation
Kartanontie 1 00330 Helsinki Finland
(72) Name(s) of Designer(s): **Visa Rauta and Tomi Kapiainen and Kim Heikkinen**
(45) Registration Date: **14 March 2014**
(30) Convention priority data:
(31) Number (32) Date (33) Country
002318030-0001 30 Sep 2013 OFFICE FOR HARMONISATION IN THE INTERNAL MARKET (OHIM)
(56) Related Art Documents: **Not Applicable**
(57) Statement of Newness and Distinctiveness: **Nil**



(21) Design Number: **10777/2014**
(22) Date of Filing Application: **19 February 2014**
(24) Date from which industrial property rights may have effect: **19 February 2014**
(54) Product in respect of which the design is registered: **Jewellery display device**
(51) International Design Classification: **20-02E**
(74) Name(s) of Attorney(s): **AJ Park**
(71) Name(s) and Address(s) of Applicant(s):
Kagi IP Holding Company Limited
Level 1 30 Broadway Newmarket Auckland 1023 New Zealand
(72) Name(s) of Designer(s): **Katherine Clare Gee**
(45) Registration Date: **14 March 2014**
(30) Convention priority data:
(31) Number (32) Date (33) Country
29/464700 20 Aug 2013 UNITED STATES OF AMERICA
(56) Related Art Documents: **Not Applicable**
(57) Statement of Newness and Distinctiveness: **The novelty of the design resides in the features of shape and/or configuration of a jewellery display device as shown in the accompanying drawings, but excluding the features shown in dotted lines.**



(21) Design Number: **10780/2014**
(22) Date of Filing Application: **20 February 2014**
(24) Date from which industrial property rights may have effect: **20 February 2014**
(54) Product in respect of which the design is registered: **A pair of gardening tongs**
(51) International Design Classification: **08-05A**
(74) Name(s) of Attorney(s): **James & Wells**
(71) Name(s) and Address(s) of Applicant(s):
Rolling Stone Cleaning Co. Limited
91 Clarence Street Hamilton Lake Hamilton New Zealand
(72) Name(s) of Designer(s): **Christopher Francis Lucas and Patrick Teasdale**
(45) Registration Date: **14 March 2014**
(30) Convention priority data:
(31) Number (32) Date (33) Country
417958 20 Aug 2013 NEW ZEALAND



(56) Related Art Documents: **Not Applicable**
(57) Statement of Newness and Distinctiveness: **This design is to be applied to A PAIR OF GARDENING TONGS and the novelty resides in features of shape and configuration, all as shown in the accompanying representations. The shape and configuration of the portion of the article in blue wash is not part of the design in which novelty is claimed.**

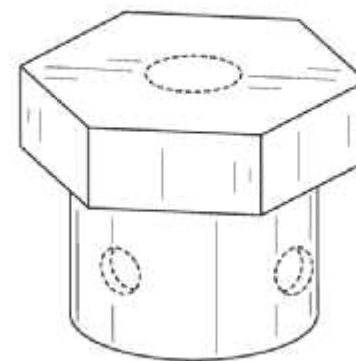
(21) Design Number: **10783/2014**
(22) Date of Filing Application: **20 February 2014**
(24) Date from which industrial property rights may have effect: **20 February 2014**
(54) Product in respect of which the design is registered: **Trimmer line**
(51) International Design Classification: **08-03**
(74) Name(s) of Attorney(s): **PIPERS**
(71) Name(s) and Address(s) of Applicant(s):
EUROLUX AUSTRALIA PTY LTD
PO BOX 1335 Mona Vale NSW 1660 Australia
(72) Name(s) of Designer(s): **Martin Hermann**
(45) Registration Date: **14 March 2014**
(56) Related Art Documents: **Not Applicable**
(57) Statement of Newness and Distinctiveness: **The newness and distinctiveness of the design resides in the shape and configuration of the trimmer line as shown in the accompanying representations.**



(21) Design Number: **10785/2014**
(22) Date of Filing Application: **20 February 2014**
(24) Date from which industrial property rights may have effect: **20 February 2014**
(54) Product in respect of which the design is registered: **An automotive stabilizer arm**
(51) International Design Classification: **12-16NES**
(74) Name(s) of Attorney(s): **Cullens Patent and Trade Mark Attorneys**
(71) Name(s) and Address(s) of Applicant(s):
Superior Engineering (QLD) Pty Ltd
499 Uhlmann Rd Burpengary QLD 4505 Australia
(72) Name(s) of Designer(s): **Gregory John Heick**
(45) Registration Date: **14 March 2014**
(56) Related Art Documents: **Not Applicable**
(57) Statement of Newness and Distinctiveness: **Nil**



(21) Design Number: **10786/2014**
(22) Date of Filing Application: **20 February 2014**
(24) Date from which industrial property rights may have effect: **20 February 2014**
(54) Product in respect of which the design is registered: **Pile head connector**
(51) International Design Classification: **08-08B**
(74) Name(s) of Attorney(s): **SPRUSON & FERGUSON**
(71) Name(s) and Address(s) of Applicant(s):
Goliathtech Inc.
1516 ch. Ivory Magog Quebec J1X 5R9 Canada
(72) Name(s) of Designer(s): **Julian L Reusing and Predrag Pudar**
(45) Registration Date: **14 March 2014**
(30) Convention priority data:
(31) Number (32) Date (33) Country
152578 22 Aug 2013 CANADA
(56) Related Art Documents: **Not Applicable**
(57) Statement of Newness and Distinctiveness: **Newness and distinctiveness is claimed in those features of shape and/or configuration of a pile head connector illustrated in continuous lines in the accompanying representations.**



- (21) Design Number: **13382/2013**
(22) Date of Filing Application: **15 July 2013**
(24) Date from which industrial property rights may have effect: **15 July 2013**
(54) Product in respect of which the design is registered: **Non-electric curler**
(51) International Design Classification: **28-03C**
(74) Name(s) of Attorney(s):
(71) Name(s) and Address(s) of Applicant(s):
Velia Josephine Christie
3A View Mount Ct Eltham VIC 3095 Australia
(72) Name(s) of Designer(s): **Velia Josephine Christie**
(45) Registration Date: **17 March 2014**
(56) Related Art Documents: **Not Applicable**
(57) Statement of Newness and Distinctiveness: **This is an improvement on my current design no. 132984. A layer of foam has been placed over the more rigid core for added softness and two bands form an edge at the ends of the roller to prevent hair entanglement.**



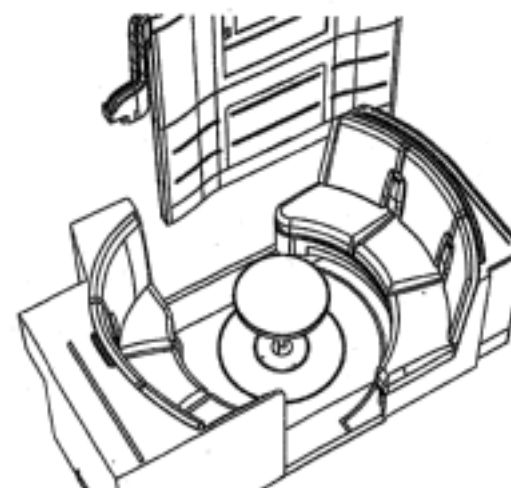
- (21) Design Number: **15898/2013**
(22) Date of Filing Application: **18 November 2013**
(24) Date from which industrial property rights may have effect: **18 November 2013**
(54) Product in respect of which the design is registered: **Polyurethane feature stone**
(51) International Design Classification: **11-02F, 25-01D**
(74) Name(s) of Attorney(s):
(71) Name(s) and Address(s) of Applicant(s):
Desmond Wade Bankier
50 Green Mist Cres Botanic Ridge VIC 3977 Australia
(72) Name(s) of Designer(s): **Desmond Wade Bankier**
(45) Registration Date: **17 March 2014**
(56) Related Art Documents: **Not Applicable**
(57) Statement of Newness and Distinctiveness: **Polyurethane stone with "finger join" edges designed to create internal and external corners without cutting as well as reduce visible joints between panels. Simple DIY installation and can be easily cut by craft knife or saw. Channels on reverse to aid moisture draining.**



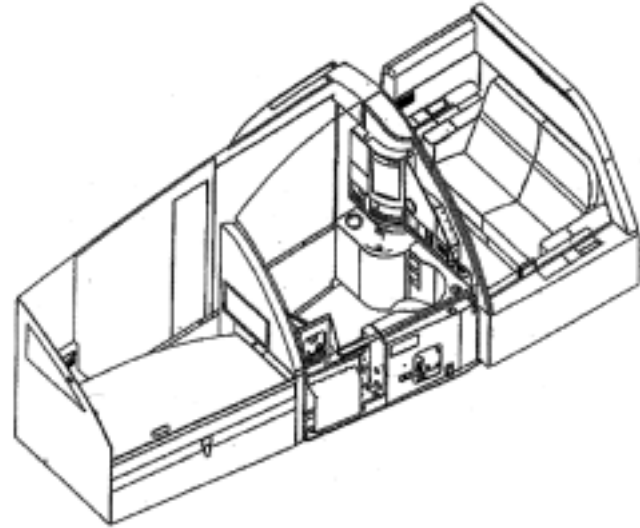
- (21) Design Number: **10061/2014**
(22) Date of Filing Application: **09 January 2014**
(24) Date from which industrial property rights may have effect: **09 January 2014**
(54) Product in respect of which the design is registered: **Portable pet feeder**
(51) International Design Classification: **30-03**
(74) Name(s) of Attorney(s):
(71) Name(s) and Address(s) of Applicant(s):
Stacey A Stewart
PO Box 184 Balnarring Victoria 3926
(72) Name(s) of Designer(s): **Stacey Stewart**
(45) Registration Date: **17 March 2014**
(56) Related Art Documents: **Not Applicable**
(57) Statement of Newness and Distinctiveness: **The distinctiveness in this product is two feed bowls encased in a wipeable plastic carry case that zips open and closed which can be layed on the ground and used anywhere when travelling with your pet. Zips up like a small slim line carry case for easy portability and space saving.**



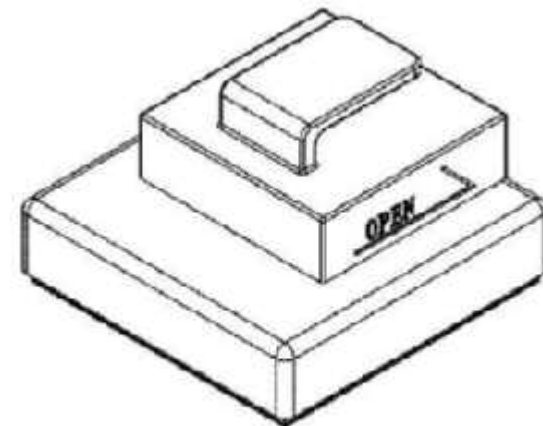
- (21) Design Number: **10132/2014**
(22) Date of Filing Application: **10 January 2014**
(24) Date from which industrial property rights may have effect: **15 October 2013**
(54) Product in respect of which the design is registered: **Lounge setting**
(51) International Design Classification: **06-01D**
(74) Name(s) of Attorney(s): **Davies Collison Cave**
(71) Name(s) and Address(s) of Applicant(s):
Etihad Airways
PO BOX 35566 New Airport Road Abu Dhabi United Arab Emirates
(72) Name(s) of Designer(s): **Adrian Berry and Adam White**
(45) Registration Date: **17 March 2014**
(62) Divisional of: **353315**
(56) Related Art Documents: **Not Applicable**
(57) Statement of Newness and Distinctiveness: **Nil**



- (21) Design Number: **10133/2014**
(22) Date of Filing Application: **10 January 2014**
(24) Date from which industrial property rights may have effect: **15 October 2013**
(54) Product in respect of which the design is registered: **Suite module**
(51) International Design Classification: **06-01D**
(74) Name(s) of Attorney(s): **Davies Collison Cave**
(71) Name(s) and Address(s) of Applicant(s):
Etihad Airways
PO BOX 35566 New Airport Road Abu Dhabi United Arab Emirates
(72) Name(s) of Designer(s): **Adrian Berry and Adam White and Matthew Fiddimore and Nigel Lawson and Anthony Harcup**
(45) Registration Date: **17 March 2014**
(62) Divisional of: **353316**
(56) Related Art Documents: **Not Applicable**
(57) Statement of Newness and Distinctiveness: **Nil**



- (21) Design Number: **13395/2013**
(22) Date of Filing Application: **16 July 2013**
(24) Date from which industrial property rights may have effect: **16 July 2013**
(54) Product in respect of which the design is registered: **Square-shaped suction cup**
(51) International Design Classification: **08-08NES, 08-08G**
(74) Name(s) of Attorney(s): **WATERMARK PATENT AND TRADE MARKS ATTORNEYS**
(71) Name(s) and Address(s) of Applicant(s):
Anho Houseware Co., Ltd (Jiangmen)
2-3/F., No. 126-128 Jianghua 1st Road Jiangmen Guangdong, 529020 China
(72) Name(s) of Designer(s): **Jianming Huang**
(45) Registration Date: **17 March 2014**
(30) Convention priority data:
(31) Number (32) Date (33) Country
201330028773.7 30 Jan 2013 CHINA
(56) Related Art Documents: **Not Applicable**
(57) Statement of Newness and Distinctiveness: **Nil**



(21) Design Number: **15676/2013**

(22) Date of Filing Application: **05 November 2013**

(24) Date from which industrial property rights may have effect: **05 November 2013**

(54) Product in respect of which the design is registered: **Containers for food**

(51) International Design Classification: **07-01NES**

(74) Name(s) of Attorney(s): **Trademark Works**

(71) Name(s) and Address(s) of Applicant(s):

Joseph Joseph Limited

The Grove 30 Great Guildford Street London SE1 0HS United Kingdom

(72) Name(s) of Designer(s): **Bill Holding and Ben Cox**

(45) Registration Date: **17 March 2014**

(30) Convention priority data:

(31) Number

(32) Date

(33) Country

002287086-0001 05 Aug 2013

**OFFICE FOR HARMONISATION IN
THE INTERNAL MARKET (OHIM)**

(56) Related Art Documents: **Not Applicable**

(57) Statement of Newness and Distinctiveness: **Nil**



(21) Design Number: **16630/2013**

(22) Date of Filing Application: **18 December 2013**

(24) Date from which industrial property rights may have effect: **18 December 2013**

(54) Product in respect of which the design is registered: **Loudspeaker**

(51) International Design Classification: **14-01**

(74) Name(s) of Attorney(s): **WATERMARK PATENT AND TRADE MARKS
ATTORNEYS**

(71) Name(s) and Address(s) of Applicant(s):

Label S.r.l

Via Casati 4 Cinisello Balsamo MI 20092 Italy

(72) Name(s) of Designer(s): **Maurizio Di Mauro**

(45) Registration Date: **17 March 2014**

(30) Convention priority data:

(31) Number

(32) Date

(33) Country

002268235 04 Jul 2013

**OFFICE FOR HARMONISATION IN
THE INTERNAL MARKET (OHIM)**

(56) Related Art Documents: **Not Applicable**

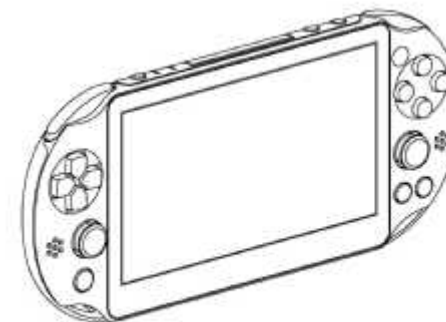
(57) Statement of Newness and Distinctiveness: **Nil**



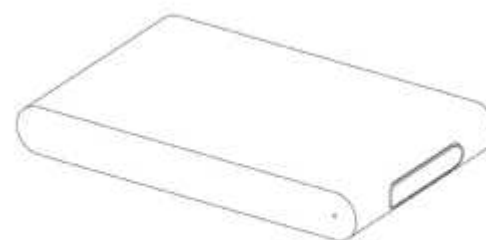
- (21) Design Number: **10296/2014**
(22) Date of Filing Application: **23 January 2014**
(24) Date from which industrial property rights may have effect: **23 January 2014**
(54) Product in respect of which the design is registered: **Bike rack**
(51) International Design Classification: **08-10**
(74) Name(s) of Attorney(s):
(71) Name(s) and Address(s) of Applicant(s):
 Barrier Group Pty. Ltd.
 58-62 Separation St North Geelong VIC 3215 Australia
(72) Name(s) of Designer(s): **Huiming Wong and Rick Hall**
(45) Registration Date: **17 March 2014**
(56) Related Art Documents: **Not Applicable**
(57) Statement of Newness and Distinctiveness: **The Zephyr bollard has been designed exclusively by its designers, without any outside assistance or influence. It will be 100% manufactured in Australia.**



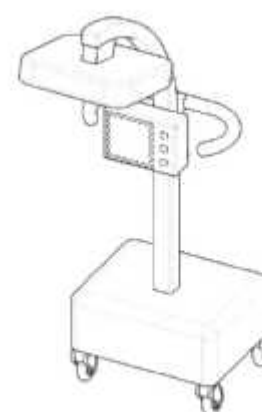
- (21) Design Number: **10455/2014**
(22) Date of Filing Application: **31 January 2014**
(24) Date from which industrial property rights may have effect: **31 January 2014**
(54) Product in respect of which the design is registered: **Portable information terminal**
(51) International Design Classification: **21-01N**
(74) Name(s) of Attorney(s): **Shelston IP**
(71) Name(s) and Address(s) of Applicant(s):
 Sony Computer Entertainment Inc.
 1-7-1 Konan Minato-ku Tokyo 108-0075 Japan
(72) Name(s) of Designer(s): **Taichi Nokuo**
(45) Registration Date: **17 March 2014**
(30) Convention priority data:
 (31) Number (32) Date (33) Country
 2013-018413 09 Aug 2013 JAPAN
(56) Related Art Documents: **Not Applicable**
(57) Statement of Newness and Distinctiveness: **Newness and distinctiveness reside in the features of shape and/or configuration of the Portable Information Terminal as shown in the accompanying representations.**



- (21) Design Number: **10456/2014**
(22) Date of Filing Application: **31 January 2014**
(24) Date from which industrial property rights may have effect: **31 January 2014**
(54) Product in respect of which the design is registered: **Portable information terminal**
(51) International Design Classification: **21-01N**
(74) Name(s) of Attorney(s): **Shelston IP**
(71) Name(s) and Address(s) of Applicant(s):
Sony Computer Entertainment Inc.
1-7-1 Konan Minato-ku Tokyo 108-0075 Japan
(72) Name(s) of Designer(s): **Taichi Nokuo**
(45) Registration Date: **17 March 2014**
(30) Convention priority data:
(31) Number (32) Date (33) Country
2013-018405 09 Aug 2013 JAPAN
(56) Related Art Documents: **Not Applicable**
(57) Statement of Newness and Distinctiveness: **Newness and distinctiveness reside in the features of shape and/or configuration of the Portable Information Terminal as shown in the accompanying representations.**



- (21) Design Number: **10458/2014**
(22) Date of Filing Application: **31 January 2014**
(24) Date from which industrial property rights may have effect: **31 January 2014**
(54) Product in respect of which the design is registered: **Wireless power transmitter**
(51) International Design Classification: **24-01**
(74) Name(s) of Attorney(s): **Fisher Adams Kelly Pty Ltd**
(71) Name(s) and Address(s) of Applicant(s):
EverHeart Systems Inc.
16910 N. Texas Ave., Suite A6 Webster Texas, 77598 United States of America
(72) Name(s) of Designer(s): **Greg S Aber and Allan S Rhoades**
(45) Registration Date: **17 March 2014**
(30) Convention priority data:
(31) Number (32) Date (33) Country
29/464879 21 Aug 2013 UNITED STATES OF AMERICA
(56) Related Art Documents: **Not Applicable**
(57) Statement of Newness and Distinctiveness: **The newness and distinctiveness of the design resides in the shape and/or configuration of the WIRELESS POWER TRANSMITTER shown in the representations. When assessing the newness and distinctiveness of the design, features in dashed lines are to be disregarded and dotted lines indicate contour.**



- (21) Design Number: **10460/2014**
(22) Date of Filing Application: **31 January 2014**
(24) Date from which industrial property rights may have effect: **31 January 2014**
(54) Product in respect of which the design is registered: **Motor scooter**
(51) International Design Classification: **12-11**
(74) Name(s) of Attorney(s): **SPRUSON & FERGUSON**
(71) Name(s) and Address(s) of Applicant(s):
Honda Motor Co., Ltd.
1-1, Minami-Aoyama 2-chome, Minato-ku Tokyo 107-8556 Japan
(72) Name(s) of Designer(s): **Yoshiyuki Ishiguri and Ayumu Tsuji**
(45) Registration Date: **17 March 2014**
(30) Convention priority data:
(31) Number (32) Date (33) Country
2013-018248 08 Aug 2013 JAPAN
(56) Related Art Documents: **Not Applicable**
(57) Statement of Newness and Distinctiveness: **Newness and distinctiveness is claimed in the features of shape and/or configuration of a motor scooter as illustrated in the accompanying representations.**



- (21) Design Number: **10466/2014**
(22) Date of Filing Application: **03 February 2014**
(24) Date from which industrial property rights may have effect: **03 February 2014**
(54) Product in respect of which the design is registered: **Take away food container with snap cap lid**
(51) International Design Classification: **09-03F, 07-01NES**
(74) Name(s) of Attorney(s):
(71) Name(s) and Address(s) of Applicant(s):
Jochnic Packaging Co Ltd.
U1 10 Turbo Dr Bayswater North VIC 3153 Australia
(72) Name(s) of Designer(s): **YT Mah**
(45) Registration Date: **17 March 2014**
(56) Related Art Documents: **Not Applicable**
(57) Statement of Newness and Distinctiveness: **Monopoly is claimed in the features of shape and/or configuration applied to a food container as illustrated in the accompanying representations.**



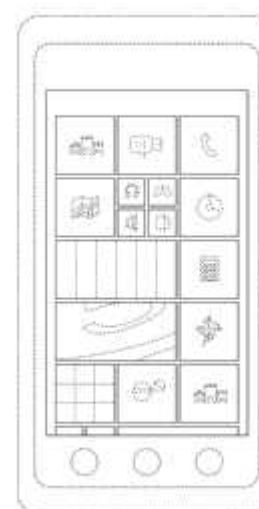
- (21) Design Number: **10467/2014**
(22) Date of Filing Application: **03 February 2014**
(24) Date from which industrial property rights may have effect: **03 February 2014**
(54) Product in respect of which the design is registered: **Food homogenizer**
(51) International Design Classification: **31-00**
(74) Name(s) of Attorney(s): **PETER MAXWELL & ASSOCIATES**
(71) Name(s) and Address(s) of Applicant(s):
Healthy Foods, LLC
30339 Diamond Parkway Suite 105 Cleveland Ohio 44139 United States of America
(72) Name(s) of Designer(s): **Brian Louis Machovina and Robert Johnson and Robert Schmidt and Winston III Breeden and Douglas Edward Whitner and Ryan Scott Crisp and Eileen McHale**
(45) Registration Date: **17 March 2014**
(30) Convention priority data:
(31) Number (32) Date (33) Country
29/472,314 11 Nov 2013 UNITED STATES OF AMERICA
(56) Related Art Documents: **Not Applicable**
(57) Statement of Newness and Distinctiveness: **Newness and distinctiveness is claimed in the shape and/or configuration of a FOOD BASED HOMOGENIZER.**



- (21) Design Number: **10470/2014**
(22) Date of Filing Application: **03 February 2014**
(24) Date from which industrial property rights may have effect: **03 February 2014**
(54) Product in respect of which the design is registered: **Blind anchor device**
(51) International Design Classification: **08-06, 08-08H**
(74) Name(s) of Attorney(s): **Ascot Martin Registered Patent & Trade Mark Attorneys**
(71) Name(s) and Address(s) of Applicant(s):
Nathan Coughran
119 Banksia St Botany NSW 2019 Australia
(72) Name(s) of Designer(s): **Nathan Coughran**
(45) Registration Date: **17 March 2014**
(56) Related Art Documents: **Not Applicable**
(57) Statement of Newness and Distinctiveness: **The features of the design which are new and distinctive are the shape and configuration of the blind anchor device as shown in the accompanying representations.**



- (21) Design Number: **10646/2014**
(22) Date of Filing Application: **10 February 2014**
(24) Date from which industrial property rights may have effect: **10 February 2014**
(54) Product in respect of which the design is registered: **Display screen with graphical user interface**
(51) International Design Classification: **14-02, 14-04**
(74) Name(s) of Attorney(s): **Shelston IP**
(71) Name(s) and Address(s) of Applicant(s):
Microsoft Corporation
One Microsoft Way Redmond Washington, 98052 United States of America
(72) Name(s) of Designer(s): **Chad Michael Roberts and Andrea Michelle Simons and Janis J Lee**
(45) Registration Date: **17 March 2014**
(30) Convention priority data:
(31) Number (32) Date (33) Country
29/465677 30 Aug 2013 UNITED STATES OF AMERICA
(56) Related Art Documents: **Not Applicable**
(57) Statement of Newness and Distinctiveness: **Newness and distinctiveness reside in the features of pattern and/or ornamentation of a display screen with graphical user interface as illustrated by solid lines in the accompanying representation. The features shown in broken outline are for contextual purposes only and do not form part of the design.**



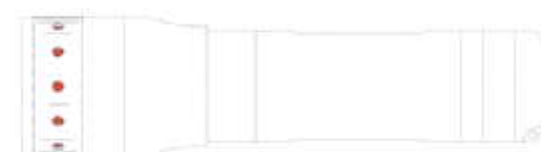
- (21) Design Number: **10648/2014**
(22) Date of Filing Application: **10 February 2014**
(24) Date from which industrial property rights may have effect: **10 February 2014**
(54) Product in respect of which the design is registered: **Footwear cover**
(51) International Design Classification: **02-04A**
(74) Name(s) of Attorney(s): **Houlihan2**
(71) Name(s) and Address(s) of Applicant(s):
Richard James Harley
L1 70 Doncaster Rd Balwyn North VIC 3104 Australia
(72) Name(s) of Designer(s): **Richard James Harley**
(45) Registration Date: **17 March 2014**
(56) Related Art Documents: **Not Applicable**
(57) Statement of Newness and Distinctiveness: **Newness and distinctiveness reside in the shape and/or configuration of a FOOTWEAR COVER as illustrated in the accompanying representations.**



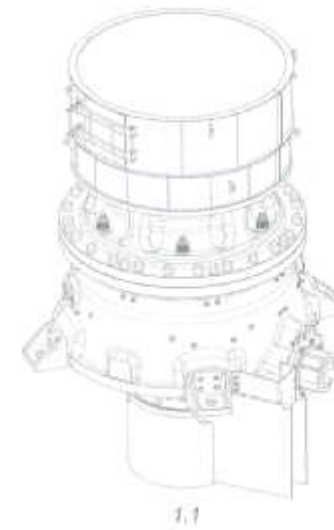
(21) Design Number: **10650/2014**
(22) Date of Filing Application: **11 February 2014**
(24) Date from which industrial property rights may have effect: **11 February 2014**
(54) Product in respect of which the design is registered: **A glass**
(51) International Design Classification: **07-01C**
(74) Name(s) of Attorney(s):
(71) Name(s) and Address(s) of Applicant(s):
Grund & Mobil Verwaltungs AG
Untermuli 7 Zug 6304 Switzerland
(72) Name(s) of Designer(s): **Georg Riedel**
(45) Registration Date: **17 March 2014**
(30) Convention priority data:
(31) Number (32) Date (33) Country
002305474-0001 10 Sep 2013 OFFICE FOR HARMONISATION IN
THE INTERNAL MARKET (OHIM)
(56) Related Art Documents: **Not Applicable**
(57) Statement of Newness and Distinctiveness: **The design is to be applied**
to A Glass and the novelty resides in the features of shape and / or
configuration as shown in the accompanying representations.



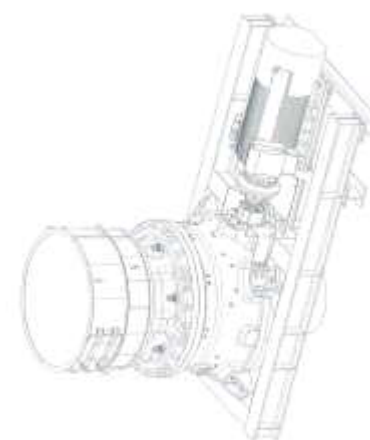
(21) Design Number: **10651/2014**
(22) Date of Filing Application: **11 February 2014**
(24) Date from which industrial property rights may have effect: **11 February 2014**
(54) Product in respect of which the design is registered: **Flashlight**
(51) International Design Classification: **26-02**
(74) Name(s) of Attorney(s): **WATERMARK PATENT AND TRADE MARKS**
ATTORNEYS
(71) Name(s) and Address(s) of Applicant(s):
Zweibruder Optoelectronics GmbH & Co. KG
Kronenstrasse 5 Solingen 42699 Germany
(72) Name(s) of Designer(s): **Tobias Schleder**
(45) Registration Date: **17 March 2014**
(30) Convention priority data:
(31) Number (32) Date (33) Country
29/464,022 12 Aug 2013 UNITED STATES OF AMERICA
(56) Related Art Documents: **Not Applicable**
(57) Statement of Newness and Distinctiveness: **The newness and**
distinctiveness of the design resides in a flashlight having a control
ring bordered by the dash-dot-dash lines in the accompanying
representations; in considering the newness and distinctiveness, the
parts shown in broken lines are to be disregarded.



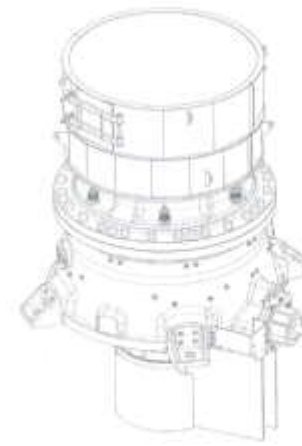
(21) Design Number: **10653/2014**
(22) Date of Filing Application: **11 February 2014**
(24) Date from which industrial property rights may have effect: **11 February 2014**
(54) Product in respect of which the design is registered: **Crusher**
(51) International Design Classification: **15-04, 15-99**
(74) Name(s) of Attorney(s): **Griffith Hack**
(71) Name(s) and Address(s) of Applicant(s):
Sandvik Intellectual Property AB
SE-811 81 Sandviken Sweden
(72) Name(s) of Designer(s): **Jan Johansson**
(45) Registration Date: **17 March 2014**
(30) Convention priority data:
(31) Number (32) Date (33) Country
001384291-0001 20 Sep 2013 OFFICE FOR HARMONISATION IN
THE INTERNAL MARKET (OHIM)
(56) Related Art Documents: **Not Applicable**
(57) Statement of Newness and Distinctiveness: **Nil**



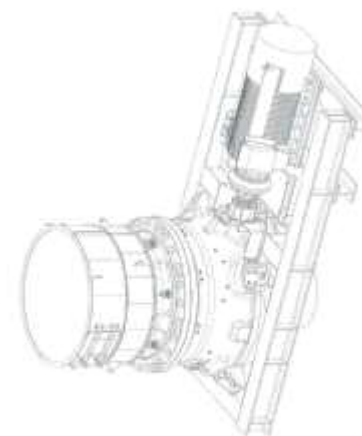
(21) Design Number: **10654/2014**
(22) Date of Filing Application: **11 February 2014**
(24) Date from which industrial property rights may have effect: **11 February 2014**
(54) Product in respect of which the design is registered: **Crusher mounted in frame with motor**
(51) International Design Classification: **15-04, 15-99**
(74) Name(s) of Attorney(s): **Griffith Hack**
(71) Name(s) and Address(s) of Applicant(s):
Sandvik Intellectual Property AB
SE-811 81 Sandviken Sweden
(72) Name(s) of Designer(s): **Jan Johansson**
(45) Registration Date: **17 March 2014**
(30) Convention priority data:
(31) Number (32) Date (33) Country
001384291-0002 20 Sep 2013 OFFICE FOR HARMONISATION IN
THE INTERNAL MARKET (OHIM)
(56) Related Art Documents: **Not Applicable**
(57) Statement of Newness and Distinctiveness: **Nil**



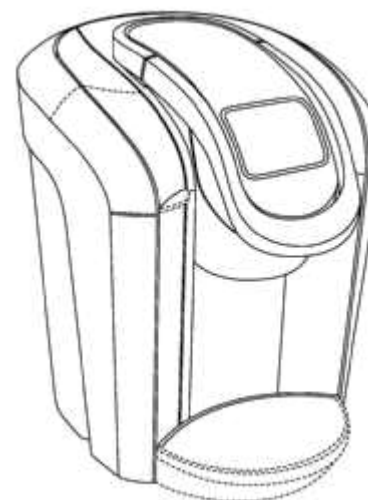
(21) Design Number: **10656/2014**
(22) Date of Filing Application: **11 February 2014**
(24) Date from which industrial property rights may have effect: **11 February 2014**
(54) Product in respect of which the design is registered: **Crusher**
(51) International Design Classification: **15-99**
(74) Name(s) of Attorney(s): **Griffith Hack**
(71) Name(s) and Address(s) of Applicant(s):
Sandvik Intellectual Property AB
SE-811 81 Sandviken Sweden
(72) Name(s) of Designer(s): **Jan Johansson**
(45) Registration Date: **17 March 2014**
(30) Convention priority data:
(31) Number (32) Date (33) Country
001384390-0001 20 Sep 2013 OFFICE FOR HARMONISATION IN
THE INTERNAL MARKET (OHIM)
(56) Related Art Documents: **Not Applicable**
(57) Statement of Newness and Distinctiveness: **Nil**



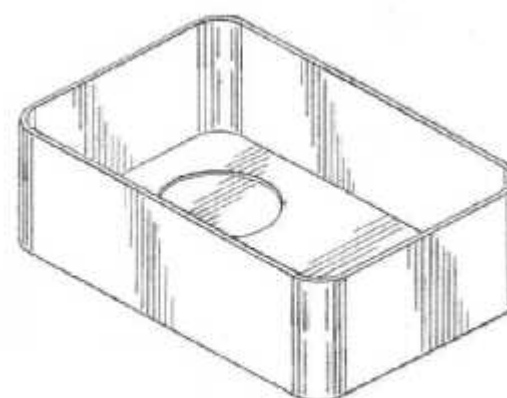
(21) Design Number: **10657/2014**
(22) Date of Filing Application: **11 February 2014**
(24) Date from which industrial property rights may have effect: **11 February 2014**
(54) Product in respect of which the design is registered: **Crusher mounted in frame with motor**
(51) International Design Classification: **15-99**
(74) Name(s) of Attorney(s): **Griffith Hack**
(71) Name(s) and Address(s) of Applicant(s):
Sandvik Intellectual Property AB
SE-811 81 Sandviken Sweden
(72) Name(s) of Designer(s): **Jan Johansson**
(45) Registration Date: **17 March 2014**
(30) Convention priority data:
(31) Number (32) Date (33) Country
001384390-0002 20 Sep 2013 OFFICE FOR HARMONISATION IN
THE INTERNAL MARKET (OHIM)
(56) Related Art Documents: **Not Applicable**
(57) Statement of Newness and Distinctiveness: **Nil**



- (21) Design Number: **10731/2014**
(22) Date of Filing Application: **17 February 2014**
(24) Date from which industrial property rights may have effect: **17 February 2014**
(54) Product in respect of which the design is registered: **Beverage machine**
(51) International Design Classification: **07-02L**
(74) Name(s) of Attorney(s): **PIZZEYS**
(71) Name(s) and Address(s) of Applicant(s):
Keurig, Incorporated
55 Walkers Brook Drive Reading MA 01867-3272 United States of America
(72) Name(s) of Designer(s): **Steffen F Koury and James E Shepard and Paul K Metaxatos and James T McGee and Da Deng and David Manly and Karen Gallagher and Michelle V Stacey and Ben C Yoder and Scott M Vogel and Allison Cummings and Stephanie Simione**
(45) Registration Date: **17 March 2014**
(30) Convention priority data:
(31) Number (32) Date (33) Country
29/466,346 06 Sep 2013 UNITED STATES OF AMERICA
(56) Related Art Documents: **Not Applicable**
(57) Statement of Newness and Distinctiveness: **The newness and distinctiveness of the design resides in the features of pattern and/or ornamentation OR shape and/or configuration shown in unbroken lines in the accompanying representations. (if required, see Convention document)**



- (21) Design Number: **10732/2014**
(22) Date of Filing Application: **17 February 2014**
(24) Date from which industrial property rights may have effect: **06 December 2013**
(54) Product in respect of which the design is registered: **Storage component**
(51) International Design Classification: **06-04F, 06-04NES**
(74) Name(s) of Attorney(s): **Griffith Hack**
(71) Name(s) and Address(s) of Applicant(s):
Herman Miller, Inc
MS 0440 855 East Main Avenue Zeeland MI 49464-0302 United States of America
(72) Name(s) of Designer(s): **Sam Hecht and Kimberlee Colin and Philipp Von Lintel and Ippei Matsumoto**
(45) Registration Date: **17 March 2014**
(62) Divisional of: **353886**
(56) Related Art Documents: **Not Applicable**
(57) Statement of Newness and Distinctiveness: **Newness and distinctiveness resides in the visual features, including the shape and configuration of the product shown in the representations.**



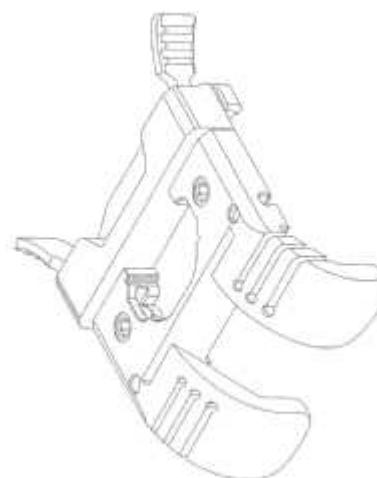
- (21) Design Number: **10734/2014**
(22) Date of Filing Application: **17 February 2014**
(24) Date from which industrial property rights may have effect: **17 February 2014**
(54) Product in respect of which the design is registered: **Handle for a beverage machine**
(51) International Design Classification: **07-02L**
(74) Name(s) of Attorney(s): **PIZZEYS**
(71) Name(s) and Address(s) of Applicant(s):
Keurig, Incorporated
55 Walkers Brook Drive Reading MA 01867-3272 United States of America
(72) Name(s) of Designer(s): **Steffen F Koury and James E Shepard and Paul K Metaxatos and James T McGee and Da Deng and David Manly and Karen Gallagher and Michelle V Stacy and Ben C Yoder and Scott M Vogel and Allison Cummings and Stephanie Simione**
(45) Registration Date: **17 March 2014**
(30) Convention priority data:
(31) Number (32) Date (33) Country
29/466,350 06 Sep 2013 UNITED STATES OF AMERICA
(56) Related Art Documents: **Not Applicable**
(57) Statement of Newness and Distinctiveness: **The newness and distinctiveness of the design resides in the features of pattern and/or ornamentation OR shape and/or configuration shown in unbroken lines in the accompanying representations. (if required, see Convention document)**



- (21) Design Number: **10736/2014**
(22) Date of Filing Application: **17 February 2014**
(24) Date from which industrial property rights may have effect: **06 December 2013**
(54) Product in respect of which the design is registered: **Femoral cutting block**
(51) International Design Classification: **24-01, 24-02**
(74) Name(s) of Attorney(s): **Callinans**
(71) Name(s) and Address(s) of Applicant(s):
DePuy (Ireland)
Loughbeg Industrial Estate Ringaskiddy CO CORK Ireland
(72) Name(s) of Designer(s): **Rebecca L Chaney and Benjamin J Sordelet and Craig S Tsukayama and Jonathan C Lee**
(45) Registration Date: **17 March 2014**
(62) Divisional of: **353837**
(56) Related Art Documents: **Not Applicable**
(57) Statement of Newness and Distinctiveness: **Nil**



- (21) Design Number: **10737/2014**
(22) Date of Filing Application: **17 February 2014**
(24) Date from which industrial property rights may have effect: **06 December 2013**
(54) Product in respect of which the design is registered: **Femoral cutting block**
(51) International Design Classification: **24-01, 24-02**
(74) Name(s) of Attorney(s): **Callinans**
(71) Name(s) and Address(s) of Applicant(s):
DePuy (Ireland)
Loughbeg Industrial Estate Ringaskiddy CO CORK Ireland
(72) Name(s) of Designer(s): **Rebecca L Chaney and Benjamin J Sordelet and
Craig S Tsukayama and Jonathan C Lee**
(45) Registration Date: **17 March 2014**
(62) Divisional of: **353837**
(56) Related Art Documents: **Not Applicable**
(57) Statement of Newness and Distinctiveness: **Nil**



- (21) Design Number: **10738/2014**
(22) Date of Filing Application: **17 February 2014**
(24) Date from which industrial property rights may have effect: **21 October 2013**
(54) Product in respect of which the design is registered: **Container for dispenser**
(51) International Design Classification: **09-03L**
(74) Name(s) of Attorney(s): **Allens Patent & Trade Mark Attorneys**
(71) Name(s) and Address(s) of Applicant(s):
Beauty Union Global Limited
Unit B 19/F Federal Center 77 Sheung On Street Chai Wan Hong Kong
(72) Name(s) of Designer(s): **Yi Ming Hui and Zhi Wang**
(45) Registration Date: **17 March 2014**
(62) Divisional of: **353752**
(56) Related Art Documents: **Not Applicable**
(57) Statement of Newness and Distinctiveness: **Newness and distinctiveness
resides in the visual features of shape and/or configuration of a container
for dispenser as illustrated in the accompanying representations.**



(21) Design Number: **10763/2014**
(22) Date of Filing Application: **18 February 2014**
(24) Date from which industrial property rights may have effect: **18 February 2014**
(54) Product in respect of which the design is registered: **Bottle**
(51) International Design Classification: **09-01H**
(74) Name(s) of Attorney(s): **FB Rice**
(71) Name(s) and Address(s) of Applicant(s):
SAVERGLASS
3 rue de la Gare Feuquieres 60960 France
(72) Name(s) of Designer(s): **Regis Maillet and David Delbreuve**
(45) Registration Date: **17 March 2014**
(30) Convention priority data:
(31) Number (32) Date (33) Country
002313817-0001 23 Sep 2013 OFFICE FOR HARMONISATION IN
THE INTERNAL MARKET (OHIM)



(56) Related Art Documents: **Not Applicable**
(57) Statement of Newness and Distinctiveness: **Newness and distinctiveness reside in the features of a bottle as shown in solid lines in the representations, with the features shown in dashed lines being disclaimed, and in particular in the shape of a vertical body having a quadrilateral cross section with each of the four side faces being convex. The upper surface of the bottle is formed by rounded inclined convex shoulders. A cylindrical neck protrudes upwardly from the upper part of the body, and links with the shoulders at a smooth radiused join. The width of the body gradually narrows downwards from the shoulders towards the bottom. The generally inclined shoulders join the sides of the body forming transverse convex curved ribs which extend towards the bottom and merge into the quadrilateral-shaped base forming smooth corners.**

(21) Design Number: **10795/2014**
(22) Date of Filing Application: **21 February 2014**
(24) Date from which industrial property rights may have effect: **21 February 2014**
(54) Product in respect of which the design is registered: **Telephone**
(51) International Design Classification: **14-03E**
(74) Name(s) of Attorney(s): **Griffith Hack**
(71) Name(s) and Address(s) of Applicant(s):
NEC Infrontia Corporation
6-1 Kitamikata 2-chome Takatsu-ku Kawasaki-shi Kanagawa 213-8511
Japan
(72) Name(s) of Designer(s): **Katsufumi Matsuura and Naoki Ozawa**
(45) Registration Date: **17 March 2014**
(30) Convention priority data:
(31) Number (32) Date (33) Country
2013-030070 20 Dec 2013 JAPAN



(56) Related Art Documents: **Not Applicable**
(57) Statement of Newness and Distinctiveness: **Newness and distinctiveness resides in the visual features, including the shape and configuration of the product shown in the representations. Figures 9 and 10 have been included for illustrative purposes only and include a portion labeled "A" which may be light emitting, and a portion labeled "B" denoting a panel, but not buttons on the panel, and the panel may be transparent or opaque.**

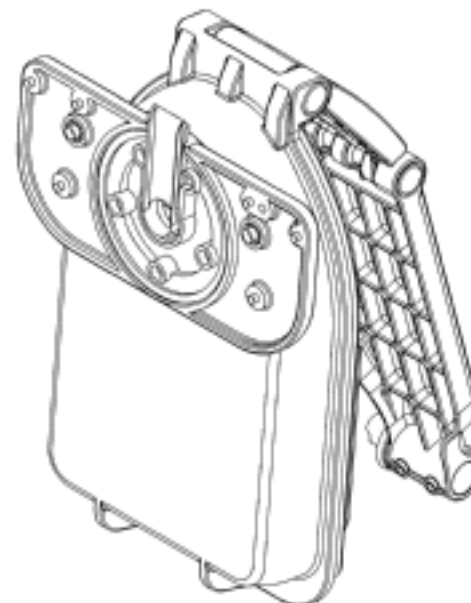
- (21) Design Number: **10799/2014**
(22) Date of Filing Application: **21 February 2014**
(24) Date from which industrial property rights may have effect: **21 February 2014**
(54) Product in respect of which the design is registered: **A chair**
(51) International Design Classification: **06-01F**
(74) Name(s) of Attorney(s): **HODGKINSON McINNES PATENTS**
(71) Name(s) and Address(s) of Applicant(s):
Thinking Ergonomix Pty Limited
6A Childs Rd Chipping Norton NSW 2170 Australia
(72) Name(s) of Designer(s): **Craig Jones and Christian Granados**
(45) Registration Date: **17 March 2014**
(56) Related Art Documents: **Not Applicable**
(57) Statement of Newness and Distinctiveness: **Newness and distinctiveness is claimed in the shape and configuration of a chair as shown in the representations.**



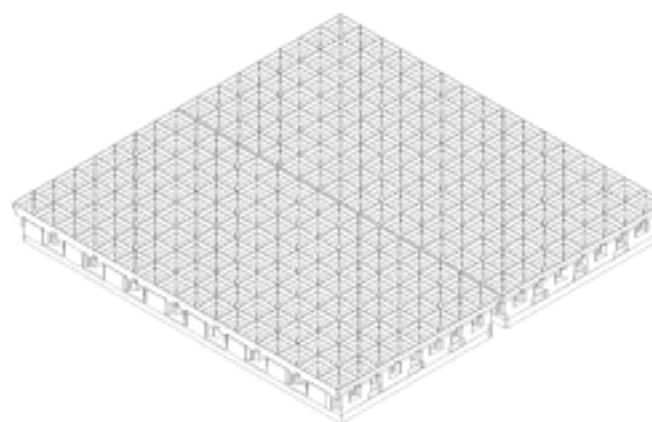
- (21) Design Number: **10802/2014**
(22) Date of Filing Application: **24 February 2014**
(24) Date from which industrial property rights may have effect: **24 February 2014**
(54) Product in respect of which the design is registered: **Respiratory mask**
(51) International Design Classification: **24-02**
(74) Name(s) of Attorney(s): **Shelston IP**
(71) Name(s) and Address(s) of Applicant(s):
APEX MEDICAL CORP.
No 9 Min Sheng St Tu-Cheng New Taipei City 23679 Taiwan
(72) Name(s) of Designer(s): **Chih-Tsan Chien**
(45) Registration Date: **17 March 2014**
(30) Convention priority data:
(31) Number (32) Date (33) Country
102305985 06 Sep 2013 TAIWAN
(56) Related Art Documents: **Not Applicable**
(57) Statement of Newness and Distinctiveness: **Newness and distinctiveness reside in the features of shape and/or configuration of the upper portions of the connecting elbow for a RESPIRATORY MASK, as shown in solid lines the accompanying representations. The features shown in broken lines are illustrative only and do not form part of the design.**



(21) Design Number: **10821/2014**
(22) Date of Filing Application: **25 February 2014**
(24) Date from which industrial property rights may have effect: **25 February 2014**
(54) Product in respect of which the design is registered: **Satellite antenna support**
(51) International Design Classification: **08-08NES, 14-03NES**
(74) Name(s) of Attorney(s): **SPRUSON & FERGUSON**
(71) Name(s) and Address(s) of Applicant(s):
IDOIT Co., Ltd.
Nos. 635, 637, 639, and 641, 237 Sangidaehak-ro, Siheung-si, Gyeonggi-do Republic of Korea
(72) Name(s) of Designer(s): **Seung Joon Im and Jae Ho Ko and Dooho Han**
(45) Registration Date: **17 March 2014**
(30) Convention priority data:
(31) Number (32) Date (33) Country
30-2014-0006538 10 Feb 2014 REPUBLIC OF KOREA
(56) Related Art Documents: **Not Applicable**
(57) Statement of Newness and Distinctiveness: **Newness and distinctiveness is claimed in the features of shape and/or configuration of a satellite antenna support as illustrated in the accompanying representations.**



(21) Design Number: **10822/2014**
(22) Date of Filing Application: **25 February 2014**
(24) Date from which industrial property rights may have effect: **25 February 2014**
(54) Product in respect of which the design is registered: **Satellite antenna**
(51) International Design Classification: **14-03NES**
(74) Name(s) of Attorney(s): **SPRUSON & FERGUSON**
(71) Name(s) and Address(s) of Applicant(s):
IDOIT Co., Ltd.
Nos. 635, 637, 639, and 641, 237 Sangidaehak-ro, Siheung-si, Gyeonggi-do Republic of Korea
(72) Name(s) of Designer(s): **Seung Joon Im and Jae Ho Ko and Dooho Han**
(45) Registration Date: **17 March 2014**
(30) Convention priority data:
(31) Number (32) Date (33) Country
30-2014-0006539 10 Feb 2014 REPUBLIC OF KOREA
(56) Related Art Documents: **Not Applicable**
(57) Statement of Newness and Distinctiveness: **Newness and distinctiveness is claimed in the features of shape and/or configuration of a satellite antenna as illustrated in the accompanying representations.**



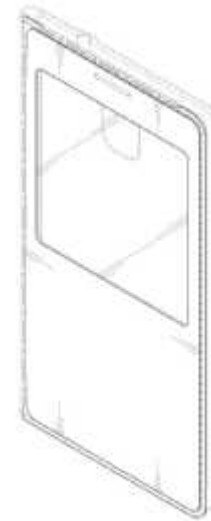
(21) Design Number: **10823/2014**
(22) Date of Filing Application: **25 February 2014**
(24) Date from which industrial property rights may have effect: **25 February 2014**
(54) Product in respect of which the design is registered: **Cover for mobile phone**
(51) International Design Classification: **03-01NES**
(74) Name(s) of Attorney(s): **Griffith Hack**
(71) Name(s) and Address(s) of Applicant(s):
SAMSUNG ELECTRONICS CO., LTD.
129 Samsung-ro Yeongtong-gu Suwon-si Gyeonggi-do 443-742 Republic of Korea
(72) Name(s) of Designer(s): **Yong Seo and Yoonyoung Kim and Mina Oh**
(45) Registration Date: **17 March 2014**
(30) Convention priority data:
(31) Number (32) Date (33) Country
30-2013-0044833 30 Aug 2013 REPUBLIC OF KOREA
(56) Related Art Documents: **Not Applicable**
(57) Statement of Newness and Distinctiveness: **Newness and distinctiveness resides in the visual features, including the shape, configuration and ornamentation of the product shown in the representations.**



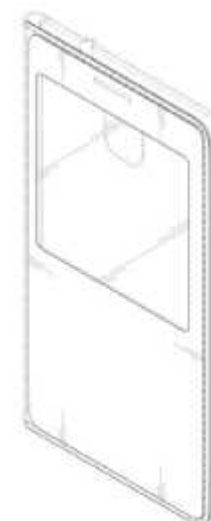
(21) Design Number: **10828/2014**
(22) Date of Filing Application: **25 February 2014**
(24) Date from which industrial property rights may have effect: **25 February 2014**
(54) Product in respect of which the design is registered: **Cover for mobile phone**
(51) International Design Classification: **03-01NES**
(74) Name(s) of Attorney(s): **Griffith Hack**
(71) Name(s) and Address(s) of Applicant(s):
SAMSUNG ELECTRONICS CO., LTD.
129 Samsung-ro Yeongtong-gu Suwon-si Gyeonggi-do 443-742 Republic of Korea
(72) Name(s) of Designer(s): **Yong Seo and Yoonyoung Kim and Mina Oh**
(45) Registration Date: **17 March 2014**
(30) Convention priority data:
(31) Number (32) Date (33) Country
30-2013-0044834 30 Aug 2013 REPUBLIC OF KOREA
(56) Related Art Documents: **Not Applicable**
(57) Statement of Newness and Distinctiveness: **Newness and distinctiveness resides in the visual features, including the shape, configuration and ornamentation of the product shown in the representations.**



- (21) Design Number: **10829/2014**
(22) Date of Filing Application: **25 February 2014**
(24) Date from which industrial property rights may have effect: **25 February 2014**
(54) Product in respect of which the design is registered: **Cover for mobile phone**
(51) International Design Classification: **03-01NES**
(74) Name(s) of Attorney(s): **Griffith Hack**
(71) Name(s) and Address(s) of Applicant(s):
SAMSUNG ELECTRONICS CO., LTD.
129, Samsung-ro Yeongtong-gu Suwon-si Gyeonggi-do 443-742
Republic of Korea
(72) Name(s) of Designer(s): **Yong Seo and Yoonyoung Kim and Mina Oh**
(45) Registration Date: **17 March 2014**
(30) Convention priority data:
(31) Number (32) Date (33) Country
30-2013-0044836 30 Aug 2013 REPUBLIC OF KOREA
(56) Related Art Documents: **Not Applicable**
(57) Statement of Newness and Distinctiveness: **Newness and distinctiveness resides in the visual features, including the shape, configuration and ornamentation of the product shown by means of solid lines in the representations.**



- (21) Design Number: **10830/2014**
(22) Date of Filing Application: **25 February 2014**
(24) Date from which industrial property rights may have effect: **25 February 2014**
(54) Product in respect of which the design is registered: **Cover for mobile phone**
(51) International Design Classification: **03-01NES**
(74) Name(s) of Attorney(s): **Griffith Hack**
(71) Name(s) and Address(s) of Applicant(s):
SAMSUNG ELECTRONICS CO., LTD.
129, Samsung-ro Yeongtong-gu Suwon-si Gyeonggi-do 443-742
Republic of Korea
(72) Name(s) of Designer(s): **Yong Seo and Yoonyoung Kim and Mina Oh**
(45) Registration Date: **17 March 2014**
(30) Convention priority data:
(31) Number (32) Date (33) Country
30-2013-0044835 30 Aug 2013 REPUBLIC OF KOREA
(56) Related Art Documents: **Not Applicable**
(57) Statement of Newness and Distinctiveness: **Newness and distinctiveness resides in the visual features, including the shape, configuration and ornamentation of the product shown by means of solid lines in the representations.**



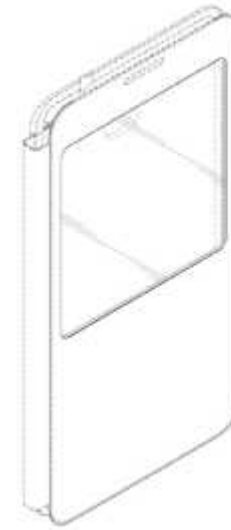
(21) Design Number: **10831/2014**
(22) Date of Filing Application: **25 February 2014**
(24) Date from which industrial property rights may have effect: **25 February 2014**
(54) Product in respect of which the design is registered: **Colored pencil with materials for changing the color of writing**
(51) International Design Classification: **19-06**
(74) Name(s) of Attorney(s): **SPRUSON & FERGUSON**
(71) Name(s) and Address(s) of Applicant(s):
Kabushiki Kaisha Pilot Corporation (also trading as Pilot Corporation)
6-21 Kyobashi 2-chome Chuo-ku Tokyo 104-8304 Japan
(72) Name(s) of Designer(s): **Taro Inui**
(45) Registration Date: **17 March 2014**
(30) Convention priority data:
(31) Number (32) Date (33) Country
2013-020233 02 Sep 2013 JAPAN
(56) Related Art Documents: **Not Applicable**
(57) Statement of Newness and Distinctiveness: **Newness and distinctiveness is claimed in the features of shape and/or configuration of a colored pencil with materials for changing the color of writing as illustrated in the accompanying representations.**



(21) Design Number: **10832/2014**
(22) Date of Filing Application: **25 February 2014**
(24) Date from which industrial property rights may have effect: **25 February 2014**
(54) Product in respect of which the design is registered: **Cover for mobile phone**
(51) International Design Classification: **03-01NES**
(74) Name(s) of Attorney(s): **Griffith Hack**
(71) Name(s) and Address(s) of Applicant(s):
SAMSUNG ELECTRONICS CO., LTD.
129, Samsung-ro Yeongtong-gu Suwon-si Gyeonggi-do 443-742
Republic of Korea
(72) Name(s) of Designer(s): **Yong Seo and Yoonyoung Kim and Mina Oh**
(45) Registration Date: **17 March 2014**
(30) Convention priority data:
(31) Number (32) Date (33) Country
30-2013-0044838 30 Aug 2013 REPUBLIC OF KOREA
(56) Related Art Documents: **Not Applicable**
(57) Statement of Newness and Distinctiveness: **Newness and distinctiveness resides in the visual features, including the shape, configuration and ornamentation of the product shown by means of solid lines in the representations.**



(21) Design Number: **10833/2014**
(22) Date of Filing Application: **25 February 2014**
(24) Date from which industrial property rights may have effect: **25 February 2014**
(54) Product in respect of which the design is registered: **Cover for mobile phone**
(51) International Design Classification: **03-01NES**
(74) Name(s) of Attorney(s): **Griffith Hack**
(71) Name(s) and Address(s) of Applicant(s):
SAMSUNG ELECTRONICS CO., LTD.
129, Samsung-ro Yeongtong-gu Suwon-si Gyeonggi-do 443-742
Republic of Korea
(72) Name(s) of Designer(s): **Yoonyoung Kim and Mina Oh**
(45) Registration Date: **17 March 2014**
(30) Convention priority data:
(31) Number (32) Date (33) Country
30-2013-0044837 30 Aug 2013 REPUBLIC OF KOREA
(56) Related Art Documents: **Not Applicable**
(57) Statement of Newness and Distinctiveness: **Newness and distinctiveness resides in the visual features, including the shape, configuration and ornamentation of the product shown by means of solid lines in the representations.**



(21) Design Number: **10839/2014**
(22) Date of Filing Application: **25 February 2014**
(24) Date from which industrial property rights may have effect: **25 February 2014**
(54) Product in respect of which the design is registered: **Satellite antenna support**
(51) International Design Classification: **08-08NES, 14-03NES**
(74) Name(s) of Attorney(s): **SPRUSON & FERGUSON**
(71) Name(s) and Address(s) of Applicant(s):
IDOIT Co., Ltd.
Nos. 635, 637, 639, and 641, 237 Sangidaehak-ro, Siheung-si, Gyeonggi-do Republic of Korea
(72) Name(s) of Designer(s): **Seung Joon Im and Jae Ho Ko and Dooho Han**
(45) Registration Date: **17 March 2014**
(30) Convention priority data:
(31) Number (32) Date (33) Country
30-2014-0006211 07 Feb 2014 REPUBLIC OF KOREA
(56) Related Art Documents: **Not Applicable**
(57) Statement of Newness and Distinctiveness: **Newness and distinctiveness is claimed in the features of shape and/or configuration of a satellite antenna support as illustrated in the accompanying representations.**



(21) Design Number: **10862/2014**
(22) Date of Filing Application: **26 February 2014**
(24) Date from which industrial property rights may have effect: **26 February 2014**
(54) Product in respect of which the design is registered: **Bottle with cap and bow**
(51) International Design Classification: **09-01G, 09-07A**
(74) Name(s) of Attorney(s): **PHILLIPS ORMONDE FITZPATRICK**
(71) Name(s) and Address(s) of Applicant(s):

The Procter & Gamble Company
One Procter & Gamble Plaza Cincinnati Ohio 45202 United States of America

(72) Name(s) of Designer(s): **Suzanne Dalton**

(45) Registration Date: **17 March 2014**

(30) Convention priority data:

(31) Number	(32) Date	(33) Country
DM/081906	07 Oct 2013	WORLD INTELLECTUAL PROPERTY ORGANIZATION (WIPO)



(56) Related Art Documents: **Not Applicable**

(57) Statement of Newness and Distinctiveness: **Nil**

(21) Design Number: **10863/2014**
(22) Date of Filing Application: **26 February 2014**
(24) Date from which industrial property rights may have effect: **26 February 2014**
(54) Product in respect of which the design is registered: **Cap for a bottle**
(51) International Design Classification: **09-07A, 09-01G**
(74) Name(s) of Attorney(s): **PHILLIPS ORMONDE FITZPATRICK**
(71) Name(s) and Address(s) of Applicant(s):

The Procter & Gamble Company
One Procter & Gamble Plaza Cincinnati Ohio 45202 United States of America

(72) Name(s) of Designer(s): **Suzanne Dalton**

(45) Registration Date: **17 March 2014**

(30) Convention priority data:

(31) Number	(32) Date	(33) Country
DM/081906	07 Oct 2013	WORLD INTELLECTUAL PROPERTY ORGANIZATION (WIPO)



(56) Related Art Documents: **Not Applicable**

(57) Statement of Newness and Distinctiveness: **Nil**

(21) Design Number: **10864/2014**
(22) Date of Filing Application: **26 February 2014**
(24) Date from which industrial property rights may have effect: **26 February 2014**
(54) Product in respect of which the design is registered: **Bottle with cap and bow**
(51) International Design Classification: **09-01G, 09-07A**
(74) Name(s) of Attorney(s): **PHILLIPS ORMONDE FITZPATRICK**
(71) Name(s) and Address(s) of Applicant(s):

The Procter & Gamble Company
One Procter & Gamble Plaza Cincinnati Ohio 45202 United States of America

(72) Name(s) of Designer(s): **Suzanne Dalton**

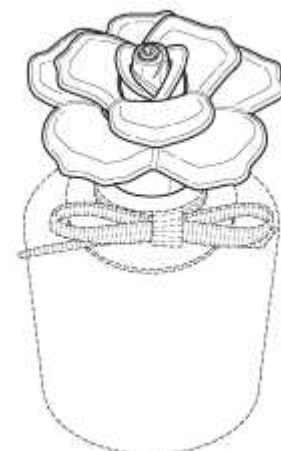
(45) Registration Date: **17 March 2014**

(30) Convention priority data:

(31) Number	(32) Date	(33) Country
DM/081906	07 Oct 2013	WORLD INTELLECTUAL PROPERTY ORGANIZATION (WIPO)

(56) Related Art Documents: **Not Applicable**

(57) Statement of Newness and Distinctiveness: **Newness and distinctiveness resides in the shape and/or configuration of the cap of the bottle shown in the continuous lines in the accompanying representations. The features shown in broken lines are not part of the design and are to be disregarded when considering the overall impression of the design.**



(21) Design Number: **10865/2014**
(22) Date of Filing Application: **26 February 2014**
(24) Date from which industrial property rights may have effect: **26 February 2014**
(54) Product in respect of which the design is registered: **Bottle with cap and bow**
(51) International Design Classification: **09-01G, 09-07A**
(74) Name(s) of Attorney(s): **PHILLIPS ORMONDE FITZPATRICK**
(71) Name(s) and Address(s) of Applicant(s):

The Procter & Gamble Company
One Procter & Gamble Plaza Cincinnati Ohio 45202 United States of America

(72) Name(s) of Designer(s): **Suzanne Dalton**

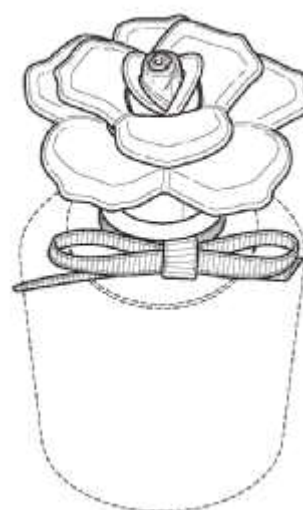
(45) Registration Date: **17 March 2014**

(30) Convention priority data:

(31) Number	(32) Date	(33) Country
DM/081906	07 Oct 2013	WORLD INTELLECTUAL PROPERTY ORGANIZATION (WIPO)

(56) Related Art Documents: **Not Applicable**

(57) Statement of Newness and Distinctiveness: **Newness and distinctiveness resides in the shape and/or configuration of the cap and bow of the bottle shown in the continuous lines in the accompanying representations. The feature shown in broken line is not part of the design and is to be disregarded when considering the overall impression of the design.**



(21) Design Number: **10866/2014**
(22) Date of Filing Application: **26 February 2014**
(24) Date from which industrial property rights may have effect: **26 February 2014**
(54) Product in respect of which the design is registered: **Bottle with cap and bow**
(51) International Design Classification: **09-01G**
(74) Name(s) of Attorney(s): **PHILLIPS ORMONDE FITZPATRICK**
(71) Name(s) and Address(s) of Applicant(s):

The Procter & Gamble Company
One Procter & Gamble Plaza Cincinnati Ohio 45202 United States of America

(72) Name(s) of Designer(s): **Suzanne Dalton**

(45) Registration Date: **17 March 2014**

(30) Convention priority data:

(31) Number	(32) Date	(33) Country
DM/081906	07 Oct 2013	WORLD INTELLECTUAL PROPERTY ORGANIZATION (WIPO)

(56) Related Art Documents: **Not Applicable**

(57) Statement of Newness and Distinctiveness: **Those features of the bottle with cap and bow depicted in the representations that are new and distinctive are the shape and/or configuration and/or colour.**



(21) Design Number: **10867/2014**
(22) Date of Filing Application: **26 February 2014**
(24) Date from which industrial property rights may have effect: **26 February 2014**
(54) Product in respect of which the design is registered: **Footwear**
(51) International Design Classification: **02-04NES**
(74) Name(s) of Attorney(s): **Wrays**
(71) Name(s) and Address(s) of Applicant(s):

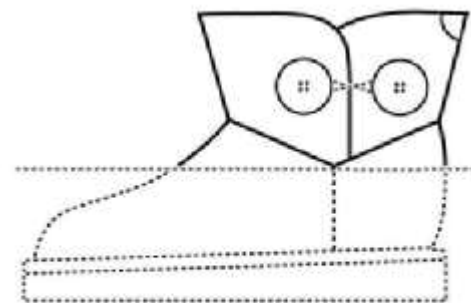
Vadim Sergienko
1/85 William St Sydney NSW 2000 Australia

(72) Name(s) of Designer(s): **Vadim Sergienko**

(45) Registration Date: **17 March 2014**

(56) Related Art Documents: **Not Applicable**

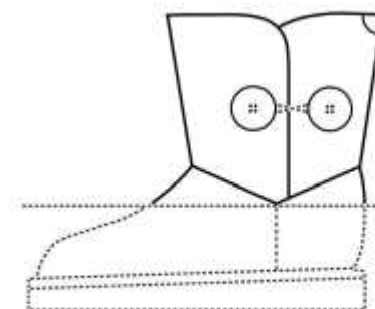
(57) Statement of Newness and Distinctiveness: **Newness and distinctiveness are in the features of upper shape design and twin button/double button fastener design shown in solid lines and excluding features shown in dotted lines.**



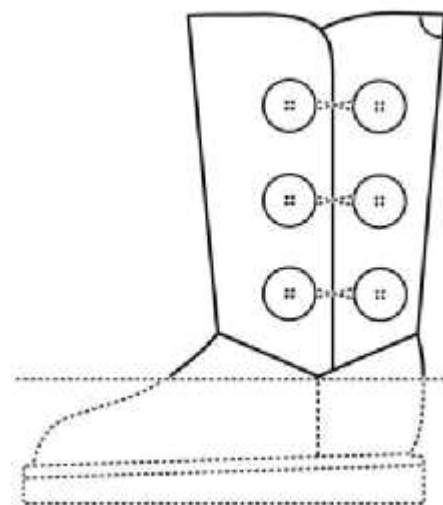
(21) Design Number: **10868/2014**
(22) Date of Filing Application: **26 February 2014**
(24) Date from which industrial property rights may have effect: **26 February 2014**
(54) Product in respect of which the design is registered: **Loom hook tool**
(51) International Design Classification: **02-07D**
(74) Name(s) of Attorney(s): **Davies Collison Cave**
(71) Name(s) and Address(s) of Applicant(s):
Choon's Design LLC
48813 West Road Wixom Michigan 48393 United States of America
(72) Name(s) of Designer(s): **Cheong Choon Ng**
(45) Registration Date: **17 March 2014**
(30) Convention priority data:
(31) Number (32) Date (33) Country
29/465,194 26 Aug 2013 UNITED STATES OF AMERICA
(56) Related Art Documents: **Not Applicable**
(57) Statement of Newness and Distinctiveness: **Nil**



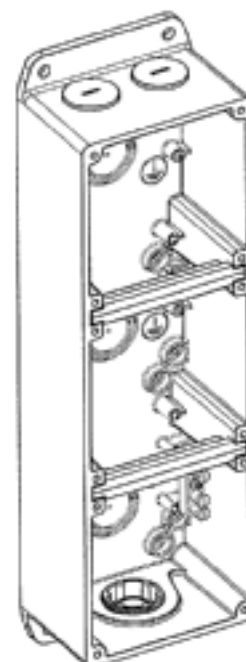
(21) Design Number: **10869/2014**
(22) Date of Filing Application: **26 February 2014**
(24) Date from which industrial property rights may have effect: **26 February 2014**
(54) Product in respect of which the design is registered: **Footwear**
(51) International Design Classification: **02-04NES**
(74) Name(s) of Attorney(s): **Wrays**
(71) Name(s) and Address(s) of Applicant(s):
Vadim Sergienko
1/85 William St Sydney NSW 2000 Australia
(72) Name(s) of Designer(s): **Vadim Sergienko**
(45) Registration Date: **17 March 2014**
(56) Related Art Documents: **Not Applicable**
(57) Statement of Newness and Distinctiveness: **Newness and distinctiveness are in the features of upper shape design and twin button/double button fastener design shown in solid lines and excluding features shown in dotted lines.**



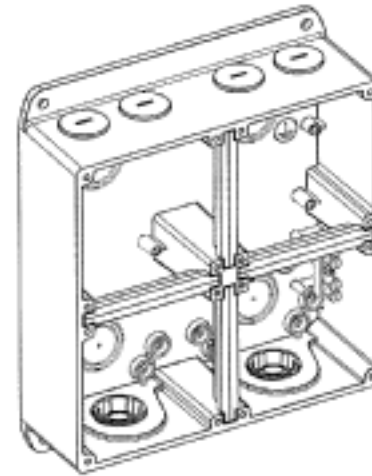
- (21) Design Number: **10871/2014**
(22) Date of Filing Application: **26 February 2014**
(24) Date from which industrial property rights may have effect: **26 February 2014**
(54) Product in respect of which the design is registered: **Footwear**
(51) International Design Classification: **02-04NES**
(74) Name(s) of Attorney(s): **Wrays**
(71) Name(s) and Address(s) of Applicant(s):
Vadim Sergienko
1/85 William St Sydney NSW 2000 Australia
(72) Name(s) of Designer(s): **Vadim Sergienko**
(45) Registration Date: **17 March 2014**
(56) Related Art Documents: **Not Applicable**
(57) Statement of Newness and Distinctiveness: **Newness and distinctiveness are in the features of upper shape design and twin button/double button fastener design shown in solid lines and excluding features shown in dotted lines.**



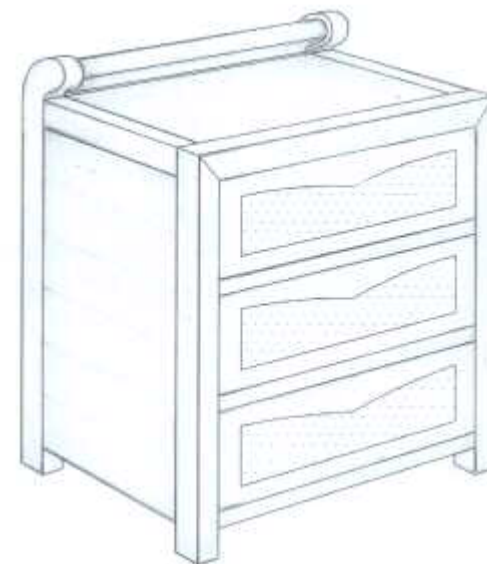
- (21) Design Number: **10872/2014**
(22) Date of Filing Application: **26 February 2014**
(24) Date from which industrial property rights may have effect: **26 February 2014**
(54) Product in respect of which the design is registered: **Electrical enclosure**
(51) International Design Classification: **13-03NES**
(74) Name(s) of Attorney(s): **Madderns**
(71) Name(s) and Address(s) of Applicant(s):
Schneider Electric (Australia) Pty Limited
78 Waterloo Rd Macquarie Park NSW 2113 Australia
(72) Name(s) of Designer(s): **Mohan Pukale**
(45) Registration Date: **17 March 2014**
(56) Related Art Documents: **Not Applicable**
(57) Statement of Newness and Distinctiveness: **Newness and distinctiveness is claimed in the features of shape and/or configuration of an electrical enclosure as shown in the accompanying drawings. In considering the scope of protection, no regard will be given to the features depicted in broken lines.**



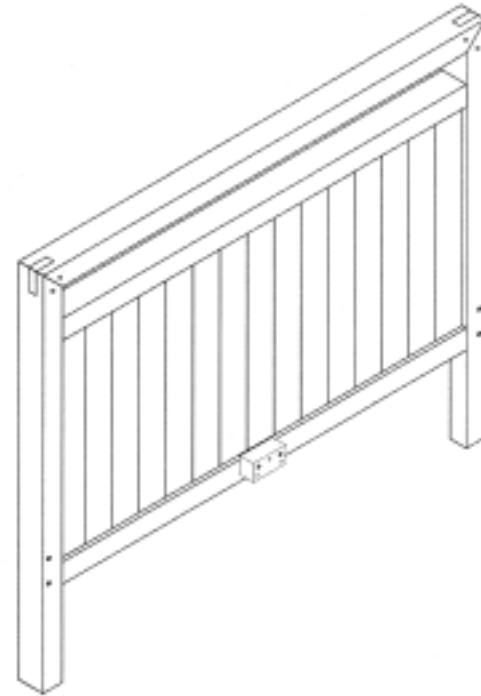
- (21) Design Number: **10873/2014**
(22) Date of Filing Application: **26 February 2014**
(24) Date from which industrial property rights may have effect: **26 February 2014**
(54) Product in respect of which the design is registered: **Electrical enclosure**
(51) International Design Classification: **13-03NES**
(74) Name(s) of Attorney(s): **Madderns**
(71) Name(s) and Address(s) of Applicant(s):
Schneider Electric (Australia) Pty Limited
78 Waterloo Rd Macquarie Park NSW 2113 Australia
(72) Name(s) of Designer(s): **Mohan Pukale**
(45) Registration Date: **17 March 2014**
(56) Related Art Documents: **Not Applicable**
(57) Statement of Newness and Distinctiveness: **Newness and distinctiveness is claimed in the features of shape and/or configuration of an electrical enclosure as shown in the accompanying drawings. In considering the scope of protection, no regard will be given to the features depicted in broken lines.**



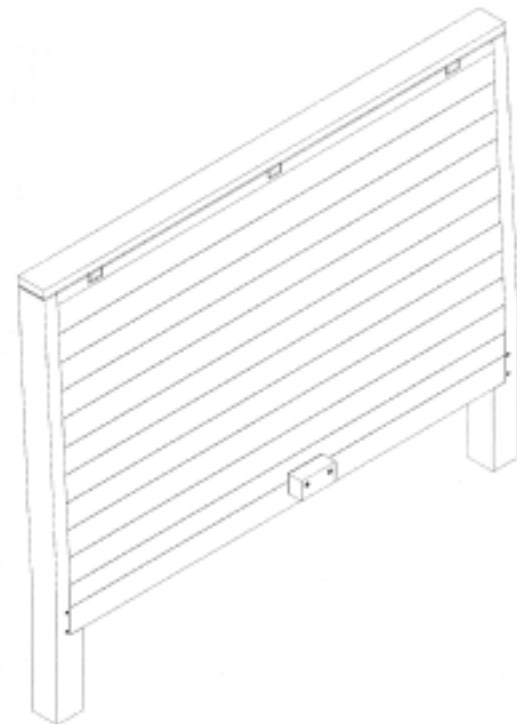
- (21) Design Number: **10885/2014**
(22) Date of Filing Application: **26 February 2014**
(24) Date from which industrial property rights may have effect: **26 February 2014**
(54) Product in respect of which the design is registered: **A bedside cabinet**
(51) International Design Classification: **06-03NES**
(74) Name(s) of Attorney(s): **Stone Lawyers Pty Ltd**
(71) Name(s) and Address(s) of Applicant(s):
Ian James Burden
17 Excalibur Ct Sovereign Islands QLD 4216 Australia
(72) Name(s) of Designer(s): **Ian James Burden**
(45) Registration Date: **17 March 2014**
(56) Related Art Documents: **Not Applicable**
(57) Statement of Newness and Distinctiveness: **The design relates to a bedside cabinet and the novelty resides in the features of shape and configuration of the article as shown in the accompanying representations.**



- (21) Design Number: **10886/2014**
(22) Date of Filing Application: **26 February 2014**
(24) Date from which industrial property rights may have effect: **26 February 2014**
(54) Product in respect of which the design is registered: **A headboard**
(51) International Design Classification: **06-06F**
(74) Name(s) of Attorney(s): **Stone Lawyers Pty Ltd**
(71) Name(s) and Address(s) of Applicant(s):
Ian James Burden
17 Excalibur Ct Sovereign Islands QLD 4216 Australia
(72) Name(s) of Designer(s): **Ian James Burden**
(45) Registration Date: **17 March 2014**
(56) Related Art Documents: **Not Applicable**
(57) Statement of Newness and Distinctiveness: **The design relates to a headboard and the novelty resides in the features of shape and configuration of the article as shown in the accompanying representations.**



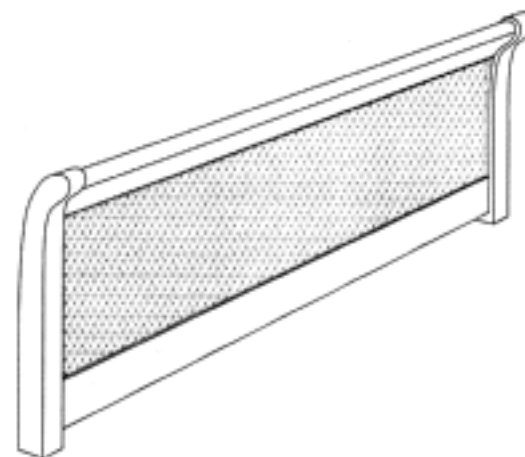
- (21) Design Number: **10887/2014**
(22) Date of Filing Application: **26 February 2014**
(24) Date from which industrial property rights may have effect: **26 February 2014**
(54) Product in respect of which the design is registered: **A headboard**
(51) International Design Classification: **06-06F**
(74) Name(s) of Attorney(s): **Stone Lawyers Pty Ltd**
(71) Name(s) and Address(s) of Applicant(s):
Ian James Burden
17 Excalibur Ct Sovereign Islands QLD 4216 Australia
(72) Name(s) of Designer(s): **Ian James Burden**
(45) Registration Date: **17 March 2014**
(56) Related Art Documents: **Not Applicable**
(57) Statement of Newness and Distinctiveness: **The design relates to a headboard and the novelty resides in the features of shape and configuration of the article as shown in the accompanying representations.**



- (21) Design Number: **10888/2014**
(22) Date of Filing Application: **26 February 2014**
(24) Date from which industrial property rights may have effect: **26 February 2014**
(54) Product in respect of which the design is registered: **A tallboy**
(51) International Design Classification: **06-04F**
(74) Name(s) of Attorney(s): **Stone Lawyers Pty Ltd**
(71) Name(s) and Address(s) of Applicant(s):
Ian James Burden
17 Excalibur Ct Sovereign Islands QLD 4216 Australia
(72) Name(s) of Designer(s): **Ian James Burden**
(45) Registration Date: **17 March 2014**
(56) Related Art Documents: **Not Applicable**
(57) Statement of Newness and Distinctiveness: **The design relates to a tallboy and the novelty resides in the features of shape and configuration of the article as shown in the accompanying representations.**



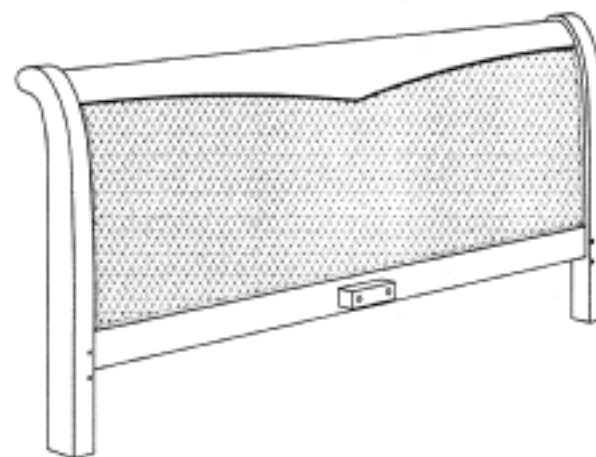
- (21) Design Number: **10889/2014**
(22) Date of Filing Application: **26 February 2014**
(24) Date from which industrial property rights may have effect: **26 February 2014**
(54) Product in respect of which the design is registered: **A footboard**
(51) International Design Classification: **06-06F**
(74) Name(s) of Attorney(s): **Stone Lawyers Pty Ltd**
(71) Name(s) and Address(s) of Applicant(s):
Ian James Burden
17 Excalibur Ct Sovereign Islands QLD 4216 Australia
(72) Name(s) of Designer(s): **Ian James Burden**
(45) Registration Date: **17 March 2014**
(56) Related Art Documents: **Not Applicable**
(57) Statement of Newness and Distinctiveness: **The design relates to a footboard and the novelty resides in the features of shape and configuration of the article as shown in the accompanying representations.**



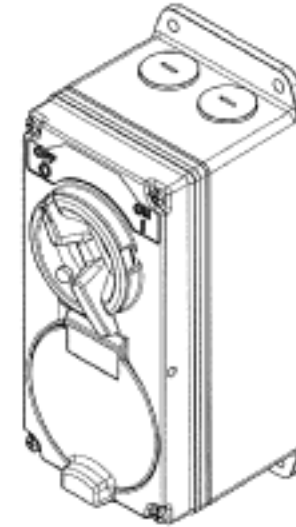
- (21) Design Number: **10890/2014**
(22) Date of Filing Application: **26 February 2014**
(24) Date from which industrial property rights may have effect: **26 February 2014**
(54) Product in respect of which the design is registered: **A dresser**
(51) International Design Classification: **06-04F**
(74) Name(s) of Attorney(s): **Stone Lawyers Pty Ltd**
(71) Name(s) and Address(s) of Applicant(s):
Ian James Burden
17 Excalibur Ct Sovereign Islands QLD 4216 Australia
(72) Name(s) of Designer(s): **Ian James Burden**
(45) Registration Date: **17 March 2014**
(56) Related Art Documents: **Not Applicable**
(57) Statement of Newness and Distinctiveness: **The design relates to a dresser and the novelty resides in the features of shape and configuration of the article as shown in the accompanying representations.**



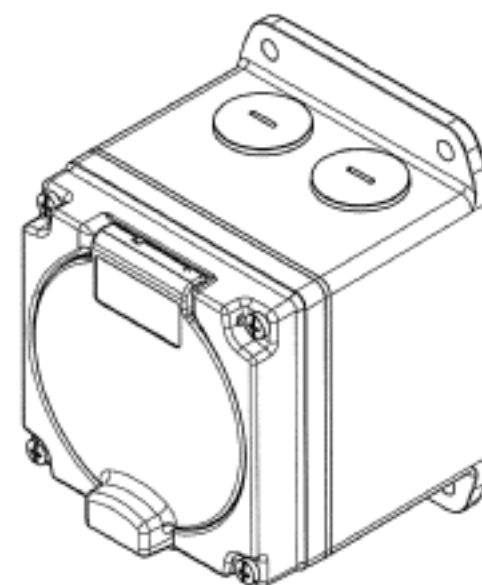
- (21) Design Number: **10891/2014**
(22) Date of Filing Application: **26 February 2014**
(24) Date from which industrial property rights may have effect: **26 February 2014**
(54) Product in respect of which the design is registered: **A headboard**
(51) International Design Classification: **06-06F**
(74) Name(s) of Attorney(s): **Stone Lawyers Pty Ltd**
(71) Name(s) and Address(s) of Applicant(s):
Ian James Burden
17 Excalibur Ct Sovereign Islands QLD 4216 Australia
(72) Name(s) of Designer(s): **Ian James Burden**
(45) Registration Date: **17 March 2014**
(56) Related Art Documents: **Not Applicable**
(57) Statement of Newness and Distinctiveness: **The design relates to a headboard and the novelty resides in the features of shape and configuration of the article as shown in the accompanying representations.**



- (21) Design Number: **10874/2014**
(22) Date of Filing Application: **26 February 2014**
(24) Date from which industrial property rights may have effect: **26 February 2014**
(54) Product in respect of which the design is registered: **Electrical enclosure**
(51) International Design Classification: **13-03NES**
(74) Name(s) of Attorney(s): **Madderns**
(71) Name(s) and Address(s) of Applicant(s):
Schneider Electric (Australia) Pty Limited
78 Waterloo Rd Macquarie Park NSW 2113 Australia
(72) Name(s) of Designer(s): **Mohan Pukale**
(45) Registration Date: **17 March 2014**
(56) Related Art Documents: **Not Applicable**
(57) Statement of Newness and Distinctiveness: **Newness and distinctiveness is claimed in the features of shape and/or configuration of an electrical enclosure as shown in the accompanying drawings. In considering the scope of protection, no regard will be given to the features depicted in broken lines, or to the specific alphanumeric markings.**



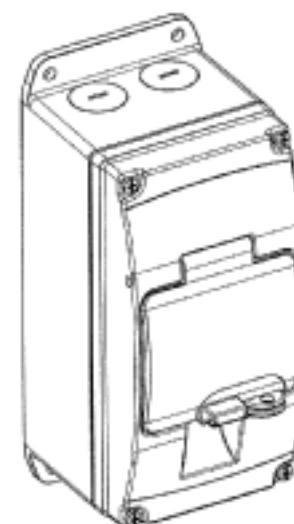
- (21) Design Number: **10875/2014**
(22) Date of Filing Application: **26 February 2014**
(24) Date from which industrial property rights may have effect: **26 February 2014**
(54) Product in respect of which the design is registered: **Electrical enclosure**
(51) International Design Classification: **13-03NES**
(74) Name(s) of Attorney(s): **Madderns**
(71) Name(s) and Address(s) of Applicant(s):
Schneider Electric (Australia) Pty Limited
78 Waterloo Rd Macquarie Park NSW 2113 Australia
(72) Name(s) of Designer(s): **Mohan Pukale**
(45) Registration Date: **17 March 2014**
(56) Related Art Documents: **Not Applicable**
(57) Statement of Newness and Distinctiveness: **Newness and distinctiveness is claimed in the features of shape and/or configuration of an electrical enclosure as shown in the accompanying drawings. In considering the scope of protection, no regard will be given to the features depicted in broken lines.**



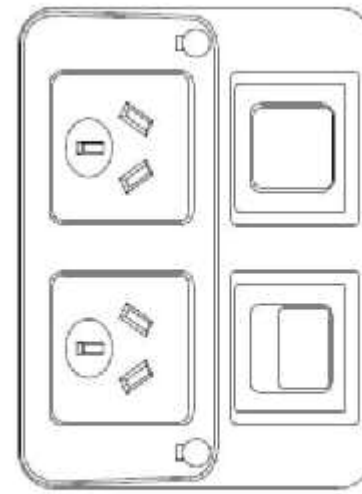
- (21) Design Number: **10876/2014**
(22) Date of Filing Application: **26 February 2014**
(24) Date from which industrial property rights may have effect: **26 February 2014**
(54) Product in respect of which the design is registered: **Electrical enclosure**
(51) International Design Classification: **13-03NES**
(74) Name(s) of Attorney(s): **Madderns**
(71) Name(s) and Address(s) of Applicant(s):
Schneider Electric (Australia) Pty Limited
78 Waterloo Rd Macquarie Park NSW 2113 Australia
(72) Name(s) of Designer(s): **Mohan Pukale**
(45) Registration Date: **17 March 2014**
(56) Related Art Documents: **Not Applicable**
(57) Statement of Newness and Distinctiveness: **Newness and distinctiveness is claimed in the features of shape and/or configuration of an electrical enclosure as shown in the accompanying drawings. In considering the scope of protection, no regard will be given to the features depicted in broken lines.**



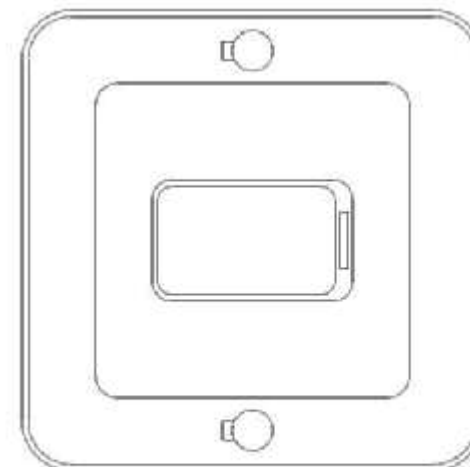
- (21) Design Number: **10877/2014**
(22) Date of Filing Application: **26 February 2014**
(24) Date from which industrial property rights may have effect: **26 February 2014**
(54) Product in respect of which the design is registered: **Electrical enclosure**
(51) International Design Classification: **13-03NES**
(74) Name(s) of Attorney(s): **Madderns**
(71) Name(s) and Address(s) of Applicant(s):
Schneider Electric (Australia) Pty Limited
78 Waterloo Rd Macquarie Park NSW 2113 Australia
(72) Name(s) of Designer(s): **Mohan Pukale**
(45) Registration Date: **17 March 2014**
(56) Related Art Documents: **Not Applicable**
(57) Statement of Newness and Distinctiveness: **Newness and distinctiveness is claimed in the features of shape and/or configuration of an electrical enclosure as shown in the accompanying drawings. In considering the scope of protection, no regard will be given to the features depicted in broken lines.**



(21) Design Number: **10881/2014**
(22) Date of Filing Application: **27 February 2014**
(24) Date from which industrial property rights may have effect: **27 February 2014**
(54) Product in respect of which the design is registered: **Electrical socket**
(51) International Design Classification: **13-03D**
(74) Name(s) of Attorney(s): **Cullens Patent and Trade Mark Attorneys**
(71) Name(s) and Address(s) of Applicant(s):
Hager Electro Pty Ltd
U1/170 Power St Glendenning NSW 2761 Australia
(72) Name(s) of Designer(s): **Erwin van Handenhoven and Jimmy Ye**
(45) Registration Date: **17 March 2014**
(56) Related Art Documents: **Not Applicable**
(57) Statement of Newness and Distinctiveness: **Nil**



(21) Design Number: **10882/2014**
(22) Date of Filing Application: **27 February 2014**
(24) Date from which industrial property rights may have effect: **27 February 2014**
(54) Product in respect of which the design is registered: **Electrical Switch**
(51) International Design Classification: **13-03NES**
(74) Name(s) of Attorney(s): **Cullens Patent and Trade Mark Attorneys**
(71) Name(s) and Address(s) of Applicant(s):
Hager Electro Pty Ltd
U1/170 Power St Glendenning NSW 2761 Australia
(72) Name(s) of Designer(s): **Erwin van Handenhoven and Jimmy Ye**
(45) Registration Date: **17 March 2014**
(56) Related Art Documents: **Not Applicable**
(57) Statement of Newness and Distinctiveness: **Nil**



(21) Design Number: **10883/2014**
(22) Date of Filing Application: **27 February 2014**
(24) Date from which industrial property rights may have effect: **27 February 2014**
(54) Product in respect of which the design is registered: **Screw**
(51) International Design Classification: **08-08B**
(74) Name(s) of Attorney(s):
(71) Name(s) and Address(s) of Applicant(s):

John Andrew Macdonald
1 Hope St Camberwell VIC 3124 Australia

(72) Name(s) of Designer(s): **John Andrew Macdonald**

(45) Registration Date: **17 March 2014**

(56) Related Art Documents: **Not Applicable**

(57) Statement of Newness and Distinctiveness: **This screw design is distinctive in appearance from any other screws on the market and is intended to be used for its novel design quality in addition to its use as a normal screw. The head of the screw is particularly different in appearance from other screws. This screw also requires a special tool to use it and this makes it more secure than other normal screws. It is envisioned that it would be manufactured from high quality stainless steel.**



(21) Design Number: **10892/2014**
(22) Date of Filing Application: **27 February 2014**
(24) Date from which industrial property rights may have effect: **27 February 2014**
(54) Product in respect of which the design is registered: **Instrument for drawing**
(51) International Design Classification: **19-06**
(74) Name(s) of Attorney(s): **AJ Park**
(71) Name(s) and Address(s) of Applicant(s):

WOBBLEWORKS, INC.
1209 Orange Street Wilmington Delaware 19801 United States of America

(72) Name(s) of Designer(s): **Maxwell Bogue and Peter Dilworth**

(45) Registration Date: **17 March 2014**

(30) Convention priority data:

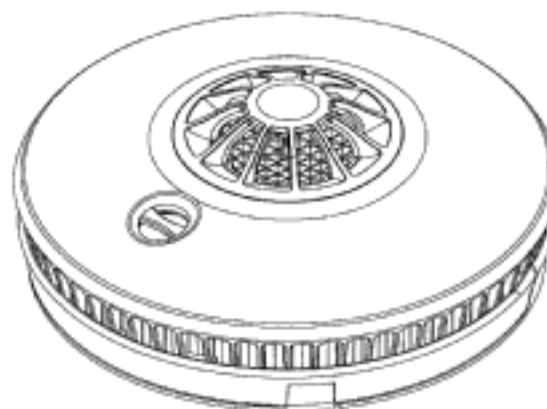
(31) Number	(32) Date	(33) Country
002315440-0002	25 Sep 2013	OFFICE FOR HARMONISATION IN THE INTERNAL MARKET (OHIM)

(56) Related Art Documents: **Not Applicable**

(57) Statement of Newness and Distinctiveness: **Newness and distinctiveness reside in the features of shape and/or configuration of the Instrument for Drawing as shown in the representations. The features shown in lighter ink are hidden features and are to be disregarded when considering the overall impression of the design.**

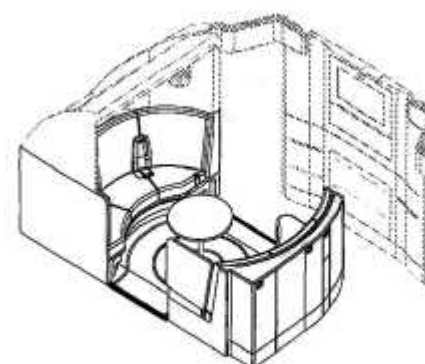


(21) Design Number: **10893/2014**
(22) Date of Filing Application: **27 February 2014**
(24) Date from which industrial property rights may have effect: **27 February 2014**
(54) Product in respect of which the design is registered: **Fire alarm**
(51) International Design Classification: **10-05**
(74) Name(s) of Attorney(s): **Marks & Clerk Australia**
(71) Name(s) and Address(s) of Applicant(s):
Sprue Safety Products Ltd.
Unit 10 Vanguard Centre Sir William Lyons Road Coventry CV4 7EZ
United Kingdom
(72) Name(s) of Designer(s): **Peter Brigham and Chris Bolger**
(45) Registration Date: **17 March 2014**
(30) Convention priority data:
(31) Number (32) Date (33) Country
002302489-0001 04 Sep 2013 OFFICE FOR HARMONISATION IN
THE INTERNAL MARKET (OHIM)

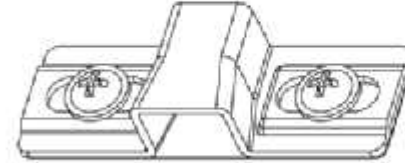


(56) Related Art Documents: **Not Applicable**
(57) Statement of Newness and Distinctiveness: **Newness and distinctiveness resides in the features of the shape and/or configuration of a fire alarm as illustrated in the accompanying drawings.**

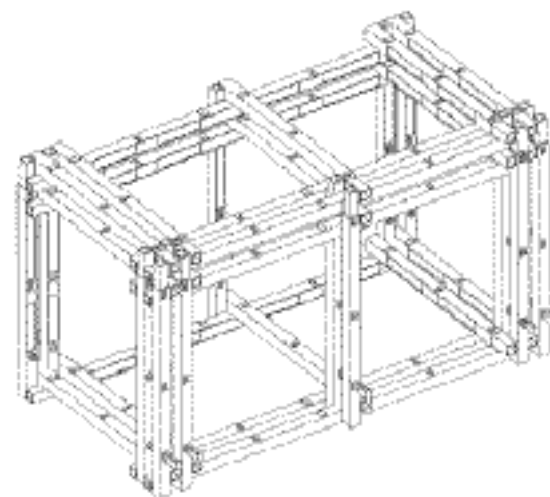
(21) Design Number: **11016/2014**
(22) Date of Filing Application: **05 March 2014**
(24) Date from which industrial property rights may have effect: **15 October 2013**
(54) Product in respect of which the design is registered: **Lounge setting**
(51) International Design Classification: **06-01D**
(74) Name(s) of Attorney(s): **Davies Collison Cave**
(71) Name(s) and Address(s) of Applicant(s):
Etihad Airways
PO BOX 35566 New Airport Road Abu Dhabi United Arab Emirates
(72) Name(s) of Designer(s): **Adrian Berry and Adam White**
(45) Registration Date: **17 March 2014**
(62) Divisional of: **354314**
(56) Related Art Documents: **Not Applicable**
(57) Statement of Newness and Distinctiveness: **Nil**



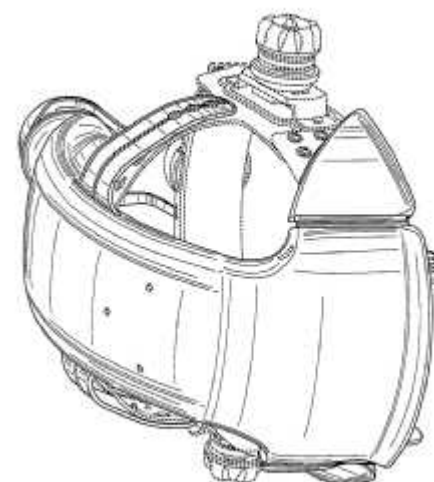
(21) Design Number: **16617/2013**
(22) Date of Filing Application: **17 December 2013**
(24) Date from which industrial property rights may have effect: **17 December 2013**
(54) Product in respect of which the design is registered: **Door lock**
(51) International Design Classification: **08-07**
(74) Name(s) of Attorney(s):
(71) Name(s) and Address(s) of Applicant(s):
Romak Hardware Distributors (Australia) Pty Ltd
177-187 Atlantic Dr Keysborough VIC 3173 Australia
(72) Name(s) of Designer(s): **Oscar Lin**
(45) Registration Date: **18 March 2014**
(56) Related Art Documents: **Not Applicable**
(57) Statement of Newness and Distinctiveness: **Nil**



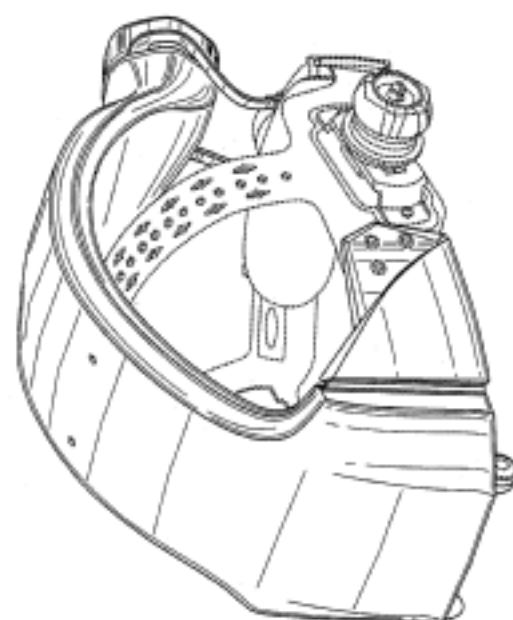
(21) Design Number: **10167/2014**
(22) Date of Filing Application: **15 January 2014**
(24) Date from which industrial property rights may have effect: **15 January 2014**
(54) Product in respect of which the design is registered: **Collapsible structure**
(51) International Design Classification: **06-04NES, 25-99**
(74) Name(s) of Attorney(s): **Houlihan2**
(71) Name(s) and Address(s) of Applicant(s):
Nikolay Ivanov
"Galabez"str. N9,fl.5,ap.10, 4000 Plovdiv BULGARIA
(72) Name(s) of Designer(s): **Nikolai Ivanov**
(45) Registration Date: **18 March 2014**
(30) Convention priority data:
(31) Number (32) Date (33) Country
**002279299-0001 23 Jul 2013 OFFICE FOR HARMONISATION IN
THE INTERNAL MARKET (OHIM)**
(56) Related Art Documents: **Not Applicable**
(57) Statement of Newness and Distinctiveness: **Newness and distinctiveness
reside in the shape and/or configuration of the COLLAPSIBLE
STRUCTURES as illustrated in the accompanying representations.**



- (21) Design Number: **16569/2013**
(22) Date of Filing Application: **16 December 2013**
(24) Date from which industrial property rights may have effect: **16 December 2013**
(54) Product in respect of which the design is registered: **Air supply for welding helmet or the like**
(51) International Design Classification: **24-01, 02-03**
(74) Name(s) of Attorney(s): **FB Rice**
(71) Name(s) and Address(s) of Applicant(s):
Tecmen Electronics CO., LTD.
Building D No. 21 North Liuzhou Road Xiaoliu Industry Park Nanjing
210031 China
(72) Name(s) of Designer(s): **Ziqian Wu**
(45) Registration Date: **18 March 2014**
(56) Related Art Documents: **Not Applicable**
(57) Statement of Newness and Distinctiveness: **Newness and distinctiveness reside in the features of the design as shown in solid lines in the representations excluding those features shown in broken lines.**



- (21) Design Number: **16570/2013**
(22) Date of Filing Application: **16 December 2013**
(24) Date from which industrial property rights may have effect: **16 December 2013**
(54) Product in respect of which the design is registered: **Air supply for welding helmet or the like**
(51) International Design Classification: **24-01, 02-03**
(74) Name(s) of Attorney(s): **FB Rice**
(71) Name(s) and Address(s) of Applicant(s):
Tecmen Electronics CO., LTD.
Building D No. 21 North Liuzhou Road Xiaoliu Industry Park Nanjing
210031 China
(72) Name(s) of Designer(s): **Ziqian Wu**
(45) Registration Date: **18 March 2014**
(56) Related Art Documents: **Not Applicable**
(57) Statement of Newness and Distinctiveness: **Newness and distinctiveness reside in the features of the design as shown in solid lines in the representations excluding those features shown in broken lines.**



(21) Design Number: 10203/2014

(22) Date of Filing Application: 08 January 2014

(24) Date from which industrial property rights may have effect: 08 January 2014

(54) Product in respect of which the design is registered: A combustion device

(51) International Design Classification: 23-99

(74) Name(s) of Attorney(s):

(71) Name(s) and Address(s) of Applicant(s):

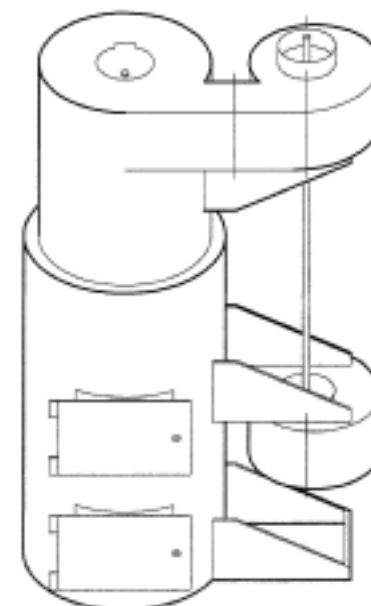
Neil William Kirkness
BOX 2041 Marmion WA 6020 Australia

(72) Name(s) of Designer(s): Neil William Kirkness

(45) Registration Date: 18 March 2014

(56) Related Art Documents: Not Applicable

(57) Statement of Newness and Distinctiveness: The visual arrangement of a combustion device located next to an air handling device. The combustion device has a fuel combustion chamber with an access hatch. Below the combustion chamber is an air input chamber. An ash chamber with an access hatch is located below the air input chamber. The combustion chamber is surrounded by an air heating jacket. The smoke combustion chamber is located above the fuel combustion chamber. The smoke combustion chamber surrounds a fuel delivery duct. The fuel delivery duct has an access hatch on top of the device. The air handling device has an air input fan on a shaft below an air output fan with ducts arranged to enhance rotational air flow. This visual arrangement can be augmented with the following optional attachments: An air intake valve located on the input fan air supply duct. A heat exchanger between the input and output air flows. An electrical generator located on the shaft below the air input fan. A thermal generator, located above the duct access hatch. A fire lighting and fuel augmentation device in the air input chamber. An enclosure located around the combustion and air handling devices. An air flow fan located on the shaft between the air input and output fans. A water heater jacket with operator valves and a steam vent into output fan housing.



(21) Design Number: 10775/2014

(22) Date of Filing Application: 19 February 2014

(24) Date from which industrial property rights may have effect: 19 February 2014

(54) Product in respect of which the design is registered: Air purifier

(51) International Design Classification: 23-04

(74) Name(s) of Attorney(s): SPRUSON & FERGUSON

(71) Name(s) and Address(s) of Applicant(s):

Rowenta France
Chemin du Virolet Vernon 27200 France

(72) Name(s) of Designer(s): Marc Salagnac

(45) Registration Date: 18 March 2014

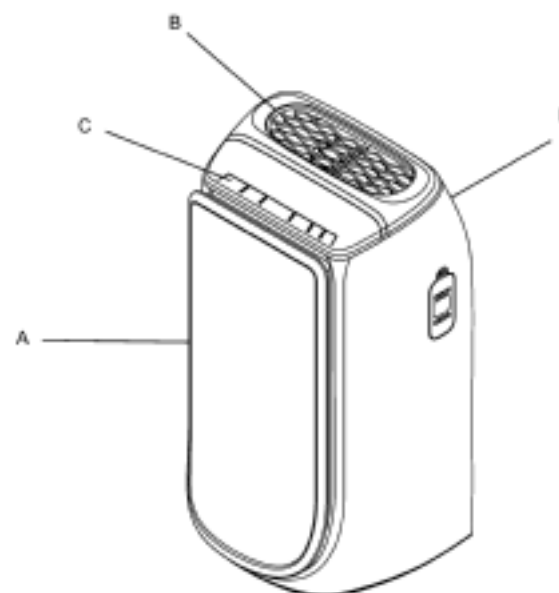
(30) Convention priority data:

(31) Number (32) Date
002386037-0002 17 Jan 2014

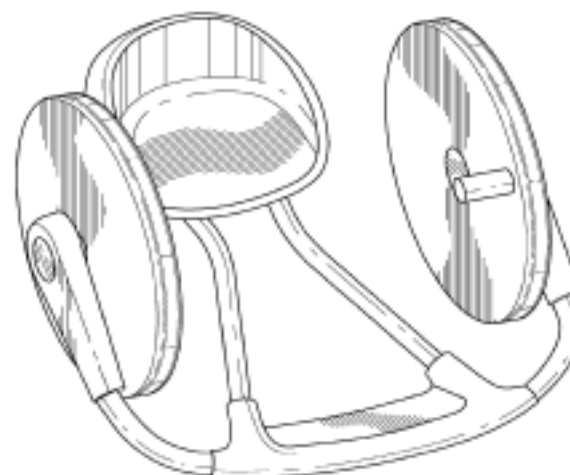
(33) Country
OFFICE FOR HARMONISATION IN
THE INTERNAL MARKET (OHIM)

(56) Related Art Documents: Not Applicable

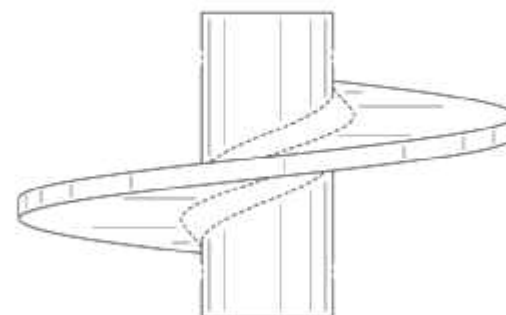
(57) Statement of Newness and Distinctiveness: Newness and distinctiveness is claimed in the following features of shape and/or configuration of an air purifier as illustrated in the accompanying representations: The rounded edges and outward bottom curve of the rectangular front panel labelled "A"; The oval top grid with wavy parallel lines and a central half-moon shape, labelled "B"; The control panel shown beneath the oval top grid and labelled "C" in the front view; The inward curve at the back top of the air purifier, labelled "D" in the right side view and the left side view; and The top profile, which slopes downward from the middle towards the front, labelled "E".



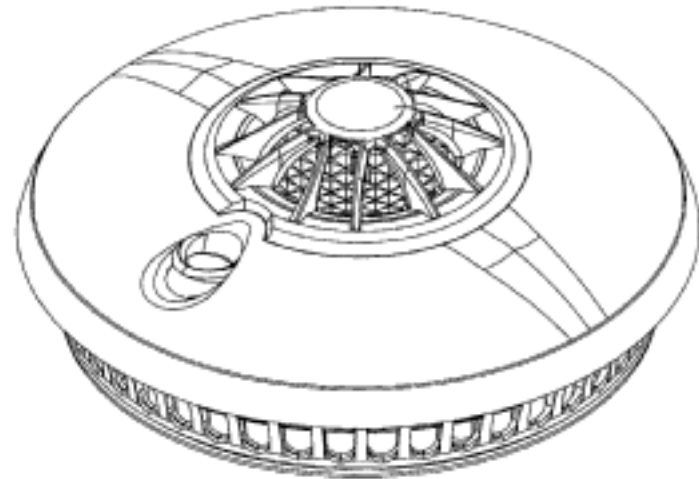
(21) Design Number: **10781/2014**
(22) Date of Filing Application: **20 February 2014**
(24) Date from which industrial property rights may have effect: **20 February 2014**
(54) Product in respect of which the design is registered: **Hand driven ride-on vehicle**
(51) International Design Classification: **21-01F**
(74) Name(s) of Attorney(s): **SPRUSON & FERGUSON**
(71) Name(s) and Address(s) of Applicant(s):
Radio Flyer Inc.
6515 West Grand Avenue Chicago Illinois 60707 United States of America
(72) Name(s) of Designer(s): **Cameron Eckert and Todd Herlitz and David Owsen**
(45) Registration Date: **18 March 2014**
(30) Convention priority data:
(31) Number (32) Date (33) Country
29/465637 29 Aug 2013 UNITED STATES OF AMERICA
(56) Related Art Documents: **Not Applicable**
(57) Statement of Newness and Distinctiveness: **Newness and distinctiveness is claimed in those features of shape and/or configuration of a hand driven ride-on vehicle illustrated in continuous lines in the accompanying representations.**



(21) Design Number: **10787/2014**
(22) Date of Filing Application: **20 February 2014**
(24) Date from which industrial property rights may have effect: **20 February 2014**
(54) Product in respect of which the design is registered: **Helix adaptor for a pile**
(51) International Design Classification: **08-01**
(74) Name(s) of Attorney(s): **SPRUSON & FERGUSON**
(71) Name(s) and Address(s) of Applicant(s):
Goliathtech Inc.
1516 ch. Ivory Magog Quebec J1X 5R9 Canada
(72) Name(s) of Designer(s): **Julian L Reusing and Predrag Pudar**
(45) Registration Date: **18 March 2014**
(30) Convention priority data:
(31) Number (32) Date (33) Country
152577 22 Aug 2013 CANADA
(56) Related Art Documents: **Not Applicable**
(57) Statement of Newness and Distinctiveness: **Newness and distinctiveness is claimed in those features of shape and/or configuration of a helix adaptor for a pile illustrated in continuous lines in the accompanying representations.**



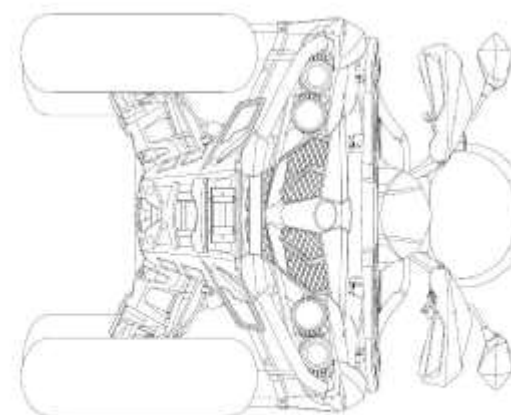
- (21) Design Number: **10894/2014**
(22) Date of Filing Application: **27 February 2014**
(24) Date from which industrial property rights may have effect: **27 February 2014**
(54) Product in respect of which the design is registered: **Fire alarm**
(51) International Design Classification: **10-05**
(74) Name(s) of Attorney(s): **Marks & Clerk Australia**
(71) Name(s) and Address(s) of Applicant(s):
Sprue Safety Products Ltd.
Unit 10 Vanguard Centre Sir William Lyons Road Coventry CV4 7EZ
United Kingdom
(72) Name(s) of Designer(s): **Peter Brigham and Chris Bolger**
(45) Registration Date: **18 March 2014**
(30) Convention priority data:
(31) Number (32) Date (33) Country
002302489-0002 04 Sep 2013 OFFICE FOR HARMONISATION IN
THE INTERNAL MARKET (OHIM)
(56) Related Art Documents: **Not Applicable**
(57) Statement of Newness and Distinctiveness: **Newness and distinctiveness resides in the features of the shape and/or configuration of a fire alarm as illustrated in the accompanying drawings.**



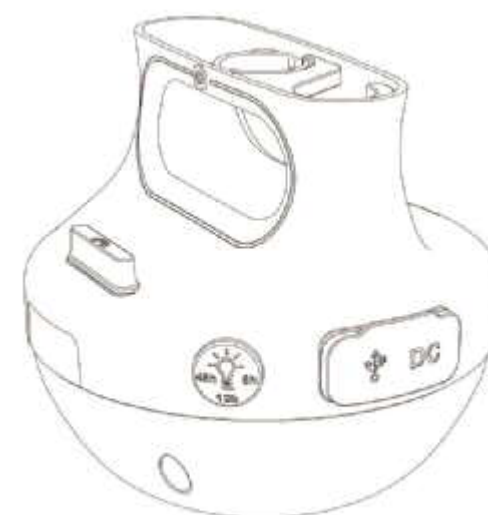
- (21) Design Number: **10899/2014**
(22) Date of Filing Application: **27 February 2014**
(24) Date from which industrial property rights may have effect: **27 February 2014**
(54) Product in respect of which the design is registered: **Ring**
(51) International Design Classification: **11-01A**
(74) Name(s) of Attorney(s):
(71) Name(s) and Address(s) of Applicant(s):
Baruko Pty Ltd
142 King St Sydney NSW 2000 Australia
(72) Name(s) of Designer(s): **Sophia Levendi**
(45) Registration Date: **18 March 2014**
(56) Related Art Documents: **Not Applicable**
(57) Statement of Newness and Distinctiveness: **Single solitaire design with the band twisting upwards into a distinctive interwoven harmony. The ring can be either all in one colour gold or two tone ie white and yellow gold or platinum. We also vary the centre stone ie either Diamond, sapphire, ruby, emerald or pearl. We also can have the band set with or without diamonds. The centre stone is bezel set.**



(21) Design Number: **10905/2014**
(22) Date of Filing Application: **28 February 2014**
(24) Date from which industrial property rights may have effect: **28 February 2014**
(54) Product in respect of which the design is registered: **All-terrain vehicle**
(51) International Design Classification: **12-08**
(74) Name(s) of Attorney(s): **WATERMARK PATENT AND TRADE MARKS ATTORNEYS**
(71) Name(s) and Address(s) of Applicant(s):
Zhejiang CFMOTO Power Co., Ltd
No. 116 Wuzhou Road Yuhang Economic Development Zone Hangzhou
Zhejiang Province 311100 China
(72) Name(s) of Designer(s): **Guogui Lai and Zhangping Yuan and Yibin Yang and Minqiang Xiong and Dahua Li**
(45) Registration Date: **18 March 2014**
(30) Convention priority data:
(31) Number (32) Date (33) Country
201330631197.5 18 Dec 2013 CHINA
(56) Related Art Documents: **Not Applicable**
(57) Statement of Newness and Distinctiveness: **Nil**



(21) Design Number: **10907/2014**
(22) Date of Filing Application: **28 February 2014**
(24) Date from which industrial property rights may have effect: **28 February 2014**
(54) Product in respect of which the design is registered: **Hand lamp**
(51) International Design Classification: **26-02**
(74) Name(s) of Attorney(s): **WATERMARK PATENT AND TRADE MARKS ATTORNEYS**
(71) Name(s) and Address(s) of Applicant(s):
Schneider Electric Industries SAS
35 rue Joseph Monier Rueil-Malmaison 92500 France
(72) Name(s) of Designer(s): **Guillaume Reiner**
(45) Registration Date: **18 March 2014**
(30) Convention priority data:
(31) Number (32) Date (33) Country
002303016-0001 05 Sep 2013 EUROPEAN PATENT OFFICE (EPO)
(56) Related Art Documents: **Not Applicable**
(57) Statement of Newness and Distinctiveness: **Nil**



(21) Design Number: **10910/2014**
(22) Date of Filing Application: **28 February 2014**
(24) Date from which industrial property rights may have effect: **28 February 2014**
(54) Product in respect of which the design is registered: **Case**
(51) International Design Classification: **03-01NES**
(74) Name(s) of Attorney(s): **Freehills Patent Attorneys**
(71) Name(s) and Address(s) of Applicant(s):



Apple Inc.
1 Infinite Loop Cupertino CA 95014 United States of America

(72) Name(s) of Designer(s): **Jody Akana and Bartley K Andre and Shota Aoyagi and Jeremy Bataillou and Daniel J Coster and Daniele De Iuliis and M Evans Hankey and Julian Hoenig and Richard P Howarth and Jonathan P Ive and Duncan Robert Kerr and Matthew Dean Rohrbach and Peter Russell-Clarke and Mikael Silvano and Christopher J Stringer and Eugene Antony Whang and Rico Zorkendorfer**

(45) Registration Date: **18 March 2014**

(30) Convention priority data:

(31) Number	(32) Date	(33) Country
29/466580	09 Sep 2013	UNITED STATES OF AMERICA

(56) Related Art Documents: **Not Applicable**

(57) Statement of Newness and Distinctiveness: **Nil**

(21) Design Number: **10911/2014**
(22) Date of Filing Application: **28 February 2014**
(24) Date from which industrial property rights may have effect: **28 February 2014**
(54) Product in respect of which the design is registered: **Tyre**
(51) International Design Classification: **12-15C**
(74) Name(s) of Attorney(s): **Shelston IP**
(71) Name(s) and Address(s) of Applicant(s):



Fortune Gold Enterprises Ltd
Suite 13 First Floor Oliaji Trade Center Francis Rachel Street Victoria Mahe 999126 Seychelles

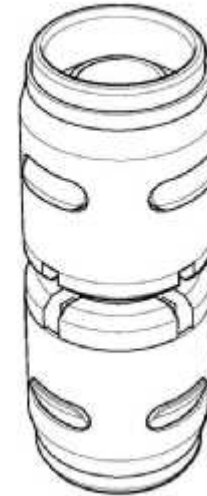
(72) Name(s) of Designer(s): **Feng Wang and Shijuan Sun and Xiaoming Wang and Jiankang Hao and Ming Li**

(45) Registration Date: **18 March 2014**

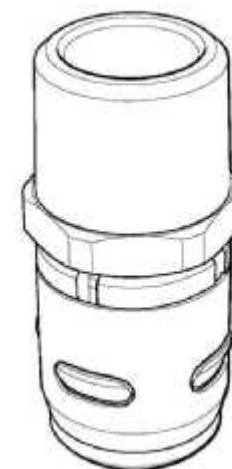
(56) Related Art Documents: **Not Applicable**

(57) Statement of Newness and Distinctiveness: **Newness and distinctiveness reside in the features of shape and/or configuration of the tread of a TYRE as illustrated in the accompanying representations. The tread being repeated throughout the circumference of the tyre.**

(21) Design Number: **10917/2014**
(22) Date of Filing Application: **28 February 2014**
(24) Date from which industrial property rights may have effect: **28 February 2014**
(54) Product in respect of which the design is registered: **Pipe connection fitting**
(51) International Design Classification: **23-01A**
(74) Name(s) of Attorney(s): **Callinans**
(71) Name(s) and Address(s) of Applicant(s):
GSA Industries (Aust) Pty Ltd
L54 Rialto Towers 525 Collins St Melbourne VIC 3000 Australia
(72) Name(s) of Designer(s): **Jeremy Gledhill and William Vernon Kluss**
(45) Registration Date: **18 March 2014**
(56) Related Art Documents: **Not Applicable**
(57) Statement of Newness and Distinctiveness: **Nil**



(21) Design Number: **10918/2014**
(22) Date of Filing Application: **28 February 2014**
(24) Date from which industrial property rights may have effect: **28 February 2014**
(54) Product in respect of which the design is registered: **Pipe connection fitting**
(51) International Design Classification: **23-01A**
(74) Name(s) of Attorney(s): **Callinans**
(71) Name(s) and Address(s) of Applicant(s):
GSA Industries (Aust.) Pty Ltd
L54 Rialto Towers 525 Collins St Melbourne VIC 3000 Australia
(72) Name(s) of Designer(s): **Jeremy Gledhill and William Vernon Kluss**
(45) Registration Date: **18 March 2014**
(56) Related Art Documents: **Not Applicable**
(57) Statement of Newness and Distinctiveness: **Nil**



(21) Design Number: **10920/2014**
(22) Date of Filing Application: **28 February 2014**
(24) Date from which industrial property rights may have effect: **28 February 2014**
(54) Product in respect of which the design is registered: **Pipe connection fitting**
(51) International Design Classification: **23-01A**
(74) Name(s) of Attorney(s): **Callinans**
(71) Name(s) and Address(s) of Applicant(s):
GSA Industries (Aust.) Pty Ltd
L54 Rialto Towers 525 Collins St Melbourne VIC 3000 Australia
(72) Name(s) of Designer(s): **Jeremy Gledhill and William Vernon Kluss**
(45) Registration Date: **18 March 2014**
(56) Related Art Documents: **Not Applicable**
(57) Statement of Newness and Distinctiveness: **Nil**



(21) Design Number: **10927/2014**
(22) Date of Filing Application: **28 February 2014**
(24) Date from which industrial property rights may have effect: **28 February 2014**
(54) Product in respect of which the design is registered: **Pipe connection fitting**
(51) International Design Classification: **23-01A**
(74) Name(s) of Attorney(s): **Callinans**
(71) Name(s) and Address(s) of Applicant(s):
GSA Industries (Aust.) Pty Ltd
L54 Rialto Towers 525 Collins St Melbourne VIC 3000 Australia
(72) Name(s) of Designer(s): **Jeremy Gledhill and William Vernon Kluss**
(45) Registration Date: **18 March 2014**
(56) Related Art Documents: **Not Applicable**
(57) Statement of Newness and Distinctiveness: **Nil**



- (21) Design Number: **10928/2014**
(22) Date of Filing Application: **28 February 2014**
(24) Date from which industrial property rights may have effect: **28 February 2014**
(54) Product in respect of which the design is registered: **Electronic device**
(51) International Design Classification: **14-03E**
(74) Name(s) of Attorney(s): **Freehills Patent Attorneys**
(71) Name(s) and Address(s) of Applicant(s):



Apple Inc.

1 Infinite Loop Cupertino CA 95014 United States of America

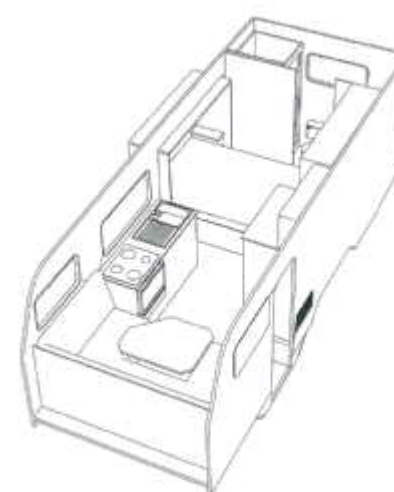
- (72) Name(s) of Designer(s): **Jody Akana and Bartley K Andre and Shota Aoyagi and Jeremy Bataillou and Daniel J Coster and Daniele De Iuliis and M Evans Hankey and Julian Hoenig and Richard P Howarth and Jonathan P Ive and Duncan Robert Kerr and Matthew Dean Rohrbach and Peter Russell-Clarke and Mikael Silvano and Christopher J Stringer and Eugene Antony Whang and Rico Zorkendorfer**
(45) Registration Date: **18 March 2014**
(30) Convention priority data:
(31) Number (32) Date (33) Country
29/466555 09 Sep 2013 UNITED STATES OF AMERICA
(56) Related Art Documents: **Not Applicable**
(57) Statement of Newness and Distinctiveness: **Newness and distinctiveness resides in the features of ornamentation, including contrasting appearance, of the shaded areas within the dot-dash lines in the accompanying representations.**

- (21) Design Number: **14758/2013**
(22) Date of Filing Application: **20 September 2013**
(24) Date from which industrial property rights may have effect: **20 September 2013**
(54) Product in respect of which the design is registered: **Caravan, caravan body, caravan interior layout**
(51) International Design Classification: **12-10**
(74) Name(s) of Attorney(s): **IP Gateway Patent & Trademark Attorneys Pty Ltd**
(71) Name(s) and Address(s) of Applicant(s):

Paradise Motor Homes Pty Ltd

245 Brisbane Rd Biggera Waters QLD 4216 Australia

- (72) Name(s) of Designer(s): **Colin Maclean**
(45) Registration Date: **18 March 2014**
(56) Related Art Documents: **Not Applicable**
(57) Statement of Newness and Distinctiveness: **Newness and distinctiveness reside in visual features of the interior layout of a caravan resulting from relative positions of a double bed (designated A), a rear bathroom area (designated B) and a wardrobe (designated C) as shown in the representations.**



(21) Design Number: **10035/2014**
(22) Date of Filing Application: **07 January 2014**
(24) Date from which industrial property rights may have effect: **07 January 2014**
(54) Product in respect of which the design is registered: **Dual citrus reamer**
(51) International Design Classification: **07-04**
(74) Name(s) of Attorney(s): **Davies Collison Cave**
(71) Name(s) and Address(s) of Applicant(s):
Chef'N Corporation
1525 4th Avenue Suite 700 Seattle Washington 98101 United States of America
(72) Name(s) of Designer(s): **Matthew Krus**
(45) Registration Date: **18 March 2014**
(30) Convention priority data:
(31) Number (32) Date (33) Country
29/460282 09 Jul 2013 UNITED STATES OF AMERICA
(56) Related Art Documents: **Not Applicable**
(57) Statement of Newness and Distinctiveness: **Newness and distinctiveness is claimed in the visual features shown in solid lines in the representations.**



(21) Design Number: **10036/2014**
(22) Date of Filing Application: **07 January 2014**
(24) Date from which industrial property rights may have effect: **07 January 2014**
(54) Product in respect of which the design is registered: **Melon baller**
(51) International Design Classification: **07-06NES, 07-04**
(74) Name(s) of Attorney(s): **Davies Collison Cave**
(71) Name(s) and Address(s) of Applicant(s):
Chef'N Corporation
1525 4th Avenue Suite 700 Seattle Washington 98101 United States of America
(72) Name(s) of Designer(s): **Matthew Krus**
(45) Registration Date: **18 March 2014**
(30) Convention priority data:
(31) Number (32) Date (33) Country
29/460279 09 Jul 2013 UNITED STATES OF AMERICA
(56) Related Art Documents: **Not Applicable**
(57) Statement of Newness and Distinctiveness: **Newness and distinctiveness is claimed in the visual features shown in solid lines in the representations.**



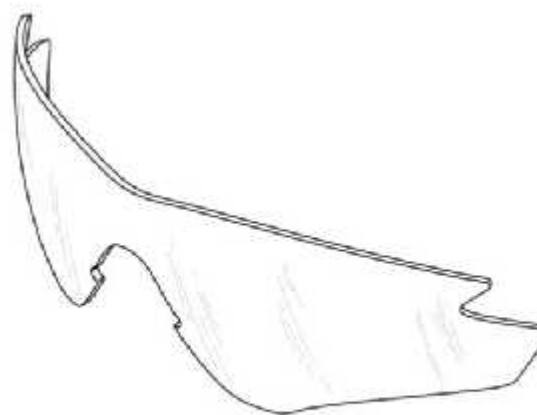
(21) Design Number: **10091/2014**
(22) Date of Filing Application: **10 January 2014**
(24) Date from which industrial property rights may have effect: **10 January 2014**
(54) Product in respect of which the design is registered: **Tub**
(51) International Design Classification: **09-03NES**
(74) Name(s) of Attorney(s): **Davies Collison Cave**
(71) Name(s) and Address(s) of Applicant(s):
Cryovac Australia Pty Ltd
90 Keilor Park Dr Tullamarine VIC 3043 Australia
(72) Name(s) of Designer(s): **Jayesh Nambiar**
(45) Registration Date: **18 March 2014**
(56) Related Art Documents: **Not Applicable**
(57) Statement of Newness and Distinctiveness: **Nil**



(21) Design Number: **10101/2014**
(22) Date of Filing Application: **10 January 2014**
(24) Date from which industrial property rights may have effect: **10 January 2014**
(54) Product in respect of which the design is registered: **Mobile phone case**
(51) International Design Classification: **03-01NES, 14-03A**
(74) Name(s) of Attorney(s): **Davies Collison Cave**
(71) Name(s) and Address(s) of Applicant(s):
Dastek Co., Ltd.
ilsung-building, 14 403 Pungdeokcheon-ro, 139 beon-gil Suji-gu, Yongin-si Gyeonggi-do Republic of Korea
(72) Name(s) of Designer(s): **Seo Jeung Ki**
(45) Registration Date: **18 March 2014**
(30) Convention priority data:
(31) Number (32) Date (33) Country
30-2013-0043959 27 Aug 2013 REPUBLIC OF KOREA
(56) Related Art Documents: **Not Applicable**
(57) Statement of Newness and Distinctiveness: **Newness and distinctiveness is claimed in the visual features shown in solid lines in the representations. In considering the extent of the design rights, the broken lines shown in the representations are for illustrative purposes only and do not form part of the design.**



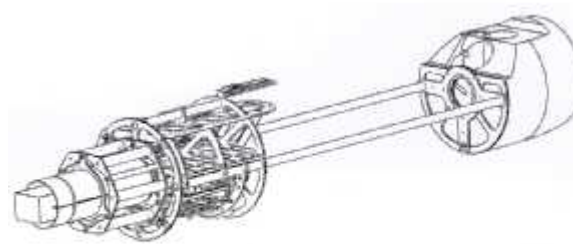
(21) Design Number: **10278/2014**
(22) Date of Filing Application: **22 January 2014**
(24) Date from which industrial property rights may have effect: **22 January 2014**
(54) Product in respect of which the design is registered: **Eyeglass component**
(51) International Design Classification: **16-06**
(74) Name(s) of Attorney(s): **Davies Collison Cave**
(71) Name(s) and Address(s) of Applicant(s):
Oakley, Inc.
One Icon Foothill Ranch California 92610 United States of America
(72) Name(s) of Designer(s): **Lek Haagen Thixton and Peter K. Yee**
(45) Registration Date: **18 March 2014**
(30) Convention priority data:
(31) Number (32) Date (33) Country
29/470,906 30 Oct 2013 UNITED STATES OF AMERICA
(56) Related Art Documents: **Not Applicable**
(57) Statement of Newness and Distinctiveness: **Nil**



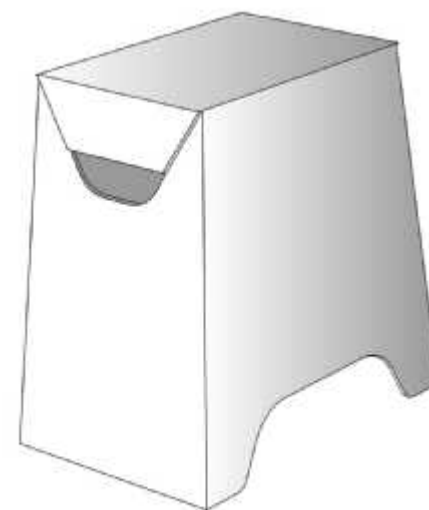
(21) Design Number: **10796/2014**
(22) Date of Filing Application: **21 February 2014**
(24) Date from which industrial property rights may have effect: **21 February 2014**
(54) Product in respect of which the design is registered: **Telephone**
(51) International Design Classification: **14-03E**
(74) Name(s) of Attorney(s): **Griffith Hack**
(71) Name(s) and Address(s) of Applicant(s):
NEC Infrontia Corporation
6-1 Kitamikata 2-chome Takatsu-ku Kawasaki-shi Kanagawa 213-8511
Japan
(72) Name(s) of Designer(s): **Katsufumi Matsuura and Naoki Ozawa**
(45) Registration Date: **18 March 2014**
(30) Convention priority data:
(31) Number (32) Date (33) Country
2013-030071 20 Dec 2013 JAPAN
(56) Related Art Documents: **Not Applicable**
(57) Statement of Newness and Distinctiveness: **Newness and distinctiveness resides in the visual features, including the shape and configuration of the product shown in the representations. Figures 9 and 10 have been included for illustrative purposes only and include a portion labeled "A" which may be light emitting, and a portion labeled "B" denoting a panel, but not buttons on the panel, and the panel may be transparent or opaque.**



(21) Design Number: **10798/2014**
(22) Date of Filing Application: **21 February 2014**
(24) Date from which industrial property rights may have effect: **21 February 2014**
(54) Product in respect of which the design is registered: **Frame structure for towed survey bird**
(51) International Design Classification: **10-99**
(74) Name(s) of Attorney(s): **Armour IP**
(71) Name(s) and Address(s) of Applicant(s):
Shift Geophysics Pty Ltd
1/150 Manning Rd Wilson WA 6107 Australia
(72) Name(s) of Designer(s): **Federico Mari**
(45) Registration Date: **18 March 2014**
(56) Related Art Documents: **Not Applicable**
(57) Statement of Newness and Distinctiveness: **Nil**



(21) Design Number: **10800/2014**
(22) Date of Filing Application: **22 February 2014**
(24) Date from which industrial property rights may have effect: **22 February 2014**
(54) Product in respect of which the design is registered: **Furniture - stool**
(51) International Design Classification: **06-01E**
(74) Name(s) of Attorney(s):
(71) Name(s) and Address(s) of Applicant(s):
Anthony Dann
118 Roberts St Northcote VIC 3070 Australia
(72) Name(s) of Designer(s): **Anthony Dann**
(45) Registration Date: **18 March 2014**
(30) Convention priority data:
(31) Number (32) Date (33) Country
**002396291 31 Jan 2014 OFFICE FOR HARMONISATION IN
THE INTERNAL MARKET (OHIM)**



(56) Related Art Documents: **Not Applicable**
(57) Statement of Newness and Distinctiveness: **The furniture comprises corrugated cardboard or similar material which comprises two flat and typically die-cut components which are folded up by the end user to make a stool. The overall shape is a rectangle with a slight inward taper from bottom to top. Two visible side flaps secure the lid plane down onto the base support. These flaps slot into hand-hold openings on either side of the stool. The stool has a cross-member support made from a secondary component to the body panel which makes an X formation when viewed from the underside.**

(21) Design Number: **10895/2014**
(22) Date of Filing Application: **27 February 2014**
(24) Date from which industrial property rights may have effect: **27 February 2014**
(54) Product in respect of which the design is registered: **A stake**
(51) International Design Classification: **08-08A, 08-08L, 08-08NES**
(74) Name(s) of Attorney(s):
(71) Name(s) and Address(s) of Applicant(s):

Mr Box Limited
c/- PWC (ChCh) 5 Sir Gil Simpson Drive Burnside Christchurch 8053
New Zealand

(72) Name(s) of Designer(s): **Dion Kerr**

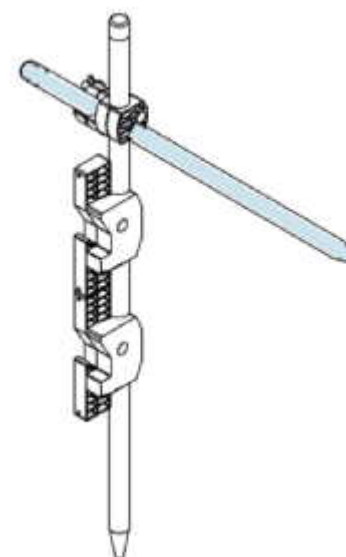
(45) Registration Date: **18 March 2014**

(30) Convention priority data:

(31) Number	(32) Date	(33) Country
417993	28 Aug 2013	NEW ZEALAND

(56) Related Art Documents: **Not Applicable**

(57) Statement of Newness and Distinctiveness: **The design is to be applied to a stake of indefinite length and constant cross-section, and the novelty resides in the features of shape and configuration as shown in the accompanying representations. The angled stake and detail shown in blue wash is disclaimed from the design.**



(21) Design Number: **10900/2014**
(22) Date of Filing Application: **27 February 2014**
(24) Date from which industrial property rights may have effect: **27 February 2014**
(54) Product in respect of which the design is registered: **Lamp**
(51) International Design Classification: **26-04**
(74) Name(s) of Attorney(s): **Wrays**
(71) Name(s) and Address(s) of Applicant(s):

Mass Technology (H.K.) Limited
31/F. Two Landmark East 100 How Ming Street Kwun Tong Kowloon
Hong Kong

(72) Name(s) of Designer(s): **Onn Fah Foo**

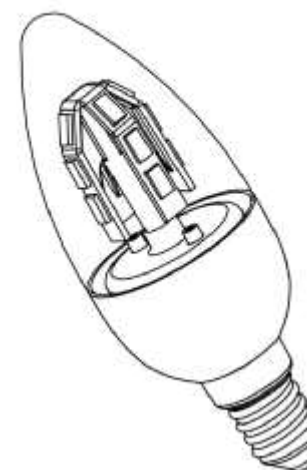
(45) Registration Date: **18 March 2014**

(30) Convention priority data:

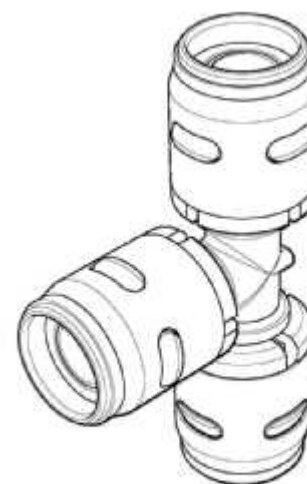
(31) Number	(32) Date	(33) Country
1301537.5M006	06 Sep 2013	HONG KONG

(56) Related Art Documents: **Not Applicable**

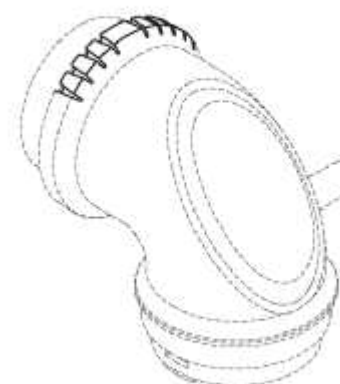
(57) Statement of Newness and Distinctiveness: **Newness and distinctiveness is claimed in the features of shape and/or configuration of the Lamp depicted in the accompanying representations.**



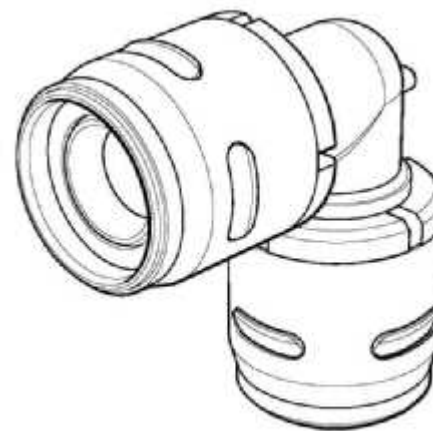
(21) Design Number: **10922/2014**
(22) Date of Filing Application: **28 February 2014**
(24) Date from which industrial property rights may have effect: **28 February 2014**
(54) Product in respect of which the design is registered: **Pipe connection fitting**
(51) International Design Classification: **23-01A**
(74) Name(s) of Attorney(s): **Callinans**
(71) Name(s) and Address(s) of Applicant(s):
GSA Industries (Aust.) Pty Ltd
L54 Rialto Towers 525 Collins St Melbourne VIC 3000 Australia
(72) Name(s) of Designer(s): **Jeremy Gledhill and William Vernon Kluss**
(45) Registration Date: **18 March 2014**
(56) Related Art Documents: **Not Applicable**
(57) Statement of Newness and Distinctiveness: **Nil**



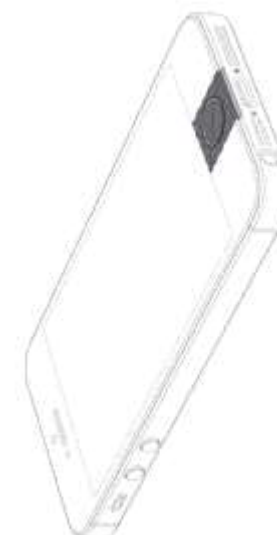
(21) Design Number: **10801/2014**
(22) Date of Filing Application: **24 February 2014**
(24) Date from which industrial property rights may have effect: **24 February 2014**
(54) Product in respect of which the design is registered: **Part for respiratory mask**
(51) International Design Classification: **24-02**
(74) Name(s) of Attorney(s): **Shelston IP**
(71) Name(s) and Address(s) of Applicant(s):
APEX MEDICAL CORP.
No 9 Min Sheng St Tu-Cheng New Taipei City 23679 Taiwan
(72) Name(s) of Designer(s): **Chih-Tsan Chien**
(45) Registration Date: **18 March 2014**
(30) Convention priority data:
(31) Number (32) Date (33) Country
102305984 06 Sep 2013 TAIWAN
(56) Related Art Documents: **Not Applicable**
(57) Statement of Newness and Distinctiveness: **Newness and distinctiveness reside in the features of shape and/or configuration of the upper portions of a PART FOR RESPIRATORY MASK, as shown in solid lines in the accompanying representations. The features shown in broken lines are illustrative only and do not form part of the design.**



(21) Design Number: **10929/2014**
(22) Date of Filing Application: **28 February 2014**
(24) Date from which industrial property rights may have effect: **28 February 2014**
(54) Product in respect of which the design is registered: **Pipe connection fitting**
(51) International Design Classification: **23-01A**
(74) Name(s) of Attorney(s): **Callinans**
(71) Name(s) and Address(s) of Applicant(s):
GSA Industries (Aust.) Pty Ltd
L54 Rialto Towers 525 Collins St Melbourne VIC 3000 Australia
(72) Name(s) of Designer(s): **Jeremy Gledhill and William Vernon Kluss**
(45) Registration Date: **18 March 2014**
(56) Related Art Documents: **Not Applicable**
(57) Statement of Newness and Distinctiveness: **Nil**



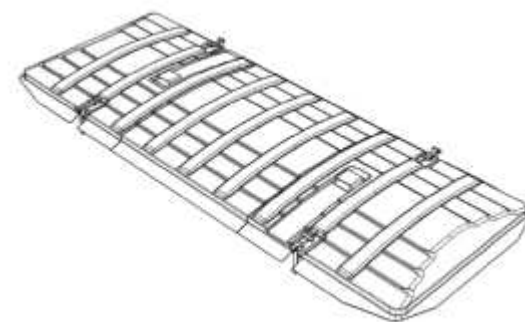
(21) Design Number: **10930/2014**
(22) Date of Filing Application: **28 February 2014**
(24) Date from which industrial property rights may have effect: **28 February 2014**
(54) Product in respect of which the design is registered: **Electronic device**
(51) International Design Classification: **14-03E**
(74) Name(s) of Attorney(s): **Freehills Patent Attorneys**
(71) Name(s) and Address(s) of Applicant(s):
Apple Inc.
1 Infinite Loop Cupertino CA 95014 United States of America
(72) Name(s) of Designer(s): **Jody Akana and Bartley K Andre and Shota Aoyagi and Jeremy Bataillou and Daniel J Coster and Daniele De Iuliis and M Evans Hankey and Julian Hoenig and Richard P Howarth and Jonathan P Ive and Duncan Robert Kerr and Matthew Dean Rohrbach and Peter Russell-Clarke and Mikael Silvano and Christopher J Stringer and Eugene Antony Whang and Rico Zorkendorfer**
(45) Registration Date: **18 March 2014**
(30) Convention priority data:
(31) Number (32) Date (33) Country
29/466555 09 Sep 2013 UNITED STATES OF AMERICA
(56) Related Art Documents: **Not Applicable**
(57) Statement of Newness and Distinctiveness: **Newness and distinctiveness resides in the features of ornamentation, including contrasting appearance, of the shaded areas within the dot-dash lines in the accompanying representations.**



(21) Design Number: **10931/2014**
(22) Date of Filing Application: **28 February 2014**
(24) Date from which industrial property rights may have effect: **28 February 2014**
(54) Product in respect of which the design is registered: **Pipe connection fitting**
(51) International Design Classification: **23-01A**
(74) Name(s) of Attorney(s): **Callinans**
(71) Name(s) and Address(s) of Applicant(s):
GSA Industries (Aust.) Pty Ltd
L54 Rialto Towers 525 Collins St Melbourne VIC 3000 Australia
(72) Name(s) of Designer(s): **Jeremy Gledhill and William Vernon Kluss**
(45) Registration Date: **18 March 2014**
(56) Related Art Documents: **Not Applicable**
(57) Statement of Newness and Distinctiveness: **Nil**



(21) Design Number: **10682/2014**
(22) Date of Filing Application: **11 February 2014**
(24) Date from which industrial property rights may have effect: **11 February 2014**
(54) Product in respect of which the design is registered: **A container lid**
(51) International Design Classification: **07-01NES**
(74) Name(s) of Attorney(s): **Australian Patent & TradeMark Services Pty Ltd**
(71) Name(s) and Address(s) of Applicant(s):
Container Rotation Systems Pty Ltd
SE3 18 Sleight PI Wetherill Park NSW 2164 Australia
(72) Name(s) of Designer(s): **Murray Robert Bridle**
(45) Registration Date: **19 March 2014**
(56) Related Art Documents: **Not Applicable**
(57) Statement of Newness and Distinctiveness: **Newness and distinctiveness is claimed in the shape and/or configuration of a container lid, as illustrated in the accompanying representations.**



(21) Design Number: **10912/2014**
(22) Date of Filing Application: **28 February 2014**
(24) Date from which industrial property rights may have effect: **28 February 2014**
(54) Product in respect of which the design is registered: **Electronic device**
(51) International Design Classification: **14-03E**
(74) Name(s) of Attorney(s): **Freehills Patent Attorneys**
(71) Name(s) and Address(s) of Applicant(s):

Apple Inc.
1 Infinite Loop Cupertino CA 95014 United States of America

(72) Name(s) of Designer(s): **Jody Akana and Bartley K Andre and Shota Aoyagi and Jeremy Bataillou and Daniel J Coster and Daniele De Iuliis and M Evans Hankey and Julian Hoenig and Richard P Howarth and Jonathan P Ive and Duncan Robert Kerr and Matthew Dean Rohrbach and Peter Russell-Clarke and Mikael Silvano and Christopher J Stringer and Eugene Antony Whang and Rico Zorkendorfer**

(45) Registration Date: **19 March 2014**

(30) Convention priority data:

(31) Number	(32) Date	(33) Country
29/466548	09 Sep 2013	UNITED STATES OF AMERICA

(56) Related Art Documents: **Not Applicable**

(57) Statement of Newness and Distinctiveness: **Newness and distinctiveness resides in the features of ornamentation of the shaded areas shown in the representations.**



(21) Design Number: **10932/2014**
(22) Date of Filing Application: **28 February 2014**
(24) Date from which industrial property rights may have effect: **28 February 2014**
(54) Product in respect of which the design is registered: **Security tag**
(51) International Design Classification: **10-05**
(74) Name(s) of Attorney(s): **SPRUSON & FERGUSON**
(71) Name(s) and Address(s) of Applicant(s):

Tyco Fire & Security GmbH
Victor von Bruns-Strasse 21 Neuhausen am Rheinfall 8212 Switzerland

(72) Name(s) of Designer(s): **Sergio M Perez and Thang Tat Nguyen and Krystyna E Cwik**

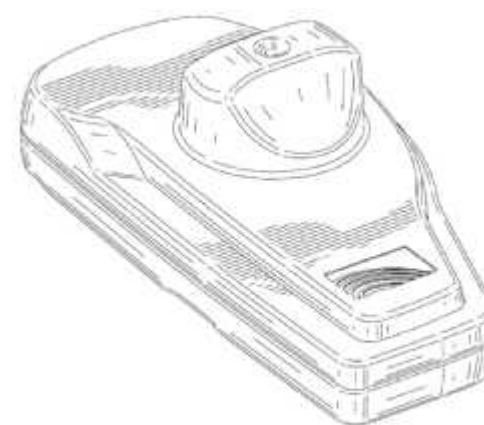
(45) Registration Date: **19 March 2014**

(30) Convention priority data:

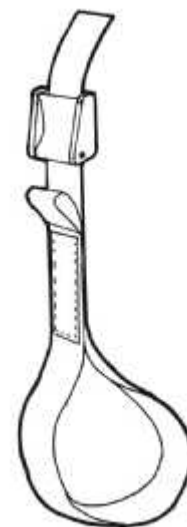
(31) Number	(32) Date	(33) Country
29/465712	30 Aug 2013	UNITED STATES OF AMERICA

(56) Related Art Documents: **Not Applicable**

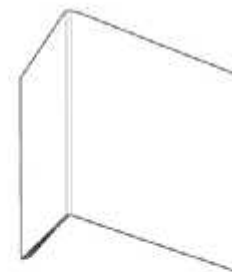
(57) Statement of Newness and Distinctiveness: **Newness and distinctiveness is claimed in the features of shape and/or configuration of a security tag as illustrated in the accompanying representations.**



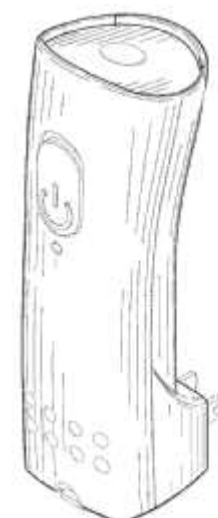
- (21) Design Number: **10947/2014**
(22) Date of Filing Application: **28 February 2014**
(24) Date from which industrial property rights may have effect: **28 February 2014**
(54) Product in respect of which the design is registered: **Reusable strap for holding goods**
(51) International Design Classification: **09-06**
(74) Name(s) of Attorney(s):
(71) Name(s) and Address(s) of Applicant(s):
Zayne Pty Ltd
12 George Pde Portland NSW 2847 Australia
(72) Name(s) of Designer(s): **Zayne Bray**
(45) Registration Date: **19 March 2014**
(56) Related Art Documents: **Not Applicable**
(57) Statement of Newness and Distinctiveness: **The newness and distinctiveness of the design resides in the shape and layout of the strap as shown in the continuous lines in the accompanying representation. The broken lines are not part of the design and are to be disregarded when considering the overall impression of the design.**



- (21) Design Number: **10950/2014**
(22) Date of Filing Application: **03 March 2014**
(24) Date from which industrial property rights may have effect: **03 March 2014**
(54) Product in respect of which the design is registered: **Hanging hook**
(51) International Design Classification: **08-08G**
(74) Name(s) of Attorney(s):
(71) Name(s) and Address(s) of Applicant(s):
Kristian Aus
38 Marlborough St Leichhardt NSW 2040 Australia
(72) Name(s) of Designer(s): **Kristian Aus**
(45) Registration Date: **19 March 2014**
(56) Related Art Documents: **Not Applicable**
(57) Statement of Newness and Distinctiveness: **Newness and distinctiveness is claimed in those visual features as shown in the representations**

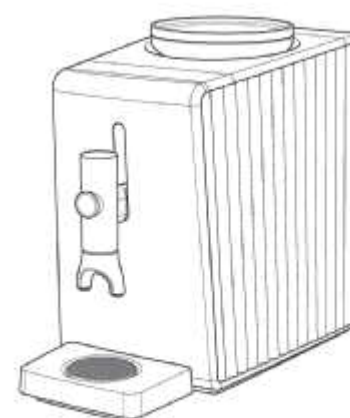


(21) Design Number: **10951/2014**
(22) Date of Filing Application: **03 March 2014**
(24) Date from which industrial property rights may have effect: **03 March 2014**
(54) Product in respect of which the design is registered: **Lighting device**
(51) International Design Classification: **26-02**
(74) Name(s) of Attorney(s): **Halfords IP**
(71) Name(s) and Address(s) of Applicant(s):
Eveready Battery Company, Inc.
533 Maryville University Drive St Louis Missouri 63141 United States of America



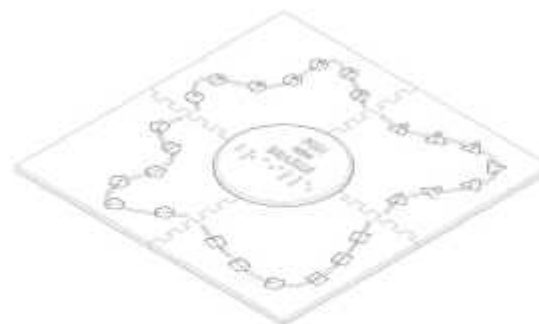
(72) Name(s) of Designer(s): **Lai King Ma**
(45) Registration Date: **19 March 2014**
(30) Convention priority data:
(31) Number (32) Date (33) Country
29/466490 09 Sep 2013 UNITED STATES OF AMERICA
(56) Related Art Documents: **Not Applicable**
(57) Statement of Newness and Distinctiveness: **Newness and distinctiveness resides in those features of shape and or configuration of a lighting device as depicted in the representations. Shading lines and features shown in broken lines do not form part of the design.**

(21) Design Number: **10952/2014**
(22) Date of Filing Application: **03 March 2014**
(24) Date from which industrial property rights may have effect: **03 March 2014**
(54) Product in respect of which the design is registered: **Coffee maker**
(51) International Design Classification: **07-02L**
(74) Name(s) of Attorney(s): **FB Rice**
(71) Name(s) and Address(s) of Applicant(s):
Koninklijke Philips N.V.
High Tech Campus 5 Eindhoven 5656 AE The Netherlands
(72) Name(s) of Designer(s): **Stefan Andreesen**
(45) Registration Date: **19 March 2014**
(30) Convention priority data:
(31) Number (32) Date (33) Country
002302497-0001 04 Sep 2013 OFFICE FOR HARMONISATION IN THE INTERNAL MARKET (OHIM)



(56) Related Art Documents: **Not Applicable**
(57) Statement of Newness and Distinctiveness: **Newness and distinctiveness reside in the features of shape and configuration of the design as shown in the representations.**

- (21) Design Number: **10953/2014**
(22) Date of Filing Application: **03 March 2014**
(24) Date from which industrial property rights may have effect: **03 March 2014**
(54) Product in respect of which the design is registered: **Play mats and blocks**
(51) International Design Classification: **21-01E, 06-11**
(74) Name(s) of Attorney(s):
(71) Name(s) and Address(s) of Applicant(s):
Shuk Man Lau
PO BOX 392 Nunawading VIC 3131 Australia
(72) Name(s) of Designer(s): **Shuk Man Lau**
(45) Registration Date: **19 March 2014**
(56) Related Art Documents: **Not Applicable**
(57) Statement of Newness and Distinctiveness: **The newness and distinctiveness of the design resides in the features of the mats and configurations shown in unbroken lines in the accompanying representations.**



- (21) Design Number: **12013/2013**
(22) Date of Filing Application: **30 April 2013**
(24) Date from which industrial property rights may have effect: **30 April 2013**
(54) Product in respect of which the design is registered: **Solar panel**
(51) International Design Classification: **23-03D**
(74) Name(s) of Attorney(s): **Macpherson + Kelley**
(71) Name(s) and Address(s) of Applicant(s):
Illumination Australia Pty Ltd
The Hub L3 673 Bourke St Melbourne VIC 3000 Australia
(72) Name(s) of Designer(s): **Shane Thatcher**
(45) Registration Date: **19 March 2014**
(56) Related Art Documents: **Not Applicable**
(57) Statement of Newness and Distinctiveness: **Monopoly is claimed in the features of shape and configuration as illustrated in the accompanying representations.**

