



**Australian Government**

---

**IP Australia**

**AUSTRALIAN OFFICIAL JOURNAL**

**OF**

**DESIGNS**

Did you know a searchable version of this journal is now available online?

It's FREE and EASY to SEARCH.

Find it on our website ([www.ipaustralia.gov.au](http://www.ipaustralia.gov.au))

by using the "Journals" link on the home page.

This Page Left Intentionally Blank

**Contents**

**General Information & Notices**

**Proceedings Under the Designs Act 1906 preserved as a result of the provisions of Chapter 12  
Part 2 of the Designs Act 2003**

**Extension of Period of Registration of Designs ..... 1144**  
**Names Registered - Alterations and Amendments ..... 1144**  
**Registrations Ceased ..... 1144**

**Proceedings Under the Designs Act 2003**

**Applications Lodged ..... 1148**  
**Certificate of Examination ..... 1155**  
**Extension of Period of Registration of Design ..... 1154**  
**Extension of Time Granted Under Section 137 ..... 1154**  
**Names Registered - Alterations and Amendments ..... 1154**  
**Publication and Registration Proceedings**  
**Designs Registered 354752 to 354911..... 1156**  
**Registrations Ceased ..... 1154**  
**Subsequent Owners Registered ..... 1154**

This Page Left Intentionally Blank

For information on the following please see our website [www.ipaustralia.gov.au](http://www.ipaustralia.gov.au) or contact our Customer Service Network on 1300651010

[Editorial enquiries](#)

[Contact information](#)

[Freedom of Information ACT](#)

[Professional Standards Board](#)

[Sales](#)

[Requests for Information under Section 194 \(c\)](#)

[Country Codes](#)

[Trade Mark and Designs Hearing Sessions](#)

[INID \(Internationally agreed Numbers for the Identification of Data\)](#)

## “INID” NUMBERS in use on Australian Design Documents

“INID” is an acronym for “Internationally agreed Numbers for the Identification of Data”.

### (10) Data concerning the registration/renewal

- (11) Serial number of the registration and/or number of the design document
- (12) Plain language designation of the kind of published document
- (19) Identification, using the two-letter code according to WIPO Standard ST.3, of the authority publishing or registering the industrial design

### (20) Data concerning the application

- (21) Serial number of the application
- (22) Date of filing of the application
- (24) Date from which the industrial design right has effect

### (30) Data relating to priority under the Paris Convention

- (31) Serial number assigned to the priority application
- (32) Date of filing of the priority application
- (33) Two-letter code, according to WIPO Standard ST.3, identifying the authority with which the priority application was made

### (40) Date(s) of making information available to the public

- (45) Date of publication of the registered industrial design by printing or similar process, or making it available to the public by any other means

### (50) Miscellaneous Information

- (51) International Classification for Industrial Designs (class and subclass of the Locarno Classification)
- (54) Designation of article(s) or product(s) covered by the industrial design or title of the industrial design
- (55) Reproduction of the industrial design (e.g., drawing, photograph) and explanations relating to the reproduction
- (56) List of prior art documents, if separate from descriptive text
- (57) Description of characteristic features of the industrial design including indication of colours

### (60) References to other legally related application(s) and registration(s)

- (62) Serial number(s) and, if available, filing date(s) of application(s), registration(s) or document(s) related by division
- (66) Serial number(s) of the application, or the registration, of the design(s) which is (are) a variant(s) of the present one

### (70) Identification of parties concerned with the application or registration

- (71) Name(s) and address(es) of the applicant(s)
- (72) Name(s) of the creator(s) if known to be such
- (74) Name(s) and address(es) of the representative(s)

This Page Left Intentionally Blank

**Nil notices for this journal issue.**

**Proceedings under the Designs Act 1906 preserved as a result of the provisions of Chapter 12 Part 2 of the Designs Act 2003.**



This Page Left Intentionally Blank

**Applications Lapsed**

There were no Applications Lapsed under this section

**Extension of Period of Registration of Designs**

**1st Period (Section 27A(8))**

**2nd Period (Section 27A(12))**

**3rd Period (Section 27A(13))**

151594	151595	152469
152470	152833	153247
153248	153249	153654
153682	153909	153992
154307	154826	154827
156521	156781	156819
157959		

**Registrations Ceased**

Note: Some of the following Registrations may have been previously advertised as ceased. In this instance, the previous advertisement still prevails.

133480	133499	133500
133642	133683	133684
134798	134937	134938
134939	134969	134970
135011	135094	135205
136782	137694	137840
138229	138356	138357
138358	138670	138671
138862	139156	142495
142496	142497	142498
150078	150098	150099
150100	150401	150738
150739	150740	150741
150742	150743	150744
150745	150845	151189
151631	152423	152672
154305	154563	154564
155761	158216	158288

**Names Registered - Alterations and Amendments**

(The name in parentheses is the new name of the proprietor)

145053	( Bayer Medical Care Inc ) Medrad Inc.
146569	( Bayer Medical Care Inc ) Medrad Inc.

This Page Left Intentionally Blank

**Proceedings under the Designs Act 2003.**

This Page Left Intentionally Blank

**Applications Lodged**

Lodgement information is in the following order: **Applicant's Name**; International Classification, Name of Product, Lodgement Date and **Design Number**. If the applicant claims an earlier priority date under an International Convention, the Convention Country and the associated filing date are shown in parentheses before the Lodgement Date. Divisional information will also appear in parentheses before the Lodgement Date.

<b>Abey Australia Pty Ltd;</b> 08-08NES, Bracket, 31 Mar 2014	<b>11595/2014</b>	<b>Brett Naylor Investment Trust;Naylor, Brett Robert;Naylor Family Holdings Pty Ltd;</b> 32-03, Product packaging and product advertising, 03 Apr 2014	<b>11658/2014</b>
<b>Abey Australia Pty Ltd;</b> 08-08NES, Bracket, 31 Mar 2014	<b>11597/2014</b>		
<b>Abey Australia Pty Ltd;</b> 08-08NES, Bracket, 31 Mar 2014	<b>11596/2014</b>	<b>Byron, Sandra Elizabeth;</b> 23-01H, Mixer tap/faucet, 03 Apr 2014	<b>11662/2014</b>
<b>Abey Australia Pty Ltd;</b> 08-08NES, Bracket, 31 Mar 2014	<b>11594/2014</b>	<b>Canadabay Instaguide Pty Ltd;</b> 24-02, Upper and lower dental impression trays, 07 Apr 2014	<b>11732/2014</b>
<b>Accumax Global Pty Ltd;</b> 19-08, Safety tag, 04 Apr 2014	<b>11688/2014</b>	<b>Carl Freudenberg KG;</b> 07-05E, Combined scourer, (EM, 11 Oct 2013) 02 Apr 2014	<b>11635/2014</b>
<b>Austin, Julian;</b> 23-01NES, Surge tank, 03 Apr 2014	<b>11672/2014</b>		
<b>ALDI Foods Pty Ltd;</b> 09-01NES, Trimat laundry liquid bottle, 04 Apr 2014	<b>11694/2014</b>	<b>Chevron (HK) Limited;</b> 08-03, Hedge trimmer, 04 Apr 2014	<b>11693/2014</b>
<b>AUSTRALIAN BRUSHWARE CORPORATION PTY LTD;</b> 08-05N, Sealant cartridge, 08 Apr 2014	<b>11756/2014</b>	<b>Chevron (HK) Limited;</b> 08-03, String trimmer, 04 Apr 2014	<b>11692/2014</b>
<b>AUSTRALIAN BRUSHWARE CORPORATION PTY LTD;</b> 08-05NES, Caulking gun, 08 Apr 2014	<b>11761/2014</b>	<b>Chilewich Sultan LLC;</b> 06-13A, Placemat and runner, 09 Apr 2014	<b>11766/2014</b>
<b>AUSTRALIAN FASHION LABELS PTY LTD;</b> 05-05B, A textile print, 04 Apr 2014	<b>11687/2014</b>	<b>Chobani, Inc.;</b> 09-03M, Container overwrap, (US, 16 Jul 2013) 19 Mar 2014	<b>11442/2014</b>
<b>AUSTRALIAN FASHION LABELS PTY LTD;</b> 02-02C, Shorts, 04 Apr 2014	<b>11685/2014</b>	<b>Colgate-Palmolive Company;</b> 04-02, Oral care implement and a portion thereof, (US, 05 Nov 2013) 28 Mar 2014	<b>11534/2014</b>
<b>AUSTRALIAN FASHION LABELS PTY LTD;</b> 02-02NES, A top, 04 Apr 2014	<b>11684/2014</b>	<b>Compagnie Generale Des Etablissements Michelin;Michelin Recherche et Technique S.A.;</b> 12-15C, A tyre, (FR, 17 Oct 2013) 03 Apr 2014	<b>11664/2014</b>
<b>AUSTRALIAN FASHION LABELS PTY LTD;</b> 02-02C, A dress, 04 Apr 2014	<b>11683/2014</b>	<b>Cufone, Roger;FREE RENEWABLE ENERGY ENTERPRISES PTY LTD;</b> 23-03D, Solar inverter; uninterrupted power supply, 07 Apr 2014	<b>11736/2014</b>
<b>AUSTRALIAN FASHION LABELS PTY LTD;</b> 02-02C, A playsuit, 31 Mar 2014	<b>11593/2014</b>	<b>Dart Industries Inc.;</b> 31-00, Kitchen appliance base, (US, 04 Nov 2013) 03 Apr 2014	<b>11666/2014</b>
<b>AUTOMATED PACKAGING SYSTEMS, INC.;</b> 09-05, Double bubble web, (US, 25 Oct 2013) 02 Apr 2014	<b>11621/2014</b>	<b>Dart Industries Inc.;</b> 31-00, Mincer, (US, 04 Nov 2013) 03 Apr 2014	<b>11667/2014</b>
<b>Becvarovski, Zoran;</b> 06-01F, Office chair, 07 Apr 2014	<b>11741/2014</b>	<b>Dauphin Entwicklungs- u. Beteiligungs- GmbH;</b> 06-01F, Chair, (WO, 11 Oct 2013) 08 Apr 2014	<b>11754/2014</b>
<b>Biogen Idec MA Inc.;</b> 24-02, Flange for a syringe, (US, 02 Oct 2013) 02 Apr 2014	<b>11622/2014</b>	<b>David Scott Holdings Pty Ltd;Ogden, Glen;</b> 23-01A, Joiner link, 02 Apr 2014	<b>11625/2014</b>
<b>Breezway Australia (Holdings) Pty Ltd;</b> 25-01K, 25-02K, A louvre blade extrusion, 03 Apr 2014	<b>11671/2014</b>	<b>Delta Supply Solutions Pty Ltd;</b> 08-08N, Support bar for a mesh deck or the like, 31 Mar 2014	<b>11589/2014</b>

<b>Delta Supply Solutions Pty Ltd;</b> 08-08N, Support bar for a mesh deck or the like, 31 Mar 2014	<b>11590/2014</b>	<b>Enghard, Florian;</b> 31-00, Mixing element for beverage shaker, (DE, 02 Oct 2013) 02 Apr 2014	<b>11630/2014</b>
<b>DePuy Synthes Products, LLC;</b> 24-02, Broach, (US, 10 Oct 2013) 02 Apr 2014	<b>11619/2014</b>	<b>Enghard, Florian;</b> 09-07A, Cap for drinking container, (DE, 02 Oct 2013) 02 Apr 2014	<b>11631/2014</b>
<b>DePuy Synthes Products, LLC;</b> 24-02, Tibial trial component, (US, 16 Oct 2013) 04 Apr 2014	<b>11673/2014</b>	<b>Enghard, Florian;</b> 31-00, Mixing element for beverage shaker, (DE, 02 Oct 2013) 02 Apr 2014	<b>11629/2014</b>
<b>Diaspro Enterprises Pty Ltd;</b> 30-99, A pooper scooper, 07 Apr 2014	<b>11704/2014</b>	<b>Enghard, Florian;</b> 07-01C, Drinking container, (DE, 02 Oct 2013) 02 Apr 2014	<b>11632/2014</b>
<b>DAVID PENN CONSULTING PTY LTD;</b> 24-99, Dental appliance, 05 Apr 2014	<b>11699/2014</b>	<b>Engineered Endodontics, LLC;</b> 24-02, Dental tool, 08 Apr 2014	<b>11743/2014</b>
<b>DAVID PENN CONSULTING PTY LTD;</b> 24-99, Dental appliance, 05 Apr 2014	<b>11700/2014</b>	<b>Flexible Steel Lacing Company;</b> 08-05P, Multiple rivet driver for a power tool, (US, 11 Oct 2013) 09 Apr 2014	<b>11762/2014</b>
<b>DG International Holdings Limited;</b> 08-07, Padlock, (EM, 16 Oct 2013) 08 Apr 2014	<b>11745/2014</b>	<b>Forever New Clothing Pty Ltd;</b> 02-02C, 02-02NES, Article of clothing, 03 Apr 2014	<b>11702/2014</b>
<b>Eco Pallets Pty Ltd;</b> 09-02A, 4 way plastic collapsible bulk container, 04 Apr 2014	<b>11697/2014</b>	<b>Forever New Clothing Pty Ltd;</b> 02-02NES, Article of clothing, (Divisional of 13614/2013) 07 Apr 2014	<b>11709/2014</b>
<b>Ecomate Pty Ltd;Rain Guardian Pty Ltd;</b> 15-07, Front fridge box design and shape, 02 Apr 2014	<b>11645/2014</b>	<b>Forever New Clothing Pty Ltd;</b> 02-02NES, Article of clothing, (Divisional of 13614/2013) 07 Apr 2014	<b>11708/2014</b>
<b>Ecomate Pty Ltd;Rain Guardian Pty Ltd;</b> 12-10, Touring awning, 02 Apr 2014	<b>11638/2014</b>	<b>Forever New Clothing Pty Ltd;</b> 02-02NES, Article of clothing, (Divisional of 13614/2013) 07 Apr 2014	<b>11716/2014</b>
<b>Ecomate Pty Ltd;Rain Guardian Pty Ltd;</b> 12-10, Forward fold Roof hinge system, 02 Apr 2014	<b>11637/2014</b>	<b>Forever New Clothing Pty Ltd;</b> 02-02C, Article of clothing, (Divisional of 13614/2013) 07 Apr 2014	<b>11706/2014</b>
<b>Ecomate Pty Ltd;Rain Guardian Pty Ltd;</b> 12-10, Roof shape and design, 02 Apr 2014	<b>11636/2014</b>	<b>Forever New Clothing Pty Ltd;</b> 02-02C, Article of clothing, (Divisional of 13614/2013) 07 Apr 2014	<b>11714/2014</b>
<b>Ecomate Pty Ltd;Rain Guardian Pty Ltd;</b> 21-04, 25-02H, Touring awning, 02 Apr 2014	<b>11646/2014</b>	<b>Forever New Clothing Pty Ltd;</b> 02-02C, Article of clothing, (Divisional of 13614/2013) 07 Apr 2014	<b>11712/2014</b>
<b>Edsal Manufacturing Co., Inc.;</b> 03-01D, Tool chest, (US, 02 Oct 2013) 02 Apr 2014	<b>11641/2014</b>	<b>Forever New Clothing Pty Ltd;</b> 02-02NES, Article of clothing, (Divisional of 13614/2013) 07 Apr 2014	<b>11717/2014</b>
<b>Edsal Manufacturing Co., Inc.;</b> 03-01D, Tool chest, (US, 02 Oct 2013) 02 Apr 2014	<b>11642/2014</b>	<b>Forever New Clothing Pty Ltd;</b> 02-04B, Shoe, (Divisional of 13614/2013) 07 Apr 2014	<b>11718/2014</b>
<b>Edsal Manufacturing Co., Inc.;</b> 03-01D, Tool chest panel, (US, 02 Oct 2013) 02 Apr 2014	<b>11640/2014</b>	<b>Forever New Clothing Pty Ltd;</b> 02-02C, Article of clothing, (Divisional of 13614/2013) 07 Apr 2014	<b>11713/2014</b>
<b>Emu Ridge Holdings Pty Ltd;</b> 02-04NES, Shoe, 09 Apr 2014	<b>11768/2014</b>	<b>Forever New Clothing Pty Ltd;</b> 02-02C, Article of clothing, (Divisional of 13614/2013) 07 Apr 2014	<b>11710/2014</b>
<b>Emu Ridge Holdings Pty Ltd;</b> 02-04NES, Boot, 09 Apr 2014	<b>11773/2014</b>	<b>Forever New Clothing Pty Ltd;</b> 02-02C, Article of clothing, (Divisional of 13614/2013) 07 Apr 2014	<b>11715/2014</b>
<b>Enghard, Florian;</b> 31-00, Mixing element for beverage shaker, (DE, 02 Oct 2013) 02 Apr 2014	<b>11628/2014</b>	<b>Forever New Clothing Pty Ltd;</b> 02-02C, Article of clothing, (Divisional of 13614/2013) 07 Apr 2014	<b>11707/2014</b>
<b>Enghard, Florian;</b> 09-07NES, Closure element for drinking container cap, (DE, 02 Oct 2013) 02 Apr 2014	<b>11670/2014</b>		



<b>Forever New Clothing Pty Ltd;</b> 02-02C, Article of clothing, (Divisional of 13614/2013) 07 Apr 2014	<b>11711/2014</b>	<b>Karsten Manufacturing Corporation;</b> 21-02C, Golf club head, (US, 02 Oct 2013) 02 Apr 2014	<b>11624/2014</b>
<b>Forever New Clothing Pty Ltd;</b> 02-05, Accessory item, 03 Apr 2014	<b>11669/2014</b>	<b>Kelleher Family Trust;</b> 15-02, Portable floating solar pumping system, 04 Apr 2014	<b>11680/2014</b>
<b>Fraser, Stuart;</b> 14-03NES, 08-08NES, SWF router jig is designed to attach to the base of any hand-held router and/or hand-held plunge router so the user, can router a 45 degree trench on the style of a door and/or a door jamb etc, 28 Mar 2014	<b>11563/2014</b>	<b>Kennedy, Michael John;</b> 14-02, Totacesser micro processor STM MK2, 26 Mar 2014	<b>11654/2014</b>
<b>FREE RENEWABLE ENERGY ENTERPRISES PTY LTD;Cufone, Roger;</b> 23-03D, Solar inverter; uninterrupted power supply, 07 Apr 2014	<b>11736/2014</b>	<b>KENWOOD LIMITED;</b> 31-00, Electric mixer, (EM, 14 Oct 2013) 02 Apr 2014	<b>11620/2014</b>
<b>G.H. MUMM et Cie - Soci#t# Vinicole de Champagne;</b> 09-01H, Bottle, (EM, 03 Oct 2013) 03 Apr 2014	<b>11653/2014</b>	<b>Lake, Dylan James;</b> 25-03, Post box, 08 Apr 2014	<b>11760/2014</b>
<b>Gene Onyx Limited;</b> 09-01NES, Cream dispenser, (GB, 11 Oct 2013) 08 Apr 2014	<b>11746/2014</b>	<b>Lee, Ling Tu;</b> 06-04NES, Multi-purpose shelving and rack unit, 10 Apr 2014	<b>11790/2014</b>
<b>Google Inc.;</b> 14-02, Notebook computer housing, (US, 27 Sep 2013) 26 Mar 2014	<b>11448/2014</b>	<b>Legrand Australia Pty Ltd;</b> 26-03, Emergency lighting unit, 02 Apr 2014	<b>11643/2014</b>
<b>Graham, Nicole Anne;</b> 20-03C, 32-04, Notification sign, 10 Apr 2014	<b>11791/2014</b>	<b>Lockliv Holdings Pty Ltd;</b> 29-02, Safety harness monitor unit and harness sender unit, 10 Apr 2014	<b>11789/2014</b>
<b>GLOBAL TRADING COMPANY PTY LTD;</b> 05-06NES, Embossed tissue paper, 07 Apr 2014	<b>11738/2014</b>	<b>Ma, Jinlin;</b> 12-15C, Tyre, 04 Apr 2014	<b>11686/2014</b>
<b>GLOBAL TRADING COMPANY PTY LTD;</b> 05-06NES, Embossed tissue paper, 07 Apr 2014	<b>11737/2014</b>	<b>Ma, Jinlin;</b> 12-15A, Tyre, 04 Apr 2014	<b>11689/2014</b>
<b>Heke, Chris;</b> 08-08L, Universal quick release mounting bracket, 01 Apr 2014	<b>11615/2014</b>	<b>Macenris, Audrius;</b> 08-07, Gate striker, 03 Apr 2014	<b>11652/2014</b>
<b>INSTITUTE OF PUBLIC WORKS ENGINEERING AUSTRALIA QUEENSLAND DIVISION INC;</b> 32-03, Website, print media, 01 Apr 2014	<b>11614/2014</b>	<b>Manitowoc Foodservice Companies, LLC;</b> 15-07, Grill for an ice machine, (US, 09 Oct 2013) 08 Apr 2014	<b>11758/2014</b>
<b>IP Gateway Services Pty Ltd;</b> 14-02, Display screen with graphical user interface; icon for a display screen; and computer interface, 28 Mar 2014	<b>11564/2014</b>	<b>Manitowoc Foodservice Companies, LLC;</b> 15-07, Ice machine, (US, 09 Oct 2013) 08 Apr 2014	<b>11759/2014</b>
<b>Jochnic Packaging Co Ltd.;</b> 07-01NES, Take away food container with snap close lid, 08 Apr 2014	<b>11748/2014</b>	<b>Manitowoc Foodservice Companies, LLC;</b> 15-07, Ice machine having a grill, (US, 09 Oct 2013) 08 Apr 2014	<b>11755/2014</b>
<b>Julius Blum GmbH;</b> 08-07, Touch latch fitting, (EM, 15 Oct 2013) 02 Apr 2014	<b>11647/2014</b>	<b>Melro Distributors Pty Ltd;</b> 02-02C, 02-02NES, Ladies clothing, 02 Apr 2014	<b>11676/2014</b>
<b>Julius Blum GmbH;</b> 08-07, Touch latch fitting, (EM, 15 Oct 2013) 02 Apr 2014	<b>11648/2014</b>	<b>Merck Sharp &amp; Dohme B.V;</b> 24-02, Vaginal ring applicator, (US, 08 Nov 2013) 04 Apr 2014	<b>11695/2014</b>
		<b>Michelin Recherche et Technique S.A.;Compagnie Generale Des Etablissements Michelin;</b> 12-15C, A tyre, (FR, 17 Oct 2013) 03 Apr 2014	<b>11664/2014</b>
		<b>Microsoft Corporation;</b> 14-02, Display screen with graphical user interface, (US, 04 Oct 2013) 02 Apr 2014	<b>11617/2014</b>
		<b>Microsoft Corporation;</b> 14-02, Display screen with icon, (US, 04 Oct 2013) 02 Apr 2014	<b>11618/2014</b>

<b>Microsoft Corporation;</b> 14-02, Display screen with icon, (US, 04 Oct 2013) 02 Apr 2014	<b>11616/2014</b>	<b>Phoenix Contact GmbH &amp; Co. KG;</b> 13-03E, 08-05NES, Electric connectors, (EM, 10 Oct 2013) 03 Apr 2014	<b>11656/2014</b>
<b>Milenco Limited;</b> 12-16H, Towing mirror, (EM, 09 Oct 2013) 07 Apr 2014	<b>11739/2014</b>	<b>Rain Guardian Pty Ltd;Ecomate Pty Ltd;</b> 12-10, Forward fold Roof hinge system, 02 Apr 2014	<b>11637/2014</b>
<b>Milenco Limited;</b> 12-16H, Towing mirror clamp, (EM, 09 Oct 2013) 07 Apr 2014	<b>11740/2014</b>	<b>Rain Guardian Pty Ltd;Ecomate Pty Ltd;</b> 21-04, 25-02H, Touring awning, 02 Apr 2014	<b>11646/2014</b>
<b>MASTER LOCK COMPANY LLC;</b> 08-07, Padlock cover, (US, 02 Oct 2013) 01 Apr 2014	<b>11603/2014</b>	<b>Rain Guardian Pty Ltd;Ecomate Pty Ltd;</b> 15-07, Front fridge box design and shape, 02 Apr 2014	<b>11645/2014</b>
<b>Natural Product Solutions Pty Ltd;</b> 12-16K, A bicycle rack, 02 Apr 2014	<b>11644/2014</b>	<b>Rain Guardian Pty Ltd;Ecomate Pty Ltd;</b> 12-10, Touring awning, 02 Apr 2014	<b>11638/2014</b>
<b>Naylor, Brett Robert;Naylor Family Holdings Pty Ltd;Brett Naylor Investment Trust;</b> 32-03, Product packaging and product advertising, 03 Apr 2014	<b>11658/2014</b>	<b>Rain Guardian Pty Ltd;Ecomate Pty Ltd;</b> 12-10, Roof shape and design, 02 Apr 2014	<b>11636/2014</b>
<b>Naylor Family Holdings Pty Ltd;Naylor, Brett Robert;Brett Naylor Investment Trust;</b> 32-03, Product packaging and product advertising, 03 Apr 2014	<b>11658/2014</b>	<b>Reckitt Benckiser (Brands) Limited;</b> 07-05NES, Dosage container, (EM, 30 Oct 2013) 07 Apr 2014	<b>11726/2014</b>
<b>O'Sullivan, Brendon Michael;</b> 07-02N, Cooking pan, 09 Apr 2014	<b>11764/2014</b>	<b>Reckitt Benckiser (Brands) Limited;</b> 07-05NES, Dosage container, (EM, 30 Oct 2013) 07 Apr 2014	<b>11727/2014</b>
<b>Oberdorf, Jacqueline Charmaine;</b> 02-99, 03-99, Baby Carrier/wrap/sling, 09 Apr 2014	<b>11772/2014</b>	<b>Reckitt Benckiser (Brands) Limited;</b> 07-05NES, Dosage container, (EM, 30 Oct 2013) 07 Apr 2014	<b>11725/2014</b>
<b>Ogden, Glen;David Scott Holdings Pty Ltd;</b> 23-01A, Joiner link, 02 Apr 2014	<b>11625/2014</b>	<b>Reckitt Benckiser (Brands) Limited;</b> 10-04, 07-05NES, Dosage containers, (EM, 30 Oct 2013) 07 Apr 2014	<b>11720/2014</b>
<b>Ortho-Tain, Inc.;</b> 24-99, Oral appliance, (US, 26 Nov 2013) 08 Apr 2014	<b>11751/2014</b>	<b>Reckitt Benckiser (Brands) Limited;</b> 07-05NES, Dosage container, (EM, 30 Oct 2013) 07 Apr 2014	<b>11728/2014</b>
<b>Ortho-Tain, Inc.;</b> 24-99, Oral appliance, (US, 26 Nov 2013) 08 Apr 2014	<b>11752/2014</b>	<b>Reckitt Benckiser (Brands) Limited;</b> 07-05NES, Dosage container, (EM, 30 Oct 2013) 07 Apr 2014	<b>11723/2014</b>
<b>Ortho-Tain, Inc.;</b> 24-99, Dental appliance, (US, 05 Nov 2013) 08 Apr 2014	<b>11749/2014</b>	<b>Reckitt Benckiser (Brands) Limited;</b> 09-01A, 09-01NES, Dispensing device, (EM, 24 Oct 2013) 31 Mar 2014	<b>11592/2014</b>
<b>Ostila, Jacqueline A M;</b> 24-01, Female urination aid, 08 Apr 2014	<b>11744/2014</b>	<b>RACHELALEX;</b> 02-02NES, Fashion design range for spring/summer 2014/2015, 06 Apr 2014	<b>11701/2014</b>
<b>OLDFIELDS ADVANCE SCAFFOLD PTY LTD;</b> 25-04, Design of Scaffolding components, 09 Apr 2014	<b>11774/2014</b>	<b>S C Chambers &amp; D J Collins;</b> 14-03NES, High frequency antenna whip - extendable, 07 Apr 2014	<b>11730/2014</b>
<b>Peer Intellectual Properties Pty Ltd;</b> 25-01C, A building stud, 08 Apr 2014	<b>11742/2014</b>	<b>Scott, Warren John;</b> 09-04, Plastic crate, 01 Apr 2014	<b>11613/2014</b>
<b>Phillips, Chris;</b> 07-05D, Clothes airer, 04 Apr 2014	<b>11681/2014</b>	<b>Seels Technology Pty Ltd;</b> 25-01NES, Composite structural material aggregate, 04 Apr 2014	<b>11691/2014</b>
<b>Phoenix Contact GmbH &amp; Co. KG;</b> 13-03E, 08-05NES, Electric connectors, (EM, 10 Oct 2013) 03 Apr 2014	<b>11659/2014</b>	<b>Sentek Pty Ltd;</b> 13-02, Capacitive sensor flexible circuit, 10 Apr 2014	<b>11787/2014</b>
		<b>Shalgi, Netta;</b> 21-01F, Wooden horse, (IL, 10 Oct 2013) 08 Apr 2014	<b>11757/2014</b>

<b>Shandong Yongtai Chemical Co. Ltd;</b> 12-15B, Tyre, (CN, 21 Oct 2013) 07 Apr 2014	<b>11703/2014</b>	<b>Teva Pharmaceuticals Europe B.V.;Teva UK Limited;</b> 24-04, Respiratory apparatus, (EM, 08 Oct 2013) 03 Apr 2014	<b>11663/2014</b>
<b>Shandong Yongtai Chemical Co. Ltd;</b> 12-15B, Tyre, (CN, 21 Oct 2013) 07 Apr 2014	<b>11705/2014</b>	<b>Teva Pharmaceuticals Europe B.V.;Teva UK Limited;</b> 24-04, Respiratory Apparatus, (EM, 08 Oct 2013) 03 Apr 2014	<b>11668/2014</b>
<b>Shandong Yongtai Chemical Co. Ltd;</b> 12-15B, Tyre, (CN, 21 Oct 2013) 07 Apr 2014	<b>11719/2014</b>	<b>Teva Pharmaceuticals Europe B.V.;Teva UK Limited;</b> 24-04, Respiratory apparatus, (EM, 07 Oct 2013) 03 Apr 2014	<b>11657/2014</b>
<b>Shandong Yongtai Chemical Co. Ltd;</b> 12-15B, Tyre, (CN, 21 Oct 2013) 07 Apr 2014	<b>11722/2014</b>	<b>Teva Pharmaceuticals Europe B.V.;Teva UK Limited;</b> 24-04, Respiratory apparatus, (EM, 07 Oct 2013) 03 Apr 2014	<b>11660/2014</b>
<b>Snuggle Time CC;</b> 06-09, Mattress, (ZA, 05 Dec 2013) 08 Apr 2014	<b>11750/2014</b>	<b>Teva UK Limited;Teva Pharmaceuticals Europe B.V.;</b> 24-04, Respiratory apparatus, (EM, 08 Oct 2013) 03 Apr 2014	<b>11663/2014</b>
<b>Soci#t# des Produits Nestl# S.A.;</b> 07-02L, 31-00, A beverage dispenser, (CH, 24 Dec 2013) 03 Apr 2014	<b>11661/2014</b>	<b>Teva UK Limited;Teva Pharmaceuticals Europe B.V.;</b> 24-04, Respiratory apparatus, (EM, 08 Oct 2013) 03 Apr 2014	<b>11682/2014</b>
<b>Sports Creative AU Pty. Ltd;</b> 09-01F, Shaker bottle, 05 Apr 2014	<b>11698/2014</b>	<b>Teva UK Limited;Teva Pharmaceuticals Europe B.V.;</b> 24-04, Respiratory apparatus, (EM, 08 Oct 2013) 04 Apr 2014	<b>11678/2014</b>
<b>Suzuki Motor Corporation;</b> 12-08, Automobile, 02 Apr 2014	<b>11649/2014</b>	<b>Teva UK Limited;Teva Pharmaceuticals Europe B.V.;</b> 24-04, Respiratory apparatus, (EM, 08 Oct 2013) 04 Apr 2014	<b>11677/2014</b>
<b>Teva Branded Pharmaceutical Products R&amp;D, Inc;</b> 24-04, Respiratory apparatus, (EM, 08 Oct 2013) 07 Apr 2014	<b>11731/2014</b>	<b>Teva UK Limited;Teva Pharmaceuticals Europe B.V.;</b> 24-04, Respiratory apparatus, (EM, 07 Oct 2013) 04 Apr 2014	<b>11674/2014</b>
<b>Teva Branded Pharmaceutical Products R&amp;D, Inc;</b> 24-04, Respiratory apparatus, (EM, 08 Oct 2013) 07 Apr 2014	<b>11724/2014</b>	<b>Teva UK Limited;Teva Pharmaceuticals Europe B.V.;</b> 24-04, Respiratory apparatus, (EM, 07 Oct 2013) 04 Apr 2014	<b>11657/2014</b>
<b>Teva Branded Pharmaceutical Products R&amp;D, Inc;</b> 24-04, Respiratory apparatus, (EM, 08 Oct 2013) 07 Apr 2014	<b>11721/2014</b>	<b>Teva UK Limited;Teva Pharmaceuticals Europe B.V.;</b> 24-04, Respiratory apparatus, (EM, 07 Oct 2013) 03 Apr 2014	<b>11660/2014</b>
<b>Teva Branded Pharmaceutical Products R&amp;D, Inc;</b> 24-04, Respiratory apparatus, (EM, 08 Oct 2013) 07 Apr 2014	<b>11729/2014</b>	<b>Teva UK Limited;Teva Pharmaceuticals Europe B.V.;</b> 24-04, Respiratory Apparatus, (EM, 08 Oct 2013) 03 Apr 2014	<b>11668/2014</b>
<b>Teva Pharmaceuticals Europe B.V.;Teva UK Limited;</b> 24-04, Respiratory apparatus, (EM, 08 Oct 2013) 04 Apr 2014	<b>11678/2014</b>	<b>Teva UK Limited;Teva Pharmaceuticals Europe B.V.;</b> 24-04, Respiratory apparatus, (EM, 07 Oct 2013) 03 Apr 2014	<b>11655/2014</b>
<b>Teva Pharmaceuticals Europe B.V.;Teva UK Limited;</b> 24-04, Respiratory apparatus, (EM, 07 Oct 2013) 04 Apr 2014	<b>11677/2014</b>	<b>Teva UK Limited;Teva Pharmaceuticals Europe B.V.;</b> 24-04, Respiratory apparatus, (EM, 08 Oct 2013) 03 Apr 2014	<b>11639/2014</b>
<b>Teva Pharmaceuticals Europe B.V.;Teva UK Limited;</b> 24-04, Respiratory apparatus, (EM, 07 Oct 2013) 04 Apr 2014	<b>11674/2014</b>	<b>Teva UK Limited;</b> 24-04, Respiratory apparatus, (EM, 07 Oct 2013) 02 Apr 2014	<b>11627/2014</b>
<b>Teva Pharmaceuticals Europe B.V.;Teva UK Limited;</b> 24-04, Respiratory apparatus, (EM, 08 Oct 2013) 04 Apr 2014	<b>11682/2014</b>		

<b>Teva UK Limited;</b> 24-04, Respiratory apparatus, (EM, 07 Oct 2013) 02 Apr 2014	<b>11626/2014</b>	<b>Wessel-Werk GmbH;</b> 15-05, Suction nozzle, (EM, 25 Nov 2013) 10 Apr 2014	<b>11788/2014</b>
<b>The Gates Corporation;</b> 08-08L, Tensioner bracket, (US, 04 Oct 2013) 03 Apr 2014	<b>11665/2014</b>	<b>Wessel-Werk GmbH;</b> 15-05, Cover for suction nozzle, (EM, 25 Nov 2013) 10 Apr 2014	<b>11785/2014</b>
<b>The Gillette Company;</b> 28-03A, Razor component, (US, 13 Nov 2013) 08 Apr 2014	<b>11753/2014</b>	<b>Wollongong Aluminium Centre Pty Ltd;</b> 25-01K, Extrusion, 02 Apr 2014	<b>11650/2014</b>
<b>The Gillette Company;</b> 28-03A, Razor cartridge, (US, 13 Nov 2013) 04 Apr 2014	<b>11690/2014</b>	<b>Wollongong Aluminium Centre Pty Ltd;</b> 25-01K, Extrusion, 02 Apr 2014	<b>11651/2014</b>
<b>The Mentholatum Company;</b> 09-01G, Cosmetic container, (US, 07 Oct 2013) 02 Apr 2014	<b>11623/2014</b>	<b>Zurn Industries, LLC.;</b> 23-01B, Plumbing fitting, (US, 30 Oct 2013) 04 Apr 2014	<b>11696/2014</b>
<b>Thomas &amp; Betts International LLC;</b> 23-01A, Double junction, (US, 21 Nov 2013) 04 Apr 2014	<b>11675/2014</b>		
<b>Toshiba Global Commerce Solutions Holdings Corporation;</b> 14-02, Computing device holder and dock, (US, 10 Oct 2013) 07 Apr 2014	<b>11733/2014</b>		
<b>Toshiba Global Commerce Solutions Holdings Corporation;</b> 14-02, Computing device holder, (US, 10 Oct 2013) 07 Apr 2014	<b>11734/2014</b>		
<b>Toshiba Global Commerce Solutions Holdings Corporation;</b> 14-02, Computing device dock, (US, 10 Oct 2013) 07 Apr 2014	<b>11735/2014</b>		
<b>TDJ Australia Pty. Ltd.;</b> 14-99, iPhone charging cradle and FM tuner, 02 Apr 2014	<b>11633/2014</b>		
<b>TDJ Australia Pty. Ltd.;</b> 14-99, iPhone/Android/Windows car charging cradle, 02 Apr 2014	<b>11634/2014</b>		
<b>TEFAL;</b> 07-02N, A nested set of pots with lids, (EM, 09 Oct 2013) 09 Apr 2014	<b>11769/2014</b>		
<b>Visy R &amp; D Pty Ltd;</b> 09-03E, Blank for packaging for a bottle, 04 Apr 2014	<b>11679/2014</b>		
<b>Wang, Hsing-Tzu;</b> 08-05L, Paint spray gun, 09 Apr 2014	<b>11765/2014</b>		
<b>Wang, Hsing-Tzu;</b> 08-05L, Paint spray gun, 09 Apr 2014	<b>11763/2014</b>		
<b>Wang, Hsing-Tzu;</b> 08-05L, Paint spray gun, 08 Apr 2014	<b>11747/2014</b>		
<b>Water Tech LLC;</b> 15-05, Hand-held submersible pool and spa vacuum cleaner, (US, 12 Jul 2013) (Divisional of 16668/2013) 01 Apr 2014	<b>11612/2014</b>		
<b>Wessel-Werk GmbH;</b> 15-05, Cover for suction nozzle, (EM, 25 Nov 2013) 10 Apr 2014	<b>11786/2014</b>		

**Extension of Period of Registration of Designs**

323913	323920	324954
325319	325679	325680
325689	325698	325748
325760	325773	325774
325788	325949	325977
326177	326195	326196
326217	326225	326238
326249	326250	326255
326257	326276	326336
326337	326365	326366
326372	326433	326488
326491	326492	326493
326572	326573	326574
326602	326643	326649
326685	326758	326794
326797	327030	327031
327390	328471	328473
328475	328527	328915

**Registrations Ceased**

321839	321855	322628
322649	322651	322657
322658	322659	322660
322661	322690	322694
322696	322697	322699
322705	322707	322708
322709	322710	322806
322808	322809	322810
322811	322812	322813
322815	322816	322826
322827	322835	322836
322841	322883	322884
322885	322887	322899
322900	322901	322902
323009	323075	323184
323419	323420	323445
323453	323488	323497
323498	323499	323530
323562	323699	323769
323770	323954	323973
324800	324810	324811
324812	324813	325290
325591	349340	349341

**Extensions of time granted under Section 137**

Applications lodged under section 137 for extension of time have been granted.

341445 **Ryan Paik**

354770 **Etihad Airways**

354933 **Genera Limited**

354911 **PepsiCo, Inc.**

355057 **PepsiCo, Inc.**

**Subsequent Owners Registered**

(The name in parentheses is that of the subsequent owner)

347696	( <b>DevPat AB</b> ) Mikael Nilsson
347697	( <b>DevPat AB</b> ) Mikael Nilsson
350433	( <b>Knew Foundation Systems Pty Limited</b> ) Knew Foundation Limited
350434	( <b>Knew Foundation Systems Pty Limited</b> ) Knew Foundation Limited
353223	( <b>1781221 Alberta Ltd.</b> ) RC02 Washington, Inc.
353224	( <b>1781221 Alberta Ltd.</b> ) RC02 Washington, Inc.
353225	( <b>1781221 Alberta Ltd.</b> ) RC02 Washington, Inc.
342205	( <b>Strata Innovations Pty Limited</b> ) Benjamin D. Gooden

**Names Registered - Alterations and Amendments**

(The name in parentheses is that of the subsequent applicant)

353835	( <b>Google Inc.</b> ) Google, Inc.
354009	( <b>Google Inc.</b> ) Google, Inc.
354010	( <b>Google Inc.</b> ) Google, Inc.
354011	( <b>Google Inc.</b> ) Google, Inc.

**Certificate(s) of Examination**

Examination of the following Design Registration(s) has been completed. Infringement proceedings may now be commenced.

316013	25-01K	07/04/2014
341546	30-01	08/04/2014
348060	14-01	09/04/2014
348576	06-01F	07/04/2014
348806	09-01G	07/04/2014
349667	13-03D	31/03/2014
349706	08-03	07/04/2014
349858	09-01NES	10/04/2014
349929	09-01NES	10/04/2014
350552	10-04	04/04/2014
350803	11-02B	03/04/2014
351108	31-00	11/04/2014
351175	06-01E	07/04/2014
351303	12-08	08/04/2014
351410	14-03D	11/04/2014
351470	07-01D	09/04/2014
351471	09-03NES	10/04/2014
351472	07-01D	09/04/2014
351747	09-05	08/04/2014
351844	08-05P	07/04/2014
351847	26-05C	03/04/2014
351879	15-04	07/04/2014
351935	07-02L	08/04/2014
351985	09-03F	08/04/2014
352098	31-00	03/04/2014
352129	10-02	08/04/2014
352433	15-04	04/04/2014
352434	15-04	04/04/2014
352452	02-02C	13/04/2014
352463	02-02C	13/04/2014
352464	02-02NES	06/04/2014
353503	02-02NES	06/04/2014
353591	02-02NES	07/04/2014

**Publication and Registration Proceedings**

**Designs Registered**

This section provides a concordance between design number and registration number of Designs covered in this journal. It also shows the main class and registration date.

This section covers Registration numbers 354752 to 354911 .

The registration number shown below should be used in all future correspondence.

<b>Design Number</b>	<b>Registration Number</b>	<b>International Classification Code (IDC)</b>	<b>Registration Date</b>	<b>Design Number</b>	<b>Registration Number</b>	<b>International Classification Code (IDC)</b>	<b>Registration Date</b>
12219/2013	354769	22-05	07/04/2014	11158/2014	354797	26-05D	07/04/2014
13613/2013	354886	03-01B	10/04/2014	11159/2014	354798	26-05D	07/04/2014
13614/2013	354887	02-02C	10/04/2014	11160/2014	354799	26-05D	07/04/2014
14464/2013	354863	21-01C	09/04/2014	11161/2014	354800	26-05D	07/04/2014
14783/2013	354880	23-04	10/04/2014	11163/2014	354820	02-02NES	07/04/2014
14907/2013	354881	12-16NES	10/04/2014	11202/2014	354842	23-01A	09/04/2014
14908/2013	354882	12-16NES	10/04/2014	11262/2014	354752	12-02	03/04/2014
15206/2013	354770	06-01D	07/04/2014	11271/2014	354753	12-02	03/04/2014
15423/2013	354788	14-02	07/04/2014	11284/2014	354801	06-01F	07/04/2014
16377/2013	354904	14-03NES	11/04/2014	11285/2014	354802	06-01F	07/04/2014
16559/2013	354833	12-12	08/04/2014	11286/2014	354803	06-01F	07/04/2014
16668/2013	354834	15-05	08/04/2014	11287/2014	354804	06-01F	07/04/2014
16682/2013	354835	07-03	08/04/2014	11288/2014	354805	06-01F	07/04/2014
16764/2013	354897	08-08G	11/04/2014	11289/2014	354806	06-01F	07/04/2014
10027/2014	354905	08-08B	11/04/2014	11290/2014	354807	06-01F	07/04/2014
10033/2014	354864	07-04	09/04/2014	11294/2014	354808	12-11	07/04/2014
10067/2014	354789	14-01	07/04/2014	11295/2014	354809	12-11	07/04/2014
10162/2014	354911	31-00	11/04/2014	11296/2014	354810	26-06	07/04/2014
10269/2014	354759	02-04B	03/04/2014	11312/2014	354811	08-06	07/04/2014
10270/2014	354765	02-04NES	04/04/2014	11313/2014	354812	08-07	07/04/2014
10271/2014	354766	02-04NES	04/04/2014	11314/2014	354813	08-07	07/04/2014
10319/2014	354839	23-03H	09/04/2014	11315/2014	354814	08-07	07/04/2014
10592/2014	354828	15-02	08/04/2014	11316/2014	354815	08-07	07/04/2014
10735/2014	354761	07-02L	04/04/2014	11317/2014	354816	08-06	07/04/2014
10740/2014	354840	07-02L	09/04/2014	11320/2014	354821	14-02	07/04/2014
10784/2014	354888	24-02	10/04/2014	11325/2014	354771	14-02	07/04/2014
10803/2014	354817	08-07	07/04/2014	11326/2014	354772	10-06	07/04/2014
10904/2014	354841	21-02D	09/04/2014	11328/2014	354773	02-06	07/04/2014
10944/2014	354756	07-02NES	03/04/2014	11329/2014	354883	25-01B	10/04/2014
10945/2014	354757	07-02NES	03/04/2014	11330/2014	354774	13-03D	07/04/2014
10946/2014	354758	07-02NES	03/04/2014	11333/2014	354775	13-03D	07/04/2014
10949/2014	354760	10-04	03/04/2014	11335/2014	354776	09-03NES	07/04/2014
10980/2014	354762	03-01NES	04/04/2014	11336/2014	354777	21-02C	07/04/2014
10995/2014	354838	19-07	08/04/2014	11340/2014	354778	06-01F	07/04/2014
11031/2014	354763	08-05L	04/04/2014	11341/2014	354779	12-15B	07/04/2014
11032/2014	354764	25-01B	04/04/2014	11346/2014	354780	08-03	07/04/2014
11033/2014	354767	25-01K	04/04/2014	11348/2014	354781	06-01C	07/04/2014
11034/2014	354768	25-01B	04/04/2014	11349/2014	354782	25-02C	07/04/2014
11035/2014	354822	25-01B	08/04/2014	11350/2014	354783	06-01C	07/04/2014
11078/2014	354818	02-02NES	07/04/2014	11351/2014	354784	08-10	07/04/2014
11082/2014	354819	23-03D	07/04/2014	11352/2014	354785	23-01NES	07/04/2014
11143/2014	354755	02-02A	03/04/2014	11353/2014	354786	06-03A	07/04/2014
11145/2014	354836	02-02A	08/04/2014	11354/2014	354787	09-09	07/04/2014
11147/2014	354790	09-03F	07/04/2014	11357/2014	354823	24-04	08/04/2014
11148/2014	354791	13-03NES	07/04/2014	11358/2014	354824	14-03NES	08/04/2014
11151/2014	354792	02-02C	07/04/2014	11359/2014	354825	14-03NES	08/04/2014
11152/2014	354793	26-05A	07/04/2014	11360/2014	354829	13-01	08/04/2014
11154/2014	354794	26-05A	07/04/2014	11365/2014	354830	31-00	08/04/2014
11155/2014	354795	26-05A	07/04/2014	11367/2014	354826	02-04NES	08/04/2014
11156/2014	354796	08-05P	07/04/2014	11370/2014	354831	24-02	08/04/2014

Publication and Registration Proceedings - Designs Registered cont'd

Design Number	Registration Number	International Classification Code (IDC)	Registration Date	Design Number	Registration Number	International Classification Code (IDC)	Registration Date
11371/2014	354827	24-02	08/04/2014	11414/2014	354854	06-01F	09/04/2014
11372/2014	354832	15-03B	08/04/2014	11416/2014	354855	06-01F	09/04/2014
11374/2014	354843	07-01D	09/04/2014	11417/2014	354856	13-02	09/04/2014
11375/2014	354865	03-01NES	10/04/2014	11418/2014	354857	13-02	09/04/2014
11376/2014	354884	07-01C	10/04/2014	11419/2014	354858	13-02	09/04/2014
11379/2014	354844	23-01D	09/04/2014	11420/2014	354893	13-02	10/04/2014
11380/2014	354845	23-01D	09/04/2014	11421/2014	354859	06-01F	09/04/2014
11381/2014	354885	07-01D	10/04/2014	11423/2014	354860	09-07B	09/04/2014
11383/2014	354846	23-01A	09/04/2014	11424/2014	354861	06-01F	09/04/2014
11384/2014	354847	23-01A	09/04/2014	11426/2014	354867	09-07B	10/04/2014
11385/2014	354848	07-01D	09/04/2014	11427/2014	354894	26-05B	10/04/2014
11386/2014	354889	23-01A	10/04/2014	11428/2014	354895	30-02	10/04/2014
11388/2014	354849	23-01A	09/04/2014	11430/2014	354868	06-01F	10/04/2014
11389/2014	354850	23-01A	09/04/2014	11433/2014	354869	30-02	10/04/2014
11390/2014	354851	01-02	09/04/2014	11434/2014	354870	30-06	10/04/2014
11391/2014	354852	01-02	09/04/2014	11435/2014	354896	30-06	10/04/2014
11392/2014	354871	23-01H	10/04/2014	11495/2014	354898	08-09	11/04/2014
11393/2014	354890	03-03	10/04/2014	11498/2014	354899	24-01	11/04/2014
11394/2014	354872	03-03	10/04/2014	11500/2014	354900	14-03A	11/04/2014
11395/2014	354891	03-03	10/04/2014	11501/2014	354901	14-03A	11/04/2014
11396/2014	354873	03-03	10/04/2014	11502/2014	354902	14-03A	11/04/2014
11398/2014	354892	07-03	10/04/2014	11503/2014	354903	14-03A	11/04/2014
11399/2014	354866	10-04	10/04/2014	11504/2014	354906	09-01C	11/04/2014
11400/2014	354754	07-05E	03/04/2014	11505/2014	354907	09-01C	11/04/2014
11403/2014	354874	06-04NES	10/04/2014	11506/2014	354908	23-04	11/04/2014
11406/2014	354875	13-03D	10/04/2014	11507/2014	354909	18-99	11/04/2014
11407/2014	354876	13-03D	10/04/2014	11508/2014	354910	26-05A	11/04/2014
11409/2014	354877	14-04	10/04/2014	11568/2014	354862	23-01A	09/04/2014
11410/2014	354878	13-03D	10/04/2014	11612/2014	354837	15-05	08/04/2014
11412/2014	354879	14-03E	10/04/2014				
11413/2014	354853	14-03E	09/04/2014				



**Publication and Registration Proceedings**

**Class Listing of Designs Published or Registered**

The following section shows an International Classification Code listing of the Registered or Published Designs covered in this supplement.

<b>Classification</b>	<b>Registration Number</b>	<b>Design Number</b>	<b>Classification</b>	<b>Registration Number</b>	<b>Design Number</b>
01-02	354851	11390/2014	08-05K	354780	11346/2014
01-02	354852	11391/2014	08-05L	354763	11031/2014
02-02A	354755	11143/2014	08-05P	354796	11156/2014
02-02A	354836	11145/2014	08-06	354811	11312/2014
02-02C	354792	11151/2014	08-06	354815	11316/2014
02-02C	354887	13614/2013	08-06	354816	11317/2014
02-02NES	354818	11078/2014	08-07	354811	11312/2014
02-02NES	354820	11163/2014	08-07	354812	11313/2014
02-02NES	354887	13614/2013	08-07	354813	11314/2014
02-04B	354759	10269/2014	08-07	354814	11315/2014
02-04NES	354765	10270/2014	08-07	354815	11316/2014
02-04NES	354766	10271/2014	08-07	354816	11317/2014
02-04NES	354826	11367/2014	08-07	354817	10803/2014
02-06	354773	11328/2014	08-08B	354905	10027/2014
03-01B	354886	13613/2013	08-08C	354895	11428/2014
03-01NES	354762	10980/2014	08-08G	354897	16764/2013
03-01NES	354865	11375/2014	08-09	354898	11495/2014
03-03	354872	11394/2014	08-10	354784	11351/2014
03-03	354873	11396/2014	09-01C	354906	11504/2014
03-03	354890	11393/2014	09-01C	354907	11505/2014
03-03	354891	11395/2014	09-03F	354790	11147/2014
06-01C	354781	11348/2014	09-03NES	354776	11335/2014
06-01C	354783	11350/2014	09-07B	354860	11423/2014
06-01D	354770	15206/2013	09-07B	354867	11426/2014
06-01F	354778	11340/2014	09-09	354787	11354/2014
06-01F	354801	11284/2014	10-04	354760	10949/2014
06-01F	354802	11285/2014	10-04	354866	11399/2014
06-01F	354803	11286/2014	10-06	354772	11326/2014
06-01F	354804	11287/2014	12-02	354752	11262/2014
06-01F	354805	11288/2014	12-02	354753	11271/2014
06-01F	354806	11289/2014	12-06NES	354829	11360/2014
06-01F	354807	11290/2014	12-11	354808	11294/2014
06-01F	354854	11414/2014	12-11	354809	11295/2014
06-01F	354855	11416/2014	12-12	354833	16559/2013
06-01F	354859	11421/2014	12-15B	354779	11341/2014
06-01F	354861	11424/2014	12-16B	354809	11295/2014
06-01F	354868	11430/2014	12-16E	354810	11296/2014
06-03A	354786	11353/2014	12-16NES	354881	14907/2013
06-04NES	354874	11403/2014	12-16NES	354882	14908/2013
07-01C	354884	11376/2014	13-01	354829	11360/2014
07-01D	354843	11374/2014	13-02	354856	11417/2014
07-01D	354848	11385/2014	13-02	354857	11418/2014
07-01D	354885	11381/2014	13-02	354858	11419/2014
07-02L	354761	10735/2014	13-02	354893	11420/2014
07-02L	354840	10740/2014	13-03C	354791	11148/2014
07-02NES	354756	10944/2014	13-03D	354774	11330/2014
07-02NES	354757	10945/2014	13-03D	354775	11333/2014
07-02NES	354758	10946/2014	13-03D	354875	11406/2014
07-03	354835	16682/2013	13-03D	354876	11407/2014
07-03	354892	11398/2014	13-03D	354878	11410/2014
07-04	354864	10033/2014	13-03NES	354791	11148/2014
07-05E	354754	11400/2014	14-01	354789	10067/2014
08-03	354780	11346/2014	14-02	354771	11325/2014

Registration Proceedings - Class Listing of Designs Published or Registered cont'd

Classification	Registration Number	Design Number	Classification	Registration Number	Design Number
14-02	354788	15423/2013	23-04	354880	14783/2013
14-02	354821	11320/2014	23-04	354908	11506/2014
14-03A	354762	10980/2014	24-01	354899	11498/2014
14-03A	354900	11500/2014	24-02	354827	11371/2014
14-03A	354901	11501/2014	24-02	354831	11370/2014
14-03A	354902	11502/2014	24-02	354888	10784/2014
14-03A	354903	11503/2014	24-04	354823	11357/2014
14-03E	354853	11413/2014	25-01B	354764	11032/2014
14-03E	354879	11412/2014	25-01B	354768	11034/2014
14-03NES	354824	11358/2014	25-01B	354822	11035/2014
14-03NES	354825	11359/2014	25-01B	354883	11329/2014
14-03NES	354904	16377/2013	25-01K	354767	11033/2014
14-04	354877	11409/2014	25-02C	354782	11349/2014
15-02	354828	10592/2014	26-05A	354793	11152/2014
15-03B	354832	11372/2014	26-05A	354794	11154/2014
15-05	354828	10592/2014	26-05A	354795	11155/2014
15-05	354834	16668/2013	26-05A	354910	11508/2014
15-05	354837	11612/2014	26-05B	354894	11427/2014
18-99	354909	11507/2014	26-05D	354793	11152/2014
19-07	354838	10995/2014	26-05D	354797	11158/2014
21-01C	354863	14464/2013	26-05D	354798	11159/2014
21-02C	354777	11336/2014	26-05D	354799	11160/2014
21-02D	354841	10904/2014	26-05D	354800	11161/2014
22-05	354769	12219/2013	26-06	354810	11296/2014
23-01A	354842	11202/2014	27-99	354856	11417/2014
23-01A	354846	11383/2014	27-99	354857	11418/2014
23-01A	354847	11384/2014	27-99	354858	11419/2014
23-01A	354849	11388/2014	27-99	354893	11420/2014
23-01A	354850	11389/2014	30-02	354869	11433/2014
23-01A	354862	11568/2014	30-02	354895	11428/2014
23-01A	354889	11386/2014	30-06	354870	11434/2014
23-01D	354844	11379/2014	30-06	354896	11435/2014
23-01D	354845	11380/2014	31-00	354830	11365/2014
23-01H	354871	11392/2014	31-00	354911	10162/2014
23-01NES	354785	11352/2014			
23-03D	354819	11082/2014			
23-03H	354839	10319/2014			

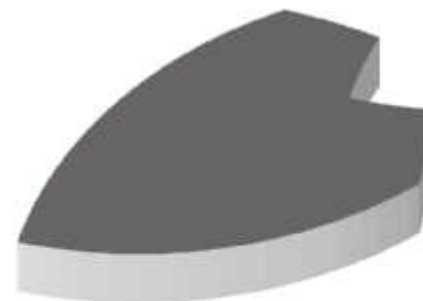
(21) Design Number: **11262/2014**  
(22) Date of Filing Application: **18 March 2014**  
(24) Date from which industrial property rights may have effect: **18 March 2014**  
(54) Product in respect of which the design is registered: **A basket for a shopping trolley**  
(51) International Design Classification: **12-02**  
(74) Name(s) of Attorney(s):  
(71) Name(s) and Address(s) of Applicant(s):  
**QHDC Australia Pty Ltd**  
**11 Greg Chappell Dr Burleigh Heads QLD 4220 Australia**  
(72) Name(s) of Designer(s): **Wayne Sully**  
(45) Registration Date: **03 April 2014**  
(56) Related Art Documents: **Not Applicable**  
(57) Statement of Newness and Distinctiveness: **Nil**



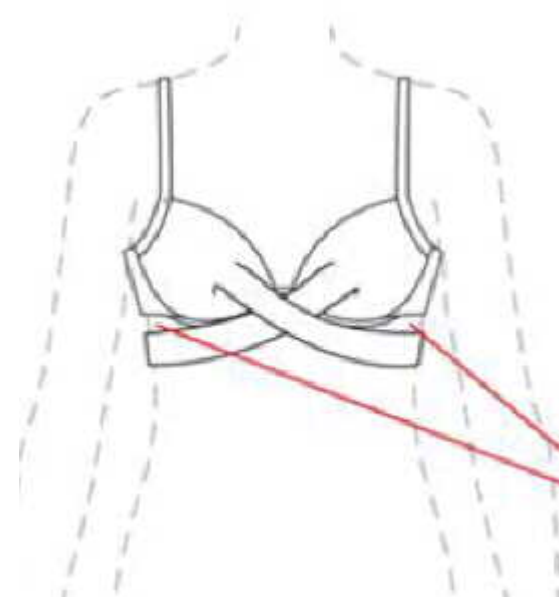
(21) Design Number: **11271/2014**  
(22) Date of Filing Application: **18 March 2014**  
(24) Date from which industrial property rights may have effect: **18 March 2014**  
(54) Product in respect of which the design is registered: **A basket for a shopping trolley**  
(51) International Design Classification: **12-02**  
(74) Name(s) of Attorney(s):  
(71) Name(s) and Address(s) of Applicant(s):  
**QHDC Australia Pty Ltd**  
**11 Greg Chappell Dr Burleigh Heads QLD 4220 Australia**  
(72) Name(s) of Designer(s): **Wayne Sully**  
(45) Registration Date: **03 April 2014**  
(56) Related Art Documents: **Not Applicable**  
(57) Statement of Newness and Distinctiveness: **Nil**



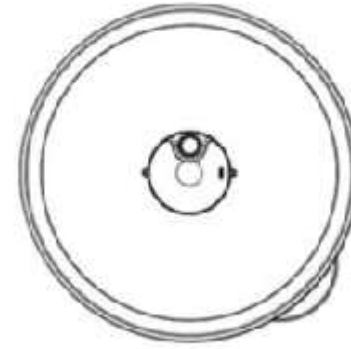
- (21) Design Number: **11400/2014**  
(22) Date of Filing Application: **25 March 2014**  
(24) Date from which industrial property rights may have effect: **24 December 2013**  
(54) Product in respect of which the design is registered: **Sponge**  
(51) International Design Classification: **07-05E**  
(74) Name(s) of Attorney(s): **Davies Collison Cave**  
(71) Name(s) and Address(s) of Applicant(s):  
**Carl Freudenberg KG**  
**Hoehnerweg 2-4 Weinheim 69469 Germany**  
(72) Name(s) of Designer(s): **Olivier Bedue**  
(45) Registration Date: **03 April 2014**  
(62) Divisional of: **354614**  
(56) Related Art Documents: **Not Applicable**  
(57) Statement of Newness and Distinctiveness: **Newness and distinctiveness is claimed in the visual features shown in the representations.**



- (21) Design Number: **11143/2014**  
(22) Date of Filing Application: **11 March 2014**  
(24) Date from which industrial property rights may have effect: **11 March 2014**  
(54) Product in respect of which the design is registered: **Swimwear garment**  
(51) International Design Classification: **02-02A**  
(74) Name(s) of Attorney(s): **Herbert Geer Lawyers**  
(71) Name(s) and Address(s) of Applicant(s):  
**JETS Swimwear Pty Limited**  
**8-18 Bowden St Alexandria NSW 2015 Australia**  
(72) Name(s) of Designer(s): **Jessika Allen**  
(45) Registration Date: **03 April 2014**  
(56) Related Art Documents: **Not Applicable**  
(57) Statement of Newness and Distinctiveness: **Newness and distinctiveness is claimed in the shape and/or configuration of the swimwear garment top as depicted in the accompanying representations. The sections marked "B" are cut out panels. In considering the newness & distinctiveness the feature marked "A" is to be disregarded. The back straps in the back view and the outline of the wearer, all shown in broken lines, form no part of the design.**



(21) Design Number: **10944/2014**  
(22) Date of Filing Application: **28 February 2014**  
(24) Date from which industrial property rights may have effect: **28 February 2014**  
(54) Product in respect of which the design is registered: **Lid for a food container**  
(51) International Design Classification: **07-02NES**  
(74) Name(s) of Attorney(s): **Callinans**  
(71) Name(s) and Address(s) of Applicant(s):  
**The Decor Corporation Pty Ltd**  
**1314 Ferntree Gully Rd Scoresby VIC 3179 Australia**  
(72) Name(s) of Designer(s): **Maggie Man Kai Tang**  
(45) Registration Date: **03 April 2014**  
(56) Related Art Documents: **Not Applicable**  
(57) Statement of Newness and Distinctiveness: **Nil**



(21) Design Number: **10945/2014**  
(22) Date of Filing Application: **28 February 2014**  
(24) Date from which industrial property rights may have effect: **28 February 2014**  
(54) Product in respect of which the design is registered: **Handle for food container**  
(51) International Design Classification: **07-02NES**  
(74) Name(s) of Attorney(s): **Callinans**  
(71) Name(s) and Address(s) of Applicant(s):  
**The Decor Corporation Pty Ltd**  
**1314 Ferntree Gully Rd Scoresby VIC 3179 Australia**  
(72) Name(s) of Designer(s): **Maggie Man Kai Tang**  
(45) Registration Date: **03 April 2014**  
(56) Related Art Documents: **Not Applicable**  
(57) Statement of Newness and Distinctiveness: **Nil**



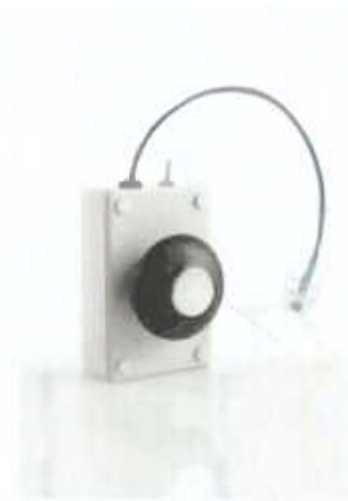
(21) Design Number: **10946/2014**  
(22) Date of Filing Application: **28 February 2014**  
(24) Date from which industrial property rights may have effect: **28 February 2014**  
(54) Product in respect of which the design is registered: **Food container**  
(51) International Design Classification: **07-02NES**  
(74) Name(s) of Attorney(s): **Callinans**  
(71) Name(s) and Address(s) of Applicant(s):  
**The Decor Corporation Pty Ltd**  
**1314 Ferntree Gully Rd Scoresby VIC 3179 Australia**  
(72) Name(s) of Designer(s): **Maggie Man Kai Tang**  
(45) Registration Date: **03 April 2014**  
(56) Related Art Documents: **Not Applicable**  
(57) Statement of Newness and Distinctiveness: **Nil**



(21) Design Number: **10269/2014**  
(22) Date of Filing Application: **21 January 2014**  
(24) Date from which industrial property rights may have effect: **21 January 2014**  
(54) Product in respect of which the design is registered: **CRT Heel 1010**  
(51) International Design Classification: **02-04B**  
(74) Name(s) of Attorney(s):  
(71) Name(s) and Address(s) of Applicant(s):  
**Peter Linsket**  
**U2108/184 Grey St South Brisbane QLD 4101 Australia**  
(72) Name(s) of Designer(s): **Peter Linsket**  
(45) Registration Date: **03 April 2014**  
(56) Related Art Documents: **Not Applicable**  
(57) Statement of Newness and Distinctiveness: **The newness and distinctiveness of the design resides in the slide-on, pin-locking heels which are interchangeable and is represented in the following design.**



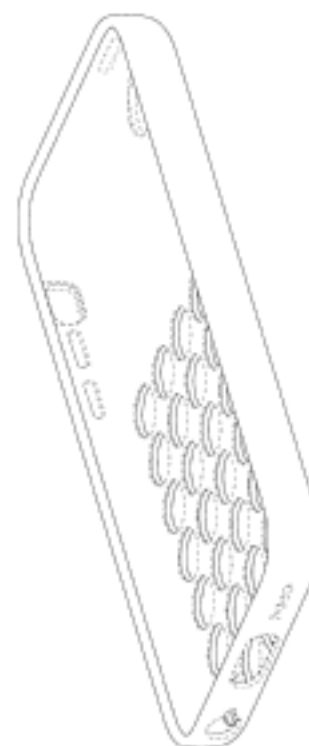
- (21) Design Number: **10949/2014**  
(22) Date of Filing Application: **01 March 2014**  
(24) Date from which industrial property rights may have effect: **01 March 2014**  
(54) Product in respect of which the design is registered: **Electronic safety device for domestic ovens**  
(51) International Design Classification: **10-04**  
(74) Name(s) of Attorney(s):  
(71) Name(s) and Address(s) of Applicant(s):  
**Daniel Anum Amartey**  
**2 Araluen Dr Croydon VIC 3136 Australia**  
(72) Name(s) of Designer(s): **Daniel Anum Amartey**  
(45) Registration Date: **03 April 2014**  
(56) Related Art Documents: **Not Applicable**  
(57) Statement of Newness and Distinctiveness: **-This safety device with a stick on magnet and stick on suction cup consists of 4 essential different materials. Round Rare Earth Magnet, Round bakelite thermosetting plastic, ABS box, PVC tube and PVC suction cup. -The Round Rare Earth Magnet which is glued on the back of the bakelite. -The Round bakelite thermosetting plastic material is carefully selected because of its high heat resistant. -The ABS box contains the electronic components and a 9volt size battery. -The PVC tube (3mm diameter) which housed the cables to the temperature sensor is connected to the box and the other end to the round suction cup. -The round clear PVC suction cup has the digital temperature sensor inserted in the middle. The combinations/configurations of above components and how they are constructed in order to achieve the goal of monitoring the temperature on the hot glass surface of the oven door show the newness and distinctiveness of this design.**



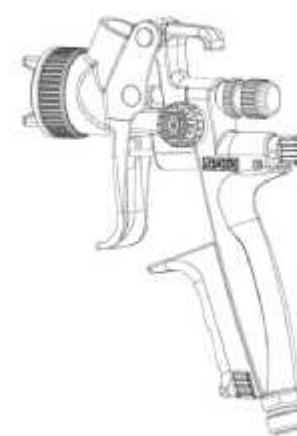
- (21) Design Number: **10735/2014**  
(22) Date of Filing Application: **17 February 2014**  
(24) Date from which industrial property rights may have effect: **17 February 2014**  
(54) Product in respect of which the design is registered: **Dispenser machine with a dispenser head**  
(51) International Design Classification: **07-02L**  
(74) Name(s) of Attorney(s): **PIZZEYS**  
(71) Name(s) and Address(s) of Applicant(s):  
**Green Mountain Coffee Roasters, Inc.**  
**33 Coffee Lane Waterbury VT 05676 United States of America**  
(72) Name(s) of Designer(s): **Matthew John Maitland and Keith Paul Thompson and Peter David Cauwood and Iain James Sabberton**  
(45) Registration Date: **04 April 2014**  
(30) Convention priority data:  
(31) Number (32) Date (33) Country  
**29/466,334 06 Sep 2013 UNITED STATES OF AMERICA**  
(56) Related Art Documents: **Not Applicable**  
(57) Statement of Newness and Distinctiveness: **The newness and distinctiveness of the design resides in the shape and/or configuration of the Dispensing Head shown in unbroken lines in the accompanying representations. (if required, see Convention document).**



- (21) Design Number: **10980/2014**  
(22) Date of Filing Application: **04 March 2014**  
(24) Date from which industrial property rights may have effect: **04 March 2014**  
(54) Product in respect of which the design is registered: **Case**  
(51) International Design Classification: **03-01NES, 14-03A**  
(74) Name(s) of Attorney(s): **Freehills Patent Attorneys**  
(71) Name(s) and Address(s) of Applicant(s):  
**Apple Inc.**  
**1 Infinite Loop Cupertino CA 95014 United States of America**  
(72) Name(s) of Designer(s): **Jody Akana and Bartley K Andre and Shota Aoyagi and Jeremy Bataillou and Daniel J Coster and Daniele De Iuliis and M Evans Hankey and Julian Hoenig and Richard P Howarth and Jonathan P Ive and Duncan Robert Kerr and Matthew Dean Rohrbach and Peter Russell-Clarke and Mikael Silvano and Christopher J Stringer and Eugene Anthony Whang and Rico Zorkendorfer**  
(45) Registration Date: **04 April 2014**  
(30) Convention priority data:  
(31) Number (32) Date (33) Country  
**29/466599 10 Sep 2013 UNITED STATES OF AMERICA**  
(56) Related Art Documents: **Not Applicable**  
(57) Statement of Newness and Distinctiveness: **Newness and distinctiveness of the design resides in the features of shape and configuration of the case as shown in solid line in the accompanying representations.**

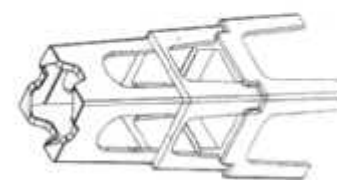


- (21) Design Number: **11031/2014**  
(22) Date of Filing Application: **06 March 2014**  
(24) Date from which industrial property rights may have effect: **06 March 2014**  
(54) Product in respect of which the design is registered: **Spray gun**  
(51) International Design Classification: **08-05L**  
(74) Name(s) of Attorney(s): **SPRUSON & FERGUSON**  
(71) Name(s) and Address(s) of Applicant(s):  
**SATA GmbH & Co. KG**  
**Domertalstrasse 20, Kornwestheim 70806 Germany**  
(72) Name(s) of Designer(s): **Ralf Gehrung and Ewald Schmon and Helmut Ess**  
(45) Registration Date: **04 April 2014**  
(30) Convention priority data:  
(31) Number (32) Date (33) Country  
**201330462576.6 27 Sep 2013 CHINA**  
(56) Related Art Documents: **Not Applicable**  
(57) Statement of Newness and Distinctiveness: **Newness and distinctiveness is claimed in the features of shape and/or configuration of a spray gun as illustrated in the accompanying representations.**

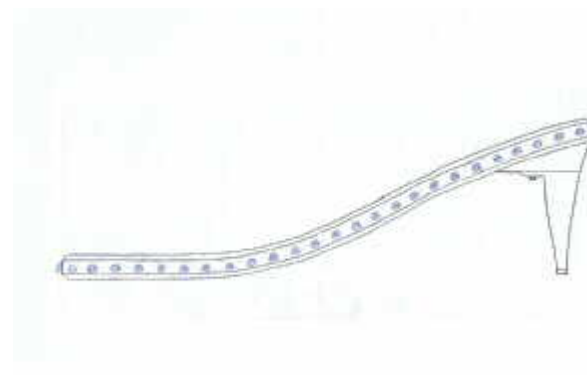




- (21) Design Number: **11032/2014**  
(22) Date of Filing Application: **06 March 2014**  
(24) Date from which industrial property rights may have effect: **06 March 2014**  
(54) Product in respect of which the design is registered: **Plastic bar chair for chairing reinforcing steel**  
(51) International Design Classification: **25-01B**  
(74) Name(s) of Attorney(s):  
(71) Name(s) and Address(s) of Applicant(s):  
**Lee Ann Gallagher**  
**6 Pelican PI Woronora Heights NSW 2233 Australia**  
(72) Name(s) of Designer(s): **Lee Ann Gallagher**  
(45) Registration Date: **04 April 2014**  
(56) Related Art Documents: **Not Applicable**  
(57) Statement of Newness and Distinctiveness: **Higher than other designs and square.**



- (21) Design Number: **10270/2014**  
(22) Date of Filing Application: **21 January 2014**  
(24) Date from which industrial property rights may have effect: **21 January 2014**  
(54) Product in respect of which the design is registered: **Shoe**  
(51) International Design Classification: **02-04NES**  
(74) Name(s) of Attorney(s):  
(71) Name(s) and Address(s) of Applicant(s):  
**Peter Linsket**  
**U2108/184 Grey St South Brisbane QLD 4101 Australia**  
(72) Name(s) of Designer(s): **Peter Linsket**  
(45) Registration Date: **04 April 2014**  
(56) Related Art Documents: **Not Applicable**  
(57) Statement of Newness and Distinctiveness: **The newness and distinctiveness of the design resides in the shoes ability to have interchangeable heels and straps which are conveyed in the following designs.**



(21) Design Number: **10271/2014**

(22) Date of Filing Application: **21 January 2014**

(24) Date from which industrial property rights may have effect: **21 January 2014**

(54) Product in respect of which the design is registered: **Shoe**

(51) International Design Classification: **02-04NES**

(74) Name(s) of Attorney(s):

(71) Name(s) and Address(s) of Applicant(s):

**Peter Linsket**

**U2108/184 Grey St South Brisbane QLD 4101 Australia**

(72) Name(s) of Designer(s): **Peter Linsket**

(45) Registration Date: **04 April 2014**

(56) Related Art Documents: **Not Applicable**

(57) Statement of Newness and Distinctiveness: **The newness and distinctiveness of the design resides in the shoes ability to have interchangeable heels and straps which are conveyed in the following designs.**



(21) Design Number: **11033/2014**

(22) Date of Filing Application: **06 March 2014**

(24) Date from which industrial property rights may have effect: **06 March 2014**

(54) Product in respect of which the design is registered: **Seal**

(51) International Design Classification: **25-01K**

(74) Name(s) of Attorney(s):

(71) Name(s) and Address(s) of Applicant(s):

**NAK Australia Pty Limited**

**PO BOX CP421 Condell Park NSW 2200 Australia**

(72) Name(s) of Designer(s): **Russell Everitt**

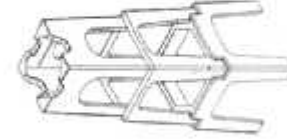
(45) Registration Date: **04 April 2014**

(56) Related Art Documents: **Not Applicable**

(57) Statement of Newness and Distinctiveness: **Rotary outside component with combined labyrinth design and axial ports to dispel ingressed fluids and contaminants combined with opposing static labyrinth component with integral shield to provide protection from impact and ingress of fluids and contaminants. Manufactured from metallic or polymer components, either moulded or machined.**



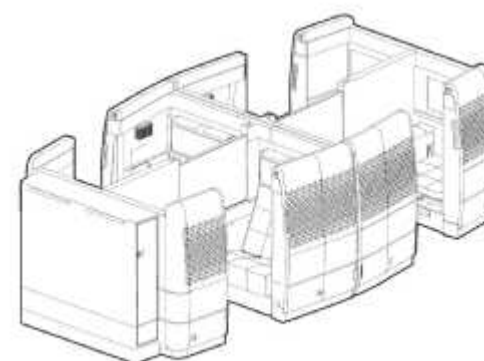
- (21) Design Number: **11034/2014**  
(22) Date of Filing Application: **06 March 2014**  
(24) Date from which industrial property rights may have effect: **06 March 2014**  
(54) Product in respect of which the design is registered: **Plastic bar chair for chairing reinforcing steel**  
(51) International Design Classification: **25-01B**  
(74) Name(s) of Attorney(s):  
(71) Name(s) and Address(s) of Applicant(s):  
**Lee Ann Gallagher**  
**6 Pelican Pl Woronora Heights NSW 2233 Australia**  
(72) Name(s) of Designer(s): **Lee Ann Gallagher**  
(45) Registration Date: **04 April 2014**  
(56) Related Art Documents: **Not Applicable**  
(57) Statement of Newness and Distinctiveness: **Higher than other designs and square.**



- (21) Design Number: **12219/2013**  
(22) Date of Filing Application: **14 May 2013**  
(24) Date from which industrial property rights may have effect: **14 May 2013**  
(54) Product in respect of which the design is registered: **Fishing lure**  
(51) International Design Classification: **22-05**  
(74) Name(s) of Attorney(s):  
(71) Name(s) and Address(s) of Applicant(s):  
**Luke James Chamings**  
**44 Eva St Williamstown SA 5351 Australia**  
(72) Name(s) of Designer(s): **Luke James Chamings**  
(45) Registration Date: **07 April 2014**  
(56) Related Art Documents: **Not Applicable**  
(57) Statement of Newness and Distinctiveness: **My lures are hand crafted using a lathe to shape raw wood into a shape of a duck. I then paint my lures and attach paddle feet, metal bibs (hand cut,) features and hooks.**



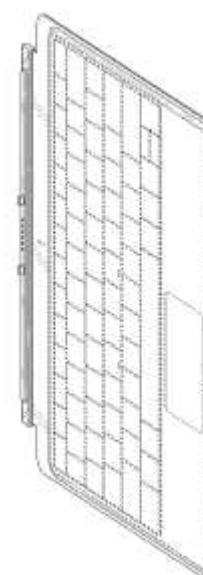
(21) Design Number: **15206/2013**  
(22) Date of Filing Application: **10 October 2013**  
(24) Date from which industrial property rights may have effect: **10 October 2013**  
(54) Product in respect of which the design is registered: **Seating module**  
(51) International Design Classification: **06-01D**  
(74) Name(s) of Attorney(s): **Davies Collison Cave**  
(71) Name(s) and Address(s) of Applicant(s):



**Etihad Airways**  
**PO Box 35566 New Airport Road Abu Dhabi United Arab Emirates**  
(72) Name(s) of Designer(s): **Richard Nicholas and Ian Dryburgh**  
(45) Registration Date: **07 April 2014**  
(30) Convention priority data:  
(31) Number      (32) Date      (33) Country  
**002217976-0001    10 Apr 2013      OFFICE FOR HARMONISATION IN  
THE INTERNAL MARKET (OHIM)**

(56) Related Art Documents: **Not Applicable**  
(57) Statement of Newness and Distinctiveness: **Nil**

(21) Design Number: **11325/2014**  
(22) Date of Filing Application: **20 March 2014**  
(24) Date from which industrial property rights may have effect: **20 March 2014**  
(54) Product in respect of which the design is registered: **Input device for an  
electronic tablet**  
(51) International Design Classification: **14-02**  
(74) Name(s) of Attorney(s): **Shelston IP**  
(71) Name(s) and Address(s) of Applicant(s):



**Microsoft Corporation**  
**One Microsoft Way Redmond Washington, 98052 United States of  
America**  
(72) Name(s) of Designer(s): **Young Soo Kim and Mike F Deily and James Iming  
Tsai**  
(45) Registration Date: **07 April 2014**  
(30) Convention priority data:  
(31) Number      (32) Date      (33) Country  
**29/467595      20 Sep 2013      UNITED STATES OF AMERICA**

(56) Related Art Documents: **Not Applicable**  
(57) Statement of Newness and Distinctiveness: **Newness and distinctiveness  
reside in the features of shape and/or configuration of an input device  
for an electronic tablet as illustrated by solid lines in the accompanying  
representations. The features shown in broken outline are for contextual  
purposes only and do not form part of the design.**

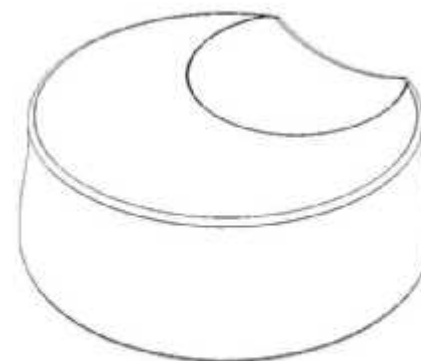
- (21) Design Number: **11326/2014**  
(22) Date of Filing Application: **20 March 2014**  
(24) Date from which industrial property rights may have effect: **20 March 2014**  
(54) Product in respect of which the design is registered: **Mooring buoy**  
(51) International Design Classification: **10-06**  
(74) Name(s) of Attorney(s): **Madderns**  
(71) Name(s) and Address(s) of Applicant(s):  
**Roadside Products Pty Ltd**  
**45-49 St Leonards Rd St Leonards TAS 7250 Australia**  
(72) Name(s) of Designer(s): **Ralph Edward Norton and Roger Clive Trethewie and Darran James Randall and Herman Frederick Shoemaker**  
(45) Registration Date: **07 April 2014**  
(56) Related Art Documents: **Not Applicable**  
(57) Statement of Newness and Distinctiveness: **Newness and distinctiveness resides in the features of shape and configuration of a mooring buoy as shown in the accompanying representations.**



- (21) Design Number: **11328/2014**  
(22) Date of Filing Application: **20 March 2014**  
(24) Date from which industrial property rights may have effect: **20 March 2014**  
(54) Product in respect of which the design is registered: **Sports glove**  
(51) International Design Classification: **02-06**  
(74) Name(s) of Attorney(s):  
(71) Name(s) and Address(s) of Applicant(s):  
**Emma Palmer**  
**4 Duncan St Drummoyne NSW 2047 Australia**  
(72) Name(s) of Designer(s): **Emma Palmer**  
(45) Registration Date: **07 April 2014**  
(56) Related Art Documents: **Not Applicable**  
(57) Statement of Newness and Distinctiveness: **The newness and distinctiveness of the design resides in the shape and make of the SportsWeb. Designed with extra padding on the palm, added to provide support and to prevent blistering and splitting of the webbing.**



- (21) Design Number: **11330/2014**  
(22) Date of Filing Application: **21 March 2014**  
(24) Date from which industrial property rights may have effect: **21 March 2014**  
(54) Product in respect of which the design is registered: **Dimmer knob**  
(51) International Design Classification: **13-03D**  
(74) Name(s) of Attorney(s): **PHILLIPS ORMONDE FITZPATRICK**  
(71) Name(s) and Address(s) of Applicant(s):  
**Gerard Lighting Pty Ltd**  
**142-144 Fullarton Rd Rose Park SA 5067 Australia**  
(72) Name(s) of Designer(s): **Thomas Martin Hilder**  
(45) Registration Date: **07 April 2014**  
(56) Related Art Documents: **Not Applicable**  
(57) Statement of Newness and Distinctiveness: **Newness and distinctiveness resides in the shape and configuration of a knob as shown in the accompanying drawings. In considering the scope of monopoly, no regard is to be had of the features indicated in dotted lines.**



- (21) Design Number: **11333/2014**  
(22) Date of Filing Application: **21 March 2014**  
(24) Date from which industrial property rights may have effect: **21 March 2014**  
(54) Product in respect of which the design is registered: **Dimmer housing**  
(51) International Design Classification: **13-03D**  
(74) Name(s) of Attorney(s): **PHILLIPS ORMONDE FITZPATRICK**  
(71) Name(s) and Address(s) of Applicant(s):  
**Gerard Lighting Pty Ltd**  
**142-144 Fullarton Rd Rose Park SA 5067 Australia**  
(72) Name(s) of Designer(s): **Tony Kearney and Jason Andrew Gerard**  
(45) Registration Date: **07 April 2014**  
(56) Related Art Documents: **Not Applicable**  
(57) Statement of Newness and Distinctiveness: **Newness and distinctiveness resides in the shape and configuration of a housing as shown in the accompanying drawings. In considering the scope of monopoly, no regard is to be had of the features indicated in dotted lines.**



(21) Design Number: **11335/2014**  
(22) Date of Filing Application: **21 March 2014**  
(24) Date from which industrial property rights may have effect: **21 March 2014**  
(54) Product in respect of which the design is registered: **Packaging**  
(51) International Design Classification: **09-03NES**  
(74) Name(s) of Attorney(s): **James & Wells**  
(71) Name(s) and Address(s) of Applicant(s):

**The Christmas Cake Company Limited**  
**79 Waller Avenue Bucklands Beach Auckland 2012 New Zealand**

(72) Name(s) of Designer(s): **Philip Hutton**

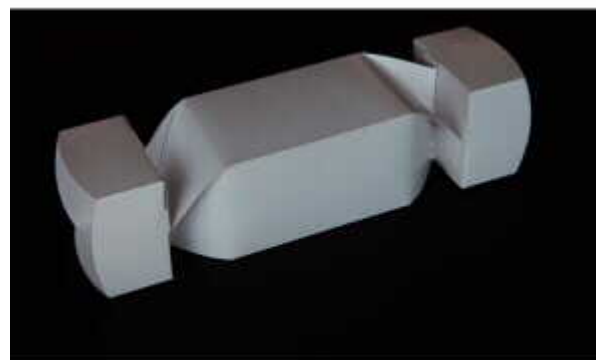
(45) Registration Date: **07 April 2014**

(30) Convention priority data:

(31) Number	(32) Date	(33) Country
<b>418087</b>	<b>24 Sep 2013</b>	<b>NEW ZEALAND</b>

(56) Related Art Documents: **Not Applicable**

(57) Statement of Newness and Distinctiveness: **This design is to be applied to packaging and the novelty resides in features of shape and configuration of the article, all as shown in the accompanying representations.**



(21) Design Number: **11336/2014**  
(22) Date of Filing Application: **21 March 2014**  
(24) Date from which industrial property rights may have effect: **21 March 2014**  
(54) Product in respect of which the design is registered: **Golf club head**  
(51) International Design Classification: **21-02C**  
(74) Name(s) of Attorney(s): **Davies Collison Cave**  
(71) Name(s) and Address(s) of Applicant(s):

**Karsten Manufacturing Corporation**  
**2201 West Desert Cove Phoenix Arizona 85029 United States of America**

(72) Name(s) of Designer(s): **Michael R Nicolette and Xiaojian Chen and Daniel K Lee and Ryan M Stokke and Brandon L Fossum**

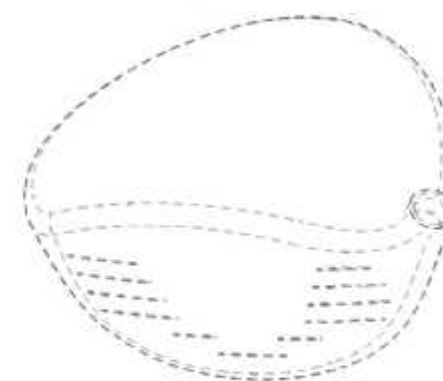
(45) Registration Date: **07 April 2014**

(30) Convention priority data:

(31) Number	(32) Date	(33) Country
<b>29/467884</b>	<b>24 Sep 2013</b>	<b>UNITED STATES OF AMERICA</b>

(56) Related Art Documents: **Not Applicable**

(57) Statement of Newness and Distinctiveness: **Newness and distinctiveness is claimed in the visual features shown in solid lines in the representations. In considering the extent of the design rights, the broken lines shown in the representations are for illustrative purposes only and do not form part of the design.**



(21) Design Number: **11340/2014**  
(22) Date of Filing Application: **21 March 2014**  
(24) Date from which industrial property rights may have effect: **21 March 2014**  
(54) Product in respect of which the design is registered: **Chair**  
(51) International Design Classification: **06-01F**  
(74) Name(s) of Attorney(s): **Shelston IP**  
(71) Name(s) and Address(s) of Applicant(s):

**Ekornes ASA**  
**Industrivegen 1 Ikornnes N-6222 Norway**

(72) Name(s) of Designer(s): **Rikke Wold and Jan Lade**

(45) Registration Date: **07 April 2014**

(30) Convention priority data:

(31) Number	(32) Date	(33) Country
<b>20131073</b>	<b>27 Oct 2013</b>	<b>NORWAY</b>

(56) Related Art Documents: **Not Applicable**

(57) Statement of Newness and Distinctiveness: **Newness and distinctiveness reside in the features of shape and/or configuration of a CHAIR as illustrated in the accompanying representations.**



(21) Design Number: **11341/2014**  
(22) Date of Filing Application: **21 March 2014**  
(24) Date from which industrial property rights may have effect: **21 March 2014**  
(54) Product in respect of which the design is registered: **Tire**  
(51) International Design Classification: **12-15B**  
(74) Name(s) of Attorney(s): **PHILLIPS ORMONDE FITZPATRICK**  
(71) Name(s) and Address(s) of Applicant(s):

**Cooper Tire & Rubber Company**  
**701 Lima Avenue Findlay Ohio 45840 United States of America**

(72) Name(s) of Designer(s): **Robert J Drake**

(45) Registration Date: **07 April 2014**

(30) Convention priority data:

(31) Number	(32) Date	(33) Country
<b>29/469,214</b>	<b>08 Oct 2013</b>	<b>UNITED STATES OF AMERICA</b>

(56) Related Art Documents: **Not Applicable**

(57) Statement of Newness and Distinctiveness: **Those features of the tire depicted in the representations that are new and distinctive are the shape and/or configuration of the tread of the tire. The sidewall, inner bead, and the peripheral boundary between the tire tread and the sidewall are not part of the design and are to be disregarded when considering the overall impression of the design.**





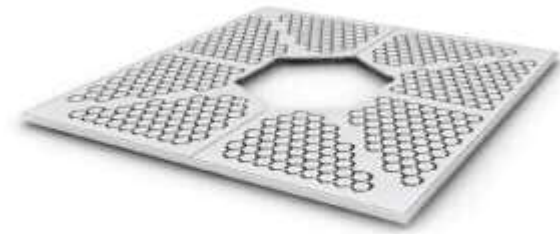
- (21) Design Number: **11346/2014**  
(22) Date of Filing Application: **21 March 2014**  
(24) Date from which industrial property rights may have effect: **21 March 2014**  
(54) Product in respect of which the design is registered: **A chisel**  
(51) International Design Classification: **08-03, 08-05K**  
(74) Name(s) of Attorney(s):  
(71) Name(s) and Address(s) of Applicant(s):  
**Ian Ronald Taylor**  
**PO BOX 82 Walkerville SA 5081 Australia**  
(72) Name(s) of Designer(s): **Ian Ronald Taylor**  
(45) Registration Date: **07 April 2014**  
(56) Related Art Documents: **Not Applicable**  
(57) Statement of Newness and Distinctiveness: **A power driven Chisel for removing cured grout from between floor or wall tiles. The Chisel has two cutting tips and is produced in a variety of different thicknesses to suit the various grouted tile joints. The forward cutting tip controls the depth of the second trailing cutting tip and also guides the tool along the grouted joint. The second trailing cutting tip is positioned rearward and lower than the forward tip so it can penetrate the grouted joint when downward pressure is applied to the tool as it is moved forward along the grouted joint. There is a cavity in the body of the tool between the two cutting tip that allows the material that is being removed to travel upward and away from the grout joint. The tool can be pivoted in the vertical direction about the forward tip allowing it to remove grout in corners. The Chisel is fitted to an electric reciprocating impact tool. The arm that connects to the reciprocating tool does not form part of this application.**



- (21) Design Number: **11348/2014**  
(22) Date of Filing Application: **23 March 2014**  
(24) Date from which industrial property rights may have effect: **23 March 2014**  
(54) Product in respect of which the design is registered: **Urban street furniture, seat**  
(51) International Design Classification: **06-01C**  
(74) Name(s) of Attorney(s):  
(71) Name(s) and Address(s) of Applicant(s):  
**Nathan Blanco Fouraux**  
**46 Fifth Ave Palm Beach QLD 4221 Australia**  
(72) Name(s) of Designer(s): **Nathan Blanco Fouraux**  
(45) Registration Date: **07 April 2014**  
(56) Related Art Documents: **Not Applicable**  
(57) Statement of Newness and Distinctiveness: **The newness and distinctiveness of the design resides in the shape of the front and rear of the chairs legs, as shown in the continuous curve that forms a radius from the legs to the seat slats. A second feature is the T section frame which gives rigidity to the legs armrests and back support while allowing the use off thin sections which emphasis the thinness of the design, these are clearly shown in the accompanying representations.**



- (21) Design Number: **11349/2014**  
(22) Date of Filing Application: **23 March 2014**  
(24) Date from which industrial property rights may have effect: **23 March 2014**  
(54) Product in respect of which the design is registered: **Street furniture tree grate**  
(51) International Design Classification: **25-02C**  
(74) Name(s) of Attorney(s):  
(71) Name(s) and Address(s) of Applicant(s):  
**Nathan Blanco Fouraux**  
**46 Fifth Ave Palm Beach QLD 4221 Australia**  
(72) Name(s) of Designer(s): **Nathan Blanco Fouraux**  
(45) Registration Date: **07 April 2014**  
(56) Related Art Documents: **Not Applicable**  
(57) Statement of Newness and Distinctiveness: **The newness and distinctiveness of the design resides in the hexagonal plate pattern and aperture of the tree opening that incorporates the support for a tree protective barrier (fence). These are clearly shown in the accompanying representations.**



- (21) Design Number: **11350/2014**  
(22) Date of Filing Application: **23 March 2014**  
(24) Date from which industrial property rights may have effect: **23 March 2014**  
(54) Product in respect of which the design is registered: **Urban street furniture, bench seat**  
(51) International Design Classification: **06-01C**  
(74) Name(s) of Attorney(s):  
(71) Name(s) and Address(s) of Applicant(s):  
**Nathan Blanco Fouraux**  
**46 Fifth Ave Palm Beach QLD 4221 Australia**  
(72) Name(s) of Designer(s): **Nathan Blanco Fouraux**  
(45) Registration Date: **07 April 2014**  
(56) Related Art Documents: **Not Applicable**  
(57) Statement of Newness and Distinctiveness: **The newness and distinctiveness of the design resides in the shape of the front and rear of the bench seats legs, as shown in the continuous curve that forms a radius from the legs to the seat slats. A second feature is the T section frame which gives rigidity to the legs while allowing the use off thin sections which emphasis the thinness of the design, these are clearly shown in the accompanying representations.**



- (21) Design Number: **11351/2014**  
(22) Date of Filing Application: **23 March 2014**  
(24) Date from which industrial property rights may have effect: **23 March 2014**  
(54) Product in respect of which the design is registered: **Street furniture, bike rack**  
(51) International Design Classification: **08-10**  
(74) Name(s) of Attorney(s):  
(71) Name(s) and Address(s) of Applicant(s):  
**Nathan Blanco Fouraux**  
**46 Fifth Ave Palm Beach QLD 4221 Australia**  
(72) Name(s) of Designer(s): **Nathan Blanco Fouraux**  
(45) Registration Date: **07 April 2014**  
(56) Related Art Documents: **Not Applicable**  
(57) Statement of Newness and Distinctiveness: **The newness and distinctiveness of the design resides in the form of the bike rack spine, that mimics the frame of a bike and incorporates cutouts to facilitate the locking of the bike to the rack. The form and locking cutouts can clearly be seen in the accompanying representations.**



- (21) Design Number: **11352/2014**  
(22) Date of Filing Application: **23 March 2014**  
(24) Date from which industrial property rights may have effect: **23 March 2014**  
(54) Product in respect of which the design is registered: **Urban street furniture, drinking fountain**  
(51) International Design Classification: **23-01NES**  
(74) Name(s) of Attorney(s):  
(71) Name(s) and Address(s) of Applicant(s):  
**Nathan Blanco Fouraux**  
**46 Fifth Ave Palm Beach QLD 4221 Australia**  
(72) Name(s) of Designer(s): **Nathan Blanco Fouraux**  
(45) Registration Date: **07 April 2014**  
(56) Related Art Documents: **Not Applicable**  
(57) Statement of Newness and Distinctiveness: **The newness and distinctiveness of the design resides in the shape of the fountain which mimics the sculptural form of a bird, the sculptural form also incorporates the frame from which the water transport systems are housed within the fountain. This allows the use off folded plate which adds emphasis to the thinness of the design, these are clearly shown in the accompanying representations.**



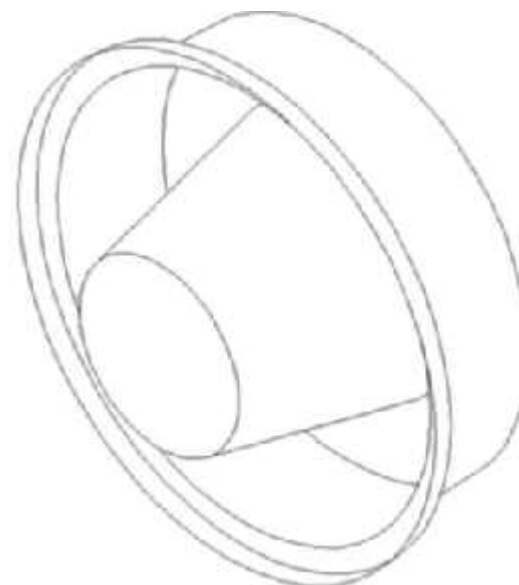
- (21) Design Number: **11353/2014**  
(22) Date of Filing Application: **23 March 2014**  
(24) Date from which industrial property rights may have effect: **23 March 2014**  
(54) Product in respect of which the design is registered: **Urban street furniture table**  
(51) International Design Classification: **06-03A**  
(74) Name(s) of Attorney(s):  
(71) Name(s) and Address(s) of Applicant(s):  
**Nathan Blanco Fouraux**  
**46 Fifth Ave Palm Beach QLD 4221 Australia**  
(72) Name(s) of Designer(s): **Nathan Blanco Fouraux**  
(45) Registration Date: **07 April 2014**  
(56) Related Art Documents: **Not Applicable**  
(57) Statement of Newness and Distinctiveness: **The newness and distinctiveness of the design resides in the shape at the top of the table legs, as shown in the continuous curve that forms a radius from the legs to the table top slats. A second feature is the T section frame which gives rigidity to the legs and table top while allowing the use off thin sections which emphasis the thinness of the design, these are clearly shown in the accompanying representations.**



- (21) Design Number: **11354/2014**  
(22) Date of Filing Application: **23 March 2014**  
(24) Date from which industrial property rights may have effect: **23 March 2014**  
(54) Product in respect of which the design is registered: **Rubbish bin**  
(51) International Design Classification: **09-09**  
(74) Name(s) of Attorney(s):  
(71) Name(s) and Address(s) of Applicant(s):  
**Nathan Blanco Fouraux**  
**46 Fifth Ave Palm Beach QLD 4221 Australia**  
(72) Name(s) of Designer(s): **Nathan Blanco Fouraux**  
(45) Registration Date: **07 April 2014**  
(56) Related Art Documents: **Not Applicable**  
(57) Statement of Newness and Distinctiveness: **The newness and distinctiveness of the design resides in the thinness of sheet metal that wraps around the bin enclosure. The distinctive top rubbish collection opening, incorporates a single piece folded shoot that directs rubbish into the bin and is accessed through cutouts in the folded sheet metal skin. These are clearly shown in the accompanying representations.**



(21) Design Number: **15423/2013**  
(22) Date of Filing Application: **24 October 2013**  
(24) Date from which industrial property rights may have effect: **24 October 2013**  
(54) Product in respect of which the design is registered: **Heatsink**  
(51) International Design Classification: **14-02**  
(74) Name(s) of Attorney(s): **Smootenburg Patent & Trade Mark Attorneys**  
(71) Name(s) and Address(s) of Applicant(s):  
**Streetworx Pty Ltd**  
**185-191 Liverpool Rd Kilsyth VIC 3137 Australia**  
(72) Name(s) of Designer(s): **Vincent Calvi and Joe Calvi and Urbain du Plessis**  
(45) Registration Date: **07 April 2014**  
(56) Related Art Documents: **Not Applicable**  
(57) Statement of Newness and Distinctiveness: **Newness and distinctiveness is claimed in features of shape and/or configuration of a heatsink as illustrated in the accompanying representations.**



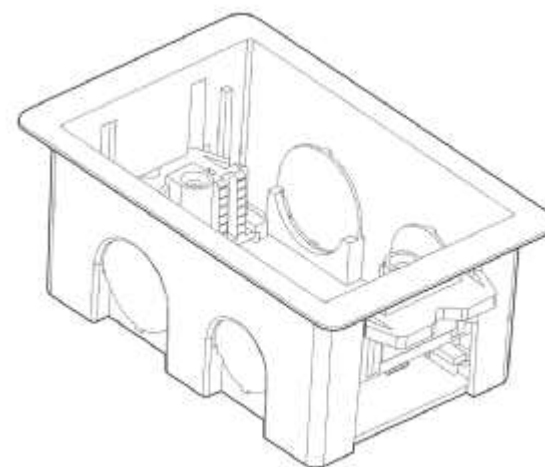
(21) Design Number: **10067/2014**  
(22) Date of Filing Application: **09 January 2014**  
(24) Date from which industrial property rights may have effect: **09 January 2014**  
(54) Product in respect of which the design is registered: **Speaker**  
(51) International Design Classification: **14-01**  
(74) Name(s) of Attorney(s): **Davies Collison Cave**  
(71) Name(s) and Address(s) of Applicant(s):  
**Xmi Pte. Ltd.**  
**13 Neil Road 088810 Singapore**  
(72) Name(s) of Designer(s): **Lee Tze-Yen**  
(45) Registration Date: **07 April 2014**  
(30) Convention priority data:  
(31) Number      (32) Date      (33) Country  
**201330320714.7   10 Jul 2013      CHINA**  
(56) Related Art Documents: **Not Applicable**  
(57) Statement of Newness and Distinctiveness: **Newness and distinctiveness is claimed in the visual features of shape, configuration, pattern and/or ornamentation shown in the accompanying representations.**



(21) Design Number: **11147/2014**  
(22) Date of Filing Application: **11 March 2014**  
(24) Date from which industrial property rights may have effect: **11 March 2014**  
(54) Product in respect of which the design is registered: **Carton and blanks therefor**  
(51) International Design Classification: **09-03F**  
(74) Name(s) of Attorney(s): **Cullens Patent and Trade Mark Attorneys**  
(71) Name(s) and Address(s) of Applicant(s):  
**Orora Limited**  
**109 Burwood Rd Hawthorn VIC 3122 Australia**  
(72) Name(s) of Designer(s): **George Ganzenmuller and David Carter**  
(45) Registration Date: **07 April 2014**  
(56) Related Art Documents: **Not Applicable**  
(57) Statement of Newness and Distinctiveness: **Newness and Distinctiveness resides in features of shape and configuration of the carton and blanks therefor as shown in the accompanying representations.**



(21) Design Number: **11148/2014**  
(22) Date of Filing Application: **11 March 2014**  
(24) Date from which industrial property rights may have effect: **11 March 2014**  
(54) Product in respect of which the design is registered: **Electrical box**  
(51) International Design Classification: **13-03NES, 13-03C**  
(74) Name(s) of Attorney(s): **Wrays**  
(71) Name(s) and Address(s) of Applicant(s):  
**Damon O'Brien**  
**12/9 Delhi St West Perth WA 6005 Australia**  
(72) Name(s) of Designer(s): **Damon O'Brien**  
(45) Registration Date: **07 April 2014**  
(56) Related Art Documents: **Not Applicable**  
(57) Statement of Newness and Distinctiveness: **Newness and distinctiveness is claimed in the shape and/or configuration of an Electrical Box as illustrated in the accompanying representations.**



(21) Design Number: **11151/2014**  
(22) Date of Filing Application: **12 March 2014**  
(24) Date from which industrial property rights may have effect: **12 March 2014**  
(54) Product in respect of which the design is registered: **A dress**  
(51) International Design Classification: **02-02C**  
(74) Name(s) of Attorney(s):  
(71) Name(s) and Address(s) of Applicant(s):  
**AUSTRALIAN FASHION LABELS PTY LTD**  
**106 Currie St Adelaide SA 5000 Australia**  
(72) Name(s) of Designer(s): **Kathryn Forth and Siham Elmawey**  
(45) Registration Date: **07 April 2014**  
(56) Related Art Documents: **Not Applicable**  
(57) Statement of Newness and Distinctiveness: **Newness and distinctiveness resides in the features of shape and configuration of a dress as shown in the accompanying representations.**



(21) Design Number: **11152/2014**  
(22) Date of Filing Application: **12 March 2014**  
(24) Date from which industrial property rights may have effect: **12 March 2014**  
(54) Product in respect of which the design is registered: **Lighting**  
(51) International Design Classification: **26-05A, 26-05D**  
(74) Name(s) of Attorney(s): **Pizzeys**  
(71) Name(s) and Address(s) of Applicant(s):  
**LSI Industries, Inc.**  
**1000 Alliance Road Cincinnati OH 45242 United States of America**  
(72) Name(s) of Designer(s): **John D Boyer and Daniel Hutchens and Eric Jon Mooar and Travis Montgomery Wright and Andrew J Bankemper and David Lonneman**  
(45) Registration Date: **07 April 2014**  
(30) Convention priority data:  
(31) Number (32) Date (33) Country  
**29/468,275 27 Sep 2013 UNITED STATES OF AMERICA**  
(56) Related Art Documents: **Not Applicable**  
(57) Statement of Newness and Distinctiveness: **Nil**



(21) Design Number: **11154/2014**  
(22) Date of Filing Application: **12 March 2014**  
(24) Date from which industrial property rights may have effect: **12 March 2014**  
(54) Product in respect of which the design is registered: **Lighting**  
(51) International Design Classification: **26-05A**  
(74) Name(s) of Attorney(s): **Pizzeys**  
(71) Name(s) and Address(s) of Applicant(s):  
**LSI Industries, Inc.**  
**1000 Alliance Road Cincinnati OH 45242 United States of America**  
(72) Name(s) of Designer(s): **John D Boyer and Daniel Hutchens and Eric Jon Mooar and Travis Montgomery Wright and Andrew J Bankemper and David Lonneman**  
(45) Registration Date: **07 April 2014**  
(30) Convention priority data:  
(31) Number (32) Date (33) Country  
**29/468,275 27 Sep 2013 UNITED STATES OF AMERICA**  
(56) Related Art Documents: **Not Applicable**  
(57) Statement of Newness and Distinctiveness: **Nil**



(21) Design Number: **11155/2014**  
(22) Date of Filing Application: **12 March 2014**  
(24) Date from which industrial property rights may have effect: **12 March 2014**  
(54) Product in respect of which the design is registered: **Lighting**  
(51) International Design Classification: **26-05A**  
(74) Name(s) of Attorney(s): **Pizzeys**  
(71) Name(s) and Address(s) of Applicant(s):  
**LSI Industries, Inc.**  
**1000 Alliance Road Cincinnati OH 45242 United States of America**  
(72) Name(s) of Designer(s): **John D Boyer and Daniel Hutchens and Eric Jon Mooar and Travis Montgomery Wright and Andrew J Bankemper and David Lonneman**  
(45) Registration Date: **07 April 2014**  
(30) Convention priority data:  
(31) Number (32) Date (33) Country  
**29/468,275 27 Sep 2013 UNITED STATES OF AMERICA**  
(56) Related Art Documents: **Not Applicable**  
(57) Statement of Newness and Distinctiveness: **Nil**





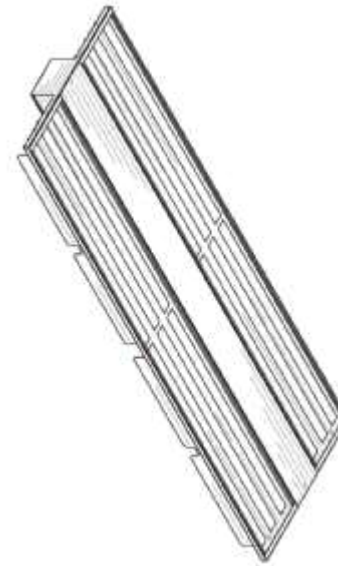
(21) Design Number: **11156/2014**  
(22) Date of Filing Application: **12 March 2014**  
(24) Date from which industrial property rights may have effect: **12 March 2014**  
(54) Product in respect of which the design is registered: **Hex key wrench**  
(51) International Design Classification: **08-05P**  
(74) Name(s) of Attorney(s):  
(71) Name(s) and Address(s) of Applicant(s):  
**Daniel Neale**  
**U2/26 Sandridge Rd Bondi Sydney NSW 2026 Australia**  
(72) Name(s) of Designer(s): **Daniel Neale**  
(45) Registration Date: **07 April 2014**  
(56) Related Art Documents: **Not Applicable**  
(57) Statement of Newness and Distinctiveness: **Handle for Hex key wrench.**



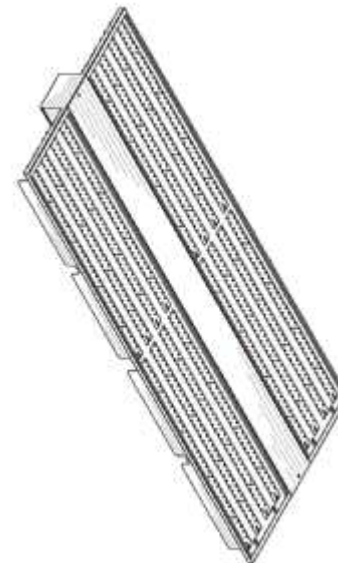
(21) Design Number: **11158/2014**  
(22) Date of Filing Application: **12 March 2014**  
(24) Date from which industrial property rights may have effect: **12 March 2014**  
(54) Product in respect of which the design is registered: **Lighting**  
(51) International Design Classification: **26-05D**  
(74) Name(s) of Attorney(s): **Pizzeys**  
(71) Name(s) and Address(s) of Applicant(s):  
**LSI Industries, Inc.**  
**10000 Alliance Road Cincinnati Ohio 45242 United States of America**  
(72) Name(s) of Designer(s): **John D Boyer and Daniel Hutchens and Eric Jon Mooar and Travis Montgomery Wright and Andrew J Bankemper and David Lonneman**  
(45) Registration Date: **07 April 2014**  
(30) Convention priority data:  
(31) Number (32) Date (33) Country  
**29/468,275 27 Sep 2013 UNITED STATES OF AMERICA**  
(56) Related Art Documents: **Not Applicable**  
(57) Statement of Newness and Distinctiveness: **Nil**



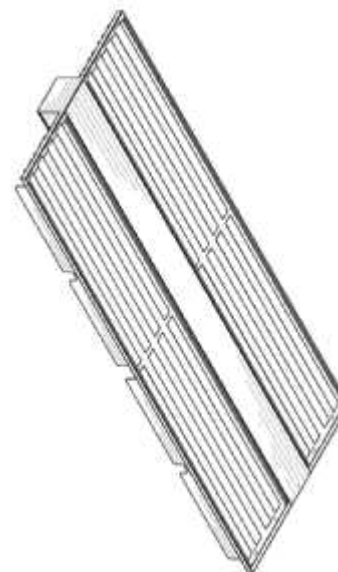
(21) Design Number: **11159/2014**  
(22) Date of Filing Application: **12 March 2014**  
(24) Date from which industrial property rights may have effect: **12 March 2014**  
(54) Product in respect of which the design is registered: **Lighting**  
(51) International Design Classification: **26-05D**  
(74) Name(s) of Attorney(s): **Pizzeys**  
(71) Name(s) and Address(s) of Applicant(s):  
**LSI Industries, Inc.**  
**10000 Alliance Road Cincinnati Ohio 45242 United States of America**  
(72) Name(s) of Designer(s): **John D Boyer and Daniel Hutchens and Eric Jon Mooar and Travis Montgomery Wright and Andrew J Bankemper and David Lonneman**  
(45) Registration Date: **07 April 2014**  
(30) Convention priority data:  
(31) Number (32) Date (33) Country  
**29/468,275 27 Sep 2013 UNITED STATES OF AMERICA**  
(56) Related Art Documents: **Not Applicable**  
(57) Statement of Newness and Distinctiveness: **Nil**



(21) Design Number: **11160/2014**  
(22) Date of Filing Application: **12 March 2014**  
(24) Date from which industrial property rights may have effect: **12 March 2014**  
(54) Product in respect of which the design is registered: **Lighting**  
(51) International Design Classification: **26-05D**  
(74) Name(s) of Attorney(s): **Pizzeys**  
(71) Name(s) and Address(s) of Applicant(s):  
**LSI Industries, Inc.**  
**10000 Alliance Road Cincinnati OH 45242 United States of America**  
(72) Name(s) of Designer(s): **John D Boyer and Daniel Hutchens and Eric Jon Mooar and Travis Montgomery Wright and Andrew J Bankemper and David Lonneman**  
(45) Registration Date: **07 April 2014**  
(30) Convention priority data:  
(31) Number (32) Date (33) Country  
**29/468,275 27 Sep 2013 UNITED STATES OF AMERICA**  
(56) Related Art Documents: **Not Applicable**  
(57) Statement of Newness and Distinctiveness: **Nil**



(21) Design Number: **11161/2014**  
(22) Date of Filing Application: **12 March 2014**  
(24) Date from which industrial property rights may have effect: **12 March 2014**  
(54) Product in respect of which the design is registered: **Lighting**  
(51) International Design Classification: **26-05D**  
(74) Name(s) of Attorney(s): **Pizzeys**  
(71) Name(s) and Address(s) of Applicant(s):  
**LSI Industries, Inc.**  
**10000 Alliance Road Cincinnati OH 45242 United States of America**  
(72) Name(s) of Designer(s): **John D Boyer and Daniel Hutchens and Eric Jon Mooar and Travis Montgomery Wright and Andrew J Bankemper and David Lonneman**  
(45) Registration Date: **07 April 2014**  
(30) Convention priority data:  
(31) Number (32) Date (33) Country  
**29/468,275 27 Sep 2013 UNITED STATES OF AMERICA**  
(56) Related Art Documents: **Not Applicable**  
(57) Statement of Newness and Distinctiveness: **Nil**



(21) Design Number: **11284/2014**  
(22) Date of Filing Application: **19 March 2014**  
(24) Date from which industrial property rights may have effect: **19 March 2014**  
(54) Product in respect of which the design is registered: **Chair**  
(51) International Design Classification: **06-01F**  
(74) Name(s) of Attorney(s): **AJ Park**  
(71) Name(s) and Address(s) of Applicant(s):  
**Formway Furniture Limited**  
**43b Seaview Road Seaview Lower Hutt 5010 New Zealand**  
(72) Name(s) of Designer(s): **Paul Michael Wilkinson and Christopher Warren Bisman and Stuart Gregory Munro**  
(45) Registration Date: **07 April 2014**  
(30) Convention priority data:  
(31) Number (32) Date (33) Country  
**29/467559 20 Sep 2013 UNITED STATES OF AMERICA**  
(56) Related Art Documents: **Not Applicable**  
(57) Statement of Newness and Distinctiveness: **Newness and distinctiveness reside in the features of shape and/or configuration of the chair, all as shown in the representations.**



(21) Design Number: **11285/2014**  
(22) Date of Filing Application: **19 March 2014**  
(24) Date from which industrial property rights may have effect: **19 March 2014**  
(54) Product in respect of which the design is registered: **Chair**  
(51) International Design Classification: **06-01F**  
(74) Name(s) of Attorney(s): **AJ Park**  
(71) Name(s) and Address(s) of Applicant(s):  
**Formway Furniture Limited**  
**43b Seaview Road Seaview Lower Hutt 5010 New Zealand**  
(72) Name(s) of Designer(s): **Paul Michael Wilkinson and Christopher Warren Bisman and Stuart Gregory Munro**  
(45) Registration Date: **07 April 2014**  
(30) Convention priority data:  
(31) Number (32) Date (33) Country  
**26/467559 20 Sep 2013 UNITED STATES OF AMERICA**  
(56) Related Art Documents: **Not Applicable**  
(57) Statement of Newness and Distinctiveness: **Newness and distinctiveness reside in the features of shape and/or configuration of the chair, all as shown in the representations.**



(21) Design Number: **11286/2014**  
(22) Date of Filing Application: **19 March 2014**  
(24) Date from which industrial property rights may have effect: **19 March 2014**  
(54) Product in respect of which the design is registered: **Chair**  
(51) International Design Classification: **06-01F**  
(74) Name(s) of Attorney(s): **AJ Park**  
(71) Name(s) and Address(s) of Applicant(s):  
**Formway Furniture Limited**  
**43b Seaview Road Seaview Lower Hutt 5010 New Zealand**  
(72) Name(s) of Designer(s): **Paul Michael Wilkinson and Christopher Warren Bisman and Stuart Gregory Munro**  
(45) Registration Date: **07 April 2014**  
(30) Convention priority data:  
(31) Number (32) Date (33) Country  
**29/467559 20 Sep 2013 UNITED STATES OF AMERICA**  
(56) Related Art Documents: **Not Applicable**  
(57) Statement of Newness and Distinctiveness: **Newness and distinctiveness reside in the features of shape and/or configuration of the chair, all as shown in the representations. The arm rests shown in broken lines are shown for illustrative purposes only and are to be disregarded when considering the overall impression of the design.**



(21) Design Number: **11287/2014**  
(22) Date of Filing Application: **19 March 2014**  
(24) Date from which industrial property rights may have effect: **19 March 2014**  
(54) Product in respect of which the design is registered: **Chair**  
(51) International Design Classification: **06-01F**  
(74) Name(s) of Attorney(s): **AJ Park**  
(71) Name(s) and Address(s) of Applicant(s):  
**Formway Furniture Limited**  
**43b Seaview Road Seaview Lower Hutt 5010 New Zealand**  
(72) Name(s) of Designer(s): **Paul Michael Wilkinson and Christopher Warren Bisman and Stuart Gregory Munro**  
(45) Registration Date: **07 April 2014**  
(30) Convention priority data:  
(31) Number (32) Date (33) Country  
**29/467559 20 Sep 2013 UNITED STATES OF AMERICA**  
(56) Related Art Documents: **Not Applicable**  
(57) Statement of Newness and Distinctiveness: **Newness and distinctiveness reside in the features of shape and/or configuration of the chair, all as shown in the representations.**



(21) Design Number: **11288/2014**  
(22) Date of Filing Application: **19 March 2014**  
(24) Date from which industrial property rights may have effect: **19 March 2014**  
(54) Product in respect of which the design is registered: **Chair**  
(51) International Design Classification: **06-01F**  
(74) Name(s) of Attorney(s): **AJ Park**  
(71) Name(s) and Address(s) of Applicant(s):  
**Formway Furniture Limited**  
**43b Seaview Road Seaview Lower Hutt 5010 New Zealand**  
(72) Name(s) of Designer(s): **Paul Michael Wilkinson and Christopher Warren Bisman and Stuart Gregory Munro**  
(45) Registration Date: **07 April 2014**  
(30) Convention priority data:  
(31) Number (32) Date (33) Country  
**29/467559 20 Sep 2013 UNITED STATES OF AMERICA**  
(56) Related Art Documents: **Not Applicable**  
(57) Statement of Newness and Distinctiveness: **Newness and distinctiveness reside in the features of shape and/or configuration of the chair, all as shown in the representations.**



(21) Design Number: **11289/2014**  
(22) Date of Filing Application: **19 March 2014**  
(24) Date from which industrial property rights may have effect: **19 March 2014**  
(54) Product in respect of which the design is registered: **Chair**  
(51) International Design Classification: **06-01F**  
(74) Name(s) of Attorney(s): **AJ Park**  
(71) Name(s) and Address(s) of Applicant(s):  
**Formway Furniture Limited**  
**43b Seaview Road Seaview Lower Hutt 5010 New Zealand**  
(72) Name(s) of Designer(s): **Paul Michael Wilkinson and Christopher Warren Bisman and Stuart Gregory Munro**  
(45) Registration Date: **07 April 2014**  
(30) Convention priority data:  
(31) Number (32) Date (33) Country  
**29/467559 20 Sep 2013 UNITED STATES OF AMERICA**  
(56) Related Art Documents: **Not Applicable**  
(57) Statement of Newness and Distinctiveness: **Newness and distinctiveness reside in the features of shape and/or configuration of the chair, all as shown in the representations. The arm rests shown in broken lines are shown for illustrative purposes only and are to be disregarded when considering the overall impression of the design.**



(21) Design Number: **11290/2014**  
(22) Date of Filing Application: **19 March 2014**  
(24) Date from which industrial property rights may have effect: **19 March 2014**  
(54) Product in respect of which the design is registered: **Chair**  
(51) International Design Classification: **06-01F**  
(74) Name(s) of Attorney(s): **AJ Park**  
(71) Name(s) and Address(s) of Applicant(s):  
**Formway Furniture Limited**  
**43b Seaview Road Seaview Lower Hutt 5010 New Zealand**  
(72) Name(s) of Designer(s): **Paul Michael Wilkinson and Christopher Warren Bisman and Stuart Gregory Munro**  
(45) Registration Date: **07 April 2014**  
(30) Convention priority data:  
(31) Number (32) Date (33) Country  
**29/467559 20 Sep 2013 UNITED STATES OF AMERICA**  
(56) Related Art Documents: **Not Applicable**  
(57) Statement of Newness and Distinctiveness: **Newness and distinctiveness reside in the features of shape and/or configuration of the chair, all as shown in the representations. The arm rests and upper end of the back portion shown in broken lines are shown for illustrative purposes only and are to be disregarded when considering the overall impression of the design.**



- (21) Design Number: **11294/2014**  
(22) Date of Filing Application: **19 March 2014**  
(24) Date from which industrial property rights may have effect: **19 March 2014**  
(54) Product in respect of which the design is registered: **Motorcycle**  
(51) International Design Classification: **12-11**  
(74) Name(s) of Attorney(s): **SPRUSON & FERGUSON**  
(71) Name(s) and Address(s) of Applicant(s):  
**Honda Motor Co., Ltd.**  
**1-1, Minami-Aoyama 2-chome, Minato-ku Tokyo 107-8556 Japan**  
(72) Name(s) of Designer(s): **Kenji Tako and Yoshitaka Kubota**  
(45) Registration Date: **07 April 2014**  
(30) Convention priority data:  
(31) Number      (32) Date      (33) Country  
**2013-022049      24 Sep 2013      JAPAN**  
(56) Related Art Documents: **Not Applicable**  
(57) Statement of Newness and Distinctiveness: **Newness and distinctiveness is claimed in the features of shape and/or configuration of a motorcycle as illustrated in the accompanying representations.**



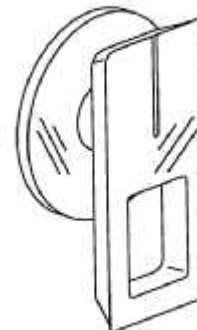
- (21) Design Number: **11295/2014**  
(22) Date of Filing Application: **19 March 2014**  
(24) Date from which industrial property rights may have effect: **19 March 2014**  
(54) Product in respect of which the design is registered: **Rear cowl for motorcycle**  
(51) International Design Classification: **12-11, 12-16B**  
(74) Name(s) of Attorney(s): **SPRUSON & FERGUSON**  
(71) Name(s) and Address(s) of Applicant(s):  
**Honda Motor Co., Ltd.**  
**1-1, Minami-Aoyama 2-chome, Minato-ku Tokyo 107-8556 Japan**  
(72) Name(s) of Designer(s): **Kenji Tako and Yoshitaka Kubota**  
(45) Registration Date: **07 April 2014**  
(30) Convention priority data:  
(31) Number      (32) Date      (33) Country  
**2013-022050      24 Sep 2013      JAPAN**  
(56) Related Art Documents: **Not Applicable**  
(57) Statement of Newness and Distinctiveness: **Newness and distinctiveness is claimed in the features of shape and/or configuration of a rear cowl for motorcycle as illustrated in the accompanying representations.**



(21) Design Number: **11296/2014**  
(22) Date of Filing Application: **19 March 2014**  
(24) Date from which industrial property rights may have effect: **19 March 2014**  
(54) Product in respect of which the design is registered: **Headlight for motorcycle**  
(51) International Design Classification: **26-06, 12-16E**  
(74) Name(s) of Attorney(s): **SPRUSON & FERGUSON**  
(71) Name(s) and Address(s) of Applicant(s):  
**Honda Motor Co., Ltd.**  
**1-1, Minami-Aoyama 2-chome, Minato-ku Tokyo 107-8556 Japan**  
(72) Name(s) of Designer(s): **Hayato Ohashi and Eiji Ashihara**  
(45) Registration Date: **07 April 2014**  
(30) Convention priority data:  
(31) Number      (32) Date      (33) Country  
**2013-022051      24 Sep 2013      JAPAN**  
(56) Related Art Documents: **Not Applicable**  
(57) Statement of Newness and Distinctiveness: **Newness and distinctiveness is claimed in the features of shape and/or configuration of a headlight for motorcycle as illustrated in the accompanying representations.**



(21) Design Number: **11312/2014**  
(22) Date of Filing Application: **20 March 2014**  
(24) Date from which industrial property rights may have effect: **20 March 2014**  
(54) Product in respect of which the design is registered: **Rotatable knob for a lock**  
(51) International Design Classification: **08-06, 08-07**  
(74) Name(s) of Attorney(s): **PATENT ATTORNEY SERVICES**  
(71) Name(s) and Address(s) of Applicant(s):  
**Security People Inc.**  
**9 Willowbrook Court Petaluma California 94954 United States of America**  
(72) Name(s) of Designer(s): **Kelly Kodama and Asil Gokcebay and Julian Peck**  
(45) Registration Date: **07 April 2014**  
(30) Convention priority data:  
(31) Number      (32) Date      (33) Country  
**29/469341      09 Oct 2013      UNITED STATES OF AMERICA**  
(56) Related Art Documents: **Not Applicable**  
(57) Statement of Newness and Distinctiveness: **Newness and distinctiveness is claimed in the shape and configuration of a rotatable knob for a lock as shown in the accompanying representations.**





(21) Design Number: **11313/2014**  
(22) Date of Filing Application: **20 March 2014**  
(24) Date from which industrial property rights may have effect: **20 March 2014**  
(54) Product in respect of which the design is registered: **Remotely operated lock**  
(51) International Design Classification: **08-07**  
(74) Name(s) of Attorney(s): **PATENT ATTORNEY SERVICES**  
(71) Name(s) and Address(s) of Applicant(s):

**Security People Inc.**  
**9 Willowbrook Court Petaluma California 94954 United States of America**

(72) Name(s) of Designer(s): **Kelly Kodama and Asil Gokcebay and Julian Peck**  
(45) Registration Date: **07 April 2014**

(30) Convention priority data:

(31) Number	(32) Date	(33) Country
<b>29/477069</b>	<b>19 Dec 2013</b>	<b>UNITED STATES OF AMERICA</b>

(56) Related Art Documents: **Not Applicable**

(57) Statement of Newness and Distinctiveness: **Newness and distinctiveness is claimed in the shape and configuration of a remotely operated lock as shown in the accompanying representations. The features on the lower part of the front face and the elements projecting from the back of the article, all being shown in broken lines, are not part of the design and are to be disregarded. The shape (in the direction of the back) and thickness of the rectangular panel are not part of the design, and that panel can be thicker than depicted in the representations as shown in broken lines marked "A" and/or can be stepped as shown in broken lines marked "B, and are to be disregarded.**



FRONT PERSPECTIVE VIEW

(21) Design Number: **11314/2014**  
(22) Date of Filing Application: **20 March 2014**  
(24) Date from which industrial property rights may have effect: **20 March 2014**  
(54) Product in respect of which the design is registered: **Remotely operated lock**  
(51) International Design Classification: **08-07**  
(74) Name(s) of Attorney(s): **PATENT ATTORNEY SERVICES**  
(71) Name(s) and Address(s) of Applicant(s):

**Security People Inc.**  
**9 Willowbrook Court Petaluma California 94954 United States of America**

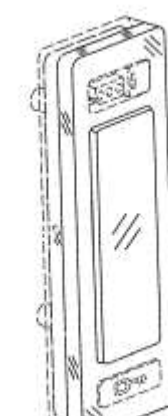
(72) Name(s) of Designer(s): **Kelly Kodama and Asil Gokcebay and Julian Peck**  
(45) Registration Date: **07 April 2014**

(30) Convention priority data:

(31) Number	(32) Date	(33) Country
<b>29/477069</b>	<b>19 Dec 2013</b>	<b>UNITED STATES OF AMERICA</b>

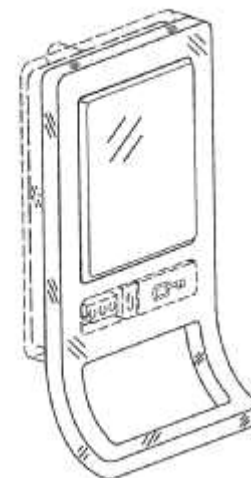
(56) Related Art Documents: **Not Applicable**

(57) Statement of Newness and Distinctiveness: **Newness and distinctiveness is claimed in the shape and configuration of a remotely operated lock as shown in the accompanying representations. The features on the upper and lower parts of the front face and the elements projecting from the back of the article, all being shown in broken lines, are not part of the design and are to be disregarded. The shape (in the direction of the back) and thickness of the rectangular panel are not part of the design, and that panel can be thicker than depicted in the representations as shown in broken lines marked "A" and/or can be stepped as shown in broken lines marked "B, and are to be disregarded.**

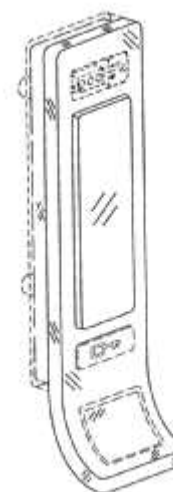


FRONT PERSPECTIVE VIEW

(21) Design Number: **11315/2014**  
(22) Date of Filing Application: **20 March 2014**  
(24) Date from which industrial property rights may have effect: **20 March 2014**  
(54) Product in respect of which the design is registered: **Remotely operated lock with handle**  
(51) International Design Classification: **08-07**  
(74) Name(s) of Attorney(s): **PATENT ATTORNEY SERVICES**  
(71) Name(s) and Address(s) of Applicant(s):  
**Security People Inc.**  
**9 Willowbrook Court Petaluma California 94954 United States of America**  
(72) Name(s) of Designer(s): **Kelly Kodama and Asil Gokcebay and Julian Peck**  
(45) Registration Date: **07 April 2014**  
(30) Convention priority data:  
(31) Number (32) Date (33) Country  
**29/477076 19 Dec 2013 UNITED STATES OF AMERICA**  
(56) Related Art Documents: **Not Applicable**  
(57) Statement of Newness and Distinctiveness: **Newness and distinctiveness is claimed in the shape and configuration of a remotely operated lock with handle as shown in the accompanying representations. The features on the lower part of the front face and the elements projecting from the back of the article, all being shown in broken lines, are not part of the design and are to be disregarded. The shape (in the direction of the back) and thickness of the rectangular panel are not part of the design, and that panel can be thicker than depicted in the representations as shown in broken lines marked "A" and/or can be stepped as shown in broken lines marked "B, and are to be disregarded.**



(21) Design Number: **11316/2014**  
(22) Date of Filing Application: **20 March 2014**  
(24) Date from which industrial property rights may have effect: **20 March 2014**  
(54) Product in respect of which the design is registered: **Remotely operated lock with handle**  
(51) International Design Classification: **08-07, 08-06**  
(74) Name(s) of Attorney(s): **PATENT ATTORNEY SERVICES**  
(71) Name(s) and Address(s) of Applicant(s):  
**Security People Inc.**  
**9 Willowbrook Court Petaluma California 94954 United States of America**  
(72) Name(s) of Designer(s): **Kelly Kodama and Asil Gokcebay and Julian Peck**  
(45) Registration Date: **07 April 2014**  
(30) Convention priority data:  
(31) Number (32) Date (33) Country  
**29/477076 19 Dec 2013 UNITED STATES OF AMERICA**  
(56) Related Art Documents: **Not Applicable**  
(57) Statement of Newness and Distinctiveness: **Newness and distinctiveness is claimed in the shape and configuration of a remotely operated lock with handle as shown in the accompanying representations. The features on the upper and lower parts of the front face, the rectangular feature on the face of the curved handle, and the elements projecting from the back of the article, all being shown in broken lines, are not part of the design and are to be disregarded. The shape (in the direction of the back) and thickness of the rectangular panel are not part of the design, and that panel can be thicker than depicted in the representations as shown in broken lines marked "A" and/or can be stepped as shown in broken lines marked "B, and are to be disregarded.**



(21) Design Number: **11317/2014**

(22) Date of Filing Application: **20 March 2014**

(24) Date from which industrial property rights may have effect: **20 March 2014**

(54) Product in respect of which the design is registered: **Rotatable knob for a lock**

(51) International Design Classification: **08-06, 08-07**

(74) Name(s) of Attorney(s): **PATENT ATTORNEY SERVICES**

(71) Name(s) and Address(s) of Applicant(s):

**Security People Inc.**

**9 Willowbrook Court Petaluma California 94954 United States of America**

(72) Name(s) of Designer(s): **Kelly Kodama and Asil Gokcebay and Julian Peck**

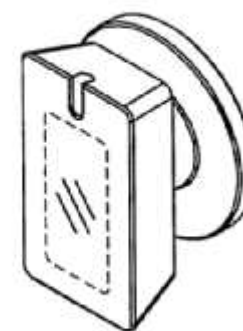
(45) Registration Date: **07 April 2014**

(30) Convention priority data:

(31) Number	(32) Date	(33) Country
<b>29/469346</b>	<b>09 Oct 2013</b>	<b>UNITED STATES OF AMERICA</b>

(56) Related Art Documents: **Not Applicable**

(57) Statement of Newness and Distinctiveness: **Newness and distinctiveness is claimed in the shape and configuration of a rotatable knob for a lock as shown in the accompanying representations. The rectangular feature within the peripheral edges of the front face and shown in broken lines does not form part of the design and is to be disregarded.**



(21) Design Number: **10803/2014**

(22) Date of Filing Application: **24 February 2014**

(24) Date from which industrial property rights may have effect: **24 February 2014**

(54) Product in respect of which the design is registered: **Shackle pin**

(51) International Design Classification: **08-07**

(74) Name(s) of Attorney(s): **PIPERS**

(71) Name(s) and Address(s) of Applicant(s):

**NU-D LIMITED**

**8 Telford Avenue Balmoral Auckland 1041 New Zealand**

(72) Name(s) of Designer(s): **Christopher Douglas Bransgrove**

(45) Registration Date: **07 April 2014**

(30) Convention priority data:

(31) Number	(32) Date	(33) Country
<b>418045</b>	<b>13 Sep 2013</b>	<b>NEW ZEALAND</b>

(56) Related Art Documents: **Not Applicable**

(57) Statement of Newness and Distinctiveness: **The design is to be applied to a Shackle Pin and the novelty resides in the features of shape and configuration of the Shackle Pin as shown in the accompanying representations. No novelty is claimed for the features shown in broken lines - those are for illustrative purposes and depict the environment of the design.**



- (21) Design Number: **11078/2014**  
(22) Date of Filing Application: **07 March 2014**  
(24) Date from which industrial property rights may have effect: **07 March 2014**  
(54) Product in respect of which the design is registered: **A top**  
(51) International Design Classification: **02-02NES**  
(74) Name(s) of Attorney(s):  
(71) Name(s) and Address(s) of Applicant(s):  
**AUSTRALIAN FASHION LABELS PTY LTD**  
**106 Currie St Adelaide SA 5000 Australia**  
(72) Name(s) of Designer(s): **Kate Anderson and Hannah Virgo-Colbey**  
(45) Registration Date: **07 April 2014**  
(56) Related Art Documents: **Not Applicable**  
(57) Statement of Newness and Distinctiveness: **Newness and distinctiveness resides in the features of shape and configuration of a top as shown in the representations. No design rights are claimed in relation to the shorts as shown in the representations and the shorts are to be disregarded in determining the scope of the design.**



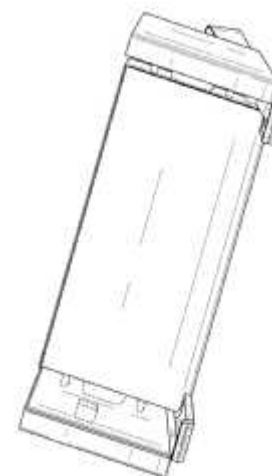
- (21) Design Number: **11082/2014**  
(22) Date of Filing Application: **09 March 2014**  
(24) Date from which industrial property rights may have effect: **09 March 2014**  
(54) Product in respect of which the design is registered: **Ridge cap solar heater**  
(51) International Design Classification: **23-03D**  
(74) Name(s) of Attorney(s): **Churchill Attorneys**  
(71) Name(s) and Address(s) of Applicant(s):  
**Roy Patterson**  
**9 Simonsig Street Glen Erasmia Boulevard 1638 South Africa**  
(72) Name(s) of Designer(s): **Roy Patterson**  
(45) Registration Date: **07 April 2014**  
(30) Convention priority data:  
(31) Number      (32) Date      (33) Country  
**A2013/01692      18 Sep 2013      SOUTH AFRICA**  
(56) Related Art Documents: **Not Applicable**  
(57) Statement of Newness and Distinctiveness: **The newness and distinctiveness of the design resides in the shape of the ridge cap solar heater as shown in the accompanying representations.**



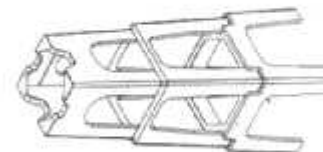
- (21) Design Number: **11163/2014**  
(22) Date of Filing Application: **12 March 2014**  
(24) Date from which industrial property rights may have effect: **12 March 2014**  
(54) Product in respect of which the design is registered: **A top**  
(51) International Design Classification: **02-02NES**  
(74) Name(s) of Attorney(s):  
(71) Name(s) and Address(s) of Applicant(s):  
**AUSTRALIAN FASHION LABELS PTY LTD**  
**106 Currie St Adelaide SA 5000 Australia**  
(72) Name(s) of Designer(s): **Kathryn Forth and Siham Elmawey**  
(45) Registration Date: **07 April 2014**  
(56) Related Art Documents: **Not Applicable**  
(57) Statement of Newness and Distinctiveness: **Newness and distinctiveness resides in the features of shape and configuration of a top as shown in the accompanying representations.**



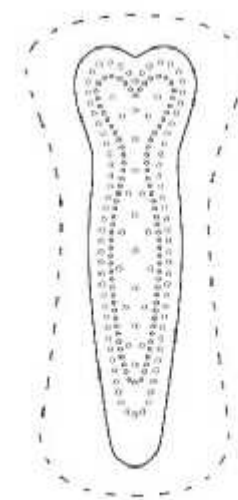
- (21) Design Number: **11320/2014**  
(22) Date of Filing Application: **20 March 2014**  
(24) Date from which industrial property rights may have effect: **20 March 2014**  
(54) Product in respect of which the design is registered: **Docking station**  
(51) International Design Classification: **14-02**  
(74) Name(s) of Attorney(s): **Shelston IP**  
(71) Name(s) and Address(s) of Applicant(s):  
**Microsoft Corporation**  
**One Microsoft Way Redmond Washington 98052 United States of America**  
(72) Name(s) of Designer(s): **Young Soo Kim and Mike F Deily and James Iming Tsai**  
(45) Registration Date: **07 April 2014**  
(30) Convention priority data:  
(31) Number (32) Date (33) Country  
**29/467598 20 Sep 2013 UNITED STATES OF AMERICA**  
(56) Related Art Documents: **Not Applicable**  
(57) Statement of Newness and Distinctiveness: **Newness and distinctiveness reside in the features of shape and/or configuration of a docking station as illustrated by solid lines in the accompanying representations. The features shown in broken outline are for contextual purposes only and do not form part of the design.**



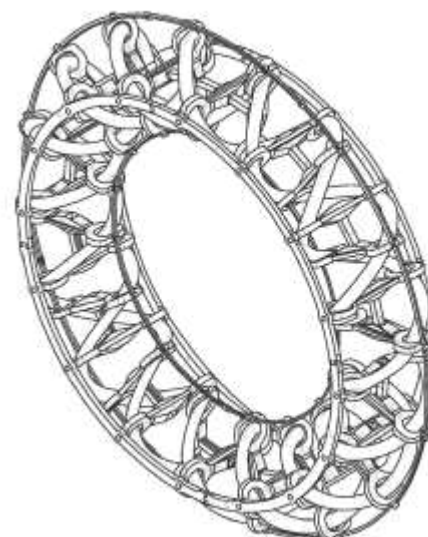
- (21) Design Number: **11035/2014**  
(22) Date of Filing Application: **06 March 2014**  
(24) Date from which industrial property rights may have effect: **06 March 2014**  
(54) Product in respect of which the design is registered: **Plastic bar chairs for chairing reinforcing steel**  
(51) International Design Classification: **25-01B**  
(74) Name(s) of Attorney(s):  
(71) Name(s) and Address(s) of Applicant(s):  
**Lee Ann Gallagher**  
**6 Pelican PI Woronora Heights NSW 2233 Australia**  
(72) Name(s) of Designer(s): **Lee Ann Gallagher**  
(45) Registration Date: **08 April 2014**  
(56) Related Art Documents: **Not Applicable**  
(57) Statement of Newness and Distinctiveness: **Higher than other Designs and Square.**



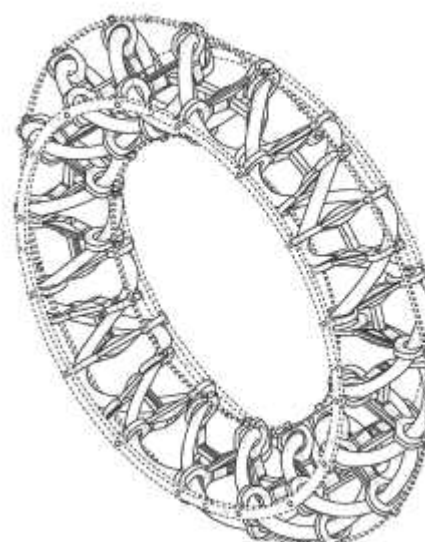
- (21) Design Number: **11357/2014**  
(22) Date of Filing Application: **24 March 2014**  
(24) Date from which industrial property rights may have effect: **24 March 2014**  
(54) Product in respect of which the design is registered: **Multistyle - panty liner**  
(51) International Design Classification: **24-04**  
(74) Name(s) of Attorney(s): **WATERMARK PATENT AND TRADE MARKS ATTORNEYS**  
(71) Name(s) and Address(s) of Applicant(s):  
**SCA Hygiene Products AB**  
**405 03 Goteborg Sweden**  
(72) Name(s) of Designer(s): **My Erwander and Magdalena Horle**  
(45) Registration Date: **08 April 2014**  
(30) Convention priority data:  
(31) Number      (32) Date      (33) Country  
**2330969      22 Oct 2013      EUROPEAN PATENT OFFICE (EPO)**  
(56) Related Art Documents: **Not Applicable**  
(57) Statement of Newness and Distinctiveness: **Newness and distinctiveness is claimed in the pattern, ornamentation, shape and configuration of the central region of the panty liner. No newness and distinctiveness is claimed in the external profile of the liner shown in dotted lines.**



(21) Design Number: **11358/2014**  
(22) Date of Filing Application: **24 March 2014**  
(24) Date from which industrial property rights may have effect: **24 March 2014**  
(54) Product in respect of which the design is registered: **Double helix antenna**  
(51) International Design Classification: **14-03NES**  
(74) Name(s) of Attorney(s): **Pegasus IP**  
(71) Name(s) and Address(s) of Applicant(s):  
**Lifewave, Inc.**  
**9444 Balboa Ave Ste 150 San Diego CA 92123-4377 United States of America**  
(72) Name(s) of Designer(s): **David Schmidt**  
(45) Registration Date: **08 April 2014**  
(30) Convention priority data:  
(31) Number (32) Date (33) Country  
**29/468150 26 Sep 2013 UNITED STATES OF AMERICA**  
(56) Related Art Documents: **Not Applicable**  
(57) Statement of Newness and Distinctiveness: **Newness & distinctiveness resides in the features of shape & configuration of the product as shown in the representations, wherein any broken lines shown in the representations form no part of the design.**



(21) Design Number: **11359/2014**  
(22) Date of Filing Application: **24 March 2014**  
(24) Date from which industrial property rights may have effect: **24 March 2014**  
(54) Product in respect of which the design is registered: **Double helix antenna**  
(51) International Design Classification: **14-03NES**  
(74) Name(s) of Attorney(s): **Pegasus IP**  
(71) Name(s) and Address(s) of Applicant(s):  
**Lifewave, Inc.**  
**9444 Balboa Ave Ste 150 San Diego CA 92123-4377 United States of America**  
(72) Name(s) of Designer(s): **David Schmidt**  
(45) Registration Date: **08 April 2014**  
(30) Convention priority data:  
(31) Number (32) Date (33) Country  
**29/468150 26 Sep 2013 UNITED STATES OF AMERICA**  
(56) Related Art Documents: **Not Applicable**  
(57) Statement of Newness and Distinctiveness: **Newness & distinctiveness resides in the features of shape & configuration of the product as shown in the representations, wherein any broken lines shown in the representations form no part of the design.**



(21) Design Number: **11367/2014**  
(22) Date of Filing Application: **24 March 2014**  
(24) Date from which industrial property rights may have effect: **24 March 2014**  
(54) Product in respect of which the design is registered: **Footwear with sole**  
(51) International Design Classification: **02-04NES**  
(74) Name(s) of Attorney(s): **PHILLIPS ORMONDE FITZPATRICK**  
(71) Name(s) and Address(s) of Applicant(s):  
**Akkua S.r.l**  
**Via Tien An Men 1 I-25030 Roncadelle Brescia Italy**  
(72) Name(s) of Designer(s): **Marco Coffinardi and Alberto Longhi and Angel Jose Cravero and Enrico Guerra**  
(45) Registration Date: **08 April 2014**  
(30) Convention priority data:  
(31) Number (32) Date (33) Country  
**BS2013O000025 01 Jun 2013 ITALY**  
(56) Related Art Documents: **Not Applicable**  
(57) Statement of Newness and Distinctiveness: **Those features of the footwear with sole depicted in the representations that are new and distinctive are the shape and/or configuration and pattern and/or ornamentation. The foot shown in the representations is for illustrative purposes only and forms no part of the claimed design.**



(21) Design Number: **11371/2014**  
(22) Date of Filing Application: **24 March 2014**  
(24) Date from which industrial property rights may have effect: **24 March 2014**  
(54) Product in respect of which the design is registered: **Tubing set**  
(51) International Design Classification: **24-02**  
(74) Name(s) of Attorney(s): **Cullens Patent and Trade Mark Attorneys**  
(71) Name(s) and Address(s) of Applicant(s):  
**The Periodic Breathing Foundation, LLC**  
**65 Dexter Road East Providence RI 02914 United States of America**  
(72) Name(s) of Designer(s): **Robert W Daly**  
(45) Registration Date: **08 April 2014**  
(30) Convention priority data:  
(31) Number (32) Date (33) Country  
**29/468,138 26 Sep 2013 UNITED STATES OF AMERICA**  
(56) Related Art Documents: **Not Applicable**  
(57) Statement of Newness and Distinctiveness: **Nil**





(21) Design Number: **10592/2014**  
(22) Date of Filing Application: **07 February 2014**  
(24) Date from which industrial property rights may have effect: **07 February 2014**  
(54) Product in respect of which the design is registered: **Air cannon nozzle**  
(51) International Design Classification: **15-02, 15-05**  
(74) Name(s) of Attorney(s): **SPRUSON & FERGUSON**  
(71) Name(s) and Address(s) of Applicant(s):

**Martin Engineering Company**  
**One Martin Place Neponset Illinois 61345 United States of America**

(72) Name(s) of Designer(s): **Oleg Meister**

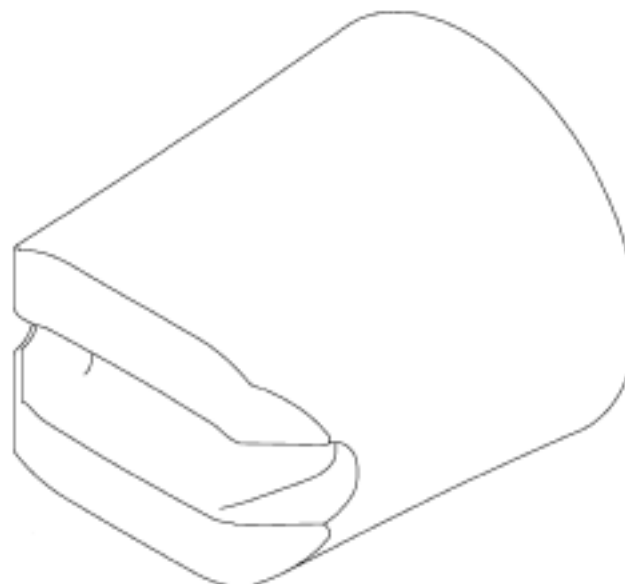
(45) Registration Date: **08 April 2014**

(30) Convention priority data:

(31) Number	(32) Date	(33) Country
<b>29/468553</b>	<b>01 Oct 2013</b>	<b>UNITED STATES OF AMERICA</b>

(56) Related Art Documents: **Not Applicable**

(57) Statement of Newness and Distinctiveness: **Newness and Distinctiveness is claimed in the features of shape and/or configuration of the following parts of an air cannon nozzle as illustrated and labelled in the accompanying representations: internal diverging guide vanes labelled "A"; elongate outlet arranged perpendicularly to the guide vanes labelled "B"; and circular inlet labelled "C".**



(21) Design Number: **11360/2014**  
(22) Date of Filing Application: **24 March 2014**  
(24) Date from which industrial property rights may have effect: **24 March 2014**  
(54) Product in respect of which the design is registered: **Hydrogenerator for boating**  
(51) International Design Classification: **13-01, 12-06NES**  
(74) Name(s) of Attorney(s): **Griffith Hack**  
(71) Name(s) and Address(s) of Applicant(s):

**SAVE INGENIERIE, societe anonyme par actions simpliffee (SAS)**  
**3 rue des Arts et Metiers Grenoble 38000 France**

(72) Name(s) of Designer(s): **Bernard Perriere and Jean-Dominique Zanus and Gilles Lambinet and Emmanuel Dufour**

(45) Registration Date: **08 April 2014**

(30) Convention priority data:

(31) Number	(32) Date	(33) Country
<b>13/4088</b>	<b>23 Sep 2013</b>	<b>FRANCE</b>

(56) Related Art Documents: **Not Applicable**

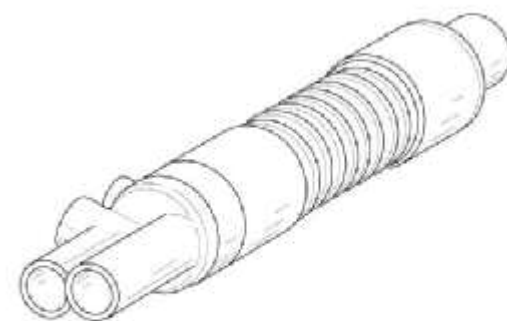
(57) Statement of Newness and Distinctiveness: **Newness and distinctiveness resides in the visual features, including the shape and configuration of the product shown in the representations.**



(21) Design Number: **11365/2014**  
(22) Date of Filing Application: **24 March 2014**  
(24) Date from which industrial property rights may have effect: **24 March 2014**  
(54) Product in respect of which the design is registered: **Canning appliance**  
(51) International Design Classification: **31-00**  
(74) Name(s) of Attorney(s): **Griffith Hack**  
(71) Name(s) and Address(s) of Applicant(s):  
**Hearthmark, LLC**  
**14611 W. Commerce Road Daleville IN 47334 United States of America**  
(72) Name(s) of Designer(s): **Gregary Hack and Scott Hager and Collin Ostergaard and Mustafa Engin Hassamanci**  
(45) Registration Date: **08 April 2014**  
(30) Convention priority data:  
(31) Number (32) Date (33) Country  
**29/467998 25 Sep 2013 UNITED STATES OF AMERICA**  
(56) Related Art Documents: **Not Applicable**  
(57) Statement of Newness and Distinctiveness: **The shape or configuration of those portions of the product shown in solid lines is new and distinctive.**



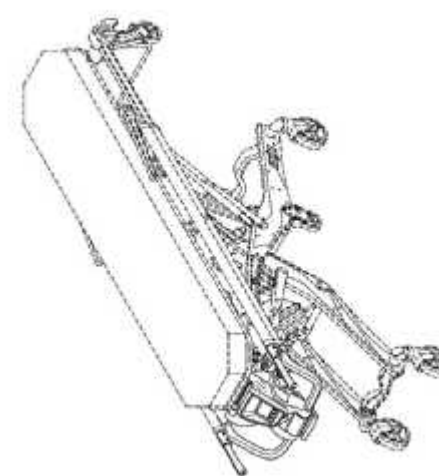
(21) Design Number: **11370/2014**  
(22) Date of Filing Application: **24 March 2014**  
(24) Date from which industrial property rights may have effect: **24 March 2014**  
(54) Product in respect of which the design is registered: **Tubing set interface**  
(51) International Design Classification: **24-02**  
(74) Name(s) of Attorney(s): **Cullens Patent and Trade Mark Attorneys**  
(71) Name(s) and Address(s) of Applicant(s):  
**The Periodic Breathing Foundation, LLC**  
**65 Dexter Road East Providence RI 02914 United States of America**  
(72) Name(s) of Designer(s): **Robert W Daly**  
(45) Registration Date: **08 April 2014**  
(30) Convention priority data:  
(31) Number (32) Date (33) Country  
**29/468,142 26 Sep 2013 UNITED STATES OF AMERICA**  
(56) Related Art Documents: **Not Applicable**  
(57) Statement of Newness and Distinctiveness: **Nil**



- (21) Design Number: **11372/2014**  
(22) Date of Filing Application: **24 March 2014**  
(24) Date from which industrial property rights may have effect: **24 March 2014**  
(54) Product in respect of which the design is registered: **Lawn mower**  
(51) International Design Classification: **15-03B**  
(74) Name(s) of Attorney(s): **Wrays**  
(71) Name(s) and Address(s) of Applicant(s):  
**Chevron (HK) Limited**  
**Room 803B 8/F Allied Kajima Building 138 Gloucester Road Wanchai**  
**Hong Kong China**  
(72) Name(s) of Designer(s): **Xunzhuang Qiu**  
(45) Registration Date: **08 April 2014**  
(56) Related Art Documents: **Not Applicable**  
(57) Statement of Newness and Distinctiveness: **Newness and distinctiveness is claimed in the features of shape and/or configuration of the Lawn Mower depicted in the accompanying representations.**



- (21) Design Number: **16559/2013**  
(22) Date of Filing Application: **16 December 2013**  
(24) Date from which industrial property rights may have effect: **16 December 2013**  
(54) Product in respect of which the design is registered: **Control panel of a patient transport device**  
(51) International Design Classification: **12-12**  
(74) Name(s) of Attorney(s): **Griffith Hack**  
(71) Name(s) and Address(s) of Applicant(s):  
**Ferno-Washington, Inc.**  
**70 Weil Way Wilmington Ohio 45177-9371 United States of America**  
(72) Name(s) of Designer(s): **Timothy J Dietz and Michael Jeffries and Brian M Magill and Timothy P Schroeder and Timothy R Wells**  
(45) Registration Date: **08 April 2014**  
(30) Convention priority data:  
(31) Number      (32) Date      (33) Country  
**29/458,151      17 Jun 2013      UNITED STATES OF AMERICA**  
(56) Related Art Documents: **Not Applicable**  
(57) Statement of Newness and Distinctiveness: **Newness and distinctiveness resides in the visual features, including shape and configuration of the product as shown in the accompanying representations. Those parts shown by means of dashed lines do not form part of the design and have been included for illustrative purposes.**



(21) Design Number: **16668/2013**

(22) Date of Filing Application: **19 December 2013**

(24) Date from which industrial property rights may have effect: **19 December 2013**

(54) Product in respect of which the design is registered: **Hand-held submersible pool and spa vacuum**

(51) International Design Classification: **15-05**

(74) Name(s) of Attorney(s): **Ahearn Fox**

(71) Name(s) and Address(s) of Applicant(s):

**Water Tech LLC**

**10 Alvin Ct. Suite 111 East Brunswick NEW JERSEY 08816 United States of America**

(72) Name(s) of Designer(s): **Guy Erlich and Jon Elmaleh and James Kosmyna**

(45) Registration Date: **08 April 2014**

(30) Convention priority data:

(31) Number	(32) Date	(33) Country
<b>29460651</b>	<b>12 Jul 2013</b>	<b>UNITED STATES OF AMERICA</b>

(56) Related Art Documents: **Not Applicable**

(57) Statement of Newness and Distinctiveness: **Newness and distinctiveness resides in the shape and configuration of a hand-held submersible pool and spa vacuum cleaner as illustrated in the accompanying drawings.**



(21) Design Number: **16682/2013**

(22) Date of Filing Application: **19 December 2013**

(24) Date from which industrial property rights may have effect: **19 December 2013**

(54) Product in respect of which the design is registered: **Spork; Fork; Soupspoon; Spoon**

(51) International Design Classification: **07-03**

(74) Name(s) of Attorney(s): **WATERMARK PATENT AND TRADE MARKS ATTORNEYS**

(71) Name(s) and Address(s) of Applicant(s):

**Ausmag Media Pty Ltd**

**121 Station Rd Seven Hills NSW 2147 Australia**

(72) Name(s) of Designer(s): **Lee Ching Mou**

(45) Registration Date: **08 April 2014**

(30) Convention priority data:

(31) Number	(32) Date	(33) Country
<b>201330378446.4</b>	<b>08 Aug 2013</b>	<b>CHINA</b>

(56) Related Art Documents: **Not Applicable**

(57) Statement of Newness and Distinctiveness: **Newness and Distinctiveness is claimed in the shape and/or configuration of a design for a set of cutlery utensils comprising a spoon, soup spoon, spork and fork.**



(21) Design Number: **11145/2014**  
(22) Date of Filing Application: **11 March 2014**  
(24) Date from which industrial property rights may have effect: **11 March 2014**  
(54) Product in respect of which the design is registered: **Swimwear garment**  
(51) International Design Classification: **02-02A**  
(74) Name(s) of Attorney(s): **Herbert Geer Lawyers**  
(71) Name(s) and Address(s) of Applicant(s):

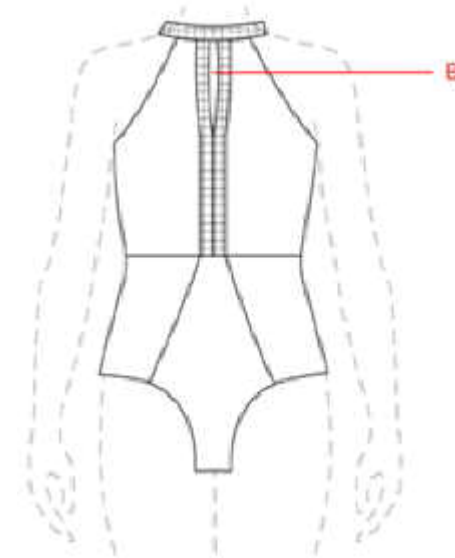
**JETS Swimwear Pty Limited**  
**8-18 Bowden St Alexandria NSW 2015 Australia**

(72) Name(s) of Designer(s): **Jessika Allen**

(45) Registration Date: **08 April 2014**

(56) Related Art Documents: **Not Applicable**

(57) Statement of Newness and Distinctiveness: **Newness and distinctiveness is claimed in the shape and/or configuration of the swimwear garment as depicted in the accompanying representations and in the feature of pattern and/or ornamentation illustrated on the representations by hatching which comprises fabric of one colour and/or design and the remainder of the garment comprises fabric of another colour and/or design. The outline of the wearer shown in broken lines forms no part of the design.**



(21) Design Number: **11612/2014**  
(22) Date of Filing Application: **01 April 2014**  
(24) Date from which industrial property rights may have effect: **19 December 2013**  
(54) Product in respect of which the design is registered: **Hand-held submersible pool and spa vacuum cleaner**  
(51) International Design Classification: **15-05**  
(74) Name(s) of Attorney(s): **Ahearn Fox**  
(71) Name(s) and Address(s) of Applicant(s):

**Water Tech LLC**  
**10 Alvin Ct. Suite 111 East Brunswick NEW JERSEY 08816 United States of America**

(72) Name(s) of Designer(s): **Guy Erlich and Jon Elmaleh and James Kosmyna**

(45) Registration Date: **08 April 2014**

(30) Convention priority data:

(31) Number	(32) Date	(33) Country
<b>29460651</b>	<b>12 Jul 2013</b>	<b>UNITED STATES OF AMERICA</b>

(62) Divisional of: **354834**

(56) Related Art Documents: **Not Applicable**

(57) Statement of Newness and Distinctiveness: **Newness and distinctiveness resides in the shape and configuration of a hand-held submersible pool and spa vacuum cleaner as illustrated in the accompanying drawings**



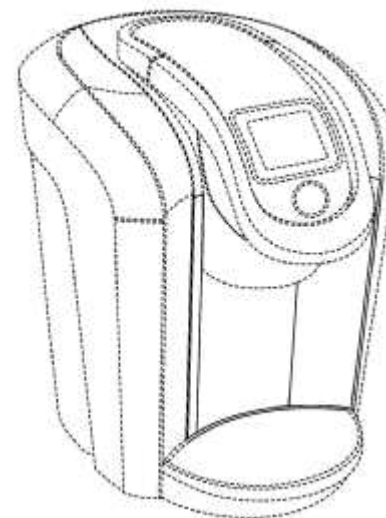
- (21) Design Number: **10995/2014**  
(22) Date of Filing Application: **05 March 2014**  
(24) Date from which industrial property rights may have effect: **05 March 2014**  
(54) Product in respect of which the design is registered: **Surf practice mat**  
(51) International Design Classification: **19-07**  
(74) Name(s) of Attorney(s):  
(71) Name(s) and Address(s) of Applicant(s):  
**Idea Gallery Ltd.**  
**16 The Heights Robswall Malahide, Co. DUBLIN**  
(72) Name(s) of Designer(s): **John Kane and Benjamin Sampson**  
(45) Registration Date: **08 April 2014**  
(56) Related Art Documents: **Not Applicable**  
(57) Statement of Newness and Distinctiveness: **A new and distinctive design printed onto a foam mat. The design outlines the steps required to stand up on a surf board. It's a step by step guide of the process. Hands, feet, chin and knee positioning are all indicated. It is for used to practice standing up on a surf board before a person gets into the water to surf.**



- (21) Design Number: **10319/2014**  
(22) Date of Filing Application: **24 January 2014**  
(24) Date from which industrial property rights may have effect: **24 January 2014**  
(54) Product in respect of which the design is registered: **A water heater**  
(51) International Design Classification: **23-03H**  
(74) Name(s) of Attorney(s): **SPRUSON & FERGUSON**  
(71) Name(s) and Address(s) of Applicant(s):  
**Dux Manufacturing Limited**  
**L1 7-9 Irvine PI Norwest Business Park Bella Vista NSW 2153 Australia**  
(72) Name(s) of Designer(s): **Chris Burgess**  
(45) Registration Date: **09 April 2014**  
(56) Related Art Documents: **Not Applicable**  
(57) Statement of Newness and Distinctiveness: **Newness and distinctiveness is claimed in the features of shape and/or configuration of: the three surface indentations in the base and lid; and the element cover of a water heater as illustrated in the accompanying representations.**



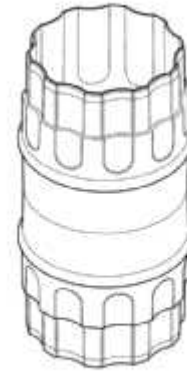
- (21) Design Number: **10740/2014**  
(22) Date of Filing Application: **17 February 2014**  
(24) Date from which industrial property rights may have effect: **17 February 2014**  
(54) Product in respect of which the design is registered: **Front panel for a beverage machine**  
(51) International Design Classification: **07-02L**  
(74) Name(s) of Attorney(s): **PIZZEYS**  
(71) Name(s) and Address(s) of Applicant(s):  
**Keurig, Incorporated**  
**55 Walkers Brook Drive Reading MA 01867-3272 United States of America**  
(72) Name(s) of Designer(s): **Steffan F Koury and James E Shepard and Paul K Metaxatos and James T McGee and Da Deng and David Manly and Karen Gallagher and Michelle V Stacy and Ben C Yoder and Scott M Vogel and Allison Cummings and Stephanie Simione**  
(45) Registration Date: **09 April 2014**  
(30) Convention priority data:  
(31) Number (32) Date (33) Country  
**29/466,351 06 Sep 2013 UNITED STATES OF AMERICA**  
(56) Related Art Documents: **Not Applicable**  
(57) Statement of Newness and Distinctiveness: **The newness and distinctiveness of the design resides in the features of pattern and/or ornamentation OR shape and/or configuration shown in unbroken lines in the accompanying representations of a FRONT PANEL FOR A BEVERAGE MACHINE. (if required, see Convention document)**



- (21) Design Number: **10904/2014**  
(22) Date of Filing Application: **28 February 2014**  
(24) Date from which industrial property rights may have effect: **28 February 2014**  
(54) Product in respect of which the design is registered: **Surfboard leash**  
(51) International Design Classification: **21-02D**  
(74) Name(s) of Attorney(s): **Davies Collison Cave**  
(71) Name(s) and Address(s) of Applicant(s):  
**The Burton Corporation**  
**80 Industrial Parkway Burlington Vermont 05401 United States of America**  
(72) Name(s) of Designer(s): **Scott Martinson and Robert Nichols and Blake Howard**  
(45) Registration Date: **09 April 2014**  
(30) Convention priority data:  
(31) Number (32) Date (33) Country  
**29/465808 30 Aug 2013 UNITED STATES OF AMERICA**  
(56) Related Art Documents: **Not Applicable**  
(57) Statement of Newness and Distinctiveness: **Newness and distinctiveness is claimed in the visual features shown in solid lines in the representations. The dashed broken lines shown in the figures illustrate portions of the surfboard leash that form no part of the claimed design. The dash-dot-dash broken lines shown in Figs. 1, 2 and 3 around a circumference of a cord of the surfboard leash define a boundary of the claimed design and form no part of the claimed design. The portion of the surfboard leash shown broken away in Figs. 1, 2 and 3 indicates that the precise length is not claimed. The cross-sectional shape shown in Fig. 4 is consistent along the entirety of the claimed portion of the cord of the surfboard leash.**



- (21) Design Number: **11202/2014**  
(22) Date of Filing Application: **14 March 2014**  
(24) Date from which industrial property rights may have effect: **14 March 2014**  
(54) Product in respect of which the design is registered: **A joiner for pipes**  
(51) International Design Classification: **23-01A**  
(74) Name(s) of Attorney(s): **Shelston IP**  
(71) Name(s) and Address(s) of Applicant(s):  
**William White Industries Pty Ltd**  
**10 Park St Brunswick Heads NSW 2483 Australia**  
(72) Name(s) of Designer(s): **William James White**  
(45) Registration Date: **09 April 2014**  
(56) Related Art Documents: **Not Applicable**  
(57) Statement of Newness and Distinctiveness: **Newness and distinctiveness reside in the features of shape and/or configuration of A JOINER FOR PIPES as illustrated in the accompanying representations.**

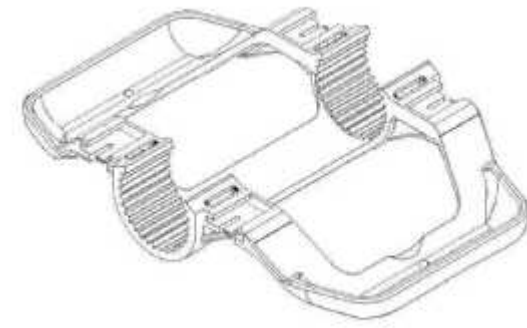


- (21) Design Number: **11374/2014**  
(22) Date of Filing Application: **24 March 2014**  
(24) Date from which industrial property rights may have effect: **24 March 2014**  
(54) Product in respect of which the design is registered: **Double wall espresso cup**  
(51) International Design Classification: **07-01D**  
(74) Name(s) of Attorney(s): **Ascot Martin Registered Patent & Trade Mark Attorneys**  
(71) Name(s) and Address(s) of Applicant(s):  
**Tras Marketing and Sales Pty Ltd**  
**U7/167 Prospect Hwy Seven Hills NSW 2147 Australia**  
(72) Name(s) of Designer(s): **Hallan Moulin**  
(45) Registration Date: **09 April 2014**  
(56) Related Art Documents: **Not Applicable**  
(57) Statement of Newness and Distinctiveness: **The features of the design which are new and distinctive are the shape and configuration of the double wall espresso cup as shown in the accompanying representations.**

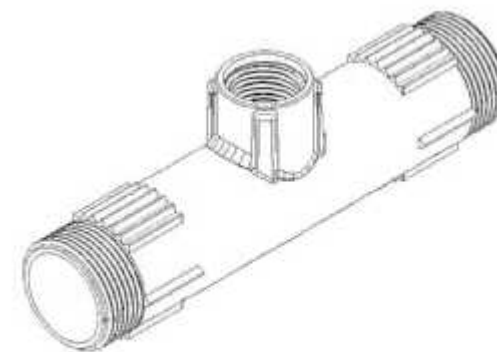




- (21) Design Number: **11379/2014**  
(22) Date of Filing Application: **25 March 2014**  
(24) Date from which industrial property rights may have effect: **25 March 2014**  
(54) Product in respect of which the design is registered: **Sled of sprinkler base**  
(51) International Design Classification: **23-01D**  
(74) Name(s) of Attorney(s): **FB Rice**  
(71) Name(s) and Address(s) of Applicant(s):  
**Kathleen Patricia Holmes**  
**3 Reserve Rd WANGI WANGI NSW 2267**  
(72) Name(s) of Designer(s): **Kathy Holmes**  
(45) Registration Date: **09 April 2014**  
(56) Related Art Documents: **Not Applicable**  
(57) Statement of Newness and Distinctiveness: **Newness and distinctiveness reside in the features of shape and configuration of the article illustrated in the representations.**



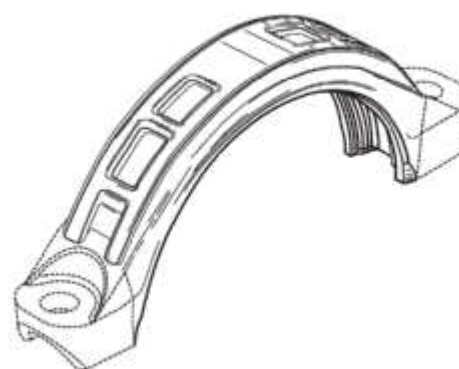
- (21) Design Number: **11380/2014**  
(22) Date of Filing Application: **25 March 2014**  
(24) Date from which industrial property rights may have effect: **25 March 2014**  
(54) Product in respect of which the design is registered: **Turret of sprinkler base**  
(51) International Design Classification: **23-01D**  
(74) Name(s) of Attorney(s): **FB Rice**  
(71) Name(s) and Address(s) of Applicant(s):  
**Kathleen Patricia Holmes**  
**3 Reserve Rd WANGI WANGI NSW 2267**  
(72) Name(s) of Designer(s): **Kathy Holmes**  
(45) Registration Date: **09 April 2014**  
(56) Related Art Documents: **Not Applicable**  
(57) Statement of Newness and Distinctiveness: **Newness and distinctiveness reside in the features of shape and configuration of the article illustrated in the representations.**



- (21) Design Number: **11383/2014**  
(22) Date of Filing Application: **25 March 2014**  
(24) Date from which industrial property rights may have effect: **25 March 2014**  
(54) Product in respect of which the design is registered: **Pipe coupling segment**  
(51) International Design Classification: **23-01A**  
(74) Name(s) of Attorney(s): **SPRUSON & FERGUSON**  
(71) Name(s) and Address(s) of Applicant(s):  
**Victaulic Company**  
**4901 Kesslersville Road Easton Pennsylvania 18040 United States of America**  
(72) Name(s) of Designer(s): **Charles E. Wilk Jr and Anthony J. Cuvo and Scott D. Madara and Douglas R. Dole**  
(45) Registration Date: **09 April 2014**  
(30) Convention priority data:  
(31) Number (32) Date (33) Country  
**29/467982 25 Sep 2013 UNITED STATES OF AMERICA**  
(56) Related Art Documents: **Not Applicable**  
(57) Statement of Newness and Distinctiveness: **Newness and distinctiveness is claimed in the features of shape and/or configuration of a pipe coupling segment as illustrated in the accompanying representations.**



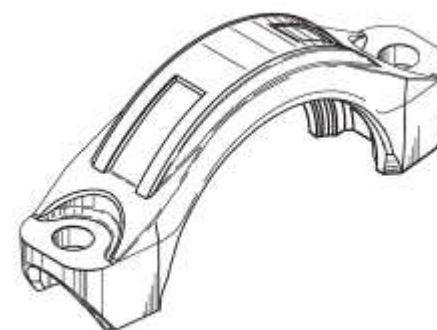
- (21) Design Number: **11384/2014**  
(22) Date of Filing Application: **25 March 2014**  
(24) Date from which industrial property rights may have effect: **25 March 2014**  
(54) Product in respect of which the design is registered: **Pipe coupling segment**  
(51) International Design Classification: **23-01A**  
(74) Name(s) of Attorney(s): **SPRUSON & FERGUSON**  
(71) Name(s) and Address(s) of Applicant(s):  
**Victaulic Company**  
**4901 Kesslersville Road Easton Pennsylvania 18040 United States of America**  
(72) Name(s) of Designer(s): **Charles E. Wilk Jr and Anthony J. Cuvo and Scott D. Madara and Douglas R. Dole**  
(45) Registration Date: **09 April 2014**  
(30) Convention priority data:  
(31) Number (32) Date (33) Country  
**29/467982 25 Sep 2013 UNITED STATES OF AMERICA**  
(56) Related Art Documents: **Not Applicable**  
(57) Statement of Newness and Distinctiveness: **Newness and distinctiveness is claimed in those features of shape and/or configuration of a pipe coupling segment illustrated in continuous lines in the accompanying representations.**



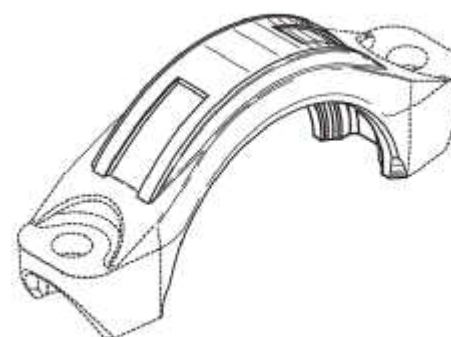
(21) Design Number: **11385/2014**  
(22) Date of Filing Application: **25 March 2014**  
(24) Date from which industrial property rights may have effect: **25 March 2014**  
(54) Product in respect of which the design is registered: **Double wall cup**  
(51) International Design Classification: **07-01D**  
(74) Name(s) of Attorney(s): **Ascot Martin Registered Patent & Trade Mark Attorneys**  
(71) Name(s) and Address(s) of Applicant(s):  
**Tras Marketing and Sales Pty Ltd**  
**U7/167 Prospect Hwy Seven Hills NSW 2147 Australia**  
(72) Name(s) of Designer(s): **Hallan Moulin**  
(45) Registration Date: **09 April 2014**  
(56) Related Art Documents: **Not Applicable**  
(57) Statement of Newness and Distinctiveness: **The features of the design which are new and distinctive are the shape and configuration of the double wall cup as shown in the accompanying representations.**



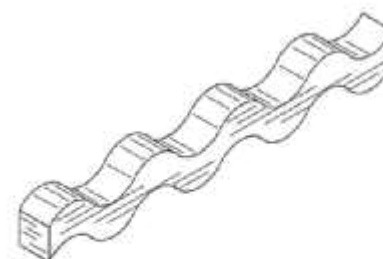
(21) Design Number: **11388/2014**  
(22) Date of Filing Application: **25 March 2014**  
(24) Date from which industrial property rights may have effect: **25 March 2014**  
(54) Product in respect of which the design is registered: **Pipe coupling segment**  
(51) International Design Classification: **23-01A**  
(74) Name(s) of Attorney(s): **SPRUSON & FERGUSON**  
(71) Name(s) and Address(s) of Applicant(s):  
**Victaulic Company**  
**4901 Kesslersville Road Easton Pennsylvania 18040 United States of America**  
(72) Name(s) of Designer(s): **Anthony J Cuvo and Scott D Madara and Charles E Wilk Jr and Douglas R Dole**  
(45) Registration Date: **09 April 2014**  
(30) Convention priority data:  
(31) Number      (32) Date      (33) Country  
**29/467975      25 Sep 2013      UNITED STATES OF AMERICA**  
(56) Related Art Documents: **Not Applicable**  
(57) Statement of Newness and Distinctiveness: **Newness and distinctiveness is claimed in the features of shape and/or configuration of a pipe coupling segment as illustrated in the accompanying representations.**



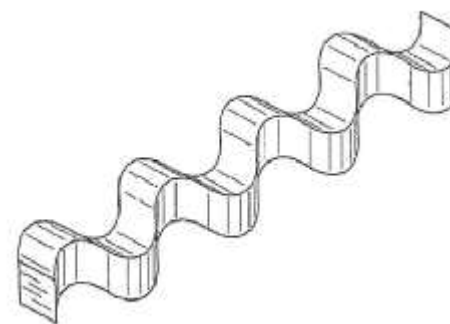
(21) Design Number: **11389/2014**  
(22) Date of Filing Application: **25 March 2014**  
(24) Date from which industrial property rights may have effect: **25 March 2014**  
(54) Product in respect of which the design is registered: **Pipe coupling segment**  
(51) International Design Classification: **23-01A**  
(74) Name(s) of Attorney(s): **SPRUSON & FERGUSON**  
(71) Name(s) and Address(s) of Applicant(s):  
**Victaulic Company**  
**4901 Kesslersville Road Easton Pennsylvania 18040 United States of America**  
(72) Name(s) of Designer(s): **Anthony J Cuvo and Scott D Madara and Charles E Wilk Jr and Douglas R Dole**  
(45) Registration Date: **09 April 2014**  
(30) Convention priority data:  
(31) Number (32) Date (33) Country  
**29/467975 25 Sep 2013 UNITED STATES OF AMERICA**  
(56) Related Art Documents: **Not Applicable**  
(57) Statement of Newness and Distinctiveness: **Newness and distinctiveness is claimed in those features of shape and/or configuration of a pipe coupling segment illustrated in continuous lines in the accompanying representations.**



(21) Design Number: **11390/2014**  
(22) Date of Filing Application: **25 March 2014**  
(24) Date from which industrial property rights may have effect: **25 March 2014**  
(54) Product in respect of which the design is registered: **Root vegetable product**  
(51) International Design Classification: **01-02**  
(74) Name(s) of Attorney(s): **FB Rice**  
(71) Name(s) and Address(s) of Applicant(s):  
**McCain Foods Limited**  
**8800 Main Street Florenceville-Bristol New Brunswick E7L 1B2 Canada**  
(72) Name(s) of Designer(s): **David M Rogers and John Aikens**  
(45) Registration Date: **09 April 2014**  
(30) Convention priority data:  
(31) Number (32) Date (33) Country  
**29/469547 11 Oct 2013 UNITED STATES OF AMERICA**  
(56) Related Art Documents: **Not Applicable**  
(57) Statement of Newness and Distinctiveness: **Newness and distinctiveness reside in the features of shape and configuration of the design as shown in the representations.**



(21) Design Number: **11391/2014**  
(22) Date of Filing Application: **25 March 2014**  
(24) Date from which industrial property rights may have effect: **25 March 2014**  
(54) Product in respect of which the design is registered: **Root vegetable product**  
(51) International Design Classification: **01-02**  
(74) Name(s) of Attorney(s): **FB Rice**  
(71) Name(s) and Address(s) of Applicant(s):  
**McCain Foods Limited**  
**8800 Main Street Florenceville-Bristol New Brunswick E7L 1B2 Canada**  
(72) Name(s) of Designer(s): **David M Rogers and John Aikens**  
(45) Registration Date: **09 April 2014**  
(30) Convention priority data:  
(31) Number (32) Date (33) Country  
**29/469544 11 Oct 2013 UNITED STATES OF AMERICA**  
(56) Related Art Documents: **Not Applicable**  
(57) Statement of Newness and Distinctiveness: **Newness and distinctiveness reside in the features of shape and configuration of the design as shown in the representations.**



(21) Design Number: **11413/2014**  
(22) Date of Filing Application: **26 March 2014**  
(24) Date from which industrial property rights may have effect: **26 March 2014**  
(54) Product in respect of which the design is registered: **Handset**  
(51) International Design Classification: **14-03E**  
(74) Name(s) of Attorney(s): **Ashurst Australia**  
(71) Name(s) and Address(s) of Applicant(s):  
**Vertu Corporation Limited**  
**Beacon Hill Road Church Crookham Hampshire GU52 8DY United Kingdom**  
(72) Name(s) of Designer(s): **Joel Bridge and Richard Nicholas and Ignacio Germade**  
(45) Registration Date: **09 April 2014**  
(30) Convention priority data:  
(31) Number (32) Date (33) Country  
**002410571 24 Feb 2014 OFFICE FOR HARMONISATION IN THE INTERNAL MARKET (OHIM)**  
(56) Related Art Documents: **Not Applicable**  
(57) Statement of Newness and Distinctiveness: **Nil**



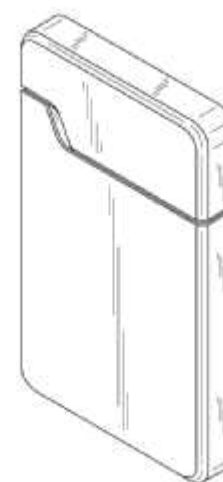
(21) Design Number: **11414/2014**  
(22) Date of Filing Application: **26 March 2014**  
(24) Date from which industrial property rights may have effect: **26 March 2014**  
(54) Product in respect of which the design is registered: **Chair**  
(51) International Design Classification: **06-01F**  
(74) Name(s) of Attorney(s): **Shelston IP**  
(71) Name(s) and Address(s) of Applicant(s):  
**Starway International Home-Living Co., Ltd.**  
**No. 97 Shiyuan Road, Nancheng Huangyan Taizhou Zhejiang China**  
(72) Name(s) of Designer(s): **Genlin Ye**  
(45) Registration Date: **09 April 2014**  
(30) Convention priority data:  
(31) Number (32) Date (33) Country  
**201330491837.7 18 Oct 2013 CHINA**  
(56) Related Art Documents: **Not Applicable**  
(57) Statement of Newness and Distinctiveness: **Newness and distinctiveness reside in the features of shape and/or configuration of a CHAIR as illustrated in the accompanying representations.**



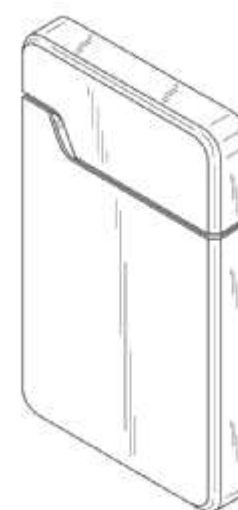
(21) Design Number: **11416/2014**  
(22) Date of Filing Application: **26 March 2014**  
(24) Date from which industrial property rights may have effect: **26 March 2014**  
(54) Product in respect of which the design is registered: **Chair**  
(51) International Design Classification: **06-01F**  
(74) Name(s) of Attorney(s): **Shelston IP**  
(71) Name(s) and Address(s) of Applicant(s):  
**Starway International Home-Living Co., Ltd.**  
**No. 97 Shiyuan Road, Nancheng Huangyan Taizhou Zhejiang China**  
(72) Name(s) of Designer(s): **Genlin Ye**  
(45) Registration Date: **09 April 2014**  
(30) Convention priority data:  
(31) Number (32) Date (33) Country  
**201330491826.9 18 Oct 2013 CHINA**  
(56) Related Art Documents: **Not Applicable**  
(57) Statement of Newness and Distinctiveness: **Newness and distinctiveness reside in the features of shape and/or configuration of a CHAIR as illustrated in the accompanying representations.**



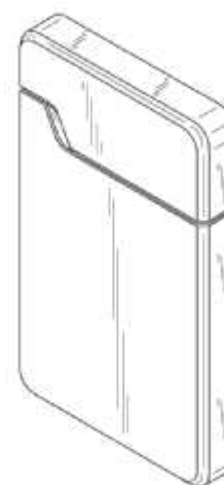
- (21) Design Number: **11417/2014**  
(22) Date of Filing Application: **26 March 2014**  
(24) Date from which industrial property rights may have effect: **26 March 2014**  
(54) Product in respect of which the design is registered: **Electronic smoking article charger**  
(51) International Design Classification: **13-02, 27-99**  
(74) Name(s) of Attorney(s): **SPRUSON & FERGUSON**  
(71) Name(s) and Address(s) of Applicant(s):  
**Altria Client Services Inc.**  
**6601 West Broad Street, Richmond Virginia, 23230 United States of America**  
(72) Name(s) of Designer(s): **David R Schiff and Chris Phelan and Eric Hawes and Berina Yerkic-Husejnovic and Terry Bache**  
(45) Registration Date: **09 April 2014**  
(30) Convention priority data:  
(31) Number (32) Date (33) Country  
**29/468174 26 Sep 2013 UNITED STATES OF AMERICA**  
(56) Related Art Documents: **Not Applicable**  
(57) Statement of Newness and Distinctiveness: **Newness and distinctiveness is claimed in those features of shape and/or configuration of an electronic smoking article charger illustrated in continuous lines in the accompanying representations.**



- (21) Design Number: **11418/2014**  
(22) Date of Filing Application: **26 March 2014**  
(24) Date from which industrial property rights may have effect: **26 March 2014**  
(54) Product in respect of which the design is registered: **Electronic smoking article charger**  
(51) International Design Classification: **13-02, 27-99**  
(74) Name(s) of Attorney(s): **SPRUSON & FERGUSON**  
(71) Name(s) and Address(s) of Applicant(s):  
**Altria Client Services Inc.**  
**6601 West Broad Street, Richmond Virginia, 23230 United States of America**  
(72) Name(s) of Designer(s): **David R Schiff and Chris Phelan and Eric Hawes and Berina Yerkic-Husejnovic and Terry Bache**  
(45) Registration Date: **09 April 2014**  
(30) Convention priority data:  
(31) Number (32) Date (33) Country  
**29/468174 26 Sep 2013 UNITED STATES OF AMERICA**  
(56) Related Art Documents: **Not Applicable**  
(57) Statement of Newness and Distinctiveness: **Newness and distinctiveness is claimed in those features of shape and/or configuration of an electronic smoking article charger enclosed by border A in the additional view.**



(21) Design Number: **11419/2014**  
(22) Date of Filing Application: **26 March 2014**  
(24) Date from which industrial property rights may have effect: **26 March 2014**  
(54) Product in respect of which the design is registered: **Electronic smoking article charger**  
(51) International Design Classification: **13-02, 27-99**  
(74) Name(s) of Attorney(s): **SPRUSON & FERGUSON**  
(71) Name(s) and Address(s) of Applicant(s):  
**Altria Client Services Inc.**  
**6601 West Broad Street, Richmond Virginia, 23230 United States of America**  
(72) Name(s) of Designer(s): **David R Schiff and Chris Phelan and Eric Hawes and Berina Yerkic-Husejnovic and Terry Bache**  
(45) Registration Date: **09 April 2014**  
(30) Convention priority data:  
(31) Number (32) Date (33) Country  
**29/468174 26 Sep 2013 UNITED STATES OF AMERICA**  
(56) Related Art Documents: **Not Applicable**  
(57) Statement of Newness and Distinctiveness: **Newness and distinctiveness is claimed in those features of shape and/or configuration of an electronic smoking article charger illustrated in continuous lines in the accompanying representations.**



(21) Design Number: **11421/2014**  
(22) Date of Filing Application: **26 March 2014**  
(24) Date from which industrial property rights may have effect: **26 March 2014**  
(54) Product in respect of which the design is registered: **Chair**  
(51) International Design Classification: **06-01F**  
(74) Name(s) of Attorney(s): **Shelston IP**  
(71) Name(s) and Address(s) of Applicant(s):  
**Starway International Home-Living Co., Ltd.**  
**No. 97 Shiyuan Road, Nancheng Huangyan Taizhou Zhejiang China**  
(72) Name(s) of Designer(s): **Genlin Ye**  
(45) Registration Date: **09 April 2014**  
(30) Convention priority data:  
(31) Number (32) Date (33) Country  
**201330491836.2 18 Oct 2013 CHINA**  
(56) Related Art Documents: **Not Applicable**  
(57) Statement of Newness and Distinctiveness: **Newness and distinctiveness reside in the features of shape and/or configuration of a CHAIR as illustrated in the accompanying representations.**





(21) Design Number: **11423/2014**

(22) Date of Filing Application: **26 March 2014**

(24) Date from which industrial property rights may have effect: **26 March 2014**

(54) Product in respect of which the design is registered: **Closure**

(51) International Design Classification: **09-07B**

(74) Name(s) of Attorney(s): **SPRUSON & FERGUSON**

(71) Name(s) and Address(s) of Applicant(s):

**AptarGroup, Inc.**

**475 West Terra Cotta Avenue, Suite E, Crystal Lake, Illinois, 60014-96995  
Illinois United States of America**

(72) Name(s) of Designer(s): **Timothy M Mazurkiewicz and John M Wisniewski**

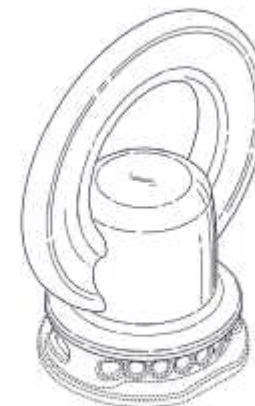
(45) Registration Date: **09 April 2014**

(30) Convention priority data:

(31) Number	(32) Date	(33) Country
<b>29/471630</b>	<b>04 Nov 2013</b>	<b>UNITED STATES OF AMERICA</b>

(56) Related Art Documents: **Not Applicable**

(57) Statement of Newness and Distinctiveness: **Newness and distinctiveness is claimed in those features of shape and/or configuration of a closure illustrated in continuous lines in the accompanying representations.**



(21) Design Number: **11424/2014**

(22) Date of Filing Application: **26 March 2014**

(24) Date from which industrial property rights may have effect: **26 March 2014**

(54) Product in respect of which the design is registered: **Chair**

(51) International Design Classification: **06-01F**

(74) Name(s) of Attorney(s): **Shelston IP**

(71) Name(s) and Address(s) of Applicant(s):

**Starway International Home-Living Co., Ltd.**

**No. 97 Shiyuan Road Nancheng Huangyan Taizhou Zhejiang People's  
Republic of China**

(72) Name(s) of Designer(s): **Genlin Ye**

(45) Registration Date: **09 April 2014**

(30) Convention priority data:

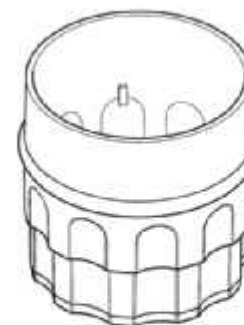
(31) Number	(32) Date	(33) Country
<b>201330492117.2</b>	<b>18 Oct 2013</b>	<b>CHINA</b>

(56) Related Art Documents: **Not Applicable**

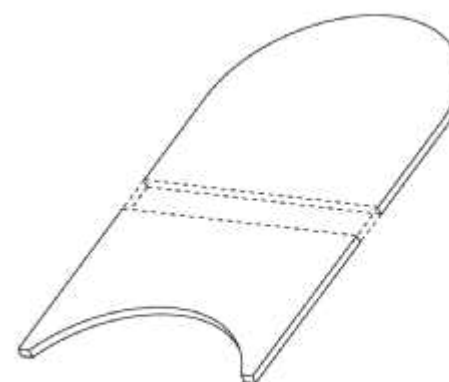
(57) Statement of Newness and Distinctiveness: **Newness and distinctiveness reside in the features of shape and/or configuration of a CHAIR as illustrated in the accompanying representations.**



- (21) Design Number: **11568/2014**  
(22) Date of Filing Application: **31 March 2014**  
(24) Date from which industrial property rights may have effect: **14 March 2014**  
(54) Product in respect of which the design is registered: **A joiner for pipes**  
(51) International Design Classification: **23-01A**  
(74) Name(s) of Attorney(s): **Shelston IP**  
(71) Name(s) and Address(s) of Applicant(s):  
**William White Industries Pty Ltd**  
**10 Park St Brunswick Heads NSW 2483 Australia**  
(72) Name(s) of Designer(s): **William James White**  
(45) Registration Date: **09 April 2014**  
(62) Divisional of: **354842**  
(56) Related Art Documents: **Not Applicable**  
(57) Statement of Newness and Distinctiveness: **Newness and distinctiveness reside in the features of shape and/or configuration of A JOINER FOR PIPES as illustrated in the accompanying representations.**



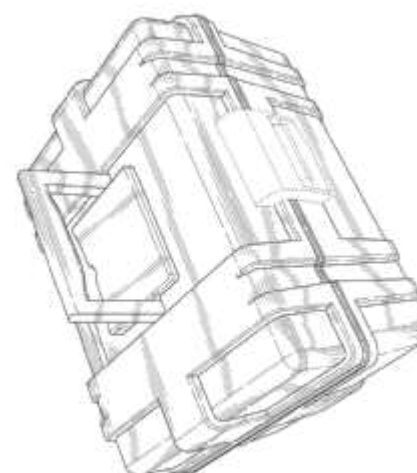
- (21) Design Number: **14464/2013**  
(22) Date of Filing Application: **09 September 2013**  
(24) Date from which industrial property rights may have effect: **09 September 2013**  
(54) Product in respect of which the design is registered: **Model train attractor**  
(51) International Design Classification: **21-01C**  
(74) Name(s) of Attorney(s):  
(71) Name(s) and Address(s) of Applicant(s):  
**Richard Johnson**  
**C/- Adam Law Patent Attorney 26 Glengariff Dr Floreat WA 6014**  
**Australia**  
(72) Name(s) of Designer(s): **Richard Johnson**  
(45) Registration Date: **09 April 2014**  
(56) Related Art Documents: **Not Applicable**  
(57) Statement of Newness and Distinctiveness: **Newness and distinctiveness is claimed in the features shown in solid lines. The features shown in dotted lines are to be disregarded in considering the scope of the monopoly in the design. The design is of indefinite length.**



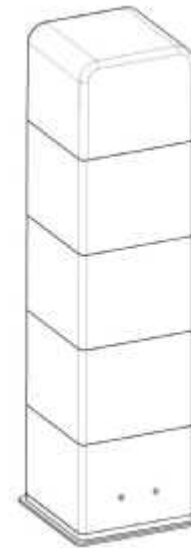
(21) Design Number: **10033/2014**  
(22) Date of Filing Application: **07 January 2014**  
(24) Date from which industrial property rights may have effect: **07 January 2014**  
(54) Product in respect of which the design is registered: **Tomato corer**  
(51) International Design Classification: **07-04**  
(74) Name(s) of Attorney(s): **Davies Collison Cave**  
(71) Name(s) and Address(s) of Applicant(s):  
**Chef'N Corporation**  
**1525 4th Avenue Suite 700 Seattle Washington 98101 United States of America**  
(72) Name(s) of Designer(s): **Adam A. Jossem**  
(45) Registration Date: **09 April 2014**  
(30) Convention priority data:  
(31) Number (32) Date (33) Country  
**29/460283 09 Jul 2013 UNITED STATES OF AMERICA**  
(56) Related Art Documents: **Not Applicable**  
(57) Statement of Newness and Distinctiveness: **Newness and distinctiveness is claimed in the visual features shown in solid lines in the representations.**



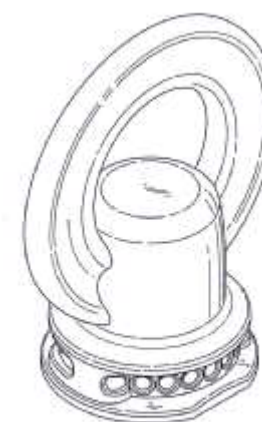
(21) Design Number: **11375/2014**  
(22) Date of Filing Application: **25 March 2014**  
(24) Date from which industrial property rights may have effect: **25 March 2014**  
(54) Product in respect of which the design is registered: **Carrying case for a cigarette-making machine**  
(51) International Design Classification: **03-01NES**  
(74) Name(s) of Attorney(s): **Griffith Hack**  
(71) Name(s) and Address(s) of Applicant(s):  
**Republic Tobacco L.P.**  
**2301 Ravine Way Glenview Illinois 60025 United States of America**  
(72) Name(s) of Designer(s): **Mei Lin**  
(45) Registration Date: **10 April 2014**  
(30) Convention priority data:  
(31) Number (32) Date (33) Country  
**29/467,966 25 Sep 2013 UNITED STATES OF AMERICA**  
(56) Related Art Documents: **Not Applicable**  
(57) Statement of Newness and Distinctiveness: **Newness and distinctiveness resides in the visual features, including shape and configuration, of a CARRYING CASE FOR A CIGARETTE-MAKING MACHINE as shown in solid outline in the accompanying drawings, including the shape, configuration and profile of the ribs and handle as shown. When determining whether the design is substantially similar in overall impression to another design, no regard is to be had to those features shown in dotted outline in the accompanying drawings, which features are provided for illustrative purposes only.**



(21) Design Number: **11399/2014**  
(22) Date of Filing Application: **25 March 2014**  
(24) Date from which industrial property rights may have effect: **25 March 2014**  
(54) Product in respect of which the design is registered: **Device for wireless measuring pressure of tyres**  
(51) International Design Classification: **10-04**  
(74) Name(s) of Attorney(s): **Golja Haines & Friend**  
(71) Name(s) and Address(s) of Applicant(s):  
**STE S.R.L.**  
**Via Leonardo Bistolfi 49 Milan MI 20134 Italy**  
(72) Name(s) of Designer(s): **Paolo Maria Moiraghi and Mauro Cortese**  
(45) Registration Date: **10 April 2014**  
(30) Convention priority data:  
(31) Number (32) Date (33) Country  
**002315333 25 Sep 2013 ITALY**  
(56) Related Art Documents: **Not Applicable**  
(57) Statement of Newness and Distinctiveness: **Nil**



(21) Design Number: **11426/2014**  
(22) Date of Filing Application: **26 March 2014**  
(24) Date from which industrial property rights may have effect: **26 March 2014**  
(54) Product in respect of which the design is registered: **Closure**  
(51) International Design Classification: **09-07B**  
(74) Name(s) of Attorney(s): **SPRUSON & FERGUSON**  
(71) Name(s) and Address(s) of Applicant(s):  
**AptarGroup, Inc.**  
**475 West Terra Cotta Avenue Suite E Crystal Lake Illinois 60014-9695**  
**Illinois United States of America**  
(72) Name(s) of Designer(s): **Timothy M Mazurkiewicz and John M Wisniewski**  
(45) Registration Date: **10 April 2014**  
(30) Convention priority data:  
(31) Number (32) Date (33) Country  
**29/471630 04 Nov 2013 UNITED STATES OF AMERICA**  
(56) Related Art Documents: **Not Applicable**  
(57) Statement of Newness and Distinctiveness: **Newness and distinctiveness is claimed in the features of shape and/or configuration of a closure as illustrated in the accompanying representations.**



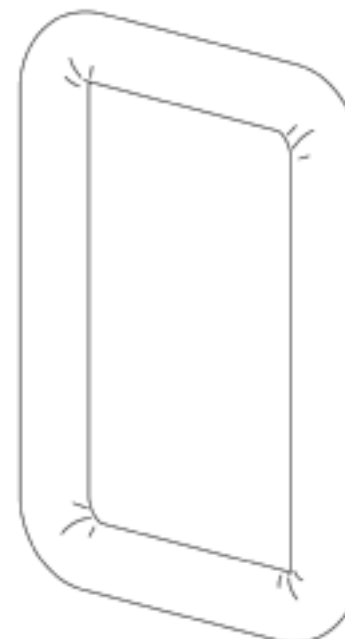
(21) Design Number: **11430/2014**  
(22) Date of Filing Application: **26 March 2014**  
(24) Date from which industrial property rights may have effect: **26 March 2014**  
(54) Product in respect of which the design is registered: **Chair**  
(51) International Design Classification: **06-01F**  
(74) Name(s) of Attorney(s): **Shelston IP**  
(71) Name(s) and Address(s) of Applicant(s):  
**Starway International Home-Living Co., Ltd.**  
**No. 97 Shiyuan Road Nancheng Huangyan Taizhou Zhejiang China**  
(72) Name(s) of Designer(s): **Genlin Ye**  
(45) Registration Date: **10 April 2014**  
(30) Convention priority data:  
(31) Number (32) Date (33) Country  
**201330491863.X 18 Oct 2013 CHINA**  
(56) Related Art Documents: **Not Applicable**  
(57) Statement of Newness and Distinctiveness: **Newness and distinctiveness reside in the features of shape and/or configuration of a CHAIR as illustrated in the accompanying representations.**



(21) Design Number: **11433/2014**  
(22) Date of Filing Application: **26 March 2014**  
(24) Date from which industrial property rights may have effect: **26 March 2014**  
(54) Product in respect of which the design is registered: **Door frame and split door for an animal enclosure**  
(51) International Design Classification: **30-02**  
(74) Name(s) of Attorney(s): **SPRUSON & FERGUSON**  
(71) Name(s) and Address(s) of Applicant(s):  
**Mid-West Metal Products Co., Inc.**  
**PO Box 1031, Muncie Indiana 47308 United States of America**  
(72) Name(s) of Designer(s): **Brad Cantwell and Michael E Greene and Terrance L Jones and Stew Kerr**  
(45) Registration Date: **10 April 2014**  
(30) Convention priority data:  
(31) Number (32) Date (33) Country  
**29/468526 01 Oct 2013 UNITED STATES OF AMERICA**  
(56) Related Art Documents: **Not Applicable**  
(57) Statement of Newness and Distinctiveness: **Newness and distinctiveness is claimed in the features of shape and/or configuration of a door frame and split door for an animal enclosure as illustrated in the accompanying representations.**



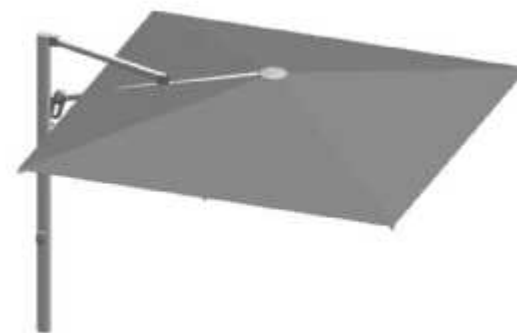
(21) Design Number: **11434/2014**  
(22) Date of Filing Application: **26 March 2014**  
(24) Date from which industrial property rights may have effect: **26 March 2014**  
(54) Product in respect of which the design is registered: **Animal bed**  
(51) International Design Classification: **30-06**  
(74) Name(s) of Attorney(s): **SPRUSON & FERGUSON**  
(71) Name(s) and Address(s) of Applicant(s):  
**Mid-West Metal Products Co., Inc.**  
**PO Box 1031, Muncie Indiana 47308 United States of America**  
(72) Name(s) of Designer(s): **Brad Cantwell and Stew Kerr and Terrance L Jones and Michael E Greene**  
(45) Registration Date: **10 April 2014**  
(30) Convention priority data:  
(31) Number (32) Date (33) Country  
**29/468293 27 Sep 2013 UNITED STATES OF AMERICA**  
(56) Related Art Documents: **Not Applicable**  
(57) Statement of Newness and Distinctiveness: **Newness and distinctiveness is claimed in the features of shape and/or configuration of the base of an animal bed, the base having securing straps "A", as illustrated in the accompanying representations.**



(21) Design Number: **11392/2014**  
(22) Date of Filing Application: **25 March 2014**  
(24) Date from which industrial property rights may have effect: **27 February 2014**  
(54) Product in respect of which the design is registered: **Tap handle**  
(51) International Design Classification: **23-01H**  
(74) Name(s) of Attorney(s):  
(71) Name(s) and Address(s) of Applicant(s):  
**Ian Shirliff**  
**PO BOX 610 Seven Hills NSW 1730 Australia**  
(72) Name(s) of Designer(s): **Ian Shirliff**  
(45) Registration Date: **10 April 2014**  
(62) Divisional of: **354929**  
(56) Related Art Documents: **Not Applicable**  
(57) Statement of Newness and Distinctiveness: **Newness and distinctiveness is claimed in the knurled section of the tap handle as illustrated in the accompanying representation.**



- (21) Design Number: **11394/2014**  
(22) Date of Filing Application: **25 March 2014**  
(24) Date from which industrial property rights may have effect: **25 March 2014**  
(54) Product in respect of which the design is registered: **Sunshade**  
(51) International Design Classification: **03-03**  
(74) Name(s) of Attorney(s): **PHILLIPS ORMONDE FITZPATRICK**  
(71) Name(s) and Address(s) of Applicant(s):  
**Zhejiang Zhengte Group Co., Ltd**  
**811 Oriental Avenue Linhai Zhejiang 317004 People's Republic of China**  
(72) Name(s) of Designer(s): **Jianfeng He and Caihua Shan and Lun Wang**  
(45) Registration Date: **10 April 2014**  
(30) Convention priority data:  
(31) Number (32) Date (33) Country  
**201330526776.3 05 Nov 2013 CHINA**  
(56) Related Art Documents: **Not Applicable**  
(57) Statement of Newness and Distinctiveness: **Those features of the sunshade depicted in the representations that are new and distinctive are the shape and/or configuration.**



- (21) Design Number: **11396/2014**  
(22) Date of Filing Application: **25 March 2014**  
(24) Date from which industrial property rights may have effect: **25 March 2014**  
(54) Product in respect of which the design is registered: **Sunshade**  
(51) International Design Classification: **03-03**  
(74) Name(s) of Attorney(s): **PHILLIPS ORMONDE FITZPATRICK**  
(71) Name(s) and Address(s) of Applicant(s):  
**Zhejiang Zhengte Group Co., Ltd**  
**811 Oriental Avenue Linhai Zhejiang 317004 People's Republic of China**  
(72) Name(s) of Designer(s): **Jianfeng He and Caihua Shan and Lun Wang**  
(45) Registration Date: **10 April 2014**  
(30) Convention priority data:  
(31) Number (32) Date (33) Country  
**201330527224.4 05 Nov 2013 CHINA**  
(56) Related Art Documents: **Not Applicable**  
(57) Statement of Newness and Distinctiveness: **Those features of the sunshade depicted in the representations that are new and distinctive are the shape and/or configuration.**



(21) Design Number: **11403/2014**  
(22) Date of Filing Application: **25 March 2014**  
(24) Date from which industrial property rights may have effect: **25 March 2014**  
(54) Product in respect of which the design is registered: **Shelf for storage trolleys**  
(51) International Design Classification: **06-04NES**  
(74) Name(s) of Attorney(s): **Golja Haines & Friend**  
(71) Name(s) and Address(s) of Applicant(s):



**K. Hartwall Oy Ab**  
**Kay Hartwallin tie 2 Soederkulla Uusimaa 01150 Finland**

(72) Name(s) of Designer(s): **Jussi Raninen and Markku Tiilikainen**

(45) Registration Date: **10 April 2014**

(30) Convention priority data:

(31) Number	(32) Date	(33) Country
<b>002324830</b>	<b>11 Oct 2013</b>	<b>OFFICE FOR HARMONISATION IN THE INTERNAL MARKET (OHIM)</b>

(56) Related Art Documents: **Not Applicable**

(57) Statement of Newness and Distinctiveness: **Nil**

(21) Design Number: **11406/2014**  
(22) Date of Filing Application: **25 March 2014**  
(24) Date from which industrial property rights may have effect: **25 March 2014**  
(54) Product in respect of which the design is registered: **Power connector**  
(51) International Design Classification: **13-03D**  
(74) Name(s) of Attorney(s): **Dark IP**  
(71) Name(s) and Address(s) of Applicant(s):

**WebTuner Corp.**  
**11121 Wilows Road NE Redmond WA 98052 United States of America**

(72) Name(s) of Designer(s): **Eduard Zaslavsky and Thomas E Nichols**

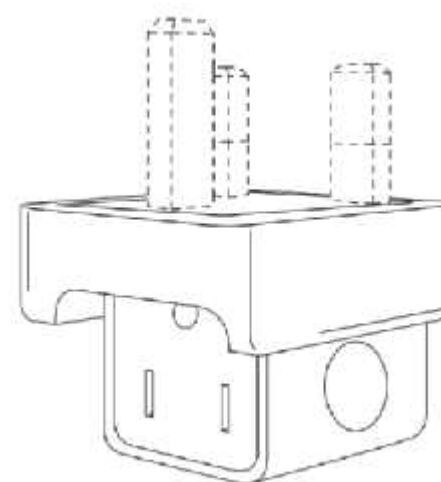
(45) Registration Date: **10 April 2014**

(30) Convention priority data:

(31) Number	(32) Date	(33) Country
<b>29/468,371</b>	<b>30 Sep 2013</b>	<b>UNITED STATES OF AMERICA</b>

(56) Related Art Documents: **Not Applicable**

(57) Statement of Newness and Distinctiveness: **The newness and distinctiveness of the design resides in the shape and/or configuration of the L-Shaped Power Connector for Type G Sockets shown in the representations. The broken lines shown in the representations are provided for illustration only and do not form part of the design.**





(21) Design Number: **11407/2014**

(22) Date of Filing Application: **25 March 2014**

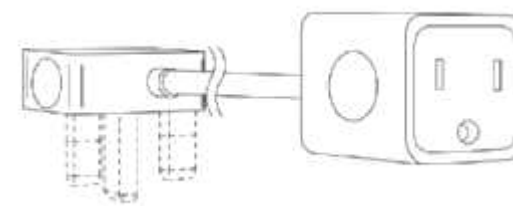
(24) Date from which industrial property rights may have effect: **25 March 2014**

(54) Product in respect of which the design is registered: **Power connector**

(51) International Design Classification: **13-03D**

(74) Name(s) of Attorney(s): **Dark IP**

(71) Name(s) and Address(s) of Applicant(s):



**WebTuner Corp.**

**11121 Wilows Road NE Redmond WA 98052 United States of America**

(72) Name(s) of Designer(s): **Eduard Zaslavsky and Thomas E Nichols**

(45) Registration Date: **10 April 2014**

(30) Convention priority data:

(31) Number	(32) Date	(33) Country
<b>29/468,372</b>	<b>30 Sep 2013</b>	<b>UNITED STATES OF AMERICA</b>

(56) Related Art Documents: **Not Applicable**

(57) Statement of Newness and Distinctiveness: **The newness and distinctiveness of the design resides in the shape and/or configuration of the Flexible Power Connector for Type G Sockets shown in the representations. The broken lines shown in the representations are provided for illustration only and do not form part of the design.**

(21) Design Number: **11409/2014**

(22) Date of Filing Application: **25 March 2014**

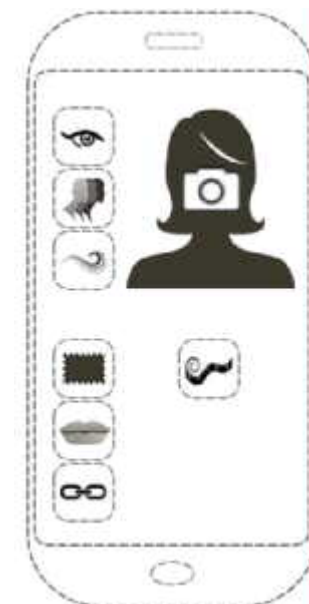
(24) Date from which industrial property rights may have effect: **25 March 2014**

(54) Product in respect of which the design is registered: **Display screen with user interface**

(51) International Design Classification: **14-04**

(74) Name(s) of Attorney(s):

(71) Name(s) and Address(s) of Applicant(s):



**Jaki Everitt**

**2201 4 Como Cres Southport QLD 4215 Australia**

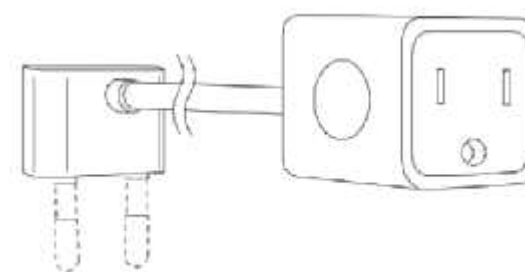
(72) Name(s) of Designer(s): **Jaki Everitt**

(45) Registration Date: **10 April 2014**

(56) Related Art Documents: **Not Applicable**

(57) Statement of Newness and Distinctiveness: **Newness and distinctiveness reside in the features of pattern, ornamentation and configuration as illustrated by solid lines in the accompanying representation. This figure is a front view display screen with icon group. The features shown in broken outline are for contextual purposes only and do not form part of the design.**

(21) Design Number: **11410/2014**  
(22) Date of Filing Application: **25 March 2014**  
(24) Date from which industrial property rights may have effect: **25 March 2014**  
(54) Product in respect of which the design is registered: **Power connector**  
(51) International Design Classification: **13-03D**  
(74) Name(s) of Attorney(s): **Dark IP**  
(71) Name(s) and Address(s) of Applicant(s):  
**WebTuner Corp.**  
**11121 Wilows Road NE Redmond WA 98052 United States of America**  
(72) Name(s) of Designer(s): **Eduard Zaslavsky and Thomas E Nichols**  
(45) Registration Date: **10 April 2014**  
(30) Convention priority data:  
(31) Number (32) Date (33) Country  
**29/468,375 30 Sep 2013 UNITED STATES OF AMERICA**



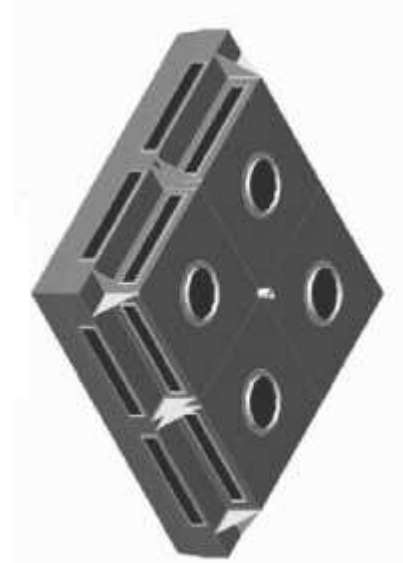
(56) Related Art Documents: **Not Applicable**  
(57) Statement of Newness and Distinctiveness: **The newness and distinctiveness of the design resides in the shape and/or configuration of the Flexible Power Connector for Type C Sockets shown in the representations. The broken lines shown in the representations are provided for illustration only and do not form part of the design.**

(21) Design Number: **11412/2014**  
(22) Date of Filing Application: **26 March 2014**  
(24) Date from which industrial property rights may have effect: **26 March 2014**  
(54) Product in respect of which the design is registered: **Handset**  
(51) International Design Classification: **14-03E**  
(74) Name(s) of Attorney(s): **Ashurst Australia**  
(71) Name(s) and Address(s) of Applicant(s):  
**Vertu Corporation Limited**  
**Beacon Hill Road Church Crookham Hampshire GU52 8DY United Kingdom**  
(72) Name(s) of Designer(s): **Nathan Bates and Ignacio Germade**  
(45) Registration Date: **10 April 2014**  
(30) Convention priority data:  
(31) Number (32) Date (33) Country  
**002416230 03 Mar 2014 OFFICE FOR HARMONISATION IN THE INTERNAL MARKET (OHIM)**

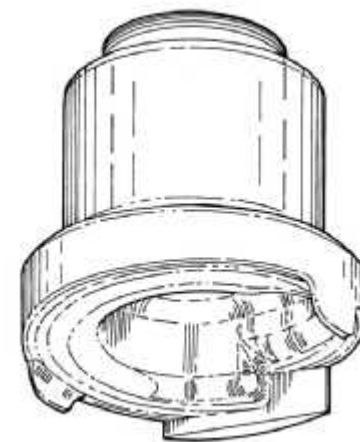


(56) Related Art Documents: **Not Applicable**  
(57) Statement of Newness and Distinctiveness: **Nil**

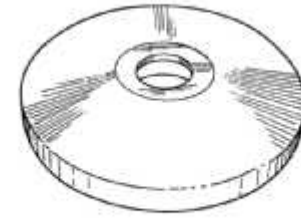
- (21) Design Number: **14783/2013**  
(22) Date of Filing Application: **20 September 2013**  
(24) Date from which industrial property rights may have effect: **20 September 2013**  
(54) Product in respect of which the design is registered: **Operating theatre ventilation plenum**  
(51) International Design Classification: **23-04**  
(74) Name(s) of Attorney(s):  
(71) Name(s) and Address(s) of Applicant(s):  
**Engineering Pty Limited**  
**City Mill Building L1 11 Morrison St Hobart TAS 7000 Australia**  
(72) Name(s) of Designer(s): **Andrew Sutherland**  
(45) Registration Date: **10 April 2014**  
(56) Related Art Documents: **Not Applicable**  
(57) Statement of Newness and Distinctiveness: **Laminar Flow Operating theatre ventilation system plenum with perimeter profile.**



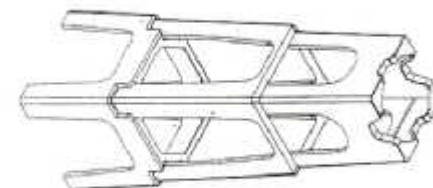
- (21) Design Number: **14907/2013**  
(22) Date of Filing Application: **25 September 2013**  
(24) Date from which industrial property rights may have effect: **25 September 2013**  
(54) Product in respect of which the design is registered: **A vehicle suspension spacer**  
(51) International Design Classification: **12-16NES**  
(74) Name(s) of Attorney(s): **Intellepro Patent & Trade Mark Attorneys**  
(71) Name(s) and Address(s) of Applicant(s):  
**Clamp Industries Pty Ltd**  
**9 Hinkler Ct Brendale QLD 4500 Australia**  
(72) Name(s) of Designer(s): **Richard Clamp and Brett Curtis**  
(45) Registration Date: **10 April 2014**  
(56) Related Art Documents: **Not Applicable**  
(57) Statement of Newness and Distinctiveness: **Newness and distinctiveness resides in the shape and configuration of the larger of the two ends. When considering the monopoly protection the shape and configuration of the threaded end, the cylindrical body and the circumferentially spaced axial tabs around the periphery of the larger end are to be disregarded.**



- (21) Design Number: **14908/2013**  
(22) Date of Filing Application: **25 September 2013**  
(24) Date from which industrial property rights may have effect: **25 September 2013**  
(54) Product in respect of which the design is registered: **A vehicle suspension spacer disc**  
(51) International Design Classification: **12-16NES**  
(74) Name(s) of Attorney(s): **Intellepro Patent & Trade Mark Attorneys**  
(71) Name(s) and Address(s) of Applicant(s):  
**Clamp Industries Pty Ltd**  
**9 Hinkler Ct Brendale QLD 4500 Australia**  
(72) Name(s) of Designer(s): **Richard Clamp and Brett Curtis**  
(45) Registration Date: **10 April 2014**  
(56) Related Art Documents: **Not Applicable**  
(57) Statement of Newness and Distinctiveness: **Nil**



- (21) Design Number: **11329/2014**  
(22) Date of Filing Application: **21 March 2014**  
(24) Date from which industrial property rights may have effect: **21 March 2014**  
(54) Product in respect of which the design is registered: **Plastic bar chair for reinforcing steel**  
(51) International Design Classification: **25-01B**  
(74) Name(s) of Attorney(s):  
(71) Name(s) and Address(s) of Applicant(s):  
**Lee Ann Gallagher**  
**6 Pelican Pl Woronora Heights NSW 2233 Australia**  
(72) Name(s) of Designer(s): **Lee Ann Gallagher**  
(45) Registration Date: **10 April 2014**  
(56) Related Art Documents: **Not Applicable**  
(57) Statement of Newness and Distinctiveness: **Higher than other designs and square.**



(21) Design Number: **11376/2014**  
(22) Date of Filing Application: **25 March 2014**  
(24) Date from which industrial property rights may have effect: **25 March 2014**  
(54) Product in respect of which the design is registered: **Beer glass**  
(51) International Design Classification: **07-01C**  
(74) Name(s) of Attorney(s): **Griffith Hack**  
(71) Name(s) and Address(s) of Applicant(s):  
**govino, LLC**  
**1250 Church St., Suite F St. Helena CA 94574 United States of America**  
(72) Name(s) of Designer(s): **Boyd I Willat and Amber Willat and Robert Portillo and Barbara Heizer and Joseph T Perrulli**  
(45) Registration Date: **10 April 2014**  
(30) Convention priority data:  
(31) Number (32) Date (33) Country  
**29/468,315 27 Sep 2013 UNITED STATES OF AMERICA**  
(56) Related Art Documents: **Not Applicable**  
(57) Statement of Newness and Distinctiveness: **Nil**



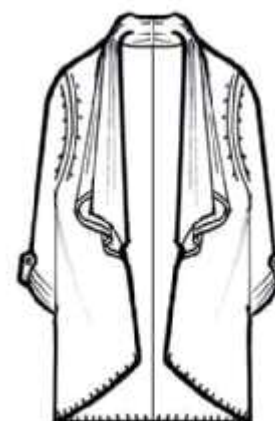
(21) Design Number: **11381/2014**  
(22) Date of Filing Application: **25 March 2014**  
(24) Date from which industrial property rights may have effect: **25 March 2014**  
(54) Product in respect of which the design is registered: **Double wall coffee cup**  
(51) International Design Classification: **07-01D**  
(74) Name(s) of Attorney(s): **Ascot Martin Registered Patent & Trade Mark Attorneys**  
(71) Name(s) and Address(s) of Applicant(s):  
**Tras Marketing and Sales Pty Ltd**  
**U7/167 Prospect Hwy Seven Hills NSW 2147 Australia**  
(72) Name(s) of Designer(s): **Hallan Moulin**  
(45) Registration Date: **10 April 2014**  
(56) Related Art Documents: **Not Applicable**  
(57) Statement of Newness and Distinctiveness: **The features of the design which are new and distinctive are the shape and configuration of the double wall coffee cup as shown in the accompanying representations.**



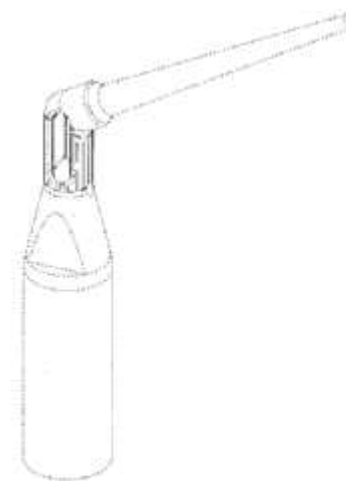
- (21) Design Number: **13613/2013**  
(22) Date of Filing Application: **25 July 2013**  
(24) Date from which industrial property rights may have effect: **25 July 2013**  
(54) Product in respect of which the design is registered: **Bag**  
(51) International Design Classification: **03-01B**  
(74) Name(s) of Attorney(s): **Allens Patent & Trade Mark Attorneys**  
(71) Name(s) and Address(s) of Applicant(s):  
**Forever New Clothing Pty Ltd**  
**714-716 High St Kew East VIC 3102 Australia**  
(72) Name(s) of Designer(s): **Georgia Roberts-Thomson**  
(45) Registration Date: **10 April 2014**  
(56) Related Art Documents: **Not Applicable**  
(57) Statement of Newness and Distinctiveness: **Newness and distinctiveness resides in the visual features of shape, configuration, pattern and/or ornamentation of an accessory item as shown in the accompanying representations.**



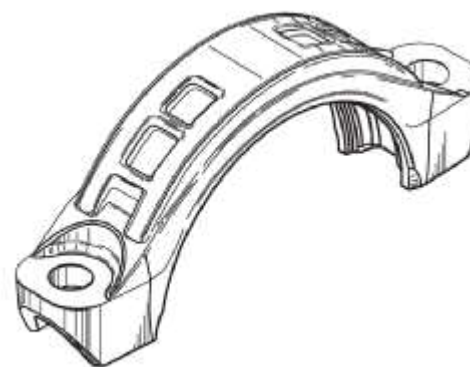
- (21) Design Number: **13614/2013**  
(22) Date of Filing Application: **25 July 2013**  
(24) Date from which industrial property rights may have effect: **25 July 2013**  
(54) Product in respect of which the design is registered: **Article of clothing**  
(51) International Design Classification: **02-02C, 02-02NES**  
(74) Name(s) of Attorney(s): **Allens Patent & Trade Mark Attorneys**  
(71) Name(s) and Address(s) of Applicant(s):  
**Forever New Clothing Pty Ltd**  
**714-716 High St Kew East VIC 3102 Australia**  
(72) Name(s) of Designer(s): **Rebecca Royce**  
(45) Registration Date: **10 April 2014**  
(56) Related Art Documents: **Not Applicable**  
(57) Statement of Newness and Distinctiveness: **Newness and distinctiveness resides in the visual features of shape, configuration, pattern and/or ornamentation of an article of clothing as shown in the accompanying representations.**



(21) Design Number: **10784/2014**  
(22) Date of Filing Application: **20 February 2014**  
(24) Date from which industrial property rights may have effect: **20 February 2014**  
(54) Product in respect of which the design is registered: **Dental tool**  
(51) International Design Classification: **24-02**  
(74) Name(s) of Attorney(s): **Pizzeys**  
(71) Name(s) and Address(s) of Applicant(s):  
**Engineered Endodontics, LLC**  
**4965 N. Campbell Drive Menomonee Falls WI 53051 United States of America**  
(72) Name(s) of Designer(s): **Mark Arthur Fiorina and Mark Andrew Fiorina**  
(45) Registration Date: **10 April 2014**  
(30) Convention priority data:  
(31) Number (32) Date (33) Country  
**29/469,119 07 Oct 2013 UNITED STATES OF AMERICA**  
(56) Related Art Documents: **Not Applicable**  
(57) Statement of Newness and Distinctiveness: **Nil**



(21) Design Number: **11386/2014**  
(22) Date of Filing Application: **25 March 2014**  
(24) Date from which industrial property rights may have effect: **25 March 2014**  
(54) Product in respect of which the design is registered: **Pipe coupling segment**  
(51) International Design Classification: **23-01A**  
(74) Name(s) of Attorney(s): **SPRUSON & FERGUSON**  
(71) Name(s) and Address(s) of Applicant(s):  
**Victaulic Company**  
**4901 Kesslersville Road Easton Pennsylvania 18040 United States of America**  
(72) Name(s) of Designer(s): **Scott D. Madara and Charles E. Wilk Jr and Anthony J. Cuvo and Douglas R. Dole**  
(45) Registration Date: **10 April 2014**  
(30) Convention priority data:  
(31) Number (32) Date (33) Country  
**29/467976 25 Sep 2013 UNITED STATES OF AMERICA**  
(56) Related Art Documents: **Not Applicable**  
(57) Statement of Newness and Distinctiveness: **Newness and distinctiveness is claimed in the features of shape and/or configuration of a pipe coupling segment as illustrated in the accompanying representations.**



(21) Design Number: **11393/2014**

(22) Date of Filing Application: **25 March 2014**

(24) Date from which industrial property rights may have effect: **25 March 2014**

(54) Product in respect of which the design is registered: **Sunshade**

(51) International Design Classification: **03-03**

(74) Name(s) of Attorney(s): **PHILLIPS ORMONDE FITZPATRICK**

(71) Name(s) and Address(s) of Applicant(s):

**Zhejiang Zhengte Group Co., Ltd**  
**811 Oriental Avenue Linhai Zhejiang 317004 People's Republic of China**

(72) Name(s) of Designer(s): **Jianfeng He and Caihua Shan and Lun Wang**

(45) Registration Date: **10 April 2014**

(30) Convention priority data:

(31) Number	(32) Date	(33) Country
<b>201330526776.3</b>	<b>05 Nov 2013</b>	<b>CHINA</b>

(56) Related Art Documents: **Not Applicable**

(57) Statement of Newness and Distinctiveness: **Those features of the sunshade depicted in the representations that are new and distinctive are the shape and/or configuration.**



(21) Design Number: **11395/2014**

(22) Date of Filing Application: **25 March 2014**

(24) Date from which industrial property rights may have effect: **25 March 2014**

(54) Product in respect of which the design is registered: **Sunshade**

(51) International Design Classification: **03-03**

(74) Name(s) of Attorney(s): **PHILLIPS ORMONDE FITZPATRICK**

(71) Name(s) and Address(s) of Applicant(s):

**Zhejiang Zhengte Group Co., Ltd**  
**811 Oriental Avenue Linhai Zhejiang 317004 People's Republic of China**

(72) Name(s) of Designer(s): **Jianfeng He and Caihua Shan and Lun Wang**

(45) Registration Date: **10 April 2014**

(30) Convention priority data:

(31) Number	(32) Date	(33) Country
<b>201330527156.1</b>	<b>05 Nov 2013</b>	<b>CHINA</b>

(56) Related Art Documents: **Not Applicable**

(57) Statement of Newness and Distinctiveness: **Those features of the sunshade depicted in the representations that are new and distinctive are the shape and/or configuration.**





- (21) Design Number: **11398/2014**  
(22) Date of Filing Application: **25 March 2014**  
(24) Date from which industrial property rights may have effect: **25 March 2014**  
(54) Product in respect of which the design is registered: **Combination spoon and fork**  
(51) International Design Classification: **07-03**  
(74) Name(s) of Attorney(s): **Freehills Patent Attorneys**  
(71) Name(s) and Address(s) of Applicant(s):  
**humangear, Inc.**  
**745A Clementina Street San Francisco California 94103 United States of America**  
(72) Name(s) of Designer(s): **Christopher A Miksovsky and Clint N Slone and Evelyne Chaubert and Charlie Nghiem and Jeffrey Allen Salazar**  
(45) Registration Date: **10 April 2014**  
(30) Convention priority data:  
(31) Number (32) Date (33) Country  
**29/484553 11 Mar 2014 UNITED STATES OF AMERICA**  
(56) Related Art Documents: **Not Applicable**  
(57) Statement of Newness and Distinctiveness: **Newness and distinctiveness of the design resides in the features of shape and configuration of the combination spoon and fork as shown in the accompanying representations.**



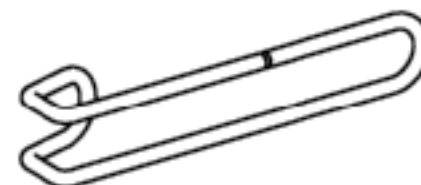
- (21) Design Number: **11420/2014**  
(22) Date of Filing Application: **26 March 2014**  
(24) Date from which industrial property rights may have effect: **26 March 2014**  
(54) Product in respect of which the design is registered: **Electronic smoking article charger**  
(51) International Design Classification: **13-02, 27-99**  
(74) Name(s) of Attorney(s): **SPRUSON & FERGUSON**  
(71) Name(s) and Address(s) of Applicant(s):  
**Altria Client Services Inc.**  
**6601 West Broad Street, Richmond Virginia, 23230 United States of America**  
(72) Name(s) of Designer(s): **David R Schiff and Chris Phelan and Eric Hawes and Berina Yerkic-Husejnovic and Terry Bache**  
(45) Registration Date: **10 April 2014**  
(30) Convention priority data:  
(31) Number (32) Date (33) Country  
**29/468174 26 Sep 2013 UNITED STATES OF AMERICA**  
(56) Related Art Documents: **Not Applicable**  
(57) Statement of Newness and Distinctiveness: **Newness and distinctiveness is claimed in those features of shape and/or configuration of an electronic smoking article charger enclosed by border A in the additional view.**



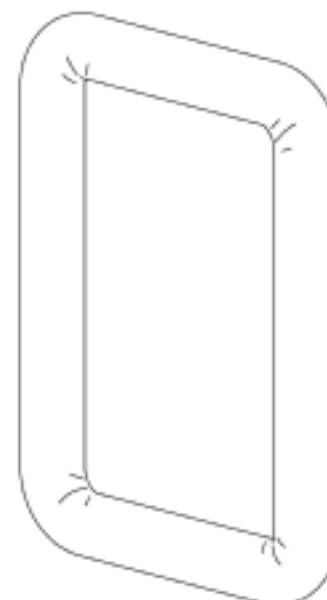
(21) Design Number: **11427/2014**  
(22) Date of Filing Application: **26 March 2014**  
(24) Date from which industrial property rights may have effect: **26 March 2014**  
(54) Product in respect of which the design is registered: **Lamp**  
(51) International Design Classification: **26-05B**  
(74) Name(s) of Attorney(s): **Shelston IP**  
(71) Name(s) and Address(s) of Applicant(s):  
**Starway International Home-Living Co., Ltd.**  
**No. 97 Shiyuan Road Nancheng Huangyan Taizhou Zhejiang People's**  
**Republic of China**  
(72) Name(s) of Designer(s): **Genlin Ye**  
(45) Registration Date: **10 April 2014**  
(30) Convention priority data:  
(31) Number (32) Date (33) Country  
**201330615751.0 11 Dec 2013 CHINA**  
(56) Related Art Documents: **Not Applicable**  
(57) Statement of Newness and Distinctiveness: **Newness and distinctiveness**  
**reside in the features of shape and/or configuration of a LAMP as**  
**illustrated in the accompanying representations.**



(21) Design Number: **11428/2014**  
(22) Date of Filing Application: **26 March 2014**  
(24) Date from which industrial property rights may have effect: **26 March 2014**  
(54) Product in respect of which the design is registered: **Clip for an animal**  
**housing**  
(51) International Design Classification: **30-02, 08-08C**  
(74) Name(s) of Attorney(s): **SPRUSON & FERGUSON**  
(71) Name(s) and Address(s) of Applicant(s):  
**Mid-West Metal Products Co., Inc.**  
**PO Box 1031 Muncie IN 47308 United States of America**  
(72) Name(s) of Designer(s): **Terrance L Jones and Michael E Greene and Stew**  
**Kerr and John Douglas Campbell**  
(45) Registration Date: **10 April 2014**  
(30) Convention priority data:  
(31) Number (32) Date (33) Country  
**29/468345 30 Sep 2013 UNITED STATES OF AMERICA**  
(56) Related Art Documents: **Not Applicable**  
(57) Statement of Newness and Distinctiveness: **Newness and distinctiveness**  
**is claimed in the features of shape and/or configuration of a clip for an**  
**animal housing as illustrated in the accompanying representations.**



(21) Design Number: **11435/2014**  
(22) Date of Filing Application: **26 March 2014**  
(24) Date from which industrial property rights may have effect: **26 March 2014**  
(54) Product in respect of which the design is registered: **Animal bed**  
(51) International Design Classification: **30-06**  
(74) Name(s) of Attorney(s): **SPRUSON & FERGUSON**  
(71) Name(s) and Address(s) of Applicant(s):  
**Mid-West Metal Products Co., Inc.**  
**PO Box 1031, Muncie Indiana 47308 United States of America**  
(72) Name(s) of Designer(s): **Brad Cantwell and Stew Kerr and Terrance L Jones and Michael E Greene**  
(45) Registration Date: **10 April 2014**  
(30) Convention priority data:  
(31) Number (32) Date (33) Country  
**29/468293 27 Sep 2013 UNITED STATES OF AMERICA**  
(56) Related Art Documents: **Not Applicable**  
(57) Statement of Newness and Distinctiveness: **Newness and distinctiveness is claimed in the features of shape and/or configuration of the base of an animal bed, the base having securing straps "A" as illustrated in the accompanying representations.**



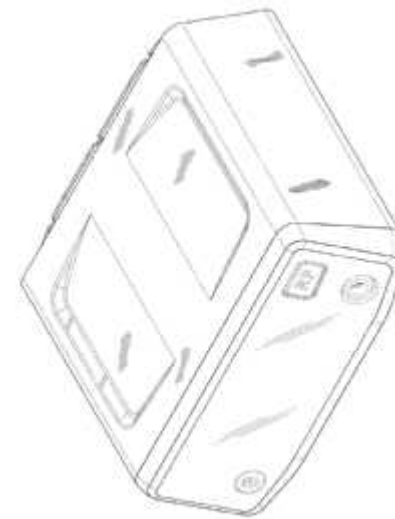
(21) Design Number: **16764/2013**  
(22) Date of Filing Application: **23 December 2013**  
(24) Date from which industrial property rights may have effect: **23 December 2013**  
(54) Product in respect of which the design is registered: **Hook**  
(51) International Design Classification: **08-08G**  
(74) Name(s) of Attorney(s): **Davies Collison Cave**  
(71) Name(s) and Address(s) of Applicant(s):  
**3M Innovative Properties Company**  
**3M Center Saint Paul Minnesota, 55133-3427 United States of America**  
(72) Name(s) of Designer(s): **Angela L. Pan**  
(45) Registration Date: **11 April 2014**  
(30) Convention priority data:  
(31) Number (32) Date (33) Country  
**29/459499 01 Jul 2013 UNITED STATES OF AMERICA**  
(56) Related Art Documents: **Not Applicable**  
(57) Statement of Newness and Distinctiveness: **Nil**



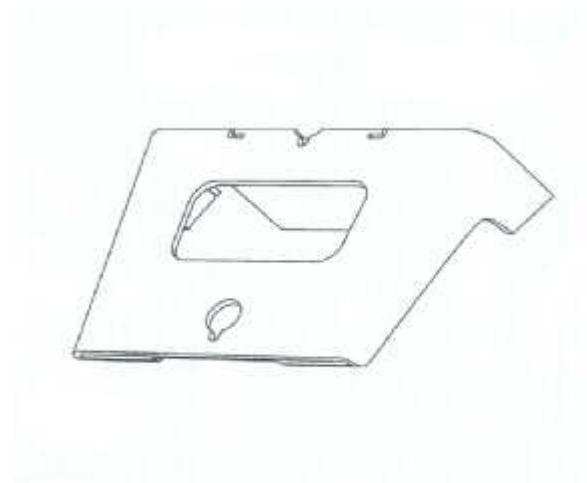
- (21) Design Number: **11495/2014**  
(22) Date of Filing Application: **28 March 2014**  
(24) Date from which industrial property rights may have effect: **28 March 2014**  
(54) Product in respect of which the design is registered: **Door stop**  
(51) International Design Classification: **08-09**  
(74) Name(s) of Attorney(s): **James & Wells Intellectual Property**  
(71) Name(s) and Address(s) of Applicant(s):  
**Miles Nelson Manufacturing Co Limited**  
**5 Lovell Court Albany Auckland 0632 New Zealand**  
(72) Name(s) of Designer(s): **Paul Gary McKinney**  
(45) Registration Date: **11 April 2014**  
(30) Convention priority data:  
(31) Number (32) Date (33) Country  
**418205 08 Nov 2013 NEW ZEALAND**  
(56) Related Art Documents: **Not Applicable**  
(57) Statement of Newness and Distinctiveness: **The design is to be applied to a doorstop, and the novelty resides in features of shape and configuration as shown in the accompanying representations.**



- (21) Design Number: **11498/2014**  
(22) Date of Filing Application: **28 March 2014**  
(24) Date from which industrial property rights may have effect: **28 March 2014**  
(54) Product in respect of which the design is registered: **Generator for a medical treatment device**  
(51) International Design Classification: **24-01**  
(74) Name(s) of Attorney(s): **SPRUSON & FERGUSON**  
(71) Name(s) and Address(s) of Applicant(s):  
**Covidien LP**  
**15 Hampshire Street Mansfield Massachusetts 02048 United States of America**  
(72) Name(s) of Designer(s): **Yuewen Zheng and Xiaolin Sang**  
(45) Registration Date: **11 April 2014**  
(30) Convention priority data:  
(31) Number (32) Date (33) Country  
**201330464315.8 29 Sep 2013 CHINA**  
(56) Related Art Documents: **Not Applicable**  
(57) Statement of Newness and Distinctiveness: **Newness and distinctiveness is claimed in those features of shape and/or configuration of a generator for a medical treatment device illustrated in continuous lines in the accompanying representations.**



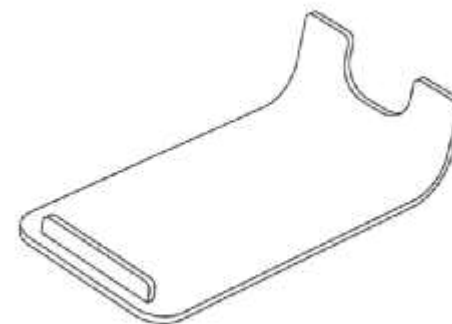
(21) Design Number: **11500/2014**  
(22) Date of Filing Application: **28 March 2014**  
(24) Date from which industrial property rights may have effect: **28 March 2014**  
(54) Product in respect of which the design is registered: **Telephone holder**  
(51) International Design Classification: **14-03A**  
(74) Name(s) of Attorney(s): **FB Rice**  
(71) Name(s) and Address(s) of Applicant(s):  
**Unify GmbH & Co. KG**  
**Hofmannstrasse 51 Munich 81379 Germany**  
(72) Name(s) of Designer(s): **Stefan Hillenmayer and Patrick Treder**  
(45) Registration Date: **11 April 2014**  
(30) Convention priority data:  
(31) Number (32) Date (33) Country  
**001386445-0001 10 Oct 2013 OFFICE FOR HARMONISATION IN**  
**THE INTERNAL MARKET (OHIM)**  
(56) Related Art Documents: **Not Applicable**  
(57) Statement of Newness and Distinctiveness: **Newness and distinctiveness**  
**reside in the features of shape and configuration of the design as shown**  
**in the representations.**



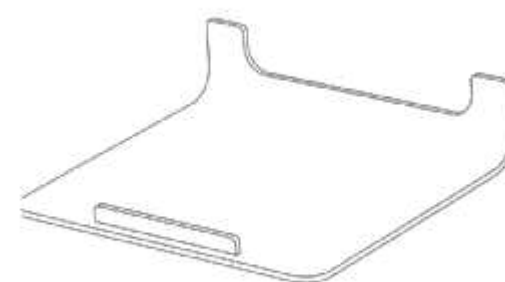
(21) Design Number: **11501/2014**  
(22) Date of Filing Application: **28 March 2014**  
(24) Date from which industrial property rights may have effect: **28 March 2014**  
(54) Product in respect of which the design is registered: **Telephone holder**  
(51) International Design Classification: **14-03A**  
(74) Name(s) of Attorney(s): **FB Rice**  
(71) Name(s) and Address(s) of Applicant(s):  
**Unify GmbH & Co. KG**  
**Hofmannstrasse 51 Munich 81379 Germany**  
(72) Name(s) of Designer(s): **Stefan Hillenmayer and Patrick Treder**  
(45) Registration Date: **11 April 2014**  
(30) Convention priority data:  
(31) Number (32) Date (33) Country  
**001386445-0002 10 Oct 2013 OFFICE FOR HARMONISATION IN**  
**THE INTERNAL MARKET (OHIM)**  
(56) Related Art Documents: **Not Applicable**  
(57) Statement of Newness and Distinctiveness: **Newness and distinctiveness**  
**reside in the features of shape and configuration of the design as shown**  
**in the representations.**



(21) Design Number: **11502/2014**  
(22) Date of Filing Application: **28 March 2014**  
(24) Date from which industrial property rights may have effect: **28 March 2014**  
(54) Product in respect of which the design is registered: **Telephone holder**  
(51) International Design Classification: **14-03A**  
(74) Name(s) of Attorney(s): **FB Rice**  
(71) Name(s) and Address(s) of Applicant(s):  
**Unify GmbH & Co. KG**  
**Hofmannstrasse 51 Munich 81379 Germany**  
(72) Name(s) of Designer(s): **Stefan Hillenmayer and Patrick Treder**  
(45) Registration Date: **11 April 2014**  
(30) Convention priority data:  
(31) Number (32) Date (33) Country  
**001386445-0003 10 Oct 2013 OFFICE FOR HARMONISATION IN**  
**THE INTERNAL MARKET (OHIM)**  
(56) Related Art Documents: **Not Applicable**  
(57) Statement of Newness and Distinctiveness: **Newness and distinctiveness**  
**reside in the features of shape and configuration of the design as shown**  
**in the representations.**



(21) Design Number: **11503/2014**  
(22) Date of Filing Application: **28 March 2014**  
(24) Date from which industrial property rights may have effect: **28 March 2014**  
(54) Product in respect of which the design is registered: **Telephone holder**  
(51) International Design Classification: **14-03A**  
(74) Name(s) of Attorney(s): **FB Rice**  
(71) Name(s) and Address(s) of Applicant(s):  
**Unify GmbH & Co. KG**  
**Hofmannstrasse 51 Munich 81379 Germany**  
(72) Name(s) of Designer(s): **Stefan Hillenmayer and Patrick Treder**  
(45) Registration Date: **11 April 2014**  
(30) Convention priority data:  
(31) Number (32) Date (33) Country  
**001386445-0004 10 Oct 2013 OFFICE FOR HARMONISATION IN**  
**THE INTERNAL MARKET (OHIM)**  
(56) Related Art Documents: **Not Applicable**  
(57) Statement of Newness and Distinctiveness: **Newness and distinctiveness**  
**reside in the features of shape and configuration of the design as shown**  
**in the representations.**



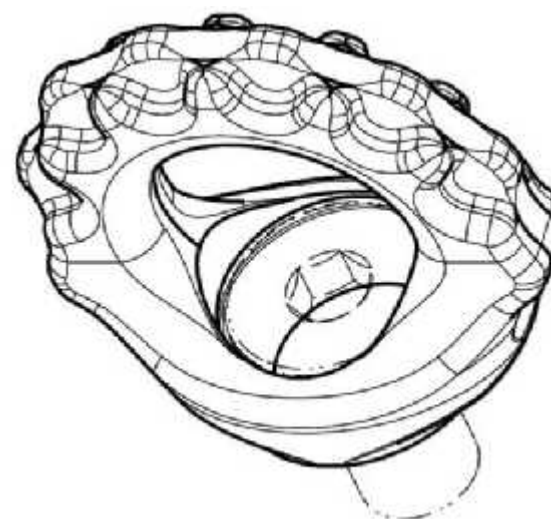
- (21) Design Number: **16377/2013**  
(22) Date of Filing Application: **05 December 2013**  
(24) Date from which industrial property rights may have effect: **05 December 2013**  
(54) Product in respect of which the design is registered: **Audio amplifier**  
(51) International Design Classification: **14-03NES**  
(74) Name(s) of Attorney(s):  
(71) Name(s) and Address(s) of Applicant(s):



**RARE AUDIO PTY LTD**  
**U2/200 Turner St Port Melbourne VIC 3207 Australia**

- (72) Name(s) of Designer(s): **Julian Merritt**  
(45) Registration Date: **11 April 2014**  
(56) Related Art Documents: **Not Applicable**  
(57) Statement of Newness and Distinctiveness: **The Rare Audio amplifier housing is an incredibly low profile metal heatsink, incorporating fins along the sides, and flat top and bottom surfaces. The newness and distinctiveness is in the low profile heatsink design which is not possible with other designs of audio amplifier due to large electronic components which are not required in this design. The low profile design is also made possible by single-sided loading of Printed Circuit Board (PCB) modules. The housing is designed in such a way as to enable each PCB module inside the housing to be mounted directly onto the base heatsink plate and be clamped in place by the top plate for maximum heatsinking capability. Passive cooling is achieved in the low profile housing design by providing a very large surface area of heatsink for the total volume of the product. The number and type of audio and electrical connectors may be varied with each model of amplifier.**

- (21) Design Number: **10027/2014**  
(22) Date of Filing Application: **06 January 2014**  
(24) Date from which industrial property rights may have effect: **06 January 2014**  
(54) Product in respect of which the design is registered: **Eye bolts**  
(51) International Design Classification: **08-08B**  
(74) Name(s) of Attorney(s): **Davies Collison Cave**  
(71) Name(s) and Address(s) of Applicant(s):



**RUD Ketten Rieger & Dietz GmbH u. Co. KG**  
**Friedensinsel Aalen 73432 Germany**

- (72) Name(s) of Designer(s): **Reinhard Smetz**  
(45) Registration Date: **11 April 2014**  
(30) Convention priority data:  
(31) Number (32) Date (33) Country  
**002283713-0002 30 Jul 2013 OFFICE FOR HARMONISATION IN THE INTERNAL MARKET (OHIM)**

- (56) Related Art Documents: **Not Applicable**  
(57) Statement of Newness and Distinctiveness: **Newness and distinctiveness is claimed in the visual features shown in solid lines in the representations.**

(21) Design Number: **11504/2014**  
(22) Date of Filing Application: **28 March 2014**  
(24) Date from which industrial property rights may have effect: **28 March 2014**  
(54) Product in respect of which the design is registered: **Jar**  
(51) International Design Classification: **09-01C**  
(74) Name(s) of Attorney(s): **Corrs Chambers Westgarth**  
(71) Name(s) and Address(s) of Applicant(s):  
**Blackmores Limited**  
**20 Jubilee Ave Warriewood NSW 2102 Australia**  
(72) Name(s) of Designer(s): **Clive Solari and Jackie Smiles**  
(45) Registration Date: **11 April 2014**  
(56) Related Art Documents: **Not Applicable**  
(57) Statement of Newness and Distinctiveness: **Nil**



(21) Design Number: **11505/2014**  
(22) Date of Filing Application: **28 March 2014**  
(24) Date from which industrial property rights may have effect: **28 March 2014**  
(54) Product in respect of which the design is registered: **Jar**  
(51) International Design Classification: **09-01C**  
(74) Name(s) of Attorney(s): **Corrs Chambers Westgarth**  
(71) Name(s) and Address(s) of Applicant(s):  
**Blackmores Limited**  
**20 Jubilee Ave Warriewood NSW 2102 Australia**  
(72) Name(s) of Designer(s): **Clive Solari and Jackie Smiles**  
(45) Registration Date: **11 April 2014**  
(56) Related Art Documents: **Not Applicable**  
(57) Statement of Newness and Distinctiveness: **Nil**





(21) Design Number: **11506/2014**

(22) Date of Filing Application: **28 March 2014**

(24) Date from which industrial property rights may have effect: **28 March 2014**

(54) Product in respect of which the design is registered: **Air conditioner case**

(51) International Design Classification: **23-04**

(74) Name(s) of Attorney(s): **AJ Park**

(71) Name(s) and Address(s) of Applicant(s):

**Gree Electric Appliances, Inc. of Zhuhai  
Qianshan Jinji West Road Zhuhai Guangdong 519070 People's Republic  
of China**

(72) Name(s) of Designer(s): **Yongliang An and Sha Li and Yan Ruan**

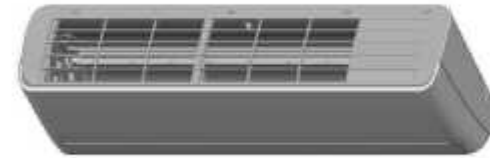
(45) Registration Date: **11 April 2014**

(30) Convention priority data:

(31) Number	(32) Date	(33) Country
<b>201330547699</b>	<b>13 Nov 2013</b>	<b>CHINA</b>

(56) Related Art Documents: **Not Applicable**

(57) Statement of Newness and Distinctiveness: **Newness and distinctiveness reside in the features of shape and/or configuration of the AIR CONDITIONER CASE as shown in the representations.**



(21) Design Number: **11507/2014**

(22) Date of Filing Application: **28 March 2014**

(24) Date from which industrial property rights may have effect: **28 March 2014**

(54) Product in respect of which the design is registered: **A label dispenser**

(51) International Design Classification: **18-99**

(74) Name(s) of Attorney(s):

(71) Name(s) and Address(s) of Applicant(s):

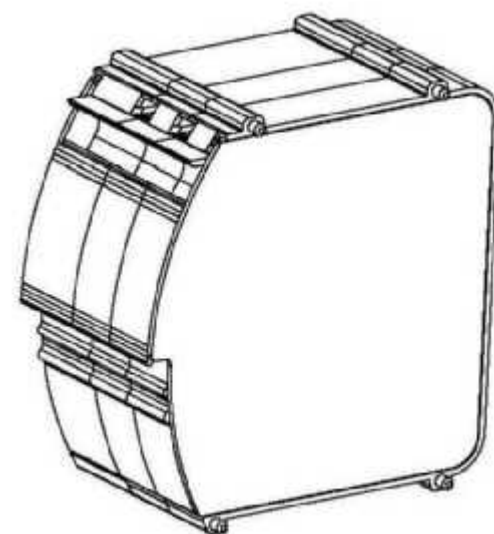
**Triarc Systems Limited  
109 Alexandra Crescent Hastings New Zealand**

(72) Name(s) of Designer(s): **Paul Sandkuijl and Steve Pugh**

(45) Registration Date: **11 April 2014**

(56) Related Art Documents: **Not Applicable**

(57) Statement of Newness and Distinctiveness: **The design is applied to a label dispenser and the novelty resides in the features of shape and configuration as shown in the accompanying representations.**



- (21) Design Number: **11508/2014**  
(22) Date of Filing Application: **28 March 2014**  
(24) Date from which industrial property rights may have effect: **28 March 2014**  
(54) Product in respect of which the design is registered: **Lights**  
(51) International Design Classification: **26-05A**  
(74) Name(s) of Attorney(s): **SPRUSON & FERGUSON**  
(71) Name(s) and Address(s) of Applicant(s):  
**R. Stahl Schaltgerate GmbH**  
**Am Bahnhof 30 Waldenburg 74638 Germany**  
(72) Name(s) of Designer(s): **Rupert Lung and Uwe Ehrler and Falk Turmer**  
(45) Registration Date: **11 April 2014**  
(30) Convention priority data:  
(31) Number (32) Date (33) Country  
**002317784-0001 30 Sep 2013 OFFICE FOR HARMONISATION IN**  
**THE INTERNAL MARKET (OHIM)**  
(56) Related Art Documents: **Not Applicable**  
(57) Statement of Newness and Distinctiveness: **Newness and distinctiveness**  
**is claimed in the features of shape and/or configuration of lights as**  
**illustrated in the accompanying representations.**



- (21) Design Number: **10162/2014**  
(22) Date of Filing Application: **15 January 2014**  
(24) Date from which industrial property rights may have effect: **15 January 2014**  
(54) Product in respect of which the design is registered: **Dispenser**  
(51) International Design Classification: **31-00**  
(74) Name(s) of Attorney(s): **SPRUSON & FERGUSON**  
(71) Name(s) and Address(s) of Applicant(s):  
**PepsiCo, Inc.**  
**700 Anderson Hill Road Purchase New York 10577 United States of**  
**America**  
(72) Name(s) of Designer(s): **Martin Eduardo Broen and Stephen Lim and**  
**Johannes Bayer and Martin Ivar Franzen**  
(45) Registration Date: **11 April 2014**  
(56) Related Art Documents: **Not Applicable**  
(57) Statement of Newness and Distinctiveness: **Newness and distinctiveness**  
**is claimed in those features of shape and/or configuration of a dispenser**  
**illustrated in continuous lines in the accompanying representations.**

