



Australian Government

IP Australia

AUSTRALIAN OFFICIAL JOURNAL

OF

DESIGNS

Did you know a searchable version of this journal is now available online?

It's FREE and EASY to SEARCH.

Find it on our website (www.ipaustralia.gov.au)

by using the "Journals" link on the home page.

This Page Left Intentionally Blank

Contents

General Information & Notices

**Proceedings Under the Designs Act 1906 preserved as a result of the provisions of Chapter 12
Part 2 of the Designs Act 2003**

Extension of Period of Registration of Designs	1242
Names Registered - Alterations and Amendments	1242
Registrations Ceased	1242

Proceedings Under the Designs Act 2003

Applications Lapsed	1251
Applications Lodged	1246
Applications Withdrawn	1251
Certificate of Examination	1255
Extension of Period of Registration of Design	1253
Extension of Time Granted Under Section 137	1253
Names Registered - Alterations and Amendments	1253
Publication and Registration Proceedings	
Designs Registered 354912 to 355177.....	1256
Registrations Ceased	1253
Subsequent Owners Registered	1253

This Page Left Intentionally Blank

For information on the following please see our website www.ipaustralia.gov.au or contact our Customer Service Network on 1300651010

[Editorial enquiries](#)

[Contact information](#)

[Freedom of Information ACT](#)

[Professional Standards Board](#)

[Sales](#)

[Requests for Information under Section 194 \(c\)](#)

[Country Codes](#)

[Trade Mark and Designs Hearing Sessions](#)

[INID \(Internationally agreed Numbers for the Identification of Data\)](#)

“INID” NUMBERS in use on Australian Design Documents

“INID” is an acronym for “Internationally agreed Numbers for the Identification of Data”.

(10) Data concerning the registration/renewal

- (11) Serial number of the registration and/or number of the design document
- (12) Plain language designation of the kind of published document
- (19) Identification, using the two-letter code according to WIPO Standard ST.3, of the authority publishing or registering the industrial design

(20) Data concerning the application

- (21) Serial number of the application
- (22) Date of filing of the application
- (24) Date from which the industrial design right has effect

(30) Data relating to priority under the Paris Convention

- (31) Serial number assigned to the priority application
- (32) Date of filing of the priority application
- (33) Two-letter code, according to WIPO Standard ST.3, identifying the authority with which the priority application was made

(40) Date(s) of making information available to the public

- (45) Date of publication of the registered industrial design by printing or similar process, or making it available to the public by any other means

(50) Miscellaneous Information

- (51) International Classification for Industrial Designs (class and subclass of the Locarno Classification)
- (54) Designation of article(s) or product(s) covered by the industrial design or title of the industrial design
- (55) Reproduction of the industrial design (e.g., drawing, photograph) and explanations relating to the reproduction
- (56) List of prior art documents, if separate from descriptive text
- (57) Description of characteristic features of the industrial design including indication of colours

(60) References to other legally related application(s) and registration(s)

- (62) Serial number(s) and, if available, filing date(s) of application(s), registration(s) or document(s) related by division
- (66) Serial number(s) of the application, or the registration, of the design(s) which is (are) a variant(s) of the present one

(70) Identification of parties concerned with the application or registration

- (71) Name(s) and address(es) of the applicant(s)
- (72) Name(s) of the creator(s) if known to be such
- (74) Name(s) and address(es) of the representative(s)

This Page Left Intentionally Blank

Nil notices for this journal issue.

Proceedings under the Designs Act 1906 preserved as a result of the provisions of Chapter 12 Part 2 of the Designs Act 2003.

This Page Left Intentionally Blank

Applications Lapsed

There were no Applications Lapsed under this section

Extension of Period of Registration of Designs

1st Period (Section 27A(8))

2nd Period (Section 27A(12))

3rd Period (Section 27A(13))

152110	152111	152117
152313	152314	152315
152434	152613	152704
152717	152785	152850
152851	152852	152950
152951	152988	152989
153191	153271	153331
153333	153334	153370
153371	153633	153675
154290	154507	154904
156043	156044	156062
157575	157577	157578
157581	157584	157585
157586		

Registrations Ceased

Note: Some of the following Registrations may have been previously advertised as ceased. In this instance, the previous advertisement still prevails.

134941	134942	135000
135014	135015	135016
135078	135095	135096
135097	135113	135773
135822	135979	149607
149647	149741	149742
149926	150248	151148
155036	155149	157945

Names Registered - Alterations and Amendments

(The name in parentheses is the new name of the proprietor)

150474	(Tilt Lift Equipment Pty Ltd) Tilt-Lift Equipment Pty Ltd
151532	(Tilt Lift Equipment Pty Ltd) Tilt-Lift Equipment Pty Ltd
151532	(Nexus Construction Systems Pty. Ltd.) Tilt Lift Equipment Pty Ltd
150474	(Nexus Construction Systems Pty. Ltd.) Tilt Lift Equipment Pty Ltd

This Page Left Intentionally Blank

Proceedings under the Designs Act 2003.

This Page Left Intentionally Blank

Applications Lodged

Lodgement information is in the following order: **Applicant's Name**; International Classification, Name of Product, Lodgement Date and **Design Number**. If the applicant claims an earlier priority date under an International Convention, the Convention Country and the associated filing date are shown in parentheses before the Lodgement Date. Divisional information will also appear in parentheses before the Lodgement Date.

humangear, Inc.; 07-03, Fork and spoon set, (US, 10 Mar 2014) 24 Apr 2014	11980/2014	Apple Inc.; 03-01NES, Case, (US, 22 Oct 2013) 14 Apr 2014	11854/2014
humangear, Inc.; 07-06NES, 03-01NES, Utensil case, (US, 10 Mar 2014) 24 Apr 2014	11981/2014	Apple Inc.; 20-03NES, Display structure, (US, 16 Oct 2013) 15 Apr 2014	11869/2014
AbbVie Inc.; 09-09, Cooling and waste compartment, (EM, 14 Oct 2013) 14 Apr 2014	11857/2014	Arlec Australia Pty Ltd; 13-03D, Triple switch socket outlet, 23 Apr 2014	11936/2014
AbbVie Inc.; 15-07, 09-09, Cooling and waste compartment, (EM, 14 Oct 2013) 14 Apr 2014	11860/2014	Aurora Limited; 26-04, Light bulbs, (WO, 24 Oct 2013) 24 Apr 2014	11994/2014
AbbVie Inc.; 15-07, Cooling compartment, (EM, 14 Oct 2013) 14 Apr 2014	11861/2014	Aurora Limited; 26-04, Light bulbs, (WO, 24 Oct 2013) 24 Apr 2014	12004/2014
AbbVie Inc.; 09-09, Waste compartment, (EM, 14 Oct 2013) 14 Apr 2014	11855/2014	Aurora Limited; 26-04, Light bulbs, (WO, 24 Oct 2013) 24 Apr 2014	12000/2014
AbbVie Inc.; 09-09, Waste compartment, (EM, 14 Oct 2013) 14 Apr 2014	11859/2014	Aurora Limited; 26-04, Light bulbs, (WO, 24 Oct 2013) 24 Apr 2014	12001/2014
AliphCom; 14-01, Ear piece housing, (US, 25 Oct 2013) 24 Apr 2014	11961/2014	Aurora Limited; 26-04, Light bulbs, (WO, 24 Oct 2013) 24 Apr 2014	11998/2014
AliphCom; 14-01, Ear piece, (US, 25 Oct 2013) 24 Apr 2014	11962/2014	Aurora Limited; 26-04, Light bulbs, (WO, 24 Oct 2013) 24 Apr 2014	11999/2014
AliphCom; 14-01, Ear piece, (US, 25 Oct 2013) 24 Apr 2014	11964/2014	Aurora Limited; 26-04, Light bulbs, (WO, 24 Oct 2013) 24 Apr 2014	11995/2014
AliphCom; 14-01, Ear bud, (US, 25 Oct 2013) 24 Apr 2014	11965/2014	Aurora Limited; 26-04, Light bulbs, (WO, 24 Oct 2013) 24 Apr 2014	11993/2014
AliphCom; 14-01, Ear piece housing, (US, 25 Oct 2013) 24 Apr 2014	11959/2014	Aurora Limited; 26-04, Light bulbs, (WO, 24 Oct 2013) 24 Apr 2014	12002/2014
AliphCom; 14-01, Ear piece, (US, 25 Oct 2013) 24 Apr 2014	11960/2014	Aurora Limited; 26-04, Light bulbs, (WO, 24 Oct 2013) 24 Apr 2014	12003/2014
AliphCom; 14-01, 11-01C, Wearable device, (US, 25 Oct 2013) 23 Apr 2014	11933/2014	Aurora Limited; 26-04, Light bulbs, (WO, 24 Oct 2013) 24 Apr 2014	11996/2014
Ansell Limited; 02-06, Glove, (US, 05 Dec 2013) 16 Apr 2014	11878/2014	Aurora Limited; 26-04, Light bulbs, (WO, 24 Oct 2013) 24 Apr 2014	11997/2014
Apple Inc.; 03-01NES, Case, (US, 22 Oct 2013) 14 Apr 2014	11856/2014	ARMIDA PTY LTD; 32-03, Shoes; boots; shoe bags; shoulder bags, 19 Apr 2014	11911/2014

Beauty Union Global Limited; 09-01A, Refill bottle, (IL, 20 Oct 2013) 22 Apr 2014	11919/2014	CSR Building Products Limited; 08-08L, Bracket, 16 Apr 2014	11888/2014
Bemis Manufacturing Company; 12-02, Cart for shopping, (US, 11 Oct 2013) 11 Apr 2014	11795/2014	CSR Building Products Limited; 08-08L, Bracket, 16 Apr 2014	11889/2014
Betty Bossi AG; 04-01, Head for grill brush, (EM, 08 Nov 2013) 11 Apr 2014	11801/2014	CURVER Luxembourg Sarl; 07-02NES, Container with lid, (EM, 22 Oct 2013) 16 Apr 2014	11884/2014
Betty Bossi AG; 04-01, Handle for grill brush, (EM, 08 Nov 2013) 11 Apr 2014	11799/2014	CURVER Luxembourg Sarl; 07-02NES, Container with lid, (EM, 22 Oct 2013) 16 Apr 2014	11883/2014
Breville Pty Limited; 07-02R, Probe jack handle, 22 Apr 2014	11923/2014	Dart Industries Inc.; 07-01NES, 09-07NES, Vent for a container, (US, 21 Nov 2013) 24 Apr 2014	11983/2014
Breville Pty Limited; 07-02NES, Probe handle, 22 Apr 2014	11922/2014	Dart Industries Inc.; 07-01NES, Cover for container, (US, 21 Nov 2013) 24 Apr 2014	11988/2014
Breville Pty Limited; 07-02R, 14-02, USB handle, 22 Apr 2014	11924/2014	Dart Industries Inc.; 07-01NES, Cover for container, (US, 21 Nov 2013) 24 Apr 2014	11987/2014
Breville Pty Limited; 07-02G, A waffle maker, 16 Apr 2014	11886/2014	Dart Industries Inc.; 07-01NES, Cover for container, (US, 21 Nov 2013) 24 Apr 2014	11985/2014
BALMUDA Inc.; 23-04, Fan, (JP, 08 Apr 2014) 17 Apr 2014	11898/2014	Dart Industries Inc.; 07-01NES, Cover for container, (US, 21 Nov 2013) 24 Apr 2014	11986/2014
Caird, Clay Edward James; 02-03, Helmet, (GB, 03 Jan 2014) 09 Apr 2014	11770/2014	Dart Industries Inc.; 07-01NES, Container, (US, 21 Nov 2013) 24 Apr 2014	11984/2014
Chin, Christopher; 06-07, Photo frame; display frame, 17 Apr 2014	11907/2014	Derungs Licht AG; 26-05B, Light fitting, (WO, 06 Nov 2013) 17 Apr 2014	11897/2014
Choon's Design LLC; 02-07D, Loom hook tool, 14 Apr 2014	11862/2014	Derungs Licht AG; 26-05B, Light fitting, (WO, 06 Nov 2013) 17 Apr 2014	11895/2014
Compagnie Generale Des Establissemments Michelin;Michelin Recherche et Technique S.A.; 12-15C, A tyre, (FR, 22 Oct 2013) 11 Apr 2014	11802/2014	Edmondson, Dennis; 25-01C, Insulating structural stud, (US, 09 Oct 2013) 09 Apr 2014	11771/2014
Compagnie Generale Des Establissemments Michelin;Michelin Recherche et Technique S.A.; 12-15B, A tyre, (FR, 25 Oct 2013) 11 Apr 2014	11803/2014	Edsal Manufacturing Co., Inc.; 03-01D, A tool chest panel, (US, 25 Oct 2013) 17 Apr 2014	11896/2014
Continental Reifen Deutschland GmbH; 12-15B, Tyre, (EM, 16 Oct 2013) 16 Apr 2014	11879/2014	Electrical Home-Aids Pty Ltd; 15-05, A vacuum head, 17 Apr 2014	11894/2014
Custom Molded Products, Inc.; 08-08B, Jet body for use with grommets, (US, 24 Oct 2013) 24 Apr 2014	11955/2014	Endeavour Vineyards Pty Ltd; 07-01C, Drinking glass, 22 Apr 2014	11920/2014
Custom Molded Products, Inc.; 08-08B, Jet body for use with grommets, (US, 24 Oct 2013) 24 Apr 2014	11958/2014	Endeavour Vineyards Pty Ltd; 07-01C, Drinking glass, 22 Apr 2014	11921/2014
Custom Molded Products, Inc.; 08-08B, Jet body for use with grommets, (US, 24 Oct 2013) 24 Apr 2014	11956/2014	Evans, Damian; 07-04, A set of chopping boards, (CN, 17 Oct 2013) 17 Apr 2014	11934/2014
Custom Molded Products, Inc.; 08-08B, Jet body for use with grommets, (US, 24 Oct 2013) 24 Apr 2014	11957/2014	Eveready Battery Company, Inc.; 26-02, Lighting device, (US, 11 Nov 2013) 16 Apr 2014	11882/2014
		Eveready Battery Company, Inc.; 26-02, Lighting device, (US, 05 Nov 2013) 11 Apr 2014	11793/2014

EAGLE OPERATIONS PTY. LTD.; 32-03, Software branding, T-shirts, banner's, electronic, 21 Apr 2014	11912/2014	Hills Holdings Limited; 07-05D, Clothes drying apparatus, 24 Apr 2014	11973/2014
EAGLE OPERATIONS PTY. LTD.; 32-03, Software branding, T-shirts, banner's, electronic, 21 Apr 2014	11913/2014	Ho, Hoi Ming Michael; 24-04, Back relief belt, (TW, 27 Jan 2014) 14 Apr 2014	11813/2014
Fisher, Shayn;Fisher, April; 09-03F, IBC aquaponics system, 22 Apr 2014	11925/2014	Holster Fashion Pty Ltd; 02-04B, Soles for footwear, 14 Apr 2014	11836/2014
Fisher, April;Fisher, Shayn; 09-03F, IBC aquaponics system, 22 Apr 2014	11925/2014	Honda Motor Co., Ltd.; 06-01D, Seat for automobile, (JP, 31 Oct 2013) 23 Apr 2014	11932/2014
Fisher & Paykel Healthcare Limited; 24-01, A connector for a patient interface assembly, (US, 25 Oct 2013) 24 Apr 2014	11952/2014	Jazcorp Australia Pty Ltd; 32-03, 07-01D, 02-03, 20-02NES, Logo, cups, hats, promotional material, headers, 25 Apr 2014	12005/2014
Fisher & Paykel Healthcare Limited; 24-01, A nasal cannula body, (US, 25 Oct 2013) 24 Apr 2014	11951/2014	Jowett, Jason Steven; 14-04, 14-02, Smart device application, 19 Apr 2014	11910/2014
Formway Furniture Limited; 06-01G, Chair, (NZ, 17 Oct 2013) 15 Apr 2014	11866/2014	Kaba Australia Pty Limited; 08-07, A key blank, 16 Apr 2014	11887/2014
Formway Furniture Limited; 06-01G, Chair, (NZ, 17 Oct 2013) 15 Apr 2014	11867/2014	Karl Leibinger Medizintechnik GmbH; 24-02, Orbita mesh, (EM, 15 Oct 2013) 15 Apr 2014	11865/2014
Gazal Apparel Pty Ltd; 02-02NES, 02-02B, Work shirt, 17 Apr 2014	11905/2014	Karsten Manufacturing Corporation; 21-02C, Golf club head, (US, 23 Oct 2013) 23 Apr 2014	11938/2014
Geberit International AG; 23-02C, Control panels for toilets and/or urinals, (WO, 17 Jan 2014) 14 Apr 2014	11843/2014	Karsten Manufacturing Corporation; 21-02C, Golf club head, (US, 04 Dec 2013) 24 Apr 2014	11954/2014
Golan, Yaffa; 02-04NES, Massage shoe, (Divisional of 10397/2014) 17 Apr 2014	11902/2014	Karsten Manufacturing Corporation; 21-02C, Golf club head, (US, 23 Oct 2013) 23 Apr 2014	11937/2014
Gosper, Richard Roy; 08-08L, Steel lock hold down mount, 14 Apr 2014	11823/2014	Karsten Manufacturing Corporation; 21-02C, Golf club hosel, (US, 14 Oct 2013) 11 Apr 2014	11796/2014
Guangdong Jetfast Portable Lighting Co., Ltd.; 13-02, A holder for a battery with five electrodes, (CN, 11 Dec 2013) 15 Apr 2014	11868/2014	Koninklijke Philips N.V.; 07-02L, Bottle warmer, (EM, 15 Oct 2013) 11 Apr 2014	11810/2014
Harper, Owen William George; 03-01NES, A bag, 17 Apr 2014	11901/2014	L'Air Liquide Societe Anonyme pour l'Etude et l'Exploitation des Procedes;Georges Claude; 06-99, Frame for gas cylinders, (EM, 23 Oct 2013) 22 Apr 2014	11918/2014
Hartley, Phillida; 21-01M, 21-01E, Puzzle blocks, 11 Apr 2014	11800/2014	Masport Limited; 15-03B, A mower, (NZ, 24 Oct 2013) 14 Apr 2014	11841/2014
Hexcyl Systems Pty Ltd; 22-05, Post riser, 16 Apr 2014	11890/2014	McCann, Jeffrey Steven; 03-01NES, Handbags and bags made from cardboard., 17 Apr 2014	11904/2014
Higgins, Christopher Lyndon; 25-01K, Building Material - folded /extruded shape, 25 Apr 2014	12008/2014	Michelin Recherche et Technique S.A.;Compagnie Generale Des Establisements Michelin; 12-15C, A tyre, (FR, 22 Oct 2013) 11 Apr 2014	11802/2014
Higgins, Christopher Lyndon; 25-01K, Building material -folded/extruded shape, 25 Apr 2014	12007/2014		
Hills Holdings Limited; 07-05D, Clothes drying apparatus hub assembly, 24 Apr 2014	11982/2014		

Michelin Recherche et Technique S.A.;Compagnie Generale Des Establislements Michelin; 12-15B, A tyre, (FR, 25 Oct 2013) 11 Apr 2014	11803/2014	Microsoft Corporation; 14-02, Display screen with icon, (US, 21 Nov 2013) 14 Apr 2014	11832/2014
Microsoft Corporation; 14-02, Display screen with graphical user interface, (US, 25 Oct 2013) 14 Apr 2014	11814/2014	Mulumudi, Suman K;Mulumudi, Mahesh S; 03-01NES, Electronic device casing, (US, 15 Oct 2013) 14 Apr 2014	11858/2014
Microsoft Corporation; 14-02, Display screen with icon, (US, 21 Nov 2013) 14 Apr 2014	11831/2014	Mulumudi, Mahesh S;Mulumudi, Suman K; 03-01NES, Electronic device casing, (US, 15 Oct 2013) 14 Apr 2014	11858/2014
Microsoft Corporation; 14-02, Display screen with icon, (US, 21 Nov 2013) 14 Apr 2014	11827/2014	Nicoventures Holdings Limited; 09-03A, Packaging, (EM, 14 Oct 2013) 11 Apr 2014	11798/2014
Microsoft Corporation; 14-02, Display screen with graphical user interface, (US, 25 Oct 2013) 14 Apr 2014	11828/2014	Nicoventures Holdings Limited; 09-03A, Packaging, (EM, 14 Oct 2013) 11 Apr 2014	11797/2014
Microsoft Corporation; 14-02, Display screen with graphical user interface, (US, 25 Oct 2013) 14 Apr 2014	11824/2014	Nissan Jidosha Kabushiki Kaisha; 26-06, Front headlight for automobile, 16 Apr 2014	11885/2014
Microsoft Corporation; 14-02, Display screen with icon, (US, 21 Nov 2013) 14 Apr 2014	11822/2014	Nissan Jidosha Kabushiki Kaisha; 12-16B, Radiator grille for automobile, 16 Apr 2014	11880/2014
Microsoft Corporation; 14-02, Display screen with graphical user interface, (US, 25 Oct 2013) 14 Apr 2014	11829/2014	Nissan Jidosha Kabushiki Kaisha; 12-16NES, Instrument panel for automobile, 16 Apr 2014	11881/2014
Microsoft Corporation; 14-02, Display screen with icon, (US, 21 Nov 2013) 14 Apr 2014	11830/2014	Optima Feeding Systems LLC; 07-01E, Baby bottle, (US, 22 Oct 2013) 17 Apr 2014	11891/2014
Microsoft Corporation; 14-02, Display screen with icon, (US, 21 Nov 2013) 14 Apr 2014	11820/2014	Palantir Technologies, Inc.; 14-02, 14-04, Display screen, (Divisional of 10461/2014) 22 Apr 2014	11914/2014
Microsoft Corporation; 14-02, Display screen with icon, (US, 21 Nov 2013) 14 Apr 2014	11825/2014	PepsiCo, Inc.; 09-01NES, Bottle, (US, 24 Oct 2013) 24 Apr 2014	11969/2014
Microsoft Corporation; 14-02, Display screen with graphical user interface, (US, 25 Oct 2013) 14 Apr 2014	11826/2014	PepsiCo, Inc.; 09-01NES, Bottle, (US, 24 Oct 2013) 24 Apr 2014	11979/2014
Microsoft Corporation; 14-02, Display screen with icon, (US, 25 Oct 2013) 14 Apr 2014	11821/2014	PepsiCo, Inc.; 09-01NES, Bottle, (US, 24 Oct 2013) 24 Apr 2014	11974/2014
Microsoft Corporation; 14-02, Display screen with icon, (US, 25 Oct 2013) 14 Apr 2014	11819/2014	PepsiCo, Inc.; 09-01NES, Bottle, (US, 24 Oct 2013) 24 Apr 2014	11977/2014
Microsoft Corporation; 14-02, Display screen with icon, (US, 25 Oct 2013) 14 Apr 2014	11816/2014	PepsiCo, Inc.; 09-01NES, Bottle, (US, 24 Oct 2013) 24 Apr 2014	11978/2014
Microsoft Corporation; 14-02, Display screen with graphical user interface, (US, 21 Nov 2013) 14 Apr 2014	11817/2014	PepsiCo, Inc.; 09-01NES, Bottle, (US, 24 Oct 2013) 24 Apr 2014	11976/2014
Microsoft Corporation; 14-02, Display screen with icon, (US, 25 Oct 2013) 14 Apr 2014	11818/2014	PepsiCo, Inc.; 09-01NES, Bottle, (US, 24 Oct 2013) 24 Apr 2014	11975/2014
Microsoft Corporation; 14-02, Display screen with graphical user interface, (US, 25 Oct 2013) 14 Apr 2014	11815/2014	PepsiCo, Inc.; 09-01NES, Bottle, (US, 24 Oct 2013) 24 Apr 2014	11970/2014

PepsiCo, Inc; 09-01NES, Bottle, (US, 24 Oct 2013) 24 Apr 2014	11971/2014	Retail Marketing Solutions (Australia) Pty Ltd;Retail Marketing Solutions Worldwide Pty Ltd; 28-03NES, Ultrasonic diffuser/vaporiser, 14 Apr 2014	11835/2014
Piaggio & C. S.p.A.; 12-11, Motor scooter, (EM, 04 Nov 2013) 24 Apr 2014	11953/2014	Retail Marketing Solutions Worldwide Pty Ltd;Retail Marketing Solutions (Australia) Pty Ltd; 28-03NES, Ultrasonic diffuser/vaporiser, 14 Apr 2014	11835/2014
Premaco Limited; 14-01, Recessed media hub box, 28 Feb 2014	10933/2014	Roulant, Benjamin; 12-02, Sphere shaped mobile vending premise, 25 Apr 2014	12006/2014
Pridham, Andrew; 08-08L, A modular platform brace, 23 Apr 2014	11943/2014	Shah, Ila Hasmukh; 32-02, Incense, 23 Apr 2014	11939/2014
Pridham, Andrew; 08-08L, A modular platform bracket, 23 Apr 2014	11966/2014	Shoprider Pty Ltd; 03-03, 12-14, Mobility scooter sun canopy, 24 Apr 2014	11989/2014
Pridham, Andrew; 08-08L, A modular platform bracket, 23 Apr 2014	11968/2014	Standard Fiber LLC; 06-13B, Pillow, (US, 04 Nov 2013) 10 Apr 2014	11778/2014
Pridham, Andrew; 08-08L, 06-06G, A modular platform bracket, 23 Apr 2014	11947/2014	Sweet Dreams Nursery Products Pty Ltd; 06-13B, Bumper pad for a cot, 14 Apr 2014	11838/2014
Pridham, Andrew; 06-06G, A modular platform base, 23 Apr 2014	11946/2014	SCI.AERO PTY. LTD.; The trustee for THE JOSHUA PORTLOCK FAMILY TRUST; 12-07, VTOL unmanned aerial vehicle, 18 Apr 2014	11908/2014
Pridham, Andrew; 08-08L, 06-06G, A modular platform bracket, 23 Apr 2014	11950/2014	SCI.AERO PTY. LTD.; The trustee for THE JOSHUA PORTLOCK FAMILY TRUST; 12-07, VTOL unmanned aerial vehicle folded for transport, 18 Apr 2014	11909/2014
Pridham, Andrew; 08-08L, 06-06G, A modular platform bracket, 23 Apr 2014	11945/2014	SMEG S.p.A.; 31-00, Domestic appliance, (EM, 11 Oct 2013) 11 Apr 2014	11804/2014
Pridham, Andrew; 08-08L, A modular platform bracket, 23 Apr 2014	11944/2014	SWF Industrial, Inc.; 25-01C, Expanding wall channel, (US, 25 Oct 2013) 24 Apr 2014	11990/2014
Pridham, Andrew; 08-08L, A modular platform bracket, 23 Apr 2014	11941/2014	SWF Industrial, Inc.; 25-01C, Expanding wall channel, (US, 25 Oct 2013) 24 Apr 2014	11992/2014
Pridham, Andrew; 08-08L, A modular platform bracket, 23 Apr 2014	11942/2014	SWF Industrial, Inc.; 25-01C, Expanding wall channel, (US, 25 Oct 2013) 24 Apr 2014	11991/2014
Pridham, Andrew; 25-04, A modular platform, 23 Apr 2014	11940/2014	The trustee for THE JOSHUA PORTLOCK FAMILY TRUST;SCI.AERO PTY. LTD.; 12-07, VTOL unmanned aerial vehicle folded for transport, 18 Apr 2014	11909/2014
Public Outdoor Pty Ltd; 06-03D, Table tennis table, 24 Apr 2014	11972/2014	The trustee for THE JOSHUA PORTLOCK FAMILY TRUST;SCI.AERO PTY. LTD.; 12-07, VTOL unmanned aerial vehicle, 18 Apr 2014	11908/2014
Red Bull GmbH; 25-02C, Inflatable start gate, (EM, 17 Oct 2013) 10 Apr 2014	11775/2014	The Decor Corporation Pty. Ltd.; 07-01B, Segmented plate, 11 Apr 2014	11792/2014
ResMed Limited; 24-01, Patient interface and/or components thereof, (Divisional of 16835/2013) 08 Apr 2014	11776/2014	The Gallipoli Memorial Club Ltd; 26-02, A torch, 23 Apr 2014	11935/2014
ResMed Limited; 24-01, Patient interface and/or components thereof, (Divisional of 16834/2013) 08 Apr 2014	11777/2014		

The Goodyear Tire & Rubber Company; 12-15A, Tyre, (US, 29 Oct 2013) 15 Apr 2014	11864/2014	Wessel-Werk GmbH; 15-05, Cover for suction nozzle, (EM, 25 Nov 2013) 10 Apr 2014	11783/2014
The Yokohama Rubber Co., Ltd.; 12-15B, Tyre, (JP, 18 Oct 2013) 14 Apr 2014	11840/2014	Wessel-Werk GmbH; 15-05, Cover for suction nozzle, (EM, 25 Nov 2013) 10 Apr 2014	11784/2014
Unify GmbH & Co. KG; 14-03A, Telephone, (EM, 10 Oct 2013) 31 Mar 2014	11930/2014	Wolfcom Enterprises; 16-01, Body camera, (US, 18 Oct 2013) 17 Apr 2014	11892/2014
Unify GmbH & Co. KG; 14-03A, Telephone, (EM, 10 Oct 2013) 31 Mar 2014	11931/2014	Wolfcom Enterprises; 16-01, Body camera, (US, 18 Oct 2013) 17 Apr 2014	11893/2014
Unify GmbH & Co. KG; 14-03A, Telephone, (EM, 10 Oct 2013) 31 Mar 2014	11929/2014	Wong, Yan Kwong; 07-04, Slicer, (HK, 17 Dec 2013) 14 Apr 2014	11863/2014
Uvex Arbeitsschutz GmbH; 16-06, Safety goggle, (EM, 04 Feb 2014) 22 Apr 2014	11915/2014	Zurn Industries, LLC; 23-01H, Plumbing fitting, (US, 30 Oct 2013) 14 Apr 2014	11842/2014
Uvex Arbeitsschutz GmbH; 16-06, Safety goggle, (EM, 04 Feb 2014) 22 Apr 2014	11916/2014	Zurn Industries, LLC; 23-01H, Plumbing fitting, (US, 30 Oct 2013) 14 Apr 2014	11839/2014
Uvex Arbeitsschutz GmbH; 16-06, Safety goggle, (EM, 04 Feb 2014) 22 Apr 2014	11917/2014	Zurn Industries, LLC; 23-01H, Plumbing fitting, (US, 30 Oct 2013) 14 Apr 2014	11834/2014
Wang, Jingwan; 02-04NES, Footwear upper; snow boots, 22 Apr 2014	11926/2014	Zurn Industries, LLC; 23-01H, Plumbing fitting, (US, 30 Oct 2013) 14 Apr 2014	11837/2014
Wang, Hsing-Tzu; 08-05L, Paint spray gun, 11 Apr 2014	11794/2014	Zurn Industries, LLC; 23-01H, Plumbing fitting, (US, 30 Oct 2013) 14 Apr 2014	11833/2014
Wessel-Werk GmbH; 15-05, Suction Nozzle, (EM, 25 Nov 2013) 10 Apr 2014	11779/2014	3D Lighting Innovations Inc.; 26-05C, Cricket ball embedded in wall, (CA, 23 Oct 2013) 23 Apr 2014	11927/2014
Wessel-Werk GmbH; 15-05, Cover for suction nozzle, (EM, 25 Nov 2013) 10 Apr 2014	11780/2014	3D Lighting Innovations Inc.; 26-05C, Rugby ball embedded in wall, (CA, 23 Oct 2013) 23 Apr 2014	11928/2014
Wessel-Werk GmbH; 15-05, Cover for suction nozzle, (EM, 25 Nov 2013) 10 Apr 2014	11781/2014	3M Innovative Properties Company; 24-04, Dressing, (US, 23 Jul 2013) (Divisional of 10255/2014) 17 Apr 2014	11903/2014
Wessel-Werk GmbH; 15-05, Cover for a suction nozzle, (EM, 25 Nov 2013) 10 Apr 2014	11782/2014		

Applications Withdrawn

11700 / 2014 (24-01)

Applications Lapsed

15012 / 2013 (08-06)

15060 / 2013 (02-02C)	15059 / 2013 (02-02C)
15062 / 2013 (02-02C)	15061 / 2013 (02-02C)
15064 / 2013 (02-02C)	15063 / 2013 (02-02C)
15066 / 2013 (02-02C)	15065 / 2013 (02-02C)
15068 / 2013 (02-02C)	15067 / 2013 (02-02C)
15070 / 2013 (02-02C)	15069 / 2013 (02-02C)
15105 / 2013 (23-99)	15103 / 2013 (23-99)
15163 / 2013 (02-02C)	15161 / 2013 (02-02C)
15166 / 2013 (02-02C)	15164 / 2013 (02-02C)
15170 / 2013 (02-02C)	15169 / 2013 (02-02C)
15173 / 2013 (02-02C)	15172 / 2013 (02-02C)
15177 / 2013 (02-02C)	15175 / 2013 (02-02C)
15179 / 2013 (02-02C)	15178 / 2013 (02-02C)
16440 / 2013 (13-02)	15181 / 2013 (02-02C)
16742 / 2013 (12-10)	16717 / 2013 (06-04NES)
16746 / 2013 (08-07)	16743 / 2013 (29-02)
16819 / 2013 (11-02E)	16747 / 2013 (12-05)
16821 / 2013 (11-02E)	16820 / 2013 (11-02E)
10112 / 2014 (08-03)	10111 / 2014 (12-10)

Extension of Period of Registration of Designs

323735	324955	324956
325329	325636	325745
325751	325797	325804
325805	325810	325811
325812	325826	325836
325868	325882	325900
325968	325969	325970
325973	325995	326023
326032	326035	326036
326040	326041	326059
326060	326062	326073
326082	326083	326084
326112	326113	326114
326115	326116	326133
326162	326186	326218
326232	326233	326234
326235	326303	326315
326316	326317	326318
326328	326338	326339
326340	326341	326342
326346	326391	326392
326393	326395	326397
326398	326399	326412
326413	326414	326415
326443	326475	326476
326480	326481	326482
326483	326509	326525
326530	326545	326708
326712	326714	326715
326738	326760	326765
326817	326820	326821
326831	326835	326848
326853	326858	326866
326878	326889	326890
326951	327379	327489
327715	328346	328347
328472	328474	328476
328490	328491	329088
329089	337455	

Registrations Ceased

321856	321857	321858
322904	322905	322907
322908	322909	322910
322935	322936	322937
322938	322939	322942
322943	322944	322945
322967	322968	322969
322970	322972	322973

322974	322976	323010
323011	323012	323013
323082	323083	323084
323085	323086	323087
323088	323089	323090
323091	323092	323093
323094	323095	323096
323097	323098	323105
323106	323107	323108
323109	323110	323111
323112	323113	323114
323115	323116	323118
323127	323129	323130
323132	323133	323134
323135	323225	323227
323391	323392	323421
323470	323745	323905
323939	323940	323941
323942	323943	323944
323945	323946	323947
323948	323949	323950
323951	324010	324151
324351	324675	325614
325615	325616	327735
349961		

Extensions of time granted under Section 137

Applications lodged under section 137 for extension of time have been granted.

304960 **Enviro Pak Pty Ltd**

13479/2013 **Quantax Pty Ltd**

16258/2013 **Ivica John Culina**

16554/2013 **GYO Systems Pty. Ltd.**

16554/2013 **GYO Systems Pty. Ltd.**

10377/2014 **Karl Longley**

10880/2014 **Ian Shirliff**

Subsequent Owners Registered

(The name in parentheses is that of the subsequent owner)

353317	(Master Lock Company) Michael Hoppe;Joshua Morabito;Mark Richards;Geoff Smith;Chad O'Neill
353318	(Master Lock Company) Michael Hoppe;Joshua Morabito;Mark Richards;Geoff Smith;Chad O'Neill
327561	(Strata Innovations Pty Limited) Ben Gooden;Rebecca Gooden
348840	(Strata Innovations Pty Limited) Benjamin Douglas Gooden;Rebecca Grace Gooden

Names Registered - Alterations and Amendments

(The name in parentheses is that of the subsequent applicant)

- 341360 (**Ellume Pty Ltd**) Respirio Pty Ltd
- 304446 (**Tilt Lift Equipment Pty Ltd**) Tilt-Lift Equipment Pty Ltd
- 345110 (**Tilt Lift Equipment Pty Ltd**) Tilt-Lift Equipment Pty Ltd
- 304446 (**Nexus Construction Systems Pty. Ltd.**) Tilt Lift Equipment Pty Ltd
- 345110 (**Nexus Construction Systems Pty. Ltd.**) Tilt Lift Equipment Pty Ltd

Certificate(s) of Examination

Examination of the following Design Registration(s) has been completed. Infringement proceedings may now be commenced.

320524	02-02B	16/04/2014
341596	09-01H	21/04/2014
341597	09-01H	21/04/2014
345628	09-03F	28/04/2014
350487	07-01F	22/04/2014
350542	28-03NES	28/04/2014
350861	26-06	16/04/2014
350862	12-16A	16/04/2014
350863	12-08	16/04/2014
351148	01-06	23/04/2014
351475	28-02	17/04/2014
351606	09-01NES	30/04/2014
351607	09-01NES	30/04/2014
351608	09-01NES	30/04/2014
351609	09-01NES	30/04/2014
351808	15-05	14/04/2014
351900	15-99	15/04/2014
352104	31-00	15/04/2014
352134	24-01	29/04/2014
352135	28-02	17/04/2014
352209	09-07A	23/04/2014
352233	26-05E	28/04/2014
352235	09-03M	29/04/2014
352236	09-05	28/04/2014
352404	24-01	30/04/2014
352432	15-99	23/04/2014
352451	24-01	24/04/2014
352453	02-02C	14/04/2014
352460	02-02C	15/04/2014
352461	02-02C	16/04/2014
352465	02-02C	16/04/2014
352556	15-99	22/04/2014
352557	15-99	22/04/2014
352558	06-01E	24/04/2014
352559	06-03NES	24/04/2014
352701	06-01E	29/04/2014
353168	04-01	27/04/2014
353169	04-01	27/04/2014
353170	04-01	28/04/2014
353171	04-01	28/04/2014
354251	07-02L	14/04/2014
354481	15-99	28/04/2014

Publication and Registration Proceedings

Designs Registered

This section provides a concordance between design number and registration number of Designs covered in this journal. It also shows the main class and registration date.

This section covers Registration numbers 354912 to 355177 .

The registration number shown below should be used in all future correspondence.

Design Number	Registration Number	International Classification Code (IDC)	Registration Date	Design Number	Registration Number	International Classification Code (IDC)	Registration Date
13634/2013	355146	15-99	24/04/2014	10850/2014	354922	06-01E	14/04/2014
13637/2013	355128	19-06	23/04/2014	10879/2014	354929	23-01H	14/04/2014
14144/2013	355038	02-04NES	15/04/2014	10925/2014	354938	23-01A	15/04/2014
14354/2013	354912	02-02NES	14/04/2014	10955/2014	355150	08-05A	24/04/2014
16437/2013	355039	09-01G	15/04/2014	10960/2014	354969	08-08B	15/04/2014
16560/2013	354933	22-06	14/04/2014	10973/2014	354939	02-02NES	15/04/2014
16719/2013	354934	12-16NES	14/04/2014	11009/2014	354923	06-04NES	14/04/2014
16721/2013	354935	12-16NES	14/04/2014	11042/2014	354924	26-05D	14/04/2014
16804/2013	355085	15-07	17/04/2014	11045/2014	354925	24-01	14/04/2014
16831/2013	355129	25-02NES	23/04/2014	11046/2014	354926	24-01	14/04/2014
16832/2013	355130	25-02NES	23/04/2014	11050/2014	354959	07-02R	15/04/2014
16834/2013	354913	24-01	14/04/2014	11060/2014	355127	12-10	22/04/2014
16835/2013	354914	24-01	14/04/2014	11107/2014	355151	15-02	24/04/2014
10021/2014	355099	09-05	22/04/2014	11149/2014	354960	07-02A	15/04/2014
10022/2014	355100	09-05	22/04/2014	11150/2014	355101	07-02A	22/04/2014
10026/2014	354936	08-08B	14/04/2014	11189/2014	355102	22-05	22/04/2014
10066/2014	355040	06-01NES	15/04/2014	11190/2014	355098	25-01G	22/04/2014
10093/2014	355143	09-07NES	23/04/2014	11220/2014	354961	06-01D	15/04/2014
10094/2014	355144	09-07NES	23/04/2014	11227/2014	354962	06-01D	15/04/2014
10130/2014	354915	06-01D	14/04/2014	11276/2014	355154	08-05K	28/04/2014
10135/2014	355152	09-03M	24/04/2014	11277/2014	355155	10-02	28/04/2014
10163/2014	355057	31-00	16/04/2014	11291/2014	354963	09-03M	15/04/2014
10164/2014	355058	31-00	16/04/2014	11297/2014	354964	09-01NES	15/04/2014
10165/2014	355059	31-00	16/04/2014	11298/2014	354965	09-01NES	15/04/2014
10171/2014	354916	09-03M	14/04/2014	11299/2014	354966	26-99	15/04/2014
10175/2014	355145	19-08	23/04/2014	11300/2014	354967	26-05D	15/04/2014
10297/2014	354937	13-03NES	14/04/2014	11301/2014	354989	03-99	15/04/2014
10303/2014	355153	25-02K	24/04/2014	11302/2014	354990	09-03NES	15/04/2014
10332/2014	354917	02-02NES	14/04/2014	11304/2014	354991	31-00	15/04/2014
10337/2014	354918	02-02NES	14/04/2014	11305/2014	354992	31-00	15/04/2014
10441/2014	354919	24-04	14/04/2014	11306/2014	354993	31-00	15/04/2014
10447/2014	355147	14-02	24/04/2014	11307/2014	354994	23-01H	15/04/2014
10449/2014	355148	14-02	24/04/2014	11309/2014	354940	09-03NES	15/04/2014
10457/2014	355149	14-02	24/04/2014	11310/2014	354941	31-00	15/04/2014
10463/2014	354968	12-10	15/04/2014	11311/2014	354942	31-00	15/04/2014
10487/2014	355041	02-02B	15/04/2014	11323/2014	354927	14-02	14/04/2014
10532/2014	354928	06-13B	14/04/2014	11355/2014	354943	08-05N	15/04/2014
10598/2014	355096	19-08	22/04/2014	11356/2014	354944	26-02	15/04/2014
10604/2014	355060	09-01A	16/04/2014	11377/2014	355065	23-01D	16/04/2014
10607/2014	355061	09-01A	16/04/2014	11401/2014	354945	13-03D	15/04/2014
10609/2014	355062	09-01A	16/04/2014	11404/2014	354946	13-03D	15/04/2014
10610/2014	355063	09-01A	16/04/2014	11408/2014	355069	13-03D	16/04/2014
10613/2014	355086	08-08NES	17/04/2014	11425/2014	355156	26-05A	28/04/2014
10616/2014	354920	08-05P	14/04/2014	11431/2014	354930	24-04	14/04/2014
10617/2014	355064	08-05P	16/04/2014	11432/2014	354931	24-04	14/04/2014
10678/2014	355126	21-02NES	22/04/2014	11439/2014	354947	06-01F	15/04/2014
10680/2014	354921	07-01NES	14/04/2014	11440/2014	354948	30-06	15/04/2014
10751/2014	355042	06-01C	15/04/2014	11441/2014	354949	30-06	15/04/2014
10762/2014	354958	24-02	15/04/2014	11442/2014	354932	09-03M	14/04/2014
10818/2014	355097	06-04NES	22/04/2014	11443/2014	354950	13-02	15/04/2014

Publication and Registration Proceedings - Designs Registered cont'd

Design Number	Registration Number	International Classification Code (IDC)	Registration Date	Design Number	Registration Number	International Classification Code (IDC)	Registration Date
11444/2014	354951	13-02	15/04/2014	11541/2014	355114	03-01B	22/04/2014
11445/2014	354952	14-01	15/04/2014	11542/2014	355115	03-01B	22/04/2014
11450/2014	355066	14-03A	16/04/2014	11543/2014	355116	03-01B	22/04/2014
11451/2014	354953	13-01	15/04/2014	11544/2014	355117	03-01D	22/04/2014
11452/2014	355067	14-03A	16/04/2014	11545/2014	355118	03-01B	22/04/2014
11453/2014	354954	09-01G	15/04/2014	11546/2014	355119	03-01B	22/04/2014
11454/2014	354955	26-05B	15/04/2014	11547/2014	355120	03-01B	22/04/2014
11455/2014	354956	06-03A	15/04/2014	11548/2014	355003	02-02C	15/04/2014
11457/2014	354957	07-01D	15/04/2014	11549/2014	355004	02-02C	15/04/2014
11461/2014	354970	09-04	15/04/2014	11550/2014	355005	02-02C	15/04/2014
11463/2014	354971	06-01G	15/04/2014	11551/2014	355006	02-02C	15/04/2014
11464/2014	354972	06-01G	15/04/2014	11552/2014	355007	02-02NES	15/04/2014
11465/2014	354973	09-04	15/04/2014	11553/2014	355008	02-02NES	15/04/2014
11466/2014	354974	06-01G	15/04/2014	11554/2014	355009	02-02C	15/04/2014
11467/2014	354975	06-01G	15/04/2014	11555/2014	355010	02-02C	15/04/2014
11468/2014	354976	09-04	15/04/2014	11556/2014	355011	02-02C	15/04/2014
11469/2014	354977	06-01G	15/04/2014	11557/2014	355012	02-02C	15/04/2014
11470/2014	354978	06-01G	15/04/2014	11558/2014	355013	02-02C	15/04/2014
11471/2014	354979	09-04	15/04/2014	11559/2014	355014	02-02C	15/04/2014
11472/2014	354980	06-01G	15/04/2014	11560/2014	355026	02-02C	15/04/2014
11473/2014	354981	09-04	15/04/2014	11561/2014	355027	02-04NES	15/04/2014
11474/2014	354982	06-01G	15/04/2014	11562/2014	355028	08-05N	15/04/2014
11475/2014	354983	06-01G	15/04/2014	11565/2014	355029	08-05N	15/04/2014
11476/2014	354984	06-01G	15/04/2014	11566/2014	355030	07-07NES	15/04/2014
11477/2014	354985	09-04	15/04/2014	11567/2014	355031	09-01NES	15/04/2014
11478/2014	354986	06-01G	15/04/2014	11570/2014	355032	28-99	15/04/2014
11479/2014	354987	06-01G	15/04/2014	11571/2014	355033	09-01NES	15/04/2014
11481/2014	354988	06-01G	15/04/2014	11572/2014	355034	08-05N	15/04/2014
11482/2014	354995	06-06C	15/04/2014	11573/2014	355035	28-99	15/04/2014
11484/2014	354996	06-01G	15/04/2014	11574/2014	355036	08-05N	15/04/2014
11485/2014	354997	06-01G	15/04/2014	11576/2014	355037	21-03	15/04/2014
11486/2014	355157	06-01G	28/04/2014	11577/2014	355068	14-03A	16/04/2014
11487/2014	355158	06-01G	28/04/2014	11578/2014	355070	08-08N	17/04/2014
11488/2014	355159	06-01G	28/04/2014	11579/2014	355071	08-08N	17/04/2014
11489/2014	355160	06-13B	28/04/2014	11580/2014	355072	08-08N	17/04/2014
11490/2014	355161	06-13B	28/04/2014	11581/2014	355073	08-08N	17/04/2014
11491/2014	355162	06-13B	28/04/2014	11582/2014	355074	08-08N	17/04/2014
11492/2014	355163	06-13B	28/04/2014	11583/2014	355075	08-08N	17/04/2014
11499/2014	355025	24-01	15/04/2014	11584/2014	355076	06-04D	17/04/2014
11509/2014	354998	05-05A	15/04/2014	11585/2014	355015	28-99	15/04/2014
11510/2014	354999	05-05D	15/04/2014	11586/2014	355016	28-99	15/04/2014
11512/2014	355000	26-05A	15/04/2014	11587/2014	355017	28-99	15/04/2014
11513/2014	355001	26-05A	15/04/2014	11588/2014	355018	08-08N	15/04/2014
11517/2014	355103	02-02C	22/04/2014	11589/2014	355019	08-08N	15/04/2014
11519/2014	355002	15-99	15/04/2014	11590/2014	355020	08-08N	15/04/2014
11523/2014	355104	02-02C	22/04/2014	11592/2014	355077	09-01A	17/04/2014
11527/2014	355105	05-05A	22/04/2014	11593/2014	355021	02-02C	15/04/2014
11528/2014	355106	08-07	22/04/2014	11594/2014	355022	08-08NES	15/04/2014
11532/2014	355107	08-07	22/04/2014	11595/2014	355023	08-08NES	15/04/2014
11533/2014	355108	02-02C	22/04/2014	11596/2014	355024	08-08NES	15/04/2014
11534/2014	355109	04-02	22/04/2014	11597/2014	355078	08-08NES	17/04/2014
11535/2014	355110	02-02C	22/04/2014	11598/2014	355079	06-01E	17/04/2014
11536/2014	355111	04-02	22/04/2014	11599/2014	355080	06-01E	17/04/2014
11539/2014	355112	03-01B	22/04/2014	11600/2014	355081	21-02C	17/04/2014
11540/2014	355113	03-01B	22/04/2014	11601/2014	355082	21-01F	17/04/2014

Publication and Registration Proceedings - Designs Registered cont'd

Design Number	Registration Number	International Classification Code (IDC)	Registration Date	Design Number	Registration Number	International Classification Code (IDC)	Registration Date
11602/2014	355083	21-01F	17/04/2014	11663/2014	355168	24-04	29/04/2014
11606/2014	355084	26-05B	17/04/2014	11664/2014	355169	12-15C	29/04/2014
11607/2014	355043	09-01K	16/04/2014	11666/2014	355170	31-00	29/04/2014
11608/2014	355044	31-00	16/04/2014	11667/2014	355171	31-00	29/04/2014
11611/2014	355045	21-02C	16/04/2014	11668/2014	355172	24-04	29/04/2014
11615/2014	355046	08-08L	16/04/2014	11670/2014	355173	09-07NES	29/04/2014
11618/2014	355047	14-02	16/04/2014	11672/2014	355121	23-01NES	22/04/2014
11620/2014	355048	31-00	16/04/2014	11673/2014	355174	24-02	29/04/2014
11622/2014	355049	24-02	16/04/2014	11674/2014	355175	24-04	29/04/2014
11624/2014	355050	21-02C	16/04/2014	11675/2014	355176	23-01A	29/04/2014
11626/2014	355092	24-04	17/04/2014	11677/2014	355177	24-04	29/04/2014
11627/2014	355051	24-04	16/04/2014	11681/2014	355122	07-05D	22/04/2014
11628/2014	355052	31-00	16/04/2014	11683/2014	355123	02-02C	22/04/2014
11629/2014	355053	31-00	16/04/2014	11684/2014	355124	02-02NES	22/04/2014
11630/2014	355054	31-00	16/04/2014	11685/2014	355125	02-02C	22/04/2014
11631/2014	355093	09-07A	17/04/2014	11743/2014	355131	24-02	23/04/2014
11632/2014	355055	07-01C	16/04/2014	11744/2014	355132	24-02	23/04/2014
11639/2014	355056	24-04	16/04/2014	11746/2014	355133	28-03NES	23/04/2014
11641/2014	355087	03-01D	17/04/2014	11747/2014	355134	08-05L	23/04/2014
11642/2014	355094	03-01D	17/04/2014	11750/2014	355135	06-09	23/04/2014
11643/2014	355088	26-03	17/04/2014	11751/2014	355136	24-02	23/04/2014
11647/2014	355095	08-07	17/04/2014	11752/2014	355137	24-02	23/04/2014
11648/2014	355089	08-07	17/04/2014	11753/2014	355138	28-03A	23/04/2014
11650/2014	355090	25-01K	17/04/2014	11754/2014	355139	06-01F	23/04/2014
11651/2014	355091	25-01K	17/04/2014	11755/2014	355140	15-07	23/04/2014
11655/2014	355164	24-04	28/04/2014	11756/2014	355141	08-05L	23/04/2014
11657/2014	355165	24-04	28/04/2014	11757/2014	355142	21-01A	23/04/2014
11660/2014	355166	24-04	28/04/2014				
11661/2014	355167	07-02L	28/04/2014				

Publication and Registration Proceedings

Class Listing of Designs Published or Registered

The following section shows an International Classification Code listing of the Registered or Published Designs covered in this supplement.

Classification	Registration Number	Design Number	Classification	Registration Number	Design Number
02-02B	355041	10487/2014	06-01F	355139	11754/2014
02-02C	355003	11548/2014	06-01G	354971	11463/2014
02-02C	355004	11549/2014	06-01G	354972	11464/2014
02-02C	355005	11550/2014	06-01G	354974	11466/2014
02-02C	355006	11551/2014	06-01G	354975	11467/2014
02-02C	355009	11554/2014	06-01G	354977	11469/2014
02-02C	355010	11555/2014	06-01G	354978	11470/2014
02-02C	355011	11556/2014	06-01G	354980	11472/2014
02-02C	355012	11557/2014	06-01G	354982	11474/2014
02-02C	355013	11558/2014	06-01G	354983	11475/2014
02-02C	355014	11559/2014	06-01G	354984	11476/2014
02-02C	355021	11593/2014	06-01G	354986	11478/2014
02-02C	355026	11560/2014	06-01G	354987	11479/2014
02-02C	355103	11517/2014	06-01G	354988	11481/2014
02-02C	355104	11523/2014	06-01G	354996	11484/2014
02-02C	355108	11533/2014	06-01G	354997	11485/2014
02-02C	355110	11535/2014	06-01G	355157	11486/2014
02-02C	355123	11683/2014	06-01G	355158	11487/2014
02-02C	355125	11685/2014	06-01G	355159	11488/2014
02-02NES	354912	14354/2013	06-01NES	355040	10066/2014
02-02NES	354917	10332/2014	06-03A	354922	10850/2014
02-02NES	354918	10337/2014	06-03A	354956	11455/2014
02-02NES	354939	10973/2014	06-04D	355076	11584/2014
02-02NES	355007	11552/2014	06-04NES	354923	11009/2014
02-02NES	355008	11553/2014	06-04NES	355097	10818/2014
02-02NES	355124	11684/2014	06-06C	354995	11482/2014
02-04NES	355027	11561/2014	06-09	355135	11750/2014
02-04NES	355038	14144/2013	06-13B	354928	10532/2014
03-01B	355112	11539/2014	06-13B	355160	11489/2014
03-01B	355113	11540/2014	06-13B	355161	11490/2014
03-01B	355114	11541/2014	06-13B	355162	11491/2014
03-01B	355115	11542/2014	06-13B	355163	11492/2014
03-01B	355116	11543/2014	07-01C	355055	11632/2014
03-01B	355118	11545/2014	07-01D	354957	11457/2014
03-01B	355119	11546/2014	07-01NES	354921	10680/2014
03-01B	355120	11547/2014	07-01NES	355143	10093/2014
03-01D	355087	11641/2014	07-01NES	355144	10094/2014
03-01D	355094	11642/2014	07-02A	354960	11149/2014
03-01D	355117	11544/2014	07-02A	355101	11150/2014
03-99	354989	11301/2014	07-02C	355146	13634/2013
04-02	355109	11534/2014	07-02L	355167	11661/2014
04-02	355111	11536/2014	07-02R	354959	11050/2014
05-05A	354998	11509/2014	07-04	355170	11666/2014
05-05A	355105	11527/2014	07-04	355171	11667/2014
05-05D	354999	11510/2014	07-05D	355122	11681/2014
06-01C	355042	10751/2014	07-07NES	355030	11566/2014
06-01D	354915	10130/2014	08-05A	355150	10955/2014
06-01D	354961	11220/2014	08-05K	355154	11276/2014
06-01D	354962	11227/2014	08-05L	355134	11747/2014
06-01E	354922	10850/2014	08-05L	355141	11756/2014
06-01E	355079	11598/2014	08-05N	354943	11355/2014
06-01E	355080	11599/2014	08-05N	355028	11562/2014
06-01F	354947	11439/2014	08-05N	355029	11565/2014

Registration Proceedings - Class Listing of Designs Published or Registered cont'd

Classification	Registration Number	Design Number	Classification	Registration Number	Design Number
08-05N	355034	11572/2014	09-05	355099	10021/2014
08-05N	355036	11574/2014	09-05	355100	10022/2014
08-05P	354920	10616/2014	09-07A	355093	11631/2014
08-05P	355064	10617/2014	09-07A	355173	11670/2014
08-06	355025	11499/2014	09-07NES	355143	10093/2014
08-07	355089	11648/2014	09-07NES	355144	10094/2014
08-07	355095	11647/2014	09-07NES	355173	11670/2014
08-07	355106	11528/2014	10-02	355155	11277/2014
08-07	355107	11532/2014	12-05	354933	16560/2013
08-08B	354936	10026/2014	12-10	354968	10463/2014
08-08B	354969	10960/2014	12-10	355127	11060/2014
08-08L	355046	11615/2014	12-15C	355169	11664/2014
08-08N	355018	11588/2014	12-16NES	354934	16719/2013
08-08N	355019	11589/2014	12-16NES	354935	16721/2013
08-08N	355020	11590/2014	13-01	354953	11451/2014
08-08N	355070	11578/2014	13-02	354950	11443/2014
08-08N	355071	11579/2014	13-02	354951	11444/2014
08-08N	355072	11580/2014	13-03C	355176	11675/2014
08-08N	355073	11581/2014	13-03D	354945	11401/2014
08-08N	355074	11582/2014	13-03D	354946	11404/2014
08-08N	355075	11583/2014	13-03D	355069	11408/2014
08-08NES	355018	11588/2014	13-03NES	354937	10297/2014
08-08NES	355022	11594/2014	14-01	354952	11445/2014
08-08NES	355023	11595/2014	14-02	354927	11323/2014
08-08NES	355024	11596/2014	14-02	355047	11618/2014
08-08NES	355073	11581/2014	14-02	355147	10447/2014
08-08NES	355074	11582/2014	14-02	355148	10449/2014
08-08NES	355075	11583/2014	14-02	355149	10457/2014
08-08NES	355078	11597/2014	14-03A	355066	11450/2014
08-08NES	355086	10613/2014	14-03A	355067	11452/2014
09-01A	355060	10604/2014	14-03A	355068	11577/2014
09-01A	355061	10607/2014	14-04	355148	10449/2014
09-01A	355062	10609/2014	14-04	355149	10457/2014
09-01A	355063	10610/2014	15-02	355151	11107/2014
09-01A	355077	11592/2014	15-05	355076	11584/2014
09-01G	354954	11453/2014	15-05	355146	13634/2013
09-01G	355039	16437/2013	15-07	355085	16804/2013
09-01K	355043	11607/2014	15-07	355140	11755/2014
09-01NES	354964	11297/2014	15-07	355146	13634/2013
09-01NES	354965	11298/2014	15-99	354933	16560/2013
09-01NES	354991	11304/2014	15-99	355002	11519/2014
09-01NES	355031	11567/2014	15-99	355146	13634/2013
09-01NES	355033	11571/2014	19-02	355128	13637/2013
09-01NES	355077	11592/2014	19-06	355128	13637/2013
09-03M	354916	10171/2014	19-08	355096	10598/2014
09-03M	354932	11442/2014	19-08	355145	10175/2014
09-03M	354963	11291/2014	21-01A	355142	11757/2014
09-03M	355152	10135/2014	21-01F	355082	11601/2014
09-03NES	354940	11309/2014	21-01F	355083	11602/2014
09-03NES	354990	11302/2014	21-02C	355045	11611/2014
09-04	354970	11461/2014	21-02C	355050	11624/2014
09-04	354973	11465/2014	21-02C	355081	11600/2014
09-04	354976	11468/2014	21-02F	355081	11600/2014
09-04	354979	11471/2014	21-02NES	355126	10678/2014
09-04	354981	11473/2014	21-03	355037	11576/2014
09-04	354985	11477/2014	22-05	355102	11189/2014

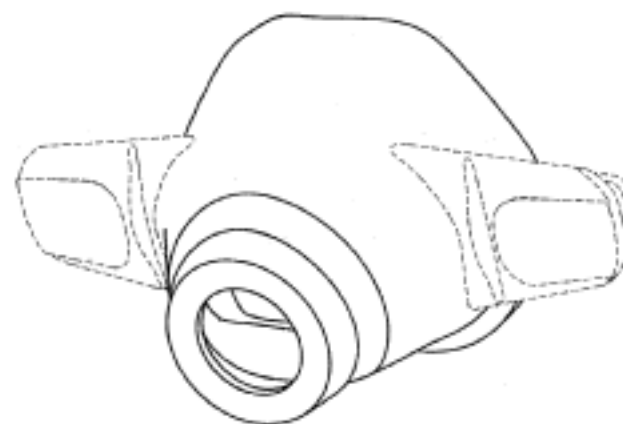
Registration Proceedings - Class Listing of Designs Published or Registered cont'd

Classification	Registration Number	Design Number	Classification	Registration Number	Design Number
22-06	354933	16560/2013	26-03	355088	11643/2014
23-01A	354938	10925/2014	26-05A	355000	11512/2014
23-01A	355176	11675/2014	26-05A	355001	11513/2014
23-01D	355065	11377/2014	26-05A	355156	11425/2014
23-01H	354929	10879/2014	26-05B	354955	11454/2014
23-01H	354994	11307/2014	26-05B	355084	11606/2014
23-01NES	355121	11672/2014	26-05D	354924	11042/2014
24-01	354913	16834/2013	26-05D	354967	11300/2014
24-01	354914	16835/2013	26-05E	354966	11299/2014
24-01	354925	11045/2014	26-05E	354967	11300/2014
24-01	354926	11046/2014	26-99	354966	11299/2014
24-01	355025	11499/2014	28-03A	355138	11753/2014
24-01	355174	11673/2014	28-03NES	355133	11746/2014
24-02	354958	10762/2014	28-99	355015	11585/2014
24-02	355049	11622/2014	28-99	355016	11586/2014
24-02	355131	11743/2014	28-99	355017	11587/2014
24-02	355132	11744/2014	28-99	355032	11570/2014
24-02	355136	11751/2014	28-99	355035	11573/2014
24-02	355137	11752/2014	29-99	355041	10487/2014
24-02	355174	11673/2014	29-99	355096	10598/2014
24-04	354919	10441/2014	30-06	354948	11440/2014
24-04	354930	11431/2014	30-06	354949	11441/2014
24-04	354931	11432/2014	31-00	354941	11310/2014
24-04	355051	11627/2014	31-00	354942	11311/2014
24-04	355056	11639/2014	31-00	354991	11304/2014
24-04	355092	11626/2014	31-00	354992	11305/2014
24-04	355164	11655/2014	31-00	354993	11306/2014
24-04	355165	11657/2014	31-00	355044	11608/2014
24-04	355166	11660/2014	31-00	355048	11620/2014
24-04	355168	11663/2014	31-00	355052	11628/2014
24-04	355172	11668/2014	31-00	355053	11629/2014
24-04	355175	11674/2014	31-00	355054	11630/2014
24-04	355177	11677/2014	31-00	355057	10163/2014
25-01G	355098	11190/2014	31-00	355058	10164/2014
25-01K	355090	11650/2014	31-00	355059	10165/2014
25-01K	355091	11651/2014	31-00	355167	11661/2014
25-02K	355153	10303/2014	31-00	355170	11666/2014
25-02NES	355129	16831/2013	31-00	355171	11667/2014
25-02NES	355130	16832/2013			
26-02	354944	11356/2014			

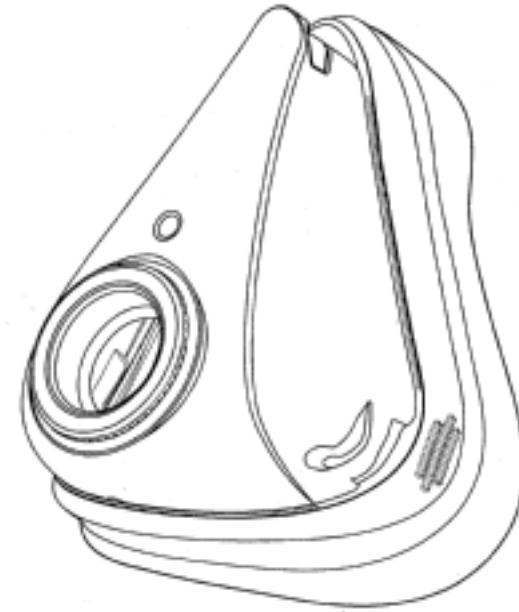
- (21) Design Number: **14354/2013**
(22) Date of Filing Application: **23 August 2013**
(24) Date from which industrial property rights may have effect: **23 August 2013**
(54) Product in respect of which the design is registered: **Article of clothing**
(51) International Design Classification: **02-02NES**
(74) Name(s) of Attorney(s): **Allens Patent & Trade Mark Attorneys**
(71) Name(s) and Address(s) of Applicant(s):
Forever New Clothing Pty Ltd
714-716 High St Kew East VIC 3102 Australia
(72) Name(s) of Designer(s): **Anna Pham**
(45) Registration Date: **14 April 2014**
(56) Related Art Documents: **Not Applicable**
(57) Statement of Newness and Distinctiveness: **Newness and distinctiveness resides in the visual features of shape, configuration, pattern and/or ornamentation of an article of clothing as shown in the accompanying representations.**



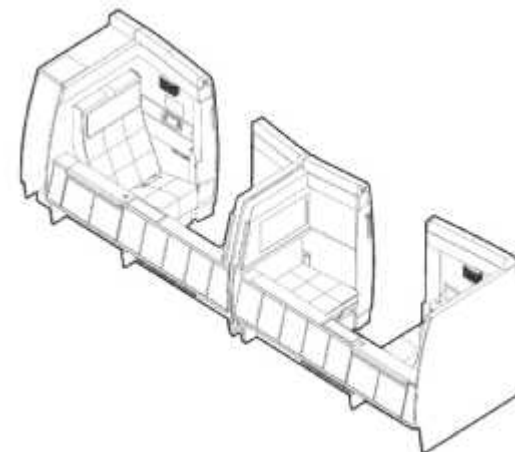
- (21) Design Number: **16834/2013**
(22) Date of Filing Application: **20 December 2013**
(24) Date from which industrial property rights may have effect: **10 October 2013**
(54) Product in respect of which the design is registered: **Patient interface**
(51) International Design Classification: **24-01**
(74) Name(s) of Attorney(s): **Halfords IP**
(71) Name(s) and Address(s) of Applicant(s):
ResMed Limited
1 Elizabeth Macarthur Dr Bella Vista NSW 2153 Australia
(72) Name(s) of Designer(s): **Lochlan von Moger and Matthew Eves and Memduh Guney and Michael Charles La Guzza**
(45) Registration Date: **14 April 2014**
(62) Divisional of: **353289**
(56) Related Art Documents: **Not Applicable**
(57) Statement of Newness and Distinctiveness: **Nil**



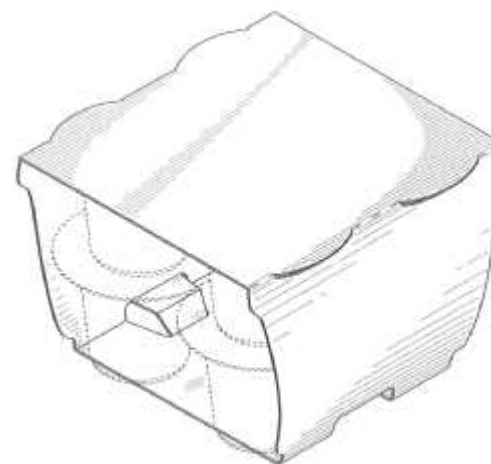
- (21) Design Number: **16835/2013**
(22) Date of Filing Application: **20 December 2013**
(24) Date from which industrial property rights may have effect: **26 September 2013**
(54) Product in respect of which the design is registered: **Patient interface**
(51) International Design Classification: **24-01**
(74) Name(s) of Attorney(s): **Halfords IP**
(71) Name(s) and Address(s) of Applicant(s):
ResMed Limited
1 Elizabeth Macarthur Dr Bella Vista NSW 2153 Australia
(72) Name(s) of Designer(s): **Christopher Scott Skipper and Stephen Gray and Andrew Hung and Robert Thomas Burnham and Amal Shirley Amarasinghe and Ian James Matthews and Justin John Formica and Jessica Lea Dunn**
(45) Registration Date: **14 April 2014**
(62) Divisional of: **353287**
(56) Related Art Documents: **Not Applicable**
(57) Statement of Newness and Distinctiveness: **Nil**



- (21) Design Number: **10130/2014**
(22) Date of Filing Application: **10 January 2014**
(24) Date from which industrial property rights may have effect: **10 October 2013**
(54) Product in respect of which the design is registered: **Seating module**
(51) International Design Classification: **06-01D**
(74) Name(s) of Attorney(s): **Davies Collison Cave**
(71) Name(s) and Address(s) of Applicant(s):
Etihad Airways
PO BOX 35566 New Airport Road Abu Dhabi United Arab Emirates
(72) Name(s) of Designer(s): **Richard Nicholas and Ian Dryburgh**
(45) Registration Date: **14 April 2014**
(62) Divisional of: **354770**
(56) Related Art Documents: **Not Applicable**
(57) Statement of Newness and Distinctiveness: **Nil**



- (21) Design Number: **10171/2014**
(22) Date of Filing Application: **15 January 2014**
(24) Date from which industrial property rights may have effect: **15 January 2014**
(54) Product in respect of which the design is registered: **Container overwrap**
(51) International Design Classification: **09-03M**
(74) Name(s) of Attorney(s): **MINTER ELLISON**
(71) Name(s) and Address(s) of Applicant(s):
Chobani, Inc.
147 State Highway 320 Norwich NY, 13815 United States of America
(72) Name(s) of Designer(s): **Christopher Ryan and Niel Sandfort and Robert Englert and Antoine Andre Edmond Ramusat and Jean-Yves Latour**
(45) Registration Date: **14 April 2014**
(30) Convention priority data:
(31) Number (32) Date (33) Country
29/460,882 16 Jul 2013 UNITED STATES OF AMERICA
(56) Related Art Documents: **Not Applicable**
(57) Statement of Newness and Distinctiveness: **In considering the newness and distinctiveness of the design, no regard is to be had to the visual features depicted by the broken lines.**



- (21) Design Number: **10332/2014**
(22) Date of Filing Application: **24 January 2014**
(24) Date from which industrial property rights may have effect: **24 January 2014**
(54) Product in respect of which the design is registered: **Jacket**
(51) International Design Classification: **02-02NES**
(74) Name(s) of Attorney(s): **Shelston IP**
(71) Name(s) and Address(s) of Applicant(s):
lululemon athletica canada inc.
400-1818 Cornwall Avenue Vancouver British Columbia V6J 1C7 Canada
(72) Name(s) of Designer(s): **Antonia lamartino**
(45) Registration Date: **14 April 2014**
(30) Convention priority data:
(31) Number (32) Date (33) Country
29/461767 26 Jul 2013 UNITED STATES OF AMERICA
(56) Related Art Documents: **Not Applicable**
(57) Statement of Newness and Distinctiveness: **Newness and distinctiveness reside in the visual features of a design for a JACKET as shown in FIGs. 1 - 4. The fine broken lines shown in the drawings represent stitching and are part of the claimed design. The heavier broken lines in FIGs.1, 3 and 4, which outline a covering of the zipper near the hood, form no part of the claimed design. The symbol depicted in FIGs. 1, 3 and 4, forming part of the claimed design is a registered trademark of Lululemon Athletica Canada Inc.**



(21) Design Number: **10337/2014**

(22) Date of Filing Application: **24 January 2014**

(24) Date from which industrial property rights may have effect: **24 January 2014**

(54) Product in respect of which the design is registered: **Jacket**

(51) International Design Classification: **02-02NES**

(74) Name(s) of Attorney(s): **Shelston IP**

(71) Name(s) and Address(s) of Applicant(s):

lululemon athletica canada inc.

400-1818 Cornwall Avenue Vancouver British Columbia V6J 1C7 Canada

(72) Name(s) of Designer(s): **Antonia lamartino**

(45) Registration Date: **14 April 2014**

(30) Convention priority data:

(31) Number

(32) Date

(33) Country

29/461767

26 Jul 2013

UNITED STATES OF AMERICA

(56) Related Art Documents: **Not Applicable**

(57) Statement of Newness and Distinctiveness: **Newness and distinctiveness reside in the visual features of a design for a JACKET as shown in FIGs 1 - 4. The fine broken lines shown in the drawings represent stitching and are part of the claimed design. The heavier broken lines in FIGs.1, 3 and 4, which outline a covering of the zipper near the hood, form no part of the claimed design. The symbol/s depicted in FIGs. 1 - 4, forming part of the claimed design is a registered trademark of Lululemon Athletica Canada Inc.**



(21) Design Number: **10441/2014**

(22) Date of Filing Application: **31 January 2014**

(24) Date from which industrial property rights may have effect: **31 January 2014**

(54) Product in respect of which the design is registered: **Interdental picks**

(51) International Design Classification: **24-04**

(74) Name(s) of Attorney(s): **PHILLIPS ORMONDE FITZPATRICK**

(71) Name(s) and Address(s) of Applicant(s):

The Procter & Gamble Company

One Procter & Gamble Plaza Cincinnati Ohio 45202 United States of America

(72) Name(s) of Designer(s): **Daniel William Volpenhein and Cathy Lynn Isakson**

(45) Registration Date: **14 April 2014**

(30) Convention priority data:

(31) Number

(32) Date

(33) Country

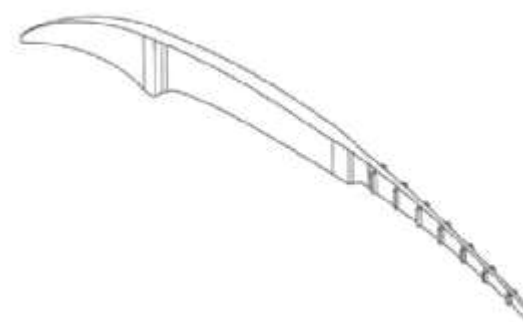
29/462,583

06 Aug 2013

UNITED STATES OF AMERICA

(56) Related Art Documents: **Not Applicable**

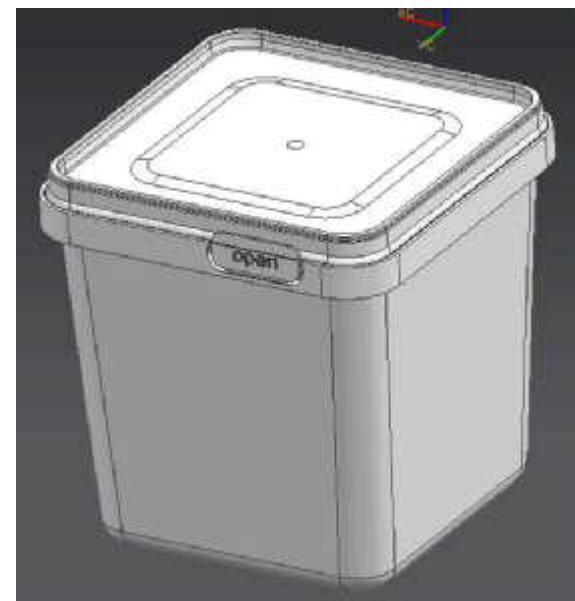
(57) Statement of Newness and Distinctiveness: **Those features of the interdental picks depicted in the representations that are new and distinctive are the shape and/or configuration. The features shown in broken lines are not part of the design and are to be disregarded when considering the overall impression of the design.**



(21) Design Number: **10616/2014**
(22) Date of Filing Application: **07 February 2014**
(24) Date from which industrial property rights may have effect: **07 February 2014**
(54) Product in respect of which the design is registered: **Universal wrench**
(51) International Design Classification: **08-05P**
(74) Name(s) of Attorney(s): **PHILLIPS ORMONDE FITZPATRICK**
(71) Name(s) and Address(s) of Applicant(s):
Actervis GmbH
c/o Prv Provides Treuhandgesellschaft Lindenhof Dorfstr.38 CH-6341
Baar (Zug) Switzerland
(72) Name(s) of Designer(s): **Torres Martin Juan Ramon**
(45) Registration Date: **14 April 2014**
(30) Convention priority data:
(31) Number (32) Date (33) Country
002288084-0005 07 Aug 2013 OFFICE FOR HARMONISATION IN
THE INTERNAL MARKET (OHIM)
(56) Related Art Documents: **Not Applicable**
(57) Statement of Newness and Distinctiveness: **Nil**



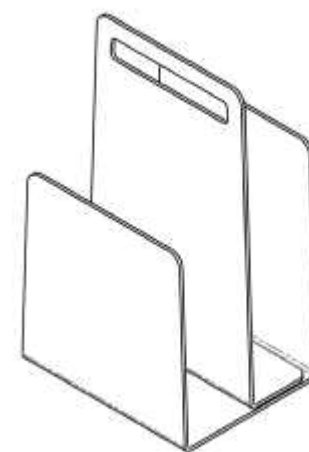
(21) Design Number: **10680/2014**
(22) Date of Filing Application: **11 February 2014**
(24) Date from which industrial property rights may have effect: **11 February 2014**
(54) Product in respect of which the design is registered: **Square tub with tab**
(51) International Design Classification: **07-01NES**
(74) Name(s) of Attorney(s): **TELLER & ASSOCIATES**
(71) Name(s) and Address(s) of Applicant(s):
Anchor Foods Pty Ltd
148 Carrington St Fremantle WA 6163 Australia
(72) Name(s) of Designer(s): **David Clapin**
(45) Registration Date: **14 April 2014**
(56) Related Art Documents: **Not Applicable**
(57) Statement of Newness and Distinctiveness: **Nil**



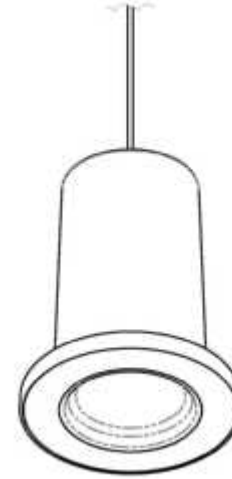
- (21) Design Number: **10850/2014**
(22) Date of Filing Application: **25 February 2014**
(24) Date from which industrial property rights may have effect: **25 February 2014**
(54) Product in respect of which the design is registered: **Furniture**
(51) International Design Classification: **06-01E, 06-03A**
(74) Name(s) of Attorney(s): **Simpsons Solicitors**
(71) Name(s) and Address(s) of Applicant(s):
DESIGN BY THEM PTY LTD
L2 STU1 140 Cleveland St Chippendale NSW 2008 Australia
(72) Name(s) of Designer(s): **Nicholas Karlovasitis and Sarah Gibson**
(45) Registration Date: **14 April 2014**
(56) Related Art Documents: **Not Applicable**
(57) Statement of Newness and Distinctiveness: **The leg detail is the new and distinctive feature of this range of products. The leg consists of a thin curved section which becomes tangent with the adjoining sides at the top.**



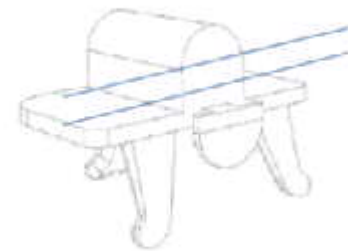
- (21) Design Number: **11009/2014**
(22) Date of Filing Application: **05 March 2014**
(24) Date from which industrial property rights may have effect: **05 March 2014**
(54) Product in respect of which the design is registered: **Magazine rack**
(51) International Design Classification: **06-04NES**
(74) Name(s) of Attorney(s): **Simpsons Solicitors**
(71) Name(s) and Address(s) of Applicant(s):
Seaton McKeon
c/- Simpsons Solicitors Lot 1 L2 Pier 8/9 23 Hickson Rd Millers Point
NSW 2000 Australia
(72) Name(s) of Designer(s): **Seaton McKeon**
(45) Registration Date: **14 April 2014**
(56) Related Art Documents: **Not Applicable**
(57) Statement of Newness and Distinctiveness: **Nil**



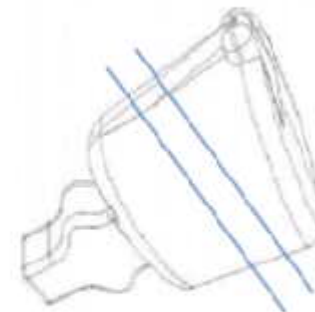
- (21) Design Number: **11042/2014**
(22) Date of Filing Application: **06 March 2014**
(24) Date from which industrial property rights may have effect: **06 March 2014**
(54) Product in respect of which the design is registered: **Lighting product**
(51) International Design Classification: **26-05D**
(74) Name(s) of Attorney(s): **Simpsons Solicitors**
(71) Name(s) and Address(s) of Applicant(s):
Seaton McKeon
c/- Simpsons Solicitors Lot 1 L2 Pier 8/9 23 Hickson Rd Millers Point
NSW 2000 Australia
(72) Name(s) of Designer(s): **Seaton McKeon**
(45) Registration Date: **14 April 2014**
(56) Related Art Documents: **Not Applicable**
(57) Statement of Newness and Distinctiveness: **Nil**



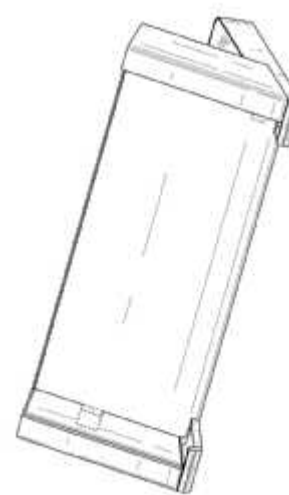
- (21) Design Number: **11045/2014**
(22) Date of Filing Application: **07 March 2014**
(24) Date from which industrial property rights may have effect: **07 March 2014**
(54) Product in respect of which the design is registered: **Dental appliance**
(51) International Design Classification: **24-01**
(74) Name(s) of Attorney(s):
(71) Name(s) and Address(s) of Applicant(s):
Christopher William Kelly
587 East Kurrajong Rd East Kurrajong NSW 2758 Australia
(72) Name(s) of Designer(s): **Christopher William Kelly**
(45) Registration Date: **14 April 2014**
(56) Related Art Documents: **Not Applicable**
(57) Statement of Newness and Distinctiveness: **The new feature in this design is the half cylinder lump that allows for pivotal articulation of the upper and lower jaws when used in an appliance.**



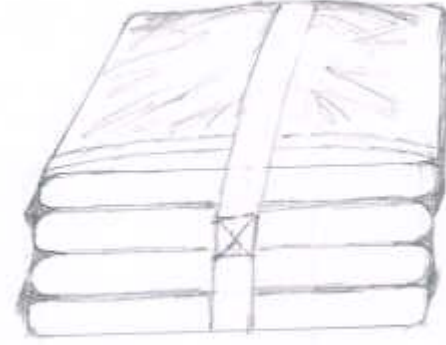
- (21) Design Number: **11046/2014**
(22) Date of Filing Application: **07 March 2014**
(24) Date from which industrial property rights may have effect: **07 March 2014**
(54) Product in respect of which the design is registered: **Dental appliance**
(51) International Design Classification: **24-01**
(74) Name(s) of Attorney(s):
(71) Name(s) and Address(s) of Applicant(s):
Christopher William Kelly
587 East Kurrajong Rd East Kurrajong NSW 2758 Australia
(72) Name(s) of Designer(s): **Christopher William Kelly**
(45) Registration Date: **14 April 2014**
(56) Related Art Documents: **Not Applicable**
(57) Statement of Newness and Distinctiveness: **The new feature of this design is that it has a wider face plate for better articulation against anchor nubs when used in a dental appliance.**



- (21) Design Number: **11323/2014**
(22) Date of Filing Application: **20 March 2014**
(24) Date from which industrial property rights may have effect: **20 March 2014**
(54) Product in respect of which the design is registered: **Docking station**
(51) International Design Classification: **14-02**
(74) Name(s) of Attorney(s): **Shelston IP**
(71) Name(s) and Address(s) of Applicant(s):
Microsoft Corporation
One Microsoft Way Redmond Washington, 98052 United States of America
(72) Name(s) of Designer(s): **Young Soo Kim and Mike F Deily and James Iming Tsai**
(45) Registration Date: **14 April 2014**
(30) Convention priority data:
(31) Number (32) Date (33) Country
29/467598 20 Sep 2013 UNITED STATES OF AMERICA
(56) Related Art Documents: **Not Applicable**
(57) Statement of Newness and Distinctiveness: **Newness and distinctiveness reside in the features of shape and/or configuration of a docketing station as illustrated by solid lines in the accompanying representations. The features shown in broken outline are for contextual purposes only and do not form part of the design.**



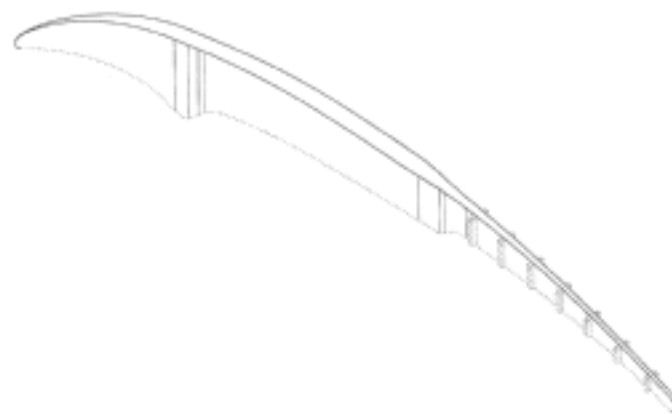
- (21) Design Number: **10532/2014**
(22) Date of Filing Application: **04 February 2014**
(24) Date from which industrial property rights may have effect: **04 February 2014**
(54) Product in respect of which the design is registered: **Mat**
(51) International Design Classification: **06-13B**
(74) Name(s) of Attorney(s):
(71) Name(s) and Address(s) of Applicant(s):
Michelle Gai Barzen
17 Somerset Lane Little Mountain Caloundra QLD 4551 Australia
(72) Name(s) of Designer(s): **Michelle Gai Barzen**
(45) Registration Date: **14 April 2014**
(56) Related Art Documents: **Not Applicable**
(57) Statement of Newness and Distinctiveness: **Product distinctiveness is in the pattern design, consists of 4 pocket inserts for foam to be inserted and is easily removed to wash cover another insert on top for a pillow, sheet or blanket. Also designed to fold up to a compact size and held together with a strap so as to carry.**



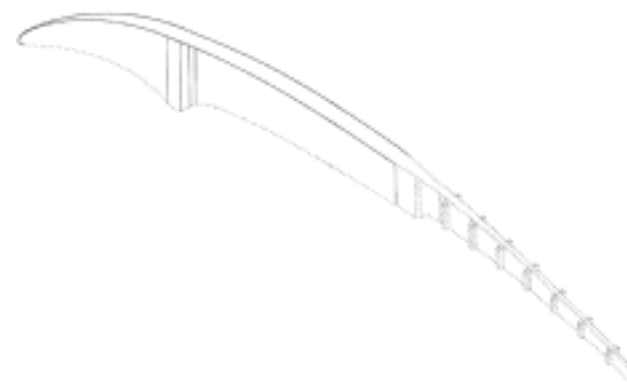
- (21) Design Number: **10879/2014**
(22) Date of Filing Application: **27 February 2014**
(24) Date from which industrial property rights may have effect: **27 February 2014**
(54) Product in respect of which the design is registered: **Tap handle**
(51) International Design Classification: **23-01H**
(74) Name(s) of Attorney(s):
(71) Name(s) and Address(s) of Applicant(s):
Ian Shirliff
Brodware Industries PO BOX 610 Seven Hills NSW 1730 Australia
(72) Name(s) of Designer(s): **Ian Shirliff**
(45) Registration Date: **14 April 2014**
(56) Related Art Documents: **Not Applicable**
(57) Statement of Newness and Distinctiveness: **Newness and distinctiveness is claimed in the knurled section of the tap handle as illustrated in the accompanying representations.**



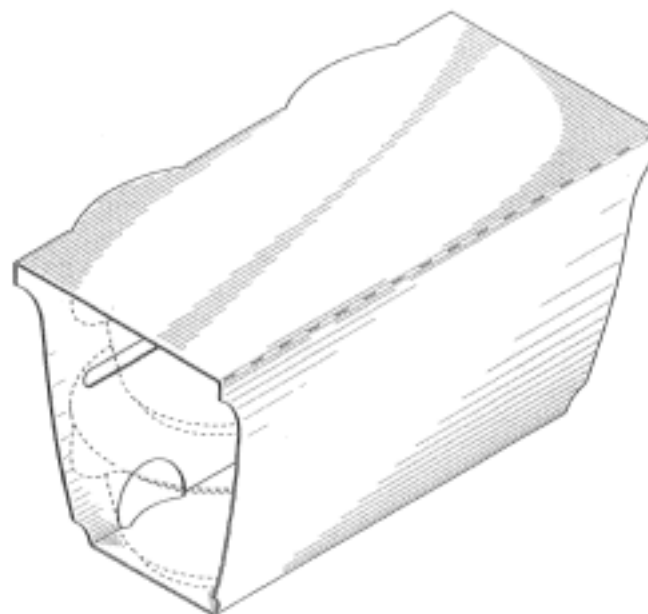
(21) Design Number: **11431/2014**
(22) Date of Filing Application: **24 March 2014**
(24) Date from which industrial property rights may have effect: **24 March 2014**
(54) Product in respect of which the design is registered: **Interdental pick**
(51) International Design Classification: **24-04**
(74) Name(s) of Attorney(s): **PHILLIPS ORMONDE FITZPATRICK**
(71) Name(s) and Address(s) of Applicant(s):
The Procter & Gamble Company
One Procter & Gamble Plaza Cincinnati Ohio 45202 United States of America
(72) Name(s) of Designer(s): **Daniel William Volpenhein and Cathy Lynn Isakson**
(45) Registration Date: **14 April 2014**
(30) Convention priority data:
(31) Number (32) Date (33) Country
29/462,583 06 Aug 2013 UNITED STATES OF AMERICA
(56) Related Art Documents: **Not Applicable**
(57) Statement of Newness and Distinctiveness: **Those features of the interdental pick depicted in the representations that are new and distinctive are the shape and/or configuration. The features shown in broken lines are not part of the design and are to be disregarded when considering the overall impression of the design.**



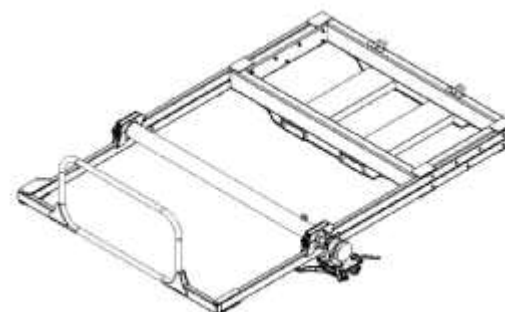
(21) Design Number: **11432/2014**
(22) Date of Filing Application: **24 March 2014**
(24) Date from which industrial property rights may have effect: **24 March 2014**
(54) Product in respect of which the design is registered: **Interdental pick**
(51) International Design Classification: **24-04**
(74) Name(s) of Attorney(s): **PHILLIPS ORMONDE FITZPATRICK**
(71) Name(s) and Address(s) of Applicant(s):
The Procter & Gamble Company
One Procter & Gamble Plaza Cincinnati Ohio 45202 United States of America
(72) Name(s) of Designer(s): **Daniel William Volpenhein and Cathy Lynn Isakson**
(45) Registration Date: **14 April 2014**
(30) Convention priority data:
(31) Number (32) Date (33) Country
29/462,583 06 Aug 2013 UNITED STATES OF AMERICA
(56) Related Art Documents: **Not Applicable**
(57) Statement of Newness and Distinctiveness: **Those features of the interdental pick depicted in the representations that are new and distinctive are the shape and/or configuration. The features shown in broken lines are not part of the design and are to be disregarded when considering the overall impression of the design.**



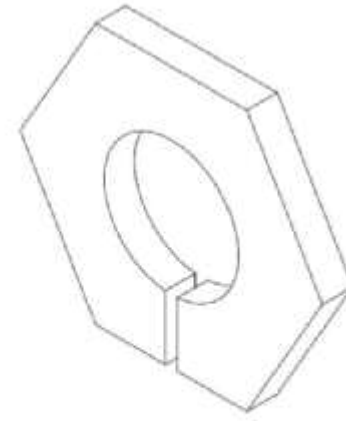
- (21) Design Number: **11442/2014**
(22) Date of Filing Application: **19 March 2014**
(24) Date from which industrial property rights may have effect: **19 March 2014**
(54) Product in respect of which the design is registered: **Container overwrap**
(51) International Design Classification: **09-03M**
(74) Name(s) of Attorney(s): **MINTER ELLISON**
(71) Name(s) and Address(s) of Applicant(s):
Chobani, Inc.
147 State Highway 320 Norwich NY, 13815 United States of America
(72) Name(s) of Designer(s): **Christopher Ryan and Niel Sandfort and Robert Englert and Antoine Andre Edmond Ramusat and Jean-Yves Latour**
(45) Registration Date: **14 April 2014**
(30) Convention priority data:
(31) Number (32) Date (33) Country
29/460,882 16 Jul 2013 UNITED STATES OF AMERICA
(56) Related Art Documents: **Not Applicable**
(57) Statement of Newness and Distinctiveness: **In considering the newness and distinctiveness of the design, no regard is to be had to the visual features depicted by the broken lines.**



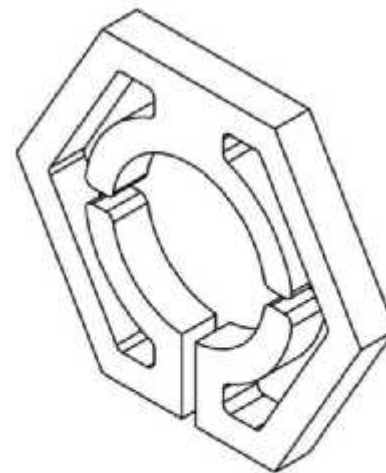
- (21) Design Number: **16560/2013**
(22) Date of Filing Application: **16 December 2013**
(24) Date from which industrial property rights may have effect: **16 December 2013**
(54) Product in respect of which the design is registered: **Log fumigation cover roll**
(51) International Design Classification: **22-06, 12-05, 15-99**
(74) Name(s) of Attorney(s):
(71) Name(s) and Address(s) of Applicant(s):
Genera Limited
247 Cameron Road Tauranga 3110 New Zealand
(72) Name(s) of Designer(s): **Ross Lawrence Wolfe**
(45) Registration Date: **14 April 2014**
(30) Convention priority data:
(31) Number (32) Date (33) Country
417740 02 Jul 2013 NEW ZEALAND
(56) Related Art Documents: **Not Applicable**
(57) Statement of Newness and Distinctiveness: **The novelty and distinctiveness resides in the features of shape and configuration as shown in the accompanying representations.**



- (21) Design Number: **16719/2013**
(22) Date of Filing Application: **20 December 2013**
(24) Date from which industrial property rights may have effect: **20 December 2013**
(54) Product in respect of which the design is registered: **A tile for lining a truck tray**
(51) International Design Classification: **12-16NES**
(74) Name(s) of Attorney(s): **Griffith Hack**
(71) Name(s) and Address(s) of Applicant(s):
DT-HILoad Australia Pty Ltd
435C Dundas Rd Forreestfield WA 6058 Australia
(72) Name(s) of Designer(s): **Barry Dawson and Peter Nazzari and Angelini John**
(45) Registration Date: **14 April 2014**
(56) Related Art Documents: **Not Applicable**
(57) Statement of Newness and Distinctiveness: **Newness and distinctiveness resides in the visual features, including the shape and configuration of the product shown in the representations.**



- (21) Design Number: **16721/2013**
(22) Date of Filing Application: **20 December 2013**
(24) Date from which industrial property rights may have effect: **20 December 2013**
(54) Product in respect of which the design is registered: **A tile for lining a truck tray**
(51) International Design Classification: **12-16NES**
(74) Name(s) of Attorney(s): **Griffith Hack**
(71) Name(s) and Address(s) of Applicant(s):
DT-HILoad Australia Pty Ltd
435C Dundas Rd Forreestfield WA 6058 Australia
(72) Name(s) of Designer(s): **Barry Dawson and Peter Nazzari and John Angelini**
(45) Registration Date: **14 April 2014**
(56) Related Art Documents: **Not Applicable**
(57) Statement of Newness and Distinctiveness: **Newness and distinctiveness resides in the visual features, including the shape and configuration of the product shown in the representations.**



(21) Design Number: **10026/2014**

(22) Date of Filing Application: **06 January 2014**

(24) Date from which industrial property rights may have effect: **06 January 2014**

(54) Product in respect of which the design is registered: **Eye bolts**

(51) International Design Classification: **08-08B**

(74) Name(s) of Attorney(s): **Davies Collison Cave**

(71) Name(s) and Address(s) of Applicant(s):

**RUD Ketten Rieger & Dietz GmbH u. Co. KG
Friedensinsel Aalen 73432 Germany**

(72) Name(s) of Designer(s): **Reinhard Smetz**

(45) Registration Date: **14 April 2014**

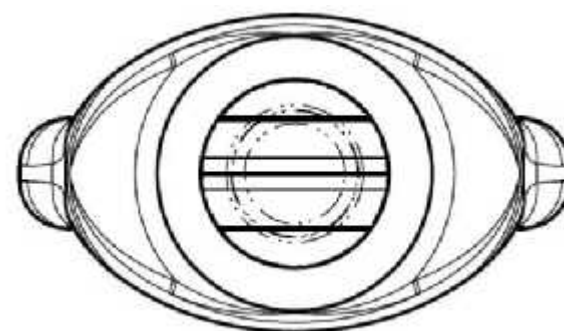
(30) Convention priority data:

(31) Number (32) Date
002283713-0001 30 Jul 2013

(33) Country
**OFFICE FOR HARMONISATION IN
THE INTERNAL MARKET (OHIM)**

(56) Related Art Documents: **Not Applicable**

(57) Statement of Newness and Distinctiveness: **Newness and distinctiveness is claimed in the visual features shown in solid lines in the representations.**



(21) Design Number: **10297/2014**

(22) Date of Filing Application: **23 January 2014**

(24) Date from which industrial property rights may have effect: **23 January 2014**

(54) Product in respect of which the design is registered: **Portable power distribution board**

(51) International Design Classification: **13-03NES**

(74) Name(s) of Attorney(s):

(71) Name(s) and Address(s) of Applicant(s):

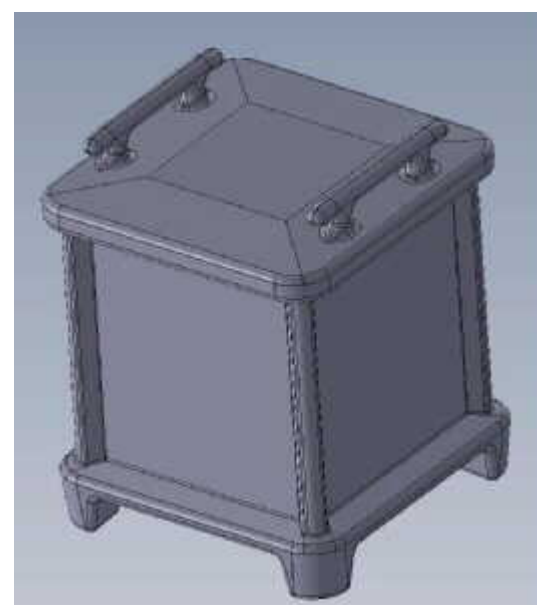
**PBM Electrics Pty LTd
Unit 3 84-86 Link Cres Coolumb Beach QLD 4573 Australia**

(72) Name(s) of Designer(s): **Victor Knight**

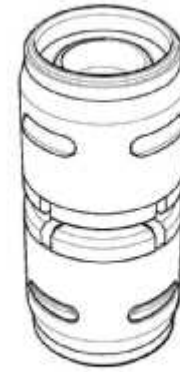
(45) Registration Date: **14 April 2014**

(56) Related Art Documents: **Not Applicable**

(57) Statement of Newness and Distinctiveness: **This board blank (without holes, cutouts etc) has a new distinctive shape. This design application is for the overall shape of the board regardless of what cutouts and fittings are made/added to the blank.**



(21) Design Number: **10925/2014**
(22) Date of Filing Application: **28 February 2014**
(24) Date from which industrial property rights may have effect: **28 February 2014**
(54) Product in respect of which the design is registered: **Pipe connection fittings**
(51) International Design Classification: **23-01A**
(74) Name(s) of Attorney(s): **Callinans**
(71) Name(s) and Address(s) of Applicant(s):
GSA Industries (Aust.) Pty Ltd
L54 Rialto Towers 525 Collins St Melbourne VIC 3000 Australia
(72) Name(s) of Designer(s): **Jeremy Gledhill and William Vernon Kluss**
(45) Registration Date: **15 April 2014**
(56) Related Art Documents: **Not Applicable**
(57) Statement of Newness and Distinctiveness: **Nil**



(21) Design Number: **10973/2014**
(22) Date of Filing Application: **04 March 2014**
(24) Date from which industrial property rights may have effect: **04 March 2014**
(54) Product in respect of which the design is registered: **Garment**
(51) International Design Classification: **02-02NES**
(74) Name(s) of Attorney(s): **Griffith Hack**
(71) Name(s) and Address(s) of Applicant(s):
J. Boag (Clothing) Pty. Ltd.
108 Albert St East Brunswick VIC 3057 Australia
(72) Name(s) of Designer(s): **Eeva Marjukka Niemi**
(45) Registration Date: **15 April 2014**
(56) Related Art Documents: **Not Applicable**
(57) Statement of Newness and Distinctiveness: **Newness and distinctiveness resides in the visual features, including the shape, configuration and ornamentation of the product as shown in the accompanying figures. The product may be any colour.**



(21) Design Number: **11309/2014**
(22) Date of Filing Application: **20 March 2014**
(24) Date from which industrial property rights may have effect: **20 March 2014**
(54) Product in respect of which the design is registered: **Container**
(51) International Design Classification: **09-03NES**
(74) Name(s) of Attorney(s): **FB Rice**
(71) Name(s) and Address(s) of Applicant(s):
Colgate-Palmolive Company
300 Park Avenue New York New York 10022 United States of America
(72) Name(s) of Designer(s): **Suzanne De Vries and Hans Vereijken and Stijn Heijdenrijk**
(45) Registration Date: **15 April 2014**
(30) Convention priority data:
(31) Number (32) Date (33) Country
29/471168 29 Oct 2013 UNITED STATES OF AMERICA
(56) Related Art Documents: **Not Applicable**
(57) Statement of Newness and Distinctiveness: **Newness and distinctiveness reside in the features of shape and configuration of the design shown in solid lines in the representations excluding those features shown in broken lines.**



(21) Design Number: **11310/2014**
(22) Date of Filing Application: **20 March 2014**
(24) Date from which industrial property rights may have effect: **20 March 2014**
(54) Product in respect of which the design is registered: **A blender**
(51) International Design Classification: **31-00**
(74) Name(s) of Attorney(s): **Halfords IP**
(71) Name(s) and Address(s) of Applicant(s):
Electrolux Appliances Aktiebolag
S:t Goransgatan 143 Stockholm 105 45 Sweden
(72) Name(s) of Designer(s): **Lei Ji**
(45) Registration Date: **15 April 2014**
(30) Convention priority data:
(31) Number (32) Date (33) Country
002317354 27 Sep 2013 OFFICE FOR HARMONISATION IN THE INTERNAL MARKET (OHIM)
(56) Related Art Documents: **Not Applicable**
(57) Statement of Newness and Distinctiveness: **Newness and distinctiveness resides in those features of shape and or configuration of a blender as depicted in the representations.**



(21) Design Number: **11311/2014**

(22) Date of Filing Application: **20 March 2014**

(24) Date from which industrial property rights may have effect: **20 March 2014**

(54) Product in respect of which the design is registered: **A blender**

(51) International Design Classification: **31-00**

(74) Name(s) of Attorney(s): **Halfords IP**

(71) Name(s) and Address(s) of Applicant(s):

**Electrolux Appliances Aktiebolag
S:t Goransgatan 143 Stockholm 105 45 Sweden**

(72) Name(s) of Designer(s): **Lei Ji**

(45) Registration Date: **15 April 2014**

(30) Convention priority data:

(31) Number
002317354

(32) Date
27 Sep 2013

(33) Country
**OFFICE FOR HARMONISATION IN
THE INTERNAL MARKET (OHIM)**



(56) Related Art Documents: **Not Applicable**

(57) Statement of Newness and Distinctiveness: **Newness and distinctiveness resides in those features of shape and or configuration of a blender as depicted in the representations.**

(21) Design Number: **11355/2014**

(22) Date of Filing Application: **24 March 2014**

(24) Date from which industrial property rights may have effect: **24 March 2014**

(54) Product in respect of which the design is registered: **Diamond abrasive grinding cup wheel**

(51) International Design Classification: **08-05N**

(74) Name(s) of Attorney(s):

(71) Name(s) and Address(s) of Applicant(s):

**Mathew Raymund Norton
24 Dapper St Sunnybank Hills QLD 4109 Australia**

(72) Name(s) of Designer(s): **Mathew Raymund Norton**

(45) Registration Date: **15 April 2014**

(56) Related Art Documents: **Not Applicable**

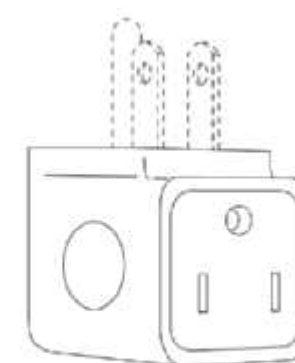
(57) Statement of Newness and Distinctiveness: **Monopoly is claimed for the combined shape configuration pattern and combination use of a sharp tooth turbo diamond segment pattern and a pipe ring segment pattern onto a diamond grinding tool plate as shown in picture representation. Monopoly is also claimed for a similar combination of turbo pattern and pipe ring grinding segment design that may use an altered turbo pattern segment shape to overcome this design registration.**



- (21) Design Number: **11356/2014**
(22) Date of Filing Application: **24 March 2014**
(24) Date from which industrial property rights may have effect: **24 March 2014**
(54) Product in respect of which the design is registered: **Lighting device**
(51) International Design Classification: **26-02**
(74) Name(s) of Attorney(s): **Halfords IP**
(71) Name(s) and Address(s) of Applicant(s):
Eveready Battery Company, Inc.
533 Maryville University Drive St Louis Missouri 63141 United States of America
(72) Name(s) of Designer(s): **David J Hine and Scott W Osiecki**
(45) Registration Date: **15 April 2014**
(30) Convention priority data:
(31) Number (32) Date (33) Country
29/469173 08 Oct 2013 UNITED STATES OF AMERICA
(56) Related Art Documents: **Not Applicable**
(57) Statement of Newness and Distinctiveness: **Newness and distinctiveness resides in those features of shape and or configuration of a lighting device as depicted in the representations. Features shown in broken lines do not form part of the design.**



- (21) Design Number: **11401/2014**
(22) Date of Filing Application: **25 March 2014**
(24) Date from which industrial property rights may have effect: **25 March 2014**
(54) Product in respect of which the design is registered: **Power connector**
(51) International Design Classification: **13-03D**
(74) Name(s) of Attorney(s): **Dark IP**
(71) Name(s) and Address(s) of Applicant(s):
WebTuner Corp.
11121 Wilows Road, NE Redmond WA 98052 United States of America
(72) Name(s) of Designer(s): **Eduard Zaslavsky and Thomas E Nichols**
(45) Registration Date: **15 April 2014**
(30) Convention priority data:
(31) Number (32) Date (33) Country
29/468,368 30 Sep 2013 UNITED STATES OF AMERICA
(56) Related Art Documents: **Not Applicable**
(57) Statement of Newness and Distinctiveness: **The newness and distinctiveness of the design resides in the shape and/or configuration of the L-Shaped Power Connector for Type A Sockets shown in the representations. The broken lines shown in the representations are provided for illustration only and do not form part of the design.**



(21) Design Number: **11404/2014**

(22) Date of Filing Application: **25 March 2014**

(24) Date from which industrial property rights may have effect: **25 March 2014**

(54) Product in respect of which the design is registered: **Power connector**

(51) International Design Classification: **13-03D**

(74) Name(s) of Attorney(s): **Dark IP**

(71) Name(s) and Address(s) of Applicant(s):

WebTuner Corp.

11121 Wilows Road, NE Redmond WA 98052 United States of America

(72) Name(s) of Designer(s): **Eduard Zaslavsky and Thomas E Nichols**

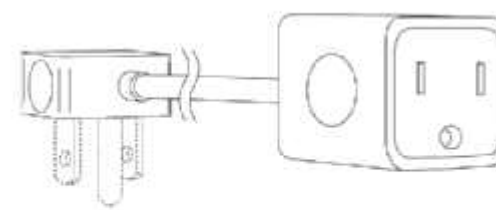
(45) Registration Date: **15 April 2014**

(30) Convention priority data:

(31) Number	(32) Date	(33) Country
29/468,370	30 Sep 2013	UNITED STATES OF AMERICA

(56) Related Art Documents: **Not Applicable**

(57) Statement of Newness and Distinctiveness: **The newness and distinctiveness of the design resides in the shape and/or configuration of the Flexible Power Connector for Type A Sockets shown in the representations. The broken lines shown in the representations are provided for illustration only and do not form part of the design.**



(21) Design Number: **11439/2014**

(22) Date of Filing Application: **26 March 2014**

(24) Date from which industrial property rights may have effect: **26 March 2014**

(54) Product in respect of which the design is registered: **Chair**

(51) International Design Classification: **06-01F**

(74) Name(s) of Attorney(s): **Shelston IP**

(71) Name(s) and Address(s) of Applicant(s):

Starway International Home-Living Co., Ltd.

No. 97 Shiyuan Road Nancheng Huangyan Taizhou Zhejiang China

(72) Name(s) of Designer(s): **Genlin Ye**

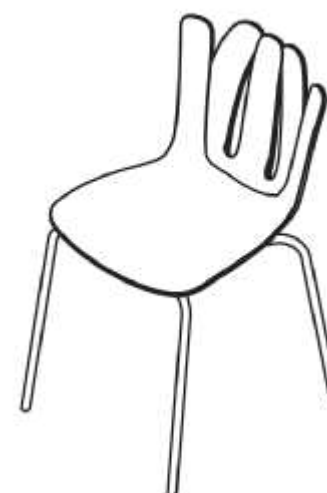
(45) Registration Date: **15 April 2014**

(30) Convention priority data:

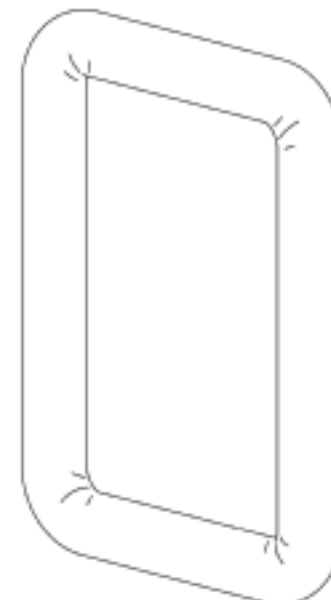
(31) Number	(32) Date	(33) Country
201330459144.X	26 Sep 2013	CHINA

(56) Related Art Documents: **Not Applicable**

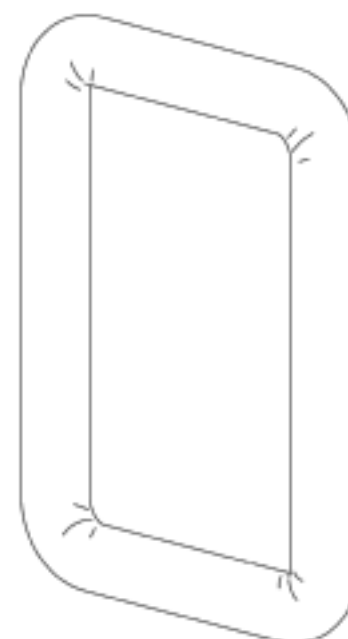
(57) Statement of Newness and Distinctiveness: **Newness and distinctiveness reside in the features of shape and/or configuration of a CHAIR as illustrated in the accompanying representations.**



- (21) Design Number: **11440/2014**
(22) Date of Filing Application: **26 March 2014**
(24) Date from which industrial property rights may have effect: **26 March 2014**
(54) Product in respect of which the design is registered: **Animal bed**
(51) International Design Classification: **30-06**
(74) Name(s) of Attorney(s): **SPRUSON & FERGUSON**
(71) Name(s) and Address(s) of Applicant(s):
Mid-West Metal Products Co., Inc.
PO Box 1031 Muncie Indiana 47308 United States of America
(72) Name(s) of Designer(s): **Brad Cantwell and Stew Kerr and Terrance L Jones and Michael E Greene**
(45) Registration Date: **15 April 2014**
(30) Convention priority data:
(31) Number (32) Date (33) Country
29/468293 27 Sep 2013 UNITED STATES OF AMERICA
(56) Related Art Documents: **Not Applicable**
(57) Statement of Newness and Distinctiveness: **Newness and distinctiveness is claimed in the features of shape and/or configuration of the base of an animal bed, the base having securing straps "A", as illustrated in the accompanying representations.**



- (21) Design Number: **11441/2014**
(22) Date of Filing Application: **26 March 2014**
(24) Date from which industrial property rights may have effect: **26 March 2014**
(54) Product in respect of which the design is registered: **Animal bed**
(51) International Design Classification: **30-06**
(74) Name(s) of Attorney(s): **SPRUSON & FERGUSON**
(71) Name(s) and Address(s) of Applicant(s):
Mid-West Metal Products Co., Inc.
PO Box 1031 Muncie Indiana 47308 United States of America
(72) Name(s) of Designer(s): **Brad Cantwell and Stew Kerr and Terrance L Jones and Michael E Greene**
(45) Registration Date: **15 April 2014**
(30) Convention priority data:
(31) Number (32) Date (33) Country
29/468293 27 Sep 2013 UNITED STATES OF AMERICA
(56) Related Art Documents: **Not Applicable**
(57) Statement of Newness and Distinctiveness: **Newness and distinctiveness is claimed in the features of shape and/or configuration of the base of an animal bed, the base having securing straps "A", as illustrated in the accompanying representations.**



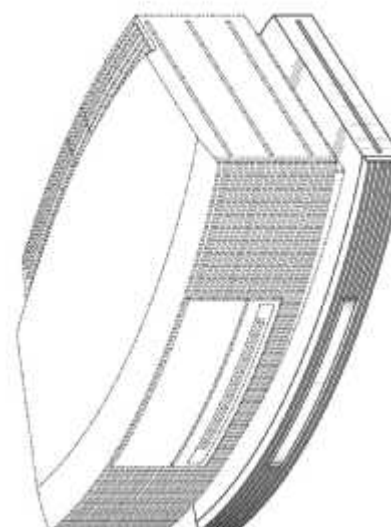
- (21) Design Number: **11443/2014**
(22) Date of Filing Application: **26 March 2014**
(24) Date from which industrial property rights may have effect: **26 March 2014**
(54) Product in respect of which the design is registered: **Battery charger with screen display**
(51) International Design Classification: **13-02**
(74) Name(s) of Attorney(s): **PHILLIPS ORMONDE FITZPATRICK**
(71) Name(s) and Address(s) of Applicant(s):
Telwin S.p.A.
Via della Tecnica n. 3 36030 Villaverla (VI) Italy
(72) Name(s) of Designer(s): **Antonio Spillere**
(45) Registration Date: **15 April 2014**
(30) Convention priority data:
(31) Number (32) Date (33) Country
**002419069 06 Mar 2014 OFFICE FOR HARMONISATION IN
THE INTERNAL MARKET (OHIM)**
(56) Related Art Documents: **Not Applicable**
(57) Statement of Newness and Distinctiveness: **Those features of the battery charger with screen display depicted in the representations that are new and distinctive are the shape and/or configuration and/or ornamentation.**



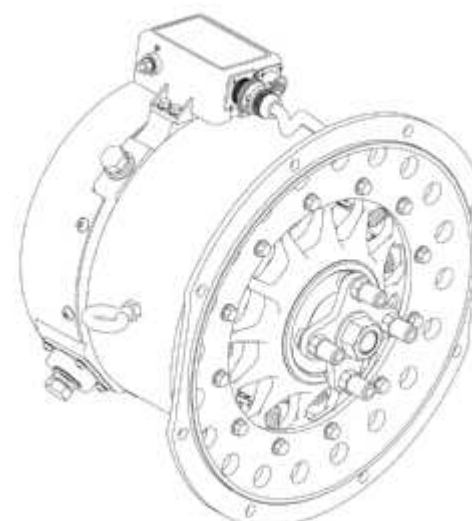
- (21) Design Number: **11444/2014**
(22) Date of Filing Application: **26 March 2014**
(24) Date from which industrial property rights may have effect: **26 March 2014**
(54) Product in respect of which the design is registered: **Battery charger with screen display**
(51) International Design Classification: **13-02**
(74) Name(s) of Attorney(s): **PHILLIPS ORMONDE FITZPATRICK**
(71) Name(s) and Address(s) of Applicant(s):
Telwin S.p.A.
Via della Tecnica n. 3 36030 Villaverla (VI) Italy
(72) Name(s) of Designer(s): **Antonio Spillere**
(45) Registration Date: **15 April 2014**
(30) Convention priority data:
(31) Number (32) Date (33) Country
**002419044 06 Mar 2014 OFFICE FOR HARMONISATION IN
THE INTERNAL MARKET (OHIM)**
(56) Related Art Documents: **Not Applicable**
(57) Statement of Newness and Distinctiveness: **Those features of the battery charger with screen display depicted in the representations that are new and distinctive are the shape and/or configuration and/or ornamentation.**



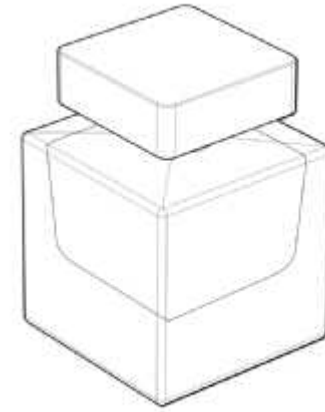
(21) Design Number: **11445/2014**
(22) Date of Filing Application: **26 March 2014**
(24) Date from which industrial property rights may have effect: **26 March 2014**
(54) Product in respect of which the design is registered: **Audio system accessory**
(51) International Design Classification: **14-01**
(74) Name(s) of Attorney(s): **PHILLIPS ORMONDE FITZPATRICK**
(71) Name(s) and Address(s) of Applicant(s):
Bose Corporation
The Mountain MS 3B1 Framingham Massachusetts 01701-9168 United States of America
(72) Name(s) of Designer(s): **David H Pitcher and Huiying Xin**
(45) Registration Date: **15 April 2014**
(30) Convention priority data:
(31) Number (32) Date (33) Country
29/469,103 07 Oct 2013 UNITED STATES OF AMERICA
(56) Related Art Documents: **Not Applicable**
(57) Statement of Newness and Distinctiveness: **Those features of the audio system accessory depicted in the representations that are new and distinctive are the shape and/or configuration. The features shown in broken line are not part of the design and are to be disregarded when considering the overall impression of the design.**



(21) Design Number: **11451/2014**
(22) Date of Filing Application: **27 March 2014**
(24) Date from which industrial property rights may have effect: **27 March 2014**
(54) Product in respect of which the design is registered: **Electric generator**
(51) International Design Classification: **13-01**
(74) Name(s) of Attorney(s): **SPRUSON & FERGUSON**
(71) Name(s) and Address(s) of Applicant(s):
C.E. Niehoff & Co.
2021 Lee Street Evanston Illinois 60202 United States of America
(72) Name(s) of Designer(s): **Ninos Canon**
(45) Registration Date: **15 April 2014**
(30) Convention priority data:
(31) Number (32) Date (33) Country
29/472258 11 Nov 2013 UNITED STATES OF AMERICA
(56) Related Art Documents: **Not Applicable**
(57) Statement of Newness and Distinctiveness: **Newness and distinctiveness is claimed in the features of shape and/or configuration of an electric generator as illustrated in continuous lines in the accompanying representations.**



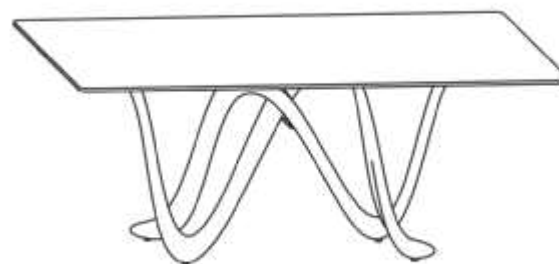
(21) Design Number: **11453/2014**
(22) Date of Filing Application: **27 March 2014**
(24) Date from which industrial property rights may have effect: **27 March 2014**
(54) Product in respect of which the design is registered: **Flask**
(51) International Design Classification: **09-01G**
(74) Name(s) of Attorney(s): **Callinans**
(71) Name(s) and Address(s) of Applicant(s):
Beaute Prestige International
28/32, avenue Victor Hugo PARIS 75116 France
(72) Name(s) of Designer(s): **Remy Gomez**
(45) Registration Date: **15 April 2014**
(30) Convention priority data:
(31) Number (32) Date (33) Country
002317834 30 Sep 2013 OFFICE FOR HARMONISATION IN
THE INTERNAL MARKET (OHIM)
(56) Related Art Documents: **Not Applicable**
(57) Statement of Newness and Distinctiveness: **Nil**



(21) Design Number: **11454/2014**
(22) Date of Filing Application: **27 March 2014**
(24) Date from which industrial property rights may have effect: **27 March 2014**
(54) Product in respect of which the design is registered: **Lamp**
(51) International Design Classification: **26-05B**
(74) Name(s) of Attorney(s): **Shelston IP**
(71) Name(s) and Address(s) of Applicant(s):
Starway International Home-Living Co., Ltd.
No. 97 Shiyuan Road, Nancheng Huangyan Taizhou Zhejiang China
(72) Name(s) of Designer(s): **Genlin Ye**
(45) Registration Date: **15 April 2014**
(56) Related Art Documents: **Not Applicable**
(57) Statement of Newness and Distinctiveness: **Newness and distinctiveness**
reside in the features of shape and/or configuration of a LAMP as
illustrated in the accompanying representations.



(21) Design Number: **11455/2014**
(22) Date of Filing Application: **27 March 2014**
(24) Date from which industrial property rights may have effect: **27 March 2014**
(54) Product in respect of which the design is registered: **Table**
(51) International Design Classification: **06-03A**
(74) Name(s) of Attorney(s): **Shelston IP**
(71) Name(s) and Address(s) of Applicant(s):
Starway International Home-Living Co., Ltd.
No. 97 Shiyuan Road, Nancheng Huangyan Taizhou Zhejiang China
(72) Name(s) of Designer(s): **Genlin Ye**
(45) Registration Date: **15 April 2014**
(56) Related Art Documents: **Not Applicable**
(57) Statement of Newness and Distinctiveness: **Newness and distinctiveness reside in the features of shape and/or configuration of a TABLE as illustrated in the accompanying representations.**



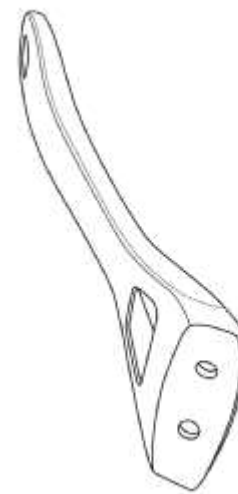
(21) Design Number: **11457/2014**
(22) Date of Filing Application: **27 March 2014**
(24) Date from which industrial property rights may have effect: **27 March 2014**
(54) Product in respect of which the design is registered: **Cup**
(51) International Design Classification: **07-01D**
(74) Name(s) of Attorney(s): **PATENT ATTORNEY SERVICES**
(71) Name(s) and Address(s) of Applicant(s):
Wei Mon Industry Co., Ltd.
No. 236, Wuhe St., Wulong Village Cyonglin Township Hsinchu County
Taiwan
(72) Name(s) of Designer(s): **Chien-Chih Lai**
(45) Registration Date: **15 April 2014**
(30) Convention priority data:
(31) Number (32) Date (33) Country
102306995 24 Oct 2013 TAIWAN
(56) Related Art Documents: **Not Applicable**
(57) Statement of Newness and Distinctiveness: **Newness and distinctiveness is claimed in the shape and configuration of a cup as shown in the accompanying representations.**



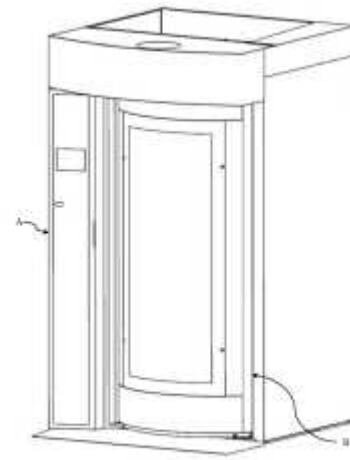
- (21) Design Number: **10762/2014**
(22) Date of Filing Application: **18 February 2014**
(24) Date from which industrial property rights may have effect: **18 February 2014**
(54) Product in respect of which the design is registered: **Electronic autoinjector**
(51) International Design Classification: **24-02**
(74) Name(s) of Attorney(s): **Davies Collison Cave**
(71) Name(s) and Address(s) of Applicant(s):
Bang & Olufsen Medicom A/S
Gimsinglundvej 20 Strue 7600 Denmark
Bayer Pharma Aktiengesellschaft
Muellerstr. 178 Berlin 13353 GERMANY
(72) Name(s) of Designer(s): **Carsten Petersen**
(45) Registration Date: **15 April 2014**
(30) Convention priority data:
(31) Number (32) Date (33) Country
002313122-0002 20 Sep 2013 OFFICE FOR HARMONISATION IN
THE INTERNAL MARKET (OHIM)
(56) Related Art Documents: **Not Applicable**
(57) Statement of Newness and Distinctiveness: **Newness and distinctiveness**
is claimed in the visual features shown in the representations.



- (21) Design Number: **11050/2014**
(22) Date of Filing Application: **07 March 2014**
(24) Date from which industrial property rights may have effect: **07 March 2014**
(54) Product in respect of which the design is registered: **A cookware handle**
(51) International Design Classification: **07-02R**
(74) Name(s) of Attorney(s): **SPRUSON & FERGUSON**
(71) Name(s) and Address(s) of Applicant(s):
Sheldon and Hammond Pty Ltd
24 Salisbury Rd Asquith NSW 2077 Australia
(72) Name(s) of Designer(s): **Alexander Angus**
(45) Registration Date: **15 April 2014**
(56) Related Art Documents: **Not Applicable**
(57) Statement of Newness and Distinctiveness: **Newness and distinctiveness**
is claimed in the features of shape and/or configuration of a cookware
handle as illustrated in the accompanying representations.



(21) Design Number: **11149/2014**
(22) Date of Filing Application: **12 March 2014**
(24) Date from which industrial property rights may have effect: **12 March 2014**
(54) Product in respect of which the design is registered: **Oven**
(51) International Design Classification: **07-02A**
(74) Name(s) of Attorney(s): **SPRUSON & FERGUSON**
(71) Name(s) and Address(s) of Applicant(s):
Revent International AB
Box 714, Upplands Vasby 194 27 Sweden
(72) Name(s) of Designer(s): **Per Junesand**
(45) Registration Date: **15 April 2014**
(30) Convention priority data:
(31) Number (32) Date (33) Country
002311779-0001 18 Sep 2013 OFFICE FOR HARMONISATION IN
THE INTERNAL MARKET (OHIM)
(56) Related Art Documents: **Not Applicable**
(57) Statement of Newness and Distinctiveness: **Newness and Distinctiveness**
is claimed in the features of shape and/or configuration of the following
parts of an oven as illustrated and labelled in the accompanying
representations: the vertical front control panel labelled "A"; and the
rounded sliding door labelled "B".



(21) Design Number: **11220/2014**
(22) Date of Filing Application: **18 March 2014**
(24) Date from which industrial property rights may have effect: **18 March 2014**
(54) Product in respect of which the design is registered: **Infants chair for vehicles**
(51) International Design Classification: **06-01D**
(74) Name(s) of Attorney(s): **Callinans**
(71) Name(s) and Address(s) of Applicant(s):
JANE, S.A.
Mercaders, 34-Pol. Ind. Riera de Caldes PALAU DE PLEGAMANS
Barcelona, 08184 Spain
(72) Name(s) of Designer(s): **Manuel Jane Santamaria**
(45) Registration Date: **15 April 2014**
(30) Convention priority data:
(31) Number (32) Date (33) Country
2312017 18 Sep 2013 OFFICE FOR HARMONISATION IN
THE INTERNAL MARKET (OHIM)
(56) Related Art Documents: **Not Applicable**
(57) Statement of Newness and Distinctiveness: **Nil**



(21) Design Number: **11227/2014**

(22) Date of Filing Application: **18 March 2014**

(24) Date from which industrial property rights may have effect: **18 March 2014**

(54) Product in respect of which the design is registered: **Infant chair for vehicles**

(51) International Design Classification: **06-01D**

(74) Name(s) of Attorney(s): **Callinans**

(71) Name(s) and Address(s) of Applicant(s):

S A Jane

**Mercaders 34-Pol. Ind. Riera de Caldes PALAU DE PLEGAMANS
Barcelona 08184 Spain**

(72) Name(s) of Designer(s): **Manuel Jane Santamaria**

(45) Registration Date: **15 April 2014**

(30) Convention priority data:

(31) Number
2312017

(32) Date
18 Sep 2013

(33) Country
**OFFICE FOR HARMONISATION IN
THE INTERNAL MARKET (OHIM)**

(56) Related Art Documents: **Not Applicable**

(57) Statement of Newness and Distinctiveness: **Nil**



(21) Design Number: **11291/2014**

(22) Date of Filing Application: **19 March 2014**

(24) Date from which industrial property rights may have effect: **19 March 2014**

(54) Product in respect of which the design is registered: **Packaging box**

(51) International Design Classification: **09-03M**

(74) Name(s) of Attorney(s): **WATERMARK PATENT AND TRADE MARKS
ATTORNEYS**

(71) Name(s) and Address(s) of Applicant(s):

ICE IP S.A.

3 rue des Tilleuls Rombach 8832 Luxembourg

(72) Name(s) of Designer(s): **Jean-Pierre Lutgen**

(45) Registration Date: **15 April 2014**

(56) Related Art Documents: **Not Applicable**

(57) Statement of Newness and Distinctiveness: **Nil**



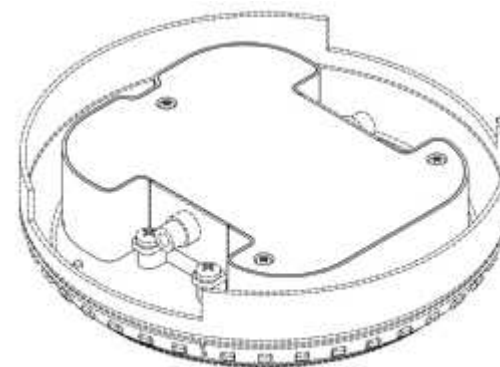
(21) Design Number: **11297/2014**
(22) Date of Filing Application: **19 March 2014**
(24) Date from which industrial property rights may have effect: **19 March 2014**
(54) Product in respect of which the design is registered: **Container**
(51) International Design Classification: **09-01NES**
(74) Name(s) of Attorney(s): **FB Rice**
(71) Name(s) and Address(s) of Applicant(s):
Colgate-Palmolive Company
300 Park Avenue New York New York 10022 United States of America
(72) Name(s) of Designer(s): **Suzanne De Vries and Hans Vereijken and Stijn Heijdenrijk**
(45) Registration Date: **15 April 2014**
(30) Convention priority data:
(31) Number (32) Date (33) Country
29/471162 29 Oct 2013 UNITED STATES OF AMERICA
(56) Related Art Documents: **Not Applicable**
(57) Statement of Newness and Distinctiveness: **Newness and distinctiveness reside in the features of the design as shown in the representations.**



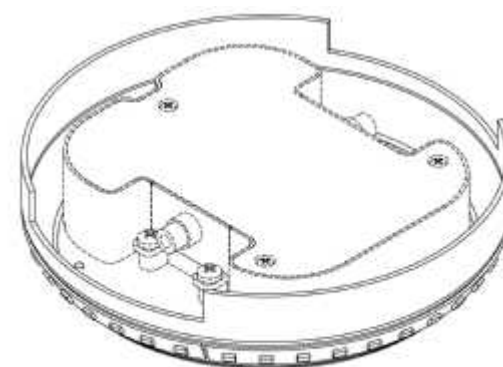
(21) Design Number: **11298/2014**
(22) Date of Filing Application: **19 March 2014**
(24) Date from which industrial property rights may have effect: **19 March 2014**
(54) Product in respect of which the design is registered: **Container**
(51) International Design Classification: **09-01NES**
(74) Name(s) of Attorney(s): **FB Rice**
(71) Name(s) and Address(s) of Applicant(s):
Colgate-Palmolive Company
300 Park Avenue New York New York 10022 United States of America
(72) Name(s) of Designer(s): **Suzanne De Vries and Hans Vereijken and Stijn Heijdenrijk**
(45) Registration Date: **15 April 2014**
(30) Convention priority data:
(31) Number (32) Date (33) Country
29/471157 29 Oct 2013 UNITED STATES OF AMERICA
(56) Related Art Documents: **Not Applicable**
(57) Statement of Newness and Distinctiveness: **Newness and distinctiveness reside in the features of shape and configuration of the design as shown in the representations.**



- (21) Design Number: **11299/2014**
(22) Date of Filing Application: **19 March 2014**
(24) Date from which industrial property rights may have effect: **19 March 2014**
(54) Product in respect of which the design is registered: **LED lamp control gear**
(51) International Design Classification: **26-99, 26-05E**
(74) Name(s) of Attorney(s):
(71) Name(s) and Address(s) of Applicant(s):
Hunter Pacific International Pty Ltd
PO BOX 6099 Dural DC NSW 2158 Australia
(72) Name(s) of Designer(s): **Philip Allen and Scott Ibbotson and David Stocks**
(45) Registration Date: **15 April 2014**
(56) Related Art Documents: **Not Applicable**
(57) Statement of Newness and Distinctiveness: **The newness and distinctiveness resides in the shape of the apparatus as shown by the continuous lines in the accompanying representations. The broken lines are not part of the design and are to be disregarded when considering the overall impression of the design.**



- (21) Design Number: **11300/2014**
(22) Date of Filing Application: **19 March 2014**
(24) Date from which industrial property rights may have effect: **19 March 2014**
(54) Product in respect of which the design is registered: **LED lamp**
(51) International Design Classification: **26-05D, 26-05E**
(74) Name(s) of Attorney(s):
(71) Name(s) and Address(s) of Applicant(s):
Hunter Pacific International Pty Ltd
PO BOX 6099 Dural DC NSW 2158 Australia
(72) Name(s) of Designer(s): **Philip Allen and Scott Ibbotson and David Stocks**
(45) Registration Date: **15 April 2014**
(56) Related Art Documents: **Not Applicable**
(57) Statement of Newness and Distinctiveness: **The newness and distinctiveness resides in the shape of the apparatus as shown by the continuous lines in the accompanying representations. The broken lines are not part of the design and are to be disregarded when considering the overall impression of the design.**



(21) Design Number: **10463/2014**

(22) Date of Filing Application: **31 January 2014**

(24) Date from which industrial property rights may have effect: **31 January 2014**

(54) Product in respect of which the design is registered: **Camper trailer**

(51) International Design Classification: **12-10**

(74) Name(s) of Attorney(s):

(71) Name(s) and Address(s) of Applicant(s):

Gregory Burns

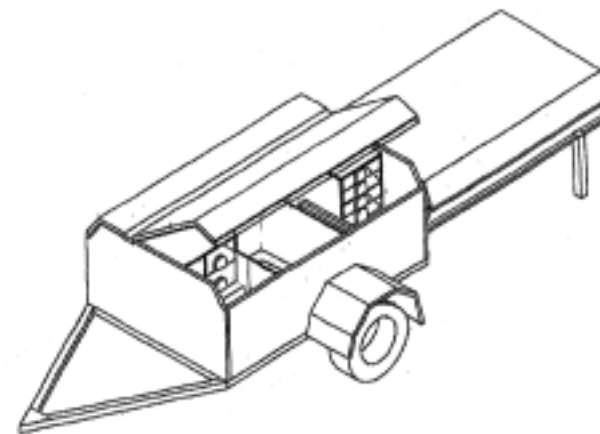
9 Cato Ct Torquay QLD 4655 Australia

(72) Name(s) of Designer(s): **Gregory Burns**

(45) Registration Date: **15 April 2014**

(56) Related Art Documents: **Not Applicable**

(57) Statement of Newness and Distinctiveness: **This camper has two sections with the larger having full pantry, space for refrigerator, stove and below floor storage, foldout benches for stove, sink and food preparation. The combination can be customized modified to suit individual needs. The benched fold out and are attached at both ends of camper module. The smaller section of the camper module is for storing all camping equipment including sleeping bags, chairs, folding beds, tent, broom, mats as needed. It is designed to be compact and light weight for on-road towing by a small car (up to gross 750kg) and is marketed for those who can't afford a 4x4 to tow on & off road campers which normally start with a tare of 800kg. It is built using state of the art, marine grade foam composite products for strength and superior insulating properties. There are 2 versions to this camper module, version (1) and an alternative. Version (1) slides on to a standard 6x4 trailer and is removable with built in folding legs on castors, for easy manoeuvrability to store in garage, allowing normal use of the trailer. The slide on camper module can be quickly slid back onto the trailer for a quick get-away. The alternative version is built the same as shown in version (1), except it is built on its own registered chassis. The alternative version can also have a camper tent pod upgrade. This tent pod is attached to and housed inside a pod which is mounted on top of camper module. The pod slides off via the rear, using a specifically designed mechanism, which lowers the pod to a normal bed height, (no ladder required). The tent unfolds and is erected at 90 degrees to the camper module. This is an annex roof which opens to the side and is the width of the tent and covers the camper module as well as creating a dining area. This pod could also be retrofitted to version(1) if required.**



(21) Design Number: **10960/2014**
(22) Date of Filing Application: **03 March 2014**
(24) Date from which industrial property rights may have effect: **03 March 2014**
(54) Product in respect of which the design is registered: **Plate washer for use in fastening sheet material**
(51) International Design Classification: **08-08B**
(74) Name(s) of Attorney(s): **Davies Collison Cave**
(71) Name(s) and Address(s) of Applicant(s):
Illinois Tool Works Inc.
155 Harlem Ave Glenview IL 60025-5000 United States of America
(72) Name(s) of Designer(s): **Tayebeh Alirezaee and David Charles Collinson**
(45) Registration Date: **15 April 2014**
(56) Related Art Documents: **Not Applicable**
(57) Statement of Newness and Distinctiveness: **Nil**



(21) Design Number: **11461/2014**
(22) Date of Filing Application: **27 March 2014**
(24) Date from which industrial property rights may have effect: **27 March 2014**
(54) Product in respect of which the design is registered: **A basket**
(51) International Design Classification: **09-04**
(74) Name(s) of Attorney(s): **PETER MAXWELL & ASSOCIATES**
(71) Name(s) and Address(s) of Applicant(s):
David Scott
7 Cameron PI Orange NSW 2800 Australia
Estelle Scott
7 Cameron PI Orange NSW 2800 Australia
(72) Name(s) of Designer(s): **Lloyd Scott**
(45) Registration Date: **15 April 2014**
(56) Related Art Documents: **Not Applicable**
(57) Statement of Newness and Distinctiveness: **Novelty and distinctiveness resides in the feature of looped segments that adjoin the top rim of the basket.**



- (21) Design Number: **11463/2014**
(22) Date of Filing Application: **27 March 2014**
(24) Date from which industrial property rights may have effect: **27 March 2014**
(54) Product in respect of which the design is registered: **A sofa**
(51) International Design Classification: **06-01G**
(74) Name(s) of Attorney(s): **FB Rice**
(71) Name(s) and Address(s) of Applicant(s):
King Furniture Australia Pty Ltd
123 Turrella St Turrella NSW 2205 Australia
(72) Name(s) of Designer(s): **David King and John Levey and Tanya Rechberger and Ryan Lawson and Anastasie Panagopoulos**
(45) Registration Date: **15 April 2014**
(56) Related Art Documents: **Not Applicable**
(57) Statement of Newness and Distinctiveness: **Newness and distinctiveness reside in those features of the sofa excluding the features shown in yellow in the representations, it being understood that the yellow line demarcating the break indicates that the break is absent altogether or that the position of the break varies from the illustrated position. It is further to be understood that the armrest of the sofa may be on the opposite side of the base to that shown in the representations.**



- (21) Design Number: **11464/2014**
(22) Date of Filing Application: **27 March 2014**
(24) Date from which industrial property rights may have effect: **27 March 2014**
(54) Product in respect of which the design is registered: **A sofa**
(51) International Design Classification: **06-01G**
(74) Name(s) of Attorney(s): **FB Rice**
(71) Name(s) and Address(s) of Applicant(s):
King Furniture Australia Pty Ltd
123 Turrella St Turrella NSW 2205 Australia
(72) Name(s) of Designer(s): **David King and John Levey and Tanya Rechberger and Ryan Lawson and Anastasie Panagopoulos**
(45) Registration Date: **15 April 2014**
(56) Related Art Documents: **Not Applicable**
(57) Statement of Newness and Distinctiveness: **Newness and distinctiveness reside in those features of the sofa excluding the features shown in yellow in the representations, it being understood that the yellow line demarcating the break indicates that the break is absent altogether or that the position of the break varies from the illustrated position.**



- (21) Design Number: **11465/2014**
(22) Date of Filing Application: **27 March 2014**
(24) Date from which industrial property rights may have effect: **27 March 2014**
(54) Product in respect of which the design is registered: **A basket**
(51) International Design Classification: **09-04**
(74) Name(s) of Attorney(s): **PETER MAXWELL & ASSOCIATES**
(71) Name(s) and Address(s) of Applicant(s):
David Scott
7 Cameron PI Orange NSW 2800 Australia
Estelle Scott
7 Cameron PI Orange NSW 2800 Australia
(72) Name(s) of Designer(s): **Lloyd Scott**
(45) Registration Date: **15 April 2014**
(56) Related Art Documents: **Not Applicable**
(57) Statement of Newness and Distinctiveness: **Novelty and distinctiveness resides in the feature of looped segments that adjoin the top rim of the basket.**



- (21) Design Number: **11466/2014**
(22) Date of Filing Application: **27 March 2014**
(24) Date from which industrial property rights may have effect: **27 March 2014**
(54) Product in respect of which the design is registered: **A sofa**
(51) International Design Classification: **06-01G**
(74) Name(s) of Attorney(s): **FB Rice**
(71) Name(s) and Address(s) of Applicant(s):
King Furniture Australia Pty Ltd
123 Turrella St Turrella NSW 2205 Australia
(72) Name(s) of Designer(s): **David King and John Levey and Tanya Rechberger and Ryan Lawson and Anastasie Panagopoulos**
(45) Registration Date: **15 April 2014**
(56) Related Art Documents: **Not Applicable**
(57) Statement of Newness and Distinctiveness: **Newness and distinctiveness reside in those features of the sofa excluding the features shown in yellow in the representations, it being understood that the yellow line demarcating the break indicates that the break is absent altogether or that the position of the break varies from the illustrated position. It is further to be understood that the armrest of the sofa may be on the opposite side of the base to that shown in the representations.**



- (21) Design Number: **11467/2014**
(22) Date of Filing Application: **27 March 2014**
(24) Date from which industrial property rights may have effect: **27 March 2014**
(54) Product in respect of which the design is registered: **A sofa**
(51) International Design Classification: **06-01G**
(74) Name(s) of Attorney(s): **FB Rice**
(71) Name(s) and Address(s) of Applicant(s):
King Furniture Australia Pty Ltd
123 Turrella St Turrella NSW 2205 Australia
(72) Name(s) of Designer(s): **David King and John Levey and Tanya Rechberger and Ryan Lawson and Anastasie Panagopoulos**
(45) Registration Date: **15 April 2014**
(56) Related Art Documents: **Not Applicable**
(57) Statement of Newness and Distinctiveness: **Newness and distinctiveness reside in those features of the sofa excluding the features shown in yellow in the representations, it being understood that the yellow line demarcating the break indicates that the break is absent altogether or that the position of the break varies from the illustrated position.**



- (21) Design Number: **11468/2014**
(22) Date of Filing Application: **27 March 2014**
(24) Date from which industrial property rights may have effect: **27 March 2014**
(54) Product in respect of which the design is registered: **A basket**
(51) International Design Classification: **09-04**
(74) Name(s) of Attorney(s): **PETER MAXWELL & ASSOCIATES**
(71) Name(s) and Address(s) of Applicant(s):
David Scott
7 Cameron PI Orange NSW 2800 Australia
Estelle Scott
7 Cameron PI Orange NSW 2800 Australia
(72) Name(s) of Designer(s): **Lloyd Scott**
(45) Registration Date: **15 April 2014**
(56) Related Art Documents: **Not Applicable**
(57) Statement of Newness and Distinctiveness: **Novelty and distinctiveness resides in the feature of looped segments that adjoin the top rim of the basket.**



- (21) Design Number: **11469/2014**
(22) Date of Filing Application: **27 March 2014**
(24) Date from which industrial property rights may have effect: **27 March 2014**
(54) Product in respect of which the design is registered: **A chair**
(51) International Design Classification: **06-01G**
(74) Name(s) of Attorney(s): **FB Rice**
(71) Name(s) and Address(s) of Applicant(s):
King Furniture Australia Pty Ltd
123 Turrella St Turrella NSW 2205 Australia
(72) Name(s) of Designer(s): **David King and John Levey and Tanya Rechberger and Ryan Lawson and Anastasie Panagopoulos**
(45) Registration Date: **15 April 2014**
(56) Related Art Documents: **Not Applicable**
(57) Statement of Newness and Distinctiveness: **Newness and distinctiveness reside in those features of the chair excluding the features shown in yellow in the representations.**



- (21) Design Number: **11470/2014**
(22) Date of Filing Application: **27 March 2014**
(24) Date from which industrial property rights may have effect: **27 March 2014**
(54) Product in respect of which the design is registered: **A sofa**
(51) International Design Classification: **06-01G**
(74) Name(s) of Attorney(s): **FB Rice**
(71) Name(s) and Address(s) of Applicant(s):
King Furniture Australia Pty Ltd
123 Turrella St Turrella NSW 2205 Australia
(72) Name(s) of Designer(s): **David King and John Levey and Tanya Rechberger and Ryan Lawson and Anastasie Panagopoulos**
(45) Registration Date: **15 April 2014**
(56) Related Art Documents: **Not Applicable**
(57) Statement of Newness and Distinctiveness: **Newness and distinctiveness reside in those features of the sofa excluding the features shown in yellow in the representations, it being understood that the yellow line demarcating the break indicates that the break is absent altogether or that the position of the break varies from the illustrated position. It is further to be understood that the armrest of the sofa may be on the opposite side of the base to that shown in the representations.**



- (21) Design Number: **11471/2014**
(22) Date of Filing Application: **27 March 2014**
(24) Date from which industrial property rights may have effect: **27 March 2014**
(54) Product in respect of which the design is registered: **A basket**
(51) International Design Classification: **09-04**
(74) Name(s) of Attorney(s): **PETER MAXWELL & ASSOCIATES**
(71) Name(s) and Address(s) of Applicant(s):
David Scott
7 Cameron PI Orange NSW 2800 Australia
Estelle Scott
7 Cameron PI Orange NSW 2800 Australia
(72) Name(s) of Designer(s): **Lloyd Scott**
(45) Registration Date: **15 April 2014**
(56) Related Art Documents: **Not Applicable**
(57) Statement of Newness and Distinctiveness: **Novelty and distinctiveness resides in the feature of looped segments that adjoin the top rim of the basket.**



- (21) Design Number: **11472/2014**
(22) Date of Filing Application: **27 March 2014**
(24) Date from which industrial property rights may have effect: **27 March 2014**
(54) Product in respect of which the design is registered: **A chaise**
(51) International Design Classification: **06-01G**
(74) Name(s) of Attorney(s): **FB Rice**
(71) Name(s) and Address(s) of Applicant(s):
King Furniture Australia Pty Ltd
123 Turrella St Turrella NSW 2205 Australia
(72) Name(s) of Designer(s): **David King and John Levey and Tanya Rechberger and Ryan Lawson and Anastasie Panagopoulos**
(45) Registration Date: **15 April 2014**
(56) Related Art Documents: **Not Applicable**
(57) Statement of Newness and Distinctiveness: **Newness and distinctiveness reside in those features of the chaise excluding the features shown in yellow in the representations. It is further to be understood that the armrest of the chaise may be on the opposite side of the base to that shown in the representations.**



- (21) Design Number: **11473/2014**
(22) Date of Filing Application: **27 March 2014**
(24) Date from which industrial property rights may have effect: **27 March 2014**
(54) Product in respect of which the design is registered: **A basket**
(51) International Design Classification: **09-04**
(74) Name(s) of Attorney(s): **PETER MAXWELL & ASSOCIATES**
(71) Name(s) and Address(s) of Applicant(s):
David Scott
7 Cameron PI Orange NSW 2800 Australia
Estelle Scott
7 Cameron PI Orange NSW 2800 Australia
(72) Name(s) of Designer(s): **Lloyd Scott**
(45) Registration Date: **15 April 2014**
(56) Related Art Documents: **Not Applicable**
(57) Statement of Newness and Distinctiveness: **Novelty and distinctiveness resides in the feature of looped segments that adjoin the top rim of the basket.**



- (21) Design Number: **11474/2014**
(22) Date of Filing Application: **27 March 2014**
(24) Date from which industrial property rights may have effect: **27 March 2014**
(54) Product in respect of which the design is registered: **A chaise**
(51) International Design Classification: **06-01G**
(74) Name(s) of Attorney(s): **FB Rice**
(71) Name(s) and Address(s) of Applicant(s):
King Furniture Australia Pty Ltd
123 Turrella St Turrella NSW 2205 Australia
(72) Name(s) of Designer(s): **David King and John Levey and Tanya Rechberger and Ryan Lawson and Anastasie Panagopoulos**
(45) Registration Date: **15 April 2014**
(56) Related Art Documents: **Not Applicable**
(57) Statement of Newness and Distinctiveness: **Newness and distinctiveness reside in those features of the chaise excluding the features shown in yellow in the representations, it being understood that the yellow line demarcating the break indicates that the break is absent altogether or that the position of the break varies from the illustrated position. It is further to be understood that the armrest of the chaise may be on the opposite side of the base to that shown in the representations.**



- (21) Design Number: **11475/2014**
(22) Date of Filing Application: **27 March 2014**
(24) Date from which industrial property rights may have effect: **27 March 2014**
(54) Product in respect of which the design is registered: **A chaise**
(51) International Design Classification: **06-01G**
(74) Name(s) of Attorney(s): **FB Rice**
(71) Name(s) and Address(s) of Applicant(s):
King Furniture Australia Pty Ltd
123 Turrella St Turrella NSW 2205 Australia
(72) Name(s) of Designer(s): **David King and John Levey and Tanya Rechberger and Ryan Lawson and Anastasie Panagopoulos**
(45) Registration Date: **15 April 2014**
(56) Related Art Documents: **Not Applicable**
(57) Statement of Newness and Distinctiveness: **Newness and distinctiveness reside in those features of the chaise excluding the features shown in yellow in the representations, it being understood that the yellow line demarcating the break indicates that the break is absent altogether or that the position of the break varies from the illustrated position. It is further to be understood that the armrest of the chaise may be on the opposite side of the base to that shown in the representations.**



- (21) Design Number: **11476/2014**
(22) Date of Filing Application: **27 March 2014**
(24) Date from which industrial property rights may have effect: **27 March 2014**
(54) Product in respect of which the design is registered: **A chaise**
(51) International Design Classification: **06-01G**
(74) Name(s) of Attorney(s): **FB Rice**
(71) Name(s) and Address(s) of Applicant(s):
King Furniture Australia Pty Ltd
123 Turrella St Turrella NSW 2205 Australia
(72) Name(s) of Designer(s): **David King and John Levey and Tanya Rechberger and Ryan Lawson and Anastasie Panagopoulos**
(45) Registration Date: **15 April 2014**
(56) Related Art Documents: **Not Applicable**
(57) Statement of Newness and Distinctiveness: **Newness and distinctiveness reside in those features of the chaise excluding the features shown in yellow in the representations. It is further to be understood that the armrest of the chaise may be on the opposite side of the base to that shown in the representations.**



- (21) Design Number: **11477/2014**
(22) Date of Filing Application: **27 March 2014**
(24) Date from which industrial property rights may have effect: **27 March 2014**
(54) Product in respect of which the design is registered: **A basket**
(51) International Design Classification: **09-04**
(74) Name(s) of Attorney(s): **PETER MAXWELL & ASSOCIATES**
(71) Name(s) and Address(s) of Applicant(s):
David Scott
7 Cameron PI Orange NSW 2800 Australia
Estelle Scott
7 Cameron PI Orange NSW 2800 Australia
(72) Name(s) of Designer(s): **Lloyd Scott**
(45) Registration Date: **15 April 2014**
(56) Related Art Documents: **Not Applicable**
(57) Statement of Newness and Distinctiveness: **Novelty and distinctiveness resides in the feature of looped segments that adjoin the top rim of the basket.**



- (21) Design Number: **11478/2014**
(22) Date of Filing Application: **27 March 2014**
(24) Date from which industrial property rights may have effect: **27 March 2014**
(54) Product in respect of which the design is registered: **A chaise**
(51) International Design Classification: **06-01G**
(74) Name(s) of Attorney(s): **FB Rice**
(71) Name(s) and Address(s) of Applicant(s):
King Furniture Australia Pty Ltd
123 Turrella St Turrella NSW 2205 Australia
(72) Name(s) of Designer(s): **David King and John Levey and Tanya Rechberger and Ryan Lawson and Anastasie Panagopoulos**
(45) Registration Date: **15 April 2014**
(56) Related Art Documents: **Not Applicable**
(57) Statement of Newness and Distinctiveness: **Newness and distinctiveness reside in those features of the chaise excluding the features shown in yellow in the representations, it being understood that the yellow line demarcating the break indicates that the break is absent altogether or that the position of the break varies from the illustrated position. It is further to be understood that the armrest of the chaise may be on the opposite side of the base to that shown in the representations.**



- (21) Design Number: **11479/2014**
(22) Date of Filing Application: **27 March 2014**
(24) Date from which industrial property rights may have effect: **27 March 2014**
(54) Product in respect of which the design is registered: **A chaise**
(51) International Design Classification: **06-01G**
(74) Name(s) of Attorney(s): **FB Rice**
(71) Name(s) and Address(s) of Applicant(s):
King Furniture Australia Pty Ltd
123 Turrella St Turrella NSW 2205 Australia
(72) Name(s) of Designer(s): **David King and John Levey and Tanya Rechberger and Ryan Lawson and Anastasie Panagopoulos**
(45) Registration Date: **15 April 2014**
(56) Related Art Documents: **Not Applicable**
(57) Statement of Newness and Distinctiveness: **Newness and distinctiveness reside in those features of the chaise excluding the features shown in yellow in the representations. It is further to be understood that the armrest of the chaise may be on the opposite side of the base to that shown in the representations.**



- (21) Design Number: **11481/2014**
(22) Date of Filing Application: **27 March 2014**
(24) Date from which industrial property rights may have effect: **27 March 2014**
(54) Product in respect of which the design is registered: **A chaise**
(51) International Design Classification: **06-01G**
(74) Name(s) of Attorney(s): **FB Rice**
(71) Name(s) and Address(s) of Applicant(s):
King Furniture Australia Pty Ltd
123 Turrella St Turrella NSW 2205 Australia
(72) Name(s) of Designer(s): **David King and John Levey and Tanya Rechberger and Ryan Lawson and Anastasie Panagopoulos**
(45) Registration Date: **15 April 2014**
(56) Related Art Documents: **Not Applicable**
(57) Statement of Newness and Distinctiveness: **Newness and distinctiveness reside in those features of the chaise excluding the features shown in yellow in the representations. It is further to be understood that the armrest of the chaise may be on the opposite side of the base to that shown in the representations.**



(21) Design Number: **11301/2014**
(22) Date of Filing Application: **20 March 2014**
(24) Date from which industrial property rights may have effect: **20 March 2014**
(54) Product in respect of which the design is registered: **Baby carrier**
(51) International Design Classification: **03-99**
(74) Name(s) of Attorney(s): **SPRUSON & FERGUSON**
(71) Name(s) and Address(s) of Applicant(s):
BabyBjorn AB
Box 913, Solna 170 09 Sweden
(72) Name(s) of Designer(s): **Jakob Wikner and Lisen Elmberg and Elisabeth Ramel-Wahrberg and Ulrika Vejbrink and Marten Andren**
(45) Registration Date: **15 April 2014**
(30) Convention priority data:
(31) Number (32) Date (33) Country
002321059 07 Oct 2013 OFFICE FOR HARMONISATION IN THE INTERNAL MARKET (OHIM)
(56) Related Art Documents: **Not Applicable**
(57) Statement of Newness and Distinctiveness: **Newness and distinctiveness is claimed in the features of shape and/or configuration of a baby carrier as illustrated in the accompanying representations.**



(21) Design Number: **11302/2014**
(22) Date of Filing Application: **20 March 2014**
(24) Date from which industrial property rights may have effect: **20 March 2014**
(54) Product in respect of which the design is registered: **Container**
(51) International Design Classification: **09-03NES**
(74) Name(s) of Attorney(s): **FB Rice**
(71) Name(s) and Address(s) of Applicant(s):
Colgate-Palmolive Company
300 Park Avenue New York New York 10022 United States of America
(72) Name(s) of Designer(s): **Suzanne De Vries and Hans Vereijken and Stijn Heijdenrijk**
(45) Registration Date: **15 April 2014**
(30) Convention priority data:
(31) Number (32) Date (33) Country
29/471166 29 Oct 2013 UNITED STATES OF AMERICA
(56) Related Art Documents: **Not Applicable**
(57) Statement of Newness and Distinctiveness: **Newness and distinctiveness reside in the features of shape and configuration of the design shown in solid lines in the representations excluding those features shown in broken lines.**



(21) Design Number: **11304/2014**

(22) Date of Filing Application: **20 March 2014**

(24) Date from which industrial property rights may have effect: **20 March 2014**

(54) Product in respect of which the design is registered: **A container for a blender or mixer**

(51) International Design Classification: **31-00, 09-01NES**

(74) Name(s) of Attorney(s): **Halfords IP**

(71) Name(s) and Address(s) of Applicant(s):

**Electrolux Appliances Aktiebolag
S:t Goransgatan 143 Stockholm 105 45 Sweden**

(72) Name(s) of Designer(s): **Lei Ji**

(45) Registration Date: **15 April 2014**

(30) Convention priority data:

(31) Number	(32) Date	(33) Country
002314492	24 Sep 2013	OFFICE FOR HARMONISATION IN THE INTERNAL MARKET (OHIM)

(56) Related Art Documents: **Not Applicable**

(57) Statement of Newness and Distinctiveness: **Newness and distinctiveness resides in those features of shape and or configuration of a container for a blender or mixer as depicted in the representations.**



(21) Design Number: **11305/2014**

(22) Date of Filing Application: **20 March 2014**

(24) Date from which industrial property rights may have effect: **20 March 2014**

(54) Product in respect of which the design is registered: **A blender**

(51) International Design Classification: **31-00**

(74) Name(s) of Attorney(s): **Halfords IP**

(71) Name(s) and Address(s) of Applicant(s):

**Electrolux Appliances Aktiebolag
S:t Goransgatan 143 Stockholm 105 45 Sweden**

(72) Name(s) of Designer(s): **Lei Ji**

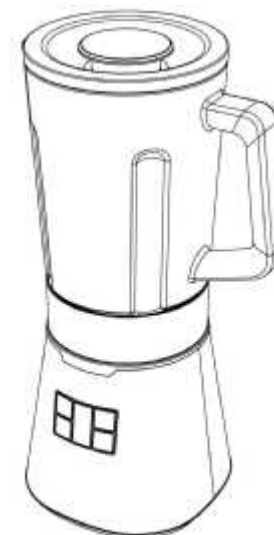
(45) Registration Date: **15 April 2014**

(30) Convention priority data:

(31) Number	(32) Date	(33) Country
002314492	24 Sep 2013	OFFICE FOR HARMONISATION IN THE INTERNAL MARKET (OHIM)

(56) Related Art Documents: **Not Applicable**

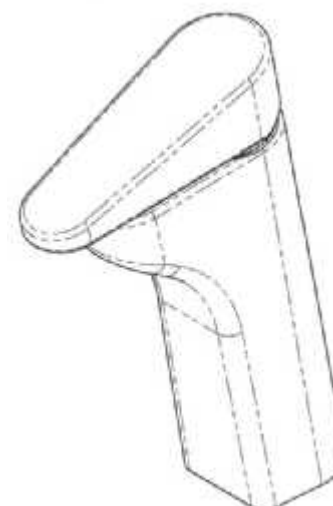
(57) Statement of Newness and Distinctiveness: **Newness and distinctiveness resides in those features of shape and or configuration of a blender as depicted in the representations.**



(21) Design Number: **11306/2014**
(22) Date of Filing Application: **20 March 2014**
(24) Date from which industrial property rights may have effect: **20 March 2014**
(54) Product in respect of which the design is registered: **A mixer or blender**
(51) International Design Classification: **31-00**
(74) Name(s) of Attorney(s): **Halfords IP**
(71) Name(s) and Address(s) of Applicant(s):
Electrolux Appliances Aktiebolag
S:t Goransgatan 143 Stockholm 105 45 Sweden
(72) Name(s) of Designer(s): **Lei Ji**
(45) Registration Date: **15 April 2014**
(30) Convention priority data:
(31) Number (32) Date (33) Country
002314492 24 Sep 2013 OFFICE FOR HARMONISATION IN
THE INTERNAL MARKET (OHIM)
(56) Related Art Documents: **Not Applicable**
(57) Statement of Newness and Distinctiveness: **Newness and distinctiveness resides in those features of shape and or configuration of a mixer or blender as depicted in the representations.**



(21) Design Number: **11307/2014**
(22) Date of Filing Application: **20 March 2014**
(24) Date from which industrial property rights may have effect: **20 March 2014**
(54) Product in respect of which the design is registered: **A mixer tap**
(51) International Design Classification: **23-01H**
(74) Name(s) of Attorney(s): **PETER MAXWELL & ASSOCIATES**
(71) Name(s) and Address(s) of Applicant(s):
Meco Australia Pty Limited
30 Stennett Rd Ingleburn NSW 2565 Australia
(72) Name(s) of Designer(s): **Nicholas Kroopin**
(45) Registration Date: **15 April 2014**
(56) Related Art Documents: **Not Applicable**
(57) Statement of Newness and Distinctiveness: **Newness and distinctiveness is claimed in the shape and/or configuration of A MIXER TAP as illustrated by the unbroken lines in the accompanying representations.**



- (21) Design Number: **11482/2014**
(22) Date of Filing Application: **27 March 2014**
(24) Date from which industrial property rights may have effect: **27 March 2014**
(54) Product in respect of which the design is registered: **A leg for an article of furniture**
(51) International Design Classification: **06-06C**
(74) Name(s) of Attorney(s): **FB Rice**
(71) Name(s) and Address(s) of Applicant(s):
King Furniture Australia Pty Ltd
123 Turrella St Turrella NSW 2205 Australia
(72) Name(s) of Designer(s): **David King and John Levey and Tanya Rechberger and Ryan Lawson and Anastasie Panagopoulos**
(45) Registration Date: **15 April 2014**
(56) Related Art Documents: **Not Applicable**
(57) Statement of Newness and Distinctiveness: **Newness and distinctiveness reside in the features of the design as shown in the representations.**



- (21) Design Number: **11484/2014**
(22) Date of Filing Application: **27 March 2014**
(24) Date from which industrial property rights may have effect: **27 March 2014**
(54) Product in respect of which the design is registered: **A chair**
(51) International Design Classification: **06-01G**
(74) Name(s) of Attorney(s): **FB Rice**
(71) Name(s) and Address(s) of Applicant(s):
King Furniture Australia Pty Ltd
123 Turrella St Turrella NSW 2205 Australia
(72) Name(s) of Designer(s): **David King and John Levey and Tanya Rechberger and Ryan Lawson and Anastasie Panagopoulos**
(45) Registration Date: **15 April 2014**
(56) Related Art Documents: **Not Applicable**
(57) Statement of Newness and Distinctiveness: **Newness and distinctiveness reside in those features of the chair excluding the features shown in yellow in the representations.**



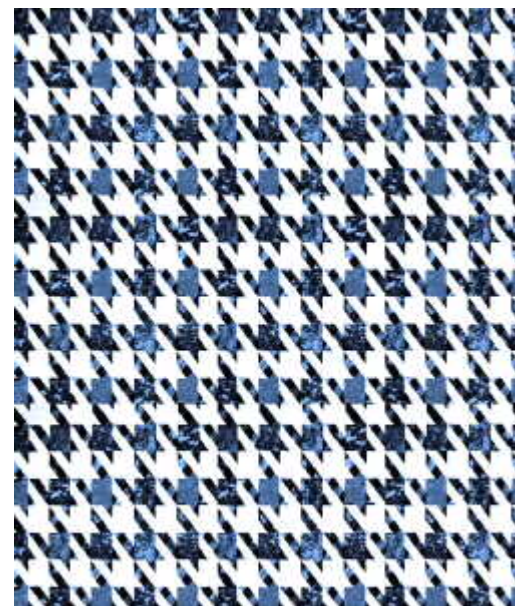
- (21) Design Number: **11485/2014**
(22) Date of Filing Application: **27 March 2014**
(24) Date from which industrial property rights may have effect: **27 March 2014**
(54) Product in respect of which the design is registered: **A sofa**
(51) International Design Classification: **06-01G**
(74) Name(s) of Attorney(s): **FB Rice**
(71) Name(s) and Address(s) of Applicant(s):
King Furniture Australia Pty Ltd
123 Turrella St Turrella NSW 2205 Australia
(72) Name(s) of Designer(s): **David King and John Levey and Tanya Rechberger and Ryan Lawson and Anastasie Panagopoulos**
(45) Registration Date: **15 April 2014**
(56) Related Art Documents: **Not Applicable**
(57) Statement of Newness and Distinctiveness: **Newness and distinctiveness reside in those features of the sofa excluding the features shown in yellow in the representations, it being understood that the yellow line demarcating the break indicates that the break is absent altogether or that the position of the break varies from the illustrated position.**



- (21) Design Number: **11509/2014**
(22) Date of Filing Application: **28 March 2014**
(24) Date from which industrial property rights may have effect: **28 March 2014**
(54) Product in respect of which the design is registered: **A textile print**
(51) International Design Classification: **05-05A**
(74) Name(s) of Attorney(s):
(71) Name(s) and Address(s) of Applicant(s):
Australian Fashion Labels Pty Ltd
106 Currie St Adelaide SA 5000 Australia
(72) Name(s) of Designer(s): **Kate Anderson and Hannah Virgo-Colbey**
(45) Registration Date: **15 April 2014**
(56) Related Art Documents: **Not Applicable**
(57) Statement of Newness and Distinctiveness: **Newness and distinctiveness resides in the features of pattern and ornamentation of a textile print as shown in the accompanying representations.**



- (21) Design Number: **11510/2014**
(22) Date of Filing Application: **28 March 2014**
(24) Date from which industrial property rights may have effect: **28 March 2014**
(54) Product in respect of which the design is registered: **A textile print**
(51) International Design Classification: **05-05D**
(74) Name(s) of Attorney(s):
(71) Name(s) and Address(s) of Applicant(s):
Australian Fashion Labels Pty Ltd
106 Currie St Adelaide SA 5000 Australia
(72) Name(s) of Designer(s): **Kate Anderson and Hannah Virgo-Colbey**
(45) Registration Date: **15 April 2014**
(56) Related Art Documents: **Not Applicable**
(57) Statement of Newness and Distinctiveness: **Newness and distinctiveness resides in the features of pattern and ornamentation of a textile print as shown in the accompanying representations.**



- (21) Design Number: **11512/2014**
(22) Date of Filing Application: **28 March 2014**
(24) Date from which industrial property rights may have effect: **28 March 2014**
(54) Product in respect of which the design is registered: **Lights**
(51) International Design Classification: **26-05A**
(74) Name(s) of Attorney(s): **SPRUSON & FERGUSON**
(71) Name(s) and Address(s) of Applicant(s):
R. Stahl Schaltgerate GmbH
Am Bahnhof 30 Waldenburg 74638 Germany
(72) Name(s) of Designer(s): **Rupert Lung and Uwe Ehrler and Falk Turner**
(45) Registration Date: **15 April 2014**
(30) Convention priority data:
(31) Number (32) Date (33) Country
002317784-0002 30 Sep 2013 OFFICE FOR HARMONISATION IN THE INTERNAL MARKET (OHIM)
(56) Related Art Documents: **Not Applicable**
(57) Statement of Newness and Distinctiveness: **Newness and distinctiveness is claimed in the features of shape and/or configuration of lights as illustrated in the accompanying representations.**



- (21) Design Number: **11513/2014**
(22) Date of Filing Application: **28 March 2014**
(24) Date from which industrial property rights may have effect: **28 March 2014**
(54) Product in respect of which the design is registered: **Lights**
(51) International Design Classification: **26-05A**
(74) Name(s) of Attorney(s): **SPRUSON & FERGUSON**
(71) Name(s) and Address(s) of Applicant(s):

R. Stahl Schaltgerate GmbH
Am Bahnhof 30 Waldenburg 74638 Germany

- (72) Name(s) of Designer(s): **Rupert Lung and Uwe Ehrler and Falk Turmer**

- (45) Registration Date: **15 April 2014**

- (30) Convention priority data:

(31) Number	(32) Date	(33) Country
002317784-0003	30 Sep 2013	OFFICE FOR HARMONISATION IN THE INTERNAL MARKET (OHIM)



- (56) Related Art Documents: **Not Applicable**

- (57) Statement of Newness and Distinctiveness: **Newness and distinctiveness is claimed in the features of shape and/or configuration of lights as illustrated in the accompanying representations.**

- (21) Design Number: **11519/2014**
(22) Date of Filing Application: **28 March 2014**
(24) Date from which industrial property rights may have effect: **28 March 2014**
(54) Product in respect of which the design is registered: **Raise borer machine for underground mining**
(51) International Design Classification: **15-99**
(74) Name(s) of Attorney(s):
(71) Name(s) and Address(s) of Applicant(s):

AUSTRALIAN CONTRACT MINING PTY LTD
66 Ord St West Perth WA 6005 Australia

- (72) Name(s) of Designer(s): **Brian Bernard Rodan**

- (45) Registration Date: **15 April 2014**

- (56) Related Art Documents: **Not Applicable**

- (57) Statement of Newness and Distinctiveness: **The raise borer machine underground mining machine developed incorporates a unique and novel feature of being capable of cross drift tilting at an angle of 45 degrees vertical Dip Angle during normal underground mining operations after erection from the crawler unit. This design feature of performing cross drift tilting without further setup was achieved by incorporating a hydraulic arm and eliminates manual handling associated with the turn table design. The machine can be setup in a 4.5m x 4.5m drive and has a Collar Point of 4.5m from its face, which no other machine is capable of doing. The machine eliminates operators from working under an open hole when spinning the machine at the end of a hole. The raise borer machine incorporates also the following other distinctive design features: - Extendable Muck Chute; - Fully new planetary gearbox design with optimised sealing; - Drill feed cassette; - Thrust Cylinder design; - Crane conveyor placed on machine itself.**



- (21) Design Number: **11548/2014**
(22) Date of Filing Application: **31 March 2014**
(24) Date from which industrial property rights may have effect: **23 August 2013**
(54) Product in respect of which the design is registered: **Article of clothing**
(51) International Design Classification: **02-02C**
(74) Name(s) of Attorney(s): **Allens Patent & Trade Mark Attorneys**
(71) Name(s) and Address(s) of Applicant(s):
Forever New Clothing Pty Ltd
714-716 High St Kew East VIC 3102 Australia
(72) Name(s) of Designer(s): **Anna Pham**
(45) Registration Date: **15 April 2014**
(62) Divisional of: **354912**
(56) Related Art Documents: **Not Applicable**
(57) Statement of Newness and Distinctiveness: **Newness and distinctiveness resides in the visual features of shape, configuration, pattern and/or ornamentation of an article of clothing as shown in the accompanying representations**



- (21) Design Number: **11549/2014**
(22) Date of Filing Application: **31 March 2014**
(24) Date from which industrial property rights may have effect: **23 August 2013**
(54) Product in respect of which the design is registered: **Article of clothing**
(51) International Design Classification: **02-02C**
(74) Name(s) of Attorney(s): **Allens Patent & Trade Mark Attorneys**
(71) Name(s) and Address(s) of Applicant(s):
Forever New Clothing Pty Ltd
714-716 High St Kew East VIC 3102 Australia
(72) Name(s) of Designer(s): **Rebecca Royce Jones**
(45) Registration Date: **15 April 2014**
(62) Divisional of: **354912**
(56) Related Art Documents: **Not Applicable**
(57) Statement of Newness and Distinctiveness: **Newness and distinctiveness resides in the visual features of shape, configuration, pattern and/or ornamentation of an article of clothing as shown in the accompanying representations**



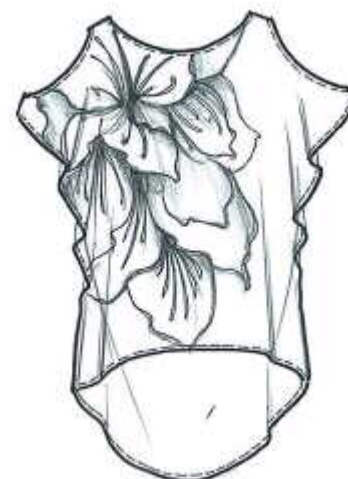
- (21) Design Number: **11550/2014**
(22) Date of Filing Application: **31 March 2014**
(24) Date from which industrial property rights may have effect: **23 August 2013**
(54) Product in respect of which the design is registered: **Article of clothing**
(51) International Design Classification: **02-02C**
(74) Name(s) of Attorney(s): **Allens Patent & Trade Mark Attorneys**
(71) Name(s) and Address(s) of Applicant(s):
Forever New Clothing Pty Ltd
714-716 High St Kew East VIC 3102 Australia
(72) Name(s) of Designer(s): **Rebecca Royce Jones**
(45) Registration Date: **15 April 2014**
(62) Divisional of: **354912**
(56) Related Art Documents: **Not Applicable**
(57) Statement of Newness and Distinctiveness: **Newness and distinctiveness resides in the visual features of shape, configuration, pattern and/or ornamentation of an article of clothing as shown in the accompanying representations**



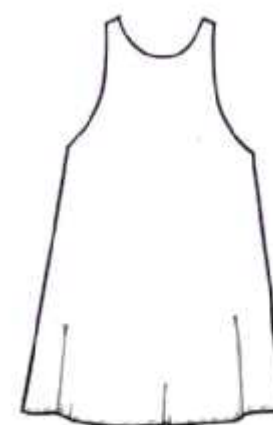
- (21) Design Number: **11551/2014**
(22) Date of Filing Application: **31 March 2014**
(24) Date from which industrial property rights may have effect: **23 August 2013**
(54) Product in respect of which the design is registered: **Article of clothing**
(51) International Design Classification: **02-02C**
(74) Name(s) of Attorney(s): **Allens Patent & Trade Mark Attorneys**
(71) Name(s) and Address(s) of Applicant(s):
Forever New Clothing Pty Ltd
714-716 High St Kew East VIC 3102 Australia
(72) Name(s) of Designer(s): **Chloe Atkinson**
(45) Registration Date: **15 April 2014**
(62) Divisional of: **354912**
(56) Related Art Documents: **Not Applicable**
(57) Statement of Newness and Distinctiveness: **Newness and distinctiveness resides in the visual features of shape, configuration, pattern and/or ornamentation of an article of clothing as shown in the accompanying representations**



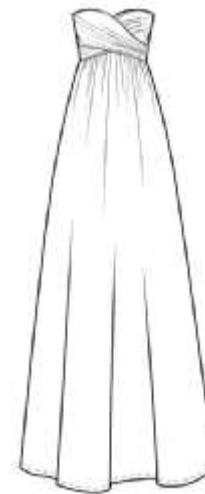
- (21) Design Number: **11552/2014**
(22) Date of Filing Application: **31 March 2014**
(24) Date from which industrial property rights may have effect: **23 August 2013**
(54) Product in respect of which the design is registered: **Article of clothing**
(51) International Design Classification: **02-02NES**
(74) Name(s) of Attorney(s): **Allens Patent & Trade Mark Attorneys**
(71) Name(s) and Address(s) of Applicant(s):
Forever New Clothing Pty Ltd
714-716 High St Kew East VIC 3102 Australia
(72) Name(s) of Designer(s): **Chloe Atkinson**
(45) Registration Date: **15 April 2014**
(62) Divisional of: **354912**
(56) Related Art Documents: **Not Applicable**
(57) Statement of Newness and Distinctiveness: **Newness and distinctiveness resides in the visual features of shape, configuration, pattern and/or ornamentation of an article of clothing as shown in the accompanying representations**



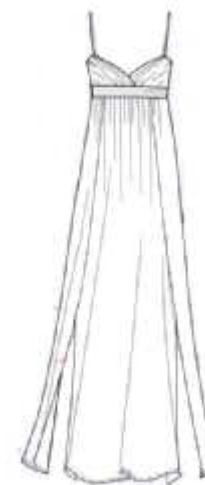
- (21) Design Number: **11553/2014**
(22) Date of Filing Application: **31 March 2014**
(24) Date from which industrial property rights may have effect: **23 August 2013**
(54) Product in respect of which the design is registered: **Article of clothing**
(51) International Design Classification: **02-02NES**
(74) Name(s) of Attorney(s): **Allens Patent & Trade Mark Attorneys**
(71) Name(s) and Address(s) of Applicant(s):
Forever New Clothing Pty Ltd
714-716 High St Kew East VIC 3102 Australia
(72) Name(s) of Designer(s): **Chloe Atkinson**
(45) Registration Date: **15 April 2014**
(62) Divisional of: **354912**
(56) Related Art Documents: **Not Applicable**
(57) Statement of Newness and Distinctiveness: **Newness and distinctiveness resides in the visual features of shape, configuration, pattern and/or ornamentation of an article of clothing as shown in the accompanying representations**



- (21) Design Number: **11554/2014**
(22) Date of Filing Application: **31 March 2014**
(24) Date from which industrial property rights may have effect: **23 August 2013**
(54) Product in respect of which the design is registered: **Article of clothing**
(51) International Design Classification: **02-02C**
(74) Name(s) of Attorney(s): **Allens Patent & Trade Mark Attorneys**
(71) Name(s) and Address(s) of Applicant(s):
Forever New Clothing Pty Ltd
714-716 High St Kew East VIC 3102 Australia
(72) Name(s) of Designer(s): **Karen Thai**
(45) Registration Date: **15 April 2014**
(62) Divisional of: **354912**
(56) Related Art Documents: **Not Applicable**
(57) Statement of Newness and Distinctiveness: **Newness and distinctiveness resides in the visual features of shape, configuration, pattern and/or ornamentation of an article of clothing as shown in the accompanying representations**



- (21) Design Number: **11555/2014**
(22) Date of Filing Application: **31 March 2014**
(24) Date from which industrial property rights may have effect: **23 August 2013**
(54) Product in respect of which the design is registered: **Article of clothing**
(51) International Design Classification: **02-02C**
(74) Name(s) of Attorney(s): **Allens Patent & Trade Mark Attorneys**
(71) Name(s) and Address(s) of Applicant(s):
Forever New Clothing Pty Ltd
714-716 High St Kew East VIC 3102 Australia
(72) Name(s) of Designer(s): **Karen Thai**
(45) Registration Date: **15 April 2014**
(62) Divisional of: **354912**
(56) Related Art Documents: **Not Applicable**
(57) Statement of Newness and Distinctiveness: **Newness and distinctiveness resides in the visual features of shape, configuration, pattern and/or ornamentation of an article of clothing as shown in the accompanying representations**



- (21) Design Number: **11556/2014**
(22) Date of Filing Application: **31 March 2014**
(24) Date from which industrial property rights may have effect: **23 August 2013**
(54) Product in respect of which the design is registered: **Article of clothing**
(51) International Design Classification: **02-02C**
(74) Name(s) of Attorney(s): **Allens Patent & Trade Mark Attorneys**
(71) Name(s) and Address(s) of Applicant(s):
Forever New Clothing Pty Ltd
714-716 High St Kew East VIC 3102 Australia
(72) Name(s) of Designer(s): **Karen Thai**
(45) Registration Date: **15 April 2014**
(62) Divisional of: **354912**
(56) Related Art Documents: **Not Applicable**
(57) Statement of Newness and Distinctiveness: **Newness and distinctiveness resides in the visual features of shape, configuration, pattern and/or ornamentation of an article of clothing as shown in the accompanying representations**



- (21) Design Number: **11557/2014**
(22) Date of Filing Application: **31 March 2014**
(24) Date from which industrial property rights may have effect: **23 August 2013**
(54) Product in respect of which the design is registered: **Article of clothing**
(51) International Design Classification: **02-02C**
(74) Name(s) of Attorney(s): **Allens Patent & Trade Mark Attorneys**
(71) Name(s) and Address(s) of Applicant(s):
Forever New Clothing Pty Ltd
714-716 High St Kew East VIC 3102 Australia
(72) Name(s) of Designer(s): **Karen Thai**
(45) Registration Date: **15 April 2014**
(62) Divisional of: **354912**
(56) Related Art Documents: **Not Applicable**
(57) Statement of Newness and Distinctiveness: **Newness and distinctiveness resides in the visual features of shape, configuration, pattern and/or ornamentation of an article of clothing as shown in the accompanying representations**



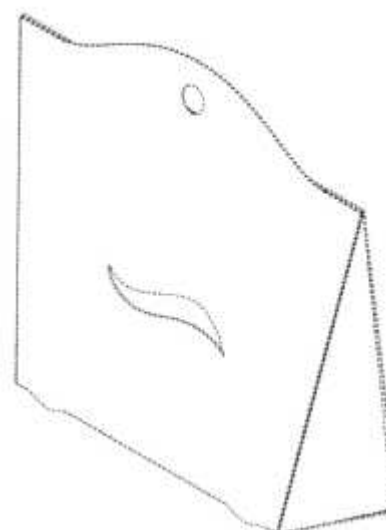
- (21) Design Number: **11558/2014**
(22) Date of Filing Application: **31 March 2014**
(24) Date from which industrial property rights may have effect: **23 August 2013**
(54) Product in respect of which the design is registered: **Article of clothing**
(51) International Design Classification: **02-02C**
(74) Name(s) of Attorney(s): **Allens Patent & Trade Mark Attorneys**
(71) Name(s) and Address(s) of Applicant(s):
Forever New Clothing Pty Ltd
714-716 High St Kew East VIC 3102 Australia
(72) Name(s) of Designer(s): **Karen Thai**
(45) Registration Date: **15 April 2014**
(62) Divisional of: **354912**
(56) Related Art Documents: **Not Applicable**
(57) Statement of Newness and Distinctiveness: **Newness and distinctiveness resides in the visual features of shape, configuration, pattern and/or ornamentation of an article of clothing as shown in the accompanying representations**



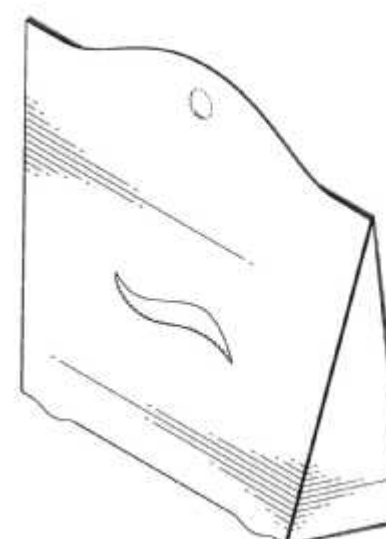
- (21) Design Number: **11559/2014**
(22) Date of Filing Application: **31 March 2014**
(24) Date from which industrial property rights may have effect: **23 August 2013**
(54) Product in respect of which the design is registered: **Article of clothing**
(51) International Design Classification: **02-02C**
(74) Name(s) of Attorney(s): **Allens Patent & Trade Mark Attorneys**
(71) Name(s) and Address(s) of Applicant(s):
Forever New Clothing Pty Ltd
714-716 High St Kew East VIC 3102 Australia
(72) Name(s) of Designer(s): **Karen Thai**
(45) Registration Date: **15 April 2014**
(62) Divisional of: **354912**
(56) Related Art Documents: **Not Applicable**
(57) Statement of Newness and Distinctiveness: **Newness and distinctiveness resides in the visual features of shape, configuration, pattern and/or ornamentation of an article of clothing as shown in the accompanying representations.**



- (21) Design Number: **11585/2014**
(22) Date of Filing Application: **31 March 2014**
(24) Date from which industrial property rights may have effect: **31 March 2014**
(54) Product in respect of which the design is registered: **Air freshener housing**
(51) International Design Classification: **28-99**
(74) Name(s) of Attorney(s): **PHILLIPS ORMONDE FITZPATRICK**
(71) Name(s) and Address(s) of Applicant(s):
The Procter & Gamble Company
One Procter & Gamble Plaza Cincinnati Ohio 45202 United States of America
(72) Name(s) of Designer(s): **Keri Marsh Arinsmier and Elaine Ee Leng Khoo and Kayo Sakiyama and Igor Ivanovich Zemskov**
(45) Registration Date: **15 April 2014**
(30) Convention priority data:
(31) Number (32) Date (33) Country
29/468,664 02 Oct 2013 UNITED STATES OF AMERICA
(56) Related Art Documents: **Not Applicable**
(57) Statement of Newness and Distinctiveness: **Newness and distinctiveness resides in the shape and/or configuration and/or ornamentation of the air freshener housing as shown in the continuous lines in the accompanying representations. The features shown in broken lines are not part of the design and are to be disregarded when considering the overall impression of the design.**



- (21) Design Number: **11586/2014**
(22) Date of Filing Application: **31 March 2014**
(24) Date from which industrial property rights may have effect: **31 March 2014**
(54) Product in respect of which the design is registered: **Air freshener housing**
(51) International Design Classification: **28-99**
(74) Name(s) of Attorney(s): **PHILLIPS ORMONDE FITZPATRICK**
(71) Name(s) and Address(s) of Applicant(s):
The Procter & Gamble Company
One Procter & Gamble Plaza Cincinnati Ohio 45202 United States of America
(72) Name(s) of Designer(s): **Keri Marsh Arinsmier and Elaine Ee Leng Khoo and Kayo Sakiyama and Igor Ivanovich Zemskov**
(45) Registration Date: **15 April 2014**
(30) Convention priority data:
(31) Number (32) Date (33) Country
29/468,664 02 Oct 2013 UNITED STATES OF AMERICA
(56) Related Art Documents: **Not Applicable**
(57) Statement of Newness and Distinctiveness: **Newness and distinctiveness resides in the shape and/or configuration and/or ornamentation of the air freshener housing as shown in the continuous lines in the accompanying representations. The features shown in broken lines are not part of the design and are to be disregarded when considering the overall impression of the design.**



(21) Design Number: **11587/2014**

(22) Date of Filing Application: **31 March 2014**

(24) Date from which industrial property rights may have effect: **31 March 2014**

(54) Product in respect of which the design is registered: **Air freshener housing**

(51) International Design Classification: **28-99**

(74) Name(s) of Attorney(s): **PHILLIPS ORMONDE FITZPATRICK**

(71) Name(s) and Address(s) of Applicant(s):

The Procter & Gamble Company

One Procter & Gamble Plaza Cincinnati Ohio 45202 United States of America

(72) Name(s) of Designer(s): **Keri Marsh Arinsmier and Elaine Ee Leng Khoo and Kayo Sakiyama and Igor Ivanovich Zemskov**

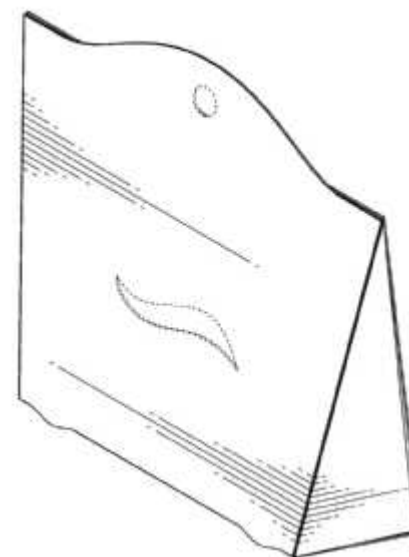
(45) Registration Date: **15 April 2014**

(30) Convention priority data:

(31) Number	(32) Date	(33) Country
29/468,664	02 Oct 2013	UNITED STATES OF AMERICA

(56) Related Art Documents: **Not Applicable**

(57) Statement of Newness and Distinctiveness: **Newness and distinctiveness resides in the shape and/or configuration of the air freshener housing as shown in the continuous lines in the accompanying representations. The features shown in broken lines are not part of the design and are to be disregarded when considering the overall impression of the design.**



(21) Design Number: **11588/2014**

(22) Date of Filing Application: **31 March 2014**

(24) Date from which industrial property rights may have effect: **31 March 2014**

(54) Product in respect of which the design is registered: **Support bar for a mesh deck or the like**

(51) International Design Classification: **08-08N, 08-08NES**

(74) Name(s) of Attorney(s): **FB Rice**

(71) Name(s) and Address(s) of Applicant(s):

Delta Supply Solutions Pty Ltd

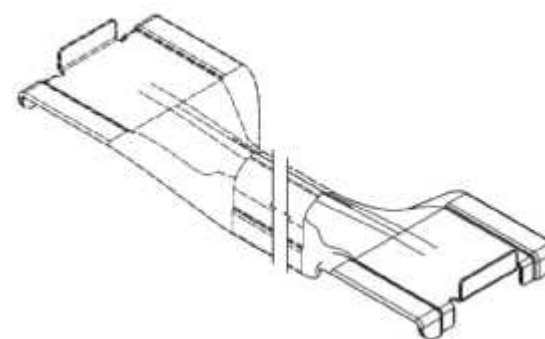
12 Sheridan CI Milperra NSW 2214 Australia

(72) Name(s) of Designer(s): **Stephen Eddowes and Pak Man Victor Wong**

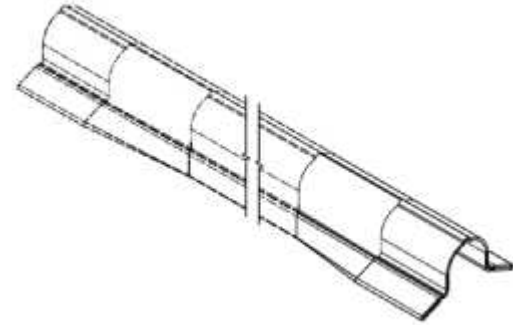
(45) Registration Date: **15 April 2014**

(56) Related Art Documents: **Not Applicable**

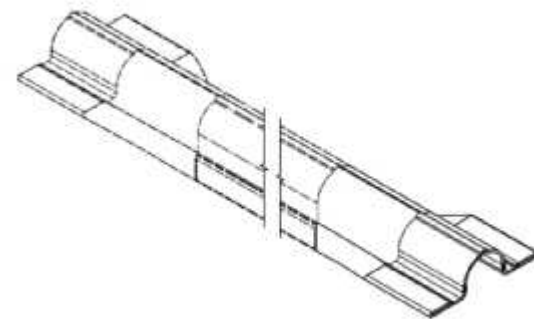
(57) Statement of Newness and Distinctiveness: **Newness and distinctiveness reside in the features of the design shown in solid lines in the representations excluding those features shown in broken lines. The support bar may be of indefinite length, as shown.**



- (21) Design Number: **11589/2014**
(22) Date of Filing Application: **31 March 2014**
(24) Date from which industrial property rights may have effect: **31 March 2014**
(54) Product in respect of which the design is registered: **Support bar for a mesh deck or the like**
(51) International Design Classification: **08-08N**
(74) Name(s) of Attorney(s): **FB Rice**
(71) Name(s) and Address(s) of Applicant(s):
Delta Supply Solutions Pty Ltd
12 Sheridan CI Milperra NSW 2214 Australia
(72) Name(s) of Designer(s): **Stephen Eddowes and Pak Man Victor Wong**
(45) Registration Date: **15 April 2014**
(56) Related Art Documents: **Not Applicable**
(57) Statement of Newness and Distinctiveness: **Newness and distinctiveness reside in the features of the design shown in solid lines in the representations excluding those features shown in broken lines. The support bar may be of indefinite length, as shown.**



- (21) Design Number: **11590/2014**
(22) Date of Filing Application: **31 March 2014**
(24) Date from which industrial property rights may have effect: **31 March 2014**
(54) Product in respect of which the design is registered: **Support bar for a mesh deck or the like**
(51) International Design Classification: **08-08N**
(74) Name(s) of Attorney(s): **FB Rice**
(71) Name(s) and Address(s) of Applicant(s):
Delta Supply Solutions Pty Ltd
12 Sheridan CI Milperra NSW 2214 Australia
(72) Name(s) of Designer(s): **Stephen Eddowes and Pak Man Victor Wong**
(45) Registration Date: **15 April 2014**
(56) Related Art Documents: **Not Applicable**
(57) Statement of Newness and Distinctiveness: **Newness and distinctiveness reside in the features of the design shown in solid lines in the representations excluding those features shown in broken lines. The support bar may be of indefinite length, as shown.**



- (21) Design Number: **11593/2014**
(22) Date of Filing Application: **31 March 2014**
(24) Date from which industrial property rights may have effect: **31 March 2014**
(54) Product in respect of which the design is registered: **A playsuit**
(51) International Design Classification: **02-02C**
(74) Name(s) of Attorney(s):
(71) Name(s) and Address(s) of Applicant(s):
AUSTRALIAN FASHION LABELS PTY LTD
106 Currie St Adelaide SA 5000 Australia
(72) Name(s) of Designer(s): **Carmen Dugan**
(45) Registration Date: **15 April 2014**
(56) Related Art Documents: **Not Applicable**
(57) Statement of Newness and Distinctiveness: **Newness and distinctiveness resides in the features of shape and configuration of a playsuit as shown in the accompanying representations.**



- (21) Design Number: **11594/2014**
(22) Date of Filing Application: **31 March 2014**
(24) Date from which industrial property rights may have effect: **31 March 2014**
(54) Product in respect of which the design is registered: **Bracket**
(51) International Design Classification: **08-08NES**
(74) Name(s) of Attorney(s): **Callinans**
(71) Name(s) and Address(s) of Applicant(s):
Abey Australia Pty Ltd
57-81 Abey Rd Melton VIC 3337 Australia
(72) Name(s) of Designer(s): **Geoffrey Anderson and Mathew Peart**
(45) Registration Date: **15 April 2014**
(56) Related Art Documents: **Not Applicable**
(57) Statement of Newness and Distinctiveness: **Newness and distinctiveness resides in the features of shape and/or configuration as applied to a Bracket, as shown in the accompanying representations.**



- (21) Design Number: **11595/2014**
(22) Date of Filing Application: **31 March 2014**
(24) Date from which industrial property rights may have effect: **31 March 2014**
(54) Product in respect of which the design is registered: **Bracket**
(51) International Design Classification: **08-08NES**
(74) Name(s) of Attorney(s): **Callinans**
(71) Name(s) and Address(s) of Applicant(s):
Abey Australia Pty Ltd
57-81 Abey Rd Melton VIC 3337 Australia
(72) Name(s) of Designer(s): **Geoffrey Anderson and Mathew Peart**
(45) Registration Date: **15 April 2014**
(56) Related Art Documents: **Not Applicable**
(57) Statement of Newness and Distinctiveness: **Newness and distinctiveness resides in the features of shape and/or configuration as applied to a Bracket, as shown in the accompanying representations.**



- (21) Design Number: **11596/2014**
(22) Date of Filing Application: **31 March 2014**
(24) Date from which industrial property rights may have effect: **31 March 2014**
(54) Product in respect of which the design is registered: **Bracket**
(51) International Design Classification: **08-08NES**
(74) Name(s) of Attorney(s): **Callinans**
(71) Name(s) and Address(s) of Applicant(s):
Abey Australia Pty Ltd
57-81 Abey Rd Melton VIC 3337 Australia
(72) Name(s) of Designer(s): **Geoffrey Anderson and Mathew Peart**
(45) Registration Date: **15 April 2014**
(56) Related Art Documents: **Not Applicable**
(57) Statement of Newness and Distinctiveness: **Newness and distinctiveness resides in the features of shape and/or configuration as applied to a Bracket, as shown in the accompanying representations.**



- (21) Design Number: **11499/2014**
(22) Date of Filing Application: **28 March 2014**
(24) Date from which industrial property rights may have effect: **28 March 2014**
(54) Product in respect of which the design is registered: **Handle for a medical treatment device**
(51) International Design Classification: **24-01, 08-06**
(74) Name(s) of Attorney(s): **SPRUSON & FERGUSON**
(71) Name(s) and Address(s) of Applicant(s):
Covidien LP
15 Hampshire Street Mansfield Massachusetts 02048 United States of America
(72) Name(s) of Designer(s): **Yuewen Zheng and Xiaolin Sang**
(45) Registration Date: **15 April 2014**
(30) Convention priority data:
(31) Number (32) Date (33) Country
201330464317.7 29 Sep 2013 CHINA
(56) Related Art Documents: **Not Applicable**
(57) Statement of Newness and Distinctiveness: **Newness and distinctiveness is claimed in those features of shape and/or configuration of a handle for a medical treatment device illustrated in continuous lines in the accompanying representations.**



- (21) Design Number: **11560/2014**
(22) Date of Filing Application: **31 March 2014**
(24) Date from which industrial property rights may have effect: **23 August 2013**
(54) Product in respect of which the design is registered: **Article of clothing**
(51) International Design Classification: **02-02C**
(74) Name(s) of Attorney(s): **Allens Patent & Trade Mark Attorneys**
(71) Name(s) and Address(s) of Applicant(s):
Forever New Clothing Pty Ltd
714-716 High St Kew East VIC 3102 Australia
(72) Name(s) of Designer(s): **Karen Thai**
(45) Registration Date: **15 April 2014**
(62) Divisional of: **354912**
(56) Related Art Documents: **Not Applicable**
(57) Statement of Newness and Distinctiveness: **Newness and distinctiveness resides in the visual features of shape, configuration, pattern and/or ornamentation of an article of clothing as shown in the accompanying representations.**



- (21) Design Number: **11561/2014**
(22) Date of Filing Application: **31 March 2014**
(24) Date from which industrial property rights may have effect: **23 August 2013**
(54) Product in respect of which the design is registered: **Shoe**
(51) International Design Classification: **02-04NES**
(74) Name(s) of Attorney(s): **Allens Patent & Trade Mark Attorneys**
(71) Name(s) and Address(s) of Applicant(s):
Forever New Clothing Pty Ltd
714-716 High St Kew East VIC 3102 Australia
(72) Name(s) of Designer(s): **Bianca Betts**
(45) Registration Date: **15 April 2014**
(62) Divisional of: **354912**
(56) Related Art Documents: **Not Applicable**
(57) Statement of Newness and Distinctiveness: **Newness and distinctiveness resides in the visual features of shape, configuration, pattern and/or ornamentation of a shoe as shown in the accompanying representations.**



- (21) Design Number: **11562/2014**
(22) Date of Filing Application: **31 March 2014**
(24) Date from which industrial property rights may have effect: **31 March 2014**
(54) Product in respect of which the design is registered: **Sealant cartridge**
(51) International Design Classification: **08-05N**
(74) Name(s) of Attorney(s):
(71) Name(s) and Address(s) of Applicant(s):
AUSTRALIAN BRUSHWARE CORPORATION PTY LTD
143-147 National Bvd Campbellfield VIC 3061 Australia
(72) Name(s) of Designer(s): **Matthew Roe**
(45) Registration Date: **15 April 2014**
(56) Related Art Documents: **Not Applicable**
(57) Statement of Newness and Distinctiveness: **Nil**



- (21) Design Number: **11565/2014**
(22) Date of Filing Application: **31 March 2014**
(24) Date from which industrial property rights may have effect: **31 March 2014**
(54) Product in respect of which the design is registered: **Sealant cartridge**
(51) International Design Classification: **08-05N**
(74) Name(s) of Attorney(s):
(71) Name(s) and Address(s) of Applicant(s):
AUSTRALIAN BRUSHWARE CORPORATION PTY LTD
143-147 National Bvd Campbellfield VIC 3061 Australia
(72) Name(s) of Designer(s): **Matthew Roe**
(45) Registration Date: **15 April 2014**
(56) Related Art Documents: **Not Applicable**
(57) Statement of Newness and Distinctiveness: **Nil**



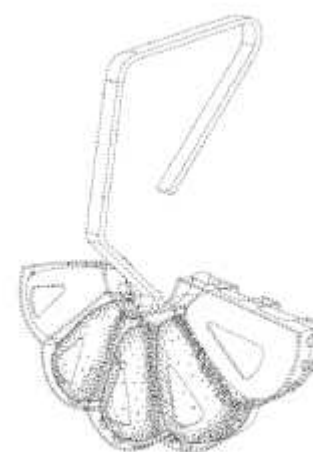
- (21) Design Number: **11566/2014**
(22) Date of Filing Application: **31 March 2014**
(24) Date from which industrial property rights may have effect: **31 March 2014**
(54) Product in respect of which the design is registered: **A basket**
(51) International Design Classification: **07-07NES**
(74) Name(s) of Attorney(s): **PETER MAXWELL & ASSOCIATES**
(71) Name(s) and Address(s) of Applicant(s):
David Scott
7 Cameron PI Orange NSW 2800 Australia
Estelle Scott
7 Cameron PI Orange NSW 2800 Australia
(72) Name(s) of Designer(s): **Lloyd Scott**
(45) Registration Date: **15 April 2014**
(56) Related Art Documents: **Not Applicable**
(57) Statement of Newness and Distinctiveness: **Novelty and distinctiveness resides in the feature of looped segments that adjoin the top rim of the basket.**



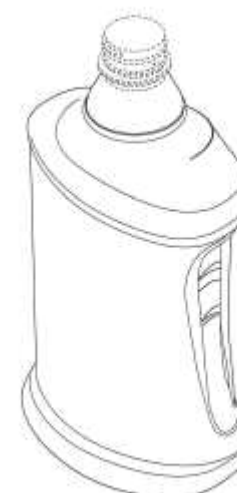
(21) Design Number: **11567/2014**
(22) Date of Filing Application: **31 March 2014**
(24) Date from which industrial property rights may have effect: **31 March 2014**
(54) Product in respect of which the design is registered: **Container**
(51) International Design Classification: **09-01NES**
(74) Name(s) of Attorney(s): **FB Rice**
(71) Name(s) and Address(s) of Applicant(s):
Colgate-Palmolive Company
300 Park Avenue New York New York 10022 United States of America
(72) Name(s) of Designer(s): **Scott Beckerman and Corinne Ashbee**
(45) Registration Date: **15 April 2014**
(30) Convention priority data:
(31) Number (32) Date (33) Country
29/472029 07 Nov 2013 UNITED STATES OF AMERICA
(56) Related Art Documents: **Not Applicable**
(57) Statement of Newness and Distinctiveness: **Newness and distinctiveness reside in the features of the design as shown in the representations.**



(21) Design Number: **11570/2014**
(22) Date of Filing Application: **31 March 2014**
(24) Date from which industrial property rights may have effect: **31 March 2014**
(54) Product in respect of which the design is registered: **Toilet rim block**
(51) International Design Classification: **28-99**
(74) Name(s) of Attorney(s): **SPRUSON & FERGUSON**
(71) Name(s) and Address(s) of Applicant(s):
S.C. Johnson & Son, Inc.
1525 Howe Street Racine Wisconsin 53403-2236 United States of America
(72) Name(s) of Designer(s): **Weiwei Wang and Zheng Yu Zhang**
(45) Registration Date: **15 April 2014**
(30) Convention priority data:
(31) Number (32) Date (33) Country
29/468736 02 Oct 2013 UNITED STATES OF AMERICA
(56) Related Art Documents: **Not Applicable**
(57) Statement of Newness and Distinctiveness: **Newness and distinctiveness is claimed in those features of shape and/or configuration of a toilet rim block illustrated in continuous lines in the accompanying representations.**



(21) Design Number: **11571/2014**
(22) Date of Filing Application: **31 March 2014**
(24) Date from which industrial property rights may have effect: **31 March 2014**
(54) Product in respect of which the design is registered: **Container**
(51) International Design Classification: **09-01NES**
(74) Name(s) of Attorney(s): **FB Rice**
(71) Name(s) and Address(s) of Applicant(s):
Colgate-Palmolive Company
300 Park Avenue New York New York 10022 United States of America
(72) Name(s) of Designer(s): **Scott Beckerman and Corinne Ashbee**
(45) Registration Date: **15 April 2014**
(30) Convention priority data:
(31) Number (32) Date (33) Country
29/472030 07 Nov 2013 UNITED STATES OF AMERICA
(56) Related Art Documents: **Not Applicable**
(57) Statement of Newness and Distinctiveness: **Newness and distinctiveness reside in the features of the design shown in solid lines in the representations excluding those features shown in broken lines.**



(21) Design Number: **11572/2014**
(22) Date of Filing Application: **31 March 2014**
(24) Date from which industrial property rights may have effect: **31 March 2014**
(54) Product in respect of which the design is registered: **Sealant cartridge**
(51) International Design Classification: **08-05N**
(74) Name(s) of Attorney(s):
(71) Name(s) and Address(s) of Applicant(s):
AUSTRALIAN BRUSHWARE CORPORATION PTY LTD
143-147 National Bvd Campbellfield VIC 3061 Australia
(72) Name(s) of Designer(s): **Matthew Roe**
(45) Registration Date: **15 April 2014**
(56) Related Art Documents: **Not Applicable**
(57) Statement of Newness and Distinctiveness: **Nil**



(21) Design Number: **11573/2014**
(22) Date of Filing Application: **31 March 2014**
(24) Date from which industrial property rights may have effect: **31 March 2014**
(54) Product in respect of which the design is registered: **Toilet rim block holder**
(51) International Design Classification: **28-99**
(74) Name(s) of Attorney(s): **SPRUSON & FERGUSON**
(71) Name(s) and Address(s) of Applicant(s):

S.C. Johnson & Son, Inc.
1525 Howe Street Racine Wisconsin 53403-2236 United States of America

(72) Name(s) of Designer(s): **Weiwei Wang and Zheng Yu Zhang**

(45) Registration Date: **15 April 2014**

(30) Convention priority data:

(31) Number	(32) Date	(33) Country
29/468739	02 Oct 2013	UNITED STATES OF AMERICA

(56) Related Art Documents: **Not Applicable**

(57) Statement of Newness and Distinctiveness: **Newness and distinctiveness is claimed in those features of shape and/or configuration of a toilet rim block holder illustrated in continuous lines in the accompanying representations.**



(21) Design Number: **11574/2014**
(22) Date of Filing Application: **31 March 2014**
(24) Date from which industrial property rights may have effect: **31 March 2014**
(54) Product in respect of which the design is registered: **Sealant cartridge**
(51) International Design Classification: **08-05N**
(74) Name(s) of Attorney(s):
(71) Name(s) and Address(s) of Applicant(s):

AUSTRALIAN BRUSHWARE CORPORATION PTY LTD
143-147 National Bvd Campbellfield VIC 3061 Australia

(72) Name(s) of Designer(s): **Matthew Roe**

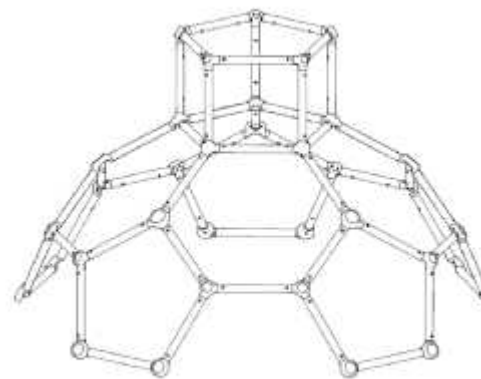
(45) Registration Date: **15 April 2014**

(56) Related Art Documents: **Not Applicable**

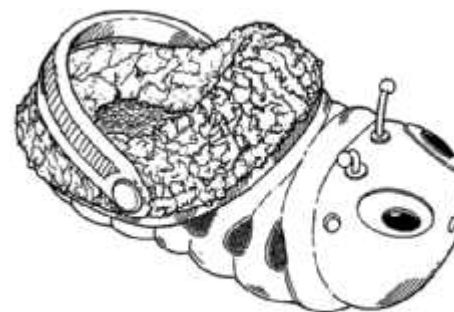
(57) Statement of Newness and Distinctiveness: **Nil**



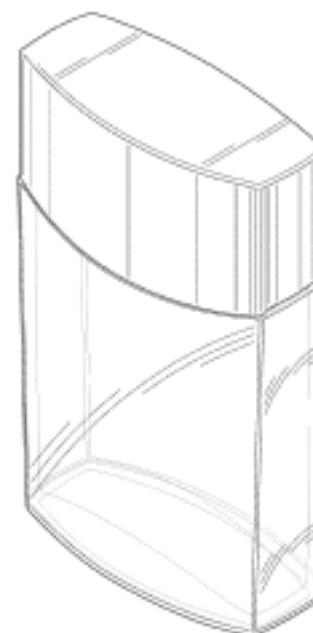
- (21) Design Number: **11576/2014**
(22) Date of Filing Application: **31 March 2014**
(24) Date from which industrial property rights may have effect: **31 March 2014**
(54) Product in respect of which the design is registered: **Climbing frame**
(51) International Design Classification: **21-03**
(74) Name(s) of Attorney(s): **SPRUSON & FERGUSON**
(71) Name(s) and Address(s) of Applicant(s):
Algo-Matrix Consulting Limited
FLAT/RM 1501(228) 15/F, SPA Centre, 53-55 Lockhart Road, Wanchai
Hong Kong
(72) Name(s) of Designer(s): **Ido Klein**
(45) Registration Date: **15 April 2014**
(30) Convention priority data:
(31) Number (32) Date (33) Country
54643 03 Oct 2013 ISRAEL
(56) Related Art Documents: **Not Applicable**
(57) Statement of Newness and Distinctiveness: **Newness and distinctiveness is claimed in the features of shape and/or configuration of a climbing frame as illustrated in the accompanying representations.**



- (21) Design Number: **14144/2013**
(22) Date of Filing Application: **22 August 2013**
(24) Date from which industrial property rights may have effect: **22 August 2013**
(54) Product in respect of which the design is registered: **A shoe**
(51) International Design Classification: **02-04NES**
(74) Name(s) of Attorney(s): **Intellepro Patent & Trade Mark Attorneys**
(71) Name(s) and Address(s) of Applicant(s):
Friends on Feet Pty Ltd
5 Forest Ct Albany Creek QLD 4035 Australia
(72) Name(s) of Designer(s): **Frederick Malcolm and Jane Barlow**
(45) Registration Date: **15 April 2014**
(56) Related Art Documents: **Not Applicable**
(57) Statement of Newness and Distinctiveness: **Newness and distinctiveness resides in the shape and configuration of a shoe as illustrated in the representations. When considering the monopoly protection the shape. Configuration and ornamentation of the strap, the ruffled collar and the sole of the shoe is to be disregarded.**



(21) Design Number: **16437/2013**
(22) Date of Filing Application: **10 December 2013**
(24) Date from which industrial property rights may have effect: **10 December 2013**
(54) Product in respect of which the design is registered: **Bottle**
(51) International Design Classification: **09-01G**
(74) Name(s) of Attorney(s): **PIZZEYS**
(71) Name(s) and Address(s) of Applicant(s):
Mary Kay Inc.
16251 N. Dallas Parkway Addison Texas 75001 United States of America
(72) Name(s) of Designer(s): **Jenny DeMarco and Rob Alschbach**
(45) Registration Date: **15 April 2014**
(30) Convention priority data:
(31) Number (32) Date (33) Country
29/458,338 18 Jun 2013 UNITED STATES OF AMERICA
(56) Related Art Documents: **Not Applicable**
(57) Statement of Newness and Distinctiveness: **Nil**



(21) Design Number: **10066/2014**
(22) Date of Filing Application: **06 January 2014**
(24) Date from which industrial property rights may have effect: **06 January 2014**
(54) Product in respect of which the design is registered: **Meniscus hammock**
(51) International Design Classification: **06-01NES**
(74) Name(s) of Attorney(s):
(71) Name(s) and Address(s) of Applicant(s):
Ningbo Mentoriend International Trading Co., Ltd.
Room 1101, No. 555 Tiantong South Road, Yinzhou District, Ningbo,
Zhejiang 315000 China
(72) Name(s) of Designer(s): **Frank Fang**
(45) Registration Date: **15 April 2014**
(30) Convention priority data:
(31) Number (32) Date (33) Country
002303149 05 Sep 2013 OFFICE FOR HARMONISATION IN
THE INTERNAL MARKET (OHIM)
(56) Related Art Documents: **Not Applicable**
(57) Statement of Newness and Distinctiveness: **Nil**

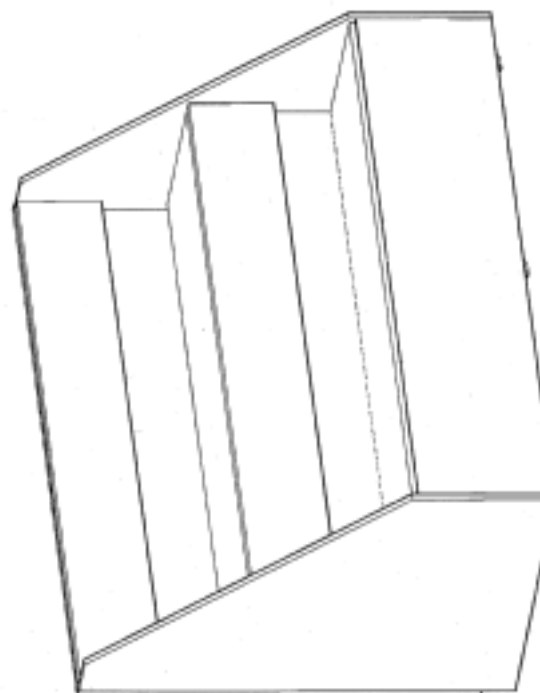


- (21) Design Number: **10487/2014**
(22) Date of Filing Application: **03 February 2014**
(24) Date from which industrial property rights may have effect: **03 February 2014**
(54) Product in respect of which the design is registered: **Armour**
(51) International Design Classification: **02-02B, 29-99**
(74) Name(s) of Attorney(s): **1 Place Patent Attorneys + Solicitors**
(71) Name(s) and Address(s) of Applicant(s):
Nedsyp Nominees Pty Ltd
c/- Kellaway Cridland L18 9 Hunter St Sydney NSW 2000 Australia
Zatara Nominees Pty Ltd
C/- Kellaway Cridland L18 9 Hunter St Sydney NSW 2000 Australia
(72) Name(s) of Designer(s): **David Pysden and Justin Forsell**
(45) Registration Date: **15 April 2014**
(56) Related Art Documents: **Not Applicable**

(57) Statement of Newness and Distinctiveness: **Newness and distinctiveness reside in the features of the design shown in the accompanying representations, including the features of shape, configuration and ornamentation of the armour, including the surface geometry and keylines of the armour components and the configuration of components. The shoes, the garments worn under the armour, the fastenings and the details appearing within openings in the armour (including linings, body parts, the inner goggle area and the inner mouthpiece area) are to be disregarded, as is the colour.**



- (21) Design Number: **10751/2014**
(22) Date of Filing Application: **17 February 2014**
(24) Date from which industrial property rights may have effect: **17 February 2014**
(54) Product in respect of which the design is registered: **Mobile tiered seating**
(51) International Design Classification: **06-01C**
(74) Name(s) of Attorney(s): **Cullens Patent and Trade Mark Attorneys**
(71) Name(s) and Address(s) of Applicant(s):
BFX Ho Pty Ltd
75 Wisers Rd Maroochydore QLD 4558 Australia
(72) Name(s) of Designer(s): **Penny Moore**
(45) Registration Date: **15 April 2014**
(56) Related Art Documents: **Not Applicable**
(57) Statement of Newness and Distinctiveness: **Newness and distinctiveness is claimed in the features depicted by unbroken lines in the accompanying representations. Newness and distinctiveness is not claimed in the features depicted by broken lines in the representations.**



(21) Design Number: **11607/2014**
(22) Date of Filing Application: **01 April 2014**
(24) Date from which industrial property rights may have effect: **01 April 2014**
(54) Product in respect of which the design is registered: **Bottle**
(51) International Design Classification: **09-01K**
(74) Name(s) of Attorney(s): **Pizzeys**
(71) Name(s) and Address(s) of Applicant(s):
McCormick Foods Australia Pty Ltd
63 & 71 Fairbanks Rd Clayton South VIC 3169 Australia
(72) Name(s) of Designer(s): **Karen Marshall and Henry Palau and Daniel Barron and Bala Palani and Meng Chong and Richard Higgins**
(45) Registration Date: **16 April 2014**
(56) Related Art Documents: **Not Applicable**
(57) Statement of Newness and Distinctiveness: **Nil**



(21) Design Number: **11608/2014**
(22) Date of Filing Application: **01 April 2014**
(24) Date from which industrial property rights may have effect: **01 April 2014**
(54) Product in respect of which the design is registered: **Food processor**
(51) International Design Classification: **31-00**
(74) Name(s) of Attorney(s): **Halfords IP**
(71) Name(s) and Address(s) of Applicant(s):
Electrolux Appliances Aktiebolag
S:t Goransgatan 143 Stockholm 105 45 Sweden
(72) Name(s) of Designer(s): **Lei Ji**
(45) Registration Date: **16 April 2014**
(30) Convention priority data:
(31) Number (32) Date (33) Country
**002432914 26 Mar 2014 OFFICE FOR HARMONISATION IN
THE INTERNAL MARKET (OHIM)**
(56) Related Art Documents: **Not Applicable**
(57) Statement of Newness and Distinctiveness: **Newness and distinctiveness resides in those features of shape and or configuration of a food processor as depicted in the representations.**



(21) Design Number: **11611/2014**

(22) Date of Filing Application: **01 April 2014**

(24) Date from which industrial property rights may have effect: **01 April 2014**

(54) Product in respect of which the design is registered: **Golf club head**

(51) International Design Classification: **21-02C**

(74) Name(s) of Attorney(s): **Davies Collison Cave**

(71) Name(s) and Address(s) of Applicant(s):

Karsten Manufacturing Corporation

2210 West Desert Cove Phoenix Arizona 85029 United States of America

(72) Name(s) of Designer(s): **Xiaojian Chen and Anthony D Serrano**

(45) Registration Date: **16 April 2014**

(30) Convention priority data:

(31) Number

(32) Date

(33) Country

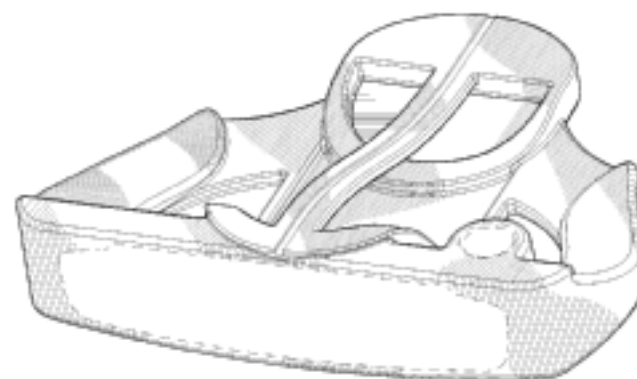
29/468702

02 Oct 2013

UNITED STATES OF AMERICA

(56) Related Art Documents: **Not Applicable**

(57) Statement of Newness and Distinctiveness: **Newness and distinctiveness is claimed in the visual features shown in solid lines in the representations. In considering the extent of the design rights, the broken lines shown in the representations are for illustrative purposes only and do not form part of the design.**



(21) Design Number: **11615/2014**

(22) Date of Filing Application: **01 April 2014**

(24) Date from which industrial property rights may have effect: **01 April 2014**

(54) Product in respect of which the design is registered: **Universal quick release mounting bracket**

(51) International Design Classification: **08-08L**

(74) Name(s) of Attorney(s):

(71) Name(s) and Address(s) of Applicant(s):

Chris Heke

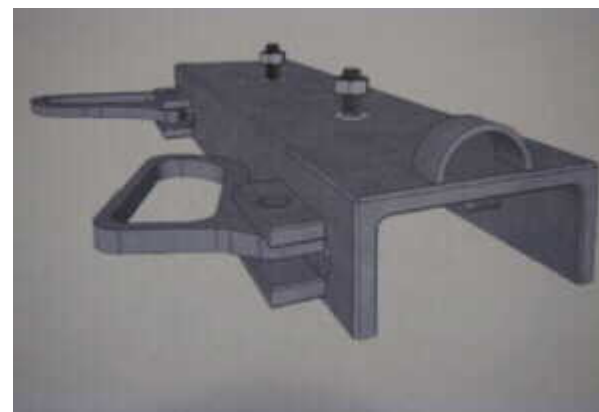
404 Ferguson Rd Seven Hills QLD 4170 Australia

(72) Name(s) of Designer(s): **Chris Heke**

(45) Registration Date: **16 April 2014**

(56) Related Art Documents: **Not Applicable**

(57) Statement of Newness and Distinctiveness: **ting industry, building industry, office equipment industry, minning Industry, food industry, chemical industry, fertili zer industry, computer industry.leased in seconds. Saving time and a reduction in labour costs. Universal bolt patterns to attach multipile items and products onto the Mounting Bracket . The mounting Bracket itself comes in multipile sizes straight and curved models and is made of mild & hardend steel, stainless steel, various plastics, polymer, ceramic and rubber materials. It is able to attach itself to but not limited to multipile frame works, molulds, form works, beams, pillars, pipes,cross members, scaffolding and structures used in the following industries but not limited to; construction industry,precast industry, plastics industry, form works industry, lighting and entertainment industry, sporting industry, building industry, office equipment industry, minning Industry, food industry, chemical industry, fertilizer industry, computer industry.**



- (21) Design Number: **11618/2014**
(22) Date of Filing Application: **02 April 2014**
(24) Date from which industrial property rights may have effect: **02 April 2014**
(54) Product in respect of which the design is registered: **Display screen with icon**
(51) International Design Classification: **14-02**
(74) Name(s) of Attorney(s): **Shelston IP**
(71) Name(s) and Address(s) of Applicant(s):

Microsoft Corporation
One Microsoft Way Redmond Washington, 98052 United States of America

- (72) Name(s) of Designer(s): **Kathryn Stone Perez and Sebastian Andreas Sheldon Grinke and Kristie Joy Fisher and Mathew Lee McInelly and Dana Ludwig and Roy Lewis Herrod and Jason Michael Hewitt and Jeffrey Scott Blazier**

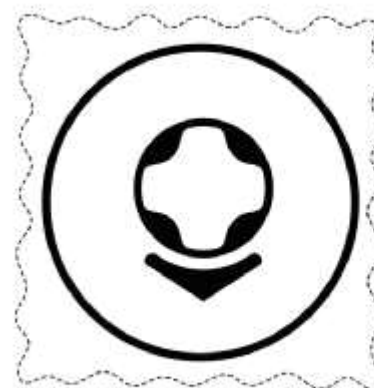
- (45) Registration Date: **16 April 2014**

- (30) Convention priority data:

(31) Number	(32) Date	(33) Country
29/468940	04 Oct 2013	UNITED STATES OF AMERICA

- (56) Related Art Documents: **Not Applicable**

- (57) Statement of Newness and Distinctiveness: **Newness and distinctiveness reside in the pattern and/or ornamentation of a display screen with icon as illustrated by solid lines in the accompanying representations. The features shown in broken outline are for contextual purposes only and do not form part of the design.**



- (21) Design Number: **11620/2014**
(22) Date of Filing Application: **02 April 2014**
(24) Date from which industrial property rights may have effect: **02 April 2014**
(54) Product in respect of which the design is registered: **Electric mixer**
(51) International Design Classification: **31-00**
(74) Name(s) of Attorney(s): **Callinans**
(71) Name(s) and Address(s) of Applicant(s):

KENWOOD LIMITED
New Lane Havant Hampshire, PO9 2NH United Kingdom

- (72) Name(s) of Designer(s): **Jamie Weaden**

- (45) Registration Date: **16 April 2014**

- (30) Convention priority data:

(31) Number	(32) Date	(33) Country
002325456	14 Oct 2013	OFFICE FOR HARMONISATION IN THE INTERNAL MARKET (OHIM)

- (56) Related Art Documents: **Not Applicable**

- (57) Statement of Newness and Distinctiveness: **Nil**



(21) Design Number: **11622/2014**

(22) Date of Filing Application: **02 April 2014**

(24) Date from which industrial property rights may have effect: **02 April 2014**

(54) Product in respect of which the design is registered: **Flange for a syringe**

(51) International Design Classification: **24-02**

(74) Name(s) of Attorney(s): **Freehills Patent Attorneys**

(71) Name(s) and Address(s) of Applicant(s):

Biogen Idec MA Inc.

14 Cambridge Center Cambridge Massachusetts, 02142 United States of America

(72) Name(s) of Designer(s): **Carl F Hitscherich Jr and Soham Bhatt and Nam Chen and Chase Fetzer**

(45) Registration Date: **16 April 2014**

(30) Convention priority data:

(31) Number

(32) Date

(33) Country

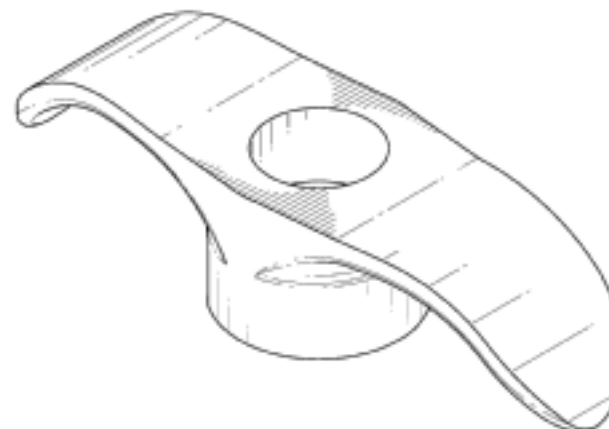
29/468730

02 Oct 2013

UNITED STATES OF AMERICA

(56) Related Art Documents: **Not Applicable**

(57) Statement of Newness and Distinctiveness: **Newness and distinctiveness resides in the features of shape of a flange for a syringe as shown in the accompanying representations.**



(21) Design Number: **11624/2014**

(22) Date of Filing Application: **02 April 2014**

(24) Date from which industrial property rights may have effect: **02 April 2014**

(54) Product in respect of which the design is registered: **Golf club head**

(51) International Design Classification: **21-02C**

(74) Name(s) of Attorney(s): **Davies Collison Cave**

(71) Name(s) and Address(s) of Applicant(s):

Karsten Manufacturing Corporation

2201 West Desert Cove Phoenix Arizona 85029 United States of America

(72) Name(s) of Designer(s): **Anthony D Serrano and Xiaojian Chen**

(45) Registration Date: **16 April 2014**

(30) Convention priority data:

(31) Number

(32) Date

(33) Country

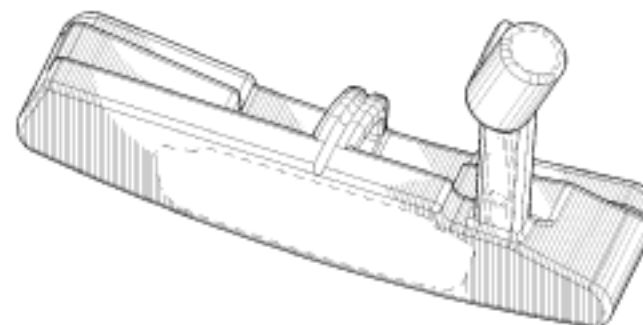
29/468706

02 Oct 2013

UNITED STATES OF AMERICA

(56) Related Art Documents: **Not Applicable**

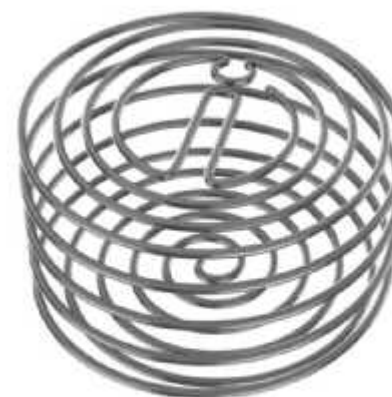
(57) Statement of Newness and Distinctiveness: **Newness and distinctiveness is claimed in the visual features shown in solid lines in the representations. In considering the extent of the design rights, the broken lines shown in the representations are for illustrative purposes only and do not form part of the design.**



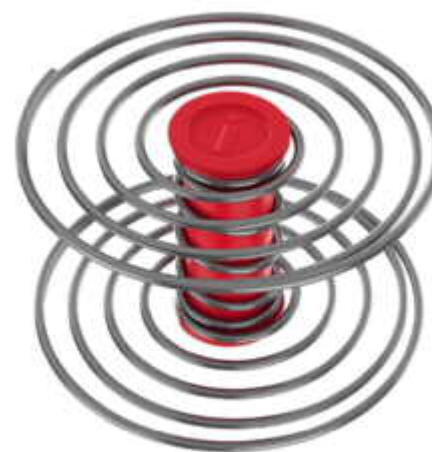
(21) Design Number: **11627/2014**
(22) Date of Filing Application: **02 April 2014**
(24) Date from which industrial property rights may have effect: **02 April 2014**
(54) Product in respect of which the design is registered: **Respiratory apparatus**
(51) International Design Classification: **24-04**
(74) Name(s) of Attorney(s): **Griffith Hack**
(71) Name(s) and Address(s) of Applicant(s):
Teva UK Limited
Ridings Point Whistler Drive Castleford West Yorkshire WF10 5HX
United Kingdom
(72) Name(s) of Designer(s): **David Cottam**
(45) Registration Date: **16 April 2014**
(30) Convention priority data:
(31) Number (32) Date (33) Country
002321661 07 Oct 2013 OFFICE FOR HARMONISATION IN
THE INTERNAL MARKET (OHIM)
(56) Related Art Documents: **Not Applicable**
(57) Statement of Newness and Distinctiveness: **Newness and distinctiveness resides in the visual features, including shape and configuration, of a RESPIRATORY APPARATUS as shown in the accompanying drawings.**



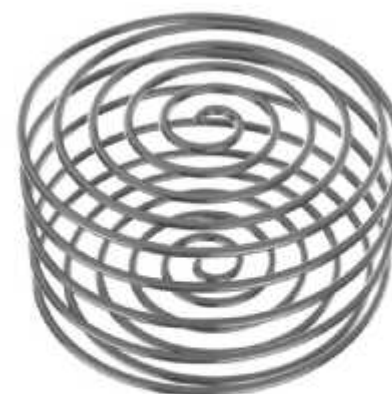
(21) Design Number: **11628/2014**
(22) Date of Filing Application: **02 April 2014**
(24) Date from which industrial property rights may have effect: **02 April 2014**
(54) Product in respect of which the design is registered: **Mixing element for beverage shaker**
(51) International Design Classification: **31-00**
(74) Name(s) of Attorney(s): **SPRUSON & FERGUSON**
(71) Name(s) and Address(s) of Applicant(s):
Florian Enghard
Habichtsweg 13c, Frankfurt am Main 60437 Germany
(72) Name(s) of Designer(s): **Florian Enghard**
(45) Registration Date: **16 April 2014**
(30) Convention priority data:
(31) Number (32) Date (33) Country
402013004290.3 02 Oct 2013 GERMANY
(56) Related Art Documents: **Not Applicable**
(57) Statement of Newness and Distinctiveness: **Newness and distinctiveness is claimed in the features of shape and/or configuration of a mixing element for beverage shaker as illustrated in the accompanying representations.**



(21) Design Number: **11629/2014**
(22) Date of Filing Application: **02 April 2014**
(24) Date from which industrial property rights may have effect: **02 April 2014**
(54) Product in respect of which the design is registered: **Mixing element for beverage shaker**
(51) International Design Classification: **31-00**
(74) Name(s) of Attorney(s): **SPRUSON & FERGUSON**
(71) Name(s) and Address(s) of Applicant(s):
Florian Enghard
Habichtsweg 13c, Frankfurt am Main 60437 Germany
(72) Name(s) of Designer(s): **Florian Enghard**
(45) Registration Date: **16 April 2014**
(30) Convention priority data:
(31) Number (32) Date (33) Country
402013004290.3 02 Oct 2013 GERMANY
(56) Related Art Documents: **Not Applicable**
(57) Statement of Newness and Distinctiveness: **Newness and distinctiveness is claimed in the features of shape and/or configuration of a mixing element for beverage shaker as illustrated in the accompanying representations.**



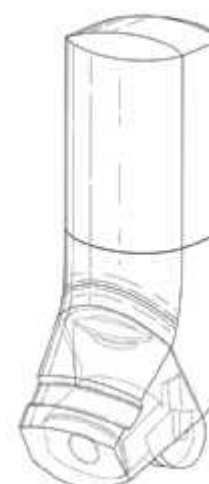
(21) Design Number: **11630/2014**
(22) Date of Filing Application: **02 April 2014**
(24) Date from which industrial property rights may have effect: **02 April 2014**
(54) Product in respect of which the design is registered: **Mixing element for beverage shaker**
(51) International Design Classification: **31-00**
(74) Name(s) of Attorney(s): **SPRUSON & FERGUSON**
(71) Name(s) and Address(s) of Applicant(s):
Florian Enghard
Habichtsweg 13c, Frankfurt am Main 60437 Germany
(72) Name(s) of Designer(s): **Florian Enghard**
(45) Registration Date: **16 April 2014**
(30) Convention priority data:
(31) Number (32) Date (33) Country
402013004290.3 02 Oct 2013 GERMANY
(56) Related Art Documents: **Not Applicable**
(57) Statement of Newness and Distinctiveness: **Newness and distinctiveness is claimed in the features of shape and/or configuration of a mixing element for beverage shaker as illustrated in the accompanying representations.**



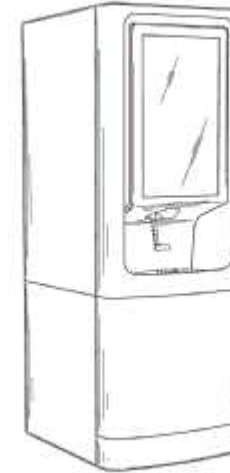
(21) Design Number: **11632/2014**
(22) Date of Filing Application: **02 April 2014**
(24) Date from which industrial property rights may have effect: **02 April 2014**
(54) Product in respect of which the design is registered: **Drinking container**
(51) International Design Classification: **07-01C**
(74) Name(s) of Attorney(s): **SPRUSON & FERGUSON**
(71) Name(s) and Address(s) of Applicant(s):
Florian Enghard
Habichtsweg 13c, Frankfurt am Main 60437 Germany
(72) Name(s) of Designer(s): **Florian Enghard**
(45) Registration Date: **16 April 2014**
(30) Convention priority data:
(31) Number (32) Date (33) Country
402013004288.1 02 Oct 2013 GERMANY
(56) Related Art Documents: **Not Applicable**
(57) Statement of Newness and Distinctiveness: **Newness and distinctiveness is claimed in the features of shape and/or configuration of a drinking container as illustrated in the accompanying representations.**



(21) Design Number: **11639/2014**
(22) Date of Filing Application: **02 April 2014**
(24) Date from which industrial property rights may have effect: **02 April 2014**
(54) Product in respect of which the design is registered: **Respiratory apparatus**
(51) International Design Classification: **24-04**
(74) Name(s) of Attorney(s): **Griffith Hack**
(71) Name(s) and Address(s) of Applicant(s):
Teva UK Limited
Ridings Point Whistler Drive Castleford West Yorkshire WF10 5HX
United Kingdom
(72) Name(s) of Designer(s): **David Cottam**
(45) Registration Date: **16 April 2014**
(30) Convention priority data:
(31) Number (32) Date (33) Country
002321877 08 Oct 2013 OFFICE FOR HARMONISATION IN
THE INTERNAL MARKET (OHIM)
(56) Related Art Documents: **Not Applicable**
(57) Statement of Newness and Distinctiveness: **Newness and distinctiveness resides in the visual features, including shape and configuration, of a RESPIRATORY APPARATUS, including a transparent/translucent cap, as shown in the accompanying drawings.**



- (21) Design Number: **10163/2014**
(22) Date of Filing Application: **15 January 2014**
(24) Date from which industrial property rights may have effect: **15 January 2014**
(54) Product in respect of which the design is registered: **Dispenser**
(51) International Design Classification: **31-00**
(74) Name(s) of Attorney(s): **SPRUSON & FERGUSON**
(71) Name(s) and Address(s) of Applicant(s):
PepsiCo, Inc.
700 Anderson Hill Road Purchase New York 10577 United States of America
(72) Name(s) of Designer(s): **Martin Eduardo Broen and Stephen Lim and Martin Ivar Franzen**
(45) Registration Date: **16 April 2014**
(56) Related Art Documents: **Not Applicable**
(57) Statement of Newness and Distinctiveness: **Newness and distinctiveness is claimed in those features of shape and/or configuration of a dispenser illustrated in continuous lines in the accompanying representations.**



- (21) Design Number: **10164/2014**
(22) Date of Filing Application: **15 January 2014**
(24) Date from which industrial property rights may have effect: **15 January 2014**
(54) Product in respect of which the design is registered: **Dispenser**
(51) International Design Classification: **31-00**
(74) Name(s) of Attorney(s): **SPRUSON & FERGUSON**
(71) Name(s) and Address(s) of Applicant(s):
PepsiCo, Inc.
700 Anderson Hill Road Purchase New York 10577 United States of America
(72) Name(s) of Designer(s): **Martin Eduardo Broen and Stephen Lim and Martin Ivar Franzen**
(45) Registration Date: **16 April 2014**
(56) Related Art Documents: **Not Applicable**
(57) Statement of Newness and Distinctiveness: **Newness and distinctiveness is claimed in those features of shape and/or configuration of a dispenser illustrated in continuous lines in the accompanying representations.**



- (21) Design Number: **10165/2014**
(22) Date of Filing Application: **15 January 2014**
(24) Date from which industrial property rights may have effect: **15 January 2014**
(54) Product in respect of which the design is registered: **Dispenser**
(51) International Design Classification: **31-00**
(74) Name(s) of Attorney(s): **SPRUSON & FERGUSON**
(71) Name(s) and Address(s) of Applicant(s):
PepsiCo, Inc.
700 Anderson Hill Road Purchase New York 10577 United States of America
(72) Name(s) of Designer(s): **Martin Eduardo Broen and Stephen Lim and Johannes Bayer and Martin Ivar Franzen**
(45) Registration Date: **16 April 2014**
(56) Related Art Documents: **Not Applicable**
(57) Statement of Newness and Distinctiveness: **Newness and distinctiveness is claimed in those features of shape and/or configuration of a dispenser illustrated in continuous lines in the accompanying representations.**



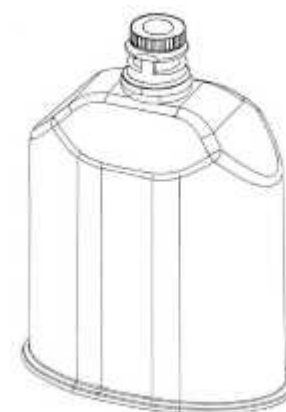
- (21) Design Number: **10604/2014**
(22) Date of Filing Application: **07 February 2014**
(24) Date from which industrial property rights may have effect: **07 February 2014**
(54) Product in respect of which the design is registered: **Ampoule (with connector)**
(51) International Design Classification: **09-01A**
(74) Name(s) of Attorney(s): **Davies Collison Cave**
(71) Name(s) and Address(s) of Applicant(s):
Fresenius Kabi Deutschland GmbH
Else-Kroener-Strasse 1 Bad Homburg 61352 Germany
(72) Name(s) of Designer(s): **Torsten Brandenburger**
(45) Registration Date: **16 April 2014**
(30) Convention priority data:
(31) Number (32) Date (33) Country
002289264-0003 09 Aug 2013 OFFICE FOR HARMONISATION IN THE INTERNAL MARKET (OHIM)
(56) Related Art Documents: **Not Applicable**
(57) Statement of Newness and Distinctiveness: **Newness and distinctiveness is claimed in the features of shape and configuration of the ampoule (with connector) as shown below in the accompanying representations.**



(21) Design Number: **10607/2014**
(22) Date of Filing Application: **07 February 2014**
(24) Date from which industrial property rights may have effect: **07 February 2014**
(54) Product in respect of which the design is registered: **Ampoule**
(51) International Design Classification: **09-01A**
(74) Name(s) of Attorney(s): **Davies Collison Cave**
(71) Name(s) and Address(s) of Applicant(s):
Fresenius Kabi Deutschland GmbH
Else-Kroener-Strasse 1 Bad Homburg 61352 Germany
(72) Name(s) of Designer(s): **Torsten Brandenburger**
(45) Registration Date: **16 April 2014**
(30) Convention priority data:
(31) Number (32) Date (33) Country
002289264-0001 09 Aug 2013 OFFICE FOR HARMONISATION IN
THE INTERNAL MARKET (OHIM)
(56) Related Art Documents: **Not Applicable**
(57) Statement of Newness and Distinctiveness: **Newness and distinctiveness**
is claimed in the features of shape and configuration of the ampoule as
shown in the accompanying representations.



(21) Design Number: **10609/2014**
(22) Date of Filing Application: **07 February 2014**
(24) Date from which industrial property rights may have effect: **07 February 2014**
(54) Product in respect of which the design is registered: **Ampoule**
(51) International Design Classification: **09-01A**
(74) Name(s) of Attorney(s): **Davies Collison Cave**
(71) Name(s) and Address(s) of Applicant(s):
Fresenius Kabi Deutschland GmbH
Else-Kroener-Strasse 1 Bad Homburg 61352 Germany
(72) Name(s) of Designer(s): **Torsten Brandenburger**
(45) Registration Date: **16 April 2014**
(30) Convention priority data:
(31) Number (32) Date (33) Country
0022789264-001 09 Aug 2013 OFFICE FOR HARMONISATION IN
THE INTERNAL MARKET (OHIM)
(56) Related Art Documents: **Not Applicable**
(57) Statement of Newness and Distinctiveness: **Newness and distinctiveness**
is claimed in the features of shape and configuration of the ampoule as
shown in the accompanying representations.



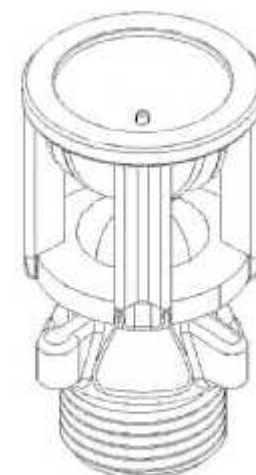
(21) Design Number: **10610/2014**
(22) Date of Filing Application: **07 February 2014**
(24) Date from which industrial property rights may have effect: **07 February 2014**
(54) Product in respect of which the design is registered: **Ampoule**
(51) International Design Classification: **09-01A**
(74) Name(s) of Attorney(s): **Davies Collison Cave**
(71) Name(s) and Address(s) of Applicant(s):
Fresenius Kabi Deutschland GmbH
Else-Kroener-Strasse 1 Bad Homburg 61352 Germany
(72) Name(s) of Designer(s): **Torsten Brandenburger**
(45) Registration Date: **16 April 2014**
(30) Convention priority data:
(31) Number (32) Date (33) Country
002289264-0005 09 Aug 2013 OFFICE FOR HARMONISATION IN
THE INTERNAL MARKET (OHIM)
(56) Related Art Documents: **Not Applicable**
(57) Statement of Newness and Distinctiveness: **Newness and distinctiveness**
is claimed in the features of shape and configuration of the ampoule as
shown in the accompanying representations.



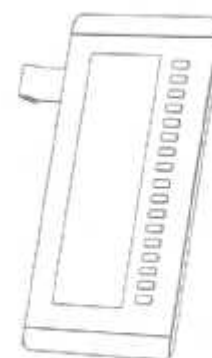
(21) Design Number: **10617/2014**
(22) Date of Filing Application: **07 February 2014**
(24) Date from which industrial property rights may have effect: **07 February 2014**
(54) Product in respect of which the design is registered: **Universal wrench**
(51) International Design Classification: **08-05P**
(74) Name(s) of Attorney(s): **PHILLIPS ORMONDE FITZPATRICK**
(71) Name(s) and Address(s) of Applicant(s):
Actervis GmbH
c/o Prv Provides Treuhandgesellschaft Lindenhof Dorfstr.38 CH-6341
Baar (Zug) Switzerland
(72) Name(s) of Designer(s): **Juan Ramon Torres Martin**
(45) Registration Date: **16 April 2014**
(30) Convention priority data:
(31) Number (32) Date (33) Country
002288084-0002 07 Aug 2013 OFFICE FOR HARMONISATION IN
THE INTERNAL MARKET (OHIM)
(56) Related Art Documents: **Not Applicable**
(57) Statement of Newness and Distinctiveness: **Nil**



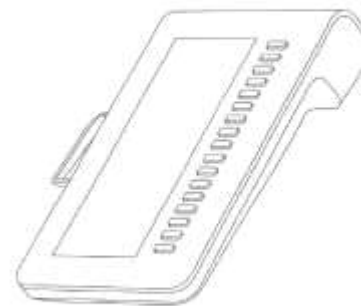
- (21) Design Number: **11377/2014**
(22) Date of Filing Application: **25 March 2014**
(24) Date from which industrial property rights may have effect: **25 March 2014**
(54) Product in respect of which the design is registered: **Sprinkler head**
(51) International Design Classification: **23-01D**
(74) Name(s) of Attorney(s): **FB Rice**
(71) Name(s) and Address(s) of Applicant(s):
Tony Holmes
3 Reserve Rd Wangi Wangi NSW 2267 Australia
(72) Name(s) of Designer(s): **Tony Holmes**
(45) Registration Date: **16 April 2014**
(56) Related Art Documents: **Not Applicable**
(57) Statement of Newness and Distinctiveness: **Newness and distinctiveness reside in the features of shape and configuration of the article illustrated in the representations.**



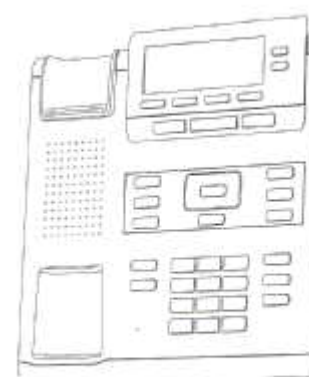
- (21) Design Number: **11450/2014**
(22) Date of Filing Application: **27 March 2014**
(24) Date from which industrial property rights may have effect: **27 March 2014**
(54) Product in respect of which the design is registered: **Telephone intercom system**
(51) International Design Classification: **14-03A**
(74) Name(s) of Attorney(s): **FB Rice**
(71) Name(s) and Address(s) of Applicant(s):
Unify GmbH & Co. KG
Hofmannstrasse 51 Munich 81379 Germany
(72) Name(s) of Designer(s): **Stefan Hillenmayer and Patrick Treder**
(45) Registration Date: **16 April 2014**
(30) Convention priority data:
(31) Number (32) Date (33) Country
001386387-0001 10 Oct 2013 OFFICE FOR HARMONISATION IN THE INTERNAL MARKET (OHIM)
(56) Related Art Documents: **Not Applicable**
(57) Statement of Newness and Distinctiveness: **Newness and distinctiveness reside in the features of shape and configuration of the design as shown in the representations.**



(21) Design Number: **11452/2014**
(22) Date of Filing Application: **27 March 2014**
(24) Date from which industrial property rights may have effect: **27 March 2014**
(54) Product in respect of which the design is registered: **Telephone intercom system**
(51) International Design Classification: **14-03A**
(74) Name(s) of Attorney(s): **FB Rice**
(71) Name(s) and Address(s) of Applicant(s):
Unify GmbH & Co. KG
Hofmannstrasse 51 Munich 81379 Germany
(72) Name(s) of Designer(s): **Stefan Hillenmayer and Patrick Treder**
(45) Registration Date: **16 April 2014**
(30) Convention priority data:
(31) Number (32) Date (33) Country
001386387-0002 10 Oct 2013 OFFICE FOR HARMONISATION IN THE INTERNAL MARKET (OHIM)
(56) Related Art Documents: **Not Applicable**
(57) Statement of Newness and Distinctiveness: **Newness and distinctiveness reside in the features of shape and configuration of the design as shown in the representations.**



(21) Design Number: **11577/2014**
(22) Date of Filing Application: **31 March 2014**
(24) Date from which industrial property rights may have effect: **31 March 2014**
(54) Product in respect of which the design is registered: **Telephone**
(51) International Design Classification: **14-03A**
(74) Name(s) of Attorney(s): **FB Rice**
(71) Name(s) and Address(s) of Applicant(s):
Unify GmbH & Co. KG
Hofmannstrasse 51 Munich 81379 Germany
(72) Name(s) of Designer(s): **Stefan Hellenmayer and Patrick Treder**
(45) Registration Date: **16 April 2014**
(30) Convention priority data:
(31) Number (32) Date (33) Country
001386452-0001 10 Oct 2013 OFFICE FOR HARMONISATION IN THE INTERNAL MARKET (OHIM)
(56) Related Art Documents: **Not Applicable**
(57) Statement of Newness and Distinctiveness: **Newness and distinctiveness reside in the features of the design as shown in the representations.**



(21) Design Number: **11408/2014**

(22) Date of Filing Application: **25 March 2014**

(24) Date from which industrial property rights may have effect: **25 March 2014**

(54) Product in respect of which the design is registered: **Power Connector**

(51) International Design Classification: **13-03D**

(74) Name(s) of Attorney(s): **Dark IP**

(71) Name(s) and Address(s) of Applicant(s):

WebTuner Corp.

11121 Wilows Road NE Redmond WA 98052 United States of America

(72) Name(s) of Designer(s): **Eduard Zaslavsky and Thomas E Nichols**

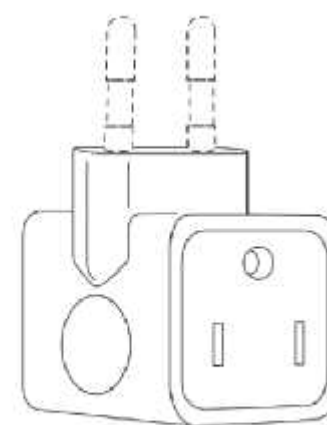
(45) Registration Date: **16 April 2014**

(30) Convention priority data:

(31) Number	(32) Date	(33) Country
29/468,373	30 Sep 2013	UNITED STATES OF AMERICA

(56) Related Art Documents: **Not Applicable**

(57) Statement of Newness and Distinctiveness: **The newness and distinctiveness of the design resides in the shape and/or configuration of the L-Shaped Power Connector for Type C Sockets shown in the representations. The broken lines shown in the representations are provided for illustration only and do not form part of the design.**



(21) Design Number: **11578/2014**

(22) Date of Filing Application: **31 March 2014**

(24) Date from which industrial property rights may have effect: **31 March 2014**

(54) Product in respect of which the design is registered: **Support bar for a mesh deck or the like**

(51) International Design Classification: **08-08N**

(74) Name(s) of Attorney(s): **FB Rice**

(71) Name(s) and Address(s) of Applicant(s):

Delta Supply Solutions Pty Ltd

12 Sheridan CI Milperra NSW 2214 Australia

(72) Name(s) of Designer(s): **Stephen Eddowes and Pak Man Victor Wong**

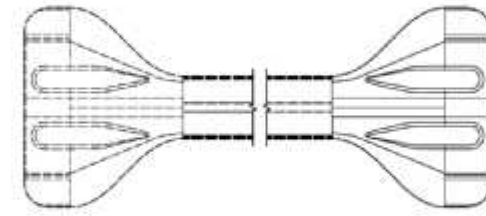
(45) Registration Date: **17 April 2014**

(56) Related Art Documents: **Not Applicable**

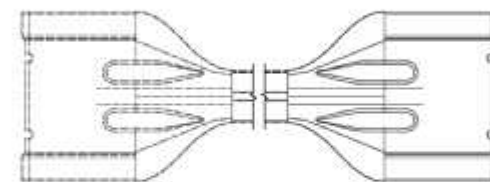
(57) Statement of Newness and Distinctiveness: **Newness and distinctiveness reside in the features of the design shown in solid lines in the representations excluding those features shown in broken lines.**



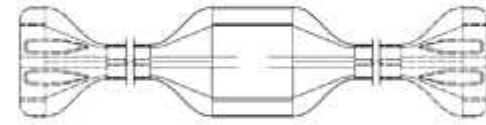
- (21) Design Number: **11579/2014**
(22) Date of Filing Application: **31 March 2014**
(24) Date from which industrial property rights may have effect: **31 March 2014**
(54) Product in respect of which the design is registered: **Support bar for a mesh deck or the like**
(51) International Design Classification: **08-08N**
(74) Name(s) of Attorney(s): **FB Rice**
(71) Name(s) and Address(s) of Applicant(s):
Delta Supply Solutions Pty Ltd
12 Sheridan CI Milperra NSW 2214 Australia
(72) Name(s) of Designer(s): **Stephen Eddowes and Pak Man Victor Wong**
(45) Registration Date: **17 April 2014**
(56) Related Art Documents: **Not Applicable**
(57) Statement of Newness and Distinctiveness: **Newness and distinctiveness reside in the features of the design shown in solid lines in the representations excluding those features shown in broken lines. The central portion of the support bar may be of indefinite length, as shown.**



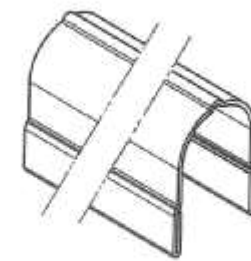
- (21) Design Number: **11580/2014**
(22) Date of Filing Application: **31 March 2014**
(24) Date from which industrial property rights may have effect: **31 March 2014**
(54) Product in respect of which the design is registered: **Support bar for a mesh deck or the like**
(51) International Design Classification: **08-08N**
(74) Name(s) of Attorney(s): **FB Rice**
(71) Name(s) and Address(s) of Applicant(s):
Delta Supply Solutions Pty Ltd
12 Sheridan CI Milperra NSW 2214 Australia
(72) Name(s) of Designer(s): **Stephen Eddowes and Pak Man Victor Wong**
(45) Registration Date: **17 April 2014**
(56) Related Art Documents: **Not Applicable**
(57) Statement of Newness and Distinctiveness: **Newness and distinctiveness reside in the features of the design shown in solid lines in the representations excluding those features shown in broken lines. The support bar may be of indefinite length, as shown.**



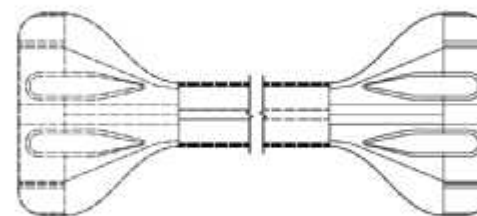
- (21) Design Number: **11581/2014**
(22) Date of Filing Application: **31 March 2014**
(24) Date from which industrial property rights may have effect: **31 March 2014**
(54) Product in respect of which the design is registered: **Support bar for a mesh deck or the like**
(51) International Design Classification: **08-08N, 08-08NES**
(74) Name(s) of Attorney(s): **FB Rice**
(71) Name(s) and Address(s) of Applicant(s):
Delta Supply Solutions Pty Ltd
12 Sheridan CI Milperra NSW 2214 Australia
(72) Name(s) of Designer(s): **Stephen Eddowes and Pak Man Victor Wong**
(45) Registration Date: **17 April 2014**
(56) Related Art Documents: **Not Applicable**
(57) Statement of Newness and Distinctiveness: **Newness and distinctiveness reside in the features of the design shown in solid lines in the representations excluding those features shown in broken lines. The portions of the support bar between the middle and the two ends may be of indefinite length, as shown.**



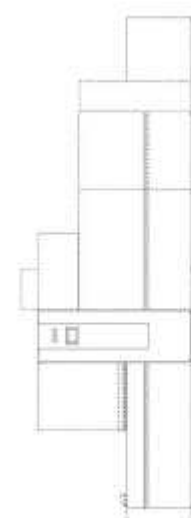
- (21) Design Number: **11582/2014**
(22) Date of Filing Application: **31 March 2014**
(24) Date from which industrial property rights may have effect: **31 March 2014**
(54) Product in respect of which the design is registered: **Support bar for a mesh deck or the like**
(51) International Design Classification: **08-08N, 08-08NES**
(74) Name(s) of Attorney(s): **FB Rice**
(71) Name(s) and Address(s) of Applicant(s):
Delta Supply Solutions Pty Ltd
12 Sheridan CI Milperra NSW 2214 Australia
(72) Name(s) of Designer(s): **Stephen Eddowes and Pak Man Victor Wong**
(45) Registration Date: **17 April 2014**
(56) Related Art Documents: **Not Applicable**
(57) Statement of Newness and Distinctiveness: **Newness and distinctiveness reside in the features of the design shown in solid lines in the representations excluding those features shown in broken lines. The support bar has a constant cross-section but may be of any length.**



- (21) Design Number: **11583/2014**
(22) Date of Filing Application: **31 March 2014**
(24) Date from which industrial property rights may have effect: **31 March 2014**
(54) Product in respect of which the design is registered: **Support bar for a mesh deck or the like**
(51) International Design Classification: **08-08N, 08-08NES**
(74) Name(s) of Attorney(s): **FB Rice**
(71) Name(s) and Address(s) of Applicant(s):
Delta Supply Solutions Pty Ltd
12 Sheridan CI Milperra NSW 2214 Australia
(72) Name(s) of Designer(s): **Stephen Eddowes and Pak Man Victor Wong**
(45) Registration Date: **17 April 2014**
(56) Related Art Documents: **Not Applicable**
(57) Statement of Newness and Distinctiveness: **Newness and distinctiveness reside in the features of the design shown in solid lines in the representations excluding those features shown in broken lines. The support bar may be of indefinite length, as shown.**



- (21) Design Number: **11584/2014**
(22) Date of Filing Application: **31 March 2014**
(24) Date from which industrial property rights may have effect: **31 March 2014**
(54) Product in respect of which the design is registered: **Control cabinet of a conveyor type dishwasher**
(51) International Design Classification: **06-04D, 15-05**
(74) Name(s) of Attorney(s): **PHILLIPS ORMONDE FITZPATRICK**
(71) Name(s) and Address(s) of Applicant(s):
Illinois Tool Works Inc.
155 Harlem Avenue Glenview Illinois 60025 United States of America
(72) Name(s) of Designer(s): **Petra Kurz-Ottenwalder and Werner Neumaier**
(45) Registration Date: **17 April 2014**
(30) Convention priority data:
(31) Number (32) Date (33) Country
**001394944 19 Dec 2013 OFFICE FOR HARMONISATION IN
THE INTERNAL MARKET (OHIM)**
(56) Related Art Documents: **Not Applicable**
(57) Statement of Newness and Distinctiveness: **Newness and distinctiveness resides in the shape and/or configuration of the control cabinet of a conveyor type dishwasher as shown in the continuous lines in the accompanying representations. The features shown in broken lines are not part of the design and are to be disregarded when considering the overall impression of the design.**



(21) Design Number: **11592/2014**
(22) Date of Filing Application: **31 March 2014**
(24) Date from which industrial property rights may have effect: **31 March 2014**
(54) Product in respect of which the design is registered: **Dispensing device**
(51) International Design Classification: **09-01A, 09-01NES**
(74) Name(s) of Attorney(s): **Shelston IP**
(71) Name(s) and Address(s) of Applicant(s):
Reckitt Benckiser (Brands) Limited
103-105 Bath Road Slough Berkshire SL1 3UH United Kingdom
(72) Name(s) of Designer(s): **Edouard Jean Gerard Guesne and David Sanders**
(45) Registration Date: **17 April 2014**
(30) Convention priority data:
(31) Number (32) Date (33) Country
002332890-0001 24 Oct 2013 OFFICE FOR HARMONISATION IN
THE INTERNAL MARKET (OHIM)
(56) Related Art Documents: **Not Applicable**
(57) Statement of Newness and Distinctiveness: **Newness and distinctiveness resides in the features of shape and configuration of the dispensing device shown in the accompanying representations, not including the rear dial and mounting features as most clearly illustrated in the back view, or the detail shown in the bottom view, all of which are not considered to form part of the design.**



(21) Design Number: **11597/2014**
(22) Date of Filing Application: **31 March 2014**
(24) Date from which industrial property rights may have effect: **31 March 2014**
(54) Product in respect of which the design is registered: **Bracket**
(51) International Design Classification: **08-08NES**
(74) Name(s) of Attorney(s): **Callinans**
(71) Name(s) and Address(s) of Applicant(s):
Abey Australia Pty Ltd
57-81 Abey Rd Melton VIC 3337 Australia
(72) Name(s) of Designer(s): **Geoffrey Anderson and Mathew Peart**
(45) Registration Date: **17 April 2014**
(56) Related Art Documents: **Not Applicable**
(57) Statement of Newness and Distinctiveness: **Newness and distinctiveness resides in the features of shape and/or configuration as applied to a Bracket, as shown in the accompanying representations.**



- (21) Design Number: **11598/2014**
(22) Date of Filing Application: **01 April 2014**
(24) Date from which industrial property rights may have effect: **01 April 2014**
(54) Product in respect of which the design is registered: **Stool**
(51) International Design Classification: **06-01E**
(74) Name(s) of Attorney(s):
(71) Name(s) and Address(s) of Applicant(s):
Spaceleft Pty Ltd
U2/15-19 Anthony St Melbourne VIC 3000 Australia
(72) Name(s) of Designer(s): **Ross Gardam**
(45) Registration Date: **17 April 2014**
(56) Related Art Documents: **Not Applicable**
(57) Statement of Newness and Distinctiveness: **The six-sided form of the seat which is created in two halves and joined at an angle is both new and distinctive. The form of the legs and also the footrests are a feature of the product and are new and distinctive.**

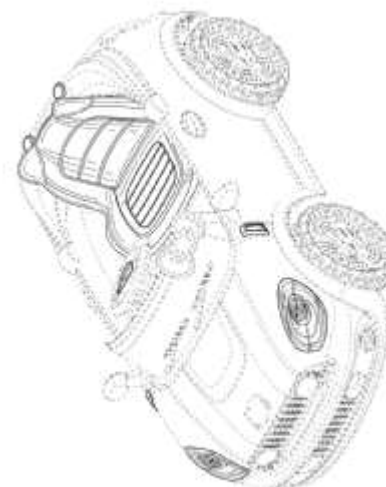


- (21) Design Number: **11599/2014**
(22) Date of Filing Application: **01 April 2014**
(24) Date from which industrial property rights may have effect: **01 April 2014**
(54) Product in respect of which the design is registered: **Stool**
(51) International Design Classification: **06-01E**
(74) Name(s) of Attorney(s):
(71) Name(s) and Address(s) of Applicant(s):
Spaceleft Pty Ltd
U2/15-19 Anthony St Melbourne VIC 3000 Australia
(72) Name(s) of Designer(s): **Ross Gardam**
(45) Registration Date: **17 April 2014**
(56) Related Art Documents: **Not Applicable**
(57) Statement of Newness and Distinctiveness: **The six-sided form of the seat which is created in two halves joined at an angle is both new and distinctive. The form of the legs and also the footrests are a feature of the product and are new and distinctive.**



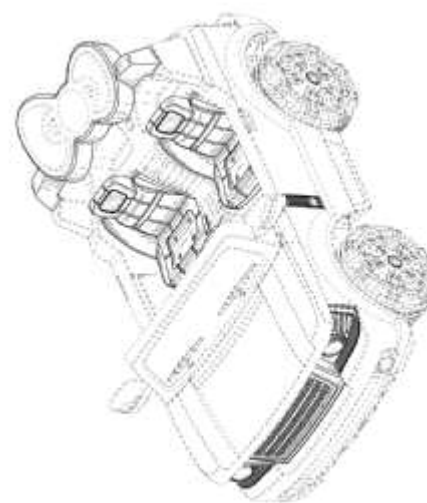
(19) AU

(21) Design Number: **11600/2014**
 (22) Date of Filing Application: **01 April 2014**
 (24) Date from which industrial property rights may have effect: **01 April 2014**
 (54) Product in respect of which the design is registered: **Battery operated toy coupe**
 (51) International Design Classification: **21-02C, 21-02F**
 (74) Name(s) of Attorney(s): **Griffith Hack**
 (71) Name(s) and Address(s) of Applicant(s):
Dynacraft BSC, Inc.
89 S. Kelly Road American Canyon California 94503 United States of America
 (72) Name(s) of Designer(s): **Bill Talios and John Bisges and David Castrucci**
 (45) Registration Date: **17 April 2014**
 (30) Convention priority data:
 (31) Number (32) Date (33) Country
29/473,188 19 Nov 2013 UNITED STATES OF AMERICA
 (56) Related Art Documents: **Not Applicable**
 (57) Statement of Newness and Distinctiveness: **Newness and distinctiveness resides in the visual features, including shape and configuration of the product as shown in the accompanying representations. Those parts shown by means of dashed lines do not form part of the design and have been included for illustrative purposes.**

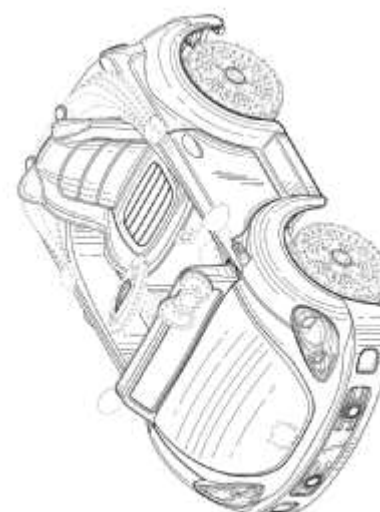


(19) AU

(21) Design Number: **11601/2014**
 (22) Date of Filing Application: **01 April 2014**
 (24) Date from which industrial property rights may have effect: **01 April 2014**
 (54) Product in respect of which the design is registered: **Child's ride-on light-up SUV**
 (51) International Design Classification: **21-01F**
 (74) Name(s) of Attorney(s): **Griffith Hack**
 (71) Name(s) and Address(s) of Applicant(s):
Dynacraft BSC, Inc.
89 S. Kelly Road American Canyon California 94503 United States of America
 (72) Name(s) of Designer(s): **Bill Talios and David Castrucci and John Bisges**
 (45) Registration Date: **17 April 2014**
 (30) Convention priority data:
 (31) Number (32) Date (33) Country
29/481,331 04 Feb 2014 UNITED STATES OF AMERICA
 (56) Related Art Documents: **Not Applicable**
 (57) Statement of Newness and Distinctiveness: **Newness and distinctiveness resides in the visual features, including shape and configuration of the product as shown in the accompanying representations. Those parts shown by means of dashed lines do not form part of the design and have been included for illustrative purposes.**



(21) Design Number: **11602/2014**
(22) Date of Filing Application: **01 April 2014**
(24) Date from which industrial property rights may have effect: **01 April 2014**
(54) Product in respect of which the design is registered: **Toy ride-on karaoke car**
(51) International Design Classification: **21-01F**
(74) Name(s) of Attorney(s): **Griffith Hack**
(71) Name(s) and Address(s) of Applicant(s):
Dynacraft BSC, Inc.
89 S. Kelly Road American Canyon California 94503 United States of America



(72) Name(s) of Designer(s): **Bill Talios and David Castrucci and John Bisges**
(45) Registration Date: **17 April 2014**
(30) Convention priority data:
(31) Number (32) Date (33) Country
29/482,365 18 Feb 2014 UNITED STATES OF AMERICA

(56) Related Art Documents: **Not Applicable**
(57) Statement of Newness and Distinctiveness: **Newness and distinctiveness resides in the visual features, including shape and configuration of the product as shown in the accompanying representations. Those parts shown by means of dashed lines do not form part of the design and have been included for illustrative purposes.**

(21) Design Number: **11606/2014**
(22) Date of Filing Application: **01 April 2014**
(24) Date from which industrial property rights may have effect: **01 April 2014**
(54) Product in respect of which the design is registered: **Table light**
(51) International Design Classification: **26-05B**
(74) Name(s) of Attorney(s):
(71) Name(s) and Address(s) of Applicant(s):
Spaceleft Pty Ltd
U2/15-19 Anthony St Melbourne VIC 3000 Australia



(72) Name(s) of Designer(s): **Ross Gardam**
(45) Registration Date: **17 April 2014**
(56) Related Art Documents: **Not Applicable**
(57) Statement of Newness and Distinctiveness: **The form of the shade which flares out at the bottom and has a chamfered top edge is new and distinctive. The single, curved tube which wraps around to form the base and also acts as a cantilevering support for the shade is new and distinctive.**

- (21) Design Number: **16804/2013**
(22) Date of Filing Application: **24 December 2013**
(24) Date from which industrial property rights may have effect: **24 December 2013**
(54) Product in respect of which the design is registered: **Fridge seal breaker**
(51) International Design Classification: **15-07**
(74) Name(s) of Attorney(s):
(71) Name(s) and Address(s) of Applicant(s):

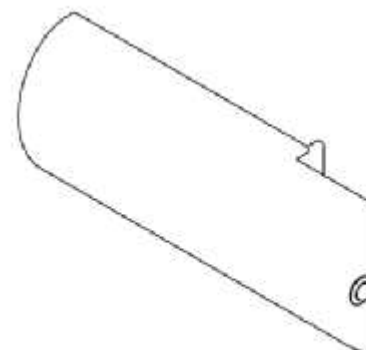
Adele Tanya Trebilcock
60 Corrys Rd Thurgoona NSW 2640 Australia

(72) Name(s) of Designer(s): **Adele Tanya Trebilcock**

(45) Registration Date: **17 April 2014**

(56) Related Art Documents: **Not Applicable**

(57) Statement of Newness and Distinctiveness: **The device has a prism shaped appearance with the cross-sectional shape similar to half of an ellipse with the flat side being along the long axis of the ellipse. The curved surface of the device body is uniform from front to back however there is a step in the flat surface so that the thickness of the body is reduced at the front of the device. Where the body changes in thickness there is a small lip that protrudes at 90 degrees from the original flat surface. In the centre of the lip there is a space that allows for a plunger component to be fitted. The plunger has a lip on it so that it sits in line with the body lip. All edges and corners of the device body are rounded except for the edges where the flat side that is in line with the axis of the ellipse meets the sides. The device has a white plastic appearance. The device has a round silver push button switch at the front, on the cross-sectional surface and a power socket on the back cross-sectional surface. Please refer to the attached representation to more fully understand the design of the product. The device can be said to be new and distinctive because it takes an integrated approach to housing the mechanism inside. This can be seen through the uniform regularity of the curved surface on the outside, which allows for minimal visual impact and obtrusiveness. There is currently no other similar device on the market.**



- (21) Design Number: **10613/2014**
(22) Date of Filing Application: **07 February 2014**
(24) Date from which industrial property rights may have effect: **07 February 2014**
(54) Product in respect of which the design is registered: **Assembly for securing a grating**
(51) International Design Classification: **08-08NES**
(74) Name(s) of Attorney(s): **Davies Collison Cave**
(71) Name(s) and Address(s) of Applicant(s):

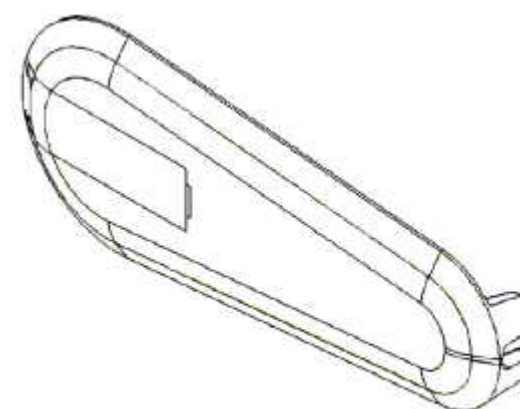
DJB Engineering Solutions Pty Ltd
5 Stradbroke Rd Boronia VIC 3155 Australia

(72) Name(s) of Designer(s): **David Bowen**

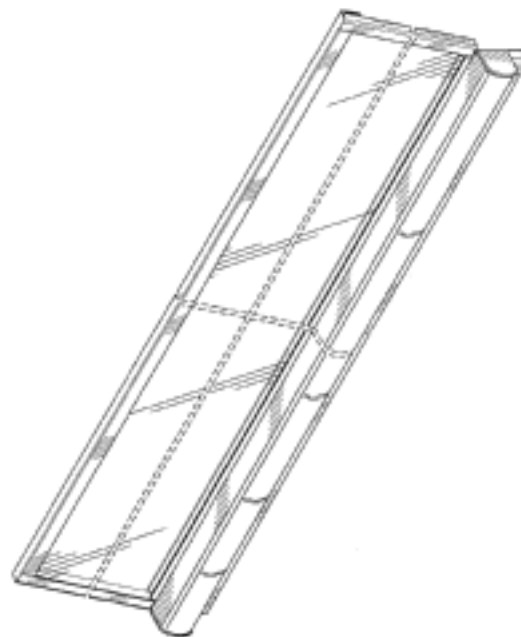
(45) Registration Date: **17 April 2014**

(56) Related Art Documents: **Not Applicable**

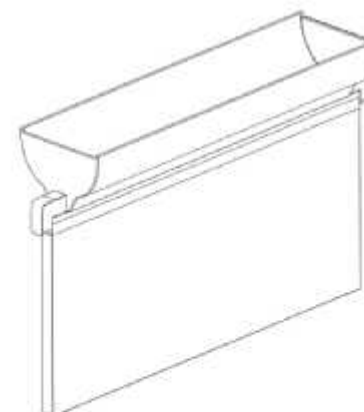
(57) Statement of Newness and Distinctiveness: **Newness and distinctiveness is claimed in the features of shape and configuration of the assembly for securing a grating as shown in the representations.**



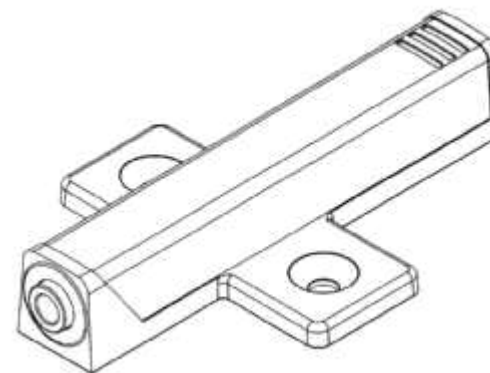
- (21) Design Number: **11641/2014**
(22) Date of Filing Application: **02 April 2014**
(24) Date from which industrial property rights may have effect: **02 April 2014**
(54) Product in respect of which the design is registered: **Tool chest**
(51) International Design Classification: **03-01D**
(74) Name(s) of Attorney(s): **SPRUSON & FERGUSON**
(71) Name(s) and Address(s) of Applicant(s):
Edsal Manufacturing Co., Inc.
4400 South Packers Avenue Chicago Illinois 60609 United States of America
(72) Name(s) of Designer(s): **Anthony J Troyner and David J Wojtowicz and Scott Fitzgerald**
(45) Registration Date: **17 April 2014**
(30) Convention priority data:
(31) Number (32) Date (33) Country
29/468666 02 Oct 2013 UNITED STATES OF AMERICA
(56) Related Art Documents: **Not Applicable**
(57) Statement of Newness and Distinctiveness: **Newness and distinctiveness is claimed in those features of shape and/or configuration of a tool chest illustrated in continuous lines in the accompanying representations, in which the dimensions labelled 'x' and 'y' are variable and in which the portion of the tool chest labelled 'A' is transparent.**



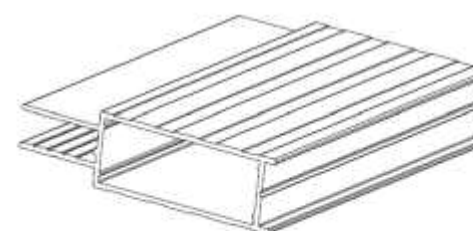
- (21) Design Number: **11643/2014**
(22) Date of Filing Application: **02 April 2014**
(24) Date from which industrial property rights may have effect: **02 April 2014**
(54) Product in respect of which the design is registered: **Emergency lighting unit**
(51) International Design Classification: **26-03**
(74) Name(s) of Attorney(s): **Griffith Hack**
(71) Name(s) and Address(s) of Applicant(s):
Legrand Australia Pty Ltd
Building 4 Nexus Industry Park 43-47 Lyn Pde PrestonsNSW 2170 Australia
(72) Name(s) of Designer(s): **Dinesh Vijayaraman**
(45) Registration Date: **17 April 2014**
(56) Related Art Documents: **Not Applicable**
(57) Statement of Newness and Distinctiveness: **Nil**



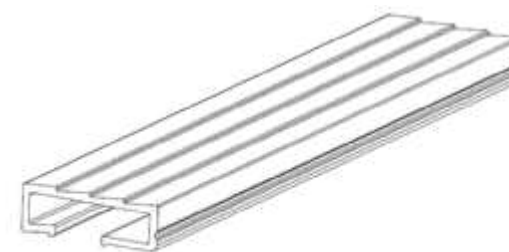
(21) Design Number: **11648/2014**
(22) Date of Filing Application: **02 April 2014**
(24) Date from which industrial property rights may have effect: **02 April 2014**
(54) Product in respect of which the design is registered: **Touch latch fitting**
(51) International Design Classification: **08-07**
(74) Name(s) of Attorney(s): **Callinans**
(71) Name(s) and Address(s) of Applicant(s):
Julius Blum GmbH
Industriestrasse 1 A-6973 Hochst Austria
(72) Name(s) of Designer(s): **Wolfgang Held**
(45) Registration Date: **17 April 2014**
(30) Convention priority data:
(31) Number (32) Date (33) Country
2326033 **15 Oct 2013** **OFFICE FOR HARMONISATION IN**
THE INTERNAL MARKET (OHIM)
(56) Related Art Documents: **Not Applicable**
(57) Statement of Newness and Distinctiveness: **Nil**



(21) Design Number: **11650/2014**
(22) Date of Filing Application: **02 April 2014**
(24) Date from which industrial property rights may have effect: **02 April 2014**
(54) Product in respect of which the design is registered: **Extrusion**
(51) International Design Classification: **25-01K**
(74) Name(s) of Attorney(s):
(71) Name(s) and Address(s) of Applicant(s):
Wollongong Aluminium Centre Pty Ltd
79 Gipps St Wollongong NSW 2500 Australia
(72) Name(s) of Designer(s): **Antonio Farina and Enrico Farina**
(45) Registration Date: **17 April 2014**
(56) Related Art Documents: **Not Applicable**
(57) Statement of Newness and Distinctiveness: **Newness and distinctiveness is claimed in the features of shape and/or configuration of the cross-section of an extrusion as illustrated in the accompanying representations wherein the cross-section of the extrusion is constant along its length.**

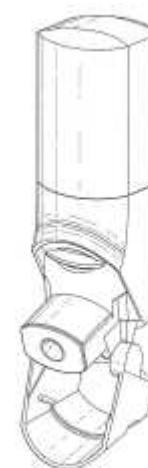


(21) Design Number: **11651/2014**
(22) Date of Filing Application: **02 April 2014**
(24) Date from which industrial property rights may have effect: **02 April 2014**
(54) Product in respect of which the design is registered: **Extrusion**
(51) International Design Classification: **25-01K**
(74) Name(s) of Attorney(s):
(71) Name(s) and Address(s) of Applicant(s):



Wollongong Aluminium Centre Pty Ltd
79 Gipps St Wollongong NSW 2500 Australia
(72) Name(s) of Designer(s): **Antonio Farina and Enrico Farina**
(45) Registration Date: **17 April 2014**
(56) Related Art Documents: **Not Applicable**
(57) Statement of Newness and Distinctiveness: **Newness and distinctiveness is claimed in the features of shape and/or configuration of the cross-section of an extrusion as illustrated in the accompanying representations wherein the cross-section of the extrusion is constant along its length.**

(21) Design Number: **11626/2014**
(22) Date of Filing Application: **02 April 2014**
(24) Date from which industrial property rights may have effect: **02 April 2014**
(54) Product in respect of which the design is registered: **Respiratory apparatus**
(51) International Design Classification: **24-04**
(74) Name(s) of Attorney(s): **Griffith Hack**
(71) Name(s) and Address(s) of Applicant(s):



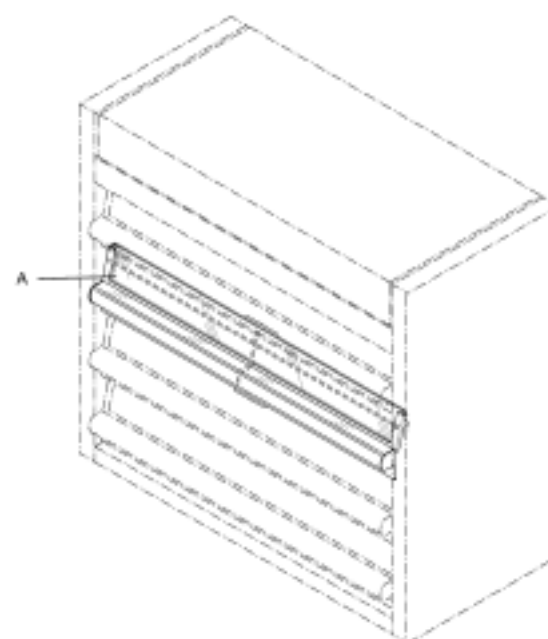
Teva UK Limited
Ridings Point Whistler Drive Castleford West Yorkshire WF10 5HX
United Kingdom
(72) Name(s) of Designer(s): **David Cottam**
(45) Registration Date: **17 April 2014**
(30) Convention priority data:
(31) Number (32) Date (33) Country
002321661 07 Oct 2013 OFFICE FOR HARMONISATION IN
THE INTERNAL MARKET (OHIM)

(56) Related Art Documents: **Not Applicable**
(57) Statement of Newness and Distinctiveness: **Newness and distinctiveness resides in the visual features, including shape and configuration, of a RESPIRATORY APPARATUS as shown in the accompanying drawings.**

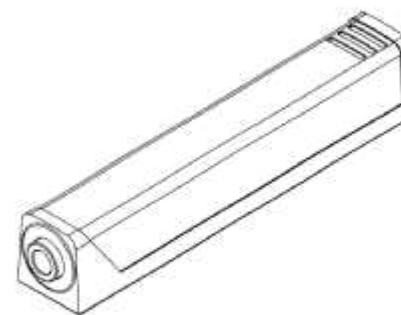
(21) Design Number: **11631/2014**
(22) Date of Filing Application: **02 April 2014**
(24) Date from which industrial property rights may have effect: **02 April 2014**
(54) Product in respect of which the design is registered: **Cap for drinking container**
(51) International Design Classification: **09-07A**
(74) Name(s) of Attorney(s): **SPRUSON & FERGUSON**
(71) Name(s) and Address(s) of Applicant(s):
Florian Enghard
Habichtsweg 13c, Frankfurt am Main 60437 Germany
(72) Name(s) of Designer(s): **Florian Enghard**
(45) Registration Date: **17 April 2014**
(30) Convention priority data:
(31) Number (32) Date (33) Country
402013004288.1 02 Oct 2013 GERMANY
(56) Related Art Documents: **Not Applicable**
(57) Statement of Newness and Distinctiveness: **Newness and distinctiveness is claimed in the features of shape and/or configuration of a cap for drinking container as illustrated in the accompanying representations.**



(21) Design Number: **11642/2014**
(22) Date of Filing Application: **02 April 2014**
(24) Date from which industrial property rights may have effect: **02 April 2014**
(54) Product in respect of which the design is registered: **Tool chest**
(51) International Design Classification: **03-01D**
(74) Name(s) of Attorney(s): **SPRUSON & FERGUSON**
(71) Name(s) and Address(s) of Applicant(s):
Edsal Manufacturing Co., Inc.
4400 South Packers Avenue Chicago Illinois 60609 United States of America
(72) Name(s) of Designer(s): **Anthony J Troyner and David J Wojtowicz and Scott Fitzgerald**
(45) Registration Date: **17 April 2014**
(30) Convention priority data:
(31) Number (32) Date (33) Country
29/468668 02 Oct 2013 UNITED STATES OF AMERICA
(56) Related Art Documents: **Not Applicable**
(57) Statement of Newness and Distinctiveness: **Newness and distinctiveness is claimed in those features of shape and/or configuration of a tool chest illustrated in continuous lines in the accompanying representations, in which the dimensions labelled 'x' and 'y' are variable and in which the portion of the tool chest labelled 'A' is transparent.**



(21) Design Number: **11647/2014**
(22) Date of Filing Application: **02 April 2014**
(24) Date from which industrial property rights may have effect: **02 April 2014**
(54) Product in respect of which the design is registered: **Touch latch fitting**
(51) International Design Classification: **08-07**
(74) Name(s) of Attorney(s): **Callinans**
(71) Name(s) and Address(s) of Applicant(s):
Julius Blum GmbH
Industriestrasse 1 A-6973 Hochst Austria
(72) Name(s) of Designer(s): **Wolfgang Held**
(45) Registration Date: **17 April 2014**
(30) Convention priority data:
(31) Number (32) Date (33) Country
2326033 15 Oct 2013 OFFICE FOR HARMONISATION IN
THE INTERNAL MARKET (OHIM)
(56) Related Art Documents: **Not Applicable**
(57) Statement of Newness and Distinctiveness: **Nil**



(21) Design Number: **10598/2014**
(22) Date of Filing Application: **07 February 2014**
(24) Date from which industrial property rights may have effect: **07 February 2014**
(54) Product in respect of which the design is registered: **A tyre label**
(51) International Design Classification: **19-08, 29-99**
(74) Name(s) of Attorney(s):
(71) Name(s) and Address(s) of Applicant(s):
John Geoffery Pianta
23 Savannah St Palm Cove QLD 4879 Australia
(72) Name(s) of Designer(s): **John Geoffery Pianta**
(45) Registration Date: **22 April 2014**
(56) Related Art Documents: **Not Applicable**
(57) Statement of Newness and Distinctiveness: **Danger Extreme Stored Pressure (Labels) Shape: The shape of the warning label is cut in a distinctive concave arch at the top of the label and convex at the bottom of the label. The sides of the label will taper in towards the bottom convex arch. The top and bottom arch can be changed to accommodate different tyre radius sizes and designs. Blank Box Areas squares: Blank square areas will be available for the workplace to enter the companys important information for the removing or fitting the of the tyre and rim assembly. And the ability to enter the company procedure numbers to be followed in the workplace.**



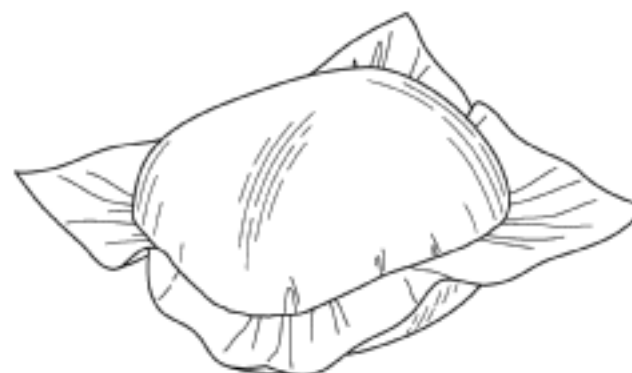
- (21) Design Number: **10818/2014**
(22) Date of Filing Application: **24 February 2014**
(24) Date from which industrial property rights may have effect: **24 February 2014**
(54) Product in respect of which the design is registered: **Wine rack**
(51) International Design Classification: **06-04NES**
(74) Name(s) of Attorney(s):
(71) Name(s) and Address(s) of Applicant(s):
Jason Kane Wiseman
636 Marion Rd Park Holme SA 5043 Australia
(72) Name(s) of Designer(s): **Jason Kane Wiseman**
(45) Registration Date: **22 April 2014**
(56) Related Art Documents: **Not Applicable**
(57) Statement of Newness and Distinctiveness: **bottles lay horizontal to show labels on angled shelves up against timber stops. Aluminium end capping is a feature and used for support. The wine rack is modular so multiple straight and corner modules can be added. The corner module is for vertical display.**



- (21) Design Number: **11190/2014**
(22) Date of Filing Application: **14 March 2014**
(24) Date from which industrial property rights may have effect: **14 March 2014**
(54) Product in respect of which the design is registered: **Trim Zigzag Roofing**
(51) International Design Classification: **25-01G**
(74) Name(s) of Attorney(s):
(71) Name(s) and Address(s) of Applicant(s):
PURE WARM PTY LTD
64 Helen St Sefton NSW 2162 Australia
(72) Name(s) of Designer(s): **Van Sen Truong**
(45) Registration Date: **22 April 2014**
(56) Related Art Documents: **Not Applicable**
(57) Statement of Newness and Distinctiveness: **The design is to be applied to a metal sheet for roofing and cladding (indefinite length and width). The novelty resides in the features of shape and configuration of the section which is circled in the representations and identified by D (detail view).**



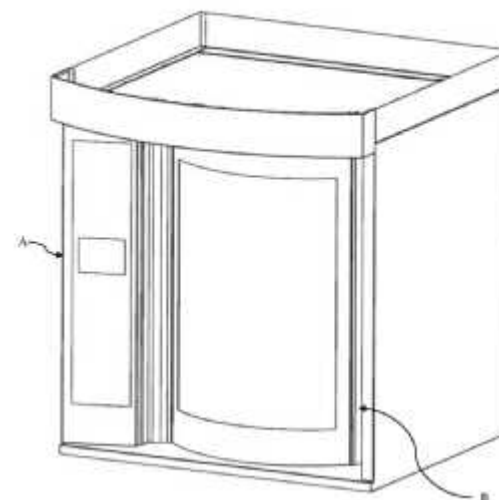
- (21) Design Number: **10021/2014**
(22) Date of Filing Application: **06 January 2014**
(24) Date from which industrial property rights may have effect: **06 January 2014**
(54) Product in respect of which the design is registered: **Capsule containing a fluid**
(51) International Design Classification: **09-05**
(74) Name(s) of Attorney(s): **SPRUSON & FERGUSON**
(71) Name(s) and Address(s) of Applicant(s):
S. C. Johnson & Son, Inc.
1525 Howe Street Racine Wisconsin 53403 United States of America
(72) Name(s) of Designer(s): **Matthew J. Forst and Sergio R. Salgado and Rahul Saxena**
(45) Registration Date: **22 April 2014**
(30) Convention priority data:
(31) Number (32) Date (33) Country
29/460683 12 Jul 2013 UNITED STATES OF AMERICA
(56) Related Art Documents: **Not Applicable**
(57) Statement of Newness and Distinctiveness: **Newness and distinctiveness is claimed in the features of shape and/or configuration of a capsule containing a fluid as illustrated in the accompanying representations.**



- (21) Design Number: **10022/2014**
(22) Date of Filing Application: **06 January 2014**
(24) Date from which industrial property rights may have effect: **06 January 2014**
(54) Product in respect of which the design is registered: **Capsule containing a fluid**
(51) International Design Classification: **09-05**
(74) Name(s) of Attorney(s): **SPRUSON & FERGUSON**
(71) Name(s) and Address(s) of Applicant(s):
S. C. Johnson & Son, Inc.
1525 Howe Street Racine Wisconsin 53403 United States of America
(72) Name(s) of Designer(s): **Matthew J. Forst and Sergio R. Salgado and Rahul Saxena**
(45) Registration Date: **22 April 2014**
(30) Convention priority data:
(31) Number (32) Date (33) Country
29/460683 12 Jul 2013 UNITED STATES OF AMERICA
(56) Related Art Documents: **Not Applicable**
(57) Statement of Newness and Distinctiveness: **Newness and distinctiveness is claimed in those features of shape and/or configuration of a capsule containing a fluid illustrated in continuous lines in the accompanying representations.**



- (21) Design Number: **11150/2014**
(22) Date of Filing Application: **12 March 2014**
(24) Date from which industrial property rights may have effect: **12 March 2014**
(54) Product in respect of which the design is registered: **Oven**
(51) International Design Classification: **07-02A**
(74) Name(s) of Attorney(s): **SPRUSON & FERGUSON**
(71) Name(s) and Address(s) of Applicant(s):
Revent International AB
Box 714, Upplands Vasby 194 27 Sweden
(72) Name(s) of Designer(s): **Per Junesand**
(45) Registration Date: **22 April 2014**
(30) Convention priority data:
(31) Number (32) Date (33) Country
002311779-0002 18 Sep 2013 OFFICE FOR HARMONISATION IN
THE INTERNAL MARKET (OHIM)
(56) Related Art Documents: **Not Applicable**
(57) Statement of Newness and Distinctiveness: **Newness and Distinctiveness is claimed in the features of shape and/or configuration of the following parts of an oven as illustrated and labelled in the accompanying representations: the vertical front control panel labelled "A"; and the rounded sliding door labelled "B".**



- (21) Design Number: **11189/2014**
(22) Date of Filing Application: **14 March 2014**
(24) Date from which industrial property rights may have effect: **14 March 2014**
(54) Product in respect of which the design is registered: **A fishing float**
(51) International Design Classification: **22-05**
(74) Name(s) of Attorney(s):
(71) Name(s) and Address(s) of Applicant(s):
Ernesto Fernandez
15/10 Jenner Street Little Bay NSW 2036 Australia
Michael John Hort
3 Sylvia Street Chatswood New South Wales 2067 Australia
(72) Name(s) of Designer(s): **Ernesto Fernandez and Michael John Hort**
(45) Registration Date: **22 April 2014**
(56) Related Art Documents: **Not Applicable**
(57) Statement of Newness and Distinctiveness: **Newness and Distinctiveness is claimed in the features of shape and configuration of a fishing float as shown in the accompanying representations.**



- (21) Design Number: **11517/2014**
(22) Date of Filing Application: **28 March 2014**
(24) Date from which industrial property rights may have effect: **28 March 2014**
(54) Product in respect of which the design is registered: **A Playsuit**
(51) International Design Classification: **02-02C**
(74) Name(s) of Attorney(s):
(71) Name(s) and Address(s) of Applicant(s):
AUSTRALIAN FASHION LABELS PTY LTD
106 Currie St Adelaide SA 5000 Australia
(72) Name(s) of Designer(s): **Kate Anderson and Hannah Virgo-Colbey**
(45) Registration Date: **22 April 2014**
(56) Related Art Documents: **Not Applicable**
(57) Statement of Newness and Distinctiveness: **Newness and distinctiveness resides in the features of shape and configuration of a playsuit as shown in the accompanying representations.**



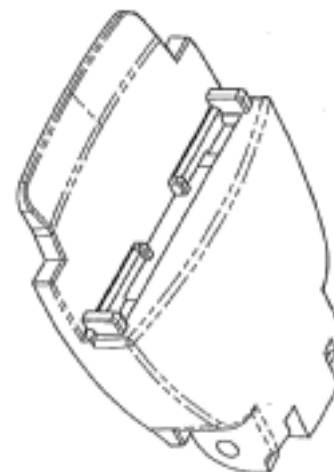
- (21) Design Number: **11523/2014**
(22) Date of Filing Application: **28 March 2014**
(24) Date from which industrial property rights may have effect: **28 March 2014**
(54) Product in respect of which the design is registered: **A dress**
(51) International Design Classification: **02-02C**
(74) Name(s) of Attorney(s):
(71) Name(s) and Address(s) of Applicant(s):
AUSTRALIAN FASHION LABELS PTY LTD
106 Currie St Adelaide SA 5000 Australia
(72) Name(s) of Designer(s): **Kate Anderson and Hannah Virgo-Colbey**
(45) Registration Date: **22 April 2014**
(56) Related Art Documents: **Not Applicable**
(57) Statement of Newness and Distinctiveness: **Newness and distinctiveness resides in the features of shape and configuration of a dress as shown in the accompanying representations.**



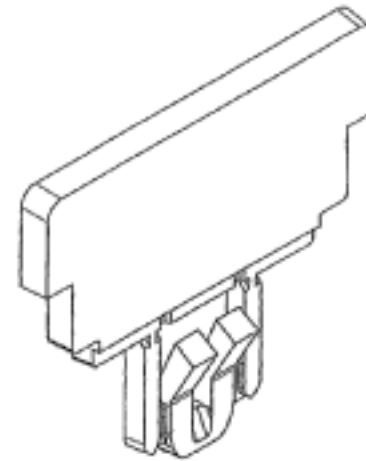
- (21) Design Number: **11527/2014**
(22) Date of Filing Application: **28 March 2014**
(24) Date from which industrial property rights may have effect: **28 March 2014**
(54) Product in respect of which the design is registered: **A textile print**
(51) International Design Classification: **05-05A**
(74) Name(s) of Attorney(s):
(71) Name(s) and Address(s) of Applicant(s):
AUSTRALIAN FASHION LABELS PTY LTD
106 Currie St Adelaide SA 5000 Australia
(72) Name(s) of Designer(s): **Carmen Dugan**
(45) Registration Date: **22 April 2014**
(56) Related Art Documents: **Not Applicable**
(57) Statement of Newness and Distinctiveness: **Newness and distinctiveness resides in the features of pattern and ornamentation of a Textile print as shown in the accompanying representations.**



- (21) Design Number: **11528/2014**
(22) Date of Filing Application: **28 March 2014**
(24) Date from which industrial property rights may have effect: **28 March 2014**
(54) Product in respect of which the design is registered: **A cover for a security device**
(51) International Design Classification: **08-07**
(74) Name(s) of Attorney(s):
(71) Name(s) and Address(s) of Applicant(s):
Harcor Security Seals Pty Limited
U3/1 Skyline PI Frenchs Forest NSW 2086 Australia
(72) Name(s) of Designer(s): **Gary Bortz and Kevin Partridge and Peter Schaede**
(45) Registration Date: **22 April 2014**
(56) Related Art Documents: **Not Applicable**
(57) Statement of Newness and Distinctiveness: **Nil**



- (21) Design Number: **11532/2014**
(22) Date of Filing Application: **28 March 2014**
(24) Date from which industrial property rights may have effect: **28 March 2014**
(54) Product in respect of which the design is registered: **A seal for a security device**
(51) International Design Classification: **08-07**
(74) Name(s) of Attorney(s):
(71) Name(s) and Address(s) of Applicant(s):
Harcor Security Seals Pty Limited
U3/1 Skyline PI Frenchs Forest NSW 2086 Australia
(72) Name(s) of Designer(s): **Gary Bortz and Kevin Partridge and Peter Schaede**
(45) Registration Date: **22 April 2014**
(56) Related Art Documents: **Not Applicable**
(57) Statement of Newness and Distinctiveness: **Nil**



- (21) Design Number: **11533/2014**
(22) Date of Filing Application: **28 March 2014**
(24) Date from which industrial property rights may have effect: **28 March 2014**
(54) Product in respect of which the design is registered: **A playsuit**
(51) International Design Classification: **02-02C**
(74) Name(s) of Attorney(s):
(71) Name(s) and Address(s) of Applicant(s):
AUSTRALIAN FASHION LABELS PTY LTD
106 Currie St Adelaide SA 5000 Australia
(72) Name(s) of Designer(s): **Carmen Dugan**
(45) Registration Date: **22 April 2014**
(56) Related Art Documents: **Not Applicable**
(57) Statement of Newness and Distinctiveness: **Newness and distinctiveness resides in the features of shape and configuration of a playsuit as shown in the accompanying representations.**



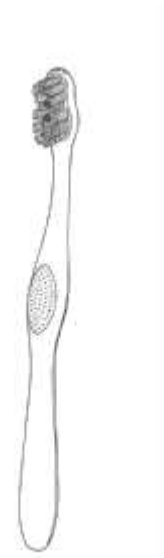
(21) Design Number: **11534/2014**
(22) Date of Filing Application: **28 March 2014**
(24) Date from which industrial property rights may have effect: **28 March 2014**
(54) Product in respect of which the design is registered: **Oral care implement and a portion thereof**
(51) International Design Classification: **04-02**
(74) Name(s) of Attorney(s): **FB Rice**
(71) Name(s) and Address(s) of Applicant(s):
Colgate-Palmolive Company
300 Park Avenue New York New York 10022 United States of America
(72) Name(s) of Designer(s): **David Kyung Min Lee and Robert Moskovich**
(45) Registration Date: **22 April 2014**
(30) Convention priority data:
(31) Number (32) Date (33) Country
29/471821 05 Nov 2013 UNITED STATES OF AMERICA
(56) Related Art Documents: **Not Applicable**
(57) Statement of Newness and Distinctiveness: **Newness and distinctiveness reside in the features of the design shown in solid lines in the representations excluding those features shown in broken lines.**



(21) Design Number: **11535/2014**
(22) Date of Filing Application: **28 March 2014**
(24) Date from which industrial property rights may have effect: **28 March 2014**
(54) Product in respect of which the design is registered: **A maxi dress**
(51) International Design Classification: **02-02C**
(74) Name(s) of Attorney(s):
(71) Name(s) and Address(s) of Applicant(s):
AUSTRALIAN FASHION LABELS PTY LTD
106 Currie St Adelaide SA 5000 Australia
(72) Name(s) of Designer(s): **Carmen Dugan**
(45) Registration Date: **22 April 2014**
(56) Related Art Documents: **Not Applicable**
(57) Statement of Newness and Distinctiveness: **Newness and distinctiveness resides in the features of shape and configuration of a maxi dress as shown in the accompanying representations.**



- (21) Design Number: **11536/2014**
(22) Date of Filing Application: **28 March 2014**
(24) Date from which industrial property rights may have effect: **28 March 2014**
(54) Product in respect of which the design is registered: **Oral care implement and a portion thereof**
(51) International Design Classification: **04-02**
(74) Name(s) of Attorney(s): **FB Rice**
(71) Name(s) and Address(s) of Applicant(s):
Colgate-Palmolive Company
300 Park Avenue New York New York 10022 United States of America
(72) Name(s) of Designer(s): **David Kyung Min Lee and Robert Moskovich**
(45) Registration Date: **22 April 2014**
(30) Convention priority data:
(31) Number (32) Date (33) Country
29/471821 05 Nov 2013 UNITED STATES OF AMERICA
(56) Related Art Documents: **Not Applicable**
(57) Statement of Newness and Distinctiveness: **Newness and distinctiveness reside in the features of the design as shown in the representations.**



- (21) Design Number: **11539/2014**
(22) Date of Filing Application: **31 March 2014**
(24) Date from which industrial property rights may have effect: **25 July 2013**
(54) Product in respect of which the design is registered: **Bag**
(51) International Design Classification: **03-01B**
(74) Name(s) of Attorney(s): **Allens Patent & Trade Mark Attorneys**
(71) Name(s) and Address(s) of Applicant(s):
Forever New Clothing Pty Ltd
714-716 High St Kew East VIC 3102 Australia
(72) Name(s) of Designer(s): **Georgia Roberts-Thomson**
(45) Registration Date: **22 April 2014**
(62) Divisional of: **354886**
(56) Related Art Documents: **Not Applicable**
(57) Statement of Newness and Distinctiveness: **Newness and distinctiveness resides in the visual features of shape, configuration, pattern and/or ornamentation of a bag as shown in the accompanying representation**



- (21) Design Number: **11540/2014**
(22) Date of Filing Application: **31 March 2014**
(24) Date from which industrial property rights may have effect: **25 July 2013**
(54) Product in respect of which the design is registered: **Bag**
(51) International Design Classification: **03-01B**
(74) Name(s) of Attorney(s): **Allens Patent & Trade Mark Attorneys**
(71) Name(s) and Address(s) of Applicant(s):
Forever New Clothing Pty Ltd
714-716 High St Kew East VIC 3102 Australia
(72) Name(s) of Designer(s): **Georgia Roberts-Thomson**
(45) Registration Date: **22 April 2014**
(62) Divisional of: **354886**
(56) Related Art Documents: **Not Applicable**
(57) Statement of Newness and Distinctiveness: **Newness and distinctiveness resides in the visual features of shape, configuration, pattern and/or ornamentation of a bag as shown in the accompanying representation**



- (21) Design Number: **11541/2014**
(22) Date of Filing Application: **31 March 2014**
(24) Date from which industrial property rights may have effect: **25 July 2013**
(54) Product in respect of which the design is registered: **Bag**
(51) International Design Classification: **03-01B**
(74) Name(s) of Attorney(s): **Allens Patent & Trade Mark Attorneys**
(71) Name(s) and Address(s) of Applicant(s):
Forever New Clothing Pty Ltd
714-716 High St Kew East VIC 3102 Australia
(72) Name(s) of Designer(s): **Georgia Roberts-Thomson**
(45) Registration Date: **22 April 2014**
(62) Divisional of: **354886**
(56) Related Art Documents: **Not Applicable**
(57) Statement of Newness and Distinctiveness: **Newness and distinctiveness resides in the visual features of shape, configuration, pattern and/or ornamentation of a bag as shown in the accompanying representation**



- (21) Design Number: **11542/2014**
(22) Date of Filing Application: **31 March 2014**
(24) Date from which industrial property rights may have effect: **25 July 2013**
(54) Product in respect of which the design is registered: **Bag**
(51) International Design Classification: **03-01B**
(74) Name(s) of Attorney(s): **Allens Patent & Trade Mark Attorneys**
(71) Name(s) and Address(s) of Applicant(s):
Forever New Clothing Pty Ltd
714-716 High St Kew East VIC 3102 Australia
(72) Name(s) of Designer(s): **Georgia Roberts-Thomson**
(45) Registration Date: **22 April 2014**
(62) Divisional of: **354886**
(56) Related Art Documents: **Not Applicable**
(57) Statement of Newness and Distinctiveness: **Newness and distinctiveness resides in the visual features of shape, configuration, pattern and/or ornamentation of a bag as shown in the accompanying representation**



- (21) Design Number: **11543/2014**
(22) Date of Filing Application: **31 March 2014**
(24) Date from which industrial property rights may have effect: **25 July 2013**
(54) Product in respect of which the design is registered: **Clutch**
(51) International Design Classification: **03-01B**
(74) Name(s) of Attorney(s): **Allens Patent & Trade Mark Attorneys**
(71) Name(s) and Address(s) of Applicant(s):
Forever New Clothing Pty Ltd
714-716 High St Kew East VIC 3102 Australia
(72) Name(s) of Designer(s): **Georgia Roberts-Thomson**
(45) Registration Date: **22 April 2014**
(62) Divisional of: **354886**
(56) Related Art Documents: **Not Applicable**
(57) Statement of Newness and Distinctiveness: **Newness and distinctiveness resides in the visual features of shape, configuration, pattern and/or ornamentation of a clutch as shown in the accompanying representation**



- (21) Design Number: **11544/2014**
(22) Date of Filing Application: **31 March 2014**
(24) Date from which industrial property rights may have effect: **25 July 2013**
(54) Product in respect of which the design is registered: **Carrybag**
(51) International Design Classification: **03-01D**
(74) Name(s) of Attorney(s): **Allens Patent & Trade Mark Attorneys**
(71) Name(s) and Address(s) of Applicant(s):
Forever New Clothing Pty Ltd
714-716 High St Kew East VIC 3102 Australia
(72) Name(s) of Designer(s): **Georgia Roberts-Thomson**
(45) Registration Date: **22 April 2014**
(62) Divisional of: **354886**
(56) Related Art Documents: **Not Applicable**
(57) Statement of Newness and Distinctiveness: **Newness and distinctiveness resides in the visual features of shape, configuration, pattern and/or ornamentation of a carrybag as shown in the accompanying representations**



- (21) Design Number: **11545/2014**
(22) Date of Filing Application: **31 March 2014**
(24) Date from which industrial property rights may have effect: **25 July 2013**
(54) Product in respect of which the design is registered: **Bag**
(51) International Design Classification: **03-01B**
(74) Name(s) of Attorney(s): **Allens Patent & Trade Mark Attorneys**
(71) Name(s) and Address(s) of Applicant(s):
Forever New Clothing Pty Ltd
714-716 High St Kew East VIC 3102 Australia
(72) Name(s) of Designer(s): **Georgia Roberts-Thomson**
(45) Registration Date: **22 April 2014**
(62) Divisional of: **354886**
(56) Related Art Documents: **Not Applicable**
(57) Statement of Newness and Distinctiveness: **Newness and distinctiveness resides in the visual features of shape, configuration, pattern and/or ornamentation of a bag as shown in the accompanying representation**



- (21) Design Number: **11546/2014**
(22) Date of Filing Application: **31 March 2014**
(24) Date from which industrial property rights may have effect: **25 July 2013**
(54) Product in respect of which the design is registered: **Bag**
(51) International Design Classification: **03-01B**
(74) Name(s) of Attorney(s): **Allens Patent & Trade Mark Attorneys**
(71) Name(s) and Address(s) of Applicant(s):
Forever New Clothing Pty Ltd
714-716 High St Kew East VIC 3102 Australia
(72) Name(s) of Designer(s): **Georgia Roberts-Thomson**
(45) Registration Date: **22 April 2014**
(62) Divisional of: **354886**
(56) Related Art Documents: **Not Applicable**
(57) Statement of Newness and Distinctiveness: **Newness and distinctiveness resides in the visual features of shape, configuration, pattern and/or ornamentation of a bag as shown in the accompanying representation**



- (21) Design Number: **11547/2014**
(22) Date of Filing Application: **31 March 2014**
(24) Date from which industrial property rights may have effect: **25 July 2013**
(54) Product in respect of which the design is registered: **Bag**
(51) International Design Classification: **03-01B**
(74) Name(s) of Attorney(s): **Allens Patent & Trade Mark Attorneys**
(71) Name(s) and Address(s) of Applicant(s):
Forever New Clothing Pty Ltd
714-716 High St Kew East VIC 3102 Australia
(72) Name(s) of Designer(s): **Georgia Roberts-Thomson**
(45) Registration Date: **22 April 2014**
(62) Divisional of: **354886**
(56) Related Art Documents: **Not Applicable**
(57) Statement of Newness and Distinctiveness: **Newness and distinctiveness resides in the visual features of shape, configuration, pattern and/or ornamentation of a bag as shown in the accompanying representations**



- (21) Design Number: **11672/2014**
(22) Date of Filing Application: **03 April 2014**
(24) Date from which industrial property rights may have effect: **03 April 2014**
(54) Product in respect of which the design is registered: **Surge tank**
(51) International Design Classification: **23-01NES**
(74) Name(s) of Attorney(s):
(71) Name(s) and Address(s) of Applicant(s):

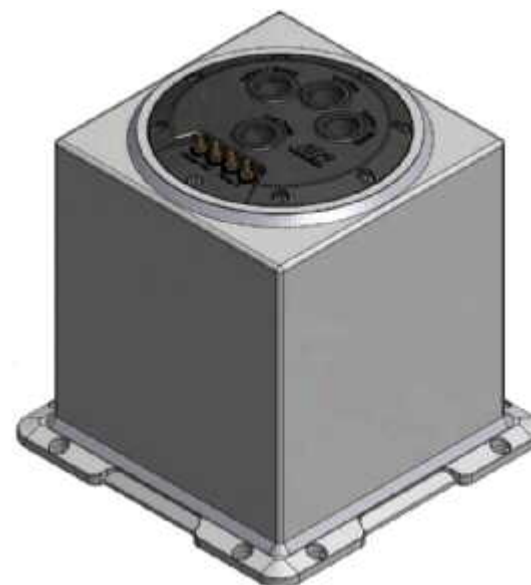
Julian Austin
13 Holbrook St Bossley Park NSW 2176 Australia

(72) Name(s) of Designer(s): **Julian Austin**

(45) Registration Date: **22 April 2014**

(56) Related Art Documents: **Not Applicable**

(57) Statement of Newness and Distinctiveness: **The surge tank design is distinctive and new and includes the following features: 1. fuel bulkhead which includes a recesses power terminal point which allows power to connect the fuel pumps located inside the surge tank at a single location 2. the shape of the bulkhead itself is distinctive and new 3. the underside of the bulkhead features and integrated multiple one way check valve system to allow independent operation of multiple fuel pumps 4. the base of the tank also is uniquely designed to spread load of weight.**



- (21) Design Number: **11681/2014**
(22) Date of Filing Application: **04 April 2014**
(24) Date from which industrial property rights may have effect: **04 April 2014**
(54) Product in respect of which the design is registered: **Clothes airer**
(51) International Design Classification: **07-05D**
(74) Name(s) of Attorney(s):
(71) Name(s) and Address(s) of Applicant(s):

Chris Phillips
2/8 Willyama Ave Fairlight NSW 2094 Australia

(72) Name(s) of Designer(s): **Chris Phillips**

(45) Registration Date: **22 April 2014**

(56) Related Art Documents: **Not Applicable**

(57) Statement of Newness and Distinctiveness: **The Snap Dry design is new and distinctive because the built in pegs keep clothes securely attached which allows the airer to be snapped closed in one simple action so that it can be moved from one sunny drying spot spot to another. Also, with the Snap Dry you can put it outside in a stiff breeze and know that the clothes will stay securely attached with the pegs. The Snap Dry design is also distinctive because it opens and closes in one easy move so set up and put away is quick and simple. The Snap Dry is an environmentally friendly and easy way to air dry your clothes. Simply peg your items on to the snap dry and place in a sunny spot. The Snap Dry your clothes will dry in a snap.**



- (21) Design Number: **11683/2014**
(22) Date of Filing Application: **04 April 2014**
(24) Date from which industrial property rights may have effect: **04 April 2014**
(54) Product in respect of which the design is registered: **A dress**
(51) International Design Classification: **02-02C**
(74) Name(s) of Attorney(s):
(71) Name(s) and Address(s) of Applicant(s):
AUSTRALIAN FASHION LABELS PTY LTD
106 Currie St Adelaide SA 5000 Australia
(72) Name(s) of Designer(s): **Kathryn Forth and Siham Elmawey**
(45) Registration Date: **22 April 2014**
(56) Related Art Documents: **Not Applicable**
(57) Statement of Newness and Distinctiveness: **Newness and distinctiveness resides in the features of shape and configuration of a dress as shown in the accompanying representations.**



- (21) Design Number: **11684/2014**
(22) Date of Filing Application: **04 April 2014**
(24) Date from which industrial property rights may have effect: **04 April 2014**
(54) Product in respect of which the design is registered: **A top**
(51) International Design Classification: **02-02NES**
(74) Name(s) of Attorney(s):
(71) Name(s) and Address(s) of Applicant(s):
AUSTRALIAN FASHION LABELS PTY LTD
106 Currie St Adelaide SA 5000 Australia
(72) Name(s) of Designer(s): **Kathryn Forth and Siham Elmawey**
(45) Registration Date: **22 April 2014**
(56) Related Art Documents: **Not Applicable**
(57) Statement of Newness and Distinctiveness: **Newness and distinctiveness resides in the features of shape and configuration of a top as shown in the representations. No design rights are claimed in relation to the skirt as shown in the representations and the skirt is to be disregarded in determining the scope of the**



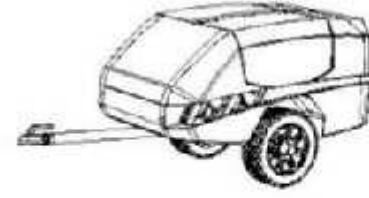
- (21) Design Number: **11685/2014**
(22) Date of Filing Application: **04 April 2014**
(24) Date from which industrial property rights may have effect: **04 April 2014**
(54) Product in respect of which the design is registered: **Shorts**
(51) International Design Classification: **02-02C**
(74) Name(s) of Attorney(s):
(71) Name(s) and Address(s) of Applicant(s):
AUSTRALIAN FASHION LABELS PTY LTD
106 Currie St Adelaide SA 5000 Australia
(72) Name(s) of Designer(s): **Kathryn Forth and Siham Elmawey**
(45) Registration Date: **22 April 2014**
(56) Related Art Documents: **Not Applicable**
(57) Statement of Newness and Distinctiveness: **Newness and distinctiveness resides in the features of shape and configuration of shorts as shown in the accompanying representations.**



- (21) Design Number: **10678/2014**
(22) Date of Filing Application: **11 February 2014**
(24) Date from which industrial property rights may have effect: **11 February 2014**
(54) Product in respect of which the design is registered: **An exercise device**
(51) International Design Classification: **21-02NES**
(74) Name(s) of Attorney(s): **SPRUSON & FERGUSON**
(71) Name(s) and Address(s) of Applicant(s):
Fitness Engineers Pty Ltd
22/8 Jaques Ave Bondi Beach NSW 2026 Australia
(72) Name(s) of Designer(s): **Adam Gilchrist and Robert Deutsch**
(45) Registration Date: **22 April 2014**
(56) Related Art Documents: **Not Applicable**
(57) Statement of Newness and Distinctiveness: **Newness and distinctiveness is claimed in the features of shape and/or configuration of an exercise device as illustrated in the accompanying representations.**



- (21) Design Number: **11060/2014**
(22) Date of Filing Application: **07 March 2014**
(24) Date from which industrial property rights may have effect: **07 March 2014**
(54) Product in respect of which the design is registered: **Camping trailer**
(51) International Design Classification: **12-10**
(74) Name(s) of Attorney(s):
(71) Name(s) and Address(s) of Applicant(s):
MONASH UNIVERSITY
Faculty of Art Design And Architecture 900 Dandenong Rd Caulfield
East VIC 3145 Australia
(72) Name(s) of Designer(s): **Arthur de Bono and Peter Farrer and Vincent**
Moug
(45) Registration Date: **22 April 2014**
(56) Related Art Documents: **Not Applicable**
(57) Statement of Newness and Distinctiveness: **The newness and**
distinctiveness of the design resides in the folding of the trailer.



- (21) Design Number: **13637/2013**
(22) Date of Filing Application: **26 July 2013**
(24) Date from which industrial property rights may have effect: **26 July 2013**
(54) Product in respect of which the design is registered: **Slopeboard**
(51) International Design Classification: **19-06, 19-02**
(74) Name(s) of Attorney(s): **Freehills Patent Attorneys**
(71) Name(s) and Address(s) of Applicant(s):
Inojul (AUS) Pty Ltd
L43 101 Collins St Melbourne VIC 3000 Australia
(72) Name(s) of Designer(s): **Drew Allan**
(45) Registration Date: **23 April 2014**
(56) Related Art Documents: **Not Applicable**
(57) Statement of Newness and Distinctiveness: **Newness and distinctiveness**
of the design resides in the shape and configuration of the features of
the slopeboard shown in solid lines in the attached representations.

(21) Design Number: **16831/2013**

(22) Date of Filing Application: **24 December 2013**

(24) Date from which industrial property rights may have effect: **24 December 2013**

(54) Product in respect of which the design is registered: **Privacy panel privacy panel component**

(51) International Design Classification: **25-02NES**

(74) Name(s) of Attorney(s): **Griffith Hack**

(71) Name(s) and Address(s) of Applicant(s):

USM Holding AG

Pourtalesstrasse 103 3074 Muri bei Bern Switzerland

(72) Name(s) of Designer(s): **Alexander Scharer and Thomas Dienes and Aurel Aebi**

(45) Registration Date: **23 April 2014**

(30) Convention priority data:

(31) Number

32224

(32) Date

01 Jul 2013

(33) Country

**WORLD INTELLECTUAL
PROPERTY ORGANIZATION
(WIPO)**

(56) Related Art Documents: **Not Applicable**

(57) Statement of Newness and Distinctiveness: **The shape or configuration of the product is new and distinctive.**

(21) Design Number: **16832/2013**

(22) Date of Filing Application: **24 December 2013**

(24) Date from which industrial property rights may have effect: **24 December 2013**

(54) Product in respect of which the design is registered: **Privacy panel privacy panel component**

(51) International Design Classification: **25-02NES**

(74) Name(s) of Attorney(s): **Griffith Hack**

(71) Name(s) and Address(s) of Applicant(s):

USM Holding AG

Pourtalesstrasse 103 3074 Muri bei Bern Switzerland

(72) Name(s) of Designer(s): **Alexander Scharer and Thomas Dienes and Aurel Aebi**

(45) Registration Date: **23 April 2014**

(30) Convention priority data:

(31) Number

32224

(32) Date

01 Jul 2013

(33) Country

**WORLD INTELLECTUAL
PROPERTY ORGANIZATION
(WIPO)**

(56) Related Art Documents: **Not Applicable**

(57) Statement of Newness and Distinctiveness: **The shape or configuration of the product is new and distinctive.**

-
- (21) Design Number: **11743/2014**
(22) Date of Filing Application: **08 April 2014**
(24) Date from which industrial property rights may have effect: **08 April 2014**
(54) Product in respect of which the design is registered: **Dental tool**
(51) International Design Classification: **24-02**
(74) Name(s) of Attorney(s): **Pizzeys**
(71) Name(s) and Address(s) of Applicant(s):
Engineered Endodontics, LLC
4965 N. Campbell Drive Menomonee Falls WI 53051 United States of America
(72) Name(s) of Designer(s): **Mark Arthur Fiorina and Mark Andrew Fiorina**
(45) Registration Date: **23 April 2014**
(56) Related Art Documents: **Not Applicable**
(57) Statement of Newness and Distinctiveness: **Nil**

-
- (21) Design Number: **11744/2014**
(22) Date of Filing Application: **08 April 2014**
(24) Date from which industrial property rights may have effect: **08 April 2014**
(54) Product in respect of which the design is registered: **Female urination aid**
(51) International Design Classification: **24-02**
(74) Name(s) of Attorney(s): **Wynnes Patent & Trade Mark Attorneys**
(71) Name(s) and Address(s) of Applicant(s):
Jacqueline A M Ostila
52 University Way Chancellor Park Sunshine Coast QLD 4556 Australia
(72) Name(s) of Designer(s): **Jacqueline A M Ostila**
(45) Registration Date: **23 April 2014**
(56) Related Art Documents: **Not Applicable**
(57) Statement of Newness and Distinctiveness: **Newness and distinctiveness resides in the features of the shape and configuration of a female urination aid as illustrated in the accompanying representations.**

(19) AU

(21) Design Number: **11746/2014**(22) Date of Filing Application: **08 April 2014**(24) Date from which industrial property rights may have effect: **08 April 2014**(54) Product in respect of which the design is registered: **Cream dispenser**(51) International Design Classification: **28-03NES**(74) Name(s) of Attorney(s): **Marks & Clerk Australia**

(71) Name(s) and Address(s) of Applicant(s):

Gene Onyx Limited**PO Box 3444 Portcullis Trustnet Chambers Road Town Tortola BRITISH
VIRGIN ISLANDS**(72) Name(s) of Designer(s): **Christopher Toumazou and Lara Beard and Martin
Stow**(45) Registration Date: **23 April 2014**

(30) Convention priority data:

(31) Number	(32) Date	(33) Country
4032279	11 Oct 2013	UNITED KINGDOM

(56) Related Art Documents: **Not Applicable**(57) Statement of Newness and Distinctiveness: **Newness and distinctiveness
resides in the visual features of the shape and/or configuration of the
cream dispenser as shown in the accompanying representations.****(19) AU**

(21) Design Number: **11747/2014**(22) Date of Filing Application: **08 April 2014**(24) Date from which industrial property rights may have effect: **08 April 2014**(54) Product in respect of which the design is registered: **Paint spray gun**(51) International Design Classification: **08-05L**(74) Name(s) of Attorney(s): **FB Rice**

(71) Name(s) and Address(s) of Applicant(s):

Hsing-Tzu Wang**No. 80, Ta-Hsin St. Hsi Dist. Taichung City, 40344 Taiwan**(72) Name(s) of Designer(s): **Hsing-Tzu Wang**(45) Registration Date: **23 April 2014**(56) Related Art Documents: **Not Applicable**(57) Statement of Newness and Distinctiveness: **Newness and distinctiveness
reside in the features of the design as shown in the representations.**

(21) Design Number: **11750/2014**
(22) Date of Filing Application: **08 April 2014**
(24) Date from which industrial property rights may have effect: **08 April 2014**
(54) Product in respect of which the design is registered: **Mattress**
(51) International Design Classification: **06-09**
(74) Name(s) of Attorney(s): **A.P.T. Patent and Trade Mark Attorneys**
(71) Name(s) and Address(s) of Applicant(s):
 Snuggle Time CC
 Doga Park No. 5 Argeid Avenue Strijdom Park Randburg, 2194 South
 Africa
(72) Name(s) of Designer(s): **Lauren Daws**
(45) Registration Date: **23 April 2014**
(30) Convention priority data:
 (31) Number (32) Date (33) Country
 F2013/02188 05 Dec 2013 SOUTH AFRICA
(56) Related Art Documents: **Not Applicable**
(57) Statement of Newness and Distinctiveness: **Nil**

(21) Design Number: **11751/2014**
(22) Date of Filing Application: **08 April 2014**
(24) Date from which industrial property rights may have effect: **08 April 2014**
(54) Product in respect of which the design is registered: **Oral appliance**
(51) International Design Classification: **24-02**
(74) Name(s) of Attorney(s): **PETER MAXWELL & ASSOCIATES**
(71) Name(s) and Address(s) of Applicant(s):
 Ortho-Tain, Inc.
 950 Green Bay Road Suite 205 Winnetka Illinois, 60093 United States of
 America
(72) Name(s) of Designer(s): **Earl O Bergersen**
(45) Registration Date: **23 April 2014**
(30) Convention priority data:
 (31) Number (32) Date (33) Country
 29/473,805 26 Nov 2013 UNITED STATES OF AMERICA
(56) Related Art Documents: **Not Applicable**
(57) Statement of Newness and Distinctiveness: **Newness and distinctiveness**
 is claimed in the shape and/or configuration of an ORAL APPLIANCE as
 illustrated in the unbroken lines in the accompanying representations.

(21) Design Number: **11752/2014**
(22) Date of Filing Application: **08 April 2014**
(24) Date from which industrial property rights may have effect: **08 April 2014**
(54) Product in respect of which the design is registered: **Oral appliance**
(51) International Design Classification: **24-02**
(74) Name(s) of Attorney(s): **PETER MAXWELL & ASSOCIATES**
(71) Name(s) and Address(s) of Applicant(s):
Ortho-Tain, Inc.
950 Green Bay Road Suite 205 Winnetka Illinois, 60093 United States of America
(72) Name(s) of Designer(s): **Earl O Bergersen**
(45) Registration Date: **23 April 2014**
(30) Convention priority data:
(31) Number (32) Date (33) Country
29/473,808 26 Nov 2013 UNITED STATES OF AMERICA
(56) Related Art Documents: **Not Applicable**
(57) Statement of Newness and Distinctiveness: **Newness and distinctiveness is claimed in the shape and/or configuration of an ORAL APPLIANCE as illustrated in the unbroken lines in the accompanying representations.**

(21) Design Number: **11753/2014**
(22) Date of Filing Application: **08 April 2014**
(24) Date from which industrial property rights may have effect: **08 April 2014**
(54) Product in respect of which the design is registered: **Razor component**
(51) International Design Classification: **28-03A**
(74) Name(s) of Attorney(s): **PHILLIPS ORMONDE FITZPATRICK**
(71) Name(s) and Address(s) of Applicant(s):
The Gillette Company
One Gillette Park Boston Massachusetts 02127 United States of America
(72) Name(s) of Designer(s): **Stephen Charles Witkus and Neil Lettenberger and Armando Miguel Hurtado**
(45) Registration Date: **23 April 2014**
(30) Convention priority data:
(31) Number (32) Date (33) Country
29/472,580 13 Nov 2013 UNITED STATES OF AMERICA
(56) Related Art Documents: **Not Applicable**
(57) Statement of Newness and Distinctiveness: **Those features of the razor component depicted in the representations that are new and distinctive are the shape and/or configuration. The features shown in broken lines are not part of the design and are to be disregarded when considering the overall impression of the design.**

(21) Design Number: **11754/2014**
(22) Date of Filing Application: **08 April 2014**
(24) Date from which industrial property rights may have effect: **08 April 2014**
(54) Product in respect of which the design is registered: **Chair**
(51) International Design Classification: **06-01F**
(74) Name(s) of Attorney(s): **PHILLIPS ORMONDE FITZPATRICK**
(71) Name(s) and Address(s) of Applicant(s):

Dauphin Entwicklungs- u. Beteiligungs-GmbH
Industriestrasse 11 91217 Hersbruck Germany

(72) Name(s) of Designer(s): **Martin Ballendat**

(45) Registration Date: **23 April 2014**

(30) Convention priority data:

(31) Number	(32) Date	(33) Country
767596301	11 Oct 2013	WORLD INTELLECTUAL PROPERTY ORGANIZATION (WIPO)

(56) Related Art Documents: **Not Applicable**

(57) Statement of Newness and Distinctiveness: **Newness and distinctiveness resides in the shape and/or configuration of the chair as shown in the accompanying representations. The features of the underside of the chair shown in Figure 2 are included for illustrative purposes only, and are to be disregarded when considering the overall impression of the design.**

(21) Design Number: **11755/2014**
(22) Date of Filing Application: **08 April 2014**
(24) Date from which industrial property rights may have effect: **08 April 2014**
(54) Product in respect of which the design is registered: **Ice machine having a grill**
(51) International Design Classification: **15-07**
(74) Name(s) of Attorney(s): **IP Gateway Patent & Trademark Attorneys Pty Ltd**
(71) Name(s) and Address(s) of Applicant(s):

Manitowoc Foodservice Companies, LLC
2400 South 44th Street Manitowoc Wisconsin 54220 United States of America

(72) Name(s) of Designer(s): **Zhang Lei and Zhou Xiangcheng and Gu Zhimei and Gorm Bressner**

(45) Registration Date: **23 April 2014**

(30) Convention priority data:

(31) Number	(32) Date	(33) Country
29/469,380	09 Oct 2013	UNITED STATES OF AMERICA

(56) Related Art Documents: **Not Applicable**

(57) Statement of Newness and Distinctiveness: **Newness and distinctiveness resides in the visual features of shape and/or configuration of the grill of an ice machine as shown in the representations.**

(21) Design Number: **11756/2014**
(22) Date of Filing Application: **08 April 2014**
(24) Date from which industrial property rights may have effect: **08 April 2014**
(54) Product in respect of which the design is registered: **Sealant cartridge**
(51) International Design Classification: **08-05L**
(74) Name(s) of Attorney(s):
(71) Name(s) and Address(s) of Applicant(s):
 AUSTRALIAN BRUSHWARE CORPORATION PTY LTD
 143-147 National Bvd Campbellfield VIC 3061 Australia
(72) Name(s) of Designer(s): **Matthew Roe**
(45) Registration Date: **23 April 2014**
(56) Related Art Documents: **Not Applicable**
(57) Statement of Newness and Distinctiveness: **Nil**

(21) Design Number: **11757/2014**
(22) Date of Filing Application: **08 April 2014**
(24) Date from which industrial property rights may have effect: **08 April 2014**
(54) Product in respect of which the design is registered: **Wooden horse**
(51) International Design Classification: **21-01A**
(74) Name(s) of Attorney(s): **Wrays**
(71) Name(s) and Address(s) of Applicant(s):
 Netta Shalgi
 44/7 Remez St Tel Aviv 62192 Israel
(72) Name(s) of Designer(s): **Netta Shalgi**
(45) Registration Date: **23 April 2014**
(30) Convention priority data:
 (31) Number (32) Date (33) Country
 54682 10 Oct 2013 ISRAEL
(56) Related Art Documents: **Not Applicable**
(57) Statement of Newness and Distinctiveness: **Nil**

(21) Design Number: **10093/2014**
(22) Date of Filing Application: **10 January 2014**
(24) Date from which industrial property rights may have effect: **10 January 2014**
(54) Product in respect of which the design is registered: **Lid**
(51) International Design Classification: **09-07NES, 07-01NES**
(74) Name(s) of Attorney(s): **Davies Collison Cave**
(71) Name(s) and Address(s) of Applicant(s):
Cryovac Australia Pty Ltd
90 Keilor Park Dr Tullamarine VIC 3043 Australia
(72) Name(s) of Designer(s): **Jayesh Nambiar**
(45) Registration Date: **23 April 2014**
(56) Related Art Documents: **Not Applicable**
(57) Statement of Newness and Distinctiveness: **Nil**



(21) Design Number: **10094/2014**
(22) Date of Filing Application: **10 January 2014**
(24) Date from which industrial property rights may have effect: **10 January 2014**
(54) Product in respect of which the design is registered: **Lid**
(51) International Design Classification: **09-07NES, 07-01NES**
(74) Name(s) of Attorney(s): **Davies Collison Cave**
(71) Name(s) and Address(s) of Applicant(s):
Cryovac Australia Pty Ltd
90 Keilor Park Dr Tullamarine VIC 3043 Australia
(72) Name(s) of Designer(s): **Jayesh Nambiar**
(45) Registration Date: **23 April 2014**
(56) Related Art Documents: **Not Applicable**
(57) Statement of Newness and Distinctiveness: **Nil**



(21) Design Number: **10175/2014**

(22) Date of Filing Application: **16 January 2014**

(24) Date from which industrial property rights may have effect: **16 January 2014**

(54) Product in respect of which the design is registered: **Label for packaging**

(51) International Design Classification: **19-08**

(74) Name(s) of Attorney(s): **SPRUSON & FERGUSON**

(71) Name(s) and Address(s) of Applicant(s):

S. C. Johnson & Son, Inc.

1525 Howe Street Racine Wisconsin 53403 United States of America

(72) Name(s) of Designer(s): **Danielle C. Giza**

(45) Registration Date: **23 April 2014**

(30) Convention priority data:

(31) Number

(32) Date

(33) Country

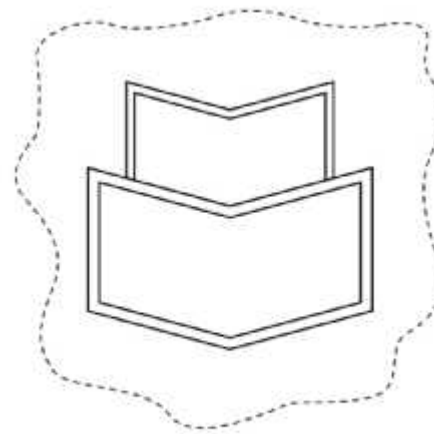
29/461780

24 Jul 2013

UNITED STATES OF AMERICA

(56) Related Art Documents: **Not Applicable**

(57) Statement of Newness and Distinctiveness: **Newness and distinctiveness is claimed in those features of pattern and/or ornamentation of a label for packaging illustrated in continuous lines in the accompanying representation.**



(21) Design Number: **13634/2013**

(22) Date of Filing Application: **29 July 2013**

(24) Date from which industrial property rights may have effect: **29 July 2013**

(54) Product in respect of which the design is registered: **Trim component for an appliance**

(51) International Design Classification: **15-99, 15-05, 15-07, 07-02C**

(74) Name(s) of Attorney(s): **Halfords IP**

(71) Name(s) and Address(s) of Applicant(s):

Electrolux Home Products Pty Limited

163 O'Riordan St Mascot NSW 2020 Australia

(72) Name(s) of Designer(s): **Alex Gray and Scott King and Blair Hopegood**

(45) Registration Date: **24 April 2014**

(56) Related Art Documents: **Not Applicable**

(57) Statement of Newness and Distinctiveness: **Newness and Distinctiveness is claimed in those features of shape and or configuration of a Trim Component for an Appliance as depicted in the representations.**



(21) Design Number: **10447/2014**
(22) Date of Filing Application: **31 January 2014**
(24) Date from which industrial property rights may have effect: **31 January 2014**
(54) Product in respect of which the design is registered: **Display screen**
(51) International Design Classification: **14-02**
(74) Name(s) of Attorney(s): **Davies Collison Cave**
(71) Name(s) and Address(s) of Applicant(s):
Palantir Technologies, Inc.
100 Hamilton Avenue Suite 300 Palo Alto California 94301 United States of America



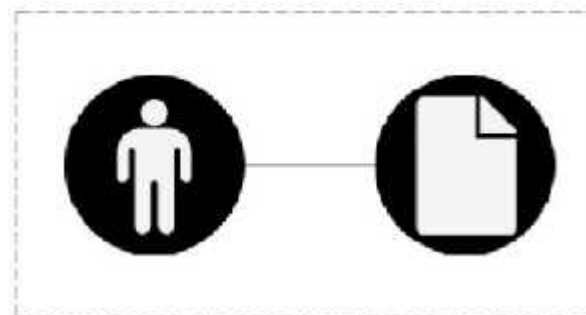
(72) Name(s) of Designer(s): **Joshua Goldenberg and James Thompson**
(45) Registration Date: **24 April 2014**
(30) Convention priority data:
(31) Number (32) Date (33) Country
29/462,371 01 Aug 2013 UNITED STATES OF AMERICA
(56) Related Art Documents: **Not Applicable**
(57) Statement of Newness and Distinctiveness: **Newness and distinctiveness is claimed in the visual features shown in the representations. In considering the extent of the design rights, the broken lines shown in the representations are for illustrative purposes only and do not form part of the design. The shaded and non-shaded areas within the histogram rectangle may comprise contrasting colors. For example, the shaded area within the aligned histogram rectangle may represent the color green, and the nonshaded area within the aligned histogram rectangle may represent the color white. The displayed broken Democratic Republic of the C text represents any displayed text in conjunction with a histogram. The fade out of this text from left to right does form part of the design. The use of this text is only illustrative to show a graphical fade out of text from one color, the text color, to a second contrasting color, the background color, where the fade out ends at or near the vertical broken line to the right of the fade out.**

(21) Design Number: **10449/2014**
(22) Date of Filing Application: **31 January 2014**
(24) Date from which industrial property rights may have effect: **31 January 2014**
(54) Product in respect of which the design is registered: **Display screen**
(51) International Design Classification: **14-02, 14-04**
(74) Name(s) of Attorney(s): **Davies Collison Cave**
(71) Name(s) and Address(s) of Applicant(s):
Palantir Technologies, Inc.
100 Hamilton Avenue Suite 300 Palo Alto California 94301 United States of America



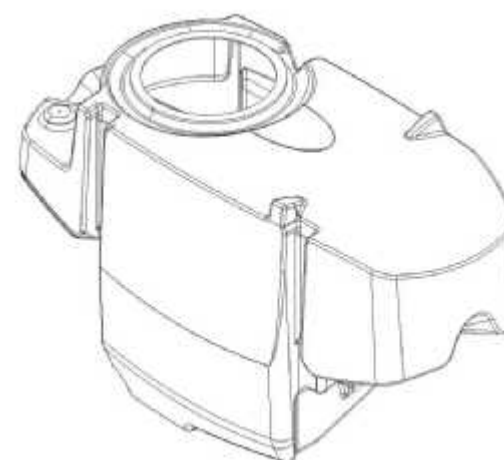
(72) Name(s) of Designer(s): **Joshua Goldenberg and James Thompson**
(45) Registration Date: **24 April 2014**
(30) Convention priority data:
(31) Number (32) Date (33) Country
29/462,363 01 Aug 2013 UNITED STATES OF AMERICA
(56) Related Art Documents: **Not Applicable**
(57) Statement of Newness and Distinctiveness: **Newness and distinctiveness is claimed in the visual features shown in solid lines in the representations. In considering the extent of the design rights, the broken lines shown in the representations are for illustrative purposes only and do not form part of the design. The shaded and non-shaded areas within the aligned rectangles may comprise contrasting colors. For example, the shaded area within the aligned histogram rectangles may represent the color green, and the non-shaded area within the aligned histogram rectangles may represent the color white. Figure 1 comprises an embodiment of a design of two sets of aligned rectangles separated by white space. In additional embodiments, a design may comprise three sets of aligned rectangles. The additional set of rectangles may be aligned vertically with and located below the bottom set of rectangles displayed in Figure 1, and offset by an equal amount of white space as the white space shown in Figure 1.**

(21) Design Number: **10457/2014**
(22) Date of Filing Application: **31 January 2014**
(24) Date from which industrial property rights may have effect: **31 January 2014**
(54) Product in respect of which the design is registered: **Display screen**
(51) International Design Classification: **14-02, 14-04**
(74) Name(s) of Attorney(s): **Davies Collison Cave**
(71) Name(s) and Address(s) of Applicant(s):
Palantir Technologies, Inc.
100 Hamilton Avenue Suite 300 Palo Alto California 94301 United States of America



(72) Name(s) of Designer(s): **Joshua Goldenberg and Alvin Thong**
(45) Registration Date: **24 April 2014**
(30) Convention priority data:
(31) Number (32) Date (33) Country
29/462,367 01 Aug 2013 UNITED STATES OF AMERICA
(56) Related Art Documents: **Not Applicable**
(57) Statement of Newness and Distinctiveness: **Newness and distinctiveness is claimed in the visual features shown in solid lines in the representations. In considering the extent of the design rights, the broken lines shown in the representations are for illustrative purposes only and do not form part of the design. The black of the circles and white of the icons within the black circles represent contrasting colours, and are not limited to black and white, or white and black respectively. For example, the circles may be coloured red (rather than black, as shown), and the icons within the circles may be coloured green (rather than white, as shown). All other colour combinations are also contemplated.**

(21) Design Number: **10955/2014**
(22) Date of Filing Application: **03 March 2014**
(24) Date from which industrial property rights may have effect: **03 March 2014**
(54) Product in respect of which the design is registered: **An agricultural spraying tank**
(51) International Design Classification: **08-05A**
(74) Name(s) of Attorney(s): **Ellis Terry**
(71) Name(s) and Address(s) of Applicant(s):
Hustler Equipment Limited
c/- WHK 208-210 Avenue Road East Hastings 4122 New Zealand



(72) Name(s) of Designer(s): **Brent Currie**
(45) Registration Date: **24 April 2014**
(30) Convention priority data:
(31) Number (32) Date (33) Country
418025 05 Sep 2013 NEW ZEALAND
(56) Related Art Documents: **Not Applicable**
(57) Statement of Newness and Distinctiveness: **Nil**

(21) Design Number: **11107/2014**

(22) Date of Filing Application: **10 March 2014**

(24) Date from which industrial property rights may have effect: **10 March 2014**

(54) Product in respect of which the design is registered: **Pump**

(51) International Design Classification: **15-02**

(74) Name(s) of Attorney(s): **SPRUSON & FERGUSON**

(71) Name(s) and Address(s) of Applicant(s):

Covidien LP

15 Hampshire Street Mansfield Massachusetts 02048 United States of America

(72) Name(s) of Designer(s): **James M Harr and Gabriel McHugh and Paul Trelford and Gary J Waldhoff and Dennis Scott Prows and Kenneth M Breitweiser and Joel D Wiesner and Matthew Bodi**

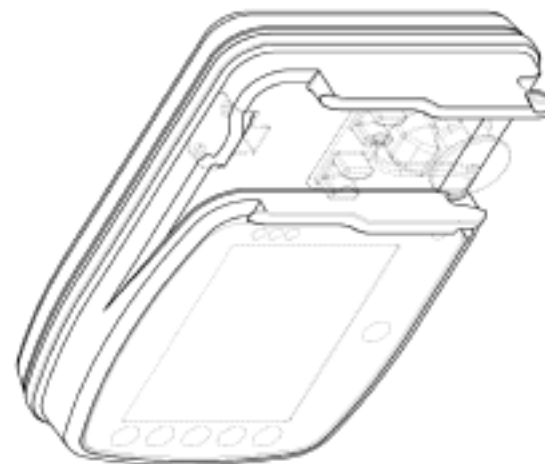
(45) Registration Date: **24 April 2014**

(30) Convention priority data:

(31) Number	(32) Date	(33) Country
29/466985	13 Sep 2013	UNITED STATES OF AMERICA

(56) Related Art Documents: **Not Applicable**

(57) Statement of Newness and Distinctiveness: **Newness and distinctiveness is claimed in those features of shape and/or configuration of a pump as illustrated in continuous lines in the accompanying representations.**



(21) Design Number: **10135/2014**

(22) Date of Filing Application: **13 January 2014**

(24) Date from which industrial property rights may have effect: **13 January 2014**

(54) Product in respect of which the design is registered: **A machine erected box**

(51) International Design Classification: **09-03M**

(74) Name(s) of Attorney(s):

(71) Name(s) and Address(s) of Applicant(s):

Easybox Ltd

Bat Sheva 1 LOD 70100 Israel

Robert Pellizzari

PO BOX 11 Silverdale NSW 2752 Australia

(72) Name(s) of Designer(s): **Mordechai Kleiner and Ori Kleiner**

(45) Registration Date: **24 April 2014**

(56) Related Art Documents: **Not Applicable**

(57) Statement of Newness and Distinctiveness: **Vertical crease on both side depth panels through the base. 4 x 2 Mirror-imaged 90 degree angled creases (scores) at the base of the archive box.**

- (21) Design Number: **10303/2014**
(22) Date of Filing Application: **23 January 2014**
(24) Date from which industrial property rights may have effect: **23 January 2014**
(54) Product in respect of which the design is registered: **Louvre blade**
(51) International Design Classification: **25-02K**
(74) Name(s) of Attorney(s):
(71) Name(s) and Address(s) of Applicant(s):
KELLIGAN (AUSTRALIA) PTY. LTD.
30B Trade Park Dr Tullamarine VIC 3043 Australia
(72) Name(s) of Designer(s): **Peter Rutgers**
(45) Registration Date: **24 April 2014**
(56) Related Art Documents: **Not Applicable**
(57) Statement of Newness and Distinctiveness: **Monopoly is claimed in the features of shape or configuration of the Louvre Blade as illustrated in the representations.**

- (21) Design Number: **11276/2014**
(22) Date of Filing Application: **19 March 2014**
(24) Date from which industrial property rights may have effect: **19 March 2014**
(54) Product in respect of which the design is registered: **Adaptor for winding string line on a reel**
(51) International Design Classification: **08-05K**
(74) Name(s) of Attorney(s):
(71) Name(s) and Address(s) of Applicant(s):
LTJ Enterprises Pty Ltd
18 Barry Rd Burwood East VIC 3151 Australia
(72) Name(s) of Designer(s): **Stephen Paul Bates**
(45) Registration Date: **28 April 2014**
(56) Related Art Documents: **Not Applicable**
(57) Statement of Newness and Distinctiveness: **The newness and distinctiveness of the design resides in the shape of the body of the adaptor, in particular the radial fins and annular ribs. The drill chuck engaging portion of the shaft is to be disregarded when considering the overall impression of the design.**



- (21) Design Number: **11277/2014**
(22) Date of Filing Application: **19 March 2014**
(24) Date from which industrial property rights may have effect: **19 March 2014**
(54) Product in respect of which the design is registered: **Watch body**
(51) International Design Classification: **10-02**
(74) Name(s) of Attorney(s): **WATERMARK PATENT AND TRADE MARKS ATTORNEYS**
(71) Name(s) and Address(s) of Applicant(s):
ICE IP S.A.
3 rue des Tilleuls Rombach 8832 Luxembourg
(72) Name(s) of Designer(s): **Tim Prigge and Simon Kux and Jonas Ette**
(45) Registration Date: **28 April 2014**
(30) Convention priority data:
(31) Number (32) Date (33) Country
002400895 07 Feb 2014 EUROPEAN PATENT OFFICE (EPO)
(56) Related Art Documents: **Not Applicable**
(57) Statement of Newness and Distinctiveness: **Newness and distinctiveness resides in the visual features of the watch body as illustrated in the accompanying representations, wherein the strap does not form part of the watch body.**



- (21) Design Number: **11425/2014**
(22) Date of Filing Application: **26 March 2014**
(24) Date from which industrial property rights may have effect: **26 March 2014**
(54) Product in respect of which the design is registered: **A panel lamp**
(51) International Design Classification: **26-05A**
(74) Name(s) of Attorney(s): **Davies Collison Cave**
(71) Name(s) and Address(s) of Applicant(s):
Kinglumi Co., Limited
Building 3 Nangang Third Industrial Zone Tangtou Shiyan Town Baoan
District Shenzhen City People's Republic of China
(72) Name(s) of Designer(s): **Dongliang Zhu and Huaifeng XU**
(45) Registration Date: **28 April 2014**
(56) Related Art Documents: **Not Applicable**
(57) Statement of Newness and Distinctiveness: **Nil**



- (21) Design Number: **11486/2014**
(22) Date of Filing Application: **27 March 2014**
(24) Date from which industrial property rights may have effect: **27 March 2014**
(54) Product in respect of which the design is registered: **A sofa**
(51) International Design Classification: **06-01G**
(74) Name(s) of Attorney(s): **FB Rice**
(71) Name(s) and Address(s) of Applicant(s):
King Furniture Australia Pty Ltd
123 Turrella St Turrella NSW 2205 Australia
(72) Name(s) of Designer(s): **David King and John Levey and Tanya Rechberger and Ryan Lawson and Anastasie Panagopoulos**
(45) Registration Date: **28 April 2014**
(56) Related Art Documents: **Not Applicable**
(57) Statement of Newness and Distinctiveness: **Newness and distinctiveness reside in those features of the sofa excluding the features shown in yellow in the representations, it being understood that the yellow line demarcating the break indicates that the break is absent altogether or that the position of the break varies from the illustrated position.**



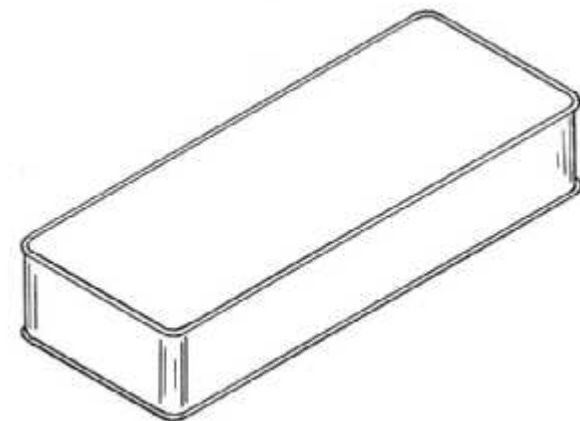
- (21) Design Number: **11487/2014**
(22) Date of Filing Application: **27 March 2014**
(24) Date from which industrial property rights may have effect: **27 March 2014**
(54) Product in respect of which the design is registered: **A sofa**
(51) International Design Classification: **06-01G**
(74) Name(s) of Attorney(s): **FB Rice**
(71) Name(s) and Address(s) of Applicant(s):
King Furniture Australia Pty Ltd
123 Turrella St Turrella NSW 2205 Australia
(72) Name(s) of Designer(s): **David King and John Levey and Tanya Rechberger and Ryan Lawson and Anastasie Panagopoulos**
(45) Registration Date: **28 April 2014**
(56) Related Art Documents: **Not Applicable**
(57) Statement of Newness and Distinctiveness: **Newness and distinctiveness reside in those features of the sofa excluding the features shown in yellow in the representations, it being understood that the yellow lines demarcating the breaks indicate that the breaks are absent altogether or that the positions of the breaks vary from the illustrated positions.**



- (21) Design Number: **11488/2014**
(22) Date of Filing Application: **27 March 2014**
(24) Date from which industrial property rights may have effect: **27 March 2014**
(54) Product in respect of which the design is registered: **A sofa**
(51) International Design Classification: **06-01G**
(74) Name(s) of Attorney(s): **FB Rice**
(71) Name(s) and Address(s) of Applicant(s):
King Furniture Australia Pty Ltd
123 Turrella St Turrella NSW 2205 Australia
(72) Name(s) of Designer(s): **David King and John Levey and Tanya Rechberger and Ryan Lawson and Anastasie Panagopoulos**
(45) Registration Date: **28 April 2014**
(56) Related Art Documents: **Not Applicable**
(57) Statement of Newness and Distinctiveness: **Newness and distinctiveness reside in those features of the sofa excluding the features shown in yellow in the representations, it being understood that the yellow lines demarcating the breaks indicate that the breaks are absent altogether or that the positions of the breaks vary from the illustrated positions.**



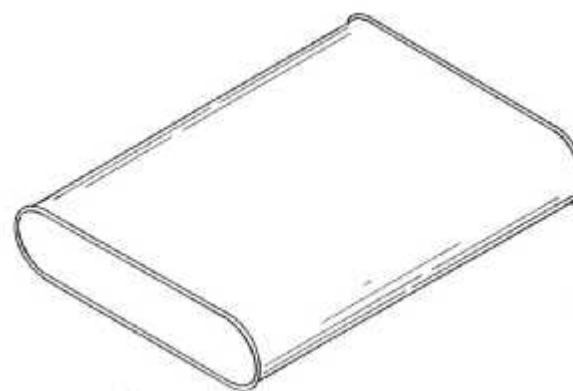
- (21) Design Number: **11489/2014**
(22) Date of Filing Application: **27 March 2014**
(24) Date from which industrial property rights may have effect: **27 March 2014**
(54) Product in respect of which the design is registered: **A pillow component**
(51) International Design Classification: **06-13B**
(74) Name(s) of Attorney(s): **Cullens Patent and Trade Mark Attorneys**
(71) Name(s) and Address(s) of Applicant(s):
The Sleep Company
969-G Edgewater Blvd #605 Foster City CA 94404 United States of America
(72) Name(s) of Designer(s): **Tanya L Hawkins**
(45) Registration Date: **28 April 2014**
(30) Convention priority data:
(31) Number (32) Date (33) Country
29/468,419 30 Sep 2013 UNITED STATES OF AMERICA
(56) Related Art Documents: **Not Applicable**
(57) Statement of Newness and Distinctiveness: **Nil**



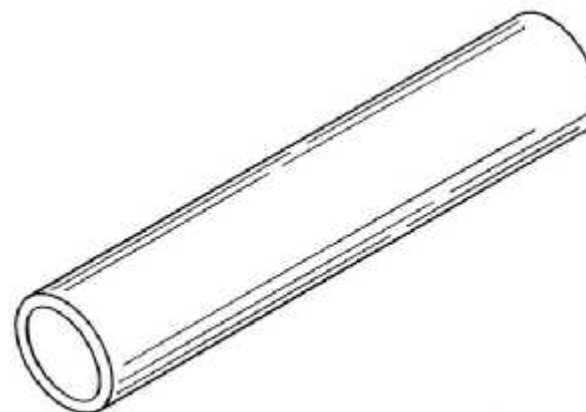
(21) Design Number: **11490/2014**
(22) Date of Filing Application: **27 March 2014**
(24) Date from which industrial property rights may have effect: **27 March 2014**
(54) Product in respect of which the design is registered: **A pillow**
(51) International Design Classification: **06-13B**
(74) Name(s) of Attorney(s): **Cullens Patent and Trade Mark Attorneys**
(71) Name(s) and Address(s) of Applicant(s):
The Sleep Company
969-G Edgewater Blvd #605 Foster City CA 94404 United States of America
(72) Name(s) of Designer(s): **Tanya L Hawkins**
(45) Registration Date: **28 April 2014**
(30) Convention priority data:
(31) Number (32) Date (33) Country
29/468,419 30 Sep 2013 UNITED STATES OF AMERICA
(56) Related Art Documents: **Not Applicable**
(57) Statement of Newness and Distinctiveness: **Nil**



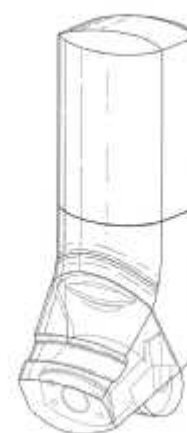
(21) Design Number: **11491/2014**
(22) Date of Filing Application: **27 March 2014**
(24) Date from which industrial property rights may have effect: **27 March 2014**
(54) Product in respect of which the design is registered: **A pillow**
(51) International Design Classification: **06-13B**
(74) Name(s) of Attorney(s): **Cullens Patent and Trade Mark Attorneys**
(71) Name(s) and Address(s) of Applicant(s):
The Sleep Company
969-G Edgewater Blvd #605 Foster City CA 94404 United States of America
(72) Name(s) of Designer(s): **Tanya L Hawkins**
(45) Registration Date: **28 April 2014**
(30) Convention priority data:
(31) Number (32) Date (33) Country
29/468,419 30 Sep 2013 UNITED STATES OF AMERICA
(56) Related Art Documents: **Not Applicable**
(57) Statement of Newness and Distinctiveness: **Nil**



(21) Design Number: **11492/2014**
(22) Date of Filing Application: **27 March 2014**
(24) Date from which industrial property rights may have effect: **27 March 2014**
(54) Product in respect of which the design is registered: **A bolster component for pillow**
(51) International Design Classification: **06-13B**
(74) Name(s) of Attorney(s): **Cullens Patent and Trade Mark Attorneys**
(71) Name(s) and Address(s) of Applicant(s):
The Sleep Company
969-G Edgewater Blvd #605 Foster City CA 94404 United States of America
(72) Name(s) of Designer(s): **Tanya L Hawkins**
(45) Registration Date: **28 April 2014**
(30) Convention priority data:
(31) Number (32) Date (33) Country
29/468,419 30 Sep 2013 UNITED STATES OF AMERICA
(56) Related Art Documents: **Not Applicable**
(57) Statement of Newness and Distinctiveness: **Nil**



(21) Design Number: **11655/2014**
(22) Date of Filing Application: **03 April 2014**
(24) Date from which industrial property rights may have effect: **03 April 2014**
(54) Product in respect of which the design is registered: **Respiratory apparatus**
(51) International Design Classification: **24-04**
(74) Name(s) of Attorney(s): **Griffith Hack**
(71) Name(s) and Address(s) of Applicant(s):
Teva UK Limited
Ridings Point Whistler Drive Castleford West Yorkshire WF10 5HX
United Kingdom
(72) Name(s) of Designer(s): **David Cottam**
(45) Registration Date: **28 April 2014**
(30) Convention priority data:
(31) Number (32) Date (33) Country
002321893 08 Oct 2013 OFFICE FOR HARMONISATION IN THE INTERNAL MARKET (OHIM)
(56) Related Art Documents: **Not Applicable**
(57) Statement of Newness and Distinctiveness: **Newness and distinctiveness resides in the visual features, including shape and configuration, of a RESPIRATORY APPARATUS, including a transparent/translucent cap, as shown in the accompanying drawings.**



(21) Design Number: **11657/2014**

(22) Date of Filing Application: **03 April 2014**

(24) Date from which industrial property rights may have effect: **03 April 2014**

(54) Product in respect of which the design is registered: **Respiratory apparatus**

(51) International Design Classification: **24-04**

(74) Name(s) of Attorney(s): **Griffith Hack**

(71) Name(s) and Address(s) of Applicant(s):

Teva Pharmaceuticals Europe B.V.
Computerweg 10 3542 DR Utrecht Netherlands

Teva UK Limited
Ridings Point Whistler Drive Castleford West Yorkshire WF10 5HX
United Kingdom

(72) Name(s) of Designer(s): **Mark Milton-Edwards and Michiel Ullmann**

(45) Registration Date: **28 April 2014**

(30) Convention priority data:

(31) Number	(32) Date	(33) Country
002321711	07 Oct 2013	OFFICE FOR HARMONISATION IN THE INTERNAL MARKET (OHIM)

(56) Related Art Documents: **Not Applicable**

(57) Statement of Newness and Distinctiveness: **Newness and distinctiveness resides in the visual features, including the colour and/or contrasting, of the cap of a RESPIRATORY APPARATUS, as shown in the accompanying drawings.**



(21) Design Number: **11660/2014**

(22) Date of Filing Application: **03 April 2014**

(24) Date from which industrial property rights may have effect: **03 April 2014**

(54) Product in respect of which the design is registered: **Respiratory apparatus**

(51) International Design Classification: **24-04**

(74) Name(s) of Attorney(s): **Griffith Hack**

(71) Name(s) and Address(s) of Applicant(s):

Teva UK Limited
Ridings Point Whistler Drive Castleford West Yorkshire WF10 5HX
United Kingdom

Teva Pharmaceuticals Europe B.V.
Computerweg 10 3542 DR Utrecht Netherlands

(72) Name(s) of Designer(s): **Mark Milton-Edwards and Michiel Ullmann**

(45) Registration Date: **28 April 2014**

(30) Convention priority data:

(31) Number	(32) Date	(33) Country
002321729	07 Oct 2013	OFFICE FOR HARMONISATION IN THE INTERNAL MARKET (OHIM)

(56) Related Art Documents: **Not Applicable**

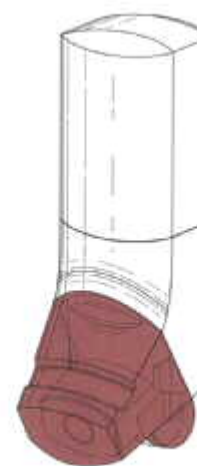
(57) Statement of Newness and Distinctiveness: **Newness and distinctiveness resides in the visual features, including the colour and/or contrasting, of the cap of a RESPIRATORY APPARATUS, as shown in the accompanying drawings.**



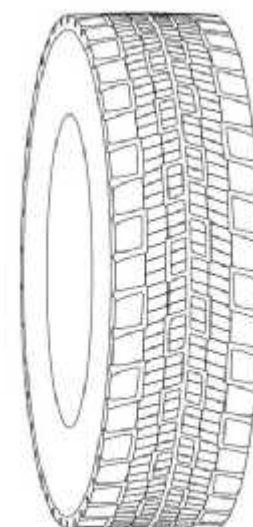
(21) Design Number: **11661/2014**
(22) Date of Filing Application: **03 April 2014**
(24) Date from which industrial property rights may have effect: **03 April 2014**
(54) Product in respect of which the design is registered: **A beverage dispenser**
(51) International Design Classification: **07-02L, 31-00**
(74) Name(s) of Attorney(s): **Banki Haddock Fiora**
(71) Name(s) and Address(s) of Applicant(s):
Société des Produits Nestlé S.A.
Vevey Canton of Vaud 1800 Switzerland
(72) Name(s) of Designer(s): **Pierre Struzka**
(45) Registration Date: **28 April 2014**
(30) Convention priority data:
(31) Number (32) Date (33) Country
140335 24 Dec 2013 SWITZERLAND
(56) Related Art Documents: **Not Applicable**
(57) Statement of Newness and Distinctiveness: **Nil**



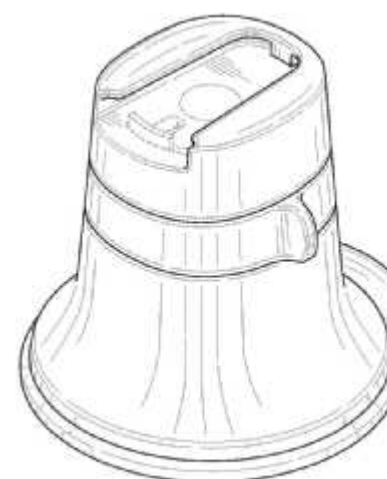
(21) Design Number: **11663/2014**
(22) Date of Filing Application: **03 April 2014**
(24) Date from which industrial property rights may have effect: **03 April 2014**
(54) Product in respect of which the design is registered: **Respiratory apparatus**
(51) International Design Classification: **24-04**
(74) Name(s) of Attorney(s): **Griffith Hack**
(71) Name(s) and Address(s) of Applicant(s):
Teva UK Limited
Ridings Point Whistler Drive Castleford West Yorkshire WF10 5HX
United Kingdom
Teva Pharmaceuticals Europe B.V.
Computerweg 10 3542 DR Utrecht Netherlands
(72) Name(s) of Designer(s): **Mark Milton-Edwards and Michiel Ullmann**
(45) Registration Date: **29 April 2014**
(30) Convention priority data:
(31) Number (32) Date (33) Country
002321984 08 Oct 2013 OFFICE FOR HARMONISATION IN
THE INTERNAL MARKET (OHIM)
(56) Related Art Documents: **Not Applicable**
(57) Statement of Newness and Distinctiveness: **Newness and distinctiveness resides in the visual features, including the translucency, colour and/or contrasting, of the cap of a RESPIRATORY APPARATUS, as shown in the accompanying drawings.**



- (21) Design Number: **11664/2014**
(22) Date of Filing Application: **03 April 2014**
(24) Date from which industrial property rights may have effect: **03 April 2014**
(54) Product in respect of which the design is registered: **A tyre**
(51) International Design Classification: **12-15C**
(74) Name(s) of Attorney(s): **WATERMARK PATENT AND TRADE MARKS ATTORNEYS**
(71) Name(s) and Address(s) of Applicant(s):
Compagnie Generale Des Etablissements Michelin
12 cours Sablon Clermont-Ferrand 63000 France
Michelin Recherche et Technique S.A.
Route Louis Braille 10 Granges-Paccot 1763 Switzerland
(72) Name(s) of Designer(s): **Damien Bardin and Stephanie Cambon and Jonathan Lejeune and Frederic Honnorat**
(45) Registration Date: **29 April 2014**
(30) Convention priority data:
(31) Number (32) Date (33) Country
13/4538 17 Oct 2013 FRANCE
(56) Related Art Documents: **Not Applicable**
(57) Statement of Newness and Distinctiveness: **Newness and distinctiveness resides in the appearance of the tread region of the tyre, the remainder of the tyre not forming part of the design.**



- (21) Design Number: **11666/2014**
(22) Date of Filing Application: **03 April 2014**
(24) Date from which industrial property rights may have effect: **03 April 2014**
(54) Product in respect of which the design is registered: **Kitchen appliance base**
(51) International Design Classification: **31-00, 07-04**
(74) Name(s) of Attorney(s): **PHILLIPS ORMONDE FITZPATRICK**
(71) Name(s) and Address(s) of Applicant(s):
Dart Industries Inc.
14901 S. Orange Blossom Trail Orlando Florida 32837 United States of America
(72) Name(s) of Designer(s): **Judicael Cornu and Vincent Jalet**
(45) Registration Date: **29 April 2014**
(30) Convention priority data:
(31) Number (32) Date (33) Country
29/471,648 04 Nov 2013 UNITED STATES OF AMERICA
(56) Related Art Documents: **Not Applicable**
(57) Statement of Newness and Distinctiveness: **Those features of the kitchen appliance base depicted in the representations that are new and distinctive are the shape and/or configuration. The features shown in broken line are not part of the design and are to be disregarded when considering the overall impression of the design.**

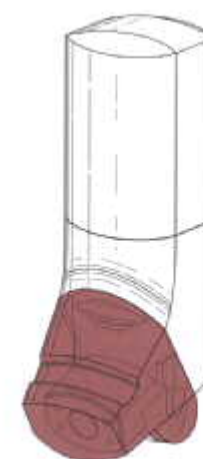


(21) Design Number: **11667/2014**
(22) Date of Filing Application: **03 April 2014**
(24) Date from which industrial property rights may have effect: **03 April 2014**
(54) Product in respect of which the design is registered: **Mincer**
(51) International Design Classification: **31-00, 07-04**
(74) Name(s) of Attorney(s): **PHILLIPS ORMONDE FITZPATRICK**
(71) Name(s) and Address(s) of Applicant(s):
Dart Industries Inc.
14901 S. Orange Blossom Trail Orlando Florida 32837 United States of America



(72) Name(s) of Designer(s): **Judicael Cornu and Vincent Jalet**
(45) Registration Date: **29 April 2014**
(30) Convention priority data:
(31) Number (32) Date (33) Country
29/471,646 04 Nov 2013 UNITED STATES OF AMERICA
(56) Related Art Documents: **Not Applicable**
(57) Statement of Newness and Distinctiveness: **Those features of the mincer depicted in the representations that are new and distinctive are the shape and/or configuration. The features shown in broken line are not part of the design and are to be disregarded when considering the overall impression of the design.**

(21) Design Number: **11668/2014**
(22) Date of Filing Application: **03 April 2014**
(24) Date from which industrial property rights may have effect: **03 April 2014**
(54) Product in respect of which the design is registered: **Respiratory Apparatus**
(51) International Design Classification: **24-04**
(74) Name(s) of Attorney(s): **Griffith Hack**
(71) Name(s) and Address(s) of Applicant(s):
Teva UK Limited
Ridings Point Whistler Drive Castleford West Yorkshire WF10 5HX
United Kingdom



Teva Pharmaceuticals Europe B.V.
Computerweg 10 3542 DR Utrecht Netherlands
(72) Name(s) of Designer(s): **Mark Milton-Edwards and Michiel Ullmann**
(45) Registration Date: **29 April 2014**
(30) Convention priority data:
(31) Number (32) Date (33) Country
002321992 08 Oct 2013 OFFICE FOR HARMONISATION IN
THE INTERNAL MARKET (OHIM)
(56) Related Art Documents: **Not Applicable**
(57) Statement of Newness and Distinctiveness: **Newness and distinctiveness resides in the visual features, including the translucency, colour and/or contrasting, of the cap of a RESPIRATORY APPARATUS, as shown in the accompanying drawings.**

(21) Design Number: **11670/2014**
(22) Date of Filing Application: **02 April 2014**
(24) Date from which industrial property rights may have effect: **02 April 2014**
(54) Product in respect of which the design is registered: **Closure element for drinking container cap**
(51) International Design Classification: **09-07NES, 09-07A**
(74) Name(s) of Attorney(s): **SPRUSON & FERGUSON**
(71) Name(s) and Address(s) of Applicant(s):
Florian Enghard
Habichtsweg 13c, Frankfurt am Main 60437 Germany
(72) Name(s) of Designer(s): **Florian Enghard**
(45) Registration Date: **29 April 2014**
(30) Convention priority data:
(31) Number (32) Date (33) Country
402013004288.1 02 Oct 2013 GERMANY
(56) Related Art Documents: **Not Applicable**
(57) Statement of Newness and Distinctiveness: **Newness and distinctiveness is claimed in the features of shape and/or configuration of a closure element for drinking container cap as illustrated in the accompanying representations.**



(21) Design Number: **11673/2014**
(22) Date of Filing Application: **04 April 2014**
(24) Date from which industrial property rights may have effect: **04 April 2014**
(54) Product in respect of which the design is registered: **Tibial trial component**
(51) International Design Classification: **24-02, 24-01**
(74) Name(s) of Attorney(s): **Callinans**
(71) Name(s) and Address(s) of Applicant(s):
DePuy Synthes Products, LLC
325 Paramount Drive Raynham, MA, 02767 United States of America
(72) Name(s) of Designer(s): **Darren R Bailey and Ryan C Keefer and Todd A Kilpela and William R Macumber and Steven P Gowers and Jonathan C Lee and Lisa M Major**
(45) Registration Date: **29 April 2014**
(30) Convention priority data:
(31) Number (32) Date (33) Country
29/469,951 16 Oct 2013 UNITED STATES OF AMERICA
(56) Related Art Documents: **Not Applicable**
(57) Statement of Newness and Distinctiveness: **Nil**



(21) Design Number: **11674/2014**
(22) Date of Filing Application: **04 April 2014**
(24) Date from which industrial property rights may have effect: **04 April 2014**
(54) Product in respect of which the design is registered: **Respiratory apparatus**
(51) International Design Classification: **24-04**
(74) Name(s) of Attorney(s): **Griffith Hack**
(71) Name(s) and Address(s) of Applicant(s):

Teva UK Limited
Ridings Point Whistler Drive Castleford West Yorkshire WF10 5HX
United Kingdom

Teva Pharmaceuticals Europe B.V.
Computerweg 10 3542 DR Utrecht Netherlands

(72) Name(s) of Designer(s): **Mark Milton-Edwards and Michiel Ullmann**

(45) Registration Date: **29 April 2014**

(30) Convention priority data:

(31) Number	(32) Date	(33) Country
002321737	07 Oct 2013	OFFICE FOR HARMONISATION IN THE INTERNAL MARKET (OHIM)

(56) Related Art Documents: **Not Applicable**

(57) Statement of Newness and Distinctiveness: **Newness and distinctiveness resides in the visual features, including the colour and/or contrasting, of the cap of a RESPIRATORY APPARATUS, as shown in the accompanying drawings.**



(21) Design Number: **11675/2014**
(22) Date of Filing Application: **04 April 2014**
(24) Date from which industrial property rights may have effect: **04 April 2014**
(54) Product in respect of which the design is registered: **Double junction**
(51) International Design Classification: **23-01A, 13-03C**
(74) Name(s) of Attorney(s): **Griffith Hack**
(71) Name(s) and Address(s) of Applicant(s):

Thomas & Betts International LLC
501 Silverside Road Suite 67 Wilmington Delaware 19809 United States
of America

(72) Name(s) of Designer(s): **Larry N Siebens**

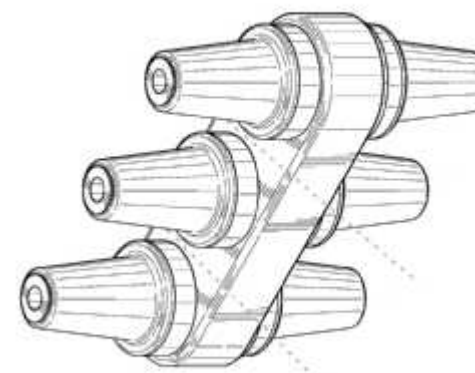
(45) Registration Date: **29 April 2014**

(30) Convention priority data:

(31) Number	(32) Date	(33) Country
29/473,340	21 Nov 2013	UNITED STATES OF AMERICA

(56) Related Art Documents: **Not Applicable**

(57) Statement of Newness and Distinctiveness: **Newness and distinctiveness resides in the visual features, including the shape and configuration of the product shown in the representations. The broken lines do not form part of the product and denote that the product may be of any length in which the central part can be repeated in numbers greater than that illustrated.**



(21) Design Number: **11677/2014**

(22) Date of Filing Application: **04 April 2014**

(24) Date from which industrial property rights may have effect: **04 April 2014**

(54) Product in respect of which the design is registered: **Respiratory apparatus**

(51) International Design Classification: **24-04**

(74) Name(s) of Attorney(s): **Griffith Hack**

(71) Name(s) and Address(s) of Applicant(s):

Teva UK Limited

**Ridings Point Whistler Drive Castleford West Yorkshire WF10 5HX
United Kingdom**

Teva Pharmaceuticals Europe B.V.

Computerweg 10 3542 DR Utrecht Netherlands

(72) Name(s) of Designer(s): **Mark Milton-Edwards and Michiel Ullmann**

(45) Registration Date: **29 April 2014**

(30) Convention priority data:

(31) Number

(32) Date

(33) Country

002321745

07 Oct 2013

**OFFICE FOR HARMONISATION IN
THE INTERNAL MARKET (OHIM)**

(56) Related Art Documents: **Not Applicable**

(57) Statement of Newness and Distinctiveness: **Newness and distinctiveness resides in the visual features, including the colour and/or contrasting, of the cap of a RESPIRATORY APPARATUS, as shown in the accompanying drawings.**

