



**Australian Government**

---

**IP Australia**

**AUSTRALIAN OFFICIAL JOURNAL**

**OF**

**DESIGNS**

Did you know a searchable version of this journal is now available online?

It's FREE and EASY to SEARCH.

Find it on our website ([www.ipaustralia.gov.au](http://www.ipaustralia.gov.au))

by using the "Journals" link on the home page.

This Page Left Intentionally Blank

## Contents

### General Information & Notices

#### Proceedings Under the Designs Act 1906 preserved as a result of the provisions of Chapter 12 Part 2 of the Designs Act 2003

Extension of Period of Registration of Designs .....	1488
Extensions of Time Granted .....	1488
Names Registered - Alterations and Amendments .....	1488
Registrations Ceased .....	1488
Subsequent Owners Registered .....	1488

#### Proceedings Under the Designs Act 2003

Applications for Extension of Time Under Section 137 .....	1501
Applications Assigned .....	1501
Applications Lapsed .....	1500
Applications Lodged .....	1492
Certificate of Examination .....	1503
Extension of Period of Registration of Design .....	1501
Extension of Time Granted Under Section 137 .....	1501
Names Registered - Alterations and Amendments .....	1502
Publication and Registration Proceedings	
Designs Published .....	1504
Designs Registered 355316 to 355732.....	1505
Registrations Ceased .....	1501
Subsequent Owners Registered .....	1502

This Page Left Intentionally Blank

For information on the following please see our website [www.ipaustralia.gov.au](http://www.ipaustralia.gov.au) or contact our Customer Service Network on 1300651010

[Editorial enquiries](#)

[Contact information](#)

[Freedom of Information ACT](#)

[Professional Standards Board](#)

[Sales](#)

[Requests for Information under Section 194 \(c\)](#)

[Country Codes](#)

[Trade Mark and Designs Hearing Sessions](#)

[INID \(Internationally agreed Numbers for the Identification of Data\)](#)

## “INID” NUMBERS in use on Australian Design Documents

“INID” is an acronym for “Internationally agreed Numbers for the Identification of Data”.

### (10) Data concerning the registration/renewal

- (11) Serial number of the registration and/or number of the design document
- (12) Plain language designation of the kind of published document
- (19) Identification, using the two-letter code according to WIPO Standard ST.3, of the authority publishing or registering the industrial design

### (20) Data concerning the application

- (21) Serial number of the application
- (22) Date of filing of the application
- (24) Date from which the industrial design right has effect

### (30) Data relating to priority under the Paris Convention

- (31) Serial number assigned to the priority application
- (32) Date of filing of the priority application
- (33) Two-letter code, according to WIPO Standard ST.3, identifying the authority with which the priority application was made

### (40) Date(s) of making information available to the public

- (45) Date of publication of the registered industrial design by printing or similar process, or making it available to the public by any other means

### (50) Miscellaneous Information

- (51) International Classification for Industrial Designs (class and subclass of the Locarno Classification)
- (54) Designation of article(s) or product(s) covered by the industrial design or title of the industrial design
- (55) Reproduction of the industrial design (e.g., drawing, photograph) and explanations relating to the reproduction
- (56) List of prior art documents, if separate from descriptive text
- (57) Description of characteristic features of the industrial design including indication of colours

### (60) References to other legally related application(s) and registration(s)

- (62) Serial number(s) and, if available, filing date(s) of application(s), registration(s) or document(s) related by division
- (66) Serial number(s) of the application, or the registration, of the design(s) which is (are) a variant(s) of the present one

### (70) Identification of parties concerned with the application or registration

- (71) Name(s) and address(es) of the applicant(s)
- (72) Name(s) of the creator(s) if known to be such
- (74) Name(s) and address(es) of the representative(s)

This Page Left Intentionally Blank

OFFICIAL NOTICE**Register of Directions**

**Abstract:** IP Australia has issued a new direction prescribing the means by which fees are to be paid to IP Australia.

**Body:** The Acting Registrar of Designs has issued the following direction.

**Direction in relation to the payment of fees under the  
*Patents Regulations 1991, the Trade Marks Regulations 1995*  
and the *Designs Regulations 2004***

---

I, Celia Poole, Acting Commissioner of Patents, Acting Registrar of Trade Marks and Acting Registrar of Designs, make the following directions under the *Patents Regulations 1991, the Trade Marks Regulations 1995* and the *Designs Regulations 2004*.

Dated 19-5-2014

Celia Poole



---

**1 Commencement**

These directions commence on 5 June 2014.

**2 Authority**

These directions are made under the *Patents Regulations 1991, the Trade Marks Regulations 1995* and the *Designs Regulations 2004*.

**3 Revocation**

These directions revoke any previous directions made by the Commissioner under the *Patents Regulations 1991, the Registrar under the Trade Marks Regulations 1995* and the Registrar under the *Designs Regulations 2004*, in relation to the manner for the payment of fees.

**4 Direction under the *Patents Regulations 1991***

For the purposes of regulation 22.1(1) of the *Patents Regulations 1991*, the manner in which a fee must be paid is by one of the following means:

- (a) eServices;
- (b) direct debit by Business to Business customers;
- (c) facsimile under the circumstances set out in section 7;
- (d) post using a Mastercard or Visa card, cheque or money order, and a completed payment form;
- (e) in person at IP Australia's Canberra office using a Mastercard or Visa card, cheque, money order, debit card or cash, and a completed payment form;

(f) electronic funds transfer using a completed electronic funds transfer form.

Note 1: eServices is a secure electronic portal available on the IP Australia website to access customer services and facilitate transactions.

Note 2: Business to Business (B2B) is a secure electronic portal to facilitate transactions.

Note 3: IP Australia's Canberra office is located at Discovery House, Phillip.

Note 4: Further information regarding these payment options is available on the IP Australia website at [www.ipaustralia.gov.au](http://www.ipaustralia.gov.au)

## **5 Direction under the *Trade Marks Regulations 1995***

For the purposes of regulation 21.22(3) of the *Trade Marks Regulations 1995*, in the case of a fee that is paid to the Registrar, the way in which a fee must be paid is by one of the following means:

- (a) eServices;
- (b) direct debit by Business to Business customers;
- (c) facsimile under the circumstances set out in section 7;
- (d) post using a Mastercard or Visa card, cheque or money order, and a completed payment form;
- (e) in person at IP Australia's Canberra office using a Mastercard or Visa card, cheque, money order, debit card or cash, and a completed payment form;
- (f) electronic funds transfer using a completed electronic funds transfer form.

Note 1: eServices is a secure electronic portal available on the IP Australia website to access customer services and facilitate transactions.

Note 2: Business to Business (B2B) is a secure electronic portal to facilitate transactions.

Note 3: IP Australia's Canberra office is located at Discovery House, Phillip.

Note 4: Further information regarding these payment options is available on the IP Australia website at [www.ipaustralia.gov.au](http://www.ipaustralia.gov.au)

## **6 Direction under the *Designs Regulations 2004***

For the purposes of regulation 11.01(6) of the *Designs Regulations 2004*, the manner in which a fee must be paid is by one of the following means:

- (a) eServices;
- (b) direct debit by Business to Business customers;
- (c) facsimile under the circumstances set out in section 7;
- (d) post using a Mastercard or Visa card, cheque or money order, and a completed payment form;
- (e) in person at IP Australia's Canberra office using a Mastercard or Visa card, cheque, money order, debit card or cash, and a completed payment form;
- (f) electronic funds transfer using a completed electronic funds transfer form.

Note 1: eServices is a secure electronic portal available on the IP Australia website to access customer services and facilitate transactions.

Note 2: Business to Business (B2B) is a secure electronic portal to facilitate transactions.

Note 3: IP Australia's Canberra office is located at Discovery House, Phillip.

Note 4: Further information regarding these payment options is available on the IP Australia website at [www.ipaustralia.gov.au](http://www.ipaustralia.gov.au)

## 7 Circumstances under which facsimile may be used

For the purposes of paragraphs 4(c), 5(c) and 6(c), the circumstances under which facsimile may be used are the following:

- (a) the communication of information is required to establish the filing date of an application or to meet a time limit imposed by IP Australia or that applies under the *Patent Act 1990*, the *Trade Marks Act 1995*, the *Designs Act 2003* or the *Plant Breeder's Rights Act 1994* or under the Paris Convention, Patent Cooperation Treaty or Madrid Protocol; and
- (b) the information otherwise cannot be filed in time because the person submitting the facsimile:
  - (i) cannot file the information using eServices or the Alternate Lodgement Service because of a technical issue affecting the use of those services; or
  - (ii) does not have access to eServices or the Alternate Lodgement Service because those systems are not available for use or, due to circumstances beyond the person's control, the person does not have access to their normal place of business or the person's information technology systems (including third party systems and the internet) are not available or are not operating normally; and
- (c) the facsimile communication is made to IP Australia's facsimile number; and
- (d) within 3 working days of the communication being made, the person submitting the facsimile files a declaration providing:
  - (i) the details of the communication including, where applicable, the relevant intellectual property right number, the person's customer number and a brief description of the information submitted; and
  - (ii) the reasons the information could not be submitted using eServices or the Alternate Lodgement Service.

Note 1: Alternate Lodgement Service (ALS) is a secondary eServices function on the IP Australia website that can be invoked during outages of eServices.

Note 2: IP Australia's facsimile number is available on the IP Australia website.

The Register of Directions can be viewed on IP Australia's website at [www.ipaustralia.gov.au](http://www.ipaustralia.gov.au).

For further information, please contact IP Australia on 1300 651 010.

**Proceedings under the Designs Act 1906 preserved as a result of the provisions of Chapter 12 Part 2 of the Designs Act 2003.**

This Page Left Intentionally Blank

**Applications Lapsed**

There were no Applications Lapsed under this section

**Extension of Period of Registration of Designs**

**1st Period (Section 27A(8))**

**2nd Period (Section 27A(12))**

**3rd Period (Section 27A(13))**

150248	150671	151357
151358	152022	152510
152511	152581	152715
152947	153021	153200
153208	153583	154227
154228	154229	154230
154262	154629	156006
156303		

**Registrations Ceased**

Note: Some of the following Registrations may have been previously advertised as ceased. In this instance, the previous advertisement still prevails.

134278	135195	135247
135268	135302	135323
135423	135575	135776
135777	135828	135868
135869	135871	136234
136269	136632	136692
137044	137134	138457
138460	138505	138506
138593	138729	139056
139160	139192	139193
139442	139875	140119
140441	141115	144736
150643	150987	151106
151535	151576	151577
151940	152674	152675
152868	155058	

**Extensions of time granted**

Applications lodged for extension of time have been granted.

150248 **Rosalie V. Bradstock** An An Extension of time to extend a registration has been granted to 30/04/2014

**Subsequent Owners Registered**

(The name in parentheses is that of the subsequent owner)

154182	( <b>John Bruce Howard Gerber</b> ) John Bruce Howard Gerber; David Eugene Gerber
143788	( <b>Illinois Tools Works Inc.</b> ) ITW AFC Pty Ltd

**Subsequent Owners Registered**

145097	( <b>Illinois Tools Works Inc.</b> ) ITW AFC Pty Ltd
154126	( <b>Illinois Tools Works Inc.</b> ) ITW AFC Pty Ltd
138232	( <b>Illinois Tools Works Inc.</b> ) Cetram Pty Limited
143545	( <b>Illinois Tools Works Inc.</b> ) Cetram Pty Limited
158420	( <b>Illinois Tools Works Inc.</b> ) Cetram Pty Limited
154549	( <b>Berndes Kuche GmbH</b> ) Heinrich Berndes G.m.b.H. & Co. K.G.
154584	( <b>Berndes Kuche GmbH</b> ) Heinrich Berndes G.m.b.H. & Co. K.G.
156105	( <b>Berndes Kuche GmbH</b> ) Heinrich Berndes G.m.b.H. & Co. K.G.

**Names Registered - Alterations and Amendments**

(The name in parentheses is the new name of the proprietor)

135962	( <b>Dowell Windows Pty Ltd</b> ) Boral Window Systems Limited
135963	( <b>Dowell Windows Pty Ltd</b> ) Boral Window Systems Limited

This Page Left Intentionally Blank

**Proceedings under the Designs Act 2003.**

This Page Left Intentionally Blank

**Applications Lodged**

Lodgement information is in the following order: **Applicant's Name**; International Classification, Name of Product, Lodgement Date and **Design Number**. If the applicant claims an earlier priority date under an International Convention, the Convention Country and the associated filing date are shown in parentheses before the Lodgement Date. Divisional information will also appear in parentheses before the Lodgement Date.

<b>iCreate Retail Solutions Pty Ltd;</b> 20-02E, 06-03NES, Banana barge table, 15 May 2014	<b>12375/2014</b>	<b>ABB Technology Ltd.;</b> 13-03A, An insulator, (EM, 01 Apr 2014) 16 May 2014	<b>12396/2014</b>
<b>iCreate Retail Solutions Pty Ltd;</b> 20-02E, 06-03NES, Banana barge table, 15 May 2014	<b>12377/2014</b>	<b>ARB CORPORATION LIMITED;</b> 12-16E, Driving light mount, 09 May 2014	<b>12227/2014</b>
<b>iCreate Retail Solutions Pty Ltd;</b> 20-02E, 06-03NES, Banana barge table, 15 May 2014	<b>12376/2014</b>	<b>ARB CORPORATION LIMITED;</b> 26-06, Driving light; light for vehicle, 21 May 2014	<b>12486/2014</b>
<b>passot Co., Ltd;</b> 20-02NES, Item display case and blank therefor, 12 May 2014	<b>12248/2014</b>	<b>ARB CORPORATION LIMITED;</b> 12-16N, Shock absorber, 09 May 2014	<b>12228/2014</b>
<b>A Plus Plastics &amp; Tooling Pty Ltd;</b> 25-02C, A panel, 21 May 2014	<b>12496/2014</b>	<b>AUSTRALIA ZHEN KUN PTY. LTD.;</b> 32-03, Honey, 16 May 2014	<b>12404/2014</b>
<b>Acrux DDS Pty Ltd;</b> 28-03NES, Spreading applicator, (US, 26 Nov 2013) 22 May 2014	<b>12514/2014</b>	<b>AUSTRALIAN FASHION LABELS PTY LTD.;</b> 05-05NES, A textile print, 16 May 2014	<b>12406/2014</b>
<b>Aktiebolaget Electrolux;</b> 07-02L, Coffee machine, (EM, 05 Feb 2014) 22 May 2014	<b>12499/2014</b>	<b>AUSTRALIAN FASHION LABELS PTY LTD.;</b> 02-02C, A dress, 19 May 2014	<b>12442/2014</b>
<b>Aktiebolaget Electrolux;</b> 15-05, Vacuum cleaner, (EP, 22 Nov 2013) 22 May 2014	<b>12516/2014</b>	<b>AUSTRALIAN FASHION LABELS PTY LTD.;</b> 02-02C, A dress, 16 May 2014	<b>12412/2014</b>
<b>Aktiebolaget Electrolux;</b> 07-02L, Coffee machine with integrated milk frother, (EM, 05 Feb 2014) 22 May 2014	<b>12500/2014</b>	<b>AUSTRALIAN FASHION LABELS PTY LTD.;</b> 02-02C, A dress, 19 May 2014	<b>12440/2014</b>
<b>Aktiebolaget Electrolux;</b> 15-05, Vacuum cleaner, (EP, 22 Nov 2013) 22 May 2014	<b>12505/2014</b>	<b>AUSTRALIAN FASHION LABELS PTY LTD.;</b> 05-05A, A textile print, 16 May 2014	<b>12409/2014</b>
<b>Anderson, Frank Malcolm;Leather, Kerry Raymond Peter;</b> 12-16NES, Steel frame mounted on the tray back of a vehicle, 22 May 2014	<b>12502/2014</b>	<b>AUSTRALIAN FASHION LABELS PTY LTD.;</b> 05-05A, A textile print, 19 May 2014	<b>12439/2014</b>
<b>Art Plastics Pty Ltd;</b> 25-02G, Grate floor waste woven, 14 May 2014	<b>12310/2014</b>	<b>AUSTRALIAN FASHION LABELS PTY LTD.;</b> 05-05A, A textile print, 19 May 2014	<b>12438/2014</b>
<b>Art Plastics Pty Ltd;</b> 25-02G, Grate floor waste woven 45 deg, 14 May 2014	<b>12311/2014</b>	<b>AUSTRALIAN FASHION LABELS PTY LTD.;</b> 05-05D, A textile print, 19 May 2014	<b>12493/2014</b>
<b>Art Plastics Pty Ltd;</b> 25-02G, Grate floor waste pebbles, 14 May 2014	<b>12308/2014</b>	<b>AUSTRALIAN FASHION LABELS PTY LTD.;</b> 02-02C, Shorts, 21 May 2014	<b>12495/2014</b>
<b>Art Plastics Pty Ltd;</b> 25-02G, Grate floor waste dreamtime, 14 May 2014	<b>12309/2014</b>	<b>AUSTRALIAN FASHION LABELS PTY LTD.;</b> 02-02C, A playsuit, 21 May 2014	<b>12395/2014</b>
<b>Asahi Breweries, Ltd;</b> 31-00, Beer dispenser, (JP, 24 Mar 2014) 12 May 2014	<b>12265/2014</b>	<b>AUSTRALIAN FASHION LABELS PTY LTD.;</b> 05-05A, A textile print, 16 May 2014	<b>12393/2014</b>
		<b>Bang Design IP Pty Ltd;</b> 23-02F, A wash basin, 22 May 2014	<b>12507/2014</b>
		<b>Bang Design IP Pty Ltd;</b> 23-02F, A wash basin, 22 May 2014	<b>12506/2014</b>

<b>Bend-tech Investments 1 Pty Ltd;</b> 08-06, Hand rail hinge, 16 May 2014	<b>12405/2014</b>	<b>C.R. Bard, Inc;</b> 24-01, Biopsy system console, (US, 13 Nov 2013) 12 May 2014	<b>12266/2014</b>
<b>Bend-tech Investments 1 Pty Ltd;</b> 08-07, Gate latch, 23 May 2014	<b>12533/2014</b>	<b>C.R. Bard, Inc;</b> 24-01, Biopsy system console, (US, 13 Nov 2013) 12 May 2014	<b>12267/2014</b>
<b>Bose Corporation;</b> 14-01, Audio system, (US, 08 Oct 2013) 27 Mar 2014	<b>12247/2014</b>	<b>C.R. Bard, Inc;</b> 24-01, Biopsy system console, (US, 13 Nov 2013) 12 May 2014	<b>12268/2014</b>
<b>Bose Corporation;</b> 14-01, Audio system, (US, 08 Oct 2013) 09 May 2014	<b>12243/2014</b>	<b>Cahejo Pty Ltd, trading as Duraquip;</b> 08-06, Hinge assembly, 15 May 2014	<b>12374/2014</b>
<b>Bose Corporation;</b> 14-01, Audio system, (US, 08 Oct 2013) 27 Mar 2014	<b>12245/2014</b>	<b>Cajee, Mohamed Ismail;</b> 12-12, Walker, 14 May 2014	<b>12317/2014</b>
<b>Bose Corporation;</b> 14-01, Audio system, (US, 08 Oct 2013) 27 Mar 2014	<b>12246/2014</b>	<b>Calfarme Australia Pty Ltd;</b> 09-05, Urinal deodoriser, 21 May 2014	<b>12490/2014</b>
<b>Bose Corporation;</b> 14-01, Audio system, (US, 08 Oct 2013) 27 Mar 2014	<b>12244/2014</b>	<b>Canaris, John Frederick;</b> 25-04, A stowable bow ladder, 19 May 2014	<b>12427/2014</b>
<b>Brand Developers Ltd;</b> 08-01, 08-05F, Body for a drilling jig, 21 May 2014	<b>12487/2014</b>	<b>Canary Connects, Inc.;</b> 10-99, Monitoring device, (US, 23 Apr 2014) 09 May 2014	<b>12229/2014</b>
<b>Brand Developers Ltd;</b> 08-01, Drill bit guide insert for a drilling jig, 21 May 2014	<b>12491/2014</b>	<b>Casio Keisanki Kabushiki Kaisha, doing business as Casio Computer Co., Ltd.;</b> 18-01, Electronic calculator, (JP, 14 Apr 2014) 21 May 2014	<b>12481/2014</b>
<b>Brand Developers Ltd;</b> 08-01, 08-05F, Drilling jig, 20 May 2014	<b>12474/2014</b>	<b>Chester, David;</b> 25-01D, Decking board, 09 May 2014	<b>12234/2014</b>
<b>Brand Developers Ltd;</b> 08-01, 08-06, Handle for a drilling jig, 20 May 2014	<b>12478/2014</b>	<b>Chester, David;</b> 25-01D, Decking board, 09 May 2014	<b>12232/2014</b>
<b>Britax Romer Kindersicherheit GmbH;</b> 12-16NES, A top for an impact energy absorbing element, (EM, 27 Aug 2013) (Divisional of 10896/2014) 08 May 2014	<b>12214/2014</b>	<b>Chester, David;</b> 25-01D, 08-08A, Decking board fastener, 09 May 2014	<b>12235/2014</b>
<b>Brother Industries, Ltd.;</b> 14-99, 18-02, Tape cartridge for printing machine, (JP, 08 Nov 2013) 08 May 2014	<b>12209/2014</b>	<b>Children Oral Care, LLC;</b> 04-02, Toothbrush, (US, 25 Nov 2013) 22 May 2014	<b>12508/2014</b>
<b>Brother Industries, Ltd.;</b> 14-99, 18-02, Ink ribbon cassette for printing machine, (JP, 08 Nov 2013) 08 May 2014	<b>12210/2014</b>	<b>Colgate-Palmolive Company;</b> 04-02, Portion of a toothbrush, (US, 16 Dec 2013) 15 May 2014	<b>12350/2014</b>
<b>BFX HO Pty Ltd;</b> 06-03NES, 06-03C, 06-06E, Smartable mechanism - adjustable height leg with spring-loaded push button for steel frame tables, 14 May 2014	<b>12298/2014</b>	<b>Colgate-Palmolive Company;</b> 04-02, Portion of a toothbrush, (US, 16 Dec 2013) 15 May 2014	<b>12353/2014</b>
<b>BFX HO Pty Ltd;</b> 06-03NES, 06-03C, 06-06E, Smartable mechanism - adjustable height leg with spring-loaded push button for steel frame tables, 14 May 2014	<b>12299/2014</b>	<b>Colgate-Palmolive Company;</b> 04-02, Portion of a toothbrush, (US, 16 Dec 2013) 13 May 2014	<b>12286/2014</b>
<b>BYD COMPANY LIMITED;</b> 12-08, Bus, (CN, 10 Dec 2013) 08 May 2014	<b>12212/2014</b>	<b>Colgate-Palmolive Company;</b> 04-02, Portion of a toothbrush, (US, 16 Dec 2013) 14 May 2014	<b>12337/2014</b>
<b>C.J GRANDE &amp; K.M IRLBECK;</b> 07-06NES, A plug for takeaway coffee cup lid sip-holes, 11 May 2014	<b>12240/2014</b>	<b>Colgate-Palmolive Company;</b> 04-02, Toothbrush, (US, 16 Dec 2013) 14 May 2014	<b>12330/2014</b>
		<b>Colgate-Palmolive Company;</b> 04-02, Portion of a toothbrush, (US, 16 Dec 2013) 14 May 2014	<b>12331/2014</b>
		<b>Colgate-Palmolive Company;</b> 04-02, Toothbrush, (US, 16 Dec 2013) 13 May 2014	<b>12287/2014</b>

<b>Colgate-Palmolive Company;</b> 04-02, Portion of a toothbrush, (US, 16 Dec 2013) 14 May 2014	<b>12336/2014</b>	<b>Dunkin, Nicole;</b> 30-01, Dog pyjamas; Dog hoodys ; Dog onsie : Pet clothing, 19 May 2014	<b>12433/2014</b>
<b>CLEVER MEDKITS LIMITED;</b> 06-04F, A cabinet, (NZ, 21 Nov 2013) 21 May 2014	<b>12492/2014</b>	<b>DAYLESFORD AND HEPBURN MINERAL SPRINGS CO. PTY. LTD.;</b> 09-01H, Bottle, 13 May 2014	<b>12297/2014</b>
<b>COMPAGNIE GENERALE DES ETABLISSEMENTS MICHELIN; Michelin Recherche et Technique S.A.;</b> 12-15C, A tyre, (FR, 26 Nov 2013) 13 May 2014	<b>12284/2014</b>	<b>Edwards, Luke;</b> 21-01A, Toy bear, 05 May 2014	<b>12249/2014</b>
<b>CROWDSENSE PTY LTD;</b> 02-07NES, 10-02, Wrist band, 20 May 2014	<b>12464/2014</b>	<b>Emobility Concepts GmbH;</b> 12-11, Bicycle, (WO, 20 Nov 2013) 19 May 2014	<b>12431/2014</b>
<b>CSP Technologies, Inc.; Novartis AG;</b> 07-01NES, Container, (DE, 18 Nov 2013) 16 May 2014	<b>12411/2014</b>	<b>Ensitech Pty Ltd;</b> 13-03NES, Electrolytic brush, 12 May 2014	<b>12270/2014</b>
<b>Daifuku Co., Ltd.;</b> 09-03F, Tray for baggage conveyor, (JP, 14 Nov 2013) 12 May 2014	<b>12242/2014</b>	<b>Ensitech Pty Ltd;</b> 13-03NES, Electrolytic brush handle, 12 May 2014	<b>12271/2014</b>
<b>Daikin Industries Ltd.;</b> 23-04, Air conditioner, (JP, 05 Dec 2013) 20 May 2014	<b>12471/2014</b>	<b>Ensitech Pty Ltd;</b> 13-03NES, Electrolytic brush, 12 May 2014	<b>12272/2014</b>
<b>Daikin Industries Ltd.;</b> 23-04, Air conditioner, (JP, 05 Dec 2013) 20 May 2014	<b>12472/2014</b>	<b>ELC Management LLC;</b> 28-02, Liquid lipstick package, (US, 26 Nov 2013) 14 May 2014	<b>12324/2014</b>
<b>Dart Industries Inc.;</b> 07-02L, Manual coffee filter, (US, 13 Dec 2013) 20 May 2014	<b>12467/2014</b>	<b>ELC Management LLC;</b> 28-02, Lip lacquer package, (US, 26 Nov 2013) 14 May 2014	<b>12323/2014</b>
<b>Decathlon;</b> 21-02D, Skin-divers mask, (FR, 06 Nov 2013) 06 May 2014	<b>12158/2014</b>	<b>Farrell, Alice Kathleen;</b> 06-03A, Desk extension stand, (NZ, 10 Dec 2012) 13 May 2014	<b>12285/2014</b>
<b>Derlot Pty Ltd;</b> 06-03A, Furniture (composite), 13 May 2014	<b>12294/2014</b>	<b>Find It Import Export, S.L.;</b> 07-06NES, Cooling devices for liquids, (EM, 25 Nov 2013) 08 May 2014	<b>12205/2014</b>
<b>Design By Them Pty Ltd;</b> 06-01F, Furniture, 19 May 2014	<b>12428/2014</b>	<b>Fiskars Garden Oy Ab;</b> 08-03, Part of brush axe, (EM, 16 Aug 2013) (Divisional of 10721/2014) 12 May 2014	<b>12250/2014</b>
<b>DePuy (Ireland);</b> 24-02, Orthopaedic surgical instrument offset tool, (US, 27 Nov 2013) 13 May 2014	<b>12276/2014</b>	<b>Fiskars Garden Oy Ab;</b> 08-03, Part of lifting hook, (EM, 16 Aug 2013) (Divisional of 10722/2014) 12 May 2014	<b>12257/2014</b>
<b>DePuy (Ireland);</b> 24-02, Orthopaedic surgical instrument attachment device, (US, 27 Nov 2013) 13 May 2014	<b>12277/2014</b>	<b>Fonterra Brands (New Zealand) Limited;</b> 15-07, Outer frame for connection to a refrigerator, (Divisional of 10909/2014) 16 May 2014	<b>12390/2014</b>
<b>DePuy (Ireland);</b> 24-02, Base trial component with stem adaptor, (US, 27 Nov 2013) 13 May 2014	<b>12278/2014</b>	<b>Fonterra Brands (New Zealand) Limited;</b> 06-04NES, Section divider for shelving of a refrigerator, (Divisional of 10919/2014) 16 May 2014	<b>12379/2014</b>
<b>Diageo North America, Inc.;</b> 09-01H, Bottle, (US, 20 Nov 2013) 20 May 2014	<b>12477/2014</b>	<b>Forever New Clothing Pty Ltd;</b> 03-01B, Accessory item, 15 May 2014	<b>12349/2014</b>
<b>Dietrich, Marc;</b> 06-02, Bed and cot assembly, 23 May 2014	<b>12532/2014</b>	<b>Forever New Clothing Pty Ltd;</b> 02-02C, Article of clothing, (Divisional of 15093/2013) 19 May 2014	<b>12443/2014</b>
<b>Dosatron International;</b> 10-04, Metering pumps (housing for), (EM, 20 Nov 2013) 13 May 2014	<b>12282/2014</b>	<b>Forever New Clothing Pty Ltd;</b> 02-02NES, Article of clothing, (Divisional of 15093/2013) 19 May 2014	<b>12446/2014</b>
<b>Dosatron International;</b> 10-04, Metering pumps (housing for), (EM, 20 Nov 2013) 13 May 2014	<b>12283/2014</b>	<b>Forever New Clothing Pty Ltd;</b> 02-02C, Article of clothing, (Divisional of 15093/2013) 19 May 2014	<b>12453/2014</b>

<b>Forever New Clothing Pty Ltd;</b> 02-02C, Article of clothing, (Divisional of 15093/2013) 19 May 2014	<b>12454/2014</b>	<b>Gyrus ACMI, Inc., d.b.a. Olympus Surgical Technologies America;</b> 24-02, Electrosurgical hand piece, (US, 14 Mar 2014) 16 May 2014	<b>12400/2014</b>
<b>Forever New Clothing Pty Ltd;</b> 02-02C, Article of clothing, (Divisional of 15093/2013) 19 May 2014	<b>12451/2014</b>	<b>Gyrus ACMI, Inc., d.b.a. Olympus Surgical Technologies America;</b> 24-02, Electrosurgical hand piece, (US, 14 Mar 2014) 16 May 2014	<b>12402/2014</b>
<b>Forever New Clothing Pty Ltd;</b> 02-02C, Article of clothing, (Divisional of 15093/2013) 19 May 2014	<b>12452/2014</b>	<b>GOOD BUSINESS SENSE PTY. LTD.;</b> 02-02B, A man-sized, wearable mascot costume, 17 May 2014	<b>12421/2014</b>
<b>Forever New Clothing Pty Ltd;</b> 02-02C, Article of clothing, (Divisional of 15093/2013) 19 May 2014	<b>12449/2014</b>	<b>Hollister Incorporated;</b> 03-01NES, Package for ostomy barrier ring, (US, 31 Dec 2013) 21 May 2014	<b>12513/2014</b>
<b>Forever New Clothing Pty Ltd;</b> 02-02C, Article of clothing, (Divisional of 15093/2013) 19 May 2014	<b>12455/2014</b>	<b>Hopkins, Adam;</b> 25-01A, Building block, 14 Feb 2014	<b>12430/2014</b>
<b>Forever New Clothing Pty Ltd;</b> 02-02C, Article of clothing, (Divisional of 15093/2013) 19 May 2014	<b>12450/2014</b>	<b>HK Triangle Co., Limited;</b> 27-99, Electronic cigarette, (CN, 28 Nov 2013) 12 May 2014	<b>12269/2014</b>
<b>Forever New Clothing Pty Ltd;</b> 02-02C, Article of clothing, (Divisional of 15093/2013) 19 May 2014	<b>12448/2014</b>	<b>HK Triangle Co., Limited;</b> 27-99, Electronic cigarette, (CN, 28 Nov 2013) 12 May 2014	<b>12273/2014</b>
<b>Forever New Clothing Pty Ltd;</b> 02-02C, Article of clothing, (Divisional of 15093/2013) 19 May 2014	<b>12447/2014</b>	<b>HSC International Trading Ltd;</b> 31-00, Food processor, (EM, 19 Nov 2013) 19 May 2014	<b>12432/2014</b>
<b>Forever New Clothing Pty Ltd;</b> 02-02NES, Article of clothing, (Divisional of 15093/2013) 19 May 2014	<b>12444/2014</b>	<b>Indian Motorcycle International, LLC;</b> 12-11, Two-wheeled vehicle, (US, 14 Nov 2013) 14 May 2014	<b>12316/2014</b>
<b>Forever New Clothing Pty Ltd;</b> 02-02NES, Article of clothing, (Divisional of 15093/2013) 19 May 2014	<b>12445/2014</b>	<b>Industrial Steps and Ladders Pty Ltd;</b> 08-08N, Bracket slots, 20 May 2014	<b>12476/2014</b>
<b>Forever New Clothing Pty Ltd;</b> 02-02C, Article of clothing, (Divisional of 15093/2014) 19 May 2014	<b>12456/2014</b>	<b>Insfin Insurance &amp; Financial Group Pty Ltd;</b> 14-02, Mobile authentication and sales terminal, 08 May 2014	<b>12213/2014</b>
<b>Forever New Clothing Pty Ltd;</b> 02-02C, Article of clothing, 15 May 2014	<b>12342/2014</b>	<b>Insfin Insurance &amp; Financial Group Pty Ltd;</b> 14-02, Mobile authentication and sales terminal, 08 May 2014	<b>12211/2014</b>
<b>Fraterclark Pty Ltd;</b> 06-06NES, A foot operated stand for electrical cables, 09 May 2014	<b>12238/2014</b>	<b>Intercontinental Great Brands LLC;</b> 07-01NES, Container, (US, 29 Aug 2013) 28 Feb 2014	<b>12365/2014</b>
<b>Gardner Denver Nash, LLC;</b> 15-02, Liquid ring pump housing, (US, 11 Nov 2013) 08 May 2014	<b>12208/2014</b>	<b>Intercontinental Great Brands LLC;</b> 07-01NES, Container, (US, 29 Aug 2013) 28 Feb 2014	<b>12373/2014</b>
<b>Gary Frencham Pty Ltd;</b> 25-01D, Plank, 05 Apr 2014	<b>11767/2014</b>	<b>Intercontinental Great Brands LLC;</b> 07-01NES, Container, (US, 29 Aug 2013) 28 Feb 2014	<b>12371/2014</b>
<b>GlaxoSmithKline LLC;</b> 09-05, Package, (US, 12 Nov 2013) 12 May 2014	<b>12241/2014</b>	<b>Intercontinental Great Brands LLC;</b> 07-01NES, Container, (US, 29 Aug 2013) 28 Feb 2014	<b>12372/2014</b>
<b>Graco Minnesota Inc.;</b> 15-99, Plural component proportioner, (US, 21 Jan 2014) 08 May 2014	<b>12206/2014</b>	<b>Intercontinental Great Brands LLC;</b> 07-01NES, Containers, (US, 29 Aug 2013) 28 Feb 2014	<b>12366/2014</b>
<b>Groundwater Imaging Pty Ltd;</b> 10-04, 12-99, Geophysical and hydrographical survey vessel, 19 May 2014	<b>12434/2014</b>	<b>Intercontinental Great Brands LLC;</b> 07-01NES, Container, (US, 29 Aug 2013) 28 Feb 2014	<b>12352/2014</b>
<b>Gyrus ACMI, Inc., d.b.a. Olympus Surgical Technologies America;</b> 24-02, Electrosurgical cutting forceps, (US, 26 Feb 2014) 16 May 2014	<b>12401/2014</b>		

<b>Intercontinental Great Brands LLC;</b> 07-01NES, Container, (US, 29 Aug 2013) 28 Feb 2014	<b>12354/2014</b>	<b>Irwin Industrial Tool Company;</b> 08-03, Curved reciprocating saw blade, (US, 13 Nov 2013) 13 May 2014	<b>12296/2014</b>
<b>Intercontinental Great Brands LLC;</b> 07-01NES, Container, (US, 29 Aug 2013) 28 Feb 2014	<b>12344/2014</b>	<b>Irwin Industrial Tool Company;</b> 08-03, Curved reciprocating saw blade, (US, 13 Nov 2013) 13 May 2014	<b>12295/2014</b>
<b>Intercontinental Great Brands LLC;</b> 07-01NES, Container, (US, 29 Aug 2013) 28 Feb 2014	<b>12358/2014</b>	<b>Irwin Industrial Tool Company;</b> 08-03, Curved reciprocating saw blade, (US, 13 Nov 2013) 13 May 2014	<b>12290/2014</b>
<b>Intercontinental Great Brands LLC;</b> 07-01NES, Container, (US, 29 Aug 2013) 28 Feb 2014	<b>12359/2014</b>	<b>Irwin Industrial Tool Company;</b> 08-03, Curved reciprocating saw blade, (US, 13 Nov 2013) 13 May 2014	<b>12291/2014</b>
<b>Intercontinental Great Brands LLC;</b> 07-01NES, Container, (US, 29 Aug 2013) 28 Feb 2014	<b>12345/2014</b>	<b>Jelly Belly Candy Company;</b> 14-99, 09-03NES, Ornamental UPC code/ barcode, (US, 09 Nov 2012) (Divisional of 12110/2013) 29 Jul 2013	<b>16848/2013</b>
<b>Intercontinental Great Brands LLC;</b> 07-01NES, Container, (US, 29 Aug 2013) 28 Feb 2014	<b>12343/2014</b>	<b>Joseph Joseph Ltd;</b> 09-09, Garbage bin, 21 May 2014	<b>12485/2014</b>
<b>Intercontinental Great Brands LLC;</b> 07-01NES, Container, (US, 29 Aug 2013) 28 Feb 2014	<b>12360/2014</b>	<b>JETS Swimwear Pty Limited;</b> 02-02A, Swimwear garment, 12 May 2014	<b>12259/2014</b>
<b>Intercontinental Great Brands LLC;</b> 07-01NES, Container, (US, 29 Aug 2013) 28 Feb 2014	<b>12362/2014</b>	<b>JETS Swimwear Pty Limited;</b> 02-02A, Swimwear garment, 12 May 2014	<b>12260/2014</b>
<b>Intercontinental Great Brands LLC;</b> 07-01NES, Container, (US, 29 Aug 2013) 28 Feb 2014	<b>12362/2014</b>	<b>JETS Swimwear Pty Limited;</b> 02-02A, Swimwear garment, 12 May 2014	<b>12258/2014</b>
<b>Intercontinental Great Brands LLC;</b> 07-01NES, Container, (US, 29 Aug 2013) 28 Feb 2014	<b>12341/2014</b>	<b>JETS Swimwear Pty Limited;</b> 02-02A, Swimwear garment, 12 May 2014	<b>12255/2014</b>
<b>Intercontinental Great Brands LLC;</b> 07-01NES, Container, (US, 29 Aug 2013) 28 Feb 2014	<b>12369/2014</b>	<b>JETS Swimwear Pty Limited;</b> 02-02A, Swimwear garment, 12 May 2014	<b>12256/2014</b>
<b>Intercontinental Great Brands LLC;</b> 07-01NES, Container, (US, 29 Aug 2013) 28 Feb 2014	<b>12370/2014</b>	<b>JETS Swimwear Pty Limited;</b> 02-02A, Swimwear garment, 12 May 2014	<b>12253/2014</b>
<b>Intercontinental Great Brands LLC;</b> 07-01NES, Container, (US, 29 Aug 2013) 28 Feb 2014	<b>12370/2014</b>	<b>JETS Swimwear Pty Limited;</b> 02-02A, Swimwear garment, 12 May 2014	<b>12254/2014</b>
<b>Intercontinental Great Brands LLC;</b> 07-01NES, Container, (US, 29 Aug 2013) 28 Feb 2014	<b>12363/2014</b>	<b>JETS Swimwear Pty Limited;</b> 02-02A, Swimwear garment, 12 May 2014	<b>12252/2014</b>
<b>Intercontinental Great Brands LLC;</b> 07-01NES, Container, (US, 29 Aug 2013) 28 Feb 2014	<b>12364/2014</b>	<b>JETS Swimwear Pty Limited;</b> 02-02A, Swimwear garment, 12 May 2014	<b>12261/2014</b>
<b>Intercontinental Great Brands LLC;</b> 07-01NES, Container, (US, 29 Aug 2013) 28 Feb 2014	<b>12364/2014</b>	<b>JETS Swimwear Pty Limited;</b> 02-02A, Swimwear garment, 12 May 2014	<b>12263/2014</b>
<b>Intercontinental Great Brands LLC;</b> 07-01NES, Container, (US, 29 Aug 2013) 28 Feb 2014	<b>12347/2014</b>	<b>JETS Swimwear Pty Limited;</b> 02-02A, Swimwear garment, 12 May 2014	<b>12264/2014</b>
<b>Intercontinental Great Brands LLC;</b> 07-01NES, Container, (US, 29 Aug 2013) 28 Feb 2014	<b>12355/2014</b>	<b>JETS Swimwear Pty Limited;</b> 02-02A, Swimwear garment, 12 May 2014	<b>12262/2014</b>
<b>Intercontinental Great Brands LLC;</b> 07-01NES, Container, (US, 29 Aug 2013) 28 Feb 2014	<b>12357/2014</b>	<b>JUNG WOO Metal Ind. Co., Ltd.;</b> 23-01A, O-ring for pipe connection, (KR, 19 Nov 2013) 15 May 2014	<b>12361/2014</b>
<b>Intercontinental Great Brands LLC;</b> 07-01NES, Container, (US, 29 Aug 2013) 28 Feb 2014	<b>12351/2014</b>	<b>K A SHEEHAN &amp; S M VATINELLE;</b> 32-03, Massage business, 23 May 2014	<b>12527/2014</b>
<b>Irwin Industrial Tool Company;</b> 08-03, Curved reciprocating saw blade, (US, 13 Nov 2013) 13 May 2014	<b>12289/2014</b>	<b>K'NEX Limited Partnership Group;</b> 20-02NES, Positioning element, (US, 14 Nov 2013) 14 May 2014	<b>12325/2014</b>
		<b>Karan, Yvonne;</b> 19-08, A label design for bottle, 22 May 2014	<b>12517/2014</b>

<b>Karral Pty Ltd;</b> 26-05C, Light, 20 May 2014	<b>12480/2014</b>	<b>LUMENOUS PTY LTD;</b> 13-01, Vertical axis wind turbine, 15 May 2014	<b>12378/2014</b>
<b>Karsten Manufacturing Corporation;</b> 21-02C, Portion of a golf club head, (US, 04 Dec 2013) 15 May 2014	<b>12348/2014</b>	<b>Magi Enterprises Pty Ltd;</b> 02-02C, 02-02NES, Article of clothing, 07 May 2014	<b>12226/2014</b>
<b>Keurig Green Mountain, Inc.;</b> 31-00, Beverage machine, (US, 21 Nov 2013) 19 May 2014	<b>12457/2014</b>	<b>Magpul Industries Corporation;</b> 03-01NES, Case for a smart phone, (US, 14 Nov 2013) 12 May 2014	<b>12251/2014</b>
<b>Keurig Green Mountain, Inc.;</b> 07-02L, Beverage machine, (US, 21 Nov 2013) 20 May 2014	<b>12462/2014</b>	<b>Magpul Industries Corporation;</b> 22-01, Rear folding sight for a firearm, (US, 05 Dec 2013) 19 May 2014	<b>12441/2014</b>
<b>Kimberly-Clark Worldwide, Inc.;</b> 24-04, Base for enteral feeding device, (US, 25 Nov 2013) 21 May 2014	<b>12482/2014</b>	<b>Magpul Industries Corporation;</b> 22-01, Rear folding sight for a firearm, (US, 26 Nov 2013) 19 May 2014	<b>12429/2014</b>
<b>Kimberly-Clark Worldwide, Inc.;</b> 24-04, Catheter cross section, (US, 25 Nov 2013) 21 May 2014	<b>12483/2014</b>	<b>Master Lock Company LLC;</b> 08-07, Lock, (Divisional of 11153/2014) 20 May 2014	<b>12466/2014</b>
<b>Kraft Foods Group Brands LLC;</b> 07-01NES, Lid, 16 May 2014	<b>12417/2014</b>	<b>McCann, Jeffrey Steven;</b> 03-01B, 03-01NES, Clutch bag, fashion accessory, (Divisional of 11904/2014) 17 May 2014	<b>12418/2014</b>
<b>Kraft Foods Group Brands LLC;</b> 07-01NES, Container and lid, 16 May 2014	<b>12414/2014</b>	<b>McCann, Jeffrey Steven;</b> 03-01A, 03-01NES, Cardboard backpack, fashion accessory, (Divisional of 11904/2014) 17 May 2014	<b>12419/2014</b>
<b>Kraft Foods Group Brands LLC;</b> 07-01NES, Lid, 16 May 2014	<b>12416/2014</b>	<b>Michelin Recherche et Technique S.A.;COMPAGNIE GENERALE DES ETABLISSEMENTS MICHELIN;</b> 12-15C, A tyre, (FR, 26 Nov 2013) 13 May 2014	<b>12284/2014</b>
<b>Kraft Foods Group Brands LLC;</b> 07-01NES, Container and lid, 16 May 2014	<b>12413/2014</b>	<b>Mitsubishi Electric Corporation;</b> 15-07, Refrigerator, (JP, 14 Nov 2013) 13 May 2014	<b>12279/2014</b>
<b>Kraft Foods Group Brands LLC;</b> 07-01NES, Container and lid, 16 May 2014	<b>12403/2014</b>	<b>Moody, Wayne;</b> 12-99, Cable pull device, 23 May 2014	<b>12530/2014</b>
<b>Kraft Foods Group Brands LLC;</b> 07-01NES, Container, 16 May 2014	<b>12407/2014</b>	<b>Multisteps Pty Ltd;</b> 09-03K, A produce container, 20 May 2014	<b>12479/2014</b>
<b>Kraft Foods Group Brands LLC;</b> 07-01NES, Container and lid, 16 May 2014	<b>12397/2014</b>	<b>MASLEN TECHNOLOGY (AUSTRALIA) PTY LTD;</b> 12-99, Glass door, 16 May 2014	<b>12408/2014</b>
<b>Kraft Foods Group Brands LLC;</b> 07-01NES, Container, 16 May 2014	<b>12398/2014</b>	<b>MITSUBISHI ELECTRIC CORPORATION;</b> 15-07, Refrigerator, (JP, 24 Dec 2013) 13 May 2014	<b>12280/2014</b>
<b>Kraft Foods Group Brands LLC;</b> 07-01NES, Container, 16 May 2014	<b>12394/2014</b>	<b>MITSUBISHI ELECTRIC CORPORATION;</b> 15-07, Refrigerator, (JP, 24 Dec 2013) 12 May 2014	<b>12274/2014</b>
<b>Leather, Kerry Raymond Peter;Anderson, Frank Malcolm;</b> 12-16NES, Steel frame mounted on the tray back of a vehicle, 22 May 2014	<b>12502/2014</b>	<b>MITSUBISHI ELECTRIC CORPORATION;</b> 15-07, Refrigerator, 12 May 2014	<b>12275/2014</b>
<b>Leung, Katy Sau May;</b> 06-09, A PVC cushion, 21 May 2014	<b>12498/2014</b>	<b>MONKEY SEE MONKEY DOO LICENSING PTY LTD;</b> 12-16K, Ladder securing mount for roof racks on vehicles, 19 May 2014	<b>12437/2014</b>
<b>Lin, Hsun-Yu;</b> 23-04, Ceiling fan, 20 May 2014	<b>12463/2014</b>	<b>Nelson, Cameron David;</b> 25-01K, Extrusions, 09 May 2014	<b>12233/2014</b>
<b>LG Electronics Inc.;</b> 14-03A, Bluetooth headset, (KR, 22 Nov 2013) 13 May 2014	<b>12288/2014</b>		
<b>LL Casey Boat and Trailer Pty Ltd;LL CASEY BOAT AND TRAILER PTY LTD;</b> 12-10, Marine boat trailer, 19 May 2014	<b>12459/2014</b>		
<b>LL CASEY BOAT AND TRAILER PTY LTD;LL Casey Boat and Trailer Pty Ltd;</b> 12-10, Marine boat trailer, 19 May 2014	<b>12459/2014</b>		

<b>Novartis AG;CSP Technologies, Inc.;</b> 07-01NES, Container, (DE, 18 Nov 2013) 16 May 2014	<b>12411/2014</b>	<b>ResMed Sensor Technologies Limited;</b> 24-01, Apparatus for sleep information detection, (US, 09 May 2014) 21 May 2014	<b>12497/2014</b>
<b>NELA GmbH;</b> 08-05K, Smoothing trowel, (EP, 11 Apr 2014) 15 May 2014	<b>12346/2014</b>	<b>Royalty Bugaboo GmbH;</b> 03-01A, Luggage assembly, 20 May 2014	<b>12468/2014</b>
<b>Oceania Bodycare Natural Nutrition Group Pty Ltd;</b> 32-03, Dietary supplements, foods & skincare, 11 May 2014	<b>12239/2014</b>	<b>Royalty Bugaboo GmbH;</b> 03-01A, Luggage assembly, 20 May 2014	<b>12469/2014</b>
<b>Oisoom SDN BHD;</b> 11-01A, 11-99, 11-01C, 20-02E, Organizers, ring, bracelet and pendant, (Divisional of 10991/2014) 08 May 2014	<b>12207/2014</b>	<b>Royalty Bugaboo GmbH;</b> 03-01A, Luggage assembly, 20 May 2014	<b>12470/2014</b>
<b>Orica International Pte Ltd;</b> 09-01NES, Bottle, 23 May 2014	<b>12531/2014</b>	<b>RANDL Industries, Inc.;</b> 09-03H, Box support bracket, (US, 09 Dec 2013) 16 May 2014	<b>12389/2014</b>
<b>Orica International Pte Ltd;</b> 09-01NES, Bottle, 23 May 2014	<b>12528/2014</b>	<b>RK-INNOVATIONS OY;</b> 08-08B, Plaster plug, (US, 22 Nov 2013) 22 May 2014	<b>12509/2014</b>
<b>Pacific Brands Footwear Pty Ltd;</b> 02-04NES, Shoe, 20 May 2014	<b>12465/2014</b>	<b>RK-INNOVATIONS OY;</b> 08-08B, Plaster plug, (US, 22 Nov 2013) 22 May 2014	<b>12512/2014</b>
<b>Pacific Brands Footwear Pty Ltd;</b> 02-04NES, Shoe, 20 May 2014	<b>12473/2014</b>	<b>RK-INNOVATIONS OY;</b> 08-08B, Plaster plug, (US, 22 Nov 2013) 22 May 2014	<b>12510/2014</b>
<b>Pellizzari, Robert;</b> 09-03M, A machine erected box, 14 May 2014	<b>12314/2014</b>	<b>RK-INNOVATIONS OY;</b> 08-08B, Plaster plug, (US, 22 Nov 2013) 22 May 2014	<b>12511/2014</b>
<b>PepsiCo, Inc.;</b> 07-01D, Cup, (US, 22 Nov 2013) 21 May 2014	<b>12488/2014</b>	<b>Sandvik Intellectual Property AB;</b> 15-99, Telescopic chute, (EM, 11 Nov 2013) 09 May 2014	<b>12231/2014</b>
<b>PepsiCo, Inc.;</b> 07-01C, Cup, (US, 22 Nov 2013) 21 May 2014	<b>12489/2014</b>	<b>Seafolly Pty Ltd;</b> 02-02A, Swimwear, 05 May 2014	<b>12225/2014</b>
<b>PepsiCo, Inc.;</b> 31-00, Dispenser, (US, 17 Nov 2013) 16 May 2014	<b>12392/2014</b>	<b>Sedic, Filip;</b> 04-02, Toothbrush with a curved head, (US, 20 Dec 2013) 09 May 2014	<b>12230/2014</b>
<b>Phoenix Industries Pty Ltd;</b> 23-01H, Basin mixer, 14 May 2014	<b>12328/2014</b>	<b>Simplehuman, LLC;</b> 06-07, Vanity mirror, (Divisional of 10797/2014) 15 May 2014	<b>12356/2014</b>
<b>Phoenix Industries Pty Ltd;</b> 23-01H, Basin mixer, 14 May 2014	<b>12329/2014</b>	<b>Skelly, Cian Edward;</b> 06-01NES, Baby sitting/support aid, 15 May 2014	<b>12338/2014</b>
<b>Phoenix Industries Pty Ltd;</b> 23-01H, Basin mixer, 14 May 2014	<b>12326/2014</b>	<b>Southern Cross Industrial Services Pty Ltd;Spice, Anna;</b> 30-01, A full body dog compression suit/ garment, 19 May 2014	<b>12460/2014</b>
<b>Phoenix Industries Pty Ltd;</b> 23-01H, Basin mixer, 14 May 2014	<b>12327/2014</b>	<b>Spice, Anna;Southern Cross Industrial Services Pty Ltd;</b> 30-01, A full body dog compression suit/ garment, 19 May 2014	<b>12460/2014</b>
<b>Pi-Design AG;</b> 10-03, A timer, (WO, 19 Dec 2013) 19 May 2014	<b>12436/2014</b>	<b>Starbucks Corporation, doing business as Starbucks Coffee Company;</b> 31-00, Beverage brewing apparatus, (US, 20 Nov 2013) 19 May 2014	<b>12458/2014</b>
<b>Pridham, Andrew;</b> 08-08L, A modular platform bracket, 23 Apr 2014	<b>11967/2014</b>	<b>SEB;</b> 31-00, Electric grater-mincer, (EM, 12 Dec 2013) 15 May 2014	<b>12340/2014</b>
<b>ResMed Limited;</b> 24-04, Patient interface, (US, 12 Dec 2013) 20 May 2014	<b>12475/2014</b>	<b>SEB;</b> 31-00, Electric grater-mincer, (EM, 12 Dec 2013) 15 May 2014	<b>12339/2014</b>
<b>ResMed Limited;</b> 24-01, Positive airway pressure delivery console, (Divisional of 10782/2014) 20 May 2014	<b>12501/2014</b>		

<b>STEEL ROLLFORMED PRODUCTS LIMITED;</b> 25-01K, Sound attenuation stud, (NZ, 19 Nov 2013) 16 May 2014	<b>12391/2014</b>	<b>Tegometall International AG;</b> 06-04NES, Rack rear wall, (EM, 02 Sep 2013) (Divisional of 10958/2014) 14 May 2014	<b>12301/2014</b>
<b>Tai, Kasey;</b> 04-04, 04-99, A brush with a pistol-like grip, 17 May 2014	<b>12420/2014</b>	<b>Tegometall International AG;</b> 06-04NES, Rack rear wall, (EM, 02 Sep 2013) (Divisional of 10958/2014) 14 May 2014	<b>12303/2014</b>
<b>Tegometall International AG;</b> 06-04NES, Rack rear wall, (EM, 02 Sep 2013) 14 May 2014	<b>12302/2014</b>	<b>Tegometall International AG;</b> 06-04NES, Rack rear wall, (EM, 02 Sep 2013) (Divisional of 10958/2014) 14 May 2014	<b>12300/2014</b>
<b>Tegometall International AG;</b> 20-02NES, 06-04NES, Rack column, (EM, 02 Sep 2013) (Divisional of 10958/2014) 14 May 2014	<b>12319/2014</b>	<b>Teva Pharmaceutical Industries, Ltd.;</b> 24-02, Injection device, (EM, 25 Nov 2013) 22 May 2014	<b>12504/2014</b>
<b>Tegometall International AG;</b> 20-02NES, 08-08M, Rack bracket, (EM, 02 Sep 2013) (Divisional of 10958/2014) 14 May 2014	<b>12322/2014</b>	<b>The Coca-Cola Company;</b> 09-01NES, Bottle, (JP, 22 Nov 2013) 16 May 2014	<b>12399/2014</b>
<b>Tegometall International AG;</b> 06-04NES, Rack shelf, (US, 02 Sep 2013) (Divisional of 10958/2014) 14 May 2014	<b>12318/2014</b>	<b>The Coleman Company, Inc.;</b> 07-02E, Grill lid, (US, 11 Nov 2013) 09 May 2014	<b>12237/2014</b>
<b>Tegometall International AG;</b> 06-04NES, Rack shelf, (EM, 02 Sep 2013) (Divisional of 10958/2014) 14 May 2014	<b>12315/2014</b>	<b>The Peak Group Pty Limited;</b> 08-99, Cable drum cage with geared winder, 15 May 2014	<b>12367/2014</b>
<b>Tegometall International AG;</b> 20-02NES, 06-04NES, Rack base element, (EM, 02 Sep 2013) (Divisional of 10958/2014) 14 May 2014	<b>12320/2014</b>	<b>The Peak Group Pty Limited;</b> 15-99, Cable winder, 15 May 2014	<b>12368/2014</b>
<b>Tegometall International AG;</b> 20-02NES, 06-04NES, Rack crossbeam, (EM, 02 Sep 2013) (Divisional of 10958/2014) 14 May 2014	<b>12321/2014</b>	<b>Tube Home (M) Sdn Bhd;</b> 06-03A, Table, (MY, 08 May 2014) 21 May 2014	<b>12494/2014</b>
<b>Tegometall International AG;</b> 06-04NES, Rack rear wall, (EM, 02 Sep 2013) (Divisional of 10958/2014) 14 May 2014	<b>12312/2014</b>	<b>THE PEAK GROUP PTY LIMITED;</b> 14-03NES, Signal source, 18 May 2014	<b>12422/2014</b>
<b>Tegometall International AG;</b> 06-04NES, Rack rear wall, (EM, 02 Sep 2013) (Divisional of 10958/2014) 14 May 2014	<b>12313/2014</b>	<b>THE PEAK GROUP PTY LIMITED;</b> 14-03NES, Handheld electronic meter keypad, 18 May 2014	<b>12426/2014</b>
<b>Tegometall International AG;</b> 06-04NES, Rack rear wall, (EM, 02 Sep 2013) (Divisional of 10958/2014) 14 May 2014	<b>12306/2014</b>	<b>THE PEAK GROUP PTY LIMITED;</b> 14-03NES, Continuity meter, 18 May 2014	<b>12425/2014</b>
<b>Tegometall International AG;</b> 06-04NES, Rack rear wall, (EM, 02 Sep 2013) (Divisional of 10958/2014) 14 May 2014	<b>12307/2014</b>	<b>THE PEAK GROUP PTY LIMITED;</b> 14-03NES, Tunable voltmeter, 18 May 2014	<b>12423/2014</b>
<b>Tegometall International AG;</b> 06-04NES, Rack rear wall, (EM, 02 Sep 2013) (Divisional of 10958/2014) 14 May 2014	<b>12304/2014</b>	<b>THE PEAK GROUP PTY LIMITED;</b> 14-03NES, Continuity meter base unit, 18 May 2014	<b>12424/2014</b>
<b>Tegometall International AG;</b> 06-04NES, Rack rear wall, (EM, 02 Sep 2013) (Divisional of 10958/2014) 14 May 2014	<b>12305/2014</b>	<b>TRIO BROTHERS TRADING PTY LTD;</b> 27-05, Gas lighter, 22 May 2014	<b>12515/2014</b>
		<b>Unilever PLC;</b> 09-01K, Container, (EM, 21 Mar 2014) 09 May 2014	<b>12236/2014</b>
		<b>Victor Equipment Company;</b> 08-05M, Housing for a carbon arc gouging torch, (US, 13 Nov 2013) 13 May 2014	<b>12292/2014</b>
		<b>Victor Equipment Company;</b> 26-02, Extended housing for a carbon arc gouging torch, (US, 13 Nov 2013) 13 May 2014	<b>12293/2014</b>
		<b>Ward, Duncan James Fraser;</b> 26-05D, Suspended pendant or ceiling mounted light fitting, 21 May 2014	<b>12484/2014</b>

<b>Ward, Duncan James Fraser;</b> 26-05D, Light fixture, 20 May 2014	<b>12461/2014</b>	<b>3M Innovative Properties Company;</b> 24-99, Hearing device assembly having a hearing device tether to be applied, (US, 18 Nov 2013) 14 May 2014	<b>12382/2014</b>
<b>Werner Co;</b> 25-04, Castor brace for ladder, 08 May 2014	<b>12215/2014</b>	<b>3M Innovative Properties Company;</b> 03-01NES, Portable charging storage case, (US, 18 Nov 2013) 14 May 2014	<b>12383/2014</b>
<b>Werner Co;</b> 25-04, Ladder stabilizer, 08 May 2014	<b>12216/2014</b>	<b>3M Innovative Properties Company;</b> 24-99, Hearing device tether having an acoustic decoupling section, (US, 18 Nov 2013) 14 May 2014	<b>12380/2014</b>
<b>3M Innovative Properties Company;</b> 29-02, Hearing protector with windscreen, (US, 18 Nov 2013) 19 May 2014	<b>12435/2014</b>	<b>3M Innovative Properties Company;</b> 23-01G, Filter cartridge, (US, 15 Nov 2013) 14 May 2014	<b>12333/2014</b>
<b>3M Innovative Properties Company;</b> 03-01NES, Portable charging storage case having a USB port cover, (US, 18 Nov 2013) 14 May 2014	<b>12386/2014</b>	<b>3M Innovative Properties Company;</b> 23-01G, Filter cartridge, (US, 15 Nov 2013) 14 May 2014	<b>12335/2014</b>
<b>3M Innovative Properties Company;</b> 03-01NES, Portable charging storage case, (US, 18 Nov 2013) 14 May 2014	<b>12387/2014</b>	<b>3M Innovative Properties Company;</b> 23-01G, Filter cartridge, (US, 15 Nov 2013) 14 May 2014	<b>12334/2014</b>
<b>3M Innovative Properties Company;</b> 03-01NES, Portable charging storage case, (US, 18 Nov 2013) 14 May 2014	<b>12388/2014</b>	<b>3M Innovative Properties Company;</b> 23-01G, Filter cartridge, (US, 15 Nov 2013) 14 May 2014	<b>12332/2014</b>
<b>3M Innovative Properties Company;</b> 24-99, Hearing device tether having an acoustic decoupling section, (US, 18 Nov 2013) 14 May 2014	<b>12384/2014</b>	<b>3M Innovative Properties Company;</b> 24-99, Hearing protector housing, (US, 18 Nov 2013) 13 May 2014	<b>12281/2014</b>
<b>3M Innovative Properties Company;</b> 24-99, Hearing device assembly having a hearing device tether acoustic decoupling section, (US, 18 Nov 2013) 14 May 2014	<b>12385/2014</b>		

**Applications Lapsed**

13078 / 2012 (02-02C)	11806 / 2013 (99-00)
10352 / 2014 (21-01F)	10647 / 2014 (25-02C)

**Extension of Period of Registration of Designs**

324890	325784	325996
326042	326109	326201
326309	326310	326389
326390	326396	326417
326418	326419	326432
326445	326471	326472
326473	326474	326497
326553	326554	326556
326594	326595	326596
326597	326605	326606
326607	326616	326617
326618	326620	326625
326631	326656	326658
326659	326662	326663
326664	326666	326667
326669	326670	326671
326672	326673	326674
326693	326709	326740
326741	326752	326753
326763	326764	326777
326785	326798	326801
326802	326814	326905
326906	326908	326913
326935	326941	326942
326943	326944	326948
326949	326950	326963
327064	327071	327072
327073	327202	327203
327204	327210	327211
327212	327213	327214
327241	327244	327245
327273	327274	327381
327393	327394	327477
327544	327546	327708
327803	327997	328477
328772	329413	329491
329492	329539	329540
329541	329542	329543
329597	329598	

**Registrations Ceased**

322006	322333	322336
323476	323483	323490
323491	323536	323538
323539	323545	323573
323576	323577	323578
323580	323581	323582
323583	323584	323585
323586	323588	323633

323634	323661	323662
323663	323664	323665
323671	323672	323673
323674	323675	323684
323695	323817	323818
323819	323820	323857
323953	324081	324082
324083	324084	324085
324086	324087	324088
324089	324090	324100
324101	324102	324103
324104	324105	324106
324107	324108	324109
324110	324111	324353
324514	324515	324516
324517	324519	324520
324528	324532	324641
324661	324714	324726
324749	324751	325213
325609	325617	325714
350348	350349	350539
350540		

**Applications for Extension of time under Section 137**

Applications under section 137 for extension of time have been lodged. Objections must be lodged within 1 month from the date of this journal.

323081 **Continental Conveyor & Equipment Pty Ltd** Address for Service: P. Weatherhead/Continental Conveyor & Equipment Pty Ltd 10 Somersby Falls Road SOMERSBY NSW 2250

16610/2012 **Gum Drops LLC** Address for Service: Wrays Ground Floor 56 Ord Street WEST PERTH WA 6005

16611/2012 **Gum Drops LLC** Address for Service: Wrays Ground Floor 56 Ord Street WEST PERTH WA 6005

16612/2012 **Gum Drops LLC** Address for Service: Wrays Ground Floor 56 Ord Street WEST PERTH WA 6005

10375/2013 **The trustee for b.box for kids trust** Address for Service: The trustee for b.box for kids trust 73 Emo Rd Malvern East VIC 3145

**Extensions of time granted under Section 137**

Applications lodged under section 137 for extension of time have been granted.

314387 **CTCI Pty Limited**

321796 **Westport Global Limited**

323062 **Yetimo International Pty Ltd**

347148 **The Goodyear Tire & Rubber Company**

355704 **WIRTGEN GmbH**

**Applications Assigned**

(The name in parentheses is that of the subsequent applicant)

- 10606/2014 ( **FPC Food Plastics Pty Ltd** ) Food Plastics Co. Pty Ltd
- 10608/2014 ( **FPC Food Plastics Pty Ltd** ) Food Plastics Co. Pty Ltd
- 11742/2014 ( **Rocheway Pty Ltd** ) Peer Intellectual Properties Pty Ltd
- 10312/2014 ( **John Bruce Howard Gerber** ) John Gerber; David Gerber

**Subsequent Owners Registered**

(The name in parentheses is that of the subsequent owner)

- 302653 ( **FARMER BILLS LIMITED** ) Fraisbon Foods Limited
- 302654 ( **FARMER BILLS LIMITED** ) Fraisbon Foods Limited
- 302655 ( **FARMER BILLS LIMITED** ) Fraisbon Foods Limited
- 302656 ( **FARMER BILLS LIMITED** ) Fraisbon Foods Limited
- 302657 ( **FARMER BILLS LIMITED** ) Fraisbon Foods Limited
- 302658 ( **FARMER BILLS LIMITED** ) Fraisbon Foods Limited
- 320340 ( **FARMER BILLS LIMITED** ) Fraisbon Foods Limited
- 320341 ( **FARMER BILLS LIMITED** ) Fraisbon Foods Limited
- 320342 ( **FARMER BILLS LIMITED** ) Fraisbon Foods Limited
- 320343 ( **FARMER BILLS LIMITED** ) Fraisbon Foods Limited
- 315929 ( **Alamo Acquisition Pty Ltd** ) Fieldquip Pty Ltd
- 324977 ( **Ladder's Little Helper LLC a limited liability company organised and existing under the laws of State of Missouri (USA)** ) Ladder's Little Helper Pty Ltd
- 326358 ( **DuluxGroup (Australia) Pty Ltd** ) Orica International IP Holdings Inc.
- 326743 ( **DuluxGroup (Australia) Pty Ltd** ) Orica International IP Holdings Inc.
- 341972 ( **Plastipak Packaging, Inc.** ) Constar International LLC a Delaware Limited Liability company
- 341973 ( **Plastipak Packaging, Inc.** ) Constar International LLC a Delaware Limited Liability company
- 341974 ( **Plastipak Packaging, Inc.** ) Constar International LLC a Delaware Limited Liability company
- 330362 ( **Jorgunson-Watts Pty Ltd** ) Watts Hardware Mfg Pty Ltd
- 330363 ( **Jorgunson-Watts Pty Ltd** ) Watts Hardware Mfg Pty Ltd
- 330364 ( **Jorgunson-Watts Pty Ltd** ) Watts Hardware Mfg Pty Ltd
- 330762 ( **Jorgunson-Watts Pty Ltd** ) Watts Hardware Mfg Pty Ltd
- 330982 ( **Jorgunson-Watts Pty Ltd** ) Watts Hardware Mfg Pty Ltd
- 330981 ( **Jorgunson-Watts Pty Ltd** ) Watts Hardware Mfg Pty Ltd
- 330980 ( **Jorgunson-Watts Pty Ltd** ) Watts Hardware Mfg Pty Ltd
- 338662 ( **ITW Australia Pty Ltd** ) Illinois Tool Works Inc.
- 338663 ( **ITW Australia Pty Ltd** ) Illinois Tool Works Inc.
- 338664 ( **ITW Australia Pty Ltd** ) Illinois Tool Works Inc.
- 338665 ( **ITW Australia Pty Ltd** ) Illinois Tool Works Inc.
- 348293 ( **Remington Designs, LLC** ) Bruce D. Burrows
- 348743 ( **Remington Designs, LLC** ) Bruce D. Burrows
- 350336 ( **Panasonic Healthcare Co. Ltd** ) Panasonic Corporation
- 350337 ( **Panasonic Healthcare Co. Ltd** ) Panasonic Corporation

- 353028 ( **Jorgenson-Watts IP Pty Ltd** ) Jorgenson-Watts Pty Ltd
- 348168 ( **Jorgenson-Watts IP Pty Ltd** ) Jorgenson-Watts Pty Ltd
- 338477 ( **Container Pty Ltd** ) Mark Evans;Brenan Liston
- 303187 ( **Illinois Tools Works Inc.** ) Cetram Pty Limited
- 304792 ( **Illinois Tools Works Inc.** ) Cetram Pty Limited
- 304793 ( **Illinois Tools Works Inc.** ) Cetram Pty Limited
- 304794 ( **Illinois Tools Works Inc.** ) Cetram Pty Limited
- 305537 ( **Illinois Tools Works Inc.** ) Cetram Pty Limited
- 304348 ( **Illinois Tools Works Inc.** ) Cetram Pty Limited
- 326169 ( **Menelaus BV** ) Groupe Cadum
- 352596 ( **Wirecare (NZ) Limited** ) Honeypot Holdings Limited;Wirecare (NZ) Limited
- 324797 ( **Jorgenson-Watts IP Pty Ltd** ) Jorgenson-Watts Pty Ltd
- 329096 ( **Jorgenson-Watts IP Pty Ltd** ) Jorgenson-Watts Pty Ltd
- 355186 ( **Jorgenson-Watts IP Pty Ltd** ) Jorgenson-Watts Pty Ltd
- 353121 ( **Shenstone Design Pty Ltd** ) Stephen John O'Keeffe
- 355183 ( **passot Co., Ltd** ) Holbox B.V.
- 355182 ( **passot Co., Ltd** ) Holbox B.V.
- 355181 ( **passot Co., Ltd** ) Holbox B.V.
- 351872 ( **Jorgenson-Watts IP Pty Ltd** ) Jorgenson-Watts Pty Ltd
- 354030 ( **Aether Things, Inc.** ) Wyoming West, LLC
- 354031 ( **Aether Things, Inc.** ) Wyoming West, LLC
- 326186 ( **Multiboard Australia Pty Ltd** ) DM Multiboard (Aust) Pty Ltd
- 348423 ( **Thunderbird Ag Pty Limited** ) Country Electronics Pty Ltd
- 354916 ( **Chobani, LLC a Delaware limited liability company** ) Chobani, Inc.
- 342064 ( **Ace Wire Works (VIC.) Pty Ltd** ) The Bin Buddie Company Pty. Ltd.

**Names Registered - Alterations and Amendments**

(The name in parentheses is that of the subsequent applicant)

- 348359 ( **CUB Pty Ltd** ) CUB Limited
- 348360 ( **CUB Pty Ltd** ) CUB Limited

**Certificate(s) of Examination**

Examination of the following Design Registration(s) has been completed. Infringement proceedings may now be commenced.

326042	06-03NES	05/07/2013	352958	08-07	13/05/2014
331989	07-01NES	23/05/2014	353034	08-05H	21/05/2014
334272	13-02	12/05/2014	353045	09-01NES	22/05/2014
334273	13-02	12/05/2014	353075	07-02L	22/05/2014
345719	02-02NES	19/05/2014	353231	10-04	26/05/2014
346572	14-02	22/05/2014	353238	01-01	18/05/2014
346573	14-02	22/05/2014	353239	01-01	18/05/2014
346898	23-01C	13/05/2014	353299	05-05A	26/05/2014
346899	23-01C	13/05/2014	353304	06-01L	18/05/2014
346900	23-01C	13/05/2014	353489	02-02C	19/05/2014
346901	23-01K	14/05/2014	353508	15-99	21/05/2014
349264	06-01F	22/05/2014	353509	15-99	21/05/2014
350503	08-01	12/05/2014	353510	15-99	21/05/2014
350544	15-05	21/05/2014	353513	09-03NES	26/05/2014
350964	15-05	13/05/2014	353522	06-01H	26/05/2014
350965	15-05	15/05/2014	353636	15-99	26/05/2014
350966	15-05	18/05/2014	353637	15-99	26/05/2014
351202	15-05	21/05/2014	353664	02-02C	26/05/2014
351203	15-05	21/05/2014	353669	21-02D	26/05/2014
351204	15-05	21/05/2014	354270	12-03	25/05/2014
351244	15-05	16/05/2014	354290	12-03	25/05/2014
351257	13-02	15/05/2014	354478	07-02L	22/05/2014
351413	14-01	22/05/2014	354761	07-02L	22/05/2014
351453	15-05	20/05/2014	355046	08-08L	23/05/2014
351454	04-01	20/05/2014			
351490	09-05	25/05/2014			
351491	09-05	25/05/2014			
351548	16-06	19/05/2014			
351723	24-03	17/03/2014			
351812	24-03	17/03/2014			
351817	08-08L	13/05/2014			
351856	14-03NES	12/05/2014			
351927	26-05E	13/05/2014			
351928	03-01NES	12/05/2014			
351956	02-02NES	21/05/2014			
351976	09-07C	27/05/2014			
352021	12-16NES	16/05/2014			
352164	25-04	14/05/2014			
352186	13-02	18/05/2014			
352251	15-05	16/05/2014			
352422	09-05	23/05/2014			
352492	09-03H	12/05/2014			
352493	12-05	19/05/2014			
352509	12-15E	15/05/2014			
352510	12-15E	15/05/2014			
352598	08-05H	21/05/2014			
352604	12-16NES	15/05/2014			
352648	12-16NES	15/05/2014			
352661	14-02	23/05/2014			
352677	14-99	16/05/2014			
352688	14-02	23/05/2014			
352703	06-01L	23/05/2014			
352721	06-01L	23/05/2014			
352783	07-01NES	22/05/2014			
352876	08-01	26/05/2014			
352886	14-03NES	25/05/2014			
352887	14-03NES	25/05/2014			
352930	06-03B	16/05/2014			
352957	23-01A	13/05/2014			

**Publication and Registration Proceedings**

**Designs Published**

The following Design(s) are now published.

<b>Design Number</b>	<b>International Classification Code (IDC)</b>	<b>Publication Date</b>	<b>Design Number</b>	<b>International Classification Code (IDC)</b>	<b>Publication Date</b>
13964/2013	20-01	19/05/2014	14143/2013	09-09	15/05/2014

**Publication and Registration Proceedings**

**Designs Registered**

This section provides a concordance between design number and registration number of Designs covered in this journal. It also shows the main class and registration date.

This section covers Registration numbers 355316 to 355732 .

The registration number shown below should be used in all future correspondence.

<b>Design Number</b>	<b>Registration Number</b>	<b>International Classification Code (IDC)</b>	<b>Registration Date</b>	<b>Design Number</b>	<b>Registration Number</b>	<b>International Classification Code (IDC)</b>	<b>Registration Date</b>
14341/2013	355448	12-16C	15/05/2014	10606/2014	355518	09-01B	16/05/2014
14342/2013	355478	12-16NES	15/05/2014	10608/2014	355727	09-01B	23/05/2014
14343/2013	355479	12-08	15/05/2014	10611/2014	355332	14-02	13/05/2014
14344/2013	355480	12-08	15/05/2014	10615/2014	355325	08-03	12/05/2014
14346/2013	355481	12-08	15/05/2014	10655/2014	355382	26-02	14/05/2014
14347/2013	355482	12-16C	15/05/2014	10658/2014	355333	05-06NES	13/05/2014
14348/2013	355483	12-16C	15/05/2014	10659/2014	355334	05-06NES	13/05/2014
14349/2013	355506	12-16C	15/05/2014	10660/2014	355335	05-06NES	13/05/2014
14350/2013	355484	26-06	15/05/2014	10661/2014	355383	26-02	14/05/2014
14351/2013	355485	26-06	15/05/2014	10665/2014	355336	05-06A	13/05/2014
14352/2013	355486	12-16C	15/05/2014	10666/2014	355337	05-06NES	13/05/2014
14483/2013	355567	01-01	16/05/2014	10679/2014	355728	19-02	23/05/2014
14484/2013	355568	01-01	16/05/2014	10681/2014	355338	28-03NES	13/05/2014
14485/2013	355569	01-01	16/05/2014	10687/2014	355699	08-07	22/05/2014
14486/2013	355570	01-01	16/05/2014	10690/2014	355601	15-07	21/05/2014
14487/2013	355571	01-01	16/05/2014	10721/2014	355602	08-03	21/05/2014
14734/2013	355609	22-06	21/05/2014	10722/2014	355603	08-03	21/05/2014
15057/2013	355316	08-08L	12/05/2014	10723/2014	355374	25-01A	13/05/2014
15102/2013	355595	08-07	20/05/2014	10742/2014	355700	12-02	22/05/2014
15193/2013	355610	22-06	21/05/2014	10748/2014	355384	09-08	14/05/2014
15198/2013	355349	09-03NES	13/05/2014	10759/2014	355385	12-16B	14/05/2014
15444/2013	355583	02-02C	19/05/2014	10782/2014	355720	24-01	23/05/2014
15463/2013	355584	02-02NES	19/05/2014	10824/2014	355352	14-02	13/05/2014
15568/2013	355572	23-02A	16/05/2014	10825/2014	355353	14-02	13/05/2014
16474/2013	355704	15-04	22/05/2014	10826/2014	355354	14-02	13/05/2014
16623/2013	355421	23-01A	14/05/2014	10827/2014	355355	14-02	13/05/2014
16676/2013	355329	08-06	13/05/2014	10834/2014	355356	14-02	13/05/2014
16730/2013	355517	11-02B	16/05/2014	10835/2014	355357	14-02	13/05/2014
10082/2014	355317	11-02B	12/05/2014	10836/2014	355358	14-02	13/05/2014
10114/2014	355573	21-01C	16/05/2014	10837/2014	355359	14-02	13/05/2014
10190/2014	355574	29-02	16/05/2014	10840/2014	355360	14-02	13/05/2014
10197/2014	355611	28-03B	21/05/2014	10841/2014	355361	14-02	13/05/2014
10200/2014	355612	28-03B	21/05/2014	10842/2014	355362	14-02	13/05/2014
10201/2014	355613	28-03B	21/05/2014	10843/2014	355363	14-02	13/05/2014
10281/2014	355679	03-03	21/05/2014	10844/2014	355364	14-02	13/05/2014
10288/2014	355318	20-03NES	12/05/2014	10845/2014	355365	14-02	13/05/2014
10313/2014	355319	24-01	12/05/2014	10846/2014	355366	14-02	13/05/2014
10406/2014	355350	24-02	13/05/2014	10847/2014	355367	14-02	13/05/2014
10420/2014	355320	01-02	12/05/2014	10848/2014	355368	14-02	13/05/2014
10436/2014	355588	05-05D	20/05/2014	10849/2014	355369	14-02	13/05/2014
10443/2014	355575	14-02	16/05/2014	10896/2014	355375	12-16NES	13/05/2014
10444/2014	355576	14-02	16/05/2014	10897/2014	355701	06-01E	22/05/2014
10445/2014	355381	14-02	14/05/2014	10901/2014	355616	12-16NES	21/05/2014
10459/2014	355321	24-01	12/05/2014	10903/2014	355619	15-07	21/05/2014
10477/2014	355322	06-01F	12/05/2014	10909/2014	355614	15-07	21/05/2014
10556/2014	355330	24-02	13/05/2014	10914/2014	355615	15-07	21/05/2014
10557/2014	355331	14-02	13/05/2014	10915/2014	355386	16-06	14/05/2014
10558/2014	355351	14-02	13/05/2014	10916/2014	355620	15-07	21/05/2014
10560/2014	355323	07-02C	12/05/2014	10919/2014	355617	15-07	21/05/2014
10605/2014	355324	03-01NES	12/05/2014	10921/2014	355380	14-04	14/05/2014

Publication and Registration Proceedings - Designs Registered cont'd

Design Number	Registration Number	International Classification Code (IDC)	Registration Date	Design Number	Registration Number	International Classification Code (IDC)	Registration Date
10933/2014	355507	13-03D	15/05/2014	11697/2014	355732	09-02A	23/05/2014
10937/2014	355508	13-03D	15/05/2014	11712/2014	355407	02-02C	14/05/2014
10958/2014	355618	20-02NES	21/05/2014	11764/2014	355347	07-02N	13/05/2014
10959/2014	355387	24-01	14/05/2014	11800/2014	355348	21-01M	13/05/2014
10962/2014	355388	11-02B	14/05/2014	11807/2014	355408	07-02F	14/05/2014
10963/2014	355389	11-02B	14/05/2014	11808/2014	355409	07-02F	14/05/2014
10964/2014	355390	11-02C	14/05/2014	11809/2014	355410	12-15B	14/05/2014
10983/2014	355391	07-01NES	14/05/2014	11811/2014	355411	03-01NES	14/05/2014
10984/2014	355392	07-01NES	14/05/2014	11813/2014	355412	24-04	14/05/2014
10991/2014	355376	03-01NES	13/05/2014	11814/2014	355413	14-02	14/05/2014
11007/2014	355721	28-03B	23/05/2014	11815/2014	355414	14-02	14/05/2014
11008/2014	355722	28-03B	23/05/2014	11817/2014	355415	14-02	14/05/2014
11010/2014	355723	28-03B	23/05/2014	11818/2014	355416	14-02	14/05/2014
11015/2014	355377	28-03NES	13/05/2014	11819/2014	355417	14-02	14/05/2014
11084/2014	355730	06-03B	23/05/2014	11820/2014	355418	14-02	14/05/2014
11085/2014	355731	06-03B	23/05/2014	11821/2014	355419	14-02	14/05/2014
11087/2014	355339	09-09	13/05/2014	11822/2014	355420	14-02	14/05/2014
11095/2014	355340	19-08	13/05/2014	11824/2014	355422	14-02	14/05/2014
11096/2014	355341	19-08	13/05/2014	11825/2014	355423	14-02	14/05/2014
11099/2014	355342	19-08	13/05/2014	11826/2014	355424	14-02	14/05/2014
11100/2014	355393	08-05L	14/05/2014	11827/2014	355425	14-02	14/05/2014
11101/2014	355343	19-08	13/05/2014	11828/2014	355426	14-02	14/05/2014
11102/2014	355394	08-05L	14/05/2014	11829/2014	355427	14-02	14/05/2014
11103/2014	355344	19-08	13/05/2014	11830/2014	355428	14-02	14/05/2014
11104/2014	355345	19-08	13/05/2014	11831/2014	355429	14-02	14/05/2014
11106/2014	355395	24-04	14/05/2014	11832/2014	355430	14-02	14/05/2014
11122/2014	355604	21-01F	21/05/2014	11833/2014	355431	23-01H	14/05/2014
11123/2014	355605	21-01F	21/05/2014	11834/2014	355432	23-01H	14/05/2014
11125/2014	355396	09-01NES	14/05/2014	11836/2014	355433	02-04B	14/05/2014
11126/2014	355397	09-01NES	14/05/2014	11837/2014	355434	23-01H	14/05/2014
11127/2014	355398	09-01NES	14/05/2014	11839/2014	355435	23-01B	14/05/2014
11172/2014	355680	08-01	21/05/2014	11842/2014	355436	23-01B	14/05/2014
11187/2014	355370	19-08	13/05/2014	11843/2014	355437	23-02C	14/05/2014
11212/2014	355399	06-01C	14/05/2014	11845/2014	355438	23-01A	14/05/2014
11215/2014	355346	24-01	13/05/2014	11846/2014	355439	23-02C	14/05/2014
11237/2014	355606	12-12	21/05/2014	11847/2014	355440	03-01NES	14/05/2014
11256/2014	355378	03-03	13/05/2014	11848/2014	355441	03-01NES	14/05/2014
11261/2014	355702	09-03E	22/05/2014	11849/2014	355442	03-01NES	14/05/2014
11280/2014	355681	10-02	21/05/2014	11850/2014	355443	23-02C	14/05/2014
11324/2014	355373	21-01D	13/05/2014	11852/2014	355444	03-01A	14/05/2014
11338/2014	355371	06-13C	13/05/2014	11853/2014	355445	03-01NES	14/05/2014
11361/2014	355682	24-01	21/05/2014	11854/2014	355446	03-01NES	14/05/2014
11405/2014	355607	09-03K	21/05/2014	11856/2014	355447	03-01NES	14/05/2014
11459/2014	355449	14-01	15/05/2014	11858/2014	355450	03-01NES	15/05/2014
11460/2014	355400	06-01G	14/05/2014	11862/2014	355451	02-07D	15/05/2014
11462/2014	355401	06-01G	14/05/2014	11864/2014	355452	12-15A	15/05/2014
11493/2014	355372	25-03	13/05/2014	11866/2014	355453	06-01G	15/05/2014
11514/2014	355379	25-01F	13/05/2014	11867/2014	355454	06-01G	15/05/2014
11609/2014	355608	25-02B	21/05/2014	11868/2014	355455	13-02	15/05/2014
11619/2014	355402	24-02	14/05/2014	11869/2014	355456	20-03NES	15/05/2014
11621/2014	355403	09-05	14/05/2014	11870/2014	355457	20-02NES	15/05/2014
11635/2014	355404	07-05E	14/05/2014	11871/2014	355458	20-02NES	15/05/2014
11665/2014	355724	08-08NES	23/05/2014	11872/2014	355459	20-02NES	15/05/2014
11671/2014	355405	25-01K	14/05/2014	11873/2014	355460	13-03NES	15/05/2014
11691/2014	355406	15-99	14/05/2014	11874/2014	355461	13-03NES	15/05/2014

Publication and Registration Proceedings - Designs Registered cont'd

Design Number	Registration Number	International Classification Code (IDC)	Registration Date	Design Number	Registration Number	International Classification Code (IDC)	Registration Date
11876/2014	355462	13-03NES	15/05/2014	11965/2014	355528	14-01	16/05/2014
11879/2014	355463	12-15B	15/05/2014	11966/2014	355529	08-08L	16/05/2014
11882/2014	355464	26-02	15/05/2014	11968/2014	355530	08-08L	16/05/2014
11883/2014	355465	07-01NES	15/05/2014	11972/2014	355531	06-03D	16/05/2014
11884/2014	355466	07-01NES	15/05/2014	11973/2014	355532	07-05D	16/05/2014
11887/2014	355467	08-07	15/05/2014	11980/2014	355596	07-03	20/05/2014
11888/2014	355468	08-08L	15/05/2014	11981/2014	355533	07-06NES	16/05/2014
11889/2014	355469	08-08L	15/05/2014	11982/2014	355534	07-05D	16/05/2014
11890/2014	355470	22-05	15/05/2014	11983/2014	355535	07-01NES	16/05/2014
11891/2014	355471	07-01E	15/05/2014	11984/2014	355536	07-01NES	16/05/2014
11892/2014	355472	16-01	15/05/2014	11985/2014	355537	07-01NES	16/05/2014
11893/2014	355473	16-01	15/05/2014	11986/2014	355538	07-01NES	16/05/2014
11894/2014	355474	15-05	15/05/2014	11987/2014	355547	07-01NES	16/05/2014
11898/2014	355475	23-04	15/05/2014	11988/2014	355539	07-01NES	16/05/2014
11901/2014	355476	03-01NES	15/05/2014	11990/2014	355540	25-01C	16/05/2014
11902/2014	355477	02-04NES	15/05/2014	11991/2014	355541	25-01C	16/05/2014
11914/2014	355487	14-02	15/05/2014	11992/2014	355542	25-01C	16/05/2014
11915/2014	355488	16-06	15/05/2014	11993/2014	355543	26-04	16/05/2014
11916/2014	355489	16-06	15/05/2014	11994/2014	355544	26-04	16/05/2014
11917/2014	355490	16-06	15/05/2014	11995/2014	355545	26-04	16/05/2014
11919/2014	355519	09-01A	16/05/2014	11996/2014	355546	26-04	16/05/2014
11920/2014	355520	07-01C	16/05/2014	11997/2014	355548	26-04	16/05/2014
11921/2014	355521	07-01C	16/05/2014	11998/2014	355549	26-04	16/05/2014
11927/2014	355491	26-05C	15/05/2014	11999/2014	355550	26-04	16/05/2014
11928/2014	355492	26-05C	15/05/2014	12000/2014	355551	26-04	16/05/2014
11929/2014	355326	14-03A	16/04/2014	12001/2014	355552	26-04	16/05/2014
11930/2014	355327	14-03A	16/04/2014	12002/2014	355553	26-04	16/05/2014
11931/2014	355328	14-03A	16/04/2014	12003/2014	355554	26-04	16/05/2014
11932/2014	355493	06-01D	15/05/2014	12004/2014	355555	26-04	16/05/2014
11935/2014	355494	26-02	15/05/2014	12012/2014	355556	13-03D	16/05/2014
11936/2014	355495	13-03D	15/05/2014	12013/2014	355557	25-03	16/05/2014
11937/2014	355496	21-02C	15/05/2014	12014/2014	355558	25-03	16/05/2014
11938/2014	355497	21-02C	15/05/2014	12015/2014	355559	25-03	16/05/2014
11940/2014	355498	25-04	15/05/2014	12018/2014	355639	08-07	21/05/2014
11941/2014	355499	08-08L	15/05/2014	12019/2014	355600	12-05	20/05/2014
11942/2014	355500	08-08L	15/05/2014	12020/2014	355560	25-01K	16/05/2014
11943/2014	355501	08-08L	15/05/2014	12021/2014	355561	14-01	16/05/2014
11944/2014	355502	08-08L	15/05/2014	12022/2014	355562	30-99	16/05/2014
11945/2014	355503	08-08L	15/05/2014	12023/2014	355563	10-02	16/05/2014
11946/2014	355504	08-08L	15/05/2014	12024/2014	355564	20-03NES	16/05/2014
11947/2014	355505	08-08L	15/05/2014	12025/2014	355565	16-06	16/05/2014
11950/2014	355509	08-08L	15/05/2014	12026/2014	355566	26-05C	16/05/2014
11951/2014	355510	24-04	15/05/2014	12027/2014	355577	27-99	19/05/2014
11952/2014	355511	24-04	15/05/2014	12028/2014	355725	12-15A	23/05/2014
11953/2014	355512	12-11	15/05/2014	12029/2014	355683	26-05C	21/05/2014
11954/2014	355513	21-02C	15/05/2014	12030/2014	355726	24-02	23/05/2014
11955/2014	355514	08-08B	15/05/2014	12031/2014	355621	26-06	21/05/2014
11956/2014	355515	08-08B	15/05/2014	12036/2014	355578	22-06	19/05/2014
11957/2014	355516	08-08B	15/05/2014	12037/2014	355579	12-16K	19/05/2014
11958/2014	355522	08-08B	16/05/2014	12038/2014	355580	10-02	19/05/2014
11959/2014	355523	14-01	16/05/2014	12039/2014	355581	12-15C	19/05/2014
11960/2014	355524	14-01	16/05/2014	12041/2014	355684	26-05D	21/05/2014
11961/2014	355525	14-01	16/05/2014	12042/2014	355685	26-05D	21/05/2014
11962/2014	355526	14-01	16/05/2014	12043/2014	355686	26-05D	21/05/2014
11964/2014	355527	14-01	16/05/2014	12044/2014	355687	26-05D	21/05/2014

Publication and Registration Proceedings - Designs Registered cont'd

Design Number	Registration Number	International Classification Code (IDC)	Registration Date	Design Number	Registration Number	International Classification Code (IDC)	Registration Date
12045/2014	355622	26-05D	21/05/2014	12119/2014	355666	12-06B	21/05/2014
12046/2014	355597	07-02L	20/05/2014	12121/2014	355667	09-02B	21/05/2014
12049/2014	355623	07-02K	21/05/2014	12122/2014	355668	09-05	21/05/2014
12050/2014	355598	07-02L	20/05/2014	12123/2014	355669	09-05	21/05/2014
12051/2014	355624	09-01H	21/05/2014	12124/2014	355670	09-05	21/05/2014
12052/2014	355599	09-01H	20/05/2014	12125/2014	355671	09-05	21/05/2014
12053/2014	355625	09-01H	21/05/2014	12126/2014	355672	09-05	21/05/2014
12054/2014	355626	09-01H	21/05/2014	12127/2014	355673	09-05	21/05/2014
12055/2014	355627	25-01NES	21/05/2014	12128/2014	355674	13-03C	21/05/2014
12056/2014	355628	26-05C	21/05/2014	12129/2014	355675	13-03C	21/05/2014
12057/2014	355629	14-03NES	21/05/2014	12130/2014	355676	13-03C	21/05/2014
12059/2014	355630	01-02	21/05/2014	12131/2014	355677	13-03C	21/05/2014
12063/2014	355631	06-03A	21/05/2014	12132/2014	355678	13-03C	21/05/2014
12072/2014	355632	27-02	21/05/2014	12133/2014	355589	24-02	20/05/2014
12074/2014	355633	27-02	21/05/2014	12134/2014	355706	14-01	22/05/2014
12075/2014	355634	27-02	21/05/2014	12135/2014	355688	13-03C	21/05/2014
12076/2014	355635	27-01	21/05/2014	12136/2014	355689	13-03C	21/05/2014
12077/2014	355636	27-01	21/05/2014	12137/2014	355690	07-04	21/05/2014
12078/2014	355637	27-01	21/05/2014	12139/2014	355691	07-02E	21/05/2014
12079/2014	355638	27-01	21/05/2014	12140/2014	355692	07-02E	21/05/2014
12080/2014	355640	13-02	21/05/2014	12148/2014	355693	13-03NES	21/05/2014
12082/2014	355641	12-16A	21/05/2014	12149/2014	355694	08-05A	21/05/2014
12083/2014	355642	12-16A	21/05/2014	12151/2014	355695	04-02	21/05/2014
12084/2014	355643	07-02L	21/05/2014	12153/2014	355696	09-01K	21/05/2014
12088/2014	355644	07-01C	21/05/2014	12158/2014	355697	21-02D	21/05/2014
12089/2014	355645	15-09	21/05/2014	12159/2014	355698	24-02	21/05/2014
12090/2014	355646	25-01K	21/05/2014	12160/2014	355711	24-02	22/05/2014
12091/2014	355647	12-08	21/05/2014	12161/2014	355712	24-04	22/05/2014
12092/2014	355648	08-07	21/05/2014	12162/2014	355713	12-05	22/05/2014
12093/2014	355649	03-01NES	21/05/2014	12163/2014	355714	12-05	22/05/2014
12094/2014	355650	21-01NES	21/05/2014	12164/2014	355715	12-05	22/05/2014
12095/2014	355585	02-02NES	19/05/2014	12165/2014	355716	12-05	22/05/2014
12096/2014	355586	02-02C	19/05/2014	12166/2014	355707	11-02C	22/05/2014
12097/2014	355587	02-02NES	19/05/2014	12167/2014	355708	11-02B	22/05/2014
12098/2014	355651	15-05	21/05/2014	12168/2014	355709	12-06A	22/05/2014
12099/2014	355652	15-05	21/05/2014	12172/2014	355710	02-02NES	22/05/2014
12100/2014	355653	15-05	21/05/2014	12199/2014	355703	14-02	22/05/2014
12101/2014	355654	15-05	21/05/2014	12200/2014	355717	14-02	22/05/2014
12102/2014	355729	02-03	23/05/2014	12201/2014	355718	14-02	22/05/2014
12104/2014	355655	12-16L	21/05/2014	12202/2014	355719	14-02	22/05/2014
12106/2014	355656	10-04	21/05/2014	12214/2014	355705	12-16NES	22/05/2014
12107/2014	355657	20-03NES	21/05/2014	12243/2014	355592	14-01	20/05/2014
12108/2014	355658	12-05	21/05/2014	12244/2014	355590	14-01	20/05/2014
12110/2014	355659	12-02	21/05/2014	12245/2014	355593	14-01	20/05/2014
12111/2014	355660	06-01H	21/05/2014	12246/2014	355594	14-01	20/05/2014
12113/2014	355661	13-03NES	21/05/2014	12247/2014	355591	14-01	20/05/2014
12114/2014	355662	10-05	21/05/2014	12430/2014	355582	25-01A	13/05/2014
12115/2014	355663	13-03D	21/05/2014				
12117/2014	355664	09-09	21/05/2014				
12118/2014	355665	13-03D	21/05/2014				

**Publication and Registration Proceedings**

**Class Listing of Designs Published or Registered**

The following section shows an International Classification Code listing of the Registered or Published Designs covered in this supplement.

<b>Classification</b>	<b>Registration Number</b>	<b>Design Number</b>	<b>Classification</b>	<b>Registration Number</b>	<b>Design Number</b>
01-01	355567	14483/2013	05-06NES	355335	10660/2014
01-01	355568	14484/2013	05-06NES	355336	10665/2014
01-01	355569	14485/2013	05-06NES	355337	10666/2014
01-01	355570	14486/2013	06-01C	355399	11212/2014
01-01	355571	14487/2013	06-01D	355493	11932/2014
01-02	355320	10420/2014	06-01E	355701	10897/2014
01-02	355630	12059/2014	06-01F	355322	10477/2014
02-02C	355407	11712/2014	06-01G	355400	11460/2014
02-02C	355583	15444/2013	06-01G	355401	11462/2014
02-02C	355586	12096/2014	06-01G	355453	11866/2014
02-02NES	355584	15463/2013	06-01G	355454	11867/2014
02-02NES	355585	12095/2014	06-01H	355322	10477/2014
02-02NES	355587	12097/2014	06-01H	355660	12111/2014
02-02NES	355710	12172/2014	06-03A	355631	12063/2014
02-03	355729	12102/2014	06-03B	355730	11084/2014
02-04B	355433	11836/2014	06-03B	355731	11085/2014
02-04NES	355477	11902/2014	06-03D	355531	11972/2014
02-07D	355451	11862/2014	06-03NES	355730	11084/2014
03-01A	355444	11852/2014	06-03NES	355731	11085/2014
03-01A	355639	12018/2014	06-04NES	355618	10958/2014
03-01A	355699	10687/2014	06-06G	355504	11946/2014
03-01D	355476	11901/2014	06-06G	355505	11947/2014
03-01NES	355324	10605/2014	06-06G	355509	11950/2014
03-01NES	355376	10991/2014	06-13C	355371	11338/2014
03-01NES	355411	11811/2014	07-01C	355520	11920/2014
03-01NES	355440	11847/2014	07-01C	355521	11921/2014
03-01NES	355441	11848/2014	07-01C	355644	12088/2014
03-01NES	355442	11849/2014	07-01E	355471	11891/2014
03-01NES	355445	11853/2014	07-01NES	355391	10983/2014
03-01NES	355446	11854/2014	07-01NES	355392	10984/2014
03-01NES	355447	11856/2014	07-01NES	355465	11883/2014
03-01NES	355450	11858/2014	07-01NES	355466	11884/2014
03-01NES	355476	11901/2014	07-01NES	355535	11983/2014
03-01NES	355533	11981/2014	07-01NES	355536	11984/2014
03-01NES	355649	12093/2014	07-01NES	355537	11985/2014
03-03	355378	11256/2014	07-01NES	355538	11986/2014
03-03	355679	10281/2014	07-01NES	355539	11988/2014
04-02	355695	12151/2014	07-01NES	355547	11987/2014
05-05A	355334	10659/2014	07-02C	355323	10560/2014
05-05A	355335	10660/2014	07-02E	355691	12139/2014
05-05A	355337	10666/2014	07-02E	355692	12140/2014
05-05C	355336	10665/2014	07-02F	355408	11807/2014
05-05D	355588	10436/2014	07-02F	355409	11808/2014
05-05NES	355333	10658/2014	07-02K	355623	12049/2014
05-05NES	355334	10659/2014	07-02L	355597	12046/2014
05-05NES	355335	10660/2014	07-02L	355598	12050/2014
05-06A	355333	10658/2014	07-02L	355643	12084/2014
05-06A	355334	10659/2014	07-02N	355347	11764/2014
05-06A	355335	10660/2014	07-03	355596	11980/2014
05-06A	355336	10665/2014	07-04	355690	12137/2014
05-06A	355337	10666/2014	07-05D	355532	11973/2014
05-06NES	355333	10658/2014	07-05D	355534	11982/2014
05-06NES	355334	10659/2014	07-05E	355404	11635/2014

Registration Proceedings - Class Listing of Designs Published or Registered cont'd

Classification	Registration Number	Design Number	Classification	Registration Number	Design Number
07-06NES	355533	11981/2014	09-05	355669	12123/2014
08-01	355680	11172/2014	09-05	355670	12124/2014
08-03	355325	10615/2014	09-05	355671	12125/2014
08-03	355602	10721/2014	09-05	355672	12126/2014
08-03	355603	10722/2014	09-05	355673	12127/2014
08-05A	355694	12149/2014	09-07B	355539	11988/2014
08-05L	355393	11100/2014	09-07NES	355535	11983/2014
08-05L	355394	11102/2014	09-07NES	355537	11985/2014
08-06	355329	16676/2013	09-07NES	355538	11986/2014
08-07	355467	11887/2014	09-07NES	355547	11987/2014
08-07	355595	15102/2013	09-08	355384	10748/2014
08-07	355639	12018/2014	09-09		14143/2013
08-07	355648	12092/2014	09-09	355339	11087/2014
08-07	355699	10687/2014	09-09	355664	12117/2014
08-08B	355514	11955/2014	10-01	355730	11084/2014
08-08B	355515	11956/2014	10-01	355731	11085/2014
08-08B	355516	11957/2014	10-02	355563	12023/2014
08-08B	355522	11958/2014	10-02	355580	12038/2014
08-08L	355316	15057/2013	10-02	355681	11280/2014
08-08L	355468	11888/2014	10-04	355656	12106/2014
08-08L	355469	11889/2014	10-05	355662	12114/2014
08-08L	355499	11941/2014	10-07	355383	10661/2014
08-08L	355500	11942/2014	11-02B	355317	10082/2014
08-08L	355501	11943/2014	11-02B	355388	10962/2014
08-08L	355502	11944/2014	11-02B	355389	10963/2014
08-08L	355503	11945/2014	11-02B	355517	16730/2013
08-08L	355504	11946/2014	11-02B	355708	12167/2014
08-08L	355505	11947/2014	11-02C	355390	10964/2014
08-08L	355509	11950/2014	11-02C	355707	12166/2014
08-08L	355529	11966/2014	11-02F	355333	10658/2014
08-08L	355530	11968/2014	11-02F	355334	10659/2014
08-08NES	355724	11665/2014	11-02F	355335	10660/2014
09-01A	355519	11919/2014	11-02F	355336	10665/2014
09-01B	355518	10606/2014	11-02F	355337	10666/2014
09-01B	355727	10608/2014	12-02	355659	12110/2014
09-01H	355599	12052/2014	12-02	355700	10742/2014
09-01H	355624	12051/2014	12-05	355600	12019/2014
09-01H	355625	12053/2014	12-05	355658	12108/2014
09-01H	355626	12054/2014	12-05	355713	12162/2014
09-01K	355696	12153/2014	12-05	355714	12163/2014
09-01NES	355349	15198/2013	12-05	355715	12164/2014
09-01NES	355396	11125/2014	12-05	355716	12165/2014
09-01NES	355397	11126/2014	12-06A	355709	12168/2014
09-01NES	355398	11127/2014	12-06B	355666	12119/2014
09-02A	355732	11697/2014	12-08	355479	14343/2013
09-02B	355518	10606/2014	12-08	355480	14344/2013
09-02B	355667	12121/2014	12-08	355481	14346/2013
09-02B	355727	10608/2014	12-08	355647	12091/2014
09-03A	355577	12027/2014	12-09	355385	10759/2014
09-03E	355702	11261/2014	12-11	355512	11953/2014
09-03K	355607	11405/2014	12-12	355606	11237/2014
09-03M	355536	11984/2014	12-15A	355452	11864/2014
09-03NES	355349	15198/2013	12-15A	355725	12028/2014
09-03NES	355536	11984/2014	12-15B	355410	11809/2014
09-05	355403	11621/2014	12-15B	355463	11879/2014
09-05	355668	12122/2014	12-15C	355581	12039/2014

Registration Proceedings - Class Listing of Designs Published or Registered cont'd

Classification	Registration Number	Design Number	Classification	Registration Number	Design Number
12-16A	355641	12082/2014	14-01	355527	11964/2014
12-16A	355642	12083/2014	14-01	355528	11965/2014
12-16B	355385	10759/2014	14-01	355561	12021/2014
12-16C	355448	14341/2013	14-01	355590	12244/2014
12-16C	355482	14347/2013	14-01	355591	12247/2014
12-16C	355483	14348/2013	14-01	355592	12243/2014
12-16C	355486	14352/2013	14-01	355593	12245/2014
12-16C	355506	14349/2013	14-01	355594	12246/2014
12-16E	355484	14350/2013	14-01	355706	12134/2014
12-16E	355485	14351/2013	14-02	355331	10557/2014
12-16K	355579	12037/2014	14-02	355332	10611/2014
12-16L	355655	12104/2014	14-02	355351	10558/2014
12-16NES	355375	10896/2014	14-02	355352	10824/2014
12-16NES	355478	14342/2013	14-02	355353	10825/2014
12-16NES	355616	10901/2014	14-02	355354	10826/2014
12-16NES	355705	12214/2014	14-02	355355	10827/2014
13-02	355383	10661/2014	14-02	355356	10834/2014
13-02	355455	11868/2014	14-02	355357	10835/2014
13-02	355640	12080/2014	14-02	355358	10836/2014
13-03C	355674	12128/2014	14-02	355359	10837/2014
13-03C	355675	12129/2014	14-02	355360	10840/2014
13-03C	355676	12130/2014	14-02	355361	10841/2014
13-03C	355677	12131/2014	14-02	355362	10842/2014
13-03C	355678	12132/2014	14-02	355363	10843/2014
13-03C	355688	12135/2014	14-02	355364	10844/2014
13-03C	355689	12136/2014	14-02	355365	10845/2014
13-03D	355495	11936/2014	14-02	355366	10846/2014
13-03D	355507	10933/2014	14-02	355367	10847/2014
13-03D	355508	10937/2014	14-02	355368	10848/2014
13-03D	355556	12012/2014	14-02	355369	10849/2014
13-03D	355663	12115/2014	14-02	355381	10445/2014
13-03D	355665	12118/2014	14-02	355413	11814/2014
13-03NES	355460	11873/2014	14-02	355414	11815/2014
13-03NES	355461	11874/2014	14-02	355415	11817/2014
13-03NES	355462	11876/2014	14-02	355416	11818/2014
13-03NES	355661	12113/2014	14-02	355417	11819/2014
13-03NES	355693	12148/2014	14-02	355418	11820/2014
14-01	355356	10834/2014	14-02	355419	11821/2014
14-01	355357	10835/2014	14-02	355420	11822/2014
14-01	355358	10836/2014	14-02	355422	11824/2014
14-01	355359	10837/2014	14-02	355423	11825/2014
14-01	355360	10840/2014	14-02	355424	11826/2014
14-01	355361	10841/2014	14-02	355425	11827/2014
14-01	355362	10842/2014	14-02	355426	11828/2014
14-01	355363	10843/2014	14-02	355427	11829/2014
14-01	355364	10844/2014	14-02	355428	11830/2014
14-01	355365	10845/2014	14-02	355429	11831/2014
14-01	355366	10846/2014	14-02	355430	11832/2014
14-01	355367	10847/2014	14-02	355487	11914/2014
14-01	355368	10848/2014	14-02	355575	10443/2014
14-01	355369	10849/2014	14-02	355576	10444/2014
14-01	355449	11459/2014	14-02	355703	12199/2014
14-01	355523	11959/2014	14-02	355717	12200/2014
14-01	355524	11960/2014	14-02	355718	12201/2014
14-01	355525	11961/2014	14-02	355719	12202/2014
14-01	355526	11962/2014	14-03A	355326	11929/2014

Registration Proceedings - Class Listing of Designs Published or Registered cont'd

Classification	Registration Number	Design Number	Classification	Registration Number	Design Number
14-03A	355327	11930/2014	21-01E	355348	11800/2014
14-03A	355328	11931/2014	21-01F	355604	11122/2014
14-03NES	355324	10605/2014	21-01F	355605	11123/2014
14-03NES	355629	12057/2014	21-01M	355348	11800/2014
14-04	355332	10611/2014	21-01NES	355650	12094/2014
14-04	355380	10921/2014	21-02C	355496	11937/2014
14-04	355487	11914/2014	21-02C	355497	11938/2014
15-04	355704	16474/2013	21-02C	355513	11954/2014
15-05	355474	11894/2014	21-02D	355697	12158/2014
15-05	355651	12098/2014	22-05	355470	11890/2014
15-05	355652	12099/2014	22-06	355578	12036/2014
15-05	355653	12100/2014	22-06	355609	14734/2013
15-05	355654	12101/2014	22-06	355610	15193/2013
15-07	355601	10690/2014	23-01A	355421	16623/2013
15-07	355614	10909/2014	23-01A	355438	11845/2014
15-07	355615	10914/2014	23-01A	355514	11955/2014
15-07	355617	10919/2014	23-01A	355515	11956/2014
15-07	355619	10903/2014	23-01A	355516	11957/2014
15-07	355620	10916/2014	23-01A	355522	11958/2014
15-09	355645	12089/2014	23-01B	355435	11839/2014
15-99	355406	11691/2014	23-01B	355436	11842/2014
15-99	355724	11665/2014	23-01H	355431	11833/2014
16-01	355472	11892/2014	23-01H	355432	11834/2014
16-01	355473	11893/2014	23-01H	355434	11837/2014
16-06	355386	10915/2014	23-02A	355572	15568/2013
16-06	355488	11915/2014	23-02C	355437	11843/2014
16-06	355489	11916/2014	23-02C	355439	11846/2014
16-06	355490	11917/2014	23-02C	355443	11850/2014
16-06	355565	12025/2014	23-04	355475	11898/2014
19-02	355728	10679/2014	24-01	355319	10313/2014
19-08	355340	11095/2014	24-01	355321	10459/2014
19-08	355341	11096/2014	24-01	355346	11215/2014
19-08	355342	11099/2014	24-01	355387	10959/2014
19-08	355343	11101/2014	24-01	355682	11361/2014
19-08	355344	11103/2014	24-01	355720	10782/2014
19-08	355345	11104/2014	24-02	355330	10556/2014
19-08	355370	11187/2014	24-02	355350	10406/2014
19-08	355567	14483/2013	24-02	355402	11619/2014
19-08	355568	14484/2013	24-02	355589	12133/2014
19-08	355569	14485/2013	24-02	355698	12159/2014
19-08	355570	14486/2013	24-02	355711	12160/2014
19-08	355571	14487/2013	24-02	355726	12030/2014
20-01		13964/2013	24-04	355395	11106/2014
20-02E	355601	10690/2014	24-04	355412	11813/2014
20-02NES	355457	11870/2014	24-04	355510	11951/2014
20-02NES	355458	11871/2014	24-04	355511	11952/2014
20-02NES	355459	11872/2014	24-04	355656	12106/2014
20-02NES	355618	10958/2014	24-04	355712	12161/2014
20-03C	355564	12024/2014	25-01A	355374	10723/2014
20-03C	355657	12107/2014	25-01A	355582	12430/2014
20-03NES	355318	10288/2014	25-01C	355540	11990/2014
20-03NES	355456	11869/2014	25-01C	355541	11991/2014
20-03NES	355564	12024/2014	25-01C	355542	11992/2014
20-03NES	355657	12107/2014	25-01F	355379	11514/2014
21-01C	355573	10114/2014	25-01K	355405	11671/2014
21-01D	355373	11324/2014	25-01K	355560	12020/2014

Registration Proceedings - Class Listing of Designs Published or Registered cont'd

Classification	Registration Number	Design Number	Classification	Registration Number	Design Number
25-01K	355646	12090/2014	26-05D	355683	12029/2014
25-01NES	355627	12055/2014	26-05D	355684	12041/2014
25-02B	355608	11609/2014	26-05D	355685	12042/2014
25-02K	355405	11671/2014	26-05D	355686	12043/2014
25-03	355372	11493/2014	26-05D	355687	12044/2014
25-03	355557	12013/2014	26-06	355483	14348/2013
25-03	355558	12014/2014	26-06	355484	14350/2013
25-03	355559	12015/2014	26-06	355485	14351/2013
25-04	355498	11940/2014	26-06	355621	12031/2014
26-02	355382	10655/2014	27-01	355635	12076/2014
26-02	355383	10661/2014	27-01	355636	12077/2014
26-02	355464	11882/2014	27-01	355637	12078/2014
26-02	355494	11935/2014	27-01	355638	12079/2014
26-04	355543	11993/2014	27-02	355632	12072/2014
26-04	355544	11994/2014	27-02	355633	12074/2014
26-04	355545	11995/2014	27-02	355634	12075/2014
26-04	355546	11996/2014	27-99	355577	12027/2014
26-04	355548	11997/2014	28-03B	355611	10197/2014
26-04	355549	11998/2014	28-03B	355612	10200/2014
26-04	355550	11999/2014	28-03B	355613	10201/2014
26-04	355551	12000/2014	28-03B	355721	11007/2014
26-04	355552	12001/2014	28-03B	355722	11008/2014
26-04	355553	12002/2014	28-03B	355723	11010/2014
26-04	355554	12003/2014	28-03NES	355338	10681/2014
26-04	355555	12004/2014	28-03NES	355377	11015/2014
26-05C	355491	11927/2014	29-02	355574	10190/2014
26-05C	355492	11928/2014	30-99	355562	12022/2014
26-05C	355566	12026/2014	32-02	355331	10557/2014
26-05C	355628	12056/2014	32-02	355351	10558/2014
26-05C	355683	12029/2014			
26-05D	355566	12026/2014			
26-05D	355622	12045/2014			

---

**(12) AUSTRALIAN PUBLISHED DESIGN**

**(19) AU**

---

(21) Design Number: **13964/2013**

(22) Date of Filing Application: **14 August 2013**

(24) Date from which industrial property rights may have effect:

(54) Product in respect of which the design is published: **Vending machine**

(51) International Design Classification: **20-01**

(74) Name(s) of Attorney(s):

(71) Name(s) and Address(s) of Applicant(s):

**Vendafit Pty Limited**

**U4 28 Quinton Rd Manly NSW 2095 Australia**

(72) Name(s) of Designer(s): **Andrew Hart**

(43) Publication Date: **19 May 2014**

(56) Related Art Documents: **Not Applicable**

(57) Statement of Newness and Distinctiveness: **First machine of its type due to its coiling system and its robust weatherproof nature.**

---

**(12) AUSTRALIAN PUBLISHED DESIGN**

**(19) AU**

---

(21) Design Number: **14143/2013**

(22) Date of Filing Application: **22 August 2013**

(24) Date from which industrial property rights may have effect:

(54) Product in respect of which the design is published: **Sharp disposal bin**

(51) International Design Classification: **09-09**

(74) Name(s) of Attorney(s):

(71) Name(s) and Address(s) of Applicant(s):

**Vendafit Pty Limited**

**PO BOX 961 Manly NSW 2095 Australia**

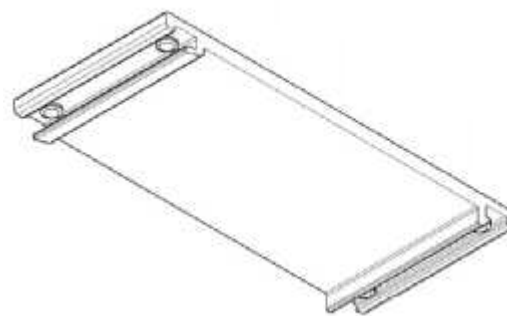
(72) Name(s) of Designer(s): **Andrew Hart**

(43) Publication Date: **15 May 2014**

(56) Related Art Documents: **Not Applicable**

(57) Statement of Newness and Distinctiveness: **Bin incorporates a multi-point locking system, a perspex window, has an internal hinge and a large smooth one way chute. It is distinctive in the sense that it incorporates all of those features in its design.**

(21) Design Number: **15057/2013**  
(22) Date of Filing Application: **04 October 2013**  
(24) Date from which industrial property rights may have effect: **04 October 2013**  
(54) Product in respect of which the design is registered: **Clip fit bracket with screws**  
(51) International Design Classification: **08-08L**  
(74) Name(s) of Attorney(s):  
(71) Name(s) and Address(s) of Applicant(s):  
**Sturdybilt Agencies Pty Ltd**  
**PO BOX 22E East Devonport TAS 7310**  
(72) Name(s) of Designer(s): **Craig Cunningham**  
(45) Registration Date: **12 May 2014**  
(56) Related Art Documents: **Not Applicable**  
(57) Statement of Newness and Distinctiveness: **The newness and distinctiveness of the design is shown in the way the aluminium plank clips to the plate, and is fastened with the screws.**



(21) Design Number: **10082/2014**  
(22) Date of Filing Application: **10 January 2014**  
(24) Date from which industrial property rights may have effect: **10 January 2014**  
(54) Product in respect of which the design is registered: **A planter**  
(51) International Design Classification: **11-02B**  
(74) Name(s) of Attorney(s):  
(71) Name(s) and Address(s) of Applicant(s):  
**Patrick Morris**  
**46 Tongue Farm Road Matakana New Zealand**  
(72) Name(s) of Designer(s): **Patrick Morris**  
(45) Registration Date: **12 May 2014**  
(30) Convention priority data:  
(31) Number      (32) Date      (33) Country  
**417808      18 Jul 2013      NEW ZEALAND**  
(56) Related Art Documents: **Not Applicable**  
(57) Statement of Newness and Distinctiveness: **Newness and distinctiveness resides in the features of shape shown in the images.**



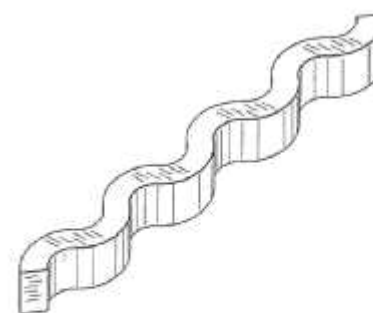
- (21) Design Number: **10288/2014**  
(22) Date of Filing Application: **22 January 2014**  
(24) Date from which industrial property rights may have effect: **22 January 2014**  
(54) Product in respect of which the design is registered: **Vehicle charging station signal**  
(51) International Design Classification: **20-03NES**  
(74) Name(s) of Attorney(s):  
(71) Name(s) and Address(s) of Applicant(s):  
**Tristan Coates**  
**83 Cobb Rd Mount Eliza VIC 3930 Australia**  
(72) Name(s) of Designer(s): **Tristan Coates**  
(45) Registration Date: **12 May 2014**  
(56) Related Art Documents: **Not Applicable**  
(57) Statement of Newness and Distinctiveness: **The concept design of having an illuminated 3D spherical permanent balloon coloured representation of the Universal Symbols for Electricity, On / Off / Standby, mounted on an authority approved pole or structure by an appropriate mounting bracket in order to signify the presence of a transport charging station or point whereby people may charge their mode of transport with electricity from the standard electricity grid network is considered both New and Distinctive in its entirety. This permanent light emitted balloon showing alternate symbols for On/Off/Standby and electricity to signify a Transport Charging Station designed to meet authority approval standards for proposed use as well as The Designs look, appearance, utility, style and function is considered new and distinctive.**



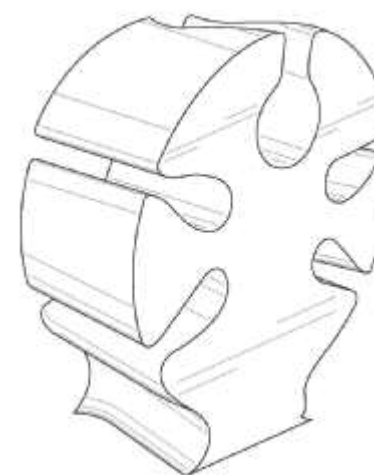
- (21) Design Number: **10313/2014**  
(22) Date of Filing Application: **22 January 2014**  
(24) Date from which industrial property rights may have effect: **13 November 2013**  
(54) Product in respect of which the design is registered: **Nasal pillows assembly for a patient interface**  
(51) International Design Classification: **24-01**  
(74) Name(s) of Attorney(s): **Halfords IP**  
(71) Name(s) and Address(s) of Applicant(s):  
**ResMed Limited**  
**1 Elizabeth Macarthur Dr Bella Vista NSW 2153 Australia**  
(72) Name(s) of Designer(s): **Alicia Kristianne Wells and Craig David Edwards and Shiva Kumar Shanmuga Sundara and Murray William Lee and Kirrily Michele Haskard and Anthony Paul Barbara and Stewart Joseph Wagner and Frederick Arlet May and Lachlan Richard Goldspink and Chia Ik Tan and Martin Forrester and Ralph Jourdan**  
(45) Registration Date: **12 May 2014**  
(62) Divisional of: **353546**  
(56) Related Art Documents: **Not Applicable**  
(57) Statement of Newness and Distinctiveness: **Nil**



(21) Design Number: **10420/2014**  
(22) Date of Filing Application: **30 January 2014**  
(24) Date from which industrial property rights may have effect: **30 January 2014**  
(54) Product in respect of which the design is registered: **Root vegetable product**  
(51) International Design Classification: **01-02**  
(74) Name(s) of Attorney(s): **FB Rice**  
(71) Name(s) and Address(s) of Applicant(s):  
**McCain Foods Limited**  
**8800 Main Street Florenceville-Bristol New Brunswick, E7L 1B2 Canada**  
(72) Name(s) of Designer(s): **David M Rogers and John Aikens**  
(45) Registration Date: **12 May 2014**  
(30) Convention priority data:  
(31) Number (32) Date (33) Country  
**29/466332 06 Sep 2013 UNITED STATES OF AMERICA**  
(56) Related Art Documents: **Not Applicable**  
(57) Statement of Newness and Distinctiveness: **Newness and distinctiveness reside in the shape and configuration of the root vegetable product shown in the representations.**



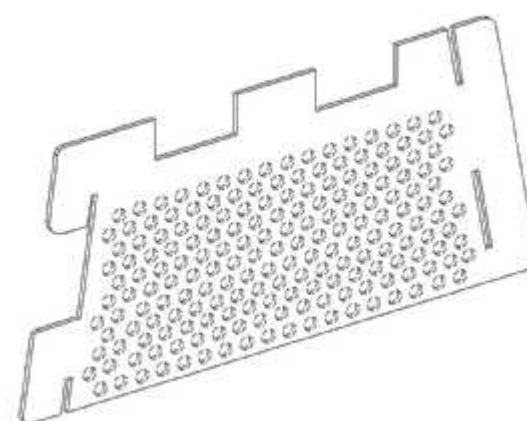
(21) Design Number: **10459/2014**  
(22) Date of Filing Application: **31 January 2014**  
(24) Date from which industrial property rights may have effect: **31 January 2014**  
(54) Product in respect of which the design is registered: **Line management device**  
(51) International Design Classification: **24-01**  
(74) Name(s) of Attorney(s): **Davies Collison Cave**  
(71) Name(s) and Address(s) of Applicant(s):  
**Stryker Corporation**  
**2825 Airview Boulevard Kalamazoo Michigan, 49002 United States of America**  
(72) Name(s) of Designer(s): **Connot Feldpausch St John and Cory Patrick Herbst**  
(45) Registration Date: **12 May 2014**  
(30) Convention priority data:  
(31) Number (32) Date (33) Country  
**29/462224 31 Jul 2013 UNITED STATES OF AMERICA**  
(56) Related Art Documents: **Not Applicable**  
(57) Statement of Newness and Distinctiveness: **Nil**



(21) Design Number: **10477/2014**  
(22) Date of Filing Application: **03 February 2014**  
(24) Date from which industrial property rights may have effect: **03 February 2014**  
(54) Product in respect of which the design is registered: **Chair**  
(51) International Design Classification: **06-01F, 06-01H**  
(74) Name(s) of Attorney(s): **Griffith Hack**  
(71) Name(s) and Address(s) of Applicant(s):  
**Lifetime Products, Inc.**  
**Freeport Center Building D-11 Clearfield UT 84016 United States of America**  
(72) Name(s) of Designer(s): **Wendell Peery and Mitch Johnson and David C Winter and Frank Clegg**  
(45) Registration Date: **12 May 2014**  
(30) Convention priority data:  
(31) Number (32) Date (33) Country  
**29/466577 09 Sep 2013 UNITED STATES OF AMERICA**  
(56) Related Art Documents: **Not Applicable**  
(57) Statement of Newness and Distinctiveness: **Newness and distinctiveness resides in the shape and configuration of the product as represented by solid lines in the drawings.**



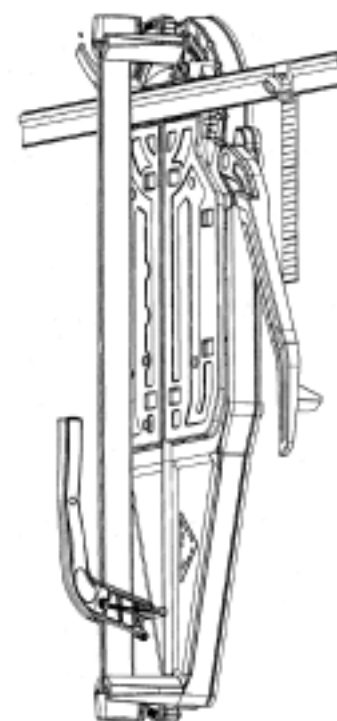
(21) Design Number: **10560/2014**  
(22) Date of Filing Application: **06 February 2014**  
(24) Date from which industrial property rights may have effect: **06 February 2014**  
(54) Product in respect of which the design is registered: **Panel**  
(51) International Design Classification: **07-02C**  
(74) Name(s) of Attorney(s): **Griffith Hack**  
(71) Name(s) and Address(s) of Applicant(s):  
**Standard Brands (UK) Limited**  
**4 Cleeve Court Cleeve Road Leatherhead Surrey KT22 7SD United Kingdom**  
(72) Name(s) of Designer(s): **Eric Dennis Barford**  
(45) Registration Date: **12 May 2014**  
(30) Convention priority data:  
(31) Number (32) Date (33) Country  
**01380810-0001-4 06 Aug 2013 EUROPEAN PATENT OFFICE (EPO)**  
(56) Related Art Documents: **Not Applicable**  
(57) Statement of Newness and Distinctiveness: **Newness and distinctiveness resides in the shape and configuration of the product as illustrated in the accompanying representations. The shape and configuration of the product includes having interconnecting end portions which can be assembled together to form different assemblies as illustrated in the representations in which the angle of interconnection between adjacent panels is in accordance with the number of panels of the assembly.**



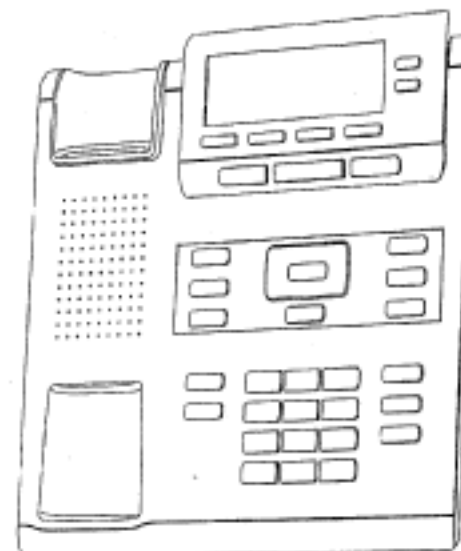
(21) Design Number: **10605/2014**  
(22) Date of Filing Application: **07 February 2014**  
(24) Date from which industrial property rights may have effect: **07 February 2014**  
(54) Product in respect of which the design is registered: **Cell phone case with remote key**  
(51) International Design Classification: **03-01NES, 14-03NES**  
(74) Name(s) of Attorney(s): **James & Wells Intellectual Property**  
(71) Name(s) and Address(s) of Applicant(s):  
**jWIN Electronics Corp.**  
**2 Harbor Park Dr Port Washington NY 11050 United States of America**  
(72) Name(s) of Designer(s): **Dena M Kim**  
(45) Registration Date: **12 May 2014**  
(30) Convention priority data:  
(31) Number (32) Date (33) Country  
**29/475,777 06 Dec 2013 UNITED STATES OF AMERICA**  
(56) Related Art Documents: **Not Applicable**  
(57) Statement of Newness and Distinctiveness: **The design is to be applied to a case with remote key and novelty resides in the features of shape and configuration as shown in the accompanying representations.**



(21) Design Number: **10615/2014**  
(22) Date of Filing Application: **07 February 2014**  
(24) Date from which industrial property rights may have effect: **07 February 2014**  
(54) Product in respect of which the design is registered: **Manual tile cutters**  
(51) International Design Classification: **08-03**  
(74) Name(s) of Attorney(s): **FB Rice**  
(71) Name(s) and Address(s) of Applicant(s):  
**SIGMA di Evaristo Ambrogiani & C. Snc**  
**Via A. Gagliani 4 Bellaria Igea Marina (RN) 47813 Italy**  
(72) Name(s) of Designer(s): **Valter Ambrogiani**  
(45) Registration Date: **12 May 2014**  
(56) Related Art Documents: **Not Applicable**  
(57) Statement of Newness and Distinctiveness: **Newness and distinctiveness reside in the features of the design as shown in the representations.**



- (21) Design Number: **11929/2014**  
(22) Date of Filing Application: **31 March 2014**  
(24) Date from which industrial property rights may have effect: **31 March 2014**  
(54) Product in respect of which the design is registered: **Telephone**  
(51) International Design Classification: **14-03A**  
(74) Name(s) of Attorney(s): **FB Rice**  
(71) Name(s) and Address(s) of Applicant(s):  
**Unify GmbH & Co. KG**  
**Hofmannstrasse 51 Munich 81379 Germany**  
(72) Name(s) of Designer(s): **Patrick Treder and Stefan Hillenmayer**  
(45) Registration Date: **16 April 2014**  
(30) Convention priority data:  
(31) Number (32) Date (33) Country  
**001386452-0002 10 Oct 2013 OFFICE FOR HARMONISATION IN**  
**THE INTERNAL MARKET (OHIM)**  
(57) Statement of Newness and Distinctiveness: **Newness and distinctiveness**  
**reside in the features of the design as shown in the representations.**



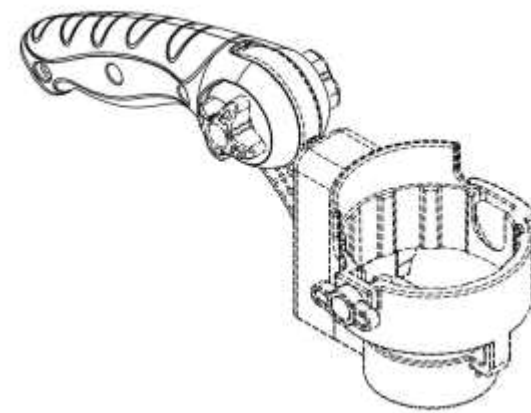
- (21) Design Number: **11930/2014**  
(22) Date of Filing Application: **31 March 2014**  
(24) Date from which industrial property rights may have effect: **31 March 2014**  
(54) Product in respect of which the design is registered: **Telephone**  
(51) International Design Classification: **14-03A**  
(74) Name(s) of Attorney(s): **FB Rice**  
(71) Name(s) and Address(s) of Applicant(s):  
**Unify GmbH & Co. KG**  
**Hofmannstrasse 51 Munich 81379 Germany**  
(72) Name(s) of Designer(s): **Patrick Treder and Stefan Hillenmayer**  
(45) Registration Date: **16 April 2014**  
(30) Convention priority data:  
(31) Number (32) Date (33) Country  
**001386452-0003 10 Oct 2013 OFFICE FOR HARMONISATION IN**  
**THE INTERNAL MARKET (OHIM)**  
(56) Related Art Documents: **Not Applicable**  
(57) Statement of Newness and Distinctiveness: **Newness and distinctiveness**  
**reside in the features of the design as shown in the representations.**



- (21) Design Number: **11931/2014**  
(22) Date of Filing Application: **31 March 2014**  
(24) Date from which industrial property rights may have effect: **31 March 2014**  
(54) Product in respect of which the design is registered: **Telephone**  
(51) International Design Classification: **14-03A**  
(74) Name(s) of Attorney(s): **FB Rice**  
(71) Name(s) and Address(s) of Applicant(s):  
**Unify GmbH & Co. KG**  
**Hofmannstrasse 51 Munich 81379 Germany**  
(72) Name(s) of Designer(s): **Patrick Treder and Stefan Hillenmayer**  
(45) Registration Date: **16 April 2014**  
(30) Convention priority data:  
(31) Number (32) Date (33) Country  
**001386452-0004 10 Oct 2013 OFFICE FOR HARMONISATION IN**  
**THE INTERNAL MARKET (OHIM)**  
(56) Related Art Documents: **Not Applicable**  
(57) Statement of Newness and Distinctiveness: **Newness and distinctiveness**  
**reside in the features of the design as shown in the representations.**



- (21) Design Number: **16676/2013**  
(22) Date of Filing Application: **19 December 2013**  
(24) Date from which industrial property rights may have effect: **19 December 2013**  
(54) Product in respect of which the design is registered: **Handle for controlling**  
**power tool**  
(51) International Design Classification: **08-06**  
(74) Name(s) of Attorney(s): **Griffith Hack**  
(71) Name(s) and Address(s) of Applicant(s):  
**Brand Developers Ltd**  
**519-521 Lake Road Takapuna Auckland 0622 New Zealand**  
(72) Name(s) of Designer(s): **James Fisher**  
(45) Registration Date: **13 May 2014**  
(56) Related Art Documents: **Not Applicable**  
(57) Statement of Newness and Distinctiveness: **Newness and distinctiveness**  
**is claimed in the features shown in the figures in solid lines. Features**  
**shown in broken lines have been provided for illustrative purposes only.**



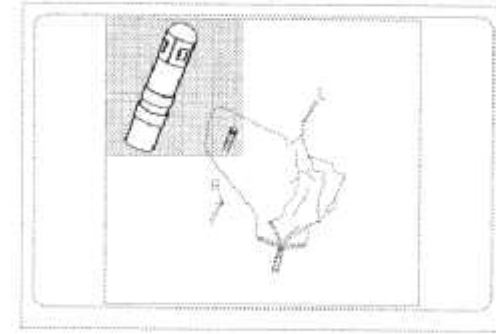
(21) Design Number: **10556/2014**  
(22) Date of Filing Application: **06 February 2014**  
(24) Date from which industrial property rights may have effect: **06 February 2014**  
(54) Product in respect of which the design is registered: **Blood glucose meter**  
(51) International Design Classification: **24-02**  
(74) Name(s) of Attorney(s): **WATERMARK PATENT AND TRADE MARKS ATTORNEYS**  
(71) Name(s) and Address(s) of Applicant(s):  
**Sanofi-Aventis Deutschland GmbH**  
**Bruningstrasse 50 Frankfurt am Main 65929 Germany**  
(72) Name(s) of Designer(s): **Timothy Golnik and Evan Brooks**  
(45) Registration Date: **13 May 2014**  
(30) Convention priority data:  
(31) Number (32) Date (33) Country  
**002 288 266 07 Aug 2013 EUROPEAN PATENT OFFICE (EPO)**  
(56) Related Art Documents: **Not Applicable**  
(57) Statement of Newness and Distinctiveness: **Newness and distinctiveness is claimed in the features of the colouration of the blood glucose meter.**



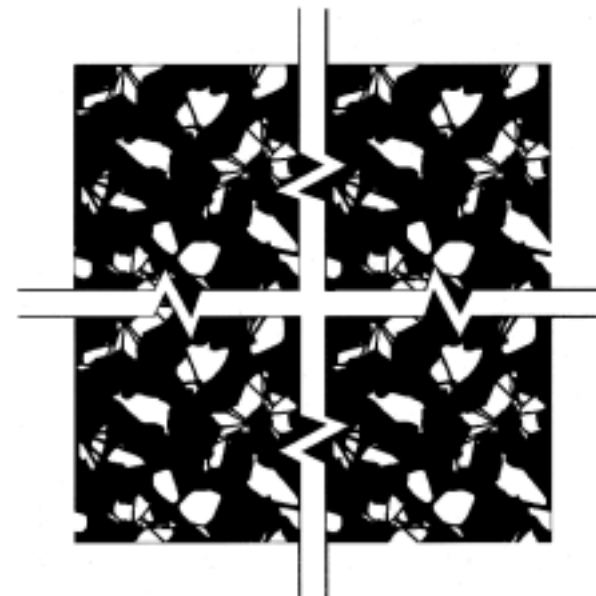
(21) Design Number: **10557/2014**  
(22) Date of Filing Application: **06 February 2014**  
(24) Date from which industrial property rights may have effect: **06 February 2014**  
(54) Product in respect of which the design is registered: **Electronic device with app icon design at user interface**  
(51) International Design Classification: **14-02, 32-02**  
(74) Name(s) of Attorney(s): **Griffith Hack**  
(71) Name(s) and Address(s) of Applicant(s):  
**BRITA Professional GmbH & Co. KG**  
**Heinrich-Hertz-Strasse 4 Taunusstein 65232 Germany**  
(72) Name(s) of Designer(s): **Thorsten Trietsch**  
(45) Registration Date: **13 May 2014**  
(30) Convention priority data:  
(31) Number (32) Date (33) Country  
**402013100 799.0 06 Aug 2013 GERMANY**  
(56) Related Art Documents: **Not Applicable**  
(57) Statement of Newness and Distinctiveness: **Newness and distinctiveness resides in the visual features, including shape, configuration and pattern, of an Application Icon for display at a User Interface of an Electronic Device as shown in the accompanying drawings.**



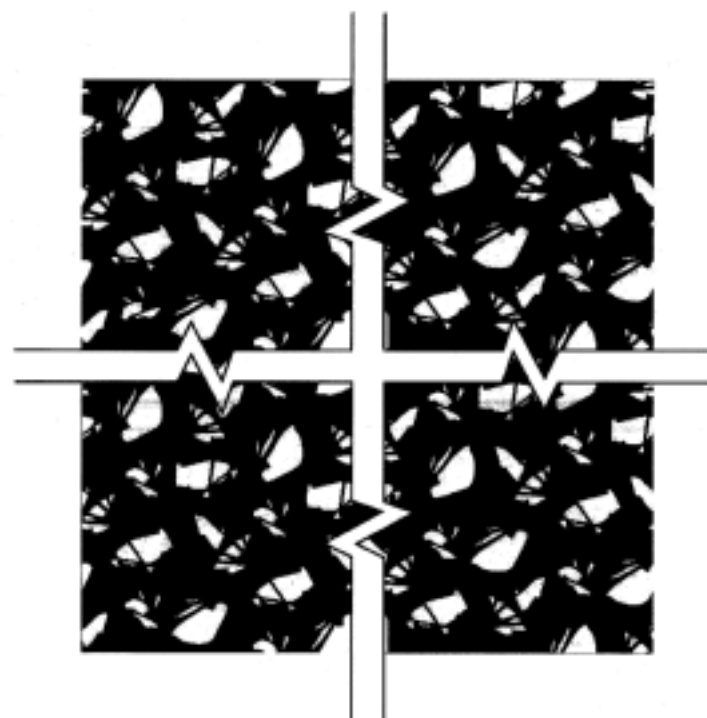
- (21) Design Number: **10611/2014**  
(22) Date of Filing Application: **07 February 2014**  
(24) Date from which industrial property rights may have effect: **07 February 2014**  
(54) Product in respect of which the design is registered: **Display screen with icon**  
(51) International Design Classification: **14-02, 14-04**  
(74) Name(s) of Attorney(s): **Callinans**  
(71) Name(s) and Address(s) of Applicant(s):  
**BIOSENSE WEBSTER (ISRAEL) LTD.**  
**4 Hatnufa Street Yokneam 20692 Israel**  
(72) Name(s) of Designer(s): **Asaf Merschon and Moshe Ingel and Liav Moshe Adi and Eduard Filipov**  
(45) Registration Date: **13 May 2014**  
(30) Convention priority data:  
(31) Number (32) Date (33) Country  
**29/464,664 20 Aug 2013 UNITED STATES OF AMERICA**  
(56) Related Art Documents: **Not Applicable**  
(57) Statement of Newness and Distinctiveness: **Newness and distinctiveness reside in the features of pattern and/or ornamentation of a display screen with icon as illustrated by solid lines in the accompanying representation. The features shown in broken outline are for contextual purposes only and do not form part of the design.**



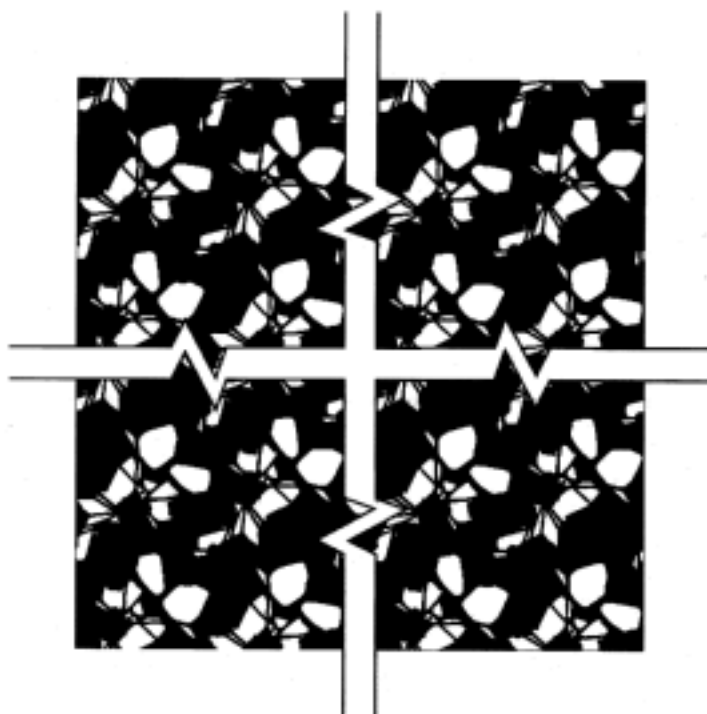
- (21) Design Number: **10658/2014**  
(22) Date of Filing Application: **11 February 2014**  
(24) Date from which industrial property rights may have effect: **11 February 2014**  
(54) Product in respect of which the design is registered: **Decorative screen, fabric, wallpaper**  
(51) International Design Classification: **05-06NES, 05-06A, 05-05NES, 11-02F**  
(74) Name(s) of Attorney(s):  
(71) Name(s) and Address(s) of Applicant(s):  
**Katherine Ann Brennan**  
**KIF & KATAST 6 Knowles St Northcote VIC 3070 Australia**  
(72) Name(s) of Designer(s): **Katherine Ann Brennan**  
(45) Registration Date: **13 May 2014**  
(56) Related Art Documents: **Not Applicable**  
(57) Statement of Newness and Distinctiveness: **Nil**



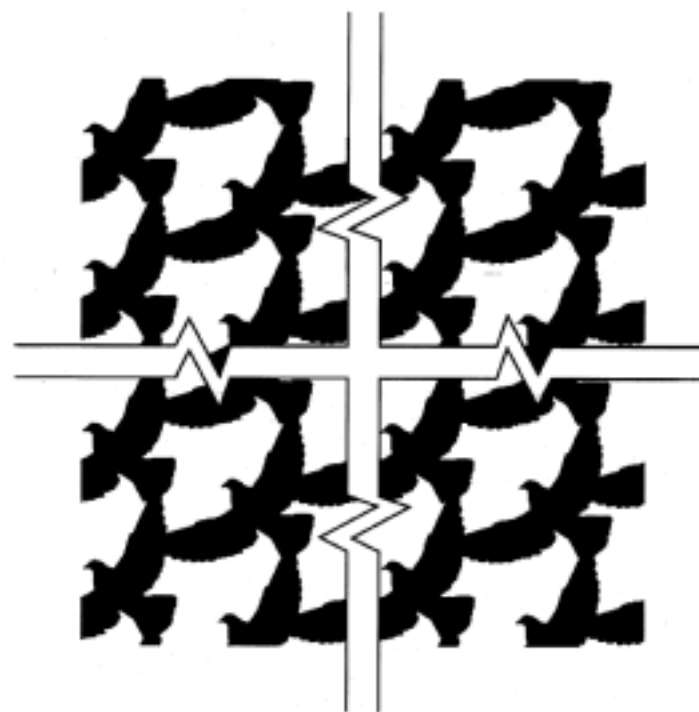
(21) Design Number: **10659/2014**  
(22) Date of Filing Application: **11 February 2014**  
(24) Date from which industrial property rights may have effect: **11 February 2014**  
(54) Product in respect of which the design is registered: **Decorative screen, fabric, wallpaper**  
(51) International Design Classification: **05-06NES, 11-02F, 05-06A, 05-05NES, 05-05A**  
(74) Name(s) of Attorney(s):  
(71) Name(s) and Address(s) of Applicant(s):  
**Katherine Ann Brennan**  
**KIF & KATAST PO BOX 1256 Fitzroy North VIC 3068 Australia**  
(72) Name(s) of Designer(s): **Katherine Ann Brennan**  
(45) Registration Date: **13 May 2014**  
(56) Related Art Documents: **Not Applicable**  
(57) Statement of Newness and Distinctiveness: **Nil**



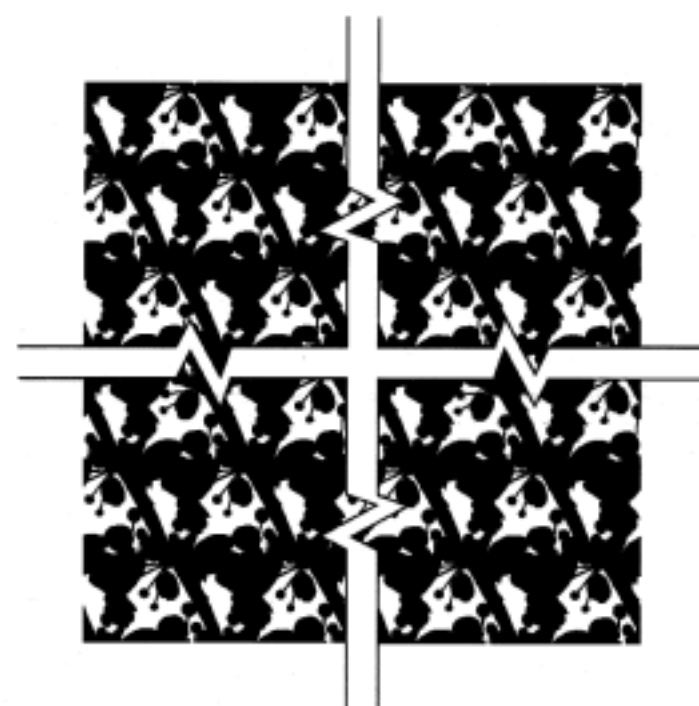
(21) Design Number: **10660/2014**  
(22) Date of Filing Application: **11 February 2014**  
(24) Date from which industrial property rights may have effect: **11 February 2014**  
(54) Product in respect of which the design is registered: **Decorative screen, fabric, wallpaper**  
(51) International Design Classification: **05-06NES, 11-02F, 05-06A, 05-05NES, 05-05A**  
(74) Name(s) of Attorney(s):  
(71) Name(s) and Address(s) of Applicant(s):  
**Katherine Ann Brennan**  
**KIF & KATAST PO BOX 1256 Fitzroy North VIC 3068 Australia**  
(72) Name(s) of Designer(s): **Katherine Ann Brennan**  
(45) Registration Date: **13 May 2014**  
(56) Related Art Documents: **Not Applicable**  
(57) Statement of Newness and Distinctiveness: **Nil**



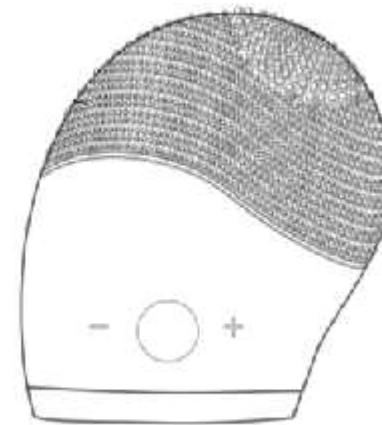
(21) Design Number: **10665/2014**  
(22) Date of Filing Application: **11 February 2014**  
(24) Date from which industrial property rights may have effect: **11 February 2014**  
(54) Product in respect of which the design is registered: **Decorative screen, fabric, wallpaper**  
(51) International Design Classification: **05-06A, 05-05C, 05-06NES, 11-02F**  
(74) Name(s) of Attorney(s):  
(71) Name(s) and Address(s) of Applicant(s):  
**Katherine Ann Brennan**  
**KIF & KATAST PO BOX 1256 Fitzroy North VIC 3068 Australia**  
(72) Name(s) of Designer(s): **Katherine Ann Brennan**  
(45) Registration Date: **13 May 2014**  
(56) Related Art Documents: **Not Applicable**  
(57) Statement of Newness and Distinctiveness: **Nil**



(21) Design Number: **10666/2014**  
(22) Date of Filing Application: **11 February 2014**  
(24) Date from which industrial property rights may have effect: **11 February 2014**  
(54) Product in respect of which the design is registered: **Decorative screen, fabric, wallpaper**  
(51) International Design Classification: **05-06NES, 05-05A, 05-06A, 11-02F**  
(74) Name(s) of Attorney(s):  
(71) Name(s) and Address(s) of Applicant(s):  
**Katherine Ann Brennan**  
**KIF & KATAST PO BOX 1256 Fitzroy North VIC 3068 Australia**  
(72) Name(s) of Designer(s): **Katherine Ann Brennan**  
(45) Registration Date: **13 May 2014**  
(56) Related Art Documents: **Not Applicable**  
(57) Statement of Newness and Distinctiveness: **Nil**



- (21) Design Number: **10681/2014**  
(22) Date of Filing Application: **11 February 2014**  
(24) Date from which industrial property rights may have effect: **11 February 2014**  
(54) Product in respect of which the design is registered: **Skin caring and cleansing device**  
(51) International Design Classification: **28-03NES**  
(74) Name(s) of Attorney(s):  
(71) Name(s) and Address(s) of Applicant(s):  
**CLAYMONT BOND PTY. LTD.**  
**PO BOX 140 Keilor VIC 3036 Australia**  
**ILUXE PTY LTD**  
**PO BOX 140 Keilor VIC 3036 Australia**  
(72) Name(s) of Designer(s): **Irene Patsalides**  
(45) Registration Date: **13 May 2014**  
(56) Related Art Documents: **Not Applicable**  
(57) Statement of Newness and Distinctiveness: **The newness and distinctiveness of the design resides in the shape of the device, its distinctive number of touch points and shape of the touch points and variety of sizes of the touch points both on the front and the back of the design, and also in the shape of the wave of the front and the size of the device, with a 5cm minimum height/maximum 15cm and a 4cm minimum width/maximum 10cm.width.**



- (21) Design Number: **11087/2014**  
(22) Date of Filing Application: **10 March 2014**  
(24) Date from which industrial property rights may have effect: **10 March 2014**  
(54) Product in respect of which the design is registered: **A bin**  
(51) International Design Classification: **09-09**  
(74) Name(s) of Attorney(s): **A.J. Pietras & Co**  
(71) Name(s) and Address(s) of Applicant(s):  
**Steven Korner**  
**55 College Street Masterton 5810 New Zealand**  
(72) Name(s) of Designer(s): **Steven Korner and David Cassells and Lucy Cant**  
(45) Registration Date: **13 May 2014**  
(30) Convention priority data:  
(31) Number      (32) Date      (33) Country  
**418203      07 Nov 2013      NEW ZEALAND**  
(56) Related Art Documents: **Not Applicable**  
(57) Statement of Newness and Distinctiveness: **The design is applied to a Bin and the novelty resides in the features of shape and configuration as shown in the accompanying representations.**



- (21) Design Number: **11095/2014**  
(22) Date of Filing Application: **11 March 2014**  
(24) Date from which industrial property rights may have effect: **11 March 2014**  
(54) Product in respect of which the design is registered: **Label**  
(51) International Design Classification: **19-08**  
(74) Name(s) of Attorney(s): **SPRUSON & FERGUSON**  
(71) Name(s) and Address(s) of Applicant(s):

**SATA GmbH & Co. KG**  
**Domertalstrasse 20 Kornwestheim 70806 Germany**

(72) Name(s) of Designer(s): **Albrecht Kruse**

(45) Registration Date: **13 May 2014**

(30) Convention priority data:

(31) Number	(32) Date	(33) Country
<b>201330463135.8</b>	<b>27 Sep 2013</b>	<b>CHINA</b>

(56) Related Art Documents: **Not Applicable**

(57) Statement of Newness and Distinctiveness: **Newness and distinctiveness is claimed in the features of pattern and/or ornamentation of a label as illustrated in the accompanying representations.**



- (21) Design Number: **11096/2014**  
(22) Date of Filing Application: **11 March 2014**  
(24) Date from which industrial property rights may have effect: **11 March 2014**  
(54) Product in respect of which the design is registered: **Label**  
(51) International Design Classification: **19-08**  
(74) Name(s) of Attorney(s): **SPRUSON & FERGUSON**  
(71) Name(s) and Address(s) of Applicant(s):

**SATA GmbH & Co. KG**  
**Domertalstrasse 20 Kornwestheim 70806 Germany**

(72) Name(s) of Designer(s): **Albrecht Kruse**

(45) Registration Date: **13 May 2014**

(30) Convention priority data:

(31) Number	(32) Date	(33) Country
<b>201330463135.8</b>	<b>27 Sep 2013</b>	<b>CHINA</b>

(56) Related Art Documents: **Not Applicable**

(57) Statement of Newness and Distinctiveness: **Newness and distinctiveness is claimed in the features of pattern and/or ornamentation of a label as illustrated in the accompanying representations.**



- (21) Design Number: **11099/2014**  
(22) Date of Filing Application: **11 March 2014**  
(24) Date from which industrial property rights may have effect: **11 March 2014**  
(54) Product in respect of which the design is registered: **Label**  
(51) International Design Classification: **19-08**  
(74) Name(s) of Attorney(s): **SPRUSON & FERGUSON**  
(71) Name(s) and Address(s) of Applicant(s):  
**SATA GmbH & Co. KG**  
**Domertalstrasse 20 Kornwestheim 70806 Germany**  
(72) Name(s) of Designer(s): **Albrecht Kruse**  
(45) Registration Date: **13 May 2014**  
(30) Convention priority data:  
(31) Number (32) Date (33) Country  
**201330463135.8 27 Sep 2013 CHINA**  
(56) Related Art Documents: **Not Applicable**  
(57) Statement of Newness and Distinctiveness: **Newness and distinctiveness is claimed in the features of pattern and/or ornamentation of a label as illustrated in the accompanying representations.**



- (21) Design Number: **11101/2014**  
(22) Date of Filing Application: **11 March 2014**  
(24) Date from which industrial property rights may have effect: **11 March 2014**  
(54) Product in respect of which the design is registered: **Label**  
(51) International Design Classification: **19-08**  
(74) Name(s) of Attorney(s): **SPRUSON & FERGUSON**  
(71) Name(s) and Address(s) of Applicant(s):  
**SATA GmbH & Co. KG**  
**Domertalstrasse 20 Kornwestheim 70806 Germany**  
(72) Name(s) of Designer(s): **Albrecht Kruse**  
(45) Registration Date: **13 May 2014**  
(30) Convention priority data:  
(31) Number (32) Date (33) Country  
**201330463135.8 27 Sep 2013 CHINA**  
(56) Related Art Documents: **Not Applicable**  
(57) Statement of Newness and Distinctiveness: **Newness and distinctiveness is claimed in the features of pattern and/or ornamentation of a label as illustrated in the accompanying representations.**



- (21) Design Number: **11103/2014**  
(22) Date of Filing Application: **11 March 2014**  
(24) Date from which industrial property rights may have effect: **11 March 2014**  
(54) Product in respect of which the design is registered: **Label**  
(51) International Design Classification: **19-08**  
(74) Name(s) of Attorney(s): **SPRUSON & FERGUSON**  
(71) Name(s) and Address(s) of Applicant(s):



- SATA GmbH & Co. KG**  
**Domertalstrasse 20 Kornwestheim 70806 Germany**  
(72) Name(s) of Designer(s): **Albrecht Kruse**  
(45) Registration Date: **13 May 2014**  
(30) Convention priority data:  
(31) Number (32) Date (33) Country  
**201330463135.8 27 Sep 2013 CHINA**  
(56) Related Art Documents: **Not Applicable**  
(57) Statement of Newness and Distinctiveness: **Newness and distinctiveness is claimed in the features of pattern and/or ornamentation of a label as illustrated in the accompanying representations.**

- (21) Design Number: **11104/2014**  
(22) Date of Filing Application: **11 March 2014**  
(24) Date from which industrial property rights may have effect: **11 March 2014**  
(54) Product in respect of which the design is registered: **Label**  
(51) International Design Classification: **19-08**  
(74) Name(s) of Attorney(s): **SPRUSON & FERGUSON**  
(71) Name(s) and Address(s) of Applicant(s):



- SATA GmbH & Co. KG**  
**Domertalstrasse 20 Kornwestheim 70806 Germany**  
(72) Name(s) of Designer(s): **Albrecht Kruse**  
(45) Registration Date: **13 May 2014**  
(30) Convention priority data:  
(31) Number (32) Date (33) Country  
**201330463135.8 27 Sep 2013 CHINA**  
(56) Related Art Documents: **Not Applicable**  
(57) Statement of Newness and Distinctiveness: **Newness and distinctiveness is claimed in the features of pattern and/or ornamentation of a label as illustrated in the accompanying representations.**

- (21) Design Number: **11215/2014**  
(22) Date of Filing Application: **17 March 2014**  
(24) Date from which industrial property rights may have effect: **17 March 2014**  
(54) Product in respect of which the design is registered: **Spinal cage**  
(51) International Design Classification: **24-01**  
(74) Name(s) of Attorney(s):  
(71) Name(s) and Address(s) of Applicant(s):  
**Prism Surgical Designs Pty Ltd**  
**15/43 Lang Pde Milton QLD 4064 Australia**  
(72) Name(s) of Designer(s): **Matthew Scott-Young**  
(45) Registration Date: **13 May 2014**  
(56) Related Art Documents: **Not Applicable**  
(57) Statement of Newness and Distinctiveness: **Surgical prosthetic cages are provided to support and fuse together adjacent vertebrae or to totally/partially replace one or more vertebrae in the anterior spinal column. They can be singular or stacked together. Most implants are rigid and are dimensionally similar to normal vertebral bodies being simplified oval or hemi oval in shape. The newness and distinctiveness of this spinal cage design resides in the geometrical shape, commonly referred to as the footprint, as shown in the continuous outer lines in the accompanying representations.**



- (21) Design Number: **11764/2014**  
(22) Date of Filing Application: **09 April 2014**  
(24) Date from which industrial property rights may have effect: **09 April 2014**  
(54) Product in respect of which the design is registered: **Cooking pan**  
(51) International Design Classification: **07-02N**  
(74) Name(s) of Attorney(s):  
(71) Name(s) and Address(s) of Applicant(s):  
**Brendon Michael O'Sullivan**  
**505 Melbourne Rd Blairgowrie VIC 3942 Australia**  
(72) Name(s) of Designer(s): **Brendon Michael O'Sullivan**  
(45) Registration Date: **13 May 2014**  
(56) Related Art Documents: **Not Applicable**  
(57) Statement of Newness and Distinctiveness: **Geometric Handle lock.**



- (21) Design Number: **11800/2014**  
(22) Date of Filing Application: **11 April 2014**  
(24) Date from which industrial property rights may have effect: **11 April 2014**  
(54) Product in respect of which the design is registered: **Tiling puzzle**  
(51) International Design Classification: **21-01M, 21-01E**  
(74) Name(s) of Attorney(s):  
(71) Name(s) and Address(s) of Applicant(s):

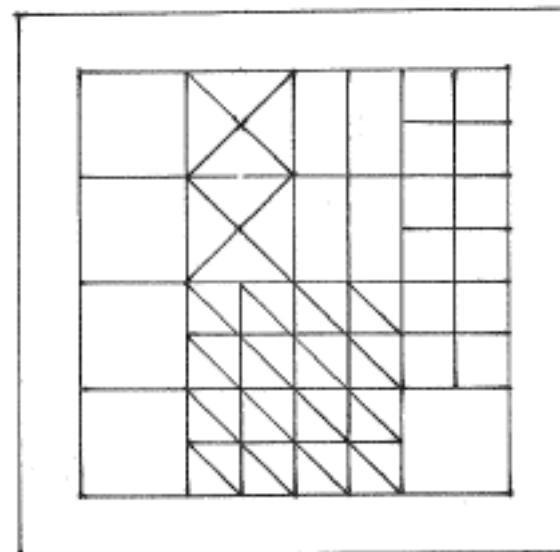
**Phillida Hartley**  
**51 Lee St Nambucca Heads NSW 2448 Australia**

(72) Name(s) of Designer(s): **Phillida Hartley**

(45) Registration Date: **13 May 2014**

(56) Related Art Documents: **Not Applicable**

(57) Statement of Newness and Distinctiveness: **Unlike most puzzles, this has many possible uses and outcomes as are illustrated in the accompanying representations. A square frame is included to facilitate the use of all pieces to make a single square- a process which provides challenges of symmetry, aesthetic pattern and transformations and for which there is no 'right' answer. Colours may vary and are used to differentiate different shapes. It's simplicity and versatility and easily manipulated pieces make it suitable for all ages including not only the young but also the aged. As each piece is a multiple of the smallest triangle it may be used for development of a range of numerical and geometric principles fundamental to mathematical understanding.**



- (21) Design Number: **15198/2013**  
(22) Date of Filing Application: **11 October 2013**  
(24) Date from which industrial property rights may have effect: **11 October 2013**  
(54) Product in respect of which the design is registered: **Lightning Ridge Black Opal Display Vial**  
(51) International Design Classification: **09-03NES, 09-01NES**  
(74) Name(s) of Attorney(s):  
(71) Name(s) and Address(s) of Applicant(s):

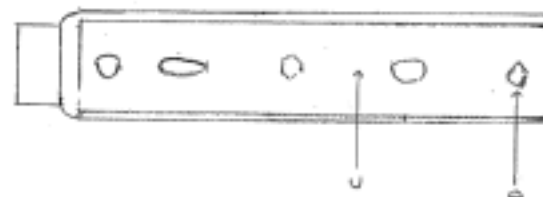
**Hamish William Loftus**  
**129 Bogy Creek Rd Pambula NSW 2549 Australia**

(72) Name(s) of Designer(s): **Hamish William Loftus**

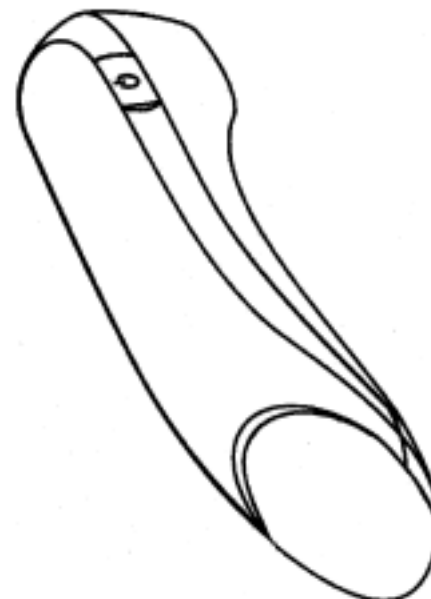
(45) Registration Date: **13 May 2014**

(56) Related Art Documents: **Not Applicable**

(57) Statement of Newness and Distinctiveness: **The display container consists of a clear vial with an insert of black background material. by filling with clear fluid the container used the magnification effect of the fluid to enhance the appearance of the displayed object.**



(21) Design Number: **10406/2014**  
(22) Date of Filing Application: **30 January 2014**  
(24) Date from which industrial property rights may have effect: **30 January 2014**  
(54) Product in respect of which the design is registered: **Display for use with a pen type injection device**  
(51) International Design Classification: **24-02**  
(74) Name(s) of Attorney(s): **WATERMARK PATENT AND TRADE MARKS ATTORNEYS**  
(71) Name(s) and Address(s) of Applicant(s):  
**Sanofi-Aventis Deutschland GmbH**  
**Bruningstrasse 50 Frankfurt am Main 65929 Germany**  
(72) Name(s) of Designer(s): **Jan Mathis and Nik Pelzl**  
(45) Registration Date: **13 May 2014**  
(30) Convention priority data:  
(31) Number (32) Date (33) Country  
**002 286054 02 Aug 2013 EUROPEAN PATENT OFFICE (EPO)**  
(56) Related Art Documents: **Not Applicable**  
(57) Statement of Newness and Distinctiveness: **Nil**



(21) Design Number: **10558/2014**  
(22) Date of Filing Application: **06 February 2014**  
(24) Date from which industrial property rights may have effect: **06 February 2014**  
(54) Product in respect of which the design is registered: **Electronic device with app icon design at user interface**  
(51) International Design Classification: **14-02, 32-02**  
(74) Name(s) of Attorney(s): **Griffith Hack**  
(71) Name(s) and Address(s) of Applicant(s):  
**BRITA Professional GmbH & Co. KG**  
**Heinrich-Hertz-Strasse 4 Taunusstein 65232 Germany**  
(72) Name(s) of Designer(s): **Thorsten Trietsch**  
(45) Registration Date: **13 May 2014**  
(30) Convention priority data:  
(31) Number (32) Date (33) Country  
**402013100 799.0 06 Aug 2013 GERMANY**  
(56) Related Art Documents: **Not Applicable**  
(57) Statement of Newness and Distinctiveness: **Newness and distinctiveness resides in the visual features, including shape, configuration and pattern, of an Application Icon for display at a User Interface of an Electronic Device as shown in the accompanying drawings, the visual features including the colours as employed in the accompanying representation.**



(21) Design Number: **10824/2014**  
(22) Date of Filing Application: **25 February 2014**  
(24) Date from which industrial property rights may have effect: **25 February 2014**  
(54) Product in respect of which the design is registered: **Display screen with icon for an electronic device**  
(51) International Design Classification: **14-02**  
(74) Name(s) of Attorney(s): **Griffith Hack**  
(71) Name(s) and Address(s) of Applicant(s):  
**SAMSUNG ELECTRONICS CO., LTD.**  
**129 Samsung-ro Yeongtong-gu Suwon-si Gyeonggi-do 443-742 Republic of Korea**  
(72) Name(s) of Designer(s): **Hye-Bin Park and You-Jin Im and Sora Kim and Joo-Hyung Lee**  
(45) Registration Date: **13 May 2014**  
(30) Convention priority data:  
(31) Number (32) Date (33) Country  
**29/465,897 03 Sep 2013 UNITED STATES OF AMERICA**  
(56) Related Art Documents: **Not Applicable**  
(57) Statement of Newness and Distinctiveness: **Newness and distinctiveness resides in the visual features, including the pattern and/or ornamentation of the PRODUCT as shown in Figure 1. The broken lines are for illustrative purposes and do not form part of the design. Figures 2, 3 and 4 have been included for illustrative purposes and do not form part of the design.**



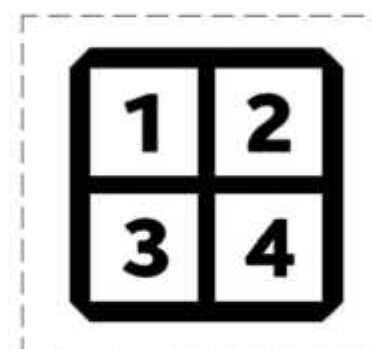
(21) Design Number: **10825/2014**  
(22) Date of Filing Application: **25 February 2014**  
(24) Date from which industrial property rights may have effect: **25 February 2014**  
(54) Product in respect of which the design is registered: **Display screen with icon for an electronic device**  
(51) International Design Classification: **14-02**  
(74) Name(s) of Attorney(s): **Griffith Hack**  
(71) Name(s) and Address(s) of Applicant(s):  
**SAMSUNG ELECTRONICS CO., LTD.**  
**129 Samsung-ro Yeongtong-gu Suwon-si Gyeonggi-do 443-742 Republic of Korea**  
(72) Name(s) of Designer(s): **Hye-Bin Park and You-Jin Im and Sora Kim and Joo-Hyung Lee**  
(45) Registration Date: **13 May 2014**  
(30) Convention priority data:  
(31) Number (32) Date (33) Country  
**29/465,893 03 Sep 2013 UNITED STATES OF AMERICA**  
(56) Related Art Documents: **Not Applicable**  
(57) Statement of Newness and Distinctiveness: **Newness and distinctiveness resides in the visual features, including the pattern and/or ornamentation of the PRODUCT as shown in Figure 1. The broken lines are for illustrative purposes and do not form part of the design. Figures 2, 3 and 4 have been included for illustrative purposes and do not form part of the design.**



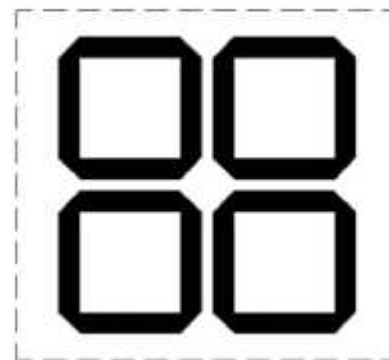
(21) Design Number: **10826/2014**  
(22) Date of Filing Application: **25 February 2014**  
(24) Date from which industrial property rights may have effect: **25 February 2014**  
(54) Product in respect of which the design is registered: **Display screen with icon for an electronic device**  
(51) International Design Classification: **14-02**  
(74) Name(s) of Attorney(s): **Griffith Hack**  
(71) Name(s) and Address(s) of Applicant(s):  
**SAMSUNG ELECTRONICS CO., LTD.**  
**129 Samsung-ro Yeongtong-gu Suwon-si Gyeonggi-do 443-742 Republic of Korea**  
(72) Name(s) of Designer(s): **Hye-Bin Park and You-Jin Im and Sora Kim and Joo-Hyung Lee**  
(45) Registration Date: **13 May 2014**  
(30) Convention priority data:  
(31) Number (32) Date (33) Country  
**29/465,947 03 Sep 2013 UNITED STATES OF AMERICA**  
(56) Related Art Documents: **Not Applicable**  
(57) Statement of Newness and Distinctiveness: **Newness and distinctiveness resides in the visual features, including the pattern and/or ornamentation of the PRODUCT as shown in Figure 1. The broken lines are for illustrative purposes and do not form part of the design. Figures 2, 3 and 4 have been included for illustrative purposes and do not form part of the design.**



(21) Design Number: **10827/2014**  
(22) Date of Filing Application: **25 February 2014**  
(24) Date from which industrial property rights may have effect: **25 February 2014**  
(54) Product in respect of which the design is registered: **Display screen with icon for an electronic device**  
(51) International Design Classification: **14-02**  
(74) Name(s) of Attorney(s): **Griffith Hack**  
(71) Name(s) and Address(s) of Applicant(s):  
**SAMSUNG ELECTRONICS CO., LTD.**  
**129 Samsung-ro Yeongtong-gu Suwon-si Gyeonggi-do 443-742 Republic of Korea**  
(72) Name(s) of Designer(s): **Hye-Bin Park and You-Jin Im and Sora Kim and Joo-Hyung Lee**  
(45) Registration Date: **13 May 2014**  
(30) Convention priority data:  
(31) Number (32) Date (33) Country  
**29/465,901 03 Sep 2013 UNITED STATES OF AMERICA**  
(56) Related Art Documents: **Not Applicable**  
(57) Statement of Newness and Distinctiveness: **Newness and distinctiveness resides in the visual features, including the pattern and/or ornamentation of the PRODUCT as shown in Figure 1. The broken lines are for illustrative purposes and do not form part of the design. Figures 2, 3 and 4 have been included for illustrative purposes and do not form part of the design.**



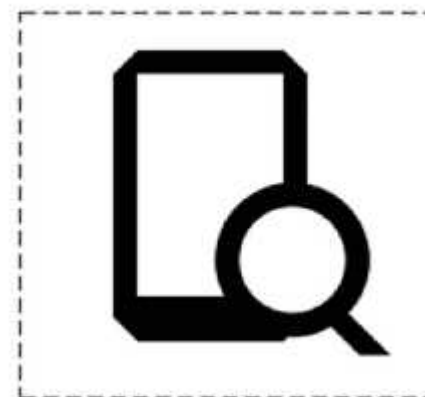
(21) Design Number: **10834/2014**  
(22) Date of Filing Application: **25 February 2014**  
(24) Date from which industrial property rights may have effect: **25 February 2014**  
(54) Product in respect of which the design is registered: **Display screen with icon for an electronic device**  
(51) International Design Classification: **14-02, 14-01**  
(74) Name(s) of Attorney(s): **Griffith Hack**  
(71) Name(s) and Address(s) of Applicant(s):  
**SAMSUNG ELECTRONICS CO., LTD.**  
**129, Samsung-ro Yeongtong-gu Suwon-si Gyeonggi-do 443-742**  
**Republic of Korea**  
(72) Name(s) of Designer(s): **Hye-Bin Park and You-Jin Im and Sora Kim and Joo-Hyung Lee**  
(45) Registration Date: **13 May 2014**  
(30) Convention priority data:  
(31) Number (32) Date (33) Country  
**29/465,905 03 Sep 2013 REPUBLIC OF KOREA**  
(56) Related Art Documents: **Not Applicable**  
(57) Statement of Newness and Distinctiveness: **Newness and distinctiveness resides in the visual features, including the pattern and/or ornamentation of the PRODUCT as shown in Figure 1. The broken lines are for illustrative purposes and do not form part of the design. Figures 2, 3 and 4 have been included for illustrative purposes and do not form part of the design.**



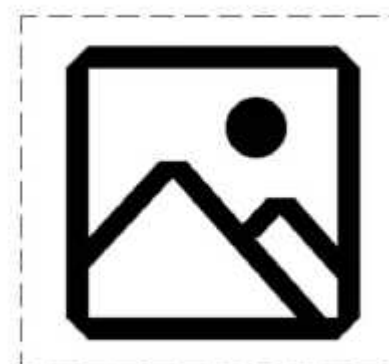
(21) Design Number: **10835/2014**  
(22) Date of Filing Application: **25 February 2014**  
(24) Date from which industrial property rights may have effect: **25 February 2014**  
(54) Product in respect of which the design is registered: **Display screen with icon for an electronic device**  
(51) International Design Classification: **14-02, 14-01**  
(74) Name(s) of Attorney(s): **Griffith Hack**  
(71) Name(s) and Address(s) of Applicant(s):  
**SAMSUNG ELECTRONICS CO., LTD.**  
**129, Samsung-ro Yeongtong-gu Suwon-si Gyeonggi-do 443-742**  
**Republic of Korea**  
(72) Name(s) of Designer(s): **Hye-Bin Park and You-Jin Im and Sora Kim and Joo-Hyung Lee**  
(45) Registration Date: **13 May 2014**  
(30) Convention priority data:  
(31) Number (32) Date (33) Country  
**29/465,908 03 Sep 2013 UNITED STATES OF AMERICA**  
(56) Related Art Documents: **Not Applicable**  
(57) Statement of Newness and Distinctiveness: **Newness and distinctiveness resides in the visual features, including the pattern and/or ornamentation of the PRODUCT as shown in Figure 1. The broken lines are for illustrative purposes and do not form part of the design. Figures 2, 3 and 4 have been included for illustrative purposes and do not form part of the design.**



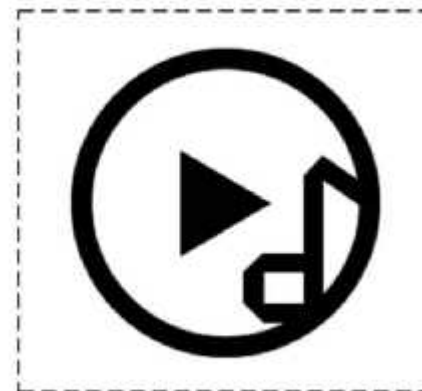
- (21) Design Number: **10836/2014**  
(22) Date of Filing Application: **25 February 2014**  
(24) Date from which industrial property rights may have effect: **25 February 2014**  
(54) Product in respect of which the design is registered: **Display screen with icon for an electronic device**  
(51) International Design Classification: **14-02, 14-01**  
(74) Name(s) of Attorney(s): **Griffith Hack**  
(71) Name(s) and Address(s) of Applicant(s):  
**SAMSUNG ELECTRONICS CO., LTD.**  
**129, Samsung-ro Yeongtong-gu Suwon-si Gyeonggi-do 443-742**  
**Republic of Korea**  
(72) Name(s) of Designer(s): **Hye-Bin Park and You-Jin Im and Sora Kim and Joo-Hyung Lee**  
(45) Registration Date: **13 May 2014**  
(30) Convention priority data:  
(31) Number (32) Date (33) Country  
**29/465,913 03 Sep 2013 UNITED STATES OF AMERICA**  
(56) Related Art Documents: **Not Applicable**  
(57) Statement of Newness and Distinctiveness: **Newness and distinctiveness resides in the visual features, including the pattern and/or ornamentation of the PRODUCT as shown in Figure 1. The broken lines are for illustrative purposes and do not form part of the design. Figures 2, 3 and 4 have been included for illustrative purposes and do not form part of the design.**



- (21) Design Number: **10837/2014**  
(22) Date of Filing Application: **25 February 2014**  
(24) Date from which industrial property rights may have effect: **25 February 2014**  
(54) Product in respect of which the design is registered: **Display screen with icon for an electronic device**  
(51) International Design Classification: **14-02, 14-01**  
(74) Name(s) of Attorney(s): **Griffith Hack**  
(71) Name(s) and Address(s) of Applicant(s):  
**SAMSUNG ELECTRONICS CO., LTD.**  
**129, Samsung-ro Yeongtong-gu Suwon-si Gyeonggi-do 443-742**  
**Republic of Korea**  
(72) Name(s) of Designer(s): **Hye-Bin Park and You-Jin Im and Sora Kim and Joo-Hyung Lee**  
(45) Registration Date: **13 May 2014**  
(30) Convention priority data:  
(31) Number (32) Date (33) Country  
**29/465,919 03 Sep 2013 UNITED STATES OF AMERICA**  
(56) Related Art Documents: **Not Applicable**  
(57) Statement of Newness and Distinctiveness: **Newness and distinctiveness resides in the visual features, including the pattern and/or ornamentation of the PRODUCT as shown in Figure 1. The broken lines are for illustrative purposes and do not form part of the design. Figures 2, 3 and 4 have been included for illustrative purposes and do not form part of the design.**



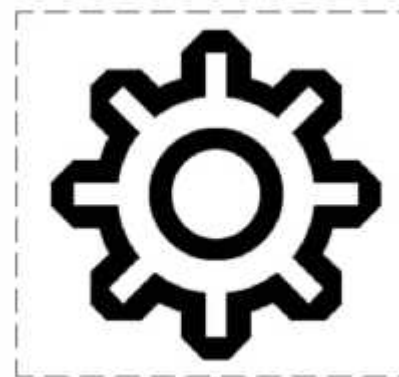
- (21) Design Number: **10840/2014**  
(22) Date of Filing Application: **25 February 2014**  
(24) Date from which industrial property rights may have effect: **25 February 2014**  
(54) Product in respect of which the design is registered: **Display screen with icon for an electronic device**  
(51) International Design Classification: **14-02, 14-01**  
(74) Name(s) of Attorney(s): **Griffith Hack**  
(71) Name(s) and Address(s) of Applicant(s):  
**SAMSUNG ELECTRONICS CO., LTD.**  
**129, Samsung-ro Yeongtong-gu Suwon-si Gyeonggi-do 443-742**  
**Republic of Korea**  
(72) Name(s) of Designer(s): **Hye-Bin Park and You-Jin Im and Sora Kim and Joo-Hyung Lee**  
(45) Registration Date: **13 May 2014**  
(30) Convention priority data:  
(31) Number (32) Date (33) Country  
**29/465,924 03 Sep 2013 UNITED STATES OF AMERICA**  
(56) Related Art Documents: **Not Applicable**  
(57) Statement of Newness and Distinctiveness: **Newness and distinctiveness resides in the visual features, including the pattern and/or ornamentation of the PRODUCT as shown in Figure 1. The broken lines are for illustrative purposes and do not form part of the design. Figures 2, 3 and 4 have been included for illustrative purposes and do not form part of the design.**



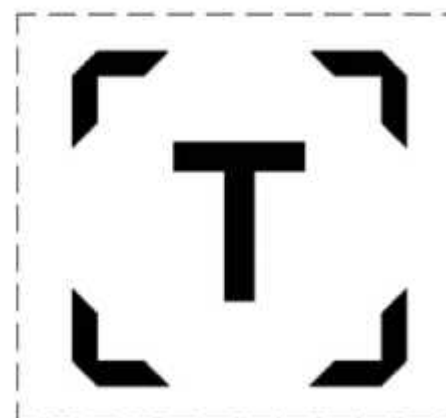
- (21) Design Number: **10841/2014**  
(22) Date of Filing Application: **25 February 2014**  
(24) Date from which industrial property rights may have effect: **25 February 2014**  
(54) Product in respect of which the design is registered: **Display screen with icon for an electronic device**  
(51) International Design Classification: **14-02, 14-01**  
(74) Name(s) of Attorney(s): **Griffith Hack**  
(71) Name(s) and Address(s) of Applicant(s):  
**SAMSUNG ELECTRONICS CO., LTD.**  
**129, Samsung-ro Yeongtong-gu Suwon-si Gyeonggi-do 443-742**  
**Republic of Korea**  
(72) Name(s) of Designer(s): **Hye-Bin Park and You-Jin Im and Sora Kim and Joo-Hyung Lee**  
(45) Registration Date: **13 May 2014**  
(30) Convention priority data:  
(31) Number (32) Date (33) Country  
**29/465,896 03 Sep 2013 UNITED STATES OF AMERICA**  
(56) Related Art Documents: **Not Applicable**  
(57) Statement of Newness and Distinctiveness: **Newness and distinctiveness resides in the visual features, including the pattern and/or ornamentation of the PRODUCT as shown in Figure 1. The broken lines are for illustrative purposes and do not form part of the design. Figures 2, 3 and 4 have been included for illustrative purposes and do not form part of the design.**



- (21) Design Number: **10842/2014**  
(22) Date of Filing Application: **25 February 2014**  
(24) Date from which industrial property rights may have effect: **25 February 2014**  
(54) Product in respect of which the design is registered: **Display screen with icon for an electronic device**  
(51) International Design Classification: **14-02, 14-01**  
(74) Name(s) of Attorney(s): **Griffith Hack**  
(71) Name(s) and Address(s) of Applicant(s):  
**SAMSUNG ELECTRONICS CO., LTD.**  
**129, Samsung-ro Yeongtong-gu Suwon-si Gyeonggi-do 443-742**  
**Republic of Korea**  
(72) Name(s) of Designer(s): **Hye-Bin Park and You-Jin Im and Sora Kim and Joo-Hyung Lee**  
(45) Registration Date: **13 May 2014**  
(30) Convention priority data:  
(31) Number (32) Date (33) Country  
**29/465,898 03 Sep 2013 UNITED STATES OF AMERICA**  
(56) Related Art Documents: **Not Applicable**  
(57) Statement of Newness and Distinctiveness: **Newness and distinctiveness resides in the visual features, including the pattern and/or ornamentation of the PRODUCT as shown in Figure 1. The broken lines are for illustrative purposes and do not form part of the design. Figures 2, 3 and 4 have been included for illustrative purposes and do not form part of the design.**



- (21) Design Number: **10843/2014**  
(22) Date of Filing Application: **25 February 2014**  
(24) Date from which industrial property rights may have effect: **25 February 2014**  
(54) Product in respect of which the design is registered: **Display screen with icon for an electronic device**  
(51) International Design Classification: **14-02, 14-01**  
(74) Name(s) of Attorney(s): **Griffith Hack**  
(71) Name(s) and Address(s) of Applicant(s):  
**SAMSUNG ELECTRONICS CO., LTD.**  
**129, Samsung-ro Yeongtong-gu Suwon-si Gyeonggi-do 443-742**  
**Republic of Korea**  
(72) Name(s) of Designer(s): **Hye-Bin Park and You-Jin Im and Sora Kim and Joo-Hyung Lee**  
(45) Registration Date: **13 May 2014**  
(30) Convention priority data:  
(31) Number (32) Date (33) Country  
**29/465,902 03 Sep 2013 UNITED STATES OF AMERICA**  
(56) Related Art Documents: **Not Applicable**  
(57) Statement of Newness and Distinctiveness: **Newness and distinctiveness resides in the visual features, including the pattern and/or ornamentation of the PRODUCT as shown in Figure 1. The broken lines are for illustrative purposes and do not form part of the design. Figures 2, 3 and 4 have been included for illustrative purposes and do not form part of the design.**



(21) Design Number: **10844/2014**  
(22) Date of Filing Application: **25 February 2014**  
(24) Date from which industrial property rights may have effect: **25 February 2014**  
(54) Product in respect of which the design is registered: **Display screen with icon for an electronic device**  
(51) International Design Classification: **14-02, 14-01**  
(74) Name(s) of Attorney(s): **Griffith Hack**  
(71) Name(s) and Address(s) of Applicant(s):  
**SAMSUNG ELECTRONICS CO., LTD.**  
**Yeongtong-gu Samsung-ro 129 Yeongtong-gu Suwon-si Gyeonggi-do**  
**443-742 Republic of Korea**  
(72) Name(s) of Designer(s): **Hye-Bin Park and You-Jin Im and Sora Kim and Joo-Hyung Lee**  
(45) Registration Date: **13 May 2014**  
(30) Convention priority data:  
(31) Number (32) Date (33) Country  
**29/465,915 03 Sep 2013 UNITED STATES OF AMERICA**  
(56) Related Art Documents: **Not Applicable**  
(57) Statement of Newness and Distinctiveness: **Newness and distinctiveness resides in the visual features, including the pattern and/or ornamentation of the PRODUCT as shown in Figure 1. The broken lines are for illustrative purposes and do not form part of the design. Figures 2, 3 and 4 have been included for illustrative purposes and do not form part of the design.**



(21) Design Number: **10845/2014**  
(22) Date of Filing Application: **25 February 2014**  
(24) Date from which industrial property rights may have effect: **25 February 2014**  
(54) Product in respect of which the design is registered: **Display screen with icon for an electronic device**  
(51) International Design Classification: **14-02, 14-01**  
(74) Name(s) of Attorney(s): **Griffith Hack**  
(71) Name(s) and Address(s) of Applicant(s):  
**SAMSUNG ELECTRONICS CO., LTD.**  
**129, Samsung-ro Yeongtong-gu Suwon-si Gyeonggi-do 443-742**  
**Republic of Korea**  
(72) Name(s) of Designer(s): **Hye-Bin Park and You-Jin Im and Sora Kim and Joo-Hyung Lee**  
(45) Registration Date: **13 May 2014**  
(30) Convention priority data:  
(31) Number (32) Date (33) Country  
**29/465,921 03 Sep 2013 UNITED STATES OF AMERICA**  
(56) Related Art Documents: **Not Applicable**  
(57) Statement of Newness and Distinctiveness: **Newness and distinctiveness resides in the visual features, including the pattern and/or ornamentation of the PRODUCT as shown in Figure 1. The broken lines are for illustrative purposes and do not form part of the design. Figures 2, 3 and 4 have been included for illustrative purposes and do not form part of the design.**



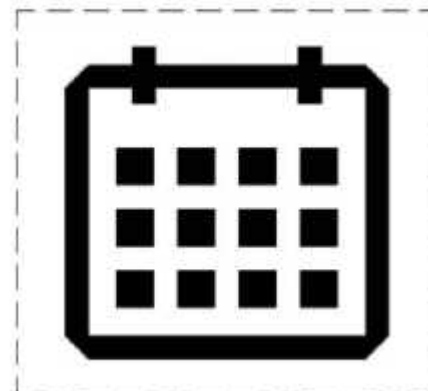
(21) Design Number: **10846/2014**  
(22) Date of Filing Application: **25 February 2014**  
(24) Date from which industrial property rights may have effect: **25 February 2014**  
(54) Product in respect of which the design is registered: **Display screen with icon for an electronic device**  
(51) International Design Classification: **14-02, 14-01**  
(74) Name(s) of Attorney(s): **Griffith Hack**  
(71) Name(s) and Address(s) of Applicant(s):  
**SAMSUNG ELECTRONICS CO., LTD.**  
**129, Samsung-ro Yeongtong-gu Suwon-si Gyeonggi-do 443-742**  
**Republic of Korea**  
(72) Name(s) of Designer(s): **Hye-Bin Park and You-Jin Im and Sora Kim and Joo-Hyung Lee**  
(45) Registration Date: **13 May 2014**  
(30) Convention priority data:  
(31) Number (32) Date (33) Country  
**29/465,935 03 Sep 2013 UNITED STATES OF AMERICA**  
(56) Related Art Documents: **Not Applicable**  
(57) Statement of Newness and Distinctiveness: **Newness and distinctiveness resides in the visual features, including the pattern and/or ornamentation of the PRODUCT as shown in Figure 1. The broken lines are for illustrative purposes and do not form part of the design. Figures 2, 3 and 4 have been included for illustrative purposes and do not form part of the design.**



(21) Design Number: **10847/2014**  
(22) Date of Filing Application: **25 February 2014**  
(24) Date from which industrial property rights may have effect: **25 February 2014**  
(54) Product in respect of which the design is registered: **Display screen with icon for an electronic device**  
(51) International Design Classification: **14-02, 14-01**  
(74) Name(s) of Attorney(s): **Griffith Hack**  
(71) Name(s) and Address(s) of Applicant(s):  
**SAMSUNG ELECTRONICS CO., LTD.**  
**129, Samsung-ro Yeongtong-gu Suwon-si Gyeonggi-do 443-742**  
**Republic of Korea**  
(72) Name(s) of Designer(s): **Hye-Bin Park and You-Jin Im and Sora Kim and Joo-Hyung Lee**  
(45) Registration Date: **13 May 2014**  
(30) Convention priority data:  
(31) Number (32) Date (33) Country  
**29/465,939 03 Sep 2013 UNITED STATES OF AMERICA**  
(56) Related Art Documents: **Not Applicable**  
(57) Statement of Newness and Distinctiveness: **Newness and distinctiveness resides in the visual features, including the pattern and/or ornamentation of the PRODUCT as shown in Figure 1. The broken lines are for illustrative purposes and do not form part of the design. Figures 2, 3 and 4 have been included for illustrative purposes and do not form part of the design.**



- (21) Design Number: **10848/2014**  
(22) Date of Filing Application: **25 February 2014**  
(24) Date from which industrial property rights may have effect: **25 February 2014**  
(54) Product in respect of which the design is registered: **Display screen with icon for an electronic device**  
(51) International Design Classification: **14-02, 14-01**  
(74) Name(s) of Attorney(s): **Griffith Hack**  
(71) Name(s) and Address(s) of Applicant(s):  
**SAMSUNG ELECTRONICS CO., LTD.**  
**129, Samsung-ro Yeongtong-gu Suwon-si Gyeonggi-do 443-742**  
**Republic of Korea**  
(72) Name(s) of Designer(s): **Hye-Bin Park and You-Jin Im and Sora Kim and Joo-Hyung Lee**  
(45) Registration Date: **13 May 2014**  
(30) Convention priority data:  
(31) Number (32) Date (33) Country  
**29/465,951 03 Sep 2013 UNITED STATES OF AMERICA**  
(56) Related Art Documents: **Not Applicable**  
(57) Statement of Newness and Distinctiveness: **Newness and distinctiveness resides in the visual features, including the pattern and/or ornamentation of the PRODUCT as shown in Figure 1. The broken lines are for illustrative purposes and do not form part of the design. Figures 2, 3 and 4 have been included for illustrative purposes and do not form part of the design.**



- (21) Design Number: **10849/2014**  
(22) Date of Filing Application: **25 February 2014**  
(24) Date from which industrial property rights may have effect: **25 February 2014**  
(54) Product in respect of which the design is registered: **Display screen with icon for an electronic device**  
(51) International Design Classification: **14-02, 14-01**  
(74) Name(s) of Attorney(s): **Griffith Hack**  
(71) Name(s) and Address(s) of Applicant(s):  
**SAMSUNG ELECTRONICS CO., LTD.**  
**129, Samsung-ro Yeongtong-gu Suwon-si Gyeonggi-do 443-742**  
**Republic of Korea**  
(72) Name(s) of Designer(s): **Hye-Bin Park and You-Jin Im and Sora Kim and Joo-Hyung Lee**  
(45) Registration Date: **13 May 2014**  
(30) Convention priority data:  
(31) Number (32) Date (33) Country  
**29/465,980 03 Sep 2013 UNITED STATES OF AMERICA**  
(56) Related Art Documents: **Not Applicable**  
(57) Statement of Newness and Distinctiveness: **Newness and distinctiveness resides in the visual features, including the pattern and/or ornamentation of the PRODUCT as shown in Figure 1. The broken lines are for illustrative purposes and do not form part of the design. Figures 2, 3 and 4 have been included for illustrative purposes and do not form part of the design.**



- (21) Design Number: **11187/2014**  
(22) Date of Filing Application: **13 March 2014**  
(24) Date from which industrial property rights may have effect: **13 March 2014**  
(54) Product in respect of which the design is registered: **Wine label**  
(51) International Design Classification: **19-08**  
(74) Name(s) of Attorney(s):  
(71) Name(s) and Address(s) of Applicant(s):

**Castelli Estate Pty Ltd**  
**88 Tweeddale Rd Applecross WA 6153 Australia**

- (72) Name(s) of Designer(s): **Peter McDonald**

(45) Registration Date: **13 May 2014**

(56) Related Art Documents: **Not Applicable**

- (57) Statement of Newness and Distinctiveness: **The newness and distinctiveness of the design is displayed by the black textured label with gold foil text and the various distinct embellishments contained within the label. The label is based on our original Castelli Estate label, with colours inverted, distinct gold bars at the top and bottom of the label, vintage text in red or green (depending on wine variety, red or white) and an iconic small batch stamp which was designed specifically by Castelli Estate and features on all of its small batch wines. The small batch stamp design, its location on the label and subtle but reflective silkscreen varnish is specific to Castelli Estate's Empirica range.**



- (21) Design Number: **11338/2014**  
(22) Date of Filing Application: **21 March 2014**  
(24) Date from which industrial property rights may have effect: **21 March 2014**  
(54) Product in respect of which the design is registered: **Towel for hair and beauty industry**  
(51) International Design Classification: **06-13C**  
(74) Name(s) of Attorney(s):  
(71) Name(s) and Address(s) of Applicant(s):

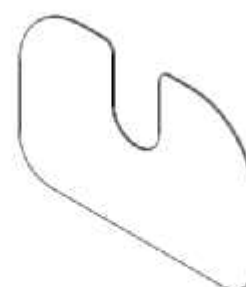
**Tony Gerace**  
**13 Isabel St Cecil Hills NSW 2171 Australia**

- (72) Name(s) of Designer(s): **Tony Gerace**

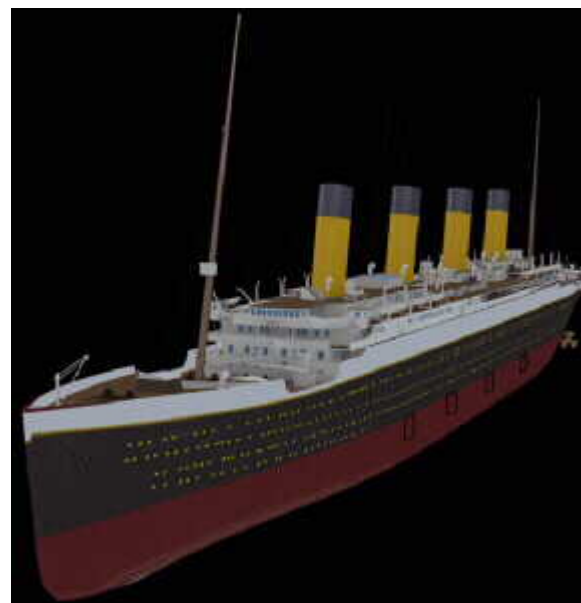
(45) Registration Date: **13 May 2014**

(56) Related Art Documents: **Not Applicable**

- (57) Statement of Newness and Distinctiveness: **This towel is designed to appeal to the hair and beauty industries. Its unique cut and size allows for the towel to sit flush against neck, shoulders and back allowing hairdressers to cut without the obstructions that normal towels present like bulging of the towel around the neck. Due to its cut the weight of the towel is evenly distributed thus sits comfortably with out the use of fasteners to keep it from falling from the shoulders. it can also be turn around and use in front of client for the beauty treatment.**



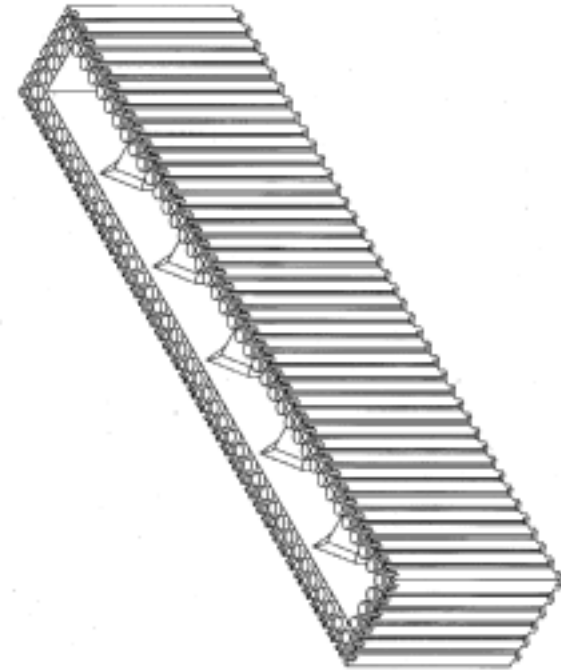
(21) Design Number: **11493/2014**  
(22) Date of Filing Application: **27 March 2014**  
(24) Date from which industrial property rights may have effect: **27 March 2014**  
(54) Product in respect of which the design is registered: **Building (shape of ship)**  
(51) International Design Classification: **25-03**  
(74) Name(s) of Attorney(s):  
(71) Name(s) and Address(s) of Applicant(s):  
**Daying Yongle Lake Investment and Development Co., Ltd.**  
**Cultural Industry Park Daying County China**  
(72) Name(s) of Designer(s): **Shaojun Su**  
(45) Registration Date: **13 May 2014**  
(30) Convention priority data:  
(31) Number (32) Date (33) Country  
**201330478572.7 10 Oct 2013 CHINA**  
(56) Related Art Documents: **Not Applicable**  
(57) Statement of Newness and Distinctiveness: **The newness and distinctiveness of the design resides in the shape, pattern and the combination as shown in in the representations.**



(21) Design Number: **11324/2014**  
(22) Date of Filing Application: **20 March 2014**  
(24) Date from which industrial property rights may have effect: **20 March 2014**  
(54) Product in respect of which the design is registered: **Architectural model kit**  
(51) International Design Classification: **21-01D**  
(74) Name(s) of Attorney(s):  
(71) Name(s) and Address(s) of Applicant(s):  
**Marcus Bree**  
**116 Bilyana St Balmoral QLD 4171 Australia**  
(72) Name(s) of Designer(s): **Marcus Bree**  
(45) Registration Date: **13 May 2014**  
(56) Related Art Documents: **Not Applicable**  
(57) Statement of Newness and Distinctiveness: **Architectural model kit of Sydney Opera House at a scale of 1:750. Laser cut components made from timber, mdf and acrylic.**



- (21) Design Number: **10723/2014**  
(22) Date of Filing Application: **14 February 2014**  
(24) Date from which industrial property rights may have effect: **14 February 2014**  
(54) Product in respect of which the design is registered: **Building block**  
(51) International Design Classification: **25-01A**  
(74) Name(s) of Attorney(s):  
(71) Name(s) and Address(s) of Applicant(s):  
**Adam Hopkins**  
**28a Ednah St Como WA 6152 Australia**  
(72) Name(s) of Designer(s): **Adam Hopkins**  
(45) Registration Date: **13 May 2014**  
(56) Related Art Documents: **Not Applicable**  
(57) Statement of Newness and Distinctiveness: **A block system with a unique design pattern giving it advantage over other block systems**



- (21) Design Number: **10896/2014**  
(22) Date of Filing Application: **27 February 2014**  
(24) Date from which industrial property rights may have effect: **27 February 2014**  
(54) Product in respect of which the design is registered: **Impact energy absorbing element**  
(51) International Design Classification: **12-16NES**  
(74) Name(s) of Attorney(s): **Madderns**  
(71) Name(s) and Address(s) of Applicant(s):  
**Britax Romer Kindersicherheit GmbH**  
**Blaubeurer Strasse 71 Ulm GERMANY 89077**  
(72) Name(s) of Designer(s): **Julia Strunk and Martin Haas and Richard Henseler**  
(45) Registration Date: **13 May 2014**  
(56) Related Art Documents: **Not Applicable**  
(57) Statement of Newness and Distinctiveness: **Newness and distinctiveness resides in the features of shape and configuration applied to an impact energy absorbing element as shown in the accompanying drawings.**



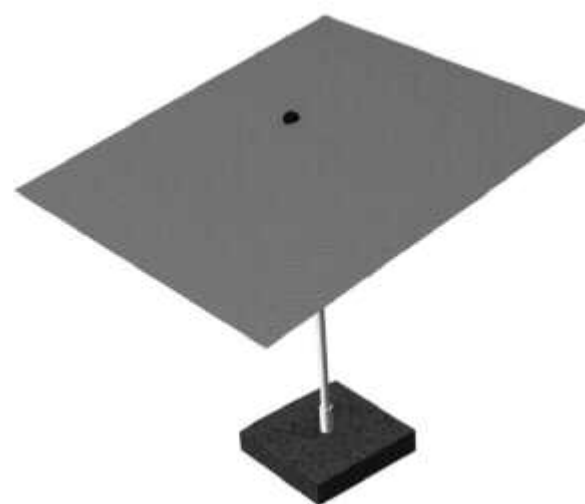
(21) Design Number: **10991/2014**  
(22) Date of Filing Application: **04 March 2014**  
(24) Date from which industrial property rights may have effect: **04 March 2014**  
(54) Product in respect of which the design is registered: **Organizer**  
(51) International Design Classification: **03-01NES**  
(74) Name(s) of Attorney(s): **Davies Collison Cave**  
(71) Name(s) and Address(s) of Applicant(s):  
**Oisoom SDN BHD**  
**9-1, Level 9, Tower 9, Avenue 5 Bangsar South, 8 Jalan Kerinchi Kuala Lumpur 59200 Malaysia**  
(72) Name(s) of Designer(s): **Hendrik Streck**  
(45) Registration Date: **13 May 2014**  
(30) Convention priority data:  
(31) Number (32) Date (33) Country  
**13-01281-0101 03 Sep 2013 MALAYSIA**  
(56) Related Art Documents: **Not Applicable**  
(57) Statement of Newness and Distinctiveness: **Newness and distinctiveness is claimed in the visual features of shape and configuration shown in the representations. The shaded portions illustrate bores of the product.**



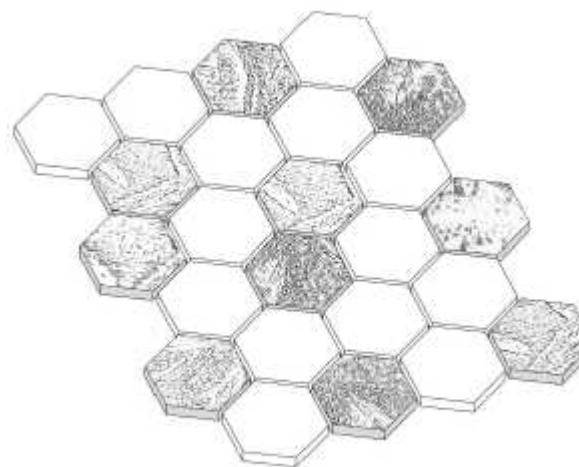
(21) Design Number: **11015/2014**  
(22) Date of Filing Application: **05 March 2014**  
(24) Date from which industrial property rights may have effect: **05 March 2014**  
(54) Product in respect of which the design is registered: **Skincare applicator**  
(51) International Design Classification: **28-03NES**  
(74) Name(s) of Attorney(s): **FB Rice**  
(71) Name(s) and Address(s) of Applicant(s):  
**Living Proof, Inc.**  
**301 Binney Street, First Floor Cambridge Massachusetts 02142 United States of America**  
(72) Name(s) of Designer(s): **Betty Yu and Barbara Spakowski and Soo-Young Kang and Zoe Diana Draelos and Ralph Devito**  
(45) Registration Date: **13 May 2014**  
(30) Convention priority data:  
(31) Number (32) Date (33) Country  
**29/466638 10 Sep 2013 UNITED STATES OF AMERICA**  
(56) Related Art Documents: **Not Applicable**  
(57) Statement of Newness and Distinctiveness: **Newness and distinctiveness reside in the features of the design shown in solid lines in the representations excluding those features shown in broken lines.**



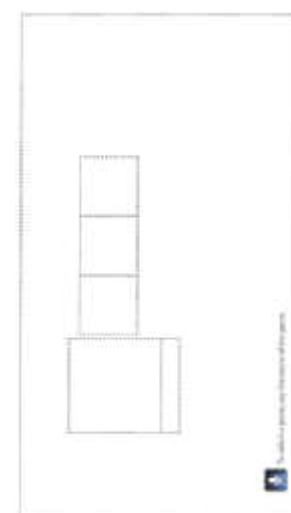
- (21) Design Number: **11256/2014**  
(22) Date of Filing Application: **18 March 2014**  
(24) Date from which industrial property rights may have effect: **18 March 2014**  
(54) Product in respect of which the design is registered: **Sunshade**  
(51) International Design Classification: **03-03**  
(74) Name(s) of Attorney(s): **Allens Patent & Trade Mark Attorneys**  
(71) Name(s) and Address(s) of Applicant(s):  
**Jorge Miguel Medeira Bras**  
**Sitio do Canal CP243A Santa Barbara de Nexe FARO 8005-431 Portugal**  
(72) Name(s) of Designer(s): **Jorge Miguel Medeira Bras**  
(45) Registration Date: **13 May 2014**  
(30) Convention priority data:  
(31) Number (32) Date (33) Country  
**002312058-0001 18 Sep 2013 OFFICE FOR HARMONISATION IN THE INTERNAL MARKET (OHIM)**  
(56) Related Art Documents: **Not Applicable**  
(57) Statement of Newness and Distinctiveness: **Newness and distinctiveness resides in the visual features of shape and/or configuration of a sunshade as illustrated in the accompanying representations.**



- (21) Design Number: **11514/2014**  
(22) Date of Filing Application: **28 March 2014**  
(24) Date from which industrial property rights may have effect: **28 March 2014**  
(54) Product in respect of which the design is registered: **A mosaic tile formation**  
(51) International Design Classification: **25-01F**  
(74) Name(s) of Attorney(s):  
(71) Name(s) and Address(s) of Applicant(s):  
**Everstone International Pty Limited**  
**20 Princes Rd E Auburn NSW 2144 Australia**  
(72) Name(s) of Designer(s): **John Zeng**  
(45) Registration Date: **13 May 2014**  
(56) Related Art Documents: **Not Applicable**  
(57) Statement of Newness and Distinctiveness: **Newness and distinctiveness is claimed in the shown configuration by combining glass tiles of transparent colour body and different texture surface finishes with matching colour mirror glass tiles, both in an hexagon form. The composite assembled mosaic tile consisting of a plurality of tile elements, preferably bonded to a backing material, will bring a special unique and aesthetic effect. It is to be understood that the composite mosaic tile assembly may repeat in both longitudinal and lateral directions, to fit snugly into an adjacent composite mosaic tile.**



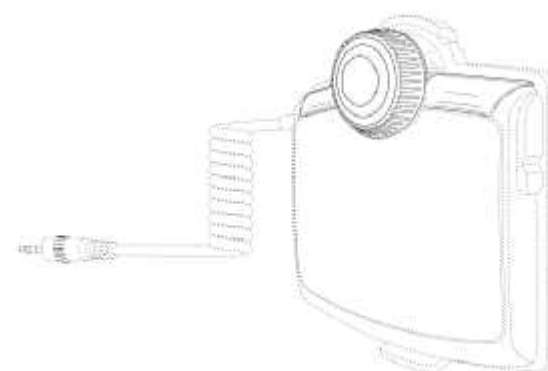
(21) Design Number: **10921/2014**  
(22) Date of Filing Application: **28 February 2014**  
(24) Date from which industrial property rights may have effect: **28 February 2014**  
(54) Product in respect of which the design is registered: **Display screen with user interface**  
(51) International Design Classification: **14-04**  
(74) Name(s) of Attorney(s): **Shelston IP**  
(71) Name(s) and Address(s) of Applicant(s):  
**Sony Computer Entertainment Inc.**  
**1-7-1 Konan Minato-ku Tokyo 108-0075 Japan**  
(72) Name(s) of Designer(s): **Shuji Hiramatsu and Taku Sugawara and Ikuo Kobayashi**  
(45) Registration Date: **14 May 2014**  
(30) Convention priority data:  
(31) Number (32) Date (33) Country  
**2013-025786 01 Nov 2013 JAPAN**  
(56) Related Art Documents: **Not Applicable**  
(57) Statement of Newness and Distinctiveness: **Newness and distinctiveness reside in the features of pattern and/or ornamentation of the Display Screen with User Interface as shown in solid lines in the accompanying representations. The features shown in broken lines form no part of the design.**



(21) Design Number: **10445/2014**  
(22) Date of Filing Application: **31 January 2014**  
(24) Date from which industrial property rights may have effect: **31 January 2014**  
(54) Product in respect of which the design is registered: **Display screen**  
(51) International Design Classification: **14-02**  
(74) Name(s) of Attorney(s): **Davies Collison Cave**  
(71) Name(s) and Address(s) of Applicant(s):  
**Palantir Technologies, Inc.**  
**100 Hamilton Avenue Suite 300 Palo Alto California 94301 United States of America**  
(72) Name(s) of Designer(s): **Joshua Goldenberg and Alvin Thong and James Thompson**  
(45) Registration Date: **14 May 2014**  
(30) Convention priority data:  
(31) Number (32) Date (33) Country  
**29/462,369 01 Aug 2013 UNITED STATES OF AMERICA**  
(56) Related Art Documents: **Not Applicable**  
(57) Statement of Newness and Distinctiveness: **Newness and distinctiveness is claimed in the visual features shown in the representations. In considering the extent of the design rights, the broken lines shown in the representations are for illustrative purposes only and do not form part of the design. The shaded and non-shaded areas within the histogram rectangle may comprise contrasting colors. For example, the shaded area within the aligned histogram rectangle may represent the color green, and the nonshaded area within the aligned histogram rectangle may represent the color white. The displayed Lorem Ipsum text is not part of the design, and represents any displayed text in conjunction with a histogram. The fade out of this text from left to right does form part of the design. The use of this text is only illustrative to show a graphical fade out of text from one color, the text color, to a second contrasting color, the background color, where the fade out ends at the vertical broken line to the right of the fade out.**

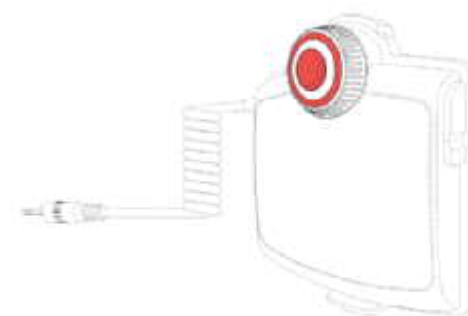


(21) Design Number: **10655/2014**  
(22) Date of Filing Application: **11 February 2014**  
(24) Date from which industrial property rights may have effect: **11 February 2014**  
(54) Product in respect of which the design is registered: **Dial for a headlamp or for a headlamp battery compartment**  
(51) International Design Classification: **26-02**  
(74) Name(s) of Attorney(s): **WATERMARK PATENT AND TRADE MARKS ATTORNEYS**  
(71) Name(s) and Address(s) of Applicant(s):  
**Zweibruder Optoelectronics GmbH & Co. KG**  
**Kronenstrasse 5 Solingen 42699 Germany**  
(72) Name(s) of Designer(s): **Andre Kuzendorf**  
(45) Registration Date: **14 May 2014**  
(30) Convention priority data:  
(31) Number (32) Date (33) Country  
**29/464,026 12 Aug 2013 UNITED STATES OF AMERICA**



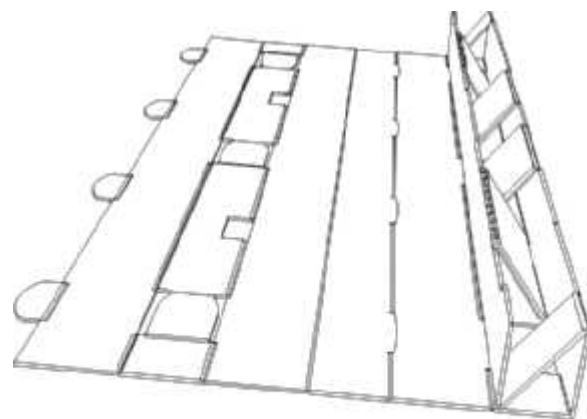
(56) Related Art Documents: **Not Applicable**  
(57) Statement of Newness and Distinctiveness: **The newness and distinctiveness resides in the shape and configuration of a dial for a head lamp, headlamp battery compartment or the like bordered by the dash-dot-dash lines in the accompanying representations; in considering the newness and distinctiveness, the parts shown in broken lines are to be disregarded.**

(21) Design Number: **10661/2014**  
(22) Date of Filing Application: **11 February 2014**  
(24) Date from which industrial property rights may have effect: **11 February 2014**  
(54) Product in respect of which the design is registered: **Dial for a headlamp or for a headlamp battery compartment**  
(51) International Design Classification: **26-02, 10-07, 13-02**  
(74) Name(s) of Attorney(s): **WATERMARK PATENT AND TRADE MARKS ATTORNEYS**  
(71) Name(s) and Address(s) of Applicant(s):  
**Zweibruder Optoelectronics GmbH & Co. KG**  
**Kronenstrasse 5 Solingen 42699 Germany**  
(72) Name(s) of Designer(s): **Andre Kuzendorf**  
(45) Registration Date: **14 May 2014**  
(30) Convention priority data:  
(31) Number (32) Date (33) Country  
**29/464,026 12 Aug 2013 UNITED STATES OF AMERICA**



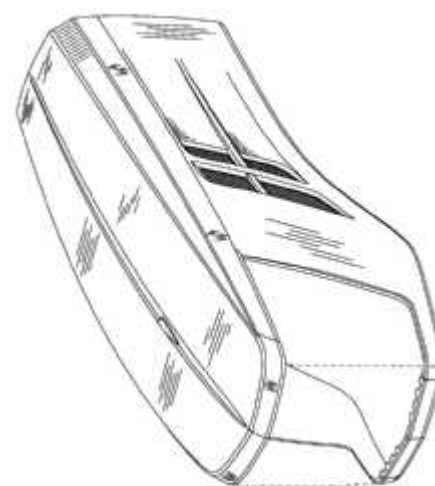
(56) Related Art Documents: **Not Applicable**  
(57) Statement of Newness and Distinctiveness: **The newness and distinctiveness of the design application resides in the shape and configuration and/or pattern and ornamentation of the dial for a headlamp or for a headlamp battery compartment in the accompanying representations; in considering the newness and distinctiveness, the parts shown in broken lines are to be disregarded.**

- (21) Design Number: **10748/2014**
- (22) Date of Filing Application: **17 February 2014**
- (24) Date from which industrial property rights may have effect: **17 February 2014**
- (54) Product in respect of which the design is registered: **A blank for a cross bearer of a cardboard pallet**
- (51) International Design Classification: **09-08**
- (74) Name(s) of Attorney(s): **Davies Collison Cave**
- (71) Name(s) and Address(s) of Applicant(s):  
**Visy R & D Pty Ltd**  
**L11 2 Southbank Bvd Southbank VIC 3006 Australia**
- (72) Name(s) of Designer(s): **Clint Paul Moka**
- (45) Registration Date: **14 May 2014**
- (56) Related Art Documents: **Not Applicable**
- (57) Statement of Newness and Distinctiveness: **The features of shape and configuration of the blank shown in the accompanying representations are considered to be new and distinctive.**



- (21) Design Number: **10759/2014**
- (22) Date of Filing Application: **18 February 2014**
- (24) Date from which industrial property rights may have effect: **18 February 2014**
- (54) Product in respect of which the design is registered: **A hood**
- (51) International Design Classification: **12-16B, 12-09**
- (74) Name(s) of Attorney(s): **Davies Collison Cave**
- (71) Name(s) and Address(s) of Applicant(s):  
**Deere & Company**  
**One John Deere Place Moline IL 61265 United States of America**
- (72) Name(s) of Designer(s): **Phillip A. Tentinger and Dean A. Boyce and Carl E. Caldwell II**
- (45) Registration Date: **14 May 2014**
- (30) Convention priority data:  

(31) Number	(32) Date	(33) Country
<b>29/464740</b>	<b>20 Aug 2013</b>	<b>UNITED STATES OF AMERICA</b>
- (56) Related Art Documents: **Not Applicable**
- (57) Statement of Newness and Distinctiveness: **Newness and distinctiveness is claimed in the visual features shown in solid lines in the representations. In considering the extent of the design rights, the broken lines shown in the representations are for illustrative purpose only and do not form part of the design.**



(21) Design Number: **10915/2014**  
(22) Date of Filing Application: **28 February 2014**  
(24) Date from which industrial property rights may have effect: **28 February 2014**  
(54) Product in respect of which the design is registered: **Eyeglass**  
(51) International Design Classification: **16-06**  
(74) Name(s) of Attorney(s): **Davies Collison Cave**  
(71) Name(s) and Address(s) of Applicant(s):

**Oakley Inc.**  
**One Icon Foothill Ranch California 92610 United States of America**

(72) Name(s) of Designer(s): **Lek Haagen Thixton**

(45) Registration Date: **14 May 2014**

(30) Convention priority data:

(31) Number	(32) Date	(33) Country
<b>29/477,323</b>	<b>20 Dec 2013</b>	<b>UNITED STATES OF AMERICA</b>

(56) Related Art Documents: **Not Applicable**

(57) Statement of Newness and Distinctiveness: **Newness and distinctiveness is claimed in the visual features shown in solid lines in the representations. In considering the extent of the design rights, the broken lines shown in the representations are for illustrative purposes only and do not form part of the design.**



(21) Design Number: **10959/2014**  
(22) Date of Filing Application: **03 March 2014**  
(24) Date from which industrial property rights may have effect: **03 March 2014**  
(54) Product in respect of which the design is registered: **Encapsulated valve for a medical integrated valve**  
(51) International Design Classification: **24-01**  
(74) Name(s) of Attorney(s): **Davies Collison Cave**  
(71) Name(s) and Address(s) of Applicant(s):

**African Oxygen Limited**  
**Afrox House, 23 Webber Street, Selby Johannesburg Gauteng 2001 South Africa**

(72) Name(s) of Designer(s): **Radoslav Jovanovic**

(45) Registration Date: **14 May 2014**

(30) Convention priority data:

(31) Number	(32) Date	(33) Country
<b>A2013/01627</b>	<b>04 Sep 2013</b>	<b>SOUTH AFRICA</b>

(56) Related Art Documents: **Not Applicable**

(57) Statement of Newness and Distinctiveness: **Nil**



(21) Design Number: **10962/2014**  
(22) Date of Filing Application: **03 March 2014**  
(24) Date from which industrial property rights may have effect: **03 March 2014**  
(54) Product in respect of which the design is registered: **Container for plants**  
(51) International Design Classification: **11-02B**  
(74) Name(s) of Attorney(s): **Callinans**  
(71) Name(s) and Address(s) of Applicant(s):  
**The Decor Corporation Pty. Ltd.**  
**1314 Ferntree Gully Rd Ferntree Gully VIC 3179 Australia**  
(72) Name(s) of Designer(s): **Justin Armistead**  
(45) Registration Date: **14 May 2014**  
(56) Related Art Documents: **Not Applicable**  
(57) Statement of Newness and Distinctiveness: **Nil**



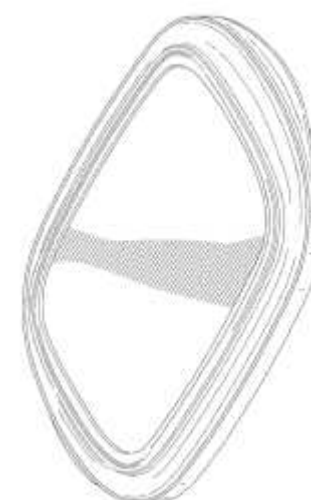
(21) Design Number: **10963/2014**  
(22) Date of Filing Application: **03 March 2014**  
(24) Date from which industrial property rights may have effect: **03 March 2014**  
(54) Product in respect of which the design is registered: **Planter**  
(51) International Design Classification: **11-02B**  
(74) Name(s) of Attorney(s): **Callinans**  
(71) Name(s) and Address(s) of Applicant(s):  
**The Decor Corporation Pty. Ltd.**  
**1314 Ferntree Gully Rd Ferntree Gully VIC 3179 Australia**  
(72) Name(s) of Designer(s): **Justin Armistead**  
(45) Registration Date: **14 May 2014**  
(56) Related Art Documents: **Not Applicable**  
(57) Statement of Newness and Distinctiveness: **Nil**



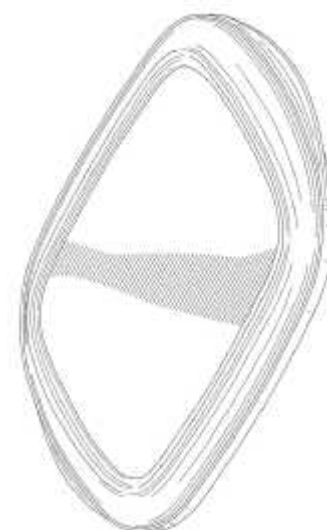
- (21) Design Number: **10964/2014**  
(22) Date of Filing Application: **03 March 2014**  
(24) Date from which industrial property rights may have effect: **03 March 2014**  
(54) Product in respect of which the design is registered: **Bracket for holding planter**  
(51) International Design Classification: **11-02C**  
(74) Name(s) of Attorney(s): **Callinans**  
(71) Name(s) and Address(s) of Applicant(s):  
**The Decor Corporation Pty. Ltd.**  
**1314 Ferntree Gully Rd Scoresby VIC 3179 Australia**  
(72) Name(s) of Designer(s): **Justin Armistead**  
(45) Registration Date: **14 May 2014**  
(56) Related Art Documents: **Not Applicable**  
(57) Statement of Newness and Distinctiveness: **Nil**



- (21) Design Number: **10983/2014**  
(22) Date of Filing Application: **04 March 2014**  
(24) Date from which industrial property rights may have effect: **04 March 2014**  
(54) Product in respect of which the design is registered: **Lid for a food container**  
(51) International Design Classification: **07-01NES**  
(74) Name(s) of Attorney(s): **Griffith Hack**  
(71) Name(s) and Address(s) of Applicant(s):  
**Kraft Foods Group Brands LLC**  
**Three Lakes Drive Northfield IL 60093 United States of America**  
(72) Name(s) of Designer(s): **Jeffrey Lipinski and Dan Feldmeier and Paul Diehl and Matthew Cowling and Philip Driskill and Jordan French and Scott Fisher**  
(45) Registration Date: **14 May 2014**  
(30) Convention priority data:  
(31) Number      (32) Date      (33) Country  
**29/466340      06 Sep 2013      UNITED STATES OF AMERICA**  
(56) Related Art Documents: **Not Applicable**  
(57) Statement of Newness and Distinctiveness: **Newness and distinctiveness resides in the visual features, including shape and configuration, of a CONTAINER FOR FOOD PRODUCT as shown in the accompanying drawings. When determining whether the design is substantially similar in overall impression to another design, no regard is to be had to those features shown in broken outline in the accompanying drawings, which features are provided for illustrative purposes only.**



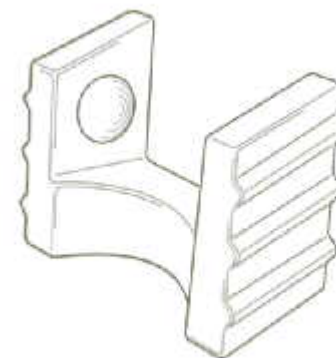
(21) Design Number: **10984/2014**  
(22) Date of Filing Application: **04 March 2014**  
(24) Date from which industrial property rights may have effect: **04 March 2014**  
(54) Product in respect of which the design is registered: **Lid for a food container**  
(51) International Design Classification: **07-01NES**  
(74) Name(s) of Attorney(s): **Griffith Hack**  
(71) Name(s) and Address(s) of Applicant(s):  
**Kraft Foods Group Brands LLC**  
**Three Lakes Drive Northfield IL 60093 United States of America**  
(72) Name(s) of Designer(s): **Jeffrey Lipinski and Dan Feldmeier and Paul Diehl and Matthew Cowling and Philip Driskill and Jordan French and Scott Fisher**  
(45) Registration Date: **14 May 2014**  
(30) Convention priority data:  
(31) Number (32) Date (33) Country  
**29/466340 06 Sep 2013 UNITED STATES OF AMERICA**  
(56) Related Art Documents: **Not Applicable**  
(57) Statement of Newness and Distinctiveness: **Newness and distinctiveness resides in the visual features, including shape and configuration, of a CONTAINER FOR FOOD PRODUCT as shown in the accompanying drawings. When determining whether the design is substantially similar in overall impression to another design, no regard is to be had to those features shown in broken outline in the accompanying drawings, which features are provided for illustrative purposes only.**



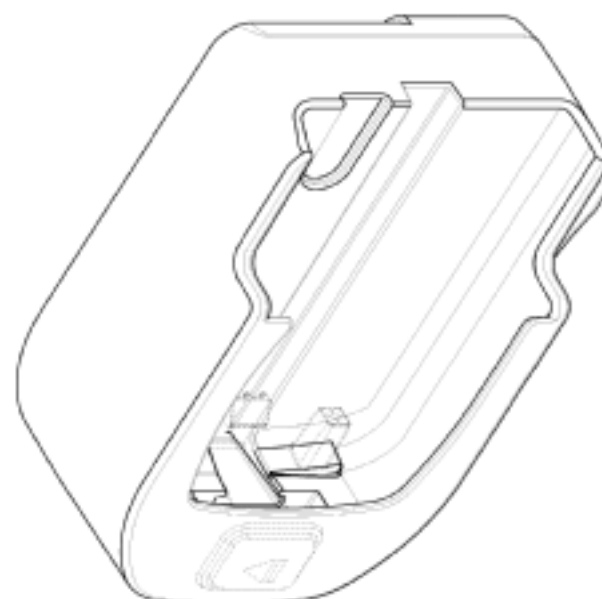
(21) Design Number: **11100/2014**  
(22) Date of Filing Application: **11 March 2014**  
(24) Date from which industrial property rights may have effect: **11 March 2014**  
(54) Product in respect of which the design is registered: **Marking device for spray guns**  
(51) International Design Classification: **08-05L**  
(74) Name(s) of Attorney(s): **SPRUSON & FERGUSON**  
(71) Name(s) and Address(s) of Applicant(s):  
**SATA GmbH & Co. KG**  
**Domertalstrasse 20 Kornwestheim 70806 Germany**  
(72) Name(s) of Designer(s): **Ralf Gehrung**  
(45) Registration Date: **14 May 2014**  
(30) Convention priority data:  
(31) Number (32) Date (33) Country  
**201330463082.X 27 Sep 2013 CHINA**  
(56) Related Art Documents: **Not Applicable**  
(57) Statement of Newness and Distinctiveness: **Newness and distinctiveness is claimed in the features of shape and/or configuration of a marking device for spray guns as illustrated in the accompanying representations.**



- (21) Design Number: **11102/2014**  
(22) Date of Filing Application: **11 March 2014**  
(24) Date from which industrial property rights may have effect: **11 March 2014**  
(54) Product in respect of which the design is registered: **Marking device for spray guns**  
(51) International Design Classification: **08-05L**  
(74) Name(s) of Attorney(s): **SPRUSON & FERGUSON**  
(71) Name(s) and Address(s) of Applicant(s):  
**SATA GmbH & Co. KG**  
**Domertalstrasse 20 Kornwestheim 70806 Germany**  
(72) Name(s) of Designer(s): **Ralf Gehrung**  
(45) Registration Date: **14 May 2014**  
(30) Convention priority data:  
(31) Number (32) Date (33) Country  
**201330463082.X 27 Sep 2013 CHINA**  
(56) Related Art Documents: **Not Applicable**  
(57) Statement of Newness and Distinctiveness: **Newness and distinctiveness is claimed in the features of shape and/or configuration of a marking device for spray guns as illustrated in the accompanying representations.**



- (21) Design Number: **11106/2014**  
(22) Date of Filing Application: **10 March 2014**  
(24) Date from which industrial property rights may have effect: **10 March 2014**  
(54) Product in respect of which the design is registered: **Base for an enteral feeding pump**  
(51) International Design Classification: **24-04**  
(74) Name(s) of Attorney(s): **SPRUSON & FERGUSON**  
(71) Name(s) and Address(s) of Applicant(s):  
**Covidien LP**  
**15 Hampshire Street Mansfield Massachusetts 02048 United States of America**  
(72) Name(s) of Designer(s): **James M Harr and Gabriel McHugh and Paul Trelford and Gary J Waldhoff and Kenneth M Breitweiser and Joel D Wiesner and Matthew Bodi and Dennis S. Prows**  
(45) Registration Date: **14 May 2014**  
(30) Convention priority data:  
(31) Number (32) Date (33) Country  
**29/466985 13 Sep 2013 UNITED STATES OF AMERICA**  
(56) Related Art Documents: **Not Applicable**  
(57) Statement of Newness and Distinctiveness: **Newness and distinctiveness is claimed in those features of shape and/or configuration of a base as illustrated in continuous lines in the accompanying representations.**



(21) Design Number: **11125/2014**  
(22) Date of Filing Application: **11 March 2014**  
(24) Date from which industrial property rights may have effect: **11 March 2014**  
(54) Product in respect of which the design is registered: **Container**  
(51) International Design Classification: **09-01NES**  
(74) Name(s) of Attorney(s): **Freehills Patent Attorneys**  
(71) Name(s) and Address(s) of Applicant(s):  
**The Sun Products Corporation**  
**60 Danbury Road, Wilton Connecticut 06897 United States of America**  
(72) Name(s) of Designer(s): **Glenn Kaye and Anne Nixon and Alexander Bennett and Robert Ripley**  
(45) Registration Date: **14 May 2014**  
(30) Convention priority data:  
(31) Number (32) Date (33) Country  
**29/466785 11 Sep 2013 UNITED STATES OF AMERICA**  
(56) Related Art Documents: **Not Applicable**  
(57) Statement of Newness and Distinctiveness: **Newness and distinctiveness of the design resides in the shape and configuration of the container as shown in solid outline and contour lines in the accompanying representations.**



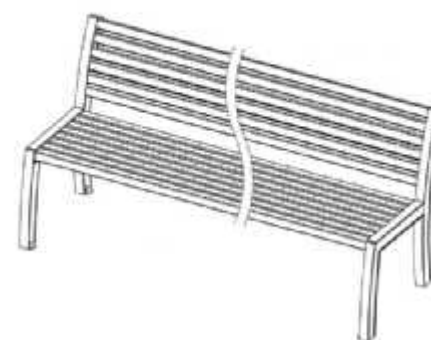
(21) Design Number: **11126/2014**  
(22) Date of Filing Application: **11 March 2014**  
(24) Date from which industrial property rights may have effect: **11 March 2014**  
(54) Product in respect of which the design is registered: **Container**  
(51) International Design Classification: **09-01NES**  
(74) Name(s) of Attorney(s): **Freehills Patent Attorneys**  
(71) Name(s) and Address(s) of Applicant(s):  
**The Sun Products Corporation**  
**60 Danbury Road Wilton Connecticut 06897 United States of America**  
(72) Name(s) of Designer(s): **Glenn Kaye and Anne Nixon and Alexander Bennett and Robert Ripley**  
(45) Registration Date: **14 May 2014**  
(30) Convention priority data:  
(31) Number (32) Date (33) Country  
**29/466785 11 Sep 2013 UNITED STATES OF AMERICA**  
(56) Related Art Documents: **Not Applicable**  
(57) Statement of Newness and Distinctiveness: **Newness and distinctiveness of the design resides in the shape and configuration of the container as shown in solid outline and contour lines in the accompanying representations.**



(21) Design Number: **11127/2014**  
(22) Date of Filing Application: **11 March 2014**  
(24) Date from which industrial property rights may have effect: **11 March 2014**  
(54) Product in respect of which the design is registered: **Container**  
(51) International Design Classification: **09-01NES**  
(74) Name(s) of Attorney(s): **Freehills Patent Attorneys**  
(71) Name(s) and Address(s) of Applicant(s):  
**The Sun Products Corporation**  
**60 Danbury Road Wilton Connecticut 06897 United States of America**  
(72) Name(s) of Designer(s): **Glenn Kaye and Anne Nixon and Alexander Bennett and Robert Ripley**  
(45) Registration Date: **14 May 2014**  
(30) Convention priority data:  
(31) Number (32) Date (33) Country  
**29/466785 11 Sep 2013 UNITED STATES OF AMERICA**  
(56) Related Art Documents: **Not Applicable**  
(57) Statement of Newness and Distinctiveness: **Newness and distinctiveness of the design resides in the shape and configuration of the container as shown in solid outline and contour lines in the accompanying representations.**



(21) Design Number: **11212/2014**  
(22) Date of Filing Application: **17 March 2014**  
(24) Date from which industrial property rights may have effect: **17 March 2014**  
(54) Product in respect of which the design is registered: **Outdoor bench**  
(51) International Design Classification: **06-01C**  
(74) Name(s) of Attorney(s):  
(71) Name(s) and Address(s) of Applicant(s):  
**EXHIBITION STUDIOS PTY LTD**  
**19-21 Erudina Ave Edwardstown SA 5039 Australia**  
(72) Name(s) of Designer(s): **Karl Meyer**  
(45) Registration Date: **14 May 2014**  
(56) Related Art Documents: **Not Applicable**  
(57) Statement of Newness and Distinctiveness: **Nil**



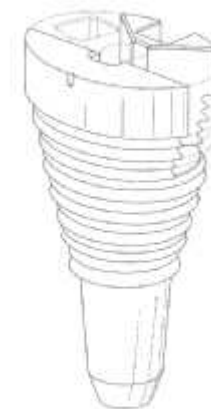
- (21) Design Number: **11460/2014**  
(22) Date of Filing Application: **27 March 2014**  
(24) Date from which industrial property rights may have effect: **27 March 2014**  
(54) Product in respect of which the design is registered: **A corner piece of an article of furniture**  
(51) International Design Classification: **06-01G**  
(74) Name(s) of Attorney(s): **FB Rice**  
(71) Name(s) and Address(s) of Applicant(s):  
**King Furniture Australia Pty Ltd**  
**123 Turrella St Turrella NSW 2205 Australia**  
(72) Name(s) of Designer(s): **David King and John Levey and Tanya Rechberger and Ryan Lawson and Anastasie Panagopoulos**  
(45) Registration Date: **14 May 2014**  
(56) Related Art Documents: **Not Applicable**  
(57) Statement of Newness and Distinctiveness: **Newness and distinctiveness reside in those features of the corner piece excluding the features shown in yellow in the representations.**



- (21) Design Number: **11462/2014**  
(22) Date of Filing Application: **27 March 2014**  
(24) Date from which industrial property rights may have effect: **27 March 2014**  
(54) Product in respect of which the design is registered: **A corner piece of an article of furniture**  
(51) International Design Classification: **06-01G**  
(74) Name(s) of Attorney(s): **FB Rice**  
(71) Name(s) and Address(s) of Applicant(s):  
**King Furniture Australia Pty Ltd**  
**123 Turrella St Turrella NSW 2205 Australia**  
(72) Name(s) of Designer(s): **David King and John Levey and Tanya Rechberger and Ryan Lawson and Anastasie Panagopoulos**  
(45) Registration Date: **14 May 2014**  
(56) Related Art Documents: **Not Applicable**  
(57) Statement of Newness and Distinctiveness: **Newness and distinctiveness reside in those features of the corner piece excluding the features shown in yellow in the representations.**



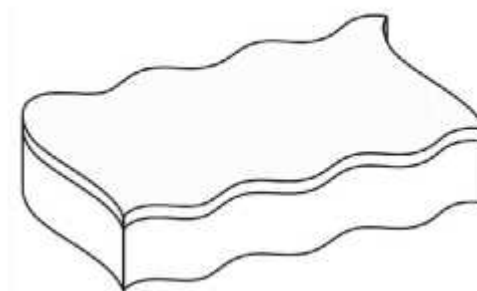
(21) Design Number: **11619/2014**  
(22) Date of Filing Application: **02 April 2014**  
(24) Date from which industrial property rights may have effect: **02 April 2014**  
(54) Product in respect of which the design is registered: **Broach**  
(51) International Design Classification: **24-02**  
(74) Name(s) of Attorney(s): **Callinans**  
(71) Name(s) and Address(s) of Applicant(s):  
**DePuy Synthes Products, LLC**  
**325 Paramount Drive Raynham, MA, 02767 United States of America**  
(72) Name(s) of Designer(s): **Todd A Kilpela and F Benjamin Monasa and Lisa M Major and Jonathan C Lee and Steven P Gowers**  
(45) Registration Date: **14 May 2014**  
(30) Convention priority data:  
(31) Number (32) Date (33) Country  
**29/469,460 10 Oct 2013 UNITED STATES OF AMERICA**  
(56) Related Art Documents: **Not Applicable**  
(57) Statement of Newness and Distinctiveness: **Newness and distinctiveness are provided by the shape and/or configuration of the design shown in the representations. The features shown in broken lines in the representations are for illustrative purposes only and should not be considered when construing visual features of the design.**



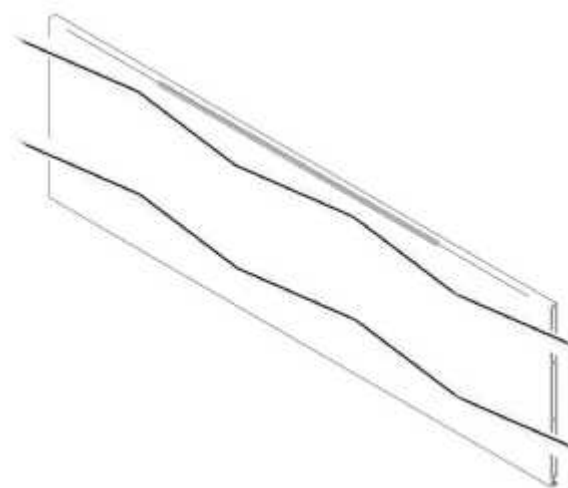
(21) Design Number: **11621/2014**  
(22) Date of Filing Application: **02 April 2014**  
(24) Date from which industrial property rights may have effect: **02 April 2014**  
(54) Product in respect of which the design is registered: **Packaging cushion**  
(51) International Design Classification: **09-05**  
(74) Name(s) of Attorney(s): **Callinans**  
(71) Name(s) and Address(s) of Applicant(s):  
**AUTOMATED PACKAGING SYSTEMS, INC.**  
**10175 Philipp Parkway Streetsboro, Ohio, 44241 United States of America**  
(72) Name(s) of Designer(s): **Rick Steven Wehrmann**  
(45) Registration Date: **14 May 2014**  
(30) Convention priority data:  
(31) Number (32) Date (33) Country  
**29/470,861 25 Oct 2013 UNITED STATES OF AMERICA**  
(56) Related Art Documents: **Not Applicable**  
(57) Statement of Newness and Distinctiveness: **Nil**



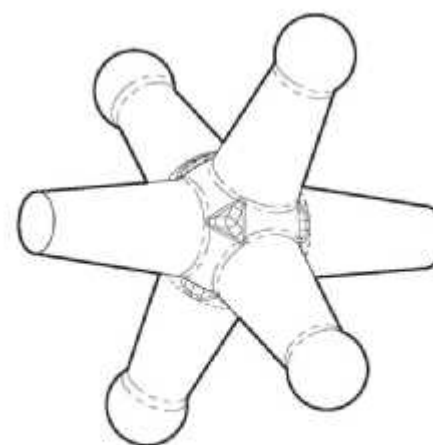
- (21) Design Number: **11635/2014**  
(22) Date of Filing Application: **02 April 2014**  
(24) Date from which industrial property rights may have effect: **02 April 2014**  
(54) Product in respect of which the design is registered: **Combined scourer**  
(51) International Design Classification: **07-05E**  
(74) Name(s) of Attorney(s): **Davies Collison Cave**  
(71) Name(s) and Address(s) of Applicant(s):  
**Carl Freudenberg KG**  
**Hoehnerweg 2-4 Weinheim 69465 Germany**  
(72) Name(s) of Designer(s): **Heiko Gimbel**  
(45) Registration Date: **14 May 2014**  
(30) Convention priority data:  
(31) Number (32) Date (33) Country  
**002324509-0001 11 Oct 2013 OFFICE FOR HARMONISATION IN**  
**THE INTERNAL MARKET (OHIM)**  
(56) Related Art Documents: **Not Applicable**  
(57) Statement of Newness and Distinctiveness: **Newness and distinctiveness is claimed in the visual features of shape and configuration of the article, with particular attention to the rounded corner and the wave shape on the short (left and right) sides of the article.**



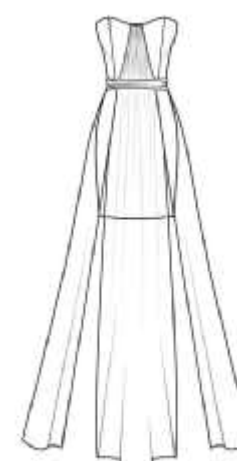
- (21) Design Number: **11671/2014**  
(22) Date of Filing Application: **03 April 2014**  
(24) Date from which industrial property rights may have effect: **03 April 2014**  
(54) Product in respect of which the design is registered: **A louvre blade extrusion**  
(51) International Design Classification: **25-01K, 25-02K**  
(74) Name(s) of Attorney(s): **Cullens Patent and Trade Mark Attorneys**  
(71) Name(s) and Address(s) of Applicant(s):  
**Breezway Australia (Holdings) Pty Ltd**  
**35 Cambridge St Coorparoo QLD 4151 Australia**  
(72) Name(s) of Designer(s): **Dominique Oeuvray**  
(45) Registration Date: **14 May 2014**  
(56) Related Art Documents: **Not Applicable**  
(57) Statement of Newness and Distinctiveness: **Newness is claimed in the features of shape and configurations of the louvre blade extrusion in the accompanying representations. The louvre blade extrusion is claimed in indefinite dimension in one direction as indicated on the drawings by the angled lines. The height of the louvre blade can differ through the provision of one or more portions illustrated between the angled lines, but the features at the upper and lower edges will remain constant.**



(21) Design Number: **11691/2014**  
(22) Date of Filing Application: **04 April 2014**  
(24) Date from which industrial property rights may have effect: **04 April 2014**  
(54) Product in respect of which the design is registered: **Composite structural material aggregate**  
(51) International Design Classification: **15-99**  
(74) Name(s) of Attorney(s): **PHILLIPS ORMONDE FITZPATRICK**  
(71) Name(s) and Address(s) of Applicant(s):  
**Seels Technology Pty Ltd**  
**17 Pepper St Magill SA 5072 Australia**  
(72) Name(s) of Designer(s): **Stephen Seeley**  
(45) Registration Date: **14 May 2014**  
(56) Related Art Documents: **Not Applicable**  
(57) Statement of Newness and Distinctiveness: **Nil**



(21) Design Number: **11712/2014**  
(22) Date of Filing Application: **07 April 2014**  
(24) Date from which industrial property rights may have effect: **25 July 2013**  
(54) Product in respect of which the design is registered: **Article of clothing**  
(51) International Design Classification: **02-02C**  
(74) Name(s) of Attorney(s): **Allens Patent & Trade Mark Attorneys**  
(71) Name(s) and Address(s) of Applicant(s):  
**Forever New Clothing Pty Ltd**  
**714-716 High St Kew East VIC 3102 Australia**  
(72) Name(s) of Designer(s): **Karen Thai**  
(45) Registration Date: **14 May 2014**  
(62) Divisional of: **354887**  
(56) Related Art Documents: **Not Applicable**  
(57) Statement of Newness and Distinctiveness: **Newness and distinctiveness resides in the visual features of shape, configuration, pattern and/or ornamentation of an article of clothing as shown in the accompanying representations.**



(21) Design Number: **11807/2014**

(22) Date of Filing Application: **11 April 2014**

(24) Date from which industrial property rights may have effect: **11 April 2014**

(54) Product in respect of which the design is registered: **Domestic appliance**

(51) International Design Classification: **07-02F**

(74) Name(s) of Attorney(s): **Freehills Patent Attorneys**

(71) Name(s) and Address(s) of Applicant(s):

**SMEG S.p.A.**

**Via Leonardo da Vinci, 4 Guastalla 42016 Italy**

(72) Name(s) of Designer(s): **Matteo Bazzicalupo and Raffaella Mangiarotti**

(45) Registration Date: **14 May 2014**

(30) Convention priority data:

(31) Number  
**002324962**

(32) Date  
**11 Oct 2013**

(33) Country  
**OFFICE FOR HARMONISATION IN  
THE INTERNAL MARKET (OHIM)**



(56) Related Art Documents: **Not Applicable**

(57) Statement of Newness and Distinctiveness: **Newness and distinctiveness resides in the features of shape and configuration of the domestic appliance as shown in solid lines in the the representations, including those features shown in broken lines.**

(21) Design Number: **11808/2014**

(22) Date of Filing Application: **11 April 2014**

(24) Date from which industrial property rights may have effect: **11 April 2014**

(54) Product in respect of which the design is registered: **Domestic appliance**

(51) International Design Classification: **07-02F**

(74) Name(s) of Attorney(s): **Freehills Patent Attorneys**

(71) Name(s) and Address(s) of Applicant(s):

**SMEG S.p.A.**

**Via Leonardo da Vinci, 4 Guastalla 42016 Italy**

(72) Name(s) of Designer(s): **Matteo Bazzicalupo and Raffaella Mangiarotti**

(45) Registration Date: **14 May 2014**

(30) Convention priority data:

(31) Number  
**002324962**

(32) Date  
**11 Oct 2013**

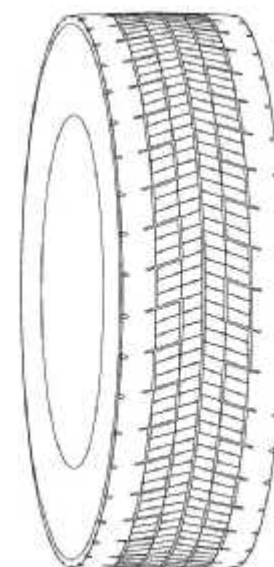
(33) Country  
**OFFICE FOR HARMONISATION IN  
THE INTERNAL MARKET (OHIM)**



(56) Related Art Documents: **Not Applicable**

(57) Statement of Newness and Distinctiveness: **Newness and distinctiveness resides in the features of shape and configuration of the domestic appliance as shown in solid lines in the the representations, including those features shown in broken lines.**

- (21) Design Number: **11809/2014**  
(22) Date of Filing Application: **11 April 2014**  
(24) Date from which industrial property rights may have effect: **11 April 2014**  
(54) Product in respect of which the design is registered: **A tyre**  
(51) International Design Classification: **12-15B**  
(74) Name(s) of Attorney(s): **WATERMARK PATENT AND TRADE MARKS ATTORNEYS**  
(71) Name(s) and Address(s) of Applicant(s):  
**Compagnie Generale Des Establisements Michelin**  
**12 cours Sablon Clermont-Ferrand 63000 France**  
**Michelin Recherche Et Technique S.A.**  
**Route Louis Braille 10 Granges- Paccot 1763 Switzerland**  
(72) Name(s) of Designer(s): **Damien Bardin and Stephanie Cambon and Jonathan Lejeune and Frederic Honnorat**  
(45) Registration Date: **14 May 2014**  
(30) Convention priority data:  
(31) Number (32) Date (33) Country  
**13/4638 25 Oct 2013 FRANCE**  
(56) Related Art Documents: **Not Applicable**  
(57) Statement of Newness and Distinctiveness: **Newness and distinctiveness resides in the appearance of the tread region of the tyre, the remainder of the tyre not forming part of the design.**



- (21) Design Number: **11811/2014**  
(22) Date of Filing Application: **11 April 2014**  
(24) Date from which industrial property rights may have effect: **11 April 2014**  
(54) Product in respect of which the design is registered: **Jewellery box**  
(51) International Design Classification: **03-01NES**  
(74) Name(s) of Attorney(s): **Armour IP**  
(71) Name(s) and Address(s) of Applicant(s):  
**Daniel King**  
**19 Nollamara Ave Nollamara WA 6061 Australia**  
**Emma Louise Harris**  
**19 Nollamara Ave Nollamara WA 6061 Australia**  
(72) Name(s) of Designer(s): **Edward Joseph Khoury**  
(45) Registration Date: **14 May 2014**  
(56) Related Art Documents: **Not Applicable**  
(57) Statement of Newness and Distinctiveness: **Newness and distinctiveness resides in the visual features, including the shape and configuration of the product, as shown by means of solid lines in the representations. Those parts shown by means of dashed lines do not form part of the design.**



(21) Design Number: **11813/2014**  
(22) Date of Filing Application: **14 April 2014**  
(24) Date from which industrial property rights may have effect: **14 April 2014**  
(54) Product in respect of which the design is registered: **Back relief belt**  
(51) International Design Classification: **24-04**  
(74) Name(s) of Attorney(s): **PHILLIPS ORMONDE FITZPATRICK**  
(71) Name(s) and Address(s) of Applicant(s):

**Hoi Ming Michael Ho**  
**6 Alta Drive Stouffville Uxbridge Ontario L4A 7X4 Canada**

(72) Name(s) of Designer(s): **Hoi Ming Michael Ho**

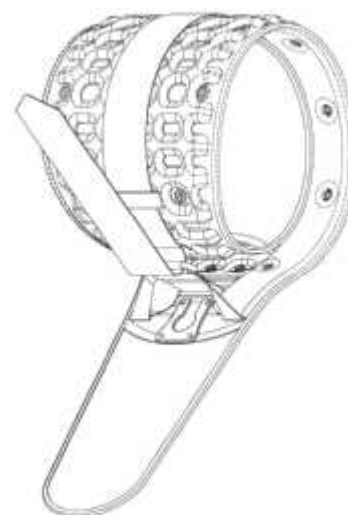
(45) Registration Date: **14 May 2014**

(30) Convention priority data:

(31) Number	(32) Date	(33) Country
<b>103300484</b>	<b>27 Jan 2014</b>	<b>TAIWAN</b>

(56) Related Art Documents: **Not Applicable**

(57) Statement of Newness and Distinctiveness: **Those features of the back relief belt depicted in the representations that are new and distinctive are the shape and/or configuration. The features shown in broken lines are for illustrative purposes only and are to be disregarded when considering the overall impression of the design.**



(21) Design Number: **11814/2014**  
(22) Date of Filing Application: **14 April 2014**  
(24) Date from which industrial property rights may have effect: **14 April 2014**  
(54) Product in respect of which the design is registered: **Display screen with graphical user interface**  
(51) International Design Classification: **14-02**  
(74) Name(s) of Attorney(s): **Shelston IP**  
(71) Name(s) and Address(s) of Applicant(s):

**Microsoft Corporation**  
**One Microsoft Way Redmond Washington 98052 United States of America**

(72) Name(s) of Designer(s): **David Gardner and Megan Archer and John Clinton Rice and Cyrus Kanga**

(45) Registration Date: **14 May 2014**

(30) Convention priority data:

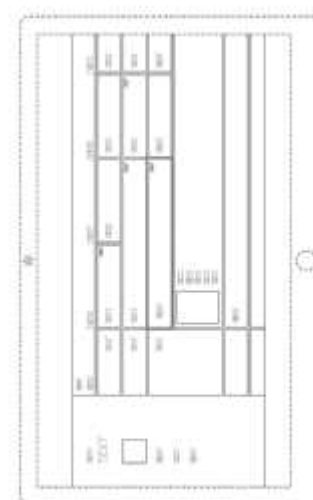
(31) Number	(32) Date	(33) Country
<b>29/470907</b>	<b>25 Oct 2013</b>	<b>UNITED STATES OF AMERICA</b>

(56) Related Art Documents: **Not Applicable**

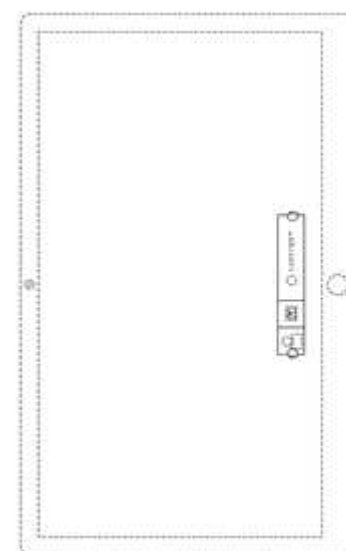
(57) Statement of Newness and Distinctiveness: **Newness and distinctiveness reside in the features of pattern and/or ornamentation of a display screen with graphical user interface as illustrated by solid lines in the accompanying representation. The features shown in broken outline are for contextual purposes only and do not form part of the design. The alphabetic characters depicted are indicative only, and may be substituted by alternative symbols or alphanumeric characters.**



(21) Design Number: **11815/2014**  
(22) Date of Filing Application: **14 April 2014**  
(24) Date from which industrial property rights may have effect: **14 April 2014**  
(54) Product in respect of which the design is registered: **Display screen with graphical user interface**  
(51) International Design Classification: **14-02**  
(74) Name(s) of Attorney(s): **Shelston IP**  
(71) Name(s) and Address(s) of Applicant(s):  
**Microsoft Corporation**  
**One Microsoft Way Redmond Washington 98052 United States of America**  
(72) Name(s) of Designer(s): **Chao Wang and Neil Cueto and Joonkyung Shin**  
(45) Registration Date: **14 May 2014**  
(30) Convention priority data:  
(31) Number (32) Date (33) Country  
**29/470896 25 Oct 2013 UNITED STATES OF AMERICA**  
(56) Related Art Documents: **Not Applicable**  
(57) Statement of Newness and Distinctiveness: **Newness and distinctiveness reside in the features of pattern and/or ornamentation of a display screen with graphical user interface as illustrated by solid lines in the accompanying representation. The features shown in broken outline are for contextual purposes only and do not form part of the design. The alphabetic characters depicted are indicative only, and may be substituted by alternative symbols or alphanumeric characters.**



(21) Design Number: **11817/2014**  
(22) Date of Filing Application: **14 April 2014**  
(24) Date from which industrial property rights may have effect: **14 April 2014**  
(54) Product in respect of which the design is registered: **Display screen with graphical user interface**  
(51) International Design Classification: **14-02**  
(74) Name(s) of Attorney(s): **Shelston IP**  
(71) Name(s) and Address(s) of Applicant(s):  
**Microsoft Corporation**  
**One Microsoft Way Redmond Washington 98052 United States of America**  
(72) Name(s) of Designer(s): **Sergio Paolantonio and Matt Peltier and Matthew Hartman**  
(45) Registration Date: **14 May 2014**  
(30) Convention priority data:  
(31) Number (32) Date (33) Country  
**29/473320 21 Nov 2013 UNITED STATES OF AMERICA**  
(56) Related Art Documents: **Not Applicable**  
(57) Statement of Newness and Distinctiveness: **Newness and distinctiveness reside in the features of pattern and/or ornamentation of a display screen with graphical user interface as illustrated by solid lines in the accompanying representation. The features shown in broken outline are for contextual purposes only and do not form part of the design. The symbols and alphabetic characters depicted are indicative only, and may be substituted by alternative symbols or alphanumeric characters.**



(21) Design Number: **11818/2014**  
(22) Date of Filing Application: **14 April 2014**  
(24) Date from which industrial property rights may have effect: **14 April 2014**  
(54) Product in respect of which the design is registered: **Display screen with icon**  
(51) International Design Classification: **14-02**  
(74) Name(s) of Attorney(s): **Shelston IP**  
(71) Name(s) and Address(s) of Applicant(s):

**Microsoft Corporation**  
**One Microsoft Way Redmond Washington 98052 United States of America**

(72) Name(s) of Designer(s): **Silas Varga and Alex Anthony Tursi and Jeff Fleischmann**

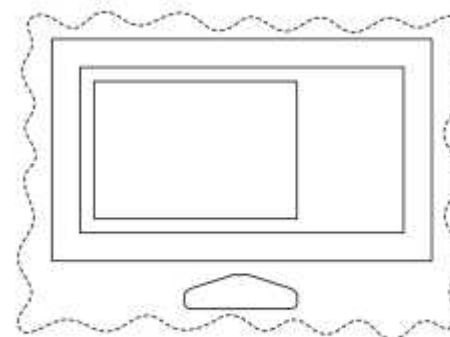
(45) Registration Date: **14 May 2014**

(30) Convention priority data:

(31) Number	(32) Date	(33) Country
<b>29/470917</b>	<b>25 Oct 2013</b>	<b>UNITED STATES OF AMERICA</b>

(56) Related Art Documents: **Not Applicable**

(57) Statement of Newness and Distinctiveness: **Newness and distinctiveness reside in the pattern and/or ornamentation of a display screen with icon as illustrated by solid lines in the accompanying representation. The features shown in broken outline are for contextual purposes only and do not form part of the design.**



(21) Design Number: **11819/2014**  
(22) Date of Filing Application: **14 April 2014**  
(24) Date from which industrial property rights may have effect: **14 April 2014**  
(54) Product in respect of which the design is registered: **Display screen with icon**  
(51) International Design Classification: **14-02**  
(74) Name(s) of Attorney(s): **Shelston IP**  
(71) Name(s) and Address(s) of Applicant(s):

**Microsoft Corporation**  
**One Microsoft Way Redmond Washington 98052 United States of America**

(72) Name(s) of Designer(s): **Silas Varga and Alex Anthony Tursi**

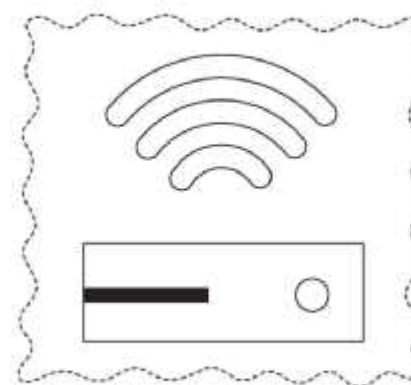
(45) Registration Date: **14 May 2014**

(30) Convention priority data:

(31) Number	(32) Date	(33) Country
<b>29/470916</b>	<b>25 Oct 2013</b>	<b>UNITED STATES OF AMERICA</b>

(56) Related Art Documents: **Not Applicable**

(57) Statement of Newness and Distinctiveness: **Newness and distinctiveness reside in the pattern and/or ornamentation of a display screen with icon as illustrated by solid lines in the accompanying representation. The features shown in broken outline are for contextual purposes only and do not form part of the design.**



(21) Design Number: **11820/2014**  
(22) Date of Filing Application: **14 April 2014**  
(24) Date from which industrial property rights may have effect: **14 April 2014**  
(54) Product in respect of which the design is registered: **Display screen with icon**  
(51) International Design Classification: **14-02**  
(74) Name(s) of Attorney(s): **Shelston IP**  
(71) Name(s) and Address(s) of Applicant(s):

**Microsoft Corporation**  
**One Microsoft Way Redmond Washington 98052 United States of America**

(72) Name(s) of Designer(s): **Ramiro Torres and Michael I Guss and Alex Anthony Tursi and Silas Varga**

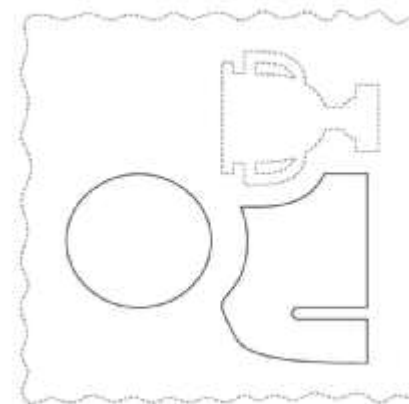
(45) Registration Date: **14 May 2014**

(30) Convention priority data:

(31) Number	(32) Date	(33) Country
<b>29/473412</b>	<b>21 Nov 2013</b>	<b>UNITED STATES OF AMERICA</b>

(56) Related Art Documents: **Not Applicable**

(57) Statement of Newness and Distinctiveness: **Newness and distinctiveness reside in the pattern and/or ornamentation of a display screen with icon as illustrated by solid lines in the accompanying representations. The features shown in broken outline are for contextual purposes only and do not form part of the design.**



(21) Design Number: **11821/2014**  
(22) Date of Filing Application: **14 April 2014**  
(24) Date from which industrial property rights may have effect: **14 April 2014**  
(54) Product in respect of which the design is registered: **Display screen with icon**  
(51) International Design Classification: **14-02**  
(74) Name(s) of Attorney(s): **Shelston IP**  
(71) Name(s) and Address(s) of Applicant(s):

**Microsoft Corporation**  
**One Microsoft Way Redmond Washington 98052 United States of America**

(72) Name(s) of Designer(s): **David Gardner**

(45) Registration Date: **14 May 2014**

(30) Convention priority data:

(31) Number	(32) Date	(33) Country
<b>29/470904</b>	<b>25 Oct 2013</b>	<b>UNITED STATES OF AMERICA</b>

(56) Related Art Documents: **Not Applicable**

(57) Statement of Newness and Distinctiveness: **Newness and distinctiveness reside in the pattern and/or ornamentation of a display screen with icon as illustrated by solid lines in the accompanying representation. The features shown in broken outline are for contextual purposes only and do not form part of the design.**



(21) Design Number: **11822/2014**  
(22) Date of Filing Application: **14 April 2014**  
(24) Date from which industrial property rights may have effect: **14 April 2014**  
(54) Product in respect of which the design is registered: **Display screen with icon**  
(51) International Design Classification: **14-02**  
(74) Name(s) of Attorney(s): **Shelston IP**  
(71) Name(s) and Address(s) of Applicant(s):

**Microsoft Corporation**  
**One Microsoft Way Redmond Washington 98052 United States of America**

(72) Name(s) of Designer(s): **Michael I Guss and Alex Anthony Tursi and Silas Varga and Ramiro Torres**

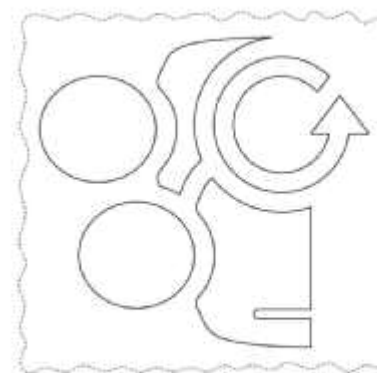
(45) Registration Date: **14 May 2014**

(30) Convention priority data:

(31) Number	(32) Date	(33) Country
<b>29/473417</b>	<b>21 Nov 2013</b>	<b>UNITED STATES OF AMERICA</b>

(56) Related Art Documents: **Not Applicable**

(57) Statement of Newness and Distinctiveness: **Newness and distinctiveness reside in the pattern and/or ornamentation of a display screen with icon as illustrated by solid lines in the accompanying representations. The features shown in broken outline are for contextual purposes only and do not form part of the design.**



(21) Design Number: **16623/2013**  
(22) Date of Filing Application: **18 December 2013**  
(24) Date from which industrial property rights may have effect: **12 April 2013**  
(54) Product in respect of which the design is registered: **Pipe fitting**  
(51) International Design Classification: **23-01A**  
(74) Name(s) of Attorney(s): **Griffith Hack**  
(71) Name(s) and Address(s) of Applicant(s):

**Tyco Fire Products LP**  
**1400 Pennbrook Parkway Lansdale PA 19446 United States of America**

(72) Name(s) of Designer(s): **Anthony Gary Bednarz and Robert R. Smith and Larry E. Hall and Donald Eugene Griggs III**

(45) Registration Date: **14 May 2014**

(62) Divisional of: **353286**

(56) Related Art Documents: **Not Applicable**

(57) Statement of Newness and Distinctiveness: **Newness and distinctiveness resides in the visual features, including shape, configuration and ornamentation of the PRODUCT as shown in the accompanying representations.**



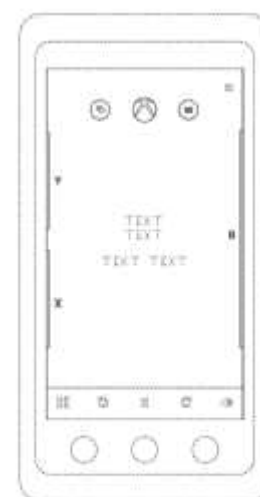
- (21) Design Number: **11824/2014**  
(22) Date of Filing Application: **14 April 2014**  
(24) Date from which industrial property rights may have effect: **14 April 2014**  
(54) Product in respect of which the design is registered: **Display screen with graphical user interface**  
(51) International Design Classification: **14-02**  
(74) Name(s) of Attorney(s): **Shelston IP**  
(71) Name(s) and Address(s) of Applicant(s):  
**Microsoft Corporation**  
**One Microsoft Way Redmond Washington 98052 United States of America**  
(72) Name(s) of Designer(s): **Ross David Heeter and Cyrus Kanga and Jason Robert Truck and David Gardner**  
(45) Registration Date: **14 May 2014**  
(30) Convention priority data:  
(31) Number (32) Date (33) Country  
**29/470834 25 Oct 2013 UNITED STATES OF AMERICA**  
(56) Related Art Documents: **Not Applicable**  
(57) Statement of Newness and Distinctiveness: **Newness and distinctiveness reside in the features of pattern and/or ornamentation of a display screen with graphical user interface as illustrated by solid lines in the accompanying representation. The features shown in broken outline are for contextual purposes only and do not form part of the design. The alphabetic characters depicted are indicative only, and may be substituted by alternative symbols or alphanumeric characters.**



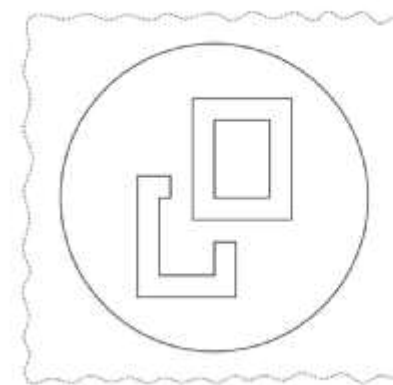
- (21) Design Number: **11825/2014**  
(22) Date of Filing Application: **14 April 2014**  
(24) Date from which industrial property rights may have effect: **14 April 2014**  
(54) Product in respect of which the design is registered: **Display screen with icon**  
(51) International Design Classification: **14-02**  
(74) Name(s) of Attorney(s): **Shelston IP**  
(71) Name(s) and Address(s) of Applicant(s):  
**Microsoft Corporation**  
**One Microsoft Way Redmond Washington 98052 United States of America**  
(72) Name(s) of Designer(s): **Ramiro Torres and Michael I Guss and Alex Anthony Tursi and Silas Varga**  
(45) Registration Date: **14 May 2014**  
(30) Convention priority data:  
(31) Number (32) Date (33) Country  
**29/473421 21 Nov 2013 UNITED STATES OF AMERICA**  
(56) Related Art Documents: **Not Applicable**  
(57) Statement of Newness and Distinctiveness: **Newness and distinctiveness reside in the pattern and/or ornamentation of a display screen with icon as illustrated by solid lines in the accompanying representations. The features shown in broken outline are for contextual purposes only and do not form part of the design.**



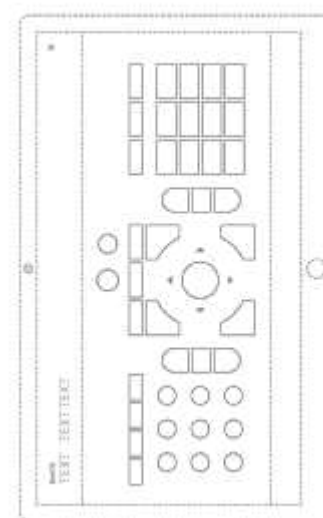
- (21) Design Number: **11826/2014**  
(22) Date of Filing Application: **14 April 2014**  
(24) Date from which industrial property rights may have effect: **14 April 2014**  
(54) Product in respect of which the design is registered: **Display screen with graphical user interface**  
(51) International Design Classification: **14-02**  
(74) Name(s) of Attorney(s): **Shelston IP**  
(71) Name(s) and Address(s) of Applicant(s):  
**Microsoft Corporation**  
**One Microsoft Way Redmond Washington 98052 United States of America**  
(72) Name(s) of Designer(s): **Ross David Heeter and Cyrus Kanga and Jason Robert Truck and David Gardner**  
(45) Registration Date: **14 May 2014**  
(30) Convention priority data:  
(31) Number (32) Date (33) Country  
**29/470826 25 Oct 2013 UNITED STATES OF AMERICA**  
(56) Related Art Documents: **Not Applicable**  
(57) Statement of Newness and Distinctiveness: **Newness and distinctiveness reside in the features of pattern and/or ornamentation of a display screen with graphical user interface as illustrated by solid lines in the accompanying representation. The features shown in broken outline are for contextual purposes only and do not form part of the design. The alphabetic characters depicted are indicative only, and may be substituted by alternative symbols or alphanumeric characters.**



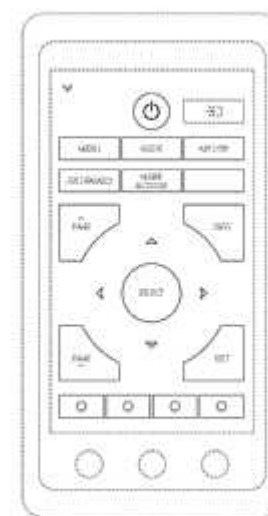
- (21) Design Number: **11827/2014**  
(22) Date of Filing Application: **14 April 2014**  
(24) Date from which industrial property rights may have effect: **14 April 2014**  
(54) Product in respect of which the design is registered: **Display screen with icon**  
(51) International Design Classification: **14-02**  
(74) Name(s) of Attorney(s): **Shelston IP**  
(71) Name(s) and Address(s) of Applicant(s):  
**Microsoft Corporation**  
**One Microsoft Way Redmond Washington 98052 United States of America**  
(72) Name(s) of Designer(s): **Ramiro Torres and Michael I Guss and Alex Anthony Tursi and Silas Varga**  
(45) Registration Date: **14 May 2014**  
(30) Convention priority data:  
(31) Number (32) Date (33) Country  
**29/473427 21 Nov 2013 UNITED STATES OF AMERICA**  
(56) Related Art Documents: **Not Applicable**  
(57) Statement of Newness and Distinctiveness: **Newness and distinctiveness reside in the pattern and/or ornamentation of a display screen with icon as illustrated by solid lines in the accompanying representations. The features shown in broken outline are for contextual purposes only and do not form part of the design.**



- (21) Design Number: **11828/2014**  
(22) Date of Filing Application: **14 April 2014**  
(24) Date from which industrial property rights may have effect: **14 April 2014**  
(54) Product in respect of which the design is registered: **Display screen with graphical user interface**  
(51) International Design Classification: **14-02**  
(74) Name(s) of Attorney(s): **Shelston IP**  
(71) Name(s) and Address(s) of Applicant(s):  
**Microsoft Corporation**  
**One Microsoft Way Redmond Washington 98052 United States of America**  
(72) Name(s) of Designer(s): **Ross David Heeter and David Gardner and Andrew Einaudi and Cyrus Kanga and Macbeth Watson and Jason Robert Truck**  
(45) Registration Date: **14 May 2014**  
(30) Convention priority data:  
(31) Number (32) Date (33) Country  
**29/470909 25 Oct 2013 UNITED STATES OF AMERICA**  
(56) Related Art Documents: **Not Applicable**  
(57) Statement of Newness and Distinctiveness: **Newness and distinctiveness reside in the features of pattern and/or ornamentation of a display screen with graphical user interface as illustrated by solid lines in the accompanying representation. The features shown in broken outline are for contextual purposes only and do not form part of the design. The alphabetic characters depicted are indicative only, and may be substituted by alternative symbols or alphanumeric characters.**



- (21) Design Number: **11829/2014**  
(22) Date of Filing Application: **14 April 2014**  
(24) Date from which industrial property rights may have effect: **14 April 2014**  
(54) Product in respect of which the design is registered: **Display screen with graphical user interface**  
(51) International Design Classification: **14-02**  
(74) Name(s) of Attorney(s): **Shelston IP**  
(71) Name(s) and Address(s) of Applicant(s):  
**Microsoft Corporation**  
**One Microsoft Way Redmond Washington 98052 United States of America**  
(72) Name(s) of Designer(s): **Ross David Heeter and David Gardner and Andrew Einaudi and Cyrus Kanga and Jason Robert Truck**  
(45) Registration Date: **14 May 2014**  
(30) Convention priority data:  
(31) Number (32) Date (33) Country  
**29/470914 25 Oct 2013 UNITED STATES OF AMERICA**  
(56) Related Art Documents: **Not Applicable**  
(57) Statement of Newness and Distinctiveness: **Newness and distinctiveness reside in the features of pattern and/or ornamentation of a display screen with graphical user interface as illustrated by solid lines in the accompanying representation. The features shown in broken outline are for contextual purposes only and do not form part of the design. The alphabetic characters depicted are indicative only, and may be substituted by alternative symbols or alphanumeric characters.**



(21) Design Number: **11830/2014**  
(22) Date of Filing Application: **14 April 2014**  
(24) Date from which industrial property rights may have effect: **14 April 2014**  
(54) Product in respect of which the design is registered: **Display screen with icon**  
(51) International Design Classification: **14-02**  
(74) Name(s) of Attorney(s): **Shelston IP**  
(71) Name(s) and Address(s) of Applicant(s):

**Microsoft Corporation**  
**One Microsoft Way Redmond Washington 98052 United States of America**

(72) Name(s) of Designer(s): **Ramiro Torres and Michael I Guss and Alex Anthony Tursi and Silas Varga**

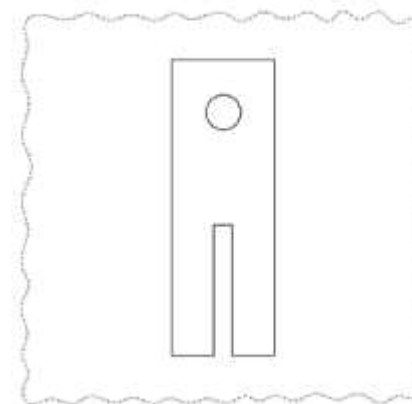
(45) Registration Date: **14 May 2014**

(30) Convention priority data:

(31) Number	(32) Date	(33) Country
<b>29/473428</b>	<b>21 Nov 2013</b>	<b>UNITED STATES OF AMERICA</b>

(56) Related Art Documents: **Not Applicable**

(57) Statement of Newness and Distinctiveness: **Newness and distinctiveness reside in the pattern and/or ornamentation of a display screen with icon as illustrated by solid lines in the accompanying representations. The features shown in broken outline are for contextual purposes only and do not form part of the design.**



(21) Design Number: **11831/2014**  
(22) Date of Filing Application: **14 April 2014**  
(24) Date from which industrial property rights may have effect: **14 April 2014**  
(54) Product in respect of which the design is registered: **Display screen with icon**  
(51) International Design Classification: **14-02**  
(74) Name(s) of Attorney(s): **Shelston IP**  
(71) Name(s) and Address(s) of Applicant(s):

**Microsoft Corporation**  
**One Microsoft Way Redmond Washington 98052 United States of America**

(72) Name(s) of Designer(s): **Ramiro Torres and Michael I Guss and Alex Anthony Tursi and Silas Varga**

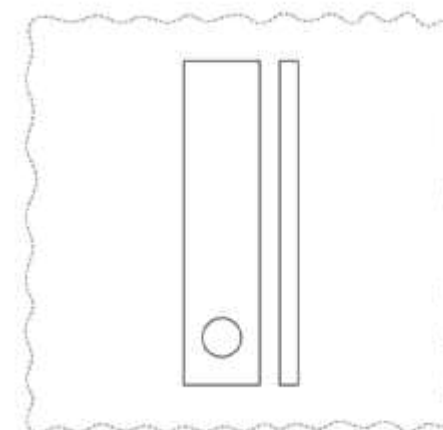
(45) Registration Date: **14 May 2014**

(30) Convention priority data:

(31) Number	(32) Date	(33) Country
<b>29/473429</b>	<b>21 Nov 2013</b>	<b>UNITED STATES OF AMERICA</b>

(56) Related Art Documents: **Not Applicable**

(57) Statement of Newness and Distinctiveness: **Newness and distinctiveness reside in the pattern and/or ornamentation of a display screen with icon as illustrated by solid lines in the accompanying representations. The features shown in broken outline are for contextual purposes only and do not form part of the design.**



(21) Design Number: **11832/2014**  
(22) Date of Filing Application: **14 April 2014**  
(24) Date from which industrial property rights may have effect: **14 April 2014**  
(54) Product in respect of which the design is registered: **Display screen with icon**  
(51) International Design Classification: **14-02**  
(74) Name(s) of Attorney(s): **Shelston IP**  
(71) Name(s) and Address(s) of Applicant(s):

**Microsoft Corporation**  
**One Microsoft Way Redmond Washington 98052 United States of America**

(72) Name(s) of Designer(s): **Ramiro Torres and Michael I Guss and Alex Anthony Tursi and Silas Varga**

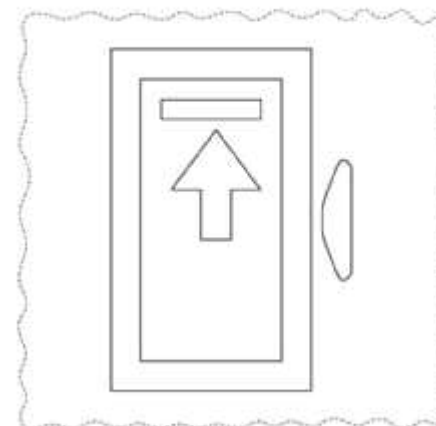
(45) Registration Date: **14 May 2014**

(30) Convention priority data:

(31) Number	(32) Date	(33) Country
<b>29/473430</b>	<b>21 Nov 2013</b>	<b>UNITED STATES OF AMERICA</b>

(56) Related Art Documents: **Not Applicable**

(57) Statement of Newness and Distinctiveness: **Newness and distinctiveness reside in the pattern and/or ornamentation of a display screen with icon as illustrated by solid lines in the accompanying representations. The features shown in broken outline are for contextual purposes only and do not form part of the design.**



(21) Design Number: **11833/2014**  
(22) Date of Filing Application: **14 April 2014**  
(24) Date from which industrial property rights may have effect: **14 April 2014**  
(54) Product in respect of which the design is registered: **Plumbing fitting**  
(51) International Design Classification: **23-01H**  
(74) Name(s) of Attorney(s): **Pizzeys**  
(71) Name(s) and Address(s) of Applicant(s):

**Zurn Industries, LLC**  
**5900 Elwin Buchanan Drive Sanford NC 27330 United States of America**

(72) Name(s) of Designer(s): **Kevin John Schoolcraft and Craig Saunders and Paul Stephens and Jason Tilk and Alex Velet and Michael Liebal and Sean M Chenard and Roy Leviner**

(45) Registration Date: **14 May 2014**

(30) Convention priority data:

(31) Number	(32) Date	(33) Country
<b>29/471,334</b>	<b>30 Oct 2013</b>	<b>UNITED STATES OF AMERICA</b>

(56) Related Art Documents: **Not Applicable**

(57) Statement of Newness and Distinctiveness: **Nil**



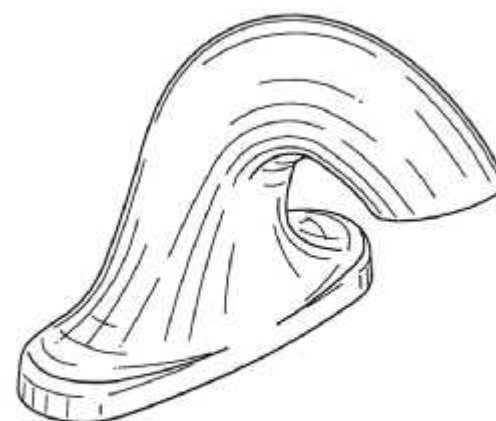
(21) Design Number: **11834/2014**  
(22) Date of Filing Application: **14 April 2014**  
(24) Date from which industrial property rights may have effect: **14 April 2014**  
(54) Product in respect of which the design is registered: **Plumbing fitting**  
(51) International Design Classification: **23-01H**  
(74) Name(s) of Attorney(s): **Pizzeys**  
(71) Name(s) and Address(s) of Applicant(s):  
**Zurn Industries, LLC**  
**5900 Elwin Buchanan Drive Sanford NC 27330 United States of America**  
(72) Name(s) of Designer(s): **John Kevin Schoolcraft and Craig Saunders and Paul Stephens and Jason Tilk and Alex Velet and Michael Liebal and Sean M Chenard and Roy Leviner**  
(45) Registration Date: **14 May 2014**  
(30) Convention priority data:  
(31) Number (32) Date (33) Country  
**29/471,334 30 Oct 2013 UNITED STATES OF AMERICA**  
(56) Related Art Documents: **Not Applicable**  
(57) Statement of Newness and Distinctiveness: **Nil**



(21) Design Number: **11836/2014**  
(22) Date of Filing Application: **14 April 2014**  
(24) Date from which industrial property rights may have effect: **14 April 2014**  
(54) Product in respect of which the design is registered: **Soles for footwear**  
(51) International Design Classification: **02-04B**  
(74) Name(s) of Attorney(s): **MMLC Murphy Wang Solicitors**  
(71) Name(s) and Address(s) of Applicant(s):  
**Holster Fashion Pty Ltd**  
**6-55 Gateway Dr Noosaville QLD 4566 Australia**  
(72) Name(s) of Designer(s): **Natalie Jean Miller**  
(45) Registration Date: **14 May 2014**  
(56) Related Art Documents: **Not Applicable**  
(57) Statement of Newness and Distinctiveness: **Newness and distinctiveness reside in the outline shape of the sole, the tread/grip pattern, heel height and shape (heel height outlines) and plug positions for upper straps, as shown in the accompanying representations.**



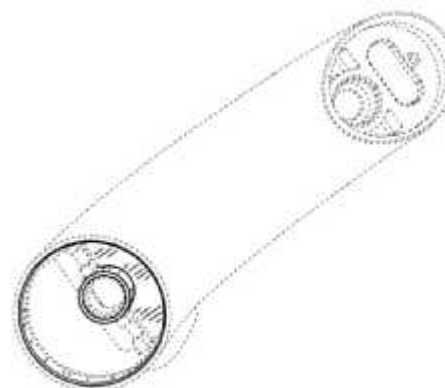
(21) Design Number: **11837/2014**  
(22) Date of Filing Application: **14 April 2014**  
(24) Date from which industrial property rights may have effect: **14 April 2014**  
(54) Product in respect of which the design is registered: **Plumbing fitting**  
(51) International Design Classification: **23-01H**  
(74) Name(s) of Attorney(s): **Pizzeys**  
(71) Name(s) and Address(s) of Applicant(s):  
**Zurn Industries, LLC**  
**5900 Elwin Buchanan Drive Sanford NC 27330 United States of America**  
(72) Name(s) of Designer(s): **John Kevin Schoolcraft and Craig Saunders and Paul Stephens and Jason Tilk and Alex Velet and Michael Liebal and Sean M Chenard and Roy Leviner**  
(45) Registration Date: **14 May 2014**  
(30) Convention priority data:  
(31) Number (32) Date (33) Country  
**29/471,334 30 Oct 2013 UNITED STATES OF AMERICA**  
(56) Related Art Documents: **Not Applicable**  
(57) Statement of Newness and Distinctiveness: **Nil**



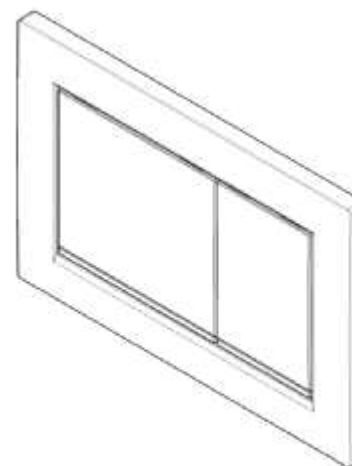
(21) Design Number: **11839/2014**  
(22) Date of Filing Application: **14 April 2014**  
(24) Date from which industrial property rights may have effect: **14 April 2014**  
(54) Product in respect of which the design is registered: **Plumbing fitting**  
(51) International Design Classification: **23-01B**  
(74) Name(s) of Attorney(s): **Pizzeys**  
(71) Name(s) and Address(s) of Applicant(s):  
**Zurn Industries, LLC**  
**5900 Elwin Buchanan Drive Sanford NC 27330 United States of America**  
(72) Name(s) of Designer(s): **John Kevin Schoolcraft and Craig Saunders and Paul Stephens and Jason Tilk and Alex Velet and Michael Liebal and Sean M Chenard and Roy Leviner**  
(45) Registration Date: **14 May 2014**  
(30) Convention priority data:  
(31) Number (32) Date (33) Country  
**29/471,335 30 Oct 2013 UNITED STATES OF AMERICA**  
(56) Related Art Documents: **Not Applicable**  
(57) Statement of Newness and Distinctiveness: **Nil**



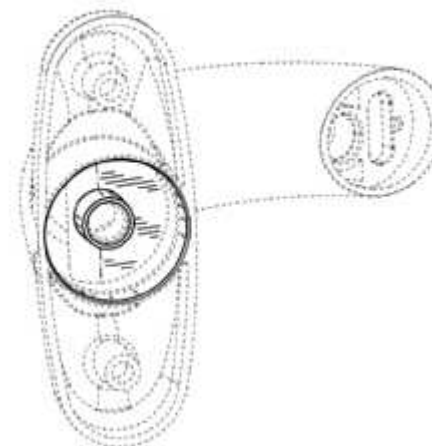
(21) Design Number: **11842/2014**  
(22) Date of Filing Application: **14 April 2014**  
(24) Date from which industrial property rights may have effect: **14 April 2014**  
(54) Product in respect of which the design is registered: **Plumbing fitting**  
(51) International Design Classification: **23-01B**  
(74) Name(s) of Attorney(s): **Pizzeys**  
(71) Name(s) and Address(s) of Applicant(s):  
**Zurn Industries, LLC**  
**5900 Elwin Buchanan Drive Sanford NC 27330 United States of America**  
(72) Name(s) of Designer(s): **John Kevin Schoolcraft and Craig Saunders and Paul Stephens and Jason Tilk and Alex Velet and Michael Liebal and Sean M Chenard and Roy Leviner**  
(45) Registration Date: **14 May 2014**  
(30) Convention priority data:  
(31) Number (32) Date (33) Country  
**29/471,335 30 Oct 2013 UNITED STATES OF AMERICA**  
(56) Related Art Documents: **Not Applicable**  
(57) Statement of Newness and Distinctiveness: **Nil**



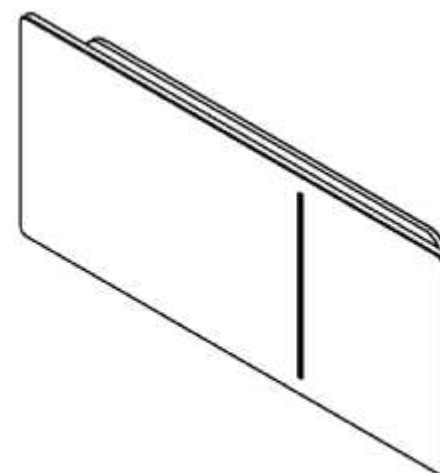
(21) Design Number: **11843/2014**  
(22) Date of Filing Application: **14 April 2014**  
(24) Date from which industrial property rights may have effect: **14 April 2014**  
(54) Product in respect of which the design is registered: **Control panels for toilets and/or urinals**  
(51) International Design Classification: **23-02C**  
(74) Name(s) of Attorney(s): **Fisher Adams Kelly Pty Ltd**  
(71) Name(s) and Address(s) of Applicant(s):  
**Geberit International AG**  
**Schachenstrasse 77 Jona 8645 Switzerland**  
(72) Name(s) of Designer(s): **Christoph Behling**  
(45) Registration Date: **14 May 2014**  
(30) Convention priority data:  
(31) Number (32) Date (33) Country  
**787158001 17 Jan 2014 WORLD INTELLECTUAL PROPERTY ORGANIZATION (WIPO)**  
(56) Related Art Documents: **Not Applicable**  
(57) Statement of Newness and Distinctiveness: **The newness and distinctiveness of the design resides in the shape and/or configuration of the CONTROL PANELS FOR TOILETS AND/OR URINALS shown in the representations.**



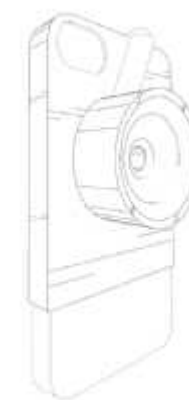
(21) Design Number: **11845/2014**  
(22) Date of Filing Application: **14 April 2014**  
(24) Date from which industrial property rights may have effect: **14 April 2014**  
(54) Product in respect of which the design is registered: **Plumbing fitting**  
(51) International Design Classification: **23-01A**  
(74) Name(s) of Attorney(s): **Pizzeys**  
(71) Name(s) and Address(s) of Applicant(s):  
**Zurn Industries, LLC**  
**5900 Elwin Buchanan Drive Sanford NC 27330 United States of America**  
(72) Name(s) of Designer(s): **John Kevin Schoolcraft and Craig Saunders and Paul Stephens and Jason Tilk and Alex Velet and Michael Liebal and Sean M Chenard and Roy Leviner**  
(45) Registration Date: **14 May 2014**  
(30) Convention priority data:  
(31) Number (32) Date (33) Country  
**29/741,335 30 Oct 2013 UNITED STATES OF AMERICA**  
(56) Related Art Documents: **Not Applicable**  
(57) Statement of Newness and Distinctiveness: **Nil**



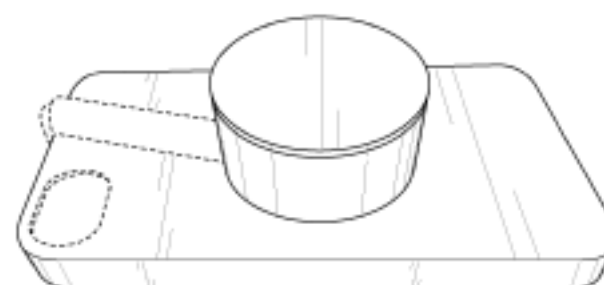
(21) Design Number: **11846/2014**  
(22) Date of Filing Application: **14 April 2014**  
(24) Date from which industrial property rights may have effect: **14 April 2014**  
(54) Product in respect of which the design is registered: **Control panels for toilets and/or urinals**  
(51) International Design Classification: **23-02C**  
(74) Name(s) of Attorney(s): **Fisher Adams Kelly Pty Ltd**  
(71) Name(s) and Address(s) of Applicant(s):  
**Geberit International AG**  
**Schachenstrasse 77 Jona 8645 Switzerland**  
(72) Name(s) of Designer(s): **Christoph Behling**  
(45) Registration Date: **14 May 2014**  
(30) Convention priority data:  
(31) Number (32) Date (33) Country  
**787158001 17 Jan 2014 WORLD INTELLECTUAL PROPERTY ORGANIZATION (WIPO)**  
(56) Related Art Documents: **Not Applicable**  
(57) Statement of Newness and Distinctiveness: **The newness and distinctiveness of the design resides in the shape and/or configuration of the CONTROL PANELS FOR TOILETS AND/OR URINALS shown in the representations.**



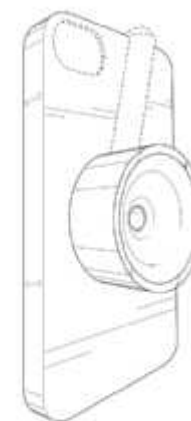
- (21) Design Number: **11847/2014**  
(22) Date of Filing Application: **14 April 2014**  
(24) Date from which industrial property rights may have effect: **14 April 2014**  
(54) Product in respect of which the design is registered: **Electronic device casing**  
(51) International Design Classification: **03-01NES**  
(74) Name(s) of Attorney(s): **SPRUSON & FERGUSON**  
(71) Name(s) and Address(s) of Applicant(s):  
**Suman K Mulumudi**  
**16802 57th Avenue S.E. Snohomish Washington 98296 United States of America**  
**Mahesh S Mulumudi**  
**16802 57th Avenue S.E. Snmohomish Washington 98296 United States of America**  
(72) Name(s) of Designer(s): **Suman K Mulumudi and Mahesh S Mulumudi**  
(45) Registration Date: **14 May 2014**  
(30) Convention priority data:  
(31) Number (32) Date (33) Country  
**29/469889 15 Oct 2013 UNITED STATES OF AMERICA**  
(56) Related Art Documents: **Not Applicable**  
(57) Statement of Newness and Distinctiveness: **Newness and distinctiveness is claimed in those features of shape and/or configuration of an electronic device casing illustrated in continuous lines in the accompanying representations, and the cylindrical structure projecting from the rear of the casing.**



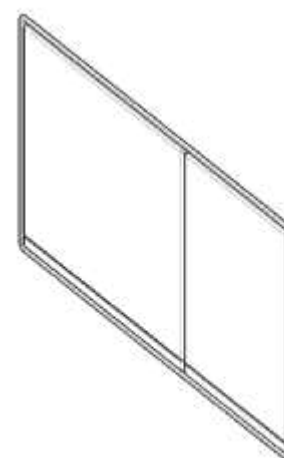
- (21) Design Number: **11848/2014**  
(22) Date of Filing Application: **14 April 2014**  
(24) Date from which industrial property rights may have effect: **14 April 2014**  
(54) Product in respect of which the design is registered: **Electronic device casing**  
(51) International Design Classification: **03-01NES**  
(74) Name(s) of Attorney(s): **SPRUSON & FERGUSON**  
(71) Name(s) and Address(s) of Applicant(s):  
**Suman K Mulumudi**  
**16802 57th Avenue S.E. Snohomish Washington 98296 United States of America**  
**Mahesh S Mulumudi**  
**16802 57th Avenue S.E. Snmohomish Washington 98296 United States of America**  
(72) Name(s) of Designer(s): **Suman K Mulumudi and Mahesh S Mulumudi**  
(45) Registration Date: **14 May 2014**  
(30) Convention priority data:  
(31) Number (32) Date (33) Country  
**29/469889 15 Oct 2013 UNITED STATES OF AMERICA**  
(56) Related Art Documents: **Not Applicable**  
(57) Statement of Newness and Distinctiveness: **Newness and distinctiveness is claimed in those features of shape and/or configuration of an electronic device casing illustrated in continuous lines in the accompanying representations, and the cylindrical structure projecting from the rear of the casing.**



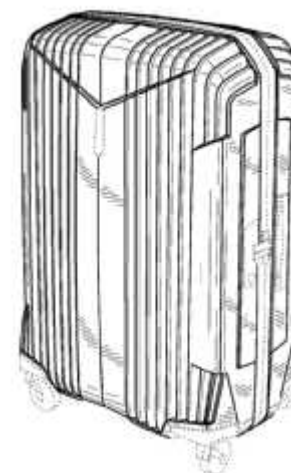
- (21) Design Number: **11849/2014**  
(22) Date of Filing Application: **14 April 2014**  
(24) Date from which industrial property rights may have effect: **14 April 2014**  
(54) Product in respect of which the design is registered: **Electronic device casing**  
(51) International Design Classification: **03-01NES**  
(74) Name(s) of Attorney(s): **SPRUSON & FERGUSON**  
(71) Name(s) and Address(s) of Applicant(s):  
**Suman K Mulumudi**  
**16802 57th Avenue S.E. Snohomish Washington 98296 United States of America**  
**Mahesh S Mulumudi**  
**16802 57th Avenue S.E. Snmohomish Washington 98296 United States of America**  
(72) Name(s) of Designer(s): **Suman K Mulumudi and Mahesh S Mulumudi**  
(45) Registration Date: **14 May 2014**  
(30) Convention priority data:  
(31) Number (32) Date (33) Country  
**29/469889 15 Oct 2013 UNITED STATES OF AMERICA**  
(56) Related Art Documents: **Not Applicable**  
(57) Statement of Newness and Distinctiveness: **Newness and distinctiveness is claimed in those features of shape and/or configuration of an electronic device casing illustrated in continuous lines in the accompanying representations, and the cylindrical structure projecting from the rear of the casing.**



- (21) Design Number: **11850/2014**  
(22) Date of Filing Application: **14 April 2014**  
(24) Date from which industrial property rights may have effect: **14 April 2014**  
(54) Product in respect of which the design is registered: **Control panels for toilets and/or urinals**  
(51) International Design Classification: **23-02C**  
(74) Name(s) of Attorney(s): **Fisher Adams Kelly Pty Ltd**  
(71) Name(s) and Address(s) of Applicant(s):  
**Geberit International AG**  
**Schachenstrasse 77 Jona 8645 Switzerland**  
(72) Name(s) of Designer(s): **Christoph Behling**  
(45) Registration Date: **14 May 2014**  
(30) Convention priority data:  
(31) Number (32) Date (33) Country  
**787158001 17 Jan 2014 WORLD INTELLECTUAL PROPERTY ORGANIZATION (WIPO)**  
(56) Related Art Documents: **Not Applicable**  
(57) Statement of Newness and Distinctiveness: **The newness and distinctiveness of the deign resides in the shape and/or configuration of the CONTROL PANELS FOR TOILETS AND/OR URINALS shown in the representations.**



(21) Design Number: **11852/2014**  
(22) Date of Filing Application: **14 April 2014**  
(24) Date from which industrial property rights may have effect: **14 April 2014**  
(54) Product in respect of which the design is registered: **Luggage**  
(51) International Design Classification: **03-01A**  
(74) Name(s) of Attorney(s): **Griffith Hack**  
(71) Name(s) and Address(s) of Applicant(s):  
**Samsonite IP Holdings S.a r.l.**  
**13-15 Avenue de la Liberte Luxembourg L-1931 Luxembourg**  
(72) Name(s) of Designer(s): **Erik Sijmons and Lucie Boddaert**  
(45) Registration Date: **14 May 2014**  
(30) Convention priority data:  
(31) Number (32) Date (33) Country  
**29/469822 15 Oct 2013 UNITED STATES OF AMERICA**  
(56) Related Art Documents: **Not Applicable**  
(57) Statement of Newness and Distinctiveness: **Newness and Distinctiveness resides in the shape and configuration of the product as represented by the solid lines in the drawings.**



(21) Design Number: **11853/2014**  
(22) Date of Filing Application: **14 April 2014**  
(24) Date from which industrial property rights may have effect: **14 April 2014**  
(54) Product in respect of which the design is registered: **Case**  
(51) International Design Classification: **03-01NES**  
(74) Name(s) of Attorney(s): **Freehills Patent Attorneys**  
(71) Name(s) and Address(s) of Applicant(s):  
**Apple Inc.**  
**1 Infinite Loop Cupertino California 95014 United States of America**  
(72) Name(s) of Designer(s): **Jody Akana and Bartley K Andre and Shota Aoyagi and Jeremy Bataillou and Daniel J Coster and Daniele De Iuliis and M Evans Hankey and Julian Hoenig and Richard P Howarth and Duncan Robert Kerr and Matthew Dean Rohrbach and Peter Russell-Clarke and Mikael Silvanto and Christopher J Stringer and Eugene Antony Whang and Rico Zorkendorfer**  
(45) Registration Date: **14 May 2014**  
(30) Convention priority data:  
(31) Number (32) Date (33) Country  
**29/470472 22 Oct 2013 UNITED STATES OF AMERICA**  
(56) Related Art Documents: **Not Applicable**  
(57) Statement of Newness and Distinctiveness: **Newness and distinctiveness resides in the features of shape and configuration shown in solid outline in the accompanying figures.**



- (21) Design Number: **11854/2014**  
(22) Date of Filing Application: **14 April 2014**  
(24) Date from which industrial property rights may have effect: **14 April 2014**  
(54) Product in respect of which the design is registered: **Case**  
(51) International Design Classification: **03-01NES**  
(74) Name(s) of Attorney(s): **Freehills Patent Attorneys**  
(71) Name(s) and Address(s) of Applicant(s):  
**Apple Inc.**  
**1 Infinite Loop Cupertino California 95014 United States of America**  
(72) Name(s) of Designer(s): **Jody Akana and Bartley K Andre and Shota Aoyagi and Jeremy Bataillou and Daniel J Coster and Daniele De Iuliis and M Evans Hankey and Julian Hoenig and Richard P Howarth and Duncan Robert Kerr and Matthew Dean Rohrbach and Peter Russell-Clarke and Mikael Silvanto and Christopher J Stringer and Eugene Antony Whang and Rico Zorkendorfer**  
(45) Registration Date: **14 May 2014**  
(30) Convention priority data:  
(31) Number (32) Date (33) Country  
**29/470472 22 Oct 2013 UNITED STATES OF AMERICA**  
(56) Related Art Documents: **Not Applicable**  
(57) Statement of Newness and Distinctiveness: **Newness and distinctiveness resides in the features of shape and configuration of a case shown in solid outline in the accompanying figures and excluding any dashed lines, dot-dash lines, any area within dashed lines or dot-dash lines.**



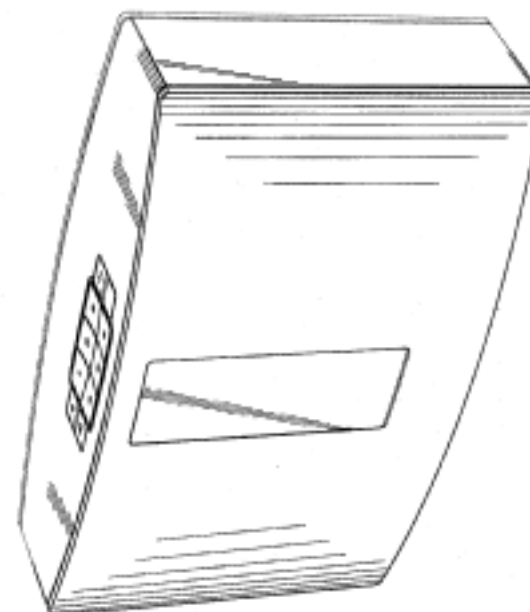
- (21) Design Number: **11856/2014**  
(22) Date of Filing Application: **14 April 2014**  
(24) Date from which industrial property rights may have effect: **14 April 2014**  
(54) Product in respect of which the design is registered: **Case**  
(51) International Design Classification: **03-01NES**  
(74) Name(s) of Attorney(s): **Freehills Patent Attorneys**  
(71) Name(s) and Address(s) of Applicant(s):  
**Apple Inc.**  
**1 Infinite Loop Cupertino California 95014 United States of America**  
(72) Name(s) of Designer(s): **Jody Akana and Bartley K Andre and Shota Aoyagi and Jeremy Bataillou and Daniel J Coster and Daniele De Iuliis and M Evans Hankey and Julian Hoenig and Richard P Howarth and Duncan Robert Kerr and Matthew Dean Rohrbach and Peter Russell-Clarke and Mikael Silvanto and Christopher J Stringer and Eugene Antony Whang and Rico Zorkendorfer**  
(45) Registration Date: **14 May 2014**  
(30) Convention priority data:  
(31) Number (32) Date (33) Country  
**29/470435 22 Oct 2013 UNITED STATES OF AMERICA**  
(56) Related Art Documents: **Not Applicable**  
(57) Statement of Newness and Distinctiveness: **Nil**



- (21) Design Number: **14341/2013**  
(22) Date of Filing Application: **02 September 2013**  
(24) Date from which industrial property rights may have effect: **02 September 2013**  
(54) Product in respect of which the design is registered: **Rear bumper for an automobile**  
(51) International Design Classification: **12-16C**  
(74) Name(s) of Attorney(s): **SPRUSON & FERGUSON**  
(71) Name(s) and Address(s) of Applicant(s):  
**Toyota Jidosha Kabushiki Kaisha**  
**1 Toyota-cho Toyota-shi Aichi-Ken 471-8571 Japan**  
(72) Name(s) of Designer(s): **Shin Kamiura and Nobuyuki Tomatsu**  
(45) Registration Date: **15 May 2014**  
(56) Related Art Documents: **Not Applicable**  
(57) Statement of Newness and Distinctiveness: **Newness and distinctiveness is claimed in the features of the shape and/or configuration of a rear bumper for an automobile as illustrated in the accompanying representations, apart from the attachment lugs.**



- (21) Design Number: **11459/2014**  
(22) Date of Filing Application: **27 March 2014**  
(24) Date from which industrial property rights may have effect: **27 March 2014**  
(54) Product in respect of which the design is registered: **Audio system**  
(51) International Design Classification: **14-01**  
(74) Name(s) of Attorney(s): **PHILLIPS ORMONDE FITZPATRICK**  
(71) Name(s) and Address(s) of Applicant(s):  
**Bose Corporation**  
**The Mountain MS 3B1 Framingham Massachusetts 01701-9168 United States of America**  
(72) Name(s) of Designer(s): **Stuart Raymond Jang and David H Pitcher and Jay Pupecki and Seth N Green**  
(45) Registration Date: **15 May 2014**  
(30) Convention priority data:  
(31) Number      (32) Date      (33) Country  
**29/469,208      08 Oct 2013      UNITED STATES OF AMERICA**  
(56) Related Art Documents: **Not Applicable**  
(57) Statement of Newness and Distinctiveness: **Those features of the audio system depicted in the representations that are new and distinctive are the shape and/or configuration. The features shown in dotted lines are for illustrative purposes only and form no part of the claimed design. The numbers, words, and symbols shown in broken lines are not part of the design and are to be disregarded when considering the overall impression of the design.**



(21) Design Number: **11858/2014**  
(22) Date of Filing Application: **14 April 2014**  
(24) Date from which industrial property rights may have effect: **14 April 2014**  
(54) Product in respect of which the design is registered: **Electronic device casing**  
(51) International Design Classification: **03-01NES**  
(74) Name(s) of Attorney(s): **SPRUSON & FERGUSON**  
(71) Name(s) and Address(s) of Applicant(s):

**Suman K Mulumudi**  
**16802 57th Avenue S.E. Snohomish Washington 98296 United States of America**

**Mahesh S Mulumudi**  
**16802 57th Avenue S.E. Snmohomish Washington 98296 United States of America**

(72) Name(s) of Designer(s): **Suman K Mulumudi and Mahesh S Mulumudi**

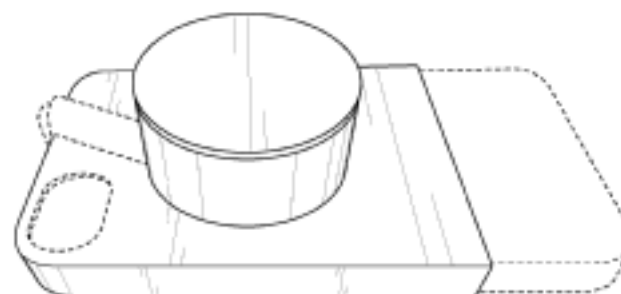
(45) Registration Date: **15 May 2014**

(30) Convention priority data:

(31) Number	(32) Date	(33) Country
<b>29/469889</b>	<b>15 Oct 2013</b>	<b>UNITED STATES OF AMERICA</b>

(56) Related Art Documents: **Not Applicable**

(57) Statement of Newness and Distinctiveness: **Newness and distinctiveness is claimed in those features of shape and/or configuration of an electronic device casing illustrated in continuous lines in the accompanying representations, and the cylindrical structure projecting from the rear of the casing.**



(21) Design Number: **11862/2014**  
(22) Date of Filing Application: **14 April 2014**  
(24) Date from which industrial property rights may have effect: **14 April 2014**  
(54) Product in respect of which the design is registered: **Loom hook tool**  
(51) International Design Classification: **02-07D**  
(74) Name(s) of Attorney(s): **Tatlocks Chrysiliou IP**  
(71) Name(s) and Address(s) of Applicant(s):

**Choon's Design LLC**  
**48813 West Rd Wixom MI 48393-3556 United States of America**

(72) Name(s) of Designer(s): **Cheong Choon Ng**

(45) Registration Date: **15 May 2014**

(30) Convention priority data:

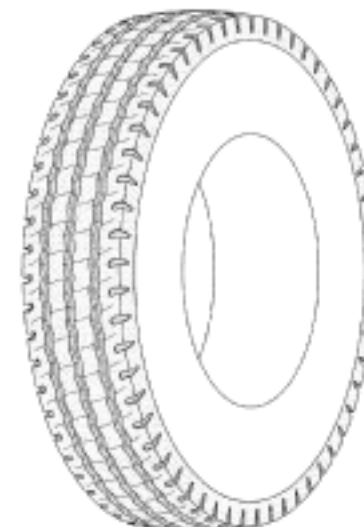
(31) Number	(32) Date	(33) Country
<b>29/480,452</b>	<b>27 Jan 2014</b>	<b>UNITED STATES OF AMERICA</b>

(56) Related Art Documents: **Not Applicable**

(57) Statement of Newness and Distinctiveness: **Newness and distinctiveness is claimed in the loom hook tool as depicted in each of the representations. Those features of the design represented by dashed lines are to be disregarded when assessing newness and distinctiveness.**



- (21) Design Number: **11864/2014**  
(22) Date of Filing Application: **15 April 2014**  
(24) Date from which industrial property rights may have effect: **15 April 2014**  
(54) Product in respect of which the design is registered: **Tyre**  
(51) International Design Classification: **12-15A**  
(74) Name(s) of Attorney(s): **SPRUSON & FERGUSON**  
(71) Name(s) and Address(s) of Applicant(s):  
**The Goodyear Tire & Rubber Company**  
**1144 East Market Street Akron Ohio 44316-0001 United States of America**  
(72) Name(s) of Designer(s): **Jean-Julien Edouard Ghislain Krier and Jacques Collette and Daniel Scheuren and Christophe Henri Joseph Schyns**  
(45) Registration Date: **15 May 2014**  
(30) Convention priority data:  
(31) Number (32) Date (33) Country  
**29/471133 29 Oct 2013 UNITED STATES OF AMERICA**  
(56) Related Art Documents: **Not Applicable**  
(57) Statement of Newness and Distinctiveness: **Newness and distinctiveness is claimed in the features of shape and/or configuration of the tread of a tyre as illustrated in the accompanying representations, wherein the shape and/or configuration of the tread is repeated throughout the circumference of the tyre.**



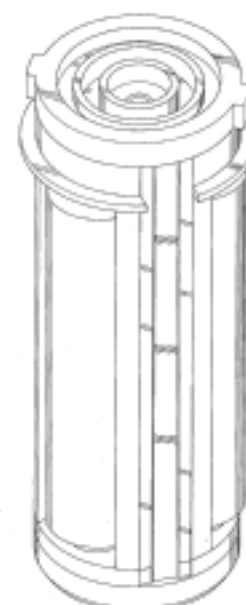
- (21) Design Number: **11866/2014**  
(22) Date of Filing Application: **15 April 2014**  
(24) Date from which industrial property rights may have effect: **15 April 2014**  
(54) Product in respect of which the design is registered: **Chair**  
(51) International Design Classification: **06-01G**  
(74) Name(s) of Attorney(s): **AJ Park**  
(71) Name(s) and Address(s) of Applicant(s):  
**Formway Furniture Limited**  
**43b Seaview Road Seaview Lower Hutt 5010 New Zealand**  
(72) Name(s) of Designer(s): **Kent Wallace Parker and Mark Rundle Pennington and Paul James Stevenson**  
(45) Registration Date: **15 May 2014**  
(30) Convention priority data:  
(31) Number (32) Date (33) Country  
**418157 17 Oct 2013 NEW ZEALAND**  
(56) Related Art Documents: **Not Applicable**  
(57) Statement of Newness and Distinctiveness: **Newness and distinctiveness reside in the features of shape and/or configuration of the chair all as shown in the representations, including the shape and/or configuration of the upholstery applied to the chair.**



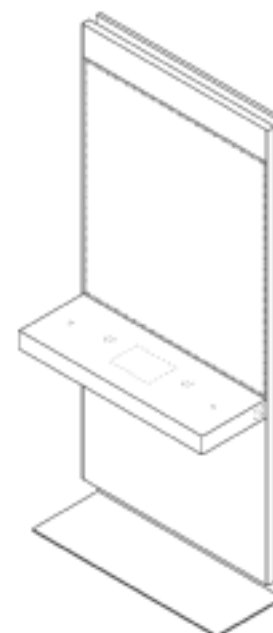
(21) Design Number: **11867/2014**  
(22) Date of Filing Application: **15 April 2014**  
(24) Date from which industrial property rights may have effect: **15 April 2014**  
(54) Product in respect of which the design is registered: **Chair**  
(51) International Design Classification: **06-01G**  
(74) Name(s) of Attorney(s): **AJ Park**  
(71) Name(s) and Address(s) of Applicant(s):  
**Formway Furniture Limited**  
**43b Seaview Road Seaview Lower Hutt 5010 New Zealand**  
(72) Name(s) of Designer(s): **Kent Wallace Parker and Mark Rundle Pennington and Paul James Stevenson**  
(45) Registration Date: **15 May 2014**  
(30) Convention priority data:  
(31) Number (32) Date (33) Country  
**418157 17 Oct 2013 NEW ZEALAND**  
(56) Related Art Documents: **Not Applicable**  
(57) Statement of Newness and Distinctiveness: **Newness and distinctiveness reside in the features of shape and/or configuration of the chair as shown in the representations, including the shape and/or configuration of the upholstery applied to the chair.**



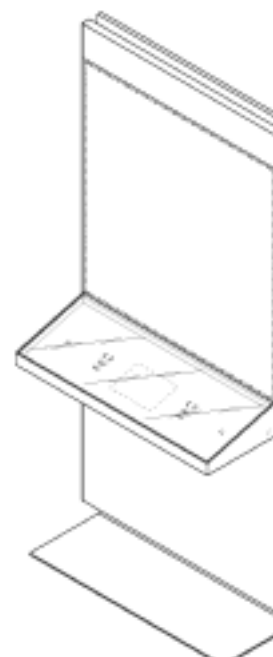
(21) Design Number: **11868/2014**  
(22) Date of Filing Application: **15 April 2014**  
(24) Date from which industrial property rights may have effect: **15 April 2014**  
(54) Product in respect of which the design is registered: **A holder for a battery with five electrodes**  
(51) International Design Classification: **13-02**  
(74) Name(s) of Attorney(s): **Collison & Co**  
(71) Name(s) and Address(s) of Applicant(s):  
**Guangdong Jetfast Portable Lighting Co., Ltd.**  
**No. 18 Nantou Dadao East Nantou Zhongshan Guangdong China**  
(72) Name(s) of Designer(s): **Liu Yun-Zhao**  
(45) Registration Date: **15 May 2014**  
(30) Convention priority data:  
(31) Number (32) Date (33) Country  
**201330615496.X 11 Dec 2013 CHINA**  
(56) Related Art Documents: **Not Applicable**  
(57) Statement of Newness and Distinctiveness: **Nil**



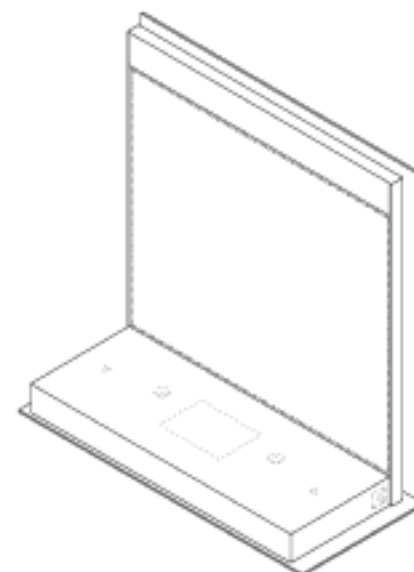
- (21) Design Number: **11869/2014**  
(22) Date of Filing Application: **15 April 2014**  
(24) Date from which industrial property rights may have effect: **15 April 2014**  
(54) Product in respect of which the design is registered: **Display structure**  
(51) International Design Classification: **20-03NES**  
(74) Name(s) of Attorney(s): **Freehills Patent Attorneys**  
(71) Name(s) and Address(s) of Applicant(s):  
**Apple Inc.**  
**1 Infinite Loop Cupertino CA 95014 United States of America**  
(72) Name(s) of Designer(s): **Federico F. Tio and Frank Craig Thaler and Kevin Fenton Smeds and Chahe Demain and Wesley Bryan Hamm**  
(45) Registration Date: **15 May 2014**  
(30) Convention priority data:  
(31) Number (32) Date (33) Country  
**29/469978 16 Oct 2013 UNITED STATES OF AMERICA**  
(56) Related Art Documents: **Not Applicable**  
(57) Statement of Newness and Distinctiveness: **Newness and distinctiveness resides in the features of shape and configuration of a display structure as shown in solid outline in the accompanying representations and excluding the features shown in dashed and dot-dash lines.**



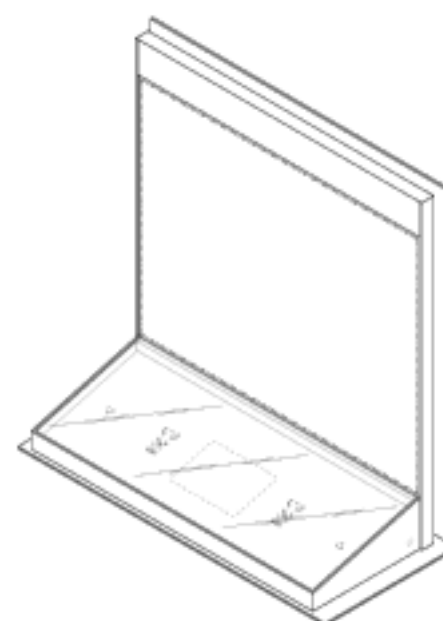
- (21) Design Number: **11870/2014**  
(22) Date of Filing Application: **15 April 2014**  
(24) Date from which industrial property rights may have effect: **15 April 2014**  
(54) Product in respect of which the design is registered: **Display structure**  
(51) International Design Classification: **20-02NES**  
(74) Name(s) of Attorney(s): **Freehills Patent Attorneys**  
(71) Name(s) and Address(s) of Applicant(s):  
**Apple Inc.**  
**1 Infinite Loop Cupertino California 95014 United States of America**  
(72) Name(s) of Designer(s): **Federico F Tio and Frank Craig Thaler and Kevin Fenton Smeds and Chahe Demian and Wesley Bryan Hamm**  
(45) Registration Date: **15 May 2014**  
(30) Convention priority data:  
(31) Number (32) Date (33) Country  
**29/469978 16 Oct 2013 UNITED STATES OF AMERICA**  
(56) Related Art Documents: **Not Applicable**  
(57) Statement of Newness and Distinctiveness: **Newness and distinctiveness resides in the features of shape and configuration of a display structure as shown in solid outline in the accompanying representations and excluding the features shown in dashed and dot-dash lines.**



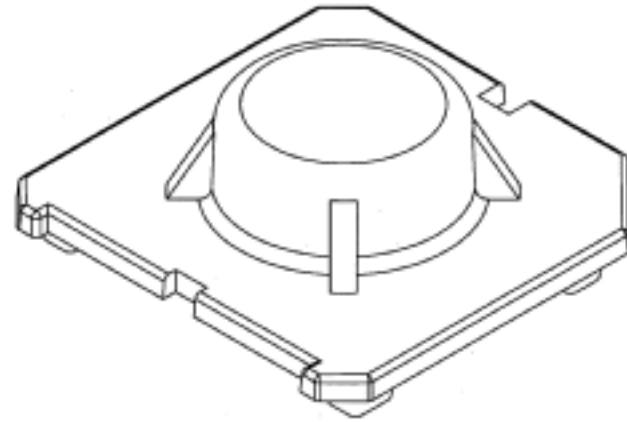
- (21) Design Number: **11871/2014**  
(22) Date of Filing Application: **15 April 2014**  
(24) Date from which industrial property rights may have effect: **15 April 2014**  
(54) Product in respect of which the design is registered: **Display structure**  
(51) International Design Classification: **20-02NES**  
(74) Name(s) of Attorney(s): **Freehills Patent Attorneys**  
(71) Name(s) and Address(s) of Applicant(s):  
**Apple Inc.**  
**1 Infinite Loop Cupertino California 95014 United States of America**  
(72) Name(s) of Designer(s): **Federico F Tio and Frank Craig Thaler and Kevin Fenton Smeds and Chahe Demian and Wesley Bryan Hamm**  
(45) Registration Date: **15 May 2014**  
(30) Convention priority data:  
(31) Number (32) Date (33) Country  
**29/469978 16 Oct 2013 UNITED STATES OF AMERICA**  
(56) Related Art Documents: **Not Applicable**  
(57) Statement of Newness and Distinctiveness: **Newness and distinctiveness resides in the features of shape and configuration of a display structure as shown in solid outline in the accompanying representations and excluding the features shown in dashed and dot-dash lines.**



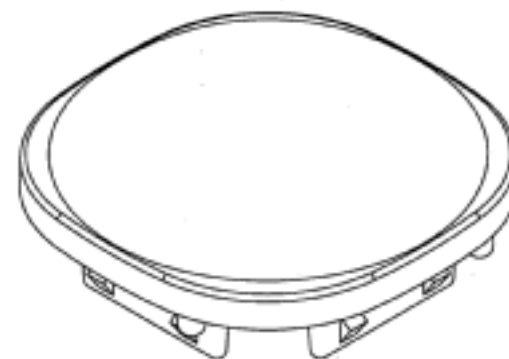
- (21) Design Number: **11872/2014**  
(22) Date of Filing Application: **15 April 2014**  
(24) Date from which industrial property rights may have effect: **15 April 2014**  
(54) Product in respect of which the design is registered: **Display structure**  
(51) International Design Classification: **20-02NES**  
(74) Name(s) of Attorney(s): **Freehills Patent Attorneys**  
(71) Name(s) and Address(s) of Applicant(s):  
**Apple Inc.**  
**1 Infinite Loop Cupertino California 95014 United States of America**  
(72) Name(s) of Designer(s): **Federico F Tio and Frank Craig Thaler and Kevin Fenton Smeds and Chahe Demian and Wesley Bryan Hamm**  
(45) Registration Date: **15 May 2014**  
(30) Convention priority data:  
(31) Number (32) Date (33) Country  
**29/469978 16 Oct 2013 UNITED STATES OF AMERICA**  
(56) Related Art Documents: **Not Applicable**  
(57) Statement of Newness and Distinctiveness: **Newness and distinctiveness resides in the features of shape and configuration of a display structure as shown in solid outline in the accompanying representations and excluding the features shown in dashed and dot-dash lines.**



(21) Design Number: **11873/2014**  
(22) Date of Filing Application: **15 April 2014**  
(24) Date from which industrial property rights may have effect: **15 April 2014**  
(54) Product in respect of which the design is registered: **A base unit for an electrical dimmer**  
(51) International Design Classification: **13-03NES**  
(74) Name(s) of Attorney(s): **Collison & Co**  
(71) Name(s) and Address(s) of Applicant(s):  
**HENDON SEMICONDUCTORS PTY LTD**  
**1 Butler Dr Hendon SA 5014 Australia**  
(72) Name(s) of Designer(s): **Victor Davalos**  
(45) Registration Date: **15 May 2014**  
(56) Related Art Documents: **Not Applicable**  
(57) Statement of Newness and Distinctiveness: **Nil**



(21) Design Number: **11874/2014**  
(22) Date of Filing Application: **15 April 2014**  
(24) Date from which industrial property rights may have effect: **15 April 2014**  
(54) Product in respect of which the design is registered: **A button for an electrical push button switch**  
(51) International Design Classification: **13-03NES**  
(74) Name(s) of Attorney(s): **Collison & Co**  
(71) Name(s) and Address(s) of Applicant(s):  
**HENDON SEMICONDUCTORS PTY LTD**  
**1 Butler Dr Hendon SA 5014 Australia**  
(72) Name(s) of Designer(s): **Victor Davalos**  
(45) Registration Date: **15 May 2014**  
(56) Related Art Documents: **Not Applicable**  
(57) Statement of Newness and Distinctiveness: **Nil**



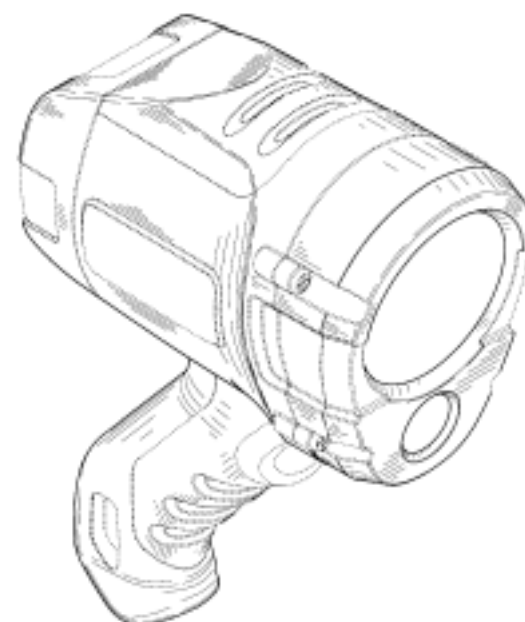
(21) Design Number: **11876/2014**  
(22) Date of Filing Application: **15 April 2014**  
(24) Date from which industrial property rights may have effect: **15 April 2014**  
(54) Product in respect of which the design is registered: **A button for an electrical push button switch**  
(51) International Design Classification: **13-03NES**  
(74) Name(s) of Attorney(s): **Collison & Co**  
(71) Name(s) and Address(s) of Applicant(s):  
**HENDON SEMICONDUCTORS PTY LTD**  
**1 Butler Dr Hendon SA 5014 Australia**  
(72) Name(s) of Designer(s): **Victor Davalos**  
(45) Registration Date: **15 May 2014**  
(56) Related Art Documents: **Not Applicable**  
(57) Statement of Newness and Distinctiveness: **Nil**



(21) Design Number: **11879/2014**  
(22) Date of Filing Application: **16 April 2014**  
(24) Date from which industrial property rights may have effect: **16 April 2014**  
(54) Product in respect of which the design is registered: **Tyre**  
(51) International Design Classification: **12-15B**  
(74) Name(s) of Attorney(s): **Griffith Hack**  
(71) Name(s) and Address(s) of Applicant(s):  
**Continental Reifen Deutschland GmbH**  
**Vahrenwalder strasse 9 Hannover 30165 Germany**  
(72) Name(s) of Designer(s): **Ulrich Behr**  
(45) Registration Date: **15 May 2014**  
(30) Convention priority data:  
(31) Number (32) Date (33) Country  
**002327387-0001 16 Oct 2013 OFFICE FOR HARMONISATION IN**  
**THE INTERNAL MARKET (OHIM)**  
(56) Related Art Documents: **Not Applicable**  
(57) Statement of Newness and Distinctiveness: **Newness and distinctiveness resides in the visual features, including shape, configuration and pattern, of a tread of a TYRE as shown in in the accompanying drawings.**



(21) Design Number: **11882/2014**  
(22) Date of Filing Application: **16 April 2014**  
(24) Date from which industrial property rights may have effect: **16 April 2014**  
(54) Product in respect of which the design is registered: **Lighting device**  
(51) International Design Classification: **26-02**  
(74) Name(s) of Attorney(s): **Halfords IP**  
(71) Name(s) and Address(s) of Applicant(s):  
**Eveready Battery Company, Inc.**  
**533 Maryville University Drive St Louis Missouri 63164 United States of America**  
(72) Name(s) of Designer(s): **Man Kit Chan and David J Hine and Doonwong Kang and Scott W Osiecki**  
(45) Registration Date: **15 May 2014**  
(30) Convention priority data:  
(31) Number (32) Date (33) Country  
**29/472248 11 Nov 2013 UNITED STATES OF AMERICA**  
(56) Related Art Documents: **Not Applicable**  
(57) Statement of Newness and Distinctiveness: **Newness and distinctiveness resides in those features of shape and or configuration of a lighting device as depicted in the representations. Features shown in broken lines do not form part of the design.**



(21) Design Number: **11883/2014**  
(22) Date of Filing Application: **16 April 2014**  
(24) Date from which industrial property rights may have effect: **16 April 2014**  
(54) Product in respect of which the design is registered: **Container with lid**  
(51) International Design Classification: **07-01NES**  
(74) Name(s) of Attorney(s): **Shelston IP**  
(71) Name(s) and Address(s) of Applicant(s):  
**CURVER Luxembourg Sarl**  
**Z.I. Haneboesch Neidercorn L4562 Luxembourg**  
(72) Name(s) of Designer(s): **Nikolai Duvigneau**  
(45) Registration Date: **15 May 2014**  
(30) Convention priority data:  
(31) Number (32) Date (33) Country  
**002330688 22 Oct 2013 OFFICE FOR HARMONISATION IN THE INTERNAL MARKET (OHIM)**  
(56) Related Art Documents: **Not Applicable**  
(57) Statement of Newness and Distinctiveness: **Newness and distinctiveness reside in the features of shape and/or configuration of a CONTAINER WITH LID as illustrated in the accompanying representations.**



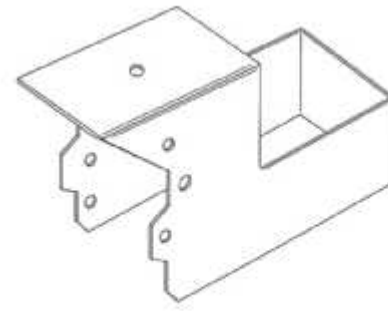
(21) Design Number: **11884/2014**  
(22) Date of Filing Application: **16 April 2014**  
(24) Date from which industrial property rights may have effect: **16 April 2014**  
(54) Product in respect of which the design is registered: **Container with lid**  
(51) International Design Classification: **07-01NES**  
(74) Name(s) of Attorney(s): **Shelston IP**  
(71) Name(s) and Address(s) of Applicant(s):  
**CURVER Luxembourg Sarl**  
**Z.I. Haneboesch Neidercorn L4562 Luxembourg**  
(72) Name(s) of Designer(s): **Nikolai Duvigneau**  
(45) Registration Date: **15 May 2014**  
(30) Convention priority data:  
(31) Number (32) Date (33) Country  
**002330688 22 Oct 2013 OFFICE FOR HARMONISATION IN**  
**THE INTERNAL MARKET (OHIM)**  
(56) Related Art Documents: **Not Applicable**  
(57) Statement of Newness and Distinctiveness: **Newness and distinctiveness**  
**reside in the features of shape and/or configuration of a CONTAINER**  
**WITH LID as illustrated in the accompanying representations.**



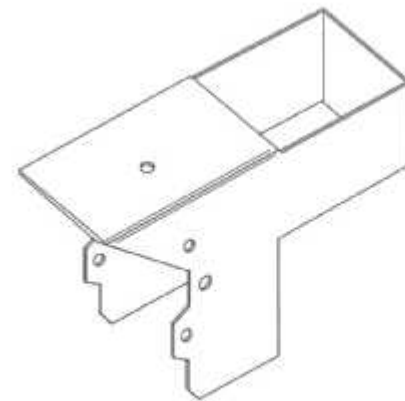
(21) Design Number: **11887/2014**  
(22) Date of Filing Application: **16 April 2014**  
(24) Date from which industrial property rights may have effect: **16 April 2014**  
(54) Product in respect of which the design is registered: **A key blank**  
(51) International Design Classification: **08-07**  
(74) Name(s) of Attorney(s): **SPRUSON & FERGUSON**  
(71) Name(s) and Address(s) of Applicant(s):  
**Kaba Australia Pty Limited**  
**12-14 Yulong Cl Moorebank NSW 2170 Australia**  
(72) Name(s) of Designer(s): **Chit Po Po Aung Thein**  
(45) Registration Date: **15 May 2014**  
(56) Related Art Documents: **Not Applicable**  
(57) Statement of Newness and Distinctiveness: **Newness and distinctiveness**  
**is claimed in the features of shape and/or configuration of a profile of a**  
**key blank as illustrated in the accompanying representations.**



- (21) Design Number: **11888/2014**  
(22) Date of Filing Application: **16 April 2014**  
(24) Date from which industrial property rights may have effect: **16 April 2014**  
(54) Product in respect of which the design is registered: **Bracket**  
(51) International Design Classification: **08-08L**  
(74) Name(s) of Attorney(s): **Griffith Hack**  
(71) Name(s) and Address(s) of Applicant(s):  
**CSR Building Products Limited**  
**Triniti 3 39 Delhi Rd North Ryde NSW 2113 Australia**  
(72) Name(s) of Designer(s): **Adrian Puzey**  
(45) Registration Date: **15 May 2014**  
(56) Related Art Documents: **Not Applicable**  
(57) Statement of Newness and Distinctiveness: **Nil**



- (21) Design Number: **11889/2014**  
(22) Date of Filing Application: **16 April 2014**  
(24) Date from which industrial property rights may have effect: **16 April 2014**  
(54) Product in respect of which the design is registered: **Bracket**  
(51) International Design Classification: **08-08L**  
(74) Name(s) of Attorney(s): **Griffith Hack**  
(71) Name(s) and Address(s) of Applicant(s):  
**CSR Building Products Limited**  
**Triniti 3 39 Delhi Rd North Ryde NSW 2113 Australia**  
(72) Name(s) of Designer(s): **Adrian Puzey**  
(45) Registration Date: **15 May 2014**  
(56) Related Art Documents: **Not Applicable**  
(57) Statement of Newness and Distinctiveness: **Nil**



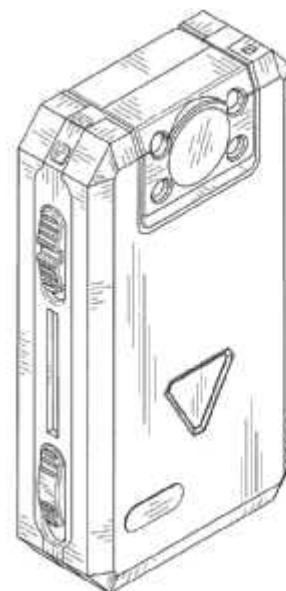
- (21) Design Number: **11890/2014**  
(22) Date of Filing Application: **16 April 2014**  
(24) Date from which industrial property rights may have effect: **16 April 2014**  
(54) Product in respect of which the design is registered: **Post riser**  
(51) International Design Classification: **22-05**  
(74) Name(s) of Attorney(s): **PHILLIPS ORMONDE FITZPATRICK**  
(71) Name(s) and Address(s) of Applicant(s):  
**Hexcyl Systems Pty Ltd**  
**59 Bergmann Dr Ceduna SA 5690 Australia**  
(72) Name(s) of Designer(s): **Ian Howard Pendergrast and Garry Bruno Seidl**  
**and Andre Josef Seidl**  
(45) Registration Date: **15 May 2014**  
(56) Related Art Documents: **Not Applicable**  
(57) Statement of Newness and Distinctiveness: **Nil**



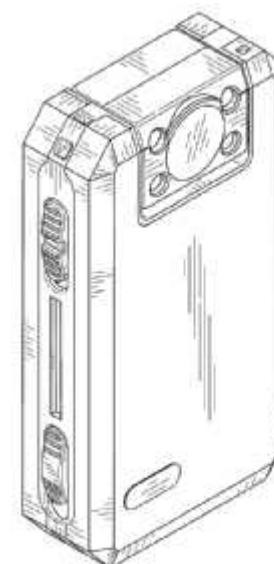
- (21) Design Number: **11891/2014**  
(22) Date of Filing Application: **17 April 2014**  
(24) Date from which industrial property rights may have effect: **17 April 2014**  
(54) Product in respect of which the design is registered: **Baby bottle**  
(51) International Design Classification: **07-01E**  
(74) Name(s) of Attorney(s): **Callinans**  
(71) Name(s) and Address(s) of Applicant(s):  
**Optima Feeding Systems LLC**  
**54 Camino Pacifico Sante Fe New Mexico 87508 United States of**  
**America**  
(72) Name(s) of Designer(s): **Chantal Lau and Brian Wadsworth and Joseph E**  
**Newman**  
(45) Registration Date: **15 May 2014**  
(30) Convention priority data:  
(31) Number (32) Date (33) Country  
**29/470,484 22 Oct 2013 UNITED STATES OF AMERICA**  
(56) Related Art Documents: **Not Applicable**  
(57) Statement of Newness and Distinctiveness: **Newness and distinctiveness**  
**are provided by the shape and/or configuration of the design shown**  
**in the representations. The features shown in broken lines in the**  
**representations are for illustrative purposes only and should not be**  
**considered when construing visual features of the design.**



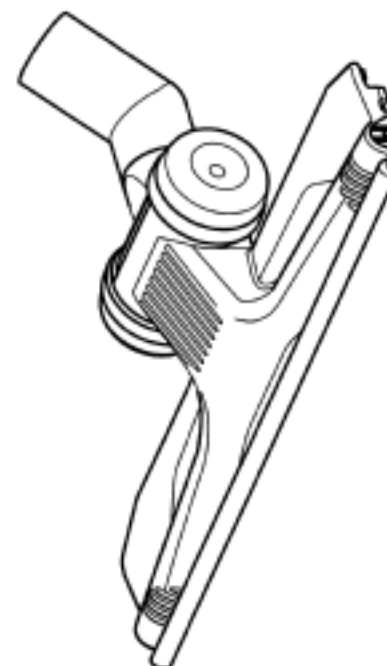
(21) Design Number: **11892/2014**  
(22) Date of Filing Application: **17 April 2014**  
(24) Date from which industrial property rights may have effect: **17 April 2014**  
(54) Product in respect of which the design is registered: **Body camera**  
(51) International Design Classification: **16-01**  
(74) Name(s) of Attorney(s): **Cullens Patent and Trade Mark Attorneys**  
(71) Name(s) and Address(s) of Applicant(s):  
**Wolfcom Enterprises**  
**5910 Sunset Boulevard Hollywood CA 90028 United States of America**  
(72) Name(s) of Designer(s): **Peter Onruang**  
(45) Registration Date: **15 May 2014**  
(30) Convention priority data:  
(31) Number (32) Date (33) Country  
**29/470,322 18 Oct 2013 UNITED STATES OF AMERICA**  
(56) Related Art Documents: **Not Applicable**  
(57) Statement of Newness and Distinctiveness: **Nil**



(21) Design Number: **11893/2014**  
(22) Date of Filing Application: **17 April 2014**  
(24) Date from which industrial property rights may have effect: **17 April 2014**  
(54) Product in respect of which the design is registered: **Body camera**  
(51) International Design Classification: **16-01**  
(74) Name(s) of Attorney(s): **Cullens Patent and Trade Mark Attorneys**  
(71) Name(s) and Address(s) of Applicant(s):  
**Wolfcom Enterprises**  
**5910 Sunset Boulevard Hollywood CA 90028 United States of America**  
(72) Name(s) of Designer(s): **Peter Onruang**  
(45) Registration Date: **15 May 2014**  
(30) Convention priority data:  
(31) Number (32) Date (33) Country  
**29/470,322 18 Oct 2013 UNITED STATES OF AMERICA**  
(56) Related Art Documents: **Not Applicable**  
(57) Statement of Newness and Distinctiveness: **Nil**



(21) Design Number: **11894/2014**  
(22) Date of Filing Application: **17 April 2014**  
(24) Date from which industrial property rights may have effect: **17 April 2014**  
(54) Product in respect of which the design is registered: **A vacuum head**  
(51) International Design Classification: **15-05**  
(74) Name(s) of Attorney(s): **SPRUSON & FERGUSON**  
(71) Name(s) and Address(s) of Applicant(s):  
**Electrical Home-Aids Pty Ltd**  
**L1 Building 2 Brandon Business Park 530 Springvale Rd Glen Waverley**  
**VIC 3150 Australia**  
(72) Name(s) of Designer(s): **Hiep Duong**  
(45) Registration Date: **15 May 2014**  
(56) Related Art Documents: **Not Applicable**  
(57) Statement of Newness and Distinctiveness: **Newness and distinctiveness is claimed in the features of shape and/or configuration of a vacuum head as illustrated in the accompanying representations.**



(21) Design Number: **11898/2014**  
(22) Date of Filing Application: **17 April 2014**  
(24) Date from which industrial property rights may have effect: **17 April 2014**  
(54) Product in respect of which the design is registered: **Fan**  
(51) International Design Classification: **23-04**  
(74) Name(s) of Attorney(s): **Shelston IP**  
(71) Name(s) and Address(s) of Applicant(s):  
**BALMUDA Inc.**  
**2-1-39 Hanakoganeiminami-cho Kodaira-shi Tokyo 187-0003 Japan**  
(72) Name(s) of Designer(s): **Gen Terao**  
(45) Registration Date: **15 May 2014**  
(30) Convention priority data:  
(31) Number      (32) Date      (33) Country  
**2014-007708      08 Apr 2014      JAPAN**  
(56) Related Art Documents: **Not Applicable**  
(57) Statement of Newness and Distinctiveness: **Newness and distinctiveness reside in the features of shape and/or configuration of the fan shown in the accompanying representations.**



(21) Design Number: **11901/2014**  
(22) Date of Filing Application: **17 April 2014**  
(24) Date from which industrial property rights may have effect: **17 April 2014**  
(54) Product in respect of which the design is registered: **A bag**  
(51) International Design Classification: **03-01NES, 03-01D**  
(74) Name(s) of Attorney(s): **Ahearn Fox**  
(71) Name(s) and Address(s) of Applicant(s):

**Owen William George Harper**  
**31 Nott St Moura QLD 4718 Australia**

(72) Name(s) of Designer(s): **Owen William George Harper**

(45) Registration Date: **15 May 2014**

(56) Related Art Documents: **Not Applicable**

(57) Statement of Newness and Distinctiveness: **Newness and distinctiveness reside in the features of shape and/or configuration of a bag as illustrated in the accompanying representations. The shape and/or configuration of the bags internal pockets and the interior of the external pockets do not form part of the design. The strips of reflective material attached to the external pockets and colour of the bag do not form part of the design.** Fig. 1 is a front view, Fig. 2 is a left side perspective view, Fig. 2 is a left side perspective view, Fig. 3 is a left side view, Fig. 4 is a right side view, Fig. 4 is a right side view, Fig. 5 is a right side perspective view, Fig. 6 is a rear view, Fig. 7 is a bottom view, Fig. 8 is a left side perspective view, Fig. 9 is a top view, Fig. 10 is left side perspective view, Fig. 11 is a top view showing the front, rear and opposing side flaps in their operative position, Fig. 12 is a top view, Fig. 13 is a top view, Fig. 14 is a right perspective view, Fig. 15 is a right perspective view



(21) Design Number: **11902/2014**  
(22) Date of Filing Application: **17 April 2014**  
(24) Date from which industrial property rights may have effect: **29 January 2014**  
(54) Product in respect of which the design is registered: **Massage shoe**  
(51) International Design Classification: **02-04NES**  
(74) Name(s) of Attorney(s): **PHILLIPS ORMONDE FITZPATRICK**  
(71) Name(s) and Address(s) of Applicant(s):

**Yaffa Golan**  
**59 Pinsker Street Tel Aviv 63568 Israel**

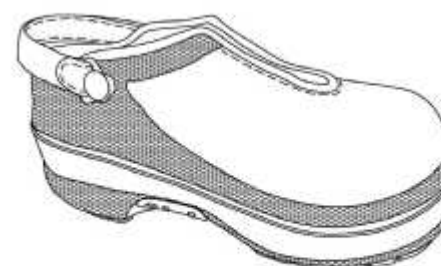
(72) Name(s) of Designer(s): **Yaffa Golan**

(45) Registration Date: **15 May 2014**

(62) Divisional of: **355287**

(56) Related Art Documents: **Not Applicable**

(57) Statement of Newness and Distinctiveness: **Nil**



- (21) Design Number: **14342/2013**  
(22) Date of Filing Application: **02 September 2013**  
(24) Date from which industrial property rights may have effect: **02 September 2013**  
(54) Product in respect of which the design is registered: **Instrument panel for an automobile**  
(51) International Design Classification: **12-16NES**  
(74) Name(s) of Attorney(s): **SPRUSON & FERGUSON**  
(71) Name(s) and Address(s) of Applicant(s):  
**Toyota Jidosha Kabushiki Kaisha**  
**1 Toyota-cho Toyota-shi Aichi-ken 471-8571 Japan**  
(72) Name(s) of Designer(s): **Atsushi Narita and Yasuhisa Hamano**  
(45) Registration Date: **15 May 2014**  
(56) Related Art Documents: **Not Applicable**  
(57) Statement of Newness and Distinctiveness: **Newness and distinctiveness is claimed in the features of shape and/or configuration of an instrument panel for an automobile as illustrated in the accompanying representations.**



- (21) Design Number: **14343/2013**  
(22) Date of Filing Application: **02 September 2013**  
(24) Date from which industrial property rights may have effect: **02 September 2013**  
(54) Product in respect of which the design is registered: **Automobile**  
(51) International Design Classification: **12-08**  
(74) Name(s) of Attorney(s): **SPRUSON & FERGUSON**  
(71) Name(s) and Address(s) of Applicant(s):  
**Toyota Jidosha Kabushiki Kaisha**  
**1 Toyota-cho Toyota-shi Aichi-ken 471-8571 Japan**  
(72) Name(s) of Designer(s): **Nobuyuki Tomatsu and Yuri Kim and Shin Kamiura and Shin Miyata**  
(45) Registration Date: **15 May 2014**  
(56) Related Art Documents: **Not Applicable**  
(57) Statement of Newness and Distinctiveness: **Newness and distinctiveness is claimed in the features of the shape and/or configuration of an automobile as illustrated in the accompanying representations, apart from the Lexus emblems.**



- (21) Design Number: **14344/2013**  
(22) Date of Filing Application: **02 September 2013**  
(24) Date from which industrial property rights may have effect: **02 September 2013**  
(54) Product in respect of which the design is registered: **Automobile**  
(51) International Design Classification: **12-08**  
(74) Name(s) of Attorney(s): **SPRUSON & FERGUSON**  
(71) Name(s) and Address(s) of Applicant(s):  
**Toyota Jidosha Kabushiki Kaisha**  
**1 Toyota-cho Toyota-shi Aichi-ken 471-8571 Japan**  
(72) Name(s) of Designer(s): **Yuri Kim and Nobuyuki Tomatsu and Shin Miyata**  
(45) Registration Date: **15 May 2014**  
(56) Related Art Documents: **Not Applicable**  
(57) Statement of Newness and Distinctiveness: **Newness and distinctiveness is claimed in those features of the shape and/or configuration of an automobile that are illustrated in dense tones in the additional views of the accompanying representations, apart from the Lexus emblem.**



- (21) Design Number: **14346/2013**  
(22) Date of Filing Application: **02 September 2013**  
(24) Date from which industrial property rights may have effect: **02 September 2013**  
(54) Product in respect of which the design is registered: **Automobile**  
(51) International Design Classification: **12-08**  
(74) Name(s) of Attorney(s): **SPRUSON & FERGUSON**  
(71) Name(s) and Address(s) of Applicant(s):  
**Toyota Jidosha Kabushiki Kaisha**  
**1 Toyota-cho Toyota-shi Aichi-ken 471-8571 Japan**  
(72) Name(s) of Designer(s): **Shin Kamiura and Nobuyuki Tomatsu**  
(45) Registration Date: **15 May 2014**  
(56) Related Art Documents: **Not Applicable**  
(57) Statement of Newness and Distinctiveness: **Newness and distinctiveness is claimed in those features of the shape and/or configuration of an automobile that are illustrated in dense tones in the additional views of the accompanying representations, apart from the Lexus emblem.**



- (21) Design Number: **14347/2013**  
(22) Date of Filing Application: **02 September 2013**  
(24) Date from which industrial property rights may have effect: **02 September 2013**  
(54) Product in respect of which the design is registered: **Front bumper for an automobile**  
(51) International Design Classification: **12-16C**  
(74) Name(s) of Attorney(s): **SPRUSON & FERGUSON**  
(71) Name(s) and Address(s) of Applicant(s):  
**Toyota Jidosha Kabushiki Kaisha**  
**1 Toyota-cho Toyota-shi Aichi-ken 471-8571 Japan**  
(72) Name(s) of Designer(s): **Nobuyuki Tomatsu and Yuri Kim and Satoshi Kimura**  
(45) Registration Date: **15 May 2014**  
(56) Related Art Documents: **Not Applicable**  
(57) Statement of Newness and Distinctiveness: **Newness and distinctiveness is claimed in the features of the shape and/or configuration of a front bumper for an automobile as illustrated in the accompanying representations, apart from the attachment lugs.**



- (21) Design Number: **14348/2013**  
(22) Date of Filing Application: **02 September 2013**  
(24) Date from which industrial property rights may have effect: **02 September 2013**  
(54) Product in respect of which the design is registered: **Rear combination lamp for an automobile**  
(51) International Design Classification: **12-16C, 26-06**  
(74) Name(s) of Attorney(s): **SPRUSON & FERGUSON**  
(71) Name(s) and Address(s) of Applicant(s):  
**Toyota Jidosha Kabushiki Kaisha**  
**1 Toyota-cho Toyota-shi Aichi-ken 471-8571 Japan**  
(72) Name(s) of Designer(s): **Shin Kamiura and Nobuyuki Tomatsu and Akane Kobayashi**  
(45) Registration Date: **15 May 2014**  
(56) Related Art Documents: **Not Applicable**  
(57) Statement of Newness and Distinctiveness: **Newness and distinctiveness is claimed in the features of the shape and/or configuration of a rear combination lamp for an automobile as illustrated in the accompanying representations, apart from the attachment lugs.**



- (21) Design Number: **14350/2013**  
(22) Date of Filing Application: **02 September 2013**  
(24) Date from which industrial property rights may have effect: **02 September 2013**  
(54) Product in respect of which the design is registered: **Front combination lamp for an automobile**  
(51) International Design Classification: **26-06, 12-16E**  
(74) Name(s) of Attorney(s): **SPRUSON & FERGUSON**  
(71) Name(s) and Address(s) of Applicant(s):  
**Toyota Jidosha Kabushiki Kaisha**  
**1 Toyota-cho Toyota-shi Aichi-ken 471-8571 Japan**  
(72) Name(s) of Designer(s): **Shinji Sato and Shin Miyata and Yuri Kim**  
(45) Registration Date: **15 May 2014**  
(56) Related Art Documents: **Not Applicable**  
(57) Statement of Newness and Distinctiveness: **Newness and distinctiveness is claimed in the features of the shape and/or configuration of a front combination lamp for an automobile as illustrated in the accompanying representations, apart from the attachment lugs.**



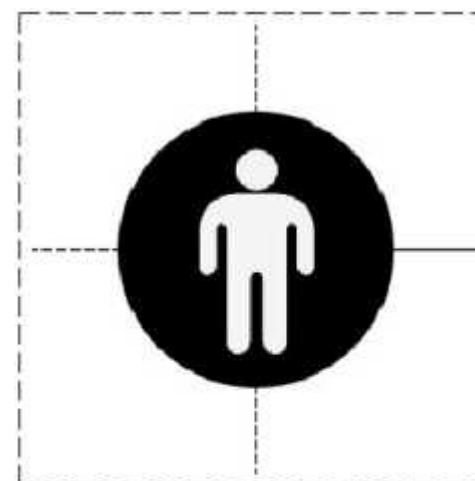
- (21) Design Number: **14351/2013**  
(22) Date of Filing Application: **02 September 2013**  
(24) Date from which industrial property rights may have effect: **02 September 2013**  
(54) Product in respect of which the design is registered: **Front combination lamp for an automobile**  
(51) International Design Classification: **26-06, 12-16E**  
(74) Name(s) of Attorney(s): **SPRUSON & FERGUSON**  
(71) Name(s) and Address(s) of Applicant(s):  
**Toyota Jidosha Kabushiki Kaisha**  
**1 Toyota-cho Toyota-shi Aichi-ken 471-8571 Japan**  
(72) Name(s) of Designer(s): **Shin Kamiura and Shin Miyata and Yuri Kim and Shinji Sato**  
(45) Registration Date: **15 May 2014**  
(56) Related Art Documents: **Not Applicable**  
(57) Statement of Newness and Distinctiveness: **Newness and distinctiveness is claimed in the features of the shape and/or configuration of a front combination lamp for an automobile as illustrated in the accompanying representations, apart from the attachment lugs.**



- (21) Design Number: **14352/2013**  
(22) Date of Filing Application: **02 September 2013**  
(24) Date from which industrial property rights may have effect: **02 September 2013**  
(54) Product in respect of which the design is registered: **Front bumper for an automobile**  
(51) International Design Classification: **12-16C**  
(74) Name(s) of Attorney(s): **SPRUSON & FERGUSON**  
(71) Name(s) and Address(s) of Applicant(s):  
**Toyota Jidosha Kabushiki Kaisha**  
**1 Toyota-cho Toyota-shi Aichi-ken 471-8571 Japan**  
(72) Name(s) of Designer(s): **Yuri Kim and Nobuyuki Tomatsu and Shin Miyata**  
(45) Registration Date: **15 May 2014**  
(56) Related Art Documents: **Not Applicable**  
(57) Statement of Newness and Distinctiveness: **Newness and distinctiveness is claimed in the features of the shape and/or configuration of a front bumper for an automobile as illustrated in the accompanying representations, apart from the attachment lugs.**



- (21) Design Number: **11914/2014**  
(22) Date of Filing Application: **22 April 2014**  
(24) Date from which industrial property rights may have effect: **31 January 2014**  
(54) Product in respect of which the design is registered: **Display screen**  
(51) International Design Classification: **14-02, 14-04**  
(74) Name(s) of Attorney(s): **Davies Collison Cave**  
(71) Name(s) and Address(s) of Applicant(s):  
**Palantir Technologies, Inc.**  
**100 Hamilton Avenue Suite 300 Palo Alto CA 94301 United States of America**  
(72) Name(s) of Designer(s): **Joshua Goldenberg and Alvin Thong**  
(45) Registration Date: **15 May 2014**  
(62) Divisional of: **355184**  
(56) Related Art Documents: **Not Applicable**  
(57) Statement of Newness and Distinctiveness: **Newness and distinctiveness is claimed in the visual features shown in the solid lines in the representations. In considering the extent of the design rights, the broken lines shown in the representations are for illustrative purposes only and do not form part of the design. The black of the circle and white of the icons represent contrasting colours, and are not limited to black and white, or white and black respectively. For example, the circle may be coloured red (rather than black, as shown), and the icons within the circle may be coloured green (rather than white, as shown). Any other colour combination is also contemplated.**



(21) Design Number: **11915/2014**  
(22) Date of Filing Application: **22 April 2014**  
(24) Date from which industrial property rights may have effect: **22 April 2014**  
(54) Product in respect of which the design is registered: **Safety goggle**  
(51) International Design Classification: **16-06**  
(74) Name(s) of Attorney(s): **PHILLIPS ORMONDE FITZPATRICK**  
(71) Name(s) and Address(s) of Applicant(s):



**Uvex Arbeitsschutz GmbH**  
**Wurzburger Strasse 181-189 90766 Furth Germany**

(72) Name(s) of Designer(s): **Michael Brandis**

(45) Registration Date: **15 May 2014**

(30) Convention priority data:

(31) Number	(32) Date	(33) Country
<b>002 398 107</b>	<b>04 Feb 2014</b>	<b>OFFICE FOR HARMONISATION IN THE INTERNAL MARKET (OHIM)</b>

(56) Related Art Documents: **Not Applicable**

(57) Statement of Newness and Distinctiveness: **Nil**

(21) Design Number: **11916/2014**  
(22) Date of Filing Application: **22 April 2014**  
(24) Date from which industrial property rights may have effect: **22 April 2014**  
(54) Product in respect of which the design is registered: **Safety goggle**  
(51) International Design Classification: **16-06**  
(74) Name(s) of Attorney(s): **PHILLIPS ORMONDE FITZPATRICK**  
(71) Name(s) and Address(s) of Applicant(s):



**Uvex Arbeitsschutz GmbH**  
**Wurzburger Strasse 181-189 90766 Furth Germany**

(72) Name(s) of Designer(s): **Michael Brandis**

(45) Registration Date: **15 May 2014**

(30) Convention priority data:

(31) Number	(32) Date	(33) Country
<b>002 398 107</b>	<b>04 Feb 2014</b>	<b>OFFICE FOR HARMONISATION IN THE INTERNAL MARKET (OHIM)</b>

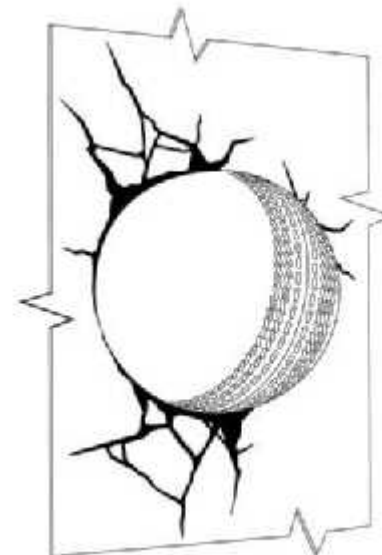
(56) Related Art Documents: **Not Applicable**

(57) Statement of Newness and Distinctiveness: **Nil**

(21) Design Number: **11917/2014**  
(22) Date of Filing Application: **22 April 2014**  
(24) Date from which industrial property rights may have effect: **22 April 2014**  
(54) Product in respect of which the design is registered: **Safety goggle**  
(51) International Design Classification: **16-06**  
(74) Name(s) of Attorney(s): **PHILLIPS ORMONDE FITZPATRICK**  
(71) Name(s) and Address(s) of Applicant(s):  
**Uvex Arbeitsschutz GmbH**  
**Wurzburger Strasse 181-189 90766 Furth Germany**  
(72) Name(s) of Designer(s): **Michael Brandis**  
(45) Registration Date: **15 May 2014**  
(30) Convention priority data:  
(31) Number (32) Date (33) Country  
**002 398 107 04 Feb 2014 OFFICE FOR HARMONISATION IN**  
**THE INTERNAL MARKET (OHIM)**  
(56) Related Art Documents: **Not Applicable**  
(57) Statement of Newness and Distinctiveness: **Nil**



(21) Design Number: **11927/2014**  
(22) Date of Filing Application: **23 April 2014**  
(24) Date from which industrial property rights may have effect: **23 April 2014**  
(54) Product in respect of which the design is registered: **Cricket ball embedded in wall**  
(51) International Design Classification: **26-05C**  
(74) Name(s) of Attorney(s): **Cullens Patent and Trade Mark Attorneys**  
(71) Name(s) and Address(s) of Applicant(s):  
**3D Lighting Innovations Inc.**  
**5151 Thimens Boulevard Saint-Laurent Quebec H4R 2C8 Canada**  
(72) Name(s) of Designer(s): **Tom P Wegrzyn**  
(45) Registration Date: **15 May 2014**  
(30) Convention priority data:  
(31) Number (32) Date (33) Country  
**153516 23 Oct 2013 CANADA**  
(56) Related Art Documents: **Not Applicable**  
(57) Statement of Newness and Distinctiveness: **The product is of indefinite dimensions as indicated in the representations.**



(21) Design Number: **11928/2014**  
(22) Date of Filing Application: **23 April 2014**  
(24) Date from which industrial property rights may have effect: **23 April 2014**  
(54) Product in respect of which the design is registered: **Rugby ball embedded in wall**  
(51) International Design Classification: **26-05C**  
(74) Name(s) of Attorney(s): **Cullens Patent and Trade Mark Attorneys**  
(71) Name(s) and Address(s) of Applicant(s):  
**3D Lighting Innovations Inc.**  
**5151 Thimens Boulevard Saint-Laurent Quebec H4R 2C8 Canada**  
(72) Name(s) of Designer(s): **Tom P Wegrzyn**  
(45) Registration Date: **15 May 2014**  
(30) Convention priority data:  
(31) Number (32) Date (33) Country  
**153517 23 Oct 2013 CANADA**  
(56) Related Art Documents: **Not Applicable**  
(57) Statement of Newness and Distinctiveness: **The product is of indefinite dimensions as indicated in the representations.**



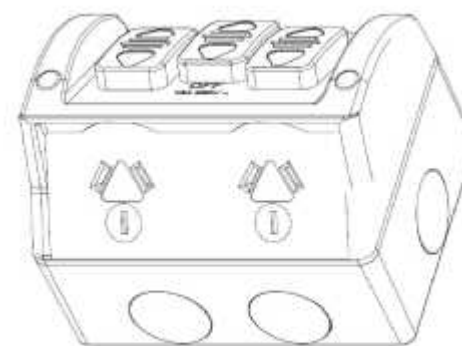
(21) Design Number: **11932/2014**  
(22) Date of Filing Application: **23 April 2014**  
(24) Date from which industrial property rights may have effect: **23 April 2014**  
(54) Product in respect of which the design is registered: **Seat for automobile**  
(51) International Design Classification: **06-01D**  
(74) Name(s) of Attorney(s): **SPRUSON & FERGUSON**  
(71) Name(s) and Address(s) of Applicant(s):  
**Honda Motor Co., Ltd.**  
**1-1 Minami-Aoyama 2-Chome Minato-Ku Tokyo 107-8556 Japan**  
(72) Name(s) of Designer(s): **Takao Ohmori**  
(45) Registration Date: **15 May 2014**  
(30) Convention priority data:  
(31) Number (32) Date (33) Country  
**2013-025456 31 Oct 2013 JAPAN**  
(56) Related Art Documents: **Not Applicable**  
(57) Statement of Newness and Distinctiveness: **Newness and distinctiveness is claimed in the features of shape and/or configuration of a seat for automobile as illustrated in the accompanying representations.**



(21) Design Number: **11935/2014**  
(22) Date of Filing Application: **23 April 2014**  
(24) Date from which industrial property rights may have effect: **23 April 2014**  
(54) Product in respect of which the design is registered: **A torch**  
(51) International Design Classification: **26-02**  
(74) Name(s) of Attorney(s): **PETER MAXWELL & ASSOCIATES**  
(71) Name(s) and Address(s) of Applicant(s):  
**The Gallipoli Memorial Club Ltd**  
**L 2 12 Loftus St Sydney NSW 2000 Australia**  
(72) Name(s) of Designer(s): **Christopher Lawrence**  
(45) Registration Date: **15 May 2014**  
(56) Related Art Documents: **Not Applicable**  
(57) Statement of Newness and Distinctiveness: **Newness and distinctiveness reside in the flame portion of the combined torch/nightlight.**



(21) Design Number: **11936/2014**  
(22) Date of Filing Application: **23 April 2014**  
(24) Date from which industrial property rights may have effect: **23 April 2014**  
(54) Product in respect of which the design is registered: **Triple switch socket outlet**  
(51) International Design Classification: **13-03D**  
(74) Name(s) of Attorney(s): **Davies Collison Cave**  
(71) Name(s) and Address(s) of Applicant(s):  
**Arlec Australia Pty Ltd**  
**Building 3 31-41 Joseph St Blackburn VIC 3130 Australia**  
(72) Name(s) of Designer(s): **Monvids Puika and Kar Lun Tam**  
(45) Registration Date: **15 May 2014**  
(56) Related Art Documents: **Not Applicable**  
(57) Statement of Newness and Distinctiveness: **Newness and distinctiveness is claimed in the features of shape and configuration of the socket outlet shown in the representations.**



(21) Design Number: **11937/2014**

(22) Date of Filing Application: **23 April 2014**

(24) Date from which industrial property rights may have effect: **23 April 2014**

(54) Product in respect of which the design is registered: **Golf club head**

(51) International Design Classification: **21-02C**

(74) Name(s) of Attorney(s): **Davies Collison Cave**

(71) Name(s) and Address(s) of Applicant(s):

**Karsten Manufacturing Corporation**

**2201 West Desert Cove Phoenix Arizona 85029 United States of America**

(72) Name(s) of Designer(s): **Anthony D Serrano and Xiaojian Chen**

(45) Registration Date: **15 May 2014**

(30) Convention priority data:

(31) Number

(32) Date

(33) Country

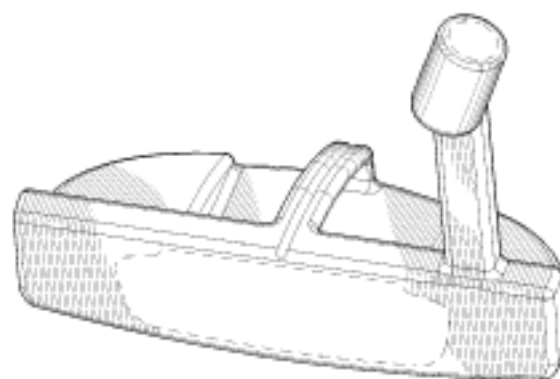
**29/470602**

**23 Oct 2013**

**UNITED STATES OF AMERICA**

(56) Related Art Documents: **Not Applicable**

(57) Statement of Newness and Distinctiveness: **Newness and distinctiveness is claimed in the visual features shown in solid lines in the representations. In considering the extent of the design rights, the broken lines shown in the representations are for illustrative purposes only and do not form part of the design.**



(21) Design Number: **11938/2014**

(22) Date of Filing Application: **23 April 2014**

(24) Date from which industrial property rights may have effect: **23 April 2014**

(54) Product in respect of which the design is registered: **Golf club head**

(51) International Design Classification: **21-02C**

(74) Name(s) of Attorney(s): **Davies Collison Cave**

(71) Name(s) and Address(s) of Applicant(s):

**Karsten Manufacturing Corporation**

**2201 West Desert Cove Phoenix Arizona 85029 United States of America**

(72) Name(s) of Designer(s): **Xiaojian Chen and Ryan M Stokke and Erik M Henrikson and Eric J Morales**

(45) Registration Date: **15 May 2014**

(30) Convention priority data:

(31) Number

(32) Date

(33) Country

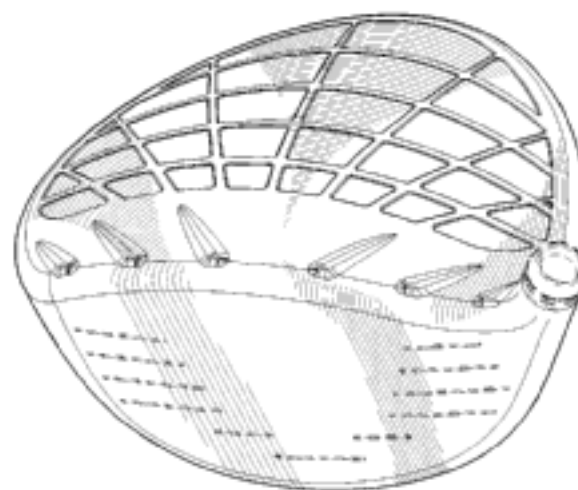
**29/470598**

**23 Oct 2013**

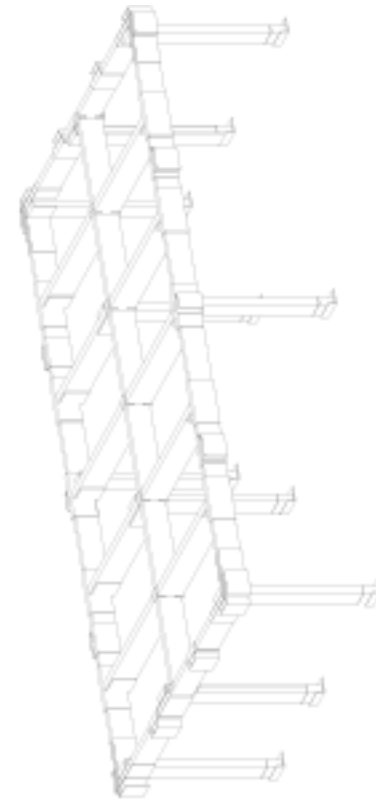
**UNITED STATES OF AMERICA**

(56) Related Art Documents: **Not Applicable**

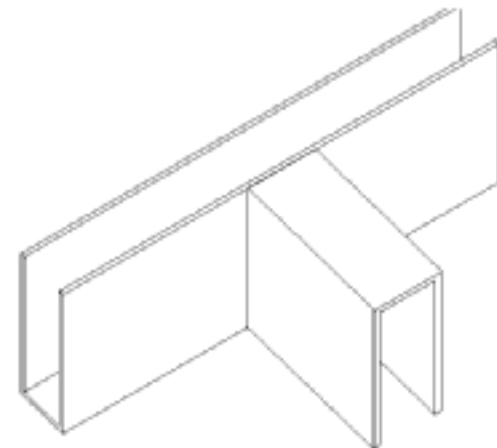
(57) Statement of Newness and Distinctiveness: **Newness and distinctiveness is claimed in the visual features shown in solid lines in the representations. In considering the extent of the design rights, the broken lines shown in the representations are for illustrative purposes only and do not form part of the design.**



- (21) Design Number: **11940/2014**  
(22) Date of Filing Application: **23 April 2014**  
(24) Date from which industrial property rights may have effect: **23 April 2014**  
(54) Product in respect of which the design is registered: **A modular platform**  
(51) International Design Classification: **25-04**  
(74) Name(s) of Attorney(s): **SPRUSON & FERGUSON**  
(71) Name(s) and Address(s) of Applicant(s):  
**Andrew Pridham**  
**40 Saggart Field Rd Minto NSW 2566 Australia**  
(72) Name(s) of Designer(s): **Andrew Pridham**  
(45) Registration Date: **15 May 2014**  
(56) Related Art Documents: **Not Applicable**  
(57) Statement of Newness and Distinctiveness: **Newness and distinctiveness is claimed in the features of shape and/or configuration of a modular platform as illustrated in the accompanying representations.**



- (21) Design Number: **11941/2014**  
(22) Date of Filing Application: **23 April 2014**  
(24) Date from which industrial property rights may have effect: **23 April 2014**  
(54) Product in respect of which the design is registered: **A modular platform bracket**  
(51) International Design Classification: **08-08L**  
(74) Name(s) of Attorney(s): **SPRUSON & FERGUSON**  
(71) Name(s) and Address(s) of Applicant(s):  
**Andrew Pridham**  
**40 Saggart Field Rd Minto NSW 2566 Australia**  
(72) Name(s) of Designer(s): **Andrew Pridham**  
(45) Registration Date: **15 May 2014**  
(56) Related Art Documents: **Not Applicable**  
(57) Statement of Newness and Distinctiveness: **Newness and distinctiveness is claimed in the features of shape and/or configuration of a modular platform bracket as illustrated in the accompanying representations.**



(21) Design Number: **11942/2014**

(22) Date of Filing Application: **23 April 2014**

(24) Date from which industrial property rights may have effect: **23 April 2014**

(54) Product in respect of which the design is registered: **A modular platform bracket**

(51) International Design Classification: **08-08L**

(74) Name(s) of Attorney(s): **SPRUSON & FERGUSON**

(71) Name(s) and Address(s) of Applicant(s):

**Andrew Pridham**

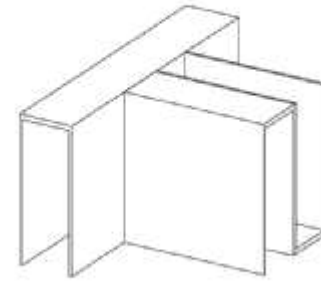
**40 Saggart Field Rd Minto NSW 2566 Australia**

(72) Name(s) of Designer(s): **Andrew Pridham**

(45) Registration Date: **15 May 2014**

(56) Related Art Documents: **Not Applicable**

(57) Statement of Newness and Distinctiveness: **Newness and distinctiveness is claimed in the features of shape and/or configuration of a modular platform bracket as illustrated in the accompanying representations.**



(21) Design Number: **11943/2014**

(22) Date of Filing Application: **23 April 2014**

(24) Date from which industrial property rights may have effect: **23 April 2014**

(54) Product in respect of which the design is registered: **A modular platform brace**

(51) International Design Classification: **08-08L**

(74) Name(s) of Attorney(s): **SPRUSON & FERGUSON**

(71) Name(s) and Address(s) of Applicant(s):

**Andrew Pridham**

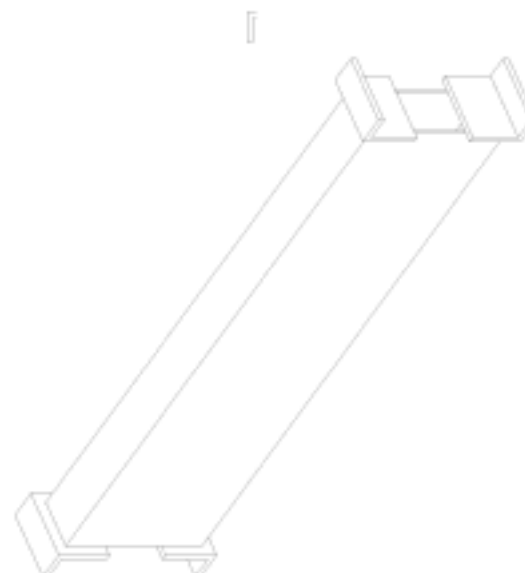
**40 Saggart Field Rd Minto NSW 2566 Australia**

(72) Name(s) of Designer(s): **Andrew Pridham**

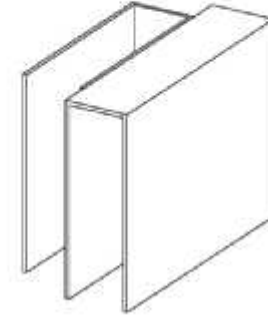
(45) Registration Date: **15 May 2014**

(56) Related Art Documents: **Not Applicable**

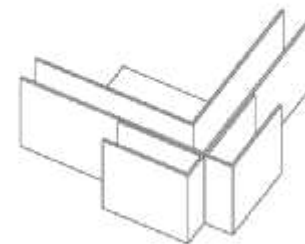
(57) Statement of Newness and Distinctiveness: **Newness and distinctiveness is claimed in the features of shape and/or configuration of a modular platform brace as illustrated in the accompanying representations.**



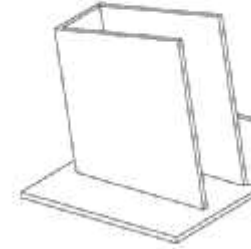
- (21) Design Number: **11944/2014**  
(22) Date of Filing Application: **23 April 2014**  
(24) Date from which industrial property rights may have effect: **23 April 2014**  
(54) Product in respect of which the design is registered: **A modular platform bracket**  
(51) International Design Classification: **08-08L**  
(74) Name(s) of Attorney(s): **SPRUSON & FERGUSON**  
(71) Name(s) and Address(s) of Applicant(s):  
**Andrew Pridham**  
**40 Saggart Field Rd Minto NSW 2566 Australia**  
(72) Name(s) of Designer(s): **Andrew Pridham**  
(45) Registration Date: **15 May 2014**  
(56) Related Art Documents: **Not Applicable**  
(57) Statement of Newness and Distinctiveness: **Newness and distinctiveness is claimed in the features of shape and/or configuration of a modular platform bracket as illustrated in the accompanying representarions.**



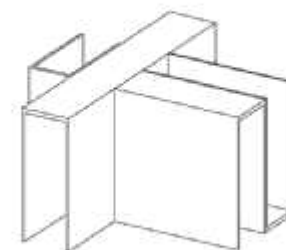
- (21) Design Number: **11945/2014**  
(22) Date of Filing Application: **23 April 2014**  
(24) Date from which industrial property rights may have effect: **23 April 2014**  
(54) Product in respect of which the design is registered: **A modular platform bracket**  
(51) International Design Classification: **08-08L**  
(74) Name(s) of Attorney(s): **SPRUSON & FERGUSON**  
(71) Name(s) and Address(s) of Applicant(s):  
**Andrew Pridham**  
**40 Saggart Field Rd Minto NSW 2566 Australia**  
(72) Name(s) of Designer(s): **Andrew Pridham**  
(45) Registration Date: **15 May 2014**  
(56) Related Art Documents: **Not Applicable**  
(57) Statement of Newness and Distinctiveness: **Newness and distinctiveness is claimed in the features of shape and/or configuration of a modular platform bracket as illustrated in the accompanying representations.**



- (21) Design Number: **11946/2014**  
(22) Date of Filing Application: **23 April 2014**  
(24) Date from which industrial property rights may have effect: **23 April 2014**  
(54) Product in respect of which the design is registered: **A modular platform base**  
(51) International Design Classification: **08-08L, 06-06G**  
(74) Name(s) of Attorney(s): **SPRUSON & FERGUSON**  
(71) Name(s) and Address(s) of Applicant(s):  
**Andrew Pridham**  
**40 Saggart Field Rd Minto NSW 2566 Australia**  
(72) Name(s) of Designer(s): **Andrew Pridham**  
(45) Registration Date: **15 May 2014**  
(56) Related Art Documents: **Not Applicable**  
(57) Statement of Newness and Distinctiveness: **Newness and distinctiveness is claimed in the features of shape and/or configuration of a modular platform base as illustrated in the accompanying representations.**



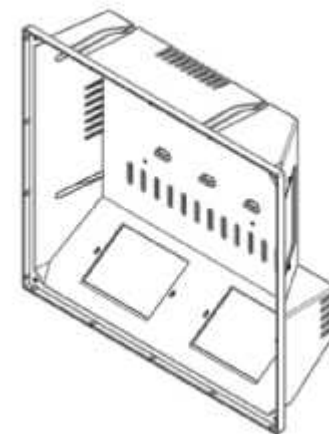
- (21) Design Number: **11947/2014**  
(22) Date of Filing Application: **23 April 2014**  
(24) Date from which industrial property rights may have effect: **23 April 2014**  
(54) Product in respect of which the design is registered: **A modular platform bracket**  
(51) International Design Classification: **08-08L, 06-06G**  
(74) Name(s) of Attorney(s): **SPRUSON & FERGUSON**  
(71) Name(s) and Address(s) of Applicant(s):  
**Andrew Pridham**  
**40 Saggart Field Rd Minto NSW 2566 Australia**  
(72) Name(s) of Designer(s): **Andrew Pridham**  
(45) Registration Date: **15 May 2014**  
(56) Related Art Documents: **Not Applicable**  
(57) Statement of Newness and Distinctiveness: **Newness and distinctiveness is claimed in the features of shape and/or configuration of a modular platform bracket as illustrated in the accompanying representations.**



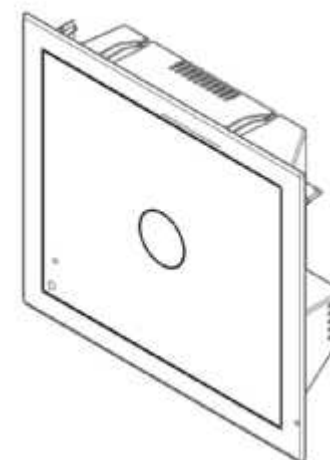
- (21) Design Number: **14349/2013**  
(22) Date of Filing Application: **02 September 2013**  
(24) Date from which industrial property rights may have effect: **02 September 2013**  
(54) Product in respect of which the design is registered: **Rear bumper for an automobile**  
(51) International Design Classification: **12-16C**  
(74) Name(s) of Attorney(s): **SPRUSON & FERGUSON**  
(71) Name(s) and Address(s) of Applicant(s):  
**Toyota Jidosha Kabushiki Kaisha**  
**1 Toyota-cho Toyota-shi Aichi-ken 471-8571 Japan**  
(72) Name(s) of Designer(s): **Shin Kamiura and Nobuyuki Tomatsu**  
(45) Registration Date: **15 May 2014**  
(56) Related Art Documents: **Not Applicable**  
(57) Statement of Newness and Distinctiveness: **Newness and distinctiveness is claimed in the features of the shape and/or configuration of a rear bumper for an automobile as illustrated in the accompanying representations, apart from the attachment lugs.**



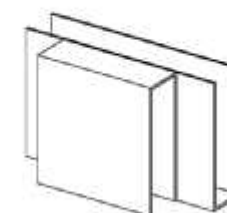
- (21) Design Number: **10933/2014**  
(22) Date of Filing Application: **28 February 2014**  
(24) Date from which industrial property rights may have effect: **28 February 2014**  
(54) Product in respect of which the design is registered: **Recessed media hub box**  
(51) International Design Classification: **13-03D**  
(74) Name(s) of Attorney(s): **Baldwins Intellectual Property**  
(71) Name(s) and Address(s) of Applicant(s):  
**Premaco Limited**  
**Suite 5382 PO Box 106910 Auckland 1143 New Zealand**  
(72) Name(s) of Designer(s): **Lance Lunjevich**  
(45) Registration Date: **15 May 2014**  
(56) Related Art Documents: **Not Applicable**  
(57) Statement of Newness and Distinctiveness: **Nil**



(21) Design Number: **10937/2014**  
(22) Date of Filing Application: **28 February 2014**  
(24) Date from which industrial property rights may have effect: **28 February 2014**  
(54) Product in respect of which the design is registered: **Recessed media hub**  
(51) International Design Classification: **13-03D**  
(74) Name(s) of Attorney(s): **Baldwins Intellectual Property**  
(71) Name(s) and Address(s) of Applicant(s):  
**Premaco Limited**  
**Suite 5382 PO Box 106910 Auckland 1143 New Zealand**  
(72) Name(s) of Designer(s): **Lance Lunjevich**  
(45) Registration Date: **15 May 2014**  
(56) Related Art Documents: **Not Applicable**  
(57) Statement of Newness and Distinctiveness: **Nil**



(21) Design Number: **11950/2014**  
(22) Date of Filing Application: **23 April 2014**  
(24) Date from which industrial property rights may have effect: **23 April 2014**  
(54) Product in respect of which the design is registered: **A modular platform bracket**  
(51) International Design Classification: **08-08L, 06-06G**  
(74) Name(s) of Attorney(s): **SPRUSON & FERGUSON**  
(71) Name(s) and Address(s) of Applicant(s):  
**Andrew Pridham**  
**40 Saggart Field Rd Minto NSW 2566 Australia**  
(72) Name(s) of Designer(s): **Andrew Pridham**  
(45) Registration Date: **15 May 2014**  
(56) Related Art Documents: **Not Applicable**  
(57) Statement of Newness and Distinctiveness: **Newness and distinctiveness is claimed in the features of shape and/or configuration of a modular platform bracket as illustrated in the accompanying representations.**



(21) Design Number: **11951/2014**

(22) Date of Filing Application: **24 April 2014**

(24) Date from which industrial property rights may have effect: **24 April 2014**

(54) Product in respect of which the design is registered: **A nasal cannula body**

(51) International Design Classification: **24-04**

(74) Name(s) of Attorney(s): **AJ Park**

(71) Name(s) and Address(s) of Applicant(s):

**Fisher & Paykel Healthcare Limited**

**15 Maurice Paykel Place East Tamaki Auckland 2013 New Zealand**

(72) Name(s) of Designer(s): **Sean Babbage and Peter Hawkins and Kevin O'Donnell**

(45) Registration Date: **15 May 2014**

(30) Convention priority data:

(31) Number

(32) Date

(33) Country

**29/470,958**

**25 Oct 2013**

**UNITED STATES OF AMERICA**

(56) Related Art Documents: **Not Applicable**

(57) Statement of Newness and Distinctiveness: **The newness and distinctiveness of the design resides in the shape of the nasal cannula body as shown in the continuous lines in the accompanying representations.**



(21) Design Number: **11952/2014**

(22) Date of Filing Application: **24 April 2014**

(24) Date from which industrial property rights may have effect: **24 April 2014**

(54) Product in respect of which the design is registered: **A nasal cannula body**

(51) International Design Classification: **24-04**

(74) Name(s) of Attorney(s): **AJ Park**

(71) Name(s) and Address(s) of Applicant(s):

**Fisher & Paykel Healthcare Limited**

**15 Maurice Paykel Place East Tamaki Auckland 2013 New Zealand**

(72) Name(s) of Designer(s): **Sean Babbage and Peter Hawkins and Kevin O'Donnell**

(45) Registration Date: **15 May 2014**

(30) Convention priority data:

(31) Number

(32) Date

(33) Country

**29/470,958**

**25 Oct 2013**

**UNITED STATES OF AMERICA**

(56) Related Art Documents: **Not Applicable**

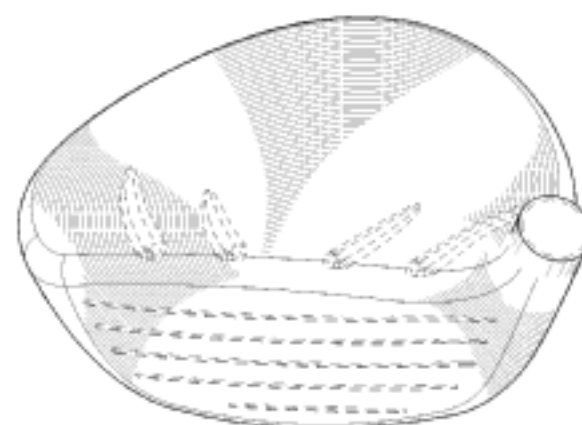
(57) Statement of Newness and Distinctiveness: **The newness and distinctiveness of the design resides in the shape of the connector for a patient interface assembly as shown in the continuous lines in the accompanying representations. The broken lines are not part of the design and are to be disregarded when considering the overall impression of the design.**



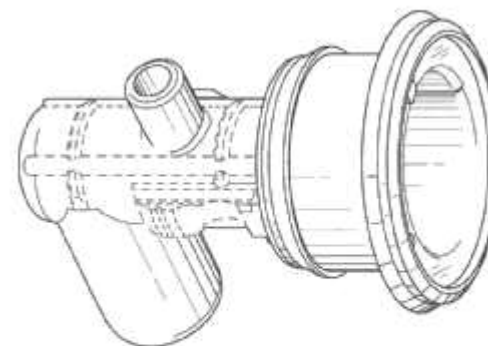
- (21) Design Number: **11953/2014**  
(22) Date of Filing Application: **24 April 2014**  
(24) Date from which industrial property rights may have effect: **24 April 2014**  
(54) Product in respect of which the design is registered: **Motor scooter**  
(51) International Design Classification: **12-11**  
(74) Name(s) of Attorney(s): **PHILLIPS ORMONDE FITZPATRICK**  
(71) Name(s) and Address(s) of Applicant(s):  
**Piaggio & C. S.p.A.**  
**Viale Rinaldo Piaggio 25 I-56025 Pontedera Pisa Italy**  
(72) Name(s) of Designer(s): **Marco Lambri and Riccardo Minuti**  
(45) Registration Date: **15 May 2014**  
(30) Convention priority data:  
(31) Number (32) Date (33) Country  
**002337865 04 Nov 2013 OFFICE FOR HARMONISATION IN  
THE INTERNAL MARKET (OHIM)**  
(56) Related Art Documents: **Not Applicable**  
(57) Statement of Newness and Distinctiveness: **Those features of the motor scooter depicted in the representations that are new and distinctive are the shape and/or configuration. The wheels and tyres of the motor scooter are not part of the design and are to be disregarded when considering the overall impression of the design.**



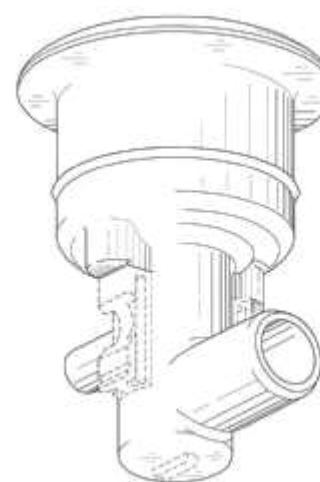
- (21) Design Number: **11954/2014**  
(22) Date of Filing Application: **24 April 2014**  
(24) Date from which industrial property rights may have effect: **24 April 2014**  
(54) Product in respect of which the design is registered: **Golf club head**  
(51) International Design Classification: **21-02C**  
(74) Name(s) of Attorney(s): **Davies Collison Cave**  
(71) Name(s) and Address(s) of Applicant(s):  
**Karsten Manufacturing Corporation**  
**2201 West Desert Cove Phoenix Arizona 85029 United States of America**  
(72) Name(s) of Designer(s): **Xiaojian Chen and Brandon L Fossum and Martin R Jertson**  
(45) Registration Date: **15 May 2014**  
(30) Convention priority data:  
(31) Number (32) Date (33) Country  
**29/475547 04 Dec 2013 UNITED STATES OF AMERICA**  
(56) Related Art Documents: **Not Applicable**  
(57) Statement of Newness and Distinctiveness: **Newness and distinctiveness is claimed in the visual features shown in solid lines in the representations. In considering the extent of the design rights, the broken lines shown in the representations are for illustrative purposes only and do not form part of the design.**



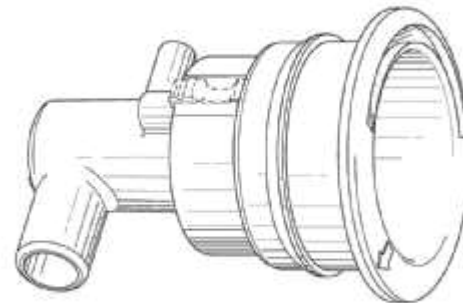
(21) Design Number: **11955/2014**  
(22) Date of Filing Application: **24 April 2014**  
(24) Date from which industrial property rights may have effect: **24 April 2014**  
(54) Product in respect of which the design is registered: **Jet body for use with grommets**  
(51) International Design Classification: **08-08B, 23-01A**  
(74) Name(s) of Attorney(s): **FB Rice**  
(71) Name(s) and Address(s) of Applicant(s):  
**Custom Molded Products, Inc.**  
**36 Herring Road Newnan Georgia 30265 United States of America**  
(72) Name(s) of Designer(s): **William J Drury and H Charles Li**  
(45) Registration Date: **15 May 2014**  
(30) Convention priority data:  
(31) Number (32) Date (33) Country  
**29/470729 24 Oct 2013 UNITED STATES OF AMERICA**  
(56) Related Art Documents: **Not Applicable**  
(57) Statement of Newness and Distinctiveness: **Newness and distinctiveness reside in the features of the design shown in solid lines in the representations excluding those features shown in broken lines.**



(21) Design Number: **11956/2014**  
(22) Date of Filing Application: **24 April 2014**  
(24) Date from which industrial property rights may have effect: **24 April 2014**  
(54) Product in respect of which the design is registered: **Jet body for use with grommets**  
(51) International Design Classification: **08-08B, 23-01A**  
(74) Name(s) of Attorney(s): **FB Rice**  
(71) Name(s) and Address(s) of Applicant(s):  
**Custom Molded Products, Inc.**  
**36 Herring Road Newnan Georgia 30265 United States of America**  
(72) Name(s) of Designer(s): **William J Drury and H Charles Li**  
(45) Registration Date: **15 May 2014**  
(30) Convention priority data:  
(31) Number (32) Date (33) Country  
**29/470729 24 Oct 2013 UNITED STATES OF AMERICA**  
(56) Related Art Documents: **Not Applicable**  
(57) Statement of Newness and Distinctiveness: **Newness and distinctiveness reside in the features of the design shown in solid lines in the representations excluding those features shown in broken lines.**



- (21) Design Number: **11957/2014**  
(22) Date of Filing Application: **24 April 2014**  
(24) Date from which industrial property rights may have effect: **24 April 2014**  
(54) Product in respect of which the design is registered: **Jet body for use with grommets**  
(51) International Design Classification: **08-08B, 23-01A**  
(74) Name(s) of Attorney(s): **FB Rice**  
(71) Name(s) and Address(s) of Applicant(s):  
**Custom Molded Products, Inc.**  
**36 Herring Road Newnan Georgia 30265 United States of America**  
(72) Name(s) of Designer(s): **William J Drury and H Charles Li**  
(45) Registration Date: **15 May 2014**  
(30) Convention priority data:  
(31) Number      (32) Date      (33) Country  
**29/470729      24 Oct 2013      UNITED STATES OF AMERICA**  
(56) Related Art Documents: **Not Applicable**  
(57) Statement of Newness and Distinctiveness: **Newness and distinctiveness reside in the features of the design shown in solid lines in the representations excluding those features shown in broken lines.**



- (21) Design Number: **16730/2013**  
(22) Date of Filing Application: **20 December 2013**  
(24) Date from which industrial property rights may have effect: **20 December 2013**  
(54) Product in respect of which the design is registered: **Raised garden planter**  
(51) International Design Classification: **11-02B**  
(74) Name(s) of Attorney(s):  
(71) Name(s) and Address(s) of Applicant(s):  
**Ezygrow Pty Ltd**  
**PO BOX 2118 Bundaberg QLD 4670 Australia**  
(72) Name(s) of Designer(s): **Jon Seddon**  
(45) Registration Date: **16 May 2014**  
(56) Related Art Documents: **Not Applicable**  
(57) Statement of Newness and Distinctiveness: **Revolutionary new designed Raised Garden Bed that sits 600mm high so no bending to garden. Built-in receptacle in the base of the planter that captures excess water and nutrients which can then be recycled. Overflow tube that ensures the planter does not get waterlogged and is also used to discharge excess water and nutrients. Double-skinned to provide insulation in hot and cold conditions. Lightweight but strong and durable. Made with UV Stabilised, food grade plastic.**



- (21) Design Number: **10606/2014**  
(22) Date of Filing Application: **07 February 2014**  
(24) Date from which industrial property rights may have effect: **07 February 2014**  
(54) Product in respect of which the design is registered: **Bottle**  
(51) International Design Classification: **09-01B, 09-02B**  
(74) Name(s) of Attorney(s): **Fisher Adams Kelly Pty Ltd**  
(71) Name(s) and Address(s) of Applicant(s):  
**FPC Food Plastics Pty Ltd**  
**U2 13 Lindaway PI Tullamarine Victoria 3043 Australia**  
(72) Name(s) of Designer(s): **Hugh Donnelly and Jim D Janeczek**  
(45) Registration Date: **16 May 2014**  
(56) Related Art Documents: **Not Applicable**  
(57) Statement of Newness and Distinctiveness: **The newness and distinctiveness of the design resides in the shape and/or configuration and/or pattern and/or ornamentation of the BOTTLE shown in the representations.**



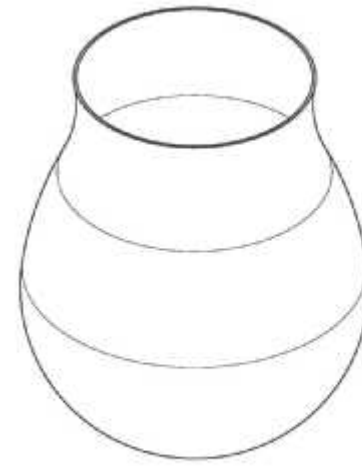
- (21) Design Number: **11919/2014**  
(22) Date of Filing Application: **22 April 2014**  
(24) Date from which industrial property rights may have effect: **22 April 2014**  
(54) Product in respect of which the design is registered: **Refill bottle**  
(51) International Design Classification: **09-01A**  
(74) Name(s) of Attorney(s): **Allens Patent & Trade Mark Attorneys**  
(71) Name(s) and Address(s) of Applicant(s):  
**Beauty Union Global Limited**  
**Unit B, 19/F Federal Center 77 Sheung On Street Hong Kong**  
(72) Name(s) of Designer(s): **Yi Ming Hui**  
(45) Registration Date: **16 May 2014**  
(30) Convention priority data:  

(31) Number	(32) Date	(33) Country
<b>54714</b>	<b>20 Oct 2013</b>	<b>ISRAEL</b>

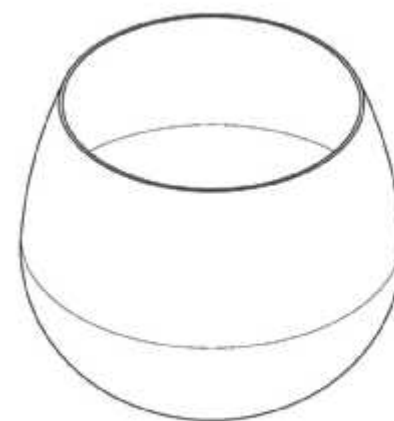
  
(56) Related Art Documents: **Not Applicable**  
(57) Statement of Newness and Distinctiveness: **Newness and distinctiveness is claimed in the shape and/or configuration of a refill bottle as shown in the accompanying representations. The logo on the upper surface of the refill bottle cap (more clearly shown in the upper view) is for illustrative purposes only, forms no part of the claimed design, and is to be disregarded in considering the newness and distinctiveness of the design.**



(21) Design Number: **11920/2014**  
(22) Date of Filing Application: **22 April 2014**  
(24) Date from which industrial property rights may have effect: **22 April 2014**  
(54) Product in respect of which the design is registered: **Drinking glass**  
(51) International Design Classification: **07-01C**  
(74) Name(s) of Attorney(s): **PHILLIPS ORMONDE FITZPATRICK**  
(71) Name(s) and Address(s) of Applicant(s):  
**Endeavour Vineyards Pty Ltd**  
**L3 112 Trenerry Cres Abbotsford VIC 3067 Australia**  
(72) Name(s) of Designer(s): **Cindi Dean**  
(45) Registration Date: **16 May 2014**  
(56) Related Art Documents: **Not Applicable**  
(57) Statement of Newness and Distinctiveness: **Nil**



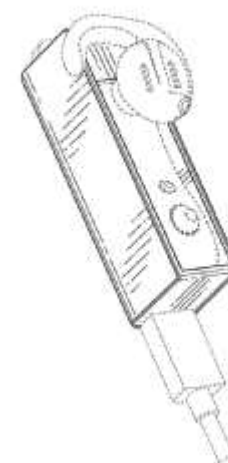
(21) Design Number: **11921/2014**  
(22) Date of Filing Application: **22 April 2014**  
(24) Date from which industrial property rights may have effect: **22 April 2014**  
(54) Product in respect of which the design is registered: **Drinking glass**  
(51) International Design Classification: **07-01C**  
(74) Name(s) of Attorney(s): **PHILLIPS ORMONDE FITZPATRICK**  
(71) Name(s) and Address(s) of Applicant(s):  
**Endeavour Vineyards Pty Ltd**  
**L3 112 Trenerry Cres Abbotsford VIC 3067 Australia**  
(72) Name(s) of Designer(s): **Cindi Dean**  
(45) Registration Date: **16 May 2014**  
(56) Related Art Documents: **Not Applicable**  
(57) Statement of Newness and Distinctiveness: **Those features of the drinking glass depicted in the representations that are new and distinctive are the shape and/or configuration.**



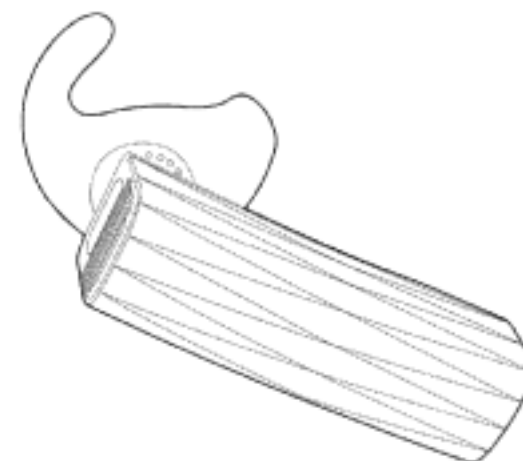
- (21) Design Number: **11958/2014**  
(22) Date of Filing Application: **24 April 2014**  
(24) Date from which industrial property rights may have effect: **24 April 2014**  
(54) Product in respect of which the design is registered: **Jet body for use with grommets**  
(51) International Design Classification: **08-08B, 23-01A**  
(74) Name(s) of Attorney(s): **FB Rice**  
(71) Name(s) and Address(s) of Applicant(s):  
**Custom Molded Products, Inc.**  
**36 Herring Road Newnan Georgia 30265 United States of America**  
(72) Name(s) of Designer(s): **William J Drury and H Charles Li**  
(45) Registration Date: **16 May 2014**  
(30) Convention priority data:  
(31) Number (32) Date (33) Country  
**29/470729 24 Oct 2013 UNITED STATES OF AMERICA**  
(56) Related Art Documents: **Not Applicable**  
(57) Statement of Newness and Distinctiveness: **Newness and distinctiveness reside in the features of the design shown in solid lines in the representations excluding those features shown in broken lines.**



- (21) Design Number: **11959/2014**  
(22) Date of Filing Application: **24 April 2014**  
(24) Date from which industrial property rights may have effect: **24 April 2014**  
(54) Product in respect of which the design is registered: **Ear piece housing**  
(51) International Design Classification: **14-01**  
(74) Name(s) of Attorney(s): **SPRUSON & FERGUSON**  
(71) Name(s) and Address(s) of Applicant(s):  
**AliphCom**  
**99 Rhode Island Street 3rd Floor San Francisco California 94103 United States of America**  
(72) Name(s) of Designer(s): **Yves Albert Behar and Qin Li and Diana Chang**  
(45) Registration Date: **16 May 2014**  
(30) Convention priority data:  
(31) Number (32) Date (33) Country  
**29/470967 25 Oct 2013 UNITED STATES OF AMERICA**  
(56) Related Art Documents: **Not Applicable**  
(57) Statement of Newness and Distinctiveness: **Newness and distinctiveness is claimed in the features of shape and/or configuration of an ear piece housing as illustrated in solid lines in the accompanying representations.**



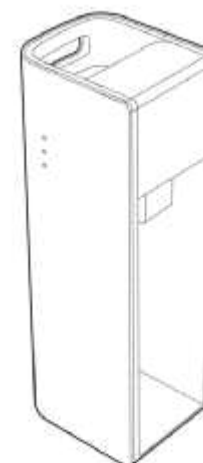
(21) Design Number: **11960/2014**  
(22) Date of Filing Application: **24 April 2014**  
(24) Date from which industrial property rights may have effect: **24 April 2014**  
(54) Product in respect of which the design is registered: **Ear piece**  
(51) International Design Classification: **14-01**  
(74) Name(s) of Attorney(s): **SPRUSON & FERGUSON**  
(71) Name(s) and Address(s) of Applicant(s):  
**AliphCom**  
**99 Rhode Island Street 3rd Floor San Francisco California 94103 United States of America**



(72) Name(s) of Designer(s): **Yves Albert Behar and Qin Li and Diana Chang**  
(45) Registration Date: **16 May 2014**  
(30) Convention priority data:  
(31) Number (32) Date (33) Country  
**29/470964 25 Oct 2013 UNITED STATES OF AMERICA**

(56) Related Art Documents: **Not Applicable**  
(57) Statement of Newness and Distinctiveness: **Newness and distinctiveness is claimed in the features of shape and/or configuration of an ear piece as illustrated in the accompanying representations, and when considering newness and distinctiveness particular regard is to be had to the body portion of the ear piece, where the body portion is distinct from the earbud portion that is shaped to fit inside an ear.**

(21) Design Number: **11961/2014**  
(22) Date of Filing Application: **24 April 2014**  
(24) Date from which industrial property rights may have effect: **24 April 2014**  
(54) Product in respect of which the design is registered: **Ear piece housing**  
(51) International Design Classification: **14-01**  
(74) Name(s) of Attorney(s): **SPRUSON & FERGUSON**  
(71) Name(s) and Address(s) of Applicant(s):  
**AliphCom**  
**99 Rhode Island Street 3rd Floor San Francisco California 94103 United States of America**



(72) Name(s) of Designer(s): **Yves Albert Behar and Qin Li and Diana Chang**  
(45) Registration Date: **16 May 2014**  
(30) Convention priority data:  
(31) Number (32) Date (33) Country  
**29/470967 25 Oct 2013 UNITED STATES OF AMERICA**

(56) Related Art Documents: **Not Applicable**  
(57) Statement of Newness and Distinctiveness: **Newness and distinctiveness is claimed in the features of shape and/or configuration of an ear piece housing as illustrated in the accompanying representations.**

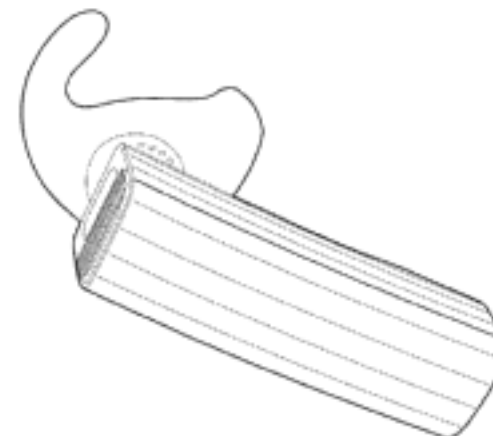
(21) Design Number: **11962/2014**  
(22) Date of Filing Application: **24 April 2014**  
(24) Date from which industrial property rights may have effect: **24 April 2014**  
(54) Product in respect of which the design is registered: **Ear piece**  
(51) International Design Classification: **14-01**  
(74) Name(s) of Attorney(s): **SPRUSON & FERGUSON**  
(71) Name(s) and Address(s) of Applicant(s):  
**AliphCom**  
**99 Rhode Island Street 3rd Floor San Francisco California 94103 United States of America**

(72) Name(s) of Designer(s): **Yves Albert Behar and Qin Li and Diana Chang**  
(45) Registration Date: **16 May 2014**

(30) Convention priority data:  
(31) Number (32) Date (33) Country  
**29/470963 25 Oct 2013 UNITED STATES OF AMERICA**

(56) Related Art Documents: **Not Applicable**

(57) Statement of Newness and Distinctiveness: **Newness and distinctiveness is claimed in the features of shape and/or configuration of an ear piece as illustrated in the accompanying representations, and when considering newness and distinctiveness particular regard is to be had to the body portion of the ear piece, where the body portion is distinct from the earbud portion that is shaped to fit inside an ear.**



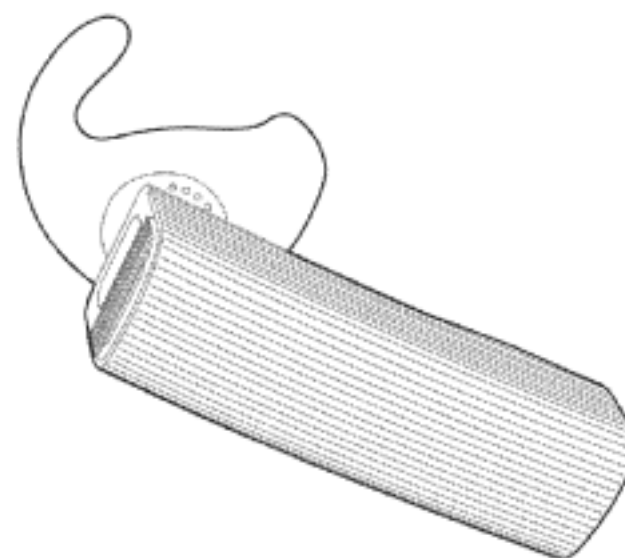
(21) Design Number: **11964/2014**  
(22) Date of Filing Application: **24 April 2014**  
(24) Date from which industrial property rights may have effect: **24 April 2014**  
(54) Product in respect of which the design is registered: **Ear piece**  
(51) International Design Classification: **14-01**  
(74) Name(s) of Attorney(s): **SPRUSON & FERGUSON**  
(71) Name(s) and Address(s) of Applicant(s):  
**AliphCom**  
**99 Rhode Island Street 3rd Floor San Francisco California 94103 United States of America**

(72) Name(s) of Designer(s): **Qin Li and Diana Chang and Yves Albert Behar**  
(45) Registration Date: **16 May 2014**

(30) Convention priority data:  
(31) Number (32) Date (33) Country  
**29/470965 25 Oct 2013 UNITED STATES OF AMERICA**

(56) Related Art Documents: **Not Applicable**

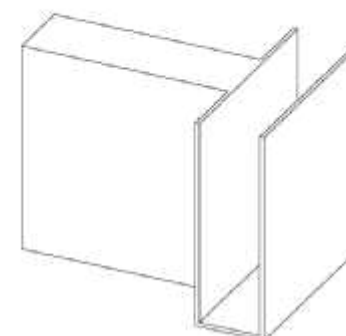
(57) Statement of Newness and Distinctiveness: **Newness and distinctiveness is claimed in the features of shape and/or configuration of an ear piece as illustrated in the accompanying representations, and when considering newness and distinctiveness particular regard is to be had to the body portion of the ear piece, where the body portion is distinct from the earbud portion that is shaped to fit inside an ear.**



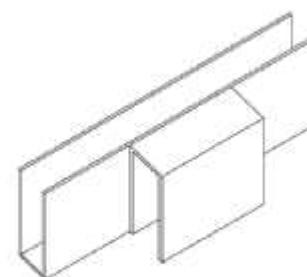
(21) Design Number: **11965/2014**  
(22) Date of Filing Application: **24 April 2014**  
(24) Date from which industrial property rights may have effect: **24 April 2014**  
(54) Product in respect of which the design is registered: **Ear bud**  
(51) International Design Classification: **14-01**  
(74) Name(s) of Attorney(s): **SPRUSON & FERGUSON**  
(71) Name(s) and Address(s) of Applicant(s):  
**AliphCom**  
**99 Rhode Island Street 3rd Floor San Francisco California 94103 United States of America**  
(72) Name(s) of Designer(s): **Yves Albert Behar and Qin Li and Diana Chang**  
(45) Registration Date: **16 May 2014**  
(30) Convention priority data:  
(31) Number (32) Date (33) Country  
**29/470968 25 Oct 2013 UNITED STATES OF AMERICA**  
(56) Related Art Documents: **Not Applicable**  
(57) Statement of Newness and Distinctiveness: **Newness and distinctiveness is claimed in the features of shape and/or configuration of an ear bud as illustrated in the accompanying representations.**



(21) Design Number: **11966/2014**  
(22) Date of Filing Application: **23 April 2014**  
(24) Date from which industrial property rights may have effect: **23 April 2014**  
(54) Product in respect of which the design is registered: **A modular platform bracket**  
(51) International Design Classification: **08-08L**  
(74) Name(s) of Attorney(s): **SPRUSON & FERGUSON**  
(71) Name(s) and Address(s) of Applicant(s):  
**Andrew Pridham**  
**40 Saggart Field Rd Minto NSW 2566 Australia**  
(72) Name(s) of Designer(s): **Andrew Pridham**  
(45) Registration Date: **16 May 2014**  
(56) Related Art Documents: **Not Applicable**  
(57) Statement of Newness and Distinctiveness: **Newness and distinctiveness is claimed in the features of shape and/or configuration of a modular platform bracket as illustrated in the accompanying representations.**



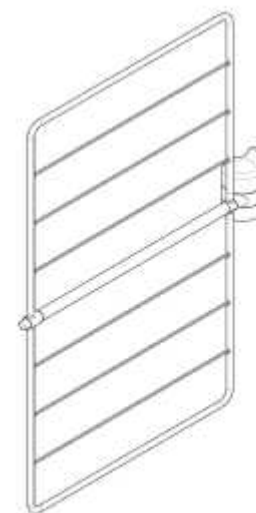
- (21) Design Number: **11968/2014**  
(22) Date of Filing Application: **23 April 2014**  
(24) Date from which industrial property rights may have effect: **23 April 2014**  
(54) Product in respect of which the design is registered: **A modular platform bracket**  
(51) International Design Classification: **08-08L**  
(74) Name(s) of Attorney(s): **SPRUSON & FERGUSON**  
(71) Name(s) and Address(s) of Applicant(s):  
**Andrew Pridham**  
**40 Saggart Field Rd Minto NSW 2566 Australia**  
(72) Name(s) of Designer(s): **Andrew Pridham**  
(45) Registration Date: **16 May 2014**  
(56) Related Art Documents: **Not Applicable**  
(57) Statement of Newness and Distinctiveness: **Newness and distinctiveness is claimed in the features of shape and/or configuration of a modular platform bracket as illustrated in the accompanying representations.**



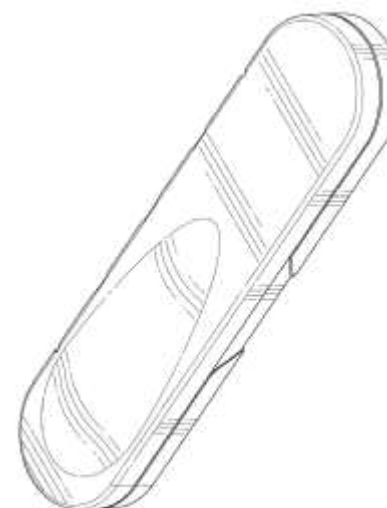
- (21) Design Number: **11972/2014**  
(22) Date of Filing Application: **24 April 2014**  
(24) Date from which industrial property rights may have effect: **24 April 2014**  
(54) Product in respect of which the design is registered: **Table tennis table**  
(51) International Design Classification: **06-03D**  
(74) Name(s) of Attorney(s):  
(71) Name(s) and Address(s) of Applicant(s):  
**Public Outdoor Pty Ltd**  
**PO BOX 188 Mount Lawley WA 6929 Australia**  
(72) Name(s) of Designer(s): **Deni Muzaferovic**  
(45) Registration Date: **16 May 2014**  
(56) Related Art Documents: **Not Applicable**  
(57) Statement of Newness and Distinctiveness: **The design is new and distinctive because the 'legs' that provide structural support for the table top consist of eight individual space frames (ie a half-octahedron for each 'leg').**



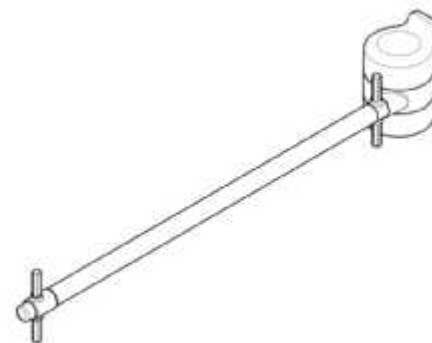
- (21) Design Number: **11973/2014**  
(22) Date of Filing Application: **24 April 2014**  
(24) Date from which industrial property rights may have effect: **24 April 2014**  
(54) Product in respect of which the design is registered: **Clothes drying apparatus**  
(51) International Design Classification: **07-05D**  
(74) Name(s) of Attorney(s): **HODGKINSON McINNES PATENTS**  
(71) Name(s) and Address(s) of Applicant(s):  
**Hills Holdings Limited**  
**SE9.02 130 Pitt St Sydney NSW 2000 Australia**  
(72) Name(s) of Designer(s): **Stuart Richard May and Dimitrios Nicolaos Scoutas and Timothy Hooper**  
(45) Registration Date: **16 May 2014**  
(56) Related Art Documents: **Not Applicable**  
(57) Statement of Newness and Distinctiveness: **Newness and distinctiveness is claimed in the shape and configuration of a clothes drying apparatus as shown in the representations.**



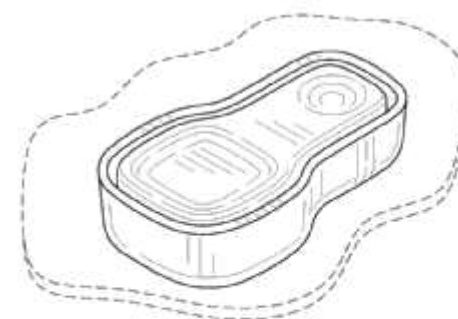
- (21) Design Number: **11981/2014**  
(22) Date of Filing Application: **24 April 2014**  
(24) Date from which industrial property rights may have effect: **24 April 2014**  
(54) Product in respect of which the design is registered: **Utensil case**  
(51) International Design Classification: **07-06NES, 03-01NES**  
(74) Name(s) of Attorney(s): **Freehills Patent Attorneys**  
(71) Name(s) and Address(s) of Applicant(s):  
**humangear, Inc.**  
**745A Clementina Street San Francisco California 94103 United States of America**  
(72) Name(s) of Designer(s): **Christopher A Miksovsky and Clint N Slone and Evelyne Chaubert and Charlie Nghiem**  
(45) Registration Date: **16 May 2014**  
(30) Convention priority data:  
(31) Number      (32) Date      (33) Country  
**29/484453      10 Mar 2014      UNITED STATES OF AMERICA**  
(56) Related Art Documents: **Not Applicable**  
(57) Statement of Newness and Distinctiveness: **Newness and distinctiveness of the design resides in the features of shape and configuration of the utensil case as shown in solid lines in the accompanying drawings.**



(21) Design Number: **11982/2014**  
(22) Date of Filing Application: **24 April 2014**  
(24) Date from which industrial property rights may have effect: **24 April 2014**  
(54) Product in respect of which the design is registered: **Clothes drying apparatus hub assembly**  
(51) International Design Classification: **07-05D**  
(74) Name(s) of Attorney(s): **HODGKINSON McINNES PATENTS**  
(71) Name(s) and Address(s) of Applicant(s):  
**Hills Holdings Limited**  
**SE9.02 130 Pitt St Sydney NSW 2000 Australia**  
(72) Name(s) of Designer(s): **Stuart Richard May and Dimitrios Nicolaos Scoutas and Timothy Hooper**  
(45) Registration Date: **16 May 2014**  
(56) Related Art Documents: **Not Applicable**  
(57) Statement of Newness and Distinctiveness: **Newness and distinctiveness is claimed in the shape and configuration of a clothes drying apparatus hub assembly configuration as shown in the representations.**



(21) Design Number: **11983/2014**  
(22) Date of Filing Application: **24 April 2014**  
(24) Date from which industrial property rights may have effect: **24 April 2014**  
(54) Product in respect of which the design is registered: **Vent for a container**  
(51) International Design Classification: **07-01NES, 09-07NES**  
(74) Name(s) of Attorney(s): **PHILLIPS ORMONDE FITZPATRICK**  
(71) Name(s) and Address(s) of Applicant(s):  
**Dart Industries Inc.**  
**14901 S. Orange Blossom Trail Orlando Florida 32837 United States of America**  
(72) Name(s) of Designer(s): **Julie L Yessin and Jan-Hendrik de Groot**  
(45) Registration Date: **16 May 2014**  
(30) Convention priority data:  
(31) Number      (32) Date      (33) Country  
**29/473,360      21 Nov 2013      UNITED STATES OF AMERICA**  
(56) Related Art Documents: **Not Applicable**  
(57) Statement of Newness and Distinctiveness: **Those features of the vent depicted in the representations that are new and distinctive are the shape and/or configuration. The portion of the container shown in broken lines is not part of the design and is to be disregarded when considering the overall impression of the design.**



(21) Design Number: **11984/2014**

(22) Date of Filing Application: **24 April 2014**

(24) Date from which industrial property rights may have effect: **24 April 2014**

(54) Product in respect of which the design is registered: **Container**

(51) International Design Classification: **07-01NES, 09-03NES, 09-03M**

(74) Name(s) of Attorney(s): **PHILLIPS ORMONDE FITZPATRICK**

(71) Name(s) and Address(s) of Applicant(s):

**Dart Industries Inc.**

**14901 S. Orange Blossom Trail Orlando Florida 32837 United States of America**

(72) Name(s) of Designer(s): **Julie L Yessin and Jan-Hendrik de Groot**

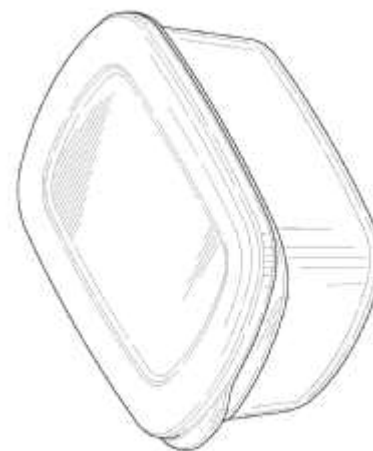
(45) Registration Date: **16 May 2014**

(30) Convention priority data:

(31) Number	(32) Date	(33) Country
<b>29/473,357</b>	<b>21 Nov 2013</b>	<b>UNITED STATES OF AMERICA</b>

(56) Related Art Documents: **Not Applicable**

(57) Statement of Newness and Distinctiveness: **Those features of the container depicted in the representations that are new and distinctive are the shape and/or configuration.**



(21) Design Number: **11985/2014**

(22) Date of Filing Application: **24 April 2014**

(24) Date from which industrial property rights may have effect: **24 April 2014**

(54) Product in respect of which the design is registered: **Cover for container**

(51) International Design Classification: **07-01NES, 09-07NES**

(74) Name(s) of Attorney(s): **PHILLIPS ORMONDE FITZPATRICK**

(71) Name(s) and Address(s) of Applicant(s):

**Dart Industries Inc.**

**14901 S. Orange Blossom Trail Orlando Florida 32837 United States of America**

(72) Name(s) of Designer(s): **Julie L Yessin and Jan-Hendrik de Groot**

(45) Registration Date: **16 May 2014**

(30) Convention priority data:

(31) Number	(32) Date	(33) Country
<b>29/473,364</b>	<b>21 Nov 2013</b>	<b>UNITED STATES OF AMERICA</b>

(56) Related Art Documents: **Not Applicable**

(57) Statement of Newness and Distinctiveness: **Those features of the container cover depicted in the representations that are new and distinctive are the shape and/or configuration.**



(21) Design Number: **11986/2014**

(22) Date of Filing Application: **24 April 2014**

(24) Date from which industrial property rights may have effect: **24 April 2014**

(54) Product in respect of which the design is registered: **Cover for container**

(51) International Design Classification: **07-01NES, 09-07NES**

(74) Name(s) of Attorney(s): **PHILLIPS ORMONDE FITZPATRICK**

(71) Name(s) and Address(s) of Applicant(s):

**Dart Industries Inc.**

**14901 S. Orange Blossom Trail Orlando Florida 32837 United States of America**

(72) Name(s) of Designer(s): **Julie L Yessin and Jan-Hendrik de Groot**

(45) Registration Date: **16 May 2014**

(30) Convention priority data:

(31) Number	(32) Date	(33) Country
<b>29/473,364</b>	<b>21 Nov 2013</b>	<b>UNITED STATES OF AMERICA</b>

(56) Related Art Documents: **Not Applicable**

(57) Statement of Newness and Distinctiveness: **Those features of the container cover depicted in the representations that are new and distinctive are the shape and/or configuration.**



(21) Design Number: **11988/2014**

(22) Date of Filing Application: **24 April 2014**

(24) Date from which industrial property rights may have effect: **24 April 2014**

(54) Product in respect of which the design is registered: **Cover for container**

(51) International Design Classification: **07-01NES, 09-07B**

(74) Name(s) of Attorney(s): **PHILLIPS ORMONDE FITZPATRICK**

(71) Name(s) and Address(s) of Applicant(s):

**Dart Industries Inc.**

**14901 S. Orange Blossom Trail Orlando Florida 32837 United States of America**

(72) Name(s) of Designer(s): **Julie L Yessin and Jan-Hendrik de Groot**

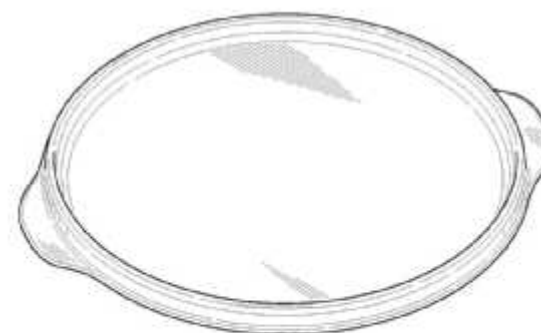
(45) Registration Date: **16 May 2014**

(30) Convention priority data:

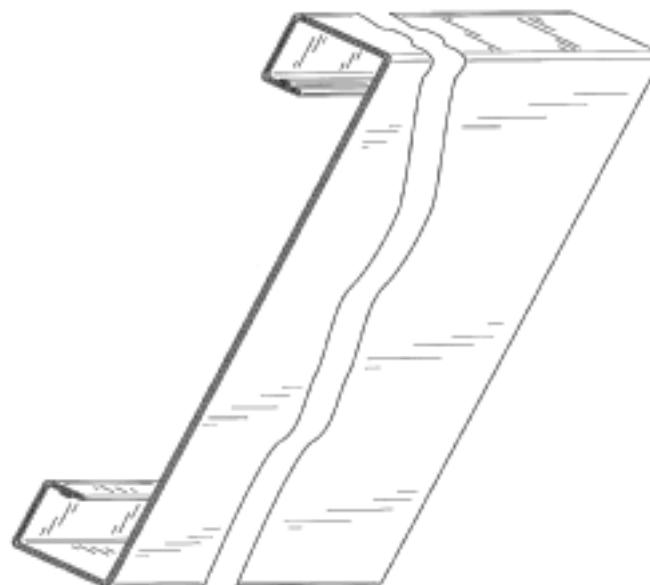
(31) Number	(32) Date	(33) Country
<b>29/473,364</b>	<b>21 Nov 2013</b>	<b>UNITED STATES OF AMERICA</b>

(56) Related Art Documents: **Not Applicable**

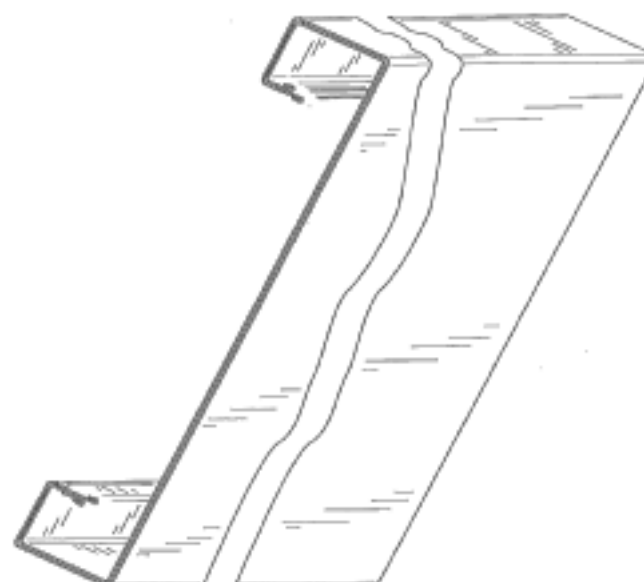
(57) Statement of Newness and Distinctiveness: **Those features of the container cover depicted in the representations that are new and distinctive are the shape and/or configuration.**



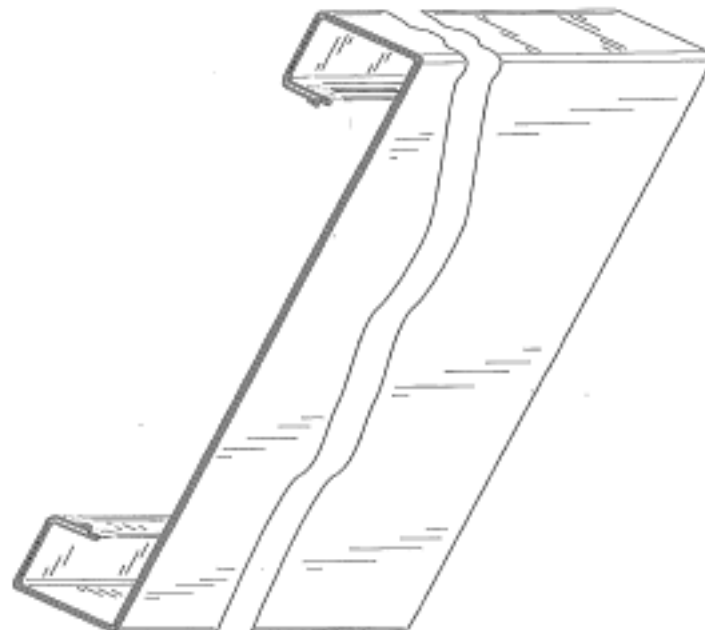
(21) Design Number: **11990/2014**  
(22) Date of Filing Application: **24 April 2014**  
(24) Date from which industrial property rights may have effect: **24 April 2014**  
(54) Product in respect of which the design is registered: **Expanding wall channel**  
(51) International Design Classification: **25-01C**  
(74) Name(s) of Attorney(s): **WALLINGTON-DUMMER**  
(71) Name(s) and Address(s) of Applicant(s):  
**SWF Industrial, Inc.**  
**12971 3100 Rd Hotchkiss CO 81419-6111 United States of America**  
(72) Name(s) of Designer(s): **Richard A Sparks**  
(45) Registration Date: **16 May 2014**  
(30) Convention priority data:  
(31) Number (32) Date (33) Country  
**29/470878 25 Oct 2013 UNITED STATES OF AMERICA**  
(56) Related Art Documents: **Not Applicable**  
(57) Statement of Newness and Distinctiveness: **Nil**



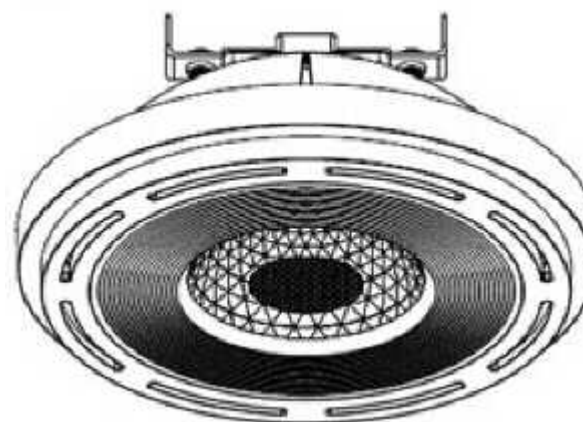
(21) Design Number: **11991/2014**  
(22) Date of Filing Application: **24 April 2014**  
(24) Date from which industrial property rights may have effect: **24 April 2014**  
(54) Product in respect of which the design is registered: **Expanding wall channel**  
(51) International Design Classification: **25-01C**  
(74) Name(s) of Attorney(s): **WALLINGTON-DUMMER**  
(71) Name(s) and Address(s) of Applicant(s):  
**SWF Industrial, Inc.**  
**12971 3100 Rd Hotchkiss CO 81419-6111 United States of America**  
(72) Name(s) of Designer(s): **Richard A Sparks**  
(45) Registration Date: **16 May 2014**  
(30) Convention priority data:  
(31) Number (32) Date (33) Country  
**29/470878 25 Oct 2013 UNITED STATES OF AMERICA**  
(56) Related Art Documents: **Not Applicable**  
(57) Statement of Newness and Distinctiveness: **Nil**



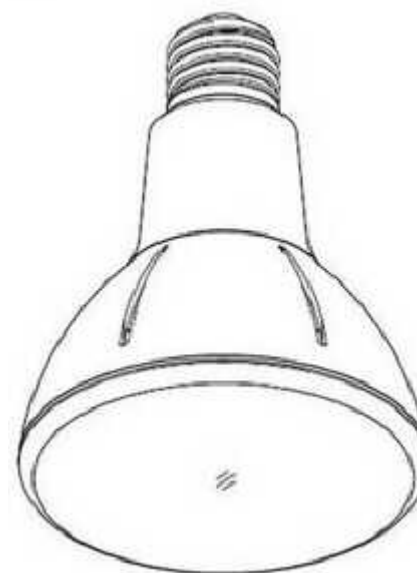
(21) Design Number: **11992/2014**  
(22) Date of Filing Application: **24 April 2014**  
(24) Date from which industrial property rights may have effect: **24 April 2014**  
(54) Product in respect of which the design is registered: **Expanding wall channel**  
(51) International Design Classification: **25-01C**  
(74) Name(s) of Attorney(s): **WALLINGTON-DUMMER**  
(71) Name(s) and Address(s) of Applicant(s):  
**SWF Industrial, Inc.**  
**12971 3100 Rd Hotchkiss CO 81419-6111 United States of America**  
(72) Name(s) of Designer(s): **Richard A Sparks**  
(45) Registration Date: **16 May 2014**  
(30) Convention priority data:  
(31) Number (32) Date (33) Country  
**29/470878 25 Oct 2013 UNITED STATES OF AMERICA**  
(56) Related Art Documents: **Not Applicable**  
(57) Statement of Newness and Distinctiveness: **Nil**



(21) Design Number: **11993/2014**  
(22) Date of Filing Application: **24 April 2014**  
(24) Date from which industrial property rights may have effect: **24 April 2014**  
(54) Product in respect of which the design is registered: **Light bulbs**  
(51) International Design Classification: **26-04**  
(74) Name(s) of Attorney(s):  
(71) Name(s) and Address(s) of Applicant(s):  
**Aurora Limited**  
**16 Alban Park Hatfield Road St Albans Hertfordshire AL4 0JJ United Kingdom**  
(72) Name(s) of Designer(s): **Andrew Johnson**  
(45) Registration Date: **16 May 2014**  
(30) Convention priority data:  
(31) Number (32) Date (33) Country  
**082148 24 Oct 2013 WORLD INTELLECTUAL PROPERTY ORGANIZATION (WIPO)**  
(56) Related Art Documents: **Not Applicable**  
(57) Statement of Newness and Distinctiveness: **Nil**



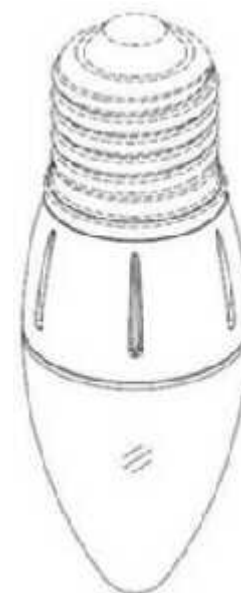
(21) Design Number: **11994/2014**  
(22) Date of Filing Application: **24 April 2014**  
(24) Date from which industrial property rights may have effect: **24 April 2014**  
(54) Product in respect of which the design is registered: **Light bulbs**  
(51) International Design Classification: **26-04**  
(74) Name(s) of Attorney(s):  
(71) Name(s) and Address(s) of Applicant(s):  
**Aurora Limited**  
**16 Alban Park Hatfield Road St Albans Hertfordshire AL4 0JJ United Kingdom**  
(72) Name(s) of Designer(s): **Andrew Johnson**  
(45) Registration Date: **16 May 2014**  
(30) Convention priority data:  
(31) Number (32) Date (33) Country  
**082148 24 Oct 2013 WORLD INTELLECTUAL PROPERTY ORGANIZATION (WIPO)**  
(56) Related Art Documents: **Not Applicable**  
(57) Statement of Newness and Distinctiveness: **Nil**



(21) Design Number: **11995/2014**  
(22) Date of Filing Application: **24 April 2014**  
(24) Date from which industrial property rights may have effect: **24 April 2014**  
(54) Product in respect of which the design is registered: **Light bulbs**  
(51) International Design Classification: **26-04**  
(74) Name(s) of Attorney(s):  
(71) Name(s) and Address(s) of Applicant(s):  
**Aurora Limited**  
**16 Alban Park Hatfield Road St Albans Hertfordshire AL4 0JJ United Kingdom**  
(72) Name(s) of Designer(s): **Andrew Johnson**  
(45) Registration Date: **16 May 2014**  
(30) Convention priority data:  
(31) Number (32) Date (33) Country  
**082148 24 Oct 2013 WORLD INTELLECTUAL PROPERTY ORGANIZATION (WIPO)**  
(56) Related Art Documents: **Not Applicable**  
(57) Statement of Newness and Distinctiveness: **Nil**



(21) Design Number: **11996/2014**  
(22) Date of Filing Application: **24 April 2014**  
(24) Date from which industrial property rights may have effect: **24 April 2014**  
(54) Product in respect of which the design is registered: **Light bulbs**  
(51) International Design Classification: **26-04**  
(74) Name(s) of Attorney(s):  
(71) Name(s) and Address(s) of Applicant(s):  
**Aurora Limited**  
**16 Alban Park Hatfield Road St Albans Hertfordshire AL4 0JJ United Kingdom**  
(72) Name(s) of Designer(s): **Andrew Johnson**  
(45) Registration Date: **16 May 2014**  
(30) Convention priority data:  
(31) Number (32) Date (33) Country  
**082148 24 Oct 2013 WORLD INTELLECTUAL PROPERTY ORGANIZATION (WIPO)**  
(56) Related Art Documents: **Not Applicable**  
(57) Statement of Newness and Distinctiveness: **Nil**



(21) Design Number: **11987/2014**  
(22) Date of Filing Application: **24 April 2014**  
(24) Date from which industrial property rights may have effect: **24 April 2014**  
(54) Product in respect of which the design is registered: **Cover for container**  
(51) International Design Classification: **07-01NES, 09-07NES**  
(74) Name(s) of Attorney(s): **PHILLIPS ORMONDE FITZPATRICK**  
(71) Name(s) and Address(s) of Applicant(s):  
**Dart Industries Inc.**  
**14901 S. Orange Blossom Trail Orlando Florida 32837 United States of America**  
(72) Name(s) of Designer(s): **Julie L Yessin and Jan-Hendrik de Groote**  
(45) Registration Date: **16 May 2014**  
(30) Convention priority data:  
(31) Number (32) Date (33) Country  
**29/473,364 21 Nov 2013 UNITED STATES OF AMERICA**  
(56) Related Art Documents: **Not Applicable**  
(57) Statement of Newness and Distinctiveness: **Those features of the container cover depicted in the representations that are new and distinctive are the shape and/or configuration.**



(21) Design Number: **11997/2014**

(22) Date of Filing Application: **24 April 2014**

(24) Date from which industrial property rights may have effect: **24 April 2014**

(54) Product in respect of which the design is registered: **Light bulbs**

(51) International Design Classification: **26-04**

(74) Name(s) of Attorney(s):

(71) Name(s) and Address(s) of Applicant(s):

**Aurora Limited**

**16 Alban Park Hatfield Road St Albans Hertfordshire AL4 0JJ United Kingdom**

(72) Name(s) of Designer(s): **Andrew Johnson**

(45) Registration Date: **16 May 2014**

(30) Convention priority data:

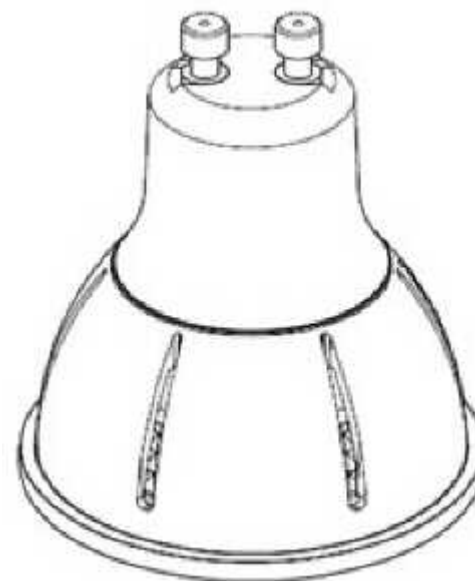
(31) Number  
**082148**

(32) Date  
**24 Oct 2013**

(33) Country  
**WORLD INTELLECTUAL  
PROPERTY ORGANIZATION  
(WIPO)**

(56) Related Art Documents: **Not Applicable**

(57) Statement of Newness and Distinctiveness: **Nil**



(21) Design Number: **11998/2014**

(22) Date of Filing Application: **24 April 2014**

(24) Date from which industrial property rights may have effect: **24 April 2014**

(54) Product in respect of which the design is registered: **Light bulbs**

(51) International Design Classification: **26-04**

(74) Name(s) of Attorney(s):

(71) Name(s) and Address(s) of Applicant(s):

**Aurora Limited**

**16 Alban Park Hatfield Road St Albans Hertfordshire AL4 0JJ United Kingdom**

(72) Name(s) of Designer(s): **Andrew Johnson**

(45) Registration Date: **16 May 2014**

(30) Convention priority data:

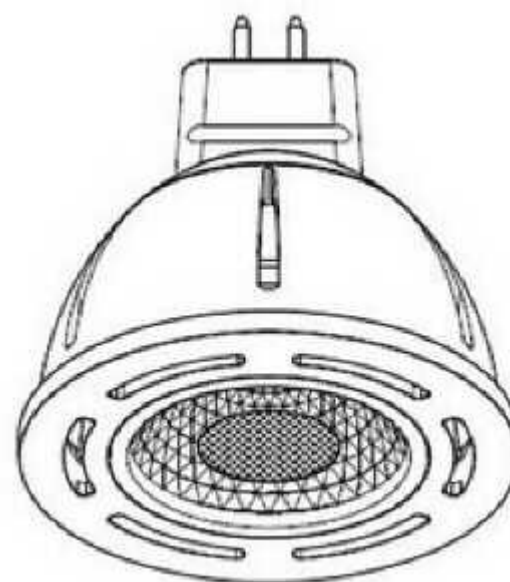
(31) Number  
**082148**

(32) Date  
**24 Oct 2013**

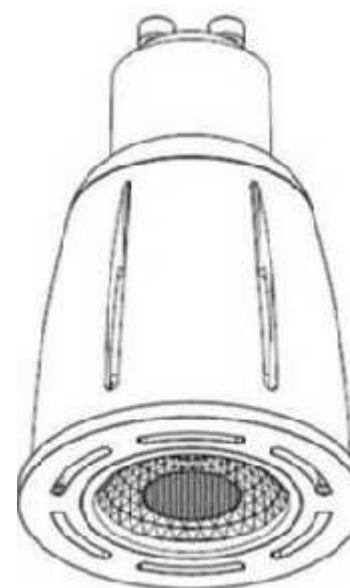
(33) Country  
**WORLD INTELLECTUAL  
PROPERTY ORGANIZATION  
(WIPO)**

(56) Related Art Documents: **Not Applicable**

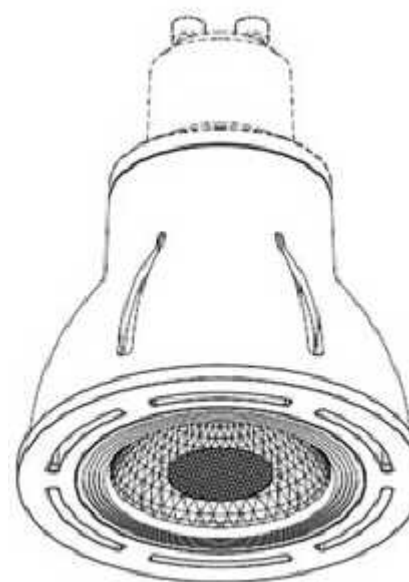
(57) Statement of Newness and Distinctiveness: **Nil**



(21) Design Number: **11999/2014**  
(22) Date of Filing Application: **24 April 2014**  
(24) Date from which industrial property rights may have effect: **24 April 2014**  
(54) Product in respect of which the design is registered: **Light bulbs**  
(51) International Design Classification: **26-04**  
(74) Name(s) of Attorney(s):  
(71) Name(s) and Address(s) of Applicant(s):  
**Aurora Limited**  
**16 Alban Park Hatfield Road St Albans Hertfordshire AL4 0JJ United Kingdom**  
(72) Name(s) of Designer(s): **Andrew Johnson**  
(45) Registration Date: **16 May 2014**  
(30) Convention priority data:  
(31) Number      (32) Date      (33) Country  
**082148      24 Oct 2013      WORLD INTELLECTUAL PROPERTY ORGANIZATION (WIPO)**  
(56) Related Art Documents: **Not Applicable**  
(57) Statement of Newness and Distinctiveness: **Nil**



(21) Design Number: **12000/2014**  
(22) Date of Filing Application: **24 April 2014**  
(24) Date from which industrial property rights may have effect: **24 April 2014**  
(54) Product in respect of which the design is registered: **Light bulbs**  
(51) International Design Classification: **26-04**  
(74) Name(s) of Attorney(s):  
(71) Name(s) and Address(s) of Applicant(s):  
**Aurora Limited**  
**16 Alban Park Hatfield Road St Albans Hertfordshire AL4 0JJ United Kingdom**  
(72) Name(s) of Designer(s): **Andrew Johnson**  
(45) Registration Date: **16 May 2014**  
(30) Convention priority data:  
(31) Number      (32) Date      (33) Country  
**082148      24 Oct 2013      WORLD INTELLECTUAL PROPERTY ORGANIZATION (WIPO)**  
(56) Related Art Documents: **Not Applicable**  
(57) Statement of Newness and Distinctiveness: **Nil**



(21) Design Number: **12001/2014**  
 (22) Date of Filing Application: **24 April 2014**  
 (24) Date from which industrial property rights may have effect: **24 April 2014**  
 (54) Product in respect of which the design is registered: **Light bulbs**  
 (51) International Design Classification: **26-04**  
 (74) Name(s) of Attorney(s):  
 (71) Name(s) and Address(s) of Applicant(s):  
**Aurora Limited**  
**16 Alban Park Hatfield Road St Albans Hertfordshire AL4 0JJ United Kingdom**



(72) Name(s) of Designer(s): **Andrew Johnson**  
 (45) Registration Date: **16 May 2014**  
 (30) Convention priority data:  
 (31) Number **082148**      (32) Date **24 Oct 2013**      (33) Country **WORLD INTELLECTUAL PROPERTY ORGANIZATION (WIPO)**  
 (56) Related Art Documents: **Not Applicable**  
 (57) Statement of Newness and Distinctiveness: **Nil**

(21) Design Number: **12002/2014**  
 (22) Date of Filing Application: **24 April 2014**  
 (24) Date from which industrial property rights may have effect: **24 April 2014**  
 (54) Product in respect of which the design is registered: **Light bulbs**  
 (51) International Design Classification: **26-04**  
 (74) Name(s) of Attorney(s):  
 (71) Name(s) and Address(s) of Applicant(s):  
**Aurora Limited**  
**16 Alban Park Hatfield Road St Albans Hertfordshire AL4 0JJ United Kingdom**



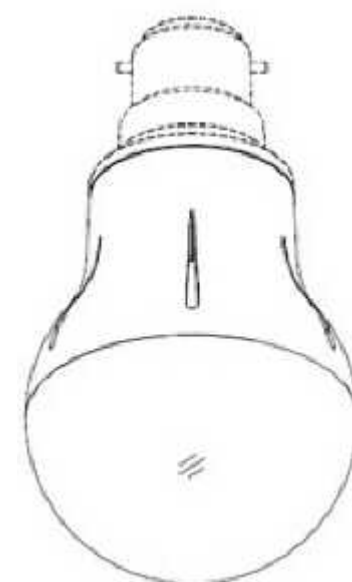
(72) Name(s) of Designer(s): **Andrew Johnson**  
 (45) Registration Date: **16 May 2014**  
 (30) Convention priority data:  
 (31) Number **082148**      (32) Date **24 Oct 2013**      (33) Country **WORLD INTELLECTUAL PROPERTY ORGANIZATION (WIPO)**  
 (56) Related Art Documents: **Not Applicable**  
 (57) Statement of Newness and Distinctiveness: **Nil**

(21) Design Number: **12003/2014**  
(22) Date of Filing Application: **24 April 2014**  
(24) Date from which industrial property rights may have effect: **24 April 2014**  
(54) Product in respect of which the design is registered: **Light bulbs**  
(51) International Design Classification: **26-04**  
(74) Name(s) of Attorney(s):  
(71) Name(s) and Address(s) of Applicant(s):  
**Aurora Limited**  
**16 Alban Park Hatfield Road St Albans Hertfordshire AL4 0JJ United Kingdom**  
(72) Name(s) of Designer(s): **Andrew Johnson**  
(45) Registration Date: **16 May 2014**  
(30) Convention priority data:  
(31) Number      (32) Date      (33) Country  
**082148          24 Oct 2013      WORLD INTELLECTUAL PROPERTY ORGANIZATION (WIPO)**



(56) Related Art Documents: **Not Applicable**  
(57) Statement of Newness and Distinctiveness: **Nil**

(21) Design Number: **12004/2014**  
(22) Date of Filing Application: **24 April 2014**  
(24) Date from which industrial property rights may have effect: **24 April 2014**  
(54) Product in respect of which the design is registered: **Light bulbs**  
(51) International Design Classification: **26-04**  
(74) Name(s) of Attorney(s):  
(71) Name(s) and Address(s) of Applicant(s):  
**Aurora Limited**  
**16 Alban Park Hatfield Road St Albans Hertfordshire AL4 0JJ United Kingdom**  
(72) Name(s) of Designer(s): **Andrew Johnson**  
(45) Registration Date: **16 May 2014**  
(30) Convention priority data:  
(31) Number      (32) Date      (33) Country  
**082148          24 Oct 2013      WORLD INTELLECTUAL PROPERTY ORGANIZATION (WIPO)**



(56) Related Art Documents: **Not Applicable**  
(57) Statement of Newness and Distinctiveness: **Nil**

- (21) Design Number: **12012/2014**  
(22) Date of Filing Application: **28 April 2014**  
(24) Date from which industrial property rights may have effect: **28 April 2014**  
(54) Product in respect of which the design is registered: **Powerboard**  
(51) International Design Classification: **13-03D**  
(74) Name(s) of Attorney(s):  
(71) Name(s) and Address(s) of Applicant(s):

**Yuliang Gu**  
**807/7 Keats Ave Rockdale NSW 2216 Australia**  
**T-CAP INNOVATION PTY LTD**  
**PO BOX 7340 Alexandria NSW 2015 Australia**

- (72) Name(s) of Designer(s): **Yuliang Gu**  
(45) Registration Date: **16 May 2014**  
(56) Related Art Documents: **Not Applicable**  
(57) Statement of Newness and Distinctiveness: **The newness and distinctiveness of the design resides in the function of the powerboard as it can rotate up to 180 degree in order to fit all the plugs in one powerboard, and the rotate part is different from the other powerboard in the market.**



- (21) Design Number: **12013/2014**  
(22) Date of Filing Application: **28 April 2014**  
(24) Date from which industrial property rights may have effect: **28 April 2014**  
(54) Product in respect of which the design is registered: **Post box**  
(51) International Design Classification: **25-03**  
(74) Name(s) of Attorney(s):  
(71) Name(s) and Address(s) of Applicant(s):

**Dylan James Lake**  
**17 The Rise Glen Waverley VIC 3150 Australia**

- (72) Name(s) of Designer(s): **Dylan James Lake**  
(45) Registration Date: **16 May 2014**  
(56) Related Art Documents: **Not Applicable**  
(57) Statement of Newness and Distinctiveness: **The newness and distinctiveness of the design resides in the shape and/or configuration of a letterbox shown in the representations.**



(21) Design Number: **12014/2014**

(22) Date of Filing Application: **28 April 2014**

(24) Date from which industrial property rights may have effect: **28 April 2014**

(54) Product in respect of which the design is registered: **Post box**

(51) International Design Classification: **25-03**

(74) Name(s) of Attorney(s):

(71) Name(s) and Address(s) of Applicant(s):

**Dylan James Lake**

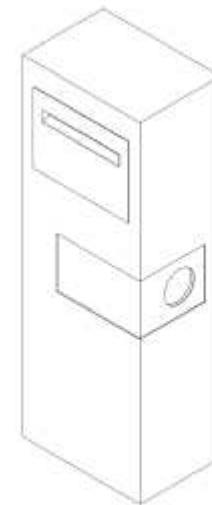
**17 The Rise Glen Waverley VIC 3150 Australia**

(72) Name(s) of Designer(s): **Dylan James Lake**

(45) Registration Date: **16 May 2014**

(56) Related Art Documents: **Not Applicable**

(57) Statement of Newness and Distinctiveness: **The newness and distinctiveness of the design resides in the shape and/or configuration of a letterbox shown in the representations.**



(21) Design Number: **12015/2014**

(22) Date of Filing Application: **28 April 2014**

(24) Date from which industrial property rights may have effect: **28 April 2014**

(54) Product in respect of which the design is registered: **Post box**

(51) International Design Classification: **25-03**

(74) Name(s) of Attorney(s):

(71) Name(s) and Address(s) of Applicant(s):

**Dylan James Lake**

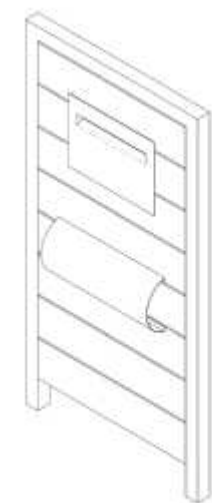
**17 The Rise Glen Waverley VIC 3150 Australia**

(72) Name(s) of Designer(s): **Dylan James Lake**

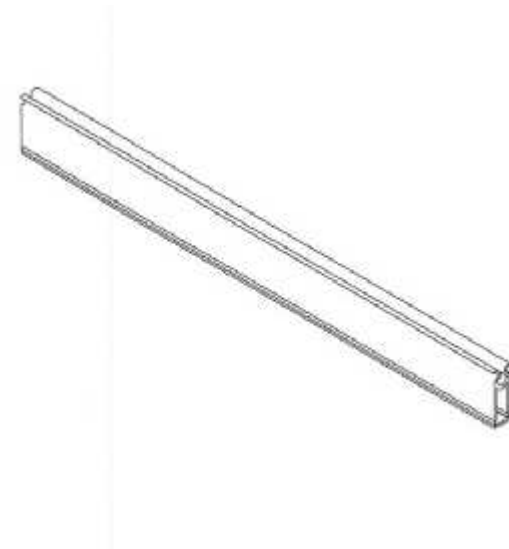
(45) Registration Date: **16 May 2014**

(56) Related Art Documents: **Not Applicable**

(57) Statement of Newness and Distinctiveness: **The newness and distinctiveness of the design resides in the shape and/or configuration of a letterbox shown in the representations.**



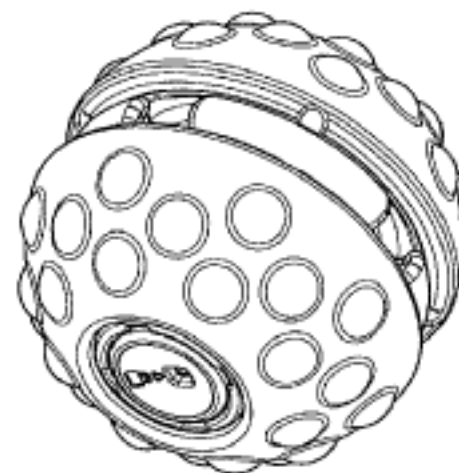
(21) Design Number: **12020/2014**  
(22) Date of Filing Application: **28 April 2014**  
(24) Date from which industrial property rights may have effect: **28 April 2014**  
(54) Product in respect of which the design is registered: **Extrusion**  
(51) International Design Classification: **25-01K**  
(74) Name(s) of Attorney(s):  
(71) Name(s) and Address(s) of Applicant(s):  
**Jorgenson-Watts Pty Ltd**  
**10 Ross St South Melbourne VIC 3205 Australia**  
(72) Name(s) of Designer(s): **John Russell Watts**  
(45) Registration Date: **16 May 2014**  
(56) Related Art Documents: **Not Applicable**  
(57) Statement of Newness and Distinctiveness: **Nil**



(21) Design Number: **12021/2014**  
(22) Date of Filing Application: **28 April 2014**  
(24) Date from which industrial property rights may have effect: **28 April 2014**  
(54) Product in respect of which the design is registered: **Speaker**  
(51) International Design Classification: **14-01**  
(74) Name(s) of Attorney(s):  
(71) Name(s) and Address(s) of Applicant(s):  
**Littlebigsound Pte Ltd**  
**25 Tagore Lane #02-06 Singapore Godown 787602 Singapore**  
(72) Name(s) of Designer(s): **Chin Kwang Chong**  
(45) Registration Date: **16 May 2014**  
(56) Related Art Documents: **Not Applicable**  
(57) Statement of Newness and Distinctiveness: **The feature of the design for which novelty is claimed is the shape, configuration, pattern and ornament of the article shown in the representation.**



(21) Design Number: **12022/2014**  
(22) Date of Filing Application: **28 April 2014**  
(24) Date from which industrial property rights may have effect: **28 April 2014**  
(54) Product in respect of which the design is registered: **Animal toy**  
(51) International Design Classification: **30-99**  
(74) Name(s) of Attorney(s): **Madderns**  
(71) Name(s) and Address(s) of Applicant(s):  
**My Clever Dog Pty Ltd**  
**24 Roslyn St Largs Bay SA 5016 Australia**  
(72) Name(s) of Designer(s): **Justin Anthony Daley and George Giles Campbell**  
(45) Registration Date: **16 May 2014**  
(56) Related Art Documents: **Not Applicable**  
(57) Statement of Newness and Distinctiveness: **Nil**



(21) Design Number: **12023/2014**  
(22) Date of Filing Application: **28 April 2014**  
(24) Date from which industrial property rights may have effect: **28 April 2014**  
(54) Product in respect of which the design is registered: **Wristwatch**  
(51) International Design Classification: **10-02**  
(74) Name(s) of Attorney(s): **WATERMARK PATENT AND TRADE MARKS ATTORNEYS**  
(71) Name(s) and Address(s) of Applicant(s):  
**OMEGA SA (OMEGA AG) (OMEGA LTD.)**  
**Jakob-Stampfli-Strasse 96 Biel/Bienne 2502 Switzerland**  
(72) Name(s) of Designer(s): **Jean-Claude Monachon**  
(45) Registration Date: **16 May 2014**  
(30) Convention priority data:  
(31) Number (32) Date (33) Country  
**DM/082 172 08 Nov 2013 WORLD INTELLECTUAL PROPERTY ORGANIZATION (WIPO)**  
(56) Related Art Documents: **Not Applicable**  
(57) Statement of Newness and Distinctiveness: **Nil**



(21) Design Number: **12024/2014**  
(22) Date of Filing Application: **28 April 2014**  
(24) Date from which industrial property rights may have effect: **28 April 2014**  
(54) Product in respect of which the design is registered: **Public notice signage**  
(51) International Design Classification: **20-03NES, 20-03C**  
(74) Name(s) of Attorney(s): **Sandercock & Cowie**  
(71) Name(s) and Address(s) of Applicant(s):  
**Lee Wilson**  
**PO BOX 8620 Carrum Downs VIC 3201 Australia**  
(72) Name(s) of Designer(s): **Lee Wilson**  
(45) Registration Date: **16 May 2014**  
(56) Related Art Documents: **Not Applicable**  
(57) Statement of Newness and Distinctiveness: **Newness and distinctiveness reside in the shape and configuration of the character as shown in the accompanying representation.**



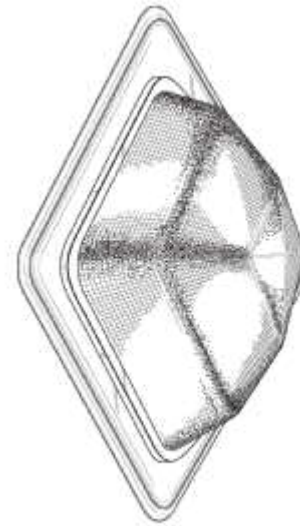
(21) Design Number: **12025/2014**  
(22) Date of Filing Application: **28 April 2014**  
(24) Date from which industrial property rights may have effect: **28 April 2014**  
(54) Product in respect of which the design is registered: **Eyewear article having side shield retainers**  
(51) International Design Classification: **16-06**  
(74) Name(s) of Attorney(s): **Freehills Patent Attorneys**  
(71) Name(s) and Address(s) of Applicant(s):  
**3M Innovative Properties Company**  
**3M Center Saint Paul Minnesota 55133-3427 United States of America**  
(72) Name(s) of Designer(s): **Laurent Froissard and Dana Reeves Dixon**  
(45) Registration Date: **16 May 2014**  
(30) Convention priority data:  

(31) Number	(32) Date	(33) Country
<b>29/471410</b>	<b>31 Oct 2013</b>	<b>UNITED STATES OF AMERICA</b>

  
(56) Related Art Documents: **Not Applicable**  
(57) Statement of Newness and Distinctiveness: **Newness and distinctiveness of the design resides in the shape and configuration of the eyewear article having side shield retainers as shown in solid outline and contour lines in the accompanying representations.**



- (21) Design Number: **12026/2014**  
(22) Date of Filing Application: **28 April 2014**  
(24) Date from which industrial property rights may have effect: **24 March 2014**  
(54) Product in respect of which the design is registered: **Lighting**  
(51) International Design Classification: **26-05C, 26-05D**  
(74) Name(s) of Attorney(s): **Pizzeys**  
(71) Name(s) and Address(s) of Applicant(s):  
**LSI Industries, Inc.**  
**10000 Alliance Rd Cincinnati OH 45242 United States of America**  
(72) Name(s) of Designer(s): **John D Boyer and Daniel Hutchens and Eric Jon Mooar**  
(45) Registration Date: **16 May 2014**  
(62) Divisional of: **355292**  
(56) Related Art Documents: **Not Applicable**  
(57) Statement of Newness and Distinctiveness: **Nil**



- (21) Design Number: **14483/2013**  
(22) Date of Filing Application: **10 September 2013**  
(24) Date from which industrial property rights may have effect: **10 September 2013**  
(54) Product in respect of which the design is registered: **Chocolate tablet label**  
(51) International Design Classification: **01-01, 19-08**  
(74) Name(s) of Attorney(s): **Banki Haddock Fiora**  
(71) Name(s) and Address(s) of Applicant(s):  
**Societe des Produits Nestle S.A.**  
**Vevey Canton of Vaud 1800 Switzerland**  
(72) Name(s) of Designer(s): **Louis Collinet**  
(45) Registration Date: **16 May 2014**  
(56) Related Art Documents: **Not Applicable**  
(57) Statement of Newness and Distinctiveness: **The visual features of the chocolate tablet label depicted in the representation that are new and distinctive are the pattern and/or ornamentation and shape and/or configuration. The pattern and/or ornamentation of the label can be in colour, but is not restricted to a particular colour or colours. The position and relative size of the features of pattern and ornamentation of the label are illustrative only. The chocolate tablet is not part of the design and should be disregarded when considering the overall impression of the design.**



- (21) Design Number: **14484/2013**  
(22) Date of Filing Application: **10 September 2013**  
(24) Date from which industrial property rights may have effect: **10 September 2013**  
(54) Product in respect of which the design is registered: **Chocolate tablet label**  
(51) International Design Classification: **01-01, 19-08**  
(74) Name(s) of Attorney(s): **Banki Haddock Fiora**  
(71) Name(s) and Address(s) of Applicant(s):  
**Societe des Produits Nestle S.A.**  
**Vevey Canton of Vaud 1800 Switzerland**  
(72) Name(s) of Designer(s): **Louis Collinet**  
(45) Registration Date: **16 May 2014**  
(56) Related Art Documents: **Not Applicable**  
(57) Statement of Newness and Distinctiveness: **The visual features of the chocolate tablet label depicted in the representation that are new and distinctive are the pattern and/or ornamentation and shape and/or configuration. The pattern and/or ornamentation of the label can be in colour, but is not restricted to a particular colour or colours. The position and relative size of the features of pattern and ornamentation of the label are illustrative only. The chocolate tablet is not part of the design and should be disregarded when considering the overall impression of the design.**



- (21) Design Number: **14485/2013**  
(22) Date of Filing Application: **10 September 2013**  
(24) Date from which industrial property rights may have effect: **10 September 2013**  
(54) Product in respect of which the design is registered: **Chocolate tablet label**  
(51) International Design Classification: **01-01, 19-08**  
(74) Name(s) of Attorney(s): **Banki Haddock Fiora**  
(71) Name(s) and Address(s) of Applicant(s):  
**Societe des Produits Nestle S.A.**  
**Vevey Canton of Vaud 1800 Switzerland**  
(72) Name(s) of Designer(s): **Louis Collinet**  
(45) Registration Date: **16 May 2014**  
(56) Related Art Documents: **Not Applicable**  
(57) Statement of Newness and Distinctiveness: **The visual features of the chocolate tablet label depicted in the representation that are new and distinctive are the pattern and/or ornamentation and shape and/or configuration. The pattern and/or ornamentation of the label can be in colour, but is not restricted to a particular colour or colours. The position and relative size of the features of pattern and ornamentation of the label are illustrative only. The chocolate tablet is not part of the design and should be disregarded when considering the overall impression of the design.**



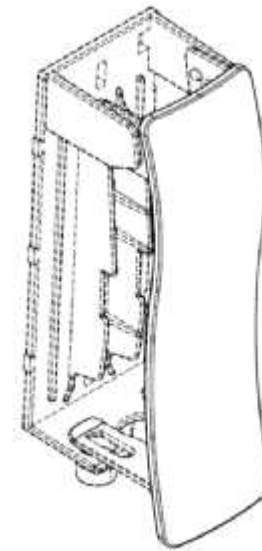
- (21) Design Number: **14486/2013**  
(22) Date of Filing Application: **10 September 2013**  
(24) Date from which industrial property rights may have effect: **10 September 2013**  
(54) Product in respect of which the design is registered: **Chocolate tablet label**  
(51) International Design Classification: **01-01, 19-08**  
(74) Name(s) of Attorney(s): **Banki Haddock Fiora**  
(71) Name(s) and Address(s) of Applicant(s):  
**Societe des Produits Nestle S.A.**  
**Vevey Canton of Vaud 1800 Switzerland**  
(72) Name(s) of Designer(s): **Louis Collinet**  
(45) Registration Date: **16 May 2014**  
(56) Related Art Documents: **Not Applicable**  
(57) Statement of Newness and Distinctiveness: **The visual features of the chocolate tablet label depicted in the representation that are new and distinctive are the pattern and/or ornamentation and shape and/or configuration. The pattern and/or ornamentation of the label can be in colour, but is not restricted to a particular colour or colours. The position and relative size of the features of pattern and ornamentation of the label are illustrative only. The chocolate tablet is not part of the design and should be disregarded when considering the overall impression of the design.**



- (21) Design Number: **14487/2013**  
(22) Date of Filing Application: **10 September 2013**  
(24) Date from which industrial property rights may have effect: **10 September 2013**  
(54) Product in respect of which the design is registered: **Chocolate tablet label**  
(51) International Design Classification: **01-01, 19-08**  
(74) Name(s) of Attorney(s): **Banki Haddock Fiora**  
(71) Name(s) and Address(s) of Applicant(s):  
**Societe des Produits Nestle S.A.**  
**Vevey Canton of Vaud 1800 Switzerland**  
(72) Name(s) of Designer(s): **Louis Collinet**  
(45) Registration Date: **16 May 2014**  
(56) Related Art Documents: **Not Applicable**  
(57) Statement of Newness and Distinctiveness: **The visual features of the chocolate tablet label depicted in the representation that are new and distinctive are the pattern and/or ornamentation and shape and/or configuration. The pattern and/or ornamentation of the label can be in colour, but is not restricted to a particular colour or colours. The position and relative size of the features of pattern and ornamentation of the label are illustrative only. The chocolate tablet is not part of the design and should be disregarded when considering the overall impression of the design.**



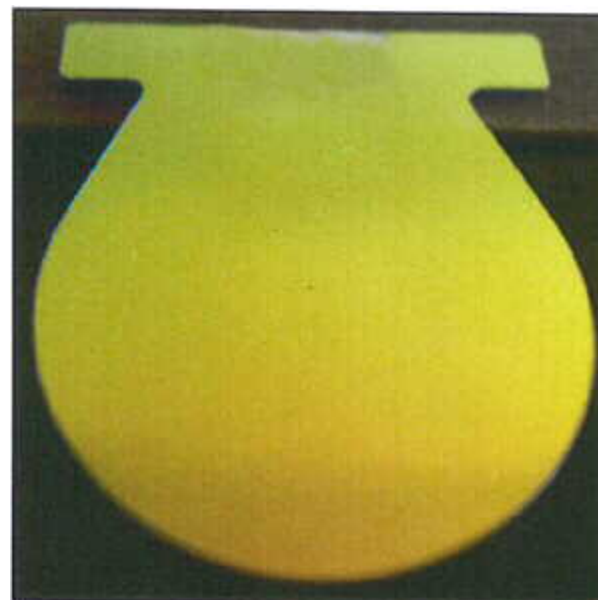
- (21) Design Number: **15568/2013**  
(22) Date of Filing Application: **30 October 2013**  
(24) Date from which industrial property rights may have effect: **30 October 2013**  
(54) Product in respect of which the design is registered: **Dispenser**  
(51) International Design Classification: **23-02A**  
(74) Name(s) of Attorney(s):  
(71) Name(s) and Address(s) of Applicant(s):  
**DERICA PTY LIMITED**  
**21 Brown St Smithfield NSW 2164 Australia**  
(72) Name(s) of Designer(s): **Cedric Meent Borchers**  
(45) Registration Date: **16 May 2014**  
(56) Related Art Documents: **Not Applicable**  
(57) Statement of Newness and Distinctiveness: **Newness and distinctiveness resides in the overall shape and configuration of the features shown in solid lines in the representations.**



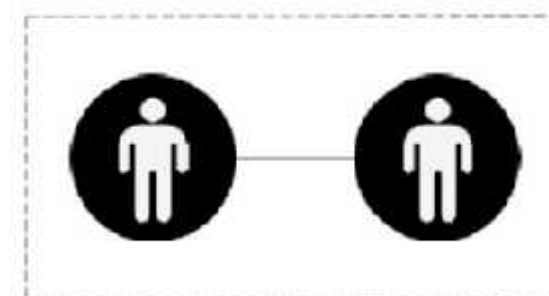
- (21) Design Number: **10114/2014**  
(22) Date of Filing Application: **13 January 2014**  
(24) Date from which industrial property rights may have effect: **13 January 2014**  
(54) Product in respect of which the design is registered: **A balloon powered boat**  
(51) International Design Classification: **21-01C**  
(74) Name(s) of Attorney(s):  
(71) Name(s) and Address(s) of Applicant(s):  
**Douglas Graham Lockyer**  
**43 Roy Rd MANDURAH WA 6210**  
**Lana Louise Lockyer**  
**43 Roy Rd MANDURAH WA 6210**  
(72) Name(s) of Designer(s): **Douglas Lockyer and Lana Lockyer**  
(45) Registration Date: **16 May 2014**  
(56) Related Art Documents: **Not Applicable**  
(57) Statement of Newness and Distinctiveness: **The newness and distinctiveness of the design resides in the shape of the hull of the boat which is designed to sit perfectly on the water, the distinctiveness of the design is also in the lowered deck, and the windscreen design. The most distinctive feature of this design is the unique balloon mounting system which transfers the air from the balloon to propel the boat, through a curved tube which is curved on an angle to give the best forward propulsion, the balloon mount attached to the tube gives to easy removal and replacement of a balloon.**



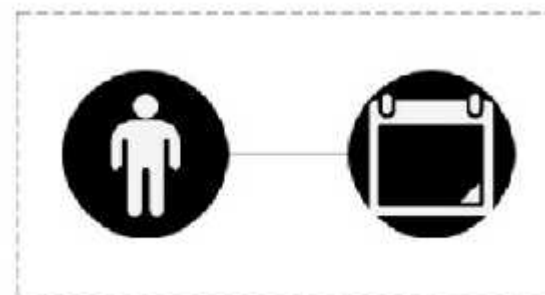
(21) Design Number: **10190/2014**  
(22) Date of Filing Application: **15 January 2014**  
(24) Date from which industrial property rights may have effect: **15 January 2014**  
(54) Product in respect of which the design is registered: **Exhalation valve flap**  
(51) International Design Classification: **29-02**  
(74) Name(s) of Attorney(s): **Freehills Patent Attorneys**  
(71) Name(s) and Address(s) of Applicant(s):  
**3M Innovative Properties Company**  
**3M Center Post Office Box 33427 Saint Paul Minnesota 55133-3427**  
**United States of America**  
(72) Name(s) of Designer(s): **Caroline Melkonian Ylitalo and Philip Gene Martin**  
(45) Registration Date: **16 May 2014**  
(30) Convention priority data:  
(31) Number (32) Date (33) Country  
**29/460794 15 Jul 2013 UNITED STATES OF AMERICA**  
(56) Related Art Documents: **Not Applicable**  
(57) Statement of Newness and Distinctiveness: **Newness and distinctiveness of the design resides in the ornamentation of the exhalation valve flap, specifically the visual feature of the valve flap exhibiting different colours when it is viewed: at a front view, as shown in Figure 2; and from a perspective view offset at an angle to the front view, as shown in Figure 1.**



(21) Design Number: **10443/2014**  
(22) Date of Filing Application: **31 January 2014**  
(24) Date from which industrial property rights may have effect: **31 January 2014**  
(54) Product in respect of which the design is registered: **Display screen**  
(51) International Design Classification: **14-02**  
(74) Name(s) of Attorney(s): **Davies Collison Cave**  
(71) Name(s) and Address(s) of Applicant(s):  
**Palantir Technologies, Inc.**  
**100 Hamilton Avenue Suite 300 Palo Alto California 94301 United States of America**  
(72) Name(s) of Designer(s): **Joshua Goldenberg and Alvin Thong and James Thompson**  
(45) Registration Date: **16 May 2014**  
(30) Convention priority data:  
(31) Number (32) Date (33) Country  
**29/462,366 01 Aug 2013 UNITED STATES OF AMERICA**  
(56) Related Art Documents: **Not Applicable**  
(57) Statement of Newness and Distinctiveness: **Newness and distinctiveness is claimed in the visual features shown in solid lines in the representations. In considering the extent of the design rights, the broken lines shown in the representations are for illustrative purposes only and do not form part of the design. The black of the circles and white of the icons within the black circles represent contrasting colours, and are not limited to black and white, or white and black respectively. For example, the circles may be coloured red (rather than black, as shown), and the icons within the circles may be coloured green (rather than white, as shown) All other colour combinations are also contemplated.**



(21) Design Number: **10444/2014**  
(22) Date of Filing Application: **31 January 2014**  
(24) Date from which industrial property rights may have effect: **31 January 2014**  
(54) Product in respect of which the design is registered: **Display screen**  
(51) International Design Classification: **14-02**  
(74) Name(s) of Attorney(s): **Davies Collison Cave**  
(71) Name(s) and Address(s) of Applicant(s):  
**Palantir Technologies, Inc.**  
**100 Hamilton Avenue Suite 300 Palo Alto California 94301 United States of America**



(72) Name(s) of Designer(s): **Joshua Goldenberg and Alvin Thong and James Thompson**

(45) Registration Date: **16 May 2014**

(30) Convention priority data:

(31) Number	(32) Date	(33) Country
<b>29/462,365</b>	<b>01 Aug 2013</b>	<b>UNITED STATES OF AMERICA</b>

(56) Related Art Documents: **Not Applicable**

(57) Statement of Newness and Distinctiveness: **Newness and distinctiveness is claimed in the visual features shown in solid lines in the representations. In considering the extent of the design rights, the broken lines shown in the representations are for illustrative purposes only and do not form part of the design. The black of the circles and white of the icons within the black circles represent contrasting colours, and are not limited to black and white, or white and black respectively. For example, the circles may be coloured red (rather than black, as shown), and the icons within the circles may be coloured green (rather than white, as shown) All other colour combinations are also contemplated.**

(21) Design Number: **12027/2014**  
(22) Date of Filing Application: **28 April 2014**  
(24) Date from which industrial property rights may have effect: **28 April 2014**  
(54) Product in respect of which the design is registered: **Refill container for a simulated cigarette**  
(51) International Design Classification: **27-99, 09-03A**  
(74) Name(s) of Attorney(s): **Griffith Hack**  
(71) Name(s) and Address(s) of Applicant(s):  
**Kind Consumer Limited**  
**79 Clerkenwell Road London EC1R 5AR United Kingdom**



(72) Name(s) of Designer(s): **Alex Hearn**

(45) Registration Date: **19 May 2014**

(30) Convention priority data:

(31) Number	(32) Date	(33) Country
<b>002334441</b>	<b>28 Oct 2013</b>	<b>OFFICE FOR HARMONISATION IN THE INTERNAL MARKET (OHIM)</b>

(56) Related Art Documents: **Not Applicable**

(57) Statement of Newness and Distinctiveness: **Nil**

(21) Design Number: **12036/2014**

(22) Date of Filing Application: **29 April 2014**

(24) Date from which industrial property rights may have effect: **29 April 2014**

(54) Product in respect of which the design is registered: **Anti-insect applicator**

(51) International Design Classification: **22-06**

(74) Name(s) of Attorney(s): **James & Wells**

(71) Name(s) and Address(s) of Applicant(s):

**Evergreen Land Limited**

**Unit 6 22/F Far East Consortium Building 121 Des Voeux Rd Central  
Hong Kong Island Hong Kong**

(72) Name(s) of Designer(s): **Olivier Partrat**

(45) Registration Date: **19 May 2014**

(30) Convention priority data:

(31) Number (32) Date  
**002335869-0001 30 Oct 2013**

(33) Country  
**OFFICE FOR HARMONISATION IN  
THE INTERNAL MARKET (OHIM)**

(56) Related Art Documents: **Not Applicable**

(57) Statement of Newness and Distinctiveness: **The design is to be applied to an anti-insect applicator, and the novelty resides in features of shape and configuration as shown in the accompanying representations.**



(21) Design Number: **12037/2014**

(22) Date of Filing Application: **29 April 2014**

(24) Date from which industrial property rights may have effect: **29 April 2014**

(54) Product in respect of which the design is registered: **Cargo organizer**

(51) International Design Classification: **12-16K**

(74) Name(s) of Attorney(s): **SPRUSON & FERGUSON**

(71) Name(s) and Address(s) of Applicant(s):

**MacNeil IP LLC**

**1 MacNeil Court, Bolingbrook Illinois, 60440 United States of America**

(72) Name(s) of Designer(s): **Allan R Thom and David S Iverson and David F MacNeil and Frederick W Masanek Jr**

(45) Registration Date: **19 May 2014**

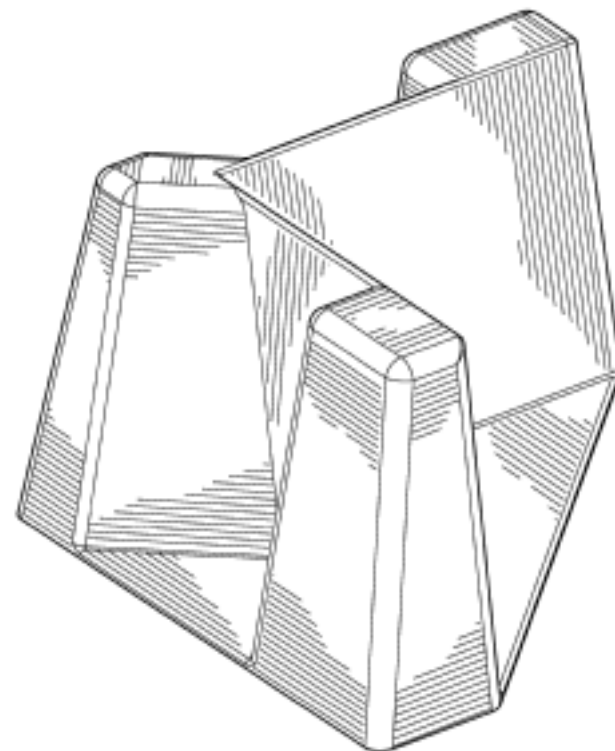
(30) Convention priority data:

(31) Number (32) Date  
**29/471508 01 Nov 2013**

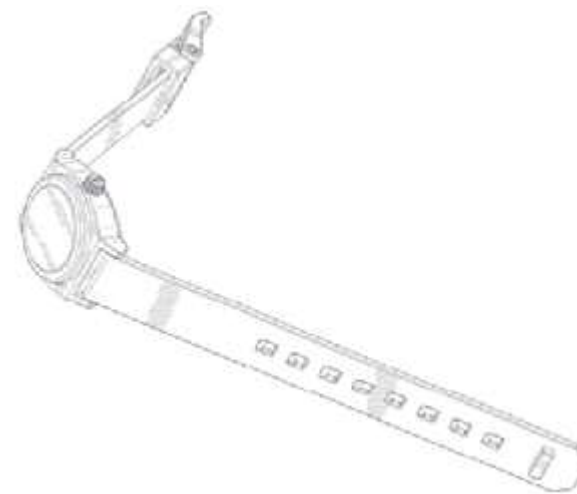
(33) Country  
**UNITED STATES OF AMERICA**

(56) Related Art Documents: **Not Applicable**

(57) Statement of Newness and Distinctiveness: **Newness and distinctiveness is claimed in the features of shape and/or configuration of three upstanding pillars of a cargo organizer as illustrated in continuous lines in the accompanying representations.**



(21) Design Number: **12038/2014**  
(22) Date of Filing Application: **29 April 2014**  
(24) Date from which industrial property rights may have effect: **29 April 2014**  
(54) Product in respect of which the design is registered: **Wrist watch**  
(51) International Design Classification: **10-02**  
(74) Name(s) of Attorney(s): **Cullens Patent and Trade Mark Attorneys**  
(71) Name(s) and Address(s) of Applicant(s):  
**Nixon, Inc.**  
**701 South Coast Highway Encinitas California 92024 United States of America**



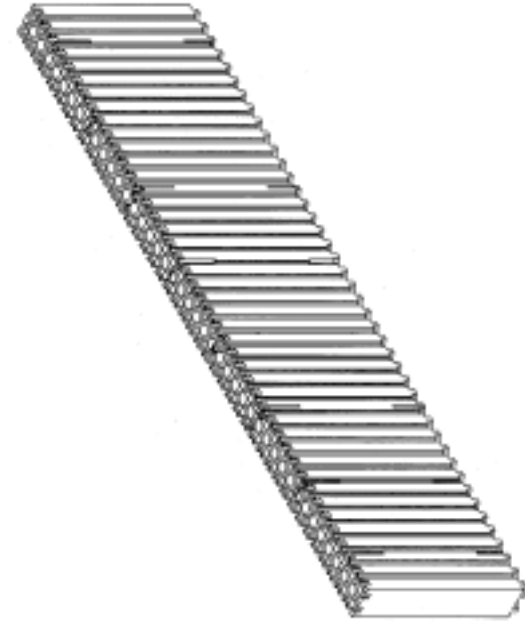
(72) Name(s) of Designer(s): **Myfanwy Bradbury**  
(45) Registration Date: **19 May 2014**  
(30) Convention priority data:  
(31) Number      (32) Date      (33) Country  
**29/471,169      29 Oct 2013      UNITED STATES OF AMERICA**  
(56) Related Art Documents: **Not Applicable**  
(57) Statement of Newness and Distinctiveness: **The new and distinctive features are the features of shape and configuration of a wrist watch as shown in the representations. The features shown in dashed lines in the representations show structural element in the environment of the design.**

(21) Design Number: **12039/2014**  
(22) Date of Filing Application: **29 April 2014**  
(24) Date from which industrial property rights may have effect: **29 April 2014**  
(54) Product in respect of which the design is registered: **A tyre**  
(51) International Design Classification: **12-15C**  
(74) Name(s) of Attorney(s): **WATERMARK PATENT AND TRADE MARKS ATTORNEYS**  
(71) Name(s) and Address(s) of Applicant(s):  
**Compagnie Generale Des Etablissements Michelin**  
**12 cours Sablon Clermont-Ferrand 63000 France**  
**Michelin Recherche et Technique S.A.**  
**Route Louis Braille 10 Granges-Paccot 1763 Switzerland**



(72) Name(s) of Designer(s): **Scott Cothran and Ronald Cress and Joseph A Stain and Maxime Rolland**  
(45) Registration Date: **19 May 2014**  
(30) Convention priority data:  
(31) Number      (32) Date      (33) Country  
**29/473,595      25 Nov 2013      UNITED STATES OF AMERICA**  
(56) Related Art Documents: **Not Applicable**  
(57) Statement of Newness and Distinctiveness: **Newness and distinctiveness resides in the appearance of the tread region of the tyre, the remainder of the tyre not forming part of the design.**

(21) Design Number: **12430/2014**  
(22) Date of Filing Application: **14 February 2014**  
(24) Date from which industrial property rights may have effect: **14 February 2014**  
(54) Product in respect of which the design is registered: **Building block**  
(51) International Design Classification: **25-01A**  
(74) Name(s) of Attorney(s):  
(71) Name(s) and Address(s) of Applicant(s):  
**Adam Hopkins**  
**28a Ednah St Como WA 6152 Australia**  
(72) Name(s) of Designer(s): **Adam Hopkins**  
(45) Registration Date: **13 May 2014**  
(56) Related Art Documents: **Not Applicable**  
(57) Statement of Newness and Distinctiveness: **Nil**



(21) Design Number: **15444/2013**  
(22) Date of Filing Application: **22 October 2013**  
(24) Date from which industrial property rights may have effect: **22 October 2013**  
(54) Product in respect of which the design is registered: **Articles of clothing**  
(51) International Design Classification: **02-02C**  
(74) Name(s) of Attorney(s):  
(71) Name(s) and Address(s) of Applicant(s):  
**Magi Enterprises Pty Ltd**  
**34 Garden St South Yarra VIC 3141 Australia**  
**Beba Enterprises Pty Ltd**  
**34 Garden St South Yarra VIC 3141 Australia**  
(72) Name(s) of Designer(s): **Robert Cromb**  
(45) Registration Date: **19 May 2014**  
(56) Related Art Documents: **Not Applicable**  
(57) Statement of Newness and Distinctiveness: **Nil**



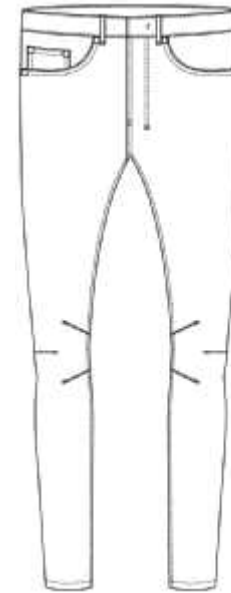
- (21) Design Number: **15463/2013**  
(22) Date of Filing Application: **25 October 2013**  
(24) Date from which industrial property rights may have effect: **25 October 2013**  
(54) Product in respect of which the design is registered: **A jacket**  
(51) International Design Classification: **02-02NES**  
(74) Name(s) of Attorney(s): **K&L Gates**  
(71) Name(s) and Address(s) of Applicant(s):  
**Fifty-Fourth Rischell Pty Ltd**  
**29 Simmons St South Yarra VIC 3141 Australia**  
(72) Name(s) of Designer(s): **Ty Henschke**  
(45) Registration Date: **19 May 2014**  
(56) Related Art Documents: **Not Applicable**  
(57) Statement of Newness and Distinctiveness: **Nil**



- (21) Design Number: **12095/2014**  
(22) Date of Filing Application: **25 October 2013**  
(24) Date from which industrial property rights may have effect: **25 October 2013**  
(54) Product in respect of which the design is registered: **A coat**  
(51) International Design Classification: **02-02NES**  
(74) Name(s) of Attorney(s): **K&L Gates**  
(71) Name(s) and Address(s) of Applicant(s):  
**Fifty-Fourth Rischell Pty Ltd**  
**29 Simmons St South Yarra VIC 3141 Australia**  
(72) Name(s) of Designer(s): **Ty Henschke**  
(45) Registration Date: **19 May 2014**  
(56) Related Art Documents: **Not Applicable**  
(57) Statement of Newness and Distinctiveness: **Nil**



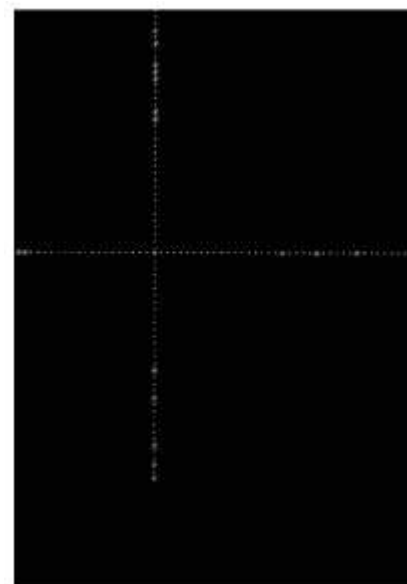
- (21) Design Number: **12096/2014**  
(22) Date of Filing Application: **25 October 2013**  
(24) Date from which industrial property rights may have effect: **25 October 2013**  
(54) Product in respect of which the design is registered: **A pair of jeans**  
(51) International Design Classification: **02-02C**  
(74) Name(s) of Attorney(s): **K&L Gates**  
(71) Name(s) and Address(s) of Applicant(s):  
**Fifty-Fourth Rischell Pty Ltd**  
**29 Simmons St South Yarra VIC 3141 Australia**  
(72) Name(s) of Designer(s): **Ty Henschke**  
(45) Registration Date: **19 May 2014**  
(56) Related Art Documents: **Not Applicable**  
(57) Statement of Newness and Distinctiveness: **The word CALIBRE as shown in the accompanying representations is not claimed as a visual feature of the design.**



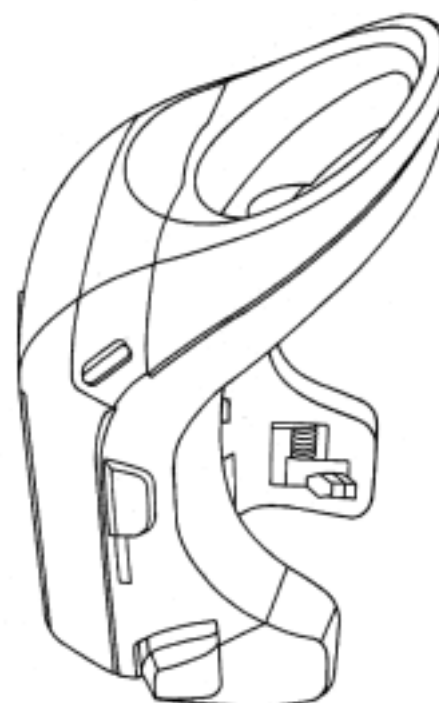
- (21) Design Number: **12097/2014**  
(22) Date of Filing Application: **25 October 2013**  
(24) Date from which industrial property rights may have effect: **25 October 2013**  
(54) Product in respect of which the design is registered: **A shirt**  
(51) International Design Classification: **02-02NES**  
(74) Name(s) of Attorney(s): **K&L Gates**  
(71) Name(s) and Address(s) of Applicant(s):  
**Fifty-Fourth Rischell Pty Ltd**  
**29 Simmons St South Yarra VIC 3141 Australia**  
(72) Name(s) of Designer(s): **Ty Henschke**  
(45) Registration Date: **19 May 2014**  
(56) Related Art Documents: **Not Applicable**  
(57) Statement of Newness and Distinctiveness: **The word CALIBRE as shown on the buttons in the accompanying representations is not claimed as a visual feature of the design.**



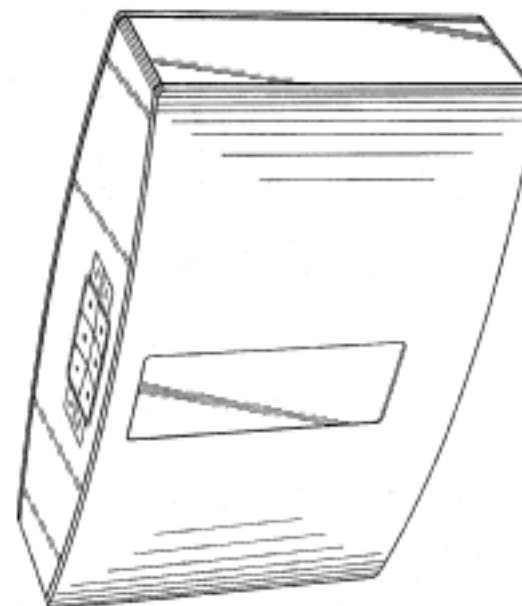
- (21) Design Number: **10436/2014**  
(22) Date of Filing Application: **28 January 2014**  
(24) Date from which industrial property rights may have effect: **28 January 2014**  
(54) Product in respect of which the design is registered: **Tartan cloth**  
(51) International Design Classification: **05-05D**  
(74) Name(s) of Attorney(s):  
(71) Name(s) and Address(s) of Applicant(s):  
**Kirsty Morris**  
**PO Box 412 Morphett Vale SA 5162 Australia**  
**Amanda Shirra**  
**10 Mott Tce Seacliff Park SA 5049 Australia**  
(72) Name(s) of Designer(s): **Kirsty Morris and Amanda Shirra**  
(45) Registration Date: **20 May 2014**  
(56) Related Art Documents: **Not Applicable**  
(57) Statement of Newness and Distinctiveness: **"Shirra" tartan registered with the scottish register of tartan. Registration number 10930. Thread count DB/80K64W/Z full count at pivots. Colour details K = Black W = Whites DB = Dark Blue.**



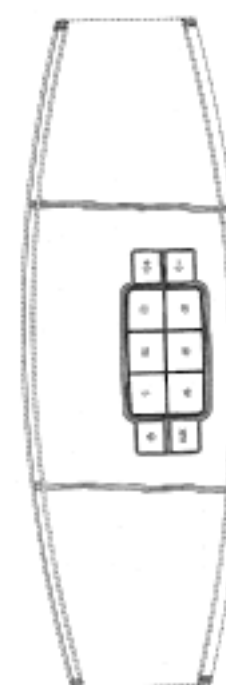
- (21) Design Number: **12133/2014**  
(22) Date of Filing Application: **24 April 2014**  
(24) Date from which industrial property rights may have effect: **24 April 2014**  
(54) Product in respect of which the design is registered: **Display for use with a pen type injection device**  
(51) International Design Classification: **24-02**  
(74) Name(s) of Attorney(s): **WATERMARK PATENT AND TRADE MARKS ATTORNEYS**  
(71) Name(s) and Address(s) of Applicant(s):  
**Sanofi-Aventis Deutschland GmbH**  
**Bruningstrasse 50 Frankfurt am Main 65929 Germany**  
(72) Name(s) of Designer(s): **Jan Mathis and Nik Pelzl**  
(45) Registration Date: **20 May 2014**  
(30) Convention priority data:  
(31) Number (32) Date (33) Country  
**002 286054 02 Aug 2013 EUROPEAN PATENT OFFICE (EPO)**  
(56) Related Art Documents: **Not Applicable**  
(57) Statement of Newness and Distinctiveness: **Nil**



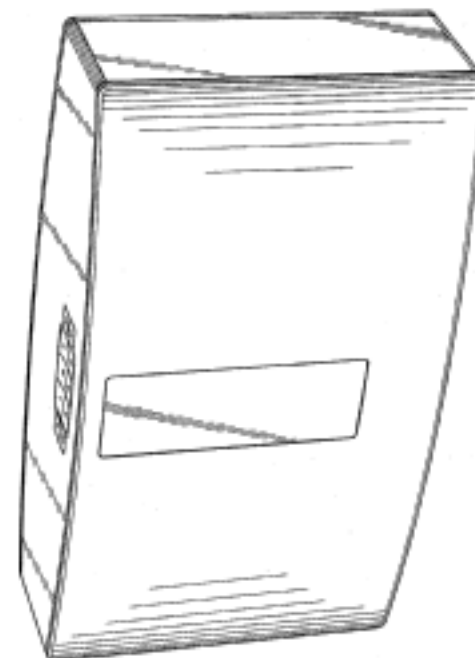
(21) Design Number: **12244/2014**  
(22) Date of Filing Application: **27 March 2014**  
(24) Date from which industrial property rights may have effect: **27 March 2014**  
(54) Product in respect of which the design is registered: **Audio system**  
(51) International Design Classification: **14-01**  
(74) Name(s) of Attorney(s): **PHILLIPS ORMONDE FITZPATRICK**  
(71) Name(s) and Address(s) of Applicant(s):  
**Bose Corporation**  
**The Mountain MS 3B1 Framingham Massachusetts 01701-9168 United States of America**  
(72) Name(s) of Designer(s): **Stuart Raymond Jang and David H Pitcher and Jay Pupecki and Seth N Green**  
(45) Registration Date: **20 May 2014**  
(30) Convention priority data:  
(31) Number (32) Date (33) Country  
**29/469,208 08 Oct 2013 UNITED STATES OF AMERICA**  
(56) Related Art Documents: **Not Applicable**  
(57) Statement of Newness and Distinctiveness: **Those features of the audio system depicted in the representations that are new and distinctive are the shape and/or configuration. The features shown in dotted lines are for illustrative purposes only and form no part of the claimed design. The numbers, words, and symbols shown in broken lines are not part of the design and are to be disregarded when considering the overall impression of the design.**



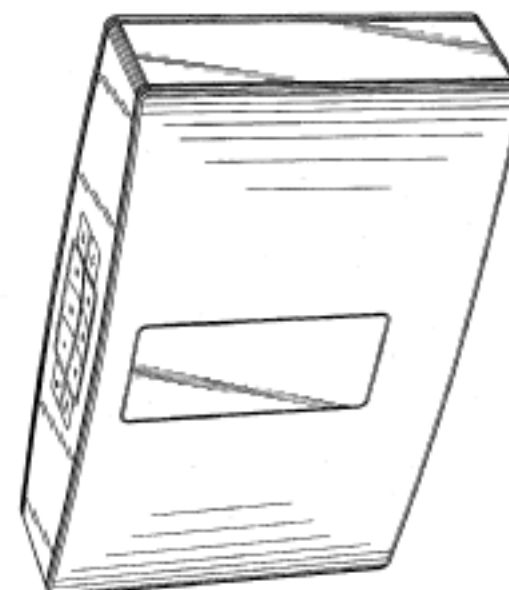
(21) Design Number: **12247/2014**  
(22) Date of Filing Application: **27 March 2014**  
(24) Date from which industrial property rights may have effect: **27 March 2014**  
(54) Product in respect of which the design is registered: **Audio system**  
(51) International Design Classification: **14-01**  
(74) Name(s) of Attorney(s): **PHILLIPS ORMONDE FITZPATRICK**  
(71) Name(s) and Address(s) of Applicant(s):  
**Bose Corporation**  
**The Mountain MS 3B1 Framingham Massachusetts 01701-9168 United States of America**  
(72) Name(s) of Designer(s): **Stuart Raymond Jang and David H Pitcher and Jay Pupecki and Seth N Green**  
(45) Registration Date: **20 May 2014**  
(30) Convention priority data:  
(31) Number (32) Date (33) Country  
**29/469,208 08 Oct 2013 UNITED STATES OF AMERICA**  
(56) Related Art Documents: **Not Applicable**  
(57) Statement of Newness and Distinctiveness: **Those features of the audio system depicted in the representations that are new and distinctive are the shape and/or configuration. The features shown in dotted lines are for illustrative purposes only and form no part of the claimed design. The numbers, words, and symbols shown in broken lines are not part of the design and are to be disregarded when considering the overall impression of the design.**



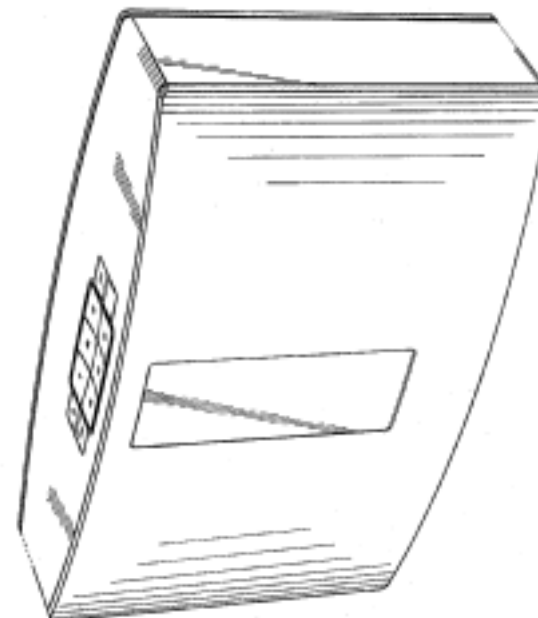
(21) Design Number: **12243/2014**  
(22) Date of Filing Application: **09 May 2014**  
(24) Date from which industrial property rights may have effect: **09 May 2014**  
(54) Product in respect of which the design is registered: **Audio system**  
(51) International Design Classification: **14-01**  
(74) Name(s) of Attorney(s): **PHILLIPS ORMONDE FITZPATRICK**  
(71) Name(s) and Address(s) of Applicant(s):  
**Bose Corporation**  
**The Mountain MS 3B1 Framingham Massachusetts 01701-9168 United States of America**  
(72) Name(s) of Designer(s): **Stuart Raymond Jang and David H Pitcher and Jay Pupecki and Seth N Green**  
(45) Registration Date: **20 May 2014**  
(30) Convention priority data:  
(31) Number (32) Date (33) Country  
**29/469,208 08 Oct 2013 UNITED STATES OF AMERICA**  
(56) Related Art Documents: **Not Applicable**  
(57) Statement of Newness and Distinctiveness: **Those features of the audio system depicted in the representations that are new and distinctive are the shape and/or configuration. The features shown in dotted lines are for illustrative purposes only and form no part of the claimed design. The numbers, words, and symbols shown in broken lines are not part of the design and are to be disregarded when considering the overall impression of the design.**



(21) Design Number: **12245/2014**  
(22) Date of Filing Application: **27 March 2014**  
(24) Date from which industrial property rights may have effect: **27 March 2014**  
(54) Product in respect of which the design is registered: **Audio system**  
(51) International Design Classification: **14-01**  
(74) Name(s) of Attorney(s): **PHILLIPS ORMONDE FITZPATRICK**  
(71) Name(s) and Address(s) of Applicant(s):  
**Bose Corporation**  
**The Mountain MS 3B1 Framingham Massachusetts 01701-9168 United States of America**  
(72) Name(s) of Designer(s): **Stuart Raymond Jang and David H Pitcher and Jay Pupecki and Seth N Green**  
(45) Registration Date: **20 May 2014**  
(30) Convention priority data:  
(31) Number (32) Date (33) Country  
**29/469,208 08 Oct 2013 UNITED STATES OF AMERICA**  
(56) Related Art Documents: **Not Applicable**  
(57) Statement of Newness and Distinctiveness: **Those features of the audio system depicted in the representations that are new and distinctive are the shape and/or configuration. The features shown in dotted lines are for illustrative purposes only and form no part of the claimed design. The numbers, words, and symbols shown in broken lines are not part of the design and are to be disregarded when considering the overall impression of the design.**



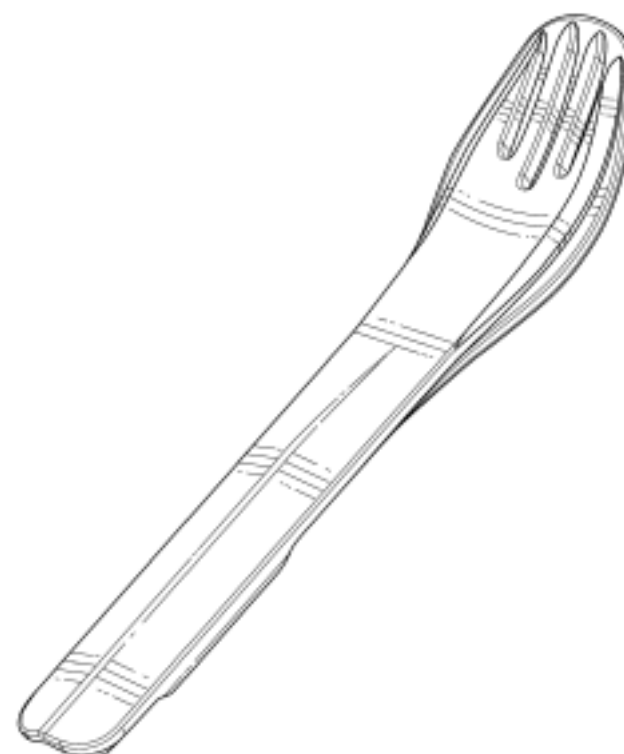
(21) Design Number: **12246/2014**  
(22) Date of Filing Application: **27 March 2014**  
(24) Date from which industrial property rights may have effect: **27 March 2014**  
(54) Product in respect of which the design is registered: **Audio system**  
(51) International Design Classification: **14-01**  
(74) Name(s) of Attorney(s): **PHILLIPS ORMONDE FITZPATRICK**  
(71) Name(s) and Address(s) of Applicant(s):  
**Bose Corporation**  
**The Mountain MS 3B1 Framingham Massachusetts 01701-9168 United States of America**  
(72) Name(s) of Designer(s): **Stuart Raymond Jang and David H Pitcher and Jay Pupecki and Seth N Green**  
(45) Registration Date: **20 May 2014**  
(30) Convention priority data:  
(31) Number (32) Date (33) Country  
**29/469,208 08 Oct 2013 UNITED STATES OF AMERICA**  
(56) Related Art Documents: **Not Applicable**  
(57) Statement of Newness and Distinctiveness: **Those features of the audio system depicted in the representations that are new and distinctive are the shape and/or configuration. The features shown in dotted lines are for illustrative purposes only and form no part of the claimed design. The numbers, words, and symbols shown in broken lines are not part of the design and are to be disregarded when considering the overall impression of the design.**



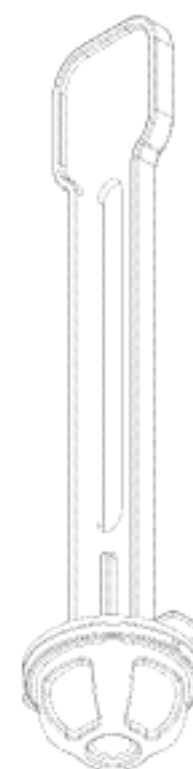
(21) Design Number: **15102/2013**  
(22) Date of Filing Application: **08 October 2013**  
(24) Date from which industrial property rights may have effect: **08 October 2013**  
(54) Product in respect of which the design is registered: **Gun stock with locking bolt**  
(51) International Design Classification: **08-07**  
(74) Name(s) of Attorney(s): **PATENT ATTORNEY SERVICES**  
(71) Name(s) and Address(s) of Applicant(s):  
**Robyn Bingon**  
**10 Stuart St The Basin VIC 3154 Australia**  
**Andreas Stahl**  
**10 Stuart St The Basin VIC 3154 Australia**  
(72) Name(s) of Designer(s): **Andreas Stahl**  
(45) Registration Date: **20 May 2014**  
(56) Related Art Documents: **Not Applicable**  
(57) Statement of Newness and Distinctiveness: **Visual features of the design which are new and distinctive are the features of shape and configuration of the gun stock with locking bolt as illustrated in the representations.**



- (21) Design Number: **11980/2014**  
(22) Date of Filing Application: **24 April 2014**  
(24) Date from which industrial property rights may have effect: **24 April 2014**  
(54) Product in respect of which the design is registered: **Fork and spoon set**  
(51) International Design Classification: **07-03**  
(74) Name(s) of Attorney(s): **Freehills Patent Attorneys**  
(71) Name(s) and Address(s) of Applicant(s):  
**humangear, Inc.**  
**745A Clementina Street San Francisco California 94103 United States of America**  
(72) Name(s) of Designer(s): **Christopher A Miksovsky and Clint N Slone and Evelyne Chaubert and Charlie Nghiem**  
(45) Registration Date: **20 May 2014**  
(30) Convention priority data:  
(31) Number (32) Date (33) Country  
**29/484447 10 Mar 2014 UNITED STATES OF AMERICA**  
(56) Related Art Documents: **Not Applicable**  
(57) Statement of Newness and Distinctiveness: **Newness and distinctiveness of the design resides in the features of shape and configuration of the fork and spoon set as shown in solid lines in the accompanying representations.**



- (21) Design Number: **12046/2014**  
(22) Date of Filing Application: **29 April 2014**  
(24) Date from which industrial property rights may have effect: **29 April 2014**  
(54) Product in respect of which the design is registered: **Coffee machine water tank filter**  
(51) International Design Classification: **07-02L**  
(74) Name(s) of Attorney(s): **Halfords IP**  
(71) Name(s) and Address(s) of Applicant(s):  
**Electrolux Appliances Aktiebolag**  
**S:t Goransgatan 143 Stockholm SE-105 45 Sweden**  
(72) Name(s) of Designer(s): **Nicolas Hubert**  
(45) Registration Date: **20 May 2014**  
(30) Convention priority data:  
(31) Number (32) Date (33) Country  
**22339044 05 Nov 2013 EUROPEAN PATENT OFFICE (EPO)**  
(56) Related Art Documents: **Not Applicable**  
(57) Statement of Newness and Distinctiveness: **Newness and distinctiveness resides in those features of shape and or configuration of a coffee machine water tank filter as depicted in the representations. Features shown in broken lines do not form part of the design.**



(21) Design Number: **12050/2014**  
(22) Date of Filing Application: **29 April 2014**  
(24) Date from which industrial property rights may have effect: **29 April 2014**  
(54) Product in respect of which the design is registered: **Coffee maker**  
(51) International Design Classification: **07-02L**  
(74) Name(s) of Attorney(s): **Callinans**  
(71) Name(s) and Address(s) of Applicant(s):  
**KENWOOD LIMITED**  
**New Lane Havant Hampshire PO9 2NH United Kingdom**  
(72) Name(s) of Designer(s): **Nicholas Brook**  
(45) Registration Date: **20 May 2014**  
(30) Convention priority data:  
(31) Number (32) Date (33) Country  
**002349779 21 Nov 2013 OFFICE FOR HARMONISATION IN**  
**THE INTERNAL MARKET (OHIM)**  
(56) Related Art Documents: **Not Applicable**  
(57) Statement of Newness and Distinctiveness: **Newness and distinctiveness are provided by the shape and/or configuration of the design shown in the representations. The power cord shown in the representations is for illustrative purposes only and should not be considered when construing visual features of the design.**



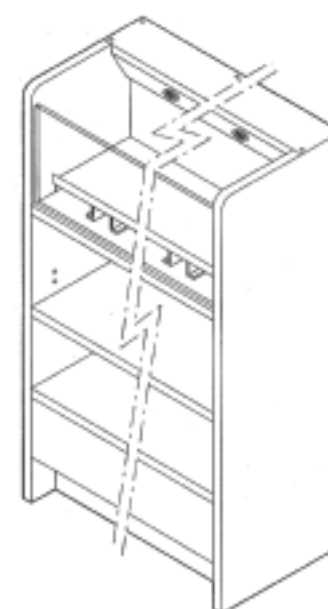
(21) Design Number: **12052/2014**  
(22) Date of Filing Application: **29 April 2014**  
(24) Date from which industrial property rights may have effect: **29 April 2014**  
(54) Product in respect of which the design is registered: **Bottle**  
(51) International Design Classification: **09-01H**  
(74) Name(s) of Attorney(s): **FB Rice**  
(71) Name(s) and Address(s) of Applicant(s):  
**SAVERGLASS**  
**3 rue de la Gare Feuquieres 60960 France**  
(72) Name(s) of Designer(s): **Jokin Arregi Letemendi**  
(45) Registration Date: **20 May 2014**  
(30) Convention priority data:  
(31) Number (32) Date (33) Country  
**002351353-0001 25 Nov 2013 OFFICE FOR HARMONISATION IN**  
**THE INTERNAL MARKET (OHIM)**  
(56) Related Art Documents: **Not Applicable**  
(57) Statement of Newness and Distinctiveness: **Newness and distinctiveness reside in the features of the bottle as shown in solid lines in the representations excluding those features shown in broken lines, and in particular reside in the features of the recess in the base of the bottle in the form of a truncated cone defining co-axial rings of consistently reducing diameter from the base providing a stepped configuration to the recess, with the top of the recess being dome shaped.**



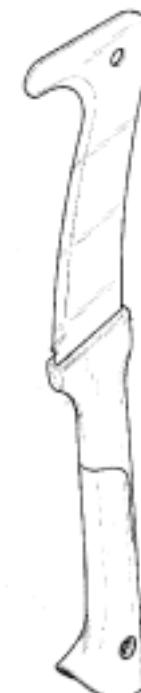
- (21) Design Number: **12019/2014**  
(22) Date of Filing Application: **28 April 2014**  
(24) Date from which industrial property rights may have effect: **28 April 2014**  
(54) Product in respect of which the design is registered: **A gripper**  
(51) International Design Classification: **12-05**  
(74) Name(s) of Attorney(s): **SPRUSON & FERGUSON**  
(71) Name(s) and Address(s) of Applicant(s):  
**Adaptapack Pty Limited**  
**4/1 River Road West Parramatta NSW 2150 Australia**  
(72) Name(s) of Designer(s): **Sam Walls**  
(45) Registration Date: **20 May 2014**  
(56) Related Art Documents: **Not Applicable**  
(57) Statement of Newness and Distinctiveness: **Newness and distinctiveness is claimed in the features of shape and/or configuration of a gripper as illustrated in the accompanying representations apart from the product "A" shown in a loading compartment in the second perspective view.**



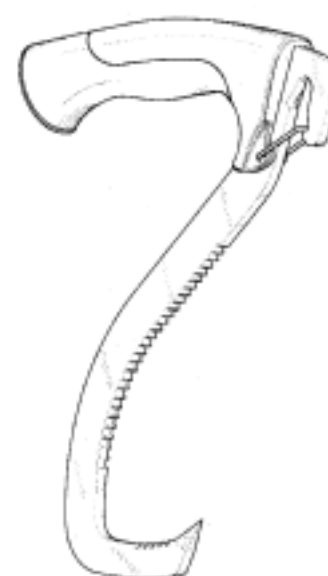
- (21) Design Number: **10690/2014**  
(22) Date of Filing Application: **12 February 2014**  
(24) Date from which industrial property rights may have effect: **12 February 2014**  
(54) Product in respect of which the design is registered: **A display merchandising unit with an open refrigerated compartment**  
(51) International Design Classification: **15-07, 20-02E**  
(74) Name(s) of Attorney(s): **SPRUSON & FERGUSON**  
(71) Name(s) and Address(s) of Applicant(s):  
**BevWizz Group Pty Ltd**  
**U1 7 Columbia Way Norwest Business Park Baulkham Hills NSW 2153 Australia**  
(72) Name(s) of Designer(s): **David Erwin Kupka**  
(45) Registration Date: **21 May 2014**  
(56) Related Art Documents: **Not Applicable**  
(57) Statement of Newness and Distinctiveness: **Newness and distinctiveness is claimed in the features of shape and configuration of a display merchandising unit with an open refrigerated compartment as illustrated in solid lines in the accompanying representations but excluding the air vents labelled 'C' in the additional front view.**



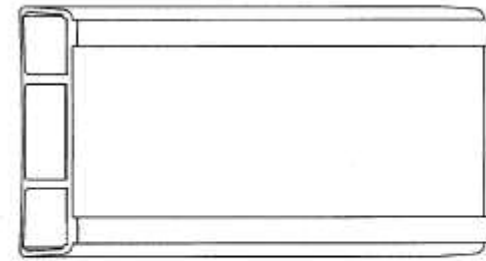
- (21) Design Number: **10721/2014**  
(22) Date of Filing Application: **14 February 2014**  
(24) Date from which industrial property rights may have effect: **14 February 2014**  
(54) Product in respect of which the design is registered: **Brush axe**  
(51) International Design Classification: **08-03**  
(74) Name(s) of Attorney(s): **Davies Collison Cave**  
(71) Name(s) and Address(s) of Applicant(s):  
**Fiskars Garden Oy Ab**  
**FI-10330 Billnas Finland**  
(72) Name(s) of Designer(s): **Teemu Sandelin and Mikko Heine and Sami Lyytikainen and Petteri Masalin**  
(45) Registration Date: **21 May 2014**  
(30) Convention priority data:  
(31) Number (32) Date (33) Country  
**002292557-0010 16 Aug 2013 OFFICE FOR HARMONISATION IN THE INTERNAL MARKET (OHIM)**  
(56) Related Art Documents: **Not Applicable**  
(57) Statement of Newness and Distinctiveness: **Newness and distinctiveness is claimed in the visual features shown in solid lines in the representations.**



- (21) Design Number: **10722/2014**  
(22) Date of Filing Application: **14 February 2014**  
(24) Date from which industrial property rights may have effect: **14 February 2014**  
(54) Product in respect of which the design is registered: **Lifting hook**  
(51) International Design Classification: **08-03**  
(74) Name(s) of Attorney(s): **Davies Collison Cave**  
(71) Name(s) and Address(s) of Applicant(s):  
**Fiskars Garden Oy Ab**  
**FI-10330 Billnas Finland**  
(72) Name(s) of Designer(s): **Teemu Sandelin and Mikko Heine and Sami Lyytikainen and Petteri Masalin**  
(45) Registration Date: **21 May 2014**  
(30) Convention priority data:  
(31) Number (32) Date (33) Country  
**002292557-0008 16 Aug 2013 OFFICE FOR HARMONISATION IN THE INTERNAL MARKET (OHIM)**  
(56) Related Art Documents: **Not Applicable**  
(57) Statement of Newness and Distinctiveness: **Newness and distinctiveness is claimed in the visual features shown in solid lines in the representations.**



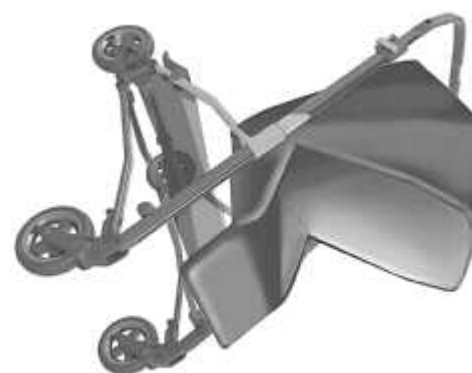
- (21) Design Number: **11122/2014**  
(22) Date of Filing Application: **11 March 2014**  
(24) Date from which industrial property rights may have effect: **11 March 2014**  
(54) Product in respect of which the design is registered: **Scooter deck extrusion**  
(51) International Design Classification: **21-01F**  
(74) Name(s) of Attorney(s):  
(71) Name(s) and Address(s) of Applicant(s):  
**Andrew Robert Markham**  
**PO BOX 330 Sanctuary Cove QLD 4212 Australia**  
(72) Name(s) of Designer(s): **Andrew Robert Markham**  
(45) Registration Date: **21 May 2014**  
(56) Related Art Documents: **Not Applicable**  
(57) Statement of Newness and Distinctiveness: **JZ Deck Extrusion.**



- (21) Design Number: **11123/2014**  
(22) Date of Filing Application: **11 March 2014**  
(24) Date from which industrial property rights may have effect: **11 March 2014**  
(54) Product in respect of which the design is registered: **Scooter deck wheel spacer**  
(51) International Design Classification: **21-01F**  
(74) Name(s) of Attorney(s):  
(71) Name(s) and Address(s) of Applicant(s):  
**Andrew Robert Markham**  
**PO BOX 330 Sanctuary Cove QLD 4212 Australia**  
(72) Name(s) of Designer(s): **Andrew Robert Markham**  
(45) Registration Date: **21 May 2014**  
(56) Related Art Documents: **Not Applicable**  
(57) Statement of Newness and Distinctiveness: **JZ Deck Wheel Spacer.**



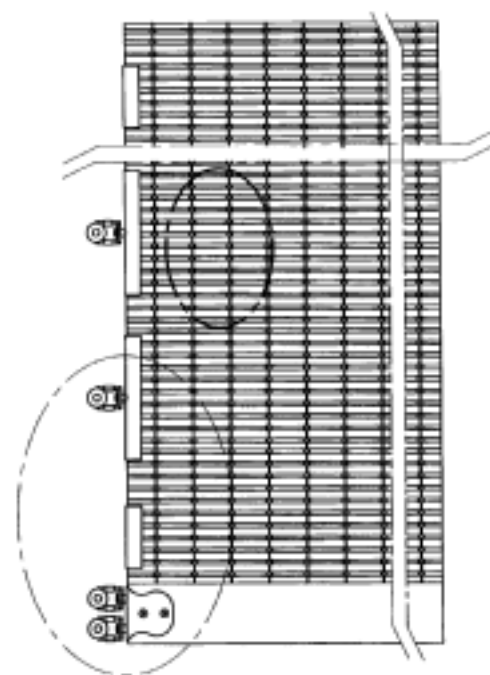
(21) Design Number: **11237/2014**  
(22) Date of Filing Application: **18 March 2014**  
(24) Date from which industrial property rights may have effect: **18 March 2014**  
(54) Product in respect of which the design is registered: **Chassis for infant pushchairs**  
(51) International Design Classification: **12-12**  
(74) Name(s) of Attorney(s): **Callinans**  
(71) Name(s) and Address(s) of Applicant(s):  
**JANE, S.A.**  
**Mercaders 34-Pol. Ind. Riera de Caldes PALAU DE PLEGAMANS**  
**Barcelona Spain**  
(72) Name(s) of Designer(s): **Manuel Jane Santamaria**  
(45) Registration Date: **21 May 2014**  
(30) Convention priority data:  
(31) Number      (32) Date      (33) Country  
**2312488**      **19 Sep 2013**      **OFFICE FOR HARMONISATION IN**  
**THE INTERNAL MARKET (OHIM)**  
(56) Related Art Documents: **Not Applicable**  
(57) Statement of Newness and Distinctiveness: **Nil**



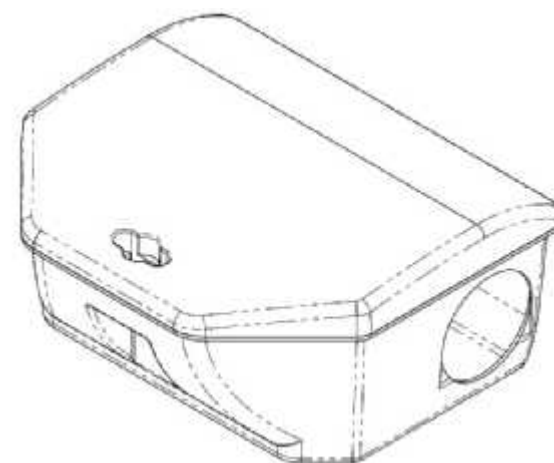
(21) Design Number: **11405/2014**  
(22) Date of Filing Application: **25 March 2014**  
(24) Date from which industrial property rights may have effect: **25 March 2014**  
(54) Product in respect of which the design is registered: **Container and blanks therefor**  
(51) International Design Classification: **09-03K**  
(74) Name(s) of Attorney(s): **Cullens Patent and Trade Mark Attorneys**  
(71) Name(s) and Address(s) of Applicant(s):  
**Orora Limited**  
**109 Burwood Rd Hawthorn VIC 3122 Australia**  
(72) Name(s) of Designer(s): **George Ganzenmuller and David Carter**  
(45) Registration Date: **21 May 2014**  
(56) Related Art Documents: **Not Applicable**  
(57) Statement of Newness and Distinctiveness: **Newness and Distinctiveness resides in features of shape and configuration of the carton and blanks therefor as shown in the accompanying representations.**



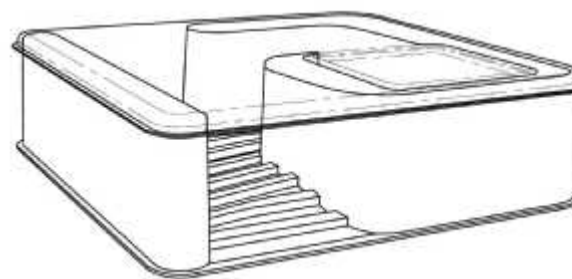
- (21) Design Number: **11609/2014**  
(22) Date of Filing Application: **01 April 2014**  
(24) Date from which industrial property rights may have effect: **01 April 2014**  
(54) Product in respect of which the design is registered: **Folding door with mini-slats**  
(51) International Design Classification: **25-02B**  
(74) Name(s) of Attorney(s): **PATENT ATTORNEY SERVICES**  
(71) Name(s) and Address(s) of Applicant(s):  
**Robert Kleiman**  
**6845 Willowood Dr Apt. 3084 Boca Raton Florida, 33434 United States of America**  
(72) Name(s) of Designer(s): **Robert Kleiman**  
(45) Registration Date: **21 May 2014**  
(30) Convention priority data:  
(31) Number (32) Date (33) Country  
**29/469418 10 Oct 2013 UNITED STATES OF AMERICA**  
(56) Related Art Documents: **Not Applicable**  
(57) Statement of Newness and Distinctiveness: **Newness and distinctiveness is claimed in the shape and configuration of a folding door with mini-slats as shown in the representations. The door is of indefinite height and of indefinite width but is of constant shape and configuration throughout its height and width. The shape and configuration of the support wheel assemblies and their mounting to the door do not form part of the design and are to be disregarded. Any surface ornamentation does not form part of the design and is to be disregarded.**



- (21) Design Number: **14734/2013**  
(22) Date of Filing Application: **19 September 2013**  
(24) Date from which industrial property rights may have effect: **19 September 2013**  
(54) Product in respect of which the design is registered: **Rodent bait and trap station**  
(51) International Design Classification: **22-06**  
(74) Name(s) of Attorney(s): **Davies Collison Cave**  
(71) Name(s) and Address(s) of Applicant(s):  
**DuluxGroup (Australia) Pty Ltd**  
**1956 Dandenong Rd Clayton VIC 3168 Australia**  
(72) Name(s) of Designer(s): **Sean Lewis**  
(45) Registration Date: **21 May 2014**  
(56) Related Art Documents: **Not Applicable**  
(57) Statement of Newness and Distinctiveness: **The shape and configuration of the the rodent bait and trap station shown in the representations is new and distinctive. When considering the newness and distinctiveness of the design, CAD lines indicating contour (and not indicating surface decoration) do not form part of the design and are to be disregarded.**



(21) Design Number: **15193/2013**  
(22) Date of Filing Application: **11 October 2013**  
(24) Date from which industrial property rights may have effect: **11 October 2013**  
(54) Product in respect of which the design is registered: **Rodent bait station**  
(51) International Design Classification: **22-06**  
(74) Name(s) of Attorney(s): **Davies Collison Cave**  
(71) Name(s) and Address(s) of Applicant(s):  
**DuluxGroup (Australia) Pty Ltd**  
**1956 Dandenong Rd Clayton VIC 3168 Australia**  
(72) Name(s) of Designer(s): **Rod Nordsvan**  
(45) Registration Date: **21 May 2014**  
(56) Related Art Documents: **Not Applicable**  
(57) Statement of Newness and Distinctiveness: **The following parts of the Rodent Bait Station shown in the accompanying representations are new and distinctive: shape, configuration, and transparency of the upper portion. When considering the newness and distinctiveness of the design, the following parts do not form part of the design and are to be disregarded: CAD lines indicating contour (and not indicating surface decoration).**



(21) Design Number: **10197/2014**  
(22) Date of Filing Application: **17 January 2014**  
(24) Date from which industrial property rights may have effect: **17 January 2014**  
(54) Product in respect of which the design is registered: **Nozzle for a hair dryer**  
(51) International Design Classification: **28-03B**  
(74) Name(s) of Attorney(s): **PHILLIPS ORMONDE FITZPATRICK**  
(71) Name(s) and Address(s) of Applicant(s):  
**Jemella Group Limited**  
**Bridgewater Place Water Lane Leeds LS11 5BZ United Kingdom**  
(72) Name(s) of Designer(s): **Stephen Anthony Sayers and Daniel Brady**  
(45) Registration Date: **21 May 2014**  
(30) Convention priority data:  
(31) Number      (32) Date      (33) Country  
**002278218      19 Jul 2013      OFFICE FOR HARMONISATION IN  
THE INTERNAL MARKET (OHIM)**  
(56) Related Art Documents: **Not Applicable**  
(57) Statement of Newness and Distinctiveness: **Newness and distinctiveness resides in the shape and/or configuration of the nozzle of a hair dryer, including the transparent outside cover of the nozzle.**



(21) Design Number: **10200/2014**

(22) Date of Filing Application: **17 January 2014**

(24) Date from which industrial property rights may have effect: **17 January 2014**

(54) Product in respect of which the design is registered: **Grille for a hair dryer**

(51) International Design Classification: **28-03B**

(74) Name(s) of Attorney(s): **PHILLIPS ORMONDE FITZPATRICK**

(71) Name(s) and Address(s) of Applicant(s):

**Jemella Group Limited**  
**Bridgewater Place Water Lane Leeds LS11 5BZ United Kingdom**

(72) Name(s) of Designer(s): **Stephen Anthony Sayers and Daniel Brady**

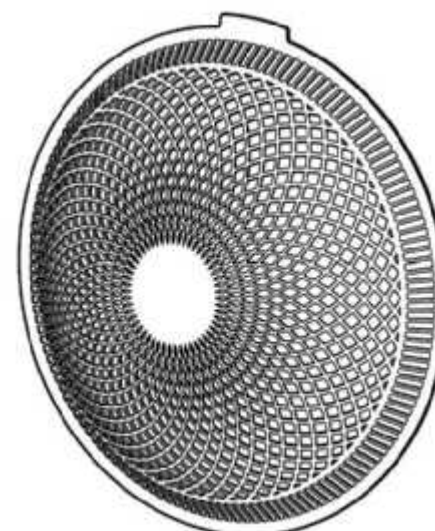
(45) Registration Date: **21 May 2014**

(30) Convention priority data:

(31) Number	(32) Date	(33) Country
<b>002278218</b>	<b>19 Jul 2013</b>	<b>OFFICE FOR HARMONISATION IN THE INTERNAL MARKET (OHIM)</b>

(56) Related Art Documents: **Not Applicable**

(57) Statement of Newness and Distinctiveness: **Newness and distinctiveness resides in the shape, configuration, pattern and/or ornamentation of the radial helix pattern of the perforations around the centre of the grille for a hair dryer as shown in the in the accompanying representations.**



(21) Design Number: **10201/2014**

(22) Date of Filing Application: **17 January 2014**

(24) Date from which industrial property rights may have effect: **17 January 2014**

(54) Product in respect of which the design is registered: **Hair dryer**

(51) International Design Classification: **28-03B**

(74) Name(s) of Attorney(s): **PHILLIPS ORMONDE FITZPATRICK**

(71) Name(s) and Address(s) of Applicant(s):

**Jemella Group Limited**  
**Bridgewater Place Water Lane Leeds LS11 5BZ United Kingdom**

(72) Name(s) of Designer(s): **Stephen Anthony Sayers and Daniel Brady**

(45) Registration Date: **21 May 2014**

(30) Convention priority data:

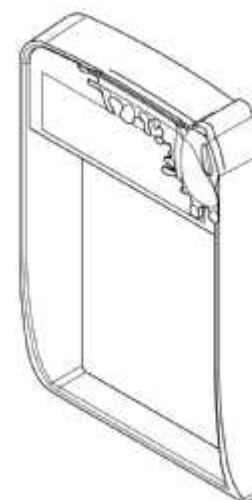
(31) Number	(32) Date	(33) Country
<b>002278218</b>	<b>19 Jul 2013</b>	<b>OFFICE FOR HARMONISATION IN THE INTERNAL MARKET (OHIM)</b>

(56) Related Art Documents: **Not Applicable**

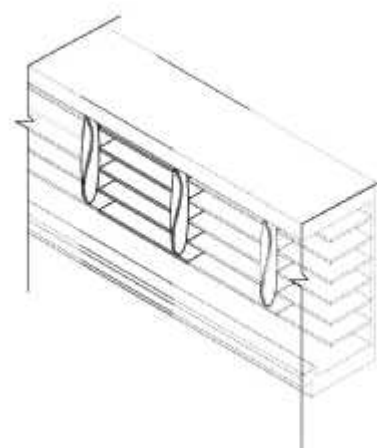
(57) Statement of Newness and Distinctiveness: **Those features of the hair dryer depicted in the representations that are new and distinctive are the shape and/or configuration.**



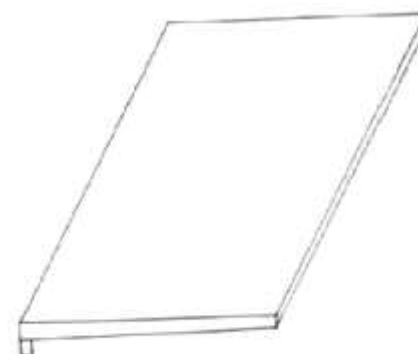
(21) Design Number: **10909/2014**  
(22) Date of Filing Application: **28 February 2014**  
(24) Date from which industrial property rights may have effect: **28 February 2014**  
(54) Product in respect of which the design is registered: **Outer frame for connection to a refrigerator**  
(51) International Design Classification: **15-07**  
(74) Name(s) of Attorney(s): **AJ Park**  
(71) Name(s) and Address(s) of Applicant(s):  
**Fonterra Brands (New Zealand) Limited**  
**9 Princes Street Auckland Central Auckland 1010 New Zealand**  
(72) Name(s) of Designer(s): **Shaun Malcolm Boyd and Damon Stenhouse**  
(45) Registration Date: **21 May 2014**  
(30) Convention priority data:  
(31) Number (32) Date (33) Country  
**417998 29 Aug 2013 NEW ZEALAND**  
(56) Related Art Documents: **Not Applicable**  
(57) Statement of Newness and Distinctiveness: **Newness and distinctiveness reside in the features of shape and/or configuration of the OUTER FRAME FOR CONNECTION TO A REFRIGERATOR as shown in the representations, features shown in broken lines form no part of the claimed design.**



(21) Design Number: **10914/2014**  
(22) Date of Filing Application: **28 February 2014**  
(24) Date from which industrial property rights may have effect: **28 February 2014**  
(54) Product in respect of which the design is registered: **Bay section of a refrigerator**  
(51) International Design Classification: **15-07**  
(74) Name(s) of Attorney(s): **AJ Park**  
(71) Name(s) and Address(s) of Applicant(s):  
**FONTERRA BRANDS (New Zealand) LIMITED**  
**9 Princes Street Auckland Central Auckland 1010 New Zealand**  
(72) Name(s) of Designer(s): **Shaun Malcolm Boyd and Damon Stenhouse**  
(45) Registration Date: **21 May 2014**  
(30) Convention priority data:  
(31) Number (32) Date (33) Country  
**417999 29 Aug 2013 NEW ZEALAND**  
(56) Related Art Documents: **Not Applicable**  
(57) Statement of Newness and Distinctiveness: **Newness and distinctiveness reside in the features of shape and/or configuration of the BAY SECTION Of A REFRIGERATOR as shown in the representations, features shown in broken lines form no part of the claimed design.**



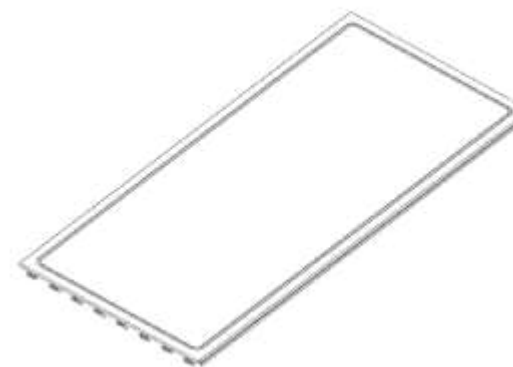
- (21) Design Number: **10901/2014**  
(22) Date of Filing Application: **28 February 2014**  
(24) Date from which industrial property rights may have effect: **28 February 2014**  
(54) Product in respect of which the design is registered: **Bus Dust Guard Panel**  
(51) International Design Classification: **12-16NES**  
(74) Name(s) of Attorney(s):  
(71) Name(s) and Address(s) of Applicant(s):  
**David John Hendriks**  
**62 Endersbee St Merredin WA 6415 Australia**  
(72) Name(s) of Designer(s): **David John Hendriks**  
(45) Registration Date: **21 May 2014**  
(56) Related Art Documents: **Not Applicable**  
(57) Statement of Newness and Distinctiveness: **Newness and distinctiveness is claimed in the features of shape and/or configuration of a bus dust guard panel as shown in the drawings.**



- (21) Design Number: **10919/2014**  
(22) Date of Filing Application: **28 February 2014**  
(24) Date from which industrial property rights may have effect: **28 February 2014**  
(54) Product in respect of which the design is registered: **Section divider for shelving of a refrigerator**  
(51) International Design Classification: **15-07**  
(74) Name(s) of Attorney(s): **AJ Park**  
(71) Name(s) and Address(s) of Applicant(s):  
**FONTERRA BRANDS (New Zealand) LIMITED**  
**9 Princes Street Auckland Central Auckland 1010 New Zealand**  
(72) Name(s) of Designer(s): **Shaun Malcolm Boyd and Damon Stenhouse**  
(45) Registration Date: **21 May 2014**  
(30) Convention priority data:  
(31) Number      (32) Date      (33) Country  
**417995      29 Aug 2013      NEW ZEALAND**  
(56) Related Art Documents: **Not Applicable**  
(57) Statement of Newness and Distinctiveness: **Newness and distinctiveness reside in the features of shape and/or configuration of the SECTION DIVIDER FOR SHELVING OF A REFRIGERATOR as shown in the representations, the features shown in the broken lines form no part of the claimed design.**



(21) Design Number: **10958/2014**  
(22) Date of Filing Application: **03 March 2014**  
(24) Date from which industrial property rights may have effect: **03 March 2014**  
(54) Product in respect of which the design is registered: **Rack rear wall**  
(51) International Design Classification: **20-02NES, 06-04NES**  
(74) Name(s) of Attorney(s): **Davies Collison Cave**  
(71) Name(s) and Address(s) of Applicant(s):  
**Tegometall International AG**  
**Industriestrasse 7 Lengwil 8574 Switzerland**  
(72) Name(s) of Designer(s): **Ulrich Bohnacker**  
(45) Registration Date: **21 May 2014**  
(30) Convention priority data:  
(31) Number (32) Date (33) Country  
**001382048-0001 02 Sep 2013 OFFICE FOR HARMONISATION IN**  
**THE INTERNAL MARKET (OHIM)**  
(56) Related Art Documents: **Not Applicable**  
(57) Statement of Newness and Distinctiveness: **Nil**



(21) Design Number: **10903/2014**  
(22) Date of Filing Application: **28 February 2014**  
(24) Date from which industrial property rights may have effect: **28 February 2014**  
(54) Product in respect of which the design is registered: **Outer frame for connection to a refrigerator**  
(51) International Design Classification: **15-07**  
(74) Name(s) of Attorney(s): **AJ Park**  
(71) Name(s) and Address(s) of Applicant(s):  
**Fonterra Brands (New Zealand) Limited**  
**9 Princes Street Auckland Central Auckland 1010 New Zealand**  
(72) Name(s) of Designer(s): **Shaun Malcolm Boyd and Damon Stenhouse**  
(45) Registration Date: **21 May 2014**  
(30) Convention priority data:  
(31) Number (32) Date (33) Country  
**417997 29 Aug 2013 NEW ZEALAND**  
(56) Related Art Documents: **Not Applicable**  
(57) Statement of Newness and Distinctiveness: **Newness and distinctiveness reside in the features of shape and/or configuration of the OUTER FRAME FOR CONNECTION TO A REFRIGERATOR as shown in the representations, the features shown in broken lines form no part of the claimed design, with accompanying rendered images provided to assist for illustrative purposes.**



(21) Design Number: **10916/2014**  
(22) Date of Filing Application: **28 February 2014**  
(24) Date from which industrial property rights may have effect: **28 February 2014**  
(54) Product in respect of which the design is registered: **Outer frame for connection to a refrigerator**  
(51) International Design Classification: **15-07**  
(74) Name(s) of Attorney(s): **AJ Park**  
(71) Name(s) and Address(s) of Applicant(s):  
**FONTERRA BRANDS (New Zealand) LIMITED**  
**9 Princes Street Auckland Central Auckland 1010 New Zealand**  
(72) Name(s) of Designer(s): **Shaun Malcolm Boyd and Damon Stenhouse**  
(45) Registration Date: **21 May 2014**  
(30) Convention priority data:  
(31) Number (32) Date (33) Country  
**417996 29 Aug 2013 NEW ZEALAND**

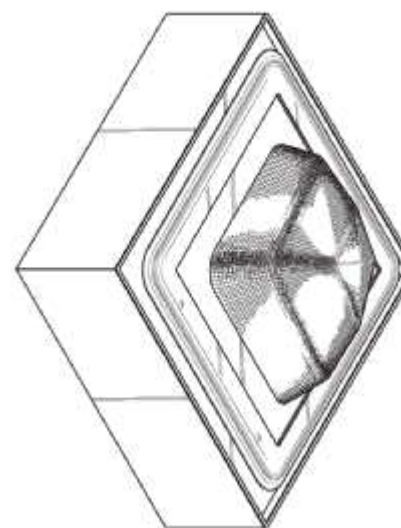


(56) Related Art Documents: **Not Applicable**  
(57) Statement of Newness and Distinctiveness: **Newness and distinctiveness reside in the features of shape and/or configuration of the OUTER FRAME FOR CONNECTION TO A REFRIGERATOR as shown in the representations, the features shown in broken lines form no part of the claimed design, with accompanying rendered images provided to assist for illustrative purposes.**

(21) Design Number: **12031/2014**  
(22) Date of Filing Application: **28 April 2014**  
(24) Date from which industrial property rights may have effect: **28 April 2014**  
(54) Product in respect of which the design is registered: **LED driving light**  
(51) International Design Classification: **26-06**  
(74) Name(s) of Attorney(s): **Macpherson + Kelley**  
(71) Name(s) and Address(s) of Applicant(s):  
**Etail Investments Pty Ltd**  
**2A Kirkham Rd Dandenong South VIC 3175 Australia**  
(72) Name(s) of Designer(s): **Eddie Yilmaz**  
(45) Registration Date: **21 May 2014**  
(56) Related Art Documents: **Not Applicable**  
(57) Statement of Newness and Distinctiveness: **Newness and distinctiveness resides in the features of shape and/or configuration of a LED Driving Light as shown in the accompanying representations.**



(21) Design Number: **12045/2014**  
(22) Date of Filing Application: **29 April 2014**  
(24) Date from which industrial property rights may have effect: **24 March 2014**  
(54) Product in respect of which the design is registered: **Lighting**  
(51) International Design Classification: **26-05D**  
(74) Name(s) of Attorney(s): **Pizzeys**  
(71) Name(s) and Address(s) of Applicant(s):  
**LSI Industries, Inc.**  
**10000 Alliance Rd Cincinnati OH 45242 United States of America**  
(72) Name(s) of Designer(s): **John D Boyer and Daniel Hutchens and Eric Jon Mooar**  
(45) Registration Date: **21 May 2014**  
(62) Divisional of: **355293**  
(56) Related Art Documents: **Not Applicable**  
(57) Statement of Newness and Distinctiveness: **Nil**



(21) Design Number: **12049/2014**  
(22) Date of Filing Application: **29 April 2014**  
(24) Date from which industrial property rights may have effect: **29 April 2014**  
(54) Product in respect of which the design is registered: **Electric Kettle**  
(51) International Design Classification: **07-02K**  
(74) Name(s) of Attorney(s): **Callinans**  
(71) Name(s) and Address(s) of Applicant(s):  
**KENWOOD LIMITED**  
**New Lane Havant Hampshire PO9 2NH United Kingdom**  
(72) Name(s) of Designer(s): **Nicholas Brook**  
(45) Registration Date: **21 May 2014**  
(30) Convention priority data:  
(31) Number (32) Date (33) Country  
**002346031 15 Nov 2013 OFFICE FOR HARMONISATION IN  
THE INTERNAL MARKET (OHIM)**  
(56) Related Art Documents: **Not Applicable**  
(57) Statement of Newness and Distinctiveness: **Newness and distinctiveness are provided by the shape and/or configuration of the design shown in the representations. The power cord shown in the representations is for illustrative purposes only and should not be considered when construing visual features of the design.**



(21) Design Number: **12051/2014**  
(22) Date of Filing Application: **29 April 2014**  
(24) Date from which industrial property rights may have effect: **29 April 2014**  
(54) Product in respect of which the design is registered: **Bottle**  
(51) International Design Classification: **09-01H**  
(74) Name(s) of Attorney(s): **FB Rice**  
(71) Name(s) and Address(s) of Applicant(s):  
**SAVERGLASS**  
**3 rue de la Gare Feuquieres 60960 France**  
(72) Name(s) of Designer(s): **Jokin Arregi Letemendi**  
(45) Registration Date: **21 May 2014**  
(30) Convention priority data:  
(31) Number (32) Date (33) Country  
**002351361-0001 25 Nov 2013 OFFICE FOR HARMONISATION IN  
THE INTERNAL MARKET (OHIM)**



(56) Related Art Documents: **Not Applicable**  
(57) Statement of Newness and Distinctiveness: **Newness and distinctiveness reside in the features of the bottle as shown in solid lines in the representations excluding those features shown in broken lines, and in particular reside in the features of the concave recess in the base of the bottle in the shape of a truncated cone. The area of the base recess is decorated, the base recess making a small cavity on the base recess peak, from which eight vertically oriented faceted veed edges extend radially, forming a stylized star image in plan. Four projections have larger length than the other four projections. The long and the short projections alternate in the recess.**

(21) Design Number: **12053/2014**  
(22) Date of Filing Application: **29 April 2014**  
(24) Date from which industrial property rights may have effect: **29 April 2014**  
(54) Product in respect of which the design is registered: **Bottle**  
(51) International Design Classification: **09-01H**  
(74) Name(s) of Attorney(s): **FB Rice**  
(71) Name(s) and Address(s) of Applicant(s):  
**SAVERGLASS**  
**3 rue de la Gare Feuquieres 60960 France**  
(72) Name(s) of Designer(s): **Jokin Arregi Letamendi**  
(45) Registration Date: **21 May 2014**  
(30) Convention priority data:  
(31) Number (32) Date (33) Country  
**002351338-0001 25 Nov 2013 OFFICE FOR HARMONISATION IN  
THE INTERNAL MARKET (OHIM)**



(56) Related Art Documents: **Not Applicable**  
(57) Statement of Newness and Distinctiveness: **Newness and distinctiveness reside in the features of the bottle as shown in solid lines in the representations excluding those features shown in broken lines, and in particular reside in the features of the recess in the base of the bottle which is decorated with projections in the form of truncated pyramids and parallelepipeds of difference sizes.**

(21) Design Number: **12054/2014**  
(22) Date of Filing Application: **29 April 2014**  
(24) Date from which industrial property rights may have effect: **29 April 2014**  
(54) Product in respect of which the design is registered: **Bottle**  
(51) International Design Classification: **09-01H**  
(74) Name(s) of Attorney(s): **FB Rice**  
(71) Name(s) and Address(s) of Applicant(s):  
**SAVERGLASS**  
**3 rue de la Gare Feuquieres 60960 France**  
(72) Name(s) of Designer(s): **Jokin Arregi Letamendi**  
(45) Registration Date: **21 May 2014**  
(30) Convention priority data:  
(31) Number (32) Date (33) Country  
**002351346-0001 25 Nov 2013 OFFICE FOR HARMONISATION IN**  
**THE INTERNAL MARKET (OHIM)**



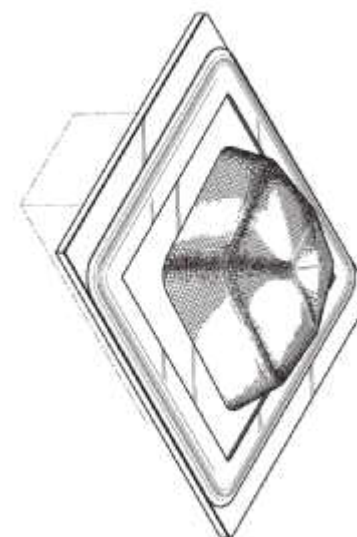
(56) Related Art Documents: **Not Applicable**  
(57) Statement of Newness and Distinctiveness: **Newness and distinctiveness reside in the features of the bottle as shown in solid lines in the representations excluding those features shown in broken lines, and in particular reside in the features of the recess in the base of the bottle which is decorated with elongate generally vertically oriented projections in the form of curved lines of different length and shape extending generally radially from the top of the recess.**

(21) Design Number: **12055/2014**  
(22) Date of Filing Application: **29 April 2014**  
(24) Date from which industrial property rights may have effect: **29 April 2014**  
(54) Product in respect of which the design is registered: **Zinc Building Element in the form of a sheet, slate or coil sheet**  
(51) International Design Classification: **25-01NES**  
(74) Name(s) of Attorney(s): **PHILLIPS ORMONDE FITZPATRICK**  
(71) Name(s) and Address(s) of Applicant(s):  
**Umicore Building Products France**  
**Les Mercuriales Tour du Ponant 40 rue Jean Jaures Bagnolet 93170 France**  
(72) Name(s) of Designer(s): **Christophe Bissery**  
(45) Registration Date: **21 May 2014**  
(30) Convention priority data:  
(31) Number (32) Date (33) Country  
**1388169-0001 29 Oct 2013 OFFICE FOR HARMONISATION IN**  
**THE INTERNAL MARKET (OHIM)**



(56) Related Art Documents: **Not Applicable**  
(57) Statement of Newness and Distinctiveness: **The newness and distinctiveness resides in the pattern and/or ornamentation of the zinc building element, in which the colour of the product has the shades of light gray and almost white and whose textured surface with asperities of varying sizes gives a rough and heterogeneous effect as illustrated in the representations as well as European Community Design 1388169.**

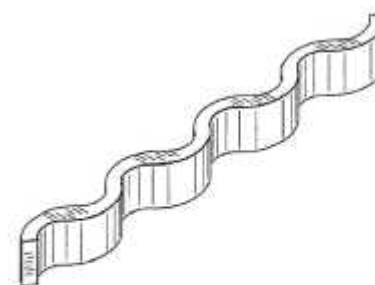
(21) Design Number: **12056/2014**  
(22) Date of Filing Application: **29 April 2014**  
(24) Date from which industrial property rights may have effect: **24 March 2014**  
(54) Product in respect of which the design is registered: **Lighting**  
(51) International Design Classification: **26-05C**  
(74) Name(s) of Attorney(s): **Pizzeys**  
(71) Name(s) and Address(s) of Applicant(s):  
**LSI Industries, Inc.**  
**10000 Alliance Rd Cincinnati OH 45242 United States of America**  
(72) Name(s) of Designer(s): **John D Boyer and Daniel Hutchens and Eric Jon Mooar**  
(45) Registration Date: **21 May 2014**  
(62) Divisional of: **355293**  
(56) Related Art Documents: **Not Applicable**  
(57) Statement of Newness and Distinctiveness: **Nil**



(21) Design Number: **12057/2014**  
(22) Date of Filing Application: **29 April 2014**  
(24) Date from which industrial property rights may have effect: **29 April 2014**  
(54) Product in respect of which the design is registered: **Handheld transceiver with display**  
(51) International Design Classification: **14-03NES**  
(74) Name(s) of Attorney(s): **Chrysiliou IP**  
(71) Name(s) and Address(s) of Applicant(s):  
**Radio Systems Corporation**  
**10427 PetSafe Way Knoxville Tennessee 37932 United States of America**  
(72) Name(s) of Designer(s): **Brent Goetzl and Kevin Zinn and Aaron Russell and Darrell Douglas and Harri Piltonen**  
(45) Registration Date: **21 May 2014**  
(30) Convention priority data:  
(31) Number      (32) Date      (33) Country  
**29/479170      13 Jan 2014      UNITED STATES OF AMERICA**  
(56) Related Art Documents: **Not Applicable**  
(57) Statement of Newness and Distinctiveness: **Newness and distinctiveness reside in the features of the design shown in solid lines in the representations excluding those features shown in broken lines.**



- (21) Design Number: **12059/2014**  
(22) Date of Filing Application: **29 April 2014**  
(24) Date from which industrial property rights may have effect: **30 January 2014**  
(54) Product in respect of which the design is registered: **Root vegetable product**  
(51) International Design Classification: **01-02**  
(74) Name(s) of Attorney(s): **FB Rice**  
(71) Name(s) and Address(s) of Applicant(s):  
**McCain Foods Limited**  
**8800 Main Street Florenceville-Bristol New Brunswick Quebec, E7L 1B2**  
**Canada**  
(72) Name(s) of Designer(s): **David M Rogers and John Aikens**  
(45) Registration Date: **21 May 2014**  
(62) Divisional of: **355320**  
(56) Related Art Documents: **Not Applicable**  
(57) Statement of Newness and Distinctiveness: **Newness and distinctiveness reside in the shape and configuration of the root vegetable product shown in the representations.**



- (21) Design Number: **12063/2014**  
(22) Date of Filing Application: **29 April 2014**  
(24) Date from which industrial property rights may have effect: **29 April 2014**  
(54) Product in respect of which the design is registered: **Table**  
(51) International Design Classification: **06-03A**  
(74) Name(s) of Attorney(s):  
(71) Name(s) and Address(s) of Applicant(s):  
**Luke Batten**  
**102 Badgery Rd Burra NSW 2620 Australia**  
(72) Name(s) of Designer(s): **Luke Batten**  
(45) Registration Date: **21 May 2014**  
(56) Related Art Documents: **Not Applicable**  
(57) Statement of Newness and Distinctiveness: **The newness of the design resides in the configuration of the legs, planes and pins. The protruding intersections between the legs and planes give the product a very distinctive appearance. Similarly, the leg protrusions noticeably interrupt the form of the top surface adding to the tables unique aesthetic.**



(21) Design Number: **12072/2014**  
(22) Date of Filing Application: **30 April 2014**  
(24) Date from which industrial property rights may have effect: **30 April 2014**  
(54) Product in respect of which the design is registered: **Mouthpiece of a smoking article**  
(51) International Design Classification: **27-02**  
(74) Name(s) of Attorney(s): **SPRUSON & FERGUSON**  
(71) Name(s) and Address(s) of Applicant(s):  
**Altria Client Services Inc.**  
**6601 West Broad Street Richmond Virginia 23230 United States of America**  
(72) Name(s) of Designer(s): **Alistair Bramley and George Stafford and Eric Hawes and Traci Martin and Berina Yerkic-Husejnovic**  
(45) Registration Date: **21 May 2014**  
(30) Convention priority data:  
(31) Number (32) Date (33) Country  
**29/471338 30 Oct 2013 UNITED STATES OF AMERICA**  
(56) Related Art Documents: **Not Applicable**  
(57) Statement of Newness and Distinctiveness: **Newness and distinctiveness is claimed in the features of shape and/or configuration of mouthpiece of a smoking article as illustrated in the accompanying representations.**



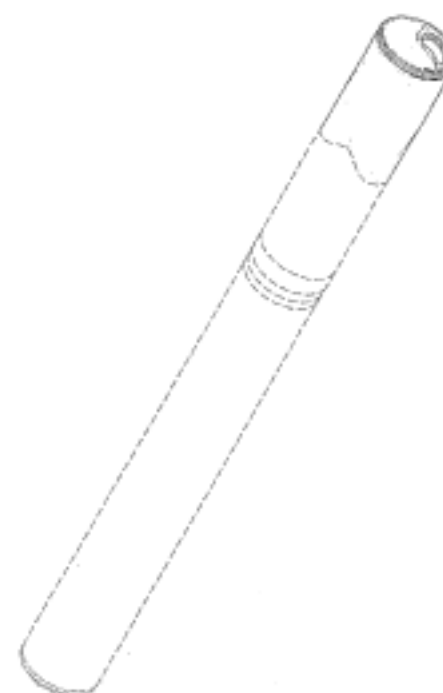
(21) Design Number: **12074/2014**  
(22) Date of Filing Application: **30 April 2014**  
(24) Date from which industrial property rights may have effect: **30 April 2014**  
(54) Product in respect of which the design is registered: **Smoking article**  
(51) International Design Classification: **27-02**  
(74) Name(s) of Attorney(s): **SPRUSON & FERGUSON**  
(71) Name(s) and Address(s) of Applicant(s):  
**Altria Client Services Inc.**  
**6601 West Broad Street Richmond Virginia 23230 United States of America**  
(72) Name(s) of Designer(s): **Alistair Bramley and George Stafford and Eric Hawes and Traci Martin and Berina Yerkic-Husejnovic**  
(45) Registration Date: **21 May 2014**  
(30) Convention priority data:  
(31) Number (32) Date (33) Country  
**29/471338 30 Oct 2013 UNITED STATES OF AMERICA**  
(56) Related Art Documents: **Not Applicable**  
(57) Statement of Newness and Distinctiveness: **Newness and distinctiveness is claimed in the features of shape and/or configuration of a mouthpiece of a smoking article as illustrated in the accompanying representations.**



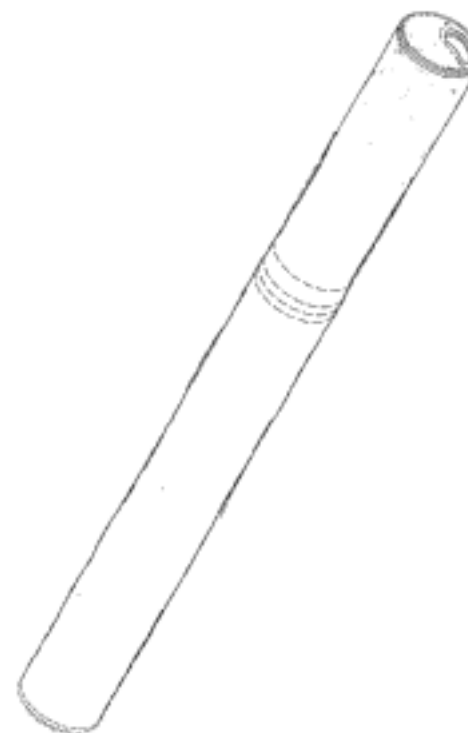
(21) Design Number: **12075/2014**  
(22) Date of Filing Application: **30 April 2014**  
(24) Date from which industrial property rights may have effect: **30 April 2014**  
(54) Product in respect of which the design is registered: **Smoking article**  
(51) International Design Classification: **27-02**  
(74) Name(s) of Attorney(s): **SPRUSON & FERGUSON**  
(71) Name(s) and Address(s) of Applicant(s):  
**Altria Client Services Inc.**  
**6601 West Broad Street Richmond Virginia 23230 United States of America**  
(72) Name(s) of Designer(s): **Alistair Bramley and George Stafford and Eric Hawes and Traci Martin and Berina Yerkic-Husejnovic**  
(45) Registration Date: **21 May 2014**  
(30) Convention priority data:  
(31) Number (32) Date (33) Country  
**29/471338 30 Oct 2013 UNITED STATES OF AMERICA**  
(56) Related Art Documents: **Not Applicable**  
(57) Statement of Newness and Distinctiveness: **Newness and distinctiveness is claimed in the features of shape and/or configuration of a mouthpiece of a smoking article as illustrated in the accompanying representations.**



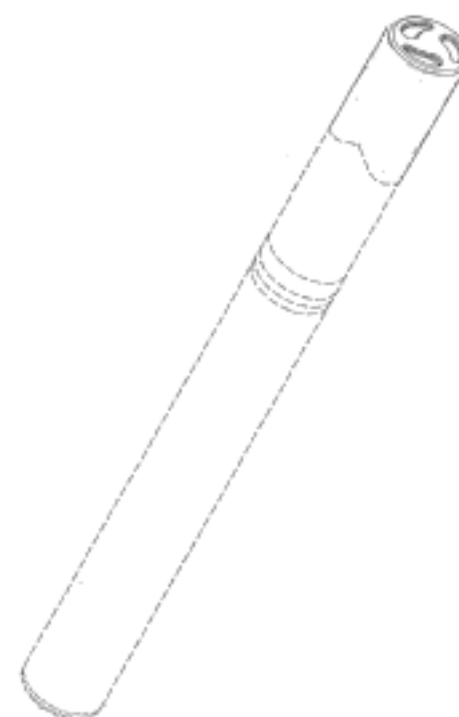
(21) Design Number: **12076/2014**  
(22) Date of Filing Application: **30 April 2014**  
(24) Date from which industrial property rights may have effect: **30 April 2014**  
(54) Product in respect of which the design is registered: **Smoking article**  
(51) International Design Classification: **27-01**  
(74) Name(s) of Attorney(s): **SPRUSON & FERGUSON**  
(71) Name(s) and Address(s) of Applicant(s):  
**Altria Client Services Inc.**  
**6601 West Broad Street, Richmond Virginia, 23230 United States of America**  
(72) Name(s) of Designer(s): **Alistair Bramley and Eric Hawes and Berina Yerkic-Husejnovic and George Stafford and Traci Martin**  
(45) Registration Date: **21 May 2014**  
(30) Convention priority data:  
(31) Number (32) Date (33) Country  
**29/471454 31 Oct 2013 UNITED STATES OF AMERICA**  
(56) Related Art Documents: **Not Applicable**  
(57) Statement of Newness and Distinctiveness: **Newness and distinctiveness is claimed in those features of shape and/or configuration of a mouthpiece of a smoking article illustrated in continuous lines in the accompanying representations.**



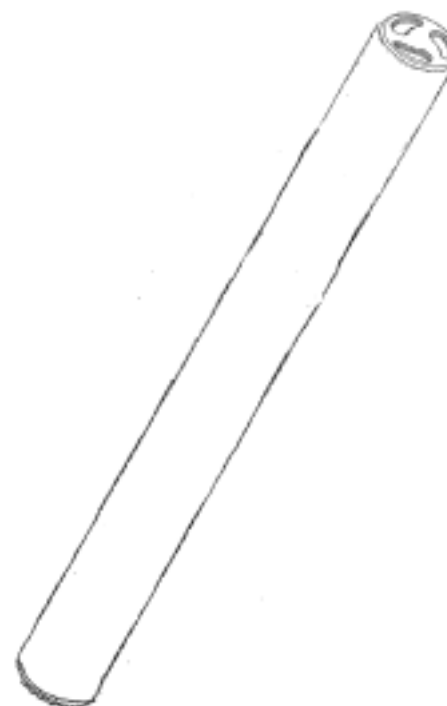
(21) Design Number: **12077/2014**  
(22) Date of Filing Application: **30 April 2014**  
(24) Date from which industrial property rights may have effect: **30 April 2014**  
(54) Product in respect of which the design is registered: **Smoking article**  
(51) International Design Classification: **27-01**  
(74) Name(s) of Attorney(s): **SPRUSON & FERGUSON**  
(71) Name(s) and Address(s) of Applicant(s):  
**Altria Client Services Inc.**  
**6601 West Broad Street, Richmond Virginia, 23230 United States of America**  
(72) Name(s) of Designer(s): **Alistair Bramley and Eric Hawes and Berina Yerkic-Husejnovic and George Stafford and Traci Martin**  
(45) Registration Date: **21 May 2014**  
(30) Convention priority data:  
(31) Number (32) Date (33) Country  
**29/471454 31 Oct 2013 UNITED STATES OF AMERICA**  
(56) Related Art Documents: **Not Applicable**  
(57) Statement of Newness and Distinctiveness: **Newness and distinctiveness is claimed in those features of shape and/or configuration of a mouthpiece of a smoking article illustrated in continuous lines in the accompanying representations.**



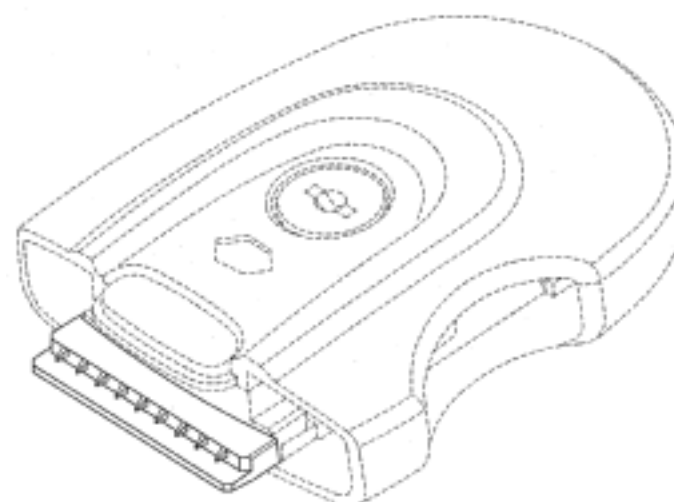
(21) Design Number: **12078/2014**  
(22) Date of Filing Application: **30 April 2014**  
(24) Date from which industrial property rights may have effect: **30 April 2014**  
(54) Product in respect of which the design is registered: **Smoking article**  
(51) International Design Classification: **27-01**  
(74) Name(s) of Attorney(s): **SPRUSON & FERGUSON**  
(71) Name(s) and Address(s) of Applicant(s):  
**Altria Client Services Inc.**  
**6601 West Broad Street, Richmond Virginia, 23230 United States of America**  
(72) Name(s) of Designer(s): **Alistair Bramley and Eric Hawes and Berina Yerkic-Husejnovic and George Stafford and Traci Martin**  
(45) Registration Date: **21 May 2014**  
(30) Convention priority data:  
(31) Number (32) Date (33) Country  
**29/471454 31 Oct 2013 UNITED STATES OF AMERICA**  
(56) Related Art Documents: **Not Applicable**  
(57) Statement of Newness and Distinctiveness: **Newness and distinctiveness is claimed in those features of shape and/or configuration of a mouthpiece of a smoking article illustrated in continuous lines in the accompanying representations.**



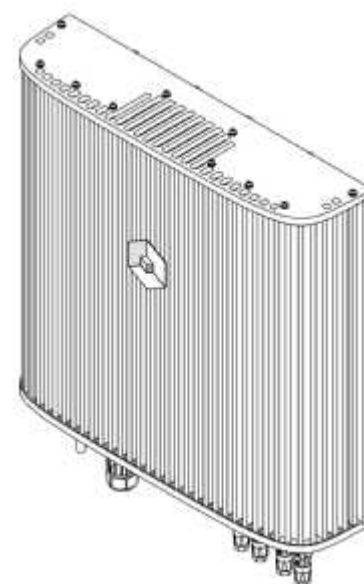
(21) Design Number: **12079/2014**  
(22) Date of Filing Application: **30 April 2014**  
(24) Date from which industrial property rights may have effect: **30 April 2014**  
(54) Product in respect of which the design is registered: **Smoking article**  
(51) International Design Classification: **27-01**  
(74) Name(s) of Attorney(s): **SPRUSON & FERGUSON**  
(71) Name(s) and Address(s) of Applicant(s):  
**Altria Client Services Inc.**  
**6601 West Broad Street, Richmond Virginia, 23230 United States of America**  
(72) Name(s) of Designer(s): **Alistair Bramley and Eric Hawes and Berina Yerkic-Husejnovic and George Stafford and Traci Martin**  
(45) Registration Date: **21 May 2014**  
(30) Convention priority data:  
(31) Number (32) Date (33) Country  
**29/471454 31 Oct 2013 UNITED STATES OF AMERICA**  
(56) Related Art Documents: **Not Applicable**  
(57) Statement of Newness and Distinctiveness: **Newness and distinctiveness is claimed in those features of shape and/or configuration of a mouthpiece of a smoking article illustrated in continuous lines in the accompanying representations.**



(21) Design Number: **12018/2014**  
(22) Date of Filing Application: **28 April 2014**  
(24) Date from which industrial property rights may have effect: **12 February 2014**  
(54) Product in respect of which the design is registered: **Luggage clip**  
(51) International Design Classification: **08-07, 03-01A**  
(74) Name(s) of Attorney(s): **Marks & Clerk Australia**  
(71) Name(s) and Address(s) of Applicant(s):  
**DG International Holdings Limited**  
**Unit 1 Mill Hill Industrial Estate Flower Lane London NW7 2HU United Kingdom**  
(72) Name(s) of Designer(s): **Barnaby Bevan Edwards and Ben Atkinson**  
(45) Registration Date: **21 May 2014**  
(30) Convention priority data:  
(31) Number (32) Date (33) Country  
**002291856-0002 14 Aug 2013 OFFICE FOR HARMONISATION IN THE INTERNAL MARKET (OHIM)**  
(62) Divisional of: **355699**  
(56) Related Art Documents: **Not Applicable**  
(57) Statement of Newness and Distinctiveness: **Newness and distinctiveness resides in the visual features of the shape and/or configuration of a luggage clip as illustrated in solid lines in the accompanying representations.**



- (21) Design Number: **12080/2014**  
(22) Date of Filing Application: **30 April 2014**  
(24) Date from which industrial property rights may have effect: **30 April 2014**  
(54) Product in respect of which the design is registered: **Inverter**  
(51) International Design Classification: **13-02**  
(74) Name(s) of Attorney(s):  
(71) Name(s) and Address(s) of Applicant(s):  
**MIL-SYSTEMS PTY LTD**  
**34 Roberts St West Footscray VIC 3012 Australia**  
(72) Name(s) of Designer(s): **Geoff Lowe and Gary Lyons**  
(45) Registration Date: **21 May 2014**  
(56) Related Art Documents: **Not Applicable**  
(57) Statement of Newness and Distinctiveness: **The shape, configuration, ornamentation and visual manifestation of the product as shown in the accompanying figures is new and distinctive.**



- (21) Design Number: **12082/2014**  
(22) Date of Filing Application: **30 April 2014**  
(24) Date from which industrial property rights may have effect: **30 April 2014**  
(54) Product in respect of which the design is registered: **Wheel for a vehicle**  
(51) International Design Classification: **12-16A**  
(74) Name(s) of Attorney(s): **SPRUSON & FERGUSON**  
(71) Name(s) and Address(s) of Applicant(s):  
**Daimler AG**  
**Mercedesstrasse 137 Stuttgart D-70327 Germany**  
(72) Name(s) of Designer(s): **Bernhard Hans and Jean-Francois Huet**  
(45) Registration Date: **21 May 2014**  
(30) Convention priority data:  
(31) Number      (32) Date      (33) Country  
**002351247-0003    25 Nov 2013      OFFICE FOR HARMONISATION IN  
THE INTERNAL MARKET (OHIM)**  
(56) Related Art Documents: **Not Applicable**  
(57) Statement of Newness and Distinctiveness: **Newness and distinctiveness is claimed in the features of shape and/or configuration of a wheel for a vehicle as illustrated in the accompanying representations.**



(21) Design Number: **12083/2014**  
(22) Date of Filing Application: **30 April 2014**  
(24) Date from which industrial property rights may have effect: **30 April 2014**  
(54) Product in respect of which the design is registered: **Wheel for a vehicle**  
(51) International Design Classification: **12-16A**  
(74) Name(s) of Attorney(s): **SPRUSON & FERGUSON**  
(71) Name(s) and Address(s) of Applicant(s):  
**Daimler AG**  
**Mercedesstrasse 137 Stuttgart D-70327 Germany**  
(72) Name(s) of Designer(s): **Bernhard Hans and Daniel Krisch**  
(45) Registration Date: **21 May 2014**  
(30) Convention priority data:  
(31) Number (32) Date (33) Country  
**002351247-0001 25 Nov 2013 OFFICE FOR HARMONISATION IN**  
**THE INTERNAL MARKET (OHIM)**  
(56) Related Art Documents: **Not Applicable**  
(57) Statement of Newness and Distinctiveness: **Newness and distinctiveness is claimed in the features of shape and/or configuration of a wheel for a vehicle as illustrated in the accompanying representations.**



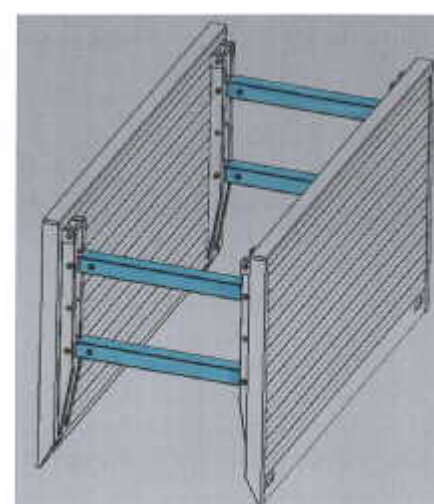
(21) Design Number: **12084/2014**  
(22) Date of Filing Application: **30 April 2014**  
(24) Date from which industrial property rights may have effect: **30 April 2014**  
(54) Product in respect of which the design is registered: **Coffee machine**  
(51) International Design Classification: **07-02L**  
(74) Name(s) of Attorney(s): **SPRUSON & FERGUSON**  
(71) Name(s) and Address(s) of Applicant(s):  
**Koninklijke Douwe Egberts B.V.**  
**Oosterdoksstraat 80 Amsterdam 1011 DK The Netherlands**  
(72) Name(s) of Designer(s): **Harrie Wessels**  
(45) Registration Date: **21 May 2014**  
(30) Convention priority data:  
(31) Number (32) Date (33) Country  
**002339705-0001 06 Nov 2013 OFFICE FOR HARMONISATION IN**  
**THE INTERNAL MARKET (OHIM)**  
(56) Related Art Documents: **Not Applicable**  
(57) Statement of Newness and Distinctiveness: **Newness and distinctiveness is claimed in the features of shape and/or configuration of a coffee machine as illustrated in the accompanying representations.**



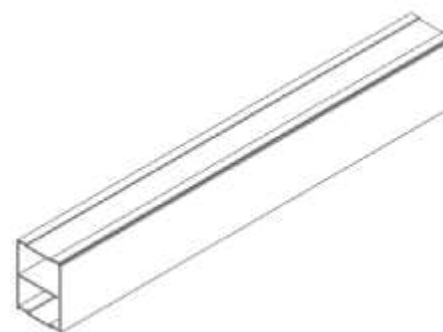
(21) Design Number: **12088/2014**  
(22) Date of Filing Application: **30 April 2014**  
(24) Date from which industrial property rights may have effect: **30 April 2014**  
(54) Product in respect of which the design is registered: **Combination snack and beverage container**  
(51) International Design Classification: **07-01C**  
(74) Name(s) of Attorney(s): **Fisher Adams Kelly Pty Ltd**  
(71) Name(s) and Address(s) of Applicant(s):  
**Ideavillage Products Corporation**  
**155 Route 46 West Wayne New Jersey 07470 United States of America**  
(72) Name(s) of Designer(s): **Anand Khubani and Jane Gilmartin and Aaron Szymanski and LoriAnn Lombardo**  
(45) Registration Date: **21 May 2014**  
(30) Convention priority data:  
(31) Number (32) Date (33) Country  
**29/481861 11 Feb 2014 UNITED STATES OF AMERICA**  
(56) Related Art Documents: **Not Applicable**  
(57) Statement of Newness and Distinctiveness: **The newness and distinctiveness of the design resides in the shape and/or configuration of the COMBINATION SNACK AND BEVERAGE CONTAINER shown in the representations.**



(21) Design Number: **12089/2014**  
(22) Date of Filing Application: **30 April 2014**  
(24) Date from which industrial property rights may have effect: **30 April 2014**  
(54) Product in respect of which the design is registered: **Shield trench shoring device**  
(51) International Design Classification: **15-09**  
(74) Name(s) of Attorney(s):  
(71) Name(s) and Address(s) of Applicant(s):  
**Transquip**  
**2 Edmonton Road Hornby South Christchurch 8042 New Zealand**  
(72) Name(s) of Designer(s): **Richard Peter Townshend**  
(45) Registration Date: **21 May 2014**  
(30) Convention priority data:  
(31) Number (32) Date (33) Country  
**418378 19 Dec 2013 NEW ZEALAND**  
(56) Related Art Documents: **Not Applicable**  
(57) Statement of Newness and Distinctiveness: **The design is to be applied to a shield trench shoring device, and the novelty resides in the features of shape and configuration as shown in the accompanying representations. The spreader bars shown in blue wash are disclaimed from the design.**



(21) Design Number: **12090/2014**  
(22) Date of Filing Application: **30 April 2014**  
(24) Date from which industrial property rights may have effect: **30 April 2014**  
(54) Product in respect of which the design is registered: **Extrusion for a shield panel**  
(51) International Design Classification: **25-01K**  
(74) Name(s) of Attorney(s):  
(71) Name(s) and Address(s) of Applicant(s):  
**Transquip**  
**2 Edmonton Road Hornby South Christchurch 8042 New Zealand**  
(72) Name(s) of Designer(s): **Richard Peter Townshend**  
(45) Registration Date: **21 May 2014**  
(30) Convention priority data:  
(31) Number (32) Date (33) Country  
**418379 19 Dec 2013 NEW ZEALAND**  
(56) Related Art Documents: **Not Applicable**  
(57) Statement of Newness and Distinctiveness: **The design is to be applied to an extrusion of indefinite length for a shield panel, and the novelty resides in the features of shape and configuration as shown in the accompanying representations.**



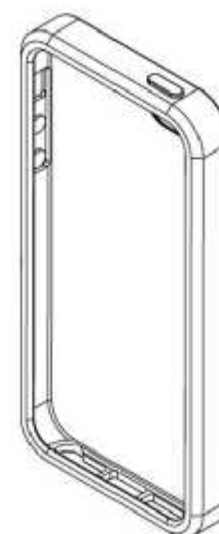
(21) Design Number: **12091/2014**  
(22) Date of Filing Application: **30 April 2014**  
(24) Date from which industrial property rights may have effect: **30 April 2014**  
(54) Product in respect of which the design is registered: **External style of commercial vehicle**  
(51) International Design Classification: **12-08**  
(74) Name(s) of Attorney(s): **Fisher Adams Kelly Pty Ltd**  
(71) Name(s) and Address(s) of Applicant(s):  
**IVECO S.P.A.**  
**Via Puglia 35 Turin TO, 10156 Italy**  
(72) Name(s) of Designer(s): **Marco Carignano**  
(45) Registration Date: **21 May 2014**  
(30) Convention priority data:  
(31) Number (32) Date (33) Country  
**002340034-0001 06 Nov 2013 OFFICE FOR HARMONISATION IN THE INTERNAL MARKET (OHIM)**  
(56) Related Art Documents: **Not Applicable**  
(57) Statement of Newness and Distinctiveness: **The newness and distinctiveness of the design resides in the shape and/or configuration of the EXTERNAL STYLE OF COMMERCIAL VEHICLE shown in the representations.**



(21) Design Number: **12092/2014**  
(22) Date of Filing Application: **30 April 2014**  
(24) Date from which industrial property rights may have effect: **07 February 2014**  
(54) Product in respect of which the design is registered: **A remote key**  
(51) International Design Classification: **08-07**  
(74) Name(s) of Attorney(s): **James & Wells Intellectual Property**  
(71) Name(s) and Address(s) of Applicant(s):  
**jWIN Electronics Corp.**  
**2 Harbor Park Dr Port Washington NY, 11050-4602 United States of America**  
(72) Name(s) of Designer(s): **Dena M Kim**  
(45) Registration Date: **21 May 2014**  
(30) Convention priority data:  
(31) Number (32) Date (33) Country  
**29/475,777 06 Dec 2013 UNITED STATES OF AMERICA**  
(62) Divisional of: **355324**  
(56) Related Art Documents: **Not Applicable**  
(57) Statement of Newness and Distinctiveness: **Nil**



(21) Design Number: **12093/2014**  
(22) Date of Filing Application: **30 April 2014**  
(24) Date from which industrial property rights may have effect: **07 February 2014**  
(54) Product in respect of which the design is registered: **A protective case**  
(51) International Design Classification: **03-01NES**  
(74) Name(s) of Attorney(s): **James & Wells Intellectual Property**  
(71) Name(s) and Address(s) of Applicant(s):  
**jWIN Electronics Corp.**  
**2 Harbor Park Dr Port Washington NY, 11050-4602 United States of America**  
(72) Name(s) of Designer(s): **Dena M Kim**  
(45) Registration Date: **21 May 2014**  
(30) Convention priority data:  
(31) Number (32) Date (33) Country  
**29/475,777 06 Dec 2013 UNITED STATES OF AMERICA**  
(62) Divisional of: **355324**  
(56) Related Art Documents: **Not Applicable**  
(57) Statement of Newness and Distinctiveness: **Nil**



- (21) Design Number: **12094/2014**  
(22) Date of Filing Application: **30 April 2014**  
(24) Date from which industrial property rights may have effect: **30 April 2014**  
(54) Product in respect of which the design is registered: **Teething toy for children**  
(51) International Design Classification: **21-01NES**  
(74) Name(s) of Attorney(s): **Griffith Hack**  
(71) Name(s) and Address(s) of Applicant(s):  
**Michael K Bredemeier**  
**1968 Bayshore Boulevard Dunedin Florida, 34698 United States of America**  
**Lori A Bredemeier**  
**1968 Bayshore Boulevard Dunedin Florida, 34698 United States of America**  
(72) Name(s) of Designer(s): **Michael K Bredemeier and Lori A Bredemeier**  
(45) Registration Date: **21 May 2014**  
(30) Convention priority data:  
(31) Number (32) Date (33) Country  
**29/476,925 18 Dec 2013 UNITED STATES OF AMERICA**  
(56) Related Art Documents: **Not Applicable**  
(57) Statement of Newness and Distinctiveness: **Newness and distinctiveness resides in the visual features, including the shape and configuration of the product as shown in the accompanying representations.**



- (21) Design Number: **12098/2014**  
(22) Date of Filing Application: **30 April 2014**  
(24) Date from which industrial property rights may have effect: **30 April 2014**  
(54) Product in respect of which the design is registered: **Surface cleaning apparatus**  
(51) International Design Classification: **15-05**  
(74) Name(s) of Attorney(s): **Griffith Hack**  
(71) Name(s) and Address(s) of Applicant(s):  
**Techronic Floor Care Technology Limited**  
**PO BOX 957 Offshore Incorporations Centre Road Town Tortola British Virgin Islands**  
(72) Name(s) of Designer(s): **Daniel William Carter and Darren David Holmes and Simon Pougher and Thomas Robert Harries and Mark Barnsley**  
(45) Registration Date: **21 May 2014**  
(30) Convention priority data:  
(31) Number (32) Date (33) Country  
**001388482 01 Nov 2013 OFFICE FOR HARMONISATION IN THE INTERNAL MARKET (OHIM)**  
(56) Related Art Documents: **Not Applicable**  
(57) Statement of Newness and Distinctiveness: **Newness and distinctiveness resides in the visual features, including the shape and configuration of the product as shown by means of the solid lines in the accompanying representations.**



- (21) Design Number: **12099/2014**  
(22) Date of Filing Application: **30 April 2014**  
(24) Date from which industrial property rights may have effect: **30 April 2014**  
(54) Product in respect of which the design is registered: **Surface cleaning apparatus**  
(51) International Design Classification: **15-05**  
(74) Name(s) of Attorney(s): **Griffith Hack**  
(71) Name(s) and Address(s) of Applicant(s):  
**Techtronic Floor Care Technology Limited**  
**PO BOX 957 Offshore Incorporations Centre Road Town Tortola British Virgin Islands**  
(72) Name(s) of Designer(s): **Daniel William Carter and Darren David Holmes and Simon Pougher and Thomas Robert Harries and Mark Barnsley**  
(45) Registration Date: **21 May 2014**  
(30) Convention priority data:  
(31) Number      (32) Date      (33) Country  
**001388482      01 Nov 2013      OFFICE FOR HARMONISATION IN THE INTERNAL MARKET (OHIM)**  
(56) Related Art Documents: **Not Applicable**  
(57) Statement of Newness and Distinctiveness: **Newness and distinctiveness resides in the visual features, including the shape and configuration of the product as shown by means of the solid lines in the accompanying representations.**



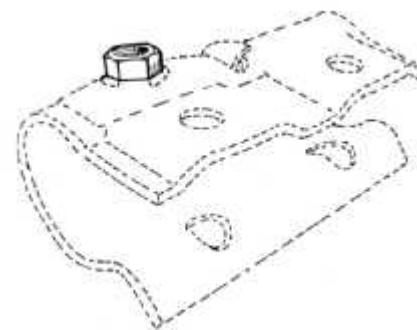
- (21) Design Number: **12100/2014**  
(22) Date of Filing Application: **30 April 2014**  
(24) Date from which industrial property rights may have effect: **30 April 2014**  
(54) Product in respect of which the design is registered: **Surface cleaning apparatus**  
(51) International Design Classification: **15-05**  
(74) Name(s) of Attorney(s): **Griffith Hack**  
(71) Name(s) and Address(s) of Applicant(s):  
**Techtronic Floor Care Technology Limited**  
**PO BOX 957 Offshore Incorporations Centre Road Town Tortola British Virgin Islands**  
(72) Name(s) of Designer(s): **Daniel William Carter and Darren David Holmes and Simon Pougher and Thomas Robert Harries and Mark Barnsley**  
(45) Registration Date: **21 May 2014**  
(30) Convention priority data:  
(31) Number      (32) Date      (33) Country  
**001388482      01 Nov 2013      OFFICE FOR HARMONISATION IN THE INTERNAL MARKET (OHIM)**  
(56) Related Art Documents: **Not Applicable**  
(57) Statement of Newness and Distinctiveness: **Newness and distinctiveness resides in the visual features, including the shape and configuration of the product as shown by means of the solid lines in the accompanying representations.**



(21) Design Number: **12101/2014**  
(22) Date of Filing Application: **30 April 2014**  
(24) Date from which industrial property rights may have effect: **30 April 2014**  
(54) Product in respect of which the design is registered: **Surface cleaning apparatus**  
(51) International Design Classification: **15-05**  
(74) Name(s) of Attorney(s): **Griffith Hack**  
(71) Name(s) and Address(s) of Applicant(s):  
**Techtronic Floor Care Technology Limited**  
**PO BOX 957 Offshore Incorporations Centre Road Town Tortola British Virgin Islands**  
(72) Name(s) of Designer(s): **Daniel William Carter and Darren David Holmes and Simon Pougher and Thomas Robert Harries and Mark Barnsley**  
(45) Registration Date: **21 May 2014**  
(30) Convention priority data:  
(31) Number (32) Date (33) Country  
**001388482 01 Nov 2013 EUROPEAN PATENT OFFICE (EPO)**  
(56) Related Art Documents: **Not Applicable**  
(57) Statement of Newness and Distinctiveness: **Newness and distinctiveness resides in the visual features, including the shape and configuration of the product as shown by means of the solid lines in the accompanying representations.**



(21) Design Number: **12104/2014**  
(22) Date of Filing Application: **30 April 2014**  
(24) Date from which industrial property rights may have effect: **30 April 2014**  
(54) Product in respect of which the design is registered: **A coupler**  
(51) International Design Classification: **12-16L**  
(74) Name(s) of Attorney(s): **Griffith Hack**  
(71) Name(s) and Address(s) of Applicant(s):  
**Alistair Nicholas**  
**c/- 10 Sylvana Way Willetton WA 6155 Australia**  
**Greig Ferguson**  
**29 Kent St Wilson WA 6107 Australia**  
**Luke Faulkner**  
**U39 139 Commercial Rd Teneriffe QLD 4005 Australia**  
(72) Name(s) of Designer(s): **Alistair Nicholas and Greig Ferguson and Luke Faulkner**  
(45) Registration Date: **21 May 2014**  
(56) Related Art Documents: **Not Applicable**  
(57) Statement of Newness and Distinctiveness: **The shape and configuration of those parts of the design shown other than in dotted lines are new and distinctive.**



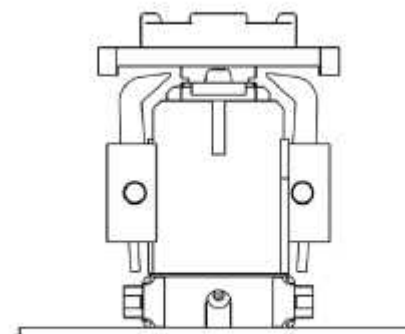
(21) Design Number: **12106/2014**  
(22) Date of Filing Application: **01 May 2014**  
(24) Date from which industrial property rights may have effect: **06 February 2014**  
(54) Product in respect of which the design is registered: **Blood glucose meter**  
(51) International Design Classification: **10-04, 24-04**  
(74) Name(s) of Attorney(s): **WATERMARK PATENT AND TRADE MARKS ATTORNEYS**  
(71) Name(s) and Address(s) of Applicant(s):  
**Sanofi-Aventis Deutschland GmbH**  
**Bruningstrasse 50 Frankfurt am Main 65929 Germany**  
(72) Name(s) of Designer(s): **Timothy Golnik and Evan Brooks**  
(45) Registration Date: **21 May 2014**  
(30) Convention priority data:  
(31) Number (32) Date (33) Country  
**002 288 266 07 Aug 2013 EUROPEAN PATENT OFFICE (EPO)**  
(62) Divisional of: **355330**  
(56) Related Art Documents: **Not Applicable**  
(57) Statement of Newness and Distinctiveness: **Nil**



(21) Design Number: **12107/2014**  
(22) Date of Filing Application: **01 May 2014**  
(24) Date from which industrial property rights may have effect: **01 May 2014**  
(54) Product in respect of which the design is registered: **Public notice signage**  
(51) International Design Classification: **20-03NES, 20-03C**  
(74) Name(s) of Attorney(s): **Sandercock & Cowie**  
(71) Name(s) and Address(s) of Applicant(s):  
**Lee Wilson**  
**PO BOX 8620 Carrum Downs VIC 3201 Australia**  
(72) Name(s) of Designer(s): **Lee Wilson**  
(45) Registration Date: **21 May 2014**  
(56) Related Art Documents: **Not Applicable**  
(57) Statement of Newness and Distinctiveness: **Newness and distinctiveness reside in the shape and configuration of the twin characters as shown in the accompanying representations.**



(21) Design Number: **12108/2014**  
(22) Date of Filing Application: **01 May 2014**  
(24) Date from which industrial property rights may have effect: **01 May 2014**  
(54) Product in respect of which the design is registered: **Jack stand**  
(51) International Design Classification: **12-05**  
(74) Name(s) of Attorney(s): **SPRUSON & FERGUSON**  
(71) Name(s) and Address(s) of Applicant(s):  
**Harry H Arzouman**  
**26 Mainsail Drive Corona Del Mar California 92625 United States of America**



(72) Name(s) of Designer(s): **Harry H Arzouman**  
(45) Registration Date: **21 May 2014**  
(30) Convention priority data:  
(31) Number (32) Date (33) Country  
**29/463384 04 Nov 2013 UNITED STATES OF AMERICA**  
(56) Related Art Documents: **Not Applicable**  
(57) Statement of Newness and Distinctiveness: **Newness and distinctiveness is claimed in the features of shape and/or configuration of the following parts of a jack stand as illustrated and labelled in the accompanying representations: upper lift plate labelled "A"; forward bumper labelled "B"; rear bumper labelled "C"; and base plate openings labelled "D".**

(21) Design Number: **12110/2014**  
(22) Date of Filing Application: **01 May 2014**  
(24) Date from which industrial property rights may have effect: **01 May 2014**  
(54) Product in respect of which the design is registered: **Commercial rack for transporting jack stands**  
(51) International Design Classification: **12-02**  
(74) Name(s) of Attorney(s): **SPRUSON & FERGUSON**  
(71) Name(s) and Address(s) of Applicant(s):  
**Harry H Arzouman**  
**26 Mainsail Drive Corona Del Mar California 92625 United States of America**

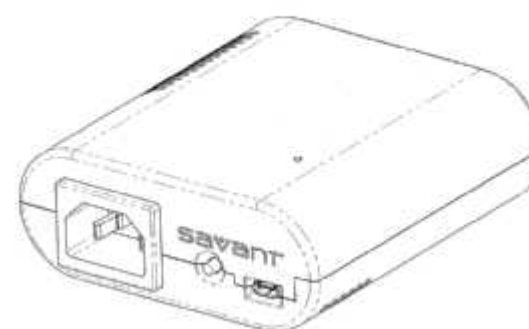


**David J Arzouman**  
**26 Mainsail Drive Corona Del Mar California 92625 United States of America**  
(72) Name(s) of Designer(s): **Harry H Arzouman and David J Arzouman**  
(45) Registration Date: **21 May 2014**  
(30) Convention priority data:  
(31) Number (32) Date (33) Country  
**29/463385 04 Nov 2013 UNITED STATES OF AMERICA**  
(56) Related Art Documents: **Not Applicable**  
(57) Statement of Newness and Distinctiveness: **Newness and distinctiveness is claimed in the features of shape and/or configuration of a commercial rack for transporting jack stands as illustrated in the accompanying representations.**

- (21) Design Number: **12111/2014**  
(22) Date of Filing Application: **01 May 2014**  
(24) Date from which industrial property rights may have effect: **03 February 2014**  
(54) Product in respect of which the design is registered: **Chair**  
(51) International Design Classification: **06-01H**  
(74) Name(s) of Attorney(s): **Griffith Hack**  
(71) Name(s) and Address(s) of Applicant(s):  
**Lifetime Products, Inc.**  
**Freeport Center Building D-11 Clearfield UT 84016 United States of America**  
(72) Name(s) of Designer(s): **Wendell Peery and Mitch Johnson and David C Winter and Frank Clegg**  
(45) Registration Date: **21 May 2014**  
(62) Divisional of: **355322**  
(56) Related Art Documents: **Not Applicable**  
(57) Statement of Newness and Distinctiveness: **Newness and distinctiveness resides in the shape and configuration of the product as represented by solid lines in the drawings.**



- (21) Design Number: **12113/2014**  
(22) Date of Filing Application: **01 May 2014**  
(24) Date from which industrial property rights may have effect: **01 May 2014**  
(54) Product in respect of which the design is registered: **Lamp module for a lighting control system**  
(51) International Design Classification: **13-03NES**  
(74) Name(s) of Attorney(s): **PHILLIPS ORMONDE FITZPATRICK**  
(71) Name(s) and Address(s) of Applicant(s):  
**Savant Systems LLC**  
**45 Perseverance Way Hyannis Massachusetts 02601 United States of America**  
(72) Name(s) of Designer(s): **Richard C Hedderich**  
(45) Registration Date: **21 May 2014**  
(30) Convention priority data:  
(31) Number      (32) Date      (33) Country  
**29/471,640      04 Nov 2013      UNITED STATES OF AMERICA**  
(56) Related Art Documents: **Not Applicable**  
(57) Statement of Newness and Distinctiveness: **Those features of the lamp module for a lighting control system depicted in the representations that are new and distinctive are the shape and/or configuration. The word "savant" shown in the representations may or may not form part of the design.**



- (21) Design Number: **12114/2014**  
(22) Date of Filing Application: **01 May 2014**  
(24) Date from which industrial property rights may have effect: **01 May 2014**  
(54) Product in respect of which the design is registered: **Code generating device**  
(51) International Design Classification: **10-05**  
(74) Name(s) of Attorney(s): **Fisher Adams Kelly Pty Ltd**  
(71) Name(s) and Address(s) of Applicant(s):  
**Care Monitoring 2000 Limited**  
**Four Oaks House 160 Lichfield Road Birmingham West Midlands B74**  
**2TZ United Kingdom**  
(72) Name(s) of Designer(s): **Panch Suntharalingam**  
(45) Registration Date: **21 May 2014**  
(30) Convention priority data:  
(31) Number (32) Date (33) Country  
**001389027-0001 01 Nov 2013 OFFICE FOR HARMONISATION IN**  
**THE INTERNAL MARKET (OHIM)**  
(56) Related Art Documents: **Not Applicable**  
(57) Statement of Newness and Distinctiveness: **The newness and distinctiveness of the design resides in the shape and configuration of the CODE GENERATING DEVICE shown in the representations. The scope of monopoly is not to be limited to the particular text and numbers indicated on the representations.**



- (21) Design Number: **12115/2014**  
(22) Date of Filing Application: **01 May 2014**  
(24) Date from which industrial property rights may have effect: **01 May 2014**  
(54) Product in respect of which the design is registered: **Switch button**  
(51) International Design Classification: **13-03D**  
(74) Name(s) of Attorney(s): **Davies Collison Cave**  
(71) Name(s) and Address(s) of Applicant(s):  
**Arlec Australia Pty Ltd**  
**Building 3 31-41 Joseph St Blackburn North VIC 3130 Australia**  
(72) Name(s) of Designer(s): **Murray Johnson and Kin Lim Cheng**  
(45) Registration Date: **21 May 2014**  
(56) Related Art Documents: **Not Applicable**  
(57) Statement of Newness and Distinctiveness: **Newness and distinctiveness is claimed in the shape of the switch button marked X of the switch shown in the representations. The remainder of the switch does not form part of the design for which protection is sought.**



(21) Design Number: **12117/2014**  
(22) Date of Filing Application: **01 May 2014**  
(24) Date from which industrial property rights may have effect: **01 May 2014**  
(54) Product in respect of which the design is registered: **Garbage bin**  
(51) International Design Classification: **09-09**  
(74) Name(s) of Attorney(s): **Trademark Works**  
(71) Name(s) and Address(s) of Applicant(s):  
**Joseph Joseph Limited**  
**The Grove, 30 Great Guildford Street London, Greater London SE10HS**  
**United Kingdom**  
(72) Name(s) of Designer(s): **Luke Pearson and Tom Lloyd**  
(45) Registration Date: **21 May 2014**  
(30) Convention priority data:  
(31) Number (32) Date (33) Country  
**002339150-0001 05 Nov 2013 OFFICE FOR HARMONISATION IN**  
**THE INTERNAL MARKET (OHIM)**  
(56) Related Art Documents: **Not Applicable**  
(57) Statement of Newness and Distinctiveness: **Nil**



(21) Design Number: **12118/2014**  
(22) Date of Filing Application: **01 May 2014**  
(24) Date from which industrial property rights may have effect: **01 May 2014**  
(54) Product in respect of which the design is registered: **Switch button**  
(51) International Design Classification: **13-03D**  
(74) Name(s) of Attorney(s): **Davies Collison Cave**  
(71) Name(s) and Address(s) of Applicant(s):  
**Arlec Australia Pty Ltd**  
**Building 3 31-41 Joseph St Blackburn North VIC 3130 Australia**  
(72) Name(s) of Designer(s): **Murray Johnson and Kin Lim Cheng**  
(45) Registration Date: **21 May 2014**  
(56) Related Art Documents: **Not Applicable**  
(57) Statement of Newness and Distinctiveness: **Newness and distinctiveness is claimed in the shape of the switch button marked X of the switch shown in the representations. The remainder of the switch does not form part of the design for which protection is sought.**



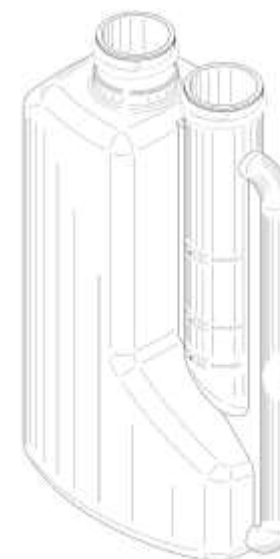
- (21) Design Number: **12119/2014**  
(22) Date of Filing Application: **01 May 2014**  
(24) Date from which industrial property rights may have effect: **01 May 2014**  
(54) Product in respect of which the design is registered: **Catamaran**  
(51) International Design Classification: **12-06B**  
(74) Name(s) of Attorney(s):  
(71) Name(s) and Address(s) of Applicant(s):



**Neil William Kirkness**  
**BOX 2041 Marmion WA 6020 Australia**

- (72) Name(s) of Designer(s): **Neil William Kirkness**  
(45) Registration Date: **21 May 2014**  
(56) Related Art Documents: **Not Applicable**  
(57) Statement of Newness and Distinctiveness: **The visual arrangement of a catamaran, made from three components, an aka, and two ama. The components can be packed for transportation, or they can be assembled for use. They can be packed into a streamlined configuration, on a car top. The components can be re-configured for use as a catamaran. Each ama is joined to the aka by means of three bolts, one at each end, and one at the bottom middle. The ama have indentations to receive the aka in both the packed and assembled configuration. When assembled ama have indentations on the inside surface that form a socket to receive the aka. When packed the ama are rotated, and the indentations to receive the aka, that were visible on the outside of the catamaran, are now on the top surface. The aka is inverted and packed on top of the amas. The ama are interchangeable. All fittings and hatches are recessed. At the ends of the ama there are through holes for rope fixing. At each end of the aka there is a mounting bracket for an outboard motor.**

- (21) Design Number: **12121/2014**  
(22) Date of Filing Application: **02 May 2014**  
(24) Date from which industrial property rights may have effect: **02 May 2014**  
(54) Product in respect of which the design is registered: **A container having two openings**  
(51) International Design Classification: **09-02B**  
(74) Name(s) of Attorney(s): **K&L Gates**  
(71) Name(s) and Address(s) of Applicant(s):

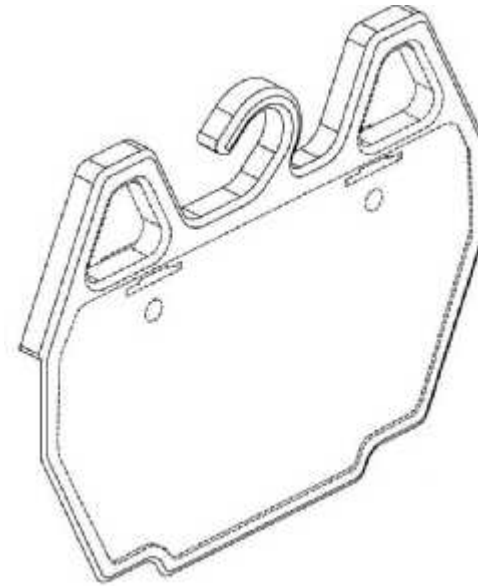


**UView Ultraviolet Systems Inc.**  
**1324 Blundell Road Mississauga Ontario 1Y4 1M5 Canada**

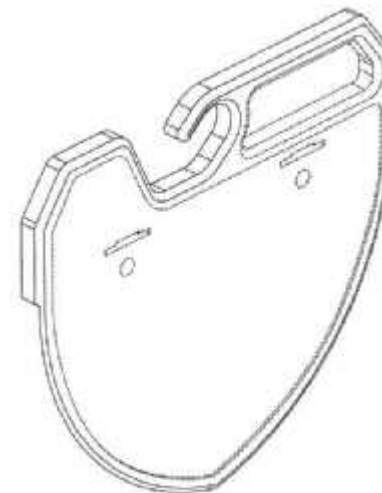
- (72) Name(s) of Designer(s): **Tony Ferraro**  
(45) Registration Date: **21 May 2014**  
(30) Convention priority data:  
(31) Number      (32) Date      (33) Country  
**29/471,713      04 Nov 2013      UNITED STATES OF AMERICA**

- (56) Related Art Documents: **Not Applicable**  
(57) Statement of Newness and Distinctiveness: **Nil**

- (21) Design Number: **12122/2014**  
(22) Date of Filing Application: **02 May 2014**  
(24) Date from which industrial property rights may have effect: **02 May 2014**  
(54) Product in respect of which the design is registered: **Packaging container for car floor mats**  
(51) International Design Classification: **09-05**  
(74) Name(s) of Attorney(s): **WATERMARK PATENT AND TRADE MARKS ATTORNEYS**  
(71) Name(s) and Address(s) of Applicant(s):  
**Who-Rae Pty Ltd**  
**L1 185 Bank St South Melbourne VIC 3205 Australia**  
(72) Name(s) of Designer(s): **Giles Frederick Matthews and Nathanael Andrew Hunt and Graeme Richard James Marshall**  
(45) Registration Date: **21 May 2014**  
(56) Related Art Documents: **Not Applicable**  
(57) Statement of Newness and Distinctiveness: **Nil**



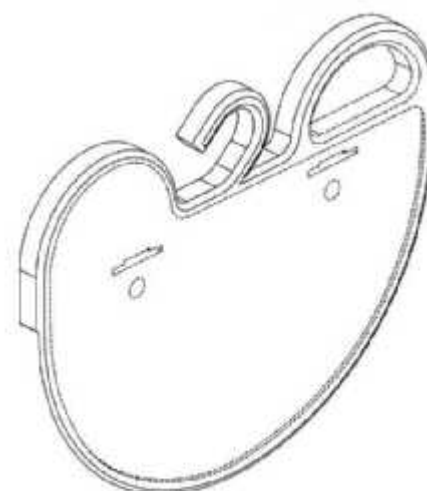
- (21) Design Number: **12123/2014**  
(22) Date of Filing Application: **02 May 2014**  
(24) Date from which industrial property rights may have effect: **02 May 2014**  
(54) Product in respect of which the design is registered: **Packaging container for car floor mats**  
(51) International Design Classification: **09-05**  
(74) Name(s) of Attorney(s): **WATERMARK PATENT AND TRADE MARKS ATTORNEYS**  
(71) Name(s) and Address(s) of Applicant(s):  
**Who-Rae Pty Ltd**  
**L1 185 Bank St South Melbourne VIC 3205 Australia**  
(72) Name(s) of Designer(s): **Giles Frederick Matthews and Nathanael Andrew Hunt and Graeme Richard James Marshall**  
(45) Registration Date: **21 May 2014**  
(56) Related Art Documents: **Not Applicable**  
(57) Statement of Newness and Distinctiveness: **Nil**



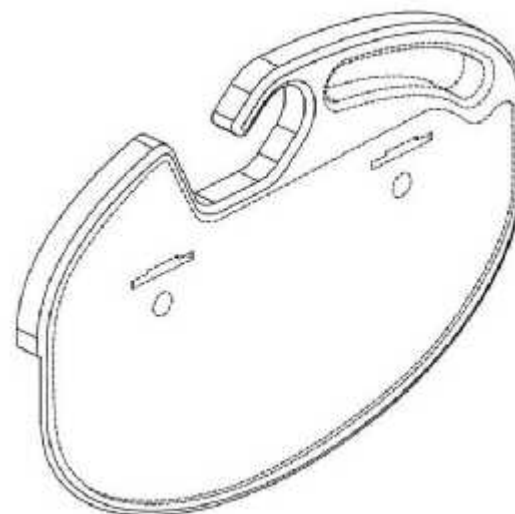
- (21) Design Number: **12124/2014**  
(22) Date of Filing Application: **02 May 2014**  
(24) Date from which industrial property rights may have effect: **02 May 2014**  
(54) Product in respect of which the design is registered: **Packaging container for car floor mats**  
(51) International Design Classification: **09-05**  
(74) Name(s) of Attorney(s): **WATERMARK PATENT AND TRADE MARKS ATTORNEYS**  
(71) Name(s) and Address(s) of Applicant(s):  
**Who-Rae Pty Ltd**  
**L1 185 Bank St South Melbourne VIC 3205 Australia**  
(72) Name(s) of Designer(s): **Giles Frederick Matthews and Nathanael Andrew Hunt and Graeme Richard James Marshall**  
(45) Registration Date: **21 May 2014**  
(56) Related Art Documents: **Not Applicable**  
(57) Statement of Newness and Distinctiveness: **Nil**



- (21) Design Number: **12125/2014**  
(22) Date of Filing Application: **02 May 2014**  
(24) Date from which industrial property rights may have effect: **02 May 2014**  
(54) Product in respect of which the design is registered: **Packaging container for car floor mats**  
(51) International Design Classification: **09-05**  
(74) Name(s) of Attorney(s): **WATERMARK PATENT AND TRADE MARKS ATTORNEYS**  
(71) Name(s) and Address(s) of Applicant(s):  
**Who-Rae Pty Ltd**  
**L1 185 Bank St South Melbourne VIC 3205 Australia**  
(72) Name(s) of Designer(s): **Giles Frederick Matthews and Nathanael Andrew Hunt and Graeme Richard James Marshall**  
(45) Registration Date: **21 May 2014**  
(56) Related Art Documents: **Not Applicable**  
(57) Statement of Newness and Distinctiveness: **Nil**



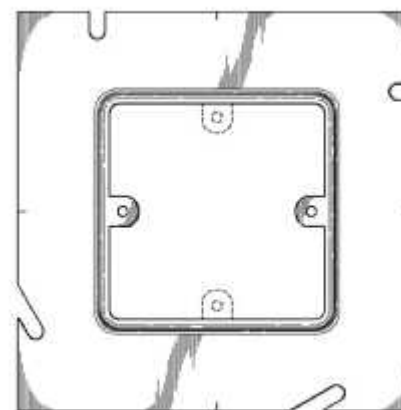
- (21) Design Number: **12126/2014**  
(22) Date of Filing Application: **02 May 2014**  
(24) Date from which industrial property rights may have effect: **02 May 2014**  
(54) Product in respect of which the design is registered: **Packaging container for car floor mats**  
(51) International Design Classification: **09-05**  
(74) Name(s) of Attorney(s): **WATERMARK PATENT AND TRADE MARKS ATTORNEYS**  
(71) Name(s) and Address(s) of Applicant(s):  
**Who-Rae Pty Ltd**  
**L1 185 Bank St South Melbourne VIC 3205 Australia**  
(72) Name(s) of Designer(s): **Giles Frederick Matthews and Nathanael Andrew Hunt and Graeme Richard James Marshall**  
(45) Registration Date: **21 May 2014**  
(56) Related Art Documents: **Not Applicable**  
(57) Statement of Newness and Distinctiveness: **Nil**



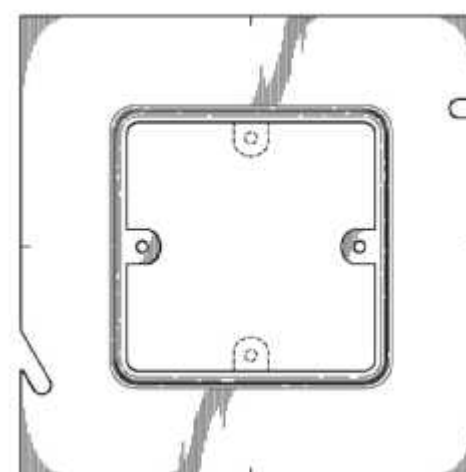
- (21) Design Number: **12127/2014**  
(22) Date of Filing Application: **02 May 2014**  
(24) Date from which industrial property rights may have effect: **02 May 2014**  
(54) Product in respect of which the design is registered: **Packaging container for car floor mats**  
(51) International Design Classification: **09-05**  
(74) Name(s) of Attorney(s): **WATERMARK PATENT AND TRADE MARKS ATTORNEYS**  
(71) Name(s) and Address(s) of Applicant(s):  
**Who-Rae Pty Ltd**  
**L1 185 Bank St South Melbourne VIC 3205 Australia**  
(72) Name(s) of Designer(s): **Giles Frederick Matthews and Nathanael Andrew Hunt and Graeme Richard James Marshall**  
(45) Registration Date: **21 May 2014**  
(56) Related Art Documents: **Not Applicable**  
(57) Statement of Newness and Distinctiveness: **Nil**



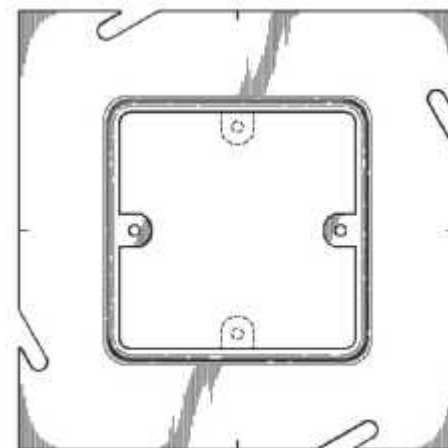
(21) Design Number: **12128/2014**  
(22) Date of Filing Application: **02 May 2014**  
(24) Date from which industrial property rights may have effect: **02 May 2014**  
(54) Product in respect of which the design is registered: **Plaster ring with wide flange**  
(51) International Design Classification: **13-03C**  
(74) Name(s) of Attorney(s): **Freehills Patent Attorneys**  
(71) Name(s) and Address(s) of Applicant(s):  
**RANDL Industries, Inc.**  
**3808 North Sullivan Road Building 10 Suite P Spokane Valley**  
**Washington 99216 United States of America**  
(72) Name(s) of Designer(s): **Robert J Hagarty**  
(45) Registration Date: **21 May 2014**  
(30) Convention priority data:  
(31) Number (32) Date (33) Country  
**29/471962 06 Nov 2013 UNITED STATES OF AMERICA**  
(56) Related Art Documents: **Not Applicable**  
(57) Statement of Newness and Distinctiveness: **Newness and distinctiveness of the design resides in the features of shape and configuration of the plaster ring with wide flange as shown in solid lines in the accompanying representations.**



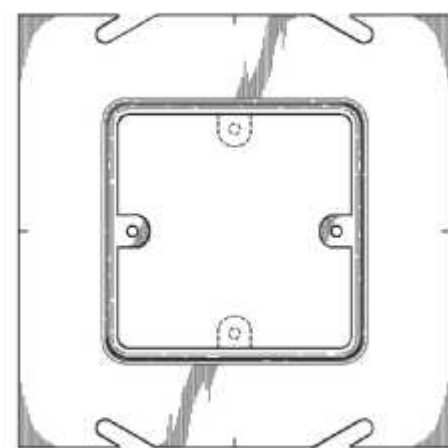
(21) Design Number: **12129/2014**  
(22) Date of Filing Application: **02 May 2014**  
(24) Date from which industrial property rights may have effect: **02 May 2014**  
(54) Product in respect of which the design is registered: **Plaster ring with wide flange**  
(51) International Design Classification: **13-03C**  
(74) Name(s) of Attorney(s): **Freehills Patent Attorneys**  
(71) Name(s) and Address(s) of Applicant(s):  
**RANDL Industries, Inc.**  
**3808 North Sullivan Road Building 10 Suite P Spokane Valley**  
**Washington 99216 United States of America**  
(72) Name(s) of Designer(s): **Robert J Hagarty**  
(45) Registration Date: **21 May 2014**  
(30) Convention priority data:  
(31) Number (32) Date (33) Country  
**29/471962 06 Nov 2013 UNITED STATES OF AMERICA**  
(56) Related Art Documents: **Not Applicable**  
(57) Statement of Newness and Distinctiveness: **Newness and distinctiveness of the design resides in the features of shape and configuration of the plaster ring with wide flange as shown in solid lines in the accompanying representations.**



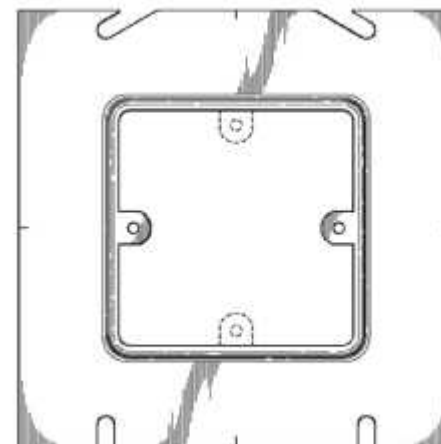
(21) Design Number: **12130/2014**  
(22) Date of Filing Application: **02 May 2014**  
(24) Date from which industrial property rights may have effect: **02 May 2014**  
(54) Product in respect of which the design is registered: **Plaster ring with wide flange**  
(51) International Design Classification: **13-03C**  
(74) Name(s) of Attorney(s): **Freehills Patent Attorneys**  
(71) Name(s) and Address(s) of Applicant(s):  
**RANDL Industries, Inc.**  
**3808 North Sullivan Road Building 10 Suite P Spokane Valley**  
**Washington 99216 United States of America**  
(72) Name(s) of Designer(s): **Robert J Hagarty**  
(45) Registration Date: **21 May 2014**  
(30) Convention priority data:  
(31) Number (32) Date (33) Country  
**29/471962 06 Nov 2013 UNITED STATES OF AMERICA**  
(56) Related Art Documents: **Not Applicable**  
(57) Statement of Newness and Distinctiveness: **Newness and distinctiveness of the design resides in the features of shape and configuration of the plaster ring with wide flange as shown in solid lines in the accompanying representations.**



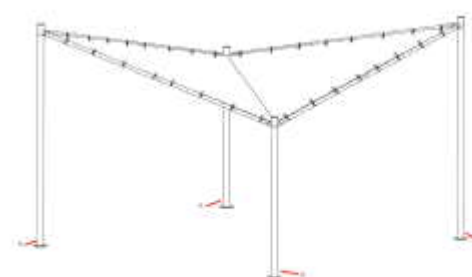
(21) Design Number: **12131/2014**  
(22) Date of Filing Application: **02 May 2014**  
(24) Date from which industrial property rights may have effect: **02 May 2014**  
(54) Product in respect of which the design is registered: **Plaster ring with wide flange**  
(51) International Design Classification: **13-03C**  
(74) Name(s) of Attorney(s): **Freehills Patent Attorneys**  
(71) Name(s) and Address(s) of Applicant(s):  
**RANDL Industries, Inc.**  
**3808 North Sullivan Road Building 10 Suite P Spokane Valley**  
**Washington 99216 United States of America**  
(72) Name(s) of Designer(s): **Robert J Hagarty**  
(45) Registration Date: **21 May 2014**  
(30) Convention priority data:  
(31) Number (32) Date (33) Country  
**29/471962 06 Nov 2013 UNITED STATES OF AMERICA**  
(56) Related Art Documents: **Not Applicable**  
(57) Statement of Newness and Distinctiveness: **Newness and distinctiveness of the design resides in the features of shape and configuration of the plaster ring with wide flange as shown in solid lines in the accompanying representations.**



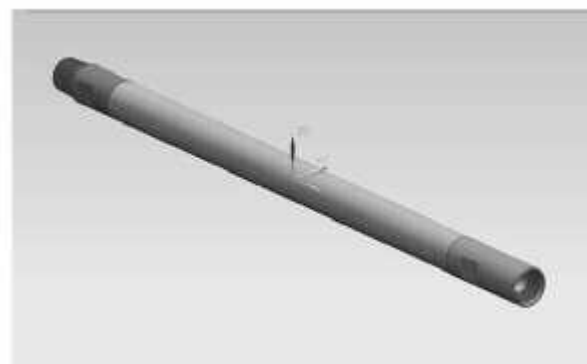
(21) Design Number: **12132/2014**  
(22) Date of Filing Application: **02 May 2014**  
(24) Date from which industrial property rights may have effect: **02 May 2014**  
(54) Product in respect of which the design is registered: **Plaster ring with wide flange**  
(51) International Design Classification: **13-03C**  
(74) Name(s) of Attorney(s): **Freehills Patent Attorneys**  
(71) Name(s) and Address(s) of Applicant(s):  
**RANDL Industries, Inc.**  
**3808 North Sullivan Road Building 10 Suite P Spokane Valley**  
**Washington 99216 United States of America**  
(72) Name(s) of Designer(s): **Robert J Hagarty**  
(45) Registration Date: **21 May 2014**  
(30) Convention priority data:  
(31) Number (32) Date (33) Country  
**29/471962 06 Nov 2013 UNITED STATES OF AMERICA**  
(56) Related Art Documents: **Not Applicable**  
(57) Statement of Newness and Distinctiveness: **Newness and distinctiveness of the design resides in the features of shape and configuration of the plaster ring with wide flange as shown in solid lines in the accompanying representations.**



(21) Design Number: **10281/2014**  
(22) Date of Filing Application: **22 January 2014**  
(24) Date from which industrial property rights may have effect: **22 January 2014**  
(54) Product in respect of which the design is registered: **Sunshade**  
(51) International Design Classification: **03-03**  
(74) Name(s) of Attorney(s): **PHILLIPS ORMONDE FITZPATRICK**  
(71) Name(s) and Address(s) of Applicant(s):  
**Zhejiang Zhengte Group Co., Ltd**  
**811 Oriental Avenue Linhai Zhejiang 317004 China**  
(72) Name(s) of Designer(s): **Cong Lin and Caihua Shan and Xiaobo Wang and Yong Cai**  
(45) Registration Date: **21 May 2014**  
(30) Convention priority data:  
(31) Number (32) Date (33) Country  
**201330392901.6 16 Aug 2013 CHINA**  
(56) Related Art Documents: **Not Applicable**  
(57) Statement of Newness and Distinctiveness: **Those features of the sunshade depicted in the representations that are new and distinctive are the shape and/or configuration. The posts marked "A" in the perspective view of the representations may or may not form part of the design.**



- (21) Design Number: **11172/2014**  
(22) Date of Filing Application: **13 March 2014**  
(24) Date from which industrial property rights may have effect: **13 March 2014**  
(54) Product in respect of which the design is registered: **A drill rod**  
(51) International Design Classification: **08-01**  
(74) Name(s) of Attorney(s): **Griffith Hack**  
(71) Name(s) and Address(s) of Applicant(s):  
**Sandvik Mining and Construction Australia (Production/Supply) Pty Ltd**  
**60-62 Qantas Dr Brisbane Airport QLD 4008 Australia**  
(72) Name(s) of Designer(s): **William Howard and Stephen Peacock**  
(45) Registration Date: **21 May 2014**  
(56) Related Art Documents: **Not Applicable**  
(57) Statement of Newness and Distinctiveness: **Newness and distinctiveness resides in the visual features including shape and configuration of the product as shown in the representations. The axes marked on the representations do not form part of the design.**



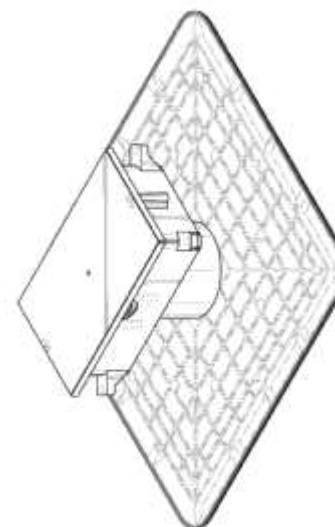
- (21) Design Number: **11280/2014**  
(22) Date of Filing Application: **19 March 2014**  
(24) Date from which industrial property rights may have effect: **19 March 2014**  
(54) Product in respect of which the design is registered: **Watch body**  
(51) International Design Classification: **10-02**  
(74) Name(s) of Attorney(s): **WATERMARK PATENT AND TRADE MARKS ATTORNEYS**  
(71) Name(s) and Address(s) of Applicant(s):  
**ICE IP S.A.**  
**3 rue des Tilleuls Rombach 8832 Luxembourg**  
(72) Name(s) of Designer(s): **Tim Prigge and Simon Kux and Jonas Ette**  
(45) Registration Date: **21 May 2014**  
(30) Convention priority data:  
(31) Number      (32) Date      (33) Country  
**002400895      07 Feb 2014      EUROPEAN PATENT OFFICE (EPO)**  
(56) Related Art Documents: **Not Applicable**  
(57) Statement of Newness and Distinctiveness: **Newness and distinctiveness resides in the visual features of the watch body as illustrated in the accompanying representations, wherein the strap does not form part of the watch body.**



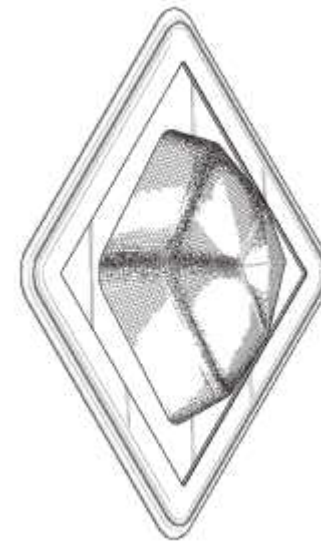
(21) Design Number: **11361/2014**  
(22) Date of Filing Application: **24 March 2014**  
(24) Date from which industrial property rights may have effect: **24 March 2014**  
(54) Product in respect of which the design is registered: **Blood cell processor**  
(51) International Design Classification: **24-01**  
(74) Name(s) of Attorney(s): **Lord & Company**  
(71) Name(s) and Address(s) of Applicant(s):  
**Sichuan Nigale Biomedical Co., Ltd.**  
**No. 28 Kuixing Road Dongxi Town Jianyang Sichuan China**  
(72) Name(s) of Designer(s): **Zicheng Liao and Shulian Wen and Peng Wang and Tao Gu**  
(45) Registration Date: **21 May 2014**  
(30) Convention priority data:  
(31) Number (32) Date (33) Country  
**201430028542.0 17 Feb 2014 CHINA**  
(56) Related Art Documents: **Not Applicable**  
(57) Statement of Newness and Distinctiveness: **Newness and distinctiveness resides in the features of shape or configuration of the article shown in the accompanying representations.**



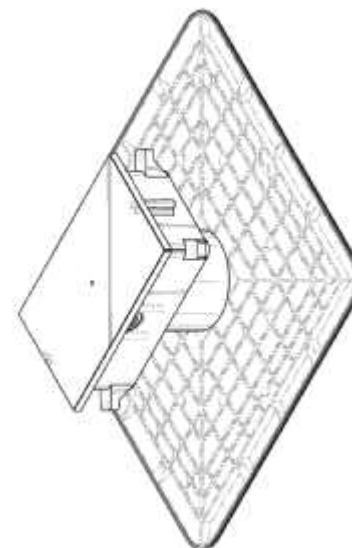
(21) Design Number: **12029/2014**  
(22) Date of Filing Application: **28 April 2014**  
(24) Date from which industrial property rights may have effect: **24 March 2014**  
(54) Product in respect of which the design is registered: **Lighting**  
(51) International Design Classification: **26-05C, 26-05D**  
(74) Name(s) of Attorney(s): **Pizzey's**  
(71) Name(s) and Address(s) of Applicant(s):  
**LSI Industries, Inc.**  
**10000 Alliance Rd Cincinnati OH 45242 United States of America**  
(72) Name(s) of Designer(s): **John D Boyer and Daniel Hutchens and Eric Jon Moor**  
(45) Registration Date: **21 May 2014**  
(62) Divisional of: **355292**  
(56) Related Art Documents: **Not Applicable**  
(57) Statement of Newness and Distinctiveness: **Nil**



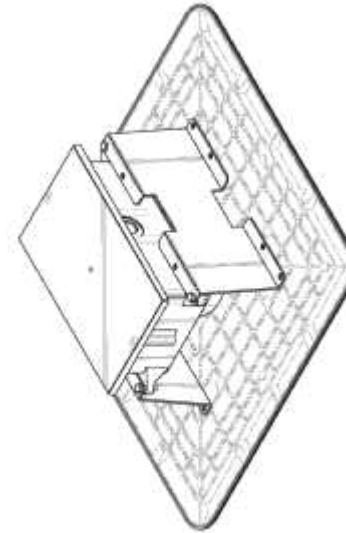
(21) Design Number: **12041/2014**  
(22) Date of Filing Application: **29 April 2014**  
(24) Date from which industrial property rights may have effect: **24 March 2014**  
(54) Product in respect of which the design is registered: **Lighting**  
(51) International Design Classification: **26-05D**  
(74) Name(s) of Attorney(s): **Pizzeys**  
(71) Name(s) and Address(s) of Applicant(s):  
**LSI Industries, Inc.**  
**10000 Alliance Rd Cincinnati OH 45242 United States of America**  
(72) Name(s) of Designer(s): **John D Boyer and Daniel Hutchens and Eric Jon Mooar**  
(45) Registration Date: **21 May 2014**  
(62) Divisional of: **355293**  
(56) Related Art Documents: **Not Applicable**  
(57) Statement of Newness and Distinctiveness: **Nil**



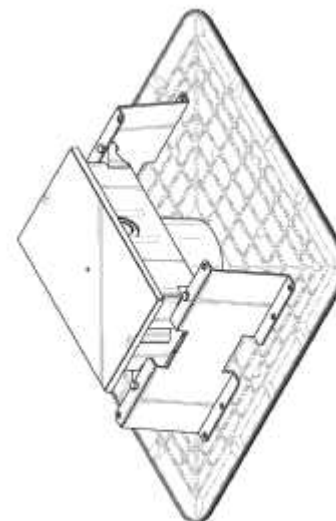
(21) Design Number: **12042/2014**  
(22) Date of Filing Application: **29 April 2014**  
(24) Date from which industrial property rights may have effect: **24 March 2014**  
(54) Product in respect of which the design is registered: **Lighting**  
(51) International Design Classification: **26-05D**  
(74) Name(s) of Attorney(s): **Pizzeys**  
(71) Name(s) and Address(s) of Applicant(s):  
**LSI Industries, Inc.**  
**10000 Alliance Rd Cincinnati OH 45242 United States of America**  
(72) Name(s) of Designer(s): **John D Boyer and Daniel Hutchens and Eric Jon Mooar**  
(45) Registration Date: **21 May 2014**  
(62) Divisional of: **355293**  
(56) Related Art Documents: **Not Applicable**  
(57) Statement of Newness and Distinctiveness: **Nil**



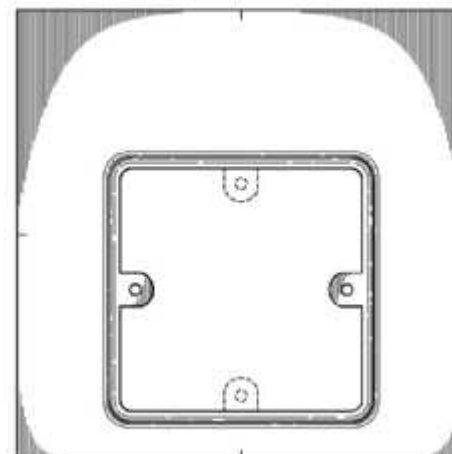
- (21) Design Number: **12043/2014**  
(22) Date of Filing Application: **29 April 2014**  
(24) Date from which industrial property rights may have effect: **24 March 2014**  
(54) Product in respect of which the design is registered: **Lighting**  
(51) International Design Classification: **26-05D**  
(74) Name(s) of Attorney(s): **Pizzeys**  
(71) Name(s) and Address(s) of Applicant(s):  
**LSI Industries, Inc.**  
**10000 Alliance Rd Cincinnati OH 45242 United States of America**  
(72) Name(s) of Designer(s): **John D Boyer and Daniel Hutchens and Eric Jon Mooar**  
(45) Registration Date: **21 May 2014**  
(62) Divisional of: **355293**  
(56) Related Art Documents: **Not Applicable**  
(57) Statement of Newness and Distinctiveness: **Nil**



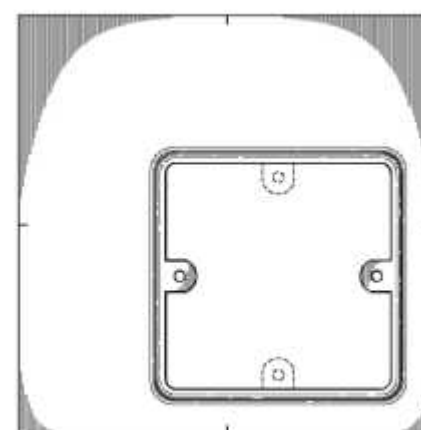
- (21) Design Number: **12044/2014**  
(22) Date of Filing Application: **29 April 2014**  
(24) Date from which industrial property rights may have effect: **24 March 2014**  
(54) Product in respect of which the design is registered: **Lighting**  
(51) International Design Classification: **26-05D**  
(74) Name(s) of Attorney(s): **Pizzeys**  
(71) Name(s) and Address(s) of Applicant(s):  
**LSI Industries, Inc.**  
**10000 Alliance Rd Cincinnati OH 45242 United States of America**  
(72) Name(s) of Designer(s): **John D Boyer and Daniel Hutchens and Eric Jon Mooar**  
(45) Registration Date: **21 May 2014**  
(62) Divisional of: **355293**  
(56) Related Art Documents: **Not Applicable**  
(57) Statement of Newness and Distinctiveness: **Nil**



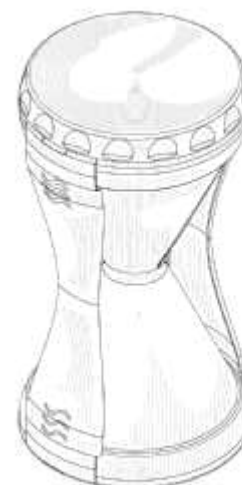
(21) Design Number: **12135/2014**  
(22) Date of Filing Application: **02 May 2014**  
(24) Date from which industrial property rights may have effect: **02 May 2014**  
(54) Product in respect of which the design is registered: **Plaster ring with off-center aperture**  
(51) International Design Classification: **13-03C**  
(74) Name(s) of Attorney(s): **Freehills Patent Attorneys**  
(71) Name(s) and Address(s) of Applicant(s):  
**RANDL Industries, Inc.**  
**3808 North Sullivan Road Building 10 Suite P Spokane Valley**  
**Washington 99216 United States of America**  
(72) Name(s) of Designer(s): **Robert J Hagarty**  
(45) Registration Date: **21 May 2014**  
(30) Convention priority data:  
(31) Number (32) Date (33) Country  
**29/471963 06 Nov 2013 UNITED STATES OF AMERICA**  
(56) Related Art Documents: **Not Applicable**  
(57) Statement of Newness and Distinctiveness: **Newness and distinctiveness of the design resides in the features of shape and configuration of the plaster ring with off-center aperture as shown in solid lines in the accompanying representations.**



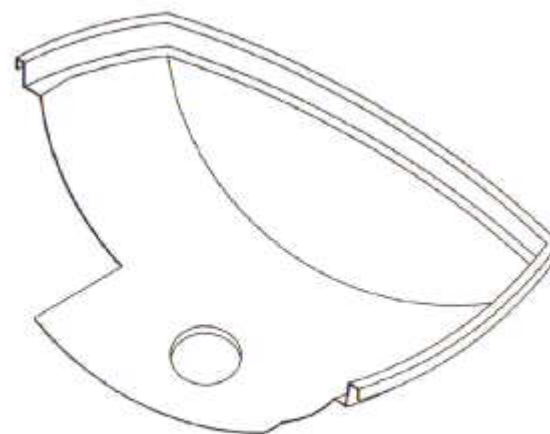
(21) Design Number: **12136/2014**  
(22) Date of Filing Application: **02 May 2014**  
(24) Date from which industrial property rights may have effect: **02 May 2014**  
(54) Product in respect of which the design is registered: **Plaster ring with off-center aperture**  
(51) International Design Classification: **13-03C**  
(74) Name(s) of Attorney(s): **Freehills Patent Attorneys**  
(71) Name(s) and Address(s) of Applicant(s):  
**RANDL Industries, Inc.**  
**3808 North Sullivan Road Building 10 Suite P Spokane Valley**  
**Washington 99216 United States of America**  
(72) Name(s) of Designer(s): **Robert J Hagarty**  
(45) Registration Date: **21 May 2014**  
(30) Convention priority data:  
(31) Number (32) Date (33) Country  
**29/471963 06 Nov 2013 UNITED STATES OF AMERICA**  
(56) Related Art Documents: **Not Applicable**  
(57) Statement of Newness and Distinctiveness: **Newness and distinctiveness of the design resides in the features of shape and configuration of the plaster ring with off-center aperture as shown in solid lines in the accompanying representations.**



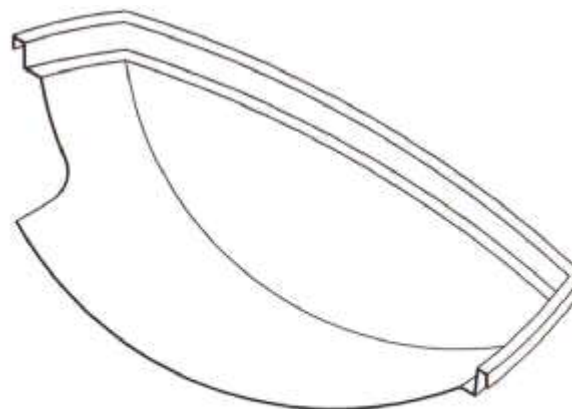
(21) Design Number: **12137/2014**  
(22) Date of Filing Application: **02 May 2014**  
(24) Date from which industrial property rights may have effect: **02 May 2014**  
(54) Product in respect of which the design is registered: **Spiral peeler**  
(51) International Design Classification: **07-04**  
(74) Name(s) of Attorney(s): **Fisher Adams Kelly Pty Ltd**  
(71) Name(s) and Address(s) of Applicant(s):  
**Ontel Products Corporation**  
**21 Law Drive Fairfield New Jersey 07004 United States of America**  
(72) Name(s) of Designer(s): **Ross Exley**  
(45) Registration Date: **21 May 2014**  
(30) Convention priority data:  
(31) Number (32) Date (33) Country  
**29/473313 21 Nov 2013 UNITED STATES OF AMERICA**  
(56) Related Art Documents: **Not Applicable**  
(57) Statement of Newness and Distinctiveness: **The newness and distinctiveness of the design resides in the shape and/or configuration of the SPIRAL PEELER shown in the representations.**



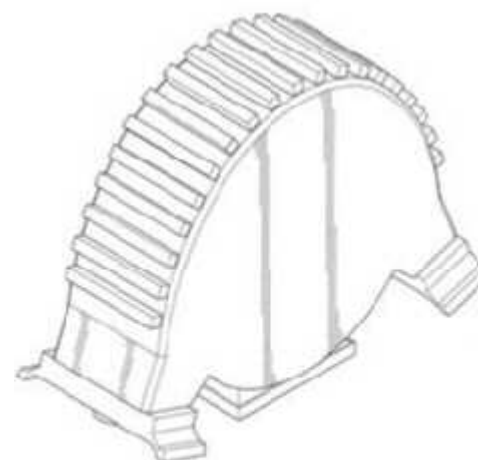
(21) Design Number: **12139/2014**  
(22) Date of Filing Application: **02 May 2014**  
(24) Date from which industrial property rights may have effect: **02 May 2014**  
(54) Product in respect of which the design is registered: **Barbecue liner**  
(51) International Design Classification: **07-02E**  
(74) Name(s) of Attorney(s):  
(71) Name(s) and Address(s) of Applicant(s):  
**Kenneth Colin Rogers**  
**41 Meehan Tce Harrington Park NSW 2567 Australia**  
(72) Name(s) of Designer(s): **Kenneth Colin Rogers**  
(45) Registration Date: **21 May 2014**  
(56) Related Art Documents: **Not Applicable**  
(57) Statement of Newness and Distinctiveness: **Newness and distinctiveness is claimed in the features of shape and/or configuration of a barbecue liner as shown in the accompanying representations.**



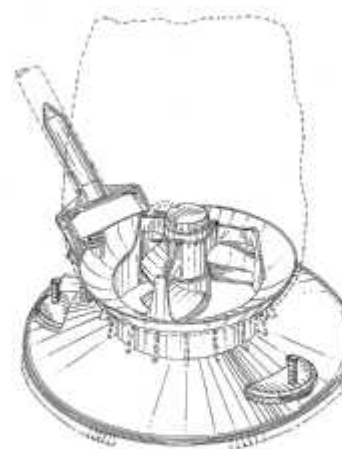
(21) Design Number: **12140/2014**  
(22) Date of Filing Application: **02 May 2014**  
(24) Date from which industrial property rights may have effect: **02 May 2014**  
(54) Product in respect of which the design is registered: **Barbecue liner**  
(51) International Design Classification: **07-02E**  
(74) Name(s) of Attorney(s):  
(71) Name(s) and Address(s) of Applicant(s):  
**Kenneth Colin Rogers**  
**41 Meehan Tce Harrington Park NSW 2567 Australia**  
(72) Name(s) of Designer(s): **Kenneth Colin Rogers**  
(45) Registration Date: **21 May 2014**  
(56) Related Art Documents: **Not Applicable**  
(57) Statement of Newness and Distinctiveness: **Newness and distinctiveness is claimed in the features of shape and/or configuration of a barbecue liner as shown in the accompanying representations.**



(21) Design Number: **12148/2014**  
(22) Date of Filing Application: **05 May 2014**  
(24) Date from which industrial property rights may have effect: **05 May 2014**  
(54) Product in respect of which the design is registered: **Roller-type button for remote controllers**  
(51) International Design Classification: **13-03NES**  
(74) Name(s) of Attorney(s): **WATERMARK PATENT AND TRADE MARKS ATTORNEYS**  
(71) Name(s) and Address(s) of Applicant(s):  
**Dante Ramel Olivar**  
**No. 8 Dama De Noche Street Town and Country Village Antipolo City Rizal, 1870 Philippines**  
(72) Name(s) of Designer(s): **Dante Ramel Olivar**  
(45) Registration Date: **21 May 2014**  
(30) Convention priority data:  
(31) Number      (32) Date      (33) Country  
**3-2013-001214    05 Nov 2013    PHILIPPINES**  
(56) Related Art Documents: **Not Applicable**  
(57) Statement of Newness and Distinctiveness: **Nil**



(21) Design Number: **12149/2014**  
(22) Date of Filing Application: **05 May 2014**  
(24) Date from which industrial property rights may have effect: **05 May 2014**  
(54) Product in respect of which the design is registered: **Leaf Vacuum**  
(51) International Design Classification: **08-05A**  
(74) Name(s) of Attorney(s): **Ahearn Fox**  
(71) Name(s) and Address(s) of Applicant(s):  
**Water Tech LLC**  
**10 Alvin Ct. Suit 111 East Brunswick New Jersey, 08816 United States of America**



(72) Name(s) of Designer(s): **Guy Erlich and James Kosmyna and John Many and Jonathan Elmaleh and Curtis Elliot**  
(45) Registration Date: **21 May 2014**  
(30) Convention priority data:  
(31) Number (32) Date (33) Country  
**29/472160 08 Nov 2013 UNITED STATES OF AMERICA**

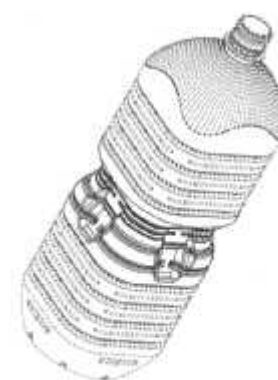
(56) Related Art Documents: **Not Applicable**  
(57) Statement of Newness and Distinctiveness: **Newness and distinctiveness reside in the shape or configuration of a leaf vacuum as illustrated in the representations in which Fig. 1 is a perspective view of the top, front and left, Fig. 2 is a top plan view, Fig. 3 is an elevation of the left side, being a mirror image of the right side and Fig. 4 is a front elevation. Fig. 5 is a rear elevation and Fig. 6 is a bottom plain view. The features shown in broken outline are for illustrative purposes only and form no part of the design.**

(21) Design Number: **12151/2014**  
(22) Date of Filing Application: **05 May 2014**  
(24) Date from which industrial property rights may have effect: **05 May 2014**  
(54) Product in respect of which the design is registered: **Electric toothbrush handle**  
(51) International Design Classification: **04-02**  
(74) Name(s) of Attorney(s): **FB Rice**  
(71) Name(s) and Address(s) of Applicant(s):  
**Colgate-Palmolive Company**  
**300 Park Ave New York New York 10022 United States of America**

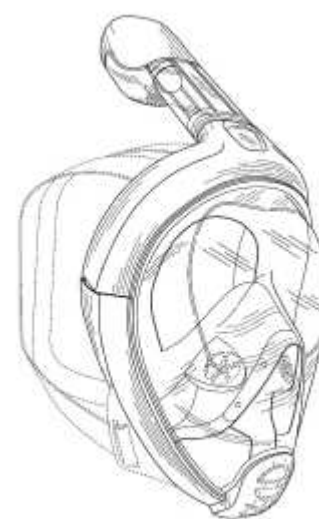


(72) Name(s) of Designer(s): **Brian Bloch and Lars Ralf Rainer Lieberwirth**  
(45) Registration Date: **21 May 2014**  
(30) Convention priority data:  
(31) Number (32) Date (33) Country  
**29/477152 19 Dec 2013 UNITED STATES OF AMERICA**  
(56) Related Art Documents: **Not Applicable**  
(57) Statement of Newness and Distinctiveness: **Newness and distinctiveness reside in the features of the design as shown in the representations.**

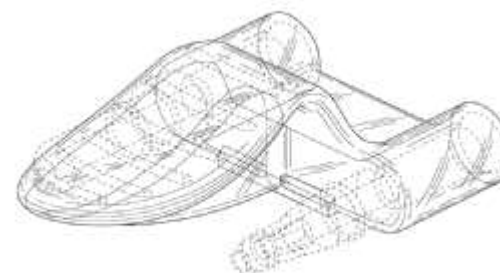
- (21) Design Number: **12153/2014**  
(22) Date of Filing Application: **05 May 2014**  
(24) Date from which industrial property rights may have effect: **05 May 2014**  
(54) Product in respect of which the design is registered: **Bottle**  
(51) International Design Classification: **09-01K**  
(74) Name(s) of Attorney(s): **PHILLIPS ORMONDE FITZPATRICK**  
(71) Name(s) and Address(s) of Applicant(s):  
**The Coca-Cola Company**  
**One Coca-Cola Plaza N.W. Atlanta Georgia 30313 United States of America**  
(72) Name(s) of Designer(s): **Hiromasa Iwashita**  
(45) Registration Date: **21 May 2014**  
(30) Convention priority data:  
(31) Number      (32) Date      (33) Country  
**2013-025907      06 Nov 2013      JAPAN**  
(56) Related Art Documents: **Not Applicable**  
(57) Statement of Newness and Distinctiveness: **Newness and distinctiveness resides in the shape and/or configuration of the bottle as shown in continuous lines in the accompanying representations. The features shown in broken lines are not part of the design and are to be disregarded when considering the overall impression of the design.**



- (21) Design Number: **12158/2014**  
(22) Date of Filing Application: **06 May 2014**  
(24) Date from which industrial property rights may have effect: **06 May 2014**  
(54) Product in respect of which the design is registered: **Skin-divers mask**  
(51) International Design Classification: **21-02D**  
(74) Name(s) of Attorney(s): **PIPERS**  
(71) Name(s) and Address(s) of Applicant(s):  
**Decathlon**  
**4 Boulevard de Mons 59650 Villeneuve d'Ascq Cedex France**  
(72) Name(s) of Designer(s): **Cedric Caprice and Vivien Durisotti and Antoine Fritsch**  
(45) Registration Date: **21 May 2014**  
(30) Convention priority data:  
(31) Number      (32) Date      (33) Country  
**002340224-0001      06 Nov 2013      FRANCE**  
(56) Related Art Documents: **Not Applicable**  
(57) Statement of Newness and Distinctiveness: **The design is to be applied to a Skin-divers Mask and the novelty resides in the features of shape and configuration of the Skin-divers Mask as shown in the accompanying representations. No novelty is claimed for the features shown in broken lines - those are for illustrative purposes and depict the environment of the design.**



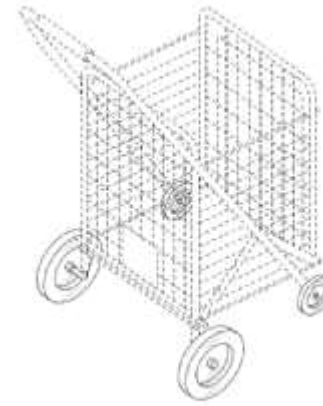
- (21) Design Number: **12159/2014**  
(22) Date of Filing Application: **06 May 2014**  
(24) Date from which industrial property rights may have effect: **06 May 2014**  
(54) Product in respect of which the design is registered: **Enteral feeding pump cassette**  
(51) International Design Classification: **24-02**  
(74) Name(s) of Attorney(s): **Fisher Adams Kelly Pty Ltd**  
(71) Name(s) and Address(s) of Applicant(s):  
**Zevex, Inc.**  
**4314 S Zevex Park Ln Salt Lake City UT 84123-7881 United States of America**  
(72) Name(s) of Designer(s): **Jeffery T Juretich and Michael Marshall and Michael Elwood**  
(45) Registration Date: **21 May 2014**  
(30) Convention priority data:  
(31) Number (32) Date (33) Country  
**29/475,167 30 Nov 2013 UNITED STATES OF AMERICA**  
(56) Related Art Documents: **Not Applicable**  
(57) Statement of Newness and Distinctiveness: **The newness and distinctiveness of the design resides in the shape and/or configuration of the ETERNAL FEEDING PUMP CASSETTE shown in the representations. The broken lines should be disregarded when assessing newness and distinctiveness.**



- (21) Design Number: **10687/2014**  
(22) Date of Filing Application: **12 February 2014**  
(24) Date from which industrial property rights may have effect: **12 February 2014**  
(54) Product in respect of which the design is registered: **Luggage straps (Part of-)**  
(51) International Design Classification: **08-07, 03-01A**  
(74) Name(s) of Attorney(s): **Marks & Clerk Australia**  
(71) Name(s) and Address(s) of Applicant(s):  
**DG International Holdings Limited**  
**Unit 1 Mill Hill Industrial Estate Flower Lane London NW7 2HU United Kingdom**  
(72) Name(s) of Designer(s): **Barnaby Bevan Edwards and Ben Atkinson**  
(45) Registration Date: **22 May 2014**  
(30) Convention priority data:  
(31) Number (32) Date (33) Country  
**002291856-0001 14 Aug 2013 OFFICE FOR HARMONISATION IN THE INTERNAL MARKET (OHIM)**  
(56) Related Art Documents: **Not Applicable**  
(57) Statement of Newness and Distinctiveness: **Newness and distinctiveness resides in the visual features of the shape and/or configuration of part of a luggage strap as illustrated in solid lines in the accompanying representations.**



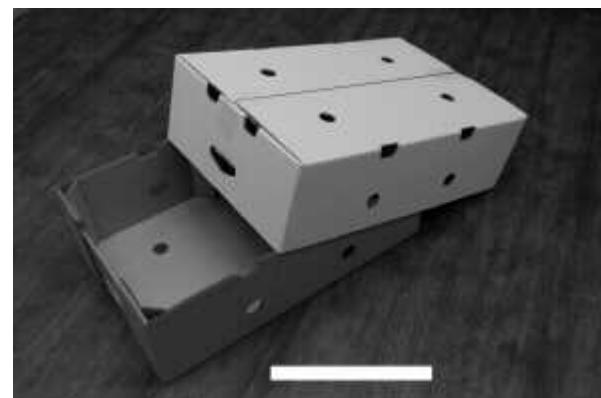
(21) Design Number: **10742/2014**  
(22) Date of Filing Application: **17 February 2014**  
(24) Date from which industrial property rights may have effect: **17 February 2014**  
(54) Product in respect of which the design is registered: **Foldable shopping cart**  
(51) International Design Classification: **12-02**  
(74) Name(s) of Attorney(s): **SPRUSON & FERGUSON**  
(71) Name(s) and Address(s) of Applicant(s):  
**Daniel Darvish**  
**4430 Noble Ave., #104, Sherman Oaks California, 91403 United States of America**  
(72) Name(s) of Designer(s): **Daniel Darvish**  
(45) Registration Date: **22 May 2014**  
(30) Convention priority data:  
(31) Number (32) Date (33) Country  
**29/464322 15 Aug 2013 UNITED STATES OF AMERICA**  
(56) Related Art Documents: **Not Applicable**  
(57) Statement of Newness and Distinctiveness: **Newness and distinctiveness is claimed in those features of shape and/or configuration of a foldable shopping cart illustrated in continuous lines in the accompanying representations.**



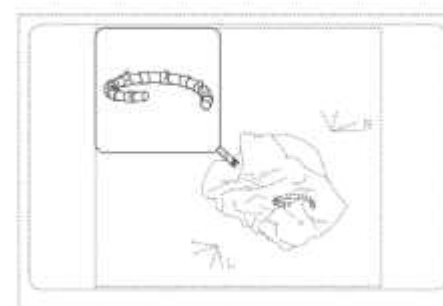
(21) Design Number: **10897/2014**  
(22) Date of Filing Application: **27 February 2014**  
(24) Date from which industrial property rights may have effect: **27 February 2014**  
(54) Product in respect of which the design is registered: **Caravan foot stool**  
(51) International Design Classification: **06-01E**  
(74) Name(s) of Attorney(s):  
(71) Name(s) and Address(s) of Applicant(s):  
**Lotus Caravans Pty Ltd**  
**17 Cooper St Campbellfield VIC 3061 Australia**  
(72) Name(s) of Designer(s): **George Josevski**  
(45) Registration Date: **22 May 2014**  
(56) Related Art Documents: **Not Applicable**  
(57) Statement of Newness and Distinctiveness: **Nil**



- (21) Design Number: **11261/2014**  
(22) Date of Filing Application: **18 March 2014**  
(24) Date from which industrial property rights may have effect: **18 March 2014**  
(54) Product in respect of which the design is registered: **Carton and blanks therefor**  
(51) International Design Classification: **09-03E**  
(74) Name(s) of Attorney(s): **Cullens Patent and Trade Mark Attorneys**  
(71) Name(s) and Address(s) of Applicant(s):  
**Orora Limited**  
**109 Burwood Rd Hawthorn VIC 3122 Australia**  
(72) Name(s) of Designer(s): **George Ganzenmuller and David Carter**  
(45) Registration Date: **22 May 2014**  
(56) Related Art Documents: **Not Applicable**  
(57) Statement of Newness and Distinctiveness: **Newness and Distinctiveness resides in features of shape and configuration of the carton and blanks therefor as shown in the accompanying representations.**



- (21) Design Number: **12199/2014**  
(22) Date of Filing Application: **07 May 2014**  
(24) Date from which industrial property rights may have effect: **07 February 2014**  
(54) Product in respect of which the design is registered: **Display screen with icon**  
(51) International Design Classification: **14-02**  
(74) Name(s) of Attorney(s): **Callinans**  
(71) Name(s) and Address(s) of Applicant(s):  
**BIOSENSE WEBSTER (ISRAEL) LTD.**  
**4 Hatnufa Street Yokneam 20692 Israel**  
(72) Name(s) of Designer(s): **Asaf Merschon and Moshe Ingel and Liav Moshe Adi and Eduard Filipov**  
(45) Registration Date: **22 May 2014**  
(62) Divisional of: **355332**  
(56) Related Art Documents: **Not Applicable**  
(57) Statement of Newness and Distinctiveness: **Newness and distinctiveness reside in the features of pattern and/or ornamentation of a display screen with icon as illustrated by solid lines in the accompanying representation. The features shown in broken outline are for contextual purposes only and do not form part of the design.**



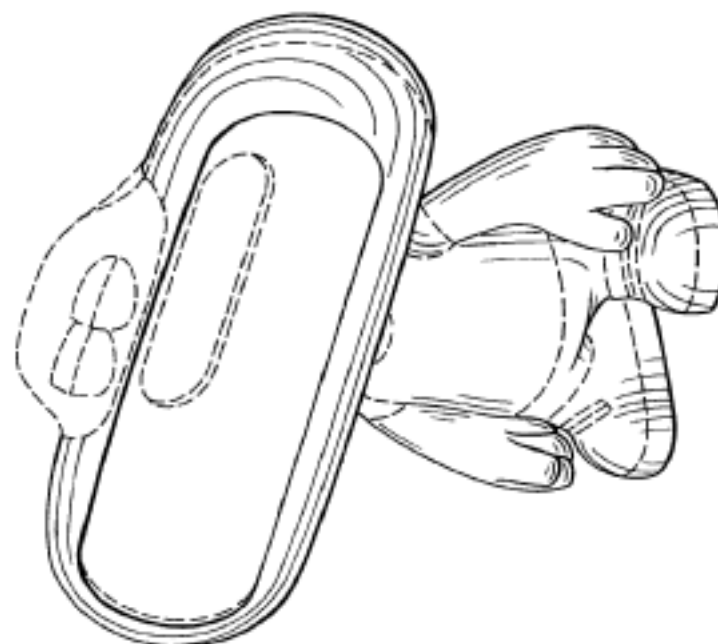
(21) Design Number: **16474/2013**  
(22) Date of Filing Application: **12 December 2013**  
(24) Date from which industrial property rights may have effect: **12 December 2013**  
(54) Product in respect of which the design is registered: **Wear protective skid**  
(51) International Design Classification: **15-04**  
(74) Name(s) of Attorney(s): **Griffith Hack**  
(71) Name(s) and Address(s) of Applicant(s):  
**WIRTGEN GmbH**  
**Reinhard-Wirtgen-Str. 2 53578 Windhagen Germany**  
(72) Name(s) of Designer(s): **Herbert Ley and Philip Verhaelen and Cyrus Barimani and Gunter Hahn**  
(45) Registration Date: **22 May 2014**  
(30) Convention priority data:  
(31) Number (32) Date (33) Country  
**002281048 25 Jul 2013 OFFICE FOR HARMONISATION IN THE INTERNAL MARKET (OHIM)**  
(56) Related Art Documents: **Not Applicable**  
(57) Statement of Newness and Distinctiveness: **Nil**



(21) Design Number: **12214/2014**  
(22) Date of Filing Application: **08 May 2014**  
(24) Date from which industrial property rights may have effect: **27 February 2014**  
(54) Product in respect of which the design is registered: **A top for an impact energy absorbing element**  
(51) International Design Classification: **12-16NES**  
(74) Name(s) of Attorney(s): **Madderns**  
(71) Name(s) and Address(s) of Applicant(s):  
**Britax Romer Kindersicherheit GmbH**  
**Blaubeurer Strasse 71 Ulm 89077 Germany**  
(72) Name(s) of Designer(s): **Julia Strunk and Martin Haas and Richard Henseler**  
(45) Registration Date: **22 May 2014**  
(30) Convention priority data:  
(31) Number (32) Date (33) Country  
**001382741 27 Aug 2013 OFFICE FOR HARMONISATION IN THE INTERNAL MARKET (OHIM)**  
(62) Divisional of: **355375**  
(56) Related Art Documents: **Not Applicable**  
(57) Statement of Newness and Distinctiveness: **Newness and Distinctiveness resides in the features of shape and configuration applied to a top of an impact energy absorbing element as shown in the accompanying drawings, and excluding features shown in dashed lines relating to the remaining components of the impact energy absorbing element that do not form part of this design.**



- (21) Design Number: **12134/2014**  
(22) Date of Filing Application: **02 May 2014**  
(24) Date from which industrial property rights may have effect: **02 May 2014**  
(54) Product in respect of which the design is registered: **Speaker stand**  
(51) International Design Classification: **14-01**  
(74) Name(s) of Attorney(s): **SPRUSON & FERGUSON**  
(71) Name(s) and Address(s) of Applicant(s):  
**Beats Electronics, LLC**  
**1601 Cloverfield Boulevard Suite 5000N Santa Monica California 90404**  
**United States of America**  
(72) Name(s) of Designer(s): **Remi Abayomi and Judy Kuo and Jonathan Louis Tatkon-Coker and Rodrigo Sobral Franca and Jeff Gormley and Freddy Martinez and Alex Wills and Peter Jupp and James Temple**  
(45) Registration Date: **22 May 2014**  
(30) Convention priority data:  
(31) Number (32) Date (33) Country  
**29/472814 15 Nov 2013 UNITED STATES OF AMERICA**  
(56) Related Art Documents: **Not Applicable**  
(57) Statement of Newness and Distinctiveness: **Newness and distinctiveness is claimed in those features of shape and/or configuration of a speaker stand illustrated in continuous lines in the accompanying representations.**



- (21) Design Number: **12166/2014**  
(22) Date of Filing Application: **06 May 2014**  
(24) Date from which industrial property rights may have effect: **06 May 2014**  
(54) Product in respect of which the design is registered: **Bracket for holding a plant pot or the like**  
(51) International Design Classification: **11-02C**  
(74) Name(s) of Attorney(s): **FB Rice**  
(71) Name(s) and Address(s) of Applicant(s):  
**Whites Group Pty Ltd**  
**4 Decker PI Huntingwood NSW 2148 Australia**  
(72) Name(s) of Designer(s): **Brian Gray and Peter Kelly**  
(45) Registration Date: **22 May 2014**  
(56) Related Art Documents: **Not Applicable**  
(57) Statement of Newness and Distinctiveness: **Newness and distinctiveness reside in the features of shape and configuration of the product as shown in the representations.**



- (21) Design Number: **12167/2014**  
(22) Date of Filing Application: **06 May 2014**  
(24) Date from which industrial property rights may have effect: **06 May 2014**  
(54) Product in respect of which the design is registered: **Plant pot**  
(51) International Design Classification: **11-02B**  
(74) Name(s) of Attorney(s): **FB Rice**  
(71) Name(s) and Address(s) of Applicant(s):  
**Whites Group Pty Ltd**  
**4 Decker PI Huntingwood NSW 2148 Australia**  
(72) Name(s) of Designer(s): **Brian Gray and Peter Kelly**  
(45) Registration Date: **22 May 2014**  
(56) Related Art Documents: **Not Applicable**  
(57) Statement of Newness and Distinctiveness: **Newness and distinctiveness reside in the features of shape and configuration of the product as shown in the representations, and in particular in the sloped flat back.**



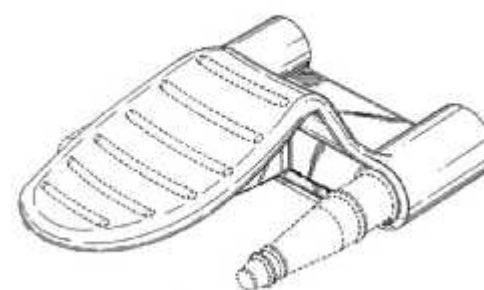
- (21) Design Number: **12168/2014**  
(22) Date of Filing Application: **06 May 2014**  
(24) Date from which industrial property rights may have effect: **06 May 2014**  
(54) Product in respect of which the design is registered: **A hull for a watercraft**  
(51) International Design Classification: **12-06A**  
(74) Name(s) of Attorney(s):  
(71) Name(s) and Address(s) of Applicant(s):  
**Bullet Boats Pty Ltd**  
**Factory 7 247 Bayview St Runaway Bay QLD 4216 Australia**  
(72) Name(s) of Designer(s): **Paul Tuesley**  
(45) Registration Date: **22 May 2014**  
(56) Related Art Documents: **Not Applicable**  
(57) Statement of Newness and Distinctiveness: **Nil**



- (21) Design Number: **12172/2014**  
(22) Date of Filing Application: **06 May 2014**  
(24) Date from which industrial property rights may have effect: **06 May 2014**  
(54) Product in respect of which the design is registered: **Women's cycling jersey/  
sports top**  
(51) International Design Classification: **02-02NES**  
(74) Name(s) of Attorney(s):  
(71) Name(s) and Address(s) of Applicant(s):  
**Helen Johanna Franklin**  
**1423 Numinbah Rd Chillingham NSW 2484 Australia**  
(72) Name(s) of Designer(s): **Katie Doan**  
(45) Registration Date: **22 May 2014**  
(56) Related Art Documents: **Not Applicable**  
(57) Statement of Newness and Distinctiveness: **The newness/distinctiveness is in neckline/shoulders,and the manipulated fabric on sleeves and back of garment.Neck and shoulder are all in one,opposed to collars attached to garments. It has more shapely neckline gently curving from high back to low front neck,the curve continuing on to below bust line.Shoulder piece also continues to curve either side of bust finishing just below it. Jerseys have stand up collars, similar to't-shirt'/'Skivvy' collars except higher,and with a zip in the front .This collar/shoulder/front gives a feminine softer look than most jerseys.It wouldn't be used on male jerseys,which most cycling jerseys originated from.The collar is similar to,but is not a separate garment like a bolero. The collar/neckline does not finish at center front, but instead is separated by fabric and has a center front zip.The manipulated fabric panels in upper sleeves and center back are unique to cycling.There are back pockets,including hidden zip pocket. Jersey has a tailored fit.**



- (21) Design Number: **12160/2014**  
(22) Date of Filing Application: **06 May 2014**  
(24) Date from which industrial property rights may have effect: **06 May 2014**  
(54) Product in respect of which the design is registered: **Eternal feeding pump  
cassette**  
(51) International Design Classification: **24-02**  
(74) Name(s) of Attorney(s): **Fisher Adams Kelly Pty Ltd**  
(71) Name(s) and Address(s) of Applicant(s):  
**Zevex, Inc.**  
**4314 S Zevex Park Ln Salt Lake City UT 84123-7881 United States of  
America**  
(72) Name(s) of Designer(s): **Michael Marshall**  
(45) Registration Date: **22 May 2014**  
(30) Convention priority data:  
(31) Number (32) Date (33) Country  
**29/475167 30 Nov 2013 UNITED STATES OF AMERICA**  
(56) Related Art Documents: **Not Applicable**  
(57) Statement of Newness and Distinctiveness: **The newness and distinctiveness of the design resides in the shape and/or configuration of the ETERNAL PUMP CASSETTE shown in the representations. The broken lines should be disregarded when assessing newness and distinctiveness.**



(21) Design Number: **12161/2014**  
(22) Date of Filing Application: **06 May 2014**  
(24) Date from which industrial property rights may have effect: **06 May 2014**  
(54) Product in respect of which the design is registered: **Part of inhaler**  
(51) International Design Classification: **24-04**  
(74) Name(s) of Attorney(s): **Shelston IP**  
(71) Name(s) and Address(s) of Applicant(s):  
**Lupin Limited**  
**159 CST Road Kalina Santacruz (East) Mumbai 400 098 India**  
(72) Name(s) of Designer(s): **Vishwajit Bhide and Raghuram Amperayani**  
**Pattabhi and Rohini Pimple and Bishu Choubey**  
(45) Registration Date: **22 May 2014**  
(30) Convention priority data:  
(31) Number (32) Date (33) Country  
**260517 20 Feb 2014 INDIA**  
(56) Related Art Documents: **Not Applicable**  
(57) Statement of Newness and Distinctiveness: **Newness and distinctiveness**  
**reside in the features of shape and/or configuration of a PART OF**  
**INHALER as illustrated in the accompanying representations.**



(21) Design Number: **12162/2014**  
(22) Date of Filing Application: **06 May 2014**  
(24) Date from which industrial property rights may have effect: **06 May 2014**  
(54) Product in respect of which the design is registered: **Travelator**  
(51) International Design Classification: **12-05**  
(74) Name(s) of Attorney(s): **WATERMARK PATENT AND TRADE MARKS**  
**ATTORNEYS**  
(71) Name(s) and Address(s) of Applicant(s):  
**Inventio AG**  
**Postfach Hergiswil 6052 Switzerland**  
(72) Name(s) of Designer(s): **Thomas Illedits and Robert Schulz and Michael**  
**Matheisl and Christoph Makovec and Uwe Hauer**  
(45) Registration Date: **22 May 2014**  
(30) Convention priority data:  
(31) Number (32) Date (33) Country  
**140426 16 Jan 2014 SWITZERLAND**  
(56) Related Art Documents: **Not Applicable**  
(57) Statement of Newness and Distinctiveness: **Nil**



(21) Design Number: **12163/2014**  
(22) Date of Filing Application: **06 May 2014**  
(24) Date from which industrial property rights may have effect: **06 May 2014**  
(54) Product in respect of which the design is registered: **Travelator**

(51) International Design Classification: **12-05**  
(74) Name(s) of Attorney(s): **WATERMARK PATENT AND TRADE MARKS ATTORNEYS**

(71) Name(s) and Address(s) of Applicant(s):

**Inventio AG**  
**Postfach Hergiswil 6052 Switzerland**

(72) Name(s) of Designer(s): **Thomas Illedits and Robert Schulz and Michael Matheisl and Christoph Makovec and Uwe Hauer**

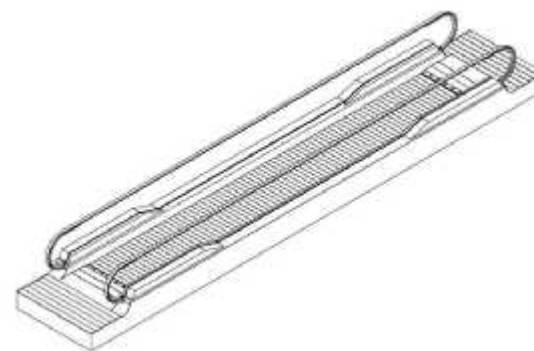
(45) Registration Date: **22 May 2014**

(30) Convention priority data:

(31) Number	(32) Date	(33) Country
<b>140426</b>	<b>16 Jan 2014</b>	<b>SWITZERLAND</b>

(56) Related Art Documents: **Not Applicable**

(57) Statement of Newness and Distinctiveness: **Nil**



(21) Design Number: **12164/2014**  
(22) Date of Filing Application: **06 May 2014**  
(24) Date from which industrial property rights may have effect: **06 May 2014**  
(54) Product in respect of which the design is registered: **Travelator**

(51) International Design Classification: **12-05**  
(74) Name(s) of Attorney(s): **WATERMARK PATENT AND TRADE MARKS ATTORNEYS**

(71) Name(s) and Address(s) of Applicant(s):

**Inventio AG**  
**Postfach Hergiswil 6052 Switzerland**

(72) Name(s) of Designer(s): **Thomas Illedits and Robert Schulz and Michael Matheisl and Christoph Makovec and Uwe Hauer**

(45) Registration Date: **22 May 2014**

(30) Convention priority data:

(31) Number	(32) Date	(33) Country
<b>140426</b>	<b>16 Jan 2014</b>	<b>SWITZERLAND</b>

(56) Related Art Documents: **Not Applicable**

(57) Statement of Newness and Distinctiveness: **Nil**

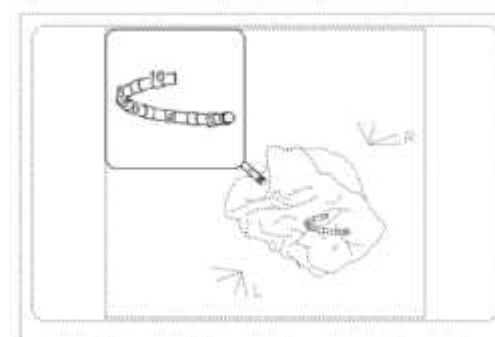


(21) Design Number: **12165/2014**  
(22) Date of Filing Application: **06 May 2014**  
(24) Date from which industrial property rights may have effect: **06 May 2014**  
(54) Product in respect of which the design is registered: **Travelator**  
(51) International Design Classification: **12-05**  
(74) Name(s) of Attorney(s): **WATERMARK PATENT AND TRADE MARKS ATTORNEYS**  
(71) Name(s) and Address(s) of Applicant(s):



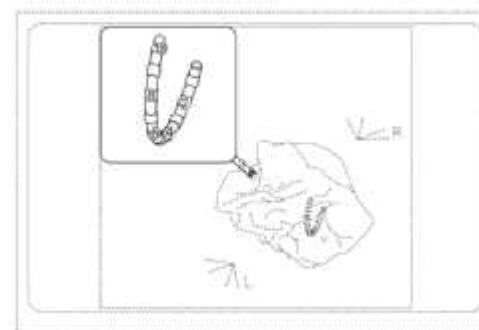
**Inventio AG**  
**Postfach Hergiswil 6052 Switzerland**  
(72) Name(s) of Designer(s): **Thomas Illedits and Robert Schulz and Michael Matheisl and Christoph Makovec and Uwe Hauer**  
(45) Registration Date: **22 May 2014**  
(30) Convention priority data:  
(31) Number (32) Date (33) Country  
**140426 16 Jan 2014 SWITZERLAND**  
(56) Related Art Documents: **Not Applicable**  
(57) Statement of Newness and Distinctiveness: **Nil**

(21) Design Number: **12200/2014**  
(22) Date of Filing Application: **07 May 2014**  
(24) Date from which industrial property rights may have effect: **07 February 2014**  
(54) Product in respect of which the design is registered: **Display screen with icon**  
(51) International Design Classification: **14-02**  
(74) Name(s) of Attorney(s): **Callinans**  
(71) Name(s) and Address(s) of Applicant(s):

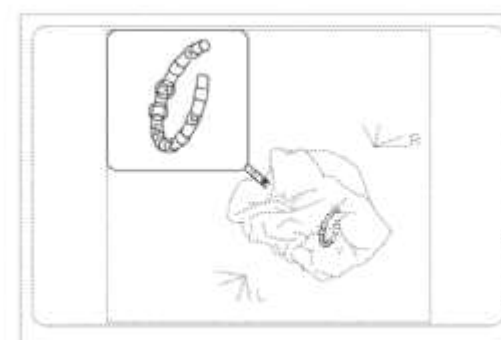


**BIOSENSE WEBSTER (ISRAEL) LTD.**  
**4 Hatnufa Street Yokneam 20692 Israel**  
(72) Name(s) of Designer(s): **Asaf Merschon and Moshe Ingel and Liav Moshe Adi and Eduard Filipov**  
(45) Registration Date: **22 May 2014**  
(62) Divisional of: **355332**  
(56) Related Art Documents: **Not Applicable**  
(57) Statement of Newness and Distinctiveness: **Newness and distinctiveness reside in the features of pattern and/or ornamentation of a display screen with icon as illustrated by solid lines in the accompanying representation. The features shown in broken outline are for contextual purposes only and do not form part of the design.**

- (21) Design Number: **12201/2014**  
(22) Date of Filing Application: **07 May 2014**  
(24) Date from which industrial property rights may have effect: **07 February 2014**  
(54) Product in respect of which the design is registered: **Display screen with icon**  
(51) International Design Classification: **14-02**  
(74) Name(s) of Attorney(s): **Callinans**  
(71) Name(s) and Address(s) of Applicant(s):  
**BIOSENSE WEBSTER (ISRAEL) LTD.**  
**4 Hatnufa Street Yokneam 20692 Israel**  
(72) Name(s) of Designer(s): **Asaf Merschon and Moshe Ingel and Liav Moshe Adi and Eduard Filipov**  
(45) Registration Date: **22 May 2014**  
(62) Divisional of: **355332**  
(56) Related Art Documents: **Not Applicable**  
(57) Statement of Newness and Distinctiveness: **Newness and distinctiveness reside in the features of pattern and/or ornamentation of a display screen with icon as illustrated by solid lines in the accompanying representation. The features shown in broken outline are for contextual purposes only and do not form part of the design.**



- (21) Design Number: **12202/2014**  
(22) Date of Filing Application: **07 May 2014**  
(24) Date from which industrial property rights may have effect: **07 February 2014**  
(54) Product in respect of which the design is registered: **Display screen with icon**  
(51) International Design Classification: **14-02**  
(74) Name(s) of Attorney(s): **Callinans**  
(71) Name(s) and Address(s) of Applicant(s):  
**BIOSENSE WEBSTER (ISRAEL) LTD.**  
**4 Hatnufa Street Yokneam 20692 Israel**  
(72) Name(s) of Designer(s): **Asaf Merschon and Moshe Ingel and Liav Moshe Adi and Eduard Filipov**  
(45) Registration Date: **22 May 2014**  
(62) Divisional of: **355332**  
(56) Related Art Documents: **Not Applicable**  
(57) Statement of Newness and Distinctiveness: **Newness and distinctiveness reside in the features of pattern and/or ornamentation of a display screen with icon as illustrated by solid lines in the accompanying representation. The features shown in broken outline are for contextual purposes only and do not form part of the design.**



- (21) Design Number: **10782/2014**  
(22) Date of Filing Application: **18 February 2014**  
(24) Date from which industrial property rights may have effect: **27 November 2013**  
(54) Product in respect of which the design is registered: **Positive airway pressure delivery console**  
(51) International Design Classification: **24-01**  
(74) Name(s) of Attorney(s): **Halfords IP**  
(71) Name(s) and Address(s) of Applicant(s):  
**ResMed Limited**  
**1 Elizabeth Macarthur Dr Bella Vista NSW 2153 Australia**  
(72) Name(s) of Designer(s): **Mark Bertinetti**  
(45) Registration Date: **23 May 2014**  
(62) Divisional of: **353845**  
(56) Related Art Documents: **Not Applicable**  
(57) Statement of Newness and Distinctiveness: **Nil**



- (21) Design Number: **11007/2014**  
(22) Date of Filing Application: **05 March 2014**  
(24) Date from which industrial property rights may have effect: **05 March 2014**  
(54) Product in respect of which the design is registered: **A hair dryer**  
(51) International Design Classification: **28-03B**  
(74) Name(s) of Attorney(s): **Shelston IP**  
(71) Name(s) and Address(s) of Applicant(s):  
**Dyson Technology Limited**  
**Tetbury Hill Malmesbury Wiltshire SN16 0RP United Kingdom**  
(72) Name(s) of Designer(s): **James Dyson and Peter David Gammack and Stephen Benjamin Courtney and Patrick Joseph William Moloney and Edward Sebert Maurice Shelton**  
(45) Registration Date: **23 May 2014**  
(30) Convention priority data:  
(31) Number (32) Date (33) Country  
**001384796-0001 26 Sep 2013 OFFICE FOR HARMONISATION IN THE INTERNAL MARKET (OHIM)**  
(56) Related Art Documents: **Not Applicable**  
(57) Statement of Newness and Distinctiveness: **Newness and distinctiveness reside in the features of shape and/or configuration of A HAIR DRYER as illustrated in the accompanying representations.**



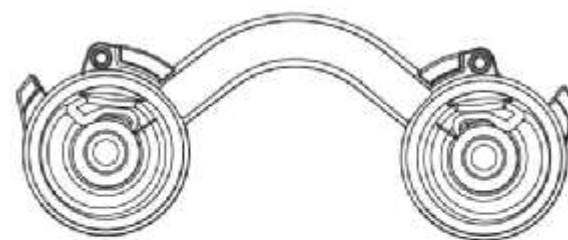
- (21) Design Number: **11008/2014**  
(22) Date of Filing Application: **05 March 2014**  
(24) Date from which industrial property rights may have effect: **05 March 2014**  
(54) Product in respect of which the design is registered: **A hair dryer**  
(51) International Design Classification: **28-03B**  
(74) Name(s) of Attorney(s): **Shelston IP**  
(71) Name(s) and Address(s) of Applicant(s):  
**Dyson Technology Limited**  
**Tetbury Hill Malmesbury Wiltshire SN16 0RP United Kingdom**  
(72) Name(s) of Designer(s): **James Dyson and Peter David Gammack and Stephen Benjamin Courtney and Patrick Joseph William Moloney and Edward Sebert Maurice Shelton**  
(45) Registration Date: **23 May 2014**  
(30) Convention priority data:  
(31) Number (32) Date (33) Country  
**001384796-0003 26 Sep 2013 OFFICE FOR HARMONISATION IN THE INTERNAL MARKET (OHIM)**  
(56) Related Art Documents: **Not Applicable**  
(57) Statement of Newness and Distinctiveness: **Nil**



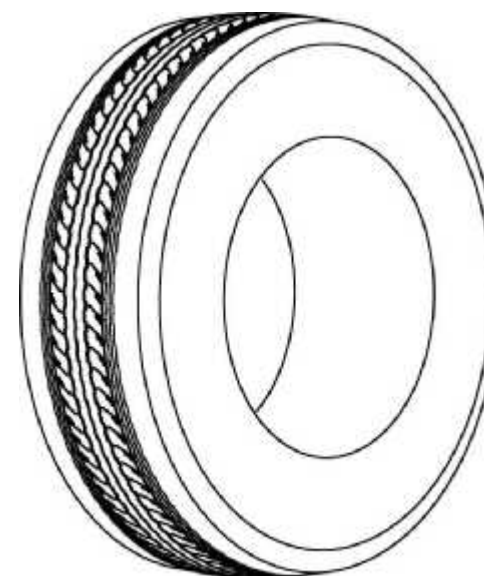
- (21) Design Number: **11010/2014**  
(22) Date of Filing Application: **05 March 2014**  
(24) Date from which industrial property rights may have effect: **05 March 2014**  
(54) Product in respect of which the design is registered: **A hair dryer**  
(51) International Design Classification: **28-03B**  
(74) Name(s) of Attorney(s): **Shelston IP**  
(71) Name(s) and Address(s) of Applicant(s):  
**Dyson Technology Limited**  
**Tetbury Hill Malmesbury Wiltshire SN16 0RP United Kingdom**  
(72) Name(s) of Designer(s): **James Dyson and Peter David Gammack and Stephen Benjamin Courtney and Patrick Joseph William Moloney and Edward Sebert Maurice Shelton**  
(45) Registration Date: **23 May 2014**  
(30) Convention priority data:  
(31) Number (32) Date (33) Country  
**001384796-0002 26 Sep 2013 OFFICE FOR HARMONISATION IN THE INTERNAL MARKET (OHIM)**  
(56) Related Art Documents: **Not Applicable**  
(57) Statement of Newness and Distinctiveness: **Newness and distinctiveness reside in the features of shape and/or configuration of A HAIR DRYER as illustrated in solid lines in the accompanying representations. The features shown in broken lines are illustrative only and do not form part of the design.**



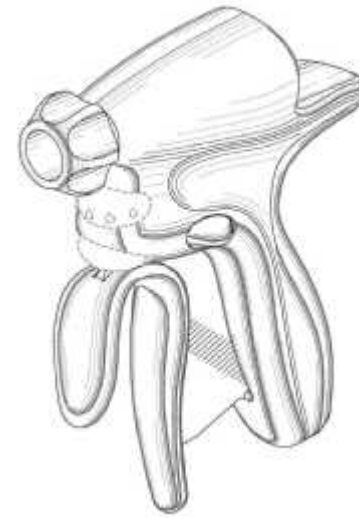
(21) Design Number: **11665/2014**  
(22) Date of Filing Application: **03 April 2014**  
(24) Date from which industrial property rights may have effect: **03 April 2014**  
(54) Product in respect of which the design is registered: **Tensioner bracket**  
(51) International Design Classification: **08-08NES, 15-99**  
(74) Name(s) of Attorney(s): **PHILLIPS ORMONDE FITZPATRICK**  
(71) Name(s) and Address(s) of Applicant(s):  
**The Gates Corporation**  
**1551 Wewatta Street Denver Colorado 80202 United States of America**  
(72) Name(s) of Designer(s): **Arnaud Martinez and Casper Haenbeukers**  
(45) Registration Date: **23 May 2014**  
(30) Convention priority data:  
(31) Number (32) Date (33) Country  
**29/468,911 04 Oct 2013 UNITED STATES OF AMERICA**  
(56) Related Art Documents: **Not Applicable**  
(57) Statement of Newness and Distinctiveness: **Those features of the tensioner bracket depicted in the representations that are new and distinctive are the shape and/or configuration.**



(21) Design Number: **12028/2014**  
(22) Date of Filing Application: **28 April 2014**  
(24) Date from which industrial property rights may have effect: **28 April 2014**  
(54) Product in respect of which the design is registered: **A tyre**  
(51) International Design Classification: **12-15A**  
(74) Name(s) of Attorney(s): **WATERMARK PATENT AND TRADE MARKS ATTORNEYS**  
(71) Name(s) and Address(s) of Applicant(s):  
**Compagnie Generale Des Etablissements Michelin**  
**12 cours Sablon Clermont Ferrand 63000 France**  
**Michelin Recherche et Technique S.A.**  
**Route Louis Braille 10 Granges-Paccot 1763 Switzerland**  
(72) Name(s) of Designer(s): **Eddy Baranger and Christophe Chebaut and Guillaume Bacher**  
(45) Registration Date: **23 May 2014**  
(30) Convention priority data:  
(31) Number (32) Date (33) Country  
**13/4899 15 Nov 2013 FRANCE**  
(56) Related Art Documents: **Not Applicable**  
(57) Statement of Newness and Distinctiveness: **Newness and distinctiveness resides in the appearance of the tread region of the tyre, the remainder of the tyre not forming part of the design.**



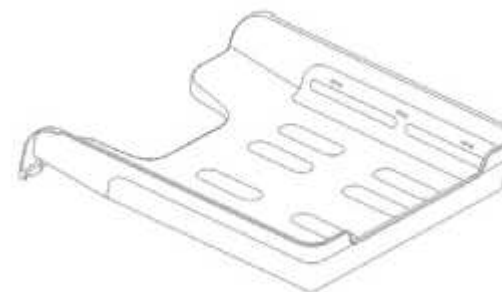
- (21) Design Number: **12030/2014**  
(22) Date of Filing Application: **28 April 2014**  
(24) Date from which industrial property rights may have effect: **28 April 2014**  
(54) Product in respect of which the design is registered: **Handpiece for surgical instrument**  
(51) International Design Classification: **24-02**  
(74) Name(s) of Attorney(s): **Freehills Patent Attorneys**  
(71) Name(s) and Address(s) of Applicant(s):  
**Ethicon Endo-Surgery, Inc.**  
**4545 Creek Road Cincinnati Ohio 45242 United States of America**  
(72) Name(s) of Designer(s): **Daniel W Price and Shawn C Snyder and Gregory W Johnson and Emron J Henry**  
(45) Registration Date: **23 May 2014**  
(30) Convention priority data:  
(31) Number (32) Date (33) Country  
**29/472719 15 Nov 2013 UNITED STATES OF AMERICA**  
(56) Related Art Documents: **Not Applicable**  
(57) Statement of Newness and Distinctiveness: **Newness and distinctiveness of the design resides in the features of shape and configuration of the handpiece as shown in solid lines in the accompanying representations.**



- (21) Design Number: **10608/2014**  
(22) Date of Filing Application: **07 February 2014**  
(24) Date from which industrial property rights may have effect: **07 February 2014**  
(54) Product in respect of which the design is registered: **Bottle**  
(51) International Design Classification: **09-01B, 09-02B**  
(74) Name(s) of Attorney(s): **Fisher Adams Kelly Pty Ltd**  
(71) Name(s) and Address(s) of Applicant(s):  
**FPC Food Plastics Pty Ltd**  
**U2 13 Lindaway PI Tullamarine Victoria 3043 Australia**  
(72) Name(s) of Designer(s): **Jim D Janeczek and Hugh Donnelly**  
(45) Registration Date: **23 May 2014**  
(56) Related Art Documents: **Not Applicable**  
(57) Statement of Newness and Distinctiveness: **The newness and distinctiveness of the design resides in the shape and/or configuration and/or pattern and/or ornamentation of the BOTTLE shown in the representations.**



- (21) Design Number: **10679/2014**  
(22) Date of Filing Application: **11 February 2014**  
(24) Date from which industrial property rights may have effect: **11 February 2014**  
(54) Product in respect of which the design is registered: **A document tray**  
(51) International Design Classification: **19-02**  
(74) Name(s) of Attorney(s): **Davies Collison Cave**  
(71) Name(s) and Address(s) of Applicant(s):  
**Metro Plastic Industry Pte.Ltd.**  
**33 Kallang Place Kallang Basin Industrial Estate 339161 Singapore**  
(72) Name(s) of Designer(s): **Heng Guan Kheng**  
(45) Registration Date: **23 May 2014**  
(56) Related Art Documents: **Not Applicable**  
(57) Statement of Newness and Distinctiveness: **Newness and distinctiveness is claimed in the visual features shown in the solid lines in the representations.**



- (21) Design Number: **12102/2014**  
(22) Date of Filing Application: **30 April 2014**  
(24) Date from which industrial property rights may have effect: **30 April 2014**  
(54) Product in respect of which the design is registered: **Shower cap**  
(51) International Design Classification: **02-03**  
(74) Name(s) of Attorney(s):  
(71) Name(s) and Address(s) of Applicant(s):  
**Simone Taylor**  
**50 Goss Rd Virginia QLD 4014 Australia**  
(72) Name(s) of Designer(s): **Simone Taylor**  
(45) Registration Date: **23 May 2014**  
(56) Related Art Documents: **Not Applicable**  
(57) Statement of Newness and Distinctiveness: **Shower cap in panelled, draped turban style shape with elastic to hold in place.**



- (21) Design Number: **11084/2014**  
(22) Date of Filing Application: **10 March 2014**  
(24) Date from which industrial property rights may have effect: **10 March 2014**  
(54) Product in respect of which the design is registered: **Table with built in clock on top**  
(51) International Design Classification: **06-03B, 06-03NES, 10-01**  
(74) Name(s) of Attorney(s):  
(71) Name(s) and Address(s) of Applicant(s):  
**MORJAC NOMINEES PROPRIETARY LIMITED**  
**3 Elizabeth St Malvern VIC 3144 Australia**  
(72) Name(s) of Designer(s): **Morris Bloom**  
(45) Registration Date: **23 May 2014**  
(56) Related Art Documents: **Not Applicable**  
(57) Statement of Newness and Distinctiveness: **Side tables are not new nor are station clocks. However mating them together as a furniture item cum fashion statement is new. The marrying of side tables with a clock, working order or not, presents a talking piece of enormous interest. The idea came to me when I was looking for coffee tables particularly and determined that what I saw was bland, too big, too ornate or just ordinary. The correct analogy describing this design is a child playing with her doll. The moment she dresses the doll it totally changes the appearance and desirability for use. From the photographs submitted it can be seen that a former machinist stool has been decorated with an unusual spoke wheeled clock. The clock having transformed an icon into a creative furniture piece. An item that serves as bedside table, coffee table or utility for hobbies and cards. The uniqueness of this furniture combination is the multitude of design combinations. Appearances will be endless.**



- (21) Design Number: **11085/2014**  
(22) Date of Filing Application: **10 March 2014**  
(24) Date from which industrial property rights may have effect: **10 March 2014**  
(54) Product in respect of which the design is registered: **Table with built in clock on top**  
(51) International Design Classification: **06-03B, 06-03NES, 10-01**  
(74) Name(s) of Attorney(s):  
(71) Name(s) and Address(s) of Applicant(s):  
**MORJAC NOMINEES PROPRIETARY LIMITED**  
**3 Elizabeth St Malvern VIC 3144 Australia**  
(72) Name(s) of Designer(s): **Morris Bloom**  
(45) Registration Date: **23 May 2014**  
(56) Related Art Documents: **Not Applicable**  
(57) Statement of Newness and Distinctiveness: **Side tables are not new nor are station clocks. However mating them together as a furniture item cum fashion statement is new. The marrying of side tables with a clock, working order or not, presents a talking piece of enormous interest. The idea came to me when I was looking for coffee tables particularly and determined that what I saw was bland, too big, too ornate or just ordinary. The correct analogy describing this design is a child playing with her doll. The moment she dresses the doll it totally changes the appearance and desirability for use. From the photographs submitted it can be seen that a former mechanist stool has been decorated with an unusual spoke wheeled clock. The clock having transformed an icon into a creative furniture piece. An item that serves as bedside table, coffee table or utility for hobbies and cards. The uniqueness of this furniture combination is the multitude of design combinations. Appearances will be endless.**



(21) Design Number: **11697/2014**

(22) Date of Filing Application: **04 April 2014**

(24) Date from which industrial property rights may have effect: **04 April 2014**

(54) Product in respect of which the design is registered: **4 way plastic collapsible bulk container**

(51) International Design Classification: **09-02A**

(74) Name(s) of Attorney(s):

(71) Name(s) and Address(s) of Applicant(s):

**Eco Pallets Pty Ltd**

**PO BOX 3398 Broadway Nedlands WA 6009 Australia**

(72) Name(s) of Designer(s): **Matthew Logan and Evan Retallack**

(45) Registration Date: **23 May 2014**

(56) Related Art Documents: **Not Applicable**

(57) Statement of Newness and Distinctiveness: **Australian standard sized (1162mm x 1162mm) 4 WAY collapsible bulk container. A versatile collapsible crate with removable vent covers to make the product vented or non vented. High maintainability due to the modularised construction where only small components need to be replaced in case of damage, rather than replacing the entire sections. Improved racking stability and safety by incorporating notched bearers on the bottom side of the base of the crate to fit safely on beam racking. Improved handling ability due to providing provision for being handled from all four directions of the crate reducing the stacking and overall handling time.**

