



Australian Government

IP Australia

AUSTRALIAN OFFICIAL JOURNAL

OF

DESIGNS

Did you know a searchable version of this journal is now available online?

It's FREE and EASY to SEARCH.

Find it on our website (www.ipaustralia.gov.au)

by using the "Journals" link on the home page.

This Page Left Intentionally Blank

Contents

General Information & Notices

**Proceedings Under the Designs Act 1906 preserved as a result of the provisions of Chapter 12
Part 2 of the Designs Act 2003**

Extension of Period of Registration of Designs 1726
Names Registered - Alterations and Amendments 1726
Registrations Ceased 1726
Subsequent Owners Registered 1726

Proceedings Under the Designs Act 2003

Applications Lapsed 1737
Applications Lodged 1730
Applications Withdrawn 1737
Certificate of Examination 1740
Extension of Period of Registration of Design 1738
Extension of Time Granted Under Section 137 1738
Names Registered - Alterations and Amendments 1739
Publication and Registration Proceedings
Designs Registered 355733 to 355843. 1741
Registrations Ceased 1738
Subsequent Owners Registered 1738

This Page Left Intentionally Blank

For information on the following please see our website www.ipaustralia.gov.au or contact our Customer Service Network on 1300651010

[Editorial enquiries](#)

[Contact information](#)

[Freedom of Information ACT](#)

[Professional Standards Board](#)

[Sales](#)

[Requests for Information under Section 194 \(c\)](#)

[Country Codes](#)

[Trade Mark and Designs Hearing Sessions](#)

[INID \(Internationally agreed Numbers for the Identification of Data\)](#)

“INID” NUMBERS in use on Australian Design Documents

“INID” is an acronym for “Internationally agreed Numbers for the Identification of Data”.

(10) Data concerning the registration/renewal

- (11) Serial number of the registration and/or number of the design document
- (12) Plain language designation of the kind of published document
- (19) Identification, using the two-letter code according to WIPO Standard ST.3, of the authority publishing or registering the industrial design

(20) Data concerning the application

- (21) Serial number of the application
- (22) Date of filing of the application
- (24) Date from which the industrial design right has effect

(30) Data relating to priority under the Paris Convention

- (31) Serial number assigned to the priority application
- (32) Date of filing of the priority application
- (33) Two-letter code, according to WIPO Standard ST.3, identifying the authority with which the priority application was made

(40) Date(s) of making information available to the public

- (45) Date of publication of the registered industrial design by printing or similar process, or making it available to the public by any other means

(50) Miscellaneous Information

- (51) International Classification for Industrial Designs (class and subclass of the Locarno Classification)
- (54) Designation of article(s) or product(s) covered by the industrial design or title of the industrial design
- (55) Reproduction of the industrial design (e.g., drawing, photograph) and explanations relating to the reproduction
- (56) List of prior art documents, if separate from descriptive text
- (57) Description of characteristic features of the industrial design including indication of colours

(60) References to other legally related application(s) and registration(s)

- (62) Serial number(s) and, if available, filing date(s) of application(s), registration(s) or document(s) related by division
- (66) Serial number(s) of the application, or the registration, of the design(s) which is (are) a variant(s) of the present one

(70) Identification of parties concerned with the application or registration

- (71) Name(s) and address(es) of the applicant(s)
- (72) Name(s) of the creator(s) if known to be such
- (74) Name(s) and address(es) of the representative(s)

This Page Left Intentionally Blank

Nil notices for this journal issue.

Proceedings under the Designs Act 1906 preserved as a result of the provisions of Chapter 12 Part 2 of the Designs Act 2003.

This Page Left Intentionally Blank

Applications Lapsed

There were no Applications Lapsed under this section

Extension of Period of Registration of Designs

1st Period (Section 27A(8))

2nd Period (Section 27A(12))

3rd Period (Section 27A(13))

152198	152199	152719
152741	152812	153117
153220	153273	153274
153339	153349	153408
153435	153522	153973
153974	153996	154068
154887	155026	155121
155276	155277	155389
155686	156187	156298
156325	156403	156623
156624	156625	157590
157678	157679	157680
157681	157682	157804
157805	157806	157807
157808	157809	157810
157811	157812	157813
157814		

Registrations Ceased

Note: Some of the following Registrations may have been previously advertised as ceased. In this instance, the previous advertisement still prevails.

134132	134133	134134
134418	135211	135306
135324	135325	135329
135382	135399	135400
135401	135436	135440
135478	135479	135504
135660	135661	135746
135800	135801	135832
135910	136032	136059
136060	136251	136344
136394	136456	137354
138730	138732	139157
139409	139836	140003
150604	150605	150606
150627	150667	150681
150682	150749	150769
150804	150805	150806
150807	150825	150882
151061	151440	151899
152101	153005	153175
153223	153707	154129

155525 155641 157792

Subsequent Owners Registered

(The name in parentheses is that of the subsequent owner)

143941	(De'Longhi Braun Household GmbH) Braun G.m.b.H
152751	(Australian Footwear Pty Ltd) Fusion Retail Brands Pty Ltd
154936	(Australian Footwear Pty Ltd) Fusion Retail Brands Pty Ltd

Names Registered - Alterations and Amendments

(The name in parentheses is the new name of the proprietor)

154123	(Leica Biosystems Melbourne Pty Ltd) Vision BioSystems Limited
154124	(Leica Biosystems Melbourne Pty Ltd) Vision BioSystems Limited
156081	(Leica Biosystems Melbourne Pty Ltd) Vision BioSystems Limited

This Page Left Intentionally Blank

Proceedings under the Designs Act 2003.

This Page Left Intentionally Blank

Applications Lodged

Lodgement information is in the following order: **Applicant's Name**; International Classification, Name of Product, Lodgement Date and **Design Number**. If the applicant claims an earlier priority date under an International Convention, the Convention Country and the associated filing date are shown in parentheses before the Lodgement Date. Divisional information will also appear in parentheses before the Lodgement Date.

Aero Health Aust Pty Ltd; 09-03NES, A package, 02 Jun 2014	12693/2014	Barnard, Steven;Lion United Pty Ltd as trustee for the Munro Family; 25-01D, Building panel, 05 Jun 2014	12771/2014
Aichi Co., Ltd; 06-01H, Chair, (JP, 13 Dec 2013) 26 May 2014	12553/2014	Bekaert (Australia) Pty Ltd; 05-05D, Textile, 28 May 2014	12617/2014
Allen & Heath Limited; 14-01, Audio equipment, (EM, 27 Nov 2013) 23 May 2014	12523/2014	Bekaert (Australia) Pty Ltd; 05-05B, 05-05D, Textile, 28 May 2014	12618/2014
Aluminium Industries of Australia Pty Ltd; 25-02B, Shower screen; extrusion; frame; profile;; 03 Jun 2014	12724/2014	Bekaert (Australia) Pty Ltd; 05-05NES, Textile, 28 May 2014	12619/2014
Aluminium Industries of Australia Pty Ltd; 25-02B, 25-01K, Shower screen, 27 May 2014	12602/2014	Bell Legal Group; 06-03B, Coffee table TV., 05 Jun 2014	12774/2014
Aluminium Industries of Australia Pty Ltd; 25-02B, Shower screen, 27 May 2014	12603/2014	Black & Decker Inc.; 15-05, Hand vacuum cleaner, (CN, 09 Dec 2013) 06 Jun 2014	12802/2014
Amneal Pharmaceuticals LLC; 24-02, Applicator for applying a liquid to a surface, 09 Jun 2014	12814/2014	Black & Decker Inc.; 15-05, Hand vacuum cleaner, (CN, 09 Dec 2013) 06 Jun 2014	12796/2014
Amneal Pharmaceuticals LLC; 24-02, Applicator for applying a liquid to a surface, (US, 09 Dec 2013) 09 Jun 2014	12813/2014	Bloch-Jorgensen, Maria; 11-02E, Handmade wooden figure, 01 Jun 2014	12689/2014
Anderson, Cassandra; 32-03, T-shirt; pen; flyer; business card, 30 May 2014	12663/2014	Bloch-Jorgensen, Maria; 11-02E, Handmade wooden figure, 01 Jun 2014	12688/2014
AptarGroup, Inc.; 09-07B, Closure, (US, 06 Feb 2014) 03 Jun 2014	12723/2014	Bose Corporation; 14-01, Headphones, 05 Jun 2014	12759/2014
Avigilon Corporation; 16-01, Camera housing, (CA, 13 Dec 2013) 02 Jun 2014	12702/2014	Bose Corporation; 14-01, Headphones, 05 Jun 2014	12760/2014
AB Electrolux; 07-05A, Iron, (SE, 06 Dec 2013) 29 May 2014	12653/2014	Bridgestone Corporation; 12-15A, Automobile tyre, (JP, 29 Nov 2013) 27 May 2014	12584/2014
AB Electrolux; 07-05A, Ironing apparatus, (SE, 06 Dec 2013) 29 May 2014	12651/2014	Campbell, Errol Frederick; 25-01G, 25-02F, Metal flashing for roof, 23 May 2014	12525/2014
AB Electrolux; 07-05A, Steam apparatus, (SE, 06 Dec 2013) 29 May 2014	12650/2014	Chipperfield, Glenn; 21-02F, Exercise apparatus, 29 May 2014	12649/2014
ASAPME PTY LTD; 02-02NES, T-shirt, 02 Jun 2014	12696/2014	Cockburn, Josh;Cockburn, Saul; 03-01D, Toiletry case/bag, 05 Jun 2014	12761/2014
ASSA ABLOY Australia Pty Limited; 08-07, A cover for a padlock, 06 Jun 2014	12806/2014	Cockburn, Saul;Cockburn, Josh; 03-01D, Toiletry case/bag, 05 Jun 2014	12761/2014
AUSTRALIAN FASHION LABELS PTY LTD; 02-02NES, A top, 16 May 2014	12415/2014	Container Pty Ltd; 09-01NES, Cap & bottle, 04 Jun 2014	12755/2014
BakkerElkhuizen Innovations B.V.; 03-01NES, 14-99, Laptop stand, (WO, 26 Mar 2014) 03 Jun 2014	12738/2014	Container Pty Ltd; 09-01A, Bottle holder with pump and eject button, 04 Jun 2014	12757/2014
		Cooper, Peter David; 21-02D, Surf board holder for vehicular transport, 25 May 2014	12541/2014

Daikin Industries Ltd.; 23-04, Air conditioner, (CN, 29 Jan 2014) 27 May 2014	12605/2014	Fortune Gold Enterprises Ltd.; 12-15A, Tyre, 27 May 2014	12598/2014
Daikin Industries Ltd.; 23-04, Air conditioner, (CN, 29 Jan 2014) 27 May 2014	12606/2014	Fortune Gold Enterprises Ltd.; 12-15C, Tyre, 27 May 2014	12566/2014
Daikin Industries Ltd.; 23-04, Air conditioner, (CN, 29 Jan 2014) 27 May 2014	12604/2014	Fortune Gold Enterprises Ltd.; 12-15A, 12-15C, Tyre, 27 May 2014	12567/2014
Daikin Industries Ltd.; 23-04, Air conditioner, (CN, 29 Jan 2014) 27 May 2014	12607/2014	Fulon Development Limited; 19-06, Pen, 04 Jun 2014	12756/2014
Dart Industries Inc.; 09-07A, Cap for a food shaker and blender, (US, 09 Jan 2014) 29 May 2014	12646/2014	Furlong, John Joseph; 02-06, Glove, (Divisional of 16555/2013) 26 May 2014	12548/2014
DANEDJO PTY LTD.; 06-02, Camp stretcher (cross leg design), 04 Jun 2014	12754/2014	Futurewood Pty Ltd.; 08-08A, Double loop connecting deck tile adapter, 28 May 2014	12622/2014
DC Short Pty Ltd.; 07-05D, Towel rail, (NZ, 06 Dec 2013) 03 Jun 2014	12708/2014	Futurewood Pty Ltd.; 25-01F, 25-01NES, Deck tile edge, 28 May 2014	12621/2014
E.D. Oates Pty Ltd.; 08-05A, Ferrule for garden tools, 27 May 2014	12559/2014	Geberit International AG.; 23-02C, Control panels for toilets and/or urinals, (WO, 17 Jan 2014) 27 May 2014	12558/2014
Easton, Simon Alexander Mounsdon; Eaton, Neil Alexander Mounsdon.; 12-16NES, Load cover, 29 May 2014	12643/2014	Geberit International AG.; 23-02C, Control panel for toilets and/or urinals, (WO, 17 Jan 2014) 27 May 2014	12556/2014
Eaton, Neil Alexander Mounsdon; Easton, Simon Alexander Mounsdon.; 12-16NES, Load cover, 29 May 2014	12643/2014	Geberit International AG.; 23-02C, Control panel for toilets and/or urinals, (WO, 17 Jan 2014) 27 May 2014	12557/2014
Electric Cable Duct Systems Pty Ltd.; 13-03C, A lid for a cable duct, 06 Jun 2014	12797/2014	Geberit International AG.; 23-02C, Control panel for toilets and/or urinals, (WO, 17 Jan 2014) 27 May 2014	12554/2014
EAGLE OPERATIONS PTY. LTD.; 32-03, Data management application brand, promotion items, 07 Jun 2014	12808/2014	General Mills, Inc.; 01-01, Shaped tortilla, (US, 13 Dec 2013) 27 May 2014	12585/2014
EAGLE OPERATIONS PTY. LTD.; 32-03, Data management application, promotion items, 07 Jun 2014	12809/2014	General Mills, Inc.; 01-01, Shaped tortilla, (US, 13 Dec 2013) 27 May 2014	12581/2014
ENERGY MATTERS PTY LTD.; 08-08L, Commercial bracket, 29 May 2014	12632/2014	General Mills, Inc.; 01-01, Shaped tortilla, (US, 13 Dec 2013) 27 May 2014	12578/2014
ENERGY MATTERS PTY LTD.; 08-08L, Commercial bracket, (Divisional of 11436/2014) 29 May 2014	12628/2014	General Mills, Inc.; 01-01, Shaped tortilla, (US, 13 Dec 2013) 27 May 2014	12583/2014
ENERGY MATTERS PTY LTD.; 08-08L, Commercial bracket, (Divisional of 11437/2014) 29 May 2014	12629/2014	General Mills, Inc.; 01-01, Shaped tortilla, (US, 13 Dec 2013) 27 May 2014	12577/2014
ENERGY MATTERS PTY LTD.; 08-08L, Commercial bracket, (Divisional of 11438/2014) 29 May 2014	12627/2014	Gerard Lighting Pty Ltd.; 26-05A, Light fixture, (Divisional of 11331/2014) 29 May 2014	12659/2014
Fisher & Paykel Healthcare Limited.; 24-04, A breathing interface seal, (US, 27 Nov 2013) 23 May 2014	12522/2014	Goodridge, Martin George.; 25-03, Cubby house, 25 May 2014	12540/2014
Fortune Gold Enterprises Ltd.; 12-15B, Tyre, 27 May 2014	12568/2014	Google Inc.; 14-02, Notebook computer housing, (Divisional of 11448/2014) 06 Jun 2014	12790/2014
		Google Inc.; 14-02, Notebook computer housing, (Divisional of 11448/2014) 06 Jun 2014	12788/2014

Google Inc.; 14-02, Notebook computer housing, (Divisional of 11448/2014) 06 Jun 2014	12792/2014	Honda Motor Co., Ltd.; 12-08, 21-01C, An automobile, (JP, 06 Dec 2013) 02 Jun 2014	12699/2014
Google Inc.; 14-02, Notebook computer housing, (Divisional of 11448/2014) 06 Jun 2014	12791/2014	Honda Motor Co., Ltd.; 08-05L, A power sprayer, (JP, 04 Dec 2013) 02 Jun 2014	12705/2014
Grose, Peter Kenneth; 32-03, Store name, 03 Jun 2014	12720/2014	Honeywell International Inc.; 13-03E, 13-03B, Cable shell, (US, 02 Dec 2013) 02 Jun 2014	12703/2014
Grose, Peter Kenneth; 32-03, Store promotions, 03 Jun 2014	12721/2014	HMB Products, LLC; 08-05N, Sand paper, (US, 27 Nov 2013) 27 May 2014	12569/2014
Guangzhou Gardenart Furniture Co., Ltd.;Zhou, Xuan; 06-01F, Alu'plastic chair, 26 May 2014	12547/2014	HMB Products, LLC; 08-05N, Sanding tool, (US, 27 Nov 2013) 27 May 2014	12565/2014
Guanzhou SAT Infrared Technology Co. Ltd.; 16-03, 14-03E, An infrared camera in the form of cell phone, (CN, 27 Jan 2014) 30 May 2014	12677/2014	Illinois Tool Works Inc.; 20-02E, Display, (Divisional of 10790/2014) 30 May 2014	12678/2014
Guillemot Corporation S.A.; 14-01, DJ controller, (US, 24 Dec 2013) 04 Jun 2014	12742/2014	Industrie Clothing Pty Limited; 02-02NES, Jumper, 02 Jun 2014	12694/2014
Gunn, Grant; 08-08NES, Tennis and squash racquets, 03 Jun 2014	12735/2014	Intercontinental Great Brands LLC; 06-04NES, Shelving unit, (US, 03 Dec 2013) 29 May 2014	12655/2014
Gunn, Grant; 21-99, Tennis and squash racquets, 03 Jun 2014	12736/2014	Intercontinental Great Brands LLC; 06-04NES, Shelving unit, (US, 03 Dec 2013) 29 May 2014	12657/2014
GOJO INDUSTRIES, INC.; 23-02A, Dispenser, (US, 02 Dec 2013) 02 Jun 2014	12691/2014	Intercontinental Great Brands LLC; 06-04NES, 20-02E, Shelving unit, (US, 03 Dec 2013) 29 May 2014	12654/2014
GOJO INDUSTRIES, INC.; 23-02A, Dispenser reservoir, (US, 02 Dec 2013) 30 May 2014	12665/2014	Ivanova Holdings Pty Ltd as trustee; 01-01, Artistic chocolate bars, 09 Jun 2014	12812/2014
GREENCART INT LTD.; 12-02, Shopping cart with removable baskets, (US, 10 Dec 2013) 05 Jun 2014	12768/2014	Jane, S.A.; 12-12, Infant stroller, (EM, 16 Jan 2014) 26 May 2014	12552/2014
Harman International Industries, Incorporated; 13-03C, Transducer cover, (US, 17 Jan 2014) 03 Jun 2014	12714/2014	Jemella Group Limited; 28-03B, Hair styling apparatus, (EM, 19 Dec 2013) 04 Jun 2014	12747/2014
Harman International Industries, Incorporated; 14-01, Loudspeaker, (US, 13 Jan 2014) 03 Jun 2014	12711/2014	Karalee Investments Pty Ltd; 07-02D, A portable stove, 28 May 2014	12610/2014
Harris, Tania Anne; 08-05NES, Light fitting & removal tool, 29 May 2014	12642/2014	Kearney, Joseph Francis; 12-05, 08-08G, A lifting hook and coupling guide assembly, 02 Jun 2014	12701/2014
Hella KGaA Hueck & Co; 26-06, Light for vehicle, (EM, 14 Jan 2014) 05 Jun 2014	12766/2014	Kellogg Company; 09-01NES, Beverage bottle, (US, 05 Dec 2013) 05 Jun 2014	12770/2014
Hill, David Francis; 08-06, Handle insert, 26 May 2014	12551/2014	King Furniture Australia Pty Ltd; 06-01F, A chair, 06 Jun 2014	12801/2014
Holder, Carl; 06-03NES, Table - seat - book/computer tablet holder, 30 May 2014	12664/2014	King Furniture Australia Pty Ltd; 06-01F, A chair, 06 Jun 2014	12803/2014
		Korsak, Magdalena;Loza, Andrzej; 06-03B, Lamp table, 02 Jun 2014	12690/2014
		Korsak, Magdalena; 06-03B, Occassional/side table, 02 Jun 2014	12692/2014

Kraft Foods Group Brands LLC; 07-01NES, Lid, (US, 09 Sep 2013) 07 Mar 2014	12410/2014	Ma, Jinlin; 12-15C, Tyre, 06 Jun 2014	12789/2014
Kuan, Hsing-Hua; 13-03NES, Electric threshold, (US, 19 Dec 2013) 06 Jun 2014	12804/2014	Magpul Industries Corporation; 22-01, Front folding sight for a firearm, (US, 05 Dec 2013) 02 Jun 2014	12700/2014
Lake, Dylan James; 25-03, Post box, 03 Jun 2014	12726/2014	Masport Limited; 15-03B, A mower, (NZ, 24 Oct 2013) (Divisional of 11841/2014) 23 May 2014	12519/2014
Lake, Dylan James; 25-03, Post box, 03 Jun 2014	12732/2014	Master Lock Company LLC; 08-07, Padlock cover, (Divisional of 11603/2014) 04 Jun 2014	12745/2014
Lake, Dylan James; 25-03, Post box, 03 Jun 2014	12733/2014	Melov, Tony; 03-01B, Wrist wallet, 27 May 2014	12570/2014
Lake, Dylan James; 25-03, Post box, 03 Jun 2014	12731/2014	Metroll Technology Pty Limited; 08-08L, 25-01NES, Metal fascia rafter bracket, 06 Jun 2014	12794/2014
Lake, Dylan James; 25-03, Post box, 03 Jun 2014	12728/2014	Mondelez UK R&D Limited; 09-03NES, Packaging, (EM, 06 Dec 2013) 05 Jun 2014	12782/2014
Lake, Dylan James; 25-03, Post box, 03 Jun 2014	12727/2014	Mondelez UK R&D Limited; 09-03NES, Packaging, (EM, 06 Dec 2013) 05 Jun 2014	12783/2014
Lake, Dylan James; 25-03, Post box, 03 Jun 2014	12725/2014	Mondelez UK R&D Limited; 09-03H, Packaging, (EM, 06 Dec 2013) 05 Jun 2014	12781/2014
Lay, Susan; 07-01NES, An attachment for a container, 28 May 2014	12611/2014	Mondelez UK R&D Limited; 09-03M, Packaging, (EM, 06 Dec 2013) 05 Jun 2014	12775/2014
Lay, Susan; 07-01NES, An attachment for a container, 28 May 2014	12612/2014	Mondelez UK R&D Limited; 09-03NES, Packaging, (EP, 06 Dec 2013) 05 Jun 2014	12780/2014
Leggett, Guy; 06-01H, Lounge chair, 06 Jun 2014	12805/2014	Mondelez UK R&D Limited; 09-03M, Packaging, (EP, 06 Dec 2013) 05 Jun 2014	12779/2014
Lilly & Lolly Pty Limited; 06-06A, Hat stand, 03 Jun 2014	12722/2014	Mondelez UK R&D Limited; 09-03NES, Packaging, (EP, 06 Dec 2013) 05 Jun 2014	12776/2014
Lion United Pty Ltd as trustee for the Munro Family; Barnard, Steven; 25-01D, Building panel, 05 Jun 2014	12771/2014	National Entertainment Collectibles Association, Inc.; 14-01, 21-01B, Cable accessory, (Divisional of 11339/2014) 05 Jun 2014	12769/2014
Louboutin, Christian; 09-01G, Bottle and cap, 27 May 2014	12589/2014	National Entertainment Collectibles Association, Inc.; 14-01, 21-01B, Cable accessory, (Divisional of 11339/2014) 05 Jun 2014	12773/2014
Louboutin, Christian; 09-01G, Bottle for cosmetics, 27 May 2014	12590/2014	National Entertainment Collectibles Association, Inc.; 14-01, 21-01B, Cable accessory, (Divisional of 11339/2014) 05 Jun 2014	12772/2014
Louboutin, Christian; 09-01G, Container for cosmetics, 27 May 2014	12587/2014	Nicholson, Paul; 32-02, Software, 03 Jun 2014	12715/2014
Louboutin, Christian; 09-01G, Container and cap for cosmetics, 27 May 2014	12591/2014	Norton (Waterford) Limited; 24-04, Respiratory apparatus, (EM, 29 Nov 2013) 29 May 2014	12641/2014
Louboutin, Christian; 09-01G, Container and cap for cosmetics, 27 May 2014	12592/2014		
Louboutin, Christian; 09-01G, Bottle cap, 27 May 2014	12588/2014		
Loza, Andrzej; Korsak, Magdalena; 06-03B, Lamp table, 02 Jun 2014	12690/2014		
LIPHATECH; 22-06, Animal trap, (EM, 29 Nov 2013) 29 May 2014	12639/2014		

Norton (Waterford) Limited; 24-04, Respiratory apparatus, (EM, 29 Nov 2013) 29 May 2014	12636/2014	PepsiCo, Inc; 09-01NES, Bottle, (Divisional of 11969/2014) 05 Jun 2014	12763/2014
Norton (Waterford) Limited; 24-04, Respiratory apparatus, (EM, 29 Nov 2013) 29 May 2014	12640/2014	Purepodz Limited; 25-03, Building, (NZ, 03 Dec 2013) 03 Jun 2014	12719/2014
Norton (Waterford) Limited; 24-04, Respiratory apparatus, (EM, 29 Nov 2013) 29 May 2014	12634/2014	Putting Professional Pty Ltd; 06-11, A mat, 29 May 2014	12656/2014
O'Sullivan, Paul; 12-11, A bicycle frame, 29 May 2014	12645/2014	PCA PLASTICS PTY LTD; 06-04NES, Golf sand bucket, 29 May 2014	12633/2014
Orica International Pte Ltd; 09-07B, 09-07C, Lid, 23 May 2014	12560/2014	PERNOD RICARD WINEMAKERS PTY LTD; 09-01H, Bottle, 28 May 2014	12620/2014
Orica International Pte Ltd; 22-03, Booster assembly, 23 May 2014	12564/2014	ResMed Limited; 24-04, Patient interface and/or components thereof, (US, 12 Dec 2013) 23 May 2014	12521/2014
Orica International Pte Ltd; 22-03, Shell, 23 May 2014	12562/2014	ResMed Limited; 09-99, Packaging, 06 Jun 2014	12793/2014
Orica International Pte Ltd; 22-03, Insert, 23 May 2014	12563/2014	Revlon Consumer Products Corporation; 28-03NES, Peelable nail file, (US, 21 May 2014) 28 May 2014	12623/2014
Orica International Pte Ltd; 09-01NES, Bottle, 23 May 2014	12561/2014	Rhino Rack Australia Pty Limited; 12-16K, Roof rack track leg, 29 May 2014	12631/2014
Outotec (Finland) Oy; 15-01, Impeller for hydrometallurgical mixer, (EM, 04 Dec 2013) 04 Jun 2014	12739/2014	Robina Trading House Pty Ltd; 25-04, Customs inspection stand, 03 Jun 2014	12737/2014
Owens-Brockway Glass Container Inc.; 09-01H, Container, (US, 06 Dec 2013) (Divisional of 11030/2014) 26 May 2014	12550/2014	Rosavraso Nominees Pty Ltd; 23-01A, Plumbing connector, 23 May 2014	12520/2014
OGK KABUTO CO., LTD.; 02-03, Helmet, (JP, 28 Nov 2013) 27 May 2014	12555/2014	Routin; 09-07A, Bottle top, (EM, 05 Dec 2013) 04 Jun 2014	12746/2014
OKA Rock Bolt Technologies Pty Limited as trustee for the OKA Rock Bolt;Technologies Unit Trust; 08-01, Drive, 27 May 2014	12572/2014	REFOLD LIMITED; 06-03C, A convertible desk, 27 May 2014	12573/2014
OKA Rock Bolt Technologies Pty Limited as trustee for the OKA Rock Bolt;Technologies Unit Trust; 08-01, Chuck, 27 May 2014	12571/2014	Sadowsky, Nick; 26-05D, Pendant light, 03 Jun 2014	12717/2014
Pelican Products, Inc.; 03-01NES, Case for electronic pad, (US, 20 Dec 2013) 03 Jun 2014	12710/2014	Safe-Strap Company, Inc.; 06-01D, Infant carrier holder, (US, 11 Dec 2013) 27 May 2014	12608/2014
Pelican Products, Inc.; 03-01NES, Case for electronic pad, (US, 20 Dec 2013) 03 Jun 2014	12709/2014	Sebel Furniture Ltd; 06-01F, A side chair, 23 May 2014	12524/2014
PepsiCo, Inc; 09-01NES, Bottle, (Divisional of 11969/2014) 05 Jun 2014	12767/2014	Sharpe, Leslie; 12-11, Balance bike, 26 May 2014	12542/2014
PepsiCo, Inc; 09-01NES, Bottle, (Divisional of 11969/2014) 05 Jun 2014	12764/2014	Shedrain Corporation; 03-03, Button for a handle, (Divisional of 11308/2014) 27 May 2014	12601/2014
PepsiCo, Inc; 09-01NES, Bottle, 05 Jun 2014	12765/2014	Simplicity, LLC; 24-02, Nasal dilator, 02 Jun 2014	12698/2014
PepsiCo, Inc; 09-01NES, Bottle, (Divisional of 11969/2014) 05 Jun 2014	12762/2014	Smart Glass Systems Pty Ltd; 08-08L, A mounting assembly for glass balustrade, 27 May 2014	12586/2014
		Smartblind Pty Ltd; 08-99, Guide track for a blind, 03 Jun 2014	12734/2014

Smith, Paul; 25-01NES, Sliding door cover track, 04 Jun 2014	12758/2014	The Decor Corporation Pty. Ltd.; 07-01NES, Container, 27 May 2014	12582/2014
Smith, Glenn antony Glenn; 31-00, A device for pressing firm ground coffee, 30 May 2014	12687/2014	The Decor Corporation Pty. Ltd.; 09-07B, Lid for container, 27 May 2014	12574/2014
Smith, Glenn antony Glenn; 07-99C, Napkin / serviette dispenser or holder, 30 May 2014	12686/2014	The Decor Corporation Pty. Ltd.; 07-01NES, Container, 27 May 2014	12580/2014
Southern Australia Wool Products Pty Ltd; 09-05, Quilt bag cover, 30 May 2014	12680/2014	The Gillette Company; 28-03A, Packaging, (US, 13 Dec 2013) 29 May 2014	12647/2014
Southern Australia Wool Products Pty Ltd; 09-05, Quilt bag with cover, 30 May 2014	12681/2014	The Goodyear Tire & Rubber Company; 12-15B, Tyre for automobile, (JP, 03 Dec 2013) 03 Jun 2014	12713/2014
Southpour Pty Ltd; 06-04D, A service bar, 30 May 2014	12676/2014	The Mentholatum Company; 09-01G, Cosmetic container, (US, 07 Oct 2013) (Divisional of 11623/2014) 04 Jun 2014	12740/2014
Southpour Pty Ltd; 06-04D, A service bar, 30 May 2014	12675/2014	The Mentholatum Company; 09-01G, Cosmetic container, (US, 07 Oct 2013) (Divisional of 11623/2014) 04 Jun 2014	12743/2014
Stubby Strip Pty Ltd; 09-03M, Beverage holder, 29 May 2014	12635/2014	The Mentholatum Company; 09-01G, Cosmetic container, (US, 07 Oct 2013) (Divisional of 11623/2014) 04 Jun 2014	12741/2014
Sumitomo Rubber Industries, Ltd.; 12-15B, Tyre for automobile, (JP, 03 Dec 2013) 03 Jun 2014	12712/2014	The Procter & Gamble Company; 28-99, Air freshener housing, (US, 06 Dec 2013) 30 May 2014	12684/2014
SunFX Pro Pty Ltd; 28-03NES, Spray tan application device, 25 May 2014	12538/2014	The Procter & Gamble Company; 09-03M, Surface ornamentation for a medicine container, (WO, 09 Dec 2013) 05 Jun 2014	12777/2014
SunFX Pro Pty Ltd; 28-03NES, Spray tan application device, 25 May 2014	12539/2014	The Procter & Gamble Company; 09-03M, Surface ornamentation for a medicine container, (WO, 09 Dec 2013) 05 Jun 2014	12778/2014
SATO HOLDINGS KABUSHIKI KAISHA; 18-99, Label printer, (JP, 25 Dec 2013) 28 May 2014	12616/2014	The Procter & Gamble Company; 28-99, Air freshener housing, (US, 06 Dec 2013) 30 May 2014	12685/2014
SCA Hygiene Products AB; 07-99C, Napkin Dispenser, (EM, 09 Dec 2013) 29 May 2014	12644/2014	The Procter & Gamble Company; 23-04, Air purifier, (US, 13 Dec 2013) 06 Jun 2014	12785/2014
SCA Hygiene Products AB; 07-99C, Napkin dispenser, (EP, 09 Dec 2013) 30 May 2014	12661/2014	The Procter & Gamble Company; 23-04, Air purifier, (US, 13 Dec 2013) 06 Jun 2014	12787/2014
SCA Hygiene Products AB; 07-99C, Napkin dispenser, (EP, 09 Dec 2013) 30 May 2014	12660/2014	The Procter & Gamble Company; 23-04, Air purifier, (US, 13 Dec 2013) 06 Jun 2014	12786/2014
SCA Hygiene Products AB; 07-99C, Napkin dispenser, (EM, 09 Dec 2013) 29 May 2014	12648/2014	The Procter & Gamble Company; 09-05, Oral care packaging with surface ornamentation, (WO, 09 Dec 2013) 27 May 2014	12600/2014
SHOP VAC CORPORATION; 15-05, Vacuum cleaner, (Divisional of 11337/2014) 05 Jun 2014	12718/2014	The Procter & Gamble Company; 28-99, Air freshener housing, (US, 06 Dec 2013) 30 May 2014	12683/2014
Team Grasshopper Ltd.; 09-01NES, A compressible container, (EM, 23 Oct 2013) 23 Apr 2014	12503/2014		
The Coca-Cola Company; 09-01K, Bottle, (US, 09 Sep 2013) 21 May 2014	12518/2014		

The Procter & Gamble Company; 28-99, Air freshener housing, (US, 06 Dec 2013) 30 May 2014	12682/2014	Vuly Property Pty Ltd; 21-02F, Trampoline, 30 May 2014	12673/2014
The Procter & Gamble Company; 09-05, Oral care packaging with contents, (WO, 09 Dec 2013) 27 May 2014	12599/2014	Vuly Property Pty Ltd; 03-03, 21-02F, Trampoline roof, 30 May 2014	12674/2014
Thompson, Stewart; 12-16K, Aerodynamic designed roof box, 28 May 2014	12630/2014	VIP Plastic Packaging Pty Ltd; 09-07A, Tamper evident lid for a container, 05 Jun 2014	12784/2014
Thule IP AB; 12-12, Child stroller, (US, 17 Jan 2014) 29 May 2014	12626/2014	Waters, Michael; 02-03, Lighted beanie, (US, 27 Nov 2013) 27 May 2014	12593/2014
Thule IP AB; 12-12, Child stroller, (US, 17 Jan 2014) 29 May 2014	12625/2014	Waters, Michael; 02-03, Lighted beanie, (US, 27 Nov 2013) 27 May 2014	12596/2014
Thule Sweden AB; 12-16K, A cargo box for a vehicle, (EM, 29 Jan 2014) 29 May 2014	12637/2014	Waters, Michael; 02-03, Lighted beanie, (US, 27 Nov 2013) 27 May 2014	12597/2014
Thule Sweden AB; 12-16K, A cargo box for a vehicle, (EM, 29 Jan 2014) 29 May 2014	12638/2014	Waters, Michael; 02-03, Lighted beanie, (US, 27 Nov 2013) 27 May 2014	12594/2014
Thule Sweden AB; 12-16K, A cargo basket for a vehicle, (US, 27 Jan 2014) 27 May 2014	12579/2014	Waters, Michael; 02-03, , (US, 27 Nov 2013) 27 May 2014	12595/2014
Tolix Steel Design; 06-01F, Chair, (EM, 02 Dec 2013) 30 May 2014	12662/2014	Watkins Manufacturing Corporation; 23-02B, Spa shell, (US, 23 Dec 2013) 26 May 2014	12545/2014
Turnour, Edward;THE LATTICE UNIT TRUST; 25-02C, Gate frame, 29 May 2014	12658/2014	Watkins Manufacturing Corporation; 23-02B, Spa shell, (US, 23 Dec 2013) 26 May 2014	12543/2014
Tyquin, Alexandra Margaret; 06-03A, The product is a coffee table, 03 Jun 2014	12716/2014	Watkins Manufacturing Corporation; 23-02B, Spa shell, (US, 28 Jan 2014) 26 May 2014	12544/2014
TAARKS.COM PTY LTD; 12-16NES, Fuel surge tank, 28 May 2014	12624/2014	Who-Rae Pty Ltd; 09-05, Packaging container for car floor mats, (US, 27 Nov 2013) 23 May 2014	12534/2014
THE LATTICE UNIT TRUST;Turnour, Edward; 25-02C, Gate frame, 29 May 2014	12658/2014	Who-Rae Pty Ltd; 09-05, Packaging container for car floor mats, (US, 27 Nov 2013) 23 May 2014	12536/2014
Umesh, Sidarth; 07-07NES, Receptacles carrier, 29 May 2014	12652/2014	Who-Rae Pty Ltd; 09-05, Packaging container for car floor mats, (US, 27 Nov 2013) 23 May 2014	12537/2014
Victor Equipment Company; 08-05M, Light duty contact tip, (US, 27 Nov 2013) 26 May 2014	12549/2014	Who-Rae Pty Ltd; 09-05, Packaging container for car floor mats, (US, 27 Nov 2013) 23 May 2014	12535/2014
Victor Equipment Company; 08-05M, Medium duty contact tip, (US, 18 Dec 2013) 06 Jun 2014	12807/2014	Wilson, Nicole Ellen; 02-02C, Baby jumpsuits, 28 May 2014	12609/2014
Victoria & Albert Baths Ltd; 23-02B, Bath tub, (EM, 03 Dec 2013) 02 Jun 2014	12697/2014	Woods Furniture Pty Ltd; 06-06G, Chair leg, 28 May 2014	12615/2014
Vuly Property Pty Ltd; 21-02F, Trampoline, 30 May 2014	12671/2014	Woods Furniture Pty Ltd; 06-01F, Chair, 28 May 2014	12614/2014
Vuly Property Pty Ltd; 21-02E, Trampoline, 30 May 2014	12668/2014	Woods Furniture Pty Ltd; 06-01F, Chair, 28 May 2014	12613/2014
		WESTFIELD TECHNOLOGIES LDA T/A CARVALHO CUSTOM; 02-02C, Cycling shorts, (EM, 11 Dec 2013) 09 Jun 2014	12810/2014

WESTFIELD TECHNOLOGIES LDA T/A CARVALHO CUSTOM; 02-02C, Cycling shorts, (EM, 11 Dec 2013) 09 Jun 2014	12811/2014	3M Innovative Properties Company; 08-08NES, Holder, (US, 03 Dec 2013) 30 May 2014	12669/2014
Yang, Bill; 06-03B, Table/table leg connector, 03 Jun 2014	12706/2014	3M Innovative Properties Company; 08-08G, Hook, (US, 03 Dec 2013) 30 May 2014	12666/2014
Yang, Bill; 26-05B, Table lamp, 03 Jun 2014	12707/2014	3M Innovative Properties Company; 08-08C, Clip, (US, 03 Dec 2013) 30 May 2014	12670/2014
Zactill Intellectual Property Pty Ltd; 21-02D, Floatation device, 27 May 2014	12576/2014	3M Innovative Properties Company; 21-01NES, Balloon holder, (US, 10 Dec 2013) 03 Jun 2014	12730/2014
Zhou, Xuan;Guangzhou Gardenart Furniture Co., Ltd; 06-01F, Alu'plastic chair, 26 May 2014	12547/2014	3M Innovative Properties Company; 08-08G, Hook, (US, 11 Dec 2013) 03 Jun 2014	12729/2014
3M Innovative Properties Company; 21-01NES, Balloon holder, (US, 03 Dec 2013) 26 May 2014	12546/2014		

Applications Withdrawn

12016 / 2014 (03-01A) 12289 / 2014 (08-03)
12730 / 2014 (21-01NES)

Applications Lapsed

14568 / 2013 (02-02C) 15092 / 2013 (02-07NES)
16051 / 2013 (07-06A) 16052 / 2013 (07-06A)
10473 / 2014 (15-05) 10706 / 2014 (08-08D)
10746 / 2014 (07-01NES) 10752 / 2014 (21-01L)
10776 / 2014 (06-06NES) 10778 / 2014 (14-99)
10790 / 2014 (20-02E) 10857 / 2014 (20-02NES)
10961 / 2014 (25-03)

Extension of Period of Registration of Designs

326045	326368	326499
326500	326501	326510
326516	326517	326518
326520	326521	326522
326523	326588	326611
326612	326613	326614
326628	326634	326635
326650	326678	326703
326704	326705	326773
326784	326812	326861
326871	326872	326873
326884	326885	326891
326894	326952	326953
326954	326955	326956
326957	326958	326959
326960	326975	326976
326977	326978	326979
326980	326981	326982
327105	327223	327224
327225	327268	327279
327295	327296	327297
327298	327395	327396
327397	327439	327458
327459	327519	327520
327521	329447	329470

Registrations Ceased

322411	322519	322520
323591	323700	323701
323702	323703	323704
323723	323724	323751
323752	323753	323755
323756	323757	323776
323777	323778	323779
323780	323781	323787
323831	323832	323833
323834	323835	323836
323837	323838	323858
323859	323860	323862
323863	323865	323866
323867	323878	323879
323880	323881	323882
323883	323884	323885
323886	323887	323888
323889	323890	323906
323907	323909	323923
323924	323926	323927
323931	323932	323933
323934	323958	323959

323960	323961	323962
323963	323964	323965
323993	323994	323995
323996	323997	324000
324001	324013	324014
324026	324028	324030
324033	324034	324052
324055	324056	324057
324058	324062	324070
324071	324080	324208
324209	324246	324288
324529	324753	324958
325101	325102	325126
325127	325146	325147
325191	325235	325236
325237	325238	325239
325240	326013	326014
326608	326840	

Extensions of time granted under Section 137

Applications lodged under section 137 for extension of time have been granted.

355791 **John Joseph Furlong**

355809 **Dennis Moyle**

355811 **Jacqueline Molina**

10111/2014 **Glenn Stuart Wills**

10352/2014 **Mike Horne**

10369/2014 **Palantir Technologies, Inc.**

10702/2014 **KONE Corporation**

Subsequent Owners Registered

(The name in parentheses is that of the subsequent owner)

348967	(Clove Park Insurance Company a New York corporation) Delaware Capital Formation, Inc.
330362	(Jorgenson-Watts IP Pty Ltd) Jorgenson-Watts Pty Ltd
330363	(Jorgenson-Watts IP Pty Ltd) Jorgenson-Watts Pty Ltd
330364	(Jorgenson-Watts IP Pty Ltd) Jorgenson-Watts Pty Ltd
330762	(Jorgenson-Watts IP Pty Ltd) Jorgenson-Watts Pty Ltd
330980	(Jorgenson-Watts IP Pty Ltd) Jorgenson-Watts Pty Ltd
330981	(Jorgenson-Watts IP Pty Ltd) Jorgenson-Watts Pty Ltd
330982	(Jorgenson-Watts IP Pty Ltd) Jorgenson-Watts Pty Ltd
331926	(De'Longhi Braun Household GmbH) Braun GmbH
331927	(De'Longhi Braun Household GmbH) Braun GmbH
331928	(De'Longhi Braun Household GmbH) Braun GmbH
331929	(De'Longhi Braun Household GmbH) Braun GmbH
334344	(De'Longhi Braun Household GmbH) Braun GmbH
334556	(De'Longhi Braun Household GmbH) Braun GmbH

334630 (**De'Longhi Braun Household GmbH**) Braun GmbH
 334631 (**De'Longhi Braun Household GmbH**) Braun GmbH
 334632 (**De'Longhi Braun Household GmbH**) Braun GmbH
 334633 (**De'Longhi Braun Household GmbH**) Braun GmbH
 334634 (**De'Longhi Braun Household GmbH**) Braun GmbH
 334635 (**De'Longhi Braun Household GmbH**) Braun GmbH
 335214 (**De'Longhi Braun Household GmbH**) Braun GmbH
 313067 (**De'Longhi Braun Household GmbH**) Braun GmbH
 313066 (**De'Longhi Braun Household GmbH**) Braun GmbH
 309634 (**De'Longhi Braun Household GmbH**) Braun GmbH
 304576 (**De'Longhi Braun Household GmbH**) Braun GmbH
 348967 (**CP Formation LLC a Delaware limited liability
 company**) Clove Park Insurance Company a New
 York corporation
 349307 (**Clove Park Insurance Company a New York
 corporation**) Delaware Capital Formation, Inc.

**Names Registered - Alterations and
 Amendments**

(The name in parentheses is that of the subsequent
 applicant)

300482 (**Leica Biosystems Melbourne Pty Ltd**) Vision
 BioSystems Limited
 351324 (**Sichuan Nigale Biotechnology CO., Ltd.**) Sichuan
 Nigale Biomedical Co., Ltd.

Certificate(s) of Examination

Examination of the following Design Registration(s) has been completed. Infringement proceedings may now be commenced.

303550	23-03NES	28/05/2014
319629	23-03A	30/05/2014
327270	12-06NES	27/05/2014
337595	02-02C	10/06/2014
343824	09-01H	28/05/2014
343825	09-01H	28/05/2014
343884	09-01H	29/05/2014
343885	09-01H	30/05/2014
345699	21-02B	28/05/2014
347148	12-15A	08/06/2014
350494	07-02N	27/05/2014
350605	23-02B	08/06/2014
350606	23-02B	01/06/2014
350728	23-02B	01/06/2014
350780	23-02B	08/06/2014
350786	23-01H	10/06/2014
350787	23-01H	10/06/2014
351210	09-01NES	28/05/2014
351380	09-07A	03/06/2014
351384	07-05C	02/06/2014
351492	09-05	01/06/2014
351493	09-05	01/06/2014
351807	24-02	27/05/2014
351869	14-02	27/05/2014
351972	26-05C	05/06/2014
352157	08-08D	05/06/2014
352294	04-02	29/05/2014
352295	04-02	29/05/2014
352313	04-02	29/05/2014
352745	14-02	05/06/2014
352922	09-03NES	05/06/2014
352954	20-01	05/06/2014
352997	16-06	30/05/2014
353206	26-06	02/06/2014
353285	26-05C	05/06/2014
353389	14-02	05/06/2014
353390	14-02	05/06/2014
353391	14-02	08/06/2014
353504	02-02C	28/05/2014
353533	02-02C	28/05/2014
353541	26-05E	02/06/2014
353588	09-03M	06/06/2014
353594	23-01F	03/06/2014
353621	02-02C	02/06/2014
353633	12-16NES	04/06/2014
353633	12-16NES	04/06/2014
353705	07-07NES	08/06/2014
353908	08-05F	08/06/2014
353925	09-01NES	01/06/2014
353926	09-01NES	01/06/2014
354042	05-05A	27/05/2014
354053	12-05	04/06/2014
355710	02-02NES	29/05/2014

Publication and Registration Proceedings

Designs Registered

This section provides a concordance between design number and registration number of Designs covered in this journal. It also shows the main class and registration date.

This section covers Registration numbers 355733 to 355843 .

The registration number shown below should be used in all future correspondence.

Design Number	Registration Number	International Classification Code (IDC)	Registration Date	Design Number	Registration Number	International Classification Code (IDC)	Registration Date
14762/2013	355783	09-08	02/06/2014	11775/2014	355745	25-02C	28/05/2014
15093/2013	355784	02-99	02/06/2014	11840/2014	355738	12-15B	27/05/2014
16554/2013	355750	25-02NES	28/05/2014	11841/2014	355781	15-03B	02/06/2014
16555/2013	355791	02-06	04/06/2014	11844/2014	355748	12-15A	28/05/2014
16746/2013	355733	08-07	27/05/2014	11851/2014	355749	12-15A	28/05/2014
16747/2013	355809	12-05	05/06/2014	11863/2014	355735	07-04	27/05/2014
10023/2014	355811	05-02	10/06/2014	11875/2014	355801	08-04	05/06/2014
10719/2014	355788	14-01	04/06/2014	11918/2014	355803	06-99	05/06/2014
10789/2014	355736	15-07	27/05/2014	11933/2014	355822	10-04	10/06/2014
10794/2014	355737	03-01NES	27/05/2014	12032/2014	355740	26-05C	27/05/2014
10797/2014	355776	06-07	02/06/2014	12033/2014	355741	26-05C	27/05/2014
10902/2014	355753	07-01NES	30/05/2014	12034/2014	355742	26-05C	27/05/2014
10939/2014	355777	23-02C	02/06/2014	12035/2014	355743	26-05C	27/05/2014
10982/2014	355805	07-01NES	05/06/2014	12060/2014	355823	14-03NES	10/06/2014
10985/2014	355806	07-01NES	05/06/2014	12105/2014	355807	24-01	05/06/2014
11030/2014	355778	09-01H	02/06/2014	12150/2014	355739	08-05A	27/05/2014
11083/2014	355744	24-01	28/05/2014	12176/2014	355824	04-02	10/06/2014
11098/2014	355746	09-01K	28/05/2014	12177/2014	355825	08-08L	10/06/2014
11112/2014	355751	09-01NES	30/05/2014	12178/2014	355826	08-08L	10/06/2014
11116/2014	355779	27-06	02/06/2014	12180/2014	355827	04-02	10/06/2014
11153/2014	355780	08-07	02/06/2014	12182/2014	355828	26-06	10/06/2014
11211/2014	355747	21-01N	28/05/2014	12183/2014	355829	14-02	10/06/2014
11250/2014	355804	09-05	05/06/2014	12184/2014	355830	14-02	10/06/2014
11264/2014	355794	07-04	05/06/2014	12185/2014	355831	14-02	10/06/2014
11265/2014	355795	07-04	05/06/2014	12187/2014	355832	14-02	10/06/2014
11266/2014	355796	07-04	05/06/2014	12188/2014	355833	12-16M	10/06/2014
11270/2014	355797	07-04	05/06/2014	12189/2014	355834	14-02	10/06/2014
11282/2014	355785	14-03NES	03/06/2014	12190/2014	355835	14-02	10/06/2014
11283/2014	355786	14-03NES	03/06/2014	12191/2014	355836	14-02	10/06/2014
11308/2014	355798	08-99	05/06/2014	12192/2014	355837	23-02C	10/06/2014
11331/2014	355802	26-05A	05/06/2014	12193/2014	355838	14-02	10/06/2014
11332/2014	355799	26-05A	05/06/2014	12194/2014	355839	14-02	10/06/2014
11337/2014	355810	15-05	05/06/2014	12195/2014	355840	14-02	10/06/2014
11402/2014	355821	15-99	10/06/2014	12196/2014	355841	14-02	10/06/2014
11436/2014	355792	08-08L	04/06/2014	12197/2014	355842	14-02	10/06/2014
11438/2014	355793	08-08L	04/06/2014	12198/2014	355843	14-02	10/06/2014
11522/2014	355800	15-99	05/06/2014	12341/2014	355754	07-01NES	30/05/2014
11603/2014	355812	08-07	10/06/2014	12343/2014	355755	07-01NES	30/05/2014
11616/2014	355813	14-02	10/06/2014	12344/2014	355756	07-01NES	30/05/2014
11617/2014	355814	14-02	10/06/2014	12345/2014	355757	07-01NES	30/05/2014
11623/2014	355815	09-01G	10/06/2014	12347/2014	355758	07-01NES	30/05/2014
11633/2014	355787	14-99	03/06/2014	12351/2014	355759	07-01NES	30/05/2014
11636/2014	355816	12-10	10/06/2014	12352/2014	355760	07-01NES	30/05/2014
11637/2014	355817	12-10	10/06/2014	12354/2014	355761	07-01NES	30/05/2014
11638/2014	355818	12-10	10/06/2014	12355/2014	355752	07-01NES	30/05/2014
11645/2014	355819	15-07	10/06/2014	12357/2014	355762	07-01NES	30/05/2014
11646/2014	355820	21-04	10/06/2014	12358/2014	355763	07-01NES	30/05/2014
11656/2014	355789	13-03E	04/06/2014	12359/2014	355764	07-01NES	30/05/2014
11659/2014	355790	13-03E	04/06/2014	12360/2014	355765	07-01NES	30/05/2014
11742/2014	355734	25-01K	27/05/2014	12362/2014	355766	07-01NES	30/05/2014

Publication and Registration Proceedings - Designs Registered cont'd

Design Number	Registration Number	International Classification Code (IDC)	Registration Date	Design Number	Registration Number	International Classification Code (IDC)	Registration Date
12363/2014	355767	07-01NES	30/05/2014	12372/2014	355774	07-01NES	30/05/2014
12364/2014	355768	07-01NES	30/05/2014	12373/2014	355775	07-01NES	30/05/2014
12365/2014	355769	07-01NES	30/05/2014	12550/2014	355782	09-01H	02/06/2014
12366/2014	355770	07-01NES	30/05/2014	12718/2014	355808	15-05	05/06/2014
12369/2014	355771	07-01NES	30/05/2014				
12370/2014	355772	07-01NES	30/05/2014				
12371/2014	355773	07-01NES	30/05/2014				

Publication and Registration Proceedings

Class Listing of Designs Published or Registered

The following section shows an International Classification Code listing of the Registered or Published Designs covered in this supplement.

Classification	Registration Number	Design Number	Classification	Registration Number	Design Number
02-06	355791	16555/2013	09-01H	355778	11030/2014
02-99	355784	15093/2013	09-01H	355782	12550/2014
03-01NES	355737	10794/2014	09-01K	355746	11098/2014
03-03	355798	11308/2014	09-01NES	355751	11112/2014
04-02	355824	12176/2014	09-05	355804	11250/2014
04-02	355827	12180/2014	09-08	355783	14762/2013
05-02	355811	10023/2014	10-04	355822	11933/2014
06-07	355776	10797/2014	11-01C	355822	11933/2014
06-99	355803	11918/2014	12-05	355809	16747/2013
07-01NES	355752	12355/2014	12-10	355816	11636/2014
07-01NES	355753	10902/2014	12-10	355817	11637/2014
07-01NES	355754	12341/2014	12-10	355818	11638/2014
07-01NES	355755	12343/2014	12-15A	355748	11844/2014
07-01NES	355756	12344/2014	12-15A	355749	11851/2014
07-01NES	355757	12345/2014	12-15B	355738	11840/2014
07-01NES	355758	12347/2014	12-16M	355833	12188/2014
07-01NES	355759	12351/2014	13-03E	355789	11656/2014
07-01NES	355760	12352/2014	13-03E	355790	11659/2014
07-01NES	355761	12354/2014	14-01	355788	10719/2014
07-01NES	355762	12357/2014	14-02	355813	11616/2014
07-01NES	355763	12358/2014	14-02	355814	11617/2014
07-01NES	355764	12359/2014	14-02	355829	12183/2014
07-01NES	355765	12360/2014	14-02	355830	12184/2014
07-01NES	355766	12362/2014	14-02	355831	12185/2014
07-01NES	355767	12363/2014	14-02	355832	12187/2014
07-01NES	355768	12364/2014	14-02	355834	12189/2014
07-01NES	355769	12365/2014	14-02	355835	12190/2014
07-01NES	355770	12366/2014	14-02	355836	12191/2014
07-01NES	355771	12369/2014	14-02	355838	12193/2014
07-01NES	355772	12370/2014	14-02	355839	12194/2014
07-01NES	355773	12371/2014	14-02	355840	12195/2014
07-01NES	355774	12372/2014	14-02	355841	12196/2014
07-01NES	355775	12373/2014	14-02	355842	12197/2014
07-01NES	355805	10982/2014	14-02	355843	12198/2014
07-01NES	355806	10985/2014	14-03NES	355785	11282/2014
07-04	355735	11863/2014	14-03NES	355786	11283/2014
07-04	355794	11264/2014	14-03NES	355823	12060/2014
07-04	355795	11265/2014	14-04	355829	12183/2014
07-04	355796	11266/2014	14-04	355830	12184/2014
07-04	355797	11270/2014	14-04	355831	12185/2014
08-04	355801	11875/2014	14-99	355787	11633/2014
08-05A	355739	12150/2014	15-03B	355781	11841/2014
08-05NES	355789	11656/2014	15-05	355808	12718/2014
08-05NES	355790	11659/2014	15-05	355810	11337/2014
08-07	355733	16746/2013	15-07	355736	10789/2014
08-07	355780	11153/2014	15-07	355819	11645/2014
08-07	355812	11603/2014	15-99	355800	11522/2014
08-08L	355792	11436/2014	15-99	355821	11402/2014
08-08L	355793	11438/2014	21-01N	355747	11211/2014
08-08L	355825	12177/2014	21-04	355820	11646/2014
08-08L	355826	12178/2014	23-02C	355777	10939/2014
08-99	355798	11308/2014	23-02C	355837	12192/2014
09-01G	355815	11623/2014	24-01	355744	11083/2014

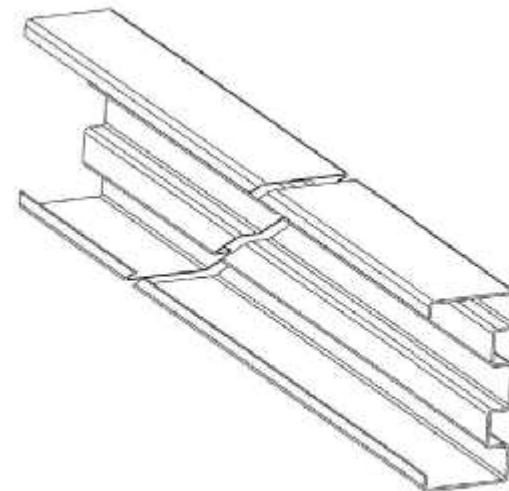
Registration Proceedings - Class Listing of Designs Published or Registered cont'd

Classification	Registration Number	Design Number	Classification	Registration Number	Design Number
24-01	355807	12105/2014	26-05C	355742	12034/2014
25-01C	355734	11742/2014	26-05C	355743	12035/2014
25-01K	355734	11742/2014	26-05D	355740	12032/2014
25-02C	355745	11775/2014	26-05D	355741	12033/2014
25-02H	355820	11646/2014	26-05D	355742	12034/2014
25-02NES	355750	16554/2013	26-05D	355743	12035/2014
25-02NES	355783	14762/2013	26-06	355828	12182/2014
26-05A	355799	11332/2014	27-06	355779	11116/2014
26-05A	355802	11331/2014	31-00	355736	10789/2014
26-05C	355740	12032/2014			
26-05C	355741	12033/2014			

(21) Design Number: **16746/2013**
(22) Date of Filing Application: **20 December 2013**
(24) Date from which industrial property rights may have effect: **20 December 2013**
(54) Product in respect of which the design is registered: **Adhesive mag lock**
(51) International Design Classification: **08-07**
(74) Name(s) of Attorney(s): **Thomson Geer**
(71) Name(s) and Address(s) of Applicant(s):
Elbee Pty Ltd
PO BOX 2022 Bondi Junction NSW 1355 Australia
(72) Name(s) of Designer(s): **Carolyn Ziegler**
(45) Registration Date: **27 May 2014**
(56) Related Art Documents: **Not Applicable**
(57) Statement of Newness and Distinctiveness: **Nil**



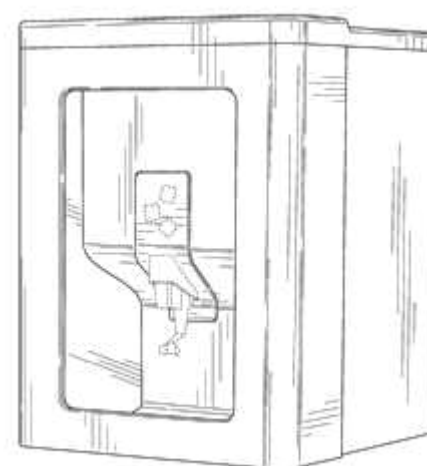
(21) Design Number: **11742/2014**
(22) Date of Filing Application: **08 April 2014**
(24) Date from which industrial property rights may have effect: **08 April 2014**
(54) Product in respect of which the design is registered: **A building stud**
(51) International Design Classification: **25-01K, 25-01C**
(74) Name(s) of Attorney(s): **Cullens Patent and Trade Mark Attorneys**
(71) Name(s) and Address(s) of Applicant(s):
Rocheway Pty Ltd
C/- L32 239 George St Brisbane QLD 4000 Australia
(72) Name(s) of Designer(s): **Stephen Charles Bean**
(45) Registration Date: **27 May 2014**
(56) Related Art Documents: **Not Applicable**
(57) Statement of Newness and Distinctiveness: **Newness and distinctiveness is claimed in the shape and configuration of the building stud shown in the accompanying representation and which is of indefinite length.**



(21) Design Number: **11863/2014**
(22) Date of Filing Application: **14 April 2014**
(24) Date from which industrial property rights may have effect: **14 April 2014**
(54) Product in respect of which the design is registered: **Slicer**
(51) International Design Classification: **07-04**
(74) Name(s) of Attorney(s):
(71) Name(s) and Address(s) of Applicant(s):
Yan Kwong Wong
Unit 403-404, 4/F., Po Lung Centre 11 Wang Chiu Road Kowloon Bay
Kowloon Hong Kong
(72) Name(s) of Designer(s): **Yan Kwong Wong**
(45) Registration Date: **27 May 2014**
(30) Convention priority data:
(31) Number (32) Date (33) Country
1302248.2 17 Dec 2013 HONG KONG
(56) Related Art Documents: **Not Applicable**
(57) Statement of Newness and Distinctiveness: **The newness and distinctiveness of the design resides in the shape, pattern, ornament and configuration of the article as shown in the continuous lines in the accompanying representations.**



(21) Design Number: **10789/2014**
(22) Date of Filing Application: **20 February 2014**
(24) Date from which industrial property rights may have effect: **20 February 2014**
(54) Product in respect of which the design is registered: **Ice dispenser**
(51) International Design Classification: **15-07, 31-00**
(74) Name(s) of Attorney(s): **SPRUSON & FERGUSON**
(71) Name(s) and Address(s) of Applicant(s):
PepsiCo, Inc.
700 Anderson Hill Road Purchase New York 10577 United States of
America
(72) Name(s) of Designer(s): **Martin Eduardo Broen and Christopher Erlin**
Granneberg and Stephen Lim and Christian Stolarz and Daniel
Schaumann and Daniel A. Streng and Marco Velasco
(45) Registration Date: **27 May 2014**
(30) Convention priority data:
(31) Number (32) Date (33) Country
29/464873 21 Aug 2013 UNITED STATES OF AMERICA
(56) Related Art Documents: **Not Applicable**
(57) Statement of Newness and Distinctiveness: **Newness and distinctiveness is claimed in those features of shape and/or configuration of an ice dispenser illustrated in continuous lines in the accompanying representations.**



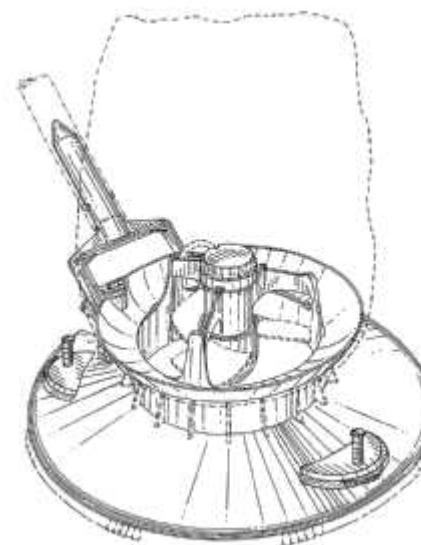
- (21) Design Number: **10794/2014**
(22) Date of Filing Application: **21 February 2014**
(24) Date from which industrial property rights may have effect: **21 February 2014**
(54) Product in respect of which the design is registered: **Case for an electronic device**
(51) International Design Classification: **03-01NES**
(74) Name(s) of Attorney(s): **Cullens Patent and Trade Mark Attorneys**
(71) Name(s) and Address(s) of Applicant(s):
Otter Products, LLC
209 South Meldrum Street Fort Collins, Colorado 80521 United States of America
(72) Name(s) of Designer(s): **Michael H Kim and Dennis J McCray and Jeffrey M Borra**
(45) Registration Date: **27 May 2014**
(30) Convention priority data:
(31) Number (32) Date (33) Country
29/465,052 23 Aug 2013 UNITED STATES OF AMERICA
(56) Related Art Documents: **Not Applicable**
(57) Statement of Newness and Distinctiveness: **Newness and distinctiveness resides in the shape or configuration of a case for an electronic device as shown in the accompanying representations. When considering newness and distinctiveness, features shown as dashed lines may or may not be disregarded**



- (21) Design Number: **11840/2014**
(22) Date of Filing Application: **14 April 2014**
(24) Date from which industrial property rights may have effect: **14 April 2014**
(54) Product in respect of which the design is registered: **Tyre**
(51) International Design Classification: **12-15B**
(74) Name(s) of Attorney(s): **Davies Collison Cave**
(71) Name(s) and Address(s) of Applicant(s):
The Yokohama Rubber Co., Ltd.
36-11 Shimbashi 5-chome Minato-ku Tokyo 105-8685 Japan
(72) Name(s) of Designer(s): **Hiroshi Tokizaki and Yasutaka Akashi**
(45) Registration Date: **27 May 2014**
(30) Convention priority data:
(31) Number (32) Date (33) Country
2013-024333 18 Oct 2013 JAPAN
(56) Related Art Documents: **Not Applicable**
(57) Statement of Newness and Distinctiveness: **Newness and distinctiveness resides in the appearance of a side wall of a tyre as shown in solid lines in the annexed drawings, the remainder of the tyre not forming part of the design.**



(21) Design Number: **12150/2014**
(22) Date of Filing Application: **05 May 2014**
(24) Date from which industrial property rights may have effect: **05 May 2014**
(54) Product in respect of which the design is registered: **Leaf vacuum**
(51) International Design Classification: **08-05A**
(74) Name(s) of Attorney(s): **Ahearn Fox**
(71) Name(s) and Address(s) of Applicant(s):
Water Tech LLC
10 Alvin Ct. Suit 111 East Brunswick New Jersey, 08816 United States of America



(72) Name(s) of Designer(s): **Guy Erlich and James Kosmyna and John Many and Jonathan Elmaleh and Curtis Elliot**

(45) Registration Date: **27 May 2014**

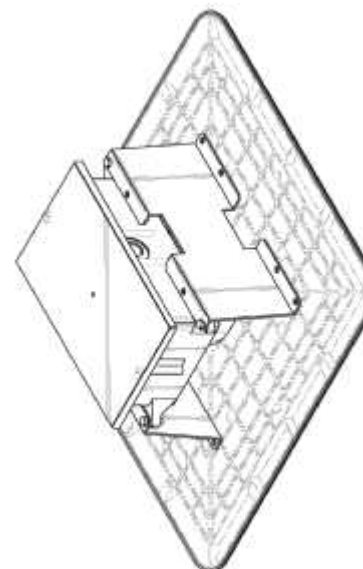
(30) Convention priority data:

(31) Number	(32) Date	(33) Country
29/472160	08 Nov 2013	UNITED STATES OF AMERICA

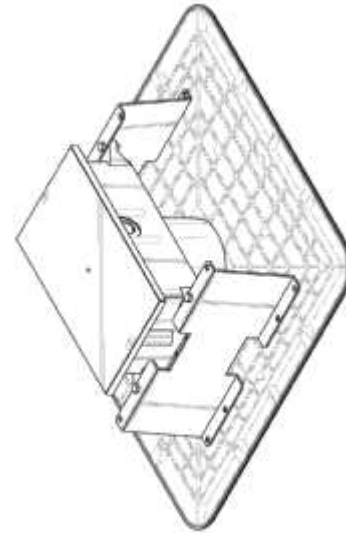
(56) Related Art Documents: **Not Applicable**

(57) Statement of Newness and Distinctiveness: **Newness and distinctiveness reside in the shape or configuration of a leaf vacuum as illustrated in the representations in which Fig. 1 is a perspective view of the top, front and left, Fig. 2 is a top plan view, Fig. 3 is an elevation of the left side, being a mirror image of the right side and Fig. 4 is a front elevation. Fig. 5 is a rear elevation. Fig. 6 is a bottom plain view. The features shown in broken outline are for illustrative purposes only and form no part of the design.**

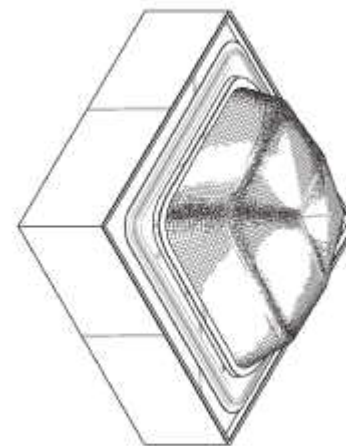
(21) Design Number: **12032/2014**
(22) Date of Filing Application: **28 April 2014**
(24) Date from which industrial property rights may have effect: **24 March 2014**
(54) Product in respect of which the design is registered: **Lighting**
(51) International Design Classification: **26-05C, 26-05D**
(74) Name(s) of Attorney(s): **Pizzey's**
(71) Name(s) and Address(s) of Applicant(s):
LSI Industries, Inc.
10000 Alliance Rd Cincinnati OH 45242 United States of America
(72) Name(s) of Designer(s): **John D Boyer and Daniel Hutchens and Eric Jon Moor**
(45) Registration Date: **27 May 2014**
(62) Divisional of: **355292**
(56) Related Art Documents: **Not Applicable**
(57) Statement of Newness and Distinctiveness: **Nil**



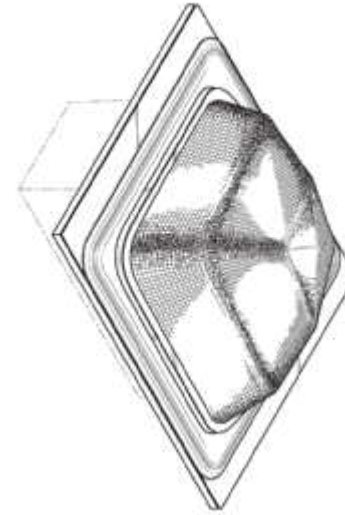
(21) Design Number: **12033/2014**
(22) Date of Filing Application: **28 April 2014**
(24) Date from which industrial property rights may have effect: **24 March 2014**
(54) Product in respect of which the design is registered: **Lighting**
(51) International Design Classification: **26-05C, 26-05D**
(74) Name(s) of Attorney(s): **Pizzeys**
(71) Name(s) and Address(s) of Applicant(s):
LSI Industries, Inc.
10000 Alliance Rd Cincinnati OH 45242 United States of America
(72) Name(s) of Designer(s): **John D Boyer and Daniel Hutchens and Eric Jon Mooar**
(45) Registration Date: **27 May 2014**
(62) Divisional of: **355292**
(56) Related Art Documents: **Not Applicable**
(57) Statement of Newness and Distinctiveness: **Nil**



(21) Design Number: **12034/2014**
(22) Date of Filing Application: **28 April 2014**
(24) Date from which industrial property rights may have effect: **24 March 2014**
(54) Product in respect of which the design is registered: **Lighting**
(51) International Design Classification: **26-05C, 26-05D**
(74) Name(s) of Attorney(s): **Pizzeys**
(71) Name(s) and Address(s) of Applicant(s):
LSI Industries, Inc.
10000 Alliance Rd Cincinnati OH 45242 United States of America
(72) Name(s) of Designer(s): **John D Boyer and Daniel Hutchens and Eric Jon Mooar**
(45) Registration Date: **27 May 2014**
(62) Divisional of: **355292**
(56) Related Art Documents: **Not Applicable**
(57) Statement of Newness and Distinctiveness: **Nil**



(21) Design Number: **12035/2014**
(22) Date of Filing Application: **28 April 2014**
(24) Date from which industrial property rights may have effect: **24 March 2014**
(54) Product in respect of which the design is registered: **Lighting**
(51) International Design Classification: **26-05C, 26-05D**
(74) Name(s) of Attorney(s): **Pizzeys**
(71) Name(s) and Address(s) of Applicant(s):
LSI Industries, Inc.
10000 Alliance Rd Cincinnati OH 45242 United States of America
(72) Name(s) of Designer(s): **John D Boyer and Daniel Hutchens and Eric Jon Mooar**
(45) Registration Date: **27 May 2014**
(62) Divisional of: **355292**
(56) Related Art Documents: **Not Applicable**
(57) Statement of Newness and Distinctiveness: **Nil**



(21) Design Number: **11083/2014**
(22) Date of Filing Application: **10 March 2014**
(24) Date from which industrial property rights may have effect: **10 March 2014**
(54) Product in respect of which the design is registered: **Upright newborn bag-mask**
(51) International Design Classification: **24-01**
(74) Name(s) of Attorney(s): **Davies Collison Cave**
(71) Name(s) and Address(s) of Applicant(s):
Laerdal Medical AS
Tanke Svilands gate 30 Stavanger 4007 Norway
(72) Name(s) of Designer(s): **Kjell Ove Korneliussen and Jens Petter Lanke**
(45) Registration Date: **28 May 2014**
(30) Convention priority data:
(31) Number (32) Date (33) Country
20140004 06 Jan 2014 NORWAY
(56) Related Art Documents: **Not Applicable**
(57) Statement of Newness and Distinctiveness: **Newness and distinctiveness is claimed in the visual features shown in solid lines in the representations.**



(21) Design Number: **11775/2014**
(22) Date of Filing Application: **10 April 2014**
(24) Date from which industrial property rights may have effect: **10 April 2014**
(54) Product in respect of which the design is registered: **Inflatable start gate**
(51) International Design Classification: **25-02C**
(74) Name(s) of Attorney(s): **Davies Collison Cave**
(71) Name(s) and Address(s) of Applicant(s):
Red Bull GmbH
Am Brunnen 1 5330 Fuschl am See Austria
(72) Name(s) of Designer(s): **Marc Seubert and Philipp Guenther**
(45) Registration Date: **28 May 2014**
(30) Convention priority data:
(31) Number (32) Date (33) Country
002328567-0001 17 Oct 2013 OFFICE FOR HARMONISATION IN
THE INTERNAL MARKET (OHIM)
(56) Related Art Documents: **Not Applicable**
(57) Statement of Newness and Distinctiveness: **Newness and distinctiveness**
is claimed in the shape and configuration of the product as shown in the
representations.



(21) Design Number: **11098/2014**
(22) Date of Filing Application: **11 March 2014**
(24) Date from which industrial property rights may have effect: **11 March 2014**
(54) Product in respect of which the design is registered: **Bottle**
(51) International Design Classification: **09-01K**
(74) Name(s) of Attorney(s): **SPRUSON & FERGUSON**
(71) Name(s) and Address(s) of Applicant(s):
PepsiCo, Inc
700 Anderson Hill Road Purchase New York 10577 United States of
America
(72) Name(s) of Designer(s): **William R. Eaton and Richard Kraft and Sean**
K. Horita and Rohit Joshi and Ryan Maloney and Jay Ostby and David
Schlesinger and Mark A. Woloszyk and Guizhang Zheng
(45) Registration Date: **28 May 2014**
(30) Convention priority data:
(31) Number (32) Date (33) Country
29/466801 11 Sep 2013 UNITED STATES OF AMERICA
(56) Related Art Documents: **Not Applicable**
(57) Statement of Newness and Distinctiveness: **Nil**



- (21) Design Number: **11211/2014**
(22) Date of Filing Application: **17 March 2014**
(24) Date from which industrial property rights may have effect: **17 March 2014**
(54) Product in respect of which the design is registered: **Inclined input interface for a gaming terminal**
(51) International Design Classification: **21-01N**
(74) Name(s) of Attorney(s): **Davies Collison Cave**
(71) Name(s) and Address(s) of Applicant(s):
WMS Gaming Inc.
800 S. Northpoint Boulevard Waukegan Illinois 60085 United States of America
(72) Name(s) of Designer(s): **Christian L. Castro and Joel R. Jaffe and Paul M. Lesley and Larry J. Pacey**
(45) Registration Date: **28 May 2014**
(30) Convention priority data:
(31) Number (32) Date (33) Country
29/467553 20 Sep 2013 UNITED STATES OF AMERICA
(56) Related Art Documents: **Not Applicable**
(57) Statement of Newness and Distinctiveness: **Newness and distinctiveness is claimed in the visual features shown in solid lines in the representations. The boundary lines shown in dot-dash form do not exist in reality in the gaming machine embodying the design and are only for illustrative purposes to show bounds of the claimed design. It is understood that the claimed design extends to the boundary but does not include the boundary. In considering the extent of the design rights, the broken lines shown in the representations are for illustrative purposes only and do not form part of the design.**



- (21) Design Number: **11844/2014**
(22) Date of Filing Application: **14 April 2014**
(24) Date from which industrial property rights may have effect: **14 April 2014**
(54) Product in respect of which the design is registered: **Tyre**
(51) International Design Classification: **12-15A**
(74) Name(s) of Attorney(s): **Davies Collison Cave**
(71) Name(s) and Address(s) of Applicant(s):
The Yokohama Rubber Co., Ltd.
36-11 Shimbashi 5-chome Minato-ku Tokyo 105-8685 Japan
(72) Name(s) of Designer(s): **Hiroshi Tokizaki and Takahiro Yamakawa**
(45) Registration Date: **28 May 2014**
(30) Convention priority data:
(31) Number (32) Date (33) Country
2013-024334 18 Oct 2013 JAPAN
(56) Related Art Documents: **Not Applicable**
(57) Statement of Newness and Distinctiveness: **Newness and distinctiveness resides in the appearance of a side wall of a tyre as shown in solid lines in the annexed drawings, the remainder of the tyre not forming part of the design.**



(21) Design Number: **11851/2014**
(22) Date of Filing Application: **14 April 2014**
(24) Date from which industrial property rights may have effect: **14 April 2014**
(54) Product in respect of which the design is registered: **Tyre**
(51) International Design Classification: **12-15A**
(74) Name(s) of Attorney(s): **Davies Collison Cave**
(71) Name(s) and Address(s) of Applicant(s):

The Yokohama Rubber Co., Ltd.
36-11 Shimbashi 5-chome Minato-ku Tokyo 105-8685 Japan

(72) Name(s) of Designer(s): **Hiroshi Tokizaki and Takahiro Yamakawa**
(45) Registration Date: **28 May 2014**

(30) Convention priority data:

(31) Number	(32) Date	(33) Country
2013-024331	18 Oct 2013	JAPAN

(56) Related Art Documents: **Not Applicable**

(57) Statement of Newness and Distinctiveness: **Newness and distinctiveness resides in the features of the tyre design as shown in solid lines in the representations. The portion depicted by dotted lines in the representations is for illustrative purposes only and forms no part of the design.**



(21) Design Number: **16554/2013**
(22) Date of Filing Application: **13 December 2013**
(24) Date from which industrial property rights may have effect: **13 December 2013**
(54) Product in respect of which the design is registered: **Modular decking system**
(51) International Design Classification: **25-02NES**
(74) Name(s) of Attorney(s):
(71) Name(s) and Address(s) of Applicant(s):

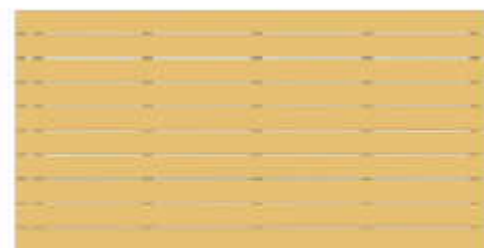
GYO Systems Pty. Ltd.
46A Taroon Cres Taroon TAS 7053 Australia

(72) Name(s) of Designer(s): **Iain Chalmers**

(45) Registration Date: **28 May 2014**

(56) Related Art Documents: **Not Applicable**

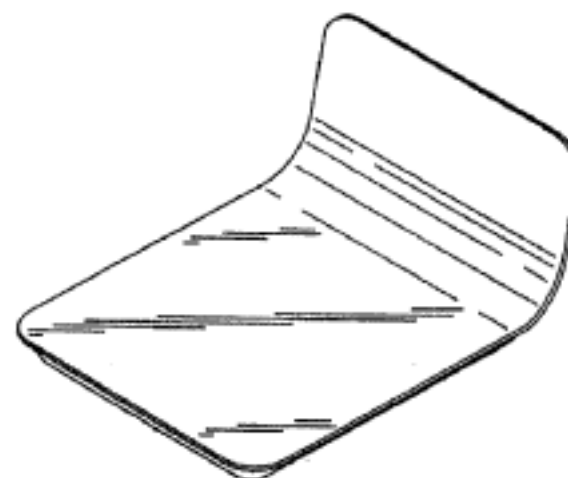
(57) Statement of Newness and Distinctiveness: **(1) 150mm pre-drilled continuous fixing grid occurring around the full perimeter of the 180 x 90mm base frame. (2) interchangeable portable steel footings with base plates. (3) 20mm shadow line created by the floating deck panel.**



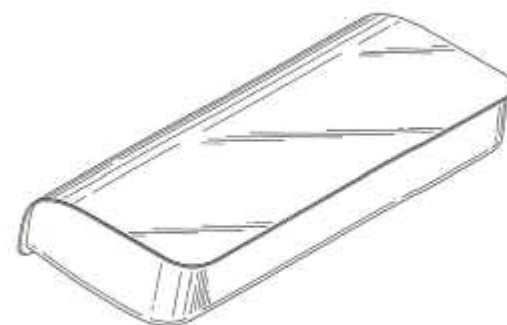
(21) Design Number: **11112/2014**
(22) Date of Filing Application: **11 March 2014**
(24) Date from which industrial property rights may have effect: **11 March 2014**
(54) Product in respect of which the design is registered: **Bottle**
(51) International Design Classification: **09-01NES**
(74) Name(s) of Attorney(s): **PIZZEYS**
(71) Name(s) and Address(s) of Applicant(s):
Euro-Pro Operating LLC
180 Wells Avenue Suite 200 Newton Massachusetts 02459 United States of America
(72) Name(s) of Designer(s): **William Scott Hughes and James E. McCay and James Troy Starkey**
(45) Registration Date: **30 May 2014**
(30) Convention priority data:
(31) Number (32) Date (33) Country
29/466,818 11 Sep 2013 UNITED STATES OF AMERICA
(56) Related Art Documents: **Not Applicable**
(57) Statement of Newness and Distinctiveness: **Nil**



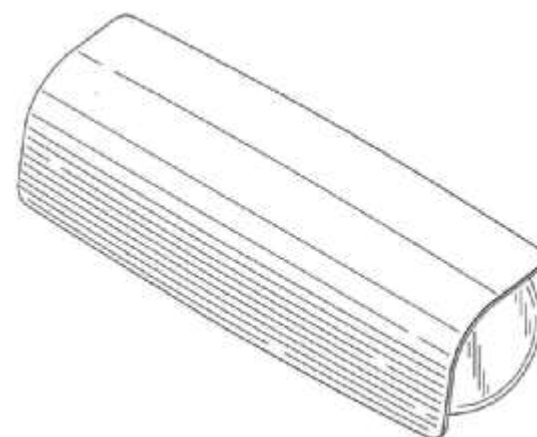
(21) Design Number: **12355/2014**
(22) Date of Filing Application: **28 February 2014**
(24) Date from which industrial property rights may have effect: **28 February 2014**
(54) Product in respect of which the design is registered: **Container**
(51) International Design Classification: **07-01NES**
(74) Name(s) of Attorney(s): **Griffith Hack**
(71) Name(s) and Address(s) of Applicant(s):
Intercontinental Great Brands LLC
100 Deforest Avenue East Hanover New Jersey 07936 United States of America
(72) Name(s) of Designer(s): **Ronald H Exner and Adam Lloyd and Stephen Paul Wilcox and Jo-Ann Clark and Vincenzo Disavino**
(45) Registration Date: **30 May 2014**
(30) Convention priority data:
(31) Number (32) Date (33) Country
29/465,596 29 Aug 2013 UNITED STATES OF AMERICA
(56) Related Art Documents: **Not Applicable**
(57) Statement of Newness and Distinctiveness: **Newness and distinctiveness resides in the visual features, including shape and configuration, of a CONTAINER as shown in solid outline in the accompanying drawings. When determining whether the design is substantially similar in overall impression to another design, no regard is to be had to those features shown in dotted outline in the accompanying drawings, which features are provided for illustrative purposes only.**



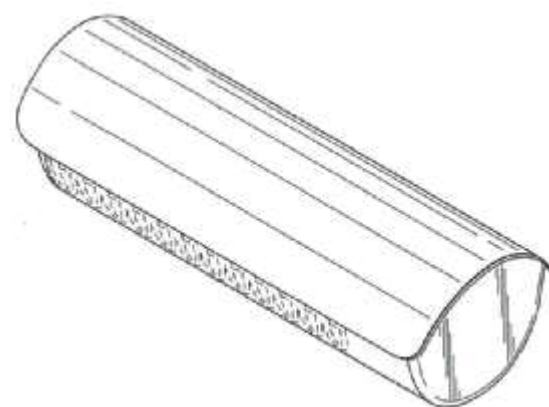
- (21) Design Number: **10902/2014**
(22) Date of Filing Application: **28 February 2014**
(24) Date from which industrial property rights may have effect: **28 February 2014**
(54) Product in respect of which the design is registered: **Container**
(51) International Design Classification: **07-01NES**
(74) Name(s) of Attorney(s): **Griffith Hack**
(71) Name(s) and Address(s) of Applicant(s):
Intercontinental Great Brands LLC
100 Deforest Avenue East Hanover New Jersey 07936 United States of America
(72) Name(s) of Designer(s): **Ronald H Exner and Adam Lloyd and Stephen Paul Wilcox and Jo-Ann Clark and Vincenzo Disavino**
(45) Registration Date: **30 May 2014**
(30) Convention priority data:
(31) Number (32) Date (33) Country
29/465,596 29 Aug 2013 UNITED STATES OF AMERICA
(56) Related Art Documents: **Not Applicable**
(57) Statement of Newness and Distinctiveness: **Newness and distinctiveness resides in the visual features, including shape and configuration, of a CONTAINER as shown in solid outline in the accompanying drawings. When determining whether the design is substantially similar in overall impression to another design, no regard is to be had to those features shown in dotted outline in the accompanying drawings, which features are provided for illustrative purposes only.**



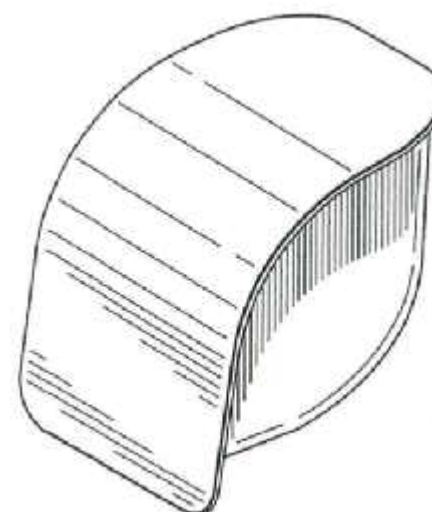
- (21) Design Number: **12341/2014**
(22) Date of Filing Application: **28 February 2014**
(24) Date from which industrial property rights may have effect: **28 February 2014**
(54) Product in respect of which the design is registered: **Container**
(51) International Design Classification: **07-01NES**
(74) Name(s) of Attorney(s): **Griffith Hack**
(71) Name(s) and Address(s) of Applicant(s):
Intercontinental Great Brands LLC
100 Deforest Avenue East Hanover New Jersey 07936 United States of America
(72) Name(s) of Designer(s): **Ronald H Exner and Adam Lloyd and Stephen Paul Wilcox and Jo-Ann Clark and Vincenzo Disavino**
(45) Registration Date: **30 May 2014**
(30) Convention priority data:
(31) Number (32) Date (33) Country
29/465,596 29 Aug 2013 UNITED STATES OF AMERICA
(56) Related Art Documents: **Not Applicable**
(57) Statement of Newness and Distinctiveness: **Newness and distinctiveness resides in the visual features, including shape and configuration, of a CONTAINER as shown in solid outline in the accompanying drawings. When determining whether the design is substantially similar in overall impression to another design, no regard is to be had to those features shown in dotted outline in the accompanying drawings, which features are provided for illustrative purposes only.**



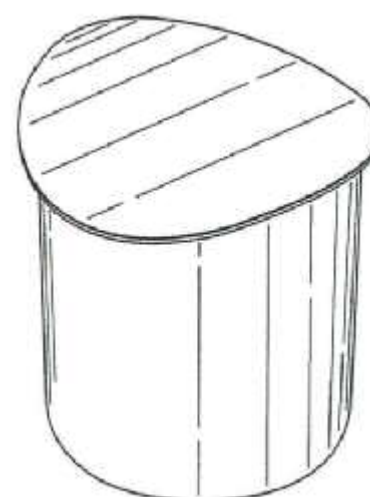
(21) Design Number: **12343/2014**
(22) Date of Filing Application: **28 February 2014**
(24) Date from which industrial property rights may have effect: **28 February 2014**
(54) Product in respect of which the design is registered: **Container**
(51) International Design Classification: **07-01NES**
(74) Name(s) of Attorney(s): **Griffith Hack**
(71) Name(s) and Address(s) of Applicant(s):
Intercontinental Great Brands LLC
100 Deforest Avenue East Hanover New Jersey 07936 United States of America
(72) Name(s) of Designer(s): **Ronald H Exner and Adam Lloyd and Stephen Paul Wilcox and Jo-Ann Clark and Vincenzo Disavino**
(45) Registration Date: **30 May 2014**
(30) Convention priority data:
(31) Number (32) Date (33) Country
29/465,596 29 Aug 2013 UNITED STATES OF AMERICA
(56) Related Art Documents: **Not Applicable**
(57) Statement of Newness and Distinctiveness: **Newness and distinctiveness resides in the visual features, including shape and configuration, of a CONTAINER as shown in solid outline in the accompanying drawings. When determining whether the design is substantially similar in overall impression to another design, no regard is to be had to those features shown in dotted outline in the accompanying drawings, which features are provided for illustrative purposes only.**



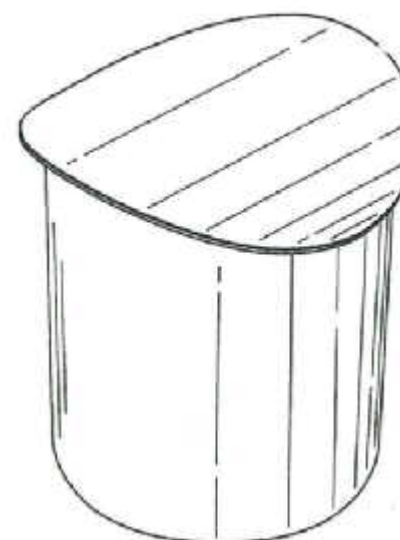
(21) Design Number: **12344/2014**
(22) Date of Filing Application: **28 February 2014**
(24) Date from which industrial property rights may have effect: **28 February 2014**
(54) Product in respect of which the design is registered: **Container**
(51) International Design Classification: **07-01NES**
(74) Name(s) of Attorney(s): **Griffith Hack**
(71) Name(s) and Address(s) of Applicant(s):
Intercontinental Great Brands LLC
100 Deforest Avenue East Hanover New Jersey 07936 United States of America
(72) Name(s) of Designer(s): **Ronald H Exner and Adam Lloyd and Stephen Paul Wilcox and Jo-Ann Clark and Vincenzo Disavino**
(45) Registration Date: **30 May 2014**
(30) Convention priority data:
(31) Number (32) Date (33) Country
29/465,596 29 Aug 2013 UNITED STATES OF AMERICA
(56) Related Art Documents: **Not Applicable**
(57) Statement of Newness and Distinctiveness: **Newness and distinctiveness resides in the visual features, including shape and configuration, of a CONTAINER as shown in solid outline in the accompanying drawings. When determining whether the design is substantially similar in overall impression to another design, no regard is to be had to those features shown in dotted outline in the accompanying drawings, which features are provided for illustrative purposes only.**



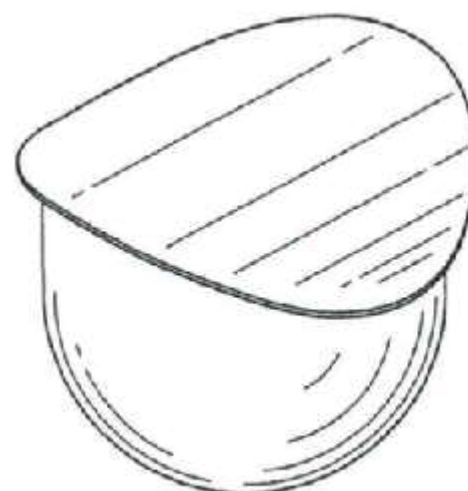
(21) Design Number: **12345/2014**
(22) Date of Filing Application: **28 February 2014**
(24) Date from which industrial property rights may have effect: **28 February 2014**
(54) Product in respect of which the design is registered: **Container**
(51) International Design Classification: **07-01NES**
(74) Name(s) of Attorney(s): **Griffith Hack**
(71) Name(s) and Address(s) of Applicant(s):
Intercontinental Great Brands LLC
100 Deforest Avenue East Hanover New Jersey 07936 United States of America
(72) Name(s) of Designer(s): **Ronald H Exner and Adam Lloyd and Stephen Paul Wilcox and Jo-Ann Clark and Vincenzo Disavino**
(45) Registration Date: **30 May 2014**
(30) Convention priority data:
(31) Number (32) Date (33) Country
29/465,596 29 Aug 2013 UNITED STATES OF AMERICA
(56) Related Art Documents: **Not Applicable**
(57) Statement of Newness and Distinctiveness: **Newness and distinctiveness resides in the visual features, including shape and configuration, of a CONTAINER as shown in solid outline in the accompanying drawings. When determining whether the design is substantially similar in overall impression to another design, no regard is to be had to those features shown in dotted outline in the accompanying drawings, which features are provided for illustrative purposes only.**



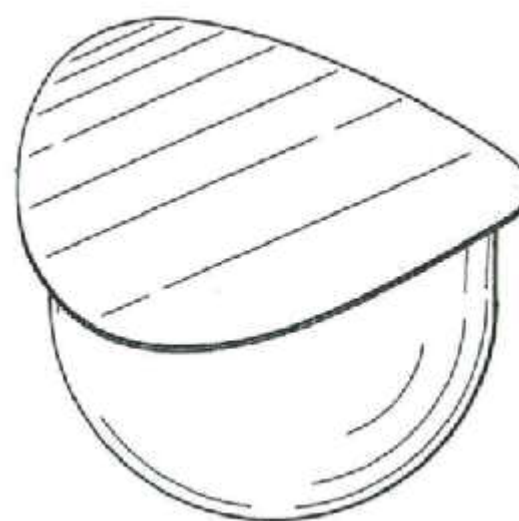
(21) Design Number: **12347/2014**
(22) Date of Filing Application: **28 February 2014**
(24) Date from which industrial property rights may have effect: **28 February 2014**
(54) Product in respect of which the design is registered: **Container**
(51) International Design Classification: **07-01NES**
(74) Name(s) of Attorney(s): **Griffith Hack**
(71) Name(s) and Address(s) of Applicant(s):
Intercontinental Great Brands LLC
100 Deforest Avenue East Hanover New Jersey 07936 United States of America
(72) Name(s) of Designer(s): **Ronald H Exner and Adam Lloyd and Stephen Paul Wilcox and Jo-Ann Clark and Vincenzo Disavino**
(45) Registration Date: **30 May 2014**
(30) Convention priority data:
(31) Number (32) Date (33) Country
29/465,596 29 Aug 2013 UNITED STATES OF AMERICA
(56) Related Art Documents: **Not Applicable**
(57) Statement of Newness and Distinctiveness: **Newness and distinctiveness resides in the visual features, including shape and configuration, of a CONTAINER as shown in solid outline in the accompanying drawings. When determining whether the design is substantially similar in overall impression to another design, no regard is to be had to those features shown in dotted outline in the accompanying drawings, which features are provided for illustrative purposes only.**



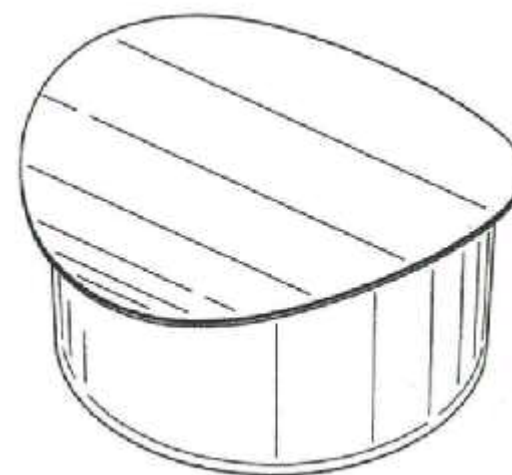
- (21) Design Number: **12351/2014**
(22) Date of Filing Application: **28 February 2014**
(24) Date from which industrial property rights may have effect: **28 February 2014**
(54) Product in respect of which the design is registered: **Container**
(51) International Design Classification: **07-01NES**
(74) Name(s) of Attorney(s): **Griffith Hack**
(71) Name(s) and Address(s) of Applicant(s):
Intercontinental Great Brands LLC
100 Deforest Avenue East Hanover New Jersey 07936 United States of America
(72) Name(s) of Designer(s): **Ronald H Exner and Adam Lloyd and Stephen Paul Wilcox and Jo-Ann Clark and Vincenzo Disavino**
(45) Registration Date: **30 May 2014**
(30) Convention priority data:
(31) Number (32) Date (33) Country
29/465,596 29 Aug 2013 UNITED STATES OF AMERICA
(56) Related Art Documents: **Not Applicable**
(57) Statement of Newness and Distinctiveness: **Newness and distinctiveness resides in the visual features, including shape and configuration, of a CONTAINER as shown in solid outline in the accompanying drawings. When determining whether the design is substantially similar in overall impression to another design, no regard is to be had to those features shown in dotted outline in the accompanying drawings, which features are provided for illustrative purposes only.**



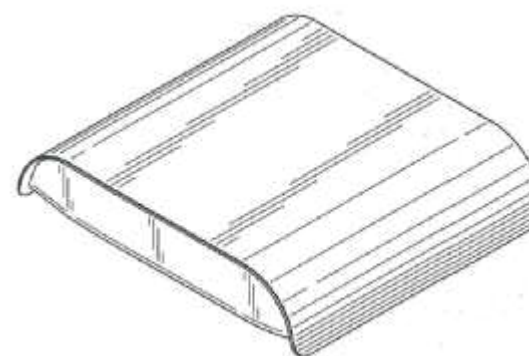
- (21) Design Number: **12352/2014**
(22) Date of Filing Application: **28 February 2014**
(24) Date from which industrial property rights may have effect: **28 February 2014**
(54) Product in respect of which the design is registered: **Container**
(51) International Design Classification: **07-01NES**
(74) Name(s) of Attorney(s): **Griffith Hack**
(71) Name(s) and Address(s) of Applicant(s):
Intercontinental Great Brands LLC
100 Deforest Avenue East Hanover New Jersey 07936 United States of America
(72) Name(s) of Designer(s): **Ronald H Exner and Adam Lloyd and Stephen Paul Wilcox and Jo-Ann Clark and Vincenzo Disavino**
(45) Registration Date: **30 May 2014**
(30) Convention priority data:
(31) Number (32) Date (33) Country
29/465,596 29 Aug 2013 UNITED STATES OF AMERICA
(56) Related Art Documents: **Not Applicable**
(57) Statement of Newness and Distinctiveness: **Newness and distinctiveness resides in the visual features, including shape and configuration, of a CONTAINER as shown in solid outline in the accompanying drawings. When determining whether the design is substantially similar in overall impression to another design, no regard is to be had to those features shown in dotted outline in the accompanying drawings, which features are provided for illustrative purposes only.**



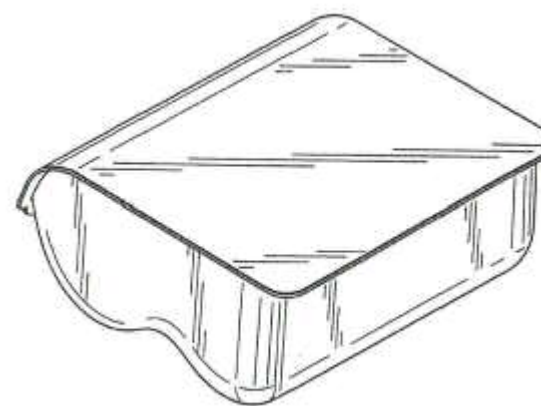
- (21) Design Number: **12354/2014**
(22) Date of Filing Application: **28 February 2014**
(24) Date from which industrial property rights may have effect: **28 February 2014**
(54) Product in respect of which the design is registered: **Container**
(51) International Design Classification: **07-01NES**
(74) Name(s) of Attorney(s): **Griffith Hack**
(71) Name(s) and Address(s) of Applicant(s):
Intercontinental Great Brands LLC
100 Deforest Avenue East Hanover New Jersey 07936 United States of America
(72) Name(s) of Designer(s): **Ronald H Exner and Adam Lloyd and Stephen Paul Wilcox and Jo-Ann Clark and Vincenzo Disavino**
(45) Registration Date: **30 May 2014**
(30) Convention priority data:
(31) Number (32) Date (33) Country
29/465,596 29 Aug 2013 UNITED STATES OF AMERICA
(56) Related Art Documents: **Not Applicable**
(57) Statement of Newness and Distinctiveness: **Newness and distinctiveness resides in the visual features, including shape and configuration, of a CONTAINER as shown in solid outline in the accompanying drawings. When determining whether the design is substantially similar in overall impression to another design, no regard is to be had to those features shown in dotted outline in the accompanying drawings, which features are provided for illustrative purposes only.**



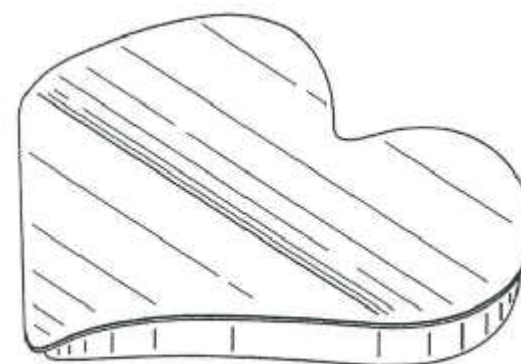
- (21) Design Number: **12357/2014**
(22) Date of Filing Application: **28 February 2014**
(24) Date from which industrial property rights may have effect: **28 February 2014**
(54) Product in respect of which the design is registered: **Container**
(51) International Design Classification: **07-01NES**
(74) Name(s) of Attorney(s): **Griffith Hack**
(71) Name(s) and Address(s) of Applicant(s):
Intercontinental Great Brands LLC
100 Deforest Avenue East Hanover New Jersey 07936 United States of America
(72) Name(s) of Designer(s): **Ronald H Exner and Adam Lloyd and Stephen Paul Wilcox and Jo-Ann Clark and Vincenzo Disavino**
(45) Registration Date: **30 May 2014**
(30) Convention priority data:
(31) Number (32) Date (33) Country
29/465,596 29 Aug 2013 UNITED STATES OF AMERICA
(56) Related Art Documents: **Not Applicable**
(57) Statement of Newness and Distinctiveness: **Newness and distinctiveness resides in the visual features, including shape and configuration, of a CONTAINER as shown in solid outline in the accompanying drawings. When determining whether the design is substantially similar in overall impression to another design, no regard is to be had to those features shown in dotted outline in the accompanying drawings, which features are provided for illustrative purposes only.**



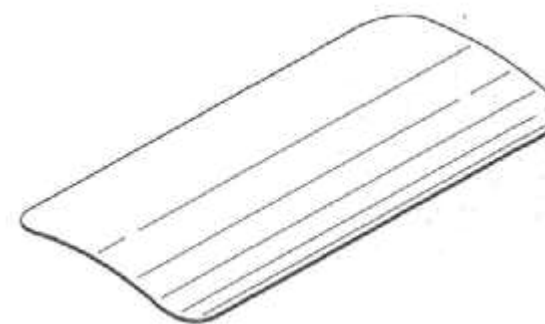
(21) Design Number: **12358/2014**
(22) Date of Filing Application: **28 February 2014**
(24) Date from which industrial property rights may have effect: **28 February 2014**
(54) Product in respect of which the design is registered: **Container**
(51) International Design Classification: **07-01NES**
(74) Name(s) of Attorney(s): **Griffith Hack**
(71) Name(s) and Address(s) of Applicant(s):
Intercontinental Great Brands LLC
100 Deforest Avenue East Hanover New Jersey 07936 United States of America
(72) Name(s) of Designer(s): **Ronald H Exner and Adam Lloyd and Stephen Paul Wilcox and Jo-Ann Clark and Vincenzo Disavino**
(45) Registration Date: **30 May 2014**
(30) Convention priority data:
(31) Number (32) Date (33) Country
29/465,596 29 Aug 2013 UNITED STATES OF AMERICA
(56) Related Art Documents: **Not Applicable**
(57) Statement of Newness and Distinctiveness: **Newness and distinctiveness resides in the visual features, including shape and configuration, of a CONTAINER as shown in solid outline in the accompanying drawings. When determining whether the design is substantially similar in overall impression to another design, no regard is to be had to those features shown in dotted outline in the accompanying drawings, which features are provided for illustrative purposes only.**



(21) Design Number: **12359/2014**
(22) Date of Filing Application: **28 February 2014**
(24) Date from which industrial property rights may have effect: **28 February 2014**
(54) Product in respect of which the design is registered: **Container**
(51) International Design Classification: **07-01NES**
(74) Name(s) of Attorney(s): **Griffith Hack**
(71) Name(s) and Address(s) of Applicant(s):
Intercontinental Great Brands LLC
100 Deforest Avenue East Hanover New Jersey 07936 United States of America
(72) Name(s) of Designer(s): **Ronald H Exner and Adam Lloyd and Stephen Paul Wilcox and Jo-Ann Clark and Vincenzo Disavino**
(45) Registration Date: **30 May 2014**
(30) Convention priority data:
(31) Number (32) Date (33) Country
29/465,596 29 Aug 2013 UNITED STATES OF AMERICA
(56) Related Art Documents: **Not Applicable**
(57) Statement of Newness and Distinctiveness: **Newness and distinctiveness resides in the visual features, including shape and configuration, of a CONTAINER as shown in solid outline in the accompanying drawings. When determining whether the design is substantially similar in overall impression to another design, no regard is to be had to those features shown in dotted outline in the accompanying drawings, which features are provided for illustrative purposes only.**



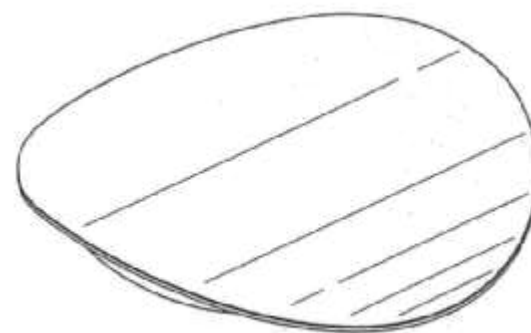
(21) Design Number: **12360/2014**
(22) Date of Filing Application: **28 February 2014**
(24) Date from which industrial property rights may have effect: **28 February 2014**
(54) Product in respect of which the design is registered: **Container**
(51) International Design Classification: **07-01NES**
(74) Name(s) of Attorney(s): **Griffith Hack**
(71) Name(s) and Address(s) of Applicant(s):
Intercontinental Great Brands LLC
100 Deforest Avenue East Hanover New Jersey 07936 United States of America
(72) Name(s) of Designer(s): **Ronald H Exner and Adam Lloyd and Stephen Paul Wilcox and Jo-Ann Clark and Vincenzo Disavino**
(45) Registration Date: **30 May 2014**
(30) Convention priority data:
(31) Number (32) Date (33) Country
29/465,596 29 Aug 2013 UNITED STATES OF AMERICA
(56) Related Art Documents: **Not Applicable**
(57) Statement of Newness and Distinctiveness: **Newness and distinctiveness resides in the visual features, including shape and configuration, of a CONTAINER as shown in solid outline in the accompanying drawings. When determining whether the design is substantially similar in overall impression to another design, no regard is to be had to those features shown in dotted outline in the accompanying drawings, which features are provided for illustrative purposes only.**



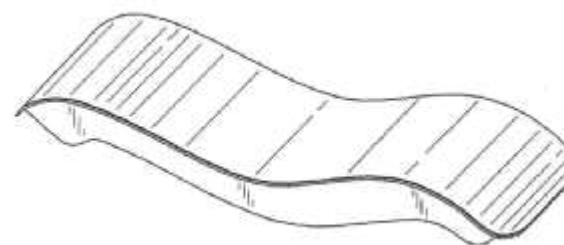
(21) Design Number: **12362/2014**
(22) Date of Filing Application: **28 February 2014**
(24) Date from which industrial property rights may have effect: **28 February 2014**
(54) Product in respect of which the design is registered: **Container**
(51) International Design Classification: **07-01NES**
(74) Name(s) of Attorney(s): **Griffith Hack**
(71) Name(s) and Address(s) of Applicant(s):
Intercontinental Great Brands LLC
100 Deforest Avenue East Hanover New Jersey 07936 United States of America
(72) Name(s) of Designer(s): **Ronald H Exner and Adam Lloyd and Stephen Paul Wilcox and Jo-Ann Clark and Vincenzo Disavino**
(45) Registration Date: **30 May 2014**
(30) Convention priority data:
(31) Number (32) Date (33) Country
29/465,596 29 Aug 2013 UNITED STATES OF AMERICA
(56) Related Art Documents: **Not Applicable**
(57) Statement of Newness and Distinctiveness: **Newness and distinctiveness resides in the visual features, including shape and configuration, of a CONTAINER as shown in solid outline in the accompanying drawings. When determining whether the design is substantially similar in overall impression to another design, no regard is to be had to those features shown in dotted outline in the accompanying drawings, which features are provided for illustrative purposes only.**



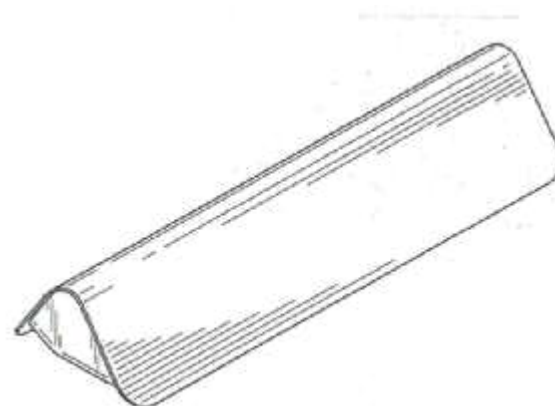
- (21) Design Number: **12363/2014**
(22) Date of Filing Application: **28 February 2014**
(24) Date from which industrial property rights may have effect: **28 February 2014**
(54) Product in respect of which the design is registered: **Container**
(51) International Design Classification: **07-01NES**
(74) Name(s) of Attorney(s): **Griffith Hack**
(71) Name(s) and Address(s) of Applicant(s):
Intercontinental Great Brands LLC
100 Deforest Avenue East Hanover New Jersey 07936 United States of America
(72) Name(s) of Designer(s): **Ronald H Exner and Adam Lloyd and Stephen Paul Wilcox and Jo-Ann Clark and Vincenzo Disavino**
(45) Registration Date: **30 May 2014**
(30) Convention priority data:
(31) Number (32) Date (33) Country
29/465,596 29 Aug 2013 UNITED STATES OF AMERICA
(56) Related Art Documents: **Not Applicable**
(57) Statement of Newness and Distinctiveness: **Newness and distinctiveness resides in the visual features, including shape and configuration, of a CONTAINER as shown in solid outline in the accompanying drawings. When determining whether the design is substantially similar in overall impression to another design, no regard is to be had to those features shown in dotted outline in the accompanying drawings, which features are provided for illustrative purposes only.**



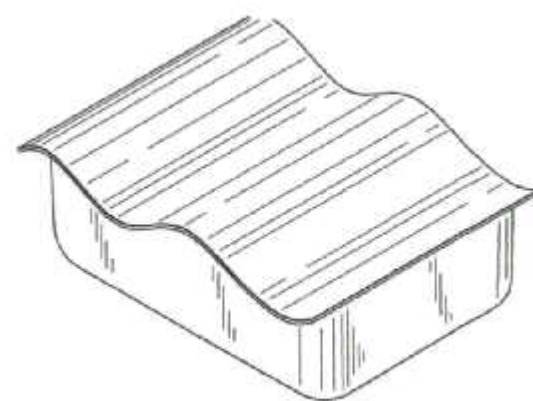
- (21) Design Number: **12364/2014**
(22) Date of Filing Application: **28 February 2014**
(24) Date from which industrial property rights may have effect: **28 February 2014**
(54) Product in respect of which the design is registered: **Container**
(51) International Design Classification: **07-01NES**
(74) Name(s) of Attorney(s): **Griffith Hack**
(71) Name(s) and Address(s) of Applicant(s):
Intercontinental Great Brands LLC
100 Deforest Avenue East Hanover New Jersey 07936 United States of America
(72) Name(s) of Designer(s): **Ronald H Exner and Adam Lloyd and Jo-Ann Clark and Stephen Paul Wilcox and Vincenzo Disavino**
(45) Registration Date: **30 May 2014**
(30) Convention priority data:
(31) Number (32) Date (33) Country
29/465,596 29 Aug 2013 UNITED STATES OF AMERICA
(56) Related Art Documents: **Not Applicable**
(57) Statement of Newness and Distinctiveness: **Newness and distinctiveness resides in the visual features, including shape and configuration, of a CONTAINER as shown in solid outline in the accompanying drawings. When determining whether the design is substantially similar in overall impression to another design, no regard is to be had to those features shown in dotted outline in the accompanying drawings, which features are provided for illustrative purposes only.**



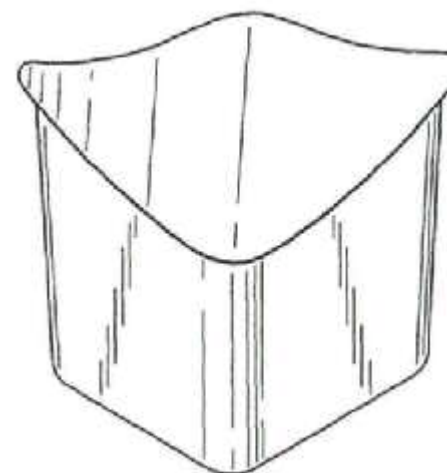
(21) Design Number: **12365/2014**
(22) Date of Filing Application: **28 February 2014**
(24) Date from which industrial property rights may have effect: **28 February 2014**
(54) Product in respect of which the design is registered: **Container**
(51) International Design Classification: **07-01NES**
(74) Name(s) of Attorney(s): **Griffith Hack**
(71) Name(s) and Address(s) of Applicant(s):
Intercontinental Great Brands LLC
100 Deforest Avenue East Hanover New Jersey 07936 United States of America
(72) Name(s) of Designer(s): **Ronald H Exner and Adam Lloyd and Stephen Paul Wilcox and Jo-Ann Clark and Vincenzo Disavino**
(45) Registration Date: **30 May 2014**
(30) Convention priority data:
(31) Number (32) Date (33) Country
29/465,596 29 Aug 2013 UNITED STATES OF AMERICA
(56) Related Art Documents: **Not Applicable**
(57) Statement of Newness and Distinctiveness: **Newness and distinctiveness resides in the visual features, including shape and configuration, of a CONTAINER as shown in solid outline in the accompanying drawings. When determining whether the design is substantially similar in overall impression to another design, no regard is to be had to those features shown in dotted outline in the accompanying drawings, which features are provided for illustrative purposes only.**



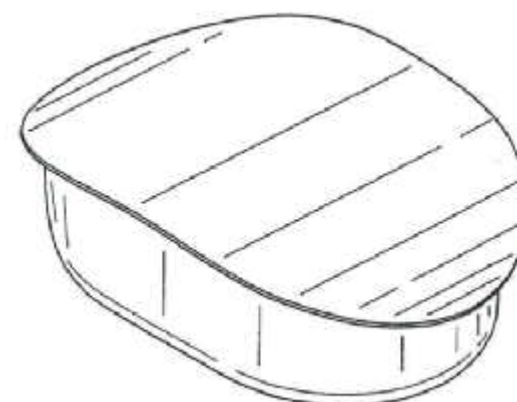
(21) Design Number: **12366/2014**
(22) Date of Filing Application: **28 February 2014**
(24) Date from which industrial property rights may have effect: **28 February 2014**
(54) Product in respect of which the design is registered: **Containers**
(51) International Design Classification: **07-01NES**
(74) Name(s) of Attorney(s): **Griffith Hack**
(71) Name(s) and Address(s) of Applicant(s):
Intercontinental Great Brands LLC
100 Deforest Avenue East Hanover New Jersey 07936 United States of America
(72) Name(s) of Designer(s): **Ronald H Exner and Adam Lloyd and Stephen Paul Wilcox and Jo-Ann Clark and Vincenzo Disavino**
(45) Registration Date: **30 May 2014**
(30) Convention priority data:
(31) Number (32) Date (33) Country
29/465,596 29 Aug 2013 UNITED STATES OF AMERICA
(56) Related Art Documents: **Not Applicable**
(57) Statement of Newness and Distinctiveness: **Newness and distinctiveness resides in the visual features, including shape and configuration, of a CONTAINER as shown in solid outline in the accompanying drawings. When determining whether the design is substantially similar in overall impression to another design, no regard is to be had to those features shown in dotted outline in the accompanying drawings, which features are provided for illustrative purposes only.**



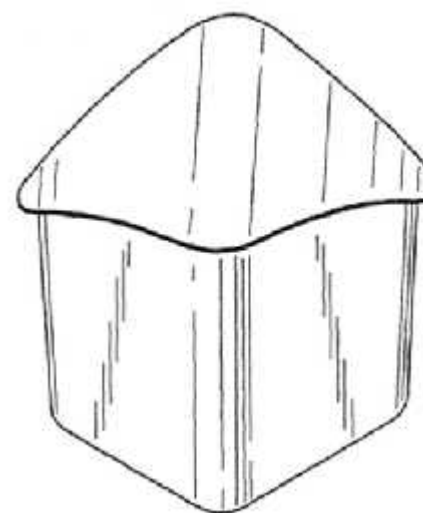
- (21) Design Number: **12369/2014**
(22) Date of Filing Application: **28 February 2014**
(24) Date from which industrial property rights may have effect: **28 February 2014**
(54) Product in respect of which the design is registered: **Container**
(51) International Design Classification: **07-01NES**
(74) Name(s) of Attorney(s): **Griffith Hack**
(71) Name(s) and Address(s) of Applicant(s):
Intercontinental Great Brands LLC
100 Deforest Avenue East Hanover New Jersey 07936 United States of America
(72) Name(s) of Designer(s): **Ronald H Exner and Adam Lloyd and Stephen Paul Wilcox and Jo-Ann Clark and Vincenzo Disavino**
(45) Registration Date: **30 May 2014**
(30) Convention priority data:
(31) Number (32) Date (33) Country
29/465,596 29 Aug 2013 UNITED STATES OF AMERICA
(56) Related Art Documents: **Not Applicable**
(57) Statement of Newness and Distinctiveness: **Newness and distinctiveness resides in the visual features, including shape and configuration, of a CONTAINER as shown in solid outline in the accompanying drawings. When determining whether the design is substantially similar in overall impression to another design, no regard is to be had to those features shown in dotted outline in the accompanying drawings, which features are provided for illustrative purposes only.**



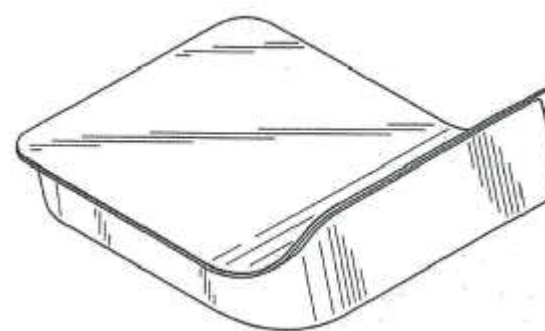
- (21) Design Number: **12370/2014**
(22) Date of Filing Application: **28 February 2014**
(24) Date from which industrial property rights may have effect: **28 February 2014**
(54) Product in respect of which the design is registered: **Container**
(51) International Design Classification: **07-01NES**
(74) Name(s) of Attorney(s): **Griffith Hack**
(71) Name(s) and Address(s) of Applicant(s):
Intercontinental Great Brands LLC
100 Deforest Avenue East Hanover New Jersey 07936 United States of America
(72) Name(s) of Designer(s): **Ronald H Exner and Adam Lloyd and Stephen Paul Wilcox and Jo-Ann Clark and Vincenzo Disavino**
(45) Registration Date: **30 May 2014**
(30) Convention priority data:
(31) Number (32) Date (33) Country
29/465,596 29 Aug 2013 UNITED STATES OF AMERICA
(56) Related Art Documents: **Not Applicable**
(57) Statement of Newness and Distinctiveness: **Newness and distinctiveness resides in the visual features, including shape and configuration, of a CONTAINER as shown in solid outline in the accompanying drawings. When determining whether the design is substantially similar in overall impression to another design, no regard is to be had to those features shown in dotted outline in the accompanying drawings, which features are provided for illustrative purposes only.**



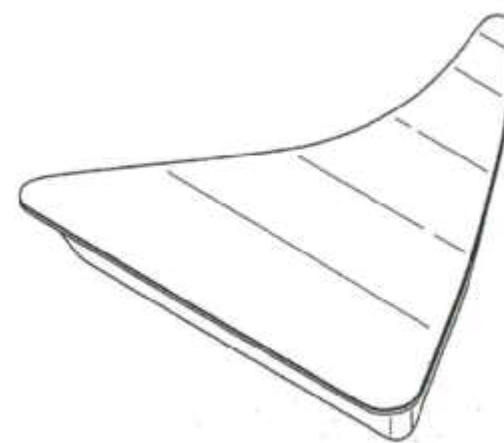
- (21) Design Number: **12371/2014**
(22) Date of Filing Application: **28 February 2014**
(24) Date from which industrial property rights may have effect: **28 February 2014**
(54) Product in respect of which the design is registered: **Container**
(51) International Design Classification: **07-01NES**
(74) Name(s) of Attorney(s): **Griffith Hack**
(71) Name(s) and Address(s) of Applicant(s):
Intercontinental Great Brands LLC
100 Deforest Avenue East Hanover New Jersey 07936 United States of America
(72) Name(s) of Designer(s): **Ronald H Exner and Adam Lloyd and Stephen Paul Wilcox and Jo-Ann Clark and Vincenzo Disavino**
(45) Registration Date: **30 May 2014**
(30) Convention priority data:
(31) Number (32) Date (33) Country
29/465,596 29 Aug 2013 UNITED STATES OF AMERICA
(56) Related Art Documents: **Not Applicable**
(57) Statement of Newness and Distinctiveness: **Newness and distinctiveness resides in the visual features, including shape and configuration, of a CONTAINER as shown in solid outline in the accompanying drawings. When determining whether the design is substantially similar in overall impression to another design, no regard is to be had to those features shown in dotted outline in the accompanying drawings, which features are provided for illustrative purposes only.**



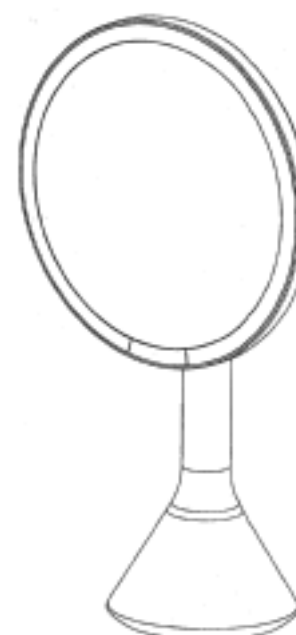
- (21) Design Number: **12372/2014**
(22) Date of Filing Application: **28 February 2014**
(24) Date from which industrial property rights may have effect: **28 February 2014**
(54) Product in respect of which the design is registered: **Container**
(51) International Design Classification: **07-01NES**
(74) Name(s) of Attorney(s): **Griffith Hack**
(71) Name(s) and Address(s) of Applicant(s):
Intercontinental Great Brands LLC
100 Deforest Avenue East Hanover New Jersey 07936 United States of America
(72) Name(s) of Designer(s): **Ronald H Exner and Adam Lloyd and Stephen Paul Wilcox and Jo-Ann Clark and Vincenzo Disavino**
(45) Registration Date: **30 May 2014**
(30) Convention priority data:
(31) Number (32) Date (33) Country
29/465,596 29 Aug 2013 UNITED STATES OF AMERICA
(56) Related Art Documents: **Not Applicable**
(57) Statement of Newness and Distinctiveness: **Newness and distinctiveness resides in the visual features, including shape and configuration, of a CONTAINER as shown in solid outline in the accompanying drawings. When determining whether the design is substantially similar in overall impression to another design, no regard is to be had to those features shown in dotted outline in the accompanying drawings, which features are provided for illustrative purposes only.**



- (21) Design Number: **12373/2014**
(22) Date of Filing Application: **28 February 2014**
(24) Date from which industrial property rights may have effect: **28 February 2014**
(54) Product in respect of which the design is registered: **Container**
(51) International Design Classification: **07-01NES**
(74) Name(s) of Attorney(s): **Griffith Hack**
(71) Name(s) and Address(s) of Applicant(s):
Intercontinental Great Brands LLC
100 Deforest Avenue East Hanover New Jersey 07936 United States of America
(72) Name(s) of Designer(s): **Ronald H Exner and Adam Lloyd and Stephen Paul Wilcox and Jo-Ann Clark and Vincenzo Disavino**
(45) Registration Date: **30 May 2014**
(30) Convention priority data:
(31) Number (32) Date (33) Country
29/465,596 29 Aug 2013 UNITED STATES OF AMERICA
(56) Related Art Documents: **Not Applicable**
(57) Statement of Newness and Distinctiveness: **Newness and distinctiveness resides in the visual features, including shape and configuration, of a CONTAINER as shown in solid outline in the accompanying drawings. When determining whether the design is substantially similar in overall impression to another design, no regard is to be had to those features shown in dotted outline in the accompanying drawings, which features are provided for illustrative purposes only.**



- (21) Design Number: **10797/2014**
(22) Date of Filing Application: **21 February 2014**
(24) Date from which industrial property rights may have effect: **21 February 2014**
(54) Product in respect of which the design is registered: **Vanity mirror**
(51) International Design Classification: **06-07**
(74) Name(s) of Attorney(s): **Davies Collison Cave**
(71) Name(s) and Address(s) of Applicant(s):
Simplehuman, LLC
19850 Magellan Drive Torrance California 90502 United States of America
(72) Name(s) of Designer(s): **Frank Yang and Tzu-Hao Wei and Daniel Ballou**
(45) Registration Date: **02 June 2014**
(30) Convention priority data:
(31) Number (32) Date (33) Country
29/464,995 22 Aug 2013 UNITED STATES OF AMERICA
(56) Related Art Documents: **Not Applicable**
(57) Statement of Newness and Distinctiveness: **Newness and distinctiveness is claimed in the features shown in solid lines in the representations.**



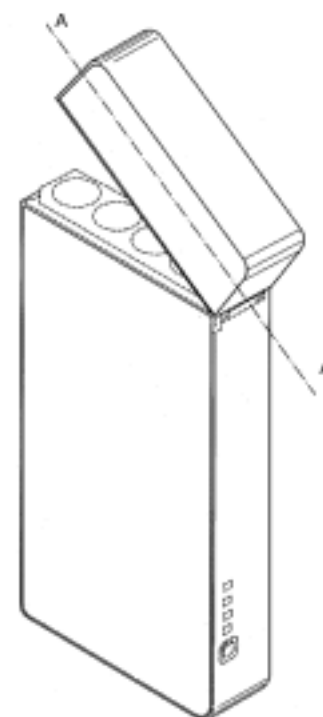
(21) Design Number: **10939/2014**
(22) Date of Filing Application: **28 February 2014**
(24) Date from which industrial property rights may have effect: **28 February 2014**
(54) Product in respect of which the design is registered: **Urinal**
(51) International Design Classification: **23-02C**
(74) Name(s) of Attorney(s): **Griffith Hack**
(71) Name(s) and Address(s) of Applicant(s):
Zurn Industries, LLC.
1801 Pittsburgh Avenue Erie Pennsylvania 16514 United States of America
(72) Name(s) of Designer(s): **Daniel James Danowski and John Kevin Schoolcraft and Himanshu Bhatta**
(45) Registration Date: **02 June 2014**
(30) Convention priority data:
(31) Number (32) Date (33) Country
29/465,878 03 Sep 2013 UNITED STATES OF AMERICA
(56) Related Art Documents: **Not Applicable**
(57) Statement of Newness and Distinctiveness: **Newness and distinctiveness resides in the visual features, including the shape and configuration of the product shown in the representations. Those parts shown by dashed lines are for illustrative purposes only.**



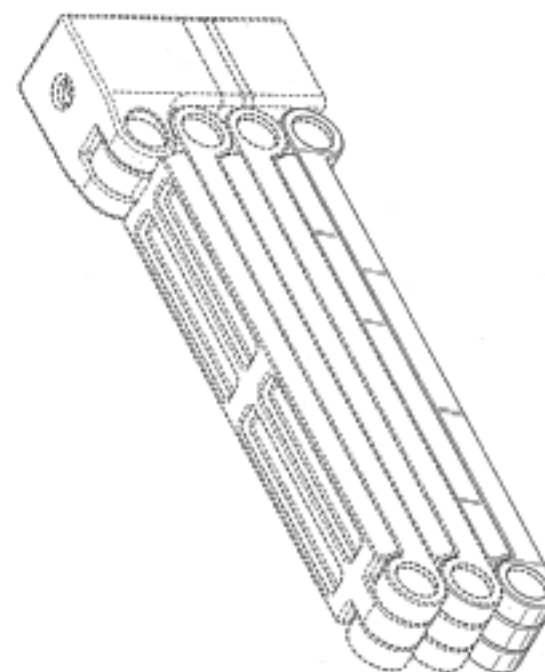
(21) Design Number: **11030/2014**
(22) Date of Filing Application: **06 March 2014**
(24) Date from which industrial property rights may have effect: **06 March 2014**
(54) Product in respect of which the design is registered: **Container**
(51) International Design Classification: **09-01H**
(74) Name(s) of Attorney(s): **Shelston IP**
(71) Name(s) and Address(s) of Applicant(s):
Owens-Brockway Glass Container Inc.
One Michael Owens Way Perrysburg Ohio 43551 United States of America
(72) Name(s) of Designer(s): **Douglas Laib and Raul M Paredes and Cecile Thalmann**
(45) Registration Date: **02 June 2014**
(30) Convention priority data:
(31) Number (32) Date (33) Country
29/475822 06 Dec 2013 UNITED STATES OF AMERICA
(56) Related Art Documents: **Not Applicable**
(57) Statement of Newness and Distinctiveness: **Newness and Distinctiveness reside in the visual features of the design for a Container shown in solid line. Those features shown in dash-dash-dash broken lines represent environmental structure and are not part of the claimed design. Those features shown in dash-dot-dash broken lines represent boundaries of the claimed design and are not part of the claimed design. Shading lines shown in the drawings represent surface contours, and/or translucency or opacity, and such lines are not part of the claimed design. Portions of the Container not shown in the drawings form no part of the claimed design.**



(21) Design Number: **11116/2014**
(22) Date of Filing Application: **11 March 2014**
(24) Date from which industrial property rights may have effect: **11 March 2014**
(54) Product in respect of which the design is registered: **Personal carrying case for electronic cigarettes**
(51) International Design Classification: **27-06**
(74) Name(s) of Attorney(s): **Griffith Hack**
(71) Name(s) and Address(s) of Applicant(s):
SIS Resources, Ltd.
P.O. Box 674 Beit Shemesh 99000 Israel
(72) Name(s) of Designer(s): **Arye Weigensberg**
(45) Registration Date: **02 June 2014**
(30) Convention priority data:
(31) Number (32) Date (33) Country
29/466,655 10 Sep 2013 UNITED STATES OF AMERICA
(56) Related Art Documents: **Not Applicable**
(57) Statement of Newness and Distinctiveness: **Newness and distinctiveness resides in the visual features, including shape and configuration of the product as shown in the accompanying representations. Those parts shown by means of dashed lines do not form part of the design and have been included for illustrative purposes.**



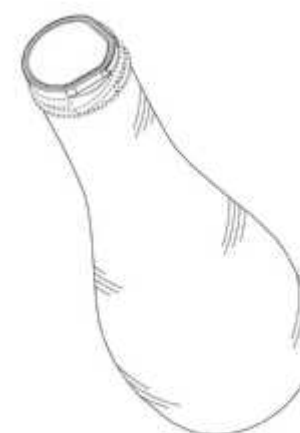
(21) Design Number: **11153/2014**
(22) Date of Filing Application: **12 March 2014**
(24) Date from which industrial property rights may have effect: **12 March 2014**
(54) Product in respect of which the design is registered: **Lock**
(51) International Design Classification: **08-07**
(74) Name(s) of Attorney(s): **Callinans**
(71) Name(s) and Address(s) of Applicant(s):
MASTER LOCK COMPANY LLC
137 W. Forest Hill Avenue P.O. Box 927 Oak Creek WI, 53154 United States of America
(72) Name(s) of Designer(s): **Laurent Ferragu and Allen Huang and Liang Peng and Hefei Xue**
(45) Registration Date: **02 June 2014**
(30) Convention priority data:
(31) Number (32) Date (33) Country
29/467,022 13 Sep 2013 UNITED STATES OF AMERICA
(56) Related Art Documents: **Not Applicable**
(57) Statement of Newness and Distinctiveness: **Newness and distinctiveness are provided by the shape and/or configuration of the design shown in the representations. The features shown in broken lines in the representations are for illustrative purposes only and should not be considered when construing visual features of the design.**



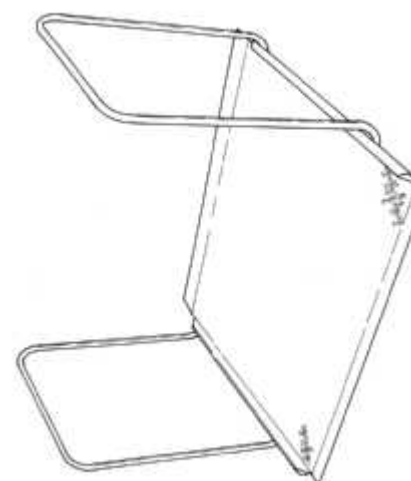
(21) Design Number: **11841/2014**
(22) Date of Filing Application: **14 April 2014**
(24) Date from which industrial property rights may have effect: **14 April 2014**
(54) Product in respect of which the design is registered: **A mower**
(51) International Design Classification: **15-03B**
(74) Name(s) of Attorney(s): **AJ Park**
(71) Name(s) and Address(s) of Applicant(s):
Masport Limited
1-37 Mt Wellington Highway Penrose Auckland New Zealand
(72) Name(s) of Designer(s): **David Ian McKay and Agron Haraqia and Allan Clifford Smyth and Lun-Yu Tung**
(45) Registration Date: **02 June 2014**
(30) Convention priority data:
(31) Number (32) Date (33) Country
418171 24 Oct 2013 NEW ZEALAND
(56) Related Art Documents: **Not Applicable**
(57) Statement of Newness and Distinctiveness: **The newness and distinctiveness resides in the features of shape and/or configuration of A MOWER, all as illustrated in the representations, with or without the side chute attached. No newness and distinctiveness is claimed in the engine highlighted in yellow.**



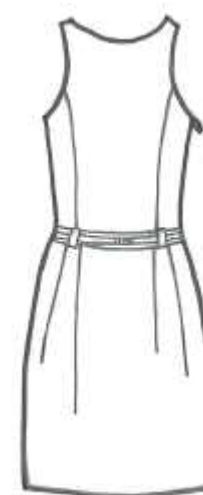
(21) Design Number: **12550/2014**
(22) Date of Filing Application: **26 May 2014**
(24) Date from which industrial property rights may have effect: **06 March 2014**
(54) Product in respect of which the design is registered: **Container**
(51) International Design Classification: **09-01H**
(74) Name(s) of Attorney(s): **Shelston IP**
(71) Name(s) and Address(s) of Applicant(s):
Owens-Brockway Glass Container Inc.
One Michael Owens Way Perrysburg Ohio 43551 United States of America
(72) Name(s) of Designer(s): **Douglas Laib and Raul M Paredes and Cecile Thalmann**
(45) Registration Date: **02 June 2014**
(30) Convention priority data:
(31) Number (32) Date (33) Country
29/475822 06 Dec 2013 UNITED STATES OF AMERICA
(62) Divisional of: **355778**
(56) Related Art Documents: **Not Applicable**
(57) Statement of Newness and Distinctiveness: **Newness and Distinctiveness reside in the visual features of the design for a Container shown in solid line. Those features shown in dash-dash-dash broken lines represent environmental structure and are not part of the claimed design. Those features shown in dash-dot-dash broken lines represent boundaries of the claimed design and are not part of the claimed design. Shading lines shown in the drawings represent surface contours, and/or translucency or opacity, and such lines are not part of the claimed design. Portions of the Container not shown in the drawings form no part of the claimed design.**



(21) Design Number: **14762/2013**
(22) Date of Filing Application: **20 September 2013**
(24) Date from which industrial property rights may have effect: **20 September 2013**
(54) Product in respect of which the design is registered: **A portable walkway**
(51) International Design Classification: **09-08, 25-02NES**
(74) Name(s) of Attorney(s): **Intellepro Patent & Trade Mark Attorneys**
(71) Name(s) and Address(s) of Applicant(s):
Underwood Companies Holdings Pty Ltd
C/- Intellepro GPO BOX 1339 Brisbane QLD 4001 Australia
(72) Name(s) of Designer(s): **Daniel Charles Underwood**
(45) Registration Date: **02 June 2014**
(56) Related Art Documents: **Not Applicable**
(57) Statement of Newness and Distinctiveness: **Nil**



(21) Design Number: **15093/2013**
(22) Date of Filing Application: **03 October 2013**
(24) Date from which industrial property rights may have effect: **03 October 2013**
(54) Product in respect of which the design is registered: **Article of clothing**
(51) International Design Classification: **02-99**
(74) Name(s) of Attorney(s): **Allens Patent & Trade Mark Attorneys**
(71) Name(s) and Address(s) of Applicant(s):
Forever New Clothing Pty Ltd
714-716 High St Kew East VIC 3102 Australia
(72) Name(s) of Designer(s): **Octavia Miller**
(45) Registration Date: **02 June 2014**
(56) Related Art Documents: **Not Applicable**
(57) Statement of Newness and Distinctiveness: **Newness and distinctiveness resides in the visual features of shape, configuration, pattern and/or ornamentation of an article of clothing as shown in the accompanying representations.**



(21) Design Number: **11282/2014**
(22) Date of Filing Application: **19 March 2014**
(24) Date from which industrial property rights may have effect: **19 March 2014**
(54) Product in respect of which the design is registered: **Antenna**
(51) International Design Classification: **14-03NES**
(74) Name(s) of Attorney(s): **SPRUSON & FERGUSON**
(71) Name(s) and Address(s) of Applicant(s):

Central Glass Company, Limited
5253 Oaza Okiube Ube-shi Yamaguchi 755-0001 Japan

(72) Name(s) of Designer(s): **Masahiro Yamamoto and Yuji Katada**

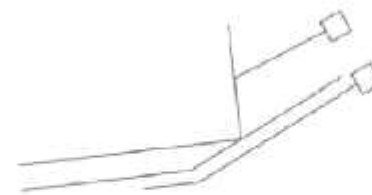
(45) Registration Date: **03 June 2014**

(30) Convention priority data:

(31) Number	(32) Date	(33) Country
2013-030711	27 Dec 2013	JAPAN

(56) Related Art Documents: **Not Applicable**

(57) Statement of Newness and Distinctiveness: **Newness and distinctiveness is claimed in the features of pattern and/or ornamentation of an antenna for application to a structure as illustrated in the accompanying representations.**



(21) Design Number: **11283/2014**
(22) Date of Filing Application: **19 March 2014**
(24) Date from which industrial property rights may have effect: **19 March 2014**
(54) Product in respect of which the design is registered: **Antenna**
(51) International Design Classification: **14-03NES**
(74) Name(s) of Attorney(s): **SPRUSON & FERGUSON**
(71) Name(s) and Address(s) of Applicant(s):

Central Glass Company, Limited
5253 Oaza Okiube Ube-shi Yamaguchi 755-0001 Japan

(72) Name(s) of Designer(s): **Masahiro Yamamoto and Yuji Katada**

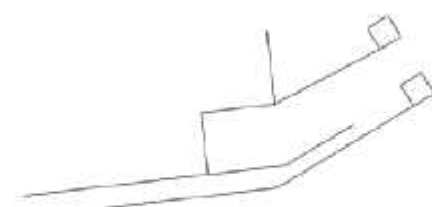
(45) Registration Date: **03 June 2014**

(30) Convention priority data:

(31) Number	(32) Date	(33) Country
2013-030710	27 Dec 2013	JAPAN

(56) Related Art Documents: **Not Applicable**

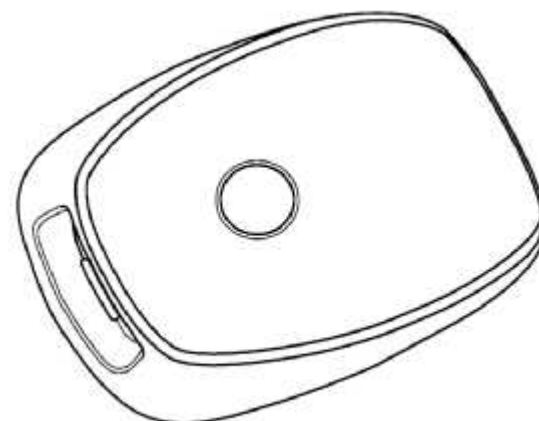
(57) Statement of Newness and Distinctiveness: **Newness and distinctiveness is claimed in the features of pattern and/or ornamentation of an antenna for application to a structure as illustrated in the accompanying representations.**



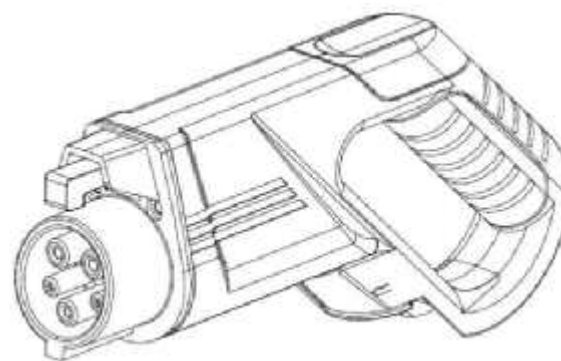
- (21) Design Number: **11633/2014**
(22) Date of Filing Application: **02 April 2014**
(24) Date from which industrial property rights may have effect: **02 April 2014**
(54) Product in respect of which the design is registered: **Car cradle mobile phone charger and FM tuner**
(51) International Design Classification: **14-99**
(74) Name(s) of Attorney(s):
(71) Name(s) and Address(s) of Applicant(s):
TDJ Australia Pty. Ltd.
78 Mills Rd Braeside VIC 3195 Australia
(72) Name(s) of Designer(s): **Lloyd Lamberty**
(45) Registration Date: **03 June 2014**
(56) Related Art Documents: **Not Applicable**
(57) Statement of Newness and Distinctiveness: **Re-designing an existing iPhone FM Tuner Cradle however incorporating a mechanical arm locking system which adjusts to accommodate different size cases and phones. The overall design is unique and in terms of functionality, design and assembly; it is unlike anything else currently on the Australian market . The cradle will incorporate a complete lightening cable which can be removed and swapped by the user and the cradle will also be mounted via a flexible stalk which plugs into a cigarette lighter adding to its distinctiveness. Power for the FM tuner will be drawn from the cigarette plug.**



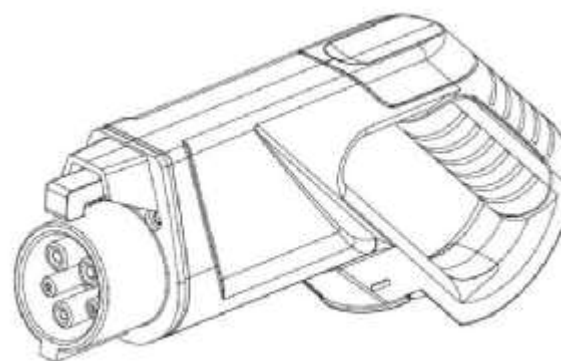
- (21) Design Number: **10719/2014**
(22) Date of Filing Application: **14 February 2014**
(24) Date from which industrial property rights may have effect: **14 February 2014**
(54) Product in respect of which the design is registered: **Portable activity monitor**
(51) International Design Classification: **14-01**
(74) Name(s) of Attorney(s): **FB Rice**
(71) Name(s) and Address(s) of Applicant(s):
Koninklijke Philips N.V.
High Tech Campus 5 Eindhoven AE 5656 The Netherlands
(72) Name(s) of Designer(s): **Cornelia Maria De Jong and Guus De Hoog and Andreas Kryn Knol**
(45) Registration Date: **04 June 2014**
(30) Convention priority data:
(31) Number (32) Date (33) Country
002292862-0001 16 Aug 2013 OFFICE FOR HARMONISATION IN THE INTERNAL MARKET (OHIM)
(56) Related Art Documents: **Not Applicable**
(57) Statement of Newness and Distinctiveness: **Newness and distinctiveness reside in the features of shape and configuration of the design as shown in the representations.**



(21) Design Number: **11656/2014**
(22) Date of Filing Application: **03 April 2014**
(24) Date from which industrial property rights may have effect: **03 April 2014**
(54) Product in respect of which the design is registered: **Electric connector**
(51) International Design Classification: **13-03E, 08-05NES**
(74) Name(s) of Attorney(s): **WATERMARK PATENT AND TRADE MARKS ATTORNEYS**
(71) Name(s) and Address(s) of Applicant(s):
**Phoenix Contact GmbH & Co. KG
Flachsmarktstr. 8 Blomberg 32825 Germany**
(72) Name(s) of Designer(s): **Melanie Meis and Ralf Bungenstock and Frederik Effenberger and Carsten Garth and Kirsten Zirkel and Rik Stellbrink**
(45) Registration Date: **04 June 2014**
(30) Convention priority data:
(31) Number (32) Date (33) Country
002324426-0001 10 Oct 2013 OFFICE FOR HARMONISATION IN THE INTERNAL MARKET (OHIM)
(56) Related Art Documents: **Not Applicable**
(57) Statement of Newness and Distinctiveness: **Nil**



(21) Design Number: **11659/2014**
(22) Date of Filing Application: **03 April 2014**
(24) Date from which industrial property rights may have effect: **03 April 2014**
(54) Product in respect of which the design is registered: **Electric connector**
(51) International Design Classification: **13-03E, 08-05NES**
(74) Name(s) of Attorney(s): **WATERMARK PATENT AND TRADE MARKS ATTORNEYS**
(71) Name(s) and Address(s) of Applicant(s):
**Phoenix Contact GmbH & Co. KG
Flachsmarktstr. 8 Blomberg 32825 Germany**
(72) Name(s) of Designer(s): **Melanie Meis and Ralf Bungenstock and Frederik Effenberger and Carsten Garth and Kirsten Zirkel and Rik Stellbrink**
(45) Registration Date: **04 June 2014**
(30) Convention priority data:
(31) Number (32) Date (33) Country
002324426-0002 10 Oct 2013 OFFICE FOR HARMONISATION IN THE INTERNAL MARKET (OHIM)
(56) Related Art Documents: **Not Applicable**
(57) Statement of Newness and Distinctiveness: **Nil**



(21) Design Number: **16555/2013**
(22) Date of Filing Application: **13 December 2013**
(24) Date from which industrial property rights may have effect: **13 December 2013**
(54) Product in respect of which the design is registered: **Gloves**
(51) International Design Classification: **02-06**
(74) Name(s) of Attorney(s): **PHILLIPS ORMONDE FITZPATRICK**
(71) Name(s) and Address(s) of Applicant(s):

John Joseph Furlong
Waterford Park Thonglor Soi 5 Bangkok Thailand

(72) Name(s) of Designer(s): **John Joseph Furlong**

(45) Registration Date: **04 June 2014**

(56) Related Art Documents: **Not Applicable**

(57) Statement of Newness and Distinctiveness: **Newness and distinctiveness resides in the shape and/or configuration and/or ornamentation of the fish-scaled textured pattern on the inner and outer surfaces of the glove. The features shown in broken lines are not part of the design and are to be disregarded when considering the overall impression of the design.**



(21) Design Number: **11436/2014**
(22) Date of Filing Application: **26 March 2014**
(24) Date from which industrial property rights may have effect: **26 March 2014**
(54) Product in respect of which the design is registered: **Commercial bracket**
(51) International Design Classification: **08-08L**
(74) Name(s) of Attorney(s):
(71) Name(s) and Address(s) of Applicant(s):

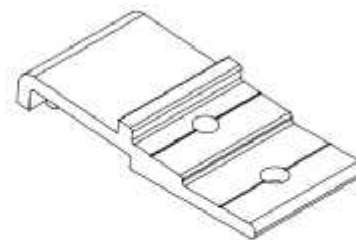
Energy Matters Pty Ltd
PO BOX 5265 South Melbourne VIC 3205 Australia

(72) Name(s) of Designer(s): **Jeremy Lawrence**

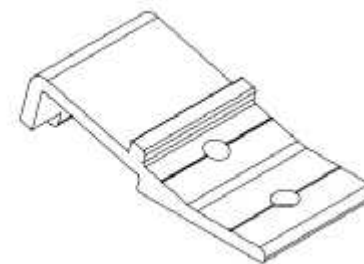
(45) Registration Date: **04 June 2014**

(56) Related Art Documents: **Not Applicable**

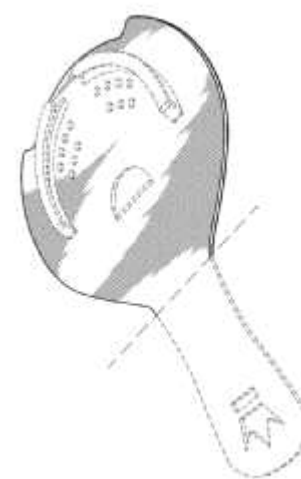
(57) Statement of Newness and Distinctiveness: **The simple design, multi-functional nature and ease of use reduces installation costs and makes it suitable for a wide range of solar modules. Its strength makes it suitable for all wind regions in Australia and New Zealand.**



(21) Design Number: **11438/2014**
(22) Date of Filing Application: **26 March 2014**
(24) Date from which industrial property rights may have effect: **26 March 2014**
(54) Product in respect of which the design is registered: **Commercial bracket**
(51) International Design Classification: **08-08L**
(74) Name(s) of Attorney(s):
(71) Name(s) and Address(s) of Applicant(s):
Energy Matters Pty Ltd
PO BOX 5265 South Melbourne VIC 3205 Australia
(72) Name(s) of Designer(s): **Jeremy Lawrence**
(45) Registration Date: **04 June 2014**
(56) Related Art Documents: **Not Applicable**
(57) Statement of Newness and Distinctiveness: **The simple design, multi-functional nature and ease of use means that it reduces installation costs and suits a wide range of solar modules. Its strength means that it can be installed in all wind regions in Australia and New Zealand.**



(21) Design Number: **11264/2014**
(22) Date of Filing Application: **18 March 2014**
(24) Date from which industrial property rights may have effect: **18 March 2014**
(54) Product in respect of which the design is registered: **Cocktail strainer**
(51) International Design Classification: **07-04**
(74) Name(s) of Attorney(s): **Wrays**
(71) Name(s) and Address(s) of Applicant(s):
Cocktail Kingdom LLC
36 West 25th Street 5th Floor New York New York, 10010 United States of America
(72) Name(s) of Designer(s): **Don H Lee**
(45) Registration Date: **05 June 2014**
(30) Convention priority data:
(31) Number (32) Date (33) Country
29/484,293 07 Mar 2014 UNITED STATES OF AMERICA
(56) Related Art Documents: **Not Applicable**
(57) Statement of Newness and Distinctiveness: **Newness and distinctiveness is claimed in the features of shape and/or configuration of the Cocktail Strainer as shown in the accompanying representations. The features depicted by broken lines are for illustrative purposes only and form no part of the claimed design.**



(21) Design Number: **11265/2014**
(22) Date of Filing Application: **18 March 2014**
(24) Date from which industrial property rights may have effect: **18 March 2014**
(54) Product in respect of which the design is registered: **Cocktail strainer**
(51) International Design Classification: **07-04**
(74) Name(s) of Attorney(s): **Wrays**
(71) Name(s) and Address(s) of Applicant(s):
Cocktail Kingdom LLC
36 West 25th Street 5th Floor New York New York, 10010 United States of America
(72) Name(s) of Designer(s): **Don H Lee**
(45) Registration Date: **05 June 2014**
(30) Convention priority data:
(31) Number (32) Date (33) Country
29/484,297 07 Mar 2014 UNITED STATES OF AMERICA
(56) Related Art Documents: **Not Applicable**
(57) Statement of Newness and Distinctiveness: **Newness and distinctiveness is claimed in the features of shape and/or configuration of the Cocktail Strainer as shown in the accompanying representations. The features depicted by broken lines are for illustrative purposes only and form no part of the claimed design.**



(21) Design Number: **11266/2014**
(22) Date of Filing Application: **18 March 2014**
(24) Date from which industrial property rights may have effect: **18 March 2014**
(54) Product in respect of which the design is registered: **Cocktail strainer**
(51) International Design Classification: **07-04**
(74) Name(s) of Attorney(s): **Wrays**
(71) Name(s) and Address(s) of Applicant(s):
Cocktail Kingdom LLC
36 West 25th Street 5th Floor New York New York, 10010 United States of America
(72) Name(s) of Designer(s): **Don H Lee**
(45) Registration Date: **05 June 2014**
(30) Convention priority data:
(31) Number (32) Date (33) Country
29/484,299 07 Mar 2014 UNITED STATES OF AMERICA
(56) Related Art Documents: **Not Applicable**
(57) Statement of Newness and Distinctiveness: **Newness and distinctiveness is claimed in the features of shape and/or configuration of the Cocktail Strainer as shown in the accompanying representations. The features depicted by broken lines are for illustrative purposes only and form no part of the claimed design.**



(21) Design Number: **11270/2014**

(22) Date of Filing Application: **18 March 2014**

(24) Date from which industrial property rights may have effect: **18 March 2014**

(54) Product in respect of which the design is registered: **Cocktail strainer**

(51) International Design Classification: **07-04**

(74) Name(s) of Attorney(s): **Wrays**

(71) Name(s) and Address(s) of Applicant(s):

Cocktail Kingdom LLC

36 West 25th Street 5th Floor New York New York, 10010 United States of America

(72) Name(s) of Designer(s): **Don H Lee**

(45) Registration Date: **05 June 2014**

(30) Convention priority data:

(31) Number	(32) Date	(33) Country
29/484,286	07 Mar 2014	UNITED STATES OF AMERICA

(56) Related Art Documents: **Not Applicable**

(57) Statement of Newness and Distinctiveness: **Newness and distinctiveness is claimed in the features of shape and/or configuration of the Cocktail Strainer as shown in the accompanying representations. The features depicted by broken lines are for illustrative purposes only and form no part of the claimed design.**



(21) Design Number: **11308/2014**

(22) Date of Filing Application: **20 March 2014**

(24) Date from which industrial property rights may have effect: **20 March 2014**

(54) Product in respect of which the design is registered: **Button for a handle**

(51) International Design Classification: **08-99, 03-03**

(74) Name(s) of Attorney(s): **PHILLIPS ORMONDE FITZPATRICK**

(71) Name(s) and Address(s) of Applicant(s):

Shedrain Corporation

8303 NE Killingsworth PO Box 55460 Portland Oregon 97238 United States of America

(72) Name(s) of Designer(s): **David Haythornthwaite**

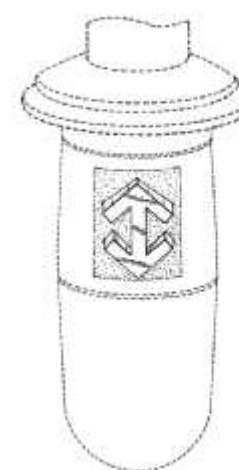
(45) Registration Date: **05 June 2014**

(30) Convention priority data:

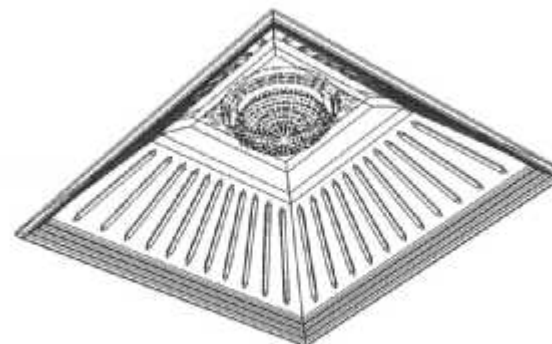
(31) Number	(32) Date	(33) Country
29/468,383	30 Sep 2013	UNITED STATES OF AMERICA

(56) Related Art Documents: **Not Applicable**

(57) Statement of Newness and Distinctiveness: **Those features of the button for a handle depicted in the representations that are new and distinctive are the shape and/or configuration. The dash-dot-dash broken lines define the boundary of the design but form no part of the design. The stipple designates a handle surface inside the boundary of the design but forms no part of the design. The broken lines are included for illustrative purposes only and are to be disregarded when considering the overall impression of the design.**



- (21) Design Number: **11332/2014**
(22) Date of Filing Application: **21 March 2014**
(24) Date from which industrial property rights may have effect: **21 March 2014**
(54) Product in respect of which the design is registered: **An optic assembly**
(51) International Design Classification: **26-05A**
(74) Name(s) of Attorney(s): **PHILLIPS ORMONDE FITZPATRICK**
(71) Name(s) and Address(s) of Applicant(s):
Gerard Lighting Pty Ltd
142-144 Fullarton Rd Rose Park SA 5067 Australia
(72) Name(s) of Designer(s): **Guy Hatton-Ward**
(45) Registration Date: **05 June 2014**
(56) Related Art Documents: **Not Applicable**
(57) Statement of Newness and Distinctiveness: **Newness and distinctiveness resides in the shape and configuration of an optic assembly as shown in the accompanying drawings. In considering the scope of monopoly, no regard is to be had of the features indicated in dotted lines.**



- (21) Design Number: **11522/2014**
(22) Date of Filing Application: **28 March 2014**
(24) Date from which industrial property rights may have effect: **28 March 2014**
(54) Product in respect of which the design is registered: **Integrated hydraulic grout machine**
(51) International Design Classification: **15-99**
(74) Name(s) of Attorney(s):
(71) Name(s) and Address(s) of Applicant(s):
AUSTRALIAN CONTRACT MINING PTY LTD
66 Ord St West Perth WA 6005 Australia
(72) Name(s) of Designer(s): **Brian Bernard Rodan**
(45) Registration Date: **05 June 2014**
(56) Related Art Documents: **Not Applicable**
(57) Statement of Newness and Distinctiveness: **The integrated hydraulic grout machine incorporates a number of specialised components with unique and novel features. The overall objective was to achieve operating efficiencies, which included the reduction of a standard existing three-man grouting service operation down to a maximum of a two-man operation for ground control. Also, it has the unique configuration of the grout-mixing bowl and pumping unit mounted on the scissor lift unit itself for the grouting of holes. - The product allows simultaneous grouting operations through the provision of a remote drive function from the rear deck of the prototype machine; - The product developed represents a radical design change in the known prevailing adaptations of existing technology, in that a**



(21) Design Number: **11875/2014**

(22) Date of Filing Application: **15 April 2014**

(24) Date from which industrial property rights may have effect: **15 April 2014**

(54) Product in respect of which the design is registered: **Faceted bumper for fastener driver**

(51) International Design Classification: **08-04**

(74) Name(s) of Attorney(s): **Davies Collison Cave**

(71) Name(s) and Address(s) of Applicant(s):

Illinois Tool Works Inc.

3600 West Lake Avenue Glenview Illinois 60026-1215 United States of America

(72) Name(s) of Designer(s): **Nathan Thomas Mina and James Louis Kuhnwald**

(45) Registration Date: **05 June 2014**

(30) Convention priority data:

(31) Number

(32) Date

(33) Country

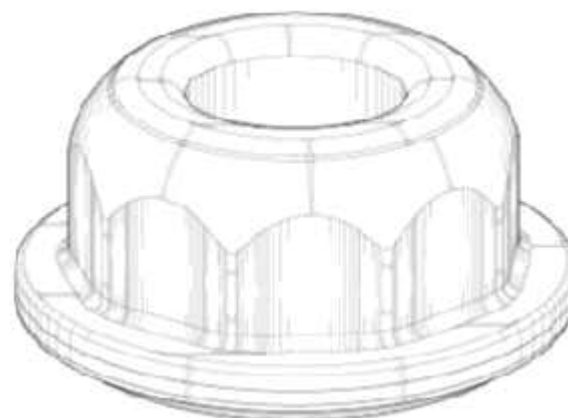
29/472,997

18 Nov 2013

UNITED STATES OF AMERICA

(56) Related Art Documents: **Not Applicable**

(57) Statement of Newness and Distinctiveness: **Newness and distinctiveness is claimed in the visual features of a faceted bumper for fastener driver shown in solid lines in the representations.**



(21) Design Number: **11331/2014**

(22) Date of Filing Application: **21 March 2014**

(24) Date from which industrial property rights may have effect: **21 March 2014**

(54) Product in respect of which the design is registered: **Light fixture**

(51) International Design Classification: **26-05A**

(74) Name(s) of Attorney(s): **PHILLIPS ORMONDE FITZPATRICK**

(71) Name(s) and Address(s) of Applicant(s):

Gerard Lighting Pty Ltd

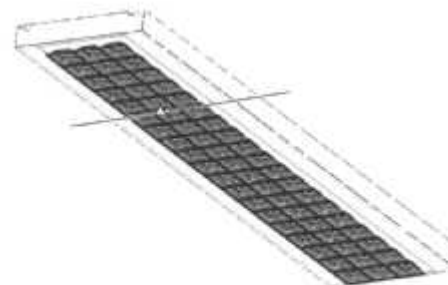
142-144 Fullarton Rd Rose Park SA 5067 Australia

(72) Name(s) of Designer(s): **Guy Hatton-Ward**

(45) Registration Date: **05 June 2014**

(56) Related Art Documents: **Not Applicable**

(57) Statement of Newness and Distinctiveness: **Newness and distinctiveness resides in the shape and configuration of a light fixture of indefinite dimensions as shown in the accompanying drawings. In considering the scope of monopoly, no regard is to be had of the features indicated in dotted lines.**



(21) Design Number: **11918/2014**

(22) Date of Filing Application: **22 April 2014**

(24) Date from which industrial property rights may have effect: **22 April 2014**

(54) Product in respect of which the design is registered: **Frame for gas cylinders**

(51) International Design Classification: **06-99**

(74) Name(s) of Attorney(s): **PHILLIPS ORMONDE FITZPATRICK**

(71) Name(s) and Address(s) of Applicant(s):

**L'Air Liquide Societe Anonyme pour l'Etude et l'Exploitation des Procedes
Georges Claude
75 Quai d'Orsay 75007 Paris France**

(72) Name(s) of Designer(s): **Muller Dennis and Didier Robert and Duquesnoy
Julien and Eric Denis**

(45) Registration Date: **05 June 2014**

(30) Convention priority data:

(31) Number (32) Date
002331645-0001 23 Oct 2013

(33) Country
**OFFICE FOR HARMONISATION IN
THE INTERNAL MARKET (OHIM)**

(56) Related Art Documents: **Not Applicable**

(57) Statement of Newness and Distinctiveness: **Those features of the frame for
gas cylinders depicted in the representations that are new and distinctive
are the shape and/or configuration.**



(21) Design Number: **11250/2014**

(22) Date of Filing Application: **18 March 2014**

(24) Date from which industrial property rights may have effect: **18 March 2014**

(54) Product in respect of which the design is registered: **Side entry bag**

(51) International Design Classification: **09-05**

(74) Name(s) of Attorney(s): **PHILLIPS ORMONDE FITZPATRICK**

(71) Name(s) and Address(s) of Applicant(s):

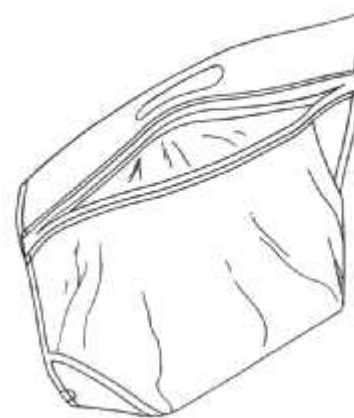
**Andrew Kohn Pty Ltd
9-15 Redwood Dr Dingley VIC 3172 Australia**

(72) Name(s) of Designer(s): **Daryl Farrow**

(45) Registration Date: **05 June 2014**

(56) Related Art Documents: **Not Applicable**

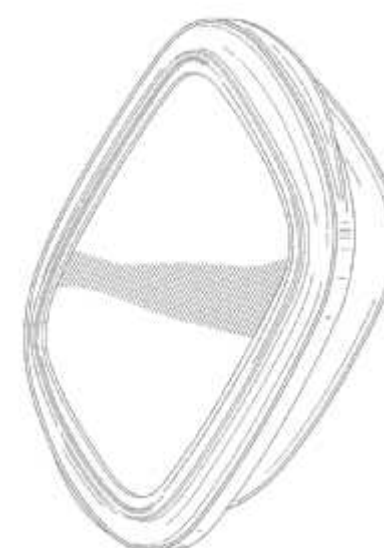
(57) Statement of Newness and Distinctiveness: **Those features of the bag
depicted in the representations that are new and distinctive are the shape
and/or configuration.**



(21) Design Number: **10982/2014**
(22) Date of Filing Application: **04 March 2014**
(24) Date from which industrial property rights may have effect: **04 March 2014**
(54) Product in respect of which the design is registered: **Container for food product**
(51) International Design Classification: **07-01NES**
(74) Name(s) of Attorney(s): **Griffith Hack**
(71) Name(s) and Address(s) of Applicant(s):
Kraft Foods Group Brands LLC
Three Lakes Drive Northfield IL 60093 United States of America
(72) Name(s) of Designer(s): **Jeffrey Lipinski and Dan Feldmeier and Paul Diehl and Matthew Cowling and Philip Driskill and Jordan French and Scott Fisher**
(45) Registration Date: **05 June 2014**
(30) Convention priority data:
(31) Number (32) Date (33) Country
29/466340 06 Sep 2013 UNITED STATES OF AMERICA
(56) Related Art Documents: **Not Applicable**
(57) Statement of Newness and Distinctiveness: **Newness and distinctiveness resides in the visual features, including shape and configuration, of a CONTAINER FOR FOOD PRODUCT as shown in the accompanying drawings. When determining whether the design is substantially similar in overall impression to another design, no regard is to be had to those features shown in broken outline in the accompanying drawings, which features are provided for illustrative purposes only.**



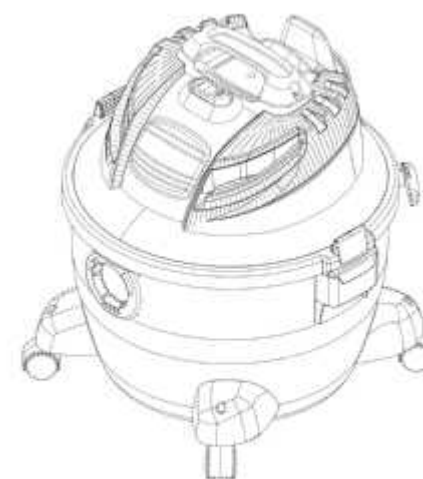
(21) Design Number: **10985/2014**
(22) Date of Filing Application: **04 March 2014**
(24) Date from which industrial property rights may have effect: **04 March 2014**
(54) Product in respect of which the design is registered: **Container for food product**
(51) International Design Classification: **07-01NES**
(74) Name(s) of Attorney(s): **Griffith Hack**
(71) Name(s) and Address(s) of Applicant(s):
Kraft Foods Group Brands LLC
Three Lakes Drive Northfield IL 60093 United States of America
(72) Name(s) of Designer(s): **Jeffrey Lipinski and Dan Feldmeier and Paul Diehl and Matthew Cowling and Philip Driskill and Jordan French and Scott Fisher**
(45) Registration Date: **05 June 2014**
(30) Convention priority data:
(31) Number (32) Date (33) Country
29/466340 06 Sep 2013 UNITED STATES OF AMERICA
(56) Related Art Documents: **Not Applicable**
(57) Statement of Newness and Distinctiveness: **Newness and distinctiveness resides in the visual features, including shape and configuration, of a CONTAINER FOR FOOD PRODUCT as shown in the accompanying drawings. When determining whether the design is substantially similar in overall impression to another design, no regard is to be had to those features shown in broken outline in the accompanying drawings, which features are provided for illustrative purposes only.**



(21) Design Number: **12105/2014**
(22) Date of Filing Application: **01 May 2014**
(24) Date from which industrial property rights may have effect: **31 January 2014**
(54) Product in respect of which the design is registered: **Line management device**
(51) International Design Classification: **24-01**
(74) Name(s) of Attorney(s): **Davies Collison Cave**
(71) Name(s) and Address(s) of Applicant(s):
Stryker Corporation
2825 Airview Boulevard Kalamazoo Michigan, 49002 United States of America
(72) Name(s) of Designer(s): **Conner Feldpausch St.John and Cory Patrick Herbst**
(45) Registration Date: **05 June 2014**
(62) Divisional of: **355321**
(56) Related Art Documents: **Not Applicable**
(57) Statement of Newness and Distinctiveness: **Nil**



(21) Design Number: **12718/2014**
(22) Date of Filing Application: **05 June 2014**
(24) Date from which industrial property rights may have effect: **21 March 2014**
(54) Product in respect of which the design is registered: **Vacuum cleaner**
(51) International Design Classification: **15-05**
(74) Name(s) of Attorney(s): **Griffith Hack**
(71) Name(s) and Address(s) of Applicant(s):
SHOP VAC CORPORATION
2323 Reach Road Williamsport Pennsylvania 17701 United States of America
(72) Name(s) of Designer(s): **Kevin D Fry and John Griffin and Robert L Crevling Jr**
(45) Registration Date: **05 June 2014**
(62) Divisional of: **355810**
(56) Related Art Documents: **Not Applicable**
(57) Statement of Newness and Distinctiveness: **Nil**



(21) Design Number: **16747/2013**
(22) Date of Filing Application: **20 December 2013**
(24) Date from which industrial property rights may have effect: **20 December 2013**
(54) Product in respect of which the design is registered: **Load restraint net**
(51) International Design Classification: **12-05**
(74) Name(s) of Attorney(s): **Etheringtons Solicitors**
(71) Name(s) and Address(s) of Applicant(s):
Dennis Moyle
1/27 Side Street Gladstone QLD 4680 Australia
(72) Name(s) of Designer(s): **Dennis Moyle**
(45) Registration Date: **05 June 2014**
(56) Related Art Documents: **Not Applicable**
(57) Statement of Newness and Distinctiveness: **Nil**



(21) Design Number: **11337/2014**
(22) Date of Filing Application: **21 March 2014**
(24) Date from which industrial property rights may have effect: **21 March 2014**
(54) Product in respect of which the design is registered: **Vacuum cleaner**
(51) International Design Classification: **15-05**
(74) Name(s) of Attorney(s): **Griffith Hack**
(71) Name(s) and Address(s) of Applicant(s):
SHOP VAC CORPORATION
2323 Reach Road Williamsport Pennsylvania 17701 United States of America
(72) Name(s) of Designer(s): **Kevin D Fry and John Griffin and Robert L Crevling Jr**
(45) Registration Date: **05 June 2014**
(30) Convention priority data:
(31) Number (32) Date (33) Country
29/467,873 24 Sep 2013 UNITED STATES OF AMERICA

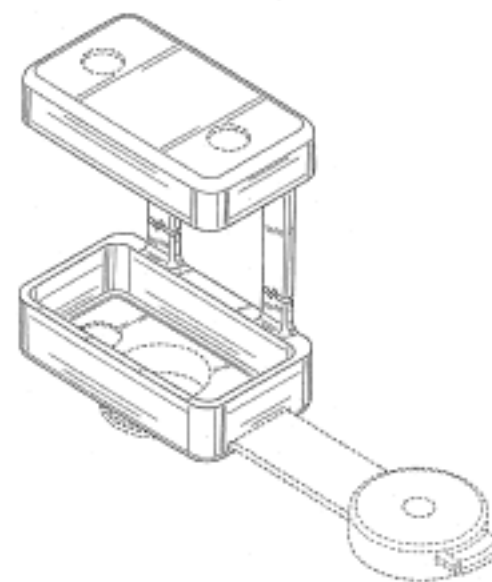


(56) Related Art Documents: **Not Applicable**
(57) Statement of Newness and Distinctiveness: **Newness and distinctiveness resides in the visual features, including shape and configuration, of the top part of a VACUUM CLEANER as shown in solid outline in the accompanying drawings. The design is common to the vacuum cleaner of Figures 1 to 6 and Figures 7 to 12. When determining whether the design is substantially similar in overall impression to another design, no regard is to be had to those features shown in dotted outline in the accompanying drawings, which features are provided for illustrative purposes only, with Figures 1 to 6 showing a first example of a vacuum cleaner and Figures 7 to 12 showing a second example of a vacuum cleaner.**

- (21) Design Number: **10023/2014**
(22) Date of Filing Application: **06 January 2014**
(24) Date from which industrial property rights may have effect: **06 January 2014**
(54) Product in respect of which the design is registered: **A lace embellishment for use on clothing, bag and stationery items**
(51) International Design Classification: **05-02**
(74) Name(s) of Attorney(s):
(71) Name(s) and Address(s) of Applicant(s):
Jacqueline Molina
8/20 Duke Street Kensington NSW 2033
(72) Name(s) of Designer(s): **Jacqueline Molina**
(45) Registration Date: **10 June 2014**
(56) Related Art Documents: **Not Applicable**
(57) Statement of Newness and Distinctiveness: **The design is an illustration of a deer [head and neck] with a body of a swan.**



- (21) Design Number: **11603/2014**
(22) Date of Filing Application: **01 April 2014**
(24) Date from which industrial property rights may have effect: **01 April 2014**
(54) Product in respect of which the design is registered: **Padlock cover**
(51) International Design Classification: **08-07**
(74) Name(s) of Attorney(s): **Callinans**
(71) Name(s) and Address(s) of Applicant(s):
MASTER LOCK COMPANY LLC
137 W. Forest Hill Avenue Oak Creek, Wisconsin, 53154 United States of America
(72) Name(s) of Designer(s): **Matthew Dudgeon and Jassen R Miller**
(45) Registration Date: **10 June 2014**
(30) Convention priority data:
(31) Number (32) Date (33) Country
29/468,689 02 Oct 2013 UNITED STATES OF AMERICA
(56) Related Art Documents: **Not Applicable**
(57) Statement of Newness and Distinctiveness: **Newness and distinctiveness are provided by the shape and/or configuration of the design shown in the representations. The features shown in broken lines in the representations are for illustrative purposes only and should not be considered when construing visual features of the design. The design is of indefinite height.**



- (21) Design Number: **11616/2014**
(22) Date of Filing Application: **02 April 2014**
(24) Date from which industrial property rights may have effect: **02 April 2014**
(54) Product in respect of which the design is registered: **Display screen with icon**
(51) International Design Classification: **14-02**
(74) Name(s) of Attorney(s): **Shelston IP**
(71) Name(s) and Address(s) of Applicant(s):

Microsoft Corporation
One Microsoft Way Redmond Washington 98052 United States of America

- (72) Name(s) of Designer(s): **Kathryn Stone Perez and Sebastian Andreas Sheldon Grinke and Kristie Joy Fisher and Mathew Lee McInelly and Dana Ludwig and Roy Lewis Herrod and Jason Michael Hewitt and Jeffrey Scott Blazier**

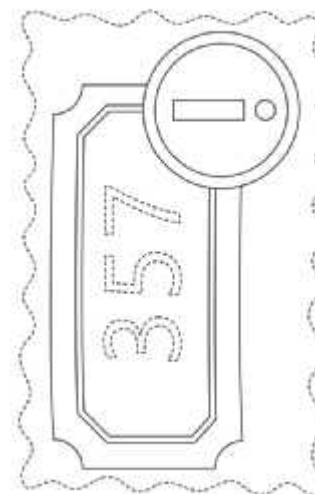
(45) Registration Date: **10 June 2014**

(30) Convention priority data:

(31) Number	(32) Date	(33) Country
29/468937	04 Oct 2013	UNITED STATES OF AMERICA

(56) Related Art Documents: **Not Applicable**

- (57) Statement of Newness and Distinctiveness: **Newness and distinctiveness reside in the pattern and/or ornamentation of a display screen with icon as illustrated by solid lines in the accompanying representations. The features shown in broken outline are for contextual purposes only and do not form part of the design. The numerals depicted are indicative only, and may be substituted by alternative numerals, symbols or alphanumeric characters.**



- (21) Design Number: **11617/2014**
(22) Date of Filing Application: **02 April 2014**
(24) Date from which industrial property rights may have effect: **02 April 2014**
(54) Product in respect of which the design is registered: **Display screen with graphical user interface**
(51) International Design Classification: **14-02**
(74) Name(s) of Attorney(s): **Shelston IP**
(71) Name(s) and Address(s) of Applicant(s):

Microsoft Corporation
One Microsoft Way Redmond Washington 98052 United States of America

- (72) Name(s) of Designer(s): **Kathryn Stone Perez and Sebastian Andreas Sheldon Grinke and Kristie Joy Fisher and Mathew Lee McInelly and Dana Ludwig and Roy Lewis Herrod and Jason Michael Hewitt and Jeffrey Scott Blazier**

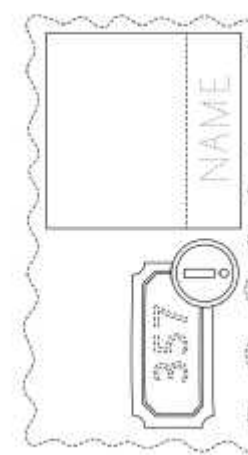
(45) Registration Date: **10 June 2014**

(30) Convention priority data:

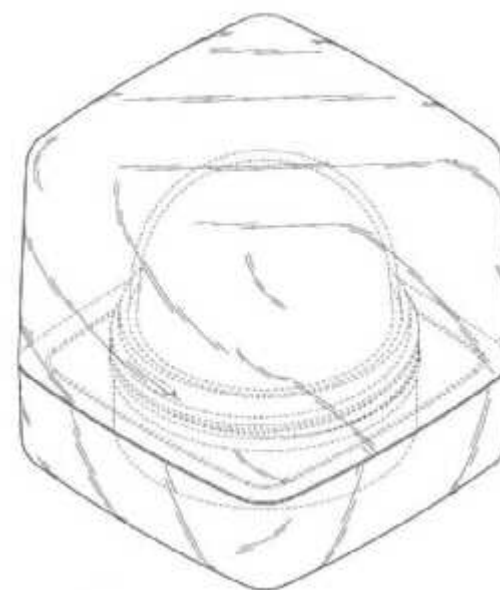
(31) Number	(32) Date	(33) Country
29/468938	04 Oct 2013	UNITED STATES OF AMERICA

(56) Related Art Documents: **Not Applicable**

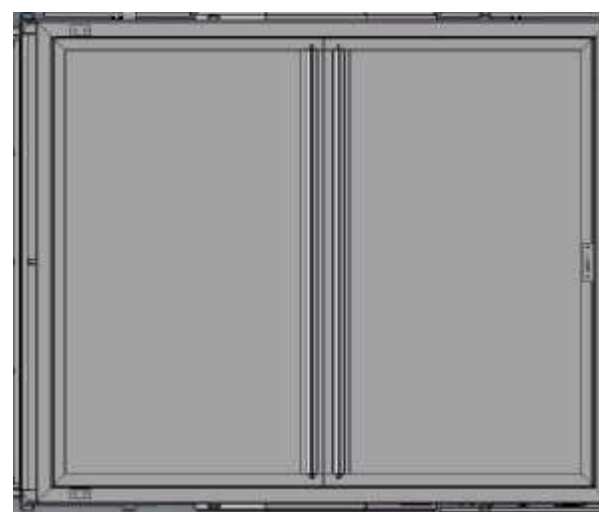
- (57) Statement of Newness and Distinctiveness: **Newness and distinctiveness reside in the features of pattern and/or ornamentation of a display screen with graphical user interface as illustrated by solid lines in the accompanying representations. The features shown in broken outline are for contextual purposes only and do not form part of the design. The alphanumeric characters depicted are indicative only, and may be substituted by alternative symbols or alphanumeric characters.**



- (21) Design Number: **11623/2014**
(22) Date of Filing Application: **02 April 2014**
(24) Date from which industrial property rights may have effect: **02 April 2014**
(54) Product in respect of which the design is registered: **Cosmetic container**
(51) International Design Classification: **09-01G**
(74) Name(s) of Attorney(s): **WATERMARK PATENT AND TRADE MARKS ATTORNEYS**
(71) Name(s) and Address(s) of Applicant(s):
The Mentholatum Company
707 Sterling Drive Orchard Park New York, 14127 United States of America
(72) Name(s) of Designer(s): **Christopher A Corey and Kevin J Aylsworth and Shinjan Xie and Charles M Smith and Katherine Tocheff and D'Anna Farrar and Raymond L Lewis**
(45) Registration Date: **10 June 2014**
(30) Convention priority data:
(31) Number (32) Date (33) Country
29/469,065 07 Oct 2013 UNITED STATES OF AMERICA
(56) Related Art Documents: **Not Applicable**
(57) Statement of Newness and Distinctiveness: **Newness and distinctiveness resides in the areas of the cosmetic container shown in full outline, the lines shown in broken outline being for showing context or environment and not forming part of the design.**



- (21) Design Number: **11636/2014**
(22) Date of Filing Application: **02 April 2014**
(24) Date from which industrial property rights may have effect: **02 April 2014**
(54) Product in respect of which the design is registered: **Roof for camper trailer**
(51) International Design Classification: **12-10**
(74) Name(s) of Attorney(s):
(71) Name(s) and Address(s) of Applicant(s):
Rain Guardian Pty Ltd
PO BOX 3168 Red Hill Rockhampton Parkhurst QLD 4701 Australia
Ecomate Pty Ltd
PO BOX 3198 Red Hill Rockhampton QLD 4701 Australia
(72) Name(s) of Designer(s): **Kerry Jones**
(45) Registration Date: **10 June 2014**
(56) Related Art Documents: **Not Applicable**
(57) Statement of Newness and Distinctiveness: **The Roof shape has been designed to hold the mattress in position for opening and closing of the roof. The roof design also allows room for the bows and canvas inside when closing and opening.**



- (21) Design Number: **11637/2014**
(22) Date of Filing Application: **02 April 2014**
(24) Date from which industrial property rights may have effect: **02 April 2014**
(54) Product in respect of which the design is registered: **Roof hinge system for camper trailer**
(51) International Design Classification: **12-10**
(74) Name(s) of Attorney(s):
(71) Name(s) and Address(s) of Applicant(s):
Rain Guardian Pty Ltd
PO BOX 3168 Red Hill Rockhampton Parkhurst QLD 4701 Australia
Ecomate Pty Ltd
PO BOX 3198 Red Hill Rockhampton QLD 4701 Australia
(72) Name(s) of Designer(s): **Kerry Jones**
(45) Registration Date: **10 June 2014**
(56) Related Art Documents: **Not Applicable**
(57) Statement of Newness and Distinctiveness: **The Forward fold roof hinge system allows the roof to be opened from 0 degrees to 180 degrees horizontally for opening and closing the roof of the camper. The roof hinge system allows the roof shape to be pivoted correctly for opening so the lid shape does not hit the camper body. The gas strut on the hinge system also allows the fridge door to open and not cut on a taper to clear the strut.**



- (21) Design Number: **11638/2014**
(22) Date of Filing Application: **02 April 2014**
(24) Date from which industrial property rights may have effect: **02 April 2014**
(54) Product in respect of which the design is registered: **Awning for camper trailer**
(51) International Design Classification: **12-10**
(74) Name(s) of Attorney(s):
(71) Name(s) and Address(s) of Applicant(s):
Rain Guardian Pty Ltd
PO BOX 3168 Red Hill Rockhampton Parkhurst QLD 4701 Australia
Ecomate Pty Ltd
PO BOX 3198 Red Hill Rockhampton QLD 4701 Australia
(72) Name(s) of Designer(s): **Kerry Jones**
(45) Registration Date: **10 June 2014**
(56) Related Art Documents: **Not Applicable**
(57) Statement of Newness and Distinctiveness: **The touring awning can be fitted to either side of the main tent of any camper ,this awning can be removed and stored separately when not in use.**



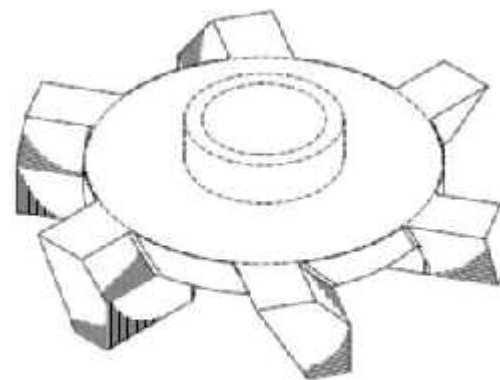
- (21) Design Number: **11645/2014**
(22) Date of Filing Application: **02 April 2014**
(24) Date from which industrial property rights may have effect: **02 April 2014**
(54) Product in respect of which the design is registered: **Fridge box**
(51) International Design Classification: **15-07**
(74) Name(s) of Attorney(s):
(71) Name(s) and Address(s) of Applicant(s):
 Rain Guardian Pty Ltd
 PO BOX 3168 Red Hill Rockhampton Parkhurst QLD 4701 Australia
 Ecomate Pty Ltd
 PO BOX 3168 Red Hill Rockhampton QLD 4701 Australia
(72) Name(s) of Designer(s): **Mark Trail**
(45) Registration Date: **10 June 2014**
(56) Related Art Documents: **Not Applicable**
(57) Statement of Newness and Distinctiveness: **The front fridge box has a swing door each side and storage on top . Inside has a fridge tray and slide and a peg and pole carrier compartment.**



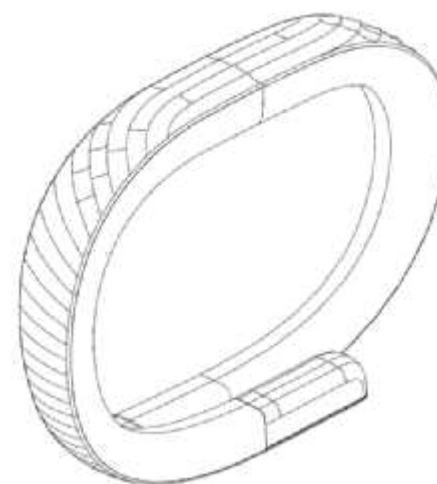
- (21) Design Number: **11646/2014**
(22) Date of Filing Application: **02 April 2014**
(24) Date from which industrial property rights may have effect: **02 April 2014**
(54) Product in respect of which the design is registered: **Touring awning**
(51) International Design Classification: **21-04, 25-02H**
(74) Name(s) of Attorney(s):
(71) Name(s) and Address(s) of Applicant(s):
 Rain Guardian Pty Ltd
 PO BOX 3168 Red Hill Rockhampton Parkhurst QLD 4701 Australia
 Ecomate Pty Ltd
 PO BOX 3168 Red Hill Rockhampton QLD 4701 Australia
(72) Name(s) of Designer(s): **Kerry Jones**
(45) Registration Date: **10 June 2014**
(56) Related Art Documents: **Not Applicable**
(57) Statement of Newness and Distinctiveness: **Touring awning can be fitted to either side of the camper main tent and can be taken off and stored when not needed . Can be attached quickly to the camper by zip Velcro or other.**



(21) Design Number: **11402/2014**
(22) Date of Filing Application: **25 March 2014**
(24) Date from which industrial property rights may have effect: **25 March 2014**
(54) Product in respect of which the design is registered: **Impeller for a rotary injector**
(51) International Design Classification: **15-99**
(74) Name(s) of Attorney(s): **Griffith Hack**
(71) Name(s) and Address(s) of Applicant(s):
Rio Tinto Alcan International Limited
1188 Sherbrooke Street West Montreal QC H3A 3GC Canada
(72) Name(s) of Designer(s): **Joseph Langlais and Peter Donald Waite and Francis Breton and Serge Munger and Martin Beaulieu**
(45) Registration Date: **10 June 2014**
(30) Convention priority data:
(31) Number (32) Date (33) Country
29/468,307 27 Sep 2013 UNITED STATES OF AMERICA
(56) Related Art Documents: **Not Applicable**
(57) Statement of Newness and Distinctiveness: **Newness and distinctiveness is claimed in the features depicted by solid lines in the representations. Newness and distinctiveness is not claimed in the features depicted by phantom lines in the representations.**



(21) Design Number: **11933/2014**
(22) Date of Filing Application: **23 April 2014**
(24) Date from which industrial property rights may have effect: **23 April 2014**
(54) Product in respect of which the design is registered: **Wearable device**
(51) International Design Classification: **10-04, 11-01C**
(74) Name(s) of Attorney(s): **SPRUSON & FERGUSON**
(71) Name(s) and Address(s) of Applicant(s):
AliphCom
99 Rhode Island Street 3rd Floor San Francisco California 94103 United States of America
(72) Name(s) of Designer(s): **Yves Albert Behar and Qin Li**
(45) Registration Date: **10 June 2014**
(30) Convention priority data:
(31) Number (32) Date (33) Country
29/470966 25 Oct 2013 UNITED STATES OF AMERICA
(56) Related Art Documents: **Not Applicable**
(57) Statement of Newness and Distinctiveness: **Newness and distinctiveness is claimed in the features of shape and/or configuration of a wearable device as illustrated in the accompanying representations.**



(19) AU

- (21) Design Number: **12060/2014**
- (22) Date of Filing Application: **29 April 2014**
- (24) Date from which industrial property rights may have effect: **29 April 2014**
- (54) Product in respect of which the design is registered: **Handheld transmitter**
- (51) International Design Classification: **14-03NES**
- (74) Name(s) of Attorney(s): **Chrysiliou IP**
- (71) Name(s) and Address(s) of Applicant(s):
Radio Systems Corporation
10427 PetSafe Way Knoxville Tennessee 37932 United States of America
- (72) Name(s) of Designer(s): **Aaron Russell and Clay Thompson and Michael Zhou and Waterman Cao and Chris Morgan**
- (45) Registration Date: **10 June 2014**
- (30) Convention priority data:

(31) Number	(32) Date	(33) Country
29/479220	13 Jan 2014	UNITED STATES OF AMERICA
- (56) Related Art Documents: **Not Applicable**
- (57) Statement of Newness and Distinctiveness: **Newness and distinctiveness reside in the features of the design shown in solid lines in the representations excluding those features shown in broken lines.**



(19) AU

- (21) Design Number: **12176/2014**
- (22) Date of Filing Application: **07 May 2014**
- (24) Date from which industrial property rights may have effect: **07 May 2014**
- (54) Product in respect of which the design is registered: **Portion of refill head for electric toothbrush**
- (51) International Design Classification: **04-02**
- (74) Name(s) of Attorney(s): **FB Rice**
- (71) Name(s) and Address(s) of Applicant(s):
Colgate-Palmolive Company
300 Park Avenue New York New York 10022 United States of America
- (72) Name(s) of Designer(s): **Brian Bloch and Lars Ralf Rainer Lieberwirth**
- (45) Registration Date: **10 June 2014**
- (30) Convention priority data:

(31) Number	(32) Date	(33) Country
29/477158	19 Dec 2013	UNITED STATES OF AMERICA
- (56) Related Art Documents: **Not Applicable**
- (57) Statement of Newness and Distinctiveness: **Newness and distinctiveness reside in the features of the design shown in solid lines in the representations excluding those features shown in broken lines.**



- (21) Design Number: **12177/2014**
(22) Date of Filing Application: **07 May 2014**
(24) Date from which industrial property rights may have effect: **07 May 2014**
(54) Product in respect of which the design is registered: **A roof anchor swivel bracket**
(51) International Design Classification: **08-08L**
(74) Name(s) of Attorney(s): **SPRUSON & FERGUSON**
(71) Name(s) and Address(s) of Applicant(s):
Andrew Pridham
40 Saggart Field Rd Minto NSW 2566 Australia
(72) Name(s) of Designer(s): **Andrew Pridham**
(45) Registration Date: **10 June 2014**
(56) Related Art Documents: **Not Applicable**
(57) Statement of Newness and Distinctiveness: **Newness and distinctiveness is claimed in the features of shape and/or configuration of a roof anchor swivel bracket as illustrated in the accompanying representations.**



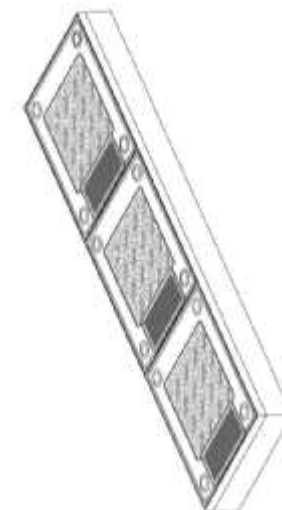
- (21) Design Number: **12178/2014**
(22) Date of Filing Application: **07 May 2014**
(24) Date from which industrial property rights may have effect: **07 May 2014**
(54) Product in respect of which the design is registered: **A roof anchor swivel bracket**
(51) International Design Classification: **08-08L**
(74) Name(s) of Attorney(s): **SPRUSON & FERGUSON**
(71) Name(s) and Address(s) of Applicant(s):
Andrew Pridham
40 Saggart Field Rd Minto NSW 2566 Australia
(72) Name(s) of Designer(s): **Andrew Pridham**
(45) Registration Date: **10 June 2014**
(56) Related Art Documents: **Not Applicable**
(57) Statement of Newness and Distinctiveness: **Newness and distinctiveness is claimed in the features of shape and/or configuration of a roof anchor swivel bracket as illustrated in the accompanying representations.**



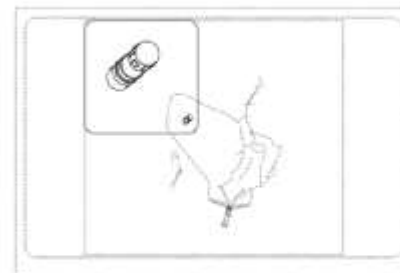
(21) Design Number: **12180/2014**
(22) Date of Filing Application: **07 May 2014**
(24) Date from which industrial property rights may have effect: **07 May 2014**
(54) Product in respect of which the design is registered: **Refill head for electric toothbrush**
(51) International Design Classification: **04-02**
(74) Name(s) of Attorney(s): **FB Rice**
(71) Name(s) and Address(s) of Applicant(s):
Colgate-Palmolive Company
300 Park Avenue New York New York 10022 United States of America
(72) Name(s) of Designer(s): **Brian Bloch and Lars Ralf Rainer Lieberwirth**
(45) Registration Date: **10 June 2014**
(30) Convention priority data:
(31) Number (32) Date (33) Country
29/477154 19 Dec 2013 UNITED STATES OF AMERICA
(56) Related Art Documents: **Not Applicable**
(57) Statement of Newness and Distinctiveness: **Newness and distinctiveness reside in the features of the design as shown in the representations.**



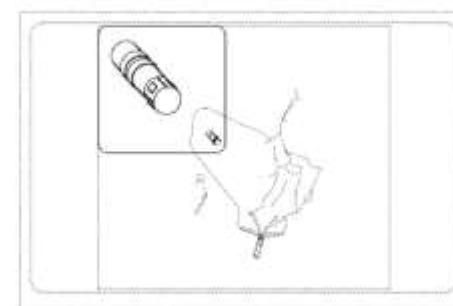
(21) Design Number: **12182/2014**
(22) Date of Filing Application: **07 May 2014**
(24) Date from which industrial property rights may have effect: **07 May 2014**
(54) Product in respect of which the design is registered: **Lighting assembly**
(51) International Design Classification: **26-06**
(74) Name(s) of Attorney(s): **Griffith Hack**
(71) Name(s) and Address(s) of Applicant(s):
LED Technologies Pty Ltd
42 Enterprise Dr Bundoora VIC 3083 Australia
(72) Name(s) of Designer(s): **Tony Ottobre**
(45) Registration Date: **10 June 2014**
(56) Related Art Documents: **Not Applicable**
(57) Statement of Newness and Distinctiveness: **Nil**



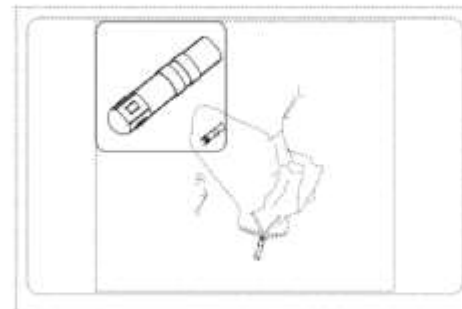
- (21) Design Number: **12183/2014**
(22) Date of Filing Application: **07 May 2014**
(24) Date from which industrial property rights may have effect: **07 February 2014**
(54) Product in respect of which the design is registered: **Display screen with icon**
(51) International Design Classification: **14-02, 14-04**
(74) Name(s) of Attorney(s): **Callinans**
(71) Name(s) and Address(s) of Applicant(s):
BIOSENSE WEBSTER (ISRAEL) LTD.
4 Hatnufa Street Yokneam 20692 Israel
(72) Name(s) of Designer(s): **Asaf Merschon and Moshe Ingel and Liav Moshe Adi and Eduard Filipov**
(45) Registration Date: **10 June 2014**
(62) Divisional of: **355332**
(56) Related Art Documents: **Not Applicable**
(57) Statement of Newness and Distinctiveness: **Newness and distinctiveness reside in the features of pattern and/or ornamentation of a display screen with icon as illustrated by solid lines in the accompanying representation. The features shown in broken outline are for contextual purposes only and do not form part of the design.**



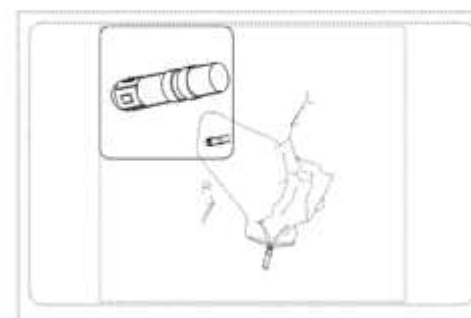
- (21) Design Number: **12184/2014**
(22) Date of Filing Application: **07 May 2014**
(24) Date from which industrial property rights may have effect: **07 February 2014**
(54) Product in respect of which the design is registered: **Display screen with icon**
(51) International Design Classification: **14-02, 14-04**
(74) Name(s) of Attorney(s): **Callinans**
(71) Name(s) and Address(s) of Applicant(s):
BIOSENSE WEBSTER (ISRAEL) LTD.
4 Hatnufa Street Yokneam 20692 Israel
(72) Name(s) of Designer(s): **Asaf Merschon and Moshe Ingel and Liav Moshe Adi and Eduard Filipov**
(45) Registration Date: **10 June 2014**
(62) Divisional of: **355332**
(56) Related Art Documents: **Not Applicable**
(57) Statement of Newness and Distinctiveness: **Newness and distinctiveness reside in the features of pattern and/or ornamentation of a display screen with icon as illustrated by solid lines in the accompanying representation. The features shown in broken outline are for contextual purposes only and do not form part of the design.**



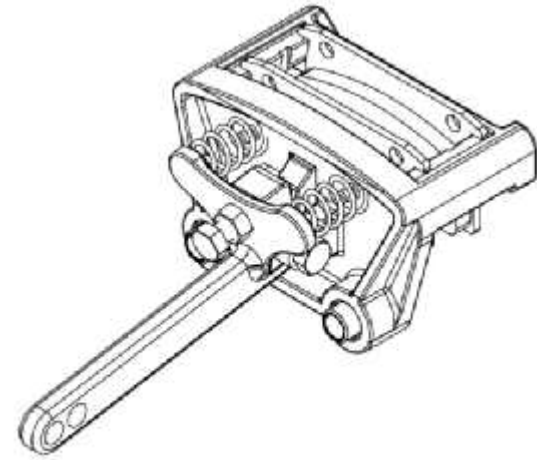
- (21) Design Number: **12185/2014**
(22) Date of Filing Application: **07 May 2014**
(24) Date from which industrial property rights may have effect: **07 February 2014**
(54) Product in respect of which the design is registered: **Display screen with icon**
(51) International Design Classification: **14-02, 14-04**
(74) Name(s) of Attorney(s): **Callinans**
(71) Name(s) and Address(s) of Applicant(s):
BIOSENSE WEBSTER (ISRAEL) LTD.
4 Hatnufa Street Yokneam 20692 Israel
(72) Name(s) of Designer(s): **Asaf Merschon and Moshe Ingel and Liav Moshe Adi and Eduard Filipov**
(45) Registration Date: **10 June 2014**
(62) Divisional of: **355332**
(56) Related Art Documents: **Not Applicable**
(57) Statement of Newness and Distinctiveness: **Newness and distinctiveness reside in the features of pattern and/or ornamentation of a display screen with icon as illustrated by solid lines in the accompanying representation. The features shown in broken outline are for contextual purposes only and do not form part of the design.**



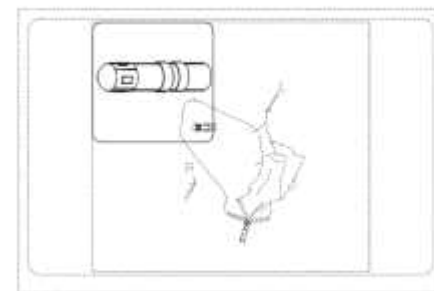
- (21) Design Number: **12187/2014**
(22) Date of Filing Application: **07 May 2014**
(24) Date from which industrial property rights may have effect: **07 February 2014**
(54) Product in respect of which the design is registered: **Display screen with icon**
(51) International Design Classification: **14-02**
(74) Name(s) of Attorney(s): **Callinans**
(71) Name(s) and Address(s) of Applicant(s):
BIOSENSE WEBSTER (ISRAEL) LTD.
4 Hatnufa Street Yokneam 20692 Israel
(72) Name(s) of Designer(s): **Asaf Merschon and Moshe Ingel and Liav Moshe Adi and Eduard Filipov**
(45) Registration Date: **10 June 2014**
(62) Divisional of: **355332**
(56) Related Art Documents: **Not Applicable**
(57) Statement of Newness and Distinctiveness: **Newness and distinctiveness reside in the features of pattern and/or ornamentation of a display screen with icon as illustrated by solid lines in the accompanying representation. The features shown in broken outline are for contextual purposes only and do not form part of the design.**



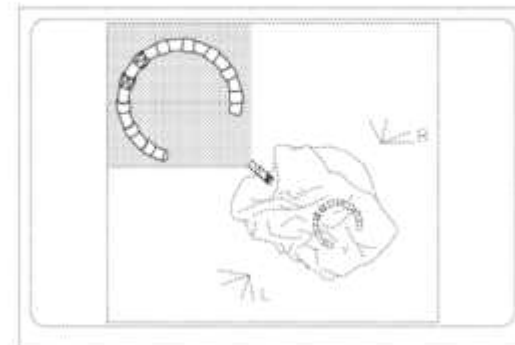
- (21) Design Number: **12188/2014**
(22) Date of Filing Application: **07 May 2014**
(24) Date from which industrial property rights may have effect: **07 May 2014**
(54) Product in respect of which the design is registered: **Mechanical brake calliper**
(51) International Design Classification: **12-16M**
(74) Name(s) of Attorney(s): **Macpherson + Kelley**
(71) Name(s) and Address(s) of Applicant(s):
TriMas Corporation Pty Ltd
49 Pacific Dr Keysborough VIC 3173 Australia
(72) Name(s) of Designer(s): **Matthew O'Neill and Andrew Buttigieg**
(45) Registration Date: **10 June 2014**
(56) Related Art Documents: **Not Applicable**
(57) Statement of Newness and Distinctiveness: **Newness and distinctiveness resides in the features of shape and/or configuration of a mechanical brake calliper as shown in the accompanying representations, in particular, the configuration of the two (2) springs as between the body of the calliper and the handle.**



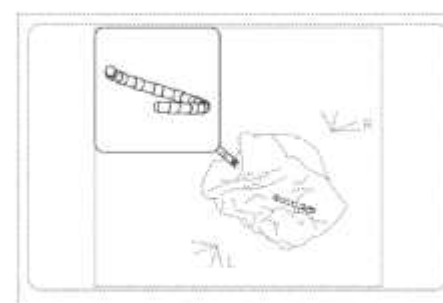
- (21) Design Number: **12189/2014**
(22) Date of Filing Application: **07 May 2014**
(24) Date from which industrial property rights may have effect: **07 February 2014**
(54) Product in respect of which the design is registered: **Display screen with icon**
(51) International Design Classification: **14-02**
(74) Name(s) of Attorney(s): **Callinans**
(71) Name(s) and Address(s) of Applicant(s):
BIOSENSE WEBSTER (ISRAEL) LTD.
4 Hatnufa Street Yokneam 20692 Israel
(72) Name(s) of Designer(s): **Asaf Merschon and Moshe Ingel and Liav Moshe Adi and Eduard Filipov**
(45) Registration Date: **10 June 2014**
(62) Divisional of: **355332**
(56) Related Art Documents: **Not Applicable**
(57) Statement of Newness and Distinctiveness: **Newness and distinctiveness reside in the features of pattern and/or ornamentation of a display screen with icon as illustrated by solid lines in the accompanying representation. The features shown in broken outline are for contextual purposes only and do not form part of the design.**



- (21) Design Number: **12190/2014**
(22) Date of Filing Application: **07 May 2014**
(24) Date from which industrial property rights may have effect: **07 May 2014**
(54) Product in respect of which the design is registered: **Display screen with icon**
(51) International Design Classification: **14-02**
(74) Name(s) of Attorney(s): **Callinans**
(71) Name(s) and Address(s) of Applicant(s):
BIOSENSE WEBSTER (ISRAEL) LTD.
4 Hatnufa Street Yokneam 20692 Israel
(72) Name(s) of Designer(s): **Asaf Merschon and Moshe Ingel and Liav Moshe Adi and Eduard Filipov**
(45) Registration Date: **10 June 2014**
(56) Related Art Documents: **Not Applicable**
(57) Statement of Newness and Distinctiveness: **Newness and distinctiveness reside in the features of pattern and/or ornamentation of a display screen with icon as illustrated by solid lines in the accompanying representation. The features shown in broken outline are for contextual purposes only and do not form part of the design.**



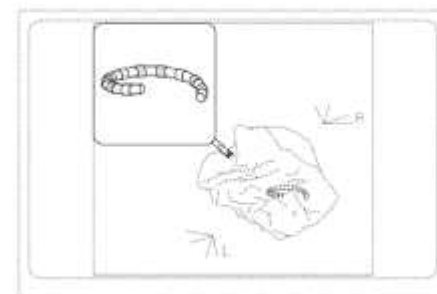
- (21) Design Number: **12191/2014**
(22) Date of Filing Application: **07 May 2014**
(24) Date from which industrial property rights may have effect: **07 February 2014**
(54) Product in respect of which the design is registered: **Display screen with icon**
(51) International Design Classification: **14-02**
(74) Name(s) of Attorney(s): **Callinans**
(71) Name(s) and Address(s) of Applicant(s):
BIOSENSE WEBSTER (ISRAEL) LTD.
4 Hatnufa Street Yokneam 20692 Israel
(72) Name(s) of Designer(s): **Asaf Merschon and Moshe Ingel and Liav Moshe Adi and Eduard Filipov**
(45) Registration Date: **10 June 2014**
(62) Divisional of: **355332**
(56) Related Art Documents: **Not Applicable**
(57) Statement of Newness and Distinctiveness: **Newness and distinctiveness reside in the features of pattern and/or ornamentation of a display screen with icon as illustrated by solid lines in the accompanying representation. The features shown in broken outline are for contextual purposes only and do not form part of the design.**



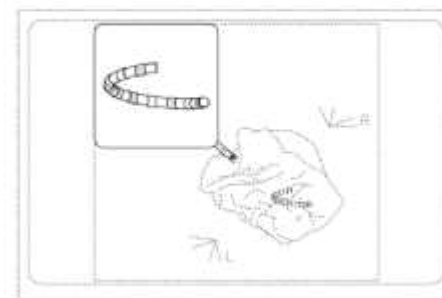
- (21) Design Number: **12192/2014**
(22) Date of Filing Application: **07 May 2014**
(24) Date from which industrial property rights may have effect: **28 February 2014**
(54) Product in respect of which the design is registered: **Urinal**
(51) International Design Classification: **23-02C**
(74) Name(s) of Attorney(s): **Griffith Hack**
(71) Name(s) and Address(s) of Applicant(s):
Zurn Industries, LLC.
1801 Pittsburgh Avenue Erie Pennsylvania 16514 United States of America
(72) Name(s) of Designer(s): **Daniel James Danowski and John Kevin Schoolcraft and Himanshu Bhatta**
(45) Registration Date: **10 June 2014**
(62) Divisional of: **355777**
(56) Related Art Documents: **Not Applicable**
(57) Statement of Newness and Distinctiveness: **Newness and distinctiveness resides in the visual features, including the shape and configuration of the product as shown by means of the solid lines in the representations.**



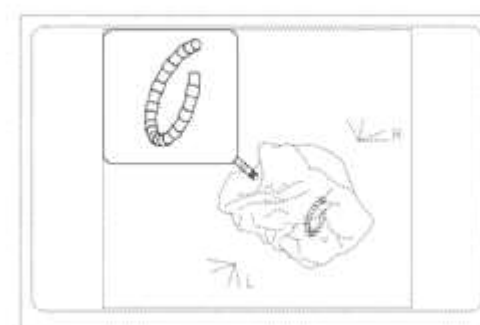
- (21) Design Number: **12193/2014**
(22) Date of Filing Application: **07 May 2014**
(24) Date from which industrial property rights may have effect: **07 February 2014**
(54) Product in respect of which the design is registered: **Display screen with icon**
(51) International Design Classification: **14-02**
(74) Name(s) of Attorney(s): **Callinans**
(71) Name(s) and Address(s) of Applicant(s):
BIOSENSE WEBSTER (ISRAEL) LTD.
4 Hatnufa Street Yokneam 20692 Israel
(72) Name(s) of Designer(s): **Asaf Merschon and Moshe Ingel and Liav Moshe Adi and Eduard Filipov**
(45) Registration Date: **10 June 2014**
(62) Divisional of: **355332**
(56) Related Art Documents: **Not Applicable**
(57) Statement of Newness and Distinctiveness: **Newness and distinctiveness reside in the features of pattern and/or ornamentation of a display screen with icon as illustrated by solid lines in the accompanying representation. The features shown in broken outline are for contextual purposes only and do not form part of the design.**



- (21) Design Number: **12194/2014**
(22) Date of Filing Application: **07 May 2014**
(24) Date from which industrial property rights may have effect: **07 February 2014**
(54) Product in respect of which the design is registered: **Display screen with icon**
(51) International Design Classification: **14-02**
(74) Name(s) of Attorney(s): **Callinans**
(71) Name(s) and Address(s) of Applicant(s):
BIOSENSE WEBSTER (ISRAEL) LTD.
4 Hatnufa Street Yokneam 20692 Israel
(72) Name(s) of Designer(s): **Asaf Merschon and Moshe Ingel and Liav Moshe Adi and Eduard Filipov**
(45) Registration Date: **10 June 2014**
(62) Divisional of: **355332**
(56) Related Art Documents: **Not Applicable**
(57) Statement of Newness and Distinctiveness: **Newness and distinctiveness reside in the features of pattern and/or ornamentation of a display screen with icon as illustrated by solid lines in the accompanying representation. The features shown in broken outline are for contextual purposes only and do not form part of the design.**



- (21) Design Number: **12195/2014**
(22) Date of Filing Application: **07 May 2014**
(24) Date from which industrial property rights may have effect: **07 February 2014**
(54) Product in respect of which the design is registered: **Display screen with icon**
(51) International Design Classification: **14-02**
(74) Name(s) of Attorney(s): **Callinans**
(71) Name(s) and Address(s) of Applicant(s):
BIOSENSE WEBSTER (ISRAEL) LTD.
4 Hatnufa Street Yokneam 20692 Israel
(72) Name(s) of Designer(s): **Asaf Merschon and Moshe Ingel and Liav Moshe Adi and Eduard Filipov**
(45) Registration Date: **10 June 2014**
(62) Divisional of: **355332**
(56) Related Art Documents: **Not Applicable**
(57) Statement of Newness and Distinctiveness: **Newness and distinctiveness reside in the features of pattern and/or ornamentation of a display screen with icon as illustrated by solid lines in the accompanying representation. The features shown in broken outline are for contextual purposes only and do not form part of the design.**



-
- (21) Design Number: **12196/2014**
(22) Date of Filing Application: **07 May 2014**
(24) Date from which industrial property rights may have effect: **07 February 2014**
(54) Product in respect of which the design is registered: **Display screen with icon**
(51) International Design Classification: **14-02**
(74) Name(s) of Attorney(s): **Callinans**
(71) Name(s) and Address(s) of Applicant(s):
BIOSENSE WEBSTER (ISRAEL) LTD.
4 Hatnufa Street Yokneam 20692 Israel
(72) Name(s) of Designer(s): **Asaf Merschon and Moshe Ingel and Liav Moshe
Adi and Eduard Filipov**
(45) Registration Date: **10 June 2014**
(62) Divisional of: **355332**
(56) Related Art Documents: **Not Applicable**
(57) Statement of Newness and Distinctiveness: **Newness and distinctiveness
reside in the features of pattern and/or ornamentation of a display
screen with icon as illustrated by solid lines in the accompanying
representation. The features shown in broken outline are for contextual
purposes only and do not form part of the design.**

-
- (21) Design Number: **12197/2014**
(22) Date of Filing Application: **07 May 2014**
(24) Date from which industrial property rights may have effect: **07 February 2014**
(54) Product in respect of which the design is registered: **Display screen with icon**
(51) International Design Classification: **14-02**
(74) Name(s) of Attorney(s): **Callinans**
(71) Name(s) and Address(s) of Applicant(s):
BIOSENSE WEBSTER (ISRAEL) LTD.
4 Hatnufa Street Yokneam 20692 Israel
(72) Name(s) of Designer(s): **Asaf Merschon and Moshe Ingel and Liav Moshe
Adi and Eduard Filipov**
(45) Registration Date: **10 June 2014**
(62) Divisional of: **355332**
(56) Related Art Documents: **Not Applicable**
(57) Statement of Newness and Distinctiveness: **Newness and distinctiveness
reside in the features of pattern and/or ornamentation of a display
screen with icon as illustrated by solid lines in the accompanying
representation. The features shown in broken outline are for contextual
purposes only and do not form part of the design.**

-
- (21) Design Number: **12198/2014**
(22) Date of Filing Application: **07 May 2014**
(24) Date from which industrial property rights may have effect: **07 February 2014**
(54) Product in respect of which the design is registered: **Display screen with icon**
(51) International Design Classification: **14-02**
(74) Name(s) of Attorney(s): **Callinans**
(71) Name(s) and Address(s) of Applicant(s):
BIOSENSE WEBSTER (ISRAEL) LTD.
4 Hatnufa Street Yokneam 20692 Israel
(72) Name(s) of Designer(s): **Asaf Merschon and Moshe Ingel and Liav Moshe
Adi and Eduard Filipov**
(45) Registration Date: **10 June 2014**
(62) Divisional of: **355332**
(56) Related Art Documents: **Not Applicable**
(57) Statement of Newness and Distinctiveness: **Newness and distinctiveness
reside in the features of pattern and/or ornamentation of a display
screen with icon as illustrated by solid lines in the accompanying
representation. The features shown in broken outline are for contextual
purposes only and do not form part of the design.**