



Australian Government

IP Australia

AUSTRALIAN OFFICIAL JOURNAL

OF

DESIGNS

Did you know a searchable version of this journal is now available online?

It's FREE and EASY to SEARCH.

Find it on our website (www.ipaustralia.gov.au)

by using the "Journals" link on the home page.

This Page Left Intentionally Blank

Contents

General Information & Notices

**Proceedings Under the Designs Act 1906 preserved as a result of the provisions of Chapter 12
Part 2 of the Designs Act 2003**

Extension of Period of Registration of Designs 1802

Registrations Ceased 1802

Proceedings Under the Designs Act 2003

Applications Assigned 1812

Applications Lapsed 1811

Applications Lodged 1806

Applications Withdrawn 1811

Certificate of Examination 1814

Extension of Period of Registration of Design 1812

Extension of Time Granted Under Section 137 1812

Names Registered - Alterations and Amendments 1813

Publication and Registration Proceedings

Designs Registered 355844 to 356097..... 1815

Registrations Ceased 1812

Subsequent Owners Registered 1812

This Page Left Intentionally Blank

For information on the following please see our website www.ipaustralia.gov.au or contact our Customer Service Network on 1300651010

[Editorial enquiries](#)

[Contact information](#)

[Freedom of Information ACT](#)

[Professional Standards Board](#)

[Sales](#)

[Requests for Information under Section 194 \(c\)](#)

[Country Codes](#)

[Trade Mark and Designs Hearing Sessions](#)

[INID \(Internationally agreed Numbers for the Identification of Data\)](#)

“INID” NUMBERS in use on Australian Design Documents

“INID” is an acronym for “Internationally agreed Numbers for the Identification of Data”.

(10) Data concerning the registration/renewal

- (11) Serial number of the registration and/or number of the design document
- (12) Plain language designation of the kind of published document
- (19) Identification, using the two-letter code according to WIPO Standard ST.3, of the authority publishing or registering the industrial design

(20) Data concerning the application

- (21) Serial number of the application
- (22) Date of filing of the application
- (24) Date from which the industrial design right has effect

(30) Data relating to priority under the Paris Convention

- (31) Serial number assigned to the priority application
- (32) Date of filing of the priority application
- (33) Two-letter code, according to WIPO Standard ST.3, identifying the authority with which the priority application was made

(40) Date(s) of making information available to the public

- (45) Date of publication of the registered industrial design by printing or similar process, or making it available to the public by any other means

(50) Miscellaneous Information

- (51) International Classification for Industrial Designs (class and subclass of the Locarno Classification)
- (54) Designation of article(s) or product(s) covered by the industrial design or title of the industrial design
- (55) Reproduction of the industrial design (e.g., drawing, photograph) and explanations relating to the reproduction
- (56) List of prior art documents, if separate from descriptive text
- (57) Description of characteristic features of the industrial design including indication of colours

(60) References to other legally related application(s) and registration(s)

- (62) Serial number(s) and, if available, filing date(s) of application(s), registration(s) or document(s) related by division
- (66) Serial number(s) of the application, or the registration, of the design(s) which is (are) a variant(s) of the present one

(70) Identification of parties concerned with the application or registration

- (71) Name(s) and address(es) of the applicant(s)
- (72) Name(s) of the creator(s) if known to be such
- (74) Name(s) and address(es) of the representative(s)

This Page Left Intentionally Blank

Nil notices for this journal issue.

Proceedings under the Designs Act 1906 preserved as a result of the provisions of Chapter 12 Part 2 of the Designs Act 2003.

This Page Left Intentionally Blank

Applications Lapsed

There were no Applications Lapsed under this section

Extension of Period of Registration of Designs			151514	151610	151611
			151612	151614	151804
			151902	151903	151979
1st Period (Section 27A(8))			152179	153670	153671
			154348	154823	154849
2nd Period (Section 27A(12))			155020	155021	155056
			155166	155591	155640
3rd Period (Section 27A(13))			156063	156064	157197
			158520		
152839	153009	153010			
153011	153028	153029			
153030	153031	153087			
153127	153209	153210			
153240	153251	153373			
153374	153375	153377			
153379	153426	153427			
153428	153449	153595			
153659	153754	153930			
154508	154960	155100			
155152	155235	155841			
155986	155987	155988			
155991	156228	156855			
156856	157597				

Registrations Ceased

Note: Some of the following Registrations may have been previously advertised as ceased. In this instance, the previous advertisement still prevails.

134298	134720	135082
135398	135405	135448
135464	135465	135466
135485	135508	135529
135561	135562	135563
135663	135667	135720
135721	135833	135834
135835	135875	135909
135954	135962	135963
136033	136073	136235
136252	136253	136254
136255	136270	136520
136521	136560	136561
137011	137086	137135
137136	137287	137305
137775	138131	138594
139102	139103	139222
139668	142180	142181
149561	150506	150507
150849	150883	150884
150885	150890	150905
150907	150908	150944
150945	150989	151083
151254	151274	151488

This Page Left Intentionally Blank

Proceedings under the Designs Act 2003.

This Page Left Intentionally Blank

Applications Lodged

Lodgement information is in the following order: **Applicant's Name**; International Classification, Name of Product, Lodgement Date and **Design Number**. If the applicant claims an earlier priority date under an International Convention, the Convention Country and the associated filing date are shown in parentheses before the Lodgement Date. Divisional information will also appear in parentheses before the Lodgement Date.

Abrosimov, Yuriy; 09-03E, Bottles, cans, containers for liquids and gas, 17 Jun 2014	12941/2014	AUSTRALIAN FASHION LABELS PTY LTD; 05-05A, A textile print, 17 Jun 2014	12944/2014
Andrews, Daryl Robert; 12-06NES, Inflatable boat dock, 13 Jun 2014	12910/2014	AUSTRALIAN FASHION LABELS PTY LTD; 02-02C, Shorts, 18 Jun 2014	12981/2014
AptarGroup, Inc.; 09-07C, Tapered lid closure, (US, 19 Mar 2014) 17 Jun 2014	12953/2014	AUSTRALIAN FASHION LABELS PTY LTD; 05-05NES, A textile print, 13 Jun 2014	12912/2014
AptarGroup, Inc.; 09-07C, Flared lid closure, (US, 19 Mar 2014) 17 Jun 2014	12954/2014	AUSTRALIAN FASHION LABELS PTY LTD; 05-05D, A textile print, 13 Jun 2014	12913/2014
AptarGroup, Inc.; 09-07C, Closure, (US, 22 Apr 2014) 17 Jun 2014	12963/2014	AUSTRALIAN FASHION LABELS PTY LTD; 05-05NES, A textile print, 13 Jun 2014	12921/2014
Australian Fashion Labels Pty Ltd; 05-05B, A textile print, 13 Jun 2014	12919/2014	Beadle, Carl Albert; 06-99, Clip on cloth holder, 06 Jun 2014	12798/2014
Australian Fashion Labels Pty Ltd; 02-02NES, A top, 18 Jun 2014	12978/2014	Beadle, Carl Albert; 06-99, Clip on cloth holder, 06 Jun 2014	12799/2014
Australian Fashion Labels Pty Ltd; 02-02NES, A top, 18 Jun 2014	12975/2014	Blay, Christopher;Wynne, Gavin; 06-09, Cushions, (EM, 18 Dec 2013) 18 Jun 2014	12983/2014
Australian Fashion Labels Pty Ltd; 02-02C, Shorts, 18 Jun 2014	12972/2014	Blay, Christopher;Wynne, Gavin; 06-09, Cushions, (EM, 18 Dec 2013) 18 Jun 2014	12977/2014
Australian Fashion Labels Pty Ltd; 02-02NES, A top, 13 Jun 2014	12914/2014	Bose Corporation; 14-01, Portable audio system, (US, 16 Jan 2014) 19 Jun 2014	13003/2014
Australian Fashion Labels Pty Ltd; 02-02C, A dress, 13 Jun 2014	12915/2014	Bowman, Bertho Kjell;Colton, Brett; 19-06, Tattooing machine, 13 Jun 2014	12920/2014
Automobili Lamborghini S.p.A.; 12-08, Vehicle; model car, (EM, 19 Dec 2013) 19 Jun 2014	13000/2014	Bridgestone Corporation; 12-15B, Automobile tyre, (JP, 10 Dec 2013) 10 Jun 2014	12822/2014
Automobili Lamborghini S.p.A.; 12-16A, Vehicle wheel rim, (EM, 19 Dec 2013) 19 Jun 2014	13004/2014	Bridgestone Corporation; 12-15B, Automobile tyre, (JP, 10 Dec 2013) 10 Jun 2014	12819/2014
Automobili Lamborghini S.p.A.; 12-16A, Vehicle wheel rim, (EM, 19 Dec 2013) 19 Jun 2014	13001/2014	Burrows, Damien; 06-03A, Furniture; table, 17 Jun 2014	12965/2014
Automobili Lamborghini S.p.A.; 12-08, 21-01C, Vehicle; model car, (EM, 19 Dec 2013) 19 Jun 2014	12999/2014	BRIDGESTONE CORPORATION; 12-15D, Motorcycle tyre, (JP, 09 Jan 2014) 17 Jun 2014	12946/2014
Automobili Lamborghini S.p.A.; 12-08, Vehicle; model car, (EM, 19 Dec 2013) 19 Jun 2014	13005/2014	BRIDGESTONE CORPORATION; 12-15B, Automobile tyre, (JP, 16 Dec 2013) 16 Jun 2014	12926/2014
ALFA NEON SKYLTFABRIK AB; 08-03, Linear cutter, (WO, 18 Dec 2013) 17 Jun 2014	12942/2014	BRIDGESTONE CORPORATION; 12-15B, Automobile tyre, (JP, 28 Feb 2014) 16 Jun 2014	12927/2014
AUSTRALIAN FASHION LABELS PTY LTD; 02-02C, A dress, 17 Jun 2014	12945/2014	Chester, David; 08-08A, Decking board fastener, 17 Jun 2014	12957/2014

Coles Supermarkets Australia Pty Ltd; 09-03NES, Packaging, 11 Jun 2014	12856/2014	De Jong, Peter; 12-06NES, Outboard motor accessory, 13 Jun 2014	12918/2014
Colton, Brett;Bowman, Bertho Kjell; 19-06, Tattooing machine, 13 Jun 2014	12920/2014	Doug Andrews Heating & Ventilation Limited; 07-02NES, A cooker, (NZ, 09 Jun 2014) 11 Jun 2014	12840/2014
Concourse Golf Pty Ltd; 03-01C, Golf bag coupling, 12 Jun 2014	12888/2014	Doug Andrews Heating & Ventilation Limited; 07-02NES, A cooker, (NZ, 09 Jun 2014) 11 Jun 2014	12841/2014
Cryovac Australia Pty Ltd; 09-03L, Container, 17 Jun 2014	12959/2014	DG International Holdings Limited; 08-07, Padlock, (EM, 16 Oct 2013) (Divisional of 11745/2014) 17 Jun 2014	12949/2014
Cryovac Australia Pty Ltd; 09-03NES, Container, 17 Jun 2014	12958/2014	DTT (Holdings) Pty Ltd; 13-02, 20-02NES, Docking stand with contour, 19 Jun 2014	13012/2014
Cryovac Australia Pty Ltd; 09-03L, Container, 17 Jun 2014	12960/2014	Edwards, Michael Christopher; 22-05, Venting tool, 18 Jun 2014	12979/2014
COMPAGNIE GENERALE DES ETABLISSEMENTS MICHELIN;Michelin Recherche et Technique S.A.; 12-15B, A tyre, (US, 24 Jan 2014) 16 Jun 2014	12925/2014	Edwards, Michael Christopher; 22-05, 08-05NES, Insert for a venting tool, 18 Jun 2014	12980/2014
COMPAGNIE GENERALE DES ETABLISSEMENTS MICHELIN;Michelin Recherche et Technique S.A.; 12-15B, A tyre, (US, 24 Jan 2014) 16 Jun 2014	12924/2014	Electrolux S.E.A. Pte Ltd; 15-05, A fabric care appliance; a door; a control panel, 16 Jun 2014	12940/2014
CSR Building Products Limited; 25-01D, Building panel, 10 Jun 2014	12827/2014	Electrolux Sea Pte Ltd; 15-05, A fabric care appliance; a door; a control panel, 16 Jun 2014	12939/2014
CSR Building Products Limited; 25-01D, Building panel, 10 Jun 2014	12835/2014	EREDU, S. Coop; 06-01F, Chair, 11 Jun 2014	12854/2014
CSR Building Products Limited; 25-01D, Building panel, 10 Jun 2014	12836/2014	Fronis Innovation Pty Ltd; 28-04, Hairpieces, 16 Jun 2014	12931/2014
CSR Building Products Limited; 25-02E, Cornice of indefinite length, 10 Jun 2014	12833/2014	Fugoo Corporation; 14-01, Jacket for portable speaker, (US, 10 Dec 2013) 10 Jun 2014	12821/2014
CSR Building Products Limited; 25-01D, Building panel, 10 Jun 2014	12834/2014	Fugoo Corporation; 14-01, Portable speaker, (US, 10 Dec 2013) 10 Jun 2014	12825/2014
CSR Building Products Limited; 25-02E, Cornice of indefinite length, 10 Jun 2014	12832/2014	Fugoo Corporation; 09-05, Jacket for portable speaker, (US, 10 Dec 2013) 10 Jun 2014	12820/2014
CSR Building Products Limited; 25-01D, Building panel, 10 Jun 2014	12831/2014	Fugoo Corporation; 14-01, Jacket for portable speaker, (US, 10 Dec 2013) 10 Jun 2014	12826/2014
CSR Building Products Limited; 25-01D, Building panel, 10 Jun 2014	12828/2014	Fugoo Corporation; 14-01, Jacket for portable speaker, (US, 10 Dec 2013) 10 Jun 2014	12823/2014
D&C Wilson Holdings Pty Ltd; 08-08NES, Deck fastener, 11 Jun 2014	12859/2014	Fugoo Corporation; 14-01, Portable speaker, (US, 10 Dec 2013) 10 Jun 2014	12824/2014
D&C Wilson Holdings Pty Ltd; 08-08NES, Deck fastener, 11 Jun 2014	12858/2014	Gato, Baldamero; 25-01NES, 08-08L, Support bracket, 12 Jun 2014	12884/2014
D&C Wilson Holdings Pty Ltd; 08-08NES, Deck fastener, 11 Jun 2014	12857/2014	Golden Bear Enterprises Pty. Ltd.; 15-07, Refrigerator, 18 Jun 2014	12993/2014
Dai, Alex; 13-02, Cover lid of lead-acid battery, (TW, 03 Jan 2014) 19 Jun 2014	13013/2014		
Dainihon Jochugiku Co., Ltd.; 22-06, Container for catching insect pests, (JP, 21 Apr 2014) 18 Jun 2014	12968/2014		

GEA Farm Technologies GmbH; 15-03C, Milking machine, (EM, 19 Dec 2013) 17 Jun 2014	12947/2014	Magpul Industries Corporation; 22-01, Snap hook interface for a firearm, (US, 23 Dec 2013) 17 Jun 2014	12951/2014
GEA Farm Technologies GmbH; 15-03C, Milking machine, (EM, 19 Dec 2013) 17 Jun 2014	12948/2014	Mayo Hardware Pty Ltd; 08-07, Fuse cavity locking device, 17 Jun 2014	12952/2014
Hidez Pty Limited; 30-01, An animal suit, 12 Jun 2014	12897/2014	Mcperson, Don; 25-01K, Top hat roofing battens, 17 Jun 2014	12964/2014
Hudson, Cearna Sheree Ann; 07-05D, Washing line and washing line cover, (NZ, 16 Dec 2013) 13 Jun 2014	12911/2014	McKail, Robert Howson; 24-99, Alerting device to prevent snoring, 16 Jun 2014	12933/2014
InnoMag Hi-Tech (Shanghai) Co., Ltd.; 23-02A, Maglev soap holder, (CN, 12 Dec 2013) 12 Jun 2014	12882/2014	McMahon, Gregory Michael; 11-05, A banner, 18 Jun 2014	12982/2014
InnoMag Hi-Tech (Shanghai) Co., Ltd.; 23-02A, Maglev soap holder, (CN, 12 Dec 2013) 12 Jun 2014	12881/2014	Michelin Recherche et Technique S.A.;COMPAGNIE GENERALE DES ETABLISSEMENTS MICHELIN; 12-15B, A tyre, (US, 24 Jan 2014) 16 Jun 2014	12925/2014
JETS Swimwear Pty Limited; 02-02A, Swimwear garment, 10 Jun 2014	12816/2014	Michelin Recherche et Technique S.A.;COMPAGNIE GENERALE DES ETABLISSEMENTS MICHELIN; 12-15B, A tyre, (US, 24 Jan 2014) 16 Jun 2014	12924/2014
JETS Swimwear Pty Limited; 02-02A, Swimwear garment, 10 Jun 2014	12815/2014	MBBC Pty Ltd; 09-03L, A can, 16 Jun 2014	12930/2014
K Z Kua & A S Liso; 25-03, A parcel box, 19 Jun 2014	13015/2014	Ningbo Mentoriend International Trading Co., Ltd; 06-01L, Swing chair, 11 Jun 2014	12862/2014
Kimberly-Clark Worldwide, Inc.; 24-01, A respirator, (US, 30 Dec 2013) 18 Jun 2014	12970/2014	Nissan Jidosha Kabushiki Kaisha; 12-16B, Radiator grill for automobile, 19 Jun 2014	13010/2014
Koninklijke Philips Electronics N.V.; 28-03NES, Microdermabrasion device, (EM, 13 Dec 2013) 12 Jun 2014	12868/2014	Nissan Jidosha Kabushiki Kaisha; 12-16C, Rear bumper for automobile, 19 Jun 2014	13011/2014
KONSTRUKTION123456 AB; 25-01K, Profiles for worktable, (WO, 18 Dec 2013) 17 Jun 2014	12943/2014	Nokia Corporation; 14-03E, Handset, (Divisional of 11526/2014) 12 Jun 2014	12898/2014
Laird, Jeff; 12-10, Luggage trailer, 12 Jun 2014	12869/2014	Nokia Corporation; 14-03E, Handset, (Divisional of 11526/2014) 12 Jun 2014	12901/2014
Leibovich, Aaron; 14-03A, 14-03NES, Passive EM antenna for android smart phones - 2, 12 Jun 2014	12863/2014	Nokia Corporation; 14-03E, Handset, (Divisional of 11526/2014) 12 Jun 2014	12902/2014
Leonard, Edward Scott; 07-07B, Bucket, 18 Jun 2014	12992/2014	Nokia Corporation; 14-03E, Handset, (Divisional of 11526/2014) 12 Jun 2014	12900/2014
Lyon, Brearne; 08-08NES, 15-06, A thread retention clip for a sewing bobbin, 13 Jun 2014	12904/2014	Nokia Corporation; 14-03E, Handset, (Divisional of 11526/2014) 12 Jun 2014	12899/2014
LED Technologies Pty Ltd; 26-05C, Lighting assembly, 19 Jun 2014	12994/2014	Nokia Corporation; 14-03E, Handset, (Divisional of 11526/2014) 12 Jun 2014	12872/2014
LED Technologies Pty Ltd; 26-05C, Lighting assembly, 19 Jun 2014	12995/2014	Nokia Corporation; 14-03E, Handset, (Divisional of 11526/2014) 12 Jun 2014	12893/2014
Mabi Pty Ltd; 07-99A, A band to identify the contents inside a jug, 10 Jun 2014	12817/2014		
Magi Enterprises Pty Ltd; 02-02C, 02-02NES, Articles of clothing, 12 Jun 2014	12905/2014		
Magpul Industries Corporation; 03-01NES, Case for a tablet, (US, 20 Dec 2013) 17 Jun 2014	12956/2014		

Nokia Corporation; 14-03E, Handset, (Divisional of 11526/2014) 12 Jun 2014	12871/2014	Rowling, David Leroy; 25-03, Silo module, 17 Jun 2014	12962/2014
Nokia Corporation; 14-03A, Handset, (Divisional of 11516/2014) 12 Jun 2014	12870/2014	Runway Blue, LLC; 07-01NES, Container, (Divisional of 10746/2014) 12 Jun 2014	12892/2014
Novaplas Architectural Products;The Trustee for NAP GLOBAL TRUST; 25-01NES, Z section is for the building external facade, 12 Jun 2014	12903/2014	REALIFEX PTY. LTD.; 14-04, Mobile applications innovative design and features, 14 Jun 2014	12922/2014
Oi Oi Pty Ltd; 05-05B, Fabric, 12 Jun 2014	12880/2014	RPC Superfos A/S; 09-07B, Lid for a container, (EM, 18 Dec 2013) 18 Jun 2014	12985/2014
Origami Owl, LLC; 11-01NES, Heart-shaped locket, (US, 19 Dec 2013) 16 Jun 2014	12928/2014	RPC Superfos A/S; 09-07B, Lid for a container, (EM, 18 Dec 2013) 18 Jun 2014	12986/2014
Origami Owl, LLC; 11-01NES, Heart-shaped locket, (US, 19 Dec 2013) 18 Jun 2014	12971/2014	RPC Superfos A/S; 07-03, A spoon, (EM, 18 Dec 2013) 18 Jun 2014	12987/2014
Origami Owl, LLC; 11-01NES, Heart-shaped locket, (US, 19 Dec 2013) 18 Jun 2014	12974/2014	RPC Superfos A/S; 09-07B, Lid for a container, (EM, 18 Dec 2013) 18 Jun 2014	12984/2014
Origami Owl, LLC; 11-01NES, Heart-shaped locket, (US, 19 Dec 2013) 18 Jun 2014	12973/2014	S. C. Johnson & Son, Inc.; 09-01A, 22-06, Volatile material dispenser, (US, 20 Dec 2013) 19 Jun 2014	13007/2014
Origami Owl, LLC; 11-01NES, Heart-shaped locket, (US, 19 Dec 2013) 18 Jun 2014	12976/2014	S. C. Johnson & Son, Inc.; 09-01A, 22-06, Volatile material dispenser, (US, 20 Dec 2013) 19 Jun 2014	13006/2014
Origami Owl, LLC; 11-01NES, Heart-shaped locket, (US, 19 Dec 2013) 16 Jun 2014	12929/2014	Saha, Syamantak; 14-03NES, Internet search engine, 10 Jun 2014	12818/2014
P & W Short Builders Pty Ltd; 25-01K, Extrusion, 11 Jun 2014	12853/2014	Samsung Electronics Co., Ltd; 14-02, 14-03E, Electronic device, (KR, 19 Feb 2014) 12 Jun 2014	12891/2014
P & W Short Builders Pty Ltd; 25-01K, Extrusion, 11 Jun 2014	12855/2014	Samsung Electronics Co., Ltd; 14-03E, 14-02, Electronic device, (KR, 19 Feb 2014) 12 Jun 2014	12890/2014
Patterson, Glenn Robert;Stephens, Nathan; 12-16H, 28-03NES, Makeup/ vanity mirror for a vehicle interior visor, 19 Jun 2014	13014/2014	Samsung Electronics Co., Ltd; 14-03E, 14-02, Electronic device, (KR, 19 Feb 2014) 12 Jun 2014	12887/2014
Pelican Products, Inc.; 26-02, Portable light, (US, 30 Dec 2013) 12 Jun 2014	12878/2014	Samsung Electronics Co., Ltd; 14-03E, 14-02, Electronic device, (KR, 19 Feb 2014) 12 Jun 2014	12885/2014
Pelican Products, Inc.; 26-02, Portable light, (US, 30 Dec 2013) 12 Jun 2014	12879/2014	Samsung Electronics Co., Ltd; 14-03E, 14-02, Electronic device, (KR, 19 Feb 2014) 12 Jun 2014	12886/2014
Pianta, John Geoffery; 19-08, A tyre label, 12 Jun 2014	12864/2014	Sanofi-Aventis Deutschland GmbH; 24-02, Injection device with cap on, (EP, 17 Dec 2013) 11 Jun 2014	12839/2014
Plano Molding Company; 03-01D, TRAY BOX, (US, 10 Jun 2014) 11 Jun 2014	12861/2014	Sanofi-Aventis Deutschland GmbH; 24-02, Injection device with cap off, (EP, 17 Dec 2013) 11 Jun 2014	12842/2014
Rado Uhren AG (Rado Watch Co Ltd) (Montres Rado SA); 10-02, Wrist watch, (CH, 17 Jan 2014) 18 Jun 2014	12969/2014	Sanofi-Aventis Deutschland GmbH; 24-02, Needle safety device, (EP, 17 Dec 2013) 11 Jun 2014	12843/2014
Reimann Manufacturing Pty Ltd; 15-04, Excavator bucket, 16 Jun 2014	12935/2014	Scazziga, Lorenzo; 26-02, Pocket torch, (WO, 15 Dec 2013) 10 Jun 2014	12830/2014

Scazziga, Lorenzo; 26-02, Pocket torch, (WO, 15 Dec 2013) 10 Jun 2014	12829/2014	Techtronic Floor Care Technology Limited; 15-05, Vacuum cleaner, (EM, 20 Dec 2013) 19 Jun 2014	13009/2014
Skimmer Lids Pty Ltd; 23-01NES, A skimmer box lid, 18 Jun 2014	12990/2014	Techtronic Industries Co., Ltd; 13-02, Battery, (US, 13 Dec 2013) 13 Jun 2014	12906/2014
Skimmer Lids Pty Ltd; 23-01NES, A skimmer box lid, 18 Jun 2014	12991/2014	Techtronic Industries Co., Ltd; 08-03, String trimmer, (US, 13 Dec 2013) 13 Jun 2014	12909/2014
Skimmer Lids Pty Ltd; 23-01NES, A skimmer box lid, 18 Jun 2014	12988/2014	Techtronic Industries Co., Ltd; 13-02, Charger, (US, 13 Dec 2013) 13 Jun 2014	12907/2014
Skimmer Lids Pty Ltd; 23-01NES, A skimmer box lid, 18 Jun 2014	12989/2014	Techtronic Industries Co., Ltd; 15-05, Blower, (US, 13 Dec 2013) 13 Jun 2014	12908/2014
Smith, Michelle; 07-02P, A cake decorating stencil, 06 Jun 2014	12800/2014	The Trustee for NAP GLOBAL TRUST;Novaplas Architectural Products; 25-01NES, Z section is for the building external facade, 12 Jun 2014	12903/2014
Smith & Nephew Inc.; 24-04, Device for applying negative pressure to a wound, (US, 28 May 2014) 16 Jun 2014	12934/2014	The Trustee for NAP GLOBAL TRUST; 08-08G, 06-08, Coat / clothes hanger, 11 Jun 2014	12860/2014
Smith & Nephew Inc.; 24-01, Canister, (US, 28 May 2014) 16 Jun 2014	12932/2014	Thompson, Emmanuel; 09-01D, A bottle, 13 Jun 2014	12916/2014
Smith & Nephew Inc.; 24-01, Therapy unit assembly, (US, 28 May 2014) 16 Jun 2014	12936/2014	Thompson, Emmanuel; 09-01D, A bottle, 13 Jun 2014	12917/2014
Smith & Nephew Inc.; 24-01, Therapy unit assembly, (US, 02 Jun 2014) 16 Jun 2014	12937/2014	Tolix Steel Design; 06-01F, Chair, (EM, 02 Dec 2013) 30 May 2014	12667/2014
Smith & Nephew Inc.; 24-01, Canister, (US, 02 Jun 2014) 16 Jun 2014	12938/2014	UR1 International Pty Ltd; 10-04, Photo frames, 17 Jun 2014	12961/2014
Smith & Nephew Inc.; 08-05F, Clamp, (US, 28 May 2014) 11 Jun 2014	12852/2014	USM Holding AG; 25-02NES, 06-06NES, Organisational element, (WO, 01 Jul 2013) 24 Dec 2013	12996/2014
Smith & Nephew PLC; 09-03M, Packaging, (US, 03 Jun 2014) 12 Jun 2014	12865/2014	USM Holding AG; 25-02NES, 06-06NES, Organisational element, (WO, 01 Jul 2013) 24 Dec 2013	12997/2014
Stephens, Nathan;Patterson, Glenn Robert; 12-16H, 28-03NES, Makeup/ vanity mirror for a vehicle interior visor, 19 Jun 2014	13014/2014	Watkins Manufacturing Corporation; 23-02B, Spa, (US, 23 Dec 2013) 11 Jun 2014	12845/2014
Storytime Pods Pty Ltd; 14-04, Video display surround, 12 Jun 2014	12866/2014	Watkins Manufacturing Corporation; 23-02B, Spa shell, (US, 23 Dec 2013) 11 Jun 2014	12844/2014
Storytime Pods Pty Ltd; 14-01, Children's computer entertainment station, 12 Jun 2014	12867/2014	Watkins Manufacturing Corporation; 23-02B, Spa shell, (US, 23 Dec 2013) 11 Jun 2014	12837/2014
SHOP VAC CORPORATION; 15-05, Vacuum cleaner, (US, 11 Oct 2013) 11 Apr 2014	12795/2014	Watkins Manufacturing Corporation; 23-02B, Spa shell, (US, 13 Mar 2014) 11 Jun 2014	12846/2014
Techtronic Floor Care Technology Limited; 15-05, Vacuum cleaner, (EP, 20 Dec 2013) 19 Jun 2014	13008/2014	Watkins Manufacturing Corporation; 23-02B, Spa shell, (US, 23 Dec 2013) 11 Jun 2014	12838/2014
Techtronic Floor Care Technology Limited; 15-05, Vacuum cleaner, (EP, 20 Dec 2013) 19 Jun 2014	12998/2014	Wellington Jeweller Pty Ltd; 11-01E, Necklace (jewellery), 17 Jun 2014	12966/2014

Wheel Pros, LLC; 12-16A, Wheel, (US, 07 Feb 2014) 12 Jun 2014	12894/2014	Yeomans, Allan James; 08-08B, Spacer for a u-bolt or -clamp, 16 Jun 2014	12923/2014
Wheel Pros, LLC; 12-16A, Wheel, (US, 07 Feb 2014) 12 Jun 2014	12895/2014	3M Innovative Properties Company; 08-05L, 10-99, System for identifying spray guns, (US, 11 Dec 2013) 11 Jun 2014	12848/2014
Wheel Pros, LLC; 12-16A, Wheel, (US, 07 Feb 2014) 12 Jun 2014	12896/2014	3M Innovative Properties Company; 09-03NES, Container for disposable spray gun components, (US, 16 Dec 2013) 11 Jun 2014	12850/2014
Wynne, Gavin;Blay, Christopher; 06-09, Cushions, (EM, 18 Dec 2013) 18 Jun 2014	12983/2014	3M Innovative Properties Company; 09-03NES, Container for disposable spray gun components, (US, 16 Dec 2013) 11 Jun 2014	12851/2014
Wynne, Gavin;Blay, Christopher; 06-09, Cushions, (EM, 18 Dec 2013) 18 Jun 2014	12977/2014	3M Innovative Properties Company; 08-05L, 10-99, System for identifying spray guns, (US, 11 Dec 2013) 11 Jun 2014	12849/2014
Yeomans, Allan James; 15-03NES, Frame for agricultural equipment, 18 Jun 2014	12967/2014	3M Innovative Properties Company; 08-08G, Hook, (US, 11 Dec 2013) 11 Jun 2014	12847/2014

Applications Withdrawn

10623 / 2014 (03-01A)

Applications Lapsed

12310 / 2013 (06-08)	15071 / 2013 (14-02)
15071 / 2013 (14-02)	15072 / 2013 (14-02)
15072 / 2013 (14-02)	16334 / 2013 (02-04A)
16412 / 2013 (23-02B)	11081 / 2014 (09-03NES)
11097 / 2014 (23-02E)	11162 / 2014 (25-02H)
11188 / 2014 (06-01E)	11267 / 2014 (07-04)
11268 / 2014 (07-04)	11269 / 2014 (07-04)
11382 / 2014 (08-05NES)	11415 / 2014 (06-01F)
12302 / 2014 (06-04NES)	

Extension of Period of Registration of Designs

324457	325890	326158
326459	326460	326504
326578	326579	326580
326583	326584	326585
326586	326587	326589
326590	326591	326592
326593	326622	326623
326636	326637	326654
326677	326679	326683
326684	326737	326742
326767	326768	326783
326795	326796	326803
326804	326841	326842
326843	326844	326845
326846	326847	326870
326882	326892	326911
326912	326937	326938
326945	326973	326992
326993	326994	327023
327028	327032	327033
327035	327036	327050
327051	327062	327066
327081	327088	327109
327121	327123	327124
327125	327126	327127
327129	327130	327131
327132	327133	327134
327135	327136	327137
327156	327169	327170
327171	327186	327187
327188	327189	327190
327191	327206	327237
327238	327251	327252
327301	327302	327385
327386	327387	327388
327389	327402	327403
327404	327405	327414
327501	327522	327523
327524	327525	327539
327548	327549	327584
327585	327586	327598
327599	327600	327621
327622	327703	327704
327720	327804	327837
327987	328714	328715
328716	329005	329006
330079	330080	330081
330084		

Registrations Ceased

323870	323981	324096
324113	324147	324148
324161	324162	324180
324183	324186	324187
324188	324199	324200
324201	324355	324358
324359	324360	324361
324362	324363	324364
324365	324625	324626
324627	324628	324668
324757	325355	325476
325499	325517	325518
325538	325716	326202
326203	326204	326214
343460	343461	347369
347370		

Extensions of time granted under Section 137

Applications lodged under section 137 for extension of time have been granted.

333080 **Pi-Design AG**

348749 **Sheldon and Hammond Pty Ltd**

16605/2013 **Ningbo Ledeshi Electric Equipment Co. Limited**

16606/2013 **Ningbo Ledeshi Electric Equipment Co. Limited**

10746/2014 **Runway Blue, LLC**

10752/2014 **Iconic Worldwide Gaming Limited**

355909 **Andrew Molnar**

355910 **Andrew Molnar**

355987 **Illinois Tool Works Inc.**

10880/2014 **Ian Shirliff**

356095 **Mont Adventure Equipment Pty Limited**

11564/2014 **IP Gateway Services Pty Ltd**

Applications Assigned

(The name in parentheses is that of the subsequent applicant)

12622/2014 (**Gilbert John Major; David Robert Elms**)
Futurewood Pty Ltd

Subsequent Owners Registered

(The name in parentheses is that of the subsequent owner)

348967 (**OPW Fueling Components Inc. a Delaware corporation**) CP Formation LLC a Delaware limited liability company

349307	(CP Formation LLC a Delaware limited liability company) Clove Park Insurance Company a New York corporation	338819	(THE AMES COMPANIES, INC.) Ames True Temper, Inc.
355564	(Egress Group Pty Ltd) Lee Wilson	339470	(THE AMES COMPANIES, INC.) Ames True Temper, Inc.
355657	(Egress Group Pty Ltd) Lee Wilson	340361	(THE AMES COMPANIES, INC.) Ames True Temper, Inc.
342256	(Anne-Marie Bevis) Funky Theme Kids Beds Pty Ltd	349324	(THE AMES COMPANIES, INC.) Ames True Temper, Inc.
342257	(Anne-Marie Bevis) Funky Theme Kids Beds Pty Ltd	343136	(THE AMES COMPANIES, INC.) Ames True Temper, Inc.
354835	(SAMKO Limited) Ausmag Media Pty Ltd	339000	(THE AMES COMPANIES, INC.) Ames True Temper, Inc.
307543	(Cyclone Tools Pty Ltd) ITW Australia Pty Ltd	339001	(THE AMES COMPANIES, INC.) Ames True Temper, Inc.
310331	(Cyclone Tools Pty Ltd) ITW Australia Pty Ltd	338998	(THE AMES COMPANIES, INC.) Ames True Temper, Inc.
310332	(Cyclone Tools Pty Ltd) ITW Australia Pty Ltd	350501	(THE AMES COMPANIES, INC.) Ames True Temper Australia Pty Ltd
310333	(Cyclone Tools Pty Ltd) ITW Australia Pty Ltd	347415	(Trigger Point Technologies, Inc.) Trigger Point Technologies, LLC
310334	(Cyclone Tools Pty Ltd) ITW Australia Pty Ltd	347201	(Trigger Point Technologies, Inc.) Trigger Point Technologies, LLC
324460	(Nicholas Dower) Rimskins Pty Ltd	347202	(Trigger Point Technologies, Inc.) Trigger Point Technologies, LLC
332911	(T J Steel Limited) Fletcher Building Holdings Limited		
332912	(T J Steel Limited) Fletcher Building Holdings Limited		
340416	(Koninklijke Douwe Egberts B.V.) Sara Lee/DE B.V.		
352345	(ScramCard Holdings (Hong Kong) Limited) David Ball;Simon Hewitt		
352346	(ScramCard Holdings (Hong Kong) Limited) David Ball;Simon Hewitt		
354271	(I.AM.PLUS, LLC) I.AM.SYMBOLIC, LLC		

Names Registered - Alterations and Amendments

(The name in parentheses is that of the subsequent applicant)

310471	(THE AMES COMPANIES, INC.) Ames True Temper, Inc.
307605	(THE AMES COMPANIES, INC.) Ames True Temper, Inc.
311662	(THE AMES COMPANIES, INC.) Ames True Temper, Inc.
313096	(THE AMES COMPANIES, INC.) Ames True Temper, Inc.
317514	(THE AMES COMPANIES, INC.) Ames True Temper, Inc.
318910	(THE AMES COMPANIES, INC.) Ames True Temper, Inc.
318911	(THE AMES COMPANIES, INC.) Ames True Temper, Inc.
326812	(THE AMES COMPANIES, INC.) Ames True Temper, Inc.
328201	(THE AMES COMPANIES, INC.) Ames True Temper, Inc.
328275	(THE AMES COMPANIES, INC.) Ames True Temper, Inc.
335635	(THE AMES COMPANIES, INC.) Ames True Temper, Inc.
338999	(THE AMES COMPANIES, INC.) Ames True Temper, Inc.
339759	(THE AMES COMPANIES, INC.) Ames True Temper, Inc.
339471	(THE AMES COMPANIES, INC.) Ames True Temper, Inc.
340082	(THE AMES COMPANIES, INC.) Ames True Temper, Inc.
339738	(THE AMES COMPANIES, INC.) Ames True Temper, Inc.
338511	(THE AMES COMPANIES, INC.) Ames True Temper, Inc.

Certificate(s) of Examination

Examination of the following Design Registration(s) has been completed. Infringement proceedings may now be commenced.

329192	12-16E	16/06/2014	354189	07-06B	23/06/2014
330860	24-03	16/06/2014	354201	07-02L	12/06/2014
347276	21-01NES	12/06/2014	354259	07-02L	18/06/2014
348095	08-03	20/06/2014	354313	30-03	12/06/2014
348787	12-16A	20/06/2014	354335	07-02L	18/06/2014
350900	01-06	23/06/2014	354337	07-02L	18/06/2014
350901	09-01H	12/06/2014	354509	09-03C	18/06/2014
350902	09-01H	12/06/2014	354637	28-03C	16/06/2014
351301	09-01H	12/06/2014	354659	02-02C	18/06/2014
351318	26-06	16/06/2014	354792	02-02C	17/06/2014
351383	25-04	19/05/2014	354840	07-02L	18/06/2014
351589	25-02NES	23/05/2014	354875	13-03D	20/06/2014
351616	09-01NES	13/06/2014	354876	13-03D	20/06/2014
351769	25-03	17/06/2014	354878	13-03D	20/06/2014
351770	25-03	17/06/2014	355031	09-01NES	23/06/2014
351855	14-03NES	10/06/2014	355033	09-01NES	23/06/2014
351977	09-07C	11/06/2014	355051	24-04	19/06/2014
352046	02-04B	18/06/2014	355567	19-08	15/06/2014
352137	20-01	18/06/2014	355568	19-08	15/06/2014
352296	12-03	10/06/2014	355569	19-08	16/06/2014
352297	12-03	12/06/2014	355570	19-08	16/06/2014
352298	12-03	12/06/2014	355571	19-08	16/06/2014
352299	12-03	10/06/2014			
352353	25-02H	23/06/2014			
352356	01-01	19/06/2014			
352361	01-01	15/06/2014			
352362	01-01	15/06/2014			
352363	01-01	16/06/2014			
352364	01-01	16/06/2014			
352365	01-01	16/06/2014			
352366	01-01	19/06/2014			
352706	06-01H	20/06/2014			
352707	06-01H	20/06/2014			
352736	24-01	19/05/2014			
352929	06-03A	20/06/2014			
353023	19-02	12/06/2014			
353033	24-01	05/06/2014			
353420	24-02	15/06/2014			
353484	26-05C	17/06/2014			
353484	26-05C	17/06/2014			
353579	09-01G	16/06/2014			
353592	02-02C	19/06/2014			
353622	02-02C	19/06/2014			
353623	15-99	11/06/2014			
353624	15-99	11/06/2014			
353625	15-99	11/06/2014			
353626	15-99	11/06/2014			
353627	15-99	11/06/2014			
353628	15-99	11/06/2014			
353629	15-99	11/06/2014			
353657	09-03NES	16/06/2014			
353658	09-03NES	16/06/2014			
353661	15-06	23/06/2014			
353752	09-07A	18/06/2014			
353757	07-02L	18/06/2014			
353982	28-03NES	12/06/2014			
353983	28-03NES	12/06/2014			
353984	28-03NES	12/06/2014			
354051	09-01G	17/06/2014			

Publication and Registration Proceedings

Designs Registered

This section provides a concordance between design number and registration number of Designs covered in this journal. It also shows the main class and registration date.

This section covers Registration numbers 355844 to 356097 .

The registration number shown below should be used in all future correspondence.

Design Number	Registration Number	International Classification Code (IDC)	Registration Date	Design Number	Registration Number	International Classification Code (IDC)	Registration Date
15723/2013	356032	12-08	23/06/2014	11976/2014	355881	09-01NES	13/06/2014
10111/2014	355905	12-10	13/06/2014	11977/2014	355882	09-01NES	13/06/2014
10476/2014	356034	08-08K	23/06/2014	11978/2014	355907	09-01NES	13/06/2014
10578/2014	355894	31-00	13/06/2014	11979/2014	355883	09-01NES	13/06/2014
10618/2014	355868	03-01A	13/06/2014	12017/2014	355935	29-02	16/06/2014
10619/2014	355869	03-01A	13/06/2014	12109/2014	355885	12-05	13/06/2014
10620/2014	355870	03-01A	13/06/2014	12154/2014	355908	28-03D	13/06/2014
10621/2014	355871	03-01A	13/06/2014	12155/2014	355884	28-03D	13/06/2014
10622/2014	355872	03-99	13/06/2014	12156/2014	356008	28-03D	18/06/2014
10702/2014	355966	25-02C	17/06/2014	12175/2014	355849	31-00	11/06/2014
10760/2014	356035	07-02N	23/06/2014	12186/2014	355886	07-02L	13/06/2014
10776/2014	355909	06-06NES	13/06/2014	12203/2014	355937	25-01F	16/06/2014
10778/2014	355910	14-99	13/06/2014	12204/2014	355938	25-01F	16/06/2014
10790/2014	355987	20-02E	18/06/2014	12208/2014	355855	15-02	11/06/2014
11173/2014	356095	03-01A	23/06/2014	12209/2014	355856	18-02	11/06/2014
11210/2014	355850	23-02A	11/06/2014	12210/2014	355914	18-02	13/06/2014
11236/2014	355844	12-15A	11/06/2014	12212/2014	355857	12-08	11/06/2014
11303/2014	355873	06-02	13/06/2014	12215/2014	355858	25-04	11/06/2014
11339/2014	355874	14-01	13/06/2014	12216/2014	355859	25-04	11/06/2014
11362/2014	355875	24-04	13/06/2014	12217/2014	355860	25-04	11/06/2014
11368/2014	355851	07-05E	11/06/2014	12218/2014	355861	25-04	11/06/2014
11422/2014	355845	09-07A	11/06/2014	12219/2014	355862	04-01	11/06/2014
11448/2014	355876	14-02	13/06/2014	12220/2014	355863	09-03F	11/06/2014
11494/2014	356027	24-04	20/06/2014	12227/2014	355866	12-16E	11/06/2014
11496/2014	355988	06-01H	18/06/2014	12228/2014	355915	12-16NES	13/06/2014
11511/2014	355846	09-03NES	11/06/2014	12230/2014	356031	04-02	20/06/2014
11516/2014	355933	14-03E	16/06/2014	12231/2014	355916	15-99	13/06/2014
11518/2014	355975	04-02	17/06/2014	12232/2014	355864	25-01D	11/06/2014
11520/2014	356022	15-99	19/06/2014	12234/2014	355917	25-01D	13/06/2014
11526/2014	355967	14-03E	17/06/2014	12235/2014	355867	08-08A	11/06/2014
11529/2014	355852	04-02	11/06/2014	12236/2014	355865	09-01K	11/06/2014
11538/2014	355847	26-05D	11/06/2014	12242/2014	355887	12-05	13/06/2014
11569/2014	355911	28-99	13/06/2014	12252/2014	355895	02-02A	13/06/2014
11634/2014	355968	14-99	17/06/2014	12254/2014	355888	02-02A	13/06/2014
11653/2014	355934	09-01H	16/06/2014	12255/2014	355889	02-02A	13/06/2014
11679/2014	356023	09-03E	19/06/2014	12256/2014	355890	02-02A	13/06/2014
11732/2014	355912	24-02	13/06/2014	12258/2014	355891	02-02A	13/06/2014
11745/2014	356093	08-07	23/06/2014	12259/2014	355892	02-02A	13/06/2014
11784/2014	356028	15-05	20/06/2014	12260/2014	355893	02-02A	13/06/2014
11806/2014	355989	15-05	18/06/2014	12261/2014	355896	02-02A	13/06/2014
11835/2014	355848	28-03NES	11/06/2014	12263/2014	355897	02-02A	13/06/2014
11895/2014	355853	26-05B	11/06/2014	12265/2014	355918	31-00	13/06/2014
11897/2014	355854	26-05B	11/06/2014	12266/2014	355898	24-01	13/06/2014
11904/2014	355913	03-01NES	13/06/2014	12267/2014	355899	24-01	13/06/2014
11967/2014	356007	08-08L	18/06/2014	12268/2014	355900	24-01	13/06/2014
11969/2014	355877	09-01NES	13/06/2014	12269/2014	355901	27-99	13/06/2014
11970/2014	355906	09-01NES	13/06/2014	12270/2014	355902	13-03NES	13/06/2014
11971/2014	355878	09-01NES	13/06/2014	12272/2014	355903	13-03NES	13/06/2014
11974/2014	355879	09-01NES	13/06/2014	12273/2014	355904	27-99	13/06/2014
11975/2014	355880	09-01NES	13/06/2014	12274/2014	355919	15-07	13/06/2014

Publication and Registration Proceedings - Designs Registered cont'd

Design Number	Registration Number	International Classification Code (IDC)	Registration Date	Design Number	Registration Number	International Classification Code (IDC)	Registration Date
12275/2014	355920	15-07	13/06/2014	12451/2014	355984	02-02C	17/06/2014
12276/2014	355921	24-02	13/06/2014	12452/2014	355985	02-02C	17/06/2014
12277/2014	355922	24-02	13/06/2014	12453/2014	355986	02-02C	17/06/2014
12280/2014	356009	15-07	18/06/2014	12455/2014	356029	02-02C	20/06/2014
12281/2014	355923	24-99	13/06/2014	12456/2014	356092	02-02C	23/06/2014
12298/2014	355969	06-03NES	17/06/2014	12457/2014	356043	31-00	23/06/2014
12299/2014	355970	06-03NES	17/06/2014	12461/2014	356044	26-05D	23/06/2014
12316/2014	355939	12-11	16/06/2014	12462/2014	356045	07-02L	23/06/2014
12317/2014	355940	12-12	16/06/2014	12463/2014	356046	23-04	23/06/2014
12323/2014	355941	28-02	16/06/2014	12464/2014	356047	02-07NES	23/06/2014
12324/2014	355942	28-02	16/06/2014	12465/2014	356048	02-04NES	23/06/2014
12326/2014	355991	23-01H	18/06/2014	12466/2014	356049	08-07	23/06/2014
12327/2014	355992	23-01H	18/06/2014	12468/2014	355925	03-01A	13/06/2014
12328/2014	355993	23-01H	18/06/2014	12469/2014	355926	03-01A	13/06/2014
12329/2014	355994	23-01H	18/06/2014	12470/2014	355927	03-01A	13/06/2014
12330/2014	355924	04-02	13/06/2014	12471/2014	356050	23-04	23/06/2014
12339/2014	355943	31-00	16/06/2014	12472/2014	356051	23-04	23/06/2014
12340/2014	355944	31-00	16/06/2014	12473/2014	356011	02-04NES	18/06/2014
12346/2014	355976	08-05K	17/06/2014	12474/2014	356012	08-01	18/06/2014
12348/2014	355945	21-02C	16/06/2014	12477/2014	356013	09-01H	18/06/2014
12361/2014	356094	23-01A	23/06/2014	12479/2014	356014	09-03K	18/06/2014
12367/2014	355995	08-99	18/06/2014	12480/2014	356015	26-05E	18/06/2014
12379/2014	355996	06-04NES	18/06/2014	12481/2014	356016	18-01	18/06/2014
12383/2014	355971	03-01NES	17/06/2014	12482/2014	356017	24-04	18/06/2014
12386/2014	355972	03-01NES	17/06/2014	12487/2014	356052	08-01	23/06/2014
12387/2014	355973	03-01NES	17/06/2014	12488/2014	356053	07-01D	23/06/2014
12388/2014	355974	03-01NES	17/06/2014	12489/2014	356054	07-01C	23/06/2014
12389/2014	355977	09-03H	17/06/2014	12490/2014	356055	28-99	23/06/2014
12390/2014	355978	15-07	17/06/2014	12491/2014	356056	08-01	23/06/2014
12393/2014	355997	05-05D	18/06/2014	12492/2014	356057	03-01D	23/06/2014
12395/2014	355998	05-05A	18/06/2014	12493/2014	356058	02-02C	23/06/2014
12400/2014	355999	24-02	18/06/2014	12494/2014	356059	06-03A	23/06/2014
12401/2014	356000	24-02	18/06/2014	12495/2014	356060	02-02C	23/06/2014
12402/2014	356024	24-02	19/06/2014	12499/2014	356061	07-02L	23/06/2014
12405/2014	356001	08-06	18/06/2014	12500/2014	356062	07-02L	23/06/2014
12406/2014	356002	05-05NES	18/06/2014	12504/2014	356063	24-02	23/06/2014
12409/2014	356003	05-05A	18/06/2014	12505/2014	356064	15-05	23/06/2014
12411/2014	356004	07-01NES	18/06/2014	12506/2014	355936	23-02F	16/06/2014
12420/2014	356005	04-04	18/06/2014	12507/2014	356018	23-02F	18/06/2014
12422/2014	356006	14-03NES	18/06/2014	12509/2014	356065	08-08B	23/06/2014
12423/2014	356025	10-04	19/06/2014	12510/2014	356066	08-08B	23/06/2014
12428/2014	356026	06-01F	19/06/2014	12511/2014	356067	08-08B	23/06/2014
12431/2014	356036	12-11	23/06/2014	12512/2014	356068	08-08B	23/06/2014
12432/2014	356037	31-00	23/06/2014	12514/2014	356033	28-03NES	23/06/2014
12435/2014	356038	29-02	23/06/2014	12515/2014	356069	27-05	23/06/2014
12436/2014	356039	10-03	23/06/2014	12519/2014	356070	15-03B	23/06/2014
12438/2014	356040	05-05D	23/06/2014	12520/2014	356071	23-01A	23/06/2014
12439/2014	356041	05-05A	23/06/2014	12522/2014	356072	29-02	23/06/2014
12440/2014	356042	02-02C	23/06/2014	12523/2014	356073	14-01	23/06/2014
12443/2014	355979	02-02C	17/06/2014	12524/2014	356074	06-01F	23/06/2014
12444/2014	355980	02-02NES	17/06/2014	12530/2014	356075	08-07	23/06/2014
12445/2014	356010	02-02NES	18/06/2014	12533/2014	356076	08-07	23/06/2014
12446/2014	355981	02-02NES	17/06/2014	12538/2014	356077	28-03NES	23/06/2014
12449/2014	355982	02-02C	17/06/2014	12539/2014	356078	28-03NES	23/06/2014
12450/2014	355983	02-02C	17/06/2014	12541/2014	356079	12-16K	23/06/2014

Publication and Registration Proceedings - Designs Registered cont'd

Design Number	Registration Number	International Classification Code (IDC)	Registration Date	Design Number	Registration Number	International Classification Code (IDC)	Registration Date
12543/2014	356080	23-02B	23/06/2014	12596/2014	355964	02-03	16/06/2014
12544/2014	356081	23-02B	23/06/2014	12597/2014	355965	02-03	16/06/2014
12545/2014	356082	23-02B	23/06/2014	12598/2014	356084	12-15A	23/06/2014
12549/2014	356083	08-05M	23/06/2014	12599/2014	356085	09-05	23/06/2014
12551/2014	355946	08-06	16/06/2014	12619/2014	356096	05-05NES	23/06/2014
12554/2014	355947	23-02C	16/06/2014	12620/2014	356097	09-01H	23/06/2014
12556/2014	355948	23-02C	16/06/2014	12640/2014	356086	24-04	23/06/2014
12557/2014	355949	23-02C	16/06/2014	12641/2014	356087	24-04	23/06/2014
12558/2014	355950	23-02C	16/06/2014	12642/2014	356088	08-05NES	23/06/2014
12565/2014	355951	08-05N	16/06/2014	12644/2014	356089	07-99C	23/06/2014
12566/2014	356030	12-15C	20/06/2014	12646/2014	356090	09-07A	23/06/2014
12567/2014	355952	12-15A	16/06/2014	12647/2014	356091	09-05	23/06/2014
12568/2014	355953	12-15B	16/06/2014	12708/2014	356019	07-05D	18/06/2014
12569/2014	355954	08-05N	16/06/2014	12709/2014	356020	03-01NES	18/06/2014
12574/2014	355955	09-07B	16/06/2014	12710/2014	356021	03-01NES	18/06/2014
12576/2014	355956	21-02D	16/06/2014	12762/2014	355928	09-01NES	13/06/2014
12577/2014	355957	01-01	16/06/2014	12763/2014	355929	09-01NES	13/06/2014
12580/2014	355958	07-01NES	16/06/2014	12764/2014	355930	09-01NES	13/06/2014
12582/2014	355959	07-01NES	16/06/2014	12765/2014	355931	09-01NES	13/06/2014
12584/2014	355960	12-15A	16/06/2014	12767/2014	355932	09-01NES	13/06/2014
12593/2014	355961	02-03	16/06/2014	12795/2014	355990	15-05	18/06/2014
12594/2014	355962	02-03	16/06/2014				
12595/2014	355963	02-03	16/06/2014				

Publication and Registration Proceedings

Class Listing of Designs Published or Registered

The following section shows an International Classification Code listing of the Registered or Published Designs covered in this supplement.

Classification	Registration Number	Design Number	Classification	Registration Number	Design Number
01-01	355957	12577/2014	04-02	355852	11529/2014
02-02A	355888	12254/2014	04-02	355924	12330/2014
02-02A	355889	12255/2014	04-02	355975	11518/2014
02-02A	355890	12256/2014	04-02	356031	12230/2014
02-02A	355891	12258/2014	04-04	356005	12420/2014
02-02A	355892	12259/2014	04-99	356005	12420/2014
02-02A	355893	12260/2014	05-05A	355998	12395/2014
02-02A	355895	12252/2014	05-05A	356003	12409/2014
02-02A	355896	12261/2014	05-05A	356041	12439/2014
02-02A	355897	12263/2014	05-05D	355997	12393/2014
02-02C	355979	12443/2014	05-05D	356040	12438/2014
02-02C	355982	12449/2014	05-05NES	356002	12406/2014
02-02C	355983	12450/2014	05-05NES	356096	12619/2014
02-02C	355984	12451/2014	06-01F	356026	12428/2014
02-02C	355985	12452/2014	06-01F	356074	12524/2014
02-02C	355986	12453/2014	06-01H	355988	11496/2014
02-02C	356029	12455/2014	06-02	355873	11303/2014
02-02C	356042	12440/2014	06-03A	356059	12494/2014
02-02C	356058	12493/2014	06-03C	355969	12298/2014
02-02C	356060	12495/2014	06-03C	355970	12299/2014
02-02C	356092	12456/2014	06-03NES	355969	12298/2014
02-02NES	355980	12444/2014	06-03NES	355970	12299/2014
02-02NES	355981	12446/2014	06-04NES	355996	12379/2014
02-02NES	356010	12445/2014	06-06E	355969	12298/2014
02-03	355961	12593/2014	06-06E	355970	12299/2014
02-03	355962	12594/2014	06-06NES	355909	10776/2014
02-03	355963	12595/2014	07-01C	356054	12489/2014
02-03	355964	12596/2014	07-01D	356053	12488/2014
02-03	355965	12597/2014	07-01NES	355958	12580/2014
02-04NES	356011	12473/2014	07-01NES	355959	12582/2014
02-04NES	356048	12465/2014	07-01NES	356004	12411/2014
02-07NES	356047	12464/2014	07-02L	355886	12186/2014
02-99	355846	11511/2014	07-02L	356045	12462/2014
03-01A	355868	10618/2014	07-02L	356061	12499/2014
03-01A	355869	10619/2014	07-02L	356062	12500/2014
03-01A	355870	10620/2014	07-02N	356035	10760/2014
03-01A	355871	10621/2014	07-05D	356019	12708/2014
03-01A	355925	12468/2014	07-05E	355851	11368/2014
03-01A	355926	12469/2014	07-99C	356089	12644/2014
03-01A	355927	12470/2014	08-01	356012	12474/2014
03-01A	356095	11173/2014	08-01	356052	12487/2014
03-01B	355913	11904/2014	08-01	356056	12491/2014
03-01D	356057	12492/2014	08-05F	356012	12474/2014
03-01NES	355913	11904/2014	08-05F	356052	12487/2014
03-01NES	355971	12383/2014	08-05K	355976	12346/2014
03-01NES	355972	12386/2014	08-05M	356083	12549/2014
03-01NES	355973	12387/2014	08-05N	355951	12565/2014
03-01NES	355974	12388/2014	08-05N	355954	12569/2014
03-01NES	356020	12709/2014	08-05NES	356088	12642/2014
03-01NES	356021	12710/2014	08-06	355946	12551/2014
03-01NES	356027	11494/2014	08-06	356001	12405/2014
03-99	355872	10622/2014	08-07	356049	12466/2014
04-01	355862	12219/2014	08-07	356075	12530/2014

Registration Proceedings - Class Listing of Designs Published or Registered cont'd

Classification	Registration Number	Design Number	Classification	Registration Number	Design Number
08-07	356076	12533/2014	12-15C	355952	12567/2014
08-07	356093	11745/2014	12-15C	356030	12566/2014
08-08A	355867	12235/2014	12-16E	355866	12227/2014
08-08B	356065	12509/2014	12-16K	356079	12541/2014
08-08B	356066	12510/2014	12-16NES	355915	12228/2014
08-08B	356067	12511/2014	13-02	355971	12383/2014
08-08B	356068	12512/2014	13-02	355972	12386/2014
08-08K	356034	10476/2014	13-02	355973	12387/2014
08-08L	356007	11967/2014	13-02	355974	12388/2014
08-99	355995	12367/2014	13-03NES	355902	12270/2014
09-01H	355934	11653/2014	13-03NES	355903	12272/2014
09-01H	356013	12477/2014	14-01	355874	11339/2014
09-01H	356097	12620/2014	14-01	356073	12523/2014
09-01K	355865	12236/2014	14-02	355876	11448/2014
09-01NES	355877	11969/2014	14-03E	355933	11516/2014
09-01NES	355878	11971/2014	14-03E	355967	11526/2014
09-01NES	355879	11974/2014	14-03NES	356006	12422/2014
09-01NES	355880	11975/2014	14-99	355910	10778/2014
09-01NES	355881	11976/2014	14-99	355968	11634/2014
09-01NES	355882	11977/2014	15-02	355855	12208/2014
09-01NES	355883	11979/2014	15-03B	356070	12519/2014
09-01NES	355906	11970/2014	15-05	355989	11806/2014
09-01NES	355907	11978/2014	15-05	355990	12795/2014
09-01NES	355928	12762/2014	15-05	356028	11784/2014
09-01NES	355929	12763/2014	15-05	356064	12505/2014
09-01NES	355930	12764/2014	15-07	355919	12274/2014
09-01NES	355931	12765/2014	15-07	355920	12275/2014
09-01NES	355932	12767/2014	15-07	355978	12390/2014
09-03E	356023	11679/2014	15-07	356009	12280/2014
09-03F	355863	12220/2014	15-99	355916	12231/2014
09-03H	355977	12389/2014	15-99	356022	11520/2014
09-03K	356014	12479/2014	18-01	356016	12481/2014
09-03M	355846	11511/2014	18-02	355856	12209/2014
09-03NES	355846	11511/2014	18-02	355914	12210/2014
09-05	356085	12599/2014	20-02E	355987	10790/2014
09-05	356091	12647/2014	20-02NES	355987	10790/2014
09-07A	355845	11422/2014	21-01B	355874	11339/2014
09-07A	356090	12646/2014	21-01C	356032	15723/2013
09-07B	355955	12574/2014	21-02C	355945	12348/2014
10-02	356047	12464/2014	21-02D	355956	12576/2014
10-03	356039	12436/2014	23-01A	356071	12520/2014
10-04	356025	12423/2014	23-01A	356094	12361/2014
12-02	355872	10622/2014	23-01H	355991	12326/2014
12-05	355885	12109/2014	23-01H	355992	12327/2014
12-05	355887	12242/2014	23-01H	355993	12328/2014
12-08	355857	12212/2014	23-01H	355994	12329/2014
12-08	356032	15723/2013	23-02A	355850	11210/2014
12-10	355905	10111/2014	23-02B	356080	12543/2014
12-11	355939	12316/2014	23-02B	356081	12544/2014
12-11	356036	12431/2014	23-02B	356082	12545/2014
12-12	355940	12317/2014	23-02C	355947	12554/2014
12-15A	355844	11236/2014	23-02C	355948	12556/2014
12-15A	355952	12567/2014	23-02C	355949	12557/2014
12-15A	355960	12584/2014	23-02C	355950	12558/2014
12-15A	356084	12598/2014	23-02F	355936	12506/2014
12-15B	355953	12568/2014	23-02F	356018	12507/2014

Registration Proceedings - Class Listing of Designs Published or Registered cont'd

Classification	Registration Number	Design Number	Classification	Registration Number	Design Number
23-04	356046	12463/2014	26-05D	355847	11538/2014
23-04	356050	12471/2014	26-05D	356044	12461/2014
23-04	356051	12472/2014	26-05E	356015	12480/2014
24-01	355898	12266/2014	27-05	356069	12515/2014
24-01	355899	12267/2014	27-99	355901	12269/2014
24-01	355900	12268/2014	27-99	355904	12273/2014
24-02	355912	11732/2014	28-02	355941	12323/2014
24-02	355921	12276/2014	28-02	355942	12324/2014
24-02	355922	12277/2014	28-03D	355884	12155/2014
24-02	355999	12400/2014	28-03D	355908	12154/2014
24-02	356000	12401/2014	28-03D	356008	12156/2014
24-02	356024	12402/2014	28-03NES	355848	11835/2014
24-02	356063	12504/2014	28-03NES	356033	12514/2014
24-04	355875	11362/2014	28-03NES	356077	12538/2014
24-04	356017	12482/2014	28-03NES	356078	12539/2014
24-04	356027	11494/2014	28-99	355850	11210/2014
24-04	356086	12640/2014	28-99	355911	11569/2014
24-04	356087	12641/2014	28-99	356055	12490/2014
24-99	355923	12281/2014	29-02	355935	12017/2014
25-01D	355864	12232/2014	29-02	356038	12435/2014
25-01D	355917	12234/2014	29-02	356072	12522/2014
25-01F	355937	12203/2014	31-00	355849	12175/2014
25-01F	355938	12204/2014	31-00	355894	10578/2014
25-02C	355966	10702/2014	31-00	355918	12265/2014
25-04	355858	12215/2014	31-00	355943	12339/2014
25-04	355859	12216/2014	31-00	355944	12340/2014
25-04	355860	12217/2014	31-00	356037	12432/2014
25-04	355861	12218/2014	31-00	356043	12457/2014
26-04	355848	11835/2014			
26-05B	355853	11895/2014			
26-05B	355854	11897/2014			

(21) Design Number: **11236/2014**
(22) Date of Filing Application: **18 March 2014**
(24) Date from which industrial property rights may have effect: **18 March 2014**
(54) Product in respect of which the design is registered: **Tire**
(51) International Design Classification: **12-15A**
(74) Name(s) of Attorney(s): **PHILLIPS ORMONDE FITZPATRICK**
(71) Name(s) and Address(s) of Applicant(s):

Cooper Tire & Rubber Company
701 Lima Avenue Findlay Ohio 45840 United States of America

(72) Name(s) of Designer(s): **Jason Q Fu**

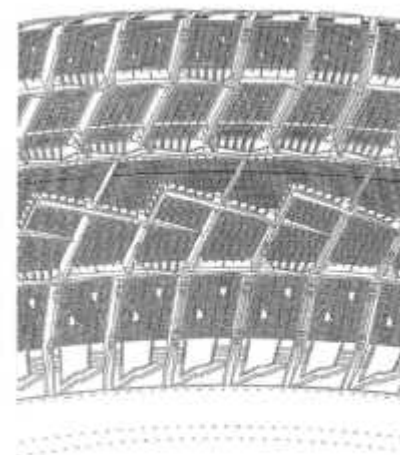
(45) Registration Date: **11 June 2014**

(30) Convention priority data:

(31) Number	(32) Date	(33) Country
29/467,749	23 Sep 2013	UNITED STATES OF AMERICA

(56) Related Art Documents: **Not Applicable**

(57) Statement of Newness and Distinctiveness: **Those features of the tire depicted in the representations that are new and distinctive are the shape and/or configuration of the repeating pattern of the tread of the tire. The tire tread repeats the same pattern as shown in the drawings in the remainder of the tire. The sidewall, inner bead, and the peripheral boundary between the tire tread and the sidewall are not part of the design and are to be disregarded when considering the overall impression of the design.**



(21) Design Number: **11422/2014**
(22) Date of Filing Application: **26 March 2014**
(24) Date from which industrial property rights may have effect: **26 March 2014**
(54) Product in respect of which the design is registered: **Dispenser cap**
(51) International Design Classification: **09-07A**
(74) Name(s) of Attorney(s): **Collison & Co**
(71) Name(s) and Address(s) of Applicant(s):

GOJO INDUSTRIES, INC.
One GOJO Plaza Suite 500 P.O. box 991 Akron Ohio, 44309 United States of America

(72) Name(s) of Designer(s): **Matthew J Archer and Timothy M Cambier and Jeffrey W Hall and Mark W Moore and Jon Lewandowski and Martin O'Toole and David A Urbanic**

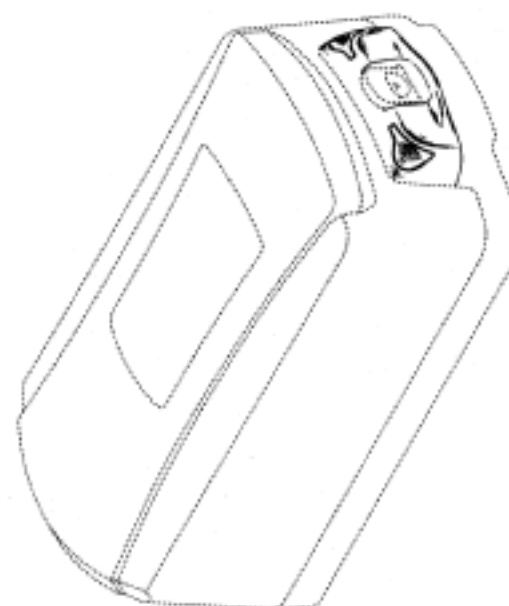
(45) Registration Date: **11 June 2014**

(30) Convention priority data:

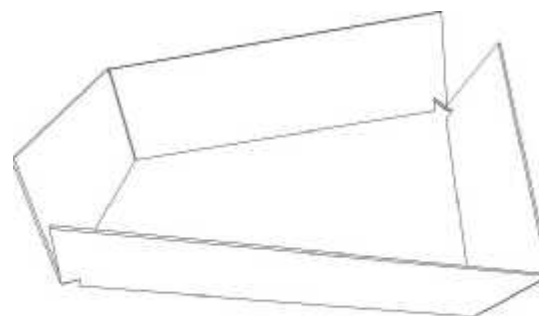
(31) Number	(32) Date	(33) Country
29468442	30 Sep 2013	UNITED STATES OF AMERICA

(56) Related Art Documents: **Not Applicable**

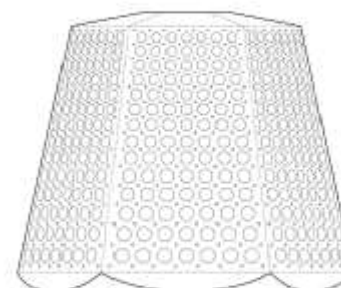
(57) Statement of Newness and Distinctiveness: **Newness and distinctiveness resides in the shape and configuration of the dispenser cap as shown in the figures excluding the portions shown by the broken lines.**



- (21) Design Number: **11511/2014**
(22) Date of Filing Application: **28 March 2014**
(24) Date from which industrial property rights may have effect: **28 March 2014**
(54) Product in respect of which the design is registered: **A blank for a collar insert**
(51) International Design Classification: **09-03NES, 02-99, 09-03M**
(74) Name(s) of Attorney(s): **Davies Collison Cave**
(71) Name(s) and Address(s) of Applicant(s):
Visy R & D Pty Ltd
L11 2 Southbank Bvd Southbank VIC 3006 Australia
(72) Name(s) of Designer(s): **Jason Ross**
(45) Registration Date: **11 June 2014**
(56) Related Art Documents: **Not Applicable**
(57) Statement of Newness and Distinctiveness: **The features of shape and configuration of the blank shown in the accompanying representations are considered to be new and distinctive.**



- (21) Design Number: **11538/2014**
(22) Date of Filing Application: **30 March 2014**
(24) Date from which industrial property rights may have effect: **30 March 2014**
(54) Product in respect of which the design is registered: **Pendant light**
(51) International Design Classification: **26-05D**
(74) Name(s) of Attorney(s):
(71) Name(s) and Address(s) of Applicant(s):
Bernabei Freeman Pty Ltd
12 Nicholls Ave Haberfield NSW 2045 Australia
(72) Name(s) of Designer(s): **Rina Bernabei and Kelly Freeman**
(45) Registration Date: **11 June 2014**
(56) Related Art Documents: **Not Applicable**
(57) Statement of Newness and Distinctiveness: **Pop light is made from panels of cardboard, which are joined together with metal brads. Each panel has rows of pre-perforated holes which are variable in size. The light also has a polycarbonate crossbar which connects the card pendant to the electrical lighting flex. The light is designed as a flat pack, which the enduser self assembles. The enduser also can 'pop' out the pre-perforated holes to form a decorative pattern.**



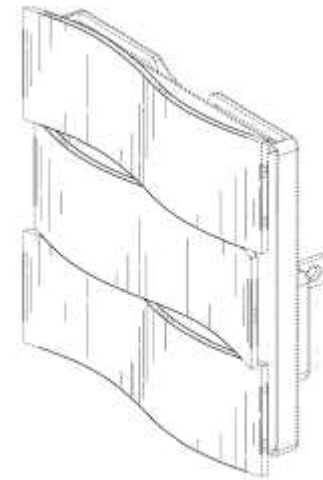
- (21) Design Number: **11835/2014**
(22) Date of Filing Application: **14 April 2014**
(24) Date from which industrial property rights may have effect: **14 April 2014**
(54) Product in respect of which the design is registered: **Ultrasonic diffuser/
vaporiser**
(51) International Design Classification: **28-03NES, 26-04**
(74) Name(s) of Attorney(s):
(71) Name(s) and Address(s) of Applicant(s):
Retail Marketing Solutions (Australia) Pty Ltd
Ground Floor 215 Spring St Melbourne VIC 3000 Australia
Retail Marketing Solutions Worldwide Pty Ltd
c/- ZOLIS LAWYERS Ground Floor 215 Spring St Melbourne VIC 3000
Australia
(72) Name(s) of Designer(s): **Athena Zolis**
(45) Registration Date: **11 June 2014**
(56) Related Art Documents: **Not Applicable**
(57) Statement of Newness and Distinctiveness: **This is a design that purely
and simply resembles a candle. The product is an Ultrasonic Diffuser/
Vaporiser/Air Purifier/Ioniser and Mini Night Lamp. It is multi-functional.
I have specifically designed this unit as the first of it's kind. The frosted
glass cover of the candle design will eventually incorporate different
patterns however, the actual shape will remain the same. The candle
incorporates 5 different LED colored lights the glow in the dark and
instead of a flame from the top as per a traditional candle, there is a
vapour. The scent comes from aromatherapy oils placed inside the unit
with water.**



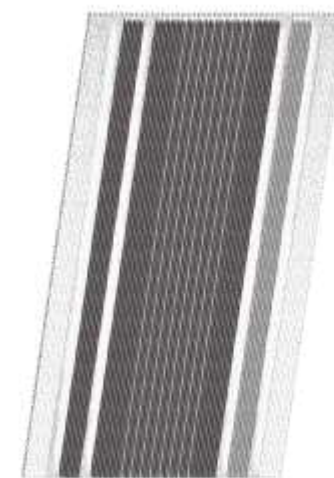
- (21) Design Number: **12175/2014**
(22) Date of Filing Application: **07 May 2014**
(24) Date from which industrial property rights may have effect: **07 May 2014**
(54) Product in respect of which the design is registered: **Electric blender**
(51) International Design Classification: **31-00**
(74) Name(s) of Attorney(s): **Callinans**
(71) Name(s) and Address(s) of Applicant(s):
KENWOOD LIMITED
New Lane Havant Hampshire PO9 2NH United Kingdom
(72) Name(s) of Designer(s): **Jamie Weaden and Sam Davies**
(45) Registration Date: **11 June 2014**
(30) Convention priority data:
(31) Number (32) Date (33) Country
**002354639 29 Nov 2013 OFFICE FOR HARMONISATION IN
THE INTERNAL MARKET (OHIM)**
(56) Related Art Documents: **Not Applicable**
(57) Statement of Newness and Distinctiveness: **Newness and distinctiveness
are provided by the shape and/or configuration of the design shown
in the representations. The power cord shown in the representations
is for illustrative purposes only and should not be considered when
construing visual features of the design.**



(21) Design Number: **11210/2014**
(22) Date of Filing Application: **17 March 2014**
(24) Date from which industrial property rights may have effect: **17 March 2014**
(54) Product in respect of which the design is registered: **Faceplate for a dispenser**
(51) International Design Classification: **23-02A, 28-99**
(74) Name(s) of Attorney(s): **SPRUSON & FERGUSON**
(71) Name(s) and Address(s) of Applicant(s):
S. C. Johnson & Son, Inc.
1525 Howe Street Racine Wisconsin 53403 United States of America
(72) Name(s) of Designer(s): **Alex Mecker**
(45) Registration Date: **11 June 2014**
(30) Convention priority data:
(31) Number (32) Date (33) Country
29/469123 07 Oct 2013 UNITED STATES OF AMERICA
(56) Related Art Documents: **Not Applicable**
(57) Statement of Newness and Distinctiveness: **Newness and distinctiveness is claimed in those features of shape and/or configuration of a faceplate for a dispenser illustrated in continuous lines in the accompanying representations.**



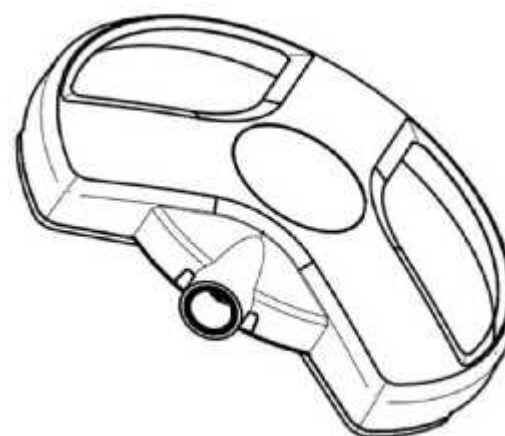
(21) Design Number: **11368/2014**
(22) Date of Filing Application: **24 March 2014**
(24) Date from which industrial property rights may have effect: **24 March 2014**
(54) Product in respect of which the design is registered: **Surface treatment and cleaning pad**
(51) International Design Classification: **07-05E**
(74) Name(s) of Attorney(s): **PIZZEYS**
(71) Name(s) and Address(s) of Applicant(s):
Euro-Pro Operating LLC
180 Wells Avenue Suite 200 Newton Massachusetts 02459 United States of America
(72) Name(s) of Designer(s): **Alan L Weeks and Gustavo Fortes Chohfi**
(45) Registration Date: **11 June 2014**
(30) Convention priority data:
(31) Number (32) Date (33) Country
29/468,017 25 Sep 2013 UNITED STATES OF AMERICA
(56) Related Art Documents: **Not Applicable**
(57) Statement of Newness and Distinctiveness: **Nil**



(21) Design Number: **11529/2014**
(22) Date of Filing Application: **28 March 2014**
(24) Date from which industrial property rights may have effect: **28 March 2014**
(54) Product in respect of which the design is registered: **Oral care implement**
(51) International Design Classification: **04-02**
(74) Name(s) of Attorney(s): **FB Rice**
(71) Name(s) and Address(s) of Applicant(s):
Colgate-Palmolive Company
300 Park Avenue New York New York 10022 United States of America
(72) Name(s) of Designer(s): **David Kyung Min Lee and Robert Moskovich**
(45) Registration Date: **11 June 2014**
(30) Convention priority data:
(31) Number (32) Date (33) Country
29/471825 05 Nov 2013 UNITED STATES OF AMERICA
(56) Related Art Documents: **Not Applicable**
(57) Statement of Newness and Distinctiveness: **Newness and distinctiveness reside in the features of the design shown in solid lines in the representations excluding those features shown in broken lines.**



(21) Design Number: **11895/2014**
(22) Date of Filing Application: **17 April 2014**
(24) Date from which industrial property rights may have effect: **17 April 2014**
(54) Product in respect of which the design is registered: **Light fitting**
(51) International Design Classification: **26-05B**
(74) Name(s) of Attorney(s): **Davies Collison Cave**
(71) Name(s) and Address(s) of Applicant(s):
Derungs Licht AG
Hofmattstrasse 12 Gossau 9200 Switzerland
(72) Name(s) of Designer(s): **Erwin Weitgasser and Detlev Magerer**
(45) Registration Date: **11 June 2014**
(30) Convention priority data:
(31) Number (32) Date (33) Country
772848501 06 Nov 2013 WORLD INTELLECTUAL PROPERTY ORGANIZATION (WIPO)
(56) Related Art Documents: **Not Applicable**
(57) Statement of Newness and Distinctiveness: **Nil**



(21) Design Number: **11897/2014**
(22) Date of Filing Application: **17 April 2014**
(24) Date from which industrial property rights may have effect: **17 April 2014**
(54) Product in respect of which the design is registered: **Light fitting**
(51) International Design Classification: **26-05B**
(74) Name(s) of Attorney(s): **Davies Collison Cave**
(71) Name(s) and Address(s) of Applicant(s):



Derungs Licht AG
Hofmattstrasse 12 Gossau 9200 Switzerland

(72) Name(s) of Designer(s): **Erwin Weitgasser and Detlev Magerer**
(45) Registration Date: **11 June 2014**

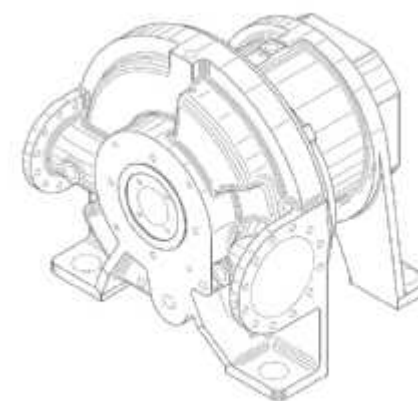
(30) Convention priority data:

(31) Number	(32) Date	(33) Country
772848501	06 Nov 2013	WORLD INTELLECTUAL PROPERTY ORGANIZATION (WIPO)

(56) Related Art Documents: **Not Applicable**

(57) Statement of Newness and Distinctiveness: **Nil**

(21) Design Number: **12208/2014**
(22) Date of Filing Application: **08 May 2014**
(24) Date from which industrial property rights may have effect: **08 May 2014**
(54) Product in respect of which the design is registered: **Liquid ring pump housing**
(51) International Design Classification: **15-02**
(74) Name(s) of Attorney(s): **SPRUSON & FERGUSON**
(71) Name(s) and Address(s) of Applicant(s):



Gardner Denver Nash, LLC
200 Simko Boulevard Charleroi Pennsylvania 15022 United States of America

(72) Name(s) of Designer(s): **Charles Howard Beers and Ramesh Balkunge Sheno**

(45) Registration Date: **11 June 2014**

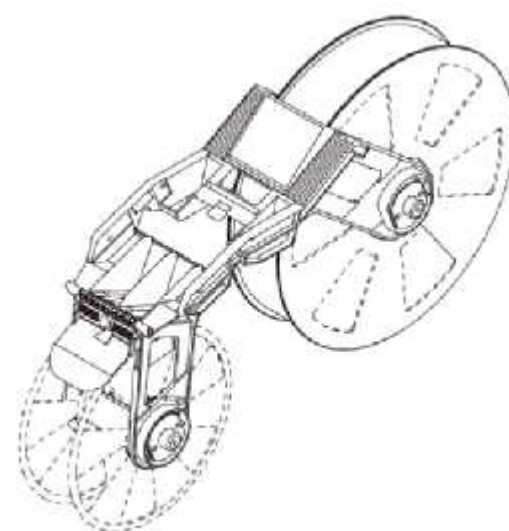
(30) Convention priority data:

(31) Number	(32) Date	(33) Country
29/472245	11 Nov 2013	UNITED STATES OF AMERICA

(56) Related Art Documents: **Not Applicable**

(57) Statement of Newness and Distinctiveness: **Newness and distinctiveness is claimed in those features of shape and/or configuration of a liquid ring pump housing illustrated in continuous lines in the accompanying representations.**

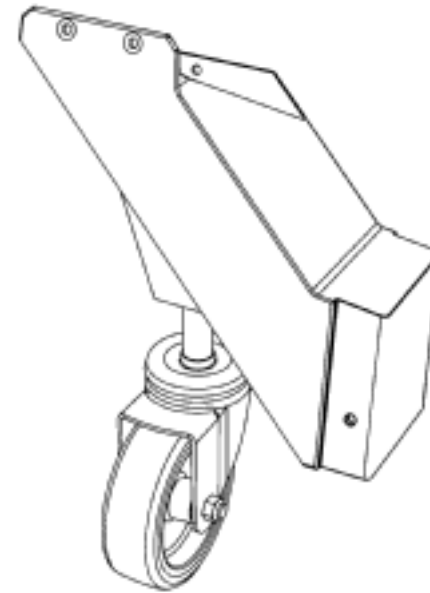
- (21) Design Number: **12209/2014**
(22) Date of Filing Application: **08 May 2014**
(24) Date from which industrial property rights may have effect: **08 May 2014**
(54) Product in respect of which the design is registered: **Tape cartridge for printing machine**
(51) International Design Classification: **18-02**
(74) Name(s) of Attorney(s): **Collison & Co**
(71) Name(s) and Address(s) of Applicant(s):
Brother Industries, Ltd.
15-1 Naeshiro-cho Mizuho-ku Nagoya-shi Aichi-ken 467-8561 Japan
(72) Name(s) of Designer(s): **Mitsugi Tanaka**
(45) Registration Date: **11 June 2014**
(30) Convention priority data:
(31) Number (32) Date (33) Country
2013-026122 08 Nov 2013 JAPAN
(56) Related Art Documents: **Not Applicable**
(57) Statement of Newness and Distinctiveness: **Newness and distinctiveness resides in the shape and/or configuration of the tape cartridge as shown in the accompanying representations, excluding the features illustrated in broken lines.**



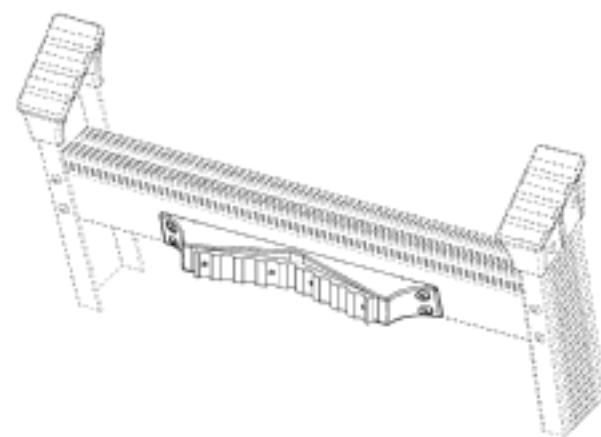
- (21) Design Number: **12212/2014**
(22) Date of Filing Application: **08 May 2014**
(24) Date from which industrial property rights may have effect: **08 May 2014**
(54) Product in respect of which the design is registered: **Bus**
(51) International Design Classification: **12-08**
(74) Name(s) of Attorney(s): **Griffith Hack**
(71) Name(s) and Address(s) of Applicant(s):
BYD COMPANY LIMITED
No. 3009 BYD Road Pingshan Shenzhen Guangdong 518118 China
(72) Name(s) of Designer(s): **Leyang Li and Kai Guo and Wenquan Tang and Zhaohui Luo**
(45) Registration Date: **11 June 2014**
(30) Convention priority data:
(31) Number (32) Date (33) Country
201330610472.5 10 Dec 2013 CHINA
(56) Related Art Documents: **Not Applicable**
(57) Statement of Newness and Distinctiveness: **Newness and distinctiveness resides in the visual features, including the shape and configuration of the product shown in the representations.**



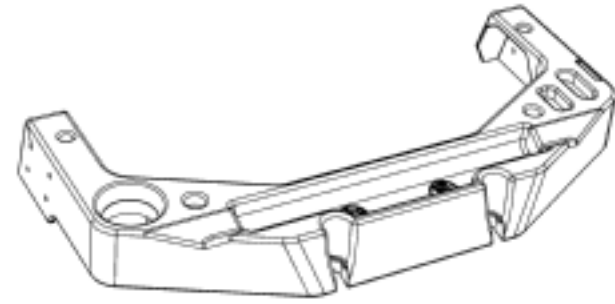
- (21) Design Number: **12215/2014**
(22) Date of Filing Application: **08 May 2014**
(24) Date from which industrial property rights may have effect: **08 May 2014**
(54) Product in respect of which the design is registered: **Castor brace for ladder**
(51) International Design Classification: **25-04**
(74) Name(s) of Attorney(s): **Madderns**
(71) Name(s) and Address(s) of Applicant(s):
Werner Co
93 Werner Road Greenville PA, 16125 United States of America
(72) Name(s) of Designer(s): **Ben Phillip Loveday and Carl William Behm**
(45) Registration Date: **11 June 2014**
(56) Related Art Documents: **Not Applicable**
(57) Statement of Newness and Distinctiveness: **The broken lines are not part of the design and are to be disregarded when considering the overall impression of the design.**



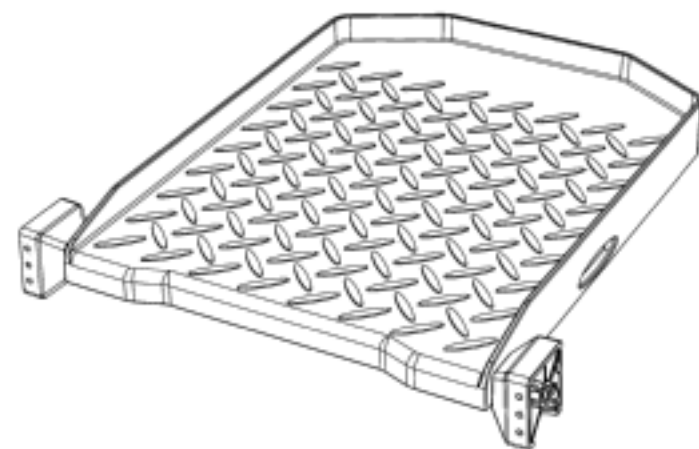
- (21) Design Number: **12216/2014**
(22) Date of Filing Application: **08 May 2014**
(24) Date from which industrial property rights may have effect: **08 May 2014**
(54) Product in respect of which the design is registered: **Ladder stabilizer**
(51) International Design Classification: **25-04**
(74) Name(s) of Attorney(s): **Madderns**
(71) Name(s) and Address(s) of Applicant(s):
Werner Co
93 Werner Road Greenville PA, 16125 United States of America
(72) Name(s) of Designer(s): **Carl William Behm and Ben Phillip Loveday**
(45) Registration Date: **11 June 2014**
(56) Related Art Documents: **Not Applicable**
(57) Statement of Newness and Distinctiveness: **Nil**



(21) Design Number: **12217/2014**
(22) Date of Filing Application: **08 May 2014**
(24) Date from which industrial property rights may have effect: **08 May 2014**
(54) Product in respect of which the design is registered: **Ladder handrail**
(51) International Design Classification: **25-04**
(74) Name(s) of Attorney(s): **Madderns**
(71) Name(s) and Address(s) of Applicant(s):
Werner Co
93 Werner Road Greenville PA, 16125 United States of America
(72) Name(s) of Designer(s): **Ben Phillip Loveday and Carl William Behm**
(45) Registration Date: **11 June 2014**
(56) Related Art Documents: **Not Applicable**
(57) Statement of Newness and Distinctiveness: **Nil**



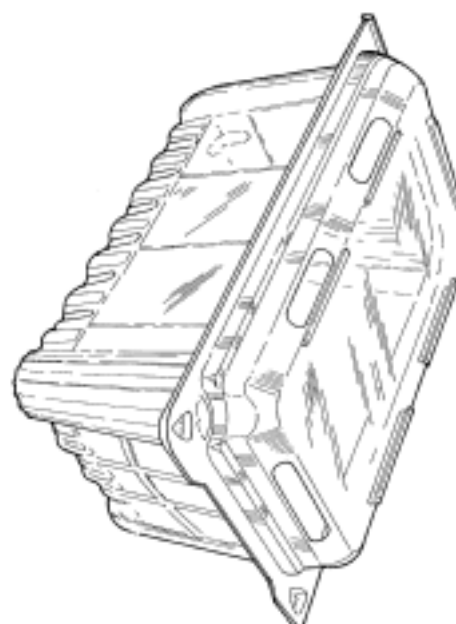
(21) Design Number: **12218/2014**
(22) Date of Filing Application: **08 May 2014**
(24) Date from which industrial property rights may have effect: **08 May 2014**
(54) Product in respect of which the design is registered: **Ladder platform**
(51) International Design Classification: **25-04**
(74) Name(s) of Attorney(s): **Madderns**
(71) Name(s) and Address(s) of Applicant(s):
Werner Co
93 Werner Road Greenville PA, 16125 United States of America
(72) Name(s) of Designer(s): **Ben Phillip Loveday and Carl William Behm**
(45) Registration Date: **11 June 2014**
(56) Related Art Documents: **Not Applicable**
(57) Statement of Newness and Distinctiveness: **Nil**



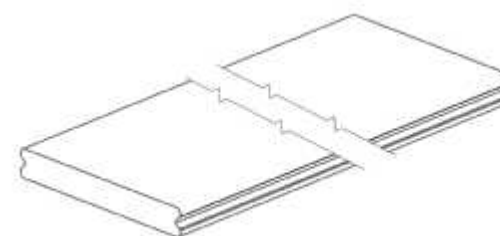
- (21) Design Number: **12219/2014**
(22) Date of Filing Application: **08 May 2014**
(24) Date from which industrial property rights may have effect: **08 May 2014**
(54) Product in respect of which the design is registered: **A mop with telescopic handle**
(51) International Design Classification: **04-01**
(74) Name(s) of Attorney(s):
(71) Name(s) and Address(s) of Applicant(s):
Wayne Desmond Burgis
c/- Michael Buck IP PO BOX 4361 St Lucia QLD 4067 Australia
(72) Name(s) of Designer(s): **Darryl John Lanyon**
(45) Registration Date: **11 June 2014**
(56) Related Art Documents: **Not Applicable**
(57) Statement of Newness and Distinctiveness: **The shape and configuration of a mop with telescopic handle as depicted in the attached representations.**



- (21) Design Number: **12220/2014**
(22) Date of Filing Application: **08 May 2014**
(24) Date from which industrial property rights may have effect: **08 May 2014**
(54) Product in respect of which the design is registered: **A produce container**
(51) International Design Classification: **09-03F**
(74) Name(s) of Attorney(s): **Chrysiliou IP**
(71) Name(s) and Address(s) of Applicant(s):
Multisteps Pty Ltd
U1-2/4 Richmond Rd Homebush West NSW 2140 Australia
(72) Name(s) of Designer(s): **John Lam**
(45) Registration Date: **11 June 2014**
(56) Related Art Documents: **Not Applicable**
(57) Statement of Newness and Distinctiveness: **New and distinctiveness reside in the features of the design as shown in the accompanying representations and in particular in the features of the shape and configuration of the lid of the produce container.**



(21) Design Number: **12232/2014**
(22) Date of Filing Application: **09 May 2014**
(24) Date from which industrial property rights may have effect: **09 May 2014**
(54) Product in respect of which the design is registered: **Decking board**
(51) International Design Classification: **25-01D**
(74) Name(s) of Attorney(s): **Fisher Adams Kelly Pty Ltd**
(71) Name(s) and Address(s) of Applicant(s):



David Chester
61 Clifford St Stafford QLD 4053 Australia

(72) Name(s) of Designer(s): **David Chester**
(45) Registration Date: **11 June 2014**
(56) Related Art Documents: **Not Applicable**
(57) Statement of Newness and Distinctiveness: **The newness and distinctiveness of the design resides in the shape and/or configuration of a DECKING BOARD, of indefinite length, as shown in the representations.**

(21) Design Number: **12236/2014**
(22) Date of Filing Application: **09 May 2014**
(24) Date from which industrial property rights may have effect: **09 May 2014**
(54) Product in respect of which the design is registered: **Container**
(51) International Design Classification: **09-01K**
(74) Name(s) of Attorney(s): **Griffith Hack**
(71) Name(s) and Address(s) of Applicant(s):



Unilever PLC
Unilever House 100 Victoria Embankment Greater London EC4Y 0DY
United Kingdom

(72) Name(s) of Designer(s): **Alberto Alvarez De Cienfuegos Hernandez and Jose Ignacio LAVERNIA COMPANY**
(45) Registration Date: **11 June 2014**
(30) Convention priority data:
(31) Number (32) Date (33) Country
002342923-0001 21 Mar 2014 OFFICE FOR HARMONISATION IN THE INTERNAL MARKET (OHIM)

(56) Related Art Documents: **Not Applicable**
(57) Statement of Newness and Distinctiveness: **Newness and distinctiveness resides in the visual features, including shape and configuration, of a CONTAINER as shown in the accompanying drawings.**

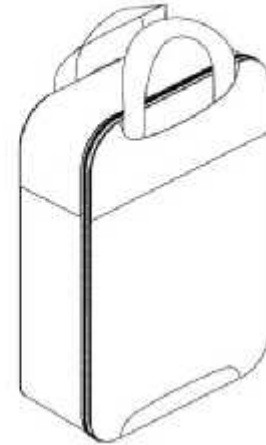
(21) Design Number: **12227/2014**
(22) Date of Filing Application: **09 May 2014**
(24) Date from which industrial property rights may have effect: **09 May 2014**
(54) Product in respect of which the design is registered: **Driving light mount**
(51) International Design Classification: **12-16E**
(74) Name(s) of Attorney(s):
(71) Name(s) and Address(s) of Applicant(s):
ARB CORPORATION LIMITED
42 Garden St Kilsyth VIC 3137 Australia
(72) Name(s) of Designer(s): **James Luke**
(45) Registration Date: **11 June 2014**
(56) Related Art Documents: **Not Applicable**
(57) Statement of Newness and Distinctiveness: **Nil**



(21) Design Number: **12235/2014**
(22) Date of Filing Application: **09 May 2014**
(24) Date from which industrial property rights may have effect: **09 May 2014**
(54) Product in respect of which the design is registered: **Decking board fastener**
(51) International Design Classification: **08-08A**
(74) Name(s) of Attorney(s): **Fisher Adams Kelly Pty Ltd**
(71) Name(s) and Address(s) of Applicant(s):
David Chester
61 Clifford St Stafford QLD 4053 Australia
(72) Name(s) of Designer(s): **David Chester**
(45) Registration Date: **11 June 2014**
(56) Related Art Documents: **Not Applicable**
(57) Statement of Newness and Distinctiveness: **The newness and distinctiveness of the design resides in the shape and/or configuration of a DECKING BOARD FASTENER, of indefinite length, as shown in the representations.**



(21) Design Number: **10618/2014**
(22) Date of Filing Application: **07 February 2014**
(24) Date from which industrial property rights may have effect: **07 February 2014**
(54) Product in respect of which the design is registered: **Bag**
(51) International Design Classification: **03-01A**
(74) Name(s) of Attorney(s): **Corrs Chambers Westgarth**
(71) Name(s) and Address(s) of Applicant(s):
Royalty Bugaboo GmbH
Schmidgasse 3 Zug CH- 6300 Switzerland
(72) Name(s) of Designer(s): **Max Barenbrug**
(45) Registration Date: **13 June 2014**
(56) Related Art Documents: **Not Applicable**
(57) Statement of Newness and Distinctiveness: **Nil**



(21) Design Number: **10619/2014**
(22) Date of Filing Application: **07 February 2014**
(24) Date from which industrial property rights may have effect: **07 February 2014**
(54) Product in respect of which the design is registered: **Bag**
(51) International Design Classification: **03-01A**
(74) Name(s) of Attorney(s): **Corrs Chambers Westgarth**
(71) Name(s) and Address(s) of Applicant(s):
Royalty Bugaboo GmbH
Schmidgasse 3 Zug CH- 6300 Switzerland
(72) Name(s) of Designer(s): **Max Barenbrug**
(45) Registration Date: **13 June 2014**
(56) Related Art Documents: **Not Applicable**
(57) Statement of Newness and Distinctiveness: **Nil**



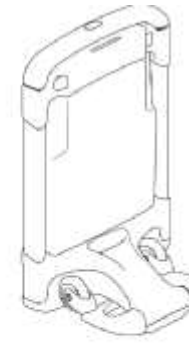
(21) Design Number: **10620/2014**
(22) Date of Filing Application: **07 February 2014**
(24) Date from which industrial property rights may have effect: **07 February 2014**
(54) Product in respect of which the design is registered: **Luggage case**
(51) International Design Classification: **03-01A**
(74) Name(s) of Attorney(s): **Corrs Chambers Westgarth**
(71) Name(s) and Address(s) of Applicant(s):
Royalty Bugaboo GmbH
Schmidgasse 3 Zug CH- 6300 Switzerland
(72) Name(s) of Designer(s): **Max Barenbrug**
(45) Registration Date: **13 June 2014**
(56) Related Art Documents: **Not Applicable**
(57) Statement of Newness and Distinctiveness: **Nil**



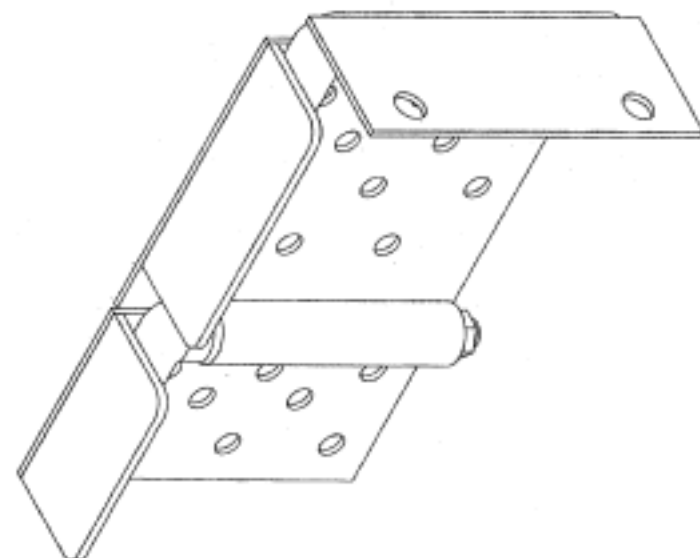
(21) Design Number: **10621/2014**
(22) Date of Filing Application: **07 February 2014**
(24) Date from which industrial property rights may have effect: **07 February 2014**
(54) Product in respect of which the design is registered: **Luggage case**
(51) International Design Classification: **03-01A**
(74) Name(s) of Attorney(s): **Corrs Chambers Westgarth**
(71) Name(s) and Address(s) of Applicant(s):
Royalty Bugaboo GmbH
Schmidgasse 3 Zug CH- 6300 Switzerland
(72) Name(s) of Designer(s): **Max Barenbrug**
(45) Registration Date: **13 June 2014**
(56) Related Art Documents: **Not Applicable**
(57) Statement of Newness and Distinctiveness: **Nil**



(21) Design Number: **10622/2014**
(22) Date of Filing Application: **07 February 2014**
(24) Date from which industrial property rights may have effect: **07 February 2014**
(54) Product in respect of which the design is registered: **Luggage accessory**
(51) International Design Classification: **03-99, 12-02**
(74) Name(s) of Attorney(s): **Corrs Chambers Westgarth**
(71) Name(s) and Address(s) of Applicant(s):
Royalty Bugaboo GmbH
Schmidgasse 3 Zug CH- 6300 Switzerland
(72) Name(s) of Designer(s): **Max Barenbrug**
(45) Registration Date: **13 June 2014**
(56) Related Art Documents: **Not Applicable**
(57) Statement of Newness and Distinctiveness: **Nil**



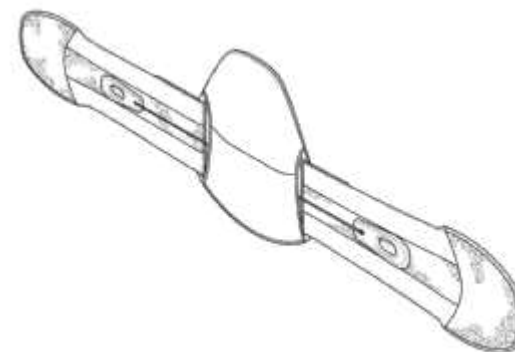
(21) Design Number: **11303/2014**
(22) Date of Filing Application: **19 March 2014**
(24) Date from which industrial property rights may have effect: **19 March 2014**
(54) Product in respect of which the design is registered: **A bed frame assembly**
(51) International Design Classification: **06-02**
(74) Name(s) of Attorney(s):
(71) Name(s) and Address(s) of Applicant(s):
Ian James Burden
17 Excalibur Ct Sovereign Islands QLD 4216 Australia
(72) Name(s) of Designer(s): **Ian James Burden**
(45) Registration Date: **13 June 2014**
(56) Related Art Documents: **Not Applicable**
(57) Statement of Newness and Distinctiveness: **The design relates to a bed frame assembly and the novelty resides in the features of shape and configuration of the article as shown in the accompanying representations.**



(21) Design Number: **11339/2014**
(22) Date of Filing Application: **21 March 2014**
(24) Date from which industrial property rights may have effect: **21 March 2014**
(54) Product in respect of which the design is registered: **Cable accessory**
(51) International Design Classification: **14-01, 21-01B**
(74) Name(s) of Attorney(s): **Shelston IP**
(71) Name(s) and Address(s) of Applicant(s):
National Entertainment Collectibles Association, Inc.
603 Sweetland Avenue Hillside New Jersey 07205 United States of America
(72) Name(s) of Designer(s): **Joel Weinshanker**
(45) Registration Date: **13 June 2014**
(30) Convention priority data:
(31) Number (32) Date (33) Country
29/467983 25 Sep 2013 UNITED STATES OF AMERICA
(56) Related Art Documents: **Not Applicable**
(57) Statement of Newness and Distinctiveness: **Newness and distinctiveness reside in the features of shape and/or configuration of a CABLE ACCESSORY as illustrated in solid lines in the accompanying representations. The features shown in broken lines are illustrative only and do not form part of the design.**



(21) Design Number: **11362/2014**
(22) Date of Filing Application: **24 March 2014**
(24) Date from which industrial property rights may have effect: **24 March 2014**
(54) Product in respect of which the design is registered: **Lower spine brace**
(51) International Design Classification: **24-04**
(74) Name(s) of Attorney(s): **PIZZEYS**
(71) Name(s) and Address(s) of Applicant(s):
Aspen Medical Products, Inc.
6481 Oak Canyon Irvine CA 92618 United States of America
(72) Name(s) of Designer(s): **Joyce Kim and Albert Romo**
(45) Registration Date: **13 June 2014**
(30) Convention priority data:
(31) Number (32) Date (33) Country
29/467,944 25 Sep 2013 UNITED STATES OF AMERICA
(56) Related Art Documents: **Not Applicable**
(57) Statement of Newness and Distinctiveness: **Nil**



(21) Design Number: **11448/2014**
(22) Date of Filing Application: **26 March 2014**
(24) Date from which industrial property rights may have effect: **26 March 2014**
(54) Product in respect of which the design is registered: **Notebook computer housing**
(51) International Design Classification: **14-02**
(74) Name(s) of Attorney(s): **PIZZEYS**
(71) Name(s) and Address(s) of Applicant(s):
Google Inc.
1600 Amphitheatre Parkway Mountain View California 94043 United States of America
(72) Name(s) of Designer(s): **Yoshimichi Matsuoka**
(45) Registration Date: **13 June 2014**
(30) Convention priority data:
(31) Number (32) Date (33) Country
29/468,269 27 Sep 2013 UNITED STATES OF AMERICA
(56) Related Art Documents: **Not Applicable**
(57) Statement of Newness and Distinctiveness: **Nil**



(21) Design Number: **11969/2014**
(22) Date of Filing Application: **24 April 2014**
(24) Date from which industrial property rights may have effect: **24 April 2014**
(54) Product in respect of which the design is registered: **Bottle**
(51) International Design Classification: **09-01NES**
(74) Name(s) of Attorney(s): **SPRUSON & FERGUSON**
(71) Name(s) and Address(s) of Applicant(s):
PepsiCo, Inc
700 Anderson Hill Road Purchase New York 10577 United States of America
(72) Name(s) of Designer(s): **Emmanuel Chivot and Andy Jordan and Philip Nigel Bordet-Stead and Laurent Robin-Prevallee**
(45) Registration Date: **13 June 2014**
(30) Convention priority data:
(31) Number (32) Date (33) Country
29/470789 24 Oct 2013 UNITED STATES OF AMERICA
(56) Related Art Documents: **Not Applicable**
(57) Statement of Newness and Distinctiveness: **Newness and distinctiveness is claimed in those features of shape and/or configuration of a bottle illustrated in continuous lines in the accompanying representations.**



- (21) Design Number: **11971/2014**
(22) Date of Filing Application: **24 April 2014**
(24) Date from which industrial property rights may have effect: **24 April 2014**
(54) Product in respect of which the design is registered: **Bottle**
(51) International Design Classification: **09-01NES**
(74) Name(s) of Attorney(s): **SPRUSON & FERGUSON**
(71) Name(s) and Address(s) of Applicant(s):
PepsiCo, Inc
700 Anderson Hill Road Purchase New York 10577 United States of America
(72) Name(s) of Designer(s): **Emmanuel Chivot and Andy Jordan and Philip Nigel Bordet-Stead and Laurent Robin-Prevallee**
(45) Registration Date: **13 June 2014**
(30) Convention priority data:
(31) Number (32) Date (33) Country
29/470784 24 Oct 2013 UNITED STATES OF AMERICA
(56) Related Art Documents: **Not Applicable**
(57) Statement of Newness and Distinctiveness: **Newness and distinctiveness is claimed in those features of shape and/or configuration of a bottle illustrated in continuous lines in the accompanying representations.**



- (21) Design Number: **11974/2014**
(22) Date of Filing Application: **24 April 2014**
(24) Date from which industrial property rights may have effect: **24 April 2014**
(54) Product in respect of which the design is registered: **Bottle**
(51) International Design Classification: **09-01NES**
(74) Name(s) of Attorney(s): **SPRUSON & FERGUSON**
(71) Name(s) and Address(s) of Applicant(s):
PepsiCo, Inc
700 Anderson Hill Road Purchase New York 10577 United States of America
(72) Name(s) of Designer(s): **Emmanuel Chivot and Andy Jordan and Philip Nigel Bordet-Stead and Laurent Robin-Prevallee**
(45) Registration Date: **13 June 2014**
(30) Convention priority data:
(31) Number (32) Date (33) Country
29/470786 24 Oct 2013 UNITED STATES OF AMERICA
(56) Related Art Documents: **Not Applicable**
(57) Statement of Newness and Distinctiveness: **Newness and distinctiveness is claimed in those features of shape and/or configuration of a bottle illustrated in continuous lines the accompanying representations.**



(21) Design Number: **11975/2014**
(22) Date of Filing Application: **24 April 2014**
(24) Date from which industrial property rights may have effect: **24 April 2014**
(54) Product in respect of which the design is registered: **Bottle**
(51) International Design Classification: **09-01NES**
(74) Name(s) of Attorney(s): **SPRUSON & FERGUSON**
(71) Name(s) and Address(s) of Applicant(s):
PepsiCo, Inc
700 Anderson Hill Road Purchase New York 10577 United States of America
(72) Name(s) of Designer(s): **Emmanuel Chivot and Andy Jordan and Philip Nigel Bordet-Stead and Laurent Robin-Prevallee**
(45) Registration Date: **13 June 2014**
(30) Convention priority data:
(31) Number (32) Date (33) Country
29/470786 24 Oct 2013 UNITED STATES OF AMERICA
(56) Related Art Documents: **Not Applicable**
(57) Statement of Newness and Distinctiveness: **Newness and distinctiveness is claimed in those features of shape and/or configuration of a bottle illustrated in continuous lines the accompanying representations.**



(21) Design Number: **11976/2014**
(22) Date of Filing Application: **24 April 2014**
(24) Date from which industrial property rights may have effect: **24 April 2014**
(54) Product in respect of which the design is registered: **Bottle**
(51) International Design Classification: **09-01NES**
(74) Name(s) of Attorney(s): **SPRUSON & FERGUSON**
(71) Name(s) and Address(s) of Applicant(s):
PepsiCo, Inc
700 Anderson Hill Road Purchase New York 10577 United States of America
(72) Name(s) of Designer(s): **Emmanuel Chivot and Andy Jordan and Philip Nigel Bordet-Stead and Laurent Robin-Prevallee**
(45) Registration Date: **13 June 2014**
(30) Convention priority data:
(31) Number (32) Date (33) Country
29/470786 24 Oct 2013 UNITED STATES OF AMERICA
(56) Related Art Documents: **Not Applicable**
(57) Statement of Newness and Distinctiveness: **Newness and distinctiveness is claimed in those features of shape and/or configuration of a bottle illustrated in continuous lines the accompanying representations.**



(21) Design Number: **11977/2014**
(22) Date of Filing Application: **24 April 2014**
(24) Date from which industrial property rights may have effect: **24 April 2014**
(54) Product in respect of which the design is registered: **Bottle**
(51) International Design Classification: **09-01NES**
(74) Name(s) of Attorney(s): **SPRUSON & FERGUSON**
(71) Name(s) and Address(s) of Applicant(s):
PepsiCo, Inc
700 Anderson Hill Road Purchase New York 10577 United States of America
(72) Name(s) of Designer(s): **Emmanuel Chivot and Andy Jordan and Philip Nigel Bordet-Stead and Laurent Robin-Prevallee**
(45) Registration Date: **13 June 2014**
(30) Convention priority data:
(31) Number (32) Date (33) Country
29/470786 24 Oct 2013 UNITED STATES OF AMERICA
(56) Related Art Documents: **Not Applicable**
(57) Statement of Newness and Distinctiveness: **Newness and distinctiveness is claimed in those features of shape and/or configuration of a bottle illustrated in continuous lines the accompanying representations.**



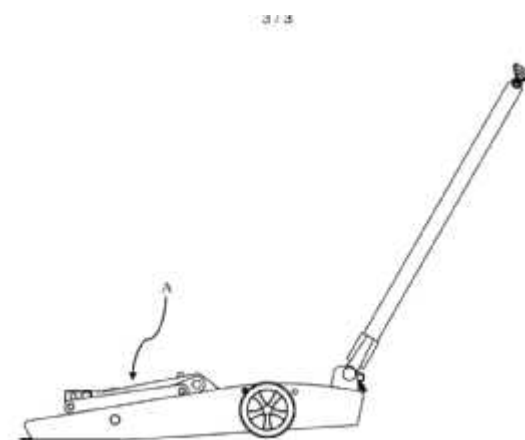
(21) Design Number: **11979/2014**
(22) Date of Filing Application: **24 April 2014**
(24) Date from which industrial property rights may have effect: **24 April 2014**
(54) Product in respect of which the design is registered: **Bottle**
(51) International Design Classification: **09-01NES**
(74) Name(s) of Attorney(s): **SPRUSON & FERGUSON**
(71) Name(s) and Address(s) of Applicant(s):
PepsiCo, Inc
700 Anderson Hill Road Purchase New York 10577 United States of America
(72) Name(s) of Designer(s): **Emmanuel Chivot and Andy Jordan and Philip Nigel Bordet-Stead and Laurent Robin-Prevallee**
(45) Registration Date: **13 June 2014**
(30) Convention priority data:
(31) Number (32) Date (33) Country
29/470786 24 Oct 2013 UNITED STATES OF AMERICA
(56) Related Art Documents: **Not Applicable**
(57) Statement of Newness and Distinctiveness: **Newness and distinctiveness is claimed in those features of shape and/or configuration of a bottle illustrated in continuous lines the accompanying representations.**



(21) Design Number: **12155/2014**
(22) Date of Filing Application: **05 May 2014**
(24) Date from which industrial property rights may have effect: **05 May 2014**
(54) Product in respect of which the design is registered: **Hair clipper**
(51) International Design Classification: **28-03D**
(74) Name(s) of Attorney(s):
(71) Name(s) and Address(s) of Applicant(s):
Yongkang MRY Industry & Trade Co., Ltd
No 185 Chengdong Road Yongkang Zhejiang China
(72) Name(s) of Designer(s): **Fusheng Li**
(45) Registration Date: **13 June 2014**
(56) Related Art Documents: **Not Applicable**
(57) Statement of Newness and Distinctiveness: **Nil**



(21) Design Number: **12109/2014**
(22) Date of Filing Application: **01 May 2014**
(24) Date from which industrial property rights may have effect: **01 May 2014**
(54) Product in respect of which the design is registered: **Power unit for a jack stand**
(51) International Design Classification: **12-05**
(74) Name(s) of Attorney(s): **SPRUSON & FERGUSON**
(71) Name(s) and Address(s) of Applicant(s):
Harry H Arzouman
26 Mainsail Drive Corona Del Mar California 92625 United States of America
(72) Name(s) of Designer(s): **Harry H Arzouman**
(45) Registration Date: **13 June 2014**
(30) Convention priority data:
(31) Number (32) Date (33) Country
29/463386 04 Nov 2013 UNITED STATES OF AMERICA
(56) Related Art Documents: **Not Applicable**
(57) Statement of Newness and Distinctiveness: **Newness and distinctiveness is claimed in the features of shape and/or configuration of the following parts of a power unit as illustrated and labelled in the accompanying representations: lift bridge labelled "A"; and control mechanism labelled "B".**



(21) Design Number: **12186/2014**
(22) Date of Filing Application: **07 May 2014**
(24) Date from which industrial property rights may have effect: **07 May 2014**
(54) Product in respect of which the design is registered: **Tamper base**
(51) International Design Classification: **07-02L**
(74) Name(s) of Attorney(s): **PHILLIPS ORMONDE FITZPATRICK**
(71) Name(s) and Address(s) of Applicant(s):

Officina Meccanica F.LLI Carlo E Francesco Lamera S.n.c.
Via Luigi Einaudi, 59 I-24059 Urganò Bergamo Italy

(72) Name(s) of Designer(s): **Carlo Lamera and Kevin Mundackal**

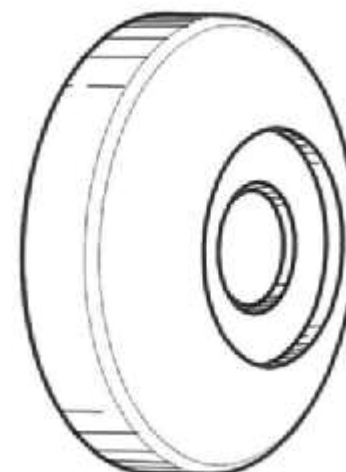
(45) Registration Date: **13 June 2014**

(30) Convention priority data:

(31) Number	(32) Date	(33) Country
002341487	08 Nov 2013	OFFICE FOR HARMONISATION IN THE INTERNAL MARKET (OHIM)

(56) Related Art Documents: **Not Applicable**

(57) Statement of Newness and Distinctiveness: **Nil**



(21) Design Number: **12242/2014**
(22) Date of Filing Application: **12 May 2014**
(24) Date from which industrial property rights may have effect: **12 May 2014**
(54) Product in respect of which the design is registered: **Tray for baggage conveyor**
(51) International Design Classification: **12-05**
(74) Name(s) of Attorney(s): **SPRUSON & FERGUSON**
(71) Name(s) and Address(s) of Applicant(s):

Daifuku Co., Ltd.
2-11 Mitejima 3-chome Nishiyodogawa-ku Osaka-shi Osaka 5550012
Japan

(72) Name(s) of Designer(s): **Yoshihiko Fujio and Takuya Isomura**

(45) Registration Date: **13 June 2014**

(30) Convention priority data:

(31) Number	(32) Date	(33) Country
JP2013-026676	14 Nov 2013	JAPAN

(56) Related Art Documents: **Not Applicable**

(57) Statement of Newness and Distinctiveness: **Newness and distinctiveness is claimed in the features of shape and/or configuration of a tray for baggage conveyor as illustrated in the accompanying representations.**



(21) Design Number: **12254/2014**
(22) Date of Filing Application: **12 May 2014**
(24) Date from which industrial property rights may have effect: **12 May 2014**
(54) Product in respect of which the design is registered: **Swimwear garment**
(51) International Design Classification: **02-02A**
(74) Name(s) of Attorney(s): **Thomson Geer**
(71) Name(s) and Address(s) of Applicant(s):

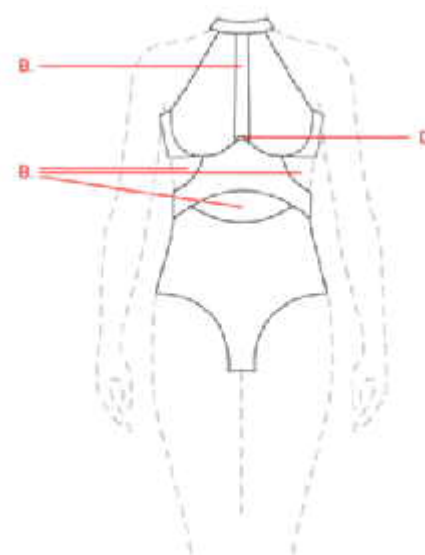
JETS Swimwear Pty Limited
8-18 Bowden St Alexandria NSW 2015 Australia

(72) Name(s) of Designer(s): **Jessika Allen**

(45) Registration Date: **13 June 2014**

(56) Related Art Documents: **Not Applicable**

(57) Statement of Newness and Distinctiveness: **Newness and distinctiveness is claimed in the shape and/or configuration of the garment as depicted in the accompanying representations. The sections marked "B" are cut out panels. The section marked "D" indicates binding. In considering the newness & distinctiveness the feature marked A, being a clasp, is to be disregarded. The outline of the wearer, shown in broken lines, forms no part of the design.**



(21) Design Number: **12255/2014**
(22) Date of Filing Application: **12 May 2014**
(24) Date from which industrial property rights may have effect: **12 May 2014**
(54) Product in respect of which the design is registered: **Swimwear garment**
(51) International Design Classification: **02-02A**
(74) Name(s) of Attorney(s): **Thomson Geer**
(71) Name(s) and Address(s) of Applicant(s):

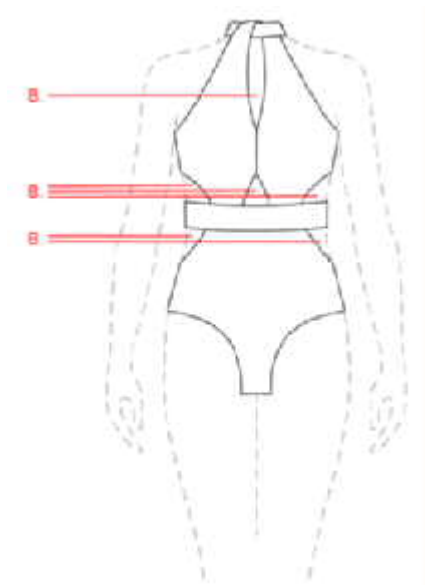
JETS Swimwear Pty Limited
8-18 Bowden St Alexandria NSW 2015 Australia

(72) Name(s) of Designer(s): **Jessika Allen**

(45) Registration Date: **13 June 2014**

(56) Related Art Documents: **Not Applicable**

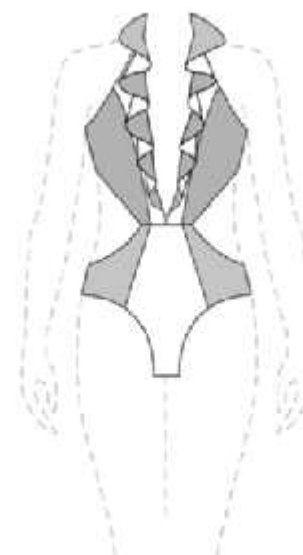
(57) Statement of Newness and Distinctiveness: **Newness and distinctiveness is claimed in the shape and/or configuration of the garment as depicted in the accompanying representations. The sections marked "B" are cut out panels. In considering the newness & distinctiveness the feature marked A, being a clasp, is to be disregarded. The outline of the wearer, shown in broken lines, forms no part of the design.**



- (21) Design Number: **12256/2014**
(22) Date of Filing Application: **12 May 2014**
(24) Date from which industrial property rights may have effect: **12 May 2014**
(54) Product in respect of which the design is registered: **Swimwear garment**
(51) International Design Classification: **02-02A**
(74) Name(s) of Attorney(s): **Thomson Geer**
(71) Name(s) and Address(s) of Applicant(s):
JETS Swimwear Pty Limited
8-18 Bowden St Alexandria NSW 2015 Australia
(72) Name(s) of Designer(s): **Jessika Allen**
(45) Registration Date: **13 June 2014**
(56) Related Art Documents: **Not Applicable**
(57) Statement of Newness and Distinctiveness: **Newness and distinctiveness is claimed in the shape and/or configuration of the garment as depicted in the accompanying representations. The sections marked "B" are cut out panels. In considering the newness & distinctiveness the feature marked A, being a clasp, is to be disregarded. The outline of the wearer, shown in broken lines, forms no part of the design.**



- (21) Design Number: **12258/2014**
(22) Date of Filing Application: **12 May 2014**
(24) Date from which industrial property rights may have effect: **12 May 2014**
(54) Product in respect of which the design is registered: **Swimwear garment**
(51) International Design Classification: **02-02A**
(74) Name(s) of Attorney(s): **Thomson Geer**
(71) Name(s) and Address(s) of Applicant(s):
JETS Swimwear Pty Limited
8-18 Bowden St Alexandria NSW 2015 Australia
(72) Name(s) of Designer(s): **Jessika Allen**
(45) Registration Date: **13 June 2014**
(56) Related Art Documents: **Not Applicable**
(57) Statement of Newness and Distinctiveness: **Newness and distinctiveness is claimed in the shape and/or configuration of the garment as depicted in the accompanying representations and in the feature of pattern and/or ornamentation illustrated on the representations by coloured grey sections which indicate a contrast colour fabric from the white sections. In considering the newness & distinctiveness the feature marked A, being a clasp, is to be disregarded. The outline of the wearer, shown in broken lines, forms no part of the design.**



- (21) Design Number: **12259/2014**
(22) Date of Filing Application: **12 May 2014**
(24) Date from which industrial property rights may have effect: **12 May 2014**
(54) Product in respect of which the design is registered: **Swimwear garment**
(51) International Design Classification: **02-02A**
(74) Name(s) of Attorney(s): **Thomson Geer**
(71) Name(s) and Address(s) of Applicant(s):

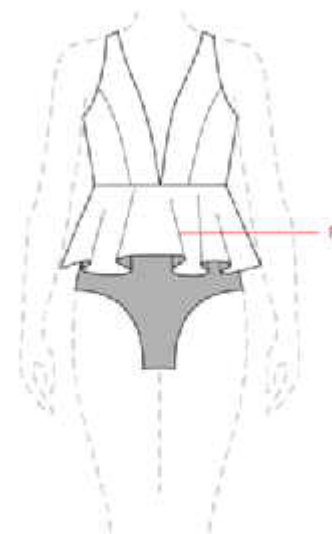
JETS Swimwear Pty Limited
8-18 Bowden St Alexandria NSW 2015 Australia

(72) Name(s) of Designer(s): **Jessika Allen**

(45) Registration Date: **13 June 2014**

(56) Related Art Documents: **Not Applicable**

(57) Statement of Newness and Distinctiveness: **Newness and distinctiveness is claimed in the shape and/or configuration of the garment as depicted in the accompanying representations and in the feature of pattern and/or ornamentation illustrated on the representations by coloured grey sections which indicate a contrast colour fabric. The sections marked "B" are cut out panels. The sections marked "F" identify a draped skirt or peplum. The outline of the wearer, shown in broken lines, forms no part of the design.**



- (21) Design Number: **12260/2014**
(22) Date of Filing Application: **12 May 2014**
(24) Date from which industrial property rights may have effect: **12 May 2014**
(54) Product in respect of which the design is registered: **Swimwear garment**
(51) International Design Classification: **02-02A**
(74) Name(s) of Attorney(s): **Thomson Geer**
(71) Name(s) and Address(s) of Applicant(s):

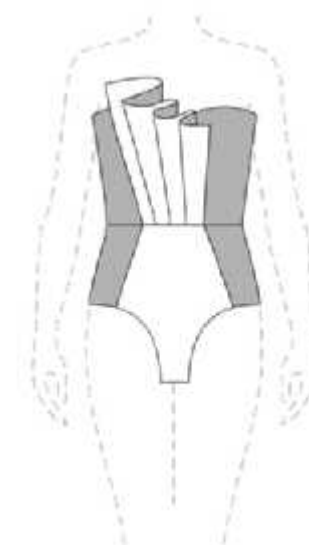
JETS Swimwear Pty Limited
8-18 Bowden St Alexandria NSW 2015 Australia

(72) Name(s) of Designer(s): **Jessika Allen**

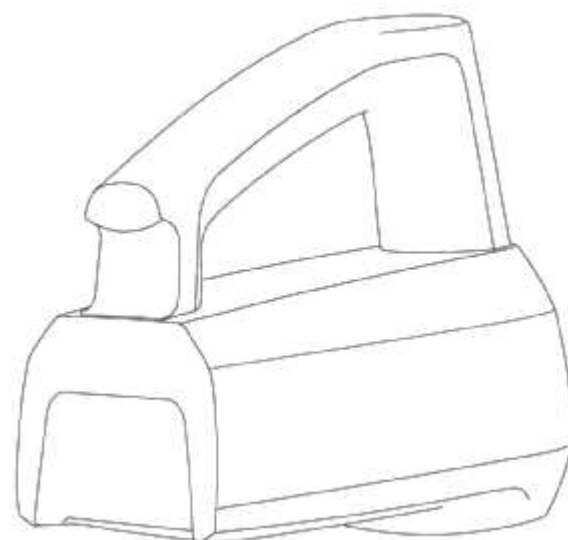
(45) Registration Date: **13 June 2014**

(56) Related Art Documents: **Not Applicable**

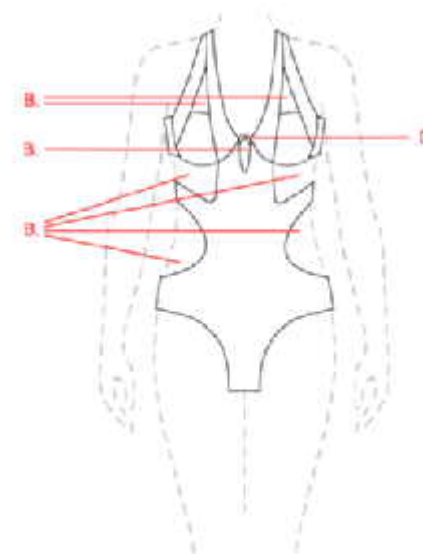
(57) Statement of Newness and Distinctiveness: **Newness and distinctiveness is claimed in the shape and/or configuration of the garment as depicted in the accompanying representations and in the feature of pattern and/or ornamentation illustrated on the representations by coloured grey sections which indicate a contrast colour fabric from the white section. The garment may be used with neck or shoulder straps (which form no part of this design). The fan shaped ornamentation pictured in the front view of the representation is attached to the bodice of the garment on both sides. The outline of the wearer, shown in broken lines, forms no part of the design.**



- (21) Design Number: **10578/2014**
(22) Date of Filing Application: **06 February 2014**
(24) Date from which industrial property rights may have effect: **06 February 2014**
(54) Product in respect of which the design is registered: **Hand mixer**
(51) International Design Classification: **31-00**
(74) Name(s) of Attorney(s): **Molins & Co Pty Ltd**
(71) Name(s) and Address(s) of Applicant(s):
Breville Pty Limited
Building 2 Port Air Industrial Estate 1A Hale St Botany NSW 2019
Australia
(72) Name(s) of Designer(s): **Garth Ryan**
(45) Registration Date: **13 June 2014**
(56) Related Art Documents: **Not Applicable**
(57) Statement of Newness and Distinctiveness: **Newness is claimed in the features of shape and configuration of the hand mixer as shown in the accompanying representations. Elements shown in dashed lines form no part of the design**

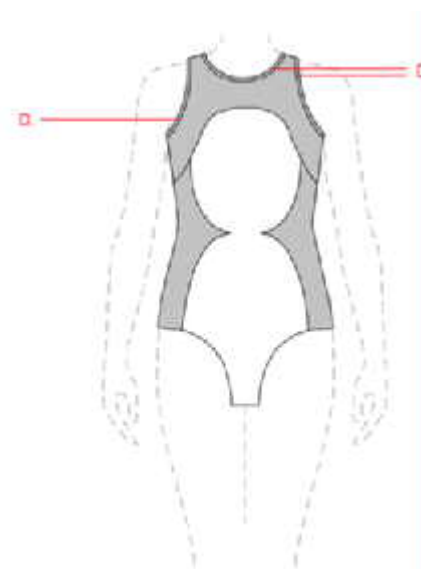


- (21) Design Number: **12252/2014**
(22) Date of Filing Application: **12 May 2014**
(24) Date from which industrial property rights may have effect: **12 May 2014**
(54) Product in respect of which the design is registered: **Swimwear garment**
(51) International Design Classification: **02-02A**
(74) Name(s) of Attorney(s): **Thomson Geer**
(71) Name(s) and Address(s) of Applicant(s):
JETS Swimwear Pty Limited
8-18 Bowden St Alexandria NSW 2015 Australia
(72) Name(s) of Designer(s): **Jessika Allen**
(45) Registration Date: **13 June 2014**
(56) Related Art Documents: **Not Applicable**
(57) Statement of Newness and Distinctiveness: **Newness and distinctiveness is claimed in the shape and/or configuration of the garment as depicted in the accompanying representations. The sections marked "B" are cut out panels. The section marked "D" indicates binding. In considering the newness & distinctiveness the feature marked A, being a clasp, is to be disregarded. The outline of the wearer, shown in broken lines, forms no part of the design.**



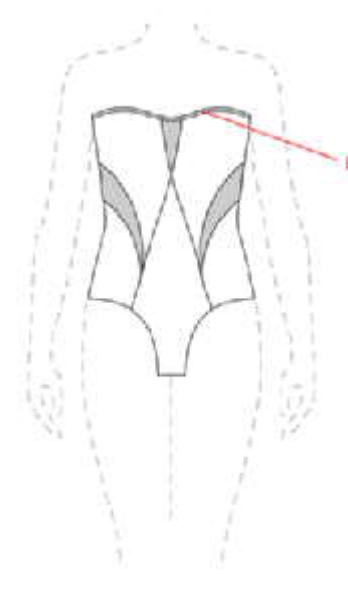
(21) Design Number: **12261/2014**
(22) Date of Filing Application: **12 May 2014**
(24) Date from which industrial property rights may have effect: **12 May 2014**
(54) Product in respect of which the design is registered: **Swimwear garment**
(51) International Design Classification: **02-02A**
(74) Name(s) of Attorney(s): **Thomson Geer**
(71) Name(s) and Address(s) of Applicant(s):
JETS Swimwear Pty Limited
8-18 Bowden St Alexandria NSW 2015 Australia
(72) Name(s) of Designer(s): **Jessika Allen**
(45) Registration Date: **13 June 2014**
(56) Related Art Documents: **Not Applicable**

(57) Statement of Newness and Distinctiveness: **Newness and distinctiveness is claimed in the shape and/or configuration of the garment as depicted in the accompanying representations and in the feature of pattern and/or ornamentation illustrated on the representations by coloured grey sections which indicate a contrast colour fabric from the white sections. The section marked "B" is a cut out panel. The sections marked "D" indicate binding. In considering the newness & distinctiveness the feature marked A, being a clasp, is to be disregarded. The outline of the wearer, shown in broken lines, forms no part of the design.**

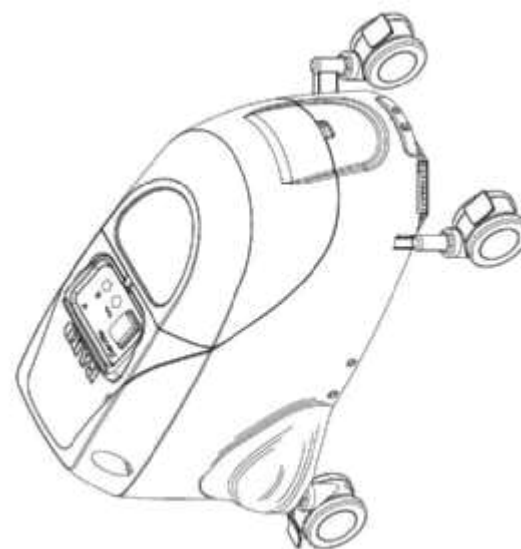


(21) Design Number: **12263/2014**
(22) Date of Filing Application: **12 May 2014**
(24) Date from which industrial property rights may have effect: **12 May 2014**
(54) Product in respect of which the design is registered: **Swimwear garment**
(51) International Design Classification: **02-02A**
(74) Name(s) of Attorney(s): **Thomson Geer**
(71) Name(s) and Address(s) of Applicant(s):
JETS Swimwear Pty Limited
8-18 Bowden St Alexandria NSW 2015 Australia
(72) Name(s) of Designer(s): **Jessika Allen**
(45) Registration Date: **13 June 2014**
(56) Related Art Documents: **Not Applicable**

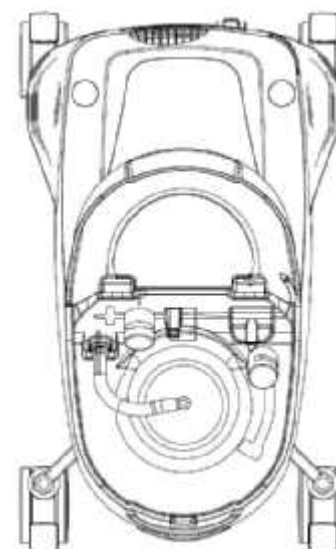
(57) Statement of Newness and Distinctiveness: **Newness and distinctiveness is claimed in the shape and/or configuration of the garment as depicted in the accompanying representations and in the feature of pattern and/or ornamentation illustrated on the representations by coloured grey sections which indicate a contrast mesh fabric. The garment may be used together with neck or shoulder straps (which form no part of this design). The section marked "B" is a cut out panel. The sections marked "D" indicate binding. In considering the newness & distinctiveness the feature marked A, being a clasp, is to be disregarded. The outline of the wearer, shown in broken lines, forms no part of the design.**



(21) Design Number: **12266/2014**
(22) Date of Filing Application: **12 May 2014**
(24) Date from which industrial property rights may have effect: **12 May 2014**
(54) Product in respect of which the design is registered: **Biopsy system console**
(51) International Design Classification: **24-01**
(74) Name(s) of Attorney(s): **WATERMARK PATENT AND TRADE MARKS ATTORNEYS**
(71) Name(s) and Address(s) of Applicant(s):
C.R. Bard, Inc
730 Central Avenue Murray Hill NJ, 07974 United States of America
(72) Name(s) of Designer(s): **Thomas G Hacker and Angela K Jensen and Derek J Daw**
(45) Registration Date: **13 June 2014**
(30) Convention priority data:
(31) Number (32) Date (33) Country
29/472,541 13 Nov 2013 UNITED STATES OF AMERICA
(56) Related Art Documents: **Not Applicable**
(57) Statement of Newness and Distinctiveness: **When considering the newness and distinctiveness, no regard is to be given to the features shown in the dotted line.**



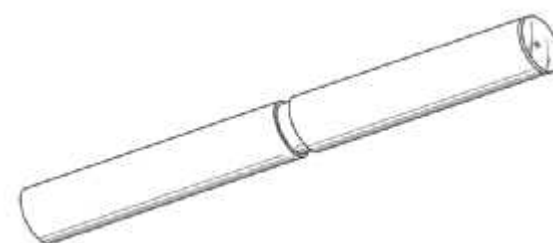
(21) Design Number: **12267/2014**
(22) Date of Filing Application: **12 May 2014**
(24) Date from which industrial property rights may have effect: **12 May 2014**
(54) Product in respect of which the design is registered: **Biopsy system console**
(51) International Design Classification: **24-01**
(74) Name(s) of Attorney(s): **WATERMARK PATENT AND TRADE MARKS ATTORNEYS**
(71) Name(s) and Address(s) of Applicant(s):
C.R. Bard, Inc
730 Central Avenue Murray Hill NJ, 07974 United States of America
(72) Name(s) of Designer(s): **Thomas G Hacker and Angela K Jensen and Derek J Daw**
(45) Registration Date: **13 June 2014**
(30) Convention priority data:
(31) Number (32) Date (33) Country
29/472,541 13 Nov 2013 UNITED STATES OF AMERICA
(56) Related Art Documents: **Not Applicable**
(57) Statement of Newness and Distinctiveness: **When considering the newness and distinctiveness, no regard is to be given to the features shown in the dotted line.**



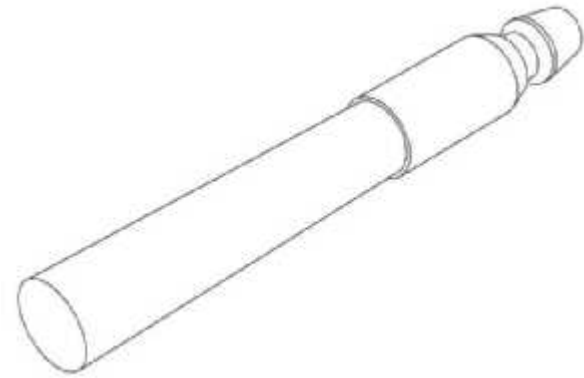
(21) Design Number: **12268/2014**
(22) Date of Filing Application: **12 May 2014**
(24) Date from which industrial property rights may have effect: **12 May 2014**
(54) Product in respect of which the design is registered: **Biopsy system console**
(51) International Design Classification: **24-01**
(74) Name(s) of Attorney(s): **WATERMARK PATENT AND TRADE MARKS ATTORNEYS**
(71) Name(s) and Address(s) of Applicant(s):
C.R. Bard, Inc
730 Central Avenue Murray Hill NJ, 07974 United States of America
(72) Name(s) of Designer(s): **Thomas G Hacker and Angela K Jensen and Derek J Daw**
(45) Registration Date: **13 June 2014**
(30) Convention priority data:
(31) Number (32) Date (33) Country
29/472,541 13 Nov 2013 UNITED STATES OF AMERICA
(56) Related Art Documents: **Not Applicable**
(57) Statement of Newness and Distinctiveness: **When considering the newness and distinctiveness, no regard is to be given to the features shown in the dotted line.**



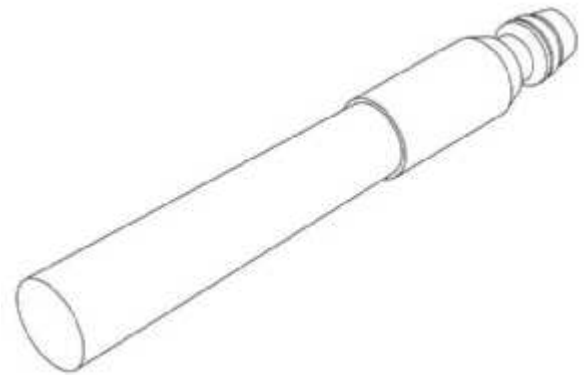
(21) Design Number: **12269/2014**
(22) Date of Filing Application: **12 May 2014**
(24) Date from which industrial property rights may have effect: **12 May 2014**
(54) Product in respect of which the design is registered: **Electronic cigarette**
(51) International Design Classification: **27-99**
(74) Name(s) of Attorney(s): **Fisher Adams Kelly Pty Ltd**
(71) Name(s) and Address(s) of Applicant(s):
HK Triangle Co., Limited
RM 603, 6/F Hang Pont Comm Bldg 31 Tonkin St Cheung Sha Wan. KL
Hong Kong
(72) Name(s) of Designer(s): **Chen Wei**
(45) Registration Date: **13 June 2014**
(30) Convention priority data:
(31) Number (32) Date (33) Country
201330584026.1 28 Nov 2013 CHINA
(56) Related Art Documents: **Not Applicable**
(57) Statement of Newness and Distinctiveness: **The newness and distinctiveness of the design resides in the shape and/or configuration of the ELECTRONIC CIGARETTE shown in the representations.**



- (21) Design Number: **12270/2014**
(22) Date of Filing Application: **12 May 2014**
(24) Date from which industrial property rights may have effect: **12 May 2014**
(54) Product in respect of which the design is registered: **Electrolytic brush**
(51) International Design Classification: **13-03NES**
(74) Name(s) of Attorney(s): **HODGKINSON McINNES PATENTS**
(71) Name(s) and Address(s) of Applicant(s):
Ensitech Pty Ltd
U1 144 Old Bathurst Rd Emu Plains NSW 2750 Australia
(72) Name(s) of Designer(s): **Clive Stuart White and Mark Robert Fischer and Franco Fornesari**
(45) Registration Date: **13 June 2014**
(56) Related Art Documents: **Not Applicable**
(57) Statement of Newness and Distinctiveness: **Newness and distinctiveness is claimed in the shape and configuration of an electrolytic brush as shown in the representations.**



- (21) Design Number: **12272/2014**
(22) Date of Filing Application: **12 May 2014**
(24) Date from which industrial property rights may have effect: **12 May 2014**
(54) Product in respect of which the design is registered: **Electrolytic brush**
(51) International Design Classification: **13-03NES**
(74) Name(s) of Attorney(s): **HODGKINSON McINNES PATENTS**
(71) Name(s) and Address(s) of Applicant(s):
Ensitech Pty Ltd
U1 144 Old Bathurst Rd Emu Plains NSW 2750 Australia
(72) Name(s) of Designer(s): **Clive Stuart White and Mark Robert Fischer and Franco Fornesari**
(45) Registration Date: **13 June 2014**
(56) Related Art Documents: **Not Applicable**
(57) Statement of Newness and Distinctiveness: **Newness and distinctiveness is claimed in the shape and configuration of an electrolytic brush as shown in the representations.**



(21) Design Number: **12273/2014**

(22) Date of Filing Application: **12 May 2014**

(24) Date from which industrial property rights may have effect: **12 May 2014**

(54) Product in respect of which the design is registered: **Electronic cigarette**

(51) International Design Classification: **27-99**

(74) Name(s) of Attorney(s): **Fisher Adams Kelly Pty Ltd**

(71) Name(s) and Address(s) of Applicant(s):

HK Triangle Co., Limited

**RM 603, 6/F Hang Pont Comm Bldg 31 Tonkin St Cheung Sha Wan. KL
Hong Kong**

(72) Name(s) of Designer(s): **Chen Wei**

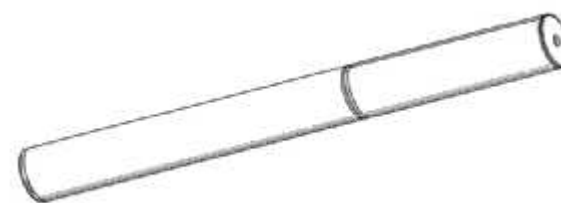
(45) Registration Date: **13 June 2014**

(30) Convention priority data:

(31) Number	(32) Date	(33) Country
201330584026.1	28 Nov 2013	CHINA

(56) Related Art Documents: **Not Applicable**

(57) Statement of Newness and Distinctiveness: **The newness and distinctiveness and the design resides in the shape and/or configuration of the ELECTRONIC CIGARETTE shown in the representations.**



(21) Design Number: **10111/2014**

(22) Date of Filing Application: **12 January 2014**

(24) Date from which industrial property rights may have effect: **12 January 2014**

(54) Product in respect of which the design is registered: **A camper with a bedroom slide-out**

(51) International Design Classification: **12-10**

(74) Name(s) of Attorney(s):

(71) Name(s) and Address(s) of Applicant(s):

Glenn Stuart Wills

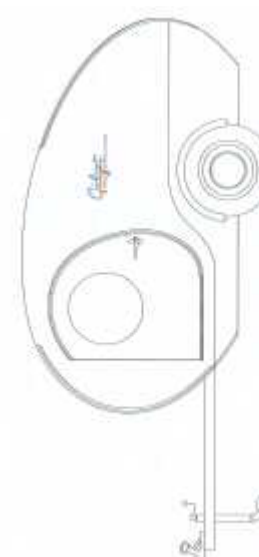
PO BOX 564 Albany Creek QLD 4035 Australia

(72) Name(s) of Designer(s): **Glenn Stuart Wills**

(45) Registration Date: **13 June 2014**

(56) Related Art Documents: **Not Applicable**

(57) Statement of Newness and Distinctiveness: **Our design is for a Retro Teardrop Camper which has a unique slide-out from the front of the camper along the draw bar to provide a much larger internal space making it easier to tow, park and store whilst having almost twice the internal dimensions when extended of a standard teardrop camper. The draw bar is utilised to support the slide-out, the bed and floor and the occupant. The shape and design of the fully extended camper is a new and unique design and feature world-wide which has not previously existed for any type of camper. This extended slide-out also provides ability to include a large skylight above the heads of the occupants when in bed as well as windows on the sides of the slide-out which also allow for a large increase in the volume of light and air into the camper. The original design ensures the camper has an aesthetic and balanced appearance when the slide-out is fully extended, which compliments the shape when fully closed.**



(21) Design Number: **11970/2014**
(22) Date of Filing Application: **24 April 2014**
(24) Date from which industrial property rights may have effect: **24 April 2014**
(54) Product in respect of which the design is registered: **Bottle**
(51) International Design Classification: **09-01NES**
(74) Name(s) of Attorney(s): **SPRUSON & FERGUSON**
(71) Name(s) and Address(s) of Applicant(s):
PepsiCo, Inc
700 Anderson Hill Road Purchase New York 10577 United States of America
(72) Name(s) of Designer(s): **Emmanuel Chivot and Andy Jordan and Philip Nigel Bordet-Stead and Laurent Robin-Prevallee**
(45) Registration Date: **13 June 2014**
(30) Convention priority data:
(31) Number (32) Date (33) Country
29/470784 24 Oct 2013 UNITED STATES OF AMERICA
(56) Related Art Documents: **Not Applicable**
(57) Statement of Newness and Distinctiveness: **Newness and distinctiveness is claimed in those features of shape and/or configuration of a bottle illustrated in continuous lines in the accompanying representations.**



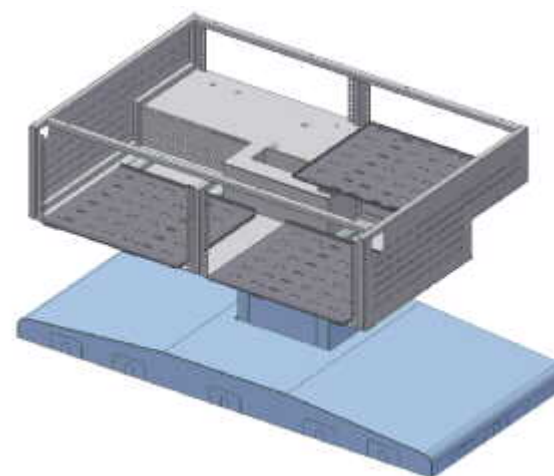
(21) Design Number: **11978/2014**
(22) Date of Filing Application: **24 April 2014**
(24) Date from which industrial property rights may have effect: **24 April 2014**
(54) Product in respect of which the design is registered: **Bottle**
(51) International Design Classification: **09-01NES**
(74) Name(s) of Attorney(s): **SPRUSON & FERGUSON**
(71) Name(s) and Address(s) of Applicant(s):
PepsiCo, Inc
700 Anderson Hill Road Purchase New York 10577 United States of America
(72) Name(s) of Designer(s): **Emmanuel Chivot and Andy Jordan and Philip Nigel Bordet-Stead and Laurent Robin-Prevallee**
(45) Registration Date: **13 June 2014**
(30) Convention priority data:
(31) Number (32) Date (33) Country
29/470786 24 Oct 2013 UNITED STATES OF AMERICA
(56) Related Art Documents: **Not Applicable**
(57) Statement of Newness and Distinctiveness: **Newness and distinctiveness is claimed in those features of shape and/or configuration of a bottle illustrated in continuous lines the accompanying representations.**



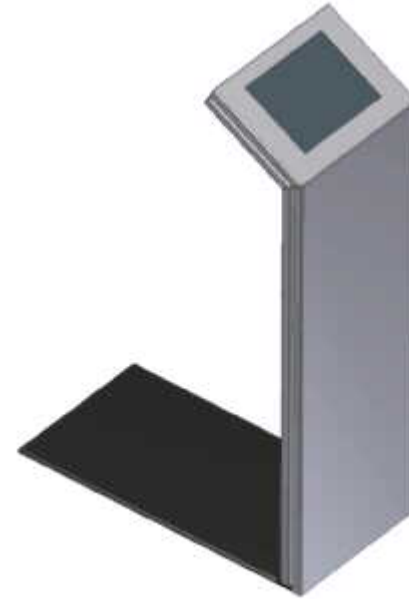
(21) Design Number: **12154/2014**
(22) Date of Filing Application: **05 May 2014**
(24) Date from which industrial property rights may have effect: **05 May 2014**
(54) Product in respect of which the design is registered: **Hair clipper**
(51) International Design Classification: **28-03D**
(74) Name(s) of Attorney(s):
(71) Name(s) and Address(s) of Applicant(s):
Yongkang MRY Industry & Trade Co., Ltd
No 185 Chengdong Road Yongkang Zhejiang China
(72) Name(s) of Designer(s): **Fusheng Li**
(45) Registration Date: **13 June 2014**
(56) Related Art Documents: **Not Applicable**
(57) Statement of Newness and Distinctiveness: **Nil**



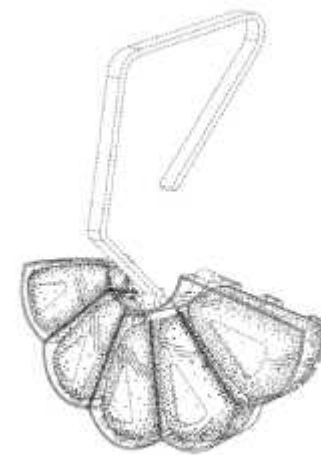
(21) Design Number: **10776/2014**
(22) Date of Filing Application: **19 February 2014**
(24) Date from which industrial property rights may have effect: **19 February 2014**
(54) Product in respect of which the design is registered: **Lectern**
(51) International Design Classification: **06-06NES**
(74) Name(s) of Attorney(s):
(71) Name(s) and Address(s) of Applicant(s):
Andrew Molnar
8 Westpool Drive HallamVIC 3803 Australia
(72) Name(s) of Designer(s): **Andrew Molnar**
(45) Registration Date: **13 June 2014**
(56) Related Art Documents: **Not Applicable**
(57) Statement of Newness and Distinctiveness: **Nil**



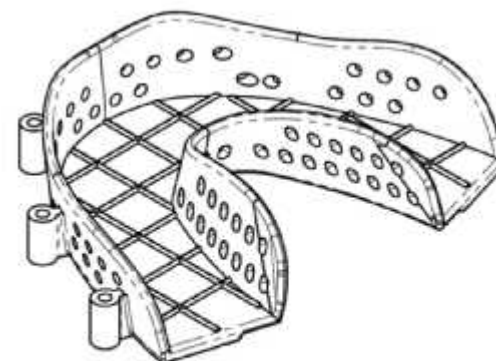
(21) Design Number: **10778/2014**
(22) Date of Filing Application: **19 February 2014**
(24) Date from which industrial property rights may have effect: **19 February 2014**
(54) Product in respect of which the design is registered: **Support for a computer tablet**
(51) International Design Classification: **14-99**
(74) Name(s) of Attorney(s):
(71) Name(s) and Address(s) of Applicant(s):
Andrew Molnar
8 Westpool Drive HallamVIC 3803 Australia
(72) Name(s) of Designer(s): **Andrew Molnar**
(45) Registration Date: **13 June 2014**
(56) Related Art Documents: **Not Applicable**
(57) Statement of Newness and Distinctiveness: **Nil**



(21) Design Number: **11569/2014**
(22) Date of Filing Application: **31 March 2014**
(24) Date from which industrial property rights may have effect: **31 March 2014**
(54) Product in respect of which the design is registered: **Toilet rim block holder with toilet rim block**
(51) International Design Classification: **28-99**
(74) Name(s) of Attorney(s): **SPRUSON & FERGUSON**
(71) Name(s) and Address(s) of Applicant(s):
S.C. Johnson & Son, Inc.
1525 Howe Street Racine Wisconsin 53403-2236 United States of America
(72) Name(s) of Designer(s): **Weiwei Wang and Zheng Yu Zhang**
(45) Registration Date: **13 June 2014**
(30) Convention priority data:
(31) Number (32) Date (33) Country
29/468734 02 Oct 2013 UNITED STATES OF AMERICA
(56) Related Art Documents: **Not Applicable**
(57) Statement of Newness and Distinctiveness: **Newness and distinctiveness is claimed in those features of shape and/or configuration of a toilet rim block holder and toilet rim block illustrated in continuous lines in the accompanying representations.**



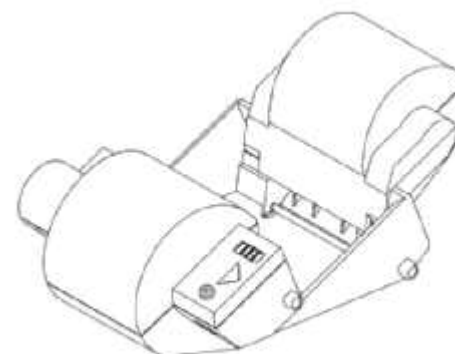
- (21) Design Number: **11732/2014**
(22) Date of Filing Application: **07 April 2014**
(24) Date from which industrial property rights may have effect: **07 April 2014**
(54) Product in respect of which the design is registered: **Upper and lower dental impression trays**
(51) International Design Classification: **24-02**
(74) Name(s) of Attorney(s): **SPRUSON & FERGUSON**
(71) Name(s) and Address(s) of Applicant(s):
Canadabay Instaguide Pty Ltd
C/- Connected Accountants SE202 8 Help St Chatswood NSW 2067
Australia
(72) Name(s) of Designer(s): **Vivien Anne Munoz-Ferrada and Carl Anthony Munoz-Ferrada**
(45) Registration Date: **13 June 2014**
(56) Related Art Documents: **Not Applicable**
(57) Statement of Newness and Distinctiveness: **Newness and distinctiveness is claimed in the features of shape and/or configuration and pattern and/or ornamentation of lateral and grid matrix references of upper and lower dental impression trays as illustrated in the accompanying representations.**



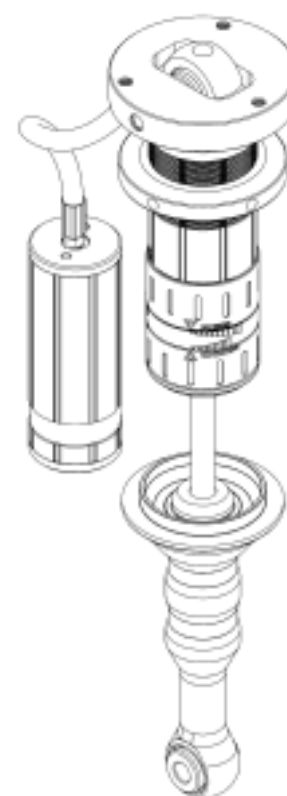
- (21) Design Number: **11904/2014**
(22) Date of Filing Application: **17 April 2014**
(24) Date from which industrial property rights may have effect: **17 April 2014**
(54) Product in respect of which the design is registered: **Flute Bag**
(51) International Design Classification: **03-01NES, 03-01B**
(74) Name(s) of Attorney(s):
(71) Name(s) and Address(s) of Applicant(s):
Jeffrey Steven McCann
20 Victoria Rd Glebe NSW 2037 Australia
(72) Name(s) of Designer(s): **Jeffrey Steven McCann**
(45) Registration Date: **13 June 2014**
(56) Related Art Documents: **Not Applicable**
(57) Statement of Newness and Distinctiveness: **d durability.hand cut and assembled using repurposed cardboard. They are water resistant as they have a varnish coating. Paper tape is used to mask the body of the bag; where as the flutes on the flap and the top of the side pieced are left exposed to showcase the cardboard. Some bags have hand drawn illustrations drawn onto their exterior. Others are simply left to what is on the cardboard. They have a zipper pocket inside the bag, magnetic clasp and adjustable straps (when applicable). They one design for the body is carried through on a range of products. Including clutch, small handbag, shoulder bag and back pack. The three cardboard pieces that make up the body of the bag are cut on specific angles so the strength of the flutes in the cardboard are utilised. This gives the bag added strength and durability.**



(21) Design Number: **12210/2014**
(22) Date of Filing Application: **08 May 2014**
(24) Date from which industrial property rights may have effect: **08 May 2014**
(54) Product in respect of which the design is registered: **Ink ribbon cassette for printing machine**
(51) International Design Classification: **18-02**
(74) Name(s) of Attorney(s): **Collison & Co**
(71) Name(s) and Address(s) of Applicant(s):
Brother Industries, Ltd.
15-1 Naeshiro-cho Mizuho-ku Nagoya-shi Aichi-ken 467-8561 Japan
(72) Name(s) of Designer(s): **Mitsugi Tanaka**
(45) Registration Date: **13 June 2014**
(30) Convention priority data:
(31) Number (32) Date (33) Country
2013-026123 08 Nov 2013 JAPAN
(56) Related Art Documents: **Not Applicable**
(57) Statement of Newness and Distinctiveness: **Newness and distinctiveness resides in the shape and/or configuration of the ink ribbon cassette as shown in the accompanying representations.**



(21) Design Number: **12228/2014**
(22) Date of Filing Application: **09 May 2014**
(24) Date from which industrial property rights may have effect: **09 May 2014**
(54) Product in respect of which the design is registered: **Shock absorber**
(51) International Design Classification: **12-16NES**
(74) Name(s) of Attorney(s):
(71) Name(s) and Address(s) of Applicant(s):
ARB CORPORATION LIMITED
42 Garden St Kilsyth VIC 3137 Australia
(72) Name(s) of Designer(s): **Ross McNab**
(45) Registration Date: **13 June 2014**
(56) Related Art Documents: **Not Applicable**
(57) Statement of Newness and Distinctiveness: **Nil**



(21) Design Number: **12231/2014**
(22) Date of Filing Application: **09 May 2014**
(24) Date from which industrial property rights may have effect: **09 May 2014**
(54) Product in respect of which the design is registered: **Telescopic chute**
(51) International Design Classification: **15-99**
(74) Name(s) of Attorney(s): **Griffith Hack**
(71) Name(s) and Address(s) of Applicant(s):

Sandvik Intellectual Property AB
SE-811 81 SANDVIKEN Sweden

(72) Name(s) of Designer(s): **Mats Malmberg and Adrien Henssien**

(45) Registration Date: **13 June 2014**

(30) Convention priority data:

(31) Number	(32) Date	(33) Country
001389217	11 Nov 2013	OFFICE FOR HARMONISATION IN THE INTERNAL MARKET (OHIM)

(56) Related Art Documents: **Not Applicable**

(57) Statement of Newness and Distinctiveness: **Nil**



(21) Design Number: **12234/2014**
(22) Date of Filing Application: **09 May 2014**
(24) Date from which industrial property rights may have effect: **09 May 2014**
(54) Product in respect of which the design is registered: **Decking board**
(51) International Design Classification: **25-01D**
(74) Name(s) of Attorney(s): **Fisher Adams Kelly Pty Ltd**
(71) Name(s) and Address(s) of Applicant(s):

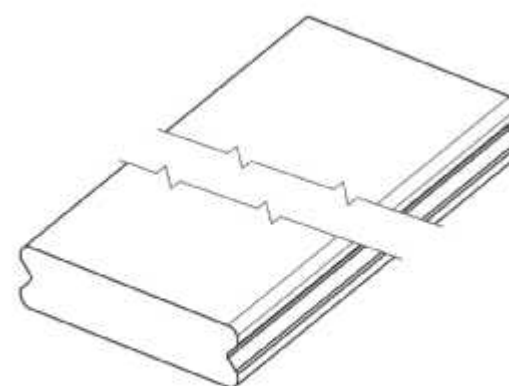
David Chester
61 Clifford St Stafford QLD 4053 Australia

(72) Name(s) of Designer(s): **David Chester**

(45) Registration Date: **13 June 2014**

(56) Related Art Documents: **Not Applicable**

(57) Statement of Newness and Distinctiveness: **The newness and distinctiveness of the design resides in the shape and/or configuration of a DECKING BOARD, of indefinite length, as shown in the representations.**



- (21) Design Number: **12265/2014**
(22) Date of Filing Application: **12 May 2014**
(24) Date from which industrial property rights may have effect: **12 May 2014**
(54) Product in respect of which the design is registered: **Beer dispenser**
(51) International Design Classification: **31-00**
(74) Name(s) of Attorney(s): **Freehills Patent Attorneys**
(71) Name(s) and Address(s) of Applicant(s):
Asahi Breweries, Ltd
23-1 Azumabashi 1-chome Sumida-ku Tokyo 130-8602 Japan
(72) Name(s) of Designer(s): **Junichi Kitano and Kenji Kato and Kosuke Yoshimura and Soichiro Nishimura and Teruhiko Kitamura**
(45) Registration Date: **13 June 2014**
(30) Convention priority data:
(31) Number (32) Date (33) Country
2014-006086 24 Mar 2014 JAPAN
(56) Related Art Documents: **Not Applicable**
(57) Statement of Newness and Distinctiveness: **Newness and distinctiveness of the design resides in the features of shape and configuration of the beer dispenser as shown in the accompanying representations.**



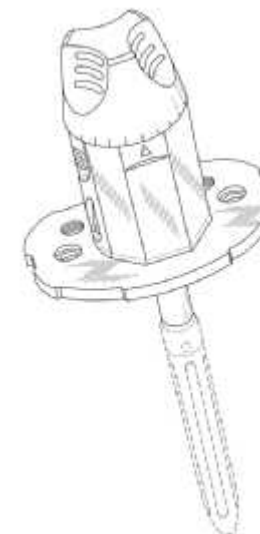
- (21) Design Number: **12274/2014**
(22) Date of Filing Application: **12 May 2014**
(24) Date from which industrial property rights may have effect: **12 May 2014**
(54) Product in respect of which the design is registered: **Refrigerator**
(51) International Design Classification: **15-07**
(74) Name(s) of Attorney(s): **Griffith Hack**
(71) Name(s) and Address(s) of Applicant(s):
MITSUBISHI ELECTRIC CORPORATION
7-3 Marunouchi 2-chome Chiyoda-ku TOKYO 100-8310 Japan
(72) Name(s) of Designer(s): **Kei Kasuga and Masaaki Hoshi**
(45) Registration Date: **13 June 2014**
(30) Convention priority data:
(31) Number (32) Date (33) Country
2013-030156 24 Dec 2013 JAPAN
(56) Related Art Documents: **Not Applicable**
(57) Statement of Newness and Distinctiveness: **Newness and distinctiveness resides in the visual features, including shape and configuration, of a REFRIGERATOR as shown in the accompanying drawings.**



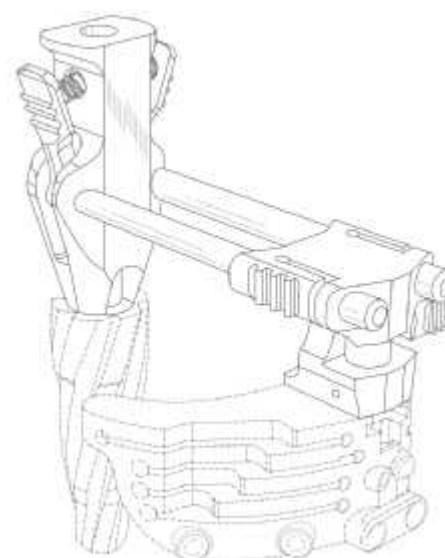
- (21) Design Number: **12275/2014**
(22) Date of Filing Application: **12 May 2014**
(24) Date from which industrial property rights may have effect: **12 May 2014**
(54) Product in respect of which the design is registered: **Refrigerator**
(51) International Design Classification: **15-07**
(74) Name(s) of Attorney(s): **Griffith Hack**
(71) Name(s) and Address(s) of Applicant(s):
MITSUBISHI ELECTRIC CORPORATION
7-3 Marunouchi 2-chome Chiyoda-ku TOKYO 100-8310 Japan
(72) Name(s) of Designer(s): **Kei Kasuga and Masaaki Hoshi**
(45) Registration Date: **13 June 2014**
(56) Related Art Documents: **Not Applicable**
(57) Statement of Newness and Distinctiveness: **Newness and distinctiveness resides in the visual features, including shape and configuration, of a REFRIGERATOR as shown in the accompanying drawings.**



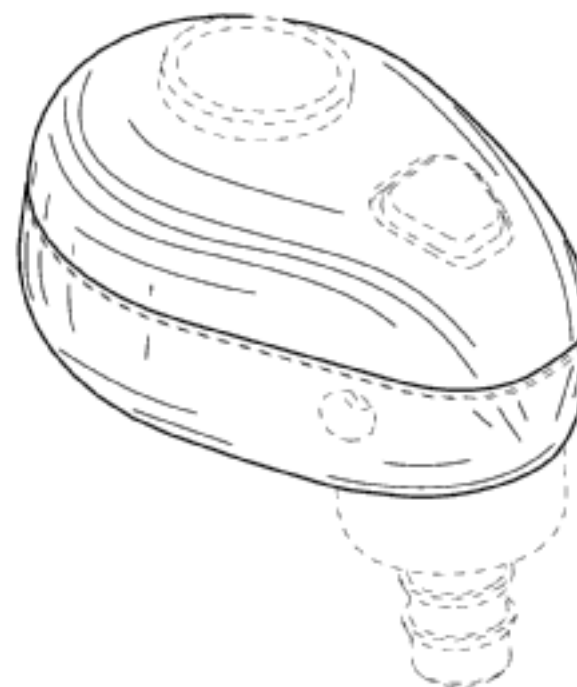
- (21) Design Number: **12276/2014**
(22) Date of Filing Application: **13 May 2014**
(24) Date from which industrial property rights may have effect: **13 May 2014**
(54) Product in respect of which the design is registered: **Orthopaedic surgical instrument offset tool**
(51) International Design Classification: **24-02**
(74) Name(s) of Attorney(s): **Callinans**
(71) Name(s) and Address(s) of Applicant(s):
DePuy (Ireland)
Loughbeg Industrial Estate Ringaskiddy Cork Republic of Ireland
(72) Name(s) of Designer(s): **Jeffery L Koenemann and Jonathan C Lee and Lisa M Major**
(45) Registration Date: **13 June 2014**
(30) Convention priority data:
(31) Number (32) Date (33) Country
29/475014 27 Nov 2013 UNITED STATES OF AMERICA
(56) Related Art Documents: **Not Applicable**
(57) Statement of Newness and Distinctiveness: **Newness and distinctiveness are provided by the shape and/or configuration of the design shown in the representations. The features shown in broken lines in the representations are for illustrative purposes only and should not be considered when construing visual features of the design.**



- (21) Design Number: **12277/2014**
(22) Date of Filing Application: **13 May 2014**
(24) Date from which industrial property rights may have effect: **13 May 2014**
(54) Product in respect of which the design is registered: **Orthopaedic surgical instrument attachment device**
(51) International Design Classification: **24-02**
(74) Name(s) of Attorney(s): **Callinans**
(71) Name(s) and Address(s) of Applicant(s):
DePuy (Ireland)
Loughbeg Industrial Estate Ringaskiddy Cork Republic of Ireland
(72) Name(s) of Designer(s): **Todd A Kilpela and Jonathan C Lee and William R Macumber and Steven P Gowers and Tyler S Hathaway and Lisa M Major and Aaron J Matyas**
(45) Registration Date: **13 June 2014**
(30) Convention priority data:
(31) Number (32) Date (33) Country
29/475015 27 Nov 2013 UNITED STATES OF AMERICA
(56) Related Art Documents: **Not Applicable**
(57) Statement of Newness and Distinctiveness: **Newness and distinctiveness are provided by the shape and/or configuration of the design shown in the representations. The features shown in broken lines in the representations are for illustrative purposes only and should not be considered when construing visual features of the design.**



- (21) Design Number: **12281/2014**
(22) Date of Filing Application: **13 May 2014**
(24) Date from which industrial property rights may have effect: **13 May 2014**
(54) Product in respect of which the design is registered: **Hearing protector housing**
(51) International Design Classification: **24-99**
(74) Name(s) of Attorney(s): **Freehills Patent Attorneys**
(71) Name(s) and Address(s) of Applicant(s):
3M Innovative Properties Company
3M Center Post Office Box 33427 Saint Paul Minnesota 55133-3427
United States of America
(72) Name(s) of Designer(s): **Paul Dishaun Henry and Michael James Pescetto**
(45) Registration Date: **13 June 2014**
(30) Convention priority data:
(31) Number (32) Date (33) Country
29/473006 18 Nov 2013 UNITED STATES OF AMERICA
(56) Related Art Documents: **Not Applicable**
(57) Statement of Newness and Distinctiveness: **Newness and distinctiveness resides in the shape and/or configuration of the hearing protector housing as shown in solid outline in the accompanying representations.**



(21) Design Number: **12330/2014**
(22) Date of Filing Application: **14 May 2014**
(24) Date from which industrial property rights may have effect: **14 May 2014**
(54) Product in respect of which the design is registered: **Toothbrush**
(51) International Design Classification: **04-02**
(74) Name(s) of Attorney(s): **FB Rice**
(71) Name(s) and Address(s) of Applicant(s):
Colgate-Palmolive Company
300 Park Avenue New York New York 10022 United States of America
(72) Name(s) of Designer(s): **Eduardo Jimenez and Robert Moskovich and**
Andreas Wechsler and Achim Storz
(45) Registration Date: **13 June 2014**
(30) Convention priority data:
(31) Number (32) Date (33) Country
29/476688 16 Dec 2013 UNITED STATES OF AMERICA
(56) Related Art Documents: **Not Applicable**
(57) Statement of Newness and Distinctiveness: **Newness and distinctiveness**
reside in the features of the design as shown in the representations.



(21) Design Number: **12468/2014**
(22) Date of Filing Application: **20 May 2014**
(24) Date from which industrial property rights may have effect: **07 February 2014**
(54) Product in respect of which the design is registered: **Luggage assembly**
(51) International Design Classification: **03-01A**
(74) Name(s) of Attorney(s): **Corrs Chambers Westgarth**
(71) Name(s) and Address(s) of Applicant(s):
Royalty Bugaboo GmbH
Schmidgasse 3 Zug CH- 6300 Switzerland
(72) Name(s) of Designer(s): **Max Barenbrug**
(45) Registration Date: **13 June 2014**
(62) Divisional of: **355870**
(56) Related Art Documents: **Not Applicable**
(57) Statement of Newness and Distinctiveness: **Nil**



(21) Design Number: **12469/2014**
(22) Date of Filing Application: **20 May 2014**
(24) Date from which industrial property rights may have effect: **07 February 2014**
(54) Product in respect of which the design is registered: **Luggage assembly**
(51) International Design Classification: **03-01A**
(74) Name(s) of Attorney(s): **Corrs Chambers Westgarth**
(71) Name(s) and Address(s) of Applicant(s):
Royalty Bugaboo GmbH
Schmidgasse 3 Zug CH- 6300 Switzerland
(72) Name(s) of Designer(s): **Max Barenbrug**
(45) Registration Date: **13 June 2014**
(62) Divisional of: **355870**
(56) Related Art Documents: **Not Applicable**
(57) Statement of Newness and Distinctiveness: **Nil**



(21) Design Number: **12470/2014**
(22) Date of Filing Application: **20 May 2014**
(24) Date from which industrial property rights may have effect: **07 February 2014**
(54) Product in respect of which the design is registered: **Luggage assembly**
(51) International Design Classification: **03-01A**
(74) Name(s) of Attorney(s): **Corrs Chambers Westgarth**
(71) Name(s) and Address(s) of Applicant(s):
Royalty Bugaboo GmbH
Schmidgasse 3 Zug CH- 6300 Switzerland
(72) Name(s) of Designer(s): **Max Barenbrug**
(45) Registration Date: **13 June 2014**
(62) Divisional of: **355871**
(56) Related Art Documents: **Not Applicable**
(57) Statement of Newness and Distinctiveness: **Nil**



- (21) Design Number: **12762/2014**
(22) Date of Filing Application: **05 June 2014**
(24) Date from which industrial property rights may have effect: **24 April 2014**
(54) Product in respect of which the design is registered: **Bottle**
(51) International Design Classification: **09-01NES**
(74) Name(s) of Attorney(s): **SPRUSON & FERGUSON**
(71) Name(s) and Address(s) of Applicant(s):
PepsiCo, Inc
700 Anderson Hill Road Purchase New York 10577 United States of America
(72) Name(s) of Designer(s): **Emmanuel Chivot and Andy Jordan and Philip Nigel Bordet-Stead and Laurent Robin-Prevallee**
(45) Registration Date: **13 June 2014**
(62) Divisional of: **355877**
(56) Related Art Documents: **Not Applicable**
(57) Statement of Newness and Distinctiveness: **Newness and distinctiveness is claimed in those features of shape and/or configuration of a bottle illustrated in continuous lines in the accompanying representations.**



- (21) Design Number: **12763/2014**
(22) Date of Filing Application: **05 June 2014**
(24) Date from which industrial property rights may have effect: **24 April 2014**
(54) Product in respect of which the design is registered: **Bottle**
(51) International Design Classification: **09-01NES**
(74) Name(s) of Attorney(s): **SPRUSON & FERGUSON**
(71) Name(s) and Address(s) of Applicant(s):
PepsiCo, Inc
700 Anderson Hill Road Purchase New York 10577 United States of America
(72) Name(s) of Designer(s): **Emmanuel Chivot and Andy Jordan and Philip Nigel Bordet-Stead and Laurent Robin-Prevallee**
(45) Registration Date: **13 June 2014**
(62) Divisional of: **355877**
(56) Related Art Documents: **Not Applicable**
(57) Statement of Newness and Distinctiveness: **Newness and distinctiveness is claimed in those features of shape and/or configuration of a bottle illustrated in continuous lines in the accompanying representations.**



- (21) Design Number: **12764/2014**
(22) Date of Filing Application: **05 June 2014**
(24) Date from which industrial property rights may have effect: **24 April 2014**
(54) Product in respect of which the design is registered: **Bottle**
(51) International Design Classification: **09-01NES**
(74) Name(s) of Attorney(s): **SPRUSON & FERGUSON**
(71) Name(s) and Address(s) of Applicant(s):
PepsiCo, Inc
700 Anderson Hill Road Purchase New York 10577 United States of America
(72) Name(s) of Designer(s): **Emmanuel Chivot and Andy Jordan and Philip Nigel Bordet-Stead and Laurent Robin-Prevallee**
(45) Registration Date: **13 June 2014**
(62) Divisional of: **355877**
(56) Related Art Documents: **Not Applicable**
(57) Statement of Newness and Distinctiveness: **Newness and distinctiveness is claimed in those features of shape and/or configuration of a bottle illustrated in continuous lines in the accompanying representations.**



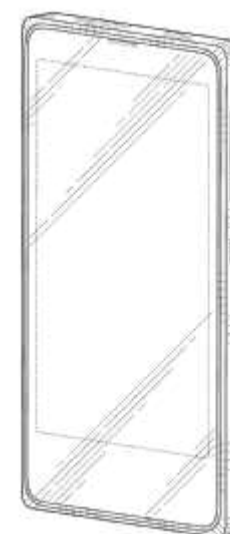
- (21) Design Number: **12765/2014**
(22) Date of Filing Application: **05 June 2014**
(24) Date from which industrial property rights may have effect: **05 June 2014**
(54) Product in respect of which the design is registered: **Bottle**
(51) International Design Classification: **09-01NES**
(74) Name(s) of Attorney(s): **SPRUSON & FERGUSON**
(71) Name(s) and Address(s) of Applicant(s):
PepsiCo, Inc
700 Anderson Hill Road Purchase New York 10577 United States of America
(72) Name(s) of Designer(s): **Emmanuel Chivot and Andy Jordan and Philip Nigel Bordet-Stead and Laurent Robin-Prevallee**
(45) Registration Date: **13 June 2014**
(56) Related Art Documents: **Not Applicable**
(57) Statement of Newness and Distinctiveness: **Newness and distinctiveness is claimed in those features of shape and/or configuration of a bottle illustrated in continuous lines in the accompanying representations.**



- (21) Design Number: **12767/2014**
(22) Date of Filing Application: **05 June 2014**
(24) Date from which industrial property rights may have effect: **24 April 2014**
(54) Product in respect of which the design is registered: **Bottle**
(51) International Design Classification: **09-01NES**
(74) Name(s) of Attorney(s): **SPRUSON & FERGUSON**
(71) Name(s) and Address(s) of Applicant(s):
PepsiCo, Inc
700 Anderson Hill Road Purchase New York 10577 United States of America
(72) Name(s) of Designer(s): **Emmanuel Chivot and Andy Jordan and Philip Nigel Bordet-Stead and Laurent Robin-Prevallee**
(45) Registration Date: **13 June 2014**
(62) Divisional of: **355877**
(56) Related Art Documents: **Not Applicable**
(57) Statement of Newness and Distinctiveness: **Newness and distinctiveness is claimed in those features of shape and/or configuration of a bottle illustrated in continuous lines in the accompanying representations.**



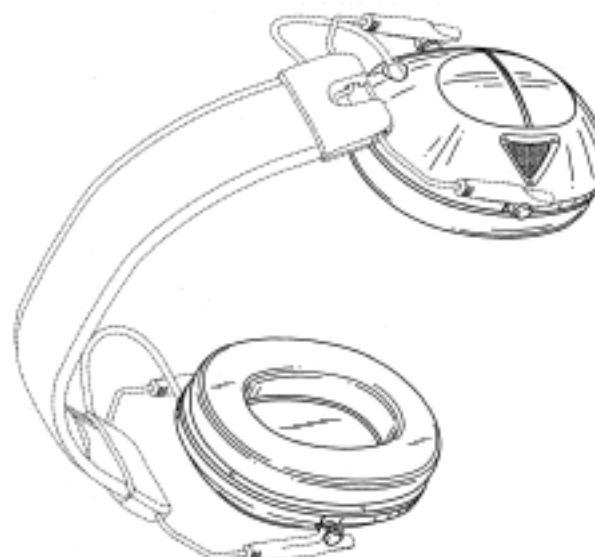
- (21) Design Number: **11516/2014**
(22) Date of Filing Application: **28 March 2014**
(24) Date from which industrial property rights may have effect: **28 March 2014**
(54) Product in respect of which the design is registered: **Handset**
(51) International Design Classification: **14-03E**
(74) Name(s) of Attorney(s): **SPRUSON & FERGUSON**
(71) Name(s) and Address(s) of Applicant(s):
Nokia Corporation
Keilalahdentie 4, Espoo 02150 Finland
(72) Name(s) of Designer(s): **Sungwoo Cho and Yuping Cheng**
(45) Registration Date: **16 June 2014**
(30) Convention priority data:
(31) Number (32) Date (33) Country
29/468576 01 Oct 2013 UNITED STATES OF AMERICA
(56) Related Art Documents: **Not Applicable**
(57) Statement of Newness and Distinctiveness: **Newness and distinctiveness is claimed in the features of shape and/or configuration of a handset as illustrated in the accompanying representations.**



(21) Design Number: **11653/2014**
(22) Date of Filing Application: **03 April 2014**
(24) Date from which industrial property rights may have effect: **03 April 2014**
(54) Product in respect of which the design is registered: **Bottle**
(51) International Design Classification: **09-01H**
(74) Name(s) of Attorney(s): **Omond & Co**
(71) Name(s) and Address(s) of Applicant(s):
G.H. MUMM et Cie - Soci# Vinicole de Champagne
29 rue du Champ de Mars Reims 51100 France
(72) Name(s) of Designer(s): **Ross Lovegrove**
(45) Registration Date: **16 June 2014**
(30) Convention priority data:
(31) Number (32) Date (33) Country
002320036-0001 03 Oct 2013 OFFICE FOR HARMONISATION IN
THE INTERNAL MARKET (OHIM)
(56) Related Art Documents: **Not Applicable**
(57) Statement of Newness and Distinctiveness: **The design is to be applied to a bottle and the novelty resides in the features of shape and configuration as shown in the accompanying representations.**



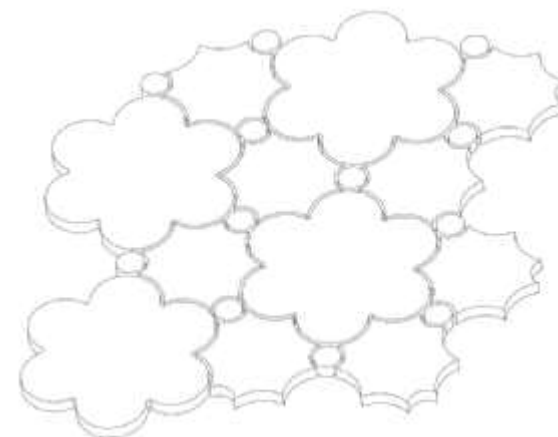
(21) Design Number: **12017/2014**
(22) Date of Filing Application: **28 April 2014**
(24) Date from which industrial property rights may have effect: **28 April 2014**
(54) Product in respect of which the design is registered: **Hearing protector**
(51) International Design Classification: **29-02**
(74) Name(s) of Attorney(s): **Davies Collison Cave**
(71) Name(s) and Address(s) of Applicant(s):
3M Innovative Properties Company
3M Center Saint Paul Minnesota, 55133-3427 United States of America
(72) Name(s) of Designer(s): **Brenda M. Bonney and Scott T. Cheek and Nicolas A. Echeverri and Douglas D. Fletcher and Mathias O. Hemberg**
(45) Registration Date: **16 June 2014**
(30) Convention priority data:
(31) Number (32) Date (33) Country
29/471083 28 Oct 2013 UNITED STATES OF AMERICA
(56) Related Art Documents: **Not Applicable**
(57) Statement of Newness and Distinctiveness: **Newness and distinctiveness is claimed in the visual features shown in solid lines in the representations. In considering the extent of the design rights, the broken lines shown in the representations are for illustrative purposes only and do not form part of the design.**



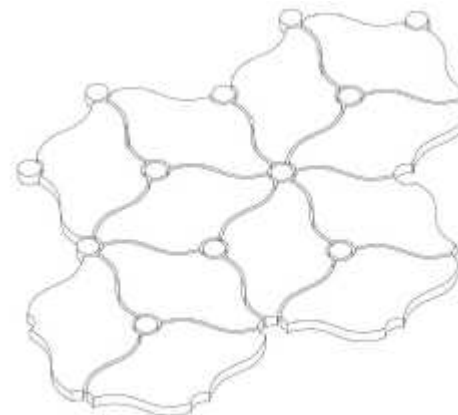
- (21) Design Number: **12506/2014**
(22) Date of Filing Application: **22 May 2014**
(24) Date from which industrial property rights may have effect: **22 May 2014**
(54) Product in respect of which the design is registered: **A wash basin**
(51) International Design Classification: **23-02F**
(74) Name(s) of Attorney(s):
(71) Name(s) and Address(s) of Applicant(s):
Bang Design IP Pty Ltd
91 Beattie St Balmain NSW 2041 Australia
(72) Name(s) of Designer(s): **David Granger and Kristian Aus**
(45) Registration Date: **16 June 2014**
(56) Related Art Documents: **Not Applicable**
(57) Statement of Newness and Distinctiveness: **Newness and distinctiveness is claimed in those visual features that are represented in the unbroken lines.**



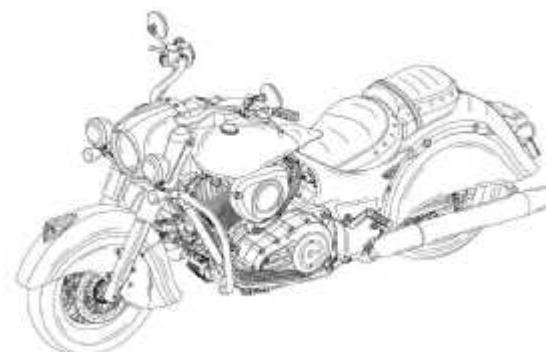
- (21) Design Number: **12203/2014**
(22) Date of Filing Application: **07 May 2014**
(24) Date from which industrial property rights may have effect: **07 May 2014**
(54) Product in respect of which the design is registered: **A mosaic tile**
(51) International Design Classification: **25-01F**
(74) Name(s) of Attorney(s):
(71) Name(s) and Address(s) of Applicant(s):
Everstone International Pty Limited
20 Princes Rd E Auburn NSW 2144 Australia
(72) Name(s) of Designer(s): **John Zeng**
(45) Registration Date: **16 June 2014**
(56) Related Art Documents: **Not Applicable**
(57) Statement of Newness and Distinctiveness: **Newness and distinctiveness is claimed in the shape and configuration of a mosaic tile as shown in the attached representations. It is to be understood that a basic element of this mosaic tile is shown in the representations and the basic element may repeat in the longitudinal and lateral directions.**



(21) Design Number: **12204/2014**
(22) Date of Filing Application: **07 May 2014**
(24) Date from which industrial property rights may have effect: **07 May 2014**
(54) Product in respect of which the design is registered: **A mosaic tile**
(51) International Design Classification: **25-01F**
(74) Name(s) of Attorney(s):
(71) Name(s) and Address(s) of Applicant(s):
Everstone International Pty Limited
20 Princes Rd E Auburn NSW 2144 Australia
(72) Name(s) of Designer(s): **John Zeng**
(45) Registration Date: **16 June 2014**
(56) Related Art Documents: **Not Applicable**
(57) Statement of Newness and Distinctiveness: **Newness and distinctiveness is claimed in the shape and configuration of the mosaic tile shown in the attached representations. It is to be understood that a basic element of the mosaic tile is shown in the representations and the basic element may repeat in the longitudinal and lateral directions.**



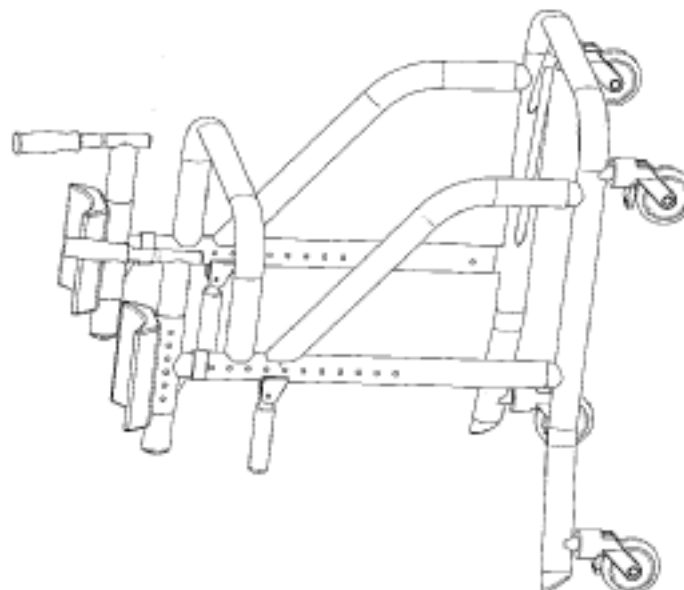
(21) Design Number: **12316/2014**
(22) Date of Filing Application: **14 May 2014**
(24) Date from which industrial property rights may have effect: **14 May 2014**
(54) Product in respect of which the design is registered: **Two wheeled vehicle**
(51) International Design Classification: **12-11**
(74) Name(s) of Attorney(s): **WATERMARK PATENT AND TRADE MARKS ATTORNEYS**
(71) Name(s) and Address(s) of Applicant(s):
Indian Motorcycle International, LLC
2100 Highway 55 Medina MN 55340-9770 United States of America
(72) Name(s) of Designer(s): **Michael M Song and Gregory C Brew and Salvador Gonzalez**
(45) Registration Date: **16 June 2014**
(30) Convention priority data:
(31) Number (32) Date (33) Country
29/472,665 14 Nov 2013 UNITED STATES OF AMERICA
(56) Related Art Documents: **Not Applicable**
(57) Statement of Newness and Distinctiveness: **Nil**



- (21) Design Number: **12317/2014**
(22) Date of Filing Application: **14 May 2014**
(24) Date from which industrial property rights may have effect: **14 May 2014**
(54) Product in respect of which the design is registered: **Walker**
(51) International Design Classification: **12-12**
(74) Name(s) of Attorney(s):
(71) Name(s) and Address(s) of Applicant(s):

Mohamed Ismail Cajee
88 Parramatta Rd Underwood QLD 4119 Australia

- (72) Name(s) of Designer(s): **Mohamed Ismail Cajee**
(45) Registration Date: **16 June 2014**
(56) Related Art Documents: **Not Applicable**
(57) Statement of Newness and Distinctiveness: **Oval tubing used in frame construction, lock brakes on 2 front wheels and directional locks on 2 rear wheels, push button height and push button extendable gutter shape arm rests for maximum comfort to assist the patient to transfer body weight to improve mobility and stability, support handles to assist user from sitting position to standing position and vice versa with spring assisted self fold mechanism so support handles fold against frame when not in use and frame is wider at the rear wheels for maximum walking space.**

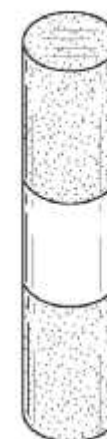


- (21) Design Number: **12323/2014**
(22) Date of Filing Application: **14 May 2014**
(24) Date from which industrial property rights may have effect: **14 May 2014**
(54) Product in respect of which the design is registered: **Lip lacquer package**
(51) International Design Classification: **28-02**
(74) Name(s) of Attorney(s): **PHILLIPS ORMONDE FITZPATRICK**
(71) Name(s) and Address(s) of Applicant(s):

ELC Management LLC
155 Pinelawn Road Suite 345 South Melville New York 11747 United States of America

- (72) Name(s) of Designer(s): **Thomas Edmond Hall**
(45) Registration Date: **16 June 2014**
(30) Convention priority data:
(31) Number (32) Date (33) Country
29/473,770 26 Nov 2013 UNITED STATES OF AMERICA

- (56) Related Art Documents: **Not Applicable**
(57) Statement of Newness and Distinctiveness: **Those features of the lip lacquer package depicted in the representations that are new and distinctive are the shape and/or configuration. The line shading shown in the representations illustrates surface contours of the lip lacquer package. The stipple shown distinguishes the glossy surface of the central portion of the lip lacquer package from the more matte surface of the upper and lower portions.**



(21) Design Number: **12324/2014**
(22) Date of Filing Application: **14 May 2014**
(24) Date from which industrial property rights may have effect: **14 May 2014**
(54) Product in respect of which the design is registered: **Liquid lipstick package**
(51) International Design Classification: **28-02**
(74) Name(s) of Attorney(s): **PHILLIPS ORMONDE FITZPATRICK**
(71) Name(s) and Address(s) of Applicant(s):
ELC Management LLC
155 Pinelawn Road Suite 345 South Melville New York 11747 United States of America
(72) Name(s) of Designer(s): **Thomas Edmond Hall**
(45) Registration Date: **16 June 2014**
(30) Convention priority data:
(31) Number (32) Date (33) Country
29/473,766 26 Nov 2013 UNITED STATES OF AMERICA
(56) Related Art Documents: **Not Applicable**
(57) Statement of Newness and Distinctiveness: **Those features of the liquid lipstick package depicted in the representations that are new and distinctive are the shape and/or configuration.**



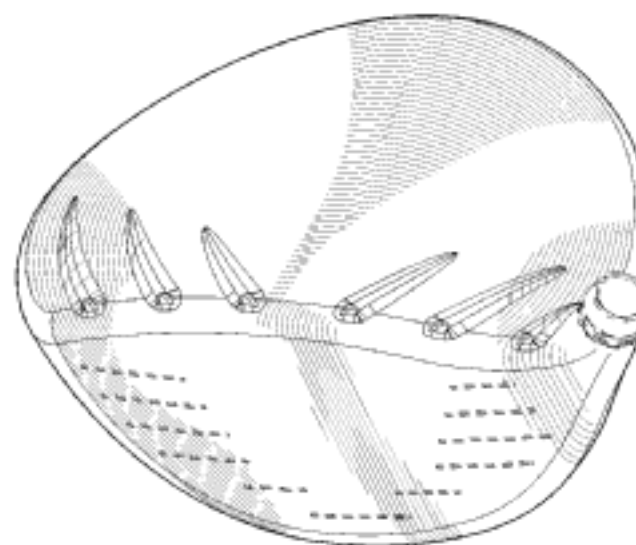
(21) Design Number: **12339/2014**
(22) Date of Filing Application: **15 May 2014**
(24) Date from which industrial property rights may have effect: **15 May 2014**
(54) Product in respect of which the design is registered: **Electric grater-mincer**
(51) International Design Classification: **31-00**
(74) Name(s) of Attorney(s): **SPRUSON & FERGUSON**
(71) Name(s) and Address(s) of Applicant(s):
SEB
Selongey 21260 France
(72) Name(s) of Designer(s): **Anthony Lebosse**
(45) Registration Date: **16 June 2014**
(30) Convention priority data:
(31) Number (32) Date (33) Country
001393508-0002 12 Dec 2013 OFFICE FOR HARMONISATION IN THE INTERNAL MARKET (OHIM)
(56) Related Art Documents: **Not Applicable**
(57) Statement of Newness and Distinctiveness: **Newness and distinctiveness is claimed in the features of shape and/or configuration of an electric grater-mincer as illustrated in the accompanying representations.**



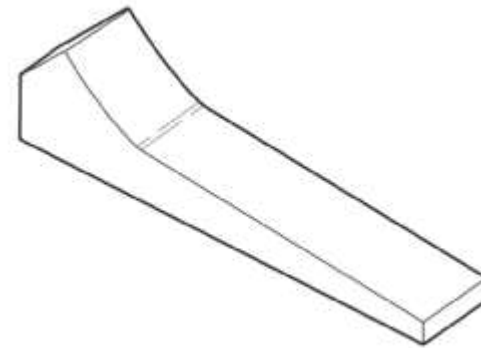
- (21) Design Number: **12340/2014**
(22) Date of Filing Application: **15 May 2014**
(24) Date from which industrial property rights may have effect: **15 May 2014**
(54) Product in respect of which the design is registered: **Electric grater-mincer**
(51) International Design Classification: **31-00**
(74) Name(s) of Attorney(s): **SPRUSON & FERGUSON**
(71) Name(s) and Address(s) of Applicant(s):
SEB
Selongey 21260 France
(72) Name(s) of Designer(s): **Anthony Lebosse**
(45) Registration Date: **16 June 2014**
(30) Convention priority data:
(31) Number (32) Date (33) Country
**001393508-0001 12 Dec 2013 OFFICE FOR HARMONISATION IN
THE INTERNAL MARKET (OHIM)**
(56) Related Art Documents: **Not Applicable**
(57) Statement of Newness and Distinctiveness: **Newness and distinctiveness
is claimed in the features of shape and/or configuration of an electric
grater-mincer as illustrated in the accompanying representations.**



- (21) Design Number: **12348/2014**
(22) Date of Filing Application: **15 May 2014**
(24) Date from which industrial property rights may have effect: **15 May 2014**
(54) Product in respect of which the design is registered: **Portion of a golf club
head**
(51) International Design Classification: **21-02C**
(74) Name(s) of Attorney(s): **Davies Collison Cave**
(71) Name(s) and Address(s) of Applicant(s):
Karsten Manufacturing Corporation
2201 West Desert Cove Phoenix Arizona 85029 United States of America
(72) Name(s) of Designer(s): **Xiaojian Chen and Erik M Henrikson and Martin
R Jertson and Bradley D Schweigert**
(45) Registration Date: **16 June 2014**
(30) Convention priority data:
(31) Number (32) Date (33) Country
29/475544 04 Dec 2013 UNITED STATES OF AMERICA
(56) Related Art Documents: **Not Applicable**
(57) Statement of Newness and Distinctiveness: **Newness and distinctiveness is
claimed in the visual features shown in solid lines in the representations.
In considering the extent of the design rights, the broken lines shown
in the representations are for illustrative purposes only and do not form
part of the design.**



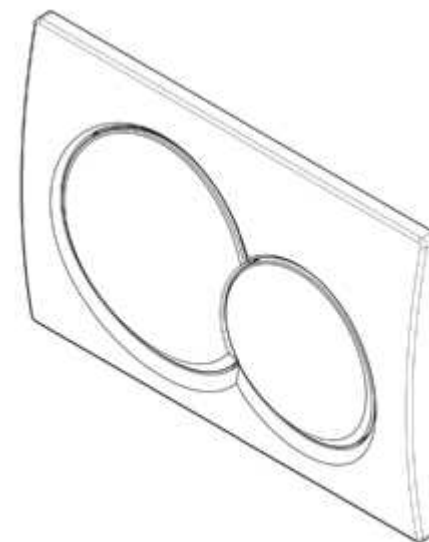
(21) Design Number: **12551/2014**
(22) Date of Filing Application: **26 May 2014**
(24) Date from which industrial property rights may have effect: **26 May 2014**
(54) Product in respect of which the design is registered: **Handle insert**
(51) International Design Classification: **08-06**
(74) Name(s) of Attorney(s): **Wrays**
(71) Name(s) and Address(s) of Applicant(s):
David Francis Hill
Belair Gardens 463 Marine Tce Geraldton WA 6530 Australia
(72) Name(s) of Designer(s): **David Francis Hill**
(45) Registration Date: **16 June 2014**
(56) Related Art Documents: **Not Applicable**
(57) Statement of Newness and Distinctiveness: **Nil**



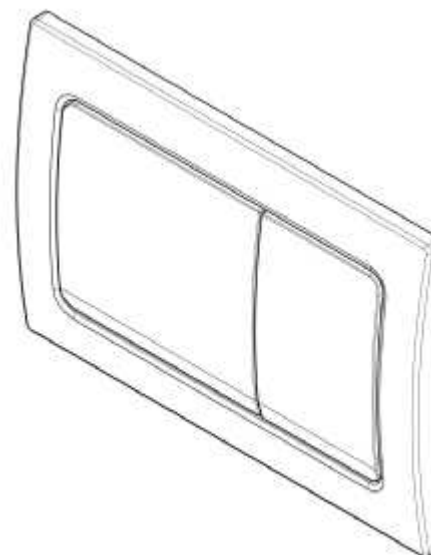
(21) Design Number: **12554/2014**
(22) Date of Filing Application: **27 May 2014**
(24) Date from which industrial property rights may have effect: **27 May 2014**
(54) Product in respect of which the design is registered: **Control panel for toilets and/or urinals**
(51) International Design Classification: **23-02C**
(74) Name(s) of Attorney(s): **Fisher Adams Kelly Pty Ltd**
(71) Name(s) and Address(s) of Applicant(s):
Geberit International AG
Schachenstrasse 77 Jona 8645 Switzerland
(72) Name(s) of Designer(s): **Christoph Behling**
(45) Registration Date: **16 June 2014**
(30) Convention priority data:

(31) Number	(32) Date	(33) Country
787158501	17 Jan 2014	WORLD INTELLECTUAL PROPERTY ORGANIZATION (WIPO)

(56) Related Art Documents: **Not Applicable**
(57) Statement of Newness and Distinctiveness: **The newness and distinctiveness of the design resides in the shape and/or configuration of the CONTROL PANEL FOR TOILETS AND/OR URINALS shown in the representations.**

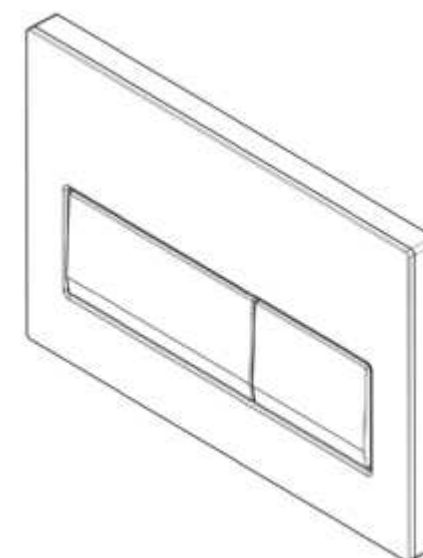


(21) Design Number: **12556/2014**
(22) Date of Filing Application: **27 May 2014**
(24) Date from which industrial property rights may have effect: **27 May 2014**
(54) Product in respect of which the design is registered: **Control panel for toilets and/or urinals**
(51) International Design Classification: **23-02C**
(74) Name(s) of Attorney(s): **Fisher Adams Kelly Pty Ltd**
(71) Name(s) and Address(s) of Applicant(s):
Geberit International AG
Schachenstrasse 77 8645 JONA Switzerland
(72) Name(s) of Designer(s): **Christoph Behling**
(45) Registration Date: **16 June 2014**
(30) Convention priority data:
(31) Number (32) Date (33) Country
787158501 17 Jan 2014 WORLD INTELLECTUAL
PROPERTY ORGANIZATION
(WIPO)



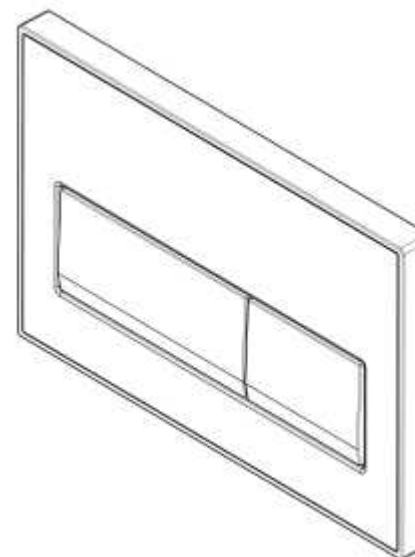
(56) Related Art Documents: **Not Applicable**
(57) Statement of Newness and Distinctiveness: **The newness and distinctiveness of the design resides in the shape and/or configuration of the CONTROL PANEL FOR TOILETS AND/OR URINALS shown in the representations.**

(21) Design Number: **12557/2014**
(22) Date of Filing Application: **27 May 2014**
(24) Date from which industrial property rights may have effect: **27 May 2014**
(54) Product in respect of which the design is registered: **Control panel for toilets and/or urinals**
(51) International Design Classification: **23-02C**
(74) Name(s) of Attorney(s): **Fisher Adams Kelly Pty Ltd**
(71) Name(s) and Address(s) of Applicant(s):
Geberit International AG
Schachenstrasse 77 Jona 8645 Switzerland
(72) Name(s) of Designer(s): **Christoph Behling**
(45) Registration Date: **16 June 2014**
(30) Convention priority data:
(31) Number (32) Date (33) Country
787158501 17 Jan 2014 WORLD INTELLECTUAL
PROPERTY ORGANIZATION
(WIPO)



(56) Related Art Documents: **Not Applicable**
(57) Statement of Newness and Distinctiveness: **The newness and distinctiveness of the design resides in the shape and/or configuration of the CONTROL PANEL FOR TOILETS AND/OR URINALS shown in the representations.**

(21) Design Number: **12558/2014**
(22) Date of Filing Application: **27 May 2014**
(24) Date from which industrial property rights may have effect: **27 May 2014**
(54) Product in respect of which the design is registered: **Control panels for toilets and/or urinals**
(51) International Design Classification: **23-02C**
(74) Name(s) of Attorney(s): **Fisher Adams Kelly Pty Ltd**
(71) Name(s) and Address(s) of Applicant(s):
Geberit International AG
Schachenstrasse 77 Jona 8645 Switzerland
(72) Name(s) of Designer(s): **Christoph Behling**
(45) Registration Date: **16 June 2014**
(30) Convention priority data:
(31) Number (32) Date (33) Country
787158501 17 Jan 2014 WORLD INTELLECTUAL
PROPERTY ORGANIZATION
(WIPO)
(56) Related Art Documents: **Not Applicable**
(57) Statement of Newness and Distinctiveness: **The newness and distinctiveness of the design resides in the shape and/or configuration of the CONTROL PANEL FOR TOILETS AND/OR URINALS shown in the representations.**



(21) Design Number: **12565/2014**
(22) Date of Filing Application: **27 May 2014**
(24) Date from which industrial property rights may have effect: **27 May 2014**
(54) Product in respect of which the design is registered: **Sanding tool**
(51) International Design Classification: **08-05N**
(74) Name(s) of Attorney(s): **SPRUSON & FERGUSON**
(71) Name(s) and Address(s) of Applicant(s):
HMB Products, LLC
7817 Laurel Ave Cincinnati Ohio 45243 United States of America
(72) Name(s) of Designer(s): **James L Hurt and David Hayne and James R Momper and James Busemeyer and Stephen Laux**
(45) Registration Date: **16 June 2014**
(30) Convention priority data:
(31) Number (32) Date (33) Country
29/473988 27 Nov 2013 UNITED STATES OF AMERICA
(56) Related Art Documents: **Not Applicable**
(57) Statement of Newness and Distinctiveness: **Newness and distinctiveness is claimed in the features of shape and/or configuration of a sanding tool as illustrated in the accompanying representations.**



(21) Design Number: **12567/2014**

(22) Date of Filing Application: **27 May 2014**

(24) Date from which industrial property rights may have effect: **27 May 2014**

(54) Product in respect of which the design is registered: **Tyre**

(51) International Design Classification: **12-15A, 12-15C**

(74) Name(s) of Attorney(s): **SPRUSON & FERGUSON**

(71) Name(s) and Address(s) of Applicant(s):

Fortune Gold Enterprises Ltd.

**Suite 13 First Floor Oliaji Trade Centre Francis Rachel Street Victoria
Mahe Seychelles**

(72) Name(s) of Designer(s): **Feng Wang and Xiaohui Zhao and Guangzhen Sui**

(45) Registration Date: **16 June 2014**

(56) Related Art Documents: **Not Applicable**

(57) Statement of Newness and Distinctiveness: **Newness and distinctiveness is claimed in the features of shape and/or configuration of the tread of a tyre as illustrated in the accompanying representations, wherein the shape and/or configuration of the tread is repeated throughout the circumference of the tyre.**



(21) Design Number: **12568/2014**

(22) Date of Filing Application: **27 May 2014**

(24) Date from which industrial property rights may have effect: **27 May 2014**

(54) Product in respect of which the design is registered: **Tyre**

(51) International Design Classification: **12-15B**

(74) Name(s) of Attorney(s): **SPRUSON & FERGUSON**

(71) Name(s) and Address(s) of Applicant(s):

Fortune Gold Enterprises Ltd.

**Suite 13 First Floor Oliaji Trade Centre Francis Rachel Street Victoria
Mahe Seychelles**

(72) Name(s) of Designer(s): **Feng Wang and Xiaofang Liu and Haitao Sui and
Shaojing Wang**

(45) Registration Date: **16 June 2014**

(56) Related Art Documents: **Not Applicable**

(57) Statement of Newness and Distinctiveness: **Newness and distinctiveness is claimed in the features of shape and/or configuration of the tread of a tyre as illustrated in the accompanying representations, wherein the shape and/or configuration of the tread is repeated throughout the circumference of the tyre.**



(21) Design Number: **12569/2014**

(22) Date of Filing Application: **27 May 2014**

(24) Date from which industrial property rights may have effect: **27 May 2014**

(54) Product in respect of which the design is registered: **Sand paper**

(51) International Design Classification: **08-05N**

(74) Name(s) of Attorney(s): **SPRUSON & FERGUSON**

(71) Name(s) and Address(s) of Applicant(s):

HMB Products, LLC

7817 Laurel Avenue, Cincinnati Ohio, 45243 United States of America

(72) Name(s) of Designer(s): **James L Hurt and David Hayne and James R Momper and James Busemeyer and Stephen Laux**

(45) Registration Date: **16 June 2014**

(30) Convention priority data:

(31) Number

(32) Date

(33) Country

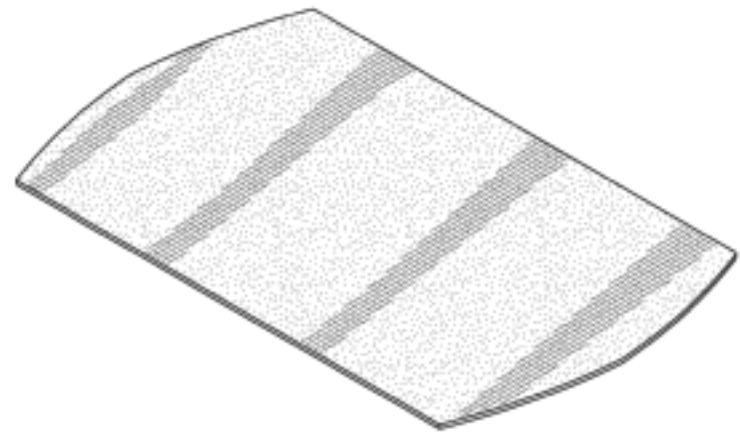
29/473988

27 Nov 2013

UNITED STATES OF AMERICA

(56) Related Art Documents: **Not Applicable**

(57) Statement of Newness and Distinctiveness: **Newness and distinctiveness is claimed in the features of shape and/or configuration of a sand paper as illustrated in the accompanying representations.**



(21) Design Number: **12574/2014**

(22) Date of Filing Application: **27 May 2014**

(24) Date from which industrial property rights may have effect: **27 May 2014**

(54) Product in respect of which the design is registered: **Lid for container**

(51) International Design Classification: **09-07B**

(74) Name(s) of Attorney(s): **Callinans**

(71) Name(s) and Address(s) of Applicant(s):

The Decor Corporation Pty. Ltd.

1314 Ferntree Gully Rd Scoresby VIC 3179 Australia

(72) Name(s) of Designer(s): **Arthur Richard Carlson**

(45) Registration Date: **16 June 2014**

(56) Related Art Documents: **Not Applicable**

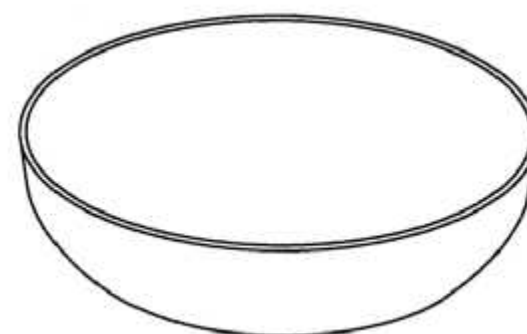
(57) Statement of Newness and Distinctiveness: **Nil**



(21) Design Number: **12576/2014**
(22) Date of Filing Application: **27 May 2014**
(24) Date from which industrial property rights may have effect: **27 May 2014**
(54) Product in respect of which the design is registered: **Floatation device**
(51) International Design Classification: **21-02D**
(74) Name(s) of Attorney(s): **SPRUSON & FERGUSON**
(71) Name(s) and Address(s) of Applicant(s):
Zactill Intellectual Property Pty Ltd
23 Croudace Rd Tingira Heights NSW 2290 Australia
(72) Name(s) of Designer(s): **David John Ashard**
(45) Registration Date: **16 June 2014**
(56) Related Art Documents: **Not Applicable**
(57) Statement of Newness and Distinctiveness: **Newness and distinctiveness is claimed in the features of shape and/or configuration of a floatation device as illustrated in the accompanying representations.**



(21) Design Number: **12577/2014**
(22) Date of Filing Application: **27 May 2014**
(24) Date from which industrial property rights may have effect: **27 May 2014**
(54) Product in respect of which the design is registered: **Shaped tortilla**
(51) International Design Classification: **01-01**
(74) Name(s) of Attorney(s): **Callinans**
(71) Name(s) and Address(s) of Applicant(s):
General Mills, Inc.
Number One General Mills Boulevard P.O. Box 1113 Minneapolis,
Minnesota, 55440 United States of America
(72) Name(s) of Designer(s): **Robert G Clements and Shivakumar Elayedath**
and Amy Rossa Fleury and Zachary Harder
(45) Registration Date: **16 June 2014**
(30) Convention priority data:
(31) Number (32) Date (33) Country
29/476,437 13 Dec 2013 UNITED STATES OF AMERICA
(56) Related Art Documents: **Not Applicable**
(57) Statement of Newness and Distinctiveness: **Nil**



(21) Design Number: **12580/2014**
(22) Date of Filing Application: **27 May 2014**
(24) Date from which industrial property rights may have effect: **27 May 2014**
(54) Product in respect of which the design is registered: **Container**
(51) International Design Classification: **07-01NES**
(74) Name(s) of Attorney(s): **Callinans**
(71) Name(s) and Address(s) of Applicant(s):
The Decor Corporation Pty. Ltd.
1314 Ferntree Gully Rd Scoresby VIC 3179 Australia
(72) Name(s) of Designer(s): **Arthur Richard Carlson**
(45) Registration Date: **16 June 2014**
(56) Related Art Documents: **Not Applicable**
(57) Statement of Newness and Distinctiveness: **Nil**



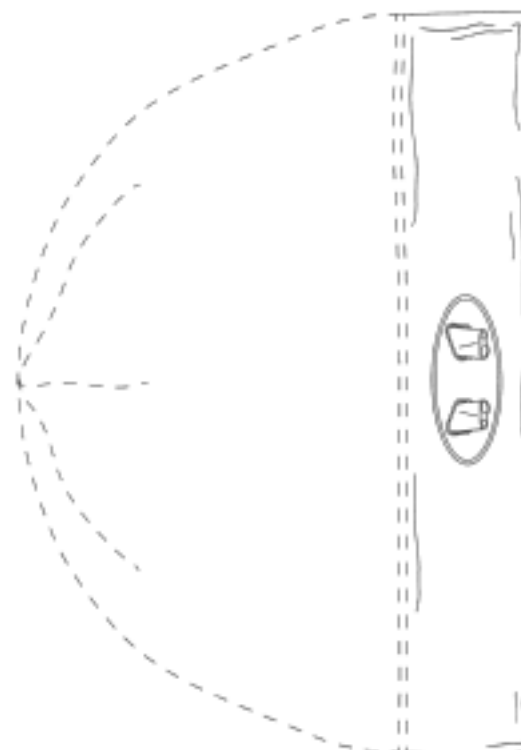
(21) Design Number: **12582/2014**
(22) Date of Filing Application: **27 May 2014**
(24) Date from which industrial property rights may have effect: **27 May 2014**
(54) Product in respect of which the design is registered: **Container**
(51) International Design Classification: **07-01NES**
(74) Name(s) of Attorney(s): **Callinans**
(71) Name(s) and Address(s) of Applicant(s):
The Decor Corporation Pty. Ltd.
1314 Ferntree Gully Rd Scoresby VIC 3179 Australia
(72) Name(s) of Designer(s): **Arthur Richard Carlson**
(45) Registration Date: **16 June 2014**
(56) Related Art Documents: **Not Applicable**
(57) Statement of Newness and Distinctiveness: **Nil**



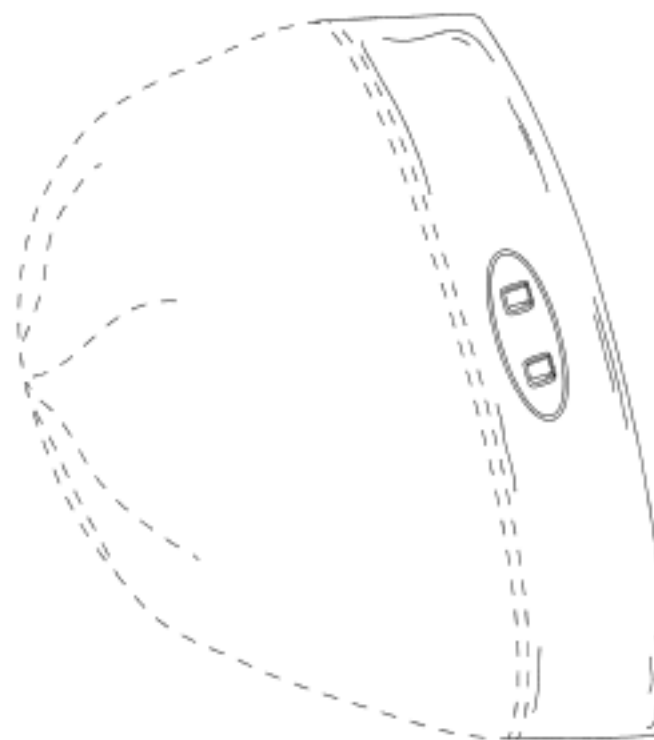
(21) Design Number: **12584/2014**
(22) Date of Filing Application: **27 May 2014**
(24) Date from which industrial property rights may have effect: **27 May 2014**
(54) Product in respect of which the design is registered: **Automobile tyre**
(51) International Design Classification: **12-15A**
(74) Name(s) of Attorney(s): **Griffith Hack**
(71) Name(s) and Address(s) of Applicant(s):
Bridgestone Corporation
1-1 Kyobashi 3-chome Chuo-ku Tokyo 104-8340 Japan
(72) Name(s) of Designer(s): **Shungo Fujita**
(45) Registration Date: **16 June 2014**
(30) Convention priority data:
(31) Number (32) Date (33) Country
JP2013-028122 29 Nov 2013 JAPAN
(56) Related Art Documents: **Not Applicable**
(57) Statement of Newness and Distinctiveness: **The shape and configuration of the tread portion of the product is new and distinctive.**



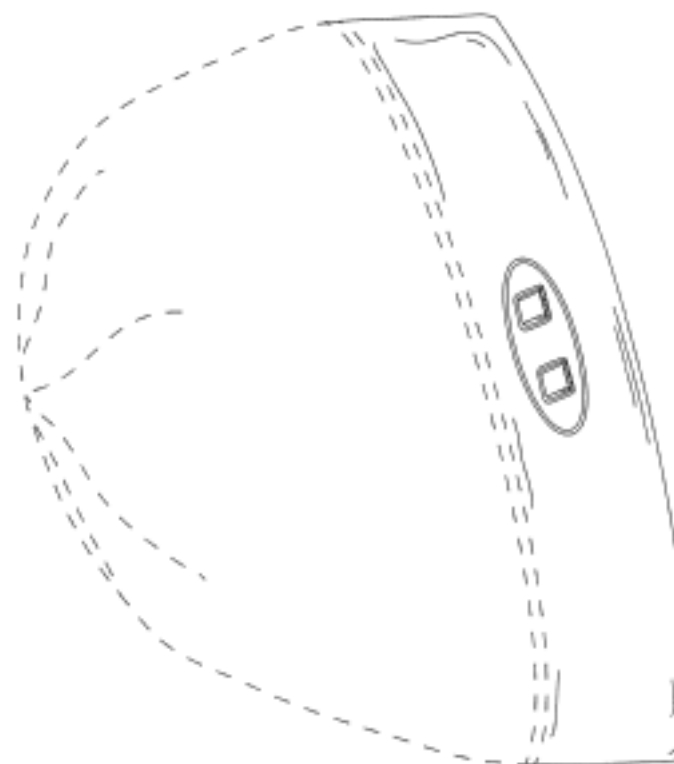
(21) Design Number: **12593/2014**
(22) Date of Filing Application: **27 May 2014**
(24) Date from which industrial property rights may have effect: **27 May 2014**
(54) Product in respect of which the design is registered: **Lighted beanie**
(51) International Design Classification: **02-03**
(74) Name(s) of Attorney(s): **SPRUSON & FERGUSON**
(71) Name(s) and Address(s) of Applicant(s):
Michael Waters
213 West Main Street, West Dundee Illinois, 60118 United States of America
(72) Name(s) of Designer(s): **Michael Waters**
(45) Registration Date: **16 June 2014**
(30) Convention priority data:
(31) Number (32) Date (33) Country
29/475068 27 Nov 2013 UNITED STATES OF AMERICA
(56) Related Art Documents: **Not Applicable**
(57) Statement of Newness and Distinctiveness: **Newness and distinctiveness is claimed in those features of shape and/or configuration of a lighted beanie illustrated in continuous lines in the accompanying representations.**



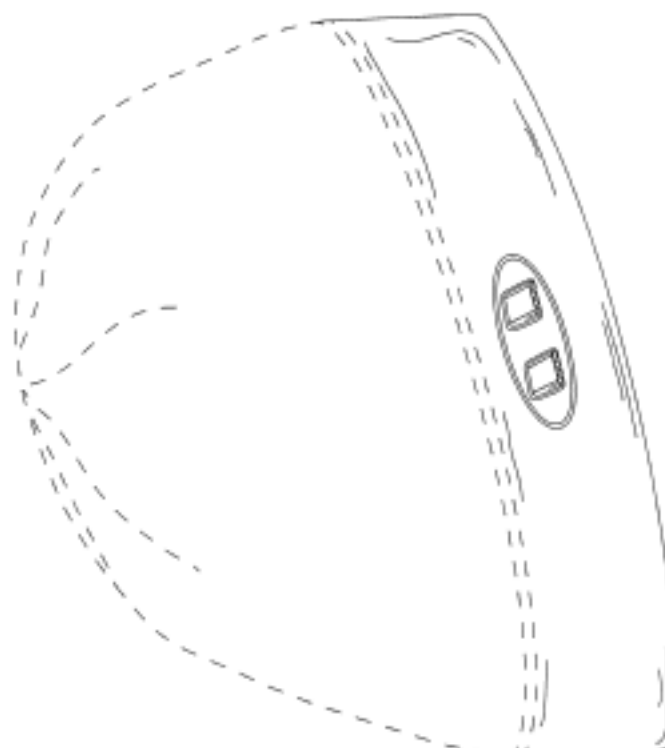
(21) Design Number: **12594/2014**
(22) Date of Filing Application: **27 May 2014**
(24) Date from which industrial property rights may have effect: **27 May 2014**
(54) Product in respect of which the design is registered: **Lighted beanie**
(51) International Design Classification: **02-03**
(74) Name(s) of Attorney(s): **SPRUSON & FERGUSON**
(71) Name(s) and Address(s) of Applicant(s):
Michael Waters
213 West Main Street, West Dundee Illinois, 60118 United States of America
(72) Name(s) of Designer(s): **Michael Waters**
(45) Registration Date: **16 June 2014**
(30) Convention priority data:
(31) Number (32) Date (33) Country
29/475065 27 Nov 2013 UNITED STATES OF AMERICA
(56) Related Art Documents: **Not Applicable**
(57) Statement of Newness and Distinctiveness: **Newness and distinctiveness is claimed in those features of shape and/or configuration of a lighted beanie illustrated in continuous lines in the accompanying representations.**



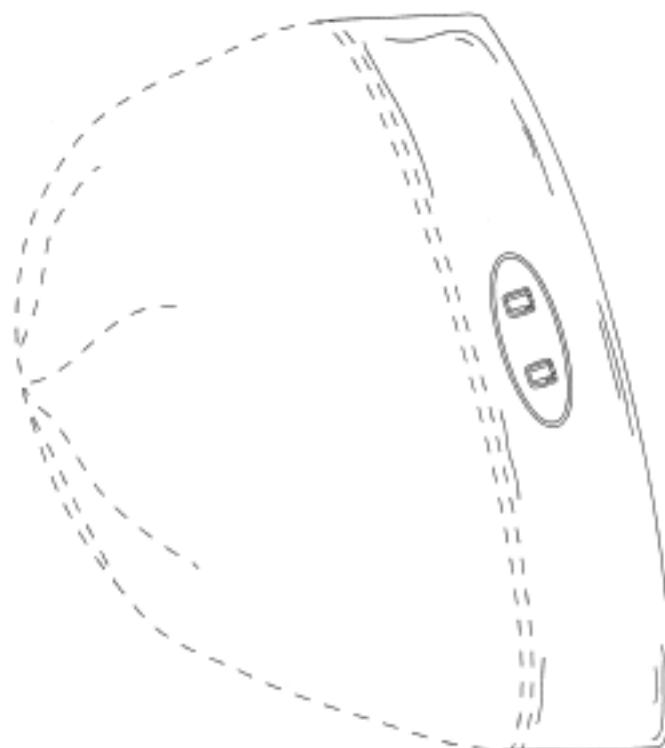
(21) Design Number: **12595/2014**
(22) Date of Filing Application: **27 May 2014**
(24) Date from which industrial property rights may have effect: **27 May 2014**
(54) Product in respect of which the design is registered: **Lighted beanie**
(51) International Design Classification: **02-03**
(74) Name(s) of Attorney(s): **SPRUSON & FERGUSON**
(71) Name(s) and Address(s) of Applicant(s):
Michael Waters
213 West Main Street, West Dundee Illinois, 60118 United States of America
(72) Name(s) of Designer(s): **Michael Waters**
(45) Registration Date: **16 June 2014**
(30) Convention priority data:
(31) Number (32) Date (33) Country
29/475065 27 Nov 2013 UNITED STATES OF AMERICA
(56) Related Art Documents: **Not Applicable**
(57) Statement of Newness and Distinctiveness: **Newness and distinctiveness is claimed in those features of shape and/or configuration of a lighted beanie illustrated in continuous lines in the accompanying representations.**



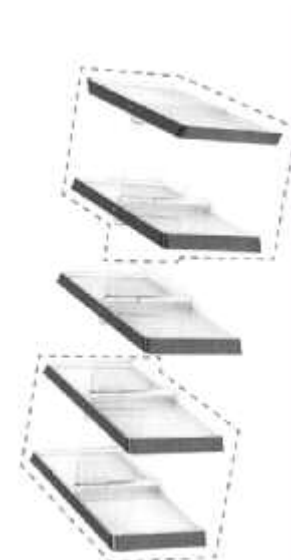
(21) Design Number: **12596/2014**
(22) Date of Filing Application: **27 May 2014**
(24) Date from which industrial property rights may have effect: **27 May 2014**
(54) Product in respect of which the design is registered: **Lighted beanie**
(51) International Design Classification: **02-03**
(74) Name(s) of Attorney(s): **SPRUSON & FERGUSON**
(71) Name(s) and Address(s) of Applicant(s):
Michael Waters
213 West Main Street, West Dundee Illinois, 60118 United States of America
(72) Name(s) of Designer(s): **Michael Waters**
(45) Registration Date: **16 June 2014**
(30) Convention priority data:
(31) Number (32) Date (33) Country
29/475065 27 Nov 2013 UNITED STATES OF AMERICA
(56) Related Art Documents: **Not Applicable**
(57) Statement of Newness and Distinctiveness: **Newness and distinctiveness is claimed in those features of shape and/or configuration of a lighted beanie illustrated in continuous lines in the accompanying representations.**



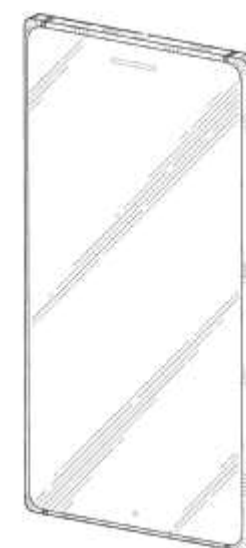
(21) Design Number: **12597/2014**
(22) Date of Filing Application: **27 May 2014**
(24) Date from which industrial property rights may have effect: **27 May 2014**
(54) Product in respect of which the design is registered: **Lighted beanie**
(51) International Design Classification: **02-03**
(74) Name(s) of Attorney(s): **SPRUSON & FERGUSON**
(71) Name(s) and Address(s) of Applicant(s):
Michael Waters
213 West Main Street, West Dundee Illinois, 60118 United States of America
(72) Name(s) of Designer(s): **Michael Waters**
(45) Registration Date: **16 June 2014**
(30) Convention priority data:
(31) Number (32) Date (33) Country
29/475065 27 Nov 2013 UNITED STATES OF AMERICA
(56) Related Art Documents: **Not Applicable**
(57) Statement of Newness and Distinctiveness: **Newness and distinctiveness is claimed in those features of shape and/or configuration of a lighted beanie illustrated in continuous lines in the accompanying representations.**



(21) Design Number: **10702/2014**
(22) Date of Filing Application: **13 February 2014**
(24) Date from which industrial property rights may have effect: **13 February 2014**
(54) Product in respect of which the design is registered: **Gate**
(51) International Design Classification: **25-02C**
(74) Name(s) of Attorney(s): **Ashurst Australia**
(71) Name(s) and Address(s) of Applicant(s):
KONE Corporation
Kartanontie 1 00330 Helsinki Finland
(72) Name(s) of Designer(s): **Visa Rauta and Tomi Kapiainen and Kim Heikkinen**
(45) Registration Date: **17 June 2014**
(30) Convention priority data:
(31) Number (32) Date (33) Country
002318030-0003 30 Sep 2013 OFFICE FOR HARMONISATION IN THE INTERNAL MARKET (OHIM)
(56) Related Art Documents: **Not Applicable**
(57) Statement of Newness and Distinctiveness: **Nil**



(21) Design Number: **11526/2014**
(22) Date of Filing Application: **28 March 2014**
(24) Date from which industrial property rights may have effect: **28 March 2014**
(54) Product in respect of which the design is registered: **Handset**
(51) International Design Classification: **14-03E**
(74) Name(s) of Attorney(s): **SPRUSON & FERGUSON**
(71) Name(s) and Address(s) of Applicant(s):
Nokia Corporation
Keilalahdentie 4 Espoo 02150 Finland
(72) Name(s) of Designer(s): **Edward Mitchell**
(45) Registration Date: **17 June 2014**
(30) Convention priority data:
(31) Number (32) Date (33) Country
29/468846 03 Oct 2013 UNITED STATES OF AMERICA
(56) Related Art Documents: **Not Applicable**
(57) Statement of Newness and Distinctiveness: **Newness and distinctiveness is claimed in the features of shape and/or configuration of a handset as illustrated in continuous lines in the accompanying representations.**



- (21) Design Number: **11634/2014**
(22) Date of Filing Application: **02 April 2014**
(24) Date from which industrial property rights may have effect: **02 April 2014**
(54) Product in respect of which the design is registered: **Car cradle mobile phone charger**
(51) International Design Classification: **14-99**
(74) Name(s) of Attorney(s):
(71) Name(s) and Address(s) of Applicant(s):
TDJ Australia Pty. Ltd.
78 Mills Rd Braeside VIC 3195 Australia
(72) Name(s) of Designer(s): **Lloyd Lamberty**
(45) Registration Date: **17 June 2014**
(56) Related Art Documents: **Not Applicable**
(57) Statement of Newness and Distinctiveness: **Re-designing an existing Car Cradle however incorporating a mechanical arm locking system which adjusts to accommodate different size cases and phones. The overall design shares the same design language as the iPhone FM Tuner Cradle however it is still unique and in terms of functionality, design and assembly; it is unlike anything else currently on the Australian market . Also the cradle will incorporate a complete Lightning/Micro USB cable which can be removed and swapped by the user adding to its distinctiveness. It uses either an adhesive pad or 4 screw points to mount on the dash or windscreen.**



- (21) Design Number: **12298/2014**
(22) Date of Filing Application: **01 May 2009**
(24) Date from which industrial property rights may have effect: **01 May 2009**
(54) Product in respect of which the design is registered: **Smartable mechanism - adjustable height leg with spring-loaded push button for steel frame tables**
(51) International Design Classification: **06-03NES, 06-03C, 06-06E**
(74) Name(s) of Attorney(s): **Cullens Patent and Trade Mark Attorneys**
(71) Name(s) and Address(s) of Applicant(s):
BFX HO Pty Ltd
75 Wises Road Maroochydore Queensland 4558 Australia
(72) Name(s) of Designer(s): **Penny Moore**
(45) Registration Date: **17 June 2014**
(56) Related Art Documents: **Not Applicable**
(57) Statement of Newness and Distinctiveness: **Adjustable height leg combined with spring-loaded, heavy duty stainless steel pin, enabling various height adjustments in steel frame tables.**



(21) Design Number: **12299/2014**
(22) Date of Filing Application: **01 May 2009**
(24) Date from which industrial property rights may have effect: **01 May 2009**
(54) Product in respect of which the design is registered: **Smartable mechanism - adjustable height leg with spring-loaded push button for steel frame tables**
(51) International Design Classification: **06-03NES, 06-03C, 06-06E**
(74) Name(s) of Attorney(s): **Cullens Patent and Trade Mark Attorneys**
(71) Name(s) and Address(s) of Applicant(s):
BFX HO Pty Ltd
75 Wises Road Maroochydore Queensland 4558 Australia
(72) Name(s) of Designer(s): **Penny Moore**
(45) Registration Date: **17 June 2014**
(56) Related Art Documents: **Not Applicable**
(57) Statement of Newness and Distinctiveness: **Adjustable height leg combined with spring-loaded, heavy duty stainless steel pin, enabling various height adjustments in steel frame tables.**



(21) Design Number: **12383/2014**
(22) Date of Filing Application: **14 May 2014**
(24) Date from which industrial property rights may have effect: **14 May 2014**
(54) Product in respect of which the design is registered: **Portable charging storage case**
(51) International Design Classification: **03-01NES, 13-02**
(74) Name(s) of Attorney(s): **Freehills Patent Attorneys**
(71) Name(s) and Address(s) of Applicant(s):
3M Innovative Properties Company
3M Center PO Box 33427 Saint Paul Minnesota 55133-3427 United States of America
(72) Name(s) of Designer(s): **Paul Dishaun Henry and Mark Alan Yoder and Michael James Pescetto**
(45) Registration Date: **17 June 2014**
(30) Convention priority data:
(31) Number (32) Date (33) Country
29/472931 18 Nov 2013 UNITED STATES OF AMERICA
(56) Related Art Documents: **Not Applicable**
(57) Statement of Newness and Distinctiveness: **Newness and distinctiveness resides in the shape and/or configuration of slots in a portable charging storage case as shown in solid outline in the accompanying representations.**



(21) Design Number: **12386/2014**

(22) Date of Filing Application: **14 May 2014**

(24) Date from which industrial property rights may have effect: **14 May 2014**

(54) Product in respect of which the design is registered: **Portable charging storage case**

(51) International Design Classification: **03-01NES, 13-02**

(74) Name(s) of Attorney(s): **Freehills Patent Attorneys**

(71) Name(s) and Address(s) of Applicant(s):

3M Innovative Properties Company

3M Center PO Box 33427 Saint Paul Minnesota 55133-3427 United States of America

(72) Name(s) of Designer(s): **Mark Alan Yoder**

(45) Registration Date: **17 June 2014**

(30) Convention priority data:

(31) Number

(32) Date

(33) Country

29/472935

18 Nov 2013

UNITED STATES OF AMERICA

(56) Related Art Documents: **Not Applicable**

(57) Statement of Newness and Distinctiveness: **Newness and distinctiveness resides in the shape and/or configuration of the portable charging storage case having a USB port cover as shown in solid outline in the accompanying representations.**



(21) Design Number: **12387/2014**

(22) Date of Filing Application: **14 May 2014**

(24) Date from which industrial property rights may have effect: **14 May 2014**

(54) Product in respect of which the design is registered: **Portable charging storage case**

(51) International Design Classification: **03-01NES, 13-02**

(74) Name(s) of Attorney(s): **Freehills Patent Attorneys**

(71) Name(s) and Address(s) of Applicant(s):

3M Innovative Properties Company

3m Center, Post Office Box 33427, Saint Paul MN 55133-3427, United States of America

(72) Name(s) of Designer(s): **David Mark Lutgring and Michael James Pescetto and Mark Alan Yoder**

(45) Registration Date: **17 June 2014**

(30) Convention priority data:

(31) Number

(32) Date

(33) Country

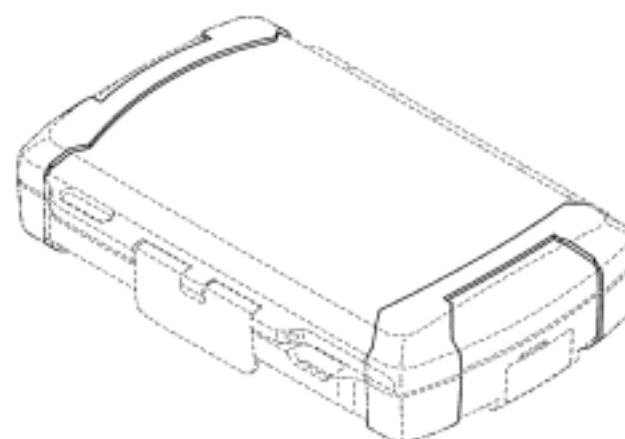
29/472925

18 Nov 2013

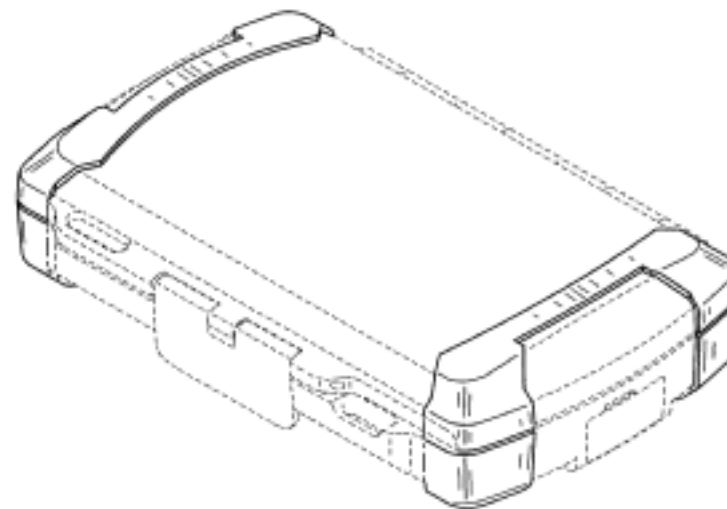
UNITED STATES OF AMERICA

(56) Related Art Documents: **Not Applicable**

(57) Statement of Newness and Distinctiveness: **Newness and distinctiveness resides in the shape and/or configuration of the portable charging storage case as shown in solid outline in the accompanying representations.**



- (21) Design Number: **12388/2014**
(22) Date of Filing Application: **14 May 2014**
(24) Date from which industrial property rights may have effect: **14 May 2014**
(54) Product in respect of which the design is registered: **Portable charging storage case**
(51) International Design Classification: **03-01NES, 13-02**
(74) Name(s) of Attorney(s): **Freehills Patent Attorneys**
(71) Name(s) and Address(s) of Applicant(s):
3M Innovative Properties Company
3m Center, Post Office Box 33427, Saint Paul MN 55133-3427, United States of America
(72) Name(s) of Designer(s): **David Mark Lutgring and Michael James Pescetto and Mark Alan Yoder**
(45) Registration Date: **17 June 2014**
(30) Convention priority data:
(31) Number (32) Date (33) Country
29/472925 18 Nov 2013 UNITED STATES OF AMERICA
(56) Related Art Documents: **Not Applicable**
(57) Statement of Newness and Distinctiveness: **Newness and distinctiveness resides in the shape and/or configuration of the portable charging storage case as shown in solid outline in the accompanying representations.**



- (21) Design Number: **11518/2014**
(22) Date of Filing Application: **28 March 2014**
(24) Date from which industrial property rights may have effect: **28 March 2014**
(54) Product in respect of which the design is registered: **Oral care implement**
(51) International Design Classification: **04-02**
(74) Name(s) of Attorney(s): **FB Rice**
(71) Name(s) and Address(s) of Applicant(s):
Colgate-Palmolive Company
300 Park Avenue New York New York 10022 United States of America
(72) Name(s) of Designer(s): **David Kyung Min Lee and Robert Moskovich**
(45) Registration Date: **17 June 2014**
(30) Convention priority data:
(31) Number (32) Date (33) Country
29/471827 05 Nov 2013 UNITED STATES OF AMERICA
(56) Related Art Documents: **Not Applicable**
(57) Statement of Newness and Distinctiveness: **Newness and distinctiveness reside in the features of the design shown in solid lines in the representations excluding those shown in broken lines.**



(21) Design Number: **12346/2014**
(22) Date of Filing Application: **15 May 2014**
(24) Date from which industrial property rights may have effect: **15 May 2014**
(54) Product in respect of which the design is registered: **Smoothing trowel**
(51) International Design Classification: **08-05K**
(74) Name(s) of Attorney(s): **Lesicar Maynard Andrews Pty Ltd**
(71) Name(s) and Address(s) of Applicant(s):
NELA GmbH
Langenhaus 63 Wuppertal 42369 Germany
(72) Name(s) of Designer(s): **Frank Freudenreich**
(45) Registration Date: **17 June 2014**
(30) Convention priority data:
(31) Number (32) Date (33) Country
001408942-0001 11 Apr 2014 EUROPEAN PATENT OFFICE (EPO)
(56) Related Art Documents: **Not Applicable**
(57) Statement of Newness and Distinctiveness: **Newness and distinctiveness lie in the shape and/or configuration of the Smoothing Trowel, in particular the handle grip.**



(21) Design Number: **12389/2014**
(22) Date of Filing Application: **16 May 2014**
(24) Date from which industrial property rights may have effect: **16 May 2014**
(54) Product in respect of which the design is registered: **Box support bracket**
(51) International Design Classification: **09-03H**
(74) Name(s) of Attorney(s): **Freehills Patent Attorneys**
(71) Name(s) and Address(s) of Applicant(s):
RANDL Industries, Inc.
3808 North Sullivan Road Building 10 Suite P Spokane Valley
Washington 99216 United States of America
(72) Name(s) of Designer(s): **Robert J Hagarty**
(45) Registration Date: **17 June 2014**
(30) Convention priority data:
(31) Number (32) Date (33) Country
29/475957 09 Dec 2013 UNITED STATES OF AMERICA
(56) Related Art Documents: **Not Applicable**
(57) Statement of Newness and Distinctiveness: **Newness and distinctiveness of the design resides in the features of shape and configuration of the box support bracket as shown in the accompanying representations.**



- (21) Design Number: **12390/2014**
(22) Date of Filing Application: **16 May 2014**
(24) Date from which industrial property rights may have effect: **28 February 2014**
(54) Product in respect of which the design is registered: **Outer frame for connection to a refrigerator**
(51) International Design Classification: **15-07**
(74) Name(s) of Attorney(s): **AJ Park**
(71) Name(s) and Address(s) of Applicant(s):
Fonterra Brands (New Zealand) Limited
9 Princes Street Auckland Central Auckland 1010 New Zealand
(72) Name(s) of Designer(s): **Shaun Malcolm Boyd and Damon Stenhouse**
(45) Registration Date: **17 June 2014**
(62) Divisional of: **355614**
(56) Related Art Documents: **Not Applicable**
(57) Statement of Newness and Distinctiveness: **Newness and distinctiveness reside in the features of shape and/or configuration of the OUTER FRAME FOR CONNECTION TO A REFRIGERATOR as shown in the representations.**



- (21) Design Number: **12443/2014**
(22) Date of Filing Application: **19 May 2014**
(24) Date from which industrial property rights may have effect: **03 October 2013**
(54) Product in respect of which the design is registered: **Article of clothing**
(51) International Design Classification: **02-02C**
(74) Name(s) of Attorney(s): **Allens Patent & Trade Mark Attorneys**
(71) Name(s) and Address(s) of Applicant(s):
Forever New Clothing Pty Ltd
714-716 High St Kew East VIC 3102 Australia
(72) Name(s) of Designer(s): **Octavia Miller**
(45) Registration Date: **17 June 2014**
(62) Divisional of: **355784**
(56) Related Art Documents: **Not Applicable**
(57) Statement of Newness and Distinctiveness: **Newness and distinctiveness resides in the visual features of shape, configuration, pattern and/or ornamentation of an article of clothing as shown in the accompanying representations.**



- (21) Design Number: **12444/2014**
(22) Date of Filing Application: **19 May 2014**
(24) Date from which industrial property rights may have effect: **03 October 2013**
(54) Product in respect of which the design is registered: **Article of clothing**
(51) International Design Classification: **02-02NES**
(74) Name(s) of Attorney(s): **Allens Patent & Trade Mark Attorneys**
(71) Name(s) and Address(s) of Applicant(s):
Forever New Clothing Pty Ltd
714-716 High St Kew East VIC 3102 Australia
(72) Name(s) of Designer(s): **Chloe Atkinson**
(45) Registration Date: **17 June 2014**
(62) Divisional of: **355784**
(56) Related Art Documents: **Not Applicable**
(57) Statement of Newness and Distinctiveness: **Newness and distinctiveness resides in the visual features of shape, configuration, pattern and/or ornamentation of an article of clothing as shown in the accompanying representations.**



- (21) Design Number: **12446/2014**
(22) Date of Filing Application: **19 May 2014**
(24) Date from which industrial property rights may have effect: **03 October 2013**
(54) Product in respect of which the design is registered: **Article of clothing**
(51) International Design Classification: **02-02NES**
(74) Name(s) of Attorney(s): **Allens Patent & Trade Mark Attorneys**
(71) Name(s) and Address(s) of Applicant(s):
Forever New Clothing Pty Ltd
714-716 High St Kew East VIC 3102 Australia
(72) Name(s) of Designer(s): **Chloe Atkinson**
(45) Registration Date: **17 June 2014**
(62) Divisional of: **355784**
(56) Related Art Documents: **Not Applicable**
(57) Statement of Newness and Distinctiveness: **Newness and distinctiveness resides in the visual features of shape, configuration, pattern and/or ornamentation of an article of clothing as shown in the accompanying representations.**



- (21) Design Number: **12449/2014**
(22) Date of Filing Application: **19 May 2014**
(24) Date from which industrial property rights may have effect: **03 October 2013**
(54) Product in respect of which the design is registered: **Article of clothing**
(51) International Design Classification: **02-02C**
(74) Name(s) of Attorney(s): **Allens Patent & Trade Mark Attorneys**
(71) Name(s) and Address(s) of Applicant(s):
Forever New Clothing Pty Ltd
714-716 High St Kew East VIC 3102 Australia
(72) Name(s) of Designer(s): **Karen Thai**
(45) Registration Date: **17 June 2014**
(62) Divisional of: **355784**
(56) Related Art Documents: **Not Applicable**
(57) Statement of Newness and Distinctiveness: **Newness and distinctiveness resides in the visual features of shape, configuration, pattern and/or ornamentation of an article of clothing as shown in the accompanying representations.**



- (21) Design Number: **12450/2014**
(22) Date of Filing Application: **19 May 2014**
(24) Date from which industrial property rights may have effect: **03 October 2013**
(54) Product in respect of which the design is registered: **Article of clothing**
(51) International Design Classification: **02-02C**
(74) Name(s) of Attorney(s): **Allens Patent & Trade Mark Attorneys**
(71) Name(s) and Address(s) of Applicant(s):
Forever New Clothing Pty Ltd
714-716 High St Kew East VIC 3102 Australia
(72) Name(s) of Designer(s): **Karen Thai**
(45) Registration Date: **17 June 2014**
(62) Divisional of: **355784**
(56) Related Art Documents: **Not Applicable**
(57) Statement of Newness and Distinctiveness: **Newness and distinctiveness resides in the visual features of shape, configuration, pattern and/or ornamentation of an article of clothing as shown in the accompanying representations.**



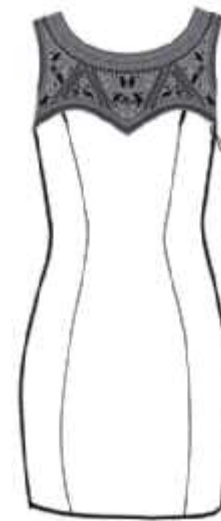
- (21) Design Number: **12451/2014**
(22) Date of Filing Application: **19 May 2014**
(24) Date from which industrial property rights may have effect: **03 October 2013**
(54) Product in respect of which the design is registered: **Article of clothing**
(51) International Design Classification: **02-02C**
(74) Name(s) of Attorney(s): **Allens Patent & Trade Mark Attorneys**
(71) Name(s) and Address(s) of Applicant(s):
Forever New Clothing Pty Ltd
714-716 High St Kew East VIC 3102 Australia
(72) Name(s) of Designer(s): **Karen Thai**
(45) Registration Date: **17 June 2014**
(62) Divisional of: **355784**
(56) Related Art Documents: **Not Applicable**
(57) Statement of Newness and Distinctiveness: **Newness and distinctiveness resides in the visual features of shape, configuration, pattern and/or ornamentation of an article of clothing as shown in the accompanying representations.**



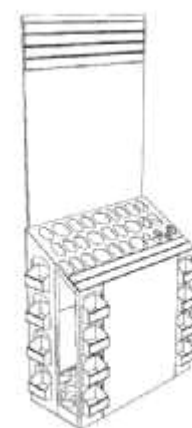
- (21) Design Number: **12452/2014**
(22) Date of Filing Application: **19 May 2014**
(24) Date from which industrial property rights may have effect: **03 October 2013**
(54) Product in respect of which the design is registered: **Article of clothing**
(51) International Design Classification: **02-02C**
(74) Name(s) of Attorney(s): **Allens Patent & Trade Mark Attorneys**
(71) Name(s) and Address(s) of Applicant(s):
Forever New Clothing Pty Ltd
714-716 High St Kew East VIC 3102 Australia
(72) Name(s) of Designer(s): **Karen Thai**
(45) Registration Date: **17 June 2014**
(62) Divisional of: **355784**
(56) Related Art Documents: **Not Applicable**
(57) Statement of Newness and Distinctiveness: **Newness and distinctiveness resides in the visual features of shape, configuration, pattern and/or ornamentation of an article of clothing as shown in the accompanying representations.**



- (21) Design Number: **12453/2014**
(22) Date of Filing Application: **19 May 2014**
(24) Date from which industrial property rights may have effect: **03 October 2013**
(54) Product in respect of which the design is registered: **Article of clothing**
(51) International Design Classification: **02-02C**
(74) Name(s) of Attorney(s): **Allens Patent & Trade Mark Attorneys**
(71) Name(s) and Address(s) of Applicant(s):
Forever New Clothing Pty Ltd
714-716 High St Kew East VIC 3102 Australia
(72) Name(s) of Designer(s): **Karen Thai**
(45) Registration Date: **17 June 2014**
(62) Divisional of: **355784**
(56) Related Art Documents: **Not Applicable**
(57) Statement of Newness and Distinctiveness: **Newness and distinctiveness resides in the visual features of shape, configuration, pattern and/or ornamentation of an article of clothing as shown in the accompanying representations.**



- (21) Design Number: **10790/2014**
(22) Date of Filing Application: **20 February 2014**
(24) Date from which industrial property rights may have effect: **20 February 2014**
(54) Product in respect of which the design is registered: **Display**
(51) International Design Classification: **20-02E, 20-02NES**
(74) Name(s) of Attorney(s): **Davies Collison Cave**
(71) Name(s) and Address(s) of Applicant(s):
Illinois Tool Works Inc.
155 Harlem Ave Glenview IL 60025-5000 United States of America
(72) Name(s) of Designer(s): **Melisa Resanovic and Jason Wheatley and Martin Hardinge**
(45) Registration Date: **18 June 2014**
(56) Related Art Documents: **Not Applicable**
(57) Statement of Newness and Distinctiveness: **Nil**



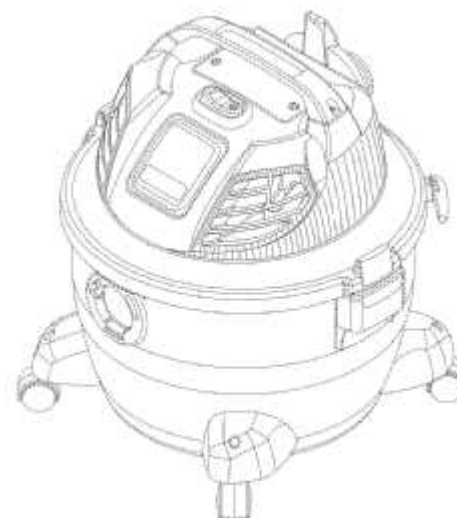
(21) Design Number: **11496/2014**
(22) Date of Filing Application: **27 March 2014**
(24) Date from which industrial property rights may have effect: **27 March 2014**
(54) Product in respect of which the design is registered: **Rocking-chair**
(51) International Design Classification: **06-01H**
(74) Name(s) of Attorney(s):
(71) Name(s) and Address(s) of Applicant(s):
Ningbo Mentoriend International Trading Co., Ltd.
Room 1101, No. 555 Tiantong South Road, Yinzhou District, Ningbo,
Zhejiang 315000 China
(72) Name(s) of Designer(s): **Frank Fang**
(45) Registration Date: **18 June 2014**
(30) Convention priority data:
(31) Number (32) Date (33) Country
002409664 21 Feb 2014 EUROPEAN PATENT OFFICE (EPO)
(56) Related Art Documents: **Not Applicable**
(57) Statement of Newness and Distinctiveness: **Nil**



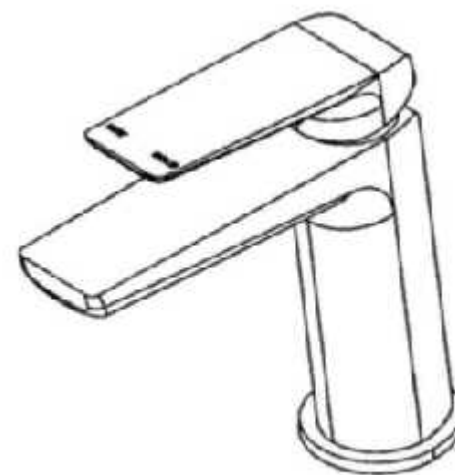
(21) Design Number: **11806/2014**
(22) Date of Filing Application: **11 April 2014**
(24) Date from which industrial property rights may have effect: **11 April 2014**
(54) Product in respect of which the design is registered: **Vacuum cleaner**
(51) International Design Classification: **15-05**
(74) Name(s) of Attorney(s): **Griffith Hack**
(71) Name(s) and Address(s) of Applicant(s):
SHOP VAC CORPORATION
2323 REACH ROAD WILLIAMSPORT PA, 17701 United States of America
(72) Name(s) of Designer(s): **Kevin D Fry and John Griffin and Robert L Crevling Jr**
(45) Registration Date: **18 June 2014**
(30) Convention priority data:
(31) Number (32) Date (33) Country
29/469,525 11 Oct 2013 UNITED STATES OF AMERICA
(56) Related Art Documents: **Not Applicable**
(57) Statement of Newness and Distinctiveness: **Newness and distinctiveness resides in the visual features, including shape and configuration, of the top part of a VACUUM CLEANER as shown in solid outline in the accompanying drawings. The design is common to the vacuum cleaner of Figures 1 to 6 and Figures 7 to 12. When determining whether the design is substantially similar in overall impression to another design, no regard is to be had to those features shown in dotted outline in the accompanying drawings, which features are provided for illustrative purposes only, with Figures 1 to 6 showing a first example of a vacuum cleaner and Figures 7 to 12 showing a second example of a vacuum cleaner.**



(21) Design Number: **12795/2014**
(22) Date of Filing Application: **11 April 2014**
(24) Date from which industrial property rights may have effect: **11 April 2014**
(54) Product in respect of which the design is registered: **Vacuum cleaner**
(51) International Design Classification: **15-05**
(74) Name(s) of Attorney(s): **Griffith Hack**
(71) Name(s) and Address(s) of Applicant(s):
SHOP VAC CORPORATION
2323 Reach Road Williamsport PA 17701 United States of America
(72) Name(s) of Designer(s): **Kevin D Fry and John Griffin and Robert L Crevling Jr**
(45) Registration Date: **18 June 2014**
(30) Convention priority data:
(31) Number (32) Date (33) Country
29/469,525 11 Oct 2013 UNITED STATES OF AMERICA
(56) Related Art Documents: **Not Applicable**
(57) Statement of Newness and Distinctiveness: **Nil**



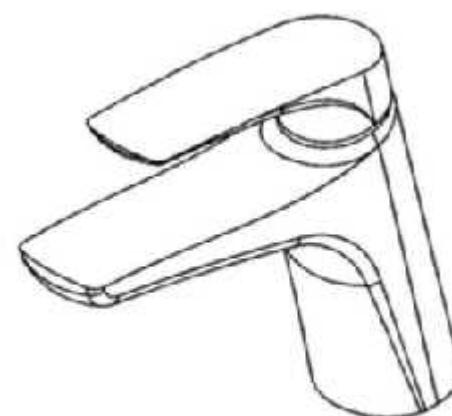
(21) Design Number: **12326/2014**
(22) Date of Filing Application: **14 May 2014**
(24) Date from which industrial property rights may have effect: **14 May 2014**
(54) Product in respect of which the design is registered: **Basin mixer**
(51) International Design Classification: **23-01H**
(74) Name(s) of Attorney(s): **Freehills Patent Attorneys**
(71) Name(s) and Address(s) of Applicant(s):
Phoenix Industries Pty Ltd
926 Mountain Hwy Bayswater VIC 3153 Australia
(72) Name(s) of Designer(s): **Ban Hsi Liu**
(45) Registration Date: **18 June 2014**
(56) Related Art Documents: **Not Applicable**
(57) Statement of Newness and Distinctiveness: **Newness and distinctiveness of the design resides in the features of shape and configuration of the basin mixer as shown in the accompanying representations.**



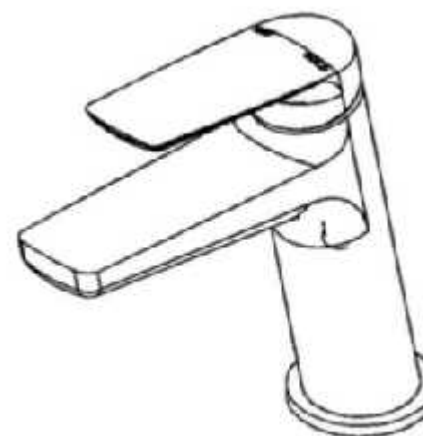
- (21) Design Number: **12327/2014**
(22) Date of Filing Application: **14 May 2014**
(24) Date from which industrial property rights may have effect: **14 May 2014**
(54) Product in respect of which the design is registered: **Basin mixer**
(51) International Design Classification: **23-01H**
(74) Name(s) of Attorney(s): **Freehills Patent Attorneys**
(71) Name(s) and Address(s) of Applicant(s):
Phoenix Industries Pty Ltd
926 Mountain Hwy Bayswater VIC 3153 Australia
(72) Name(s) of Designer(s): **Ban Hsi Liu**
(45) Registration Date: **18 June 2014**
(56) Related Art Documents: **Not Applicable**
(57) Statement of Newness and Distinctiveness: **Newness and distinctiveness of the design resides in the features of shape and configuration of the basin mixer as shown in the accompanying representations.**



- (21) Design Number: **12328/2014**
(22) Date of Filing Application: **14 May 2014**
(24) Date from which industrial property rights may have effect: **14 May 2014**
(54) Product in respect of which the design is registered: **Basin mixer**
(51) International Design Classification: **23-01H**
(74) Name(s) of Attorney(s): **Freehills Patent Attorneys**
(71) Name(s) and Address(s) of Applicant(s):
Phoenix Industries Pty Ltd
926 Mountain Hwy Bayswater VIC 3153 Australia
(72) Name(s) of Designer(s): **Ban Hsi Liu**
(45) Registration Date: **18 June 2014**
(56) Related Art Documents: **Not Applicable**
(57) Statement of Newness and Distinctiveness: **Newness and distinctiveness of the design resides in the features of shape and configuration of the basin mixer as shown in the accompanying representations.**



- (21) Design Number: **12329/2014**
(22) Date of Filing Application: **14 May 2014**
(24) Date from which industrial property rights may have effect: **14 May 2014**
(54) Product in respect of which the design is registered: **Basin mixer**
(51) International Design Classification: **23-01H**
(74) Name(s) of Attorney(s): **Freehills Patent Attorneys**
(71) Name(s) and Address(s) of Applicant(s):
Phoenix Industries Pty Ltd
926 Mountain Hwy Bayswater VIC 3153 Australia
(72) Name(s) of Designer(s): **Ban Hsi Liu**
(45) Registration Date: **18 June 2014**
(56) Related Art Documents: **Not Applicable**
(57) Statement of Newness and Distinctiveness: **Newness and distinctiveness of the design resides in the features of shape and configuration of the basin mixer as shown in the accompanying representations.**



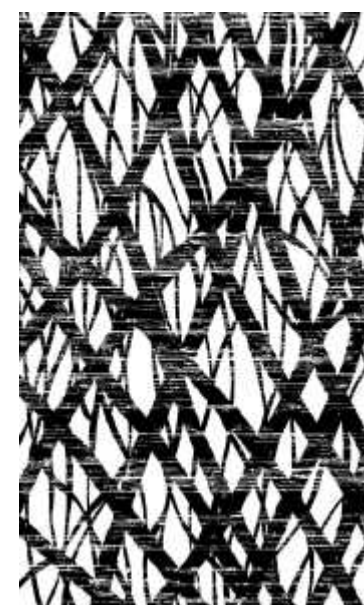
- (21) Design Number: **12367/2014**
(22) Date of Filing Application: **15 May 2014**
(24) Date from which industrial property rights may have effect: **15 May 2014**
(54) Product in respect of which the design is registered: **Cable drum cage with geared winder**
(51) International Design Classification: **08-99**
(74) Name(s) of Attorney(s):
(71) Name(s) and Address(s) of Applicant(s):
The Peak Group Pty Limited
212 Macquarie Rd Warners Bay NSW 2282 Australia
(72) Name(s) of Designer(s): **Paul Griffiths and Peter Sebire**
(45) Registration Date: **18 June 2014**
(56) Related Art Documents: **Not Applicable**
(57) Statement of Newness and Distinctiveness: **Newness and distinctiveness reside in the features of shape, pattern and configuration of the design as shown in the representations.**



- (21) Design Number: **12379/2014**
(22) Date of Filing Application: **16 May 2014**
(24) Date from which industrial property rights may have effect: **28 February 2014**
(54) Product in respect of which the design is registered: **Section divider for shelving of a refrigerator**
(51) International Design Classification: **06-04NES**
(74) Name(s) of Attorney(s): **AJ Park**
(71) Name(s) and Address(s) of Applicant(s):
Fonterra Brands (New Zealand) Limited
9 Princes Street Auckland Central Auckland 1010 New Zealand
(72) Name(s) of Designer(s): **Shaun Malcolm Boyd and Damon Stenhouse**
(45) Registration Date: **18 June 2014**
(62) Divisional of: **355617**
(56) Related Art Documents: **Not Applicable**
(57) Statement of Newness and Distinctiveness: **Newness and distinctiveness reside in the features of shape and/or configuration of the SECTION DIVIDER FOR SHELVING OF A REFRIGERATOR as shown in the representations, the features shown in broken lines form no part of the claimed design.**



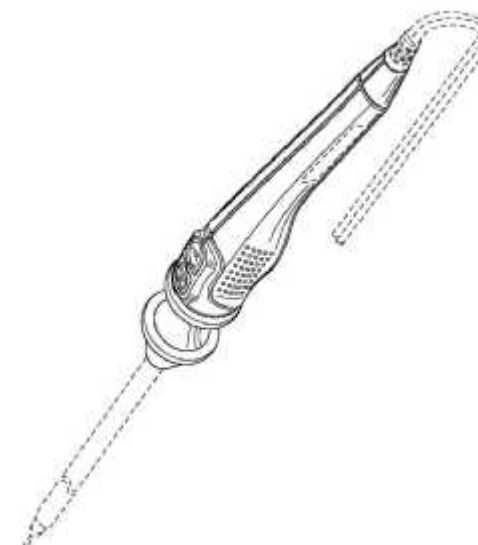
- (21) Design Number: **12393/2014**
(22) Date of Filing Application: **16 May 2014**
(24) Date from which industrial property rights may have effect: **16 May 2014**
(54) Product in respect of which the design is registered: **A textile print**
(51) International Design Classification: **05-05D**
(74) Name(s) of Attorney(s):
(71) Name(s) and Address(s) of Applicant(s):
AUSTRALIAN FASHION LABELS PTY LTD
106 Currie St Adelaide SA 5000 Australia
(72) Name(s) of Designer(s): **Carmen Dugan and Llian Hayter**
(45) Registration Date: **18 June 2014**
(56) Related Art Documents: **Not Applicable**
(57) Statement of Newness and Distinctiveness: **Newness and distinctiveness resides in the features of pattern and ornamentation of a textile print as shown in the accompanying representations.**



- (21) Design Number: **12395/2014**
(22) Date of Filing Application: **16 May 2014**
(24) Date from which industrial property rights may have effect: **16 May 2014**
(54) Product in respect of which the design is registered: **A textile print**
(51) International Design Classification: **05-05A**
(74) Name(s) of Attorney(s):
(71) Name(s) and Address(s) of Applicant(s):
AUSTRALIAN FASHION LABELS PTY LTD
106 Currie St Adelaide SA 5000 Australia
(72) Name(s) of Designer(s): **Carmen Dugan and Llian Hayter**
(45) Registration Date: **18 June 2014**
(56) Related Art Documents: **Not Applicable**
(57) Statement of Newness and Distinctiveness: **Newness and distinctiveness resides in the features of pattern and ornamentation of a textile print as shown in the accompanying representations.**



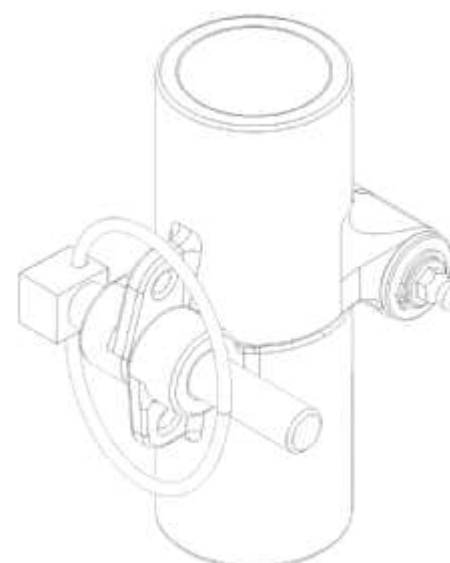
- (21) Design Number: **12400/2014**
(22) Date of Filing Application: **16 May 2014**
(24) Date from which industrial property rights may have effect: **16 May 2014**
(54) Product in respect of which the design is registered: **Electrosurgical hand piece**
(51) International Design Classification: **24-02**
(74) Name(s) of Attorney(s): **PHILLIPS ORMONDE FITZPATRICK**
(71) Name(s) and Address(s) of Applicant(s):
Gyrus ACMI, Inc., d.b.a. Olympus Surgical Technologies America
136 Turnpike Road Southborough Massachusetts 01772 United States of America
(72) Name(s) of Designer(s): **William F Kratoska and Ryan J Windgassen and Manfred Held**
(45) Registration Date: **18 June 2014**
(30) Convention priority data:
(31) Number (32) Date (33) Country
29/485,029 14 Mar 2014 UNITED STATES OF AMERICA
(56) Related Art Documents: **Not Applicable**
(57) Statement of Newness and Distinctiveness: **Those features of the electrosurgical hand piece depicted in the representations that are new and distinctive are the shape and/or configuration. The features shown in broken lines are not part of the design and are to be disregarded when considering the overall impression of the design.**



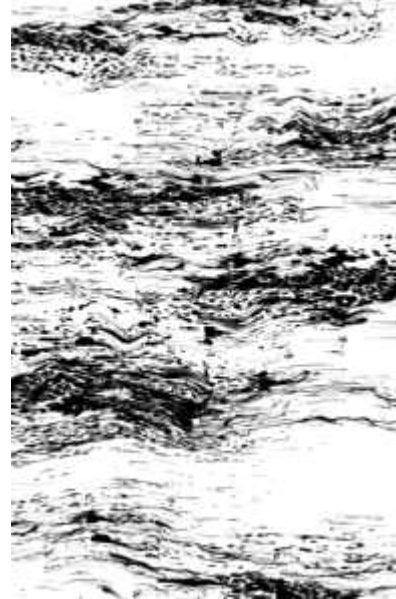
(21) Design Number: **12401/2014**
(22) Date of Filing Application: **16 May 2014**
(24) Date from which industrial property rights may have effect: **16 May 2014**
(54) Product in respect of which the design is registered: **Electrosurgical cutting forceps**
(51) International Design Classification: **24-02**
(74) Name(s) of Attorney(s): **PHILLIPS ORMONDE FITZPATRICK**
(71) Name(s) and Address(s) of Applicant(s):
Gyrus ACMI, Inc., d.b.a. Olympus Surgical Technologies America
136 Turnpike Road Southborough Massachusetts 01772 United States of America
(72) Name(s) of Designer(s): **Ryan J Windgassen and Jeffrey J Nelson**
(45) Registration Date: **18 June 2014**
(30) Convention priority data:
(31) Number (32) Date (33) Country
29/483,137 26 Feb 2014 UNITED STATES OF AMERICA
(56) Related Art Documents: **Not Applicable**
(57) Statement of Newness and Distinctiveness: **Those features of the electrosurgical cutting forceps depicted in the representations that are new and distinctive are the shape and/or configuration. The features shown in broken lines are not part of the design and are to be disregarded when considering the overall impression of the design.**



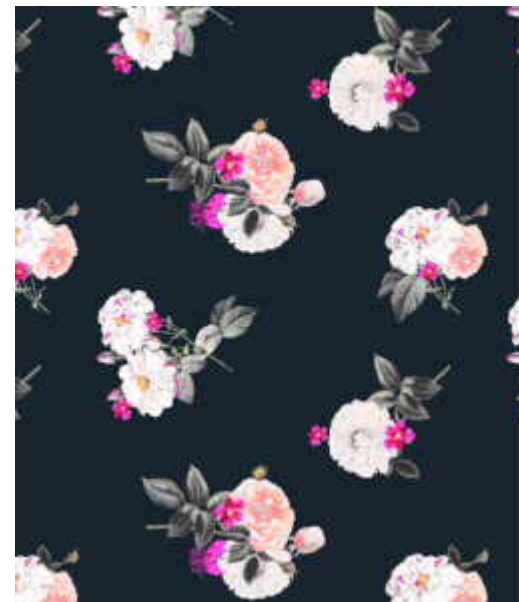
(21) Design Number: **12405/2014**
(22) Date of Filing Application: **16 May 2014**
(24) Date from which industrial property rights may have effect: **16 May 2014**
(54) Product in respect of which the design is registered: **Hand rail hinge**
(51) International Design Classification: **08-06**
(74) Name(s) of Attorney(s): **Armour IP**
(71) Name(s) and Address(s) of Applicant(s):
Bend-tech Investments 1 Pty Ltd
573 Bickley Rd Maddington WA 6109 Australia
(72) Name(s) of Designer(s): **Maria Lapchev**
(45) Registration Date: **18 June 2014**
(56) Related Art Documents: **Not Applicable**
(57) Statement of Newness and Distinctiveness: **Nil**



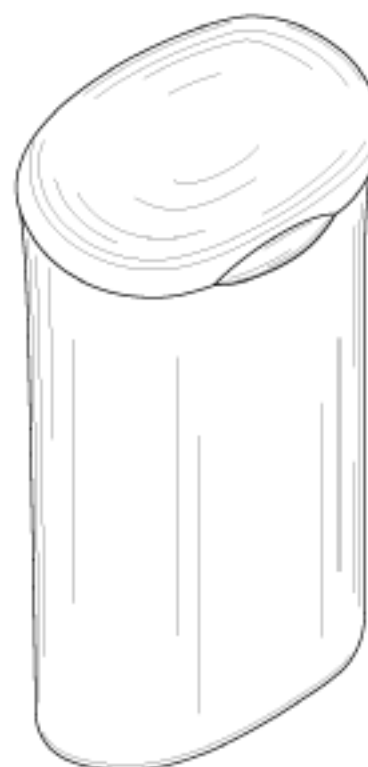
- (21) Design Number: **12406/2014**
(22) Date of Filing Application: **16 May 2014**
(24) Date from which industrial property rights may have effect: **16 May 2014**
(54) Product in respect of which the design is registered: **A textile print**
(51) International Design Classification: **05-05NES**
(74) Name(s) of Attorney(s):
(71) Name(s) and Address(s) of Applicant(s):
AUSTRALIAN FASHION LABELS PTY LTD
106 Currie St Adelaide SA 5000 Australia
(72) Name(s) of Designer(s): **Kathryn Forth and Siham Elmawey and Kirby Manning**
(45) Registration Date: **18 June 2014**
(56) Related Art Documents: **Not Applicable**
(57) Statement of Newness and Distinctiveness: **Newness and distinctiveness resides in the features of pattern and ornamentation of a textile print as shown in the accompanying representations.**



- (21) Design Number: **12409/2014**
(22) Date of Filing Application: **16 May 2014**
(24) Date from which industrial property rights may have effect: **16 May 2014**
(54) Product in respect of which the design is registered: **A textile print**
(51) International Design Classification: **05-05A**
(74) Name(s) of Attorney(s):
(71) Name(s) and Address(s) of Applicant(s):
AUSTRALIAN FASHION LABELS PTY LTD
106 Currie St Adelaide SA 5000 Australia
(72) Name(s) of Designer(s): **Kathryn Forth and Siham Elmawey and Kirby Manning**
(45) Registration Date: **18 June 2014**
(56) Related Art Documents: **Not Applicable**
(57) Statement of Newness and Distinctiveness: **Newness and distinctiveness resides in the features of pattern and ornamentation of a textile print as shown in the accompanying representations.**



- (21) Design Number: **12411/2014**
(22) Date of Filing Application: **16 May 2014**
(24) Date from which industrial property rights may have effect: **16 May 2014**
(54) Product in respect of which the design is registered: **Container**
(51) International Design Classification: **07-01NES**
(74) Name(s) of Attorney(s): **Pizzeys**
(71) Name(s) and Address(s) of Applicant(s):
CSP Technologies, Inc.
1030 Riverfront Center Amsterdam New York 12010 United States of America
Novartis AG
Lichtstrasse 35 Basel 4056 Switzerland
(72) Name(s) of Designer(s): **Jean-Pierre Giraud and Herve Pichot and Surinder Paul Khabbra**
(45) Registration Date: **18 June 2014**
(30) Convention priority data:
(31) Number (32) Date (33) Country
402013005059.0 18 Nov 2013 GERMANY
(56) Related Art Documents: **Not Applicable**
(57) Statement of Newness and Distinctiveness: **The newness and distinctiveness of the design resides in the shape of the container as shown in the accompanying representations.**



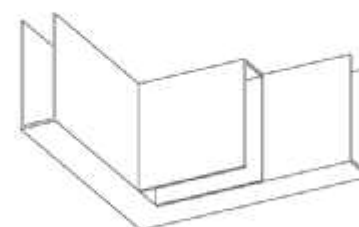
- (21) Design Number: **12420/2014**
(22) Date of Filing Application: **17 May 2014**
(24) Date from which industrial property rights may have effect: **17 May 2014**
(54) Product in respect of which the design is registered: **A brush with a pistol-like grip**
(51) International Design Classification: **04-04, 04-99**
(74) Name(s) of Attorney(s):
(71) Name(s) and Address(s) of Applicant(s):
Kasey Tai
17 Tarrabool St Westlake QLD 4074 Australia
(72) Name(s) of Designer(s): **Kasey Tai**
(45) Registration Date: **18 June 2014**
(56) Related Art Documents: **Not Applicable**
(57) Statement of Newness and Distinctiveness: **A brush has a pistol-like grip, can be hold firmly and comfortably in hand, this grip fits fully and comfortably in the user's palm, thus, making brushing work lot easier and effortless.**



- (21) Design Number: **12422/2014**
(22) Date of Filing Application: **18 May 2014**
(24) Date from which industrial property rights may have effect: **18 May 2014**
(54) Product in respect of which the design is registered: **Signal source**
(51) International Design Classification: **14-03NES**
(74) Name(s) of Attorney(s):
(71) Name(s) and Address(s) of Applicant(s):
THE PEAK GROUP PTY LIMITED
212 Macquarie Rd Warners Bay NSW 2282 Australia
(72) Name(s) of Designer(s): **Ian Griffiths and Paul Griffiths and Christopher Shaw**
(45) Registration Date: **18 June 2014**
(56) Related Art Documents: **Not Applicable**
(57) Statement of Newness and Distinctiveness: **Newness and distinctiveness reside in the features of shape, pattern and configuration of the design as shown in the representations.**



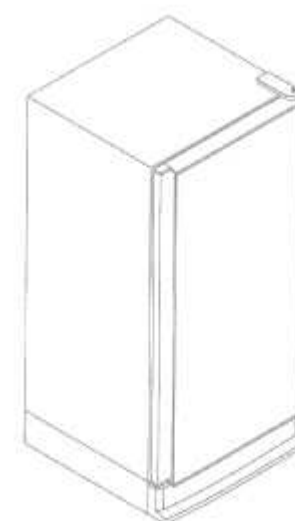
- (21) Design Number: **11967/2014**
(22) Date of Filing Application: **23 April 2014**
(24) Date from which industrial property rights may have effect: **23 April 2014**
(54) Product in respect of which the design is registered: **A modular platform bracket**
(51) International Design Classification: **08-08L**
(74) Name(s) of Attorney(s): **SPRUSON & FERGUSON**
(71) Name(s) and Address(s) of Applicant(s):
Andrew Pridham
40 Saggart Field Rd Minto NSW 2566 Australia
(72) Name(s) of Designer(s): **Andrew Pridham**
(45) Registration Date: **18 June 2014**
(56) Related Art Documents: **Not Applicable**
(57) Statement of Newness and Distinctiveness: **Newness and distinctiveness is claimed in the features of shape and/or configuration of a modular platform bracket as illustrated in the accompanying representations.**



(21) Design Number: **12156/2014**
(22) Date of Filing Application: **05 May 2014**
(24) Date from which industrial property rights may have effect: **05 May 2014**
(54) Product in respect of which the design is registered: **Hair clipper**
(51) International Design Classification: **28-03D**
(74) Name(s) of Attorney(s):
(71) Name(s) and Address(s) of Applicant(s):
Yongkang MRY Industry & Trade Co., Ltd
No 185 Chengdong Road Yongkang Zhejiang China
(72) Name(s) of Designer(s): **Fusheng Li**
(45) Registration Date: **18 June 2014**
(56) Related Art Documents: **Not Applicable**
(57) Statement of Newness and Distinctiveness: **Nil**



(21) Design Number: **12280/2014**
(22) Date of Filing Application: **13 May 2014**
(24) Date from which industrial property rights may have effect: **13 May 2014**
(54) Product in respect of which the design is registered: **Refrigerator**
(51) International Design Classification: **15-07**
(74) Name(s) of Attorney(s): **Griffith Hack**
(71) Name(s) and Address(s) of Applicant(s):
MITSUBISHI ELECTRIC CORPORATION
7-3 Marunouchi 2-chome Chiyoda-ku TOKYO 100-8310 Japan
(72) Name(s) of Designer(s): **Kei Kasuga and Masaaki Hoshi**
(45) Registration Date: **18 June 2014**
(30) Convention priority data:
(31) Number (32) Date (33) Country
2013-030158 24 Dec 2013 JAPAN
(56) Related Art Documents: **Not Applicable**
(57) Statement of Newness and Distinctiveness: **Newness and distinctiveness resides in the visual features, including shape and configuration, of a REFRIGERATOR as shown in the accompanying drawings.**



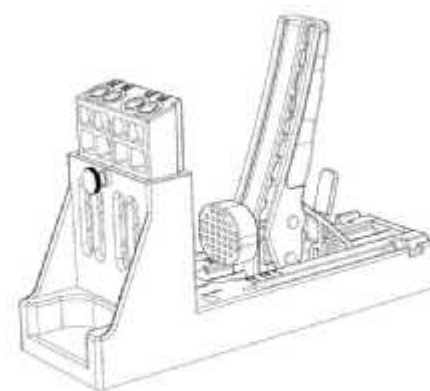
- (21) Design Number: **12445/2014**
(22) Date of Filing Application: **19 May 2014**
(24) Date from which industrial property rights may have effect: **03 October 2013**
(54) Product in respect of which the design is registered: **Article of clothing**
(51) International Design Classification: **02-02NES**
(74) Name(s) of Attorney(s): **Allens Patent & Trade Mark Attorneys**
(71) Name(s) and Address(s) of Applicant(s):
Forever New Clothing Pty Ltd
714-716 High St Kew East VIC 3102 Australia
(72) Name(s) of Designer(s): **Chloe Atkinson**
(45) Registration Date: **18 June 2014**
(62) Divisional of: **355784**
(56) Related Art Documents: **Not Applicable**
(57) Statement of Newness and Distinctiveness: **Newness and distinctiveness resides in the visual features of shape, configuration, pattern and/or ornamentation of an article of clothing as shown in the accompanying representations.**



- (21) Design Number: **12473/2014**
(22) Date of Filing Application: **20 May 2014**
(24) Date from which industrial property rights may have effect: **20 May 2014**
(54) Product in respect of which the design is registered: **Shoe**
(51) International Design Classification: **02-04NES**
(74) Name(s) of Attorney(s): **Freehills Patent Attorneys**
(71) Name(s) and Address(s) of Applicant(s):
Pacific Brands Footwear Pty Ltd
L3 290 Burwood Rd Hawthorn VIC 3122 Australia
(72) Name(s) of Designer(s): **Lisa Tilley**
(45) Registration Date: **18 June 2014**
(56) Related Art Documents: **Not Applicable**
(57) Statement of Newness and Distinctiveness: **Newness and distinctiveness of the design resides in the ornamentation and configuration of the panels of the upper of the shoe as shown in the accompanying representations.**



(21) Design Number: **12474/2014**
(22) Date of Filing Application: **20 May 2014**
(24) Date from which industrial property rights may have effect: **20 May 2014**
(54) Product in respect of which the design is registered: **Drilling jig**
(51) International Design Classification: **08-01, 08-05F**
(74) Name(s) of Attorney(s): **Griffith Hack**
(71) Name(s) and Address(s) of Applicant(s):
Brand Developers Ltd
519-521 Lake Road Takapuna Auckland 0622 New Zealand
(72) Name(s) of Designer(s): **James Fisher**
(45) Registration Date: **18 June 2014**
(56) Related Art Documents: **Not Applicable**
(57) Statement of Newness and Distinctiveness: **Newness and distinctiveness resides in the visual features, including shape, configuration and pattern, of a drilling jig. Figure 2 shows a handle of the drilling jig in an open configuration.**



(21) Design Number: **12477/2014**
(22) Date of Filing Application: **20 May 2014**
(24) Date from which industrial property rights may have effect: **20 May 2014**
(54) Product in respect of which the design is registered: **Bottle**
(51) International Design Classification: **09-01H**
(74) Name(s) of Attorney(s): **Ashurst Australia**
(71) Name(s) and Address(s) of Applicant(s):
Diageo North America, Inc.
801 Main Ave Norwalk CT, 06851-1127 United States of America
(72) Name(s) of Designer(s): **Sam Cutler**
(45) Registration Date: **18 June 2014**
(30) Convention priority data:
(31) Number (32) Date (33) Country
29473282 20 Nov 2013 UNITED STATES OF AMERICA
(56) Related Art Documents: **Not Applicable**
(57) Statement of Newness and Distinctiveness: **Nil**



- (21) Design Number: **12479/2014**
(22) Date of Filing Application: **20 May 2014**
(24) Date from which industrial property rights may have effect: **20 May 2014**
(54) Product in respect of which the design is registered: **A produce container**
(51) International Design Classification: **09-03K**
(74) Name(s) of Attorney(s): **Chrysiliou IP**
(71) Name(s) and Address(s) of Applicant(s):
Multisteps Pty Ltd
U1 & 2 4 Richmond Rd Homebush West NSW 2140 Australia
(72) Name(s) of Designer(s): **John Lam**
(45) Registration Date: **18 June 2014**
(56) Related Art Documents: **Not Applicable**
(57) Statement of Newness and Distinctiveness: **Newness and distinctiveness reside in the features of the design applied to the receptacle of the container as shown in the representations and in particular in the configuration and arrangement of the bevelled portions with apertures around the base of the receptacle.**



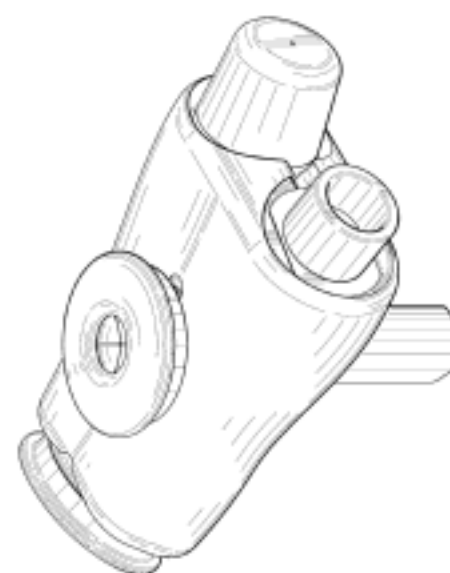
- (21) Design Number: **12480/2014**
(22) Date of Filing Application: **20 May 2014**
(24) Date from which industrial property rights may have effect: **20 May 2014**
(54) Product in respect of which the design is registered: **Light**
(51) International Design Classification: **26-05E**
(74) Name(s) of Attorney(s): **WATERMARK PATENT AND TRADE MARKS ATTORNEYS**
(71) Name(s) and Address(s) of Applicant(s):
Karral Pty Ltd
14 Charles St Bentley WA 6102 Australia
(72) Name(s) of Designer(s): **Daniel Golding**
(45) Registration Date: **18 June 2014**
(56) Related Art Documents: **Not Applicable**
(57) Statement of Newness and Distinctiveness: **Newness and distinctiveness reside in the visual features of shape and configuration of the light as shown in the accompanying representations. The cable tail labelled 'A' in the rear view of the representations does not form part of the design and is excluded from consideration as part of the design.**



- (21) Design Number: **12481/2014**
(22) Date of Filing Application: **21 May 2014**
(24) Date from which industrial property rights may have effect: **21 May 2014**
(54) Product in respect of which the design is registered: **Electronic calculator**
(51) International Design Classification: **18-01**
(74) Name(s) of Attorney(s): **Griffith Hack**
(71) Name(s) and Address(s) of Applicant(s):
Casio Keisanki Kabushiki Kaisha doing business as Casio Computer Co., Ltd.
6-2 Hon-machi 1-chome Shibuya-ku Tokyo 151-8543 Japan
(72) Name(s) of Designer(s): **Wataru Yaekura and Junichi Ono**
(45) Registration Date: **18 June 2014**
(30) Convention priority data:
(31) Number (32) Date (33) Country
2014-8067 14 Apr 2014 JAPAN
(56) Related Art Documents: **Not Applicable**
(57) Statement of Newness and Distinctiveness: **Newness and distinctiveness resides in the visual features, including the shape and configuration of the product shown in the representations.**



- (21) Design Number: **12482/2014**
(22) Date of Filing Application: **21 May 2014**
(24) Date from which industrial property rights may have effect: **21 May 2014**
(54) Product in respect of which the design is registered: **Base for enteral feeding device**
(51) International Design Classification: **24-04**
(74) Name(s) of Attorney(s): **Freehills Patent Attorneys**
(71) Name(s) and Address(s) of Applicant(s):
Kimberly-Clark Worldwide, Inc.
2300 Winchester Road Neenah Wisconsin 54956 United States of America
(72) Name(s) of Designer(s): **Katherine L Dziak and Donald J McMichael and Michael A Schmidt**
(45) Registration Date: **18 June 2014**
(30) Convention priority data:
(31) Number (32) Date (33) Country
29/473665 25 Nov 2013 UNITED STATES OF AMERICA
(56) Related Art Documents: **Not Applicable**
(57) Statement of Newness and Distinctiveness: **Nil**



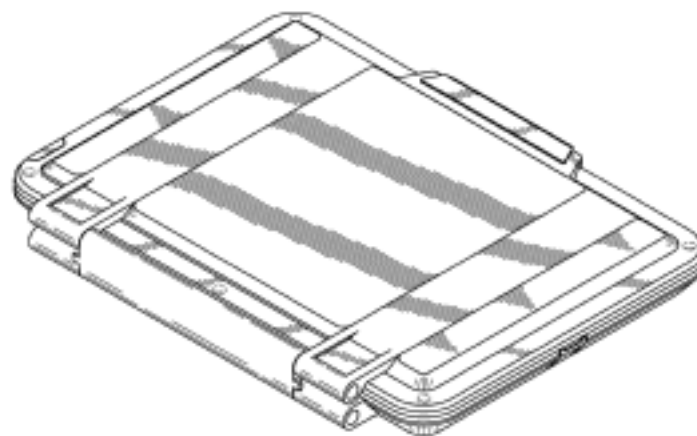
- (21) Design Number: **12507/2014**
(22) Date of Filing Application: **22 May 2014**
(24) Date from which industrial property rights may have effect: **22 May 2014**
(54) Product in respect of which the design is registered: **A wash basin**
(51) International Design Classification: **23-02F**
(74) Name(s) of Attorney(s):
(71) Name(s) and Address(s) of Applicant(s):
Bang Design IP Pty Ltd
91 Beattie St Balmain NSW 2041 Australia
(72) Name(s) of Designer(s): **David Granger and Kristian Aus**
(45) Registration Date: **18 June 2014**
(56) Related Art Documents: **Not Applicable**
(57) Statement of Newness and Distinctiveness: **Newness and distinctiveness is claimed in those visual features that are represented in the unbroken lines.**



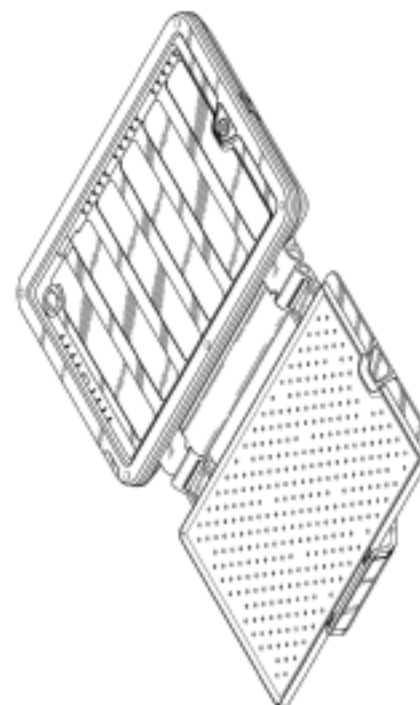
- (21) Design Number: **12708/2014**
(22) Date of Filing Application: **03 June 2014**
(24) Date from which industrial property rights may have effect: **03 June 2014**
(54) Product in respect of which the design is registered: **Towel rail**
(51) International Design Classification: **07-05D**
(74) Name(s) of Attorney(s):
(71) Name(s) and Address(s) of Applicant(s):
DC Short Pty Ltd
PO BOX 238 Geebung QLD 4034 Australia
(72) Name(s) of Designer(s): **David Short**
(45) Registration Date: **18 June 2014**
(30) Convention priority data:
(31) Number (32) Date (33) Country
418316 06 Dec 2013 NEW ZEALAND
(56) Related Art Documents: **Not Applicable**
(57) Statement of Newness and Distinctiveness: **The newness and distinctiveness of the design resides in the shape and configuration of the towel rail as shown in the accompanying representations.**



(21) Design Number: **12709/2014**
(22) Date of Filing Application: **03 June 2014**
(24) Date from which industrial property rights may have effect: **03 June 2014**
(54) Product in respect of which the design is registered: **Case for electronic pad**
(51) International Design Classification: **03-01NES**
(74) Name(s) of Attorney(s): **SPRUSON & FERGUSON**
(71) Name(s) and Address(s) of Applicant(s):
Pelican Products, Inc.
23215 Early Avenue Torrance California 90505 United States of America
(72) Name(s) of Designer(s): **Daniel Ballou and Joven De La Vega and Dustin Bullock**
(45) Registration Date: **18 June 2014**
(30) Convention priority data:
(31) Number (32) Date (33) Country
29/477431 20 Dec 2013 UNITED STATES OF AMERICA
(56) Related Art Documents: **Not Applicable**
(57) Statement of Newness and Distinctiveness: **Newness and distinctiveness is claimed in the features of shape and/or configuration of a case for electronic pad as illustrated in the accompanying representations.**



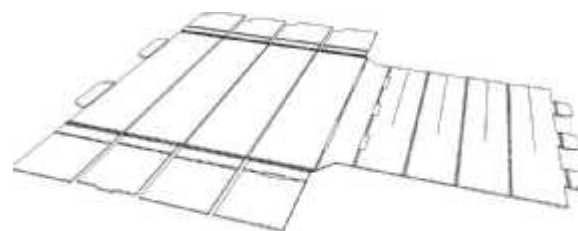
(21) Design Number: **12710/2014**
(22) Date of Filing Application: **03 June 2014**
(24) Date from which industrial property rights may have effect: **03 June 2014**
(54) Product in respect of which the design is registered: **Case for electronic pad**
(51) International Design Classification: **03-01NES**
(74) Name(s) of Attorney(s): **SPRUSON & FERGUSON**
(71) Name(s) and Address(s) of Applicant(s):
Pelican Products, Inc.
23215 Early Avenue Torrance California 90505 United States of America
(72) Name(s) of Designer(s): **Daniel Ballou and Joven De La Vega and Dustin Bullock**
(45) Registration Date: **18 June 2014**
(30) Convention priority data:
(31) Number (32) Date (33) Country
29/477433 20 Dec 2013 UNITED STATES OF AMERICA
(56) Related Art Documents: **Not Applicable**
(57) Statement of Newness and Distinctiveness: **Newness and distinctiveness is claimed in the features of shape and/or configuration of a case for electronic pad as illustrated in the accompanying representations.**



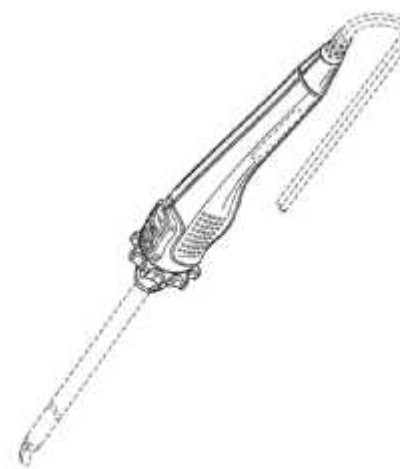
- (21) Design Number: **11520/2014**
(22) Date of Filing Application: **28 March 2014**
(24) Date from which industrial property rights may have effect: **28 March 2014**
(54) Product in respect of which the design is registered: **Rock drill tube air dryer system**
(51) International Design Classification: **15-99**
(74) Name(s) of Attorney(s):
(71) Name(s) and Address(s) of Applicant(s):
AUSTRALIAN CONTRACT MINING PTY LTD
66 Ord St West Perth WA 6005 Australia
(72) Name(s) of Designer(s): **Brian Bernard Rodan**
(45) Registration Date: **19 June 2014**
(56) Related Art Documents: **Not Applicable**
(57) Statement of Newness and Distinctiveness: **The rock drill tube air dryer system developed incorporates a number of components with unique and novel features. These include: - The function of the water trap is designed for the specific purpose to take larger quantities of water out of the system and drain to the atmosphere. This is done by moving the compressed air through orifices and trapping larger amounts of water in the bottom of a canister; - The desiccant dryer is designed with a filter arrangement made of moisture attracting desiccant. Air is pushed through a filter arrangement made of desiccant. The desiccant captures any moisture that remains airborne after being passed through the water trap. The air is then clean and dry. After the air leaves the dryer, rock drill oil is added into the system and is supplied to the rock drills. Essentially, the moist air runs through the on-board air compressor and is then compressed to form pool water in the specially designed small receiver and other lines with the circuit itself.**



- (21) Design Number: **11679/2014**
(22) Date of Filing Application: **04 April 2014**
(24) Date from which industrial property rights may have effect: **04 April 2014**
(54) Product in respect of which the design is registered: **Blank for packaging for a bottle**
(51) International Design Classification: **09-03E**
(74) Name(s) of Attorney(s): **Davies Collison Cave**
(71) Name(s) and Address(s) of Applicant(s):
Visy R & D Pty Ltd
L11 2 Southbank Bvd Southbank VIC 3006 Australia
(72) Name(s) of Designer(s): **Andrew James Phillips**
(45) Registration Date: **19 June 2014**
(56) Related Art Documents: **Not Applicable**
(57) Statement of Newness and Distinctiveness: **The features of shape and configuration of the blank for packaging for a bottle shown in the accompanying representations are considered to be new and distinctive.**



- (21) Design Number: **12402/2014**
(22) Date of Filing Application: **16 May 2014**
(24) Date from which industrial property rights may have effect: **16 May 2014**
(54) Product in respect of which the design is registered: **Electrosurgical hand piece**
(51) International Design Classification: **24-02**
(74) Name(s) of Attorney(s): **PHILLIPS ORMONDE FITZPATRICK**
(71) Name(s) and Address(s) of Applicant(s):
Gyrus ACMI, Inc., d.b.a. Olympus Surgical Technologies America
136 Turnpike Road Southborough Massachusetts 01772 United States of America
(72) Name(s) of Designer(s): **William F Kratoska and Ryan J Windgassen and Manfred Held**
(45) Registration Date: **19 June 2014**
(30) Convention priority data:
(31) Number (32) Date (33) Country
29/485,034 14 Mar 2014 UNITED STATES OF AMERICA
(56) Related Art Documents: **Not Applicable**
(57) Statement of Newness and Distinctiveness: **Those features of the electrosurgical hand piece depicted in the representations that are new and distinctive are the shape and/or configuration. The features shown in broken lines are not part of the design and are to be disregarded when considering the overall impression of the design.**



- (21) Design Number: **12423/2014**
(22) Date of Filing Application: **18 May 2014**
(24) Date from which industrial property rights may have effect: **18 May 2014**
(54) Product in respect of which the design is registered: **Tunable voltmeter**
(51) International Design Classification: **10-04**
(74) Name(s) of Attorney(s):
(71) Name(s) and Address(s) of Applicant(s):
THE PEAK GROUP PTY LIMITED
212 Macquarie Rd Warners Bay NSW 2282 Australia
(72) Name(s) of Designer(s): **Cedric Joyce and Ian Griffiths and Stephen Palmer**
(45) Registration Date: **19 June 2014**
(56) Related Art Documents: **Not Applicable**
(57) Statement of Newness and Distinctiveness: **Newness and distinctiveness reside in the features of shape, pattern and configuration of the design as shown in the representations.**



- (21) Design Number: **12428/2014**
(22) Date of Filing Application: **19 May 2014**
(24) Date from which industrial property rights may have effect: **19 May 2014**
(54) Product in respect of which the design is registered: **Furniture**
(51) International Design Classification: **06-01F**
(74) Name(s) of Attorney(s): **Simpsons Solicitors**
(71) Name(s) and Address(s) of Applicant(s):
Design By Them Pty Ltd
109 Shepherd St Chippendale NSW 2008 Australia
(72) Name(s) of Designer(s): **Sarah Gibson and Nicholas Karlovasitis**
(45) Registration Date: **19 June 2014**
(56) Related Art Documents: **Not Applicable**
(57) Statement of Newness and Distinctiveness: **Nil**



- (21) Design Number: **11494/2014**
(22) Date of Filing Application: **27 March 2014**
(24) Date from which industrial property rights may have effect: **27 March 2014**
(54) Product in respect of which the design is registered: **Ostomy/Stoma bag cover**
(51) International Design Classification: **24-04, 03-01NES**
(74) Name(s) of Attorney(s):
(71) Name(s) and Address(s) of Applicant(s):
Brigitte Ann Green
51 Namadgi Cct Palmerston ACT 2913 Australia
(72) Name(s) of Designer(s): **Brigitte Ann Green**
(45) Registration Date: **20 June 2014**
(56) Related Art Documents: **Not Applicable**
(57) Statement of Newness and Distinctiveness: **Currently Ostomy appliances are made by several manufacturers such as Coloplast, Dansac, Convatec, Omnigon, Hollister and others. They are transparent or opaque(beige) in appearance and are worn as either a one piece or 2 piece appliance for collecting urine and gastrointestinal(faeces) content. They are worn by people who have colostomies, ileostomies and urostomies. These appliances are not attractive to the patient, their partners or families because of the nature of their contents. My design provides a range of functional, attractive and comfortable material covers for these people. The material cover is designed to slip over the top of the ostomy pouch/appliance/ bag and the elastic opening sits between the bag and the baseplate which adheres to the skin. The stoma bag cover can be utilised with both one and 2 piece ostomy/appliance systems(drainable & closed). The range of fabrics include stretch fabrics, soft cottons, silk, velour and many more.**



(21) Design Number: **11784/2014**

(22) Date of Filing Application: **10 April 2014**

(24) Date from which industrial property rights may have effect: **10 April 2014**

(54) Product in respect of which the design is registered: **Cover for suction nozzle**

(51) International Design Classification: **15-05**

(74) Name(s) of Attorney(s): **Callinans**

(71) Name(s) and Address(s) of Applicant(s):

Wessel-Werk GmbH

Im Bruch 2 Reichshof-Wildbergerhutte 51580 Germany

(72) Name(s) of Designer(s): **Martin Zydek**

(45) Registration Date: **20 June 2014**

(30) Convention priority data:

(31) Number

(32) Date

(33) Country

002351007-0006 25 Nov 2013

**OFFICE FOR HARMONISATION IN
THE INTERNAL MARKET (OHIM)**

(56) Related Art Documents: **Not Applicable**

(57) Statement of Newness and Distinctiveness: **Newness and distinctiveness resides in the Application of the features of pattern and ornamentation to a cover for a suction nozzle as shown in the accompanying representations. Features shown in phantom lines do not constitute part of the design**



(21) Design Number: **12455/2014**

(22) Date of Filing Application: **19 May 2014**

(24) Date from which industrial property rights may have effect: **03 October 2013**

(54) Product in respect of which the design is registered: **Article of clothing**

(51) International Design Classification: **02-02C**

(74) Name(s) of Attorney(s): **Allens Patent & Trade Mark Attorneys**

(71) Name(s) and Address(s) of Applicant(s):

Forever New Clothing Pty Ltd

714-716 High St Kew East VIC 3102 Australia

(72) Name(s) of Designer(s): **Karen Thai**

(45) Registration Date: **20 June 2014**

(62) Divisional of: **355784**

(56) Related Art Documents: **Not Applicable**

(57) Statement of Newness and Distinctiveness: **Newness and distinctiveness resides in the visual features of shape, configuration, pattern and/or ornamentation of an article of clothing as shown in the accompanying representations.**



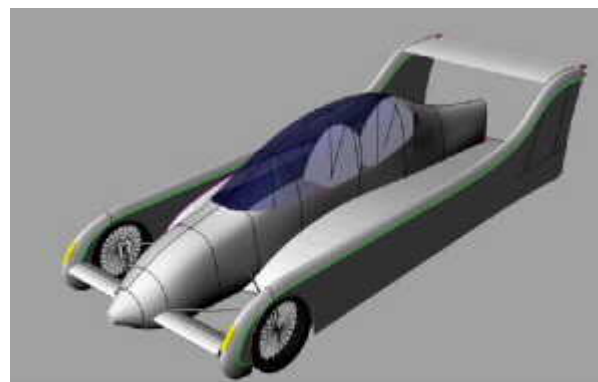
- (21) Design Number: **12566/2014**
(22) Date of Filing Application: **27 May 2014**
(24) Date from which industrial property rights may have effect: **27 May 2014**
(54) Product in respect of which the design is registered: **Tyre**
(51) International Design Classification: **12-15C**
(74) Name(s) of Attorney(s): **SPRUSON & FERGUSON**
(71) Name(s) and Address(s) of Applicant(s):
Fortune Gold Enterprises Ltd.
Suite 13 First Floor Oliaji Trade Centre Francis Rachel Street Mahe
Seychelles
(72) Name(s) of Designer(s): **Feng Wang and Xiaoying Song and Penglian Li**
and Peixing Sui and Guangzhen Sui
(45) Registration Date: **20 June 2014**
(56) Related Art Documents: **Not Applicable**
(57) Statement of Newness and Distinctiveness: **Newness and distinctiveness**
is claimed in the features of shape and/or configuration of the tread
of a tyre as illustrated in the accompanying representations, wherein
the shape and/or configuration of the tread is repeated throughout the
circumference of the tyre.



- (21) Design Number: **12230/2014**
(22) Date of Filing Application: **09 May 2014**
(24) Date from which industrial property rights may have effect: **09 May 2014**
(54) Product in respect of which the design is registered: **Toothbrush with a**
curved head
(51) International Design Classification: **04-02**
(74) Name(s) of Attorney(s): **FB Rice**
(71) Name(s) and Address(s) of Applicant(s):
Filip Sedic
Suite 205, 4320 Stevens Creek Blvd San Jose California, 95129 United
States of America
(72) Name(s) of Designer(s): **Filip Sedic**
(45) Registration Date: **20 June 2014**
(30) Convention priority data:
(31) Number (32) Date (33) Country
29/477432 20 Dec 2013 UNITED STATES OF AMERICA
(56) Related Art Documents: **Not Applicable**
(57) Statement of Newness and Distinctiveness: **Newness and distinctiveness**
reside in the features of the design as shown in solid lines in the
representations, and in particular in the features of the head which is
generally concave and curved towards the front of the toothbrush as
best seen in Figure 2, in the brush portion of the head that extends into
the neck at the front of the toothbrush as best seen in Figures 1 and 2,
and in the positioning and elongated shape of the structures making up
the brush portion of the toothbrush as best seen in Figures 1 and 5, and
excluding those features shown in dashed



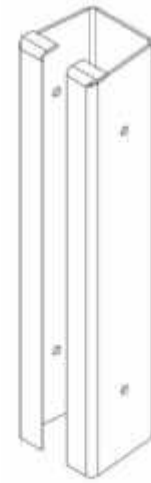
- (21) Design Number: **15723/2013**
(22) Date of Filing Application: **07 November 2013**
(24) Date from which industrial property rights may have effect: **07 November 2013**
(54) Product in respect of which the design is registered: **Vehicle and toy vehicle**
(51) International Design Classification: **12-08, 21-01C**
(74) Name(s) of Attorney(s):
(71) Name(s) and Address(s) of Applicant(s):
Marco Veronesi
PO Box 905 Alstonville NSW 2477 Australia
(72) Name(s) of Designer(s): **Marco Veronesi**
(45) Registration Date: **23 June 2014**
(56) Related Art Documents: **Not Applicable**
(57) Statement of Newness and Distinctiveness: **The combination of central cockpit with bubble canopy, exposed front suspension arms, narrow wheels, straight sides with two vertical fins at rear joined by horizontal aerodynamic component.**



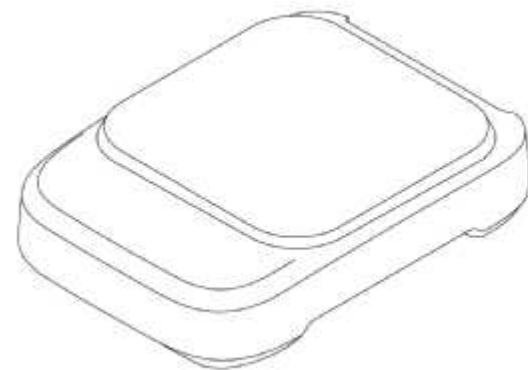
- (21) Design Number: **12514/2014**
(22) Date of Filing Application: **22 May 2014**
(24) Date from which industrial property rights may have effect: **22 May 2014**
(54) Product in respect of which the design is registered: **Spreading applicator**
(51) International Design Classification: **28-03NES**
(74) Name(s) of Attorney(s): **PHILLIPS ORMONDE FITZPATRICK**
(71) Name(s) and Address(s) of Applicant(s):
Acrux DDS Pty Ltd
103-113 Stanley St West Melbourne VIC 3003 Australia
(72) Name(s) of Designer(s): **Shu Kuen Chang and Alain Regard and Anastasios G Karahalios and Mark LaFever**
(45) Registration Date: **23 June 2014**
(30) Convention priority data:
(31) Number (32) Date (33) Country
29/473,895 26 Nov 2013 UNITED STATES OF AMERICA
(56) Related Art Documents: **Not Applicable**
(57) Statement of Newness and Distinctiveness: **Those features of the spreading applicator depicted in the representations that are new and distinctive are the shape and/or configuration. The features shown in broken lines are not part of the design and are to be disregarded when considering the overall impression of the design.**



- (21) Design Number: **10476/2014**
(22) Date of Filing Application: **03 February 2014**
(24) Date from which industrial property rights may have effect: **03 February 2014**
(54) Product in respect of which the design is registered: **Retaining wall fence bracket**
(51) International Design Classification: **08-08K**
(74) Name(s) of Attorney(s):
(71) Name(s) and Address(s) of Applicant(s):
Bromade Pty Ltd
4 Hogarth Rd Panorama SA 5041 Australia
(72) Name(s) of Designer(s): **Steven John Crago and David Paul Crago**
(45) Registration Date: **23 June 2014**
(56) Related Art Documents: **Not Applicable**
(57) Statement of Newness and Distinctiveness: **Nil**



- (21) Design Number: **10760/2014**
(22) Date of Filing Application: **18 February 2014**
(24) Date from which industrial property rights may have effect: **18 February 2014**
(54) Product in respect of which the design is registered: **Multi cooker**
(51) International Design Classification: **07-02N**
(74) Name(s) of Attorney(s): **Molins & Co Pty Ltd**
(71) Name(s) and Address(s) of Applicant(s):
Breville Pty Limited
Building 2 Port Air Industrial Est 1A Hale St Botany NSW 2019 Australia
(72) Name(s) of Designer(s): **David Davenport**
(45) Registration Date: **23 June 2014**
(56) Related Art Documents: **Not Applicable**
(57) Statement of Newness and Distinctiveness: **Newness is claimed in the features of shape and configuration of the multi cooker as shown in the accompanying representations. The bottom plan view is not claimed as part of the design.**



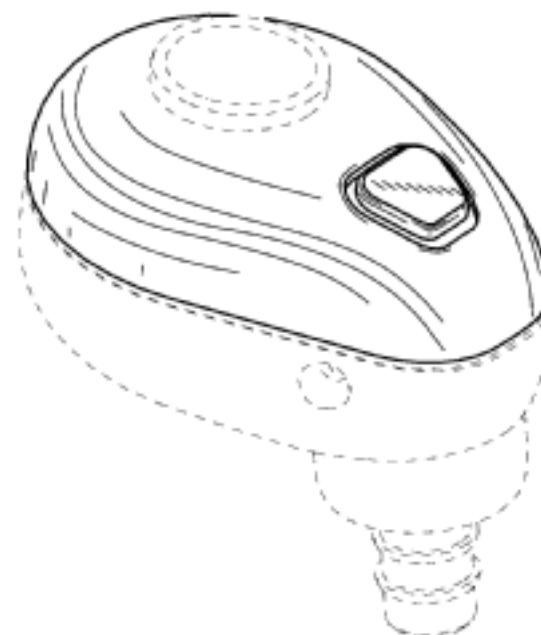
(21) Design Number: **12431/2014**
(22) Date of Filing Application: **19 May 2014**
(24) Date from which industrial property rights may have effect: **19 May 2014**
(54) Product in respect of which the design is registered: **Bicycle with electronic auxiliary motor**
(51) International Design Classification: **12-11**
(74) Name(s) of Attorney(s): **Shelston IP**
(71) Name(s) and Address(s) of Applicant(s):
Emobility Concepts GmbH
Grundstrasse 5b Baar 6340 Switzerland
(72) Name(s) of Designer(s): **Norbert Haller and Caspar Steenaert and Haiko Visser and Niek Boersema**
(45) Registration Date: **23 June 2014**
(30) Convention priority data:
(31) Number (32) Date (33) Country
DM/082 297 20 Nov 2013 WORLD INTELLECTUAL PROPERTY ORGANIZATION (WIPO)
(56) Related Art Documents: **Not Applicable**
(57) Statement of Newness and Distinctiveness: **Newness and distinctiveness reside in the shape and configuration of the chassis, front fork and rear swing-arm of the Bicycle with Electronic Auxiliary Motor as shown in the representations. The shape and configuration of the wheels, seat and handlebar as illustrated are not part of the claimed design.**



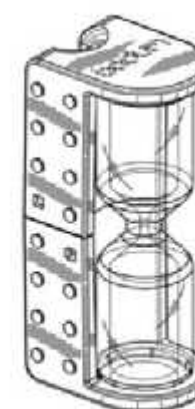
(21) Design Number: **12432/2014**
(22) Date of Filing Application: **19 May 2014**
(24) Date from which industrial property rights may have effect: **19 May 2014**
(54) Product in respect of which the design is registered: **Food processor**
(51) International Design Classification: **31-00**
(74) Name(s) of Attorney(s):
(71) Name(s) and Address(s) of Applicant(s):
HSC International Trading Ltd
6/F FWD Financial Centre 308 Des Voeux Road Central Hong Kong
(72) Name(s) of Designer(s): **Peter Usmar**
(45) Registration Date: **23 June 2014**
(30) Convention priority data:
(31) Number (32) Date (33) Country
002348383-0001 19 Nov 2013 OFFICE FOR HARMONISATION IN THE INTERNAL MARKET (OHIM)
(56) Related Art Documents: **Not Applicable**
(57) Statement of Newness and Distinctiveness: **Nil**



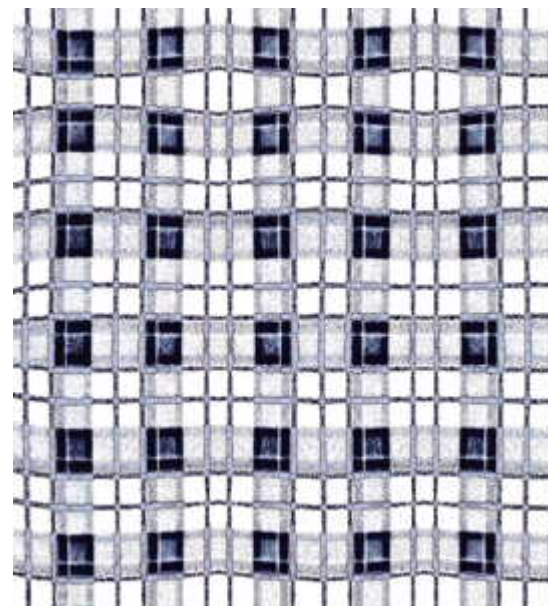
- (21) Design Number: **12435/2014**
(22) Date of Filing Application: **19 May 2014**
(24) Date from which industrial property rights may have effect: **19 May 2014**
(54) Product in respect of which the design is registered: **Hearing protector with windscreen**
(51) International Design Classification: **29-02**
(74) Name(s) of Attorney(s): **Freehills Patent Attorneys**
(71) Name(s) and Address(s) of Applicant(s):
3M Innovative Properties Company
3M Center Post Office Box 33427 Saint Paul Minnesota 55133-3427
United States of America
(72) Name(s) of Designer(s): **Paul Dishawn Henry and Mark Alan Yoder and Michael James Pescetto**
(45) Registration Date: **23 June 2014**
(30) Convention priority data:
(31) Number (32) Date (33) Country
29/473001 18 Nov 2013 UNITED STATES OF AMERICA
(56) Related Art Documents: **Not Applicable**
(57) Statement of Newness and Distinctiveness: **Newness and distinctiveness reside in the shape and/or configuration of the hearing protector as shown in solid outline in the accompanying representations.**



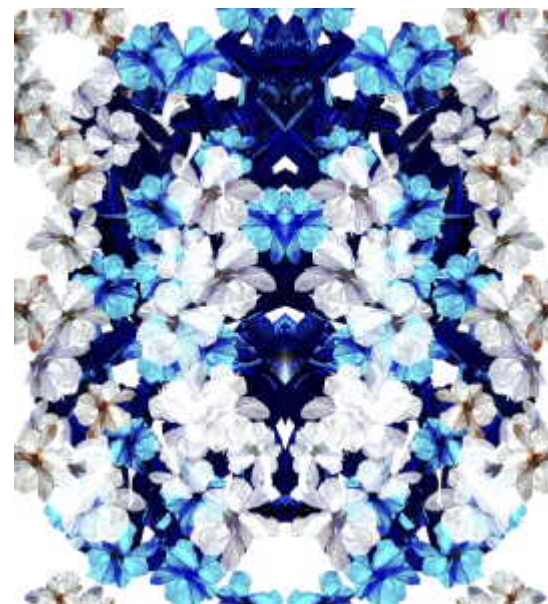
- (21) Design Number: **12436/2014**
(22) Date of Filing Application: **19 May 2014**
(24) Date from which industrial property rights may have effect: **19 May 2014**
(54) Product in respect of which the design is registered: **A timer**
(51) International Design Classification: **10-03**
(74) Name(s) of Attorney(s): **Banki Haddock Fiora**
(71) Name(s) and Address(s) of Applicant(s):
Pi-Design AG
Kantonsstrasse 100 Triengen CH 6234 Switzerland
(72) Name(s) of Designer(s): **Jorgen Bodum**
(45) Registration Date: **23 June 2014**
(30) Convention priority data:
(31) Number (32) Date (33) Country
DM/082 518 19 Dec 2013 WORLD INTELLECTUAL PROPERTY ORGANIZATION (WIPO)
(56) Related Art Documents: **Not Applicable**
(57) Statement of Newness and Distinctiveness: **The visual features of the timer depicted in the representations that are new and distinctive are the shape and/or configuration. No protection is claimed for the word "bodum" shown in broken lines.**



- (21) Design Number: **12438/2014**
(22) Date of Filing Application: **19 May 2014**
(24) Date from which industrial property rights may have effect: **19 May 2014**
(54) Product in respect of which the design is registered: **A textile print**
(51) International Design Classification: **05-05D**
(74) Name(s) of Attorney(s):
(71) Name(s) and Address(s) of Applicant(s):
AUSTRALIAN FASHION LABELS PTY LTD
106 Currie St Adelaide SA 5000 Australia
(72) Name(s) of Designer(s): **Kate Anderson and Hannah Virgo-Colbey and Serrin Ainslie**
(45) Registration Date: **23 June 2014**
(56) Related Art Documents: **Not Applicable**
(57) Statement of Newness and Distinctiveness: **Newness and distinctiveness resides in the features of pattern and ornamentation of a textile print as shown in the accompanying representations.**



- (21) Design Number: **12439/2014**
(22) Date of Filing Application: **19 May 2014**
(24) Date from which industrial property rights may have effect: **19 May 2014**
(54) Product in respect of which the design is registered: **A textile print**
(51) International Design Classification: **05-05A**
(74) Name(s) of Attorney(s):
(71) Name(s) and Address(s) of Applicant(s):
AUSTRALIAN FASHION LABELS PTY LTD
106 Currie St Adelaide SA 5000 Australia
(72) Name(s) of Designer(s): **Kate Anderson and Hannah Virgo-Colbey and Serrin Ainslie**
(45) Registration Date: **23 June 2014**
(56) Related Art Documents: **Not Applicable**
(57) Statement of Newness and Distinctiveness: **Newness and distinctiveness resides in the features of pattern and ornamentation of a textile print as shown in the accompanying representations.**



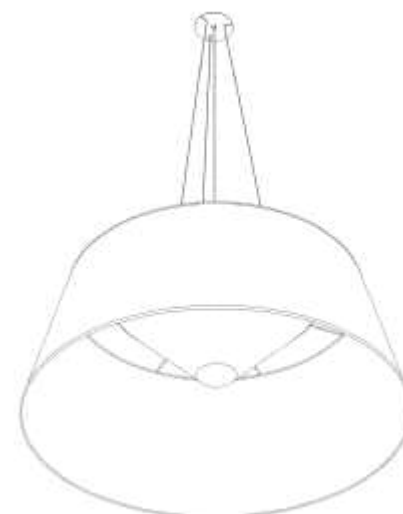
- (21) Design Number: **12440/2014**
(22) Date of Filing Application: **19 May 2014**
(24) Date from which industrial property rights may have effect: **19 May 2014**
(54) Product in respect of which the design is registered: **A dress**
(51) International Design Classification: **02-02C**
(74) Name(s) of Attorney(s):
(71) Name(s) and Address(s) of Applicant(s):
AUSTRALIAN FASHION LABELS PTY LTD
106 Currie St Adelaide SA 5000 Australia
(72) Name(s) of Designer(s): **Kate Anderson and Hannah Virgo-Colbey**
(45) Registration Date: **23 June 2014**
(56) Related Art Documents: **Not Applicable**
(57) Statement of Newness and Distinctiveness: **Newness and distinctiveness resides in the features of shape and configuration of a dress as shown in the accompanying representations.**



- (21) Design Number: **12457/2014**
(22) Date of Filing Application: **19 May 2014**
(24) Date from which industrial property rights may have effect: **19 May 2014**
(54) Product in respect of which the design is registered: **Beverage machine**
(51) International Design Classification: **31-00**
(74) Name(s) of Attorney(s): **PIZZEYS**
(71) Name(s) and Address(s) of Applicant(s):
Keurig Green Mountain, Inc.
33 Coffee Lane Waterbury VT, 05676 United States of America
(72) Name(s) of Designer(s): **Steffen F Koury and David Manly and Karen Gallagher and Scott M Vogel and Stoyan Hristov and Gregory Hurley and James E Shepard and Paul K Metaxatos**
(45) Registration Date: **23 June 2014**
(30) Convention priority data:
(31) Number (32) Date (33) Country
29/473,453 21 Nov 2013 UNITED STATES OF AMERICA
(56) Related Art Documents: **Not Applicable**
(57) Statement of Newness and Distinctiveness: **The newness and distinctiveness of the Beverage Machine design resides in the features ornamentation OR shape and/or configuration shown in unbroken lines in the accompanying representations.**



(21) Design Number: **12461/2014**
(22) Date of Filing Application: **20 May 2014**
(24) Date from which industrial property rights may have effect: **20 May 2014**
(54) Product in respect of which the design is registered: **Light fixture**
(51) International Design Classification: **26-05D**
(74) Name(s) of Attorney(s):
(71) Name(s) and Address(s) of Applicant(s):
Duncan James Fraser Ward
96 Hudsons Rd Spotswood VIC 3015 Australia
(72) Name(s) of Designer(s): **Duncan James Fraser Ward**
(45) Registration Date: **23 June 2014**
(56) Related Art Documents: **Not Applicable**
(57) Statement of Newness and Distinctiveness: **The newness and distinctiveness of the design resides in the way the light source inverted cone diffuser is placed inside the tapered exterior shade. The size of either the internal diffuser or external shade may vary independently of each other, but still maintain the look and feel of the design.**



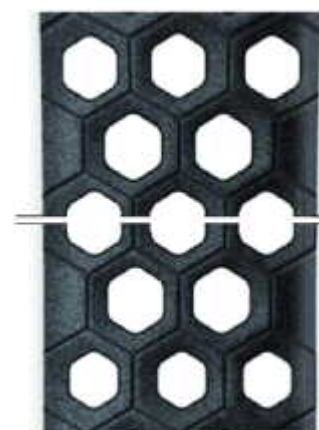
(21) Design Number: **12462/2014**
(22) Date of Filing Application: **20 May 2014**
(24) Date from which industrial property rights may have effect: **20 May 2014**
(54) Product in respect of which the design is registered: **Beverage machine**
(51) International Design Classification: **07-02L**
(74) Name(s) of Attorney(s): **PIZZEYS**
(71) Name(s) and Address(s) of Applicant(s):
Keurig Green Mountain, Inc.
33 Coffee Lane Waterbury VT, 05676 United States of America
(72) Name(s) of Designer(s): **James E Shepard and Paul K Metaxatos and David Manly and Karen Gallagher and Scott M Vogel and Stoyan Hristov and Gregory Hurley and Steffen F Koury**
(45) Registration Date: **23 June 2014**
(30) Convention priority data:
(31) Number (32) Date (33) Country
29/473,447 21 Nov 2013 UNITED STATES OF AMERICA
(56) Related Art Documents: **Not Applicable**
(57) Statement of Newness and Distinctiveness: **The newness and distinctiveness of the BEVERAGE MACHINE design resides in the features of ornamentation OR shape and/or configuration shown in unbroken lines in the accompanying representations.**



- (21) Design Number: **12463/2014**
(22) Date of Filing Application: **20 May 2014**
(24) Date from which industrial property rights may have effect: **20 May 2014**
(54) Product in respect of which the design is registered: **Ceiling fan**
(51) International Design Classification: **23-04**
(74) Name(s) of Attorney(s): **Griffith Hack**
(71) Name(s) and Address(s) of Applicant(s):
Hsun-Yu Lin
1F No. 85 Ya Feng St Shang Fong Li Daya Dist. Taichung City 428
Taiwan, Province of China
(72) Name(s) of Designer(s): **Hsun-Yu Lin**
(45) Registration Date: **23 June 2014**
(56) Related Art Documents: **Not Applicable**
(57) Statement of Newness and Distinctiveness: **Newness and distinctiveness resides in the visual features, including shape and configuration of the product as shown by solid lines in the accompanying representations. Those parts shown in dashed lines do not form part of the product and have been included for exemplification purposes only.**



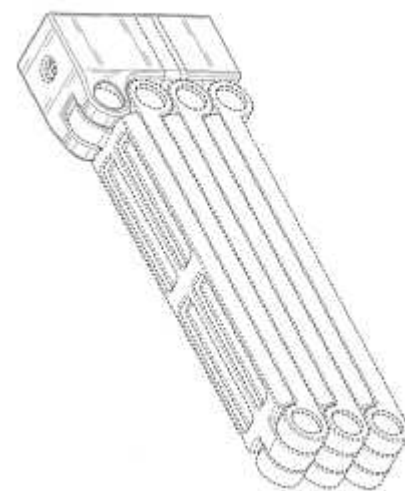
- (21) Design Number: **12464/2014**
(22) Date of Filing Application: **20 May 2014**
(24) Date from which industrial property rights may have effect: **20 May 2014**
(54) Product in respect of which the design is registered: **Wrist band**
(51) International Design Classification: **02-07NES, 10-02**
(74) Name(s) of Attorney(s): **Churchill Attorneys**
(71) Name(s) and Address(s) of Applicant(s):
CROWDSENSE PTY LTD
L 3 351 Elizabeth St Melbourne VIC 3000 Australia
(72) Name(s) of Designer(s): **Nathan Pollock and Troy Nyssen**
(45) Registration Date: **23 June 2014**
(56) Related Art Documents: **Not Applicable**
(57) Statement of Newness and Distinctiveness: **The newness and distinctiveness of the design resides in the apertures which are repeated at regular intervals throughout the indefinite length of the wrist band.**



- (21) Design Number: **12465/2014**
(22) Date of Filing Application: **20 May 2014**
(24) Date from which industrial property rights may have effect: **20 May 2014**
(54) Product in respect of which the design is registered: **Shoe**
(51) International Design Classification: **02-04NES**
(74) Name(s) of Attorney(s): **Freehills Patent Attorneys**
(71) Name(s) and Address(s) of Applicant(s):
Pacific Brands Footwear Pty Ltd
L3 290 Burwood Rd Hawthorn VIC 3122 Australia
(72) Name(s) of Designer(s): **Lisa Tilley**
(45) Registration Date: **23 June 2014**
(56) Related Art Documents: **Not Applicable**
(57) Statement of Newness and Distinctiveness: **Newness and distinctiveness of the design resides in the ornamentation and configuration of the panels of the upper of the shoe as shown in the accompanying representations.**



- (21) Design Number: **12466/2014**
(22) Date of Filing Application: **20 May 2014**
(24) Date from which industrial property rights may have effect: **12 March 2014**
(54) Product in respect of which the design is registered: **Lock**
(51) International Design Classification: **08-07**
(74) Name(s) of Attorney(s): **Callinans**
(71) Name(s) and Address(s) of Applicant(s):
Master Lock Company LLC
137 W. Forest Hill Avenue Oak Creek Wisconsin 53154 United States of America
(72) Name(s) of Designer(s): **Laurent Ferragu and Allen Huang and Liang Peng and Hefei Xue**
(45) Registration Date: **23 June 2014**
(62) Divisional of: **355780**
(56) Related Art Documents: **Not Applicable**
(57) Statement of Newness and Distinctiveness: **Newness and distinctiveness are provided by the shape and/or configuration of the design shown in the representations. The features shown in broken lines in the representations are for illustrative purposes only and should not be considered when construing visual features of the design.**



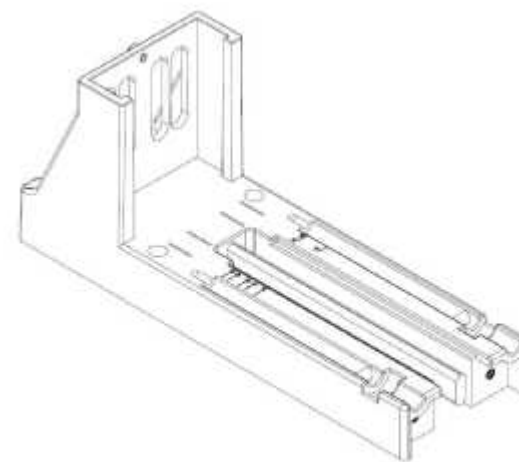
- (21) Design Number: **12471/2014**
(22) Date of Filing Application: **20 May 2014**
(24) Date from which industrial property rights may have effect: **20 May 2014**
(54) Product in respect of which the design is registered: **Air conditioner**
(51) International Design Classification: **23-04**
(74) Name(s) of Attorney(s): **Freehills Patent Attorneys**
(71) Name(s) and Address(s) of Applicant(s):
Daikin Industries Ltd.
Umeda Center Building 4-12 Nakazaki-Nishi 2-chome Kita-ku Osaka-shi
Osaka-fu 530-8323 Japan
(72) Name(s) of Designer(s): **Masahiko Chouji**
(45) Registration Date: **23 June 2014**
(30) Convention priority data:
(31) Number (32) Date (33) Country
2013-028593 05 Dec 2013 JAPAN
(56) Related Art Documents: **Not Applicable**
(57) Statement of Newness and Distinctiveness: **The newness and distinctiveness of the design resides in the features of shape and configuration of the air conditioner as shown in the accompanying representations.**



- (21) Design Number: **12472/2014**
(22) Date of Filing Application: **20 May 2014**
(24) Date from which industrial property rights may have effect: **20 May 2014**
(54) Product in respect of which the design is registered: **Air conditioner**
(51) International Design Classification: **23-04**
(74) Name(s) of Attorney(s): **Freehills Patent Attorneys**
(71) Name(s) and Address(s) of Applicant(s):
Daikin Industries Ltd.
Umeda Center Building 4-12 Nakazaki-Nishi 2-chome Kita-ku Osaka-shi
Osaka-fu 530-8323 Japan
(72) Name(s) of Designer(s): **Masahiko Chouji**
(45) Registration Date: **23 June 2014**
(30) Convention priority data:
(31) Number (32) Date (33) Country
2013-028592 05 Dec 2013 JAPAN
(56) Related Art Documents: **Not Applicable**
(57) Statement of Newness and Distinctiveness: **The newness and distinctiveness of the design resides in the features of shape and configuration of the air conditioner as shown in the accompanying representations.**



(21) Design Number: **12487/2014**
(22) Date of Filing Application: **21 May 2014**
(24) Date from which industrial property rights may have effect: **21 May 2014**
(54) Product in respect of which the design is registered: **Body for a drilling jig**
(51) International Design Classification: **08-01, 08-05F**
(74) Name(s) of Attorney(s): **Griffith Hack**
(71) Name(s) and Address(s) of Applicant(s):
Brand Developers Ltd
519-521 Lake Road Takapuna Auckland 0622 New Zealand
(72) Name(s) of Designer(s): **James Fisher**
(45) Registration Date: **23 June 2014**
(56) Related Art Documents: **Not Applicable**
(57) Statement of Newness and Distinctiveness: **Newness and distinctiveness resides in the visual features, including shape, configuration and pattern, of a body for a drilling jig, including a drill bit holding recess and a slide bar, as shown in the accompanying drawings.**



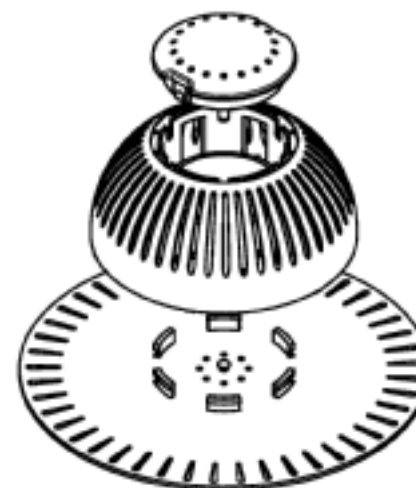
(21) Design Number: **12488/2014**
(22) Date of Filing Application: **21 May 2014**
(24) Date from which industrial property rights may have effect: **21 May 2014**
(54) Product in respect of which the design is registered: **Cup**
(51) International Design Classification: **07-01D**
(74) Name(s) of Attorney(s): **SPRUSON & FERGUSON**
(71) Name(s) and Address(s) of Applicant(s):
PepsiCo, Inc.
700 Anderson Hill Road Purchase New York 10577 United States of America
(72) Name(s) of Designer(s): **Martin Eduardo Broen and Christopher Erlin Granneberg**
(45) Registration Date: **23 June 2014**
(30) Convention priority data:
(31) Number (32) Date (33) Country
29/473521 22 Nov 2013 UNITED STATES OF AMERICA
(56) Related Art Documents: **Not Applicable**
(57) Statement of Newness and Distinctiveness: **Newness and distinctiveness is claimed in the features of shape and/or configuration of a cup as illustrated in the accompanying representations.**



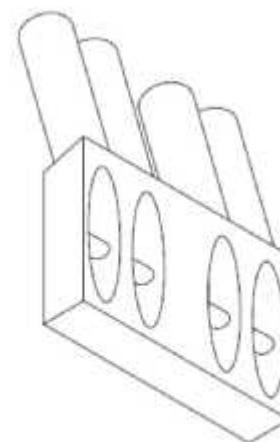
(21) Design Number: **12489/2014**
(22) Date of Filing Application: **21 May 2014**
(24) Date from which industrial property rights may have effect: **21 May 2014**
(54) Product in respect of which the design is registered: **Cup**
(51) International Design Classification: **07-01C**
(74) Name(s) of Attorney(s): **SPRUSON & FERGUSON**
(71) Name(s) and Address(s) of Applicant(s):
PepsiCo, Inc.
700 Anderson Hill Road Purchase New York 10577 United States of America
(72) Name(s) of Designer(s): **Martin Eduardo Broen and Christopher Erlin Granneberg**
(45) Registration Date: **23 June 2014**
(30) Convention priority data:
(31) Number (32) Date (33) Country
29/473519 22 Nov 2013 UNITED STATES OF AMERICA
(56) Related Art Documents: **Not Applicable**
(57) Statement of Newness and Distinctiveness: **Newness and distinctiveness is claimed in the features of shape and/or configuration of a cup as illustrated in the accompanying representations.**



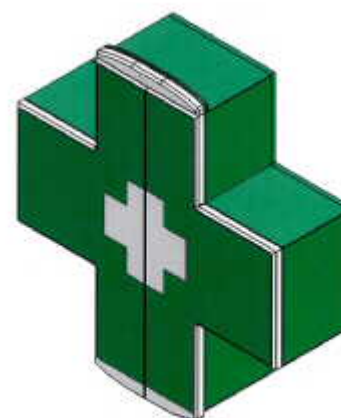
(21) Design Number: **12490/2014**
(22) Date of Filing Application: **21 May 2014**
(24) Date from which industrial property rights may have effect: **21 May 2014**
(54) Product in respect of which the design is registered: **Urinal deodoriser**
(51) International Design Classification: **28-99**
(74) Name(s) of Attorney(s): **SPRUSON & FERGUSON**
(71) Name(s) and Address(s) of Applicant(s):
Calfarme Australia Pty Ltd
U42/55 Norman St Peakhurst NSW 2210 Australia
(72) Name(s) of Designer(s): **Boon Lye Paul Neo**
(45) Registration Date: **23 June 2014**
(56) Related Art Documents: **Not Applicable**
(57) Statement of Newness and Distinctiveness: **Newness and distinctiveness is claimed in the features of shape and/or configuration of a urinal deodoriser as illustrated in the accompanying representations. The alphanumeric characters on the bottom view do not form part of the design.**



(21) Design Number: **12491/2014**
(22) Date of Filing Application: **21 May 2014**
(24) Date from which industrial property rights may have effect: **21 May 2014**
(54) Product in respect of which the design is registered: **Drill bit guide insert for a drilling jig**
(51) International Design Classification: **08-01**
(74) Name(s) of Attorney(s): **Griffith Hack**
(71) Name(s) and Address(s) of Applicant(s):
Brand Developers Ltd
519-521 Lake Road Takapuna Auckland 0622 New Zealand
(72) Name(s) of Designer(s): **James Fisher**
(45) Registration Date: **23 June 2014**
(56) Related Art Documents: **Not Applicable**
(57) Statement of Newness and Distinctiveness: **Newness and distinctiveness resides in the visual features, including shape, configuration and pattern, of a drill bit guide insert for a drilling jig, the drill bit guide insert having four guide slots as shown in the accompanying drawings.**



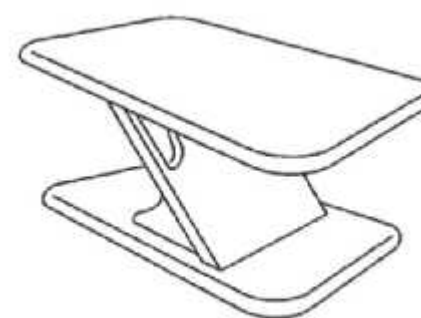
(21) Design Number: **12492/2014**
(22) Date of Filing Application: **21 May 2014**
(24) Date from which industrial property rights may have effect: **21 May 2014**
(54) Product in respect of which the design is registered: **A cabinet**
(51) International Design Classification: **03-01D**
(74) Name(s) of Attorney(s): **AJ Park**
(71) Name(s) and Address(s) of Applicant(s):
CLEVER MEDKITS LIMITED
325 Brougham Street Sydenham Christchurch 8023 New Zealand
(72) Name(s) of Designer(s): **Peter James Montgomery and Peter Gillman**
(45) Registration Date: **23 June 2014**
(30) Convention priority data:
(31) Number (32) Date (33) Country
418249 21 Nov 2013 NEW ZEALAND
(56) Related Art Documents: **Not Applicable**
(57) Statement of Newness and Distinctiveness: **Newness and distinctiveness resides in the features of shape and/or configuration and/or pattern and/or ornamentation of the cabinet as shown in the accompanying drawings.**



- (21) Design Number: **12493/2014**
(22) Date of Filing Application: **21 May 2014**
(24) Date from which industrial property rights may have effect: **21 May 2014**
(54) Product in respect of which the design is registered: **Shorts**
(51) International Design Classification: **02-02C**
(74) Name(s) of Attorney(s):
(71) Name(s) and Address(s) of Applicant(s):
AUSTRALIAN FASHION LABELS PTY LTD
106 Currie St Adelaide SA 5000 Australia
(72) Name(s) of Designer(s): **Carmen Dugan**
(45) Registration Date: **23 June 2014**
(56) Related Art Documents: **Not Applicable**
(57) Statement of Newness and Distinctiveness: **Newness and distinctiveness resides in the features of shape and configuration of shorts as shown in the accompanying representations.**



- (21) Design Number: **12494/2014**
(22) Date of Filing Application: **21 May 2014**
(24) Date from which industrial property rights may have effect: **21 May 2014**
(54) Product in respect of which the design is registered: **Table**
(51) International Design Classification: **06-03A**
(74) Name(s) of Attorney(s): **Corrs Chambers Westgarth**
(71) Name(s) and Address(s) of Applicant(s):
Tube Home (M) Sdn Bhd
No.6 Jalan Perusahaan 2 Kawasan Perusahaan Beranang Hulu Langat
Selangor Darul Ehsan 43700 Malaysia
(72) Name(s) of Designer(s): **Dato' Tan Yok Chin**
(45) Registration Date: **23 June 2014**
(30) Convention priority data:
(31) Number (32) Date (33) Country
14-00589-0101 08 May 2014 MALAYSIA
(56) Related Art Documents: **Not Applicable**
(57) Statement of Newness and Distinctiveness: **The novelty in the design resides in the features of shape and configuration of the article as shown in the representations.**



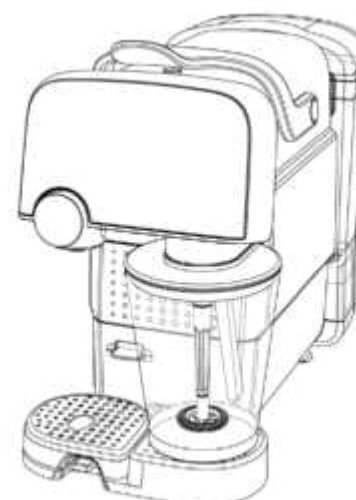
- (21) Design Number: **12495/2014**
(22) Date of Filing Application: **21 May 2014**
(24) Date from which industrial property rights may have effect: **21 May 2014**
(54) Product in respect of which the design is registered: **A playsuit**
(51) International Design Classification: **02-02C**
(74) Name(s) of Attorney(s):
(71) Name(s) and Address(s) of Applicant(s):
AUSTRALIAN FASHION LABELS PTY LTD
106 Currie St Adelaide SA 5000 Australia
(72) Name(s) of Designer(s): **Carmen Dugan**
(45) Registration Date: **23 June 2014**
(56) Related Art Documents: **Not Applicable**
(57) Statement of Newness and Distinctiveness: **Newness and distinctiveness resides in the features of shape and configuration of a playsuit as shown in the accompanying representations.**



- (21) Design Number: **12499/2014**
(22) Date of Filing Application: **22 May 2014**
(24) Date from which industrial property rights may have effect: **22 May 2014**
(54) Product in respect of which the design is registered: **Coffee machine**
(51) International Design Classification: **07-02L**
(74) Name(s) of Attorney(s): **Halfords IP**
(71) Name(s) and Address(s) of Applicant(s):
Aktiebolaget Electrolux
S:t Goransgatan 143 Stockholm 105 45 Sweden
(72) Name(s) of Designer(s): **Jerome Esteve and Anna-Karin Gray**
(45) Registration Date: **23 June 2014**
(30) Convention priority data:
(31) Number (32) Date (33) Country
**002398602 05 Feb 2014 OFFICE FOR HARMONISATION IN
THE INTERNAL MARKET (OHIM)**
(56) Related Art Documents: **Not Applicable**
(57) Statement of Newness and Distinctiveness: **Newness and distinctiveness resides in those features of shape and or configuration of a coffee machine as depicted in the representations.**



(21) Design Number: **12500/2014**
(22) Date of Filing Application: **22 May 2014**
(24) Date from which industrial property rights may have effect: **22 May 2014**
(54) Product in respect of which the design is registered: **Coffee machine with integrated milk frother**
(51) International Design Classification: **07-02L**
(74) Name(s) of Attorney(s): **Halfords IP**
(71) Name(s) and Address(s) of Applicant(s):
Aktiebolaget Electrolux
S:t Goransgatan 143 Stockholm 105 45 Sweden
(72) Name(s) of Designer(s): **Jerome Esteve and Anna-Karin Gray**
(45) Registration Date: **23 June 2014**
(30) Convention priority data:
(31) Number (32) Date (33) Country
002398602 05 Feb 2014 OFFICE FOR HARMONISATION IN THE INTERNAL MARKET (OHIM)
(56) Related Art Documents: **Not Applicable**
(57) Statement of Newness and Distinctiveness: **Newness and distinctiveness resides in those features of shape and or configuration of a coffee machine with integrated milk frother as depicted in the representations.**



(21) Design Number: **12504/2014**
(22) Date of Filing Application: **22 May 2014**
(24) Date from which industrial property rights may have effect: **22 May 2014**
(54) Product in respect of which the design is registered: **Injection device**
(51) International Design Classification: **24-02**
(74) Name(s) of Attorney(s): **Shelston IP**
(71) Name(s) and Address(s) of Applicant(s):
Teva Pharmaceutical Industries, Ltd.
5 Basel Street Petah-Tiqva 49131 Israel
(72) Name(s) of Designer(s): **Toby Cowe**
(45) Registration Date: **23 June 2014**
(30) Convention priority data:
(31) Number (32) Date (33) Country
002351429-0001 25 Nov 2013 OFFICE FOR HARMONISATION IN THE INTERNAL MARKET (OHIM)
(56) Related Art Documents: **Not Applicable**
(57) Statement of Newness and Distinctiveness: **Newness and distinctiveness resides in the features of shape and configuration of an injection device as illustrated in solid lines in the accompanying representations. The features shown in broken line do not form part of the design and could be varied.**



- (21) Design Number: **12505/2014**
(22) Date of Filing Application: **22 May 2014**
(24) Date from which industrial property rights may have effect: **22 May 2014**
(54) Product in respect of which the design is registered: **Vacuum cleaner**
(51) International Design Classification: **15-05**
(74) Name(s) of Attorney(s): **Halfords IP**
(71) Name(s) and Address(s) of Applicant(s):
Aktiebolaget Electrolux
S:t Goransgatan 143 Stockholm 105 45 Sweden
(72) Name(s) of Designer(s): **Esbjorn Svantesson and Elisabeth Makitalo Piper**
(45) Registration Date: **23 June 2014**
(30) Convention priority data:
(31) Number (32) Date (33) Country
002350645 22 Nov 2013 EUROPEAN PATENT OFFICE (EPO)
(56) Related Art Documents: **Not Applicable**
(57) Statement of Newness and Distinctiveness: **Newness and distinctiveness resides in those features of shape and or configuration of a vacuum cleaner as depicted in the representations.**



- (21) Design Number: **12509/2014**
(22) Date of Filing Application: **22 May 2014**
(24) Date from which industrial property rights may have effect: **22 May 2014**
(54) Product in respect of which the design is registered: **Plaster plug**
(51) International Design Classification: **08-08B**
(74) Name(s) of Attorney(s): **AJ Park**
(71) Name(s) and Address(s) of Applicant(s):
RK-INNOVATIONS OY
Kalliokierro 12 Hyvinkaa 05460 Finland
(72) Name(s) of Designer(s): **Gudrun S Laukka**
(45) Registration Date: **23 June 2014**
(30) Convention priority data:
(31) Number (32) Date (33) Country
29/473,506 22 Nov 2013 UNITED STATES OF AMERICA
(56) Related Art Documents: **Not Applicable**
(57) Statement of Newness and Distinctiveness: **Newness and distinctiveness reside in the features of shape and/or configuration of the plaster plug, as shown in the representations. The features shown in broken lines are shown for illustrative purposes only and are to be disregarded when considering the overall impression of the design.**



(21) Design Number: **12510/2014**
(22) Date of Filing Application: **22 May 2014**
(24) Date from which industrial property rights may have effect: **22 May 2014**
(54) Product in respect of which the design is registered: **Plaster plug**
(51) International Design Classification: **08-08B**
(74) Name(s) of Attorney(s): **AJ Park**
(71) Name(s) and Address(s) of Applicant(s):

RK-INNOVATIONS OY
Kalliokierro 12 Hyvinkaa 05460 Finland

(72) Name(s) of Designer(s): **Gudrun S Laukka**

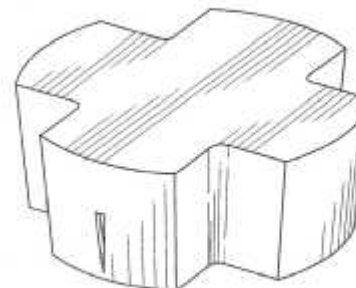
(45) Registration Date: **23 June 2014**

(30) Convention priority data:

(31) Number	(32) Date	(33) Country
29/473,506	22 Nov 2013	UNITED STATES OF AMERICA

(56) Related Art Documents: **Not Applicable**

(57) Statement of Newness and Distinctiveness: **Newness and distinctiveness reside in the features of shape and/or configuration of the plaster plug, as shown in the representations. The features shown in broken lines are shown for illustrative purposes only and are to be disregarded when considering the overall impression of the design.**



(21) Design Number: **12511/2014**
(22) Date of Filing Application: **22 May 2014**
(24) Date from which industrial property rights may have effect: **22 May 2014**
(54) Product in respect of which the design is registered: **Plaster plug**
(51) International Design Classification: **08-08B**
(74) Name(s) of Attorney(s): **AJ Park**
(71) Name(s) and Address(s) of Applicant(s):

RK-INNOVATIONS OY
Kalliokierro 12 Hyvinkaa 05460 Finland

(72) Name(s) of Designer(s): **Gudrun S Laukka**

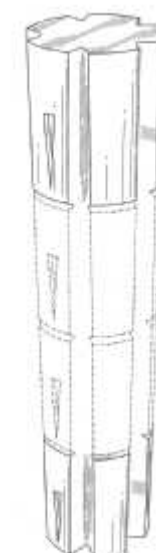
(45) Registration Date: **23 June 2014**

(30) Convention priority data:

(31) Number	(32) Date	(33) Country
29/473,506	22 Nov 2013	UNITED STATES OF AMERICA

(56) Related Art Documents: **Not Applicable**

(57) Statement of Newness and Distinctiveness: **Newness and distinctiveness reside in the features of shape and/or configuration of the plaster plug, as shown in the representations. The features shown in broken lines are shown for illustrative purposes only and are to be disregarded when considering the overall impression of the design.**



(21) Design Number: **12512/2014**
(22) Date of Filing Application: **22 May 2014**
(24) Date from which industrial property rights may have effect: **22 May 2014**
(54) Product in respect of which the design is registered: **Plaster plug**
(51) International Design Classification: **08-08B**
(74) Name(s) of Attorney(s): **AJ Park**
(71) Name(s) and Address(s) of Applicant(s):

RK-INNOVATIONS OY
Kalliokierro 12 Hyvinkaa 05460 Finland

(72) Name(s) of Designer(s): **Gudrun S Laukka**

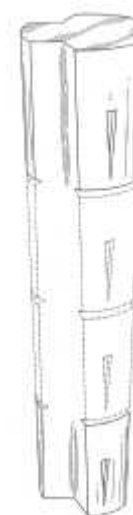
(45) Registration Date: **23 June 2014**

(30) Convention priority data:

(31) Number	(32) Date	(33) Country
29/473,506	22 Nov 2013	UNITED STATES OF AMERICA

(56) Related Art Documents: **Not Applicable**

(57) Statement of Newness and Distinctiveness: **Newness and distinctiveness reside in the features of shape and/or configuration of the plaster plug, as shown in the representations. The features shown in broken lines are shown for illustrative purposes only and are to be disregarded when considering the overall impression of the design.**



(21) Design Number: **12515/2014**
(22) Date of Filing Application: **22 May 2014**
(24) Date from which industrial property rights may have effect: **22 May 2014**
(54) Product in respect of which the design is registered: **Gas lighter**
(51) International Design Classification: **27-05**
(74) Name(s) of Attorney(s):

(71) Name(s) and Address(s) of Applicant(s):

TRIO BROTHERS TRADING PTY LTD
18 Beal St Meadowbrook QLD 4131 Australia

(72) Name(s) of Designer(s): **Jack Qin**

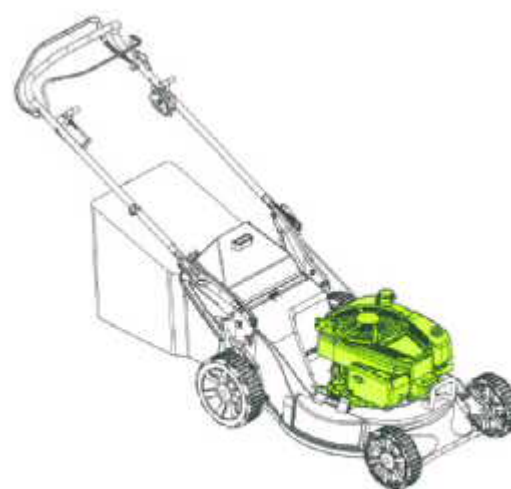
(45) Registration Date: **23 June 2014**

(56) Related Art Documents: **Not Applicable**

(57) Statement of Newness and Distinctiveness: **Water pipe shaped with ergonomic curve design for easy hand holding**



- (21) Design Number: **12519/2014**
(22) Date of Filing Application: **23 May 2014**
(24) Date from which industrial property rights may have effect: **14 April 2014**
(54) Product in respect of which the design is registered: **A mower**
(51) International Design Classification: **15-03B**
(74) Name(s) of Attorney(s): **AJ Park**
(71) Name(s) and Address(s) of Applicant(s):
Masport Limited
1-37 Mt Wellington Highway Penrose Auckland New Zealand
(72) Name(s) of Designer(s): **David Ian McKay and Agron Haraqia and Allan Clifford Smyth and Lun-Yu Tung**
(45) Registration Date: **23 June 2014**
(30) Convention priority data:
(31) Number (32) Date (33) Country
418171 24 Oct 2013 NEW ZEALAND
(62) Divisional of: **355781**
(56) Related Art Documents: **Not Applicable**
(57) Statement of Newness and Distinctiveness: **The newness and distinctiveness resides in the features of shape and/or configuration of A MOWER, all as illustrated in the representations. No newness and distinctiveness is claimed in the engine highlighted in yellow.**



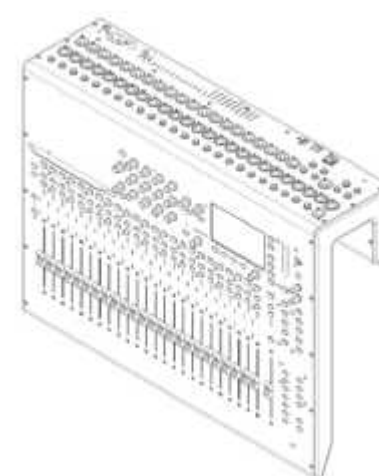
- (21) Design Number: **12520/2014**
(22) Date of Filing Application: **23 May 2014**
(24) Date from which industrial property rights may have effect: **23 May 2014**
(54) Product in respect of which the design is registered: **Plumbing connector**
(51) International Design Classification: **23-01A**
(74) Name(s) of Attorney(s): **The Lantern Legal Group Pty Ltd trading as Sladen Legal**
(71) Name(s) and Address(s) of Applicant(s):
Rosavraso Nominees Pty Ltd
L1 21 Argyle PI Carlton South VIC 3053 Australia
(72) Name(s) of Designer(s): **Alex Raso**
(45) Registration Date: **23 June 2014**
(56) Related Art Documents: **Not Applicable**
(57) Statement of Newness and Distinctiveness: **Nil**



(21) Design Number: **12522/2014**
(22) Date of Filing Application: **23 May 2014**
(24) Date from which industrial property rights may have effect: **23 May 2014**
(54) Product in respect of which the design is registered: **A breathing interface seal**
(51) International Design Classification: **29-02**
(74) Name(s) of Attorney(s): **AJ Park**
(71) Name(s) and Address(s) of Applicant(s):
Fisher & Paykel Healthcare Limited
15 Maurice Paykel Place East Tamaki Auckland 2013 New Zealand
(72) Name(s) of Designer(s): **Arvin San Jose Gardiola and Wen Dong Huang and Matthew Robert Geoff Slight**
(45) Registration Date: **23 June 2014**
(30) Convention priority data:
(31) Number (32) Date (33) Country
29/475080 27 Nov 2013 UNITED STATES OF AMERICA
(56) Related Art Documents: **Not Applicable**
(57) Statement of Newness and Distinctiveness: **The novelty in the design resides in the features of shape and/or configuration of a breathing interface seal as shown in the accompanying drawings, but excluding the features shown in dotted line which form no part of the design.**



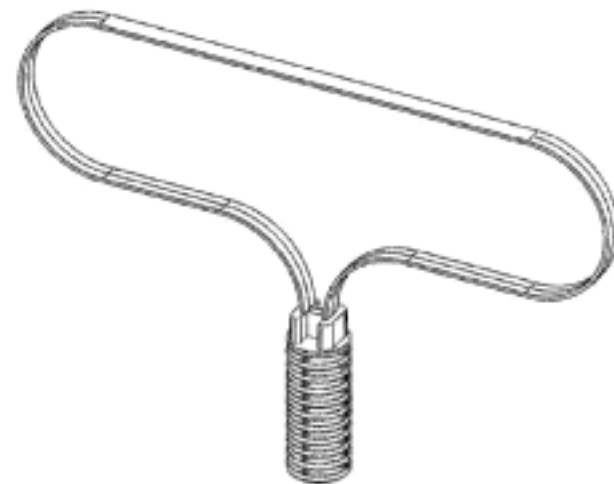
(21) Design Number: **12523/2014**
(22) Date of Filing Application: **23 May 2014**
(24) Date from which industrial property rights may have effect: **23 May 2014**
(54) Product in respect of which the design is registered: **Audio equipment**
(51) International Design Classification: **14-01**
(74) Name(s) of Attorney(s): **FB Rice**
(71) Name(s) and Address(s) of Applicant(s):
Allen & Heath Limited
Kernick Industrial Estate Penryn Cornwall TR10 9LU United Kingdom
(72) Name(s) of Designer(s): **Glenn Rogers and Robin Clark and Mike Williamson and Carey Davies and James Wrigley and Alex Money and John Danning and David Price and Ian McBurney and Simon Trethewey and David Cook and David Biggs and Niall Dunican**
(45) Registration Date: **23 June 2014**
(30) Convention priority data:
(31) Number (32) Date (33) Country
002352765-0001 27 Nov 2013 OFFICE FOR HARMONISATION IN THE INTERNAL MARKET (OHIM)
(56) Related Art Documents: **Not Applicable**
(57) Statement of Newness and Distinctiveness: **Newness and distinctiveness reside in the shape and configuration of the audio equipment as shown in the Figures and in particular the hook-shaped housing of the audio equipment.**



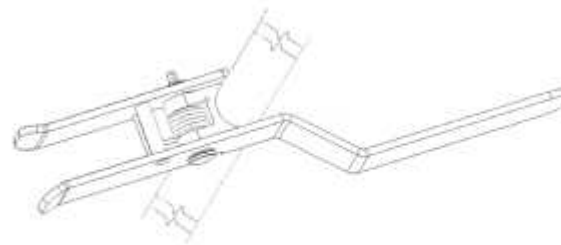
- (21) Design Number: **12524/2014**
(22) Date of Filing Application: **23 May 2014**
(24) Date from which industrial property rights may have effect: **23 May 2014**
(54) Product in respect of which the design is registered: **A side chair**
(51) International Design Classification: **06-01F**
(74) Name(s) of Attorney(s): **Fraser Old & Sohn**
(71) Name(s) and Address(s) of Applicant(s):
Sebel Furniture Ltd
48 Airds Rd Minto NSW 2566 Australia
(72) Name(s) of Designer(s): **Gregory Brent Welsh and Ken William Payne**
(45) Registration Date: **23 June 2014**
(56) Related Art Documents: **Not Applicable**
(57) Statement of Newness and Distinctiveness: **Newness and distinctiveness is claimed in respect of the shape and/or configuration of the side chair illustrated in the accompanying representations.**



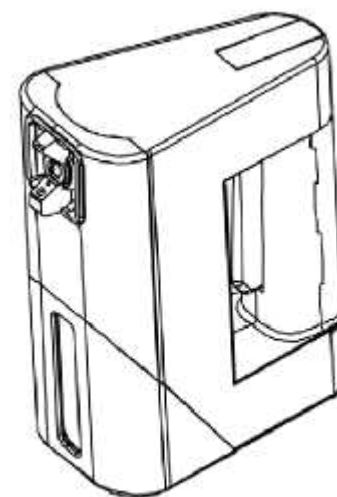
- (21) Design Number: **12530/2014**
(22) Date of Filing Application: **23 May 2014**
(24) Date from which industrial property rights may have effect: **23 May 2014**
(54) Product in respect of which the design is registered: **Cable pull device**
(51) International Design Classification: **08-07**
(74) Name(s) of Attorney(s): **Davies Collison Cave**
(71) Name(s) and Address(s) of Applicant(s):
Wayne Moody
U3/2 Frost Rd Campbelltown NSW 2560 Australia
(72) Name(s) of Designer(s): **Wayne Moody**
(45) Registration Date: **23 June 2014**
(56) Related Art Documents: **Not Applicable**
(57) Statement of Newness and Distinctiveness: **Nil**



- (21) Design Number: **12533/2014**
(22) Date of Filing Application: **23 May 2014**
(24) Date from which industrial property rights may have effect: **23 May 2014**
(54) Product in respect of which the design is registered: **Gate latch**
(51) International Design Classification: **08-07**
(74) Name(s) of Attorney(s): **Armour IP**
(71) Name(s) and Address(s) of Applicant(s):
Bend-tech Investments 1 Pty Ltd
573 Bickley Rd Maddington WA 6109 Australia
(72) Name(s) of Designer(s): **Maria Lapchev**
(45) Registration Date: **23 June 2014**
(56) Related Art Documents: **Not Applicable**
(57) Statement of Newness and Distinctiveness: **Newness and distinctiveness lies in the shape and configuration of the gate latch shown in the accompanying representations. The gate post to which it is connected does not form part of the design.**



- (21) Design Number: **12538/2014**
(22) Date of Filing Application: **25 May 2014**
(24) Date from which industrial property rights may have effect: **25 May 2014**
(54) Product in respect of which the design is registered: **Spray tan application device**
(51) International Design Classification: **28-03NES**
(74) Name(s) of Attorney(s):
(71) Name(s) and Address(s) of Applicant(s):
SunFX Pro Pty Ltd
U5 67 Bayldon Rd Queanbeyan NSW 2620 Australia
(72) Name(s) of Designer(s): **Mark Robson and Michael Ward**
(45) Registration Date: **23 June 2014**
(56) Related Art Documents: **Not Applicable**
(57) Statement of Newness and Distinctiveness: **Nil**



- (21) Design Number: **12539/2014**
(22) Date of Filing Application: **25 May 2014**
(24) Date from which industrial property rights may have effect: **25 May 2014**
(54) Product in respect of which the design is registered: **Spray tan application device**
(51) International Design Classification: **28-03NES**
(74) Name(s) of Attorney(s):
(71) Name(s) and Address(s) of Applicant(s):
SunFX Pro Pty Ltd
U5 67 Bayldon Rd Queanbeyan NSW 2620 Australia
(72) Name(s) of Designer(s): **Mark Robson and Michael Ward**
(45) Registration Date: **23 June 2014**
(56) Related Art Documents: **Not Applicable**
(57) Statement of Newness and Distinctiveness: **Nil**



- (21) Design Number: **12541/2014**
(22) Date of Filing Application: **25 May 2014**
(24) Date from which industrial property rights may have effect: **25 May 2014**
(54) Product in respect of which the design is registered: **Surf board holder for vehicular transport**
(51) International Design Classification: **12-16K**
(74) Name(s) of Attorney(s):
(71) Name(s) and Address(s) of Applicant(s):
Peter David Cooper
70 Watson Rd Glen Forbes VIC 3990 Australia
(72) Name(s) of Designer(s): **Peter David Cooper**
(45) Registration Date: **23 June 2014**
(56) Related Art Documents: **Not Applicable**
(57) Statement of Newness and Distinctiveness: **This design has never been seen before. It is an aerodynamically designed tapered slot with an open top section. This design follows the shape of a surf board and is a band of injection moulded plastic which is as wide as a surf board but only 150mm long. There is a gap on the top which is purely for aesthetic value. It is secured to an existing roof rack by a drop and twist locking device that fits into the channel slot of the roof rack receiving plate. The nose of the surf board simply slides into this slot and the rear of surf board is secured by a strap.**



(21) Design Number: **12543/2014**
(22) Date of Filing Application: **26 May 2014**
(24) Date from which industrial property rights may have effect: **26 May 2014**
(54) Product in respect of which the design is registered: **Spa shell**
(51) International Design Classification: **23-02B**
(74) Name(s) of Attorney(s): **Baldwins Intellectual Property**
(71) Name(s) and Address(s) of Applicant(s):
Watkins Manufacturing Corporation
1280 Park Center Drive Vista California 92081 United States of America
(72) Name(s) of Designer(s): **Christopher Carl Larsen and Sage Nathan Baker**
(45) Registration Date: **23 June 2014**
(30) Convention priority data:
(31) Number (32) Date (33) Country
29/477,470 23 Dec 2013 UNITED STATES OF AMERICA
(56) Related Art Documents: **Not Applicable**
(57) Statement of Newness and Distinctiveness: **Newness and distinctiveness resides in the features of shape and/or configuration of the spa shell, excluding those portions shown in broken line.**



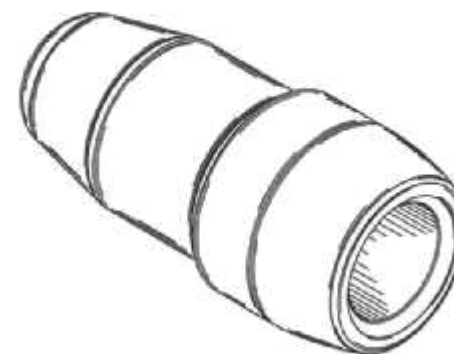
(21) Design Number: **12544/2014**
(22) Date of Filing Application: **26 May 2014**
(24) Date from which industrial property rights may have effect: **26 May 2014**
(54) Product in respect of which the design is registered: **Spa shell**
(51) International Design Classification: **23-02B**
(74) Name(s) of Attorney(s): **Baldwins Intellectual Property**
(71) Name(s) and Address(s) of Applicant(s):
Watkins Manufacturing Corporation
1280 Park Center Drive Vista California 92081 United States of America
(72) Name(s) of Designer(s): **Christopher Carl Larsen and Sage Nathan Baker**
(45) Registration Date: **23 June 2014**
(30) Convention priority data:
(31) Number (32) Date (33) Country
29/480,607 28 Jan 2014 UNITED STATES OF AMERICA
(56) Related Art Documents: **Not Applicable**
(57) Statement of Newness and Distinctiveness: **Newness and distinctiveness is claimed in the features of shape and/or configuration of the article as shown in the accompanying representations, excluding those portions shown in broken line.**



(21) Design Number: **12545/2014**
(22) Date of Filing Application: **26 May 2014**
(24) Date from which industrial property rights may have effect: **26 May 2014**
(54) Product in respect of which the design is registered: **Spa shell**
(51) International Design Classification: **23-02B**
(74) Name(s) of Attorney(s): **Baldwins Intellectual Property**
(71) Name(s) and Address(s) of Applicant(s):
Watkins Manufacturing Corporation
1280 Park Center Drive Vista California 92081 United States of America
(72) Name(s) of Designer(s): **Christopher Carl Larsen and Sage Nathan Baker**
(45) Registration Date: **23 June 2014**
(30) Convention priority data:
(31) Number (32) Date (33) Country
29/477,469 23 Dec 2013 UNITED STATES OF AMERICA
(56) Related Art Documents: **Not Applicable**
(57) Statement of Newness and Distinctiveness: **Newness and distinctiveness resides in the features of shape and/or configuration of the spa shell, excluding those portions shown in broken line.**



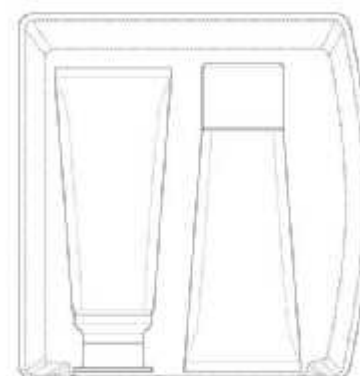
(21) Design Number: **12549/2014**
(22) Date of Filing Application: **26 May 2014**
(24) Date from which industrial property rights may have effect: **26 May 2014**
(54) Product in respect of which the design is registered: **Light duty contact tip**
(51) International Design Classification: **08-05M**
(74) Name(s) of Attorney(s): **FB Rice**
(71) Name(s) and Address(s) of Applicant(s):
Victor Equipment Company
2800 Airport Road Denton Texas 76207 United States of America
(72) Name(s) of Designer(s): **Khalid Hassan**
(45) Registration Date: **23 June 2014**
(30) Convention priority data:
(31) Number (32) Date (33) Country
29/473828 27 Nov 2013 UNITED STATES OF AMERICA
(56) Related Art Documents: **Not Applicable**
(57) Statement of Newness and Distinctiveness: **Newness and distinctiveness reside in the features of shape and configuration of the design as shown in the representations.**



- (21) Design Number: **12598/2014**
(22) Date of Filing Application: **27 May 2014**
(24) Date from which industrial property rights may have effect: **27 May 2014**
(54) Product in respect of which the design is registered: **Tyre**
(51) International Design Classification: **12-15A**
(74) Name(s) of Attorney(s): **SPRUSON & FERGUSON**
(71) Name(s) and Address(s) of Applicant(s):
Fortune Gold Enterprises Ltd.
Suite 13 First Floor Oliaji Trade Centre Francis Rachel Street Victoria
Mahe Seychelles
(72) Name(s) of Designer(s): **Feng Wang and Xiaoming Wang and Ming Li and**
Shijuan Sun and Jiankang Hao
(45) Registration Date: **23 June 2014**
(56) Related Art Documents: **Not Applicable**
(57) Statement of Newness and Distinctiveness: **Newness and distinctiveness**
is claimed in the features of shape and/or configuration of the tread
of a tyre as illustrated in the accompanying representations, wherein
the shape and/or configuration of the tread is repeated throughout the
circumference of the tyre.



- (21) Design Number: **12599/2014**
(22) Date of Filing Application: **27 May 2014**
(24) Date from which industrial property rights may have effect: **27 May 2014**
(54) Product in respect of which the design is registered: **Oral care packaging**
with contents
(51) International Design Classification: **09-05**
(74) Name(s) of Attorney(s): **PHILLIPS ORMONDE FITZPATRICK**
(71) Name(s) and Address(s) of Applicant(s):
The Procter & Gamble Company
One Procter & Gamble Plaza Cincinnati Ohio 45202 United States of
America
(72) Name(s) of Designer(s): **Geraldine Uribe and Christine Kron and Peter**
Charles Mason Jr and Jason Walley
(45) Registration Date: **23 June 2014**
(30) Convention priority data:
(31) Number (32) Date (33) Country
DM/082480 09 Dec 2013 WORLD INTELLECTUAL
PROPERTY ORGANIZATION
(WIPO)
(56) Related Art Documents: **Not Applicable**
(57) Statement of Newness and Distinctiveness: **Those features of the oral care**
packaging with contents depicted in the representation that are new and
distinctive are the shape and/or configuration. The features shown in
broken lines are not part of the design and are to be disregarded when
considering the overall impression of the design.



(21) Design Number: **12640/2014**

(22) Date of Filing Application: **29 May 2014**

(24) Date from which industrial property rights may have effect: **29 May 2014**

(54) Product in respect of which the design is registered: **Respiratory apparatus**

(51) International Design Classification: **24-04**

(74) Name(s) of Attorney(s): **Griffith Hack**

(71) Name(s) and Address(s) of Applicant(s):

**Norton (Waterford) Limited
Unit 301 IDA INDUSTRIAL PARK CORK ROAD WATERFORD Ireland**

(72) Name(s) of Designer(s): **Declan Walsh**

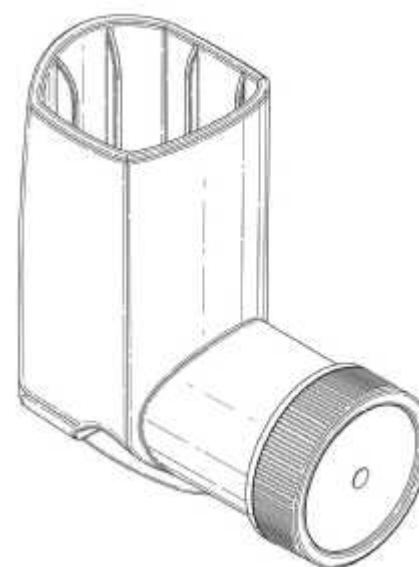
(45) Registration Date: **23 June 2014**

(30) Convention priority data:

(31) Number	(32) Date	(33) Country
002354670	29 Nov 2013	OFFICE FOR HARMONISATION IN THE INTERNAL MARKET (OHIM)

(56) Related Art Documents: **Not Applicable**

(57) Statement of Newness and Distinctiveness: **Newness and distinctiveness resides in the visual features, including shape and configuration of the product as shown in the accompanying drawings.**



(21) Design Number: **12641/2014**

(22) Date of Filing Application: **29 May 2014**

(24) Date from which industrial property rights may have effect: **29 May 2014**

(54) Product in respect of which the design is registered: **Respiratory apparatus**

(51) International Design Classification: **24-04**

(74) Name(s) of Attorney(s): **Griffith Hack**

(71) Name(s) and Address(s) of Applicant(s):

**Norton (Waterford) Limited
Unit 301 IDA INDUSTRIAL PARK CORK ROAD WATERFORD Ireland**

(72) Name(s) of Designer(s): **Declan Walsh**

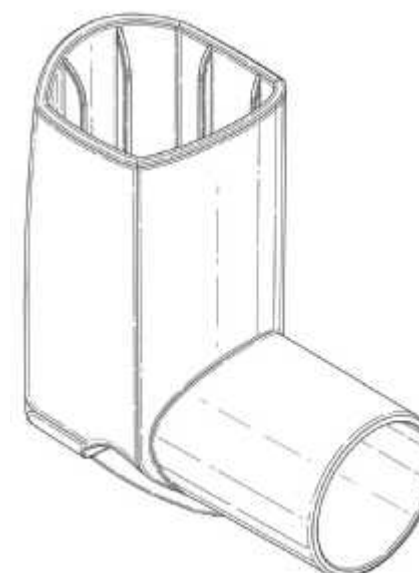
(45) Registration Date: **23 June 2014**

(30) Convention priority data:

(31) Number	(32) Date	(33) Country
002354746	29 Nov 2013	OFFICE FOR HARMONISATION IN THE INTERNAL MARKET (OHIM)

(56) Related Art Documents: **Not Applicable**

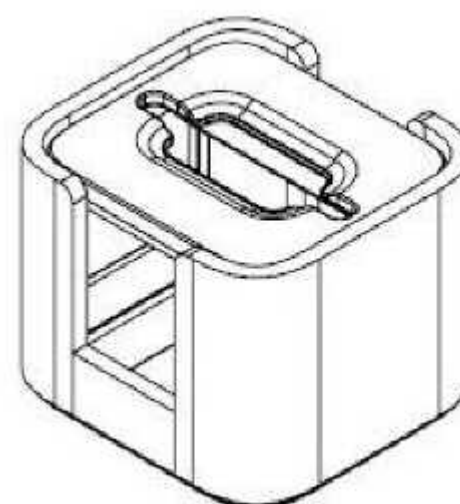
(57) Statement of Newness and Distinctiveness: **Newness and distinctiveness resides in the visual features, including shape and configuration of the product as shown in the accompanying drawings.**



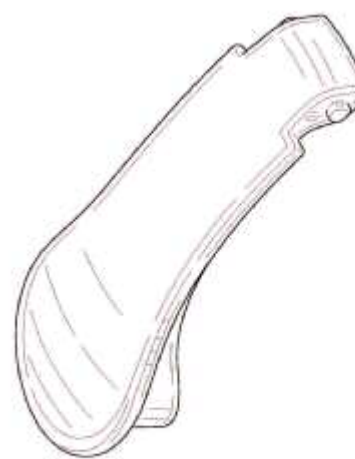
(21) Design Number: **12642/2014**
(22) Date of Filing Application: **29 May 2014**
(24) Date from which industrial property rights may have effect: **29 May 2014**
(54) Product in respect of which the design is registered: **Light fitting & removal tool**
(51) International Design Classification: **08-05NES**
(74) Name(s) of Attorney(s):
(71) Name(s) and Address(s) of Applicant(s):
Tania Anne Harris
8 Ellen Cct Springfield Lakes QLD 4300 Australia
(72) Name(s) of Designer(s): **Tania Anne Harris**
(45) Registration Date: **23 June 2014**
(56) Related Art Documents: **Not Applicable**
(57) Statement of Newness and Distinctiveness: **Newness and distinctiveness resides in the features of shape and/or configuration of tool as shown in the accompanying representations, in particular the shape of the cut-out section of the tool for light fitting applications.**



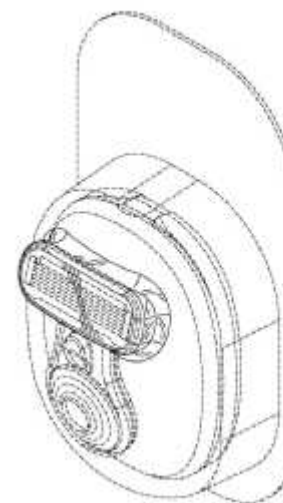
(21) Design Number: **12644/2014**
(22) Date of Filing Application: **29 May 2014**
(24) Date from which industrial property rights may have effect: **29 May 2014**
(54) Product in respect of which the design is registered: **Napkin Dispenser**
(51) International Design Classification: **07-99C**
(74) Name(s) of Attorney(s): **WATERMARK PATENT AND TRADE MARKS ATTORNEYS**
(71) Name(s) and Address(s) of Applicant(s):
SCA Hygiene Products AB
SE-405 03 Goteborg Sweden
(72) Name(s) of Designer(s): **Marten Rittfeldt and Viktor Berglin and Jens Andersson and Mariano Vozzi**
(45) Registration Date: **23 June 2014**
(30) Convention priority data:
(31) Number (32) Date (33) Country
001392252-0001 09 Dec 2013 OFFICE FOR HARMONISATION IN THE INTERNAL MARKET (OHIM)
(56) Related Art Documents: **Not Applicable**
(57) Statement of Newness and Distinctiveness: **Newness and distinctiveness is claimed in the shape and configuration of the openings of the dispenser in the top, front, back and perspective views of the representations.**



(21) Design Number: **12646/2014**
(22) Date of Filing Application: **29 May 2014**
(24) Date from which industrial property rights may have effect: **29 May 2014**
(54) Product in respect of which the design is registered: **Cap for a food shaker and blender**
(51) International Design Classification: **09-07A**
(74) Name(s) of Attorney(s): **PHILLIPS ORMONDE FITZPATRICK**
(71) Name(s) and Address(s) of Applicant(s):
Dart Industries Inc.
14901 S. Orange Blossom Trail Orlando Florida 32837 United States of America
(72) Name(s) of Designer(s): **Anthony M De Leo**
(45) Registration Date: **23 June 2014**
(30) Convention priority data:
(31) Number (32) Date (33) Country
29/478,868 09 Jan 2014 UNITED STATES OF AMERICA
(56) Related Art Documents: **Not Applicable**
(57) Statement of Newness and Distinctiveness: **Nil**



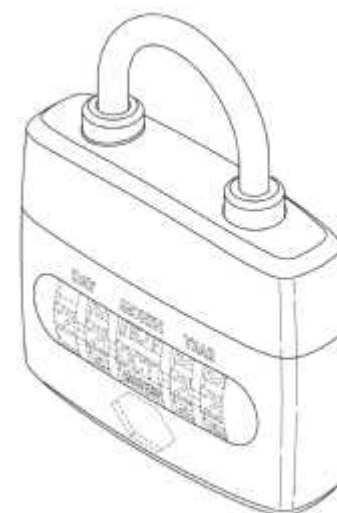
(21) Design Number: **12647/2014**
(22) Date of Filing Application: **29 May 2014**
(24) Date from which industrial property rights may have effect: **29 May 2014**
(54) Product in respect of which the design is registered: **Packaging**
(51) International Design Classification: **09-05**
(74) Name(s) of Attorney(s): **PHILLIPS ORMONDE FITZPATRICK**
(71) Name(s) and Address(s) of Applicant(s):
The Gillette Company
One Gillette Park Boston Massachusetts 02127 United States of America
(72) Name(s) of Designer(s): **Stanley Michael Marcinkowski**
(45) Registration Date: **23 June 2014**
(30) Convention priority data:
(31) Number (32) Date (33) Country
29/476,401 13 Dec 2013 UNITED STATES OF AMERICA
(56) Related Art Documents: **Not Applicable**
(57) Statement of Newness and Distinctiveness: **Those features of the packaging depicted in the representations that are new and distinctive are the shape and/or configuration. The features shown in broken lines are not part of the design and are to be disregarded when considering the overall impression of the design.**



- (21) Design Number: **12456/2014**
(22) Date of Filing Application: **19 May 2014**
(24) Date from which industrial property rights may have effect: **03 October 2013**
(54) Product in respect of which the design is registered: **Article of clothing**
(51) International Design Classification: **02-02C**
(74) Name(s) of Attorney(s): **Allens Patent & Trade Mark Attorneys**
(71) Name(s) and Address(s) of Applicant(s):
Forever New Clothing Pty Ltd
714-716 High St Kew East VIC 3102 Australia
(72) Name(s) of Designer(s): **Jennifer Hall**
(45) Registration Date: **23 June 2014**
(62) Divisional of: **355784**
(56) Related Art Documents: **Not Applicable**
(57) Statement of Newness and Distinctiveness: **Newness and distinctiveness resides in the visual features of shape, configuration, pattern and/or ornamentation of an article of clothing as shown in the accompanying representations.**



- (21) Design Number: **11745/2014**
(22) Date of Filing Application: **08 April 2014**
(24) Date from which industrial property rights may have effect: **08 April 2014**
(54) Product in respect of which the design is registered: **Padlock**
(51) International Design Classification: **08-07**
(74) Name(s) of Attorney(s): **Marks & Clerk Australia**
(71) Name(s) and Address(s) of Applicant(s):
DG International Holdings Limited
Unit 1 Mill Hill Industrial Estate Flower Lane London NW7 2HU United Kingdom
(72) Name(s) of Designer(s): **Simon Little**
(45) Registration Date: **23 June 2014**
(30) Convention priority data:
(31) Number (32) Date (33) Country
002327874 16 Oct 2013 OFFICE FOR HARMONISATION IN THE INTERNAL MARKET (OHIM)
(56) Related Art Documents: **Not Applicable**
(57) Statement of Newness and Distinctiveness: **Newness and distinctiveness resides in the visual features of the shape and/or configuration of a padlock as illustrated in solid lines in the accompanying representations.**



(21) Design Number: **12361/2014**

(22) Date of Filing Application: **15 May 2014**

(24) Date from which industrial property rights may have effect: **15 May 2014**

(54) Product in respect of which the design is registered: **O-ring for pipe connection**

(51) International Design Classification: **23-01A**

(74) Name(s) of Attorney(s):

(71) Name(s) and Address(s) of Applicant(s):

JUNG WOO Metal Ind. Co., Ltd.

371 Guam-ri Nam-myeon Yangju-si Gyeonggi-do 482-872 Republic of Korea

(72) Name(s) of Designer(s): **Kwang Won Lee**

(45) Registration Date: **23 June 2014**

(30) Convention priority data:

(31) Number

(32) Date

(33) Country

30-2013-0058042 19 Nov 2013

REPUBLIC OF KOREA

(56) Related Art Documents: **Not Applicable**

(57) Statement of Newness and Distinctiveness: **Novelty resides in the ornamental design for a o-ring for pipe connection as shown in the drawings.**



(21) Design Number: **11173/2014**

(22) Date of Filing Application: **13 March 2014**

(24) Date from which industrial property rights may have effect: **13 March 2014**

(54) Product in respect of which the design is registered: **Compression side strap for a backpack**

(51) International Design Classification: **03-01A**

(74) Name(s) of Attorney(s):

(71) Name(s) and Address(s) of Applicant(s):

Mont Adventure Equipment Pty Limited

14-18 Pirie St Fyshwick ACT 2609 Australia

(72) Name(s) of Designer(s): **Andrew Montgomery and Nick Robinson**

(45) Registration Date: **23 June 2014**

(56) Related Art Documents: **Not Applicable**

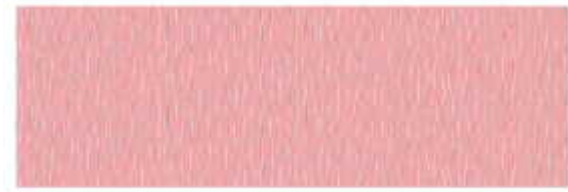
(57) Statement of Newness and Distinctiveness: **This design applies to side compression straps on backpacks, where the backpack forms no part of the design. The function of side straps on backpacks is to compress the bag, hold the zipper together when over packed and to attach objects to the outside of the pack. Traditionally you have a bottom strap and a top strap. This design combines the two straps into one. In the traditional setup the top strap usually passes over the main zipper limiting access into the bag if clipped together. If you did not want to use the top strap, then you would unclip it letting it hang down which could cause a snag hazard. This design uses a "V" shape compression strap system that passes through a loop so you can choose to either have a single or double compression strap. If you are not strapping objects to the side of the pack, or wanting to compress the pack. Then most of the time the strap will be clipped as a single strap across the side pocket, allowing full access through the main zipper without causing a snag hazard.**



- (21) Design Number: **12619/2014**
(22) Date of Filing Application: **28 May 2014**
(24) Date from which industrial property rights may have effect: **28 May 2014**
(54) Product in respect of which the design is registered: **Textile**
(51) International Design Classification: **05-05NES**
(74) Name(s) of Attorney(s): **Macpherson + Kelley**
(71) Name(s) and Address(s) of Applicant(s):

Bekaert (Australia) Pty Ltd
195 Abbots Rd Dandenong South VIC 3175 Australia

- (72) Name(s) of Designer(s): **Jacque Zimmerman**
(45) Registration Date: **23 June 2014**
(56) Related Art Documents: **Not Applicable**
(57) Statement of Newness and Distinctiveness: **Newness and distinctiveness is claimed in the features of pattern and/or ornamentation of a textile as shown in the representations but disclaiming the colours/colour combination shown which are merely illustrative of the design. The textile is of indefinite length and breadth and the pattern and/or ornamentation is represented throughout the entire surface.**



- (21) Design Number: **12620/2014**
(22) Date of Filing Application: **28 May 2014**
(24) Date from which industrial property rights may have effect: **28 May 2014**
(54) Product in respect of which the design is registered: **Bottle**
(51) International Design Classification: **09-01H**
(74) Name(s) of Attorney(s): **Omond & Co**
(71) Name(s) and Address(s) of Applicant(s):

PERNOD RICARD WINEMAKERS PTY LTD
167 Fullarton Rd Dulwich_SA, 5065 Australia

- (72) Name(s) of Designer(s): **Bosung Kim and Vivian Barad and Tony Patron**
(45) Registration Date: **23 June 2014**
(56) Related Art Documents: **Not Applicable**
(57) Statement of Newness and Distinctiveness: **The design is applied to a bottle which contains only half the contents (i.e. 375 mL instead of 750mL) of a regular, full-sized wine bottle. The newness and distinctiveness derives from keeping the same sized base and neck diameter as a regular-sized bottle, rather than reducing all elements of the bottle design in proportion to each other.**

