



**Australian Government**

---

**IP Australia**

**AUSTRALIAN OFFICIAL JOURNAL**

**OF**

**DESIGNS**

Did you know a searchable version of this journal is now available online?

It's FREE and EASY to SEARCH.

Find it on our website ([www.ipaustralia.gov.au](http://www.ipaustralia.gov.au))

by using the "Journals" link on the home page.

This Page Left Intentionally Blank

**Contents**

**General Information & Notices**

**Proceedings Under the Designs Act 1906 preserved as a result of the provisions of Chapter 12  
Part 2 of the Designs Act 2003**

<b>Extension of Period of Registration of Designs .....</b>	<b>1950</b>
<b>Names Registered - Alterations and Amendments .....</b>	<b>1950</b>
<b>Registrations Ceased .....</b>	<b>1950</b>
<b>Subsequent Owners Registered .....</b>	<b>1950</b>

**Proceedings Under the Designs Act 2003**

<b>Applications Lodged .....</b>	<b>1954</b>
<b>Applications Withdrawn .....</b>	<b>1960</b>
<b>Certificate of Examination .....</b>	<b>1963</b>
<b>Extension of Period of Registration of Design .....</b>	<b>1961</b>
<b>Extension of Time Granted Under Section 137 .....</b>	<b>1961</b>
<b>Names Registered - Alterations and Amendments .....</b>	<b>1962</b>
<b>Publication and Registration Proceedings</b>	
<b>Designs Published .....</b>	<b>1964</b>
<b>Designs Registered 356098 to 356312.....</b>	<b>1965</b>
<b>Registrations Ceased .....</b>	<b>1961</b>
<b>Revocation of Design Registrations .....</b>	<b>1961</b>
<b>Subsequent Owners Registered .....</b>	<b>1962</b>

This Page Left Intentionally Blank

For information on the following please see our website [www.ipaustralia.gov.au](http://www.ipaustralia.gov.au) or contact our Customer Service Network on 1300651010

[Editorial enquiries](#)

[Contact information](#)

[Freedom of Information ACT](#)

[Professional Standards Board](#)

[Sales](#)

[Requests for Information under Section 194 \(c\)](#)

[Country Codes](#)

[Trade Mark and Designs Hearing Sessions](#)

[INID \(Internationally agreed Numbers for the Identification of Data\)](#)

## “INID” NUMBERS in use on Australian Design Documents

“INID” is an acronym for “Internationally agreed Numbers for the Identification of Data”.

### (10) Data concerning the registration/renewal

- (11) Serial number of the registration and/or number of the design document
- (12) Plain language designation of the kind of published document
- (19) Identification, using the two-letter code according to WIPO Standard ST.3, of the authority publishing or registering the industrial design

### (20) Data concerning the application

- (21) Serial number of the application
- (22) Date of filing of the application
- (24) Date from which the industrial design right has effect

### (30) Data relating to priority under the Paris Convention

- (31) Serial number assigned to the priority application
- (32) Date of filing of the priority application
- (33) Two-letter code, according to WIPO Standard ST.3, identifying the authority with which the priority application was made

### (40) Date(s) of making information available to the public

- (45) Date of publication of the registered industrial design by printing or similar process, or making it available to the public by any other means

### (50) Miscellaneous Information

- (51) International Classification for Industrial Designs (class and subclass of the Locarno Classification)
- (54) Designation of article(s) or product(s) covered by the industrial design or title of the industrial design
- (55) Reproduction of the industrial design (e.g., drawing, photograph) and explanations relating to the reproduction
- (56) List of prior art documents, if separate from descriptive text
- (57) Description of characteristic features of the industrial design including indication of colours

### (60) References to other legally related application(s) and registration(s)

- (62) Serial number(s) and, if available, filing date(s) of application(s), registration(s) or document(s) related by division
- (66) Serial number(s) of the application, or the registration, of the design(s) which is (are) a variant(s) of the present one

### (70) Identification of parties concerned with the application or registration

- (71) Name(s) and address(es) of the applicant(s)
- (72) Name(s) of the creator(s) if known to be such
- (74) Name(s) and address(es) of the representative(s)

This Page Left Intentionally Blank

**Nil notices for this journal issue.**

**Proceedings under the Designs Act 1906 preserved as a result of the provisions of Chapter 12 Part 2 of the Designs Act 2003.**



This Page Left Intentionally Blank

**Applications Lapsed**

There were no Applications Lapsed under this section

**Extension of Period of Registration of Designs**

**1st Period (Section 27A(8))**

**2nd Period (Section 27A(12))**

**3rd Period (Section 27A(13))**

153035	153130	153132
153162	153254	153300
153316	153352	153480
153518	153539	153540
153678	153722	153761
153961	153980	154514
155577	156190	156191
156671	156672	156821
156865	157181	

**Subsequent Owners Registered**

152796	( NIKE Innovate C.V. ) NIKE International Ltd.
152797	( NIKE Innovate C.V. ) NIKE International Ltd.

**Names Registered - Alterations and Amendments**

(The name in parentheses is the new name of the proprietor)

154126	( Illinois Tool Works Inc. ) Illinois Tools Works Inc.
143788	( Illinois Tool Works Inc. ) Illinois Tools Works Inc.
145097	( Illinois Tool Works Inc. ) Illinois Tools Works Inc.
138232	( Illinois Tool Works Inc. ) Illinois Tools Works Inc.
143545	( Illinois Tool Works Inc. ) Illinois Tools Works Inc.
158420	( Illinois Tool Works Inc. ) Illinois Tools Works Inc.

**Registrations Ceased**

Note: Some of the following Registrations may have been previously advertised as ceased. In this instance, the previous advertisement still prevails.

134521	135583	135584
135585	135586	135587
135588	135601	135602
135722	135728	135749
135836	135877	135981
136013	136075	136396
136462	136579	136580
136956	137020	137087
137210	138190	138832
138833	139007	139008
139009	139010	139177
146065	150365	150587
150746	150747	150770
151086	151215	151240
151275	151276	151311
151319	151320	151349
151444	151536	151592
151719	151765	151983
151984	153018	153052
153053	153224	153225
153342	153343	153344
153466	153629	153630
153925	154281	154460
154760		

**Subsequent Owners Registered**

(The name in parentheses is that of the subsequent owner)

152127	( NIKE Innovate C.V. ) NIKE International Ltd.
--------	------------------------------------------------

This Page Left Intentionally Blank

**Proceedings under the Designs Act 2003.**

This Page Left Intentionally Blank

**Applications Lodged**

Lodgement information is in the following order: **Applicant's Name**; International Classification, Name of Product, Lodgement Date and **Design Number**. If the applicant claims an earlier priority date under an International Convention, the Convention Country and the associated filing date are shown in parentheses before the Lodgement Date. Divisional information will also appear in parentheses before the Lodgement Date.

<b>i4c Innovations Inc.;</b> 30-04, Electronic module for a dog collar, (US, 31 Dec 2013) 30 Jun 2014	<b>13202/2014</b>	<b>ANZAC DAY COMMEMORATION COMMITTEE (QUEENSLAND) INC;</b> 11-03, Lapel badge, 25 Jun 2014	<b>13096/2014</b>
<b>i4c Innovations Inc.;</b> 30-04, Electronic dog collar, (US, 31 Dec 2013) 30 Jun 2014	<b>13191/2014</b>	<b>ANZAC DAY COMMEMORATION COMMITTEE (QUEENSLAND) INC;</b> 11-03, Lapel badge, 25 Jun 2014	<b>13097/2014</b>
<b>i4c Innovations Inc.;</b> 30-04, Electronic dog collar, (US, 31 Dec 2013) 30 Jun 2014	<b>13192/2014</b>	<b>ANZAC DAY COMMEMORATION COMMITTEE (QUEENSLAND) INC;</b> 11-03, Lapel badge, 25 Jun 2014	<b>13095/2014</b>
<b>i4c Innovations Inc.;</b> 30-04, Electronic dog collar, (US, 31 Dec 2013) 30 Jun 2014	<b>13201/2014</b>	<b>ASAP BreatheAssist Pty Ltd;</b> 24-02, Nasal dilator, 20 Jun 2014	<b>13060/2014</b>
<b>AbbVie Inc.;</b> 09-09, Waste compartment, (EM, 14 Oct 2013) (Divisional of 11855/2014) 04 Jul 2014	<b>13271/2014</b>	<b>AUSTRALIAN BRUSHWARE CORPORATION PTY LTD;</b> 08-05NES, Caulking gun, 24 Jun 2014	<b>13094/2014</b>
<b>AbbVie Inc.;</b> 15-07, 09-09, Cooling and waste compartment, (EM, 14 Oct 2013) (Divisional of 11860/2014) 04 Jul 2014	<b>13275/2014</b>	<b>Barski, Karen H;</b> 06-13B, 02-99, Swaddling garment with mesh portion, (US, 30 May 2014) 01 Jul 2014	<b>13219/2014</b>
<b>AbbVie Inc.;</b> 15-07, 09-09, Cooling and waste compartment, (EM, 14 Oct 2013) (Divisional of 11857/2014) 04 Jul 2014	<b>13276/2014</b>	<b>Beba Enterprises Pty Ltd;Magi Enterprises Pty Ltd;</b> 02-02NES, Article of clothing, 24 Jun 2014	<b>13180/2014</b>
<b>AbbVie Inc.;</b> 15-07, Cooling compartment, (EM, 14 Oct 2013) (Divisional of 11861/2014) 04 Jul 2014	<b>13269/2014</b>	<b>Belkin International, Inc.;</b> 14-03NES, Router, (US, 06 Jan 2014) 02 Jul 2014	<b>13237/2014</b>
<b>AbbVie Inc.;</b> 09-09, Waste compartment, (EM, 14 Oct 2013) (Divisional of 11859/2014) 04 Jul 2014	<b>13270/2014</b>	<b>Belkin International, Inc.;</b> 14-99, Overlay, (US, 20 Dec 2013) 20 Jun 2014	<b>13034/2014</b>
<b>Aldrick, Michael Richard;</b> 23-02B, A shower head assembly with integral spigot, 02 Jun 2014	<b>12704/2014</b>	<b>Belkin International, Inc.;</b> 14-99, Overlay, (US, 20 Dec 2013) 20 Jun 2014	<b>13032/2014</b>
<b>Apple Inc.;</b> 14-02, Display screen with graphical user interface, (US, 07 Mar 2014) 30 Jun 2014	<b>13172/2014</b>	<b>Belkin International, Inc.;</b> 14-99, Overlay, (US, 20 Dec 2013) 20 Jun 2014	<b>13033/2014</b>
<b>Australian Performance Development Pty Ltd;</b> 12-16NES, Air intake snorkel for a vehicle, 26 Jun 2014	<b>13118/2014</b>	<b>Bemis Manufacturing Company;</b> 12-02, Cart for shopping, (Divisional of 11795/2014) 27 Jun 2014	<b>13136/2014</b>
<b>Australian Performance Development Pty Ltd;</b> 12-16NES, Air ram intake for a vehicle, 26 Jun 2014	<b>13119/2014</b>	<b>Blick, David Bryan;</b> 25-02NES, 08-99, Building sheet positioner, 04 Jul 2014	<b>13260/2014</b>
<b>ABB Technology Ltd.;</b> 14-04, An electronic device for security and door entry, (CH, 08 May 2014) 25 Jun 2014	<b>13099/2014</b>	<b>Bookleaf Pty Ltd;</b> 10-04, Tap timer and tap timer housing, 02 Jul 2014	<b>13226/2014</b>
<b>ALTRACE PTY. LTD.;</b> 13-02, Power supply, 02 Jul 2014	<b>13222/2014</b>	<b>Bookleaf Pty Ltd;</b> 10-04, Tap timer housing and tap timer, 31 Mar 2014	<b>11591/2014</b>
<b>ANZAC DAY COMMEMORATION COMMITTEE (QUEENSLAND) INC;</b> 11-03, Lapel badge, 25 Jun 2014	<b>13098/2014</b>	<b>Breville Pty Limited;</b> 07-02B, Microwave oven, 30 Jun 2014	<b>13195/2014</b>
		<b>Brown &amp; Watson International Pty Ltd;</b> 26-03, Lamp, 23 Jun 2014	<b>13067/2014</b>

<b>BROTHER INDUSTRIES, LTD.;</b> 14-02, Toner cartridge, (JP, 26 Dec 2013) 20 Jun 2014	<b>13053/2014</b>	<b>Dyson Technology Limited;</b> 15-05, Part of a vacuum cleaner, (EM, 20 Dec 2013) 20 Jun 2014	<b>13026/2014</b>
<b>Campbell, Errol Frederick;</b> 25-01G, Metal flashing for roof, 27 Jun 2014	<b>13143/2014</b>	<b>Dyson Technology Limited;</b> 15-05, Vacuum cleaner, (EM, 20 Dec 2013) 20 Jun 2014	<b>13039/2014</b>
<b>Chilewich Sultan LLC;</b> 06-13A, Placemat, (Divisional of 11766/2014) 23 Jun 2014	<b>13070/2014</b>	<b>Dyson Technology Limited;</b> 15-05, Part of a vacuum cleaner, (EM, 20 Dec 2013) 20 Jun 2014	<b>13043/2014</b>
<b>Collinucci, Giacomo;</b> 09-03NES, Container, (EM, 31 Dec 2013) 27 Jun 2014	<b>13147/2014</b>	<b>Dyson Technology Limited;</b> 15-05, Part of a vacuum cleaner, (EM, 20 Dec 2013) 20 Jun 2014	<b>13042/2014</b>
<b>Corporate Culture Australia Pty Ltd;</b> 06-01F, Furniture / dining chair, 26 Jun 2014	<b>13128/2014</b>	<b>Dyson Technology Limited;</b> 15-05, Vacuum cleaner, (EM, 20 Dec 2013) 20 Jun 2014	<b>13040/2014</b>
<b>Corporate Culture Australia Pty Ltd;</b> 06-01G, Furniture / armchair, 26 Jun 2014	<b>13129/2014</b>	<b>Dyson Technology Limited;</b> 15-05, Part of a vacuum cleaner, (EM, 20 Dec 2013) 20 Jun 2014	<b>13036/2014</b>
<b>Corporate Culture Australia Pty Ltd;</b> 06-01G, Furniture / sofa, 26 Jun 2014	<b>13130/2014</b>	<b>DOBLE AUSTRALIA PTY. LTD.;</b> 06-03NES, Tent poles, 03 Jul 2014	<b>13248/2014</b>
<b>Corporate Culture Australia Pty Ltd;</b> 06-03A, Furniture / dining table, (Divisional of 12447/2014) 26 Jun 2014	<b>13127/2014</b>	<b>DOBLE AUSTRALIA PTY. LTD.;</b> 26-99, Stainless steel light and power source, 03 Jul 2014	<b>13249/2014</b>
<b>Corporate Forms Pty Ltd;</b> 20-02E, Stand, 23 Jun 2014	<b>13079/2014</b>	<b>DOBLE AUSTRALIA PTY. LTD.;</b> 23-03D, Solar panels and tent poles, 03 Jul 2014	<b>13247/2014</b>
<b>CORPORATE CULTURE AUSTRALIA PTY LTD;</b> 06-01G, Furniture / armchair, 26 Jun 2014	<b>13132/2014</b>	<b>Emo Labs, Inc.;</b> 14-01, Base, membrane, and slot for an audio speaker, (US, 27 Dec 2013) 24 Jun 2014	<b>13083/2014</b>
<b>CORPORATE CULTURE AUSTRALIA PTY LTD;</b> 06-03B, Furniture / side tables, 26 Jun 2014	<b>13131/2014</b>	<b>Eveready Battery Company, Inc.;</b> 26-02, Lighting device, (US, 30 Jan 2014) 24 Jun 2014	<b>13090/2014</b>
<b>CTA Australia Pty Ltd;</b> 20-03C, "No smoking" sign for a grating or grille, 26 Jun 2014	<b>13133/2014</b>	<b>EYEESEE360, INC.;</b> 16-01, Panoramic camera, (US, 03 Jan 2014) 23 Jun 2014	<b>13064/2014</b>
<b>Daikin Industries Ltd.;</b> 23-04, Air conditioner, 30 Jun 2014	<b>13176/2014</b>	<b>Fats Digital;</b> 19-01, A blank for a mailer wallet, 23 Jun 2014	<b>13078/2014</b>
<b>Daikin Industries Ltd.;</b> 23-04, Air conditioner, 30 Jun 2014	<b>13189/2014</b>	<b>Fifty-Fourth Rischell Pty Ltd;</b> 02-02C, 02-02NES, Men's clothing, 23 Jun 2014	<b>13082/2014</b>
<b>Daikin Industries Ltd.;</b> 23-04, Air conditioner, 30 Jun 2014	<b>13188/2014</b>	<b>Fitness Engineers Pty Ltd;</b> 09-99, 21-02NES, A container assembly, 20 Jun 2014	<b>13023/2014</b>
<b>Daikin Industries Ltd.;</b> 23-04, Air conditioner, 30 Jun 2014	<b>13179/2014</b>	<b>Flow Control LLC.;</b> 15-02, Low profile pump, (US, 30 Jan 2014) 25 Jun 2014	<b>13103/2014</b>
<b>Daikin Industries Ltd.;</b> 23-04, Air conditioner, 30 Jun 2014	<b>13178/2014</b>	<b>Forever New Clothing Pty Ltd;</b> 02-02C, Article of clothing, 26 Jun 2014	<b>13121/2014</b>
<b>Daikin Industries Ltd.;</b> 23-04, Air conditioner, 30 Jun 2014	<b>13187/2014</b>	<b>Forever New Clothing Pty Ltd;</b> 03-01B, Accessory item, 19 Jun 2014	<b>13084/2014</b>
<b>Daikin Industries Ltd.;</b> 23-04, Air conditioner, 30 Jun 2014	<b>13177/2014</b>	<b>Forever New Clothing Pty Ltd;</b> 03-01B, 02-05, Accessory item, 04 Jul 2014	<b>13268/2014</b>
<b>Dalton, James Langley;</b> 09-02B, Utility can, 27 Jun 2014	<b>13144/2014</b>		
<b>Diebert, Kris Thomas;</b> 13-03D, Apparatus for protecting a plug, 25 Jun 2014	<b>13105/2014</b>		
<b>Dog Watch Lighting Pty Ltd;</b> 26-03, Lighting plant, 02 Jul 2014	<b>13228/2014</b>		



<b>Forever New Clothing Pty Ltd;</b> 02-02C, 02-02NES, Article of clothing, 19 Jun 2014	<b>13002/2014</b>	<b>Jemella Group Limited;</b> 28-03B, Hair styling apparatus, (EM, 19 Dec 2013) 04 Jun 2014	<b>12749/2014</b>
<b>Fugoo Corporation;</b> 14-03NES, Remote control, (US, 03 Jan 2014) 02 Jul 2014	<b>13238/2014</b>	<b>Jordan, John Albert;</b> 29-01, Fire fighting accessories, 30 Jun 2014	<b>13182/2014</b>
<b>Gabrielle Studio, Inc;</b> 09-01G, Fragrance bottle, (US, 20 Dec 2013) 20 Jun 2014	<b>13048/2014</b>	<b>Jordan, John Albert;</b> 29-01, Fire fighting accessories, 30 Jun 2014	<b>13183/2014</b>
<b>Gabrielle Studio, Inc;</b> 09-01G, Fragrance bottle, (US, 20 Dec 2013) 20 Jun 2014	<b>13046/2014</b>	<b>Keogh, Gerard Patrick;</b> 21-02F, A rowing machine frame, 30 Jun 2014	<b>13198/2014</b>
<b>Gabrielle Studio, Inc;</b> 09-01G, Fragrance bottle, (US, 20 Dec 2013) 20 Jun 2014	<b>13051/2014</b>	<b>Kimberley Plastics Pty Ltd;</b> 26-05C, Lighting fixture, 27 Jun 2014	<b>13139/2014</b>
<b>Gabrielle Studio, Inc;</b> 09-01G, Fragrance bottle, (US, 20 Dec 2013) 20 Jun 2014	<b>13049/2014</b>	<b>King Furniture Australia Pty Ltd;</b> 06-01G, A sofa, 02 Jul 2014	<b>13233/2014</b>
<b>Gabrielle Studio, Inc;</b> 09-01G, Fragrance bottle, (US, 20 Dec 2013) 20 Jun 2014	<b>13047/2014</b>	<b>King Furniture Australia Pty Ltd;</b> 06-01G, A chair, 02 Jul 2014	<b>13235/2014</b>
<b>Gessi S.P.A.;</b> 23-01H, Faucet, (IT, 27 Jan 2014) 27 Jun 2014	<b>13145/2014</b>	<b>King Furniture Australia Pty Ltd;</b> 06-01G, A sofa, 02 Jul 2014	<b>13234/2014</b>
<b>Gessi S.P.A.;</b> 23-01H, Faucet handle, (IT, 27 Jan 2014) 27 Jun 2014	<b>13146/2014</b>	<b>Koninklijke Philips N.V.;</b> 15-05, Vacuum cleaner, (OM, 06 Jan 2014) 02 Jul 2014	<b>13230/2014</b>
<b>Goston AVend Pty Ltd;</b> 25-03, Kiosk, 25 Jun 2014	<b>13101/2014</b>	<b>Koninklijke Philips N.V.;</b> 15-05, Vacuum cleaner, (EM, 06 Jan 2014) 02 Jul 2014	<b>13236/2014</b>
<b>Guangzhou SAT Infrared Technology Co. Ltd.;</b> 16-01, An infrared camera, (CN, 27 Jan 2014) 30 May 2014	<b>12679/2014</b>	<b>Koninklijke Philips N.V.;</b> 15-05, Handheld vacuum cleaner, (EM, 06 Jan 2014) 02 Jul 2014	<b>13232/2014</b>
<b>Gyrus ACMI, Inc., doing business as Olympus Surgical Technologies America;</b> 24-02, Electrosurgical devices, (US, 16 Jun 2014) 20 Jun 2014	<b>13045/2014</b>	<b>KBL HOLDINGS PTY LTD;</b> 08-08NES, Fastening system for flexible material, 03 Jul 2014	<b>13256/2014</b>
<b>Hammoud, Bilal;</b> 25-01D, Impact wall off posters projector tv on back wall, 20 Jun 2014	<b>13016/2014</b>	<b>Lingo Systems Pty. Ltd.;</b> 08-07, Key retainer, 03 Jul 2014	<b>13242/2014</b>
<b>Hartman Enterprises B.V.;</b> 06-03A, Modular table, (EM, 09 May 2014) 26 Jun 2014	<b>13110/2014</b>	<b>Locksmiths Nominees Pty. Ltd.;</b> 08-07, Key blank, 26 Jun 2014	<b>13123/2014</b>
<b>Holley Performance Products, Inc.;</b> 15-01, Carburetor main body, (US, 08 Jan 2014) 04 Jul 2014	<b>13264/2014</b>	<b>Lupin Limited;</b> 24-04, Inhaler, (IN, 28 Jan 2014) 30 Jun 2014	<b>13169/2014</b>
<b>Huntleigh Technology Limited;</b> 10-04, Pressure measuring apparatus, (EM, 25 Apr 2014) 26 Jun 2014	<b>13112/2014</b>	<b>Lupin Limited;</b> 24-04, Inhaler, (IN, 28 Jan 2014) 30 Jun 2014	<b>13168/2014</b>
<b>Jackson Electrical Industries Limited;</b> 26-05D, Lighting fixture, 27 Jun 2014	<b>13140/2014</b>	<b>Lupin Limited;</b> 24-04, Inhaler, (IN, 28 Jan 2014) 30 Jun 2014	<b>13170/2014</b>
<b>Jemella Group Limited;</b> 28-03B, Hair styling apparatus, 04 Jun 2014	<b>12748/2014</b>	<b>LITTLE GEMS AUSTRALIA PTY LTD;</b> 02-02C, Baby and children's apparel and other items, 01 Jul 2014	<b>13214/2014</b>
<b>Jemella Group Limited;</b> 28-03B, Hair styling apparatus, (EM, 19 Dec 2013) 04 Jun 2014	<b>12750/2014</b>	<b>LITTLE GEMS AUSTRALIA PTY LTD;</b> 02-02C, Baby and children's apparel and other items, 01 Jul 2014	<b>13215/2014</b>
		<b>Ma, Jinlin;</b> 12-15A, Tyre, 04 Jul 2014	<b>13263/2014</b>
		<b>Magi Enterprises Pty Ltd;Beba Enterprises Pty Ltd;</b> 02-02NES, Article of clothing, 24 Jun 2014	<b>13180/2014</b>

<b>Magpul Industries Corporation;</b> 22-01, Plate for adapting a firearm, (US, 23 Dec 2013) 20 Jun 2014	<b>13052/2014</b>	<b>Mophie, Inc.;</b> 13-02, Electrical charger and docking station, (US, 02 Jan 2014) 30 Jun 2014	<b>13203/2014</b>
<b>Magpul Industries Corporation;</b> 22-01, Receiver plate for adapting a firearm, (US, 23 Dec 2013) 20 Jun 2014	<b>13054/2014</b>	<b>Negandhi, Karita;Parker, Nathan;</b> 21-02F, Exercise balance board, 29 Jun 2014	<b>13166/2014</b>
<b>Magpul Industries Corporation;</b> 22-01, Firearm grip, (US, 09 Jan 2014) 20 Jun 2014	<b>13044/2014</b>	<b>Nissan Jidosha Kabushiki Kaisha;</b> 12-16C, Front bumper for automobile, 20 Jun 2014	<b>13021/2014</b>
<b>Matscitechno Licensing Company;</b> 02-04C, Knee pad, (US, 26 Dec 2013) 23 Jun 2014	<b>13074/2014</b>	<b>Nissan Jidosha Kabushiki Kaisha;</b> 26-06, Headlight for automobile, 20 Jun 2014	<b>13018/2014</b>
<b>Matscitechno Licensing Company;</b> 02-04C, Knee pad, (US, 26 Dec 2013) 23 Jun 2014	<b>13072/2014</b>	<b>Nissan Jidosha Kabushiki Kaisha;</b> 26-06, Headlight for automobile, 20 Jun 2014	<b>13019/2014</b>
<b>Matscitechno Licensing Company;</b> 02-04C, Knee pad, (US, 26 Dec 2013) 23 Jun 2014	<b>13073/2014</b>	<b>Nissan Jidosha Kabushiki Kaisha;</b> 12-16C, Front bumper for automobile, 20 Jun 2014	<b>13017/2014</b>
<b>Medline Industries, Inc.;</b> 12-02, Rollator, (US, 30 Dec 2013) 27 Jun 2014	<b>13142/2014</b>	<b>Nufarm Australia Limited;</b> 09-03NES, Container, 30 Jun 2014	<b>13199/2014</b>
<b>Micro Motion, Inc.;</b> 10-04, Case, (CN, 23 May 2014) 23 Jun 2014	<b>13076/2014</b>	<b>Orica International Pte Ltd;</b> 22-03, Shell, 02 Jul 2014	<b>13229/2014</b>
<b>Micro Motion, Inc.;</b> 10-04, Flow meter housing, (CN, 23 May 2014) 23 Jun 2014	<b>13077/2014</b>	<b>Pacific Trends International Pty Ltd;</b> 23-03H, 23-03NES, A heater, 03 Jul 2014	<b>13240/2014</b>
<b>Microsoft Corporation;</b> 14-04, 14-02, Display screen with graphical user interface, (US, 11 Feb 2014) 23 Jun 2014	<b>13065/2014</b>	<b>Pacific Trends International Pty Ltd;</b> 23-03A, A heater, 03 Jul 2014	<b>13243/2014</b>
<b>Microsoft Corporation;</b> 14-04, 14-02, Display screen with graphical user interface, (US, 11 Feb 2014) 23 Jun 2014	<b>13066/2014</b>	<b>Parker, Nathan;Negandhi, Karita;</b> 21-02F, Exercise balance board, 29 Jun 2014	<b>13166/2014</b>
<b>Microsoft Corporation;</b> 14-04, Display screen with icon, (US, 11 Feb 2014) 23 Jun 2014	<b>13062/2014</b>	<b>Pelican Products, Inc.;</b> 03-01NES, Case for phone, (US, 03 Jan 2014) 30 Jun 2014	<b>13171/2014</b>
<b>Microsoft Corporation;</b> 14-04, Display screen with icon, (US, 11 Feb 2014) 23 Jun 2014	<b>13063/2014</b>	<b>Pelican Products, Inc.;</b> 03-01NES, Case for phone, (US, 03 Jan 2014) 30 Jun 2014	<b>13184/2014</b>
<b>Microsoft Mobile OY;</b> 14-03E, Handset, (US, 27 Dec 2013) 26 Jun 2014	<b>13114/2014</b>	<b>Phoenix Industries Pty Ltd;</b> 23-01H, Tap and spout set, 01 Jul 2014	<b>13216/2014</b>
<b>Microsoft Mobile OY;</b> 14-03E, Handset, (US, 27 Dec 2013) 26 Jun 2014	<b>13113/2014</b>	<b>Phoenix Industries Pty Ltd;</b> 23-01H, Basin mixer, 01 Jul 2014	<b>13213/2014</b>
<b>Mophie, Inc.;</b> 03-01A, Decorative case for a mobile electronic device, (US, 03 Jan 2014) 30 Jun 2014	<b>13206/2014</b>	<b>Physical Revolution Pty Ltd;</b> 09-07NES, Strapping device, 02 Jul 2014	<b>13220/2014</b>
<b>Mophie, Inc.;</b> 13-02, Battery pack with integrated connector, (US, 02 Jan 2014) 30 Jun 2014	<b>13173/2014</b>	<b>Pi-Design AG;</b> 07-01C, Double-walled drinking glass, (WO, 14 Jan 2014) 20 Jun 2014	<b>13035/2014</b>
		<b>Pi-Design AG;</b> 07-01C, Double-walled drinking glass, (WO, 14 Jan 2014) 20 Jun 2014	<b>13041/2014</b>
		<b>Pi-Design AG;</b> 07-02L, Coffee maker, 04 Jun 2014	<b>12744/2014</b>
		<b>Plumen Limited;</b> 26-04, Light bulb, (EM, 07 Jan 2014) 26 Jun 2014	<b>13126/2014</b>
		<b>Poynting Antennas (Pty) Limited;</b> 14-03NES, Antenna, (ZA, 31 Mar 2014) 23 Jun 2014	<b>13068/2014</b>

<b>Poynting Antennas (Pty) Limited;</b> 14-03NES, Antenna, (ZA, 31 Mar 2014) 23 Jun 2014	<b>13069/2014</b>	<b>Richmond wheel &amp; castor Company;</b> 12-02, Crate trolley, 23 Jun 2014	<b>13071/2014</b>
<b>Precision Components Australia Pty Ltd;</b> 13-99, Heliostat, 20 Jun 2014	<b>13050/2014</b>	<b>Richmond wheel &amp; castor Company;</b> 09-04, Crate lid, 24 Jun 2014	<b>13085/2014</b>
<b>Preston, T J;Taylor, D L;</b> 06-01E, Stool, 25 Jun 2014	<b>13102/2014</b>	<b>Riverslea Holdings Pty Ltd;</b> 25-01K, Extrusion, 28 Jun 2014	<b>13162/2014</b>
<b>Pride On The Line Pty Ltd;</b> 09-03NES, A tub, 04 Jul 2014	<b>13272/2014</b>	<b>Riverslea Holdings Pty Ltd;</b> 25-01K, Extrusion, 28 Jun 2014	<b>13161/2014</b>
<b>Pride On The Line Pty Ltd;</b> 09-03NES, A combination of two tubs, 04 Jul 2014	<b>13273/2014</b>	<b>Riverslea Holdings Pty Ltd;</b> 25-01K, Extrusion, 28 Jun 2014	<b>13160/2014</b>
<b>Pride On The Line Pty Ltd;</b> 09-03NES, A tub with ladder, 04 Jul 2014	<b>13274/2014</b>	<b>Riverslea Holdings Pty Ltd;</b> 25-01K, Extrusion, 28 Jun 2014	<b>13154/2014</b>
<b>Pridham, Andrew;</b> 25-04, A ladder, 02 Jul 2014	<b>13223/2014</b>	<b>Riverslea Holdings Pty Ltd;</b> 25-01K, Extrusion, 28 Jun 2014	<b>13155/2014</b>
<b>Pridham, Andrew;</b> 25-04, A ladder, 02 Jul 2014	<b>13224/2014</b>	<b>Riverslea Holdings Pty Ltd;</b> 25-01K, Extrusion, 28 Jun 2014	<b>13163/2014</b>
<b>Prominent Developments Pty Ltd;</b> 08-99, Height adjustable tile spacer cap, 26 Jun 2014	<b>13124/2014</b>	<b>Riverslea Holdings Pty Ltd;</b> 25-01K, Extrusion, 28 Jun 2014	<b>13156/2014</b>
<b>PHONIX HOLDINGS PTY LTD;</b> 26-05E, Led light, 30 Jun 2014	<b>13186/2014</b>	<b>Riverslea Holdings Pty Ltd;</b> 25-01K, Extrusion, 28 Jun 2014	<b>13157/2014</b>
<b>PHONIX HOLDINGS PTY LTD;</b> 26-05E, Led light, 30 Jun 2014	<b>13185/2014</b>	<b>Riverslea Holdings Pty Ltd;</b> 25-01K, Extrusion, 28 Jun 2014	<b>13158/2014</b>
<b>Quality Plastics &amp; Tooling Pty Ltd;</b> 09-03L, Food packaging container, 04 Jul 2014	<b>13261/2014</b>	<b>Riverslea Holdings Pty Ltd;</b> 25-01K, Extrusion, 28 Jun 2014	<b>13159/2014</b>
<b>Quality Plastics &amp; Tooling Pty Ltd;</b> 09-03L, Food packaging container, 04 Jul 2014	<b>13262/2014</b>	<b>Rolex SA;</b> 10-07, Watch case, (CH, 20 Dec 2013) 20 Jun 2014	<b>13024/2014</b>
<b>R.V. Electronics Pty Ltd;</b> 12-16M, Flanged brake drum cover, 03 Jul 2014	<b>13255/2014</b>	<b>Rolex SA;</b> 10-02, Wristwatch, (CH, 20 Dec 2013) 20 Jun 2014	<b>13055/2014</b>
<b>R.V. Electronics Pty Ltd;</b> 12-16M, Brake drum cover, 03 Jul 2014	<b>13254/2014</b>	<b>Rolex SA;</b> 10-07, Watch dial, (CH, 20 Dec 2013) 20 Jun 2014	<b>13028/2014</b>
<b>Razer (Asia-Pacific) Pte Ltd;</b> 10-07, A wristband, (US, 27 May 2014) 02 Jul 2014	<b>13221/2014</b>	<b>Rolex SA;</b> 10-07, Watch dial, (CH, 20 Dec 2013) 20 Jun 2014	<b>13029/2014</b>
<b>Razer (Asia-Pacific) Pte Ltd;</b> 11-01C, A wristband, (US, 27 May 2014) 02 Jul 2014	<b>13225/2014</b>	<b>Rolex SA;</b> 10-02, Wristwatch, (CH, 20 Dec 2013) 20 Jun 2014	<b>13056/2014</b>
<b>Redarc Technologies Pty Ltd;</b> 13-03NES, Housing for switch, 30 Jun 2014	<b>13174/2014</b>	<b>Rolex SA;</b> 10-07, Hand assembly, (CH, 20 Dec 2013) 20 Jun 2014	<b>13030/2014</b>
<b>ResMed Limited;</b> 24-01, Patient interface and/or components thereof, (Divisional of 12064/2014) 01 Jul 2014	<b>13212/2014</b>	<b>Rolex SA;</b> 10-07, Watch dial, (CH, 20 Dec 2013) 20 Jun 2014	<b>13031/2014</b>
<b>Rhino Buckets &amp; Attachments Pty Ltd;</b> 15-04, Excavator bucket, 03 Jul 2014	<b>13241/2014</b>	<b>Royal Wolf Trading Australia Pty Limited;</b> 25-03, Modular room, 26 Jun 2014	<b>13120/2014</b>
<b>Rhino Rack Australia Pty Limited;</b> 08-07, Conduit pipe locking endcap, 23 Jun 2014	<b>13075/2014</b>	<b>Runway Blue, LLC;</b> 07-01NES, Lid, (US, 19 Jan 2014) 03 Jul 2014	<b>13244/2014</b>
		<b>Schneider Electric (Australia) Pty Ltd;</b> 13-03D, Switch panel, (CH, 27 Dec 2013) 27 Jun 2014	<b>13148/2014</b>

<b>Schneider Electric (Australia) Pty Ltd;</b> 13-03D, Switch panel, (CN, 27 Dec 2013) 27 Jun 2014	<b>13149/2014</b>	<b>Teleflex Life Sciences;</b> 24-01, Medical equipment, (EM, 28 Mar 2014) 26 Jun 2014	<b>13115/2014</b>
<b>Schneider Electric (Australia) Pty Ltd;</b> 13-03E, Switch panel, (CN, 27 Dec 2013) 27 Jun 2014	<b>13150/2014</b>	<b>Teleflex Life Sciences;</b> 24-01, Medical equipment, (EM, 28 Mar 2014) 26 Jun 2014	<b>13111/2014</b>
<b>Schneider Electric (Australia) Pty Ltd;</b> 13-03E, Switch panel, (CN, 27 Dec 2013) 27 Jun 2014	<b>13152/2014</b>	<b>The trustee for IQ KIDS SERVICE TRUST;</b> 06-02, Racing car bed, 26 Jun 2014	<b>13117/2014</b>
<b>Schneider Electric (Australia) Pty Ltd;</b> 13-03E, Switch panel, (CN, 27 Dec 2013) 27 Jun 2014	<b>13153/2014</b>	<b>The trustee for IQ KIDS SERVICE TRUST;</b> 06-02, Racing car bed, 26 Jun 2014	<b>13116/2014</b>
<b>Schneider Electric (Australia) Pty Ltd;</b> 13-03E, Switch panel, (CN, 27 Dec 2013) 27 Jun 2014	<b>13151/2014</b>	<b>The Decor Corporation Pty. Ltd.;</b> 07-02P, 31-00, Popsicle mould/maker, 25 Jun 2014	<b>13104/2014</b>
<b>Severinsen, Brian Rene;</b> 22-03, Blunt arrow head, (US, 27 Dec 2013) 24 Jun 2014	<b>13088/2014</b>	<b>The Trustee for JANTHONY FAMILY TRUST;</b> 07-07A, Glass cooler, 30 Jun 2014	<b>13167/2014</b>
<b>Shenzhen TYPMAR Wind Energy Technology Co.,Ltd.;</b> 13-01, Wind power generator, 03 Jul 2014	<b>13246/2014</b>	<b>The Trustee for Meet Pat Unit Trust;</b> 23-01NES, 20-01, Drinking fountain, water dispenser, 02 Jul 2014	<b>13239/2014</b>
<b>Sherry, John;</b> 06-06NES, 25-02NES, Cafe street screen, 30 Jun 2014	<b>13205/2014</b>	<b>The Trustee for RMN Nutrition Trust;</b> 09-05, Packaging of our health food products (bags), 02 Jul 2014	<b>13227/2014</b>
<b>Smith &amp; Nephew Inc.;</b> 24-04, 03-01NES, Bag, (US, 02 Jun 2014) 20 Jun 2014	<b>13020/2014</b>	<b>The Trustee for SS Co Trust;</b> 02-07A, Buckle, 04 Jun 2014	<b>12752/2014</b>
<b>Steendyk Holdings Pty Ltd;</b> 06-99, Door stop, 29 Jun 2014	<b>13165/2014</b>	<b>The Trustee for Thermaguard Trust;</b> 12-16NES, Vehicle curtain, 27 Jun 2014	<b>13138/2014</b>
<b>Sympafix BV;</b> 08-99, Fastener carrier strip, (EP, 08 Jan 2014) 26 Jun 2014	<b>13125/2014</b>	<b>Tintometer GmbH;</b> 10-04, Measuring Apparatus, (EM, 20 Dec 2013) 20 Jun 2014	<b>13027/2014</b>
<b>T-NET JAPAN Co., Ltd.;</b> 26-04, Light-emitting diodes (led) lighting apparatus, (JP, 30 Dec 2013) 26 Jun 2014	<b>13122/2014</b>	<b>Tintometer GmbH;</b> 10-04, Measuring apparatus, (EM, 20 Dec 2013) 20 Jun 2014	<b>13025/2014</b>
<b>Tainsh, Leonie;</b> 08-08NES, Feed bucket hanger, 25 Jun 2014	<b>13100/2014</b>	<b>Tintometer GmbH;</b> 09-03M, 10-04, Container, (EM, 20 Dec 2013) 20 Jun 2014	<b>13022/2014</b>
<b>Take Two Marketing and Events Pty Ltd;</b> 07-02NES, A baking aid, 27 Jun 2014	<b>13137/2014</b>	<b>Touchtunes Music Corporation;</b> 14-01, Jukebox and portions thereof, (US, 24 Dec 2013) 24 Jun 2014	<b>13089/2014</b>
<b>Take Two Marketing and Events Pty Ltd;</b> 08-05H, A knife sharpener, 27 Jun 2014	<b>13141/2014</b>	<b>Touchtunes Music Corporation;</b> 14-01, Jukebox and portions thereof, (US, 24 Dec 2013) 24 Jun 2014	<b>13091/2014</b>
<b>Tan, Kok Boon;</b> 08-08NES, Fastening or mounting clips for louvre windows, (SG, 13 Jan 2014) 24 Jun 2014	<b>13086/2014</b>	<b>Touchtunes Music Corporation;</b> 14-01, Jukebox and portions thereof, (US, 24 Dec 2013) 24 Jun 2014	<b>13092/2014</b>
<b>Taylor, Simone;</b> 02-03, Shower cap, 04 Jul 2014	<b>13277/2014</b>	<b>Touchtunes Music Corporation;</b> 14-01, Jukebox stand with optional jukebox, (US, 25 Mar 2014) 24 Jun 2014	<b>13093/2014</b>
<b>Taylor, D L;Preston, T J;</b> 06-01E, Stool, 25 Jun 2014	<b>13102/2014</b>	<b>Touchtunes Music Corporation;</b> 14-01, Jukebox stand with optional jukebox, (US, 25 Mar 2014) 24 Jun 2014	<b>13087/2014</b>
<b>Telebrands Corp.;</b> 28-03B, A hair curling apparatus, (US, 24 Jun 2014) 26 Jun 2014	<b>13134/2014</b>	<b>Trio Brothers Trading Pty Ltd;</b> 27-02, Glass tobacco pipe, 01 Jul 2014	<b>13217/2014</b>
		<b>Trio Brothers Trading Pty Ltd;</b> 27-99, Cigarette lighter case, 01 Jul 2014	<b>13218/2014</b>

<b>THE PEAK GROUP PTY LIMITED;</b> 08-99, Cable spool, 28 Jun 2014	<b>13164/2014</b>	<b>Zoetis LLC;</b> 24-01, A fluid transfer device, (US, 06 Jan 2014) 20 Jun 2014	<b>13061/2014</b>
<b>TRIO BROTHERS TRADING PTY LTD;</b> 09-03M, Safe box, 30 Jun 2014	<b>13196/2014</b>	<b>Zoutenbier, Shauna;</b> 02-02NES, Shirt, 25 Jun 2014	<b>13108/2014</b>
<b>TRIO BROTHERS TRADING PTY LTD;</b> 27-05, Lighter case, 30 Jun 2014	<b>13197/2014</b>	<b>Zoutenbier, Shauna;</b> 02-02NES, Shirt, 25 Jun 2014	<b>13106/2014</b>
<b>UR1 International Pty Ltd;</b> 20-02E, Photos, memos, art, 27 Jun 2014	<b>13135/2014</b>	<b>Zoutenbier, Shauna;</b> 02-02NES, Shirt, 25 Jun 2014	<b>13107/2014</b>
<b>Vectura Delivery Devices Limited;</b> 24-04, Inhaler, (EM, 19 May 2014) 20 Jun 2014	<b>13037/2014</b>	<b>Zweibruder Optoelectronics GmbH &amp; Co. KG;</b> 26-04, Light emitting device, (US, 08 Jan 2014) 02 Jul 2014	<b>13231/2014</b>
<b>Vectura Delivery Devices Limited;</b> 24-04, Inhaler, (EM, 19 May 2014) 20 Jun 2014	<b>13038/2014</b>	<b>3M Innovative Properties Company;</b> 24-04, Earplug, (US, 17 Feb 2014) 30 Jun 2014	<b>13190/2014</b>
<b>Vuly Property Pty Ltd;</b> 21-02F, Trampoline, 30 May 2014	<b>12672/2014</b>	<b>3M Innovative Properties Company;</b> 21-01NES, Balloon holder, (US, 10 Dec 2013) 04 Jun 2014	<b>12751/2014</b>
<b>VAN DIEMEN LUXURY CRAFT PTY. LTD.;</b> 12-06A, Boat hull, 25 Jun 2014	<b>13109/2014</b>	<b>3M Innovative Properties Company;</b> 24-99, Hearing device retainer, (US, 17 Feb 2014) 30 Jun 2014	<b>13193/2014</b>
<b>Watkins, Stephen Michael;</b> 12-01, Sulky, 04 Jun 2014	<b>12753/2014</b>	<b>3M Innovative Properties Company;</b> 24-99, Hearing device retainer having a rounded end, (US, 17 Feb 2014) 30 Jun 2014	<b>13194/2014</b>
<b>Xorro Pty Ltd;</b> 25-03, 09-09, A bin surround, 23 Jun 2014	<b>13081/2014</b>	<b>4 Signs Pty Ltd;</b> 25-01K, Extrusion, 23 May 2014	<b>12526/2014</b>
<b>Xorro Pty Ltd;</b> 25-03, 09-09, A bin surround, 23 Jun 2014	<b>13080/2014</b>		
<b>Zhu, Alan Qing-Lin;</b> 08-08K, Fence clip, (CN, 30 Dec 2013) 30 Jun 2014	<b>13175/2014</b>		

**Applications Withdrawn**

11910 / 2014 (14-02)

**Extension of Period of Registration of Designs**

324437	325323	325512
326431	326624	326800
326836	326867	326883
326886	326887	326896
326897	326898	326899
326900	326901	326902
326923	326931	326939
326964	326965	326984
326985	326987	326988
326989	326990	326991
327025	327054	327055
327056	327057	327145
327146	327147	327148
327150	327163	327218
327219	327230	327231
327232	327233	327234
327294	327310	327313
327314	327316	327317
327318	327319	327322
327323	327324	327329
327330	327331	327332
327333	327334	327335
327336	327337	327344
327348	327349	327350
327351	327370	327371
327418	327419	327481
327490	327499	327518
327561	327572	327574
327575	327576	327578
327645	327646	327647
327671	327672	327673
327683	327698	327699
327701	327702	327717
327769	327777	327802
327818	327824	327894
328119	328120	328121
328122	328123	328774
328803	328804	329531
329532		

**Registrations Ceased**

300009	300010	300011
300150	300151	300156
300157	300158	300159
300160	300215	300231
300232	300233	300234
300235	300236	300237
300238	300239	300240
300245	300291	300332
300333	300351	300372
300391	300412	300413
300482	300781	301751
301752	303351	324215
324216	324217	324223
324224	324225	324226
324254	324263	324264
324265	324266	324267
324268	324269	324270
324271	324305	324306
324307	324308	324310
324328	324333	324338
324339	324340	324341
324344	324346	324347
324348	324368	324376
324377	324378	324379
324382	324383	324384
324385	324386	324393
324394	324401	324405
324406	324407	324408
324409	324452	324453
324454	324455	324456
324461	324463	324464
324466	324467	324583
324715	324716	324727
324754	324755	324779
324801	324877	324878
324905	324906	324917
324918	324919	324920
325037	325130	325356
325532	325539	325544
325620	325885	326646
326745	326746	334594
334595	334596	

**Revocation of Design Registrations**

The following Design Registration(s) have been revoked and are taken never to have been registered:

- 325562 08-05A
- 350969 11-05
- 351650 13-03D

**Extensions of time granted under Section 137**

Applications lodged under section 137 for extension of time have been granted.

- 356331 **Kraft Foods Group Brands LLC**
- 356224 **Flexo Solutions, LLC**
- 356172 **121 Group Management Pty. Ltd.**
- 11334/2014 **SPORTSKNIT PTY LTD**

356225 EUROLUX AUSTRALIA PTY LTD

356197 Neil Stevenson

356214 Audrius Macernis

### Subsequent Owners Registered

(The name in parentheses is that of the subsequent owner)

315752 ( **NIKE Innovate C.V.** ) Nike International, Ltd.  
 315753 ( **NIKE Innovate C.V.** ) Nike International, Ltd.  
 349404 ( **PlanetBox, LLC a limited liability company duly organized under laws of California** ) 3rd Stone Design Inc.  
 341727 ( **PlanetBox, LLC a limited liability company duly organized under laws of California** ) 3rd Stone Design Inc.  
 349513 ( **Prospeross Pty Ltd** ) Christopher Noel Hart  
 349514 ( **Prospeross Pty Ltd** ) Christopher Noel Hart  
 349654 ( **Prospeross Pty Ltd** ) Christopher Noel Hart  
 329116 ( **Fabinbridge Pty Ltd** ) John Jonker  
 329931 ( **Fabinbridge Pty Ltd** ) John Jonker  
 333229 ( **Fabinbridge Pty Ltd** ) John Jonker  
 335078 ( **Fabinbridge Pty Ltd** ) John Jonker  
 343263 ( **Fabinbridge Pty Ltd** ) John Jonker  
 343441 ( **Fabinbridge Pty Ltd** ) John Jonker

### Names Registered - Alterations and Amendments

(The name in parentheses is that of the subsequent applicant)

343378 ( **Westernex Pty Ltd** ) Red Dale Holdings Pty Ltd  
 350499 ( **THE AMES COMPANIES, INC.** ) Ames True Temper Australia Pty Ltd  
 350498 ( **THE AMES COMPANIES, INC.** ) Ames True Temper Australia Pty Ltd  
 350503 ( **THE AMES COMPANIES, INC.** ) Ames True Temper Australia Pty Ltd  
 350504 ( **THE AMES COMPANIES, INC.** ) Ames True Temper Australia Pty Ltd  
 350502 ( **THE AMES COMPANIES, INC.** ) Ames True Temper Australia Pty Ltd  
 303187 ( **Illinois Tool Works Inc.** ) Illinois Tools Works Inc.  
 304792 ( **Illinois Tool Works Inc.** ) Illinois Tools Works Inc.  
 304793 ( **Illinois Tool Works Inc.** ) Illinois Tools Works Inc.  
 304794 ( **Illinois Tool Works Inc.** ) Illinois Tools Works Inc.  
 305537 ( **Illinois Tool Works Inc.** ) Illinois Tools Works Inc.  
 304348 ( **Illinois Tool Works Inc.** ) Illinois Tools Works Inc.  
 355608 ( **Ronald Kleiman** ) Robert Kleiman

**Certificate(s) of Examination**

Examination of the following Design Registration(s) has been completed. Infringement proceedings may now be commenced.

339169	12-06NES	02/07/2014	354795	26-05A	24/06/2014
341722	07-02E	03/07/2014	354797	26-05D	07/07/2014
341723	07-02E	03/07/2014	354798	26-05D	07/07/2014
352357	01-01	24/06/2014	354799	26-05D	07/07/2014
352358	01-01	24/06/2014	354800	26-05D	07/07/2014
352359	01-01	24/06/2014	354820	02-02NES	30/06/2014
352360	01-01	24/06/2014	354822	25-01B	02/07/2014
352367	01-01	23/06/2014	354888	24-02	30/06/2014
352618	08-05NES	27/06/2014	354906	09-01C	07/07/2014
352847	14-02	24/06/2014	354907	09-01C	07/07/2014
353103	14-01	24/06/2014	355021	02-02C	26/06/2014
353417	14-01	24/06/2014	355069	13-03D	07/07/2014
353418	14-01	24/06/2014	355103	02-02C	26/06/2014
353518	14-01	24/06/2014	355104	02-02C	26/06/2014
353634	12-15B	29/06/2014	355131	24-02	30/06/2014
353635	12-15B	29/06/2014	355519	09-01A	26/06/2014
353680	07-01F	04/07/2014	355721	28-03B	30/06/2014
353760	04-02	26/06/2014	355722	28-03B	30/06/2014
353761	04-02	26/06/2014	355723	28-03B	30/06/2014
354037	05-05A	25/06/2014	355723	28-03B	30/06/2014
354038	05-05D	25/06/2014	355723	28-03B	30/06/2014
354039	05-05A	25/06/2014	355936	23-02F	29/06/2014
354076	26-06	15/06/2014	356018	23-02F	29/06/2014
354082	08-06	07/07/2014			
354167	23-04	27/06/2014			
354168	23-04	27/06/2014			
354169	23-04	27/06/2014			
354171	23-04	27/06/2014			
354172	23-04	27/06/2014			
354173	23-04	27/06/2014			
354174	23-04	27/06/2014			
354175	23-04	27/06/2014			
354176	23-04	27/06/2014			
354196	23-04	27/06/2014			
354197	23-04	27/06/2014			
354198	23-04	27/06/2014			
354199	23-04	27/06/2014			
354200	23-04	27/06/2014			
354226	23-04	27/06/2014			
354248	23-04	27/06/2014			
354277	12-16K	26/06/2014			
354332	15-04	26/06/2014			
354334	15-99	26/06/2014			
354395	03-01NES	30/06/2014			
354443	03-01NES	30/06/2014			
354500	05-05B	07/07/2014			
354585	26-05A	24/06/2014			
354625	03-01NES	07/07/2014			
354636	03-01NES	07/07/2014			
354656	23-04	24/06/2014			
354657	23-04	24/06/2014			
354668	21-02C	04/07/2014			
354726	12-16M	07/07/2014			
354759	02-04B	27/06/2014			
354762	03-01NES	30/06/2014			
354767	15-99	07/07/2014			
354768	25-01B	02/07/2014			
354793	26-05A	24/06/2014			
354794	26-05A	24/06/2014			



**Publication and Registration Proceedings**

**Designs Published**

The following Design(s) are now published.

<b>Design Number</b>	<b>International Classification Code (IDC)</b>	<b>Publication Date</b>	<b>Design Number</b>	<b>International Classification Code (IDC)</b>	<b>Publication Date</b>
12677/2014	16-01	29/06/2014	12679/2014	16-01	29/06/2014

**Publication and Registration Proceedings**

**Designs Registered**

This section provides a concordance between design number and registration number of Designs covered in this journal. It also shows the main class and registration date.

This section covers Registration numbers 356098 to 356312 .

The registration number shown below should be used in all future correspondence.

<b>Design Number</b>	<b>Registration Number</b>	<b>International Classification Code (IDC)</b>	<b>Registration Date</b>	<b>Design Number</b>	<b>Registration Number</b>	<b>International Classification Code (IDC)</b>	<b>Registration Date</b>
12027/2013	356163	25-01K	27/06/2014	12283/2014	356116	10-04	24/06/2014
12216/2013	356162	08-08N	27/06/2014	12285/2014	356117	06-03C	24/06/2014
10352/2014	356109	21-01F	24/06/2014	12286/2014	356118	04-02	24/06/2014
11162/2014	356224	06-10	04/07/2014	12287/2014	356119	04-02	24/06/2014
11188/2014	356172	06-01E	01/07/2014	12292/2014	356120	08-05M	24/06/2014
11347/2014	356123	14-02	25/06/2014	12293/2014	356121	08-05M	24/06/2014
11382/2014	356225	08-03	04/07/2014	12308/2014	356207	25-02G	04/07/2014
11446/2014	356197	07-05C	04/07/2014	12309/2014	356208	25-02G	04/07/2014
11480/2014	356149	28-03C	27/06/2014	12310/2014	356209	25-02G	04/07/2014
11640/2014	356302	03-01D	07/07/2014	12311/2014	356210	25-02G	04/07/2014
11652/2014	356214	08-07	04/07/2014	12356/2014	356220	06-07	04/07/2014
11680/2014	356150	13-99	27/06/2014	12378/2014	356131	13-01	25/06/2014
11720/2014	356124	07-05NES	25/06/2014	12391/2014	356211	25-01K	04/07/2014
11723/2014	356125	07-05NES	25/06/2014	12418/2014	356221	03-01B	04/07/2014
11725/2014	356126	07-05NES	25/06/2014	12419/2014	356222	03-01A	04/07/2014
11726/2014	356127	07-05NES	25/06/2014	12424/2014	356227	14-03NES	04/07/2014
11727/2014	356128	07-05NES	25/06/2014	12425/2014	356228	14-03NES	04/07/2014
11728/2014	356129	07-05NES	25/06/2014	12426/2014	356229	14-03NES	04/07/2014
11769/2014	356122	07-02N	25/06/2014	12448/2014	356132	02-02C	26/06/2014
11776/2014	356303	24-02	07/07/2014	12454/2014	356133	02-02C	26/06/2014
11777/2014	356304	24-02	07/07/2014	12467/2014	356212	07-02L	04/07/2014
11795/2014	356173	12-02	01/07/2014	12478/2014	356098	08-01	24/06/2014
11812/2014	356198	09-03M	04/07/2014	12525/2014	356213	25-01G	04/07/2014
11838/2014	356176	06-13B	01/07/2014	12534/2014	356153	09-05	27/06/2014
11865/2014	356177	24-03	01/07/2014	12535/2014	356134	09-05	26/06/2014
11878/2014	356226	02-06	04/07/2014	12536/2014	356135	09-05	26/06/2014
11880/2014	356199	12-16B	04/07/2014	12537/2014	356136	09-05	26/06/2014
11881/2014	356215	12-16NES	04/07/2014	12548/2014	356099	02-06	24/06/2014
11885/2014	356216	26-06	04/07/2014	12573/2014	356100	06-03C	24/06/2014
11907/2014	356305	06-07	07/07/2014	12600/2014	356137	09-05	26/06/2014
11908/2014	356151	12-07	27/06/2014	12602/2014	356223	25-01K	04/07/2014
11909/2014	356152	12-07	27/06/2014	12603/2014	356230	25-02B	04/07/2014
12065/2014	356110	09-07A	24/06/2014	12604/2014	356138	23-04	26/06/2014
12066/2014	356111	09-01NES	24/06/2014	12605/2014	356139	23-04	26/06/2014
12067/2014	356112	09-01NES	24/06/2014	12606/2014	356140	23-04	26/06/2014
12069/2014	356113	09-01NES	24/06/2014	12607/2014	356141	23-04	26/06/2014
12144/2014	356200	09-01C	04/07/2014	12610/2014	356142	07-02D	26/06/2014
12145/2014	356201	09-01C	04/07/2014	12611/2014	356143	07-01NES	26/06/2014
12146/2014	356202	09-01C	04/07/2014	12612/2014	356101	07-01NES	24/06/2014
12147/2014	356203	09-01C	04/07/2014	12617/2014	356144	05-05D	26/06/2014
12169/2014	356204	09-03H	04/07/2014	12618/2014	356145	05-05B	26/06/2014
12173/2014	356114	21-02NES	24/06/2014	12622/2014	356154	08-08A	27/06/2014
12206/2014	356217	15-99	04/07/2014	12623/2014	356102	28-03NES	24/06/2014
12238/2014	356130	25-99	25/06/2014	12625/2014	356188	12-12	01/07/2014
12251/2014	356218	03-01NES	04/07/2014	12626/2014	356189	12-12	01/07/2014
12253/2014	356175	02-02A	01/07/2014	12627/2014	356155	08-08L	27/06/2014
12257/2014	356219	08-03	04/07/2014	12628/2014	356156	08-08L	27/06/2014
12262/2014	356205	02-02A	04/07/2014	12629/2014	356157	08-08L	27/06/2014
12264/2014	356206	02-02A	04/07/2014	12631/2014	356103	12-16K	24/06/2014
12282/2014	356115	10-04	24/06/2014	12632/2014	356190	08-08L	01/07/2014

Publication and Registration Proceedings - Designs Registered cont'd

Design Number	Registration Number	International Classification Code (IDC)	Registration Date	Design Number	Registration Number	International Classification Code (IDC)	Registration Date
12634/2014	356104	24-04	24/06/2014	12757/2014	356253	09-01A	04/07/2014
12635/2014	356158	09-03M	27/06/2014	12758/2014	356254	25-01NES	04/07/2014
12636/2014	356105	24-04	24/06/2014	12761/2014	356255	03-01D	04/07/2014
12637/2014	356159	12-16K	27/06/2014	12766/2014	356256	26-06	04/07/2014
12638/2014	356160	12-16K	27/06/2014	12768/2014	356257	12-02	04/07/2014
12649/2014	356106	21-02F	24/06/2014	12769/2014	356258	14-01	04/07/2014
12651/2014	356191	07-05A	02/07/2014	12772/2014	356259	14-01	04/07/2014
12654/2014	356192	06-04NES	02/07/2014	12773/2014	356260	14-01	04/07/2014
12655/2014	356193	06-04NES	02/07/2014	12775/2014	356261	09-03M	04/07/2014
12656/2014	356194	06-11	02/07/2014	12776/2014	356262	09-03M	04/07/2014
12657/2014	356195	06-04NES	02/07/2014	12777/2014	356263	09-03M	04/07/2014
12659/2014	356231	26-05A	04/07/2014	12778/2014	356264	09-03M	04/07/2014
12660/2014	356107	07-99C	24/06/2014	12779/2014	356265	09-03M	04/07/2014
12661/2014	356108	07-99C	24/06/2014	12780/2014	356266	09-03NES	04/07/2014
12665/2014	356196	23-02A	02/07/2014	12781/2014	356267	09-03H	04/07/2014
12674/2014	356164	03-03	30/06/2014	12782/2014	356268	09-03M	04/07/2014
12675/2014	356165	06-04D	30/06/2014	12783/2014	356269	09-03M	04/07/2014
12676/2014	356166	06-04D	30/06/2014	12784/2014	356270	09-07A	04/07/2014
12682/2014	356167	28-99	30/06/2014	12785/2014	356271	23-04	04/07/2014
12683/2014	356168	28-99	30/06/2014	12786/2014	356272	23-04	04/07/2014
12684/2014	356169	28-99	30/06/2014	12787/2014	356273	23-04	04/07/2014
12685/2014	356170	28-99	30/06/2014	12788/2014	356274	14-02	04/07/2014
12687/2014	356171	07-04	30/06/2014	12789/2014	356275	12-15C	04/07/2014
12688/2014	356178	11-02E	01/07/2014	12790/2014	356146	14-02	26/06/2014
12689/2014	356179	11-02E	01/07/2014	12791/2014	356161	14-02	27/06/2014
12691/2014	356180	23-02A	01/07/2014	12792/2014	356147	14-02	26/06/2014
12697/2014	356181	23-02B	01/07/2014	12797/2014	356276	13-03C	07/07/2014
12699/2014	356182	12-08	01/07/2014	12801/2014	356277	06-01G	07/07/2014
12701/2014	356183	12-05	01/07/2014	12803/2014	356278	06-01G	07/07/2014
12704/2014	356184	23-02B	01/07/2014	12806/2014	356279	08-07	07/07/2014
12705/2014	356185	08-05A	01/07/2014	12815/2014	356280	02-02A	07/07/2014
12711/2014	356186	14-01	01/07/2014	12816/2014	356281	02-02A	07/07/2014
12713/2014	356187	12-15B	01/07/2014	12817/2014	356282	07-06A	07/07/2014
12719/2014	356174	25-03	01/07/2014	12819/2014	356283	12-15B	07/07/2014
12723/2014	356232	09-07B	04/07/2014	12820/2014	356284	14-01	07/07/2014
12725/2014	356233	25-03	04/07/2014	12821/2014	356285	14-01	07/07/2014
12726/2014	356234	25-03	04/07/2014	12822/2014	356286	12-15B	07/07/2014
12727/2014	356235	25-03	04/07/2014	12823/2014	356287	03-01NES	07/07/2014
12728/2014	356236	25-03	04/07/2014	12824/2014	356288	14-01	07/07/2014
12731/2014	356237	25-03	04/07/2014	12825/2014	356289	14-01	07/07/2014
12732/2014	356238	25-03	04/07/2014	12826/2014	356290	14-01	07/07/2014
12733/2014	356239	25-03	04/07/2014	12827/2014	356291	25-01D	07/07/2014
12734/2014	356240	08-99	04/07/2014	12828/2014	356292	25-01D	07/07/2014
12737/2014	356241	25-03	04/07/2014	12829/2014	356293	26-02	07/07/2014
12739/2014	356242	15-04	04/07/2014	12830/2014	356294	26-02	07/07/2014
12740/2014	356243	09-01G	04/07/2014	12831/2014	356295	25-01D	07/07/2014
12741/2014	356244	09-01G	04/07/2014	12834/2014	356296	25-01D	07/07/2014
12742/2014	356245	14-01	04/07/2014	12835/2014	356297	25-01D	07/07/2014
12743/2014	356246	09-01G	04/07/2014	12836/2014	356298	25-01D	07/07/2014
12744/2014	356247	07-02L	04/07/2014	12837/2014	356299	23-02B	07/07/2014
12745/2014	356248	08-07	04/07/2014	12838/2014	356300	23-02B	07/07/2014
12746/2014	356249	09-07A	04/07/2014	12839/2014	356301	24-02	07/07/2014
12753/2014	356250	12-01	04/07/2014	12840/2014	356306	07-02N	07/07/2014
12755/2014	356251	09-01NES	04/07/2014	12841/2014	356307	07-02N	07/07/2014
12756/2014	356252	19-06	04/07/2014	12842/2014	356308	24-02	07/07/2014

Publication and Registration Proceedings - Designs Registered cont'd

Design Number	Registration Number	International Classification Code (IDC)	Registration Date	Design Number	Registration Number	International Classification Code (IDC)	Registration Date
12843/2014	356309	24-02	07/07/2014	13070/2014	356148	06-13A	26/06/2014
12844/2014	356310	23-02B	07/07/2014				
12845/2014	356311	23-02B	07/07/2014				
12846/2014	356312	23-02B	07/07/2014				

**Publication and Registration Proceedings**

**Class Listing of Designs Published or Registered**

The following section shows an International Classification Code listing of the Registered or Published Designs covered in this supplement.

<b>Classification</b>	<b>Registration Number</b>	<b>Design Number</b>	<b>Classification</b>	<b>Registration Number</b>	<b>Design Number</b>
02-02A	356175	12253/2014	07-05NES	356129	11728/2014
02-02A	356205	12262/2014	07-06A	356282	12817/2014
02-02A	356206	12264/2014	07-99C	356107	12660/2014
02-02A	356280	12815/2014	07-99C	356108	12661/2014
02-02A	356281	12816/2014	08-01	356098	12478/2014
02-02C	356132	12448/2014	08-03	356219	12257/2014
02-02C	356133	12454/2014	08-03	356225	11382/2014
02-06	356099	12548/2014	08-05A	356185	12705/2014
02-06	356226	11878/2014	08-05L	356217	12206/2014
03-01A	356222	12419/2014	08-05M	356120	12292/2014
03-01B	356221	12418/2014	08-05M	356121	12293/2014
03-01D	356255	12761/2014	08-07	356214	11652/2014
03-01D	356302	11640/2014	08-07	356248	12745/2014
03-01NES	356218	12251/2014	08-07	356279	12806/2014
03-01NES	356287	12823/2014	08-08A	356154	12622/2014
03-03	356164	12674/2014	08-08H	356240	12734/2014
04-02	356118	12286/2014	08-08L	356155	12627/2014
04-02	356119	12287/2014	08-08L	356156	12628/2014
05-05B	356145	12618/2014	08-08L	356157	12629/2014
05-05D	356144	12617/2014	08-08L	356162	12216/2013
05-05D	356145	12618/2014	08-08L	356190	12632/2014
06-01E	356172	11188/2014	08-08N	356162	12216/2013
06-01G	356277	12801/2014	08-08NES	356109	10352/2014
06-01G	356278	12803/2014	08-99	356240	12734/2014
06-03C	356100	12573/2014	09-01A	356253	12757/2014
06-03C	356117	12285/2014	09-01C	356200	12144/2014
06-04D	356165	12675/2014	09-01C	356201	12145/2014
06-04D	356166	12676/2014	09-01C	356202	12146/2014
06-04NES	356192	12654/2014	09-01C	356203	12147/2014
06-04NES	356193	12655/2014	09-01G	356243	12740/2014
06-04NES	356195	12657/2014	09-01G	356244	12741/2014
06-07	356220	12356/2014	09-01G	356246	12743/2014
06-07	356305	11907/2014	09-01NES	356111	12066/2014
06-10	356224	11162/2014	09-01NES	356112	12067/2014
06-11	356194	12656/2014	09-01NES	356113	12069/2014
06-13A	356148	13070/2014	09-01NES	356251	12755/2014
06-13B	356176	11838/2014	09-03H	356204	12169/2014
07-01NES	356101	12612/2014	09-03H	356267	12781/2014
07-01NES	356143	12611/2014	09-03M	356158	12635/2014
07-02D	356142	12610/2014	09-03M	356198	11812/2014
07-02L	356212	12467/2014	09-03M	356261	12775/2014
07-02L	356247	12744/2014	09-03M	356262	12776/2014
07-02N	356122	11769/2014	09-03M	356263	12777/2014
07-02N	356306	12840/2014	09-03M	356264	12778/2014
07-02N	356307	12841/2014	09-03M	356265	12779/2014
07-04	356171	12687/2014	09-03M	356268	12782/2014
07-05A	356191	12651/2014	09-03M	356269	12783/2014
07-05C	356197	11446/2014	09-03NES	356266	12780/2014
07-05NES	356124	11720/2014	09-05	356134	12535/2014
07-05NES	356125	11723/2014	09-05	356135	12536/2014
07-05NES	356126	11725/2014	09-05	356136	12537/2014
07-05NES	356127	11726/2014	09-05	356137	12600/2014
07-05NES	356128	11727/2014	09-05	356153	12534/2014

Registration Proceedings - Class Listing of Designs Published or Registered cont'd

Classification	Registration Number	Design Number	Classification	Registration Number	Design Number
09-07A	356110	12065/2014	20-02E	356192	12654/2014
09-07A	356249	12746/2014	21-01B	356258	12769/2014
09-07A	356270	12784/2014	21-01B	356259	12772/2014
09-07B	356232	12723/2014	21-01B	356260	12773/2014
10-04	356115	12282/2014	21-01F	356109	10352/2014
10-04	356116	12283/2014	21-01K	356305	11907/2014
10-04	356227	12424/2014	21-02F	356106	12649/2014
10-04	356228	12425/2014	21-02F	356164	12674/2014
10-04	356229	12426/2014	21-02NES	356114	12173/2014
11-02E	356178	12688/2014	23-02A	356180	12691/2014
11-02E	356179	12689/2014	23-02A	356196	12665/2014
12-01	356250	12753/2014	23-02B	356181	12697/2014
12-02	356173	11795/2014	23-02B	356184	12704/2014
12-02	356257	12768/2014	23-02B	356299	12837/2014
12-05	356183	12701/2014	23-02B	356300	12838/2014
12-07	356151	11908/2014	23-02B	356310	12844/2014
12-07	356152	11909/2014	23-02B	356311	12845/2014
12-08	356182	12699/2014	23-02B	356312	12846/2014
12-12	356188	12625/2014	23-04	356138	12604/2014
12-12	356189	12626/2014	23-04	356139	12605/2014
12-15B	356187	12713/2014	23-04	356140	12606/2014
12-15B	356283	12819/2014	23-04	356141	12607/2014
12-15B	356286	12822/2014	23-04	356271	12785/2014
12-15C	356275	12789/2014	23-04	356272	12786/2014
12-16B	356199	11880/2014	23-04	356273	12787/2014
12-16K	356103	12631/2014	24-02	356301	12839/2014
12-16K	356159	12637/2014	24-02	356303	11776/2014
12-16K	356160	12638/2014	24-02	356304	11777/2014
12-16NES	356215	11881/2014	24-02	356308	12842/2014
13-01	356131	12378/2014	24-02	356309	12843/2014
13-03C	356276	12797/2014	24-03	356177	11865/2014
13-99	356150	11680/2014	24-04	356104	12634/2014
14-01	356186	12711/2014	24-04	356105	12636/2014
14-01	356245	12742/2014	25-01D	356291	12827/2014
14-01	356258	12769/2014	25-01D	356292	12828/2014
14-01	356259	12772/2014	25-01D	356295	12831/2014
14-01	356260	12773/2014	25-01D	356296	12834/2014
14-01	356284	12820/2014	25-01D	356297	12835/2014
14-01	356285	12821/2014	25-01D	356298	12836/2014
14-01	356288	12824/2014	25-01G	356213	12525/2014
14-01	356289	12825/2014	25-01K	356163	12027/2013
14-01	356290	12826/2014	25-01K	356211	12391/2014
14-02	356123	11347/2014	25-01K	356223	12602/2014
14-02	356146	12790/2014	25-01NES	356254	12758/2014
14-02	356147	12792/2014	25-02B	356230	12603/2014
14-02	356161	12791/2014	25-02G	356207	12308/2014
14-02	356274	12788/2014	25-02G	356208	12309/2014
14-03NES	356227	12424/2014	25-02G	356209	12310/2014
14-03NES	356228	12425/2014	25-02G	356210	12311/2014
14-03NES	356229	12426/2014	25-03	356174	12719/2014
15-04	356242	12739/2014	25-03	356233	12725/2014
15-99	356217	12206/2014	25-03	356234	12726/2014
15-99	356242	12739/2014	25-03	356235	12727/2014
16-01		12677/2014	25-03	356236	12728/2014
16-01		12679/2014	25-03	356237	12731/2014
19-06	356252	12756/2014	25-03	356238	12732/2014

Registration Proceedings - Class Listing of Designs Published or Registered cont'd

Classification	Registration Number	Design Number	Classification	Registration Number	Design Number
25-03	356239	12733/2014	28-03C	356149	11480/2014
25-03	356241	12737/2014	28-03NES	356102	12623/2014
25-04	356130	12238/2014	28-99	356167	12682/2014
25-99	356130	12238/2014	28-99	356168	12683/2014
26-02	356293	12829/2014	28-99	356169	12684/2014
26-02	356294	12830/2014	28-99	356170	12685/2014
26-05A	356231	12659/2014			
26-06	356216	11885/2014			
26-06	356256	12766/2014			

---

**(12) AUSTRALIAN PUBLISHED DESIGN**

**(19) AU**

---

(21) Design Number: **12677/2014**

(22) Date of Filing Application: **30 May 2014**

(24) Date from which industrial property rights may have effect:

(54) Product in respect of which the design is published: **An infrared camera in the form of cell phone**

(51) International Design Classification: **16-01**

(74) Name(s) of Attorney(s): **Shelston IP**

(71) Name(s) and Address(s) of Applicant(s):

**Guangzhou SAT Infrared Technology Co. Ltd.  
10 Dongjiang Ave. Guangzhou Economic & Technological Development  
District Guangzhou Guangdong China**

(72) Name(s) of Designer(s): **Wu Jiping**

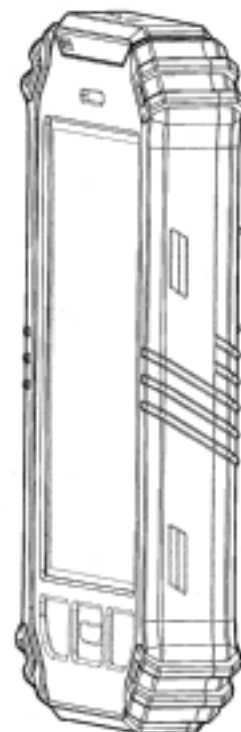
(43) Publication Date: **29 June 2014**

(30) Convention priority data:

(31) Number	(32) Date	(33) Country
<b>201430024580.9</b>	<b>27 Jan 2014</b>	<b>CHINA</b>

(56) Related Art Documents: **Not Applicable**

(57) Statement of Newness and Distinctiveness: **Newness and distinctiveness reside in the features of shape and/or configuration of AN INFRARED CAMERA IN THE FORM OF A CELL PHONE as illustrated in solid lines in the accompanying representations. The features shown in broken lines are illustrative only and do not form part of the design.**



---

**(12) AUSTRALIAN PUBLISHED DESIGN**

**(19) AU**

---

(21) Design Number: **12679/2014**

(22) Date of Filing Application: **30 May 2014**

(24) Date from which industrial property rights may have effect:

(54) Product in respect of which the design is published: **An infrared camera**

(51) International Design Classification: **16-01**

(74) Name(s) of Attorney(s): **Shelston IP**

(71) Name(s) and Address(s) of Applicant(s):

**Guangzhou SAT Infrared Technology Co. Ltd.  
10 Dongjiang Ave. Guangzhou Economic & Technological Development  
District Guangzhou Guangdong China**

(72) Name(s) of Designer(s): **Wu Jiping**

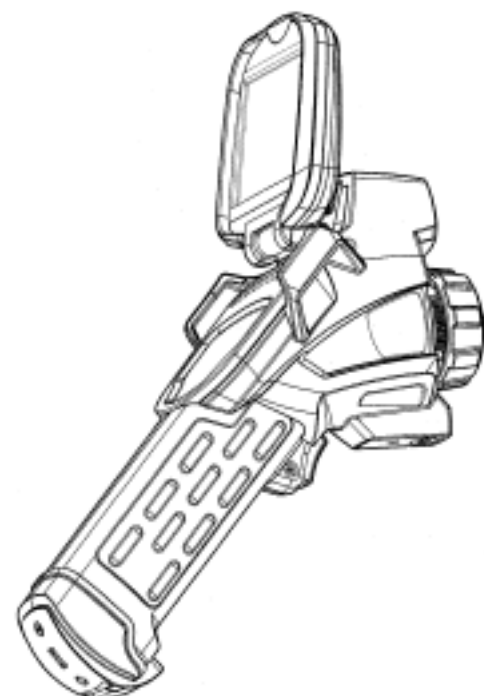
(43) Publication Date: **29 June 2014**

(30) Convention priority data:

(31) Number	(32) Date	(33) Country
<b>201430024578.1</b>	<b>27 Jan 2014</b>	<b>CHINA</b>

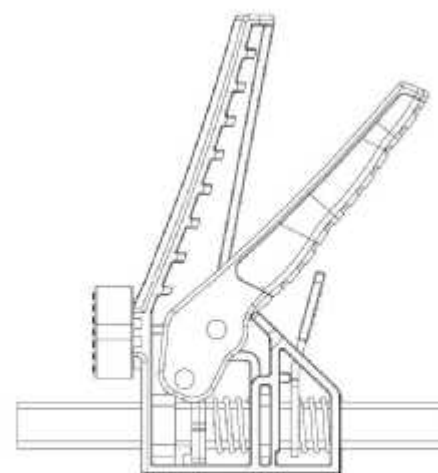
(56) Related Art Documents: **Not Applicable**

(57) Statement of Newness and Distinctiveness: **Newness and distinctiveness reside in the features of shape and/or configuration of AN INFRARED CAMERA as illustrated in solid lines in the accompanying representations. The features shown in broken lines are illustrative only and do not form part of the design.**





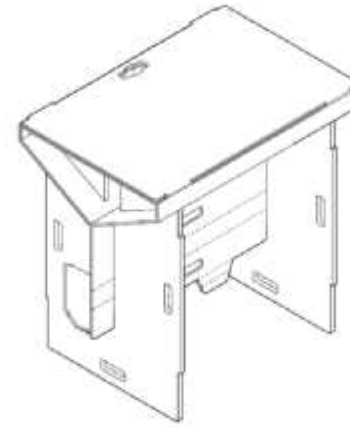
- (21) Design Number: **12478/2014**  
(22) Date of Filing Application: **20 May 2014**  
(24) Date from which industrial property rights may have effect: **20 May 2014**  
(54) Product in respect of which the design is registered: **Handle for a drilling jig**  
(51) International Design Classification: **08-01**  
(74) Name(s) of Attorney(s): **Griffith Hack**  
(71) Name(s) and Address(s) of Applicant(s):  
**Brand Developers Ltd**  
**519-521 Lake Road Takapuna Auckland 0622 New Zealand**  
(72) Name(s) of Designer(s): **James Fisher**  
(45) Registration Date: **24 June 2014**  
(56) Related Art Documents: **Not Applicable**  
(57) Statement of Newness and Distinctiveness: **Newness and distinctiveness resides in the visual features, including shape, configuration and pattern, of a handle for a drilling jig as shown in the accompanying drawings. Figures 1 and 2 show the handle in an open configuration. Figures 4 to 6 show the handle in a closed configuration.**



- (21) Design Number: **12548/2014**  
(22) Date of Filing Application: **26 May 2014**  
(24) Date from which industrial property rights may have effect: **13 December 2013**  
(54) Product in respect of which the design is registered: **Glove**  
(51) International Design Classification: **02-06**  
(74) Name(s) of Attorney(s): **PHILLIPS ORMONDE FITZPATRICK**  
(71) Name(s) and Address(s) of Applicant(s):  
**John Joseph Furlong**  
**Waterford Park Thonglor Soi 5 Bangkok Thailand**  
(72) Name(s) of Designer(s): **John Joseph Furlong**  
(45) Registration Date: **24 June 2014**  
(62) Divisional of: **355791**  
(56) Related Art Documents: **Not Applicable**  
(57) Statement of Newness and Distinctiveness: **Newness and distinctiveness resides in the shape and/or configuration and/or ornamentation of the fish-scaled textured pattern on the inner and outer surfaces of the glove. The features shown in broken lines are not part of the design and are to be disregarded when considering the overall impression of the design.**



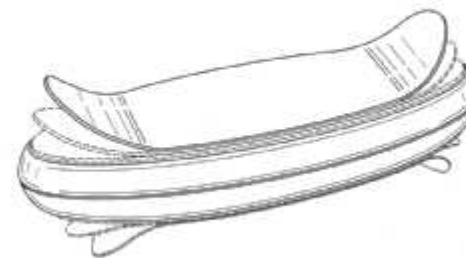
- (21) Design Number: **12573/2014**  
(22) Date of Filing Application: **27 May 2014**  
(24) Date from which industrial property rights may have effect: **27 May 2014**  
(54) Product in respect of which the design is registered: **A convertible desk**  
(51) International Design Classification: **06-03C**  
(74) Name(s) of Attorney(s): **Catalyst Intellectual Property**  
(71) Name(s) and Address(s) of Applicant(s):  
**REFOLD LIMITED**  
**Level 2, 276 Cuba Street Te Aro Wellington 6011 New Zealand**  
(72) Name(s) of Designer(s): **Fraser Ian Scott Callaway and Oliver James Ward**  
(45) Registration Date: **24 June 2014**  
(56) Related Art Documents: **Not Applicable**  
(57) Statement of Newness and Distinctiveness: **The newness and distinctiveness of the design resides in its shape and/or configuration, as shown in the accompanying drawings.**



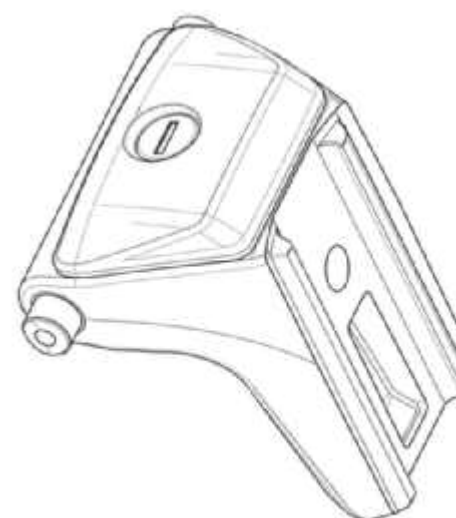
- (21) Design Number: **12612/2014**  
(22) Date of Filing Application: **28 May 2014**  
(24) Date from which industrial property rights may have effect: **28 May 2014**  
(54) Product in respect of which the design is registered: **An attachment for a container**  
(51) International Design Classification: **07-01NES**  
(74) Name(s) of Attorney(s): **SPRUSON & FERGUSON**  
(71) Name(s) and Address(s) of Applicant(s):  
**Susan Lay**  
**61 The Esplanade Mosman NSW 2088 Australia**  
(72) Name(s) of Designer(s): **Susan Lay**  
(45) Registration Date: **24 June 2014**  
(56) Related Art Documents: **Not Applicable**  
(57) Statement of Newness and Distinctiveness: **Newness and distinctiveness is claimed in the features of shape and/or configuration of an attachment for a container as illustrated in the accompanying representations.**



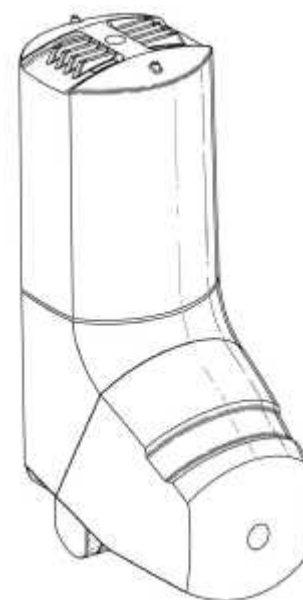
- (21) Design Number: **12623/2014**  
(22) Date of Filing Application: **28 May 2014**  
(24) Date from which industrial property rights may have effect: **28 May 2014**  
(54) Product in respect of which the design is registered: **Peelable nail file**  
(51) International Design Classification: **28-03NES**  
(74) Name(s) of Attorney(s): **PHILLIPS ORMONDE FITZPATRICK**  
(71) Name(s) and Address(s) of Applicant(s):  
**Revlon Consumer Products Corporation**  
**237 Park Avenue New York New York 10017 United States of America**  
(72) Name(s) of Designer(s): **Adriana Kliegman and Hussain Qurashi and Krystyne M Biser and Antonette Bivona**  
(45) Registration Date: **24 June 2014**  
(30) Convention priority data:  
(31) Number (32) Date (33) Country  
**29/491,475 21 May 2014 UNITED STATES OF AMERICA**  
(56) Related Art Documents: **Not Applicable**  
(57) Statement of Newness and Distinctiveness: **Those features of the peelable nail file depicted in the representations that are new and distinctive are the shape and/or configuration. The features shown in broken lines represent the boundary of an additional peelable nail file layer for illustrative purposes only and are not part of the design and are to be disregarded when considering the overall impression of the design.**



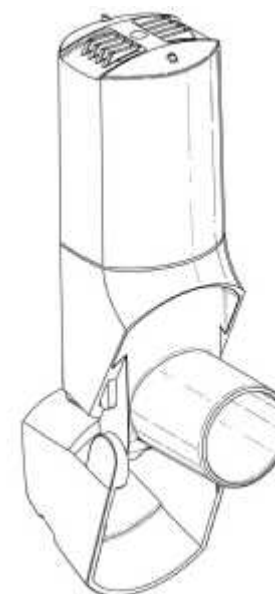
- (21) Design Number: **12631/2014**  
(22) Date of Filing Application: **29 May 2014**  
(24) Date from which industrial property rights may have effect: **29 May 2014**  
(54) Product in respect of which the design is registered: **Roof rack track leg**  
(51) International Design Classification: **12-16K**  
(74) Name(s) of Attorney(s): **HODGKINSON McINNES PATENTS**  
(71) Name(s) and Address(s) of Applicant(s):  
**Rhino Rack Australia Pty Limited**  
**3 Pike St Rydalmere NSW 2116 Australia**  
(72) Name(s) of Designer(s): **Richard Oswald Cropley and Michael John Laybourne Hort and Christopher John Murty**  
(45) Registration Date: **24 June 2014**  
(56) Related Art Documents: **Not Applicable**  
(57) Statement of Newness and Distinctiveness: **Newness and distinctiveness is claimed in the shape and configuration of a Roof Rack Track Leg as shown in the representations.**



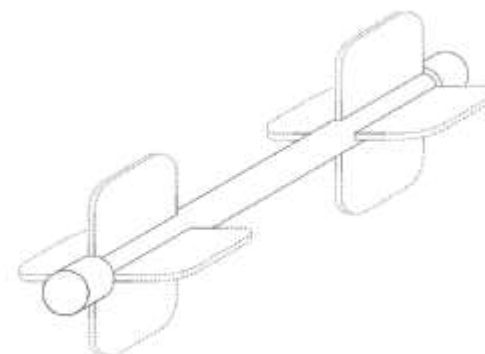
(21) Design Number: **12634/2014**  
(22) Date of Filing Application: **29 May 2014**  
(24) Date from which industrial property rights may have effect: **29 May 2014**  
(54) Product in respect of which the design is registered: **Respiratory apparatus**  
(51) International Design Classification: **24-04**  
(74) Name(s) of Attorney(s): **Griffith Hack**  
(71) Name(s) and Address(s) of Applicant(s):  
**Norton (Waterford) Limited**  
**Unit 301 IDA INDUSTRIAL PARK CORK ROAD WATERFORD Ireland**  
(72) Name(s) of Designer(s): **Declan Walsh**  
(45) Registration Date: **24 June 2014**  
(30) Convention priority data:  
(31) Number (32) Date (33) Country  
**002354530 29 Nov 2013 OFFICE FOR HARMONISATION IN**  
**THE INTERNAL MARKET (OHIM)**  
(56) Related Art Documents: **Not Applicable**  
(57) Statement of Newness and Distinctiveness: **Newness and distinctiveness**  
**resides in the visual features, including shape and configuration of the**  
**product as shown in the accompanying drawings.**



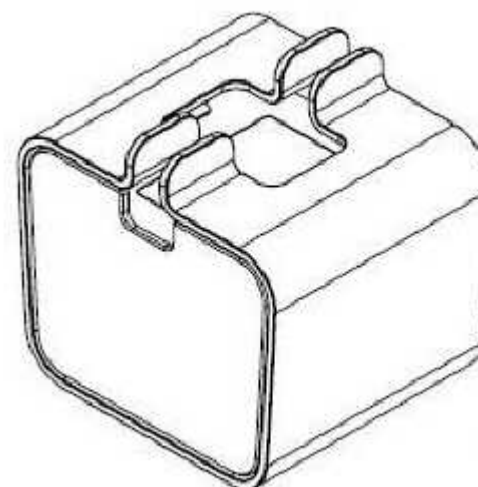
(21) Design Number: **12636/2014**  
(22) Date of Filing Application: **29 May 2014**  
(24) Date from which industrial property rights may have effect: **29 May 2014**  
(54) Product in respect of which the design is registered: **Respiratory apparatus**  
(51) International Design Classification: **24-04**  
(74) Name(s) of Attorney(s): **Griffith Hack**  
(71) Name(s) and Address(s) of Applicant(s):  
**Norton (Waterford) Limited**  
**Unit 301 IDA INDUSTRIAL PARK CORK ROAD WATERFORD Ireland**  
(72) Name(s) of Designer(s): **Declan Walsh**  
(45) Registration Date: **24 June 2014**  
(30) Convention priority data:  
(31) Number (32) Date (33) Country  
**002354605 29 Nov 2013 OFFICE FOR HARMONISATION IN**  
**THE INTERNAL MARKET (OHIM)**  
(56) Related Art Documents: **Not Applicable**  
(57) Statement of Newness and Distinctiveness: **Newness and distinctiveness**  
**resides in the visual features, including shape and configuration of the**  
**product as shown in the accompanying drawings.**



- (21) Design Number: **12649/2014**  
(22) Date of Filing Application: **29 May 2014**  
(24) Date from which industrial property rights may have effect: **29 May 2014**  
(54) Product in respect of which the design is registered: **Exercise apparatus**  
(51) International Design Classification: **21-02F**  
(74) Name(s) of Attorney(s): **IP Gateway Patent & Trademark Attorneys Pty Ltd**  
(71) Name(s) and Address(s) of Applicant(s):  
**Glenn Chipperfield**  
**22 Lawnton St Daisy Hill QLD 4127 Australia**  
(72) Name(s) of Designer(s): **Glenn Chipperfield**  
(45) Registration Date: **24 June 2014**  
(56) Related Art Documents: **Not Applicable**  
(57) Statement of Newness and Distinctiveness: **Newness and distinctiveness reside in the visual features of shape and configuration as shown in solid lines in the accompanying representations.**



- (21) Design Number: **12660/2014**  
(22) Date of Filing Application: **30 May 2014**  
(24) Date from which industrial property rights may have effect: **30 May 2014**  
(54) Product in respect of which the design is registered: **Napkin dispenser**  
(51) International Design Classification: **07-99C**  
(74) Name(s) of Attorney(s): **WATERMARK PATENT AND TRADE MARKS ATTORNEYS**  
(71) Name(s) and Address(s) of Applicant(s):  
**SCA Hygiene Products AB**  
**SE-405 03 Goteborg Sweden**  
(72) Name(s) of Designer(s): **Marten Rittfeldt and Viktor Berglin and Jens Andersson and Mariano Vozzi**  
(45) Registration Date: **24 June 2014**  
(30) Convention priority data:  
(31) Number      (32) Date      (33) Country  
**001392252-0003    09 Dec 2013      EUROPEAN PATENT OFFICE (EPO)**  
(56) Related Art Documents: **Not Applicable**  
(57) Statement of Newness and Distinctiveness: **Newness and distinctiveness is claimed in the shape and configuration of the opening of the dispenser as shown in the top, side and perspective views of the representations.**



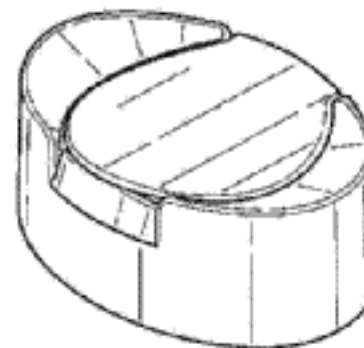
- (21) Design Number: **12661/2014**  
(22) Date of Filing Application: **30 May 2014**  
(24) Date from which industrial property rights may have effect: **30 May 2014**  
(54) Product in respect of which the design is registered: **Napkin dispenser**  
(51) International Design Classification: **07-99C**  
(74) Name(s) of Attorney(s): **WATERMARK PATENT AND TRADE MARKS ATTORNEYS**  
(71) Name(s) and Address(s) of Applicant(s):  
**SCA Hygiene Products AB**  
**SE-405 03 Goteborg Sweden**  
(72) Name(s) of Designer(s): **Marten Rittfeldt and Viktor Berglin and Jens Andersson and Mariano Vozzi**  
(45) Registration Date: **24 June 2014**  
(30) Convention priority data:  
(31) Number (32) Date (33) Country  
**001392252-0004 09 Dec 2013 EUROPEAN PATENT OFFICE (EPO)**  
(56) Related Art Documents: **Not Applicable**  
(57) Statement of Newness and Distinctiveness: **Newness and distinctiveness is claimed in the shape and configuration of the openings of the dispenser in the top, front, back and perspective views of the representations.**



- (21) Design Number: **10352/2014**  
(22) Date of Filing Application: **24 January 2014**  
(24) Date from which industrial property rights may have effect: **24 January 2014**  
(54) Product in respect of which the design is registered: **Joining element for a scooter**  
(51) International Design Classification: **21-01F, 08-08NES**  
(74) Name(s) of Attorney(s): **Collison & Co**  
(71) Name(s) and Address(s) of Applicant(s):  
**Mike Horne**  
**12/35 Garden Rd Clayton VIC 3168 Australia**  
(72) Name(s) of Designer(s): **Mike Horne**  
(45) Registration Date: **24 June 2014**  
(56) Related Art Documents: **Not Applicable**  
(57) Statement of Newness and Distinctiveness: **Newness and distinctiveness resides in the shape and / or configuration of the joining element as shown in the attached representations.**



- (21) Design Number: **12065/2014**  
(22) Date of Filing Application: **30 April 2014**  
(24) Date from which industrial property rights may have effect: **30 April 2014**  
(54) Product in respect of which the design is registered: **Cap**  
(51) International Design Classification: **09-07A**  
(74) Name(s) of Attorney(s): **Davies Collison Cave**  
(71) Name(s) and Address(s) of Applicant(s):  
**Unilever PLC**  
**Unilever House 100 Victoria Embankment London EC4Y 0DY United Kingdom**  
(72) Name(s) of Designer(s): **Alberto Alvarez De Cienfuegos Hernandez and Jose Ignacio Lavernia Company**  
(45) Registration Date: **24 June 2014**  
(30) Convention priority data:  
(31) Number (32) Date (33) Country  
**002342972-0001 11 Nov 2013 OFFICE FOR HARMONISATION IN THE INTERNAL MARKET (OHIM)**  
(56) Related Art Documents: **Not Applicable**  
(57) Statement of Newness and Distinctiveness: **Newness and distinctiveness is claimed in the visual features shown in solid lines in the representations.**



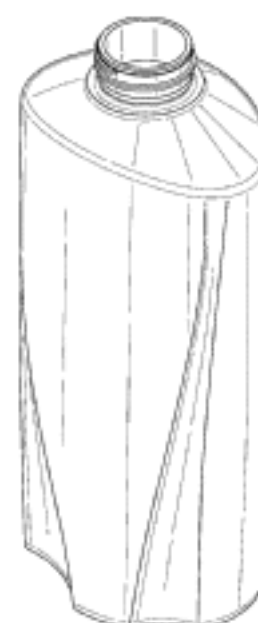
- (21) Design Number: **12066/2014**  
(22) Date of Filing Application: **30 April 2014**  
(24) Date from which industrial property rights may have effect: **30 April 2014**  
(54) Product in respect of which the design is registered: **Container**  
(51) International Design Classification: **09-01NES**  
(74) Name(s) of Attorney(s): **Davies Collison Cave**  
(71) Name(s) and Address(s) of Applicant(s):  
**Unilever PLC**  
**Unilever House 100 Victoria Embankment London EC4Y 0DY United Kingdom**  
(72) Name(s) of Designer(s): **Alberto Alvarez De Cienfuegos Hernandez and Jose Ignacio Lavernia Company**  
(45) Registration Date: **24 June 2014**  
(30) Convention priority data:  
(31) Number (32) Date (33) Country  
**002342931-0001 11 Nov 2013 OFFICE FOR HARMONISATION IN THE INTERNAL MARKET (OHIM)**  
(56) Related Art Documents: **Not Applicable**  
(57) Statement of Newness and Distinctiveness: **Newness and distinctiveness is claimed in the visual features shown in solid lines in the representations.**



- (21) Design Number: **12067/2014**  
(22) Date of Filing Application: **30 April 2014**  
(24) Date from which industrial property rights may have effect: **30 April 2014**  
(54) Product in respect of which the design is registered: **Container**  
(51) International Design Classification: **09-01NES**  
(74) Name(s) of Attorney(s): **Davies Collison Cave**  
(71) Name(s) and Address(s) of Applicant(s):  
**Unilever PLC**  
**Unilever House 100 Victoria Embankment London EC4Y 0DY United Kingdom**  
(72) Name(s) of Designer(s): **Alberto Alvarez De Cienfuegos Hernandez and Jose Ignacio Lavernia Company**  
(45) Registration Date: **24 June 2014**  
(30) Convention priority data:  
(31) Number (32) Date (33) Country  
**002342998-0001 11 Nov 2013 OFFICE FOR HARMONISATION IN THE INTERNAL MARKET (OHIM)**  
(56) Related Art Documents: **Not Applicable**  
(57) Statement of Newness and Distinctiveness: **Newness and distinctiveness is claimed in the visual features shown in solid lines in the representations.**



- (21) Design Number: **12069/2014**  
(22) Date of Filing Application: **30 April 2014**  
(24) Date from which industrial property rights may have effect: **30 April 2014**  
(54) Product in respect of which the design is registered: **Container**  
(51) International Design Classification: **09-01NES**  
(74) Name(s) of Attorney(s): **Davies Collison Cave**  
(71) Name(s) and Address(s) of Applicant(s):  
**Unilever PLC**  
**Unilever House 100 Victoria Embankment London EC4Y 0DY United Kingdom**  
(72) Name(s) of Designer(s): **Alberto Alvarez De Cienfuegos Hernandez and Jose Ignacio Lavernia Company**  
(45) Registration Date: **24 June 2014**  
(30) Convention priority data:  
(31) Number (32) Date (33) Country  
**002430017-0002 21 Mar 2014 OFFICE FOR HARMONISATION IN THE INTERNAL MARKET (OHIM)**  
(56) Related Art Documents: **Not Applicable**  
(57) Statement of Newness and Distinctiveness: **Newness and distinctiveness is claimed in the visual features shown in solid lines in the representations.**



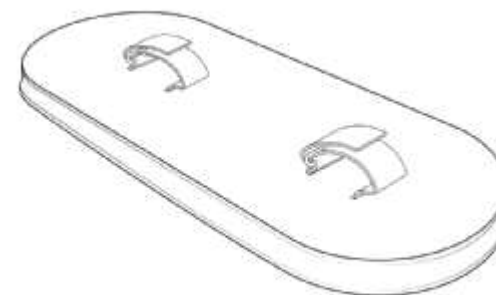


- (21) Design Number: **12173/2014**  
(22) Date of Filing Application: **06 May 2014**  
(24) Date from which industrial property rights may have effect: **06 May 2014**  
(54) Product in respect of which the design is registered: **Board**  
(51) International Design Classification: **21-02NES**  
(74) Name(s) of Attorney(s):  
(71) Name(s) and Address(s) of Applicant(s):

**Mark William Walters**  
**11 Hillside Dr Berkeley Vale NSW 2261 Australia**

**Leasa Therese Walters**  
**11 Hillside Dr Berkeley Vale NSW 2261 Australia**

- (72) Name(s) of Designer(s): **Mark William Walters and Leasa Therese Walters**  
(45) Registration Date: **24 June 2014**  
(56) Related Art Documents: **Not Applicable**  
(57) Statement of Newness and Distinctiveness: **Newness and distinctiveness resides in the overall shape and configuration of the features shown in solid lines in the representations.**



- (21) Design Number: **12282/2014**  
(22) Date of Filing Application: **13 May 2014**  
(24) Date from which industrial property rights may have effect: **13 May 2014**  
(54) Product in respect of which the design is registered: **Metering pumps (housing for)**  
(51) International Design Classification: **10-04**  
(74) Name(s) of Attorney(s): **WATERMARK PATENT AND TRADE MARKS ATTORNEYS**  
(71) Name(s) and Address(s) of Applicant(s):

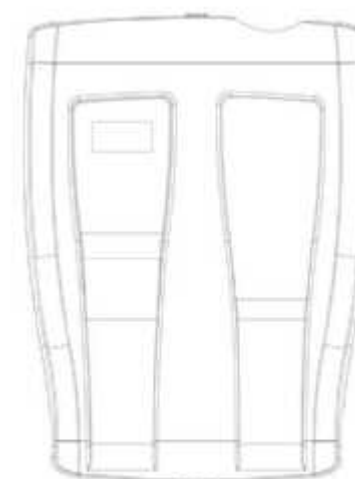
**Dosatron International**  
**Rue Pascal, Tresses Bordeaux 33370 France**

- (72) Name(s) of Designer(s): **Sandrine Lambinet**  
(45) Registration Date: **24 June 2014**

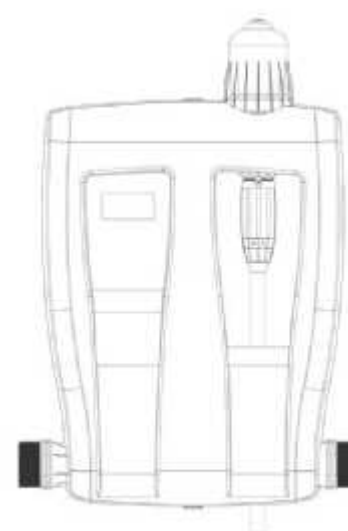
- (30) Convention priority data:

(31) Number	(32) Date	(33) Country
<b>002348839-0001</b>	<b>20 Nov 2013</b>	<b>OFFICE FOR HARMONISATION IN THE INTERNAL MARKET (OHIM)</b>

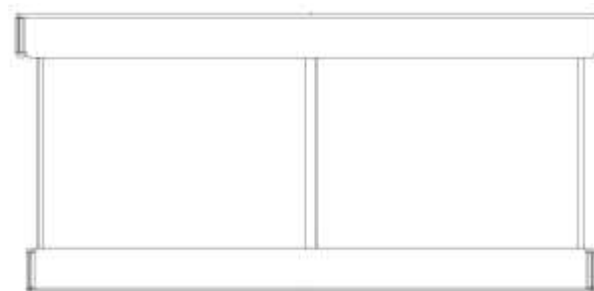
- (56) Related Art Documents: **Not Applicable**  
(57) Statement of Newness and Distinctiveness: **Newness and distinctiveness is claimed in the shape and configuration of the housing of a metering pump as illustrated in the drawings.**



- (21) Design Number: **12283/2014**  
(22) Date of Filing Application: **13 May 2014**  
(24) Date from which industrial property rights may have effect: **13 May 2014**  
(54) Product in respect of which the design is registered: **Metering pumps (housing for)**  
(51) International Design Classification: **10-04**  
(74) Name(s) of Attorney(s): **WATERMARK PATENT AND TRADE MARKS ATTORNEYS**  
(71) Name(s) and Address(s) of Applicant(s):  
**Dosatron International**  
**Rue Pascal, Tresses Bordeaux 33370 France**  
(72) Name(s) of Designer(s): **Sandrine Lambinet**  
(45) Registration Date: **24 June 2014**  
(30) Convention priority data:  
(31) Number (32) Date (33) Country  
**002348839-0002 20 Nov 2013 OFFICE FOR HARMONISATION IN THE INTERNAL MARKET (OHIM)**  
(56) Related Art Documents: **Not Applicable**  
(57) Statement of Newness and Distinctiveness: **Newness and distinctiveness is claimed in the shape and configuration of the housing of a metering pump as illustrated in the drawings.**



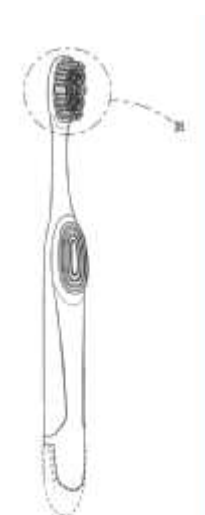
- (21) Design Number: **12285/2014**  
(22) Date of Filing Application: **13 May 2014**  
(24) Date from which industrial property rights may have effect: **13 May 2014**  
(54) Product in respect of which the design is registered: **Desk extension stand**  
(51) International Design Classification: **06-03C**  
(74) Name(s) of Attorney(s):  
(71) Name(s) and Address(s) of Applicant(s):  
**Alice Kathleen Farrell**  
**F6 21 Burch St Mount Albert Auckland 1025 New Zealand**  
(72) Name(s) of Designer(s): **Alice Kathleen Farrell**  
(45) Registration Date: **24 June 2014**  
(30) Convention priority data:  
(31) Number (32) Date (33) Country  
**418324 10 Dec 2013 NEW ZEALAND**  
(56) Related Art Documents: **Not Applicable**  
(57) Statement of Newness and Distinctiveness: **This design is applied to a desk extension stand and the novelty and distinctiveness resides in the features of shape and configuration as shown in the accompanying representations.**



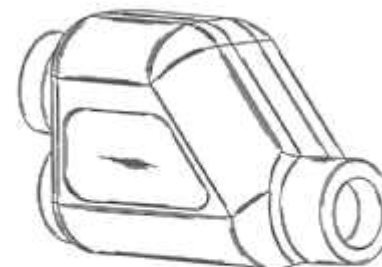
(21) Design Number: **12286/2014**  
(22) Date of Filing Application: **13 May 2014**  
(24) Date from which industrial property rights may have effect: **13 May 2014**  
(54) Product in respect of which the design is registered: **Portion of a toothbrush**  
(51) International Design Classification: **04-02**  
(74) Name(s) of Attorney(s): **FB Rice**  
(71) Name(s) and Address(s) of Applicant(s):  
**Colgate-Palmolive Company**  
**300 Park Avenue New York New York 10022 United States of America**  
(72) Name(s) of Designer(s): **Eduardo Jimenez and Robert Moskovich and**  
**Andreas Wechsler and Achim Storz**  
(45) Registration Date: **24 June 2014**  
(30) Convention priority data:  
(31) Number (32) Date (33) Country  
**29/476700 16 Dec 2013 UNITED STATES OF AMERICA**  
(56) Related Art Documents: **Not Applicable**  
(57) Statement of Newness and Distinctiveness: **Newness and distinctiveness**  
**reside in the features of the design shown in solid lines in the**  
**representations excluding those features shown in broken lines.**



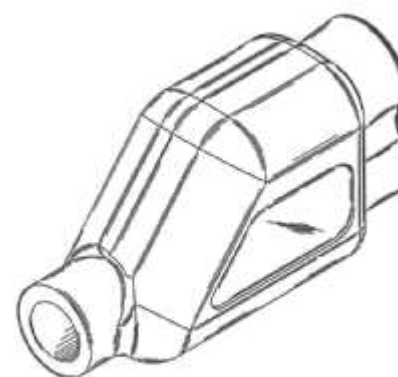
(21) Design Number: **12287/2014**  
(22) Date of Filing Application: **13 May 2014**  
(24) Date from which industrial property rights may have effect: **13 May 2014**  
(54) Product in respect of which the design is registered: **Toothbrush**  
(51) International Design Classification: **04-02**  
(74) Name(s) of Attorney(s): **FB Rice**  
(71) Name(s) and Address(s) of Applicant(s):  
**Colgate-Palmolive Company**  
**300 Park Avenue New York New York 10022 United States of America**  
(72) Name(s) of Designer(s): **Eduardo Jimenez and Robert Moskovich and**  
**Andreas Wechsler and Achim Storz**  
(45) Registration Date: **24 June 2014**  
(30) Convention priority data:  
(31) Number (32) Date (33) Country  
**29/476691 16 Dec 2013 UNITED STATES OF AMERICA**  
(56) Related Art Documents: **Not Applicable**  
(57) Statement of Newness and Distinctiveness: **Newness and distinctiveness**  
**reside in the features of the design shown in solid lines in the**  
**representations excluding those features shown in broken lines.**



- (21) Design Number: **12292/2014**  
(22) Date of Filing Application: **13 May 2014**  
(24) Date from which industrial property rights may have effect: **13 May 2014**  
(54) Product in respect of which the design is registered: **Housing for a carbon arc gouging torch**  
(51) International Design Classification: **08-05M**  
(74) Name(s) of Attorney(s): **FB Rice**  
(71) Name(s) and Address(s) of Applicant(s):  
**Victor Equipment Company**  
**2800 Airport Road Denton Texas 76207 United States of America**  
(72) Name(s) of Designer(s): **Mike Stephens and Glenn K Redding and Jeffrey S Henderson**  
(45) Registration Date: **24 June 2014**  
(30) Convention priority data:  
(31) Number (32) Date (33) Country  
**29/472578 13 Nov 2013 UNITED STATES OF AMERICA**  
(56) Related Art Documents: **Not Applicable**  
(57) Statement of Newness and Distinctiveness: **Newness and distinctiveness reside in the features of shape and configuration of the design as shown in the representations.**



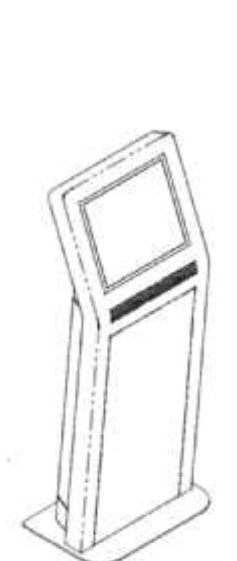
- (21) Design Number: **12293/2014**  
(22) Date of Filing Application: **13 May 2014**  
(24) Date from which industrial property rights may have effect: **13 May 2014**  
(54) Product in respect of which the design is registered: **Extended housing for a carbon arc gouging torch**  
(51) International Design Classification: **08-05M**  
(74) Name(s) of Attorney(s): **FB Rice**  
(71) Name(s) and Address(s) of Applicant(s):  
**Victor Equipment Company**  
**2800 Airport Road Denton Texas 76207 United States of America**  
(72) Name(s) of Designer(s): **Mike Stephens and Glenn K Redding and Jeffrey S Henderson**  
(45) Registration Date: **24 June 2014**  
(30) Convention priority data:  
(31) Number (32) Date (33) Country  
**29/472579 13 Nov 2013 UNITED STATES OF AMERICA**  
(56) Related Art Documents: **Not Applicable**  
(57) Statement of Newness and Distinctiveness: **Newness and distinctiveness reside in the features of shape and configuration of the design as shown in the representations.**



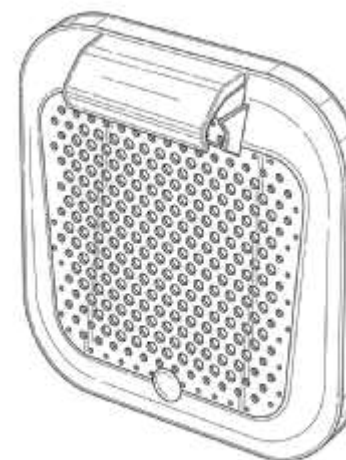
(21) Design Number: **11769/2014**  
(22) Date of Filing Application: **09 April 2014**  
(24) Date from which industrial property rights may have effect: **09 April 2014**  
(54) Product in respect of which the design is registered: **A nested set of pots with lids**  
(51) International Design Classification: **07-02N**  
(74) Name(s) of Attorney(s): **SPRUSON & FERGUSON**  
(71) Name(s) and Address(s) of Applicant(s):  
**TEFAL**  
**15 avenue des Alpes ZAE Rumilly Est BP 89 Rumilly 74150 France**  
(72) Name(s) of Designer(s): **Marcel Verkaik**  
(45) Registration Date: **25 June 2014**  
(30) Convention priority data:  
(31) Number (32) Date (33) Country  
**002323097-0001 09 Oct 2013 OFFICE FOR HARMONISATION IN THE INTERNAL MARKET (OHIM)**  
(56) Related Art Documents: **Not Applicable**  
(57) Statement of Newness and Distinctiveness: **Newness and distinctiveness is claimed in the features of shape and/or configuration of a nested set of pots with lids as illustrated in the accompanying representations.**



(21) Design Number: **11347/2014**  
(22) Date of Filing Application: **21 March 2014**  
(24) Date from which industrial property rights may have effect: **21 March 2014**  
(54) Product in respect of which the design is registered: **Electronic touch screen kiosk**  
(51) International Design Classification: **14-02**  
(74) Name(s) of Attorney(s):  
(71) Name(s) and Address(s) of Applicant(s):  
**H & S Fund Pty Ltd**  
**SE2 G 122-126 Old Pittwater Rd Brookvale NSW 2100 Australia**  
(72) Name(s) of Designer(s): **Stephen Hughes**  
(45) Registration Date: **25 June 2014**  
(56) Related Art Documents: **Not Applicable**  
(57) Statement of Newness and Distinctiveness: **Newness and distinctiveness resides in the appearance of a kiosk terminal and the large interchangeable front panel allowing for easy integration of optional peripherals and accessories. Certain features, namely the keyboard shelf (shown on the front face), the printer outlet (shown on the front face), base plate, and the locks (shown on the rear side) are considered optional features which do not form part of the design.**



(21) Design Number: **11720/2014**  
(22) Date of Filing Application: **07 April 2014**  
(24) Date from which industrial property rights may have effect: **07 April 2014**  
(54) Product in respect of which the design is registered: **Dosage container**  
(51) International Design Classification: **07-05NES**  
(74) Name(s) of Attorney(s): **Shelston IP**  
(71) Name(s) and Address(s) of Applicant(s):  
**Reckitt Benckiser (Brands) Limited**  
**103-105 Bath Road Slough Berkshire SL1 3UH United Kingdom**  
(72) Name(s) of Designer(s): **Taco Dietvorst and Rainer Link**  
(45) Registration Date: **25 June 2014**  
(30) Convention priority data:  
(31) Number (32) Date (33) Country  
**002335901-0001 30 Oct 2013 OFFICE FOR HARMONISATION IN**  
**THE INTERNAL MARKET (OHIM)**  
(56) Related Art Documents: **Not Applicable**  
(57) Statement of Newness and Distinctiveness: **Newness and distinctiveness**  
**resides in the features of shape and configuration of a dosage container**  
**as illustrated in the accompanying representations.**



(21) Design Number: **11723/2014**  
(22) Date of Filing Application: **07 April 2014**  
(24) Date from which industrial property rights may have effect: **07 April 2014**  
(54) Product in respect of which the design is registered: **Dosage container**  
(51) International Design Classification: **07-05NES**  
(74) Name(s) of Attorney(s): **Shelston IP**  
(71) Name(s) and Address(s) of Applicant(s):  
**Reckitt Benckiser (Brands) Limited**  
**103-105 Bath Road Slough Berkshire SL1 3UH United Kingdom**  
(72) Name(s) of Designer(s): **Taco Dietvorst and Rainer Link**  
(45) Registration Date: **25 June 2014**  
(30) Convention priority data:  
(31) Number (32) Date (33) Country  
**002335901-0002 30 Oct 2013 OFFICE FOR HARMONISATION IN**  
**THE INTERNAL MARKET (OHIM)**  
(56) Related Art Documents: **Not Applicable**  
(57) Statement of Newness and Distinctiveness: **Newness and distinctiveness**  
**resides in the features of shape and configuration of a dosage container**  
**as illustrated in the accompanying representations.**



- (21) Design Number: **11725/2014**  
(22) Date of Filing Application: **07 April 2014**  
(24) Date from which industrial property rights may have effect: **07 April 2014**  
(54) Product in respect of which the design is registered: **Dosage container**  
(51) International Design Classification: **07-05NES**  
(74) Name(s) of Attorney(s): **Shelston IP**  
(71) Name(s) and Address(s) of Applicant(s):  
**Reckitt Benckiser (Brands) Limited**  
**103-105 Bath Road Slough Berkshire SL1 3UH United Kingdom**  
(72) Name(s) of Designer(s): **Taco Dietvorst and Rainer Link**  
(45) Registration Date: **25 June 2014**  
(30) Convention priority data:  
(31) Number (32) Date (33) Country  
**002335901-0003 30 Oct 2013 OFFICE FOR HARMONISATION IN**  
**THE INTERNAL MARKET (OHIM)**  
(56) Related Art Documents: **Not Applicable**  
(57) Statement of Newness and Distinctiveness: **Newness and distinctiveness resides in the features of shape and configuration of a dosage container as shown in solid lines in the accompanying representations. The features shown in dashed lines do not form part of the design.**



- (21) Design Number: **11726/2014**  
(22) Date of Filing Application: **07 April 2014**  
(24) Date from which industrial property rights may have effect: **07 April 2014**  
(54) Product in respect of which the design is registered: **Dosage container**  
(51) International Design Classification: **07-05NES**  
(74) Name(s) of Attorney(s): **Shelston IP**  
(71) Name(s) and Address(s) of Applicant(s):  
**Reckitt Benckiser (Brands) Limited**  
**103-105 Bath Road Slough Berkshire SL1 3UH United Kingdom**  
(72) Name(s) of Designer(s): **Taco Dietvorst and Rainer Link**  
(45) Registration Date: **25 June 2014**  
(30) Convention priority data:  
(31) Number (32) Date (33) Country  
**002335901-0004 30 Oct 2013 OFFICE FOR HARMONISATION IN**  
**THE INTERNAL MARKET (OHIM)**  
(56) Related Art Documents: **Not Applicable**  
(57) Statement of Newness and Distinctiveness: **Newness and distinctiveness resides in the features of shape and configuration of a dosage container as shown in solid lines in the accompanying representations. The features shown in dashed lines do not form part of the design.**





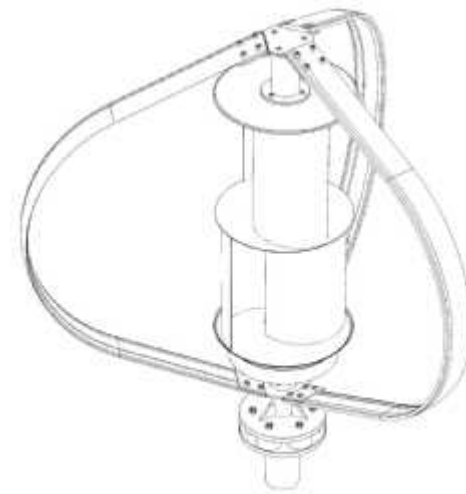




- (21) Design Number: **12238/2014**  
(22) Date of Filing Application: **09 May 2014**  
(24) Date from which industrial property rights may have effect: **09 May 2014**  
(54) Product in respect of which the design is registered: **A foot operated stand for electrical cables**  
(51) International Design Classification: **25-99, 25-04**  
(74) Name(s) of Attorney(s):  
(71) Name(s) and Address(s) of Applicant(s):  
**Fraterclark Pty Ltd**  
**c/- Michael Buck IP PO Box 4361 St Lucia QLD 4067**  
(72) Name(s) of Designer(s): **Steven Edward Clark and Corey Shane Frater**  
(45) Registration Date: **25 June 2014**  
(56) Related Art Documents: **Not Applicable**  
(57) Statement of Newness and Distinctiveness: **The shape and configuration of a foot operated stand for supporting electrical cables as depicted in the drawings, having an upper pole portion of indefinite length L as indicated and without regard to the number and size of the hooks of the cable support hook assembly.**



- (21) Design Number: **12378/2014**  
(22) Date of Filing Application: **15 May 2014**  
(24) Date from which industrial property rights may have effect: **15 May 2014**  
(54) Product in respect of which the design is registered: **Vertical axis wind turbine**  
(51) International Design Classification: **13-01**  
(74) Name(s) of Attorney(s):  
(71) Name(s) and Address(s) of Applicant(s):  
**LUMENAU PTY LTD**  
**17 Parkside Row Preston VIC 3072 Australia**  
(72) Name(s) of Designer(s): **Michael Califano**  
(45) Registration Date: **25 June 2014**  
(56) Related Art Documents: **Not Applicable**  
(57) Statement of Newness and Distinctiveness: **The design is a Vertical Axis Wind Turbine System based on combining a "Darrieus" type of vertical axis wind turbine (ref 3001) with a "Savonius" type of vertical axis wind turbine (ref 3000) as one single wind turbine unit which also incorporates a Magnetically Levitated Axial Flux AC motor (ref 3002) as part of the design of the wind turbine unit itself. The Magnetically Levitated (MagLev) Axial Flux AC motor (ref 3002) is attached directly to the bottom of the Savonius turbine section (ref 3000) and the Darrieus turbine blades (ref 3001) encompass both the Savonius turbine (ref 3000) section and the Magnetically Levitated (MagLev) Axial Flux AC motor (ref 3002) to complete the entire Vertical Wind Turbine System which is then secured to a roof mounting pole (ref 3004) by 6 EPDM Anti-Vibration Rubber Mounts (ref 3003).**



- (21) Design Number: **12448/2014**  
(22) Date of Filing Application: **19 May 2014**  
(24) Date from which industrial property rights may have effect: **03 October 2013**  
(54) Product in respect of which the design is registered: **Article of clothing**  
(51) International Design Classification: **02-02C**  
(74) Name(s) of Attorney(s): **Allens Patent & Trade Mark Attorneys**  
(71) Name(s) and Address(s) of Applicant(s):  
**Forever New Clothing Pty Ltd**  
**714-716 High St Kew East VIC 3102 Australia**  
(72) Name(s) of Designer(s): **Karen Thai**  
(45) Registration Date: **26 June 2014**  
(62) Divisional of: **355784**  
(56) Related Art Documents: **Not Applicable**  
(57) Statement of Newness and Distinctiveness: **Newness and distinctiveness resides in the visual features of shape, configuration, pattern and/or ornamentation of an article of clothing as shown in the accompanying representations.**



- (21) Design Number: **12454/2014**  
(22) Date of Filing Application: **19 May 2014**  
(24) Date from which industrial property rights may have effect: **03 October 2013**  
(54) Product in respect of which the design is registered: **Article of clothing**  
(51) International Design Classification: **02-02C**  
(74) Name(s) of Attorney(s): **Allens Patent & Trade Mark Attorneys**  
(71) Name(s) and Address(s) of Applicant(s):  
**Forever New Clothing Pty Ltd**  
**714-716 High St Kew East VIC 3102 Australia**  
(72) Name(s) of Designer(s): **Karen Thai**  
(45) Registration Date: **26 June 2014**  
(62) Divisional of: **355784**  
(56) Related Art Documents: **Not Applicable**  
(57) Statement of Newness and Distinctiveness: **Newness and distinctiveness resides in the visual features of shape, configuration, pattern and/or ornamentation of an article of clothing as shown in the accompanying representations.**



(21) Design Number: **12535/2014**  
(22) Date of Filing Application: **23 May 2014**  
(24) Date from which industrial property rights may have effect: **23 May 2014**  
(54) Product in respect of which the design is registered: **Packaging container for car floor mats**  
(51) International Design Classification: **09-05**  
(74) Name(s) of Attorney(s): **WATERMARK PATENT AND TRADE MARKS ATTORNEYS**  
(71) Name(s) and Address(s) of Applicant(s):  
**Who-Rae Pty Ltd**  
**L1 185 Bank St South Melbourne VIC 3205 Australia**  
(72) Name(s) of Designer(s): **Giles Matthews and Graeme Marshall and Nathanael Hunt**  
(45) Registration Date: **26 June 2014**  
(30) Convention priority data:  
(31) Number (32) Date (33) Country  
**29/473,968 27 Nov 2013 UNITED STATES OF AMERICA**  
(56) Related Art Documents: **Not Applicable**  
(57) Statement of Newness and Distinctiveness: **Nil**



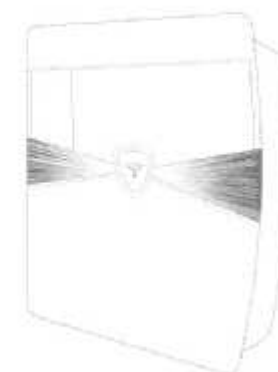
(21) Design Number: **12536/2014**  
(22) Date of Filing Application: **23 May 2014**  
(24) Date from which industrial property rights may have effect: **23 May 2014**  
(54) Product in respect of which the design is registered: **Packaging container for car floor mats**  
(51) International Design Classification: **09-05**  
(74) Name(s) of Attorney(s): **WATERMARK PATENT AND TRADE MARKS ATTORNEYS**  
(71) Name(s) and Address(s) of Applicant(s):  
**Who-Rae Pty Ltd**  
**L1 185 Bank St South Melbourne VIC 3205 Australia**  
(72) Name(s) of Designer(s): **Giles Matthews and Graeme Marshall and Nathanael Hunt**  
(45) Registration Date: **26 June 2014**  
(30) Convention priority data:  
(31) Number (32) Date (33) Country  
**29/473,968 27 Nov 2013 UNITED STATES OF AMERICA**  
(56) Related Art Documents: **Not Applicable**  
(57) Statement of Newness and Distinctiveness: **Nil**



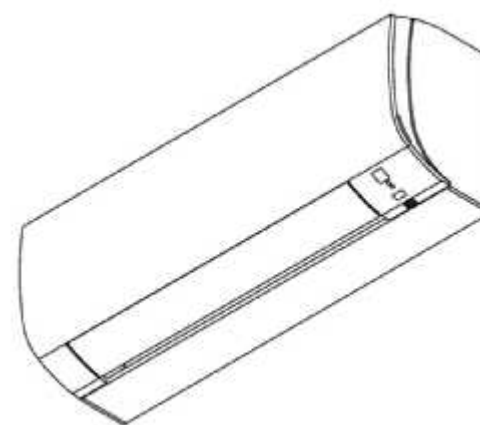
(21) Design Number: **12537/2014**  
(22) Date of Filing Application: **23 May 2014**  
(24) Date from which industrial property rights may have effect: **23 May 2014**  
(54) Product in respect of which the design is registered: **Packaging container for car floor mats**  
(51) International Design Classification: **09-05**  
(74) Name(s) of Attorney(s): **WATERMARK PATENT AND TRADE MARKS ATTORNEYS**  
(71) Name(s) and Address(s) of Applicant(s):  
**Who-Rae Pty Ltd**  
**L1 185 Bank St South Melbourne VIC 3205 Australia**  
(72) Name(s) of Designer(s): **Giles Matthews and Graeme Marshall and Nathanael Hunt**  
(45) Registration Date: **26 June 2014**  
(30) Convention priority data:  
(31) Number (32) Date (33) Country  
**29/473,968 27 Nov 2013 UNITED STATES OF AMERICA**  
(56) Related Art Documents: **Not Applicable**  
(57) Statement of Newness and Distinctiveness: **Nil**



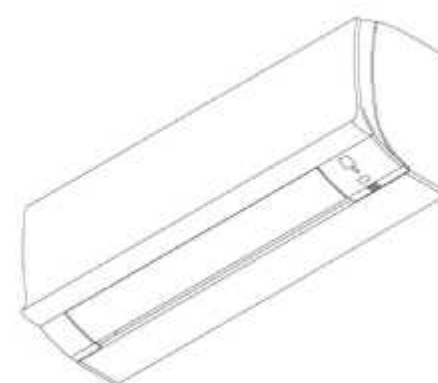
(21) Design Number: **12600/2014**  
(22) Date of Filing Application: **27 May 2014**  
(24) Date from which industrial property rights may have effect: **27 May 2014**  
(54) Product in respect of which the design is registered: **Oral care packaging with surface ornamentation**  
(51) International Design Classification: **09-05**  
(74) Name(s) of Attorney(s): **PHILLIPS ORMONDE FITZPATRICK**  
(71) Name(s) and Address(s) of Applicant(s):  
**The Procter & Gamble Company**  
**One Procter & Gamble Plaza Cincinnati Ohio 45202 United States of America**  
(72) Name(s) of Designer(s): **Geraldine Uribe and Julie Seggerson and Christine Kron and Kristen Burkhardt and Jason Walley**  
(45) Registration Date: **26 June 2014**  
(30) Convention priority data:  
(31) Number (32) Date (33) Country  
**DM/082399 09 Dec 2013 WORLD INTELLECTUAL PROPERTY ORGANIZATION (WIPO)**  
(56) Related Art Documents: **Not Applicable**  
(57) Statement of Newness and Distinctiveness: **Those features of the oral care packaging with surface ornamentation depicted in the representations that are new and distinctive are the pattern and/or ornamentation. The features shown in broken lines are not part of the design and are to be disregarded when considering the overall impression of the design.**



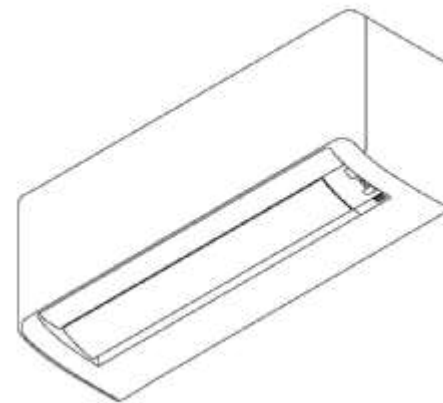
- (21) Design Number: **12604/2014**  
(22) Date of Filing Application: **27 May 2014**  
(24) Date from which industrial property rights may have effect: **27 May 2014**  
(54) Product in respect of which the design is registered: **Air conditioner**  
(51) International Design Classification: **23-04**  
(74) Name(s) of Attorney(s): **Freehills Patent Attorneys**  
(71) Name(s) and Address(s) of Applicant(s):  
**Daikin Industries Ltd.**  
**Umeda Center Building 4-12 Nakazaki-Nishi 2-chome Kita-ku Osaka-shi**  
**Osaka-fu 530-8323 Japan**  
(72) Name(s) of Designer(s): **Yuuichi Murai and Junji Nakamura and Zhang Yunyun**  
(45) Registration Date: **26 June 2014**  
(30) Convention priority data:  
(31) Number (32) Date (33) Country  
**201430024219.6 29 Jan 2014 CHINA**  
(56) Related Art Documents: **Not Applicable**  
(57) Statement of Newness and Distinctiveness: **Newness and distinctiveness of the design resides in the features of shape and configuration of the air conditioner as shown in the accompanying representations.**



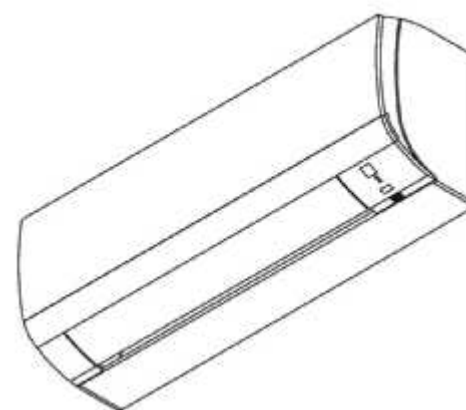
- (21) Design Number: **12605/2014**  
(22) Date of Filing Application: **27 May 2014**  
(24) Date from which industrial property rights may have effect: **27 May 2014**  
(54) Product in respect of which the design is registered: **Air conditioner**  
(51) International Design Classification: **23-04**  
(74) Name(s) of Attorney(s): **Freehills Patent Attorneys**  
(71) Name(s) and Address(s) of Applicant(s):  
**Daikin Industries Ltd.**  
**Umeda Center Building 4-12 Nakazaki-Nishi 2-chome Kita-ku Osaka-shi**  
**Osaka-fu 530-8323 Japan**  
(72) Name(s) of Designer(s): **Junji Nakamura and Zhang Yunyun and Jin Guojie**  
(45) Registration Date: **26 June 2014**  
(30) Convention priority data:  
(31) Number (32) Date (33) Country  
**201430024219.6 29 Jan 2014 CHINA**  
(56) Related Art Documents: **Not Applicable**  
(57) Statement of Newness and Distinctiveness: **Newness and distinctiveness of the design resides in the features of shape and configuration of the air conditioner as shown in the accompanying representations.**



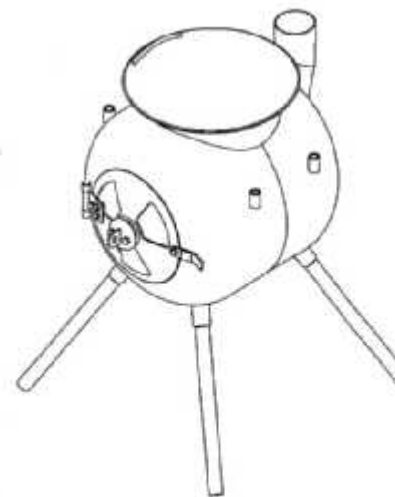
- (21) Design Number: **12606/2014**  
(22) Date of Filing Application: **27 May 2014**  
(24) Date from which industrial property rights may have effect: **27 May 2014**  
(54) Product in respect of which the design is registered: **Air conditioner**  
(51) International Design Classification: **23-04**  
(74) Name(s) of Attorney(s): **Freehills Patent Attorneys**  
(71) Name(s) and Address(s) of Applicant(s):  
**Daikin Industries Ltd.**  
**Umeda Center Building 4-12 Nakazaki-Nishi 2-chome Kita-ku Osaka-shi**  
**Osaka-fu 530-8323 Japan**  
(72) Name(s) of Designer(s): **Jin Guojie**  
(45) Registration Date: **26 June 2014**  
(30) Convention priority data:  
(31) Number (32) Date (33) Country  
**201430024218.1 29 Jan 2014 CHINA**  
(56) Related Art Documents: **Not Applicable**  
(57) Statement of Newness and Distinctiveness: **Newness and distinctiveness of the design resides in the features of shape and configuration of the air conditioner as shown in the accompanying representations.**



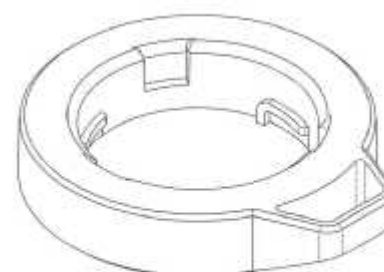
- (21) Design Number: **12607/2014**  
(22) Date of Filing Application: **27 May 2014**  
(24) Date from which industrial property rights may have effect: **27 May 2014**  
(54) Product in respect of which the design is registered: **Air conditioner**  
(51) International Design Classification: **23-04**  
(74) Name(s) of Attorney(s): **Freehills Patent Attorneys**  
(71) Name(s) and Address(s) of Applicant(s):  
**Daikin Industries Ltd.**  
**Umeda Center Building 4-12 Nakazaki-Nishi 2-chome Kita-ku Osaka-shi**  
**Osaka-fu 530-8323 Japan**  
(72) Name(s) of Designer(s): **Yuuichi Murai and Junji Nakamura and Zhang Yunyun**  
(45) Registration Date: **26 June 2014**  
(30) Convention priority data:  
(31) Number (32) Date (33) Country  
**201430024219.6 29 Jan 2014 CHINA**  
(56) Related Art Documents: **Not Applicable**  
(57) Statement of Newness and Distinctiveness: **Newness and distinctiveness of the design resides in the features of shape and configuration of the air conditioner as shown in the accompanying representations.**



- (21) Design Number: **12610/2014**  
(22) Date of Filing Application: **28 May 2014**  
(24) Date from which industrial property rights may have effect: **28 May 2014**  
(54) Product in respect of which the design is registered: **A portable stove**  
(51) International Design Classification: **07-02D**  
(74) Name(s) of Attorney(s): **Ahearn Fox**  
(71) Name(s) and Address(s) of Applicant(s):  
**Karalee Investments Pty Ltd**  
**U4 47 Wisers Rd Maroochydore QLD 4558 Australia**  
(72) Name(s) of Designer(s): **Allan Shepherd**  
(45) Registration Date: **26 June 2014**  
(56) Related Art Documents: **Not Applicable**  
(57) Statement of Newness and Distinctiveness: **Newness and distinctiveness resides in the features of shape and configuration of the stove door that is attached to the front end portion of the stove and the features of shape and configuration of the fitting attached to the rear end portion of the stove for connecting a chimney to the stove as illustrated in the accompanying representations.**



- (21) Design Number: **12611/2014**  
(22) Date of Filing Application: **28 May 2014**  
(24) Date from which industrial property rights may have effect: **28 May 2014**  
(54) Product in respect of which the design is registered: **An attachment for a container**  
(51) International Design Classification: **07-01NES**  
(74) Name(s) of Attorney(s): **SPRUSON & FERGUSON**  
(71) Name(s) and Address(s) of Applicant(s):  
**Susan Lay**  
**61 The Esplanade Mosman NSW 2088 Australia**  
(72) Name(s) of Designer(s): **Susan Lay**  
(45) Registration Date: **26 June 2014**  
(56) Related Art Documents: **Not Applicable**  
(57) Statement of Newness and Distinctiveness: **Newness and distinctiveness is claimed in the features of shape and/or configuration of an attachment for a container as illustrated in the accompanying representations.**

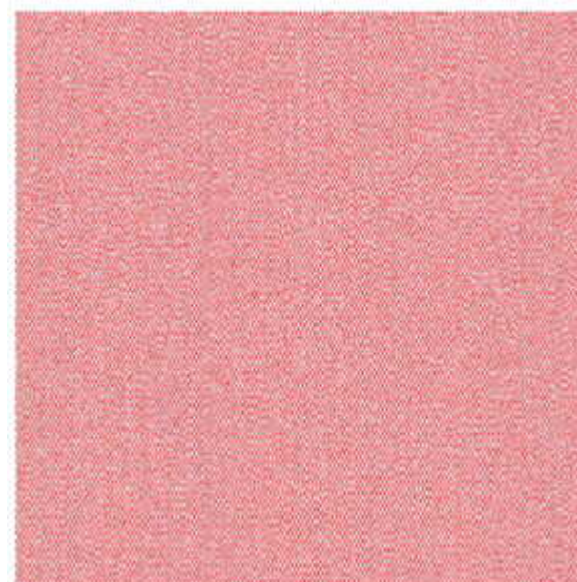




- (21) Design Number: **12617/2014**  
(22) Date of Filing Application: **28 May 2014**  
(24) Date from which industrial property rights may have effect: **28 May 2014**  
(54) Product in respect of which the design is registered: **Textile**  
(51) International Design Classification: **05-05D**  
(74) Name(s) of Attorney(s): **Macpherson + Kelley**  
(71) Name(s) and Address(s) of Applicant(s):  
**Bekaert (Australia) Pty Ltd**  
**195 Abbots Rd Dandenong South VIC 3175 Australia**  
(72) Name(s) of Designer(s): **Jacque Zimmerman**  
(45) Registration Date: **26 June 2014**  
(56) Related Art Documents: **Not Applicable**  
(57) Statement of Newness and Distinctiveness: **Newness and distinctiveness is claimed in the features of pattern and/or ornamentation of a textile as shown in the representations but disclaiming the colours/colour combination shown which are merely illustrative of the design. The textile is of indefinite length and breadth and the pattern and/or ornamentation is represented throughout the entire surface.**

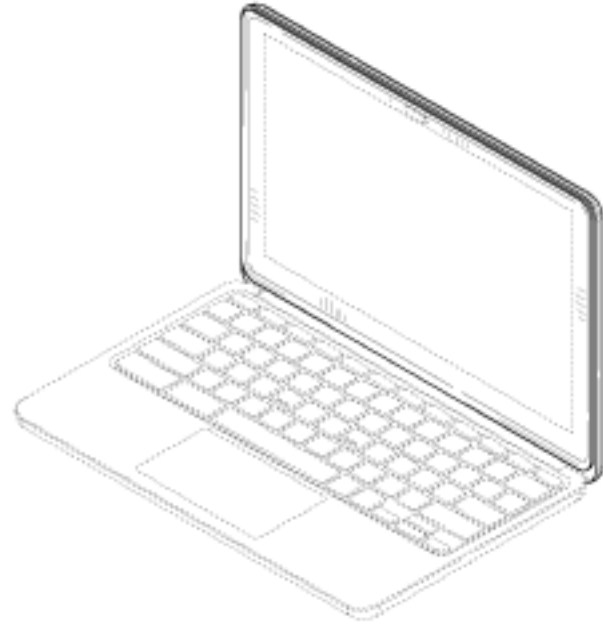


- (21) Design Number: **12618/2014**  
(22) Date of Filing Application: **28 May 2014**  
(24) Date from which industrial property rights may have effect: **28 May 2014**  
(54) Product in respect of which the design is registered: **Textile**  
(51) International Design Classification: **05-05B, 05-05D**  
(74) Name(s) of Attorney(s): **Macpherson + Kelley**  
(71) Name(s) and Address(s) of Applicant(s):  
**Bekaert (Australia) Pty Ltd**  
**195 Abbots Rd Dandenong South VIC 3175 Australia**  
(72) Name(s) of Designer(s): **Jacque Zimmerman**  
(45) Registration Date: **26 June 2014**  
(56) Related Art Documents: **Not Applicable**  
(57) Statement of Newness and Distinctiveness: **Newness and distinctiveness is claimed in the features of pattern and/or ornamentation of a textile as shown in the representations but disclaiming the colours/colour combination shown which are merely illustrative of the design. The textile is of indefinite length and breadth and the pattern and/or ornamentation is represented throughout the entire surface.**

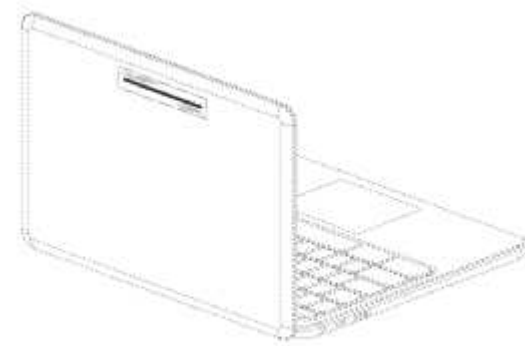




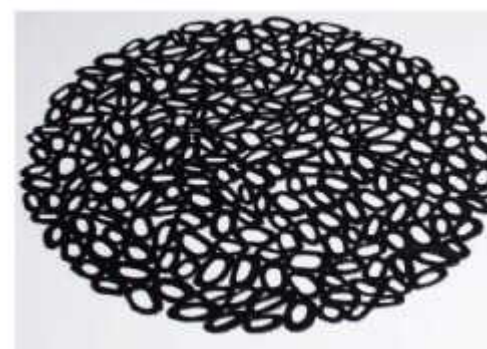
(21) Design Number: **12790/2014**  
(22) Date of Filing Application: **06 June 2014**  
(24) Date from which industrial property rights may have effect: **26 March 2014**  
(54) Product in respect of which the design is registered: **Notebook computer housing**  
(51) International Design Classification: **14-02**  
(74) Name(s) of Attorney(s): **PIZZEYS**  
(71) Name(s) and Address(s) of Applicant(s):  
**Google Inc.**  
**1600 Amphitheatre Parkway Mountain View California 94043 United States of America**  
(72) Name(s) of Designer(s): **Yoshimichi Matsuoka**  
(45) Registration Date: **26 June 2014**  
(62) Divisional of: **355876**  
(56) Related Art Documents: **Not Applicable**  
(57) Statement of Newness and Distinctiveness: **Nil**



(21) Design Number: **12792/2014**  
(22) Date of Filing Application: **06 June 2014**  
(24) Date from which industrial property rights may have effect: **26 March 2014**  
(54) Product in respect of which the design is registered: **Notebook computer housing**  
(51) International Design Classification: **14-02**  
(74) Name(s) of Attorney(s): **PIZZEYS**  
(71) Name(s) and Address(s) of Applicant(s):  
**Google Inc.**  
**1600 Amphitheatre Parkway Mountain View California 94043 United States of America**  
(72) Name(s) of Designer(s): **Yoshimichi Matsuoka**  
(45) Registration Date: **26 June 2014**  
(62) Divisional of: **355876**  
(56) Related Art Documents: **Not Applicable**  
(57) Statement of Newness and Distinctiveness: **Nil**



- (21) Design Number: **13070/2014**  
(22) Date of Filing Application: **23 June 2014**  
(24) Date from which industrial property rights may have effect: **09 April 2014**  
(54) Product in respect of which the design is registered: **Placemat**  
(51) International Design Classification: **06-13A**  
(74) Name(s) of Attorney(s): **Shelston IP**  
(71) Name(s) and Address(s) of Applicant(s):  
**Chilewich Sultan LLC**  
**44 East 32nd Street New York New York 10016 United States of America**  
(72) Name(s) of Designer(s): **Sandra Chilewich**  
(45) Registration Date: **26 June 2014**  
(62) Divisional of: **11766/2014**  
(56) Related Art Documents: **Not Applicable**  
(57) Statement of Newness and Distinctiveness: **Newness and distinctiveness reside in the features of pattern and/or ornamentation of a placemat of substantially indefinite dimensions, as illustrated in the accompanying representations. The specific colour and text illustrated in the representations of the design are exemplary only; the specific colour illustrated being intended to represent any colour.**



- (21) Design Number: **11480/2014**  
(22) Date of Filing Application: **27 March 2014**  
(24) Date from which industrial property rights may have effect: **27 March 2014**  
(54) Product in respect of which the design is registered: **Decorative hair accessory incorporating button top**  
(51) International Design Classification: **28-03C**  
(74) Name(s) of Attorney(s):  
(71) Name(s) and Address(s) of Applicant(s):  
**Easton Corporation Pty Ltd**  
**PO BOX 1002 Hamilton Central QLD 4007 Australia**  
(72) Name(s) of Designer(s): **Sirie Pamos**  
(45) Registration Date: **27 June 2014**  
(56) Related Art Documents: **Not Applicable**  
(57) Statement of Newness and Distinctiveness: **The addition of a decorative button top that twists onto and off the hairpin. The button-type disk is designed to embellish the hairpin and is constructed to fit easily onto and off of the hairpin, thus enabling the wearer to change the look of their hairstyle quickly.**



(21) Design Number: **11680/2014**  
(22) Date of Filing Application: **04 April 2014**  
(24) Date from which industrial property rights may have effect: **04 April 2014**  
(54) Product in respect of which the design is registered: **Portable Solar Unit (PSU)**  
(51) International Design Classification: **13-99**  
(74) Name(s) of Attorney(s):  
(71) Name(s) and Address(s) of Applicant(s):  
**Edward John Kelleher**  
**C/- South East Pumps and Control Pty Ltd PO Box 5418 Alexander Hills**  
**4161**



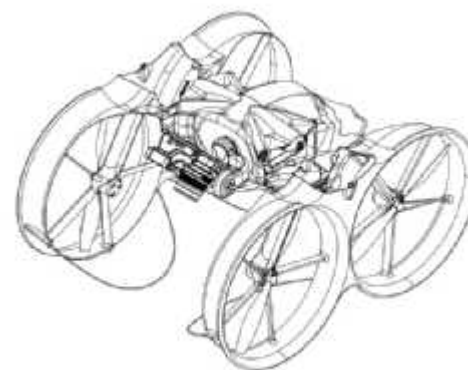
(72) Name(s) of Designer(s): **Edward Kelleher**  
(45) Registration Date: **27 June 2014**  
(56) Related Art Documents: **Not Applicable**  
(57) Statement of Newness and Distinctiveness: **Combination of solar cells, battery storage and timers to produce a portable solar pumping solution. The system is full self contained and can be mounted on water, on a vehicle or land. The system incorporates a timer that is activated when the solar cell starts producing voltage and allows a delayed start of the pump for up to two hours to allow the battery to charge. The pump will then activate and run for up to 6 hours. The unit allows for an optional remote control run on timer to extent the operational time. Unit is designed to minimise installation time, estimated average installation time approximately 1 hour.**

(21) Design Number: **11908/2014**  
(22) Date of Filing Application: **18 April 2014**  
(24) Date from which industrial property rights may have effect: **18 April 2014**  
(54) Product in respect of which the design is registered: **VTOL unmanned aerial vehicle**  
(51) International Design Classification: **12-07**  
(74) Name(s) of Attorney(s):  
(71) Name(s) and Address(s) of Applicant(s):  
**SCI.AERO PTY. LTD.**  
**28 Egina St Mount Hawthorn WA 6016 Australia**

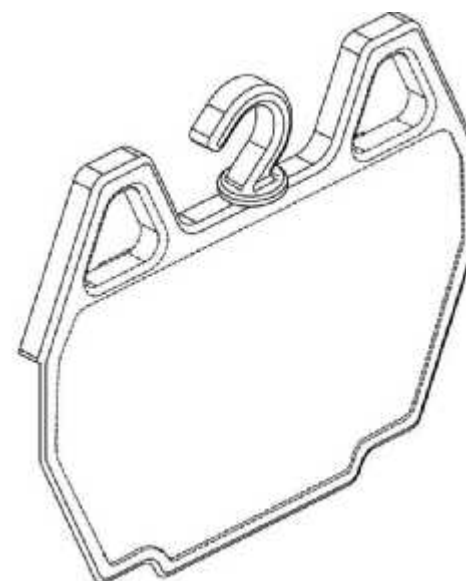


(72) Name(s) of Designer(s): **Joshua Portlock and William Harradine**  
(45) Registration Date: **27 June 2014**  
(56) Related Art Documents: **Not Applicable**  
(57) Statement of Newness and Distinctiveness: **CyberQuad Mega is a highly optimized state-of-the-art vertical take-off and landing ducted quad-rotor unmanned aerial vehicle. Custom engineered to carry high end sensor payloads in an active stabilized brushless gimbal. CyberQuad Mega is especially distinct with its versatile weight distribution, payload isolation and transport folding ability.**

- (21) Design Number: **11909/2014**  
(22) Date of Filing Application: **18 April 2014**  
(24) Date from which industrial property rights may have effect: **18 April 2014**  
(54) Product in respect of which the design is registered: **VTOL unmanned aerial vehicle folded for transport**  
(51) International Design Classification: **12-07**  
(74) Name(s) of Attorney(s):  
(71) Name(s) and Address(s) of Applicant(s):  
**SCI.AERO PTY. LTD.**  
**28 Egina St Mount Hawthorn WA 6016 Australia**  
(72) Name(s) of Designer(s): **Joshua Portlock and William Harradine**  
(45) Registration Date: **27 June 2014**  
(56) Related Art Documents: **Not Applicable**  
(57) Statement of Newness and Distinctiveness: **CyberQuad Mega is a highly optimized state-of-the-art vertical take-off and landing ducted quad-rotor unmanned aerial vehicle. Custom engineered to carry high end sensor payloads in an active stabilized brushless gimbal. CyberQuad Mega is especially distinct with its versatile weight distribution, payload isolation and transport folding ability.**



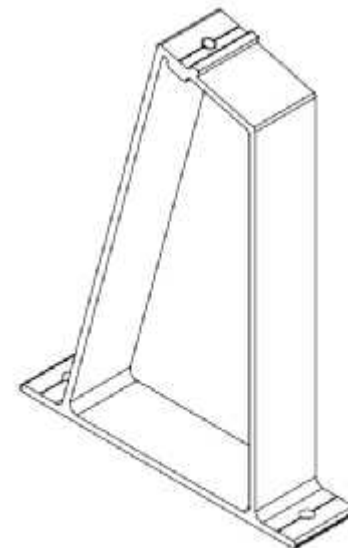
- (21) Design Number: **12534/2014**  
(22) Date of Filing Application: **23 May 2014**  
(24) Date from which industrial property rights may have effect: **23 May 2014**  
(54) Product in respect of which the design is registered: **Packaging container for car floor mats**  
(51) International Design Classification: **09-05**  
(74) Name(s) of Attorney(s): **WATERMARK PATENT AND TRADE MARKS ATTORNEYS**  
(71) Name(s) and Address(s) of Applicant(s):  
**Who-Rae Pty Ltd**  
**L1 185 Bank St South Melbourne VIC 3205 Australia**  
(72) Name(s) of Designer(s): **Giles Matthews and Graeme Marshall and Nathanael Hunt**  
(45) Registration Date: **27 June 2014**  
(30) Convention priority data:  
(31) Number      (32) Date      (33) Country  
**29/473,968      27 Nov 2013      UNITED STATES OF AMERICA**  
(56) Related Art Documents: **Not Applicable**  
(57) Statement of Newness and Distinctiveness: **Nil**



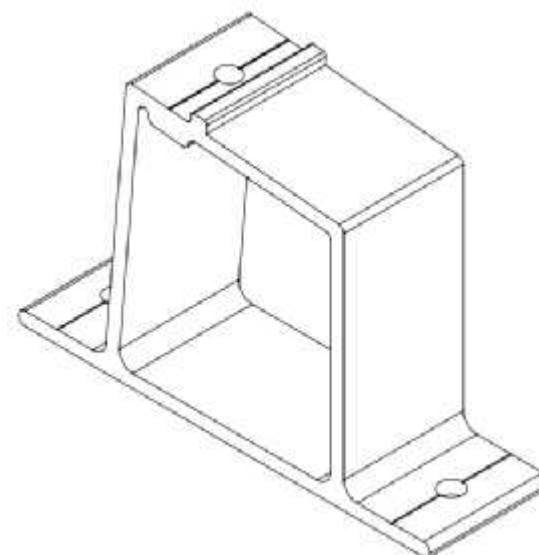
- (21) Design Number: **12622/2014**  
(22) Date of Filing Application: **28 May 2014**  
(24) Date from which industrial property rights may have effect: **28 May 2014**  
(54) Product in respect of which the design is registered: **Double loop connecting deck tile adapter**  
(51) International Design Classification: **08-08A**  
(74) Name(s) of Attorney(s): **IP Service International**  
(71) Name(s) and Address(s) of Applicant(s):  
**Gilbert John Major**  
**8-9 Kelvin Ct Ringwood North VIC 3134 Australia**  
**David Robert Elms**  
**8-9 Kelvin Ct Ringwood North VIC 3134 Australia**  
(72) Name(s) of Designer(s): **David Robert Elms and John Major Gilbert**  
(45) Registration Date: **27 June 2014**  
(56) Related Art Documents: **Not Applicable**  
(57) Statement of Newness and Distinctiveness: **The double loop (figure 8) clip is the innovation that allows one deck tile edge to be compatible with either the pin edge or the loop edge of the deck tile and thus reduces the options from 6 to 3 which makes the understanding/ordering/buying/installation process for both the merchants and the consumer much easier. The figure 8 shape and small barriers inside the loops ensure a strong grip of the pin edges or loop edges of deck tiles and guarantee a strong fixture.**



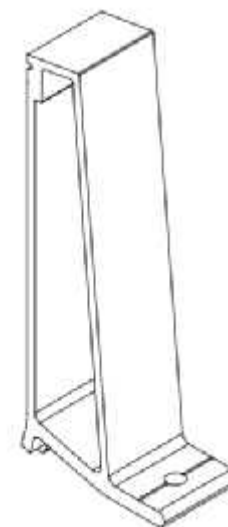
- (21) Design Number: **12627/2014**  
(22) Date of Filing Application: **29 May 2014**  
(24) Date from which industrial property rights may have effect: **26 March 2014**  
(54) Product in respect of which the design is registered: **Commercial bracket**  
(51) International Design Classification: **08-08L**  
(74) Name(s) of Attorney(s):  
(71) Name(s) and Address(s) of Applicant(s):  
**ENERGY MATTERS PTY LTD**  
**PO BOX 5265 South Melbourne VIC 3205 Australia**  
(72) Name(s) of Designer(s): **Jeremy Lawrence**  
(45) Registration Date: **27 June 2014**  
(62) Divisional of: **355793**  
(56) Related Art Documents: **Not Applicable**  
(57) Statement of Newness and Distinctiveness: **The simple design, multi-functional nature and ease of use means that it reduces installation costs and suits a wide range of solar modules. Its strength means that it can be installed in all wind regions in Australia and New Zealand.**



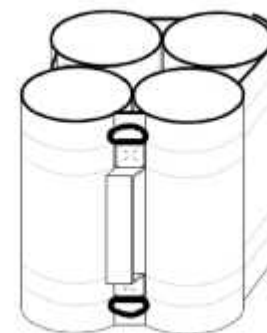
- (21) Design Number: **12628/2014**  
(22) Date of Filing Application: **29 May 2014**  
(24) Date from which industrial property rights may have effect: **26 March 2014**  
(54) Product in respect of which the design is registered: **Commercial bracket**  
(51) International Design Classification: **08-08L**  
(74) Name(s) of Attorney(s):  
(71) Name(s) and Address(s) of Applicant(s):  
**ENERGY MATTERS PTY LTD**  
**PO BOX 5265 South Melbourne VIC 3205 Australia**  
(72) Name(s) of Designer(s): **Jeremy Lawrence**  
(45) Registration Date: **27 June 2014**  
(62) Divisional of: **355792**  
(56) Related Art Documents: **Not Applicable**  
(57) Statement of Newness and Distinctiveness: **The simple design, multi-functional nature and ease of use reduces installation costs and makes it suitable for a wide range of solar modules. Its strength makes it suitable for all wind regions in Australia and New Zealand.**



- (21) Design Number: **12629/2014**  
(22) Date of Filing Application: **29 May 2014**  
(24) Date from which industrial property rights may have effect: **26 March 2014**  
(54) Product in respect of which the design is registered: **Commercial bracket**  
(51) International Design Classification: **08-08L**  
(74) Name(s) of Attorney(s):  
(71) Name(s) and Address(s) of Applicant(s):  
**ENERGY MATTERS PTY LTD**  
**PO BOX 5265 South Melbourne VIC 3205 Australia**  
(72) Name(s) of Designer(s): **Jeremy Lawrence**  
(45) Registration Date: **27 June 2014**  
(62) Divisional of: **11437/2014**  
(56) Related Art Documents: **Not Applicable**  
(57) Statement of Newness and Distinctiveness: **The simple design, multi-functional nature and ease of use reduces installation costs and makes it suitable for a wide range of solar modules. Its strength makes it suitable for all wind regions in Australia and New Zealand.**



(21) Design Number: **12635/2014**  
(22) Date of Filing Application: **29 May 2014**  
(24) Date from which industrial property rights may have effect: **29 May 2014**  
(54) Product in respect of which the design is registered: **Beverage holder**  
(51) International Design Classification: **09-03M**  
(74) Name(s) of Attorney(s): **SPRUSON & FERGUSON**  
(71) Name(s) and Address(s) of Applicant(s):  
**Stubby Strip Pty Ltd  
L3 SE1 55 Murray St Pyrmont NSW 2009 Australia**  
(72) Name(s) of Designer(s): **Brett Gresham**  
(45) Registration Date: **27 June 2014**  
(56) Related Art Documents: **Not Applicable**  
(57) Statement of Newness and Distinctiveness: **Newness and distinctiveness is claimed in the features of shape and/or configuration of a beverage holder as illustrated in the accompanying representations.**



(21) Design Number: **12637/2014**  
(22) Date of Filing Application: **29 May 2014**  
(24) Date from which industrial property rights may have effect: **29 May 2014**  
(54) Product in respect of which the design is registered: **A cargo box for a vehicle**  
(51) International Design Classification: **12-16K**  
(74) Name(s) of Attorney(s): **James & Wells Intellectual Property**  
(71) Name(s) and Address(s) of Applicant(s):  
**Thule Sweden AB  
Borggatan no. 2 Hillerstorp 330 33 Sweden**  
(72) Name(s) of Designer(s): **Frank Gruner**  
(45) Registration Date: **27 June 2014**  
(30) Convention priority data:  
(31) Number        (32) Date            (33) Country  
**002394023-0001 29 Jan 2014        OFFICE FOR HARMONISATION IN  
THE INTERNAL MARKET (OHIM)**  
(56) Related Art Documents: **Not Applicable**  
(57) Statement of Newness and Distinctiveness: **This device is to be applied to a Cargo Box intended to be removably attached to a rooftop of a vehicle and the novelty resides in features of shape and configuration, all as shown in the accompany representations. The broken lines are used to illustrate unclaimed portions of the Cargo Box and form no part of the claimed design.**





(21) Design Number: **12638/2014**  
(22) Date of Filing Application: **29 May 2014**  
(24) Date from which industrial property rights may have effect: **29 May 2014**  
(54) Product in respect of which the design is registered: **A cargo box for a vehicle**  
(51) International Design Classification: **12-16K**  
(74) Name(s) of Attorney(s): **James & Wells Intellectual Property**  
(71) Name(s) and Address(s) of Applicant(s):

**Thule Sweden AB**  
**Borggatan no. 2 Hillerstorp 330 33 Sweden**

(72) Name(s) of Designer(s): **Frank Gruner**

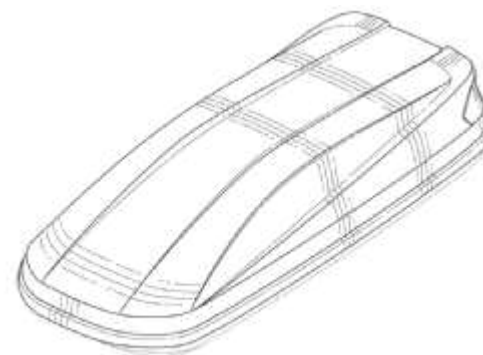
(45) Registration Date: **27 June 2014**

(30) Convention priority data:

(31) Number	(32) Date	(33) Country
<b>002394023-0003</b>	<b>29 Jan 2014</b>	<b>OFFICE FOR HARMONISATION IN THE INTERNAL MARKET (OHIM)</b>

(56) Related Art Documents: **Not Applicable**

(57) Statement of Newness and Distinctiveness: **This device is to be applied to a Cargo Box intended to be removably attached to a rooftop of a vehicle and the novelty resides in features of shape and configuration, all as shown in the accompany representations. The broken lines are used to illustrate unclaimed portions of the Cargo Box and form no part of the claimed design.**



(21) Design Number: **12791/2014**  
(22) Date of Filing Application: **06 June 2014**  
(24) Date from which industrial property rights may have effect: **26 March 2014**  
(54) Product in respect of which the design is registered: **Notebook computer housing**  
(51) International Design Classification: **14-02**  
(74) Name(s) of Attorney(s): **PIZZEYS**  
(71) Name(s) and Address(s) of Applicant(s):

**Google Inc.**  
**1600 Amphitheatre Parkway Mountain View California 94043 United States of America**

(72) Name(s) of Designer(s): **Yoshimichi Matsuoka**

(45) Registration Date: **27 June 2014**

(62) Divisional of: **355876**

(56) Related Art Documents: **Not Applicable**

(57) Statement of Newness and Distinctiveness: **Nil**





- (21) Design Number: **12216/2013**  
(22) Date of Filing Application: **14 May 2013**  
(24) Date from which industrial property rights may have effect: **14 May 2013**  
(54) Product in respect of which the design is registered: **Display Bracket**  
(51) International Design Classification: **08-08N, 08-08L**  
(74) Name(s) of Attorney(s): **Tatlocks Chrysiliou IP**  
(71) Name(s) and Address(s) of Applicant(s):

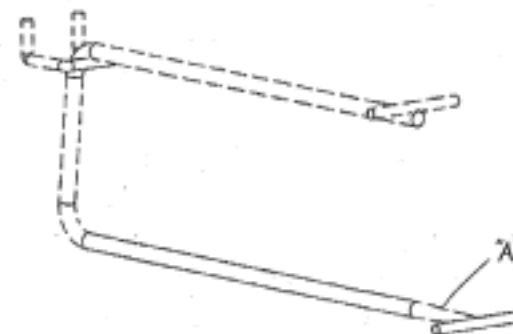
**Prestige Plating Pty Ltd**  
**2B/1001 Mountain Hwy Boronia VIC 3155 Australia**

- (72) Name(s) of Designer(s): **Ian Laycock**

(45) Registration Date: **27 June 2014**

(56) Related Art Documents: **Not Applicable**

- (57) Statement of Newness and Distinctiveness: **Newness and distinctiveness reside in the features of shape and/or configuration of an anti-sweeping device comprising a lower bar and cross rod shown in solid lines in the accompanying representations. In determining the scope of the registration, the shape and/or configuration of the features shown in broken lines is to be disregarded. The section of the bar shown in broken lines and marked "A" is varied and can comprise a stepped section or a tapered section.**



- (21) Design Number: **12027/2013**  
(22) Date of Filing Application: **02 May 2013**  
(24) Date from which industrial property rights may have effect: **02 May 2013**  
(54) Product in respect of which the design is registered: **Extrusion of indefinite length**  
(51) International Design Classification: **25-01K**  
(74) Name(s) of Attorney(s): **Halfords IP**  
(71) Name(s) and Address(s) of Applicant(s):

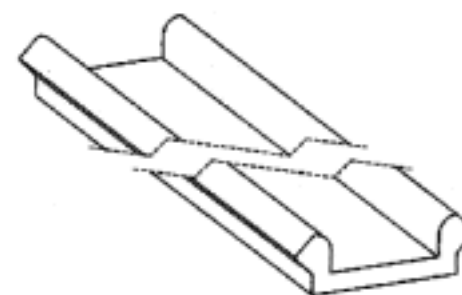
**Impression Technology Pty Limited**  
**U23 9 Powells Rd Brookvale NSW 2100 Australia**

- (72) Name(s) of Designer(s): **Hohsin Tiwana**

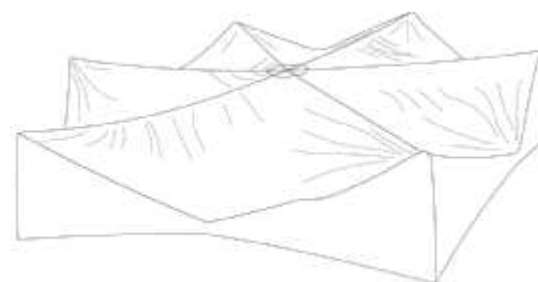
(45) Registration Date: **27 June 2014**

(56) Related Art Documents: **Not Applicable**

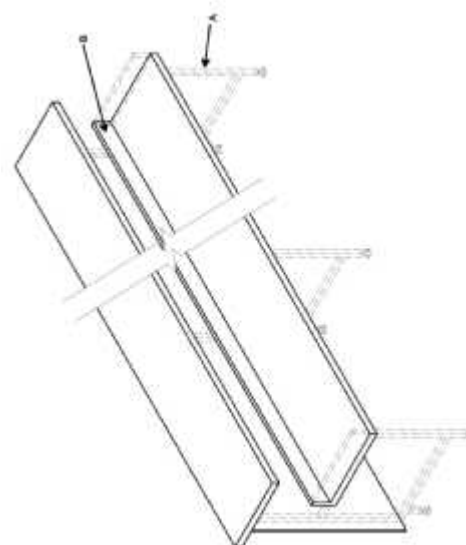
- (57) Statement of Newness and Distinctiveness: **Newness and Distinctiveness is claimed in those features of shape and or configuration of A Section or Extrusion or Track of Indefinite Length in the representations.**



- (21) Design Number: **12674/2014**  
(22) Date of Filing Application: **30 May 2014**  
(24) Date from which industrial property rights may have effect: **30 May 2014**  
(54) Product in respect of which the design is registered: **Trampoline roof**  
(51) International Design Classification: **03-03, 21-02F**  
(74) Name(s) of Attorney(s): **Fisher Adams Kelly Pty Ltd**  
(71) Name(s) and Address(s) of Applicant(s):  
**Vuly Property Pty Ltd**  
**1/95 Ingleston Rd Wakerley QLD 4154 Australia**  
(72) Name(s) of Designer(s): **Joe Andon**  
(45) Registration Date: **30 June 2014**  
(56) Related Art Documents: **Not Applicable**  
(57) Statement of Newness and Distinctiveness: **The newness and distinctiveness of the design resides in the shape and/or configuration of the TRAMPOLINE ROOF shown in the representations.**



- (21) Design Number: **12675/2014**  
(22) Date of Filing Application: **30 May 2014**  
(24) Date from which industrial property rights may have effect: **30 May 2014**  
(54) Product in respect of which the design is registered: **A service bar**  
(51) International Design Classification: **06-04D**  
(74) Name(s) of Attorney(s): **PHILLIPS ORMONDE FITZPATRICK**  
(71) Name(s) and Address(s) of Applicant(s):  
**Southpour Pty Ltd**  
**c/o 2/108 Power St Hawthorn VIC 3122 Australia**  
(72) Name(s) of Designer(s): **John Whittard**  
(45) Registration Date: **30 June 2014**  
(56) Related Art Documents: **Not Applicable**  
(57) Statement of Newness and Distinctiveness: **Those features of the bar depicted in the representations that are new and distinctive are the shape and/or configuration. The support structure marked A which is shown in broken lines is to be disregarded when considering the overall impression of the design. The bar may be of indefinite length and the upstand marked B may be of indefinite height.**



(21) Design Number: **12676/2014**  
(22) Date of Filing Application: **30 May 2014**  
(24) Date from which industrial property rights may have effect: **30 May 2014**  
(54) Product in respect of which the design is registered: **A service bar**  
(51) International Design Classification: **06-04D**  
(74) Name(s) of Attorney(s): **PHILLIPS ORMONDE FITZPATRICK**  
(71) Name(s) and Address(s) of Applicant(s):

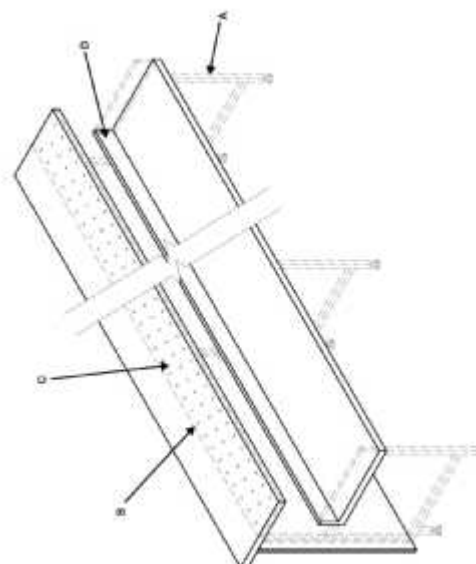
**Southpour Pty Ltd**  
**c/o 2/108 Power St Hawthorn VIC 3122 Australia**

(72) Name(s) of Designer(s): **John Whittard**

(45) Registration Date: **30 June 2014**

(56) Related Art Documents: **Not Applicable**

(57) Statement of Newness and Distinctiveness: **Those features of the service bar depicted in the representations that are new and distinctive are the shape and/or configuration. The support structure marked A which is shown in broken lines is to be disregarded when considering the overall impression of the design. The tray insert marked B which is shown in broken lines forms part of the design, but the pattern applied to the top surface of the tray insert marked C could vary and thus is to be disregarded when considering the overall impression of the design. The bar may be of indefinite length and the upstand marked D may be of indefinite height.**



(21) Design Number: **12682/2014**  
(22) Date of Filing Application: **30 May 2014**  
(24) Date from which industrial property rights may have effect: **30 May 2014**  
(54) Product in respect of which the design is registered: **Air freshener housing**  
(51) International Design Classification: **28-99**  
(74) Name(s) of Attorney(s): **PHILLIPS ORMONDE FITZPATRICK**  
(71) Name(s) and Address(s) of Applicant(s):

**The Procter & Gamble Company**  
**One Procter & Gamble Plaza Cincinnati Ohio 45202 United States of America**

(72) Name(s) of Designer(s): **Matthew Joshua Brewer and John William Koenig and Igor Ivanovich Zemskov and Stephen Adam Hughett and Ranier Bernhard Teufel**

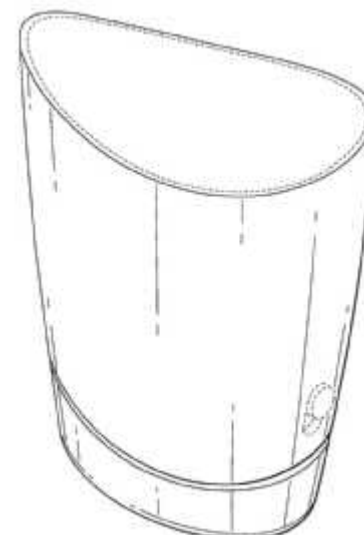
(45) Registration Date: **30 June 2014**

(30) Convention priority data:

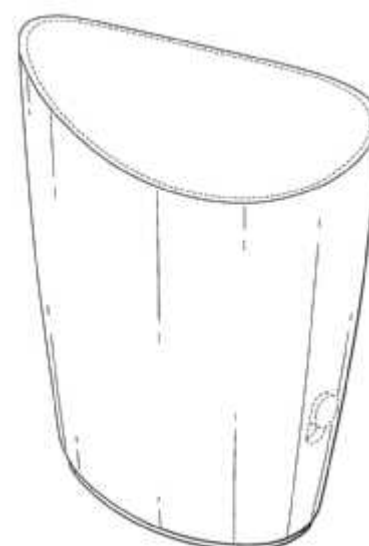
(31) Number	(32) Date	(33) Country
<b>29/475,758</b>	<b>06 Dec 2013</b>	<b>UNITED STATES OF AMERICA</b>

(56) Related Art Documents: **Not Applicable**

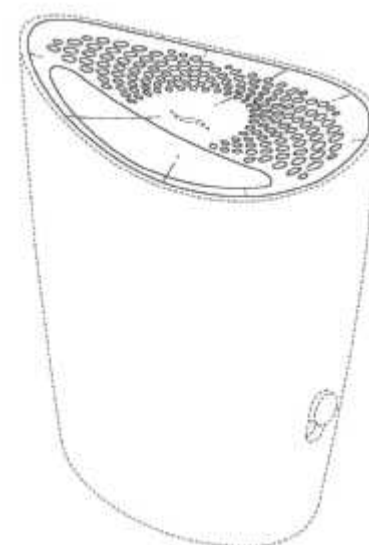
(57) Statement of Newness and Distinctiveness: **Those features of the air freshener housing depicted in the representations that are new and distinctive are the shape and/or configuration. The features shown in broken lines are not part of the design and are to be disregarded when considering the overall impression of the design.**



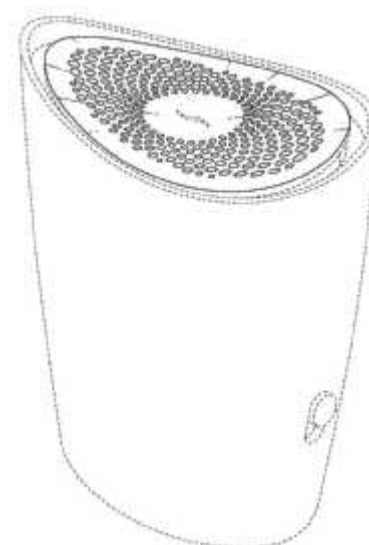
- (21) Design Number: **12683/2014**  
(22) Date of Filing Application: **30 May 2014**  
(24) Date from which industrial property rights may have effect: **30 May 2014**  
(54) Product in respect of which the design is registered: **Air freshener housing**  
(51) International Design Classification: **28-99**  
(74) Name(s) of Attorney(s): **PHILLIPS ORMONDE FITZPATRICK**  
(71) Name(s) and Address(s) of Applicant(s):  
**The Procter & Gamble Company**  
**One Procter & Gamble Plaza Cincinnati Ohio 45202 United States of America**  
(72) Name(s) of Designer(s): **Matthew Joshua Brewer and John William Koenig and Igor Ivanovich Zemskov and Stephen Adam Hughett and Ranier Bernhard Teufel**  
(45) Registration Date: **30 June 2014**  
(30) Convention priority data:  
(31) Number (32) Date (33) Country  
**29/475,758 06 Dec 2013 UNITED STATES OF AMERICA**  
(56) Related Art Documents: **Not Applicable**  
(57) Statement of Newness and Distinctiveness: **Those features of the air freshener housing depicted in the representations that are new and distinctive are the shape and/or configuration. The features shown in broken lines are not part of the design and are to be disregarded when considering the overall impression of the design.**



- (21) Design Number: **12684/2014**  
(22) Date of Filing Application: **30 May 2014**  
(24) Date from which industrial property rights may have effect: **30 May 2014**  
(54) Product in respect of which the design is registered: **Air freshener housing**  
(51) International Design Classification: **28-99**  
(74) Name(s) of Attorney(s): **PHILLIPS ORMONDE FITZPATRICK**  
(71) Name(s) and Address(s) of Applicant(s):  
**The Procter & Gamble Company**  
**One Procter & Gamble Plaza Cincinnati Ohio 45202 United States of America**  
(72) Name(s) of Designer(s): **Matthew Joshua Brewer and John William Koenig and Igor Ivanovich Zemskov and Stephen Adam Hughett and Ranier Bernhard Teufel**  
(45) Registration Date: **30 June 2014**  
(30) Convention priority data:  
(31) Number (32) Date (33) Country  
**29/475,755 06 Dec 2013 UNITED STATES OF AMERICA**  
(56) Related Art Documents: **Not Applicable**  
(57) Statement of Newness and Distinctiveness: **Newness and distinctiveness resides in the shape and/or configuration of the portion of an air freshener housing shown in the continuous lines in the accompanying representations. The features shown in broken lines are not part of the design and are to be disregarded when considering the overall impression of the design.**



- (21) Design Number: **12685/2014**  
(22) Date of Filing Application: **30 May 2014**  
(24) Date from which industrial property rights may have effect: **30 May 2014**  
(54) Product in respect of which the design is registered: **Air freshener housing**  
(51) International Design Classification: **28-99**  
(74) Name(s) of Attorney(s): **PHILLIPS ORMONDE FITZPATRICK**  
(71) Name(s) and Address(s) of Applicant(s):  
**The Procter & Gamble Company**  
**One Procter & Gamble Plaza Cincinnati Ohio 45202 United States of America**  
(72) Name(s) of Designer(s): **Matthew Joshua Brewer and John William Koenig and Igor Ivanovich Zemskov and Stephen Adam Hughett and Ranier Bernhard Teufel**  
(45) Registration Date: **30 June 2014**  
(30) Convention priority data:  
(31) Number (32) Date (33) Country  
**29/475,755 06 Dec 2013 UNITED STATES OF AMERICA**  
(56) Related Art Documents: **Not Applicable**  
(57) Statement of Newness and Distinctiveness: **Newness and distinctiveness resides in the shape and/or configuration of the portion of an air freshener housing shown in the continuous lines in the accompanying representations. The features shown in broken lines are not part of the design and arte to be disregarded when considering the overall impression of the design.**



- (21) Design Number: **12687/2014**  
(22) Date of Filing Application: **30 May 2014**  
(24) Date from which industrial property rights may have effect: **30 May 2014**  
(54) Product in respect of which the design is registered: **A device for pressing firm ground coffee**  
(51) International Design Classification: **07-04**  
(74) Name(s) of Attorney(s):  
(71) Name(s) and Address(s) of Applicant(s):  
**Glenn antony Glenn Smith**  
**299 Hogans Rd Upper Duroby NSW 2486 Australia**  
(72) Name(s) of Designer(s): **Glenn antony Glenn Smith**  
(45) Registration Date: **30 June 2014**  
(56) Related Art Documents: **Not Applicable**  
(57) Statement of Newness and Distinctiveness: **Compleatly made of wood or another dense material and predominately in the form of a domed cone. Offset scallops are provided on the sides for grip and comfort, siuted to mutipule hand sizes. The narrowing top allow for turning with finger tips. The rounded top provides a comfort area to press down upon. There is no waist as is common with coffee tampers.**



- (21) Design Number: **11188/2014**  
(22) Date of Filing Application: **14 March 2014**  
(24) Date from which industrial property rights may have effect: **14 March 2014**  
(54) Product in respect of which the design is registered: **Baby shower chair**  
(51) International Design Classification: **06-01E**  
(74) Name(s) of Attorney(s):  
(71) Name(s) and Address(s) of Applicant(s):  
**121 Group Management Pty. Ltd.**  
**11 Hutchison Av Kellyville NSW 2155 Australia**  
(72) Name(s) of Designer(s): **Meray Yassa**  
(45) Registration Date: **01 July 2014**  
(56) Related Art Documents: **Not Applicable**  
(57) Statement of Newness and Distinctiveness: **Water proof; No water build up; non slip base; carries up to 17kgs, 3 adjustable heights; multi-position recline and 5 point harness.**



- (21) Design Number: **11795/2014**  
(22) Date of Filing Application: **11 April 2014**  
(24) Date from which industrial property rights may have effect: **11 April 2014**  
(54) Product in respect of which the design is registered: **Cart for shopping**  
(51) International Design Classification: **12-02**  
(74) Name(s) of Attorney(s): **Griffith Hack**  
(71) Name(s) and Address(s) of Applicant(s):  
**Bemis Manufacturing Company**  
**300 Mill Street Sheboygan Falls WI 53085 United States of America**  
(72) Name(s) of Designer(s): **Richard Stauff and Gary Vande Berg and Roy Watson**  
(45) Registration Date: **01 July 2014**  
(30) Convention priority data:  
(31) Number      (32) Date      (33) Country  
**29/469,618      11 Oct 2013      UNITED STATES OF AMERICA**  
(56) Related Art Documents: **Not Applicable**  
(57) Statement of Newness and Distinctiveness: **Newness and distinctiveness resides in the shape and configuration of those parts of the product shown by means of solid lines in the representations, including the relative lengths of the parts shown in dashed lines.**



(21) Design Number: **12719/2014**  
(22) Date of Filing Application: **03 June 2014**  
(24) Date from which industrial property rights may have effect: **03 June 2014**  
(54) Product in respect of which the design is registered: **Building**  
(51) International Design Classification: **25-03**  
(74) Name(s) of Attorney(s): **Shelston IP**  
(71) Name(s) and Address(s) of Applicant(s):

**Purepodz Limited**  
**45 Watson Street Akaroa 7520 New Zealand**

(72) Name(s) of Designer(s): **Grant James Ryan and Peter Lloyd Higgins**

(45) Registration Date: **01 July 2014**

(30) Convention priority data:

(31) Number	(32) Date	(33) Country
<b>418296</b>	<b>03 Dec 2013</b>	<b>NEW ZEALAND</b>

(56) Related Art Documents: **Not Applicable**

(57) Statement of Newness and Distinctiveness: **Newness and distinctiveness reside in the features of shape and/or configuration of a BUILDING as illustrated in solid lines in the accompanying representations. Those features shown in broken lines are illustrative only and do not form part of the design.**



(21) Design Number: **12253/2014**  
(22) Date of Filing Application: **12 May 2014**  
(24) Date from which industrial property rights may have effect: **12 May 2014**  
(54) Product in respect of which the design is registered: **Swimwear garment**  
(51) International Design Classification: **02-02A**  
(74) Name(s) of Attorney(s): **Thomson Geer**  
(71) Name(s) and Address(s) of Applicant(s):

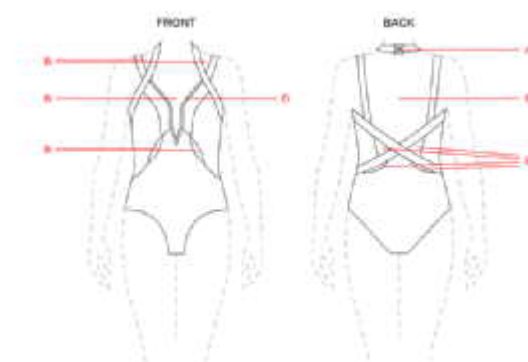
**JETS Swimwear Pty Limited**  
**8-18 Bowden St Alexandria NSW 2015 Australia**

(72) Name(s) of Designer(s): **Jessika Allen**

(45) Registration Date: **01 July 2014**

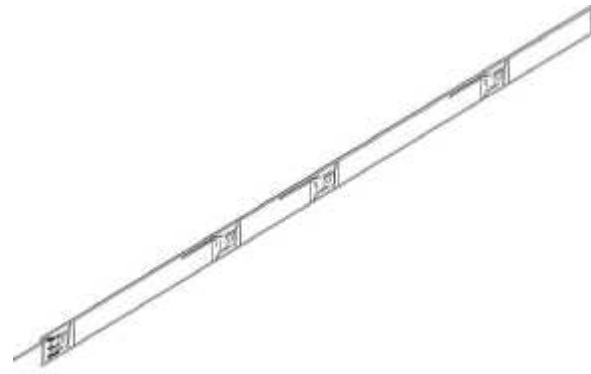
(56) Related Art Documents: **Not Applicable**

(57) Statement of Newness and Distinctiveness: **Newness and distinctiveness is claimed in the shape and/or configuration of the garment as depicted in the accompanying representations. The sections marked "B" are cut out panels. The section marked "D" indicates binding. In considering the newness & distinctiveness the feature marked A, being a clasp, is to be disregarded.**

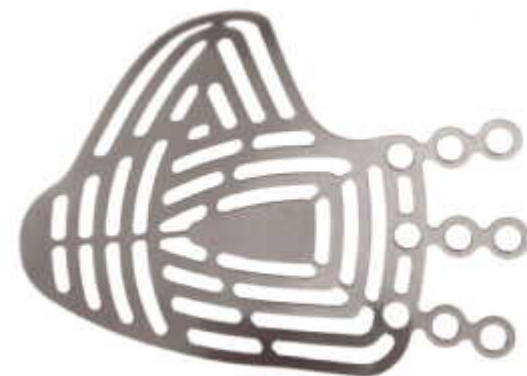




- (21) Design Number: **11838/2014**  
(22) Date of Filing Application: **14 April 2014**  
(24) Date from which industrial property rights may have effect: **14 April 2014**  
(54) Product in respect of which the design is registered: **Bumper pad for a cot**  
(51) International Design Classification: **06-13B**  
(74) Name(s) of Attorney(s): **Davies Collison Cave**  
(71) Name(s) and Address(s) of Applicant(s):  
**Sweet Dreams Nursery Products Pty Ltd**  
**Factory 3-7 44 Westall Rd Springvale VIC 3171 Australia**  
(72) Name(s) of Designer(s): **Gavan Pearce**  
(45) Registration Date: **01 July 2014**  
(56) Related Art Documents: **Not Applicable**  
(57) Statement of Newness and Distinctiveness: **The features of shape and configuration of the bumper pad shown in the accompanying representations are considered to be new and distinctive.**



- (21) Design Number: **11865/2014**  
(22) Date of Filing Application: **15 April 2014**  
(24) Date from which industrial property rights may have effect: **15 April 2014**  
(54) Product in respect of which the design is registered: **Orbita mesh**  
(51) International Design Classification: **24-03**  
(74) Name(s) of Attorney(s): **Davies Collison Cave**  
(71) Name(s) and Address(s) of Applicant(s):  
**Karl Leibinger Medizintechnik GmbH**  
**Kolbinger Strasse 10 Muehlheim 78570 Germany**  
(72) Name(s) of Designer(s): **Lorenz Gabele**  
(45) Registration Date: **01 July 2014**  
(30) Convention priority data:  
(31) Number (32) Date (33) Country  
**002326603-0001 15 Oct 2013 OFFICE FOR HARMONISATION IN THE INTERNAL MARKET (OHIM)**  
(56) Related Art Documents: **Not Applicable**  
(57) Statement of Newness and Distinctiveness: **Nil**





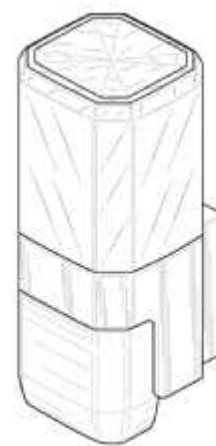
(21) Design Number: **12688/2014**  
(22) Date of Filing Application: **01 June 2014**  
(24) Date from which industrial property rights may have effect: **01 June 2014**  
(54) Product in respect of which the design is registered: **Handmade wooden figure**  
(51) International Design Classification: **11-02E**  
(74) Name(s) of Attorney(s):  
(71) Name(s) and Address(s) of Applicant(s):  
**Maria Bloch-Jorgensen**  
**Vingaardstraede 9, St, Tv. Copenhagen K 1070 Denmark**  
(72) Name(s) of Designer(s): **Maria Bloch-Jorgensen**  
(45) Registration Date: **01 July 2014**  
(56) Related Art Documents: **Not Applicable**  
(57) Statement of Newness and Distinctiveness: **Nil**



(21) Design Number: **12689/2014**  
(22) Date of Filing Application: **01 June 2014**  
(24) Date from which industrial property rights may have effect: **01 June 2014**  
(54) Product in respect of which the design is registered: **Handmade wooden figure**  
(51) International Design Classification: **11-02E**  
(74) Name(s) of Attorney(s):  
(71) Name(s) and Address(s) of Applicant(s):  
**Maria Bloch-Jorgensen**  
**Vingaardstraede 9, St, Tv. Copenhagen K 1070 Denmark**  
(72) Name(s) of Designer(s): **Maria Bloch-Jorgensen**  
(45) Registration Date: **01 July 2014**  
(56) Related Art Documents: **Not Applicable**  
(57) Statement of Newness and Distinctiveness: **Nil**



(21) Design Number: **12691/2014**  
(22) Date of Filing Application: **02 June 2014**  
(24) Date from which industrial property rights may have effect: **02 June 2014**  
(54) Product in respect of which the design is registered: **Dispenser**  
(51) International Design Classification: **23-02A**  
(74) Name(s) of Attorney(s): **Collison & Co**  
(71) Name(s) and Address(s) of Applicant(s):  
**GOJO INDUSTRIES, INC.**  
**One GOJO Plaza Suite 500 P.O. Box 991 Akron Ohio, 44309 United States of America**  
(72) Name(s) of Designer(s): **Shelby Jay Buell and Robert L Quinlan and Kaitlin A Wolf and Stephen P Smith**  
(45) Registration Date: **01 July 2014**  
(30) Convention priority data:  
(31) Number (32) Date (33) Country  
**29/475,286 02 Dec 2013 UNITED STATES OF AMERICA**  
(56) Related Art Documents: **Not Applicable**  
(57) Statement of Newness and Distinctiveness: **Newness and distinctiveness resides in the shape and configuration of the compact dispenser as shown in the figures excluding the portions shown by the broken lines.**



(21) Design Number: **12697/2014**  
(22) Date of Filing Application: **02 June 2014**  
(24) Date from which industrial property rights may have effect: **02 June 2014**  
(54) Product in respect of which the design is registered: **Bath tub**  
(51) International Design Classification: **23-02B**  
(74) Name(s) of Attorney(s): **Shelston IP**  
(71) Name(s) and Address(s) of Applicant(s):  
**Victoria & Albert Baths Ltd**  
**Vanda House Heathmill Road Wombourne West Midlands WV5 8AP**  
**United Kingdom**  
(72) Name(s) of Designer(s): **Sandro Meneghello and Marco Paoelli**  
(45) Registration Date: **01 July 2014**  
(30) Convention priority data:  
(31) Number (32) Date (33) Country  
**001391460 03 Dec 2013 OFFICE FOR HARMONISATION IN THE INTERNAL MARKET (OHIM)**  
(56) Related Art Documents: **Not Applicable**  
(57) Statement of Newness and Distinctiveness: **Newness and distinctiveness resides in the features of shape and configuration of a bath tub, as illustrated in the accompanying representations. The plug hole detail shown in broken lines does not form part of the design.**



- (21) Design Number: **12699/2014**  
(22) Date of Filing Application: **02 June 2014**  
(24) Date from which industrial property rights may have effect: **02 June 2014**  
(54) Product in respect of which the design is registered: **An automobile**  
(51) International Design Classification: **12-08**  
(74) Name(s) of Attorney(s): **SPRUSON & FERGUSON**  
(71) Name(s) and Address(s) of Applicant(s):  
**Honda Motor Co., Ltd.**  
**1-1 Minami-Aoyama 2-Chome Minato-ku Tokyo Japan**  
(72) Name(s) of Designer(s): **Takayuki Watanabe**  
(45) Registration Date: **01 July 2014**  
(30) Convention priority data:  
(31) Number      (32) Date      (33) Country  
**2013-028767      06 Dec 2013      JAPAN**  
(56) Related Art Documents: **Not Applicable**  
(57) Statement of Newness and Distinctiveness: **Newness and distinctiveness is claimed in the features of shape and/or configuration of an automobile as illustrated in the accompanying representations.**



- (21) Design Number: **12701/2014**  
(22) Date of Filing Application: **02 June 2014**  
(24) Date from which industrial property rights may have effect: **02 June 2014**  
(54) Product in respect of which the design is registered: **A lifting hook and coupling guide assembly**  
(51) International Design Classification: **12-05**  
(74) Name(s) of Attorney(s):  
(71) Name(s) and Address(s) of Applicant(s):  
**Joseph Francis Kearney**  
**c/- Michael Buck IP PO BOX 4361 St Lucia QLD 4067 Australia**  
(72) Name(s) of Designer(s): **Joseph Francis Kearney**  
(45) Registration Date: **01 July 2014**  
(56) Related Art Documents: **Not Applicable**  
(57) Statement of Newness and Distinctiveness: **The shape and configuration of a lifting hook and coupling guide assembly as illustrated in the representations with particular emphasis on the inwardly protruding lip of the coupling guide that is shown in the views of the underside and without regard to the hook and hook mounting assembly that is fastened to the top of the coupling guide.**



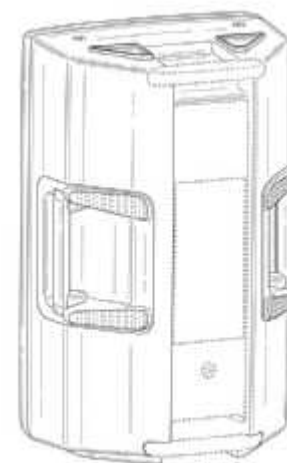
- (21) Design Number: **12704/2014**  
(22) Date of Filing Application: **02 June 2014**  
(24) Date from which industrial property rights may have effect: **02 June 2014**  
(54) Product in respect of which the design is registered: **A shower head assembly with integral spigot**  
(51) International Design Classification: **23-02B**  
(74) Name(s) of Attorney(s):  
(71) Name(s) and Address(s) of Applicant(s):  
**Michael Richard Aldrick**  
**c/- Michael Buck IP PO BOX 4361 St Lucia QLD 4067 Australia**  
(72) Name(s) of Designer(s): **Michael Richard Aldrick**  
(45) Registration Date: **01 July 2014**  
(56) Related Art Documents: **Not Applicable**  
(57) Statement of Newness and Distinctiveness: **The shape and configuration of a shower head assembly with integral spigot as shown in the representations with particular emphasis on the seamless join between the spigot and the remainder of the shower head assembly.**



- (21) Design Number: **12705/2014**  
(22) Date of Filing Application: **02 June 2014**  
(24) Date from which industrial property rights may have effect: **02 June 2014**  
(54) Product in respect of which the design is registered: **A power sprayer**  
(51) International Design Classification: **08-05A**  
(74) Name(s) of Attorney(s): **SPRUSON & FERGUSON**  
(71) Name(s) and Address(s) of Applicant(s):  
**Honda Motor Co., Ltd.**  
**1-1 Minami-Aoyama 2-Chome Minato-Ku Tokyo Japan**  
(72) Name(s) of Designer(s): **Joji Maeda**  
(45) Registration Date: **01 July 2014**  
(30) Convention priority data:  
(31) Number      (32) Date      (33) Country  
**2013-028427      04 Dec 2013      JAPAN**  
(56) Related Art Documents: **Not Applicable**  
(57) Statement of Newness and Distinctiveness: **Newness and distinctiveness is claimed in the features of shape and/or configuration of a power sprayer as illustrated in the accompanying representations.**



(21) Design Number: **12711/2014**  
(22) Date of Filing Application: **03 June 2014**  
(24) Date from which industrial property rights may have effect: **03 June 2014**  
(54) Product in respect of which the design is registered: **Loudspeaker**  
(51) International Design Classification: **14-01**  
(74) Name(s) of Attorney(s): **Banki Haddock Fiora**  
(71) Name(s) and Address(s) of Applicant(s):  
**Harman International Industries, Incorporated**  
**8500 Balboa Boulevard Northridge CA, 91329 United States of America**  
(72) Name(s) of Designer(s): **Tim Nugent**  
(45) Registration Date: **01 July 2014**  
(30) Convention priority data:  
(31) Number (32) Date (33) Country  
**29479139 13 Jan 2014 UNITED STATES OF AMERICA**  
(56) Related Art Documents: **Not Applicable**  
(57) Statement of Newness and Distinctiveness: **The visual features of the Loudspeaker depicted in the representations that are new and distinctive are the shape and/or configuration, excluding those features shown in broken lines. The features shown in broken lines are not part of the design and should be disregarded when considering the overall impression of the design.**



(21) Design Number: **12713/2014**  
(22) Date of Filing Application: **03 June 2014**  
(24) Date from which industrial property rights may have effect: **03 June 2014**  
(54) Product in respect of which the design is registered: **Tyre for automobile**  
(51) International Design Classification: **12-15B**  
(74) Name(s) of Attorney(s): **SPRUSON & FERGUSON**  
(71) Name(s) and Address(s) of Applicant(s):  
**The Goodyear Tire & Rubber Company**  
**1144 East Market Street Akron Ohio 44316-0001 United States of America**  
(72) Name(s) of Designer(s): **Takuya Oji**  
(45) Registration Date: **01 July 2014**  
(30) Convention priority data:  
(31) Number (32) Date (33) Country  
**2013-028310 03 Dec 2013 JAPAN**  
(56) Related Art Documents: **Not Applicable**  
(57) Statement of Newness and Distinctiveness: **Newness and distinctiveness is claimed in the features of shape and/or configuration of the tread of a tyre as illustrated in the accompanying representations, wherein the shape and/or configuration of the tread is repeated throughout the circumference of the tyre.**



- (21) Design Number: **12625/2014**  
(22) Date of Filing Application: **29 May 2014**  
(24) Date from which industrial property rights may have effect: **29 May 2014**  
(54) Product in respect of which the design is registered: **Child stroller**  
(51) International Design Classification: **12-12**  
(74) Name(s) of Attorney(s): **James & Wells Intellectual Property**  
(71) Name(s) and Address(s) of Applicant(s):  
**Thule IP AB**  
**Fosievagen 13 SE-214 31 Malmo Sweden**  
(72) Name(s) of Designer(s): **Pelle Reinius and Martin Birath and Oskar Juhlin**  
(45) Registration Date: **01 July 2014**  
(30) Convention priority data:  
(31) Number      (32) Date      (33) Country  
**29/479,638      17 Jan 2014      UNITED STATES OF AMERICA**  
(56) Related Art Documents: **Not Applicable**  
(57) Statement of Newness and Distinctiveness: **This design is to be applied to a Child Stroller and the novelty resides in features of shape and configuration, all as shown in the accompany representations. The broken lines are used to illustrate unclaimed portions of the Child Stroller and form no part of the claimed design.**



- (21) Design Number: **12626/2014**  
(22) Date of Filing Application: **29 May 2014**  
(24) Date from which industrial property rights may have effect: **29 May 2014**  
(54) Product in respect of which the design is registered: **Child stroller**  
(51) International Design Classification: **12-12**  
(74) Name(s) of Attorney(s): **James & Wells Intellectual Property**  
(71) Name(s) and Address(s) of Applicant(s):  
**Thule IP AB**  
**Fosievagen 13 SE-214 31 Malmo Sweden**  
(72) Name(s) of Designer(s): **Pelle Reinius and Martin Birath and Oskar Juhlin**  
(45) Registration Date: **01 July 2014**  
(30) Convention priority data:  
(31) Number      (32) Date      (33) Country  
**29/479,638      17 Jan 2014      UNITED STATES OF AMERICA**  
(56) Related Art Documents: **Not Applicable**  
(57) Statement of Newness and Distinctiveness: **This design is to be applied to a Child Stroller and the novelty resides in features of shape and configuration, all as shown in the accompany representations. The broken lines are used to illustrate unclaimed portions of the Child Stroller and form no part of the claimed design.**



(21) Design Number: **12632/2014**  
(22) Date of Filing Application: **29 May 2014**  
(24) Date from which industrial property rights may have effect: **29 May 2014**  
(54) Product in respect of which the design is registered: **Commercial bracket**  
(51) International Design Classification: **08-08L**  
(74) Name(s) of Attorney(s):  
(71) Name(s) and Address(s) of Applicant(s):

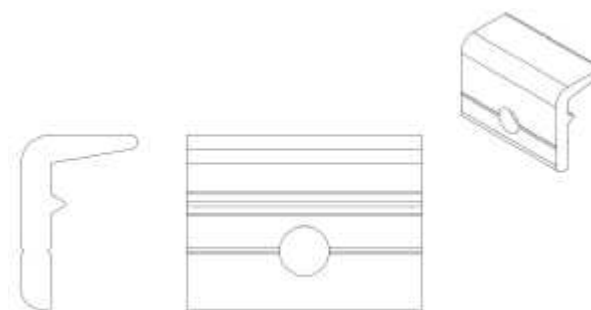
**ENERGY MATTERS PTY LTD**  
**PO BOX 5265 South Melbourne VIC 3205 Australia**

(72) Name(s) of Designer(s): **Jeremy Lawrence**

(45) Registration Date: **01 July 2014**

(56) Related Art Documents: **Not Applicable**

(57) Statement of Newness and Distinctiveness: **The simple design, multi-functional nature and ease of use reduces installation costs and makes it suitable for a wide range of solar modules. Its strength makes it suitable for all wind regions in Australia and New Zealand.**



(21) Design Number: **12651/2014**  
(22) Date of Filing Application: **29 May 2014**  
(24) Date from which industrial property rights may have effect: **29 May 2014**  
(54) Product in respect of which the design is registered: **Ironing apparatus**  
(51) International Design Classification: **07-05A**  
(74) Name(s) of Attorney(s): **Halfords IP**  
(71) Name(s) and Address(s) of Applicant(s):

**AB Electrolux**  
**S:t Goransgatan 143 Stockholm 105 45 Sweden**

(72) Name(s) of Designer(s): **Jerome Esteve**

(45) Registration Date: **02 July 2014**

(30) Convention priority data:

(31) Number	(32) Date	(33) Country
<b>2013/0479</b>	<b>06 Dec 2013</b>	<b>SWEDEN</b>

(56) Related Art Documents: **Not Applicable**

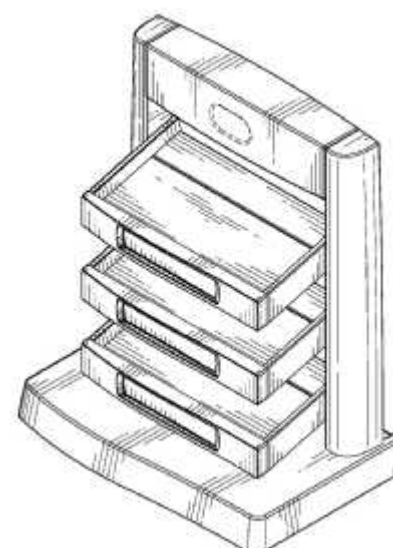
(57) Statement of Newness and Distinctiveness: **Newness and distinctiveness resides in those features of shape and or configuration of an ironing apparatus as depicted in the representations.**



(21) Design Number: **12654/2014**  
(22) Date of Filing Application: **29 May 2014**  
(24) Date from which industrial property rights may have effect: **29 May 2014**  
(54) Product in respect of which the design is registered: **Shelving unit**  
(51) International Design Classification: **06-04NES, 20-02E**  
(74) Name(s) of Attorney(s): **Griffith Hack**  
(71) Name(s) and Address(s) of Applicant(s):  
**Intercontinental Great Brands LLC**  
**100 Deforest Avenue East Hanover NJ 07936 United States of America**  
(72) Name(s) of Designer(s): **Frank S Guzzone and Michael Allen Miller and Eddin Alvarado and David Mason**  
(45) Registration Date: **02 July 2014**  
(30) Convention priority data:  
(31) Number (32) Date (33) Country  
**29/475496 03 Dec 2013 UNITED STATES OF AMERICA**  
(56) Related Art Documents: **Not Applicable**  
(57) Statement of Newness and Distinctiveness: **The shape and configuration of those parts of the product by means of solid lines in the representations are new and distinctive.**



(21) Design Number: **12655/2014**  
(22) Date of Filing Application: **29 May 2014**  
(24) Date from which industrial property rights may have effect: **29 May 2014**  
(54) Product in respect of which the design is registered: **Shelving unit**  
(51) International Design Classification: **06-04NES**  
(74) Name(s) of Attorney(s): **Griffith Hack**  
(71) Name(s) and Address(s) of Applicant(s):  
**Intercontinental Great Brands LLC**  
**100 Deforest Avenue East Hanover NJ 07936 United States of America**  
(72) Name(s) of Designer(s): **Frank S Guzzone and Michael Allen Miller and Eddin Alvarado and David Mason**  
(45) Registration Date: **02 July 2014**  
(30) Convention priority data:  
(31) Number (32) Date (33) Country  
**29/475496 03 Dec 2013 UNITED STATES OF AMERICA**  
(56) Related Art Documents: **Not Applicable**  
(57) Statement of Newness and Distinctiveness: **The shape and configuration of those parts of the product by means of solid lines in the representations are new and distinctive.**

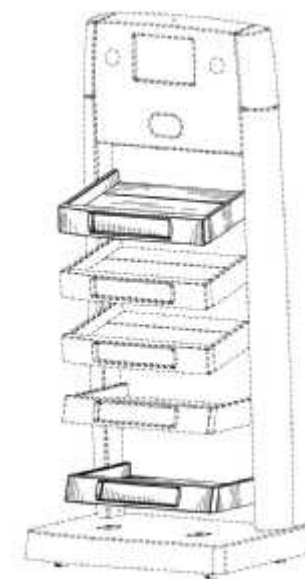




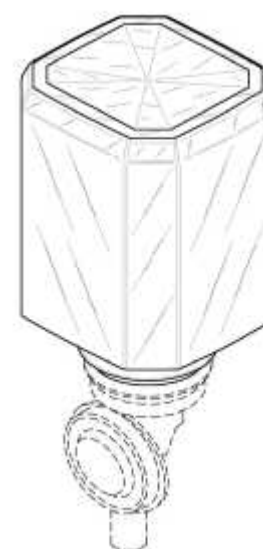
(21) Design Number: **12656/2014**  
(22) Date of Filing Application: **29 May 2014**  
(24) Date from which industrial property rights may have effect: **29 May 2014**  
(54) Product in respect of which the design is registered: **A mat**  
(51) International Design Classification: **06-11**  
(74) Name(s) of Attorney(s): **Actuate IP**  
(71) Name(s) and Address(s) of Applicant(s):  
**Putting Professional Pty Ltd**  
**112 Sunrise Ave Halekulani NSW 2262 Australia**  
(72) Name(s) of Designer(s): **Glenn Palmer**  
(45) Registration Date: **02 July 2014**  
(56) Related Art Documents: **Not Applicable**  
(57) Statement of Newness and Distinctiveness: **Nil**



(21) Design Number: **12657/2014**  
(22) Date of Filing Application: **29 May 2014**  
(24) Date from which industrial property rights may have effect: **29 May 2014**  
(54) Product in respect of which the design is registered: **Shelving unit**  
(51) International Design Classification: **06-04NES**  
(74) Name(s) of Attorney(s): **Griffith Hack**  
(71) Name(s) and Address(s) of Applicant(s):  
**Intercontinental Great Brands LLC**  
**100 Deforest Avenue East Hanover NJ 07936 United States of America**  
(72) Name(s) of Designer(s): **Frank S Guzzone and Michael Allen Miller and Eddin Alvarado and David Mason**  
(45) Registration Date: **02 July 2014**  
(30) Convention priority data:  
(31) Number      (32) Date      (33) Country  
**29/475496      03 Dec 2013      UNITED STATES OF AMERICA**  
(56) Related Art Documents: **Not Applicable**  
(57) Statement of Newness and Distinctiveness: **The shape and configuration of those parts of the product by means of solid lines in the representations are new and distinctive.**



(21) Design Number: **12665/2014**  
(22) Date of Filing Application: **30 May 2014**  
(24) Date from which industrial property rights may have effect: **30 May 2014**  
(54) Product in respect of which the design is registered: **Dispenser reservoir**  
(51) International Design Classification: **23-02A**  
(74) Name(s) of Attorney(s): **Collison & Co**  
(71) Name(s) and Address(s) of Applicant(s):  
**GOJO INDUSTRIES, INC.**  
**One GOJO Plaza Suite 500 P.O. box 991 Akron Ohio, 44309 United States of America**  
(72) Name(s) of Designer(s): **Shelby Jay Buell and Robert L Quinlan and Kaitlin A Wolf and Stephen P Smith**  
(45) Registration Date: **02 July 2014**  
(30) Convention priority data:  
(31) Number (32) Date (33) Country  
**29/475,272 02 Dec 2013 UNITED STATES OF AMERICA**  
(56) Related Art Documents: **Not Applicable**  
(57) Statement of Newness and Distinctiveness: **Newness and distinctiveness resides in the shape and configuration of the dispenser reservoir as shown in the figures excluding the portions shown by the broken lines.**



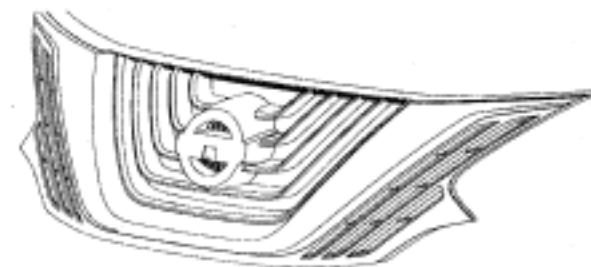
(21) Design Number: **11446/2014**  
(22) Date of Filing Application: **26 March 2014**  
(24) Date from which industrial property rights may have effect: **26 March 2014**  
(54) Product in respect of which the design is registered: **Peg Spring**  
(51) International Design Classification: **07-05C**  
(74) Name(s) of Attorney(s):  
(71) Name(s) and Address(s) of Applicant(s):  
**Neil Stevenson**  
**PO BOX 529 Bayswater VIC 3153**  
(72) Name(s) of Designer(s): **Neil Stevenson and Drew Stevenson**  
(45) Registration Date: **04 July 2014**  
(56) Related Art Documents: **Not Applicable**  
(57) Statement of Newness and Distinctiveness: **This system is a cutout based anti tangle system which allows clips to "overclose" during manufacture, allowing them to retain a higher spring force to opening and substantially preventing entanglement of the springs when shipped or processed in bulk. The cutout based mechanism is new and original, distinguishing its self from typically lanced designs requiring "dags" or tabs to be retained onto the part, and lowering the mass of the part.**



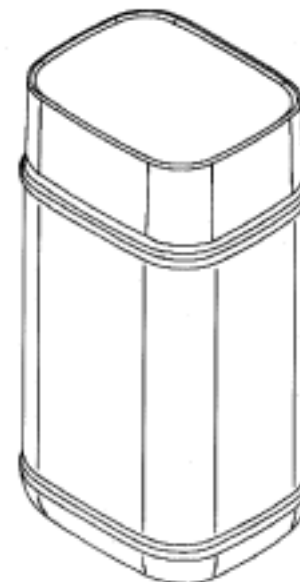
- (21) Design Number: **11812/2014**  
(22) Date of Filing Application: **12 April 2014**  
(24) Date from which industrial property rights may have effect: **12 April 2014**  
(54) Product in respect of which the design is registered: **Vitamin supplement packaging**  
(51) International Design Classification: **09-03M**  
(74) Name(s) of Attorney(s):  
(71) Name(s) and Address(s) of Applicant(s):  
**Phasem Group Pty Ltd**  
**PO BOX 273 Geebung QLD 4034 Australia**  
(72) Name(s) of Designer(s): **Philip Spork**  
(45) Registration Date: **04 July 2014**  
(56) Related Art Documents: **Not Applicable**  
(57) Statement of Newness and Distinctiveness: **The Daily Compliance Grid is a tool used by consumers of oral vitamin supplements to aid with daily dosage compliance. The design is printed on the packaging of vitamin supplements and includes a grid printed in a dark colour on a light background. The cells of the grid are approximately square and the total grid is also approximately square. The grid has alpha characters across the top to represent the days of the week. Down the side of the grid are the months of the year. When the consumer starts a pack, they will place a mark in the cell of the grid corresponding to the current month and day of the week. Each day as they take their dosage, they place a mark in the next cell aligning to the next day. This continues until they reach the end of the row and they then move to the next row. This helps them remember and track that they have taken their daily dosage. This maximises the benefit of taking the supplement. Start month of the pack is recorded by the first mark.**



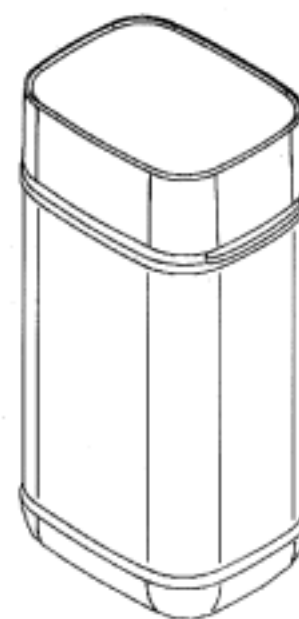
- (21) Design Number: **11880/2014**  
(22) Date of Filing Application: **16 April 2014**  
(24) Date from which industrial property rights may have effect: **16 April 2014**  
(54) Product in respect of which the design is registered: **Radiator grille for automobile**  
(51) International Design Classification: **12-16B**  
(74) Name(s) of Attorney(s): **Griffith Hack**  
(71) Name(s) and Address(s) of Applicant(s):  
**Nissan Jidosha Kabushiki Kaisha**  
**No. 2 Takaracho Kanagawa-ku Yokohama-shi Kanagawa-ken 221-0000**  
**Japan**  
(72) Name(s) of Designer(s): **Kenichiro Koizumi and Takaaki Utsunomiya and Kenneth Lee**  
(45) Registration Date: **04 July 2014**  
(56) Related Art Documents: **Not Applicable**  
(57) Statement of Newness and Distinctiveness: **Newness and distinctiveness resides in the visual features, including shape and configuration, of a RADIATOR GRILL FOR AUTOMOBILE as shown in the accompanying drawings.**



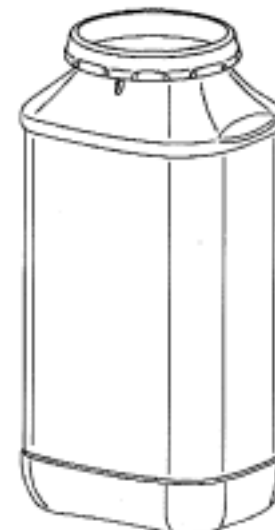
(21) Design Number: **12144/2014**  
(22) Date of Filing Application: **05 May 2014**  
(24) Date from which industrial property rights may have effect: **05 May 2014**  
(54) Product in respect of which the design is registered: **Glass container**  
(51) International Design Classification: **09-01C**  
(74) Name(s) of Attorney(s): **SPRUSON & FERGUSON**  
(71) Name(s) and Address(s) of Applicant(s):  
**CAFEA GmbH**  
**Am Sandtorkai 2 Hamburg, 20457 Germany**  
(72) Name(s) of Designer(s): **Jan Beernd Rothfos**  
(45) Registration Date: **04 July 2014**  
(30) Convention priority data:  
(31) Number (32) Date (33) Country  
**002338921-0002 05 Nov 2013 OFFICE FOR HARMONISATION IN**  
**THE INTERNAL MARKET (OHIM)**  
(56) Related Art Documents: **Not Applicable**  
(57) Statement of Newness and Distinctiveness: **Newness and distinctiveness is**  
**claimed in the features of shape and/or configuration of a glass container**  
**as illustrated in the accompanying representations.**



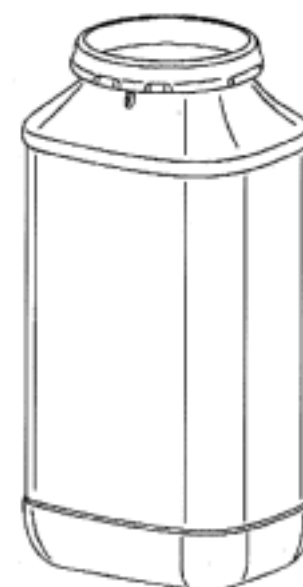
(21) Design Number: **12145/2014**  
(22) Date of Filing Application: **05 May 2014**  
(24) Date from which industrial property rights may have effect: **05 May 2014**  
(54) Product in respect of which the design is registered: **Glass container**  
(51) International Design Classification: **09-01C**  
(74) Name(s) of Attorney(s): **SPRUSON & FERGUSON**  
(71) Name(s) and Address(s) of Applicant(s):  
**CAFEA GmbH**  
**Am Sandtorkai 2 Hamburg, 20457 Germany**  
(72) Name(s) of Designer(s): **Jan Beernd Rothfos**  
(45) Registration Date: **04 July 2014**  
(30) Convention priority data:  
(31) Number (32) Date (33) Country  
**002338921-0004 05 Nov 2013 OFFICE FOR HARMONISATION IN**  
**THE INTERNAL MARKET (OHIM)**  
(56) Related Art Documents: **Not Applicable**  
(57) Statement of Newness and Distinctiveness: **Newness and distinctiveness is**  
**claimed in the features of shape and/or configuration of a glass container**  
**as illustrated in the accompanying representations.**



(21) Design Number: **12146/2014**  
(22) Date of Filing Application: **05 May 2014**  
(24) Date from which industrial property rights may have effect: **05 May 2014**  
(54) Product in respect of which the design is registered: **Glass container**  
(51) International Design Classification: **09-01C**  
(74) Name(s) of Attorney(s): **SPRUSON & FERGUSON**  
(71) Name(s) and Address(s) of Applicant(s):  
**CAFEA GmbH**  
**Am Sandtorkai 2 Hamburg, 20457 Germany**  
(72) Name(s) of Designer(s): **Jan Beernd Rothfos**  
(45) Registration Date: **04 July 2014**  
(30) Convention priority data:  
(31) Number (32) Date (33) Country  
**002338921-0003 05 Nov 2013 OFFICE FOR HARMONISATION IN**  
**THE INTERNAL MARKET (OHIM)**  
(56) Related Art Documents: **Not Applicable**  
(57) Statement of Newness and Distinctiveness: **Newness and distinctiveness is**  
**claimed in the features of shape and/or configuration of a glass container**  
**as illustrated in the accompanying representations.**



(21) Design Number: **12147/2014**  
(22) Date of Filing Application: **05 May 2014**  
(24) Date from which industrial property rights may have effect: **05 May 2014**  
(54) Product in respect of which the design is registered: **Glass container**  
(51) International Design Classification: **09-01C**  
(74) Name(s) of Attorney(s): **SPRUSON & FERGUSON**  
(71) Name(s) and Address(s) of Applicant(s):  
**CAFEA GmbH**  
**Am Sandtorkai 2 Hamburg, 20457 Germany**  
(72) Name(s) of Designer(s): **Jan Beernd Rothfos**  
(45) Registration Date: **04 July 2014**  
(30) Convention priority data:  
(31) Number (32) Date (33) Country  
**002338921-0001 05 Nov 2013 OFFICE FOR HARMONISATION IN**  
**THE INTERNAL MARKET (OHIM)**  
(56) Related Art Documents: **Not Applicable**  
(57) Statement of Newness and Distinctiveness: **Newness and distinctiveness is**  
**claimed in the features of shape and/or configuration of a glass container**  
**as illustrated in the accompanying representations.**



- (21) Design Number: **12169/2014**  
(22) Date of Filing Application: **06 May 2014**  
(24) Date from which industrial property rights may have effect: **06 May 2014**  
(54) Product in respect of which the design is registered: **Packaging**  
(51) International Design Classification: **09-03H**  
(74) Name(s) of Attorney(s): **Halfords IP**  
(71) Name(s) and Address(s) of Applicant(s):

**ResMed Limited**  
**1 Elizabeth Macarthur Dr Bella Vista NSW 2153 Australia**

- (72) Name(s) of Designer(s): **Dale Alan Stuart Wakeham and Martin Kang and Andrew James Bate and Frederick Arlet May and Murray William Lee and Hadley White**

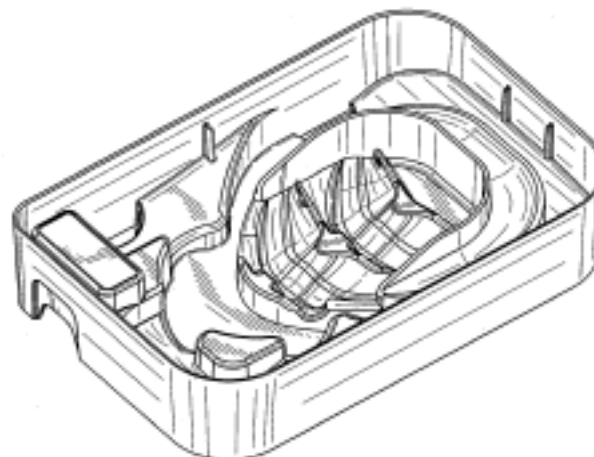
(45) Registration Date: **04 July 2014**

(30) Convention priority data:

(31) Number	(32) Date	(33) Country
<b>29/471991</b>	<b>07 Nov 2013</b>	<b>UNITED STATES OF AMERICA</b>

(56) Related Art Documents: **Not Applicable**

- (57) Statement of Newness and Distinctiveness: **Newness and distinctiveness resides in those features of shape and or configuration of a packaging as depicted in the representations. Features shown in broken lines do not form part of the design.**



- (21) Design Number: **12262/2014**  
(22) Date of Filing Application: **12 May 2014**  
(24) Date from which industrial property rights may have effect: **12 May 2014**  
(54) Product in respect of which the design is registered: **Swimwear garment**  
(51) International Design Classification: **02-02A**  
(74) Name(s) of Attorney(s): **Thomson Geer**  
(71) Name(s) and Address(s) of Applicant(s):

**JETS Swimwear Pty Limited**  
**8-18 Bowden St Alexandria NSW 2015 Australia**

(72) Name(s) of Designer(s): **Jessika Allen**

(45) Registration Date: **04 July 2014**

(56) Related Art Documents: **Not Applicable**

- (57) Statement of Newness and Distinctiveness: **Newness and distinctiveness is claimed in the shape and/or configuration of the garment as depicted in the accompanying representations and in the feature of pattern and/or ornamentation. The sections marked "B" are cut out panels. The sections marked "D" indicate binding. In considering the newness & distinctiveness the feature marked A, being a clasp, is to be disregarded. The outline of the wearer, shown in broken lines on the line drawing, forms no part of the design.**





(21) Design Number: **12264/2014**  
(22) Date of Filing Application: **12 May 2014**  
(24) Date from which industrial property rights may have effect: **12 May 2014**  
(54) Product in respect of which the design is registered: **Swimwear garment**  
(51) International Design Classification: **02-02A**  
(74) Name(s) of Attorney(s): **Thomson Geer**  
(71) Name(s) and Address(s) of Applicant(s):

**JETS Swimwear Pty Limited**  
**8-18 Bowden St Alexandria NSW 2015 Australia**

(72) Name(s) of Designer(s): **Jessika Allen**

(45) Registration Date: **04 July 2014**

(56) Related Art Documents: **Not Applicable**

(57) Statement of Newness and Distinctiveness: **Newness and distinctiveness is claimed in the shape and/or configuration of the garment as depicted in the accompanying representations and in the feature of pattern and/or ornamentation. The section marked "B" is a cut out panel. The sections marked "D" indicate binding. In considering the newness & distinctiveness the feature marked A, being a clasp, is to be disregarded. The outline of the wearer, shown in broken lines on the line drawing, forms no part of the design.**



(21) Design Number: **12308/2014**  
(22) Date of Filing Application: **14 May 2014**  
(24) Date from which industrial property rights may have effect: **14 May 2014**  
(54) Product in respect of which the design is registered: **Floor grate**  
(51) International Design Classification: **25-02G**  
(74) Name(s) of Attorney(s):  
(71) Name(s) and Address(s) of Applicant(s):

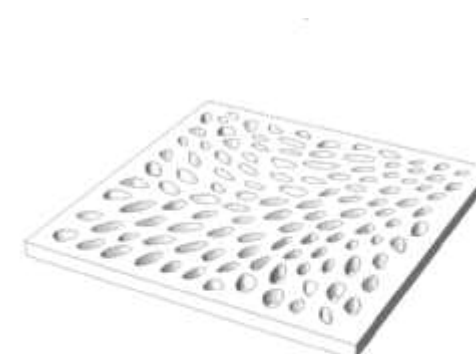
**Art Plastics Pty Ltd**  
**PO BOX 610 Wentworthville NSW 2145 Australia**

(72) Name(s) of Designer(s): **Tim Lucas**

(45) Registration Date: **04 July 2014**

(56) Related Art Documents: **Not Applicable**

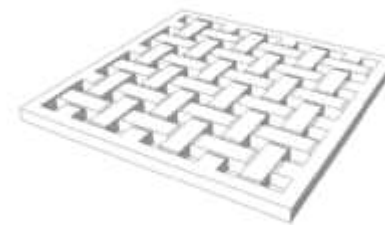
(57) Statement of Newness and Distinctiveness: **Nil**



(21) Design Number: **12309/2014**  
(22) Date of Filing Application: **14 May 2014**  
(24) Date from which industrial property rights may have effect: **14 May 2014**  
(54) Product in respect of which the design is registered: **Floor grate**  
(51) International Design Classification: **25-02G**  
(74) Name(s) of Attorney(s):  
(71) Name(s) and Address(s) of Applicant(s):  
    **Art Plastics Pty Ltd**  
    **PO BOX 610 Wentworthville NSW 2145 Australia**  
(72) Name(s) of Designer(s): **Tim Lucas**  
(45) Registration Date: **04 July 2014**  
(56) Related Art Documents: **Not Applicable**  
(57) Statement of Newness and Distinctiveness: **Nil**



(21) Design Number: **12310/2014**  
(22) Date of Filing Application: **14 May 2014**  
(24) Date from which industrial property rights may have effect: **14 May 2014**  
(54) Product in respect of which the design is registered: **Floor grate**  
(51) International Design Classification: **25-02G**  
(74) Name(s) of Attorney(s):  
(71) Name(s) and Address(s) of Applicant(s):  
    **Art Plastics Pty Ltd**  
    **PO BOX 610 Wentworthville NSW 2145 Australia**  
(72) Name(s) of Designer(s): **Tim Lucas**  
(45) Registration Date: **04 July 2014**  
(56) Related Art Documents: **Not Applicable**  
(57) Statement of Newness and Distinctiveness: **Nil**

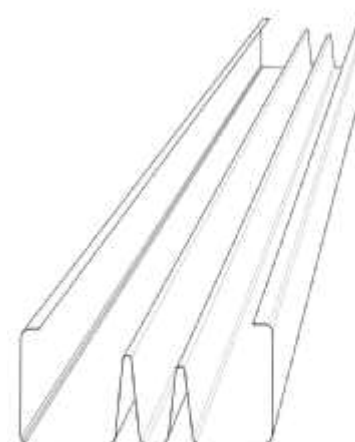




(21) Design Number: **12311/2014**  
(22) Date of Filing Application: **14 May 2014**  
(24) Date from which industrial property rights may have effect: **14 May 2014**  
(54) Product in respect of which the design is registered: **Floor grate**  
(51) International Design Classification: **25-02G**  
(74) Name(s) of Attorney(s):  
(71) Name(s) and Address(s) of Applicant(s):  
**Art Plastics Pty Ltd**  
**PO BOX 610 Wentworthville NSW 2145 Australia**  
(72) Name(s) of Designer(s): **Tim Lucas**  
(45) Registration Date: **04 July 2014**  
(56) Related Art Documents: **Not Applicable**  
(57) Statement of Newness and Distinctiveness: **Nil**



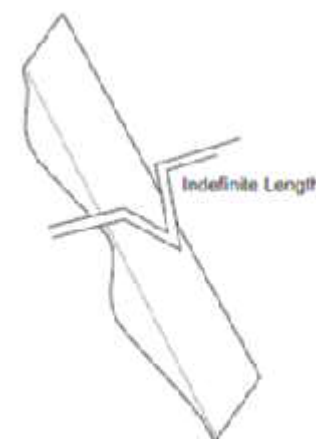
(21) Design Number: **12391/2014**  
(22) Date of Filing Application: **16 May 2014**  
(24) Date from which industrial property rights may have effect: **16 May 2014**  
(54) Product in respect of which the design is registered: **Sound attenuation stud**  
(51) International Design Classification: **25-01K**  
(74) Name(s) of Attorney(s): **Acacia Law**  
(71) Name(s) and Address(s) of Applicant(s):  
**STEEL ROLLFORMED PRODUCTS LIMITED**  
**8 Busbridge Place Hillcrest Auckland 0627 New Zealand**  
(72) Name(s) of Designer(s): **Mark Ernest Bedford**  
(45) Registration Date: **04 July 2014**  
(30) Convention priority data:  
(31) Number      (32) Date      (33) Country  
**418234      19 Nov 2013      NEW ZEALAND**  
(56) Related Art Documents: **Not Applicable**  
(57) Statement of Newness and Distinctiveness: **The design is to be applied to a sound attenuation stud for use in a building and the novelty resides in the configuration of the stud as shown in the accompanying representations. The length of the stud is of indefinite length having the same internal cross-sectional view throughout its length. In particular, the distinctive elements are two inverted V ridges along the stud of unequal heights as shown in the internal cross section representation.**



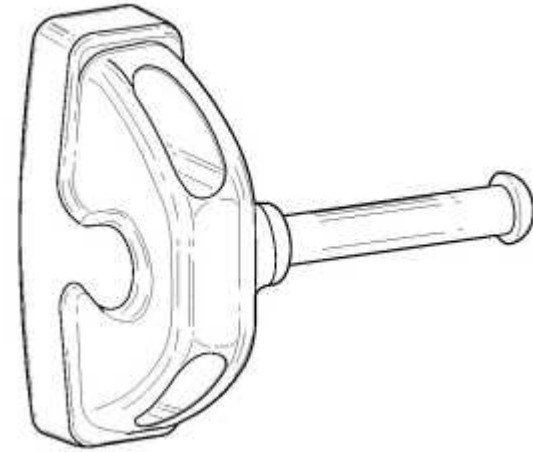
(21) Design Number: **12467/2014**  
(22) Date of Filing Application: **20 May 2014**  
(24) Date from which industrial property rights may have effect: **20 May 2014**  
(54) Product in respect of which the design is registered: **Manual coffee filter**  
(51) International Design Classification: **07-02L**  
(74) Name(s) of Attorney(s): **PHILLIPS ORMONDE FITZPATRICK**  
(71) Name(s) and Address(s) of Applicant(s):  
**Dart Industries Inc.**  
**14901 S. Orange Blossom Trail Orlando Florida 32837 United States of America**  
(72) Name(s) of Designer(s): **Anthony M De Leo**  
(45) Registration Date: **04 July 2014**  
(30) Convention priority data:  
(31) Number (32) Date (33) Country  
**29/476,399 13 Dec 2013 UNITED STATES OF AMERICA**  
(56) Related Art Documents: **Not Applicable**  
(57) Statement of Newness and Distinctiveness: **Nil**



(21) Design Number: **12525/2014**  
(22) Date of Filing Application: **23 May 2014**  
(24) Date from which industrial property rights may have effect: **23 May 2014**  
(54) Product in respect of which the design is registered: **Metal flashing for roof**  
(51) International Design Classification: **25-01G**  
(74) Name(s) of Attorney(s):  
(71) Name(s) and Address(s) of Applicant(s):  
**Errol Frederick Campbell**  
**PO BOX 130 South Grafton NSW 2460 Australia**  
(72) Name(s) of Designer(s): **Errol Frederick Campbell**  
(45) Registration Date: **04 July 2014**  
(56) Related Art Documents: **Not Applicable**  
(57) Statement of Newness and Distinctiveness: **New and distinctive visual feature of the seal comprises the general shape and configurations of the seal. The seal dimension is variable to suit the slope of roof hip and is of undetermined length.**



- (21) Design Number: **11652/2014**  
(22) Date of Filing Application: **03 April 2014**  
(24) Date from which industrial property rights may have effect: **03 April 2014**  
(54) Product in respect of which the design is registered: **Gate striker**  
(51) International Design Classification: **08-07**  
(74) Name(s) of Attorney(s):  
(71) Name(s) and Address(s) of Applicant(s):  
    **Audrius Macernis**  
    **PO Box 882 Mount Eliza VIC 3930**  
(72) Name(s) of Designer(s): **Audrius Macernis**  
(45) Registration Date: **04 July 2014**  
(56) Related Art Documents: **Not Applicable**  
(57) Statement of Newness and Distinctiveness: **Newness and distinctiveness resides in the shape and/or configuration of the stirker for a gate d-latch.**



- (21) Design Number: **11881/2014**  
(22) Date of Filing Application: **16 April 2014**  
(24) Date from which industrial property rights may have effect: **16 April 2014**  
(54) Product in respect of which the design is registered: **Instrument panel for automobile**  
(51) International Design Classification: **12-16NES**  
(74) Name(s) of Attorney(s): **Griffith Hack**  
(71) Name(s) and Address(s) of Applicant(s):  
    **Nissan Jidosha Kabushiki Kaisha**  
    **No. 2 Takaracho Kanagawa-ku Yokohama-shi Kanagawa-ken 221-0000**  
    **Japan**  
(72) Name(s) of Designer(s): **Akifumi Nakao**  
(45) Registration Date: **04 July 2014**  
(56) Related Art Documents: **Not Applicable**  
(57) Statement of Newness and Distinctiveness: **Newness and distinctiveness resides in the visual features, including shape and configuration, of an INSTRUMENT PANEL FOR AUTOMOBILE as shown in the accompanying drawings.**



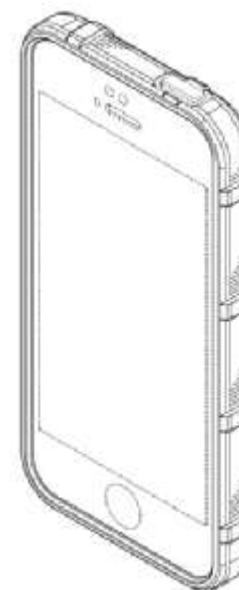
- (21) Design Number: **11885/2014**  
(22) Date of Filing Application: **16 April 2014**  
(24) Date from which industrial property rights may have effect: **16 April 2014**  
(54) Product in respect of which the design is registered: **Front headlight for automobile**  
(51) International Design Classification: **26-06**  
(74) Name(s) of Attorney(s): **Griffith Hack**  
(71) Name(s) and Address(s) of Applicant(s):  
**Nissan Jidosha Kabushiki Kaisha**  
**No. 2 Takaracho Kanagawa-ku Yokohama-shi Kanagawa-ken 221-0000**  
**Japan**  
(72) Name(s) of Designer(s): **Yasuhiro Tani**  
(45) Registration Date: **04 July 2014**  
(56) Related Art Documents: **Not Applicable**  
(57) Statement of Newness and Distinctiveness: **Newness and distinctiveness resides in the visual features, including shape and configuration, of a FRONT HEADLIGHT FOR AUTOMOBILE as shown in the accompanying drawings.**



- (21) Design Number: **12206/2014**  
(22) Date of Filing Application: **08 May 2014**  
(24) Date from which industrial property rights may have effect: **08 May 2014**  
(54) Product in respect of which the design is registered: **Plural component proportioner**  
(51) International Design Classification: **15-99, 08-05L**  
(74) Name(s) of Attorney(s): **Callinans**  
(71) Name(s) and Address(s) of Applicant(s):  
**Graco Minnesota Inc.**  
**88 11th Avenue NE Minneapolis Minnesota 55440-1441 United States of America**  
(72) Name(s) of Designer(s): **Richard D Anderson and Shane A Norman and Tyler A Salminen and Nicholas A Pagano**  
(45) Registration Date: **04 July 2014**  
(30) Convention priority data:  
(31) Number      (32) Date      (33) Country  
**29/479,848      21 Jan 2014      UNITED STATES OF AMERICA**  
(56) Related Art Documents: **Not Applicable**  
(57) Statement of Newness and Distinctiveness: **Newness and distinctiveness are provided by the shape and/or configuration of the design shown in the representations. The features shown in broken lines in the representations are for illustrative purposes only and should not be considered when construing visual features of the design.**



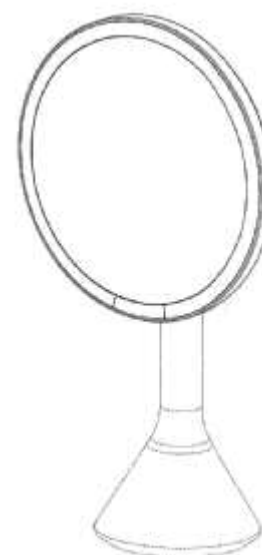
(21) Design Number: **12251/2014**  
(22) Date of Filing Application: **12 May 2014**  
(24) Date from which industrial property rights may have effect: **12 May 2014**  
(54) Product in respect of which the design is registered: **Case for a smart phone**  
(51) International Design Classification: **03-01NES**  
(74) Name(s) of Attorney(s): **Davies Collison Cave**  
(71) Name(s) and Address(s) of Applicant(s):  
**Magpul Industries Corporation**  
**400 Young Court Unit 1 Erie Colorado 80516 United States of America**  
(72) Name(s) of Designer(s): **Grady Barfoot and Michael Mayberry T. and Richard Fitzpatrick**  
(45) Registration Date: **04 July 2014**  
(30) Convention priority data:  
(31) Number (32) Date (33) Country  
**29/472624 14 Nov 2013 UNITED STATES OF AMERICA**  
(56) Related Art Documents: **Not Applicable**  
(57) Statement of Newness and Distinctiveness: **Newness and distinctiveness is claimed in the visual features shown in solid lines in the representations.**



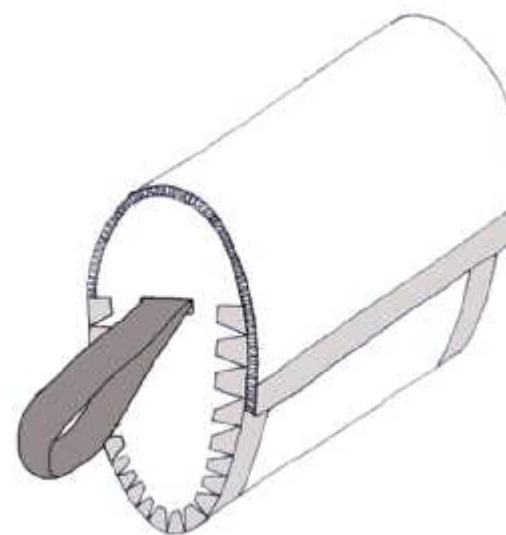
(21) Design Number: **12257/2014**  
(22) Date of Filing Application: **12 May 2014**  
(24) Date from which industrial property rights may have effect: **14 February 2014**  
(54) Product in respect of which the design is registered: **Part of lifting hook**  
(51) International Design Classification: **08-03**  
(74) Name(s) of Attorney(s): **Davies Collison Cave**  
(71) Name(s) and Address(s) of Applicant(s):  
**Fiskars Garden Oy Ab**  
**FI-1030 Billnas Finland**  
(72) Name(s) of Designer(s): **Sami Lyytikainen and Petteri Masalin and Teemu Sandelin and Mikko Heine**  
(45) Registration Date: **04 July 2014**  
(30) Convention priority data:  
(31) Number (32) Date (33) Country  
**002292557-0009 16 Aug 2013 OFFICE FOR HARMONISATION IN THE INTERNAL MARKET (OHIM)**  
(62) Divisional of: **355603**  
(56) Related Art Documents: **Not Applicable**  
(57) Statement of Newness and Distinctiveness: **Newness and distinctiveness is claimed in the visual features shown in solid lines in the representations. In considering the extent of the design rights, the broken lines shown in the representations are for illustrative purposes only and do not form part of the design.**



- (21) Design Number: **12356/2014**  
(22) Date of Filing Application: **15 May 2014**  
(24) Date from which industrial property rights may have effect: **21 February 2014**  
(54) Product in respect of which the design is registered: **Vanity mirror**  
(51) International Design Classification: **06-07**  
(74) Name(s) of Attorney(s): **Davies Collison Cave**  
(71) Name(s) and Address(s) of Applicant(s):  
**Simplehuman, LLC**  
**19850 Magellan Dr Torrance CA 90502-1106 United States of America**  
(72) Name(s) of Designer(s): **Frank Yang and Tzu-Hao Wei and Daniel Ballou**  
(45) Registration Date: **04 July 2014**  
(62) Divisional of: **355776**  
(56) Related Art Documents: **Not Applicable**  
(57) Statement of Newness and Distinctiveness: **Newness and distinctiveness is claimed in the visual features shown in solid lines in the representations. In considering the extent of the design rights, the broken lines shown in the representations are for illustrative purposes only and do not form part of the design.**

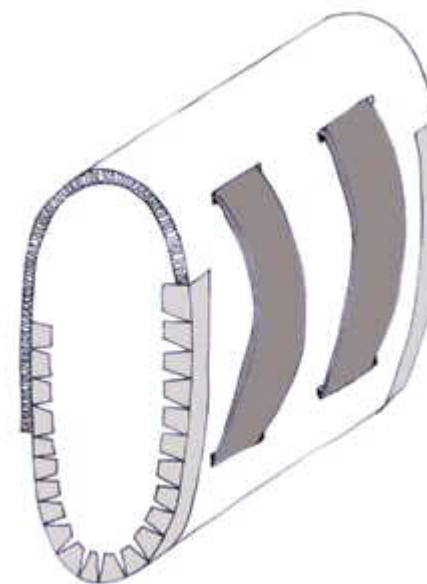


- (21) Design Number: **12418/2014**  
(22) Date of Filing Application: **17 May 2014**  
(24) Date from which industrial property rights may have effect: **17 April 2014**  
(54) Product in respect of which the design is registered: **Cardboard clutch**  
(51) International Design Classification: **03-01B**  
(74) Name(s) of Attorney(s):  
(71) Name(s) and Address(s) of Applicant(s):  
**Jeffrey Steven McCann**  
**20 Victoria Rd Glebe NSW 2037 Australia**  
(72) Name(s) of Designer(s): **Jeffrey Steven McCann**  
(45) Registration Date: **04 July 2014**  
(62) Divisional of: **355913**  
(56) Related Art Documents: **Not Applicable**  
(57) Statement of Newness and Distinctiveness: **Made by hand from repurposed cardboard. Some have hand drawn illustrations on the exterior, others are left to what is already printed on the cardboard. It has a magnet clasp, a zipper pocket on the inside, a wrist strap at one end and a water resistant varnish. The construction of the bags body is the same to the handbag. (Which this has been excluded from).**

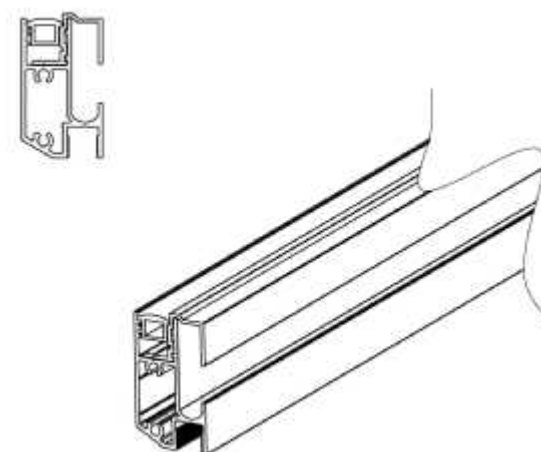




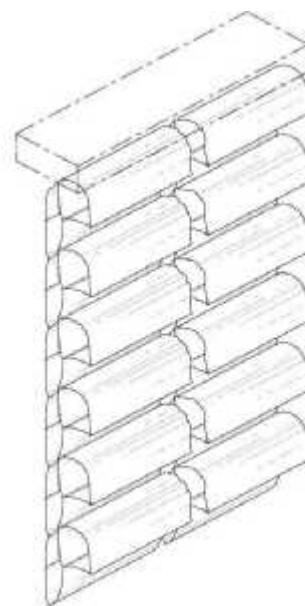
- (21) Design Number: **12419/2014**  
(22) Date of Filing Application: **17 May 2014**  
(24) Date from which industrial property rights may have effect: **17 April 2014**  
(54) Product in respect of which the design is registered: **Cardboard backpack**  
(51) International Design Classification: **03-01A**  
(74) Name(s) of Attorney(s):  
(71) Name(s) and Address(s) of Applicant(s):  
**Jeffrey Steven McCann**  
**20 Victoria Rd Glebe NSW 2037 Australia**  
(72) Name(s) of Designer(s): **Jeffrey Steven McCann**  
(45) Registration Date: **04 July 2014**  
(62) Divisional of: **355913**  
(56) Related Art Documents: **Not Applicable**  
(57) Statement of Newness and Distinctiveness: **Made by hand from repurposed cardboard. Some have hand drawn illustrations on the exterior, others are left to what is already printed on the cardboard. It has magnet clasps to secure the bag, a zipper pocket on the inside, two adjustable shoulder straps and a water resistant varnish. The construction of the bags body is the same to the handbag. (Which this has been excluded from).**



- (21) Design Number: **12602/2014**  
(22) Date of Filing Application: **27 May 2014**  
(24) Date from which industrial property rights may have effect: **27 May 2014**  
(54) Product in respect of which the design is registered: **Extrusion for a shower screen**  
(51) International Design Classification: **25-01K**  
(74) Name(s) of Attorney(s):  
(71) Name(s) and Address(s) of Applicant(s):  
**Aluminium Industries of Australia Pty Ltd**  
**160 Ordish Rd Dandenong South VIC 3175 Australia**  
(72) Name(s) of Designer(s): **Matthew William Keen**  
(45) Registration Date: **04 July 2014**  
(56) Related Art Documents: **Not Applicable**  
(57) Statement of Newness and Distinctiveness: **Monopoly is claimed in the shape and/or configuration of the Semi-frameless Slider Head Extrusion Assembly of indefinite length as illustrated in the representations. Particularly, monopoly is claimed in the pressure fit roller cover profile.**



(21) Design Number: **11162/2014**  
(22) Date of Filing Application: **12 March 2014**  
(24) Date from which industrial property rights may have effect: **12 March 2014**  
(54) Product in respect of which the design is registered: **Window Blinds**  
(51) International Design Classification: **06-10**  
(74) Name(s) of Attorney(s): **WATERMARK PATENT AND TRADE MARKS ATTORNEYS**  
(71) Name(s) and Address(s) of Applicant(s):  
**Flexo Solutions, LLC**  
**5710 Technology Circle Appleton Wisconsin 54914 United States of America**  
(72) Name(s) of Designer(s): **John D Rupel**  
(45) Registration Date: **04 July 2014**  
(30) Convention priority data:  
(31) Number (32) Date (33) Country  
**29/467,589 20 Sep 2013 UNITED STATES OF AMERICA**  
(56) Related Art Documents: **Not Applicable**  
(57) Statement of Newness and Distinctiveness: **Newness and distinctiveness resides in the features of shape and configuration of the window covering. Newness and distinctiveness does not reside in the headrail shown in broken line in the accompanying representations of the design. Representations of the window covering which are cut through the covering's centre indicate that the covering may have any desired width.**



(21) Design Number: **11382/2014**  
(22) Date of Filing Application: **25 March 2014**  
(24) Date from which industrial property rights may have effect: **25 March 2014**  
(54) Product in respect of which the design is registered: **Trimmer head swivel pin**  
(51) International Design Classification: **08-03**  
(74) Name(s) of Attorney(s): **PIPERS Melbourne**  
(71) Name(s) and Address(s) of Applicant(s):  
**EUROLUX AUSTRALIA PTY LTD**  
**PO BOX 1335 Mona Vale NSW 1660 Australia**  
(72) Name(s) of Designer(s): **Martin Hermann**  
(45) Registration Date: **04 July 2014**  
(56) Related Art Documents: **Not Applicable**  
(57) Statement of Newness and Distinctiveness: **The design is to be applied to a Trimmer Head Swivel Pin and the novelty resides in the features of shape and configuration of the Trimmer Head Swivel Pin as shown in the accompanying representations.**





(21) Design Number: **11878/2014**  
(22) Date of Filing Application: **16 April 2014**  
(24) Date from which industrial property rights may have effect: **16 April 2014**  
(54) Product in respect of which the design is registered: **Glove**  
(51) International Design Classification: **02-06**  
(74) Name(s) of Attorney(s): **SPRUSON & FERGUSON**  
(71) Name(s) and Address(s) of Applicant(s):  
**Ansell Limited**  
**L3 678 Victoria St Richmond VIC 3121 Australia**  
(72) Name(s) of Designer(s): **Roger Eugene Huckfeldt**  
(45) Registration Date: **04 July 2014**  
(30) Convention priority data:  
(31) Number (32) Date (33) Country  
**29/475680 05 Dec 2013 UNITED STATES OF AMERICA**  
(56) Related Art Documents: **Not Applicable**  
(57) Statement of Newness and Distinctiveness: **Newness and distinctiveness is claimed in the features of shape and/or configuration of a glove as illustrated in the accompanying representations.**



(21) Design Number: **12424/2014**  
(22) Date of Filing Application: **18 May 2014**  
(24) Date from which industrial property rights may have effect: **18 May 2014**  
(54) Product in respect of which the design is registered: **Continuity meter base unit**  
(51) International Design Classification: **14-03NES, 10-04**  
(74) Name(s) of Attorney(s):  
(71) Name(s) and Address(s) of Applicant(s):  
**THE PEAK GROUP PTY LIMITED**  
**212 Macquarie Rd Warners Bay NSW 2282 Australia**  
(72) Name(s) of Designer(s): **Paul Griffiths and Christopher Shaw**  
(45) Registration Date: **04 July 2014**  
(56) Related Art Documents: **Not Applicable**  
(57) Statement of Newness and Distinctiveness: **Newness and distinctiveness reside in the features of shape, pattern and configuration of the design as shown in the representations.**



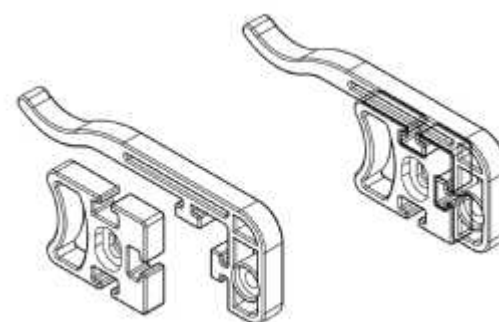
- (21) Design Number: **12425/2014**  
(22) Date of Filing Application: **18 May 2014**  
(24) Date from which industrial property rights may have effect: **18 May 2014**  
(54) Product in respect of which the design is registered: **Continuity meter**  
(51) International Design Classification: **14-03NES, 10-04**  
(74) Name(s) of Attorney(s):  
(71) Name(s) and Address(s) of Applicant(s):  
**THE PEAK GROUP PTY LIMITED**  
**212 Macquarie Rd Warners Bay NSW 2282 Australia**  
(72) Name(s) of Designer(s): **Cedric Joyce and Stephen Palmer and Ian Griffiths**  
(45) Registration Date: **04 July 2014**  
(56) Related Art Documents: **Not Applicable**  
(57) Statement of Newness and Distinctiveness: **Newness and distinctiveness reside in the features of shape, pattern and configuration of the design as shown in the representations.**



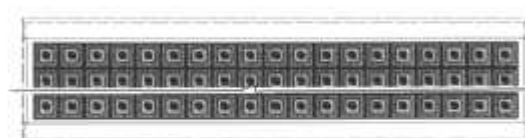
- (21) Design Number: **12426/2014**  
(22) Date of Filing Application: **18 May 2014**  
(24) Date from which industrial property rights may have effect: **18 May 2014**  
(54) Product in respect of which the design is registered: **Handheld Electronic Meter Keypad**  
(51) International Design Classification: **14-03NES, 10-04**  
(74) Name(s) of Attorney(s):  
(71) Name(s) and Address(s) of Applicant(s):  
**THE PEAK GROUP PTY LIMITED**  
**212 Macquarie Rd Warners Bay NSW 2282 Australia**  
(72) Name(s) of Designer(s): **Cedric Joyce and Stephen Palmer and Ian Griffiths**  
(45) Registration Date: **04 July 2014**  
(56) Related Art Documents: **Not Applicable**  
(57) Statement of Newness and Distinctiveness: **Newness and distinctiveness reside in the features of shape, pattern and configuration of the design as shown in the representations.**



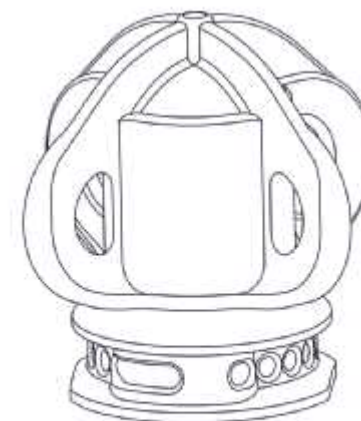
- (21) Design Number: **12603/2014**  
(22) Date of Filing Application: **27 May 2014**  
(24) Date from which industrial property rights may have effect: **27 May 2014**  
(54) Product in respect of which the design is registered: **Sliding door catch**  
(51) International Design Classification: **25-02B**  
(74) Name(s) of Attorney(s):  
(71) Name(s) and Address(s) of Applicant(s):  
**Aluminium Industries of Australia Pty Ltd**  
**160 Ordish Rd Dandenong South VIC 3175 Australia**  
(72) Name(s) of Designer(s): **Matthew William Keen**  
(45) Registration Date: **04 July 2014**  
(56) Related Art Documents: **Not Applicable**  
(57) Statement of Newness and Distinctiveness: **Monopoly is claimed in the shape and/or configuration of the Sem-frameless Slider Door Catch as illustrated in the representations.**



- (21) Design Number: **12659/2014**  
(22) Date of Filing Application: **29 May 2014**  
(24) Date from which industrial property rights may have effect: **21 March 2014**  
(54) Product in respect of which the design is registered: **Light fixture**  
(51) International Design Classification: **26-05A**  
(74) Name(s) of Attorney(s): **PHILLIPS ORMONDE FITZPATRICK**  
(71) Name(s) and Address(s) of Applicant(s):  
**Gerard Lighting Pty Ltd**  
**142-144 Fullarton Rd Rose Park SA 5067 Australia**  
(72) Name(s) of Designer(s): **Guy Hatton-Ward**  
(45) Registration Date: **04 July 2014**  
(62) Divisional of: **355802**  
(56) Related Art Documents: **Not Applicable**  
(57) Statement of Newness and Distinctiveness: **Newness and distinctiveness resides in the shape and configuration of a light fixture of indefinite dimensions as shown in the accompanying drawings. In considering the scope of monopoly, no regard is to be had of the features indicated in dotted lines.**

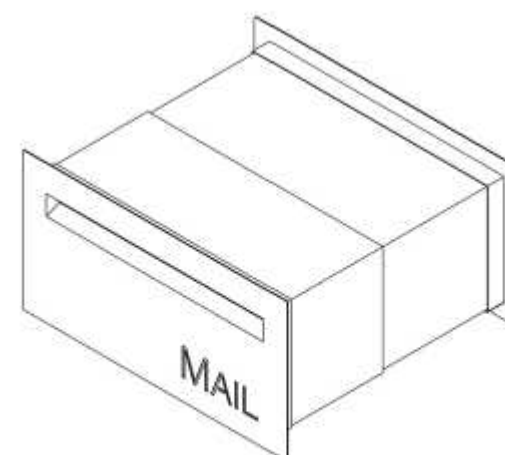


(21) Design Number: **12723/2014**  
(22) Date of Filing Application: **03 June 2014**  
(24) Date from which industrial property rights may have effect: **03 June 2014**  
(54) Product in respect of which the design is registered: **Closure**  
(51) International Design Classification: **09-07B**  
(74) Name(s) of Attorney(s): **SPRUSON & FERGUSON**  
(71) Name(s) and Address(s) of Applicant(s):  
**AptarGroup, Inc.**  
**475 West Terra Cotta Avenue Suite E Crystal Lake Illinois 60014-9695**  
**United States of America**  
(72) Name(s) of Designer(s): **John M Wisniewski and Stacy L Beilke and Dave S Johnson**  
(45) Registration Date: **04 July 2014**  
(30) Convention priority data:  
(31) Number (32) Date (33) Country  
**29/481481 06 Feb 2014 UNITED STATES OF AMERICA**



(56) Related Art Documents: **Not Applicable**  
(57) Statement of Newness and Distinctiveness: **Newness and distinctiveness is claimed in the features of shape and/or configuration of the following elements of a closure illustrated in the accompanying representations: four radially outwardly extending wings or tabs 90 degrees apart; an aperture through each tab; and an upwardly projecting disk portion at the top of the region where the wings or tabs converge.**

(21) Design Number: **12725/2014**  
(22) Date of Filing Application: **03 June 2014**  
(24) Date from which industrial property rights may have effect: **03 June 2014**  
(54) Product in respect of which the design is registered: **Post box**  
(51) International Design Classification: **25-03**  
(74) Name(s) of Attorney(s):  
(71) Name(s) and Address(s) of Applicant(s):  
**Dylan James Lake**  
**17 The Rise Glen Waverley VIC 3150 Australia**  
(72) Name(s) of Designer(s): **Dylan James Lake**  
(45) Registration Date: **04 July 2014**  
(56) Related Art Documents: **Not Applicable**  
(57) Statement of Newness and Distinctiveness: **The newness and distinctiveness of the design resides in the shape and/or configuration of a letterbox shown in the representations.**



(21) Design Number: **12726/2014**

(22) Date of Filing Application: **03 June 2014**

(24) Date from which industrial property rights may have effect: **03 June 2014**

(54) Product in respect of which the design is registered: **Post box**

(51) International Design Classification: **25-03**

(74) Name(s) of Attorney(s):

(71) Name(s) and Address(s) of Applicant(s):

**Dylan James Lake**

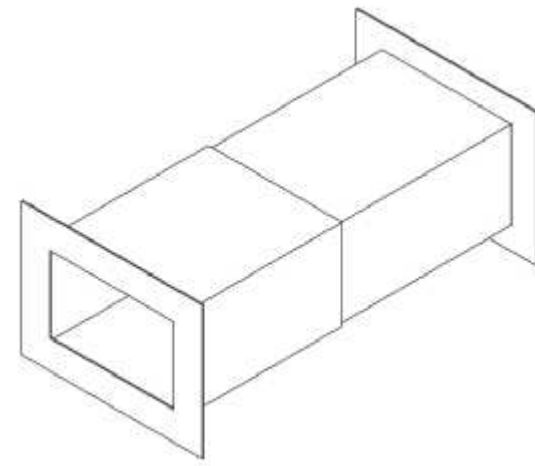
**17 The Rise Glen Waverley VIC 3150 Australia**

(72) Name(s) of Designer(s): **Dylan James Lake**

(45) Registration Date: **04 July 2014**

(56) Related Art Documents: **Not Applicable**

(57) Statement of Newness and Distinctiveness: **The newness and distinctiveness of the design resides in the shape and/or configuration of a letterbox shown in the representations.**



(21) Design Number: **12727/2014**

(22) Date of Filing Application: **03 June 2014**

(24) Date from which industrial property rights may have effect: **03 June 2014**

(54) Product in respect of which the design is registered: **Post box**

(51) International Design Classification: **25-03**

(74) Name(s) of Attorney(s):

(71) Name(s) and Address(s) of Applicant(s):

**Dylan James Lake**

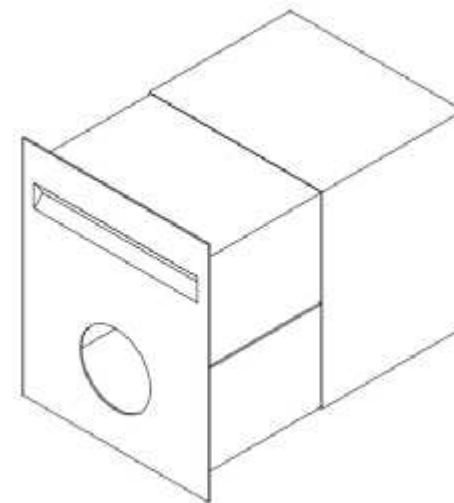
**17 The Rise Glen Waverley VIC 3150 Australia**

(72) Name(s) of Designer(s): **Dylan James Lake**

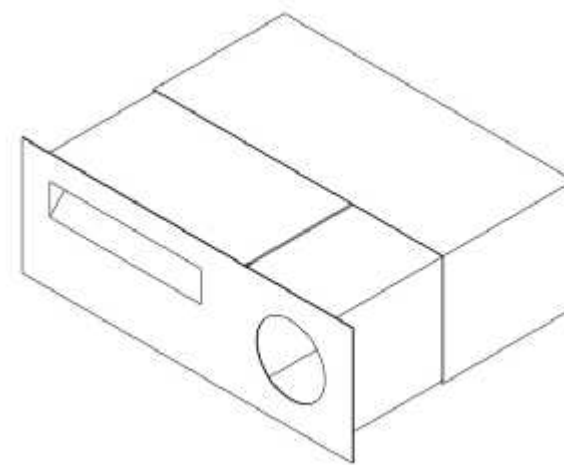
(45) Registration Date: **04 July 2014**

(56) Related Art Documents: **Not Applicable**

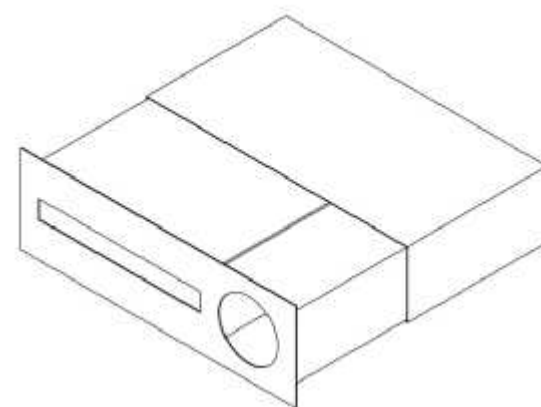
(57) Statement of Newness and Distinctiveness: **The newness and distinctiveness of the design resides in the shape and/or configuration of a letterbox shown in the representations.**



- (21) Design Number: **12728/2014**  
(22) Date of Filing Application: **03 June 2014**  
(24) Date from which industrial property rights may have effect: **03 June 2014**  
(54) Product in respect of which the design is registered: **Post box**  
(51) International Design Classification: **25-03**  
(74) Name(s) of Attorney(s):  
(71) Name(s) and Address(s) of Applicant(s):  
    **Dylan James Lake**  
    **17 The Rise Glen Waverley VIC 3150 Australia**  
(72) Name(s) of Designer(s): **Dylan James Lake**  
(45) Registration Date: **04 July 2014**  
(56) Related Art Documents: **Not Applicable**  
(57) Statement of Newness and Distinctiveness: **The newness and distinctiveness of the design resides in the shape and/or configuration of a letterbox shown in the representations.**



- (21) Design Number: **12731/2014**  
(22) Date of Filing Application: **03 June 2014**  
(24) Date from which industrial property rights may have effect: **03 June 2014**  
(54) Product in respect of which the design is registered: **Post box**  
(51) International Design Classification: **25-03**  
(74) Name(s) of Attorney(s):  
(71) Name(s) and Address(s) of Applicant(s):  
    **Dylan James Lake**  
    **17 The Rise Glen Waverley VIC 3150 Australia**  
(72) Name(s) of Designer(s): **Dylan James Lake**  
(45) Registration Date: **04 July 2014**  
(56) Related Art Documents: **Not Applicable**  
(57) Statement of Newness and Distinctiveness: **The newness and distinctiveness of the design resides in the shape and/or configuration of a letterbox shown in the representations.**



(21) Design Number: **12732/2014**

(22) Date of Filing Application: **03 June 2014**

(24) Date from which industrial property rights may have effect: **03 June 2014**

(54) Product in respect of which the design is registered: **Post box**

(51) International Design Classification: **25-03**

(74) Name(s) of Attorney(s):

(71) Name(s) and Address(s) of Applicant(s):

**Dylan James Lake**

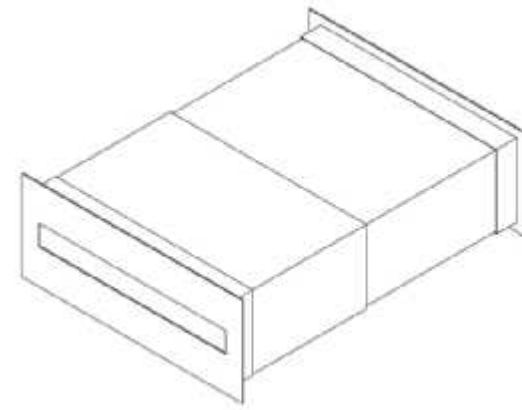
**17 The Rise Glen Waverley VIC 3150 Australia**

(72) Name(s) of Designer(s): **Dylan James Lake**

(45) Registration Date: **04 July 2014**

(56) Related Art Documents: **Not Applicable**

(57) Statement of Newness and Distinctiveness: **The newness and distinctiveness of the design resides in the shape and/or configuration of a letterbox shown in the representations.**



(21) Design Number: **12733/2014**

(22) Date of Filing Application: **03 June 2014**

(24) Date from which industrial property rights may have effect: **03 June 2014**

(54) Product in respect of which the design is registered: **Post box**

(51) International Design Classification: **25-03**

(74) Name(s) of Attorney(s):

(71) Name(s) and Address(s) of Applicant(s):

**Dylan James Lake**

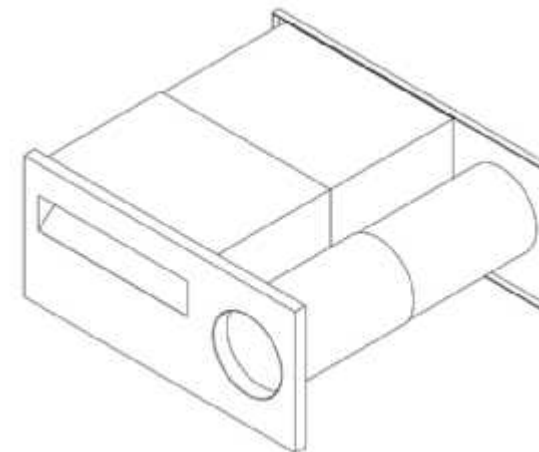
**17 The Rise Glen Waverley VIC 3150 Australia**

(72) Name(s) of Designer(s): **Dylan James Lake**

(45) Registration Date: **04 July 2014**

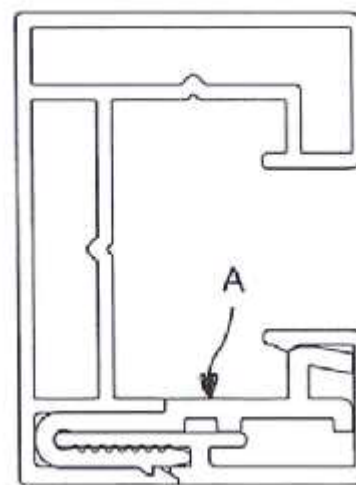
(56) Related Art Documents: **Not Applicable**

(57) Statement of Newness and Distinctiveness: **The newness and distinctiveness of the design resides in the shape and/or configuration of a letterbox shown in the representations.**





- (21) Design Number: **12734/2014**  
(22) Date of Filing Application: **03 June 2014**  
(24) Date from which industrial property rights may have effect: **03 June 2014**  
(54) Product in respect of which the design is registered: **Guide track for a blind**  
(51) International Design Classification: **08-99, 08-08H**  
(74) Name(s) of Attorney(s): **IP Gateway Patent & Trademark Attorneys Pty Ltd**  
(71) Name(s) and Address(s) of Applicant(s):  
**Smart Blind Pty Ltd.**  
**U 3 20 Junction Rd BURLEIGH QLD 4220**  
(72) Name(s) of Designer(s): **Anthony Gerard Roberts and Aaron Rodd**  
(45) Registration Date: **04 July 2014**  
(56) Related Art Documents: **Not Applicable**  
(57) Statement of Newness and Distinctiveness: **Newness and distinctiveness reside in the shape and configuration of the part designated A in the representations. The parts of the guide track are of indefinite length.**

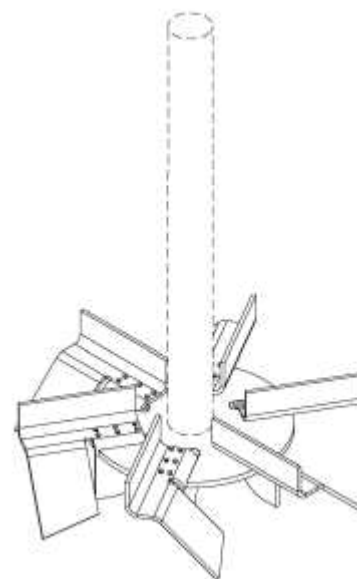


- (21) Design Number: **12737/2014**  
(22) Date of Filing Application: **03 June 2014**  
(24) Date from which industrial property rights may have effect: **03 June 2014**  
(54) Product in respect of which the design is registered: **Customs inspection stand**  
(51) International Design Classification: **25-03**  
(74) Name(s) of Attorney(s): **Davies Collison Cave**  
(71) Name(s) and Address(s) of Applicant(s):  
**Robina Trading House Pty Ltd**  
**U9/686 Mowbray Rd Lane Cove NSW 2066 Australia**  
(72) Name(s) of Designer(s): **Scott Ryan**  
(45) Registration Date: **04 July 2014**  
(56) Related Art Documents: **Not Applicable**  
(57) Statement of Newness and Distinctiveness: **Newness and distinctiveness is claimed in the visual features shown in solid lines in the representations. In considering the extent of the design rights, the broken lines shown in the representations are for illustrative purposes only and do not form part of the design.**

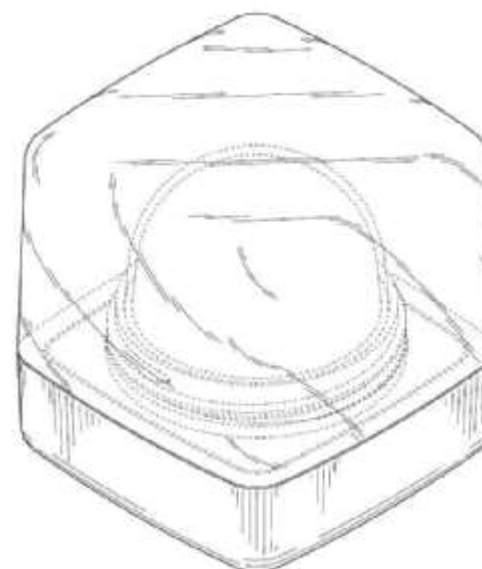




- (21) Design Number: **12739/2014**  
(22) Date of Filing Application: **04 June 2014**  
(24) Date from which industrial property rights may have effect: **04 June 2014**  
(54) Product in respect of which the design is registered: **Impeller for hydrometallurgical mixer**  
(51) International Design Classification: **15-04, 15-99**  
(74) Name(s) of Attorney(s): **Griffith Hack**  
(71) Name(s) and Address(s) of Applicant(s):  
**Outotec (Finland) Oy**  
**Puolikkotie 10 Espoo 02230 Finland**  
(72) Name(s) of Designer(s): **Ville Strommer and Markus Lehtonen**  
(45) Registration Date: **04 July 2014**  
(30) Convention priority data:  
(31) Number (32) Date (33) Country  
**001393052-0001 04 Dec 2013 OFFICE FOR HARMONISATION IN THE INTERNAL MARKET (OHIM)**  
(56) Related Art Documents: **Not Applicable**  
(57) Statement of Newness and Distinctiveness: **Newness and distinctiveness resides in the visual features, including the shape and configuration of the product shown by means of solid lines in the representations.**



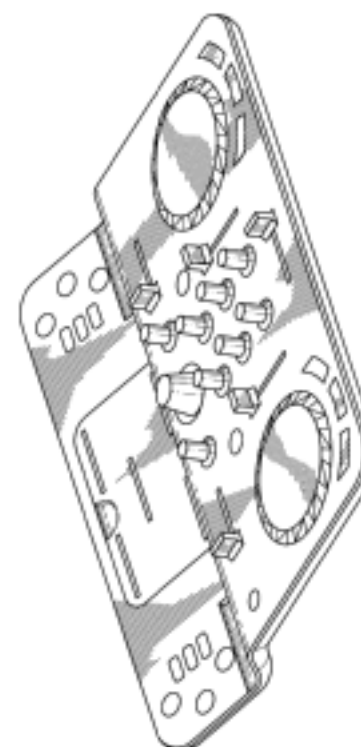
- (21) Design Number: **12740/2014**  
(22) Date of Filing Application: **04 June 2014**  
(24) Date from which industrial property rights may have effect: **02 April 2014**  
(54) Product in respect of which the design is registered: **Cosmetic container**  
(51) International Design Classification: **09-01G**  
(74) Name(s) of Attorney(s): **WATERMARK PATENT AND TRADE MARKS ATTORNEYS**  
(71) Name(s) and Address(s) of Applicant(s):  
**The Mentholatum Company**  
**707 Sterling Drive Orchard Park New York, 14127 United States of America**  
(72) Name(s) of Designer(s): **Christopher A Corey and Kevin J Aylsworth and Shinjan Xie and Charles M Smith and Katherine Tocheff and D'Anna Farrar and Raymond L Lewis**  
(45) Registration Date: **04 July 2014**  
(30) Convention priority data:  
(31) Number (32) Date (33) Country  
**29/469,065 07 Oct 2013 UNITED STATES OF AMERICA**  
(62) Divisional of: **355815**  
(56) Related Art Documents: **Not Applicable**  
(57) Statement of Newness and Distinctiveness: **Newness and distinctiveness resides in the areas of the cosmetic container shown in the full outline, the lines shown in broken outline being for showing context or environment and not forming part of the design.**



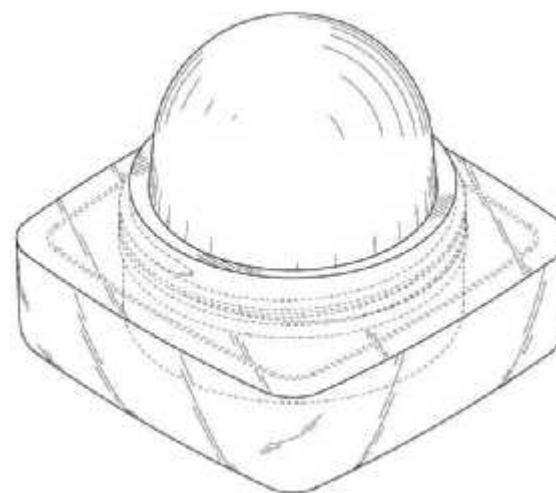
- (21) Design Number: **12741/2014**  
(22) Date of Filing Application: **04 June 2014**  
(24) Date from which industrial property rights may have effect: **02 April 2014**  
(54) Product in respect of which the design is registered: **Cosmetic container**  
(51) International Design Classification: **09-01G**  
(74) Name(s) of Attorney(s): **WATERMARK PATENT AND TRADE MARKS ATTORNEYS**  
(71) Name(s) and Address(s) of Applicant(s):  
**The Mentholatum Company**  
**707 Sterling Drive Orchard Park New York, 14127 United States of America**  
(72) Name(s) of Designer(s): **Christopher A Corey and Kevin J Aylsworth and Shinjan Xie and Charles M Smith and Katherine Tocheff and D'Anna Farrar and Raymond L Lewis**  
(45) Registration Date: **04 July 2014**  
(30) Convention priority data:  
(31) Number (32) Date (33) Country  
**29/469,065 07 Oct 2013 UNITED STATES OF AMERICA**  
(62) Divisional of: **355815**  
(56) Related Art Documents: **Not Applicable**  
(57) Statement of Newness and Distinctiveness: **Newness and distinctiveness resides in the areas of the cosmetic container shown in the full outline, the lines shown in broken outline being for showing context or environment and not forming part of the design.**



- (21) Design Number: **12742/2014**  
(22) Date of Filing Application: **04 June 2014**  
(24) Date from which industrial property rights may have effect: **04 June 2014**  
(54) Product in respect of which the design is registered: **DJ controller**  
(51) International Design Classification: **14-01**  
(74) Name(s) of Attorney(s): **SPRUSON & FERGUSON**  
(71) Name(s) and Address(s) of Applicant(s):  
**Guillemot Corporation S.A.**  
**Place du Granier, B.P. 97143, Chantepie Cedex 35571 France**  
(72) Name(s) of Designer(s): **Olivier Hong**  
(45) Registration Date: **04 July 2014**  
(30) Convention priority data:  
(31) Number (32) Date (33) Country  
**29/477673 24 Dec 2013 UNITED STATES OF AMERICA**  
(56) Related Art Documents: **Not Applicable**  
(57) Statement of Newness and Distinctiveness: **Newness and distinctiveness is claimed in the features of shape and/or configuration of a DJ controller as illustrated in the accompanying representations, when considering newness and distinctiveness particular regard is to be had to a wave portion labelled "A" of the DJ controller as labelled in the accompanying representations.**



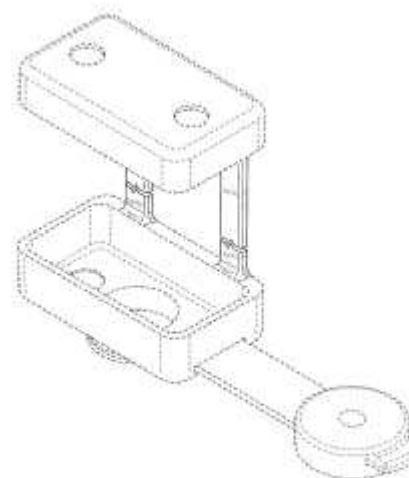
- (21) Design Number: **12743/2014**  
(22) Date of Filing Application: **04 June 2014**  
(24) Date from which industrial property rights may have effect: **02 April 2014**  
(54) Product in respect of which the design is registered: **Cosmetic container**  
(51) International Design Classification: **09-01G**  
(74) Name(s) of Attorney(s): **WATERMARK PATENT AND TRADE MARKS ATTORNEYS**  
(71) Name(s) and Address(s) of Applicant(s):  
**The Mentholatum Company**  
**707 Sterling Drive Orchard Park New York, 14127 United States of America**  
(72) Name(s) of Designer(s): **Christopher A Corey and Kevin J Aylsworth and Shinjan Xie and Charles M Smith and Katherine Tocheff and D'Anna Farrar and Raymond L Lewis**  
(45) Registration Date: **04 July 2014**  
(30) Convention priority data:  
(31) Number (32) Date (33) Country  
**29/469,065 07 Oct 2013 UNITED STATES OF AMERICA**  
(62) Divisional of: **355815**  
(56) Related Art Documents: **Not Applicable**  
(57) Statement of Newness and Distinctiveness: **Newness and distinctiveness resides in the areas of the cosmetic container shown in the full outline, the lines shown in broken outline being for showing context or environment and not forming part of the design.**



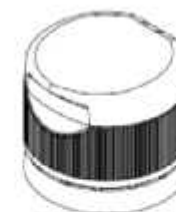
- (21) Design Number: **12744/2014**  
(22) Date of Filing Application: **04 June 2014**  
(24) Date from which industrial property rights may have effect: **04 June 2014**  
(54) Product in respect of which the design is registered: **Coffee maker**  
(51) International Design Classification: **07-02L**  
(74) Name(s) of Attorney(s): **Banki Haddock Fiora**  
(71) Name(s) and Address(s) of Applicant(s):  
**Pi-Design AG**  
**Kantonsstrasse 100 Triengen CH - 6234 Switzerland**  
(72) Name(s) of Designer(s): **Jorgen Bodum**  
(45) Registration Date: **04 July 2014**  
(56) Related Art Documents: **Not Applicable**  
(57) Statement of Newness and Distinctiveness: **The visual features of the coffee maker depicted in the representations that are new and distinctive are the shape and/or configuration. No protection is claimed for the word "bodum" shown in broken lines.**



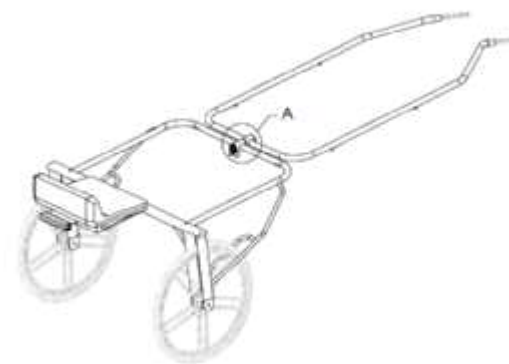
(21) Design Number: **12745/2014**  
(22) Date of Filing Application: **04 June 2014**  
(24) Date from which industrial property rights may have effect: **01 April 2014**  
(54) Product in respect of which the design is registered: **Padlock cover**  
(51) International Design Classification: **08-07**  
(74) Name(s) of Attorney(s): **Callinans**  
(71) Name(s) and Address(s) of Applicant(s):  
**Master Lock Company LLC**  
**137 W. Forest Hill Avenue Oak Creek Wisconsin 53154 United States of America**  
(72) Name(s) of Designer(s): **Matthew Dudgeon and Jassen R Miller**  
(45) Registration Date: **04 July 2014**  
(62) Divisional of: **355812**  
(56) Related Art Documents: **Not Applicable**  
(57) Statement of Newness and Distinctiveness: **Newness and distinctiveness are provided by the shape and/or configuration of the design shown in the representations. The features shown in broken lines in the representations are for illustrative purposes only and should not be considered when construing visual features of the design. The design is of indefinite height.**



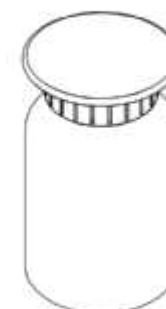
(21) Design Number: **12746/2014**  
(22) Date of Filing Application: **04 June 2014**  
(24) Date from which industrial property rights may have effect: **04 June 2014**  
(54) Product in respect of which the design is registered: **Bottle top**  
(51) International Design Classification: **09-07A**  
(74) Name(s) of Attorney(s): **SPRUSON & FERGUSON**  
(71) Name(s) and Address(s) of Applicant(s):  
**Routin**  
**713 Rue Denis Papin Z I De L'Erier, La Motte Servolex F-73290 France**  
(72) Name(s) of Designer(s): **Muriel Pastre**  
(45) Registration Date: **04 July 2014**  
(30) Convention priority data:  
(31) Number (32) Date (33) Country  
**002364596-0001 05 Dec 2013 OFFICE FOR HARMONISATION IN THE INTERNAL MARKET (OHIM)**  
(56) Related Art Documents: **Not Applicable**  
(57) Statement of Newness and Distinctiveness: **Newness and distinctiveness is claimed in the features of shape and/or configuration of a bottle top as illustrated in the accompanying representations.**



(21) Design Number: **12753/2014**  
(22) Date of Filing Application: **04 June 2014**  
(24) Date from which industrial property rights may have effect: **04 June 2014**  
(54) Product in respect of which the design is registered: **Sulky**  
(51) International Design Classification: **12-01**  
(74) Name(s) of Attorney(s):  
(71) Name(s) and Address(s) of Applicant(s):  
**Stephen Michael Watkins**  
**3 Pring St Warners Bay NSW 2282 Australia**  
(72) Name(s) of Designer(s): **Stephen Michael Watkins**  
(45) Registration Date: **04 July 2014**  
(56) Related Art Documents: **Not Applicable**  
(57) Statement of Newness and Distinctiveness: **Newness and distinctiveness resides in the overall shape and configuration of the features shown in solid lines in the representations.**



(21) Design Number: **12755/2014**  
(22) Date of Filing Application: **04 June 2014**  
(24) Date from which industrial property rights may have effect: **04 June 2014**  
(54) Product in respect of which the design is registered: **Cap & bottle**  
(51) International Design Classification: **09-01NES**  
(74) Name(s) of Attorney(s):  
(71) Name(s) and Address(s) of Applicant(s):  
**Container Pty Ltd**  
**L3 255 Riley St Surry Hills NSW 2010 Australia**  
(72) Name(s) of Designer(s): **Brenan Liston**  
(45) Registration Date: **04 July 2014**  
(56) Related Art Documents: **Not Applicable**  
(57) Statement of Newness and Distinctiveness: **Shape**



(21) Design Number: **12756/2014**

(22) Date of Filing Application: **04 June 2014**

(24) Date from which industrial property rights may have effect: **04 June 2014**

(54) Product in respect of which the design is registered: **Pen**

(51) International Design Classification: **19-06**

(74) Name(s) of Attorney(s):

(71) Name(s) and Address(s) of Applicant(s):

**Fulon Development Limited**

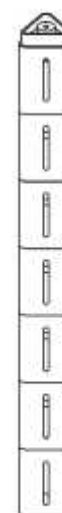
**Unit 1008 10/F Chinachem Golden Plaza 77 Mody Road Tsimshatsui East  
Hong Kong People's Republic Of China**

(72) Name(s) of Designer(s): **Rossetta Tam**

(45) Registration Date: **04 July 2014**

(56) Related Art Documents: **Not Applicable**

(57) Statement of Newness and Distinctiveness: **Nil**



(21) Design Number: **12757/2014**

(22) Date of Filing Application: **04 June 2014**

(24) Date from which industrial property rights may have effect: **04 June 2014**

(54) Product in respect of which the design is registered: **Bottle holder with pump  
and eject button**

(51) International Design Classification: **09-01A**

(74) Name(s) of Attorney(s):

(71) Name(s) and Address(s) of Applicant(s):

**Container Pty Ltd**

**L3 255 Riley St Surry Hills NSW 2010 Australia**

(72) Name(s) of Designer(s): **Brenan Liston**

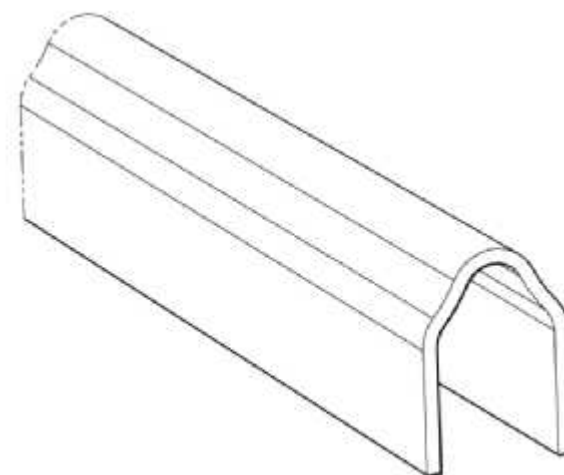
(45) Registration Date: **04 July 2014**

(56) Related Art Documents: **Not Applicable**

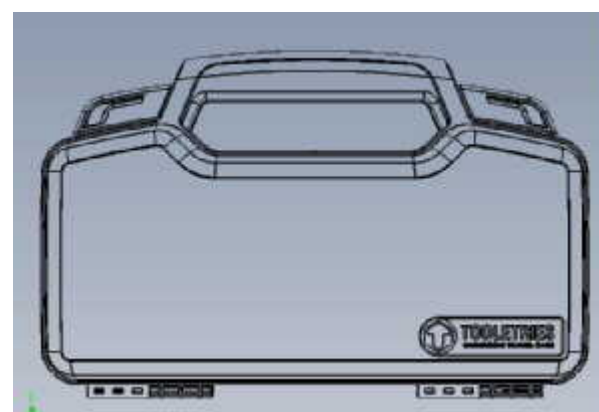
(57) Statement of Newness and Distinctiveness: **Shape of holder and eject  
button. Note: We will be lodging a patent for function also.**



- (21) Design Number: **12758/2014**  
(22) Date of Filing Application: **04 June 2014**  
(24) Date from which industrial property rights may have effect: **04 June 2014**  
(54) Product in respect of which the design is registered: **Sliding door cover track**  
(51) International Design Classification: **25-01NES**  
(74) Name(s) of Attorney(s):  
(71) Name(s) and Address(s) of Applicant(s):  
**Paul Smith**  
**3 Middleton Way Bull Creek WA 6149 Australia**  
(72) Name(s) of Designer(s): **Paul Smith**  
(45) Registration Date: **04 July 2014**  
(56) Related Art Documents: **Not Applicable**  
(57) Statement of Newness and Distinctiveness: **The newness and distinctiveness of the design resides in the shape and configuration of the sliding door cover track as shown in the accompanying representations.**



- (21) Design Number: **12761/2014**  
(22) Date of Filing Application: **05 June 2014**  
(24) Date from which industrial property rights may have effect: **05 June 2014**  
(54) Product in respect of which the design is registered: **Toiletry case/bag**  
(51) International Design Classification: **03-01D**  
(74) Name(s) of Attorney(s):  
(71) Name(s) and Address(s) of Applicant(s):  
**Saul Cockburn**  
**U/5 40 Armagh St Clayfield QLD 4011 Australia**  
**Josh Cockburn**  
**18 Blythe St Kelvin Grove QLD 4059 Australia**  
(72) Name(s) of Designer(s): **Saul Cockburn and Josh Cockburn**  
(45) Registration Date: **04 July 2014**  
(56) Related Art Documents: **Not Applicable**  
(57) Statement of Newness and Distinctiveness: **The newness and distinctiveness of the design resides in the fact that it is a toiletry case that has the aesthetics and form of a tool case. It has the internal workings of a toiletry case but has the exterior of a modified tool case.**



(21) Design Number: **12766/2014**

(22) Date of Filing Application: **05 June 2014**

(24) Date from which industrial property rights may have effect: **05 June 2014**

(54) Product in respect of which the design is registered: **Light for vehicle**

(51) International Design Classification: **26-06**

(74) Name(s) of Attorney(s): **Griffith Hack**

(71) Name(s) and Address(s) of Applicant(s):

**Hella KGaA Hueck & Co**  
**Rixbecker Strasse 75 Lippstadt 59552 Germany**

(72) Name(s) of Designer(s): **Yu Shu Tsai**

(45) Registration Date: **04 July 2014**

(30) Convention priority data:

(31) Number	(32) Date	(33) Country
<b>001398820-0001</b>	<b>14 Jan 2014</b>	<b>OFFICE FOR HARMONISATION IN THE INTERNAL MARKET (OHIM)</b>

(56) Related Art Documents: **Not Applicable**

(57) Statement of Newness and Distinctiveness: **Newness and distinctiveness resides in the visual features, including the shape and configuration as shown in the accompanying representations. However, all symbols, including letters and numbers, such as the HELLA logo and the words "Performance Lighting LED", "LED", and the letters shown in Figure 5 do not form part of the design.**



(21) Design Number: **12768/2014**

(22) Date of Filing Application: **05 June 2014**

(24) Date from which industrial property rights may have effect: **05 June 2014**

(54) Product in respect of which the design is registered: **Shopping cart with removable baskets**

(51) International Design Classification: **12-02**

(74) Name(s) of Attorney(s): **Lord & Company**

(71) Name(s) and Address(s) of Applicant(s):

**GREENCART INT LTD.**  
**P.O. Box 1082 Airport City, Ben Gurion Airport 70100 Israel**

(72) Name(s) of Designer(s): **Rafi Geva and David Chiche and Roy Gur Ari**

(45) Registration Date: **04 July 2014**

(30) Convention priority data:

(31) Number	(32) Date	(33) Country
<b>29/475977</b>	<b>10 Dec 2013</b>	<b>UNITED STATES OF AMERICA</b>

(56) Related Art Documents: **Not Applicable**

(57) Statement of Newness and Distinctiveness: **Monopoly is claimed in the shape or configuration of a shopping cart with removable baskets as shown in the accompanying representations.**





- (21) Design Number: **12769/2014**  
(22) Date of Filing Application: **05 June 2014**  
(24) Date from which industrial property rights may have effect: **21 March 2014**  
(54) Product in respect of which the design is registered: **Cable accessory**  
(51) International Design Classification: **14-01, 21-01B**  
(74) Name(s) of Attorney(s): **Shelston IP**  
(71) Name(s) and Address(s) of Applicant(s):  
**National Entertainment Collectibles Association, Inc.**  
**603 Sweetland Avenue Hillside New Jersey 07205 United States of America**  
(72) Name(s) of Designer(s): **Joel Weinshanker**  
(45) Registration Date: **04 July 2014**  
(62) Divisional of: **355874**  
(56) Related Art Documents: **Not Applicable**  
(57) Statement of Newness and Distinctiveness: **Newness and distinctiveness reside in the features of shape and/or configuration of a CABLE ACCESSORY as illustrated in solid lines in the accompanying representations. The features shown in broken lines are illustrative only and do not form part of the design.**



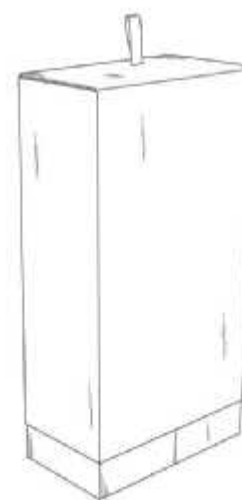
- (21) Design Number: **12772/2014**  
(22) Date of Filing Application: **05 June 2014**  
(24) Date from which industrial property rights may have effect: **21 March 2014**  
(54) Product in respect of which the design is registered: **Cable accessory**  
(51) International Design Classification: **14-01, 21-01B**  
(74) Name(s) of Attorney(s): **Shelston IP**  
(71) Name(s) and Address(s) of Applicant(s):  
**National Entertainment Collectibles Association, Inc.**  
**603 Sweetland Avenue Hillside New Jersey 07205 United States of America**  
(72) Name(s) of Designer(s): **Joel Weinshanker**  
(45) Registration Date: **04 July 2014**  
(62) Divisional of: **355874**  
(56) Related Art Documents: **Not Applicable**  
(57) Statement of Newness and Distinctiveness: **Newness and distinctiveness reside in the features of shape and/or configuration of a CABLE ACCESSORY as illustrated in solid lines in the accompanying representations. The features shown in broken lines are illustrative only and do not form part of the design.**



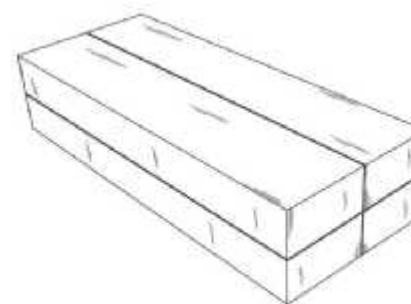
- (21) Design Number: **12773/2014**  
(22) Date of Filing Application: **05 June 2014**  
(24) Date from which industrial property rights may have effect: **21 March 2014**  
(54) Product in respect of which the design is registered: **Cable accessory**  
(51) International Design Classification: **14-01, 21-01B**  
(74) Name(s) of Attorney(s): **Shelston IP**  
(71) Name(s) and Address(s) of Applicant(s):  
**National Entertainment Collectibles Association, Inc.**  
**603 Sweetland Avenue Hillside New Jersey 07205 United States of America**  
(72) Name(s) of Designer(s): **Joel Weinshanker**  
(45) Registration Date: **04 July 2014**  
(62) Divisional of: **355874**  
(56) Related Art Documents: **Not Applicable**  
(57) Statement of Newness and Distinctiveness: **Newness and distinctiveness reside in the features of shape and/or configuration of a CABLE ACCESSORY as illustrated in solid lines in the accompanying representations. The features shown in broken lines are illustrative only and do not form part of the design.**



- (21) Design Number: **12775/2014**  
(22) Date of Filing Application: **05 June 2014**  
(24) Date from which industrial property rights may have effect: **05 June 2014**  
(54) Product in respect of which the design is registered: **Packaging**  
(51) International Design Classification: **09-03M**  
(74) Name(s) of Attorney(s): **Griffith Hack**  
(71) Name(s) and Address(s) of Applicant(s):  
**Mondelez UK R&D Limited**  
**PO BOX 12 Bournville Lane Bournville Birmingham B30 2LU United Kingdom**  
(72) Name(s) of Designer(s): **Gil Horsky and Julian Sellers and Amy Wetton and Robert Monaghan and Richard Turnock and Edwin Ruddock**  
(45) Registration Date: **04 July 2014**  
(30) Convention priority data:  
(31) Number      (32) Date      (33) Country  
**2365502-0001      06 Dec 2013      OFFICE FOR HARMONISATION IN THE INTERNAL MARKET (OHIM)**  
(56) Related Art Documents: **Not Applicable**  
(57) Statement of Newness and Distinctiveness: **The shape and configuration of those parts of the product by means of solid lines in the representations are new and distinctive.**



(21) Design Number: **12776/2014**  
(22) Date of Filing Application: **05 June 2014**  
(24) Date from which industrial property rights may have effect: **05 June 2014**  
(54) Product in respect of which the design is registered: **Packaging**  
(51) International Design Classification: **09-03M**  
(74) Name(s) of Attorney(s): **Griffith Hack**  
(71) Name(s) and Address(s) of Applicant(s):  
**Mondelez UK R&D Limited**  
**PO BOX 12 Bournville Lane\_Bournville Birmingham B30 2LU United Kingdom**  
(72) Name(s) of Designer(s): **Gil Horsky and Julian Sellers and Amy Wetton and Robert Monaghan and Richard Turnock and Edwin Ruddock**  
(45) Registration Date: **04 July 2014**  
(30) Convention priority data:  
(31) Number (32) Date (33) Country  
**2365502-0002 06 Dec 2013 EUROPEAN PATENT OFFICE (EPO)**  
(56) Related Art Documents: **Not Applicable**  
(57) Statement of Newness and Distinctiveness: **The shape and configuration of those parts of the product by means of solid lines in the representations are new and distinctive.**



(21) Design Number: **12777/2014**  
(22) Date of Filing Application: **05 June 2014**  
(24) Date from which industrial property rights may have effect: **05 June 2014**  
(54) Product in respect of which the design is registered: **Surface ornamentation for a medicine container**  
(51) International Design Classification: **09-03M**  
(74) Name(s) of Attorney(s): **PHILLIPS ORMONDE FITZPATRICK**  
(71) Name(s) and Address(s) of Applicant(s):  
**The Procter & Gamble Company**  
**One Procter & Gamble Plaza Cincinnati Ohio 45202 United States of America**  
(72) Name(s) of Designer(s): **Diane Danheiser Powers and Jean Baptise Salvado and Brandon Wells and Suzanne Tainter**  
(45) Registration Date: **04 July 2014**  
(30) Convention priority data:  
(31) Number (32) Date (33) Country  
**DM/082400 09 Dec 2013 WORLD INTELLECTUAL PROPERTY ORGANIZATION (WIPO)**  
(56) Related Art Documents: **Not Applicable**  
(57) Statement of Newness and Distinctiveness: **Those features of the medicine container with surface ornamentation depicted in the representations that are new and distinctive are the pattern and/or ornamentation. The pattern and/or ornamentation may be in any colour varying in shades of the same colour but not limited to a particular colour. The features shown in broken lines are not part of the design and are to be disregarded when considering the overall impression of the design.**

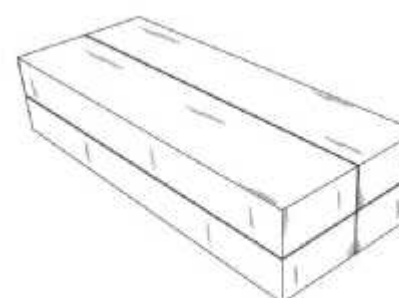


(21) Design Number: **12778/2014**  
(22) Date of Filing Application: **05 June 2014**  
(24) Date from which industrial property rights may have effect: **05 June 2014**  
(54) Product in respect of which the design is registered: **Surface ornamentation for a medicine container**  
(51) International Design Classification: **09-03M**  
(74) Name(s) of Attorney(s): **PHILLIPS ORMONDE FITZPATRICK**  
(71) Name(s) and Address(s) of Applicant(s):  
**The Procter & Gamble Company**  
**One Procter & Gamble Plaza Cincinnati Ohio 45202 United States of America**  
(72) Name(s) of Designer(s): **Diane Danheiser Powers and Jean Baptise Salvado and Brandon Wells and Suzanne Tainter**  
(45) Registration Date: **04 July 2014**  
(30) Convention priority data:  
(31) Number (32) Date (33) Country  
**DM/082400 09 Dec 2013 WORLD INTELLECTUAL PROPERTY ORGANIZATION (WIPO)**



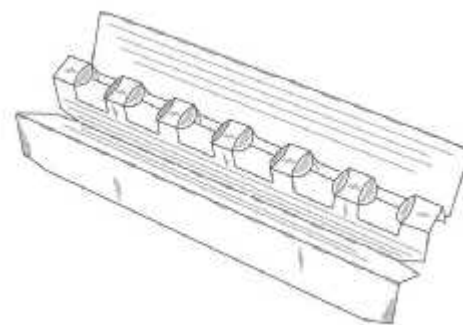
(56) Related Art Documents: **Not Applicable**  
(57) Statement of Newness and Distinctiveness: **Those features of the medical container with surface ornamentation depicted in the representations that are new and distinctive are the pattern and/or ornamentation. The pattern and/or ornamentation may be in any colour varying in shades of the same colour but not limited to a particular colour. The features shown in broken lines are not part of the design and are to be disregarded when considering the overall impression of the design.**

(21) Design Number: **12779/2014**  
(22) Date of Filing Application: **05 June 2014**  
(24) Date from which industrial property rights may have effect: **05 June 2014**  
(54) Product in respect of which the design is registered: **Packaging**  
(51) International Design Classification: **09-03M**  
(74) Name(s) of Attorney(s): **Griffith Hack**  
(71) Name(s) and Address(s) of Applicant(s):  
**Mondelez UK R&D Limited**  
**PO BOX 12 Bournville Lane Bournville Birmingham B30 2LU United Kingdom**  
(72) Name(s) of Designer(s): **Gil Horsky and Julian Sellers and Amy Wetton and Robert Monaghan and Richard Turnock and Edwin Ruddock**  
(45) Registration Date: **04 July 2014**  
(30) Convention priority data:  
(31) Number (32) Date (33) Country  
**2365502-0003 06 Dec 2013 EUROPEAN PATENT OFFICE (EPO)**

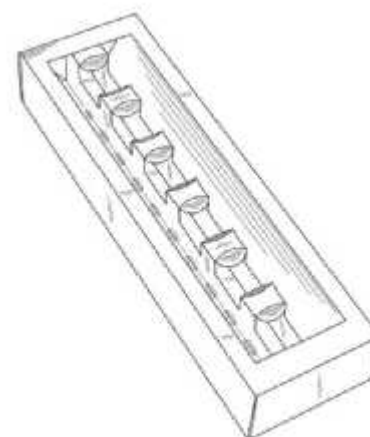


(56) Related Art Documents: **Not Applicable**  
(57) Statement of Newness and Distinctiveness: **The shape and configuration of those parts of the product by means of solid lines in the representations are new and distinctive.**

- (21) Design Number: **12780/2014**  
(22) Date of Filing Application: **05 June 2014**  
(24) Date from which industrial property rights may have effect: **05 June 2014**  
(54) Product in respect of which the design is registered: **Packaging**  
(51) International Design Classification: **09-03NES**  
(74) Name(s) of Attorney(s): **Griffith Hack**  
(71) Name(s) and Address(s) of Applicant(s):  
**Mondelez UK R&D Limited**  
**PO BOX 12 Bournville Lane Bournville Birmingham B30 2LU United Kingdom**  
(72) Name(s) of Designer(s): **Gil Horsky and Julian Sellers and Amy Wetton and Robert Monaghan and Richard Turnock and Edwin Ruddock**  
(45) Registration Date: **04 July 2014**  
(30) Convention priority data:  
(31) Number (32) Date (33) Country  
**2365502-0004 06 Dec 2013 EUROPEAN PATENT OFFICE (EPO)**  
(56) Related Art Documents: **Not Applicable**  
(57) Statement of Newness and Distinctiveness: **The shape and configuration of those parts of the product by means of solid lines in the representations are new and distinctive.**



- (21) Design Number: **12781/2014**  
(22) Date of Filing Application: **05 June 2014**  
(24) Date from which industrial property rights may have effect: **05 June 2014**  
(54) Product in respect of which the design is registered: **Packaging**  
(51) International Design Classification: **09-03H**  
(74) Name(s) of Attorney(s): **Griffith Hack**  
(71) Name(s) and Address(s) of Applicant(s):  
**Mondelez UK R&D Limited**  
**PO Box 12 Bournville Lane Bournville BIRMINGHAM B30 2LU United Kingdom**  
(72) Name(s) of Designer(s): **Gil Horsky and Julian Sellers and Amy Wetton and Robert Monaghan and Richard Turnock and Edwin Ruddock**  
(45) Registration Date: **04 July 2014**  
(30) Convention priority data:  
(31) Number (32) Date (33) Country  
**2365502-0007 06 Dec 2013 OFFICE FOR HARMONISATION IN THE INTERNAL MARKET (OHIM)**  
(56) Related Art Documents: **Not Applicable**  
(57) Statement of Newness and Distinctiveness: **The shape and configuration of those parts of the product by means of solid lines in the representations are new and distinctive.**



(21) Design Number: **12782/2014**

(22) Date of Filing Application: **05 June 2014**

(24) Date from which industrial property rights may have effect: **05 June 2014**

(54) Product in respect of which the design is registered: **Packaging**

(51) International Design Classification: **09-03M**

(74) Name(s) of Attorney(s): **Griffith Hack**

(71) Name(s) and Address(s) of Applicant(s):

**Mondelez UK R&D Limited**

**PO Box 12 Bournville Lane Bournville BIRMINGHAM B30 2LU United Kingdom**

(72) Name(s) of Designer(s): **Gil Horsky and Julian Sellers and Amy Wetton and Robert Monaghan and Richard Turnock and Edwin Ruddock**

(45) Registration Date: **04 July 2014**

(30) Convention priority data:

(31) Number

(32) Date

(33) Country

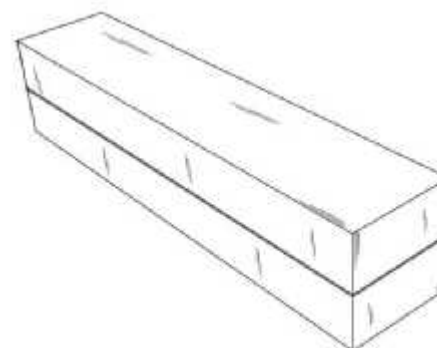
**2365502-0008**

**06 Dec 2013**

**OFFICE FOR HARMONISATION IN THE INTERNAL MARKET (OHIM)**

(56) Related Art Documents: **Not Applicable**

(57) Statement of Newness and Distinctiveness: **The shape and configuration of those parts of the product by means of solid lines in the representations are new and distinctive.**



(21) Design Number: **12783/2014**

(22) Date of Filing Application: **05 June 2014**

(24) Date from which industrial property rights may have effect: **05 June 2014**

(54) Product in respect of which the design is registered: **Packaging**

(51) International Design Classification: **09-03M**

(74) Name(s) of Attorney(s): **Griffith Hack**

(71) Name(s) and Address(s) of Applicant(s):

**Mondelez UK R&D Limited**

**PO Box 12 Bournville Lane Bournville BIRMINGHAM B30 2LU United Kingdom**

(72) Name(s) of Designer(s): **Gil Horsky and Julian Sellers and Amy Wetton and Robert Monaghan and Richard Turnock and Edwin Ruddock**

(45) Registration Date: **04 July 2014**

(30) Convention priority data:

(31) Number

(32) Date

(33) Country

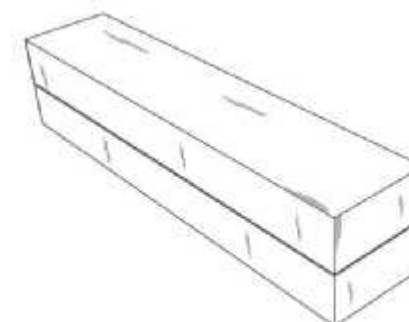
**2365502-0009**

**06 Dec 2013**

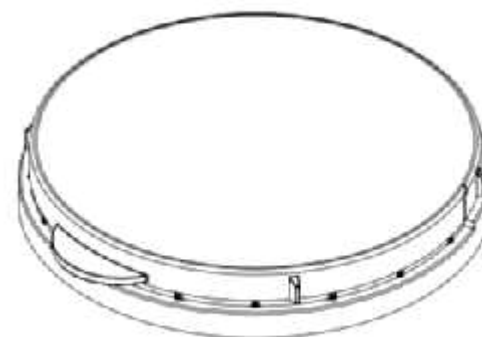
**OFFICE FOR HARMONISATION IN THE INTERNAL MARKET (OHIM)**

(56) Related Art Documents: **Not Applicable**

(57) Statement of Newness and Distinctiveness: **The shape and configuration of those parts of the product by means of solid lines in the representations are new and distinctive.**



- (21) Design Number: **12784/2014**  
(22) Date of Filing Application: **05 June 2014**  
(24) Date from which industrial property rights may have effect: **05 June 2014**  
(54) Product in respect of which the design is registered: **Tamper evident lid for a container**  
(51) International Design Classification: **09-07A**  
(74) Name(s) of Attorney(s): **WATERMARK PATENT AND TRADE MARKS ATTORNEYS**  
(71) Name(s) and Address(s) of Applicant(s):  
**VIP Plastic Packaging Pty Ltd**  
**L16 644 Chapel St South Yarra VIC 3141 Australia**  
(72) Name(s) of Designer(s): **Phillip Higgins**  
(45) Registration Date: **04 July 2014**  
(56) Related Art Documents: **Not Applicable**  
(57) Statement of Newness and Distinctiveness: **Newness and distinctiveness resides in the visual features of the hinged closure flap of the lid and the arrangement of frangible bridges positioned between the closure flap and the lids lower retaining band, as shown in the accompanying drawings.**



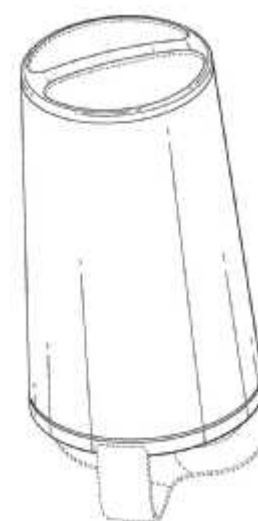
- (21) Design Number: **12785/2014**  
(22) Date of Filing Application: **06 June 2014**  
(24) Date from which industrial property rights may have effect: **06 June 2014**  
(54) Product in respect of which the design is registered: **Air purifier**  
(51) International Design Classification: **23-04**  
(74) Name(s) of Attorney(s): **PHILLIPS ORMONDE FITZPATRICK**  
(71) Name(s) and Address(s) of Applicant(s):  
**The Procter & Gamble Company**  
**One Procter & Gamble Plaza Cincinnati Ohio 45202 United States of America**  
(72) Name(s) of Designer(s): **Joshua James Norman and Paul Edward Backett and Emily Nicole Bayer**  
(45) Registration Date: **04 July 2014**  
(30) Convention priority data:  
(31) Number      (32) Date      (33) Country  
**29/476,404      13 Dec 2013      UNITED STATES OF AMERICA**  
(56) Related Art Documents: **Not Applicable**  
(57) Statement of Newness and Distinctiveness: **Those features of the air purifier depicted in the representations that are new and distinctive are the shape and/or configuration. The features shown in broken lines are not part of the design and are to be disregarded when considering the overall impression of the design.**



(21) Design Number: **12786/2014**  
(22) Date of Filing Application: **06 June 2014**  
(24) Date from which industrial property rights may have effect: **06 June 2014**  
(54) Product in respect of which the design is registered: **Air purifier**  
(51) International Design Classification: **23-04**  
(74) Name(s) of Attorney(s): **PHILLIPS ORMONDE FITZPATRICK**  
(71) Name(s) and Address(s) of Applicant(s):  
**The Procter & Gamble Company**  
**One Procter & Gamble Plaza Cincinnati Ohio 45202 United States of America**  
(72) Name(s) of Designer(s): **Joshua James Norman and Paul Edward Backett and Emily Nicole Bayer**  
(45) Registration Date: **04 July 2014**  
(30) Convention priority data:  
(31) Number (32) Date (33) Country  
**29/476,404 13 Dec 2013 UNITED STATES OF AMERICA**  
(56) Related Art Documents: **Not Applicable**  
(57) Statement of Newness and Distinctiveness: **Those features of the air purifier depicted in the representations that are new and distinctive are the shape and/or configuration. The features shown in broken lines are not part of the design and are to be disregarded when considering the overall impression of the design.**



(21) Design Number: **12787/2014**  
(22) Date of Filing Application: **06 June 2014**  
(24) Date from which industrial property rights may have effect: **06 June 2014**  
(54) Product in respect of which the design is registered: **Air purifier**  
(51) International Design Classification: **23-04**  
(74) Name(s) of Attorney(s): **PHILLIPS ORMONDE FITZPATRICK**  
(71) Name(s) and Address(s) of Applicant(s):  
**The Procter & Gamble Company**  
**One Procter & Gamble Plaza Cincinnati Ohio 45202 United States of America**  
(72) Name(s) of Designer(s): **Joshua James Norman and Paul Edward Backett and Emily Nicole Bayer**  
(45) Registration Date: **04 July 2014**  
(30) Convention priority data:  
(31) Number (32) Date (33) Country  
**29/476,404 13 Dec 2013 UNITED STATES OF AMERICA**  
(56) Related Art Documents: **Not Applicable**  
(57) Statement of Newness and Distinctiveness: **Those features of the air purifier depicted in the representations that are new and distinctive are the shape and/or configuration. The features shown in broken lines are not part of the design and are to be disregarded when considering the overall impression of the design.**





(21) Design Number: **12788/2014**  
(22) Date of Filing Application: **06 June 2014**  
(24) Date from which industrial property rights may have effect: **26 March 2014**  
(54) Product in respect of which the design is registered: **Notebook computer housing**  
(51) International Design Classification: **14-02**  
(74) Name(s) of Attorney(s): **PIZZEYS**  
(71) Name(s) and Address(s) of Applicant(s):  
**Google Inc.**  
**1600 Amphitheatre Parkway Mountain View California 94043 United States of America**  
(72) Name(s) of Designer(s): **Yoshimichi Matsuoka**  
(45) Registration Date: **04 July 2014**  
(62) Divisional of: **355876**  
(56) Related Art Documents: **Not Applicable**  
(57) Statement of Newness and Distinctiveness: **Nil**



(21) Design Number: **12789/2014**  
(22) Date of Filing Application: **06 June 2014**  
(24) Date from which industrial property rights may have effect: **06 June 2014**  
(54) Product in respect of which the design is registered: **Tyre**  
(51) International Design Classification: **12-15C**  
(74) Name(s) of Attorney(s):  
(71) Name(s) and Address(s) of Applicant(s):  
**Jinlin Ma**  
**RM701 Block 1 Anhuaxuan Ruihuayuannei St Middle Jiejing RD Panyu Dist Guangzhou City Guangdong Province People's Republic of China**  
(72) Name(s) of Designer(s): **Jinlin Ma**  
(45) Registration Date: **04 July 2014**  
(56) Related Art Documents: **Not Applicable**  
(57) Statement of Newness and Distinctiveness: **Nil**



(21) Design Number: **12797/2014**

(22) Date of Filing Application: **06 June 2014**

(24) Date from which industrial property rights may have effect: **06 June 2014**

(54) Product in respect of which the design is registered: **A lid for a cable duct**

(51) International Design Classification: **13-03C**

(74) Name(s) of Attorney(s): **PHILLIPS ORMONDE FITZPATRICK**

(71) Name(s) and Address(s) of Applicant(s):

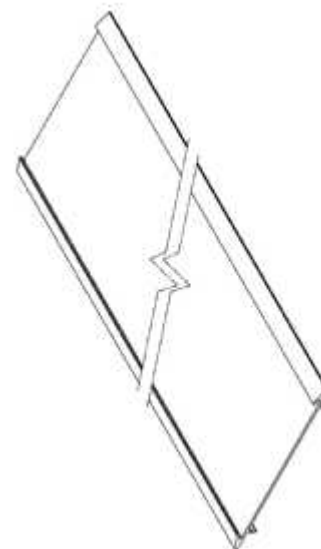
**Electric Cable Duct Systems Pty Ltd  
8 Clarice Rd Box Hill South VIC 3128 Australia**

(72) Name(s) of Designer(s): **Neil Millist and Daniel Cesarin**

(45) Registration Date: **07 July 2014**

(56) Related Art Documents: **Not Applicable**

(57) Statement of Newness and Distinctiveness: **Newness and distinctiveness resides in the features of shape and/or configuration of a lid for a cable duct of indefinite length as shown in the accompanying representations.**



(21) Design Number: **12801/2014**

(22) Date of Filing Application: **06 June 2014**

(24) Date from which industrial property rights may have effect: **06 June 2014**

(54) Product in respect of which the design is registered: **A chair**

(51) International Design Classification: **06-01G**

(74) Name(s) of Attorney(s): **FB Rice**

(71) Name(s) and Address(s) of Applicant(s):

**King Furniture Australia Pty Ltd  
123 Turrella St Turrella NSW 2205 Australia**

(72) Name(s) of Designer(s): **Charles Wilson and David King and John Levey and Ryan Lawson and Anastasie Panagopoulos and Tanya Rechberger**

(45) Registration Date: **07 July 2014**

(56) Related Art Documents: **Not Applicable**

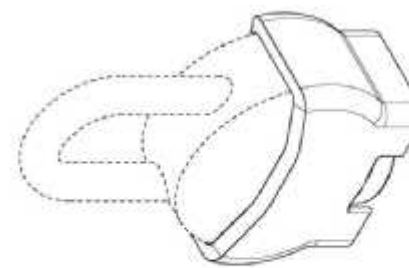
(57) Statement of Newness and Distinctiveness: **Newness and distinctiveness reside in the features of the design as shown in the representations.**



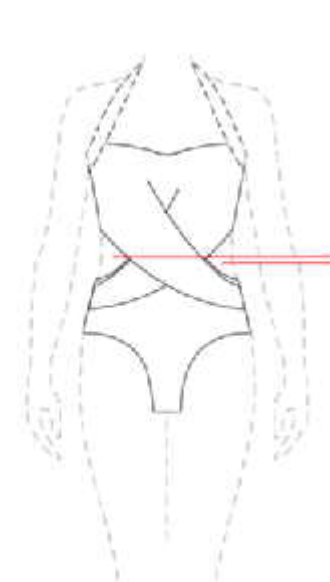
- (21) Design Number: **12803/2014**  
(22) Date of Filing Application: **06 June 2014**  
(24) Date from which industrial property rights may have effect: **06 June 2014**  
(54) Product in respect of which the design is registered: **A chair**  
(51) International Design Classification: **06-01G**  
(74) Name(s) of Attorney(s): **FB Rice**  
(71) Name(s) and Address(s) of Applicant(s):  
**King Furniture Australia Pty Ltd**  
**123 Turrella St Turrella NSW 2205 Australia**  
(72) Name(s) of Designer(s): **Charles Wilson and David King and John Levey**  
**and Ryan Lawson and Anastasie Panagopoulos and Tanya Rechberger**  
(45) Registration Date: **07 July 2014**  
(56) Related Art Documents: **Not Applicable**  
(57) Statement of Newness and Distinctiveness: **Newness and distinctiveness**  
**reside in the features of the design as shown in the representations.**



- (21) Design Number: **12806/2014**  
(22) Date of Filing Application: **06 June 2014**  
(24) Date from which industrial property rights may have effect: **06 June 2014**  
(54) Product in respect of which the design is registered: **A cover for a padlock**  
(51) International Design Classification: **08-07**  
(74) Name(s) of Attorney(s): **PHILLIPS ORMONDE FITZPATRICK**  
(71) Name(s) and Address(s) of Applicant(s):  
**ASSA ABLOY Australia Pty Limited**  
**235 Huntingdale Rd Oakleigh VIC 3166 Australia**  
(72) Name(s) of Designer(s): **Peter Loukeris**  
(45) Registration Date: **07 July 2014**  
(56) Related Art Documents: **Not Applicable**  
(57) Statement of Newness and Distinctiveness: **Those features of the cover for**  
**a padlock depicted in the representations that are new and distinctive**  
**are the shape and/or configuration. The padlock shown in broken lines is**  
**for illustrative purposes only and is to be disregarded when considering**  
**the overall impression of the design.**



- (21) Design Number: **12815/2014**  
(22) Date of Filing Application: **10 June 2014**  
(24) Date from which industrial property rights may have effect: **10 June 2014**  
(54) Product in respect of which the design is registered: **Swimwear garment**  
(51) International Design Classification: **02-02A**  
(74) Name(s) of Attorney(s): **Thomson Geer**  
(71) Name(s) and Address(s) of Applicant(s):  
**JETS Swimwear Pty Limited**  
**8-18 Bowden St Alexandria NSW 2015 Australia**  
(72) Name(s) of Designer(s): **Jessika Allen**  
(45) Registration Date: **07 July 2014**  
(56) Related Art Documents: **Not Applicable**  
(57) Statement of Newness and Distinctiveness: **Newness and distinctiveness is claimed in the shape and/or configuration of the swimwear garment as depicted in the accompanying representations. The sections marked "B" are cut out panels. The neck straps in the front and back views and the outline of the wearer, both shown in broken lines, form no part of the design. In considering the newness & distinctiveness the feature marked A is to be disregarded.**



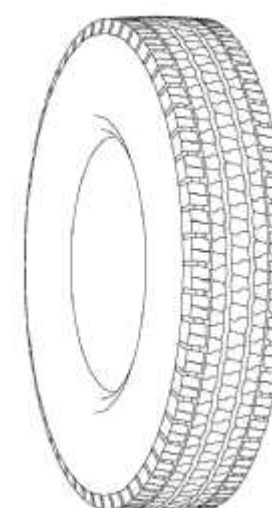
- (21) Design Number: **12816/2014**  
(22) Date of Filing Application: **10 June 2014**  
(24) Date from which industrial property rights may have effect: **10 June 2014**  
(54) Product in respect of which the design is registered: **Swimwear garment**  
(51) International Design Classification: **02-02A**  
(74) Name(s) of Attorney(s): **Thomson Geer**  
(71) Name(s) and Address(s) of Applicant(s):  
**JETS Swimwear Pty Limited**  
**8-18 Bowden St Alexandria NSW 2015 Australia**  
(72) Name(s) of Designer(s): **Jessika Allen**  
(45) Registration Date: **07 July 2014**  
(56) Related Art Documents: **Not Applicable**  
(57) Statement of Newness and Distinctiveness: **Newness and distinctiveness is claimed in the shape and/or configuration of the swimwear garment as depicted in the accompanying representations and in the feature of pattern and/or ornamentation illustrated on the representations by coloured grey sections which indicate a contrast colour fabric from the white sections. The sections marked "B" are cut out panels. The sections marked "D" indicate binding. In considering the newness & distinctiveness the feature marked "A" is to be disregarded. The neck straps in the front and back view, and the outline of the wearer, all shown in broken lines, form no part of the design.**



- (21) Design Number: **12817/2014**  
(22) Date of Filing Application: **10 June 2014**  
(24) Date from which industrial property rights may have effect: **10 June 2014**  
(54) Product in respect of which the design is registered: **A band to identify the contents inside a jug**  
(51) International Design Classification: **07-06A**  
(74) Name(s) of Attorney(s):  
(71) Name(s) and Address(s) of Applicant(s):  
**Mabi Pty Ltd**  
**36 Erina Ave Woy Woy NSW 2256 Australia**  
(72) Name(s) of Designer(s): **Oliver Kratzer**  
(45) Registration Date: **07 July 2014**  
(56) Related Art Documents: **Not Applicable**  
(57) Statement of Newness and Distinctiveness: **The newness and distinctiveness of this design resides in the actual product itself and its uses. This product is made of a material that resists heat and doesn't deform with time, it is easy to clean and provides the user with a clear, simple and quick way to identify the contents inside a jug/container. It has been designed to help a barista distinguish the different types of milk he needs to use and to quickly and efficiently identify the one he is looking for. This design can be used in other industries as it can easily be adapted. This design also allows for advertising which is and added feature.**



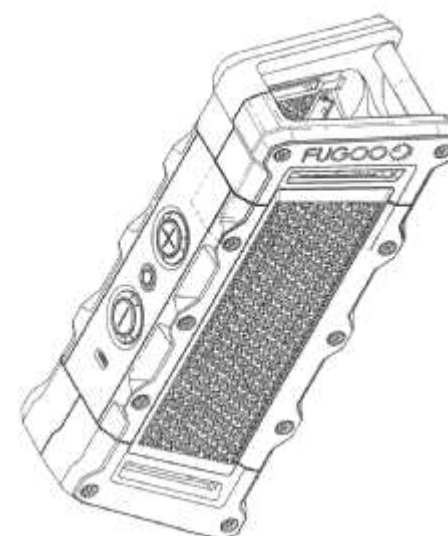
- (21) Design Number: **12819/2014**  
(22) Date of Filing Application: **10 June 2014**  
(24) Date from which industrial property rights may have effect: **10 June 2014**  
(54) Product in respect of which the design is registered: **Automobile tyre**  
(51) International Design Classification: **12-15B**  
(74) Name(s) of Attorney(s): **Griffith Hack**  
(71) Name(s) and Address(s) of Applicant(s):  
**Bridgestone Corporation**  
**1-1, Kyobashi 3-chome Chuo-ku Tokyo 104-8340 Japan**  
(72) Name(s) of Designer(s): **Yusuke Nobunaga**  
(45) Registration Date: **07 July 2014**  
(30) Convention priority data:  
(31) Number      (32) Date      (33) Country  
**2013-028963      10 Dec 2013      JAPAN**  
(56) Related Art Documents: **Not Applicable**  
(57) Statement of Newness and Distinctiveness: **The shape and configuration of the tread portion of the product is new and distinctive.**



- (21) Design Number: **12820/2014**  
(22) Date of Filing Application: **10 June 2014**  
(24) Date from which industrial property rights may have effect: **10 June 2014**  
(54) Product in respect of which the design is registered: **Jacket for portable speaker**  
(51) International Design Classification: **14-01**  
(74) Name(s) of Attorney(s): **FB Rice**  
(71) Name(s) and Address(s) of Applicant(s):  
**Fugoo Corporation**  
**8001 Irvine Center Drive Suite 250 Irvine California, 92618 United States of America**  
(72) Name(s) of Designer(s): **Howard Shi-How Cheng and Alejandro Garfio and Ho Koon Yau and Kit Mok**  
(45) Registration Date: **07 July 2014**  
(30) Convention priority data:  
(31) Number (32) Date (33) Country  
**29/476078 10 Dec 2013 UNITED STATES OF AMERICA**  
(56) Related Art Documents: **Not Applicable**  
(57) Statement of Newness and Distinctiveness: **Newness and distinctiveness reside in those features of the design as shown in solid lines in the representations, and wherein the dot dash line represents a boundary line and forms no part of the claimed design.**



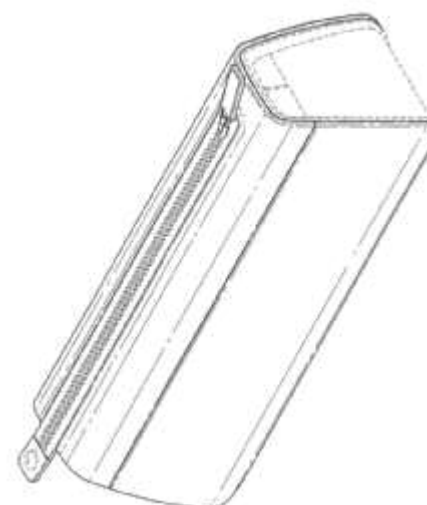
- (21) Design Number: **12821/2014**  
(22) Date of Filing Application: **10 June 2014**  
(24) Date from which industrial property rights may have effect: **10 June 2014**  
(54) Product in respect of which the design is registered: **Jacket for portable speaker**  
(51) International Design Classification: **14-01**  
(74) Name(s) of Attorney(s): **FB Rice**  
(71) Name(s) and Address(s) of Applicant(s):  
**Fugoo Corporation**  
**8001 Irvine Center Drive Suite 250 Irvine California, 92618 United States of America**  
(72) Name(s) of Designer(s): **Howard Shi-How Cheng and Alejandro Garfio and Ho Koon Yau and Kit Mok**  
(45) Registration Date: **07 July 2014**  
(30) Convention priority data:  
(31) Number (32) Date (33) Country  
**29/476076 10 Dec 2013 UNITED STATES OF AMERICA**  
(56) Related Art Documents: **Not Applicable**  
(57) Statement of Newness and Distinctiveness: **Newness and distinctiveness reside in those features of the design as shown in solid lines in the representations, and wherein the dot dash line represents a boundary line and forms no part of the claimed design.**



(21) Design Number: **12822/2014**  
(22) Date of Filing Application: **10 June 2014**  
(24) Date from which industrial property rights may have effect: **10 June 2014**  
(54) Product in respect of which the design is registered: **Automobile tyre**  
(51) International Design Classification: **12-15B**  
(74) Name(s) of Attorney(s): **Griffith Hack**  
(71) Name(s) and Address(s) of Applicant(s):  
**Bridgestone Corporation**  
**1-1 Kyobashi 3-chome Chuo-ku Tokyo 104-8340 Japan**  
(72) Name(s) of Designer(s): **Takamitsu Nakamura**  
(45) Registration Date: **07 July 2014**  
(30) Convention priority data:  
(31) Number      (32) Date      (33) Country  
**2013-028975      10 Dec 2013      JAPAN**  
(56) Related Art Documents: **Not Applicable**  
(57) Statement of Newness and Distinctiveness: **The shape and configuration of the tread portion of the product is new and distinctive.**



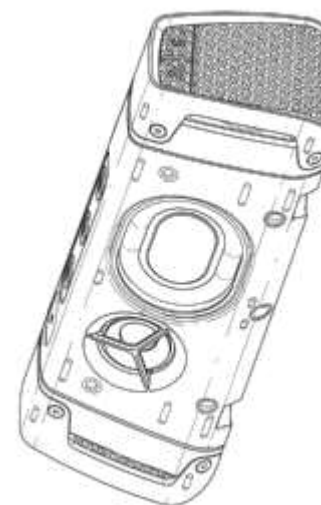
(21) Design Number: **12823/2014**  
(22) Date of Filing Application: **10 June 2014**  
(24) Date from which industrial property rights may have effect: **10 June 2014**  
(54) Product in respect of which the design is registered: **Jacket for portable speaker**  
(51) International Design Classification: **03-01NES**  
(74) Name(s) of Attorney(s): **FB Rice**  
(71) Name(s) and Address(s) of Applicant(s):  
**Fugoo Corporation**  
**8001 Irvine Center Drive Suite 250 Irvine California, 92618 United States of America**  
(72) Name(s) of Designer(s): **Ho Koon Yau and Alejandro Garfio and Kit Mok and Howard Shi-How Cheng**  
(45) Registration Date: **07 July 2014**  
(30) Convention priority data:  
(31) Number      (32) Date      (33) Country  
**29/476074      10 Dec 2013      UNITED STATES OF AMERICA**  
(56) Related Art Documents: **Not Applicable**  
(57) Statement of Newness and Distinctiveness: **Newness and distinctiveness reside in those features of the design as shown in solid lines in the representations.**



- (21) Design Number: **12824/2014**  
(22) Date of Filing Application: **10 June 2014**  
(24) Date from which industrial property rights may have effect: **10 June 2014**  
(54) Product in respect of which the design is registered: **Portable speaker**  
(51) International Design Classification: **14-01**  
(74) Name(s) of Attorney(s): **FB Rice**  
(71) Name(s) and Address(s) of Applicant(s):  
**Fugoo Corporation**  
**8001 Irvine Center Drive Suite 250 Irvine California, 92618 United States of America**  
(72) Name(s) of Designer(s): **Alejandro Garfio and Ho Koon Yau and Kit Mok and Howard Shi-How Cheng**  
(45) Registration Date: **07 July 2014**  
(30) Convention priority data:  
(31) Number (32) Date (33) Country  
**29/476073 10 Dec 2013 UNITED STATES OF AMERICA**  
(56) Related Art Documents: **Not Applicable**  
(57) Statement of Newness and Distinctiveness: **Newness and distinctiveness reside in those features of the design as shown in solid lines in the representations.**

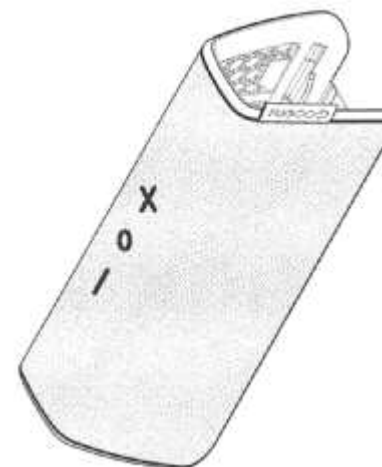


- (21) Design Number: **12825/2014**  
(22) Date of Filing Application: **10 June 2014**  
(24) Date from which industrial property rights may have effect: **10 June 2014**  
(54) Product in respect of which the design is registered: **Portable speaker**  
(51) International Design Classification: **14-01**  
(74) Name(s) of Attorney(s): **FB Rice**  
(71) Name(s) and Address(s) of Applicant(s):  
**Fugoo Corporation**  
**8001 Irvine Center Drive Suite 250 Irvine California, 92618 United States of America**  
(72) Name(s) of Designer(s): **Alejandro Garfio and Ho Koon Yau and Kit Mok and Howard Shi-How Cheng**  
(45) Registration Date: **07 July 2014**  
(30) Convention priority data:  
(31) Number (32) Date (33) Country  
**29/476073 10 Dec 2013 UNITED STATES OF AMERICA**  
(56) Related Art Documents: **Not Applicable**  
(57) Statement of Newness and Distinctiveness: **Newness and distinctiveness reside in those features of the design as shown in solid lines in the representations.**

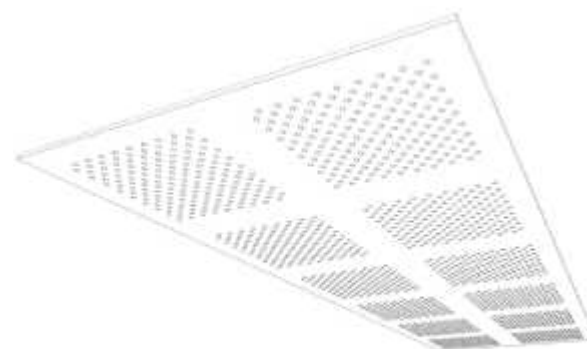




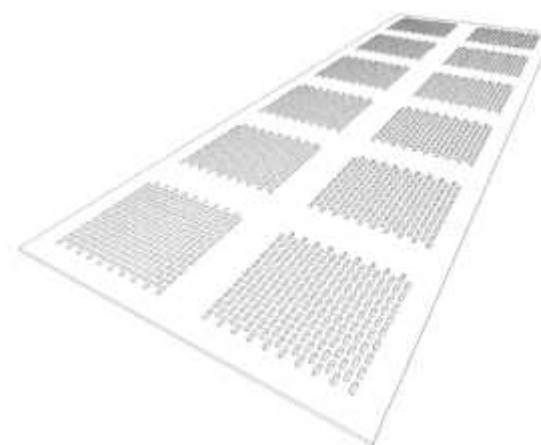
- (21) Design Number: **12826/2014**  
(22) Date of Filing Application: **10 June 2014**  
(24) Date from which industrial property rights may have effect: **10 June 2014**  
(54) Product in respect of which the design is registered: **Jacket for portable speaker**  
(51) International Design Classification: **14-01**  
(74) Name(s) of Attorney(s): **FB Rice**  
(71) Name(s) and Address(s) of Applicant(s):  
**Fugoo Corporation**  
**8001 Irvine Center Drive Suite 250 Irvine California, 92618 United States of America**  
(72) Name(s) of Designer(s): **Ho Koon Yau and Alejandro Garfio and Kit Mok and Howard Shi-How Cheng**  
(45) Registration Date: **07 July 2014**  
(30) Convention priority data:  
(31) Number (32) Date (33) Country  
**29/476081 10 Dec 2013 UNITED STATES OF AMERICA**  
(56) Related Art Documents: **Not Applicable**  
(57) Statement of Newness and Distinctiveness: **Newness and distinctiveness reside in those features of the design as shown in solid lines in the representations.**



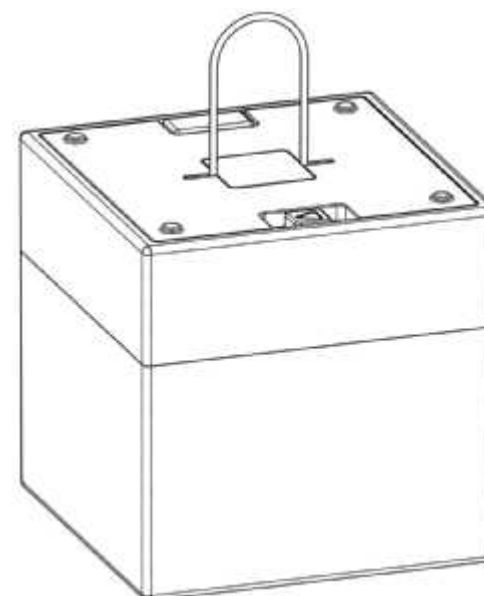
- (21) Design Number: **12827/2014**  
(22) Date of Filing Application: **10 June 2014**  
(24) Date from which industrial property rights may have effect: **10 June 2014**  
(54) Product in respect of which the design is registered: **Building panel**  
(51) International Design Classification: **25-01D**  
(74) Name(s) of Attorney(s): **Griffith Hack**  
(71) Name(s) and Address(s) of Applicant(s):  
**CSR Building Products Limited**  
**Triniti 3 39 Delhi Rd North Ryde NSW 2113 Australia**  
(72) Name(s) of Designer(s): **David Lake**  
(45) Registration Date: **07 July 2014**  
(56) Related Art Documents: **Not Applicable**  
(57) Statement of Newness and Distinctiveness: **Newness and distinctiveness resides in the visual features, including the shape, configuration and pattern, of a Building Panel, as shown in solid outline in the accompanying drawings. When determining whether the design is substantially similar in overall impression to another design, no regard is to be had to those features shown in dotted outline in the accompanying drawings, which features are provided for illustrative purposes only. The thickness of the Building Panel is able to vary.**



- (21) Design Number: **12828/2014**  
(22) Date of Filing Application: **10 June 2014**  
(24) Date from which industrial property rights may have effect: **10 June 2014**  
(54) Product in respect of which the design is registered: **Building panel**  
(51) International Design Classification: **25-01D**  
(74) Name(s) of Attorney(s): **Griffith Hack**  
(71) Name(s) and Address(s) of Applicant(s):  
**CSR Building Products Limited**  
**Triniti 3 39 Delhi Rd North Ryde NSW 2113 Australia**  
(72) Name(s) of Designer(s): **David Lake**  
(45) Registration Date: **07 July 2014**  
(56) Related Art Documents: **Not Applicable**  
(57) Statement of Newness and Distinctiveness: **Newness and distinctiveness resides in the visual features, including the shape, configuration and pattern, of a Building Panel, as shown in solid outline in the accompanying drawings. When determining whether the design is substantially similar in overall impression to another design, no regard is to be had to those features shown in dotted outline in the accompanying drawings, which features are provided for illustrative purposes only. The thickness of the Building Panel is able to vary.**



- (21) Design Number: **12829/2014**  
(22) Date of Filing Application: **10 June 2014**  
(24) Date from which industrial property rights may have effect: **10 June 2014**  
(54) Product in respect of which the design is registered: **Pocket torch**  
(51) International Design Classification: **26-02**  
(74) Name(s) of Attorney(s):  
(71) Name(s) and Address(s) of Applicant(s):  
**Lorenzo Scazziga**  
**Luke O'Shea personally U11 22 Makland Dr Derrimut VIC 3030 Australia**  
(72) Name(s) of Designer(s): **Lorenzo Scazziga**  
(45) Registration Date: **07 July 2014**  
(30) Convention priority data:  
(31) Number (32) Date (33) Country  
**WIPO34507 15 Dec 2013 WORLD INTELLECTUAL  
PROPERTY ORGANIZATION  
(WIPO)**  
(56) Related Art Documents: **Not Applicable**  
(57) Statement of Newness and Distinctiveness: **The newness and distinctiveness of the design resides in the ornamental design of the torches in the accompanying representations. In case of the accompanying representations being shown in continuous lines, the broken lines are not part of the design and are to be disregarded when considering the overall impression of the design.**



(21) Design Number: **12830/2014**

(22) Date of Filing Application: **10 June 2014**

(24) Date from which industrial property rights may have effect: **10 June 2014**

(54) Product in respect of which the design is registered: **Pocket torch**

(51) International Design Classification: **26-02**

(74) Name(s) of Attorney(s):

(71) Name(s) and Address(s) of Applicant(s):

**Lorenzo Scazziga**

**Luke O'Shea personally U11 22 Makland Dr Derrimut VIC 3030 Australia**

(72) Name(s) of Designer(s): **Lorenzo Scazziga**

(45) Registration Date: **07 July 2014**

(30) Convention priority data:

(31) Number  
**WIPO34507**

(32) Date  
**15 Dec 2013**

(33) Country  
**WORLD INTELLECTUAL  
PROPERTY ORGANIZATION  
(WIPO)**

(56) Related Art Documents: **Not Applicable**

(57) Statement of Newness and Distinctiveness: **The newness and distinctiveness of the design resides in the ornamental design of the torches in the accompanying representations. In case of the accompanying representations being shown in continuous lines, the broken lines are not part of the design and are to be disregarded when considering the overall impression of the design.**



(21) Design Number: **12831/2014**

(22) Date of Filing Application: **10 June 2014**

(24) Date from which industrial property rights may have effect: **10 June 2014**

(54) Product in respect of which the design is registered: **Building panel**

(51) International Design Classification: **25-01D**

(74) Name(s) of Attorney(s): **Griffith Hack**

(71) Name(s) and Address(s) of Applicant(s):

**CSR Building Products Limited**

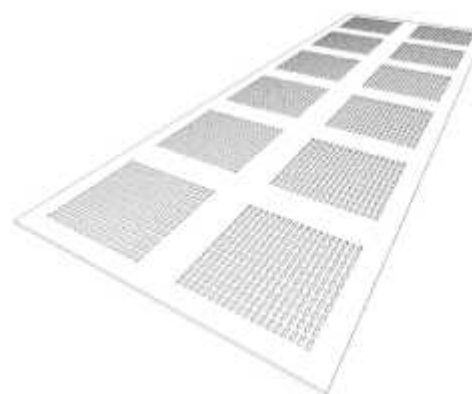
**Triniti 3 39 Delhi Rd North Ryde NSW 2113 Australia**

(72) Name(s) of Designer(s): **David Lake**

(45) Registration Date: **07 July 2014**

(56) Related Art Documents: **Not Applicable**

(57) Statement of Newness and Distinctiveness: **Newness and distinctiveness resides in the visual features, including the shape, configuration and pattern, of a Building Panel, as shown in solid outline in the accompanying drawings. When determining whether the design is substantially similar in overall impression to another design, no regard is to be had to those features shown in dotted outline in the accompanying drawings, which features are provided for illustrative purposes only. The thickness of the Building Panel is able to vary.**



- (21) Design Number: **12834/2014**  
(22) Date of Filing Application: **10 June 2014**  
(24) Date from which industrial property rights may have effect: **10 June 2014**  
(54) Product in respect of which the design is registered: **Building panel**  
(51) International Design Classification: **25-01D**  
(74) Name(s) of Attorney(s): **Griffith Hack**  
(71) Name(s) and Address(s) of Applicant(s):

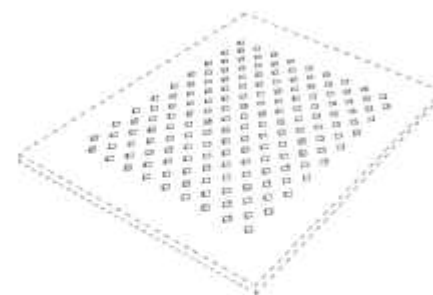
**CSR Building Products Limited**  
**Triniti 3 39 Delhi Rd North Ryde NSW 2113 Australia**

- (72) Name(s) of Designer(s): **David Lake**

(45) Registration Date: **07 July 2014**

(56) Related Art Documents: **Not Applicable**

- (57) Statement of Newness and Distinctiveness: **Newness and distinctiveness resides in the visual features, including the shape, configuration and pattern, applied to a Building Panel as shown in solid outline in the accompanying drawings. The patterns visual features may be reproduced a number of times along the length and width of a Building Panel as indicated by the non-limiting Illustrative Views. When determining whether the design is substantially similar in overall impression to another design, no regard is to be had to those features shown in dotted outline in the accompanying drawings, which features are provided for illustrative purposes only.**



- (21) Design Number: **12835/2014**  
(22) Date of Filing Application: **10 June 2014**  
(24) Date from which industrial property rights may have effect: **10 June 2014**  
(54) Product in respect of which the design is registered: **Building panel**  
(51) International Design Classification: **25-01D**  
(74) Name(s) of Attorney(s): **Griffith Hack**  
(71) Name(s) and Address(s) of Applicant(s):

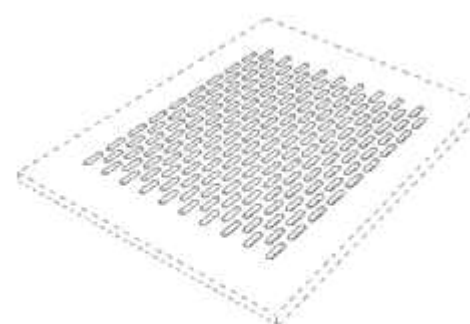
**CSR Building Products Limited**  
**Triniti 3 39 Delhi Rd North Ryde NSW 2113 Australia**

- (72) Name(s) of Designer(s): **David Lake**

(45) Registration Date: **07 July 2014**

(56) Related Art Documents: **Not Applicable**

- (57) Statement of Newness and Distinctiveness: **Newness and distinctiveness resides in the visual features, including the shape, configuration and pattern, applied to a Building Panel as shown in solid outline in the accompanying drawings. The patterns visual features may be reproduced a number of times along the length and width of a Building Panel as indicated by the non-limiting Illustrative Views. When determining whether the design is substantially similar in overall impression to another design, no regard is to be had to those features shown in dotted outline in the accompanying drawings, which features are provided for illustrative purposes only.**



- (21) Design Number: **12836/2014**  
(22) Date of Filing Application: **10 June 2014**  
(24) Date from which industrial property rights may have effect: **10 June 2014**  
(54) Product in respect of which the design is registered: **Building panel**  
(51) International Design Classification: **25-01D**  
(74) Name(s) of Attorney(s): **Griffith Hack**  
(71) Name(s) and Address(s) of Applicant(s):

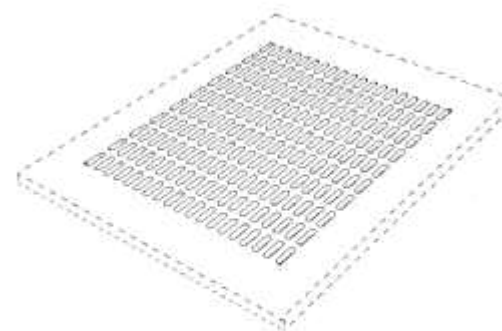
**CSR Building Products Limited**  
**Triniti 3 39 Delhi Rd North Ryde NSW 2113 Australia**

- (72) Name(s) of Designer(s): **David Lake**

(45) Registration Date: **07 July 2014**

(56) Related Art Documents: **Not Applicable**

- (57) Statement of Newness and Distinctiveness: **Newness and distinctiveness resides in the visual features, including the shape, configuration and pattern, applied to a Building Panel as shown in solid outline in the accompanying drawings. The patterns visual features may be reproduced a number of times along the length and width of a Building Panel as indicated by the non-limiting Illustrative Views. When determining whether the design is substantially similar in overall impression to another design, no regard is to be had to those features shown in dotted outline in the accompanying drawings, which features are provided for illustrative purposes only.**



- (21) Design Number: **12837/2014**  
(22) Date of Filing Application: **11 June 2014**  
(24) Date from which industrial property rights may have effect: **11 June 2014**  
(54) Product in respect of which the design is registered: **Spa shell**  
(51) International Design Classification: **23-02B**  
(74) Name(s) of Attorney(s): **Baldwins Intellectual Property**  
(71) Name(s) and Address(s) of Applicant(s):

**Watkins Manufacturing Corporation**  
**1280 Park Center Drive Vista California 92081 United States of America**

- (72) Name(s) of Designer(s): **Christopher Carl Larsen and Sage Nathan Baker**

(45) Registration Date: **07 July 2014**

(30) Convention priority data:

(31) Number	(32) Date	(33) Country
<b>29/477,474</b>	<b>23 Dec 2013</b>	<b>UNITED STATES OF AMERICA</b>

(56) Related Art Documents: **Not Applicable**

- (57) Statement of Newness and Distinctiveness: **Newness and distinctiveness resides in the features of shape and/or configuration of the spa shell, excluding those portions shown in broken line.**



(21) Design Number: **12838/2014**

(22) Date of Filing Application: **11 June 2014**

(24) Date from which industrial property rights may have effect: **11 June 2014**

(54) Product in respect of which the design is registered: **Spa shell**

(51) International Design Classification: **23-02B**

(74) Name(s) of Attorney(s): **Baldwins Intellectual Property**

(71) Name(s) and Address(s) of Applicant(s):

**Watkins Manufacturing Corporation**  
**1280 Park Center Drive Vista California 92081 United States of America**

(72) Name(s) of Designer(s): **Christopher Carl Larsen and Sage Nathan Baker**

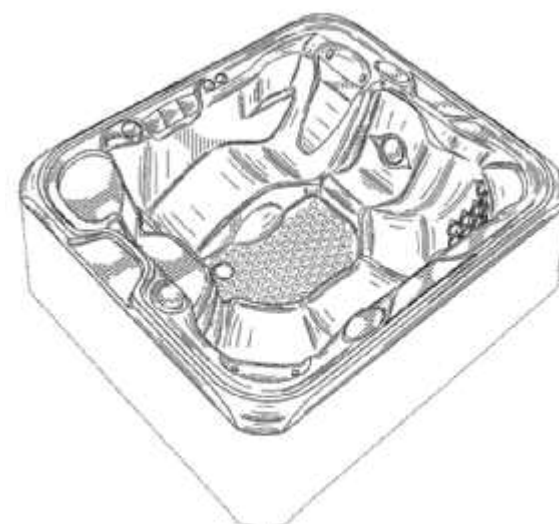
(45) Registration Date: **07 July 2014**

(30) Convention priority data:

(31) Number	(32) Date	(33) Country
<b>29/477,490</b>	<b>23 Dec 2013</b>	<b>UNITED STATES OF AMERICA</b>

(56) Related Art Documents: **Not Applicable**

(57) Statement of Newness and Distinctiveness: **Newness and distinctiveness resides in the features of shape and/or configuration of the spa shell, excluding those portions shown in broken line.**



(21) Design Number: **12839/2014**

(22) Date of Filing Application: **11 June 2014**

(24) Date from which industrial property rights may have effect: **11 June 2014**

(54) Product in respect of which the design is registered: **Injection device with cap on**

(51) International Design Classification: **24-02**

(74) Name(s) of Attorney(s): **WATERMARK PATENT AND TRADE MARKS ATTORNEYS**

(71) Name(s) and Address(s) of Applicant(s):

**Sanofi-Aventis Deutschland GmbH**  
**Bruningstrasse 50 Frankfurt am Main 65929 Germany**

(72) Name(s) of Designer(s): **Jochen Ratjen**

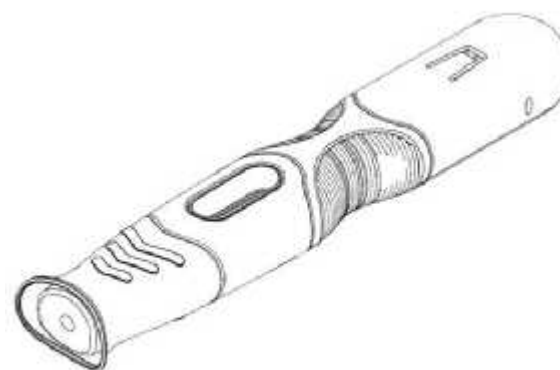
(45) Registration Date: **07 July 2014**

(30) Convention priority data:

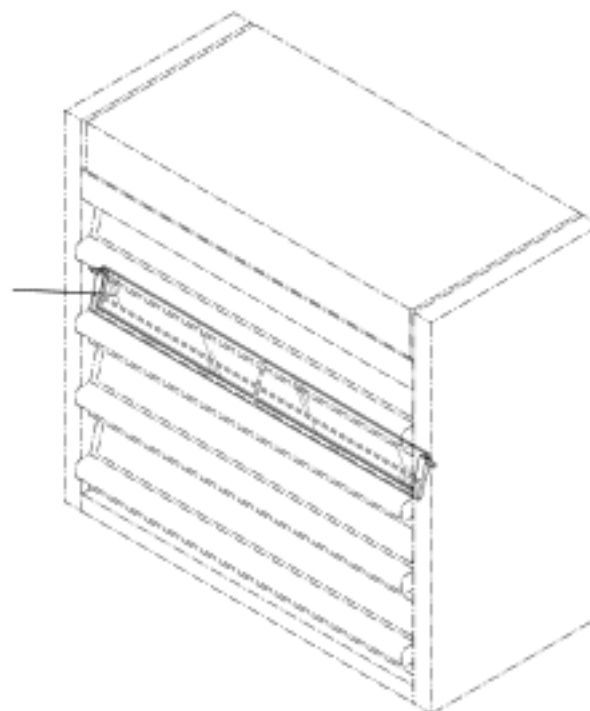
(31) Number	(32) Date	(33) Country
<b>002 371 781-000</b>	<b>17 Dec 2013</b>	<b>EUROPEAN PATENT OFFICE (EPO)</b>

(56) Related Art Documents: **Not Applicable**

(57) Statement of Newness and Distinctiveness: **Newness and distinctiveness is claimed in the shape and configuration of an injection device with cap on as illustrated.**



(21) Design Number: **11640/2014**  
(22) Date of Filing Application: **02 April 2014**  
(24) Date from which industrial property rights may have effect: **02 April 2014**  
(54) Product in respect of which the design is registered: **Tool chest panel**  
(51) International Design Classification: **03-01D**  
(74) Name(s) of Attorney(s): **SPRUSON & FERGUSON**  
(71) Name(s) and Address(s) of Applicant(s):  
**Edsal Manufacturing Co., Inc.**  
**4400 South Packers Avenue Chicago Illinois 60609 United States of America**  
(72) Name(s) of Designer(s): **Anthony J Troyner and David J Wojtowicz and Scott Fitzgerald**  
(45) Registration Date: **07 July 2014**  
(30) Convention priority data:  
(31) Number (32) Date (33) Country  
**29/468669 02 Oct 2013 UNITED STATES OF AMERICA**  
(56) Related Art Documents: **Not Applicable**  
(57) Statement of Newness and Distinctiveness: **Newness and distinctiveness is claimed in those features of shape and/or configuration of a tool chest panel illustrated in continuous lines in the accompanying representations, in which the dimensions labelled 'x' and 'y' are variable and in which the portion of the tool chest panel labelled 'A' is transparent.**

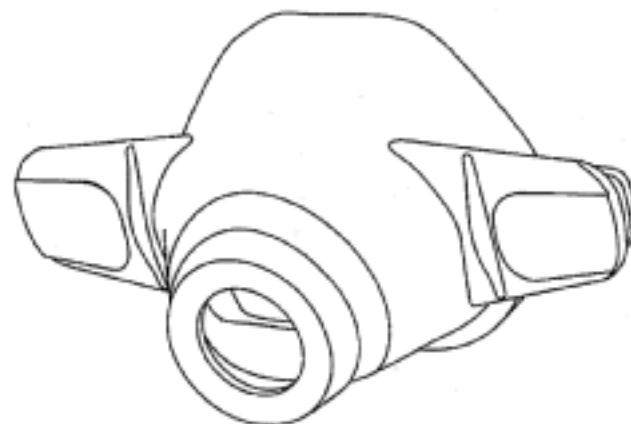


(21) Design Number: **11776/2014**  
(22) Date of Filing Application: **08 April 2014**  
(24) Date from which industrial property rights may have effect: **26 September 2013**  
(54) Product in respect of which the design is registered: **Shroud for patient interface**  
(51) International Design Classification: **24-02**  
(74) Name(s) of Attorney(s): **Halfords IP**  
(71) Name(s) and Address(s) of Applicant(s):  
**ResMed Limited**  
**1 Elizabeth Macarthur Dr Bella Vista NSW 2153 Australia**  
(72) Name(s) of Designer(s): **Christopher Scott Skipper and Amal Shirley Amarasinghe and Ian James Matthews**  
(45) Registration Date: **07 July 2014**  
(62) Divisional of: **354914**  
(56) Related Art Documents: **Not Applicable**  
(57) Statement of Newness and Distinctiveness: **Nil**





- (21) Design Number: **11777/2014**  
(22) Date of Filing Application: **08 April 2014**  
(24) Date from which industrial property rights may have effect: **10 October 2013**  
(54) Product in respect of which the design is registered: **Cushion for patient interface**  
(51) International Design Classification: **24-02**  
(74) Name(s) of Attorney(s): **Halfords IP**  
(71) Name(s) and Address(s) of Applicant(s):  
**ResMed Limited**  
**1 Elizabeth Macarthur Dr Bella Vista NSW 2153 Australia**  
(72) Name(s) of Designer(s): **Lochlan von Moger and Matthew Eves and Memduh Guney and Michael Charles La Guzza**  
(45) Registration Date: **07 July 2014**  
(62) Divisional of: **354913**  
(56) Related Art Documents: **Not Applicable**  
(57) Statement of Newness and Distinctiveness: **Nil**



- (21) Design Number: **11907/2014**  
(22) Date of Filing Application: **17 April 2014**  
(24) Date from which industrial property rights may have effect: **17 April 2014**  
(54) Product in respect of which the design is registered: **Display frame for playing cards**  
(51) International Design Classification: **06-07, 21-01K**  
(74) Name(s) of Attorney(s):  
(71) Name(s) and Address(s) of Applicant(s):  
**Christopher Chin**  
**17 Lanchester Way Stirling WA 6021 Australia**  
(72) Name(s) of Designer(s): **Christopher Chin**  
(45) Registration Date: **07 July 2014**  
(56) Related Art Documents: **Not Applicable**  
(57) Statement of Newness and Distinctiveness: **The newness and distinctiveness of the design resides in the overall shape of the display frame depicting a singular card eg.(Ace of spades) to be displayed on a wall. The purpose of this display frame is to display packs of playing cards, in a tray, which can be slid in and out of the frame. This tray will have a border around it representing the rest of the frame and as a whole a playing card, giving its distinct look. Within the tray is a grid like order of rods for the cards to be displayed in any manner seen fit.**





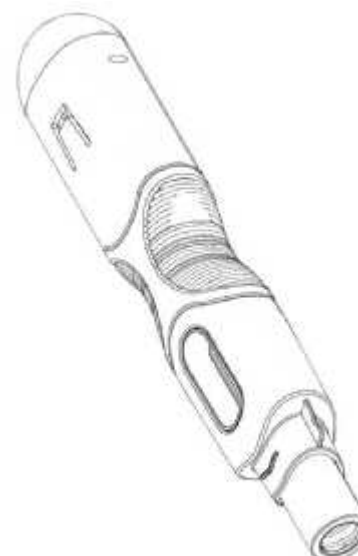
(21) Design Number: **12840/2014**  
(22) Date of Filing Application: **11 June 2014**  
(24) Date from which industrial property rights may have effect: **11 June 2014**  
(54) Product in respect of which the design is registered: **A cooker**  
(51) International Design Classification: **07-02N**  
(74) Name(s) of Attorney(s): **A.J. Pietras & Co**  
(71) Name(s) and Address(s) of Applicant(s):  
**Doug Andrews Heating & Ventilation Limited**  
**29 Commerce Street Whangarei 0110, New Zealand**  
(72) Name(s) of Designer(s): **Doug Richard Andrews**  
(45) Registration Date: **07 July 2014**  
(30) Convention priority data:  
(31) Number (32) Date (33) Country  
**418910 09 Jun 2014 NEW ZEALAND**  
(56) Related Art Documents: **Not Applicable**  
(57) Statement of Newness and Distinctiveness: **The design is to be applied to a cooker and the novelty of the design resides in the features of shape and configuration shown in the accompanying representations.**



(21) Design Number: **12841/2014**  
(22) Date of Filing Application: **11 June 2014**  
(24) Date from which industrial property rights may have effect: **11 June 2014**  
(54) Product in respect of which the design is registered: **A cooker**  
(51) International Design Classification: **07-02N**  
(74) Name(s) of Attorney(s): **A.J. Pietras & Co**  
(71) Name(s) and Address(s) of Applicant(s):  
**Doug Andrews Heating & Ventilation Limited**  
**29 Commerce Street Whangarei 0110, New Zealand**  
(72) Name(s) of Designer(s): **Doug Richard Andrews**  
(45) Registration Date: **07 July 2014**  
(30) Convention priority data:  
(31) Number (32) Date (33) Country  
**418911 09 Jun 2014 NEW ZEALAND**  
(56) Related Art Documents: **Not Applicable**  
(57) Statement of Newness and Distinctiveness: **The design is to be applied to a cooker and the novelty of the design resides in the features of shape and configuration shown in the accompanying representations.**



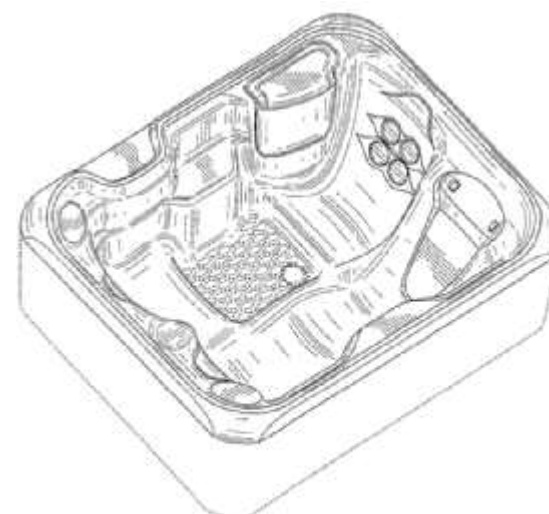
- (21) Design Number: **12842/2014**  
(22) Date of Filing Application: **11 June 2014**  
(24) Date from which industrial property rights may have effect: **11 June 2014**  
(54) Product in respect of which the design is registered: **Injection device with cap off**  
(51) International Design Classification: **24-02**  
(74) Name(s) of Attorney(s): **WATERMARK PATENT AND TRADE MARKS ATTORNEYS**  
(71) Name(s) and Address(s) of Applicant(s):  
**Sanofi-Aventis Deutschland GmbH**  
**Bruningstrasse 50 Frankfurt am Main 65929 Germany**  
(72) Name(s) of Designer(s): **Jochen Ratjen**  
(45) Registration Date: **07 July 2014**  
(30) Convention priority data:  
(31) Number (32) Date (33) Country  
**0023717810002 17 Dec 2013 EUROPEAN PATENT OFFICE (EPO)**  
(56) Related Art Documents: **Not Applicable**  
(57) Statement of Newness and Distinctiveness: **Newness and distinctiveness is claimed in the shape and configuration of an injection pen with cap off as illustrated.**



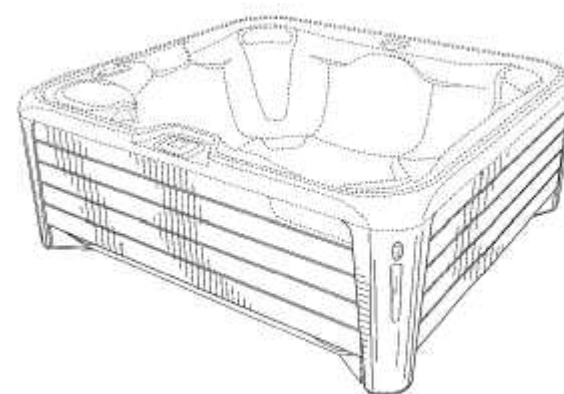
- (21) Design Number: **12843/2014**  
(22) Date of Filing Application: **11 June 2014**  
(24) Date from which industrial property rights may have effect: **11 June 2014**  
(54) Product in respect of which the design is registered: **Needle safety device**  
(51) International Design Classification: **24-02**  
(74) Name(s) of Attorney(s): **WATERMARK PATENT AND TRADE MARKS ATTORNEYS**  
(71) Name(s) and Address(s) of Applicant(s):  
**Sanofi-Aventis Deutschland GmbH**  
**Bruningstrasse 50 Frankfurt am Main 65929 Germany**  
(72) Name(s) of Designer(s): **Jochen Ratjen**  
(45) Registration Date: **07 July 2014**  
(30) Convention priority data:  
(31) Number (32) Date (33) Country  
**0023717810003 17 Dec 2013 EUROPEAN PATENT OFFICE (EPO)**  
(56) Related Art Documents: **Not Applicable**  
(57) Statement of Newness and Distinctiveness: **Newness and distinctiveness is claimed in the shape and configuration of the cap of an injection pen as illustrated.**



(21) Design Number: **12844/2014**  
(22) Date of Filing Application: **11 June 2014**  
(24) Date from which industrial property rights may have effect: **11 June 2014**  
(54) Product in respect of which the design is registered: **Spa shell**  
(51) International Design Classification: **23-02B**  
(74) Name(s) of Attorney(s): **Baldwins Intellectual Property**  
(71) Name(s) and Address(s) of Applicant(s):  
**Watkins Manufacturing Corporation**  
**1280 Park Center Drive Vista California 92081 United States of America**  
(72) Name(s) of Designer(s): **Christopher Carl Larsen and Sage Nathan Baker**  
(45) Registration Date: **07 July 2014**  
(30) Convention priority data:  
(31) Number      (32) Date      (33) Country  
**29/477,486      23 Dec 2013      UNITED STATES OF AMERICA**  
(56) Related Art Documents: **Not Applicable**  
(57) Statement of Newness and Distinctiveness: **Newness and distinctiveness resides in the features of shape and/or configuration of the spa shell, excluding those portions shown in broken line.**



(21) Design Number: **12845/2014**  
(22) Date of Filing Application: **11 June 2014**  
(24) Date from which industrial property rights may have effect: **11 June 2014**  
(54) Product in respect of which the design is registered: **Spa**  
(51) International Design Classification: **23-02B**  
(74) Name(s) of Attorney(s): **Baldwins Intellectual Property**  
(71) Name(s) and Address(s) of Applicant(s):  
**Watkins Manufacturing Corporation**  
**1280 Park Center Drive Vista California 92081 United States of America**  
(72) Name(s) of Designer(s): **Christopher Carl Larsen and Sage Nathan Baker**  
(45) Registration Date: **07 July 2014**  
(30) Convention priority data:  
(31) Number      (32) Date      (33) Country  
**29/477,467      23 Dec 2013      UNITED STATES OF AMERICA**  
(56) Related Art Documents: **Not Applicable**  
(57) Statement of Newness and Distinctiveness: **Newness and distinctiveness resides in the features of shape and/or configuration of the spa, excluding those portions shown in broken line.**



(21) Design Number: **12846/2014**

(22) Date of Filing Application: **11 June 2014**

(24) Date from which industrial property rights may have effect: **11 June 2014**

(54) Product in respect of which the design is registered: **Spa shell**

(51) International Design Classification: **23-02B**

(74) Name(s) of Attorney(s): **Baldwins Intellectual Property**

(71) Name(s) and Address(s) of Applicant(s):

**Watkins Manufacturing Corporation**

**1280 Park Center Drive Vista California 92081 United States of America**

(72) Name(s) of Designer(s): **Christopher Carl Larsen and Sage Nathan Baker**

(45) Registration Date: **07 July 2014**

(30) Convention priority data:

(31) Number

(32) Date

(33) Country

**29/484,818**

**13 Mar 2014**

**UNITED STATES OF AMERICA**

(56) Related Art Documents: **Not Applicable**

(57) Statement of Newness and Distinctiveness: **Newness and distinctiveness resides in the features of shape and/or configuration of the spa shell, excluding those portions shown in broken line.**

