



Australian Government

IP Australia

AUSTRALIAN OFFICIAL JOURNAL

OF

DESIGNS

Did you know a searchable version of this journal is now available online?

It's FREE and EASY to SEARCH.

Find it on our website (www.ipaustralia.gov.au)

by using the "Journals" link on the home page.

This Page Left Intentionally Blank

Contents

General Information & Notices

**Proceedings Under the Designs Act 1906 preserved as a result of the provisions of Chapter 12
Part 2 of the Designs Act 2003**

Extension of Period of Registration of Designs	2082
Names Registered - Alterations and Amendments	2082
Registrations Ceased	2082
Subsequent Owners Registered	2082

Proceedings Under the Designs Act 2003

Applications Assigned	2097
Applications Lapsed	2095
Applications Lodged	2086
Applications Withdrawn	2095
Certificate of Examination	2099
Extension of Period of Registration of Design	2096
Extension of Time Granted Under Section 137	2097
Names Registered - Alterations and Amendments	2098
Publication and Registration Proceedings	
Designs Registered 356313 to 356639.....	2100
Registrations Ceased	2096
Subsequent Owners Registered	2097

This Page Left Intentionally Blank

For information on the following please see our website www.ipaustralia.gov.au or contact our Customer Service Network on 1300651010

[Editorial enquiries](#)

[Contact information](#)

[Freedom of Information ACT](#)

[Professional Standards Board](#)

[Sales](#)

[Requests for Information under Section 194 \(c\)](#)

[Country Codes](#)

[Trade Mark and Designs Hearing Sessions](#)

[INID \(Internationally agreed Numbers for the Identification of Data\)](#)

“INID” NUMBERS in use on Australian Design Documents

“INID” is an acronym for “Internationally agreed Numbers for the Identification of Data”.

(10) Data concerning the registration/renewal

- (11) Serial number of the registration and/or number of the design document
- (12) Plain language designation of the kind of published document
- (19) Identification, using the two-letter code according to WIPO Standard ST.3, of the authority publishing or registering the industrial design

(20) Data concerning the application

- (21) Serial number of the application
- (22) Date of filing of the application
- (24) Date from which the industrial design right has effect

(30) Data relating to priority under the Paris Convention

- (31) Serial number assigned to the priority application
- (32) Date of filing of the priority application
- (33) Two-letter code, according to WIPO Standard ST.3, identifying the authority with which the priority application was made

(40) Date(s) of making information available to the public

- (45) Date of publication of the registered industrial design by printing or similar process, or making it available to the public by any other means

(50) Miscellaneous Information

- (51) International Classification for Industrial Designs (class and subclass of the Locarno Classification)
- (54) Designation of article(s) or product(s) covered by the industrial design or title of the industrial design
- (55) Reproduction of the industrial design (e.g., drawing, photograph) and explanations relating to the reproduction
- (56) List of prior art documents, if separate from descriptive text
- (57) Description of characteristic features of the industrial design including indication of colours

(60) References to other legally related application(s) and registration(s)

- (62) Serial number(s) and, if available, filing date(s) of application(s), registration(s) or document(s) related by division
- (66) Serial number(s) of the application, or the registration, of the design(s) which is (are) a variant(s) of the present one

(70) Identification of parties concerned with the application or registration

- (71) Name(s) and address(es) of the applicant(s)
- (72) Name(s) of the creator(s) if known to be such
- (74) Name(s) and address(es) of the representative(s)

This Page Left Intentionally Blank

Nil notices for this journal issue.

Proceedings under the Designs Act 1906 preserved as a result of the provisions of Chapter 12 Part 2 of the Designs Act 2003.

This Page Left Intentionally Blank

Applications Lapsed

There were no Applications Lapsed under this section

Extension of Period of Registration of Designs

152065 154682 155371
156376

1st Period (Section 27A(8))

Subsequent Owners Registered

(The name in parentheses is that of the subsequent owner)

2nd Period (Section 27A(12))

142356 (**Berry Plastics Corporation**) Rexam Closure Systems Inc.

3rd Period (Section 27A(13))

152127 (**NIKE Innovate C.V.**) NIKE International Ltd.

152796 (**NIKE Innovate C.V.**) NIKE International Ltd.

152797 (**NIKE Innovate C.V.**) NIKE International Ltd.

152660	152786	153004
153088	153353	153438
153439	153488	153491
153492	153493	153497
153498	153499	153500
153501	153519	153559
153584	153603	153617
153618	153621	153642
153679	153734	153735
153753	153760	153775
153841	153877	153912
153939	153940	153941
153943	153977	153978
154041	154119	154120
154177	154196	154291
154315	154449	154470
154533	154547	154645
154755	155264	155297
155339	155467	155533
155706	156009	156010
156011	156012	156229
156385	156386	156387
156462	156883	157555
157659	158215	

Names Registered - Alterations and Amendments

(The name in parentheses is the new name of the proprietor)

136405 (**Rexair LLC**) Rexair Inc.

136406 (**Rexair LLC**) Rexair Inc.

136407 (**Rexair Inc.**) Rexair Inc.

153688 (**Locksmiths Nominees Pty. Ltd.**) Locksmith's Nominees Pty Ltd

153689 (**Locksmiths Nominees Pty. Ltd.**) Locksmith's Nominees Pty Ltd

153690 (**Locksmiths Nominees Pty. Ltd.**) Locksmith's Nominees Pty Ltd

153691 (**Locksmiths Nominees Pty. Ltd.**) Locksmith's Nominees Pty Ltd

153692 (**Locksmiths Nominees Pty. Ltd.**) Locksmith's Nominees Pty Ltd

153693 (**Locksmiths Nominees Pty. Ltd.**) Locksmith's Nominees Pty Ltd

153694 (**Locksmiths Nominees Pty. Ltd.**) Locksmith's Nominees Pty Ltd

153695 (**Locksmiths Nominees Pty. Ltd.**) Locksmith's Nominees Pty Ltd

153696 (**Locksmiths Nominees Pty. Ltd.**) Locksmith's Nominees Pty Ltd

153697 (**Locksmiths Nominees Pty. Ltd.**) Locksmith's Nominees Pty Ltd

153698 (**Locksmiths Nominees Pty. Ltd.**) Locksmith's Nominees Pty Ltd

153699 (**Locksmiths Nominees Pty. Ltd.**) Locksmith's Nominees Pty Ltd

153700 (**Locksmiths Nominees Pty. Ltd.**) Locksmith's Nominees Pty Ltd

153701 (**Locksmiths Nominees Pty. Ltd.**) Locksmith's Nominees Pty Ltd

153702 (**Locksmiths Nominees Pty. Ltd.**) Locksmith's Nominees Pty Ltd

153703 (**Locksmiths Nominees Pty. Ltd.**) Locksmith's Nominees Pty Ltd

153704 (**Locksmiths Nominees Pty. Ltd.**) Locksmith's Nominees Pty Ltd

Registrations Ceased

Note: Some of the following Registrations may have been previously advertised as ceased. In this instance, the previous advertisement still prevails.

134335	134961	135158
135368	135369	135370
135762	135763	135783
135846	135847	135886
135922	135940	136152
136155	136257	136562
136564	136565	136566
136568	136569	136725
137137	138070	138169
138232	138233	138368
138595	139225	139226
139563	139670	139671
151270	151283	151382
151383	151384	151806

This Page Left Intentionally Blank

Proceedings under the Designs Act 2003.

This Page Left Intentionally Blank

Applications Lodged

Lodgement information is in the following order: **Applicant's Name**; International Classification, Name of Product, Lodgement Date and **Design Number**. If the applicant claims an earlier priority date under an International Convention, the Convention Country and the associated filing date are shown in parentheses before the Lodgement Date. Divisional information will also appear in parentheses before the Lodgement Date.

A & J Australia Pty Ltd; 09-02C, Plastic cube drum, 17 Jul 2014	13526/2014	AptarGroup, Inc.; 09-07A, Fitment, (US, 28 May 2014) 09 Jul 2014	13344/2014
Abbott Medical Optics Inc.; 24-01, Surgical console, (US, 09 Jan 2014) 09 Jul 2014	13326/2014	AptarGroup, Inc.; 06-99, Fitment, (US, 28 May 2014) 09 Jul 2014	13336/2014
Aluminium Specialties Group Pty Ltd; 25-01K, Extrusion, 16 Jul 2014	13485/2014	Ariat International, Inc.; 02-04NES, 02-04B, Footwear with large rubberized patches, (US, 10 Jan 2014) 07 Jul 2014	13289/2014
Aluminium Specialties Group Pty Ltd; 25-01K, Extrusion, 16 Jul 2014	13484/2014	Artisent, LLC; 02-03, Visor and mandible shield assembly, (US, 14 Jan 2014) 09 Jul 2014	13346/2014
Aluminium Specialties Group Pty Ltd; 25-01K, Extrusion, 16 Jul 2014	13486/2014	Artisent, LLC; 02-03, Mandible shield, (US, 14 Jan 2014) 09 Jul 2014	13347/2014
Aluminium Specialties Group Pty Ltd; 25-01K, Extrusion, 16 Jul 2014	13487/2014	Artisent, LLC; 02-03, Visor, (US, 14 Jan 2014) 09 Jul 2014	13342/2014
Aluminium Specialties Group Pty Ltd; 25-01K, Extrusion, 16 Jul 2014	13473/2014	Artisent, LLC; 14-01, Helmet mounted headset, (US, 14 Jan 2014) 09 Jul 2014	13343/2014
Aluminium Specialties Group Pty Ltd; 25-01K, Extrusion, 16 Jul 2014	13471/2014	Astrium SAS; 12-07, Aeroplane, (EM, 06 Feb 2014) 15 Jul 2014	13457/2014
Aluminium Specialties Group Pty Ltd; 25-01K, Extrusion, 16 Jul 2014	13482/2014	Astrium SAS; 12-07, Aeroplane, (EM, 06 Feb 2014) 15 Jul 2014	13463/2014
Aluminium Specialties Group Pty Ltd; 25-01K, Extrusion, 16 Jul 2014	13474/2014	Astrium SAS; 12-07, Aeroplane, (EM, 06 Feb 2014) 15 Jul 2014	13461/2014
Aluminium Specialties Group Pty Ltd; 25-01K, Extrusion, 16 Jul 2014	13480/2014	Atzmon, Issac; 06-03NES, Furniture kit for a bench, (IL, 30 Oct 2013) 30 Apr 2014	13452/2014
Aluminium Specialties Group Pty Ltd; 25-01K, Extrusion, 16 Jul 2014	13481/2014	Australian Fashion Labels Pty Ltd; 05-05A, A textile print, 25 Jul 2014	13615/2014
Aluminium Specialties Group Pty Ltd; 25-01K, Extrusion, 16 Jul 2014	13475/2014	Australian Performance Development Pty Ltd; 12-16NES, Air intake filter connector for a vehicle snorkel, 23 Jul 2014	13590/2014
Aluminium Specialties Group Pty Ltd; 25-01K, Extrusion, 16 Jul 2014	13472/2014	ANGUSTAN PTY LTD; 12-02, Motorcycle dolly, 26 Jul 2014	13622/2014
Aluminium Specialties Group Pty Ltd; 25-02H, 25-01K, Frame assembly, 16 Jul 2014	13468/2014	ANGUSTAN PTY LTD; 12-02, Motorcycle dolly, 26 Jul 2014	13621/2014
Aluminium Specialties Group Pty Ltd; 25-01K, Extrusion, 16 Jul 2014	13476/2014	ANIMAX LTD; 08-08L, 08-08NES, Hook Doser, (GB, 11 Jan 2014) 09 Jul 2014	13345/2014
Aluminium Specialties Group Pty Ltd; 25-01K, Extrusion, 16 Jul 2014	13477/2014	ASAP BreatheAssist Pty Ltd; 24-99, Nasal dilator, 20 Jun 2014	13059/2014
Aluminium Specialties Group Pty Ltd; 25-01K, Extrusion, 16 Jul 2014	13470/2014	ASAP BreatheAssist Pty Ltd; 24-99, Nasal dilator, 20 Jun 2014	13058/2014
Aluminium Specialties Group Pty Ltd; 25-01K, Extrusion, 16 Jul 2014	13483/2014		
Aluminium Specialties Group Pty Ltd; 25-01K, Extrusion, 16 Jul 2014	13478/2014		
Aluminium Specialties Group Pty Ltd; 25-01K, Extrusion, 16 Jul 2014	13479/2014		
Aluminium Specialties Group Pty Ltd; 25-02H, 25-01K, Frame assembly, 16 Jul 2014	13469/2014		

ASSA ABLOY Australia Pty Limited; 08-09, Furniture plate, 18 Jul 2014	13556/2014	Beats Music, LLC; 14-04, 14-02, Animated graphical user interface for a display screen, (US, 17 Jan 2014) 17 Jul 2014	13533/2014
ASSA ABLOY Australia Pty Limited; 08-09, Furniture plate, 18 Jul 2014	13555/2014	Beats Music, LLC; 14-04, Animated graphical user interface for a display screen, (US, 17 Jan 2014) 17 Jul 2014	13537/2014
ATAKE DIGITAL TECHNOLOGY (SHENZHEN) CO., LTD.; 14-01, Speaker, 07 Jul 2014	13303/2014	Beats Music, LLC; 14-04, Animated graphical user interface for a display screen, (US, 17 Jan 2014) 17 Jul 2014	13538/2014
ATAKE DIGITAL TECHNOLOGY (SHENZHEN) CO., LTD.; 14-01, Speaker, 07 Jul 2014	13304/2014	Beats Music, LLC; 14-04, Animated graphical user interface for a display screen, (US, 17 Jan 2014) 17 Jul 2014	13531/2014
AUSTRALIAN FASHION LABELS PTY LTD; 02-02C, Shorts, 14 Jul 2014	13434/2014	Beats Music, LLC; 14-02, Animated graphical user interface for a display screen, (US, 17 Jan 2014) 17 Jul 2014	13532/2014
AUSTRALIAN FASHION LABELS PTY LTD; 02-02C, A dress, 14 Jul 2014	13442/2014	Beats Music, LLC; 14-04, 14-02, Animated graphical user interface for a display screen, (US, 17 Jan 2014) 17 Jul 2014	13530/2014
AUSTRALIAN FASHION LABELS PTY LTD; 05-05A, A textile print, 14 Jul 2014	13443/2014	Beats Music, LLC; 14-02, Animated graphical user interface for a display screen, (US, 17 Jan 2014) 17 Jul 2014	13548/2014
AUSTRALIAN FASHION LABELS PTY LTD; 02-02C, A dress, 14 Jul 2014	13439/2014	Beefeaters Holding Company, Inc.; 30-99, Dental care product for pets, (US, 23 Jan 2014) 18 Jul 2014	13616/2014
AUSTRALIAN FASHION LABELS PTY LTD; 02-02C, A dress, 14 Jul 2014	13444/2014	Belkin International, Inc.; 14-99, Overlay, (US, 27 Jan 2014) 25 Jul 2014	13266/2014
AUSTRALIAN FASHION LABELS PTY LTD; 02-02C, A dress, 14 Jul 2014	13386/2014	Biogen Idec MA Inc.; 09-03M, Packaging, (US, 08 Jan 2014) 04 Jul 2014	13601/2014
AUSTRALIAN FASHION LABELS PTY LTD; 05-05A, A textile print, 14 Jul 2014	13437/2014	Bose Corporation; 14-01, Headphones, (US, 30 Jan 2014) 15 Jul 2014	13580/2014
AUSTRALIAN FASHION LABELS PTY LTD; 02-02C, A dress, 14 Jul 2014	13446/2014	Bose Corporation; 14-01, Headphones, (US, 13 Feb 2014) 22 Jul 2014	13292/2014
AUSTRALIAN FASHION LABELS PTY LTD; 05-05A, A textile print, 11 Jul 2014	13373/2014	Britz Innovation Pty Ltd; 21-01NES, Pool toy, 07 Jul 2014	13564/2014
AUSTRALIAN FASHION LABELS PTY LTD; 05-05D, A textile print, 11 Jul 2014	13372/2014	Brunton Outdoor, Inc.; 13-02, Battery pack device, (US, 22 Jan 2014) 21 Jul 2014	13353/2014
Balcombe, James; 02-02C, 02-02NES, 22-99, Sumo suit's, 08 Jul 2014	13312/2014	Bubble Love, LLC; 28-03NES, Massager, (US, 10 Jan 2014) 10 Jul 2014	13544/2014
Bang Design IP Pty Ltd; 23-01H, Tapware, 11 Jul 2014	13358/2014	Buffering Pty Ltd; 02-05, Bib, 18 Jul 2014	13328/2014
Beats Music, LLC; 14-04, Animated graphical user interface for a display screen, (US, 17 Jan 2014) 17 Jul 2014	13539/2014	Burger Fuel International Limited; 07-01B, 09-05, Foodstuff package, (NZ, 29 Jan 2014) 09 Jul 2014	

BEKAERT (AUSTRALIA) PTY LIMITED; 05-05D, Textile, 07 Jul 2014	13301/2014	Container Pty Ltd; 20-02NES, Point of sale card holder, 16 Jul 2014	13524/2014
BEKAERT (AUSTRALIA) PTY LIMITED; 05-05D, Textile, 07 Jul 2014	13300/2014	Container Pty Ltd; 20-02NES, Shelf talker holder, 16 Jul 2014	13523/2014
BEKAERT (AUSTRALIA) PTY LIMITED; 05-05NES, Textile, 07 Jul 2014	13302/2014	Container Pty Ltd; 20-02E, Point of sale unit, 08 Jul 2014	13306/2014
BIG BLUE POINT AUSTRALIA PTY LTD; 02-04C, Socks, 15 Jul 2014	13466/2014	Cornish, Greg; 06-06E, 08-06, Table hinge, 08 Jul 2014	13307/2014
Canary Connect, Inc.; 10-99, Monitoring device, (Divisional of 12229/2014) 17 Jul 2014	13529/2014	Cornish, Greg; 06-03NES, Folding table, 08 Jul 2014	13308/2014
Caroma Industries Limited; 23-02C, A toilet pan, 22 Jul 2014	13576/2014	Cryovac Australia Pty Ltd; 09-03NES, Tub, 17 Jul 2014	13540/2014
Caroma Industries Limited; 23-02C, A toilet pan, 22 Jul 2014	13577/2014	Cupcake Dolls International Ltd.; 21-01B, Doll, (US, 05 Jan 2014) 07 Jul 2014	13290/2014
Caroma Industries Limited; 23-02C, A toilet pan, 22 Jul 2014	13578/2014	CLEAR LAM PACKAGING, INC.; 09-03M, Package, (US, 28 Jan 2014) 24 Jul 2014	13603/2014
Centurion International Imports Pty Ltd; 08-07, Lock barrel, 09 Jul 2014	13333/2014	CLEAR LAM PACKAGING, INC.; 09-03M, Package, (US, 28 Jan 2014) 24 Jul 2014	13604/2014
Centurion International Imports Pty Ltd; 08-07, Lock barrel, 09 Jul 2014	13334/2014	COLIVIN PTY LTD; COLIVIN PTY LTD t/a TRAIL-LINK; 08-08L, 08-08NES, Mounting bracket, 16 Jul 2014	13515/2014
Centurion International Imports Pty Ltd; 08-07, Lock barrel, 09 Jul 2014	13335/2014	COLIVIN PTY LTD t/a TRAIL-LINK; COLIVIN PTY LTD; 08-08L, 08-08NES, Mounting bracket, 16 Jul 2014	13515/2014
Centurion International Imports Pty Ltd; 08-07, Key, 09 Jul 2014	13338/2014	CONSERV PTY. LTD.; 07-06A, Diamante drink cooler, 24 Jul 2014	13602/2014
Centurion International Imports Pty Ltd; 08-07, Lock barrel, 09 Jul 2014	13329/2014	Daikin Industries Ltd.; 14-03NES, Remote control for air conditioner, (CN, 29 Jan 2014) 21 Jul 2014	13568/2014
Centurion International Imports Pty Ltd; 08-07, Key, 09 Jul 2014	13340/2014	Daikin Industries Ltd.; 23-04, Panel for air conditioner, (CN, 29 Jan 2014) 21 Jul 2014	13569/2014
Centurion International Imports Pty Ltd; 08-07, Key, 09 Jul 2014	13341/2014	Dart Industries Inc.; 23-02A, Cover for liquid dispenser, (US, 28 Feb 2014) 18 Jul 2014	13553/2014
Centurion International Imports Pty Ltd; 08-07, Key, 09 Jul 2014	13339/2014	Dart Industries Inc.; 09-07B, Hinged spout cap, (US, 28 Feb 2014) 18 Jul 2014	13560/2014
Centurion International Imports Pty Ltd; 08-07, Key, 09 Jul 2014	13337/2014	Davies, Allison Isobel; 12-05, Rigging tool, 07 Jul 2014	13294/2014
Centurion International Imports Pty Ltd; 08-07, Lock barrel, 09 Jul 2014	13330/2014	Derlot Pty Ltd; 06-01G, Composite furniture articles, (Divisional of 12170/2014) 10 Jul 2014	13354/2014
Cevik, Zafer; 02-02NES, Medical gown, 15 Jul 2014	13458/2014	Doona Holdings Ltd.; 12-12, Child seat and part of stroller, (EM, 20 Jan 2014) 18 Jul 2014	13549/2014
Chanel Limited; 11-01A, Jewellery, (GB, 07 Jan 2014) 07 Jul 2014	13283/2014	Dr. Fresh, LLC; 04-02, Toothbrush, (US, 30 Jan 2014) 11 Jul 2014	13369/2014
Charles Parsons (Holdings) Pty Limited; 21-04, A tent, 09 Jul 2014	13332/2014		
Charles Parsons (Holdings) Pty Limited; 21-04, A tent, 09 Jul 2014	13331/2014		
Choon's Design Inc.; 02-07B, Hand loom for forming brunnian link articles, (US, 18 Jun 2014) 14 Jul 2014	13384/2014		
Concrete Countertop Solutions, Inc.; 25-01B, 08-08NES, Molding support, (US, 24 Jun 2014) 21 Jul 2014	13567/2014		

Dunlop Sports Co. Ltd.; 21-02C, Head for golf club, 14 Jul 2014	13376/2014	Dyson Technology Limited; 15-05, 04-01, A tool for a vacuum cleaner, (EM, 10 Feb 2014) 14 Jul 2014	13432/2014
Dunlop Sports Co. Ltd.; 21-02C, Head for golf club, 14 Jul 2014	13377/2014	Dyson Technology Limited; 15-05, 04-01, A tool for a vacuum cleaner, (EM, 10 Feb 2014) 14 Jul 2014	13433/2014
Dunlop Sports Co. Ltd.; 21-02C, Head for golf club, 14 Jul 2014	13375/2014	Dyson Technology Limited; 15-05, A tool for a vacuum cleaner, (EM, 10 Feb 2014) 14 Jul 2014	13382/2014
Dyson Technology Limited; 15-05, A tool for a vacuum cleaner, (EM, 10 Feb 2014) 14 Jul 2014	13380/2014	DIVERSIPAK PTY LTD; 09-02C, 20 litre tinsplate closed head drum, 23 Jul 2014	13592/2014
Dyson Technology Limited; 15-05, A tool for a vacuum cleaner, (EM, 10 Feb 2014) 14 Jul 2014	13438/2014	Electronic Controls Company; 26-05B, Lamp, (US, 07 Jan 2014) 03 Jul 2014	13250/2014
Dyson Technology Limited; 15-05, 04-01, A tool for a vacuum cleaner, (EM, 10 Feb 2014) 14 Jul 2014	13436/2014	EMBERTEC PTY LTD; 14-03NES, Electronic device, 11 Jul 2014	13368/2014
Dyson Technology Limited; 15-05, A tool for a vacuum cleaner, (EM, 10 Feb 2014) 16 Jul 2014	13513/2014	ENGELHARD AUSTRALIA PTY LTD; 11-99, Ingots made of precious metals, 15 Jul 2014	13465/2014
Dyson Technology Limited; 15-05, A tool for a vacuum cleaner, (EM, 10 Feb 2014) 16 Jul 2014	13511/2014	Ferrari S.p.A.; 12-08, 21-01C, Car; Toy Car, (EM, 22 Jan 2014) 10 Jul 2014	13350/2014
Dyson Technology Limited; 15-05, A tool for a vacuum cleaner, (EM, 10 Feb 2014) 16 Jul 2014	13512/2014	Ferrari S.p.A.; 12-16A, 21-01C, Steering Wheel; Toy- Steering Wheel, (EM, 22 Jan 2014) 10 Jul 2014	13349/2014
Dyson Technology Limited; 15-05, 04-01, A tool for a vacuum cleaner, (EM, 10 Feb 2014) 14 Jul 2014	13435/2014	Fiechtner, Annalisa Samantha;Fiechtner, Gary Allan;Fiechtner, Ronald Gary Allan; 15-03B, A component that is fitted to a grain harvester, 07 Jul 2014	13279/2014
Dyson Technology Limited; 15-05, A tool for a vacuum cleaner, (GB, 10 Feb 2014) 16 Jul 2014	13509/2014	Fiechtner, Gary Allan;Fiechtner, Ronald Gary Allan;Fiechtner, Annalisa Samantha; 15-03B, A component that is fitted to a grain harvester, 07 Jul 2014	13279/2014
Dyson Technology Limited; 15-05, A tool for a vacuum cleaner, (GB, 10 Feb 2014) 16 Jul 2014	13520/2014	Fiechtner, Ronald Gary Allan;Fiechtner, Gary Allan;Fiechtner, Annalisa Samantha; 15-03B, A component that is fitted to a grain harvester, 07 Jul 2014	13279/2014
Dyson Technology Limited; 15-05, A tool for a vacuum cleaner, (EM, 10 Feb 2014) 16 Jul 2014	13467/2014	Forever New Clothing Pty Ltd; 02-02C, Article of clothing, 04 Jul 2014	13267/2014
Dyson Technology Limited; 15-05, A tool for a vacuum cleaner, (EM, 10 Feb 2014) 16 Jul 2014	13493/2014	Forever New Clothing Pty Ltd; 02-02C, Article of clothing, (Divisional of 15759/2013) 14 Jul 2014	13397/2014
Dyson Technology Limited; 15-05, A tool for a vacuum cleaner, (EM, 10 Feb 2014) 16 Jul 2014	13519/2014	Forever New Clothing Pty Ltd; 02-02C, 02-02NES, Article of clothing, (Divisional of 15759/2013) 14 Jul 2014	13414/2014
Dyson Technology Limited; 15-05, A tool for a vacuum cleaner, (EM, 10 Feb 2014) 14 Jul 2014	13383/2014	Forever New Clothing Pty Ltd; 02-02C, Article of clothing, (Divisional of 15759/2013) 14 Jul 2014	13423/2014
Dyson Technology Limited; 15-05, 04-01, A tool for a vacuum cleaner, (EM, 10 Feb 2014) 14 Jul 2014	13392/2014	Forever New Clothing Pty Ltd; 02-02C, Article of clothing, (Divisional of 15759/2013) 14 Jul 2014	13424/2014
Dyson Technology Limited; 15-05, A tool for a vacuum cleaner, (EM, 10 Feb 2014) 14 Jul 2014	13385/2014		
Dyson Technology Limited; 15-05, A tool for a vacuum cleaner, (EM, 10 Feb 2014) 14 Jul 2014	13381/2014		

Forever New Clothing Pty Ltd; 02-02C, Article of clothing, (Divisional of 15759/2013) 14 Jul 2014	13419/2014	Forever New Clothing Pty Ltd; 02-02C, Article of clothing, (Divisional of 15759/2013) 14 Jul 2014	13403/2014
Forever New Clothing Pty Ltd; 02-02C, Article of clothing, (Divisional of 15759/2013) 14 Jul 2014	13420/2014	Forever New Clothing Pty Ltd; 02-02C, Article of clothing, (Divisional of 15759/2013) 14 Jul 2014	13398/2014
Forever New Clothing Pty Ltd; 02-02C, Article of clothing, (Divisional of 15759/2013) 14 Jul 2014	13417/2014	Forever New Clothing Pty Ltd; 02-02C, Article of clothing, (Divisional of 15759/2013) 14 Jul 2014	13427/2014
Forever New Clothing Pty Ltd; 02-02C, Article of clothing, (Divisional of 15759/2013) 14 Jul 2014	13421/2014	Forever New Clothing Pty Ltd; 02-02C, Article of clothing, (Divisional of 15759/2013) 14 Jul 2014	13400/2014
Forever New Clothing Pty Ltd; 02-02C, Article of clothing, (Divisional of 15759/2013) 14 Jul 2014	13422/2014	Forever New Clothing Pty Ltd; 02-02C, Article of clothing, (Divisional of 15759/2013) 14 Jul 2014	13401/2014
Forever New Clothing Pty Ltd; 02-02C, Article of clothing, (Divisional of 15759/2013) 14 Jul 2014	13418/2014	Forever New Clothing Pty Ltd; 02-02C, Article of clothing, 14 Jul 2014	13396/2014
Forever New Clothing Pty Ltd; 02-02C, Article of clothing, (Divisional of 15759/2013) 14 Jul 2014	13415/2014	Forever New Clothing Pty Ltd; 02-02C, Article of clothing, (Divisional of 15759/2013) 14 Jul 2014	13395/2014
Forever New Clothing Pty Ltd; 02-02C, Article of clothing, (Divisional of 15759/2013) 14 Jul 2014	13416/2014	Forever New Clothing Pty Ltd; 02-02C, Article of clothing, 14 Jul 2014	13402/2014
Forever New Clothing Pty Ltd; 02-02C, 02-02NES, Article of clothing, (Divisional of 15759/2013) 14 Jul 2014	13412/2014	Forever New Clothing Pty Ltd; 02-02C, Article of clothing, 14 Jul 2014	13399/2014
Forever New Clothing Pty Ltd; 02-02C, Article of clothing, (Divisional of 15759/2013) 14 Jul 2014	13425/2014	Forever New Clothing Pty Ltd; 02-02C, 02-02NES, Article of clothing, (Divisional of 15759/2014) 14 Jul 2014	13404/2014
Forever New Clothing Pty Ltd; 02-02C, Article of clothing, (Divisional of 15759/2013) 14 Jul 2014	13413/2014	Forever New Clothing Pty Ltd; 02-02C, Article of clothing, (Divisional of 15759/2013) 14 Jul 2014	13428/2014
Forever New Clothing Pty Ltd; 02-02C, 02-02NES, Article of clothing, (Divisional of 15759/2013) 14 Jul 2014	13410/2014	Forever New Clothing Pty Ltd; 02-02C, Article of clothing, (Divisional of 15759/2013) 14 Jul 2014	13429/2014
Forever New Clothing Pty Ltd; 02-02C, 02-02NES, Article of clothing, (Divisional of 15759/2013) 14 Jul 2014	13411/2014	Forever New Clothing Pty Ltd; 02-02C, Article of clothing, (Divisional of 15759/2013) 14 Jul 2014	13426/2014
Forever New Clothing Pty Ltd; 02-02C, 02-02NES, Article of clothing, (Divisional of 15759/2013) 14 Jul 2014	13408/2014	Forever New Clothing Pty Ltd; 02-02NES, Article of clothing, (Divisional of 15759/2013) 14 Jul 2014	13393/2014
Forever New Clothing Pty Ltd; 02-02C, 02-02NES, Article of clothing, (Divisional of 15759/2013) 14 Jul 2014	13409/2014	Forever New Clothing Pty Ltd; 02-02C, Article of clothing, (Divisional of 15759/2013) 14 Jul 2014	13430/2014
Forever New Clothing Pty Ltd; 02-02C, Article of clothing, (Divisional of 15759/2013) 14 Jul 2014	13406/2014	Forever New Clothing Pty Ltd; 02-02C, Article of clothing, (Divisional of 15759/2013) 14 Jul 2014	13431/2014
Forever New Clothing Pty Ltd; 02-02C, Article of clothing, (Divisional of 15759/2013) 14 Jul 2014	13407/2014	Forever New Clothing Pty Ltd; 02-02C, Article of clothing, (Divisional of 15759/2013) 14 Jul 2014	13394/2014
Forever New Clothing Pty Ltd; 02-02C, Article of clothing, (Divisional of 15759/2013) 14 Jul 2014	13405/2014	Glaxo Group Limited; 24-04, Inhaler device, (GB, 08 Jan 2014) 07 Jul 2014	13284/2014
		Glaxo Group Limited; 24-04, Inhaler device, (GB, 08 Jan 2014) 07 Jul 2014	13285/2014

Glaxo Group Limited; 24-04, Inhaler device, (GB, 08 Jan 2014) 07 Jul 2014	13286/2014	INTRALUX AUSTRALIA PTY LIMITED; 26-05E, LED light fixture, 24 Jul 2014	13609/2014
Great Wall Motor Company Limited; 12-08, Vehicle, (CN, 18 Jan 2014) 16 Jul 2014	13510/2014	Jovanic, David; 06-04NES, Bookshelf, 10 Jul 2014	13351/2014
Greenwood Sales Pty Ltd; 08-08L, A bracket, 22 Jul 2014	13585/2014	JAXT ENTERPRISES LTD; 32-02, 32-03, Whisky and whisky products, 17 Jul 2014	13541/2014
Halco Pty Ltd; 22-05, Fish lure, 16 Jul 2014	13522/2014	Keurig Green Mountain, Inc.; 07-01F, Beverage carafe, (US, 17 Jan 2014) 11 Jul 2014	13370/2014
Honda Motor Co., Ltd.; 12-16C, A rear bumper for an automobile, (JP, 23 Jan 2014) 23 Jul 2014	13593/2014	Knapp, Natalie Dee; 06-13B, 06-13NES, Pram cover, baby Cover, 07 Jul 2014	13278/2014
Honda Motor Co., Ltd.; 12-16C, A front bumper for an automobile, (JP, 23 Jan 2014) 23 Jul 2014	13594/2014	Koninklijke Philips N.V.; 07-05A, Electric dry iron, (EM, 10 Jan 2014) 08 Jul 2014	13305/2014
Honda Motor Co., Ltd.; 26-06, A front combination lamp for an automobile, (JP, 23 Jan 2014) 23 Jul 2014	13595/2014	Koudounaris, Hilary Gayle;Wasserman, Trevor; 06-08, Hanger, (ZA, 22 Jan 2014) 16 Jul 2014	13488/2014
Hong, Gay Khim; 06-02, A bed, 15 Jul 2014	13455/2014	Lam, Wai Kwong; 24-99, Dental floss holder, (CN, 25 Jan 2014) 10 Jul 2014	13357/2014
Hong, Gay Khim; 06-04F, A chest of drawers, 15 Jul 2014	13456/2014	Linear LLC; 13-03NES, Control panel box, (US, 27 Jan 2014) 24 Jul 2014	13608/2014
Hotsun Holdings Pty Ltd; 25-02C, Stanchion, 25 Jul 2014	13613/2014	Luigi Lavazza S.p.A.; 07-02L, Beverage machine, 15 Jul 2014	13453/2014
Husqvarna AB; 23-01D, Connector nut, (EM, 13 Mar 2014) 11 Jul 2014	13365/2014	LANDMAX Ltd; 09-05, Capsules for hot or cold beverages, (EM, 22 Jan 2014) 21 Jul 2014	13562/2014
Husqvarna AB; 23-01D, Water sprayer, (EM, 13 Mar 2014) 11 Jul 2014	13363/2014	LSI Industries, Inc.; 26-05C, Lighting, (US, 06 May 2014) 24 Jul 2014	13607/2014
Husqvarna AB; 23-01D, Cleaning nozzle handle, (EM, 13 Mar 2014) 11 Jul 2014	13364/2014	Mallow Tree Limited; 19-01, A card, (EM, 23 Jan 2014) 23 Jul 2014	13591/2014
Husqvarna AB; 23-01D, Multi sprayer, (EM, 13 Mar 2014) 11 Jul 2014	13360/2014	McPherson, Donald John; 10-04, Solar tracking device, 14 Jul 2014	13374/2014
Husqvarna AB; 23-01D, Cleaning nozzle, (EM, 13 Mar 2014) 11 Jul 2014	13361/2014	Meco Australia Pty Limited; 23-01H, A tap mixer, 23 Jul 2014	13596/2014
Husqvarna AB; 23-01D, Spray lance handle, (EM, 13 Mar 2014) 11 Jul 2014	13362/2014	Medline Industries, INC.; 09-03NES, Packaging blank, (US, 10 Jan 2014) 10 Jul 2014	13356/2014
Husqvarna AB; 23-01E, Spray lance, (EM, 13 Mar 2014) 11 Jul 2014	13367/2014	Microsoft Mobile OY; 14-03E, Handset, (US, 24 Jan 2014) 21 Jul 2014	13563/2014
Husqvarna AB; 23-01A, Hose connector, (EM, 13 Mar 2014) 11 Jul 2014	13366/2014	Miles, Shane; 08-08NES, Clamp and components, 08 Jul 2014	13319/2014
HANMI IT CO., LTD.; 14-03NES, Rfid reader, (KR, 21 Jan 2014) 18 Jul 2014	13551/2014	Molnar, Andrew; 06-06NES, Lectern, 09 Jul 2014	13327/2014
Industrie Borla S.p.A.; 24-02, Drip chamber for medical lines, (EM, 29 Jan 2014) 25 Jul 2014	13619/2014	Monkey Bar Couplers Pty Ltd; 25-01NES, Termination for reinforcing bar, 08 Jul 2014	13323/2014

Monkey Bar Couplers Pty Ltd; 25-01NES, Termination for reinforcing bar, 08 Jul 2014	13320/2014	Procter & Gamble International Operations SA; 09-01G, Perfume bottle, (WO, 05 Feb 2014) 18 Jul 2014	13557/2014
Muletamer Pty Ltd; 22-02, Recoil absorber, 04 Jul 2014	13265/2014	Procter & Gamble International Operations SA; 09-07B, Cap for perfume bottle, (WO, 05 Feb 2014) 18 Jul 2014	13558/2014
Multisteps Pty Ltd; 09-03K, A produce container, 18 Jul 2014	13550/2014	PLAYGROUND CENTRE LIMITED; 21-02F, A recreation equipment, (NZ, 28 Feb 2014) 16 Jul 2014	13514/2014
Multisteps Pty Ltd; 09-03K, A produce container, 18 Jul 2014	13559/2014	PRYSMIAN S.P.A.; 13-03E, Device for connecting wires and cables, (EM, 03 Feb 2014) 16 Jul 2014	13516/2014
Multisteps Pty Ltd; 09-03F, A produce container, 18 Jul 2014	13552/2014	PRYSMIAN S.P.A.; 13-03E, Device for connecting wires and cables, (EM, 03 Feb 2014) 16 Jul 2014	13518/2014
O'Malley, Brian; 25-01E, Vineyard post, 11 Jul 2014	13359/2014	PRYSMIAN S.P.A.; 13-03E, Device for connecting wires and cables, (EM, 03 Feb 2014) 16 Jul 2014	13517/2014
Ozzie Gadgets; 02-07A, Strap fastener, 20 Jul 2014	13561/2014	R.V. Electronics Pty Ltd; 12-16M, Electric brake drum, 09 Jul 2014	13325/2014
Pacific Brands Footwear Pty Ltd; 02-04NES, Shoe, 03 Jul 2014	13253/2014	Reckitt Benckiser LLC; 28-01, Tablet, (EM, 14 Jan 2014) 08 Jul 2014	13310/2014
Peyton, Anthony; 25-01A, Road, 21 Jul 2014	13570/2014	Reckitt Benckiser LLC; 28-01, Tablet, (EM, 14 Jan 2014) 08 Jul 2014	13309/2014
Phoenix Industries Pty Ltd; 10-04, Plumbing installation device, 07 Jul 2014	13295/2014	Reckitt Benckiser LLC; 28-01, Tablet, (EM, 14 Jan 2014) 08 Jul 2014	13313/2014
Pi-Design AG; 07-04, A strainer, (WO, 23 Jan 2014) 08 Jul 2014	13316/2014	Reckitt Benckiser LLC; 28-01, Tablet, (EM, 24 Jun 2014) 08 Jul 2014	13315/2014
Pi-Design AG; 23-01G, A strainer, (WO, 23 Jan 2014) 08 Jul 2014	13317/2014	Reckitt Benckiser LLC; 28-01, Tablet, (EM, 14 Jan 2014) 08 Jul 2014	13314/2014
Powell, Kym; 23-02A, Device for warming wipes, 25 Jul 2014	13620/2014	ResMed Limited; 24-01, 24-02, Patient interface and/ or components thereof, (Divisional of 11776/2014) 03 Jul 2014	13245/2014
Preston, T J;Taylor, D L; 06-01E, Stool leg brace, 24 Jul 2014	13600/2014	ResMed Limited; 24-01, End cap for positive airway pressure delivery console, (US, 31 Jan 2014) 04 Jul 2014	13257/2014
Procter & Gamble International Operations S.A.; 09-07B, Cap for perfume bottle, (WO, 05 Feb 2014) 14 Jul 2014	13390/2014	ResMed Limited; 24-01, Patient interface and/or components thereof, 03 Jul 2014	13251/2014
Procter & Gamble International Operations S.A.; 09-01G, Bottle for perfume, (WO, 05 Feb 2014) 14 Jul 2014	13391/2014	Rolux SA; 10-02, Wristwatch, (CH, 20 Dec 2013) 20 Jun 2014	13057/2014
Procter & Gamble International Operations S.A.; 09-01G, Bottle for perfume, (WO, 05 Feb 2014) 14 Jul 2014	13387/2014	RKC Holdings Pty Ltd; 08-08L, An airbag suspension mounting bracket, 15 Jul 2014	13460/2014
Procter & Gamble International Operations S.A.; 09-01G, Bottle for perfume, (WO, 05 Feb 2014) 14 Jul 2014	13389/2014		
Procter & Gamble International Operations S.A.; 09-07B, Cap for perfume bottle, (WO, 05 Feb 2014) 14 Jul 2014	13388/2014		

RKC Holdings Pty Ltd; 08-08L, An airbag suspension mounting bracket hook, 15 Jul 2014	13459/2014	Seafolly Pty Ltd; 02-02A, Swimwear, 15 Jul 2014	13490/2014
S. C. Johnson & Son, Inc.; 02-04A, 02-04B, Insole for a shoe, (US, 09 Jan 2014) 07 Jul 2014	13287/2014	Seafolly Pty Ltd; 02-02A, Swimwear, 15 Jul 2014	13489/2014
S. C. Johnson & Son, Inc.; 02-04A, 02-04B, Insole for a shoe, (US, 09 Jan 2014) 07 Jul 2014	13288/2014	Shachihata Inc; 19-99, Stamp molding machine, (JP, 17 Jan 2014) 15 Jul 2014	13462/2014
S.C. Johnson & Son, Inc.; 28-03NES, Faceplate for a dispenser, (US, 24 Jan 2014) 21 Jul 2014	13565/2014	Shah, Ila Hasmukh; 32-03, Incense sticks, incense cones, incense oils, 08 Jul 2014	13321/2014
Scandia Tooling Australia Pty. Ltd.; 08-08C, Suspension clip, 22 Jul 2014	13573/2014	Shah, Ila Hasmukh; 32-03, Incense, incense sticks, incense cones, incense oil, 08 Jul 2014	13322/2014
Seafolly Pty Ltd; 02-02A, Swimwear, 21 Jul 2014	13572/2014	Sharp, Jacqueline Clarice; 19-08, An adhesive sticker(label), 16 Jul 2014	13525/2014
Seafolly Pty Ltd; 02-02A, Swimwear, 03 Jul 2014	13252/2014	Simplehuman, LLC; 06-07, Vanity mirror, (US, 27 Jan 2014) 25 Jul 2014	13614/2014
Seafolly Pty Ltd; 02-02A, Swimwear, 15 Jul 2014	13498/2014	Sistema Plastics Limited; 07-04, A strainer for a beverage container, (NZ, 29 Jan 2014) 22 Jul 2014	13571/2014
Seafolly Pty Ltd; 02-02A, Swimwear, 15 Jul 2014	13499/2014	Smilestraw Pty Ltd; 09-05, Packaging, 15 Jul 2014	13454/2014
Seafolly Pty Ltd; 02-02A, Swimwear, 15 Jul 2014	13500/2014	Snake Products Pty Ltd; 12-05, Load restraint locator, 23 Jul 2014	13598/2014
Seafolly Pty Ltd; 02-02A, Swimwear, 15 Jul 2014	13501/2014	Snake Products Pty Ltd; 12-05, Load restraint adjuster, 23 Jul 2014	13597/2014
Seafolly Pty Ltd; 02-02A, Swimwear, 15 Jul 2014	13502/2014	Starlogik IP LLC; 14-03E, Mobile phone, (US, 26 Jan 2014) 25 Jul 2014	13612/2014
Seafolly Pty Ltd; 02-02A, Swimwear, 15 Jul 2014	13503/2014	Steendyk Holdings Pty Ltd; 26-05D, Pendant light, 04 Jul 2014	13259/2014
Seafolly Pty Ltd; 02-02A, Swimwear, 15 Jul 2014	13504/2014	Steendyk Holdings Pty Ltd; 06-05, 06-01E, 06-03B, Seat and/or table, 04 Jul 2014	13258/2014
Seafolly Pty Ltd; 02-02A, Swimwear, 15 Jul 2014	13505/2014	Stepanovich, Robert; 25-03, House, 24 Jul 2014	13610/2014
Seafolly Pty Ltd; 02-02A, Swimwear, 15 Jul 2014	13506/2014	Stockbrands Co. Pty Ltd; 30-08, Tag for livestock, 15 Jul 2014	13464/2014
Seafolly Pty Ltd; 02-02A, Swimwear, 15 Jul 2014	13507/2014	Sulzer Mixpac AG; 09-01A, Dispenser, (EM, 07 Jan 2014) 07 Jul 2014	13297/2014
Seafolly Pty Ltd; 02-02A, Swimwear, 15 Jul 2014	13508/2014	Sulzer Mixpac AG; 09-01A, Dispenser, (EM, 07 Jan 2014) 07 Jul 2014	13299/2014
Seafolly Pty Ltd; 02-02A, Swimwear, 15 Jul 2014	13497/2014	Sulzer Mixpac AG; 31-00, Dispenser, (EM, 07 Jan 2014) 07 Jul 2014	13296/2014
Seafolly Pty Ltd; 02-02A, Swimwear, 15 Jul 2014	13496/2014	Sulzer Mixpac AG; 09-01A, Dispenser, (EM, 07 Jan 2014) 07 Jul 2014	13298/2014
Seafolly Pty Ltd; 02-02A, Swimwear, 15 Jul 2014	13494/2014	SAVANNAH GLOBAL PTY LTD; 30-02, Artificial fish habitat module, 21 Jul 2014	13566/2014
Seafolly Pty Ltd; 02-02A, Swimwear, 15 Jul 2014	13495/2014		
Seafolly Pty Ltd; 02-02A, Swimwear, 15 Jul 2014	13492/2014		
Seafolly Pty Ltd; 02-02A, Swimwear, 15 Jul 2014	13491/2014		

SMA Solar Technology AG; 13-99, Inverter, (EM, 16 Jan 2014) 08 Jul 2014	13311/2014	Turbo-Plus Inc.; 15-03A, Tiller head, (CA, 12 Jun 2014) 14 Jul 2014	13379/2014
Taylor, D L;Preston, T J; 06-01E, Stool leg brace, 24 Jul 2014	13600/2014	Two Plus One; 11-01G, Bracelet and necklace, 24 Jul 2014	13611/2014
Taylor, Michael; 17-99, Guitar buckle protector, 11 Jul 2014	13371/2014	TIC (Retail Accessories) Pty Ltd; 06-08, 19-08, Sizing indicator, 09 Jul 2014	13324/2014
Tegometall International AG; 06-04NES, Rack rear view, (EM, 10 Feb 2014) 25 Jul 2014	13618/2014	TRIO BROTHERS TRADING PTY LTD; 27-02, Mini portable glass hookah, 25 Jul 2014	13617/2014
Telebrands Corp.; 07-02R, A foldable pan handle, (US, 03 Jul 2014) 09 Jul 2014	13348/2014	TRU-TEST LIMITED; 13-03A, An insulator and pin, (NZ, 24 Jan 2014) 16 Jul 2014	13521/2014
The trustee for Krans Family Trust; 09-03F, Food tray, 22 Jul 2014	13589/2014	Veerasawmy, Naaman; 25-01K, Extrusion, 07 Jul 2014	13293/2014
The Active Reactor Company Pty Ltd; 14-02, A heatsink, 08 Jul 2014	13318/2014	Vuly Property Pty Ltd; 21-02F, Trampoline, 10 Jul 2014	13355/2014
The Kind Group LLC; 28-03NES, Cosmetic product container, (US, 23 Apr 2014) 14 Jul 2014	13450/2014	VIP Plastic Packaging Pty Ltd; 23-01A, A seal, 22 Jul 2014	13586/2014
The Kind Group LLC; 28-03NES, Cosmetic product container, (US, 23 Apr 2014) 14 Jul 2014	13447/2014	VIP Plastic Packaging Pty Ltd; 09-07A, A dispensing nozzle and seal, 22 Jul 2014	13587/2014
The Kind Group LLC; 28-03NES, Cosmetic product container, (US, 23 Apr 2014) 14 Jul 2014	13448/2014	Wahl Clipper Corporation; 28-03C, Hair clipper housing lid, (US, 31 Jan 2014) 17 Jul 2014	13535/2014
The Kind Group LLC; 28-03NES, Cosmetic product container, (US, 13 Jan 2014) 14 Jul 2014	13445/2014	Wahl Clipper Corporation; 28-03C, Hair clipper housing lid, (US, 21 Jan 2014) 17 Jul 2014	13536/2014
The Outdoor Consultancy; 06-01H, Temporary outdoor furniture, 24 Jul 2014	13599/2014	Wahl Clipper Corporation; 28-03C, Hair clipper housing lid, (US, 21 Jan 2014) 17 Jul 2014	13534/2014
Thorn Europhane S.A.; 26-03, Street lantern, (EM, 10 Jan 2014) 07 Jul 2014	13280/2014	Wasserman, Trevor;Koudounaris, Hilary Gayle; 06-08, Hanger, (ZA, 22 Jan 2014) 16 Jul 2014	13488/2014
Thorn Europhane S.A.; 26-03, Street lantern, (EM, 10 Jan 2014) 07 Jul 2014	13281/2014	Wheel Pros, LLC; 12-16A, Wheel, (US, 30 Jun 2014) 24 Jul 2014	13605/2014
Thorn Europhane S.A.; 26-03, Street lantern, (EM, 10 Jan 2014) 07 Jul 2014	13282/2014	Wheel Pros, LLC; 12-16A, Wheel, (US, 30 Jun 2014) 24 Jul 2014	13606/2014
Toesox, Inc.; 02-04C, Sock, (CA, 04 Mar 2014) 17 Jul 2014	13542/2014	Who-Rae; 09-03NES, Tray for a packaging container, 22 Jul 2014	13583/2014
Toesox, Inc.; 02-04C, Sock, (US, 04 Mar 2014) 17 Jul 2014	13543/2014	Who-Rae Pty Ltd; 09-03NES, Tray for a packaging container, 22 Jul 2014	13584/2014
TomTom International B.V.; 14-03NES, Portable electronic navigation device, (EM, 08 Jan 2014) 07 Jul 2014	13291/2014	Who-Rae Pty Ltd; 03-01NES, Hanger container for car floor mats, 22 Jul 2014	13574/2014
Turbo-Plus Inc.; 15-03A, Tiller head, (CA, 12 Jun 2014) 14 Jul 2014	13378/2014	Who-Rae Pty Ltd; 09-99, Moulded portion of a hanger container, 22 Jul 2014	13575/2014

Who-Rae Pty Ltd; 09-03F, Tray for a packaging container, 22 Jul 2014	13581/2014	WOOX Innovations Belgium NV; 14-01, Speaker, (EM, 20 Jan 2014) 18 Jul 2014	13546/2014
Who-Rae Pty Ltd; 09-03F, Tray for a packaging container, 22 Jul 2014	13582/2014	Zevex, Inc.; 24-02, 24-04, Enteral feeding pump, (US, 26 Feb 2014) 18 Jul 2014	13547/2014
Who-Rae Pty Ltd; 09-03H, Sheet portion of a hanger container, 22 Jul 2014	13579/2014	3M Innovative Properties Company; 08-03, Blade for hand held masking tool, (US, 21 Jan 2014) 17 Jul 2014	13527/2014
Wilson, Eliza; 02-02C, Jeans, pants, shorts and skirts, 22 Jul 2014	13588/2014	3M Innovative Properties Company; 08-99, Hand held masking tool, (US, 21 Jan 2014) 17 Jul 2014	13528/2014
WOOX Innovations Belgium NV; 14-01, Speaker, (EM, 20 Jan 2014) 18 Jul 2014	13545/2014		

Applications Withdrawn

10626 / 2014 (12-02)	10627 / 2014 (12-02)
10628 / 2014 (12-02)	10629 / 2014 (12-02)
11658 / 2014 (32-03)	13018 / 2014 (26-06)

Applications Lapsed

13479 / 2013 (09-07C)	10107 / 2014 (08-07)
10377 / 2014 (32-03)	10392 / 2014 (25-99)
10534 / 2014 (24-04)	10761 / 2014 (24-02)
11238 / 2014 (06-01D)	11447 / 2014 (25-01D)
11458 / 2014 (08-08L)	11521 / 2014 (15-99)
11530 / 2014 (32-03)	11531 / 2014 (32-03)
11610 / 2014 (32-03)	11614 / 2014 (32-03)
11662 / 2014 (23-01H)	11701 / 2014 (02-02NES)
11736 / 2014 (23-03D)	11741 / 2014 (06-01F)
11748 / 2014 (07-01NES)	11772 / 2014 (03-99)
11774 / 2014 (25-04)	11816 / 2014 (14-02)
11823 / 2014 (08-08L)	11911 / 2014 (19-08)
11912 / 2014 (19-08)	11913 / 2014 (19-08)
11939 / 2014 (32-02)	12040 / 2014 (32-02)
12058 / 2014 (06-01E)	12062 / 2014 (08-05N)

Extension of Period of Registration of Designs

Registrations Ceased

320375 326877 327006
 327007 327037 327060
 327070 327075 327085
 327107 327108 327128
 327141 327179 327184
 327185 327220 327221
 327228 327249 327250
 327257 327258 327259
 327260 327261 327262
 327292 327320 327327
 327343 327346 327347
 327354 327382 327383
 327407 327408 327415
 327417 327432 327433
 327434 327435 327436
 327437 327438 327448
 327456 327462 327463
 327464 327465 327491
 327504 327505 327506
 327507 327508 327509
 327510 327526 327527
 327528 327529 327531
 327535 327541 327552
 327553 327555 327562
 327563 327564 327569
 327583 327626 327627
 327628 327629 327632
 327633 327634 327635
 327636 327651 327652
 327653 327659 327680
 327759 327822 327823
 327828 327847 327858
 327884 327886 327903
 327921 327939 327985
 328011 328023 328052
 328053 328054 328066
 328094 328095 328096
 328110 328165 328166
 328324 328543 328544
 328763 328764 328765
 328766 328767 328805
 328806 328857 328858
 328889 328920 328921
 328922 328923 328924
 329099 329293 329685
 329686 329687 329913
 330012 330013 330014
 330085 330583 331058
 331756

300002 300003 300004
 300005 300006 300020
 300025 300027 300028
 300029 300039 300040
 300041 300045 300046
 300050 300073 300074
 300082 300098 300100
 300116 300118 300119
 300161 300162 300164
 300166 300167 300169
 300170 300171 300172
 300173 300174 300194
 300195 300196 300198
 300202 300204 300218
 300219 300220 300221
 300222 300223 300224
 300225 300226 300227
 300228 300251 300252
 300253 300272 300273
 300279 300292 300293
 300294 300335 300336
 300337 300352 300353
 300373 300374 300414
 300415 300451 300511
 300671 301412 301413
 301414 301575 301576
 301579 301581 302215
 302240 302359 302360
 302651 302652 302753
 304605 310906 310907
 310908 320544 320702
 320703 322676 322725
 322842 323351 323528
 324212 324213 324430
 324431 324432 324439
 324440 324442 324483
 324484 324498 324504
 324566 324568 324569
 324573 324574 324575
 324593 324594 324595
 324596 324629 324630
 324631 324632 324760
 324802 324814 324815
 325043 325131 325166
 325167 325214 325224
 325399 325400 325437
 325438 325439 325440
 325441 325442 325455
 325477 325541 325542
 325621 325622 325623
 325655 325656 325657
 325658 325659 326270

326271 326272 326273
 326274 326320 326695
 326696 326697 326698
 326699 326700 348027

Extensions of time granted under Section 137

Applications lodged under section 137 for extension of time have been granted.

320375 **Changzhou Gardensun Furnace Co., Ltd**

333080 **Pi-Design AG**

356639 **B.Box for Kids Developments Pty Ltd**

356419 **Ian Shirliff**

356578 **Jochnic Packaging Co Ltd.**

356332 **Kraft Foods Group Brands LLC**

356333 **Kraft Foods Group Brands LLC**

356334 **Kraft Foods Group Brands LLC**

356335 **Kraft Foods Group Brands LLC**

356336 **Kraft Foods Group Brands LLC**

356337 **Kraft Foods Group Brands LLC**

356338 **Kraft Foods Group Brands LLC**

356339 **Kraft Foods Group Brands LLC**

356340 **Kraft Foods Group Brands LLC**

356341 **Kraft Foods Group Brands LLC**

Applications Assigned

(The name in parentheses is that of the subsequent applicant)

10375/2013 (**Danielle Lisa Michaels**) The trustee for b.box for kids trust

Subsequent Owners Registered

(The name in parentheses is that of the subsequent owner)

329229 (**Fonterra Brands (Australia) Pty Limited**) Alto Packaging Limited
 329230 (**Fonterra Brands (Australia) Pty Limited**) Alto Packaging Limited
 347128 (**Genius GmbH**) Cedomir Repac
 347129 (**Genius GmbH**) Cedomir Repac
 310394 (**Knauf Plasterboard Pty Ltd**) Peer Intellectual Properties Pty Ltd
 310727 (**Knauf Plasterboard Pty Ltd**) Peer Intellectual Properties Pty Ltd
 325710 (**Knauf Plasterboard Pty Ltd**) Peer Intellectual Properties Pty Ltd
 330476 (**Knauf Plasterboard Pty Ltd**) Peer Intellectual Properties Pty Ltd
 331985 (**Cody Live Pty Limited**) Live Board Holdings Pty Ltd
 329960 (**FSH Properties Pty Ltd**) FSHRFID Pty Ltd

354932 (**Chobani, LLC a Delaware limited liability company**) Chobani, Inc.
 302165 (**Brown-Forman Finland Ltd.**) Finlandia Vodka Worldwide Ltd
 302166 (**Brown-Forman Finland Ltd.**) Finlandia Vodka Worldwide Ltd
 302167 (**Brown-Forman Finland Ltd.**) Finlandia Vodka Worldwide Ltd
 325384 (**ACOUSTIC SPACE PTY LIMITED as trustee for the Philippe Doneux Family Trust**) Philippe Pierre Marie Joseph Doneux
 342878 (**ACOUSTIC SPACE PTY LIMITED as trustee for the Philippe Doneux Family Trust**) Philippe Pierre Marie Joseph Doneux
 345853 (**CnZ Mate Australia Pty Ltd**) Ballarat Holdings Pty Ltd
 352534 (**Pelikan Artline Pty Limited**) Shachihata Inc
 323117 (**Netgear, Inc.**) Sierra Wireless Inc.
 352555 (**Nik Productions Pty Ltd**) Nicole Slater
 353574 (**Nik Productions Pty Ltd**) Nicole Slater
 341787 (**Myer Pty Ltd**) The Discovery Clothing Company Pty Ltd
 338861 (**Myer Pty Ltd**) The Discovery Clothing Company Pty Ltd
 338860 (**Myer Pty Ltd**) The Discovery Clothing Company Pty Ltd
 338859 (**Myer Pty Ltd**) The Discovery Clothing Company Pty Ltd
 338858 (**Myer Pty Ltd**) The Discovery Clothing Company Pty Ltd
 337263 (**Myer Pty Ltd**) Discovery Clothing Company Pty Ltd
 336557 (**Myer Pty Ltd**) Discovery Clothing Company Pty Ltd
 336323 (**Myer Pty Ltd**) Discovery Clothing Company Pty Ltd
 336322 (**Myer Pty Ltd**) Discovery Clothing Company Pty Ltd
 336321 (**Myer Pty Ltd**) Discovery Clothing Company Pty Ltd
 336320 (**Myer Pty Ltd**) Discovery Clothing Company Pty Ltd
 336319 (**Myer Pty Ltd**) Discovery Clothing Company Pty Ltd
 336318 (**Myer Pty Ltd**) Discovery Clothing Company Pty Ltd
 336317 (**Myer Pty Ltd**) Discovery Clothing Company Pty Ltd
 336316 (**Myer Pty Ltd**) Discovery Clothing Company Pty Ltd
 336315 (**Myer Pty Ltd**) Discovery Clothing Company Pty Ltd
 336314 (**Myer Pty Ltd**) Discovery Clothing Company Pty Ltd
 336313 (**Myer Pty Ltd**) Discovery Clothing Company Pty Ltd
 336312 (**Myer Pty Ltd**) Discovery Clothing Company Pty Ltd
 336311 (**Myer Pty Ltd**) Discovery Clothing Company Pty Ltd
 336310 (**Myer Pty Ltd**) Discovery Clothing Company Pty Ltd
 336309 (**Myer Pty Ltd**) Discovery Clothing Company Pty Ltd
 336308 (**Myer Pty Ltd**) Discovery Clothing Company Pty Ltd
 336307 (**Myer Pty Ltd**) Discovery Clothing Company Pty Ltd
 336306 (**Myer Pty Ltd**) Discovery Clothing Company Pty Ltd
 336305 (**Myer Pty Ltd**) Discovery Clothing Company Pty Ltd
 336304 (**Myer Pty Ltd**) Discovery Clothing Company Pty Ltd
 336303 (**Myer Pty Ltd**) Discovery Clothing Company Pty Ltd
 336302 (**Myer Pty Ltd**) Discovery Clothing Company Pty Ltd
 336301 (**Myer Pty Ltd**) Discovery Clothing Company Pty Ltd
 336300 (**Myer Pty Ltd**) Discovery Clothing Company Pty Ltd
 336299 (**Myer Pty Ltd**) Discovery Clothing Company Pty Ltd
 336298 (**Myer Pty Ltd**) Discovery Clothing Company Pty Ltd
 336297 (**Myer Pty Ltd**) Discovery Clothing Company Pty Ltd
 336296 (**Myer Pty Ltd**) Discovery Clothing Company Pty Ltd
 336295 (**Myer Pty Ltd**) Discovery Clothing Company Pty Ltd
 336294 (**Myer Pty Ltd**) Discovery Clothing Company Pty Ltd
 336293 (**Myer Pty Ltd**) Discovery Clothing Company Pty Ltd
 336292 (**Myer Pty Ltd**) Discovery Clothing Company Pty Ltd
 336291 (**Myer Pty Ltd**) Discovery Clothing Company Pty Ltd
 336290 (**Myer Pty Ltd**) Discovery Clothing Company Pty Ltd

336289	(Myer Pty Ltd) Discovery Clothing Company Pty Ltd	306352	(Intercontinental Great Brands LLC) Kraft Foods Global Brands LLC.
336288	(Myer Pty Ltd) Discovery Clothing Company Pty Ltd	306354	(Intercontinental Great Brands LLC) Kraft Foods Global Brands LLC.
336287	(Myer Pty Ltd) Discovery Clothing Company Pty Ltd	306359	(Intercontinental Great Brands LLC) Kraft Foods Global Brands LLC.
336286	(Myer Pty Ltd) Discovery Clothing Company Pty Ltd	306346	(Intercontinental Great Brands LLC) Kraft Foods Global Brands LLC.
336285	(Myer Pty Ltd) Discovery Clothing Company Pty Ltd	336577	(Intercontinental Great Brands LLC) Kraft Foods Global Brands LLC.
336284	(Myer Pty Ltd) Discovery Clothing Company Pty Ltd	306355	(Intercontinental Great Brands LLC) Kraft Foods Global Brands LLC.
336283	(Myer Pty Ltd) Discovery Clothing Company Pty Ltd	306360	(Intercontinental Great Brands LLC) Kraft Foods Global Brands LLC.
336282	(Myer Pty Ltd) Discovery Clothing Company Pty Ltd	306347	(Intercontinental Great Brands LLC) Kraft Foods Global Brands LLC.
336281	(Myer Pty Ltd) Discovery Clothing Company Pty Ltd	336578	(Intercontinental Great Brands LLC) Kraft Foods Global Brands LLC.
336280	(Myer Pty Ltd) Discovery Clothing Company Pty Ltd	306356	(Intercontinental Great Brands LLC) Kraft Foods Global Brands LLC.
336279	(Myer Pty Ltd) Discovery Clothing Company Pty Ltd	306361	(Intercontinental Great Brands LLC) Kraft Foods Global Brands LLC.
336278	(Myer Pty Ltd) Discovery Clothing Company Pty Ltd	306348	(Intercontinental Great Brands LLC) Kraft Foods Global Brands LLC.
336277	(Myer Pty Ltd) Discovery Clothing Company Pty Ltd	306350	(Intercontinental Great Brands LLC) Kraft Foods Global Brands LLC.
336276	(Myer Pty Ltd) Discovery Clothing Company Pty Ltd	306357	(Intercontinental Great Brands LLC) Kraft Foods Global Brands LLC.
336275	(Myer Pty Ltd) Discovery Clothing Company Pty Ltd	306344	(Intercontinental Great Brands LLC) Kraft Foods Global Brands LLC.
336274	(Myer Pty Ltd) Discovery Clothing Company Pty Ltd	306349	(Intercontinental Great Brands LLC) Kraft Foods Global Brands LLC.
336273	(Myer Pty Ltd) Discovery Clothing Company Pty Ltd	306351	(Intercontinental Great Brands LLC) Kraft Foods Global Brands LLC.
336272	(Myer Pty Ltd) Discovery Clothing Company Pty Ltd	308961	(Intercontinental Great Brands LLC) Kraft Foods Global Brands LLC.
336271	(Myer Pty Ltd) Discovery Clothing Company Pty Ltd	308963	(Intercontinental Great Brands LLC) Kraft Foods Global Brands LLC.
336270	(Myer Pty Ltd) Discovery Clothing Company Pty Ltd	302149	(Intercontinental Great Brands LLC) Kraft Foods Global Brands LLC.
336269	(Myer Pty Ltd) Discovery Clothing Company Pty Ltd	315067	(Intercontinental Great Brands LLC) Kraft Foods Global Brands LLC.
336268	(Myer Pty Ltd) Discovery Clothing Company Pty Ltd	302138	(Intercontinental Great Brands LLC) Kraft Foods Global Brands LLC.
336267	(Myer Pty Ltd) Discovery Clothing Company Pty Ltd	308962	(Intercontinental Great Brands LLC) Kraft Foods Global Brands LLC.
336266	(Myer Pty Ltd) Discovery Clothing Company Pty Ltd	302139	(Intercontinental Great Brands LLC) Kraft Foods Global Brands LLC.
336265	(Myer Pty Ltd) Discovery Clothing Company Pty Ltd	346053	(Intercontinental Great Brands LLC) Kraft Foods Global Brands LLC.
336264	(Myer Pty Ltd) Discovery Clothing Company Pty Ltd	346054	(Intercontinental Great Brands LLC) Kraft Foods Global Brands LLC.
336263	(Myer Pty Ltd) Discovery Clothing Company Pty Ltd		
336262	(Myer Pty Ltd) Discovery Clothing Company Pty Ltd		
336261	(Myer Pty Ltd) Discovery Clothing Company Pty Ltd		
336260	(Myer Pty Ltd) Discovery Clothing Company Pty Ltd		
336259	(Myer Pty Ltd) Discovery Clothing Company Pty Ltd		
336258	(Myer Pty Ltd) Discovery Clothing Company Pty Ltd		
336257	(Myer Pty Ltd) Discovery Clothing Company Pty Ltd		
336256	(Myer Pty Ltd) Discovery Clothing Company Pty Ltd		
336255	(Myer Pty Ltd) Discovery Clothing Company Pty Ltd		
336254	(Myer Pty Ltd) Discovery Clothing Company Pty Ltd		
336253	(Myer Pty Ltd) Discovery Clothing Company Pty Ltd		
336252	(Myer Pty Ltd) Discovery Clothing Company Pty Ltd		
336251	(Myer Pty Ltd) Discovery Clothing Company Pty Ltd		
336250	(Myer Pty Ltd) Discovery Clothing Company Pty Ltd		
336249	(Myer Pty Ltd) Discovery Clothing Company Pty Ltd		
336248	(Myer Pty Ltd) Discovery Clothing Company Pty Ltd		
336247	(Myer Pty Ltd) Discovery Clothing Company Pty Ltd		
336246	(Myer Pty Ltd) Discovery Clothing Company Pty Ltd		
336245	(Myer Pty Ltd) Discovery Clothing Company Pty Ltd		
336244	(Myer Pty Ltd) Discovery Clothing Company Pty Ltd		
314118	(Myer Pty Ltd) Discovery Clothing Company Pty Ltd		

Names Registered - Alterations and Amendments

(The name in parentheses is that of the subsequent applicant)

351288	(iFetch, LLC) Hamill Partners LLC
329960	(FSHRFID Pty Ltd) RFID Asset Management Services Pty Ltd
306353	(Intercontinental Great Brands LLC) Kraft Foods Global Brands LLC.
306358	(Intercontinental Great Brands LLC) Kraft Foods Global Brands LLC.
306345	(Intercontinental Great Brands LLC) Kraft Foods Global Brands LLC.
336576	(Intercontinental Great Brands LLC) Kraft Foods Global Brands LLC.

Certificate(s) of Examination

Examination of the following Design Registration(s) has been completed. Infringement proceedings may now be commenced.

324947	26-06	08/07/2014	354735	30-99	11/07/2014
331990	07-01NES	08/07/2014	354751	06-06NES	08/07/2014
335460	07-01NES	08/07/2014	354760	10-04	14/07/2014
337147	26-06	08/07/2014	354764	25-01B	28/07/2014
337868	20-01	16/07/2014	354765	02-04NES	09/07/2014
338477	09-01A	08/07/2014	354766	02-04NES	09/07/2014
340578	12-16NES	14/07/2014	354773	02-06	08/07/2014
344562	09-01K	09/07/2014	354818	02-02NES	14/07/2014
347114	25-01B	16/07/2014	354865	03-01NES	23/07/2014
347116	25-01B	16/07/2014	354900	14-03A	25/07/2014
347438	21-01NES	09/07/2014	354901	14-03A	25/07/2014
347909	09-01NES	08/07/2014	354902	14-03A	25/07/2014
348251	09-01NES	08/07/2014	354903	14-03A	25/07/2014
349017	09-01NES	09/07/2014	354940	09-03NES	23/07/2014
350875	08-10	17/07/2014	354945	13-03D	08/07/2014
351401	21-01F	23/07/2014	354952	14-01	24/07/2014
351452	21-01F	23/07/2014	354964	09-01NES	23/07/2014
351826	07-05E	18/07/2014	354965	09-01NES	23/07/2014
352174	14-01	18/07/2014	354966	26-99	15/07/2014
352944	02-04NES	08/07/2014	354967	26-05D	15/07/2014
353052	09-03NES	21/07/2014	354990	09-03NES	23/07/2014
353213	25-02NES	24/07/2014	355043	09-01K	14/07/2014
353266	08-08NES	24/07/2014	355066	14-03A	14/07/2014
353373	25-02NES	24/07/2014	355067	14-03A	14/07/2014
353514	07-05E	08/07/2014	355076	15-05	10/07/2014
353515	04-01	08/07/2014	355096	19-08	23/07/2014
353762	09-05	25/07/2014	355105	05-05A	23/07/2014
353768	28-03D	14/07/2014	355108	02-02C	10/07/2014
354000	16-06	28/07/2014	355109	04-02	17/07/2014
354097	15-04	24/07/2014	355110	02-02C	14/07/2014
354300	02-07A	10/07/2014	355111	04-02	17/07/2014
354388	23-04	23/07/2014	355123	02-02C	11/07/2014
354418	09-07NES	08/07/2014	355124	02-02NES	16/07/2014
354473	23-04	23/07/2014	355125	02-02C	11/07/2014
354495	05-05A	08/07/2014	355132	24-02	25/07/2014
354497	05-05A	08/07/2014	355167	07-02L	25/07/2014
354498	05-05NES	08/07/2014	355201	12-15B	22/07/2014
354508	09-04	08/07/2014	355202	12-15B	22/07/2014
354513	09-07C	08/07/2014	355206	05-05B	23/07/2014
354517	09-07A	08/07/2014	355219	16-06	21/07/2014
354521	09-01NES	08/07/2014	355220	16-06	21/07/2014
354546	12-11	17/07/2014	355221	16-06	22/07/2014
354560	12-15B	09/07/2014	355222	16-06	22/07/2014
354561	12-15B	09/07/2014	355240	30-99	10/07/2014
354591	02-03	15/07/2014	355294	09-01G	16/07/2014
354601	09-07C	08/07/2014	355316	08-08L	18/07/2014
354616	25-03	08/07/2014	355445	03-01NES	28/07/2014
354632	07-99NES	08/07/2014	355446	03-01NES	28/07/2014
354633	07-02H	16/07/2014	355447	03-01NES	28/07/2014
354638	24-02	14/07/2014	355730	06-03B	17/07/2014
354641	29-99	09/07/2014	355787	14-99	25/07/2014
354652	09-07B	08/07/2014	355852	04-02	28/07/2014
354653	03-01NES	28/07/2014	355968	14-99	25/07/2014
354661	05-05NES	08/07/2014	355975	04-02	28/07/2014
354662	02-02C	14/07/2014			
354678	09-01K	23/07/2014			
354689	09-01NES	23/07/2014			
354693	16-06	23/07/2014			
354695	24-02	10/07/2014			

Publication and Registration Proceedings

Designs Registered

This section provides a concordance between design number and registration number of Designs covered in this journal. It also shows the main class and registration date.

This section covers Registration numbers 356313 to 356639 .

The registration number shown below should be used in all future correspondence.

Design Number	Registration Number	International Classification Code (IDC)	Registration Date	Design Number	Registration Number	International Classification Code (IDC)	Registration Date
10375/2013	356639	07-01E	28/07/2014	12006/2014	356491	12-02	15/07/2014
15273/2013	356350	02-02B	09/07/2014	12064/2014	356347	24-01	09/07/2014
15620/2013	356343	23-02NES	09/07/2014	12068/2014	356394	09-01NES	11/07/2014
15759/2013	356515	02-02C	17/07/2014	12081/2014	356511	06-03NES	16/07/2014
15899/2013	356516	08-07	17/07/2014	12086/2014	356558	03-99	18/07/2014
16622/2013	356513	08-08B	16/07/2014	12112/2014	356437	28-03A	14/07/2014
16748/2013	356313	22-05	08/07/2014	12142/2014	356438	07-01NES	14/07/2014
16749/2013	356314	22-05	08/07/2014	12170/2014	356454	06-01G	14/07/2014
16750/2013	356315	22-05	08/07/2014	12174/2014	356348	25-01A	09/07/2014
16836/2013	356372	02-02NES	10/07/2014	12205/2014	356508	07-06NES	16/07/2014
10205/2014	356584	13-02	24/07/2014	12211/2014	356567	14-02	21/07/2014
10264/2014	356587	12-02	24/07/2014	12221/2014	356356	14-03A	10/07/2014
10369/2014	356503	14-02	15/07/2014	12222/2014	356492	14-03A	15/07/2014
10371/2014	356323	12-02	08/07/2014	12229/2014	356582	10-99	24/07/2014
10440/2014	356389	24-99	11/07/2014	12250/2014	356482	08-03	15/07/2014
10483/2014	356481	14-03NES	15/07/2014	12271/2014	356580	08-05M	24/07/2014
10625/2014	356514	11-02B	16/07/2014	12303/2014	356439	06-04NES	14/07/2014
10746/2014	356380	07-01NES	11/07/2014	12305/2014	356440	06-04NES	14/07/2014
10816/2014	356324	23-03D	08/07/2014	12306/2014	356441	06-04NES	14/07/2014
10817/2014	356325	23-03D	08/07/2014	12307/2014	356540	06-04NES	18/07/2014
10880/2014	356344	23-01H	09/07/2014	12312/2014	356442	06-04NES	14/07/2014
11011/2014	356379	09-01NES	10/07/2014	12315/2014	356568	06-04NES	21/07/2014
11052/2014	356331	07-01NES	08/07/2014	12319/2014	356443	20-02NES	14/07/2014
11093/2014	356506	23-01F	16/07/2014	12320/2014	356444	20-02NES	14/07/2014
11105/2014	356390	15-02	11/07/2014	12321/2014	356445	20-02NES	14/07/2014
11170/2014	356436	21-03	11/07/2014	12322/2014	356446	20-02NES	14/07/2014
11176/2014	356518	14-03NES	17/07/2014	12380/2014	356477	24-99	15/07/2014
11177/2014	356519	14-03NES	17/07/2014	12382/2014	356478	24-04	15/07/2014
11263/2014	356327	07-04	05/06/2014	12384/2014	356381	24-04	11/07/2014
11267/2014	356328	07-04	08/07/2014	12385/2014	356382	24-04	11/07/2014
11268/2014	356329	07-04	05/06/2014	12394/2014	356332	07-01NES	08/07/2014
11269/2014	356330	07-04	05/06/2014	12397/2014	356333	07-01NES	08/07/2014
11334/2014	356562	02-02NES	21/07/2014	12398/2014	356334	07-01NES	08/07/2014
11369/2014	356566	24-02	21/07/2014	12403/2014	356335	07-01NES	08/07/2014
11397/2014	356419	23-01H	11/07/2014	12407/2014	356336	07-01NES	08/07/2014
11437/2014	356391	08-08L	11/07/2014	12410/2014	356337	07-01NES	08/07/2014
11456/2014	356598	08-08G	28/07/2014	12413/2014	356338	07-01NES	05/06/2014
11591/2014	356539	10-04	18/07/2014	12414/2014	356339	07-01NES	08/07/2014
11748/2014	356578	07-01NES	23/07/2014	12416/2014	356340	07-01NES	08/07/2014
11766/2014	356345	06-13A	09/07/2014	12417/2014	356341	07-01NES	08/07/2014
11810/2014	356392	07-02L	11/07/2014	12421/2014	356326	02-02B	08/07/2014
11855/2014	356373	09-09	10/07/2014	12434/2014	356383	12-06NES	11/07/2014
11857/2014	356557	09-09	18/07/2014	12441/2014	356395	22-01	11/07/2014
11859/2014	356375	09-09	10/07/2014	12447/2014	356384	02-02C	11/07/2014
11860/2014	356376	15-07	10/07/2014	12486/2014	356483	26-06	15/07/2014
11861/2014	356377	15-07	10/07/2014	12503/2014	356517	09-03L	17/07/2014
11896/2014	356316	03-01D	08/07/2014	12518/2014	356378	09-01K	10/07/2014
11903/2014	356393	24-04	11/07/2014	12526/2014	356349	25-01K	09/07/2014
11925/2014	356507	09-03F	16/07/2014	12540/2014	356563	25-03	21/07/2014
11934/2014	356346	07-04	09/07/2014	12547/2014	356484	06-01F	15/07/2014

Publication and Registration Proceedings - Designs Registered cont'd

Design Number	Registration Number	International Classification Code (IDC)	Registration Date	Design Number	Registration Number	International Classification Code (IDC)	Registration Date
12555/2014	356585	02-03	24/07/2014	12885/2014	356400	14-03E	11/07/2014
12571/2014	356583	08-01	24/07/2014	12886/2014	356401	14-03E	11/07/2014
12586/2014	356579	08-08K	23/07/2014	12887/2014	356402	14-03E	11/07/2014
12601/2014	356342	03-03	08/07/2014	12890/2014	356403	14-03E	11/07/2014
12630/2014	356509	12-16K	16/07/2014	12891/2014	356404	14-02	11/07/2014
12645/2014	356322	12-11	08/07/2014	12892/2014	356405	07-01NES	11/07/2014
12648/2014	356396	07-99C	11/07/2014	12893/2014	356406	14-03E	11/07/2014
12650/2014	356586	07-05A	24/07/2014	12894/2014	356407	12-16A	11/07/2014
12653/2014	356476	07-05A	14/07/2014	12895/2014	356408	12-16A	11/07/2014
12668/2014	356536	21-02E	18/07/2014	12896/2014	356409	12-16A	11/07/2014
12671/2014	356537	21-02F	18/07/2014	12897/2014	356410	30-01	11/07/2014
12672/2014	356538	21-02F	18/07/2014	12898/2014	356411	14-03E	11/07/2014
12673/2014	356564	21-02F	21/07/2014	12899/2014	356412	14-03E	11/07/2014
12678/2014	356447	20-02E	14/07/2014	12900/2014	356413	14-03E	11/07/2014
12680/2014	356479	09-05	15/07/2014	12901/2014	356414	14-03E	11/07/2014
12681/2014	356480	09-05	15/07/2014	12902/2014	356415	14-03E	11/07/2014
12686/2014	356576	07-99C	22/07/2014	12904/2014	356416	08-08NES	11/07/2014
12692/2014	356590	06-03B	24/07/2014	12906/2014	356417	13-02	11/07/2014
12706/2014	356385	06-03B	11/07/2014	12907/2014	356418	13-02	11/07/2014
12707/2014	356386	26-05B	11/07/2014	12908/2014	356420	15-05	11/07/2014
12717/2014	356387	26-05D	11/07/2014	12909/2014	356421	08-03	11/07/2014
12722/2014	356388	06-06A	11/07/2014	12912/2014	356422	05-05NES	11/07/2014
12724/2014	356397	25-01K	11/07/2014	12913/2014	356423	05-05D	11/07/2014
12774/2014	356455	06-03B	14/07/2014	12915/2014	356424	02-02C	11/07/2014
12796/2014	356569	15-05	21/07/2014	12916/2014	356425	09-01D	11/07/2014
12802/2014	356570	15-05	21/07/2014	12917/2014	356426	09-01D	11/07/2014
12807/2014	356317	08-05M	08/07/2014	12919/2014	356427	05-05B	11/07/2014
12810/2014	356318	02-02C	08/07/2014	12920/2014	356428	19-06	11/07/2014
12811/2014	356319	02-02C	08/07/2014	12921/2014	356429	05-05NES	11/07/2014
12813/2014	356320	24-02	08/07/2014	12924/2014	356430	12-15B	11/07/2014
12814/2014	356321	24-02	08/07/2014	12925/2014	356431	12-15B	11/07/2014
12832/2014	356571	25-02E	21/07/2014	12926/2014	356432	12-15B	11/07/2014
12833/2014	356572	25-02E	21/07/2014	12927/2014	356433	12-15B	11/07/2014
12852/2014	356351	08-05F	10/07/2014	12928/2014	356434	11-01NES	11/07/2014
12853/2014	356352	25-01K	10/07/2014	12929/2014	356435	11-01NES	11/07/2014
12854/2014	356353	06-01F	10/07/2014	12932/2014	356485	24-01	15/07/2014
12855/2014	356360	25-01K	10/07/2014	12934/2014	356486	24-04	15/07/2014
12857/2014	356361	08-08NES	10/07/2014	12935/2014	356493	15-04	15/07/2014
12858/2014	356354	08-08NES	10/07/2014	12936/2014	356494	24-01	15/07/2014
12859/2014	356355	08-08NES	10/07/2014	12937/2014	356495	24-01	15/07/2014
12861/2014	356357	03-01D	10/07/2014	12938/2014	356487	24-01	15/07/2014
12862/2014	356358	06-01L	10/07/2014	12942/2014	356504	08-03	15/07/2014
12863/2014	356359	14-03A	10/07/2014	12944/2014	356448	05-05A	14/07/2014
12864/2014	356399	19-08	11/07/2014	12946/2014	356449	12-15D	14/07/2014
12865/2014	356362	09-03M	10/07/2014	12949/2014	356450	08-07	14/07/2014
12866/2014	356363	14-01	10/07/2014	12953/2014	356451	09-07C	14/07/2014
12867/2014	356364	14-01	10/07/2014	12954/2014	356452	09-07C	14/07/2014
12868/2014	356365	28-03NES	10/07/2014	12957/2014	356453	08-08A	14/07/2014
12869/2014	356366	12-10	10/07/2014	12965/2014	356565	06-03B	21/07/2014
12870/2014	356367	14-03E	10/07/2014	12966/2014	356577	11-01E	23/07/2014
12871/2014	356368	14-03E	10/07/2014	12968/2014	356456	22-06	14/07/2014
12872/2014	356369	14-03E	10/07/2014	12969/2014	356457	10-02	14/07/2014
12878/2014	356370	26-02	10/07/2014	12970/2014	356458	29-02	14/07/2014
12879/2014	356371	26-02	10/07/2014	12971/2014	356459	11-01NES	14/07/2014
12884/2014	356398	25-01NES	11/07/2014	12972/2014	356460	02-02C	14/07/2014

Publication and Registration Proceedings - Designs Registered cont'd

Design Number	Registration Number	International Classification Code (IDC)	Registration Date	Design Number	Registration Number	International Classification Code (IDC)	Registration Date
12973/2014	356461	11-01NES	14/07/2014	13059/2014	356550	24-99	18/07/2014
12974/2014	356462	11-01NES	14/07/2014	13060/2014	356551	24-02	18/07/2014
12975/2014	356463	02-02NES	14/07/2014	13061/2014	356552	24-01	18/07/2014
12976/2014	356464	11-01NES	14/07/2014	13062/2014	356553	14-04	18/07/2014
12978/2014	356465	02-02NES	14/07/2014	13063/2014	356554	14-04	18/07/2014
12979/2014	356466	22-05	14/07/2014	13064/2014	356589	16-01	24/07/2014
12980/2014	356467	22-05	14/07/2014	13065/2014	356555	14-04	18/07/2014
12981/2014	356468	02-02C	14/07/2014	13066/2014	356556	14-04	18/07/2014
12982/2014	356496	11-05	15/07/2014	13072/2014	356559	02-04C	18/07/2014
12988/2014	356469	23-01NES	14/07/2014	13073/2014	356560	02-04C	18/07/2014
12989/2014	356470	23-01NES	14/07/2014	13074/2014	356561	02-04C	18/07/2014
12990/2014	356471	23-01NES	14/07/2014	13075/2014	356591	08-07	24/07/2014
12991/2014	356505	23-01NES	15/07/2014	13079/2014	356592	20-02E	25/07/2014
12992/2014	356472	07-07B	14/07/2014	13080/2014	356593	09-09	25/07/2014
12993/2014	356473	15-07	14/07/2014	13081/2014	356594	09-09	25/07/2014
12994/2014	356474	26-05C	14/07/2014	13085/2014	356595	09-04	25/07/2014
12995/2014	356475	26-05C	14/07/2014	13086/2014	356596	08-08NES	25/07/2014
12998/2014	356497	15-05	15/07/2014	13090/2014	356597	26-02	25/07/2014
12999/2014	356488	12-08	15/07/2014	13099/2014	356599	10-05	28/07/2014
13000/2014	356489	12-08	15/07/2014	13104/2014	356600	07-02P	28/07/2014
13001/2014	356490	12-16A	15/07/2014	13105/2014	356601	13-03D	28/07/2014
13003/2014	356498	14-01	15/07/2014	13110/2014	356602	06-03A	28/07/2014
13004/2014	356499	12-16A	15/07/2014	13111/2014	356603	24-01	28/07/2014
13005/2014	356500	12-08	15/07/2014	13112/2014	356604	10-04	28/07/2014
13008/2014	356501	15-05	15/07/2014	13113/2014	356605	14-03E	28/07/2014
13009/2014	356502	15-05	15/07/2014	13114/2014	356606	14-03E	28/07/2014
13012/2014	356573	14-02	21/07/2014	13115/2014	356607	24-01	28/07/2014
13013/2014	356574	13-02	21/07/2014	13118/2014	356608	12-16NES	28/07/2014
13020/2014	356588	24-04	24/07/2014	13119/2014	356609	12-16NES	28/07/2014
13024/2014	356520	10-07	17/07/2014	13122/2014	356610	26-05E	28/07/2014
13026/2014	356521	15-05	17/07/2014	13123/2014	356611	08-07	28/07/2014
13028/2014	356522	10-07	17/07/2014	13126/2014	356612	26-04	28/07/2014
13029/2014	356523	10-07	17/07/2014	13134/2014	356618	28-03B	28/07/2014
13030/2014	356524	10-07	17/07/2014	13139/2014	356619	26-05C	28/07/2014
13031/2014	356525	10-07	17/07/2014	13141/2014	356620	08-05H	28/07/2014
13035/2014	356526	07-01C	17/07/2014	13142/2014	356625	12-12	28/07/2014
13036/2014	356527	15-05	17/07/2014	13143/2014	356626	25-01G	28/07/2014
13037/2014	356528	24-04	17/07/2014	13144/2014	356621	09-02B	28/07/2014
13038/2014	356529	24-04	17/07/2014	13145/2014	356622	23-01H	28/07/2014
13039/2014	356530	15-05	17/07/2014	13146/2014	356623	23-01H	28/07/2014
13040/2014	356531	15-05	17/07/2014	13147/2014	356624	09-03NES	28/07/2014
13041/2014	356532	07-01C	17/07/2014	13148/2014	356613	13-03D	28/07/2014
13042/2014	356533	15-05	17/07/2014	13150/2014	356614	13-03E	28/07/2014
13043/2014	356534	15-05	17/07/2014	13151/2014	356615	13-03E	28/07/2014
13046/2014	356535	09-01G	17/07/2014	13152/2014	356616	13-03E	28/07/2014
13047/2014	356581	09-01G	24/07/2014	13153/2014	356617	13-03E	28/07/2014
13048/2014	356541	09-01G	18/07/2014	13154/2014	356627	25-01K	28/07/2014
13049/2014	356542	09-01G	18/07/2014	13155/2014	356628	25-01K	28/07/2014
13050/2014	356543	13-99	18/07/2014	13156/2014	356629	25-01K	28/07/2014
13051/2014	356544	09-01G	18/07/2014	13157/2014	356630	25-01K	28/07/2014
13053/2014	356545	14-02	18/07/2014	13158/2014	356631	25-01K	28/07/2014
13055/2014	356546	10-02	18/07/2014	13159/2014	356632	25-01K	28/07/2014
13056/2014	356547	10-02	18/07/2014	13160/2014	356633	25-01K	28/07/2014
13057/2014	356548	10-02	18/07/2014	13161/2014	356634	25-01K	28/07/2014
13058/2014	356549	24-99	18/07/2014	13162/2014	356635	25-01K	28/07/2014

Publication and Registration Proceedings - Designs Registered cont'd

Design Number	Registration Number	International Classification Code (IDC)	Registration Date	Design Number	Registration Number	International Classification Code (IDC)	Registration Date
13163/2014	356636	25-01K	28/07/2014	13452/2014	356512	06-03NES	16/07/2014
13164/2014	356637	08-99	28/07/2014	13493/2014	356575	15-05	21/07/2014
13165/2014	356638	08-09	28/07/2014				
13180/2014	356374	02-02NES	10/07/2014				
13358/2014	356510	23-01H	16/07/2014				

Publication and Registration Proceedings

Class Listing of Designs Published or Registered

The following section shows an International Classification Code listing of the Registered or Published Designs covered in this supplement.

Classification	Registration Number	Design Number	Classification	Registration Number	Design Number
02-02B	356326	12421/2014	07-01E	356639	10375/2013
02-02B	356350	15273/2013	07-01NES	356331	11052/2014
02-02C	356318	12810/2014	07-01NES	356332	12394/2014
02-02C	356319	12811/2014	07-01NES	356333	12397/2014
02-02C	356384	12447/2014	07-01NES	356334	12398/2014
02-02C	356424	12915/2014	07-01NES	356335	12403/2014
02-02C	356460	12972/2014	07-01NES	356336	12407/2014
02-02C	356468	12981/2014	07-01NES	356337	12410/2014
02-02C	356515	15759/2013	07-01NES	356338	12413/2014
02-02NES	356372	16836/2013	07-01NES	356339	12414/2014
02-02NES	356374	13180/2014	07-01NES	356340	12416/2014
02-02NES	356463	12975/2014	07-01NES	356341	12417/2014
02-02NES	356465	12978/2014	07-01NES	356380	10746/2014
02-02NES	356562	11334/2014	07-01NES	356405	12892/2014
02-03	356585	12555/2014	07-01NES	356438	12142/2014
02-04C	356559	13072/2014	07-01NES	356578	11748/2014
02-04C	356560	13073/2014	07-02L	356392	11810/2014
02-04C	356561	13074/2014	07-02P	356600	13104/2014
03-01D	356316	11896/2014	07-04	356327	11263/2014
03-01D	356357	12861/2014	07-04	356328	11267/2014
03-01NES	356588	13020/2014	07-04	356329	11268/2014
03-03	356342	12601/2014	07-04	356330	11269/2014
03-99	356558	12086/2014	07-04	356346	11934/2014
05-05A	356448	12944/2014	07-05A	356476	12653/2014
05-05B	356427	12919/2014	07-05A	356586	12650/2014
05-05D	356423	12913/2014	07-06NES	356508	12205/2014
05-05NES	356422	12912/2014	07-07B	356472	12992/2014
05-05NES	356429	12921/2014	07-99C	356396	12648/2014
06-01F	356353	12854/2014	07-99C	356576	12686/2014
06-01F	356484	12547/2014	08-01	356583	12571/2014
06-01G	356454	12170/2014	08-03	356421	12909/2014
06-01L	356358	12862/2014	08-03	356482	12250/2014
06-03A	356602	13110/2014	08-03	356504	12942/2014
06-03B	356385	12706/2014	08-05F	356351	12852/2014
06-03B	356455	12774/2014	08-05H	356620	13141/2014
06-03B	356565	12965/2014	08-05M	356317	12807/2014
06-03B	356590	12692/2014	08-05M	356580	12271/2014
06-03NES	356511	12081/2014	08-07	356450	12949/2014
06-03NES	356512	13452/2014	08-07	356516	15899/2013
06-04NES	356439	12303/2014	08-07	356591	13075/2014
06-04NES	356440	12305/2014	08-07	356611	13123/2014
06-04NES	356441	12306/2014	08-08A	356453	12957/2014
06-04NES	356442	12312/2014	08-08B	356513	16622/2013
06-04NES	356443	12319/2014	08-08G	356598	11456/2014
06-04NES	356444	12320/2014	08-08K	356579	12586/2014
06-04NES	356445	12321/2014	08-08L	356391	11437/2014
06-04NES	356540	12307/2014	08-08L	356398	12884/2014
06-04NES	356568	12315/2014	08-08M	356446	12322/2014
06-05	356602	13110/2014	08-08NES	356354	12858/2014
06-06A	356388	12722/2014	08-08NES	356355	12859/2014
06-13A	356345	11766/2014	08-08NES	356361	12857/2014
07-01C	356526	13035/2014	08-08NES	356416	12904/2014
07-01C	356532	13041/2014	08-08NES	356596	13086/2014

Registration Proceedings - Class Listing of Designs Published or Registered cont'd

Classification	Registration Number	Design Number	Classification	Registration Number	Design Number
08-09	356638	13165/2014	12-02	356323	10371/2014
08-99	356637	13164/2014	12-02	356491	12006/2014
09-01D	356425	12916/2014	12-02	356587	10264/2014
09-01D	356426	12917/2014	12-06NES	356383	12434/2014
09-01G	356535	13046/2014	12-08	356488	12999/2014
09-01G	356541	13048/2014	12-08	356489	13000/2014
09-01G	356542	13049/2014	12-08	356500	13005/2014
09-01G	356544	13051/2014	12-10	356366	12869/2014
09-01G	356581	13047/2014	12-11	356322	12645/2014
09-01K	356378	12518/2014	12-12	356625	13142/2014
09-01K	356379	11011/2014	12-15B	356430	12924/2014
09-01NES	356379	11011/2014	12-15B	356431	12925/2014
09-01NES	356394	12068/2014	12-15B	356432	12926/2014
09-02B	356621	13144/2014	12-15B	356433	12927/2014
09-02NES	356485	12932/2014	12-15C	356449	12946/2014
09-02NES	356487	12938/2014	12-15D	356449	12946/2014
09-03F	356507	11925/2014	12-16A	356407	12894/2014
09-03L	356517	12503/2014	12-16A	356408	12895/2014
09-03M	356362	12865/2014	12-16A	356409	12896/2014
09-03NES	356624	13147/2014	12-16A	356490	13001/2014
09-04	356595	13085/2014	12-16A	356499	13004/2014
09-05	356479	12680/2014	12-16K	356509	12630/2014
09-05	356480	12681/2014	12-16NES	356608	13118/2014
09-06	356516	15899/2013	12-16NES	356609	13119/2014
09-07C	356451	12953/2014	13-02	356417	12906/2014
09-07C	356452	12954/2014	13-02	356418	12907/2014
09-09	356373	11855/2014	13-02	356574	13013/2014
09-09	356375	11859/2014	13-02	356584	10205/2014
09-09	356376	11860/2014	13-03D	356601	13105/2014
09-09	356557	11857/2014	13-03D	356613	13148/2014
09-09	356593	13080/2014	13-03D	356614	13150/2014
09-09	356594	13081/2014	13-03D	356615	13151/2014
10-02	356457	12969/2014	13-03D	356616	13152/2014
10-02	356546	13055/2014	13-03D	356617	13153/2014
10-02	356547	13056/2014	13-03E	356613	13148/2014
10-02	356548	13057/2014	13-03E	356614	13150/2014
10-04	356380	10746/2014	13-03E	356615	13151/2014
10-04	356405	12892/2014	13-03E	356616	13152/2014
10-04	356539	11591/2014	13-03E	356617	13153/2014
10-04	356604	13112/2014	13-99	356543	13050/2014
10-05	356599	13099/2014	14-01	356363	12866/2014
10-07	356520	13024/2014	14-01	356364	12867/2014
10-07	356522	13028/2014	14-01	356498	13003/2014
10-07	356523	13029/2014	14-02	356363	12866/2014
10-07	356524	13030/2014	14-02	356400	12885/2014
10-07	356525	13031/2014	14-02	356401	12886/2014
10-99	356582	12229/2014	14-02	356402	12887/2014
11-01E	356577	12966/2014	14-02	356403	12890/2014
11-01NES	356434	12928/2014	14-02	356404	12891/2014
11-01NES	356435	12929/2014	14-02	356503	10369/2014
11-01NES	356459	12971/2014	14-02	356545	13053/2014
11-01NES	356461	12973/2014	14-02	356555	13065/2014
11-01NES	356462	12974/2014	14-02	356556	13066/2014
11-01NES	356464	12976/2014	14-02	356567	12211/2014
11-02B	356514	10625/2014	14-02	356573	13012/2014
11-05	356496	12982/2014	14-03A	356356	12221/2014

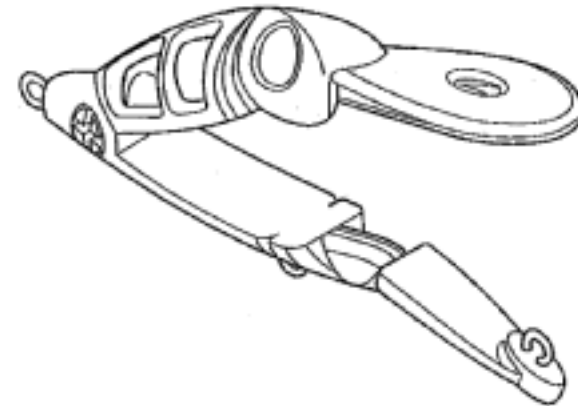
Registration Proceedings - Class Listing of Designs Published or Registered cont'd

Classification	Registration Number	Design Number	Classification	Registration Number	Design Number
14-03A	356359	12863/2014	20-02NES	356444	12320/2014
14-03A	356492	12222/2014	20-02NES	356445	12321/2014
14-03A	356599	13099/2014	20-02NES	356446	12322/2014
14-03A	356605	13113/2014	21-01C	356488	12999/2014
14-03A	356606	13114/2014	21-01C	356489	13000/2014
14-03B	356455	12774/2014	21-01C	356500	13005/2014
14-03E	356367	12870/2014	21-02E	356536	12668/2014
14-03E	356368	12871/2014	21-02F	356537	12671/2014
14-03E	356369	12872/2014	21-02F	356538	12672/2014
14-03E	356400	12885/2014	21-02F	356564	12673/2014
14-03E	356401	12886/2014	21-03	356436	11170/2014
14-03E	356402	12887/2014	22-01	356395	12441/2014
14-03E	356403	12890/2014	22-05	356313	16748/2013
14-03E	356404	12891/2014	22-05	356314	16749/2013
14-03E	356406	12893/2014	22-05	356315	16750/2013
14-03E	356411	12898/2014	22-05	356466	12979/2014
14-03E	356412	12899/2014	22-05	356467	12980/2014
14-03E	356413	12900/2014	22-06	356456	12968/2014
14-03E	356414	12901/2014	23-01B	356344	10880/2014
14-03E	356415	12902/2014	23-01E	356344	10880/2014
14-03E	356605	13113/2014	23-01F	356506	11093/2014
14-03E	356606	13114/2014	23-01H	356344	10880/2014
14-03NES	356359	12863/2014	23-01H	356419	11397/2014
14-03NES	356481	10483/2014	23-01H	356510	13358/2014
14-03NES	356518	11176/2014	23-01H	356622	13145/2014
14-03NES	356519	11177/2014	23-01H	356623	13146/2014
14-04	356503	10369/2014	23-01NES	356469	12988/2014
14-04	356553	13062/2014	23-01NES	356470	12989/2014
14-04	356554	13063/2014	23-01NES	356471	12990/2014
14-04	356555	13065/2014	23-01NES	356505	12991/2014
14-04	356556	13066/2014	23-02NES	356343	15620/2013
15-02	356390	11105/2014	23-03D	356324	10816/2014
15-04	356493	12935/2014	23-03D	356325	10817/2014
15-05	356420	12908/2014	24-01	356347	12064/2014
15-05	356497	12998/2014	24-01	356485	12932/2014
15-05	356501	13008/2014	24-01	356487	12938/2014
15-05	356502	13009/2014	24-01	356494	12936/2014
15-05	356521	13026/2014	24-01	356495	12937/2014
15-05	356527	13036/2014	24-01	356552	13061/2014
15-05	356530	13039/2014	24-01	356603	13111/2014
15-05	356531	13040/2014	24-01	356607	13115/2014
15-05	356533	13042/2014	24-02	356320	12813/2014
15-05	356534	13043/2014	24-02	356321	12814/2014
15-05	356569	12796/2014	24-02	356551	13060/2014
15-05	356570	12802/2014	24-02	356566	11369/2014
15-05	356575	13493/2014	24-04	356381	12384/2014
15-06	356416	12904/2014	24-04	356382	12385/2014
15-07	356376	11860/2014	24-04	356393	11903/2014
15-07	356377	11861/2014	24-04	356478	12382/2014
15-07	356473	12993/2014	24-04	356486	12934/2014
16-01	356589	13064/2014	24-04	356528	13037/2014
19-06	356428	12920/2014	24-04	356529	13038/2014
19-08	356399	12864/2014	24-04	356588	13020/2014
20-02E	356447	12678/2014	24-99	356389	10440/2014
20-02E	356592	13079/2014	24-99	356477	12380/2014
20-02NES	356443	12319/2014	24-99	356549	13058/2014

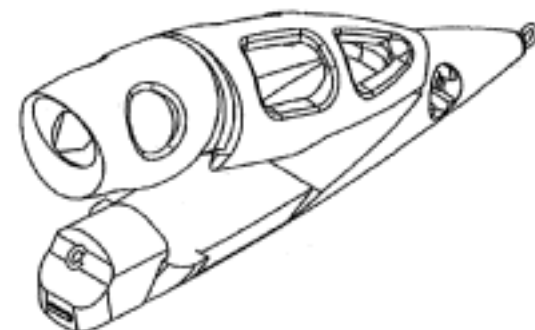
Registration Proceedings - Class Listing of Designs Published or Registered cont'd

Classification	Registration Number	Design Number	Classification	Registration Number	Design Number
24-99	356550	13059/2014	25-03	356563	12540/2014
25-01A	356348	12174/2014	26-02	356370	12878/2014
25-01G	356626	13143/2014	26-02	356371	12879/2014
25-01K	356349	12526/2014	26-02	356597	13090/2014
25-01K	356352	12853/2014	26-04	356612	13126/2014
25-01K	356360	12855/2014	26-05B	356386	12707/2014
25-01K	356397	12724/2014	26-05C	356474	12994/2014
25-01K	356627	13154/2014	26-05C	356475	12995/2014
25-01K	356628	13155/2014	26-05C	356619	13139/2014
25-01K	356629	13156/2014	26-05D	356387	12717/2014
25-01K	356630	13157/2014	26-05E	356610	13122/2014
25-01K	356631	13158/2014	26-06	356483	12486/2014
25-01K	356632	13159/2014	28-03A	356437	12112/2014
25-01K	356633	13160/2014	28-03B	356618	13134/2014
25-01K	356634	13161/2014	28-03NES	356365	12868/2014
25-01K	356635	13162/2014	29-02	356458	12970/2014
25-01K	356636	13163/2014	30-01	356410	12897/2014
25-01NES	356398	12884/2014			
25-02E	356571	12832/2014			
25-02E	356572	12833/2014			

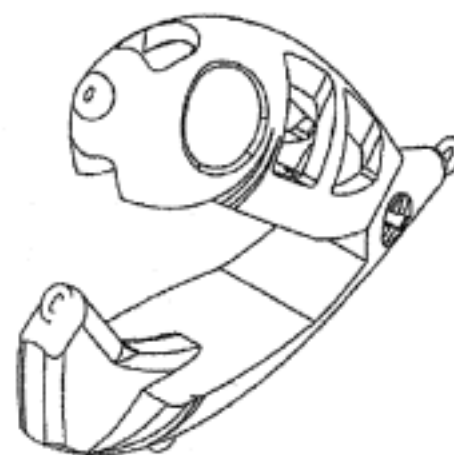
(21) Design Number: **16748/2013**
(22) Date of Filing Application: **20 December 2013**
(24) Date from which industrial property rights may have effect: **20 December 2013**
(54) Product in respect of which the design is registered: **Bibbed lure**
(51) International Design Classification: **22-05**
(74) Name(s) of Attorney(s): **Wrays**
(71) Name(s) and Address(s) of Applicant(s):
Paul Edward Hughes
16 Pissaro Cres Asbhy WA 6065 Australia
(72) Name(s) of Designer(s): **Paul Edward Hughes**
(45) Registration Date: **08 July 2014**
(56) Related Art Documents: **Not Applicable**
(57) Statement of Newness and Distinctiveness: **Nil**



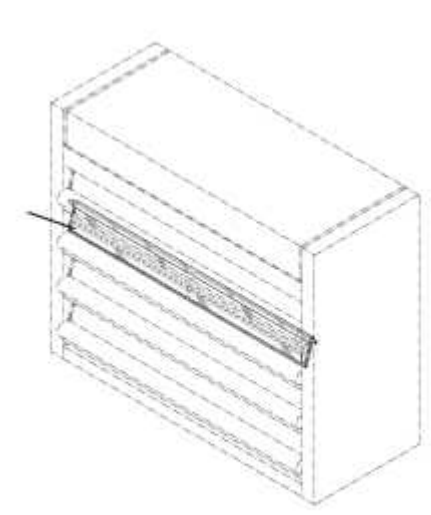
(21) Design Number: **16749/2013**
(22) Date of Filing Application: **20 December 2013**
(24) Date from which industrial property rights may have effect: **20 December 2013**
(54) Product in respect of which the design is registered: **Popper lure**
(51) International Design Classification: **22-05**
(74) Name(s) of Attorney(s): **Wrays**
(71) Name(s) and Address(s) of Applicant(s):
Paul Edward Hughes
16 Pissaro Cres Asbhy WA 6065 Australia
(72) Name(s) of Designer(s): **Paul Edward Hughes**
(45) Registration Date: **08 July 2014**
(56) Related Art Documents: **Not Applicable**
(57) Statement of Newness and Distinctiveness: **Nil**



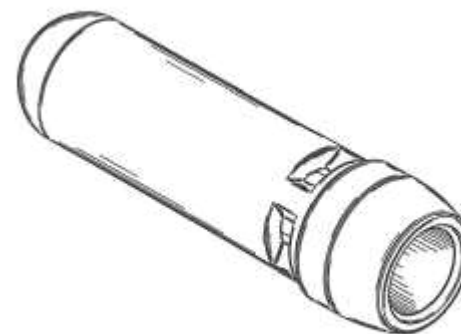
(21) Design Number: **16750/2013**
(22) Date of Filing Application: **20 December 2013**
(24) Date from which industrial property rights may have effect: **20 December 2013**
(54) Product in respect of which the design is registered: **Lure**
(51) International Design Classification: **22-05**
(74) Name(s) of Attorney(s): **Wrays**
(71) Name(s) and Address(s) of Applicant(s):
Paul Edward Hughes
16 Pissaro Cres Asbhy WA 6065 Australia
(72) Name(s) of Designer(s): **Paul Edward Hughes**
(45) Registration Date: **08 July 2014**
(56) Related Art Documents: **Not Applicable**
(57) Statement of Newness and Distinctiveness: **Nil**



(21) Design Number: **11896/2014**
(22) Date of Filing Application: **17 April 2014**
(24) Date from which industrial property rights may have effect: **17 April 2014**
(54) Product in respect of which the design is registered: **A tool chest panel**
(51) International Design Classification: **03-01D**
(74) Name(s) of Attorney(s): **SPRUSON & FERGUSON**
(71) Name(s) and Address(s) of Applicant(s):
Edsal Manufacturing Co., Inc.
4400 South Packers Avenue Chicago Illinois 60609 United States of America
(72) Name(s) of Designer(s): **Anthony J Troyner and David J Wojtowicz and Scott Fitzgerald**
(45) Registration Date: **08 July 2014**
(30) Convention priority data:
(31) Number (32) Date (33) Country
29/470833 25 Oct 2013 UNITED STATES OF AMERICA
(56) Related Art Documents: **Not Applicable**
(57) Statement of Newness and Distinctiveness: **Newness and distinctiveness is claimed in those features of shape and/or configuration of a tool chest panel illustrated in continuous lines in the accompanying representations, in which the dimensions labelled 'x' and 'y' are variable and in which the portion of the tool chest panel labelled 'A' is transparent.**



(21) Design Number: **12807/2014**
(22) Date of Filing Application: **06 June 2014**
(24) Date from which industrial property rights may have effect: **06 June 2014**
(54) Product in respect of which the design is registered: **Medium duty contact tip**
(51) International Design Classification: **08-05M**
(74) Name(s) of Attorney(s): **FB Rice**
(71) Name(s) and Address(s) of Applicant(s):
Victor Equipment Company
2800 Airport Road Denton Texas 76207 United States of America
(72) Name(s) of Designer(s): **Khalid Hassan**
(45) Registration Date: **08 July 2014**
(30) Convention priority data:
(31) Number (32) Date (33) Country
29/476870 18 Dec 2013 UNITED STATES OF AMERICA
(56) Related Art Documents: **Not Applicable**
(57) Statement of Newness and Distinctiveness: **Newness and distinctiveness reside in the features of shape and configuration of the design as shown in the representations.**



(21) Design Number: **12810/2014**
(22) Date of Filing Application: **09 June 2014**
(24) Date from which industrial property rights may have effect: **09 June 2014**
(54) Product in respect of which the design is registered: **Cycling shorts**
(51) International Design Classification: **02-02C**
(74) Name(s) of Attorney(s): **AJ Park**
(71) Name(s) and Address(s) of Applicant(s):
WESTFIELD TECHNOLOGIES LDA T/A CARVALHO CUSTOM
Rua das Camélias 38 Esmoriz 3885-482 Portugal
(72) Name(s) of Designer(s): **Charles Cutler**
(45) Registration Date: **08 July 2014**
(30) Convention priority data:
(31) Number (32) Date (33) Country
001396527 11 Dec 2013 OFFICE FOR HARMONISATION IN THE INTERNAL MARKET (OHIM)
(56) Related Art Documents: **Not Applicable**
(57) Statement of Newness and Distinctiveness: **Newness and distinctiveness reside in the features of shape and/or configuration of the cycling shorts all as shown in the representations. The features shown in broken lines are shown for illustrative purposes only and are to be disregarded when considering the overall impression of the design.**



(21) Design Number: **12811/2014**
(22) Date of Filing Application: **09 June 2014**
(24) Date from which industrial property rights may have effect: **09 June 2014**
(54) Product in respect of which the design is registered: **Cycling shorts**
(51) International Design Classification: **02-02C**
(74) Name(s) of Attorney(s): **AJ Park**
(71) Name(s) and Address(s) of Applicant(s):
WESTFIELD TECHNOLOGIES LDA T/A CARVALHO CUSTOM
Rua das Camélias 38 Esmoriz 3885-482 Portugal
(72) Name(s) of Designer(s): **Charles Cutler**
(45) Registration Date: **08 July 2014**
(30) Convention priority data:
(31) Number (32) Date (33) Country
001396527 11 Dec 2013 OFFICE FOR HARMONISATION IN
THE INTERNAL MARKET (OHIM)
(56) Related Art Documents: **Not Applicable**
(57) Statement of Newness and Distinctiveness: **Newness and distinctiveness**
reside in the features of shape and/or configuration of the cycling shorts
all as shown in the representations. The features shown in broken lines
are shown for illustrative purposes only and are to be disregarded when
considering the overall impression of the design.



(21) Design Number: **12813/2014**
(22) Date of Filing Application: **09 June 2014**
(24) Date from which industrial property rights may have effect: **09 June 2014**
(54) Product in respect of which the design is registered: **Applicator for applying**
a liquid to a surface
(51) International Design Classification: **24-02**
(74) Name(s) of Attorney(s): **Dark IP**
(71) Name(s) and Address(s) of Applicant(s):
Amneal Pharmaceuticals LLC
400 Crossing Blvd Fl 3 Bridgewater NJ, 08807-2863 United States of
America
(72) Name(s) of Designer(s): **Padam Bansal and Jason Zerweck and David R**
Schiff and Hardik Patel
(45) Registration Date: **08 July 2014**
(30) Convention priority data:
(31) Number (32) Date (33) Country
29/475,938 09 Dec 2013 UNITED STATES OF AMERICA
(56) Related Art Documents: **Not Applicable**
(57) Statement of Newness and Distinctiveness: **The newness and**
distinctiveness of the design resides in the shape and/or configuration
of the Applicator shown in the representations. The broken lines shown
in the representations are provided for illustration only and do not form
part of the design.



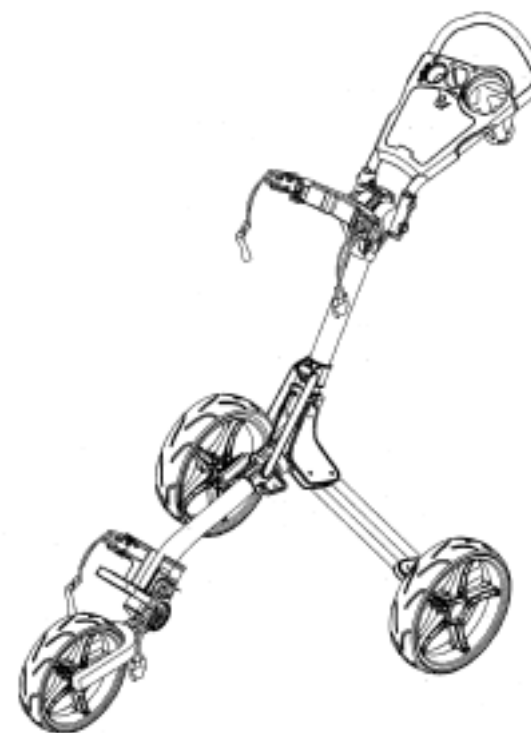
(21) Design Number: **12814/2014**
(22) Date of Filing Application: **09 June 2014**
(24) Date from which industrial property rights may have effect: **09 June 2014**
(54) Product in respect of which the design is registered: **Applicator for applying a liquid to a surface**
(51) International Design Classification: **24-02**
(74) Name(s) of Attorney(s): **Dark IP**
(71) Name(s) and Address(s) of Applicant(s):
Amneal Pharmaceuticals LLC
400 Crossing Blvd Fl 3 Bridgewater NJ, 08807-2863 United States of America
(72) Name(s) of Designer(s): **Padam Bansal and Hardik Patel and David R Schiff and Jason Zerweck**
(45) Registration Date: **08 July 2014**
(30) Convention priority data:
(31) Number (32) Date (33) Country
29/475,938 09 Dec 2013 UNITED STATES OF AMERICA
(56) Related Art Documents: **Not Applicable**
(57) Statement of Newness and Distinctiveness: **The newness and distinctiveness of the design resides in the shape and/or configuration of the Applicator shown in the representations. The broken lines shown in the representations are provided for illustration only and do not form part of the design.**



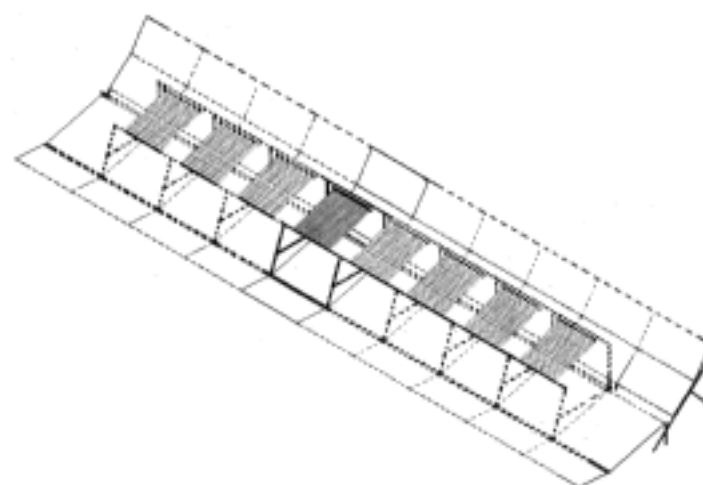
(21) Design Number: **12645/2014**
(22) Date of Filing Application: **29 May 2014**
(24) Date from which industrial property rights may have effect: **29 May 2014**
(54) Product in respect of which the design is registered: **A bicycle frame**
(51) International Design Classification: **12-11**
(74) Name(s) of Attorney(s): **Cullens Patent and Trade Mark Attorneys**
(71) Name(s) and Address(s) of Applicant(s):
Paul O'Sullivan
2/37-43 Golden Four Dr Tugun QLD 4225 Australia
(72) Name(s) of Designer(s): **Paul O'Sullivan**
(45) Registration Date: **08 July 2014**
(56) Related Art Documents: **Not Applicable**
(57) Statement of Newness and Distinctiveness: **Nil**



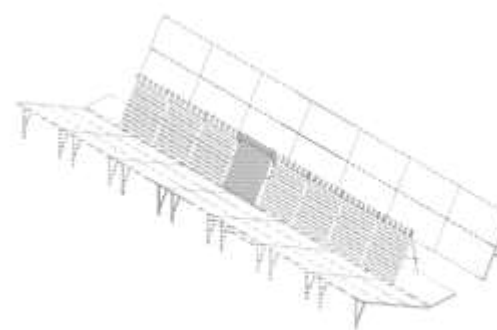
- (21) Design Number: **10371/2014**
(22) Date of Filing Application: **28 January 2014**
(24) Date from which industrial property rights may have effect: **28 January 2014**
(54) Product in respect of which the design is registered: **Golf buggy**
(51) International Design Classification: **12-02**
(74) Name(s) of Attorney(s): **Baxter IP**
(71) Name(s) and Address(s) of Applicant(s):
Jonathan Hwan Wang
46980 Ocotillo Court Fremont CA 94539 United States of America
(72) Name(s) of Designer(s): **Jonathan Hwan Wang**
(45) Registration Date: **08 July 2014**
(56) Related Art Documents: **Not Applicable**
(57) Statement of Newness and Distinctiveness: **Novelty is a "do-it-all" lever on the golf buggy and corresponding novel shape and configuration of the golf buggy.**



- (21) Design Number: **10816/2014**
(22) Date of Filing Application: **24 February 2014**
(24) Date from which industrial property rights may have effect: **24 February 2014**
(54) Product in respect of which the design is registered: **Solar energy collector**
(51) International Design Classification: **23-03D**
(74) Name(s) of Attorney(s): **Murray Trento & Associates**
(71) Name(s) and Address(s) of Applicant(s):
Intex Holdings Pty Ltd
3/49 Main North Rd MEDINDIE GARDENS SA 5081 AUSTRALIA
(72) Name(s) of Designer(s): **Roger Philip Davies**
(45) Registration Date: **08 July 2014**
(56) Related Art Documents: **Not Applicable**
(57) Statement of Newness and Distinctiveness: **Newness and distinctiveness resides in the shape and/or configuration of the Solar energy collection apparatus with horizontal collector as depicted in full lines in the accompanying representations. The design is not limited to any one length of apparatus nor any one number of solar thermal collection devices.**



- (21) Design Number: **10817/2014**
(22) Date of Filing Application: **24 February 2014**
(24) Date from which industrial property rights may have effect: **24 February 2014**
(54) Product in respect of which the design is registered: **Solar energy collector**
(51) International Design Classification: **23-03D**
(74) Name(s) of Attorney(s): **Murray Trento & Associates**
(71) Name(s) and Address(s) of Applicant(s):
Intex Holdings Pty Ltd
3/49 Main North Rd MEDINDIE GARDENS SA 5081 AUSTRALIA
(72) Name(s) of Designer(s): **Roger Philip Davies**
(45) Registration Date: **08 July 2014**
(56) Related Art Documents: **Not Applicable**
(57) Statement of Newness and Distinctiveness: **Newness and distinctiveness resides in the shape and/or configuration of the Solar energy collection apparatus with horizontal collector as depicted in full lines in the accompanying representations. The design is not limited to any one length of apparatus nor any one number of solar thermal collection devices.**



- (21) Design Number: **12421/2014**
(22) Date of Filing Application: **17 May 2014**
(24) Date from which industrial property rights may have effect: **17 May 2014**
(54) Product in respect of which the design is registered: **A man-sized, wearable mascot costume**
(51) International Design Classification: **02-02B**
(74) Name(s) of Attorney(s):
(71) Name(s) and Address(s) of Applicant(s):
GOOD BUSINESS SENSE PTY. LTD.
53 Ronald Ave Greenwich NSW 2065 Australia
(72) Name(s) of Designer(s): **Anne Roze**
(45) Registration Date: **08 July 2014**
(56) Related Art Documents: **Not Applicable**
(57) Statement of Newness and Distinctiveness: **The overall appearance and design is unique as a wearable mascot costume. It has not yet made a public appearance before.**



(21) Design Number: **11263/2014**

(22) Date of Filing Application: **18 March 2014**

(24) Date from which industrial property rights may have effect: **18 March 2014**

(54) Product in respect of which the design is registered: **Cocktail Strainer**

(51) International Design Classification: **07-04**

(74) Name(s) of Attorney(s): **Wrays**

(71) Name(s) and Address(s) of Applicant(s):

Cocktail Kingdom LLC

36 West 25th Street 5th Floor New York New York, 10010 United States of America

(72) Name(s) of Designer(s): **Don H Lee**

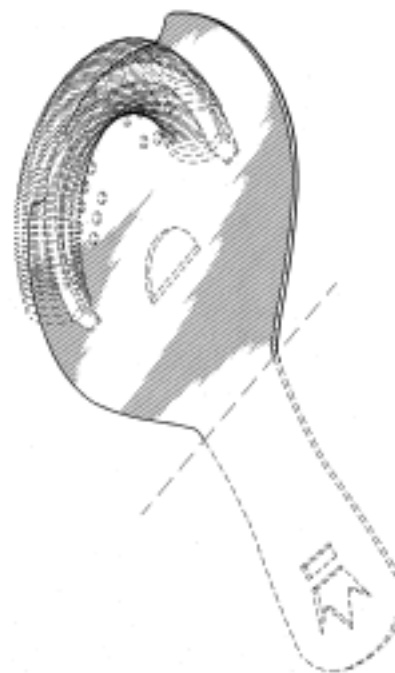
(45) Registration Date: **05 June 2014**

(30) Convention priority data:

(31) Number	(32) Date	(33) Country
29/484,289	07 Mar 2014	UNITED STATES OF AMERICA

(56) Related Art Documents: **Not Applicable**

(57) Statement of Newness and Distinctiveness: **Newness and distinctiveness is claimed in the features of shape and/or configuration of the Cocktail Strainer as shown in the accompanying representations. The features depicted by broken lines are for illustrative purposes only and form no part of the claimed design.**



(21) Design Number: **11267/2014**

(22) Date of Filing Application: **18 March 2014**

(24) Date from which industrial property rights may have effect: **18 March 2014**

(54) Product in respect of which the design is registered: **Cocktail strainer**

(51) International Design Classification: **07-04**

(74) Name(s) of Attorney(s): **Wrays**

(71) Name(s) and Address(s) of Applicant(s):

Cocktail Kingdom LLC

36 West 25th Street 5th Floor New York New York, 10010 United States of America

(72) Name(s) of Designer(s): **Don H Lee**

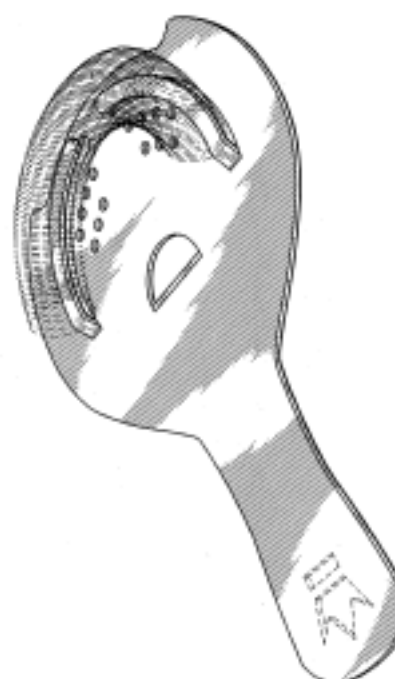
(45) Registration Date: **08 July 2014**

(30) Convention priority data:

(31) Number	(32) Date	(33) Country
29/484,300	07 Mar 2014	UNITED STATES OF AMERICA

(56) Related Art Documents: **Not Applicable**

(57) Statement of Newness and Distinctiveness: **Newness and distinctiveness is claimed in the features of shape and/or configuration of the Cocktail Strainer as shown in the accompanying representations. The features depicted by broken lines are for illustrative purposes only and form no part of the claimed design.**



(21) Design Number: **11268/2014**

(22) Date of Filing Application: **18 March 2014**

(24) Date from which industrial property rights may have effect: **18 March 2014**

(54) Product in respect of which the design is registered: **Cocktail strainer**

(51) International Design Classification: **07-04**

(74) Name(s) of Attorney(s): **Wrays**

(71) Name(s) and Address(s) of Applicant(s):

Cocktail Kingdom LLC

36 West 25th Street 5th Floor New York New York, 10010 United States of America

(72) Name(s) of Designer(s): **Don H Lee**

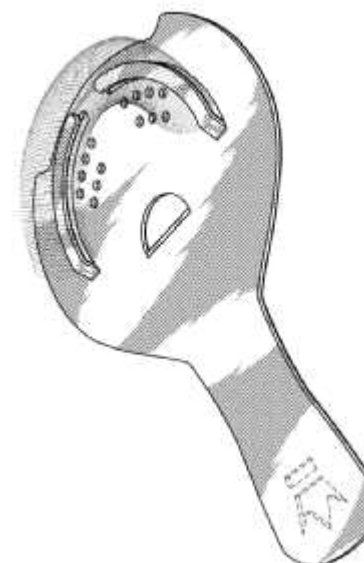
(45) Registration Date: **05 June 2014**

(30) Convention priority data:

(31) Number	(32) Date	(33) Country
29/484,295	07 Mar 2014	UNITED STATES OF AMERICA

(56) Related Art Documents: **Not Applicable**

(57) Statement of Newness and Distinctiveness: **Newness and distinctiveness is claimed in the features of shape and/or configuration of the Cocktail Strainer as shown in the accompanying representations. The features depicted by broken lines are for illustrative purposes only and form no part of the claimed design.**



(21) Design Number: **11269/2014**

(22) Date of Filing Application: **18 March 2014**

(24) Date from which industrial property rights may have effect: **18 March 2014**

(54) Product in respect of which the design is registered: **Cocktail strainer**

(51) International Design Classification: **07-04**

(74) Name(s) of Attorney(s): **Wrays**

(71) Name(s) and Address(s) of Applicant(s):

Cocktail Kingdom LLC

36 West 25th Street 5th Floor New York New York, 10010 United States of America

(72) Name(s) of Designer(s): **Don H Lee**

(45) Registration Date: **05 June 2014**

(30) Convention priority data:

(31) Number	(32) Date	(33) Country
29/484,291	07 Mar 2014	UNITED STATES OF AMERICA

(56) Related Art Documents: **Not Applicable**

(57) Statement of Newness and Distinctiveness: **Newness and distinctiveness is claimed in the features of shape and/or configuration of the Cocktail Strainer as shown in the accompanying representations. The features depicted by broken lines are for illustrative purposes only and form no part of the claimed design.**



- (21) Design Number: **11052/2014**
(22) Date of Filing Application: **07 March 2014**
(24) Date from which industrial property rights may have effect: **07 March 2014**
(54) Product in respect of which the design is registered: **Container with lid**
(51) International Design Classification: **07-01NES**
(74) Name(s) of Attorney(s): **Griffith Hack**
(71) Name(s) and Address(s) of Applicant(s):
Kraft Foods Group Brands LLC
Three Lakes Drive Northfield IL 60093 United States of America
(72) Name(s) of Designer(s): **Michele M Dziaba and Brant P Wheaton and Andrew Thomas Tilton**
(45) Registration Date: **08 July 2014**
(30) Convention priority data:
(31) Number (32) Date (33) Country
29/466,521 09 Sep 2013 UNITED STATES OF AMERICA
(56) Related Art Documents: **Not Applicable**
(57) Statement of Newness and Distinctiveness: **Newness and distinctiveness resides in the visual features, including shape and configuration, of a CONTAINER AND LID as shown in solid outline in the accompanying drawings. When determining whether the design is substantially similar in overall impression to another design, no regard is to be had to those features shown in broken line in the accompanying drawings, which features are provided for illustrative purposes only. The CONTAINER of Figures 27-32 can be of indefinite height, and the LID of Figures 35-44 can be of indefinite width.**



- (21) Design Number: **12394/2014**
(22) Date of Filing Application: **07 March 2014**
(24) Date from which industrial property rights may have effect: **07 March 2014**
(54) Product in respect of which the design is registered: **Container**
(51) International Design Classification: **07-01NES**
(74) Name(s) of Attorney(s): **Griffith Hack**
(71) Name(s) and Address(s) of Applicant(s):
Kraft Foods Group Brands LLC
Three Lakes Drive Northfield IL 60093 United States of America
(72) Name(s) of Designer(s): **Michele M Dziaba and Brant P Wheaton and Andrew Thomas Tilton**
(45) Registration Date: **08 July 2014**
(56) Related Art Documents: **Not Applicable**
(57) Statement of Newness and Distinctiveness: **Newness and distinctiveness resides in the visual features, including shape and configuration, of a CONTAINER as shown in solid outline in the accompanying drawings. When determining whether the design is substantially similar in overall impression to another design, no regard is to be had to the features of the LID shown in broken line in the accompanying drawings, which features are provided for illustrative purposes only.**



- (21) Design Number: **12397/2014**
(22) Date of Filing Application: **07 March 2014**
(24) Date from which industrial property rights may have effect: **07 March 2014**
(54) Product in respect of which the design is registered: **Container with lid**
(51) International Design Classification: **07-01NES**
(74) Name(s) of Attorney(s): **Griffith Hack**
(71) Name(s) and Address(s) of Applicant(s):
Kraft Foods Group Brands LLC
Three Lakes Drive Northfield IL 60093 United States of America
(72) Name(s) of Designer(s): **Michele M Dziaba and Brant P Wheaton and Andrew Thomas Tilton**
(45) Registration Date: **08 July 2014**
(56) Related Art Documents: **Not Applicable**
(57) Statement of Newness and Distinctiveness: **Nil**



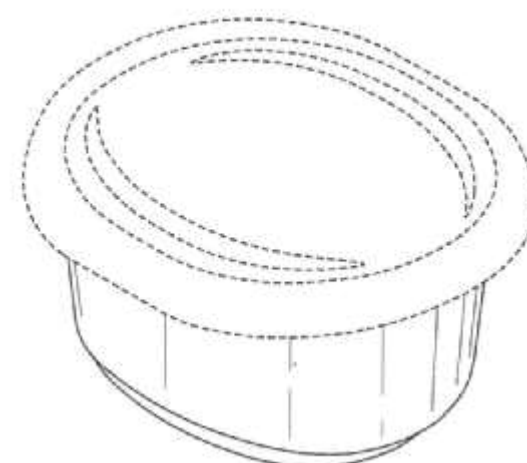
- (21) Design Number: **12398/2014**
(22) Date of Filing Application: **07 March 2014**
(24) Date from which industrial property rights may have effect: **07 March 2014**
(54) Product in respect of which the design is registered: **Container**
(51) International Design Classification: **07-01NES**
(74) Name(s) of Attorney(s): **Griffith Hack**
(71) Name(s) and Address(s) of Applicant(s):
Kraft Foods Group Brands LLC
Three Lakes Drive Northfield IL 60093 United States of America
(72) Name(s) of Designer(s): **Michele M Dziaba and Brant P Wheaton and Andrew Thomas Tilton**
(45) Registration Date: **08 July 2014**
(56) Related Art Documents: **Not Applicable**
(57) Statement of Newness and Distinctiveness: **Newness and distinctiveness resides in the visual features, including shape and configuration, of a CONTAINER as shown in solid outline in the accompanying drawings. When determining whether the design is substantially similar in overall impression to another design, no regard is to be had to the features of the LID shown in broken line in the accompanying drawings, which features are provided for illustrative purposes only.**



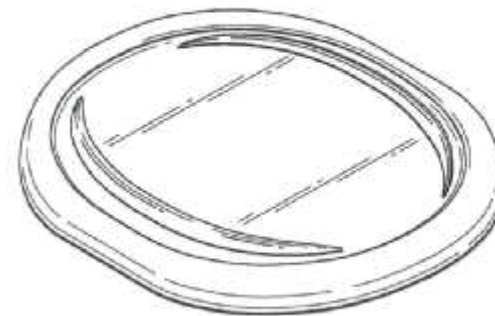
- (21) Design Number: **12403/2014**
(22) Date of Filing Application: **07 March 2014**
(24) Date from which industrial property rights may have effect: **07 March 2014**
(54) Product in respect of which the design is registered: **Container with lid**
(51) International Design Classification: **07-01NES**
(74) Name(s) of Attorney(s): **Griffith Hack**
(71) Name(s) and Address(s) of Applicant(s):
Kraft Foods Group Brands LLC
Three Lakes Drive Northfield IL 60093 United States of America
(72) Name(s) of Designer(s): **Michele M Dziaba and Brant P Wheaton and Andrew Thomas Tilton**
(45) Registration Date: **08 July 2014**
(56) Related Art Documents: **Not Applicable**
(57) Statement of Newness and Distinctiveness: **Nil**



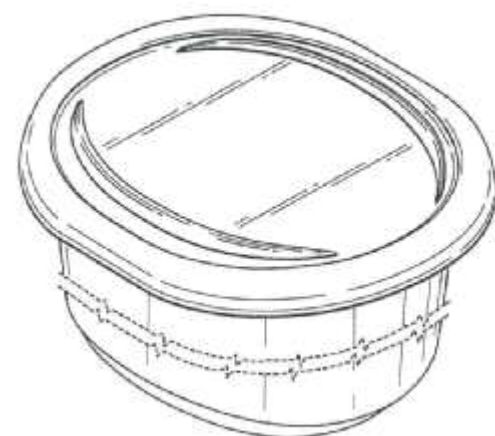
- (21) Design Number: **12407/2014**
(22) Date of Filing Application: **07 March 2014**
(24) Date from which industrial property rights may have effect: **07 March 2014**
(54) Product in respect of which the design is registered: **Container**
(51) International Design Classification: **07-01NES**
(74) Name(s) of Attorney(s): **Griffith Hack**
(71) Name(s) and Address(s) of Applicant(s):
Kraft Foods Group Brands LLC
Three Lakes Drive Northfield IL 60093 United States of America
(72) Name(s) of Designer(s): **Michele M Dziaba and Brant P Wheaton and Andrew Thomas Tilton**
(45) Registration Date: **08 July 2014**
(56) Related Art Documents: **Not Applicable**
(57) Statement of Newness and Distinctiveness: **Newness and distinctiveness resides in the visual features, including shape and configuration, of a CONTAINER as shown in solid outline in the accompanying drawings. When determining whether the design is substantially similar in overall impression to another design, no regard is to be had to the features of the LID shown in broken line in the accompanying drawings, which features are provided for illustrative purposes only.**



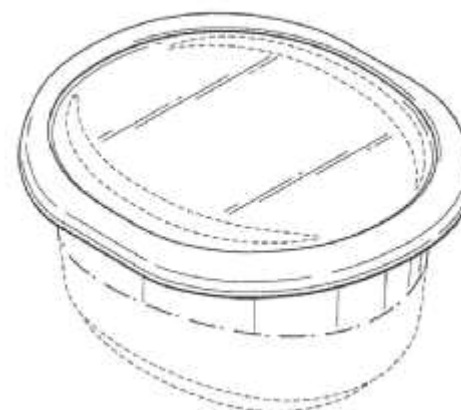
(21) Design Number: **12410/2014**
(22) Date of Filing Application: **07 March 2014**
(24) Date from which industrial property rights may have effect: **07 March 2014**
(54) Product in respect of which the design is registered: **Lid**
(51) International Design Classification: **07-01NES**
(74) Name(s) of Attorney(s): **Griffith Hack**
(71) Name(s) and Address(s) of Applicant(s):
Kraft Foods Group Brands LLC
Three Lakes Drive Northfield IL 60093 United States of America
(72) Name(s) of Designer(s): **Michele M Dziaba and Brant P Wheaton and Andrew Thomas Tilton**
(45) Registration Date: **08 July 2014**
(30) Convention priority data:
(31) Number (32) Date (33) Country
29/466,521 09 Sep 2013 UNITED STATES OF AMERICA
(56) Related Art Documents: **Not Applicable**
(57) Statement of Newness and Distinctiveness: **Nil**



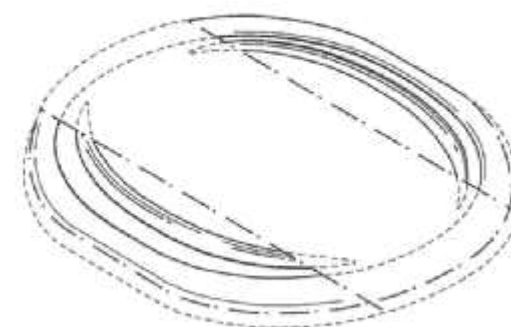
(21) Design Number: **12413/2014**
(22) Date of Filing Application: **07 March 2014**
(24) Date from which industrial property rights may have effect: **07 March 2014**
(54) Product in respect of which the design is registered: **Container with lid**
(51) International Design Classification: **07-01NES**
(74) Name(s) of Attorney(s): **Griffith Hack**
(71) Name(s) and Address(s) of Applicant(s):
Kraft Foods Group Brands LLC
Three Lakes Drive Northfield IL 60093 United States of America
(72) Name(s) of Designer(s): **Michele M Dziaba and Brant P Wheaton and Andrew Thomas Tilton**
(45) Registration Date: **05 June 2014**
(56) Related Art Documents: **Not Applicable**
(57) Statement of Newness and Distinctiveness: **Newness and distinctiveness resides in the visual features, including shape and configuration, of a CONTAINER AND LID as shown in the accompanying drawings. The CONTAINER is of indefinite height.**



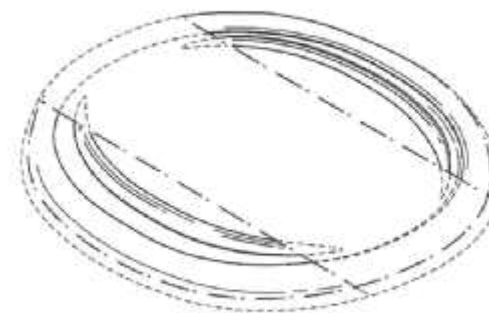
- (21) Design Number: **12414/2014**
(22) Date of Filing Application: **07 March 2014**
(24) Date from which industrial property rights may have effect: **07 March 2014**
(54) Product in respect of which the design is registered: **Container with lid**
(51) International Design Classification: **07-01NES**
(74) Name(s) of Attorney(s): **Griffith Hack**
(71) Name(s) and Address(s) of Applicant(s):
Kraft Foods Group Brands LLC
Three Lakes Drive Northfield IL 60093 United States of America
(72) Name(s) of Designer(s): **Michele M Dziaba and Brant P Wheaton and Andrew Thomas Tilton**
(45) Registration Date: **08 July 2014**
(56) Related Art Documents: **Not Applicable**
(57) Statement of Newness and Distinctiveness: **Newness and distinctiveness resides in the visual features, including shape and configuration, of a CONTAINER AND LID as shown in solid outline in the accompanying drawings. When determining whether the design is substantially similar in overall impression to another design, no regard is to be had to those features shown in broken line in the accompanying drawings, which features are provided for illustrative purposes only. The CONTAINER is of indefinite height.**



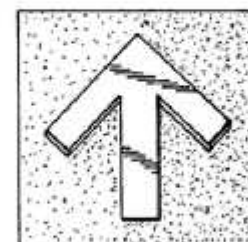
- (21) Design Number: **12416/2014**
(22) Date of Filing Application: **07 March 2014**
(24) Date from which industrial property rights may have effect: **07 March 2014**
(54) Product in respect of which the design is registered: **Lid**
(51) International Design Classification: **07-01NES**
(74) Name(s) of Attorney(s): **Griffith Hack**
(71) Name(s) and Address(s) of Applicant(s):
Kraft Foods Group Brands LLC
Three Lakes Drive Northfield IL 60093 United States of America
(72) Name(s) of Designer(s): **Michele M Dziaba and Brant P Wheaton and Andrew Thomas Tilton**
(45) Registration Date: **08 July 2014**
(56) Related Art Documents: **Not Applicable**
(57) Statement of Newness and Distinctiveness: **Newness and distinctiveness resides in the visual features, including shape and configuration, of a LID as shown in solid outline in the accompanying drawings. When determining whether the design is substantially similar in overall impression to another design, no regard is to be had to those features shown in broken line in the accompanying drawings, which features are provided for illustrative purposes only. The LID of Figures 35-39 is of indefinite width.**



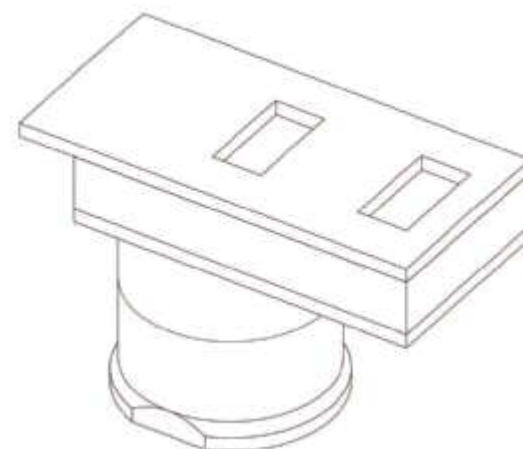
- (21) Design Number: **12417/2014**
(22) Date of Filing Application: **07 March 2014**
(24) Date from which industrial property rights may have effect: **07 March 2014**
(54) Product in respect of which the design is registered: **Lid**
(51) International Design Classification: **07-01NES**
(74) Name(s) of Attorney(s): **Griffith Hack**
(71) Name(s) and Address(s) of Applicant(s):
Kraft Foods Group Brands LLC
Three Lakes Drive Northfield IL 60093 United States of America
(72) Name(s) of Designer(s): **Michele M Dziaba and Brant P Wheaton and Andrew Thomas Tilton**
(45) Registration Date: **08 July 2014**
(56) Related Art Documents: **Not Applicable**
(57) Statement of Newness and Distinctiveness: **Newness and distinctiveness resides in the visual features, including shape and configuration, of a LID as shown in solid outline in the accompanying drawings. When determining whether the design is substantially similar in overall impression to another design, no regard is to be had to those features shown in broken line in the accompanying drawings, which features are provided for illustrative purposes only. The LID of Figures 40-44 is of indefinite width.**



- (21) Design Number: **12601/2014**
(22) Date of Filing Application: **27 May 2014**
(24) Date from which industrial property rights may have effect: **20 March 2014**
(54) Product in respect of which the design is registered: **Button for a handle**
(51) International Design Classification: **03-03**
(74) Name(s) of Attorney(s): **PHILLIPS ORMONDE FITZPATRICK**
(71) Name(s) and Address(s) of Applicant(s):
Shedrain Corporation
8303 NE Killingsworth PO Box 55460 Portland Oregon 97238 United States of America
(72) Name(s) of Designer(s): **David Haythornthwaite**
(45) Registration Date: **08 July 2014**
(62) Divisional of: **355798**
(56) Related Art Documents: **Not Applicable**
(57) Statement of Newness and Distinctiveness: **Those features of the button for a handle depicted in the representations that are new and distinctive are the shape and/or configuration. The dash-dot-dash broken lines define the boundary of the design but form no part of the design. The stipple designates a handle surface inside the boundary of the design but forms no part of the design. The broken lines are included for illustrative purposes only and are to be disregarded when considering the overall impression of the design.**



- (21) Design Number: **15620/2013**
(22) Date of Filing Application: **31 October 2013**
(24) Date from which industrial property rights may have effect: **31 October 2013**
(54) Product in respect of which the design is registered: **Pre-cast sewerage pump station**
(51) International Design Classification: **23-02NES**
(74) Name(s) of Attorney(s): **PHILLIPS ORMONDE FITZPATRICK**
(71) Name(s) and Address(s) of Applicant(s):
Aquatec Environmental Group Pty Ltd
12 Telford Dr Shepparton VIC 3630 Australia
(72) Name(s) of Designer(s): **Anthony Snyders and Ben Beveridge and Marcus Phillipson and Harvey Seeley and Bruce Seeley**
(45) Registration Date: **09 July 2014**
(56) Related Art Documents: **Not Applicable**
(57) Statement of Newness and Distinctiveness: **Those features of the pre-cast sewerage pump station depicted in the representations that are new and distinctive are the shape and/or configuration. As shown in the isometric exploded view, the pre-cast sewerage pump station includes a pre-cast ring marked A and a pre-cast top marked B and the height of the pre-cast sewerage pump station can be changed by the inclusion of more than one pre-cast ring and/or by the inclusion of more than one pre-cast top.**



- (21) Design Number: **10880/2014**
(22) Date of Filing Application: **27 February 2014**
(24) Date from which industrial property rights may have effect: **27 February 2014**
(54) Product in respect of which the design is registered: **Knurled spout end**
(51) International Design Classification: **23-01H, 23-01E, 23-01B**
(74) Name(s) of Attorney(s):
(71) Name(s) and Address(s) of Applicant(s):
Ian Shirliff
Brodware Industries PO BOX 610 Seven Hills NSW 1730 Australia
(72) Name(s) of Designer(s): **Ian Shirliff**
(45) Registration Date: **09 July 2014**
(56) Related Art Documents: **Not Applicable**
(57) Statement of Newness and Distinctiveness: **Newness and distinctiveness is claimed in the knurled section of the spout as illustrated in the accompanying representations.**



- (21) Design Number: **11766/2014**
(22) Date of Filing Application: **09 April 2014**
(24) Date from which industrial property rights may have effect: **09 April 2014**
(54) Product in respect of which the design is registered: **Runner**
(51) International Design Classification: **06-13A**
(74) Name(s) of Attorney(s): **Shelston IP**
(71) Name(s) and Address(s) of Applicant(s):
Chilewich Sultan LLC
44 East 32nd Street New York New York 10016 United States of America
(72) Name(s) of Designer(s): **Sandra Chilewich**
(45) Registration Date: **09 July 2014**
(56) Related Art Documents: **Not Applicable**
(57) Statement of Newness and Distinctiveness: **Newness and distinctiveness reside in the features of pattern and/or ornamentation of a runner of substantially indefinite dimensions, as illustrated in the accompanying representations. The specific colour illustrated in the representations of the design are exemplary only, and is intended to represent any colour.**



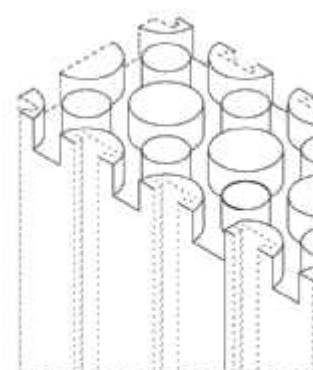
- (21) Design Number: **11934/2014**
(22) Date of Filing Application: **17 April 2014**
(24) Date from which industrial property rights may have effect: **17 April 2014**
(54) Product in respect of which the design is registered: **A set of chopping boards with holder**
(51) International Design Classification: **07-04**
(74) Name(s) of Attorney(s): **Cullens Patent and Trade Mark Attorneys**
(71) Name(s) and Address(s) of Applicant(s):
Damian Evans
15-17 Middle Street Brighton BN1 1AL United Kingdom
(72) Name(s) of Designer(s): **Damian Evans**
(45) Registration Date: **09 July 2014**
(30) Convention priority data:
(31) Number (32) Date (33) Country
201330490846.4 17 Oct 2013 CHINA
(56) Related Art Documents: **Not Applicable**
(57) Statement of Newness and Distinctiveness: **Nil**



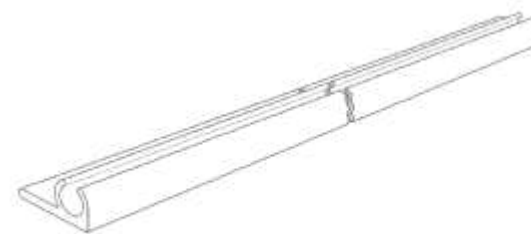
- (21) Design Number: **12064/2014**
(22) Date of Filing Application: **28 April 2014**
(24) Date from which industrial property rights may have effect: **13 November 2013**
(54) Product in respect of which the design is registered: **Nasal pillows for a patient interface**
(51) International Design Classification: **24-01**
(74) Name(s) of Attorney(s): **Halfords IP**
(71) Name(s) and Address(s) of Applicant(s):
ResMed Limited
1 Elizabeth Macarthur Dr Bella Vista NSW 2153 Australia
(72) Name(s) of Designer(s): **Alicia Kristianne Wells and Craig David Edwards and Shiva Kumar Shanmuga Sundara and Murray William Lee and Kirrily Michele Haskard and Anthony Paul Barbara and Stewart Joseph Wagner and Frederick Arlet May and Lachlan Richard Goldspink and Chia Ik Tan and Martin Forrester and Ralph Jourdan**
(45) Registration Date: **09 July 2014**
(62) Divisional of: **355319**
(56) Related Art Documents: **Not Applicable**
(57) Statement of Newness and Distinctiveness: **Nil**



- (21) Design Number: **12174/2014**
(22) Date of Filing Application: **06 May 2014**
(24) Date from which industrial property rights may have effect: **06 May 2014**
(54) Product in respect of which the design is registered: **Building block**
(51) International Design Classification: **25-01A**
(74) Name(s) of Attorney(s):
(71) Name(s) and Address(s) of Applicant(s):
Adam Hopkins
28a Ednah St Como WA 6152 Australia
(72) Name(s) of Designer(s): **Adam Hopkins**
(45) Registration Date: **09 July 2014**
(56) Related Art Documents: **Not Applicable**
(57) Statement of Newness and Distinctiveness: **In considering the newness and distinctiveness, it is to be understood that the dotted/dashed lines show T shaped locking portions as well as indefinite length and height. In considering the newness and distinctiveness the T-shaped locking portions are to be disregarded. The indefinite length and height of the building block is as shown.**



(21) Design Number: **12526/2014**
(22) Date of Filing Application: **23 May 2014**
(24) Date from which industrial property rights may have effect: **23 May 2014**
(54) Product in respect of which the design is registered: **Extrusion**
(51) International Design Classification: **25-01K**
(74) Name(s) of Attorney(s): **Wrays**
(71) Name(s) and Address(s) of Applicant(s):
4 Signs Pty Ltd
1/2 Cumberland St Mandurah WA 6210 Australia
(72) Name(s) of Designer(s): **Thomas Anthony Tidswell**
(45) Registration Date: **09 July 2014**
(56) Related Art Documents: **Not Applicable**
(57) Statement of Newness and Distinctiveness: **Nil**



(21) Design Number: **15273/2013**
(22) Date of Filing Application: **17 October 2013**
(24) Date from which industrial property rights may have effect: **17 October 2013**
(54) Product in respect of which the design is registered: **Kids high visibility work shirt**
(51) International Design Classification: **02-02B**
(74) Name(s) of Attorney(s):
(71) Name(s) and Address(s) of Applicant(s):
Tammy Harland
26 Arthur St Dalby QLD 4405 Australia
(72) Name(s) of Designer(s): **Tammy Hrland**
(45) Registration Date: **09 July 2014**
(56) Related Art Documents: **Not Applicable**
(57) Statement of Newness and Distinctiveness: **Kids Hi-Viz cotton long sleeve shirt with half button front. INViz-E Kids logo on the rear top of shirt. 2 x 2cm wide reflective tape around body of the shirt and one around arm sleeves. Children's sizes 000-16.**



(21) Design Number: **12852/2014**

(22) Date of Filing Application: **11 June 2014**

(24) Date from which industrial property rights may have effect: **11 June 2014**

(54) Product in respect of which the design is registered: **Clamp**

(51) International Design Classification: **08-05F**

(74) Name(s) of Attorney(s): **Griffith Hack**

(71) Name(s) and Address(s) of Applicant(s):

Smith & Nephew Inc.

1450 Brooks Road Memphis Tennessee 38116 United States of America

(72) Name(s) of Designer(s): **William W. Gregory and Kealoha Young Deutsch and Kathryn Ann Leigh and Andrew P Muser and Kory A Gunnerson and Karl W Vanderbeek**

(45) Registration Date: **10 July 2014**

(30) Convention priority data:

(31) Number	(32) Date	(33) Country
29/492,115	28 May 2014	UNITED STATES OF AMERICA

(56) Related Art Documents: **Not Applicable**

(57) Statement of Newness and Distinctiveness: **Newness and distinctiveness resides in the visual features, including the shape and configuration of the product shown in the representations. The symbols including letters and logo in FIGS. 1, 2, 3 and 8 do not form part of the design.**



(21) Design Number: **12853/2014**

(22) Date of Filing Application: **11 June 2014**

(24) Date from which industrial property rights may have effect: **11 June 2014**

(54) Product in respect of which the design is registered: **Extrusion**

(51) International Design Classification: **25-01K**

(74) Name(s) of Attorney(s): **FB Rice**

(71) Name(s) and Address(s) of Applicant(s):

P & W Short Builders Pty Ltd

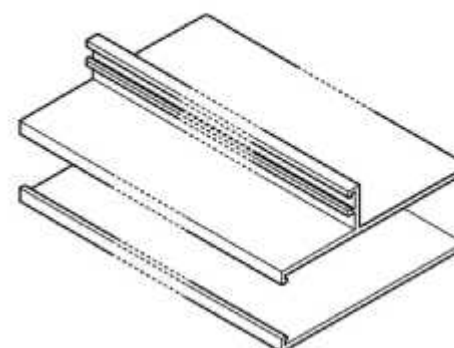
Factory 17 51 Kalman Dr Boronia VIC 3155 Australia

(72) Name(s) of Designer(s): **Patrick Short**

(45) Registration Date: **10 July 2014**

(56) Related Art Documents: **Not Applicable**

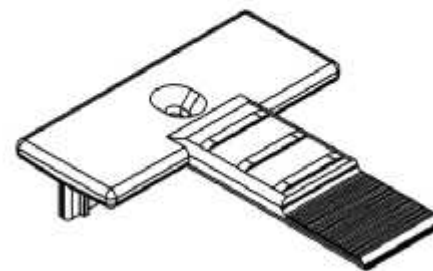
(57) Statement of Newness and Distinctiveness: **Newness and distinctiveness reside in the features of the design as shown in the representations, the break in the perspective view indicating that the extrusion can be of any length.**



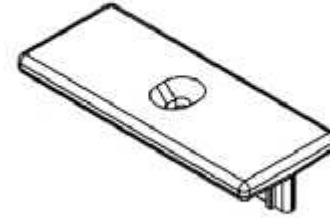
(21) Design Number: **12854/2014**
(22) Date of Filing Application: **11 June 2014**
(24) Date from which industrial property rights may have effect: **11 June 2014**
(54) Product in respect of which the design is registered: **Chair**
(51) International Design Classification: **06-01F**
(74) Name(s) of Attorney(s): **Callinans**
(71) Name(s) and Address(s) of Applicant(s):
EREDU, S. Coop
Ola Auzoa 4 Legorreta Gipuzkoa 20250 Spain
(72) Name(s) of Designer(s): **Juan Carlos Olano Jauregui**
(45) Registration Date: **10 July 2014**
(56) Related Art Documents: **Not Applicable**
(57) Statement of Newness and Distinctiveness: **Nil**



(21) Design Number: **12858/2014**
(22) Date of Filing Application: **11 June 2014**
(24) Date from which industrial property rights may have effect: **11 June 2014**
(54) Product in respect of which the design is registered: **Deck fastener**
(51) International Design Classification: **08-08NES**
(74) Name(s) of Attorney(s): **Pegasus IP**
(71) Name(s) and Address(s) of Applicant(s):
D&C Wilson Holdings Pty Ltd
PO BOX 79 Salisbury QLD 4107 Australia
(72) Name(s) of Designer(s): **Nigel Shaw**
(45) Registration Date: **10 July 2014**
(56) Related Art Documents: **Not Applicable**
(57) Statement of Newness and Distinctiveness: **Nil**



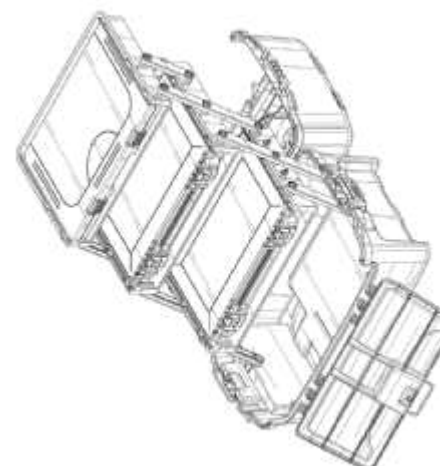
- (21) Design Number: **12859/2014**
(22) Date of Filing Application: **11 June 2014**
(24) Date from which industrial property rights may have effect: **11 June 2014**
(54) Product in respect of which the design is registered: **Deck fastener**
(51) International Design Classification: **08-08NES**
(74) Name(s) of Attorney(s): **Pegasus IP**
(71) Name(s) and Address(s) of Applicant(s):
D&C Wilson Holdings Pty Ltd
PO BOX 79 Salisbury QLD 4107 Australia
(72) Name(s) of Designer(s): **Nigel Shaw**
(45) Registration Date: **10 July 2014**
(56) Related Art Documents: **Not Applicable**
(57) Statement of Newness and Distinctiveness: **Nil**



- (21) Design Number: **12221/2014**
(22) Date of Filing Application: **08 May 2014**
(24) Date from which industrial property rights may have effect: **08 May 2014**
(54) Product in respect of which the design is registered: **A passive EM antenna for an electronic device**
(51) International Design Classification: **14-03A**
(74) Name(s) of Attorney(s): **Murray Trento & Associates**
(71) Name(s) and Address(s) of Applicant(s):
Aaron Leibovich
5 Leaburn Ave Caulfield North VIC 3161 Australia
(72) Name(s) of Designer(s): **Aaron Leibovich**
(45) Registration Date: **10 July 2014**
(56) Related Art Documents: **Not Applicable**
(57) Statement of Newness and Distinctiveness: **Newness and distinctiveness relates to the pattern of strips, triangles and other objects visible in the representations.**



(21) Design Number: **12861/2014**
(22) Date of Filing Application: **11 June 2014**
(24) Date from which industrial property rights may have effect: **11 June 2014**
(54) Product in respect of which the design is registered: **TRAY BOX**
(51) International Design Classification: **03-01D**
(74) Name(s) of Attorney(s): **Pizzeys**
(71) Name(s) and Address(s) of Applicant(s):
Plano Molding Company
431 East South Street Plano IL 60545 United States of America
(72) Name(s) of Designer(s): **John Whalen**
(45) Registration Date: **10 July 2014**
(30) Convention priority data:
(31) Number (32) Date (33) Country
29493484 10 Jun 2014 UNITED STATES OF AMERICA
(56) Related Art Documents: **Not Applicable**
(57) Statement of Newness and Distinctiveness: **Nil**



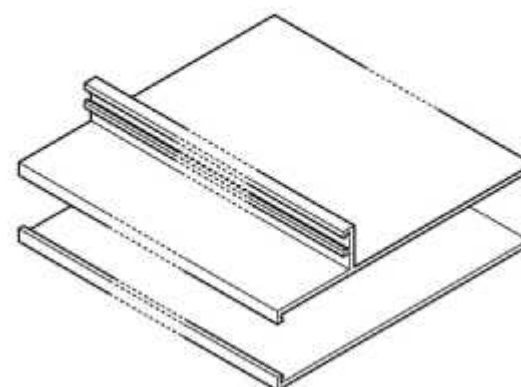
(21) Design Number: **12862/2014**
(22) Date of Filing Application: **11 June 2014**
(24) Date from which industrial property rights may have effect: **11 June 2014**
(54) Product in respect of which the design is registered: **Swing chair**
(51) International Design Classification: **06-01L**
(74) Name(s) of Attorney(s):
(71) Name(s) and Address(s) of Applicant(s):
Ningbo Mentoriend International Trading Co., Ltd
Room 1101, Qiaoshang Building, South Business District, Yinzhou
District, Ningbo, Zhejiang 315040 China
(72) Name(s) of Designer(s): **Frank Fang**
(45) Registration Date: **10 July 2014**
(56) Related Art Documents: **Not Applicable**
(57) Statement of Newness and Distinctiveness: **Nil**



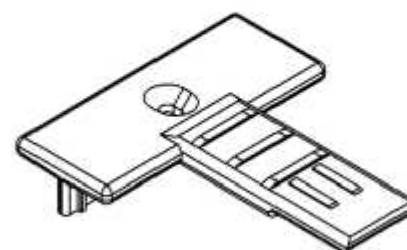
- (21) Design Number: **12863/2014**
(22) Date of Filing Application: **12 June 2014**
(24) Date from which industrial property rights may have effect: **12 June 2014**
(54) Product in respect of which the design is registered: **Passive EM antenna for android smart phones - 2**
(51) International Design Classification: **14-03A, 14-03NES**
(74) Name(s) of Attorney(s): **Murray Trento & Associates**
(71) Name(s) and Address(s) of Applicant(s):
Aaron Leibovich
5 Leaburn Ave Caulfield North VIC 3161 Australia
(72) Name(s) of Designer(s): **Aaron Leibovich**
(45) Registration Date: **10 July 2014**
(56) Related Art Documents: **Not Applicable**
(57) Statement of Newness and Distinctiveness: **Newness and distinctiveness relates to the pattern of strips, rectangles and other objects visible in the representation.**



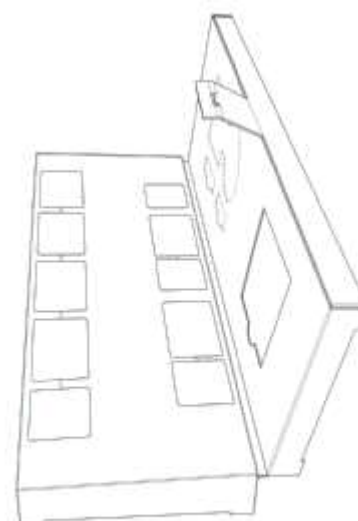
- (21) Design Number: **12855/2014**
(22) Date of Filing Application: **11 June 2014**
(24) Date from which industrial property rights may have effect: **11 June 2014**
(54) Product in respect of which the design is registered: **Extrusion**
(51) International Design Classification: **25-01K**
(74) Name(s) of Attorney(s): **FB Rice**
(71) Name(s) and Address(s) of Applicant(s):
P & W Short Builders Pty Ltd
Factory 17 51 Kalman Dr Boronia VIC 3155 Australia
(72) Name(s) of Designer(s): **Patrick Short**
(45) Registration Date: **10 July 2014**
(56) Related Art Documents: **Not Applicable**
(57) Statement of Newness and Distinctiveness: **Newness and distinctiveness reside in the features of the design as shown in the representations, the break in the perspective view indicating that the extrusion can be of any length.**



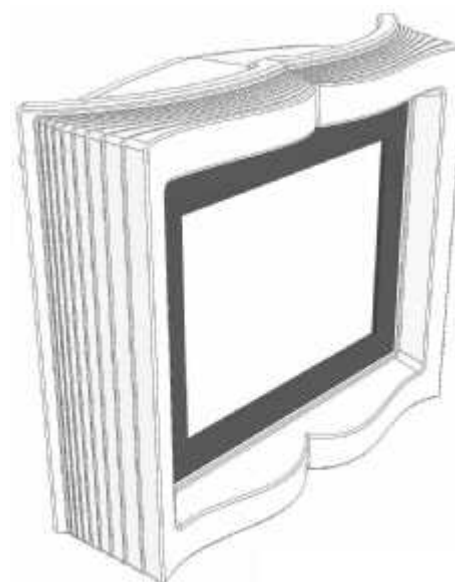
(21) Design Number: **12857/2014**
(22) Date of Filing Application: **11 June 2014**
(24) Date from which industrial property rights may have effect: **11 June 2014**
(54) Product in respect of which the design is registered: **Deck fastener**
(51) International Design Classification: **08-08NES**
(74) Name(s) of Attorney(s): **Pegasus IP**
(71) Name(s) and Address(s) of Applicant(s):
D&C Wilson Holdings Pty Ltd
PO BOX 79 Salisbury QLD 4107 Australia
(72) Name(s) of Designer(s): **Nigel Shaw**
(45) Registration Date: **10 July 2014**
(56) Related Art Documents: **Not Applicable**
(57) Statement of Newness and Distinctiveness: **Nil**



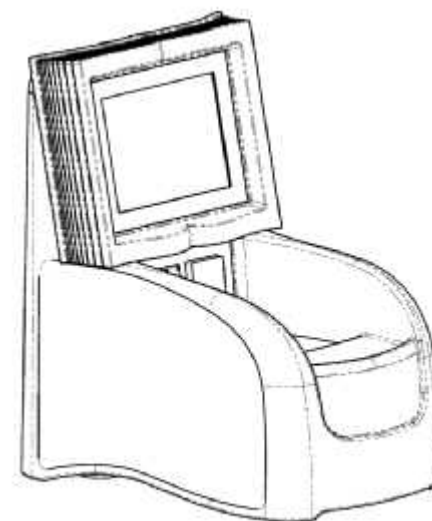
(21) Design Number: **12865/2014**
(22) Date of Filing Application: **12 June 2014**
(24) Date from which industrial property rights may have effect: **12 June 2014**
(54) Product in respect of which the design is registered: **Packaging**
(51) International Design Classification: **09-03M**
(74) Name(s) of Attorney(s): **Griffith Hack**
(71) Name(s) and Address(s) of Applicant(s):
Smith & Nephew PLC
15 Adam Street London WC2N 6LA United Kingdom
(72) Name(s) of Designer(s): **Beverly Love and Mark Russell and Peter Sleight**
(45) Registration Date: **10 July 2014**
(30) Convention priority data:
(31) Number (32) Date (33) Country
29/492,878 03 Jun 2014 UNITED STATES OF AMERICA
(56) Related Art Documents: **Not Applicable**
(57) Statement of Newness and Distinctiveness: **Newness and distinctiveness resides in the visual features, including the shape and configuration of the product shown in the representations. Those parts shown by dashed lines do not form part of the product and have been included for illustrative purposes only. FIG. 15 has also been included for illustrative purposes and does not form part of the design.**



- (21) Design Number: **12866/2014**
(22) Date of Filing Application: **12 June 2014**
(24) Date from which industrial property rights may have effect: **12 June 2014**
(54) Product in respect of which the design is registered: **Video display surround**
(51) International Design Classification: **14-01, 14-02**
(74) Name(s) of Attorney(s):
(71) Name(s) and Address(s) of Applicant(s):
Storytime Pods Pty Ltd
PO BOX 3181 Ripponlea VIC 3185 Australia
(72) Name(s) of Designer(s): **Sunil Arumugam and Andrew Berry**
(45) Registration Date: **10 July 2014**
(56) Related Art Documents: **Not Applicable**
(57) Statement of Newness and Distinctiveness: **The newness and distinctiveness of the design resides in the shape of the video display surround similar to an open book shown in the accompanying representations. The bulbous rear shown in the top view and the rectangular black screen border are not part of the design and are to be disregarded when considering the overall impression of the design.**



- (21) Design Number: **12867/2014**
(22) Date of Filing Application: **12 June 2014**
(24) Date from which industrial property rights may have effect: **12 June 2014**
(54) Product in respect of which the design is registered: **Children's computer entertainment station**
(51) International Design Classification: **14-01**
(74) Name(s) of Attorney(s):
(71) Name(s) and Address(s) of Applicant(s):
Storytime Pods Pty Ltd
PO BOX 3181 Ripponlea VIC 3185 Australia
(72) Name(s) of Designer(s): **Sunil Arumugam and Andrew Berry**
(45) Registration Date: **10 July 2014**
(56) Related Art Documents: **Not Applicable**
(57) Statement of Newness and Distinctiveness: **The newness and distinctiveness of the design resides in the shape of the children's computer entertainment station shown in the continuous lines in the accompanying representations. The broken lines are not part of the design and are to be disregarded when considering the overall impression of the design, except insofar as they provide three-dimensional information.**



(21) Design Number: **12868/2014**
(22) Date of Filing Application: **12 June 2014**
(24) Date from which industrial property rights may have effect: **12 June 2014**
(54) Product in respect of which the design is registered: **Microdermabrasion device**
(51) International Design Classification: **28-03NES**
(74) Name(s) of Attorney(s): **FB Rice**
(71) Name(s) and Address(s) of Applicant(s):
Koninklijke Philips N.V.
High Tech Campus 5 Eindhoven 5656 AE The Netherlands
(72) Name(s) of Designer(s): **Ozgur Tasar**
(45) Registration Date: **10 July 2014**
(30) Convention priority data:
(31) Number (32) Date (33) Country
002369538-0001 13 Dec 2013 OFFICE FOR HARMONISATION IN THE INTERNAL MARKET (OHIM)
(56) Related Art Documents: **Not Applicable**
(57) Statement of Newness and Distinctiveness: **Newness and distinctiveness reside in the features of shape and configuration of the design as shown in the representations.**



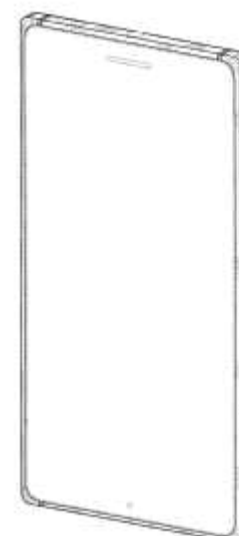
(21) Design Number: **12869/2014**
(22) Date of Filing Application: **12 June 2014**
(24) Date from which industrial property rights may have effect: **12 June 2014**
(54) Product in respect of which the design is registered: **Luggage trailer**
(51) International Design Classification: **12-10**
(74) Name(s) of Attorney(s):
(71) Name(s) and Address(s) of Applicant(s):
Jeff Laird
100 Maud St Waratah NSW 2209 Australia
(72) Name(s) of Designer(s): **Jeff Laird**
(45) Registration Date: **10 July 2014**
(56) Related Art Documents: **Not Applicable**
(57) Statement of Newness and Distinctiveness: **Newness and distinctiveness is claimed for the shape and configuration of the trailer, with particular attention to the way it free stands on its back end, as shown in the accompanying illustrations. In considering the scope of newness, the hitch, the particular wheels, the type of trailer suspension, the tail lights, and the colour/s, should be disregarded.**



- (21) Design Number: **12870/2014**
(22) Date of Filing Application: **12 June 2014**
(24) Date from which industrial property rights may have effect: **28 March 2014**
(54) Product in respect of which the design is registered: **Handset**
(51) International Design Classification: **14-03E**
(74) Name(s) of Attorney(s): **SPRUSON & FERGUSON**
(71) Name(s) and Address(s) of Applicant(s):
Nokia Corporation
Keilalahdentie 4, Espoo 02150 Finland
(72) Name(s) of Designer(s): **Sungwoo Cho and Yuping Cheng**
(45) Registration Date: **10 July 2014**
(62) Divisional of: **355933**
(56) Related Art Documents: **Not Applicable**
(57) Statement of Newness and Distinctiveness: **Newness and distinctiveness is claimed in the features of shape and/or configuration of a handset as illustrated in the accompanying representations.**



- (21) Design Number: **12871/2014**
(22) Date of Filing Application: **12 June 2014**
(24) Date from which industrial property rights may have effect: **28 March 2014**
(54) Product in respect of which the design is registered: **Handset**
(51) International Design Classification: **14-03E**
(74) Name(s) of Attorney(s): **SPRUSON & FERGUSON**
(71) Name(s) and Address(s) of Applicant(s):
Nokia Corporation
Keilalahdentie 4 Espoo 02150 Finland
(72) Name(s) of Designer(s): **Edward Mitchell**
(45) Registration Date: **10 July 2014**
(62) Divisional of: **355967**
(56) Related Art Documents: **Not Applicable**
(57) Statement of Newness and Distinctiveness: **Newness and distinctiveness is claimed in the features of shape and/or configuration of a handset as illustrated in continuous lines in the accompanying representations.**



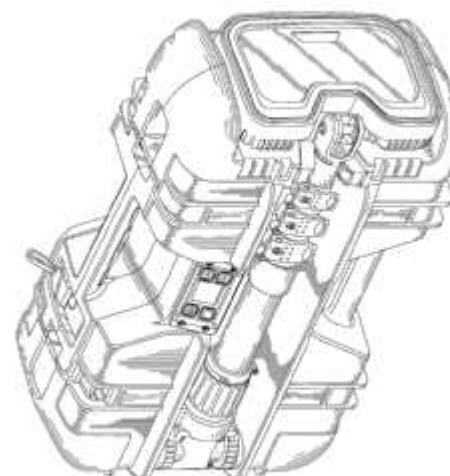
(21) Design Number: **12872/2014**
(22) Date of Filing Application: **12 June 2014**
(24) Date from which industrial property rights may have effect: **28 March 2014**
(54) Product in respect of which the design is registered: **Handset**
(51) International Design Classification: **14-03E**
(74) Name(s) of Attorney(s): **SPRUSON & FERGUSON**
(71) Name(s) and Address(s) of Applicant(s):
Nokia Corporation
Keilalahdentie 4 Espoo 02150 Finland
(72) Name(s) of Designer(s): **Edward Mitchell**
(45) Registration Date: **10 July 2014**
(62) Divisional of: **355967**
(56) Related Art Documents: **Not Applicable**
(57) Statement of Newness and Distinctiveness: **Newness and distinctiveness is claimed in the features of shape and/or configuration of a handset as illustrated in continuous lines in the accompanying representations.**



(21) Design Number: **12878/2014**
(22) Date of Filing Application: **12 June 2014**
(24) Date from which industrial property rights may have effect: **12 June 2014**
(54) Product in respect of which the design is registered: **Portable light**
(51) International Design Classification: **26-02**
(74) Name(s) of Attorney(s): **SPRUSON & FERGUSON**
(71) Name(s) and Address(s) of Applicant(s):
Pelican Products, Inc.
23215 Early Avenue Torrance California 90505 United States of America
(72) Name(s) of Designer(s): **John Edward Hanwell**
(45) Registration Date: **10 July 2014**
(30) Convention priority data:
(31) Number (32) Date (33) Country
29/478012 30 Dec 2013 UNITED STATES OF AMERICA
(56) Related Art Documents: **Not Applicable**
(57) Statement of Newness and Distinctiveness: **Newness and distinctiveness is claimed in the features of shape and/or configuration of a portable light as illustrated in the accompanying representations.**



(21) Design Number: **12879/2014**
(22) Date of Filing Application: **12 June 2014**
(24) Date from which industrial property rights may have effect: **12 June 2014**
(54) Product in respect of which the design is registered: **Portable light**
(51) International Design Classification: **26-02**
(74) Name(s) of Attorney(s): **SPRUSON & FERGUSON**
(71) Name(s) and Address(s) of Applicant(s):
Pelican Products, Inc.
23215 Early Avenue Torrance California 90505 United States of America
(72) Name(s) of Designer(s): **John Edward Hanwell**
(45) Registration Date: **10 July 2014**
(30) Convention priority data:
(31) Number (32) Date (33) Country
29/478012 30 Dec 2013 UNITED STATES OF AMERICA
(56) Related Art Documents: **Not Applicable**
(57) Statement of Newness and Distinctiveness: **Newness and distinctiveness is claimed in the features of shape and/or configuration of a portable light as illustrated in the accompanying representations.**



(21) Design Number: **16836/2013**
(22) Date of Filing Application: **24 December 2013**
(24) Date from which industrial property rights may have effect: **24 December 2013**
(54) Product in respect of which the design is registered: **Articles of clothing**
(51) International Design Classification: **02-02NES**
(74) Name(s) of Attorney(s): **K&L Gates**
(71) Name(s) and Address(s) of Applicant(s):
Magi Enterprises Pty Ltd
34 Garden St South Yarra VIC 3141 Australia
Beba Enterprises Pty Ltd
34 Garden St South Yarra VIC 3141 Australia
(72) Name(s) of Designer(s): **Robert Cromb**
(45) Registration Date: **10 July 2014**
(56) Related Art Documents: **Not Applicable**
(57) Statement of Newness and Distinctiveness: **Nil**



(21) Design Number: **11855/2014**

(22) Date of Filing Application: **14 April 2014**

(24) Date from which industrial property rights may have effect: **14 April 2014**

(54) Product in respect of which the design is registered: **Waste compartment**

(51) International Design Classification: **09-09**

(74) Name(s) of Attorney(s): **IP Gateway Patent & Trademark Attorneys Pty Ltd**

(71) Name(s) and Address(s) of Applicant(s):

AbbVie Inc.

1 North Waukegan Road North Chicago IL 60064 United States of America

(72) Name(s) of Designer(s): **Frank Leroux and Frederic Alfonsi and Dorine Roudaut and Gilles Scazzola and Morgane Lequerre and Sophie Meltzheim and Lucie Perrin and Victoria Al Samarai and Thibault Massart**

(45) Registration Date: **10 July 2014**

(30) Convention priority data:

(31) Number

(32) Date

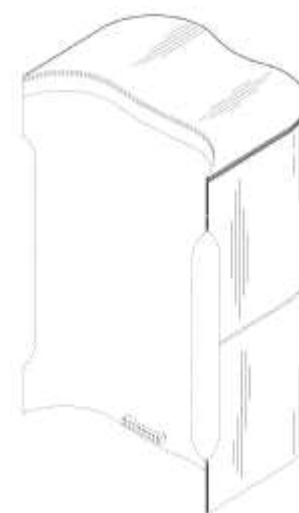
(33) Country

002325761-0001 14 Oct 2013

OFFICE FOR HARMONISATION IN THE INTERNAL MARKET (OHIM)

(56) Related Art Documents: **Not Applicable**

(57) Statement of Newness and Distinctiveness: **Newness and distinctiveness reside in the visual features of shape and/or configuration of A WASTE COMPARTMENT as shown in solid lines in the representations, those features shown in broken lines are to be given minimal emphasis when considering the overall impression of the design.**



(21) Design Number: **13180/2014**

(22) Date of Filing Application: **24 June 2014**

(24) Date from which industrial property rights may have effect: **24 June 2014**

(54) Product in respect of which the design is registered: **Article of clothing**

(51) International Design Classification: **02-02NES**

(74) Name(s) of Attorney(s):

(71) Name(s) and Address(s) of Applicant(s):

Magi Enterprises Pty Ltd

34 Garden St South Yarra VIC 3141 Australia

Beba Enterprises Pty Ltd

34 Garden St South Yarra VIC 3141 Australia

(72) Name(s) of Designer(s): **Robert Cromb**

(45) Registration Date: **10 July 2014**

(56) Related Art Documents: **Not Applicable**

(57) Statement of Newness and Distinctiveness: **Nil**



(21) Design Number: **11859/2014**

(22) Date of Filing Application: **14 April 2014**

(24) Date from which industrial property rights may have effect: **14 April 2014**

(54) Product in respect of which the design is registered: **Waste compartment**

(51) International Design Classification: **09-09**

(74) Name(s) of Attorney(s): **IP Gateway Patent & Trademark Attorneys Pty Ltd**

(71) Name(s) and Address(s) of Applicant(s):

AbbVie Inc.

1 North Waukegan Road North Chicago IL 60064 United States of America

(72) Name(s) of Designer(s): **Frank Leroux and Frederic Alfonsi and Dorine Roudaut and Gilles Scazzola and Morgane Lequerre and Sophie Meltzheim and Lucie Perrin and Victoria Al Samarai and Thibault Massart**

(45) Registration Date: **10 July 2014**

(30) Convention priority data:

(31) Number

(32) Date

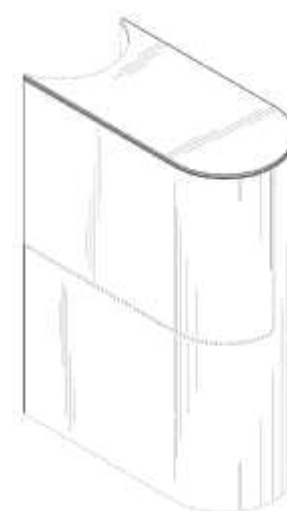
(33) Country

002325761-0001 14 Oct 2013

OFFICE FOR HARMONISATION IN THE INTERNAL MARKET (OHIM)

(56) Related Art Documents: **Not Applicable**

(57) Statement of Newness and Distinctiveness: **Newness and distinctiveness reside in the visual features of shape and/or configuration of a WASTE COMPARTMENT as shown in solid lines in the representations, those features shown in broken lines are to be given minimal emphasis when considering the overall impression of the design.**



(21) Design Number: **11860/2014**

(22) Date of Filing Application: **14 April 2014**

(24) Date from which industrial property rights may have effect: **14 April 2014**

(54) Product in respect of which the design is registered: **Cooling and waste compartment**

(51) International Design Classification: **15-07, 09-09**

(74) Name(s) of Attorney(s): **IP Gateway Patent & Trademark Attorneys Pty Ltd**

(71) Name(s) and Address(s) of Applicant(s):

AbbVie Inc.

1 North Waukegan Road North Chicago IL 60064 United States of America

(72) Name(s) of Designer(s): **Frank Leroux and Frederic Alfonsi and Dorine Roudaut and Gilles Scazzola and Morgane Lequerre and Sophie Meltzheim and Lucie Perrin and Victoria Al Samarai and Thibault Massart**

(45) Registration Date: **10 July 2014**

(30) Convention priority data:

(31) Number

(32) Date

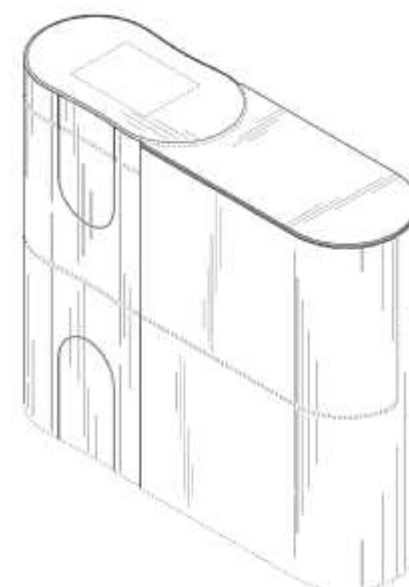
(33) Country

002325761-0001 14 Oct 2013

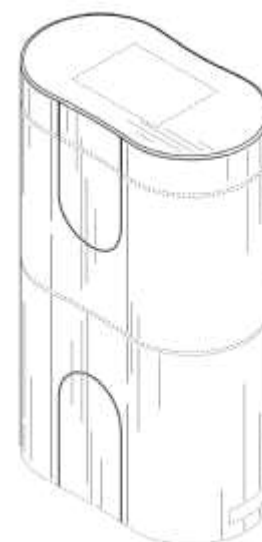
OFFICE FOR HARMONISATION IN THE INTERNAL MARKET (OHIM)

(56) Related Art Documents: **Not Applicable**

(57) Statement of Newness and Distinctiveness: **Newness and distinctiveness reside in the visual features of shape and/or configuration of A COOLING AND WASTE COMPARTMENT as shown in solid lines in the representations, those features shown in broken lines are to be given minimal emphasis when considering the overall impression of the design.**



- (21) Design Number: **11861/2014**
(22) Date of Filing Application: **14 April 2014**
(24) Date from which industrial property rights may have effect: **14 April 2014**
(54) Product in respect of which the design is registered: **Cooling compartment**
(51) International Design Classification: **15-07**
(74) Name(s) of Attorney(s): **IP Gateway Patent & Trademark Attorneys Pty Ltd**
(71) Name(s) and Address(s) of Applicant(s):
AbbVie Inc.
1 North Waukegan Road North Chicago IL 60064 United States of America
(72) Name(s) of Designer(s): **Frank Leroux and Frederic Alfonsi and Dorine Roudaut and Gilles Scazzola and Morgane Lequerre and Sophie Meltzheim and Lucie Perrin and Victoria Al Samarai and Thibault Massart**
(45) Registration Date: **10 July 2014**
(30) Convention priority data:
(31) Number (32) Date (33) Country
002325761-0001 14 Oct 2013 OFFICE FOR HARMONISATION IN THE INTERNAL MARKET (OHIM)
(56) Related Art Documents: **Not Applicable**
(57) Statement of Newness and Distinctiveness: **Newness and distinctiveness reside in the visual features of shape and/or configuration of A COOLING COMPARTMENT as shown in solid lines in the representations, those features shown in broken lines are to be given minimal emphasis when considering the overall impression of the design.**



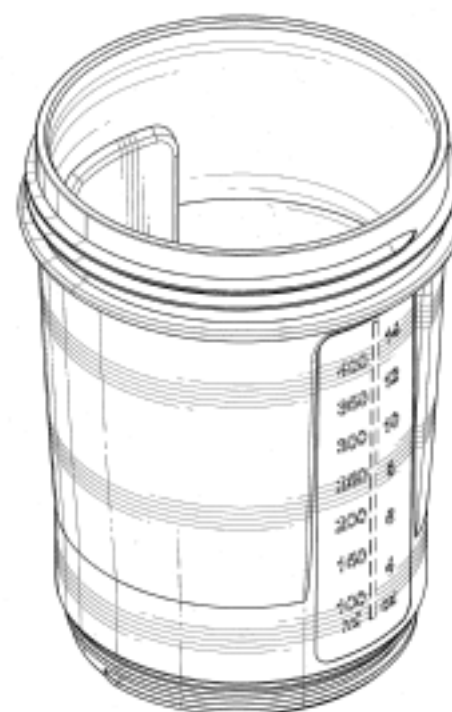
- (21) Design Number: **12518/2014**
(22) Date of Filing Application: **05 March 2014**
(24) Date from which industrial property rights may have effect: **05 March 2014**
(54) Product in respect of which the design is registered: **Bottle**
(51) International Design Classification: **09-01K**
(74) Name(s) of Attorney(s): **PHILLIPS ORMONDE FITZPATRICK**
(71) Name(s) and Address(s) of Applicant(s):
The Coca-Cola Company
One Coca-Cola Plaza NW Atlanta Georgia 30313 United States of America
(72) Name(s) of Designer(s): **Sterling Lane Steward and Christopher Michael Weston and Matthew Stuart Garwood and Simon Daniel**
(45) Registration Date: **10 July 2014**
(30) Convention priority data:
(31) Number (32) Date (33) Country
29/466,578 09 Sep 2013 UNITED STATES OF AMERICA
(56) Related Art Documents: **Not Applicable**
(57) Statement of Newness and Distinctiveness: **Those features of the bottle depicted in the representations that are new and distinctive are the shape and/or configuration. The uneven-length broken lines represent unclaimed boundaries of the claimed design that form no part of the design. The even-length broken lines are included for illustrative purposes only and are not to be considered when considering the overall impression of the design.**



(21) Design Number: **11011/2014**
(22) Date of Filing Application: **05 March 2014**
(24) Date from which industrial property rights may have effect: **05 March 2014**
(54) Product in respect of which the design is registered: **Bottle**
(51) International Design Classification: **09-01NES, 09-01K**
(74) Name(s) of Attorney(s): **PHILLIPS ORMONDE FITZPATRICK**
(71) Name(s) and Address(s) of Applicant(s):
The Coca-Cola Company
One Coca-Cola Plaza NW Atlanta Georgia 30313 United States of America
(72) Name(s) of Designer(s): **Sterling Lane Steward and Christopher Michael Weston and Matthew Stuart Garwood and Simon Daniel**
(45) Registration Date: **10 July 2014**
(30) Convention priority data:
(31) Number (32) Date (33) Country
29/466,578 09 Sep 2013 UNITED STATES OF AMERICA
(56) Related Art Documents: **Not Applicable**
(57) Statement of Newness and Distinctiveness: **Those features of the bottle depicted in the representations that are new and distinctive are the shape and/or configuration. The uneven-length broken lines represent unclaimed boundaries of the claimed design that form no part of the design. The even-length broken lines are included for illustrative purposes only and are not to be considered when considering the overall impression of the design.**



(21) Design Number: **10746/2014**
(22) Date of Filing Application: **17 February 2014**
(24) Date from which industrial property rights may have effect: **17 February 2014**
(54) Product in respect of which the design is registered: **Container**
(51) International Design Classification: **07-01NES, 10-04**
(74) Name(s) of Attorney(s): **Griffith Hack**
(71) Name(s) and Address(s) of Applicant(s):
Runway Blue, LLC
250 South 850 East Lehi Utah 84043 United States of America
(72) Name(s) of Designer(s): **Steven M Sorensen and David O Meyers and Kim L Sorensen**
(45) Registration Date: **11 July 2014**
(30) Convention priority data:
(31) Number (32) Date (33) Country
29/465998 03 Sep 2013 UNITED STATES OF AMERICA
(56) Related Art Documents: **Not Applicable**
(57) Statement of Newness and Distinctiveness: **Newness and distinctness resides in the shape and configuration of the PRODUCT as shown by means of solid lines in the accompanying representations.**



(21) Design Number: **12384/2014**
 (22) Date of Filing Application: **14 May 2014**
 (24) Date from which industrial property rights may have effect: **14 May 2014**
 (54) Product in respect of which the design is registered: **Hearing device tether having an acoustic decoupling section**
 (51) International Design Classification: **24-04**
 (74) Name(s) of Attorney(s): **Freehills Patent Attorneys**
 (71) Name(s) and Address(s) of Applicant(s):
3M Innovative Properties Company
3M Center PO Box 33427 Saint Paul Minnesota 55133-3427 United States of America
 (72) Name(s) of Designer(s): **Jacob Huffman Ely**
 (45) Registration Date: **11 July 2014**
 (30) Convention priority data:
 (31) Number (32) Date (33) Country
29/473028 18 Nov 2013 UNITED STATES OF AMERICA
 (56) Related Art Documents: **Not Applicable**
 (57) Statement of Newness and Distinctiveness: **Newness and distinctiveness resides in the shape and/or configuration of the hearing device tether having an acoustic decoupling section as shown in solid outline in the accompanying representations.**



(21) Design Number: **12385/2014**
 (22) Date of Filing Application: **14 May 2014**
 (24) Date from which industrial property rights may have effect: **14 May 2014**
 (54) Product in respect of which the design is registered: **Hearing device assembly having a hearing device tether acoustic decoupling section**
 (51) International Design Classification: **24-04**
 (74) Name(s) of Attorney(s): **Freehills Patent Attorneys**
 (71) Name(s) and Address(s) of Applicant(s):
3M Innovative Properties Company
3M Center PO Box 33427 Saint Paul Minnesota 55133-3427 United States of America
 (72) Name(s) of Designer(s): **Jacob Huffman Ely**
 (45) Registration Date: **11 July 2014**
 (30) Convention priority data:
 (31) Number (32) Date (33) Country
29/473028 18 Nov 2013 UNITED STATES OF AMERICA
 (56) Related Art Documents: **Not Applicable**
 (57) Statement of Newness and Distinctiveness: **Newness and distinctiveness resides in the shape and/or configuration of the hearing device assembly having a hearing device tether acoustic decoupling section as shown in solid outline in the accompanying representations.**



(21) Design Number: **12434/2014**
(22) Date of Filing Application: **19 May 2014**
(24) Date from which industrial property rights may have effect: **19 May 2014**
(54) Product in respect of which the design is registered: **Survey vessel**
(51) International Design Classification: **12-06NES**
(74) Name(s) of Attorney(s):
(71) Name(s) and Address(s) of Applicant(s):

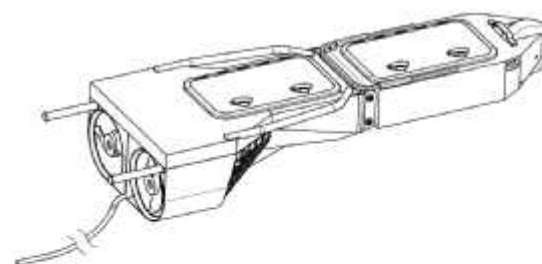
Groundwater Imaging Pty Ltd
82 St Georges Tce Dubbo NSW 2830 Australia

(72) Name(s) of Designer(s): **Edward Hribar and David Andrew Allen**

(45) Registration Date: **11 July 2014**

(56) Related Art Documents: **Not Applicable**

(57) Statement of Newness and Distinctiveness: **Newness and distinctiveness in this design reside in the the shape and configuration, evident in the representations, of this watertight vessel (item 2) suitable for geophysical hydrographical survey of small waterways either towed by a tethering harness or propelled by a radio or autonomously controlled propulsion unit (Item 1) attached to the rear which also forms an optional part of the design. The core vessel (item 2) contains awatertight electronics enclosure, a wheel at the front which forms part of the streamlined design and an open area at the rear in which sensors are placed. A slide out handle on the rear facilitates rolling of the vessel in and out of the water. On the front a tethering harness may be attached The vessel has the capability of a geophysical streamer from the vessel rear either directly or through the propulsion unit.**



(21) Design Number: **12447/2014**
(22) Date of Filing Application: **19 May 2014**
(24) Date from which industrial property rights may have effect: **03 October 2013**
(54) Product in respect of which the design is registered: **Article of clothing**
(51) International Design Classification: **02-02C**
(74) Name(s) of Attorney(s): **Allens Patent & Trade Mark Attorneys**
(71) Name(s) and Address(s) of Applicant(s):

Forever New Clothing Pty Ltd
714-716 High St Kew East VIC 3102 Australia

(72) Name(s) of Designer(s): **Karen Thai**

(45) Registration Date: **11 July 2014**

(62) Divisional of: **355784**

(56) Related Art Documents: **Not Applicable**

(57) Statement of Newness and Distinctiveness: **Newness and distinctiveness resides in the visual features of shape, configuration, pattern and/or ornamentation of an article of clothing as shown in the accompanying representations.**



- (21) Design Number: **12706/2014**
(22) Date of Filing Application: **03 June 2014**
(24) Date from which industrial property rights may have effect: **03 June 2014**
(54) Product in respect of which the design is registered: **Table**
(51) International Design Classification: **06-03B**
(74) Name(s) of Attorney(s):
(71) Name(s) and Address(s) of Applicant(s):
 Bill Yang
 3 Eldon St Riverwood NSW 2210 Australia
(72) Name(s) of Designer(s): **Bill Yang**
(45) Registration Date: **11 July 2014**
(56) Related Art Documents: **Not Applicable**
(57) Statement of Newness and Distinctiveness: **Table Leg Connector for three legged table/table base. The table base are connected with three lower legs and three upper legs joined with one connector in the center. One table base for one table or add more base for larger table.**



- (21) Design Number: **12707/2014**
(22) Date of Filing Application: **03 June 2014**
(24) Date from which industrial property rights may have effect: **03 June 2014**
(54) Product in respect of which the design is registered: **Table lamp**
(51) International Design Classification: **26-05B**
(74) Name(s) of Attorney(s):
(71) Name(s) and Address(s) of Applicant(s):
 Bill Yang
 3 Eldon St Riverwood NSW 2210 Australia
(72) Name(s) of Designer(s): **Bill Yang**
(45) Registration Date: **11 July 2014**
(56) Related Art Documents: **Not Applicable**
(57) Statement of Newness and Distinctiveness: **A tree style table lamp with rotational tree trunk and benches, one light bulb for each benches (total of 12 light bulb).**



- (21) Design Number: **12717/2014**
(22) Date of Filing Application: **03 June 2014**
(24) Date from which industrial property rights may have effect: **03 June 2014**
(54) Product in respect of which the design is registered: **Pendant light**
(51) International Design Classification: **26-05D**
(74) Name(s) of Attorney(s):
(71) Name(s) and Address(s) of Applicant(s):
Nick Sadowsky
PO BOX 3121 North Turramurra NSW 2074 Australia
(72) Name(s) of Designer(s): **Nick Sadowsky**
(45) Registration Date: **11 July 2014**
(56) Related Art Documents: **Not Applicable**
(57) Statement of Newness and Distinctiveness: **Gumnut is a hanging pendant light made from Polyethylene through rotational moulding and timber through CNC machining and finishing. The two components are assembled without adhesives and use screws from the inside. The form is flowing and organic. From a narrow top where the flex enters and the support cable detail is found before the form opens outwards towards the base. The segmented form shows two materials and a contrast is apparent through their proportions. The white polyethylene makes up a majority of the proportion form the top before the timber rings wraps around the base.**



- (21) Design Number: **12722/2014**
(22) Date of Filing Application: **03 June 2014**
(24) Date from which industrial property rights may have effect: **03 June 2014**
(54) Product in respect of which the design is registered: **Hat stand**
(51) International Design Classification: **06-06A**
(74) Name(s) of Attorney(s): **Sharon Givoni Consulting**
(71) Name(s) and Address(s) of Applicant(s):
Lilly & Lolly Pty Limited
147B Bath Rd Kirrawee NSW 2232 Australia
(72) Name(s) of Designer(s): **Ashling Punnett**
(45) Registration Date: **11 July 2014**
(56) Related Art Documents: **Not Applicable**
(57) Statement of Newness and Distinctiveness: **Nil**



(21) Design Number: **10440/2014**
(22) Date of Filing Application: **31 January 2014**
(24) Date from which industrial property rights may have effect: **31 January 2014**
(54) Product in respect of which the design is registered: **Tongue scraper**
(51) International Design Classification: **24-99**
(74) Name(s) of Attorney(s): **PHILLIPS ORMONDE FITZPATRICK**
(71) Name(s) and Address(s) of Applicant(s):
Unip Plastic Industries Sdn. Bhd.
Lot 3 Jalan CJ 1/6 Kawasan Perusahaan Cheras Jaya Off Jalan Balakong
Batu 11 Cheras Selangor 43200 Malaysia
(72) Name(s) of Designer(s): **Peng Soon Wong**
(45) Registration Date: **11 July 2014**
(56) Related Art Documents: **Not Applicable**
(57) Statement of Newness and Distinctiveness: **Nil**



(21) Design Number: **11105/2014**
(22) Date of Filing Application: **10 March 2014**
(24) Date from which industrial property rights may have effect: **10 March 2014**
(54) Product in respect of which the design is registered: **Pump with base**
(51) International Design Classification: **15-02**
(74) Name(s) of Attorney(s): **SPRUSON & FERGUSON**
(71) Name(s) and Address(s) of Applicant(s):
Covidien LP
15 Hampshire Street Mansfield Massachusetts 02048 United States of
America
(72) Name(s) of Designer(s): **James M Harr and Gabriel McHugh and Paul**
Trelford and Gary J Waldhoff and Kenneth M Breitweiser and Joel D
Wiesner and Matthew Bodi and Dennis S. Prows
(45) Registration Date: **11 July 2014**
(30) Convention priority data:
(31) Number (32) Date (33) Country
29/466985 13 Sep 2013 UNITED STATES OF AMERICA
(56) Related Art Documents: **Not Applicable**
(57) Statement of Newness and Distinctiveness: **Newness and distinctiveness**
is claimed in those features of shape and/or configuration of a pump
and base as illustrated in continuous lines in the accompanying
representations.



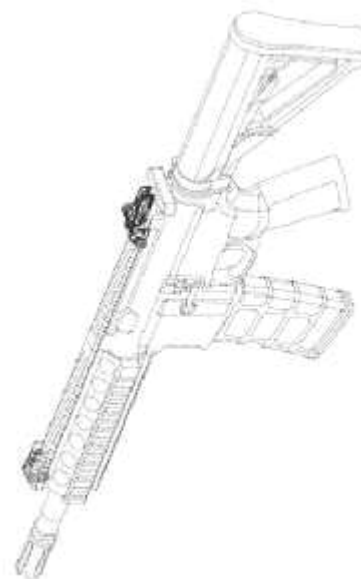
- (21) Design Number: **11903/2014**
(22) Date of Filing Application: **17 April 2014**
(24) Date from which industrial property rights may have effect: **21 January 2014**
(54) Product in respect of which the design is registered: **Dressing**
(51) International Design Classification: **24-04**
(74) Name(s) of Attorney(s): **Davies Collison Cave**
(71) Name(s) and Address(s) of Applicant(s):
3M Innovative Properties Company
3M Center Saint Paul Minnesota 55133-3427 United States of America
(72) Name(s) of Designer(s): **Scott M Lecy and John W Longaback and Christopher J Claypool and Todd L Nelson and Theodore P Peichel and Donald G Peterson and Mark A Peltier**
(45) Registration Date: **11 July 2014**
(30) Convention priority data:
(31) Number (32) Date (33) Country
29/461,434 23 Jul 2013 UNITED STATES OF AMERICA
(62) Divisional of: **355257**
(56) Related Art Documents: **Not Applicable**
(57) Statement of Newness and Distinctiveness: **Newness and Distinctiveness is claimed in the visual features shown in solid lines in the representations. In considering the extent of the design rights, the broken lines shown in the representations are for illustrative purposes only and do not form part of the design.**



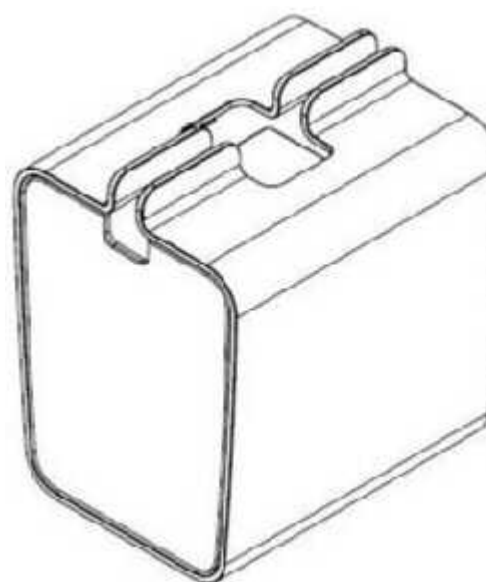
- (21) Design Number: **12068/2014**
(22) Date of Filing Application: **30 April 2014**
(24) Date from which industrial property rights may have effect: **30 April 2014**
(54) Product in respect of which the design is registered: **Container**
(51) International Design Classification: **09-01NES**
(74) Name(s) of Attorney(s): **Davies Collison Cave**
(71) Name(s) and Address(s) of Applicant(s):
Unilever PLC
Unilever House 100 Victoria Embankment London EC4Y 0DY United Kingdom
(72) Name(s) of Designer(s): **Alberto Alvarez De Cienfuegos Hernandez and Jose Ignacio Lavernia Company**
(45) Registration Date: **11 July 2014**
(30) Convention priority data:
(31) Number (32) Date (33) Country
002342881-0001 11 Nov 2013 OFFICE FOR HARMONISATION IN THE INTERNAL MARKET (OHIM)
(56) Related Art Documents: **Not Applicable**
(57) Statement of Newness and Distinctiveness: **Newness and distinctiveness is claimed in the visual features shown in solid lines in the representations.**



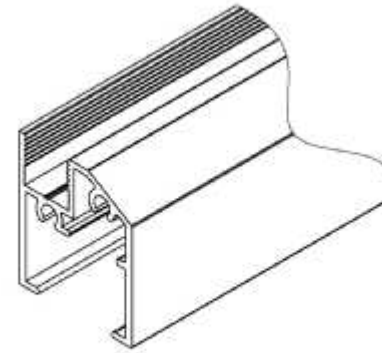
- (21) Design Number: **12441/2014**
(22) Date of Filing Application: **19 May 2014**
(24) Date from which industrial property rights may have effect: **19 May 2014**
(54) Product in respect of which the design is registered: **Rear folding sight for a firearm**
(51) International Design Classification: **22-01**
(74) Name(s) of Attorney(s): **Davies Collison Cave**
(71) Name(s) and Address(s) of Applicant(s):
Magpul Industries Corporation
400 Young Court Unit 1 Erie Colorado 80516 United States of America
(72) Name(s) of Designer(s): **Grady Barfoot and Michael Mayberry T. and Richard Fitzpatrick and Brad Bennett**
(45) Registration Date: **11 July 2014**
(30) Convention priority data:
(31) Number (32) Date (33) Country
29/475735 05 Dec 2013 UNITED STATES OF AMERICA
(56) Related Art Documents: **Not Applicable**
(57) Statement of Newness and Distinctiveness: **Newness and distinctiveness is claimed in the visual features shown in solid lines in the representations.**



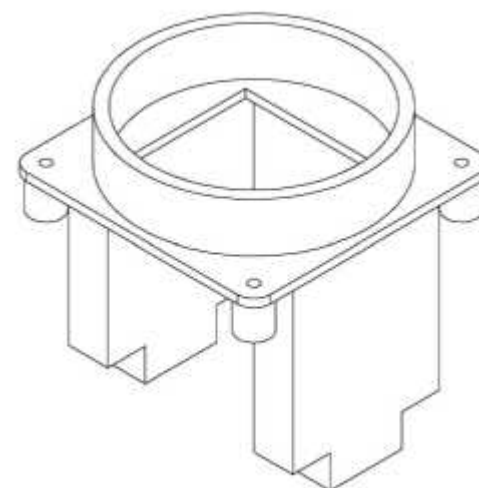
- (21) Design Number: **12648/2014**
(22) Date of Filing Application: **29 May 2014**
(24) Date from which industrial property rights may have effect: **29 May 2014**
(54) Product in respect of which the design is registered: **Napkin dispenser**
(51) International Design Classification: **07-99C**
(74) Name(s) of Attorney(s): **WATERMARK PATENT AND TRADE MARKS ATTORNEYS**
(71) Name(s) and Address(s) of Applicant(s):
SCA Hygiene Products AB
SE-405 03 Goteborg Sweden
(72) Name(s) of Designer(s): **Marten Rittfeldt and Viktor Berglin and Jens Andersson and Mariano Vozzi**
(45) Registration Date: **11 July 2014**
(30) Convention priority data:
(31) Number (32) Date (33) Country
001392252-0002 09 Dec 2013 OFFICE FOR HARMONISATION IN THE INTERNAL MARKET (OHIM)
(56) Related Art Documents: **Not Applicable**
(57) Statement of Newness and Distinctiveness: **Newness and distinctiveness is claimed in the shape and configuration of the opening of the dispenser in the top, side and perspective views of the representations.**



- (21) Design Number: **12724/2014**
(22) Date of Filing Application: **03 June 2014**
(24) Date from which industrial property rights may have effect: **03 June 2014**
(54) Product in respect of which the design is registered: **Momentum pivot extrusion**
(51) International Design Classification: **25-01K**
(74) Name(s) of Attorney(s):
(71) Name(s) and Address(s) of Applicant(s):
Aluminium Industries of Australia Pty Ltd
160 Ordish Rd Dandenong South VIC 3175 Australia
(72) Name(s) of Designer(s): **Matthew William Keen**
(45) Registration Date: **11 July 2014**
(56) Related Art Documents: **Not Applicable**
(57) Statement of Newness and Distinctiveness: **Newness and distinctiveness reside in the shape and/or configuration of the Front Glazed Extrusion Profile of indefinite length, shown in the representations.**



- (21) Design Number: **12884/2014**
(22) Date of Filing Application: **12 June 2014**
(24) Date from which industrial property rights may have effect: **12 June 2014**
(54) Product in respect of which the design is registered: **Support bracket**
(51) International Design Classification: **25-01NES, 08-08L**
(74) Name(s) of Attorney(s): **Baxter IP**
(71) Name(s) and Address(s) of Applicant(s):
Baldamero Gato
5 Whitburn CI Charlestown NSW 2290 Australia
(72) Name(s) of Designer(s): **Baldamero Gato**
(45) Registration Date: **11 July 2014**
(56) Related Art Documents: **Not Applicable**
(57) Statement of Newness and Distinctiveness: **Nil**



- (21) Design Number: **12864/2014**
(22) Date of Filing Application: **12 June 2014**
(24) Date from which industrial property rights may have effect: **12 June 2014**
(54) Product in respect of which the design is registered: **A tyre label**
(51) International Design Classification: **19-08**
(74) Name(s) of Attorney(s):
(71) Name(s) and Address(s) of Applicant(s):

John Geoffery Pianta
23 Savannah St Palm Cove QLD 4879 Australia

- (72) Name(s) of Designer(s): **John Geoffery Pianta**
(45) Registration Date: **11 July 2014**
(56) Related Art Documents: **Not Applicable**
(57) Statement of Newness and Distinctiveness: **Danger - Stored High Pressure Hazard Label Shape - the shape is distinctive as it is concave arched at the bottom and convex arched at the top. The sides of the label are tapered from the wider top arch to the smaller bottom arch. The entire size can expand or contract to suit the circular diameter of a tyre radius. The top and bottom information bars are coloured red to warn persons of dangers with tyre handling procedures and boxes for placing information in the spaces between. The label also has a STOP symbol placed in the centre of the label.**



- (21) Design Number: **12885/2014**
(22) Date of Filing Application: **12 June 2014**
(24) Date from which industrial property rights may have effect: **12 June 2014**
(54) Product in respect of which the design is registered: **Electronic device**
(51) International Design Classification: **14-03E, 14-02**
(74) Name(s) of Attorney(s): **Wrays**
(71) Name(s) and Address(s) of Applicant(s):

Samsung Electronics Co., Ltd
129, Samsung-ro Yeongtong-gu, Suwon-si Gyeonggi-do 443-742
Republic of Korea

- (72) Name(s) of Designer(s): **Min-Hyouk Lee and Min-Ah Koh and Dong-Hun Kim and Joo-Ho Seo**
(45) Registration Date: **11 July 2014**
(30) Convention priority data:
(31) Number (32) Date (33) Country
30-2014-0008261 19 Feb 2014 REPUBLIC OF KOREA



- (56) Related Art Documents: **Not Applicable**
(57) Statement of Newness and Distinctiveness: **Newness and distinctiveness is claimed in the features of shape and/or configuration of the Electronic Device as shown in the accompanying representations. The features depicted by broken lines are for illustrative purposes only and form no part of the claimed design.**

- (21) Design Number: **12886/2014**
(22) Date of Filing Application: **12 June 2014**
(24) Date from which industrial property rights may have effect: **12 June 2014**
(54) Product in respect of which the design is registered: **Electronic device**
(51) International Design Classification: **14-03E, 14-02**
(74) Name(s) of Attorney(s): **Wrays**
(71) Name(s) and Address(s) of Applicant(s):
Samsung Electronics Co., Ltd
129, Samsung-ro Yeongtong-gu, Suwon-si Gyeonggi-do 443-742
Republic of Korea
(72) Name(s) of Designer(s): **Min-Hyouk Lee and Min-Ah Koh and Dong-Hun Kim and Joo-Ho Seo**
(45) Registration Date: **11 July 2014**
(30) Convention priority data:
(31) Number (32) Date (33) Country
30-2014-0008262 19 Feb 2014 REPUBLIC OF KOREA
(56) Related Art Documents: **Not Applicable**
(57) Statement of Newness and Distinctiveness: **Newness and distinctiveness is claimed in the features of shape and/or configuration of the Electronic Device as shown in the accompanying representations. The features depicted by broken lines are for illustrative purposes only and form no part of the claimed design.**



- (21) Design Number: **12887/2014**
(22) Date of Filing Application: **12 June 2014**
(24) Date from which industrial property rights may have effect: **12 June 2014**
(54) Product in respect of which the design is registered: **Electronic device**
(51) International Design Classification: **14-03E, 14-02**
(74) Name(s) of Attorney(s): **Wrays**
(71) Name(s) and Address(s) of Applicant(s):
Samsung Electronics Co., Ltd
129, Samsung-ro Yeongtong-gu, Suwon-si Gyeonggi-do 443-742
Republic of Korea
(72) Name(s) of Designer(s): **Min-Hyouk Lee and Min-Ah Koh and Dong-Hun Kim and Joo-Ho Seo**
(45) Registration Date: **11 July 2014**
(30) Convention priority data:
(31) Number (32) Date (33) Country
30-2014-0008263 19 Feb 2014 REPUBLIC OF KOREA
(56) Related Art Documents: **Not Applicable**
(57) Statement of Newness and Distinctiveness: **Newness and distinctiveness is claimed in the features of shape and/or configuration of the Electronic Device as shown in the accompanying representations. The features depicted by broken lines are for illustrative purposes only and form no part of the claimed design.**



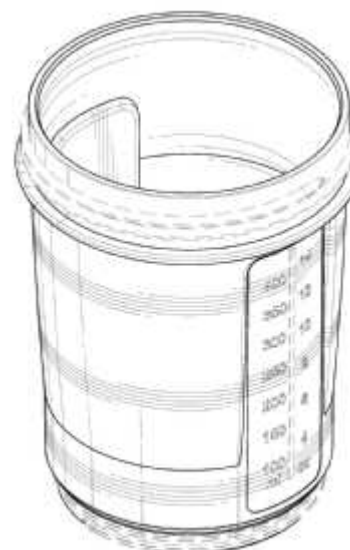
- (21) Design Number: **12890/2014**
(22) Date of Filing Application: **12 June 2014**
(24) Date from which industrial property rights may have effect: **12 June 2014**
(54) Product in respect of which the design is registered: **Electronic device**
(51) International Design Classification: **14-03E, 14-02**
(74) Name(s) of Attorney(s): **Wrays**
(71) Name(s) and Address(s) of Applicant(s):
Samsung Electronics Co., Ltd
129, Samsung-ro Yeongtong-gu, Suwon-si Gyeonggi-do 443-742
Republic of Korea
(72) Name(s) of Designer(s): **Min-Hyouk Lee and Min-Ah Koh and Dong-Hun Kim and Joo-Ho Seo**
(45) Registration Date: **11 July 2014**
(30) Convention priority data:
(31) Number (32) Date (33) Country
30-2014-0008264 19 Feb 2014 REPUBLIC OF KOREA
(56) Related Art Documents: **Not Applicable**
(57) Statement of Newness and Distinctiveness: **Newness and distinctiveness is claimed in the features of shape and/or configuration of the Electronic Device as shown in the accompanying representations. The features depicted by broken lines are for illustrative purposes only and form no part of the claimed design. The dot-dash broken lines define boundaries of the claimed design and form no part thereof.**



- (21) Design Number: **12891/2014**
(22) Date of Filing Application: **12 June 2014**
(24) Date from which industrial property rights may have effect: **12 June 2014**
(54) Product in respect of which the design is registered: **Electronic device**
(51) International Design Classification: **14-02, 14-03E**
(74) Name(s) of Attorney(s): **Wrays**
(71) Name(s) and Address(s) of Applicant(s):
Samsung Electronics Co., Ltd
129, Samsung-ro Yeongtong-gu, Suwon-si Gyeonggi-do 443-742
Republic of Korea
(72) Name(s) of Designer(s): **Min-Hyouk Lee and Min-Ah Koh and Dong-Hun Kim and Joo-Ho Seo**
(45) Registration Date: **11 July 2014**
(30) Convention priority data:
(31) Number (32) Date (33) Country
30-2014-0008266 19 Feb 2014 REPUBLIC OF KOREA
(56) Related Art Documents: **Not Applicable**
(57) Statement of Newness and Distinctiveness: **Newness and distinctiveness is claimed in the features of shape and/or configuration of the Electronic Device as shown in the accompanying representations. The features depicted by broken lines are for illustrative purposes only and form no part of the claimed design.**



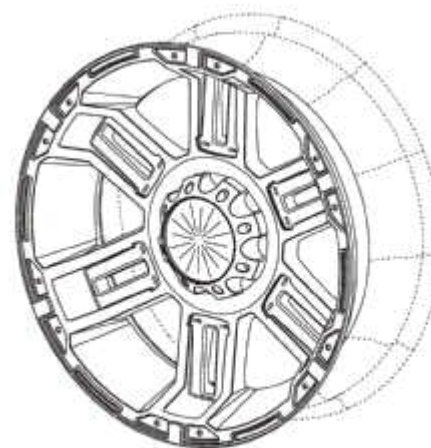
- (21) Design Number: **12892/2014**
(22) Date of Filing Application: **12 June 2014**
(24) Date from which industrial property rights may have effect: **17 February 2014**
(54) Product in respect of which the design is registered: **Container**
(51) International Design Classification: **07-01NES, 10-04**
(74) Name(s) of Attorney(s): **Griffith Hack**
(71) Name(s) and Address(s) of Applicant(s):
Runway Blue, LLC
250 South 850 East Lehi Utah 84043 United States of America
(72) Name(s) of Designer(s): **Steven M Sorensen and David O Meyers and Kim L Sorensen**
(45) Registration Date: **11 July 2014**
(62) Divisional of: **356380**
(56) Related Art Documents: **Not Applicable**
(57) Statement of Newness and Distinctiveness: **Newness and distinctness resides in the shape and configuration of the PRODUCT as shown by means of solid lines in the accompanying representations.**



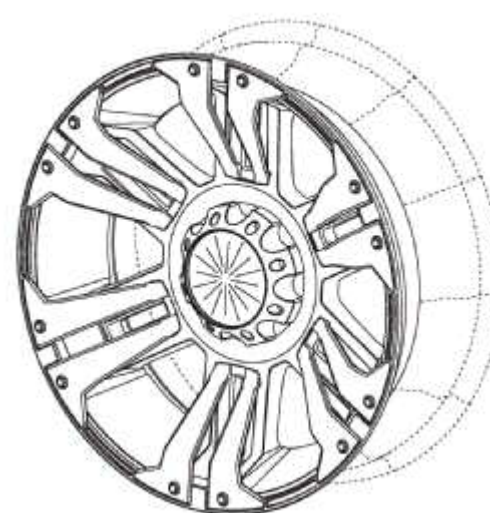
- (21) Design Number: **12893/2014**
(22) Date of Filing Application: **12 June 2014**
(24) Date from which industrial property rights may have effect: **28 March 2014**
(54) Product in respect of which the design is registered: **Handset**
(51) International Design Classification: **14-03E**
(74) Name(s) of Attorney(s): **SPRUSON & FERGUSON**
(71) Name(s) and Address(s) of Applicant(s):
Nokia Corporation
Keilalahdentie 4, Espoo 02150 Finland
(72) Name(s) of Designer(s): **Edward Mitchell**
(45) Registration Date: **11 July 2014**
(62) Divisional of: **355967**
(56) Related Art Documents: **Not Applicable**
(57) Statement of Newness and Distinctiveness: **Newness and distinctiveness is claimed in the features of shape and/or configuration of a handset as illustrated in continuous lines in the accompanying representations.**



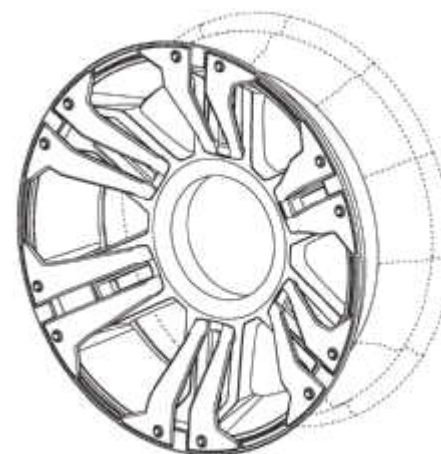
(21) Design Number: **12894/2014**
(22) Date of Filing Application: **12 June 2014**
(24) Date from which industrial property rights may have effect: **12 June 2014**
(54) Product in respect of which the design is registered: **Wheel**
(51) International Design Classification: **12-16A**
(74) Name(s) of Attorney(s): **Allens Patent & Trade Mark Attorneys**
(71) Name(s) and Address(s) of Applicant(s):
Wheel Pros, LLC
44 Union Boulevard Suite 620S Lakewood Colorado 80228 United States of America
(72) Name(s) of Designer(s): **Suny Chung**
(45) Registration Date: **11 July 2014**
(30) Convention priority data:
(31) Number (32) Date (33) Country
29/481,665 07 Feb 2014 UNITED STATES OF AMERICA
(56) Related Art Documents: **Not Applicable**
(57) Statement of Newness and Distinctiveness: **Newness and distinctiveness resides in the visual features of shape and/or configuration of a wheel as illustrated in the accompanying representations.**



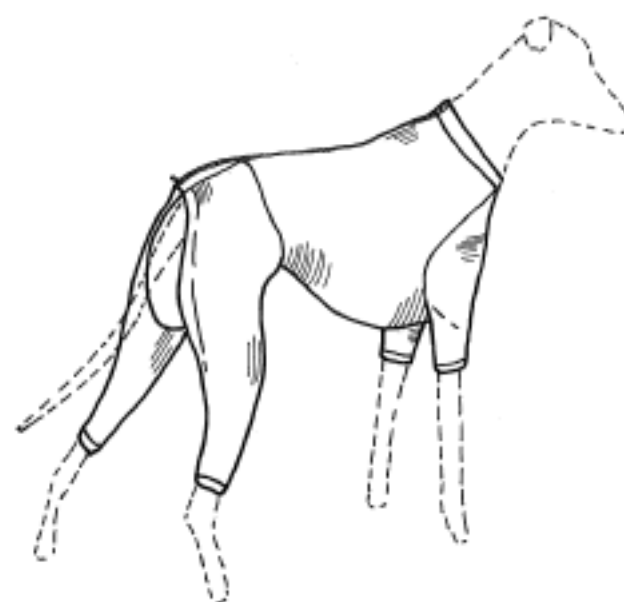
(21) Design Number: **12895/2014**
(22) Date of Filing Application: **12 June 2014**
(24) Date from which industrial property rights may have effect: **12 June 2014**
(54) Product in respect of which the design is registered: **Wheel**
(51) International Design Classification: **12-16A**
(74) Name(s) of Attorney(s): **Allens Patent & Trade Mark Attorneys**
(71) Name(s) and Address(s) of Applicant(s):
Wheel Pros, LLC
44 Union Boulevard Suite 620S Lakewood Colorado 80228 United States of America
(72) Name(s) of Designer(s): **Suny Chung**
(45) Registration Date: **11 July 2014**
(30) Convention priority data:
(31) Number (32) Date (33) Country
29/481,663 07 Feb 2014 UNITED STATES OF AMERICA
(56) Related Art Documents: **Not Applicable**
(57) Statement of Newness and Distinctiveness: **Newness and distinctiveness resides in the visual features of shape and/or configuration of a wheel as illustrated in the accompanying representations.**



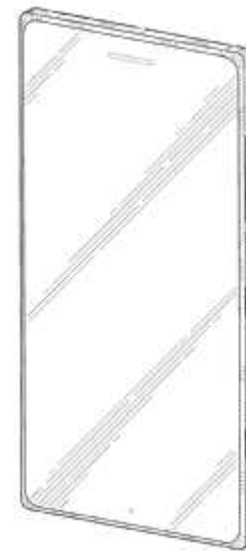
(21) Design Number: **12896/2014**
(22) Date of Filing Application: **12 June 2014**
(24) Date from which industrial property rights may have effect: **12 June 2014**
(54) Product in respect of which the design is registered: **Wheel**
(51) International Design Classification: **12-16A**
(74) Name(s) of Attorney(s): **Allens Patent & Trade Mark Attorneys**
(71) Name(s) and Address(s) of Applicant(s):
Wheel Pros, LLC
44 Union Boulevard Suite 620S Lakewood Colorado 80228 United States of America
(72) Name(s) of Designer(s): **Suny Chung**
(45) Registration Date: **11 July 2014**
(30) Convention priority data:
(31) Number (32) Date (33) Country
29/481,663 07 Feb 2014 UNITED STATES OF AMERICA
(56) Related Art Documents: **Not Applicable**
(57) Statement of Newness and Distinctiveness: **Newness and distinctiveness resides in the visual features of shape and/or configuration of a wheel as illustrated in the accompanying representations.**



(21) Design Number: **12897/2014**
(22) Date of Filing Application: **12 June 2014**
(24) Date from which industrial property rights may have effect: **12 June 2014**
(54) Product in respect of which the design is registered: **An animal suit**
(51) International Design Classification: **30-01**
(74) Name(s) of Attorney(s): **Chrysiliou IP**
(71) Name(s) and Address(s) of Applicant(s):
Hidez Pty Limited
100 Argyle St South Windsor NSW 2756 Australia
(72) Name(s) of Designer(s): **Elwyn McCabe**
(45) Registration Date: **11 July 2014**
(56) Related Art Documents: **Not Applicable**
(57) Statement of Newness and Distinctiveness: **Newness and distinctiveness reside in the features of the shape and configuration of the suit as shown in the accompanying representations. The animal, which wears the suit as depicted by the dotted lines, is to be disregarded when considering newness and distinctiveness.**



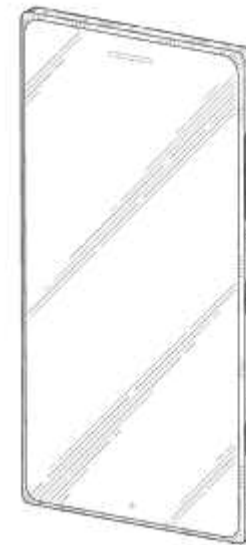
- (21) Design Number: **12898/2014**
(22) Date of Filing Application: **12 June 2014**
(24) Date from which industrial property rights may have effect: **28 March 2014**
(54) Product in respect of which the design is registered: **Handset**
(51) International Design Classification: **14-03E**
(74) Name(s) of Attorney(s): **SPRUSON & FERGUSON**
(71) Name(s) and Address(s) of Applicant(s):
Nokia Corporation
Keilalahdentie 4, Espoo 02150 Finland
(72) Name(s) of Designer(s): **Edward Mitchell**
(45) Registration Date: **11 July 2014**
(62) Divisional of: **355967**
(56) Related Art Documents: **Not Applicable**
(57) Statement of Newness and Distinctiveness: **Newness and distinctiveness is claimed in the features of shape and/or configuration of a handset as illustrated in continuous lines in the accompanying representations.**



- (21) Design Number: **12899/2014**
(22) Date of Filing Application: **12 June 2014**
(24) Date from which industrial property rights may have effect: **28 March 2014**
(54) Product in respect of which the design is registered: **Handset**
(51) International Design Classification: **14-03E**
(74) Name(s) of Attorney(s): **SPRUSON & FERGUSON**
(71) Name(s) and Address(s) of Applicant(s):
Nokia Corporation
Keilalahdentie 4 Espoo 02150 Finland
(72) Name(s) of Designer(s): **Edward Mitchell**
(45) Registration Date: **11 July 2014**
(62) Divisional of: **355967**
(56) Related Art Documents: **Not Applicable**
(57) Statement of Newness and Distinctiveness: **Newness and distinctiveness is claimed in the features of shape and/or configuration of handset as illustrated in continuous lines in the accompanying representations.**



- (21) Design Number: **12900/2014**
(22) Date of Filing Application: **12 June 2014**
(24) Date from which industrial property rights may have effect: **28 March 2014**
(54) Product in respect of which the design is registered: **Handset**
(51) International Design Classification: **14-03E**
(74) Name(s) of Attorney(s): **SPRUSON & FERGUSON**
(71) Name(s) and Address(s) of Applicant(s):
Nokia Corporation
Keilalahdentie 4 Espoo 02150 Finland
(72) Name(s) of Designer(s): **Edward Mitchell**
(45) Registration Date: **11 July 2014**
(62) Divisional of: **355967**
(56) Related Art Documents: **Not Applicable**
(57) Statement of Newness and Distinctiveness: **Newness and distinctiveness is claimed in the features of shape and/or configuration of a handset as illustrated in continuous lines in the accompanying representations.**



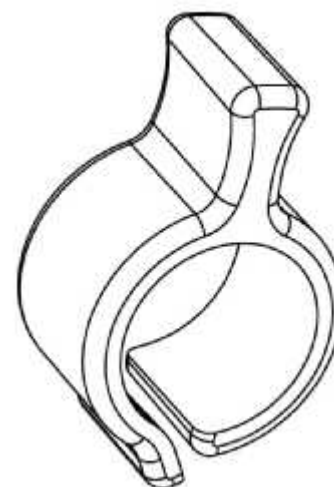
- (21) Design Number: **12901/2014**
(22) Date of Filing Application: **12 June 2014**
(24) Date from which industrial property rights may have effect: **28 March 2014**
(54) Product in respect of which the design is registered: **Handset**
(51) International Design Classification: **14-03E**
(74) Name(s) of Attorney(s): **SPRUSON & FERGUSON**
(71) Name(s) and Address(s) of Applicant(s):
Nokia Corporation
Keilalahdentie 4 Espoo 02150 Finland
(72) Name(s) of Designer(s): **Edward Mitchell**
(45) Registration Date: **11 July 2014**
(62) Divisional of: **355967**
(56) Related Art Documents: **Not Applicable**
(57) Statement of Newness and Distinctiveness: **Newness and distinctiveness is claimed in the features of shape and/or configuration of a handset as illustrated in continuous lines in the accompanying representations.**



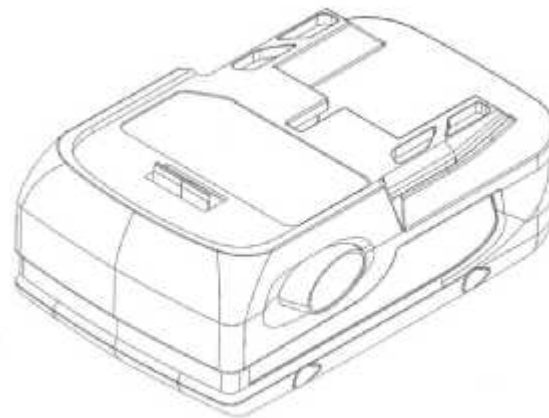
- (21) Design Number: **12902/2014**
(22) Date of Filing Application: **12 June 2014**
(24) Date from which industrial property rights may have effect: **28 March 2014**
(54) Product in respect of which the design is registered: **Handset**
(51) International Design Classification: **14-03E**
(74) Name(s) of Attorney(s): **SPRUSON & FERGUSON**
(71) Name(s) and Address(s) of Applicant(s):
Nokia Corporation
Keilalahdentie 4 Espoo 02150 Finland
(72) Name(s) of Designer(s): **Edward Mitchell**
(45) Registration Date: **11 July 2014**
(62) Divisional of: **355967**
(56) Related Art Documents: **Not Applicable**
(57) Statement of Newness and Distinctiveness: **Newness and distinctiveness is claimed in the features of shape and/or configuration of a handset as illustrated in continuous lines in the accompanying representations.**



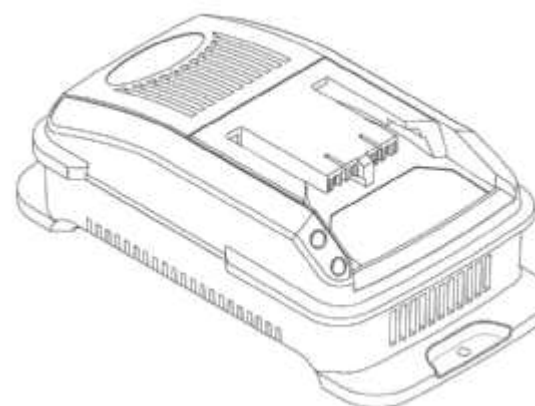
- (21) Design Number: **12904/2014**
(22) Date of Filing Application: **13 June 2014**
(24) Date from which industrial property rights may have effect: **13 June 2014**
(54) Product in respect of which the design is registered: **A thread retention clip for a sewing bobbin**
(51) International Design Classification: **08-08NES, 15-06**
(74) Name(s) of Attorney(s): **Pegasus IP**
(71) Name(s) and Address(s) of Applicant(s):
Brearne Lyon
642 O'Deas Rd Elbow Valley QLD 4370 Australia
(72) Name(s) of Designer(s): **Brearne Lyon**
(45) Registration Date: **11 July 2014**
(56) Related Art Documents: **Not Applicable**
(57) Statement of Newness and Distinctiveness: **Newness and distinctiveness resides in the features of shape and/or configuration of the product shown in the representations.**



(21) Design Number: **12906/2014**
(22) Date of Filing Application: **13 June 2014**
(24) Date from which industrial property rights may have effect: **13 June 2014**
(54) Product in respect of which the design is registered: **Battery**
(51) International Design Classification: **13-02**
(74) Name(s) of Attorney(s): **Griffith Hack**
(71) Name(s) and Address(s) of Applicant(s):
Techtronic Industries Co., Ltd
24/F CDW Building 388 Castle Peak Road Tsuen Wan New Territories
Hong Kong
(72) Name(s) of Designer(s): **Ryan Joseph Marino and David Wiseman and**
Stuart Miller and Matthew Stephen Jennings and Matthew Corbin and
Sean Campbell and C Keith Long and Robert Andrew Patrick
(45) Registration Date: **11 July 2014**
(30) Convention priority data:
(31) Number (32) Date (33) Country
29/476,479 13 Dec 2013 UNITED STATES OF AMERICA
(56) Related Art Documents: **Not Applicable**
(57) Statement of Newness and Distinctiveness: **Nil**



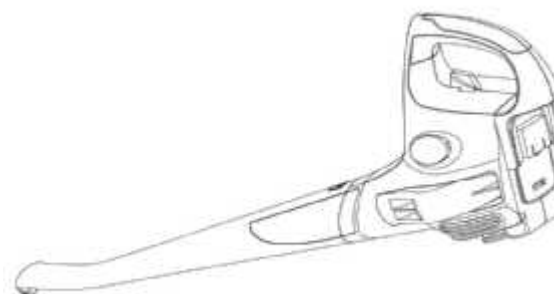
(21) Design Number: **12907/2014**
(22) Date of Filing Application: **13 June 2014**
(24) Date from which industrial property rights may have effect: **13 June 2014**
(54) Product in respect of which the design is registered: **Charger**
(51) International Design Classification: **13-02**
(74) Name(s) of Attorney(s): **Griffith Hack**
(71) Name(s) and Address(s) of Applicant(s):
Techtronic Industries Co., Ltd
24/F CDW Building 388 Castle Peak Road Tsuen Wan New Territories
Hong Kong
(72) Name(s) of Designer(s): **Ryan Joseph Marino and David Wiseman and**
Stuart Miller and Matthew Stephen Jennings and Matthew Corbin and
Sean Campbell and C Keith Long and Robert Andrew Patrick
(45) Registration Date: **11 July 2014**
(30) Convention priority data:
(31) Number (32) Date (33) Country
29/476,480 13 Dec 2013 UNITED STATES OF AMERICA
(56) Related Art Documents: **Not Applicable**
(57) Statement of Newness and Distinctiveness: **Nil**



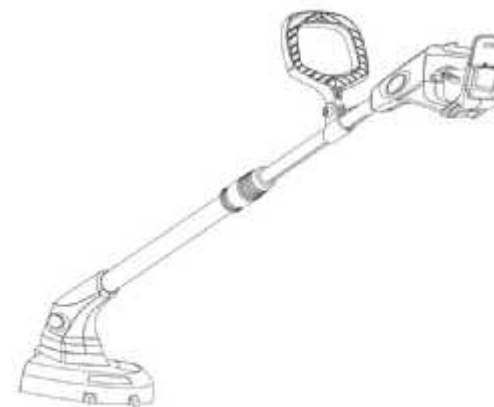
(21) Design Number: **11397/2014**
(22) Date of Filing Application: **25 March 2014**
(24) Date from which industrial property rights may have effect: **27 February 2014**
(54) Product in respect of which the design is registered: **Knourled spout end**
(51) International Design Classification: **23-01H**
(74) Name(s) of Attorney(s):
(71) Name(s) and Address(s) of Applicant(s):
Ian Shirliff
PO BOX 610 Seven Hills NSW 1730 Australia
(72) Name(s) of Designer(s): **Ian Shirliff**
(45) Registration Date: **11 July 2014**
(62) Divisional of: **356344**
(56) Related Art Documents: **Not Applicable**
(57) Statement of Newness and Distinctiveness: **Newness and distinctiveness is claimed in the knurled section of the spout as illustrated in the accompanying representation.**



(21) Design Number: **12908/2014**
(22) Date of Filing Application: **13 June 2014**
(24) Date from which industrial property rights may have effect: **13 June 2014**
(54) Product in respect of which the design is registered: **Blower**
(51) International Design Classification: **15-05**
(74) Name(s) of Attorney(s): **Griffith Hack**
(71) Name(s) and Address(s) of Applicant(s):
Techtronic Industries Co., Ltd
24/F CDW Building 388 Castle Peak Road Tsuen Wan New Territories
Hong Kong
(72) Name(s) of Designer(s): **Ryan Joseph Marino and David Wiseman and**
Stuart Miller and Matthew Stephen Jennings and Matthew Corbin and
Sean Campbell and C Keith Long and Robert Andrew Patrick
(45) Registration Date: **11 July 2014**
(30) Convention priority data:
(31) Number (32) Date (33) Country
29/476,483 13 Dec 2013 UNITED STATES OF AMERICA
(56) Related Art Documents: **Not Applicable**
(57) Statement of Newness and Distinctiveness: **Nil**



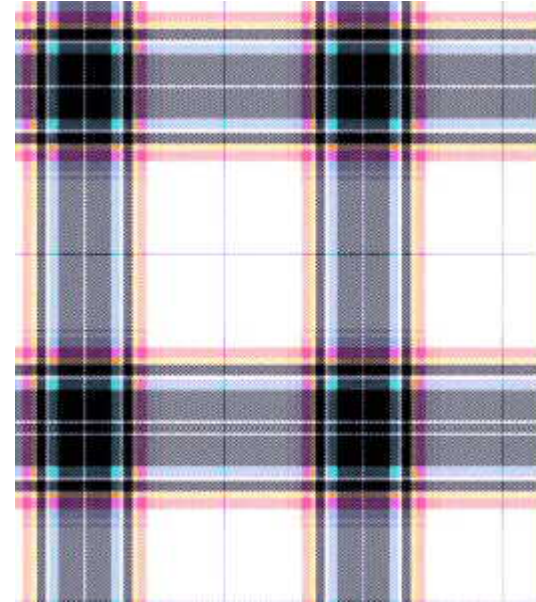
(21) Design Number: **12909/2014**
(22) Date of Filing Application: **13 June 2014**
(24) Date from which industrial property rights may have effect: **13 June 2014**
(54) Product in respect of which the design is registered: **String trimmer**
(51) International Design Classification: **08-03**
(74) Name(s) of Attorney(s): **Griffith Hack**
(71) Name(s) and Address(s) of Applicant(s):
Techtronic Industries Co., Ltd
24/F CDW Building 388 Castle Peak Road Tsuen Wan New Territories
Hong Kong
(72) Name(s) of Designer(s): **Ryan Joseph Marino and David Wiseman and**
Stuart Miller and Matthew Stephen Jennings and Matthew Corbin and
Sean Campbell and C Keith Long and Robert Andrew Patrick
(45) Registration Date: **11 July 2014**
(30) Convention priority data:
(31) Number (32) Date (33) Country
29/476,483 13 Dec 2013 UNITED STATES OF AMERICA
(56) Related Art Documents: **Not Applicable**
(57) Statement of Newness and Distinctiveness: **Nil**



(21) Design Number: **12912/2014**
(22) Date of Filing Application: **13 June 2014**
(24) Date from which industrial property rights may have effect: **13 June 2014**
(54) Product in respect of which the design is registered: **A textile print**
(51) International Design Classification: **05-05NES**
(74) Name(s) of Attorney(s):
(71) Name(s) and Address(s) of Applicant(s):
AUSTRALIAN FASHION LABELS PTY LTD
106 Currie St Adelaide SA 5000 Australia
(72) Name(s) of Designer(s): **Kate Anderson and Hannah Virgo-Colbey**
(45) Registration Date: **11 July 2014**
(56) Related Art Documents: **Not Applicable**
(57) Statement of Newness and Distinctiveness: **Newness and distinctiveness**
resides in the features of pattern and ornamentation of a textile print as
shown in the accompanying representations.



- (21) Design Number: **12913/2014**
(22) Date of Filing Application: **13 June 2014**
(24) Date from which industrial property rights may have effect: **13 June 2014**
(54) Product in respect of which the design is registered: **A textile print**
(51) International Design Classification: **05-05D**
(74) Name(s) of Attorney(s):
(71) Name(s) and Address(s) of Applicant(s):
AUSTRALIAN FASHION LABELS PTY LTD
106 Currie St Adelaide SA 5000 Australia
(72) Name(s) of Designer(s): **Kate Anderson and Hannah Virgo-Colbey**
(45) Registration Date: **11 July 2014**
(56) Related Art Documents: **Not Applicable**
(57) Statement of Newness and Distinctiveness: **Newness and distinctiveness resides in the features of pattern and ornamentation of a textile print as shown in the accompanying representations.**



- (21) Design Number: **12915/2014**
(22) Date of Filing Application: **13 June 2014**
(24) Date from which industrial property rights may have effect: **13 June 2014**
(54) Product in respect of which the design is registered: **A dress**
(51) International Design Classification: **02-02C**
(74) Name(s) of Attorney(s):
(71) Name(s) and Address(s) of Applicant(s):
Australian Fashion Labels Pty Ltd
106 Currie St Adelaide SA 5000 Australia
(72) Name(s) of Designer(s): **Kate Anderson and Hannah Virgo-Colbey**
(45) Registration Date: **11 July 2014**
(56) Related Art Documents: **Not Applicable**
(57) Statement of Newness and Distinctiveness: **Newness and distinctiveness resides in the features of shape and configuration of a dress as shown in the accompanying representations.**



(21) Design Number: **12916/2014**
(22) Date of Filing Application: **13 June 2014**
(24) Date from which industrial property rights may have effect: **13 June 2014**
(54) Product in respect of which the design is registered: **A bottle**
(51) International Design Classification: **09-01D**
(74) Name(s) of Attorney(s):
(71) Name(s) and Address(s) of Applicant(s):
Emmanuel Thompson
1/39 Kitchener St Tugun QLD 4224 Australia
(72) Name(s) of Designer(s): **Emmanuel Thompson**
(45) Registration Date: **11 July 2014**
(56) Related Art Documents: **Not Applicable**
(57) Statement of Newness and Distinctiveness: **Nil**



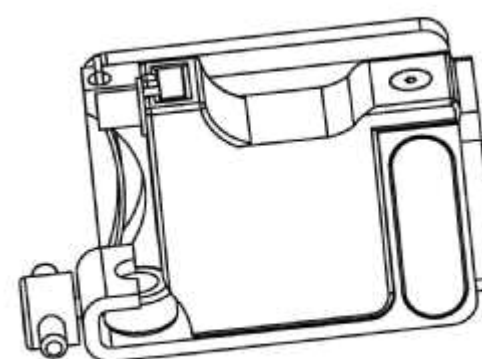
(21) Design Number: **12917/2014**
(22) Date of Filing Application: **13 June 2014**
(24) Date from which industrial property rights may have effect: **13 June 2014**
(54) Product in respect of which the design is registered: **A bottle**
(51) International Design Classification: **09-01D**
(74) Name(s) of Attorney(s):
(71) Name(s) and Address(s) of Applicant(s):
Emmanuel Thompson
1/39 Kitchener St Tugun QLD 4224 Australia
(72) Name(s) of Designer(s): **Emmanuel Thompson**
(45) Registration Date: **11 July 2014**
(56) Related Art Documents: **Not Applicable**
(57) Statement of Newness and Distinctiveness: **Nil**



- (21) Design Number: **12919/2014**
(22) Date of Filing Application: **13 June 2014**
(24) Date from which industrial property rights may have effect: **13 June 2014**
(54) Product in respect of which the design is registered: **A textile print**
(51) International Design Classification: **05-05B**
(74) Name(s) of Attorney(s):
(71) Name(s) and Address(s) of Applicant(s):
 Australian Fashion Labels Pty Ltd
 106 Currie St Adelaide SA 5000 Australia
(72) Name(s) of Designer(s): **Siham Elmawey**
(45) Registration Date: **11 July 2014**
(56) Related Art Documents: **Not Applicable**
(57) Statement of Newness and Distinctiveness: **Newness and distinctiveness resides in the features of pattern and ornamentation of a textile print as shown in the accompanying representations.**



- (21) Design Number: **12920/2014**
(22) Date of Filing Application: **13 June 2014**
(24) Date from which industrial property rights may have effect: **13 June 2014**
(54) Product in respect of which the design is registered: **Tattooing machine**
(51) International Design Classification: **19-06**
(74) Name(s) of Attorney(s): **Baxter IP**
(71) Name(s) and Address(s) of Applicant(s):
 Brett Colton
 17 Anthony St Albany WA 6330 Australia
 Bertho Kjell Bowman
 11600 NW 20th Street Plantation Florida 33323 United States of America
(72) Name(s) of Designer(s): **Brett Colton**
(45) Registration Date: **11 July 2014**
(56) Related Art Documents: **Not Applicable**
(57) Statement of Newness and Distinctiveness: **Nil**



- (21) Design Number: **12921/2014**
(22) Date of Filing Application: **13 June 2014**
(24) Date from which industrial property rights may have effect: **13 June 2014**
(54) Product in respect of which the design is registered: **A textile print**
(51) International Design Classification: **05-05NES**
(74) Name(s) of Attorney(s):
(71) Name(s) and Address(s) of Applicant(s):
AUSTRALIAN FASHION LABELS PTY LTD
106 Currie St Adelaide SA 5000 Australia
(72) Name(s) of Designer(s): **Siham Elmawey**
(45) Registration Date: **11 July 2014**
(56) Related Art Documents: **Not Applicable**
(57) Statement of Newness and Distinctiveness: **Newness and distinctiveness resides in the features of pattern and ornamentation of a textile print as shown in the accompanying representations.**



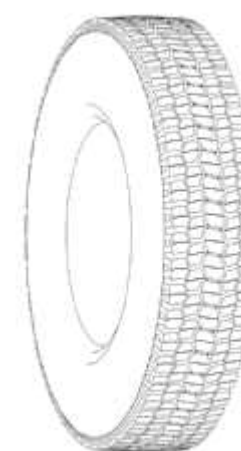
- (21) Design Number: **12924/2014**
(22) Date of Filing Application: **16 June 2014**
(24) Date from which industrial property rights may have effect: **16 June 2014**
(54) Product in respect of which the design is registered: **A tyre**
(51) International Design Classification: **12-15B**
(74) Name(s) of Attorney(s): **WATERMARK PATENT AND TRADE MARKS ATTORNEYS**
(71) Name(s) and Address(s) of Applicant(s):
COMPAGNIE GENERALE DES ETABLISSEMENTS MICHELIN
12 cours Sablon Clermont-Ferrand 63000 France
Michelin Recherche et Technique S.A.
Route Louis Braille 10 Granges-Paccot 1763 Switzerland
(72) Name(s) of Designer(s): **Kevin Ray Reim and John Anthony Hutz**
(45) Registration Date: **11 July 2014**
(30) Convention priority data:
(31) Number (32) Date (33) Country
29/480,226 24 Jan 2014 UNITED STATES OF AMERICA
(56) Related Art Documents: **Not Applicable**
(57) Statement of Newness and Distinctiveness: **Newness and distinctiveness resides in the appearance of the tread region of the tyre, the remainder of the tyre not forming part of the design.**



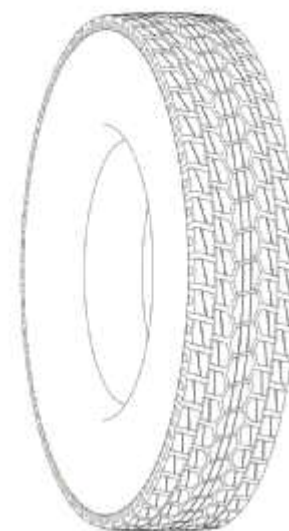
- (21) Design Number: **12925/2014**
(22) Date of Filing Application: **16 June 2014**
(24) Date from which industrial property rights may have effect: **16 June 2014**
(54) Product in respect of which the design is registered: **A tyre**
(51) International Design Classification: **12-15B**
(74) Name(s) of Attorney(s): **WATERMARK PATENT AND TRADE MARKS ATTORNEYS**
(71) Name(s) and Address(s) of Applicant(s):
Michelin Recherche et Technique S.A.
Route Louis Braille 10 Granges-Paccot 1763 Switzerland
COMPAGNIE GENERALE DES ETABLISSEMENTS MICHELIN
12 cours Sablon Clermont-Ferrand 63000 France
(72) Name(s) of Designer(s): **Kevin Ray Reim and John Anthony Hutz**
(45) Registration Date: **11 July 2014**
(30) Convention priority data:
(31) Number (32) Date (33) Country
29/480,220 24 Jan 2014 UNITED STATES OF AMERICA
(56) Related Art Documents: **Not Applicable**
(57) Statement of Newness and Distinctiveness: **Newness and distinctiveness resides in the appearance of the tread region of the tyre, the remainder of the tyre not forming part of the design.**



- (21) Design Number: **12926/2014**
(22) Date of Filing Application: **16 June 2014**
(24) Date from which industrial property rights may have effect: **16 June 2014**
(54) Product in respect of which the design is registered: **Automobile tyre**
(51) International Design Classification: **12-15B**
(74) Name(s) of Attorney(s): **Griffith Hack**
(71) Name(s) and Address(s) of Applicant(s):
BRIDGESTONE CORPORATION
1-1, Kyobashi 3-chome Chuo-ku Tokyo 104-8340 Japan
(72) Name(s) of Designer(s): **Yusuke Nobunaga**
(45) Registration Date: **11 July 2014**
(30) Convention priority data:
(31) Number (32) Date (33) Country
2013-029517 16 Dec 2013 JAPAN
(56) Related Art Documents: **Not Applicable**
(57) Statement of Newness and Distinctiveness: **The shape and configuration of the tread portion of the product is new and distinctive. FIG. 9 has been included for illustrative purposes and does not form part of the design.**



(21) Design Number: **12927/2014**
(22) Date of Filing Application: **16 June 2014**
(24) Date from which industrial property rights may have effect: **16 June 2014**
(54) Product in respect of which the design is registered: **Automobile tyre**
(51) International Design Classification: **12-15B**
(74) Name(s) of Attorney(s): **Griffith Hack**
(71) Name(s) and Address(s) of Applicant(s):
BRIDGESTONE CORPORATION
1-1, Kyobashi 3-chome Chuo-ku Tokyo 104-8340 Japan
(72) Name(s) of Designer(s): **Haruki Shintani**
(45) Registration Date: **11 July 2014**
(30) Convention priority data:
(31) Number (32) Date (33) Country
2014-004295 28 Feb 2014 JAPAN
(56) Related Art Documents: **Not Applicable**
(57) Statement of Newness and Distinctiveness: **The shape and configuration of the tread portion of the product is new and distinctive. FIG. 8 has been included for illustrative purposes and does not form part of the design.**



(21) Design Number: **12928/2014**
(22) Date of Filing Application: **16 June 2014**
(24) Date from which industrial property rights may have effect: **16 June 2014**
(54) Product in respect of which the design is registered: **Heart-shaped locket**
(51) International Design Classification: **11-01NES**
(74) Name(s) of Attorney(s): **Fisher Adams Kelly Pty Ltd**
(71) Name(s) and Address(s) of Applicant(s):
Origami Owl, LLC
410 S Benson Ln Ste 1 Chandler AZ, 85224-6458 United States of America
(72) Name(s) of Designer(s): **Christian H Weems and Zyad M Kadri**
(45) Registration Date: **11 July 2014**
(30) Convention priority data:
(31) Number (32) Date (33) Country
29/477124 19 Dec 2013 UNITED STATES OF AMERICA
(56) Related Art Documents: **Not Applicable**
(57) Statement of Newness and Distinctiveness: **The newness and distinctiveness of the design resides in the shape and/or configuration of the HEART-SHAPED LOCKET shown in the representations.**



(21) Design Number: **12929/2014**
(22) Date of Filing Application: **16 June 2014**
(24) Date from which industrial property rights may have effect: **16 June 2014**
(54) Product in respect of which the design is registered: **Heart-shaped locket**
(51) International Design Classification: **11-01NES**
(74) Name(s) of Attorney(s): **Fisher Adams Kelly Pty Ltd**
(71) Name(s) and Address(s) of Applicant(s):

Origami Owl, LLC
410 S Benson Ln Ste 1 Chandler AZ, 85224-6458 United States of America

(72) Name(s) of Designer(s): **David A Tipp and Christian H Weems**

(45) Registration Date: **11 July 2014**

(30) Convention priority data:

(31) Number	(32) Date	(33) Country
29/477098	19 Dec 2013	UNITED STATES OF AMERICA

(56) Related Art Documents: **Not Applicable**

(57) Statement of Newness and Distinctiveness: **The newness and distinctiveness of the design resides in the shape and/or configuration of the HEART-SHAPED LOCKET shown in the representations.**



(21) Design Number: **11170/2014**
(22) Date of Filing Application: **13 March 2014**
(24) Date from which industrial property rights may have effect: **13 March 2014**
(54) Product in respect of which the design is registered: **Gaming device cabinet**
(51) International Design Classification: **21-03**
(74) Name(s) of Attorney(s): **PHILLIPS ORMONDE FITZPATRICK**
(71) Name(s) and Address(s) of Applicant(s):

IGT
6355 S. Buffalo Dr. Las Vegas Nevada 89113 United States of America

(72) Name(s) of Designer(s): **James A Vasquez and Julia J Angst and John L Beadell and John W Chamberlain and Matthew D Cloutier and Matthew A Franich and Khanh Trang N Hajek and Mark A Jaillet and Chun J Jia and Charles W Johnson and Patrick J Nohr and Gene E Powell and Jacqueline M Ragnone and Tai Rosander and Kirk A Tedsen and Stewart Thoeni and James W Timperley and Randall J Tognoni and Gregory D Wright and Jared P Wulff and Russell Chudd**

(45) Registration Date: **11 July 2014**

(30) Convention priority data:

(31) Number	(32) Date	(33) Country
29/467,535	20 Sep 2013	UNITED STATES OF AMERICA

(56) Related Art Documents: **Not Applicable**

(57) Statement of Newness and Distinctiveness: **Those features of the gaming device cabinet depicted in the representations that are new and distinctive are the shape and/or configuration. The features shown in broken lines are not part of the design and are to be disregarded when considering the overall impression of the design.**



(21) Design Number: **12112/2014**
(22) Date of Filing Application: **01 May 2014**
(24) Date from which industrial property rights may have effect: **01 May 2014**
(54) Product in respect of which the design is registered: **Razor cartridge**
(51) International Design Classification: **28-03A**
(74) Name(s) of Attorney(s): **PHILLIPS ORMONDE FITZPATRICK**
(71) Name(s) and Address(s) of Applicant(s):

The Gillette Company
One Gillette Park Boston Massachusetts 02127 United States of America

(72) Name(s) of Designer(s): **Stephen Charles Witkus and Armando Miguel Hurtado and Neil Lettenberger**

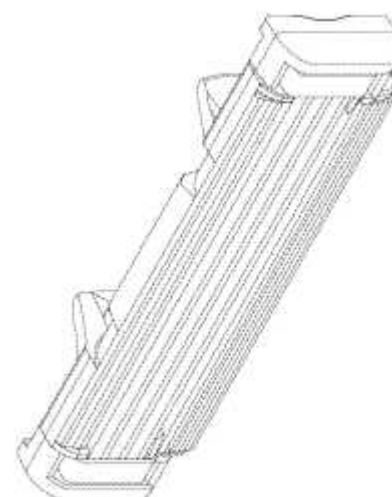
(45) Registration Date: **14 July 2014**

(30) Convention priority data:

(31) Number	(32) Date	(33) Country
29/472,581	13 Nov 2013	UNITED STATES OF AMERICA

(56) Related Art Documents: **Not Applicable**

(57) Statement of Newness and Distinctiveness: **Those features of the razor cartridge depicted in the representations that are new and distinctive are the shape and/or configuration. The features shown in broken lines are not part of the design and are to be disregarded when considering the overall impression of the design.**



(21) Design Number: **12142/2014**
(22) Date of Filing Application: **03 May 2014**
(24) Date from which industrial property rights may have effect: **03 May 2014**
(54) Product in respect of which the design is registered: **Cake carrier**
(51) International Design Classification: **07-01NES**
(74) Name(s) of Attorney(s):
(71) Name(s) and Address(s) of Applicant(s):

Katherine Thompson
177 Liardet St Port Melbourne VIC 3207 Australia

Jennifer Paul
177 Liardet St Port Melbourne VIC 3207 Australia

(72) Name(s) of Designer(s): **Katherine Thompson and Jennifer Paul**

(45) Registration Date: **14 July 2014**

(56) Related Art Documents: **Not Applicable**

(57) Statement of Newness and Distinctiveness: **The Baker's Drawer is safe carrier for baked goods or picnic hampers. Our product is a 'drawer design' made from timber and held together with a leather strap.**



(21) Design Number: **12303/2014**
(22) Date of Filing Application: **14 May 2014**
(24) Date from which industrial property rights may have effect: **03 March 2014**
(54) Product in respect of which the design is registered: **Rack rear wall**
(51) International Design Classification: **06-04NES**
(74) Name(s) of Attorney(s): **Davies Collison Cave**
(71) Name(s) and Address(s) of Applicant(s):



Tegometall International AG
Industriestrasse 7 Lengwil 8574 Switzerland

(72) Name(s) of Designer(s): **Ulrich Bohnacker**

(45) Registration Date: **14 July 2014**

(30) Convention priority data:

(31) Number (32) Date
001382048-0005 02 Sep 2013

(33) Country
**OFFICE FOR HARMONISATION IN
THE INTERNAL MARKET (OHIM)**

(62) Divisional of: **355618**

(56) Related Art Documents: **Not Applicable**

(57) Statement of Newness and Distinctiveness: **Nil**

(21) Design Number: **12305/2014**
(22) Date of Filing Application: **14 May 2014**
(24) Date from which industrial property rights may have effect: **03 March 2014**
(54) Product in respect of which the design is registered: **Rack rear wall**
(51) International Design Classification: **06-04NES**
(74) Name(s) of Attorney(s): **Davies Collison Cave**
(71) Name(s) and Address(s) of Applicant(s):



Tegometall International AG
Industriestrasse 7 Lengwil 8574 Switzerland

(72) Name(s) of Designer(s): **Ulrich Bohnacker**

(45) Registration Date: **14 July 2014**

(30) Convention priority data:

(31) Number (32) Date
001382048-0007 02 Sep 2013

(33) Country
**OFFICE FOR HARMONISATION IN
THE INTERNAL MARKET (OHIM)**

(62) Divisional of: **355618**

(56) Related Art Documents: **Not Applicable**

(57) Statement of Newness and Distinctiveness: **Nil**

(21) Design Number: **12306/2014**
(22) Date of Filing Application: **14 May 2014**
(24) Date from which industrial property rights may have effect: **03 March 2014**
(54) Product in respect of which the design is registered: **Rack rear wall**
(51) International Design Classification: **06-04NES**
(74) Name(s) of Attorney(s): **Davies Collison Cave**
(71) Name(s) and Address(s) of Applicant(s):

Tegometall International AG
Industriestrasse 7 Lengwil 8574 Switzerland

(72) Name(s) of Designer(s): **Ulrich Bohnacker**

(45) Registration Date: **14 July 2014**

(30) Convention priority data:

(31) Number (32) Date
001382048-0008 02 Sep 2013

(33) Country
**OFFICE FOR HARMONISATION IN
THE INTERNAL MARKET (OHIM)**

(62) Divisional of: **355618**

(56) Related Art Documents: **Not Applicable**

(57) Statement of Newness and Distinctiveness: **Nil**



(21) Design Number: **12312/2014**
(22) Date of Filing Application: **14 May 2014**
(24) Date from which industrial property rights may have effect: **03 March 2014**
(54) Product in respect of which the design is registered: **Rack rear wall**
(51) International Design Classification: **06-04NES**
(74) Name(s) of Attorney(s): **Davies Collison Cave**
(71) Name(s) and Address(s) of Applicant(s):

Tegometall International AG
Industriestrasse 7 Lengwil 8574 Switzerland

(72) Name(s) of Designer(s): **Ulrich Bohnacker**

(45) Registration Date: **14 July 2014**

(30) Convention priority data:

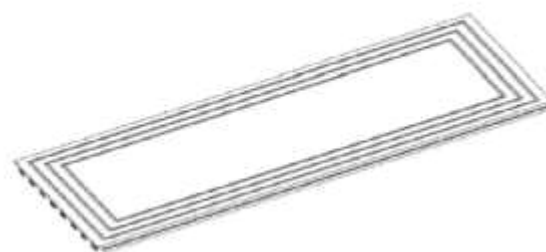
(31) Number (32) Date
001382048-0010 02 Sep 2013

(33) Country
**OFFICE FOR HARMONISATION IN
THE INTERNAL MARKET (OHIM)**

(62) Divisional of: **355618**

(56) Related Art Documents: **Not Applicable**

(57) Statement of Newness and Distinctiveness: **Nil**



(21) Design Number: **12319/2014**
(22) Date of Filing Application: **14 May 2014**
(24) Date from which industrial property rights may have effect: **03 March 2014**
(54) Product in respect of which the design is registered: **Rack column**
(51) International Design Classification: **20-02NES, 06-04NES**
(74) Name(s) of Attorney(s): **Davies Collison Cave**
(71) Name(s) and Address(s) of Applicant(s):
Tegometall International AG
Industriestrasse 7 Lengwil 8574 Switzerland
(72) Name(s) of Designer(s): **Ulrich Bohnacker**
(45) Registration Date: **14 July 2014**
(30) Convention priority data:
(31) Number (32) Date (33) Country
001382048-0014 02 Sep 2013 OFFICE FOR HARMONISATION IN
THE INTERNAL MARKET (OHIM)
(62) Divisional of: **355618**
(56) Related Art Documents: **Not Applicable**
(57) Statement of Newness and Distinctiveness: **Nil**



(21) Design Number: **12320/2014**
(22) Date of Filing Application: **14 May 2014**
(24) Date from which industrial property rights may have effect: **03 March 2014**
(54) Product in respect of which the design is registered: **Rack base element**
(51) International Design Classification: **20-02NES, 06-04NES**
(74) Name(s) of Attorney(s): **Davies Collison Cave**
(71) Name(s) and Address(s) of Applicant(s):
Tegometall International AG
Industriestrasse 7 Lengwil 8574 Switzerland
(72) Name(s) of Designer(s): **Ulrich Bohnacker**
(45) Registration Date: **14 July 2014**
(30) Convention priority data:
(31) Number (32) Date (33) Country
001382048-0015 02 Sep 2013 OFFICE FOR HARMONISATION IN
THE INTERNAL MARKET (OHIM)
(62) Divisional of: **355618**
(56) Related Art Documents: **Not Applicable**
(57) Statement of Newness and Distinctiveness: **Nil**



(21) Design Number: **12321/2014**
(22) Date of Filing Application: **14 May 2014**
(24) Date from which industrial property rights may have effect: **03 March 2014**
(54) Product in respect of which the design is registered: **Rack crossbeam**
(51) International Design Classification: **20-02NES, 06-04NES**
(74) Name(s) of Attorney(s): **Davies Collison Cave**
(71) Name(s) and Address(s) of Applicant(s):

Tegometall International AG
Industriestrasse 7 Lengwil 8574 Switzerland

(72) Name(s) of Designer(s): **Ulrich Bohnacker**

(45) Registration Date: **14 July 2014**

(30) Convention priority data:

(31) Number (32) Date
001382048-0016 02 Sep 2013

(33) Country
**OFFICE FOR HARMONISATION IN
THE INTERNAL MARKET (OHIM)**

(62) Divisional of: **355618**



(21) Design Number: **12322/2014**
(22) Date of Filing Application: **14 May 2014**
(24) Date from which industrial property rights may have effect: **03 March 2014**
(54) Product in respect of which the design is registered: **Rack bracket**
(51) International Design Classification: **20-02NES, 08-08M**
(74) Name(s) of Attorney(s): **Davies Collison Cave**
(71) Name(s) and Address(s) of Applicant(s):

Tegometall International AG
Industriestrasse 7 Lengwil 8574 Switzerland

(72) Name(s) of Designer(s): **Ulrich Bohnacker**

(45) Registration Date: **14 July 2014**

(30) Convention priority data:

(31) Number (32) Date
001382048-0017 02 Sep 2013

(33) Country
**OFFICE FOR HARMONISATION IN
THE INTERNAL MARKET (OHIM)**

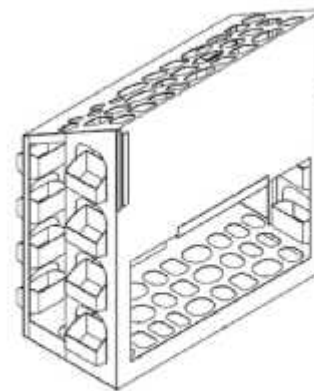
(62) Divisional of: **355618**

(56) Related Art Documents: **Not Applicable**

(57) Statement of Newness and Distinctiveness: **Nil**



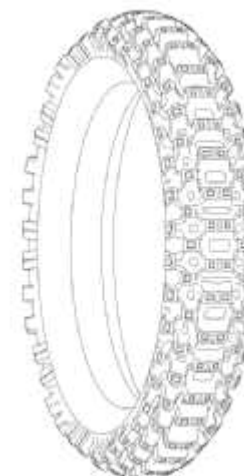
- (21) Design Number: **12678/2014**
(22) Date of Filing Application: **30 May 2014**
(24) Date from which industrial property rights may have effect: **20 February 2014**
(54) Product in respect of which the design is registered: **Display**
(51) International Design Classification: **20-02E**
(74) Name(s) of Attorney(s): **Davies Collison Cave**
(71) Name(s) and Address(s) of Applicant(s):
Illinois Tool Works Inc.
155 Harlem Ave Glenview IL 60025-4075 United States of America
(72) Name(s) of Designer(s): **Melisa Resanovic and Jason Wheatley and Martin Hardinge**
(45) Registration Date: **14 July 2014**
(62) Divisional of: **355987**
(56) Related Art Documents: **Not Applicable**
(57) Statement of Newness and Distinctiveness: **Nil**



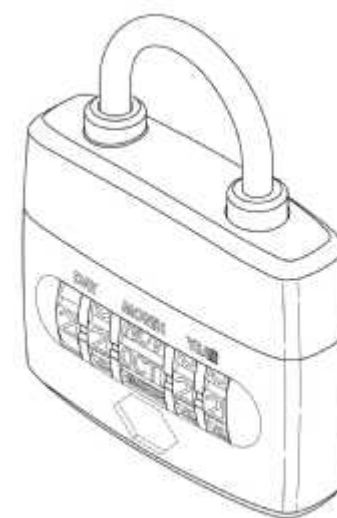
- (21) Design Number: **12944/2014**
(22) Date of Filing Application: **17 June 2014**
(24) Date from which industrial property rights may have effect: **17 June 2014**
(54) Product in respect of which the design is registered: **A textile print**
(51) International Design Classification: **05-05A**
(74) Name(s) of Attorney(s):
(71) Name(s) and Address(s) of Applicant(s):
AUSTRALIAN FASHION LABELS PTY LTD
106 Currie St Adelaide SA 5000 Australia
(72) Name(s) of Designer(s): **Carmen Dugan**
(45) Registration Date: **14 July 2014**
(56) Related Art Documents: **Not Applicable**
(57) Statement of Newness and Distinctiveness: **Newness and distinctiveness resides in the features of pattern and ornamentation of a textile print as shown in the accompanying representations.**



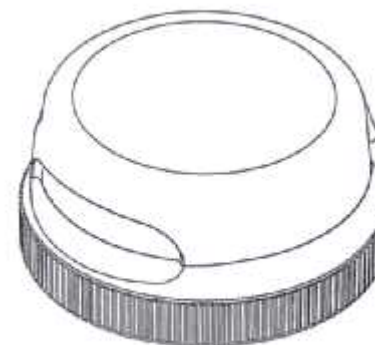
(21) Design Number: **12946/2014**
(22) Date of Filing Application: **17 June 2014**
(24) Date from which industrial property rights may have effect: **17 June 2014**
(54) Product in respect of which the design is registered: **Motorcycle tyre**
(51) International Design Classification: **12-15D, 12-15C**
(74) Name(s) of Attorney(s): **Griffith Hack**
(71) Name(s) and Address(s) of Applicant(s):
BRIDGESTONE CORPORATION
1-1, Kyobashi 3-chome Chuo-ku Tokyo 104-8340 Japan
(72) Name(s) of Designer(s): **Oba Hirofumi**
(45) Registration Date: **14 July 2014**
(30) Convention priority data:
(31) Number (32) Date (33) Country
2014-000233 09 Jan 2014 JAPAN
(56) Related Art Documents: **Not Applicable**
(57) Statement of Newness and Distinctiveness: **The shape and configuration of the tread portion of the product is new and distinctive.**



(21) Design Number: **12949/2014**
(22) Date of Filing Application: **17 June 2014**
(24) Date from which industrial property rights may have effect: **08 April 2014**
(54) Product in respect of which the design is registered: **Padlock**
(51) International Design Classification: **08-07**
(74) Name(s) of Attorney(s): **Marks & Clerk Australia**
(71) Name(s) and Address(s) of Applicant(s):
DG International Holdings Limited
Unit 1, Mill Hill Industrial Estate Flower Lane London NW7 2HU United Kingdom
(72) Name(s) of Designer(s): **Simon Little**
(45) Registration Date: **14 July 2014**
(30) Convention priority data:
(31) Number (32) Date (33) Country
002327874-0004 16 Oct 2013 OFFICE FOR HARMONISATION IN THE INTERNAL MARKET (OHIM)
(62) Divisional of: **356093**
(56) Related Art Documents: **Not Applicable**
(57) Statement of Newness and Distinctiveness: **Newness and distinctiveness resides in the visual features of the shape and/or configuration of a padlock as illustrated in solid lines in the accompanying representations.**

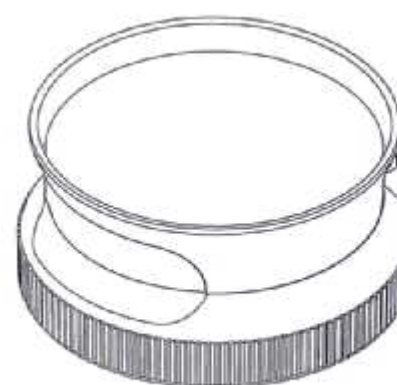


(21) Design Number: **12953/2014**
(22) Date of Filing Application: **17 June 2014**
(24) Date from which industrial property rights may have effect: **17 June 2014**
(54) Product in respect of which the design is registered: **Tapered lid closure**
(51) International Design Classification: **09-07C**
(74) Name(s) of Attorney(s): **SPRUSON & FERGUSON**
(71) Name(s) and Address(s) of Applicant(s):
AptarGroup, Inc.
475 West Terra Cotta Avenue Suite E Crystal Lake Illinois 60014-9695
United States of America



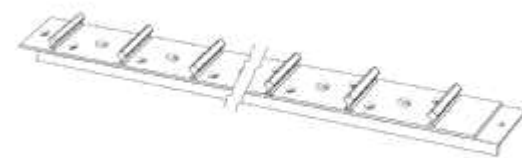
(72) Name(s) of Designer(s): **John M Misniewski and Katie Karabon**
(45) Registration Date: **14 July 2014**
(30) Convention priority data:
(31) Number (32) Date (33) Country
29/485481 19 Mar 2014 UNITED STATES OF AMERICA
(56) Related Art Documents: **Not Applicable**
(57) Statement of Newness and Distinctiveness: **Newness and distinctiveness is claimed in the features of shape and/or configuration of the following elements of a tapered lid closure illustrated in the accompanying representations: a lid which has a side wall tapering radially outwardly from the top portion of the lid to the bottom of the lid; a base which includes a cylindrical bottom portion having vertical ribs and grooves, and an upper portion that is located above the bottom portion and that tapers radially inwardly with increasing distance from the bottom portion; and a recessed region defined at the front of the closure (opposite the hinge) by the lid and base.**

(21) Design Number: **12954/2014**
(22) Date of Filing Application: **17 June 2014**
(24) Date from which industrial property rights may have effect: **17 June 2014**
(54) Product in respect of which the design is registered: **Flared lid closure**
(51) International Design Classification: **09-07C**
(74) Name(s) of Attorney(s): **SPRUSON & FERGUSON**
(71) Name(s) and Address(s) of Applicant(s):
AptarGroup, Inc.
475 West Terra Cotta Avenue Suite E Crystal Lake Illinois 60014-9695
United States of America

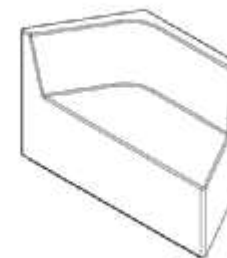


(72) Name(s) of Designer(s): **John M Wisniewski and Katie Karabon**
(45) Registration Date: **14 July 2014**
(30) Convention priority data:
(31) Number (32) Date (33) Country
29/485470 19 Mar 2014 UNITED STATES OF AMERICA
(56) Related Art Documents: **Not Applicable**
(57) Statement of Newness and Distinctiveness: **Newness and distinctiveness is claimed in the features of shape and/or configuration of the following elements of a flared lid closure illustrated in the accompanying representations: a lid which has a side wall curving radially inwardly from the top portion of the lid to the bottom of the lid; a base which includes a cylindrical bottom portion having vertical ribs and grooves, and an upper portion that is located above the bottom portion and that tapers radially inwardly with increasing distance from the bottom portion; and a recessed region defined at the front of the closure (opposite the hinge) by the lid and base.**

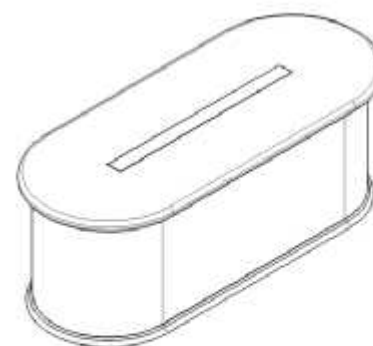
- (21) Design Number: **12957/2014**
(22) Date of Filing Application: **17 June 2014**
(24) Date from which industrial property rights may have effect: **17 June 2014**
(54) Product in respect of which the design is registered: **Decking board fastener**
(51) International Design Classification: **08-08A**
(74) Name(s) of Attorney(s): **Fisher Adams Kelly Pty Ltd**
(71) Name(s) and Address(s) of Applicant(s):
David Chester
61 Clifford St Stafford QLD 4053 Australia
(72) Name(s) of Designer(s): **David Chester**
(45) Registration Date: **14 July 2014**
(56) Related Art Documents: **Not Applicable**
(57) Statement of Newness and Distinctiveness: **The newness and distinctiveness of the design resides in the shape and/or configuration of the DECKING BOARD FASTENER, of indefinite length, as shown in the representations.**



- (21) Design Number: **12170/2014**
(22) Date of Filing Application: **06 May 2014**
(24) Date from which industrial property rights may have effect: **06 May 2014**
(54) Product in respect of which the design is registered: **A chair**
(51) International Design Classification: **06-01G**
(74) Name(s) of Attorney(s): **Davies Collison Cave**
(71) Name(s) and Address(s) of Applicant(s):
Derlot Pty Ltd
16 Horan St West End QLD 4101 Australia
(72) Name(s) of Designer(s): **Alexander Lotersztain**
(45) Registration Date: **14 July 2014**
(56) Related Art Documents: **Not Applicable**
(57) Statement of Newness and Distinctiveness: **Nil**



- (21) Design Number: **12774/2014**
(22) Date of Filing Application: **05 June 2014**
(24) Date from which industrial property rights may have effect: **05 June 2014**
(54) Product in respect of which the design is registered: **Coffee table TV.**
(51) International Design Classification: **06-03B, 14-03B**
(74) Name(s) of Attorney(s):
(71) Name(s) and Address(s) of Applicant(s):
Tom4 Pty Ltd
PO BOX 780 PARADISE POINT QLD 4216
(72) Name(s) of Designer(s): **Thomas Ormshaw**
(45) Registration Date: **14 July 2014**
(56) Related Art Documents: **Not Applicable**
(57) Statement of Newness and Distinctiveness: **The Coffee table TV features a combination table and television where the TV lifts and lowers into the furniture which makes the appearance of the product original and distinctive.**



- (21) Design Number: **12968/2014**
(22) Date of Filing Application: **18 June 2014**
(24) Date from which industrial property rights may have effect: **18 June 2014**
(54) Product in respect of which the design is registered: **Container for catching insect pests**
(51) International Design Classification: **22-06**
(74) Name(s) of Attorney(s): **Fisher Adams Kelly Pty Ltd**
(71) Name(s) and Address(s) of Applicant(s):
Dainihon Jochugiku Co., Ltd.
4-11 Tosabori 1-chome Nishi-ku Osaka-shi Osaka 555-0001 Japan
(72) Name(s) of Designer(s): **Tomoyuki Hikitsuchi and Honami Mitsuishi and Koji Nakayama**
(45) Registration Date: **14 July 2014**
(30) Convention priority data:
(31) Number (32) Date (33) Country
2014-008673 21 Apr 2014 JAPAN
(56) Related Art Documents: **Not Applicable**
(57) Statement of Newness and Distinctiveness: **The newness and distinctiveness of the design resides in the shape and/or configuration of the CONTAINER shown in the representations.**



(21) Design Number: **12969/2014**
(22) Date of Filing Application: **18 June 2014**
(24) Date from which industrial property rights may have effect: **18 June 2014**
(54) Product in respect of which the design is registered: **Wrist watch**
(51) International Design Classification: **10-02**
(74) Name(s) of Attorney(s): **WATERMARK PATENT AND TRADE MARKS ATTORNEYS**
(71) Name(s) and Address(s) of Applicant(s):
Rado Uhren AG (Rado Watch Co Ltd) (Montres Rado SA)
Bielstrasse 43 Lengnau 2543 Switzerland
(72) Name(s) of Designer(s): **Fernando Soares**
(45) Registration Date: **14 July 2014**
(30) Convention priority data:
(31) Number (32) Date (33) Country
DM/082638 17 Jan 2014 SWITZERLAND
(56) Related Art Documents: **Not Applicable**
(57) Statement of Newness and Distinctiveness: **Nil**



(21) Design Number: **12970/2014**
(22) Date of Filing Application: **18 June 2014**
(24) Date from which industrial property rights may have effect: **18 June 2014**
(54) Product in respect of which the design is registered: **A respirator**
(51) International Design Classification: **29-02**
(74) Name(s) of Attorney(s): **SPRUSON & FERGUSON**
(71) Name(s) and Address(s) of Applicant(s):
Kimberly-Clark Worldwide, Inc.
2300 Winchester Road Neenah Wisconsin 54956 United States of America
(72) Name(s) of Designer(s): **Eric C Steindorf and Johnny Zhuang and Bryan Teng and Zhou De Kuan and Tian Cheng and Leo Wang and Bob Wen**
(45) Registration Date: **14 July 2014**
(30) Convention priority data:
(31) Number (32) Date (33) Country
29/477952 30 Dec 2013 UNITED STATES OF AMERICA
(56) Related Art Documents: **Not Applicable**
(57) Statement of Newness and Distinctiveness: **Newness and distinctiveness is claimed in the features of shape and/or configuration of the valves and buckles of a respirator as illustrated in continuous lines in the accompanying representations.**



(21) Design Number: **12971/2014**

(22) Date of Filing Application: **18 June 2014**

(24) Date from which industrial property rights may have effect: **18 June 2014**

(54) Product in respect of which the design is registered: **Heart-shaped locket**

(51) International Design Classification: **11-01NES**

(74) Name(s) of Attorney(s): **Fisher Adams Kelly Pty Ltd**

(71) Name(s) and Address(s) of Applicant(s):

Origami Owl, LLC

410 S Benson Ln Ste 1 Chandler AZ, 85224-6458 United States of America

(72) Name(s) of Designer(s): **Zyad M Kadri and Christian H Weems**

(45) Registration Date: **14 July 2014**

(30) Convention priority data:

(31) Number

(32) Date

(33) Country

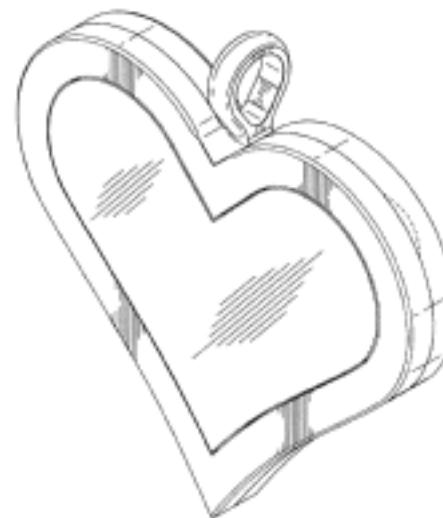
29/477124

19 Dec 2013

UNITED STATES OF AMERICA

(56) Related Art Documents: **Not Applicable**

(57) Statement of Newness and Distinctiveness: **The newness and distinctiveness of the design resides in the shape and/or configuration of the HEART-SHAPED LOCKET shown in the representations.**



(21) Design Number: **12972/2014**

(22) Date of Filing Application: **18 June 2014**

(24) Date from which industrial property rights may have effect: **18 June 2014**

(54) Product in respect of which the design is registered: **Shorts**

(51) International Design Classification: **02-02C**

(74) Name(s) of Attorney(s):

(71) Name(s) and Address(s) of Applicant(s):

Australian Fashion Labels Pty Ltd

106 Currie St Adelaide SA 5000 Australia

(72) Name(s) of Designer(s): **Carmen Dugan**

(45) Registration Date: **14 July 2014**

(56) Related Art Documents: **Not Applicable**

(57) Statement of Newness and Distinctiveness: **Newness and distinctiveness resides in the features of shape and configuration of shorts as shown in the accompanying representations.**



(21) Design Number: **12973/2014**

(22) Date of Filing Application: **18 June 2014**

(24) Date from which industrial property rights may have effect: **18 June 2014**

(54) Product in respect of which the design is registered: **Heart-shaped locket**

(51) International Design Classification: **11-01NES**

(74) Name(s) of Attorney(s): **Fisher Adams Kelly Pty Ltd**

(71) Name(s) and Address(s) of Applicant(s):

Origami Owl, LLC

410 S Benson Ln Ste 1 Chandler AZ, 85224-6458 United States of America

(72) Name(s) of Designer(s): **David A Tipp and Christian H Weems**

(45) Registration Date: **14 July 2014**

(30) Convention priority data:

(31) Number	(32) Date	(33) Country
29/477098	19 Dec 2013	UNITED STATES OF AMERICA

(56) Related Art Documents: **Not Applicable**

(57) Statement of Newness and Distinctiveness: **The newness and distinctiveness of the design resides in the shape and/or configuration of the HEART-SHAPED LOCKET shown in the representations.**



(21) Design Number: **12974/2014**

(22) Date of Filing Application: **18 June 2014**

(24) Date from which industrial property rights may have effect: **18 June 2014**

(54) Product in respect of which the design is registered: **Heart-shaped locket**

(51) International Design Classification: **11-01NES**

(74) Name(s) of Attorney(s): **Fisher Adams Kelly Pty Ltd**

(71) Name(s) and Address(s) of Applicant(s):

Origami Owl, LLC

410 S Benson Ln Ste 1 Chandler AZ, 85224-6458 United States of America

(72) Name(s) of Designer(s): **David A Tipp and Christian H Weems**

(45) Registration Date: **14 July 2014**

(30) Convention priority data:

(31) Number	(32) Date	(33) Country
29/477098	19 Dec 2013	UNITED STATES OF AMERICA

(56) Related Art Documents: **Not Applicable**

(57) Statement of Newness and Distinctiveness: **The newness and distinctiveness of the design resides in the shape and/or configuration of the HEART-SHAPED LOCKET shown in the representations.**



- (21) Design Number: **12975/2014**
(22) Date of Filing Application: **18 June 2014**
(24) Date from which industrial property rights may have effect: **18 June 2014**
(54) Product in respect of which the design is registered: **A top**
(51) International Design Classification: **02-02NES**
(74) Name(s) of Attorney(s):
(71) Name(s) and Address(s) of Applicant(s):
Australian Fashion Labels Pty Ltd
106 Currie St Adelaide SA 5000 Australia
(72) Name(s) of Designer(s): **Carmen Dugan**
(45) Registration Date: **14 July 2014**
(56) Related Art Documents: **Not Applicable**
(57) Statement of Newness and Distinctiveness: **Newness and distinctiveness resides in the features of shape and configuration of a Top as shown in the accompanying representations.**



- (21) Design Number: **12976/2014**
(22) Date of Filing Application: **18 June 2014**
(24) Date from which industrial property rights may have effect: **18 June 2014**
(54) Product in respect of which the design is registered: **Heart-shaped locket**
(51) International Design Classification: **11-01NES**
(74) Name(s) of Attorney(s): **Fisher Adams Kelly Pty Ltd**
(71) Name(s) and Address(s) of Applicant(s):
Origami Owl, LLC
410 S Benson Ln Ste 1 Chandler AZ, 85224-6458 United States of America
(72) Name(s) of Designer(s): **Christian H Weems and Zyad M Kadri**
(45) Registration Date: **14 July 2014**
(30) Convention priority data:
(31) Number (32) Date (33) Country
29/477124 19 Dec 2013 UNITED STATES OF AMERICA
(56) Related Art Documents: **Not Applicable**
(57) Statement of Newness and Distinctiveness: **The newness and distinctiveness of the design resides in the shape and/or configuration of the HEART-SHAPED LOCKET shown in the representations.**



- (21) Design Number: **12978/2014**
(22) Date of Filing Application: **18 June 2014**
(24) Date from which industrial property rights may have effect: **18 June 2014**
(54) Product in respect of which the design is registered: **A top**
(51) International Design Classification: **02-02NES**
(74) Name(s) of Attorney(s):
(71) Name(s) and Address(s) of Applicant(s):
Australian Fashion Labels Pty Ltd
106 Currie St Adelaide SA 5000 Australia
(72) Name(s) of Designer(s): **Siham Elmawey**
(45) Registration Date: **14 July 2014**
(56) Related Art Documents: **Not Applicable**
(57) Statement of Newness and Distinctiveness: **Newness and distinctiveness resides in the features of shape and configuration of a top as shown in the representations. No design rights are claimed in relation to the skirt as shown in the representations and the skirt is to be disregarded in determining the scope of the**



- (21) Design Number: **12979/2014**
(22) Date of Filing Application: **18 June 2014**
(24) Date from which industrial property rights may have effect: **18 June 2014**
(54) Product in respect of which the design is registered: **Venting tool**
(51) International Design Classification: **22-05**
(74) Name(s) of Attorney(s): **Actuate IP**
(71) Name(s) and Address(s) of Applicant(s):
Michael Christopher Edwards
3/81 Holder Way Malaga WA 6090 Australia
(72) Name(s) of Designer(s): **Michael Christopher Edwards**
(45) Registration Date: **14 July 2014**
(56) Related Art Documents: **Not Applicable**
(57) Statement of Newness and Distinctiveness: **Nil**



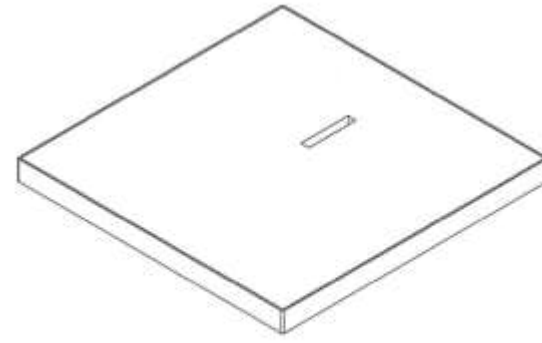
(21) Design Number: **12980/2014**
(22) Date of Filing Application: **18 June 2014**
(24) Date from which industrial property rights may have effect: **18 June 2014**
(54) Product in respect of which the design is registered: **Insert for a venting tool**
(51) International Design Classification: **22-05**
(74) Name(s) of Attorney(s): **Actuate IP**
(71) Name(s) and Address(s) of Applicant(s):
Michael Christopher Edwards
3/81 Holder Way Malaga WA 6090 Australia
(72) Name(s) of Designer(s): **Michael Christopher Edwards**
(45) Registration Date: **14 July 2014**
(56) Related Art Documents: **Not Applicable**
(57) Statement of Newness and Distinctiveness: **Nil**



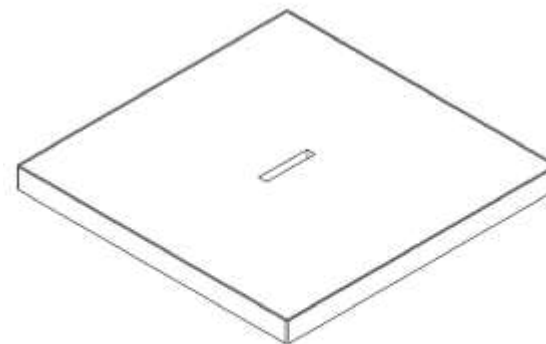
(21) Design Number: **12981/2014**
(22) Date of Filing Application: **18 June 2014**
(24) Date from which industrial property rights may have effect: **18 June 2014**
(54) Product in respect of which the design is registered: **Shorts**
(51) International Design Classification: **02-02C**
(74) Name(s) of Attorney(s):
(71) Name(s) and Address(s) of Applicant(s):
AUSTRALIAN FASHION LABELS PTY LTD
106 Currie St Adelaide SA 5000 Australia
(72) Name(s) of Designer(s): **Siham Elmawey**
(45) Registration Date: **14 July 2014**
(56) Related Art Documents: **Not Applicable**
(57) Statement of Newness and Distinctiveness: **Newness and distinctiveness resides in the features of shape and configuration of shorts as shown in the accompanying representations.**



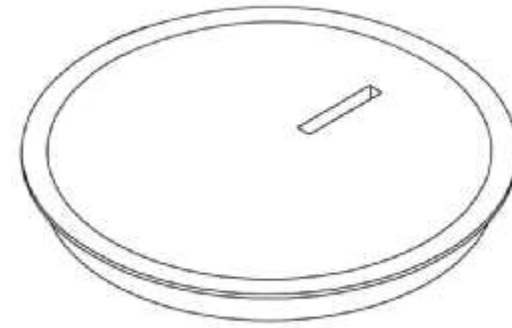
(21) Design Number: **12988/2014**
(22) Date of Filing Application: **18 June 2014**
(24) Date from which industrial property rights may have effect: **18 June 2014**
(54) Product in respect of which the design is registered: **A skimmer box lid**
(51) International Design Classification: **23-01NES**
(74) Name(s) of Attorney(s):
(71) Name(s) and Address(s) of Applicant(s):
Skimmer Lids Pty Ltd
C/- B Eagar 6 Roche Ct Oxenford QLD 4210 Australia
(72) Name(s) of Designer(s): **William Geoffrey Freeman**
(45) Registration Date: **14 July 2014**
(56) Related Art Documents: **Not Applicable**
(57) Statement of Newness and Distinctiveness: **Nil**



(21) Design Number: **12989/2014**
(22) Date of Filing Application: **18 June 2014**
(24) Date from which industrial property rights may have effect: **18 June 2014**
(54) Product in respect of which the design is registered: **A skimmer box lid**
(51) International Design Classification: **23-01NES**
(74) Name(s) of Attorney(s):
(71) Name(s) and Address(s) of Applicant(s):
Skimmer Lids Pty Ltd
C/- B Eagar 6 Roche Ct Oxenford QLD 4210 Australia
(72) Name(s) of Designer(s): **William Geoffrey Freeman**
(45) Registration Date: **14 July 2014**
(56) Related Art Documents: **Not Applicable**
(57) Statement of Newness and Distinctiveness: **Nil**



- (21) Design Number: **12990/2014**
(22) Date of Filing Application: **18 June 2014**
(24) Date from which industrial property rights may have effect: **18 June 2014**
(54) Product in respect of which the design is registered: **A skimmer box lid**
(51) International Design Classification: **23-01NES**
(74) Name(s) of Attorney(s):
(71) Name(s) and Address(s) of Applicant(s):
Skimmer Lids Pty Ltd
C/- B Eagar 6 Roche Ct Oxenford QLD 4210 Australia
(72) Name(s) of Designer(s): **William Geoffrey Freeman**
(45) Registration Date: **14 July 2014**
(56) Related Art Documents: **Not Applicable**
(57) Statement of Newness and Distinctiveness: **Nil**



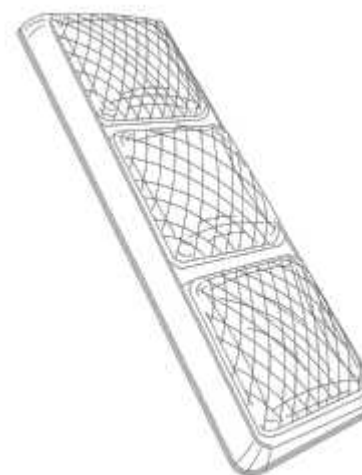
- (21) Design Number: **12992/2014**
(22) Date of Filing Application: **18 June 2014**
(24) Date from which industrial property rights may have effect: **18 June 2014**
(54) Product in respect of which the design is registered: **Bucket**
(51) International Design Classification: **07-07B**
(74) Name(s) of Attorney(s):
(71) Name(s) and Address(s) of Applicant(s):
Edward Scott Leonard
191A Main Rd Cardiff NSW 2285 Australia
(72) Name(s) of Designer(s): **Edward Scott Leonard and Jonathan Edward Pryer**
(45) Registration Date: **14 July 2014**
(56) Related Art Documents: **Not Applicable**
(57) Statement of Newness and Distinctiveness: **Newness and distinctiveness resides in the overall shape and configuration of the visual features shown in solid lines in the representations.**



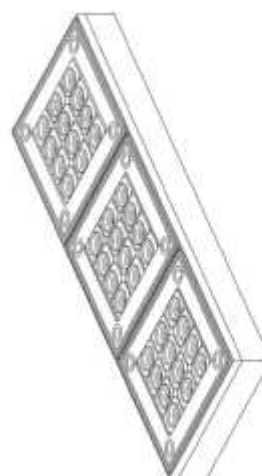
- (21) Design Number: **12993/2014**
(22) Date of Filing Application: **18 June 2014**
(24) Date from which industrial property rights may have effect: **18 June 2014**
(54) Product in respect of which the design is registered: **Refrigerator**
(51) International Design Classification: **15-07**
(74) Name(s) of Attorney(s):
(71) Name(s) and Address(s) of Applicant(s):
Golden Bear Enterprises Pty. Ltd.
PO BOX 166 Sebastopol VIC 3356 Australia
(72) Name(s) of Designer(s): **Cory Allan**
(45) Registration Date: **14 July 2014**
(56) Related Art Documents: **Not Applicable**
(57) Statement of Newness and Distinctiveness: **The design is new and distinctive because the fridge has been made 'especially' to fit inside it a certain shaped product, already existing, that is on the market. The fridge is solely designed to fit the TAP KING Cannisters that are supplied to the market by Lion Nathan under many beer brands (Boags, Hahn etc). The fridge is unique in that it firstly allows these odd shaped beer cannisters (Tap Kings) to fit simply in a unique molded part of the door, no need to open fridge door. The unit is also unique as it is designed with 'digit' type led display numbers and an electronic timer system so that when Tap King is added it will count down to a given time for coldness and a given time for freshness. It is an extremely unique product in many ways, to be designed especially for one purpose, to allow Tap King Cannisters to be cooled and used. The tooling was made so that the whole idea can be adapted and fitted to other fridge doors if required, it's not solely made for this sized fridge.**



- (21) Design Number: **12994/2014**
(22) Date of Filing Application: **19 June 2014**
(24) Date from which industrial property rights may have effect: **19 June 2014**
(54) Product in respect of which the design is registered: **Lighting assembly**
(51) International Design Classification: **26-05C**
(74) Name(s) of Attorney(s): **Griffith Hack**
(71) Name(s) and Address(s) of Applicant(s):
LED Technologies Pty Ltd
42 Enterprise Dr Bundoora VIC 3083 Australia
(72) Name(s) of Designer(s): **Tony Ottobre**
(45) Registration Date: **14 July 2014**
(56) Related Art Documents: **Not Applicable**
(57) Statement of Newness and Distinctiveness: **Nil**



(21) Design Number: **12995/2014**
(22) Date of Filing Application: **19 June 2014**
(24) Date from which industrial property rights may have effect: **19 June 2014**
(54) Product in respect of which the design is registered: **Lighting assembly**
(51) International Design Classification: **26-05C**
(74) Name(s) of Attorney(s): **Griffith Hack**
(71) Name(s) and Address(s) of Applicant(s):
LED Technologies Pty Ltd
42 Enterprise Dr Bundoora VIC 3083 Australia
(72) Name(s) of Designer(s): **Tony Ottobre**
(45) Registration Date: **14 July 2014**
(56) Related Art Documents: **Not Applicable**
(57) Statement of Newness and Distinctiveness: **Nil**



(21) Design Number: **12653/2014**
(22) Date of Filing Application: **29 May 2014**
(24) Date from which industrial property rights may have effect: **29 May 2014**
(54) Product in respect of which the design is registered: **Iron**
(51) International Design Classification: **07-05A**
(74) Name(s) of Attorney(s): **Halfords IP**
(71) Name(s) and Address(s) of Applicant(s):
AB Electrolux
S:t Goransgatan 143 Stockholm 105 45 Sweden
(72) Name(s) of Designer(s): **Jerome Esteve**
(45) Registration Date: **14 July 2014**
(30) Convention priority data:
(31) Number (32) Date (33) Country
2013/0479 06 Dec 2013 SWEDEN
(56) Related Art Documents: **Not Applicable**
(57) Statement of Newness and Distinctiveness: **Newness and distinctiveness resides in those features of shape and or configuration of an iron as depicted in the representations.**



- (21) Design Number: **12380/2014**
(22) Date of Filing Application: **14 May 2014**
(24) Date from which industrial property rights may have effect: **14 May 2014**
(54) Product in respect of which the design is registered: **Hearing device tether having an acoustic decoupling section**
(51) International Design Classification: **24-99**
(74) Name(s) of Attorney(s): **Freehills Patent Attorneys**
(71) Name(s) and Address(s) of Applicant(s):
3M Innovative Properties Company
3M Center PO Box 33427 Saint Paul Minnesota 55133-3427 United States of America
(72) Name(s) of Designer(s): **Jacob Huffman Ely**
(45) Registration Date: **15 July 2014**
(30) Convention priority data:
(31) Number (32) Date (33) Country
29/473028 18 Nov 2013 UNITED STATES OF AMERICA
(56) Related Art Documents: **Not Applicable**
(57) Statement of Newness and Distinctiveness: **Newness and distinctiveness resides in the shape and/or configuration of the hearing device tether having an acoustic decoupling section as shown in solid outline in the accompanying representations.**



- (21) Design Number: **12382/2014**
(22) Date of Filing Application: **14 May 2014**
(24) Date from which industrial property rights may have effect: **14 May 2014**
(54) Product in respect of which the design is registered: **Hearing device assembly having a hearing device tether to be applied**
(51) International Design Classification: **24-04**
(74) Name(s) of Attorney(s): **Freehills Patent Attorneys**
(71) Name(s) and Address(s) of Applicant(s):
3M Innovative Properties Company
3M Center PO Box 33427 Saint Paul Minnesota 55133-3427 United States of America
(72) Name(s) of Designer(s): **Jacob Huffman Ely**
(45) Registration Date: **15 July 2014**
(30) Convention priority data:
(31) Number (32) Date (33) Country
29/473028 18 Nov 2013 UNITED STATES OF AMERICA
(56) Related Art Documents: **Not Applicable**
(57) Statement of Newness and Distinctiveness: **Newness and distinctiveness resides in the shape and/or configuration of the hearing device assembly having a hearing device tether acoustic decoupling section in solid outline in the accompanying representations.**



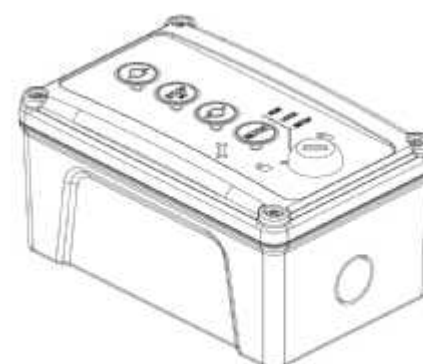
- (21) Design Number: **12680/2014**
(22) Date of Filing Application: **30 May 2014**
(24) Date from which industrial property rights may have effect: **30 May 2014**
(54) Product in respect of which the design is registered: **Quilt bag cover**
(51) International Design Classification: **09-05**
(74) Name(s) of Attorney(s): **Collison & Co**
(71) Name(s) and Address(s) of Applicant(s):
Southern Australia Wool Products Pty Ltd
61 Smith St Naracoorte SA 5271 Australia
(72) Name(s) of Designer(s): **Darren Turner**
(45) Registration Date: **15 July 2014**
(56) Related Art Documents: **Not Applicable**
(57) Statement of Newness and Distinctiveness: **Newness and distinctiveness resides in the shape and/or configuration of the quilt bag cover as shown in the accompanying representations, excluding the features illustrated in broken lines.**



- (21) Design Number: **12681/2014**
(22) Date of Filing Application: **30 May 2014**
(24) Date from which industrial property rights may have effect: **30 May 2014**
(54) Product in respect of which the design is registered: **Quilt bag with cover**
(51) International Design Classification: **09-05**
(74) Name(s) of Attorney(s): **Collison & Co**
(71) Name(s) and Address(s) of Applicant(s):
Southern Australia Wool Products Pty Ltd
61 Smith St Naracoorte SA 5271 Australia
(72) Name(s) of Designer(s): **Darren Turner**
(45) Registration Date: **15 July 2014**
(56) Related Art Documents: **Not Applicable**
(57) Statement of Newness and Distinctiveness: **Newness and distinctiveness resides in the shape and/or configuration of the quilt bag with cover as shown in the accompanying representations, excluding the features illustrated in broken lines.**



(21) Design Number: **10483/2014**
(22) Date of Filing Application: **03 February 2014**
(24) Date from which industrial property rights may have effect: **03 February 2014**
(54) Product in respect of which the design is registered: **Controller**
(51) International Design Classification: **14-03NES**
(74) Name(s) of Attorney(s): **Allens Patent & Trade Mark Attorneys**
(71) Name(s) and Address(s) of Applicant(s):
Automatic Technology (Australia) Pty Ltd
6-8 Fiveways Bvd Keysborough VIC 3173 Australia
(72) Name(s) of Designer(s): **Travis Smith and Ray Hawkins and Geoff Baker**
(45) Registration Date: **15 July 2014**
(56) Related Art Documents: **Not Applicable**
(57) Statement of Newness and Distinctiveness: **Newness and distinctiveness is claimed in the shape, configuration, pattern and/or ornamentation of the front face of the controller as shown in the representations.**



(21) Design Number: **12250/2014**
(22) Date of Filing Application: **12 May 2014**
(24) Date from which industrial property rights may have effect: **14 February 2014**
(54) Product in respect of which the design is registered: **Part of brush axe**
(51) International Design Classification: **08-03**
(74) Name(s) of Attorney(s): **Davies Collison Cave**
(71) Name(s) and Address(s) of Applicant(s):
Fiskars Garden Oy Ab
FI-10330 Billnas Finland
(72) Name(s) of Designer(s): **Sami Lyytikainen and Petteri Masalin and Teemu Sandelin and Mikko Heine**
(45) Registration Date: **15 July 2014**
(30) Convention priority data:
(31) Number (32) Date (33) Country
002292557-0011 16 Aug 2013 OFFICE FOR HARMONISATION IN THE INTERNAL MARKET (OHIM)
(62) Divisional of: **355602**
(56) Related Art Documents: **Not Applicable**
(57) Statement of Newness and Distinctiveness: **Newness and distinctiveness is claimed in the visual features shown in solid lines in the representations. In considering the extent of the design rights, the broken lines shown in the representations are for illustrative purposes only and do not form part of the design.**



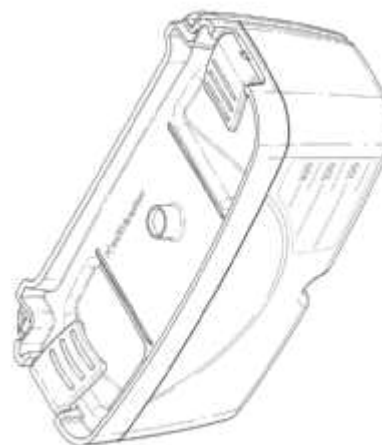
(21) Design Number: **12486/2014**
(22) Date of Filing Application: **21 May 2014**
(24) Date from which industrial property rights may have effect: **21 May 2014**
(54) Product in respect of which the design is registered: **Driving light**
(51) International Design Classification: **26-06**
(74) Name(s) of Attorney(s):
(71) Name(s) and Address(s) of Applicant(s):
ARB CORPORATION LIMITED
42 Garden St Kilsyth VIC 3137 Australia
(72) Name(s) of Designer(s): **Desi Riedel and John Heiner**
(45) Registration Date: **15 July 2014**
(56) Related Art Documents: **Not Applicable**
(57) Statement of Newness and Distinctiveness: **Nil**



(21) Design Number: **12547/2014**
(22) Date of Filing Application: **26 May 2014**
(24) Date from which industrial property rights may have effect: **26 May 2014**
(54) Product in respect of which the design is registered: **Chair**
(51) International Design Classification: **06-01F**
(74) Name(s) of Attorney(s):
(71) Name(s) and Address(s) of Applicant(s):
Xuan Zhou
Tianhe District Guangzhou Unit 704 Xin Chuang Ju Building No.123
People's Republic of China
Guangzhou Gardenart Furniture Co., Ltd
Unit 704 No.123 Ti Yu Xi Road Tianhe District Guangzhou Guangdong
510620 People's Republic of China
(72) Name(s) of Designer(s): **JianHui Cao**
(45) Registration Date: **15 July 2014**
(56) Related Art Documents: **Not Applicable**
(57) Statement of Newness and Distinctiveness: **Nil**



- (21) Design Number: **12932/2014**
(22) Date of Filing Application: **16 June 2014**
(24) Date from which industrial property rights may have effect: **16 June 2014**
(54) Product in respect of which the design is registered: **Canister**
(51) International Design Classification: **24-01, 09-02NES**
(74) Name(s) of Attorney(s): **Griffith Hack**
(71) Name(s) and Address(s) of Applicant(s):
Smith & Nephew Inc.
1450 Brooks Road Memphis Tennessee 38116 United States of America
(72) Name(s) of Designer(s): **William W Gregory and Kathryn Ann Leigh and Andrew P Muser and Mark Schaefer and Billy J Ratliff and Michael T Roller and Robert H Roth and Brian P Bjelovuk**
(45) Registration Date: **15 July 2014**
(30) Convention priority data:
(31) Number (32) Date (33) Country
29/492,114 28 May 2014 UNITED STATES OF AMERICA
(56) Related Art Documents: **Not Applicable**
(57) Statement of Newness and Distinctiveness: **Newness and distinctiveness resides in the visual features, including the shape and configuration of the product as shown by means of solid lines in the representations. The symbols including letters and logo in FIGS. 1, 3 and 7 do not form part of the design.**



- (21) Design Number: **12934/2014**
(22) Date of Filing Application: **16 June 2014**
(24) Date from which industrial property rights may have effect: **16 June 2014**
(54) Product in respect of which the design is registered: **Device for applying negative pressure to a wound**
(51) International Design Classification: **24-04**
(74) Name(s) of Attorney(s): **Griffith Hack**
(71) Name(s) and Address(s) of Applicant(s):
Smith & Nephew Inc.
1450 Brooks Road Memphis Tennessee 38116 United States of America
(72) Name(s) of Designer(s): **William W Gregory and Kealoha Young Deutsch and Kathryn Ann Leigh and Andrew P Muser and Brian P Bjelovuk and Billy J Ratliff and Michael T Roller and Robert H Roth**
(45) Registration Date: **15 July 2014**
(30) Convention priority data:
(31) Number (32) Date (33) Country
29/492,121 28 May 2014 UNITED STATES OF AMERICA
(56) Related Art Documents: **Not Applicable**
(57) Statement of Newness and Distinctiveness: **Newness and distinctiveness resides in the visual features, including the shape and configuration of the product as shown by means of solid lines in the representations.**



(21) Design Number: **12938/2014**
(22) Date of Filing Application: **16 June 2014**
(24) Date from which industrial property rights may have effect: **16 June 2014**
(54) Product in respect of which the design is registered: **Canister**
(51) International Design Classification: **24-01, 09-02NES**
(74) Name(s) of Attorney(s): **Griffith Hack**
(71) Name(s) and Address(s) of Applicant(s):
Smith & Nephew Inc.
1450 Brooks Road Memphis Tennessee 38116 United States of America
(72) Name(s) of Designer(s): **William W Gregory and Kathryn Ann Leigh and Andrew P Muser and Mark Schaefer and Brian P Bjelovuk and Billy J Ratliff and Michael T Roller and Robert H Roth**
(45) Registration Date: **15 July 2014**
(30) Convention priority data:
(31) Number (32) Date (33) Country
29/492,728 02 Jun 2014 UNITED STATES OF AMERICA
(56) Related Art Documents: **Not Applicable**
(57) Statement of Newness and Distinctiveness: **Newness and distinctiveness resides in the visual features, including the shape and configuration of the product as shown by means of solid lines in the representations. The symbols including letters and logo in FIGS. 1, 3 and 7 do not form part of the design.**



(21) Design Number: **12999/2014**
(22) Date of Filing Application: **19 June 2014**
(24) Date from which industrial property rights may have effect: **19 June 2014**
(54) Product in respect of which the design is registered: **Vehicle; model car**
(51) International Design Classification: **12-08, 21-01C**
(74) Name(s) of Attorney(s): **FB Rice**
(71) Name(s) and Address(s) of Applicant(s):
Automobili Lamborghini S.p.A.
via Modena 12 40019 Sant'Agata Bolognese (BO) Italy
(72) Name(s) of Designer(s): **Filippo Perini**
(45) Registration Date: **15 July 2014**
(30) Convention priority data:
(31) Number (32) Date (33) Country
2374330-0001 19 Dec 2013 OFFICE FOR HARMONISATION IN THE INTERNAL MARKET (OHIM)
(56) Related Art Documents: **Not Applicable**
(57) Statement of Newness and Distinctiveness: **Newness and distinctiveness reside in the features of shape and/or configuration of the design as shown in the representations.**



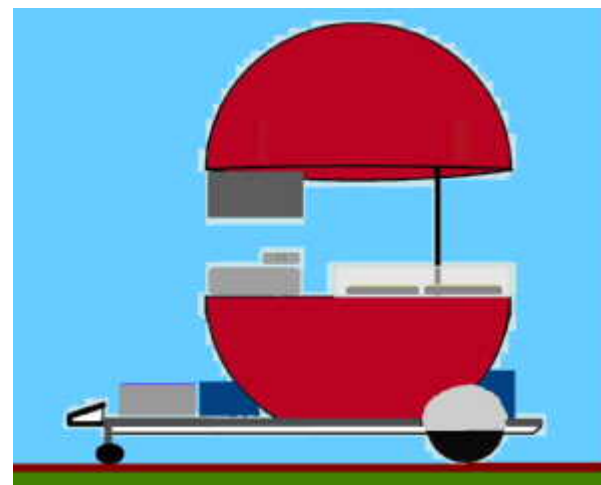
(21) Design Number: **13000/2014**
(22) Date of Filing Application: **19 June 2014**
(24) Date from which industrial property rights may have effect: **19 June 2014**
(54) Product in respect of which the design is registered: **Vehicle; model car**
(51) International Design Classification: **12-08, 21-01C**
(74) Name(s) of Attorney(s): **FB Rice**
(71) Name(s) and Address(s) of Applicant(s):
Automobili Lamborghini S.p.A.
Via Modena 12 40019 Sant'Agata Bolognese (BO) Italy
(72) Name(s) of Designer(s): **Filippo Perini**
(45) Registration Date: **15 July 2014**
(30) Convention priority data:
(31) Number (32) Date (33) Country
**2374330-0001 19 Dec 2013 OFFICE FOR HARMONISATION IN
THE INTERNAL MARKET (OHIM)**
(56) Related Art Documents: **Not Applicable**
(57) Statement of Newness and Distinctiveness: **Newness and distinctiveness
reside in the features of shape and/or configuration of the design as
shown in the representations.**



(21) Design Number: **13001/2014**
(22) Date of Filing Application: **19 June 2014**
(24) Date from which industrial property rights may have effect: **19 June 2014**
(54) Product in respect of which the design is registered: **Vehicle wheel rim**
(51) International Design Classification: **12-16A**
(74) Name(s) of Attorney(s): **FB Rice**
(71) Name(s) and Address(s) of Applicant(s):
Automobili Lamborghini S.p.A.
Via Modena 12 40019 Sant'Agata Bolognese (BO) Italy
(72) Name(s) of Designer(s): **Filippo Perini**
(45) Registration Date: **15 July 2014**
(30) Convention priority data:
(31) Number (32) Date (33) Country
**2374330-0003 19 Dec 2013 OFFICE FOR HARMONISATION IN
THE INTERNAL MARKET (OHIM)**
(56) Related Art Documents: **Not Applicable**
(57) Statement of Newness and Distinctiveness: **Newness and distinctiveness
reside in the features of shape and/or configuration of the design as
shown in the representations.**



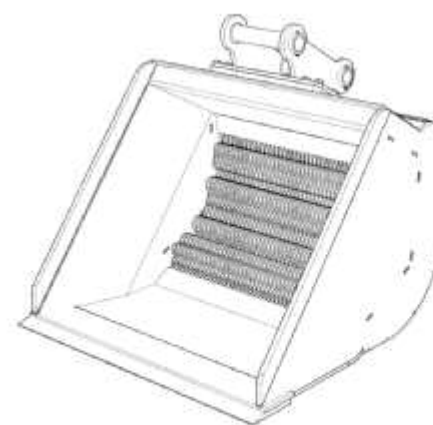
- (21) Design Number: **12006/2014**
(22) Date of Filing Application: **25 April 2014**
(24) Date from which industrial property rights may have effect: **25 April 2014**
(54) Product in respect of which the design is registered: **Sphere shaped mobile vending premise**
(51) International Design Classification: **12-02**
(74) Name(s) of Attorney(s):
(71) Name(s) and Address(s) of Applicant(s):
Benjamin Roulant
62 Evans Street Freshwater NSW 2096 Australia
(72) Name(s) of Designer(s): **Benjamin Roulant**
(45) Registration Date: **15 July 2014**
(56) Related Art Documents: **Not Applicable**
(57) Statement of Newness and Distinctiveness: **This design is two hemispheres, that opens up with a telescopic pole. It has a 360 counter all around the perimeter.(see pictures) One or two people can stand in it. The bottom hemisphere has been sliced one meter down from the center to lower the counter. This design has for purpose to sell any kind of product out in different places (street/private events/concerts etc.) It can be fixed on a trailer (see pictures) or can also be put straight on the ground the diameter of the first one will be 2,4 meter.**



- (21) Design Number: **12222/2014**
(22) Date of Filing Application: **08 May 2014**
(24) Date from which industrial property rights may have effect: **08 May 2014**
(54) Product in respect of which the design is registered: **A passive EM antenna for an electronic device**
(51) International Design Classification: **14-03A**
(74) Name(s) of Attorney(s): **Murray Trento & Associates**
(71) Name(s) and Address(s) of Applicant(s):
Aaron Leibovich
5 Leaburn Ave Caulfield North VIC 3161 Australia
(72) Name(s) of Designer(s): **Aaron Leibovich**
(45) Registration Date: **15 July 2014**
(56) Related Art Documents: **Not Applicable**
(57) Statement of Newness and Distinctiveness: **Newness and distinctiveness relates to the pattern of strips and other objects visible in the representations.**



- (21) Design Number: **12935/2014**
(22) Date of Filing Application: **16 June 2014**
(24) Date from which industrial property rights may have effect: **16 June 2014**
(54) Product in respect of which the design is registered: **Excavator bucket**
(51) International Design Classification: **15-04**
(74) Name(s) of Attorney(s): **Collison & Co**
(71) Name(s) and Address(s) of Applicant(s):
Reimann Manufacturing Pty Ltd
34 Barwell St Eudunda SA 5374 Australia
(72) Name(s) of Designer(s): **Matthew Reimann**
(45) Registration Date: **15 July 2014**
(56) Related Art Documents: **Not Applicable**
(57) Statement of Newness and Distinctiveness: **Newness and distinctiveness resides in the shape and/or configuration of the excavator bucket as shown in the accompanying representations.**



- (21) Design Number: **12936/2014**
(22) Date of Filing Application: **16 June 2014**
(24) Date from which industrial property rights may have effect: **16 June 2014**
(54) Product in respect of which the design is registered: **Therapy unit assembly**
(51) International Design Classification: **24-01**
(74) Name(s) of Attorney(s): **Griffith Hack**
(71) Name(s) and Address(s) of Applicant(s):
Smith & Nephew Inc.
1450 Brooks Road Memphis Tennessee 38116 United States of America
(72) Name(s) of Designer(s): **William W Gregory and Kealoha Young Deutsch and Kathryn Ann Leigh and Andrew P Muser and Mark Schaefer and Brian P Bjelovuk and Billy J Ratliff and Michael T Roller and Robert H Roth**
(45) Registration Date: **15 July 2014**
(30) Convention priority data:
(31) Number (32) Date (33) Country
29/492,116 28 May 2014 UNITED STATES OF AMERICA
(56) Related Art Documents: **Not Applicable**
(57) Statement of Newness and Distinctiveness: **Newness and distinctiveness resides in the visual features, including the shape and configuration of the product as shown by means of solid lines in the representations.**



- (21) Design Number: **12937/2014**
(22) Date of Filing Application: **16 June 2014**
(24) Date from which industrial property rights may have effect: **16 June 2014**
(54) Product in respect of which the design is registered: **Therapy unit assembly**
(51) International Design Classification: **24-01**
(74) Name(s) of Attorney(s): **Griffith Hack**
(71) Name(s) and Address(s) of Applicant(s):
Smith & Nephew Inc.
1450 Brooks Road Memphis Tennessee 38116 United States of America
(72) Name(s) of Designer(s): **William W Gregory and Kealoha Young Deutsch and Kathryn Ann Leigh and Andrew P Muser and Mark Schaefer and Brian P Bjelovuk and Billy J Ratliff and Michael T Roller and Robert H Roth**
(45) Registration Date: **15 July 2014**
(30) Convention priority data:
(31) Number (32) Date (33) Country
29/492,724 02 Jun 2014 UNITED STATES OF AMERICA
(56) Related Art Documents: **Not Applicable**
(57) Statement of Newness and Distinctiveness: **Newness and distinctiveness resides in the visual features, including the shape and configuration of the product as shown by means of solid lines in the representations. The symbols including numbers in FIGS. 1 and 7 do not form part of the design.**



- (21) Design Number: **12982/2014**
(22) Date of Filing Application: **18 June 2014**
(24) Date from which industrial property rights may have effect: **18 June 2014**
(54) Product in respect of which the design is registered: **A banner**
(51) International Design Classification: **11-05**
(74) Name(s) of Attorney(s): **Cullens Patent and Trade Mark Attorneys**
(71) Name(s) and Address(s) of Applicant(s):
Gregory Michael McMahon
144 Mayfield Rd Samford QLD 4520 Australia
(72) Name(s) of Designer(s): **Kadan Qu**
(45) Registration Date: **15 July 2014**
(56) Related Art Documents: **Not Applicable**
(57) Statement of Newness and Distinctiveness: **Newness and distinctiveness is claimed in the features depicted by unbroken lines in the accompanying representation. Newness and distinctiveness is not claimed in the features depicted by broken lines in the representation.**



(21) Design Number: **12998/2014**
(22) Date of Filing Application: **19 June 2014**
(24) Date from which industrial property rights may have effect: **19 June 2014**
(54) Product in respect of which the design is registered: **Vacuum cleaner**
(51) International Design Classification: **15-05**
(74) Name(s) of Attorney(s): **Griffith Hack**
(71) Name(s) and Address(s) of Applicant(s):
Techtronic Floor Care Technology Limited
P.O. Box 957 Offshore Incorporations Centre Road Town Tortola British
Virgin Islands
(72) Name(s) of Designer(s): **Daniel William Carter and Darren David Holmes**
and Simon Pougher and Thomas Robert Harries and Mark Barnsley
(45) Registration Date: **15 July 2014**
(30) Convention priority data:
(31) Number (32) Date (33) Country
001395123 20 Dec 2013 EUROPEAN PATENT OFFICE (EPO)
(56) Related Art Documents: **Not Applicable**
(57) Statement of Newness and Distinctiveness: **Nil**



(21) Design Number: **13003/2014**
(22) Date of Filing Application: **19 June 2014**
(24) Date from which industrial property rights may have effect: **19 June 2014**
(54) Product in respect of which the design is registered: **Portable audio system**
(51) International Design Classification: **14-01**
(74) Name(s) of Attorney(s): **PHILLIPS ORMONDE FITZPATRICK**
(71) Name(s) and Address(s) of Applicant(s):
Bose Corporation
The Mountain MS 3B1 Framingham Massachusetts 01701-9168 United
States of America
(72) Name(s) of Designer(s): **Seth N Green**
(45) Registration Date: **15 July 2014**
(30) Convention priority data:
(31) Number (32) Date (33) Country
29/479,459 16 Jan 2014 UNITED STATES OF AMERICA
(56) Related Art Documents: **Not Applicable**
(57) Statement of Newness and Distinctiveness: **Those features of the portable**
audio system depicted in the representations that are new and distinctive
are the shape and/or configuration. The features shown in broken lines
are not part of the design and are to be disregarded when considering
the overall impression of the design.



(21) Design Number: **13004/2014**
(22) Date of Filing Application: **19 June 2014**
(24) Date from which industrial property rights may have effect: **19 June 2014**
(54) Product in respect of which the design is registered: **Vehicle wheel rim**
(51) International Design Classification: **12-16A**
(74) Name(s) of Attorney(s): **FB Rice**
(71) Name(s) and Address(s) of Applicant(s):
Automobili Lamborghini S.p.A.
Via Modena 12 40019 Sant'Agata Bolognese (BO) Italy
(72) Name(s) of Designer(s): **Filippo Perini**
(45) Registration Date: **15 July 2014**
(30) Convention priority data:
(31) Number (32) Date (33) Country
2374330-0004 19 Dec 2013 OFFICE FOR HARMONISATION IN
THE INTERNAL MARKET (OHIM)
(56) Related Art Documents: **Not Applicable**
(57) Statement of Newness and Distinctiveness: **Newness and distinctiveness**
reside in the features of shape and/or configuration of the design as
shown in the representations.



(21) Design Number: **13005/2014**
(22) Date of Filing Application: **19 June 2014**
(24) Date from which industrial property rights may have effect: **19 June 2014**
(54) Product in respect of which the design is registered: **Vehicle; model car**
(51) International Design Classification: **12-08, 21-01C**
(74) Name(s) of Attorney(s): **FB Rice**
(71) Name(s) and Address(s) of Applicant(s):
Automobili Lamborghini S.p.A.
Via Modena 12 40019 Sant'Agata Bolognese (BO) Italy
(72) Name(s) of Designer(s): **Filippo Perini**
(45) Registration Date: **15 July 2014**
(30) Convention priority data:
(31) Number (32) Date (33) Country
2374330-0002 19 Dec 2013 OFFICE FOR HARMONISATION IN
THE INTERNAL MARKET (OHIM)
(56) Related Art Documents: **Not Applicable**
(57) Statement of Newness and Distinctiveness: **Newness and distinctiveness**
reside in the features of shape and/or configuration of the design as
shown in the representations.



(21) Design Number: **13008/2014**
(22) Date of Filing Application: **19 June 2014**
(24) Date from which industrial property rights may have effect: **19 June 2014**
(54) Product in respect of which the design is registered: **Vacuum cleaner**
(51) International Design Classification: **15-05**
(74) Name(s) of Attorney(s): **Griffith Hack**
(71) Name(s) and Address(s) of Applicant(s):
Techtronic Floor Care Technology Limited
PO Box 957 Offshore Incorporations Centre Road Town Tortola British
Virgin Islands
(72) Name(s) of Designer(s): **Daniel William Carter and Darren David Holmes**
and Simon Pougher and Thomas Robert Harries and Mark Barnsley
(45) Registration Date: **15 July 2014**
(30) Convention priority data:
(31) Number (32) Date (33) Country
001395123 20 Dec 2013 EUROPEAN PATENT OFFICE (EPO)
(56) Related Art Documents: **Not Applicable**
(57) Statement of Newness and Distinctiveness: **Nil**



(21) Design Number: **13009/2014**
(22) Date of Filing Application: **19 June 2014**
(24) Date from which industrial property rights may have effect: **19 June 2014**
(54) Product in respect of which the design is registered: **Vacuum cleaner**
(51) International Design Classification: **15-05**
(74) Name(s) of Attorney(s): **Griffith Hack**
(71) Name(s) and Address(s) of Applicant(s):
Techtronic Floor Care Technology Limited
P.O. Box 957 Offshore Incorporations Centre Road Town Tortola British
Virgin Islands
(72) Name(s) of Designer(s): **Daniel William Carter and Darren David Holmes**
and Simon Pougher and Thomas Robert Harries and Mark Barnsley
(45) Registration Date: **15 July 2014**
(30) Convention priority data:
(31) Number (32) Date (33) Country
001395123 20 Dec 2013 OFFICE FOR HARMONISATION IN
THE INTERNAL MARKET (OHIM)
(56) Related Art Documents: **Not Applicable**
(57) Statement of Newness and Distinctiveness: **Nil**



(21) Design Number: **10369/2014**
(22) Date of Filing Application: **28 January 2014**
(24) Date from which industrial property rights may have effect: **28 January 2014**
(54) Product in respect of which the design is registered: **Display screen**
(51) International Design Classification: **14-02, 14-04**
(74) Name(s) of Attorney(s): **Davies Collison Cave**
(71) Name(s) and Address(s) of Applicant(s):

Palantir Technologies, Inc.
100 Hamilton Avenue, Suite 300 Palo Alto California 94301 United States of America

(72) Name(s) of Designer(s): **Joshua Goldenberg and Alvin Thong**

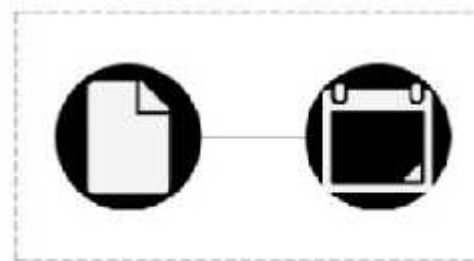
(45) Registration Date: **15 July 2014**

(30) Convention priority data:

(31) Number	(32) Date	(33) Country
29/462,368	01 Aug 2013	UNITED STATES OF AMERICA

(56) Related Art Documents: **Not Applicable**

(57) Statement of Newness and Distinctiveness: **Newness and distinctiveness is claimed in the visual features shown in solid lines in the representations. In considering the extent of the design rights, the broken lines shown in the representations are for illustrative purposes only and do not form part of the design. The black of the circles and white of the icons within the black circles represent contrasting colours, and are not limited to black and white, or white and black respectively. For example, the circles may be coloured red (rather than black, as shown), and the icons within the circles may be coloured green (rather than white, as shown). All other colour combinations are also contemplated.**



(21) Design Number: **12942/2014**
(22) Date of Filing Application: **17 June 2014**
(24) Date from which industrial property rights may have effect: **17 June 2014**
(54) Product in respect of which the design is registered: **Linear cutter**
(51) International Design Classification: **08-03**
(74) Name(s) of Attorney(s): **Adams Pluck**
(71) Name(s) and Address(s) of Applicant(s):

ALFA NEON SKYLTFABRIK AB
PO Box 225 SE-665 25 KIL Sweden

(72) Name(s) of Designer(s): **Patrik Johansson**

(45) Registration Date: **15 July 2014**

(30) Convention priority data:

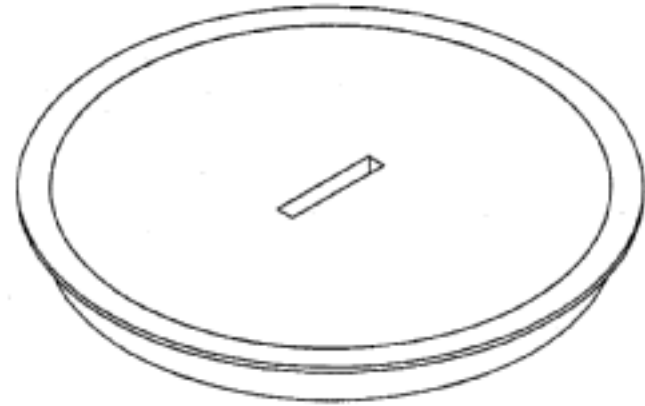
(31) Number	(32) Date	(33) Country
DM/082515	18 Dec 2013	WORLD INTELLECTUAL PROPERTY ORGANIZATION (WIPO)

(56) Related Art Documents: **Not Applicable**

(57) Statement of Newness and Distinctiveness: **Nil**



(21) Design Number: **12991/2014**
(22) Date of Filing Application: **18 June 2014**
(24) Date from which industrial property rights may have effect: **18 June 2014**
(54) Product in respect of which the design is registered: **A skimmer box lid**
(51) International Design Classification: **23-01NES**
(74) Name(s) of Attorney(s):
(71) Name(s) and Address(s) of Applicant(s):
Skimmer Lids Pty Ltd
C/- B Eagar 6 Roche Ct Oxenford QLD 4210 Australia
(72) Name(s) of Designer(s): **William Geoffrey Freeman**
(45) Registration Date: **15 July 2014**
(56) Related Art Documents: **Not Applicable**
(57) Statement of Newness and Distinctiveness: **Nil**



(21) Design Number: **11093/2014**
(22) Date of Filing Application: **07 March 2014**
(24) Date from which industrial property rights may have effect: **07 March 2014**
(54) Product in respect of which the design is registered: **Fuel tank**
(51) International Design Classification: **23-01F**
(74) Name(s) of Attorney(s):
(71) Name(s) and Address(s) of Applicant(s):
Stewart Thompson
PO BOX 355 Tullamarine VIC 3043 Australia
(72) Name(s) of Designer(s): **Stewart Thompson and Paul Cooper**
(45) Registration Date: **16 July 2014**
(56) Related Art Documents: **Not Applicable**
(57) Statement of Newness and Distinctiveness: **Nil**



- (21) Design Number: **11925/2014**
(22) Date of Filing Application: **22 April 2014**
(24) Date from which industrial property rights may have effect: **22 April 2014**
(54) Product in respect of which the design is registered: **IBC aquaponics system**
(51) International Design Classification: **09-03F**
(74) Name(s) of Attorney(s):
(71) Name(s) and Address(s) of Applicant(s):
 Shayn Fisher
 3 Perrin St Seymour VIC 3660 Australia
 April Fisher
 3 Perrin St Seymour VIC 3660 Australia
(72) Name(s) of Designer(s): **Shayn Fisher and April Fisher**
(45) Registration Date: **16 July 2014**
(56) Related Art Documents: **Not Applicable**
(57) Statement of Newness and Distinctiveness: **The newness and distinctiveness of our IBC Aquaponics System is that it is covered on the front and both sides with timber decking and has a lockable main tank lid and hidden access hatches to the pump, filter and electronics.**



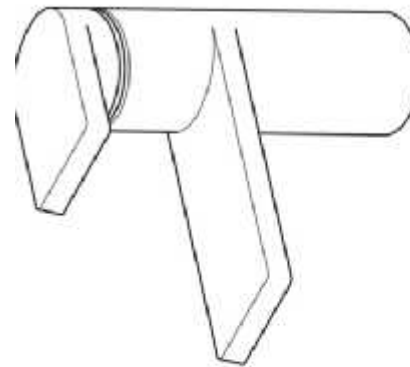
- (21) Design Number: **12205/2014**
(22) Date of Filing Application: **08 May 2014**
(24) Date from which industrial property rights may have effect: **08 May 2014**
(54) Product in respect of which the design is registered: **Cooling devices for liquids**
(51) International Design Classification: **07-06NES**
(74) Name(s) of Attorney(s):
(71) Name(s) and Address(s) of Applicant(s):
 Find It Import Export, S.L.
 Poligono de Les Penes Nave 7-8 MERES- SIERO-ASTURIAS 33199 Spain
(72) Name(s) of Designer(s): **Santiago Gonzalez-Quiros Telena**
(45) Registration Date: **16 July 2014**
(30) Convention priority data:
 (31) Number (32) Date (33) Country
 **001390801-0001 25 Nov 2013 OFFICE FOR HARMONISATION IN
 THE INTERNAL MARKET (OHIM)**
(56) Related Art Documents: **Not Applicable**
(57) Statement of Newness and Distinctiveness: **Newness and distinctiveness is claimed in the features of shape and/or configuration of a Cooling device for liquids as illustrated in the accompanying representations.**



- (21) Design Number: **12630/2014**
(22) Date of Filing Application: **28 May 2014**
(24) Date from which industrial property rights may have effect: **28 May 2014**
(54) Product in respect of which the design is registered: **A roof box**
(51) International Design Classification: **12-16K**
(74) Name(s) of Attorney(s):
(71) Name(s) and Address(s) of Applicant(s):
Stewart Thompson
PO BOX 355 Tullamarine VIC 3043 Australia
(72) Name(s) of Designer(s): **David Mellords and Paul Cooper and Stewart Thompson**
(45) Registration Date: **16 July 2014**
(56) Related Art Documents: **Not Applicable**
(57) Statement of Newness and Distinctiveness: **Roof Box designed to have an aerodynamic shape.**



- (21) Design Number: **13358/2014**
(22) Date of Filing Application: **11 July 2014**
(24) Date from which industrial property rights may have effect: **11 July 2014**
(54) Product in respect of which the design is registered: **Tapware**
(51) International Design Classification: **23-01H**
(74) Name(s) of Attorney(s):
(71) Name(s) and Address(s) of Applicant(s):
Bang Design IP Pty Ltd
91 Beattie St Balmain NSW 2041 Australia
(72) Name(s) of Designer(s): **David Granger and Tasman Wallworth**
(45) Registration Date: **16 July 2014**
(56) Related Art Documents: **Not Applicable**
(57) Statement of Newness and Distinctiveness: **Newness and distinctiveness is claimed in those visual features that are represented in the unbroken lines.**



(21) Design Number: **12081/2014**
(22) Date of Filing Application: **30 April 2014**
(24) Date from which industrial property rights may have effect: **30 April 2014**
(54) Product in respect of which the design is registered: **Furniture kit for a table**
(51) International Design Classification: **06-03NES**
(74) Name(s) of Attorney(s): **Allens Patent & Trade Mark Attorneys**
(71) Name(s) and Address(s) of Applicant(s):

Issac Atzmon
59a Rothschild St Bat Yam 5934419 Israel

(72) Name(s) of Designer(s): **Issac Atzmon**

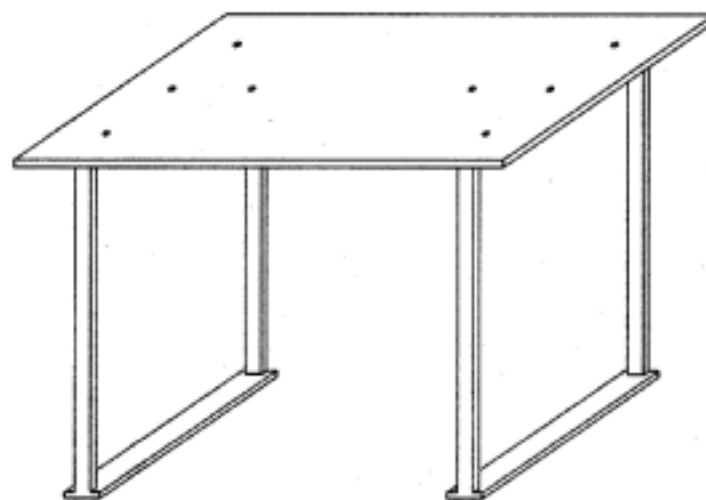
(45) Registration Date: **16 July 2014**

(30) Convention priority data:

(31) Number	(32) Date	(33) Country
54746	30 Oct 2013	ISRAEL

(56) Related Art Documents: **Not Applicable**

(57) Statement of Newness and Distinctiveness: **Newness and distinctiveness resides in the visual features of shape and/or configuration of a furniture kit for a table as illustrated in the accompanying representations. The table tennis net on Page 7/12 is for illustrative purposes only and does not form any part of the design.**



(21) Design Number: **13452/2014**
(22) Date of Filing Application: **30 April 2014**
(24) Date from which industrial property rights may have effect: **30 April 2014**
(54) Product in respect of which the design is registered: **Furniture kit for a bench**
(51) International Design Classification: **06-03NES**
(74) Name(s) of Attorney(s): **Allens Patent & Trade Mark Attorneys**
(71) Name(s) and Address(s) of Applicant(s):

Issac Atzmon
59a Rothschild St Bat Yam 5934419 Israel

(72) Name(s) of Designer(s): **Issac Atzmon**

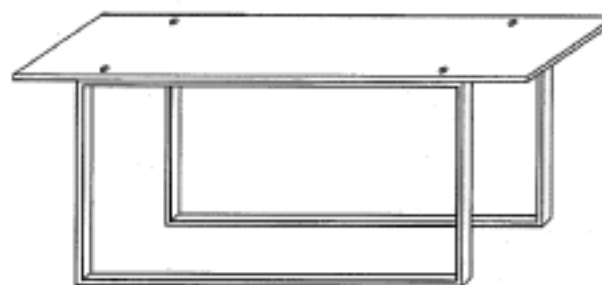
(45) Registration Date: **16 July 2014**

(30) Convention priority data:

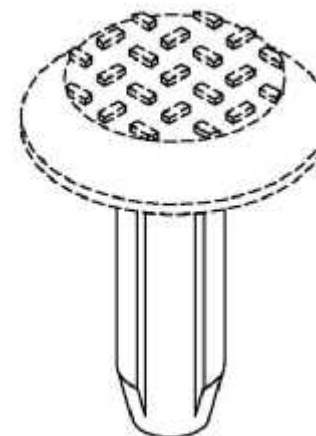
(31) Number	(32) Date	(33) Country
54746	30 Oct 2013	ISRAEL

(56) Related Art Documents: **Not Applicable**

(57) Statement of Newness and Distinctiveness: **Newness and distinctiveness resides in the visual features of shape and/or configuration of a furniture kit for a bench as illustrated in the accompanying representations.**



- (21) Design Number: **16622/2013**
(22) Date of Filing Application: **18 December 2013**
(24) Date from which industrial property rights may have effect: **18 December 2013**
(54) Product in respect of which the design is registered: **Tactile ground surface indicator**
(51) International Design Classification: **08-08B**
(74) Name(s) of Attorney(s): **Davies Collison Cave**
(71) Name(s) and Address(s) of Applicant(s):
CTA Australia Pty Ltd
5 Mareno Rd Tullamarine VIC 3043 Australia
(72) Name(s) of Designer(s): **Daniel DeDomenico**
(45) Registration Date: **16 July 2014**
(56) Related Art Documents: **Not Applicable**
(57) Statement of Newness and Distinctiveness: **Newness and distinctiveness is claimed in the shape and configuration of what is shown in solid lines in the accompanying representations.**



- (21) Design Number: **10625/2014**
(22) Date of Filing Application: **07 February 2014**
(24) Date from which industrial property rights may have effect: **07 February 2014**
(54) Product in respect of which the design is registered: **A planter for a wall garden**
(51) International Design Classification: **11-02B**
(74) Name(s) of Attorney(s):
(71) Name(s) and Address(s) of Applicant(s):
Leigh Irving Nicholson
28 Kerrimuir St Box Hill North VIC 3129
(72) Name(s) of Designer(s): **Matthew Irving Nicholson and Leigh Nicholson**
(45) Registration Date: **16 July 2014**
(56) Related Art Documents: **Not Applicable**
(57) Statement of Newness and Distinctiveness: **The design is unique as it features hanging pockets for gardens. Made from UV resistant materials which wont break down in the sun. Products which use recycled materials will. Botanically superior to other products as it features a felt pocket which allows water retention while capable of free drainage. Other products use sealed pockets which drown the plants. The removable felt pockets allow easy maintenance of plants, as they can be swapped around easily without damaging them. The easy manoeuvrability is unique only to hanging gardens.**



- (21) Design Number: **15759/2013**
(22) Date of Filing Application: **07 November 2013**
(24) Date from which industrial property rights may have effect: **07 November 2013**
(54) Product in respect of which the design is registered: **Article of clothing**
(51) International Design Classification: **02-02C**
(74) Name(s) of Attorney(s): **Allens Patent & Trade Mark Attorneys**
(71) Name(s) and Address(s) of Applicant(s):
Forever New Clothing Pty Ltd
714-716 High St Kew East VIC 3102 Australia
(72) Name(s) of Designer(s): **Anna Pham**
(45) Registration Date: **17 July 2014**
(56) Related Art Documents: **Not Applicable**
(57) Statement of Newness and Distinctiveness: **Newness and distinctiveness resides in the visual features of shape, configuration, pattern and/or ornamentation of an article of clothing as shown in the accompanying representations.**



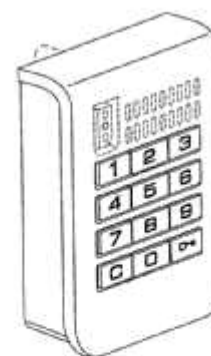
- (21) Design Number: **15899/2013**
(22) Date of Filing Application: **18 November 2013**
(24) Date from which industrial property rights may have effect: **18 November 2013**
(54) Product in respect of which the design is registered: **Tie down**
(51) International Design Classification: **08-07, 09-06**
(74) Name(s) of Attorney(s): **Halfords IP**
(71) Name(s) and Address(s) of Applicant(s):
Natural Product Solutions Pty Ltd
1072 Centre Rd South Oakley VIC 3167 Australia
(72) Name(s) of Designer(s): **Paul Ryan**
(45) Registration Date: **17 July 2014**
(56) Related Art Documents: **Not Applicable**
(57) Statement of Newness and Distinctiveness: **Newness and Distinctiveness is claimed in those features of shape and or configuration of a Tie Down as depicted in the representations. Features shown in broken line work do not form part of the design.**



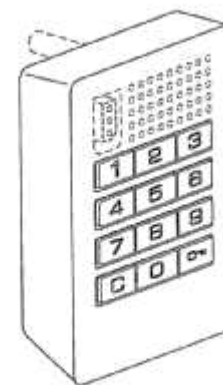
- (21) Design Number: **12503/2014**
(22) Date of Filing Application: **23 April 2014**
(24) Date from which industrial property rights may have effect: **23 April 2014**
(54) Product in respect of which the design is registered: **A compressible container**
(51) International Design Classification: **09-03L**
(74) Name(s) of Attorney(s): **Madderns**
(71) Name(s) and Address(s) of Applicant(s):
Team Grasshopper Ltd.
15a Friars Gate, Onslow Village, Guildford, Surrey GU2 7PQ United Kingdom
(72) Name(s) of Designer(s): **Helen Cooper**
(45) Registration Date: **17 July 2014**
(30) Convention priority data:
(31) Number (32) Date (33) Country
002331397-0001 23 Oct 2013 OFFICE FOR HARMONISATION IN THE INTERNAL MARKET (OHIM)
(56) Related Art Documents: **Not Applicable**
(57) Statement of Newness and Distinctiveness: **Newness and distinctiveness is claimed in the features of shape and configuration applied to a compressible container as illustrated in the accompanying drawings.**



- (21) Design Number: **11176/2014**
(22) Date of Filing Application: **13 March 2014**
(24) Date from which industrial property rights may have effect: **13 March 2014**
(54) Product in respect of which the design is registered: **Keypad**
(51) International Design Classification: **14-03NES**
(74) Name(s) of Attorney(s): **PATENT ATTORNEY SERVICES**
(71) Name(s) and Address(s) of Applicant(s):
Digilock Asia Ltd
Room 305, No. 14 Building Tower C, 5th Phase KeYuan Estate, BuJi Town ShenZhen China
(72) Name(s) of Designer(s): **Kelly Kodama and Asil Gokcebay**
(45) Registration Date: **17 July 2014**
(56) Related Art Documents: **Not Applicable**
(57) Statement of Newness and Distinctiveness: **Newness and distinctiveness is claimed in the shape and configuration of a keypad as shown in the accompanying representations. The features shown in broken lines comprising features on the front face at the upper portions and the projections from the rear of the keypad are not part of the design and are to be disregarded. The nature and appearance of the markings (numerals and symbols) on the keys are not part of the design and are to be disregarded.**



- (21) Design Number: **11177/2014**
(22) Date of Filing Application: **13 March 2014**
(24) Date from which industrial property rights may have effect: **13 March 2014**
(54) Product in respect of which the design is registered: **Keypad**
(51) International Design Classification: **14-03NES**
(74) Name(s) of Attorney(s): **PATENT ATTORNEY SERVICES**
(71) Name(s) and Address(s) of Applicant(s):
Security People Inc.
9 Willowbrook Ct Petaluma California 94954 United States of America
(72) Name(s) of Designer(s): **Kelly Kodama and Asil Gokcebay**
(45) Registration Date: **17 July 2014**
(56) Related Art Documents: **Not Applicable**
(57) Statement of Newness and Distinctiveness: **Newness and distinctiveness is claimed in the shape and configuration of a keypad as shown in the accompanying representations. The features shown in broken lines comprising features on the front face at the upper portions and the projections from the rear of the keypad are not part of the design and are to be disregarded. The nature and appearance of the markings (numerals and symbols) on the keys are not part of the design and are to be disregarded.**



- (21) Design Number: **13024/2014**
(22) Date of Filing Application: **20 June 2014**
(24) Date from which industrial property rights may have effect: **20 June 2014**
(54) Product in respect of which the design is registered: **Watch case**
(51) International Design Classification: **10-07**
(74) Name(s) of Attorney(s): **SPRUSON & FERGUSON**
(71) Name(s) and Address(s) of Applicant(s):
Rolex SA
3-5-7, rue Francois Dussaud Geneva Switzerland
(72) Name(s) of Designer(s): **Emmanuel Gueit**
(45) Registration Date: **17 July 2014**
(30) Convention priority data:
(31) Number (32) Date (33) Country
140343 20 Dec 2013 SWITZERLAND
(56) Related Art Documents: **Not Applicable**
(57) Statement of Newness and Distinctiveness: **Newness and distinctiveness is claimed in the features of shape and/or configuration of a watch case as illustrated in the accompanying representations.**

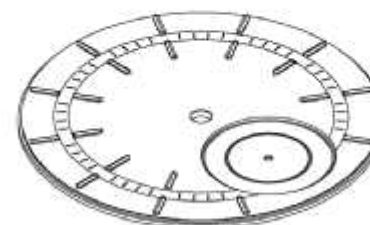


(21) Design Number: **13026/2014**
(22) Date of Filing Application: **20 June 2014**
(24) Date from which industrial property rights may have effect: **20 June 2014**
(54) Product in respect of which the design is registered: **Part of a vacuum cleaner**
(51) International Design Classification: **15-05**
(74) Name(s) of Attorney(s): **Shelston IP**
(71) Name(s) and Address(s) of Applicant(s):
Dyson Technology Limited
Tetbury Hill Malmesbury Wiltshire SN16 0RP Great Britain
(72) Name(s) of Designer(s): **Adam James Bates and Rob Edward Marsden**
(45) Registration Date: **17 July 2014**
(30) Convention priority data:
(31) Number (32) Date (33) Country
002375477-0001 20 Dec 2013 OFFICE FOR HARMONISATION IN
THE INTERNAL MARKET (OHIM)



(56) Related Art Documents: **Not Applicable**
(57) Statement of Newness and Distinctiveness: **Newness and distinctiveness reside in the features of shape and/or configuration of a PART OF A VACUUM CLEANER as illustrated in solid lines in the accompanying representations. The features shown in broken lines are illustrative only and do not form part of the design.**

(21) Design Number: **13028/2014**
(22) Date of Filing Application: **20 June 2014**
(24) Date from which industrial property rights may have effect: **20 June 2014**
(54) Product in respect of which the design is registered: **Watch dial**
(51) International Design Classification: **10-07**
(74) Name(s) of Attorney(s): **SPRUSON & FERGUSON**
(71) Name(s) and Address(s) of Applicant(s):
Rolex SA
3-5-7, rue Francois Dussaud Geneva Switzerland
(72) Name(s) of Designer(s): **Emmanuel Gueit**
(45) Registration Date: **17 July 2014**
(30) Convention priority data:
(31) Number (32) Date (33) Country
140343 20 Dec 2013 SWITZERLAND

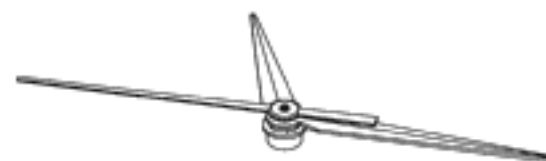


(56) Related Art Documents: **Not Applicable**
(57) Statement of Newness and Distinctiveness: **Newness and distinctiveness is claimed in the features of the face of a watch dial as illustrated in the accompanying representations.**

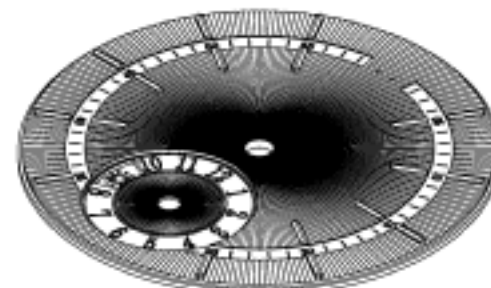
(21) Design Number: **13029/2014**
(22) Date of Filing Application: **20 June 2014**
(24) Date from which industrial property rights may have effect: **20 June 2014**
(54) Product in respect of which the design is registered: **Watch dial**
(51) International Design Classification: **10-07**
(74) Name(s) of Attorney(s): **SPRUSON & FERGUSON**
(71) Name(s) and Address(s) of Applicant(s):
Rolex SA
3-5-7, rue Francois Dussaud Geneva Switzerland
(72) Name(s) of Designer(s): **Emmanuel Gueit**
(45) Registration Date: **17 July 2014**
(30) Convention priority data:
(31) Number (32) Date (33) Country
140343 20 Dec 2013 SWITZERLAND
(56) Related Art Documents: **Not Applicable**
(57) Statement of Newness and Distinctiveness: **Newness and distinctiveness is claimed in the features of the face of a watch dial as illustrated in the accompanying representations.**



(21) Design Number: **13030/2014**
(22) Date of Filing Application: **20 June 2014**
(24) Date from which industrial property rights may have effect: **20 June 2014**
(54) Product in respect of which the design is registered: **Hand assembly**
(51) International Design Classification: **10-07**
(74) Name(s) of Attorney(s): **SPRUSON & FERGUSON**
(71) Name(s) and Address(s) of Applicant(s):
Rolex SA
3-5-7, rue Francois Dussaud Geneva Switzerland
(72) Name(s) of Designer(s): **Emmanuel Gueit**
(45) Registration Date: **17 July 2014**
(30) Convention priority data:
(31) Number (32) Date (33) Country
140343 20 Dec 2013 SWITZERLAND
(56) Related Art Documents: **Not Applicable**
(57) Statement of Newness and Distinctiveness: **Newness and distinctiveness is claimed in the features of shape and/or configuration of a hand assembly as illustrated in the accompanying representations.**



(21) Design Number: **13031/2014**
(22) Date of Filing Application: **20 June 2014**
(24) Date from which industrial property rights may have effect: **20 June 2014**
(54) Product in respect of which the design is registered: **Watch dial**
(51) International Design Classification: **10-07**
(74) Name(s) of Attorney(s): **SPRUSON & FERGUSON**
(71) Name(s) and Address(s) of Applicant(s):
Rolex SA
3-5-7, rue Francois Dussaud Geneva Switzerland
(72) Name(s) of Designer(s): **Emmanuel Gueit**
(45) Registration Date: **17 July 2014**
(30) Convention priority data:
(31) Number (32) Date (33) Country
140343 20 Dec 2013 SWITZERLAND
(56) Related Art Documents: **Not Applicable**
(57) Statement of Newness and Distinctiveness: **Newness and distinctiveness is claimed in the features of the face of a watch dial as illustrated in the accompanying representations.**



(21) Design Number: **13035/2014**
(22) Date of Filing Application: **20 June 2014**
(24) Date from which industrial property rights may have effect: **20 June 2014**
(54) Product in respect of which the design is registered: **Double-walled drinking glass**
(51) International Design Classification: **07-01C**
(74) Name(s) of Attorney(s): **Banki Haddock Fiora**
(71) Name(s) and Address(s) of Applicant(s):
Pi-Design AG
Kantonsstrasse 100 Triengen CH - 6234 Switzerland
(72) Name(s) of Designer(s): **Jorgen Bodum**
(45) Registration Date: **17 July 2014**
(30) Convention priority data:
(31) Number (32) Date (33) Country
DM/082 677 14 Jan 2014 WORLD INTELLECTUAL PROPERTY ORGANIZATION (WIPO)
(56) Related Art Documents: **Not Applicable**
(57) Statement of Newness and Distinctiveness: **The visual features of the double-walled drinking glass depicted in the representations that are new and distinctive are the shape and/or configuration.**



(21) Design Number: **13036/2014**
(22) Date of Filing Application: **20 June 2014**
(24) Date from which industrial property rights may have effect: **20 June 2014**
(54) Product in respect of which the design is registered: **Part of a vacuum cleaner**
(51) International Design Classification: **15-05**
(74) Name(s) of Attorney(s): **Shelston IP**
(71) Name(s) and Address(s) of Applicant(s):
Dyson Technology Limited
Tetbury Hill Malmesbury Wiltshire SN16 0RP United Kingdom
(72) Name(s) of Designer(s): **Adam James Bates and Rob Edward Marsden**
(45) Registration Date: **17 July 2014**
(30) Convention priority data:
(31) Number (32) Date (33) Country
002375477-0002 20 Dec 2013 OFFICE FOR HARMONISATION IN
THE INTERNAL MARKET (OHIM)



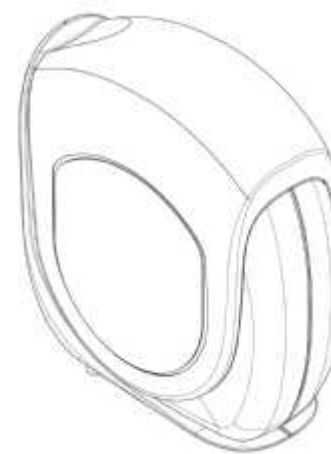
(56) Related Art Documents: **Not Applicable**
(57) Statement of Newness and Distinctiveness: **Newness and distinctiveness reside in the features of shape and/or configuration of a PART OF A VACUUM CLEANER as illustrated in solid lines in the accompanying representations. The features shown in broken lines are illustrative only and do not form part of the design.**

(21) Design Number: **13037/2014**
(22) Date of Filing Application: **20 June 2014**
(24) Date from which industrial property rights may have effect: **20 June 2014**
(54) Product in respect of which the design is registered: **Inhaler**
(51) International Design Classification: **24-04**
(74) Name(s) of Attorney(s): **SPRUSON & FERGUSON**
(71) Name(s) and Address(s) of Applicant(s):
Vectura Delivery Devices Limited
1 Prospect West Chippenham Wiltshire SN14 6FH United Kingdom
(72) Name(s) of Designer(s): **Andreas Mark Meliniotis and Roger William Clarke and Liam Philip McGuinness**
(45) Registration Date: **17 July 2014**
(30) Convention priority data:
(31) Number (32) Date (33) Country
002466698-0002 19 May 2014 OFFICE FOR HARMONISATION IN
THE INTERNAL MARKET (OHIM)



(56) Related Art Documents: **Not Applicable**
(57) Statement of Newness and Distinctiveness: **Newness and distinctiveness is claimed in the features of shape and/or configuration of an inhaler as illustrated in the accompanying representations, in particular of the label panel, the recess on the cap, the slope of the land adjacent to the mouthpiece and the feet attached to a wide base.**

(21) Design Number: **13038/2014**
(22) Date of Filing Application: **20 June 2014**
(24) Date from which industrial property rights may have effect: **20 June 2014**
(54) Product in respect of which the design is registered: **Inhaler**
(51) International Design Classification: **24-04**
(74) Name(s) of Attorney(s): **SPRUSON & FERGUSON**
(71) Name(s) and Address(s) of Applicant(s):
Vectura Delivery Devices Limited
1 Prospect West Chippenham Wiltshire SN14 6FH United Kingdom
(72) Name(s) of Designer(s): **Andreas Mark Meliniotis and Roger William Clarke and Liam Philip McGuinness**
(45) Registration Date: **17 July 2014**
(30) Convention priority data:
(31) Number (32) Date (33) Country
002466698-0001 19 May 2014 OFFICE FOR HARMONISATION IN THE INTERNAL MARKET (OHIM)
(56) Related Art Documents: **Not Applicable**
(57) Statement of Newness and Distinctiveness: **Newness and distinctiveness is claimed in the features of shape and/or configuration of an inhaler as illustrated in the accompanying representations, in particular of the label panel, the recess on the cap, the slope of the land adjacent to the mouthpiece and the feet attached to a wide base.**



(21) Design Number: **13039/2014**
(22) Date of Filing Application: **20 June 2014**
(24) Date from which industrial property rights may have effect: **20 June 2014**
(54) Product in respect of which the design is registered: **Vacuum cleaner**
(51) International Design Classification: **15-05**
(74) Name(s) of Attorney(s): **Shelston IP**
(71) Name(s) and Address(s) of Applicant(s):
Dyson Technology Limited
Tetbury Hill Malmesbury Wiltshire SN16 0RP United Kingdom
(72) Name(s) of Designer(s): **Stephen Robert Dimbylow and Matthew John Dobson and David Christopher James Newton and Anthony James Wills and Adam James Bates and Rob Edward Marsden and James Dyson**
(45) Registration Date: **17 July 2014**
(30) Convention priority data:
(31) Number (32) Date (33) Country
002375709-0001 20 Dec 2013 OFFICE FOR HARMONISATION IN THE INTERNAL MARKET (OHIM)
(56) Related Art Documents: **Not Applicable**
(57) Statement of Newness and Distinctiveness: **Newness and distinctiveness reside in the features of shape and/or configuration of a VACUUM CLEANER as illustrated in solid lines in the accompanying representations. The features shown in broken lines are illustrative only and do not form part of the design.**



(21) Design Number: **13040/2014**

(22) Date of Filing Application: **20 June 2014**

(24) Date from which industrial property rights may have effect: **20 June 2014**

(54) Product in respect of which the design is registered: **Vacuum cleaner**

(51) International Design Classification: **15-05**

(74) Name(s) of Attorney(s): **Shelston IP**

(71) Name(s) and Address(s) of Applicant(s):

Dyson Technology Limited

Tetbury Hill Malmesbury Wiltshire SN16 0RP United Kingdom

(72) Name(s) of Designer(s): **Stephen Robert Dimbylow and Matthew John Dobson and David Christopher James Newton and Anthony James Wills and Adam James Bates and Rob Edward Marsden and James Dyson**

(45) Registration Date: **17 July 2014**

(30) Convention priority data:

(31) Number (32) Date
002375709-0002 20 Dec 2013

(33) Country
**OFFICE FOR HARMONISATION IN
THE INTERNAL MARKET (OHIM)**

(56) Related Art Documents: **Not Applicable**

(57) Statement of Newness and Distinctiveness: **Newness and distinctiveness reside in the features of shape and/or configuration of a VACUUM CLEANER as illustrated in solid lines in the accompanying representations. The features shown in broken lines are illustrative only and do not form part of the design.**



(21) Design Number: **13041/2014**

(22) Date of Filing Application: **20 June 2014**

(24) Date from which industrial property rights may have effect: **20 June 2014**

(54) Product in respect of which the design is registered: **Double-walled drinking glass**

(51) International Design Classification: **07-01C**

(74) Name(s) of Attorney(s): **Banki Haddock Fiora**

(71) Name(s) and Address(s) of Applicant(s):

Pi-Design AG

Kantonsstrasse 100 Triengen CH - 6234 Switzerland

(72) Name(s) of Designer(s): **Jorgen Bodum**

(45) Registration Date: **17 July 2014**

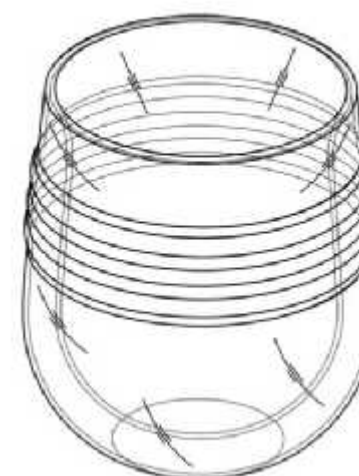
(30) Convention priority data:

(31) Number (32) Date
DM/082 677 14 Jan 2014

(33) Country
**WORLD INTELLECTUAL
PROPERTY ORGANIZATION
(WIPO)**

(56) Related Art Documents: **Not Applicable**

(57) Statement of Newness and Distinctiveness: **The visual features of the double-walled drinking glass depicted in the representations that are new and distinctive are the shape and/or configuration.**



(21) Design Number: **13042/2014**
 (22) Date of Filing Application: **20 June 2014**
 (24) Date from which industrial property rights may have effect: **20 June 2014**
 (54) Product in respect of which the design is registered: **Part of a vacuum cleaner**
 (51) International Design Classification: **15-05**
 (74) Name(s) of Attorney(s): **Shelston IP**
 (71) Name(s) and Address(s) of Applicant(s):

Dyson Technology Limited
Tetbury Hill Malmesbury Wiltshire SN16 0RP United Kingdom

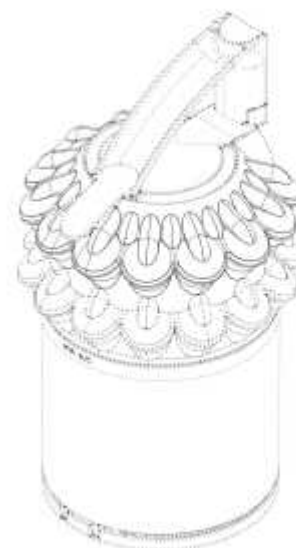
(72) Name(s) of Designer(s): **Jonathan George Marsh and James Robertson**
 (45) Registration Date: **17 July 2014**

(30) Convention priority data:

(31) Number	(32) Date	(33) Country
002375576-0001	20 Dec 2013	OFFICE FOR HARMONISATION IN THE INTERNAL MARKET (OHIM)

(56) Related Art Documents: **Not Applicable**

(57) Statement of Newness and Distinctiveness: **Newness and distinctiveness reside in the features of shape and/or configuration of a PART OF A VACUUM CLEANER as illustrated in solid lines in the accompanying representations. The features shown in broken lines are illustrative only and do not form part of the design.**



(21) Design Number: **13043/2014**
 (22) Date of Filing Application: **20 June 2014**
 (24) Date from which industrial property rights may have effect: **20 June 2014**
 (54) Product in respect of which the design is registered: **Part of a vacuum cleaner**
 (51) International Design Classification: **15-05**
 (74) Name(s) of Attorney(s): **Shelston IP**
 (71) Name(s) and Address(s) of Applicant(s):

Dyson Technology Limited
Tetbury Hill Malmesbury Wiltshire SN16 0RP United Kingdom

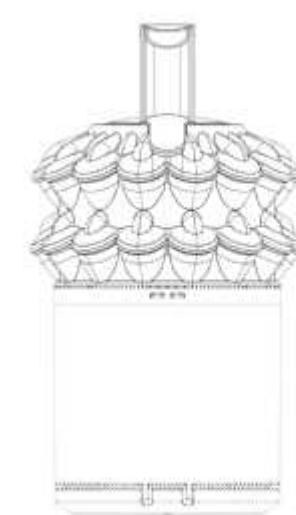
(72) Name(s) of Designer(s): **Jonathan George Marsh and James Stuart Robertson**
 (45) Registration Date: **17 July 2014**

(30) Convention priority data:

(31) Number	(32) Date	(33) Country
002375576-0002	20 Dec 2013	OFFICE FOR HARMONISATION IN THE INTERNAL MARKET (OHIM)

(56) Related Art Documents: **Not Applicable**

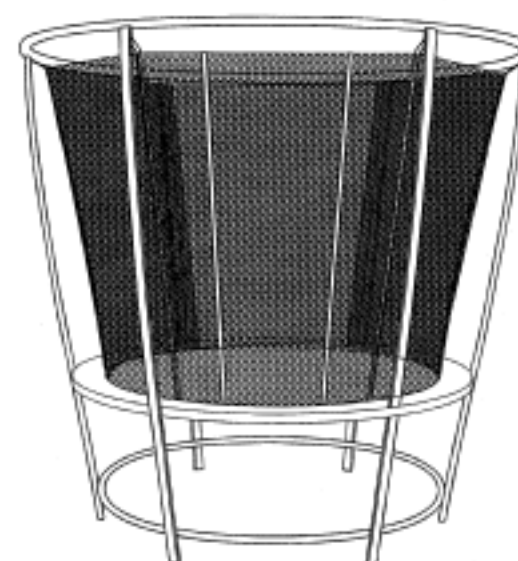
(57) Statement of Newness and Distinctiveness: **Newness and distinctiveness reside in the features of shape and/or configuration of a PART OF A VACUUM CLEANER as illustrated in solid lines in the accompanying representations. The features shown in broken lines are illustrative only and do not form part of the design.**



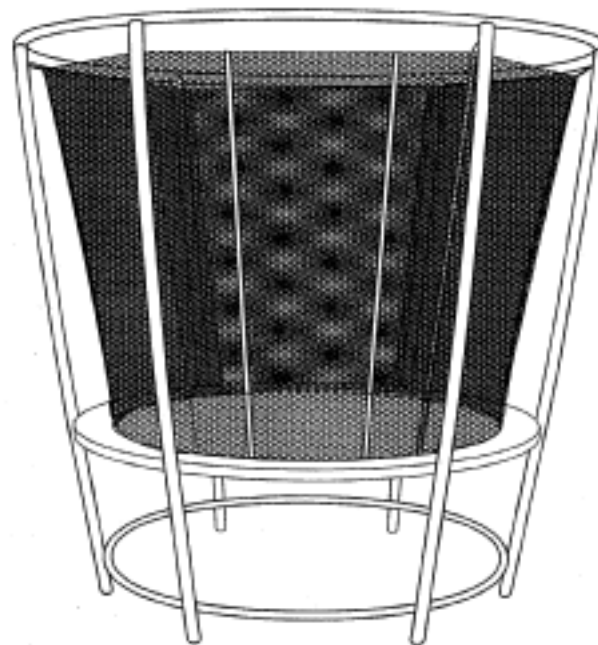
(21) Design Number: **13046/2014**
(22) Date of Filing Application: **20 June 2014**
(24) Date from which industrial property rights may have effect: **20 June 2014**
(54) Product in respect of which the design is registered: **Fragrance bottle**
(51) International Design Classification: **09-01G**
(74) Name(s) of Attorney(s): **PHILLIPS ORMONDE FITZPATRICK**
(71) Name(s) and Address(s) of Applicant(s):
Gabrielle Studio, Inc
550 Seventh Avenue New York New York 10018 United States of America
(72) Name(s) of Designer(s): **Richard Lavigne and Hans Dorsinville**
(45) Registration Date: **17 July 2014**
(30) Convention priority data:
(31) Number (32) Date (33) Country
29/477,274 20 Dec 2013 UNITED STATES OF AMERICA
(56) Related Art Documents: **Not Applicable**
(57) Statement of Newness and Distinctiveness: **Nil**



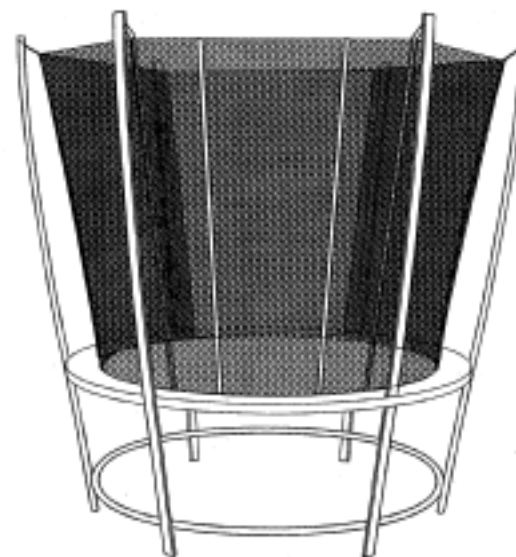
(21) Design Number: **12668/2014**
(22) Date of Filing Application: **30 May 2014**
(24) Date from which industrial property rights may have effect: **30 May 2014**
(54) Product in respect of which the design is registered: **Trampoline**
(51) International Design Classification: **21-02E**
(74) Name(s) of Attorney(s): **Fisher Adams Kelly Pty Ltd**
(71) Name(s) and Address(s) of Applicant(s):
Vuly Property Pty Ltd
1/95 Ingleston Rd Wakerley QLD 4154 Australia
(72) Name(s) of Designer(s): **Joe Andon**
(45) Registration Date: **18 July 2014**
(56) Related Art Documents: **Not Applicable**
(57) Statement of Newness and Distinctiveness: **The newness and distinctiveness of the design resides in the shape and/or configuration of the TRAMPOLINE shown in the representations.**



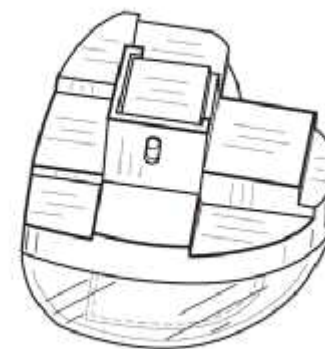
- (21) Design Number: **12671/2014**
(22) Date of Filing Application: **30 May 2014**
(24) Date from which industrial property rights may have effect: **30 May 2014**
(54) Product in respect of which the design is registered: **Trampoline**
(51) International Design Classification: **21-02F**
(74) Name(s) of Attorney(s): **Fisher Adams Kelly Pty Ltd**
(71) Name(s) and Address(s) of Applicant(s):
Vuly Property Pty Ltd
1/95 Ingleston Rd Wakerley QLD, 4154 Australia
(72) Name(s) of Designer(s): **Joe Andon**
(45) Registration Date: **18 July 2014**
(56) Related Art Documents: **Not Applicable**
(57) Statement of Newness and Distinctiveness: **The newness and distinctiveness of the design resides in the shape and/or configuration of the TRAMPOLINE shown in the representations.**



- (21) Design Number: **12672/2014**
(22) Date of Filing Application: **30 May 2014**
(24) Date from which industrial property rights may have effect: **30 May 2014**
(54) Product in respect of which the design is registered: **Trampoline**
(51) International Design Classification: **21-02F**
(74) Name(s) of Attorney(s): **Fisher Adams Kelly Pty Ltd**
(71) Name(s) and Address(s) of Applicant(s):
Vuly Property Pty Ltd
1/95 Ingleston Rd Wakerley QLD, 4154 Australia
(72) Name(s) of Designer(s): **Joe Andon**
(45) Registration Date: **18 July 2014**
(56) Related Art Documents: **Not Applicable**
(57) Statement of Newness and Distinctiveness: **The newness and distinctiveness of the design resides in the shape and/or configuration of the TRAMPOLINE shown in the representations.**



(21) Design Number: **13048/2014**
(22) Date of Filing Application: **20 June 2014**
(24) Date from which industrial property rights may have effect: **20 June 2014**
(54) Product in respect of which the design is registered: **Fragrance bottle**
(51) International Design Classification: **09-01G**
(74) Name(s) of Attorney(s): **PHILLIPS ORMONDE FITZPATRICK**
(71) Name(s) and Address(s) of Applicant(s):
Gabrielle Studio, Inc
550 Seventh Avenue New York New York 10018 United States of America
(72) Name(s) of Designer(s): **Richard Lavigne and Hans Dorsinville**
(45) Registration Date: **18 July 2014**
(30) Convention priority data:
(31) Number (32) Date (33) Country
29/477,273 20 Dec 2013 UNITED STATES OF AMERICA
(56) Related Art Documents: **Not Applicable**
(57) Statement of Newness and Distinctiveness: **Nil**



(21) Design Number: **13049/2014**
(22) Date of Filing Application: **20 June 2014**
(24) Date from which industrial property rights may have effect: **20 June 2014**
(54) Product in respect of which the design is registered: **Fragrance bottle**
(51) International Design Classification: **09-01G**
(74) Name(s) of Attorney(s): **PHILLIPS ORMONDE FITZPATRICK**
(71) Name(s) and Address(s) of Applicant(s):
Gabrielle Studio, Inc
550 Seventh Avenue New York New York 10018 United States of America
(72) Name(s) of Designer(s): **Richard Lavigne and Hans Dorsinville**
(45) Registration Date: **18 July 2014**
(30) Convention priority data:
(31) Number (32) Date (33) Country
29/477,270 20 Dec 2013 UNITED STATES OF AMERICA
(56) Related Art Documents: **Not Applicable**
(57) Statement of Newness and Distinctiveness: **Nil**



(21) Design Number: **13050/2014**
(22) Date of Filing Application: **20 June 2014**
(24) Date from which industrial property rights may have effect: **20 June 2014**
(54) Product in respect of which the design is registered: **Heliostat**
(51) International Design Classification: **13-99**
(74) Name(s) of Attorney(s): **HWL Ebsworth Lawyers**
(71) Name(s) and Address(s) of Applicant(s):
Precision Components Australia Pty Ltd
4 Jeanes St Beverley SA 5009 Australia
(72) Name(s) of Designer(s): **Michael Bowditch**
(45) Registration Date: **18 July 2014**
(56) Related Art Documents: **Not Applicable**
(57) Statement of Newness and Distinctiveness: **Nil**



(21) Design Number: **13051/2014**
(22) Date of Filing Application: **20 June 2014**
(24) Date from which industrial property rights may have effect: **20 June 2014**
(54) Product in respect of which the design is registered: **Fragrance bottle**
(51) International Design Classification: **09-01G**
(74) Name(s) of Attorney(s): **PHILLIPS ORMONDE FITZPATRICK**
(71) Name(s) and Address(s) of Applicant(s):
Gabrielle Studio, Inc
550 Seventh Avenue New York New York 10018 United States of America
(72) Name(s) of Designer(s): **Richard Lavigne and Hans Dorsinville**
(45) Registration Date: **18 July 2014**
(30) Convention priority data:
(31) Number (32) Date (33) Country
29/477,266 20 Dec 2013 UNITED STATES OF AMERICA
(56) Related Art Documents: **Not Applicable**
(57) Statement of Newness and Distinctiveness: **Nil**



(21) Design Number: **13053/2014**
(22) Date of Filing Application: **20 June 2014**
(24) Date from which industrial property rights may have effect: **20 June 2014**
(54) Product in respect of which the design is registered: **Toner cartridge**
(51) International Design Classification: **14-02**
(74) Name(s) of Attorney(s): **Collison & Co**
(71) Name(s) and Address(s) of Applicant(s):
BROTHER INDUSTRIES, LTD.
15-1 Naeshiro-cho Mizuho-ku Nagoya-shi Aichi-ken, 467-8561 Japan
(72) Name(s) of Designer(s): **Takashi Shimizu and Tokifumi Tanaka and Satoru Ishikawa and Keita Shimizu**
(45) Registration Date: **18 July 2014**
(30) Convention priority data:
(31) Number (32) Date (33) Country
2013-030480 26 Dec 2013 JAPAN
(56) Related Art Documents: **Not Applicable**
(57) Statement of Newness and Distinctiveness: **Nil**



(21) Design Number: **13055/2014**
(22) Date of Filing Application: **20 June 2014**
(24) Date from which industrial property rights may have effect: **20 June 2014**
(54) Product in respect of which the design is registered: **Wristwatch**
(51) International Design Classification: **10-02**
(74) Name(s) of Attorney(s): **SPRUSON & FERGUSON**
(71) Name(s) and Address(s) of Applicant(s):
Rolex SA
3-5-7, rue Francois Dussaud Geneva Switzerland
(72) Name(s) of Designer(s): **Emmanuel Gueit**
(45) Registration Date: **18 July 2014**
(30) Convention priority data:
(31) Number (32) Date (33) Country
140343 20 Dec 2013 SWITZERLAND
(56) Related Art Documents: **Not Applicable**
(57) Statement of Newness and Distinctiveness: **Newness and distinctiveness is claimed in the features of shape and/or configuration of a wristwatch as illustrated in the accompanying representations.**



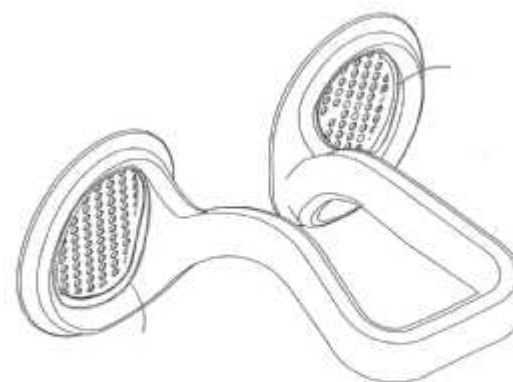
(21) Design Number: **13056/2014**
(22) Date of Filing Application: **20 June 2014**
(24) Date from which industrial property rights may have effect: **20 June 2014**
(54) Product in respect of which the design is registered: **Wristwatch**
(51) International Design Classification: **10-02**
(74) Name(s) of Attorney(s): **SPRUSON & FERGUSON**
(71) Name(s) and Address(s) of Applicant(s):
Rolex SA
3-5-7, rue Francois Dussaud Geneva Switzerland
(72) Name(s) of Designer(s): **Emmanuel Gueit**
(45) Registration Date: **18 July 2014**
(30) Convention priority data:
(31) Number (32) Date (33) Country
140343 20 Dec 2013 SWITZERLAND
(56) Related Art Documents: **Not Applicable**
(57) Statement of Newness and Distinctiveness: **Newness and distinctiveness is claimed in the features of shape and/or configuration of a wristwatch as illustrated in the accompanying representations.**



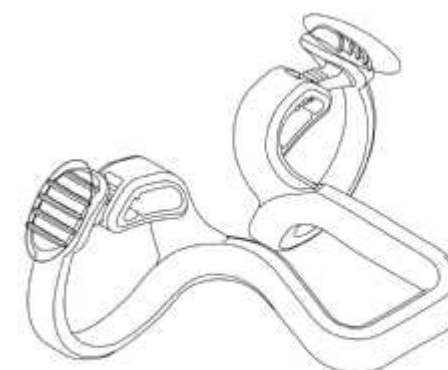
(21) Design Number: **13057/2014**
(22) Date of Filing Application: **20 June 2014**
(24) Date from which industrial property rights may have effect: **20 June 2014**
(54) Product in respect of which the design is registered: **Wristwatch**
(51) International Design Classification: **10-02**
(74) Name(s) of Attorney(s): **SPRUSON & FERGUSON**
(71) Name(s) and Address(s) of Applicant(s):
Rolex SA
3-5-7, rue Francois Dussaud Geneva Switzerland
(72) Name(s) of Designer(s): **Emmanuel Gueit**
(45) Registration Date: **18 July 2014**
(30) Convention priority data:
(31) Number (32) Date (33) Country
140343 20 Dec 2013 SWITZERLAND
(56) Related Art Documents: **Not Applicable**
(57) Statement of Newness and Distinctiveness: **Newness and distinctiveness is claimed in the features of shape and/or configuration of a wristwatch as illustrated in the accompanying representations.**



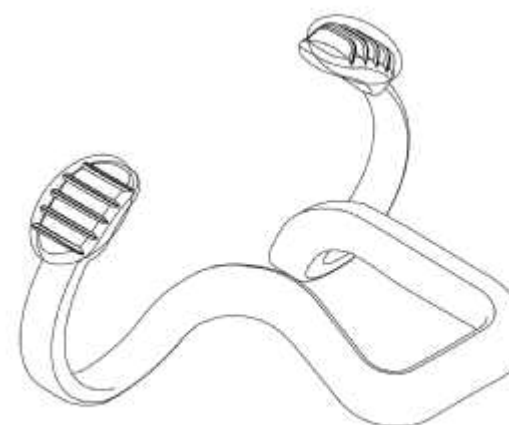
- (21) Design Number: **13058/2014**
(22) Date of Filing Application: **20 June 2014**
(24) Date from which industrial property rights may have effect: **20 June 2014**
(54) Product in respect of which the design is registered: **Nasal dilator**
(51) International Design Classification: **24-99**
(74) Name(s) of Attorney(s): **FB Rice**
(71) Name(s) and Address(s) of Applicant(s):
ASAP BreatheAssist Pty Ltd
SE1 1233 High St Armadale VIC 3143 Australia
(72) Name(s) of Designer(s): **Elizabeth Jane Pepper and Michael Ralph Burgess Johnson and Justin Robert Armistead and Toby James Hartley and George Kotsiopoulos**
(45) Registration Date: **18 July 2014**
(56) Related Art Documents: **Not Applicable**
(57) Statement of Newness and Distinctiveness: **Newness and distinctiveness resides in the features of shape and configuration of the nasal dilator shown in the representations, excluding any features of the shape and configuration of parts within the region indicated as A in the representations.**



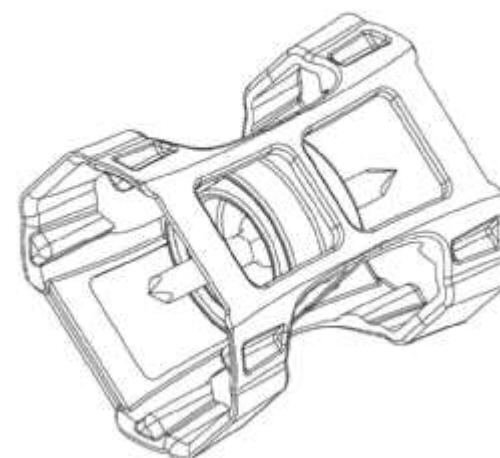
- (21) Design Number: **13059/2014**
(22) Date of Filing Application: **20 June 2014**
(24) Date from which industrial property rights may have effect: **20 June 2014**
(54) Product in respect of which the design is registered: **Nasal dilator**
(51) International Design Classification: **24-99**
(74) Name(s) of Attorney(s): **FB Rice**
(71) Name(s) and Address(s) of Applicant(s):
ASAP BreatheAssist Pty Ltd
SE1 1233 High St Armadale VIC 3143 Australia
(72) Name(s) of Designer(s): **Elizabeth Jane Pepper and Michael Ralph Burgess Johnson and Justin Robert Armistead and Toby James Hartley and George Kotsiopoulos**
(45) Registration Date: **18 July 2014**
(56) Related Art Documents: **Not Applicable**
(57) Statement of Newness and Distinctiveness: **Newness and distinctiveness resides in the features of shape and configuration of the nasal dilator shown in the representations, excluding any features of the shape and configuration of parts within the region indicated as A in the representations.**



- (21) Design Number: **13060/2014**
(22) Date of Filing Application: **20 June 2014**
(24) Date from which industrial property rights may have effect: **20 June 2014**
(54) Product in respect of which the design is registered: **Nasal dilator**
(51) International Design Classification: **24-02**
(74) Name(s) of Attorney(s): **FB Rice**
(71) Name(s) and Address(s) of Applicant(s):
ASAP BreatheAssist Pty Ltd
SE1/1233 High St Armadale VIC 3143 Australia
(72) Name(s) of Designer(s): **Elizabeth Jane Pepper and Michael Ralph Burgess Johnson and Justin Robert Armistead and George Kotsiopoulos and Toby James Hartley**
(45) Registration Date: **18 July 2014**
(56) Related Art Documents: **Not Applicable**
(57) Statement of Newness and Distinctiveness: **Newness and distinctiveness resides in the features of shape and configuration of the nasal dilator shown in the representations, excluding any features of the shape and configuration of parts within the region indicated as A in the representations.**



- (21) Design Number: **13061/2014**
(22) Date of Filing Application: **20 June 2014**
(24) Date from which industrial property rights may have effect: **20 June 2014**
(54) Product in respect of which the design is registered: **A fluid transfer device**
(51) International Design Classification: **24-01**
(74) Name(s) of Attorney(s): **Allens Patent & Trade Mark Attorneys**
(71) Name(s) and Address(s) of Applicant(s):
Zoetis LLC
100 Campus Dr Florham Park NJ, 07932-1020 United States of America
(72) Name(s) of Designer(s): **Roland Jeffrey Wyatt and Christopher Michael Bradley and Jeffrey Alan Tilley**
(45) Registration Date: **18 July 2014**
(30) Convention priority data:
(31) Number (32) Date (33) Country
29/478,482 06 Jan 2014 UNITED STATES OF AMERICA
(56) Related Art Documents: **Not Applicable**
(57) Statement of Newness and Distinctiveness: **Newness and distinctiveness is claimed in the features of shape and configuration of the fluid transfer device shown in the attached representations.**



(21) Design Number: **13062/2014**
(22) Date of Filing Application: **23 June 2014**
(24) Date from which industrial property rights may have effect: **23 June 2014**
(54) Product in respect of which the design is registered: **Display screen with icon**
(51) International Design Classification: **14-04**
(74) Name(s) of Attorney(s): **Shelston IP**
(71) Name(s) and Address(s) of Applicant(s):

Microsoft Corporation
One Microsoft Way Redmond Washington, 98052 United States of America

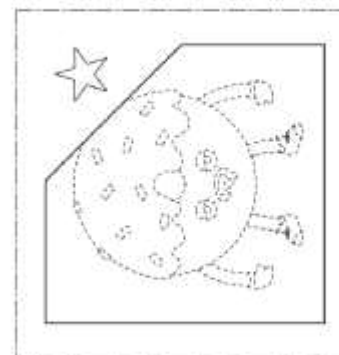
(72) Name(s) of Designer(s): **Emily Denise Comfort and Mitchell Johnson**
(45) Registration Date: **18 July 2014**

(30) Convention priority data:

(31) Number	(32) Date	(33) Country
29/481845	11 Feb 2014	UNITED STATES OF AMERICA

(56) Related Art Documents: **Not Applicable**

(57) Statement of Newness and Distinctiveness: **Newness and distinctiveness reside in the features of pattern and/or ornamentation of a display screen with icon as illustrated by solid lines in the accompanying representations. The features shown in broken outline are for contextual purposes only and do not form part of the design.**



(21) Design Number: **13063/2014**
(22) Date of Filing Application: **23 June 2014**
(24) Date from which industrial property rights may have effect: **23 June 2014**
(54) Product in respect of which the design is registered: **Display screen with icon**
(51) International Design Classification: **14-04**
(74) Name(s) of Attorney(s): **Shelston IP**
(71) Name(s) and Address(s) of Applicant(s):

Microsoft Corporation
One Microsoft Way Redmond Washington, 98052 United States of America

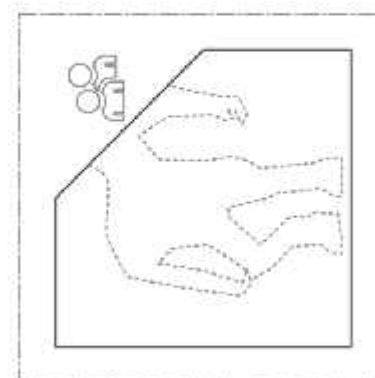
(72) Name(s) of Designer(s): **Emily Denise Comfort and Mitchell Johnson**
(45) Registration Date: **18 July 2014**

(30) Convention priority data:

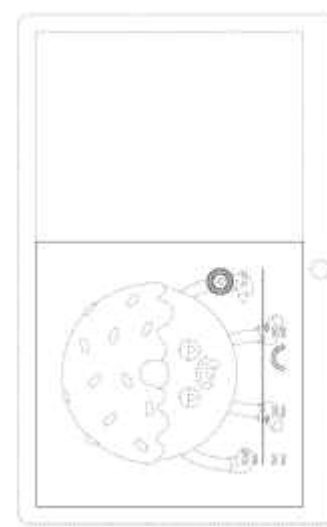
(31) Number	(32) Date	(33) Country
29/481846	11 Feb 2014	UNITED STATES OF AMERICA

(56) Related Art Documents: **Not Applicable**

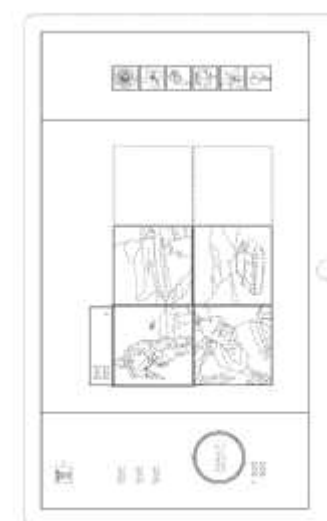
(57) Statement of Newness and Distinctiveness: **Newness and distinctiveness reside in the features of pattern and/or ornamentation of a display screen with icon as illustrated by solid lines in the accompanying representations. The features shown in broken outline are for contextual purposes only and do not form part of the design.**



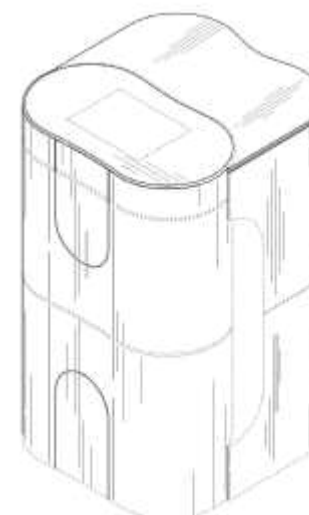
- (21) Design Number: **13065/2014**
(22) Date of Filing Application: **23 June 2014**
(24) Date from which industrial property rights may have effect: **23 June 2014**
(54) Product in respect of which the design is registered: **Display screen with graphical user interface**
(51) International Design Classification: **14-04, 14-02**
(74) Name(s) of Attorney(s): **Shelston IP**
(71) Name(s) and Address(s) of Applicant(s):
Microsoft Corporation
One Microsoft Way Redmond Washington 98052 United States of America
(72) Name(s) of Designer(s): **Emily Denise Comfort and Adam Sidwell and Mitchell Johnson**
(45) Registration Date: **18 July 2014**
(30) Convention priority data:
(31) Number (32) Date (33) Country
29/481848 11 Feb 2014 UNITED STATES OF AMERICA
(56) Related Art Documents: **Not Applicable**
(57) Statement of Newness and Distinctiveness: **Newness and distinctiveness reside in the features of pattern and/or ornamentation of a display screen with graphical user interface as illustrated by solid lines in the accompanying representation. The features shown in broken outline are for contextual purposes only and do not form part of the design.**



- (21) Design Number: **13066/2014**
(22) Date of Filing Application: **23 June 2014**
(24) Date from which industrial property rights may have effect: **23 June 2014**
(54) Product in respect of which the design is registered: **Display screen with graphical user interface**
(51) International Design Classification: **14-04, 14-02**
(74) Name(s) of Attorney(s): **Shelston IP**
(71) Name(s) and Address(s) of Applicant(s):
Microsoft Corporation
One Microsoft Way Redmond Washington 98052 United States of America
(72) Name(s) of Designer(s): **Nathan Johnson and Joseph Wheeler and Sean Kollenkark and Nicholas Robinson**
(45) Registration Date: **18 July 2014**
(30) Convention priority data:
(31) Number (32) Date (33) Country
29/481851 11 Feb 2014 UNITED STATES OF AMERICA
(56) Related Art Documents: **Not Applicable**
(57) Statement of Newness and Distinctiveness: **Newness and distinctiveness reside in the features of pattern and/or ornamentation of a display screen with graphical user interface as illustrated by solid lines in the accompanying representation. The features shown in broken outline are for contextual purposes only and do not form part of the design.**



- (21) Design Number: **11857/2014**
(22) Date of Filing Application: **14 April 2014**
(24) Date from which industrial property rights may have effect: **14 April 2014**
(54) Product in respect of which the design is registered: **Cooling and waste compartment**
(51) International Design Classification: **09-09**
(74) Name(s) of Attorney(s): **IP Gateway Patent & Trademark Attorneys Pty Ltd**
(71) Name(s) and Address(s) of Applicant(s):
AbbVie Inc.
1 North Waukegan Road North Chicago IL 60064 United States of America
(72) Name(s) of Designer(s): **Frank Leroux and Frederic Alfonsi and Dorine Roudaut and Gilles Scazzola and Morgane Lequerre and Sophie Meltzheim and Lucie Perrin and Victoria Al Samarai and Thibault Massart**
(45) Registration Date: **18 July 2014**
(30) Convention priority data:
(31) Number (32) Date (33) Country
002325761-0001 14 Oct 2013 OFFICE FOR HARMONISATION IN THE INTERNAL MARKET (OHIM)
(56) Related Art Documents: **Not Applicable**
(57) Statement of Newness and Distinctiveness: **Newness and distinctiveness reside in the visual features of shape and/or configuration of A COOLING AND WASTE COMPARTMENT as shown in solid lines in the representations, those features shown in broken lines are to be given minimal emphasis when considering the overall impression of the design.**



- (21) Design Number: **12086/2014**
(22) Date of Filing Application: **30 April 2014**
(24) Date from which industrial property rights may have effect: **30 April 2014**
(54) Product in respect of which the design is registered: **A baby carrier that slips on like a t-shirt**
(51) International Design Classification: **03-99**
(74) Name(s) of Attorney(s):
(71) Name(s) and Address(s) of Applicant(s):
SLINGTHINGS PTY. LTD.
43 Waratah Pde Narrabeena NSW 2099 Australia
Renee Foord
43 Waratah Pde Narrabeena NSW 2099 Australia
(72) Name(s) of Designer(s): **Renee Foord**
(45) Registration Date: **18 July 2014**
(56) Related Art Documents: **Not Applicable**
(57) Statement of Newness and Distinctiveness: **Slingthings has a distinct X shape, slips over the head like a t-shirt and has only 1 adjustment on the whole carrier being a velcro tab to the front. Slingthings produces 2 carriers, of the same distinct X shape but for different usage. One is made of cotton for day wear and the other is made of Neoprene for water wear.**



(21) Design Number: **13072/2014**
(22) Date of Filing Application: **23 June 2014**
(24) Date from which industrial property rights may have effect: **23 June 2014**
(54) Product in respect of which the design is registered: **Knee pad**
(51) International Design Classification: **02-04C**
(74) Name(s) of Attorney(s): **Griffith Hack**
(71) Name(s) and Address(s) of Applicant(s):
Matscitechno Licensing Company
143 Viburnum Drive Kennett Square PA 19348 United States of America
(72) Name(s) of Designer(s): **Robert A Vito and Michael Foerster**
(45) Registration Date: **18 July 2014**
(30) Convention priority data:
(31) Number (32) Date (33) Country
29/477743 26 Dec 2013 UNITED STATES OF AMERICA



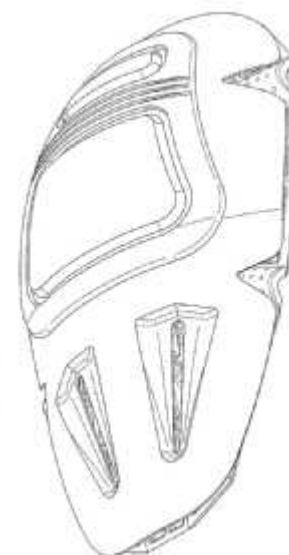
(56) Related Art Documents: **Not Applicable**
(57) Statement of Newness and Distinctiveness: **Newness and distinctiveness resides in the visual features, including shape, configuration and pattern, of a KNEE PAD as shown in solid outline in the accompanying drawings. When determining whether the design is substantially similar in overall impression to another design, no regard is to be had to those features shown in dotted outline in the accompanying drawings, which features are provided for illustrative purposes only.**

(21) Design Number: **13073/2014**
(22) Date of Filing Application: **23 June 2014**
(24) Date from which industrial property rights may have effect: **23 June 2014**
(54) Product in respect of which the design is registered: **Knee pad**
(51) International Design Classification: **02-04C**
(74) Name(s) of Attorney(s): **Griffith Hack**
(71) Name(s) and Address(s) of Applicant(s):
Matscitechno Licensing Company
143 Viburnum Drive Kennett Square PA 19348 United States of America
(72) Name(s) of Designer(s): **Robert A Vito and Michael Foerster**
(45) Registration Date: **18 July 2014**
(30) Convention priority data:
(31) Number (32) Date (33) Country
29/477743 26 Dec 2013 UNITED STATES OF AMERICA



(56) Related Art Documents: **Not Applicable**
(57) Statement of Newness and Distinctiveness: **Newness and distinctiveness resides in the visual features, including shape, configuration and pattern, of a KNEE PAD as shown in solid outline in the accompanying drawings. When determining whether the design is substantially similar in overall impression to another design, no regard is to be had to those features shown in dotted outline in the accompanying drawings, which features are provided for illustrative purposes only.**

(21) Design Number: **13074/2014**
(22) Date of Filing Application: **23 June 2014**
(24) Date from which industrial property rights may have effect: **23 June 2014**
(54) Product in respect of which the design is registered: **Knee pad**
(51) International Design Classification: **02-04C**
(74) Name(s) of Attorney(s): **Griffith Hack**
(71) Name(s) and Address(s) of Applicant(s):
Matscitechno Licensing Company
143 Viburnum Drive Kennett Square PA 19348 United States of America
(72) Name(s) of Designer(s): **Robert A Vito and Michael Foerster**
(45) Registration Date: **18 July 2014**
(30) Convention priority data:
(31) Number (32) Date (33) Country
29/477743 26 Dec 2013 UNITED STATES OF AMERICA
(56) Related Art Documents: **Not Applicable**
(57) Statement of Newness and Distinctiveness: **Newness and distinctiveness resides in the visual features, including shape, configuration and pattern, of a KNEE PAD as shown in solid outline in the accompanying drawings. When determining whether the design is substantially similar in overall impression to another design, no regard is to be had to those features shown in dotted outline in the accompanying drawings, which features are provided for illustrative purposes only.**



(21) Design Number: **11334/2014**
(22) Date of Filing Application: **21 March 2014**
(24) Date from which industrial property rights may have effect: **21 March 2014**
(54) Product in respect of which the design is registered: **A clothing garment with printed artwork**
(51) International Design Classification: **02-02NES**
(74) Name(s) of Attorney(s):
(71) Name(s) and Address(s) of Applicant(s):
SPORTSKNIT PTY LTD
U13 23 Bowden St Alexandria NSW 2015 Australia
(72) Name(s) of Designer(s): **Leonard Greis**
(45) Registration Date: **21 July 2014**
(56) Related Art Documents: **Not Applicable**
(57) Statement of Newness and Distinctiveness: **Apres Velo connects its audience with the use of Cycling slogans in conjunction with distinctive imagery inspired by cycling culture - The use of the bicycle Cassette in conjunction with the Slogan SHIFT HAPPENS creates the element of Newness and Distinctiveness and refers to activity directly identifiable within the greater Cycling community and across Cycling Culture, with which is whom Apres Velo identifies with. Characteristics follow - Line quality in the illustration of the Bicycle Cassette has been intentionally drawn with a rustic hand-crafted and distressed feel, without detracting from the seamless design of the rings - Within the design, the cassettes chainrings have been given tonal character to define depth - Hand painted Typewriter style typography has been utilised for the slogan "SHIFT HAPPENS" - Use of this Painted Cassette in with the slogan "SHIFT HAPPENS" relates to the seamless shifting of the chain through the sprockets of the cassette cluster.**



- (21) Design Number: **12540/2014**
(22) Date of Filing Application: **25 May 2014**
(24) Date from which industrial property rights may have effect: **25 May 2014**
(54) Product in respect of which the design is registered: **Cubby house**
(51) International Design Classification: **25-03**
(74) Name(s) of Attorney(s): **IP Service International**
(71) Name(s) and Address(s) of Applicant(s):

Martin George Goodridge
4 Redgum St WALKLEY HEIGHTS SA 5098 Australia

(72) Name(s) of Designer(s): **Martin George Goodridge**

(45) Registration Date: **21 July 2014**

(56) Related Art Documents: **Not Applicable**

(57) Statement of Newness and Distinctiveness: **The playhouse consists of a Timber shingle style roof and pattern, Skewed windows shape design with off centre skewed cross frame, Skewed Door frame and door, Front fence pickets, soft rounded random shape, size and spacing. Vertical walls with skewed coins front and sides to give the overall skewed appearance**



- (21) Design Number: **12673/2014**
(22) Date of Filing Application: **30 May 2014**
(24) Date from which industrial property rights may have effect: **30 May 2014**
(54) Product in respect of which the design is registered: **Trampoline**
(51) International Design Classification: **21-02F**
(74) Name(s) of Attorney(s): **Fisher Adams Kelly Pty Ltd**
(71) Name(s) and Address(s) of Applicant(s):

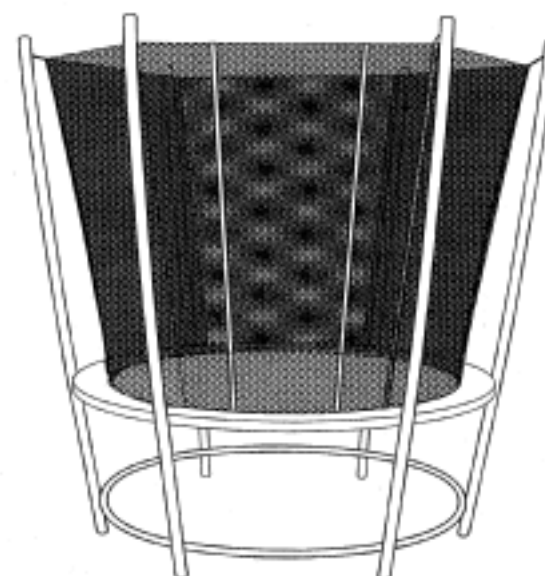
Vuly Property Pty Ltd
1/95 Ingleston Rd Wakerley QLD 4154 Australia

(72) Name(s) of Designer(s): **Joe Andon**

(45) Registration Date: **21 July 2014**

(56) Related Art Documents: **Not Applicable**

(57) Statement of Newness and Distinctiveness: **The newness and distinctiveness of the design resides in the shape and/or configuration of the TRAMPOLINE shown in the representations.**



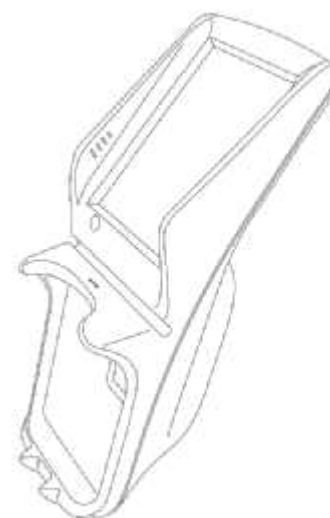
(21) Design Number: **12965/2014**
(22) Date of Filing Application: **17 June 2014**
(24) Date from which industrial property rights may have effect: **17 June 2014**
(54) Product in respect of which the design is registered: **A table**
(51) International Design Classification: **06-03B**
(74) Name(s) of Attorney(s): **Simpsons Solicitors**
(71) Name(s) and Address(s) of Applicant(s):
Damien Burrows
15 Jordan Ave Newington NSW 2127 Australia
(72) Name(s) of Designer(s): **Damien Burrows**
(45) Registration Date: **21 July 2014**
(56) Related Art Documents: **Not Applicable**
(57) Statement of Newness and Distinctiveness: **Table design to enable people to sit at a function such as a wedding and not have their back turned from the bridal table.**



(21) Design Number: **11369/2014**
(22) Date of Filing Application: **24 March 2014**
(24) Date from which industrial property rights may have effect: **24 March 2014**
(54) Product in respect of which the design is registered: **A contoller for use with a respiratory machine**
(51) International Design Classification: **24-02**
(74) Name(s) of Attorney(s): **Cullens Patent and Trade Mark Attorneys**
(71) Name(s) and Address(s) of Applicant(s):
The Periodic Breathing Foundation, LLC
65 Dexter Road East Providence RI 02914 United States of America
(72) Name(s) of Designer(s): **Robert W Daly**
(45) Registration Date: **21 July 2014**
(30) Convention priority data:
(31) Number (32) Date (33) Country
29/468,145 26 Sep 2013 UNITED STATES OF AMERICA
(56) Related Art Documents: **Not Applicable**
(57) Statement of Newness and Distinctiveness: **Newness and distinctiveness reside in the individual features of shape and configuration of the respiratory machine as shown in the representations. Features shown in dashed lines do not form part of the design.**



(21) Design Number: **12211/2014**
(22) Date of Filing Application: **08 May 2014**
(24) Date from which industrial property rights may have effect: **08 May 2014**
(54) Product in respect of which the design is registered: **Mobile authentication and sales terminal**
(51) International Design Classification: **14-02**
(74) Name(s) of Attorney(s): **Davies Collison Cave**
(71) Name(s) and Address(s) of Applicant(s):
Insfin Insurance & Financial Group Pty Ltd
Technology Enterprise Centre 2 Park Dr Bundoora VIC 3083 Australia
(72) Name(s) of Designer(s): **Walter Vernon Ripper and Mark William Brooks**
(45) Registration Date: **21 July 2014**
(56) Related Art Documents: **Not Applicable**
(57) Statement of Newness and Distinctiveness: **The features of shape and configuration of the mobile authentication and sales terminal shown in the accompanying representations are considered to be new and distinctive.**



(21) Design Number: **12315/2014**
(22) Date of Filing Application: **14 May 2014**
(24) Date from which industrial property rights may have effect: **03 March 2014**
(54) Product in respect of which the design is registered: **Rack shelf**
(51) International Design Classification: **06-04NES**
(74) Name(s) of Attorney(s): **Davies Collison Cave**
(71) Name(s) and Address(s) of Applicant(s):
Tegometall International AG
Industriestrasse 7 Lengwil 8574 Switzerland
(72) Name(s) of Designer(s): **Ulrich Bohnacker**
(45) Registration Date: **21 July 2014**
(30) Convention priority data:
(31) Number (32) Date (33) Country
001382048-0012 02 Sep 2013 OFFICE FOR HARMONISATION IN
THE INTERNAL MARKET (OHIM)
(62) Divisional of: **355618**
(56) Related Art Documents: **Not Applicable**
(57) Statement of Newness and Distinctiveness: **Nil**



(21) Design Number: **12796/2014**

(22) Date of Filing Application: **06 June 2014**

(24) Date from which industrial property rights may have effect: **06 June 2014**

(54) Product in respect of which the design is registered: **Hand vacuum cleaner**

(51) International Design Classification: **15-05**

(74) Name(s) of Attorney(s): **Davies Collison Cave**

(71) Name(s) and Address(s) of Applicant(s):

Black & Decker Inc.

1207 Drummond Plaza Newark Delaware 19711 United States of America

(72) Name(s) of Designer(s): **Stephen Houghton**

(45) Registration Date: **21 July 2014**

(30) Convention priority data:

(31) Number	(32) Date	(33) Country
201330626095.4	09 Dec 2013	CHINA

(56) Related Art Documents: **Not Applicable**

(57) Statement of Newness and Distinctiveness: **Nil**



(21) Design Number: **12802/2014**

(22) Date of Filing Application: **06 June 2014**

(24) Date from which industrial property rights may have effect: **06 June 2014**

(54) Product in respect of which the design is registered: **Hand vacuum cleaner**

(51) International Design Classification: **15-05**

(74) Name(s) of Attorney(s): **Davies Collison Cave**

(71) Name(s) and Address(s) of Applicant(s):

Black & Decker Inc.

1207 Drummond Plaza Newark Delaware, 19711 United States of America

(72) Name(s) of Designer(s): **Stephen Houghton**

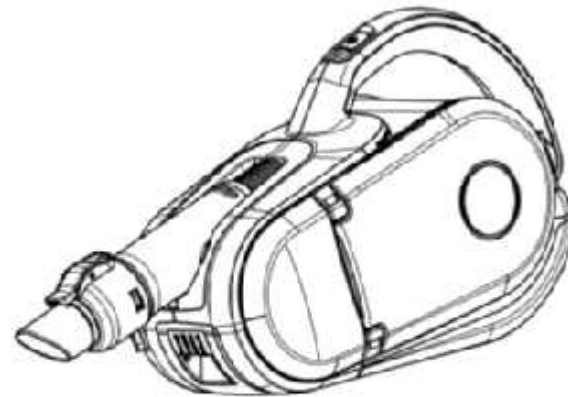
(45) Registration Date: **21 July 2014**

(30) Convention priority data:

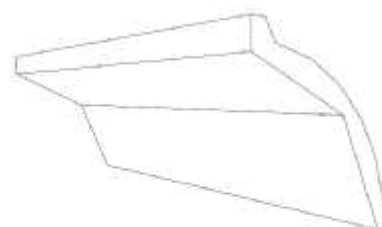
(31) Number	(32) Date	(33) Country
201330626095.4	09 Dec 2013	CHINA

(56) Related Art Documents: **Not Applicable**

(57) Statement of Newness and Distinctiveness: **Nil**



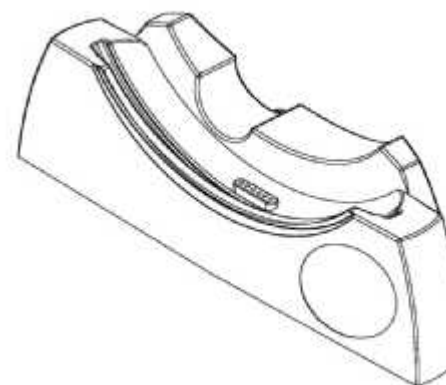
- (21) Design Number: **12832/2014**
(22) Date of Filing Application: **10 June 2014**
(24) Date from which industrial property rights may have effect: **10 June 2014**
(54) Product in respect of which the design is registered: **Cornice**
(51) International Design Classification: **25-02E**
(74) Name(s) of Attorney(s): **Griffith Hack**
(71) Name(s) and Address(s) of Applicant(s):
CSR Building Products Limited
Triniti 3 39 Delhi Rd North Ryde NSW 2113 Australia
(72) Name(s) of Designer(s): **Peter Levander**
(45) Registration Date: **21 July 2014**
(56) Related Art Documents: **Not Applicable**
(57) Statement of Newness and Distinctiveness: **Newness and distinctiveness resides in the visual features, including the shape and configuration, of a Cornice of Indefinite Length, as shown in solid outline in the accompanying drawings. When determining whether the design is substantially similar in overall impression to another design, no regard is to be had to components shown in dotted outline in the accompanying drawings, which components are provided for illustrative purposes only.**



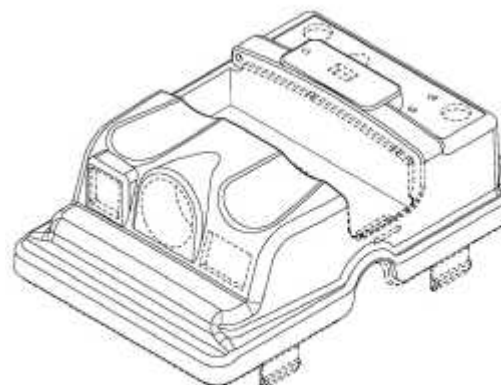
- (21) Design Number: **12833/2014**
(22) Date of Filing Application: **10 June 2014**
(24) Date from which industrial property rights may have effect: **10 June 2014**
(54) Product in respect of which the design is registered: **Cornice**
(51) International Design Classification: **25-02E**
(74) Name(s) of Attorney(s): **Griffith Hack**
(71) Name(s) and Address(s) of Applicant(s):
CSR Building Products Limited
Triniti 3 39 Delhi Rd North Ryde NSW 2113 Australia
(72) Name(s) of Designer(s): **Peter Levander**
(45) Registration Date: **21 July 2014**
(56) Related Art Documents: **Not Applicable**
(57) Statement of Newness and Distinctiveness: **Newness and distinctiveness resides in the visual features, including the shape and configuration, of a Cornice of Indefinite Length, as shown in solid outline in the accompanying drawings. When determining whether the design is substantially similar in overall impression to another design, no regard is to be had to components shown in dotted outline in the accompanying drawings, which components are provided for illustrative purposes only.**



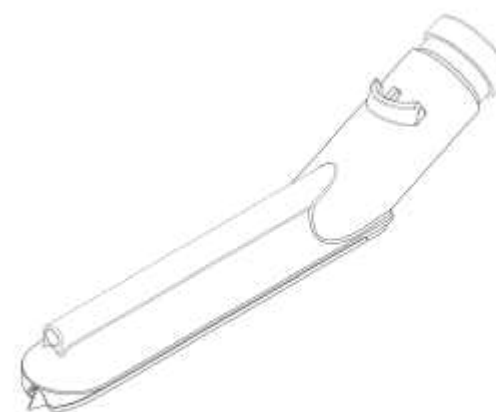
- (21) Design Number: **13012/2014**
(22) Date of Filing Application: **19 June 2014**
(24) Date from which industrial property rights may have effect: **19 June 2014**
(54) Product in respect of which the design is registered: **Docking stand with contour**
(51) International Design Classification: **14-02**
(74) Name(s) of Attorney(s): **PHILLIPS ORMONDE FITZPATRICK**
(71) Name(s) and Address(s) of Applicant(s):
DTT (Holdings) Pty Ltd
L11 39 Sherwood Rd Toowong QLD 4066 Australia
(72) Name(s) of Designer(s): **Mark Robert Guthrie and Benjamin Dunlop and David Benker**
(45) Registration Date: **21 July 2014**
(56) Related Art Documents: **Not Applicable**
(57) Statement of Newness and Distinctiveness: **The inverted plan view is provided for completeness only and is to be disregarded when determining the scope of the design as represented in the remaining views.**



- (21) Design Number: **13013/2014**
(22) Date of Filing Application: **19 June 2014**
(24) Date from which industrial property rights may have effect: **19 June 2014**
(54) Product in respect of which the design is registered: **Cover lid of lead-acid battery**
(51) International Design Classification: **13-02**
(74) Name(s) of Attorney(s): **A.P.T. Patent and Trade Mark Attorneys**
(71) Name(s) and Address(s) of Applicant(s):
Alex Dai
No. 60, Xingzhong Rd. Dadu Dist. Taichung City 432 Taiwan
(72) Name(s) of Designer(s): **Alex Dai**
(45) Registration Date: **21 July 2014**
(30) Convention priority data:
(31) Number (32) Date (33) Country
103300029 03 Jan 2014 TAIWAN
(56) Related Art Documents: **Not Applicable**
(57) Statement of Newness and Distinctiveness: **Nil**



- (21) Design Number: **13493/2014**
(22) Date of Filing Application: **16 July 2014**
(24) Date from which industrial property rights may have effect: **16 July 2014**
(54) Product in respect of which the design is registered: **A tool for a vacuum cleaner**
(51) International Design Classification: **15-05**
(74) Name(s) of Attorney(s): **Shelston IP**
(71) Name(s) and Address(s) of Applicant(s):
Dyson Technology Limited
Tetbury Hill Malmesbury Wiltshire SN16 ORP United Kingdom
(72) Name(s) of Designer(s): **Sean Ventress and Adam James Bates and Andrea Ee-Va Lim and Peter David Gammack and James Dyson**
(45) Registration Date: **21 July 2014**
(30) Convention priority data:
(31) Number (32) Date (33) Country
002402057-0003 10 Feb 2014 OFFICE FOR HARMONISATION IN THE INTERNAL MARKET (OHIM)
(56) Related Art Documents: **Not Applicable**
(57) Statement of Newness and Distinctiveness: **Newness and distinctiveness reside in the features of shape and/or configuration of A TOOL FOR A VACUUM CLEANER as illustrated in solid lines in the accompanying representations. The features shown in broken lines are illustrative only and do not form part of the design.**



- (21) Design Number: **12686/2014**
(22) Date of Filing Application: **30 May 2014**
(24) Date from which industrial property rights may have effect: **30 May 2014**
(54) Product in respect of which the design is registered: **Napkin holder**
(51) International Design Classification: **07-99C**
(74) Name(s) of Attorney(s):
(71) Name(s) and Address(s) of Applicant(s):
Glenn antony Glenn Smith
299 Hogans Rd Upper Duroby NSW 2486 Australia
(72) Name(s) of Designer(s): **Glenn antony Glenn Smith**
(45) Registration Date: **22 July 2014**
(56) Related Art Documents: **Not Applicable**
(57) Statement of Newness and Distinctiveness: **Curved base made of any material such as wood, metal or plastic to drape napkins or serviettes over so that the edges may be presented for easy dispense. The napkin is held in place by a weighted bar that is wrapped around the curved base and held in position by rebates in the curved base. The weighted bar can not be removed once manufactured and may be coloured or polished metal.**



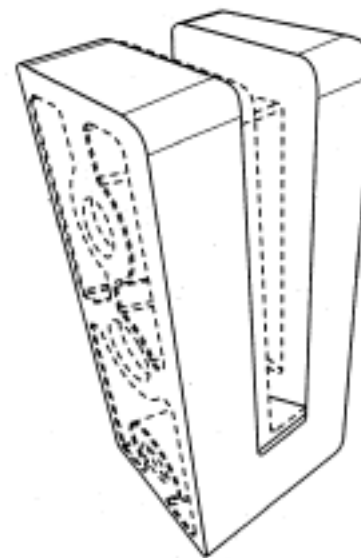
(21) Design Number: **12966/2014**
(22) Date of Filing Application: **17 June 2014**
(24) Date from which industrial property rights may have effect: **17 June 2014**
(54) Product in respect of which the design is registered: **Necklace (jewellery)**
(51) International Design Classification: **11-01E**
(74) Name(s) of Attorney(s):
(71) Name(s) and Address(s) of Applicant(s):
Wellington Jeweller Pty Ltd
L2 491 Kent St Sydney NSW 2000 Australia
(72) Name(s) of Designer(s): **Peiwei (Maggie) Zhang**
(45) Registration Date: **23 July 2014**
(56) Related Art Documents: **Not Applicable**
(57) Statement of Newness and Distinctiveness: **Nil**



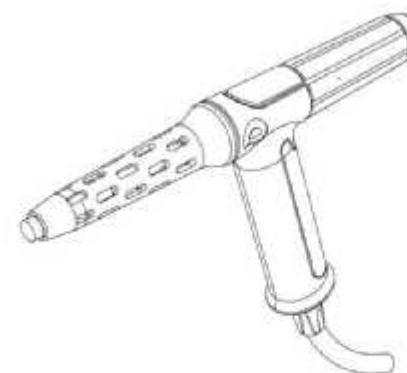
(21) Design Number: **11748/2014**
(22) Date of Filing Application: **08 April 2014**
(24) Date from which industrial property rights may have effect: **08 April 2014**
(54) Product in respect of which the design is registered: **Take away food container with snap close lid**
(51) International Design Classification: **07-01NES**
(74) Name(s) of Attorney(s):
(71) Name(s) and Address(s) of Applicant(s):
Jochnic Packaging Co Ltd.
U1 10 Turbo Dr Bayswater North VIC 3153 Australia
(72) Name(s) of Designer(s): **YT Mah**
(45) Registration Date: **23 July 2014**
(56) Related Art Documents: **Not Applicable**
(57) Statement of Newness and Distinctiveness: **Monopoly is claimed in the features of shape and/or configuration applied to a food container as illustrated in the accompanying representations.**



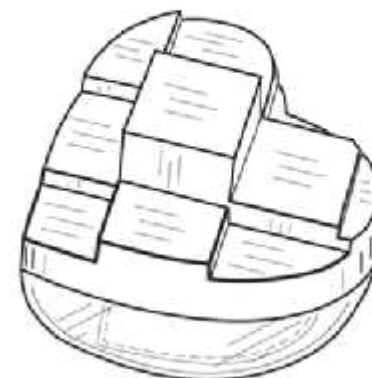
- (21) Design Number: **12586/2014**
(22) Date of Filing Application: **27 May 2014**
(24) Date from which industrial property rights may have effect: **27 May 2014**
(54) Product in respect of which the design is registered: **A mounting assembly for glass balustrade**
(51) International Design Classification: **08-08K**
(74) Name(s) of Attorney(s): **Davies Collison Cave**
(71) Name(s) and Address(s) of Applicant(s):
Smart Glass Systems Pty Ltd
975 Barrenjoey Rd Palm Beach NSW 2108 Australia
(72) Name(s) of Designer(s): **Reynold Bierman**
(45) Registration Date: **23 July 2014**
(56) Related Art Documents: **Not Applicable**
(57) Statement of Newness and Distinctiveness: **Newness and distinctiveness is claimed in the visual features of the shape and configuration of the mounting. The rear surface of the mounting, the grub screws, and the clamping plates should be disregarded.**



- (21) Design Number: **12271/2014**
(22) Date of Filing Application: **12 May 2014**
(24) Date from which industrial property rights may have effect: **12 May 2014**
(54) Product in respect of which the design is registered: **Electrolytic brush handle**
(51) International Design Classification: **08-05M**
(74) Name(s) of Attorney(s): **HODGKINSON McINNES PATENTS**
(71) Name(s) and Address(s) of Applicant(s):
Ensitech Pty Ltd
U1 144 Old Bathurst Rd Emu Plains NSW 2750 Australia
(72) Name(s) of Designer(s): **Clive Stuart White and Mark Robert Fischer and Franco Fornesari**
(45) Registration Date: **24 July 2014**
(56) Related Art Documents: **Not Applicable**
(57) Statement of Newness and Distinctiveness: **Newness and distinctiveness is claimed in the shape and configuration of an electrolytic brush handle as shown in the representations.**



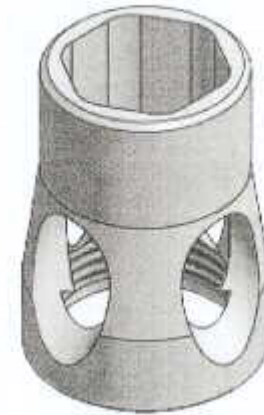
(21) Design Number: **13047/2014**
(22) Date of Filing Application: **20 June 2014**
(24) Date from which industrial property rights may have effect: **20 June 2014**
(54) Product in respect of which the design is registered: **Fragrance bottle**
(51) International Design Classification: **09-01G**
(74) Name(s) of Attorney(s): **PHILLIPS ORMONDE FITZPATRICK**
(71) Name(s) and Address(s) of Applicant(s):
Gabrielle Studio, Inc
550 Seventh Avenue New York New York 10018 United States of America
(72) Name(s) of Designer(s): **Richard Lavigne and Hans Dorsinville**
(45) Registration Date: **24 July 2014**
(30) Convention priority data:
(31) Number (32) Date (33) Country
29/477,274 20 Dec 2013 UNITED STATES OF AMERICA
(56) Related Art Documents: **Not Applicable**
(57) Statement of Newness and Distinctiveness: **Nil**



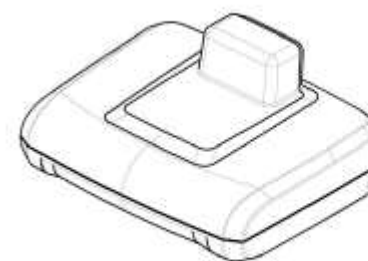
(21) Design Number: **12229/2014**
(22) Date of Filing Application: **09 May 2014**
(24) Date from which industrial property rights may have effect: **09 May 2014**
(54) Product in respect of which the design is registered: **Monitoring device**
(51) International Design Classification: **10-99**
(74) Name(s) of Attorney(s): **Griffith Hack**
(71) Name(s) and Address(s) of Applicant(s):
Canary Connect, Inc.
96 Spring Street New York NY, 10012 United States of America
(72) Name(s) of Designer(s): **Jonathan D Troutman and James C Krause and Adam D Sager and Chris I Rill and Karthik Lakshminarayanan**
(45) Registration Date: **24 July 2014**
(30) Convention priority data:
(31) Number (32) Date (33) Country
29/488,801 23 Apr 2014 UNITED STATES OF AMERICA
(56) Related Art Documents: **Not Applicable**
(57) Statement of Newness and Distinctiveness: **Newness and distinctiveness resides in the visual features, including the shape and configuration of the product as shown by solid lines in the representations. The components shown in broken lines in Figs. 1 to 12 have been included for illustrative purposes to show environmental structures that do not form part of the design.**



(21) Design Number: **12571/2014**
(22) Date of Filing Application: **27 May 2014**
(24) Date from which industrial property rights may have effect: **27 May 2014**
(54) Product in respect of which the design is registered: **Chuck**
(51) International Design Classification: **08-01**
(74) Name(s) of Attorney(s): **SPRUSON & FERGUSON**
(71) Name(s) and Address(s) of Applicant(s):
OKA Rock Bolt Technologies Pty Limited
3rd FL 169 King St Newcastle NSW 2300 Australia
(72) Name(s) of Designer(s): **Mark Levey and Paul Charlton**
(45) Registration Date: **24 July 2014**
(56) Related Art Documents: **Not Applicable**
(57) Statement of Newness and Distinctiveness: **Newness and distinctiveness is claimed in the features of shape and/or configuration of a chuck as illustrated in the accompanying representations.**



(21) Design Number: **10205/2014**
(22) Date of Filing Application: **17 January 2014**
(24) Date from which industrial property rights may have effect: **17 January 2014**
(54) Product in respect of which the design is registered: **Portable power supply for electronic device**
(51) International Design Classification: **13-02**
(74) Name(s) of Attorney(s): **Houlihan2**
(71) Name(s) and Address(s) of Applicant(s):
SMARTPHONE TRENDS PTY LTD
L11 535 Bourke St Melbourne VIC 3000 Australia
(72) Name(s) of Designer(s): **Paul Moutzouris**
(45) Registration Date: **24 July 2014**
(56) Related Art Documents: **Not Applicable**
(57) Statement of Newness and Distinctiveness: **Newness and distinctiveness reside in the shape and/or configuration of a PORTABLE POWER SUPPLY FOR ELECTRONIC DEVICE as illustrated in the accompanying representations.**



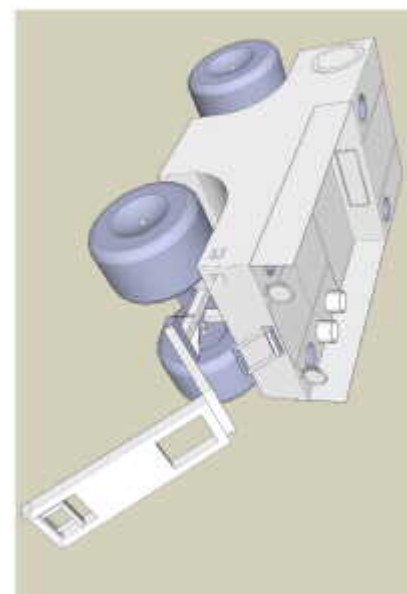
(21) Design Number: **12555/2014**
(22) Date of Filing Application: **27 May 2014**
(24) Date from which industrial property rights may have effect: **27 May 2014**
(54) Product in respect of which the design is registered: **Helmet**
(51) International Design Classification: **02-03**
(74) Name(s) of Attorney(s): **Griffith Hack**
(71) Name(s) and Address(s) of Applicant(s):
OGK KABUTO CO., LTD.
3-4 Nagata-nishi 6-chome Higashi-Osaka-shi Osaka 577-0016 Japan
(72) Name(s) of Designer(s): **Takeshi Murakami**
(45) Registration Date: **24 July 2014**
(30) Convention priority data:
(31) Number (32) Date (33) Country
2013-027897 28 Nov 2013 JAPAN
(56) Related Art Documents: **Not Applicable**
(57) Statement of Newness and Distinctiveness: **Nil**



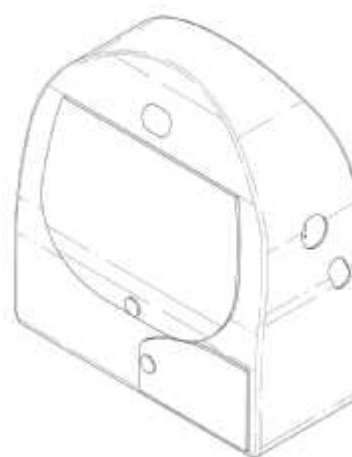
(21) Design Number: **12650/2014**
(22) Date of Filing Application: **29 May 2014**
(24) Date from which industrial property rights may have effect: **29 May 2014**
(54) Product in respect of which the design is registered: **Steam generator for an iron**
(51) International Design Classification: **07-05A**
(74) Name(s) of Attorney(s): **Halfords IP**
(71) Name(s) and Address(s) of Applicant(s):
AB Electrolux
S:t Goransgatan 143 Stockholm 105 45 Sweden
(72) Name(s) of Designer(s): **Jerome Esteve**
(45) Registration Date: **24 July 2014**
(30) Convention priority data:
(31) Number (32) Date (33) Country
2013/0479 06 Dec 2013 SWEDEN
(56) Related Art Documents: **Not Applicable**
(57) Statement of Newness and Distinctiveness: **Newness and distinctiveness resides in those features of shape and or configuration of a steam apparatus as depicted in the representations.**



(21) Design Number: **10264/2014**
(22) Date of Filing Application: **21 January 2014**
(24) Date from which industrial property rights may have effect: **21 January 2014**
(54) Product in respect of which the design is registered: **A cart**
(51) International Design Classification: **12-02**
(74) Name(s) of Attorney(s): **Halfords IP**
(71) Name(s) and Address(s) of Applicant(s):
K & M Products Pty Ltd
8 Shari Ave Picnic Point NSW 2213 Australia
(72) Name(s) of Designer(s): **Kyle Jeremy Lester and Maxwell Leslie Gruggen**
(45) Registration Date: **24 July 2014**
(56) Related Art Documents: **Not Applicable**
(57) Statement of Newness and Distinctiveness: **Newness and distinctiveness resides in the shape and or configuration of a cart as depicted in the representations. In determining newness and distinctiveness the appearance and or shape of the wheels are not to be considered. The colour of parts and components as illustrated in the representations, is also to be disregarded.**



(21) Design Number: **13020/2014**
(22) Date of Filing Application: **20 June 2014**
(24) Date from which industrial property rights may have effect: **20 June 2014**
(54) Product in respect of which the design is registered: **Bag**
(51) International Design Classification: **24-04, 03-01NES**
(74) Name(s) of Attorney(s): **Griffith Hack**
(71) Name(s) and Address(s) of Applicant(s):
Smith & Nephew Inc.
1450 Brooks Road Memphis Tennessee 38116 United States of America
(72) Name(s) of Designer(s): **Eddie Brophy and David Chadwick and Kathryn Ann Leigh**
(45) Registration Date: **24 July 2014**
(30) Convention priority data:
(31) Number (32) Date (33) Country
29/492,729 02 Jun 2014 UNITED STATES OF AMERICA
(56) Related Art Documents: **Not Applicable**
(57) Statement of Newness and Distinctiveness: **Newness and distinctiveness resides in the visual features, including shape and configuration of the product, as shown in the representations.**



(21) Design Number: **13064/2014**

(22) Date of Filing Application: **23 June 2014**

(24) Date from which industrial property rights may have effect: **23 June 2014**

(54) Product in respect of which the design is registered: **Panoramic camera**

(51) International Design Classification: **16-01**

(74) Name(s) of Attorney(s): **Griffith Hack**

(71) Name(s) and Address(s) of Applicant(s):

EYESEE360, INC.

300 Fleet Street Suite 250 Pittsburgh Pennsylvania, 15220 United States of America

(72) Name(s) of Designer(s): **Minkyu Choi and Mladen Barbaric and Sungmoon Kim and Bonggeun Kim**

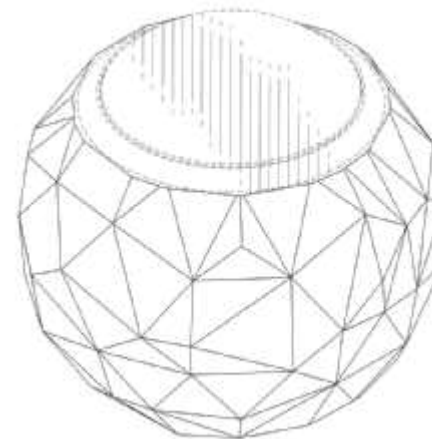
(45) Registration Date: **24 July 2014**

(30) Convention priority data:

(31) Number	(32) Date	(33) Country
29/478,301	03 Jan 2014	UNITED STATES OF AMERICA

(56) Related Art Documents: **Not Applicable**

(57) Statement of Newness and Distinctiveness: **Newness and distinctiveness resides in the visual features, including the shape and configuration of the product shown in the representations. Those parts shown by dashed lines do not form part of the product and have been included for illustrative purposes only.**



(21) Design Number: **12692/2014**

(22) Date of Filing Application: **02 June 2014**

(24) Date from which industrial property rights may have effect: **02 June 2014**

(54) Product in respect of which the design is registered: **Occasional/side table**

(51) International Design Classification: **06-03B**

(74) Name(s) of Attorney(s):

(71) Name(s) and Address(s) of Applicant(s):

Magdalena Korsak

31 Alex Ave Moorabbin VIC 3189 Australia

(72) Name(s) of Designer(s): **Andrzej Loza**

(45) Registration Date: **24 July 2014**

(56) Related Art Documents: **Not Applicable**

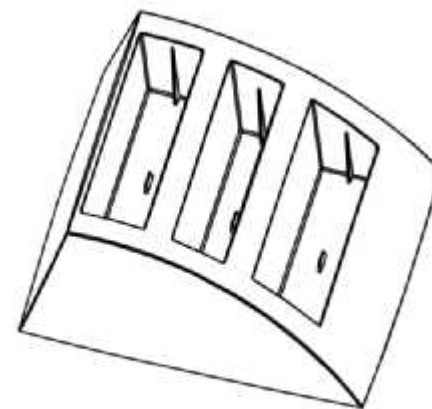
(57) Statement of Newness and Distinctiveness: **Occasional/side table RELAX The newness and distinctiveness of the design resides in the shape of the base of the table as shown in the accompanying representations.**



- (21) Design Number: **13075/2014**
(22) Date of Filing Application: **23 June 2014**
(24) Date from which industrial property rights may have effect: **23 June 2014**
(54) Product in respect of which the design is registered: **Conduit pipe locking endcap**
(51) International Design Classification: **08-07**
(74) Name(s) of Attorney(s): **HODGKINSON McINNES PATENTS**
(71) Name(s) and Address(s) of Applicant(s):
Rhino Rack Australia Pty Limited
3 Pike St Rydalmere NSW 2116 Australia
(72) Name(s) of Designer(s): **Richard Oswald Cropley and Michael John Laybourne Hort and Christopher John Murty**
(45) Registration Date: **24 July 2014**
(56) Related Art Documents: **Not Applicable**
(57) Statement of Newness and Distinctiveness: **Newness and distinctiveness is claimed in the shape and configuration of a conduit pipe locking endcap as shown in the representations.**



- (21) Design Number: **13079/2014**
(22) Date of Filing Application: **23 June 2014**
(24) Date from which industrial property rights may have effect: **23 June 2014**
(54) Product in respect of which the design is registered: **Stand**
(51) International Design Classification: **20-02E**
(74) Name(s) of Attorney(s): **Lesicar Maynard Andrews Pty Ltd**
(71) Name(s) and Address(s) of Applicant(s):
Corporate Forms Pty Ltd
L4 122 Pirie St Adelaide SA 5000 Australia
(72) Name(s) of Designer(s): **Max Dickison and Mark Kurtze**
(45) Registration Date: **25 July 2014**
(56) Related Art Documents: **Not Applicable**
(57) Statement of Newness and Distinctiveness: **Newness and distinctiveness resides in the shape and/or configuration of the Stand as shown in the accompanying representations.**



(21) Design Number: **13080/2014**

(22) Date of Filing Application: **23 June 2014**

(24) Date from which industrial property rights may have effect: **23 June 2014**

(54) Product in respect of which the design is registered: **A bin surround**

(51) International Design Classification: **09-09**

(74) Name(s) of Attorney(s): **Rohan Wallace Patent and Trade Mark Services**

(71) Name(s) and Address(s) of Applicant(s):

Xorro Pty Ltd

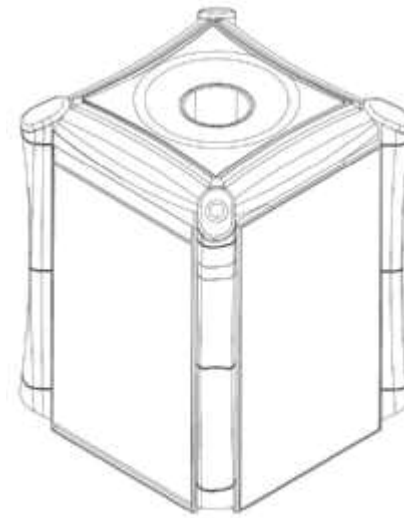
235A Scarborough Beach Rd Mount Hawthorn WA 6016 Australia

(72) Name(s) of Designer(s): **Michael McKrill**

(45) Registration Date: **25 July 2014**

(56) Related Art Documents: **Not Applicable**

(57) Statement of Newness and Distinctiveness: **Nil**



(21) Design Number: **13081/2014**

(22) Date of Filing Application: **23 June 2014**

(24) Date from which industrial property rights may have effect: **23 June 2014**

(54) Product in respect of which the design is registered: **A bin surround**

(51) International Design Classification: **09-09**

(74) Name(s) of Attorney(s): **Rohan Wallace Patent and Trade Mark Services**

(71) Name(s) and Address(s) of Applicant(s):

Xorro Pty Ltd

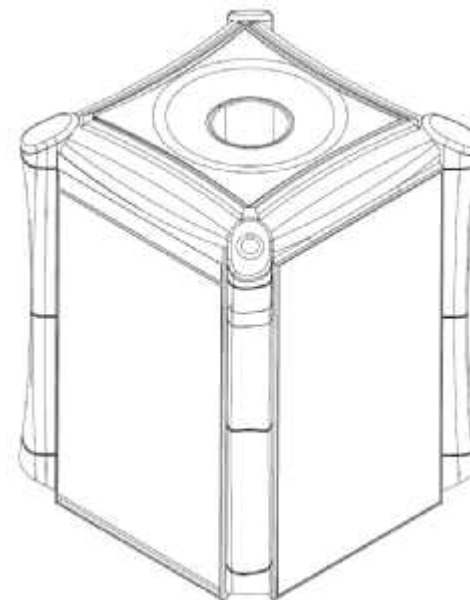
235A Scarborough Beach Rd Mount Hawthorn WA 6016 Australia

(72) Name(s) of Designer(s): **Michael McKrill**

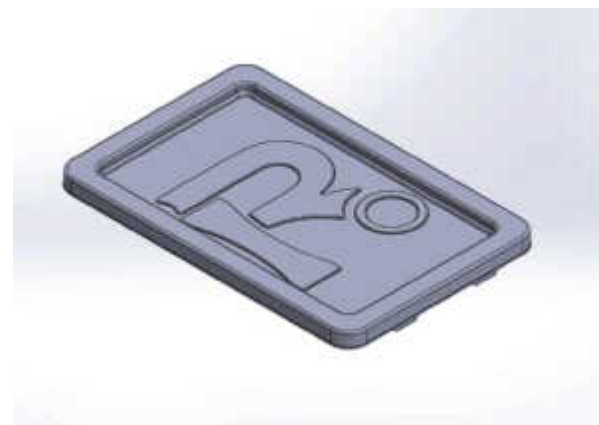
(45) Registration Date: **25 July 2014**

(56) Related Art Documents: **Not Applicable**

(57) Statement of Newness and Distinctiveness: **Nil**



(21) Design Number: **13085/2014**
(22) Date of Filing Application: **24 June 2014**
(24) Date from which industrial property rights may have effect: **24 June 2014**
(54) Product in respect of which the design is registered: **Crate lid**
(51) International Design Classification: **09-04**
(74) Name(s) of Attorney(s):
(71) Name(s) and Address(s) of Applicant(s):
Richmond wheel & castor Company
590 Clayton Rd Clayton South VIC 3169 Australia
(72) Name(s) of Designer(s): **David Timothy Powell**
(45) Registration Date: **25 July 2014**
(56) Related Art Documents: **Not Applicable**
(57) Statement of Newness and Distinctiveness: **Newness and distinctiveness resides in the visual features, including shape and configuration, of a LID as shown in the accompanying drawings. When determining whether the design is substantially similar in overall impression to another design, of note are the structural enhancements included. The embossed outward logo on top face. The rounded chamfered face all way around the inner vertical face. And also the bead all way around the lower outer edge detailed in cut away view. Locking tab shape enhanced ergonomically with rounded edges.**



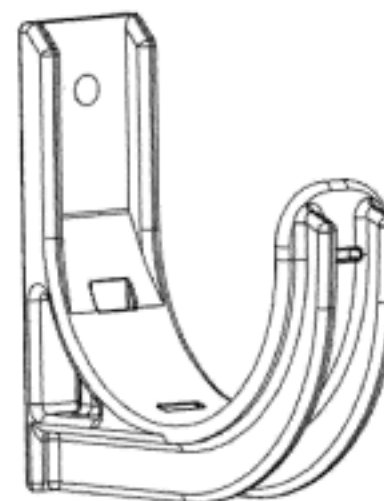
(21) Design Number: **13086/2014**
(22) Date of Filing Application: **24 June 2014**
(24) Date from which industrial property rights may have effect: **24 June 2014**
(54) Product in respect of which the design is registered: **Fastening or mounting clips for louvre windows**
(51) International Design Classification: **08-08NES**
(74) Name(s) of Attorney(s): **Fisher Adams Kelly Pty Ltd**
(71) Name(s) and Address(s) of Applicant(s):
Kok Boon Tan
No. 2 Kallang Pudding Rd #01-02 Mactech Industrial Building Singapore
349307 Singapore
(72) Name(s) of Designer(s): **Kok Boon Tan**
(45) Registration Date: **25 July 2014**
(30) Convention priority data:
(31) Number (32) Date (33) Country
D2014/39/D 13 Jan 2014 SINGAPORE
(56) Related Art Documents: **Not Applicable**
(57) Statement of Newness and Distinctiveness: **The newness and distinctiveness of the design resides in the shape and/or configuration of the FASTENING, SUPPORTING OR MOUNTING CLIPS FOR LOUVRE WINDOWS shown in the representations.**



(21) Design Number: **13090/2014**
(22) Date of Filing Application: **24 June 2014**
(24) Date from which industrial property rights may have effect: **24 June 2014**
(54) Product in respect of which the design is registered: **Lighting device**
(51) International Design Classification: **26-02**
(74) Name(s) of Attorney(s): **Halfords IP**
(71) Name(s) and Address(s) of Applicant(s):
Eveready Battery Company, Inc.
533 Maryville University Drive St Louis Missouri 63141 United States of America
(72) Name(s) of Designer(s): **Lai King Ma**
(45) Registration Date: **25 July 2014**
(30) Convention priority data:
(31) Number (32) Date (33) Country
29/480,876 30 Jan 2014 UNITED STATES OF AMERICA
(56) Related Art Documents: **Not Applicable**
(57) Statement of Newness and Distinctiveness: **Newness and distinctiveness resides in those features of shape and or configuration of a Lighting Device as depicted in the representations. Features shown in broken lines do not form part of the design.**



(21) Design Number: **11456/2014**
(22) Date of Filing Application: **27 March 2014**
(24) Date from which industrial property rights may have effect: **27 March 2014**
(54) Product in respect of which the design is registered: **A support hook**
(51) International Design Classification: **08-08G**
(74) Name(s) of Attorney(s):
(71) Name(s) and Address(s) of Applicant(s):
Paul Koina
30 Coane St Merewether NSW 2291 Australia
(72) Name(s) of Designer(s): **Paul Koina and John Rafferty**
(45) Registration Date: **28 July 2014**
(56) Related Art Documents: **Not Applicable**
(57) Statement of Newness and Distinctiveness: **Newness and distinctiveness resides in the shape and or configuration of a support hook as depicted in the accompanying representations.**



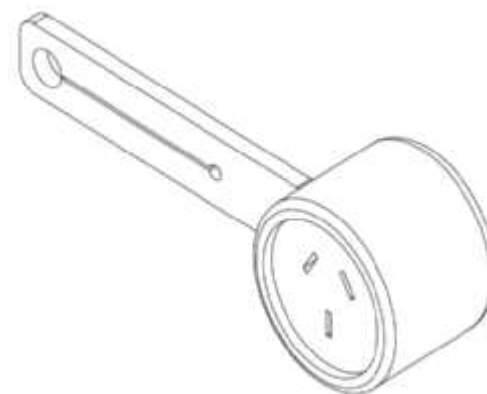
(21) Design Number: **13099/2014**
(22) Date of Filing Application: **25 June 2014**
(24) Date from which industrial property rights may have effect: **25 June 2014**
(54) Product in respect of which the design is registered: **An electronic device for security and door entry**
(51) International Design Classification: **10-05, 14-03A**
(74) Name(s) of Attorney(s): **Griffith Hack**
(71) Name(s) and Address(s) of Applicant(s):
ABB Technology Ltd.
Affolternstrasse 44 Zurich 8050 Switzerland
(72) Name(s) of Designer(s): **Heng Wang**
(45) Registration Date: **28 July 2014**
(30) Convention priority data:
(31) Number (32) Date (33) Country
201430123311.8 08 May 2014 CHINA
(56) Related Art Documents: **Not Applicable**
(57) Statement of Newness and Distinctiveness: **The front view of the product shown in FIG. 1 is new and distinctive.**



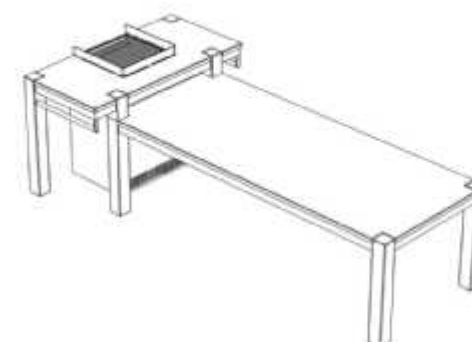
(21) Design Number: **13104/2014**
(22) Date of Filing Application: **25 June 2014**
(24) Date from which industrial property rights may have effect: **25 June 2014**
(54) Product in respect of which the design is registered: **Popsicle mould/maker**
(51) International Design Classification: **07-02P**
(74) Name(s) of Attorney(s): **Callinans**
(71) Name(s) and Address(s) of Applicant(s):
The Decor Corporation Pty. Ltd.
1314 Ferntree Gully Rd Scoresby VIC 3179 Australia
(72) Name(s) of Designer(s): **Jim Samartgis**
(45) Registration Date: **28 July 2014**
(56) Related Art Documents: **Not Applicable**
(57) Statement of Newness and Distinctiveness: **Newness and distinctiveness resides in the features of shape and/or configuration as applied to a Popsicle Mould/Maker as shown in the attached representations.**



(21) Design Number: **13105/2014**
(22) Date of Filing Application: **25 June 2014**
(24) Date from which industrial property rights may have effect: **25 June 2014**
(54) Product in respect of which the design is registered: **Apparatus for protecting a plug**
(51) International Design Classification: **13-03D**
(74) Name(s) of Attorney(s):
(71) Name(s) and Address(s) of Applicant(s):
Kris Thomas Diebert
PO BOX 186 Terrigal NSW 2260 Australia
(72) Name(s) of Designer(s): **Kris Thomas Diebert**
(45) Registration Date: **28 July 2014**
(56) Related Art Documents: **Not Applicable**
(57) Statement of Newness and Distinctiveness: **Newness and distinctiveness resides in the overall shape and configuration of the visual features shown in solid lines in the representations.**



(21) Design Number: **13110/2014**
(22) Date of Filing Application: **26 June 2014**
(24) Date from which industrial property rights may have effect: **26 June 2014**
(54) Product in respect of which the design is registered: **Modular table**
(51) International Design Classification: **06-03A, 06-05**
(74) Name(s) of Attorney(s): **Shelston IP**
(71) Name(s) and Address(s) of Applicant(s):
Hartman Enterprises B.V.
Goolkatenweg 55 Enschede Nederland NL-7521 BE The Netherlands
(72) Name(s) of Designer(s): **Gerardus Johannes Clemens Steinmeijer**
(45) Registration Date: **28 July 2014**
(30) Convention priority data:
(31) Number (32) Date (33) Country
002461228-0007 09 May 2014 OFFICE FOR HARMONISATION IN THE INTERNAL MARKET (OHIM)
(56) Related Art Documents: **Not Applicable**
(57) Statement of Newness and Distinctiveness: **Newness and distinctiveness reside in the features of shape and/or configuration of a modular table as illustrated by solid lines in the accompanying representations.**



(21) Design Number: **13111/2014**

(22) Date of Filing Application: **26 June 2014**

(24) Date from which industrial property rights may have effect: **26 June 2014**

(54) Product in respect of which the design is registered: **Medical equipment**

(51) International Design Classification: **24-01**

(74) Name(s) of Attorney(s): **Shelston IP**

(71) Name(s) and Address(s) of Applicant(s):

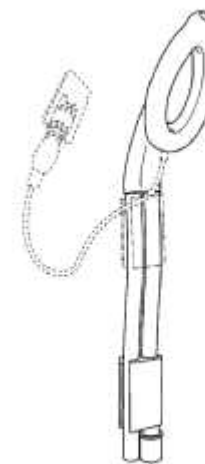
Teleflex Life Sciences
3rd Floor Par La Ville Place 14 Par La Ville Road Hamilton HM 08
Bermuda

(72) Name(s) of Designer(s): **Ooi Wee Kheong and Sylwia Ewa Krol Poulsen**

(45) Registration Date: **28 July 2014**

(30) Convention priority data:

(31) Number	(32) Date	(33) Country
001408140	28 Mar 2014	OFFICE FOR HARMONISATION IN THE INTERNAL MARKET (OHIM)



(56) Related Art Documents: **Not Applicable**

(57) Statement of Newness and Distinctiveness: **Newness and distinctiveness reside in the features of shape and/or configuration of MEDICAL EQUIPMENT as illustrated in solid lines in the accompanying representations. The features shown in broken lines are illustrative only and do not form part of the design.**

(21) Design Number: **13112/2014**

(22) Date of Filing Application: **26 June 2014**

(24) Date from which industrial property rights may have effect: **26 June 2014**

(54) Product in respect of which the design is registered: **Pressure measuring apparatus**

(51) International Design Classification: **10-04**

(74) Name(s) of Attorney(s): **Cotters Patent & Trade Mark Attorneys**

(71) Name(s) and Address(s) of Applicant(s):

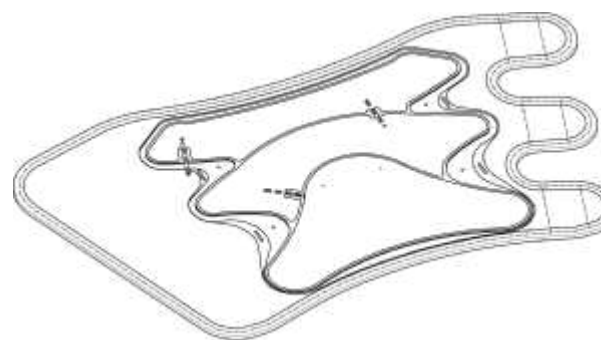
Huntleigh Technology Limited
Arjohuntleigh House Houghton Hall Business Park Dunstable,
Bedfordshire LU5 5XF United Kingdom

(72) Name(s) of Designer(s): **Mariano Alonso Gomez and Lisa Paige and Matthew Cavanaugh**

(45) Registration Date: **28 July 2014**

(30) Convention priority data:

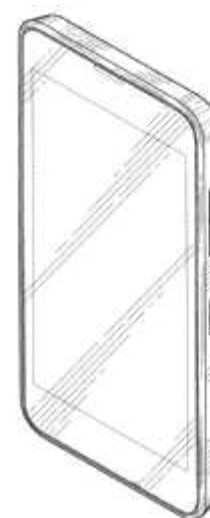
(31) Number	(32) Date	(33) Country
002453530	25 Apr 2014	OFFICE FOR HARMONISATION IN THE INTERNAL MARKET (OHIM)



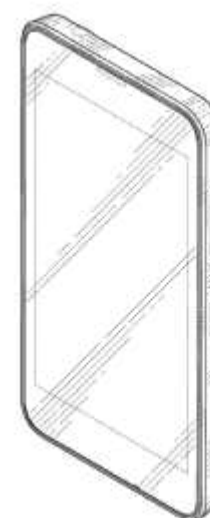
(56) Related Art Documents: **Not Applicable**

(57) Statement of Newness and Distinctiveness: **Newness and distinctiveness is claimed in the features of shape and/or configuration of a pressure measuring apparatus as illustrated in the accompanying representations.**

(21) Design Number: **13113/2014**
(22) Date of Filing Application: **26 June 2014**
(24) Date from which industrial property rights may have effect: **26 June 2014**
(54) Product in respect of which the design is registered: **Handset**
(51) International Design Classification: **14-03E, 14-03A**
(74) Name(s) of Attorney(s): **SPRUSON & FERGUSON**
(71) Name(s) and Address(s) of Applicant(s):
Microsoft Mobile OY
Keilalahdentie 2-4, Espoo 02150 Finland
(72) Name(s) of Designer(s): **Daniel Dhondt and Antti Kangaskoski and Chia-En Lu**
(45) Registration Date: **28 July 2014**
(30) Convention priority data:
(31) Number (32) Date (33) Country
29/477807 27 Dec 2013 UNITED STATES OF AMERICA
(56) Related Art Documents: **Not Applicable**
(57) Statement of Newness and Distinctiveness: **Newness and distinctiveness is claimed in the features of shape and/or configuration of a handset as illustrated in continuous lines in the accompanying representations.**



(21) Design Number: **13114/2014**
(22) Date of Filing Application: **26 June 2014**
(24) Date from which industrial property rights may have effect: **26 June 2014**
(54) Product in respect of which the design is registered: **Handset**
(51) International Design Classification: **14-03E, 14-03A**
(74) Name(s) of Attorney(s): **SPRUSON & FERGUSON**
(71) Name(s) and Address(s) of Applicant(s):
Microsoft Mobile OY
Keilalahdentie 2-4, Espoo 02150 Finland
(72) Name(s) of Designer(s): **Daniel Dhondt and Antti Kangaskoski and Chia-En Lu**
(45) Registration Date: **28 July 2014**
(30) Convention priority data:
(31) Number (32) Date (33) Country
29/477807 27 Dec 2013 UNITED STATES OF AMERICA
(56) Related Art Documents: **Not Applicable**
(57) Statement of Newness and Distinctiveness: **Newness and distinctiveness is claimed in the features of shape and/or configuration of a handset as illustrated in continuous lines in the accompanying representations.**



(21) Design Number: **13115/2014**

(22) Date of Filing Application: **26 June 2014**

(24) Date from which industrial property rights may have effect: **26 June 2014**

(54) Product in respect of which the design is registered: **Medical equipment**

(51) International Design Classification: **24-01**

(74) Name(s) of Attorney(s): **Shelston IP**

(71) Name(s) and Address(s) of Applicant(s):

Teleflex Life Sciences

**3rd Floor Par La Ville Place 14 Par La Ville Road Hamilton HM 08
Bermuda**

(72) Name(s) of Designer(s): **Sylwia Ewa Krol Poulsen and Hian Teck Poh**

(45) Registration Date: **28 July 2014**

(30) Convention priority data:

(31) Number
001408132

(32) Date
28 Mar 2014

(33) Country
**OFFICE FOR HARMONISATION IN
THE INTERNAL MARKET (OHIM)**

(56) Related Art Documents: **Not Applicable**

(57) Statement of Newness and Distinctiveness: **Newness and distinctiveness reside in the features of shape and/or configuration of MEDICAL EQUIPMENT as illustrated in solid lines in the accompanying representations. The features shown in broken lines are illustrative only and do not form part of the design.**



(21) Design Number: **13118/2014**

(22) Date of Filing Application: **26 June 2014**

(24) Date from which industrial property rights may have effect: **26 June 2014**

(54) Product in respect of which the design is registered: **Air intake snorkel for a vehicle**

(51) International Design Classification: **12-16NES**

(74) Name(s) of Attorney(s): **HODGKINSON McINNES PATENTS**

(71) Name(s) and Address(s) of Applicant(s):

Australian Performance Development Pty Ltd

73 Merrindale Dr South Croydon VIC 3136 Australia

(72) Name(s) of Designer(s): **Andrew Berry**

(45) Registration Date: **28 July 2014**

(56) Related Art Documents: **Not Applicable**

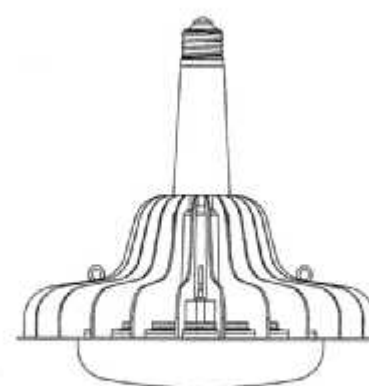
(57) Statement of Newness and Distinctiveness: **Newness and distinctiveness is claimed in the shape and configuration of an Air Intake Snorkel for a Vehicle as shown in the representations.**



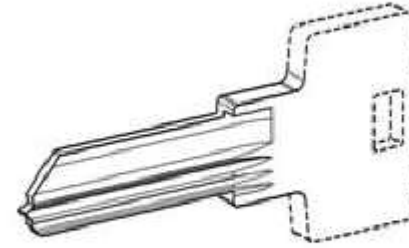
(21) Design Number: **13119/2014**
(22) Date of Filing Application: **26 June 2014**
(24) Date from which industrial property rights may have effect: **26 June 2014**
(54) Product in respect of which the design is registered: **Air ram intake for a vehicle**
(51) International Design Classification: **12-16NES**
(74) Name(s) of Attorney(s): **HODGKINSON McINNES PATENTS**
(71) Name(s) and Address(s) of Applicant(s):
Australian Performance Development Pty Ltd
73 Merrindale Dr South Croydon VIC 3136 Australia
(72) Name(s) of Designer(s): **Andrew Berry**
(45) Registration Date: **28 July 2014**
(56) Related Art Documents: **Not Applicable**
(57) Statement of Newness and Distinctiveness: **Newness and distinctiveness is claimed in the shape and configuration of an Air Ram Intake for a Vehicle as shown in the representations.**



(21) Design Number: **13122/2014**
(22) Date of Filing Application: **26 June 2014**
(24) Date from which industrial property rights may have effect: **26 June 2014**
(54) Product in respect of which the design is registered: **Light-emitting diodes (led) lighting apparatus**
(51) International Design Classification: **26-05E**
(74) Name(s) of Attorney(s): **Freehills Patent Attorneys**
(71) Name(s) and Address(s) of Applicant(s):
T-NET JAPAN Co., Ltd.
930-10, Nariaicho, Takamatsu-shi Kagawa 761-8081 Japan
(72) Name(s) of Designer(s): **Nobuhiro Iguma and Norihiko Takagi**
(45) Registration Date: **28 July 2014**
(30) Convention priority data:
(31) Number (32) Date (33) Country
2013-30999 30 Dec 2013 JAPAN
(56) Related Art Documents: **Not Applicable**
(57) Statement of Newness and Distinctiveness: **Newness and distinctiveness of the design resides in the shape and configuration of the cover of the LED lighting apparatus as shown in the accompanying representations.**



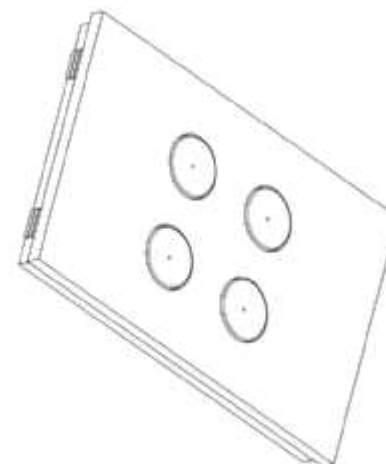
- (21) Design Number: **13123/2014**
(22) Date of Filing Application: **26 June 2014**
(24) Date from which industrial property rights may have effect: **26 June 2014**
(54) Product in respect of which the design is registered: **Key blank**
(51) International Design Classification: **08-07**
(74) Name(s) of Attorney(s): **Callinans**
(71) Name(s) and Address(s) of Applicant(s):
Locksmiths Nominees Pty. Ltd.
140-158 Dryburgh St North Melbourne VIC 3051 Australia
(72) Name(s) of Designer(s): **Mark Johnson**
(45) Registration Date: **28 July 2014**
(56) Related Art Documents: **Not Applicable**
(57) Statement of Newness and Distinctiveness: **Newness and distinctiveness resides in the shape and configuration of a key blank as shown in the accompanying representations. Features shown in dashed lines do not constitute part of the design.**



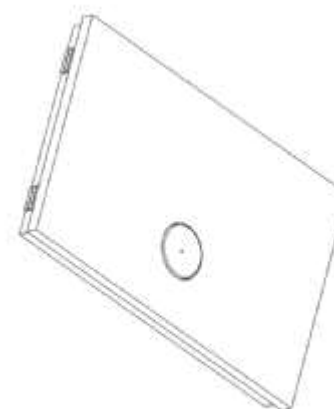
- (21) Design Number: **13126/2014**
(22) Date of Filing Application: **26 June 2014**
(24) Date from which industrial property rights may have effect: **26 June 2014**
(54) Product in respect of which the design is registered: **Light bulb**
(51) International Design Classification: **26-04**
(74) Name(s) of Attorney(s): **Marks & Clerk Australia**
(71) Name(s) and Address(s) of Applicant(s):
Plumen Limited
Second Floor 60-62 Commercial Street London E1 6LT United Kingdom
(72) Name(s) of Designer(s): **Nicolas Roope and Michael-George Hemus**
(45) Registration Date: **28 July 2014**
(30) Convention priority data:
(31) Number (32) Date (33) Country
**002381061-0001 07 Jan 2014 OFFICE FOR HARMONISATION IN
 THE INTERNAL MARKET (OHIM)**
(56) Related Art Documents: **Not Applicable**
(57) Statement of Newness and Distinctiveness: **Newness and distinctiveness resides in the visual features of the shape and/or configuration of a light bulb as illustrated in solid lines in the accompanying representations, and wherein the features indicated with broken lines do not form part of the design.**



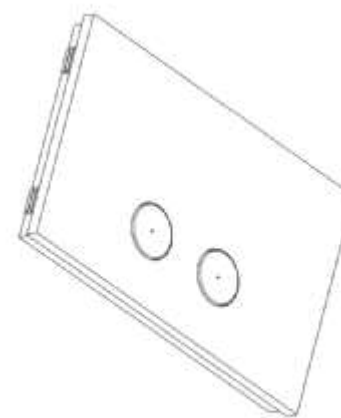
(21) Design Number: **13148/2014**
(22) Date of Filing Application: **27 June 2014**
(24) Date from which industrial property rights may have effect: **27 June 2014**
(54) Product in respect of which the design is registered: **Switch panel**
(51) International Design Classification: **13-03D, 13-03E**
(74) Name(s) of Attorney(s): **Madderns**
(71) Name(s) and Address(s) of Applicant(s):
Schneider Electric (Australia) Pty Ltd
78 Waterloo Rd Macquarie Park NSW 2113 Australia
(72) Name(s) of Designer(s): **Xiaotao Feng and Ning Chen and Robert Mabeza**
(45) Registration Date: **28 July 2014**
(30) Convention priority data:
(31) Number (32) Date (33) Country
201330651780.2 27 Dec 2013 CHINA
(56) Related Art Documents: **Not Applicable**
(57) Statement of Newness and Distinctiveness: **Newness and distinctiveness is claimed in the shape and/or configuration of a Switch Panel as depicted in Figures 1, 2, 3, 5, 6 and 7 only.**



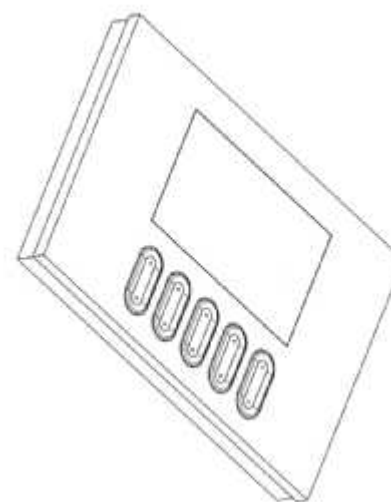
(21) Design Number: **13150/2014**
(22) Date of Filing Application: **27 June 2014**
(24) Date from which industrial property rights may have effect: **27 June 2014**
(54) Product in respect of which the design is registered: **Switch panel**
(51) International Design Classification: **13-03E, 13-03D**
(74) Name(s) of Attorney(s): **Madderns**
(71) Name(s) and Address(s) of Applicant(s):
Schneider Electric (Australia) Pty Ltd
78 Waterloo Rd Macquarie Park NSW 2113 Australia
(72) Name(s) of Designer(s): **Xiaotao Feng and Ning Chen and Robert Mabeza**
(45) Registration Date: **28 July 2014**
(30) Convention priority data:
(31) Number (32) Date (33) Country
201330651780.2 27 Dec 2013 CHINA
(56) Related Art Documents: **Not Applicable**
(57) Statement of Newness and Distinctiveness: **Newness and distinctiveness is claimed in the shape and/or configuration of a Switch Panel as depicted in Figures 1, 2, 3, 5, 6 and 7 only.**



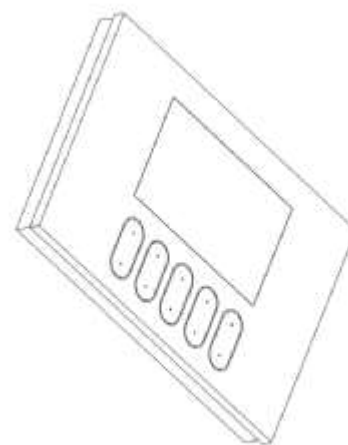
(21) Design Number: **13151/2014**
(22) Date of Filing Application: **27 June 2014**
(24) Date from which industrial property rights may have effect: **27 June 2014**
(54) Product in respect of which the design is registered: **Switch panel**
(51) International Design Classification: **13-03E, 13-03D**
(74) Name(s) of Attorney(s): **Madderns**
(71) Name(s) and Address(s) of Applicant(s):
Schneider Electric (Australia) Pty Ltd
78 Waterloo Rd Macquarie Park NSW 2113 Australia
(72) Name(s) of Designer(s): **Feng Xiaotao and Ning Chen and Robert Mabeza**
(45) Registration Date: **28 July 2014**
(30) Convention priority data:
(31) Number (32) Date (33) Country
201330651780.2 27 Dec 2013 CHINA
(56) Related Art Documents: **Not Applicable**
(57) Statement of Newness and Distinctiveness: **Newness and distinctiveness is claimed in the shape and/or configuration of a Switch Panel as depicted in Figures 1, 2, 3, 5, 6 and 7 only.**



(21) Design Number: **13152/2014**
(22) Date of Filing Application: **27 June 2014**
(24) Date from which industrial property rights may have effect: **27 June 2014**
(54) Product in respect of which the design is registered: **Switch panel**
(51) International Design Classification: **13-03E, 13-03D**
(74) Name(s) of Attorney(s): **Madderns**
(71) Name(s) and Address(s) of Applicant(s):
Schneider Electric (Australia) Pty Ltd
78 Waterloo Rd Macquarie Park NSW 2113 Australia
(72) Name(s) of Designer(s): **Xiaotao Feng and Ning Chen and Robert Mabeza**
(45) Registration Date: **28 July 2014**
(30) Convention priority data:
(31) Number (32) Date (33) Country
201330651686.7 27 Dec 2013 CHINA
(56) Related Art Documents: **Not Applicable**
(57) Statement of Newness and Distinctiveness: **Newness and distinctiveness is claimed in the shape and/or configuration of a switch panel as depicted in Figures 1, 2 and 3 only.**



(21) Design Number: **13153/2014**
(22) Date of Filing Application: **27 June 2014**
(24) Date from which industrial property rights may have effect: **27 June 2014**
(54) Product in respect of which the design is registered: **Switch panel**
(51) International Design Classification: **13-03E, 13-03D**
(74) Name(s) of Attorney(s): **Madderns**
(71) Name(s) and Address(s) of Applicant(s):
Schneider Electric (Australia) Pty Ltd
78 Waterloo Rd Macquarie Park NSW 2113 Australia
(72) Name(s) of Designer(s): **Xiaotao Feng and Ning Chen and Robert Mabeza**
(45) Registration Date: **28 July 2014**
(30) Convention priority data:
(31) Number (32) Date (33) Country
201330651686.7 27 Dec 2013 CHINA
(56) Related Art Documents: **Not Applicable**
(57) Statement of Newness and Distinctiveness: **Newness and distinctiveness is claimed in the shape and/or configuration of a Switch Panel as depicted in Figures 1, 2 and 3 only.**



(21) Design Number: **13134/2014**
(22) Date of Filing Application: **26 June 2014**
(24) Date from which industrial property rights may have effect: **26 June 2014**
(54) Product in respect of which the design is registered: **A hair curling apparatus**
(51) International Design Classification: **28-03B**
(74) Name(s) of Attorney(s): **Allens Patent & Trade Mark Attorneys**
(71) Name(s) and Address(s) of Applicant(s):
Telebrands Corp.
77 Two Bridges Road Fairfield New Jersey 07004 United States of America
(72) Name(s) of Designer(s): **Cara Leonard**
(45) Registration Date: **28 July 2014**
(30) Convention priority data:
(31) Number (32) Date (33) Country
29/494,734 24 Jun 2014 UNITED STATES OF AMERICA
(56) Related Art Documents: **Not Applicable**
(57) Statement of Newness and Distinctiveness: **Newness and distinctiveness is claimed in the features of shape and configuration of a hair curling apparatus shown in the attached representations in solid lines. It is to be understood that the dashed lines are intended to show context and are not intended to form any part of the design. Furthermore it is to be understood that contour lines are present to clarify the shape and configuration of the hair curler and are not themselves additional features of shape or configuration.**



- (21) Design Number: **13139/2014**
(22) Date of Filing Application: **27 June 2014**
(24) Date from which industrial property rights may have effect: **27 June 2014**
(54) Product in respect of which the design is registered: **Lighting fixture**
(51) International Design Classification: **26-05C**
(74) Name(s) of Attorney(s): **PHILLIPS ORMONDE FITZPATRICK**
(71) Name(s) and Address(s) of Applicant(s):
Kimberley Plastics Pty Ltd
5 Abbots Rd Dandenong South VIC 3175 Australia
(72) Name(s) of Designer(s): **Brian Kimberley and Vuong Minh Tran**
(45) Registration Date: **28 July 2014**
(56) Related Art Documents: **Not Applicable**
(57) Statement of Newness and Distinctiveness: **Newness and distinctiveness resides in the visual features, including shape and configuration of the lighting fixtures as shown in the representations.**



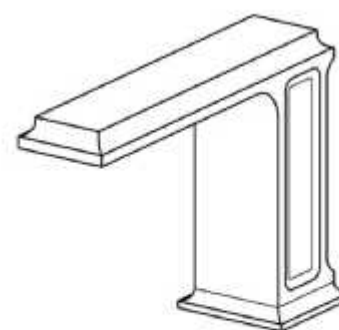
- (21) Design Number: **13141/2014**
(22) Date of Filing Application: **27 June 2014**
(24) Date from which industrial property rights may have effect: **27 June 2014**
(54) Product in respect of which the design is registered: **A knife sharpener**
(51) International Design Classification: **08-05H**
(74) Name(s) of Attorney(s): **SPRUSON & FERGUSON**
(71) Name(s) and Address(s) of Applicant(s):
Take Two Marketing and Events Pty Ltd
301/209 Oxford St Bondi Junction NSW 2022 Australia
(72) Name(s) of Designer(s): **James Cheney**
(45) Registration Date: **28 July 2014**
(56) Related Art Documents: **Not Applicable**
(57) Statement of Newness and Distinctiveness: **Newness and distinctiveness is claimed in the features of shape and/or configuration of a knife sharpener as illustrated in continuous lines in the accompanying representations.**



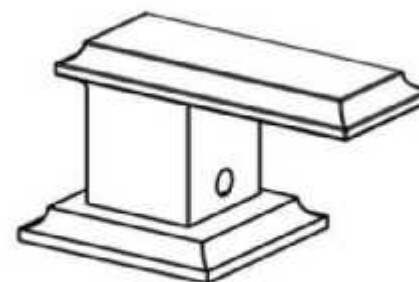
(21) Design Number: **13144/2014**
(22) Date of Filing Application: **27 June 2014**
(24) Date from which industrial property rights may have effect: **27 June 2014**
(54) Product in respect of which the design is registered: **Utility can**
(51) International Design Classification: **09-02B**
(74) Name(s) of Attorney(s): **Wrays**
(71) Name(s) and Address(s) of Applicant(s):
James Langley Dalton
Lot 3592 Forest Dr Humpty Doo NT 0836 Australia
(72) Name(s) of Designer(s): **James Langley Dalton**
(45) Registration Date: **28 July 2014**
(56) Related Art Documents: **Not Applicable**
(57) Statement of Newness and Distinctiveness: **Nil**



(21) Design Number: **13145/2014**
(22) Date of Filing Application: **27 June 2014**
(24) Date from which industrial property rights may have effect: **27 June 2014**
(54) Product in respect of which the design is registered: **Faucet**
(51) International Design Classification: **23-01H**
(74) Name(s) of Attorney(s): **SPRUSON & FERGUSON**
(71) Name(s) and Address(s) of Applicant(s):
Gessi S.P.A.
Parco Gessi FRAZIONE VINTEBBIO, SERRAVALLE SESIA (VERCELLI)
13037 ITALY
(72) Name(s) of Designer(s): **Gian Luca Gessi**
(45) Registration Date: **28 July 2014**
(30) Convention priority data:
(31) Number (32) Date (33) Country
BS2014O000004 27 Jan 2014 ITALY
(56) Related Art Documents: **Not Applicable**
(57) Statement of Newness and Distinctiveness: **Newness and distinctiveness is claimed in the features of shape and/or configuration of a faucet as illustrated in the accompanying representations.**

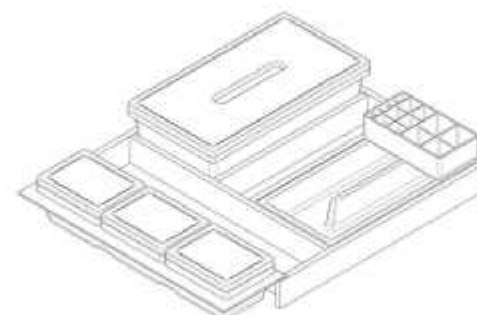


(21) Design Number: **13146/2014**
(22) Date of Filing Application: **27 June 2014**
(24) Date from which industrial property rights may have effect: **27 June 2014**
(54) Product in respect of which the design is registered: **Faucet handle**
(51) International Design Classification: **23-01H**
(74) Name(s) of Attorney(s): **SPRUSON & FERGUSON**
(71) Name(s) and Address(s) of Applicant(s):
Gessi S.P.A.
Parco Gessi FRAZIONE VINTEBBIO, SERRAVALLE SESIA (VERCELLI)
13037 ITALY



(72) Name(s) of Designer(s): **Gian Luca Gessi**
(45) Registration Date: **28 July 2014**
(30) Convention priority data:
(31) Number (32) Date (33) Country
BS2014O000004 27 Jan 2014 ITALY
(56) Related Art Documents: **Not Applicable**
(57) Statement of Newness and Distinctiveness: **Newness and distinctiveness is claimed in the features of shape and/or configuration of a faucet handle as illustrated in the accompanying representations.**

(21) Design Number: **13147/2014**
(22) Date of Filing Application: **27 June 2014**
(24) Date from which industrial property rights may have effect: **27 June 2014**
(54) Product in respect of which the design is registered: **Container**
(51) International Design Classification: **09-03NES**
(74) Name(s) of Attorney(s): **PHILLIPS ORMONDE FITZPATRICK**
(71) Name(s) and Address(s) of Applicant(s):
Giacomo Collinucci
Via Dandini di Calisese, 700 Cesena Italy
(72) Name(s) of Designer(s): **Giacomo Collinucci**
(45) Registration Date: **28 July 2014**
(30) Convention priority data:
(31) Number (32) Date (33) Country
001396832-0004 31 Dec 2013 OFFICE FOR HARMONISATION IN THE INTERNAL MARKET (OHIM)

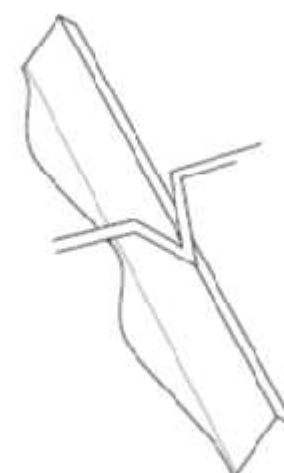


(56) Related Art Documents: **Not Applicable**
(57) Statement of Newness and Distinctiveness: **Nil**

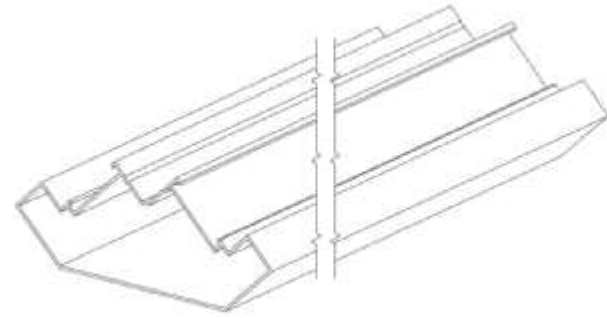
(21) Design Number: **13142/2014**
(22) Date of Filing Application: **27 June 2014**
(24) Date from which industrial property rights may have effect: **27 June 2014**
(54) Product in respect of which the design is registered: **Rollator**
(51) International Design Classification: **12-12**
(74) Name(s) of Attorney(s): **Griffith Hack**
(71) Name(s) and Address(s) of Applicant(s):
Medline Industries, Inc.
One Medline Place Mundelein IL 60060 United States of America
(72) Name(s) of Designer(s): **Zhiliang Wang and Margaret Mary Andersen and Brian Monegas Ramirez**
(45) Registration Date: **28 July 2014**
(30) Convention priority data:
(31) Number (32) Date (33) Country
29/477933 30 Dec 2013 UNITED STATES OF AMERICA
(56) Related Art Documents: **Not Applicable**
(57) Statement of Newness and Distinctiveness: **Nil**



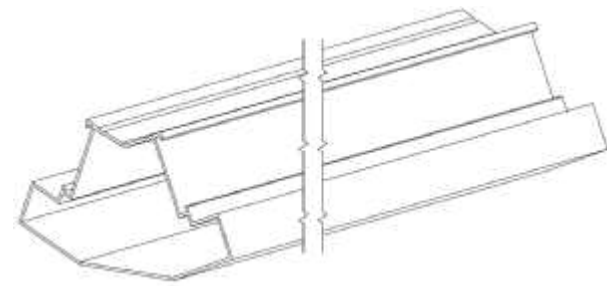
(21) Design Number: **13143/2014**
(22) Date of Filing Application: **27 June 2014**
(24) Date from which industrial property rights may have effect: **27 June 2014**
(54) Product in respect of which the design is registered: **Metal flashing for roof**
(51) International Design Classification: **25-01G**
(74) Name(s) of Attorney(s):
(71) Name(s) and Address(s) of Applicant(s):
Errol Frederick Campbell
PO BOX 130 South Grafton NSW 2460 Australia
(72) Name(s) of Designer(s): **Errol Frederick Campbell**
(45) Registration Date: **28 July 2014**
(56) Related Art Documents: **Not Applicable**
(57) Statement of Newness and Distinctiveness: **New and distinctive visual feature of the seal comprises the general shape and configuration of the seal. The seal dimension is variable to suit the slope of roof valley and is of undetermined length.**



- (21) Design Number: **13154/2014**
(22) Date of Filing Application: **28 June 2014**
(24) Date from which industrial property rights may have effect: **28 June 2014**
(54) Product in respect of which the design is registered: **Extrusion**
(51) International Design Classification: **25-01K**
(74) Name(s) of Attorney(s): **Rohan Wallace Patent and Trade Mark Services**
(71) Name(s) and Address(s) of Applicant(s):
Riverslea Holdings Pty Ltd
19 Prosperity Ave Wangara WA 6065 Australia
(72) Name(s) of Designer(s): **Trang Thanh**
(45) Registration Date: **28 July 2014**
(56) Related Art Documents: **Not Applicable**
(57) Statement of Newness and Distinctiveness: **Newness and distinctiveness resides in the shape and or configuration of the extrusion of indefinite length.**



- (21) Design Number: **13155/2014**
(22) Date of Filing Application: **28 June 2014**
(24) Date from which industrial property rights may have effect: **28 June 2014**
(54) Product in respect of which the design is registered: **Extrusion**
(51) International Design Classification: **25-01K**
(74) Name(s) of Attorney(s): **Rohan Wallace Patent and Trade Mark Services**
(71) Name(s) and Address(s) of Applicant(s):
Riverslea Holdings Pty Ltd
19 Prosperity Ave Wangara WA 6065 Australia
(72) Name(s) of Designer(s): **Trang Thanh**
(45) Registration Date: **28 July 2014**
(56) Related Art Documents: **Not Applicable**
(57) Statement of Newness and Distinctiveness: **Newness and distinctiveness resides in the shape and or configuration of the extrusion of indefinite length.**



(21) Design Number: **13156/2014**

(22) Date of Filing Application: **28 June 2014**

(24) Date from which industrial property rights may have effect: **28 June 2014**

(54) Product in respect of which the design is registered: **Extrusion**

(51) International Design Classification: **25-01K**

(74) Name(s) of Attorney(s): **Rohan Wallace Patent and Trade Mark Services**

(71) Name(s) and Address(s) of Applicant(s):

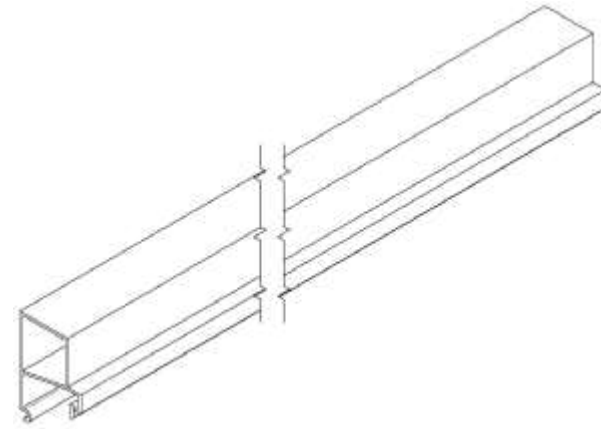
**Riverslea Holdings Pty Ltd
19 Prosperity Ave Wangara WA 6065 Australia**

(72) Name(s) of Designer(s): **Trang Thanh**

(45) Registration Date: **28 July 2014**

(56) Related Art Documents: **Not Applicable**

(57) Statement of Newness and Distinctiveness: **Newness and distinctiveness resides in the shape and or configuration of the extrusion of indefinite length.**



(21) Design Number: **13157/2014**

(22) Date of Filing Application: **28 June 2014**

(24) Date from which industrial property rights may have effect: **28 June 2014**

(54) Product in respect of which the design is registered: **Extrusion**

(51) International Design Classification: **25-01K**

(74) Name(s) of Attorney(s): **Rohan Wallace Patent and Trade Mark Services**

(71) Name(s) and Address(s) of Applicant(s):

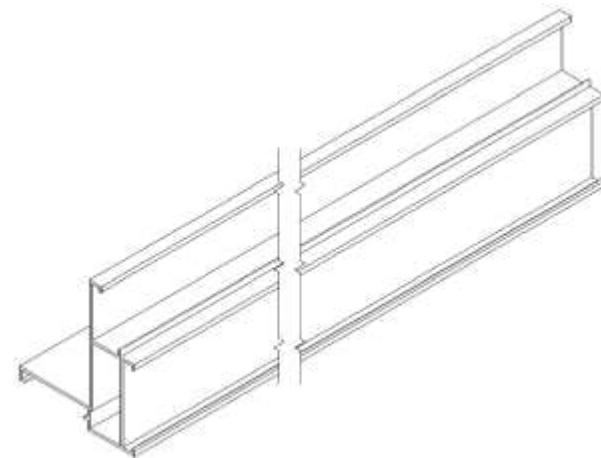
**Riverslea Holdings Pty Ltd
19 Prosperity Ave Wangara WA 6065 Australia**

(72) Name(s) of Designer(s): **Trang Thanh**

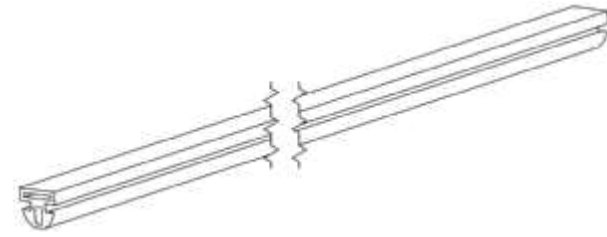
(45) Registration Date: **28 July 2014**

(56) Related Art Documents: **Not Applicable**

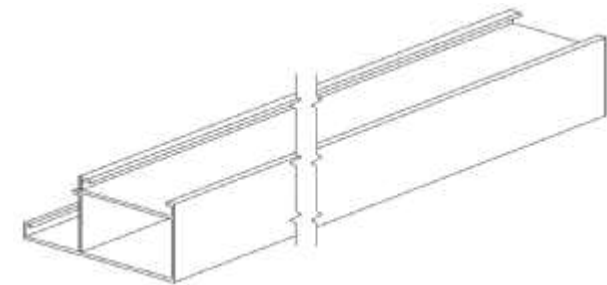
(57) Statement of Newness and Distinctiveness: **Newness and distinctiveness resides in the shape and or configuration of the extrusion of indefinite length.**



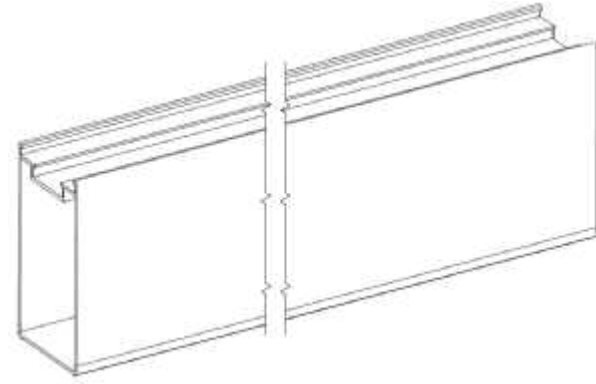
- (21) Design Number: **13158/2014**
(22) Date of Filing Application: **28 June 2014**
(24) Date from which industrial property rights may have effect: **28 June 2014**
(54) Product in respect of which the design is registered: **Extrusion**
(51) International Design Classification: **25-01K**
(74) Name(s) of Attorney(s): **Rohan Wallace Patent and Trade Mark Services**
(71) Name(s) and Address(s) of Applicant(s):
Riverslea Holdings Pty Ltd
19 Prosperity Ave Wangara WA 6065 Australia
(72) Name(s) of Designer(s): **Trang Thanh**
(45) Registration Date: **28 July 2014**
(56) Related Art Documents: **Not Applicable**
(57) Statement of Newness and Distinctiveness: **Newness and distinctiveness resides in the shape and or configuration of the extrusion of indefinite length.**



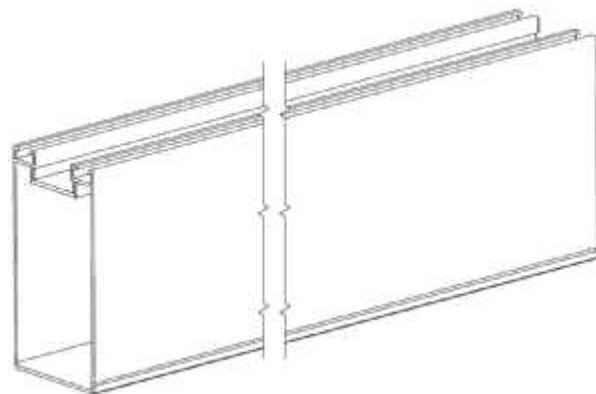
- (21) Design Number: **13159/2014**
(22) Date of Filing Application: **28 June 2014**
(24) Date from which industrial property rights may have effect: **28 June 2014**
(54) Product in respect of which the design is registered: **Extrusion**
(51) International Design Classification: **25-01K**
(74) Name(s) of Attorney(s): **Rohan Wallace Patent and Trade Mark Services**
(71) Name(s) and Address(s) of Applicant(s):
Riverslea Holdings Pty Ltd
19 Prosperity Ave Wangara WA 6065 Australia
(72) Name(s) of Designer(s): **Trang Thanh**
(45) Registration Date: **28 July 2014**
(56) Related Art Documents: **Not Applicable**
(57) Statement of Newness and Distinctiveness: **Newness and distinctiveness resides in the shape and or configuration of the extrusion of indefinite length.**



- (21) Design Number: **13160/2014**
(22) Date of Filing Application: **28 June 2014**
(24) Date from which industrial property rights may have effect: **28 June 2014**
(54) Product in respect of which the design is registered: **Extrusion**
(51) International Design Classification: **25-01K**
(74) Name(s) of Attorney(s): **Rohan Wallace Patent and Trade Mark Services**
(71) Name(s) and Address(s) of Applicant(s):
Riverslea Holdings Pty Ltd
19 Prosperity Ave Wangara WA 6065 Australia
(72) Name(s) of Designer(s): **Trang Thanh**
(45) Registration Date: **28 July 2014**
(56) Related Art Documents: **Not Applicable**
(57) Statement of Newness and Distinctiveness: **Newness and distinctiveness resides in the shape and or configuration of the extrusion of indefinite length**



- (21) Design Number: **13161/2014**
(22) Date of Filing Application: **28 June 2014**
(24) Date from which industrial property rights may have effect: **28 June 2014**
(54) Product in respect of which the design is registered: **Extrusion**
(51) International Design Classification: **25-01K**
(74) Name(s) of Attorney(s): **Rohan Wallace Patent and Trade Mark Services**
(71) Name(s) and Address(s) of Applicant(s):
Riverslea Holdings Pty Ltd
19 Prosperity Ave Wangara WA 6065 Australia
(72) Name(s) of Designer(s): **Trang Thanh**
(45) Registration Date: **28 July 2014**
(56) Related Art Documents: **Not Applicable**
(57) Statement of Newness and Distinctiveness: **Newness and distinctiveness resides in the shape and or configuration of the extrusion of indefinite length**



(21) Design Number: **13162/2014**

(22) Date of Filing Application: **28 June 2014**

(24) Date from which industrial property rights may have effect: **28 June 2014**

(54) Product in respect of which the design is registered: **Extrusion**

(51) International Design Classification: **25-01K**

(74) Name(s) of Attorney(s): **Rohan Wallace Patent and Trade Mark Services**

(71) Name(s) and Address(s) of Applicant(s):

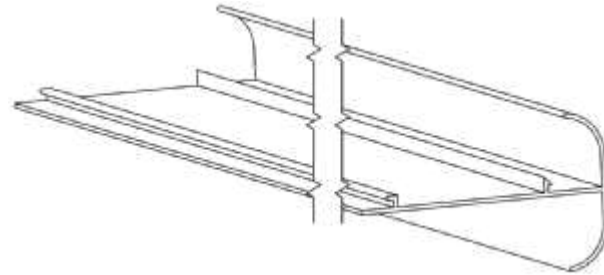
**Riverslea Holdings Pty Ltd
19 Prosperity Ave Wangara WA 6065 Australia**

(72) Name(s) of Designer(s): **Trang Thanh**

(45) Registration Date: **28 July 2014**

(56) Related Art Documents: **Not Applicable**

(57) Statement of Newness and Distinctiveness: **Newness and distinctiveness resides in the shape and or configuration of the extrusion of indefinite length**



(21) Design Number: **13163/2014**

(22) Date of Filing Application: **28 June 2014**

(24) Date from which industrial property rights may have effect: **28 June 2014**

(54) Product in respect of which the design is registered: **Extrusion**

(51) International Design Classification: **25-01K**

(74) Name(s) of Attorney(s): **Rohan Wallace Patent and Trade Mark Services**

(71) Name(s) and Address(s) of Applicant(s):

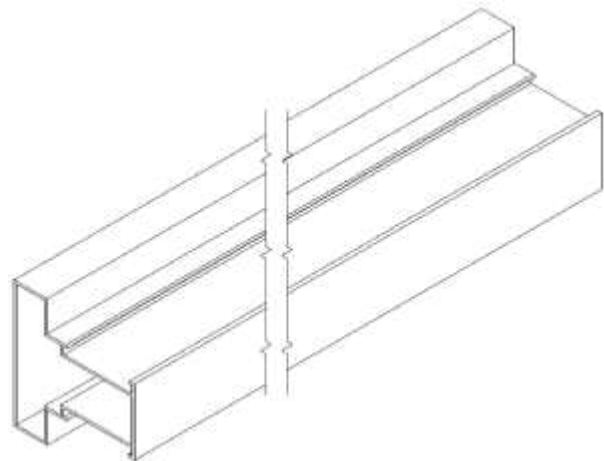
**Riverslea Holdings Pty Ltd
19 Prosperity Ave Wangara WA 6065 Australia**

(72) Name(s) of Designer(s): **Trang Thanh**

(45) Registration Date: **28 July 2014**

(56) Related Art Documents: **Not Applicable**

(57) Statement of Newness and Distinctiveness: **Newness and distinctiveness resides in the shape and or configuration of the extrusion of indefinite length**



(21) Design Number: **13164/2014**

(22) Date of Filing Application: **28 June 2014**

(24) Date from which industrial property rights may have effect: **28 June 2014**

(54) Product in respect of which the design is registered: **Cable spool**

(51) International Design Classification: **08-99**

(74) Name(s) of Attorney(s):

(71) Name(s) and Address(s) of Applicant(s):

THE PEAK GROUP PTY LIMITED

212 Macquarie Rd Warners Bay NSW 2282 Australia

(72) Name(s) of Designer(s): **Peter Sebire and Paul Griffiths**

(45) Registration Date: **28 July 2014**

(56) Related Art Documents: **Not Applicable**

(57) Statement of Newness and Distinctiveness: **Newness and distinctiveness reside in the features of shape and configuration as depicted in the representations**



(21) Design Number: **13165/2014**

(22) Date of Filing Application: **29 June 2014**

(24) Date from which industrial property rights may have effect: **29 June 2014**

(54) Product in respect of which the design is registered: **Door stop**

(51) International Design Classification: **08-09**

(74) Name(s) of Attorney(s):

(71) Name(s) and Address(s) of Applicant(s):

Steendyk Holdings Pty Ltd

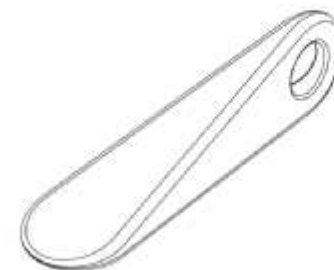
27 Isaac St Spring Hill QLD 4000 Australia

(72) Name(s) of Designer(s): **Brian John Steendyk**

(45) Registration Date: **28 July 2014**

(56) Related Art Documents: **Not Applicable**

(57) Statement of Newness and Distinctiveness: **Monopoly is claimed in the features of shape and/or configuration of the door stop as illustrated in the representations accompanying the application.**



- (21) Design Number: **10375/2013**
(22) Date of Filing Application: **25 January 2013**
(24) Date from which industrial property rights may have effect: **25 January 2013**
(54) Product in respect of which the design is registered: **Children's sippy cup**
(51) International Design Classification: **07-01E**
(74) Name(s) of Attorney(s):
(71) Name(s) and Address(s) of Applicant(s):
B.Box for Kids Developments Pty Ltd
73 Emo Road Malvern East, Victoria 3145 Australia
(72) Name(s) of Designer(s): **Dannielle Michaels and Monique Filer**
(45) Registration Date: **28 July 2014**
(56) Related Art Documents: **Not Applicable**
(57) Statement of Newness and Distinctiveness: **The sippy cup is an ergonomic shape that is easy for children to hold. It has a simple flip top lid and an innovative weighted straw. It also features easy grip handles.**

