



**Australian Government**

---

**IP Australia**

**AUSTRALIAN OFFICIAL JOURNAL**

**OF**

**DESIGNS**

Did you know a searchable version of this journal is now available online?

It's FREE and EASY to SEARCH.

Find it on our website ([www.ipaustralia.gov.au](http://www.ipaustralia.gov.au))

by using the "Journals" link on the home page.

This Page Left Intentionally Blank

**Contents**

**General Information & Notices**

**Proceedings Under the Designs Act 1906 preserved as a result of the provisions of Chapter 12  
Part 2 of the Designs Act 2003**

**Extension of Period of Registration of Designs ..... 2274**

**Subsequent Owners Registered ..... 2274**

**Proceedings Under the Designs Act 2003**

**Applications for Extension of Time Under Section 137 ..... 2281**

**Applications Lodged ..... 2278**

**Certificate of Examination ..... 2282**

**Extension of Period of Registration of Design ..... 2281**

**Extension of Time Granted Under Section 137 ..... 2281**

**Publication and Registration Proceedings**

**Designs Registered 356640 to 356736..... 2283**

**Registrations Ceased ..... 2281**

**Subsequent Owners Registered ..... 2281**

This Page Left Intentionally Blank

For information on the following please see our website [www.ipaustralia.gov.au](http://www.ipaustralia.gov.au) or contact our Customer Service Network on 1300651010

[Editorial enquiries](#)

[Contact information](#)

[Freedom of Information ACT](#)

[Professional Standards Board](#)

[Sales](#)

[Requests for Information under Section 194 \(c\)](#)

[Country Codes](#)

[Trade Mark and Designs Hearing Sessions](#)

[INID \(Internationally agreed Numbers for the Identification of Data\)](#)

## “INID” NUMBERS in use on Australian Design Documents

“INID” is an acronym for “Internationally agreed Numbers for the Identification of Data”.

### (10) Data concerning the registration/renewal

- (11) Serial number of the registration and/or number of the design document
- (12) Plain language designation of the kind of published document
- (19) Identification, using the two-letter code according to WIPO Standard ST.3, of the authority publishing or registering the industrial design

### (20) Data concerning the application

- (21) Serial number of the application
- (22) Date of filing of the application
- (24) Date from which the industrial design right has effect

### (30) Data relating to priority under the Paris Convention

- (31) Serial number assigned to the priority application
- (32) Date of filing of the priority application
- (33) Two-letter code, according to WIPO Standard ST.3, identifying the authority with which the priority application was made

### (40) Date(s) of making information available to the public

- (45) Date of publication of the registered industrial design by printing or similar process, or making it available to the public by any other means

### (50) Miscellaneous Information

- (51) International Classification for Industrial Designs (class and subclass of the Locarno Classification)
- (54) Designation of article(s) or product(s) covered by the industrial design or title of the industrial design
- (55) Reproduction of the industrial design (e.g., drawing, photograph) and explanations relating to the reproduction
- (56) List of prior art documents, if separate from descriptive text
- (57) Description of characteristic features of the industrial design including indication of colours

### (60) References to other legally related application(s) and registration(s)

- (62) Serial number(s) and, if available, filing date(s) of application(s), registration(s) or document(s) related by division
- (66) Serial number(s) of the application, or the registration, of the design(s) which is (are) a variant(s) of the present one

### (70) Identification of parties concerned with the application or registration

- (71) Name(s) and address(es) of the applicant(s)
- (72) Name(s) of the creator(s) if known to be such
- (74) Name(s) and address(es) of the representative(s)

This Page Left Intentionally Blank

Official Notice

**Design Registrations 355808 & 355990**

Proposed amendment to Statement of Newness and Distinctiveness

The following proposed amendment has been requested by the owner in relation to the above designs. The statement of newness and distinctiveness is to read as:

Newness and distinctiveness resides in the visual features, including shape and configuration, of the top part of a VACUUM CLEANER as shown in solid outline in the accompanying Figures 7 to 12. When determining whether the design is substantially similar in overall impression to another design, no regard is to be had to those features shown in dotted outline in the accompanying drawings, which features are provided for illustrative purposes only.

In accordance with Regulation 9.05(5) any person may oppose the amendment by filing a notice of opposition, in an approved form, within one month from the publication of the notice.

**Proceedings under the Designs Act 1906 preserved as a result of the provisions of Chapter 12 Part 2 of the Designs Act 2003.**



This Page Left Intentionally Blank

**Applications Lapsed**

There were no Applications Lapsed under this section

**Extension of Period of Registration of Designs**

**1st Period (Section 27A(8))**

**2nd Period (Section 27A(12))**

**3rd Period (Section 27A(13))**

153572	153661	153662
153839	153935	153936
154231	154683	154857
156108	156764	157734
157838		

**Subsequent Owners Registered**

(The name in parentheses is that of the subsequent owner)

155138	( <b>Powerbreather International GmbH</b> ) Global Business & Communications (The Netherlands) BV
--------	---------------------------------------------------------------------------------------------------

This Page Left Intentionally Blank

**Proceedings under the Designs Act 2003.**

This Page Left Intentionally Blank

**Applications Lodged**

Lodgement information is in the following order: **Applicant's Name**; International Classification, Name of Product, Lodgement Date and **Design Number**. If the applicant claims an earlier priority date under an International Convention, the Convention Country and the associated filing date are shown in parentheses before the Lodgement Date. Divisional information will also appear in parentheses before the Lodgement Date.

<b>A P Baker E E Baker;</b> 31-00, A device that melts bulk 1,000kg chocolate blocks, 30 Jul 2014	<b>13674/2014</b>	<b>BLUESCOPE STEEL LIMITED;</b> 23-01L, A gutter, 30 Jul 2014	<b>13683/2014</b>
<b>Alexander, David;</b> 03-01B, Smart device wallet, 30 Jul 2014	<b>13673/2014</b>	<b>BRIDGESTONE CORPORATION;</b> 12-15A, 12-15B, Automobile tyre, (EM, 05 Feb 2014) 30 Jul 2014	<b>13697/2014</b>
<b>Archier Pty Ltd;</b> 06-03A, Dining table, 31 Jul 2014	<b>13713/2014</b>	<b>Chanel Limited;</b> 10-02, Watch, (GB, 07 Feb 2014) 29 Jul 2014	<b>13651/2014</b>
<b>Arlec Australia Pty Ltd;</b> 13-03D, 13-03NES, Switch button, 30 Jul 2014	<b>13670/2014</b>	<b>Cinbee Pty Ltd atf Moon Family Trust;</b> 06-04NES, Wine rack, 28 Jul 2014	<b>13642/2014</b>
<b>Arlec Australia Pty Ltd;</b> 13-03D, Switch button, 30 Jul 2014	<b>13672/2014</b>	<b>Continental Reifen Deutschland GmbH;</b> 12-15A, Tyre, (EM, 19 Feb 2014) 29 Jul 2014	<b>13653/2014</b>
<b>AICHI CO., LTD.;</b> 06-01F, Chair, 28 Jul 2014	<b>13641/2014</b>	<b>Dart Industries Inc.;</b> 07-04, Sieve with handle, (US, 18 Mar 2014) 28 Jul 2014	<b>13628/2014</b>
<b>ARCHIER PTY. LTD.;</b> 26-05D, Pendant light, 31 Jul 2014	<b>13710/2014</b>	<b>Dart Industries Inc.;</b> 07-01F, Cover for a container, (US, 20 Mar 2014) 28 Jul 2014	<b>13630/2014</b>
<b>ARCHIER PTY. LTD.;</b> 26-05D, Pendant light, 31 Jul 2014	<b>13712/2014</b>	<b>Dart Industries Inc.;</b> 07-01F, Pitcher with handle, (US, 18 Mar 2014) 28 Jul 2014	<b>13629/2014</b>
<b>ARCHIER PTY. LTD.;</b> 26-05D, Pendant light, 31 Jul 2014	<b>13711/2014</b>	<b>Dart Industries Inc.;</b> 07-01NES, Cover for a container, (US, 20 Mar 2014) 28 Jul 2014	<b>13631/2014</b>
<b>ASTRUM COACHING LIMITED, trading as SIR LANCELOCK;</b> 08-07, Door lock extension bar, 30 Jul 2014	<b>13691/2014</b>	<b>Dart Industries Inc.;</b> 09-01D, Bottle with fish shape, (US, 20 Mar 2014) 28 Jul 2014	<b>13632/2014</b>
<b>Barker, Julie Verne;</b> 02-03, Helmet cover resembling a fashion hat, 30 Jul 2014	<b>13698/2014</b>	<b>Datomar Sporri-Treuhand AG;</b> 27-01, 27-99, Plastic insert for a smokeless cigarette, (EM, 31 Jan 2014) 31 Jul 2014	<b>13706/2014</b>
<b>Barker, Julie Verne;</b> 02-03, Helmet cover resembling a fashion hat, 30 Jul 2014	<b>13700/2014</b>	<b>Datomar Sporri-Treuhand AG;</b> 27-01, Smokeless cigarette, (EM, 31 Jan 2014) 31 Jul 2014	<b>13707/2014</b>
<b>Barker, Julie Verne;</b> 02-03, Helmet cover resembling a fashion cap, 30 Jul 2014	<b>13701/2014</b>	<b>Dongguan Wenjian Golf Products Co., Ltd.;</b> 12-12, Stroller frame, (CH, 14 May 2014) 28 Jul 2014	<b>13638/2014</b>
<b>Barker, Julie Verne;</b> 02-03, Helmet cover resembling a fashion hat, 30 Jul 2014	<b>13699/2014</b>	<b>Dupre, Charmaine;</b> 12-05, Patient lifting device, (NZ, 31 Jan 2014) 31 Jul 2014	<b>13709/2014</b>
<b>Bayer Animal Health GmbH;</b> 09-05, 24-04, Plastic tube with application nozzle, (EM, 18 Feb 2014) 28 Jul 2014	<b>13626/2014</b>	<b>DISPLAYWISE DESIGN AND PRODUCTION PTY LTD.;</b> 06-01E, Kids bar stool, 28 Jul 2014	<b>13633/2014</b>
<b>Bluescope Steel Limited;</b> 23-01L, A gutter, 30 Jul 2014	<b>13676/2014</b>	<b>Ecover Co-Ordination Center;</b> 09-01H, 09-01NES, Bottle, (US, 31 Jan 2014) 31 Jul 2014	<b>13708/2014</b>
<b>Bose Corporation;</b> 14-01, Headphones, (US, 13 Feb 2014) 29 Jul 2014	<b>13654/2014</b>	<b>Forever New Clothing Pty Ltd;</b> 02-02C, 02-02NES, Article of clothing, 28 Jul 2014	<b>13634/2014</b>
<b>Bose Corporation;</b> 14-01, Headphones, (US, 13 Feb 2014) 29 Jul 2014	<b>13655/2014</b>		
<b>BBS GMBH;</b> 12-16A, Wheel rim, (WO, 31 Jan 2014) 31 Jul 2014	<b>13714/2014</b>		

<b>Forever New Clothing Pty Ltd;</b> 03-01B, Accessory item, 28 Jul 2014	<b>13640/2014</b>	<b>Nipro Corporation;</b> 24-01, Blood reservoir with oxygenator, (JP, 31 Jan 2014) 30 Jul 2014	<b>13678/2014</b>
<b>General Mills, Inc.;</b> 01-01, Shaped tortilla, (US, 13 Dec 2013) (Divisional of 12585/2014) 30 Jul 2014	<b>13690/2014</b>	<b>Nipro Corporation;</b> 24-01, Holder for blood reservoir, (JP, 31 Jan 2014) 30 Jul 2014	<b>13692/2014</b>
<b>General Mills, Inc.;</b> 01-01, Shaped tortilla, (US, 13 Dec 2013) (Divisional of 12581/2014) 30 Jul 2014	<b>13694/2014</b>	<b>Nivek Industries Pty Ltd;</b> 12-05, 09-08, Tracked elevating device, 30 Jul 2014	<b>13696/2014</b>
<b>General Mills, Inc.;</b> 01-01, Shaped tortilla, (US, 13 Dec 2013) (Divisional of 12581/2014) 30 Jul 2014	<b>13695/2014</b>	<b>NKR (Cheshire) Limited;</b> 25-01D, A high visibility sheet material, (EM, 07 Feb 2014) 30 Jul 2014	<b>13668/2014</b>
<b>Hansgrohe SE;</b> 23-02B, Hand shower, (EM, 14 Feb 2014) 30 Jul 2014	<b>13689/2014</b>	<b>NKR (Cheshire) Limited;</b> 25-01D, A high visibility sheet material, 30 Jul 2014	<b>13669/2014</b>
<b>Hansgrohe SE;</b> 23-02B, Shower head, (EM, 14 Feb 2014) 30 Jul 2014	<b>13693/2014</b>	<b>Orion Holdings (Overseas) Limited;</b> 06-02, Reconfigurable furniture, 28 Jul 2014	<b>13624/2014</b>
<b>Haysom, Robert Henry;</b> 08-08D, A fastening guide for a garden edging strip, 29 Jul 2014	<b>13659/2014</b>	<b>Orion Holdings (Overseas) Limited;</b> 06-02, Reconfigurable furniture, 28 Jul 2014	<b>13623/2014</b>
<b>Haysom, Robert Henry;</b> 08-08L, A fastening guide for a garden edging strip, 29 Jul 2014	<b>13662/2014</b>	<b>PepsiCo, Inc.;</b> 14-04, Display screen with graphical user interface, (US, 30 Jan 2014) 30 Jul 2014	<b>13677/2014</b>
<b>Hozelock Limited;</b> 23-01C, Water hose nozzle, (EM, 31 Jan 2014) 28 Jul 2014	<b>13635/2014</b>	<b>PepsiCo, Inc.;</b> 14-04, Display screen with graphical user interface, (US, 30 Jan 2014) 30 Jul 2014	<b>13685/2014</b>
<b>Hozelock Limited;</b> 23-01C, Water hose nozzle, (EM, 31 Jan 2014) 28 Jul 2014	<b>13637/2014</b>	<b>PepsiCo, Inc.;</b> 14-04, Display screen with graphical user interface, (US, 30 Jan 2014) 30 Jul 2014	<b>13684/2014</b>
<b>Hozelock Limited;</b> 23-01C, Water hose nozzle, (EM, 31 Jan 2014) 28 Jul 2014	<b>13636/2014</b>	<b>PepsiCo, Inc.;</b> 14-04, Display screen with graphical user interface, (US, 30 Jan 2014) 30 Jul 2014	<b>13686/2014</b>
<b>Hudleston, Peter;</b> 07-01NES, Rectangular shaped butter crock with side lifting finger handles, 29 Jul 2014	<b>13703/2014</b>	<b>PepsiCo, Inc.;</b> 14-04, Display screen with graphical user interface, (US, 30 Jan 2014) 30 Jul 2014	<b>13680/2014</b>
<b>Hudleston, Peter;</b> 07-01NES, Rectangular shaped butter crock, 29 Jul 2014	<b>13704/2014</b>	<b>PepsiCo, Inc.;</b> 14-04, Display screen with graphical user interface, (US, 30 Jan 2014) 30 Jul 2014	<b>13681/2014</b>
<b>Kirk, Lyn;</b> 23-01A, A seal, 30 Jul 2014	<b>13688/2014</b>	<b>PepsiCo, Inc.;</b> 14-04, Display screen with graphical user interface, (US, 30 Jan 2014) 30 Jul 2014	<b>13682/2014</b>
<b>Martec Pty Ltd;</b> 26-05NES, 23-04, Ceiling fan light, 31 Jul 2014	<b>13725/2014</b>	<b>PepsiCo, Inc.;</b> 14-04, Display screen with graphical user interface, (US, 30 Jan 2014) 30 Jul 2014	<b>13687/2014</b>
<b>Micro Motion, Inc.;</b> 10-04, Flow meter housing, (CN, 23 May 2014) 29 Jul 2014	<b>13679/2014</b>	<b>Red Bull GmbH;</b> 07-06A, Beverage container holder, (EM, 03 Feb 2014) 31 Jul 2014	<b>13718/2014</b>
<b>My Picture Pty Ltd;</b> 15-05, Flange for vacuum cleaner bags, 29 Jul 2014	<b>13661/2014</b>	<b>Red Bull GmbH;</b> 07-06A, Beverage container holder, (EM, 03 Feb 2014) 31 Jul 2014	<b>13724/2014</b>
<b>Nipro Corporation;</b> 24-01, Blood reservoir, (JP, 31 Jan 2014) 30 Jul 2014	<b>13675/2014</b>	<b>Red Bull GmbH;</b> 07-06A, Beverage container holder, (EM, 03 Feb 2014) 31 Jul 2014	<b>13722/2014</b>
<b>Nipro Corporation;</b> 24-01, Holder for blood reservoir, (JP, 31 Jan 2014) 31 Jul 2014	<b>13705/2014</b>	<b>Red Bull GmbH;</b> 07-06A, Beverage container holder with container, (EM, 03 Feb 2014) 31 Jul 2014	<b>13723/2014</b>



<b>Red Bull GmbH;</b> 07-06A, Beverage container holder, (EM, 03 Feb 2014) 31 Jul 2014	<b>13721/2014</b>	<b>Techtronic Power Tools Technology Limited;</b> 13-02, Battery cell with charging port, (US, 30 Jan 2014) 29 Jul 2014	<b>13666/2014</b>
<b>Red Bull GmbH;</b> 07-06A, Beverage container holder, (EM, 03 Feb 2014) 31 Jul 2014	<b>13719/2014</b>	<b>Techtronic Power Tools Technology Limited;</b> 13-02, Battery cell with charging port, (US, 30 Jan 2014) 29 Jul 2014	<b>13664/2014</b>
<b>Red Bull GmbH;</b> 07-06A, Beverage container holder, (EM, 03 Feb 2014) 31 Jul 2014	<b>13720/2014</b>	<b>Tegometall International AG;</b> 06-04NES, Rack rear wall, (EM, 10 Feb 2014) 29 Jul 2014	<b>13650/2014</b>
<b>Rees-Oliviere, Lee Raymond;</b> 32-02, 32-03, Clothing, motorcycles, luggage, sunglasses, 28 Jul 2014	<b>13643/2014</b>	<b>Tegometall International AG;</b> 06-04NES, Rack rear wall, (EM, 10 Feb 2014) 29 Jul 2014	<b>13649/2014</b>
<b>Remington Designs, LLC;</b> 07-02F, Toaster, (US, 27 Jan 2014) 28 Jul 2014	<b>13627/2014</b>	<b>Tegometall International AG;</b> 06-04NES, Rack rear wall, (EM, 10 Feb 2014) 29 Jul 2014	<b>13648/2014</b>
<b>ResMed Limited;</b> 24-02, Patient interface and/or components thereof, (US, 31 Jan 2014) 30 Jul 2014	<b>13671/2014</b>	<b>Tegometall International AG;</b> 06-04NES, Rack rear wall, (EM, 10 Feb 2014) 29 Jul 2014	<b>13646/2014</b>
<b>Rhino Rack Australia Pty Limited;</b> 12-10, 25-02H, Collapsible awning for a vehicle, 29 Jul 2014	<b>13657/2014</b>	<b>Tegometall International AG;</b> 06-04NES, Rack rear wall, (EM, 10 Feb 2014) 29 Jul 2014	<b>13647/2014</b>
<b>Ross, Judith;</b> 06-13NES, 06-06G, Chair backrest cover, 28 Jul 2014	<b>13644/2014</b>	<b>Tegometall International AG;</b> 06-04NES, Rack shelf, (EM, 29 Jan 2014) 29 Jul 2014	<b>13645/2014</b>
<b>Scandia Tooling Australia Pty. Ltd.;</b> 08-08C, Suspension clip, 28 Jul 2014	<b>13625/2014</b>	<b>The Coleman Company, Inc.;</b> 06-13B, Mobile sleeping bag, (US, 07 Feb 2014) 29 Jul 2014	<b>13652/2014</b>
<b>Stramit Building Products;</b> 23-01L, 08-08L, Gutter bracket, 31 Jul 2014	<b>13717/2014</b>	<b>Tsai, Yih-Chiou;</b> 26-05A, Medical luminaire, 29 Jul 2014	<b>13665/2014</b>
<b>Stramit Building Products;</b> 23-01L, 08-08L, Gutter bracket, 31 Jul 2014	<b>13716/2014</b>		
<b>Stramit Building Products;</b> 23-01L, Nozzle for downpipes, 31 Jul 2014	<b>13715/2014</b>		
<b>Takasho Co., Ltd.;</b> 06-06A, Plant pot stand, 28 Jul 2014	<b>13639/2014</b>		
<b>Techtronic Power Tools Technology Limited;</b> 13-02, Battery cell with charging port, (US, 30 Jan 2014) 29 Jul 2014	<b>13660/2014</b>		
<b>Techtronic Power Tools Technology Limited;</b> 13-02, Battery cell with charging port, (US, 30 Jan 2014) 29 Jul 2014	<b>13658/2014</b>		
<b>Techtronic Power Tools Technology Limited;</b> 13-02, Battery cell with charging port, (US, 30 Jan 2014) 29 Jul 2014	<b>13656/2014</b>		
<b>Techtronic Power Tools Technology Limited;</b> 13-02, Battery cell with charging port, (US, 30 Jan 2014) 29 Jul 2014	<b>13663/2014</b>		
<b>Techtronic Power Tools Technology Limited;</b> 13-02, Battery cell with charging port, (US, 30 Jan 2014) 29 Jul 2014	<b>13667/2014</b>		

**Extension of Period of Registration of Designs**

327353	327399	327401
327409	327410	327412
327416	327420	327421
327422	327423	327424
327447	327450	327451
327500	327543	327565
327566	327567	327624
327650	327661	327674
327675	327685	327689
327747	327748	327754
327838	327839	327840
327842	327852	327853
327982	327983	327988
328002	328063	328128
328176	328184	328385

356723 Cheong Choon Ng

356726 Sherborne Pty Ltd

356724 Bang & Olufsen Medicom A/S

**Subsequent Owners Registered**

(The name in parentheses is that of the subsequent owner)

315566 ( Capral Aluminium Limited;Dowell Windows Pty Ltd ) Capral Aluminium Limited

**Registrations Ceased**

300026	300031	300034
300035	300036	300037
300038	300075	300104
300105	300108	300122
300125	300126	300212
300213	300281	300287
300311	300402	300403
300833	300841	304346
324588	324608	324633
324634	324645	324646
324647	324670	324673
325215	325227	325228
325385	325494	325545
325546	325547	325548
325706	325721	325722
325840	325944	350432
350451	350877	

**Applications for Extension of time under Section 137**

Applications under section 137 for extension of time have been lodged. Objections must be lodged within 1 month from the date of this journal.

13868/2013 Linea Interiors Pty Ltd Address for Service: Baxter IP PO Box Q72 Queen Victoria Bld SYDNEY NSW 1230

**Extensions of time granted under Section 137**

Applications lodged under section 137 for extension of time have been granted.

356722 Cheong Choon Ng

**Certificate(s) of Examination**

Examination of the following Design Registration(s) has been completed. Infringement proceedings may now be commenced.

351327	15-05	30/07/2014
351634	07-05E	04/08/2014
351635	07-05E	04/08/2014
351636	07-05E	04/08/2014
351637	07-05E	04/08/2014
351664	07-05E	04/08/2014
352973	09-03NES	30/07/2014
353019	09-01NES	30/07/2014
353269	09-03NES	30/07/2014
353366	14-01	30/07/2014
353547	08-99	31/07/2014
353548	08-99	31/07/2014
353549	08-01	31/07/2014
353552	08-01	31/07/2014
353556	08-99	31/07/2014
353582	19-04	31/07/2014
353584	01-02	31/07/2014
353609	14-03NES	31/07/2014
354778	06-01F	29/07/2014
354898	08-09	31/07/2014
354946	13-03D	29/07/2014
354998	05-05A	29/07/2014
354999	05-05D	29/07/2014
355141	08-05G	01/08/2014
355179	25-02NES	30/07/2014
355190	30-02	01/08/2014
355292	26-05D	01/08/2014
355293	26-05D	01/08/2014
355374	25-01A	29/07/2014
355386	16-06	31/07/2014
355456	20-03NES	29/07/2014
355457	20-02NES	29/07/2014
355458	20-02NES	29/07/2014
355459	20-02NES	29/07/2014
355579	12-16K	01/08/2014
355708	11-02B	29/07/2014
356031	04-02	04/08/2014
356149	28-03C	04/08/2014
356510	23-01H	30/07/2014

**Publication and Registration Proceedings**

**Designs Registered**

This section provides a concordance between design number and registration number of Designs covered in this journal. It also shows the main class and registration date.

This section covers Registration numbers 356640 to 356736 .

The registration number shown below should be used in all future correspondence.

<b>Design Number</b>	<b>Registration Number</b>	<b>International Classification Code (IDC)</b>	<b>Registration Date</b>	<b>Design Number</b>	<b>Registration Number</b>	<b>International Classification Code (IDC)</b>	<b>Registration Date</b>
16605/2013	356720	26-05C	01/08/2014	13170/2014	356644	24-04	29/07/2014
16606/2013	356721	26-05C	01/08/2014	13171/2014	356645	03-01NES	29/07/2014
10116/2014	356722	02-07D	01/08/2014	13172/2014	356646	14-02	29/07/2014
10117/2014	356723	02-07D	01/08/2014	13173/2014	356647	13-02	29/07/2014
10624/2014	356726	28-03NES	04/08/2014	13174/2014	356659	13-03NES	29/07/2014
10761/2014	356724	24-02	01/08/2014	13175/2014	356648	08-08K	29/07/2014
11730/2014	356642	14-03NES	29/07/2014	13176/2014	356649	23-04	29/07/2014
12141/2014	356718	12-16NES	01/08/2014	13177/2014	356660	23-04	29/07/2014
12240/2014	356696	09-07C	31/07/2014	13178/2014	356650	23-04	29/07/2014
12300/2014	356700	06-04NES	31/07/2014	13179/2014	356651	23-04	29/07/2014
12301/2014	356701	06-04NES	31/07/2014	13184/2014	356652	03-01NES	29/07/2014
12304/2014	356702	06-04NES	31/07/2014	13187/2014	356661	23-04	29/07/2014
12313/2014	356703	06-04NES	31/07/2014	13188/2014	356653	23-04	29/07/2014
12318/2014	356704	06-04NES	31/07/2014	13189/2014	356654	23-04	29/07/2014
12332/2014	356705	29-02	31/07/2014	13190/2014	356663	24-04	30/07/2014
12333/2014	356706	29-02	31/07/2014	13191/2014	356664	30-04	30/07/2014
12334/2014	356707	29-02	31/07/2014	13192/2014	356665	30-04	30/07/2014
12335/2014	356708	29-02	31/07/2014	13193/2014	356666	24-04	30/07/2014
12399/2014	356709	09-01NES	31/07/2014	13194/2014	356667	24-04	30/07/2014
12429/2014	356677	22-01	30/07/2014	13196/2014	356668	09-03NES	30/07/2014
12485/2014	356680	09-09	31/07/2014	13198/2014	356669	21-02F	30/07/2014
12496/2014	356640	25-01A	29/07/2014	13199/2014	356670	09-03NES	30/07/2014
12502/2014	356674	12-16NES	30/07/2014	13201/2014	356671	30-04	30/07/2014
12508/2014	356727	04-02	04/08/2014	13202/2014	356672	30-04	30/07/2014
12553/2014	356697	06-01H	31/07/2014	13203/2014	356673	13-02	30/07/2014
12572/2014	356732	08-01	04/08/2014	13205/2014	356675	25-02C	30/07/2014
12579/2014	356695	12-16K	31/07/2014	13213/2014	356676	23-01H	30/07/2014
12587/2014	356725	09-01G	01/08/2014	13217/2014	356679	27-02	30/07/2014
12588/2014	356710	09-01G	31/07/2014	13221/2014	356685	14-02	31/07/2014
12589/2014	356711	09-01G	31/07/2014	13225/2014	356686	14-02	31/07/2014
12590/2014	356712	09-01G	31/07/2014	13230/2014	356687	15-05	31/07/2014
12591/2014	356713	09-01G	31/07/2014	13231/2014	356688	26-02	31/07/2014
12592/2014	356714	09-01G	31/07/2014	13232/2014	356689	15-05	31/07/2014
12667/2014	356698	06-01F	31/07/2014	13233/2014	356690	06-01G	31/07/2014
12690/2014	356681	06-03B	31/07/2014	13234/2014	356691	06-01G	31/07/2014
12694/2014	356682	02-02NES	31/07/2014	13235/2014	356692	06-01G	31/07/2014
12703/2014	356684	13-03B	31/07/2014	13236/2014	356693	15-05	31/07/2014
12738/2014	356715	03-01NES	31/07/2014	13238/2014	356694	14-03NES	31/07/2014
12754/2014	356683	06-02	31/07/2014	13280/2014	356728	26-03	04/08/2014
12943/2014	356678	25-01K	30/07/2014	13281/2014	356729	26-03	04/08/2014
13014/2014	356641	12-16H	29/07/2014	13282/2014	356730	26-03	04/08/2014
13025/2014	356716	10-04	31/07/2014	13284/2014	356731	24-04	04/08/2014
13027/2014	356717	10-04	31/07/2014	13285/2014	356733	24-04	04/08/2014
13077/2014	356699	10-04	31/07/2014	13286/2014	356734	24-04	04/08/2014
13100/2014	356643	30-03	29/07/2014	13289/2014	356735	02-04NES	04/08/2014
13102/2014	356655	06-01E	29/07/2014	13290/2014	356736	21-01B	04/08/2014
13133/2014	356656	20-03C	29/07/2014	13679/2014	356719	10-04	01/08/2014
13149/2014	356662	13-03D	29/07/2014				
13168/2014	356657	24-04	29/07/2014				
13169/2014	356658	24-04	29/07/2014				

**Publication and Registration Proceedings - Designs Registered cont'd**

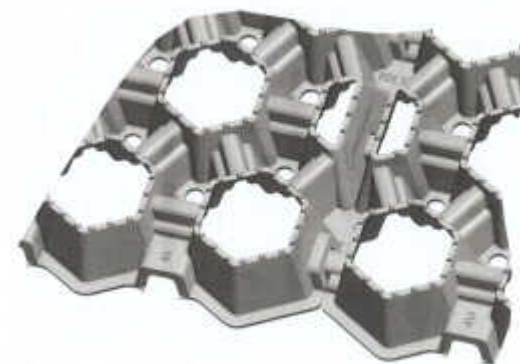
**Publication and Registration Proceedings**

**Class Listing of Designs Published or Registered**

The following section shows an International Classification Code listing of the Registered or Published Designs covered in this supplement.

<b>Classification</b>	<b>Registration Number</b>	<b>Design Number</b>	<b>Classification</b>	<b>Registration Number</b>	<b>Design Number</b>
02-02NES	356682	12694/2014	14-03A	356652	13184/2014
02-04NES	356735	13289/2014	14-03NES	356642	11730/2014
02-07D	356722	10116/2014	14-03NES	356694	13238/2014
02-07D	356723	10117/2014	14-99	356715	12738/2014
03-01NES	356645	13171/2014	15-05	356687	13230/2014
03-01NES	356652	13184/2014	15-05	356689	13232/2014
03-01NES	356715	12738/2014	15-05	356693	13236/2014
04-02	356727	12508/2014	20-03C	356656	13133/2014
06-01E	356655	13102/2014	21-01B	356736	13290/2014
06-01F	356698	12667/2014	21-02F	356669	13198/2014
06-01G	356690	13233/2014	22-01	356677	12429/2014
06-01G	356691	13234/2014	23-01H	356676	13213/2014
06-01G	356692	13235/2014	23-04	356649	13176/2014
06-01H	356697	12553/2014	23-04	356650	13178/2014
06-02	356683	12754/2014	23-04	356651	13179/2014
06-03B	356681	12690/2014	23-04	356653	13188/2014
06-04NES	356700	12300/2014	23-04	356654	13189/2014
06-04NES	356701	12301/2014	23-04	356660	13177/2014
06-04NES	356702	12304/2014	23-04	356661	13187/2014
06-04NES	356703	12313/2014	24-02	356724	10761/2014
06-04NES	356704	12318/2014	24-04	356644	13170/2014
08-01	356732	12572/2014	24-04	356657	13168/2014
08-08K	356648	13175/2014	24-04	356658	13169/2014
09-01G	356710	12588/2014	24-04	356663	13190/2014
09-01G	356711	12589/2014	24-04	356666	13193/2014
09-01G	356712	12590/2014	24-04	356667	13194/2014
09-01G	356713	12591/2014	24-04	356731	13284/2014
09-01G	356714	12592/2014	24-04	356733	13285/2014
09-01G	356725	12587/2014	24-04	356734	13286/2014
09-01NES	356709	12399/2014	25-01A	356640	12496/2014
09-03NES	356668	13196/2014	25-01K	356678	12943/2014
09-03NES	356670	13199/2014	25-02C	356675	13205/2014
09-07C	356696	12240/2014	26-02	356688	13231/2014
09-09	356680	12485/2014	26-03	356728	13280/2014
10-04	356699	13077/2014	26-03	356729	13281/2014
10-04	356716	13025/2014	26-03	356730	13282/2014
10-04	356717	13027/2014	26-05B	356681	12690/2014
10-04	356719	13679/2014	26-05C	356720	16605/2013
12-16H	356641	13014/2014	26-05C	356721	16606/2013
12-16K	356695	12579/2014	27-02	356679	13217/2014
12-16NES	356674	12502/2014	28-03NES	356726	10624/2014
12-16NES	356718	12141/2014	29-02	356705	12332/2014
13-02	356647	13173/2014	29-02	356706	12333/2014
13-02	356673	13203/2014	29-02	356707	12334/2014
13-03B	356684	12703/2014	29-02	356708	12335/2014
13-03D	356662	13149/2014	30-03	356643	13100/2014
13-03E	356662	13149/2014	30-04	356664	13191/2014
13-03NES	356659	13174/2014	30-04	356665	13192/2014
14-02	356646	13172/2014	30-04	356671	13201/2014
14-02	356685	13221/2014	30-04	356672	13202/2014
14-02	356686	13225/2014			
14-03A	356645	13171/2014			

- (21) Design Number: **12496/2014**  
(22) Date of Filing Application: **21 May 2014**  
(24) Date from which industrial property rights may have effect: **21 May 2014**  
(54) Product in respect of which the design is registered: **A panel**  
(51) International Design Classification: **25-01A**  
(74) Name(s) of Attorney(s): **SPRUSON & FERGUSON**  
(71) Name(s) and Address(s) of Applicant(s):  
**A Plus Plastics & Tooling Pty Ltd**  
**4 Huntsmore Rd Minto NSW 2566 Australia**  
(72) Name(s) of Designer(s): **Matthew Holloway**  
(45) Registration Date: **29 July 2014**  
(56) Related Art Documents: **Not Applicable**  
(57) Statement of Newness and Distinctiveness: **Newness and distinctiveness is claimed in the features of shape and/or configuration of a panel as illustrated in the accompanying representations.**



- (21) Design Number: **13014/2014**  
(22) Date of Filing Application: **19 June 2014**  
(24) Date from which industrial property rights may have effect: **19 June 2014**  
(54) Product in respect of which the design is registered: **Makeup/ vanity mirror for a vehicle interior visor**  
(51) International Design Classification: **12-16H**  
(74) Name(s) of Attorney(s):  
(71) Name(s) and Address(s) of Applicant(s):  
**Glenn Robert Patterson**  
**7 Andrew Town Pl Richmond NSW 2753 Australia**  
**Nathan Stephens**  
**7 Andrew Town Pl Richmond NSW 2753 Australia**  
(72) Name(s) of Designer(s): **Glenn Robert Patterson and Nathan Stephens**  
(45) Registration Date: **29 July 2014**  
(56) Related Art Documents: **Not Applicable**  
(57) Statement of Newness and Distinctiveness: **The mirror enables different shapes and sizes of makeup such as eye liners, lip stick, mascara, nail polish and lip balm to be held onto the surface of the mirror so that they cannot be misplaced. It also enables a full facial view and a quick and easy attachment to the visor by velcro straps.**



- (21) Design Number: **11730/2014**  
(22) Date of Filing Application: **07 April 2014**  
(24) Date from which industrial property rights may have effect: **07 April 2014**  
(54) Product in respect of which the design is registered: **High frequency antenna whip - extendable**  
(51) International Design Classification: **14-03NES**  
(74) Name(s) of Attorney(s):  
(71) Name(s) and Address(s) of Applicant(s):  
**David John Collins**  
**PO BOX 7142 MT CROSBY QLD 4306**  
(72) Name(s) of Designer(s): **John Barnes**  
(45) Registration Date: **29 July 2014**  
(56) Related Art Documents: **Not Applicable**  
(57) Statement of Newness and Distinctiveness: **This product stands out as new and distinctive for the following reasons: 1: The main body of antenna is made from tapered anodised 20mm diameter (approx) aluminium. This tapering and anodising process gives the antenna a unique appearance 2: The top of this aluminium section is fitted with a thumbscrew clutch nut which can tighten up on an extendable 3mm diameter/1.1m long) stainless steel whip slid inside it. Note: This antenna whip is primarily designed (but not limited to) operate in conjunction with Mobile HF (High Frequency) automatic antenna tuner systems.**



- (21) Design Number: **13100/2014**  
(22) Date of Filing Application: **25 June 2014**  
(24) Date from which industrial property rights may have effect: **25 June 2014**  
(54) Product in respect of which the design is registered: **Feed bucket hanger**  
(51) International Design Classification: **30-03**  
(74) Name(s) of Attorney(s):  
(71) Name(s) and Address(s) of Applicant(s):  
**Leonie Tainsh**  
**1980 Boothroyds Rd Numurkah VIC 3636 Australia**  
(72) Name(s) of Designer(s): **Leonie Tainsh**  
(45) Registration Date: **29 July 2014**  
(56) Related Art Documents: **Not Applicable**  
(57) Statement of Newness and Distinctiveness: **The bag operates as a sling that can be hung from a chosen structure, and holds a bucket that is primarily for containing feed for equines or bovines, or to contain another item of choice. The uniqueness of the bag is the combination of dimensions and shape which facilitate access that is horse-friendly and allows the bag to be hung at various heights and from various structures.**

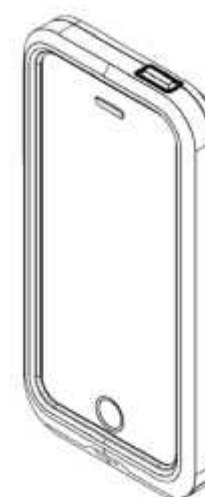




(21) Design Number: **13170/2014**  
(22) Date of Filing Application: **30 June 2014**  
(24) Date from which industrial property rights may have effect: **30 June 2014**  
(54) Product in respect of which the design is registered: **Inhaler**  
(51) International Design Classification: **24-04**  
(74) Name(s) of Attorney(s): **Shelston IP**  
(71) Name(s) and Address(s) of Applicant(s):  
**Lupin Limited**  
**159 CST Road Kalina Santacruz (East) Mumbai 400 098 India**  
(72) Name(s) of Designer(s): **Vishwajit Bhide and Raghuram Amperayani**  
**Pattabhi and Rohini Pimple and Bishu Choubey**  
(45) Registration Date: **29 July 2014**  
(30) Convention priority data:  
(31) Number (32) Date (33) Country  
**259769 28 Jan 2014 INDIA**  
(56) Related Art Documents: **Not Applicable**  
(57) Statement of Newness and Distinctiveness: **Newness and distinctiveness**  
**reside in the features of shape and/or configuration of an INHALER as**  
**illustrated in the accompanying representations.**



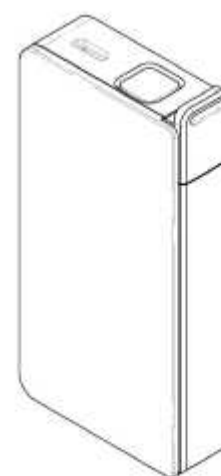
(21) Design Number: **13171/2014**  
(22) Date of Filing Application: **30 June 2014**  
(24) Date from which industrial property rights may have effect: **30 June 2014**  
(54) Product in respect of which the design is registered: **Case for phone**  
(51) International Design Classification: **03-01NES, 14-03A**  
(74) Name(s) of Attorney(s): **SPRUSON & FERGUSON**  
(71) Name(s) and Address(s) of Applicant(s):  
**Pelican Products, Inc.**  
**23215 Early Avenue Torrance California 90505 United States of America**  
(72) Name(s) of Designer(s): **Daniel Ballou and Joven De La Vega and Dustin**  
**Bullock**  
(45) Registration Date: **29 July 2014**  
(30) Convention priority data:  
(31) Number (32) Date (33) Country  
**29/478358 03 Jan 2014 UNITED STATES OF AMERICA**  
(56) Related Art Documents: **Not Applicable**  
(57) Statement of Newness and Distinctiveness: **Newness and distinctiveness**  
**is claimed in the features of shape and/or configuration of a case for**  
**phone as illustrated in the accompanying representations.**



- (21) Design Number: **13172/2014**  
(22) Date of Filing Application: **30 June 2014**  
(24) Date from which industrial property rights may have effect: **30 June 2014**  
(54) Product in respect of which the design is registered: **Display screen with graphical user interface**  
(51) International Design Classification: **14-02**  
(74) Name(s) of Attorney(s): **Freehills Patent Attorneys**  
(71) Name(s) and Address(s) of Applicant(s):  
**Apple Inc.**  
**1 Infinite Loop Cupertino California 95014 United States of America**  
(72) Name(s) of Designer(s): **Freddy Anzures and Imran Chaudhri and Tiffany Jon and Chanaka Karunamuni**  
(45) Registration Date: **29 July 2014**  
(30) Convention priority data:  
(31) Number (32) Date (33) Country  
**29/484349 07 Mar 2014 UNITED STATES OF AMERICA**  
(56) Related Art Documents: **Not Applicable**  
(57) Statement of Newness and Distinctiveness: **Newness and distinctiveness is claimed in the features of pattern and/or ornamentation of a display screen with graphical user interface as shown in solid lines in the accompanying representation.**



- (21) Design Number: **13173/2014**  
(22) Date of Filing Application: **30 June 2014**  
(24) Date from which industrial property rights may have effect: **30 June 2014**  
(54) Product in respect of which the design is registered: **Battery pack with integrated connector**  
(51) International Design Classification: **13-02**  
(74) Name(s) of Attorney(s): **PIZZEYS**  
(71) Name(s) and Address(s) of Applicant(s):  
**Mophie, Inc.**  
**15101 Red Hill Avenue Tustin CA 92780 United States of America**  
(72) Name(s) of Designer(s): **Brian Kim**  
(45) Registration Date: **29 July 2014**  
(30) Convention priority data:  
(31) Number (32) Date (33) Country  
**29/478,243 02 Jan 2014 UNITED STATES OF AMERICA**  
(56) Related Art Documents: **Not Applicable**  
(57) Statement of Newness and Distinctiveness: **Nil**



(21) Design Number: **13175/2014**

(22) Date of Filing Application: **30 June 2014**

(24) Date from which industrial property rights may have effect: **30 June 2014**

(54) Product in respect of which the design is registered: **Fence clip**

(51) International Design Classification: **08-08K**

(74) Name(s) of Attorney(s): **Fisher Adams Kelly Pty Ltd**

(71) Name(s) and Address(s) of Applicant(s):

**Alan Qing-Lin Zhu**

**910 E Cedar St Ontario CA, 91761-5572 United States of America**

(72) Name(s) of Designer(s): **Alan Qing-Lin Zhu**

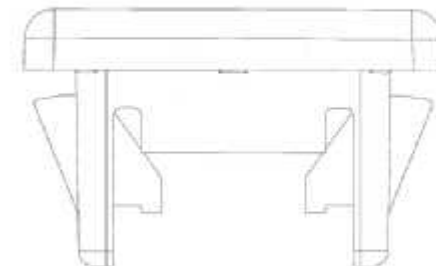
(45) Registration Date: **29 July 2014**

(30) Convention priority data:

(31) Number	(32) Date	(33) Country
<b>201320878280.7</b>	<b>30 Dec 2013</b>	<b>CHINA</b>

(56) Related Art Documents: **Not Applicable**

(57) Statement of Newness and Distinctiveness: **The newness and distinctiveness of the design resides in the shape and/or configuration of the FENCE CLIP shown in the representations.**



(21) Design Number: **13176/2014**

(22) Date of Filing Application: **30 June 2014**

(24) Date from which industrial property rights may have effect: **30 June 2014**

(54) Product in respect of which the design is registered: **Air conditioner**

(51) International Design Classification: **23-04**

(74) Name(s) of Attorney(s): **Freehills Patent Attorneys**

(71) Name(s) and Address(s) of Applicant(s):

**Daikin Industries Ltd.**

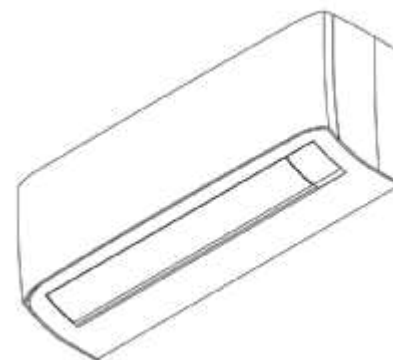
**Umeda Center Building 4-12 Nakazaki-Nishi 2-chome Kita-ku Osaka-shi  
Osaka-fu 530-8323 Japan**

(72) Name(s) of Designer(s): **Kentarou Niki**

(45) Registration Date: **29 July 2014**

(56) Related Art Documents: **Not Applicable**

(57) Statement of Newness and Distinctiveness: **Newness and distinctiveness of the design resides in the features of shape and configuration of the air conditioner as shown in the accompanying representations.**



(21) Design Number: **13178/2014**

(22) Date of Filing Application: **30 June 2014**

(24) Date from which industrial property rights may have effect: **30 June 2014**

(54) Product in respect of which the design is registered: **Air conditioner**

(51) International Design Classification: **23-04**

(74) Name(s) of Attorney(s): **Freehills Patent Attorneys**

(71) Name(s) and Address(s) of Applicant(s):

**Daikin Industries Ltd.**

**Umeda Center Building 4-12 Nakazaki-Nishi 2-chome Kita-ku Osaka-shi  
Osaka-fu 530-8323 Japan**

(72) Name(s) of Designer(s): **Masahiko Chouji and Kentarou Niki**

(45) Registration Date: **29 July 2014**

(56) Related Art Documents: **Not Applicable**

(57) Statement of Newness and Distinctiveness: **Newness and distinctiveness of the design resides in the features of shape and configuration of the air conditioner as shown in the accompanying representations.**



(21) Design Number: **13179/2014**

(22) Date of Filing Application: **30 June 2014**

(24) Date from which industrial property rights may have effect: **30 June 2014**

(54) Product in respect of which the design is registered: **Air conditioner**

(51) International Design Classification: **23-04**

(74) Name(s) of Attorney(s): **Freehills Patent Attorneys**

(71) Name(s) and Address(s) of Applicant(s):

**Daikin Industries Ltd.**

**Umeda Center Building 4-12 Nakazaki-Nishi 2-chome Kita-ku Osaka-shi  
Osaka-fu 530-8323 Japan**

(72) Name(s) of Designer(s): **Masahiko Chouji and Kentarou Niki**

(45) Registration Date: **29 July 2014**

(56) Related Art Documents: **Not Applicable**

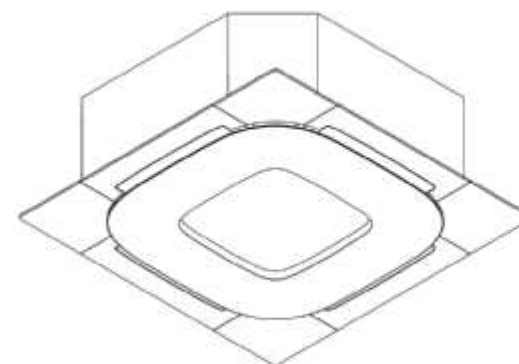
(57) Statement of Newness and Distinctiveness: **Newness and distinctiveness of the design resides in the features of shape and configuration of the air conditioner as shown in the accompanying representations.**



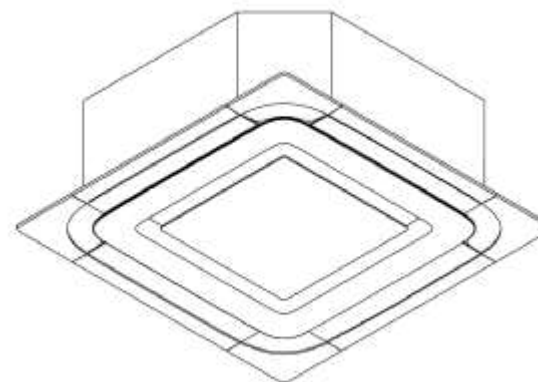
- (21) Design Number: **13184/2014**  
(22) Date of Filing Application: **30 June 2014**  
(24) Date from which industrial property rights may have effect: **30 June 2014**  
(54) Product in respect of which the design is registered: **Case for phone**  
(51) International Design Classification: **03-01NES, 14-03A**  
(74) Name(s) of Attorney(s): **SPRUSON & FERGUSON**  
(71) Name(s) and Address(s) of Applicant(s):  
**Pelican Products, Inc.**  
**23215 Early Avenue, Torrance California 90505 United States of America**  
(72) Name(s) of Designer(s): **Daniel Ballou and Joven De La Vega and Dustin Bullock**  
(45) Registration Date: **29 July 2014**  
(30) Convention priority data:  
(31) Number (32) Date (33) Country  
**29/478358 03 Jan 2014 UNITED STATES OF AMERICA**  
(56) Related Art Documents: **Not Applicable**  
(57) Statement of Newness and Distinctiveness: **Newness and distinctiveness is claimed in the features of shape and/or configuration of a case for phone as illustrated in the accompanying representations.**



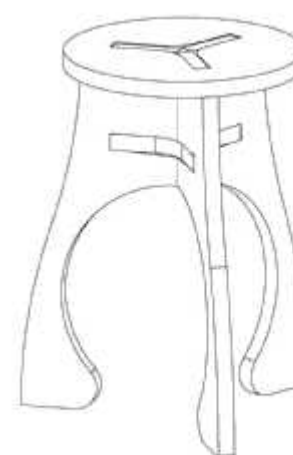
- (21) Design Number: **13188/2014**  
(22) Date of Filing Application: **30 June 2014**  
(24) Date from which industrial property rights may have effect: **30 June 2014**  
(54) Product in respect of which the design is registered: **Air conditioner**  
(51) International Design Classification: **23-04**  
(74) Name(s) of Attorney(s): **Freehills Patent Attorneys**  
(71) Name(s) and Address(s) of Applicant(s):  
**Daikin Industries Ltd.**  
**Umeda Center Building 4-12 Nakazaki-Nishi 2-chome Kita-ku Osaka-shi**  
**Osaka-fu 530-8323 Japan**  
(72) Name(s) of Designer(s): **Hiroyasu Kosuge**  
(45) Registration Date: **29 July 2014**  
(56) Related Art Documents: **Not Applicable**  
(57) Statement of Newness and Distinctiveness: **Newness and distinctiveness of the design resides in the features of shape and configuration of the air conditioner as shown in the accompanying representations.**



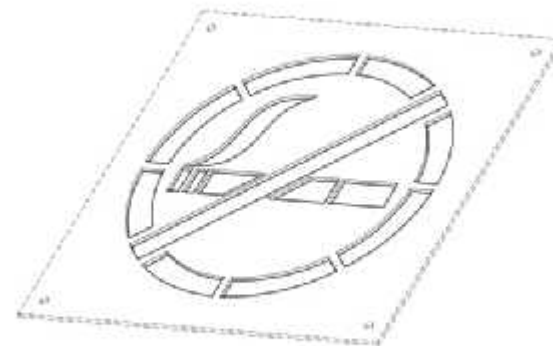
- (21) Design Number: **13189/2014**  
(22) Date of Filing Application: **30 June 2014**  
(24) Date from which industrial property rights may have effect: **30 June 2014**  
(54) Product in respect of which the design is registered: **Air conditioner**  
(51) International Design Classification: **23-04**  
(74) Name(s) of Attorney(s): **Freehills Patent Attorneys**  
(71) Name(s) and Address(s) of Applicant(s):  
**Daikin Industries Ltd.**  
**Umeda Center Building 4-12 Nakazaki-Nishi 2-chome Kita-ku Osaka-shi**  
**Osaka-fu 530-8323 Japan**  
(72) Name(s) of Designer(s): **Hiroyasu Kosuge**  
(45) Registration Date: **29 July 2014**  
(56) Related Art Documents: **Not Applicable**  
(57) Statement of Newness and Distinctiveness: **Newness and distinctiveness of the design resides in the features of shape and configuration of the air conditioner as shown in the accompanying representations.**



- (21) Design Number: **13102/2014**  
(22) Date of Filing Application: **25 June 2014**  
(24) Date from which industrial property rights may have effect: **25 June 2014**  
(54) Product in respect of which the design is registered: **Stool**  
(51) International Design Classification: **06-01E**  
(74) Name(s) of Attorney(s):  
(71) Name(s) and Address(s) of Applicant(s):  
**T J Preston**  
**50 Greenhill Ave Castlemaine VIC 3450 Australia**  
**D L Taylor**  
**50 Greenhill Ave Castlemaine VIC 3450 Australia**  
(72) Name(s) of Designer(s): **Timothy Preston**  
(45) Registration Date: **29 July 2014**  
(56) Related Art Documents: **Not Applicable**  
(57) Statement of Newness and Distinctiveness: **Each feature of shape and configuration of the assembled stool and blank thereof as shown in the accompanying representations taken separately or in combination.**



- (21) Design Number: **13133/2014**  
(22) Date of Filing Application: **26 June 2014**  
(24) Date from which industrial property rights may have effect: **26 June 2014**  
(54) Product in respect of which the design is registered: **"No smoking" sign for a grating or grille**  
(51) International Design Classification: **20-03C**  
(74) Name(s) of Attorney(s): **Davies Collison Cave**  
(71) Name(s) and Address(s) of Applicant(s):  
**CTA Australia Pty Ltd**  
**5 Mareno Rd Tullamarine VIC 3043 Australia**  
(72) Name(s) of Designer(s): **Daniel DeDomenico**  
(45) Registration Date: **29 July 2014**  
(56) Related Art Documents: **Not Applicable**  
(57) Statement of Newness and Distinctiveness: **Newness and distinctiveness is claimed in the visual features of what is shown in solid lines in the accompanying representations.**



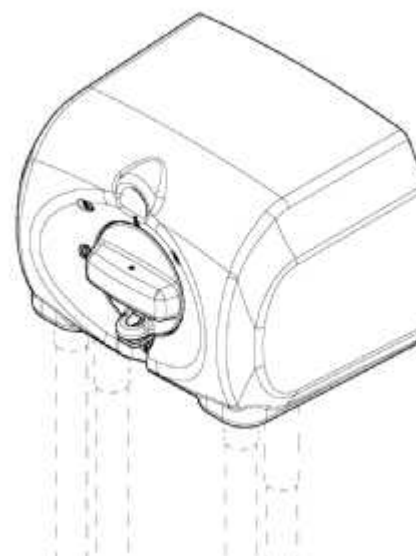
- (21) Design Number: **13168/2014**  
(22) Date of Filing Application: **30 June 2014**  
(24) Date from which industrial property rights may have effect: **30 June 2014**  
(54) Product in respect of which the design is registered: **Inhaler**  
(51) International Design Classification: **24-04**  
(74) Name(s) of Attorney(s): **Shelston IP**  
(71) Name(s) and Address(s) of Applicant(s):  
**Lupin Limited**  
**159 CST Road Kalina Santacruz (East) Mumbai 400 098 India**  
(72) Name(s) of Designer(s): **Vishwajit Bhide and Raghuram Amperayani Pattabhi and Rohini Pimple and Bishu Choubey**  
(45) Registration Date: **29 July 2014**  
(30) Convention priority data:  
(31) Number (32) Date (33) Country  
**259767 28 Jan 2014 INDIA**  
(56) Related Art Documents: **Not Applicable**  
(57) Statement of Newness and Distinctiveness: **Newness and distinctiveness reside in the features of shape and/or configuration of an INHALER as illustrated in the accompanying representations.**



- (21) Design Number: **13169/2014**  
(22) Date of Filing Application: **30 June 2014**  
(24) Date from which industrial property rights may have effect: **30 June 2014**  
(54) Product in respect of which the design is registered: **Inhaler**  
(51) International Design Classification: **24-04**  
(74) Name(s) of Attorney(s): **Shelston IP**  
(71) Name(s) and Address(s) of Applicant(s):  
**Lupin Limited**  
**159 CST Road Kalina Santacruz (East) Mumbai 400 098 India**  
(72) Name(s) of Designer(s): **Vishwajit Bhide and Raghuram Amperayani**  
**Pattabhi and Rohini Pimple and Bishu Choubey**  
(45) Registration Date: **29 July 2014**  
(30) Convention priority data:  
(31) Number (32) Date (33) Country  
**259768 28 Jan 2014 INDIA**  
(56) Related Art Documents: **Not Applicable**  
(57) Statement of Newness and Distinctiveness: **Newness and distinctiveness reside in the features of shape and/or configuration of an INHALER as illustrated in the accompanying representations.**

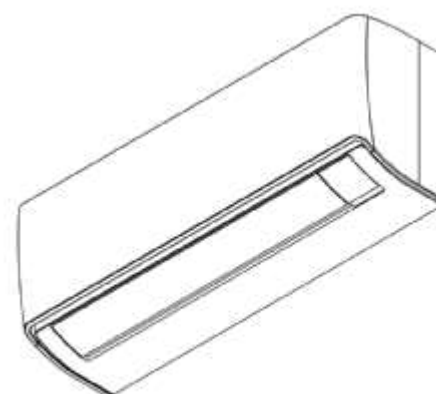


- (21) Design Number: **13174/2014**  
(22) Date of Filing Application: **30 June 2014**  
(24) Date from which industrial property rights may have effect: **30 June 2014**  
(54) Product in respect of which the design is registered: **Housing for switch**  
(51) International Design Classification: **13-03NES**  
(74) Name(s) of Attorney(s): **PHILLIPS ORMONDE FITZPATRICK**  
(71) Name(s) and Address(s) of Applicant(s):  
**Redarc Technologies Pty Ltd**  
**PO BOX 469 Morphett Vale SA 5162 Australia**  
(72) Name(s) of Designer(s): **Timothy Allan Eden and Philip Timothy Hancock**  
(45) Registration Date: **29 July 2014**  
(56) Related Art Documents: **Not Applicable**  
(57) Statement of Newness and Distinctiveness: **Newness and distinctiveness is claimed in the shape and/or configuration of a housing for switch as shown in the accompanying representations except that the features shown in broken outline and the features of the electrical terminals shown in the inverted plan view should be disregarded.**

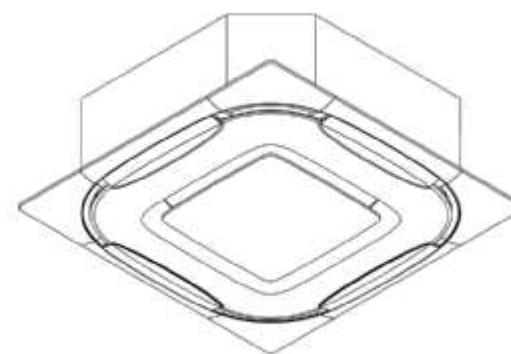




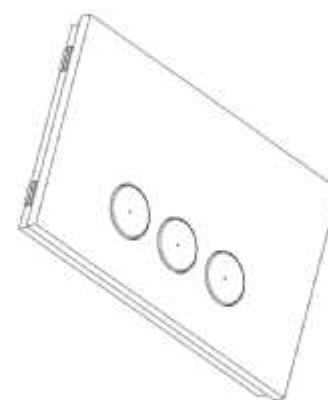
- (21) Design Number: **13177/2014**  
(22) Date of Filing Application: **30 June 2014**  
(24) Date from which industrial property rights may have effect: **30 June 2014**  
(54) Product in respect of which the design is registered: **Air conditioner**  
(51) International Design Classification: **23-04**  
(74) Name(s) of Attorney(s): **Freehills Patent Attorneys**  
(71) Name(s) and Address(s) of Applicant(s):  
**Daikin Industries Ltd.**  
**Umeda Center Building 4-12 Nakazaki-Nishi 2-chome Kita-ku Osaka-shi**  
**Osaka-fu 530-8323 Japan**  
(72) Name(s) of Designer(s): **Kentarou Niki**  
(45) Registration Date: **29 July 2014**  
(56) Related Art Documents: **Not Applicable**  
(57) Statement of Newness and Distinctiveness: **Newness and distinctiveness of the design resides in the features of shape and configuration of the air conditioner as shown in the accompanying representations.**



- (21) Design Number: **13187/2014**  
(22) Date of Filing Application: **30 June 2014**  
(24) Date from which industrial property rights may have effect: **30 June 2014**  
(54) Product in respect of which the design is registered: **Air conditioner**  
(51) International Design Classification: **23-04**  
(74) Name(s) of Attorney(s): **Freehills Patent Attorneys**  
(71) Name(s) and Address(s) of Applicant(s):  
**Daikin Industries Ltd.**  
**Umeda Center Building 4-12 Nakazaki-Nishi 2-chome Kita-ku Osaka-shi**  
**Osaka-fu 530-8323 Japan**  
(72) Name(s) of Designer(s): **Hiroyasu Kosuge**  
(45) Registration Date: **29 July 2014**  
(56) Related Art Documents: **Not Applicable**  
(57) Statement of Newness and Distinctiveness: **Newness and distinctiveness of the design resides in the features of shape and configuration of the air conditioner as shown in the accompanying representations.**



(21) Design Number: **13149/2014**  
(22) Date of Filing Application: **27 June 2014**  
(24) Date from which industrial property rights may have effect: **27 June 2014**  
(54) Product in respect of which the design is registered: **Switch panel**  
(51) International Design Classification: **13-03D, 13-03E**  
(74) Name(s) of Attorney(s): **Madderns**  
(71) Name(s) and Address(s) of Applicant(s):  
**Schneider Electric (Australia) Pty Ltd**  
**78 Waterloo Rd Macquarie Park NSW 2113 Australia**  
(72) Name(s) of Designer(s): **Ning Chen and Robert Mabeza and Xiaotao Feng**  
(45) Registration Date: **29 July 2014**  
(30) Convention priority data:  
(31) Number (32) Date (33) Country  
**201330651780.2 27 Dec 2013 CHINA**  
(56) Related Art Documents: **Not Applicable**  
(57) Statement of Newness and Distinctiveness: **Newness and distinctiveness is claimed in the shape and/or configuration of a Switch Panel as depicted in Figures 1, 2, 3, 5, 6 and 7 only.**



(21) Design Number: **13190/2014**  
(22) Date of Filing Application: **30 June 2014**  
(24) Date from which industrial property rights may have effect: **30 June 2014**  
(54) Product in respect of which the design is registered: **Earplug**  
(51) International Design Classification: **24-04**  
(74) Name(s) of Attorney(s): **Freehills Patent Attorneys**  
(71) Name(s) and Address(s) of Applicant(s):  
**3M Innovative Properties Company**  
**3M Center Saint Paul Minnesota, 55133-3427 United States of America**  
(72) Name(s) of Designer(s): **Jacob Huffman Ely**  
(45) Registration Date: **30 July 2014**  
(30) Convention priority data:  
(31) Number (32) Date (33) Country  
**29/482288 17 Feb 2014 UNITED STATES OF AMERICA**  
(56) Related Art Documents: **Not Applicable**  
(57) Statement of Newness and Distinctiveness: **Newness and distinctiveness resides in the shape and/or configuration of an earplug switch as shown in solid outline in the accompanying representations of an earplug.**



- (21) Design Number: **13191/2014**  
(22) Date of Filing Application: **30 June 2014**  
(24) Date from which industrial property rights may have effect: **30 June 2014**  
(54) Product in respect of which the design is registered: **Electronic dog collar**  
(51) International Design Classification: **30-04**  
(74) Name(s) of Attorney(s): **SPRUSON & FERGUSON**  
(71) Name(s) and Address(s) of Applicant(s):  
**i4c Innovations Inc.**  
**3800 Concorde Pkwy Suite 400 Chantilly Virginia 20151 United States of America**  
(72) Name(s) of Designer(s): **Graham Pulliam and Jonathan Arbaranel and Jeffrey Bentzler and John Couse and Emily Hartman and Stuart Karten and Amanda Landis-Hanna and Frederick Joel Mason and Jeffrey Noce and Joe Paul Tupin Jr and Wendy L Weinberger**  
(45) Registration Date: **30 July 2014**  
(30) Convention priority data:  
(31) Number (32) Date (33) Country  
**29/478134 31 Dec 2013 UNITED STATES OF AMERICA**  
(56) Related Art Documents: **Not Applicable**  
(57) Statement of Newness and Distinctiveness: **Newness and distinctiveness is claimed in the features of shape and/or configuration of an electronic dog collar as illustrated in continuous lines in the accompanying representations.**



- (21) Design Number: **13192/2014**  
(22) Date of Filing Application: **30 June 2014**  
(24) Date from which industrial property rights may have effect: **30 June 2014**  
(54) Product in respect of which the design is registered: **Electronic dog collar**  
(51) International Design Classification: **30-04**  
(74) Name(s) of Attorney(s): **SPRUSON & FERGUSON**  
(71) Name(s) and Address(s) of Applicant(s):  
**i4c Innovations Inc.**  
**3800 Concorde Pkwy Suite 400 Chantilly Virginia 20151 United States of America**  
(72) Name(s) of Designer(s): **Graham Pulliam and Jonathan Arbaranel and Jeffrey Bentzler and John Couse and Emily Hartman and Stuart Karten and Amanda Landis-Hanna and Frederick Joel Mason and Jeffrey Noce and Joe Paul Tupin Jr and Wendy L Weinberger**  
(45) Registration Date: **30 July 2014**  
(30) Convention priority data:  
(31) Number (32) Date (33) Country  
**29/478136 31 Dec 2013 UNITED STATES OF AMERICA**  
(56) Related Art Documents: **Not Applicable**  
(57) Statement of Newness and Distinctiveness: **Newness and distinctiveness is claimed in the features of shape and/or configuration of an electronic dog collar as illustrated in continuous lines in the accompanying representations.**



(21) Design Number: **13193/2014**  
(22) Date of Filing Application: **30 June 2014**  
(24) Date from which industrial property rights may have effect: **30 June 2014**  
(54) Product in respect of which the design is registered: **Hearing device retainer**  
(51) International Design Classification: **24-04**  
(74) Name(s) of Attorney(s): **Freehills Patent Attorneys**  
(71) Name(s) and Address(s) of Applicant(s):  
**3M Innovative Properties Company**  
**3M Center Saint Paul Minnesota 55133-3427 United States of America**  
(72) Name(s) of Designer(s): **Jacob Huffman Ely**  
(45) Registration Date: **30 July 2014**  
(30) Convention priority data:  
(31) Number (32) Date (33) Country  
**29/482289 17 Feb 2014 UNITED STATES OF AMERICA**  
(56) Related Art Documents: **Not Applicable**  
(57) Statement of Newness and Distinctiveness: **Newness and distinctiveness resides in the shape and/or configuration of the hearing device retainer as shown in solid outline in the accompanying representations.**



(21) Design Number: **13194/2014**  
(22) Date of Filing Application: **30 June 2014**  
(24) Date from which industrial property rights may have effect: **30 June 2014**  
(54) Product in respect of which the design is registered: **Hearing device retainer having a rounded end**  
(51) International Design Classification: **24-04**  
(74) Name(s) of Attorney(s): **Freehills Patent Attorneys**  
(71) Name(s) and Address(s) of Applicant(s):  
**3M Innovative Properties Company**  
**3M Center Saint Paul Minnesota 55133-3427 United States of America**  
(72) Name(s) of Designer(s): **Jacob Huffman Ely**  
(45) Registration Date: **30 July 2014**  
(30) Convention priority data:  
(31) Number (32) Date (33) Country  
**29/482291 17 Feb 2014 UNITED STATES OF AMERICA**  
(56) Related Art Documents: **Not Applicable**  
(57) Statement of Newness and Distinctiveness: **Newness and distinctiveness resides in the shape and/or configuration of the hearing device retainer having a rounded end as shown in solid outline in the accompanying representations.**



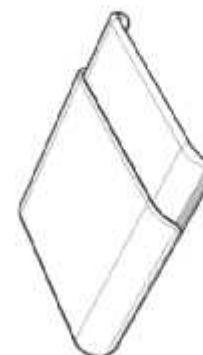
- (21) Design Number: **13196/2014**  
(22) Date of Filing Application: **30 June 2014**  
(24) Date from which industrial property rights may have effect: **30 June 2014**  
(54) Product in respect of which the design is registered: **Safe box**  
(51) International Design Classification: **09-03NES**  
(74) Name(s) of Attorney(s):  
(71) Name(s) and Address(s) of Applicant(s):  
**TRIO BROTHERS TRADING PTY LTD**  
**18 Beal St Meadowbrook QLD 4131 Australia**  
(72) Name(s) of Designer(s): **Jack Qin**  
(45) Registration Date: **30 July 2014**  
(56) Related Art Documents: **Not Applicable**  
(57) Statement of Newness and Distinctiveness: **Water proof, Magnetic lockable box. can stick to any metal objects.**



- (21) Design Number: **13198/2014**  
(22) Date of Filing Application: **30 June 2014**  
(24) Date from which industrial property rights may have effect: **30 June 2014**  
(54) Product in respect of which the design is registered: **A rowing machine frame**  
(51) International Design Classification: **21-02F**  
(74) Name(s) of Attorney(s):  
(71) Name(s) and Address(s) of Applicant(s):  
**Gerard Patrick Keogh**  
**83 Glen Eagles Dr Robina QLD 4226 Australia**  
(72) Name(s) of Designer(s): **Gerard Patrick Keogh**  
(45) Registration Date: **30 July 2014**  
(56) Related Art Documents: **Not Applicable**  
(57) Statement of Newness and Distinctiveness: **Is clamed on The Frame. The Frame of which is used for the attachment of six resistance cords, six pulleys, a rowing bar and a padded seat. A series of six holes that are located at the front of the seat for attaching six loop ends of resistance cords. A series of eight holes that are located at the post end or front end of The Frame for attaching a plate that has fourteen holes for attaching six pulleys and six resistance cord hook ends. The rowing bar also attaches to this end of the resistance cords for the art of Multiple Resistance Cord Stationary Seated Rowing.**



- (21) Design Number: **13199/2014**  
(22) Date of Filing Application: **30 June 2014**  
(24) Date from which industrial property rights may have effect: **30 June 2014**  
(54) Product in respect of which the design is registered: **Container**  
(51) International Design Classification: **09-03NES**  
(74) Name(s) of Attorney(s): **PHILLIPS ORMONDE FITZPATRICK**  
(71) Name(s) and Address(s) of Applicant(s):  
**Nufarm Australia Limited**  
**103-105 Pipe Rd Laverton North VIC 3026 Australia**  
(72) Name(s) of Designer(s): **Nicholas Matthews and Giles Matthews**  
(45) Registration Date: **30 July 2014**  
(56) Related Art Documents: **Not Applicable**  
(57) Statement of Newness and Distinctiveness: **Nil**



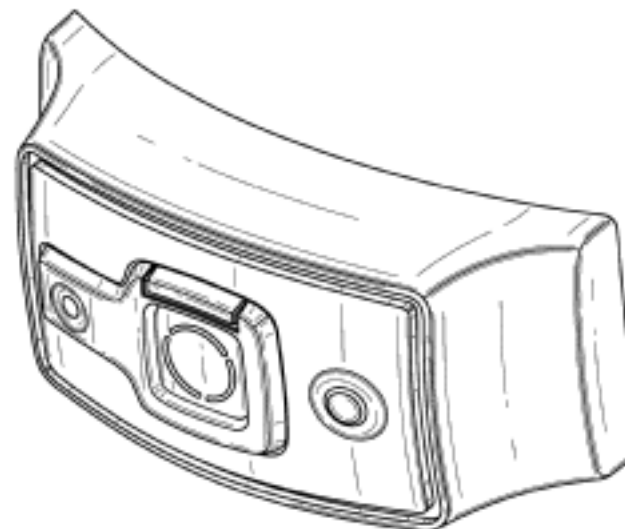
- (21) Design Number: **13201/2014**  
(22) Date of Filing Application: **30 June 2014**  
(24) Date from which industrial property rights may have effect: **30 June 2014**  
(54) Product in respect of which the design is registered: **Electronic dog collar**  
(51) International Design Classification: **30-04**  
(74) Name(s) of Attorney(s): **SPRUSON & FERGUSON**  
(71) Name(s) and Address(s) of Applicant(s):  
**i4c Innovations Inc.**  
**3800 Concorde Pkwy Suite 400 Chantilly Virginia 20151 United States of America**  
(72) Name(s) of Designer(s): **Graham Pulliam and Jonathan Arbaranel and Jeffrey Bentzler and John Couse and Emily Hartman and Stuart Karten and Amanda Landis-Hanna and Frederick Joel Mason and Jeffrey Noce and Joe Paul Tupin Jr and Wendy L Weinberger**  
(45) Registration Date: **30 July 2014**  
(30) Convention priority data:  

(31) Number	(32) Date	(33) Country
<b>29/478140</b>	<b>31 Dec 2013</b>	<b>UNITED STATES OF AMERICA</b>

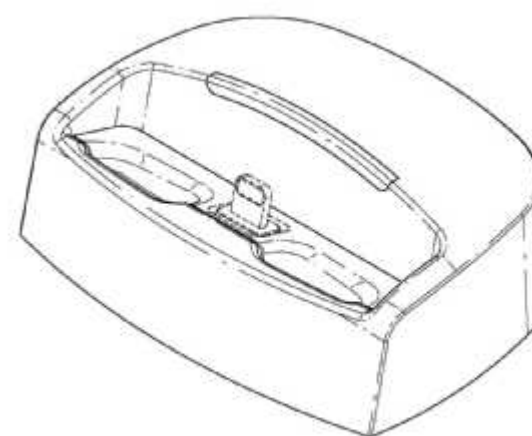
  
(56) Related Art Documents: **Not Applicable**  
(57) Statement of Newness and Distinctiveness: **Newness and distinctiveness is claimed in the features of shape and/or configuration of an electronic dog collar as illustrated in continuous lines in the accompanying representations.**



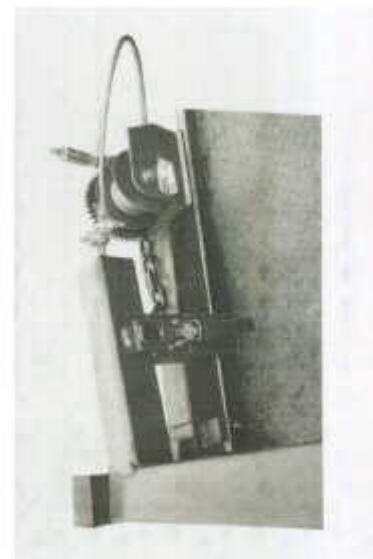
- (21) Design Number: **13202/2014**  
(22) Date of Filing Application: **30 June 2014**  
(24) Date from which industrial property rights may have effect: **30 June 2014**  
(54) Product in respect of which the design is registered: **Electronic module for a dog collar**  
(51) International Design Classification: **30-04**  
(74) Name(s) of Attorney(s): **SPRUSON & FERGUSON**  
(71) Name(s) and Address(s) of Applicant(s):  
**i4c Innovations Inc.**  
**3800 Concorde Pkwy Suite 400 Chantilly Virginia 20151 United States of America**  
(72) Name(s) of Designer(s): **Graham Pulliam and Jonathan Arbaranel and Jeffrey Bentzler and John Couse and Emily Hartman and Stuart Karten and Amanda Landis-Hanna and Frederick Joel Mason and Jeffrey Noce and Joe Paul Tupin Jr and Wendy L Weinberger**  
(45) Registration Date: **30 July 2014**  
(30) Convention priority data:  
(31) Number (32) Date (33) Country  
**29/478142 31 Dec 2013 UNITED STATES OF AMERICA**  
(56) Related Art Documents: **Not Applicable**  
(57) Statement of Newness and Distinctiveness: **Newness and distinctiveness is claimed in the features of shape and/or configuration of an electronic module for a dog collar as illustrated in continuous lines in the accompanying representations.**



- (21) Design Number: **13203/2014**  
(22) Date of Filing Application: **30 June 2014**  
(24) Date from which industrial property rights may have effect: **30 June 2014**  
(54) Product in respect of which the design is registered: **Electrical charger and docking station**  
(51) International Design Classification: **13-02**  
(74) Name(s) of Attorney(s): **PIZZEYS**  
(71) Name(s) and Address(s) of Applicant(s):  
**Mophie, Inc.**  
**15101 Red Hill Avenue Tustin CA 92780 United States of America**  
(72) Name(s) of Designer(s): **Denny Tsai**  
(45) Registration Date: **30 July 2014**  
(30) Convention priority data:  
(31) Number (32) Date (33) Country  
**29/478,241 02 Jan 2014 UNITED STATES OF AMERICA**  
(56) Related Art Documents: **Not Applicable**  
(57) Statement of Newness and Distinctiveness: **Nil**



- (21) Design Number: **12502/2014**  
(22) Date of Filing Application: **22 May 2014**  
(24) Date from which industrial property rights may have effect: **22 May 2014**  
(54) Product in respect of which the design is registered: **Steel frame mounted on the tray back of a vehicle**  
(51) International Design Classification: **12-16NES**  
(74) Name(s) of Attorney(s):  
(71) Name(s) and Address(s) of Applicant(s):  
**Frank Malcolm Anderson**  
**4 Huxley St PO BOX 244 Monto QLD 4630 Australia**  
**Kerry Raymond Peter Leather**  
**12 Flinders St Monto QLD 4630 Australia**  
(72) Name(s) of Designer(s): **Frank Malcolm Anderson and Kerry Raymond Peter Leather**  
(45) Registration Date: **30 July 2014**  
(56) Related Art Documents: **Not Applicable**  
(57) Statement of Newness and Distinctiveness: **Newness and distinctiveness reside in the shape and configuration of the tray-mounted frame as illustrated in the accompanying photographs. Monopoly is not claimed for the vehicle shown in the photographs.**

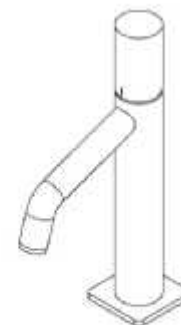


- (21) Design Number: **13205/2014**  
(22) Date of Filing Application: **30 June 2014**  
(24) Date from which industrial property rights may have effect: **30 June 2014**  
(54) Product in respect of which the design is registered: **Cafe street screen**  
(51) International Design Classification: **25-02C**  
(74) Name(s) of Attorney(s):  
(71) Name(s) and Address(s) of Applicant(s):  
**John Sherry**  
**13 Cardigan St Endeavour Hills VIC 3802 Australia**  
(72) Name(s) of Designer(s): **John Sherry**  
(45) Registration Date: **30 July 2014**  
(56) Related Art Documents: **Not Applicable**  
(57) Statement of Newness and Distinctiveness: **The Cafe Screen is of rectangular construction from either steel, aluminium or stainless steel with the feet off set from the edge of the frame. Material can either be round, square or rectangular.**

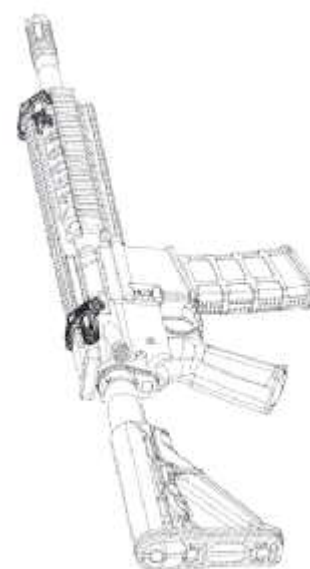




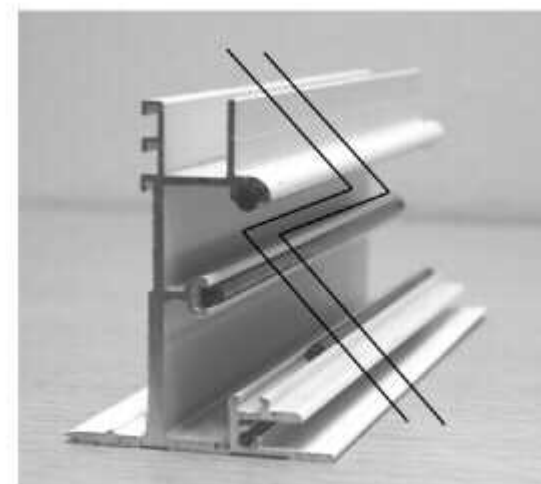
- (21) Design Number: **13213/2014**  
(22) Date of Filing Application: **01 July 2014**  
(24) Date from which industrial property rights may have effect: **01 July 2014**  
(54) Product in respect of which the design is registered: **Basin mixer**  
(51) International Design Classification: **23-01H**  
(74) Name(s) of Attorney(s): **Freehills Patent Attorneys**  
(71) Name(s) and Address(s) of Applicant(s):  
**Phoenix Industries Pty Ltd**  
**926 Mountain Hwy Bayswater VIC 3153 Australia**  
(72) Name(s) of Designer(s): **Ban Hsi Liu**  
(45) Registration Date: **30 July 2014**  
(56) Related Art Documents: **Not Applicable**  
(57) Statement of Newness and Distinctiveness: **Newness and distinctiveness of the design resides in the features of shape and configuration of the basin mixer as shown in the accompanying representations.**



- (21) Design Number: **12429/2014**  
(22) Date of Filing Application: **19 May 2014**  
(24) Date from which industrial property rights may have effect: **19 May 2014**  
(54) Product in respect of which the design is registered: **Rear folding sight for a firearm**  
(51) International Design Classification: **22-01**  
(74) Name(s) of Attorney(s): **Davies Collison Cave**  
(71) Name(s) and Address(s) of Applicant(s):  
**Magpul Industries Corporation**  
**400 Young Court Unit 1 Erie Colorado 80516 United States of America**  
(72) Name(s) of Designer(s): **Grady Barfoot and Yehezkel Eitan and Tim Roberts and Richard Fitzpatrick and Michael T. Mayberry and Brad Bennett**  
(45) Registration Date: **30 July 2014**  
(30) Convention priority data:  
(31) Number      (32) Date      (33) Country  
**29/473761      26 Nov 2013      UNITED STATES OF AMERICA**  
(56) Related Art Documents: **Not Applicable**  
(57) Statement of Newness and Distinctiveness: **Newness and distinctiveness is claimed in the visual features shown in solid lines in the representations.**



(21) Design Number: **12943/2014**  
(22) Date of Filing Application: **17 June 2014**  
(24) Date from which industrial property rights may have effect: **17 June 2014**  
(54) Product in respect of which the design is registered: **Profiles for worktable**  
(51) International Design Classification: **25-01K**  
(74) Name(s) of Attorney(s): **Adams Pluck**  
(71) Name(s) and Address(s) of Applicant(s):  
**KONSTRUKTION 123456 AB**  
**Zakrisdalslingan 14 SE-653 42 KARLSTAD Sweden**  
(72) Name(s) of Designer(s): **Patrik Johansson**  
(45) Registration Date: **30 July 2014**  
(30) Convention priority data:  
(31) Number (32) Date (33) Country  
**DM/083447 18 Dec 2013 WORLD INTELLECTUAL**  
**PROPERTY ORGANIZATION**  
**(WIPO)**



(56) Related Art Documents: **Not Applicable**  
(57) Statement of Newness and Distinctiveness: **The newness and distinctiveness of the design resides in the shape of the profile of the extrusion shown in the accompanying representations. The particular length of the profile section as shown is not part of the design as indicated by the indefinite length indications in figures 4 and 5 and is to be disregarded when considering the overall impression of the design.**

(21) Design Number: **13217/2014**  
(22) Date of Filing Application: **01 July 2014**  
(24) Date from which industrial property rights may have effect: **01 July 2014**  
(54) Product in respect of which the design is registered: **Glass tobacco pipe**  
(51) International Design Classification: **27-02**  
(74) Name(s) of Attorney(s):  
(71) Name(s) and Address(s) of Applicant(s):  
**Trio Brothers Trading Pty Ltd**  
**18 Beal St Meadowbrook QLD 4131 Australia**  
(72) Name(s) of Designer(s): **Jack Qin**  
(45) Registration Date: **30 July 2014**  
(56) Related Art Documents: **Not Applicable**  
(57) Statement of Newness and Distinctiveness: **The round chamber and slim tube design make the smoke smooth.**



(21) Design Number: **12485/2014**  
(22) Date of Filing Application: **21 May 2014**  
(24) Date from which industrial property rights may have effect: **21 May 2014**  
(54) Product in respect of which the design is registered: **Garbage bin**  
(51) International Design Classification: **09-09**  
(74) Name(s) of Attorney(s): **Trademark Works**  
(71) Name(s) and Address(s) of Applicant(s):  
**Joseph Joseph Ltd**  
**The Grove 30 Great Guildford Street London Greater London SE1 OHS**  
**United Kingdom**  
(72) Name(s) of Designer(s): **Tom Lloyd and Luke Pearson**  
(45) Registration Date: **31 July 2014**  
(56) Related Art Documents: **Not Applicable**  
(57) Statement of Newness and Distinctiveness: **Nil**



(21) Design Number: **12690/2014**  
(22) Date of Filing Application: **02 June 2014**  
(24) Date from which industrial property rights may have effect: **02 June 2014**  
(54) Product in respect of which the design is registered: **Lamp table**  
(51) International Design Classification: **06-03B, 26-05B**  
(74) Name(s) of Attorney(s):  
(71) Name(s) and Address(s) of Applicant(s):  
**Magdalena Korsak**  
**31 Alex Ave Moorabbin VIC 3189 Australia**  
**Andrzej Loza**  
**31 Alex Ave Moorabbin VIC 3189 Australia**  
(72) Name(s) of Designer(s): **Andrzej Loza**  
(45) Registration Date: **31 July 2014**  
(56) Related Art Documents: **Not Applicable**  
(57) Statement of Newness and Distinctiveness: **Lamp table RELAX - The newness and distinctiveness of the design resides in the shape of the metal base and the table top as shown in the accompanying representations.**



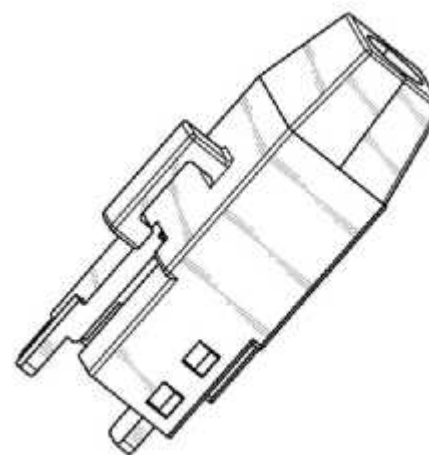
- (21) Design Number: **12694/2014**  
(22) Date of Filing Application: **02 June 2014**  
(24) Date from which industrial property rights may have effect: **02 June 2014**  
(54) Product in respect of which the design is registered: **Jumper**  
(51) International Design Classification: **02-02NES**  
(74) Name(s) of Attorney(s):  
(71) Name(s) and Address(s) of Applicant(s):  
**Industrie Clothing Pty Limited**  
**55 Railway Pde Marrickville NSW 2204 Australia**  
(72) Name(s) of Designer(s): **NICHOLAS KELLY**  
(45) Registration Date: **31 July 2014**  
(56) Related Art Documents: **Not Applicable**  
(57) Statement of Newness and Distinctiveness: **The newness and distinctiveness of the design resides in the secret pocket opening with zip fastening that sits behind the front patch pocket as shown in the accompanying illustrations.**



- (21) Design Number: **12754/2014**  
(22) Date of Filing Application: **04 June 2014**  
(24) Date from which industrial property rights may have effect: **04 June 2014**  
(54) Product in respect of which the design is registered: **Camp stretcher (cross leg design)**  
(51) International Design Classification: **06-02**  
(74) Name(s) of Attorney(s):  
(71) Name(s) and Address(s) of Applicant(s):  
**DANEDJO PTY LTD**  
**PO BOX 506 Sumner Park BC QLD 4074 Australia**  
(72) Name(s) of Designer(s): **Alexander Donnan**  
(45) Registration Date: **31 July 2014**  
(56) Related Art Documents: **Not Applicable**  
(57) Statement of Newness and Distinctiveness: **This design incorporates new support struts to the legs of a cross leg stretcher. The struts fold out, with the aid of a locating arm, as the stretcher is erected. The top of the strut will sit under the point where the cross legs join the upper frame. The lower part of the strut is attached to the lower part of the cross leg. The purpose of the struts is to support the upper frame when load is applied to the stretcher and to prevent excessive load and damage to the cross leg assembly. This design also removes the need for end bars on the stretcher which are replaced with webbing straps with velcro that go around each corner. The distinctiveness of this design is that with a normal cross leg design the leg is prone to being bent in the middle where it hinges when an excessive load is applied to the side of the stretcher. With this design the struts prevent this happening making it stronger and safer.**



(21) Design Number: **12703/2014**  
(22) Date of Filing Application: **02 June 2014**  
(24) Date from which industrial property rights may have effect: **02 June 2014**  
(54) Product in respect of which the design is registered: **Cable shell**  
(51) International Design Classification: **13-03B**  
(74) Name(s) of Attorney(s): **Davies Collison Cave**  
(71) Name(s) and Address(s) of Applicant(s):  
**Honeywell International Inc.**  
**Patent Services M/S AB/2B 101 Columbia Rd P.O. Box 2245 Morristown**  
**NJ 07962-2245 United States of America**  
(72) Name(s) of Designer(s): **KEN JIANG and CHRIS JIANG and CHAOHONG**  
**LIU and VINCENT PENG and DENNY LIU**  
(45) Registration Date: **31 July 2014**  
(30) Convention priority data:  
(31) Number (32) Date (33) Country  
**29/475230 02 Dec 2013 UNITED STATES OF AMERICA**  
(56) Related Art Documents: **Not Applicable**  
(57) Statement of Newness and Distinctiveness: **Nil**



(21) Design Number: **13221/2014**  
(22) Date of Filing Application: **02 July 2014**  
(24) Date from which industrial property rights may have effect: **02 July 2014**  
(54) Product in respect of which the design is registered: **A wristband**  
(51) International Design Classification: **14-02**  
(74) Name(s) of Attorney(s): **Pizzeys**  
(71) Name(s) and Address(s) of Applicant(s):  
**Razer (Asia-Pacific) Pte Ltd**  
**514 Chai Chee Lane #07-05 Singapore 469029 Singapore**  
(72) Name(s) of Designer(s): **Min-Liang Tan and Francois Laine and Stephane**  
**Blanchard and Yusuf Ali Roland**  
(45) Registration Date: **31 July 2014**  
(30) Convention priority data:  
(31) Number (32) Date (33) Country  
**29/491,975 27 May 2014 UNITED STATES OF AMERICA**  
(56) Related Art Documents: **Not Applicable**  
(57) Statement of Newness and Distinctiveness: **Nil**



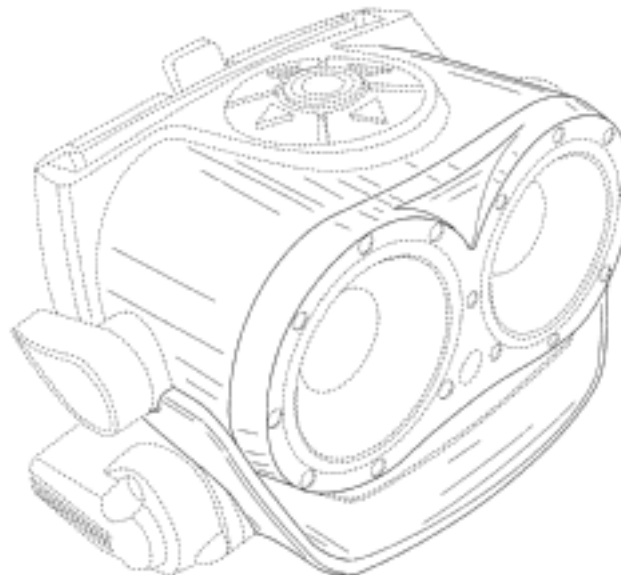
(21) Design Number: **13225/2014**  
(22) Date of Filing Application: **02 July 2014**  
(24) Date from which industrial property rights may have effect: **02 July 2014**  
(54) Product in respect of which the design is registered: **A wristband**  
(51) International Design Classification: **14-02**  
(74) Name(s) of Attorney(s): **Pizzeys**  
(71) Name(s) and Address(s) of Applicant(s):  
**Razer (Asia-Pacific) Pte Ltd**  
**514 Chai Chee Lane #07-05 Singapore 469029 Singapore**  
(72) Name(s) of Designer(s): **Min-Liang Tan and Francois Laine and Stephane Blanchard and Yusuf Ali Roland**  
(45) Registration Date: **31 July 2014**  
(30) Convention priority data:  
(31) Number (32) Date (33) Country  
**29/491,991 27 May 2014 UNITED STATES OF AMERICA**  
(56) Related Art Documents: **Not Applicable**  
(57) Statement of Newness and Distinctiveness: **Nil**



(21) Design Number: **13230/2014**  
(22) Date of Filing Application: **02 July 2014**  
(24) Date from which industrial property rights may have effect: **02 July 2014**  
(54) Product in respect of which the design is registered: **Vacuum cleaner**  
(51) International Design Classification: **15-05**  
(74) Name(s) of Attorney(s): **FB Rice**  
(71) Name(s) and Address(s) of Applicant(s):  
**Koninklijke Philips N.V.**  
**High Tech Campus 5 5656 AE Eindhoven The Netherlands**  
(72) Name(s) of Designer(s): **Patrick Douloubakas**  
(45) Registration Date: **31 July 2014**  
(30) Convention priority data:  
(31) Number (32) Date (33) Country  
**002380527-0001 06 Jan 2014 OMAN**  
(56) Related Art Documents: **Not Applicable**  
(57) Statement of Newness and Distinctiveness: **Newness and distinctiveness reside in the features of shape and configuration of the design as shown in the representations.**



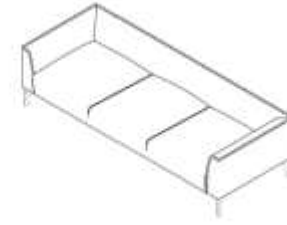
(21) Design Number: **13231/2014**  
(22) Date of Filing Application: **02 July 2014**  
(24) Date from which industrial property rights may have effect: **02 July 2014**  
(54) Product in respect of which the design is registered: **Light emitting device**  
(51) International Design Classification: **26-02**  
(74) Name(s) of Attorney(s): **Pizzeys**  
(71) Name(s) and Address(s) of Applicant(s):  
**Zweibruder Optoelectronics GmbH & Co. KG**  
**Kronenstrasse 5 Solingen 42699 Germany**  
(72) Name(s) of Designer(s): **Andre Kunzendorf**  
(45) Registration Date: **31 July 2014**  
(30) Convention priority data:  
(31) Number (32) Date (33) Country  
**29/478,776 08 Jan 2014 UNITED STATES OF AMERICA**  
(56) Related Art Documents: **Not Applicable**  
(57) Statement of Newness and Distinctiveness: **Nil**



(21) Design Number: **13232/2014**  
(22) Date of Filing Application: **02 July 2014**  
(24) Date from which industrial property rights may have effect: **02 July 2014**  
(54) Product in respect of which the design is registered: **Handheld vacuum cleaner**  
(51) International Design Classification: **15-05**  
(74) Name(s) of Attorney(s): **FB Rice**  
(71) Name(s) and Address(s) of Applicant(s):  
**Koninklijke Philips N.V.**  
**High Tech Campus 5 5656 AE Eindhoven The Netherlands**  
(72) Name(s) of Designer(s): **Patrick Douloubakas**  
(45) Registration Date: **31 July 2014**  
(30) Convention priority data:  
(31) Number (32) Date (33) Country  
**002380527-0003 06 Jan 2014 OFFICE FOR HARMONISATION IN THE INTERNAL MARKET (OHIM)**  
(56) Related Art Documents: **Not Applicable**  
(57) Statement of Newness and Distinctiveness: **Newness and distinctiveness reside in the features of shape and configuration of the design as shown in the representations.**



- (21) Design Number: **13233/2014**  
(22) Date of Filing Application: **02 July 2014**  
(24) Date from which industrial property rights may have effect: **02 July 2014**  
(54) Product in respect of which the design is registered: **A sofa**  
(51) International Design Classification: **06-01G**  
(74) Name(s) of Attorney(s): **FB Rice**  
(71) Name(s) and Address(s) of Applicant(s):  
**King Furniture Australia Pty Ltd**  
**123 Turrella St Turrella NSW 2205 Australia**  
(72) Name(s) of Designer(s): **David King and John Levey and Ryan Lawson and Anastasie Panagopoulos and Tanya Rechberger**  
(45) Registration Date: **31 July 2014**  
(56) Related Art Documents: **Not Applicable**  
(57) Statement of Newness and Distinctiveness: **Newness and distinctiveness reside in the features of the design as shown in solid lines in the representations.**

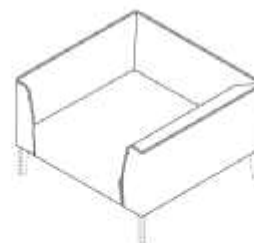


- (21) Design Number: **13234/2014**  
(22) Date of Filing Application: **02 July 2014**  
(24) Date from which industrial property rights may have effect: **02 July 2014**  
(54) Product in respect of which the design is registered: **A sofa**  
(51) International Design Classification: **06-01G**  
(74) Name(s) of Attorney(s): **FB Rice**  
(71) Name(s) and Address(s) of Applicant(s):  
**King Furniture Australia Pty Ltd**  
**123 Turrella St Turrella NSW 2205 Australia**  
(72) Name(s) of Designer(s): **David King and John Levey and Ryan Lawson and Anastasie Panagopoulos and Tanya Rechberger**  
(45) Registration Date: **31 July 2014**  
(56) Related Art Documents: **Not Applicable**  
(57) Statement of Newness and Distinctiveness: **Newness and distinctiveness reside in the features of the design as shown in solid lines in the representations.**





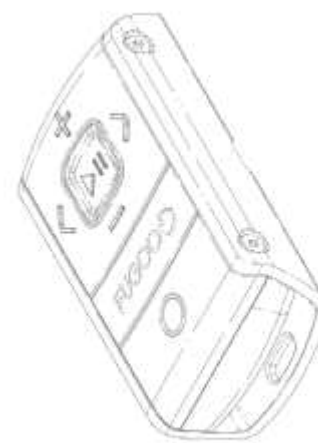
(21) Design Number: **13235/2014**  
(22) Date of Filing Application: **02 July 2014**  
(24) Date from which industrial property rights may have effect: **02 July 2014**  
(54) Product in respect of which the design is registered: **A chair**  
(51) International Design Classification: **06-01G**  
(74) Name(s) of Attorney(s): **FB Rice**  
(71) Name(s) and Address(s) of Applicant(s):  
**King Furniture Australia Pty Ltd**  
**123 Turrella St Turrella NSW 2205 Australia**  
(72) Name(s) of Designer(s): **David King and John Levey and Ryan Lawson and**  
**Anastasia Panagopoulos and Tanya Rechberger**  
(45) Registration Date: **31 July 2014**  
(56) Related Art Documents: **Not Applicable**  
(57) Statement of Newness and Distinctiveness: **Newness and distinctiveness**  
**reside in the features of the design as shown in solid lines in the**  
**representations.**



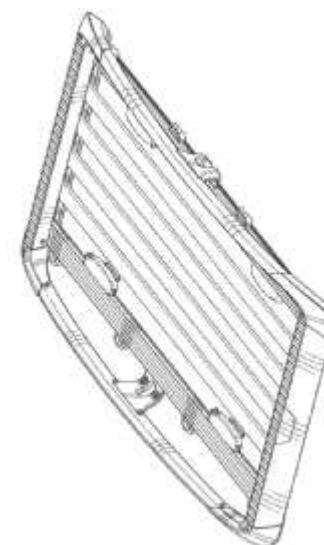
(21) Design Number: **13236/2014**  
(22) Date of Filing Application: **02 July 2014**  
(24) Date from which industrial property rights may have effect: **02 July 2014**  
(54) Product in respect of which the design is registered: **Vacuum cleaner**  
(51) International Design Classification: **15-05**  
(74) Name(s) of Attorney(s): **FB Rice**  
(71) Name(s) and Address(s) of Applicant(s):  
**Koninklijke Philips N.V.**  
**High Tech Campus 5 5656 AE Eindhoven The Netherlands**  
(72) Name(s) of Designer(s): **Patrick Douloubakas**  
(45) Registration Date: **31 July 2014**  
(30) Convention priority data:  
(31) Number (32) Date (33) Country  
**002380527-0002 06 Jan 2014 OFFICE FOR HARMONISATION IN**  
**THE INTERNAL MARKET (OHIM)**  
(56) Related Art Documents: **Not Applicable**  
(57) Statement of Newness and Distinctiveness: **Newness and distinctiveness**  
**reside in the features of shape and configuration of the design as shown**  
**in the representations.**



- (21) Design Number: **13238/2014**  
(22) Date of Filing Application: **02 July 2014**  
(24) Date from which industrial property rights may have effect: **02 July 2014**  
(54) Product in respect of which the design is registered: **Remote control**  
(51) International Design Classification: **14-03NES**  
(74) Name(s) of Attorney(s): **FB Rice**  
(71) Name(s) and Address(s) of Applicant(s):  
**Fugoo Corporation**  
**8001 Irvine Center Drive Suite 250 Irvine California, 92618 United States of America**  
(72) Name(s) of Designer(s): **Kit Mok and Alejandro Garfio and Ho Koon Yau and Howard Shi-How Cheng**  
(45) Registration Date: **31 July 2014**  
(30) Convention priority data:  
(31) Number (32) Date (33) Country  
**29/478343 03 Jan 2014 UNITED STATES OF AMERICA**  
(56) Related Art Documents: **Not Applicable**  
(57) Statement of Newness and Distinctiveness: **Newness and distinctiveness reside in those features of the design as shown in solid lines in the representations.**



- (21) Design Number: **12579/2014**  
(22) Date of Filing Application: **27 May 2014**  
(24) Date from which industrial property rights may have effect: **27 May 2014**  
(54) Product in respect of which the design is registered: **A cargo basket for a vehicle**  
(51) International Design Classification: **12-16K**  
(74) Name(s) of Attorney(s): **James & Wells Intellectual Property**  
(71) Name(s) and Address(s) of Applicant(s):  
**Thule Sweden AB**  
**Box 69 SE-33033 Hillerstorp SWEDEN**  
(72) Name(s) of Designer(s): **Henrik Eriksson**  
(45) Registration Date: **31 July 2014**  
(30) Convention priority data:  
(31) Number (32) Date (33) Country  
**29/480,549 27 Jan 2014 UNITED STATES OF AMERICA**  
(56) Related Art Documents: **Not Applicable**  
(57) Statement of Newness and Distinctiveness: **This device is to be applied to a Cargo Basket intended to be removably attached to a rooftop of a vehicle and the novelty resides in features of shape and configuration, all as shown in the accompany representations. The broken lines are used to illustrate unclaimed portions of the Cargo Basket and form no part of the claimed design.**



- (21) Design Number: **12240/2014**  
(22) Date of Filing Application: **11 May 2014**  
(24) Date from which industrial property rights may have effect: **11 May 2014**  
(54) Product in respect of which the design is registered: **A plug for takeaway coffee cup lid sip-holes**  
(51) International Design Classification: **09-07C**  
(74) Name(s) of Attorney(s):  
(71) Name(s) and Address(s) of Applicant(s):  
**C.J GRANDE & K.M IRLBECK**  
**73 Springhall Pde Pascoe Vale South VIC 3044 Australia**  
(72) Name(s) of Designer(s): **Courtney Jane Grande and Kelly Marie Irlbeck**  
(45) Registration Date: **31 July 2014**  
(56) Related Art Documents: **Not Applicable**  
(57) Statement of Newness and Distinctiveness: **The newness and distinctiveness of the Splash Mate design resides in the 3D shape of the portion of the product that is below the torso of the figure (the "legs"), torso, positioning of the arms and facial features. The silicone legs have been designed to "squeeze" into coffee cup lid sip holes and are therefore unique in shape (evidenced by images attached to this application). The torso is larger in diameter than the legs to prevent liquid escaping the sip hole (torso being 6.5mm in diameter front-on whereas the legs are 4.5mm, which results in the torso jutting out over the legs). The arms of the figure reach up so that the opened hands cup the face (i.e. left hand rests on left cheek and right hand rests on right cheek), whilst the elbows rest on the coffee cup lid and therefore assist in prevent liquid escaping. The figure has an expression of shock on its face. This expression is emphasised by the indented oval-shaped mouth, indented circular eyes as well as indented raised eyebrows.**



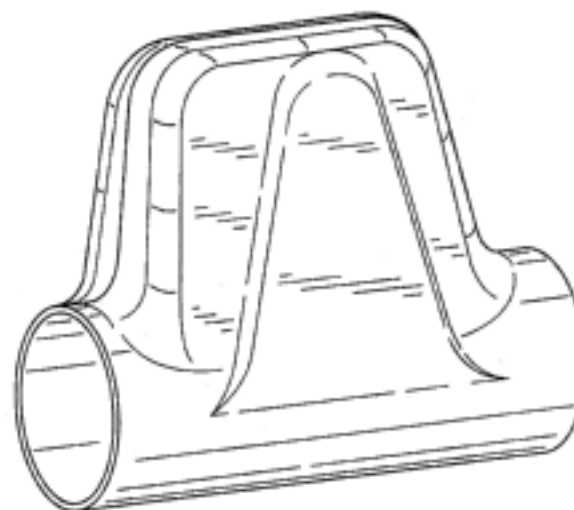
- (21) Design Number: **12553/2014**  
(22) Date of Filing Application: **26 May 2014**  
(24) Date from which industrial property rights may have effect: **26 May 2014**  
(54) Product in respect of which the design is registered: **Chair**  
(51) International Design Classification: **06-01H**  
(74) Name(s) of Attorney(s): **Houlihan2**  
(71) Name(s) and Address(s) of Applicant(s):  
**Aichi Co., Ltd**  
**27-25 Tsutsui 3-Chome Higashi-ku Nagoya-shi Aichi-ken 461-0003 Japan**  
(72) Name(s) of Designer(s): **Taku Kumazawa**  
(45) Registration Date: **31 July 2014**  
(30) Convention priority data:  
(31) Number      (32) Date      (33) Country  
**2013-029293      13 Dec 2013      JAPAN**  
(56) Related Art Documents: **Not Applicable**  
(57) Statement of Newness and Distinctiveness: **Newness and distinctiveness reside in the shape and/or configuration of a CHAIR as illustrated in the accompanying representations.**



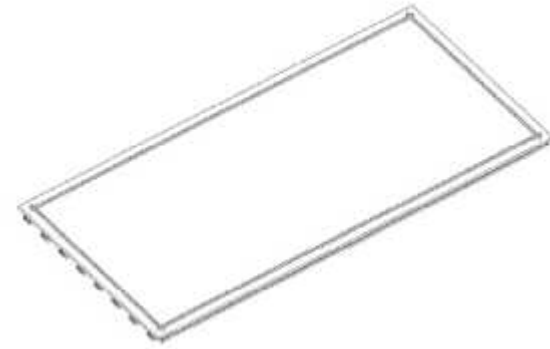
(21) Design Number: **12667/2014**  
(22) Date of Filing Application: **30 May 2014**  
(24) Date from which industrial property rights may have effect: **30 May 2014**  
(54) Product in respect of which the design is registered: **Chair**  
(51) International Design Classification: **06-01F**  
(74) Name(s) of Attorney(s): **Baldwins Intellectual Property**  
(71) Name(s) and Address(s) of Applicant(s):  
**Tolix Steel Design**  
**18 Boulevard Bernard Giberstein ZI Saint-Andoche Autun 71400 France**  
(72) Name(s) of Designer(s): **Patrick Norguet**  
(45) Registration Date: **31 July 2014**  
(30) Convention priority data:  
(31) Number (32) Date (33) Country  
**002363218-0002 02 Dec 2013 OFFICE FOR HARMONISATION IN  
THE INTERNAL MARKET (OHIM)**  
(56) Related Art Documents: **Not Applicable**  
(57) Statement of Newness and Distinctiveness: **Newness and distinctiveness  
resides in the features of shape and/or configuration of the chair.**



(21) Design Number: **13077/2014**  
(22) Date of Filing Application: **23 June 2014**  
(24) Date from which industrial property rights may have effect: **23 June 2014**  
(54) Product in respect of which the design is registered: **Flow meter housing**  
(51) International Design Classification: **10-04**  
(74) Name(s) of Attorney(s): **PHILLIPS ORMONDE FITZPATRICK**  
(71) Name(s) and Address(s) of Applicant(s):  
**Micro Motion, Inc.**  
**7070 Winchester Circle Boulder Colorado 80301 United States of  
America**  
(72) Name(s) of Designer(s): **Xiang Feng and Muyuan Liu and Yang Ye and  
Beilei Wang and Clinton R Griffin**  
(45) Registration Date: **31 July 2014**  
(30) Convention priority data:  
(31) Number (32) Date (33) Country  
**201430146127.5 23 May 2014 CHINA**  
(56) Related Art Documents: **Not Applicable**  
(57) Statement of Newness and Distinctiveness: **Nil**



(21) Design Number: **12300/2014**  
(22) Date of Filing Application: **14 May 2014**  
(24) Date from which industrial property rights may have effect: **03 March 2014**  
(54) Product in respect of which the design is registered: **Rack rear wall**  
(51) International Design Classification: **06-04NES**  
(74) Name(s) of Attorney(s): **Davies Collison Cave**  
(71) Name(s) and Address(s) of Applicant(s):



**Tegometall International AG**  
**Industriestrasse 7 Lengwil 8574 Switzerland**

(72) Name(s) of Designer(s): **Ulrich Bohnacker**

(45) Registration Date: **31 July 2014**

(30) Convention priority data:

(31) Number (32) Date  
**001382048-0002 02 Sep 2013**

(33) Country  
**OFFICE FOR HARMONISATION IN  
THE INTERNAL MARKET (OHIM)**

(62) Divisional of: **355618**

(56) Related Art Documents: **Not Applicable**

(57) Statement of Newness and Distinctiveness: **Nil**

(21) Design Number: **12301/2014**  
(22) Date of Filing Application: **14 May 2014**  
(24) Date from which industrial property rights may have effect: **03 March 2014**  
(54) Product in respect of which the design is registered: **Rack rear wall**  
(51) International Design Classification: **06-04NES**  
(74) Name(s) of Attorney(s): **Davies Collison Cave**  
(71) Name(s) and Address(s) of Applicant(s):

**Tegometall International AG**  
**Industriestrasse 7 Lengwil 8574 Switzerland**

(72) Name(s) of Designer(s): **Ulrich Bohnacker**

(45) Registration Date: **31 July 2014**

(30) Convention priority data:

(31) Number (32) Date  
**001382048-0003 02 Sep 2013**

(33) Country  
**OFFICE FOR HARMONISATION IN  
THE INTERNAL MARKET (OHIM)**



(62) Divisional of: **355618**

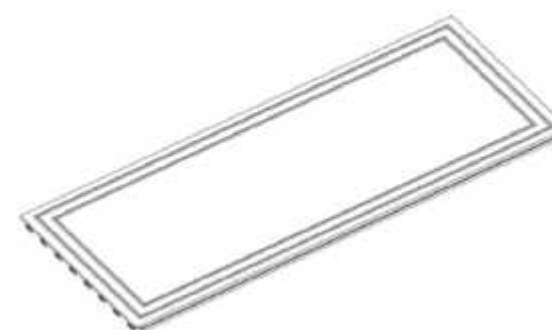
(56) Related Art Documents: **Not Applicable**

(57) Statement of Newness and Distinctiveness: **Nil**

(21) Design Number: **12304/2014**  
(22) Date of Filing Application: **14 May 2014**  
(24) Date from which industrial property rights may have effect: **03 March 2014**  
(54) Product in respect of which the design is registered: **Rack rear wall**  
(51) International Design Classification: **06-04NES**  
(74) Name(s) of Attorney(s): **Davies Collison Cave**  
(71) Name(s) and Address(s) of Applicant(s):  
**Tegometall International AG**  
**Industriestrasse 7 Lengwil 8574 Switzerland**  
(72) Name(s) of Designer(s): **Ulrich Bohnacker**  
(45) Registration Date: **31 July 2014**  
(30) Convention priority data:  
(31) Number (32) Date (33) Country  
**001382048-0006 02 Sep 2013 OFFICE FOR HARMONISATION IN**  
**THE INTERNAL MARKET (OHIM)**  
(62) Divisional of: **355618**  
(56) Related Art Documents: **Not Applicable**  
(57) Statement of Newness and Distinctiveness: **Nil**



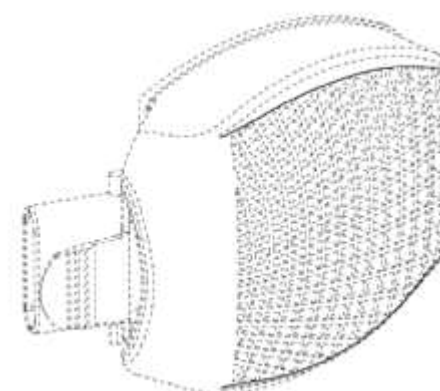
(21) Design Number: **12313/2014**  
(22) Date of Filing Application: **14 May 2014**  
(24) Date from which industrial property rights may have effect: **03 March 2014**  
(54) Product in respect of which the design is registered: **Rack rear wall**  
(51) International Design Classification: **06-04NES**  
(74) Name(s) of Attorney(s): **Davies Collison Cave**  
(71) Name(s) and Address(s) of Applicant(s):  
**Tegometall International AG**  
**Industriestrasse 7 Lengwil 8574 Switzerland**  
(72) Name(s) of Designer(s): **Ulrich Bohnacker**  
(45) Registration Date: **31 July 2014**  
(30) Convention priority data:  
(31) Number (32) Date (33) Country  
**001382048-0011 02 Sep 2013 OFFICE FOR HARMONISATION IN**  
**THE INTERNAL MARKET (OHIM)**  
(62) Divisional of: **355618**  
(56) Related Art Documents: **Not Applicable**  
(57) Statement of Newness and Distinctiveness: **Nil**



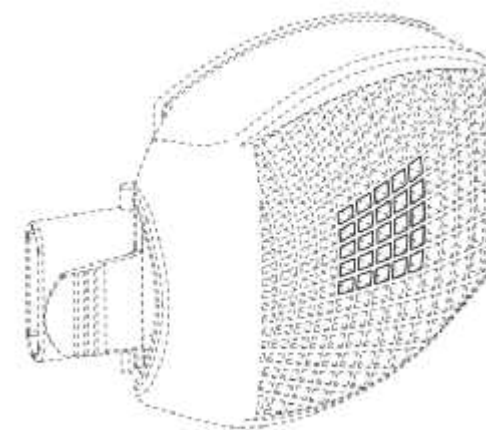
(21) Design Number: **12318/2014**  
(22) Date of Filing Application: **14 May 2014**  
(24) Date from which industrial property rights may have effect: **03 March 2014**  
(54) Product in respect of which the design is registered: **Rack shelf**  
(51) International Design Classification: **06-04NES**  
(74) Name(s) of Attorney(s): **Davies Collison Cave**  
(71) Name(s) and Address(s) of Applicant(s):  
**Tegometall International AG**  
**Industriestrasse 7 Lengwil 8574 Switzerland**  
(72) Name(s) of Designer(s): **Ulrich Bohnacker**  
(45) Registration Date: **31 July 2014**  
(30) Convention priority data:  
(31) Number (32) Date (33) Country  
**001382048-0013 02 Sep 2013 UNITED STATES OF AMERICA**  
(62) Divisional of: **355618**  
(56) Related Art Documents: **Not Applicable**  
(57) Statement of Newness and Distinctiveness: **Nil**



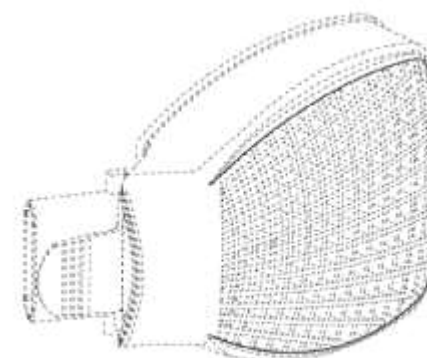
(21) Design Number: **12332/2014**  
(22) Date of Filing Application: **14 May 2014**  
(24) Date from which industrial property rights may have effect: **14 May 2014**  
(54) Product in respect of which the design is registered: **Filter cartridge**  
(51) International Design Classification: **29-02**  
(74) Name(s) of Attorney(s): **Freehills Patent Attorneys**  
(71) Name(s) and Address(s) of Applicant(s):  
**3M Innovative Properties Company**  
**3M Center PO Box 33427 Saint Paul Minnesota 55133-3427 United States of America**  
(72) Name(s) of Designer(s): **David Michael Blomberg and Gary Edward Dwyer and Pierre Legare and Carl Woodward Raines III and Serge Dubeau and Mark William Schulz and Charlie Wood**  
(45) Registration Date: **31 July 2014**  
(30) Convention priority data:  
(31) Number (32) Date (33) Country  
**29/472778 15 Nov 2013 UNITED STATES OF AMERICA**  
(56) Related Art Documents: **Not Applicable**  
(57) Statement of Newness and Distinctiveness: **Newness and distinctiveness resides in the shape and/or configuration of the filter cartridge as shown in solid outline in the accompanying representations.**



(21) Design Number: **12333/2014**  
 (22) Date of Filing Application: **14 May 2014**  
 (24) Date from which industrial property rights may have effect: **14 May 2014**  
 (54) Product in respect of which the design is registered: **Filter cartridge**  
 (51) International Design Classification: **29-02**  
 (74) Name(s) of Attorney(s): **Freehills Patent Attorneys**  
 (71) Name(s) and Address(s) of Applicant(s):  
**3M Innovative Properties Company**  
**3M Center Post Office Box 33427 Saint Paul Minnesota 55133-3427**  
**United States of America**  
 (72) Name(s) of Designer(s): **David Michael Blomberg and Gary Edward Dwyer**  
**and Pierre Legare and Carl Woodward Raines III and Serge Dubeau and**  
**Mark William Schulz and Charlie Wood**  
 (45) Registration Date: **31 July 2014**  
 (30) Convention priority data:  
 (31) Number      (32) Date      (33) Country  
**29/472778      15 Nov 2013      UNITED STATES OF AMERICA**  
 (56) Related Art Documents: **Not Applicable**  
 (57) Statement of Newness and Distinctiveness: **Newness and distinctiveness**  
**resides in the shape and/or configuration of the filter cartridge as shown**  
**in solid outline in the accompanying representations.**

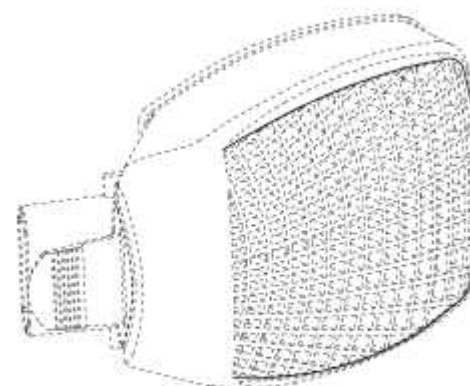


(21) Design Number: **12334/2014**  
 (22) Date of Filing Application: **14 May 2014**  
 (24) Date from which industrial property rights may have effect: **14 May 2014**  
 (54) Product in respect of which the design is registered: **Filter cartridge**  
 (51) International Design Classification: **29-02**  
 (74) Name(s) of Attorney(s): **Freehills Patent Attorneys**  
 (71) Name(s) and Address(s) of Applicant(s):  
**3M Innovative Properties Company**  
**3M Center Post Office Box 33427 Saint Paul Minnesota 55133-3427**  
**United States of America**  
 (72) Name(s) of Designer(s): **David Michael Blomberg and Gary Edward Dwyer**  
**and Pierre Legare and Carl Woodward Raines III and Serge Dubeau and**  
**Mark William Schulz and Charlie Wood**  
 (45) Registration Date: **31 July 2014**  
 (30) Convention priority data:  
 (31) Number      (32) Date      (33) Country  
**29/472778      15 Nov 2013      UNITED STATES OF AMERICA**  
 (56) Related Art Documents: **Not Applicable**  
 (57) Statement of Newness and Distinctiveness: **Newness and distinctiveness**  
**resides in the shape and/or configuration of the filter cartridge as shown**  
**in solid outline in the accompanying representations.**

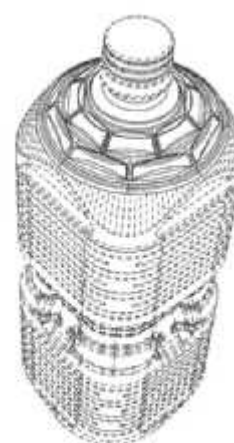




- (21) Design Number: **12335/2014**  
(22) Date of Filing Application: **14 May 2014**  
(24) Date from which industrial property rights may have effect: **14 May 2014**  
(54) Product in respect of which the design is registered: **Filter cartridge**  
(51) International Design Classification: **29-02**  
(74) Name(s) of Attorney(s): **Freehills Patent Attorneys**  
(71) Name(s) and Address(s) of Applicant(s):  
**3M Innovative Properties Company**  
**3M Center Post Office Box 33427 Saint Paul Minnesota 55133-3427**  
**United States of America**  
(72) Name(s) of Designer(s): **David Michael Blomberg and Gary Edward Dwyer**  
**and Pierre Legare and Carl Woodward Raines III and Serge Dubeau and**  
**Mark William Schulz and Charlie Wood**  
(45) Registration Date: **31 July 2014**  
(30) Convention priority data:  
(31) Number (32) Date (33) Country  
**29/472778 15 Nov 2013 UNITED STATES OF AMERICA**  
(56) Related Art Documents: **Not Applicable**  
(57) Statement of Newness and Distinctiveness: **Newness and distinctiveness**  
**resides in the shape and/or configuration of the filter cartridge as shown**  
**in solid outline in the accompanying representations.**



- (21) Design Number: **12399/2014**  
(22) Date of Filing Application: **16 May 2014**  
(24) Date from which industrial property rights may have effect: **16 May 2014**  
(54) Product in respect of which the design is registered: **Bottle**  
(51) International Design Classification: **09-01NES**  
(74) Name(s) of Attorney(s): **PHILLIPS ORMONDE FITZPATRICK**  
(71) Name(s) and Address(s) of Applicant(s):  
**The Coca-Cola Company**  
**One Coca-Cola Plaza N.W. Atlanta Georgia 30313 United States of**  
**America**  
(72) Name(s) of Designer(s): **Hiromasa Iwashita**  
(45) Registration Date: **31 July 2014**  
(30) Convention priority data:  
(31) Number (32) Date (33) Country  
**2013-027380 22 Nov 2013 JAPAN**  
(56) Related Art Documents: **Not Applicable**  
(57) Statement of Newness and Distinctiveness: **Those features of the bottle**  
**depicted in the representations that are new and distinctive are the shape**  
**and/or configuration. The features shown in broken lines are not part**  
**of the design and are to be disregarded when considering the overall**  
**impression of the design. The letter capital A provided on the upper**  
**representation of representation page 3/4 indicates the cross-sectional**  
**view of the bottle shown in the representation provided on page 3/4.**



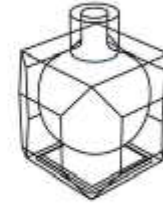
- (21) Design Number: **12588/2014**  
(22) Date of Filing Application: **27 May 2014**  
(24) Date from which industrial property rights may have effect: **27 May 2014**  
(54) Product in respect of which the design is registered: **Bottle cap for cosmetics**  
(51) International Design Classification: **09-01G**  
(74) Name(s) of Attorney(s): **Corrs Chambers Westgarth**  
(71) Name(s) and Address(s) of Applicant(s):  
**Christian Louboutin**  
**19 rue Jean-Jacques Rousseau Paris 75001 France**  
(72) Name(s) of Designer(s): **Olivier Pascalie**  
(45) Registration Date: **31 July 2014**  
(56) Related Art Documents: **Not Applicable**  
(57) Statement of Newness and Distinctiveness: **Nil**



- (21) Design Number: **12589/2014**  
(22) Date of Filing Application: **27 May 2014**  
(24) Date from which industrial property rights may have effect: **27 May 2014**  
(54) Product in respect of which the design is registered: **Bottle and cap for cosmetics**  
(51) International Design Classification: **09-01G**  
(74) Name(s) of Attorney(s): **Corrs Chambers Westgarth**  
(71) Name(s) and Address(s) of Applicant(s):  
**Christian Louboutin**  
**19 rue Jean-Jacques Rousseau Paris 75001 France**  
(72) Name(s) of Designer(s): **Olivier Pascalie**  
(45) Registration Date: **31 July 2014**  
(56) Related Art Documents: **Not Applicable**  
(57) Statement of Newness and Distinctiveness: **Nil**



- (21) Design Number: **12590/2014**  
(22) Date of Filing Application: **27 May 2014**  
(24) Date from which industrial property rights may have effect: **27 May 2014**  
(54) Product in respect of which the design is registered: **Bottle for cosmetics**  
(51) International Design Classification: **09-01G**  
(74) Name(s) of Attorney(s): **Corrs Chambers Westgarth**  
(71) Name(s) and Address(s) of Applicant(s):  
**Christian Louboutin**  
**19 rue Jean-Jacques Rousseau Paris 75001 France**  
(72) Name(s) of Designer(s): **Olivier Pascalie**  
(45) Registration Date: **31 July 2014**  
(56) Related Art Documents: **Not Applicable**  
(57) Statement of Newness and Distinctiveness: **Nil**



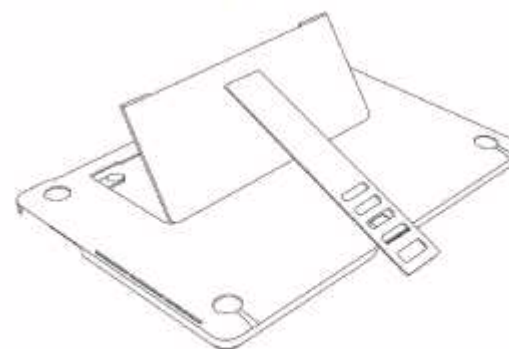
- (21) Design Number: **12591/2014**  
(22) Date of Filing Application: **27 May 2014**  
(24) Date from which industrial property rights may have effect: **27 May 2014**  
(54) Product in respect of which the design is registered: **Container and cap for cosmetics**  
(51) International Design Classification: **09-01G**  
(74) Name(s) of Attorney(s): **Corrs Chambers Westgarth**  
(71) Name(s) and Address(s) of Applicant(s):  
**Christian Louboutin**  
**19 rue Jean-Jacques Rousseau Paris 75001 France**  
(72) Name(s) of Designer(s): **Olivier Pascalie**  
(45) Registration Date: **31 July 2014**  
(56) Related Art Documents: **Not Applicable**  
(57) Statement of Newness and Distinctiveness: **Nil**



(21) Design Number: **12592/2014**  
(22) Date of Filing Application: **27 May 2014**  
(24) Date from which industrial property rights may have effect: **27 May 2014**  
(54) Product in respect of which the design is registered: **Container and cap for cosmetics**  
(51) International Design Classification: **09-01G**  
(74) Name(s) of Attorney(s): **Corrs Chambers Westgarth**  
(71) Name(s) and Address(s) of Applicant(s):  
**Christian Louboutin**  
**19 rue Jean-Jacques Rousseau Paris 75001 France**  
(72) Name(s) of Designer(s): **Olivier Pascalie**  
(45) Registration Date: **31 July 2014**  
(56) Related Art Documents: **Not Applicable**  
(57) Statement of Newness and Distinctiveness: **Nil**



(21) Design Number: **12738/2014**  
(22) Date of Filing Application: **03 June 2014**  
(24) Date from which industrial property rights may have effect: **03 June 2014**  
(54) Product in respect of which the design is registered: **Laptop stand**  
(51) International Design Classification: **03-01NES, 14-99**  
(74) Name(s) of Attorney(s): **Davies Collison Cave**  
(71) Name(s) and Address(s) of Applicant(s):  
**BakkerElkhuizen Innovations B.V.**  
**Palmpolstraat 27 1327 CB Almere The Netherlands**  
(72) Name(s) of Designer(s): **Jan Thomas Lambertus van Hooft and Tristan Margareth Raphael Petronella Frencken**  
(45) Registration Date: **31 July 2014**  
(30) Convention priority data:  
(31) Number (32) Date (33) Country  
**DM/083243 26 Mar 2014 WORLD INTELLECTUAL PROPERTY ORGANIZATION (WIPO)**  
(56) Related Art Documents: **Not Applicable**  
(57) Statement of Newness and Distinctiveness: **Nil**



(21) Design Number: **13025/2014**

(22) Date of Filing Application: **20 June 2014**

(24) Date from which industrial property rights may have effect: **20 June 2014**

(54) Product in respect of which the design is registered: **Measuring apparatus**

(51) International Design Classification: **10-04**

(74) Name(s) of Attorney(s): **Cullens Patent and Trade Mark Attorneys**

(71) Name(s) and Address(s) of Applicant(s):



**Tintometer GmbH**

**Schleefstrasse 8a Dortmund 44287 Germany**

(72) Name(s) of Designer(s): **Helmet Thiele**

(45) Registration Date: **31 July 2014**

(30) Convention priority data:

(31) Number

(32) Date

(33) Country

**002375287-0001 20 Dec 2013**

**OFFICE FOR HARMONISATION IN  
THE INTERNAL MARKET (OHIM)**

(56) Related Art Documents: **Not Applicable**

(57) Statement of Newness and Distinctiveness: **The new and distinctive features are the features of shape and configuration of a measuring apparatus as shown in the representations.**

(21) Design Number: **13027/2014**

(22) Date of Filing Application: **20 June 2014**

(24) Date from which industrial property rights may have effect: **20 June 2014**

(54) Product in respect of which the design is registered: **Measuring Apparatus**

(51) International Design Classification: **10-04**

(74) Name(s) of Attorney(s): **Cullens Patent and Trade Mark Attorneys**

(71) Name(s) and Address(s) of Applicant(s):



**Tintometer GmbH**

**Schleefstrasse 8a Dortmund 44287 Germany**

(72) Name(s) of Designer(s): **Helmet Thiele**

(45) Registration Date: **31 July 2014**

(30) Convention priority data:

(31) Number

(32) Date

(33) Country

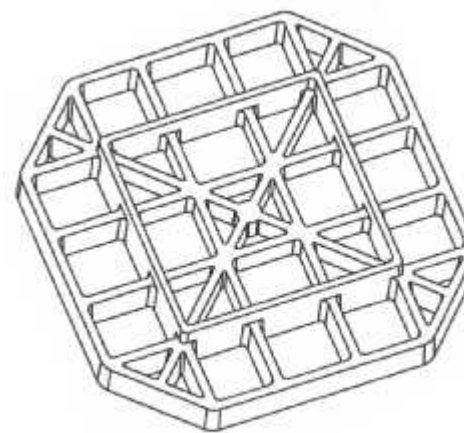
**002375287-0002 20 Dec 2013**

**OFFICE FOR HARMONISATION IN  
THE INTERNAL MARKET (OHIM)**

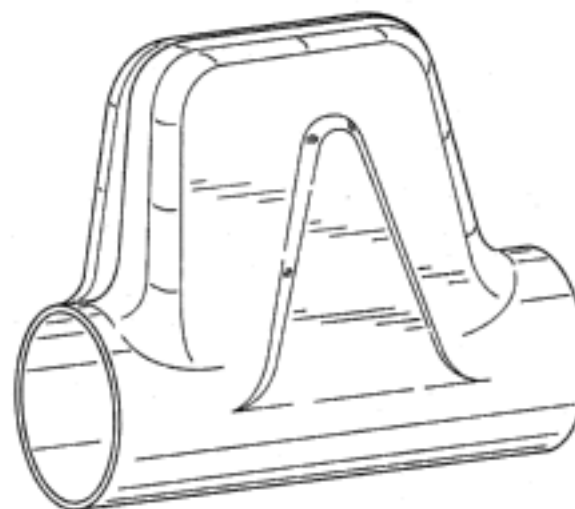
(56) Related Art Documents: **Not Applicable**

(57) Statement of Newness and Distinctiveness: **The new and distinctive features are the features of shape and configuration of a measuring apparatus as shown in the representations.**

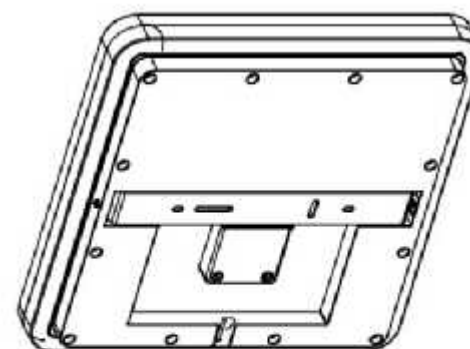
(21) Design Number: **12141/2014**  
(22) Date of Filing Application: **02 May 2014**  
(24) Date from which industrial property rights may have effect: **02 May 2014**  
(54) Product in respect of which the design is registered: **Load support stabiliser pad**  
(51) International Design Classification: **12-16NES**  
(74) Name(s) of Attorney(s):  
(71) Name(s) and Address(s) of Applicant(s):  
**GOLD STAR HOLDINGS AUSTRALIA PTY LTD**  
**347 Maddington Rd Orange Grove WA 6109 Australia**  
(72) Name(s) of Designer(s): **Paul Humphreys**  
(45) Registration Date: **01 August 2014**  
(56) Related Art Documents: **Not Applicable**  
(57) Statement of Newness and Distinctiveness: **Nil**



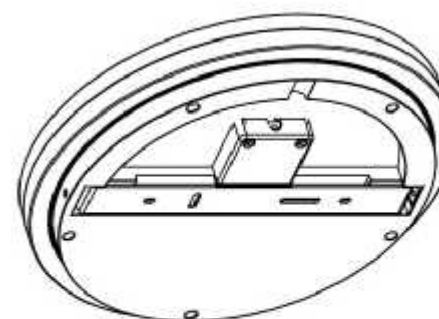
(21) Design Number: **13679/2014**  
(22) Date of Filing Application: **29 July 2014**  
(24) Date from which industrial property rights may have effect: **29 July 2014**  
(54) Product in respect of which the design is registered: **Flow meter housing**  
(51) International Design Classification: **10-04**  
(74) Name(s) of Attorney(s): **PHILLIPS ORMONDE FITZPATRICK**  
(71) Name(s) and Address(s) of Applicant(s):  
**Micro Motion, Inc.**  
**7070 Winchester Circle Boulder Colorado 80301 United States of America**  
(72) Name(s) of Designer(s): **Xiang Feng and Muyuan Liu and Yang Ye and Beilei Wang and Clinton R Griffin**  
(45) Registration Date: **01 August 2014**  
(30) Convention priority data:  
(31) Number (32) Date (33) Country  
**201430146127.5 23 May 2014 CHINA**  
(56) Related Art Documents: **Not Applicable**  
(57) Statement of Newness and Distinctiveness: **Nil**



(21) Design Number: **16605/2013**  
(22) Date of Filing Application: **17 December 2013**  
(24) Date from which industrial property rights may have effect: **17 December 2013**  
(54) Product in respect of which the design is registered: **A light**  
(51) International Design Classification: **26-05C**  
(74) Name(s) of Attorney(s): **James & Wells Intellectual Property**  
(71) Name(s) and Address(s) of Applicant(s):  
**Ningbo Ledeshi Electric Equipment Co. Limited**  
**438 Youngor Avenue Ningbo 315153 China**  
(72) Name(s) of Designer(s): **Ming Bin Wang**  
(45) Registration Date: **01 August 2014**  
(30) Convention priority data:  
(31) Number      (32) Date      (33) Country  
**0203865.4      24 May 2013      CHINA**  
(56) Related Art Documents: **Not Applicable**  
(57) Statement of Newness and Distinctiveness: **The design is to be applied to a LIGHT and novelty resides in the features of shape and configuration as shown in the accompanying representations.**



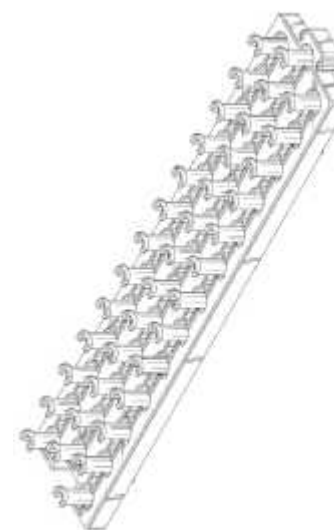
(21) Design Number: **16606/2013**  
(22) Date of Filing Application: **17 December 2013**  
(24) Date from which industrial property rights may have effect: **17 December 2013**  
(54) Product in respect of which the design is registered: **A light**  
(51) International Design Classification: **26-05C**  
(74) Name(s) of Attorney(s): **James & Wells Intellectual Property**  
(71) Name(s) and Address(s) of Applicant(s):  
**Ningbo Ledeshi Electric Equipment Co. Limited**  
**438 Youngor Avenue Ningbo 315153 China**  
(72) Name(s) of Designer(s): **Ming Bin Wang**  
(45) Registration Date: **01 August 2014**  
(30) Convention priority data:  
(31) Number      (32) Date      (33) Country  
**0204255.6      24 May 2013      CHINA**  
(56) Related Art Documents: **Not Applicable**  
(57) Statement of Newness and Distinctiveness: **The design is to be applied to a LIGHT and novelty resides in the features of shape and configuration as shown in the accompanying representations.**



(21) Design Number: **10116/2014**  
(22) Date of Filing Application: **13 January 2014**  
(24) Date from which industrial property rights may have effect: **13 January 2014**  
(54) Product in respect of which the design is registered: **Brunnian link forming loom**  
(51) International Design Classification: **02-07D**  
(74) Name(s) of Attorney(s):  
(71) Name(s) and Address(s) of Applicant(s):  
**Cheong Choon Ng**  
**44926 Paine Dr Novi MI 48377-2557 United States of America**  
(72) Name(s) of Designer(s): **Cheong Choon Ng**  
(45) Registration Date: **01 August 2014**  
(30) Convention priority data:  
(31) Number (32) Date (33) Country  
**29/468,549 01 Oct 2013 UNITED STATES OF AMERICA**  
(56) Related Art Documents: **Not Applicable**  
(57) Statement of Newness and Distinctiveness: **Nil**

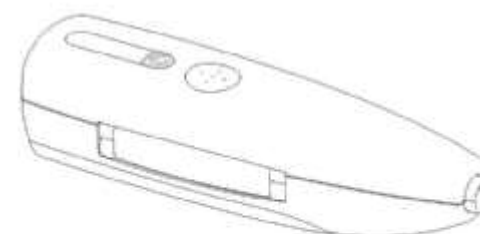


(21) Design Number: **10117/2014**  
(22) Date of Filing Application: **13 January 2014**  
(24) Date from which industrial property rights may have effect: **13 January 2014**  
(54) Product in respect of which the design is registered: **Brunnian link forming loom**  
(51) International Design Classification: **02-07D**  
(74) Name(s) of Attorney(s):  
(71) Name(s) and Address(s) of Applicant(s):  
**Cheong Choon Ng**  
**44926 Paine Dr Novi MI 48377-2557 United States of America**  
(72) Name(s) of Designer(s): **Cheong Choon Ng**  
(45) Registration Date: **01 August 2014**  
(30) Convention priority data:  
(31) Number (32) Date (33) Country  
**29/468,891 04 Oct 2013 UNITED STATES OF AMERICA**  
(56) Related Art Documents: **Not Applicable**  
(57) Statement of Newness and Distinctiveness: **Nil**





(21) Design Number: **10761/2014**  
(22) Date of Filing Application: **18 February 2014**  
(24) Date from which industrial property rights may have effect: **18 February 2014**  
(54) Product in respect of which the design is registered: **Electronic autoinjector**  
(51) International Design Classification: **24-02**  
(74) Name(s) of Attorney(s): **Davies Collison Cave**  
(71) Name(s) and Address(s) of Applicant(s):



**Bang & Olufsen Medicom A/S**  
**Gimsinglundvej 20 Strue 7600 Denmark**  
**Bayer Pharma Aktiengesellschaft**  
**Muellerstr. 178 Berlin 13353 GERMANY**

(72) Name(s) of Designer(s): **Carsten Petersen**

(45) Registration Date: **01 August 2014**

(30) Convention priority data:

(31) Number	(32) Date	(33) Country
<b>002313122-0001</b>	<b>20 Sep 2013</b>	<b>OFFICE FOR HARMONISATION IN THE INTERNAL MARKET (OHIM)</b>

(56) Related Art Documents: **Not Applicable**

(57) Statement of Newness and Distinctiveness: **Newness and distinctiveness is claimed in the visual features shown in solid lines in the representations.**

(21) Design Number: **12587/2014**  
(22) Date of Filing Application: **27 May 2014**  
(24) Date from which industrial property rights may have effect: **27 May 2014**  
(54) Product in respect of which the design is registered: **Container for cosmetics**  
(51) International Design Classification: **09-01G**  
(74) Name(s) of Attorney(s): **Corrs Chambers Westgarth**  
(71) Name(s) and Address(s) of Applicant(s):

**Christian Louboutin**  
**19 rue Jean-Jacques Rousseau Paris 75001 France**

(72) Name(s) of Designer(s): **Olivier Pascalie**

(45) Registration Date: **01 August 2014**

(56) Related Art Documents: **Not Applicable**

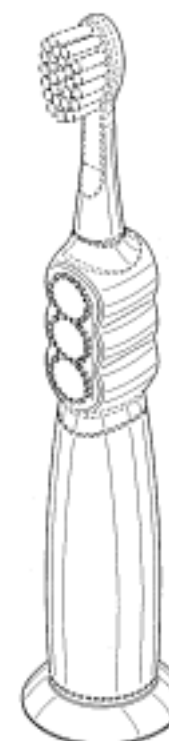
(57) Statement of Newness and Distinctiveness: **Nil**



- (21) Design Number: **10624/2014**  
(22) Date of Filing Application: **07 February 2014**  
(24) Date from which industrial property rights may have effect: **07 February 2014**  
(54) Product in respect of which the design is registered: **Neck exerciser**  
(51) International Design Classification: **28-03NES**  
(74) Name(s) of Attorney(s):  
(71) Name(s) and Address(s) of Applicant(s):  
**Sherborne Pty Ltd**  
**20 Cambridge Ave Vaucluse NSW 2030 Australia**  
(72) Name(s) of Designer(s): **Alex Warwick Sherborne**  
(45) Registration Date: **04 August 2014**  
(56) Related Art Documents: **Not Applicable**  
(57) Statement of Newness and Distinctiveness: **The newness and distinctiveness of the design resides in the shape of the frame combined with the surgical rubber band that spans across the top of it as shown in the accompanying representations and the size of the device approximating the human head. A bar at one end allows the tension of the surgical rubber to be adjusted and the friction of the rubber band on itself, holds it in place.**



- (21) Design Number: **12508/2014**  
(22) Date of Filing Application: **22 May 2014**  
(24) Date from which industrial property rights may have effect: **22 May 2014**  
(54) Product in respect of which the design is registered: **Toothbrush**  
(51) International Design Classification: **04-02**  
(74) Name(s) of Attorney(s): **Davies Collison Cave**  
(71) Name(s) and Address(s) of Applicant(s):  
**Children Oral Care, LLC**  
**6645 Caballero Boulevard Buena Park CA 90620 United States of America**  
(72) Name(s) of Designer(s): **Doug Corbett and Huy Kha Nguyen**  
(45) Registration Date: **04 August 2014**  
(30) Convention priority data:  
(31) Number      (32) Date      (33) Country  
**29/473728      25 Nov 2013      UNITED STATES OF AMERICA**  
(56) Related Art Documents: **Not Applicable**  
(57) Statement of Newness and Distinctiveness: **Newness and distinctiveness is claimed in the visual features shown in solid lines in the representations. In considering the extent of the design rights, the broken lines shown in the representations are for illustrative purposes only and do not form part of the design.**



(21) Design Number: **13280/2014**  
(22) Date of Filing Application: **07 July 2014**  
(24) Date from which industrial property rights may have effect: **07 July 2014**  
(54) Product in respect of which the design is registered: **Street lantern**  
(51) International Design Classification: **26-03**  
(74) Name(s) of Attorney(s): **SPRUSON & FERGUSON**  
(71) Name(s) and Address(s) of Applicant(s):

**Thorn Europhane S.A.**  
**Route de Paix, Les Andelys 27700 France**

(72) Name(s) of Designer(s): **Sven Von Boetticher**

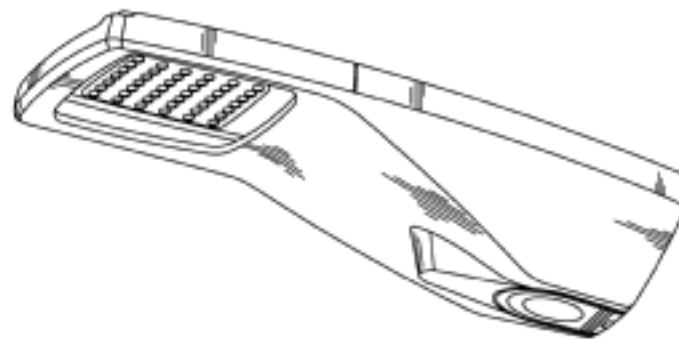
(45) Registration Date: **04 August 2014**

(30) Convention priority data:

(31) Number	(32) Date	(33) Country
<b>001 398 424</b>	<b>10 Jan 2014</b>	<b>OFFICE FOR HARMONISATION IN THE INTERNAL MARKET (OHIM)</b>

(56) Related Art Documents: **Not Applicable**

(57) Statement of Newness and Distinctiveness: **Newness and distinctiveness is claimed in the features of shape and/or configuration of a street lantern as illustrated in the accompanying representations.**



(21) Design Number: **13281/2014**  
(22) Date of Filing Application: **07 July 2014**  
(24) Date from which industrial property rights may have effect: **07 July 2014**  
(54) Product in respect of which the design is registered: **Street lantern**  
(51) International Design Classification: **26-03**  
(74) Name(s) of Attorney(s): **SPRUSON & FERGUSON**  
(71) Name(s) and Address(s) of Applicant(s):

**Thorn Europhane S.A.**  
**Route de Paix, Les Andelys 27700 France**

(72) Name(s) of Designer(s): **Sven Von Boetticher**

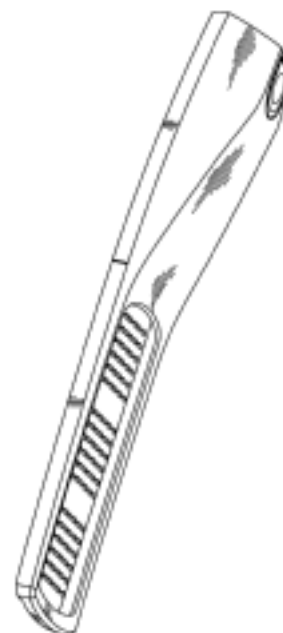
(45) Registration Date: **04 August 2014**

(30) Convention priority data:

(31) Number	(32) Date	(33) Country
<b>001 398 424</b>	<b>10 Jan 2014</b>	<b>OFFICE FOR HARMONISATION IN THE INTERNAL MARKET (OHIM)</b>

(56) Related Art Documents: **Not Applicable**

(57) Statement of Newness and Distinctiveness: **Newness and distinctiveness is claimed in the features of shape and/or configuration of a street lantern as illustrated in the accompanying representations.**



(21) Design Number: **13282/2014**  
(22) Date of Filing Application: **07 July 2014**  
(24) Date from which industrial property rights may have effect: **07 July 2014**  
(54) Product in respect of which the design is registered: **Street lantern**  
(51) International Design Classification: **26-03**  
(74) Name(s) of Attorney(s): **SPRUSON & FERGUSON**  
(71) Name(s) and Address(s) of Applicant(s):

**Thorn Europhane S.A.**  
**Route de Paix, Les Andelys 27700 France**

(72) Name(s) of Designer(s): **Sven Von Boetticher**

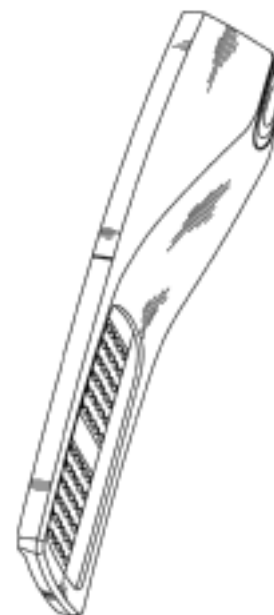
(45) Registration Date: **04 August 2014**

(30) Convention priority data:

(31) Number	(32) Date	(33) Country
<b>001 398 424</b>	<b>10 Jan 2014</b>	<b>OFFICE FOR HARMONISATION IN THE INTERNAL MARKET (OHIM)</b>

(56) Related Art Documents: **Not Applicable**

(57) Statement of Newness and Distinctiveness: **Newness and distinctiveness is claimed in the features of shape and/or configuration of a street lantern as illustrated in the accompanying representations.**



(21) Design Number: **13284/2014**  
(22) Date of Filing Application: **07 July 2014**  
(24) Date from which industrial property rights may have effect: **07 July 2014**  
(54) Product in respect of which the design is registered: **Inhaler device**  
(51) International Design Classification: **24-04**  
(74) Name(s) of Attorney(s): **PHILLIPS ORMONDE FITZPATRICK**  
(71) Name(s) and Address(s) of Applicant(s):

**Glaxo Group Limited**  
**980 Great West Road Brentford Middlesex TW8 9GS United Kingdom**

(72) Name(s) of Designer(s): **Gary Thomas Crosby and John Deamer and Philip William Farr and Stephen Maurice Pitson and Alan Anthony Wilson**

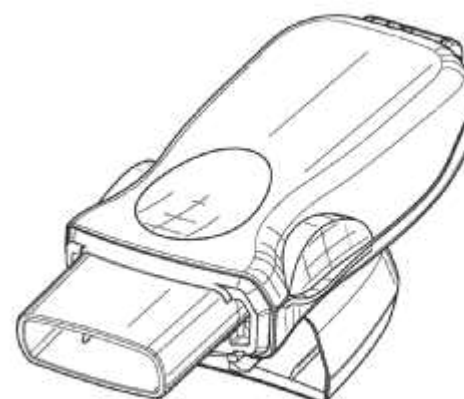
(45) Registration Date: **04 August 2014**

(30) Convention priority data:

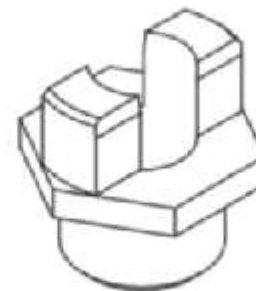
(31) Number	(32) Date	(33) Country
<b>4033636</b>	<b>08 Jan 2014</b>	<b>UNITED KINGDOM</b>

(56) Related Art Documents: **Not Applicable**

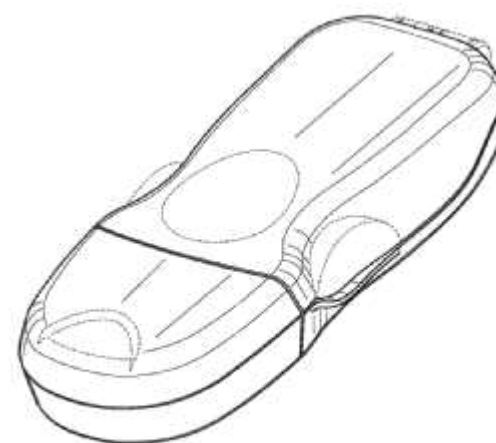
(57) Statement of Newness and Distinctiveness: **Those features of the inhaler device depicted in the representations that are new and distinctive are the shape and/or configuration.**



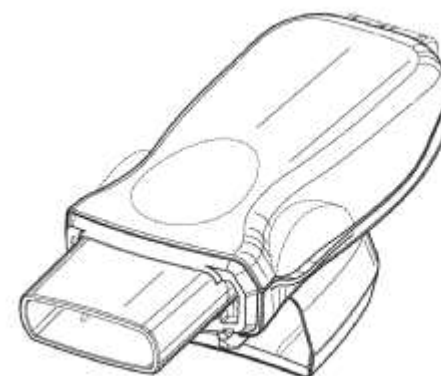
(21) Design Number: **12572/2014**  
(22) Date of Filing Application: **27 May 2014**  
(24) Date from which industrial property rights may have effect: **27 May 2014**  
(54) Product in respect of which the design is registered: **Drive**  
(51) International Design Classification: **08-01**  
(74) Name(s) of Attorney(s): **SPRUSON & FERGUSON**  
(71) Name(s) and Address(s) of Applicant(s):  
**OKA Rock Bolt Technologies Pty Limited**  
**3rd FL 169 King St Newcastle NSW 2300 Australia**  
(72) Name(s) of Designer(s): **Mark Levey and Paul Charlton**  
(45) Registration Date: **04 August 2014**  
(56) Related Art Documents: **Not Applicable**  
(57) Statement of Newness and Distinctiveness: **Newness and distinctiveness is claimed in the features of shape and/or configuration of a drive as illustrated in the accompanying representations.**



(21) Design Number: **13285/2014**  
(22) Date of Filing Application: **07 July 2014**  
(24) Date from which industrial property rights may have effect: **07 July 2014**  
(54) Product in respect of which the design is registered: **Inhaler device**  
(51) International Design Classification: **24-04**  
(74) Name(s) of Attorney(s): **PHILLIPS ORMONDE FITZPATRICK**  
(71) Name(s) and Address(s) of Applicant(s):  
**Glaxo Group Limited**  
**980 Great West Road Brentford Middlesex TW8 9GS United Kingdom**  
(72) Name(s) of Designer(s): **Gary Thomas Crosby and John Deamer and Philip William Farr and Stephen Maurice Pitson and Alan Anthony Wilson**  
(45) Registration Date: **04 August 2014**  
(30) Convention priority data:  
(31) Number      (32) Date      (33) Country  
**4033643      08 Jan 2014      UNITED KINGDOM**  
(56) Related Art Documents: **Not Applicable**  
(57) Statement of Newness and Distinctiveness: **Those features of the inhaler device depicted in the representations that are new and distinctive are the shape and/or configuration. The features shown in broken lines are not part of the design and are to be disregarded when considering the overall impression of the design.**



(21) Design Number: **13286/2014**  
(22) Date of Filing Application: **07 July 2014**  
(24) Date from which industrial property rights may have effect: **07 July 2014**  
(54) Product in respect of which the design is registered: **Inhaler device**  
(51) International Design Classification: **24-04**  
(74) Name(s) of Attorney(s): **PHILLIPS ORMONDE FITZPATRICK**  
(71) Name(s) and Address(s) of Applicant(s):  
**Glaxo Group Limited**  
**980 Great West Road Brentford Middlesex TW8 9GS United Kingdom**



(72) Name(s) of Designer(s): **Gary Thomas Crosby and John Deamer and Philip William Farr and Stephen Maurice Pitson and Alan Anthony Wilson**  
(45) Registration Date: **04 August 2014**  
(30) Convention priority data:  
(31) Number      (32) Date      (33) Country  
**4033644      08 Jan 2014      UNITED KINGDOM**  
(56) Related Art Documents: **Not Applicable**  
(57) Statement of Newness and Distinctiveness: **Those features of the inhaler device depicted in the representations that are new and distinctive are the shape and/or configuration. The features shown in broken lines are not part of the design and are to be disregarded when considering the overall impression of the design.**

(21) Design Number: **13289/2014**  
(22) Date of Filing Application: **07 July 2014**  
(24) Date from which industrial property rights may have effect: **07 July 2014**  
(54) Product in respect of which the design is registered: **Footwear with large rubberized patches**  
(51) International Design Classification: **02-04NES**  
(74) Name(s) of Attorney(s): **SPRUSON & FERGUSON**  
(71) Name(s) and Address(s) of Applicant(s):  
**Ariat International, Inc.**  
**3242 Whipple Road Union City California 94587 United States of America**



(72) Name(s) of Designer(s): **Peter Backus**  
(45) Registration Date: **04 August 2014**  
(30) Convention priority data:  
(31) Number      (32) Date      (33) Country  
**29/479082      10 Jan 2014      UNITED STATES OF AMERICA**  
(56) Related Art Documents: **Not Applicable**  
(57) Statement of Newness and Distinctiveness: **Newness and distinctiveness is claimed in those features of shape and/or configuration of a footwear with large rubberized patches illustrated in continuous lines in the accompanying representations.**

- (21) Design Number: **13290/2014**  
(22) Date of Filing Application: **07 July 2014**  
(24) Date from which industrial property rights may have effect: **07 July 2014**  
(54) Product in respect of which the design is registered: **Doll**  
(51) International Design Classification: **21-01B**  
(74) Name(s) of Attorney(s): **Shelston IP**  
(71) Name(s) and Address(s) of Applicant(s):  
**Cupcake Dolls International Ltd.**  
**1704 Fo Tan Industrial Centre 26-28 Au Pui Wan Street Fo Tan Shatin**  
**Hong Kong People's Republic of China**  
(72) Name(s) of Designer(s): **Elena Sorzi**  
(45) Registration Date: **04 August 2014**  
(30) Convention priority data:  
(31) Number      (32) Date      (33) Country  
**29/478412      05 Jan 2014      UNITED STATES OF AMERICA**  
(56) Related Art Documents: **Not Applicable**  
(57) Statement of Newness and Distinctiveness: **Newness and distinctiveness reside in one or more visual features of the doll as shown in the accompanying representations without horizontal hatching and/or dashed lines. The visual features shown with horizontal hatching and/or dashed lines represent features that do not form part of the design.**

