



Australian Government

IP Australia

AUSTRALIAN OFFICIAL JOURNAL

OF

DESIGNS

Did you know a searchable version of this journal is now available online?

It's FREE and EASY to SEARCH.

Find it on our website (www.ipaustralia.gov.au)

by using the "Journals" link on the home page.

This Page Left Intentionally Blank

Contents

General Information & Notices

**Proceedings Under the Designs Act 1906 preserved as a result of the provisions of Chapter 12
Part 2 of the Designs Act 2003**

Extension of Period of Registration of Designs	2336
Registrations Ceased	2336
Subsequent Owners Registered	2336
Extensions of time granted under Section 27B (2).	2336

Proceedings Under the Designs Act 2003

Applications Lodged	2340
Applications Withdrawn	2347
Certificate of Examination	2351
Extension of Period of Registration of Design	2349
Extension of Time Granted Under Section 137	2349
Names Registered - Alterations and Amendments	2350
Publication and Registration Proceedings	
Designs Registered 356737 to 356939.	2352
Registrations Ceased	2349
Subsequent Owners Registered	2349
Corrigenda	2350

This Page Left Intentionally Blank

For information on the following please see our website www.ipaustralia.gov.au or contact our Customer Service Network on 1300651010

[Editorial enquiries](#)

[Contact information](#)

[Freedom of Information ACT](#)

[Professional Standards Board](#)

[Sales](#)

[Requests for Information under Section 194 \(c\)](#)

[Country Codes](#)

[Trade Mark and Designs Hearing Sessions](#)

[INID \(Internationally agreed Numbers for the Identification of Data\)](#)

“INID” NUMBERS in use on Australian Design Documents

“INID” is an acronym for “Internationally agreed Numbers for the Identification of Data”.

(10) Data concerning the registration/renewal

- (11) Serial number of the registration and/or number of the design document
- (12) Plain language designation of the kind of published document
- (19) Identification, using the two-letter code according to WIPO Standard ST.3, of the authority publishing or registering the industrial design

(20) Data concerning the application

- (21) Serial number of the application
- (22) Date of filing of the application
- (24) Date from which the industrial design right has effect

(30) Data relating to priority under the Paris Convention

- (31) Serial number assigned to the priority application
- (32) Date of filing of the priority application
- (33) Two-letter code, according to WIPO Standard ST.3, identifying the authority with which the priority application was made

(40) Date(s) of making information available to the public

- (45) Date of publication of the registered industrial design by printing or similar process, or making it available to the public by any other means

(50) Miscellaneous Information

- (51) International Classification for Industrial Designs (class and subclass of the Locarno Classification)
- (54) Designation of article(s) or product(s) covered by the industrial design or title of the industrial design
- (55) Reproduction of the industrial design (e.g., drawing, photograph) and explanations relating to the reproduction
- (56) List of prior art documents, if separate from descriptive text
- (57) Description of characteristic features of the industrial design including indication of colours

(60) References to other legally related application(s) and registration(s)

- (62) Serial number(s) and, if available, filing date(s) of application(s), registration(s) or document(s) related by division
- (66) Serial number(s) of the application, or the registration, of the design(s) which is (are) a variant(s) of the present one

(70) Identification of parties concerned with the application or registration

- (71) Name(s) and address(es) of the applicant(s)
- (72) Name(s) of the creator(s) if known to be such
- (74) Name(s) and address(es) of the representative(s)

This Page Left Intentionally Blank

Nil notices for this journal issue.

Proceedings under the Designs Act 1906 preserved as a result of the provisions of Chapter 12 Part 2 of the Designs Act 2003.

This Page Left Intentionally Blank

Applications Lapsed

There were no Applications Lapsed under this section

Extension of Period of Registration of Designs

1st Period (Section 27A(8))

2nd Period (Section 27A(12))

3rd Period (Section 27A(13))

153165	153459	153460
153641	153663	153758
153857	154216	154293
154294	154355	154387
154388	154471	154475
154646	155191	155208
156073	156146	156268
156269	156702	156784
157095	157513	157535
157536	157537	157540
157723	157836	157837
157925	157926	157932
157994		

138173	138174	138175
138176	138234	138235
138337	138466	138613
138614	138615	138736
138837	138839	139060
139083	139229	139232
139410	139427	139472
139473	139474	139475
139983	140123	140203
141145	143761	143762
143763	148668	150216
150314	150468	150870
151030	151181	151327
151339	151340	151389
151390	151403	151404
151474	151501	151680
151681	151682	151683
151784	151785	151786
151787	151790	151791
151848	151985	152025
152026	152181	152328
152406	152446	152734
153034	153055	153058
153318	153589	153631
154169	154207	154208
155025	155082	155460
155870	155891	156002
156003	156022	156222
157973		

Registrations Ceased

Note: Some of the following Registrations may have been previously advertised as ceased. In this instance, the previous advertisement still prevails.

134682	134782	134922
135937	135939	135961
135984	135985	135987
135988	136007	136008
136076	136079	136095
136098	136220	136239
136272	136273	136275
136347	136351	136401
136402	136403	136405
136406	136407	136429
136465	136526	136527
136528	136570	136571
136572	136634	136635
136808	136907	136994
137260	137263	137317
137356	137357	137358
137359	137360	137361
137362	137363	137364
137365	137366	137367
137368	137372	137373
137416	137495	137498
137501	137691	137717
137718	137882	137883
137884	137885	137886
137887	137888	138171

Subsequent Owners Registered

(The name in parentheses is that of the subsequent owner)

156237	(The Procter & Gamble Company)	The IAMS Company
158373	(The Procter & Gamble Company)	The IAMS Company

Extensions of time granted under Section 27B (2)

Applications lodged under section 27B (2) for extension of time have been granted.

137424 **Bucam Pty Ltd**

This Page Left Intentionally Blank

Proceedings under the Designs Act 2003.

This Page Left Intentionally Blank

Applications Lodged

Lodgement information is in the following order: **Applicant's Name**; International Classification, Name of Product, Lodgement Date and **Design Number**. If the applicant claims an earlier priority date under an International Convention, the Convention Country and the associated filing date are shown in parentheses before the Lodgement Date. Divisional information will also appear in parentheses before the Lodgement Date.

"HTL-STREFA" Spolka Akcyjna; 24-02, Device for puncturing a skin, (EM, 31 Mar 2014) 11 Aug 2014	13948/2014	Bayer Animal Health GmbH; 30-02, Box for honey bee examination, (EM, 11 Feb 2014) 11 Aug 2014	13941/2014
iKashmore Pty Ltd; 24-02, Adaptor, 13 Aug 2014	13989/2014	Bemis Manufacturing Company; 07-07NES, Hand basket, (US, 14 Feb 2014) 13 Aug 2014	13992/2014
AbbVie Inc.; 24-01, Injection tool, (US, 12 Feb 2014) 12 Aug 2014	13955/2014	Bonaverde UG; 07-02L, Coffee machine, (EM, 07 Aug 2014) 13 Aug 2014	13988/2014
Angle Assist Pty Ltd; 08-08NES, Extension arm, 07 Aug 2014	13870/2014	Breville Pty Limited; 31-00, Motorised blender base, 08 Aug 2014	13927/2014
Antler Limited; 03-01A, Suitcase, (EM, 04 Feb 2014) 04 Aug 2014	13782/2014	Bridgestone Corporation; 12-15C, Automobile tyre, (EM, 05 Feb 2014) 01 Aug 2014	13736/2014
ArjoHuntleigh AB; 24-01, Leg lifting device, (EM, 17 Jul 2014) 01 Aug 2014	13737/2014	Bulgari Horlogerie S.A.; 10-02, Wristwatch, (EM, 07 Mar 2014) 12 Aug 2014	13962/2014
ArjoHuntleigh AB; 24-01, Leg lifting device, (EM, 16 Jul 2014) 01 Aug 2014	13740/2014	Bunney, Renae; 09-01NES, Bottle, 05 Aug 2014	13815/2014
Australian Lock Company Pty Ltd; 08-07, Key blank, 12 Aug 2014	13970/2014	BELL & ROSS B.V.; 10-02, Watch, (EM, 12 Feb 2014) 07 Aug 2014	13858/2014
ABUS August Bremicker Sohne KG; 08-07, Locking or closing devices, (EM, 14 Feb 2014) 12 Aug 2014	13958/2014	BELL & ROSS B.V.; 10-02, Watch, (EM, 12 Feb 2014) 07 Aug 2014	13859/2014
ARB Corporation Limited; 12-16B, Vehicle canopy, 06 Aug 2014	13832/2014	BELL & ROSS B.V.; 10-02, Watch, (EM, 12 Feb 2014) 07 Aug 2014	13857/2014
ASSA ABLOY Australia Pty Limited; 08-07, Lockable bolt, 07 Aug 2014	13865/2014	BISSELL Homecare, Inc.; 15-05, Floor cleaner accessory tool, (US, 04 Mar 2014) 14 Aug 2014	14003/2014
AUSTRALIAN FASHION LABELS PTY LTD; 05-05A, A textile print, 07 Aug 2014	13840/2014	BISSELL Homecare, Inc.; 09-01NES, Bottle, (US, 02 Apr 2014) 14 Aug 2014	14002/2014
AUSTRALIAN FASHION LABELS PTY LTD; 05-05C, A textile print, 07 Aug 2014	13844/2014	BISSELL Homecare, Inc.; 15-05, Floor cleaner accessory tool, (US, 07 Mar 2014) 13 Aug 2014	13987/2014
AUSTRALIAN FASHION LABELS PTY LTD; 05-05D, A textile print, 07 Aug 2014	13845/2014	Caldwell, Elissa;Ledger, Kim; 08-08D, Riser pipe services clamp, 04 Aug 2014	13783/2014
AUSTRALIAN FASHION LABELS PTY LTD; 05-05A, A textile print, 07 Aug 2014	13846/2014	Caldwell, Elissa;Ledger, Kim; 08-08D, Riser pipe services clamp, 04 Aug 2014	13784/2014
AUSTRALIAN FASHION LABELS PTY LTD; 05-05NES, A textile print, 07 Aug 2014	13847/2014	Chanel Limited; 10-02, Watch, (GB, 07 Feb 2014) 04 Aug 2014	13770/2014
AUSTRALIAN FASHION LABELS PTY LTD; 05-05D, A textile print, 07 Aug 2014	13841/2014	Chiesi Farmaceutici S.p.A.; 24-01, A catheter, (EM, 19 Feb 2014) 14 Aug 2014	14015/2014
B COLEMAN & S.A COLEMAN; 25-01E, Fence post, 08 Aug 2014	13928/2014		

Collis, Peter; 12-11, Bicycle frame, (EM, 11 Feb 2014) 07 Aug 2014	13869/2014	Dyson Technology Limited; 15-05, Vacuum cleaner, (EM, 21 Feb 2014) 14 Aug 2014	14014/2014
Cryovac Australia Pty Ltd; 09-02NES, Tub, 11 Aug 2014	13949/2014	Eveready Battery Company; 26-02, Lighting device, (US, 20 Mar 2014) 07 Aug 2014	13856/2014
CLEAR LAM PACKAGING, INC.; 09-05, Film used to make packages, (US, 14 Feb 2014) 14 Aug 2014	14010/2014	Farrawell, Robert Douglas; 08-05NES, Lifting tongs for temporary fencing base blocks, 11 Aug 2014	13946/2014
CLEAR LAM PACKAGING, INC.; 09-03M, Package, (US, 14 Feb 2014) 14 Aug 2014	14016/2014	Ferrari S.p.A.; 12-08, 21-01C, Car; toy-car, (EM, 10 Feb 2014) 04 Aug 2014	13766/2014
CLEAR LAM PACKAGING, INC.; 09-03M, Package, (US, 14 Feb 2014) 14 Aug 2014	14024/2014	Forever New Clothing Pty Ltd; 02-02C, Article of clothing, (Divisional of 16283/2013) 04 Aug 2014	13773/2014
COMPAGNIE GENERALE DES ETABLISSEMENTS MICHELIN; Michelin Recherche et Technique S.A.; 12-15B, A tyre, (US, 03 Feb 2014) 01 Aug 2014	13747/2014	Forever New Clothing Pty Ltd; 02-02NES, Article of clothing, (Divisional of 16283/2013) 04 Aug 2014	13777/2014
Daikin Industries Ltd.; 23-04, Air conditioner, (JP, 20 Feb 2014) 07 Aug 2014	13843/2014	Forever New Clothing Pty Ltd; 02-02C, Article of clothing, 04 Aug 2014	13772/2014
Dart Industries Inc.; 07-01F, Handle for pitcher, (US, 18 Mar 2014) 27 Jul 2014	14007/2014	Forever New Clothing Pty Ltd; 02-02NES, Article of clothing, (Divisional of 16283/2013) 04 Aug 2014	13776/2014
Delios Pty Ltd;Rapid Resource Solutions Pty. Ltd.; 12-16M, Brake rotors, flywheel clutch, clutch covers, 02 Aug 2014	14011/2014	Forever New Clothing Pty Ltd; 02-02C, Article of clothing, (Divisional of 16283/2013) 04 Aug 2014	13774/2014
Dog Owners Outdoor Gear Pty Ltd; 30-99, Dog toy, 05 Aug 2014	13816/2014	Forever New Clothing Pty Ltd; 02-02NES, Article of clothing, (Divisional of 16283/2013) 04 Aug 2014	13775/2014
Dog Owners Outdoor Gear Pty Ltd; 30-99, Dog Toy, 05 Aug 2014	13818/2014	Forever New Clothing Pty Ltd; 02-02C, Article of clothing, (Divisional of 16283/2013) 04 Aug 2014	13778/2014
Dog Owners Outdoor Gear Pty Ltd; 30-99, Dog toy, 05 Aug 2014	13817/2014	Forever New Clothing Pty Ltd; 02-02NES, Article of clothing, (Divisional of 16282/2013) 08 Aug 2014	13889/2014
Dosatron International; 15-02, Metering pump, (EM, 09 Apr 2014) 14 Aug 2014	14023/2014	Forever New Clothing Pty Ltd; 02-02NES, Article of clothing, (Divisional of 16282/2013) 08 Aug 2014	13890/2014
Dropbox, Inc.; 14-04, Display screen, (US, 12 Apr 2014) 12 Aug 2014	13978/2014	Forever New Clothing Pty Ltd; 02-02NES, Article of clothing, (Divisional of 16282/2013) 08 Aug 2014	13891/2014
Dundee Precious Metals Inc.; 03-01NES, Case for an electronic device, (CA, 05 Feb 2014) 04 Aug 2014	13762/2014	Forever New Clothing Pty Ltd; 02-02C, Article of clothing, (Divisional of 16282/2013) 08 Aug 2014	13892/2014
Dyson Technology Limited; 15-05, Vacuum cleaner, (EM, 21 Feb 2014) 14 Aug 2014	14022/2014	Forever New Clothing Pty Ltd; 02-02C, Article of clothing, (Divisional of 16282/2013) 08 Aug 2014	13893/2014
Dyson Technology Limited; 15-05, Vacuum cleaner, (EM, 21 Feb 2014) 14 Aug 2014	14006/2014	Forever New Clothing Pty Ltd; 02-02C, Article of clothing, (Divisional of 16282/2013) 08 Aug 2014	13894/2014
Dyson Technology Limited; 15-05, Part for vacuum cleaner, (EM, 21 Feb 2014) 14 Aug 2014	14025/2014	Forever New Clothing Pty Ltd; 02-02NES, Article of clothing, (Divisional of 16282/2013) 08 Aug 2014	13895/2014
Dyson Technology Limited; 15-05, Vacuum cleaner, (EM, 21 Feb 2014) 14 Aug 2014	14018/2014		

Forever New Clothing Pty Ltd; 02-02NES, Article of clothing, (Divisional of 16282/2013) 08 Aug 2014	13896/2014	Guangzhou Gardenart Furniture Co. Ltd;Zhou, Xuan; 06-03B, Alu table, 08 Aug 2014	13934/2014
Forever New Clothing Pty Ltd; 02-02C, Article of clothing, (Divisional of 16282/2013) 08 Aug 2014	13897/2014	Guangzhou Gardenart Furniture Co. Ltd;Zhou, Xuan; 06-03A, Alu table, 08 Aug 2014	13933/2014
Forever New Clothing Pty Ltd; 02-02C, Article of clothing, (Divisional of 16282/2013) 08 Aug 2014	13898/2014	Guangzhou Gardenart Furniture Co. Ltd;Zhou, Xuan; 06-01F, Alu chair, 08 Aug 2014	13935/2014
Forever New Clothing Pty Ltd; 02-02C, Article of clothing, (Divisional of 16282/2013) 08 Aug 2014	13899/2014	Guangzhou Gardenart Furniture Co. Ltd;Zhou, Xuan; 06-03B, Alu table, 06 Aug 2014	13820/2014
Forever New Clothing Pty Ltd; 02-02C, Article of clothing, (Divisional of 16282/2013) 08 Aug 2014	13900/2014	Guangzhou Gardenart Furniture Co., Ltd;Zhou, Xuan; 06-01H, Alu sofa, 08 Aug 2014	13885/2014
Forever New Clothing Pty Ltd; 02-02C, Article of clothing, (Divisional of 16282/2013) 08 Aug 2014	13901/2014	Guangzhou Gardenart Furniture Co., Ltd;Zhou, Xuan; 06-01G, Alu sofa, 08 Aug 2014	13878/2014
Forever New Clothing Pty Ltd; 02-02NES, Article of clothing, (Divisional of 16283/2013) 04 Aug 2014	13781/2014	Guangzhou Gardenart Furniture Co., Ltd;Zhou, Xuan; 06-01G, Alu sofa, 08 Aug 2014	13876/2014
Forever New Clothing Pty Ltd; 02-02NES, Article of clothing, (Divisional of 16283/2013) 04 Aug 2014	13779/2014	Guangzhou Gardenart Furniture Co., Ltd;Zhou, Xuan; 06-01G, Alu sofa, 08 Aug 2014	13875/2014
Forever New Clothing Pty Ltd; 02-02C, Article of clothing, (Divisional of 16283/2013) 04 Aug 2014	13780/2014	Guangzhou Gardenart Furniture Co., Ltd;Zhou, Xuan; 06-01G, Alu sofa, 08 Aug 2014	13877/2014
Foshan Pioneer Enterprise; 09-03NES, Object carrier(model B), (CN, 31 Jul 2014) 12 Aug 2014	13961/2014	Guangzhou Gardenart Furniture Co., Ltd;Zhou, Xuan; 06-01G, Alu sofa, 08 Aug 2014	13874/2014
French Accent Limited; 02-03, Headwear, (NZ, 12 Feb 2014) 12 Aug 2014	13963/2014	Guangzhou Gardenart Furniture Co., Ltd;Zhou, Xuan; 06-01H, Alu sofa, 08 Aug 2014	13884/2014
Geometria Pte. Ltd.; 07-01A, Flower shaped plate, (SG, 11 Feb 2014) 11 Aug 2014	13944/2014	Guangzhou Gardenart Furniture Co., Ltd;Zhou, Xuan; 06-01H, Alu sofa, 08 Aug 2014	13886/2014
GlaxoSmithKline LLC; 09-03M, Package, (US, 12 Nov 2013) (Divisional of 12241/2014) 01 Aug 2014	13738/2014	Guangzhou Gardenart Furniture Co., Ltd;Zhou, Xuan; 06-01H, Alu sofa, 08 Aug 2014	13883/2014
GlaxoSmithKline LLC; 09-03M, Package, (US, 12 Nov 2013) (Divisional of 12241/2014) 01 Aug 2014	13739/2014	Guangzhou Gardenart Furniture Co., Ltd;Zhou, Xuan; 06-01H, Alu sofa, 08 Aug 2014	13887/2014
Gosling Chapman Trustee Company Limited;Jenden, Roderick Charles; 23-02A, A holder, (NZ, 12 Feb 2014) 12 Aug 2014	13953/2014	Gustav Klauke GmbH; 08-05NES, Hand power tool, (EP, 21 Feb 2014) 11 Aug 2014	13945/2014
Guangzhou Gardenart Furniture Co. Ltd;Zhou, Xuan; 06-01F, Alu chair, 08 Aug 2014	13936/2014	Gustav Klauke GmbH; 08-05NES, Hand power tool, (EP, 21 Feb 2014) 11 Aug 2014	13947/2014
Guangzhou Gardenart Furniture Co. Ltd;Zhou, Xuan; 06-03A, Alu table, 08 Aug 2014	13931/2014	GREAT GRAB PTY LTD; 25-03, 99, Letterbox, 05 Aug 2014	13819/2014
Guangzhou Gardenart Furniture Co. Ltd;Zhou, Xuan; 06-03A, Alu table, 08 Aug 2014	13932/2014	Herbert Waldmann GmbH & Co. KG; 26-05B, A lamp, (DE, 21 Feb 2014) 12 Aug 2014	13982/2014
		Herbert Waldmann GmbH & Co. KG; 26-05B, A lamp, (DE, 21 Feb 2014) 12 Aug 2014	13976/2014

Herbert Waldmann GmbH & Co. KG; 26-05B, A lamp, (DE, 21 Feb 2014) 12 Aug 2014	13974/2014	Intermed Asia Limited; 21-01M, Promotional device interconnected puzzle, (CN, 25 Apr 2014) 07 Aug 2014	13862/2014
Herbert Waldmann GmbH & Co. KG; 26-05B, A lamp, (DE, 21 Feb 2014) 12 Aug 2014	13975/2014	Jenden, Roderick Charles;Gosling Chapman Trustee Company Limited; 23-02A, A holder, (NZ, 12 Feb 2014) 12 Aug 2014	13953/2014
Herbert Waldmann GmbH & Co. KG; 26-05B, A lamp, (DE, 21 Feb 2014) 12 Aug 2014	13980/2014	Jordan, John Albert; 29-01, Fire fighting accessory, 30 Jun 2014	13943/2014
Herbert Waldmann GmbH & Co. KG; 26-05B, A lamp, (DE, 21 Feb 2014) 12 Aug 2014	13977/2014	Jordan, John Albert; 29-01, Fire fighting accessories, 30 Jun 2014	13942/2014
Hicks, Gerald James; 25-02C, Metal gate, 14 Aug 2014	14004/2014	K'NEX Limited Partnership Group; 21-01E, Positioning element for construction toy, (US, 14 Nov 2013) (Divisional of 12325/2014) 01 Aug 2014	13733/2014
Honda Motor Co., Ltd.; 26-06, Front combination lamp for automobile, (JP, 07 Feb 2014) 01 Aug 2014	13731/2014	Kang, Kyung Hwan; 03-01D, 03-01NES, The food storage board, (KR, 16 Jul 2014) 08 Aug 2014	13930/2014
Honda Motor Co., Ltd.; 12-11, Motor scooter, (JP, 14 Feb 2014) 06 Aug 2014	13836/2014	Karr, Peter; 08-08K, Bracket 4 horizontal slat fences, 12 Aug 2014	13972/2014
Honda Motor Co., Ltd.; 12-16E, Rear combination lamp case for motorcycle, (JP, 14 Feb 2014) 06 Aug 2014	13825/2014	Karsten Manufacturing Corporation; 21-02C, Golf club head, (US, 19 Feb 2014) 06 Aug 2014	13822/2014
Honda Motor Co., Ltd.; 26-06, Front combination lamp for automobile, (JP, 07 Feb 2014) 01 Aug 2014	13732/2014	King Furniture Australia Pty Ltd; 06-01G, A sofa, 08 Aug 2014	13907/2014
Honda Motor Co., Ltd.; 12-11, Rear cover for motorcycle, (JP, 14 Feb 2014) 06 Aug 2014	13842/2014	King Furniture Australia Pty Ltd; 06-01G, A sofa, 08 Aug 2014	13905/2014
Hsu, Tzu Li; 24-02, Tongue anteriorizer, (CN, 27 Mar 2014) 14 Aug 2014	14005/2014	King Furniture Australia Pty Ltd; 06-01G, A sofa, 08 Aug 2014	13906/2014
HTL Australia Pty Ltd; 06-01G, A sofa, 12 Aug 2014	13966/2014	King Furniture Australia Pty Ltd; 06-01G, A chaise, 08 Aug 2014	13904/2014
HTL Australia Pty Ltd; 06-01G, A sofa, 12 Aug 2014	13968/2014	King Furniture Australia Pty Ltd; 06-01G, A chaise, 08 Aug 2014	13908/2014
HTL Australia Pty Ltd; 06-01G, A sofa, 12 Aug 2014	13971/2014	King Furniture Australia Pty Ltd; 06-01G, A chair, 08 Aug 2014	13914/2014
HTL Australia Pty Ltd; 06-01G, A sofa, 12 Aug 2014	13973/2014	King Furniture Australia Pty Ltd; 06-01G, A chair, 08 Aug 2014	13915/2014
Iconic Worldwide Gaming Limited; 14-04, 21-01L, All products listed in 201410752 at its filing, (Divisional of 10752/2014) 01 Aug 2014	13748/2014	King Furniture Australia Pty Ltd; 06-01G, A chair, 08 Aug 2014	13916/2014
Intermed Asia Limited; 21-01M, Promotional device interconnected puzzle, (CN, 25 Apr 2014) 07 Aug 2014	13861/2014	King Furniture Australia Pty Ltd; 06-01G, A chair, 08 Aug 2014	13911/2014
Intermed Asia Limited; 21-01M, Promotional device interconnected puzzle, (CN, 25 Apr 2014) 07 Aug 2014	13863/2014	King Furniture Australia Pty Ltd; 06-01G, A chaise, 08 Aug 2014	13913/2014
Intermed Asia Limited; 21-01M, Promotional device interconnected puzzle, (CN, 25 Apr 2014) 07 Aug 2014	13864/2014	King Furniture Australia Pty Ltd; 06-01G, A chaise, 08 Aug 2014	13912/2014
		King Furniture Australia Pty Ltd; 06-01G, A chaise, 08 Aug 2014	13903/2014
		King Furniture Australia Pty Ltd; 06-01G, A chaise, 08 Aug 2014	13910/2014
		King Furniture Australia Pty Ltd; 06-01G, A chaise, 08 Aug 2014	13902/2014

King Furniture Australia Pty Ltd; 06-01G, A chaise, 08 Aug 2014	13909/2014	Litestone Holdings Pty Limited; 25-01D, 25-02E, Kit for forming a panel, 04 Aug 2014	13785/2014
King Furniture Australia Pty Ltd; 06-01G, A sofa, 08 Aug 2014	13920/2014	Lock, Trevor Stanley; 08-03, Cutting blade, 13 Aug 2014	13994/2014
King Furniture Australia Pty Ltd; 06-01G, A sofa, 08 Aug 2014	13922/2014	Lock, Trevor Stanley; 08-03, Cutting blade, 13 Aug 2014	13995/2014
King Furniture Australia Pty Ltd; 06-01G, A chaise, 08 Aug 2014	13923/2014	LM Australasia Pty Ltd; 02-01B, Maternity shorts, 04 Aug 2014	13761/2014
King Furniture Australia Pty Ltd; 06-01G, A sofa, 08 Aug 2014	13921/2014	Maglica, Anthony; 26-02, Flashlight, (US, 04 Feb 2014) 01 Aug 2014	13735/2014
King Furniture Australia Pty Ltd; 06-01G, A chaise, 08 Aug 2014	13918/2014	Maglica, Anthony; 26-02, Flashlight, (US, 04 Feb 2014) 01 Aug 2014	13734/2014
King Furniture Australia Pty Ltd; 06-01G, A chaise, 08 Aug 2014	13919/2014	Marceau, Jacques Adam; 02-02C, 02-07A, Pants shorts tracksuits jeans, 08 Aug 2014	13882/2014
King Furniture Australia Pty Ltd; 06-01G, A chaise, 01 Aug 2014	13745/2014	Marceau, Jacques Adam; 02-07A, 08-99, Pants shorts jeans, 12 Aug 2014	13954/2014
King Furniture Australia Pty Ltd; 06-01G, A sofa, 01 Aug 2014	13746/2014	Maserati S.p.A.; 12-08, 21-01C, Car; toy-car, (WO, 19 Feb 2014) 04 Aug 2014	13767/2014
Kitbrix Ltd.; 03-01A, Sports bag, (EM, 07 Feb 2014) 07 Aug 2014	13866/2014	McKail, Robert; 24-99, Alerting device to prevent snoring, 13 Aug 2014	13999/2014
Kitbrix Ltd.; 03-01A, Sports bag, (EM, 07 Feb 2014) 07 Aug 2014	13868/2014	McMiles, Ian Cameron; 07-05D, A clothes line support structure, 08 Aug 2014	13925/2014
Kitbrix Ltd.; 03-01A, Sports bags, (EM, 07 Feb 2014) 07 Aug 2014	13867/2014	Medline Industries, Inc.; 24-02, A clamp, (US, 12 Feb 2014) 12 Aug 2014	13986/2014
Koninklijke Philips N.V.; 15-05, 28-03A, Cartridge for cleaning device for shavers, (EM, 13 Feb 2014) 12 Aug 2014	13952/2014	Medline Industries, Inc.; 24-02, A clamp, (US, 12 Feb 2014) 12 Aug 2014	13983/2014
Koninklijke Philips N.V.; 15-05, 28-03A, Washing machine for shavers, (EM, 13 Feb 2014) 12 Aug 2014	13951/2014	Medline Industries, Inc.; 24-02, A clamp, (US, 12 Feb 2014) 12 Aug 2014	13985/2014
L & F Plastics Co., Ltd; 09-04, Container, (TW, 25 Mar 2014) 07 Aug 2014	13853/2014	Medline Industries, Inc.; 24-02, A clamp, (US, 12 Feb 2014) 12 Aug 2014	13984/2014
L & F Plastics Co., Ltd; 09-04, Container, (TW, 27 Feb 2014) 07 Aug 2014	13849/2014	Metal Technics Limited; 12-10, Barrow, trailer and convertible trailer-barrow, (NZ, 20 Feb 2014) 07 Aug 2014	13860/2014
L & F Plastics Co., Ltd; 09-04, Container, (TW, 27 Feb 2014) 07 Aug 2014	13851/2014	Michelin Recherche et Technique S.A.;COMPAGNIE GENERALE DES ETABLISSEMENTS MICHELIN; 12-15B, A tyre, (US, 03 Feb 2014) 01 Aug 2014	13747/2014
L & F Plastics Co., Ltd; 09-04, Container, (TW, 25 Mar 2014) 07 Aug 2014	13852/2014	Micro Motion, Inc.; 03-01NES, Process sensor enclosure for flow meter, (CN, 23 May 2014) 23 Jun 2014	13879/2014
Ledger, Kim;Caldwell, Elissa; 08-08D, Riser pipe services clamp, 04 Aug 2014	13784/2014	Microsoft Mobile OY; 13-02, Portable charger, (US, 12 Feb 2014) 12 Aug 2014	13969/2014
Ledger, Kim;Caldwell, Elissa; 08-08D, Riser pipe services clamp, 04 Aug 2014	13783/2014		

Microsoft Mobile OY; 13-02, Portable charger, (US, 12 Feb 2014) 12 Aug 2014	13981/2014	Primsal Pty Ltd; 26-04, LED lamp, 01 Aug 2014	13755/2014
Mitsubishi Rayon Co., Ltd.; 23-01H, Mixing tap, (JP, 05 Feb 2014) 04 Aug 2014	13760/2014	Primsal Pty Ltd; 26-04, LED lamp, 01 Aug 2014	13753/2014
Mitsubishi Rayon Co., Ltd.; 07-01F, 23-01G, Main body for a water purifier, (JP, 05 Feb 2014) 04 Aug 2014	13765/2014	PMD INTERNATIONAL PTY LTD; 08-05H, Chainsaw sharpener guide, 13 Aug 2014	13998/2014
Mitsubishi Rayon Co., Ltd.; 07-01F, Water purifier, (JP, 05 Feb 2014) 04 Aug 2014	13786/2014	PRIDE COMPOSITES PTY LTD; 12-16B, Rear spoiler/bobtail, 01 Aug 2014	13759/2014
Moehl, Harald; 07-02N, Frying pan, (EM, 13 Mar 2014) 14 Aug 2014	14020/2014	R Khamitova & A Poursagheri; 02-05, Scarf, shawl, cover, neck wear, wrapping, 01 Aug 2014	13729/2014
MEGA Brands Inc; 09-03NES, Container, (US, 31 Jan 2014) 31 Jul 2014	13726/2014	R Khamitova & A Poursagheri; 02-05, Scarf, shawl, wrap, neck wear, sarong, 01 Aug 2014	13730/2014
MEGA Brands Inc; 09-03NES, Container, (US, 31 Jan 2014) 31 Jul 2014	13727/2014	R.J. Goldspink Pty Ltd; 23-01G, Water separator, 08 Aug 2014	13924/2014
MEGA Brands Inc; 09-03NES, Container, (US, 31 Jan 2014) 31 Jul 2014	13728/2014	R.J. Goldspink Pty Ltd; 23-01G, Water separator, 08 Aug 2014	13926/2014
Nelson, Cameron David; 25-01K, Extrusions, 05 Aug 2014	13794/2014	Railblaza Limited; 08-08NES, A cleat, (NZ, 14 Feb 2014) 12 Aug 2014	13950/2014
Nelson, Cameron David; 25-01K, Extrusions, 09 May 2014	13880/2014	Rapid Resource Solutions Pty. Ltd.;Delios Pty Ltd; 12-16M, Brake rotors, flywheel clutch, clutch covers, 02 Aug 2014	14011/2014
Nelson, Cameron David; 25-01K, Extrusions, 09 May 2014	13881/2014	Reckitt Benckiser LLC; 09-01NES, Bottle with cap, (EM, 07 Mar 2014) 06 Aug 2014	13828/2014
Nipro Corporation; 24-01, Holder for blood reservoir, (JP, 31 Jan 2014) 31 Jul 2014	13702/2014	Reckitt Benckiser LLC; 09-07C, Cap for bottle, (EM, 07 Mar 2014) 06 Aug 2014	13831/2014
Panayotov, Jordan Georgiev; 23-04, Air filtering module for air purifier, 08 Aug 2014	13937/2014	Reckitt Benckiser LLC; 09-01K, Bottle with cap, (EM, 07 Mar 2014) 06 Aug 2014	13823/2014
Paterson, Kentyn Scott; 15-03A, 08-08NES, Ground engaging element mounting hubs for agricultural tillage chain, (US, 14 Feb 2014) 14 Aug 2014	14032/2014	Reckitt Benckiser LLC; 09-01K, Bottle, (EM, 07 Mar 2014) 06 Aug 2014	13824/2014
PepsiCo, Inc.; 15-07, Cooler, (US, 11 Feb 2014) 08 Aug 2014	13872/2014	Rhino Rack Australia Pty Limited; 12-16NES, Vehicle Roof Rack Leg, 08 Aug 2014	13873/2014
Piaggio & C. S.p.A.; 02-03, Helmet, (EM, 05 Feb 2014) 04 Aug 2014	13769/2014	Rimowa GmbH; 03-01A, Laptop bag parts, (EM, 12 Feb 2014) 04 Aug 2014	13787/2014
Piaggio & C. S.p.A.; 02-03, Helmet, (EM, 05 Feb 2014) 04 Aug 2014	13768/2014	Rimowa GmbH; 03-01A, Laptop bag parts, (EM, 12 Feb 2014) 04 Aug 2014	13788/2014
Poljansek, Martin; 21-02E, Skateboards, 06 Aug 2014	13838/2014	Segway Inc.; 12-14, Human transporter, (US, 12 Feb 2014) 12 Aug 2014	13960/2014
Primsal Pty Ltd; 26-04, LED lamp, 01 Aug 2014	13754/2014	Sgourakis, Henry; 06-01L, Nook 2, weaved furniture piece, 28 Jun 2014	14012/2014
Primsal Pty Ltd; 26-04, LED lamp, 01 Aug 2014	13756/2014	Shallow Water Industries Pty Ltd; 12-02, TV tilt trolley, 14 Aug 2014	14008/2014

Shallow Water Industries Pty Ltd; 12-02, TV trolley, 14 Aug 2014	14009/2014	The trustee for Stewart Family Trust; 30-03, Feed bowls, 14 Aug 2014	14013/2014
Shenzhen Ganten Food and Drink Co, Ltd; 09-01NES, Beverage bottle, (CN, 30 Jun 2014) 01 Aug 2014	13741/2014	The Goodyear Tire & Rubber Company; 12-15B, Tyre, (US, 24 Feb 2014) 14 Aug 2014	14001/2014
Stanley Black & Decker, Inc.; 10-04, Tape measure, (US, 06 Feb 2014) 05 Aug 2014	13795/2014	The Goodyear Tire & Rubber Company; 12-15B, Tyre, (US, 24 Feb 2014) 14 Aug 2014	14000/2014
Steel Storage Holdings Pty Ltd; 08-07, Lock, 04 Aug 2014	13790/2014	The Trustee for The Morey Haigh & Associates A'Asia Unit Trust; 12-05, Load restraint, 08 Aug 2014	13871/2014
Steel Storage Holdings Pty Ltd; 08-07, Roller door recessed lock with overlapping flange, 04 Aug 2014	13791/2014	The University Court of the University of Edinburgh; 06-07, 24-02, Waterbirth mirror, (EM, 10 Feb 2014) 07 Aug 2014	13855/2014
Steel Storage Holdings Pty Ltd; 08-07, Lock with skirt, 04 Aug 2014	13789/2014	Toyota Jidosha Kabushiki Kaisha; 12-08, Automobile, 14 Aug 2014	14019/2014
Steel Storage Holdings Pty Ltd; 08-07, Roller door recessed latch with shroud, 04 Aug 2014	13792/2014	Tyco Fire Products LP; 23-01B, Pipe fitting, (Divisional of 12181/2014) 05 Aug 2014	13805/2014
Steelcase Inc.; 06-01F, Chair, (US, 27 Mar 2014) 11 Aug 2014	13939/2014	TRADE BOX, LLC; 28-03B, Automatic hair styling device, 07 Aug 2014	13854/2014
Steelcase Inc.; 06-01F, Chair, (US, 27 Mar 2014) 11 Aug 2014	13940/2014	U:Thentic Pty Ltd; 06-01F, Chair, 07 Aug 2014	13848/2014
Stokes, Kate; 06-01E, Ottoman, 01 Aug 2014	13742/2014	U:Thentic Pty Ltd; 06-01NES, Chair with tray, 07 Aug 2014	13850/2014
Stokes, Kate; 26-05D, Light fitting, 01 Aug 2014	13744/2014	Unistraw Holdings Pte. Ltd.; 07-06NES, Telescopic straw, (GB, 07 Feb 2014) 04 Aug 2014	13763/2014
Stokes, Kate; 06-03A, Table, 01 Aug 2014	13743/2014	Victory Industrial Corporation; 13-01, Combined stator and rotor, (TW, 01 Jul 2014) 12 Aug 2014	13956/2014
Stokke AS; 12-12, Perambulator, (NO, 06 Feb 2014) 05 Aug 2014	13793/2014	Victory Industrial Corporation; 13-01, Stator, (TW, 01 Jul 2014) 12 Aug 2014	13957/2014
Sub Zero International Limited; 09-01NES, Bottle, (NZ, 12 Feb 2014) 12 Aug 2014	13959/2014	Vision X Asia Co., Ltd.; 26-06, Reflector for vehicle lighting, (KR, 11 Mar 2014) 13 Aug 2014	13993/2014
SEB S.A.; 31-00, Electric mixer, (EM, 12 Feb 2014) 08 Aug 2014	13888/2014	Vision X Asia Co., Ltd.; 12-16E, Reflector for vehicle lighting, (KR, 11 Mar 2014) 13 Aug 2014	13996/2014
SINGAPORE TECHNOLOGIES DYNAMICS PTE LTD; 24-04, 29-02, Disposable respirator with active venting system, (SG, 10 Feb 2014) 08 Aug 2014	13929/2014	Vision X Asia Co., Ltd.; 26-06, Vehicle lighting, (KR, 11 Mar 2014) 13 Aug 2014	13997/2014
SOLD OUT NATIONAL EVENT MANAGEMENT PTY LTD; 09-03K, 25-03, Shipping containers & marquees, 08 Aug 2014	13938/2014	Whirlpool Corporation; 31-00, Multicooker, (US, 12 Mar 2014) 05 Aug 2014	13811/2014
Tata Motors Limited; 12-08, Driver's cab of a vehicle, (IN, 03 Feb 2014) 01 Aug 2014	13758/2014	Whirlpool Corporation; 07-02L, Coffee brewer, (US, 13 Mar 2014) 05 Aug 2014	13810/2014
Tata Motors Limited; 12-08, Driver's cab of a vehicle, (IN, 03 Feb 2014) 01 Aug 2014	13757/2014	Whirlpool Corporation; 31-00, Blending appliance, (US, 14 Mar 2014) 05 Aug 2014	13807/2014

Whirlpool Corporation; 31-00, Juicer, (US, 13 Mar 2014) 05 Aug 2014	13808/2014	Zhou, Xuan;Guangzhou Gardenart Furniture Co., Ltd; 06-01G, Alu sofa, 08 Aug 2014	13877/2014
Whirlpool Corporation; 07-02L, Infuser, (US, 13 Mar 2014) 05 Aug 2014	13809/2014	Zhou, Xuan;Guangzhou Gardenart Furniture Co. Ltd; 06-03A, Alu table, 08 Aug 2014	13933/2014
Whirlpool Corporation; 07-02N, Bowl, (US, 14 Mar 2014) 05 Aug 2014	13806/2014	Zhou, Xuan;Guangzhou Gardenart Furniture Co., Ltd; 06-01H, Alu sofa, 08 Aug 2014	13885/2014
Whirlpool Corporation; 31-00, Multi cooker and stir tower with docking station, (US, 12 Mar 2014) 05 Aug 2014	13813/2014	Zhou, Xuan;Guangzhou Gardenart Furniture Co. Ltd; 06-01F, Alu chair, 08 Aug 2014	13935/2014
Whirlpool Corporation; 31-00, Food processor attachment, (US, 14 Mar 2014) 05 Aug 2014	13814/2014	Zhou, Xuan;Guangzhou Gardenart Furniture Co., Ltd; 06-01H, Alu sofa, 08 Aug 2014	13883/2014
Whirlpool Corporation; 31-00, Stirring and flipping blade, (US, 26 Feb 2014) 05 Aug 2014	13812/2014	Zhou, Xuan;Guangzhou Gardenart Furniture Co., Ltd; 06-01H, Alu sofa, 08 Aug 2014	13887/2014
Wm. Wrigley, Jr. Company; 09-03M, Consumable product package, (US, 13 Feb 2014) 13 Aug 2014	13990/2014	Zhou, Xuan;Guangzhou Gardenart Furniture Co. Ltd; 06-03B, Alu table, 08 Aug 2014	13934/2014
Wm. Wrigley, Jr. Company; 09-03M, Consumable product package, (US, 13 Feb 2014) 13 Aug 2014	13991/2014	Zhou, Xuan;Guangzhou Gardenart Furniture Co., Ltd; 06-01H, Alu sofa, 08 Aug 2014	13884/2014
WARRIE SHEARING PRODUCTS PTY. LTD.; 06-13B, Bed sheet, 04 Aug 2014	13771/2014	Zhou, Xuan;Guangzhou Gardenart Furniture Co., Ltd; 06-01H, Alu sofa, 08 Aug 2014	13886/2014
Zhou, Xuan;Guangzhou Gardenart Furniture Co. Ltd; 06-03B, Alu table, 06 Aug 2014	13820/2014	Zhou, Xuan;Guangzhou Gardenart Furniture Co. Ltd; 06-01F, Alu chair, 08 Aug 2014	13936/2014
Zhou, Xuan;Guangzhou Gardenart Furniture Co. Ltd; 06-03A, Alu table, 08 Aug 2014	13931/2014	Zovko, Linda L; 26-05D, 11-02F, Decoration - lighting, 06 Aug 2014	13826/2014
Zhou, Xuan;Guangzhou Gardenart Furniture Co. Ltd; 06-03A, Alu table, 08 Aug 2014	13932/2014	Zovko, Linda L; 26-05D, 11-02F, Decoration to compliment lighting, 06 Aug 2014	13827/2014
Zhou, Xuan;Guangzhou Gardenart Furniture Co., Ltd; 06-01G, Alu sofa, 08 Aug 2014	13878/2014	ZMC Metal Coating Inc.; 08-08H, Roller blind tensioner, (CA, 02 May 2014) 01 Aug 2014	13750/2014
Zhou, Xuan;Guangzhou Gardenart Furniture Co., Ltd; 06-01G, Alu sofa, 08 Aug 2014	13876/2014	ZMC Metal Coating Inc.; 08-08H, Roller blind tensioner, (CA, 02 May 2014) 01 Aug 2014	13752/2014
Zhou, Xuan;Guangzhou Gardenart Furniture Co., Ltd; 06-01G, Alu sofa, 08 Aug 2014	13875/2014	ZMC Metal Coating Inc.; 08-08H, Roller blind tensioner, (CA, 02 May 2014) 01 Aug 2014	13751/2014
Zhou, Xuan;Guangzhou Gardenart Furniture Co., Ltd; 06-01G, Alu sofa, 08 Aug 2014	13874/2014	ZMC Metal Coating Inc.; 08-08H, Roller blind tensioner, (CA, 02 May 2014) 01 Aug 2014	13749/2014
		3M Innovative Properties Company; 09-01NES, Combined container and tool, (US, 10 Feb 2014) 06 Aug 2014	13821/2014

Applications Withdrawn

Extension of Period of Registration of Designs

326136	326864	327061
327270	327312	327321
327449	327452	327453
327457	327468	327471
327532	327540	327542
327556	327570	327571
327589	327593	327596
327601	327602	327644
327684	327692	327783
327784	327785	327786
327833	327834	327836
327851	327862	327863
327867	327870	327871
327872	327876	327892
327904	327905	327918
327924	327934	327935
327937	328016	328017
328058	328068	328069
328164	328222	328223
328224	328225	328226
328227	328228	328247
328248	328260	328280
328281	328282	328283
328293	328294	328308
328309	328338	328339
328340	328357	328359
328360	328410	328447
328533	328646	328647
328648	328649	328650
328656	330160	330459

Registrations Ceased

300054	300090	300092
300093	300128	300132
300133	300136	300175
300176	300177	300178
300179	300180	300181
300182	300183	300184
300185	300266	300268
300295	300296	300297
300298	300299	300300
300301	300302	300303
300304	300306	300308
300309	300310	300313
300314	300323	300324
300325	300327	300330
300379	300381	300407
300408	300424	300426
300428	300429	300454

300458	300459	300460
300463	300466	300467
300468	300471	300472
300473	300477	300484
300487	300493	300494
300512	300642	300771
300772	300782	300791
300792	300793	300794
300795	300906	300951
301182	301562	301563
301564	301864	302299
302300	302754	302755
303635	303636	324436
324485	324488	324493
324494	324563	324602
324605	324615	324616
324621	324658	324659
324674	324683	324684
324685	324686	324691
324692	324693	324761
324805	324816	324817
324868	324879	324893
324934	325113	325114
325115	325125	325132
325133	325148	325216
325217	325218	325219
325220	325303	325401
325402	325403	325404
325478	325479	325480
325481	325482	325483
325484	325501	325604
325725	325726	325737
325738	325776	325777
325778	325779	325893
325975	325976	326215
326216	326822	326823
328026	332994	

Extensions of time granted under Section 137

Applications lodged under section 137 for extension of time have been granted.

323081 **Continental Conveyor & Equipment Pty Ltd**

356850 **Mathew Raymund Norton**

Subsequent Owners Registered

(The name in parentheses is that of the subsequent owner)

304435	(The Procter & Gamble Company)	The IAMS Company
341634	(The Procter & Gamble Company)	The IAMS Company
305828	(The Procter & Gamble Company)	The IAMS Company

- 352984 (**The Procter & Gamble Company**) The IAMS Company
- 353519 (**The Procter & Gamble Company**) The IAMS Company
- 353534 (**The Procter & Gamble Company**) The IAMS Company
- 310867 (**The Procter & Gamble Company**) The IAMS Company
- 311971 (**The Procter & Gamble Company**) The IAMS Company
- 311970 (**The Procter & Gamble Company**) The IAMS Company
- 319405 (**The Procter & Gamble Company**) The IAMS Company
- 319406 (**The Procter & Gamble Company**) The IAMS Company
- 325301 (**The Procter & Gamble Company**) THE IAMS COMPANY
- 324396 (**The Procter & Gamble Company**) The Iams Company
- 324397 (**The Procter & Gamble Company**) The Iams Company
- 324398 (**The Procter & Gamble Company**) The Iams Company
- 324399 (**The Procter & Gamble Company**) The Iams Company
- 324400 (**The Procter & Gamble Company**) The Iams Company
- 324402 (**The Procter & Gamble Company**) The Iams Company
- 324403 (**The Procter & Gamble Company**) The Iams Company
- 332890 (**Key Logic Pty Ltd**) Exlites Pty Ltd
- 338691 (**Key Logic Pty Ltd**) Exlites Pty Ltd
- 338692 (**Key Logic Pty Ltd**) Exlites Pty Ltd
- 350617 (**Patricia Smith**) Patricia Smith;Andrea Middleton
- 353008 (**1781221 Alberta Ltd.**) RC02 Washington, Inc.
- 338869 (**MSA Technology, LLC**) Mine Safety Appliances Company
- 338870 (**MSA Technology, LLC**) Mine Safety Appliances Company
- 338871 (**MSA Technology, LLC**) Mine Safety Appliances Company
- 338872 (**MSA Technology, LLC**) Mine Safety Appliances Company
- 338873 (**MSA Technology, LLC**) Mine Safety Appliances Company
- 338874 (**MSA Technology, LLC**) Mine Safety Appliances Company
- 338875 (**MSA Technology, LLC**) Mine Safety Appliances Company
- 338876 (**MSA Technology, LLC**) Mine Safety Appliances Company
- 338877 (**MSA Technology, LLC**) Mine Safety Appliances Company
- 338878 (**MSA Technology, LLC**) Mine Safety Appliances Company

- 328689 (**Bally Technologies ANZ Pty Ltd**) Shuffle Master Australasia Pty Limited
- 328690 (**Bally Technologies ANZ Pty Ltd**) Shuffle Master Australasia Pty Limited
- 312574 (**Bally Technologies ANZ Pty Ltd**) Shuffle Master Australasia Pty Limited

Corrigenda

10761/2014 advertised on 24 July 2014 under the heading:
Applications Lapsed: Application Lapsed in Error.

11774/2014 advertised on 24 July 2014 under the heading:
Applications Lapsed: Application Lapsed in Error.

Names Registered - Alterations and Amendments

(The name in parentheses is that of the subsequent applicant)

- 312575 (**Bally Technologies ANZ Pty Ltd**) Shuffle Master Australasia Pty Limited

Certificate(s) of Examination

Examination of the following Design Registration(s) has been completed. Infringement proceedings may now be commenced.

356531	15-05	15/08/2014
356533	15-05	15/08/2014
356534	15-05	15/08/2014

310592	12-16B	15/08/2014
311407	12-16B	15/08/2014
312435	12-16B	15/08/2014
323875	12-16B	06/08/2014
340802	02-02A	06/08/2014
344305	12-15B	14/08/2014
347024	14-02	06/08/2014
347769	12-16B	15/08/2014
351103	21-01H	05/08/2014
351504	07-05D	08/08/2014
352624	24-02	12/08/2014
352634	24-02	12/08/2014
353550	08-99	14/08/2014
353551	08-01	14/08/2014
354588	31-00	14/08/2014
354828	15-02	04/08/2014
355137	24-02	07/08/2014
355214	23-01H	05/08/2014
355279	08-05NES	05/08/2014
355295	24-02	07/08/2014
355320	01-02	08/08/2014
355371	06-13C	06/08/2014
355431	23-01H	05/08/2014
355432	23-01H	05/08/2014
355434	23-01H	05/08/2014
355435	23-01H	05/08/2014
355436	23-01H	05/08/2014
355438	23-01H	05/08/2014
355452	12-15A	08/08/2014
355518	09-01B	06/08/2014
355695	04-02	11/08/2014
355727	09-01B	14/08/2014
355736	15-07	11/08/2014
355824	04-02	12/08/2014
355827	04-02	12/08/2014
355848	28-03NES	04/08/2014
355851	07-05E	11/08/2014
355856	18-02	11/08/2014
355914	18-02	11/08/2014
355916	15-99	08/08/2014
355934	09-01H	12/08/2014
355941	28-02	13/08/2014
355942	28-02	13/08/2014
355969	06-03NES	13/08/2014
355970	06-03NES	13/08/2014
355991	23-01H	15/08/2014
355992	23-01H	15/08/2014
355993	23-01H	15/08/2014
355994	23-01H	15/08/2014
355997	05-05D	12/08/2014
355998	05-05A	12/08/2014
356005	04-04	13/08/2014
356039	10-03	05/08/2014
356042	02-02C	04/08/2014
356058	02-02C	11/08/2014
356060	02-02C	08/08/2014
356118	04-02	12/08/2014
356119	04-02	12/08/2014
356530	15-05	15/08/2014

Publication and Registration Proceedings

Designs Registered

This section provides a concordance between design number and registration number of Designs covered in this journal. It also shows the main class and registration date.

This section covers Registration numbers 356737 to 356939 .

The registration number shown below should be used in all future correspondence.

Design Number	Registration Number	International Classification Code (IDC)	Registration Date	Design Number	Registration Number	International Classification Code (IDC)	Registration Date
12773/2013	356753	07-01E	04/08/2014	12800/2014	356797	07-02P	11/08/2014
16282/2013	356876	02-02C	14/08/2014	12804/2014	356833	13-03NES	13/08/2014
16283/2013	356792	02-02C	11/08/2014	12847/2014	356798	08-08G	11/08/2014
16613/2013	356777	06-01F	08/08/2014	12881/2014	356846	23-02A	13/08/2014
10710/2014	356877	02-02A	15/08/2014	12882/2014	356847	23-02A	13/08/2014
10752/2014	356767	21-01L	08/08/2014	12910/2014	356818	12-06NES	12/08/2014
11774/2014	356807	25-04	11/08/2014	12914/2014	356793	02-02NES	11/08/2014
11877/2014	356852	15-04	14/08/2014	12918/2014	356743	12-06NES	04/08/2014
12062/2014	356850	08-05N	14/08/2014	12931/2014	356828	28-04	12/08/2014
12179/2014	356816	25-02E	12/08/2014	12945/2014	356776	02-02C	08/08/2014
12181/2014	356786	23-01A	11/08/2014	12947/2014	356814	15-03C	11/08/2014
12207/2014	356768	03-01NES	08/08/2014	12948/2014	356779	15-03C	08/08/2014
12233/2014	356824	25-01K	12/08/2014	12962/2014	356790	25-03	11/08/2014
12237/2014	356830	07-02E	13/08/2014	12963/2014	356764	09-07C	07/08/2014
12241/2014	356808	09-05	11/08/2014	13022/2014	356819	09-03M	12/08/2014
12278/2014	356763	24-02	07/08/2014	13071/2014	356815	12-02	11/08/2014
12284/2014	356851	12-15B	14/08/2014	13076/2014	356848	03-01NES	13/08/2014
12288/2014	356813	14-03A	11/08/2014	13137/2014	356780	07-02P	08/08/2014
12290/2014	356878	08-03	15/08/2014	13166/2014	356812	21-02F	11/08/2014
12291/2014	356842	08-03	13/08/2014	13167/2014	356781	07-07A	08/08/2014
12294/2014	356787	06-05	11/08/2014	13182/2014	356919	29-01	18/08/2014
12295/2014	356843	08-03	13/08/2014	13183/2014	356920	29-01	18/08/2014
12296/2014	356844	08-03	13/08/2014	13223/2014	356880	25-04	15/08/2014
12325/2014	356769	21-01E	08/08/2014	13224/2014	356881	25-04	15/08/2014
12331/2014	356831	04-02	13/08/2014	13226/2014	356901	10-03	15/08/2014
12336/2014	356832	04-02	13/08/2014	13239/2014	356791	23-01NES	11/08/2014
12337/2014	356837	04-02	13/08/2014	13242/2014	356746	08-07	04/08/2014
12350/2014	356853	04-02	14/08/2014	13244/2014	356754	09-07A	04/08/2014
12353/2014	356854	04-02	14/08/2014	13246/2014	356755	13-01	04/08/2014
12368/2014	356770	15-99	08/08/2014	13250/2014	356756	26-05E	04/08/2014
12412/2014	356788	02-02C	11/08/2014	13253/2014	356757	02-04NES	04/08/2014
12442/2014	356789	02-02C	11/08/2014	13254/2014	356758	12-16M	04/08/2014
12459/2014	356771	12-10	08/08/2014	13261/2014	356834	09-03F	13/08/2014
12460/2014	356879	30-01	15/08/2014	13262/2014	356835	09-03F	13/08/2014
12483/2014	356778	24-02	08/08/2014	13263/2014	356761	12-15A	05/08/2014
12546/2014	356794	21-01NES	11/08/2014	13264/2014	356762	15-01	05/08/2014
12552/2014	356845	12-12	13/08/2014	13265/2014	356836	22-99	13/08/2014
12578/2014	356809	01-01	11/08/2014	13266/2014	356820	09-03M	12/08/2014
12581/2014	356810	01-01	11/08/2014	13269/2014	356782	15-07	08/08/2014
12583/2014	356772	01-01	08/08/2014	13270/2014	356783	09-09	08/08/2014
12585/2014	356773	01-01	08/08/2014	13271/2014	356821	09-09	12/08/2014
12609/2014	356774	02-02C	08/08/2014	13275/2014	356823	15-07	12/08/2014
12662/2014	356775	06-01F	08/08/2014	13276/2014	356784	15-07	08/08/2014
12666/2014	356817	08-08G	12/08/2014	13277/2014	356785	02-03	08/08/2014
12670/2014	356795	08-08C	11/08/2014	13291/2014	356737	14-03NES	04/08/2014
12712/2014	356759	12-15C	05/08/2014	13292/2014	356738	21-01NES	04/08/2014
12714/2014	356811	13-03C	11/08/2014	13295/2014	356739	10-04	04/08/2014
12729/2014	356822	08-08G	12/08/2014	13296/2014	356740	08-05NES	04/08/2014
12751/2014	356796	21-01NES	11/08/2014	13297/2014	356741	08-05NES	04/08/2014
12770/2014	356760	09-01NES	05/08/2014	13298/2014	356742	08-05NES	04/08/2014

Publication and Registration Proceedings - Designs Registered cont'd

Design Number	Registration Number	International Classification Code (IDC)	Registration Date	Design Number	Registration Number	International Classification Code (IDC)	Registration Date
13299/2014	356744	08-05NES	04/08/2014	13383/2014	356913	15-05	15/08/2014
13300/2014	356745	05-05D	04/08/2014	13384/2014	356914	02-07D	15/08/2014
13301/2014	356747	05-05D	04/08/2014	13385/2014	356915	15-05	15/08/2014
13302/2014	356748	05-05NES	04/08/2014	13386/2014	356916	02-02C	15/08/2014
13303/2014	356749	14-01	04/08/2014	13392/2014	356917	15-05	15/08/2014
13304/2014	356750	14-01	04/08/2014	13443/2014	356921	05-05A	18/08/2014
13305/2014	356751	07-05A	04/08/2014	13444/2014	356922	02-02C	18/08/2014
13306/2014	356752	20-02E	04/08/2014	13451/2014	356923	14-01	18/08/2014
13308/2014	356799	06-03NES	11/08/2014	13454/2014	356924	09-05	18/08/2014
13309/2014	356800	28-01	11/08/2014	13455/2014	356925	06-02	18/08/2014
13310/2014	356801	28-01	11/08/2014	13466/2014	356875	02-04C	14/08/2014
13311/2014	356802	13-99	11/08/2014	13489/2014	356882	02-02A	15/08/2014
13313/2014	356803	28-01	11/08/2014	13490/2014	356883	02-02A	15/08/2014
13314/2014	356804	28-01	11/08/2014	13491/2014	356884	02-02A	15/08/2014
13315/2014	356805	28-01	11/08/2014	13492/2014	356885	02-02A	15/08/2014
13316/2014	356825	07-04	12/08/2014	13494/2014	356886	02-02A	15/08/2014
13317/2014	356829	23-01G	12/08/2014	13495/2014	356887	02-02A	15/08/2014
13318/2014	356806	14-02	11/08/2014	13496/2014	356888	02-02A	15/08/2014
13324/2014	356838	06-08	13/08/2014	13497/2014	356889	02-02A	15/08/2014
13325/2014	356839	12-16M	13/08/2014	13498/2014	356890	02-02A	15/08/2014
13327/2014	356840	06-06NES	13/08/2014	13499/2014	356891	02-02A	15/08/2014
13328/2014	356841	07-01B	13/08/2014	13500/2014	356892	02-02A	15/08/2014
13342/2014	356855	02-03	14/08/2014	13501/2014	356893	02-02A	15/08/2014
13343/2014	356856	14-01	14/08/2014	13502/2014	356894	02-02A	15/08/2014
13345/2014	356857	10-04	14/08/2014	13503/2014	356895	02-02A	15/08/2014
13346/2014	356858	02-03	14/08/2014	13504/2014	356896	02-02A	15/08/2014
13347/2014	356859	02-03	14/08/2014	13505/2014	356897	02-02A	15/08/2014
13349/2014	356860	12-16A	14/08/2014	13506/2014	356898	02-02A	15/08/2014
13350/2014	356861	12-08	14/08/2014	13507/2014	356899	02-02A	15/08/2014
13353/2014	356862	28-03NES	14/08/2014	13508/2014	356900	02-02A	15/08/2014
13355/2014	356863	21-02F	14/08/2014	13605/2014	356765	12-16A	07/08/2014
13357/2014	356864	24-99	14/08/2014	13606/2014	356766	12-16A	07/08/2014
13359/2014	356865	25-01E	14/08/2014	13879/2014	356849	03-01NES	13/08/2014
13360/2014	356866	23-01D	14/08/2014	13880/2014	356826	25-01K	12/08/2014
13361/2014	356867	23-01D	14/08/2014	13881/2014	356827	25-01K	12/08/2014
13362/2014	356868	23-01D	14/08/2014	13889/2014	356918	02-02NES	15/08/2014
13363/2014	356869	23-01D	14/08/2014	13890/2014	356926	02-02NES	18/08/2014
13364/2014	356870	23-01D	14/08/2014	13891/2014	356927	02-02NES	18/08/2014
13365/2014	356871	23-01D	14/08/2014	13892/2014	356928	02-02C	18/08/2014
13366/2014	356872	23-01A	14/08/2014	13893/2014	356929	02-02C	18/08/2014
13367/2014	356873	23-01D	14/08/2014	13894/2014	356930	02-02C	18/08/2014
13368/2014	356874	14-03NES	14/08/2014	13895/2014	356931	02-02NES	18/08/2014
13371/2014	356902	17-99	15/08/2014	13896/2014	356932	02-02NES	18/08/2014
13372/2014	356903	05-05D	15/08/2014	13897/2014	356933	02-02C	18/08/2014
13373/2014	356904	05-05A	15/08/2014	13898/2014	356934	02-02C	18/08/2014
13375/2014	356905	21-02C	15/08/2014	13899/2014	356935	02-02C	18/08/2014
13376/2014	356906	21-02C	15/08/2014	13900/2014	356936	02-02C	18/08/2014
13377/2014	356907	21-02C	15/08/2014	13901/2014	356937	02-02C	18/08/2014
13378/2014	356908	15-03A	15/08/2014	13942/2014	356938	29-01	18/08/2014
13379/2014	356909	15-03A	15/08/2014	13943/2014	356939	29-01	18/08/2014
13380/2014	356910	15-05	15/08/2014				
13381/2014	356911	15-05	15/08/2014				
13382/2014	356912	15-05	15/08/2014				

Publication and Registration Proceedings

Class Listing of Designs Published or Registered

The following section shows an International Classification Code listing of the Registered or Published Designs covered in this supplement.

Classification	Registration Number	Design Number	Classification	Registration Number	Design Number
01-01	356772	12583/2014	02-04NES	356757	13253/2014
01-01	356773	12585/2014	02-07A	356902	13371/2014
01-01	356809	12578/2014	02-07D	356914	13384/2014
01-01	356810	12581/2014	03-01NES	356768	12207/2014
02-02A	356877	10710/2014	03-01NES	356848	13076/2014
02-02A	356882	13489/2014	03-01NES	356849	13879/2014
02-02A	356883	13490/2014	04-01	356917	13392/2014
02-02A	356884	13491/2014	04-02	356831	12331/2014
02-02A	356885	13492/2014	04-02	356832	12336/2014
02-02A	356886	13494/2014	04-02	356837	12337/2014
02-02A	356887	13495/2014	04-02	356853	12350/2014
02-02A	356888	13496/2014	04-02	356854	12353/2014
02-02A	356889	13497/2014	05-05A	356904	13373/2014
02-02A	356890	13498/2014	05-05A	356921	13443/2014
02-02A	356891	13499/2014	05-05D	356745	13300/2014
02-02A	356892	13500/2014	05-05D	356747	13301/2014
02-02A	356893	13501/2014	05-05D	356903	13372/2014
02-02A	356894	13502/2014	05-05NES	356748	13302/2014
02-02A	356895	13503/2014	06-01F	356775	12662/2014
02-02A	356896	13504/2014	06-01F	356777	16613/2013
02-02A	356897	13505/2014	06-02	356925	13455/2014
02-02A	356898	13506/2014	06-03NES	356799	13308/2014
02-02A	356899	13507/2014	06-05	356787	12294/2014
02-02A	356900	13508/2014	06-06NES	356840	13327/2014
02-02C	356774	12609/2014	06-08	356838	13324/2014
02-02C	356776	12945/2014	07-01B	356841	13328/2014
02-02C	356788	12412/2014	07-01C	356754	13244/2014
02-02C	356789	12442/2014	07-01E	356753	12773/2013
02-02C	356792	16283/2013	07-02E	356830	12237/2014
02-02C	356876	16282/2013	07-02P	356780	13137/2014
02-02C	356916	13386/2014	07-02P	356797	12800/2014
02-02C	356922	13444/2014	07-04	356825	13316/2014
02-02C	356928	13892/2014	07-05A	356751	13305/2014
02-02C	356929	13893/2014	07-07A	356781	13167/2014
02-02C	356930	13894/2014	07-99A	356780	13137/2014
02-02C	356933	13897/2014	08-03	356842	12291/2014
02-02C	356934	13898/2014	08-03	356843	12295/2014
02-02C	356935	13899/2014	08-03	356844	12296/2014
02-02C	356936	13900/2014	08-03	356878	12290/2014
02-02C	356937	13901/2014	08-05N	356850	12062/2014
02-02NES	356792	16283/2013	08-05NES	356740	13296/2014
02-02NES	356793	12914/2014	08-05NES	356741	13297/2014
02-02NES	356876	16282/2013	08-05NES	356742	13298/2014
02-02NES	356918	13889/2014	08-05NES	356744	13299/2014
02-02NES	356926	13890/2014	08-07	356746	13242/2014
02-02NES	356927	13891/2014	08-08B	356871	13365/2014
02-02NES	356931	13895/2014	08-08C	356795	12670/2014
02-02NES	356932	13896/2014	08-08G	356798	12847/2014
02-03	356785	13277/2014	08-08G	356817	12666/2014
02-03	356855	13342/2014	08-08G	356822	12729/2014
02-03	356858	13346/2014	09-01NES	356760	12770/2014
02-03	356859	13347/2014	09-03F	356834	13261/2014
02-04C	356875	13466/2014	09-03F	356835	13262/2014

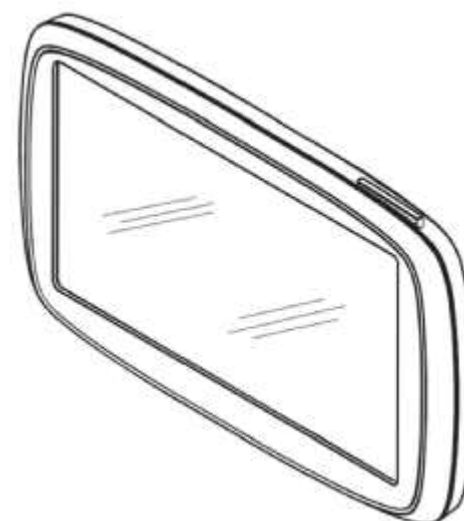
Registration Proceedings - Class Listing of Designs Published or Registered cont'd

Classification	Registration Number	Design Number	Classification	Registration Number	Design Number
09-03M	356819	13022/2014	15-99	356770	12368/2014
09-03M	356820	13266/2014	17-99	356902	13371/2014
09-05	356808	12241/2014	19-08	356838	13324/2014
09-05	356841	13328/2014	20-02E	356752	13306/2014
09-05	356924	13454/2014	21-01C	356860	13349/2014
09-07A	356754	13244/2014	21-01C	356861	13350/2014
09-07C	356764	12963/2014	21-01E	356769	12325/2014
09-09	356783	13270/2014	21-01L	356767	10752/2014
09-09	356784	13276/2014	21-01NES	356738	13292/2014
09-09	356821	13271/2014	21-01NES	356794	12546/2014
09-09	356823	13275/2014	21-01NES	356796	12751/2014
10-03	356901	13226/2014	21-02C	356905	13375/2014
10-04	356739	13295/2014	21-02C	356906	13376/2014
10-04	356857	13345/2014	21-02C	356907	13377/2014
12-02	356815	13071/2014	21-02F	356812	13166/2014
12-06NES	356743	12918/2014	21-02F	356863	13355/2014
12-06NES	356818	12910/2014	22-99	356836	13265/2014
12-08	356861	13350/2014	23-01A	356786	12181/2014
12-10	356771	12459/2014	23-01A	356872	13366/2014
12-12	356845	12552/2014	23-01D	356866	13360/2014
12-15A	356761	13263/2014	23-01D	356867	13361/2014
12-15B	356851	12284/2014	23-01D	356868	13362/2014
12-15C	356759	12712/2014	23-01D	356869	13363/2014
12-16A	356765	13605/2014	23-01D	356870	13364/2014
12-16A	356766	13606/2014	23-01D	356871	13365/2014
12-16A	356860	13349/2014	23-01D	356873	13367/2014
12-16M	356758	13254/2014	23-01E	356873	13367/2014
12-16M	356839	13325/2014	23-01G	356829	13317/2014
13-01	356755	13246/2014	23-01NES	356791	13239/2014
13-03C	356811	12714/2014	23-02A	356846	12881/2014
13-03NES	356833	12804/2014	23-02A	356847	12882/2014
13-99	356802	13311/2014	24-02	356763	12278/2014
14-01	356749	13303/2014	24-02	356778	12483/2014
14-01	356750	13304/2014	24-99	356864	13357/2014
14-01	356856	13343/2014	25-01E	356865	13359/2014
14-01	356874	13368/2014	25-01K	356824	12233/2014
14-01	356923	13451/2014	25-01K	356826	13880/2014
14-02	356806	13318/2014	25-01K	356827	13881/2014
14-03A	356813	12288/2014	25-02E	356816	12179/2014
14-03NES	356737	13291/2014	25-03	356787	12294/2014
14-03NES	356874	13368/2014	25-03	356790	12962/2014
15-01	356762	13264/2014	25-04	356807	11774/2014
15-03A	356908	13378/2014	25-04	356880	13223/2014
15-03A	356909	13379/2014	25-04	356881	13224/2014
15-03C	356779	12948/2014	26-02	356756	13250/2014
15-03C	356814	12947/2014	26-05E	356756	13250/2014
15-04	356852	11877/2014	28-01	356800	13309/2014
15-05	356910	13380/2014	28-01	356801	13310/2014
15-05	356911	13381/2014	28-01	356803	13313/2014
15-05	356912	13382/2014	28-01	356804	13314/2014
15-05	356913	13383/2014	28-01	356805	13315/2014
15-05	356915	13385/2014	28-01	356857	13345/2014
15-05	356917	13392/2014	28-03NES	356862	13353/2014
15-07	356782	13269/2014	28-04	356828	12931/2014
15-07	356784	13276/2014	29-01	356919	13182/2014
15-07	356823	13275/2014	29-01	356920	13183/2014

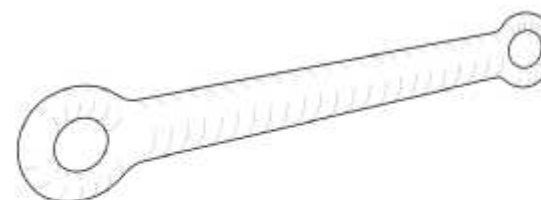
Registration Proceedings - Class Listing of Designs Published or Registered cont'd

Classification	Registration Number	Design Number	Classification	Registration Number	Design Number
29-01	356938	13942/2014	30-01	356879	12460/2014
29-01	356939	13943/2014			

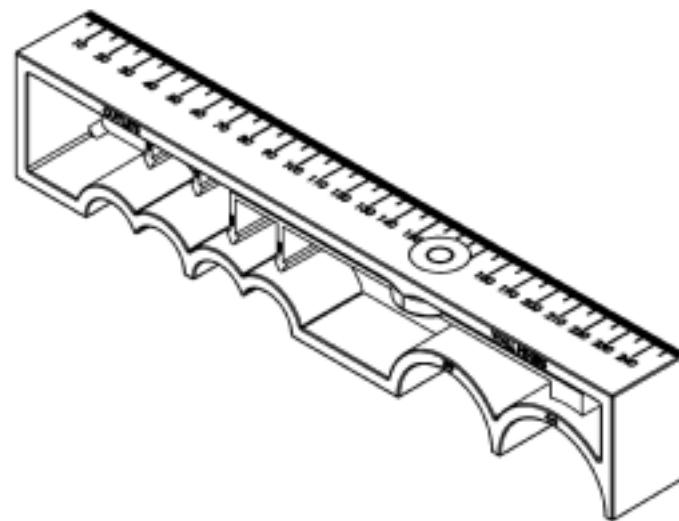
(21) Design Number: **13291/2014**
(22) Date of Filing Application: **07 July 2014**
(24) Date from which industrial property rights may have effect: **07 July 2014**
(54) Product in respect of which the design is registered: **Portable electronic navigation device**
(51) International Design Classification: **14-03NES**
(74) Name(s) of Attorney(s): **SPRUSON & FERGUSON**
(71) Name(s) and Address(s) of Applicant(s):
TomTom International B.V.
De Ruijterkade154 Amsterdam 1011AC The Netherlands
(72) Name(s) of Designer(s): **Daniel Browning and Mark Lee Dempsey and Aaron David McKenny and Nicholas Alexander Evans**
(45) Registration Date: **04 August 2014**
(30) Convention priority data:
(31) Number (32) Date (33) Country
002381384-0001 08 Jan 2014 OFFICE FOR HARMONISATION IN THE INTERNAL MARKET (OHIM)
(56) Related Art Documents: **Not Applicable**
(57) Statement of Newness and Distinctiveness: **Newness and distinctiveness is claimed in the features of shape and/or configuration of a portable electronic navigation device as illustrated in the accompanying representations.**



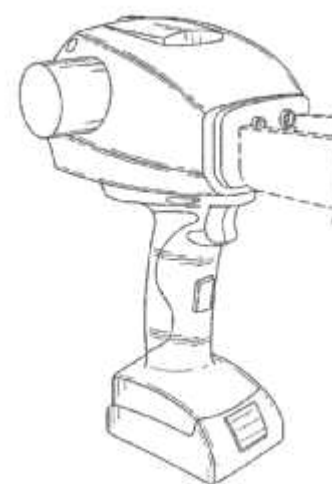
(21) Design Number: **13292/2014**
(22) Date of Filing Application: **07 July 2014**
(24) Date from which industrial property rights may have effect: **07 July 2014**
(54) Product in respect of which the design is registered: **Pool toy**
(51) International Design Classification: **21-01NES**
(74) Name(s) of Attorney(s): **Fisher Adams Kelly Pty Ltd**
(71) Name(s) and Address(s) of Applicant(s):
Britz Innovation Pty Ltd
700 Boundary Rd Richlands QLD 4077 Australia
(72) Name(s) of Designer(s): **David Adamson**
(45) Registration Date: **04 August 2014**
(56) Related Art Documents: **Not Applicable**
(57) Statement of Newness and Distinctiveness: **The newness and distinctiveness of the design resides in the shape and/or configuration of the Pool Toy shown in the representations.**



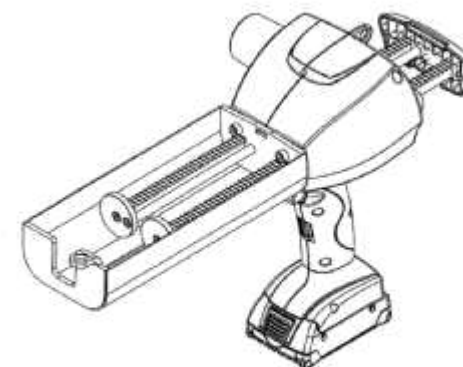
- (21) Design Number: **13295/2014**
(22) Date of Filing Application: **07 July 2014**
(24) Date from which industrial property rights may have effect: **07 July 2014**
(54) Product in respect of which the design is registered: **Plumbing installation device**
(51) International Design Classification: **10-04**
(74) Name(s) of Attorney(s): **Freehills Patent Attorneys**
(71) Name(s) and Address(s) of Applicant(s):
Phoenix Industries Pty Ltd
926 Mountain Hwy Bayswater VIC 3153 Australia
(72) Name(s) of Designer(s): **Steve Jackson**
(45) Registration Date: **04 August 2014**
(56) Related Art Documents: **Not Applicable**
(57) Statement of Newness and Distinctiveness: **Newness and distinctiveness of the design resides in the features of shape and configuration of the plumbing installation device as shown in the accompanying representations.**



- (21) Design Number: **13296/2014**
(22) Date of Filing Application: **07 July 2014**
(24) Date from which industrial property rights may have effect: **07 July 2014**
(54) Product in respect of which the design is registered: **Dispenser**
(51) International Design Classification: **08-05NES**
(74) Name(s) of Attorney(s): **Wrays**
(71) Name(s) and Address(s) of Applicant(s):
Sulzer Mixpac AG
Rutistrasse 7 Haag (Rheintal) 9469 Switzerland
(72) Name(s) of Designer(s): **Juan Almajid**
(45) Registration Date: **04 August 2014**
(30) Convention priority data:
(31) Number (32) Date (33) Country
**002381236 07 Jan 2014 OFFICE FOR HARMONISATION IN
THE INTERNAL MARKET (OHIM)**
(56) Related Art Documents: **Not Applicable**
(57) Statement of Newness and Distinctiveness: **Newness and distinctiveness is claimed in the features of shape, configuration, pattern and/or ornamentation of the Dispenser as shown in the accompanying representations. The features depicted by broken lines are for illustrative purposes only and form no part of the claimed design.**



(21) Design Number: **13297/2014**
(22) Date of Filing Application: **07 July 2014**
(24) Date from which industrial property rights may have effect: **07 July 2014**
(54) Product in respect of which the design is registered: **Dispenser**
(51) International Design Classification: **08-05NES**
(74) Name(s) of Attorney(s): **Wrays**
(71) Name(s) and Address(s) of Applicant(s):



Sulzer Mixpac AG
Rutistrasse 7 Haag (Rheintal) 9469 Switzerland

(72) Name(s) of Designer(s): **Juan Almajid**

(45) Registration Date: **04 August 2014**

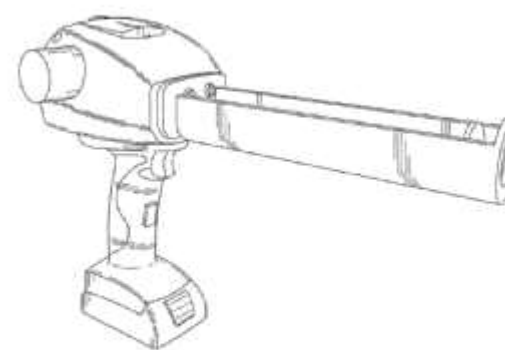
(30) Convention priority data:

(31) Number	(32) Date	(33) Country
002381236	07 Jan 2014	OFFICE FOR HARMONISATION IN THE INTERNAL MARKET (OHIM)

(56) Related Art Documents: **Not Applicable**

(57) Statement of Newness and Distinctiveness: **Newness and distinctiveness is claimed in the features of shape, configuration, pattern and/or ornamentation of the Dispenser as shown in the accompanying representations.**

(21) Design Number: **13298/2014**
(22) Date of Filing Application: **07 July 2014**
(24) Date from which industrial property rights may have effect: **07 July 2014**
(54) Product in respect of which the design is registered: **Dispenser**
(51) International Design Classification: **08-05NES**
(74) Name(s) of Attorney(s): **Wrays**
(71) Name(s) and Address(s) of Applicant(s):



Sulzer Mixpac AG
Rutistrasse 7 Haag (Rheintal) 9469 Switzerland

(72) Name(s) of Designer(s): **Juan Almajid**

(45) Registration Date: **04 August 2014**

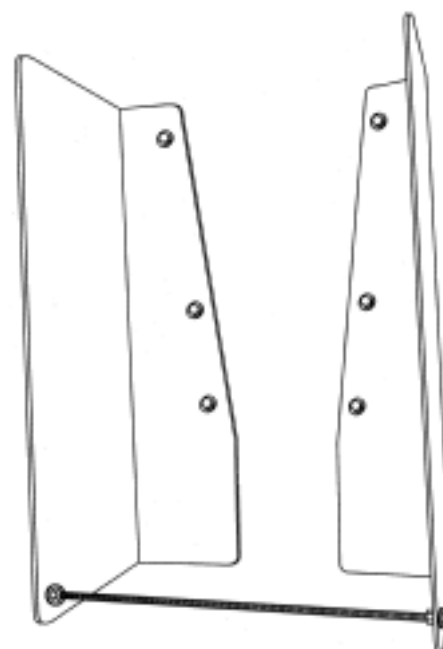
(30) Convention priority data:

(31) Number	(32) Date	(33) Country
002381236	07 Jan 2014	OFFICE FOR HARMONISATION IN THE INTERNAL MARKET (OHIM)

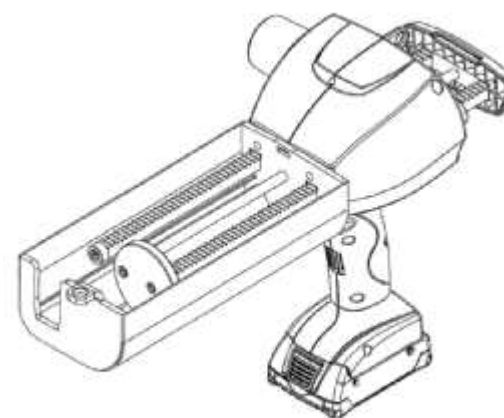
(56) Related Art Documents: **Not Applicable**

(57) Statement of Newness and Distinctiveness: **Newness and distinctiveness is claimed in the features of shape, configuration, pattern and/or ornamentation of the Dispenser as shown in the accompanying representations.**

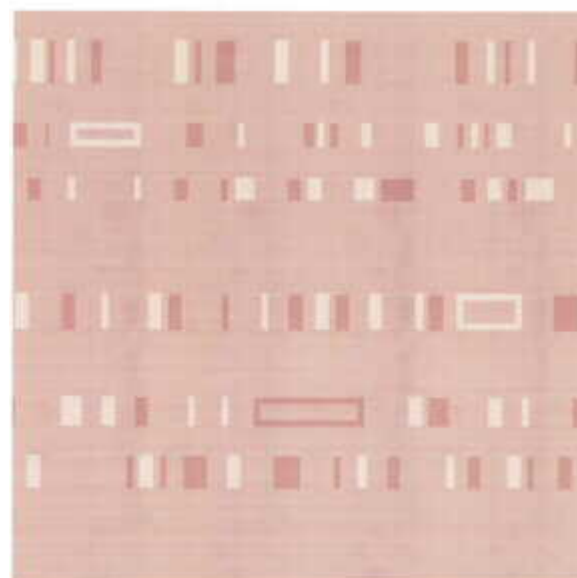
(21) Design Number: **12918/2014**
(22) Date of Filing Application: **13 June 2014**
(24) Date from which industrial property rights may have effect: **13 June 2014**
(54) Product in respect of which the design is registered: **Outboard motor accessory**
(51) International Design Classification: **12-06NES**
(74) Name(s) of Attorney(s): **Wynnes Patent & Trade Mark Attorneys**
(71) Name(s) and Address(s) of Applicant(s):
Peter De Jong
U 4 27 Godwin St Bulimba QLD 4171 Australia
(72) Name(s) of Designer(s): **Peter De Jong**
(45) Registration Date: **04 August 2014**
(56) Related Art Documents: **Not Applicable**
(57) Statement of Newness and Distinctiveness: **Newness and distinctiveness resides in the features of the shape and configuration of an outboard motor accessory as illustrated in the accompanying representations. The features of the outboard motor are to be disregarded with consideration of newness and distinctiveness but have been included for illustrative purposes.**



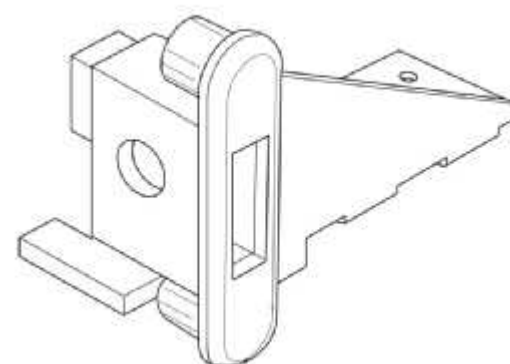
(21) Design Number: **13299/2014**
(22) Date of Filing Application: **07 July 2014**
(24) Date from which industrial property rights may have effect: **07 July 2014**
(54) Product in respect of which the design is registered: **Dispenser**
(51) International Design Classification: **08-05NES**
(74) Name(s) of Attorney(s): **Wrays**
(71) Name(s) and Address(s) of Applicant(s):
Sulzer Mixpac AG
Rutistrasse 7 Haag (Rheintal) 9469 Switzerland
(72) Name(s) of Designer(s): **Juan Almajid**
(45) Registration Date: **04 August 2014**
(30) Convention priority data:
(31) Number (32) Date (33) Country
**002381236 07 Jan 2014 OFFICE FOR HARMONISATION IN
THE INTERNAL MARKET (OHIM)**
(56) Related Art Documents: **Not Applicable**
(57) Statement of Newness and Distinctiveness: **Newness and distinctiveness is claimed in the features of shape, configuration, pattern and/or ornamentation of the Dispenser as shown in the accompanying representations.**



- (21) Design Number: **13300/2014**
(22) Date of Filing Application: **07 July 2014**
(24) Date from which industrial property rights may have effect: **07 July 2014**
(54) Product in respect of which the design is registered: **Textile**
(51) International Design Classification: **05-05D**
(74) Name(s) of Attorney(s): **Sharon Givoni Consulting**
(71) Name(s) and Address(s) of Applicant(s):
BEKAERT (AUSTRALIA) PTY LIMITED
195 Abbots Rd Dandenong South VIC 3175 Australia
(72) Name(s) of Designer(s): **Jacqueline Zimmerman**
(45) Registration Date: **04 August 2014**
(56) Related Art Documents: **Not Applicable**
(57) Statement of Newness and Distinctiveness: **Newness and distinctiveness is claimed in the features of pattern and/or ornamentation of a textile as shown in the representations but disclaiming the colours/colour combination shown which are merely illustrative of the design. The textile is of indefinite length and breadth and the pattern and/or ornamentation is represented throughout the surface.**



- (21) Design Number: **13242/2014**
(22) Date of Filing Application: **03 July 2014**
(24) Date from which industrial property rights may have effect: **03 July 2014**
(54) Product in respect of which the design is registered: **Key retainer**
(51) International Design Classification: **08-07**
(74) Name(s) of Attorney(s): **Sandercock & Cowie**
(71) Name(s) and Address(s) of Applicant(s):
Lingo Systems Pty. Ltd.
PO BOX 602 Mount Eliza VIC 3930 Australia
(72) Name(s) of Designer(s): **Kurt Lingohr**
(45) Registration Date: **04 August 2014**
(56) Related Art Documents: **Not Applicable**
(57) Statement of Newness and Distinctiveness: **Newness and distinctiveness reside in the shape and configuration of the key retainer as shown in the accompanying representations.**



- (21) Design Number: **13301/2014**
(22) Date of Filing Application: **07 July 2014**
(24) Date from which industrial property rights may have effect: **07 July 2014**
(54) Product in respect of which the design is registered: **Textile**
(51) International Design Classification: **05-05D**
(74) Name(s) of Attorney(s): **Sharon Givoni Consulting**
(71) Name(s) and Address(s) of Applicant(s):

BEKAERT (AUSTRALIA) PTY LIMITED
195 Abbots Rd Dandenong South VIC 3175 Australia

- (72) Name(s) of Designer(s): **Jacqueline Zimmerman**

(45) Registration Date: **04 August 2014**

(56) Related Art Documents: **Not Applicable**

- (57) Statement of Newness and Distinctiveness: **Newness and distinctiveness is claimed in the features of pattern and/or ornamentation of a textile as shown in the representations but disclaiming the colours/colour combination shown which are merely illustrative of the design. The textile is of indefinite length and breadth and the pattern and/or ornamentation is represented throughout the surface.**



- (21) Design Number: **13302/2014**
(22) Date of Filing Application: **07 July 2014**
(24) Date from which industrial property rights may have effect: **07 July 2014**
(54) Product in respect of which the design is registered: **Textile**
(51) International Design Classification: **05-05NES**
(74) Name(s) of Attorney(s): **Sharon Givoni Consulting**
(71) Name(s) and Address(s) of Applicant(s):

BEKAERT (AUSTRALIA) PTY LIMITED
195 Abbots Rd Dandenong South VIC 3175 Australia

- (72) Name(s) of Designer(s): **Jacqueline Zimmerman**

(45) Registration Date: **04 August 2014**

(56) Related Art Documents: **Not Applicable**

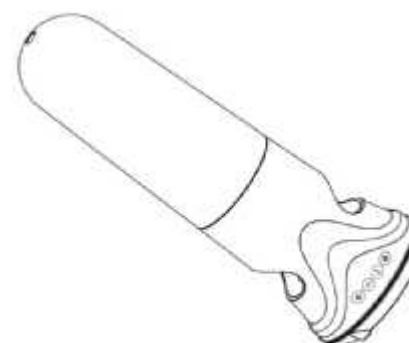
- (57) Statement of Newness and Distinctiveness: **Newness and distinctiveness is claimed in the features of pattern and/or ornamentation of a textile as shown in the representations but disclaiming the colours/colour combination shown which are merely illustrative of the design. The textile is of indefinite length and breadth and the pattern and/or ornamentation is represented throughout the surface.**



- (21) Design Number: **13303/2014**
(22) Date of Filing Application: **07 July 2014**
(24) Date from which industrial property rights may have effect: **07 July 2014**
(54) Product in respect of which the design is registered: **Speaker**
(51) International Design Classification: **14-01**
(74) Name(s) of Attorney(s): **Callinans**
(71) Name(s) and Address(s) of Applicant(s):
ATAKE DIGITAL TECHNOLOGY (SHENZHEN) CO., LTD.
2-4 Fl., 15th Bldg, Changxing Ind. Zone Changzhen Village, Gongming
Office Guangming New District Shenzhen City, Guangdong Province,
518106, China
- (72) Name(s) of Designer(s): **Kuo Tsai Lee**
(45) Registration Date: **04 August 2014**
(56) Related Art Documents: **Not Applicable**
(57) Statement of Newness and Distinctiveness: **Newness and distinctiveness resides in the features of shape and/or configuration of the design as shown in solid lines in the accompanying representations. The features shown in broken lines in the representations are for illustrative purposes only and should not be considered when construing visual features of the design.**



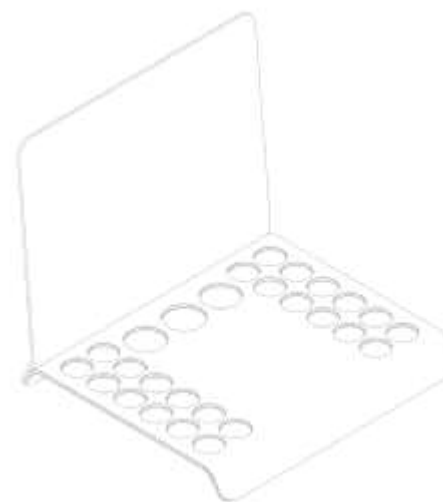
- (21) Design Number: **13304/2014**
(22) Date of Filing Application: **07 July 2014**
(24) Date from which industrial property rights may have effect: **07 July 2014**
(54) Product in respect of which the design is registered: **Speaker**
(51) International Design Classification: **14-01**
(74) Name(s) of Attorney(s): **Callinans**
(71) Name(s) and Address(s) of Applicant(s):
ATAKE DIGITAL TECHNOLOGY (SHENZHEN) CO., LTD.
2-4 Fl., 15th Bldg, Changxing Ind. Zone Changzhen Village, Gongming
Office Guangming New District Shenzhen City, Guangdong Province,
518106, China
- (72) Name(s) of Designer(s): **Kuo Tsai Lee**
(45) Registration Date: **04 August 2014**
(56) Related Art Documents: **Not Applicable**
(57) Statement of Newness and Distinctiveness: **Newness and distinctiveness resides in the features of shape and/or configuration of the design as shown in solid lines in the accompanying representations. The features shown in broken lines in the representations are for illustrative purposes only and should not be considered when construing visual features of the design.**



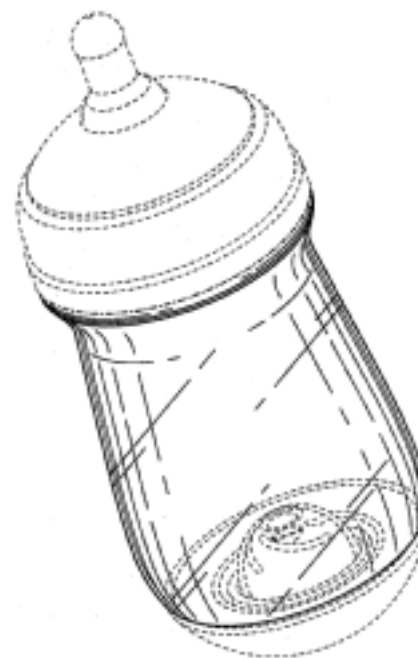
(21) Design Number: **13305/2014**
(22) Date of Filing Application: **08 July 2014**
(24) Date from which industrial property rights may have effect: **08 July 2014**
(54) Product in respect of which the design is registered: **Electric dry iron**
(51) International Design Classification: **07-05A**
(74) Name(s) of Attorney(s): **FB Rice**
(71) Name(s) and Address(s) of Applicant(s):
Koninklijke Philips N.V.
High Tech Campus 5 5656 AE Eindhoven The Netherlands
(72) Name(s) of Designer(s): **Tan Mui Luang**
(45) Registration Date: **04 August 2014**
(30) Convention priority data:
(31) Number (32) Date (33) Country
**002381731-0001 10 Jan 2014 OFFICE FOR HARMONISATION IN
THE INTERNAL MARKET (OHIM)**
(56) Related Art Documents: **Not Applicable**
(57) Statement of Newness and Distinctiveness: **Newness and distinctiveness
reside in the features of shape and configuration of the design as shown
in the representations.**



(21) Design Number: **13306/2014**
(22) Date of Filing Application: **08 July 2014**
(24) Date from which industrial property rights may have effect: **08 July 2014**
(54) Product in respect of which the design is registered: **Point of sale unit**
(51) International Design Classification: **20-02E**
(74) Name(s) of Attorney(s):
(71) Name(s) and Address(s) of Applicant(s):
Container Pty Ltd
L3 255 Riley St Surry Hills NSW 2010 Australia
(72) Name(s) of Designer(s): **Brenan Liston**
(45) Registration Date: **04 August 2014**
(56) Related Art Documents: **Not Applicable**
(57) Statement of Newness and Distinctiveness: **Shape.**



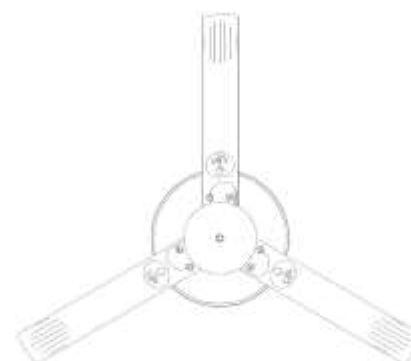
- (21) Design Number: **12773/2013**
(22) Date of Filing Application: **17 June 2013**
(24) Date from which industrial property rights may have effect: **17 June 2013**
(54) Product in respect of which the design is registered: **Baby bottle**
(51) International Design Classification: **07-01E**
(74) Name(s) of Attorney(s): **Griffith Hack**
(71) Name(s) and Address(s) of Applicant(s):
Tomy International, Inc.
2021 9th Street SE Dyersville Iowa 52040 United States of America
(72) Name(s) of Designer(s): **Ruth Prentice and Patrick Thraikill**
(45) Registration Date: **04 August 2014**
(56) Related Art Documents: **Not Applicable**
(57) Statement of Newness and Distinctiveness: **Newness and distinctiveness resides in the visual features, including shape, configuration and ornamentation of the product as shown by means of solid lines in the accompanying representations. Those parts shown by means of dashed lines have been included for illustrative purposes and do not form part of the design.**



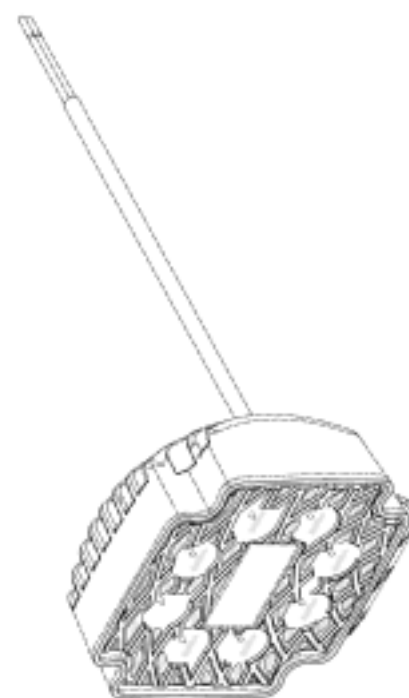
- (21) Design Number: **13244/2014**
(22) Date of Filing Application: **03 July 2014**
(24) Date from which industrial property rights may have effect: **03 July 2014**
(54) Product in respect of which the design is registered: **Lid**
(51) International Design Classification: **09-07A, 07-01C**
(74) Name(s) of Attorney(s): **Griffith Hack**
(71) Name(s) and Address(s) of Applicant(s):
Runway Blue, LLC
250 South 850 East Lehi UT 84043 United States of America
(72) Name(s) of Designer(s): **Steven M Sorensen and Kim L Sorensen and David O Meyers**
(45) Registration Date: **04 August 2014**
(30) Convention priority data:
(31) Number (32) Date (33) Country
29/479737 19 Jan 2014 UNITED STATES OF AMERICA
(56) Related Art Documents: **Not Applicable**
(57) Statement of Newness and Distinctiveness: **The shape and configuration of the product as shown by solid lines in the accompanying representations is new and distinctive.**



(21) Design Number: **13246/2014**
(22) Date of Filing Application: **03 July 2014**
(24) Date from which industrial property rights may have effect: **03 July 2014**
(54) Product in respect of which the design is registered: **Wind power generator**
(51) International Design Classification: **13-01**
(74) Name(s) of Attorney(s):
(71) Name(s) and Address(s) of Applicant(s):
Shenzhen TYPMAR Wind Energy Technology Co.,Ltd.
6/F West, Factory Building, Yinshan Area 107 National Rd Side, Fuyong
Street Baoan District Shenzhen China
(72) Name(s) of Designer(s): **Wenqi Lin**
(45) Registration Date: **04 August 2014**
(56) Related Art Documents: **Not Applicable**
(57) Statement of Newness and Distinctiveness: **Nil**



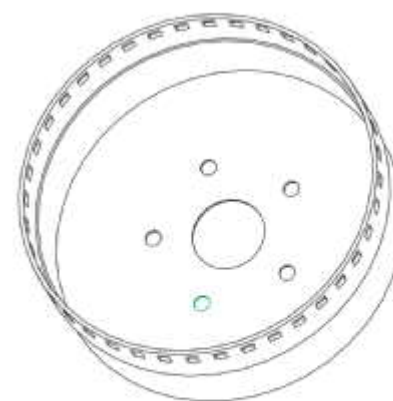
(21) Design Number: **13250/2014**
(22) Date of Filing Application: **03 July 2014**
(24) Date from which industrial property rights may have effect: **03 July 2014**
(54) Product in respect of which the design is registered: **Lamp**
(51) International Design Classification: **26-05E, 26-02**
(74) Name(s) of Attorney(s): **SPRUSON & FERGUSON**
(71) Name(s) and Address(s) of Applicant(s):
Electronic Controls Company
833 W. Diamond Street Boise Idaho 83705 United States of America
(72) Name(s) of Designer(s): **John Luis Aldape**
(45) Registration Date: **04 August 2014**
(30) Convention priority data:
(31) Number (32) Date (33) Country
29/478627 07 Jan 2014 UNITED STATES OF AMERICA
(56) Related Art Documents: **Not Applicable**
(57) Statement of Newness and Distinctiveness: **Newness and distinctiveness is claimed in the features of shape and/or configuration of a lamp as illustrated in the accompanying representations, in which particular regard is to be given to features illustrated in continuous lines and lesser regard is to be given to features illustrated in broken lines.**



- (21) Design Number: **13253/2014**
(22) Date of Filing Application: **03 July 2014**
(24) Date from which industrial property rights may have effect: **03 July 2014**
(54) Product in respect of which the design is registered: **Shoe**
(51) International Design Classification: **02-04NES**
(74) Name(s) of Attorney(s): **Freehills Patent Attorneys**
(71) Name(s) and Address(s) of Applicant(s):
Pacific Brands Footwear Pty Ltd
L3 290 Burwood Rd Hawthorn VIC 3122 Australia
(72) Name(s) of Designer(s): **Lisa Tilley**
(45) Registration Date: **04 August 2014**
(56) Related Art Documents: **Not Applicable**
(57) Statement of Newness and Distinctiveness: **Newness and distinctiveness of the design resides in the ornamentation and configuration of the panels of the upper of the shoe as shown in the accompanying representations.**



- (21) Design Number: **13254/2014**
(22) Date of Filing Application: **03 July 2014**
(24) Date from which industrial property rights may have effect: **03 July 2014**
(54) Product in respect of which the design is registered: **Brake drum cover**
(51) International Design Classification: **12-16M**
(74) Name(s) of Attorney(s): **Lesicar Maynard Andrews Pty Ltd**
(71) Name(s) and Address(s) of Applicant(s):
R.V. Electronics Pty Ltd
1 Ardtornish St Holden Hill SA 5088 Australia
(72) Name(s) of Designer(s): **Colin Pasfield**
(45) Registration Date: **04 August 2014**
(56) Related Art Documents: **Not Applicable**
(57) Statement of Newness and Distinctiveness: **Newness and distinctiveness lie in the shape and/or configuration of the Brake Drum Cover, in particular the peripheral apertures.**



(21) Design Number: **12712/2014**

(22) Date of Filing Application: **03 June 2014**

(24) Date from which industrial property rights may have effect: **03 June 2014**

(54) Product in respect of which the design is registered: **Tyre for automobile**

(51) International Design Classification: **12-15C**

(74) Name(s) of Attorney(s): **Davies Collison Cave**

(71) Name(s) and Address(s) of Applicant(s):

Sumitomo Rubber Industries, Ltd.

6-9 Wakinohama-cho 3-chome Chuo-ku Kobe-shi Hyogo 651-0072 Japan

(72) Name(s) of Designer(s): **MITSURU SUEYOSHI**

(45) Registration Date: **05 August 2014**

(30) Convention priority data:

(31) Number	(32) Date	(33) Country
2014-028313	03 Dec 2013	JAPAN

(56) Related Art Documents: **Not Applicable**

(57) Statement of Newness and Distinctiveness: **Nil**



(21) Design Number: **12770/2014**

(22) Date of Filing Application: **05 June 2014**

(24) Date from which industrial property rights may have effect: **05 June 2014**

(54) Product in respect of which the design is registered: **Beverage bottle**

(51) International Design Classification: **09-01NES**

(74) Name(s) of Attorney(s): **Davies Collison Cave**

(71) Name(s) and Address(s) of Applicant(s):

Kellogg Company

**One Kellogg Square PO Box 3599 Battle Creek Michigan 49016-3599
United States of America**

(72) Name(s) of Designer(s): **ED FOLEY**

(45) Registration Date: **05 August 2014**

(30) Convention priority data:

(31) Number	(32) Date	(33) Country
29/475,655	05 Dec 2013	UNITED STATES OF AMERICA

(56) Related Art Documents: **Not Applicable**

(57) Statement of Newness and Distinctiveness: **Nil**



- (21) Design Number: **13263/2014**
(22) Date of Filing Application: **04 July 2014**
(24) Date from which industrial property rights may have effect: **04 July 2014**
(54) Product in respect of which the design is registered: **Tyre**
(51) International Design Classification: **12-15A**
(74) Name(s) of Attorney(s):
(71) Name(s) and Address(s) of Applicant(s):

Jinlin Ma

**RM.701, Block 1, Anhuaxuan Ruihuayuannei St. Middle Jiejing Rd. Panyu
Dist. Guangzhou City Guangdong Province China**

- (72) Name(s) of Designer(s): **Jinlin Ma**
(45) Registration Date: **05 August 2014**
(56) Related Art Documents: **Not Applicable**
(57) Statement of Newness and Distinctiveness: **Nil**



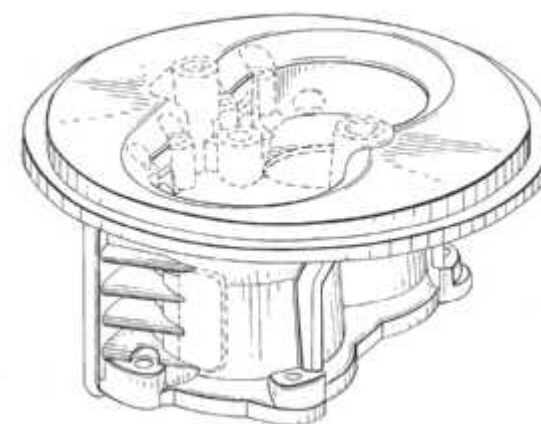
- (21) Design Number: **13264/2014**
(22) Date of Filing Application: **04 July 2014**
(24) Date from which industrial property rights may have effect: **04 July 2014**
(54) Product in respect of which the design is registered: **Carburetor main body**
(51) International Design Classification: **15-01**
(74) Name(s) of Attorney(s): **AJ Park**
(71) Name(s) and Address(s) of Applicant(s):

Holley Performance Products, Inc.

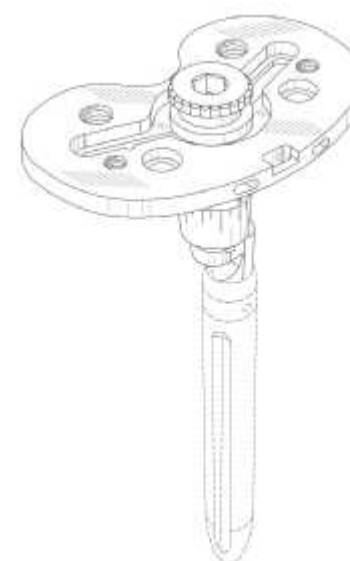
**1801 Russellville Road Bowling Green Kentucky 42101 United States of
America**

- (72) Name(s) of Designer(s): **Amy Gieske and Laura Shenan and Shane
Weckerly and Jonathan Sams**
(45) Registration Date: **05 August 2014**
(30) Convention priority data:
- | (31) Number | (32) Date | (33) Country |
|-------------------|--------------------|---------------------------------|
| 29/478,722 | 08 Jan 2014 | UNITED STATES OF AMERICA |

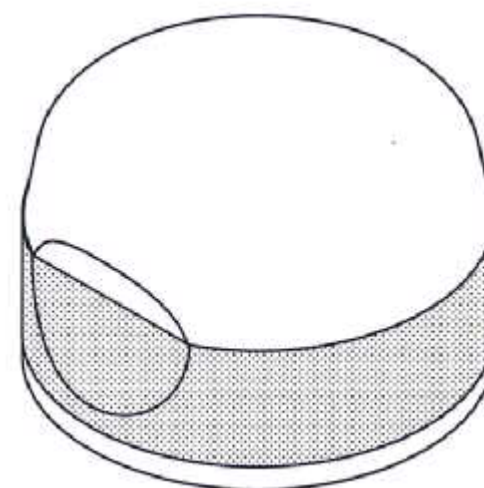
- (56) Related Art Documents: **Not Applicable**
(57) Statement of Newness and Distinctiveness: **Newness and distinctiveness
reside in the features of shape and/or configuration of the carburetor
main body all as shown in the representations. The features shown
in broken lines are shown for illustrative purposes only and are to be
disregarded when considering the overall impression of the design.**



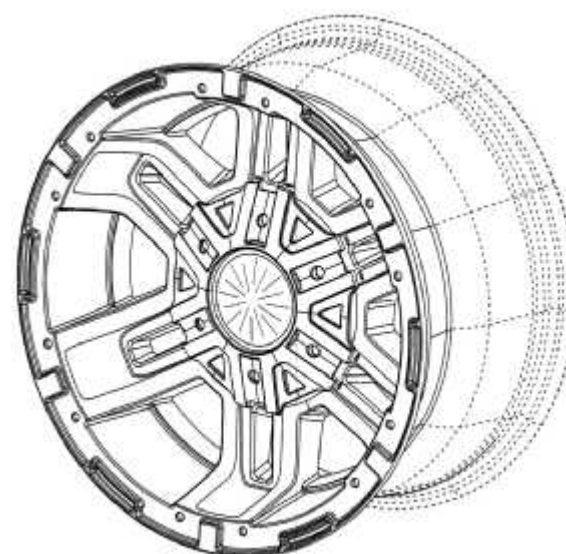
- (21) Design Number: **12278/2014**
(22) Date of Filing Application: **13 May 2014**
(24) Date from which industrial property rights may have effect: **13 May 2014**
(54) Product in respect of which the design is registered: **Base component with stem adaptor for use with orthopaedic surgical instruments**
(51) International Design Classification: **24-02**
(74) Name(s) of Attorney(s): **Callinans**
(71) Name(s) and Address(s) of Applicant(s):
DePuy (Ireland)
Loughbeg Industrial Estate Ringaskiddy Cork Republic of Ireland
(72) Name(s) of Designer(s): **Shawn Langford and Ryan C Keefer and Todd A Kilpela and Jonathan C Lee and Darren R Bailey and William R Macumber and Lisa M Major**
(45) Registration Date: **07 August 2014**
(30) Convention priority data:
(31) Number (32) Date (33) Country
29/475017 27 Nov 2013 UNITED STATES OF AMERICA
(56) Related Art Documents: **Not Applicable**
(57) Statement of Newness and Distinctiveness: **Newness and distinctiveness are provided by the shape and/or configuration of the design shown in the representations. The features shown in broken lines in the representations are for illustrative purposes only and should not be considered when construing visual features of the design.**



- (21) Design Number: **12963/2014**
(22) Date of Filing Application: **17 June 2014**
(24) Date from which industrial property rights may have effect: **17 June 2014**
(54) Product in respect of which the design is registered: **Closure**
(51) International Design Classification: **09-07C**
(74) Name(s) of Attorney(s): **SPRUSON & FERGUSON**
(71) Name(s) and Address(s) of Applicant(s):
AptarGroup, Inc.
475 West Terra Cotta Avenue Suite E Crystal Lake Illinois 60014-9695
United States of America
(72) Name(s) of Designer(s): **Syed Zakir Hussain and Karthik Reddy Kotha**
(45) Registration Date: **07 August 2014**
(30) Convention priority data:
(31) Number (32) Date (33) Country
29/488678 22 Apr 2014 UNITED STATES OF AMERICA
(56) Related Art Documents: **Not Applicable**
(57) Statement of Newness and Distinctiveness: **Newness and distinctiveness is claimed in the features of shape and/or configuration of the following elements of a closure illustrated in the accompanying representations: a lid which has a convexly curved peripheral top edge and has a side wall tapering radially outwardly from the top edge to the bottom of the lid; a base which includes a short, cylindrical bottom portion, and a taller, cylindrical, upper portion that is located above the bottom portion and that exhibits a contrasting surface appearance as a result of having a different material, texture, or color; and a recessed region defined at the front of the closure (opposite the hinge) by the lid and base.**



(21) Design Number: **13605/2014**
(22) Date of Filing Application: **24 July 2014**
(24) Date from which industrial property rights may have effect: **24 July 2014**
(54) Product in respect of which the design is registered: **Wheel**
(51) International Design Classification: **12-16A**
(74) Name(s) of Attorney(s): **Allens Patent & Trade Mark Attorneys**
(71) Name(s) and Address(s) of Applicant(s):



Wheel Pros, LLC
44 Union Blvd Suite 620S CO 80228 United Staes of America

(72) Name(s) of Designer(s): **Suny Chung**

(45) Registration Date: **07 August 2014**

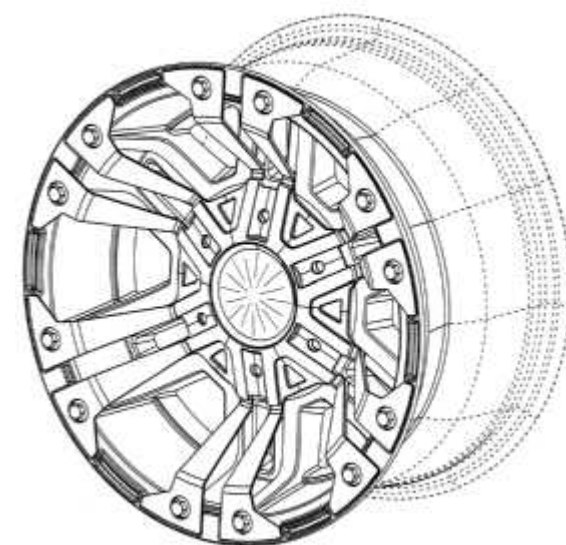
(30) Convention priority data:

(31) Number	(32) Date	(33) Country
29/495,360	30 Jun 2014	UNITED STATES OF AMERICA

(56) Related Art Documents: **Not Applicable**

(57) Statement of Newness and Distinctiveness: **Newness and distinctiveness resides in the visual features of shape and/or configuration of a wheel as illustrated in the accompanying representations. The broken lines in the representations are for illustrative purposes only and do not constitute part of the design.**

(21) Design Number: **13606/2014**
(22) Date of Filing Application: **24 July 2014**
(24) Date from which industrial property rights may have effect: **24 July 2014**
(54) Product in respect of which the design is registered: **Wheel**
(51) International Design Classification: **12-16A**
(74) Name(s) of Attorney(s): **Allens Patent & Trade Mark Attorneys**
(71) Name(s) and Address(s) of Applicant(s):



Wheel Pros, LLC
44 Union Blvd Suite 620S Lakewood CO 80228 United States of America

(72) Name(s) of Designer(s): **Suny Chung**

(45) Registration Date: **07 August 2014**

(30) Convention priority data:

(31) Number	(32) Date	(33) Country
29/495,359	30 Jun 2014	UNITED STATES OF AMERICA

(56) Related Art Documents: **Not Applicable**

(57) Statement of Newness and Distinctiveness: **Newness and distinctiveness resides in the visual features of shape and/or configuration of a wheel as illustrated in the accompanying representations. The broken lines in the representations are for illustrative purposes only and do not constitute part of the design.**

- (21) Design Number: **10752/2014**
(22) Date of Filing Application: **14 February 2014**
(24) Date from which industrial property rights may have effect: **14 February 2014**
(54) Product in respect of which the design is registered: **Plaything and toy**
(51) International Design Classification: **21-01L**
(74) Name(s) of Attorney(s): **Freehills Patent Attorneys**
(71) Name(s) and Address(s) of Applicant(s):
Iconic Worldwide Gaming Limited
Lock 90 Deansgate Locks Trumpet Street Manchester M1 5LW United Kingdom
(72) Name(s) of Designer(s): **Patrick Damien O'Brien**
(45) Registration Date: **08 August 2014**
(30) Convention priority data:
(31) Number (32) Date (33) Country
001380687 16 Aug 2013 EUROPEAN PATENT OFFICE (EPO)
(56) Related Art Documents: **Not Applicable**
(57) Statement of Newness and Distinctiveness: **Newness and distinctiveness resides in the features of ornamentation shown in solid lines in the representations.**



- (21) Design Number: **12207/2014**
(22) Date of Filing Application: **08 May 2014**
(24) Date from which industrial property rights may have effect: **04 March 2014**
(54) Product in respect of which the design is registered: **Organizer**
(51) International Design Classification: **03-01NES**
(74) Name(s) of Attorney(s): **Davies Collison Cave**
(71) Name(s) and Address(s) of Applicant(s):
Oisoom SDN BHD
9-1 Level 9 Tower 9 Avenue 5 Bangsar South 8 Jalan Kerinchi Kuala Lumpur 59200 Malaysia
(72) Name(s) of Designer(s): **Hendrik Sterk**
(45) Registration Date: **08 August 2014**
(62) Divisional of: **355376**
(56) Related Art Documents: **Not Applicable**
(57) Statement of Newness and Distinctiveness: **Newness and distinctiveness is claimed in the visual features of shape and configuration shown in the representations. The shaded portions illustrate bores of the product.**



(21) Design Number: **12325/2014**

(22) Date of Filing Application: **14 May 2014**

(24) Date from which industrial property rights may have effect: **14 May 2014**

(54) Product in respect of which the design is registered: **Positioning element**

(51) International Design Classification: **21-01E**

(74) Name(s) of Attorney(s): **Davies Collison Cave**

(71) Name(s) and Address(s) of Applicant(s):

**K'NEX Limited Partnership Group
2990 Bergey Road Hatfield PA 19440-0700 United States of America**

(72) Name(s) of Designer(s): **LaVonne Strand**

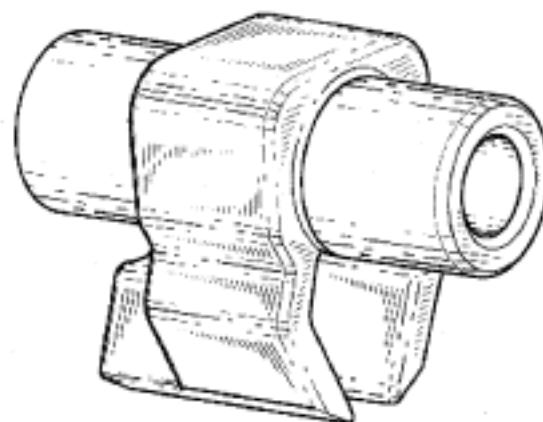
(45) Registration Date: **08 August 2014**

(30) Convention priority data:

(31) Number	(32) Date	(33) Country
29/472,660	14 Nov 2013	UNITED STATES OF AMERICA

(56) Related Art Documents: **Not Applicable**

(57) Statement of Newness and Distinctiveness: **Nil**



(21) Design Number: **12368/2014**

(22) Date of Filing Application: **15 May 2014**

(24) Date from which industrial property rights may have effect: **15 May 2014**

(54) Product in respect of which the design is registered: **Cable winder**

(51) International Design Classification: **15-99**

(74) Name(s) of Attorney(s):

(71) Name(s) and Address(s) of Applicant(s):

**The Peak Group Pty Limited
212 Macquarie Rd Warners Bay NSW 2282 Australia**

(72) Name(s) of Designer(s): **Paul Griffiths**

(45) Registration Date: **08 August 2014**

(56) Related Art Documents: **Not Applicable**

(57) Statement of Newness and Distinctiveness: **Newness and distinctiveness reside in the features of shape and configuration of the design as shown in the representations.**

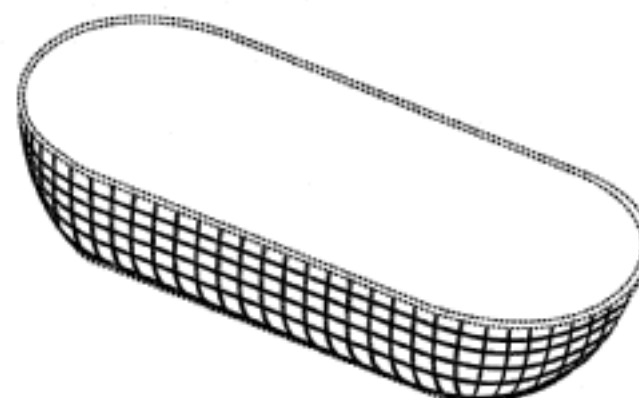


(21) Design Number: **12459/2014**
(22) Date of Filing Application: **19 May 2014**
(24) Date from which industrial property rights may have effect: **19 May 2014**
(54) Product in respect of which the design is registered: **Marine boat trailer**
(51) International Design Classification: **12-10**
(74) Name(s) of Attorney(s):
(71) Name(s) and Address(s) of Applicant(s):



LL CASEY BOAT AND TRAILER PTY LTD
5/22 Wattle Rd Hawthorn VIC 3122 Australia
LL Casey Boat and Trailer Pty Ltd
FY9 Russell Ct Dandenong South VIC 3175 Australia
(72) Name(s) of Designer(s): **Tung Pham and Tuan Le**
(45) Registration Date: **08 August 2014**
(56) Related Art Documents: **Not Applicable**
(57) Statement of Newness and Distinctiveness: **Boat trailer using marine grade aluminium as the main material for this product. The product uses only bolts and nuts for connecting frame structure. There is no welding joint on the frame body structure on our trailers therefore reinforce the strength of the material.**

(21) Design Number: **12583/2014**
(22) Date of Filing Application: **27 May 2014**
(24) Date from which industrial property rights may have effect: **27 May 2014**
(54) Product in respect of which the design is registered: **Shaped tortilla**
(51) International Design Classification: **01-01**
(74) Name(s) of Attorney(s): **Callinans**
(71) Name(s) and Address(s) of Applicant(s):

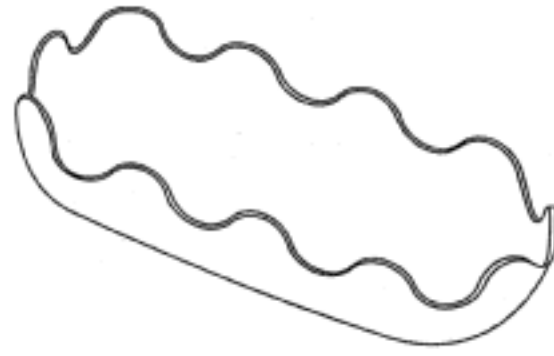


General Mills, Inc.
Number One General Mills Boulevard P.O. Box 1113 Minneapolis,
Minnesota, 55440 United States of America
(72) Name(s) of Designer(s): **Robert G Clements and Shivakumar Elayedath**
and Amy Rossa Fleury and Zachary Harder
(45) Registration Date: **08 August 2014**
(30) Convention priority data:

(31) Number	(32) Date	(33) Country
29/476,453	13 Dec 2013	UNITED STATES OF AMERICA

(56) Related Art Documents: **Not Applicable**
(57) Statement of Newness and Distinctiveness: **Newness and distinctiveness are provided by the shape and/or configuration of the design shown in the representations. The features shown in broken lines in the representations are for illustrative purposes only and should not be considered when construing visual features of the design.**

- (21) Design Number: **12585/2014**
(22) Date of Filing Application: **27 May 2014**
(24) Date from which industrial property rights may have effect: **27 May 2014**
(54) Product in respect of which the design is registered: **Shaped tortilla**
(51) International Design Classification: **01-01**
(74) Name(s) of Attorney(s): **Callinans**
(71) Name(s) and Address(s) of Applicant(s):
General Mills, Inc.
Number One General Mills Boulevard P.O. Box 1113 Minneapolis,
Minnesota, 55440 United States of America
(72) Name(s) of Designer(s): **Robert G Clements and Shivakumar Elayedath**
and Amy Rossa Fleury and Zachary Harder
(45) Registration Date: **08 August 2014**
(30) Convention priority data:
(31) Number (32) Date (33) Country
29/476,459 13 Dec 2013 UNITED STATES OF AMERICA
(56) Related Art Documents: **Not Applicable**
(57) Statement of Newness and Distinctiveness: **Nil**



- (21) Design Number: **12609/2014**
(22) Date of Filing Application: **28 May 2014**
(24) Date from which industrial property rights may have effect: **28 May 2014**
(54) Product in respect of which the design is registered: **Baby jumpsuit with interchangeable bib**
(51) International Design Classification: **02-02C**
(74) Name(s) of Attorney(s):
(71) Name(s) and Address(s) of Applicant(s):
Nicole Ellen Wilson
30 Dragonfly Dr Chisholm NSW 2322 Australia
(72) Name(s) of Designer(s): **Nicole Ellen Wilson**
(45) Registration Date: **08 August 2014**
(56) Related Art Documents: **Not Applicable**
(57) Statement of Newness and Distinctiveness: **The newness and distinctiveness of this design lies within the interchangeable collar and front panel which alleviates the need to find a change table and change a whole jumpsuit if the baby throws up on their outfit. It also gives multiple looks at half the cost of buying several different jumpsuits.**



(21) Design Number: **12662/2014**
(22) Date of Filing Application: **30 May 2014**
(24) Date from which industrial property rights may have effect: **30 May 2014**
(54) Product in respect of which the design is registered: **Chair**
(51) International Design Classification: **06-01F**
(74) Name(s) of Attorney(s): **Baldwins Intellectual Property**
(71) Name(s) and Address(s) of Applicant(s):
Tolix Steel Design
18 Boulevard Bernard Giberstein ZI Saint-Andoche Autun 71400 France
(72) Name(s) of Designer(s): **Patrick Norguet**
(45) Registration Date: **08 August 2014**
(30) Convention priority data:
(31) Number (32) Date (33) Country
002363218-0001 02 Dec 2013 OFFICE FOR HARMONISATION IN
THE INTERNAL MARKET (OHIM)
(56) Related Art Documents: **Not Applicable**
(57) Statement of Newness and Distinctiveness: **Newness and distinctiveness**
resides in the features of shape and/or configuration of the chair.



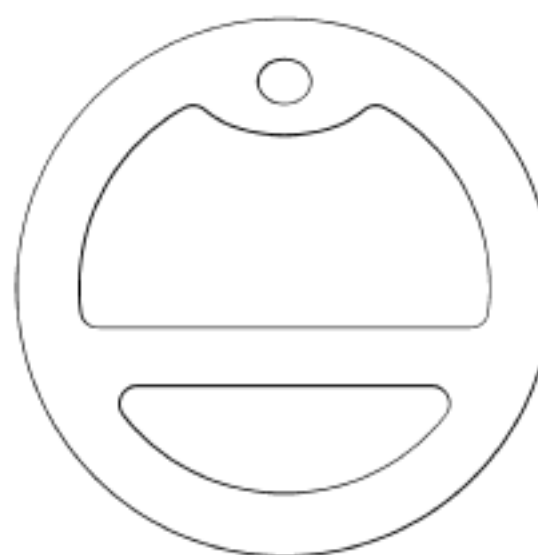
(21) Design Number: **12945/2014**
(22) Date of Filing Application: **17 June 2014**
(24) Date from which industrial property rights may have effect: **17 June 2014**
(54) Product in respect of which the design is registered: **A dress**
(51) International Design Classification: **02-02C**
(74) Name(s) of Attorney(s):
(71) Name(s) and Address(s) of Applicant(s):
AUSTRALIAN FASHION LABELS PTY LTD
106 Currie St Adelaide SA 5000 Australia
(72) Name(s) of Designer(s): **Carmen Dugan**
(45) Registration Date: **08 August 2014**
(56) Related Art Documents: **Not Applicable**
(57) Statement of Newness and Distinctiveness: **Newness and distinctiveness**
resides in the features of shape and configuration of a dress as shown
in the accompanying representations.



(21) Design Number: **16613/2013**
(22) Date of Filing Application: **17 December 2013**
(24) Date from which industrial property rights may have effect: **29 October 2013**
(54) Product in respect of which the design is registered: **Chair with work surface**
(51) International Design Classification: **06-01F**
(74) Name(s) of Attorney(s): **Davies Collison Cave**
(71) Name(s) and Address(s) of Applicant(s):
Haworth, Inc.
One Haworth Center 1400 Highway M-40 Holland Michigan 49423 United States of America
(72) Name(s) of Designer(s): **Nicolai Czumaj-Bront**
(45) Registration Date: **08 August 2014**
(62) Divisional of: **353320**
(56) Related Art Documents: **Not Applicable**
(57) Statement of Newness and Distinctiveness: **Nil**



(21) Design Number: **12483/2014**
(22) Date of Filing Application: **21 May 2014**
(24) Date from which industrial property rights may have effect: **21 May 2014**
(54) Product in respect of which the design is registered: **A catheter**
(51) International Design Classification: **24-02**
(74) Name(s) of Attorney(s): **Freehills Patent Attorneys**
(71) Name(s) and Address(s) of Applicant(s):
Kimberly-Clark Worldwide, Inc.
2300 Winchester Road Neenah Wisconsin 54956 United States of America
(72) Name(s) of Designer(s): **Katherine L Dziak and Donald J McMichael and Michael A Schmidt**
(45) Registration Date: **08 August 2014**
(30) Convention priority data:
(31) Number (32) Date (33) Country
29/473661 25 Nov 2013 UNITED STATES OF AMERICA
(56) Related Art Documents: **Not Applicable**
(57) Statement of Newness and Distinctiveness: **Newness and distinctiveness resides in the shape and/or configuration of the catheter cross section as shown in the accompanying representation.**



(21) Design Number: **12948/2014**

(22) Date of Filing Application: **17 June 2014**

(24) Date from which industrial property rights may have effect: **17 June 2014**

(54) Product in respect of which the design is registered: **Milking machine**

(51) International Design Classification: **15-03C**

(74) Name(s) of Attorney(s): **Griffith Hack**

(71) Name(s) and Address(s) of Applicant(s):

**GEA Farm Technologies GmbH
Siemensstrasse. 25-27 Bonen 59199 Germany**

(72) Name(s) of Designer(s): **Thorsten Helm and Daniel Fichte**

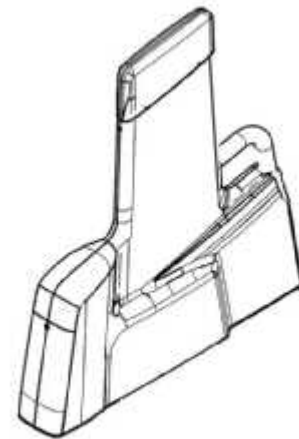
(45) Registration Date: **08 August 2014**

(30) Convention priority data:

(31) Number	(32) Date	(33) Country
002373522-0002	19 Dec 2013	OFFICE FOR HARMONISATION IN THE INTERNAL MARKET (OHIM)

(56) Related Art Documents: **Not Applicable**

(57) Statement of Newness and Distinctiveness: **Newness and distinctiveness resides in the visual features, including the shape and configuration of the product shown in the representations.**



(21) Design Number: **13137/2014**

(22) Date of Filing Application: **27 June 2014**

(24) Date from which industrial property rights may have effect: **27 June 2014**

(54) Product in respect of which the design is registered: **A baking aid**

(51) International Design Classification: **07-02P, 07-99A**

(74) Name(s) of Attorney(s): **SPRUSON & FERGUSON**

(71) Name(s) and Address(s) of Applicant(s):

**Take Two Marketing and Events Pty Ltd
301/209 Oxford St Bondi Junction NSW 2022 Australia**

(72) Name(s) of Designer(s): **James Cheney**

(45) Registration Date: **08 August 2014**

(56) Related Art Documents: **Not Applicable**

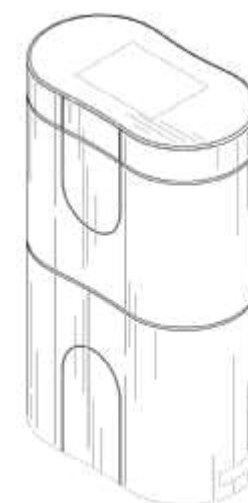
(57) Statement of Newness and Distinctiveness: **Newness and distinctiveness is claimed in the features of shape and/or configuration of a baking aid as illustrated in the accompanying representations.**



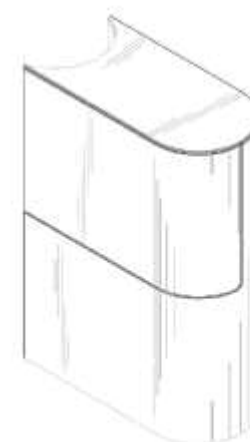
- (21) Design Number: **13167/2014**
(22) Date of Filing Application: **30 June 2014**
(24) Date from which industrial property rights may have effect: **30 June 2014**
(54) Product in respect of which the design is registered: **Glass cooler**
(51) International Design Classification: **07-07A**
(74) Name(s) of Attorney(s):
(71) Name(s) and Address(s) of Applicant(s):
Broplenty Pty Ltd
PO BOX 1927 Sunshine Plaza QLD 4558 Australia
(72) Name(s) of Designer(s): **Jane Brown**
(45) Registration Date: **08 August 2014**
(56) Related Art Documents: **Not Applicable**
(57) Statement of Newness and Distinctiveness: **Neoprene glass cooler covered in 4 different sized diamantes. Edge of diamante pattern has small row of diamantes and a mix design of all 4 sized diamantes in pattern. Glass cooler has detachable strap. 2 sizes of same product. 1 fits wine glass 1 fits champagne glass.**



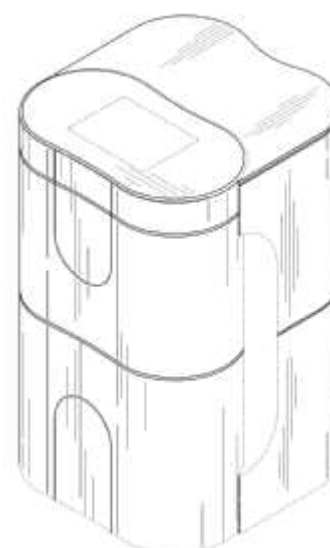
- (21) Design Number: **13269/2014**
(22) Date of Filing Application: **04 July 2014**
(24) Date from which industrial property rights may have effect: **14 April 2014**
(54) Product in respect of which the design is registered: **Cooling compartment**
(51) International Design Classification: **15-07**
(74) Name(s) of Attorney(s): **IP Gateway Patent & Trademark Attorneys Pty Ltd**
(71) Name(s) and Address(s) of Applicant(s):
AbbVie Inc.
1 North Waukegan Road North Chicago IL 60064 United States of America
(72) Name(s) of Designer(s): **Frank Leroux and Frederic Alfonsi and Dorine Roudaut and Gilles Scazzola and Morgane Lequerre and Sophie Meltzheim and Lucie Perrin and Victoria Al Samarai and Thibault Massart**
(45) Registration Date: **08 August 2014**
(30) Convention priority data:
(31) Number (32) Date (33) Country
002325761-0001 14 Oct 2013 OFFICE FOR HARMONISATION IN THE INTERNAL MARKET (OHIM)
(62) Divisional of: **356377**
(56) Related Art Documents: **Not Applicable**
(57) Statement of Newness and Distinctiveness: **Newness and distinctiveness reside in the visual features of shape and/or configuration of A COOLING COMPARTMENT as shown in solid lines in the representations, those features shown in broken lines are to be given minimal emphasis when considering the overall impression of the design.**



(21) Design Number: **13270/2014**
 (22) Date of Filing Application: **04 July 2014**
 (24) Date from which industrial property rights may have effect: **14 April 2014**
 (54) Product in respect of which the design is registered: **Waste compartment**
 (51) International Design Classification: **09-09**
 (74) Name(s) of Attorney(s): **IP Gateway Patent & Trademark Attorneys Pty Ltd**
 (71) Name(s) and Address(s) of Applicant(s):
AbbVie Inc.
1 North Waukegan Road North Chicago IL 60064 United States of America
 (72) Name(s) of Designer(s): **Frank Leroux and Frederic Alfonsi and Dorine Roudaut and Gilles Scazzola and Morgane Lequerre and Sophie Meltzheim and Lucie Perrin and Victoria Al Samarai and Thibault Massart**
 (45) Registration Date: **08 August 2014**
 (30) Convention priority data:
 (31) Number (32) Date (33) Country
002325761-0001 14 Oct 2013 OFFICE FOR HARMONISATION IN THE INTERNAL MARKET (OHIM)
 (62) Divisional of: **356375**
 (56) Related Art Documents: **Not Applicable**
 (57) Statement of Newness and Distinctiveness: **Newness and distinctiveness reside in the visual features of shape and/or configuration of A WASTE COMPARTMENT as shown in solid lines in the representations, those features shown in broken lines are to be given minimal emphasis when considering the overall impression of the design.**



(21) Design Number: **13276/2014**
 (22) Date of Filing Application: **04 July 2014**
 (24) Date from which industrial property rights may have effect: **14 April 2014**
 (54) Product in respect of which the design is registered: **Cooling and waste compartment**
 (51) International Design Classification: **15-07, 09-09**
 (74) Name(s) of Attorney(s): **IP Gateway Patent & Trademark Attorneys Pty Ltd**
 (71) Name(s) and Address(s) of Applicant(s):
AbbVie Inc.
1 North Waukegan Road North Chicago IL 60064 United States of America
 (72) Name(s) of Designer(s): **Frank Leroux and Frederic Alfonsi and Dorine Roudaut and Gilles Scazzola and Morgane Lequerre and Sophie Meltzheim and Lucie Perrin and Victoria Al Samarai and Thibault Massart**
 (45) Registration Date: **08 August 2014**
 (30) Convention priority data:
 (31) Number (32) Date (33) Country
002325761-0001 14 Oct 2013 OFFICE FOR HARMONISATION IN THE INTERNAL MARKET (OHIM)
 (62) Divisional of: **356557**
 (56) Related Art Documents: **Not Applicable**
 (57) Statement of Newness and Distinctiveness: **Newness and distinctiveness reside in the visual features of shape and/or configuration of A COOLING AND WASTE COMPARTMENT as shown in solid lines in the representations, those features shown in broken lines are to be given minimal emphasis when considering the overall impression of the design.**



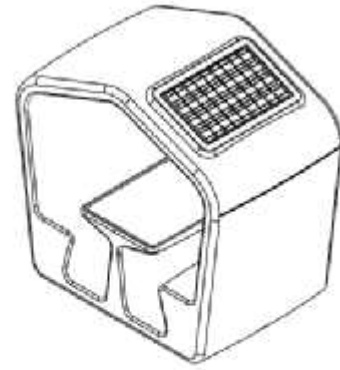
- (21) Design Number: **13277/2014**
(22) Date of Filing Application: **04 July 2014**
(24) Date from which industrial property rights may have effect: **04 July 2014**
(54) Product in respect of which the design is registered: **Shower cap**
(51) International Design Classification: **02-03**
(74) Name(s) of Attorney(s):
(71) Name(s) and Address(s) of Applicant(s):
Simone Taylor
50 Goss Rd Virginia QLD 4014 Australia
(72) Name(s) of Designer(s): **Simone Taylor**
(45) Registration Date: **08 August 2014**
(56) Related Art Documents: **Not Applicable**
(57) Statement of Newness and Distinctiveness: **Shower cap in a turban style with knotted overlay with elastic to hold in place.**



- (21) Design Number: **12181/2014**
(22) Date of Filing Application: **07 May 2014**
(24) Date from which industrial property rights may have effect: **12 April 2013**
(54) Product in respect of which the design is registered: **Pipe fitting**
(51) International Design Classification: **23-01A**
(74) Name(s) of Attorney(s): **Griffith Hack**
(71) Name(s) and Address(s) of Applicant(s):
Tyco Fire Products LP
1400 Pennbrook Parkway Lansdale PA 19446 United States of America
(72) Name(s) of Designer(s): **Anthony Gary Bednarz and Robert R Smith and Larry E Hall and Donald Eugene Griggs III**
(45) Registration Date: **11 August 2014**
(62) Divisional of: **355421**
(56) Related Art Documents: **Not Applicable**
(57) Statement of Newness and Distinctiveness: **Newness and distinctiveness resides in the visual features, including shape, configuration and ornamentation of the PRODUCT as shown in the accompanying representations.**



(21) Design Number: **12294/2014**
(22) Date of Filing Application: **13 May 2014**
(24) Date from which industrial property rights may have effect: **13 May 2014**
(54) Product in respect of which the design is registered: **Furniture (composite)**
(51) International Design Classification: **06-05, 25-03**
(74) Name(s) of Attorney(s): **Swaab Attorneys**
(71) Name(s) and Address(s) of Applicant(s):
Derlot Pty Ltd
16 Horan St West End QLD 4101 Australia
(72) Name(s) of Designer(s): **Alexander Lotersztain**
(45) Registration Date: **11 August 2014**
(56) Related Art Documents: **Not Applicable**
(57) Statement of Newness and Distinctiveness: **Nil**



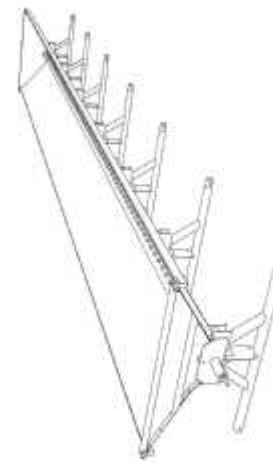
(21) Design Number: **12412/2014**
(22) Date of Filing Application: **16 May 2014**
(24) Date from which industrial property rights may have effect: **16 May 2014**
(54) Product in respect of which the design is registered: **A dress**
(51) International Design Classification: **02-02C**
(74) Name(s) of Attorney(s):
(71) Name(s) and Address(s) of Applicant(s):
AUSTRALIAN FASHION LABELS PTY LTD
106 Currie St Adelaide SA 5000 Australia
(72) Name(s) of Designer(s): **Kathryn Forth and Siham Elmawey**
(45) Registration Date: **11 August 2014**
(56) Related Art Documents: **Not Applicable**
(57) Statement of Newness and Distinctiveness: **Newness and distinctiveness resides in the features of shape and configuration of a dress as shown in the accompanying representations.**



- (21) Design Number: **12442/2014**
(22) Date of Filing Application: **19 May 2014**
(24) Date from which industrial property rights may have effect: **19 May 2014**
(54) Product in respect of which the design is registered: **A dress**
(51) International Design Classification: **02-02C**
(74) Name(s) of Attorney(s):
(71) Name(s) and Address(s) of Applicant(s):
AUSTRALIAN FASHION LABELS PTY LTD
106 Currie St Adelaide SA 5000 Australia
(72) Name(s) of Designer(s): **Kate Anderson and Hannah Virgo-Colbey**
(45) Registration Date: **11 August 2014**
(56) Related Art Documents: **Not Applicable**
(57) Statement of Newness and Distinctiveness: **Newness and distinctiveness resides in the features of shape and configuration of a dress as shown in the accompanying representations.**



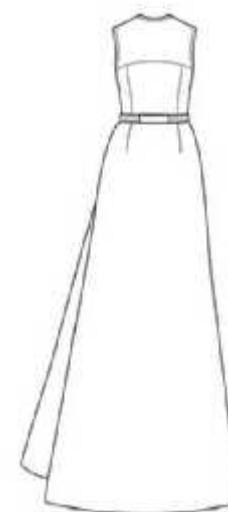
- (21) Design Number: **12962/2014**
(22) Date of Filing Application: **17 June 2014**
(24) Date from which industrial property rights may have effect: **17 June 2014**
(54) Product in respect of which the design is registered: **Silo module**
(51) International Design Classification: **25-03**
(74) Name(s) of Attorney(s): **PHILLIPS ORMONDE FITZPATRICK**
(71) Name(s) and Address(s) of Applicant(s):
David Leroy Rowling
331 Dappo Rd Narromine NSW 2821 Australia
(72) Name(s) of Designer(s): **Ellen Higgins and David Finlay and David Leroy Rowling**
(45) Registration Date: **11 August 2014**
(56) Related Art Documents: **Not Applicable**
(57) Statement of Newness and Distinctiveness: **Newness and distinctiveness reside in the features of shape and/or configuration of a silo module as shown in the accompanying representations. The silo module may be of indefinite length.**



- (21) Design Number: **13239/2014**
(22) Date of Filing Application: **02 July 2014**
(24) Date from which industrial property rights may have effect: **02 July 2014**
(54) Product in respect of which the design is registered: **Drinking fountain**
(51) International Design Classification: **23-01NES**
(74) Name(s) of Attorney(s):
(71) Name(s) and Address(s) of Applicant(s):
Products and Things Pty Ltd
580 Electra Street Albury NSW 2640
(72) Name(s) of Designer(s): **Nick Roseby and Nick Robinson**
(45) Registration Date: **11 August 2014**
(56) Related Art Documents: **Not Applicable**
(57) Statement of Newness and Distinctiveness: **A water dispensing system that has an aperture through the housing to receive a water container to be filled. The housing forms no part of this design. The aperture is shaped like a bottle, this shape helps the user line up the bottle with the outlet for filling and reduces cross contamination to other bottles by protecting the water outlet from touching.**



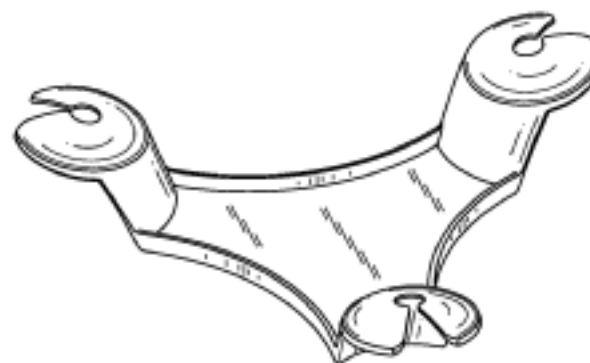
- (21) Design Number: **16283/2013**
(22) Date of Filing Application: **29 November 2013**
(24) Date from which industrial property rights may have effect: **29 November 2013**
(54) Product in respect of which the design is registered: **Article of clothing**
(51) International Design Classification: **02-02C, 02-02NES**
(74) Name(s) of Attorney(s): **Allens Patent & Trade Mark Attorneys**
(71) Name(s) and Address(s) of Applicant(s):
Forever New Clothing Pty Ltd
714-716 High St Kew East VIC 3102 Australia
(72) Name(s) of Designer(s): **Karen Thai**
(45) Registration Date: **11 August 2014**
(56) Related Art Documents: **Not Applicable**
(57) Statement of Newness and Distinctiveness: **Newness and distinctiveness resides in the visual features of shape, configuration, pattern and/or ornamentation of an article of clothing as shown in the accompanying representations.**



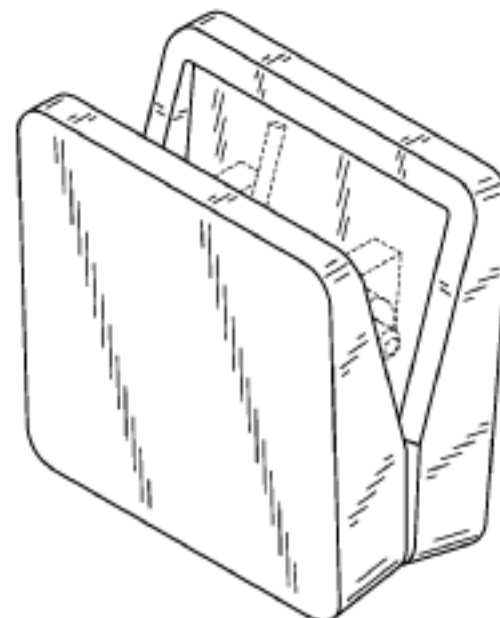
(21) Design Number: **12914/2014**
(22) Date of Filing Application: **13 June 2014**
(24) Date from which industrial property rights may have effect: **13 June 2014**
(54) Product in respect of which the design is registered: **A top**
(51) International Design Classification: **02-02NES**
(74) Name(s) of Attorney(s):
(71) Name(s) and Address(s) of Applicant(s):
Australian Fashion Labels Pty Ltd
106 Currie St Adelaide SA 5000 Australia
(72) Name(s) of Designer(s): **Kate Anderson and Hannah Virgo-Colbey**
(45) Registration Date: **11 August 2014**
(56) Related Art Documents: **Not Applicable**
(57) Statement of Newness and Distinctiveness: **Newness and distinctiveness resides in the features of shape and configuration of a top as shown in the representations. No design rights are claimed in relation to the skirt as shown in the representations and the skirt is to be disregarded in determining the scope of the design.**



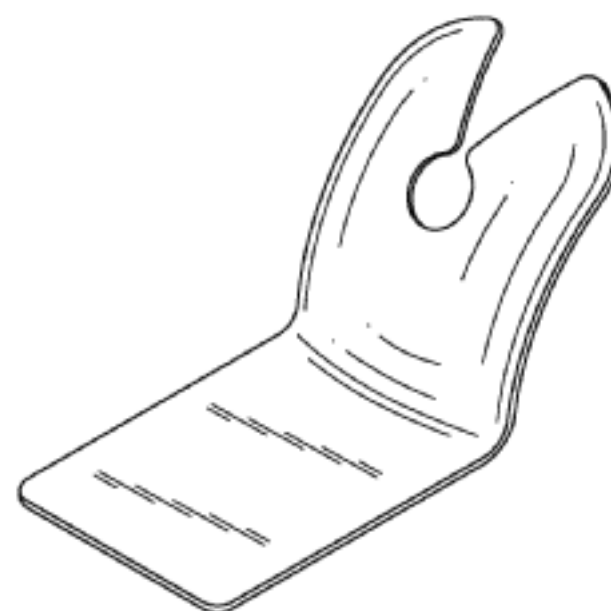
(21) Design Number: **12546/2014**
(22) Date of Filing Application: **26 May 2014**
(24) Date from which industrial property rights may have effect: **26 May 2014**
(54) Product in respect of which the design is registered: **Balloon holder**
(51) International Design Classification: **21-01NES**
(74) Name(s) of Attorney(s): **Davies Collison Cave**
(71) Name(s) and Address(s) of Applicant(s):
3M Innovative Properties Company
3M Center Saint Paul Minnesota 55133-3427 United States of America
(72) Name(s) of Designer(s): **Craig Donald Thompson and Angela Lilun Pan**
(45) Registration Date: **11 August 2014**
(30) Convention priority data:
(31) Number (32) Date (33) Country
29/475498 03 Dec 2013 UNITED STATES OF AMERICA
(56) Related Art Documents: **Not Applicable**
(57) Statement of Newness and Distinctiveness: **Newness and distinctiveness is claimed in the visual features shown in solid lines in the representations. In considering the extent of the design rights, the broken lines shown in the representations are for illustrative purposes only and do not form part of the design.**



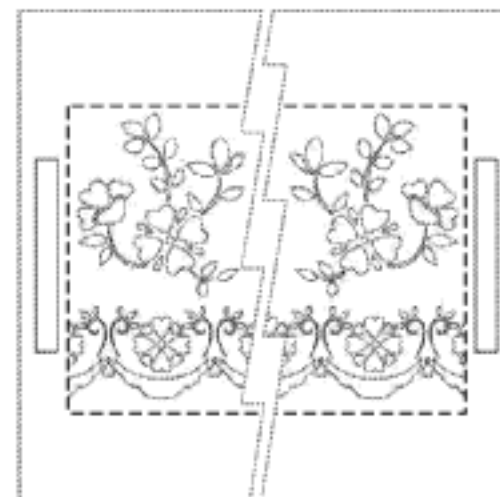
(21) Design Number: **12670/2014**
(22) Date of Filing Application: **30 May 2014**
(24) Date from which industrial property rights may have effect: **30 May 2014**
(54) Product in respect of which the design is registered: **Clip**
(51) International Design Classification: **08-08C**
(74) Name(s) of Attorney(s): **Davies Collison Cave**
(71) Name(s) and Address(s) of Applicant(s):
3M Innovative Properties Company
3M Center Saint Paul Minnesota 55133-3427 United States of America
(72) Name(s) of Designer(s): **Angela Lilun Pan**
(45) Registration Date: **11 August 2014**
(30) Convention priority data:
(31) Number (32) Date (33) Country
29/475492 03 Dec 2013 UNITED STATES OF AMERICA
(56) Related Art Documents: **Not Applicable**
(57) Statement of Newness and Distinctiveness: **Newness and distinctiveness is claimed in the visual features shown in the solid lines. In considering the extent of the design rights, the broken lines shown in the representations are for illustrative purposes only and do not form part of the design.**



(21) Design Number: **12751/2014**
(22) Date of Filing Application: **04 June 2014**
(24) Date from which industrial property rights may have effect: **04 June 2014**
(54) Product in respect of which the design is registered: **Balloon holder**
(51) International Design Classification: **21-01NES**
(74) Name(s) of Attorney(s): **Davies Collison Cave**
(71) Name(s) and Address(s) of Applicant(s):
3M Innovative Properties Company
3M Center Saint Paul Minnesota 55133-3427 United States of America
(72) Name(s) of Designer(s): **Craig Donald Thompson and Angela Lilun Pan**
(45) Registration Date: **11 August 2014**
(30) Convention priority data:
(31) Number (32) Date (33) Country
29/475997 10 Dec 2013 UNITED STATES OF AMERICA
(56) Related Art Documents: **Not Applicable**
(57) Statement of Newness and Distinctiveness: **Newness and distinctiveness is claimed in the visual features shown in solid lines in the representations.**



- (21) Design Number: **12800/2014**
(22) Date of Filing Application: **06 June 2014**
(24) Date from which industrial property rights may have effect: **06 June 2014**
(54) Product in respect of which the design is registered: **A cake decorating stencil**
(51) International Design Classification: **07-02P**
(74) Name(s) of Attorney(s): **Davies Collison Cave**
(71) Name(s) and Address(s) of Applicant(s):
Michelle Smith
2 Cartmel Cl Lakelands NSW 2282 Australia
(72) Name(s) of Designer(s): **Michelle Smith**
(45) Registration Date: **11 August 2014**
(56) Related Art Documents: **Not Applicable**
(57) Statement of Newness and Distinctiveness: **Newness and distinctiveness is claimed in the visual features shown in solid lines in the representations and not the dashed lined box or the cut out pattern within the dashed line box which have only been included for illustration purposes. In addition the jagged dotted lines do not form part of the representations and simply indicate the length of the stencil may be variable.**



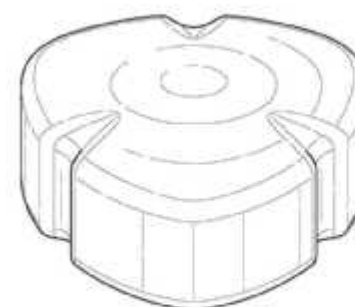
- (21) Design Number: **12847/2014**
(22) Date of Filing Application: **11 June 2014**
(24) Date from which industrial property rights may have effect: **11 June 2014**
(54) Product in respect of which the design is registered: **Hook**
(51) International Design Classification: **08-08G**
(74) Name(s) of Attorney(s): **Davies Collison Cave**
(71) Name(s) and Address(s) of Applicant(s):
3M Innovative Properties Company
3M Center Saint Paul Minnesota, 55133-3427 United States of America
(72) Name(s) of Designer(s): **Craig Donald Thompson and Angela Lilun Pan**
(45) Registration Date: **11 August 2014**
(30) Convention priority data:
(31) Number (32) Date (33) Country
29/476130 11 Dec 2013 UNITED STATES OF AMERICA
(56) Related Art Documents: **Not Applicable**
(57) Statement of Newness and Distinctiveness: **Newness and distinctiveness is claimed in the visual features shown in solid lines in the representations. In considering the extent of the design rights, the broken lines shown in the representations are for illustrative purposes only and do not form part of the design.**



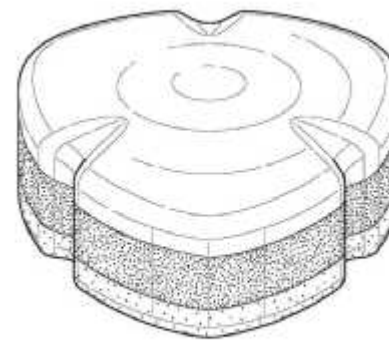
(21) Design Number: **13308/2014**
(22) Date of Filing Application: **08 July 2014**
(24) Date from which industrial property rights may have effect: **08 July 2014**
(54) Product in respect of which the design is registered: **Folding table**
(51) International Design Classification: **06-03NES**
(74) Name(s) of Attorney(s): **Collison & Co**
(71) Name(s) and Address(s) of Applicant(s):
Greg Cornish
5 Hume Ct Woodcroft SA 5162 Australia
(72) Name(s) of Designer(s): **Greg Cornish**
(45) Registration Date: **11 August 2014**
(56) Related Art Documents: **Not Applicable**
(57) Statement of Newness and Distinctiveness: **Nil**



(21) Design Number: **13309/2014**
(22) Date of Filing Application: **08 July 2014**
(24) Date from which industrial property rights may have effect: **08 July 2014**
(54) Product in respect of which the design is registered: **Tablet**
(51) International Design Classification: **28-01**
(74) Name(s) of Attorney(s): **Shelston IP**
(71) Name(s) and Address(s) of Applicant(s):
Reckitt Benckiser LLC
Morris Corporate Center IV 399 Interpace Parkway Parsippany New
Jersey 07054 United States of America
(72) Name(s) of Designer(s): **Sebastian Bruining and Bartosz Rakiel and Jos**
Harrison
(45) Registration Date: **11 August 2014**
(30) Convention priority data:
(31) Number (32) Date (33) Country
001398838-0001 14 Jan 2014 OFFICE FOR HARMONISATION IN
THE INTERNAL MARKET (OHIM)
(56) Related Art Documents: **Not Applicable**
(57) Statement of Newness and Distinctiveness: **Newness and distinctiveness**
resides in the features of shape and configuration of a tablet as
illustrated in the accompanying representations.



(21) Design Number: **13310/2014**
(22) Date of Filing Application: **08 July 2014**
(24) Date from which industrial property rights may have effect: **08 July 2014**
(54) Product in respect of which the design is registered: **Tablet**
(51) International Design Classification: **28-01**
(74) Name(s) of Attorney(s): **Shelston IP**
(71) Name(s) and Address(s) of Applicant(s):
Reckitt Benckiser LLC
Morris Corporate Center IV 399 Interpace Parkway Parsippany New
Jersey 07054 United States of America
(72) Name(s) of Designer(s): **Sebastiaan Bruining and Bartosz Rakiel and Jos**
Harrison
(45) Registration Date: **11 August 2014**
(30) Convention priority data:
(31) Number (32) Date (33) Country
001398838-0002 14 Jan 2014 OFFICE FOR HARMONISATION IN
THE INTERNAL MARKET (OHIM)
(56) Related Art Documents: **Not Applicable**
(57) Statement of Newness and Distinctiveness: **Nil**



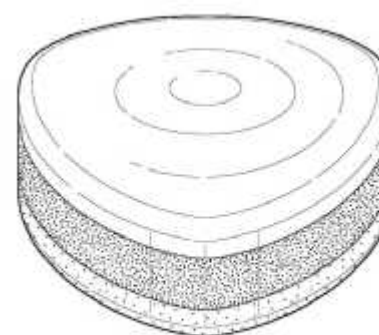
(21) Design Number: **13311/2014**
(22) Date of Filing Application: **08 July 2014**
(24) Date from which industrial property rights may have effect: **08 July 2014**
(54) Product in respect of which the design is registered: **Inverter**
(51) International Design Classification: **13-99**
(74) Name(s) of Attorney(s): **Griffith Hack**
(71) Name(s) and Address(s) of Applicant(s):
SMA Solar Technology AG
Sonnenallee 1 Niestetal 34266 Germany
(72) Name(s) of Designer(s): **Alexander Benn and Christof Wetzel**
(45) Registration Date: **11 August 2014**
(30) Convention priority data:
(31) Number (32) Date (33) Country
002385195-0001 16 Jan 2014 OFFICE FOR HARMONISATION IN
THE INTERNAL MARKET (OHIM)
(56) Related Art Documents: **Not Applicable**
(57) Statement of Newness and Distinctiveness: **Newness and distinctiveness**
resides in the visual features, including the shape and configuration of
the product shown in the representations.



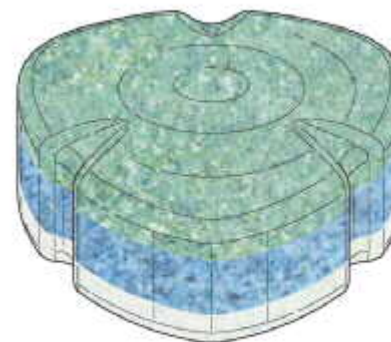
(21) Design Number: **13313/2014**
(22) Date of Filing Application: **08 July 2014**
(24) Date from which industrial property rights may have effect: **08 July 2014**
(54) Product in respect of which the design is registered: **Tablet**
(51) International Design Classification: **28-01**
(74) Name(s) of Attorney(s): **Shelston IP**
(71) Name(s) and Address(s) of Applicant(s):
Reckitt Benckiser LLC
Morris Corporate Centre IV 399 Interpace Parkway Parsippany 07054
New Jersey United States of America
(72) Name(s) of Designer(s): **Sebastiaan Bruining and Bartosz Rakiel and Jos Harrison**
(45) Registration Date: **11 August 2014**
(30) Convention priority data:
(31) Number (32) Date (33) Country
001398838-0003 14 Jan 2014 OFFICE FOR HARMONISATION IN
THE INTERNAL MARKET (OHIM)
(56) Related Art Documents: **Not Applicable**
(57) Statement of Newness and Distinctiveness: **Newness and distinctiveness resides in the features of shape and configuration of a tablet as illustrated in the accompanying representations.**



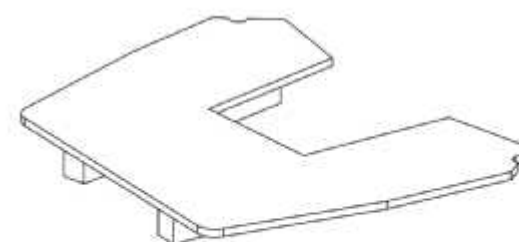
(21) Design Number: **13314/2014**
(22) Date of Filing Application: **08 July 2014**
(24) Date from which industrial property rights may have effect: **08 July 2014**
(54) Product in respect of which the design is registered: **Tablet**
(51) International Design Classification: **28-01**
(74) Name(s) of Attorney(s): **Shelston IP**
(71) Name(s) and Address(s) of Applicant(s):
Reckitt Benckiser LLC
Morris Corporate Centre IV 399 Interpace Parkway Parsippany 07054
New Jersey United States of America
(72) Name(s) of Designer(s): **Sebastiaan Bruining and Bartosz Rakiel and Jos Harrison**
(45) Registration Date: **11 August 2014**
(30) Convention priority data:
(31) Number (32) Date (33) Country
001398838-0004 14 Jan 2014 OFFICE FOR HARMONISATION IN
THE INTERNAL MARKET (OHIM)
(56) Related Art Documents: **Not Applicable**
(57) Statement of Newness and Distinctiveness: **Nil**



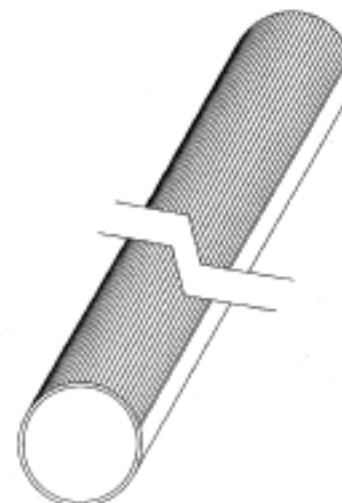
(21) Design Number: **13315/2014**
(22) Date of Filing Application: **08 July 2014**
(24) Date from which industrial property rights may have effect: **08 July 2014**
(54) Product in respect of which the design is registered: **Tablet**
(51) International Design Classification: **28-01**
(74) Name(s) of Attorney(s): **Shelston IP**
(71) Name(s) and Address(s) of Applicant(s):
Reckitt Benckiser LLC
Morris Corporate Centre IV 399 Interpace Parkway Parsippany 07054
New Jersey United States of America
(72) Name(s) of Designer(s): **Sebastiaan Bruining and Bartosz Rakiel and Jos Harrison**
(45) Registration Date: **11 August 2014**
(30) Convention priority data:
(31) Number (32) Date (33) Country
002488957-0001 24 Jun 2014 OFFICE FOR HARMONISATION IN THE INTERNAL MARKET (OHIM)
(56) Related Art Documents: **Not Applicable**
(57) Statement of Newness and Distinctiveness: **Nil**



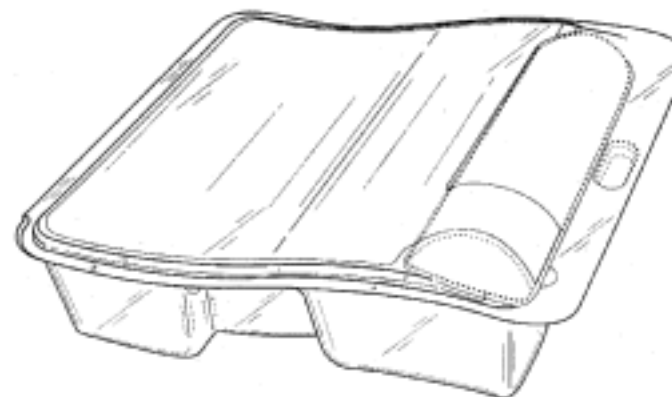
(21) Design Number: **13318/2014**
(22) Date of Filing Application: **08 July 2014**
(24) Date from which industrial property rights may have effect: **08 July 2014**
(54) Product in respect of which the design is registered: **A heatsink**
(51) International Design Classification: **14-02**
(74) Name(s) of Attorney(s): **PHILLIPS ORMONDE FITZPATRICK**
(71) Name(s) and Address(s) of Applicant(s):
The Active Reactor Company Pty Ltd
6 Locksley Ave Kew VIC 3101 Australia
(72) Name(s) of Designer(s): **Richard Dluzniak**
(45) Registration Date: **11 August 2014**
(56) Related Art Documents: **Not Applicable**
(57) Statement of Newness and Distinctiveness: **Newness and distinctiveness is claimed in the shape and/or configuration of a heatsink as shown in the accompanying representations.**



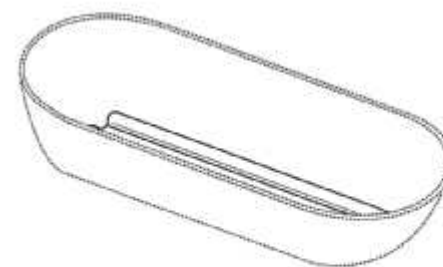
- (21) Design Number: **11774/2014**
(22) Date of Filing Application: **09 April 2014**
(24) Date from which industrial property rights may have effect: **09 April 2014**
(54) Product in respect of which the design is registered: **Scaffolding component**
(51) International Design Classification: **25-04**
(74) Name(s) of Attorney(s):
(71) Name(s) and Address(s) of Applicant(s):
OLDFIELDS ADVANCE SCAFFOLD PTY LTD
27-29 Fitzpatrick St Revesby NSW 2212 Australia
(72) Name(s) of Designer(s): **Joseph Lo Presti Engr**
(45) Registration Date: **11 August 2014**
(56) Related Art Documents: **Not Applicable**
(57) Statement of Newness and Distinctiveness: **Grooves or ribs around part or all of the perimeter of the tube.**



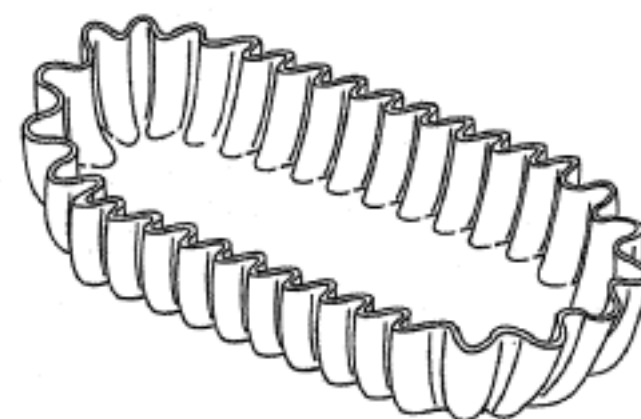
- (21) Design Number: **12241/2014**
(22) Date of Filing Application: **12 May 2014**
(24) Date from which industrial property rights may have effect: **12 May 2014**
(54) Product in respect of which the design is registered: **Package**
(51) International Design Classification: **09-05**
(74) Name(s) of Attorney(s): **Davies Collison Cave**
(71) Name(s) and Address(s) of Applicant(s):
GlaxoSmithKline LLC
2711 Centerville Road Suite 400 Wilmington Delaware 19808 United States of America
(72) Name(s) of Designer(s): **JEFFREY SCOTT BRUNNER and LEONARD JOSEPH DICHIARA and James Andrew Holt and Peter Kay and David Michael Lutness**
(45) Registration Date: **11 August 2014**
(30) Convention priority data:
(31) Number (32) Date (33) Country
29/472343 12 Nov 2013 UNITED STATES OF AMERICA
(56) Related Art Documents: **Not Applicable**
(57) Statement of Newness and Distinctiveness: **Newness and distinctiveness is claimed in the visual features shown in solid lines in the representations. In considering the extent of the design rights, the broken lines shown in the representations are for illustrative purposes only and do not form part of the design.**



(21) Design Number: **12578/2014**
(22) Date of Filing Application: **27 May 2014**
(24) Date from which industrial property rights may have effect: **27 May 2014**
(54) Product in respect of which the design is registered: **Shaped tortilla**
(51) International Design Classification: **01-01**
(74) Name(s) of Attorney(s): **Callinans**
(71) Name(s) and Address(s) of Applicant(s):
General Mills, Inc.
Number One General Mills Boulevard P.O. Box 1113 Minneapolis,
Minnesota, 55440 United States of America
(72) Name(s) of Designer(s): **Robert G Clements and Shivakumar Elayedath**
and Amy Rossa Fleury and Zachary Harder
(45) Registration Date: **11 August 2014**
(30) Convention priority data:
(31) Number (32) Date (33) Country
29/476,443 13 Dec 2013 UNITED STATES OF AMERICA
(56) Related Art Documents: **Not Applicable**
(57) Statement of Newness and Distinctiveness: **Newness and distinctiveness**
are provided by the shape and/or configuration of the design shown
in the representations. The features shown in broken lines in the
representations are for illustrative purposes only and should not be
considered when construing visual features of the design.



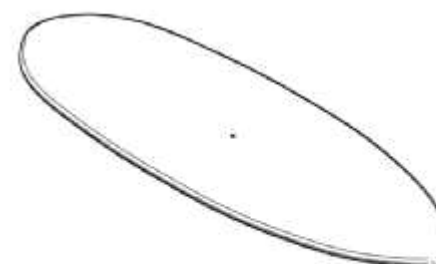
(21) Design Number: **12581/2014**
(22) Date of Filing Application: **27 May 2014**
(24) Date from which industrial property rights may have effect: **27 May 2014**
(54) Product in respect of which the design is registered: **Shaped tortilla**
(51) International Design Classification: **01-01**
(74) Name(s) of Attorney(s): **Callinans**
(71) Name(s) and Address(s) of Applicant(s):
General Mills, Inc.
Number One General Mills Boulevard PO Box 1113 Minneapolis MN
55440 United States of America
(72) Name(s) of Designer(s): **Robert G Clements and Shivakumar Elayedath**
and Amy Rossa Fleury and Zachary Harder
(45) Registration Date: **11 August 2014**
(30) Convention priority data:
(31) Number (32) Date (33) Country
29/476,449 13 Dec 2013 UNITED STATES OF AMERICA
(56) Related Art Documents: **Not Applicable**
(57) Statement of Newness and Distinctiveness: **Newness and distinctiveness**
are provided by the shape and/or configuration of the design shown
in the representations. The features shown in broken lines in the
representations are for illustrative purposes only and should not be
considered when construing visual features of the design.



(21) Design Number: **12714/2014**
(22) Date of Filing Application: **03 June 2014**
(24) Date from which industrial property rights may have effect: **03 June 2014**
(54) Product in respect of which the design is registered: **Transducer cover**
(51) International Design Classification: **13-03C**
(74) Name(s) of Attorney(s): **Banki Haddock Fiora**
(71) Name(s) and Address(s) of Applicant(s):
Harman International Industries, Incorporated
8500 Balboa Boulevard Northridge CA, 91329 United States of America
(72) Name(s) of Designer(s): **Charles M Sprinkle**
(45) Registration Date: **11 August 2014**
(30) Convention priority data:
(31) Number (32) Date (33) Country
29479672 17 Jan 2014 UNITED STATES OF AMERICA
(56) Related Art Documents: **Not Applicable**
(57) Statement of Newness and Distinctiveness: **The visual features of the Transducer Cover depicted in the representations that are new and distinctive are the shape and/or configuration, excluding those features shown in broken lines. The features shown in broken lines are not part of the design and should be disregarded when considering the overall impression of the design.**



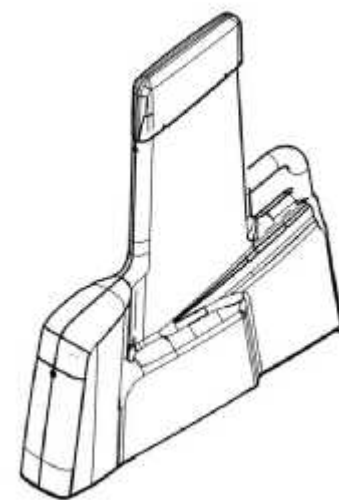
(21) Design Number: **13166/2014**
(22) Date of Filing Application: **29 June 2014**
(24) Date from which industrial property rights may have effect: **29 June 2014**
(54) Product in respect of which the design is registered: **Exercise balance board**
(51) International Design Classification: **21-02F**
(74) Name(s) of Attorney(s):
(71) Name(s) and Address(s) of Applicant(s):
Nathan Parker
10/58-60 Parramatta St Cronulla NSW 2230 Australia
Karita Negandhi
10/58-60 Parramatta St Cronulla NSW 2230 Australia
(72) Name(s) of Designer(s): **Nathan Parker and Karita Negandhi**
(45) Registration Date: **11 August 2014**
(56) Related Art Documents: **Not Applicable**
(57) Statement of Newness and Distinctiveness: **The exercise balance board is designed to enhance core strength and stability. The dome is located and attached in the centre of the bottom of the board making it simple and safe to use. Both the board and dome are rigid and non-compressible. This differs from other products in that the dome shape allows movement in more than one axis at a time, and the board and dome act as a single rigid piece while in use. The board may be used for a range of exercises involving standing, sitting, kneeling, laying, supporting with hands and elbows.**



(21) Design Number: **12288/2014**
(22) Date of Filing Application: **13 May 2014**
(24) Date from which industrial property rights may have effect: **13 May 2014**
(54) Product in respect of which the design is registered: **Bluetooth headset**
(51) International Design Classification: **14-03A**
(74) Name(s) of Attorney(s): **Davies Collison Cave**
(71) Name(s) and Address(s) of Applicant(s):
LG Electronics Inc.
128 Yeoui-daero Yeongdeungpo-gu Seoul 150-721 Republic of Korea
(72) Name(s) of Designer(s): **Woonlee Park and Joungyoung Joung**
(45) Registration Date: **11 August 2014**
(30) Convention priority data:
(31) Number (32) Date (33) Country
30-2013-0058818 22 Nov 2013 REPUBLIC OF KOREA
(56) Related Art Documents: **Not Applicable**
(57) Statement of Newness and Distinctiveness: **Nil**



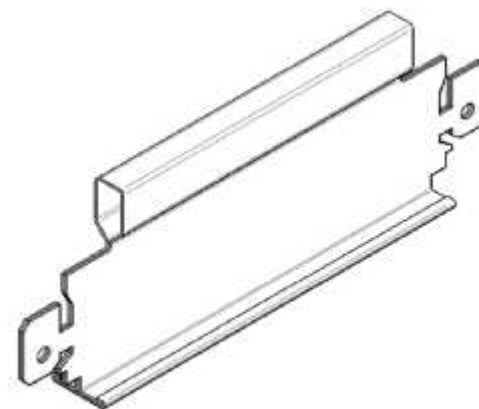
(21) Design Number: **12947/2014**
(22) Date of Filing Application: **17 June 2014**
(24) Date from which industrial property rights may have effect: **17 June 2014**
(54) Product in respect of which the design is registered: **Milking machine**
(51) International Design Classification: **15-03C**
(74) Name(s) of Attorney(s): **Griffith Hack**
(71) Name(s) and Address(s) of Applicant(s):
GEA Farm Technologies GmbH
Siemensstrasse. 25-27 Bonen 59199 Germany
(72) Name(s) of Designer(s): **Thorsten Helm and Daniel Fichte**
(45) Registration Date: **11 August 2014**
(30) Convention priority data:
(31) Number (32) Date (33) Country
002373522-0001 19 Dec 2013 OFFICE FOR HARMONISATION IN THE INTERNAL MARKET (OHIM)
(56) Related Art Documents: **Not Applicable**
(57) Statement of Newness and Distinctiveness: **Newness and distinctiveness resides in the visual features, including the shape and configuration of the product shown in the representations.**



- (21) Design Number: **13071/2014**
(22) Date of Filing Application: **23 June 2014**
(24) Date from which industrial property rights may have effect: **23 June 2014**
(54) Product in respect of which the design is registered: **Crate trolley**
(51) International Design Classification: **12-02**
(74) Name(s) of Attorney(s):
(71) Name(s) and Address(s) of Applicant(s):
 Breon Winslow Moore
 590 Clayton Road Clayton South Victoria 3169 Australia
(72) Name(s) of Designer(s): **David Timothy Powell**
(45) Registration Date: **11 August 2014**
(56) Related Art Documents: **Not Applicable**
(57) Statement of Newness and Distinctiveness: **Newness and distinctiveness resides in the visual features including shape and configuration of the crate trolley as illustrated in the representations. The claim does not include wheels and/or castors fitted to the trolley.**



- (21) Design Number: **12179/2014**
(22) Date of Filing Application: **07 May 2014**
(24) Date from which industrial property rights may have effect: **07 May 2014**
(54) Product in respect of which the design is registered: **Cross tee with a hole locking tab**
(51) International Design Classification: **25-02E**
(74) Name(s) of Attorney(s): **James & Wells**
(71) Name(s) and Address(s) of Applicant(s):
 USG Interiors, LLC
 550 West Adams Street Chicago Illinois, 60661-3676 United States of America
(72) Name(s) of Designer(s): **Peter J Gulbrandsen and Mark R Paulsen and Abraham M Underkofler**
(45) Registration Date: **12 August 2014**
(30) Convention priority data:
 (31) Number (32) Date (33) Country
 29/472,216 11 Nov 2013 UNITED STATES OF AMERICA
(56) Related Art Documents: **Not Applicable**
(57) Statement of Newness and Distinctiveness: **This design is to be applied to a cross tee and the novelty resides in features of shape and configuration all as shown in the accompanying representations.**



(21) Design Number: **12666/2014**
(22) Date of Filing Application: **30 May 2014**
(24) Date from which industrial property rights may have effect: **30 May 2014**
(54) Product in respect of which the design is registered: **Hook**
(51) International Design Classification: **08-08G**
(74) Name(s) of Attorney(s): **Davies Collison Cave**
(71) Name(s) and Address(s) of Applicant(s):
3M Innovative Properties Company
3M Center Saint Paul Minnesota, 55133-3427 United States of America
(72) Name(s) of Designer(s): **Craig Donald Thompson and Angela Lilun Pan**
(45) Registration Date: **12 August 2014**
(30) Convention priority data:
(31) Number (32) Date (33) Country
29/475497 03 Dec 2013 UNITED STATES OF AMERICA
(56) Related Art Documents: **Not Applicable**
(57) Statement of Newness and Distinctiveness: **Newness and distinctiveness is claimed in the visual features shown in solid lines in the representations.**



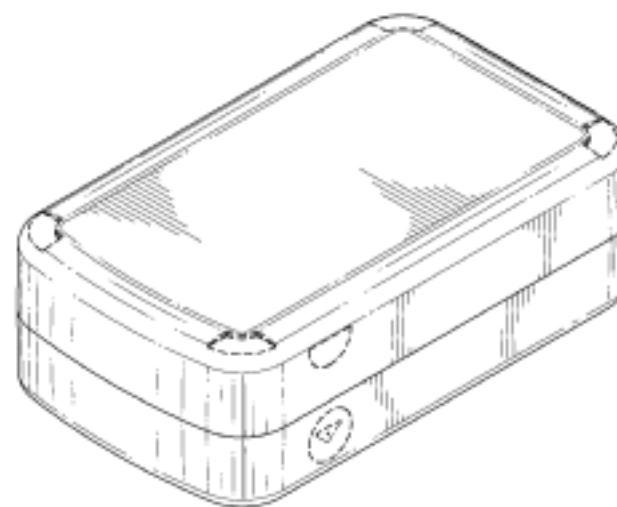
(21) Design Number: **12910/2014**
(22) Date of Filing Application: **13 June 2014**
(24) Date from which industrial property rights may have effect: **13 June 2014**
(54) Product in respect of which the design is registered: **Inflatable boat dock**
(51) International Design Classification: **12-06NES**
(74) Name(s) of Attorney(s):
(71) Name(s) and Address(s) of Applicant(s):
Daryl Robert Andrews
107 Sheedy Rd Gisborne VIC 3437 Australia
(72) Name(s) of Designer(s): **Daryl Robert Andrews**
(45) Registration Date: **12 August 2014**
(56) Related Art Documents: **Not Applicable**
(57) Statement of Newness and Distinctiveness: **The product is designed to assist elderly or handicapped people into a vessel. Because it is inflated, it provides a buffer between the shoreline and the vessel which also provides a safe point for boats or jet ski's to dock without causing damage to the vessel. It is generally rectangular in shape with a large 'V' placed into the water side of the dock. A non-inflatable piece fills the 'V' section to assist the vessel in docking. Once docked, the operator can exit the vessel by stepping onto the dock and walking along it to the shore, thus avoiding contact with the water. The surface of the Boat Dock will be at a similar height with the deck of a vessel, allowing for easy access to the user. It is a portable item that is inflated by air when needed and deflated and stored when not required.**



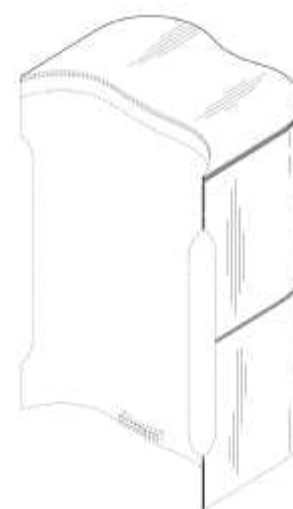
(21) Design Number: **13022/2014**
(22) Date of Filing Application: **20 June 2014**
(24) Date from which industrial property rights may have effect: **20 June 2014**
(54) Product in respect of which the design is registered: **Container**
(51) International Design Classification: **09-03M**
(74) Name(s) of Attorney(s): **Cullens Patent and Trade Mark Attorneys**
(71) Name(s) and Address(s) of Applicant(s):
Tintometer GmbH
Schleefstrasse 8a Dortmund 44287 Germany
(72) Name(s) of Designer(s): **Helmut Thiele**
(45) Registration Date: **12 August 2014**
(30) Convention priority data:
(31) Number (32) Date (33) Country
002375287-0004 20 Dec 2013 OFFICE FOR HARMONISATION IN
THE INTERNAL MARKET (OHIM)
(56) Related Art Documents: **Not Applicable**
(57) Statement of Newness and Distinctiveness: **The new and distinctive features are the features of shape and configuration of a container as shown in the representations.**



(21) Design Number: **13266/2014**
(22) Date of Filing Application: **04 July 2014**
(24) Date from which industrial property rights may have effect: **04 July 2014**
(54) Product in respect of which the design is registered: **Packaging**
(51) International Design Classification: **09-03M**
(74) Name(s) of Attorney(s): **Freehills Patent Attorneys**
(71) Name(s) and Address(s) of Applicant(s):
Biogen Idec MA Inc.
14 Cambridge Center Cambridge Massachusetts, 02142 United States of America
(72) Name(s) of Designer(s): **Christine P Janson and Ethan B Jacoby**
(45) Registration Date: **12 August 2014**
(30) Convention priority data:
(31) Number (32) Date (33) Country
29/478806 08 Jan 2014 UNITED STATES OF AMERICA
(56) Related Art Documents: **Not Applicable**
(57) Statement of Newness and Distinctiveness: **Newness and distinctiveness resides in the features of shape and/or configuration of packaging as shown in solid outline in the accompanying representations.**



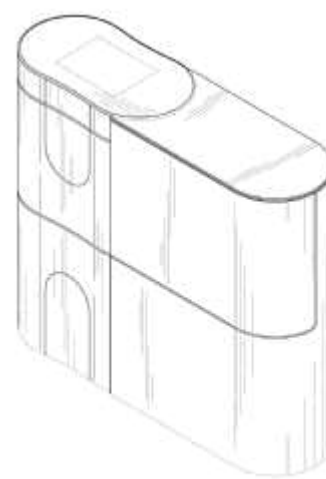
(21) Design Number: **13271/2014**
(22) Date of Filing Application: **04 July 2014**
(24) Date from which industrial property rights may have effect: **14 April 2014**
(54) Product in respect of which the design is registered: **Waste compartment**
(51) International Design Classification: **09-09**
(74) Name(s) of Attorney(s): **IP Gateway Patent & Trademark Attorneys Pty Ltd**
(71) Name(s) and Address(s) of Applicant(s):
AbbVie Inc.
1 North Waukegan Road North Chicago IL 60064 United States of America
(72) Name(s) of Designer(s): **Frank Leroux and Frederic Alfonsi and Dorine Roudaut and Gilles Scazzola and Morgane Lequerre and Sophie Meltzheim and Lucie Perrin and Victoria Al Samarai and Thibault Massart**
(45) Registration Date: **12 August 2014**
(30) Convention priority data:
(31) Number (32) Date (33) Country
002325761-0001 14 Oct 2013 OFFICE FOR HARMONISATION IN THE INTERNAL MARKET (OHIM)
(62) Divisional of: **356373**
(56) Related Art Documents: **Not Applicable**
(57) Statement of Newness and Distinctiveness: **Newness and distinctiveness reside in the visual features of shape and/or configuration of A WASTE COMPARTMENT as shown in solid lines in the representations, those features shown in broken lines are to be given minimal emphasis when considering the overall impression of the design.**



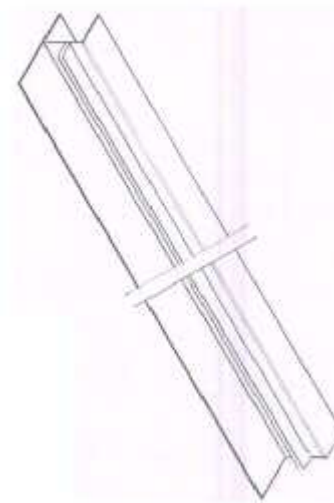
(21) Design Number: **12729/2014**
(22) Date of Filing Application: **03 June 2014**
(24) Date from which industrial property rights may have effect: **03 June 2014**
(54) Product in respect of which the design is registered: **Hook**
(51) International Design Classification: **08-08G**
(74) Name(s) of Attorney(s): **Davies Collison Cave**
(71) Name(s) and Address(s) of Applicant(s):
3M Innovative Properties Company
3M Center Saint Paul Minnesota 55133-3427 United States of America
(72) Name(s) of Designer(s): **Craig Donald Thompson and Angela Lilun Pan**
(45) Registration Date: **12 August 2014**
(30) Convention priority data:
(31) Number (32) Date (33) Country
29/476131 11 Dec 2013 UNITED STATES OF AMERICA
(56) Related Art Documents: **Not Applicable**
(57) Statement of Newness and Distinctiveness: **Newness and distinctiveness is claimed in the visual features shown in solid lines in the representations.**



- (21) Design Number: **13275/2014**
(22) Date of Filing Application: **04 July 2014**
(24) Date from which industrial property rights may have effect: **14 April 2014**
(54) Product in respect of which the design is registered: **Cooling and waste compartment**
(51) International Design Classification: **15-07, 09-09**
(74) Name(s) of Attorney(s): **IP Gateway Patent & Trademark Attorneys Pty Ltd**
(71) Name(s) and Address(s) of Applicant(s):
AbbVie Inc.
1 North Waukegan Road North Chicago IL 60064 United States of America
(72) Name(s) of Designer(s): **Frank Leroux and Frederic Alfonsi and Dorine Roudaut and Gilles Scazzola and Morgane Lequerre and Sophie Meltzheim and Lucie Perrin and Victoria Al Samarai and Thibault Massart**
(45) Registration Date: **12 August 2014**
(30) Convention priority data:
(31) Number (32) Date (33) Country
002325761-0001 14 Oct 2013 OFFICE FOR HARMONISATION IN THE INTERNAL MARKET (OHIM)
(62) Divisional of: **356376**
(56) Related Art Documents: **Not Applicable**
(57) Statement of Newness and Distinctiveness: **Newness and distinctiveness reside in the visual features of shape and/or configuration of A COOLING AND WASTE COMPARTMENT as shown in solid lines in the representations, those features shown in broken lines are to be given minimal emphasis when considering the overall impression of the design.**



- (21) Design Number: **12233/2014**
(22) Date of Filing Application: **09 May 2014**
(24) Date from which industrial property rights may have effect: **09 May 2014**
(54) Product in respect of which the design is registered: **Extrusions**
(51) International Design Classification: **25-01K**
(74) Name(s) of Attorney(s): **Ellis Terry**
(71) Name(s) and Address(s) of Applicant(s):
Cameron David Nelson
18 Trevellyan St Cronulla NSW 2230 Australia
(72) Name(s) of Designer(s): **Cameron David Nelson**
(45) Registration Date: **12 August 2014**
(56) Related Art Documents: **Not Applicable**
(57) Statement of Newness and Distinctiveness: **Nil**



(21) Design Number: **13316/2014**
(22) Date of Filing Application: **08 July 2014**
(24) Date from which industrial property rights may have effect: **08 July 2014**
(54) Product in respect of which the design is registered: **A strainer**
(51) International Design Classification: **07-04**
(74) Name(s) of Attorney(s): **Banki Haddock Fiora**
(71) Name(s) and Address(s) of Applicant(s):

Pi-Design AG
Kantonsstrasse 100 Triengen CH - 6234 Switzerland

(72) Name(s) of Designer(s): **Jorgen Bodum**

(45) Registration Date: **12 August 2014**

(30) Convention priority data:

(31) Number	(32) Date	(33) Country
DM/082 721	23 Jan 2014	WORLD INTELLECTUAL PROPERTY ORGANIZATION (WIPO)



(56) Related Art Documents: **Not Applicable**

(57) Statement of Newness and Distinctiveness: **The visual features of the strainer depicted in the representations that are new and distinctive are the shape and/or configuration.**

(21) Design Number: **13880/2014**
(22) Date of Filing Application: **09 May 2014**
(24) Date from which industrial property rights may have effect: **09 May 2014**
(54) Product in respect of which the design is registered: **Extrusions**
(51) International Design Classification: **25-01K**
(74) Name(s) of Attorney(s): **Ellis Terry**
(71) Name(s) and Address(s) of Applicant(s):

Cameron David Nelson
18 Trevellyan St Cronulla NSW 2230 Australia

(72) Name(s) of Designer(s): **Cameron David Nelson**

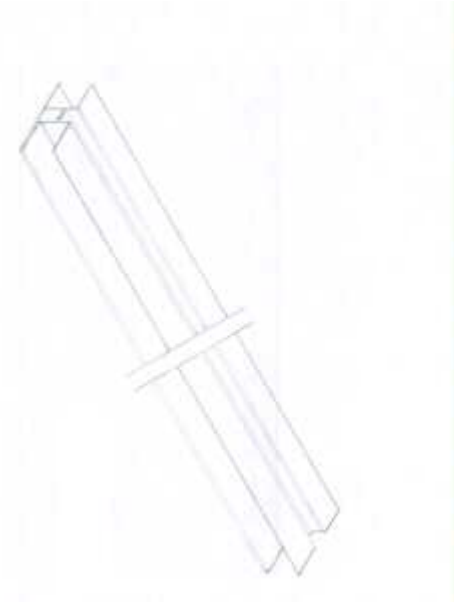
(45) Registration Date: **12 August 2014**

(56) Related Art Documents: **Not Applicable**

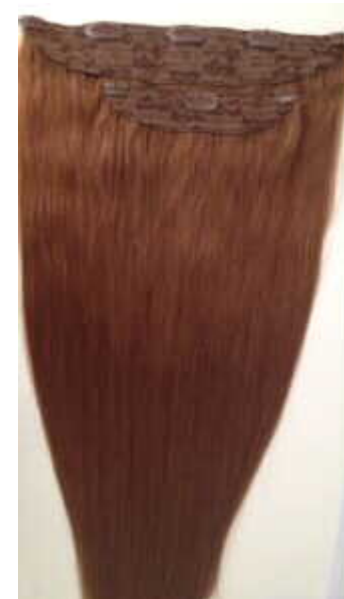
(57) Statement of Newness and Distinctiveness: **Nil**



- (21) Design Number: **13881/2014**
(22) Date of Filing Application: **09 May 2014**
(24) Date from which industrial property rights may have effect: **09 May 2014**
(54) Product in respect of which the design is registered: **Extrusions**
(51) International Design Classification: **25-01K**
(74) Name(s) of Attorney(s): **Ellis Terry**
(71) Name(s) and Address(s) of Applicant(s):
Cameron David Nelson
18 Trevellyan St Cronulla NSW 2230 Australia
(72) Name(s) of Designer(s): **Cameron David Nelson**
(45) Registration Date: **12 August 2014**
(56) Related Art Documents: **Not Applicable**
(57) Statement of Newness and Distinctiveness: **Nil**



- (21) Design Number: **12931/2014**
(22) Date of Filing Application: **16 June 2014**
(24) Date from which industrial property rights may have effect: **16 June 2014**
(54) Product in respect of which the design is registered: **Fronis hairpiece**
(51) International Design Classification: **28-04**
(74) Name(s) of Attorney(s):
(71) Name(s) and Address(s) of Applicant(s):
Fronis Innovation Pty Ltd
PO BOX 634 Fortitude Valley QLD 4006 Australia
(72) Name(s) of Designer(s): **Dimitrios Fronis**
(45) Registration Date: **12 August 2014**
(56) Related Art Documents: **Not Applicable**
(57) Statement of Newness and Distinctiveness: **Follows natural hair density pattern, specific design - Small clips with silicone on the ends with larger clips with silicone internally - 2 distinctive unique pieces in the set - specific dimensions on both pieces - specific quantity of hair in each piece - specific application pattern - specific set/packaging - design allows a particular amount of hair to be places in specific areas, especially the crest area.**



(21) Design Number: **13317/2014**
(22) Date of Filing Application: **08 July 2014**
(24) Date from which industrial property rights may have effect: **08 July 2014**
(54) Product in respect of which the design is registered: **A strainer**
(51) International Design Classification: **23-01G**
(74) Name(s) of Attorney(s): **Banki Haddock Fiora**
(71) Name(s) and Address(s) of Applicant(s):

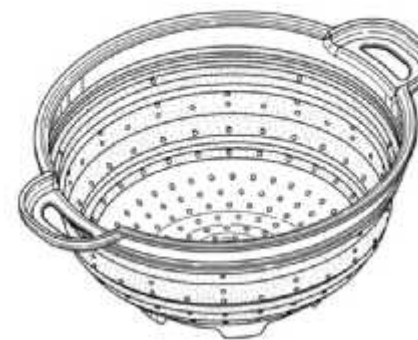
Pi-Design AG
Kantonsstrasse 100 Triengen CH - 6234 Switzerland

(72) Name(s) of Designer(s): **Jorgen Bodum**

(45) Registration Date: **12 August 2014**

(30) Convention priority data:

(31) Number	(32) Date	(33) Country
DM/082 721	23 Jan 2014	WORLD INTELLECTUAL PROPERTY ORGANIZATION (WIPO)



(56) Related Art Documents: **Not Applicable**

(57) Statement of Newness and Distinctiveness: **The visual features of the strainer depicted in the representations that are new and distinctive are the shape and/or configuration.**

(21) Design Number: **12237/2014**
(22) Date of Filing Application: **09 May 2014**
(24) Date from which industrial property rights may have effect: **09 May 2014**
(54) Product in respect of which the design is registered: **Grill lid**
(51) International Design Classification: **07-02E**
(74) Name(s) of Attorney(s): **Griffith Hack**
(71) Name(s) and Address(s) of Applicant(s):

The Coleman Company, Inc.
3600 North Hydraulic Wichita KS 67219 United States of America

(72) Name(s) of Designer(s): **Chad Lee and Mitch Wilgus**

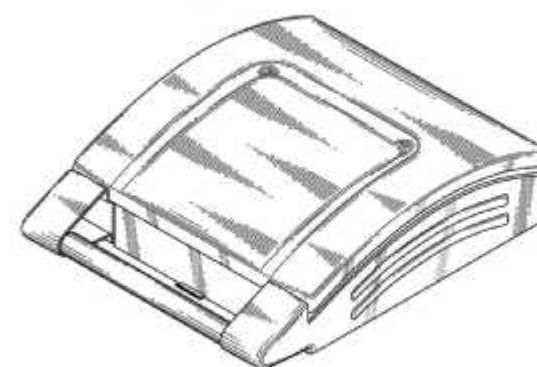
(45) Registration Date: **13 August 2014**

(30) Convention priority data:

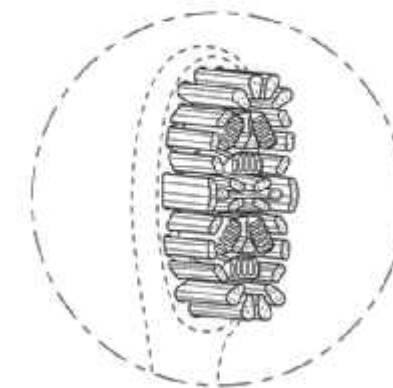
(31) Number	(32) Date	(33) Country
29472260	11 Nov 2013	UNITED STATES OF AMERICA

(56) Related Art Documents: **Not Applicable**

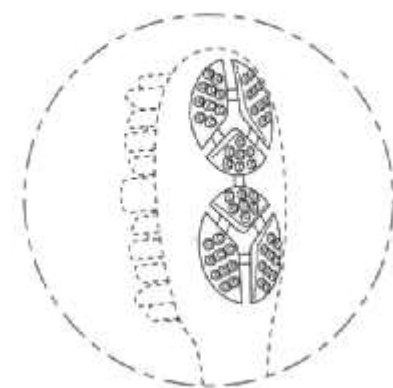
(57) Statement of Newness and Distinctiveness: **Newness and distinctiveness resides in the overall shape and configuration of the grill lid as shown in the Figures. No regard is to be had to the detail shown in phantom which is present for purposes of context only.**



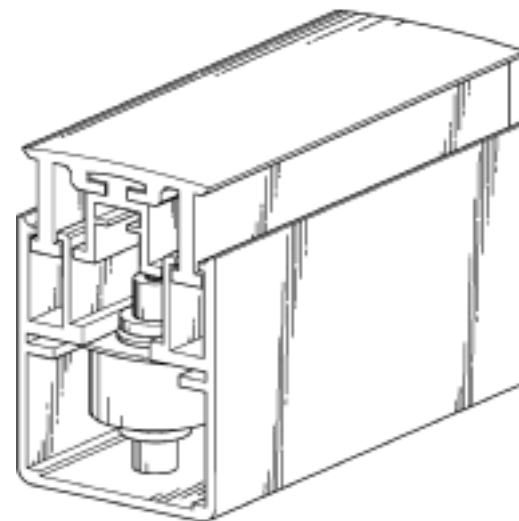
- (21) Design Number: **12331/2014**
(22) Date of Filing Application: **14 May 2014**
(24) Date from which industrial property rights may have effect: **14 May 2014**
(54) Product in respect of which the design is registered: **Toothbrush**
(51) International Design Classification: **04-02**
(74) Name(s) of Attorney(s): **FB Rice**
(71) Name(s) and Address(s) of Applicant(s):
Colgate-Palmolive Company
300 Park Avenue New York New York 10022 United States of America
(72) Name(s) of Designer(s): **Eduardo Jimenez and Robert Moskovich and**
Andreas Wechsler and Achim Storz
(45) Registration Date: **13 August 2014**
(30) Convention priority data:
(31) Number (32) Date (33) Country
29/476695 16 Dec 2013 UNITED STATES OF AMERICA
(56) Related Art Documents: **Not Applicable**
(57) Statement of Newness and Distinctiveness: **Newness and distinctiveness**
reside in the features of the design shown in solid lines in the
representations excluding those features shown in broken lines.



- (21) Design Number: **12336/2014**
(22) Date of Filing Application: **14 May 2014**
(24) Date from which industrial property rights may have effect: **14 May 2014**
(54) Product in respect of which the design is registered: **Oral care implement**
(51) International Design Classification: **04-02**
(74) Name(s) of Attorney(s): **FB Rice**
(71) Name(s) and Address(s) of Applicant(s):
Colgate-Palmolive Company
300 Park Avenue New York New York 10022 United States of America
(72) Name(s) of Designer(s): **Eduardo Jimenez and Robert Moskovich and**
Andreas Wechsler and Achim Storz
(45) Registration Date: **13 August 2014**
(30) Convention priority data:
(31) Number (32) Date (33) Country
29/476696 16 Dec 2013 UNITED STATES OF AMERICA
(56) Related Art Documents: **Not Applicable**
(57) Statement of Newness and Distinctiveness: **Newness and distinctiveness**
reside in the features of the design shown in solid lines in the
representations excluding those features shown in broken lines.



(21) Design Number: **12804/2014**
(22) Date of Filing Application: **06 June 2014**
(24) Date from which industrial property rights may have effect: **06 June 2014**
(54) Product in respect of which the design is registered: **Electric threshold for door and frame seal**
(51) International Design Classification: **13-03NES**
(74) Name(s) of Attorney(s):
(71) Name(s) and Address(s) of Applicant(s):
Hsing-Hua Kuan
No. 7, Lane160 Sec. 2, Fuxing South Road Taipei Taiwan
(72) Name(s) of Designer(s): **Hsing-Hua Kuan**
(45) Registration Date: **13 August 2014**
(30) Convention priority data:
(31) Number (32) Date (33) Country
29/477,133 19 Dec 2013 UNITED STATES OF AMERICA
(56) Related Art Documents: **Not Applicable**
(57) Statement of Newness and Distinctiveness: **Novelty resides in the ornamental design for electric threshold as shown in the drawings.**



(21) Design Number: **13261/2014**
(22) Date of Filing Application: **04 July 2014**
(24) Date from which industrial property rights may have effect: **04 July 2014**
(54) Product in respect of which the design is registered: **Food packaging container**
(51) International Design Classification: **09-03F**
(74) Name(s) of Attorney(s): **Lesicar Maynard Andrews Pty Ltd**
(71) Name(s) and Address(s) of Applicant(s):
Quality Plastics & Tooling Pty Ltd
19-21 Capelli Rd Wingfield SA 5013 Australia
(72) Name(s) of Designer(s): **Joe Matto**
(45) Registration Date: **13 August 2014**
(56) Related Art Documents: **Not Applicable**
(57) Statement of Newness and Distinctiveness: **Newness and distinctiveness lie in the shape and/or configuration of the Food Packaging Container, in particular the tapered bevelled edges extending from the bottom.**



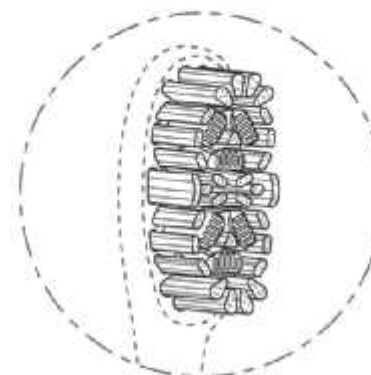
- (21) Design Number: **13262/2014**
(22) Date of Filing Application: **04 July 2014**
(24) Date from which industrial property rights may have effect: **04 July 2014**
(54) Product in respect of which the design is registered: **Food packaging container**
(51) International Design Classification: **09-03F**
(74) Name(s) of Attorney(s): **Lesicar Maynard Andrews Pty Ltd**
(71) Name(s) and Address(s) of Applicant(s):
Quality Plastics & Tooling Pty Ltd
19-21 Capelli Rd Wingfield SA 5013 Australia
(72) Name(s) of Designer(s): **Joe Matto**
(45) Registration Date: **13 August 2014**
(56) Related Art Documents: **Not Applicable**
(57) Statement of Newness and Distinctiveness: **Newness and distinctiveness lie in the shape and/or configuration of the Food Packaging Container, in particular the tapered bevelled edges extending from the bottom.**



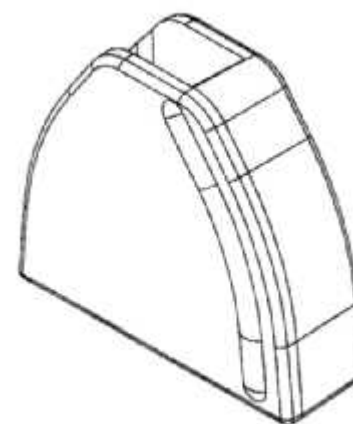
- (21) Design Number: **13265/2014**
(22) Date of Filing Application: **04 July 2014**
(24) Date from which industrial property rights may have effect: **04 July 2014**
(54) Product in respect of which the design is registered: **Recoil absorber**
(51) International Design Classification: **22-99**
(74) Name(s) of Attorney(s): **Armour IP**
(71) Name(s) and Address(s) of Applicant(s):
Muletamer Pty Ltd
12 Sleaford Dr Gelorup WA 6230 Australia
(72) Name(s) of Designer(s): **Ross Peskett**
(45) Registration Date: **13 August 2014**
(56) Related Art Documents: **Not Applicable**
(57) Statement of Newness and Distinctiveness: **Nil**



(21) Design Number: **12337/2014**
(22) Date of Filing Application: **14 May 2014**
(24) Date from which industrial property rights may have effect: **14 May 2014**
(54) Product in respect of which the design is registered: **Oral care implement**
(51) International Design Classification: **04-02**
(74) Name(s) of Attorney(s): **FB Rice**
(71) Name(s) and Address(s) of Applicant(s):
Colgate-Palmolive Company
300 Park Avenue New York New York 10022 United States of America
(72) Name(s) of Designer(s): **Eduardo Jimenez and Robert Moskovich and**
Andreas Wechsler and Achim Storz
(45) Registration Date: **13 August 2014**
(30) Convention priority data:
(31) Number (32) Date (33) Country
29/476704 16 Dec 2013 UNITED STATES OF AMERICA
(56) Related Art Documents: **Not Applicable**
(57) Statement of Newness and Distinctiveness: **Newness and distinctiveness**
reside in the features of the design shown in solid lines in the
representations excluding those features shown in broken lines.



(21) Design Number: **13324/2014**
(22) Date of Filing Application: **09 July 2014**
(24) Date from which industrial property rights may have effect: **09 July 2014**
(54) Product in respect of which the design is registered: **Sizing indicator**
(51) International Design Classification: **06-08, 19-08**
(74) Name(s) of Attorney(s): **PHILLIPS ORMONDE FITZPATRICK**
(71) Name(s) and Address(s) of Applicant(s):
TIC (Retail Accessories) Pty Ltd
214-228 Blackshaws Rd Altona North VIC 3025 Australia
(72) Name(s) of Designer(s): **Mark Gandur**
(45) Registration Date: **13 August 2014**
(56) Related Art Documents: **Not Applicable**
(57) Statement of Newness and Distinctiveness: **Those features of the sizing**
indicator depicted in the representations that are new and distinctive are
the shape and/or configuration.



(21) Design Number: **13325/2014**

(22) Date of Filing Application: **09 July 2014**

(24) Date from which industrial property rights may have effect: **09 July 2014**

(54) Product in respect of which the design is registered: **Electric brake drum**

(51) International Design Classification: **12-16M**

(74) Name(s) of Attorney(s): **Lesicar Maynard Andrews Pty Ltd**

(71) Name(s) and Address(s) of Applicant(s):

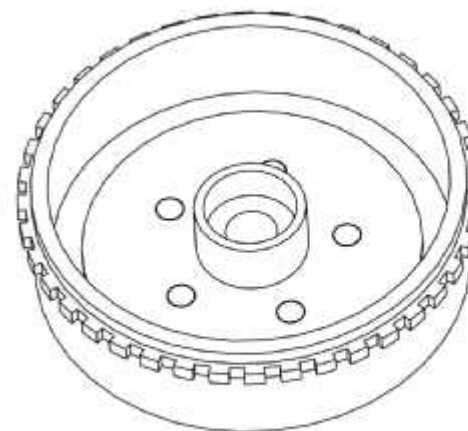
**R.V. Electronics Pty Ltd
1 Ardtornish St Holden Hill SA 5088 Australia**

(72) Name(s) of Designer(s): **Colin Pasfield**

(45) Registration Date: **13 August 2014**

(56) Related Art Documents: **Not Applicable**

(57) Statement of Newness and Distinctiveness: **Newness and distinctiveness lie in the shape and/or configuration of the Electric Brake Drum, in particular the crenelated peripheral ring.**



(21) Design Number: **13327/2014**

(22) Date of Filing Application: **09 July 2014**

(24) Date from which industrial property rights may have effect: **09 July 2014**

(54) Product in respect of which the design is registered: **Lectern**

(51) International Design Classification: **06-06NES**

(74) Name(s) of Attorney(s):

(71) Name(s) and Address(s) of Applicant(s):

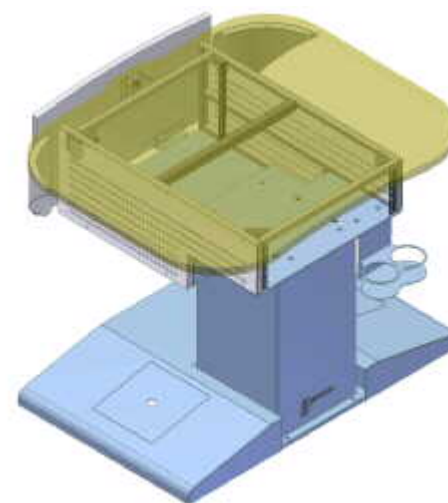
**Andrew Molnar
8 Westpool Dr Hallam VIC 3803 Australia**

(72) Name(s) of Designer(s): **Andrew Molnar**

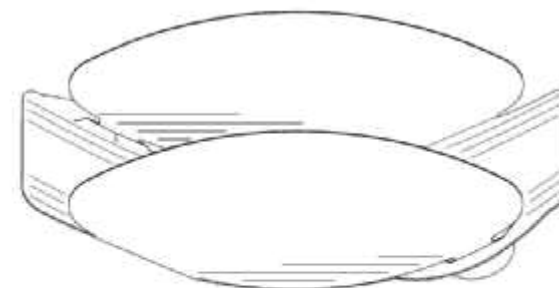
(45) Registration Date: **13 August 2014**

(56) Related Art Documents: **Not Applicable**

(57) Statement of Newness and Distinctiveness: **The product is a presenter's aid designed to support his material that typically includes papers, a light and a computer etc - and would typically be used in a lecture theatre.**



(21) Design Number: **13328/2014**
(22) Date of Filing Application: **09 July 2014**
(24) Date from which industrial property rights may have effect: **09 July 2014**
(54) Product in respect of which the design is registered: **Foodstuff package**
(51) International Design Classification: **07-01B, 09-05**
(74) Name(s) of Attorney(s): **KENSINGTON SWAN**
(71) Name(s) and Address(s) of Applicant(s):
Burger Fuel International Limited
Level 1 66 Surrey Crescent Grey Lynn Auckland 1021 New Zealand
(72) Name(s) of Designer(s): **Carl Robert Brown**
(45) Registration Date: **13 August 2014**
(30) Convention priority data:
(31) Number (32) Date (33) Country
418453 29 Jan 2014 NEW ZEALAND
(56) Related Art Documents: **Not Applicable**
(57) Statement of Newness and Distinctiveness: **The design is to be applied to a foodstuff package and the novelty resides in the shape and configuration shown in the attached representations.**



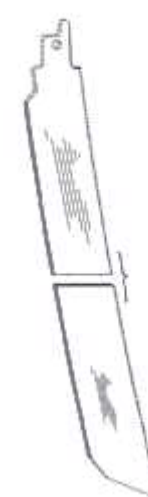
(21) Design Number: **12291/2014**
(22) Date of Filing Application: **13 May 2014**
(24) Date from which industrial property rights may have effect: **13 May 2014**
(54) Product in respect of which the design is registered: **Curved reciprocating saw blade**
(51) International Design Classification: **08-03**
(74) Name(s) of Attorney(s): **IP Gateway Patent & Trademark Attorneys Pty Ltd**
(71) Name(s) and Address(s) of Applicant(s):
Irwin Industrial Tool Company
8935 North Pointe Executive Drive Huntersville North Carolina 28078
United States of America
(72) Name(s) of Designer(s): **Stephen A Hampton and Douglas K Fosberg and Poinon Z Sanogo**
(45) Registration Date: **13 August 2014**
(30) Convention priority data:
(31) Number (32) Date (33) Country
29/472,529 13 Nov 2013 UNITED STATES OF AMERICA
(56) Related Art Documents: **Not Applicable**
(57) Statement of Newness and Distinctiveness: **Newness and distinctiveness reside in the visual features of shape and/or configuration of a curved reciprocating saw blade as shown in solid lines in the representations.**



- (21) Design Number: **12295/2014**
(22) Date of Filing Application: **13 May 2014**
(24) Date from which industrial property rights may have effect: **13 May 2014**
(54) Product in respect of which the design is registered: **Curved reciprocating saw blade**
(51) International Design Classification: **08-03**
(74) Name(s) of Attorney(s): **IP Gateway Patent & Trademark Attorneys Pty Ltd**
(71) Name(s) and Address(s) of Applicant(s):
Irwin Industrial Tool Company
8935 North Pointe Executive Drive Huntersville North Carolina 28078
United States of America
(72) Name(s) of Designer(s): **Stephen A Hampton and Douglas K Fosberg and Poinon Z Sanogo**
(45) Registration Date: **13 August 2014**
(30) Convention priority data:
(31) Number (32) Date (33) Country
US 29/472,532 13 Nov 2013 UNITED STATES OF AMERICA
(56) Related Art Documents: **Not Applicable**
(57) Statement of Newness and Distinctiveness: **Newness and distinctiveness reside in the visual features of shape and/or configuration of a curved reciprocating saw blade as shown in solid lines in the accompanying representations. The design is in relation to a blade having a mid-section of indefinite length, as illustrated by the break lines in the representations. The cross sectional shape of the region of indefinite length is constant, other than variation due to any curvature in the blade mid-section and a regular pattern of teeth. Features of the region of indefinite length between the break lines are not hereby stated to be features in which newness and distinctiveness reside.**



- (21) Design Number: **12296/2014**
(22) Date of Filing Application: **13 May 2014**
(24) Date from which industrial property rights may have effect: **13 May 2014**
(54) Product in respect of which the design is registered: **Curved reciprocating saw blade**
(51) International Design Classification: **08-03**
(74) Name(s) of Attorney(s): **IP Gateway Patent & Trademark Attorneys Pty Ltd**
(71) Name(s) and Address(s) of Applicant(s):
Irwin Industrial Tool Company
8935 North Pointe Executive Drive Huntersville North Carolina 28078
United States of America
(72) Name(s) of Designer(s): **Stephen A Hampton and Douglas K Fosberg and Poinon Z Sanogo**
(45) Registration Date: **13 August 2014**
(30) Convention priority data:
(31) Number (32) Date (33) Country
29/472,533 13 Nov 2013 UNITED STATES OF AMERICA
(56) Related Art Documents: **Not Applicable**
(57) Statement of Newness and Distinctiveness: **Newness and distinctiveness reside in the visual features of shape and/or configuration of a curved reciprocating saw blade as shown in solid lines in the accompanying representations. The design is in relation to a blade having a mid-section of indefinite length, as illustrated by the break lines in the representations. The cross sectional shape of the region of indefinite length is constant, other than variation due to any curvature in the blade mid-section and a regular pattern of teeth. Features of the region of indefinite length between the break lines are not hereby stated to be features in which newness and distinctiveness reside.**



(21) Design Number: **12552/2014**
(22) Date of Filing Application: **26 May 2014**
(24) Date from which industrial property rights may have effect: **26 May 2014**
(54) Product in respect of which the design is registered: **Infant stroller**
(51) International Design Classification: **12-12**
(74) Name(s) of Attorney(s): **Callinans**
(71) Name(s) and Address(s) of Applicant(s):
Jane, S.A.
Mercaders, 34 - Pol. Ind. Riera de Caldes PALAU DE PLEGAMANS,
Barcelona, 08184 Spain
(72) Name(s) of Designer(s): **Manuel Jane Santamaria**
(45) Registration Date: **13 August 2014**
(30) Convention priority data:
(31) Number (32) Date (33) Country
1399331-0001-2 16 Jan 2014 OFFICE FOR HARMONISATION IN
THE INTERNAL MARKET (OHIM)
(56) Related Art Documents: **Not Applicable**
(57) Statement of Newness and Distinctiveness: **Nil**



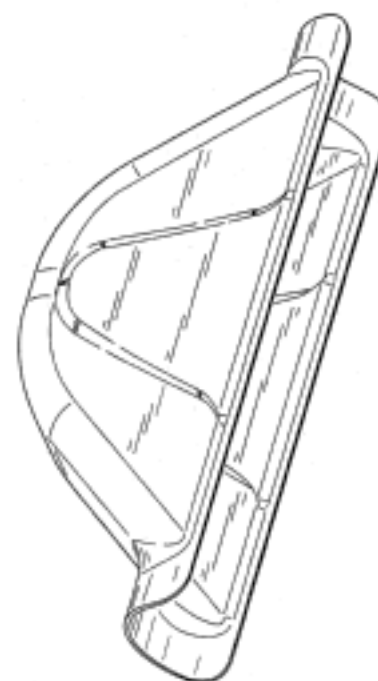
(21) Design Number: **12881/2014**
(22) Date of Filing Application: **12 June 2014**
(24) Date from which industrial property rights may have effect: **12 June 2014**
(54) Product in respect of which the design is registered: **Soap holder**
(51) International Design Classification: **23-02A**
(74) Name(s) of Attorney(s): **A.P.T. Patent and Trade Mark Attorneys**
(71) Name(s) and Address(s) of Applicant(s):
InnoMag Hi-Tech (Shanghai) Co., Ltd.
Room 105 65 Chifeng Road Shanghai People's Republic of China
(72) Name(s) of Designer(s): **Zhi Min Tang**
(45) Registration Date: **13 August 2014**
(30) Convention priority data:
(31) Number (32) Date (33) Country
201330618714.5 12 Dec 2013 CHINA
(56) Related Art Documents: **Not Applicable**
(57) Statement of Newness and Distinctiveness: **Nil**



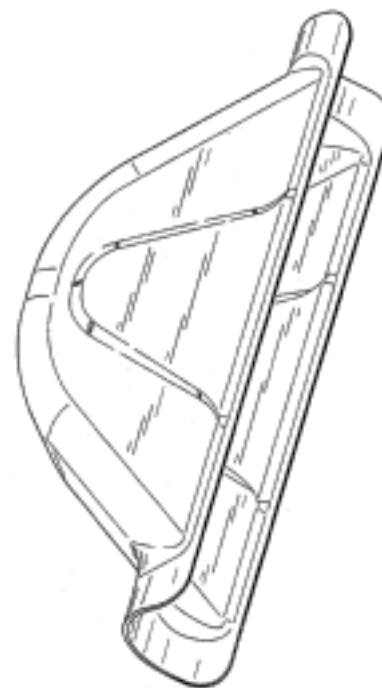
(21) Design Number: **12882/2014**
(22) Date of Filing Application: **12 June 2014**
(24) Date from which industrial property rights may have effect: **12 June 2014**
(54) Product in respect of which the design is registered: **Soap holder**
(51) International Design Classification: **23-02A**
(74) Name(s) of Attorney(s): **A.P.T. Patent and Trade Mark Attorneys**
(71) Name(s) and Address(s) of Applicant(s):
InnoMag Hi-Tech (Shanghai) Co., Ltd.
Room 105 65 Chifeng Road Shanghai People's Republic of China
(72) Name(s) of Designer(s): **Zhi Min Tang**
(45) Registration Date: **13 August 2014**
(30) Convention priority data:
(31) Number (32) Date (33) Country
201330619276.4 12 Dec 2013 CHINA
(56) Related Art Documents: **Not Applicable**
(57) Statement of Newness and Distinctiveness: **Nil**



(21) Design Number: **13076/2014**
(22) Date of Filing Application: **23 June 2014**
(24) Date from which industrial property rights may have effect: **23 June 2014**
(54) Product in respect of which the design is registered: **Process sensor enclosure for flow meter**
(51) International Design Classification: **03-01NES**
(74) Name(s) of Attorney(s): **PHILLIPS ORMONDE FITZPATRICK**
(71) Name(s) and Address(s) of Applicant(s):
Micro Motion, Inc.
7070 Winchester Circle Boulder Colorado 80301 United States of America
(72) Name(s) of Designer(s): **Xiang Feng and Muyuan Liu and Yang Ye**
(45) Registration Date: **13 August 2014**
(30) Convention priority data:
(31) Number (32) Date (33) Country
201430146126.0 23 May 2014 CHINA
(56) Related Art Documents: **Not Applicable**
(57) Statement of Newness and Distinctiveness: **Nil**



(21) Design Number: **13879/2014**
(22) Date of Filing Application: **23 June 2014**
(24) Date from which industrial property rights may have effect: **23 June 2014**
(54) Product in respect of which the design is registered: **Process sensor enclosure for flow meter**
(51) International Design Classification: **03-01NES**
(74) Name(s) of Attorney(s): **PHILLIPS ORMONDE FITZPATRICK**
(71) Name(s) and Address(s) of Applicant(s):
Micro Motion, Inc.
7070 Winchester Circle Boulder Colorado 80301 United States of America
(72) Name(s) of Designer(s): **Xiang Feng and Muyuan Liu and Yang Ye**
(45) Registration Date: **13 August 2014**
(30) Convention priority data:
(31) Number (32) Date (33) Country
201430146126.0 23 May 2014 CHINA
(56) Related Art Documents: **Not Applicable**
(57) Statement of Newness and Distinctiveness: **Nil**



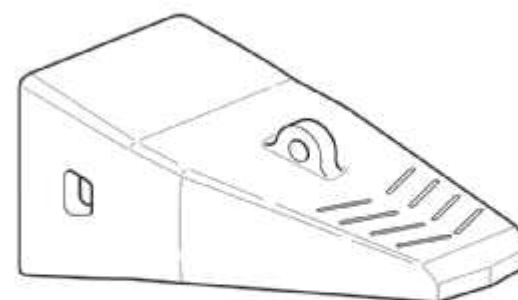
(21) Design Number: **12062/2014**
(22) Date of Filing Application: **29 April 2014**
(24) Date from which industrial property rights may have effect: **29 April 2014**
(54) Product in respect of which the design is registered: **Floor grinder abrasive shoe**
(51) International Design Classification: **08-05N**
(74) Name(s) of Attorney(s):
(71) Name(s) and Address(s) of Applicant(s):
Mathew Raymund Norton
24 Dapper St Sunnybank Hills QLD 4109 Australia
Dong Sig Minh
#69 Dorim-Ri, Ipjang-Myeon Cheonan-Si Chungcheongnam, 331822 Republic of Korea
(72) Name(s) of Designer(s): **Mathew Raymund Norton and Dong Sig Minh**
(45) Registration Date: **14 August 2014**
(56) Related Art Documents: **Not Applicable**
(57) Statement of Newness and Distinctiveness: **Design monopoly is claimed for the shape, configuration and ordination of the floor grinder shoe abrasive as shown in the representations, design monopoly is claimed for the combination use shape configuration and ordination of a pipe shaped diamond segment and sharp turbo shaped segment as shown in the representation, design monopoly is claimed for the combination use shape configuration and ordination of a pipe shaped diamond segment and all known turbo diamond segment shapes and arrangements, that may be used for the purpose of overcoming this design registration, design monopoly includes all known attachment means to a floor grinder.**



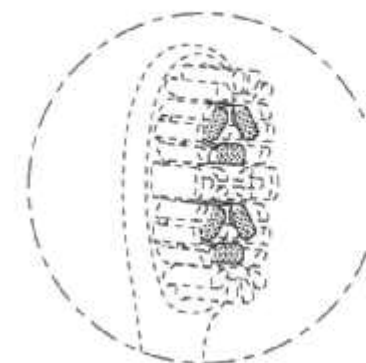
- (21) Design Number: **12284/2014**
(22) Date of Filing Application: **13 May 2014**
(24) Date from which industrial property rights may have effect: **13 May 2014**
(54) Product in respect of which the design is registered: **A tyre**
(51) International Design Classification: **12-15B**
(74) Name(s) of Attorney(s): **WATERMARK PATENT AND TRADE MARKS ATTORNEYS**
(71) Name(s) and Address(s) of Applicant(s):
COMPAGNIE GENERALE DES ETABLISSEMENTS MICHELIN
12 cours Sablon Clermont-Ferrand 63000 France
Michelin Recherche et Technique S.A.
Route Louis Braille 10 Granges-Paccot 1763 Switzerland
(72) Name(s) of Designer(s): **Piyasart Siam**
(45) Registration Date: **14 August 2014**
(30) Convention priority data:
(31) Number (32) Date (33) Country
13/5068 26 Nov 2013 FRANCE
(56) Related Art Documents: **Not Applicable**
(57) Statement of Newness and Distinctiveness: **Newness and distinctiveness resides in the appearance of the tread region of the tyre, the remainder of the tyre not forming part of the design.**



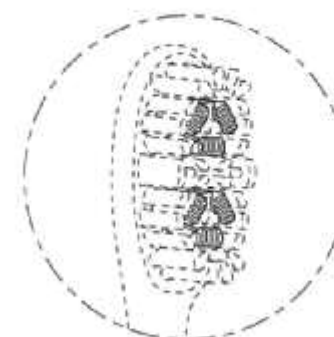
- (21) Design Number: **11877/2014**
(22) Date of Filing Application: **15 April 2014**
(24) Date from which industrial property rights may have effect: **15 April 2014**
(54) Product in respect of which the design is registered: **Excavator tooth**
(51) International Design Classification: **15-04**
(74) Name(s) of Attorney(s): **Wrays**
(71) Name(s) and Address(s) of Applicant(s):
Mining Innovations Australia Pty Ltd
SE1 G 56 Kings Park Rd West Perth WA 6005 Australia
(72) Name(s) of Designer(s): **Andrew Monteiro and Benjamin Pollard**
(45) Registration Date: **14 August 2014**
(56) Related Art Documents: **Not Applicable**
(57) Statement of Newness and Distinctiveness: **Newness and distinctiveness is claimed in the pattern and/or ornamentation of the strips applied to the upper and lower surfaces of the tooth as shown in the accompanying representations.**



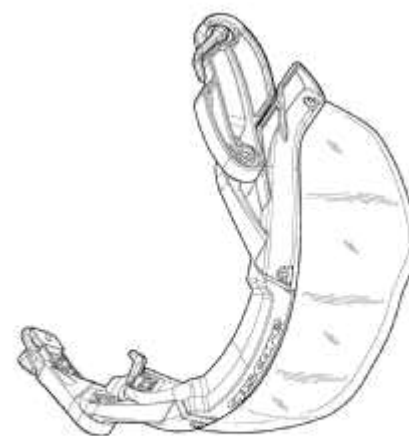
(21) Design Number: **12350/2014**
(22) Date of Filing Application: **15 May 2014**
(24) Date from which industrial property rights may have effect: **15 May 2014**
(54) Product in respect of which the design is registered: **Toothbrush**
(51) International Design Classification: **04-02**
(74) Name(s) of Attorney(s): **FB Rice**
(71) Name(s) and Address(s) of Applicant(s):
Colgate-Palmolive Company
300 Park Avenue New York New York 10022 United States of America
(72) Name(s) of Designer(s): **Eduardo Jimenez and Robert Moskovich and**
Andreas Wechsler and Achim Storz
(45) Registration Date: **14 August 2014**
(30) Convention priority data:
(31) Number (32) Date (33) Country
29/476708 16 Dec 2013 UNITED STATES OF AMERICA
(56) Related Art Documents: **Not Applicable**
(57) Statement of Newness and Distinctiveness: **Newness and distinctiveness**
reside in the features of the design shown in solid lines in the
representations excluding those features shown in broken lines.



(21) Design Number: **12353/2014**
(22) Date of Filing Application: **15 May 2014**
(24) Date from which industrial property rights may have effect: **15 May 2014**
(54) Product in respect of which the design is registered: **Toothbrush**
(51) International Design Classification: **04-02**
(74) Name(s) of Attorney(s): **FB Rice**
(71) Name(s) and Address(s) of Applicant(s):
Colgate-Palmolive Company
300 Park Avenue New York New York 10022 United States of America
(72) Name(s) of Designer(s): **Eduardo Jimenez and Robert Moskovich and**
Andreas Wechsler and Achim Storz
(45) Registration Date: **14 August 2014**
(30) Convention priority data:
(31) Number (32) Date (33) Country
29/476707 16 Dec 2013 UNITED STATES OF AMERICA
(56) Related Art Documents: **Not Applicable**
(57) Statement of Newness and Distinctiveness: **Newness and distinctiveness**
reside in the features of the design shown in solid lines in the
representations excluding those features shown in broken lines.



(21) Design Number: **13342/2014**
(22) Date of Filing Application: **09 July 2014**
(24) Date from which industrial property rights may have effect: **09 July 2014**
(54) Product in respect of which the design is registered: **Visor**
(51) International Design Classification: **02-03**
(74) Name(s) of Attorney(s): **Freehills Patent Attorneys**
(71) Name(s) and Address(s) of Applicant(s):
Artisent, LLC
324 Main Street Simpson Pennsylvania 18407 United States of America
(72) Name(s) of Designer(s): **Duco W Noordzij and David C Rogers and Kyle L Lamson**
(45) Registration Date: **14 August 2014**
(30) Convention priority data:
(31) Number (32) Date (33) Country
29/479263 14 Jan 2014 UNITED STATES OF AMERICA
(56) Related Art Documents: **Not Applicable**
(57) Statement of Newness and Distinctiveness: **Newness and distinctiveness of the design resides in the features of shape and configuration of the visor as shown in solid outline and contour lines in the accompanying representations.**



(21) Design Number: **13343/2014**
(22) Date of Filing Application: **09 July 2014**
(24) Date from which industrial property rights may have effect: **09 July 2014**
(54) Product in respect of which the design is registered: **Helmet mounted headset**
(51) International Design Classification: **14-01**
(74) Name(s) of Attorney(s): **Freehills Patent Attorneys**
(71) Name(s) and Address(s) of Applicant(s):
Artisent, LLC
324 Main Street Simpson Pennsylvania 18407 United States of America
(72) Name(s) of Designer(s): **David C Rogers and Jason W O'Connell and Michael D Aaskov and Nathan E Winters**
(45) Registration Date: **14 August 2014**
(30) Convention priority data:
(31) Number (32) Date (33) Country
29/479333 14 Jan 2014 UNITED STATES OF AMERICA
(56) Related Art Documents: **Not Applicable**
(57) Statement of Newness and Distinctiveness: **Newness and distinctiveness of the design resides in the features of shape and configuration of the helmet mounted headset as shown in solid outline and contour lines in the accompanying representations.**



(21) Design Number: **13345/2014**
(22) Date of Filing Application: **09 July 2014**
(24) Date from which industrial property rights may have effect: **09 July 2014**
(54) Product in respect of which the design is registered: **Hook Doser**
(51) International Design Classification: **10-04, 28-01**
(74) Name(s) of Attorney(s): **Houlihan2**
(71) Name(s) and Address(s) of Applicant(s):
ANIMAX LTD
Shepherds Grove West Stanton Bury St Edmunds Suffolk IP31 2AR
United Kingdom
(72) Name(s) of Designer(s): **William Leslie Porter**
(45) Registration Date: **14 August 2014**
(30) Convention priority data:
(31) Number (32) Date (33) Country
4033706-4033712 11 Jan 2014 UNITED KINGDOM
(56) Related Art Documents: **Not Applicable**
(57) Statement of Newness and Distinctiveness: **Newness and distinctiveness reside in the shape and/or configuration of a HOOK DOSER as illustrated in the accompanying representations.**



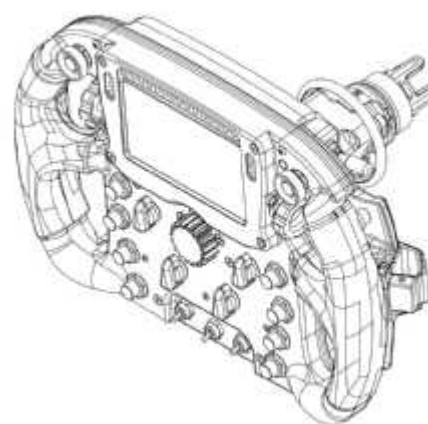
(21) Design Number: **13346/2014**
(22) Date of Filing Application: **09 July 2014**
(24) Date from which industrial property rights may have effect: **09 July 2014**
(54) Product in respect of which the design is registered: **Visor and mandible shield assembly**
(51) International Design Classification: **02-03**
(74) Name(s) of Attorney(s): **Freehills Patent Attorneys**
(71) Name(s) and Address(s) of Applicant(s):
Artisent, LLC
324 Main Street Simpson Pennsylvania 18407 United States of America
(72) Name(s) of Designer(s): **Kyle L Lamson and David C Rogers and Duco W Noordzij**
(45) Registration Date: **14 August 2014**
(30) Convention priority data:
(31) Number (32) Date (33) Country
29/479272 14 Jan 2014 UNITED STATES OF AMERICA
(56) Related Art Documents: **Not Applicable**
(57) Statement of Newness and Distinctiveness: **Newness and distinctiveness of the design resides in the features of shape and configuration of the visor and mandible shield assembly as shown in solid outline and contour lines in the accompanying representations.**



(21) Design Number: **13347/2014**
(22) Date of Filing Application: **09 July 2014**
(24) Date from which industrial property rights may have effect: **09 July 2014**
(54) Product in respect of which the design is registered: **Mandible shield**
(51) International Design Classification: **02-03**
(74) Name(s) of Attorney(s): **Freehills Patent Attorneys**
(71) Name(s) and Address(s) of Applicant(s):
Artisent, LLC
324 Main Street Simpson Pennsylvania 18407 United States of America
(72) Name(s) of Designer(s): **Duco W Noordzij and Kyle L Lamson and David C Rogers**
(45) Registration Date: **14 August 2014**
(30) Convention priority data:
(31) Number (32) Date (33) Country
29/479255 14 Jan 2014 UNITED STATES OF AMERICA
(56) Related Art Documents: **Not Applicable**
(57) Statement of Newness and Distinctiveness: **Newness and distinctiveness of the design resides in the features of shape and configuration of the mandible shield as shown in solid outline and contour lines in the accompanying representations.**



(21) Design Number: **13349/2014**
(22) Date of Filing Application: **10 July 2014**
(24) Date from which industrial property rights may have effect: **10 July 2014**
(54) Product in respect of which the design is registered: **Steering Wheel; Toy-Steering Wheel**
(51) International Design Classification: **12-16A, 21-01C**
(74) Name(s) of Attorney(s): **PHILLIPS ORMONDE FITZPATRICK**
(71) Name(s) and Address(s) of Applicant(s):
Ferrari S.p.A.
Via Emilia Est 1163 I-41100 Modena Italy
(72) Name(s) of Designer(s): **James Shakespeare Allison**
(45) Registration Date: **14 August 2014**
(30) Convention priority data:
(31) Number (32) Date (33) Country
001400428-0003 22 Jan 2014 OFFICE FOR HARMONISATION IN THE INTERNAL MARKET (OHIM)
(56) Related Art Documents: **Not Applicable**
(57) Statement of Newness and Distinctiveness: **Those features of the steering wheel and toy-steering wheel depicted in the representations that are new and distinctive are the shape and/or configuration.**



(21) Design Number: **13350/2014**
(22) Date of Filing Application: **10 July 2014**
(24) Date from which industrial property rights may have effect: **10 July 2014**
(54) Product in respect of which the design is registered: **Car; Toy Car**
(51) International Design Classification: **12-08, 21-01C**
(74) Name(s) of Attorney(s): **PHILLIPS ORMONDE FITZPATRICK**
(71) Name(s) and Address(s) of Applicant(s):

Ferrari S.p.A.
Via Emilia Est 1163 I-41100 Modena Italy

(72) Name(s) of Designer(s): **James Shakespeare Allison**
(45) Registration Date: **14 August 2014**

(30) Convention priority data:

(31) Number	(32) Date	(33) Country
001400428	22 Jan 2014	OFFICE FOR HARMONISATION IN THE INTERNAL MARKET (OHIM)

(56) Related Art Documents: **Not Applicable**

(57) Statement of Newness and Distinctiveness: **Those features of the car and toy-car depicted in the representations that are new and distinctive are the shape and/or configuration. The wheels of the car and toy-car are not part of the design and are to be disregarded when considering the overall impression of the design.**



(21) Design Number: **13353/2014**
(22) Date of Filing Application: **10 July 2014**
(24) Date from which industrial property rights may have effect: **10 July 2014**
(54) Product in respect of which the design is registered: **Massager**
(51) International Design Classification: **28-03NES**
(74) Name(s) of Attorney(s): **SPRUSON & FERGUSON**
(71) Name(s) and Address(s) of Applicant(s):

Bubble Love, LLC
9415 Culver Blvd., Culver City California, 90232 United States of America

(72) Name(s) of Designer(s): **David D Heilman**
(45) Registration Date: **14 August 2014**

(30) Convention priority data:

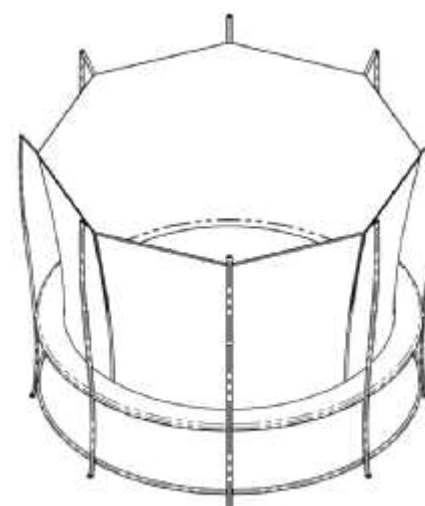
(31) Number	(32) Date	(33) Country
29/479086	10 Jan 2014	UNITED STATES OF AMERICA

(56) Related Art Documents: **Not Applicable**

(57) Statement of Newness and Distinctiveness: **Newness and distinctiveness is claimed in those features of shape and/or configuration of a massager illustrated in continuous lines in the accompanying representations.**



(21) Design Number: **13355/2014**
(22) Date of Filing Application: **10 July 2014**
(24) Date from which industrial property rights may have effect: **10 July 2014**
(54) Product in respect of which the design is registered: **Trampoline**
(51) International Design Classification: **21-02F**
(74) Name(s) of Attorney(s): **Fisher Adams Kelly Pty Ltd**
(71) Name(s) and Address(s) of Applicant(s):
Vuly Property Pty Ltd
1/95 Ingleston Rd Wakerley QLD 4154 Australia
(72) Name(s) of Designer(s): **Joe Andon**
(45) Registration Date: **14 August 2014**
(56) Related Art Documents: **Not Applicable**
(57) Statement of Newness and Distinctiveness: **The newness and distinctiveness of the design resides in the shape and/or configuration of the TRAMPOLINE shown in the representations.**



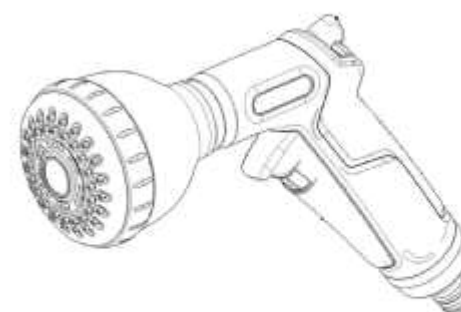
(21) Design Number: **13357/2014**
(22) Date of Filing Application: **10 July 2014**
(24) Date from which industrial property rights may have effect: **10 July 2014**
(54) Product in respect of which the design is registered: **Dental floss holder**
(51) International Design Classification: **24-99**
(74) Name(s) of Attorney(s):
(71) Name(s) and Address(s) of Applicant(s):
Wai Kwong Lam
UNIT 4, 2/F WAH YIU INDUSTRIAL CENTRE 30-32 AU PUI WAN STREET,
FO TAN N.T Hong Kong China
(72) Name(s) of Designer(s): **Wai Kwong Lam**
(45) Registration Date: **14 August 2014**
(30) Convention priority data:
(31) Number (32) Date (33) Country
201430020595.8 25 Jan 2014 CHINA
(56) Related Art Documents: **Not Applicable**
(57) Statement of Newness and Distinctiveness: **Nil**



- (21) Design Number: **13359/2014**
(22) Date of Filing Application: **11 July 2014**
(24) Date from which industrial property rights may have effect: **11 July 2014**
(54) Product in respect of which the design is registered: **Vineyard post**
(51) International Design Classification: **25-01E**
(74) Name(s) of Attorney(s): **Collison & Co**
(71) Name(s) and Address(s) of Applicant(s):
Brian O'Malley
1B Oldsmobile Tce Dudley Park SA 5008 Australia
(72) Name(s) of Designer(s): **Brian O'Malley**
(45) Registration Date: **14 August 2014**
(56) Related Art Documents: **Not Applicable**
(57) Statement of Newness and Distinctiveness: **Newness and distinctiveness resides in the shape and/or configuration of the vineyard post of indefinite length, as shown in the accompanying representations.**



- (21) Design Number: **13360/2014**
(22) Date of Filing Application: **11 July 2014**
(24) Date from which industrial property rights may have effect: **11 July 2014**
(54) Product in respect of which the design is registered: **Multi sprayer**
(51) International Design Classification: **23-01D**
(74) Name(s) of Attorney(s): **SPRUSON & FERGUSON**
(71) Name(s) and Address(s) of Applicant(s):
Husqvarna AB
Huskvarna SE-561 82 Sweden
(72) Name(s) of Designer(s): **Jens Naslund**
(45) Registration Date: **14 August 2014**
(30) Convention priority data:
(31) Number (32) Date (33) Country
002424465-0022 13 Mar 2014 OFFICE FOR HARMONISATION IN THE INTERNAL MARKET (OHIM)
(56) Related Art Documents: **Not Applicable**
(57) Statement of Newness and Distinctiveness: **Newness and Distinctiveness is claimed in the features of shape and/or configuration of the following parts of a multi sprayer as illustrated and labelled in the accompanying representations: the trigger labelled "A"; the volume control labelled "B"; and the spray head labelled "C".**



(21) Design Number: **13361/2014**

(22) Date of Filing Application: **11 July 2014**

(24) Date from which industrial property rights may have effect: **11 July 2014**

(54) Product in respect of which the design is registered: **Cleaning nozzle**

(51) International Design Classification: **23-01D**

(74) Name(s) of Attorney(s): **SPRUSON & FERGUSON**

(71) Name(s) and Address(s) of Applicant(s):

Husqvarna AB
Huskvarna SE-561 82 Sweden

(72) Name(s) of Designer(s): **Jens Naslund**

(45) Registration Date: **14 August 2014**

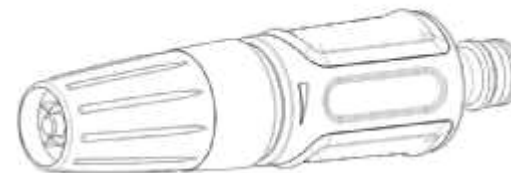
(30) Convention priority data:

(31) Number (32) Date
002424465-0030 13 Mar 2014

(33) Country
**OFFICE FOR HARMONISATION IN
THE INTERNAL MARKET (OHIM)**

(56) Related Art Documents: **Not Applicable**

(57) Statement of Newness and Distinctiveness: **Newness and distinctiveness is claimed in the features of shape and/or configuration of a cleaning nozzle as illustrated in the accompanying representations.**



(21) Design Number: **13362/2014**

(22) Date of Filing Application: **11 July 2014**

(24) Date from which industrial property rights may have effect: **11 July 2014**

(54) Product in respect of which the design is registered: **Spray lance handle**

(51) International Design Classification: **23-01D**

(74) Name(s) of Attorney(s): **SPRUSON & FERGUSON**

(71) Name(s) and Address(s) of Applicant(s):

Husqvarna AB
Huskvarna SE-561 82 Sweden

(72) Name(s) of Designer(s): **Jens Naslund**

(45) Registration Date: **14 August 2014**

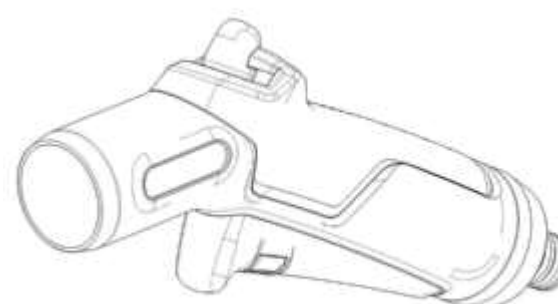
(30) Convention priority data:

(31) Number (32) Date
002424465-0026 13 Mar 2014

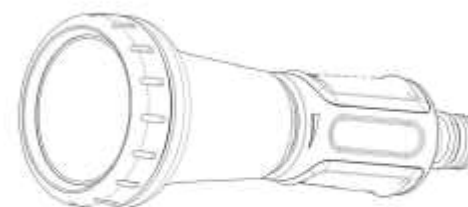
(33) Country
**OFFICE FOR HARMONISATION IN
THE INTERNAL MARKET (OHIM)**

(56) Related Art Documents: **Not Applicable**

(57) Statement of Newness and Distinctiveness: **Newness and distinctiveness is claimed in the features of shape and/or configuration of a spray lance handle as illustrated in the accompanying representations.**



(21) Design Number: **13363/2014**
(22) Date of Filing Application: **11 July 2014**
(24) Date from which industrial property rights may have effect: **11 July 2014**
(54) Product in respect of which the design is registered: **Water sprayer**
(51) International Design Classification: **23-01D**
(74) Name(s) of Attorney(s): **SPRUSON & FERGUSON**
(71) Name(s) and Address(s) of Applicant(s):
Husqvarna AB
Huskvarna SE-561 82 Sweden
(72) Name(s) of Designer(s): **Jens Naslund**
(45) Registration Date: **14 August 2014**
(30) Convention priority data:
(31) Number (32) Date (33) Country
002424465-0040 13 Mar 2014 OFFICE FOR HARMONISATION IN
THE INTERNAL MARKET (OHIM)
(56) Related Art Documents: **Not Applicable**
(57) Statement of Newness and Distinctiveness: **Newness and distinctiveness is claimed in the features of shape and/or configuration of a water sprayer as illustrated in the accompanying representations.**



(21) Design Number: **13364/2014**
(22) Date of Filing Application: **11 July 2014**
(24) Date from which industrial property rights may have effect: **11 July 2014**
(54) Product in respect of which the design is registered: **Cleaning nozzle handle**
(51) International Design Classification: **23-01D**
(74) Name(s) of Attorney(s): **SPRUSON & FERGUSON**
(71) Name(s) and Address(s) of Applicant(s):
Husqvarna AB
Huskvarna SE-561 82 Sweden
(72) Name(s) of Designer(s): **Jens Naslund**
(45) Registration Date: **14 August 2014**
(30) Convention priority data:
(31) Number (32) Date (33) Country
002424465-0020 13 Mar 2014 OFFICE FOR HARMONISATION IN
THE INTERNAL MARKET (OHIM)
(56) Related Art Documents: **Not Applicable**
(57) Statement of Newness and Distinctiveness: **Newness and distinctiveness is claimed in the features of shape and/or configuration of a cleaning nozzle handle as illustrated in the accompanying representations.**



(21) Design Number: **13365/2014**
(22) Date of Filing Application: **11 July 2014**
(24) Date from which industrial property rights may have effect: **11 July 2014**
(54) Product in respect of which the design is registered: **Connector nut**
(51) International Design Classification: **23-01D, 08-08B**
(74) Name(s) of Attorney(s): **SPRUSON & FERGUSON**
(71) Name(s) and Address(s) of Applicant(s):

Husqvarna AB
Huskvarna SE-561 82 Sweden

(72) Name(s) of Designer(s): **Jens Naslund**

(45) Registration Date: **14 August 2014**

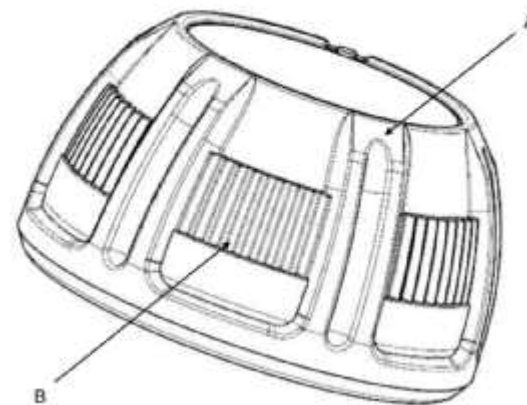
(30) Convention priority data:

(31) Number (32) Date
002424465-0002 13 Mar 2014

(33) Country
**OFFICE FOR HARMONISATION IN
THE INTERNAL MARKET (OHIM)**

(56) Related Art Documents: **Not Applicable**

(57) Statement of Newness and Distinctiveness: **Newness and distinctiveness is claimed in the features of shape and/or configuration of the following parts of a connector nut as illustrated and labelled in the accompanying representations: the ribs labelled "A"; and the ripple structure labelled "B".**



(21) Design Number: **13366/2014**
(22) Date of Filing Application: **11 July 2014**
(24) Date from which industrial property rights may have effect: **11 July 2014**
(54) Product in respect of which the design is registered: **Hose connector**
(51) International Design Classification: **23-01A**
(74) Name(s) of Attorney(s): **SPRUSON & FERGUSON**
(71) Name(s) and Address(s) of Applicant(s):

Husqvarna AB
Huskvarna SE-561 82 Sweden

(72) Name(s) of Designer(s): **Jens Naslund**

(45) Registration Date: **14 August 2014**

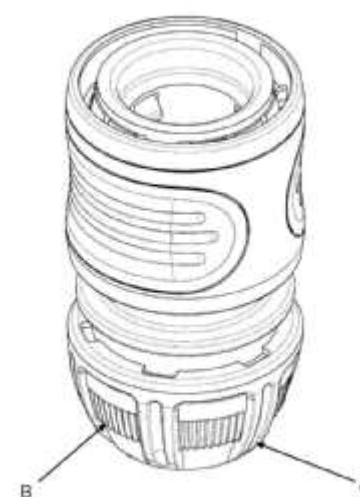
(30) Convention priority data:

(31) Number (32) Date
002424465-0007 13 Mar 2014

(33) Country
**OFFICE FOR HARMONISATION IN
THE INTERNAL MARKET (OHIM)**

(56) Related Art Documents: **Not Applicable**

(57) Statement of Newness and Distinctiveness: **Newness and Distinctiveness is claimed in the features of shape and/or configuration of the following parts of a hose connector as illustrated and labelled in the accompanying representations: the ribs labelled "A"; and the ripple structure labelled "B".**



(21) Design Number: **13367/2014**
(22) Date of Filing Application: **11 July 2014**
(24) Date from which industrial property rights may have effect: **11 July 2014**
(54) Product in respect of which the design is registered: **Spray lance**
(51) International Design Classification: **23-01D, 23-01E**
(74) Name(s) of Attorney(s): **SPRUSON & FERGUSON**
(71) Name(s) and Address(s) of Applicant(s):

Husqvarna AB
Huskvarna SE-561 82 Sweden

(72) Name(s) of Designer(s): **Jens Naslund**

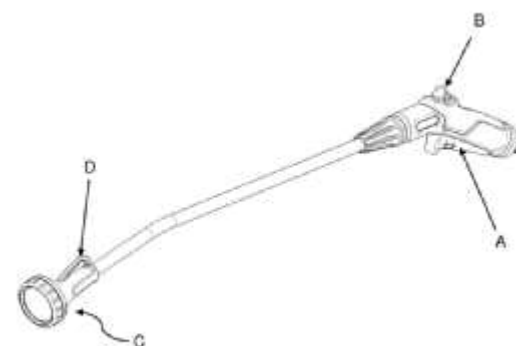
(45) Registration Date: **14 August 2014**

(30) Convention priority data:

(31) Number	(32) Date	(33) Country
002424465-0024	13 Mar 2014	OFFICE FOR HARMONISATION IN THE INTERNAL MARKET (OHIM)

(56) Related Art Documents: **Not Applicable**

(57) Statement of Newness and Distinctiveness: **Newness and Distinctiveness is claimed in the features of shape and/or configuration of the following parts of a spray lance as illustrated and labelled in the accompanying representations: the trigger labelled "A"; the volume control labelled "B"; the spray head labelled "C"; and the hook of the spray head labelled "D".**



(21) Design Number: **13368/2014**
(22) Date of Filing Application: **11 July 2014**
(24) Date from which industrial property rights may have effect: **11 July 2014**
(54) Product in respect of which the design is registered: **Electronic device**
(51) International Design Classification: **14-03NES, 14-01**
(74) Name(s) of Attorney(s): **Collison & Co**
(71) Name(s) and Address(s) of Applicant(s):

EMBERTEC PTY LTD
182 Fullarton Rd Dulwich SA 5065 Australia

(72) Name(s) of Designer(s): **David Mudge and Domenico Gelonese**

(45) Registration Date: **14 August 2014**

(56) Related Art Documents: **Not Applicable**

(57) Statement of Newness and Distinctiveness: **Newness and distinctiveness resides in the shape and configuration of the electronics device as shown in the figures excluding the portions shown by the broken lines.**



- (21) Design Number: **13466/2014**
(22) Date of Filing Application: **15 July 2014**
(24) Date from which industrial property rights may have effect: **15 July 2014**
(54) Product in respect of which the design is registered: **Socks**
(51) International Design Classification: **02-04C**
(74) Name(s) of Attorney(s):
(71) Name(s) and Address(s) of Applicant(s):

BIG BLUE POINT AUSTRALIA PTY LTD
PO BOX 180 Greensborough VIC 3088 Australia

- (72) Name(s) of Designer(s): **Cheng Zu**
(45) Registration Date: **14 August 2014**
(56) Related Art Documents: **Not Applicable**

- (57) Statement of Newness and Distinctiveness: **Newness and distinctiveness is claimed in the features of pattern and ornamentation of the socks as shown in the accompanying representations. The representations depict the unique composition of the design of the socks that integrate four inseparable distinctive patterns as follows: a. The first is a circular pattern that wraps around the ankle area of the foot from the centre of the instep - the pivot point. b. The second is another circular pattern that wraps around the arch of the foot which also intersects the pivot point. c. The third is a circular pattern that wraps around the front palm of the foot with a distinctive point at the centre of the palm. This pattern also intersects the pivot point. d. The four pattern is a straight line that anchors the three circular patterns at their pivoting point at the centre of the instep. Monopoly is claimed in the pattern and ornamentation of the socks as shown in the representations.**



- (21) Design Number: **16282/2013**
(22) Date of Filing Application: **29 November 2013**
(24) Date from which industrial property rights may have effect: **29 November 2013**
(54) Product in respect of which the design is registered: **Article of clothing**
(51) International Design Classification: **02-02C, 02-02NES**
(74) Name(s) of Attorney(s): **Allens Patent & Trade Mark Attorneys**
(71) Name(s) and Address(s) of Applicant(s):

Forever New Clothing Pty Ltd
714-716 High St Kew East VIC 3102 Australia

- (72) Name(s) of Designer(s): **Anna Pham and Octavia Miller and Chloe Atkinson and Karen Thai and Jennifer Hall and Mantra Ahrendt and Bianca Betts**
(45) Registration Date: **14 August 2014**
(56) Related Art Documents: **Not Applicable**
(57) Statement of Newness and Distinctiveness: **Newness and distinctiveness resides in the visual features of shape, configuration, pattern and/or ornamentation of an article of clothing as shown in the accompanying representations.**



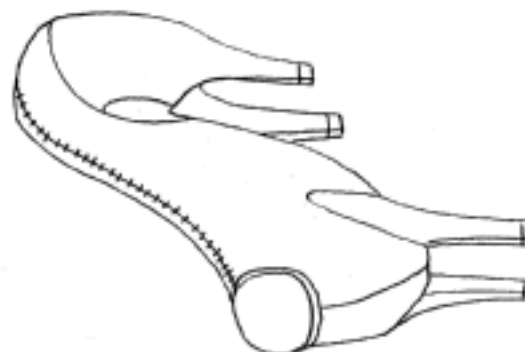
(21) Design Number: **10710/2014**
(22) Date of Filing Application: **12 February 2014**
(24) Date from which industrial property rights may have effect: **12 February 2014**
(54) Product in respect of which the design is registered: **Swimwear**
(51) International Design Classification: **02-02A**
(74) Name(s) of Attorney(s):
(71) Name(s) and Address(s) of Applicant(s):
Seafolly Pty Ltd
247 King St Mascot NSW 2020 Australia
(72) Name(s) of Designer(s): **Genelle Walkom**
(45) Registration Date: **15 August 2014**
(56) Related Art Documents: **Not Applicable**
(57) Statement of Newness and Distinctiveness: **Nil**



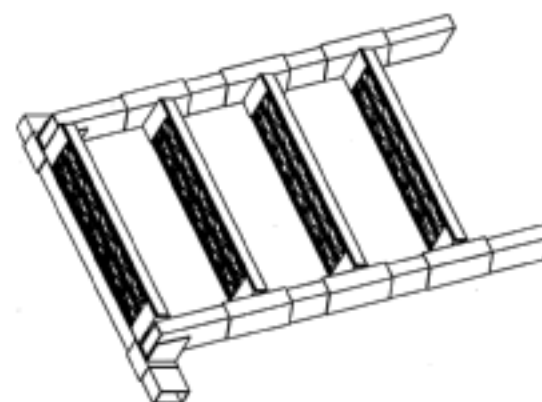
(21) Design Number: **12290/2014**
(22) Date of Filing Application: **13 May 2014**
(24) Date from which industrial property rights may have effect: **13 May 2014**
(54) Product in respect of which the design is registered: **Curved reciprocating saw blade**
(51) International Design Classification: **08-03**
(74) Name(s) of Attorney(s): **IP Gateway Patent & Trademark Attorneys Pty Ltd**
(71) Name(s) and Address(s) of Applicant(s):
Irwin Industrial Tool Company
8935 North Pointe Executive Drive Huntersville North Carolina 28078
United States of America
(72) Name(s) of Designer(s): **Stephen A Hampton and Douglas K Fosberg and Poinon Z Sanogo**
(45) Registration Date: **15 August 2014**
(30) Convention priority data:
(31) Number (32) Date (33) Country
29/472,530 13 Nov 2013 UNITED STATES OF AMERICA
(56) Related Art Documents: **Not Applicable**
(57) Statement of Newness and Distinctiveness: **Newness and distinctiveness reside in the visual features of shape and/or configuration of a curved reciprocating saw blade as shown in solid lines in the representations.**



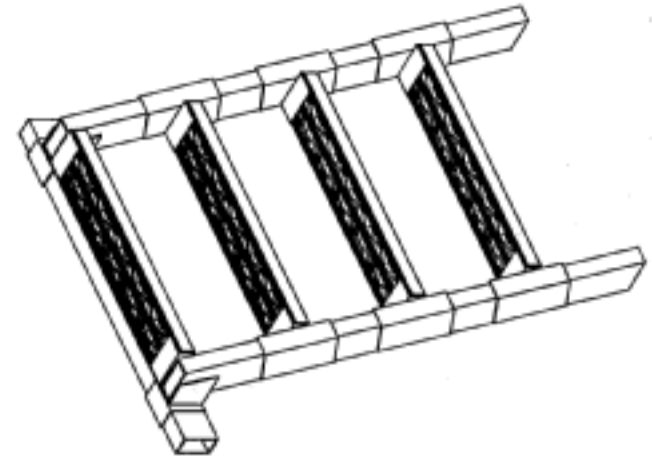
- (21) Design Number: **12460/2014**
(22) Date of Filing Application: **19 May 2014**
(24) Date from which industrial property rights may have effect: **19 May 2014**
(54) Product in respect of which the design is registered: **Performance and recovery dog suit**
(51) International Design Classification: **30-01**
(74) Name(s) of Attorney(s):
(71) Name(s) and Address(s) of Applicant(s):
Southern Cross Industrial Services Pty Ltd
PO BOX 840 Richmond NSW 2753 Australia
Anna Spice
Os. Dywizjonu 303, 18/2 Krakow Malopolskie, 31-872 Poland
(72) Name(s) of Designer(s): **Anna Spice**
(45) Registration Date: **15 August 2014**
(56) Related Art Documents: **Not Applicable**
(57) Statement of Newness and Distinctiveness: **This suit design is designed to increase circulation and oxygen availability to dogs increasing thier performance, endurance, energy, recovery and animals well being and will also assist in calming anxious dogs. the suits use graduated compression and aimed to return blood from the extremities/ legs back to the heart. the base textiles/fabrics used is a blend of textiles between lycra/spandex 20-30% & nylon/polyester 70-80% with weight between 250-450gms. The textiles/fabrics may also include functional applications such as far-infrared ray, wicking, anti-bacterial, UV protection etc. The base textiles/fabrics are chosen for their return on stretch, their durability & breathability. the Dog suits panels are sewn together with flat seam stitch or similar sewing machines or sonic weld. Dog Suit also feature one 5-10mm open-ended auto locking zipper (depending on dog size-preferably 8mm), this zipper is positioned down the spin (running front front to back).**



- (21) Design Number: **13223/2014**
(22) Date of Filing Application: **02 July 2014**
(24) Date from which industrial property rights may have effect: **02 July 2014**
(54) Product in respect of which the design is registered: **A ladder**
(51) International Design Classification: **25-04**
(74) Name(s) of Attorney(s): **SPRUSON & FERGUSON**
(71) Name(s) and Address(s) of Applicant(s):
Andrew Pridham
40 Saggart Field Rd Minto NSW 2566 Australia
(72) Name(s) of Designer(s): **Andrew Pridham**
(45) Registration Date: **15 August 2014**
(56) Related Art Documents: **Not Applicable**
(57) Statement of Newness and Distinctiveness: **Newness and distinctiveness is claimed in the features of shape and/or configuration of a ladder as illustrated in the accompanying representations.**



- (21) Design Number: **13224/2014**
(22) Date of Filing Application: **02 July 2014**
(24) Date from which industrial property rights may have effect: **02 July 2014**
(54) Product in respect of which the design is registered: **A ladder**
(51) International Design Classification: **25-04**
(74) Name(s) of Attorney(s): **SPRUSON & FERGUSON**
(71) Name(s) and Address(s) of Applicant(s):
Andrew Pridham
40 Saggart Field Rd Minto NSW 2566 Australia
(72) Name(s) of Designer(s): **Andrew Pridham**
(45) Registration Date: **15 August 2014**
(56) Related Art Documents: **Not Applicable**
(57) Statement of Newness and Distinctiveness: **Newness and distinctiveness is claimed in the features of shape and/or configuration of a ladder as illustrated in the accompanying representations.**



- (21) Design Number: **13489/2014**
(22) Date of Filing Application: **12 February 2014**
(24) Date from which industrial property rights may have effect: **12 February 2014**
(54) Product in respect of which the design is registered: **Swimwear**
(51) International Design Classification: **02-02A**
(74) Name(s) of Attorney(s):
(71) Name(s) and Address(s) of Applicant(s):
Seafolly Pty Ltd
247 King St Mascot NSW 2020 Australia
(72) Name(s) of Designer(s): **Genelle Walkom**
(45) Registration Date: **15 August 2014**
(56) Related Art Documents: **Not Applicable**
(57) Statement of Newness and Distinctiveness: **Nil**



(21) Design Number: **13490/2014**
(22) Date of Filing Application: **12 February 2014**
(24) Date from which industrial property rights may have effect: **12 February 2014**
(54) Product in respect of which the design is registered: **Swimwear**
(51) International Design Classification: **02-02A**
(74) Name(s) of Attorney(s):
(71) Name(s) and Address(s) of Applicant(s):
Seafolly Pty Ltd
247 King St Mascot NSW 2020 Australia
(72) Name(s) of Designer(s): **Genelle Walkom**
(45) Registration Date: **15 August 2014**
(56) Related Art Documents: **Not Applicable**
(57) Statement of Newness and Distinctiveness: **Nil**



(21) Design Number: **13491/2014**
(22) Date of Filing Application: **12 February 2014**
(24) Date from which industrial property rights may have effect: **12 February 2014**
(54) Product in respect of which the design is registered: **Swimwear**
(51) International Design Classification: **02-02A**
(74) Name(s) of Attorney(s):
(71) Name(s) and Address(s) of Applicant(s):
Seafolly Pty Ltd
247 King St Mascot NSW 2020 Australia
(72) Name(s) of Designer(s): **Genelle Walkom**
(45) Registration Date: **15 August 2014**
(56) Related Art Documents: **Not Applicable**
(57) Statement of Newness and Distinctiveness: **Nil**



(21) Design Number: **13492/2014**
(22) Date of Filing Application: **12 February 2014**
(24) Date from which industrial property rights may have effect: **12 February 2014**
(54) Product in respect of which the design is registered: **Swimwear**
(51) International Design Classification: **02-02A**
(74) Name(s) of Attorney(s):
(71) Name(s) and Address(s) of Applicant(s):
Seafolly Pty Ltd
247 King St Mascot NSW 2020 Australia
(72) Name(s) of Designer(s): **Genelle Walkom**
(45) Registration Date: **15 August 2014**
(56) Related Art Documents: **Not Applicable**
(57) Statement of Newness and Distinctiveness: **Nil**



(21) Design Number: **13494/2014**
(22) Date of Filing Application: **12 February 2014**
(24) Date from which industrial property rights may have effect: **12 February 2014**
(54) Product in respect of which the design is registered: **Swimwear**
(51) International Design Classification: **02-02A**
(74) Name(s) of Attorney(s):
(71) Name(s) and Address(s) of Applicant(s):
Seafolly Pty Ltd
247 King St Mascot NSW 2020 Australia
(72) Name(s) of Designer(s): **Genelle Walkom**
(45) Registration Date: **15 August 2014**
(56) Related Art Documents: **Not Applicable**
(57) Statement of Newness and Distinctiveness: **Nil**



(21) Design Number: **13495/2014**
(22) Date of Filing Application: **12 February 2014**
(24) Date from which industrial property rights may have effect: **12 February 2014**
(54) Product in respect of which the design is registered: **Swimwear**
(51) International Design Classification: **02-02A**
(74) Name(s) of Attorney(s):
(71) Name(s) and Address(s) of Applicant(s):
Seafolly Pty Ltd
247 King St Mascot NSW 2020 Australia
(72) Name(s) of Designer(s): **Genelle Walkom**
(45) Registration Date: **15 August 2014**
(56) Related Art Documents: **Not Applicable**
(57) Statement of Newness and Distinctiveness: **Nil**



(21) Design Number: **13496/2014**
(22) Date of Filing Application: **12 February 2014**
(24) Date from which industrial property rights may have effect: **12 February 2014**
(54) Product in respect of which the design is registered: **Swimwear**
(51) International Design Classification: **02-02A**
(74) Name(s) of Attorney(s):
(71) Name(s) and Address(s) of Applicant(s):
Seafolly Pty Ltd
247 King St Mascot NSW 2020 Australia
(72) Name(s) of Designer(s): **Genelle Walkom**
(45) Registration Date: **15 August 2014**
(56) Related Art Documents: **Not Applicable**
(57) Statement of Newness and Distinctiveness: **Nil**



(21) Design Number: **13497/2014**
(22) Date of Filing Application: **12 February 2014**
(24) Date from which industrial property rights may have effect: **12 February 2014**
(54) Product in respect of which the design is registered: **Swimwear**
(51) International Design Classification: **02-02A**
(74) Name(s) of Attorney(s):
(71) Name(s) and Address(s) of Applicant(s):
Seafolly Pty Ltd
247 King St Mascot NSW 2020 Australia
(72) Name(s) of Designer(s): **Genelle Walkom**
(45) Registration Date: **15 August 2014**
(56) Related Art Documents: **Not Applicable**
(57) Statement of Newness and Distinctiveness: **Nil**



(21) Design Number: **13498/2014**
(22) Date of Filing Application: **12 February 2014**
(24) Date from which industrial property rights may have effect: **12 February 2014**
(54) Product in respect of which the design is registered: **Swimwear**
(51) International Design Classification: **02-02A**
(74) Name(s) of Attorney(s):
(71) Name(s) and Address(s) of Applicant(s):
Seafolly Pty Ltd
247 King St Mascot NSW 2020 Australia
(72) Name(s) of Designer(s): **Genelle Walkom**
(45) Registration Date: **15 August 2014**
(56) Related Art Documents: **Not Applicable**
(57) Statement of Newness and Distinctiveness: **Nil**



(21) Design Number: **13499/2014**
(22) Date of Filing Application: **12 February 2014**
(24) Date from which industrial property rights may have effect: **12 February 2014**
(54) Product in respect of which the design is registered: **Swimwear**
(51) International Design Classification: **02-02A**
(74) Name(s) of Attorney(s):
(71) Name(s) and Address(s) of Applicant(s):
Seafolly Pty Ltd
247 King St Mascot NSW 2020 Australia
(72) Name(s) of Designer(s): **Genelle Walkom**
(45) Registration Date: **15 August 2014**
(56) Related Art Documents: **Not Applicable**
(57) Statement of Newness and Distinctiveness: **Nil**



(21) Design Number: **13500/2014**
(22) Date of Filing Application: **12 February 2014**
(24) Date from which industrial property rights may have effect: **12 February 2014**
(54) Product in respect of which the design is registered: **Swimwear**
(51) International Design Classification: **02-02A**
(74) Name(s) of Attorney(s):
(71) Name(s) and Address(s) of Applicant(s):
Seafolly Pty Ltd
247 King St Mascot NSW 2020 Australia
(72) Name(s) of Designer(s): **Genelle Walkom**
(45) Registration Date: **15 August 2014**
(56) Related Art Documents: **Not Applicable**
(57) Statement of Newness and Distinctiveness: **Nil**



(21) Design Number: **13501/2014**
(22) Date of Filing Application: **12 February 2014**
(24) Date from which industrial property rights may have effect: **12 February 2014**
(54) Product in respect of which the design is registered: **Swimwear**
(51) International Design Classification: **02-02A**
(74) Name(s) of Attorney(s):
(71) Name(s) and Address(s) of Applicant(s):
Seafolly Pty Ltd
247 King St Mascot NSW 2020 Australia
(72) Name(s) of Designer(s): **Genelle Walkom**
(45) Registration Date: **15 August 2014**
(56) Related Art Documents: **Not Applicable**
(57) Statement of Newness and Distinctiveness: **Nil**



(21) Design Number: **13502/2014**
(22) Date of Filing Application: **12 February 2014**
(24) Date from which industrial property rights may have effect: **12 February 2014**
(54) Product in respect of which the design is registered: **Swimwear**
(51) International Design Classification: **02-02A**
(74) Name(s) of Attorney(s):
(71) Name(s) and Address(s) of Applicant(s):
Seafolly Pty Ltd
247 King St Mascot NSW 2020 Australia
(72) Name(s) of Designer(s): **Genelle Walkom**
(45) Registration Date: **15 August 2014**
(56) Related Art Documents: **Not Applicable**
(57) Statement of Newness and Distinctiveness: **Nil**



(21) Design Number: **13503/2014**
(22) Date of Filing Application: **12 February 2014**
(24) Date from which industrial property rights may have effect: **12 February 2014**
(54) Product in respect of which the design is registered: **Swimwear**
(51) International Design Classification: **02-02A**
(74) Name(s) of Attorney(s):
(71) Name(s) and Address(s) of Applicant(s):
Seafolly Pty Ltd
247 King St Mascot NSW 2020 Australia
(72) Name(s) of Designer(s): **Genelle Walkom**
(45) Registration Date: **15 August 2014**
(56) Related Art Documents: **Not Applicable**
(57) Statement of Newness and Distinctiveness: **Nil**



(21) Design Number: **13504/2014**
(22) Date of Filing Application: **12 February 2014**
(24) Date from which industrial property rights may have effect: **12 February 2014**
(54) Product in respect of which the design is registered: **Swimwear**
(51) International Design Classification: **02-02A**
(74) Name(s) of Attorney(s):
(71) Name(s) and Address(s) of Applicant(s):
Seafolly Pty Ltd
247 King St Mascot NSW 2020 Australia
(72) Name(s) of Designer(s): **Genelle Walkom**
(45) Registration Date: **15 August 2014**
(56) Related Art Documents: **Not Applicable**
(57) Statement of Newness and Distinctiveness: **Nil**



(21) Design Number: **13505/2014**
(22) Date of Filing Application: **12 February 2014**
(24) Date from which industrial property rights may have effect: **12 February 2014**
(54) Product in respect of which the design is registered: **Swimwear**
(51) International Design Classification: **02-02A**
(74) Name(s) of Attorney(s):
(71) Name(s) and Address(s) of Applicant(s):
Seafolly Pty Ltd
247 King St Mascot NSW 2020 Australia
(72) Name(s) of Designer(s): **Genelle Walkom**
(45) Registration Date: **15 August 2014**
(56) Related Art Documents: **Not Applicable**
(57) Statement of Newness and Distinctiveness: **Nil**



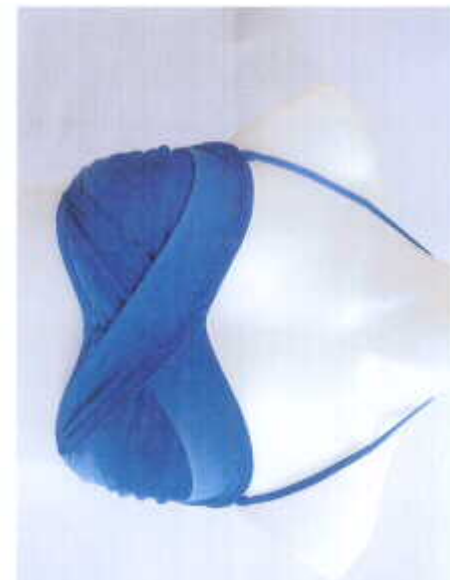
(21) Design Number: **13506/2014**
(22) Date of Filing Application: **12 February 2014**
(24) Date from which industrial property rights may have effect: **12 February 2014**
(54) Product in respect of which the design is registered: **Swimwear**
(51) International Design Classification: **02-02A**
(74) Name(s) of Attorney(s):
(71) Name(s) and Address(s) of Applicant(s):
Seafolly Pty Ltd
247 King St Mascot NSW 2020 Australia
(72) Name(s) of Designer(s): **Genelle Walkom**
(45) Registration Date: **15 August 2014**
(56) Related Art Documents: **Not Applicable**
(57) Statement of Newness and Distinctiveness: **Nil**



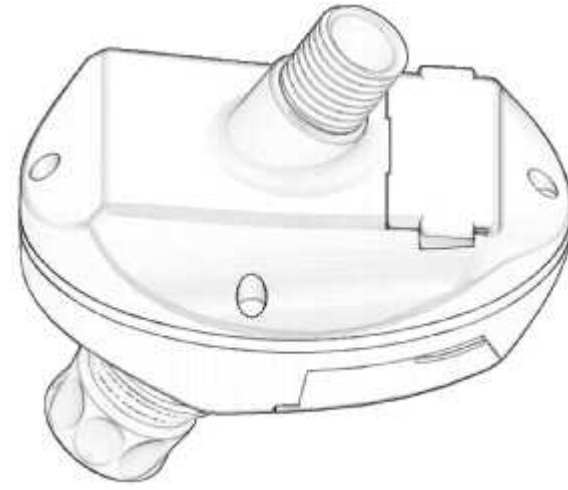
(21) Design Number: **13507/2014**
(22) Date of Filing Application: **12 February 2014**
(24) Date from which industrial property rights may have effect: **12 February 2014**
(54) Product in respect of which the design is registered: **Swimwear**
(51) International Design Classification: **02-02A**
(74) Name(s) of Attorney(s):
(71) Name(s) and Address(s) of Applicant(s):
Seafolly Pty Ltd
247 King St Mascot NSW 2020 Australia
(72) Name(s) of Designer(s): **Genelle Walkom**
(45) Registration Date: **15 August 2014**
(56) Related Art Documents: **Not Applicable**
(57) Statement of Newness and Distinctiveness: **Nil**



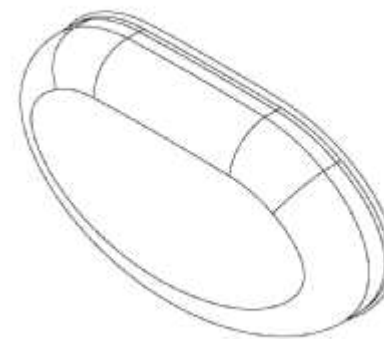
(21) Design Number: **13508/2014**
(22) Date of Filing Application: **12 February 2014**
(24) Date from which industrial property rights may have effect: **12 February 2014**
(54) Product in respect of which the design is registered: **Swimwear**
(51) International Design Classification: **02-02A**
(74) Name(s) of Attorney(s):
(71) Name(s) and Address(s) of Applicant(s):
Seafolly Pty Ltd
247 King St Mascot NSW 2020 Australia
(72) Name(s) of Designer(s): **Genelle Walkom**
(45) Registration Date: **15 August 2014**
(56) Related Art Documents: **Not Applicable**
(57) Statement of Newness and Distinctiveness: **Nil**



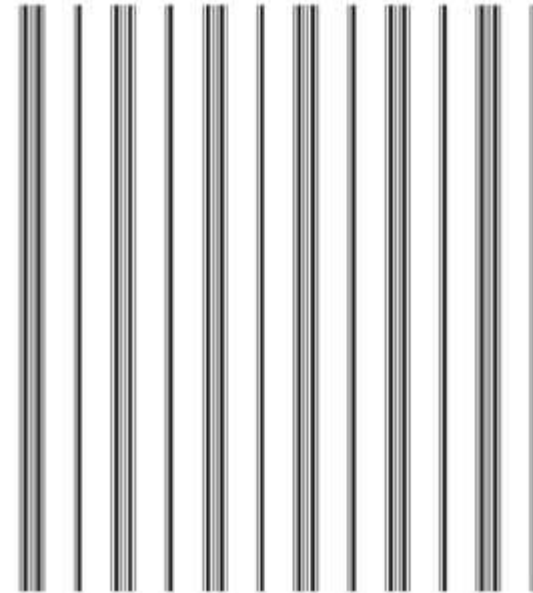
- (21) Design Number: **13226/2014**
(22) Date of Filing Application: **02 July 2014**
(24) Date from which industrial property rights may have effect: **02 July 2014**
(54) Product in respect of which the design is registered: **Tap timer housing**
(51) International Design Classification: **10-03**
(74) Name(s) of Attorney(s): **Golja Haines & Friend**
(71) Name(s) and Address(s) of Applicant(s):
Bookleaf Pty Ltd
47 Walters Dr Osborne Park WA 6017 Australia
(72) Name(s) of Designer(s): **Walter John Edwards and Lukas Korinek**
(45) Registration Date: **15 August 2014**
(56) Related Art Documents: **Not Applicable**
(57) Statement of Newness and Distinctiveness: **Newness and distinctiveness resides in the shape and configuration of the lower half shell in which the externally threaded pipe fitting is mounted.**



- (21) Design Number: **13371/2014**
(22) Date of Filing Application: **11 July 2014**
(24) Date from which industrial property rights may have effect: **11 July 2014**
(54) Product in respect of which the design is registered: **Guitar buckle protector**
(51) International Design Classification: **17-99, 02-07A**
(74) Name(s) of Attorney(s):
(71) Name(s) and Address(s) of Applicant(s):
Michael Taylor
55 William St Condell Park NSW 2200 Australia
(72) Name(s) of Designer(s): **Michael Taylor**
(45) Registration Date: **15 August 2014**
(56) Related Art Documents: **Not Applicable**
(57) Statement of Newness and Distinctiveness: **Newness and distinctiveness reside in the features of shape and/or configuration of a GUITAR BUCKLE PROTECTOR as illustrated in solid lines in the accompanying representations. The features shown in broken lines are illustrative only and do not form part of the design.**



- (21) Design Number: **13372/2014**
(22) Date of Filing Application: **11 July 2014**
(24) Date from which industrial property rights may have effect: **11 July 2014**
(54) Product in respect of which the design is registered: **A textile print**
(51) International Design Classification: **05-05D**
(74) Name(s) of Attorney(s):
(71) Name(s) and Address(s) of Applicant(s):
AUSTRALIAN FASHION LABELS PTY LTD
106 Currie St Adelaide SA 5000 Australia
(72) Name(s) of Designer(s): **Siham Elmawey**
(45) Registration Date: **15 August 2014**
(56) Related Art Documents: **Not Applicable**
(57) Statement of Newness and Distinctiveness: **Newness and distinctiveness resides in the features of pattern and ornamentation of a textile print as shown in the accompanying representations.**



- (21) Design Number: **13373/2014**
(22) Date of Filing Application: **11 July 2014**
(24) Date from which industrial property rights may have effect: **11 July 2014**
(54) Product in respect of which the design is registered: **A textile print**
(51) International Design Classification: **05-05A**
(74) Name(s) of Attorney(s):
(71) Name(s) and Address(s) of Applicant(s):
AUSTRALIAN FASHION LABELS PTY LTD
106 Currie St Adelaide SA 5000 Australia
(72) Name(s) of Designer(s): **Siham Elmawey**
(45) Registration Date: **15 August 2014**
(56) Related Art Documents: **Not Applicable**
(57) Statement of Newness and Distinctiveness: **Newness and distinctiveness resides in the features of pattern and ornamentation of a textile print as shown in the accompanying representations.**



(21) Design Number: **13375/2014**

(22) Date of Filing Application: **14 July 2014**

(24) Date from which industrial property rights may have effect: **14 July 2014**

(54) Product in respect of which the design is registered: **Head for golf club**

(51) International Design Classification: **21-02C**

(74) Name(s) of Attorney(s): **SPRUSON & FERGUSON**

(71) Name(s) and Address(s) of Applicant(s):

Dunlop Sports Co. Ltd.

6-9 Wakinohama-cho 3-chome Chuo-ku Kobe-shi Hyogo Japan

(72) Name(s) of Designer(s): **Hajime Asatsuma**

(45) Registration Date: **15 August 2014**

(56) Related Art Documents: **Not Applicable**

(57) Statement of Newness and Distinctiveness: **Newness and distinctiveness is claimed in the features of shape and/or configuration of a head for golf club as illustrated in the accompanying representations.**



(21) Design Number: **13376/2014**

(22) Date of Filing Application: **14 July 2014**

(24) Date from which industrial property rights may have effect: **14 July 2014**

(54) Product in respect of which the design is registered: **Head for golf club**

(51) International Design Classification: **21-02C**

(74) Name(s) of Attorney(s): **SPRUSON & FERGUSON**

(71) Name(s) and Address(s) of Applicant(s):

Dunlop Sports Co. Ltd.

6-9 Wakinohama-cho 3-chome Chuo-ku Kobe-shi Hyogo Japan

(72) Name(s) of Designer(s): **Hajime Asatsuma**

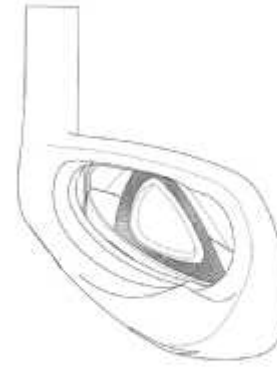
(45) Registration Date: **15 August 2014**

(56) Related Art Documents: **Not Applicable**

(57) Statement of Newness and Distinctiveness: **Newness and distinctiveness is claimed in the features of shape and/or configuration of a head for golf club as illustrated in the accompanying representations.**



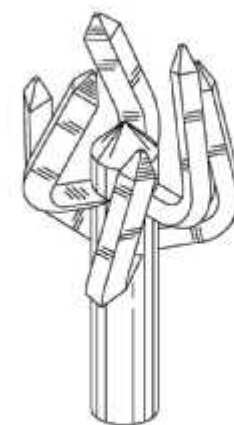
- (21) Design Number: **13377/2014**
(22) Date of Filing Application: **14 July 2014**
(24) Date from which industrial property rights may have effect: **14 July 2014**
(54) Product in respect of which the design is registered: **Head for golf club**
(51) International Design Classification: **21-02C**
(74) Name(s) of Attorney(s): **SPRUSON & FERGUSON**
(71) Name(s) and Address(s) of Applicant(s):
Dunlop Sports Co. Ltd.
6-9 Wakinohama-cho 3-chome Chuo-ku Kobe-shi Hyogo Japan
(72) Name(s) of Designer(s): **Hajime Asatsuma**
(45) Registration Date: **15 August 2014**
(56) Related Art Documents: **Not Applicable**
(57) Statement of Newness and Distinctiveness: **Newness and distinctiveness is claimed in the features of shape and/or configuration of a head for golf club as illustrated in the accompanying representations.**



- (21) Design Number: **13378/2014**
(22) Date of Filing Application: **14 July 2014**
(24) Date from which industrial property rights may have effect: **14 July 2014**
(54) Product in respect of which the design is registered: **Tiller head**
(51) International Design Classification: **15-03A**
(74) Name(s) of Attorney(s): **PHILLIPS ORMONDE FITZPATRICK**
(71) Name(s) and Address(s) of Applicant(s):
Turbo-Plus Inc.
115 Saramia Crescent Suite B Vaughan Ontario L4K 4P7 Canada
(72) Name(s) of Designer(s): **George A Ortiz**
(45) Registration Date: **15 August 2014**
(30) Convention priority data:

(31) Number	(32) Date	(33) Country
157045	12 Jun 2014	CANADA

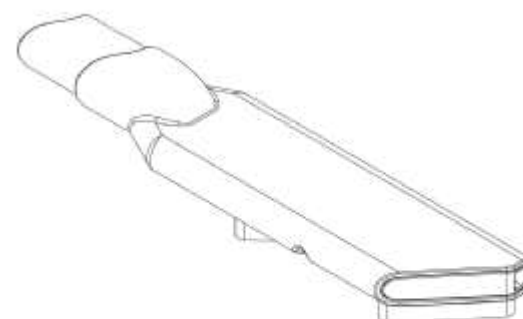
(56) Related Art Documents: **Not Applicable**
(57) Statement of Newness and Distinctiveness: **Nil**



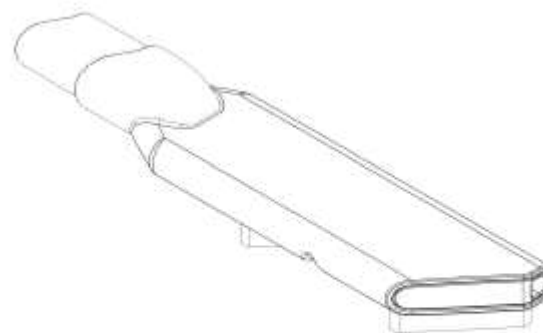
(21) Design Number: **13379/2014**
(22) Date of Filing Application: **14 July 2014**
(24) Date from which industrial property rights may have effect: **14 July 2014**
(54) Product in respect of which the design is registered: **Tiller head**
(51) International Design Classification: **15-03A**
(74) Name(s) of Attorney(s): **PHILLIPS ORMONDE FITZPATRICK**
(71) Name(s) and Address(s) of Applicant(s):
Turbo-Plus Inc.
115 Saramia Crescent Suite B Vaughan Ontario L4K 4P7 Canada
(72) Name(s) of Designer(s): **George A Ortiz**
(45) Registration Date: **15 August 2014**
(30) Convention priority data:
(31) Number (32) Date (33) Country
157046 12 Jun 2014 CANADA
(56) Related Art Documents: **Not Applicable**
(57) Statement of Newness and Distinctiveness: **Nil**



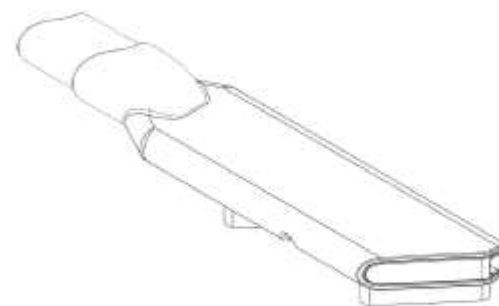
(21) Design Number: **13380/2014**
(22) Date of Filing Application: **14 July 2014**
(24) Date from which industrial property rights may have effect: **14 July 2014**
(54) Product in respect of which the design is registered: **A tool for a vacuum cleaner**
(51) International Design Classification: **15-05**
(74) Name(s) of Attorney(s): **Shelston IP**
(71) Name(s) and Address(s) of Applicant(s):
Dyson Technology Limited
Tetbury Hill Malmesbury Wiltshire SN16 0RP United Kingdom
(72) Name(s) of Designer(s): **Samuel Steven Cole and Sean Ventress and Adam James Bates and Andrea Ee-Va Lim and Peter David Gammack and James Dyson**
(45) Registration Date: **15 August 2014**
(30) Convention priority data:
(31) Number (32) Date (33) Country
002402016-0001 10 Feb 2014 OFFICE FOR HARMONISATION IN THE INTERNAL MARKET (OHIM)
(56) Related Art Documents: **Not Applicable**
(57) Statement of Newness and Distinctiveness: **Newness and distinctiveness reside in the features of shape and/or configuration of A TOOL FOR A VACUUM CLEANER as illustrated in the accompanying representations.**



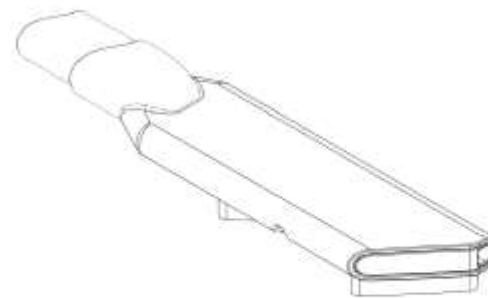
- (21) Design Number: **13381/2014**
(22) Date of Filing Application: **14 July 2014**
(24) Date from which industrial property rights may have effect: **14 July 2014**
(54) Product in respect of which the design is registered: **A tool for a vacuum cleaner**
(51) International Design Classification: **15-05**
(74) Name(s) of Attorney(s): **Shelston IP**
(71) Name(s) and Address(s) of Applicant(s):
Dyson Technology Limited
Tetbury Hill Malmesbury Wiltshire SN16 0RP United Kingdom
(72) Name(s) of Designer(s): **Samuel Steven Cole and Sean Ventress and Adam James Bates and Andrea Ee-Va Lim and Peter David Gammack and James Dyson**
(45) Registration Date: **15 August 2014**
(30) Convention priority data:
(31) Number (32) Date (33) Country
002402016-0002 10 Feb 2014 OFFICE FOR HARMONISATION IN THE INTERNAL MARKET (OHIM)
(56) Related Art Documents: **Not Applicable**
(57) Statement of Newness and Distinctiveness: **Newness and distinctiveness reside in the features of shape and/or configuration of A TOOL FOR A VACUUM CLEANER as illustrated in solid lines in the accompanying representations. The features shown in broken or discontinuous lines are illustrative only and do not form part of the design.**



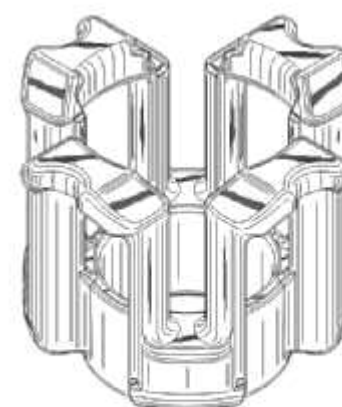
- (21) Design Number: **13382/2014**
(22) Date of Filing Application: **14 July 2014**
(24) Date from which industrial property rights may have effect: **14 July 2014**
(54) Product in respect of which the design is registered: **A tool for a vacuum cleaner**
(51) International Design Classification: **15-05**
(74) Name(s) of Attorney(s): **Shelston IP**
(71) Name(s) and Address(s) of Applicant(s):
Dyson Technology Limited
Tetbury Hill Malmesbury Wiltshire SN16 0RP United Kingdom
(72) Name(s) of Designer(s): **Samuel Steven Cole and Sean Ventress and Adam James Bates and Andrea Ee-Va Lim and Peter David Gammack and James Dyson**
(45) Registration Date: **15 August 2014**
(30) Convention priority data:
(31) Number (32) Date (33) Country
002402016-0003 10 Feb 2014 OFFICE FOR HARMONISATION IN THE INTERNAL MARKET (OHIM)
(56) Related Art Documents: **Not Applicable**
(57) Statement of Newness and Distinctiveness: **Newness and distinctiveness reside in the features of shape and/or configuration of A TOOL FOR A VACUUM CLEANER as illustrated in solid lines in the accompanying representations. The features shown in broken or discontinuous lines are illustrative only and do not form part of the design.**



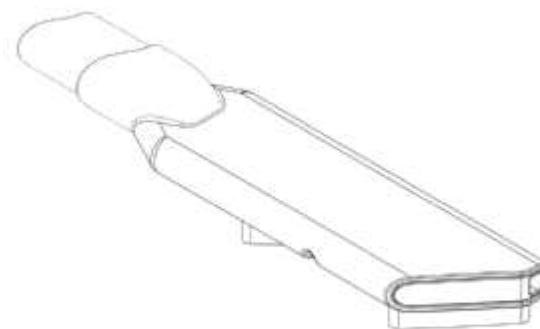
- (21) Design Number: **13383/2014**
(22) Date of Filing Application: **14 July 2014**
(24) Date from which industrial property rights may have effect: **14 July 2014**
(54) Product in respect of which the design is registered: **A tool for a vacuum cleaner**
(51) International Design Classification: **15-05**
(74) Name(s) of Attorney(s): **Shelston IP**
(71) Name(s) and Address(s) of Applicant(s):
Dyson Technology Limited
Tetbury Hill Malmesbury Wiltshire SN16 0RP United Kingdom
(72) Name(s) of Designer(s): **Samuel Steven Cole and Sean Ventress and Adam James Bates and Andrea Ee-Va Lim and Peter David Gammack and James Dyson**
(45) Registration Date: **15 August 2014**
(30) Convention priority data:
(31) Number (32) Date (33) Country
002402016-0004 10 Feb 2014 OFFICE FOR HARMONISATION IN THE INTERNAL MARKET (OHIM)
(56) Related Art Documents: **Not Applicable**
(57) Statement of Newness and Distinctiveness: **Newness and distinctiveness reside in the features of shape and/or configuration of A TOOL FOR A VACUUM CLEANER as illustrated in solid lines in the accompanying representations. The features shown in broken or discontinuous lines are illustrative only and do not form part of the design.**



- (21) Design Number: **13384/2014**
(22) Date of Filing Application: **14 July 2014**
(24) Date from which industrial property rights may have effect: **14 July 2014**
(54) Product in respect of which the design is registered: **Hand loom for forming brunnian link articles**
(51) International Design Classification: **02-07D**
(74) Name(s) of Attorney(s): **Tatlocks Chrysiliou IP**
(71) Name(s) and Address(s) of Applicant(s):
Choon's Design Inc.
48813 West Rd Wixom MI 48393-3556 United States of America
(72) Name(s) of Designer(s): **Cheong Choon Ng**
(45) Registration Date: **15 August 2014**
(30) Convention priority data:
(31) Number (32) Date (33) Country
29/494179 18 Jun 2014 UNITED STATES OF AMERICA
(56) Related Art Documents: **Not Applicable**
(57) Statement of Newness and Distinctiveness: **Newness and distinctiveness resides in those features of the hand loom as depicted in the representations.**



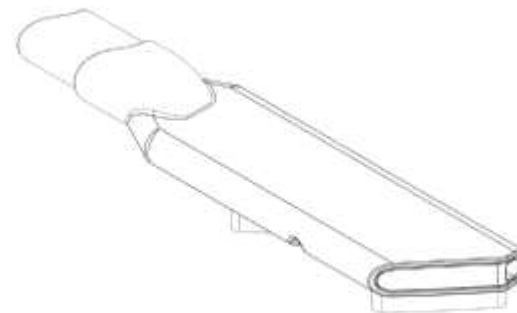
- (21) Design Number: **13385/2014**
(22) Date of Filing Application: **14 July 2014**
(24) Date from which industrial property rights may have effect: **14 July 2014**
(54) Product in respect of which the design is registered: **A tool for a vacuum cleaner**
(51) International Design Classification: **15-05**
(74) Name(s) of Attorney(s): **Shelston IP**
(71) Name(s) and Address(s) of Applicant(s):
Dyson Technology Limited
Tetbury Hill Malmesbury Wiltshire SN16 0RP United Kingdom
(72) Name(s) of Designer(s): **Samuel Steven Cole and Sean Ventress and Adam James Bates and Andrea Ee-Va Lim and Peter David Gammack and James Dyson**
(45) Registration Date: **15 August 2014**
(30) Convention priority data:
(31) Number (32) Date (33) Country
002402016-0005 10 Feb 2014 OFFICE FOR HARMONISATION IN THE INTERNAL MARKET (OHIM)
(56) Related Art Documents: **Not Applicable**
(57) Statement of Newness and Distinctiveness: **Newness and distinctiveness reside in the features of shape and/or configuration of A TOOL FOR A VACUUM CLEANER as illustrated in solid lines in the accompanying representations. The features shown in broken or discontinuous lines are illustrative only and do not form part of the design.**



- (21) Design Number: **13386/2014**
(22) Date of Filing Application: **14 July 2014**
(24) Date from which industrial property rights may have effect: **14 July 2014**
(54) Product in respect of which the design is registered: **A dress**
(51) International Design Classification: **02-02C**
(74) Name(s) of Attorney(s):
(71) Name(s) and Address(s) of Applicant(s):
AUSTRALIAN FASHION LABELS PTY LTD
106 Currie St Adelaide SA 5000 Australia
(72) Name(s) of Designer(s): **Siham Elmawey**
(45) Registration Date: **15 August 2014**
(56) Related Art Documents: **Not Applicable**
(57) Statement of Newness and Distinctiveness: **Newness and distinctiveness resides in the features of shape and configuration of a dress as shown in the accompanying representations.**



- (21) Design Number: **13392/2014**
(22) Date of Filing Application: **14 July 2014**
(24) Date from which industrial property rights may have effect: **14 July 2014**
(54) Product in respect of which the design is registered: **A tool for a vacuum cleaner**
(51) International Design Classification: **15-05, 04-01**
(74) Name(s) of Attorney(s): **Shelston IP**
(71) Name(s) and Address(s) of Applicant(s):
Dyson Technology Limited
Tetbury Hill Malmesbury Wiltshire SN16 0RP United Kingdom
(72) Name(s) of Designer(s): **Samuel Steven Cole and Sean Ventress and Adam James Bates and Andrea Ee-Va Lim and Peter David Gammack and James Dyson**
(45) Registration Date: **15 August 2014**
(30) Convention priority data:
(31) Number (32) Date (33) Country
002402016-0006 10 Feb 2014 OFFICE FOR HARMONISATION IN THE INTERNAL MARKET (OHIM)
(56) Related Art Documents: **Not Applicable**
(57) Statement of Newness and Distinctiveness: **Newness and distinctiveness reside in the features of shape and/or configuration of A TOOL FOR A VACUUM CLEANER as illustrated in solid lines in the accompanying representations. The features shown in broken or discontinuous lines are illustrative only and do not form part of the design.**



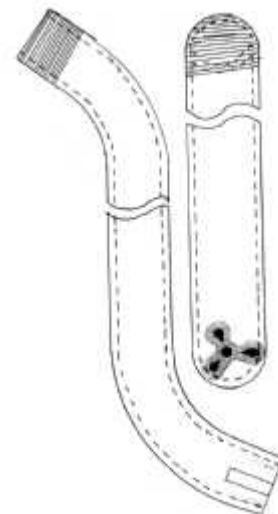
- (21) Design Number: **13889/2014**
(22) Date of Filing Application: **08 August 2014**
(24) Date from which industrial property rights may have effect: **29 November 2013**
(54) Product in respect of which the design is registered: **Article of clothing**
(51) International Design Classification: **02-02NES**
(74) Name(s) of Attorney(s): **Allens Patent & Trade Mark Attorneys**
(71) Name(s) and Address(s) of Applicant(s):
Forever New Clothing Pty Ltd
714-716 High St Kew East VIC 3102 Australia
(72) Name(s) of Designer(s): **Chloe Atkinson**
(45) Registration Date: **15 August 2014**
(62) Divisional of: **356876**
(56) Related Art Documents: **Not Applicable**
(57) Statement of Newness and Distinctiveness: **Newness and distinctiveness resides in the visual features of shape, configuration, pattern and/or ornamentation of an article of clothing as shown in the accompanying representations.**



- (21) Design Number: **13182/2014**
(22) Date of Filing Application: **30 June 2014**
(24) Date from which industrial property rights may have effect: **30 June 2014**
(54) Product in respect of which the design is registered: **Fire fighting accessories**
(51) International Design Classification: **29-01**
(74) Name(s) of Attorney(s):
(71) Name(s) and Address(s) of Applicant(s):
John Albert Jordan
35 Hayes Gully Rd PO BOX 10 Tooborac VIC 3522 Australia
(72) Name(s) of Designer(s): **John Albert Jordan**
(45) Registration Date: **18 August 2014**
(56) Related Art Documents: **Not Applicable**
(57) Statement of Newness and Distinctiveness: **An accessory that can pierce through plasterboard, fibro to gain access to a roof cavity that normal equipment cannot get access to.**



- (21) Design Number: **13183/2014**
(22) Date of Filing Application: **30 June 2014**
(24) Date from which industrial property rights may have effect: **30 June 2014**
(54) Product in respect of which the design is registered: **Fire fighting accessories**
(51) International Design Classification: **29-01**
(74) Name(s) of Attorney(s):
(71) Name(s) and Address(s) of Applicant(s):
John Albert Jordan
35 Hayes Gully Rd PO BOX 10 Tooborac VIC 3522 Australia
(72) Name(s) of Designer(s): **John Albert Jordan**
(45) Registration Date: **18 August 2014**
(56) Related Art Documents: **Not Applicable**
(57) Statement of Newness and Distinctiveness: **An accessory that enables access to a roof cavity from outside or inside a house, building.**



- (21) Design Number: **13443/2014**
(22) Date of Filing Application: **14 July 2014**
(24) Date from which industrial property rights may have effect: **14 July 2014**
(54) Product in respect of which the design is registered: **A textile print**
(51) International Design Classification: **05-05A**
(74) Name(s) of Attorney(s):
(71) Name(s) and Address(s) of Applicant(s):
AUSTRALIAN FASHION LABELS PTY LTD
106 Currie St Adelaide SA 5000 Australia
(72) Name(s) of Designer(s): **Carmen Dugan**
(45) Registration Date: **18 August 2014**
(56) Related Art Documents: **Not Applicable**
(57) Statement of Newness and Distinctiveness: **Newness and distinctiveness resides in the features of pattern and ornamentation of a textile print as shown in the accompanying representations.**



- (21) Design Number: **13444/2014**
(22) Date of Filing Application: **14 July 2014**
(24) Date from which industrial property rights may have effect: **14 July 2014**
(54) Product in respect of which the design is registered: **A dress**
(51) International Design Classification: **02-02C**
(74) Name(s) of Attorney(s):
(71) Name(s) and Address(s) of Applicant(s):
AUSTRALIAN FASHION LABELS PTY LTD
106 Currie St Adelaide SA 5000 Australia
(72) Name(s) of Designer(s): **Carmen Dugan**
(45) Registration Date: **18 August 2014**
(56) Related Art Documents: **Not Applicable**
(57) Statement of Newness and Distinctiveness: **Newness and distinctiveness resides in the features of shape and configuration of a dress as shown in the accompanying representations.**



- (21) Design Number: **13451/2014**
(22) Date of Filing Application: **15 July 2014**
(24) Date from which industrial property rights may have effect: **15 July 2014**
(54) Product in respect of which the design is registered: **Headphones**
(51) International Design Classification: **14-01**
(74) Name(s) of Attorney(s): **PHILLIPS ORMONDE FITZPATRICK**
(71) Name(s) and Address(s) of Applicant(s):
Bose Corporation
The Mountain MS 3B1 Framingham Massachusetts 01701-9168 United States of America
(72) Name(s) of Designer(s): **Nathan David Schaal and Joshua Kevin Dryden and Mitchell Joseph Silva**
(45) Registration Date: **18 August 2014**
(30) Convention priority data:
(31) Number (32) Date (33) Country
29/480,912 30 Jan 2014 UNITED STATES OF AMERICA
(56) Related Art Documents: **Not Applicable**
(57) Statement of Newness and Distinctiveness: **Newness and distinctiveness resides in the surface pattern of the headphones shown in the accompanying representations. The solid black surface shading shown illustrates a colour contrasting to the area immediately adjacent. Features illustrated by broken lines are not part of the design and are to be disregarded when considering the overall impression of the design.**



- (21) Design Number: **13454/2014**
(22) Date of Filing Application: **15 July 2014**
(24) Date from which industrial property rights may have effect: **15 July 2014**
(54) Product in respect of which the design is registered: **Packaging**
(51) International Design Classification: **09-05**
(74) Name(s) of Attorney(s): **Griffith Hack**
(71) Name(s) and Address(s) of Applicant(s):
Smilestraw Pty Ltd
PO BOX 8368 Armadale VIC 3143 Australia
(72) Name(s) of Designer(s): **Jon Graham Seddon and Julia M Anderson and John Nielsen and Maggie Ho**
(45) Registration Date: **18 August 2014**
(56) Related Art Documents: **Not Applicable**
(57) Statement of Newness and Distinctiveness: **The shape and configuration of the product as shown by solid lines in the accompanying representations is new and distinctive.**



- (21) Design Number: **13455/2014**
(22) Date of Filing Application: **15 July 2014**
(24) Date from which industrial property rights may have effect: **15 July 2014**
(54) Product in respect of which the design is registered: **A bed**
(51) International Design Classification: **06-02**
(74) Name(s) of Attorney(s): **WATERMARK PATENT AND TRADE MARKS ATTORNEYS**
(71) Name(s) and Address(s) of Applicant(s):
Gay Khim Hong
Lot 102 & 103 Jalan Perusahaan Lima Taman Perindustrian Mahkota
Beranang Selangor 43700 Malaysia
(72) Name(s) of Designer(s): **Gay Khim Hong**
(45) Registration Date: **18 August 2014**
(56) Related Art Documents: **Not Applicable**
(57) Statement of Newness and Distinctiveness: **Nil**



- (21) Design Number: **13890/2014**
(22) Date of Filing Application: **08 August 2014**
(24) Date from which industrial property rights may have effect: **29 November 2013**
(54) Product in respect of which the design is registered: **Article of clothing**
(51) International Design Classification: **02-02NES**
(74) Name(s) of Attorney(s): **Allens Patent & Trade Mark Attorneys**
(71) Name(s) and Address(s) of Applicant(s):
Forever New Clothing Pty Ltd
714-716 High St Kew East VIC 3102 Australia
(72) Name(s) of Designer(s): **Chloe Atkinson**
(45) Registration Date: **18 August 2014**
(62) Divisional of: **356876**
(56) Related Art Documents: **Not Applicable**
(57) Statement of Newness and Distinctiveness: **Newness and distinctiveness resides in the visual features of shape, configuration, pattern and/or ornamentation of an article of clothing as shown in the accompanying representations.**



- (21) Design Number: **13891/2014**
(22) Date of Filing Application: **08 August 2014**
(24) Date from which industrial property rights may have effect: **29 November 2013**
(54) Product in respect of which the design is registered: **Article of clothing**
(51) International Design Classification: **02-02NES**
(74) Name(s) of Attorney(s): **Allens Patent & Trade Mark Attorneys**
(71) Name(s) and Address(s) of Applicant(s):
Forever New Clothing Pty Ltd
714-716 High St Kew East VIC 3102 Australia
(72) Name(s) of Designer(s): **Chloe Atkinson**
(45) Registration Date: **18 August 2014**
(62) Divisional of: **356876**
(56) Related Art Documents: **Not Applicable**
(57) Statement of Newness and Distinctiveness: **Newness and distinctiveness resides in the visual features of shape, configuration, pattern and/or ornamentation of an article of clothing as shown in the accompanying representations.**



- (21) Design Number: **13892/2014**
(22) Date of Filing Application: **08 August 2014**
(24) Date from which industrial property rights may have effect: **29 November 2013**
(54) Product in respect of which the design is registered: **Article of clothing**
(51) International Design Classification: **02-02C**
(74) Name(s) of Attorney(s): **Allens Patent & Trade Mark Attorneys**
(71) Name(s) and Address(s) of Applicant(s):
Forever New Clothing Pty Ltd
714-716 High St Kew East VIC 3102 Australia
(72) Name(s) of Designer(s): **Karen Thai**
(45) Registration Date: **18 August 2014**
(62) Divisional of: **356876**
(56) Related Art Documents: **Not Applicable**
(57) Statement of Newness and Distinctiveness: **Newness and distinctiveness resides in the visual features of shape, configuration, pattern and/or ornamentation of an article of clothing as shown in the accompanying representations.**



- (21) Design Number: **13893/2014**
(22) Date of Filing Application: **08 August 2014**
(24) Date from which industrial property rights may have effect: **29 November 2013**
(54) Product in respect of which the design is registered: **Article of clothing**
(51) International Design Classification: **02-02C**
(74) Name(s) of Attorney(s): **Allens Patent & Trade Mark Attorneys**
(71) Name(s) and Address(s) of Applicant(s):
Forever New Clothing Pty Ltd
714-716 High St Kew East VIC 3102 Australia
(72) Name(s) of Designer(s): **Karen Thai**
(45) Registration Date: **18 August 2014**
(62) Divisional of: **356876**
(56) Related Art Documents: **Not Applicable**
(57) Statement of Newness and Distinctiveness: **Newness and distinctiveness resides in the visual features of shape, configuration, pattern and/or ornamentation of an article of clothing as shown in the accompanying representations.**



- (21) Design Number: **13894/2014**
(22) Date of Filing Application: **08 August 2014**
(24) Date from which industrial property rights may have effect: **29 November 2013**
(54) Product in respect of which the design is registered: **Article of clothing**
(51) International Design Classification: **02-02C**
(74) Name(s) of Attorney(s): **Allens Patent & Trade Mark Attorneys**
(71) Name(s) and Address(s) of Applicant(s):
Forever New Clothing Pty Ltd
714-716 High St Kew East VIC 3102 Australia
(72) Name(s) of Designer(s): **Karen Thai**
(45) Registration Date: **18 August 2014**
(62) Divisional of: **356876**
(56) Related Art Documents: **Not Applicable**
(57) Statement of Newness and Distinctiveness: **Newness and distinctiveness resides in the visual features of shape, configuration, pattern and/or ornamentation of an article of clothing as shown in the accompanying representations.**



- (21) Design Number: **13895/2014**
(22) Date of Filing Application: **08 August 2014**
(24) Date from which industrial property rights may have effect: **29 November 2013**
(54) Product in respect of which the design is registered: **Article of clothing**
(51) International Design Classification: **02-02NES**
(74) Name(s) of Attorney(s): **Allens Patent & Trade Mark Attorneys**
(71) Name(s) and Address(s) of Applicant(s):
Forever New Clothing Pty Ltd
714-716 High St Kew East VIC 3102 Australia
(72) Name(s) of Designer(s): **Jennifer Hall**
(45) Registration Date: **18 August 2014**
(62) Divisional of: **356876**
(56) Related Art Documents: **Not Applicable**
(57) Statement of Newness and Distinctiveness: **Newness and distinctiveness resides in the visual features of shape, configuration, pattern and/or ornamentation of an article of clothing as shown in the accompanying representations.**



- (21) Design Number: **13896/2014**
(22) Date of Filing Application: **08 August 2014**
(24) Date from which industrial property rights may have effect: **29 November 2013**
(54) Product in respect of which the design is registered: **Article of clothing**
(51) International Design Classification: **02-02NES**
(74) Name(s) of Attorney(s): **Allens Patent & Trade Mark Attorneys**
(71) Name(s) and Address(s) of Applicant(s):
Forever New Clothing Pty Ltd
714-716 High St Kew East VIC 3102 Australia
(72) Name(s) of Designer(s): **Jennifer Hall**
(45) Registration Date: **18 August 2014**
(62) Divisional of: **356876**
(56) Related Art Documents: **Not Applicable**
(57) Statement of Newness and Distinctiveness: **Newness and distinctiveness resides in the visual features of shape, configuration, pattern and/or ornamentation of an article of clothing as shown in the accompanying representations.**



- (21) Design Number: **13897/2014**
(22) Date of Filing Application: **08 August 2014**
(24) Date from which industrial property rights may have effect: **29 November 2013**
(54) Product in respect of which the design is registered: **Article of clothing**
(51) International Design Classification: **02-02C**
(74) Name(s) of Attorney(s): **Allens Patent & Trade Mark Attorneys**
(71) Name(s) and Address(s) of Applicant(s):
Forever New Clothing Pty Ltd
714-716 High St Kew East VIC 3102 Australia
(72) Name(s) of Designer(s): **Octavia Miller**
(45) Registration Date: **18 August 2014**
(62) Divisional of: **356876**
(56) Related Art Documents: **Not Applicable**
(57) Statement of Newness and Distinctiveness: **Newness and distinctiveness resides in the visual features of shape, configuration, pattern and/or ornamentation of an article of clothing as shown in the accompanying representations.**



- (21) Design Number: **13898/2014**
(22) Date of Filing Application: **08 August 2014**
(24) Date from which industrial property rights may have effect: **29 November 2013**
(54) Product in respect of which the design is registered: **Article of clothing**
(51) International Design Classification: **02-02C**
(74) Name(s) of Attorney(s): **Allens Patent & Trade Mark Attorneys**
(71) Name(s) and Address(s) of Applicant(s):
Forever New Clothing Pty Ltd
714-716 High St Kew East VIC 3102 Australia
(72) Name(s) of Designer(s): **Octavia Miller**
(45) Registration Date: **18 August 2014**
(62) Divisional of: **356876**
(56) Related Art Documents: **Not Applicable**
(57) Statement of Newness and Distinctiveness: **Newness and distinctiveness resides in the visual features of shape, configuration, pattern and/or ornamentation of an article of clothing as shown in the accompanying representations.**



- (21) Design Number: **13899/2014**
(22) Date of Filing Application: **08 August 2014**
(24) Date from which industrial property rights may have effect: **29 November 2013**
(54) Product in respect of which the design is registered: **Article of clothing**
(51) International Design Classification: **02-02C**
(74) Name(s) of Attorney(s): **Allens Patent & Trade Mark Attorneys**
(71) Name(s) and Address(s) of Applicant(s):
Forever New Clothing Pty Ltd
714-716 High St Kew East VIC 3102 Australia
(72) Name(s) of Designer(s): **Octavia Miller**
(45) Registration Date: **18 August 2014**
(62) Divisional of: **356876**
(56) Related Art Documents: **Not Applicable**
(57) Statement of Newness and Distinctiveness: **Newness and distinctiveness resides in the visual features of shape, configuration, pattern and/or ornamentation of an article of clothing as shown in the accompanying representations.**



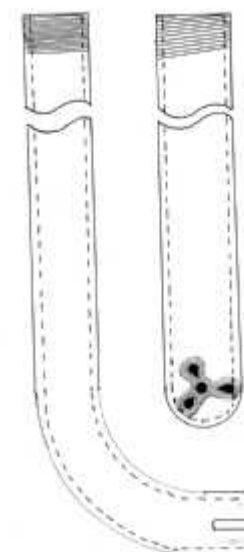
- (21) Design Number: **13900/2014**
(22) Date of Filing Application: **08 August 2014**
(24) Date from which industrial property rights may have effect: **29 November 2013**
(54) Product in respect of which the design is registered: **Article of clothing**
(51) International Design Classification: **02-02C**
(74) Name(s) of Attorney(s): **Allens Patent & Trade Mark Attorneys**
(71) Name(s) and Address(s) of Applicant(s):
Forever New Clothing Pty Ltd
714-716 High St Kew East VIC 3102 Australia
(72) Name(s) of Designer(s): **Octavia Miller**
(45) Registration Date: **18 August 2014**
(62) Divisional of: **356876**
(56) Related Art Documents: **Not Applicable**
(57) Statement of Newness and Distinctiveness: **Newness and distinctiveness resides in the visual features of shape, configuration, pattern and/or ornamentation of an article of clothing as shown in the accompanying representations.**



- (21) Design Number: **13901/2014**
(22) Date of Filing Application: **08 August 2014**
(24) Date from which industrial property rights may have effect: **29 November 2013**
(54) Product in respect of which the design is registered: **Article of clothing**
(51) International Design Classification: **02-02C**
(74) Name(s) of Attorney(s): **Allens Patent & Trade Mark Attorneys**
(71) Name(s) and Address(s) of Applicant(s):
Forever New Clothing Pty Ltd
714-716 High St Kew East VIC 3102 Australia
(72) Name(s) of Designer(s): **Octavia Miller**
(45) Registration Date: **18 August 2014**
(62) Divisional of: **356876**
(56) Related Art Documents: **Not Applicable**
(57) Statement of Newness and Distinctiveness: **Newness and distinctiveness resides in the visual features of shape, configuration, pattern and/or ornamentation of an article of clothing as shown in the accompanying representations.**



- (21) Design Number: **13942/2014**
(22) Date of Filing Application: **30 June 2014**
(24) Date from which industrial property rights may have effect: **30 June 2014**
(54) Product in respect of which the design is registered: **Fire fighting accessories**
(51) International Design Classification: **29-01**
(74) Name(s) of Attorney(s):
(71) Name(s) and Address(s) of Applicant(s):
John Albert Jordan
35 Hayes Gully Rd PO BOX 10 Tooborac VIC 3522 Australia
(72) Name(s) of Designer(s): **John Albert Jordan**
(45) Registration Date: **18 August 2014**
(56) Related Art Documents: **Not Applicable**
(57) Statement of Newness and Distinctiveness: **An accessory that enables tree hollows to be extinguished at heights of up to 6 MTRS where normal accessories can not reach. A tree hollow extinguisher.**



(21) Design Number: **13943/2014**

(22) Date of Filing Application: **30 June 2014**

(24) Date from which industrial property rights may have effect: **30 June 2014**

(54) Product in respect of which the design is registered: **Fire fighting accessory**

(51) International Design Classification: **29-01**

(74) Name(s) of Attorney(s):

(71) Name(s) and Address(s) of Applicant(s):

John Albert Jordan

35 Hayes Gully Rd PO BOX 10 Tooborac VIC 3522 Australia

(72) Name(s) of Designer(s): **John Albert Jordan**

(45) Registration Date: **18 August 2014**

(56) Related Art Documents: **Not Applicable**

(57) Statement of Newness and Distinctiveness: **An accessory that enables tree hollows to be extinguished at heights of 6 MTRS where normal accessories con not get access to. Tree hollow extinguisher.**

