



**Australian Government**

---

**IP Australia**

**AUSTRALIAN OFFICIAL JOURNAL**

**OF**

**DESIGNS**

Did you know a searchable version of this journal is now available online?

It's FREE and EASY to SEARCH.

Find it on our website ([www.ipaustralia.gov.au](http://www.ipaustralia.gov.au))

by using the "Journals" link on the home page.

This Page Left Intentionally Blank

**Contents**

**General Information & Notices**

**Proceedings Under the Designs Act 1906 preserved as a result of the provisions of Chapter 12  
Part 2 of the Designs Act 2003**

<b>Extension of Period of Registration of Designs .....</b>	<b>2460</b>
<b>Registrations Ceased .....</b>	<b>2460</b>
<b>Subsequent Owners Registered .....</b>	<b>2460</b>

**Proceedings Under the Designs Act 2003**

<b>Applications for Extension of Time Under Section 137 .....</b>	<b>2474</b>
<b>Applications Lapsed .....</b>	<b>2471</b>
<b>Applications Lodged .....</b>	<b>2464</b>
<b>Applications Withdrawn .....</b>	<b>2471</b>
<b>Certificate of Examination .....</b>	<b>2475</b>
<b>Extension of Period of Registration of Design .....</b>	<b>2473</b>
<b>Extension of Time Granted Under Section 137 .....</b>	<b>2474</b>
<b>Names Registered - Alterations and Amendments .....</b>	<b>2474</b>
<b>Publication and Registration Proceedings</b>	
<b>Designs Registered 356940 to 357225.....</b>	<b>2476</b>
<b>Registrations Ceased .....</b>	<b>2473</b>
<b>Subsequent Owners Registered .....</b>	<b>2474</b>

This Page Left Intentionally Blank

For information on the following please see our website [www.ipaustralia.gov.au](http://www.ipaustralia.gov.au) or contact our Customer Service Network on 1300651010

[Editorial enquiries](#)

[Contact information](#)

[Freedom of Information ACT](#)

[Professional Standards Board](#)

[Sales](#)

[Requests for Information under Section 194 \(c\)](#)

[Country Codes](#)

[Trade Mark and Designs Hearing Sessions](#)

[INID \(Internationally agreed Numbers for the Identification of Data\)](#)

## “INID” NUMBERS in use on Australian Design Documents

“INID” is an acronym for “Internationally agreed Numbers for the Identification of Data”.

### (10) Data concerning the registration/renewal

- (11) Serial number of the registration and/or number of the design document
- (12) Plain language designation of the kind of published document
- (19) Identification, using the two-letter code according to WIPO Standard ST.3, of the authority publishing or registering the industrial design

### (20) Data concerning the application

- (21) Serial number of the application
- (22) Date of filing of the application
- (24) Date from which the industrial design right has effect

### (30) Data relating to priority under the Paris Convention

- (31) Serial number assigned to the priority application
- (32) Date of filing of the priority application
- (33) Two-letter code, according to WIPO Standard ST.3, identifying the authority with which the priority application was made

### (40) Date(s) of making information available to the public

- (45) Date of publication of the registered industrial design by printing or similar process, or making it available to the public by any other means

### (50) Miscellaneous Information

- (51) International Classification for Industrial Designs (class and subclass of the Locarno Classification)
- (54) Designation of article(s) or product(s) covered by the industrial design or title of the industrial design
- (55) Reproduction of the industrial design (e.g., drawing, photograph) and explanations relating to the reproduction
- (56) List of prior art documents, if separate from descriptive text
- (57) Description of characteristic features of the industrial design including indication of colours

### (60) References to other legally related application(s) and registration(s)

- (62) Serial number(s) and, if available, filing date(s) of application(s), registration(s) or document(s) related by division
- (66) Serial number(s) of the application, or the registration, of the design(s) which is (are) a variant(s) of the present one

### (70) Identification of parties concerned with the application or registration

- (71) Name(s) and address(es) of the applicant(s)
- (72) Name(s) of the creator(s) if known to be such
- (74) Name(s) and address(es) of the representative(s)

This Page Left Intentionally Blank

Official Notice

## Alignment of Design number formats

Since January 2014 approximately 97% of all design applications have been filed electronically. A new design application filed via eServices is immediately allocated an application number in the format of YYYYNNNNN, for example 201412345.

Following feedback from customers concerning application numbers on notices being inconsistent with eServices, the design application number format used on automatically system generated notices has recently been amended from a previous format of NNNNN/YYYY to YYYYNNNNN.

Users of eServices will be aware that eServices only accepts application numbers in the format of YYYYNNNNN. An error message will be displayed if an application number is entered using the NNNNN/YYYY format when retrieving design details.

The *AU Designs Data Searching* system (ADDS) only accepts application numbers in the format of YYYYNNNNN when searches are conducted.

Customers are advised to quote the application number in this format in any correspondence submitted to IP Australia.

The *Australian Official Journal of Designs* published on the IP Australia website still displays application numbers in the format of NNNNN/YYYY. A program of work is underway at IP Australia to review current and future IP Right search and discovery capabilities. This work will include all journals. This will be the only remaining inconsistency with the number format for Designs until this work is finalised.

Official Notice

**Canberra Public Holidays and IT Maintenance  
weekends, 27- 29 September & 4-6 October 2014**

The close-down provisions in the Designs, Olympic Insignia protection, Patents, Plant Breeder's Rights (PBR) and Trade Marks legislation provide for the effect of Designs Office, the Patent Office, the PBR Office and the Trade Marks Office not being open for business.

On 6 May 2014, the Director General of IP Australia declared under the close-down provisions the days when the Canberra offices will not be open for business.

The Canberra offices will not be open for business on the following days in the period:

- All Saturdays and Sundays in the period
- Monday, 29 September 2014 (Family & Community Day, Canberra)
- Monday, 6 October 2014 (Labour Day, Canberra)

During this time, IP Australia will be completing an ICT maintenance release which will affect user experience during this time. This includes access to eServices and B2B channels, electronic correspondence, search systems and other services.

IP Australia will maintain its Alternate Lodgement Service during this time which is available via the 'eServices Log on' button in the top right of our website ([www.ipaustralia.gov.au](http://www.ipaustralia.gov.au)). The Emergency Fax will also be available (+61 2 6285 4731).

All service requests due on either 29 September or 6 October will automatically receive that date if they are filed on the following business day via our preferred channels. IP Australia asks that customers use our alternate channels for time critical submissions only during this period.

During this weekend, phone support will also be unavailable. IP Australia will have a team on stand-by for ensuring our alternate channels remain available for customers.

**Contact:** IP Australia  
**Phone:** 1300 651 010  
**Web:** [www.ipaustralia.gov.au](http://www.ipaustralia.gov.au)



**Proceedings under the Designs Act 1906 preserved as a result of the provisions of Chapter 12 Part 2 of the Designs Act 2003.**

This Page Left Intentionally Blank

**Applications Lapsed**

There were no Applications Lapsed under this section

**Extension of Period of Registration of Designs**

**1st Period (Section 27A(8))**

**2nd Period (Section 27A(12))**

**3rd Period (Section 27A(13))**

153206	153207	153218
153604	153692	153693
153704	153736	153799
153963	154198	154298
154328	154332	154333
154334	154335	154356
154357	154414	154429
154661	154749	154875
155138	155153	155902
156368	157096	157541
158562		

**Registrations Ceased**

Note: Some of the following Registrations may have been previously advertised as ceased. In this instance, the previous advertisement still prevails.

136358	136436	136437
136438	136473	136491
136586	136588	136636
136637	136864	137227
137584	137776	138338
138738	138739	139058
139115	139242	139244
139600	140226	140685
141006	141123	142557
142724	151435	151642
151701	151702	151703
151862	151863	151864
151955	151986	152028
152104	152461	152735
152759	153303	153750
153898	154603	154709
154903	157616	157739

**Subsequent Owners Registered**

(The name in parentheses is that of the subsequent owner)

150483	( <b>Ernstrom Technology AB</b> ) C M Hammar Utveckling A.B.
--------	---

This Page Left Intentionally Blank

**Proceedings under the Designs Act 2003.**

This Page Left Intentionally Blank

**Applications Lodged**

Lodgement information is in the following order: **Applicant's Name**; International Classification, Name of Product, Lodgement Date and **Design Number**. If the applicant claims an earlier priority date under an International Convention, the Convention Country and the associated filing date are shown in parentheses before the Lodgement Date. Divisional information will also appear in parentheses before the Lodgement Date.

<b>A C C Services (Aust) Pty Ltd;</b> 07-02P, Tray, 20 Aug 2014	<b>14123/2014</b>	<b>Bozcrome Industries Pty Ltd;</b> 12-10, Caravan and motorhome, 20 Aug 2014	<b>14106/2014</b>
<b>Airs, Brent;</b> 08-05F, Carpentry jig, 21 Aug 2014	<b>14143/2014</b>	<b>Butter-up Pty Ltd;</b> 07-03, Knife, 20 Aug 2014	<b>14107/2014</b>
<b>Alliance Builders;</b> 25-03, Portable modular home, (TR, 27 Mar 2014) 22 Aug 2014	<b>14183/2014</b>	<b>BOZCROME INDUSTRIES PTY LTD;</b> 07-02L, Caravan; motorhome; RV; camper, 26 Aug 2014	<b>14205/2014</b>
<b>Alto Packaging Limited;</b> 09-03D, Egg container, 28 Aug 2014	<b>14281/2014</b>	<b>BSB Pacific Pty Ltd;</b> 23-01NES, Spray tanning equipment, 20 Aug 2014	<b>14112/2014</b>
<b>Alto Packaging Limited;</b> 09-03D, Egg container, 28 Aug 2014	<b>14280/2014</b>	<b>BSB Pacific Pty Ltd;</b> 28-03NES, Spray tanning equipment, 20 Aug 2014	<b>14111/2014</b>
<b>Alto Packaging Limited;</b> 09-03D, Egg container, 28 Aug 2014	<b>14284/2014</b>	<b>Caroma Industries Limited;</b> 23-02C, A rimless toilet pan, 27 Aug 2014	<b>14253/2014</b>
<b>Alto Packaging Limited;</b> 09-03D, Egg container, 28 Aug 2014	<b>14277/2014</b>	<b>Cole, Peter George; Picklum, Darren Andrew;</b> 21-03, 21-02NES, Inflatable pitch, 25 Aug 2014	<b>14204/2014</b>
<b>American Sterilizer Company;</b> 23-01NES, 23-02NES, Cassette for steam sterilizer, (US, 06 Mar 2014) 27 Aug 2014	<b>14234/2014</b>	<b>Continental Reifen Deutschland GmbH;</b> 12-15B, Tyre, (EM, 26 Feb 2014) 18 Aug 2014	<b>14055/2014</b>
<b>Art Plastics Pty Ltd;</b> 23-01E, Storm water classic tee M&M 90mm, 20 Aug 2014	<b>14101/2014</b>	<b>Continental Reifen Deutschland GmbH;</b> 12-15A, Tyre, (WO, 04 Mar 2014) 28 Aug 2014	<b>14279/2014</b>
<b>Ausplow Pty Ltd;</b> 15-03A, A shield, 27 Aug 2014	<b>14228/2014</b>	<b>Cooper Tire &amp; Rubber Company;</b> 12-15B, Tire, (US, 27 Feb 2014) 27 Aug 2014	<b>14236/2014</b>
<b>Ausplow Pty Ltd;</b> 15-03A, A closing tool tip, 27 Aug 2014	<b>14232/2014</b>	<b>Cooper Tire &amp; Rubber Company;</b> 12-15A, Tire, (EM, 28 Feb 2014) 27 Aug 2014	<b>14239/2014</b>
<b>Ausplow Pty Ltd;</b> 15-03A, A fertiliser boot, 27 Aug 2014	<b>14230/2014</b>	<b>Cooper Tire &amp; Rubber Company;</b> 12-15A, Tire, (EM, 28 Feb 2014) 27 Aug 2014	<b>14240/2014</b>
<b>Ausplow Pty Ltd;</b> 15-03A, An adaptor, 27 Aug 2014	<b>14231/2014</b>	<b>Cooper Tire &amp; Rubber Company;</b> 12-15A, Tire, (US, 27 Feb 2014) 27 Aug 2014	<b>14237/2014</b>
<b>Ausplow Pty Ltd;</b> 15-03A, A digging blade, 27 Aug 2014	<b>14229/2014</b>	<b>Cooper Tire &amp; Rubber Company;</b> 12-15A, Tire, (US, 27 Feb 2014) 27 Aug 2014	<b>14238/2014</b>
<b>Australian Performance Development Pty Ltd;</b> 12-16NES, Snorkel connection hose for a vehicle, 15 Aug 2014	<b>14033/2014</b>	<b>Courte, Keith James;</b> 25-02B, Fire escapes, 25 Aug 2014	<b>14203/2014</b>
<b>Australian UGG Boots Pty Ltd;</b> 02-04NES, Footware, 21 Aug 2014	<b>14168/2014</b>	<b>Cronk, Phillip;</b> 07-05NES, A detergent container, 21 Aug 2014	<b>14136/2014</b>
<b>BlackBerry Limited;</b> 14-03E, Electronic device, (US, 21 Feb 2014) 21 Aug 2014	<b>14138/2014</b>	<b>Crown Equipment Corporation;</b> 08-06, Tiller knob, (US, 17 Apr 2014) 29 Aug 2014	<b>14286/2014</b>
<b>Bluedog Fences Australia Holdings Pty Ltd;</b> 08-08L, A bracket, 18 Aug 2014	<b>14052/2014</b>		
<b>Bozcrome Industries Pty Ltd;</b> 12-10, Motorhome; RV; expedition vehicle, 22 Aug 2014	<b>14170/2014</b>		



<b>Crown Equipment Corporation;</b> 08-06, Tiller knob, (US, 17 Mar 2014) 29 Aug 2014	<b>14293/2014</b>	<b>DAVID STUCKEY INVESTMENTS PTY LTD;</b> 08-06, Handle Assembly, 28 Aug 2014	<b>14264/2014</b>
<b>Crown Equipment Corporation;</b> 12-16NES, Counterweight for a lift truck, (US, 18 Apr 2014) 29 Aug 2014	<b>14294/2014</b>	<b>DAVID STUCKEY INVESTMENTS PTY LTD;</b> 08-06, Handle Assembly, 28 Aug 2014	<b>14265/2014</b>
<b>CLEAR LAM PACKAGING, INC.;</b> 09-03M, Film used to make a package, (US, 28 Feb 2014) 28 Aug 2014	<b>14260/2014</b>	<b>DVR Engineering Pty Ltd;</b> 14-02, Wi-Fi enclosure communication module, 15 Aug 2014	<b>14038/2014</b>
<b>CLEAR LAM PACKAGING, INC.;</b> 09-03M, Film used to make package, (US, 14 Feb 2014) 14 Aug 2014	<b>14027/2014</b>	<b>E.D. Oates Pty Ltd;</b> 04-01, Scraper for broom, 26 Aug 2014	<b>14226/2014</b>
<b>CLEAR LAM PACKAGING, INC.;</b> 09-03M, Package, (US, 28 Feb 2014) 28 Aug 2014	<b>14259/2014</b>	<b>E.D. Oates Pty Ltd;</b> 04-01, Ferrule, 25 Aug 2014	<b>14202/2014</b>
<b>CON BRIO;Labeur;</b> 06-05, Furniture, (EM, 26 Feb 2014) 26 Aug 2014	<b>14211/2014</b>	<b>East Coast Innovations Pty Ltd;</b> 13-03A, 13-03NES, Cover, 20 Aug 2014	<b>14116/2014</b>
<b>CONTINENTAL REIFEN DEUTSCHLAND GMBH;</b> 12-15B, Tyre, (EM, 20 Feb 2014) 18 Aug 2014	<b>14063/2014</b>	<b>Emerald Wine Systems, LLC;</b> 31-00, Countertop beverage dispenser, (US, 20 Feb 2014) 20 Aug 2014	<b>14110/2014</b>
<b>CONTINENTAL REIFEN DEUTSCHLAND GMBH;</b> 12-15B, Tyre, (EM, 20 Feb 2014) 18 Aug 2014	<b>14060/2014</b>	<b>Eveready Battery Company, Inc.;</b> 26-02, 02-03, Lighting device, (US, 28 Mar 2014) 28 Aug 2014	<b>14273/2014</b>
<b>Denheld, Willem;</b> 11-02NES, Trophy, 18 Aug 2014	<b>14053/2014</b>	<b>Eveready Battery Company, Inc.;</b> 26-02, Lighting device, (US, 31 Mar 2014) 29 Aug 2014	<b>14292/2014</b>
<b>Dodgson, Jack Andrew;</b> 06-03A, 06-06E, Table; leg; table frame; table leg; desk, 18 Aug 2014	<b>14072/2014</b>	<b>Eveready Battery Company, Inc.;</b> 26-02, 02-03, Lighting device, (US, 28 Mar 2014) 28 Aug 2014	<b>14271/2014</b>
<b>Dodgson, Jack Andrew;</b> 06-03A, 06-06E, Table; leg; table frame; table leg; desk, 18 Aug 2014	<b>14071/2014</b>	<b>Eveready Battery Company, Inc.;</b> 26-02, Lighting device, (US, 25 Mar 2014) 28 Aug 2014	<b>14272/2014</b>
<b>Dosatron International;</b> 10-04, 23-01NES, Metering pump, (EM, 09 Apr 2014) 14 Aug 2014	<b>14021/2014</b>	<b>Eveready Battery Company, Inc.;</b> 26-02, Lighting device, (US, 02 Apr 2014) 28 Aug 2014	<b>14269/2014</b>
<b>Dosatron International;</b> 15-02, Metering pump, (EP, 09 Apr 2014) 14 Aug 2014	<b>14029/2014</b>	<b>Everstone International Pty Limited;</b> 25-01F, Relief pattern tile, 29 Aug 2014	<b>14288/2014</b>
<b>Dyson Technology Limited;</b> 15-05, Part for vacuum cleaner, (EM, 21 Feb 2014) 14 Aug 2014	<b>14026/2014</b>	<b>Everstone International Pty Limited;</b> 25-01F, Relief pattern tile, 29 Aug 2014	<b>14289/2014</b>
<b>Dyson Technology Limited;</b> 15-05, Part for vacuum cleaner, (EM, 21 Feb 2014) 21 Aug 2014	<b>14135/2014</b>	<b>Everstone International Pty Limited;</b> 25-01F, Relief patter tile, 29 Aug 2014	<b>14290/2014</b>
<b>Dyson Technology Limited;</b> 15-05, Part for vacuum cleaner, (EM, 21 Feb 2014) 21 Aug 2014	<b>14133/2014</b>	<b>Eye Care and Cure Asia Pte;</b> 24-02, Cutting blade, (US, 25 Feb 2014) 18 Aug 2014	<b>14050/2014</b>
<b>Dyson Technology Limited;</b> 15-05, Part for vacuum cleaner, (EM, 21 Feb 2014) 21 Aug 2014	<b>14134/2014</b>	<b>Fecon, Inc.;</b> 15-09, Land clearing tool assembly, (US, 24 Feb 2014) 20 Aug 2014	<b>14103/2014</b>
<b>Dyson Technology Limited;</b> 15-05, Part for vacuum cleaner, (EM, 21 Feb 2014) 21 Aug 2014	<b>14028/2014</b>	<b>Fecon, Inc.;</b> 15-09, Land clearing tool assembly, (US, 24 Feb 2014) 20 Aug 2014	<b>14102/2014</b>
<b>Dyson Technology Limited;</b> 15-05, Part for vacuum cleaner, (EM, 21 Feb 2014) 14 Aug 2014		<b>Forever New Clothing Pty Ltd;</b> 02-02C, 02-02NES, 02-04B, 02-04NES, Article of Clothing, 27 Aug 2014	<b>14233/2014</b>
		<b>Forever New Clothing Pty Ltd;</b> 03-01B, Accessory item, 27 Aug 2014	<b>14235/2014</b>

<b>Forstar Limited;</b> 09-01G, Cosmetic device, (US, 28 Feb 2014) 22 Aug 2014	<b>14171/2014</b>	<b>Guangzhou Gardenart Furniture Co. Ltd;Zhou, Xuan;</b> 06-01H, Alu lounge, 18 Aug 2014	<b>14070/2014</b>
<b>Forsyth, Stephen Bryan;</b> 26-05D, Linear LED grow light system, 24 Aug 2014	<b>14185/2014</b>	<b>Guangzhou Gardenart Furniture Co. Ltd;Zhou, Xuan;</b> 06-01H, Alu chair, 18 Aug 2014	<b>14066/2014</b>
<b>FOGI Ltd;</b> 03-01NES, Presentation case, 29 Aug 2014	<b>14295/2014</b>	<b>Guangzhou Gardenart Furniture Co. Ltd;Zhou, Xuan;</b> 06-03NES, Alu table, 18 Aug 2014	<b>14064/2014</b>
<b>FORCE 5 IMPORTS PTY. LTD.;</b> 32-03, Grocery French foods imported, 18 Aug 2014	<b>14057/2014</b>	<b>Guangzhou Gardenart Furniture Co. Ltd;Zhou, Xuan;</b> 06-03A, Alu table, 18 Aug 2014	<b>14054/2014</b>
<b>FPC Food Plastics Pty Ltd;</b> 09-01B, Bottle, 22 Aug 2014	<b>14177/2014</b>	<b>Guangzhou Hanma Electronic Technology Co., Ltd.;</b> 26-06, Driving lamps, 26 Aug 2014	<b>14207/2014</b>
<b>FPC Food Plastics Pty Ltd;</b> 09-01B, Bottle, 22 Aug 2014	<b>14178/2014</b>	<b>GL Lighting Pty Ltd;</b> 26-03, LED flood light, 15 Aug 2014	<b>14035/2014</b>
<b>Gainsborough Hardware Industries Limited;</b> 08-09, An escutcheon, 20 Aug 2014	<b>14104/2014</b>	<b>GUANGZHOU GARDENART FURNITURE CO.LTD;Zhou, Xuan;</b> 06-01G, Alu sofa, 18 Aug 2014	<b>14076/2014</b>
<b>Gainsborough Hardware Industries Limited;</b> 08-09, An escutcheon, 20 Aug 2014	<b>14105/2014</b>	<b>GUANGZHOU GARDENART FURNITURE CO.LTD;Zhou, Xuan;</b> 06-01G, Alu sofa, 18 Aug 2014	<b>14077/2014</b>
<b>Gerber, John;</b> 08-99, Tool component, (Divisional of 10312/2014) 19 Aug 2014	<b>14080/2014</b>	<b>GUANGZHOU GARDENART FURNITURE CO.LTD;Zhou, Xuan;</b> 06-01G, Alu sofa, 18 Aug 2014	<b>14078/2014</b>
<b>Gerber, John;</b> 15-99, 15-01, 12-16NES, A drive assembly, (Divisional of 10312/2014) 19 Aug 2014	<b>14079/2014</b>	<b>GUANGZHOU GARDENART FURNITURE CO.LTD;Zhou, Xuan;</b> 06-01G, Alu sofa, 18 Aug 2014	<b>14078/2014</b>
<b>Glaxo Group Limited;</b> 04-02, Toothbrush, (GB, 26 Feb 2014) 21 Aug 2014	<b>14150/2014</b>	<b>H &amp; S Fund Pty Ltd;The Trustee for H &amp; S Family Trust;</b> 14-02, Countertop electronic touch screen kiosk, 19 Aug 2014	<b>14092/2014</b>
<b>Grant-Griffin, Briahna;Griffin, Alisa Jane;</b> 21-01B, Ragdoll, 27 Aug 2014	<b>14255/2014</b>	<b>Harnett, Naomi Lyndall;</b> 02-01B, Modern cloth nappy, 18 Aug 2014	<b>14058/2014</b>
<b>Grant-Griffin, Briahna;Griffin, Alisa Jane;</b> 21-01B, Ragdoll, 27 Aug 2014	<b>14256/2014</b>	<b>Helen of Troy Limited;</b> 07-01NES, Food container lid, (US, 02 Mar 2014) 15 Aug 2014	<b>14041/2014</b>
<b>Griffin, Alisa Jane;Grant-Griffin, Briahna;</b> 21-01B, Ragdoll, 27 Aug 2014	<b>14255/2014</b>	<b>Helen of Troy Limited;</b> 07-01NES, Food container and lid, (US, 02 Mar 2014) 15 Aug 2014	<b>14039/2014</b>
<b>Griffin, Alisa Jane;Grant-Griffin, Briahna;</b> 21-01B, Ragdoll, 27 Aug 2014	<b>14256/2014</b>	<b>Henkel AG &amp; Co. KGaA;</b> 22-06, Trap for pest killing, (EM, 06 Mar 2014) 27 Aug 2014	<b>14251/2014</b>
<b>Guangzhou Gardenart Furniture Co. Ltd;Zhou, Xuan;</b> 06-01H, Alu chair, 18 Aug 2014	<b>14065/2014</b>	<b>Henkel AG &amp; Co. KGaA;</b> 22-06, Trap for pest killing, (EP, 06 Mar 2014) 27 Aug 2014	<b>14248/2014</b>
<b>Guangzhou Gardenart Furniture Co. Ltd;Zhou, Xuan;</b> 06-01H, Alu sofa, 18 Aug 2014	<b>14073/2014</b>	<b>Henkel AG &amp; Co. KGaA;</b> 22-06, Trap for pest killing, (EP, 06 Mar 2014) 27 Aug 2014	<b>14249/2014</b>
<b>Guangzhou Gardenart Furniture Co. Ltd;Zhou, Xuan;</b> 06-01H, Alu sofa, 18 Aug 2014	<b>14075/2014</b>	<b>Herbert Waldmann GmbH &amp; Co. KG;</b> 26-05B, Lamp, (DE, 21 Feb 2014) 21 Aug 2014	<b>14140/2014</b>
<b>Guangzhou Gardenart Furniture Co. Ltd;Zhou, Xuan;</b> 06-01H, Alu chair, 18 Aug 2014	<b>14069/2014</b>	<b>Herbert Waldmann GmbH &amp; Co. KG;</b> 26-05B, Lamp, (DE, 21 Feb 2014) 21 Aug 2014	<b>14137/2014</b>
<b>Guangzhou Gardenart Furniture Co. Ltd;Zhou, Xuan;</b> 06-01H, Alu sofa, 18 Aug 2014	<b>14074/2014</b>	<b>Herbert Waldmann GmbH &amp; Co. KG;</b> 26-05B, Lamp, (DE, 21 Feb 2014) 21 Aug 2014	<b>14142/2014</b>

<b>Hermes Sellier (Societe Par Actions Simplifíee);</b> 03-01B, Bag, (IB, 25 Feb 2014) 21 Aug 2014	<b>14156/2014</b>	<b>K&amp;N Engineering, Inc.;</b> 12-16NES, Integrated airbox and filter, (US, 16 Feb 2014) 15 Aug 2014	<b>14037/2014</b>
<b>Hermes Sellier (Societe Par Actions Simplifíee);</b> 03-01B, Bag, (WO, 25 Feb 2014) 21 Aug 2014	<b>14166/2014</b>	<b>Kelly, Tyler Anthony;</b> 02-02NES, 32-03, 19-06, T-shirt, business logo, pens, 22 Aug 2014	<b>14172/2014</b>
<b>Hollister Incorporated;</b> 03-01NES, Package for ostomy barrier ring, (US, 31 Dec 2013) 21 May 2014	<b>14059/2014</b>	<b>Keurig Green Mountain, Inc.;</b> 07-01F, Beverage carafe, (US, 17 Jan 2014) (Divisional of 13370/2014) 19 Aug 2014	<b>14081/2014</b>
<b>Incontrol Medical, LLC;</b> 24-02, Stimulation device, (US, 27 Feb 2014) 25 Aug 2014	<b>14200/2014</b>	<b>Knezovic, Antun;</b> 07-06A, Bottle holder, 22 Aug 2014	<b>14173/2014</b>
<b>Interwork Limited;</b> 32-03, The Interwork logo on all corporate material, 21 Aug 2014	<b>14169/2014</b>	<b>Koninklijke Philips N.V.;</b> 14-03A, 10-05, DECT baby monitor baby unit, (EM, 20 Feb 2014) 18 Aug 2014	<b>14068/2014</b>
<b>InFirst Healthcare Limited;</b> 28-01, Pharmaceutical capsule, (EM, 20 Aug 2014) 28 Aug 2014	<b>14263/2014</b>	<b>Labeur;CON BRIO;</b> 06-05, Furniture, (EM, 26 Feb 2014) 26 Aug 2014	<b>14211/2014</b>
<b>IPRINT TECHNOLOGIES PTY LTD;</b> 14-02, 3D printers, 19 Aug 2014	<b>14096/2014</b>	<b>Liebowitz, Bryan;</b> 26-05E, LED (light emitting diode) LENS, 25 Aug 2014	<b>14197/2014</b>
<b>Johnstone, Paul;</b> 26-05A, Lighttube, 25 Aug 2014	<b>14193/2014</b>	<b>Lion Beer, Spirits &amp; Wine Pty Ltd;</b> 07-01F, Beer dispensing vessel, 20 Aug 2014	<b>14118/2014</b>
<b>Joseph Joseph Ltd;</b> 10-04, Spoon set, (EP, 26 Feb 2014) 20 Aug 2014	<b>14129/2014</b>	<b>Lion Beer, Spirits &amp; Wine Pty Ltd;</b> 07-01F, Beer dispensing vessel, 20 Aug 2014	<b>14109/2014</b>
<b>Joseph Joseph Ltd;</b> 07-04, 07-02NES, Pastry cutters, (EP, 26 Feb 2014) 20 Aug 2014	<b>14130/2014</b>	<b>Luxmy Furniture Pty Ltd;</b> 06-01G, Modular lounge, circular lounge, 15 Aug 2014	<b>14034/2014</b>
<b>Joseph Joseph Ltd;</b> 07-05NES, Sink mat, (EP, 26 Feb 2014) 20 Aug 2014	<b>14125/2014</b>	<b>Magic Production Group S.A.;</b> 21-01E, Construction element, (EM, 25 Feb 2014) 15 Aug 2014	<b>14045/2014</b>
<b>Joseph Joseph Ltd;</b> 07-05D, Dish rack, (EP, 26 Feb 2014) 20 Aug 2014	<b>14131/2014</b>	<b>Manoni, Albert Charles;</b> 12-16NES, Winding up of freight straps, 14 Aug 2014	<b>14148/2014</b>
<b>Joseph Joseph Ltd;</b> 07-04, Chopping boards, (EP, 26 Feb 2014) 20 Aug 2014	<b>14132/2014</b>	<b>Manoni, Albert Charles;</b> 12-16NES, Once fitted, it stays on the railing firm and secure, 14 Aug 2014	<b>14147/2014</b>
<b>Joseph Joseph Ltd;</b> 07-04, Kitchen utensils, (EP, 26 Feb 2014) 20 Aug 2014	<b>14127/2014</b>	<b>Mars, Incorporated;</b> 09-03F, Tray, (US, 21 Feb 2014) 21 Aug 2014	<b>14157/2014</b>
<b>Joseph Joseph Ltd;</b> 07-01B, Mixing bowls, (EP, 26 Feb 2014) 20 Aug 2014	<b>14128/2014</b>	<b>Mars, Incorporated;</b> 09-03F, Tray, (US, 21 Feb 2014) 21 Aug 2014	<b>14158/2014</b>
<b>Joseph Joseph Ltd;</b> 07-99D, Can opener, (EP, 26 Feb 2014) 20 Aug 2014	<b>14126/2014</b>	<b>Mars, Incorporated;</b> 09-03F, Tray, (US, 21 Feb 2014) 21 Aug 2014	<b>14159/2014</b>
<b>Joseph Joseph Ltd;</b> 04-01, Cleaning brushes, (EP, 21 Feb 2014) 20 Aug 2014	<b>14124/2014</b>	<b>Mars, Incorporated;</b> 09-03F, Tray, (US, 21 Feb 2014) 21 Aug 2014	<b>14160/2014</b>
<b>JAG Poly Pty Ltd;Wiersma, Robert;Masters, John;</b> 23-01K, Poly footvalve with skid base, 28 Aug 2014	<b>14258/2014</b>	<b>Mars, Incorporated;</b> 09-03F, Tray, (US, 21 Feb 2014) 21 Aug 2014	<b>14153/2014</b>
		<b>Mars, Incorporated;</b> 09-03F, Tray, (US, 21 Feb 2014) 21 Aug 2014	<b>14155/2014</b>

<b>Mars, Incorporated;</b> 09-03F, Tray, (US, 21 Feb 2014) 21 Aug 2014	<b>14164/2014</b>	<b>Microsoft Mobile OY;</b> 14-03E, Handset, (US, 19 Feb 2014) 19 Aug 2014	<b>14095/2014</b>
<b>Mars, Incorporated;</b> 09-03F, Tray, (US, 21 Feb 2014) 21 Aug 2014	<b>14162/2014</b>	<b>Microsoft Mobile OY;</b> 14-03E, Handset, (US, 19 Feb 2014) 18 Aug 2014	<b>14067/2014</b>
<b>Mars, Incorporated;</b> 09-03F, Tray, (US, 21 Feb 2014) 21 Aug 2014	<b>14163/2014</b>	<b>Microsoft Mobile OY;</b> 14-03NES, Wireless streaming unit, (US, 17 Feb 2014) 18 Aug 2014	<b>14062/2014</b>
<b>Mars, Incorporated;</b> 09-03F, Tray, (US, 21 Feb 2014) 21 Aug 2014	<b>14161/2014</b>	<b>Microsoft Mobile OY;</b> 14-03NES, Wireless streaming unit, (US, 17 Feb 2014) 18 Aug 2014	<b>14061/2014</b>
<b>Mars, Incorporated;</b> 09-03F, Tray, (US, 21 Feb 2014) 21 Aug 2014	<b>14152/2014</b>	<b>Minelab Electronics Pty Limited;</b> 10-05, Collapsible metal detector, 22 Aug 2014	<b>14182/2014</b>
<b>Masters, John;JAG Poly Pty Ltd;Wiersma, Robert;</b> 23-01K, Poly footvalve with skid base, 28 Aug 2014	<b>14258/2014</b>	<b>Monaghan, John Patrick;</b> 21-99, A shooting aid, 21 Aug 2014	<b>14149/2014</b>
<b>Matscitechno Licensing Company;</b> 02-03, Helmet padding system, (US, 24 Feb 2014) 22 Aug 2014	<b>14176/2014</b>	<b>Montres Tudor S.A.;</b> 10-07, Watch wristlet, (CH, 28 Feb 2014) 27 Aug 2014	<b>14244/2014</b>
<b>Matscitechno Licensing Company;</b> 02-03, Helmet padding system, (US, 24 Feb 2014) 22 Aug 2014	<b>14175/2014</b>	<b>Montres Tudor S.A.;</b> 10-02, Watch case with bracelet, (CH, 28 Feb 2014) 27 Aug 2014	<b>14245/2014</b>
<b>Matscitechno Licensing Company;</b> 02-03, Helmet padding system, (US, 24 Feb 2014) 22 Aug 2014	<b>14174/2014</b>	<b>Montres Tudor S.A.;</b> 10-07, Watch case with wristlet, (CH, 28 Feb 2014) 27 Aug 2014	<b>14243/2014</b>
<b>McCredie, Donald;</b> 21-02D, Surf hand board, 28 Aug 2014	<b>14268/2014</b>	<b>Montres Tudor S.A.;</b> 10-07, Watch case with wristlet, (CH, 28 Feb 2014) 27 Aug 2014	<b>14241/2014</b>
<b>McCredie, Donald;</b> 21-02D, Surfing hand board, 28 Aug 2014	<b>14266/2014</b>	<b>Montres Tudor S.A.;</b> 10-07, Watch dial with case, (CH, 28 Feb 2014) 27 Aug 2014	<b>14242/2014</b>
<b>McCulloch, Caroline Rose;</b> 02-04A, 02-04B, A pair of footbeds for a pair footwear, 15 Aug 2014	<b>14044/2014</b>	<b>Motorola Solutions, Inc.;</b> 14-03D, Portable radio, (US, 31 Mar 2014) 25 Aug 2014	<b>14201/2014</b>
<b>Medline Industries, Inc.;</b> 28-03D, Clipper, (US, 28 Feb 2014) 26 Aug 2014	<b>14212/2014</b>	<b>Multisteps Pty Ltd;</b> 23-01L, A gutter, 19 Aug 2014	<b>14083/2014</b>
<b>Medline Industries, Inc.;</b> 28-03D, Clipper, (US, 28 Feb 2014) 26 Aug 2014	<b>14208/2014</b>	<b>Multisteps Pty Ltd;</b> 23-01L, A gutter, 19 Aug 2014	<b>14084/2014</b>
<b>Microdose Therapeutx, Inc.;</b> 24-01, Dry powder nebulizer device, (US, 22 Aug 2014) 28 Aug 2014	<b>14267/2014</b>	<b>Multisteps Pty Ltd;</b> 23-01L, A gutter, 19 Aug 2014	<b>14085/2014</b>
<b>Microdose Therapeutx, Inc.;</b> 24-01, Dry power nebulizer device, (US, 22 Aug 2014) 28 Aug 2014	<b>14276/2014</b>	<b>Multisteps Pty Ltd;</b> 23-01L, A gutter, 19 Aug 2014	<b>14086/2014</b>
<b>Microdose Therapeutx, Inc.;</b> 24-01, Dry powder nebulizer device, (US, 22 Aug 2014) 28 Aug 2014	<b>14274/2014</b>	<b>Multisteps Pty Ltd;</b> 23-01L, A gutter, 19 Aug 2014	<b>14090/2014</b>
<b>Microdose Therapeutx, Inc.;</b> 24-01, Dry powder nebulizer device, (US, 22 Aug 2014) 28 Aug 2014	<b>14270/2014</b>	<b>Multisteps Pty Ltd;</b> 23-01L, A gutter, 19 Aug 2014	<b>14089/2014</b>
		<b>Multisteps Pty Ltd;</b> 23-01L, A gutter, 19 Aug 2014	<b>14087/2014</b>
		<b>Multisteps Pty Ltd;</b> 23-01L, A gutter, 19 Aug 2014	<b>14091/2014</b>
		<b>Nice-Pak Products, Inc.;</b> 05-05NES, Nonwoven material with a surface pattern, (US, 21 Feb 2014) 19 Aug 2014	<b>14094/2014</b>

<b>Nicoventures Holdings Limited;</b> 27-01, Electronic cigarette, 22 Aug 2014	<b>14181/2014</b>	<b>Pfanner Schutzbekleidung GmbH;</b> 16-06, Eyeglass lens, (EM, 20 Feb 2014) 19 Aug 2014	<b>14088/2014</b>
<b>Nicoventures Holdings Limited;</b> 27-01, Electronic cigarette, (CN, 25 Feb 2014) 22 Aug 2014	<b>14179/2014</b>	<b>Pfanner Schutzbekleidung GmbH;</b> 02-03, 02-02B, Neck protector for a protective helmet, (EM, 05 Mar 2014) 26 Aug 2014	<b>14210/2014</b>
<b>Nicoventures Holdings Limited;</b> 27-01, Electronic cigarette, (CN, 15 Jul 2014) 22 Aug 2014	<b>14180/2014</b>	<b>Philips N.V., Koninklijke;</b> 10-05, Dect baby monitor parent unit, (EM, 20 Feb 2014) 18 Aug 2014	<b>14056/2014</b>
<b>Ningbo Mentoriend International Trading Co., Ltd;</b> 06-02, Round bed with canopy, 21 Aug 2014	<b>14144/2014</b>	<b>Picklum, Darren Andrew; Cole, Peter George;</b> 21-03, 21-02NES, Inflatable pitch, 25 Aug 2014	<b>14204/2014</b>
<b>Ningbo Mentoriend International Trading Co., Ltd.;</b> 06-02, Hammock, 29 Aug 2014	<b>14298/2014</b>	<b>Plumb, David Charles;</b> 06-04D, Credenza, TV cabinet, 21 Aug 2014	<b>14139/2014</b>
<b>NORKA Norddeutsche Kunststoff-und Elektrogenesellschaft Staecker mbH &amp; Co. KG;</b> 26-05NES, Light, (EM, 18 Mar 2014) 25 Aug 2014	<b>14186/2014</b>	<b>R. Stahl Schaltgerate GmbH;</b> 10-06, Emergency signalling device, (EM, 25 Apr 2014) 25 Aug 2014	<b>14194/2014</b>
<b>NORKA Norddeutsche Kunststoff-und Elektrogenesellschaft Staecker mbH &amp; Co. KG;</b> 26-04, Light, (EM, 18 Mar 2014) 25 Aug 2014	<b>14191/2014</b>	<b>R. Stahl Schaltgerate GmbH;</b> 10-06, Emergency signalling device, (EM, 25 Apr 2014) 25 Aug 2014	<b>14195/2014</b>
<b>NORKA Norddeutsche Kunststoff-und Elektrogenesellschaft Staecker mbH &amp; Co. KG;</b> 26-04, Light, (EM, 18 Mar 2014) 25 Aug 2014	<b>14190/2014</b>	<b>Railblaza Limited;</b> 08-08L, A Support, (NZ, 18 Mar 2014) 26 Aug 2014	<b>14206/2014</b>
<b>NORKA Norddeutsche Kunststoff-und Elektrogenesellschaft Staecker mbH &amp; Co. KG;</b> 26-04, Light, (EM, 18 Mar 2014) 25 Aug 2014	<b>14189/2014</b>	<b>Ramtaps Pty Ltd;</b> 23-01H, A mixer tap, 26 Aug 2014	<b>14225/2014</b>
<b>NORKA Norddeutsche Kunststoff-und Elektrogenesellschaft Staecker mbH &amp; Co. KG;</b> 26-04, Light, (EM, 18 Mar 2014) 25 Aug 2014	<b>14188/2014</b>	<b>Rapid Spray Pty Ltd;</b> 08-99, Hose and cable reel, 18 Aug 2014	<b>14051/2014</b>
<b>NORKA Norddeutsche Kunststoff-und Elektrogenesellschaft Staecker mbH &amp; Co. KG;</b> 26-05NES, Light, (EM, 18 Mar 2014) 25 Aug 2014	<b>14187/2014</b>	<b>ResMed Limited;</b> 24-01, , (Divisional of 12501/2014) 27 Aug 2014	<b>14247/2014</b>
<b>NORKA Norddeutsche Kunststoff-und Elektrogenesellschaft Staecker mbH &amp; Co. KG;</b> 26-05NES, Light, (EM, 18 Mar 2014) 25 Aug 2014	<b>14187/2014</b>	<b>ResMed Limited;</b> 24-02, Patient interface and/or components thereof, (US, 12 Dec 2013) (Divisional of 12521/2014) 21 Aug 2014	<b>14165/2014</b>
<b>Oak Lawn Marketing, Inc.;</b> 31-00, Vacuum sealer, (JP, 07 Mar 2014) 29 Aug 2014	<b>14287/2014</b>	<b>ResMed Limited;</b> 24-01, Apparatus for sleep information detection, (US, 09 May 2014) (Divisional of 12497/2014) 20 Aug 2014	<b>14117/2014</b>
<b>Oy, Hapella;</b> 24-01, 24-02, Hand operated medical instrument, (EM, 24 Feb 2014) 20 Aug 2014	<b>14114/2014</b>	<b>ResMed Limited;</b> 24-01, Positive airway pressure delivery console and/or components thereof, (US, 19 Feb 2014) 19 Aug 2014	<b>14097/2014</b>
<b>Panasonic Corporation;</b> 14-01, Digital audio player, 21 Aug 2014	<b>14141/2014</b>	<b>ResMed Limited;</b> 24-01, Humidifier reservoir for positive airway pressure, (US, 19 Feb 2014) 19 Aug 2014	<b>14093/2014</b>
<b>Panasonic Corporation;</b> 14-01, Digital audio player, 27 Aug 2014	<b>14252/2014</b>	<b>Robert Bosch GmbH;</b> 14-01, Mixing desk, (CN, 12 Mar 2014) 28 Aug 2014	<b>14257/2014</b>
<b>Persimmon Nominees Pty Ltd;</b> 08-05NES, Wire joiner, 19 Aug 2014	<b>14099/2014</b>	<b>Rutter, Sam Charles;</b> 21-01D, Doll house, 23 Aug 2014	<b>14184/2014</b>
		<b>Sephora;</b> 19-02, Tape dispenser, (EP, 20 Feb 2014) 20 Aug 2014	<b>14120/2014</b>

<b>Shallow Water Industries Pty Ltd;</b> 12-02, TV tote box trolley, 17 Aug 2014	<b>14047/2014</b>	<b>Tapco, Inc.;</b> 12-05, Bucket for a bucket elevator, (US, 21 Feb 2014) 20 Aug 2014	<b>14108/2014</b>
<b>Shenzhen Ganten Food and Drink Co, Ltd;</b> 09-01NES, Beverage bottle, (TW, 25 Jul 2014) 19 Aug 2014	<b>14098/2014</b>	<b>Taylor, John Victor;</b> 22-05, A personal fishing rod holder/holster apparatus, 13 Aug 2014	<b>14145/2014</b>
<b>Shoprider Pty Ltd;</b> 06-01F, High back adjustable chair, 25 Aug 2014	<b>14198/2014</b>	<b>The trustee for Aly Family Trust;</b> 21-02F, Trampolines, 21 Aug 2014	<b>14167/2014</b>
<b>Swags for Homeless Limited;</b> 13-99, Solar powered charging device, 28 Aug 2014	<b>14262/2014</b>	<b>The Diggers Club Pty Ltd;</b> 09-03F, Enclosure for mail-order plant pot packaging, 26 Aug 2014	<b>14209/2014</b>
<b>SEB;</b> 07-02L, Electric coffee maker, (EM, 05 Mar 2014) 26 Aug 2014	<b>14219/2014</b>	<b>The Trustee for H &amp; S Family Trust;H &amp; S Fund Pty Ltd;</b> 14-02, Countertop electronic touch screen kiosk, 19 Aug 2014	<b>14092/2014</b>
<b>SEB;</b> 07-02L, Electric coffee maker, (EM, 05 Mar 2014) 26 Aug 2014	<b>14220/2014</b>	<b>The Trustee for H &amp; S Family Trust;</b> 14-02, Electronic touch screen kiosk, 19 Aug 2014	<b>14082/2014</b>
<b>SEB;</b> 07-02L, Electric coffee maker, (EM, 05 Mar 2014) 26 Aug 2014	<b>14221/2014</b>	<b>The Yokohama Rubber Co., Ltd.;</b> 12-15B, Automobile tire, (JP, 27 Feb 2014) 20 Aug 2014	<b>14119/2014</b>
<b>SEB;</b> 07-02L, Electric coffee maker, (EM, 05 Mar 2014) 26 Aug 2014	<b>14222/2014</b>	<b>The Yokohama Rubber Co., Ltd.;</b> 12-15A, 12-15B, 12-15C, Automobile tire, (JP, 27 Feb 2014) 20 Aug 2014	<b>14115/2014</b>
<b>SEB;</b> 07-02L, Thermo jug for coffee maker, (EM, 05 Mar 2014) 26 Aug 2014	<b>14224/2014</b>	<b>The Yokohama Rubber Co., Ltd.;</b> 12-15B, Automobile tire, (JP, 27 Feb 2014) 20 Aug 2014	<b>14121/2014</b>
<b>SEB;</b> 07-02L, Glass carafe for coffee maker, (EM, 05 Mar 2014) 26 Aug 2014	<b>14223/2014</b>	<b>The Yokohama Rubber Co., Ltd.;</b> 12-15A, 12-15B, 12-15C, Automobile tire, (JP, 27 Feb 2014) 20 Aug 2014	<b>14113/2014</b>
<b>SHOP VAC CORPORATION;</b> 15-05, Vacuum cleaner, (US, 28 Feb 2014) 27 Aug 2014	<b>14227/2014</b>	<b>The Yokohama Rubber Co., Ltd.;</b> 12-15B, Automobile tire, (JP, 27 Feb 2014) 20 Aug 2014	<b>14122/2014</b>
<b>SKOPE INDUSTRIES LIMITED;</b> 15-07, A freezer or chiller, (NZ, 25 Aug 2014) 26 Aug 2014	<b>14213/2014</b>	<b>Thomas, Diane Elizabeth;</b> 11-02C, Ring shaped plant pot, (NZ, 07 Jul 2014) 25 Aug 2014	<b>14196/2014</b>
<b>SKOPE INDUSTRIES LIMITED;</b> 15-07, A freezer or chiller, (NZ, 25 Aug 2014) 26 Aug 2014	<b>14218/2014</b>	<b>Tire Mart, Inc.;</b> 12-15C, Tyre tread, (US, 17 Feb 2014) 15 Aug 2014	<b>14036/2014</b>
<b>SKOPE INDUSTRIES LIMITED;</b> 15-07, A freezer or chiller, (NZ, 25 Aug 2014) 26 Aug 2014	<b>14217/2014</b>	<b>Titus Inc;</b> 14-01, Display screen for an electronic device, (CA, 21 Feb 2014) 21 Aug 2014	<b>14154/2014</b>
<b>SKOPE INDUSTRIES LIMITED;</b> 15-07, A freezer or chiller, (NZ, 25 Aug 2014) 26 Aug 2014	<b>14215/2014</b>	<b>Tom Tom International B.V.;</b> 08-08L, Mount, (EM, 18 Apr 2014) 25 Aug 2014	<b>14199/2014</b>
<b>SKOPE INDUSTRIES LIMITED;</b> 15-07, A freezer or chiller, (NZ, 25 Aug 2014) 26 Aug 2014	<b>14216/2014</b>	<b>TomTom International B.V.;</b> 14-04, Display device, (EM, 25 Feb 2014) 25 Aug 2014	<b>14192/2014</b>
<b>SKOPE INDUSTRIES LIMITED;</b> 15-07, A freezer or chiller, (NZ, 25 Aug 2014) 26 Aug 2014	<b>14214/2014</b>	<b>TIMOTION TECHNOLOGY CO., LTD.;</b> 08-07, Roller door drive apparatus, 20 Aug 2014	<b>14100/2014</b>
<b>Tang, Jian Min;</b> 08-08L, Gutter mount for satellite dish or TV antenna., 28 Aug 2014	<b>14261/2014</b>	<b>Ultra Nutraceuticals (Australia) Pty.Ltd;</b> 32-03, Foods;complementary medicines;dietary supplement;, 15 Aug 2014	<b>14046/2014</b>

<b>Ultraceuticals R&amp;D Pty Ltd;</b> 10-04, 10-99, Diagnostic station, 28 Aug 2014	<b>14285/2014</b>	<b>Zenith Interiors Pty Ltd;</b> 06-03C, Furniture, 15 Aug 2014	<b>14043/2014</b>
<b>Volkswagen Aktiengesellschaft;</b> 12-08, Motor vehicle, 29 Aug 2014	<b>14299/2014</b>	<b>Zhou, Xuan;Guangzhou Gardenart Furniture Co. Ltd;</b> 06-03NES, Alu table, 18 Aug 2014	<b>14064/2014</b>
<b>Volkswagen Aktiengesellschaft;</b> 12-08, Motor vehicle, 29 Aug 2014	<b>14297/2014</b>	<b>Zhou, Xuan;Guangzhou Gardenart Furniture Co. Ltd;</b> 06-01H, Alu chair, 18 Aug 2014	<b>14065/2014</b>
<b>Vorwerk &amp; Co. Interholding GmbH;</b> 07-02L, Milk frothing device, (EM, 10 Mar 2014) 27 Aug 2014	<b>14254/2014</b>	<b>Zhou, Xuan;GUANGZHOU GARDENART FURNITURE CO.LTD;</b> 06-01G, Alu sofa, 18 Aug 2014	<b>14077/2014</b>
<b>Wahl Clipper Corporation;</b> 28-03D, Hair clipper attachment comb with clip, (US, 13 Mar 2014) 29 Aug 2014	<b>14296/2014</b>	<b>Zhou, Xuan;Guangzhou Gardenart Furniture Co. Ltd;</b> 06-01H, Alu sofa, 18 Aug 2014	<b>14075/2014</b>
<b>Waterbox Oy;</b> 25-03, Buildings, (FI, 06 Mar 2014) 29 Aug 2014	<b>14291/2014</b>	<b>Zhou, Xuan;Guangzhou Gardenart Furniture Co. Ltd;</b> 06-01H, Alu sofa, 18 Aug 2014	<b>14073/2014</b>
<b>Weiss Limited;</b> 23-03A, Fan heater, (NZ, 06 Mar 2014) 18 Aug 2014	<b>14049/2014</b>	<b>Zhou, Xuan;Guangzhou Gardenart Furniture Co. Ltd;</b> 06-01H, Alu chair, 18 Aug 2014	<b>14069/2014</b>
<b>Weiss Limited;</b> 23-03A, Fan heater, (NZ, 05 Mar 2014) 18 Aug 2014	<b>14048/2014</b>	<b>Zhou, Xuan;Guangzhou Gardenart Furniture Co. Ltd;</b> 06-01H, Alu sofa, 18 Aug 2014	<b>14074/2014</b>
<b>Whites Group Pty Ltd;</b> 25-01E, Post, 27 Aug 2014	<b>14246/2014</b>	<b>Zhou, Xuan;Guangzhou Gardenart Furniture Co. Ltd;</b> 06-01H, Alu lounge, 18 Aug 2014	<b>14070/2014</b>
<b>Wiersma, Robert;JAG Poly Pty Ltd;Masters, John;</b> 23-01K, Poly footvalve with skid base, 28 Aug 2014	<b>14258/2014</b>	<b>Zhou, Xuan;GUANGZHOU GARDENART FURNITURE CO.LTD;</b> 06-01G, Alu sofa, 18 Aug 2014	<b>14078/2014</b>
<b>Winiata, Warren;</b> 25-01A, Building block, 27 Aug 2014	<b>14250/2014</b>	<b>Zhou, Xuan;Guangzhou Gardenart Furniture Co. Ltd;</b> 06-01H, Alu chair, 18 Aug 2014	<b>14066/2014</b>
<b>Woods Furniture Pty Ltd;</b> 06-01F, Chair, 28 Aug 2014	<b>14275/2014</b>	<b>Zhou, Xuan;GUANGZHOU GARDENART FURNITURE CO.LTD;</b> 06-01G, Alu sofa, 18 Aug 2014	<b>14076/2014</b>
<b>XCMG Construction Machinery Co., Ltd. Science &amp; Technology Division;</b> 12-08, Driving cabin for machinery, (CN, 23 Jul 2014) 15 Aug 2014	<b>14040/2014</b>	<b>Zhou, Xuan;Guangzhou Gardenart Furniture Co. Ltd;</b> 06-03A, Alu table, 18 Aug 2014	<b>14054/2014</b>
<b>Zenith Interiors Pty Ltd;</b> 06-06NES, Screen, 15 Aug 2014	<b>14042/2014</b>		

**Applications Withdrawn**

12531 / 2014 (09-01NES)	12561 / 2014 (09-01K)
13749 / 2014 (08-08H)	13883 / 2014 (06-01H)
13884 / 2014 (06-01H)	13885 / 2014 (06-01H)
13886 / 2014 (06-01H)	13887 / 2014 (06-01H)
13917 / 2014 (06-01G)	13918 / 2014 (06-01G)
13919 / 2014 (06-01G)	13920 / 2014 (06-01G)
13921 / 2014 (06-01G)	13922 / 2014 (06-01G)
13923 / 2014 (06-01G)	

**Applications Lapsed**

15758 / 2013 (02-07NES)

16673 / 2013 (16-01)	16284 / 2013 (11-01NES)
10766 / 2014 (09-99)	10765 / 2014 (09-99)
11563 / 2014 (14-03NES)	10878 / 2014 (03-01B)
12007 / 2014 (25-01K)	12005 / 2014 (32-03)
12009 / 2014 (25-01NES)	12008 / 2014 (25-01K)
12011 / 2014 (25-01NES)	12010 / 2014 (25-01NES)
12116 / 2014 (03-03)	12087 / 2014 (07-02H)
12143 / 2014 (02-02C)	12138 / 2014 (32-03)
12171 / 2014 (08-06)	12152 / 2014 (10-05)
12223 / 2014 (25-03)	12213 / 2014 (14-02)
12239 / 2014 (32-03)	12224 / 2014 (25-01K)
12314 / 2014 (09-03M)	12249 / 2014 (21-01A)
12375 / 2014 (20-02E)	12338 / 2014 (06-01NES)
12377 / 2014 (20-02E)	12376 / 2014 (20-02E)
12408 / 2014 (12-99)	12404 / 2014 (32-03)
12427 / 2014 (25-04)	12415 / 2014 (02-02NES)
12437 / 2014 (12-16K)	12433 / 2014 (30-01)
12516 / 2014 (15-05)	12484 / 2014 (26-05D)
12527 / 2014 (32-03)	12517 / 2014 (19-08)
12570 / 2014 (03-01B)	12542 / 2014 (12-11)
12663 / 2014 (32-03)	12633 / 2014 (21-02C)



**Extension of Period of Registration of Designs**

326875	326876	327098
327099	327100	327101
327102	327106	327378
327400	327573	327623
327667	327681	327693
327694	327695	327696
327697	327707	327710
327723	327737	327738
327749	327750	327752
327753	327789	327790
327791	327825	327826
327843	327868	327893
327896	327936	327944
327981	327998	328012
328014	328015	328033
328034	328035	328036
328242	328305	328337
328356	328521	328528
328529	328530	328540
328541	328542	328641
328670	328680	328784
328792	328926	329019
329027	329094	329582
330137	330138	

**Registrations Ceased**

300070	300101	300127
300138	300141	300142
300143	300197	300326
300328	300360	300361
300362	300368	300369
300370	300371	300382
300383	300384	300385
300388	300431	300432
300433	300434	300435
300436	300437	300438
300439	300440	300441
300442	300443	300444
300445	300446	300447
300448	300449	300450
300465	300481	300489
300495	300496	300497
300498	300499	300500
300501	300502	300503
300504	300505	300506
300507	300508	300509
300510	300520	300521
300522	300523	300524
300525	300526	300527

300533	300534	300539
300545	300546	300547
300563	300583	300584
300585	300586	300591
300592	300593	300594
300596	300602	300603
300607	300608	300609
300610	300611	300613
300614	300615	300616
300617	300620	300687
300688	300690	300691
300711	300731	300732
300735	300741	300742
300752	300785	300863
300864	300872	300971
301014	301015	301021
301076	301094	301283
301361	301362	301811
301812	301813	301816
301817	301818	301861
302164	302165	302166
302167	302168	302169
302361	302503	302504
302505	302508	302509
304696	324762	324773
324774	324775	324776
324777	324784	324785
324787	324788	324789
324790	324791	324792
324793	324794	324795
324796	324798	324824
324826	324827	324829
324832	324833	324840
324858	324859	324871
324872	324873	324874
324875	324894	324909
324924	324932	324933
324936	324937	324939
324952	324967	324968
324971	324972	324973
324974	325046	325047
325049	325195	325196
325197	325221	325307
325327	325328	325345
325346	325406	325407
325485	325715	325758
325759	325763	325764
325765	325766	325767
325768	325795	325807
325808	325809	325823
325824	325892	326400
326561	326562	326563
326564	326565	327018
327654	327655	327656

327770                      329586                      329587  
330119

**Applications for Extension of time under Section 137**

Applications under section 137 for extension of time have been lodged. Objections must be lodged within 1 month from the date of this journal.

15071/2013 **Inhabit Australasia Pty Ltd** Address for Service: Inhabit Australasia Pty Ltd L1 14 Martin PI Sydney NSW 2000  
11238/2014 **JANE, S.A.** Address for Service: Callinans PO Box 1189 HARTWELL VIC 3124

**Extensions of time granted under Section 137**

Applications lodged under section 137 for extension of time have been granted.

- 324779 **The Scott Fetzer Company**
- 357221 **Gum Drops LLC**
- 357222 **Gum Drops LLC**
- 357223 **Gum Drops LLC**
- 12427/2014 **John Frederick Canaris**

**Subsequent Owners Registered**

(The name in parentheses is that of the subsequent owner)

- 356850    **( Mathew Raymund Norton )** Mathew Raymund Norton;Dong Sig Minh
- 322445    **( Roads and Maritime Services )** Roads and Traffic Authority of New South Wales
- 322446    **( Roads and Maritime Services )** Roads and Traffic Authority of New South Wales
- 338879    **( MSA Technology, LLC )** Mine Safety Appliances Company
- 338880    **( MSA Technology, LLC )** Mine Safety Appliances Company
- 338881    **( MSA Technology, LLC )** Mine Safety Appliances Company
- 338882    **( MSA Technology, LLC )** Mine Safety Appliances Company
- 341207    **( MSA Technology, LLC )** Mine Safety Appliances Company
- 354096    **( Rimack Holdings Ltd )** Mike Horne
- 356109    **( Rimack Holdings Ltd )** Mike Horne
- 306840    **( Doskocil Manufacturing Company Inc. )** Canine Hardware Inc.
- 313328    **( The RectorSeal Corporation )** Ty Gerard Hermans as trustee for Sheba Unit Trust
- 317153    **( The RectorSeal Corporation )** Ty Gerard Hermans
- 317164    **( The RectorSeal Corporation )** Ty Gerard Hermans
- 317165    **( The RectorSeal Corporation )** Ty Gerard Hermans
- 319950    **( The RectorSeal Corporation )** Ty Gerard Hermans
- 320133    **( The RectorSeal Corporation )** Ty Gerard Hermans
- 320511    **( The RectorSeal Corporation )** Ty Gerard Hermans
- 321101    **( The RectorSeal Corporation )** Ty Gerard Hermans
- 323533    **( The RectorSeal Corporation )** Ty Gerard Hermans
- 331871    **( The RectorSeal Corporation )** Ty Gerard Hermans
- 341928    **( The RectorSeal Corporation )** Ty Gerard Hermans

**Names Registered - Alterations and Amendments**

(The name in parentheses is that of the subsequent applicant)

- 329582    **( Barrie I. Middup;Medstor Australia Pty Ltd )** HSD Medstor;Barrie I. Middup
- 321746    **( Medstor Australia Pty Ltd;Barrie I. Middup )** HSD Medstor Pty Ltd/Barrie I. Middup

**Certificate(s) of Examination**

Examination of the following Design Registration(s) has been completed. Infringement proceedings may now be commenced.

324781	26-06	28/08/2014	356463	02-02NES	29/08/2014
325150	12-16B	25/08/2014	356468	02-02C	01/09/2014
325151	12-16B	25/08/2014	356521	15-05	28/08/2014
325153	12-16E	26/08/2014	356526	07-01C	19/08/2014
348805	08-03	27/08/2014	356532	07-01C	19/08/2014
349592	23-01H	25/08/2014	356544	09-01G	25/08/2014
350016	08-08K	26/08/2014	356549	24-99	19/08/2014
350459	21-02F	28/08/2014	356550	24-99	19/08/2014
351036	27-05	28/08/2014	356551	24-99	19/08/2014
351322	26-06	18/08/2014	356638	08-09	18/08/2014
352664	26-06	18/08/2014	356751	07-05A	25/08/2014
352665	26-06	18/08/2014	356765	12-16A	18/08/2014
352668	26-06	18/08/2014	356766	12-16A	18/08/2014
352708	26-06	18/08/2014	356831	04-02	22/08/2014
352739	08-05N	25/08/2014	356904	05-05A	28/08/2014
352741	08-05N	25/08/2014			
352742	08-05N	25/08/2014			
353387	09-02B	27/08/2014			
353959	23-01H	19/08/2014			
353960	23-01H	19/08/2014			
354015	23-01H	19/08/2014			
354356	09-07A	18/08/2014			
354425	21-01E	22/08/2014			
355039	09-01G	19/08/2014			
355068	14-03A	29/08/2014			
355326	14-03A	29/08/2014			
355327	14-03A	29/08/2014			
355329	08-06	20/08/2014			
355329	08-06	20/08/2014			
355449	14-01	21/08/2014			
355590	14-01	21/08/2014			
355591	14-01	21/08/2014			
355593	14-01	21/08/2014			
355594	14-01	21/08/2014			
355751	09-01NES	29/08/2014			
355798	08-99	29/08/2014			
355857	12-08	21/08/2014			
355884	28-03D	22/08/2014			
355924	04-02	22/08/2014			
356002	05-05NES	19/08/2014			
356003	05-05A	19/08/2014			
356008	28-03D	22/08/2014			
356014	09-03K	26/08/2014			
356016	18-01	28/08/2014			
356027	24-04	22/08/2014			
356040	05-05D	26/08/2014			
356041	05-05A	26/08/2014			
356083	08-05M	26/08/2014			
356120	08-05M	27/08/2014			
356121	08-05M	27/08/2014			
356159	12-16K	25/08/2014			
356160	12-16K	25/08/2014			
356197	07-05C	27/08/2014			
356247	07-02L	21/08/2014			
356255	03-01D	26/08/2014			
356317	08-05M	26/08/2014			
356357	03-01D	25/08/2014			
356424	02-02C	28/08/2014			
356460	02-02C	28/08/2014			

**Publication and Registration Proceedings**

**Designs Registered**

This section provides a concordance between design number and registration number of Designs covered in this journal. It also shows the main class and registration date.

This section covers Registration numbers 356940 to 357225 .

The registration number shown below should be used in all future correspondence.

<b>Design Number</b>	<b>Registration Number</b>	<b>International Classification Code (IDC)</b>	<b>Registration Date</b>	<b>Design Number</b>	<b>Registration Number</b>	<b>International Classification Code (IDC)</b>	<b>Registration Date</b>
16610/2012	357221	06-01E	29/08/2014	13260/2014	356965	25-02NES	20/08/2014
16611/2012	357222	06-01E	29/08/2014	13278/2014	357191	06-13B	28/08/2014
16612/2012	357223	06-01E	29/08/2014	13307/2014	357145	06-06E	26/08/2014
10312/2014	357141	08-99	26/08/2014	13326/2014	357175	24-01	27/08/2014
10812/2014	357091	21-02NES	25/08/2014	13351/2014	357214	06-04NES	29/08/2014
10884/2014	357142	09-09	26/08/2014	13370/2014	357075	07-01F	22/08/2014
11343/2014	357085	09-02A	25/08/2014	13393/2014	357027	02-02NES	21/08/2014
11344/2014	357086	23-01F	25/08/2014	13394/2014	357028	02-02C	21/08/2014
11345/2014	357087	23-01F	25/08/2014	13395/2014	357029	02-02C	21/08/2014
11644/2014	356940	12-16K	19/08/2014	13396/2014	357030	02-02C	21/08/2014
11886/2014	357092	07-02G	25/08/2014	13397/2014	357031	02-02C	21/08/2014
11922/2014	357143	07-02R	26/08/2014	13398/2014	357032	02-02C	21/08/2014
11923/2014	357173	07-02R	27/08/2014	13399/2014	357033	02-02C	21/08/2014
11924/2014	357174	14-02	27/08/2014	13400/2014	357034	02-02C	21/08/2014
12120/2014	356948	24-01	20/08/2014	13401/2014	357035	02-02C	21/08/2014
12279/2014	357170	15-07	27/08/2014	13402/2014	357036	02-02C	21/08/2014
12302/2014	356943	06-04NES	19/08/2014	13403/2014	357037	02-02C	21/08/2014
12392/2014	356949	31-00	20/08/2014	13404/2014	357038	02-02C	21/08/2014
12458/2014	357212	31-00	29/08/2014	13405/2014	357039	02-02C	21/08/2014
12475/2014	357213	24-04	29/08/2014	13406/2014	357040	02-02C	21/08/2014
12497/2014	357121	24-01	26/08/2014	13407/2014	357041	02-02C	21/08/2014
12513/2014	356947	03-01NES	20/08/2014	13408/2014	357042	02-02C	21/08/2014
12521/2014	357122	29-02	26/08/2014	13409/2014	357043	02-02C	21/08/2014
12528/2014	357112	09-01NES	25/08/2014	13410/2014	357044	02-02C	21/08/2014
12532/2014	356944	06-02	19/08/2014	13411/2014	357045	02-02C	21/08/2014
12560/2014	357081	09-07C	25/08/2014	13412/2014	357046	02-02C	21/08/2014
12562/2014	357082	22-03	25/08/2014	13413/2014	357047	02-02C	22/08/2014
12563/2014	357083	22-03	25/08/2014	13414/2014	357048	02-02C	22/08/2014
12564/2014	357110	22-03	25/08/2014	13415/2014	357049	02-02C	22/08/2014
12608/2014	357088	06-01D	25/08/2014	13416/2014	357050	02-02C	22/08/2014
12616/2014	357084	18-99	25/08/2014	13417/2014	357051	02-02C	22/08/2014
12639/2014	357123	22-06	26/08/2014	13418/2014	357052	02-02C	22/08/2014
12700/2014	357089	22-01	25/08/2014	13419/2014	357053	02-02C	22/08/2014
12702/2014	357124	16-01	26/08/2014	13420/2014	357054	02-02C	22/08/2014
12888/2014	357066	03-01C	22/08/2014	13421/2014	357055	02-02C	22/08/2014
12984/2014	356992	09-07B	20/08/2014	13422/2014	357056	02-02C	22/08/2014
12985/2014	356993	09-07B	20/08/2014	13423/2014	357057	02-02C	22/08/2014
12986/2014	356994	09-07B	20/08/2014	13424/2014	357058	02-02C	22/08/2014
12987/2014	356995	07-03	20/08/2014	13425/2014	357059	02-02C	22/08/2014
13010/2014	357067	12-16B	22/08/2014	13426/2014	357060	02-02C	22/08/2014
13011/2014	357068	12-16C	22/08/2014	13427/2014	357061	02-02C	22/08/2014
13044/2014	357090	22-01	25/08/2014	13428/2014	357062	02-02C	22/08/2014
13068/2014	356996	14-03NES	20/08/2014	13429/2014	357063	02-02C	22/08/2014
13069/2014	356997	14-03NES	20/08/2014	13430/2014	357064	02-02C	22/08/2014
13095/2014	357224	11-03	29/08/2014	13431/2014	357065	02-02C	22/08/2014
13098/2014	357225	11-03	29/08/2014	13432/2014	357076	15-05	22/08/2014
13125/2014	357144	08-08A	26/08/2014	13433/2014	357077	15-05	22/08/2014
13181/2014	356941	29-01	19/08/2014	13434/2014	357069	02-02C	22/08/2014
13220/2014	356950	09-06	20/08/2014	13435/2014	357070	15-05	22/08/2014
13255/2014	356942	12-16M	19/08/2014	13436/2014	357078	15-05	22/08/2014

Publication and Registration Proceedings - Designs Registered cont'd

Design Number	Registration Number	International Classification Code (IDC)	Registration Date	Design Number	Registration Number	International Classification Code (IDC)	Registration Date
13437/2014	357071	05-05A	22/08/2014	13551/2014	357178	14-03NES	27/08/2014
13438/2014	357079	15-05	22/08/2014	13552/2014	357166	09-03F	27/08/2014
13439/2014	357072	02-02C	22/08/2014	13553/2014	357167	09-07C	27/08/2014
13440/2014	357073	02-02C	22/08/2014	13555/2014	357074	08-09	22/08/2014
13442/2014	356945	02-02C	19/08/2014	13556/2014	357080	08-09	22/08/2014
13446/2014	356946	02-02C	19/08/2014	13559/2014	356998	09-03K	21/08/2014
13456/2014	356981	06-04F	20/08/2014	13560/2014	356999	09-07B	21/08/2014
13457/2014	356951	12-07	20/08/2014	13562/2014	357000	09-05	21/08/2014
13458/2014	356982	02-02NES	20/08/2014	13563/2014	357001	14-03E	21/08/2014
13461/2014	356952	12-07	20/08/2014	13564/2014	357002	13-02	21/08/2014
13462/2014	356953	18-02	20/08/2014	13567/2014	357003	25-01B	21/08/2014
13463/2014	356983	12-07	20/08/2014	13568/2014	357004	14-03NES	21/08/2014
13467/2014	356954	15-05	20/08/2014	13569/2014	357005	23-04	21/08/2014
13468/2014	356984	25-02H	20/08/2014	13571/2014	357006	07-04	21/08/2014
13469/2014	356955	25-02H	20/08/2014	13573/2014	357007	08-08C	21/08/2014
13470/2014	356956	25-01K	20/08/2014	13574/2014	357008	03-01NES	21/08/2014
13471/2014	356985	25-01K	20/08/2014	13575/2014	357009	09-99	21/08/2014
13472/2014	356957	25-01K	20/08/2014	13576/2014	357010	23-02C	21/08/2014
13473/2014	356986	25-01K	20/08/2014	13577/2014	357011	23-02C	21/08/2014
13474/2014	356958	25-01K	20/08/2014	13578/2014	357012	23-02C	21/08/2014
13475/2014	356959	25-01K	20/08/2014	13579/2014	357013	09-03H	21/08/2014
13476/2014	356960	25-01K	20/08/2014	13580/2014	357014	14-01	21/08/2014
13477/2014	356961	25-01K	20/08/2014	13581/2014	357015	09-03H	21/08/2014
13478/2014	356962	25-01K	20/08/2014	13582/2014	357016	09-03H	21/08/2014
13479/2014	356963	25-01K	20/08/2014	13583/2014	357017	09-03H	21/08/2014
13480/2014	356987	25-01K	20/08/2014	13584/2014	357018	09-03H	21/08/2014
13481/2014	356966	25-01K	20/08/2014	13585/2014	357019	08-08L	21/08/2014
13482/2014	356967	25-01K	20/08/2014	13586/2014	357020	09-07C	21/08/2014
13483/2014	356968	25-01K	20/08/2014	13587/2014	357021	09-07A	21/08/2014
13484/2014	356988	25-01K	20/08/2014	13590/2014	357022	12-16NES	21/08/2014
13485/2014	356989	25-01K	20/08/2014	13593/2014	357023	12-16C	21/08/2014
13486/2014	356969	25-01K	20/08/2014	13594/2014	357024	12-16C	21/08/2014
13487/2014	356970	25-01K	20/08/2014	13595/2014	357025	26-06	21/08/2014
13488/2014	356971	06-08	20/08/2014	13596/2014	357026	23-01H	21/08/2014
13509/2014	356972	15-05	20/08/2014	13599/2014	357093	06-01H	25/08/2014
13510/2014	356990	12-08	20/08/2014	13600/2014	357094	06-01E	25/08/2014
13511/2014	356973	15-05	20/08/2014	13601/2014	357095	14-01	25/08/2014
13512/2014	356974	15-05	20/08/2014	13602/2014	357096	07-06A	25/08/2014
13513/2014	356991	15-05	20/08/2014	13603/2014	357097	09-03M	25/08/2014
13514/2014	356975	21-02F	20/08/2014	13608/2014	357098	13-03NES	25/08/2014
13516/2014	356976	13-03B	20/08/2014	13609/2014	357099	26-05E	25/08/2014
13517/2014	356977	13-03B	20/08/2014	13612/2014	357100	14-03E	25/08/2014
13518/2014	356978	13-03B	20/08/2014	13613/2014	357101	25-02C	25/08/2014
13519/2014	356979	15-05	20/08/2014	13615/2014	357102	05-05A	25/08/2014
13520/2014	356980	15-05	20/08/2014	13619/2014	357111	24-02	25/08/2014
13523/2014	357217	20-02NES	29/08/2014	13621/2014	357103	12-02	25/08/2014
13524/2014	357218	20-02NES	29/08/2014	13622/2014	357125	12-02	26/08/2014
13525/2014	357219	19-08	29/08/2014	13625/2014	357104	08-08C	25/08/2014
13529/2014	357220	10-99	29/08/2014	13627/2014	357105	07-02F	25/08/2014
13542/2014	357162	02-04C	27/08/2014	13629/2014	357168	07-01F	27/08/2014
13543/2014	357163	02-04C	27/08/2014	13630/2014	357106	09-07B	25/08/2014
13547/2014	357176	24-02	27/08/2014	13631/2014	357107	09-07B	25/08/2014
13548/2014	357164	30-99	27/08/2014	13632/2014	357108	09-01D	25/08/2014
13549/2014	357177	12-12	27/08/2014	13633/2014	357109	06-01E	25/08/2014
13550/2014	357165	09-03K	27/08/2014	13635/2014	357126	23-01C	26/08/2014

Publication and Registration Proceedings - Designs Registered cont'd

Design Number	Registration Number	International Classification Code (IDC)	Registration Date	Design Number	Registration Number	International Classification Code (IDC)	Registration Date
13636/2014	357127	23-01C	26/08/2014	13709/2014	357161	12-05	26/08/2014
13637/2014	357128	23-01C	26/08/2014	13714/2014	357180	12-16A	27/08/2014
13638/2014	357129	12-12	26/08/2014	13718/2014	357181	07-06A	27/08/2014
13639/2014	357130	06-06A	26/08/2014	13719/2014	357182	07-06A	27/08/2014
13641/2014	357131	06-01F	26/08/2014	13720/2014	357183	07-06A	27/08/2014
13644/2014	357132	06-13NES	26/08/2014	13721/2014	357184	07-06A	27/08/2014
13652/2014	357133	06-13B	26/08/2014	13722/2014	357185	07-06A	27/08/2014
13653/2014	357134	12-15A	26/08/2014	13723/2014	357186	07-06A	27/08/2014
13654/2014	357135	14-01	26/08/2014	13724/2014	357187	07-06A	27/08/2014
13655/2014	357136	14-01	26/08/2014	13731/2014	357188	26-06	27/08/2014
13656/2014	357137	13-02	26/08/2014	13732/2014	357189	26-06	27/08/2014
13657/2014	357138	12-10	26/08/2014	13733/2014	357215	21-01E	29/08/2014
13658/2014	357139	13-02	26/08/2014	13736/2014	357190	12-15A	27/08/2014
13659/2014	357140	08-08D	26/08/2014	13738/2014	357216	09-03M	29/08/2014
13660/2014	357146	13-02	26/08/2014	13782/2014	357193	03-01A	28/08/2014
13661/2014	357147	15-05	26/08/2014	13783/2014	357194	08-08D	28/08/2014
13662/2014	357148	08-08L	26/08/2014	13784/2014	357195	08-08D	28/08/2014
13663/2014	357149	13-02	26/08/2014	13787/2014	357196	03-01A	28/08/2014
13664/2014	357150	13-02	26/08/2014	13788/2014	357197	03-01A	28/08/2014
13665/2014	357151	26-05A	26/08/2014	13789/2014	357198	08-07	28/08/2014
13666/2014	357152	13-02	26/08/2014	13790/2014	357199	08-07	28/08/2014
13667/2014	357153	13-02	26/08/2014	13791/2014	357200	08-07	28/08/2014
13673/2014	357192	03-01B	28/08/2014	13792/2014	357201	08-07	28/08/2014
13677/2014	357113	14-04	25/08/2014	13808/2014	357202	31-00	28/08/2014
13680/2014	357114	14-04	25/08/2014	13815/2014	357203	09-01D	28/08/2014
13681/2014	357115	14-04	25/08/2014	13820/2014	357204	06-03B	28/08/2014
13682/2014	357116	14-04	25/08/2014	13822/2014	357205	21-02C	28/08/2014
13684/2014	357117	14-04	25/08/2014	13823/2014	357206	09-01K	28/08/2014
13685/2014	357118	14-04	25/08/2014	13824/2014	357207	09-01K	28/08/2014
13686/2014	357119	14-04	25/08/2014	13825/2014	357208	12-16E	28/08/2014
13687/2014	357120	14-04	25/08/2014	13828/2014	357209	09-01NES	28/08/2014
13689/2014	357154	23-02B	26/08/2014	13831/2014	357210	09-07C	28/08/2014
13690/2014	357155	01-01	26/08/2014	13832/2014	357211	12-16B	28/08/2014
13691/2014	357179	08-07	27/08/2014	14007/2014	357169	07-01F	27/08/2014
13693/2014	357156	23-02B	26/08/2014	14059/2014	356964	03-01NES	20/08/2014
13694/2014	357157	01-01	26/08/2014	14079/2014	357171	15-99	27/08/2014
13695/2014	357158	01-01	26/08/2014	14080/2014	357172	08-99	27/08/2014
13696/2014	357159	12-05	26/08/2014				
13697/2014	357160	12-15A	26/08/2014				

**Publication and Registration Proceedings**

**Class Listing of Designs Published or Registered**

The following section shows an International Classification Code listing of the Registered or Published Designs covered in this supplement.

<b>Classification</b>	<b>Registration Number</b>	<b>Design Number</b>	<b>Classification</b>	<b>Registration Number</b>	<b>Design Number</b>
01-01	357155	13690/2014	02-02NES	357045	13411/2014
01-01	357157	13694/2014	02-02NES	357046	13412/2014
01-01	357158	13695/2014	02-02NES	357047	13413/2014
02-02B	357191	13278/2014	02-02NES	357048	13414/2014
02-02C	356945	13442/2014	02-04C	357162	13542/2014
02-02C	356946	13446/2014	02-04C	357163	13543/2014
02-02C	357028	13394/2014	02-99	357047	13413/2014
02-02C	357029	13395/2014	03-01A	357193	13782/2014
02-02C	357030	13396/2014	03-01A	357196	13787/2014
02-02C	357031	13397/2014	03-01A	357197	13788/2014
02-02C	357032	13398/2014	03-01B	357192	13673/2014
02-02C	357033	13399/2014	03-01C	357066	12888/2014
02-02C	357034	13400/2014	03-01NES	356947	12513/2014
02-02C	357035	13401/2014	03-01NES	356964	14059/2014
02-02C	357036	13402/2014	03-01NES	357008	13574/2014
02-02C	357037	13403/2014	04-01	357070	13435/2014
02-02C	357038	13404/2014	04-01	357076	13432/2014
02-02C	357039	13405/2014	04-01	357077	13433/2014
02-02C	357040	13406/2014	04-01	357078	13436/2014
02-02C	357041	13407/2014	04-01	357079	13438/2014
02-02C	357042	13408/2014	05-05A	357071	13437/2014
02-02C	357043	13409/2014	05-05A	357102	13615/2014
02-02C	357044	13410/2014	06-01D	357088	12608/2014
02-02C	357045	13411/2014	06-01E	357094	13600/2014
02-02C	357046	13412/2014	06-01E	357109	13633/2014
02-02C	357047	13413/2014	06-01E	357221	16610/2012
02-02C	357048	13414/2014	06-01E	357222	16611/2012
02-02C	357049	13415/2014	06-01E	357223	16612/2012
02-02C	357050	13416/2014	06-01F	357131	13641/2014
02-02C	357051	13417/2014	06-01H	357093	13599/2014
02-02C	357052	13418/2014	06-02	356944	12532/2014
02-02C	357053	13419/2014	06-03B	357204	13820/2014
02-02C	357054	13420/2014	06-04F	356981	13456/2014
02-02C	357055	13421/2014	06-04NES	356943	12302/2014
02-02C	357056	13422/2014	06-04NES	357214	13351/2014
02-02C	357057	13423/2014	06-06A	357130	13639/2014
02-02C	357058	13424/2014	06-06E	357145	13307/2014
02-02C	357059	13425/2014	06-06G	357132	13644/2014
02-02C	357060	13426/2014	06-08	356971	13488/2014
02-02C	357061	13427/2014	06-13B	357133	13652/2014
02-02C	357062	13428/2014	06-13B	357191	13278/2014
02-02C	357063	13429/2014	06-13NES	357132	13644/2014
02-02C	357064	13430/2014	06-13NES	357191	13278/2014
02-02C	357065	13431/2014	07-01F	357075	13370/2014
02-02C	357069	13434/2014	07-01F	357168	13629/2014
02-02C	357072	13439/2014	07-01F	357169	14007/2014
02-02C	357073	13440/2014	07-02F	357105	13627/2014
02-02NES	356982	13458/2014	07-02G	357092	11886/2014
02-02NES	357027	13393/2014	07-02NES	357143	11922/2014
02-02NES	357038	13404/2014	07-02R	357143	11922/2014
02-02NES	357042	13408/2014	07-02R	357173	11923/2014
02-02NES	357043	13409/2014	07-03	356995	12987/2014
02-02NES	357044	13410/2014	07-04	357006	13571/2014

Registration Proceedings - Class Listing of Designs Published or Registered cont'd

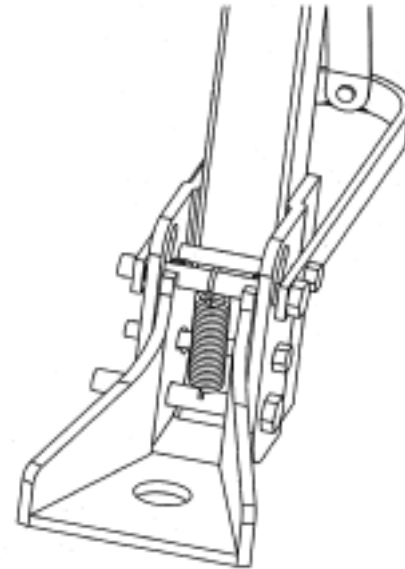
Classification	Registration Number	Design Number	Classification	Registration Number	Design Number
07-06A	357096	13602/2014	09-07B	357107	13631/2014
07-06A	357181	13718/2014	09-07C	357020	13586/2014
07-06A	357182	13719/2014	09-07C	357081	12560/2014
07-06A	357183	13720/2014	09-07C	357167	13553/2014
07-06A	357184	13721/2014	09-07C	357210	13831/2014
07-06A	357185	13722/2014	09-07NES	357106	13630/2014
07-06A	357186	13723/2014	09-07NES	357107	13631/2014
07-06A	357187	13724/2014	09-08	357159	13696/2014
08-06	357145	13307/2014	09-09	357142	10884/2014
08-07	357179	13691/2014	09-99	357009	13575/2014
08-07	357198	13789/2014	10-99	357220	13529/2014
08-07	357199	13790/2014	11-03	357224	13095/2014
08-07	357200	13791/2014	11-03	357225	13098/2014
08-07	357201	13792/2014	12-02	357103	13621/2014
08-08A	357144	13125/2014	12-02	357125	13622/2014
08-08C	357007	13573/2014	12-05	357159	13696/2014
08-08C	357104	13625/2014	12-05	357161	13709/2014
08-08D	357140	13659/2014	12-07	356951	13457/2014
08-08D	357194	13783/2014	12-07	356952	13461/2014
08-08D	357195	13784/2014	12-07	356983	13463/2014
08-08L	357019	13585/2014	12-08	356990	13510/2014
08-08L	357148	13662/2014	12-10	357138	13657/2014
08-08NES	356965	13260/2014	12-12	357129	13638/2014
08-08NES	357003	13567/2014	12-12	357177	13549/2014
08-09	357074	13555/2014	12-15A	357134	13653/2014
08-09	357080	13556/2014	12-15A	357160	13697/2014
08-99	357141	10312/2014	12-15A	357190	13736/2014
08-99	357172	14080/2014	12-15B	357160	13697/2014
09-01D	357108	13632/2014	12-15B	357190	13736/2014
09-01D	357203	13815/2014	12-16A	357180	13714/2014
09-01K	357206	13823/2014	12-16B	357067	13010/2014
09-01K	357207	13824/2014	12-16B	357211	13832/2014
09-01NES	357112	12528/2014	12-16C	357023	13593/2014
09-01NES	357209	13828/2014	12-16C	357024	13594/2014
09-02A	357085	11343/2014	12-16C	357068	13011/2014
09-03F	356998	13559/2014	12-16E	357208	13825/2014
09-03F	357166	13552/2014	12-16K	356940	11644/2014
09-03H	357013	13579/2014	12-16M	356942	13255/2014
09-03H	357015	13581/2014	12-16NES	357022	13590/2014
09-03H	357016	13582/2014	12-16NES	357171	14079/2014
09-03H	357017	13583/2014	13-02	357002	13564/2014
09-03H	357018	13584/2014	13-02	357137	13656/2014
09-03K	356998	13559/2014	13-02	357139	13658/2014
09-03K	357165	13550/2014	13-02	357146	13660/2014
09-03L	357186	13723/2014	13-02	357149	13663/2014
09-03M	357097	13603/2014	13-02	357150	13664/2014
09-03M	357216	13738/2014	13-02	357152	13666/2014
09-03NES	357008	13574/2014	13-02	357153	13667/2014
09-05	357000	13562/2014	13-03B	356976	13516/2014
09-06	356950	13220/2014	13-03B	356977	13517/2014
09-07A	357021	13587/2014	13-03B	356978	13518/2014
09-07B	356992	12984/2014	13-03NES	357098	13608/2014
09-07B	356993	12985/2014	14-01	357014	13580/2014
09-07B	356994	12986/2014	14-01	357095	13601/2014
09-07B	356999	13560/2014	14-01	357135	13654/2014
09-07B	357106	13630/2014	14-01	357136	13655/2014



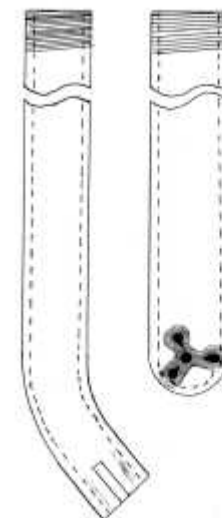
Registration Proceedings - Class Listing of Designs Published or Registered cont'd

Classification	Registration Number	Design Number	Classification	Registration Number	Design Number
14-02	357174	11924/2014	23-01H	357026	13596/2014
14-03E	357001	13563/2014	23-02B	357154	13689/2014
14-03E	357100	13612/2014	23-02B	357156	13693/2014
14-03NES	356996	13068/2014	23-02C	357010	13576/2014
14-03NES	356997	13069/2014	23-02C	357011	13577/2014
14-03NES	357004	13568/2014	23-02C	357012	13578/2014
14-03NES	357178	13551/2014	23-04	357005	13569/2014
14-04	357113	13677/2014	24-01	356948	12120/2014
14-04	357114	13680/2014	24-01	357121	12497/2014
14-04	357115	13681/2014	24-01	357175	13326/2014
14-04	357116	13682/2014	24-02	357111	13619/2014
14-04	357117	13684/2014	24-02	357151	13665/2014
14-04	357118	13685/2014	24-02	357176	13547/2014
14-04	357119	13686/2014	24-04	357176	13547/2014
14-04	357120	13687/2014	24-04	357213	12475/2014
15-01	357171	14079/2014	25-01B	357003	13567/2014
15-05	356954	13467/2014	25-01K	356955	13469/2014
15-05	356972	13509/2014	25-01K	356956	13470/2014
15-05	356973	13511/2014	25-01K	356957	13472/2014
15-05	356974	13512/2014	25-01K	356958	13474/2014
15-05	356979	13519/2014	25-01K	356959	13475/2014
15-05	356980	13520/2014	25-01K	356960	13476/2014
15-05	356991	13513/2014	25-01K	356961	13477/2014
15-05	357070	13435/2014	25-01K	356962	13478/2014
15-05	357076	13432/2014	25-01K	356963	13479/2014
15-05	357077	13433/2014	25-01K	356966	13481/2014
15-05	357078	13436/2014	25-01K	356967	13482/2014
15-05	357079	13438/2014	25-01K	356968	13483/2014
15-05	357147	13661/2014	25-01K	356969	13486/2014
15-07	357170	12279/2014	25-01K	356970	13487/2014
15-99	357171	14079/2014	25-01K	356984	13468/2014
16-01	357124	12702/2014	25-01K	356985	13471/2014
18-02	356953	13462/2014	25-01K	356986	13473/2014
18-99	357084	12616/2014	25-01K	356987	13480/2014
19-08	357219	13525/2014	25-01K	356988	13484/2014
20-02NES	357217	13523/2014	25-01K	356989	13485/2014
20-02NES	357218	13524/2014	25-02C	357101	13613/2014
20-03NES	357217	13523/2014	25-02H	356955	13469/2014
21-01E	357215	13733/2014	25-02H	356984	13468/2014
21-02C	357205	13822/2014	25-02H	357138	13657/2014
21-02F	356975	13514/2014	25-02NES	356965	13260/2014
21-02NES	357091	10812/2014	26-05A	357151	13665/2014
22-01	357089	12700/2014	26-05E	357099	13609/2014
22-01	357090	13044/2014	26-06	357025	13595/2014
22-03	357082	12562/2014	26-06	357188	13731/2014
22-03	357083	12563/2014	26-06	357189	13732/2014
22-03	357110	12564/2014	29-01	356941	13181/2014
22-06	357123	12639/2014	29-02	357122	12521/2014
23-01A	357020	13586/2014	30-99	357164	13548/2014
23-01C	357126	13635/2014	31-00	356949	12392/2014
23-01C	357127	13636/2014	31-00	357202	13808/2014
23-01C	357128	13637/2014	31-00	357212	12458/2014
23-01F	357085	11343/2014			
23-01F	357086	11344/2014			
23-01F	357087	11345/2014			

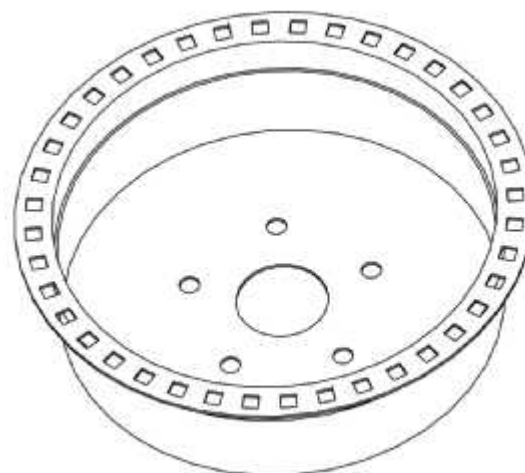
- (21) Design Number: **11644/2014**  
(22) Date of Filing Application: **02 April 2014**  
(24) Date from which industrial property rights may have effect: **02 April 2014**  
(54) Product in respect of which the design is registered: **A bicycle rack**  
(51) International Design Classification: **12-16K**  
(74) Name(s) of Attorney(s): **Halfords IP**  
(71) Name(s) and Address(s) of Applicant(s):  
**Natural Product Solutions Pty Ltd**  
**1072 Centre Rd South Oakleigh VIC 3167 Australia**  
(72) Name(s) of Designer(s): **Paul Ryan**  
(45) Registration Date: **19 August 2014**  
(56) Related Art Documents: **Not Applicable**  
(57) Statement of Newness and Distinctiveness: **Newness and distinctiveness resides in the shape and or configuration of a bicycle rack as depicted in the accompanying representations.**



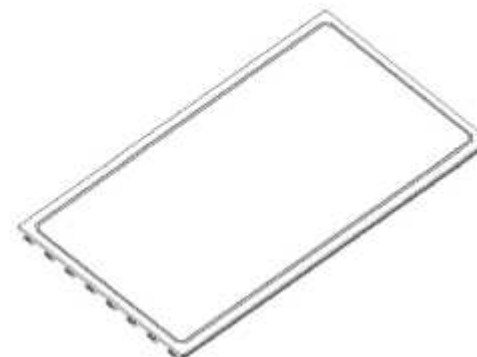
- (21) Design Number: **13181/2014**  
(22) Date of Filing Application: **30 June 2014**  
(24) Date from which industrial property rights may have effect: **30 June 2014**  
(54) Product in respect of which the design is registered: **Tree Hollow Extinguisher**  
(51) International Design Classification: **29-01**  
(74) Name(s) of Attorney(s):  
(71) Name(s) and Address(s) of Applicant(s):  
**John Albert Jordan**  
**35 Hayes Gully Rd PO BOX 10 Tooborac VIC 3522 Australia**  
(72) Name(s) of Designer(s): **John Albert Jordan**  
(45) Registration Date: **19 August 2014**  
(56) Related Art Documents: **Not Applicable**  
(57) Statement of Newness and Distinctiveness: **An accessory that can put out fires in hollows of trees at heights that normal fire fighting accessories can not reach eg; Heights up above 3.5 Mtrs**



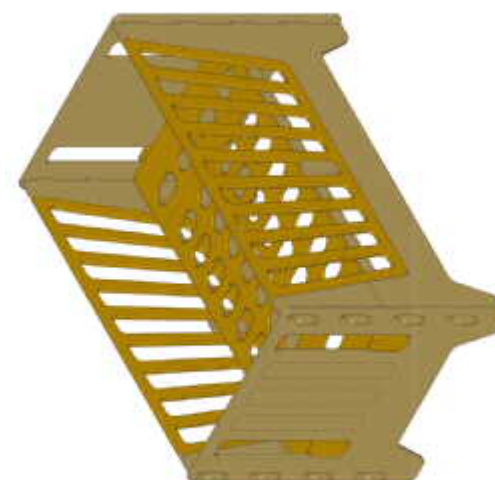
(21) Design Number: **13255/2014**  
(22) Date of Filing Application: **03 July 2014**  
(24) Date from which industrial property rights may have effect: **03 July 2014**  
(54) Product in respect of which the design is registered: **Flanged brake drum cover**  
(51) International Design Classification: **12-16M**  
(74) Name(s) of Attorney(s): **Lesicar Maynard Andrews Pty Ltd**  
(71) Name(s) and Address(s) of Applicant(s):  
**R.V. Electronics Pty Ltd**  
**1 Ardtornish St Holden Hill SA 5088 Australia**  
(72) Name(s) of Designer(s): **Colin Pasfield**  
(45) Registration Date: **19 August 2014**  
(56) Related Art Documents: **Not Applicable**  
(57) Statement of Newness and Distinctiveness: **Newness and distinctiveness lie in the shape and/or configuration of the Flanged Brake Drum Cover, in particular the flange with apertures.**



(21) Design Number: **12302/2014**  
(22) Date of Filing Application: **14 May 2014**  
(24) Date from which industrial property rights may have effect: **03 March 2014**  
(54) Product in respect of which the design is registered: **Rack rear wall**  
(51) International Design Classification: **06-04NES**  
(74) Name(s) of Attorney(s): **Davies Collison Cave**  
(71) Name(s) and Address(s) of Applicant(s):  
**Tegometall International AG**  
**Industriestrasse 7 Lengwil 8574 Switzerland**  
(72) Name(s) of Designer(s): **Ulrich Bohnacker**  
(45) Registration Date: **19 August 2014**  
(30) Convention priority data:  
(31) Number (32) Date (33) Country  
**001382048-0004 02 Sep 2013 OFFICE FOR HARMONISATION IN THE INTERNAL MARKET (OHIM)**  
(62) Divisional of: **355618**  
(56) Related Art Documents: **Not Applicable**  
(57) Statement of Newness and Distinctiveness: **Nil**



- (21) Design Number: **12532/2014**  
(22) Date of Filing Application: **23 May 2014**  
(24) Date from which industrial property rights may have effect: **23 May 2014**  
(54) Product in respect of which the design is registered: **Bed and cot assembly**  
(51) International Design Classification: **06-02**  
(74) Name(s) of Attorney(s): **PHILLIPS ORMONDE FITZPATRICK**  
(71) Name(s) and Address(s) of Applicant(s):  
**Marc Dietrich**  
**23 Bronhill Rd Ringwood East VIC 3135 Australia**  
(72) Name(s) of Designer(s): **Marc Dietrich**  
(45) Registration Date: **19 August 2014**  
(56) Related Art Documents: **Not Applicable**  
(57) Statement of Newness and Distinctiveness: **The newness and distinctiveness of the bed and cot assembly resides in the shape and/or configuration. The portions of the bed or cot assembly shown in the representations as being bounded by dashed lines may or may not form part of the design.**



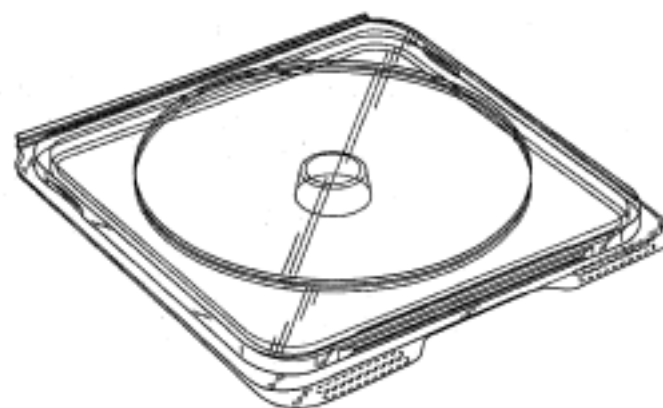
- (21) Design Number: **13442/2014**  
(22) Date of Filing Application: **14 July 2014**  
(24) Date from which industrial property rights may have effect: **14 July 2014**  
(54) Product in respect of which the design is registered: **A dress**  
(51) International Design Classification: **02-02C**  
(74) Name(s) of Attorney(s):  
(71) Name(s) and Address(s) of Applicant(s):  
**AUSTRALIAN FASHION LABELS PTY LTD**  
**106 Currie St Adelaide SA 5000 Australia**  
(72) Name(s) of Designer(s): **Kate Anderson and Hannah Virgo-Colbey**  
(45) Registration Date: **19 August 2014**  
(56) Related Art Documents: **Not Applicable**  
(57) Statement of Newness and Distinctiveness: **Newness and distinctiveness resides in the features of shape, configuration and ornamentation of a dress as shown in the accompanying representations.**



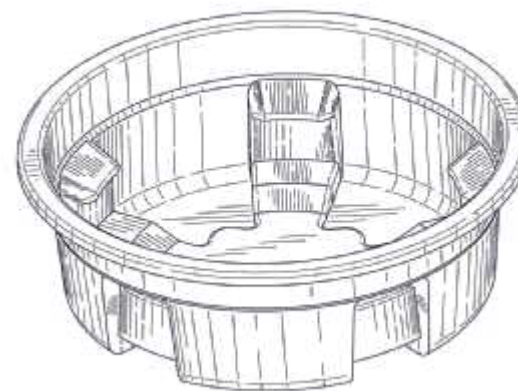
(21) Design Number: **13446/2014**  
(22) Date of Filing Application: **14 July 2014**  
(24) Date from which industrial property rights may have effect: **14 July 2014**  
(54) Product in respect of which the design is registered: **A dress**  
(51) International Design Classification: **02-02C**  
(74) Name(s) of Attorney(s):  
(71) Name(s) and Address(s) of Applicant(s):  
**AUSTRALIAN FASHION LABELS PTY LTD**  
**106 Currie St Adelaide SA 5000 Australia**  
(72) Name(s) of Designer(s): **Carmen Dugan**  
(45) Registration Date: **19 August 2014**  
(56) Related Art Documents: **Not Applicable**  
(57) Statement of Newness and Distinctiveness: **Newness and distinctiveness resides in the features of shape and configuration of a dress as shown in the accompanying representations.**



(21) Design Number: **12513/2014**  
(22) Date of Filing Application: **21 May 2014**  
(24) Date from which industrial property rights may have effect: **21 May 2014**  
(54) Product in respect of which the design is registered: **Package for ostomy barrier ring**  
(51) International Design Classification: **03-01NES**  
(74) Name(s) of Attorney(s): **PHILLIPS ORMONDE FITZPATRICK**  
(71) Name(s) and Address(s) of Applicant(s):  
**Hollister Incorporated**  
**2000 Hollister Drive Libertyville Illinois 60048 United States of America**  
(72) Name(s) of Designer(s): **Cale N Street and Dion A Jackson and Russell J Todd**  
(45) Registration Date: **20 August 2014**  
(30) Convention priority data:  
(31) Number (32) Date (33) Country  
**29/478,080 31 Dec 2013 UNITED STATES OF AMERICA**  
(56) Related Art Documents: **Not Applicable**  
(57) Statement of Newness and Distinctiveness: **Those features of the package for ostomy barrier ring depicted in the representations that are new and distinctive are the shape and/or configuration. The features shown in broken lines are not part of the design and are to be disregarded when considering the overall impression of the design**



(21) Design Number: **12120/2014**  
(22) Date of Filing Application: **02 May 2014**  
(24) Date from which industrial property rights may have effect: **02 May 2014**  
(54) Product in respect of which the design is registered: **Guide wire bowl**  
(51) International Design Classification: **24-01**  
(74) Name(s) of Attorney(s): **IP Gateway Patent & Trademark Attorneys Pty Ltd**  
(71) Name(s) and Address(s) of Applicant(s):  
**Medline Industries, Inc.**  
**One Medline Place Mundelein Illinois 60060 United States of America**  
(72) Name(s) of Designer(s): **Brian Foley and XingQuan Ren**  
(45) Registration Date: **20 August 2014**  
(30) Convention priority data:  
(31) Number (32) Date (33) Country  
**29/472,072 08 Nov 2013 UNITED STATES OF AMERICA**  
(56) Related Art Documents: **Not Applicable**  
(57) Statement of Newness and Distinctiveness: **Newness and distinctiveness reside in the visual features of shape and/or configuration of a guide wire bowl as shown in solid lines in the representations.**



(21) Design Number: **12392/2014**  
(22) Date of Filing Application: **16 May 2014**  
(24) Date from which industrial property rights may have effect: **16 May 2014**  
(54) Product in respect of which the design is registered: **Dispenser**  
(51) International Design Classification: **31-00**  
(74) Name(s) of Attorney(s): **SPRUSON & FERGUSON**  
(71) Name(s) and Address(s) of Applicant(s):  
**PepsiCo, Inc.**  
**700 Anderson Hill Road Purchase New York 10577 United States of America**  
(72) Name(s) of Designer(s): **Martin Eduardo Broen and Stephen Lim and Martin Ivar Franzen**  
(45) Registration Date: **20 August 2014**  
(30) Convention priority data:  
(31) Number (32) Date (33) Country  
**29/472886 17 Nov 2013 UNITED STATES OF AMERICA**  
(56) Related Art Documents: **Not Applicable**  
(57) Statement of Newness and Distinctiveness: **Newness and distinctiveness is claimed in those features of shape and/or configuration of a dispenser illustrated in continuous lines in the accompanying representations.**



- (21) Design Number: **13220/2014**  
(22) Date of Filing Application: **02 July 2014**  
(24) Date from which industrial property rights may have effect: **02 July 2014**  
(54) Product in respect of which the design is registered: **Strapping device**  
(51) International Design Classification: **09-06**  
(74) Name(s) of Attorney(s): **Davies Collison Cave**  
(71) Name(s) and Address(s) of Applicant(s):  
**Physical Revolution Pty Ltd**  
**4 Lambert Ave Newtown VIC 3220 Australia**  
(72) Name(s) of Designer(s): **Chris Chalmers**  
(45) Registration Date: **20 August 2014**  
(56) Related Art Documents: **Not Applicable**  
(57) Statement of Newness and Distinctiveness: **Newness and distinctiveness is claimed in the features of shape and configuration of a strapping device as shown in the representations. The container and lid do not form part of the design.**



- (21) Design Number: **13457/2014**  
(22) Date of Filing Application: **15 July 2014**  
(24) Date from which industrial property rights may have effect: **15 July 2014**  
(54) Product in respect of which the design is registered: **Aeroplane**  
(51) International Design Classification: **12-07**  
(74) Name(s) of Attorney(s): **Griffith Hack**  
(71) Name(s) and Address(s) of Applicant(s):  
**Astrium SAS**  
**12 rue Pasteur Suresnes 92150 France**  
(72) Name(s) of Designer(s): **Angelique Santerre and Thierry Pichard and Eugenio Ferreira and Jean-Philippe Dutheil and Benjamin Faure and Christophe Chavagnac**  
(45) Registration Date: **20 August 2014**  
(30) Convention priority data:  
(31) Number (32) Date (33) Country  
**002399592-0001 06 Feb 2014 OFFICE FOR HARMONISATION IN THE INTERNAL MARKET (OHIM)**  
(56) Related Art Documents: **Not Applicable**  
(57) Statement of Newness and Distinctiveness: **Newness and distinctiveness resides in the visual features, including the shape and configuration of the product shown in the representations.**



(21) Design Number: **13461/2014**  
(22) Date of Filing Application: **15 July 2014**  
(24) Date from which industrial property rights may have effect: **15 July 2014**  
(54) Product in respect of which the design is registered: **Aeroplane**  
(51) International Design Classification: **12-07**  
(74) Name(s) of Attorney(s): **Griffith Hack**  
(71) Name(s) and Address(s) of Applicant(s):



**Astrium SAS**  
**12 rue Pasteur Suresnes 92150 France**

(72) Name(s) of Designer(s): **Angelique Santerre and Thierry Pichard and Eugenio Ferreira and Jean-Philippe Dutheil and Benjamin Faure and Christophe Chavagnac**

(45) Registration Date: **20 August 2014**

(30) Convention priority data:

(31) Number	(32) Date	(33) Country
<b>002399592-0002</b>	<b>06 Feb 2014</b>	<b>OFFICE FOR HARMONISATION IN THE INTERNAL MARKET (OHIM)</b>

(56) Related Art Documents: **Not Applicable**

(57) Statement of Newness and Distinctiveness: **Newness and distinctiveness resides in the visual features, including the shape and configuration of the product shown in the representations.**

(21) Design Number: **13462/2014**  
(22) Date of Filing Application: **15 July 2014**  
(24) Date from which industrial property rights may have effect: **15 July 2014**  
(54) Product in respect of which the design is registered: **Stamp molding machine**  
(51) International Design Classification: **18-02**  
(74) Name(s) of Attorney(s): **Madderns**  
(71) Name(s) and Address(s) of Applicant(s):



**Shachihata Inc**  
**No 69 4-chome Amazuka-cho Nishi-ku Nagoya-shi Aichi 451-0021 Japan**

(72) Name(s) of Designer(s): **Masaki Kida and Motohide Imaizumi**

(45) Registration Date: **20 August 2014**

(30) Convention priority data:

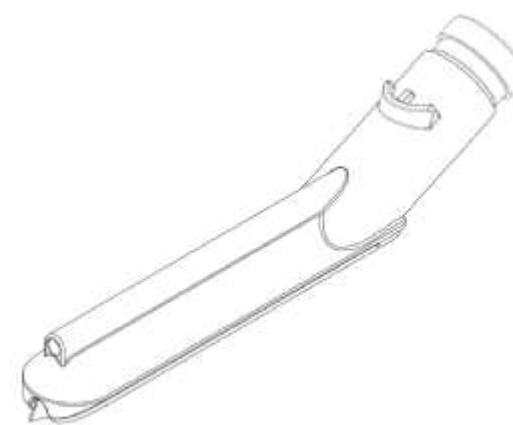
(31) Number	(32) Date	(33) Country
<b>2014-000744</b>	<b>17 Jan 2014</b>	<b>JAPAN</b>

(56) Related Art Documents: **Not Applicable**

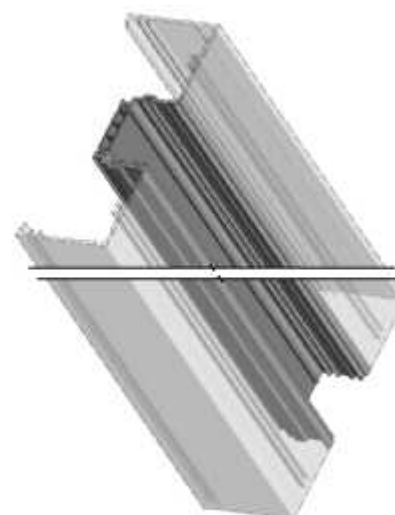
(57) Statement of Newness and Distinctiveness: **Newness and distinctiveness resides in the features of shape and configuration applied to a stamp molding machine as illustrated in the accompanying representations.**



- (21) Design Number: **13467/2014**  
(22) Date of Filing Application: **16 July 2014**  
(24) Date from which industrial property rights may have effect: **16 July 2014**  
(54) Product in respect of which the design is registered: **A tool for a vacuum cleaner**  
(51) International Design Classification: **15-05**  
(74) Name(s) of Attorney(s): **Shelston IP**  
(71) Name(s) and Address(s) of Applicant(s):  
**Dyson Technology Limited**  
**Tetbury Hill Malmesbury Wiltshire SN16 0RP United Kingdom**  
(72) Name(s) of Designer(s): **Sean Ventress and Adam James Bates and Andrea Ee-Va Lim and Peter David Gammack and James Dyson**  
(45) Registration Date: **20 August 2014**  
(30) Convention priority data:  
(31) Number (32) Date (33) Country  
**002402057-0002 10 Feb 2014 OFFICE FOR HARMONISATION IN THE INTERNAL MARKET (OHIM)**  
(56) Related Art Documents: **Not Applicable**  
(57) Statement of Newness and Distinctiveness: **Newness and distinctiveness reside in the features of shape and/or configuration of A TOOL FOR A VACUUM CLEANER as illustrated in solid lines in the accompanying representations. The features shown in broken lines are illustrative only and do not form part of the design.**



- (21) Design Number: **13469/2014**  
(22) Date of Filing Application: **16 July 2014**  
(24) Date from which industrial property rights may have effect: **16 July 2014**  
(54) Product in respect of which the design is registered: **Frame assembly**  
(51) International Design Classification: **25-02H, 25-01K**  
(74) Name(s) of Attorney(s): **Freehills Patent Attorneys**  
(71) Name(s) and Address(s) of Applicant(s):  
**Aluminium Specialties Group Pty Ltd**  
**3 Alspec PI Eastern Creek NSW 2766 Australia**  
(72) Name(s) of Designer(s): **Joseph Barletta and Vince Ravese**  
(45) Registration Date: **20 August 2014**  
(56) Related Art Documents: **Not Applicable**  
(57) Statement of Newness and Distinctiveness: **Newness and distinctiveness resides in the features of shape and/or configuration of a frame assembly of indefinite length as shown in solid lines in the accompanying representations.**



- (21) Design Number: **13470/2014**  
(22) Date of Filing Application: **16 July 2014**  
(24) Date from which industrial property rights may have effect: **16 July 2014**  
(54) Product in respect of which the design is registered: **Extrusion**  
(51) International Design Classification: **25-01K**  
(74) Name(s) of Attorney(s): **Freehills Patent Attorneys**  
(71) Name(s) and Address(s) of Applicant(s):  
**Aluminium Specialties Group Pty Ltd**  
**3 Alspeg PI Eastern Creek NSW 2766 Australia**  
(72) Name(s) of Designer(s): **Joseph Barletta and Vince Ravese**  
(45) Registration Date: **20 August 2014**  
(56) Related Art Documents: **Not Applicable**  
(57) Statement of Newness and Distinctiveness: **Newness and distinctiveness resides in the features of shape and/or configuration of an extrusion of indefinite length as shown in the accompanying representations.**



- (21) Design Number: **13472/2014**  
(22) Date of Filing Application: **16 July 2014**  
(24) Date from which industrial property rights may have effect: **16 July 2014**  
(54) Product in respect of which the design is registered: **Extrusion**  
(51) International Design Classification: **25-01K**  
(74) Name(s) of Attorney(s): **Freehills Patent Attorneys**  
(71) Name(s) and Address(s) of Applicant(s):  
**Aluminium Specialties Group Pty Ltd**  
**3 Alspeg PI Eastern Creek NSW 2766 Australia**  
(72) Name(s) of Designer(s): **Joseph Barletta and Vince Ravese**  
(45) Registration Date: **20 August 2014**  
(56) Related Art Documents: **Not Applicable**  
(57) Statement of Newness and Distinctiveness: **Newness and distinctiveness resides in the features of shape and/or configuration of an extrusion of indefinite length as shown in the accompanying representations.**



- (21) Design Number: **13474/2014**  
(22) Date of Filing Application: **16 July 2014**  
(24) Date from which industrial property rights may have effect: **16 July 2014**  
(54) Product in respect of which the design is registered: **Extrusion**  
(51) International Design Classification: **25-01K**  
(74) Name(s) of Attorney(s): **Freehills Patent Attorneys**  
(71) Name(s) and Address(s) of Applicant(s):  
**Aluminium Specialties Group Pty Ltd**  
**3 Alspec PI Eastern Creek NSW 2766 Australia**  
(72) Name(s) of Designer(s): **Joseph Barletta and Vince Ravese**  
(45) Registration Date: **20 August 2014**  
(56) Related Art Documents: **Not Applicable**  
(57) Statement of Newness and Distinctiveness: **Newness and distinctiveness resides in the features of shape and/or configuration of an extrusion of indefinite length as shown in the accompanying representations.**



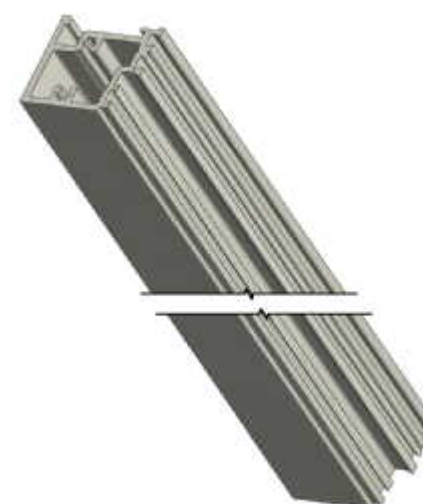
- (21) Design Number: **13475/2014**  
(22) Date of Filing Application: **16 July 2014**  
(24) Date from which industrial property rights may have effect: **16 July 2014**  
(54) Product in respect of which the design is registered: **Extrusion**  
(51) International Design Classification: **25-01K**  
(74) Name(s) of Attorney(s): **Freehills Patent Attorneys**  
(71) Name(s) and Address(s) of Applicant(s):  
**Aluminium Specialties Group Pty Ltd**  
**3 Alspec PI Eastern Creek NSW 2766 Australia**  
(72) Name(s) of Designer(s): **Joseph Barletta and Vince Ravese**  
(45) Registration Date: **20 August 2014**  
(56) Related Art Documents: **Not Applicable**  
(57) Statement of Newness and Distinctiveness: **Newness and distinctiveness resides in the features of shape and/or configuration of an extrusion of indefinite length as shown in the accompanying representations.**



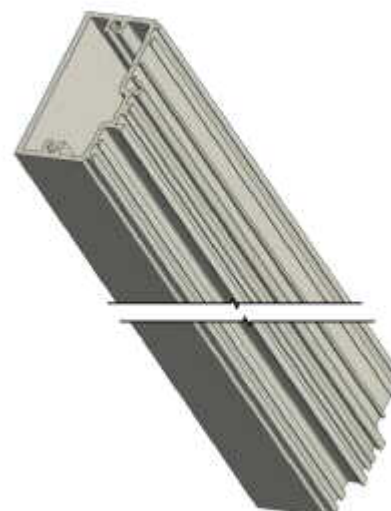
- (21) Design Number: **13476/2014**  
(22) Date of Filing Application: **16 July 2014**  
(24) Date from which industrial property rights may have effect: **16 July 2014**  
(54) Product in respect of which the design is registered: **Extrusion**  
(51) International Design Classification: **25-01K**  
(74) Name(s) of Attorney(s): **Freehills Patent Attorneys**  
(71) Name(s) and Address(s) of Applicant(s):  
**Aluminium Specialties Group Pty Ltd**  
**3 Alspeg PI Eastern Creek NSW 2766 Australia**  
(72) Name(s) of Designer(s): **Joseph Barletta and Vince Ravese**  
(45) Registration Date: **20 August 2014**  
(56) Related Art Documents: **Not Applicable**  
(57) Statement of Newness and Distinctiveness: **Newness and distinctiveness resides in the features of shape and/or configuration of an extrusion of indefinite length as shown in the accompanying representations.**



- (21) Design Number: **13477/2014**  
(22) Date of Filing Application: **16 July 2014**  
(24) Date from which industrial property rights may have effect: **16 July 2014**  
(54) Product in respect of which the design is registered: **Extrusion**  
(51) International Design Classification: **25-01K**  
(74) Name(s) of Attorney(s): **Freehills Patent Attorneys**  
(71) Name(s) and Address(s) of Applicant(s):  
**Aluminium Specialties Group Pty Ltd**  
**3 Alspeg PI Eastern Creek NSW 2766 Australia**  
(72) Name(s) of Designer(s): **Joseph Barletta and Vince Ravese**  
(45) Registration Date: **20 August 2014**  
(56) Related Art Documents: **Not Applicable**  
(57) Statement of Newness and Distinctiveness: **Newness and distinctiveness resides in the features of shape and/or configuration of an extrusion of indefinite length as shown in the accompanying representations.**



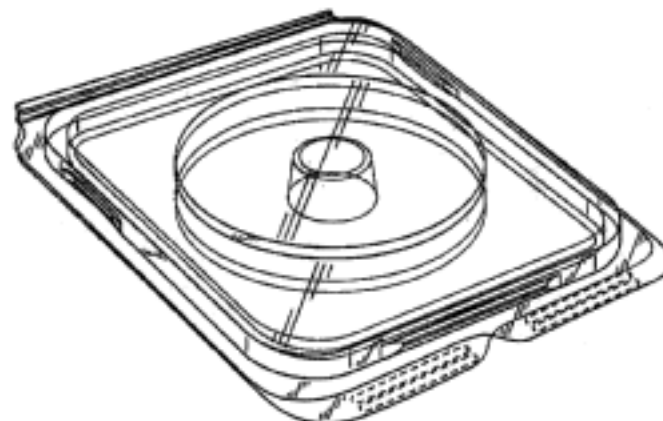
- (21) Design Number: **13478/2014**  
(22) Date of Filing Application: **16 July 2014**  
(24) Date from which industrial property rights may have effect: **16 July 2014**  
(54) Product in respect of which the design is registered: **Extrusion**  
(51) International Design Classification: **25-01K**  
(74) Name(s) of Attorney(s): **Freehills Patent Attorneys**  
(71) Name(s) and Address(s) of Applicant(s):  
**Aluminium Specialties Group Pty Ltd**  
**3 Alspeg PI Eastern Creek NSW 2766 Australia**  
(72) Name(s) of Designer(s): **Joseph Barletta and Vince Ravese**  
(45) Registration Date: **20 August 2014**  
(56) Related Art Documents: **Not Applicable**  
(57) Statement of Newness and Distinctiveness: **Newness and distinctiveness resides in the features of shape and/or configuration of an extrusion of indefinite length as shown in the accompanying representations.**



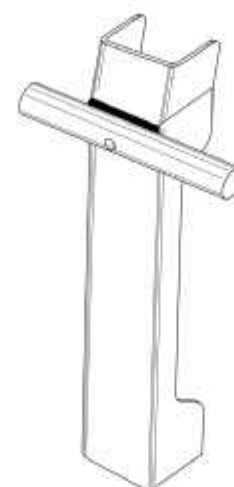
- (21) Design Number: **13479/2014**  
(22) Date of Filing Application: **16 July 2014**  
(24) Date from which industrial property rights may have effect: **16 July 2014**  
(54) Product in respect of which the design is registered: **Extrusion**  
(51) International Design Classification: **25-01K**  
(74) Name(s) of Attorney(s): **Freehills Patent Attorneys**  
(71) Name(s) and Address(s) of Applicant(s):  
**Aluminium Specialties Group Pty Ltd**  
**3 Alspeg PI Eastern Creek NSW 2766 Australia**  
(72) Name(s) of Designer(s): **Joseph Barletta and Vince Ravese**  
(45) Registration Date: **20 August 2014**  
(56) Related Art Documents: **Not Applicable**  
(57) Statement of Newness and Distinctiveness: **Newness and distinctiveness resides in the features of shape and/or configuration of an extrusion of indefinite length as shown in the accompanying representations.**



- (21) Design Number: **14059/2014**  
(22) Date of Filing Application: **21 May 2014**  
(24) Date from which industrial property rights may have effect: **21 May 2014**  
(54) Product in respect of which the design is registered: **Package for ostomy barrier ring**  
(51) International Design Classification: **03-01NES**  
(74) Name(s) of Attorney(s): **PHILLIPS ORMONDE FITZPATRICK**  
(71) Name(s) and Address(s) of Applicant(s):  
**Hollister Incorporated**  
**2000 Hollister Drive Libertyville Illinois 60048 United States of America**  
(72) Name(s) of Designer(s): **Russell J Todd and Cale N Street and Dion A Jackson**  
(45) Registration Date: **20 August 2014**  
(30) Convention priority data:  
(31) Number (32) Date (33) Country  
**29/478,080 31 Dec 2013 UNITED STATES OF AMERICA**  
(56) Related Art Documents: **Not Applicable**  
(57) Statement of Newness and Distinctiveness: **Those features of the package for ostomy barrier ring depicted in the representations that are new and distinctive are the shape and/or configuration. The features shown in broken lines are not part of the design and are to be disregarded when considering the overall impression of the design.**



- (21) Design Number: **13260/2014**  
(22) Date of Filing Application: **04 July 2014**  
(24) Date from which industrial property rights may have effect: **04 July 2014**  
(54) Product in respect of which the design is registered: **Building sheet positioner**  
(51) International Design Classification: **25-02NES, 08-08NES**  
(74) Name(s) of Attorney(s): **Sandercock & Cowie**  
(71) Name(s) and Address(s) of Applicant(s):  
**David Bryan Blick**  
**5 Yarrabee Ct Frankston VIC 3199 Australia**  
(72) Name(s) of Designer(s): **David Bryan Blick**  
(45) Registration Date: **20 August 2014**  
(56) Related Art Documents: **Not Applicable**  
(57) Statement of Newness and Distinctiveness: **Newness and distinctiveness reside in the shape and configuration of the building sheet positioner as shown in the accompanying representations.**



- (21) Design Number: **13481/2014**  
(22) Date of Filing Application: **16 July 2014**  
(24) Date from which industrial property rights may have effect: **16 July 2014**  
(54) Product in respect of which the design is registered: **Extrusion**  
(51) International Design Classification: **25-01K**  
(74) Name(s) of Attorney(s): **Freehills Patent Attorneys**  
(71) Name(s) and Address(s) of Applicant(s):  
**Aluminium Specialties Group Pty Ltd**  
**3 Alspec PI Eastern Creek NSW 2766 Australia**  
(72) Name(s) of Designer(s): **Joseph Barletta and Vince Ravese**  
(45) Registration Date: **20 August 2014**  
(56) Related Art Documents: **Not Applicable**  
(57) Statement of Newness and Distinctiveness: **Newness and distinctiveness resides in the features of shape and/or configuration of an extrusion of indefinite length as shown in the accompanying representations.**



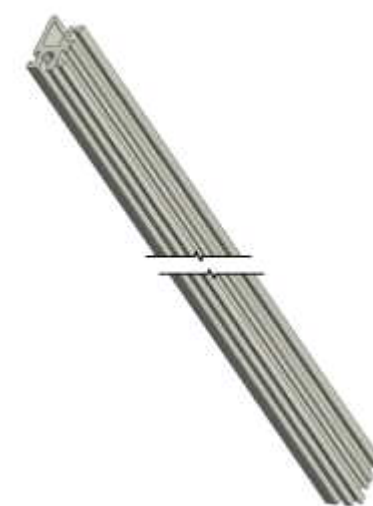
- (21) Design Number: **13482/2014**  
(22) Date of Filing Application: **16 July 2014**  
(24) Date from which industrial property rights may have effect: **16 July 2014**  
(54) Product in respect of which the design is registered: **Extrusion**  
(51) International Design Classification: **25-01K**  
(74) Name(s) of Attorney(s): **Freehills Patent Attorneys**  
(71) Name(s) and Address(s) of Applicant(s):  
**Aluminium Specialties Group Pty Ltd**  
**3 Alspec PI Eastern Creek NSW 2766 Australia**  
(72) Name(s) of Designer(s): **Joseph Barletta and Vince Ravese**  
(45) Registration Date: **20 August 2014**  
(56) Related Art Documents: **Not Applicable**  
(57) Statement of Newness and Distinctiveness: **Newness and distinctiveness resides in the features of shape and/or configuration of an extrusion of indefinite length as shown in the accompanying representations.**



- (21) Design Number: **13483/2014**  
(22) Date of Filing Application: **16 July 2014**  
(24) Date from which industrial property rights may have effect: **16 July 2014**  
(54) Product in respect of which the design is registered: **Extrusion**  
(51) International Design Classification: **25-01K**  
(74) Name(s) of Attorney(s): **Freehills Patent Attorneys**  
(71) Name(s) and Address(s) of Applicant(s):  
**Aluminium Specialties Group Pty Ltd**  
**3 Alspeg PI Eastern Creek NSW 2766 Australia**  
(72) Name(s) of Designer(s): **Joseph Barletta and Vince Ravese**  
(45) Registration Date: **20 August 2014**  
(56) Related Art Documents: **Not Applicable**  
(57) Statement of Newness and Distinctiveness: **Newness and distinctiveness resides in the features of shape and/or configuration of an extrusion of indefinite length as shown in the accompanying representations.**



- (21) Design Number: **13486/2014**  
(22) Date of Filing Application: **16 July 2014**  
(24) Date from which industrial property rights may have effect: **16 July 2014**  
(54) Product in respect of which the design is registered: **Extrusion**  
(51) International Design Classification: **25-01K**  
(74) Name(s) of Attorney(s): **Freehills Patent Attorneys**  
(71) Name(s) and Address(s) of Applicant(s):  
**Aluminium Specialties Group Pty Ltd**  
**3 Alspeg PI Eastern Creek NSW 2766 Australia**  
(72) Name(s) of Designer(s): **Joseph Barletta and Vince Ravese**  
(45) Registration Date: **20 August 2014**  
(56) Related Art Documents: **Not Applicable**  
(57) Statement of Newness and Distinctiveness: **Newness and distinctiveness resides in the features of shape and/or configuration of an extrusion of indefinite length as shown in the accompanying representations.**

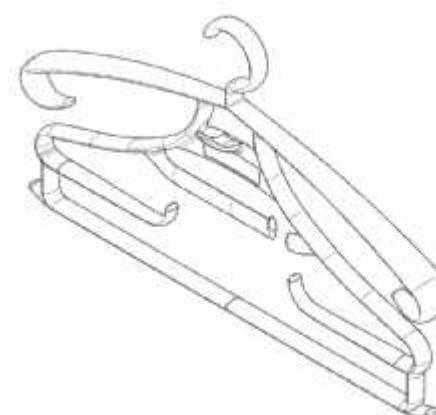




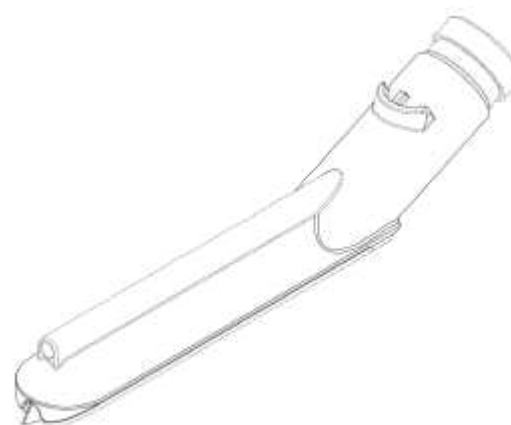
(21) Design Number: **13487/2014**  
(22) Date of Filing Application: **16 July 2014**  
(24) Date from which industrial property rights may have effect: **16 July 2014**  
(54) Product in respect of which the design is registered: **Extrusion**  
(51) International Design Classification: **25-01K**  
(74) Name(s) of Attorney(s): **Freehills Patent Attorneys**  
(71) Name(s) and Address(s) of Applicant(s):  
**Aluminium Specialties Group Pty Ltd**  
**3 Alspec PI Eastern Creek NSW 2766 Australia**  
(72) Name(s) of Designer(s): **Joseph Barletta and Vince Ravese**  
(45) Registration Date: **20 August 2014**  
(56) Related Art Documents: **Not Applicable**  
(57) Statement of Newness and Distinctiveness: **Newness and distinctiveness resides in the features of shape and/or configuration of an extrusion of indefinite length as shown in the accompanying representations.**



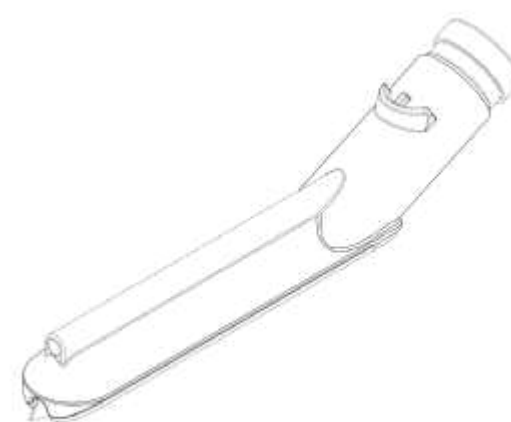
(21) Design Number: **13488/2014**  
(22) Date of Filing Application: **16 July 2014**  
(24) Date from which industrial property rights may have effect: **16 July 2014**  
(54) Product in respect of which the design is registered: **Hanger**  
(51) International Design Classification: **06-08**  
(74) Name(s) of Attorney(s): **Churchill Attorneys**  
(71) Name(s) and Address(s) of Applicant(s):  
**Hilary Gayle Koudounaris**  
**18 High Street Second Floor Melrose Arch Johannesburg 2076 South Africa**  
**Trevor Wasserman**  
**18 High Street Second Floor Melrose Arch Johannesburg, 2076 South Africa**  
(72) Name(s) of Designer(s): **Hilary Gayle Koudounaris and Rafi Leigh and Bruce Humphrey and Marco Prieschi**  
(45) Registration Date: **20 August 2014**  
(30) Convention priority data:  
(31) Number      (32) Date      (33) Country  
**F2014/00109      22 Jan 2014      SOUTH AFRICA**  
(56) Related Art Documents: **Not Applicable**  
(57) Statement of Newness and Distinctiveness: **The newness and distinctiveness of the design resides in the shape of the clothing hanger as shown in the accompanying representations.**



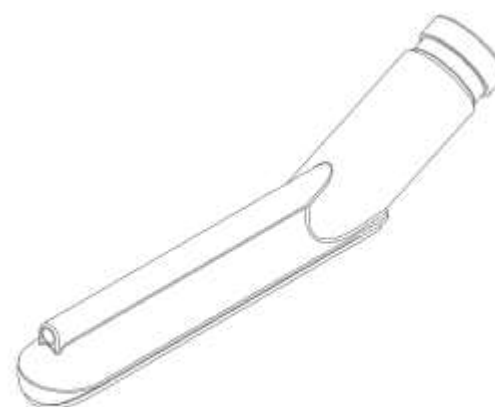
(21) Design Number: **13509/2014**  
(22) Date of Filing Application: **16 July 2014**  
(24) Date from which industrial property rights may have effect: **16 July 2014**  
(54) Product in respect of which the design is registered: **A tool for a vacuum cleaner**  
(51) International Design Classification: **15-05**  
(74) Name(s) of Attorney(s): **Shelston IP**  
(71) Name(s) and Address(s) of Applicant(s):  
**Dyson Technology Limited**  
**Tetbury Hill Malmesbury Wiltshire SN16 ORP United Kingdom**  
(72) Name(s) of Designer(s): **Sean Ventress and Adam James Bates and Andrea Ee-Va Lim and Peter David Gammack and James Dyson**  
(45) Registration Date: **20 August 2014**  
(30) Convention priority data:  
(31) Number (32) Date (33) Country  
**002402057-0004 10 Feb 2014 UNITED KINGDOM**  
(56) Related Art Documents: **Not Applicable**  
(57) Statement of Newness and Distinctiveness: **Newness and distinctiveness reside in the features of shape and/or configuration of A TOOL FOR A VACUUM CLEANER as illustrated in solid lines in the accompanying representations. The features shown in broken lines are illustrative only and do not form part of the design.**



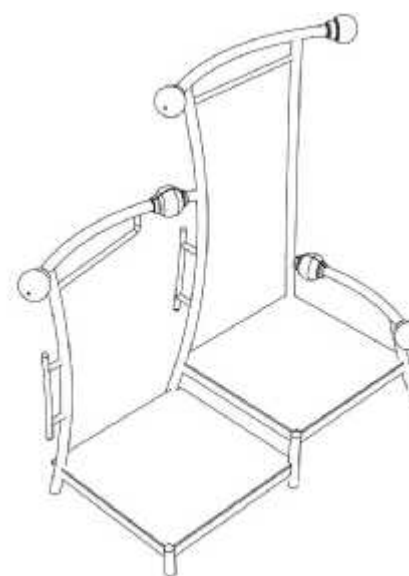
(21) Design Number: **13511/2014**  
(22) Date of Filing Application: **16 July 2014**  
(24) Date from which industrial property rights may have effect: **16 July 2014**  
(54) Product in respect of which the design is registered: **A tool for a vacuum cleaner**  
(51) International Design Classification: **15-05**  
(74) Name(s) of Attorney(s): **Shelston IP**  
(71) Name(s) and Address(s) of Applicant(s):  
**Dyson Technology Limited**  
**Tetbury Hill Malmesbury Wiltshire SN16 ORP United Kingdom**  
(72) Name(s) of Designer(s): **Sean Ventress and Adam James Bates and Andrea Ee-Va Lim and Peter David Gammack and James Dyson**  
(45) Registration Date: **20 August 2014**  
(30) Convention priority data:  
(31) Number (32) Date (33) Country  
**002402057-0005 10 Feb 2014 OFFICE FOR HARMONISATION IN THE INTERNAL MARKET (OHIM)**  
(56) Related Art Documents: **Not Applicable**  
(57) Statement of Newness and Distinctiveness: **Newness and distinctiveness reside in the features of shape and/or configuration of A TOOL FOR A VACUUM CLEANER as illustrated in solid lines in the accompanying representations. The features shown in broken lines are illustrative only and do not form part of the design.**



(21) Design Number: **13512/2014**  
(22) Date of Filing Application: **16 July 2014**  
(24) Date from which industrial property rights may have effect: **16 July 2014**  
(54) Product in respect of which the design is registered: **A tool for a vacuum cleaner**  
(51) International Design Classification: **15-05**  
(74) Name(s) of Attorney(s): **Shelston IP**  
(71) Name(s) and Address(s) of Applicant(s):  
**Dyson Technology Limited**  
**Tetbury Hill Malmesbury Wiltshire SN16 0RP United Kingdom**  
(72) Name(s) of Designer(s): **Sean Ventress and Adam James Bates and Andrea Ee-Va Lim and Peter David Gammack and James Dyson**  
(45) Registration Date: **20 August 2014**  
(30) Convention priority data:  
(31) Number (32) Date (33) Country  
**002402057-0006 10 Feb 2014 OFFICE FOR HARMONISATION IN THE INTERNAL MARKET (OHIM)**  
(56) Related Art Documents: **Not Applicable**  
(57) Statement of Newness and Distinctiveness: **Newness and distinctiveness reside in the features of shape and/or configuration of A TOOL FOR A VACUUM CLEANER as illustrated in the accompanying representations.**



(21) Design Number: **13514/2014**  
(22) Date of Filing Application: **16 July 2014**  
(24) Date from which industrial property rights may have effect: **16 July 2014**  
(54) Product in respect of which the design is registered: **A recreation equipment**  
(51) International Design Classification: **21-02F**  
(74) Name(s) of Attorney(s): **Ellis Terry**  
(71) Name(s) and Address(s) of Applicant(s):  
**PLAYGROUND CENTRE LIMITED**  
**230 Guyton Street Wanganui 4540 New Zealand**  
(72) Name(s) of Designer(s): **Simon Andrew Filleul**  
(45) Registration Date: **20 August 2014**  
(30) Convention priority data:  
(31) Number (32) Date (33) Country  
**418556 28 Feb 2014 NEW ZEALAND**  
(56) Related Art Documents: **Not Applicable**  
(57) Statement of Newness and Distinctiveness: **Nil**



(21) Design Number: **13516/2014**  
(22) Date of Filing Application: **16 July 2014**  
(24) Date from which industrial property rights may have effect: **16 July 2014**  
(54) Product in respect of which the design is registered: **Device for connecting wires and cables**  
(51) International Design Classification: **13-03B**  
(74) Name(s) of Attorney(s): **AJ Park**  
(71) Name(s) and Address(s) of Applicant(s):  
**PRYSMIAN S.P.A.**  
**Viale Sarca, 222 Milano 20126 Italy**  
(72) Name(s) of Designer(s): **Matt Kerry**  
(45) Registration Date: **20 August 2014**  
(30) Convention priority data:  
(31) Number      (32) Date      (33) Country  
**002397042      03 Feb 2014      OFFICE FOR HARMONISATION IN  
THE INTERNAL MARKET (OHIM)**  
(56) Related Art Documents: **Not Applicable**  
(57) Statement of Newness and Distinctiveness: **Newness and distinctiveness reside in the features of shape and/or configuration of the device for connecting wires and cables as shown in the representations.**



(21) Design Number: **13517/2014**  
(22) Date of Filing Application: **16 July 2014**  
(24) Date from which industrial property rights may have effect: **16 July 2014**  
(54) Product in respect of which the design is registered: **Device for connecting wires and cables**  
(51) International Design Classification: **13-03B**  
(74) Name(s) of Attorney(s): **AJ Park**  
(71) Name(s) and Address(s) of Applicant(s):  
**PRYSMIAN S.P.A.**  
**Viale Sarca, 222 Milano 20126 Italy**  
(72) Name(s) of Designer(s): **Matt Kerry**  
(45) Registration Date: **20 August 2014**  
(30) Convention priority data:  
(31) Number      (32) Date      (33) Country  
**002397042      03 Feb 2014      OFFICE FOR HARMONISATION IN  
THE INTERNAL MARKET (OHIM)**  
(56) Related Art Documents: **Not Applicable**  
(57) Statement of Newness and Distinctiveness: **Newness and distinctiveness reside in the features of shape and/or configuration of the device for connecting wires and cables as shown in the representations.**



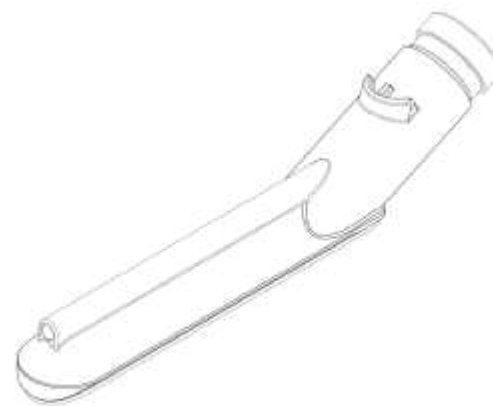
(21) Design Number: **13518/2014**  
(22) Date of Filing Application: **16 July 2014**  
(24) Date from which industrial property rights may have effect: **16 July 2014**  
(54) Product in respect of which the design is registered: **Device for connecting wires and cables**  
(51) International Design Classification: **13-03B**  
(74) Name(s) of Attorney(s): **AJ Park**  
(71) Name(s) and Address(s) of Applicant(s):  
**PRYSMIAN S.P.A.**  
**Viale Sarca, 222 Milano 20126 Italy**  
(72) Name(s) of Designer(s): **Matt Kerry**  
(45) Registration Date: **20 August 2014**  
(30) Convention priority data:  
(31) Number (32) Date (33) Country  
**002397042 03 Feb 2014 OFFICE FOR HARMONISATION IN THE INTERNAL MARKET (OHIM)**  
(56) Related Art Documents: **Not Applicable**  
(57) Statement of Newness and Distinctiveness: **Newness and distinctiveness reside in the features of shape and/or configuration of the device for connecting wires and cables as shown in the representations.**



(21) Design Number: **13519/2014**  
(22) Date of Filing Application: **16 July 2014**  
(24) Date from which industrial property rights may have effect: **16 July 2014**  
(54) Product in respect of which the design is registered: **A tool for a vacuum cleaner**  
(51) International Design Classification: **15-05**  
(74) Name(s) of Attorney(s): **Shelston IP**  
(71) Name(s) and Address(s) of Applicant(s):  
**Dyson Technology Limited**  
**Tetbury Hill Malmesbury Wiltshire SN16 0RP United Kingdom**  
(72) Name(s) of Designer(s): **Sean Ventress and Adam James Bates and Andrea Ee-Va Lim and Peter David Gammack and James Dyson**  
(45) Registration Date: **20 August 2014**  
(30) Convention priority data:  
(31) Number (32) Date (33) Country  
**002402057-0008 10 Feb 2014 OFFICE FOR HARMONISATION IN THE INTERNAL MARKET (OHIM)**  
(56) Related Art Documents: **Not Applicable**  
(57) Statement of Newness and Distinctiveness: **Newness and distinctiveness reside in the features of shape and/or configuration of A TOOL FOR A VACUUM CLEANER as illustrated in solid lines in the accompanying representations. The features shown in broken lines are illustrative only and do not form part of the design.**



- (21) Design Number: **13520/2014**  
(22) Date of Filing Application: **16 July 2014**  
(24) Date from which industrial property rights may have effect: **16 July 2014**  
(54) Product in respect of which the design is registered: **A tool for a vacuum cleaner**  
(51) International Design Classification: **15-05**  
(74) Name(s) of Attorney(s): **Shelston IP**  
(71) Name(s) and Address(s) of Applicant(s):  
**Dyson Technology Limited**  
**Tetbury Hill Malmesbury Wiltshire SN16 0RP United Kingdom**  
(72) Name(s) of Designer(s): **Sean Ventress and Adam James Bates and Andrea Ee-Va Lim and Peter David Gammack and James Dyson**  
(45) Registration Date: **20 August 2014**  
(30) Convention priority data:  
(31) Number (32) Date (33) Country  
**002402057-0009 10 Feb 2014 UNITED KINGDOM**  
(56) Related Art Documents: **Not Applicable**  
(57) Statement of Newness and Distinctiveness: **Newness and distinctiveness reside in the features of shape and/or configuration of A TOOL FOR A VACUUM CLEANER as illustrated in solid lines in the accompanying representations. The features shown in broken lines are illustrative only and do not form part of the design.**



- (21) Design Number: **13456/2014**  
(22) Date of Filing Application: **15 July 2014**  
(24) Date from which industrial property rights may have effect: **15 July 2014**  
(54) Product in respect of which the design is registered: **A chest of drawers**  
(51) International Design Classification: **06-04F**  
(74) Name(s) of Attorney(s): **WATERMARK PATENT AND TRADE MARKS ATTORNEYS**  
(71) Name(s) and Address(s) of Applicant(s):  
**Gay Khim Hong**  
**Lot 102 & 103 Jalan Perusahaan Lima Taman Perindustrian Mahkota**  
**Beranang Selangor 43700 Malaysia**  
(72) Name(s) of Designer(s): **Gay Khim Hong**  
(45) Registration Date: **20 August 2014**  
(56) Related Art Documents: **Not Applicable**  
(57) Statement of Newness and Distinctiveness: **Nil**



- (21) Design Number: **13458/2014**  
(22) Date of Filing Application: **15 July 2014**  
(24) Date from which industrial property rights may have effect: **15 July 2014**  
(54) Product in respect of which the design is registered: **Medical gown**  
(51) International Design Classification: **02-02NES**  
(74) Name(s) of Attorney(s):  
(71) Name(s) and Address(s) of Applicant(s):  
**Zafer Cevik**  
**31/195 Prospect Hwy Seven Hills NSW 2147 Australia**  
(72) Name(s) of Designer(s): **Zafer Cevik**  
(45) Registration Date: **20 August 2014**  
(56) Related Art Documents: **Not Applicable**  
(57) Statement of Newness and Distinctiveness: **Split shoulder, kimono style, one size fits all medical gown. It is made from polyester and cotton fabric. Fitted with top pockets designed with an opening to allow medical cables and tubes for patients. It is washable and can be tumble dried.**



- (21) Design Number: **13463/2014**  
(22) Date of Filing Application: **15 July 2014**  
(24) Date from which industrial property rights may have effect: **15 July 2014**  
(54) Product in respect of which the design is registered: **Aeroplane**  
(51) International Design Classification: **12-07**  
(74) Name(s) of Attorney(s): **Griffith Hack**  
(71) Name(s) and Address(s) of Applicant(s):  
**Astrium SAS**  
**12 rue Pasteur Suresnes 92150 France**  
(72) Name(s) of Designer(s): **Angelique Santerre and Thierry Pichard and Eugenio Ferreira and Jean-Philippe Dutheil and Benjamin Faure and Christophe Chavagnac**  
(45) Registration Date: **20 August 2014**  
(30) Convention priority data:  
(31) Number (32) Date (33) Country  
**002399592-0003 06 Feb 2014 OFFICE FOR HARMONISATION IN THE INTERNAL MARKET (OHIM)**  
(56) Related Art Documents: **Not Applicable**  
(57) Statement of Newness and Distinctiveness: **Newness and distinctiveness resides in the visual features, including the shape and configuration of the product shown in the representations. The text and symbols appearing in the representations have been included for illustrative purposes and do not form part of the design.**



- (21) Design Number: **13468/2014**  
(22) Date of Filing Application: **16 July 2014**  
(24) Date from which industrial property rights may have effect: **16 July 2014**  
(54) Product in respect of which the design is registered: **Frame assembly**  
(51) International Design Classification: **25-02H, 25-01K**  
(74) Name(s) of Attorney(s): **Freehills Patent Attorneys**  
(71) Name(s) and Address(s) of Applicant(s):  
**Aluminium Specialties Group Pty Ltd**  
**3 Alspeg PI Eastern Creek NSW 2766 Australia**  
(72) Name(s) of Designer(s): **Joseph Barletta and Vince Ravese**  
(45) Registration Date: **20 August 2014**  
(56) Related Art Documents: **Not Applicable**  
(57) Statement of Newness and Distinctiveness: **Newness and distinctiveness resides in the features of shape and/or configuration of a frame assembly of indefinite length as shown in solid lines in the accompanying representations.**

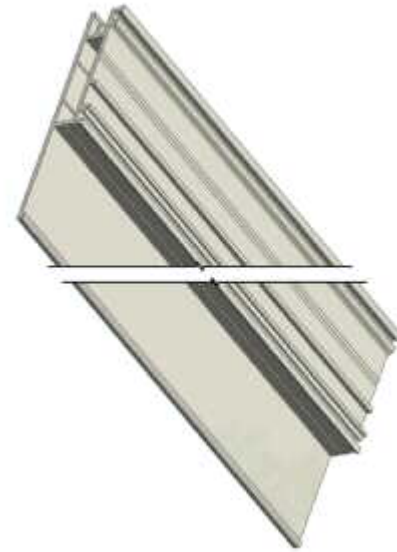


- (21) Design Number: **13471/2014**  
(22) Date of Filing Application: **16 July 2014**  
(24) Date from which industrial property rights may have effect: **16 July 2014**  
(54) Product in respect of which the design is registered: **Extrusion**  
(51) International Design Classification: **25-01K**  
(74) Name(s) of Attorney(s): **Freehills Patent Attorneys**  
(71) Name(s) and Address(s) of Applicant(s):  
**Aluminium Specialties Group Pty Ltd**  
**3 Alspeg PI Eastern Creek NSW 2766 Australia**  
(72) Name(s) of Designer(s): **Joseph Barletta and Vince Ravese**  
(45) Registration Date: **20 August 2014**  
(56) Related Art Documents: **Not Applicable**  
(57) Statement of Newness and Distinctiveness: **Newness and distinctiveness resides in the features of shape and/or configuration of an extrusion of indefinite length as shown in the accompanying representations.**





- (21) Design Number: **13473/2014**  
(22) Date of Filing Application: **16 July 2014**  
(24) Date from which industrial property rights may have effect: **16 July 2014**  
(54) Product in respect of which the design is registered: **Extrusion**  
(51) International Design Classification: **25-01K**  
(74) Name(s) of Attorney(s): **Freehills Patent Attorneys**  
(71) Name(s) and Address(s) of Applicant(s):  
**Aluminium Specialties Group Pty Ltd**  
**3 Alspeg PI Eastern Creek NSW 2766 Australia**  
(72) Name(s) of Designer(s): **Joseph Barletta and Vince Ravese**  
(45) Registration Date: **20 August 2014**  
(56) Related Art Documents: **Not Applicable**  
(57) Statement of Newness and Distinctiveness: **Newness and distinctiveness resides in the features of shape and/or configuration of an extrusion of indefinite length as shown in the accompanying representations.**



- (21) Design Number: **13480/2014**  
(22) Date of Filing Application: **16 July 2014**  
(24) Date from which industrial property rights may have effect: **16 July 2014**  
(54) Product in respect of which the design is registered: **Extrusion**  
(51) International Design Classification: **25-01K**  
(74) Name(s) of Attorney(s): **Freehills Patent Attorneys**  
(71) Name(s) and Address(s) of Applicant(s):  
**Aluminium Specialties Group Pty Ltd**  
**3 Alspeg PI Eastern Creek NSW 2766 Australia**  
(72) Name(s) of Designer(s): **Joseph Barletta and Vince Ravese**  
(45) Registration Date: **20 August 2014**  
(56) Related Art Documents: **Not Applicable**  
(57) Statement of Newness and Distinctiveness: **Newness and distinctiveness resides in the features of shape and/or configuration of an extrusion of indefinite length as shown in the accompanying representations.**



- (21) Design Number: **13484/2014**  
(22) Date of Filing Application: **16 July 2014**  
(24) Date from which industrial property rights may have effect: **16 July 2014**  
(54) Product in respect of which the design is registered: **Extrusion**  
(51) International Design Classification: **25-01K**  
(74) Name(s) of Attorney(s): **Freehills Patent Attorneys**  
(71) Name(s) and Address(s) of Applicant(s):  
**Aluminium Specialties Group Pty Ltd**  
**3 Alspeck PI Eastern Creek NSW 2766 Australia**  
(72) Name(s) of Designer(s): **Joseph Barletta and Vince Ravese**  
(45) Registration Date: **20 August 2014**  
(56) Related Art Documents: **Not Applicable**  
(57) Statement of Newness and Distinctiveness: **Newness and distinctiveness resides in the features of shape and/or configuration of an extrusion of indefinite length as shown in the accompanying representations.**



- (21) Design Number: **13485/2014**  
(22) Date of Filing Application: **16 July 2014**  
(24) Date from which industrial property rights may have effect: **16 July 2014**  
(54) Product in respect of which the design is registered: **Extrusion**  
(51) International Design Classification: **25-01K**  
(74) Name(s) of Attorney(s): **Freehills Patent Attorneys**  
(71) Name(s) and Address(s) of Applicant(s):  
**Aluminium Specialties Group Pty Ltd**  
**3 Alspeck PI Eastern Creek NSW 2766 Australia**  
(72) Name(s) of Designer(s): **Joseph Barletta and Vince Ravese**  
(45) Registration Date: **20 August 2014**  
(56) Related Art Documents: **Not Applicable**  
(57) Statement of Newness and Distinctiveness: **Newness and distinctiveness resides in the features of shape and/or configuration of an extrusion of indefinite length as shown in the accompanying representations.**



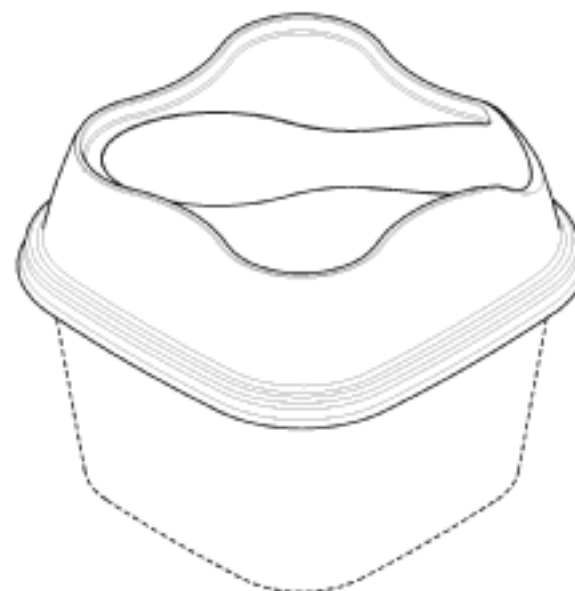
(21) Design Number: **13510/2014**  
(22) Date of Filing Application: **16 July 2014**  
(24) Date from which industrial property rights may have effect: **16 July 2014**  
(54) Product in respect of which the design is registered: **Vehicle**  
(51) International Design Classification: **12-08**  
(74) Name(s) of Attorney(s): **WATERMARK PATENT AND TRADE MARKS ATTORNEYS**  
(71) Name(s) and Address(s) of Applicant(s):  
**Great Wall Motor Company Limited**  
**No. 2266 Chaoyang South Street Baoding Hebei Province 071000 China**  
(72) Name(s) of Designer(s): **Yong Huang and Dianmin Zhang and Yanqing Yang and Qingsong Shi and He Ma**  
(45) Registration Date: **20 August 2014**  
(30) Convention priority data:  
(31) Number (32) Date (33) Country  
**201430014061.4 18 Jan 2014 CHINA**  
(56) Related Art Documents: **Not Applicable**  
(57) Statement of Newness and Distinctiveness: **Nil**



(21) Design Number: **13513/2014**  
(22) Date of Filing Application: **16 July 2014**  
(24) Date from which industrial property rights may have effect: **16 July 2014**  
(54) Product in respect of which the design is registered: **A tool for a vacuum cleaner**  
(51) International Design Classification: **15-05**  
(74) Name(s) of Attorney(s): **Shelston IP**  
(71) Name(s) and Address(s) of Applicant(s):  
**Dyson Technology Limited**  
**Tetbury Hill Malmesbury Wiltshire SN16 0RP United Kingdom**  
(72) Name(s) of Designer(s): **Sean Ventress and Adam James Bates and Andrea Ee-Va Lim and Peter David Gammack and James Dyson**  
(45) Registration Date: **20 August 2014**  
(30) Convention priority data:  
(31) Number (32) Date (33) Country  
**002402057-0007 10 Feb 2014 OFFICE FOR HARMONISATION IN THE INTERNAL MARKET (OHIM)**  
(56) Related Art Documents: **Not Applicable**  
(57) Statement of Newness and Distinctiveness: **Newness and distinctiveness reside in the features of shape and/or configuration of A TOOL FOR A VACUUM CLEANER as illustrated in solid lines in the accompanying representations. The features shown in broken lines are illustrative only and do not form part of the design.**



(21) Design Number: **12984/2014**  
(22) Date of Filing Application: **18 June 2014**  
(24) Date from which industrial property rights may have effect: **18 June 2014**  
(54) Product in respect of which the design is registered: **Lid for a container**  
(51) International Design Classification: **09-07B**  
(74) Name(s) of Attorney(s): **Davies Collison Cave**  
(71) Name(s) and Address(s) of Applicant(s):  
**RPC Superfos A/S**  
**Spotorno Alle 8 DK-2630 Taastrup Denmark**  
(72) Name(s) of Designer(s): **Dorte Cetti**  
(45) Registration Date: **20 August 2014**  
(30) Convention priority data:  
(31) Number      (32) Date      (33) Country  
**002372870-0001**   **18 Dec 2013**   **OFFICE FOR HARMONISATION IN**  
**THE INTERNAL MARKET (OHIM)**



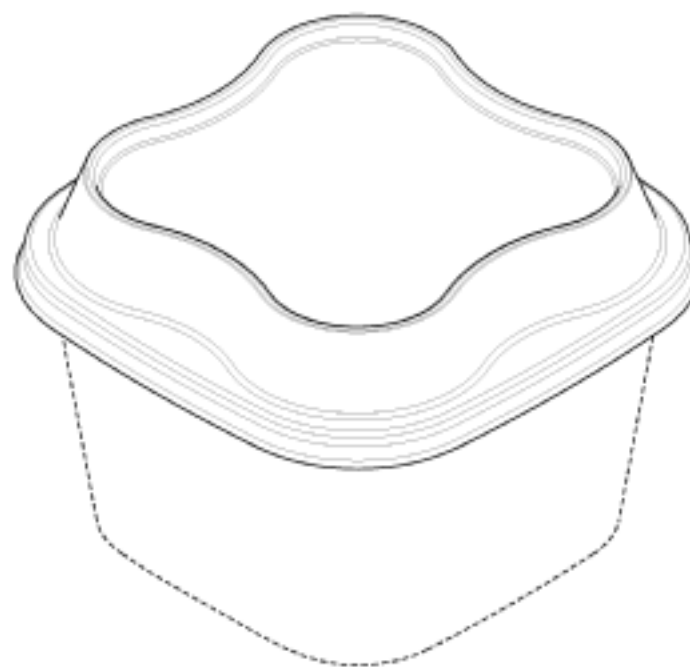
(56) Related Art Documents: **Not Applicable**  
(57) Statement of Newness and Distinctiveness: **Newness and distinctiveness is claimed in the visual features shown in solid lines in the representations. In considering the extent of the design rights, the broken lines shown in the representations are for illustrative purposes only and do not form part of the design.**

(21) Design Number: **12985/2014**  
(22) Date of Filing Application: **18 June 2014**  
(24) Date from which industrial property rights may have effect: **18 June 2014**  
(54) Product in respect of which the design is registered: **Lid for a container**  
(51) International Design Classification: **09-07B**  
(74) Name(s) of Attorney(s): **Davies Collison Cave**  
(71) Name(s) and Address(s) of Applicant(s):  
**RPC Superfos A/S**  
**Spotorno Alle 8 DK-2630 Taastrup Denmark**  
(72) Name(s) of Designer(s): **Dorte Cetti**  
(45) Registration Date: **20 August 2014**  
(30) Convention priority data:  
(31) Number      (32) Date      (33) Country  
**002372870-0002**   **18 Dec 2013**   **OFFICE FOR HARMONISATION IN**  
**THE INTERNAL MARKET (OHIM)**

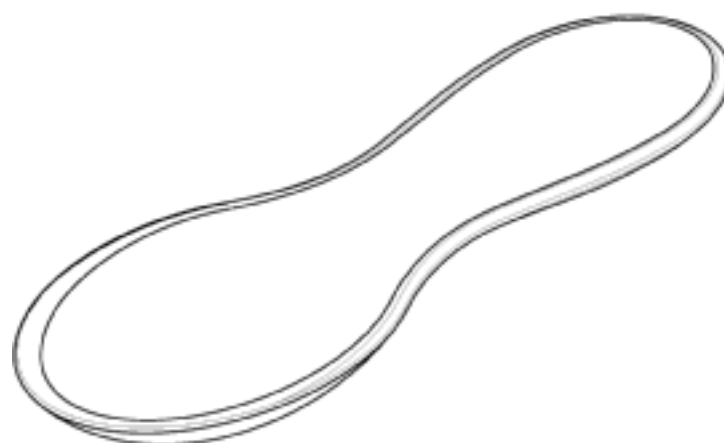


(56) Related Art Documents: **Not Applicable**  
(57) Statement of Newness and Distinctiveness: **Newness and distinctiveness is claimed in the visual features shown in solid lines in the representations. In considering the extent of the design rights, the broken lines shown in the representations are for illustrative purposes only and do not form part of the design.**

(21) Design Number: **12986/2014**  
(22) Date of Filing Application: **18 June 2014**  
(24) Date from which industrial property rights may have effect: **18 June 2014**  
(54) Product in respect of which the design is registered: **Lid for a container**  
(51) International Design Classification: **09-07B**  
(74) Name(s) of Attorney(s): **Davies Collison Cave**  
(71) Name(s) and Address(s) of Applicant(s):  
**RPC Superfos A/S**  
**Spotorno Alle 8 DK-2630 Taastrup Denmark**  
(72) Name(s) of Designer(s): **Dorte Cetti**  
(45) Registration Date: **20 August 2014**  
(30) Convention priority data:  
(31) Number (32) Date (33) Country  
**002372870-0003 18 Dec 2013 OFFICE FOR HARMONISATION IN**  
**THE INTERNAL MARKET (OHIM)**  
(56) Related Art Documents: **Not Applicable**  
(57) Statement of Newness and Distinctiveness: **Newness and distinctiveness is claimed in the visual features shown in solid lines in the representations. In considering the extent of the design rights, the broken lines shown in the representations are for illustrative purposes only and do not form part of the design.**



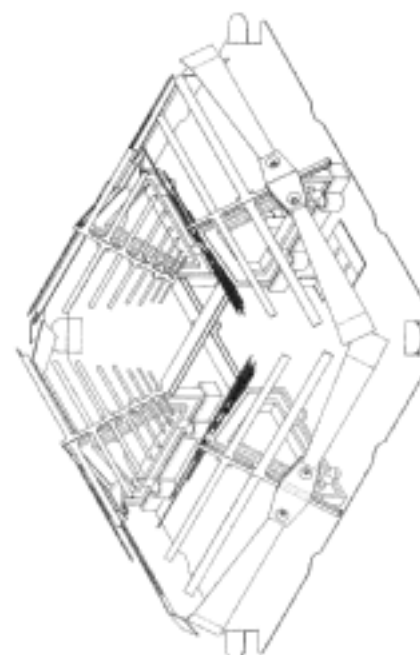
(21) Design Number: **12987/2014**  
(22) Date of Filing Application: **18 June 2014**  
(24) Date from which industrial property rights may have effect: **18 June 2014**  
(54) Product in respect of which the design is registered: **A spoon**  
(51) International Design Classification: **07-03**  
(74) Name(s) of Attorney(s): **Davies Collison Cave**  
(71) Name(s) and Address(s) of Applicant(s):  
**RPC Superfos A/S**  
**Spotorno Alle 8 DK-2630 Taastrup Denmark**  
(72) Name(s) of Designer(s): **Dorte Cetti**  
(45) Registration Date: **20 August 2014**  
(30) Convention priority data:  
(31) Number (32) Date (33) Country  
**002372904-0001 18 Dec 2013 OFFICE FOR HARMONISATION IN**  
**THE INTERNAL MARKET (OHIM)**  
(56) Related Art Documents: **Not Applicable**  
(57) Statement of Newness and Distinctiveness: **Newness and distinctiveness is claimed in the visual features shown in solid lines in the representations.**



- (21) Design Number: **13068/2014**  
(22) Date of Filing Application: **23 June 2014**  
(24) Date from which industrial property rights may have effect: **23 June 2014**  
(54) Product in respect of which the design is registered: **Antenna**  
(51) International Design Classification: **14-03NES**  
(74) Name(s) of Attorney(s): **Davies Collison Cave**  
(71) Name(s) and Address(s) of Applicant(s):  
**Poynting Antennas (Pty) Limited**  
**33 Thora Crescent Wynberg Sandton 2090 South Africa**  
(72) Name(s) of Designer(s): **Derek Colin Nitch**  
(45) Registration Date: **20 August 2014**  
(30) Convention priority data:  
(31) Number (32) Date (33) Country  
**F2014/00543 31 Mar 2014 SOUTH AFRICA**  
(56) Related Art Documents: **Not Applicable**  
(57) Statement of Newness and Distinctiveness: **Newness and distinctiveness is claimed in the visual features shown in solid lines in the representations.**



- (21) Design Number: **13069/2014**  
(22) Date of Filing Application: **23 June 2014**  
(24) Date from which industrial property rights may have effect: **23 June 2014**  
(54) Product in respect of which the design is registered: **Antenna**  
(51) International Design Classification: **14-03NES**  
(74) Name(s) of Attorney(s): **Davies Collison Cave**  
(71) Name(s) and Address(s) of Applicant(s):  
**Poynting Antennas (Pty) Limited**  
**33 Thora Crescent Wynberg Sandton 2090 South Africa**  
(72) Name(s) of Designer(s): **Andries Petrus Fourie and Derek Colin Nitch**  
(45) Registration Date: **20 August 2014**  
(30) Convention priority data:  
(31) Number (32) Date (33) Country  
**F2014/00545 31 Mar 2014 SOUTH AFRICA**  
(56) Related Art Documents: **Not Applicable**  
(57) Statement of Newness and Distinctiveness: **Newness and distinctiveness is claimed in the visual features of shape, configuration, pattern and ornamentation of the antenna illustrated in the accompanying representations, with particular attention to the shape and configuration of a pair of linearly opposed radiators and more particularly of the broader parts at the ends of the pair of linearly opposed radiators sloping towards the ground plane, whilst the number of pairs of linearly opposed radiators, the shape and configuration of mountings for the opposed radiators above the ground plane and the shape and or configuration of the ground plane should be disregarded.**



(21) Design Number: **13559/2014**  
(22) Date of Filing Application: **18 July 2014**  
(24) Date from which industrial property rights may have effect: **18 July 2014**  
(54) Product in respect of which the design is registered: **A produce container**  
(51) International Design Classification: **09-03K, 09-03F**  
(74) Name(s) of Attorney(s): **Chrysiliou IP**  
(71) Name(s) and Address(s) of Applicant(s):  
**Multisteps Pty Ltd**  
**U1 & 2 4 Richmond Rd Homebush West NSW 2140 Australia**  
(72) Name(s) of Designer(s): **John Lam**  
(45) Registration Date: **21 August 2014**  
(56) Related Art Documents: **Not Applicable**  
(57) Statement of Newness and Distinctiveness: **Newness and distinctiveness reside in the features of the shape and configuration of the dividing wall of the produce container and protrusions extending therefrom as shown in the accompanying drawings.**



(21) Design Number: **13560/2014**  
(22) Date of Filing Application: **18 July 2014**  
(24) Date from which industrial property rights may have effect: **18 July 2014**  
(54) Product in respect of which the design is registered: **Hinged spout cap**  
(51) International Design Classification: **09-07B**  
(74) Name(s) of Attorney(s): **PHILLIPS ORMONDE FITZPATRICK**  
(71) Name(s) and Address(s) of Applicant(s):  
**Dart Industries Inc.**  
**14901 S. Orange Blossom Trail Orlando Florida, 32837 United States of America**  
(72) Name(s) of Designer(s): **Julie L Yessin**  
(45) Registration Date: **21 August 2014**  
(30) Convention priority data:  
(31) Number      (32) Date      (33) Country  
**29/483,438      28 Feb 2014      UNITED STATES OF AMERICA**  
(56) Related Art Documents: **Not Applicable**  
(57) Statement of Newness and Distinctiveness: **Nil**



(21) Design Number: **13562/2014**

(22) Date of Filing Application: **21 July 2014**

(24) Date from which industrial property rights may have effect: **21 July 2014**

(54) Product in respect of which the design is registered: **Capsules for hot or cold beverages**

(51) International Design Classification: **09-05**

(74) Name(s) of Attorney(s): **Baldwins Intellectual Property**

(71) Name(s) and Address(s) of Applicant(s):

**LANDMAX Ltd**  
**Suite 3105/31F Office Tower Convention Plaza 1 Harbour Road Wan Chai**  
**Hong Kong**

(72) Name(s) of Designer(s): **David Rubinstein**

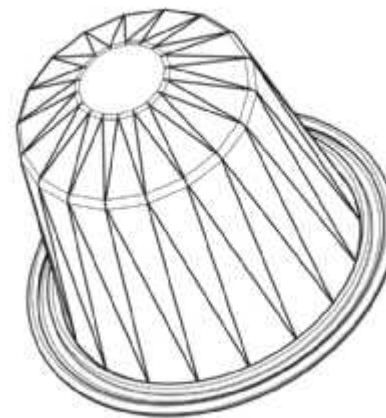
(45) Registration Date: **21 August 2014**

(30) Convention priority data:

(31) Number	(32) Date	(33) Country
<b>5059609</b>	<b>22 Jan 2014</b>	<b>OFFICE FOR HARMONISATION IN THE INTERNAL MARKET (OHIM)</b>

(56) Related Art Documents: **Not Applicable**

(57) Statement of Newness and Distinctiveness: **Nil**



(21) Design Number: **13563/2014**

(22) Date of Filing Application: **21 July 2014**

(24) Date from which industrial property rights may have effect: **21 July 2014**

(54) Product in respect of which the design is registered: **Handset**

(51) International Design Classification: **14-03E**

(74) Name(s) of Attorney(s): **SPRUSON & FERGUSON**

(71) Name(s) and Address(s) of Applicant(s):

**Microsoft Mobile OY**  
**Keilalahdentie 2-4, Espoo 02150 Finland**

(72) Name(s) of Designer(s): **Mikko Aarras and Jutta Johansson and Harri Vuolle**

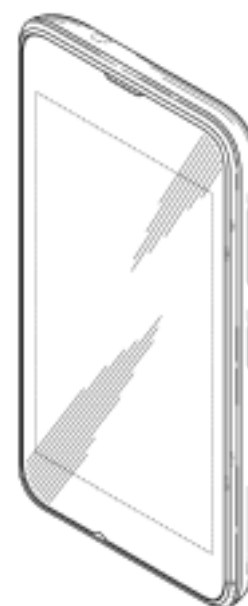
(45) Registration Date: **21 August 2014**

(30) Convention priority data:

(31) Number	(32) Date	(33) Country
<b>29/480251</b>	<b>24 Jan 2014</b>	<b>UNITED STATES OF AMERICA</b>

(56) Related Art Documents: **Not Applicable**

(57) Statement of Newness and Distinctiveness: **Newness and distinctiveness is claimed in the features of shape and/or configuration of a handset as illustrated in continuous lines in the accompanying representations.**

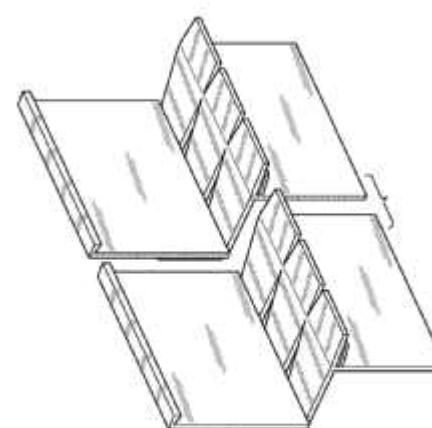




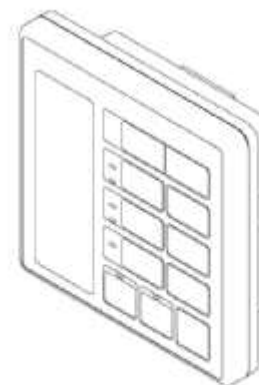
(21) Design Number: **13564/2014**  
(22) Date of Filing Application: **21 July 2014**  
(24) Date from which industrial property rights may have effect: **21 July 2014**  
(54) Product in respect of which the design is registered: **Battery pack device**  
(51) International Design Classification: **13-02**  
(74) Name(s) of Attorney(s): **Shelston IP**  
(71) Name(s) and Address(s) of Applicant(s):  
**Brunton Outdoor, Inc.**  
**2255 Brunton Court Riverton Wyoming 82501 United States of America**  
(72) Name(s) of Designer(s): **Chris Currah**  
(45) Registration Date: **21 August 2014**  
(30) Convention priority data:  
(31) Number (32) Date (33) Country  
**29/480004 22 Jan 2014 UNITED STATES OF AMERICA**  
(56) Related Art Documents: **Not Applicable**  
(57) Statement of Newness and Distinctiveness: **Newness and distinctiveness reside in the features of shape and/or configuration of a BATTERY PACK DEVICE as illustrated in the accompanying representations.**



(21) Design Number: **13567/2014**  
(22) Date of Filing Application: **21 July 2014**  
(24) Date from which industrial property rights may have effect: **21 July 2014**  
(54) Product in respect of which the design is registered: **Molding support**  
(51) International Design Classification: **25-01B, 08-08NES**  
(74) Name(s) of Attorney(s): **Freehills Patent Attorneys**  
(71) Name(s) and Address(s) of Applicant(s):  
**Concrete Countertop Solutions, Inc.**  
**790 Northern Boulevard Suite B Clarks Summit Pennsylvania**  
**19103-2921 United States of America**  
(72) Name(s) of Designer(s): **Edwin Baldoni and Dario J Baldoni**  
(45) Registration Date: **21 August 2014**  
(30) Convention priority data:  
(31) Number (32) Date (33) Country  
**29/494712 24 Jun 2014 UNITED STATES OF AMERICA**  
(56) Related Art Documents: **Not Applicable**  
(57) Statement of Newness and Distinctiveness: **Newness and distinctiveness of the design resides in the features of shape and configuration of the molding support of indefinite length as shown in solid outline and contour shading in the accompanying representations. The discontinuous centre break represents indefinite length.**



(21) Design Number: **13568/2014**  
(22) Date of Filing Application: **21 July 2014**  
(24) Date from which industrial property rights may have effect: **21 July 2014**  
(54) Product in respect of which the design is registered: **Remote control for air conditioner**  
(51) International Design Classification: **14-03NES**  
(74) Name(s) of Attorney(s): **Freehills Patent Attorneys**  
(71) Name(s) and Address(s) of Applicant(s):  
**Daikin Industries Ltd.**  
**Umeda Center Building 4-12 Nakazaki-Nishi 2-chome Kita-ku Osaka-shi**  
**Osaka-fu 530-8323 Japan**  
(72) Name(s) of Designer(s): **Wenqing Chen**  
(45) Registration Date: **21 August 2014**  
(30) Convention priority data:  
(31) Number (32) Date (33) Country  
**201430024230.2 29 Jan 2014 CHINA**  
(56) Related Art Documents: **Not Applicable**  
(57) Statement of Newness and Distinctiveness: **Newness and distinctiveness of the design resides in the visual features of the front panel and surrounding bezel of the remote control for an air conditioner, said features being best illustrated in figures 1 and 2 of the accompanying drawings.**



(21) Design Number: **13569/2014**  
(22) Date of Filing Application: **21 July 2014**  
(24) Date from which industrial property rights may have effect: **21 July 2014**  
(54) Product in respect of which the design is registered: **Panel for air conditioner**  
(51) International Design Classification: **23-04**  
(74) Name(s) of Attorney(s): **Freehills Patent Attorneys**  
(71) Name(s) and Address(s) of Applicant(s):  
**Daikin Industries Ltd.**  
**Umeda Center Building 4-12 Nakazaki-Nishi 2-chome Kita-ku Osaka-shi**  
**Osaka-fu 530-8323 Japan**  
(72) Name(s) of Designer(s): **Bin Zhou**  
(45) Registration Date: **21 August 2014**  
(30) Convention priority data:  
(31) Number (32) Date (33) Country  
**201430024232.1 29 Jan 2014 CHINA**  
(56) Related Art Documents: **Not Applicable**  
(57) Statement of Newness and Distinctiveness: **Newness and distinctiveness of the design resides in the features of shape and configuration of the Panel for air conditioner that are visible when viewed from the front, as best illustrated in figures 1 and 2 of the accompanying drawings.**



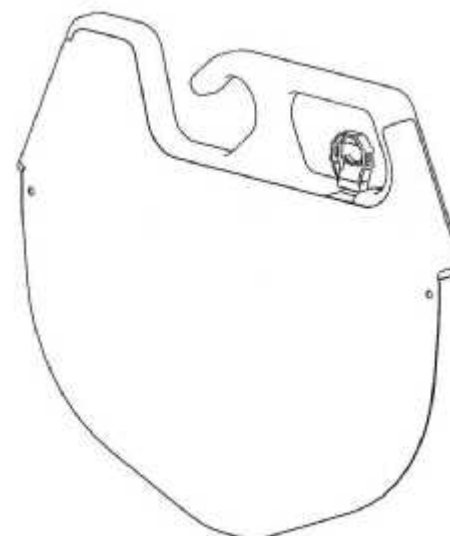
(21) Design Number: **13571/2014**  
(22) Date of Filing Application: **22 July 2014**  
(24) Date from which industrial property rights may have effect: **22 July 2014**  
(54) Product in respect of which the design is registered: **A strainer for a beverage container**  
(51) International Design Classification: **07-04**  
(74) Name(s) of Attorney(s): **AJ Park**  
(71) Name(s) and Address(s) of Applicant(s):  
**Sistema Plastics Limited**  
**80 Hugo Johnston Dr Penrose Auckland 1061 New Zealand**  
(72) Name(s) of Designer(s): **Brendan Jon Lindsay and Saleh Ghiyath**  
(45) Registration Date: **21 August 2014**  
(30) Convention priority data:  
(31) Number (32) Date (33) Country  
**418466 29 Jan 2014 NEW ZEALAND**  
(56) Related Art Documents: **Not Applicable**  
(57) Statement of Newness and Distinctiveness: **The newness and distinctiveness resides in the features of shape and/or configuration of A STRAINER FOR A BEVERAGE CONTAINER all as shown in the representations.**



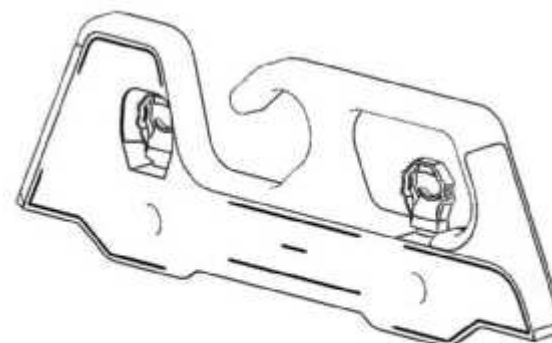
(21) Design Number: **13573/2014**  
(22) Date of Filing Application: **22 July 2014**  
(24) Date from which industrial property rights may have effect: **22 July 2014**  
(54) Product in respect of which the design is registered: **Suspension clip**  
(51) International Design Classification: **08-08C**  
(74) Name(s) of Attorney(s): **Sandercock & Cowie**  
(71) Name(s) and Address(s) of Applicant(s):  
**Scandia Tooling Australia Pty. Ltd.**  
**4 Bolt Court Hallam VIC 3803 Australia**  
(72) Name(s) of Designer(s): **John Gert Hansen**  
(45) Registration Date: **21 August 2014**  
(56) Related Art Documents: **Not Applicable**  
(57) Statement of Newness and Distinctiveness: **Newness and distinctiveness reside in the shape and configuration of the suspension clip as shown in the accompanying representations.**



- (21) Design Number: **13574/2014**  
(22) Date of Filing Application: **22 July 2014**  
(24) Date from which industrial property rights may have effect: **22 July 2014**  
(54) Product in respect of which the design is registered: **Hanger container for car floor mats**  
(51) International Design Classification: **03-01NES, 09-03NES**  
(74) Name(s) of Attorney(s): **WATERMARK PATENT AND TRADE MARKS ATTORNEYS**  
(71) Name(s) and Address(s) of Applicant(s):  
**Who-Rae Pty Ltd**  
**L1 185 Bank St South Melbourne VIC 3205 Australia**  
(72) Name(s) of Designer(s): **Giles Frederick Matthews and Nathanael Andrew Hunt and Warwick James Brown**  
(45) Registration Date: **21 August 2014**  
(56) Related Art Documents: **Not Applicable**  
(57) Statement of Newness and Distinctiveness: **Nil**



- (21) Design Number: **13575/2014**  
(22) Date of Filing Application: **22 July 2014**  
(24) Date from which industrial property rights may have effect: **22 July 2014**  
(54) Product in respect of which the design is registered: **Moulded portion of a hanger container**  
(51) International Design Classification: **09-99**  
(74) Name(s) of Attorney(s): **WATERMARK PATENT AND TRADE MARKS ATTORNEYS**  
(71) Name(s) and Address(s) of Applicant(s):  
**Who-Rae Pty Ltd**  
**L1 185 Bank St South Melbourne VIC 3205 Australia**  
(72) Name(s) of Designer(s): **Giles Frederick Matthews and Nathanael Andrew Hunt and Warwick James Brown**  
(45) Registration Date: **21 August 2014**  
(56) Related Art Documents: **Not Applicable**  
(57) Statement of Newness and Distinctiveness: **Nil**



(21) Design Number: **13576/2014**

(22) Date of Filing Application: **22 July 2014**

(24) Date from which industrial property rights may have effect: **22 July 2014**

(54) Product in respect of which the design is registered: **A toilet pan**

(51) International Design Classification: **23-02C**

(74) Name(s) of Attorney(s): **SPRUSON & FERGUSON**

(71) Name(s) and Address(s) of Applicant(s):

**Caroma Industries Limited**

**L2 HQ South Tower 520 Wickham St Fortitude Valley QLD 4006 Australia**

(72) Name(s) of Designer(s): **Stephen John Cummings and Luke Anthony Di Michiel**

(45) Registration Date: **21 August 2014**

(56) Related Art Documents: **Not Applicable**

(57) Statement of Newness and Distinctiveness: **Newness and distinctiveness is claimed in the features of shape and/or configuration of a toilet pan as illustrated in the accompanying representations.**



(21) Design Number: **13577/2014**

(22) Date of Filing Application: **22 July 2014**

(24) Date from which industrial property rights may have effect: **22 July 2014**

(54) Product in respect of which the design is registered: **A toilet pan**

(51) International Design Classification: **23-02C**

(74) Name(s) of Attorney(s): **SPRUSON & FERGUSON**

(71) Name(s) and Address(s) of Applicant(s):

**Caroma Industries Limited**

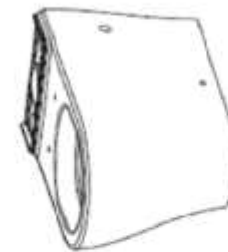
**L2 HQ South Tower 520 Wickham St Fortitude Valley QLD 4006 Australia**

(72) Name(s) of Designer(s): **Stephen John Cummings and Leonie Carolyn Brickwood**

(45) Registration Date: **21 August 2014**

(56) Related Art Documents: **Not Applicable**

(57) Statement of Newness and Distinctiveness: **Newness and distinctiveness is claimed in the features of shape and/or configuration of a toilet pan as illustrated in the accompanying representations.**



(21) Design Number: **13578/2014**

(22) Date of Filing Application: **22 July 2014**

(24) Date from which industrial property rights may have effect: **22 July 2014**

(54) Product in respect of which the design is registered: **A toilet pan**

(51) International Design Classification: **23-02C**

(74) Name(s) of Attorney(s): **SPRUSON & FERGUSON**

(71) Name(s) and Address(s) of Applicant(s):

**Caroma Industries Limited**

**L2 HQ South Tower 520 Wickham St Fortitude Valley QLD 4006 Australia**

(72) Name(s) of Designer(s): **Stephen John Cummings and Vincent Kai Hong Ho**

(45) Registration Date: **21 August 2014**

(56) Related Art Documents: **Not Applicable**

(57) Statement of Newness and Distinctiveness: **Newness and distinctiveness is claimed in the features of shape and/or configuration of a toilet pan as illustrated in the accompanying representations.**



(21) Design Number: **13579/2014**

(22) Date of Filing Application: **22 July 2014**

(24) Date from which industrial property rights may have effect: **22 July 2014**

(54) Product in respect of which the design is registered: **Sheet portion of a hanger container**

(51) International Design Classification: **09-03H**

(74) Name(s) of Attorney(s): **WATERMARK PATENT AND TRADE MARKS ATTORNEYS**

(71) Name(s) and Address(s) of Applicant(s):

**Who-Rae Pty Ltd**

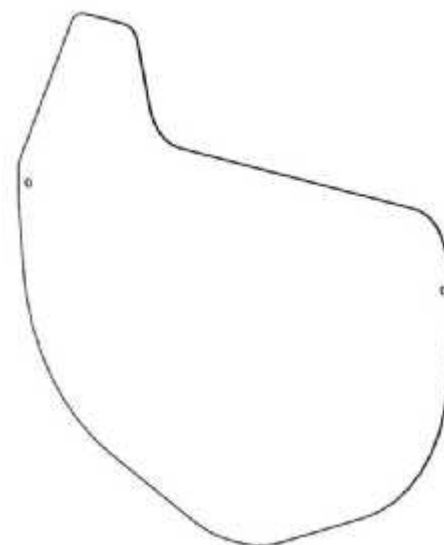
**L1 185 Bank St South Melbourne VIC 3205 Australia**

(72) Name(s) of Designer(s): **Giles Frederick Matthews and Nathanael Andrew Hunt and Warwick James Brown**

(45) Registration Date: **21 August 2014**

(56) Related Art Documents: **Not Applicable**

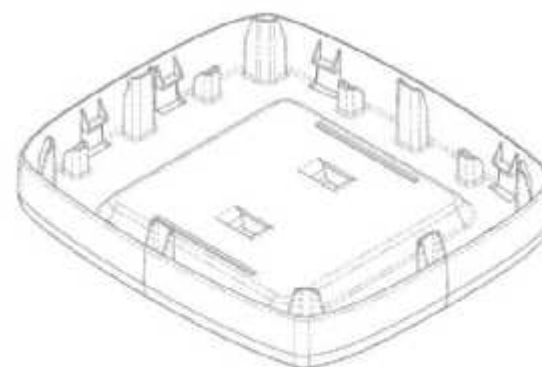
(57) Statement of Newness and Distinctiveness: **Nil**



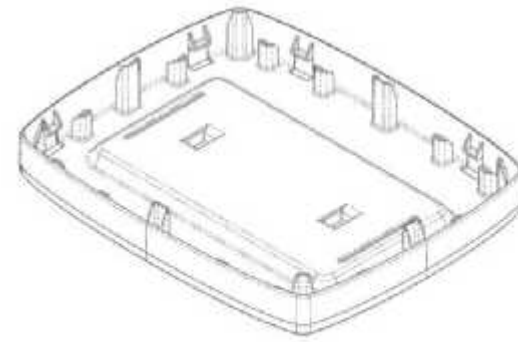
- (21) Design Number: **13580/2014**  
(22) Date of Filing Application: **22 July 2014**  
(24) Date from which industrial property rights may have effect: **22 July 2014**  
(54) Product in respect of which the design is registered: **Headphones**  
(51) International Design Classification: **14-01**  
(74) Name(s) of Attorney(s): **PHILLIPS ORMONDE FITZPATRICK**  
(71) Name(s) and Address(s) of Applicant(s):  
**Bose Corporation**  
**The Mountain MS 3B1 Framingham Massachusetts 01701-9168 United States of America**  
(72) Name(s) of Designer(s): **Joshua Kevin Dryden and Nathan David Schaal and Mitchell Joseph Silva and Adam A Carr and Kevin M Krauss**  
(45) Registration Date: **21 August 2014**  
(30) Convention priority data:  
(31) Number (32) Date (33) Country  
**29/482,026 13 Feb 2014 UNITED STATES OF AMERICA**  
(56) Related Art Documents: **Not Applicable**  
(57) Statement of Newness and Distinctiveness: **Newness and distinctiveness resides in the pattern and/or ornamentation of headphones as shown in the continuous lines in the accompanying representations. The features shown in broken lines are not part of the design and are to be disregarded when considering the overall impression of the design.**



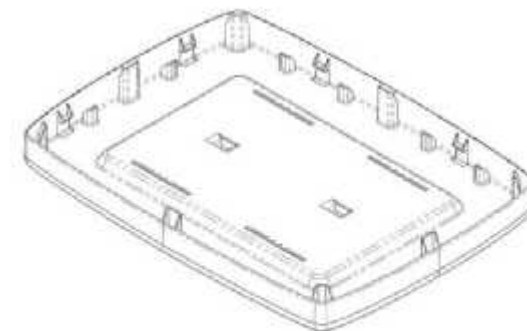
- (21) Design Number: **13581/2014**  
(22) Date of Filing Application: **22 July 2014**  
(24) Date from which industrial property rights may have effect: **22 July 2014**  
(54) Product in respect of which the design is registered: **Tray for a packaging container**  
(51) International Design Classification: **09-03H**  
(74) Name(s) of Attorney(s): **WATERMARK PATENT AND TRADE MARKS ATTORNEYS**  
(71) Name(s) and Address(s) of Applicant(s):  
**Who-Rae Pty Ltd**  
**L1 185 Bank St South Melbourne VIC 3205 Australia**  
(72) Name(s) of Designer(s): **Giles Frederick Matthews and Elizabeth Helen Christmas and Lorrin Megan Windahl**  
(45) Registration Date: **21 August 2014**  
(56) Related Art Documents: **Not Applicable**  
(57) Statement of Newness and Distinctiveness: **Nil**



- (21) Design Number: **13582/2014**  
(22) Date of Filing Application: **22 July 2014**  
(24) Date from which industrial property rights may have effect: **22 July 2014**  
(54) Product in respect of which the design is registered: **Tray for a packaging container**  
(51) International Design Classification: **09-03H**  
(74) Name(s) of Attorney(s): **WATERMARK PATENT AND TRADE MARKS ATTORNEYS**  
(71) Name(s) and Address(s) of Applicant(s):  
**Who-Rae Pty Ltd**  
**L1 185 Bank St South Melbourne VIC 3205 Australia**  
(72) Name(s) of Designer(s): **Giles Frederick Matthews and Elizabeth Helen Christmas and Lorrin Megan Windahl**  
(45) Registration Date: **21 August 2014**  
(56) Related Art Documents: **Not Applicable**  
(57) Statement of Newness and Distinctiveness: **Nil**

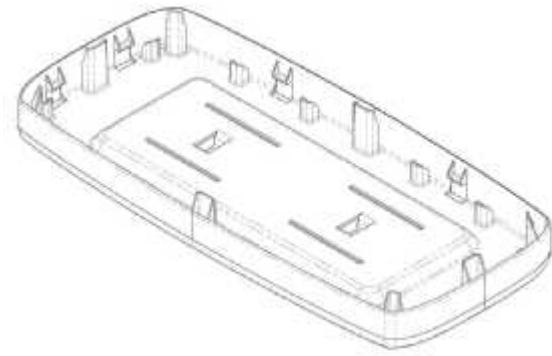


- (21) Design Number: **13583/2014**  
(22) Date of Filing Application: **22 July 2014**  
(24) Date from which industrial property rights may have effect: **22 July 2014**  
(54) Product in respect of which the design is registered: **Tray for a packaging container**  
(51) International Design Classification: **09-03H**  
(74) Name(s) of Attorney(s): **WATERMARK PATENT AND TRADE MARKS ATTORNEYS**  
(71) Name(s) and Address(s) of Applicant(s):  
**Who-Rae**  
**Level 1 185 Bank Street South Melbourne VIC 3205 Australia**  
(72) Name(s) of Designer(s): **Giles Frederick Matthews and Elizabeth Helen Christmas and Lorrin Megan Windahl**  
(45) Registration Date: **21 August 2014**  
(56) Related Art Documents: **Not Applicable**  
(57) Statement of Newness and Distinctiveness: **Nil**

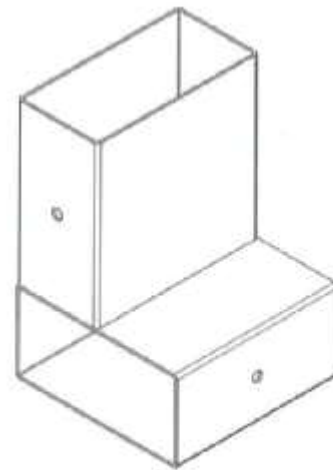




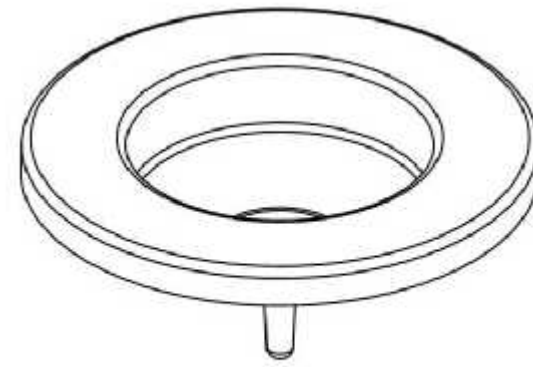
- (21) Design Number: **13584/2014**  
(22) Date of Filing Application: **22 July 2014**  
(24) Date from which industrial property rights may have effect: **22 July 2014**  
(54) Product in respect of which the design is registered: **Tray for a packaging container**  
(51) International Design Classification: **09-03H**  
(74) Name(s) of Attorney(s): **WATERMARK PATENT AND TRADE MARKS ATTORNEYS**  
(71) Name(s) and Address(s) of Applicant(s):  
**Who-Rae Pty Ltd**  
**Level 1 185 Bank Street South Melbourne VIC 3205 Australia**  
(72) Name(s) of Designer(s): **Giles Frederick Matthews and Elizabeth Helen Christmas and Lorrin Megan Windahl**  
(45) Registration Date: **21 August 2014**  
(56) Related Art Documents: **Not Applicable**  
(57) Statement of Newness and Distinctiveness: **Nil**



- (21) Design Number: **13585/2014**  
(22) Date of Filing Application: **22 July 2014**  
(24) Date from which industrial property rights may have effect: **22 July 2014**  
(54) Product in respect of which the design is registered: **A bracket**  
(51) International Design Classification: **08-08L**  
(74) Name(s) of Attorney(s): **Cullens Patent and Trade Mark Attorneys**  
(71) Name(s) and Address(s) of Applicant(s):  
**Greenwood Sales Pty Ltd**  
**136 Wynnum Road Norman Park QLD 4170 Australia**  
(72) Name(s) of Designer(s): **Scott Trenoweth**  
(45) Registration Date: **21 August 2014**  
(56) Related Art Documents: **Not Applicable**  
(57) Statement of Newness and Distinctiveness: **Newness and distinctiveness reside in the shape and configuration of a bracket as illustrated in the representations.**



(21) Design Number: **13586/2014**  
(22) Date of Filing Application: **22 July 2014**  
(24) Date from which industrial property rights may have effect: **22 July 2014**  
(54) Product in respect of which the design is registered: **A seal**  
(51) International Design Classification: **09-07C, 23-01A**  
(74) Name(s) of Attorney(s): **WATERMARK PATENT AND TRADE MARKS ATTORNEYS**  
(71) Name(s) and Address(s) of Applicant(s):  
**VIP Plastic Packaging Pty Ltd**  
**L16 644 Chapel St South Yarra VIC 3141 Australia**  
(72) Name(s) of Designer(s): **Phillip Higgins**  
(45) Registration Date: **21 August 2014**  
(56) Related Art Documents: **Not Applicable**  
(57) Statement of Newness and Distinctiveness: **Nil**



(21) Design Number: **13587/2014**  
(22) Date of Filing Application: **22 July 2014**  
(24) Date from which industrial property rights may have effect: **22 July 2014**  
(54) Product in respect of which the design is registered: **A dispensing nozzle and seal**  
(51) International Design Classification: **09-07A**  
(74) Name(s) of Attorney(s): **WATERMARK PATENT AND TRADE MARKS ATTORNEYS**  
(71) Name(s) and Address(s) of Applicant(s):  
**VIP Plastic Packaging Pty Ltd**  
**L16 644 Chapel St South Yarra VIC 3141 Australia**  
(72) Name(s) of Designer(s): **Phillip Higgins**  
(45) Registration Date: **21 August 2014**  
(56) Related Art Documents: **Not Applicable**  
(57) Statement of Newness and Distinctiveness: **The dispensing nozzle and seal are for a packaging container**



(21) Design Number: **13590/2014**  
(22) Date of Filing Application: **23 July 2014**  
(24) Date from which industrial property rights may have effect: **23 July 2014**  
(54) Product in respect of which the design is registered: **Snorkel connection hose for a vehicle**  
(51) International Design Classification: **12-16NES**  
(74) Name(s) of Attorney(s): **HODGKINSON McINNES PATENTS**  
(71) Name(s) and Address(s) of Applicant(s):  
**Australian Performance Development Pty Ltd**  
**73 Merrindale Dr South Croydon VIC 3136 Australia**  
(72) Name(s) of Designer(s): **Andrew Berry**  
(45) Registration Date: **21 August 2014**  
(56) Related Art Documents: **Not Applicable**  
(57) Statement of Newness and Distinctiveness: **Newness and distinctiveness is claimed in the shape and configuration of a Snorkel Connection Hose for a Vehicle as shown in the representations.**



(21) Design Number: **13593/2014**  
(22) Date of Filing Application: **23 July 2014**  
(24) Date from which industrial property rights may have effect: **23 July 2014**  
(54) Product in respect of which the design is registered: **A rear bumper for an automobile**  
(51) International Design Classification: **12-16C**  
(74) Name(s) of Attorney(s): **SPRUSON & FERGUSON**  
(71) Name(s) and Address(s) of Applicant(s):  
**Honda Motor Co., Ltd.**  
**1-1, Minami-Aoyama 2-Chome, Minato-ku Tokyo Japan**  
(72) Name(s) of Designer(s): **Tetsuji Morikawa**  
(45) Registration Date: **21 August 2014**  
(30) Convention priority data:  
(31) Number      (32) Date      (33) Country  
**2014-001196      23 Jan 2014      JAPAN**  
(56) Related Art Documents: **Not Applicable**  
(57) Statement of Newness and Distinctiveness: **Newness and distinctiveness is claimed in the features of shape and/or configuration of a rear bumper for an automobile as illustrated in the accompanying representations.**



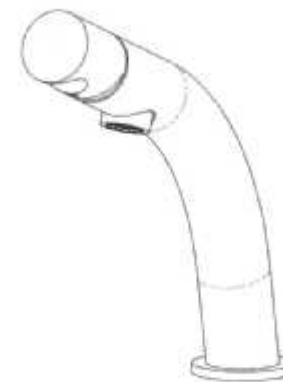
- (21) Design Number: **13594/2014**  
(22) Date of Filing Application: **23 July 2014**  
(24) Date from which industrial property rights may have effect: **23 July 2014**  
(54) Product in respect of which the design is registered: **A front bumper for an automobile**  
(51) International Design Classification: **12-16C**  
(74) Name(s) of Attorney(s): **SPRUSON & FERGUSON**  
(71) Name(s) and Address(s) of Applicant(s):  
**Honda Motor Co., Ltd.**  
**1-1, Minami-Aoyama 2-Chome, Minato-ku Tokyo Japan**  
(72) Name(s) of Designer(s): **Tetsuji Morikawa**  
(45) Registration Date: **21 August 2014**  
(30) Convention priority data:  
(31) Number      (32) Date      (33) Country  
**2014-001193      23 Jan 2014      JAPAN**  
(56) Related Art Documents: **Not Applicable**  
(57) Statement of Newness and Distinctiveness: **Newness and distinctiveness is claimed in the features of shape and/or configuration of a front bumper for an automobile as illustrated in the accompanying representations.**



- (21) Design Number: **13595/2014**  
(22) Date of Filing Application: **23 July 2014**  
(24) Date from which industrial property rights may have effect: **23 July 2014**  
(54) Product in respect of which the design is registered: **A front combination lamp for an automobile**  
(51) International Design Classification: **26-06**  
(74) Name(s) of Attorney(s): **SPRUSON & FERGUSON**  
(71) Name(s) and Address(s) of Applicant(s):  
**Honda Motor Co., Ltd.**  
**1-1, Minami-Aoyama 2-Chome, Minato-ku Tokyo Japan**  
(72) Name(s) of Designer(s): **Tetsuji Morikawa**  
(45) Registration Date: **21 August 2014**  
(30) Convention priority data:  
(31) Number      (32) Date      (33) Country  
**2014-001191      23 Jan 2014      JAPAN**  
(56) Related Art Documents: **Not Applicable**  
(57) Statement of Newness and Distinctiveness: **Newness and distinctiveness is claimed in the features of shape and/or configuration of a front combination lamp for an automobile as illustrated in the accompanying representations.**



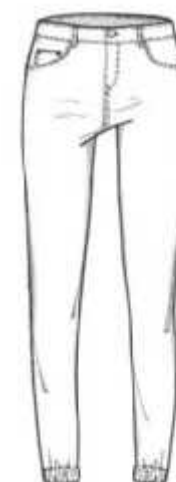
- (21) Design Number: **13596/2014**  
(22) Date of Filing Application: **23 July 2014**  
(24) Date from which industrial property rights may have effect: **23 July 2014**  
(54) Product in respect of which the design is registered: **A tap mixer**  
(51) International Design Classification: **23-01H**  
(74) Name(s) of Attorney(s): **PETER MAXWELL & ASSOCIATES**  
(71) Name(s) and Address(s) of Applicant(s):  
**Meco Australia Pty Limited**  
**30 Stennett Rd Ingleburn NSW 2565 Australia**  
(72) Name(s) of Designer(s): **Nicholas Kroopin**  
(45) Registration Date: **21 August 2014**  
(56) Related Art Documents: **Not Applicable**  
(57) Statement of Newness and Distinctiveness: **Newness and distinctiveness is claimed in the shape and/or configuration of a tap mixer.**



- (21) Design Number: **13393/2014**  
(22) Date of Filing Application: **14 July 2014**  
(24) Date from which industrial property rights may have effect: **07 November 2013**  
(54) Product in respect of which the design is registered: **Article of clothing**  
(51) International Design Classification: **02-02NES**  
(74) Name(s) of Attorney(s): **Allens Patent & Trade Mark Attorneys**  
(71) Name(s) and Address(s) of Applicant(s):  
**Forever New Clothing Pty Ltd**  
**714-716 High St Kew East VIC 3102 Australia**  
(72) Name(s) of Designer(s): **Anna Pham**  
(45) Registration Date: **21 August 2014**  
(62) Divisional of: **356515**  
(56) Related Art Documents: **Not Applicable**  
(57) Statement of Newness and Distinctiveness: **Newness and distinctiveness resides in the visual features of shape, configuration, pattern and/or ornamentation of an article of clothing as shown in the accompanying representation.**



- (21) Design Number: **13394/2014**  
(22) Date of Filing Application: **14 July 2014**  
(24) Date from which industrial property rights may have effect: **07 November 2013**  
(54) Product in respect of which the design is registered: **Article of clothing**  
(51) International Design Classification: **02-02C**  
(74) Name(s) of Attorney(s): **Allens Patent & Trade Mark Attorneys**  
(71) Name(s) and Address(s) of Applicant(s):  
**Forever New Clothing Pty Ltd**  
**714-716 High St Kew East VIC 3102 Australia**  
(72) Name(s) of Designer(s): **Anna Pham**  
(45) Registration Date: **21 August 2014**  
(62) Divisional of: **356515**  
(56) Related Art Documents: **Not Applicable**  
(57) Statement of Newness and Distinctiveness: **Newness and distinctiveness resides in the visual features of shape, configuration, pattern and/or ornamentation of an article of clothing as shown in the accompanying representation.**



- (21) Design Number: **13395/2014**  
(22) Date of Filing Application: **14 July 2014**  
(24) Date from which industrial property rights may have effect: **07 November 2013**  
(54) Product in respect of which the design is registered: **Article of clothing**  
(51) International Design Classification: **02-02C**  
(74) Name(s) of Attorney(s): **Allens Patent & Trade Mark Attorneys**  
(71) Name(s) and Address(s) of Applicant(s):  
**Forever New Clothing Pty Ltd**  
**714-716 High St Kew East VIC 3102 Australia**  
(72) Name(s) of Designer(s): **Karen Thai**  
(45) Registration Date: **21 August 2014**  
(62) Divisional of: **356515**  
(56) Related Art Documents: **Not Applicable**  
(57) Statement of Newness and Distinctiveness: **Newness and distinctiveness resides in the visual features of shape, configuration, pattern and/or ornamentation of an article of clothing as shown in the accompanying representations.**



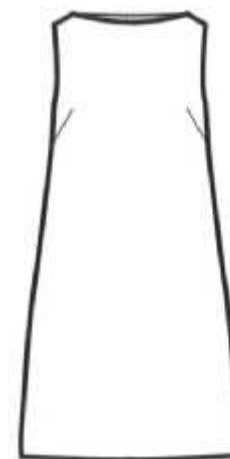
- (21) Design Number: **13396/2014**  
(22) Date of Filing Application: **14 July 2014**  
(24) Date from which industrial property rights may have effect: **14 July 2014**  
(54) Product in respect of which the design is registered: **Article of clothing**  
(51) International Design Classification: **02-02C**  
(74) Name(s) of Attorney(s): **Allens Patent & Trade Mark Attorneys**  
(71) Name(s) and Address(s) of Applicant(s):  
**Forever New Clothing Pty Ltd**  
**Ground Floor 718 High Street Kew Victoria 3101 Australia**  
(72) Name(s) of Designer(s): **Karen Thai**  
(45) Registration Date: **21 August 2014**  
(56) Related Art Documents: **Not Applicable**  
(57) Statement of Newness and Distinctiveness: **Newness and distinctiveness resides in the visual features of shape, configuration, pattern and/or ornamentation of an article of clothing as shown in the accompanying representations.**



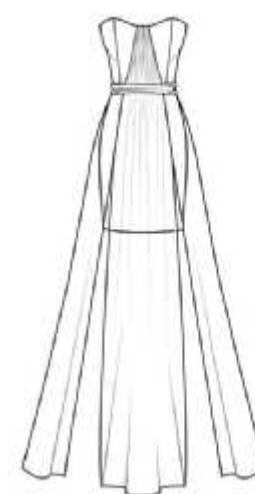
- (21) Design Number: **13397/2014**  
(22) Date of Filing Application: **14 July 2014**  
(24) Date from which industrial property rights may have effect: **07 November 2013**  
(54) Product in respect of which the design is registered: **Article of clothing**  
(51) International Design Classification: **02-02C**  
(74) Name(s) of Attorney(s): **Allens Patent & Trade Mark Attorneys**  
(71) Name(s) and Address(s) of Applicant(s):  
**Forever New Clothing Pty Ltd**  
**714-716 High St Kew East VIC 3102 Australia**  
(72) Name(s) of Designer(s): **Karen Thai**  
(45) Registration Date: **21 August 2014**  
(62) Divisional of: **356515**  
(56) Related Art Documents: **Not Applicable**  
(57) Statement of Newness and Distinctiveness: **Newness and distinctiveness resides in the visual features of shape, configuration, pattern and/or ornamentation of an article of clothing as shown in the accompanying representations.**



- (21) Design Number: **13398/2014**  
(22) Date of Filing Application: **14 July 2014**  
(24) Date from which industrial property rights may have effect: **07 November 2013**  
(54) Product in respect of which the design is registered: **Article of clothing**  
(51) International Design Classification: **02-02C**  
(74) Name(s) of Attorney(s): **Allens Patent & Trade Mark Attorneys**  
(71) Name(s) and Address(s) of Applicant(s):  
**Forever New Clothing Pty Ltd**  
**714-716 High St Kew East VIC 3102 Australia**  
(72) Name(s) of Designer(s): **Karen Thai**  
(45) Registration Date: **21 August 2014**  
(62) Divisional of: **356515**  
(56) Related Art Documents: **Not Applicable**  
(57) Statement of Newness and Distinctiveness: **Newness and distinctiveness resides in the visual features of shape, configuration, pattern and/or ornamentation of an article of clothing as shown in the accompanying representations.**



- (21) Design Number: **13399/2014**  
(22) Date of Filing Application: **14 July 2014**  
(24) Date from which industrial property rights may have effect: **14 July 2014**  
(54) Product in respect of which the design is registered: **Article of clothing**  
(51) International Design Classification: **02-02C**  
(74) Name(s) of Attorney(s): **Allens Patent & Trade Mark Attorneys**  
(71) Name(s) and Address(s) of Applicant(s):  
**Forever New Clothing Pty Ltd**  
**714-716 High St Kew East VIC 3102 Australia**  
(72) Name(s) of Designer(s): **Karen Thai**  
(45) Registration Date: **21 August 2014**  
(56) Related Art Documents: **Not Applicable**  
(57) Statement of Newness and Distinctiveness: **Newness and distinctiveness resides in the visual features of shape, configuration, pattern and/or ornamentation of an article of clothing as shown in the accompanying representations.**





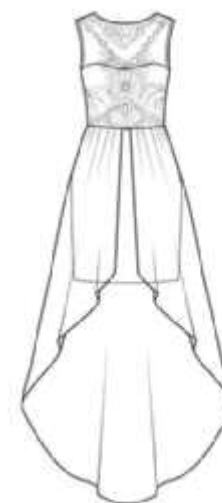
- (21) Design Number: **13400/2014**  
(22) Date of Filing Application: **14 July 2014**  
(24) Date from which industrial property rights may have effect: **07 November 2013**  
(54) Product in respect of which the design is registered: **Article of clothing**  
(51) International Design Classification: **02-02C**  
(74) Name(s) of Attorney(s): **Allens Patent & Trade Mark Attorneys**  
(71) Name(s) and Address(s) of Applicant(s):  
**Forever New Clothing Pty Ltd**  
**714-716 High St Kew East VIC 3102 Australia**  
(72) Name(s) of Designer(s): **Karen Thai**  
(45) Registration Date: **21 August 2014**  
(62) Divisional of: **356515**  
(56) Related Art Documents: **Not Applicable**  
(57) Statement of Newness and Distinctiveness: **Newness and distinctiveness resides in the visual features of shape, configuration, pattern and/or ornamentation of an article of clothing as shown in the accompanying representations.**



- (21) Design Number: **13401/2014**  
(22) Date of Filing Application: **14 July 2014**  
(24) Date from which industrial property rights may have effect: **07 November 2013**  
(54) Product in respect of which the design is registered: **Article of clothing**  
(51) International Design Classification: **02-02C**  
(74) Name(s) of Attorney(s): **Allens Patent & Trade Mark Attorneys**  
(71) Name(s) and Address(s) of Applicant(s):  
**Forever New Clothing Pty Ltd**  
**714-716 High St Kew East VIC 3102 Australia**  
(72) Name(s) of Designer(s): **Karen Thai**  
(45) Registration Date: **21 August 2014**  
(62) Divisional of: **356515**  
(56) Related Art Documents: **Not Applicable**  
(57) Statement of Newness and Distinctiveness: **Newness and distinctiveness resides in the visual features of shape, configuration, pattern and/or ornamentation of an article of clothing as shown in the accompanying representations.**



- (21) Design Number: **13402/2014**  
(22) Date of Filing Application: **14 July 2014**  
(24) Date from which industrial property rights may have effect: **14 July 2014**  
(54) Product in respect of which the design is registered: **Article of clothing**  
(51) International Design Classification: **02-02C**  
(74) Name(s) of Attorney(s): **Allens Patent & Trade Mark Attorneys**  
(71) Name(s) and Address(s) of Applicant(s):  
**Forever New Clothing Pty Ltd**  
**Ground Floor 718 High Street Kew Victoria 3101 Australia**  
(72) Name(s) of Designer(s): **Karen Thai**  
(45) Registration Date: **21 August 2014**  
(56) Related Art Documents: **Not Applicable**  
(57) Statement of Newness and Distinctiveness: **Newness and distinctiveness resides in the visual features of shape, configuration, pattern and/or ornamentation of an article of clothing as shown in the accompanying representations.**



- (21) Design Number: **13403/2014**  
(22) Date of Filing Application: **14 July 2014**  
(24) Date from which industrial property rights may have effect: **07 November 2013**  
(54) Product in respect of which the design is registered: **Article of clothing**  
(51) International Design Classification: **02-02C**  
(74) Name(s) of Attorney(s): **Allens Patent & Trade Mark Attorneys**  
(71) Name(s) and Address(s) of Applicant(s):  
**Forever New Clothing Pty Ltd**  
**714-716 High St Kew East VIC 3102 Australia**  
(72) Name(s) of Designer(s): **Karen Thai**  
(45) Registration Date: **21 August 2014**  
(62) Divisional of: **356515**  
(56) Related Art Documents: **Not Applicable**  
(57) Statement of Newness and Distinctiveness: **Newness and distinctiveness resides in the visual features of shape, configuration, pattern and/or ornamentation of an article of clothing as shown in the accompanying representations.**



- (21) Design Number: **13404/2014**  
(22) Date of Filing Application: **14 July 2014**  
(24) Date from which industrial property rights may have effect: **07 November 2013**  
(54) Product in respect of which the design is registered: **Article of clothing**  
(51) International Design Classification: **02-02C, 02-02NES**  
(74) Name(s) of Attorney(s): **Allens Patent & Trade Mark Attorneys**  
(71) Name(s) and Address(s) of Applicant(s):  
**Forever New Clothing Pty Ltd**  
**714-716 High Street Kew East Victoria 3102 Australia**  
(72) Name(s) of Designer(s): **Octavia Miller**  
(45) Registration Date: **21 August 2014**  
(62) Divisional of: **356515**  
(56) Related Art Documents: **Not Applicable**  
(57) Statement of Newness and Distinctiveness: **Newness and distinctiveness resides in the visual features of shape, configuration, pattern and/or ornamentation of an article of clothing as shown in the accompanying representations.**



- (21) Design Number: **13405/2014**  
(22) Date of Filing Application: **14 July 2014**  
(24) Date from which industrial property rights may have effect: **07 November 2013**  
(54) Product in respect of which the design is registered: **Article of clothing**  
(51) International Design Classification: **02-02C**  
(74) Name(s) of Attorney(s): **Allens Patent & Trade Mark Attorneys**  
(71) Name(s) and Address(s) of Applicant(s):  
**Forever New Clothing Pty Ltd**  
**714-716 High St Kew East Victoria 3102 Australia**  
(72) Name(s) of Designer(s): **Octavia Miller**  
(45) Registration Date: **21 August 2014**  
(62) Divisional of: **356515**  
(56) Related Art Documents: **Not Applicable**  
(57) Statement of Newness and Distinctiveness: **Newness and distinctiveness resides in the visual features of shape, configuration, pattern and/or ornamentation of an article of clothing as shown in the accompanying representations.**



- (21) Design Number: **13406/2014**  
(22) Date of Filing Application: **14 July 2014**  
(24) Date from which industrial property rights may have effect: **07 November 2013**  
(54) Product in respect of which the design is registered: **Article of clothing**  
(51) International Design Classification: **02-02C**  
(74) Name(s) of Attorney(s): **Allens Patent & Trade Mark Attorneys**  
(71) Name(s) and Address(s) of Applicant(s):  
**Forever New Clothing Pty Ltd**  
**714-716 High St Kew East Victoria 3102 Australia**  
(72) Name(s) of Designer(s): **Octavia Miller**  
(45) Registration Date: **21 August 2014**  
(62) Divisional of: **356515**  
(56) Related Art Documents: **Not Applicable**  
(57) Statement of Newness and Distinctiveness: **Newness and distinctiveness resides in the visual features of shape, configuration, pattern and/or ornamentation of an article of clothing as shown in the accompanying representations.**



- (21) Design Number: **13407/2014**  
(22) Date of Filing Application: **14 July 2014**  
(24) Date from which industrial property rights may have effect: **07 November 2013**  
(54) Product in respect of which the design is registered: **Article of clothing**  
(51) International Design Classification: **02-02C**  
(74) Name(s) of Attorney(s): **Allens Patent & Trade Mark Attorneys**  
(71) Name(s) and Address(s) of Applicant(s):  
**Forever New Clothing Pty Ltd**  
**714-716 High St Kew East Victoria 3102 Australia**  
(72) Name(s) of Designer(s): **Octavia Miller**  
(45) Registration Date: **21 August 2014**  
(62) Divisional of: **356515**  
(56) Related Art Documents: **Not Applicable**  
(57) Statement of Newness and Distinctiveness: **Newness and distinctiveness resides in the visual features of shape, configuration, pattern and/or ornamentation of an article of clothing as shown in the accompanying representations.**



- (21) Design Number: **13408/2014**  
(22) Date of Filing Application: **14 July 2014**  
(24) Date from which industrial property rights may have effect: **07 November 2013**  
(54) Product in respect of which the design is registered: **Article of clothing**  
(51) International Design Classification: **02-02C, 02-02NES**  
(74) Name(s) of Attorney(s): **Allens Patent & Trade Mark Attorneys**  
(71) Name(s) and Address(s) of Applicant(s):  
**Forever New Clothing Pty Ltd**  
**714-716 High St Kew East Victoria 3102 Australia**  
(72) Name(s) of Designer(s): **Jennifer Hall**  
(45) Registration Date: **21 August 2014**  
(62) Divisional of: **356515**  
(56) Related Art Documents: **Not Applicable**  
(57) Statement of Newness and Distinctiveness: **Newness and distinctiveness resides in the visual features of shape, configuration, pattern and/or ornamentation of an article of clothing as shown in the accompanying representations.**



- (21) Design Number: **13409/2014**  
(22) Date of Filing Application: **14 July 2014**  
(24) Date from which industrial property rights may have effect: **07 November 2013**  
(54) Product in respect of which the design is registered: **Article of clothing**  
(51) International Design Classification: **02-02C, 02-02NES**  
(74) Name(s) of Attorney(s): **Allens Patent & Trade Mark Attorneys**  
(71) Name(s) and Address(s) of Applicant(s):  
**Forever New Clothing Pty Ltd**  
**714-716 High St Kew East Victoria 3102 Australia**  
(72) Name(s) of Designer(s): **Jennifer Hall**  
(45) Registration Date: **21 August 2014**  
(62) Divisional of: **356515**  
(56) Related Art Documents: **Not Applicable**  
(57) Statement of Newness and Distinctiveness: **Newness and distinctiveness resides in the visual features of shape, configuration, pattern and/or ornamentation of an article of clothing as shown in the accompanying representations.**



- (21) Design Number: **13410/2014**  
(22) Date of Filing Application: **14 July 2014**  
(24) Date from which industrial property rights may have effect: **07 November 2013**  
(54) Product in respect of which the design is registered: **Article of clothing**  
(51) International Design Classification: **02-02C, 02-02NES**  
(74) Name(s) of Attorney(s): **Allens Patent & Trade Mark Attorneys**  
(71) Name(s) and Address(s) of Applicant(s):  
**Forever New Clothing Pty Ltd**  
**714-716 High St Kew East Victoria 3102 Australia**  
(72) Name(s) of Designer(s): **Jennifer Hall**  
(45) Registration Date: **21 August 2014**  
(62) Divisional of: **356515**  
(56) Related Art Documents: **Not Applicable**  
(57) Statement of Newness and Distinctiveness: **Newness and distinctiveness resides in the visual features of shape, configuration, pattern and/or ornamentation of an article of clothing as shown in the accompanying representations.**



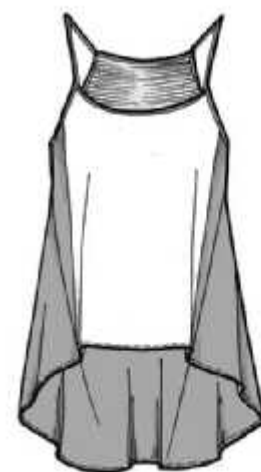
- (21) Design Number: **13411/2014**  
(22) Date of Filing Application: **14 July 2014**  
(24) Date from which industrial property rights may have effect: **07 November 2013**  
(54) Product in respect of which the design is registered: **Article of clothing**  
(51) International Design Classification: **02-02C, 02-02NES**  
(74) Name(s) of Attorney(s): **Allens Patent & Trade Mark Attorneys**  
(71) Name(s) and Address(s) of Applicant(s):  
**Forever New Clothing Pty Ltd**  
**714-716 High St Kew East Victoria 3102 Australia**  
(72) Name(s) of Designer(s): **Jennifer Hall**  
(45) Registration Date: **21 August 2014**  
(62) Divisional of: **356515**  
(56) Related Art Documents: **Not Applicable**  
(57) Statement of Newness and Distinctiveness: **Newness and distinctiveness resides in the visual features of shape, configuration, pattern and/or ornamentation of an article of clothing as shown in the accompanying representations.**



- (21) Design Number: **13412/2014**  
(22) Date of Filing Application: **14 July 2014**  
(24) Date from which industrial property rights may have effect: **07 November 2013**  
(54) Product in respect of which the design is registered: **Article of clothing**  
(51) International Design Classification: **02-02C, 02-02NES**  
(74) Name(s) of Attorney(s): **Allens Patent & Trade Mark Attorneys**  
(71) Name(s) and Address(s) of Applicant(s):  
**Forever New Clothing Pty Ltd**  
**714-716 High St Kew East Victoria 3102 Australia**  
(72) Name(s) of Designer(s): **Jennifer Hall**  
(45) Registration Date: **21 August 2014**  
(62) Divisional of: **356515**  
(56) Related Art Documents: **Not Applicable**  
(57) Statement of Newness and Distinctiveness: **Newness and distinctiveness resides in the visual features of shape, configuration, pattern and/or ornamentation of an article of clothing as shown in the accompanying representations.**



- (21) Design Number: **13413/2014**  
(22) Date of Filing Application: **14 July 2014**  
(24) Date from which industrial property rights may have effect: **07 November 2013**  
(54) Product in respect of which the design is registered: **Article of clothing**  
(51) International Design Classification: **02-02C, 02-02NES, 02-99**  
(74) Name(s) of Attorney(s): **Allens Patent & Trade Mark Attorneys**  
(71) Name(s) and Address(s) of Applicant(s):  
**Forever New Clothing Pty Ltd**  
**714-716 High St Kew East Victoria 3102 Australia**  
(72) Name(s) of Designer(s): **Jennifer Hall**  
(45) Registration Date: **22 August 2014**  
(62) Divisional of: **356515**  
(56) Related Art Documents: **Not Applicable**  
(57) Statement of Newness and Distinctiveness: **Newness and distinctiveness resides in the visual features of shape, configuration, pattern and/or ornamentation of an article of clothing as shown in the accompanying representations.**



- (21) Design Number: **13414/2014**  
(22) Date of Filing Application: **14 July 2014**  
(24) Date from which industrial property rights may have effect: **07 November 2013**  
(54) Product in respect of which the design is registered: **Article of clothing**  
(51) International Design Classification: **02-02C, 02-02NES**  
(74) Name(s) of Attorney(s): **Allens Patent & Trade Mark Attorneys**  
(71) Name(s) and Address(s) of Applicant(s):  
**Forever New Clothing Pty Ltd**  
**714-716 High St Kew East Victoria 3102 Australia**  
(72) Name(s) of Designer(s): **Jennifer Hall**  
(45) Registration Date: **22 August 2014**  
(62) Divisional of: **356515**  
(56) Related Art Documents: **Not Applicable**  
(57) Statement of Newness and Distinctiveness: **Newness and distinctiveness resides in the visual features of shape, configuration, pattern and/or ornamentation of an article of clothing as shown in the accompanying representations.**



- (21) Design Number: **13415/2014**  
(22) Date of Filing Application: **14 July 2014**  
(24) Date from which industrial property rights may have effect: **07 November 2013**  
(54) Product in respect of which the design is registered: **Article of clothing**  
(51) International Design Classification: **02-02C**  
(74) Name(s) of Attorney(s): **Allens Patent & Trade Mark Attorneys**  
(71) Name(s) and Address(s) of Applicant(s):  
**Forever New Clothing Pty Ltd**  
**714-716 High St Kew East VIC 3102 Australia**  
(72) Name(s) of Designer(s): **Karen Thai**  
(45) Registration Date: **22 August 2014**  
(62) Divisional of: **356515**  
(56) Related Art Documents: **Not Applicable**  
(57) Statement of Newness and Distinctiveness: **Newness and distinctiveness resides in the visual features of shape, configuration, pattern and/or ornamentation of an article of clothing as shown in the accompanying representations.**





- (21) Design Number: **13416/2014**  
(22) Date of Filing Application: **14 July 2014**  
(24) Date from which industrial property rights may have effect: **07 November 2013**  
(54) Product in respect of which the design is registered: **Article of clothing**  
(51) International Design Classification: **02-02C**  
(74) Name(s) of Attorney(s): **Allens Patent & Trade Mark Attorneys**  
(71) Name(s) and Address(s) of Applicant(s):  
**Forever New Clothing Pty Ltd**  
**714-716 High St Kew East VIC 3102 Australia**  
(72) Name(s) of Designer(s): **Chloe Atkinson**  
(45) Registration Date: **22 August 2014**  
(62) Divisional of: **356515**  
(56) Related Art Documents: **Not Applicable**  
(57) Statement of Newness and Distinctiveness: **Newness and distinctiveness resides in the visual features of shape, configuration, pattern and/or ornamentation of an article of clothing as shown in the accompanying representations.**



- (21) Design Number: **13417/2014**  
(22) Date of Filing Application: **14 July 2014**  
(24) Date from which industrial property rights may have effect: **07 November 2013**  
(54) Product in respect of which the design is registered: **Article of clothing**  
(51) International Design Classification: **02-02C**  
(74) Name(s) of Attorney(s): **Allens Patent & Trade Mark Attorneys**  
(71) Name(s) and Address(s) of Applicant(s):  
**Forever New Clothing Pty Ltd**  
**714-716 High St Kew East VIC 3102 Australia**  
(72) Name(s) of Designer(s): **Chloe Atkinson**  
(45) Registration Date: **22 August 2014**  
(62) Divisional of: **356515**  
(56) Related Art Documents: **Not Applicable**  
(57) Statement of Newness and Distinctiveness: **Newness and distinctiveness resides in the visual features of shape, configuration, pattern and/or ornamentation of an article of clothing as shown in the accompanying representations.**



- (21) Design Number: **13418/2014**  
(22) Date of Filing Application: **14 July 2014**  
(24) Date from which industrial property rights may have effect: **07 November 2013**  
(54) Product in respect of which the design is registered: **Article of clothing**  
(51) International Design Classification: **02-02C**  
(74) Name(s) of Attorney(s): **Allens Patent & Trade Mark Attorneys**  
(71) Name(s) and Address(s) of Applicant(s):  
**Forever New Clothing Pty Ltd**  
**714-716 High St Kew East VIC 3102 Australia**  
(72) Name(s) of Designer(s): **Chloe Atkinson**  
(45) Registration Date: **22 August 2014**  
(62) Divisional of: **356515**  
(56) Related Art Documents: **Not Applicable**  
(57) Statement of Newness and Distinctiveness: **Newness and distinctiveness resides in the visual features of shape, configuration, pattern and/or ornamentation of an article of clothing as shown in the accompanying representations.**



- (21) Design Number: **13419/2014**  
(22) Date of Filing Application: **14 July 2014**  
(24) Date from which industrial property rights may have effect: **07 November 2013**  
(54) Product in respect of which the design is registered: **Article of clothing**  
(51) International Design Classification: **02-02C**  
(74) Name(s) of Attorney(s): **Allens Patent & Trade Mark Attorneys**  
(71) Name(s) and Address(s) of Applicant(s):  
**Forever New Clothing Pty Ltd**  
**714-716 High St Kew East VIC 3102 Australia**  
(72) Name(s) of Designer(s): **Chloe Atkinson**  
(45) Registration Date: **22 August 2014**  
(62) Divisional of: **356515**  
(56) Related Art Documents: **Not Applicable**  
(57) Statement of Newness and Distinctiveness: **Newness and distinctiveness resides in the visual features of shape, configuration, pattern and/or ornamentation of an article of clothing as shown in the accompanying representations.**



- (21) Design Number: **13420/2014**  
(22) Date of Filing Application: **14 July 2014**  
(24) Date from which industrial property rights may have effect: **07 November 2013**  
(54) Product in respect of which the design is registered: **Article of clothing**  
(51) International Design Classification: **02-02C**  
(74) Name(s) of Attorney(s): **Allens Patent & Trade Mark Attorneys**  
(71) Name(s) and Address(s) of Applicant(s):  
**Forever New Clothing Pty Ltd**  
**714-716 High St Kew East VIC 3102 Australia**  
(72) Name(s) of Designer(s): **Chloe Atkinson**  
(45) Registration Date: **22 August 2014**  
(62) Divisional of: **356515**  
(56) Related Art Documents: **Not Applicable**  
(57) Statement of Newness and Distinctiveness: **Newness and distinctiveness resides in the visual features of shape, configuration, pattern and/or ornamentation of an article of clothing as shown in the accompanying representations.**



- (21) Design Number: **13421/2014**  
(22) Date of Filing Application: **14 July 2014**  
(24) Date from which industrial property rights may have effect: **07 November 2013**  
(54) Product in respect of which the design is registered: **Article of clothing**  
(51) International Design Classification: **02-02C**  
(74) Name(s) of Attorney(s): **Allens Patent & Trade Mark Attorneys**  
(71) Name(s) and Address(s) of Applicant(s):  
**Forever New Clothing Pty Ltd**  
**714-716 High St Kew East VIC 3102 Australia**  
(72) Name(s) of Designer(s): **Chloe Atkinson**  
(45) Registration Date: **22 August 2014**  
(62) Divisional of: **356515**  
(56) Related Art Documents: **Not Applicable**  
(57) Statement of Newness and Distinctiveness: **Newness and distinctiveness resides in the visual features of shape, configuration, pattern and/or ornamentation of an article of clothing as shown in the accompanying representations.**



- (21) Design Number: **13422/2014**  
(22) Date of Filing Application: **14 July 2014**  
(24) Date from which industrial property rights may have effect: **07 November 2013**  
(54) Product in respect of which the design is registered: **Article of clothing**  
(51) International Design Classification: **02-02C**  
(74) Name(s) of Attorney(s): **Allens Patent & Trade Mark Attorneys**  
(71) Name(s) and Address(s) of Applicant(s):  
**Forever New Clothing Pty Ltd**  
**714-716 High St Kew East VIC 3102 Australia**  
(72) Name(s) of Designer(s): **Chloe Atkinson**  
(45) Registration Date: **22 August 2014**  
(62) Divisional of: **356515**  
(56) Related Art Documents: **Not Applicable**  
(57) Statement of Newness and Distinctiveness: **Newness and distinctiveness resides in the visual features of shape, configuration, pattern and/or ornamentation of an article of clothing as shown in the accompanying representations.**



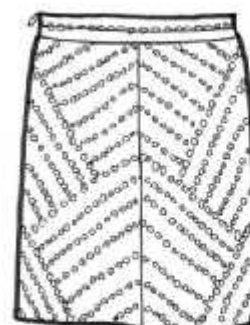
- (21) Design Number: **13423/2014**  
(22) Date of Filing Application: **14 July 2014**  
(24) Date from which industrial property rights may have effect: **07 November 2013**  
(54) Product in respect of which the design is registered: **Article of clothing**  
(51) International Design Classification: **02-02C**  
(74) Name(s) of Attorney(s): **Allens Patent & Trade Mark Attorneys**  
(71) Name(s) and Address(s) of Applicant(s):  
**Forever New Clothing Pty Ltd**  
**714-716 High St Kew East VIC 3102 Australia**  
(72) Name(s) of Designer(s): **Chloe Atkinson**  
(45) Registration Date: **22 August 2014**  
(62) Divisional of: **356515**  
(56) Related Art Documents: **Not Applicable**  
(57) Statement of Newness and Distinctiveness: **Newness and distinctiveness resides in the visual features of shape, configuration, pattern and/or ornamentation of an article of clothing as shown in the accompanying representations.**



- (21) Design Number: **13424/2014**  
(22) Date of Filing Application: **14 July 2014**  
(24) Date from which industrial property rights may have effect: **07 November 2013**  
(54) Product in respect of which the design is registered: **Article of clothing**  
(51) International Design Classification: **02-02C**  
(74) Name(s) of Attorney(s): **Allens Patent & Trade Mark Attorneys**  
(71) Name(s) and Address(s) of Applicant(s):  
**Forever New Clothing Pty Ltd**  
**714-716 High St Kew East VIC 3102 Australia**  
(72) Name(s) of Designer(s): **Chloe Atkinson**  
(45) Registration Date: **22 August 2014**  
(62) Divisional of: **356515**  
(56) Related Art Documents: **Not Applicable**  
(57) Statement of Newness and Distinctiveness: **Newness and distinctiveness resides in the visual features of shape, configuration, pattern and/or ornamentation of an article of clothing as shown in the accompanying representations.**



- (21) Design Number: **13425/2014**  
(22) Date of Filing Application: **14 July 2014**  
(24) Date from which industrial property rights may have effect: **07 November 2013**  
(54) Product in respect of which the design is registered: **Article of clothing**  
(51) International Design Classification: **02-02C**  
(74) Name(s) of Attorney(s): **Allens Patent & Trade Mark Attorneys**  
(71) Name(s) and Address(s) of Applicant(s):  
**Forever New Clothing Pty Ltd**  
**714-716 High St Kew East VIC 3102 Australia**  
(72) Name(s) of Designer(s): **Octavia Miller**  
(45) Registration Date: **22 August 2014**  
(62) Divisional of: **356515**  
(56) Related Art Documents: **Not Applicable**  
(57) Statement of Newness and Distinctiveness: **Newness and distinctiveness resides in the visual features of shape, configuration, pattern and/or ornamentation of an article of clothing as shown in the accompanying representations.**



- (21) Design Number: **13426/2014**  
(22) Date of Filing Application: **14 July 2014**  
(24) Date from which industrial property rights may have effect: **07 November 2013**  
(54) Product in respect of which the design is registered: **Article of clothing**  
(51) International Design Classification: **02-02C**  
(74) Name(s) of Attorney(s): **Allens Patent & Trade Mark Attorneys**  
(71) Name(s) and Address(s) of Applicant(s):  
**Forever New Clothing Pty Ltd**  
**714-716 High St Kew East VIC 3102 Australia**  
(72) Name(s) of Designer(s): **Octavia Miller**  
(45) Registration Date: **22 August 2014**  
(62) Divisional of: **356515**  
(56) Related Art Documents: **Not Applicable**  
(57) Statement of Newness and Distinctiveness: **Newness and distinctiveness resides in the visual features of shape, configuration, pattern and/or ornamentation of an article of clothing as shown in the accompanying representations.**



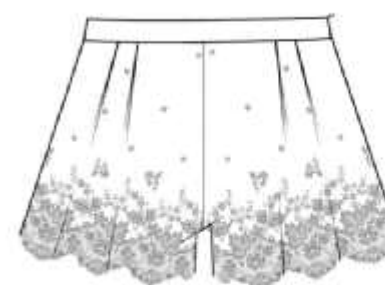
- (21) Design Number: **13427/2014**  
(22) Date of Filing Application: **14 July 2014**  
(24) Date from which industrial property rights may have effect: **07 November 2013**  
(54) Product in respect of which the design is registered: **Article of clothing**  
(51) International Design Classification: **02-02C**  
(74) Name(s) of Attorney(s): **Allens Patent & Trade Mark Attorneys**  
(71) Name(s) and Address(s) of Applicant(s):  
**Forever New Clothing Pty Ltd**  
**714-716 High St Kew East VIC 3102 Australia**  
(72) Name(s) of Designer(s): **Octavia Miller**  
(45) Registration Date: **22 August 2014**  
(62) Divisional of: **356515**  
(56) Related Art Documents: **Not Applicable**  
(57) Statement of Newness and Distinctiveness: **Newness and distinctiveness resides in the visual features of shape, configuration, pattern and/or ornamentation of an article of clothing as shown in the accompanying representations.**



- (21) Design Number: **13428/2014**  
(22) Date of Filing Application: **14 July 2014**  
(24) Date from which industrial property rights may have effect: **07 November 2013**  
(54) Product in respect of which the design is registered: **Article of clothing**  
(51) International Design Classification: **02-02C**  
(74) Name(s) of Attorney(s): **Allens Patent & Trade Mark Attorneys**  
(71) Name(s) and Address(s) of Applicant(s):  
**Forever New Clothing Pty Ltd**  
**714-716 High St Kew East VIC 3102 Australia**  
(72) Name(s) of Designer(s): **Octavia Miller**  
(45) Registration Date: **22 August 2014**  
(62) Divisional of: **356515**  
(56) Related Art Documents: **Not Applicable**  
(57) Statement of Newness and Distinctiveness: **Newness and distinctiveness resides in the visual features of shape, configuration, pattern and/or ornamentation of an article of clothing as shown in the accompanying representations.**



- (21) Design Number: **13429/2014**  
(22) Date of Filing Application: **14 July 2014**  
(24) Date from which industrial property rights may have effect: **07 November 2013**  
(54) Product in respect of which the design is registered: **Article of clothing**  
(51) International Design Classification: **02-02C**  
(74) Name(s) of Attorney(s): **Allens Patent & Trade Mark Attorneys**  
(71) Name(s) and Address(s) of Applicant(s):  
**Forever New Clothing Pty Ltd**  
**714-716 High St Kew East VIC 3102 Australia**  
(72) Name(s) of Designer(s): **Mantra Ahrendt**  
(45) Registration Date: **22 August 2014**  
(62) Divisional of: **356515**  
(56) Related Art Documents: **Not Applicable**  
(57) Statement of Newness and Distinctiveness: **Newness and distinctiveness resides in the visual features of shape, configuration, pattern and/or ornamentation of an article of clothing as shown in the accompanying representations.**



- (21) Design Number: **13430/2014**  
(22) Date of Filing Application: **14 July 2014**  
(24) Date from which industrial property rights may have effect: **07 November 2013**  
(54) Product in respect of which the design is registered: **Article of clothing**  
(51) International Design Classification: **02-02C**  
(74) Name(s) of Attorney(s): **Allens Patent & Trade Mark Attorneys**  
(71) Name(s) and Address(s) of Applicant(s):  
**Forever New Clothing Pty Ltd**  
**714-716 High St Kew East VIC 3102 Australia**  
(72) Name(s) of Designer(s): **Mantra Ahrendt**  
(45) Registration Date: **22 August 2014**  
(62) Divisional of: **356515**  
(56) Related Art Documents: **Not Applicable**  
(57) Statement of Newness and Distinctiveness: **Newness and distinctiveness resides in the visual features of shape, configuration, pattern and/or ornamentation of an article of clothing as shown in the accompanying representations.**

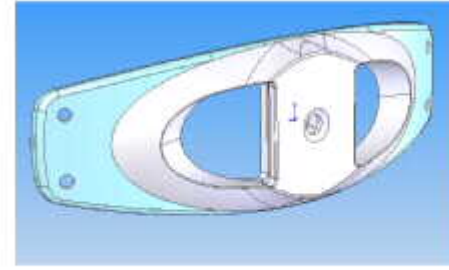


- (21) Design Number: **13431/2014**  
(22) Date of Filing Application: **14 July 2014**  
(24) Date from which industrial property rights may have effect: **07 November 2013**  
(54) Product in respect of which the design is registered: **Article of clothing**  
(51) International Design Classification: **02-02C**  
(74) Name(s) of Attorney(s): **Allens Patent & Trade Mark Attorneys**  
(71) Name(s) and Address(s) of Applicant(s):  
**Forever New Clothing Pty Ltd**  
**714-716 High St Kew East VIC 3102 Australia**  
(72) Name(s) of Designer(s): **Mantra Ahrendt**  
(45) Registration Date: **22 August 2014**  
(62) Divisional of: **356515**  
(56) Related Art Documents: **Not Applicable**  
(57) Statement of Newness and Distinctiveness: **Newness and distinctiveness resides in the visual features of shape, configuration, pattern and/or ornamentation of an article of clothing as shown in the accompanying representations.**





(21) Design Number: **12888/2014**  
(22) Date of Filing Application: **12 June 2014**  
(24) Date from which industrial property rights may have effect: **12 June 2014**  
(54) Product in respect of which the design is registered: **Golf bag coupling**  
(51) International Design Classification: **03-01C**  
(74) Name(s) of Attorney(s): **Davies Collison Cave**  
(71) Name(s) and Address(s) of Applicant(s):  
**Concourse Golf Pty Ltd**  
**53 Arthur St Forestville NSW 2087 Australia**  
(72) Name(s) of Designer(s): **David Michael Mackay**  
(45) Registration Date: **22 August 2014**  
(56) Related Art Documents: **Not Applicable**  
(57) Statement of Newness and Distinctiveness: **Nil**



(21) Design Number: **13010/2014**  
(22) Date of Filing Application: **19 June 2014**  
(24) Date from which industrial property rights may have effect: **19 June 2014**  
(54) Product in respect of which the design is registered: **Radiator grill for automobile**  
(51) International Design Classification: **12-16B**  
(74) Name(s) of Attorney(s): **Griffith Hack**  
(71) Name(s) and Address(s) of Applicant(s):  
**Nissan Jidosha Kabushiki Kaisha**  
**No. 2 Takaracho Kanagawa-ku Yokohama-shi KANAGAWA-KEN**  
**220-0045 Japan**  
(72) Name(s) of Designer(s): **Tadayoshi Iida**  
(45) Registration Date: **22 August 2014**  
(56) Related Art Documents: **Not Applicable**  
(57) Statement of Newness and Distinctiveness: **Newness and distinctiveness resides in the visual features, including shape and configuration, of a RADIATOR GRILL FOR AUTOMOBILE as shown in the representations.**



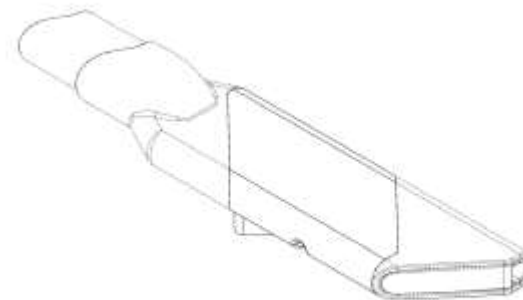
(21) Design Number: **13011/2014**  
(22) Date of Filing Application: **19 June 2014**  
(24) Date from which industrial property rights may have effect: **19 June 2014**  
(54) Product in respect of which the design is registered: **Rear bumper for automobile**  
(51) International Design Classification: **12-16C**  
(74) Name(s) of Attorney(s): **Griffith Hack**  
(71) Name(s) and Address(s) of Applicant(s):  
**Nissan Jidosha Kabushiki Kaisha**  
**No. 2 Takaracho Kanagawa-ku Yokohama-shi KANAGAWA-KEN**  
**220-0045 Japan**  
(72) Name(s) of Designer(s): **Kenji Kawasaki**  
(45) Registration Date: **22 August 2014**  
(56) Related Art Documents: **Not Applicable**  
(57) Statement of Newness and Distinctiveness: **Newness and distinctiveness resides in the visual features, including shape and configuration, of a REAR BUMPER FOR AUTOMOBILE as shown in the representations.**



(21) Design Number: **13434/2014**  
(22) Date of Filing Application: **14 July 2014**  
(24) Date from which industrial property rights may have effect: **14 July 2014**  
(54) Product in respect of which the design is registered: **Shorts**  
(51) International Design Classification: **02-02C**  
(74) Name(s) of Attorney(s):  
(71) Name(s) and Address(s) of Applicant(s):  
**AUSTRALIAN FASHION LABELS PTY LTD**  
**106 Currie St Adelaide SA 5000 Australia**  
(72) Name(s) of Designer(s): **Siham Elmawey**  
(45) Registration Date: **22 August 2014**  
(56) Related Art Documents: **Not Applicable**  
(57) Statement of Newness and Distinctiveness: **Newness and distinctiveness resides in the features of shape and configuration of shorts as shown in the accompanying representations.**



- (21) Design Number: **13435/2014**  
(22) Date of Filing Application: **14 July 2014**  
(24) Date from which industrial property rights may have effect: **14 July 2014**  
(54) Product in respect of which the design is registered: **A tool for a vacuum cleaner**  
(51) International Design Classification: **15-05, 04-01**  
(74) Name(s) of Attorney(s): **Shelston IP**  
(71) Name(s) and Address(s) of Applicant(s):  
**Dyson Technology Limited**  
**Tetbury Hill Malmesbury Wiltshire SN16 0RP United Kingdom**  
(72) Name(s) of Designer(s): **Samuel Steven Cole and Sean Ventress and Adam James Bates and Andrea Ee-Va Lim and Peter David Gammack and James Dyson**  
(45) Registration Date: **22 August 2014**  
(30) Convention priority data:  
(31) Number (32) Date (33) Country  
**002402016-0009 10 Feb 2014 OFFICE FOR HARMONISATION IN THE INTERNAL MARKET (OHIM)**  
(56) Related Art Documents: **Not Applicable**  
(57) Statement of Newness and Distinctiveness: **Newness and distinctiveness reside in the features of shape and/or configuration of A TOOL FOR A VACUUM CLEANER as illustrated in solid lines in the accompanying representations. The features shown in broken or discontinuous lines are illustrative only and do not form part of the design.**



- (21) Design Number: **13437/2014**  
(22) Date of Filing Application: **14 July 2014**  
(24) Date from which industrial property rights may have effect: **14 July 2014**  
(54) Product in respect of which the design is registered: **A textile print**  
(51) International Design Classification: **05-05A**  
(74) Name(s) of Attorney(s):  
(71) Name(s) and Address(s) of Applicant(s):  
**AUSTRALIAN FASHION LABELS PTY LTD**  
**106 Currie St Adelaide SA 5000 Australia**  
(72) Name(s) of Designer(s): **Kate Anderson**  
(45) Registration Date: **22 August 2014**  
(56) Related Art Documents: **Not Applicable**  
(57) Statement of Newness and Distinctiveness: **Newness and distinctiveness resides in the features of pattern and ornamentation of a textile print as shown in the accompanying representations.**



- (21) Design Number: **13439/2014**  
(22) Date of Filing Application: **14 July 2014**  
(24) Date from which industrial property rights may have effect: **14 July 2014**  
(54) Product in respect of which the design is registered: **A dress**  
(51) International Design Classification: **02-02C**  
(74) Name(s) of Attorney(s):  
(71) Name(s) and Address(s) of Applicant(s):  
**AUSTRALIAN FASHION LABELS PTY LTD**  
**106 Currie St Adelaide SA 5000 Australia**  
(72) Name(s) of Designer(s): **Kate Anderson and Hannah Virgo-Colbey**  
(45) Registration Date: **22 August 2014**  
(56) Related Art Documents: **Not Applicable**  
(57) Statement of Newness and Distinctiveness: **Newness and distinctiveness resides in the features of shape and configuration of a dress as shown in the accompanying representations.**



- (21) Design Number: **13440/2014**  
(22) Date of Filing Application: **14 July 2014**  
(24) Date from which industrial property rights may have effect: **14 July 2014**  
(54) Product in respect of which the design is registered: **A dress**  
(51) International Design Classification: **02-02C**  
(74) Name(s) of Attorney(s):  
(71) Name(s) and Address(s) of Applicant(s):  
**AUSTRALIAN FASHION LABELS PTY LTD**  
**106 Currie St Adelaide SA 5000 Australia**  
(72) Name(s) of Designer(s): **Kate Anderson and Hannah Virgo-Colbey**  
(45) Registration Date: **22 August 2014**  
(56) Related Art Documents: **Not Applicable**  
(57) Statement of Newness and Distinctiveness: **Newness and distinctiveness resides in the features of shape and configuration of a dress as shown in the accompanying representations.**



(21) Design Number: **13555/2014**  
(22) Date of Filing Application: **18 July 2014**  
(24) Date from which industrial property rights may have effect: **18 July 2014**  
(54) Product in respect of which the design is registered: **Furniture plate**  
(51) International Design Classification: **08-09**  
(74) Name(s) of Attorney(s): **PHILLIPS ORMONDE FITZPATRICK**  
(71) Name(s) and Address(s) of Applicant(s):



**ASSA ABLOY Australia Pty Limited**  
**235 Huntingdale Rd Oakleigh VIC 3166 Australia**

(72) Name(s) of Designer(s): **Maliia Gabuardi Lopez**  
(45) Registration Date: **22 August 2014**  
(56) Related Art Documents: **Not Applicable**  
(57) Statement of Newness and Distinctiveness: **Those features of the furniture plate depicted in the representations that are new and distinctive are the shape and/or configuration. The features shown in broken lines are not part of the design and are to be disregarded when considering the overall impression of the design.**

(21) Design Number: **13370/2014**  
(22) Date of Filing Application: **11 July 2014**  
(24) Date from which industrial property rights may have effect: **11 July 2014**  
(54) Product in respect of which the design is registered: **Beverage carafe**  
(51) International Design Classification: **07-01F**  
(74) Name(s) of Attorney(s): **PIZZEYS**  
(71) Name(s) and Address(s) of Applicant(s):



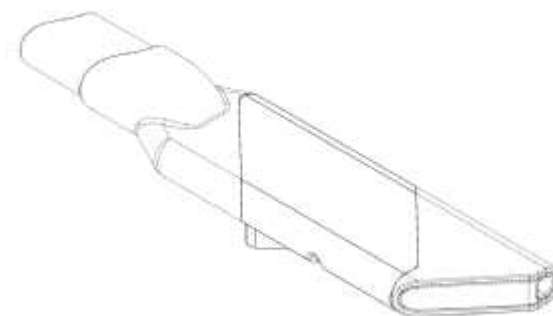
**Keurig Green Mountain, Inc.**  
**33 Coffee Lane Waterbury VT, 05676 United States of America**

(72) Name(s) of Designer(s): **Ian Tinkler and James E Shepard and Paul K Metaxatos and Da Deng and David Manly and Karen Gallagher and Scott M Vogel and Gregory Hurley and Steffen F. Koury and Jaime Zuri**  
(45) Registration Date: **22 August 2014**  
(30) Convention priority data:

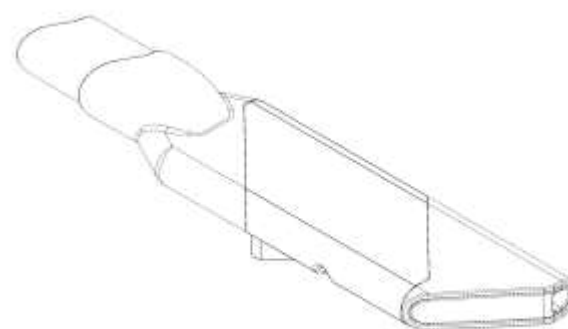
(31) Number	(32) Date	(33) Country
<b>29/479,693</b>	<b>17 Jan 2014</b>	<b>UNITED STATES OF AMERICA</b>

(56) Related Art Documents: **Not Applicable**  
(57) Statement of Newness and Distinctiveness: **The newness and distinctiveness of the design resides in the features ornamentation OR shape and/or configuration of the BEVERAGE CARAFE shown in unbroken lines in the accompanying representations. (if required, see Convention document)**

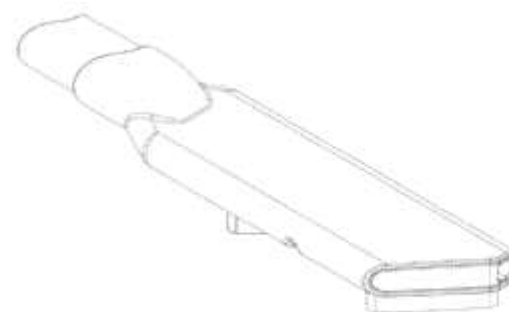
- (21) Design Number: **13432/2014**  
(22) Date of Filing Application: **14 July 2014**  
(24) Date from which industrial property rights may have effect: **14 July 2014**  
(54) Product in respect of which the design is registered: **A tool for a vacuum cleaner**  
(51) International Design Classification: **15-05, 04-01**  
(74) Name(s) of Attorney(s): **Shelston IP**  
(71) Name(s) and Address(s) of Applicant(s):  
**Dyson Technology Limited**  
**Tetbury Hill Malmesbury Wiltshire SN16 0RP United Kingdom**  
(72) Name(s) of Designer(s): **Samuel Steven Cole and Sean Ventress and Adam James Bates and Andrea Ee-Va Lim and Peter David Gammack and James Dyson**  
(45) Registration Date: **22 August 2014**  
(30) Convention priority data:  
(31) Number (32) Date (33) Country  
**002402016-0007 10 Feb 2014 OFFICE FOR HARMONISATION IN THE INTERNAL MARKET (OHIM)**  
(56) Related Art Documents: **Not Applicable**  
(57) Statement of Newness and Distinctiveness: **Newness and distinctiveness reside in the features of shape and/or configuration of A TOOL FOR A VACUUM CLEANER as illustrated in solid lines in the accompanying representations. The features shown in broken or discontinuous lines are illustrative only and do not form part of the design.**



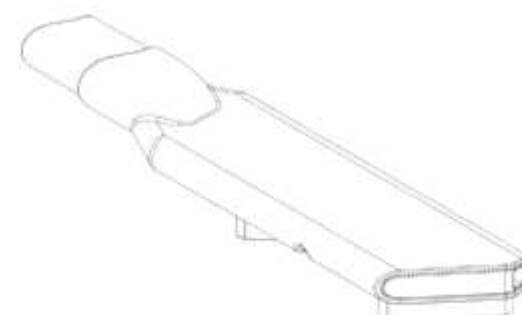
- (21) Design Number: **13433/2014**  
(22) Date of Filing Application: **14 July 2014**  
(24) Date from which industrial property rights may have effect: **14 July 2014**  
(54) Product in respect of which the design is registered: **A tool for a vacuum cleaner**  
(51) International Design Classification: **15-05, 04-01**  
(74) Name(s) of Attorney(s): **Shelston IP**  
(71) Name(s) and Address(s) of Applicant(s):  
**Dyson Technology Limited**  
**Tetbury Hill Malmesbury Wiltshire SN16 0RP United Kingdom**  
(72) Name(s) of Designer(s): **Samuel Steven Cole and Sean Ventress and Adam James Bates and Andrea Ee-Va Lim and Peter David Gammack and James Dyson**  
(45) Registration Date: **22 August 2014**  
(30) Convention priority data:  
(31) Number (32) Date (33) Country  
**002402016-0008 10 Feb 2014 OFFICE FOR HARMONISATION IN THE INTERNAL MARKET (OHIM)**  
(56) Related Art Documents: **Not Applicable**  
(57) Statement of Newness and Distinctiveness: **Newness and distinctiveness reside in the features of shape and/or configuration of A TOOL FOR A VACUUM CLEANER as illustrated in solid lines in the accompanying representations. The features shown in broken or discontinuous lines are illustrative only and do not form part of the design.**



- (21) Design Number: **13436/2014**  
(22) Date of Filing Application: **14 July 2014**  
(24) Date from which industrial property rights may have effect: **14 July 2014**  
(54) Product in respect of which the design is registered: **A tool for a vacuum cleaner**  
(51) International Design Classification: **15-05, 04-01**  
(74) Name(s) of Attorney(s): **Shelston IP**  
(71) Name(s) and Address(s) of Applicant(s):  
**Dyson Technology Limited**  
**Tetbury Hill Malmesbury Wiltshire SN16 0RP United Kingdom**  
(72) Name(s) of Designer(s): **Samuel Steven Cole and Sean Ventress and Adam James Bates and Andrea Ee-Va Lim and Peter David Gammack and James Dyson**  
(45) Registration Date: **22 August 2014**  
(30) Convention priority data:  
(31) Number (32) Date (33) Country  
**002402016-0010 10 Feb 2014 OFFICE FOR HARMONISATION IN THE INTERNAL MARKET (OHIM)**  
(56) Related Art Documents: **Not Applicable**  
(57) Statement of Newness and Distinctiveness: **Newness and distinctiveness reside in the features of shape and/or configuration of A TOOL FOR A VACUUM CLEANER as illustrated in solid lines in the accompanying representations. The features shown in broken or discontinuous lines are illustrative only and do not form part of the design.**



- (21) Design Number: **13438/2014**  
(22) Date of Filing Application: **14 July 2014**  
(24) Date from which industrial property rights may have effect: **14 July 2014**  
(54) Product in respect of which the design is registered: **A tool for a vacuum cleaner**  
(51) International Design Classification: **15-05, 04-01**  
(74) Name(s) of Attorney(s): **Shelston IP**  
(71) Name(s) and Address(s) of Applicant(s):  
**Dyson Technology Limited**  
**Tetbury Hill Malmesbury Wiltshire SN16 0RP United Kingdom**  
(72) Name(s) of Designer(s): **Samuel Steven Cole and Sean Ventress and Adam James Bates and Andrea Ee-Va Lim and Peter David Gammack and James Dyson**  
(45) Registration Date: **22 August 2014**  
(30) Convention priority data:  
(31) Number (32) Date (33) Country  
**002402016-0011 10 Feb 2014 OFFICE FOR HARMONISATION IN THE INTERNAL MARKET (OHIM)**  
(56) Related Art Documents: **Not Applicable**  
(57) Statement of Newness and Distinctiveness: **Newness and distinctiveness reside in the features of shape and/or configuration of A TOOL FOR A VACUUM CLEANER as illustrated in solid lines in the accompanying representations. The features shown in broken or discontinuous lines are illustrative only and do not form part of the design.**



- (21) Design Number: **13556/2014**  
(22) Date of Filing Application: **18 July 2014**  
(24) Date from which industrial property rights may have effect: **18 July 2014**  
(54) Product in respect of which the design is registered: **Furniture plate**  
(51) International Design Classification: **08-09**  
(74) Name(s) of Attorney(s): **PHILLIPS ORMONDE FITZPATRICK**  
(71) Name(s) and Address(s) of Applicant(s):

**ASSA ABLOY Australia Pty Limited**  
**235 Huntingdale Rd Oakleigh VIC 3166 Australia**

- (72) Name(s) of Designer(s): **Maliia Gabuardi Lopez**  
(45) Registration Date: **22 August 2014**  
(56) Related Art Documents: **Not Applicable**  
(57) Statement of Newness and Distinctiveness: **Those features of the furniture plate depicted in the representations that are new and distinctive are the shape and/or configuration. The features shown in broken lines are not part of the design and are to be disregarded when considering the overall impression of the design.**



- (21) Design Number: **12560/2014**  
(22) Date of Filing Application: **23 May 2014**  
(24) Date from which industrial property rights may have effect: **23 May 2014**  
(54) Product in respect of which the design is registered: **Lid**  
(51) International Design Classification: **09-07C**  
(74) Name(s) of Attorney(s): **Davies Collison Cave**  
(71) Name(s) and Address(s) of Applicant(s):

**Orica International Pte Ltd**  
**78 Shenton Way #06-15 Tower 2 (Lippo Centre) Singapore 079120**  
**Singapore**

- (72) Name(s) of Designer(s): **Aaron Austin and Kim Hanley and Shaun Crossman**  
(45) Registration Date: **25 August 2014**  
(56) Related Art Documents: **Not Applicable**  
(57) Statement of Newness and Distinctiveness: **Newness and distinctiveness is claimed in the visual features of shape and configuration of a lid as shown in the representations.**





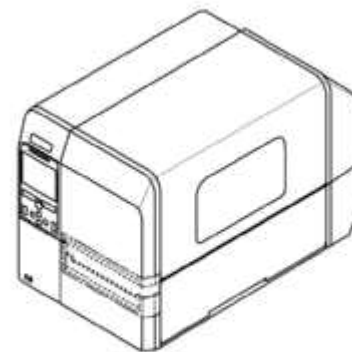
- (21) Design Number: **12562/2014**  
(22) Date of Filing Application: **23 May 2014**  
(24) Date from which industrial property rights may have effect: **23 May 2014**  
(54) Product in respect of which the design is registered: **Shell**  
(51) International Design Classification: **22-03**  
(74) Name(s) of Attorney(s): **Davies Collison Cave**  
(71) Name(s) and Address(s) of Applicant(s):  
**Orica International Pte Ltd**  
**78 Shenton Way #06-15 Tower 2 (Lippo Centre) Singapore 079120**  
**Singapore**  
(72) Name(s) of Designer(s): **Aaron Austin and Kim Hanley and Shaun Crossman**  
(45) Registration Date: **25 August 2014**  
(56) Related Art Documents: **Not Applicable**  
(57) Statement of Newness and Distinctiveness: **Newness and distinctiveness is claimed in the visual features of shape and configuration of a shell for a detonator as shown in the representations.**



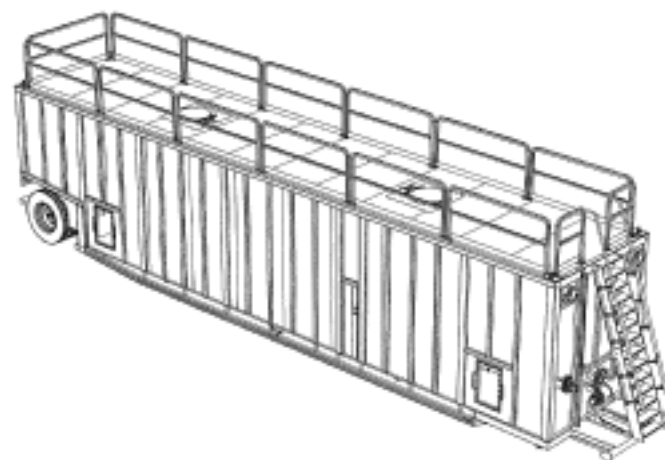
- (21) Design Number: **12563/2014**  
(22) Date of Filing Application: **23 May 2014**  
(24) Date from which industrial property rights may have effect: **23 May 2014**  
(54) Product in respect of which the design is registered: **Insert**  
(51) International Design Classification: **22-03**  
(74) Name(s) of Attorney(s): **Davies Collison Cave**  
(71) Name(s) and Address(s) of Applicant(s):  
**Orica International Pte Ltd**  
**78 Shenton Way #06-15 Tower 2 (Lippo Centre) Singapore 079120**  
**Singapore**  
(72) Name(s) of Designer(s): **Aaron Austin and Kim Hanley and Shaun Crossman**  
(45) Registration Date: **25 August 2014**  
(56) Related Art Documents: **Not Applicable**  
(57) Statement of Newness and Distinctiveness: **Newness and distinctiveness is claimed in the visual features of shape and configuration of any insert for a booster.**



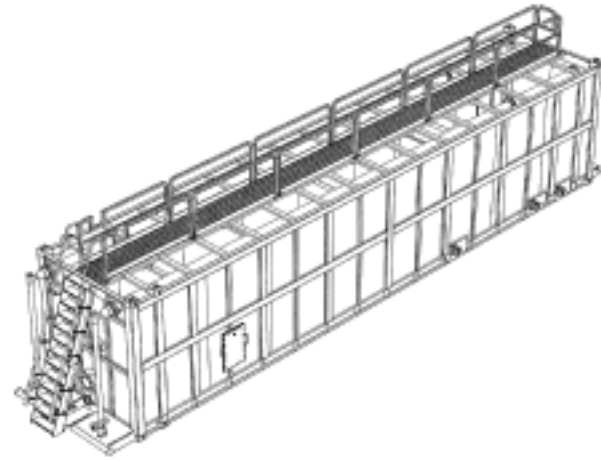
(21) Design Number: **12616/2014**  
(22) Date of Filing Application: **28 May 2014**  
(24) Date from which industrial property rights may have effect: **28 May 2014**  
(54) Product in respect of which the design is registered: **Label printer**  
(51) International Design Classification: **18-99**  
(74) Name(s) of Attorney(s): **Davies Collison Cave**  
(71) Name(s) and Address(s) of Applicant(s):  
**SATO HOLDINGS KABUSHIKI KAISHA**  
**7-1, Simomeguro 1-chome Meguro-ku Tokyo 153-0064 Japan**  
(72) Name(s) of Designer(s): **Taichi Ozawa and Keita Kuramochi and Yasuyuki kakui**  
(45) Registration Date: **25 August 2014**  
(30) Convention priority data:  
(31) Number      (32) Date      (33) Country  
**2013-030360      25 Dec 2013      JAPAN**  
(56) Related Art Documents: **Not Applicable**  
(57) Statement of Newness and Distinctiveness: **Newness and distinctiveness is claimed in the visual features shown in solid lines in the representations. The dash-dot broken lines indicates the boundary of the claimed design and no part thereof. In considering the extent of the design rights, the broken lines shown in the representations are for illustrative purposes only and do not form part of the design.**



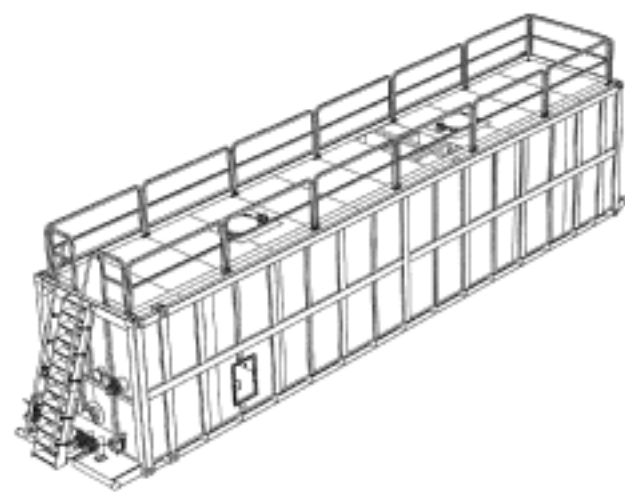
(21) Design Number: **11343/2014**  
(22) Date of Filing Application: **21 March 2014**  
(24) Date from which industrial property rights may have effect: **21 March 2014**  
(54) Product in respect of which the design is registered: **A frac tank**  
(51) International Design Classification: **09-02A, 23-01F**  
(74) Name(s) of Attorney(s): **Madderns**  
(71) Name(s) and Address(s) of Applicant(s):  
**SCF Group Pty Ltd**  
**134 Richmond Rd Marleston SA 5033 Australia**  
(72) Name(s) of Designer(s): **Richard Sykes and Jamie Driscoll and Alex Wallis and Liam Cashen**  
(45) Registration Date: **25 August 2014**  
(56) Related Art Documents: **Not Applicable**  
(57) Statement of Newness and Distinctiveness: **Nil**



- (21) Design Number: **11344/2014**  
(22) Date of Filing Application: **21 March 2014**  
(24) Date from which industrial property rights may have effect: **21 March 2014**  
(54) Product in respect of which the design is registered: **A frac tank**  
(51) International Design Classification: **23-01F**  
(74) Name(s) of Attorney(s): **Madderns**  
(71) Name(s) and Address(s) of Applicant(s):  
**SCF Group Pty Ltd**  
**134 Richmond Rd Marlestone SA 5033 Australia**  
(72) Name(s) of Designer(s): **Richard Sykes and Jamie Driscoll and Alex Wallis and Liam Cashen**  
(45) Registration Date: **25 August 2014**  
(56) Related Art Documents: **Not Applicable**  
(57) Statement of Newness and Distinctiveness: **Nil**



- (21) Design Number: **11345/2014**  
(22) Date of Filing Application: **21 March 2014**  
(24) Date from which industrial property rights may have effect: **21 March 2014**  
(54) Product in respect of which the design is registered: **A frac tank**  
(51) International Design Classification: **23-01F**  
(74) Name(s) of Attorney(s): **Madderns**  
(71) Name(s) and Address(s) of Applicant(s):  
**SCF Group Pty Ltd**  
**134 Richmond Rd Marlestone SA 5033 Australia**  
(72) Name(s) of Designer(s): **Richard Sykes and Alex Wallis and Jamie Driscoll and Liam Cashen**  
(45) Registration Date: **25 August 2014**  
(56) Related Art Documents: **Not Applicable**  
(57) Statement of Newness and Distinctiveness: **Nil**



(21) Design Number: **12608/2014**

(22) Date of Filing Application: **27 May 2014**

(24) Date from which industrial property rights may have effect: **27 May 2014**

(54) Product in respect of which the design is registered: **Infant carrier holder**

(51) International Design Classification: **06-01D**

(74) Name(s) of Attorney(s): **Griffith Hack**

(71) Name(s) and Address(s) of Applicant(s):

**Safe-Strap Company, Inc.**

**105 West Dewey Avenue Building D, Suite 420 Wharton New Jersey  
07885 United States of America**

(72) Name(s) of Designer(s): **Paul Giampavolo and Christopher M Johnson**

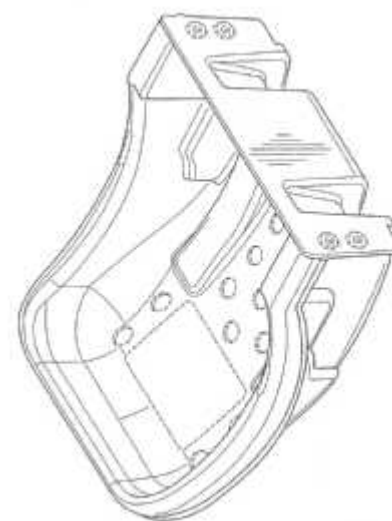
(45) Registration Date: **25 August 2014**

(30) Convention priority data:

(31) Number	(32) Date	(33) Country
<b>29/476,146</b>	<b>11 Dec 2013</b>	<b>UNITED STATES OF AMERICA</b>

(56) Related Art Documents: **Not Applicable**

(57) Statement of Newness and Distinctiveness: **The shape and configuration of those parts of the product shown other than by means of broken lines in the representations are new and distinctive.**



(21) Design Number: **12700/2014**

(22) Date of Filing Application: **02 June 2014**

(24) Date from which industrial property rights may have effect: **02 June 2014**

(54) Product in respect of which the design is registered: **Front folding sight for a firearm**

(51) International Design Classification: **22-01**

(74) Name(s) of Attorney(s): **Davies Collison Cave**

(71) Name(s) and Address(s) of Applicant(s):

**Magpul Industries Corporation**

**400 Young Court Unit 1 Erie Colorado 80516 United States of America**

(72) Name(s) of Designer(s): **Grady Barfoot and Yehezkel Eitan and Tim Roberts and Michael T. Mayberry and Brad Bennett**

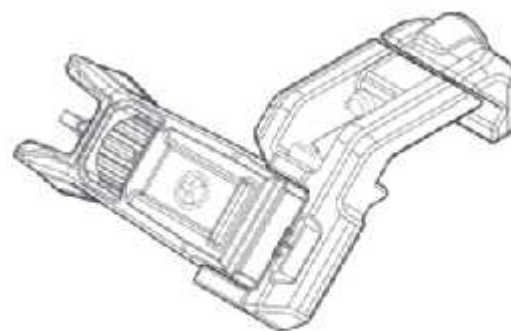
(45) Registration Date: **25 August 2014**

(30) Convention priority data:

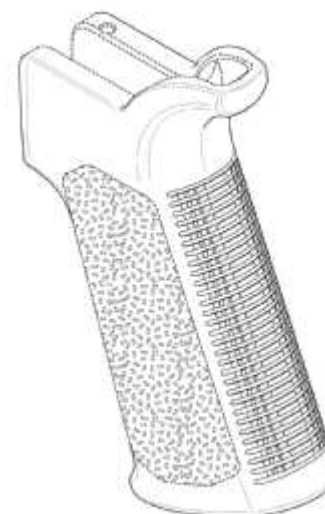
(31) Number	(32) Date	(33) Country
<b>29/475,733</b>	<b>05 Dec 2013</b>	<b>UNITED STATES OF AMERICA</b>

(56) Related Art Documents: **Not Applicable**

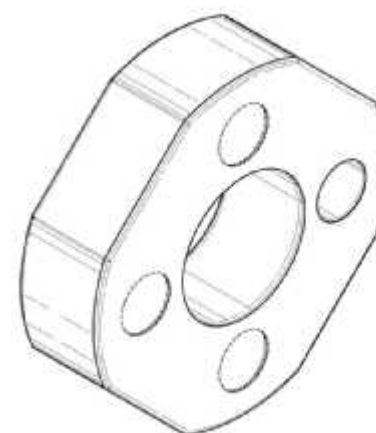
(57) Statement of Newness and Distinctiveness: **Newness and distinctiveness is claimed in the visual features shown in solid lines in the representations.**



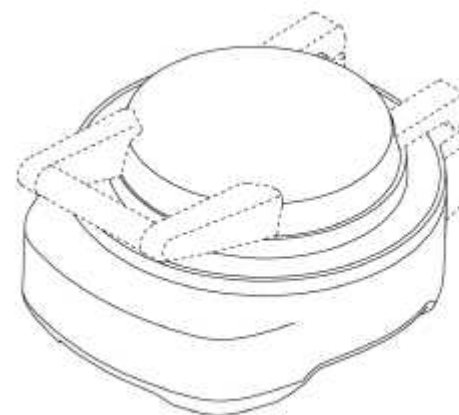
(21) Design Number: **13044/2014**  
(22) Date of Filing Application: **20 June 2014**  
(24) Date from which industrial property rights may have effect: **20 June 2014**  
(54) Product in respect of which the design is registered: **Firearm grip**  
(51) International Design Classification: **22-01**  
(74) Name(s) of Attorney(s): **Davies Collison Cave**  
(71) Name(s) and Address(s) of Applicant(s):  
**Magpul Industries Corporation**  
**400 Young Court Unit 1 Erie Colorado 80516 United States of America**  
(72) Name(s) of Designer(s): **Richard M. Fitzpatrick and Michael Mayberry T. and Thomas Ward**  
(45) Registration Date: **25 August 2014**  
(30) Convention priority data:  
(31) Number (32) Date (33) Country  
**29/478938 09 Jan 2014 UNITED STATES OF AMERICA**  
(56) Related Art Documents: **Not Applicable**  
(57) Statement of Newness and Distinctiveness: **Newness and distinctiveness is claimed in the visual features shown in solid lines in the representations. In considering the extent of the design rights, the broken lines shown in the representations are for illustrative purposes only and do not form part of the design.**



(21) Design Number: **10812/2014**  
(22) Date of Filing Application: **24 February 2014**  
(24) Date from which industrial property rights may have effect: **24 February 2014**  
(54) Product in respect of which the design is registered: **Tackle training device**  
(51) International Design Classification: **21-02NES**  
(74) Name(s) of Attorney(s): **PHILLIPS ORMONDE FITZPATRICK**  
(71) Name(s) and Address(s) of Applicant(s):  
**Petrus Christiaan Gouws**  
**6 Silver Street Benfleur Witbank Mpumalanga 1024 South Africa**  
**Quintin Abrie**  
**42 Andromeda Street Benfleur Witbank Mpumalanga 1024 South Africa**  
(72) Name(s) of Designer(s): **Quintin Abrie and Petrus Christiaan Gouws**  
(45) Registration Date: **25 August 2014**  
(57) Statement of Newness and Distinctiveness: **Those features of the tackle training device depicted in the representations that are new and distinctive are the shape and/or configuration. The features shown in broken line are not part of the design and are to be disregarded when considering the overall impression of the design.**



- (21) Design Number: **11886/2014**  
(22) Date of Filing Application: **16 April 2014**  
(24) Date from which industrial property rights may have effect: **16 April 2014**  
(54) Product in respect of which the design is registered: **A waffle maker**  
(51) International Design Classification: **07-02G**  
(74) Name(s) of Attorney(s): **Molins & Co Pty Ltd**  
(71) Name(s) and Address(s) of Applicant(s):  
**Breville Pty Limited**  
**Building 2 Port Air Industrial Estate 1A Hale St Botany NSW 2019**  
**Australia**  
(72) Name(s) of Designer(s): **Ashley Marsh-Croft**  
(45) Registration Date: **25 August 2014**  
(56) Related Art Documents: **Not Applicable**  
(57) Statement of Newness and Distinctiveness: **Newness is claimed in the features of shape and configuration of the waffle maker as shown in the accompanying representations. Elements shown in dashed lines form no part of the design.**



- (21) Design Number: **13599/2014**  
(22) Date of Filing Application: **24 July 2014**  
(24) Date from which industrial property rights may have effect: **24 July 2014**  
(54) Product in respect of which the design is registered: **Temporary outdoor furniture**  
(51) International Design Classification: **06-01H**  
(74) Name(s) of Attorney(s):  
(71) Name(s) and Address(s) of Applicant(s):  
**The Outdoor Consultancy**  
**36 Frobisher Ave Caringbah NSW 2229 Australia**  
(72) Name(s) of Designer(s): **Michelle Herbut**  
(45) Registration Date: **25 August 2014**  
(56) Related Art Documents: **Not Applicable**  
(57) Statement of Newness and Distinctiveness: **MODUbench is unlike any other product in the market. It is flexible, robust and can be applied in a wide variety of formats and layouts. Incorporating design to Australian Standards and utilising established manufacturing techniques MODUbench is the seating solution for short term, high patronage events.**



- (21) Design Number: **13600/2014**  
(22) Date of Filing Application: **24 July 2014**  
(24) Date from which industrial property rights may have effect: **24 July 2014**  
(54) Product in respect of which the design is registered: **Stool leg brace**  
(51) International Design Classification: **06-01E**  
(74) Name(s) of Attorney(s):  
(71) Name(s) and Address(s) of Applicant(s):

**T J Preston**  
**50 Greenhill Ave Castlemaine VIC 3450 Australia**  
**D L Taylor**  
**50 Greenhill Ave Castlemaine VIC 3450 Australia**

- (72) Name(s) of Designer(s): **Timothy John Preston**  
(45) Registration Date: **25 August 2014**  
(56) Related Art Documents: **Not Applicable**  
(57) Statement of Newness and Distinctiveness: **Each feature of shape and configuration of the assembled brace as shown in the accompanying representations taken separately or in combination.**



- (21) Design Number: **13601/2014**  
(22) Date of Filing Application: **24 July 2014**  
(24) Date from which industrial property rights may have effect: **24 July 2014**  
(54) Product in respect of which the design is registered: **Headphones**  
(51) International Design Classification: **14-01**  
(74) Name(s) of Attorney(s): **PHILLIPS ORMONDE FITZPATRICK**  
(71) Name(s) and Address(s) of Applicant(s):

**Bose Corporation**  
**The Mountain MS 3B1 Framingham Massachusetts 01701-9168 United States of America**

- (72) Name(s) of Designer(s): **Joshua Kevin Dryden and Nathan David Schaal and Adam A Carr and Kevin M Krauss**  
(45) Registration Date: **25 August 2014**  
(30) Convention priority data:  
(31) Number      (32) Date      (33) Country  
**29/482,027      13 Feb 2014      UNITED STATES OF AMERICA**

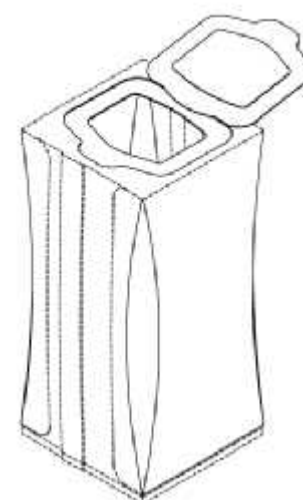


- (56) Related Art Documents: **Not Applicable**  
(57) Statement of Newness and Distinctiveness: **Newness and distinctiveness resides in the pattern and/or ornamentation of headphones as shown in the continuous lines in the accompanying representations. The features shown in broken lines are not part of the design and are to be disregarded when considering the overall impression of the design.**

(21) Design Number: **13602/2014**  
(22) Date of Filing Application: **24 July 2014**  
(24) Date from which industrial property rights may have effect: **24 July 2014**  
(54) Product in respect of which the design is registered: **Diamante drink cooler**  
(51) International Design Classification: **07-06A**  
(74) Name(s) of Attorney(s):  
(71) Name(s) and Address(s) of Applicant(s):  
**CONSERV PTY. LTD.**  
**30 Thistlethwaite St South Melbourne VIC 3205 Australia**  
(72) Name(s) of Designer(s): **Max Fato**  
(45) Registration Date: **25 August 2014**  
(56) Related Art Documents: **Not Applicable**  
(57) Statement of Newness and Distinctiveness: **Newness and distinctiveness resides in the shape and/or configuration and pattern and/or ornamentation of a beverage cooler as depicted in the accompanying representations.**

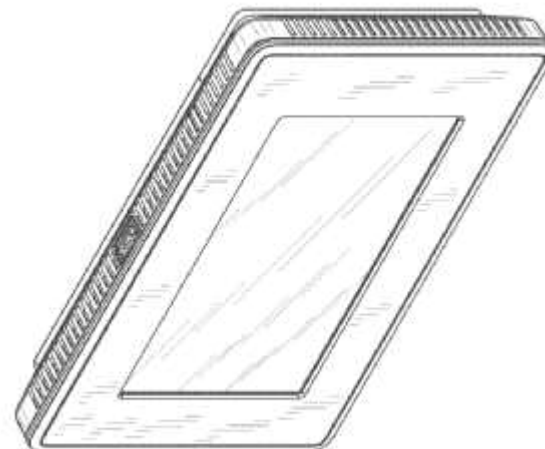


(21) Design Number: **13603/2014**  
(22) Date of Filing Application: **24 July 2014**  
(24) Date from which industrial property rights may have effect: **24 July 2014**  
(54) Product in respect of which the design is registered: **Package**  
(51) International Design Classification: **09-03M**  
(74) Name(s) of Attorney(s): **Pizzeys**  
(71) Name(s) and Address(s) of Applicant(s):  
**CLEAR LAM PACKAGING, INC.**  
**1950 Pratt Boulevard Elk Grove Village Illinois 60007 United States of America**  
(72) Name(s) of Designer(s): **James J Sanfilippo and Milorad Radenovic**  
(45) Registration Date: **25 August 2014**  
(30) Convention priority data:  
(31) Number      (32) Date      (33) Country  
**29/480675      28 Jan 2014      UNITED STATES OF AMERICA**  
(56) Related Art Documents: **Not Applicable**  
(57) Statement of Newness and Distinctiveness: **The newness and distinctiveness of the design resides in the shape of the package as shown in the accompanying representations. The broken lines are not part of the design and are to be disregarded when considering the overall impression of the design.**





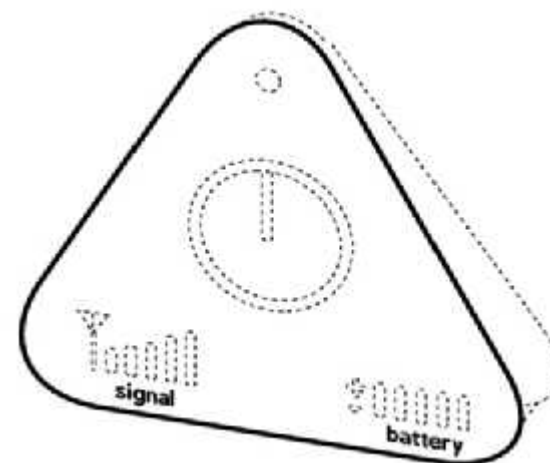
- (21) Design Number: **13608/2014**  
(22) Date of Filing Application: **24 July 2014**  
(24) Date from which industrial property rights may have effect: **24 July 2014**  
(54) Product in respect of which the design is registered: **Control panel box**  
(51) International Design Classification: **13-03NES**  
(74) Name(s) of Attorney(s): **SPRUSON & FERGUSON**  
(71) Name(s) and Address(s) of Applicant(s):  
**Linear LLC**  
**1950 Camino Vida Roble, Carlsbad California, 92008 United States of America**  
(72) Name(s) of Designer(s): **Christopher Laguer Acera and David Andrew Sharbaugh and Bruce James Ehlers and Matthew Shane**  
(45) Registration Date: **25 August 2014**  
(30) Convention priority data:  
(31) Number      (32) Date      (33) Country  
**29/480514      27 Jan 2014      UNITED STATES OF AMERICA**  
(56) Related Art Documents: **Not Applicable**  
(57) Statement of Newness and Distinctiveness: **Newness and distinctiveness is claimed in the features of shape and/or configuration of a control panel box as illustrated in the accompanying representations in continuous lines.**



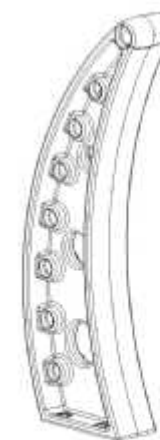
- (21) Design Number: **13609/2014**  
(22) Date of Filing Application: **24 July 2014**  
(24) Date from which industrial property rights may have effect: **24 July 2014**  
(54) Product in respect of which the design is registered: **LED light fixture**  
(51) International Design Classification: **26-05E**  
(74) Name(s) of Attorney(s):  
(71) Name(s) and Address(s) of Applicant(s):  
**INTRALUX AUSTRALIA PTY LIMITED**  
**23 Enterprise St Richlands QLD 4077 Australia**  
(72) Name(s) of Designer(s): **Jenny Loqvist**  
(45) Registration Date: **25 August 2014**  
(56) Related Art Documents: **Not Applicable**  
(57) Statement of Newness and Distinctiveness: **Ability of fixture to provide smooth light distribution through a specific arrangement of reflector, diffusing lens and light engine. Ability of fixture to be installed in a number of applications due to its specialized end cap design.**



- (21) Design Number: **13612/2014**  
(22) Date of Filing Application: **25 July 2014**  
(24) Date from which industrial property rights may have effect: **25 July 2014**  
(54) Product in respect of which the design is registered: **Mobile phone**  
(51) International Design Classification: **14-03E**  
(74) Name(s) of Attorney(s): **Ascot Martin Registered Patent & Trade Mark Attorneys**  
(71) Name(s) and Address(s) of Applicant(s):  
**Starlogik IP LLC**  
**C/O Adam Snukal at Greenberg Traurig P.A MetLife building 200 Park Avenue New York NY 10166 United States of America**  
(72) Name(s) of Designer(s): **Ari Kahn and Terry Shatenstein**  
(45) Registration Date: **25 August 2014**  
(30) Convention priority data:  
(31) Number (32) Date (33) Country  
**29/480,418 26 Jan 2014 UNITED STATES OF AMERICA**  
(56) Related Art Documents: **Not Applicable**  
(57) Statement of Newness and Distinctiveness: **In respect of the mobile phone as shown in the accompanying representations, newness and distinctiveness are claimed in the shape of the features depicted in solid lines.**



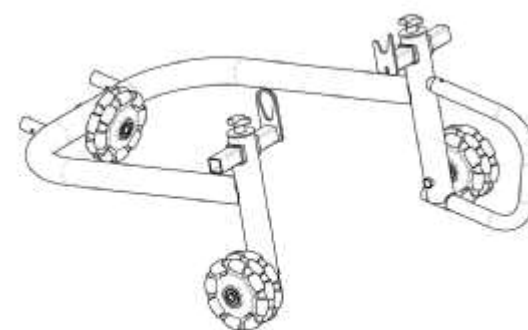
- (21) Design Number: **13613/2014**  
(22) Date of Filing Application: **25 July 2014**  
(24) Date from which industrial property rights may have effect: **25 July 2014**  
(54) Product in respect of which the design is registered: **Stanchion**  
(51) International Design Classification: **25-02C**  
(74) Name(s) of Attorney(s):  
(71) Name(s) and Address(s) of Applicant(s):  
**Hotsun Holdings Pty Ltd**  
**PO BOX 920 Nerang QLD 4211 Australia**  
(72) Name(s) of Designer(s): **Emanuel Szumer and John Hogan**  
(45) Registration Date: **25 August 2014**  
(56) Related Art Documents: **Not Applicable**  
(57) Statement of Newness and Distinctiveness: **The newness and distinctiveness of the design resides in the shape of the stanchion and the rail bosses as shown in the continuous lines in the accompanying representations. The broken lines are not part of the design and are to be disregarded when considering the overall impression of the design.**



- (21) Design Number: **13615/2014**  
(22) Date of Filing Application: **25 July 2014**  
(24) Date from which industrial property rights may have effect: **25 July 2014**  
(54) Product in respect of which the design is registered: **A textile print**  
(51) International Design Classification: **05-05A**  
(74) Name(s) of Attorney(s):  
(71) Name(s) and Address(s) of Applicant(s):  
**Australian Fashion Labels Pty Ltd**  
**106 Currie St Adelaide SA 5000 Australia**  
(72) Name(s) of Designer(s): **Amy Hicks and Jerome Williams**  
(45) Registration Date: **25 August 2014**  
(56) Related Art Documents: **Not Applicable**  
(57) Statement of Newness and Distinctiveness: **Newness and distinctiveness resides in the features of pattern and ornamentation of a textile print as shown in the accompanying representations.**



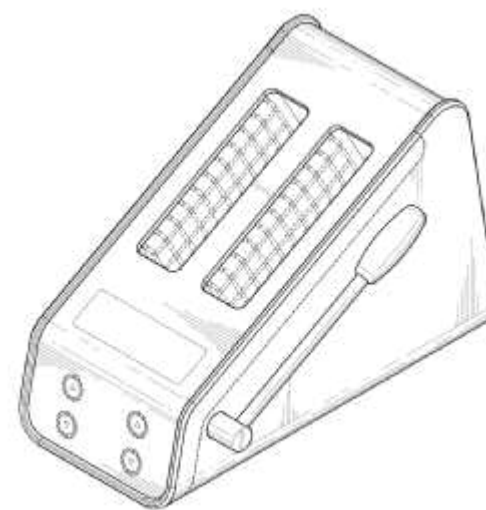
- (21) Design Number: **13621/2014**  
(22) Date of Filing Application: **26 July 2014**  
(24) Date from which industrial property rights may have effect: **26 July 2014**  
(54) Product in respect of which the design is registered: **Motorcycle dolly**  
(51) International Design Classification: **12-02**  
(74) Name(s) of Attorney(s):  
(71) Name(s) and Address(s) of Applicant(s):  
**ANGUSTAN PTY LTD**  
**71 Duke St Toowong QLD 4066 Australia**  
(72) Name(s) of Designer(s): **Stephen McGuinness**  
(45) Registration Date: **25 August 2014**  
(56) Related Art Documents: **Not Applicable**  
(57) Statement of Newness and Distinctiveness: **Newness and distinctiveness is claimed in the features of shape and/or configuration of a motorcycle dolly as illustrated in the accompanying representations.**



- (21) Design Number: **13625/2014**  
(22) Date of Filing Application: **28 July 2014**  
(24) Date from which industrial property rights may have effect: **28 July 2014**  
(54) Product in respect of which the design is registered: **Suspension clip**  
(51) International Design Classification: **08-08C**  
(74) Name(s) of Attorney(s): **Sandercock & Cowie**  
(71) Name(s) and Address(s) of Applicant(s):  
**Scandia Tooling Australia Pty. Ltd.**  
**4 Bolt Ct Hallam VIC 3803 Australia**  
(72) Name(s) of Designer(s): **John Gert Hansen**  
(45) Registration Date: **25 August 2014**  
(56) Related Art Documents: **Not Applicable**  
(57) Statement of Newness and Distinctiveness: **Newness and distinctiveness reside in the shape and configuration of the suspension clip as shown in the accompanying representations.**



- (21) Design Number: **13627/2014**  
(22) Date of Filing Application: **28 July 2014**  
(24) Date from which industrial property rights may have effect: **28 July 2014**  
(54) Product in respect of which the design is registered: **Toaster**  
(51) International Design Classification: **07-02F**  
(74) Name(s) of Attorney(s): **Murray Trento & Associates**  
(71) Name(s) and Address(s) of Applicant(s):  
**Remington Designs, LLC**  
**28165 Avenue Crocker Valencia California, 91355 United States of America**  
(72) Name(s) of Designer(s): **Bruce D Burrows**  
(45) Registration Date: **25 August 2014**  
(30) Convention priority data:  
(31) Number      (32) Date      (33) Country  
**29/480,528      27 Jan 2014      UNITED STATES OF AMERICA**  
(56) Related Art Documents: **Not Applicable**  
(57) Statement of Newness and Distinctiveness: **Newness and distinctiveness resides in the shape and/or configuration of a toaster as represented in the accompanying drawings in full lines. The features represented in broken lines do not form part of the design.**



(21) Design Number: **13630/2014**  
(22) Date of Filing Application: **28 July 2014**  
(24) Date from which industrial property rights may have effect: **28 July 2014**  
(54) Product in respect of which the design is registered: **Cover for a container**  
(51) International Design Classification: **09-07B, 09-07NES**  
(74) Name(s) of Attorney(s): **PHILLIPS ORMONDE FITZPATRICK**  
(71) Name(s) and Address(s) of Applicant(s):  
**Dart Industries Inc.**  
**14901 S. Orange Blossom Trail Orlando Florida, 32837 United States of America**  
(72) Name(s) of Designer(s): **Jakob Heiberg and Vincent Jalet**  
(45) Registration Date: **25 August 2014**  
(30) Convention priority data:  
(31) Number (32) Date (33) Country  
**29/485,561 20 Mar 2014 UNITED STATES OF AMERICA**  
(56) Related Art Documents: **Not Applicable**  
(57) Statement of Newness and Distinctiveness: **Nil**



(21) Design Number: **13631/2014**  
(22) Date of Filing Application: **28 July 2014**  
(24) Date from which industrial property rights may have effect: **28 July 2014**  
(54) Product in respect of which the design is registered: **Cover for a container**  
(51) International Design Classification: **09-07B, 09-07NES**  
(74) Name(s) of Attorney(s): **PHILLIPS ORMONDE FITZPATRICK**  
(71) Name(s) and Address(s) of Applicant(s):  
**Dart Industries Inc.**  
**14901 S. Orange Blossom Trail Orlando Florida 32837 United States of America**  
(72) Name(s) of Designer(s): **Jakob Heiberg and Vincent Jalet**  
(45) Registration Date: **25 August 2014**  
(30) Convention priority data:  
(31) Number (32) Date (33) Country  
**29/485,563 20 Mar 2014 UNITED STATES OF AMERICA**  
(56) Related Art Documents: **Not Applicable**  
(57) Statement of Newness and Distinctiveness: **Nil**



(21) Design Number: **13632/2014**  
(22) Date of Filing Application: **28 July 2014**  
(24) Date from which industrial property rights may have effect: **28 July 2014**  
(54) Product in respect of which the design is registered: **Bottle with fish shape**  
(51) International Design Classification: **09-01D**  
(74) Name(s) of Attorney(s): **PHILLIPS ORMONDE FITZPATRICK**  
(71) Name(s) and Address(s) of Applicant(s):  
**Dart Industries Inc.**  
**14901 S. Orange Blossom Trail Orlando Florida 32837 United States of America**  
(72) Name(s) of Designer(s): **Nathan E. Shirley**  
(45) Registration Date: **25 August 2014**  
(30) Convention priority data:  
(31) Number (32) Date (33) Country  
**29/485,559 20 Mar 2014 UNITED STATES OF AMERICA**  
(56) Related Art Documents: **Not Applicable**  
(57) Statement of Newness and Distinctiveness: **Nil**



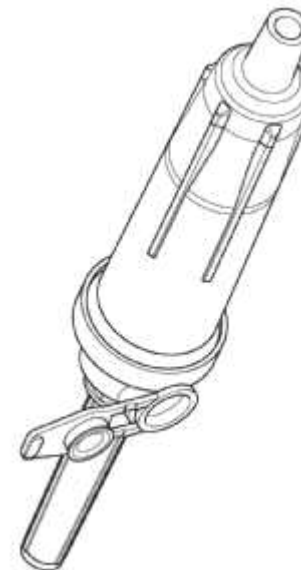
(21) Design Number: **13633/2014**  
(22) Date of Filing Application: **28 July 2014**  
(24) Date from which industrial property rights may have effect: **28 July 2014**  
(54) Product in respect of which the design is registered: **Kids bar stool**  
(51) International Design Classification: **06-01E**  
(74) Name(s) of Attorney(s):  
(71) Name(s) and Address(s) of Applicant(s):  
**DISPLAYWISE DESIGN AND PRODUCTION PTY LTD**  
**U7 / 7 - 11 Parraweena Rd Taren Point NSW 2229 Australia**  
(72) Name(s) of Designer(s): **Dylan Retif**  
(45) Registration Date: **25 August 2014**  
(56) Related Art Documents: **Not Applicable**  
(57) Statement of Newness and Distinctiveness: **The kids bar stool incorporates a modern stylish design with a functional purpose to keep a 3 yr + toddler safe in a stool at a bar table height. The chair will be produced from a variety of materials including plywood, various colours and material laminated plywood, 2pac spray finish, plastic, solid timber.**



- (21) Design Number: **12564/2014**  
(22) Date of Filing Application: **23 May 2014**  
(24) Date from which industrial property rights may have effect: **23 May 2014**  
(54) Product in respect of which the design is registered: **Booster assembly**  
(51) International Design Classification: **22-03**  
(74) Name(s) of Attorney(s): **Davies Collison Cave**  
(71) Name(s) and Address(s) of Applicant(s):  
**Orica International Pte Ltd**  
**78 Shenton Way #06-15 Tower 2 (Lippo Centre) Singapore 079120**  
**Singapore**  
(72) Name(s) of Designer(s): **Aaron Austin and Kim Hanley and Shaun Crossman**  
(45) Registration Date: **25 August 2014**  
(56) Related Art Documents: **Not Applicable**  
(57) Statement of Newness and Distinctiveness: **Newness and distinctiveness is claimed in the visual features of shape and configuration of a booster assembly for a detonator as shown in the representations.**



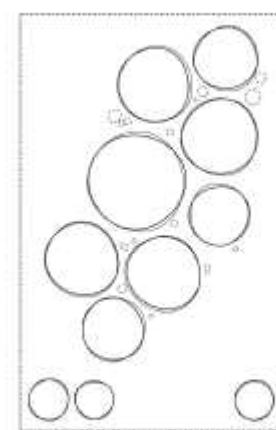
- (21) Design Number: **13619/2014**  
(22) Date of Filing Application: **25 July 2014**  
(24) Date from which industrial property rights may have effect: **25 July 2014**  
(54) Product in respect of which the design is registered: **Drip chamber for medical lines**  
(51) International Design Classification: **24-02**  
(74) Name(s) of Attorney(s): **PHILLIPS ORMONDE FITZPATRICK**  
(71) Name(s) and Address(s) of Applicant(s):  
**Industrie Borla S.p.A.**  
**Via G. Di Vittorio, 7bis Moncalieri Torino I-10024 Italy**  
(72) Name(s) of Designer(s): **Gianni Guala**  
(45) Registration Date: **25 August 2014**  
(30) Convention priority data:  
(31) Number      (32) Date      (33) Country  
**002394841      29 Jan 2014      OFFICE FOR HARMONISATION IN**  
**THE INTERNAL MARKET (OHIM)**  
(56) Related Art Documents: **Not Applicable**  
(57) Statement of Newness and Distinctiveness: **Nil**



(21) Design Number: **12528/2014**  
(22) Date of Filing Application: **23 May 2014**  
(24) Date from which industrial property rights may have effect: **23 May 2014**  
(54) Product in respect of which the design is registered: **Bottle**  
(51) International Design Classification: **09-01NES**  
(74) Name(s) of Attorney(s): **Davies Collison Cave**  
(71) Name(s) and Address(s) of Applicant(s):  
**Orica International Pte Ltd**  
**78 Shenton Way #06-15 Tower 2 (Lippo Centre) Singapore 079120**  
**Singapore**  
(72) Name(s) of Designer(s): **Aaron Austin and Kim Henley and Shaun Crossman**  
(45) Registration Date: **25 August 2014**  
(56) Related Art Documents: **Not Applicable**  
(57) Statement of Newness and Distinctiveness: **Newness and distinctiveness is claimed in the visual features of shape and configuration of a bottle for a booster assembly as shown in the representations.**



(21) Design Number: **13677/2014**  
(22) Date of Filing Application: **30 July 2014**  
(24) Date from which industrial property rights may have effect: **30 July 2014**  
(54) Product in respect of which the design is registered: **Display screen with graphical user interface**  
(51) International Design Classification: **14-04**  
(74) Name(s) of Attorney(s): **SPRUSON & FERGUSON**  
(71) Name(s) and Address(s) of Applicant(s):  
**PepsiCo, Inc.**  
**700 Anderson Hill Road Purchase New York 10577 United States of America**  
(72) Name(s) of Designer(s): **Richard Bates and Namu Kim and Mauro Porcini and Joon Park and Chad Tafolla**  
(45) Registration Date: **25 August 2014**  
(30) Convention priority data:  
(31) Number (32) Date (33) Country  
**29/480917 30 Jan 2014 UNITED STATES OF AMERICA**  
(56) Related Art Documents: **Not Applicable**  
(57) Statement of Newness and Distinctiveness: **Newness and distinctiveness is claimed in the features of pattern and/or ornamentation of a graphical user interface on a display screen as illustrated by solid lines in the accompanying representation.**

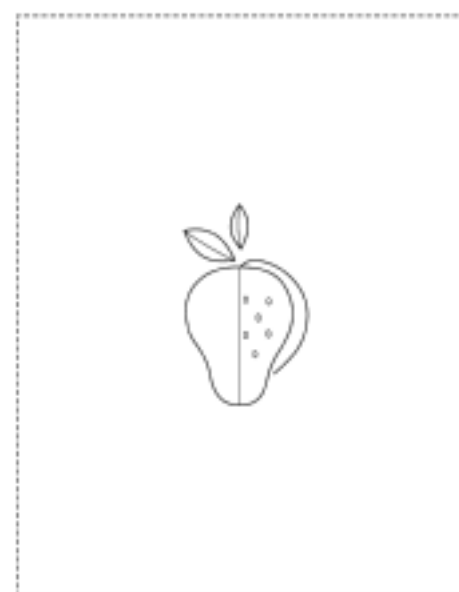




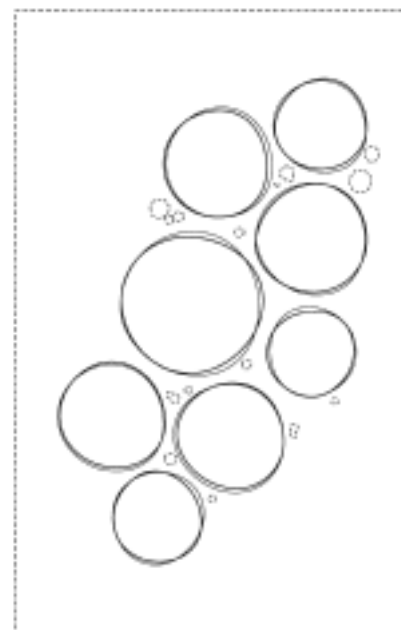
(21) Design Number: **13680/2014**  
(22) Date of Filing Application: **30 July 2014**  
(24) Date from which industrial property rights may have effect: **30 July 2014**  
(54) Product in respect of which the design is registered: **Display screen with graphical user interface**  
(51) International Design Classification: **14-04**  
(74) Name(s) of Attorney(s): **SPRUSON & FERGUSON**  
(71) Name(s) and Address(s) of Applicant(s):  
**PepsiCo, Inc.**  
**700 Anderson Hill Road Purchase New York 10577 United States of America**  
(72) Name(s) of Designer(s): **Richard Bates and Namu Kim and Mauro Porcini and Diego De Lara Miguel**  
(45) Registration Date: **25 August 2014**  
(30) Convention priority data:  
(31) Number (32) Date (33) Country  
**29/480911 30 Jan 2014 UNITED STATES OF AMERICA**  
(56) Related Art Documents: **Not Applicable**  
(57) Statement of Newness and Distinctiveness: **Newness and distinctiveness is claimed in the features of pattern and/or ornamentation of a graphical user interface on a display screen as illustrated by solid lines in the accompanying representation.**



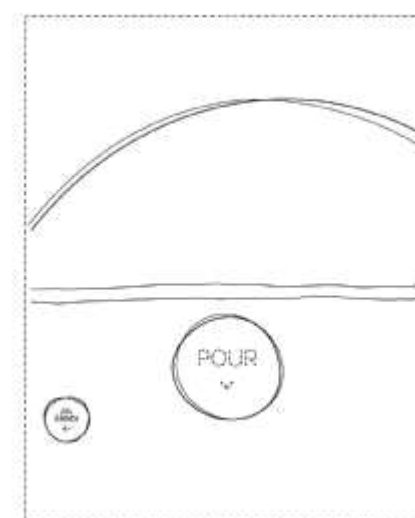
(21) Design Number: **13681/2014**  
(22) Date of Filing Application: **30 July 2014**  
(24) Date from which industrial property rights may have effect: **30 July 2014**  
(54) Product in respect of which the design is registered: **Display screen with graphical user interface**  
(51) International Design Classification: **14-04**  
(74) Name(s) of Attorney(s): **SPRUSON & FERGUSON**  
(71) Name(s) and Address(s) of Applicant(s):  
**PepsiCo, Inc.**  
**700 Anderson Hill Road Purchase New York 10577 United States of America**  
(72) Name(s) of Designer(s): **Richard Bates and Namu Kim and Mauro Porcini and Diego De Lara Miguel**  
(45) Registration Date: **25 August 2014**  
(30) Convention priority data:  
(31) Number (32) Date (33) Country  
**29/480908 30 Jan 2014 UNITED STATES OF AMERICA**  
(56) Related Art Documents: **Not Applicable**  
(57) Statement of Newness and Distinctiveness: **Newness and distinctiveness is claimed in the features of pattern and/or ornamentation of a graphical user interface on a display screen as illustrated by solid lines in the accompanying representation.**



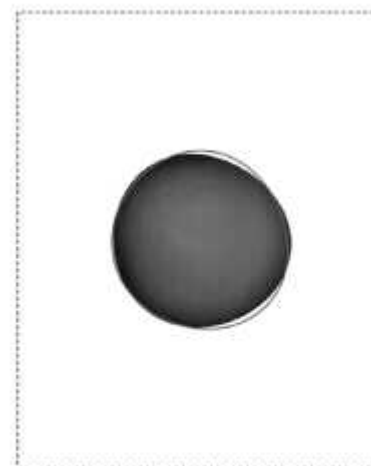
(21) Design Number: **13682/2014**  
(22) Date of Filing Application: **30 July 2014**  
(24) Date from which industrial property rights may have effect: **30 July 2014**  
(54) Product in respect of which the design is registered: **Display screen with graphical user interface**  
(51) International Design Classification: **14-04**  
(74) Name(s) of Attorney(s): **SPRUSON & FERGUSON**  
(71) Name(s) and Address(s) of Applicant(s):  
**PepsiCo, Inc.**  
**700 Anderson Hill Road Purchase New York 10577 United States of America**  
(72) Name(s) of Designer(s): **Richard Bates and Namu Kim and Mauro Porcini and Joon Park and Chad Tafolla**  
(45) Registration Date: **25 August 2014**  
(30) Convention priority data:  
(31) Number (32) Date (33) Country  
**29/480922 30 Jan 2014 UNITED STATES OF AMERICA**  
(56) Related Art Documents: **Not Applicable**  
(57) Statement of Newness and Distinctiveness: **Newness and distinctiveness is claimed in the features of pattern and/or ornamentation of a graphical user interface on a display screen as illustrated by solid lines in the accompanying representation.**



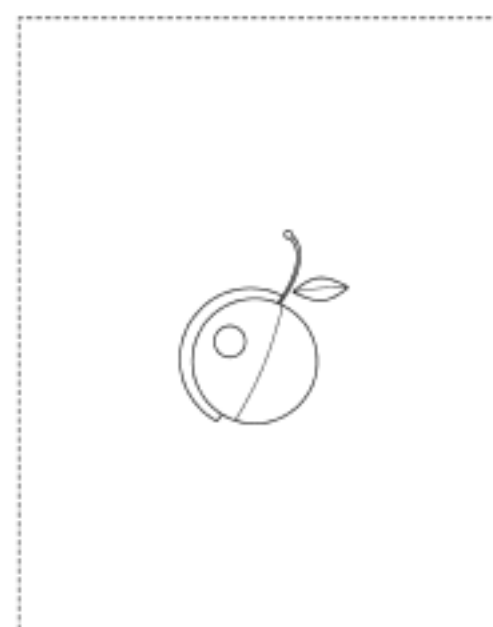
(21) Design Number: **13684/2014**  
(22) Date of Filing Application: **30 July 2014**  
(24) Date from which industrial property rights may have effect: **30 July 2014**  
(54) Product in respect of which the design is registered: **Display screen with graphical user interface**  
(51) International Design Classification: **14-04**  
(74) Name(s) of Attorney(s): **SPRUSON & FERGUSON**  
(71) Name(s) and Address(s) of Applicant(s):  
**PepsiCo, Inc.**  
**700 Anderson Hill Road Purchase New York 10577 United States of America**  
(72) Name(s) of Designer(s): **Richard Bates and Namu Kim and Mauro Porcini and Joon Park and Chad Tafolla**  
(45) Registration Date: **25 August 2014**  
(30) Convention priority data:  
(31) Number (32) Date (33) Country  
**29/480939 30 Jan 2014 UNITED STATES OF AMERICA**  
(56) Related Art Documents: **Not Applicable**  
(57) Statement of Newness and Distinctiveness: **Newness and distinctiveness is claimed in the features of pattern and/or ornamentation of a graphical user interface on a display screen as illustrated by solid lines in the accompanying representation.**



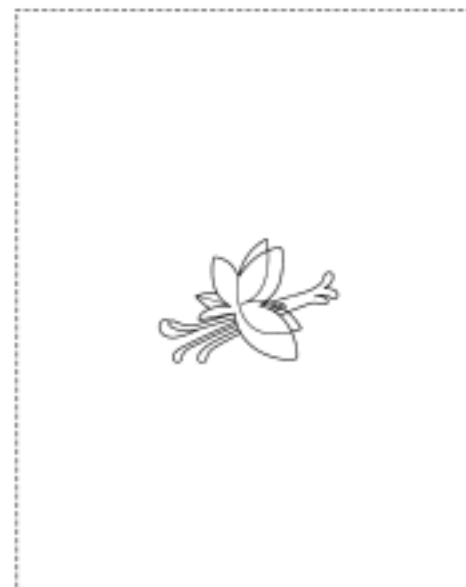
(21) Design Number: **13685/2014**  
(22) Date of Filing Application: **30 July 2014**  
(24) Date from which industrial property rights may have effect: **30 July 2014**  
(54) Product in respect of which the design is registered: **Display screen with graphical user interface**  
(51) International Design Classification: **14-04**  
(74) Name(s) of Attorney(s): **SPRUSON & FERGUSON**  
(71) Name(s) and Address(s) of Applicant(s):  
**PepsiCo, Inc.**  
**700 Anderson Hill Road Purchase New York 10577 United States of America**  
(72) Name(s) of Designer(s): **Richard Bates and Namu Kim and Mauro Porcini and Joon Park and Chad Tafolla**  
(45) Registration Date: **25 August 2014**  
(30) Convention priority data:  
(31) Number (32) Date (33) Country  
**29/480928 30 Jan 2014 UNITED STATES OF AMERICA**  
(56) Related Art Documents: **Not Applicable**  
(57) Statement of Newness and Distinctiveness: **Newness and distinctiveness is claimed in the features of pattern and/or ornamentation of a graphical user interface on a display screen as illustrated in the accompanying representation.**



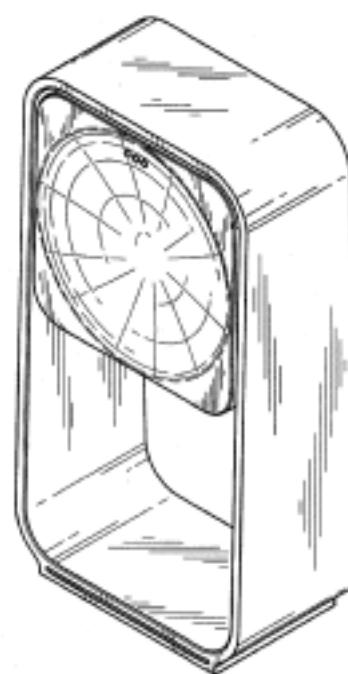
(21) Design Number: **13686/2014**  
(22) Date of Filing Application: **30 July 2014**  
(24) Date from which industrial property rights may have effect: **30 July 2014**  
(54) Product in respect of which the design is registered: **Display screen with graphical user interface**  
(51) International Design Classification: **14-04**  
(74) Name(s) of Attorney(s): **SPRUSON & FERGUSON**  
(71) Name(s) and Address(s) of Applicant(s):  
**PepsiCo, Inc.**  
**700 Anderson Hill Road Purchase New York 10577 United States of America**  
(72) Name(s) of Designer(s): **Richard Bates and Namu Kim and Mauro Porcini and Diego De Lara Miguel**  
(45) Registration Date: **25 August 2014**  
(30) Convention priority data:  
(31) Number (32) Date (33) Country  
**29/480901 30 Jan 2014 UNITED STATES OF AMERICA**  
(56) Related Art Documents: **Not Applicable**  
(57) Statement of Newness and Distinctiveness: **Newness and distinctiveness is claimed in the features of pattern and/or ornamentation of a graphical user interface on a display screen as illustrated by solid lines in the accompanying representation.**



- (21) Design Number: **13687/2014**  
(22) Date of Filing Application: **30 July 2014**  
(24) Date from which industrial property rights may have effect: **30 July 2014**  
(54) Product in respect of which the design is registered: **Display screen with graphical user interface**  
(51) International Design Classification: **14-04**  
(74) Name(s) of Attorney(s): **SPRUSON & FERGUSON**  
(71) Name(s) and Address(s) of Applicant(s):  
**PepsiCo, Inc.**  
**700 Anderson Hill Road, Purchase New York, 10577 United States of America**  
(72) Name(s) of Designer(s): **Richard Bates and Namu Kim and Mauro Porcini and Diego De Lara Miguel**  
(45) Registration Date: **25 August 2014**  
(30) Convention priority data:  
(31) Number (32) Date (33) Country  
**29/480905 30 Jan 2014 UNITED STATES OF AMERICA**  
(56) Related Art Documents: **Not Applicable**  
(57) Statement of Newness and Distinctiveness: **Newness and distinctiveness is claimed in the features of pattern and/or ornamentation of a graphical user interface on a display screen as illustrated by solid lines in the accompanying representation.**



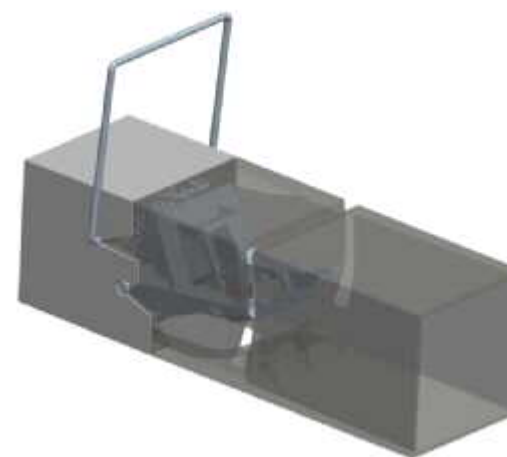
- (21) Design Number: **12497/2014**  
(22) Date of Filing Application: **21 May 2014**  
(24) Date from which industrial property rights may have effect: **21 May 2014**  
(54) Product in respect of which the design is registered: **Apparatus for sleep information detection**  
(51) International Design Classification: **24-01**  
(74) Name(s) of Attorney(s): **Halfords IP**  
(71) Name(s) and Address(s) of Applicant(s):  
**ResMed Sensor Technologies Limited**  
**NexusUCD Blocks 9 & 10 Belfield Office Park Clonskeagh Dublin 4 Ireland**  
(72) Name(s) of Designer(s): **Matthew Bates and Ganesh Kumar Sukumar and Buvenesh Balaji Ramachandran and Keiran Conway and Stephen McMahon and Dominic Southgate and Lukas Fuchs**  
(45) Registration Date: **26 August 2014**  
(30) Convention priority data:  
(31) Number (32) Date (33) Country  
**29/490436 09 May 2014 UNITED STATES OF AMERICA**  
(56) Related Art Documents: **Not Applicable**  
(57) Statement of Newness and Distinctiveness: **Nil**



- (21) Design Number: **12521/2014**  
(22) Date of Filing Application: **23 May 2014**  
(24) Date from which industrial property rights may have effect: **23 May 2014**  
(54) Product in respect of which the design is registered: **Patient interface and/or components thereof**  
(51) International Design Classification: **29-02**  
(74) Name(s) of Attorney(s): **Halfords IP**  
(71) Name(s) and Address(s) of Applicant(s):  
**ResMed Limited**  
**1 Elizabeth Macarthur Dr Bella Vista NSW 2153 Australia**  
(72) Name(s) of Designer(s): **Christopher Samuel Cullen and Matthew Eves and Memduh Guney and Michael Charles La Guzza and Lochlan von Moger and Rupert Christian Scheiner and Amal Shirley Amarasinghe**  
(45) Registration Date: **26 August 2014**  
(30) Convention priority data:  
(31) Number (32) Date (33) Country  
**29/476296 12 Dec 2013 UNITED STATES OF AMERICA**  
(56) Related Art Documents: **Not Applicable**  
(57) Statement of Newness and Distinctiveness: **Features shown in broken lines do not form part of the design.**



- (21) Design Number: **12639/2014**  
(22) Date of Filing Application: **29 May 2014**  
(24) Date from which industrial property rights may have effect: **29 May 2014**  
(54) Product in respect of which the design is registered: **Animal trap**  
(51) International Design Classification: **22-06**  
(74) Name(s) of Attorney(s): **FB Rice**  
(71) Name(s) and Address(s) of Applicant(s):  
**LIPHATECH**  
**Bonnel Pont-Du-Casse,47480 France**  
(72) Name(s) of Designer(s): **Lisa Lamongie and Veronique Tressens and Arnaud Hot**  
(45) Registration Date: **26 August 2014**  
(30) Convention priority data:  
(31) Number (32) Date (33) Country  
**002354290 29 Nov 2013 OFFICE FOR HARMONISATION IN THE INTERNAL MARKET (OHIM)**  
(56) Related Art Documents: **Not Applicable**  
(57) Statement of Newness and Distinctiveness: **Newness and distinctiveness reside in the features of the design as shown in the representations.**



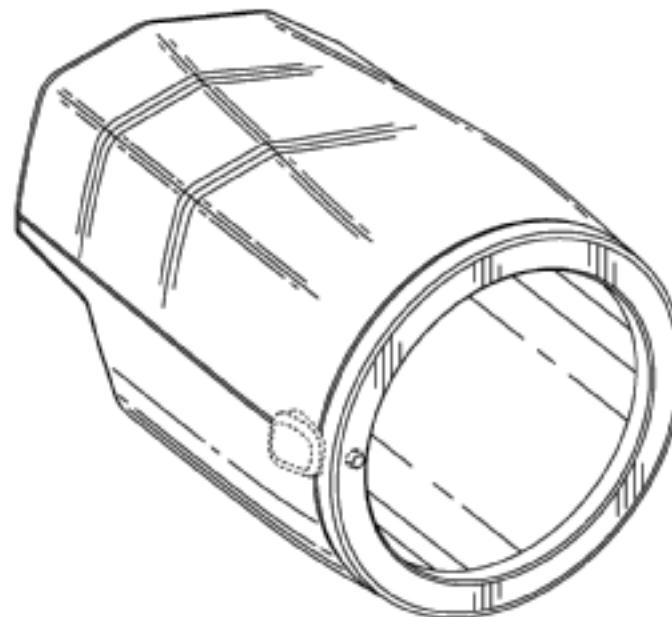
(21) Design Number: **12702/2014**  
(22) Date of Filing Application: **02 June 2014**  
(24) Date from which industrial property rights may have effect: **02 June 2014**  
(54) Product in respect of which the design is registered: **Camera housing**  
(51) International Design Classification: **16-01**  
(74) Name(s) of Attorney(s): **Davies Collison Cave**  
(71) Name(s) and Address(s) of Applicant(s):  
**Avigilon Corporation**  
**Box 378 101-1001 West Broadway Vancouver British Columbia, V6H 4E4**  
**Canada**

(72) Name(s) of Designer(s): **Colin Paul Janssen**  
(45) Registration Date: **26 August 2014**

(30) Convention priority data:  
(31) Number (32) Date (33) Country  
**154459 13 Dec 2013 CANADA**

(56) Related Art Documents: **Not Applicable**

(57) Statement of Newness and Distinctiveness: **Newness and distinctiveness is claimed in the visual features shown in solid lines in the representations. In considering the extent of the design rights, the broken lines shown in the representations are for illustrative purposes only and do not form part of the design.**

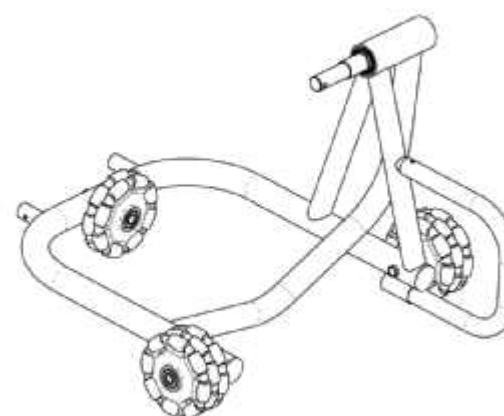


(21) Design Number: **13622/2014**  
(22) Date of Filing Application: **26 July 2014**  
(24) Date from which industrial property rights may have effect: **26 July 2014**  
(54) Product in respect of which the design is registered: **Motorcycle dolly**  
(51) International Design Classification: **12-02**  
(74) Name(s) of Attorney(s):  
(71) Name(s) and Address(s) of Applicant(s):  
**ANGUSTAN PTY LTD**  
**71 Duke St Toowong QLD 4066 Australia**

(72) Name(s) of Designer(s): **Stuart Black**  
(45) Registration Date: **26 August 2014**

(56) Related Art Documents: **Not Applicable**

(57) Statement of Newness and Distinctiveness: **Newness and distinctiveness is claimed in the features of shape and/or configuration of a motorcycle dolly as illustrated in the accompanying representations.**



(21) Design Number: **13635/2014**

(22) Date of Filing Application: **28 July 2014**

(24) Date from which industrial property rights may have effect: **28 July 2014**

(54) Product in respect of which the design is registered: **Water hose nozzle**

(51) International Design Classification: **23-01C**

(74) Name(s) of Attorney(s): **FB Rice**

(71) Name(s) and Address(s) of Applicant(s):

**Hozelock Limited**

**Midpoint Park Minworth Sutton Coldfield Birmingham B76 1AB Great Britain**

(72) Name(s) of Designer(s): **George Leigh Walters**

(45) Registration Date: **26 August 2014**

(30) Convention priority data:

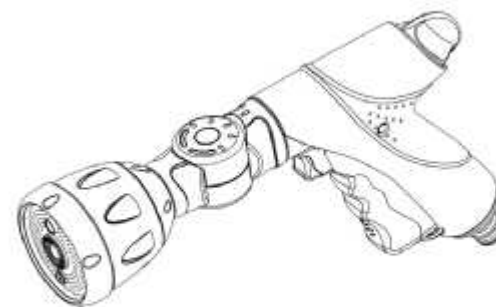
(31) Number  
**1402143-0001**

(32) Date  
**31 Jan 2014**

(33) Country  
**OFFICE FOR HARMONISATION IN  
THE INTERNAL MARKET (OHIM)**

(56) Related Art Documents: **Not Applicable**

(57) Statement of Newness and Distinctiveness: **Newness and distinctiveness reside in the features of shape and configuration of the design as shown in the representations.**



(21) Design Number: **13636/2014**

(22) Date of Filing Application: **28 July 2014**

(24) Date from which industrial property rights may have effect: **28 July 2014**

(54) Product in respect of which the design is registered: **Water hose nozzle**

(51) International Design Classification: **23-01C**

(74) Name(s) of Attorney(s): **FB Rice**

(71) Name(s) and Address(s) of Applicant(s):

**Hozelock Limited**

**Midpoint Park Minworth Sutton Coldfield Birmingham B76 1AB Great Britain**

(72) Name(s) of Designer(s): **George Leigh Walters**

(45) Registration Date: **26 August 2014**

(30) Convention priority data:

(31) Number  
**1402143-0002**

(32) Date  
**31 Jan 2014**

(33) Country  
**OFFICE FOR HARMONISATION IN  
THE INTERNAL MARKET (OHIM)**

(56) Related Art Documents: **Not Applicable**

(57) Statement of Newness and Distinctiveness: **Newness and distinctiveness reside in the features of shape and configuration of the design as shown in the representations.**



(21) Design Number: **13637/2014**

(22) Date of Filing Application: **28 July 2014**

(24) Date from which industrial property rights may have effect: **28 July 2014**

(54) Product in respect of which the design is registered: **Water hose nozzle**

(51) International Design Classification: **23-01C**

(74) Name(s) of Attorney(s): **FB Rice**

(71) Name(s) and Address(s) of Applicant(s):

**Hozelock Limited**

**Midpoint Park Minworth Sutton Coldfield Birmingham B76 1AB Great Britain**

(72) Name(s) of Designer(s): **George Leigh Walters**

(45) Registration Date: **26 August 2014**

(30) Convention priority data:

(31) Number

(32) Date

(33) Country

**1402143-0003**

**31 Jan 2014**

**OFFICE FOR HARMONISATION IN THE INTERNAL MARKET (OHIM)**

(56) Related Art Documents: **Not Applicable**

(57) Statement of Newness and Distinctiveness: **Newness and distinctiveness reside in the features of shape and configuration of the design as shown in the representations.**



(21) Design Number: **13638/2014**

(22) Date of Filing Application: **28 July 2014**

(24) Date from which industrial property rights may have effect: **28 July 2014**

(54) Product in respect of which the design is registered: **Stroller frame**

(51) International Design Classification: **12-12**

(74) Name(s) of Attorney(s): **FB Rice**

(71) Name(s) and Address(s) of Applicant(s):

**Dongguan Wenjian Golf Products Co., Ltd**

**Shangyuan Village Qingxi Town Dongguan City Guangdong Province China**

(72) Name(s) of Designer(s): **Yu-Chu Cheng**

(45) Registration Date: **26 August 2014**

(30) Convention priority data:

(31) Number

(32) Date

(33) Country

**201430131763.0**

**14 May 2014**

**SWITZERLAND**

(56) Related Art Documents: **Not Applicable**

(57) Statement of Newness and Distinctiveness: **Newness and distinctiveness reside in the features of shape and configuration of the design as shown in the representations.**





- (21) Design Number: **13639/2014**  
(22) Date of Filing Application: **28 July 2014**  
(24) Date from which industrial property rights may have effect: **28 July 2014**  
(54) Product in respect of which the design is registered: **Plant pot stand**  
(51) International Design Classification: **06-06A**  
(74) Name(s) of Attorney(s): **Griffith Hack**  
(71) Name(s) and Address(s) of Applicant(s):  
**Takasho Co., Ltd.**  
**489, Sakai, Kainan-shi, Wakayama-ken 642-0024 Japan**  
(72) Name(s) of Designer(s): **Nobuo Takaoka**  
(45) Registration Date: **26 August 2014**  
(56) Related Art Documents: **Not Applicable**  
(57) Statement of Newness and Distinctiveness: **Newness and distinctiveness resides in the visual features, including the shape and configuration of the product shown in the representations.**



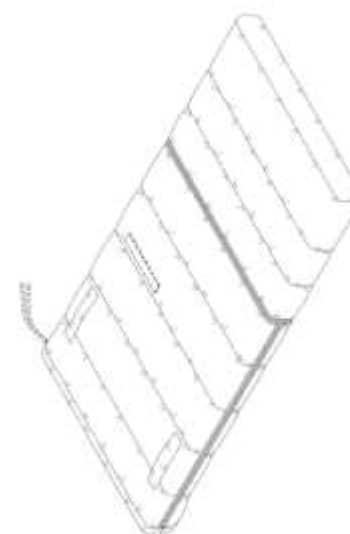
- (21) Design Number: **13641/2014**  
(22) Date of Filing Application: **28 July 2014**  
(24) Date from which industrial property rights may have effect: **26 May 2014**  
(54) Product in respect of which the design is registered: **Chair**  
(51) International Design Classification: **06-01F**  
(74) Name(s) of Attorney(s): **Houlihan2**  
(71) Name(s) and Address(s) of Applicant(s):  
**AICHI CO., LTD.**  
**27-25 Tsutsui 3-chome Higashi-ku Nagoya-shi Aichi-ken 461-0003 Japan**  
(72) Name(s) of Designer(s): **Taku Kumazawa**  
(45) Registration Date: **26 August 2014**  
(30) Convention priority data:  
(31) Number      (32) Date      (33) Country  
**2013-029293      13 Dec 2013      JAPAN**  
(62) Divisional of: **356697**  
(56) Related Art Documents: **Not Applicable**  
(57) Statement of Newness and Distinctiveness: **Newness and distinctiveness reside in the shape and/or configuration of a CHAIR as illustrated in the accompanying representations.**



(21) Design Number: **13644/2014**  
(22) Date of Filing Application: **28 July 2014**  
(24) Date from which industrial property rights may have effect: **28 July 2014**  
(54) Product in respect of which the design is registered: **Chair backrest cover**  
(51) International Design Classification: **06-13NES, 06-06G**  
(74) Name(s) of Attorney(s):  
(71) Name(s) and Address(s) of Applicant(s):  
**Judith Ross**  
**PO BOX 697 Mitcham Shopping Centre SA 5062 Australia**  
(72) Name(s) of Designer(s): **Judith Ross**  
(45) Registration Date: **26 August 2014**  
(56) Related Art Documents: **Not Applicable**  
(57) Statement of Newness and Distinctiveness: **The newness and distinctiveness of the product is that a chair backrest cover has never been specifically designed for the purpose of holding secure or covering a lumbar support. The chair backrest cover holds a lumbar cushion (or lumbar support) onto a chair backrest. The lumbar cushion fits into one or both of the two internal pockets which stop the lumbar cushion from slipping out from the cover. The product is made in three sizes to fit various size chairs and seats.**



(21) Design Number: **13652/2014**  
(22) Date of Filing Application: **29 July 2014**  
(24) Date from which industrial property rights may have effect: **29 July 2014**  
(54) Product in respect of which the design is registered: **Mobile sleeping bag**  
(51) International Design Classification: **06-13B**  
(74) Name(s) of Attorney(s): **Griffith Hack**  
(71) Name(s) and Address(s) of Applicant(s):  
**The Coleman Company, Inc.**  
**3600 North Hydraulic Wichita KS 67219 United States of America**  
(72) Name(s) of Designer(s): **Kasey Tolbert and Michael W Peterson and Daniel Noll**  
(45) Registration Date: **26 August 2014**  
(30) Convention priority data:  
(31) Number (32) Date (33) Country  
**29/481,593 07 Feb 2014 UNITED STATES OF AMERICA**  
(56) Related Art Documents: **Not Applicable**  
(57) Statement of Newness and Distinctiveness: **Newness and distinctiveness resides in the visual features, including shape and configuration, of a MOBILE SLEEPING BAG as shown in solid outline in the accompanying drawings. When determining whether the design is substantially similar in overall impression to another design, no regard is to be had to those features shown in dotted outline in the accompanying drawings, which features are provided for illustrative purposes only.**



(21) Design Number: **13653/2014**  
(22) Date of Filing Application: **29 July 2014**  
(24) Date from which industrial property rights may have effect: **29 July 2014**  
(54) Product in respect of which the design is registered: **Tyre**  
(51) International Design Classification: **12-15A**  
(74) Name(s) of Attorney(s): **Griffith Hack**  
(71) Name(s) and Address(s) of Applicant(s):

**Continental Reifen Deutschland GmbH**  
**Vahrenwalder strasse 9 Hannover 30165 Germany**

(72) Name(s) of Designer(s): **Florian Kristen**

(45) Registration Date: **26 August 2014**

(30) Convention priority data:

(31) Number	(32) Date	(33) Country
<b>002405274</b>	<b>19 Feb 2014</b>	<b>OFFICE FOR HARMONISATION IN THE INTERNAL MARKET (OHIM)</b>

(56) Related Art Documents: **Not Applicable**

(57) Statement of Newness and Distinctiveness: **Newness and distinctiveness resides in the visual features, including shape, configuration and pattern, of a TREAD FOR A TYRE as shown in the accompanying drawings.**



(21) Design Number: **13654/2014**  
(22) Date of Filing Application: **29 July 2014**  
(24) Date from which industrial property rights may have effect: **29 July 2014**  
(54) Product in respect of which the design is registered: **Headphones**  
(51) International Design Classification: **14-01**  
(74) Name(s) of Attorney(s): **PHILLIPS ORMONDE FITZPATRICK**  
(71) Name(s) and Address(s) of Applicant(s):

**Bose Corporation**  
**The Mountain MS 3B1 Framingham Massachusetts 01701-9168 United  
States of America**

(72) Name(s) of Designer(s): **Nathan David Schaal and Joshua Kevin Dryden  
and Mitchell Joseph Silva and Adam A Carr and Kevin M Krauss**

(45) Registration Date: **26 August 2014**

(30) Convention priority data:

(31) Number	(32) Date	(33) Country
<b>29/482,028</b>	<b>13 Feb 2014</b>	<b>UNITED STATES OF AMERICA</b>

(56) Related Art Documents: **Not Applicable**

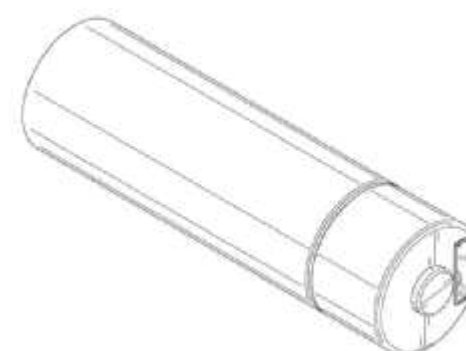
(57) Statement of Newness and Distinctiveness: **Newness and distinctiveness resides in the fabric pattern on the headphone scrim of the headphones shown in the accompanying representations. The fabric pattern consists of various colours, each colour contrasting to the area immediately adjacent. Features illustrated by broken lines are not part of the design and are to be disregarded when considering the overall impression of the design.**



(21) Design Number: **13655/2014**  
(22) Date of Filing Application: **29 July 2014**  
(24) Date from which industrial property rights may have effect: **29 July 2014**  
(54) Product in respect of which the design is registered: **Headphones**  
(51) International Design Classification: **14-01**  
(74) Name(s) of Attorney(s): **PHILLIPS ORMONDE FITZPATRICK**  
(71) Name(s) and Address(s) of Applicant(s):  
**Bose Corporation**  
**The Mountain MS 3B1 Framingham Massachusetts 01701-9168 United States of America**  
(72) Name(s) of Designer(s): **Nathan David Schaal and Joshua Kevin Dryden and Mitchell Joseph Silva**  
(45) Registration Date: **26 August 2014**  
(30) Convention priority data:  
(31) Number (32) Date (33) Country  
**29/482,029 13 Feb 2014 UNITED STATES OF AMERICA**  
(56) Related Art Documents: **Not Applicable**  
(57) Statement of Newness and Distinctiveness: **Newness and distinctiveness resides in the surface pattern of the headphones shown in the accompanying representations. The solid black surface shading shown illustrates a colour contrasting to the area immediately adjacent. Features illustrated by broken lines are not part of the design and are to be disregarded when considering the overall impression of the design.**



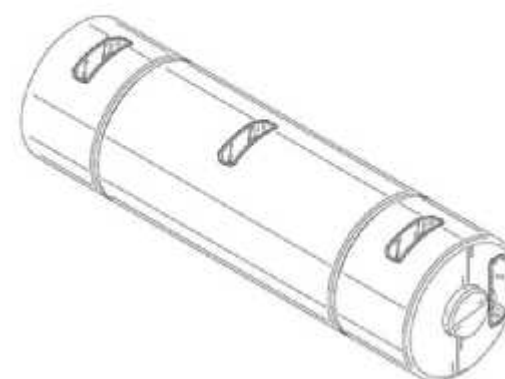
(21) Design Number: **13656/2014**  
(22) Date of Filing Application: **29 July 2014**  
(24) Date from which industrial property rights may have effect: **29 July 2014**  
(54) Product in respect of which the design is registered: **Battery cell with charging port**  
(51) International Design Classification: **13-02**  
(74) Name(s) of Attorney(s): **Griffith Hack**  
(71) Name(s) and Address(s) of Applicant(s):  
**Techtronic Power Tools Technology Limited**  
**Trident Chambers P.O. Box 146 Road Town Tortola British Virgin Islands**  
(72) Name(s) of Designer(s): **James A Patton and G Michael Hornick**  
(45) Registration Date: **26 August 2014**  
(30) Convention priority data:  
(31) Number (32) Date (33) Country  
**US 29/480,841 30 Jan 2014 UNITED STATES OF AMERICA**  
(56) Related Art Documents: **Not Applicable**  
(57) Statement of Newness and Distinctiveness: **Nil**



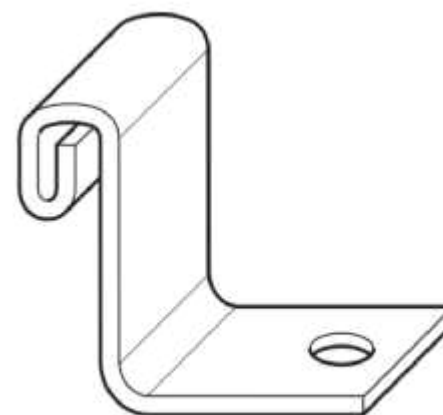
- (21) Design Number: **13657/2014**  
(22) Date of Filing Application: **29 July 2014**  
(24) Date from which industrial property rights may have effect: **29 July 2014**  
(54) Product in respect of which the design is registered: **Collapsible awning for a vehicle**  
(51) International Design Classification: **12-10, 25-02H**  
(74) Name(s) of Attorney(s): **HODGKINSON McINNES PATENTS**  
(71) Name(s) and Address(s) of Applicant(s):  
**Rhino Rack Australia Pty Limited**  
**3 Pike St Rydalmere NSW 2116 Australia**  
(72) Name(s) of Designer(s): **Ernesto Fidel Fernandez and Christopher John Murty and Richard Oswald Cropley**  
(45) Registration Date: **26 August 2014**  
(56) Related Art Documents: **Not Applicable**  
(57) Statement of Newness and Distinctiveness: **Newness and distinctiveness is claimed in those features of shape and/or configuration of a collapsible awning for a vehicle as illustrated in the accompanying representations. The vehicle shown in Figures 5 and 6 is representative only and does not form part of the design.**



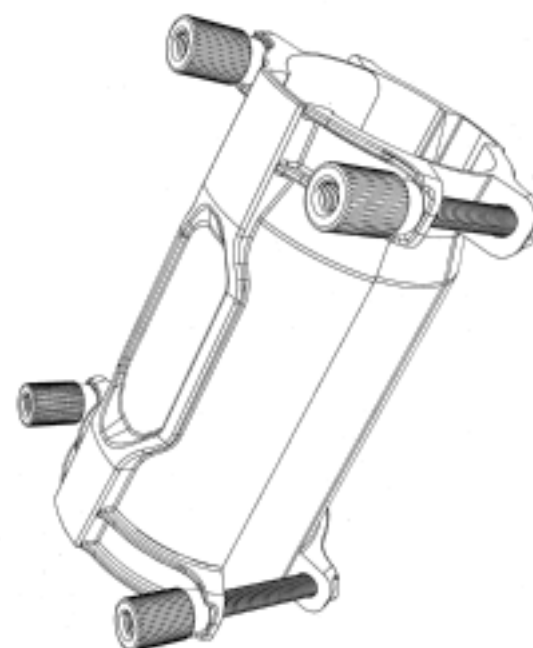
- (21) Design Number: **13658/2014**  
(22) Date of Filing Application: **29 July 2014**  
(24) Date from which industrial property rights may have effect: **29 July 2014**  
(54) Product in respect of which the design is registered: **Battery cell with charging port**  
(51) International Design Classification: **13-02**  
(74) Name(s) of Attorney(s): **Griffith Hack**  
(71) Name(s) and Address(s) of Applicant(s):  
**Techtronic Power Tools Technology Limited**  
**Trident Chambers P.O. Box 146 Road Town Tortola British Virgin Islands**  
(72) Name(s) of Designer(s): **James A Patton and G Michael Hornick**  
(45) Registration Date: **26 August 2014**  
(30) Convention priority data:  
(31) Number (32) Date (33) Country  
**US 29/480,841 30 Jan 2014 UNITED STATES OF AMERICA**  
(56) Related Art Documents: **Not Applicable**  
(57) Statement of Newness and Distinctiveness: **Nil**



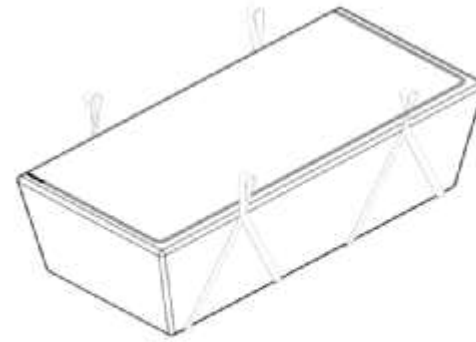
- (21) Design Number: **13659/2014**  
(22) Date of Filing Application: **29 July 2014**  
(24) Date from which industrial property rights may have effect: **29 July 2014**  
(54) Product in respect of which the design is registered: **A fastening guide for a garden edging strip**  
(51) International Design Classification: **08-08D**  
(74) Name(s) of Attorney(s): **Collison & Co**  
(71) Name(s) and Address(s) of Applicant(s):  
**Robert Henry Haysom**  
**31 Duffield St Gawler East SA 5118 Australia**  
(72) Name(s) of Designer(s): **Robert Henry Haysom**  
(45) Registration Date: **26 August 2014**  
(56) Related Art Documents: **Not Applicable**  
(57) Statement of Newness and Distinctiveness: **Newness and distinctiveness resides in the shape and/or configuration of the fastening guide for a garden edging strip as shown in the accompanying representations, excluding the features illustrated in broken lines.**



- (21) Design Number: **10312/2014**  
(22) Date of Filing Application: **22 January 2014**  
(24) Date from which industrial property rights may have effect: **22 January 2014**  
(54) Product in respect of which the design is registered: **A tool**  
(51) International Design Classification: **08-99**  
(74) Name(s) of Attorney(s):  
(71) Name(s) and Address(s) of Applicant(s):  
**John Bruce Howard Gerber**  
**PO BOX 137 Winston Hills NSW 2153 Australia**  
(72) Name(s) of Designer(s): **John Gerber and David Gerber and Giovanni Ciampa and Lee Blattmann**  
(45) Registration Date: **26 August 2014**  
(56) Related Art Documents: **Not Applicable**  
(57) Statement of Newness and Distinctiveness: **Newness and distinctiveness resides in the shape and or configuration of a tool and tool components as depicted in the accompanying representations. Features shown in broken lines do not form part of the design.**



- (21) Design Number: **10884/2014**  
(22) Date of Filing Application: **27 February 2014**  
(24) Date from which industrial property rights may have effect: **27 February 2014**  
(54) Product in respect of which the design is registered: **A bag for asbestos**  
(51) International Design Classification: **09-09**  
(74) Name(s) of Attorney(s):  
(71) Name(s) and Address(s) of Applicant(s):  
**David Anthony Burgun**  
**13 Craftsman Ave Berkeley Vale NSW 2261 Australia**  
(72) Name(s) of Designer(s): **David Anthony Burgun**  
(45) Registration Date: **26 August 2014**  
(56) Related Art Documents: **Not Applicable**  
(57) Statement of Newness and Distinctiveness: **Newness & distinctiveness resides in the overall shape and configuration of the visual features as shown in solid lines in the representations.**



- (21) Design Number: **11922/2014**  
(22) Date of Filing Application: **22 April 2014**  
(24) Date from which industrial property rights may have effect: **22 April 2014**  
(54) Product in respect of which the design is registered: **Probe handle**  
(51) International Design Classification: **07-02R, 07-02NES**  
(74) Name(s) of Attorney(s): **Molins & Co Pty Ltd**  
(71) Name(s) and Address(s) of Applicant(s):  
**Breville Pty Limited**  
**Building 2 Port Air Industrial Est 1A Hale St Botany NSW 2019 Australia**  
(72) Name(s) of Designer(s): **David Davenport**  
(45) Registration Date: **26 August 2014**  
(56) Related Art Documents: **Not Applicable**  
(57) Statement of Newness and Distinctiveness: **Newness is claimed in the features of shape and configuration of the Probe Handle as shown in the accompanying representations. Elements shown in dashed lines form no part of the design. The bottom plan view is not claimed as part of the design.**



(21) Design Number: **13125/2014**

(22) Date of Filing Application: **26 June 2014**

(24) Date from which industrial property rights may have effect: **26 June 2014**

(54) Product in respect of which the design is registered: **Fastener carrier strip**

(51) International Design Classification: **08-08A**

(74) Name(s) of Attorney(s): **Halfords IP**

(71) Name(s) and Address(s) of Applicant(s):

**Sympafix BV**

**Fluorietweg 25E Alkmaar 1812RR Netherlands**

(72) Name(s) of Designer(s): **Paul Geuvers**

(45) Registration Date: **26 August 2014**

(30) Convention priority data:

(31) Number

(32) Date

(33) Country

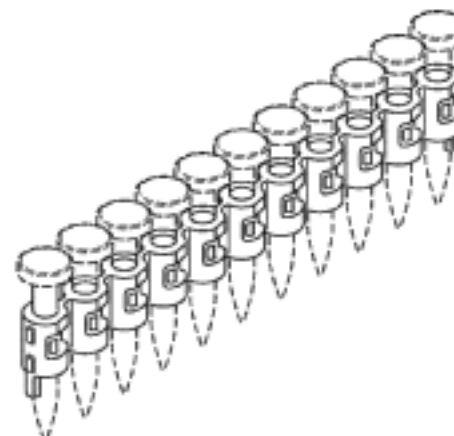
**002381756**

**08 Jan 2014**

**EUROPEAN PATENT OFFICE (EPO)**

(56) Related Art Documents: **Not Applicable**

(57) Statement of Newness and Distinctiveness: **Newness and Distinctiveness resides in the shape and or configuration of a fastener carrier strip as depicted in the accompanying representations in which, in the drawings, the sample fasteners shown in broken line work, and the sample fasteners shown in the photograph, do not form part of the design, and the colour of the fastener carrier strip is also not part of the design.**



(21) Design Number: **13307/2014**

(22) Date of Filing Application: **08 July 2014**

(24) Date from which industrial property rights may have effect: **08 July 2014**

(54) Product in respect of which the design is registered: **Table hinge**

(51) International Design Classification: **06-06E, 08-06**

(74) Name(s) of Attorney(s): **Collison & Co**

(71) Name(s) and Address(s) of Applicant(s):

**Greg Cornish**

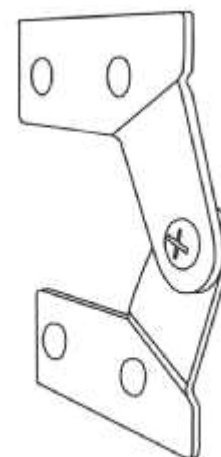
**5 Hume Ct Woodcroft SA 5162 Australia**

(72) Name(s) of Designer(s): **Greg Cornish**

(45) Registration Date: **26 August 2014**

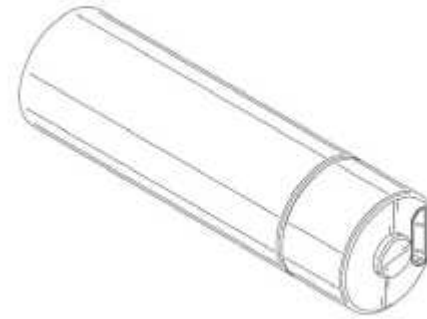
(56) Related Art Documents: **Not Applicable**

(57) Statement of Newness and Distinctiveness: **Newness and distinctiveness resides in the shape and/or configuration of the table hinge as shown in the accompanying representations, excluding the features illustrated in broken lines.**

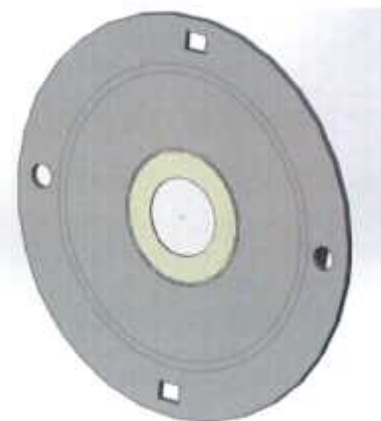




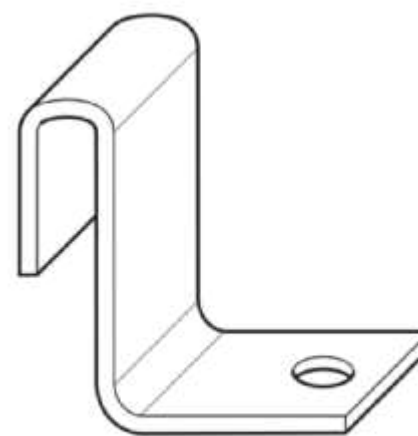
(21) Design Number: **13660/2014**  
(22) Date of Filing Application: **29 July 2014**  
(24) Date from which industrial property rights may have effect: **29 July 2014**  
(54) Product in respect of which the design is registered: **Battery cell with charging port**  
(51) International Design Classification: **13-02**  
(74) Name(s) of Attorney(s): **Griffith Hack**  
(71) Name(s) and Address(s) of Applicant(s):  
**Techtronic Power Tools Technology Limited**  
**Trident Chambers P.O. Box 146 Road Town Tortola British Virgin Islands**  
(72) Name(s) of Designer(s): **James A Patton and G Michael Hornick**  
(45) Registration Date: **26 August 2014**  
(30) Convention priority data:  
(31) Number (32) Date (33) Country  
**US 29/480,841 30 Jan 2014 UNITED STATES OF AMERICA**  
(56) Related Art Documents: **Not Applicable**  
(57) Statement of Newness and Distinctiveness: **Nil**



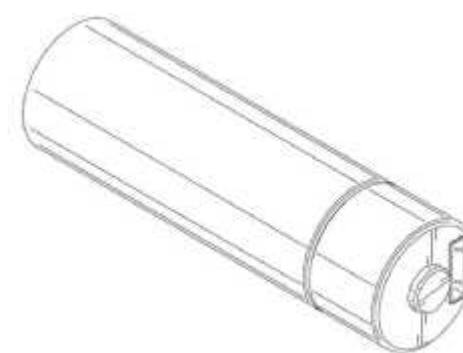
(21) Design Number: **13661/2014**  
(22) Date of Filing Application: **29 July 2014**  
(24) Date from which industrial property rights may have effect: **29 July 2014**  
(54) Product in respect of which the design is registered: **Flange for vacuum cleaner bags**  
(51) International Design Classification: **15-05**  
(74) Name(s) of Attorney(s): **KLIGER PARTNERS Lawyers**  
(71) Name(s) and Address(s) of Applicant(s):  
**My Picture Pty Ltd**  
**3/273 Balaclava Rd Caulfield North VIC 3161 Australia**  
(72) Name(s) of Designer(s): **Moish Ben-Shabat**  
(45) Registration Date: **26 August 2014**  
(56) Related Art Documents: **Not Applicable**  
(57) Statement of Newness and Distinctiveness: **Nil**



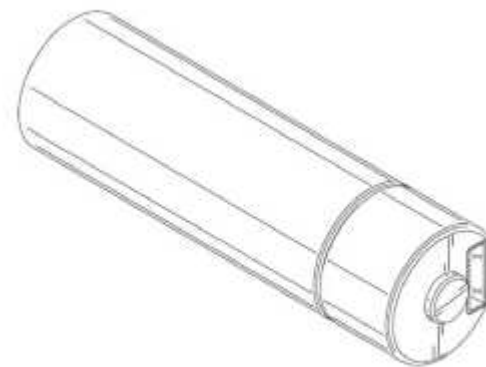
(21) Design Number: **13662/2014**  
(22) Date of Filing Application: **29 July 2014**  
(24) Date from which industrial property rights may have effect: **29 July 2014**  
(54) Product in respect of which the design is registered: **A fastening guide for a garden edging strip**  
(51) International Design Classification: **08-08L**  
(74) Name(s) of Attorney(s): **Collison & Co**  
(71) Name(s) and Address(s) of Applicant(s):  
**Robert Henry Haysom**  
**31 Duffield St Gawler East SA 5118 Australia**  
(72) Name(s) of Designer(s): **Robert Henry Haysom**  
(45) Registration Date: **26 August 2014**  
(56) Related Art Documents: **Not Applicable**  
(57) Statement of Newness and Distinctiveness: **Newness and distinctiveness resides in the shape and/or configuration of the fastening guide for a garden edging strip as shown in the accompanying representations, excluding the features illustrated in broken lines.**



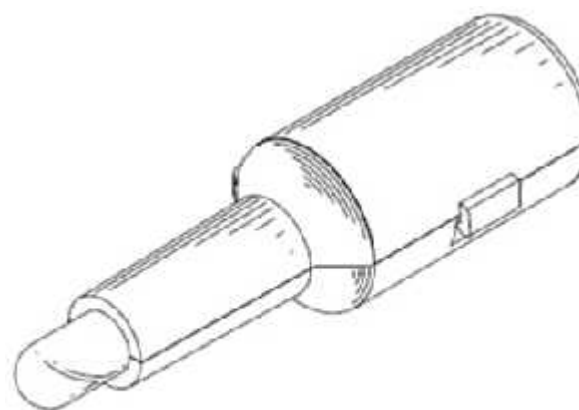
(21) Design Number: **13663/2014**  
(22) Date of Filing Application: **29 July 2014**  
(24) Date from which industrial property rights may have effect: **29 July 2014**  
(54) Product in respect of which the design is registered: **Battery cell with charging port**  
(51) International Design Classification: **13-02**  
(74) Name(s) of Attorney(s): **Griffith Hack**  
(71) Name(s) and Address(s) of Applicant(s):  
**Techtronic Power Tools Technology Limited**  
**Trident Chambers P.O. Box 146 Road Town Tortola British Virgin Islands**  
(72) Name(s) of Designer(s): **James A Patton and G Michael Hornick**  
(45) Registration Date: **26 August 2014**  
(30) Convention priority data:  
(31) Number      (32) Date      (33) Country  
**US 29/480,841      30 Jan 2014      UNITED STATES OF AMERICA**  
(56) Related Art Documents: **Not Applicable**  
(57) Statement of Newness and Distinctiveness: **Nil**



(21) Design Number: **13664/2014**  
(22) Date of Filing Application: **29 July 2014**  
(24) Date from which industrial property rights may have effect: **29 July 2014**  
(54) Product in respect of which the design is registered: **Battery cell with charging port**  
(51) International Design Classification: **13-02**  
(74) Name(s) of Attorney(s): **Griffith Hack**  
(71) Name(s) and Address(s) of Applicant(s):  
**Techtronic Power Tools Technology Limited**  
**Trident Chambers P.O. Box 146 Road Town Tortola British Virgin Islands**  
(72) Name(s) of Designer(s): **James A Patton and G Michael Hornick**  
(45) Registration Date: **26 August 2014**  
(30) Convention priority data:  
(31) Number (32) Date (33) Country  
**US 29/480,841 30 Jan 2014 UNITED STATES OF AMERICA**  
(56) Related Art Documents: **Not Applicable**  
(57) Statement of Newness and Distinctiveness: **Nil**



(21) Design Number: **13665/2014**  
(22) Date of Filing Application: **29 July 2014**  
(24) Date from which industrial property rights may have effect: **29 July 2014**  
(54) Product in respect of which the design is registered: **Medical luminaire**  
(51) International Design Classification: **26-05A, 24-02**  
(74) Name(s) of Attorney(s): **Madderns**  
(71) Name(s) and Address(s) of Applicant(s):  
**Yih-Chiou Tsai**  
**No. 46 Zhongtai St. Dongshi Dist. Taichung Taiwan**  
(72) Name(s) of Designer(s): **Yih-Chiou Tsai**  
(45) Registration Date: **26 August 2014**  
(56) Related Art Documents: **Not Applicable**  
(57) Statement of Newness and Distinctiveness: **Newness and distinctiveness are claimed in the features of shape and configuration applied to a medical luminaire as illustrated in the accompanying representations.**



(21) Design Number: **13666/2014**

(22) Date of Filing Application: **29 July 2014**

(24) Date from which industrial property rights may have effect: **29 July 2014**

(54) Product in respect of which the design is registered: **Battery cell with charging port**

(51) International Design Classification: **13-02**

(74) Name(s) of Attorney(s): **Griffith Hack**

(71) Name(s) and Address(s) of Applicant(s):

**Techtronic Power Tools Technology Limited  
Trident Chambers P.O. Box 146 Road Town Tortola British Virgin Islands**

(72) Name(s) of Designer(s): **James A Patton and G Michael Hornick**

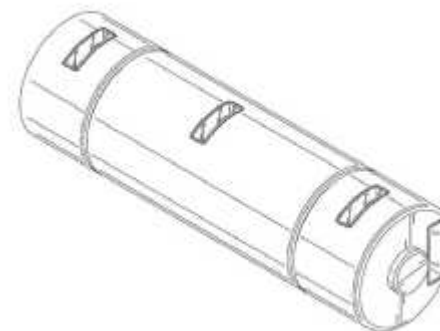
(45) Registration Date: **26 August 2014**

(30) Convention priority data:

(31) Number	(32) Date	(33) Country
<b>US 29/480,841</b>	<b>30 Jan 2014</b>	<b>UNITED STATES OF AMERICA</b>

(56) Related Art Documents: **Not Applicable**

(57) Statement of Newness and Distinctiveness: **Nil**



(21) Design Number: **13667/2014**

(22) Date of Filing Application: **29 July 2014**

(24) Date from which industrial property rights may have effect: **29 July 2014**

(54) Product in respect of which the design is registered: **Battery cell with charging port**

(51) International Design Classification: **13-02**

(74) Name(s) of Attorney(s): **Griffith Hack**

(71) Name(s) and Address(s) of Applicant(s):

**Techtronic Power Tools Technology Limited  
Trident Chambers P.O. Box 146 Road Town Tortola British Virgin Islands**

(72) Name(s) of Designer(s): **James A Patton and G Michael Hornick**

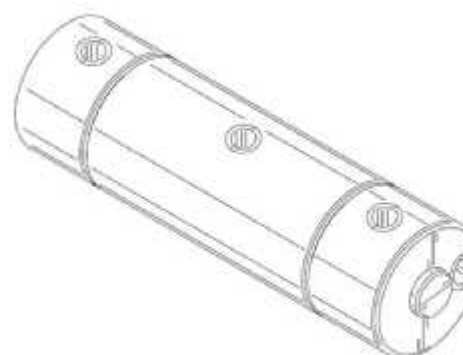
(45) Registration Date: **26 August 2014**

(30) Convention priority data:

(31) Number	(32) Date	(33) Country
<b>US 29/480,841</b>	<b>30 Jan 2014</b>	<b>UNITED STATES OF AMERICA</b>

(56) Related Art Documents: **Not Applicable**

(57) Statement of Newness and Distinctiveness: **Nil**



(21) Design Number: **13689/2014**  
(22) Date of Filing Application: **30 July 2014**  
(24) Date from which industrial property rights may have effect: **30 July 2014**  
(54) Product in respect of which the design is registered: **Hand shower**  
(51) International Design Classification: **23-02B**  
(74) Name(s) of Attorney(s): **Griffith Hack**  
(71) Name(s) and Address(s) of Applicant(s):



**Hansgrohe SE**  
**Austr. 5-9 Schiltach 77761 Germany**

(72) Name(s) of Designer(s): **Matthias Oesterle and Tom Schoenherr**

(45) Registration Date: **26 August 2014**

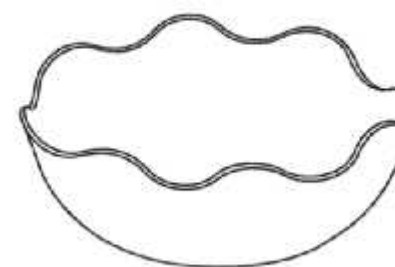
(30) Convention priority data:

(31) Number	(32) Date	(33) Country
<b>001403273-0001</b>	<b>14 Feb 2014</b>	<b>OFFICE FOR HARMONISATION IN THE INTERNAL MARKET (OHIM)</b>

(56) Related Art Documents: **Not Applicable**

(57) Statement of Newness and Distinctiveness: **The shape, configuration and ornamentation of the product is new and distinctive.**

(21) Design Number: **13690/2014**  
(22) Date of Filing Application: **30 July 2014**  
(24) Date from which industrial property rights may have effect: **27 May 2014**  
(54) Product in respect of which the design is registered: **Shaped tortilla**  
(51) International Design Classification: **01-01**  
(74) Name(s) of Attorney(s): **Callinans**  
(71) Name(s) and Address(s) of Applicant(s):



**General Mills, Inc.**  
**Number One General Mills Boulevard P.O. Box 1113 Minneapolis  
Minnesota, 55440 United States of America**

(72) Name(s) of Designer(s): **Robert G Clements and Shivakumar Elayedath  
and Amy R Fleury and Zachary Harder**

(45) Registration Date: **26 August 2014**

(30) Convention priority data:

(31) Number	(32) Date	(33) Country
<b>29/476,459</b>	<b>13 Dec 2013</b>	<b>UNITED STATES OF AMERICA</b>

(62) Divisional of: **356773**

(56) Related Art Documents: **Not Applicable**

(57) Statement of Newness and Distinctiveness: **Newness and distinctiveness are provided by the shape and/or configuration of the design shown in the representations. The features shown in broken lines in the representations are for illustrative purposes only and should not be considered when construing visual features of the design.**

(21) Design Number: **13693/2014**  
(22) Date of Filing Application: **30 July 2014**  
(24) Date from which industrial property rights may have effect: **30 July 2014**  
(54) Product in respect of which the design is registered: **Shower head**  
(51) International Design Classification: **23-02B**  
(74) Name(s) of Attorney(s): **Griffith Hack**  
(71) Name(s) and Address(s) of Applicant(s):



**Hansgrohe SE**  
**Austr. 5-9 Schiltach 77761 Germany**

(72) Name(s) of Designer(s): **Matthias Oesterle and Tom Schoenherr**

(45) Registration Date: **26 August 2014**

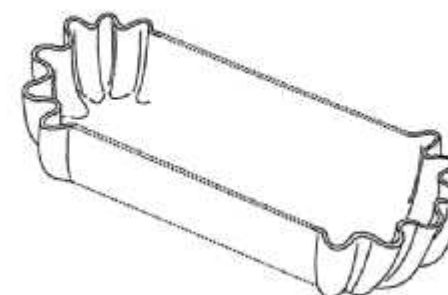
(30) Convention priority data:

(31) Number	(32) Date	(33) Country
<b>001403273-0002</b>	<b>14 Feb 2014</b>	<b>OFFICE FOR HARMONISATION IN THE INTERNAL MARKET (OHIM)</b>

(56) Related Art Documents: **Not Applicable**

(57) Statement of Newness and Distinctiveness: **The shape, configuration and ornamentation of the product is new and distinctive.**

(21) Design Number: **13694/2014**  
(22) Date of Filing Application: **30 July 2014**  
(24) Date from which industrial property rights may have effect: **27 May 2014**  
(54) Product in respect of which the design is registered: **Shaped tortilla**  
(51) International Design Classification: **01-01**  
(74) Name(s) of Attorney(s): **Callinans**  
(71) Name(s) and Address(s) of Applicant(s):



**General Mills, Inc.**  
**Number One General Mills Boulevard P.O. Box 1113 Minneapolis  
Minnesota, 55440 United States of America**

(72) Name(s) of Designer(s): **Robert G Clements and Shivakumar Elayedath  
and Amy R Fleury and Zachary Harder**

(45) Registration Date: **26 August 2014**

(30) Convention priority data:

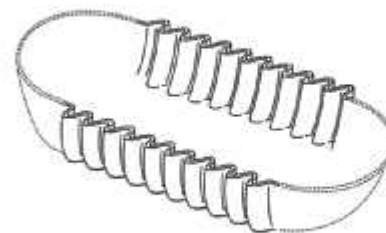
(31) Number	(32) Date	(33) Country
<b>29/476,449</b>	<b>13 Dec 2013</b>	<b>UNITED STATES OF AMERICA</b>

(62) Divisional of: **356810**

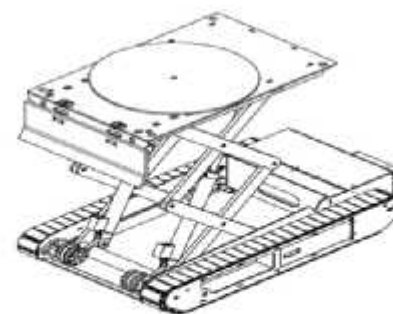
(56) Related Art Documents: **Not Applicable**

(57) Statement of Newness and Distinctiveness: **Newness and distinctiveness are provided by the shape and/or configuration of the design shown in the representations. The features shown in broken lines in the representations are for illustrative purposes only and should not be considered when construing visual features of the design.**

- (21) Design Number: **13695/2014**  
(22) Date of Filing Application: **30 July 2014**  
(24) Date from which industrial property rights may have effect: **27 May 2014**  
(54) Product in respect of which the design is registered: **Shaped tortilla**  
(51) International Design Classification: **01-01**  
(74) Name(s) of Attorney(s): **Callinans**  
(71) Name(s) and Address(s) of Applicant(s):  
**General Mills, Inc.**  
**Number One General Mills Boulevard P.O. Box 1113 Minneapolis**  
**Minnesota, 55440 United States of America**  
(72) Name(s) of Designer(s): **Robert G Clements and Shivakumar Elayedath**  
**and Amy R Fleury and Zachary Harder**  
(45) Registration Date: **26 August 2014**  
(30) Convention priority data:  
(31) Number (32) Date (33) Country  
**29/476,449 13 Dec 2013 UNITED STATES OF AMERICA**  
(62) Divisional of: **356810**  
(56) Related Art Documents: **Not Applicable**  
(57) Statement of Newness and Distinctiveness: **Newness and distinctiveness**  
**are provided by the shape and/or configuration of the design shown**  
**in the representations. The features shown in broken lines in the**  
**representations are for illustrative purposes only and should not be**  
**considered when construing visual features of the design.**



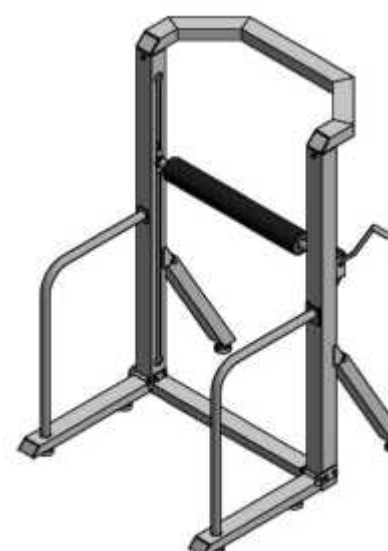
- (21) Design Number: **13696/2014**  
(22) Date of Filing Application: **30 July 2014**  
(24) Date from which industrial property rights may have effect: **30 July 2014**  
(54) Product in respect of which the design is registered: **Tracked elevating device**  
(51) International Design Classification: **12-05, 09-08**  
(74) Name(s) of Attorney(s): **IP Service International**  
(71) Name(s) and Address(s) of Applicant(s):  
**Nivek Industries Pty Ltd**  
**9A Evans St GRETA NSW 2334 Australia**  
(72) Name(s) of Designer(s): **Kevin Cant**  
(45) Registration Date: **26 August 2014**  
(56) Related Art Documents: **Not Applicable**  
(57) Statement of Newness and Distinctiveness: **All terrain capability. A Safe**  
**Work Load (SWL) Rated elevating table (800kg). Self-propelled and**  
**driven / controlled by a remote handset. Proven design including heavy**  
**duty steel tracks.**



(21) Design Number: **13697/2014**  
(22) Date of Filing Application: **30 July 2014**  
(24) Date from which industrial property rights may have effect: **30 July 2014**  
(54) Product in respect of which the design is registered: **Automobile tyre**  
(51) International Design Classification: **12-15A, 12-15B**  
(74) Name(s) of Attorney(s): **Griffith Hack**  
(71) Name(s) and Address(s) of Applicant(s):  
**BRIDGESTONE CORPORATION**  
**1-1, Kyobashi 3-chome Chuo-ku Tokyo 104-8340 Japan**  
(72) Name(s) of Designer(s): **Alberico De Giacco**  
(45) Registration Date: **26 August 2014**  
(30) Convention priority data:  
(31) Number (32) Date (33) Country  
**002399238 05 Feb 2014 OFFICE FOR HARMONISATION IN**  
**THE INTERNAL MARKET (OHIM)**  
(56) Related Art Documents: **Not Applicable**  
(57) Statement of Newness and Distinctiveness: **The shape and configuration**  
**of the tread portion of the tyre shown is new and distinctive.**



(21) Design Number: **13709/2014**  
(22) Date of Filing Application: **31 July 2014**  
(24) Date from which industrial property rights may have effect: **31 July 2014**  
(54) Product in respect of which the design is registered: **Patient lifting device**  
(51) International Design Classification: **12-05**  
(74) Name(s) of Attorney(s): **James & Wells**  
(71) Name(s) and Address(s) of Applicant(s):  
**Charmaine Dupre**  
**276 Pukepapa Road RD3 Marton 4710 New Zealand**  
(72) Name(s) of Designer(s): **Charmaine Dupre**  
(45) Registration Date: **26 August 2014**  
(30) Convention priority data:  
(31) Number (32) Date (33) Country  
**418482 31 Jan 2014 NEW ZEALAND**  
(56) Related Art Documents: **Not Applicable**  
(57) Statement of Newness and Distinctiveness: **This design is to be applied to**  
**a patient lifting device and the novelty resides in features of shape and**  
**configuration, as shown in the accompanying representations.**





(21) Design Number: **13542/2014**  
(22) Date of Filing Application: **17 July 2014**  
(24) Date from which industrial property rights may have effect: **17 July 2014**  
(54) Product in respect of which the design is registered: **Sock**  
(51) International Design Classification: **02-04C**  
(74) Name(s) of Attorney(s): **Slaters Intellectual Property Lawyers**  
(71) Name(s) and Address(s) of Applicant(s):  
**Toesox, Inc**  
**1244 Keystone Way Vista California 92081 United States of America**

(72) Name(s) of Designer(s): **Joseph Charles Patterson**

(45) Registration Date: **27 August 2014**

(30) Convention priority data:

(31) Number	(32) Date	(33) Country
<b>1554476</b>	<b>04 Mar 2014</b>	<b>CANADA</b>

(56) Related Art Documents: **Not Applicable**

(57) Statement of Newness and Distinctiveness: **Monopoly is claimed in the shape, configuration, pattern or ornamentation of a sock as illustrated in the representations. The portions of the sock shown in stippled lines do not form part of the design. The stitching shown in the representations is for the purpose of illustrating environmental structure and forms no part of the design.**



(21) Design Number: **13543/2014**  
(22) Date of Filing Application: **17 July 2014**  
(24) Date from which industrial property rights may have effect: **17 July 2014**  
(54) Product in respect of which the design is registered: **Sock**  
(51) International Design Classification: **02-04C**  
(74) Name(s) of Attorney(s): **Slaters Intellectual Property Lawyers**  
(71) Name(s) and Address(s) of Applicant(s):  
**Toesox, Inc**  
**1244 Keystone Way Vista California 92081 United States of America**

(72) Name(s) of Designer(s): **Joseph Charles Patterson**

(45) Registration Date: **27 August 2014**

(30) Convention priority data:

(31) Number	(32) Date	(33) Country
<b>155477</b>	<b>04 Mar 2014</b>	<b>UNITED STATES OF AMERICA</b>

(56) Related Art Documents: **Not Applicable**

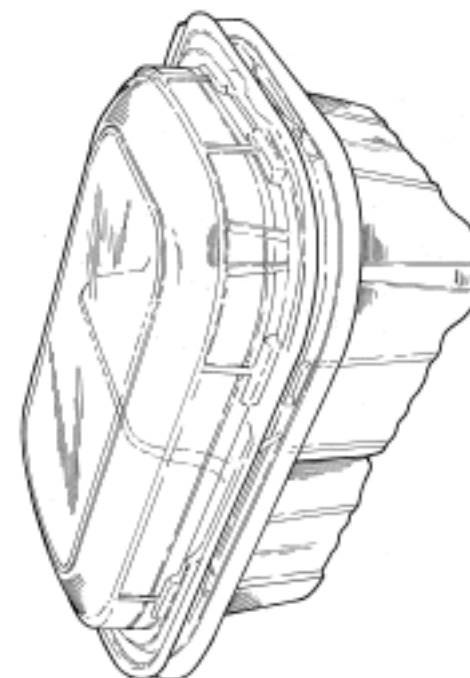
(57) Statement of Newness and Distinctiveness: **Monopoly is claimed in the shape, configuration, pattern or ornamentation of a sock as illustrated in the representations. The portions of the sock shown in stippled lines do not form part of the design. The stitching shown in the representations is for the purposes of illustrating environmental structure and forms no part of the design.**



(21) Design Number: **13548/2014**  
(22) Date of Filing Application: **18 July 2014**  
(24) Date from which industrial property rights may have effect: **18 July 2014**  
(54) Product in respect of which the design is registered: **Dental care product for pets**  
(51) International Design Classification: **30-99**  
(74) Name(s) of Attorney(s): **Shelston IP**  
(71) Name(s) and Address(s) of Applicant(s):  
**Beefeaters Holding Company, Inc.**  
**5801 West Side Avenue North Bergen New Jersey 07047 United States of America**  
(72) Name(s) of Designer(s): **Timothy J Spring**  
(45) Registration Date: **27 August 2014**  
(30) Convention priority data:  
(31) Number (32) Date (33) Country  
**29/480078 23 Jan 2014 UNITED STATES OF AMERICA**  
(56) Related Art Documents: **Not Applicable**  
(57) Statement of Newness and Distinctiveness: **Nil**



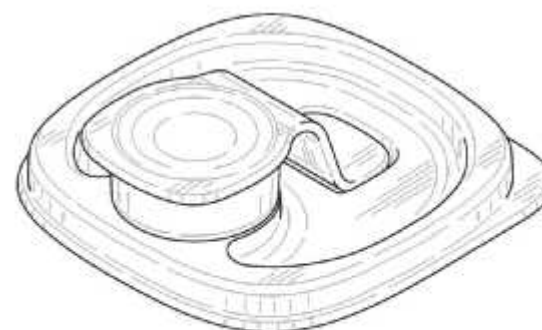
(21) Design Number: **13550/2014**  
(22) Date of Filing Application: **18 July 2014**  
(24) Date from which industrial property rights may have effect: **18 July 2014**  
(54) Product in respect of which the design is registered: **A produce container**  
(51) International Design Classification: **09-03K**  
(74) Name(s) of Attorney(s): **Chrysiliou IP**  
(71) Name(s) and Address(s) of Applicant(s):  
**Multisteps Pty Ltd**  
**U1 & 2 4 Richmond Rd Homebush West NSW 2140 Australia**  
(72) Name(s) of Designer(s): **John Lam**  
(45) Registration Date: **27 August 2014**  
(56) Related Art Documents: **Not Applicable**  
(57) Statement of Newness and Distinctiveness: **Nil**



(21) Design Number: **13552/2014**  
(22) Date of Filing Application: **18 July 2014**  
(24) Date from which industrial property rights may have effect: **18 July 2014**  
(54) Product in respect of which the design is registered: **A produce container**  
(51) International Design Classification: **09-03F**  
(74) Name(s) of Attorney(s): **Chrysiliou IP**  
(71) Name(s) and Address(s) of Applicant(s):  
**Multisteps Pty Ltd**  
**U1-2/4 Richmond Rd Homebush West NSW 2140 Australia**  
(72) Name(s) of Designer(s): **John Lam**  
(45) Registration Date: **27 August 2014**  
(56) Related Art Documents: **Not Applicable**  
(57) Statement of Newness and Distinctiveness: **Newness and distinctiveness reside in the features of the shape and configuration of the dividing wall of the produce container and protrusions extending therefrom as shown in the accompanying drawings.**



(21) Design Number: **13553/2014**  
(22) Date of Filing Application: **18 July 2014**  
(24) Date from which industrial property rights may have effect: **18 July 2014**  
(54) Product in respect of which the design is registered: **Cover for liquid dispenser**  
(51) International Design Classification: **09-07C**  
(74) Name(s) of Attorney(s): **PHILLIPS ORMONDE FITZPATRICK**  
(71) Name(s) and Address(s) of Applicant(s):  
**Dart Industries Inc.**  
**14901 S. Orange Blossom Trail Orlando Florida, 32877 United States of America**  
(72) Name(s) of Designer(s): **Julie L Yessin and Jan-Hendrik de Groot**  
(45) Registration Date: **27 August 2014**  
(30) Convention priority data:  
(31) Number      (32) Date      (33) Country  
**29/483,433      28 Feb 2014      UNITED STATES OF AMERICA**  
(56) Related Art Documents: **Not Applicable**  
(57) Statement of Newness and Distinctiveness: **Nil**

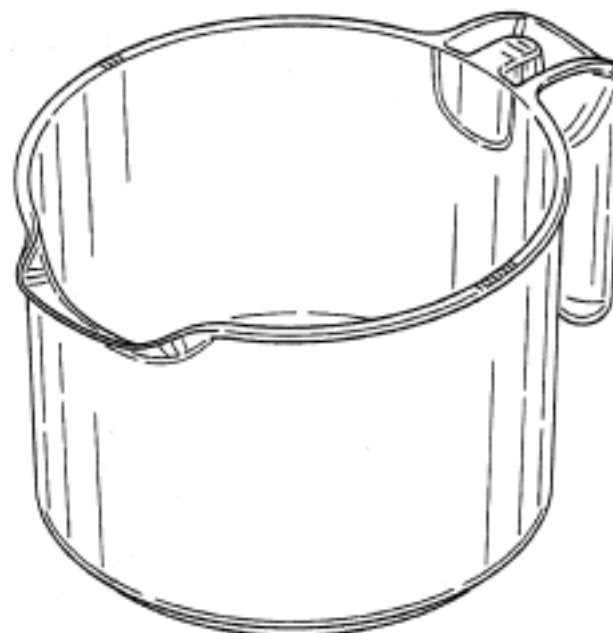


(21) Design Number: **13629/2014**  
(22) Date of Filing Application: **28 July 2014**  
(24) Date from which industrial property rights may have effect: **28 July 2014**  
(54) Product in respect of which the design is registered: **Pitcher with handle**  
(51) International Design Classification: **07-01F**  
(74) Name(s) of Attorney(s): **PHILLIPS ORMONDE FITZPATRICK**  
(71) Name(s) and Address(s) of Applicant(s):  
**Dart Industries Inc.**  
**14901 S. Orange Blossom Trail Orlando Florida, 32837 United States of America**

(72) Name(s) of Designer(s): **Judicael Cornu and Kris Schoukens**  
(45) Registration Date: **27 August 2014**

(30) Convention priority data:  
(31) Number      (32) Date      (33) Country  
**29/485,266      18 Mar 2014      UNITED STATES OF AMERICA**

(56) Related Art Documents: **Not Applicable**  
(57) Statement of Newness and Distinctiveness: **Those features of the pitcher with handle depicted in the representations that are new and distinctive are the shape and/or configuration. The features shown in broken lines are not part of the design and are to be disregarded when considering the overall impression of the design.**

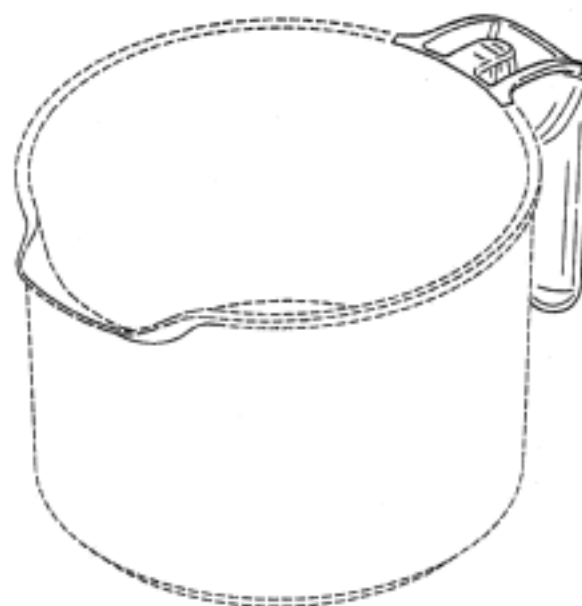


(21) Design Number: **14007/2014**  
(22) Date of Filing Application: **27 July 2014**  
(24) Date from which industrial property rights may have effect: **27 July 2014**  
(54) Product in respect of which the design is registered: **Handle for pitcher**  
(51) International Design Classification: **07-01F**  
(74) Name(s) of Attorney(s): **PHILLIPS ORMONDE FITZPATRICK**  
(71) Name(s) and Address(s) of Applicant(s):  
**Dart Industries Inc.**  
**14901 S. Orange Blossom Trail Orlando Florida, 32837 United States of America**

(72) Name(s) of Designer(s): **Judicael Cornu and Kris Schoukens**  
(45) Registration Date: **27 August 2014**

(30) Convention priority data:  
(31) Number      (32) Date      (33) Country  
**29/485,266      18 Mar 2014      UNITED STATES OF AMERICA**

(56) Related Art Documents: **Not Applicable**  
(57) Statement of Newness and Distinctiveness: **Those features of the handle for pitcher depicted in the representations that are new and distinctive are the shape and/or configuration. The features shown in broken lines are not part of the design and are to be disregarded when considering the overall impression of the design.**



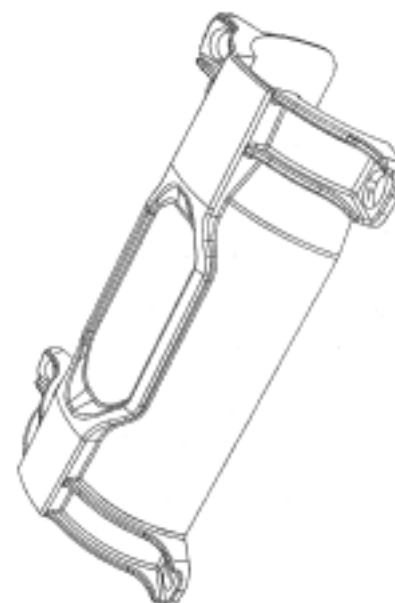
- (21) Design Number: **12279/2014**  
(22) Date of Filing Application: **13 May 2014**  
(24) Date from which industrial property rights may have effect: **13 May 2014**  
(54) Product in respect of which the design is registered: **Refrigerator**  
(51) International Design Classification: **15-07**  
(74) Name(s) of Attorney(s): **Griffith Hack**  
(71) Name(s) and Address(s) of Applicant(s):  
**Mitsubishi Electric Corporation**  
**7-3 2 Chome Marunouchi Chiyoda-Ku Tokyo-To 100-8310 Japan**  
(72) Name(s) of Designer(s): **Yoshihito Nakahara and Satoshi Arai and Takashi Ogawa**  
(45) Registration Date: **27 August 2014**  
(30) Convention priority data:  
(31) Number (32) Date (33) Country  
**2013026624 14 Nov 2013 JAPAN**  
(56) Related Art Documents: **Not Applicable**  
(57) Statement of Newness and Distinctiveness: **Newness and distinctiveness resides in the visual features, including shape and configuration, of a REFRIGERATOR as shown in the accompanying drawings. The hatched lines in Figures 10 and 11 illustrate, respectively, transparent and translucent portions.**



- (21) Design Number: **14079/2014**  
(22) Date of Filing Application: **19 August 2014**  
(24) Date from which industrial property rights may have effect: **22 January 2014**  
(54) Product in respect of which the design is registered: **A drive assembly**  
(51) International Design Classification: **15-99, 15-01, 12-16NES**  
(74) Name(s) of Attorney(s): **Halfords IP**  
(71) Name(s) and Address(s) of Applicant(s):  
**John Gerber**  
**U15 20 Tucks Rd Seven Hills NSW 2147 Australia**  
(72) Name(s) of Designer(s): **John Gerber and David Gerber and Giovanni Ciampa and Lee Blattmann**  
(45) Registration Date: **27 August 2014**  
(62) Divisional of: **357141**  
(56) Related Art Documents: **Not Applicable**  
(57) Statement of Newness and Distinctiveness: **Newness and distinctiveness resides in those features of shape and or configuration of A DRIVE ASSEMBLY as depicted in the representations.**



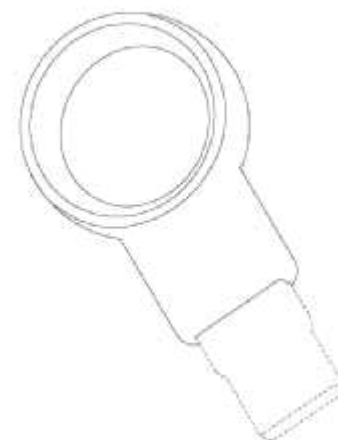
- (21) Design Number: **14080/2014**  
(22) Date of Filing Application: **19 August 2014**  
(24) Date from which industrial property rights may have effect: **22 January 2014**  
(54) Product in respect of which the design is registered: **Tool component**  
(51) International Design Classification: **08-99**  
(74) Name(s) of Attorney(s): **Halfords IP**  
(71) Name(s) and Address(s) of Applicant(s):  
**John Gerber**  
**U15 20 Tucks Rd Seven Hills NSW 2147 Australia**  
(72) Name(s) of Designer(s): **John Gerber and David Gerber and Giovanni Ciampa and Lee Blattmann**  
(45) Registration Date: **27 August 2014**  
(62) Divisional of: **357141**  
(56) Related Art Documents: **Not Applicable**  
(57) Statement of Newness and Distinctiveness: **Newness and distinctiveness resides in those features of shape and or configuration of a TOOL COMPONENT as depicted in the representations.**



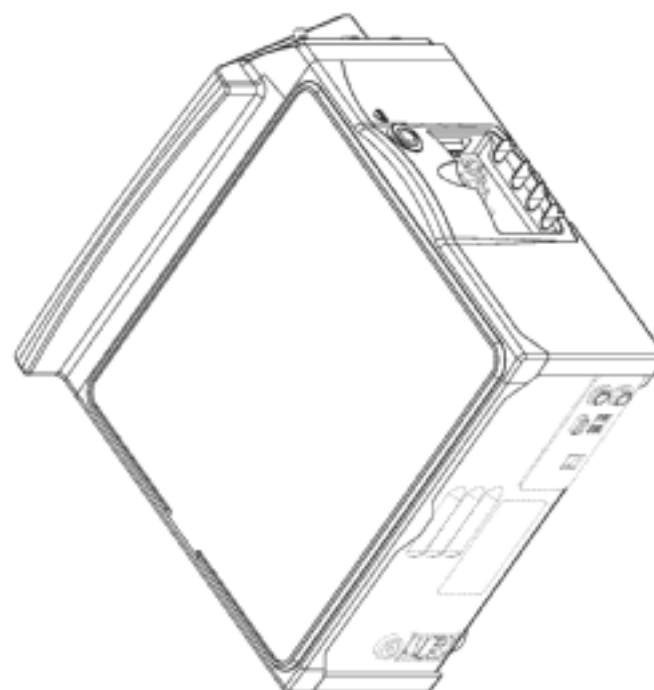
- (21) Design Number: **11923/2014**  
(22) Date of Filing Application: **22 April 2014**  
(24) Date from which industrial property rights may have effect: **22 April 2014**  
(54) Product in respect of which the design is registered: **Probe jack handle**  
(51) International Design Classification: **07-02R**  
(74) Name(s) of Attorney(s): **Molins & Co Pty Ltd**  
(71) Name(s) and Address(s) of Applicant(s):  
**Breville Pty Limited**  
**Building 2 Port Air Industrial Est 1A Hale St Botany NSW 2019 Australia**  
(72) Name(s) of Designer(s): **David Davenport**  
(45) Registration Date: **27 August 2014**  
(56) Related Art Documents: **Not Applicable**  
(57) Statement of Newness and Distinctiveness: **Newness is claimed in the features of shape and configuration of the Probe Jack Handle as shown in the accompanying representations. Elements shown in dashed lines form no part of the design. The bottom plan view is not claimed as part of the design.**



(21) Design Number: **11924/2014**  
(22) Date of Filing Application: **22 April 2014**  
(24) Date from which industrial property rights may have effect: **22 April 2014**  
(54) Product in respect of which the design is registered: **USB handle**  
(51) International Design Classification: **14-02**  
(74) Name(s) of Attorney(s): **Molins & Co Pty Ltd**  
(71) Name(s) and Address(s) of Applicant(s):  
**Breville Pty Limited**  
**Building 2 Port Air Industrial Est 1A Hale St Botany NSW 2019 Australia**  
(72) Name(s) of Designer(s): **David Davenport**  
(45) Registration Date: **27 August 2014**  
(56) Related Art Documents: **Not Applicable**  
(57) Statement of Newness and Distinctiveness: **Newness is claimed in the features of the shape and configuration of the USB Handle shown in the accompanying representations. Elements shown in dashed lines form no part of the design. The bottom plan view is not claimed as part of the design.**



(21) Design Number: **13326/2014**  
(22) Date of Filing Application: **09 July 2014**  
(24) Date from which industrial property rights may have effect: **09 July 2014**  
(54) Product in respect of which the design is registered: **Surgical console**  
(51) International Design Classification: **24-01**  
(74) Name(s) of Attorney(s): **Davies Collison Cave**  
(71) Name(s) and Address(s) of Applicant(s):  
**Abbott Medical Optics Inc.**  
**1700 East St. Andrew Place Santa Ana California, 92705-4933 United States of America**  
(72) Name(s) of Designer(s): **Mark W. Ross**  
(45) Registration Date: **27 August 2014**  
(30) Convention priority data:  
(31) Number      (32) Date      (33) Country  
**29/478873      09 Jan 2014      UNITED STATES OF AMERICA**  
(56) Related Art Documents: **Not Applicable**  
(57) Statement of Newness and Distinctiveness: **Newness and distinctiveness is claimed in the visual features shown in solid lines in the representations. In considering the extent of the design rights, the broken lines shown in the representations are for illustrative purposes only and do not form part of the design.**



(21) Design Number: **13547/2014**

(22) Date of Filing Application: **18 July 2014**

(24) Date from which industrial property rights may have effect: **18 July 2014**

(54) Product in respect of which the design is registered: **Enteral feeding pump**

(51) International Design Classification: **24-02, 24-04**

(74) Name(s) of Attorney(s): **Fisher Adams Kelly Pty Ltd**

(71) Name(s) and Address(s) of Applicant(s):

**Zevex, Inc.**

**4314 S Zevex Park Ln Salt Lake City UT 84123-7881 United States of America**

(72) Name(s) of Designer(s): **Michael Marshall**

(45) Registration Date: **27 August 2014**

(30) Convention priority data:

(31) Number	(32) Date	(33) Country
<b>29/483182</b>	<b>26 Feb 2014</b>	<b>UNITED STATES OF AMERICA</b>

(56) Related Art Documents: **Not Applicable**

(57) Statement of Newness and Distinctiveness: **The newness and distinctiveness of the design resides in the shape and/or configuration of the ENTERAL FEEDING PUMP shown in the representations. The broken lines show features that should not be considered in assessing the newness and distinctiveness.**



(21) Design Number: **13549/2014**

(22) Date of Filing Application: **18 July 2014**

(24) Date from which industrial property rights may have effect: **18 July 2014**

(54) Product in respect of which the design is registered: **Child seat and part of stroller**

(51) International Design Classification: **12-12**

(74) Name(s) of Attorney(s): **Shelston IP**

(71) Name(s) and Address(s) of Applicant(s):

**Doona Holdings Ltd.**

**4B 12 Shipyard Lane Quarry Bay Hong Kong**

(72) Name(s) of Designer(s): **Yoav Mazar**

(45) Registration Date: **27 August 2014**

(30) Convention priority data:

(31) Number	(32) Date	(33) Country
<b>002387639</b>	<b>20 Jan 2014</b>	<b>OFFICE FOR HARMONISATION IN THE INTERNAL MARKET (OHIM)</b>

(56) Related Art Documents: **Not Applicable**

(57) Statement of Newness and Distinctiveness: **Newness and distinctiveness reside in the features of shape and/or configuration of a CHILD SEAT AND PART OF STROLLER as illustrated in the accompanying representations. The features bounded by stippled lines are illustrative only and do not form part of the design.**





(21) Design Number: **13551/2014**

(22) Date of Filing Application: **18 July 2014**

(24) Date from which industrial property rights may have effect: **18 July 2014**

(54) Product in respect of which the design is registered: **RFID reader**

(51) International Design Classification: **14-03NES**

(74) Name(s) of Attorney(s): **SPRUSON & FERGUSON**

(71) Name(s) and Address(s) of Applicant(s):

**HANMI IT CO., LTD.**

**(Bangi-dong) 14, Wiryeseong-daero, Songpa-gu, Seoul 138-724 Republic of Korea**

(72) Name(s) of Designer(s): **Jong Hoon Lim**

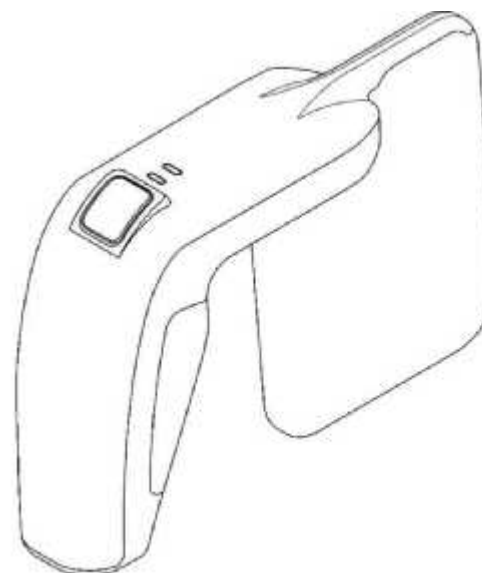
(45) Registration Date: **27 August 2014**

(30) Convention priority data:

(31) Number	(32) Date	(33) Country
<b>30-2014-0003363</b>	<b>21 Jan 2014</b>	<b>REPUBLIC OF KOREA</b>

(56) Related Art Documents: **Not Applicable**

(57) Statement of Newness and Distinctiveness: **Newness and distinctiveness is claimed in the features of shape and/or configuration of an RFID reader as illustrated in the accompanying representations.**



(21) Design Number: **13691/2014**

(22) Date of Filing Application: **30 July 2014**

(24) Date from which industrial property rights may have effect: **30 July 2014**

(54) Product in respect of which the design is registered: **Door lock extension bar**

(51) International Design Classification: **08-07**

(74) Name(s) of Attorney(s):

(71) Name(s) and Address(s) of Applicant(s):

**ASTRUM COACHING LIMITED trading as SIR LANCELOCK**  
**26 Cranston Street Torbay Auckland 0632 New Zealand**

(72) Name(s) of Designer(s): **Lance Robinson**

(45) Registration Date: **27 August 2014**

(56) Related Art Documents: **Not Applicable**

(57) Statement of Newness and Distinctiveness: **The design is to be applied to a Door Lock Extension Bar and the novelty resides in the features of shape and configuration of the Door Lock Extension Bar as shown in the accompanying representations.**



(21) Design Number: **13714/2014**  
(22) Date of Filing Application: **31 July 2014**  
(24) Date from which industrial property rights may have effect: **31 July 2014**  
(54) Product in respect of which the design is registered: **Wheel rim**  
(51) International Design Classification: **12-16A**  
(74) Name(s) of Attorney(s): **WATERMARK PATENT AND TRADE MARKS ATTORNEYS**  
(71) Name(s) and Address(s) of Applicant(s):  
**BBS GMBH**  
**Welschdorf 220 Schiltach 77761 Germany**  
(72) Name(s) of Designer(s): **Karl Heizmann**  
(45) Registration Date: **27 August 2014**  
(30) Convention priority data:  
(31) Number (32) Date (33) Country  
**DM/082 789 31 Jan 2014 WORLD INTELLECTUAL PROPERTY ORGANIZATION (WIPO)**  
(56) Related Art Documents: **Not Applicable**  
(57) Statement of Newness and Distinctiveness: **Nil**



(21) Design Number: **13718/2014**  
(22) Date of Filing Application: **31 July 2014**  
(24) Date from which industrial property rights may have effect: **31 July 2014**  
(54) Product in respect of which the design is registered: **Beverage container holder**  
(51) International Design Classification: **07-06A**  
(74) Name(s) of Attorney(s): **FB Rice**  
(71) Name(s) and Address(s) of Applicant(s):  
**Red Bull GmbH**  
**Am Brunnen 1 Fuschl am See A-5330 Austria**  
(72) Name(s) of Designer(s): **Robert Hohensinn and Armando Corti and Marco Bader**  
(45) Registration Date: **27 August 2014**  
(30) Convention priority data:  
(31) Number (32) Date (33) Country  
**002397703-0006 03 Feb 2014 OFFICE FOR HARMONISATION IN THE INTERNAL MARKET (OHIM)**  
(56) Related Art Documents: **Not Applicable**  
(57) Statement of Newness and Distinctiveness: **Newness and distinctiveness reside in the visual features of the design as shown in the representations.**



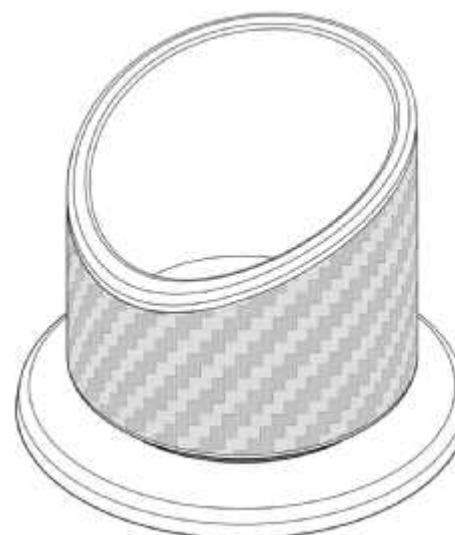
(21) Design Number: **13719/2014**  
(22) Date of Filing Application: **31 July 2014**  
(24) Date from which industrial property rights may have effect: **31 July 2014**  
(54) Product in respect of which the design is registered: **Beverage container holder**  
(51) International Design Classification: **07-06A**  
(74) Name(s) of Attorney(s): **FB Rice**  
(71) Name(s) and Address(s) of Applicant(s):  
**Red Bull GmbH**  
**Am Brunnen 1 Fuschl am See A-5330 Austria**  
(72) Name(s) of Designer(s): **Robert Hohensinn and Armando Corti and Marco Bader**  
(45) Registration Date: **27 August 2014**  
(30) Convention priority data:  
(31) Number (32) Date (33) Country  
**002397703-0001 03 Feb 2014 OFFICE FOR HARMONISATION IN THE INTERNAL MARKET (OHIM)**  
(56) Related Art Documents: **Not Applicable**  
(57) Statement of Newness and Distinctiveness: **Newness and distinctiveness reside in the visual features of the design as shown in the representations.**



(21) Design Number: **13720/2014**  
(22) Date of Filing Application: **31 July 2014**  
(24) Date from which industrial property rights may have effect: **31 July 2014**  
(54) Product in respect of which the design is registered: **Beverage container holder**  
(51) International Design Classification: **07-06A**  
(74) Name(s) of Attorney(s): **FB Rice**  
(71) Name(s) and Address(s) of Applicant(s):  
**Red Bull GmbH**  
**Am Brunnen 1 Fuschl am See A-5330 Austria**  
(72) Name(s) of Designer(s): **Robert Hohensinn and Armando Corti and Marco Bader**  
(45) Registration Date: **27 August 2014**  
(30) Convention priority data:  
(31) Number (32) Date (33) Country  
**002397703-0002 03 Feb 2014 OFFICE FOR HARMONISATION IN THE INTERNAL MARKET (OHIM)**  
(56) Related Art Documents: **Not Applicable**  
(57) Statement of Newness and Distinctiveness: **Newness and distinctiveness reside in the visual features of the design as shown in the representations, in particular, the carbon fibre-like finish.**



- (21) Design Number: **13721/2014**  
(22) Date of Filing Application: **31 July 2014**  
(24) Date from which industrial property rights may have effect: **31 July 2014**  
(54) Product in respect of which the design is registered: **Beverage container holder**  
(51) International Design Classification: **07-06A**  
(74) Name(s) of Attorney(s): **FB Rice**  
(71) Name(s) and Address(s) of Applicant(s):  
**Red Bull GmbH**  
**Am Brunnen 1 Fuschl am See A-5330 Austria**  
(72) Name(s) of Designer(s): **Robert Hohensinn and Armando Corti and Marco Bader**  
(45) Registration Date: **27 August 2014**  
(30) Convention priority data:  
(31) Number (32) Date (33) Country  
**002397703-0003 03 Feb 2014 OFFICE FOR HARMONISATION IN THE INTERNAL MARKET (OHIM)**  
(56) Related Art Documents: **Not Applicable**  
(57) Statement of Newness and Distinctiveness: **Newness and distinctiveness reside in the visual features of the design as shown in the representations, in particular, the carbon fibre-like finish.**



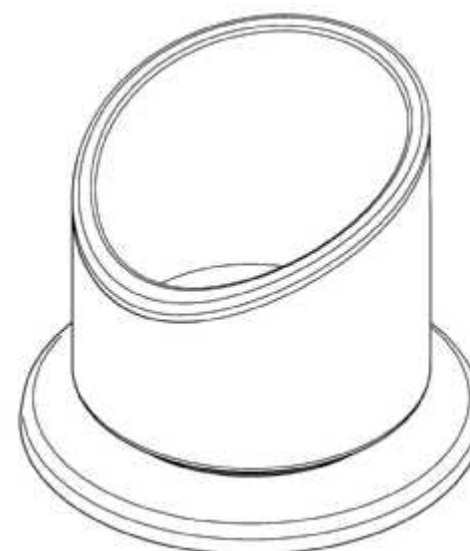
- (21) Design Number: **13722/2014**  
(22) Date of Filing Application: **31 July 2014**  
(24) Date from which industrial property rights may have effect: **31 July 2014**  
(54) Product in respect of which the design is registered: **Beverage container holder**  
(51) International Design Classification: **07-06A**  
(74) Name(s) of Attorney(s): **FB Rice**  
(71) Name(s) and Address(s) of Applicant(s):  
**Red Bull GmbH**  
**Am Brunnen 1 Fuschl am See A-5330 Austria**  
(72) Name(s) of Designer(s): **Robert Hohensinn and Armando Corti and Marco Bader**  
(45) Registration Date: **27 August 2014**  
(30) Convention priority data:  
(31) Number (32) Date (33) Country  
**002397703-0005 03 Feb 2014 OFFICE FOR HARMONISATION IN THE INTERNAL MARKET (OHIM)**  
(56) Related Art Documents: **Not Applicable**  
(57) Statement of Newness and Distinctiveness: **Newness and distinctiveness reside in the visual features of the design as shown in the representations, in particular, the carbon fibre-like finish.**



(21) Design Number: **13723/2014**  
(22) Date of Filing Application: **31 July 2014**  
(24) Date from which industrial property rights may have effect: **31 July 2014**  
(54) Product in respect of which the design is registered: **Beverage container holder with container**  
(51) International Design Classification: **07-06A, 09-03L**  
(74) Name(s) of Attorney(s): **FB Rice**  
(71) Name(s) and Address(s) of Applicant(s):  
**Red Bull GmbH**  
**Am Brunnen 1 Fuschl am See A-5330 Austria**  
(72) Name(s) of Designer(s): **Robert Hohensinn and Armando Corti and Marco Bader**  
(45) Registration Date: **27 August 2014**  
(30) Convention priority data:  
(31) Number (32) Date (33) Country  
**001404107-0001 03 Feb 2014 OFFICE FOR HARMONISATION IN THE INTERNAL MARKET (OHIM)**  
(56) Related Art Documents: **Not Applicable**  
(57) Statement of Newness and Distinctiveness: **Newness and distinctiveness reside in the visual features of the design as shown in the representations.**



(21) Design Number: **13724/2014**  
(22) Date of Filing Application: **31 July 2014**  
(24) Date from which industrial property rights may have effect: **31 July 2014**  
(54) Product in respect of which the design is registered: **Beverage container holder**  
(51) International Design Classification: **07-06A**  
(74) Name(s) of Attorney(s): **FB Rice**  
(71) Name(s) and Address(s) of Applicant(s):  
**Red Bull GmbH**  
**Am Brunnen 1 Fuschl am See A-5330 Austria**  
(72) Name(s) of Designer(s): **Robert Hohensinn and Armando Corti and Marco Bader**  
(45) Registration Date: **27 August 2014**  
(30) Convention priority data:  
(31) Number (32) Date (33) Country  
**002397703-0004 03 Feb 2014 OFFICE FOR HARMONISATION IN THE INTERNAL MARKET (OHIM)**  
(56) Related Art Documents: **Not Applicable**  
(57) Statement of Newness and Distinctiveness: **Newness and distinctiveness reside in the visual features of the design as shown in the representations.**



(21) Design Number: **13731/2014**  
(22) Date of Filing Application: **01 August 2014**  
(24) Date from which industrial property rights may have effect: **01 August 2014**  
(54) Product in respect of which the design is registered: **Front combination lamp for automobile**  
(51) International Design Classification: **26-06**  
(74) Name(s) of Attorney(s): **SPRUSON & FERGUSON**  
(71) Name(s) and Address(s) of Applicant(s):  
**Honda Motor Co., Ltd.**  
**1-1, Minami-Aoyama, 2-chome Minato-ku, Tokyo 107-8556 Japan**  
(72) Name(s) of Designer(s): **Norishige Kanai**  
(45) Registration Date: **27 August 2014**  
(30) Convention priority data:  
(31) Number      (32) Date      (33) Country  
**2014-002493      07 Feb 2014      JAPAN**  
(56) Related Art Documents: **Not Applicable**  
(57) Statement of Newness and Distinctiveness: **Newness and distinctiveness is claimed in the features of shape and/or configuration of a front combination lamp for automobile as illustrated in the accompanying representations.**



(21) Design Number: **13732/2014**  
(22) Date of Filing Application: **01 August 2014**  
(24) Date from which industrial property rights may have effect: **01 August 2014**  
(54) Product in respect of which the design is registered: **Front combination lamp for automobile**  
(51) International Design Classification: **26-06**  
(74) Name(s) of Attorney(s): **SPRUSON & FERGUSON**  
(71) Name(s) and Address(s) of Applicant(s):  
**Honda Motor Co., Ltd.**  
**1-1, Minami-Aoyama, 2-chome Minato-ku, Tokyo 107-8556 Japan**  
(72) Name(s) of Designer(s): **Norishige Kanai**  
(45) Registration Date: **27 August 2014**  
(30) Convention priority data:  
(31) Number      (32) Date      (33) Country  
**2014-002494      07 Feb 2014      JAPAN**  
(56) Related Art Documents: **Not Applicable**  
(57) Statement of Newness and Distinctiveness: **Newness and distinctiveness is claimed in the features of shape and/or configuration of a front combination lamp for automobile as illustrated in the accompanying representations.**



- (21) Design Number: **13736/2014**  
(22) Date of Filing Application: **01 August 2014**  
(24) Date from which industrial property rights may have effect: **01 August 2014**  
(54) Product in respect of which the design is registered: **Automobile tyre**  
(51) International Design Classification: **12-15A, 12-15B**  
(74) Name(s) of Attorney(s): **Griffith Hack**  
(71) Name(s) and Address(s) of Applicant(s):  
**Bridgestone Corporation**  
**1-1, Kyobashi 3-chome Chuo-ku Tokyo 104-8340 Japan**  
(72) Name(s) of Designer(s): **Alberico De Giacco**  
(45) Registration Date: **27 August 2014**  
(30) Convention priority data:  
(31) Number      (32) Date      (33) Country  
**002399196      05 Feb 2014      OFFICE FOR HARMONISATION IN**  
**THE INTERNAL MARKET (OHIM)**  
(56) Related Art Documents: **Not Applicable**  
(57) Statement of Newness and Distinctiveness: **The shape and configuration of the tread portion of the tyre shown is new and distinctive.**



- (21) Design Number: **13278/2014**  
(22) Date of Filing Application: **07 July 2014**  
(24) Date from which industrial property rights may have effect: **07 July 2014**  
(54) Product in respect of which the design is registered: **Cover for Pram and Baby**  
(51) International Design Classification: **06-13B, 06-13NES, 02-02B**  
(74) Name(s) of Attorney(s):  
(71) Name(s) and Address(s) of Applicant(s):  
**Natalie Dee Knapp**  
**30 Aramis PI Nudgee QLD 4014 Australia**  
(72) Name(s) of Designer(s): **Natalie Dee Knapp**  
(45) Registration Date: **28 August 2014**  
(56) Related Art Documents: **Not Applicable**  
(57) Statement of Newness and Distinctiveness: **A multi-use universal pram cover that is made from a lightweight fabric, double muslin or similar. Allowing ventilation and limiting environmental stimulants to help baby sleep. It can be used on any pram that has a hood. It is attached to the top of the pram by using snap fasteners that secure around the pram frame or by using the clip to secure one strap to the other around the pram handles. Two identical straps are located at the bottom of the cover to stop the cover from blowing around in light wind. The cover can also be used to wrap around an adult carrying a child in a baby carrier or by a nursing mother, secured around the adult using the top straps while not restricting airflow or access to the child. Intended for indoor use as it offers no UV protection and has limited wind protection. It is to be used as a drape and does not fully enclose the pram. Due to the lightweight fabric it can be folded and stored easily in the small carry bag inside a handbag.**



- (21) Design Number: **13673/2014**  
(22) Date of Filing Application: **30 July 2014**  
(24) Date from which industrial property rights may have effect: **30 July 2014**  
(54) Product in respect of which the design is registered: **Smart device wallet**  
(51) International Design Classification: **03-01B**  
(74) Name(s) of Attorney(s): **FB Rice**  
(71) Name(s) and Address(s) of Applicant(s):  
**David Alexander**  
**76 Justin St Lilyfield NSW 2040 Australia**  
(72) Name(s) of Designer(s): **David Alexander**  
(45) Registration Date: **28 August 2014**  
(56) Related Art Documents: **Not Applicable**  
(57) Statement of Newness and Distinctiveness: **Newness and distinctiveness reside in the features of the shape and configuration of the product shown in the representations without limitation to the colour, pattern or texture of the material and in the features of the frame visible in pages 1/8 and 2/8. The smart device shown in the Reference View in page 8/8 does not form part of the design.**

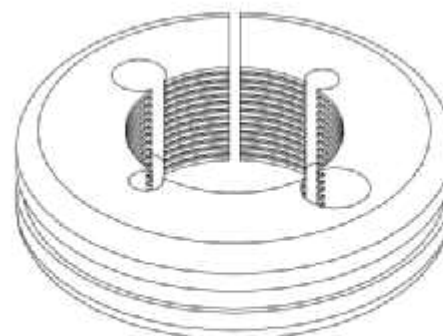


- (21) Design Number: **13782/2014**  
(22) Date of Filing Application: **04 August 2014**  
(24) Date from which industrial property rights may have effect: **04 August 2014**  
(54) Product in respect of which the design is registered: **Suitcase**  
(51) International Design Classification: **03-01A**  
(74) Name(s) of Attorney(s): **Freehills Patent Attorneys**  
(71) Name(s) and Address(s) of Applicant(s):  
**Antler Limited**  
**Northdown House 11-21 Northdown Road London N1 9BN United Kingdom**  
(72) Name(s) of Designer(s): **Dominic Tooze**  
(45) Registration Date: **28 August 2014**  
(30) Convention priority data:  
(31) Number      (32) Date      (33) Country  
**002398230-001      04 Feb 2014      OFFICE FOR HARMONISATION IN THE INTERNAL MARKET (OHIM)**  
(56) Related Art Documents: **Not Applicable**  
(57) Statement of Newness and Distinctiveness: **Nil**

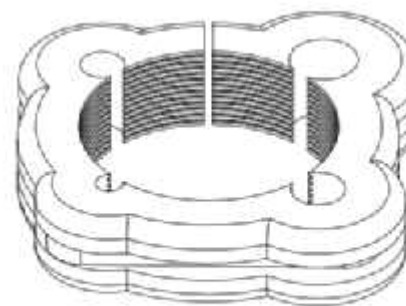




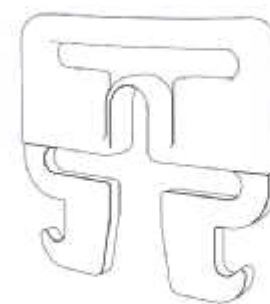
- (21) Design Number: **13783/2014**  
(22) Date of Filing Application: **04 August 2014**  
(24) Date from which industrial property rights may have effect: **04 August 2014**  
(54) Product in respect of which the design is registered: **Riser pipe services clamp**  
(51) International Design Classification: **08-08D**  
(74) Name(s) of Attorney(s): **EKM patent & trade marks**  
(71) Name(s) and Address(s) of Applicant(s):  
**Kim Ledger**  
**38 Duncraig Rd Applecross WA 6153 Australia**  
**Elissa Caldwell**  
**90 Amethyst Cres Mount Richon WA 6112 Australia**  
(72) Name(s) of Designer(s): **Kim Ledger and Elissa Caldwell**  
(45) Registration Date: **28 August 2014**  
(56) Related Art Documents: **Not Applicable**  
(57) Statement of Newness and Distinctiveness: **Newness and distinctiveness resides in the features of shape and/or configuration of a riser pipe services clamp as shown in the accompanying representations.**



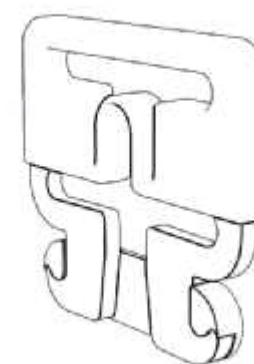
- (21) Design Number: **13784/2014**  
(22) Date of Filing Application: **04 August 2014**  
(24) Date from which industrial property rights may have effect: **04 August 2014**  
(54) Product in respect of which the design is registered: **Riser pipe services clamp**  
(51) International Design Classification: **08-08D**  
(74) Name(s) of Attorney(s): **EKM patent & trade marks**  
(71) Name(s) and Address(s) of Applicant(s):  
**Kim Ledger**  
**38 Duncraig Rd Applecross WA 6153 Australia**  
**Elissa Caldwell**  
**90 Amethyst Cres Mount Richon WA 6112 Australia**  
(72) Name(s) of Designer(s): **Kim Ledger and Elissa Caldwell**  
(45) Registration Date: **28 August 2014**  
(56) Related Art Documents: **Not Applicable**  
(57) Statement of Newness and Distinctiveness: **Newness and distinctiveness resides in the features of shape and/or configuration of a riser pipe services clamp as shown in the accompanying representations.**



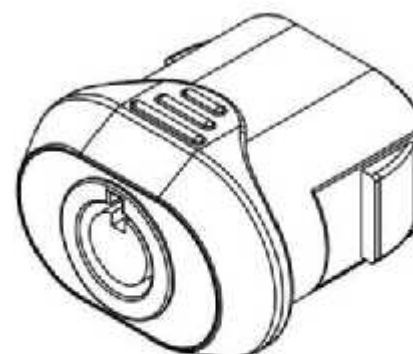
- (21) Design Number: **13787/2014**  
(22) Date of Filing Application: **04 August 2014**  
(24) Date from which industrial property rights may have effect: **04 August 2014**  
(54) Product in respect of which the design is registered: **Laptop bag parts**  
(51) International Design Classification: **03-01A**  
(74) Name(s) of Attorney(s): **FB Rice**  
(71) Name(s) and Address(s) of Applicant(s):  
**Rimowa GmbH**  
**Mathias-Brueggen-Strasse 118 Cologne 50829 Germany**  
(72) Name(s) of Designer(s): **Dieter Morszeck**  
(45) Registration Date: **28 August 2014**  
(30) Convention priority data:  
(31) Number (32) Date (33) Country  
**001405278-0002 12 Feb 2014 OFFICE FOR HARMONISATION IN  
THE INTERNAL MARKET (OHIM)**  
(56) Related Art Documents: **Not Applicable**  
(57) Statement of Newness and Distinctiveness: **Newness and distinctiveness  
reside in the features of shape and configuration of the design as shown  
in the representations.**



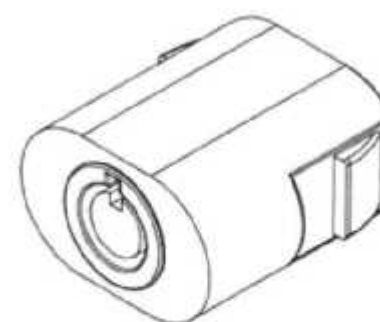
- (21) Design Number: **13788/2014**  
(22) Date of Filing Application: **04 August 2014**  
(24) Date from which industrial property rights may have effect: **04 August 2014**  
(54) Product in respect of which the design is registered: **Laptop bag parts**  
(51) International Design Classification: **03-01A**  
(74) Name(s) of Attorney(s): **FB Rice**  
(71) Name(s) and Address(s) of Applicant(s):  
**Rimowa GmbH**  
**Mathias-Brueggen-Strasse 118 Cologne 50829 Germany**  
(72) Name(s) of Designer(s): **Dieter Morszeck**  
(45) Registration Date: **28 August 2014**  
(30) Convention priority data:  
(31) Number (32) Date (33) Country  
**001405278-0001 12 Feb 2014 OFFICE FOR HARMONISATION IN  
THE INTERNAL MARKET (OHIM)**  
(56) Related Art Documents: **Not Applicable**  
(57) Statement of Newness and Distinctiveness: **Newness and distinctiveness  
reside in the features of shape and configuration of the design as shown  
in the representations.**



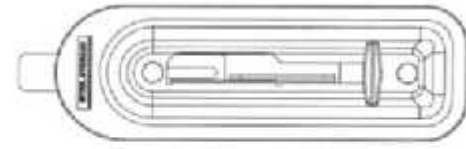
- (21) Design Number: **13789/2014**  
(22) Date of Filing Application: **04 August 2014**  
(24) Date from which industrial property rights may have effect: **04 August 2014**  
(54) Product in respect of which the design is registered: **Lock with skirt**  
(51) International Design Classification: **08-07**  
(74) Name(s) of Attorney(s): **Wynnes Patent & Trade Mark Attorneys**  
(71) Name(s) and Address(s) of Applicant(s):  
**Steel Storage Holdings Pty Ltd**  
**U 4 27 Godwin St Bulimba QLD 4171**  
(72) Name(s) of Designer(s): **Joshua Willoughby and Jonathan Perrins and Mark Sandstrom and Gerard Ryan**  
(45) Registration Date: **28 August 2014**  
(56) Related Art Documents: **Not Applicable**  
(57) Statement of Newness and Distinctiveness: **Newness and distinctiveness resides in the features of the shape and configuration of a lock with skirt as illustrated in the accompanying representations.**



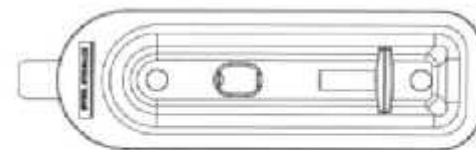
- (21) Design Number: **13790/2014**  
(22) Date of Filing Application: **04 August 2014**  
(24) Date from which industrial property rights may have effect: **04 August 2014**  
(54) Product in respect of which the design is registered: **Lock**  
(51) International Design Classification: **08-07**  
(74) Name(s) of Attorney(s): **Wynnes Patent & Trade Mark Attorneys**  
(71) Name(s) and Address(s) of Applicant(s):  
**Steel Storage Holdings Pty Ltd**  
**U 4 27 Godwin St Bulimba QLD 4171**  
(72) Name(s) of Designer(s): **Jonathan Perrins and Gerard Ryan and Joshua Willoughby and Mark Sandstrom**  
(45) Registration Date: **28 August 2014**  
(56) Related Art Documents: **Not Applicable**  
(57) Statement of Newness and Distinctiveness: **Newness and distinctiveness resides in the features of the shape and configuration of a lock as illustrated in the accompanying representations.**



- (21) Design Number: **13791/2014**  
(22) Date of Filing Application: **04 August 2014**  
(24) Date from which industrial property rights may have effect: **04 August 2014**  
(54) Product in respect of which the design is registered: **Roller door recessed lock with overlapping flange**  
(51) International Design Classification: **08-07**  
(74) Name(s) of Attorney(s): **Wynnes Patent & Trade Mark Attorneys**  
(71) Name(s) and Address(s) of Applicant(s):  
**Steel Storage Holdings Pty Ltd**  
**U4/27 Godwin St Bulimba QLD 4171 Australia**  
(72) Name(s) of Designer(s): **Joshua Willoughby and Gerard Ryan and Jonathan Perrins and Mark Sandstrom**  
(45) Registration Date: **28 August 2014**  
(56) Related Art Documents: **Not Applicable**  
(57) Statement of Newness and Distinctiveness: **Newness and distinctiveness resides in the features of the shape and configuration of a roller door recessed lock with overlapping flange as illustrated in the accompanying representations.**



- (21) Design Number: **13792/2014**  
(22) Date of Filing Application: **04 August 2014**  
(24) Date from which industrial property rights may have effect: **04 August 2014**  
(54) Product in respect of which the design is registered: **Roller door recessed latch with shroud**  
(51) International Design Classification: **08-07**  
(74) Name(s) of Attorney(s): **Wynnes Patent & Trade Mark Attorneys**  
(71) Name(s) and Address(s) of Applicant(s):  
**Steel Storage Holdings Pty Ltd**  
**U4/27 Godwin St Bulimba QLD 4171 Australia**  
(72) Name(s) of Designer(s): **Jonathan Perrins and Joshua Willoughby and Mark Sandstrom and Gerard Ryan**  
(45) Registration Date: **28 August 2014**  
(56) Related Art Documents: **Not Applicable**  
(57) Statement of Newness and Distinctiveness: **Newness and distinctiveness resides in the features of the shape and configuration of a roller door recessed latch with shroud as illustrated in the accompanying representations.**

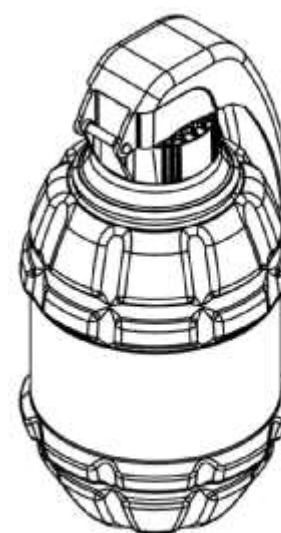


(21) Design Number: **13808/2014**  
(22) Date of Filing Application: **05 August 2014**  
(24) Date from which industrial property rights may have effect: **05 August 2014**  
(54) Product in respect of which the design is registered: **Juicer**  
(51) International Design Classification: **31-00**  
(74) Name(s) of Attorney(s): **PHILLIPS ORMONDE FITZPATRICK**  
(71) Name(s) and Address(s) of Applicant(s):  
**Whirlpool Corporation**  
**2000 North M-63 MD3601 Benton Harbor Michigan 49022 United States**  
**of America**



(72) Name(s) of Designer(s): **Kaitlyn M Benoit**  
(45) Registration Date: **28 August 2014**  
(30) Convention priority data:  
(31) Number (32) Date (33) Country  
**29/484,968 13 Mar 2014 UNITED STATES OF AMERICA**  
(56) Related Art Documents: **Not Applicable**  
(57) Statement of Newness and Distinctiveness: **Those features of the juicer depicted in the representations that are new and distinctive are the shape and/or configuration. The features shown in broken lines are not part of the design and are to be disregarded when considering the overall impression of the design. The bottom view of the juicer shown in Fig. 8 may or may not form part of the design.**

(21) Design Number: **13815/2014**  
(22) Date of Filing Application: **05 August 2014**  
(24) Date from which industrial property rights may have effect: **05 August 2014**  
(54) Product in respect of which the design is registered: **Bottle**  
(51) International Design Classification: **09-01D**  
(74) Name(s) of Attorney(s): **Rohan Wallace Patent and Trade Mark Services**  
(71) Name(s) and Address(s) of Applicant(s):  
**Renae Bunney**  
**c/- PO BOX 1006 Bentley DC WA 6983 Australia**

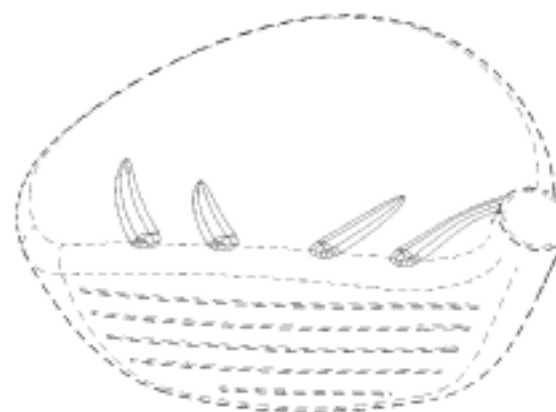


(72) Name(s) of Designer(s): **Renae Bunney and Mitchell Brown**  
(45) Registration Date: **28 August 2014**  
(56) Related Art Documents: **Not Applicable**  
(57) Statement of Newness and Distinctiveness: **Nil**

- (21) Design Number: **13820/2014**  
(22) Date of Filing Application: **06 August 2014**  
(24) Date from which industrial property rights may have effect: **06 August 2014**  
(54) Product in respect of which the design is registered: **Alu table**  
(51) International Design Classification: **06-03B**  
(74) Name(s) of Attorney(s):  
(71) Name(s) and Address(s) of Applicant(s):  
**Xuan Zhou**  
**Tianhe District Guangzhou Unit 704 Xin Chuang Ju Building No.123**  
**People's Republic of China**  
**Guangzhou Gardenart Furniture Co. Ltd**  
**Unit 704 Xin Chuangju Building No.123 Ti Yu Xi Road Tianhe District**  
**Guangzhou 510620 China**  
(72) Name(s) of Designer(s): **Jianhui Cao**  
(45) Registration Date: **28 August 2014**  
(56) Related Art Documents: **Not Applicable**  
(57) Statement of Newness and Distinctiveness: **Nil**



- (21) Design Number: **13822/2014**  
(22) Date of Filing Application: **06 August 2014**  
(24) Date from which industrial property rights may have effect: **06 August 2014**  
(54) Product in respect of which the design is registered: **Golf club head**  
(51) International Design Classification: **21-02C**  
(74) Name(s) of Attorney(s): **Davies Collison Cave**  
(71) Name(s) and Address(s) of Applicant(s):  
**Karsten Manufacturing Corporation**  
**2201 West Desert Cove Phoenix Arizona 85029 United States of America**  
(72) Name(s) of Designer(s): **Xiaojian Chen and Brandon L Fossum and Martin R Jertson**  
(45) Registration Date: **28 August 2014**  
(30) Convention priority data:  
(31) Number      (32) Date      (33) Country  
**29/482548      19 Feb 2014      UNITED STATES OF AMERICA**  
(56) Related Art Documents: **Not Applicable**  
(57) Statement of Newness and Distinctiveness: **Newness and distinctiveness is claimed in the visual features shown in solid lines in the representations. In considering the extent of the design rights, the broken lines shown in the representations are for illustrative purposes only and do not form part of the design.**



(21) Design Number: **13823/2014**

(22) Date of Filing Application: **06 August 2014**

(24) Date from which industrial property rights may have effect: **06 August 2014**

(54) Product in respect of which the design is registered: **Bottle with cap**

(51) International Design Classification: **09-01K**

(74) Name(s) of Attorney(s): **Shelston IP**

(71) Name(s) and Address(s) of Applicant(s):

**Reckitt Benckiser LLC**

**Morris Corporate Center IV 399 Interpace Parkway Parsippany New Jersey 07054 United States of America**

(72) Name(s) of Designer(s): **Sebastiaan Bruining**

(45) Registration Date: **28 August 2014**

(30) Convention priority data:

(31) Number

(32) Date

(33) Country

**001405344-0001 07 Mar 2014**

**OFFICE FOR HARMONISATION IN THE INTERNAL MARKET (OHIM)**

(56) Related Art Documents: **Not Applicable**

(57) Statement of Newness and Distinctiveness: **Newness and distinctiveness reside in the features of shape and configuration of a bottle with cap as illustrated in the accompanying representations.**



(21) Design Number: **13824/2014**

(22) Date of Filing Application: **06 August 2014**

(24) Date from which industrial property rights may have effect: **06 August 2014**

(54) Product in respect of which the design is registered: **Bottle**

(51) International Design Classification: **09-01K**

(74) Name(s) of Attorney(s): **Shelston IP**

(71) Name(s) and Address(s) of Applicant(s):

**Reckitt Benckiser LLC**

**Morris Corporate Center IV 399 Interpace Parkway Parsippany New Jersey 07054 United States of America**

(72) Name(s) of Designer(s): **Sebastiaan Bruining**

(45) Registration Date: **28 August 2014**

(30) Convention priority data:

(31) Number

(32) Date

(33) Country

**001405344-0003 07 Mar 2014**

**OFFICE FOR HARMONISATION IN THE INTERNAL MARKET (OHIM)**

(56) Related Art Documents: **Not Applicable**

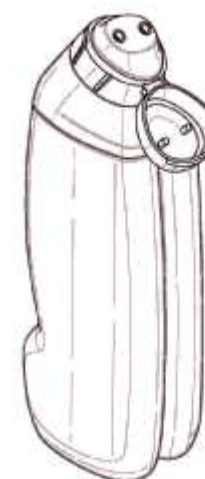
(57) Statement of Newness and Distinctiveness: **Newness and distinctiveness reside in the features of shape and configuration of a bottle as illustrated in the accompanying representations.**



(21) Design Number: **13825/2014**  
(22) Date of Filing Application: **06 August 2014**  
(24) Date from which industrial property rights may have effect: **06 August 2014**  
(54) Product in respect of which the design is registered: **Rear combination lamp case for motorcycle**  
(51) International Design Classification: **12-16E**  
(74) Name(s) of Attorney(s): **SPRUSON & FERGUSON**  
(71) Name(s) and Address(s) of Applicant(s):  
**Honda Motor Co., Ltd.**  
**1-1, Minami-Aoyama 2-chome, Minato-ku Tokyo 107-8556 Japan**  
(72) Name(s) of Designer(s): **Keiko Kataoka**  
(45) Registration Date: **28 August 2014**  
(30) Convention priority data:  
(31) Number      (32) Date      (33) Country  
**2014-003051      14 Feb 2014      JAPAN**  
(56) Related Art Documents: **Not Applicable**  
(57) Statement of Newness and Distinctiveness: **Newness and distinctiveness is claimed in the features of shape and/or configuration of a rear combination lamp case for motorcycle as illustrated in the accompanying representations.**



(21) Design Number: **13828/2014**  
(22) Date of Filing Application: **06 August 2014**  
(24) Date from which industrial property rights may have effect: **06 August 2014**  
(54) Product in respect of which the design is registered: **Bottle with cap**  
(51) International Design Classification: **09-01NES**  
(74) Name(s) of Attorney(s): **Shelston IP**  
(71) Name(s) and Address(s) of Applicant(s):  
**Reckitt Benckiser LLC**  
**Morris Corporate Center IV 399 Interpace Parkway Parsippany New Jersey 07054 United States of America**  
(72) Name(s) of Designer(s): **Sebastiaan Bruining**  
(45) Registration Date: **28 August 2014**  
(30) Convention priority data:  
(31) Number      (32) Date      (33) Country  
**001405344-0002      07 Mar 2014      OFFICE FOR HARMONISATION IN THE INTERNAL MARKET (OHIM)**  
(56) Related Art Documents: **Not Applicable**  
(57) Statement of Newness and Distinctiveness: **Newness and distinctiveness reside in the features of shape and configuration of a bottle with cap as illustrated in the accompanying representations.**





(21) Design Number: **13831/2014**

(22) Date of Filing Application: **06 August 2014**

(24) Date from which industrial property rights may have effect: **06 August 2014**

(54) Product in respect of which the design is registered: **Cap for bottle**

(51) International Design Classification: **09-07C**

(74) Name(s) of Attorney(s): **Shelston IP**

(71) Name(s) and Address(s) of Applicant(s):

**Reckitt Benckiser LLC**

**Morris Corporate Center IV 399 Interpace Parkway Parsippany New  
Jersey 07054 United States of America**

(72) Name(s) of Designer(s): **Sebastiaan Bruining**

(45) Registration Date: **28 August 2014**

(30) Convention priority data:

(31) Number

(32) Date

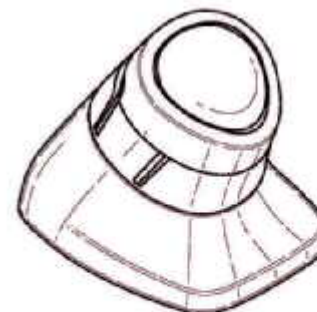
(33) Country

**001405344-0004 07 Mar 2014**

**OFFICE FOR HARMONISATION IN  
THE INTERNAL MARKET (OHIM)**

(56) Related Art Documents: **Not Applicable**

(57) Statement of Newness and Distinctiveness: **Newness and distinctiveness  
reside in the features of shape and configuration of a cap for bottle as  
illustrated in the accompanying representations.**



(21) Design Number: **13832/2014**

(22) Date of Filing Application: **06 August 2014**

(24) Date from which industrial property rights may have effect: **06 August 2014**

(54) Product in respect of which the design is registered: **Vehicle canopy**

(51) International Design Classification: **12-16B**

(74) Name(s) of Attorney(s):

(71) Name(s) and Address(s) of Applicant(s):

**ARB Corporation Limited**

**42-44 Garden St Kilsyth VIC 3137 Australia**

(72) Name(s) of Designer(s): **James King and Steve Lawn**

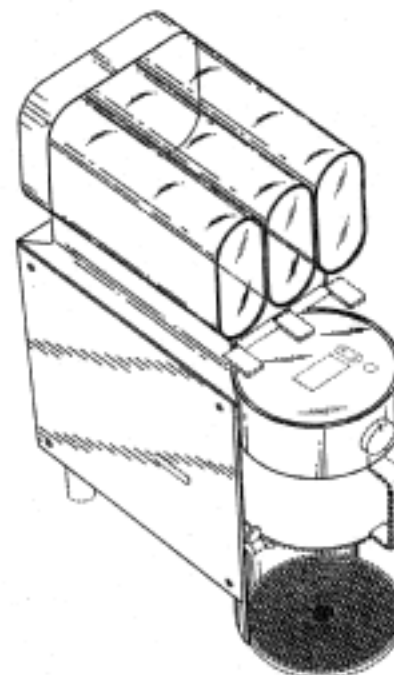
(45) Registration Date: **28 August 2014**

(56) Related Art Documents: **Not Applicable**

(57) Statement of Newness and Distinctiveness: **Newness and distinctiveness  
is claimed in the shape and configuration of a vehicle canopy as shown  
in the representations.**



- (21) Design Number: **12458/2014**  
(22) Date of Filing Application: **19 May 2014**  
(24) Date from which industrial property rights may have effect: **19 May 2014**  
(54) Product in respect of which the design is registered: **Beverage brewing apparatus**  
(51) International Design Classification: **31-00**  
(74) Name(s) of Attorney(s): **MINTER ELLISON**  
(71) Name(s) and Address(s) of Applicant(s):  
**Starbucks Corporation doing business as Starbucks Coffee Company**  
**2401 Utah Avenue South Seattle WA, 98134-1435 United States of America**  
(72) Name(s) of Designer(s): **Peter Bristol and David Doucette and Randy Hulett and Tomislav Lakovic and David Stephen Zucker**  
(45) Registration Date: **29 August 2014**  
(30) Convention priority data:  
(31) Number (32) Date (33) Country  
**29/473289 20 Nov 2013 UNITED STATES OF AMERICA**  
(56) Related Art Documents: **Not Applicable**  
(57) Statement of Newness and Distinctiveness: **In considering newness and distinctiveness of the design, no regard is to be had to visual features depicted in broken lines.**



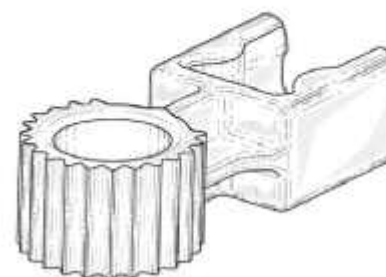
- (21) Design Number: **12475/2014**  
(22) Date of Filing Application: **20 May 2014**  
(24) Date from which industrial property rights may have effect: **20 May 2014**  
(54) Product in respect of which the design is registered: **Patient interface**  
(51) International Design Classification: **24-04**  
(74) Name(s) of Attorney(s): **Halfords IP**  
(71) Name(s) and Address(s) of Applicant(s):  
**ResMed Limited**  
**1 Elizabeth Macarthur Dr Bella Vista NSW 2153 Australia**  
(72) Name(s) of Designer(s): **Christopher Samuel Cullen and Matthew Eves and Memduh Guney and Michael Charles La Guzza and Lochlan von Moger and Rupert Christian Scheiner and Amal Shirley Amarasinghe**  
(45) Registration Date: **29 August 2014**  
(30) Convention priority data:  
(31) Number (32) Date (33) Country  
**29/476292 12 Dec 2013 UNITED STATES OF AMERICA**  
(56) Related Art Documents: **Not Applicable**  
(57) Statement of Newness and Distinctiveness: **Nil**



(21) Design Number: **13351/2014**  
(22) Date of Filing Application: **10 July 2014**  
(24) Date from which industrial property rights may have effect: **10 July 2014**  
(54) Product in respect of which the design is registered: **Bookshelf**  
(51) International Design Classification: **06-04NES**  
(74) Name(s) of Attorney(s):  
(71) Name(s) and Address(s) of Applicant(s):  
    **David Jovanic**  
    **66 Province St Abbotsbury NSW 2176 Australia**  
(72) Name(s) of Designer(s): **David Jovanic**  
(45) Registration Date: **29 August 2014**  
(56) Related Art Documents: **Not Applicable**  
(57) Statement of Newness and Distinctiveness: **Interlocking components that can be secured without fasteners.**



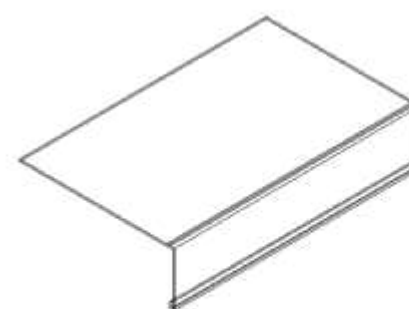
(21) Design Number: **13733/2014**  
(22) Date of Filing Application: **01 August 2014**  
(24) Date from which industrial property rights may have effect: **14 May 2014**  
(54) Product in respect of which the design is registered: **Positioning element for construction toy**  
(51) International Design Classification: **21-01E**  
(74) Name(s) of Attorney(s): **Davies Collison Cave**  
(71) Name(s) and Address(s) of Applicant(s):  
    **K'NEX Limited Partnership Group**  
    **2990 Bergey Rd Hatfield PA 19440-1735 United States of America**  
(72) Name(s) of Designer(s): **LaVonne Strand**  
(45) Registration Date: **29 August 2014**  
(30) Convention priority data:  
    (31) Number      (32) Date      (33) Country  
    **29/472660      14 Nov 2013      UNITED STATES OF AMERICA**  
(62) Divisional of: **356769**  
(56) Related Art Documents: **Not Applicable**  
(57) Statement of Newness and Distinctiveness: **Positioning element for construction toy.**



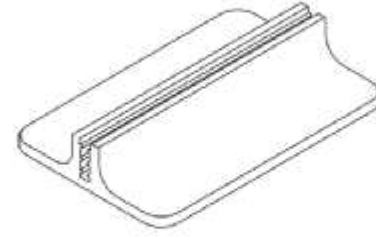
(21) Design Number: **13738/2014**  
(22) Date of Filing Application: **01 August 2014**  
(24) Date from which industrial property rights may have effect: **12 May 2014**  
(54) Product in respect of which the design is registered: **Package**  
(51) International Design Classification: **09-03M**  
(74) Name(s) of Attorney(s): **Davies Collison Cave**  
(71) Name(s) and Address(s) of Applicant(s):  
**GlaxoSmithKline LLC**  
**2711 Centerville Rd Ste 400 Wilmington DE 19808-1645 United States of America**  
(72) Name(s) of Designer(s): **JEFFREY SCOTT BRUNNER and LEONARD JOSEPH DICHIARA and James Andrew Holt and Peter Kay and David Michael Lutness**  
(45) Registration Date: **29 August 2014**  
(30) Convention priority data:  
(31) Number (32) Date (33) Country  
**29/472343 12 Nov 2013 UNITED STATES OF AMERICA**  
(62) Divisional of: **356808**  
(56) Related Art Documents: **Not Applicable**  
(57) Statement of Newness and Distinctiveness: **Newness and distinctiveness is claimed in the visual features shown in solid lines in the representations. In considering the extent of the design rights, the broken lines shown in the representations are for illustrative purposes only and do not form part of the design.**



(21) Design Number: **13523/2014**  
(22) Date of Filing Application: **16 July 2014**  
(24) Date from which industrial property rights may have effect: **16 July 2014**  
(54) Product in respect of which the design is registered: **Shelf talker holder**  
(51) International Design Classification: **20-02NES, 20-03NES**  
(74) Name(s) of Attorney(s):  
(71) Name(s) and Address(s) of Applicant(s):  
**Container Pty Ltd**  
**SE64 61 Marlborough St Surry Hills NSW 2010 Australia**  
(72) Name(s) of Designer(s): **Brenan Liston**  
(45) Registration Date: **29 August 2014**  
(56) Related Art Documents: **Not Applicable**  
(57) Statement of Newness and Distinctiveness: **Shape.**



- (21) Design Number: **13524/2014**  
(22) Date of Filing Application: **16 July 2014**  
(24) Date from which industrial property rights may have effect: **16 July 2014**  
(54) Product in respect of which the design is registered: **Point of sale card holder**  
(51) International Design Classification: **20-02NES**  
(74) Name(s) of Attorney(s):  
(71) Name(s) and Address(s) of Applicant(s):  
**Container Pty Ltd**  
**SE64 61 Marlborough St Surry Hills NSW 2010 Australia**  
(72) Name(s) of Designer(s): **Brenan Liston**  
(45) Registration Date: **29 August 2014**  
(56) Related Art Documents: **Not Applicable**  
(57) Statement of Newness and Distinctiveness: **Shape.**



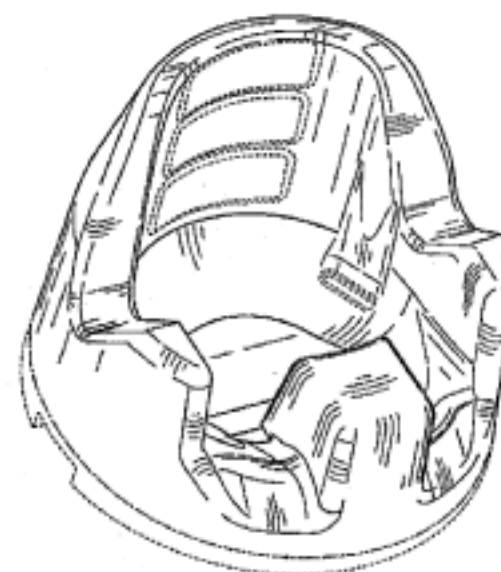
- (21) Design Number: **13525/2014**  
(22) Date of Filing Application: **16 July 2014**  
(24) Date from which industrial property rights may have effect: **16 July 2014**  
(54) Product in respect of which the design is registered: **An adhesive sticker(label)**  
(51) International Design Classification: **19-08**  
(74) Name(s) of Attorney(s):  
(71) Name(s) and Address(s) of Applicant(s):  
**Jacqueline Clarice Sharp**  
**8 Baylink Dr Redland Bay QLD 4165 Australia**  
(72) Name(s) of Designer(s): **Jacqueline Clarice Sharp**  
(45) Registration Date: **29 August 2014**  
(56) Related Art Documents: **Not Applicable**  
(57) Statement of Newness and Distinctiveness: **The newness and distinctiveness of the design reside in the distinctive maroon border lines and the writing on the sticker promoting awareness of vehicle registration due date and general safety reminders.**



- (21) Design Number: **13529/2014**  
(22) Date of Filing Application: **17 July 2014**  
(24) Date from which industrial property rights may have effect: **09 May 2014**  
(54) Product in respect of which the design is registered: **Monitoring device**  
(51) International Design Classification: **10-99**  
(74) Name(s) of Attorney(s): **Griffith Hack**  
(71) Name(s) and Address(s) of Applicant(s):  
**Canary Connect, Inc.**  
**96 Spring Street New York NY, 10012 United States of America**  
(72) Name(s) of Designer(s): **Jonathan D Troutman and James C Krause and Adam D Sager and Chris I Rill and Karthik Lakshminarayanan**  
(45) Registration Date: **29 August 2014**  
(62) Divisional of: **356582**  
(56) Related Art Documents: **Not Applicable**  
(57) Statement of Newness and Distinctiveness: **Newness and distinctiveness resides in the visual features including shape and configuration of the product as shown by solid lines in the representations. The components shown in broken lines have been included for illustrative purposes to show environmental structures and do not form part of the design. In addition, the bracket lines in the Figures represents that the product may be of any height.**



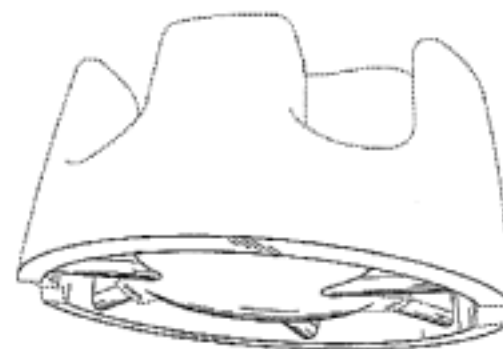
- (21) Design Number: **16610/2012**  
(22) Date of Filing Application: **27 December 2012**  
(24) Date from which industrial property rights may have effect: **27 December 2012**  
(54) Product in respect of which the design is registered: **Baby Seat**  
(51) International Design Classification: **06-01E**  
(74) Name(s) of Attorney(s): **Wrays**  
(71) Name(s) and Address(s) of Applicant(s):  
**Gum Drops LLC**  
**469 Seventh Avenue 4th Floor New York New York 10018 United States of America**  
(72) Name(s) of Designer(s): **Richard Beda and Edwin Livian**  
(45) Registration Date: **29 August 2014**  
(30) Convention priority data:  
(31) Number      (32) Date      (33) Country  
**29/425,694      26 Jun 2012      UNITED STATES OF AMERICA**  
(56) Related Art Documents: **Not Applicable**  
(57) Statement of Newness and Distinctiveness: **Newness and distinctiveness is claimed in the features of shape and/or configuration of the baby seat depicted in the accompanying representations.**



(21) Design Number: **16611/2012**  
(22) Date of Filing Application: **27 December 2012**  
(24) Date from which industrial property rights may have effect: **27 December 2012**  
(54) Product in respect of which the design is registered: **Baby seat**  
(51) International Design Classification: **06-01E**  
(74) Name(s) of Attorney(s): **Wrays**  
(71) Name(s) and Address(s) of Applicant(s):  
**Gum Drops LLC**  
**469 Seventh Avenue 4th Floor New York New York 10018 United States of America**  
(72) Name(s) of Designer(s): **Richard Beda and Edwin Livian**  
(45) Registration Date: **29 August 2014**  
(30) Convention priority data:  
(31) Number (32) Date (33) Country  
**29/430,826 30 Aug 2012 UNITED STATES OF AMERICA**  
(56) Related Art Documents: **Not Applicable**  
(57) Statement of Newness and Distinctiveness: **Newness and distinctiveness is claimed in the features of shape and/or configuration of the baby seat depicted in the accompanying representations.**



(21) Design Number: **16612/2012**  
(22) Date of Filing Application: **27 December 2012**  
(24) Date from which industrial property rights may have effect: **27 December 2012**  
(54) Product in respect of which the design is registered: **Baby seat**  
(51) International Design Classification: **06-01E**  
(74) Name(s) of Attorney(s): **Wrays**  
(71) Name(s) and Address(s) of Applicant(s):  
**Gum Drops LLC**  
**469 Seventh Avenue 4th Floor New York New York 10018 United States of America**  
(72) Name(s) of Designer(s): **Richard Beda and Edwin Livian**  
(45) Registration Date: **29 August 2014**  
(30) Convention priority data:  
(31) Number (32) Date (33) Country  
**29/431,989 12 Sep 2012 UNITED STATES OF AMERICA**  
(56) Related Art Documents: **Not Applicable**  
(57) Statement of Newness and Distinctiveness: **Newness and distinctiveness is claimed in the features of shape and/or configuration of the baby seat depicted in the accompanying representations.**



- (21) Design Number: **13095/2014**  
(22) Date of Filing Application: **25 June 2014**  
(24) Date from which industrial property rights may have effect: **25 June 2014**  
(54) Product in respect of which the design is registered: **Lapel badge**  
(51) International Design Classification: **11-03**  
(74) Name(s) of Attorney(s):  
(71) Name(s) and Address(s) of Applicant(s):  
**ANZAC DAY COMMEMORATION COMMITTEE (QUEENSLAND) INC**  
**PO BOX 3426 Stafford DC QLD 4053 Australia**  
(72) Name(s) of Designer(s): **Gregory Faux**  
(45) Registration Date: **29 August 2014**  
(56) Related Art Documents: **Not Applicable**  
(57) Statement of Newness and Distinctiveness: **The newness and distinctiveness of the design resides in the shape and/or configuration of the Vietnam Ribbon Bar Lapel Badge shown in the representation.**



- (21) Design Number: **13098/2014**  
(22) Date of Filing Application: **25 June 2014**  
(24) Date from which industrial property rights may have effect: **25 June 2014**  
(54) Product in respect of which the design is registered: **Lapel badge**  
(51) International Design Classification: **11-03**  
(74) Name(s) of Attorney(s):  
(71) Name(s) and Address(s) of Applicant(s):  
**ANZAC DAY COMMEMORATION COMMITTEE (QUEENSLAND) INC**  
**PO BOX 3426 Stafford DC QLD 4053 Australia**  
(72) Name(s) of Designer(s): **Gregory Faux**  
(45) Registration Date: **29 August 2014**  
(56) Related Art Documents: **Not Applicable**  
(57) Statement of Newness and Distinctiveness: **The newness and distinctiveness of the design resides in the shape and/or configuration of the Coloured Enamel Slouch Hat Badge as shown in the representation.**

