



**Australian Government**

---

**IP Australia**

**AUSTRALIAN OFFICIAL JOURNAL**

**OF**

**DESIGNS**

Did you know a searchable version of this journal is now available online?

It's FREE and EASY to SEARCH.

Find it on our website ([www.ipaustralia.gov.au](http://www.ipaustralia.gov.au))

by using the "Journals" link on the home page.

This Page Left Intentionally Blank

**Contents**

**General Information & Notices**

**Proceedings Under the Designs Act 1906 preserved as a result of the provisions of Chapter 12  
Part 2 of the Designs Act 2003**

<b>Extension of Period of Registration of Designs .....</b>	<b>2626</b>
<b>Registrations Ceased .....</b>	<b>2626</b>
<b>Subsequent Owners Registered .....</b>	<b>2626</b>

**Proceedings Under the Designs Act 2003**

<b>Applications Lapsed .....</b>	<b>2639</b>
<b>Applications Lodged .....</b>	<b>2630</b>
<b>Certificate of Examination .....</b>	<b>2642</b>
<b>Extension of Period of Registration of Design .....</b>	<b>2640</b>
<b>Extension of Time Granted Under Section 137 .....</b>	<b>2641</b>
<b>Publication and Registration Proceedings</b>	
<b>Designs Registered 357226 to 357347.....</b>	<b>2643</b>
<b>Registrations Ceased .....</b>	<b>2640</b>
<b>Revocation of Design Registrations .....</b>	<b>2640</b>
<b>Subsequent Owners Registered .....</b>	<b>2641</b>

This Page Left Intentionally Blank

For information on the following please see our website [www.ipaustralia.gov.au](http://www.ipaustralia.gov.au) or contact our Customer Service Network on 1300651010

[Editorial enquiries](#)

[Contact information](#)

[Freedom of Information ACT](#)

[Professional Standards Board](#)

[Sales](#)

[Requests for Information under Section 194 \(c\)](#)

[Country Codes](#)

[Trade Mark and Designs Hearing Sessions](#)

[INID \(Internationally agreed Numbers for the Identification of Data\)](#)

## “INID” NUMBERS in use on Australian Design Documents

“INID” is an acronym for “Internationally agreed Numbers for the Identification of Data”.

### (10) Data concerning the registration/renewal

- (11) Serial number of the registration and/or number of the design document
- (12) Plain language designation of the kind of published document
- (19) Identification, using the two-letter code according to WIPO Standard ST.3, of the authority publishing or registering the industrial design

### (20) Data concerning the application

- (21) Serial number of the application
- (22) Date of filing of the application
- (24) Date from which the industrial design right has effect

### (30) Data relating to priority under the Paris Convention

- (31) Serial number assigned to the priority application
- (32) Date of filing of the priority application
- (33) Two-letter code, according to WIPO Standard ST.3, identifying the authority with which the priority application was made

### (40) Date(s) of making information available to the public

- (45) Date of publication of the registered industrial design by printing or similar process, or making it available to the public by any other means

### (50) Miscellaneous Information

- (51) International Classification for Industrial Designs (class and subclass of the Locarno Classification)
- (54) Designation of article(s) or product(s) covered by the industrial design or title of the industrial design
- (55) Reproduction of the industrial design (e.g., drawing, photograph) and explanations relating to the reproduction
- (56) List of prior art documents, if separate from descriptive text
- (57) Description of characteristic features of the industrial design including indication of colours

### (60) References to other legally related application(s) and registration(s)

- (62) Serial number(s) and, if available, filing date(s) of application(s), registration(s) or document(s) related by division
- (66) Serial number(s) of the application, or the registration, of the design(s) which is (are) a variant(s) of the present one

### (70) Identification of parties concerned with the application or registration

- (71) Name(s) and address(es) of the applicant(s)
- (72) Name(s) of the creator(s) if known to be such
- (74) Name(s) and address(es) of the representative(s)

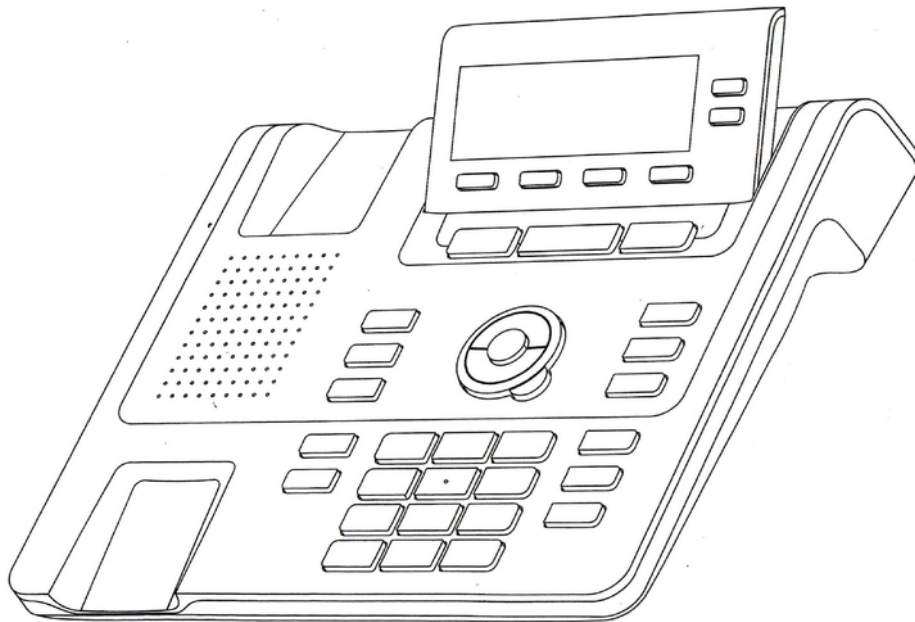
This Page Left Intentionally Blank

Official Notice

**Design Registration 355328**

Proposed amendment to the Representations.

The following proposed amendment has been requested by the owner in relation to the above designs. The Representations are to be amended to:



In accordance with Regulation 9.05(5) any person may oppose the amendment by filing a notice of opposition in an approved form, within one month from the publication of the notice.

**Proceedings under the Designs Act 1906 preserved as a result of the provisions of Chapter 12 Part 2 of the Designs Act 2003.**



This Page Left Intentionally Blank

**Applications Lapsed**

There were no Applications Lapsed under this section

**Extension of Period of Registration of Designs**

**1st Period (Section 27A(8))**

**2nd Period (Section 27A(12))**

**3rd Period (Section 27A(13))**

153543	153916	154042
154096	154156	154157
154182	154259	154452
154517	154536	154853
154854	154880	155340
155698	156231	156448
156503	156953	157621
158110	158111	158198

**Registrations Ceased**

Note: Some of the following Registrations may have been previously advertised as ceased. In this instance, the previous advertisement still prevails.

135610	135628	135629
136536	136591	136592
136593	136678	136726
136727	136729	136957
139623	140104	140554
140757	141920	141921
141922	151771	151850
151851	151946	151970
151987	152310	152424
152425	152426	152427
152428	152429	152556
152572	153319	154254
155895	156261	156264
156265	156266	156342
156343		

**Subsequent Owners Registered**

(The name in parentheses is that of the subsequent owner)

136870	( ARB Corporation Ltd ) Team Poly Pty Ltd
--------	---

This Page Left Intentionally Blank

**Proceedings under the Designs Act 2003.**

This Page Left Intentionally Blank

**Applications Lodged**

Lodgement information is in the following order: **Applicant's Name**; International Classification, Name of Product, Lodgement Date and **Design Number**. If the applicant claims an earlier priority date under an International Convention, the Convention Country and the associated filing date are shown in parentheses before the Lodgement Date. Divisional information will also appear in parentheses before the Lodgement Date.

<b>di Stefano, Carmelo Joseph Licciardi;</b> 08-09, Improved winder assembly, 29 Aug 2014	<b>14309/2014</b>	<b>Belkin International, Inc.;</b> 14-99, Overlay for an electronic device, (Divisional of 13034/2014) 10 Sep 2014	<b>14572/2014</b>
<b>Aero Design and Development Pty Ltd;</b> 12-99, Aluminium chassis no weld, 08 Sep 2014	<b>14494/2014</b>	<b>Belkin International, Inc.;</b> 14-99, Overlay for an electronic device, (Divisional of 13032/2014) 10 Sep 2014	<b>14571/2014</b>
<b>Agombar, Lee Mark;</b> 32-02, Vehicle livery, vinyl wraps, printing, design, 31 Aug 2014	<b>14314/2014</b>	<b>Belshaw, Geoffrey Stephen;</b> 07-01F, Decanter, 29 Aug 2014	<b>14302/2014</b>
<b>Anho Houseware Co., Ltd. Jiangmen;</b> 08-08NES, Square-shaped suction cup, (CN, 25 Jul 2014) 05 Sep 2014	<b>14464/2014</b>	<b>Bianca Christine Fadel &amp; Joe Mancusi;</b> 32-02, Shirt, cap, pants, apparel, shoes, underwear, towel, 12 Sep 2014	<b>14632/2014</b>
<b>AptarGroup, Inc.;</b> 09-07A, Closure, (US, 26 Jun 2014) 05 Sep 2014	<b>14455/2014</b>	<b>Branham, Tony;</b> 09-07NES, Caulking tube cap, (US, 12 Mar 2014) 11 Sep 2014	<b>14605/2014</b>
<b>AptarGroup, Inc.;</b> 09-07A, Closure, (US, 18 Jun 2014) 03 Sep 2014	<b>14380/2014</b>	<b>Briggs &amp; Stratton Corporation;</b> 13-99, Battery receptacle, (US, 22 Apr 2014) 29 Aug 2014	<b>14304/2014</b>
<b>AptarGroup, Inc.;</b> 09-07A, Closure, (US, 19 Jun 2014) 02 Sep 2014	<b>14352/2014</b>	<b>Briggs &amp; Stratton Corporation;</b> 13-02, Battery, (US, 22 Apr 2014) 29 Aug 2014	<b>14303/2014</b>
<b>AptarGroup, Inc.;</b> 09-07A, Closure, (US, 19 Jun 2014) 02 Sep 2014	<b>14351/2014</b>	<b>Brown, Vicki Ronnell;</b> 06-13B, Bed sheets, 11 Sep 2014	<b>14613/2014</b>
<b>Armstrong, Nadia Genevieve;Sullivan, John;</b> 06-13B, A bedspread for a caravan mattress, 11 Sep 2014	<b>14614/2014</b>	<b>BOMI FURNITURE PTY. LTD.;</b> 06-06F, 06-04F, Bedhead, bedside table, 02 Sep 2014	<b>14371/2014</b>
<b>AUSTRALIAN FASHION LABELS PTY LTD;</b> 05-05NES, A textile print, 03 Sep 2014	<b>14379/2014</b>	<b>BRIDGESTONE CORPORATION;</b> 12-15C, Automobile tyre, (JP, 06 Mar 2014) 02 Sep 2014	<b>14370/2014</b>
<b>AUSTRALIAN FASHION LABELS PTY LTD;</b> 05-05A, A textile print, 05 Sep 2014	<b>14476/2014</b>	<b>BRIDGESTONE CORPORATION;</b> 12-15C, Automobile tyre, (JP, 05 Mar 2014) 02 Sep 2014	<b>14367/2014</b>
<b>AUSTRALIAN FASHION LABELS PTY LTD;</b> 05-05NES, A textile print, 04 Sep 2014	<b>14425/2014</b>	<b>Caffitaly System S.p.A.;</b> 07-02L, Capsule used in the preparation of beverages, (EP, 06 Mar 2014) 02 Sep 2014	<b>14369/2014</b>
<b>AUSTRALIAN FASHION LABELS PTY LTD;</b> 05-05A, A textile print, 04 Sep 2014	<b>14427/2014</b>	<b>Caroma Industries Limited;</b> 23-01H, A tap spout, 11 Sep 2014	<b>14597/2014</b>
<b>AUSTRALIAN FASHION LABELS PTY LTD;</b> 05-05NES, A textile print, 03 Sep 2014	<b>14381/2014</b>	<b>Caroma Industries Limited;</b> 23-01H, A tap breach, 11 Sep 2014	<b>14598/2014</b>
<b>Barski, Karen H;</b> 02-02C, Swaddling garment with mesh portion, (US, 30 May 2014) (Divisional of 13219/2014) 08 Sep 2014	<b>14517/2014</b>	<b>Chef'n Corporation;</b> 07-06C, Grinder, (US, 13 Mar 2014) 12 Sep 2014	<b>14616/2014</b>
<b>Belkin International, Inc.;</b> 14-99, Overlay for an electronic device, (Divisional of 13033/2014) 10 Sep 2014	<b>14573/2014</b>	<b>Cooper Tire &amp; Rubber Company;</b> 12-15A, Tire, (US, 04 Mar 2014) 03 Sep 2014	<b>14383/2014</b>
		<b>Cornell, Matthew David;</b> 06-01E, Short stool, 04 Sep 2014	<b>14411/2014</b>
		<b>Cornell, Matthew David;</b> 06-01E, Tall stool, 04 Sep 2014	<b>14412/2014</b>

<b>Cottin, Didier;</b> 21-02D, Swimming belt, 05 Sep 2014	<b>14472/2014</b>	<b>Electrical Home-Aids Pty Ltd;</b> 15-05, Dust collector, 29 Aug 2014	<b>14300/2014</b>
<b>Cyclone Tools Pty Ltd;</b> 10-04, Level, 05 Sep 2014	<b>14478/2014</b>	<b>Electrical Home-Aids Pty Ltd;</b> 15-05, Dust collector, 29 Aug 2014	<b>14301/2014</b>
<b>Cyclone Tools Pty Ltd;</b> 10-04, Level, 05 Sep 2014	<b>14475/2014</b>	<b>Ethicon, Inc.;</b> 09-05, 19-08, Dispensing package, (US, 18 Mar 2014) 09 Sep 2014	<b>14533/2014</b>
<b>CLEAR LAM PACKAGING, INC.;</b> 09-03NES, Package of indefinite width and depth, (US, 13 Mar 2014) 12 Sep 2014	<b>14638/2014</b>	<b>Euro-Pro Operating LLC;</b> 31-00, Blender base, (US, 06 Mar 2014) 03 Sep 2014	<b>14389/2014</b>
<b>CLEAR LAM PACKAGING, INC.;</b> 09-03NES, Package, (US, 07 Mar 2014) 05 Sep 2014	<b>14459/2014</b>	<b>Euro-Pro Operating LLC;</b> 31-00, Blender container, (US, 06 Mar 2014) 03 Sep 2014	<b>14390/2014</b>
<b>CLEAR LAM PACKAGING, INC.;</b> 09-99, Film Used to Make a Package, (US, 07 Mar 2014) 05 Sep 2014	<b>14466/2014</b>	<b>Euro-Pro Operating LLC;</b> 31-00, Blender container, (US, 06 Mar 2014) 03 Sep 2014	<b>14391/2014</b>
<b>CLEAR LAM PACKAGING, INC.;</b> 09-03NES, Package, (US, 07 Mar 2014) 05 Sep 2014	<b>14465/2014</b>	<b>Eveready Battery Company, Inc.;</b> 26-02, Lighting device, (US, 14 May 2014) 08 Sep 2014	<b>14499/2014</b>
<b>CLEAR LAM PACKAGING, INC.;</b> 09-03H, Film used to make a package, (US, 07 Mar 2014) 05 Sep 2014	<b>14468/2014</b>	<b>Eveready Battery Company, Inc.;</b> 26-02, Lighting device, (US, 04 Apr 2014) 08 Sep 2014	<b>14498/2014</b>
<b>CLEAR LAM PACKAGING, INC.;</b> 09-03NES, Package, (US, 07 Mar 2014) 05 Sep 2014	<b>14462/2014</b>	<b>Eveready Battery Company, Inc.;</b> 26-02, Lighting device, (US, 04 Apr 2014) 08 Sep 2014	<b>14496/2014</b>
<b>CONTINENTAL REIFEN DEUTSCHLAND GMBH;</b> 12-15B, Tyre, (WO, 04 Mar 2014) 03 Sep 2014	<b>14382/2014</b>	<b>Fiechtner, Ronald Gary Allan;Fiechtner, Annalisa Samantha;Fiechtner, Kingsley William James;</b> 15-03B, Attachment for a grain harvester, 01 Sep 2014	<b>14345/2014</b>
<b>CONTINENTAL REIFEN DEUTSCHLAND GMBH;</b> 12-15B, Tyre, (WO, 04 Mar 2014) 03 Sep 2014	<b>14375/2014</b>	<b>Fiechtner, Kingsley William James;Fiechtner, Ronald Gary Allan;Fiechtner, Annalisa Samantha;</b> 15-03B, Attachment for a grain harvester, 01 Sep 2014	<b>14345/2014</b>
<b>CONTINENTAL REIFEN DEUTSCHLAND GMBH;</b> 12-15B, Tyre, (WO, 04 Mar 2014) 03 Sep 2014	<b>14376/2014</b>	<b>Fiechtner, Annalisa Samantha;Fiechtner, Ronald Gary Allan;Fiechtner, Kingsley William James;</b> 15-03B, Attachment for a grain harvester, 01 Sep 2014	<b>14345/2014</b>
<b>CTS CREATIVE TRAFFIC SOLUTIONS PTY LTD;Mckie, Richard;</b> 10-06, Traffic calming device, 02 Sep 2014	<b>14365/2014</b>	<b>Flow Control LLC.;</b> 15-02, Low profile pump, (US, 30 Jan 2014) (Divisional of 13103/2014) 02 Sep 2014	<b>14368/2014</b>
<b>Daikin Industries Ltd;</b> 23-04, Air conditioner, (JP, 04 Apr 2014) 09 Sep 2014	<b>14530/2014</b>	<b>Forever New Clothing Pty Ltd;</b> 02-01A, 02-02NES, 02-02C, Article of clothing, 01 Sep 2014	<b>14339/2014</b>
<b>Duke Manufacturing Co.;</b> 07-01NES, Container lid, (US, 14 Mar 2014) 11 Sep 2014	<b>14588/2014</b>	<b>Forever New Clothing Pty Ltd;</b> 03-01B, Accessory item, 01 Sep 2014	<b>14342/2014</b>
<b>DKH RETAIL LIMITED;</b> 02-02NES, A jacket, (EM, 14 Aug 2014) 10 Sep 2014	<b>14579/2014</b>	<b>Forever New Clothing Pty Ltd;</b> 02-02NES, Article of clothing, (Divisional of 16829/2013) 10 Sep 2014	<b>14559/2014</b>
<b>DKH RETAIL LIMITED;</b> 02-02NES, A hood for a jacket, (EM, 14 Aug 2014) 10 Sep 2014	<b>14580/2014</b>	<b>Forever New Clothing Pty Ltd;</b> 02-02NES, Article of clothing, (Divisional of 16829/2013) 10 Sep 2014	<b>14562/2014</b>
<b>DUAL INVENTIVE HOLDING B.V.;</b> 10-06, Horn, (EM, 13 Mar 2014) 12 Sep 2014	<b>14627/2014</b>		
<b>Electrical Home-Aids Pty Ltd;</b> 03-01A, A back pack, 08 Sep 2014	<b>14506/2014</b>		



<b>Forever New Clothing Pty Ltd;</b> 02-02NES, Article of clothing, (Divisional of 16829/2013) 10 Sep 2014	<b>14561/2014</b>	<b>Forever New Clothing Pty Ltd;</b> 02-02C, Article of clothing, (Divisional of 16829/2013) 10 Sep 2014	<b>14544/2014</b>
<b>Forever New Clothing Pty Ltd;</b> 02-02NES, Article of clothing, (Divisional of 16829/2013) 10 Sep 2014	<b>14560/2014</b>	<b>Forever New Clothing Pty Ltd;</b> 02-02NES, Article of clothing, (Divisional of 16829/2013) 10 Sep 2014	<b>14548/2014</b>
<b>Forever New Clothing Pty Ltd;</b> 02-02NES, Article of clothing, (Divisional of 16829/2013) 10 Sep 2014	<b>14558/2014</b>	<b>Forever New Clothing Pty Ltd;</b> 02-02NES, Article of clothing, (Divisional of 16829/2013) 10 Sep 2014	<b>14549/2014</b>
<b>Forever New Clothing Pty Ltd;</b> 02-02NES, Article of clothing, (Divisional of 16829/2013) 10 Sep 2014	<b>14556/2014</b>	<b>Forever New Clothing Pty Ltd;</b> 02-02C, Article of clothing, (Divisional of 16829/2013) 10 Sep 2014	<b>14546/2014</b>
<b>Forever New Clothing Pty Ltd;</b> 02-02NES, Article of clothing, (Divisional of 16829/2013) 10 Sep 2014	<b>14563/2014</b>	<b>Forever New Clothing Pty Ltd;</b> 02-02C, Article of clothing, (Divisional of 16829/2013) 10 Sep 2014	<b>14547/2014</b>
<b>Forever New Clothing Pty Ltd;</b> 02-02C, Article of clothing, (Divisional of 16829/2013) 10 Sep 2014	<b>14557/2014</b>	<b>Forever New Clothing Pty Ltd;</b> 02-02C, Article of clothing, (Divisional of 16829/2013) 10 Sep 2014	<b>14545/2014</b>
<b>Forever New Clothing Pty Ltd;</b> 02-02NES, Article of clothing, (Divisional of 16829/2013) 10 Sep 2014	<b>14554/2014</b>	<b>Formway Furniture Limited;</b> 06-01G, Chair, (US, 19 Mar 2014) 08 Sep 2014	<b>14491/2014</b>
<b>Forever New Clothing Pty Ltd;</b> 02-02C, Article of clothing, (Divisional of 16829/2013) 10 Sep 2014	<b>14564/2014</b>	<b>Formway Furniture Limited;</b> 06-01G, Chair, (US, 19 Mar 2014) 08 Sep 2014	<b>14492/2014</b>
<b>Forever New Clothing Pty Ltd;</b> 02-02C, Article of clothing, (Divisional of 16829/2013) 10 Sep 2014	<b>14568/2014</b>	<b>Geobra Brandstatter GmbH &amp; Co. KG.;</b> 21-01B, Toy figure, (EM, 14 Mar 2014) 08 Sep 2014	<b>14514/2014</b>
<b>Forever New Clothing Pty Ltd;</b> 02-02C, Article of clothing, (Divisional of 16829/2013) 10 Sep 2014	<b>14569/2014</b>	<b>Geobra Brandstatter GmbH &amp; Co. KG.;</b> 21-01B, Toy figure, (EM, 14 Mar 2014) 08 Sep 2014	<b>14515/2014</b>
<b>Forever New Clothing Pty Ltd;</b> 02-02C, Article of clothing, (Divisional of 16829/2013) 10 Sep 2014	<b>14565/2014</b>	<b>Geobra Brandstatter GmbH &amp; Co. KG.;</b> 21-01B, Toy figure, (EM, 14 Mar 2014) 08 Sep 2014	<b>14513/2014</b>
<b>Forever New Clothing Pty Ltd;</b> 02-02NES, Article of clothing, (Divisional of 16829/2013) 10 Sep 2014	<b>14555/2014</b>	<b>Geobra Brandstatter GmbH &amp; Co. KG.;</b> 21-01B, Toy figure, (EM, 14 Mar 2014) 08 Sep 2014	<b>14512/2014</b>
<b>Forever New Clothing Pty Ltd;</b> 02-02NES, Article of clothing, (Divisional of 16829/2013) 10 Sep 2014	<b>14550/2014</b>	<b>Geobra Brandstatter GmbH &amp; Co. KG.;</b> 21-01B, Toy figure, (EM, 14 Mar 2014) 08 Sep 2014	<b>14510/2014</b>
<b>Forever New Clothing Pty Ltd;</b> 02-02NES, Article of clothing, (Divisional of 16829/2013) 10 Sep 2014	<b>14566/2014</b>	<b>Geobra Brandstatter GmbH &amp; Co. KG.;</b> 21-01B, Toy figure, (EM, 14 Mar 2014) 08 Sep 2014	<b>14516/2014</b>
<b>Forever New Clothing Pty Ltd;</b> 02-02C, Article of clothing, (Divisional of 16829/2013) 10 Sep 2014	<b>14567/2014</b>	<b>Geobra Brandstatter GmbH &amp; Co. KG.;</b> 21-01B, Toy figure, (EM, 14 Mar 2014) 08 Sep 2014	<b>14511/2014</b>
<b>Forever New Clothing Pty Ltd;</b> 02-02C, Article of clothing, (Divisional of 16829/2013) 10 Sep 2014	<b>14551/2014</b>	<b>Geobra Brandstatter GmbH &amp; Co. KG.;</b> 21-01A, Toy figure, (EM, 14 Mar 2014) 08 Sep 2014	<b>14509/2014</b>
<b>Forever New Clothing Pty Ltd;</b> 02-02C, Article of clothing, (Divisional of 16829/2013) 10 Sep 2014	<b>14552/2014</b>	<b>Grant, John Scott;</b> 21-01D, Surfing hand board, 06 Sep 2014	<b>14490/2014</b>
<b>Forever New Clothing Pty Ltd;</b> 02-02NES, Article of clothing, (Divisional of 16829/2013) 10 Sep 2014	<b>14553/2014</b>	<b>Hall, Timothy John;Hewat, Rebecca Lee;</b> 30-07, Platform bird bed, 09 Sep 2014	<b>14529/2014</b>
		<b>Hallett, Peter Thomas;</b> 08-08NES, Transom brackets, 01 Sep 2014	<b>14335/2014</b>

<b>Halo Trademarks Limited;</b> 06-01F, Chair, 11 Sep 2014	<b>14594/2014</b>	<b>Illinois Tool Works Inc.;</b> 23-04, Air filtration device, (US, 10 Mar 2014) 10 Sep 2014	<b>14538/2014</b>
<b>Halo Trademarks Limited;</b> 06-03B, Coffee table, 11 Sep 2014	<b>14595/2014</b>	<b>Illinois Tool Works Inc.;</b> 23-04, Air filtration device, (US, 10 Mar 2014) 10 Sep 2014	<b>14535/2014</b>
<b>Halo Trademarks Limited;</b> 06-01G, Sofa, 11 Sep 2014	<b>14592/2014</b>	<b>Intercontinental Great Brands LLC;</b> 09-01NES, Package, (US, 05 Mar 2014) 05 Sep 2014	<b>14448/2014</b>
<b>Halo Trademarks Limited;</b> 06-03B, Table with lights, 11 Sep 2014	<b>14593/2014</b>	<b>Intercontinental Great Brands LLC;</b> 09-03NES, 09-05, Blank for a package, (US, 05 Mar 2014) 05 Sep 2014	<b>14450/2014</b>
<b>Halo Trademarks Limited;</b> 06-07, Mirror with lights, 11 Sep 2014	<b>14601/2014</b>	<b>Intercontinental Great Brands LLC;</b> 09-01NES, Package, (US, 05 Mar 2014) 05 Sep 2014	<b>14449/2014</b>
<b>Halo Trademarks Limited;</b> 06-03A, Coffee table, 11 Sep 2014	<b>14599/2014</b>	<b>Intercontinental Great Brands LLC;</b> 09-05, Package, (US, 05 Mar 2014) 05 Sep 2014	<b>14439/2014</b>
<b>Halo Trademarks Limited;</b> 06-01G, Sofa, 11 Sep 2014	<b>14591/2014</b>	<b>Intercontinental Great Brands LLC;</b> 09-05, Package, (US, 05 Mar 2014) 05 Sep 2014	<b>14447/2014</b>
<b>Halo Trademarks Limited;</b> 06-03A, Dining table, 11 Sep 2014	<b>14600/2014</b>	<b>Intercontinental Great Brands LLC;</b> 09-05, Blank for a package, (US, 05 Mar 2014) 05 Sep 2014	<b>14445/2014</b>
<b>Hangzhou HPWINNER Opto Corporation;</b> 26-05NES, Housing for lighting device, (CN, 27 May 2014) 09 Sep 2014	<b>14521/2014</b>	<b>Intercontinental Great Brands LLC;</b> 09-05, Package, (US, 05 Mar 2014) 05 Sep 2014	<b>14446/2014</b>
<b>Hermes Sellier (Societe Par Actions Simpliffee);</b> 03-01B, Bag, (WO, 03 Mar 2014) 03 Sep 2014	<b>14377/2014</b>	<b>Intercontinental Great Brands LLC;</b> 09-05, Blank for a package, (US, 05 Mar 2014) 05 Sep 2014	<b>14440/2014</b>
<b>Hewat, Rebecca Lee;Hall, Timothy John;</b> 30-07, Platform bird bed, 09 Sep 2014	<b>14529/2014</b>	<b>Intercontinental Great Brands LLC;</b> 09-05, Package, (US, 05 Mar 2014) 05 Sep 2014	<b>14437/2014</b>
<b>Homeland Housewares, LLC.;</b> 31-00, Vessel, (US, 27 May 2014) 04 Sep 2014	<b>14399/2014</b>	<b>Intercontinental Great Brands LLC;</b> 09-05, Package, (US, 05 Mar 2014) 05 Sep 2014	<b>14441/2014</b>
<b>Homeland Housewares, LLC.;</b> 31-00, Blender vessel, (US, 27 May 2014) 04 Sep 2014	<b>14396/2014</b>	<b>Intercontinental Great Brands LLC;</b> 09-05, Package, (US, 05 Mar 2014) 05 Sep 2014	<b>14442/2014</b>
<b>Homeland Housewares, LLC.;</b> 31-00, Mixing vessel, (US, 27 Mar 2014) 04 Sep 2014	<b>14394/2014</b>	<b>Intercontinental Great Brands LLC;</b> 09-05, Package, (US, 05 Mar 2014) 05 Sep 2014	<b>14438/2014</b>
<b>Honda Motor Co., Ltd.;</b> 12-08, Automobile, (JP, 10 Mar 2014) 02 Sep 2014	<b>14348/2014</b>	<b>Intercontinental Great Brands LLC;</b> 09-05, Package, (US, 05 Mar 2014) 05 Sep 2014	<b>14436/2014</b>
<b>Hort, Robin Lorene;</b> 02-01NES, Underwear (Knickers), 02 Sep 2014	<b>14373/2014</b>	<b>Intercontinental Great Brands LLC;</b> 09-05, Package, (US, 05 Mar 2014) 05 Sep 2014	<b>14443/2014</b>
<b>Hunter Pacific International Pty Ltd;</b> 23-04, Ceiling fan, 10 Sep 2014	<b>14585/2014</b>	<b>Intercontinental Great Brands LLC;</b> 09-05, Package, (US, 05 Mar 2014) 05 Sep 2014	<b>14444/2014</b>
<b>Illinois Tool Works Inc.;</b> 09-07A, Cartridge, 01 Sep 2014	<b>14343/2014</b>	<b>Invacare International Sarl;</b> 12-12, Wheelchair, (WO, 13 Mar 2014) 12 Sep 2014	<b>14641/2014</b>
<b>Illinois Tool Works Inc.;</b> 09-03K, Merchandising container, 12 Sep 2014	<b>14640/2014</b>	<b>Jackson Trademark Holdings Pty Ltd;</b> 13-03D, A USB charger, 04 Sep 2014	<b>14407/2014</b>
<b>Illinois Tool Works Inc.;</b> 09-03K, Merchandising container, 12 Sep 2014	<b>14642/2014</b>		
<b>Illinois Tool Works Inc.;</b> 09-07NES, Cartridge Ltd, 01 Sep 2014	<b>14344/2014</b>		

<b>Johnson &amp; Johnson GmbH;</b> 24-04, Catamenial tampon, (US, 25 Mar 2014) 11 Sep 2014	<b>14603/2014</b>	<b>Koninklijke Philips N.V.;</b> 31-00, Hand blender, (EM, 08 Mar 2014) 05 Sep 2014	<b>14469/2014</b>
<b>Johnson &amp; Johnson Medical GMBH;</b> 24-04, Surgical mesh implant, (US, 13 Mar 2014) 12 Sep 2014	<b>14634/2014</b>	<b>Koninklijke Philips N.V.;</b> 04-02, Brush head for electric toothbrush, (EM, 12 Mar 2014) 11 Sep 2014	<b>14590/2014</b>
<b>Johnson &amp; Johnson Medical GMBH;</b> 24-04, Surgical mesh implant, (EM, 13 Mar 2014) 12 Sep 2014	<b>14637/2014</b>	<b>Koninklijke Philips N.V.;</b> 04-02, Electric toothbrush, (EM, 12 Mar 2014) 11 Sep 2014	<b>14589/2014</b>
<b>Johnson &amp; Johnson Medical GMBH;</b> 24-99, Surgical mesh implant, (US, 13 Mar 2014) 12 Sep 2014	<b>14631/2014</b>	<b>Kreuger, John Antony Arie;</b> 09-01D, A bottle with lid, 29 Aug 2014	<b>14311/2014</b>
<b>Johnson &amp; Johnson Medical GMBH;</b> 24-04, Surgical mesh implant, (EM, 13 Mar 2014) 12 Sep 2014	<b>14636/2014</b>	<b>Kreuger, John Antony Arie;</b> 07-06D, A bottle opener, 29 Aug 2014	<b>14310/2014</b>
<b>Johnson &amp; Johnson Medical GMBH;</b> 24-04, Surgical mesh implant, (US, 13 Mar 2014) 12 Sep 2014	<b>14633/2014</b>	<b>KENWOOD LIMITED;</b> 31-00, Mixer, (EM, 14 Mar 2014) 12 Sep 2014	<b>14615/2014</b>
<b>Johnson &amp; Johnson Medical GMBH;</b> 24-99, Surgical mesh implant, (DE, 13 Mar 2014) 12 Sep 2014	<b>14628/2014</b>	<b>Landmark Engineering &amp; Design Pty Ltd;</b> 25-03, Shelter, 10 Sep 2014	<b>14582/2014</b>
<b>Johnson &amp; Johnson Medical GMBH;</b> 24-99, Surgical implant, (EM, 13 Mar 2014) 12 Sep 2014	<b>14626/2014</b>	<b>Lavermicocca, Giovanni;</b> 21-01M, Puzzle, 05 Sep 2014	<b>14479/2014</b>
<b>Jones, Terrence Keith;</b> 14-01, Sound bar audio speaker, (US, 14 Mar 2014) 12 Sep 2014	<b>14645/2014</b>	<b>Lavermicocca, Giovanni;</b> 21-01M, Puzzle, 05 Sep 2014	<b>14481/2014</b>
<b>Julius Blum GmbH;</b> 06-06D, Part of a drawer, (EM, 31 Mar 2014) 11 Sep 2014	<b>14610/2014</b>	<b>Lavermicocca, Giovanni;</b> 21-01M, Puzzle, 05 Sep 2014	<b>14480/2014</b>
<b>Julius Blum GmbH;</b> 06-06D, Part of a drawer, (EM, 31 Mar 2014) 11 Sep 2014	<b>14607/2014</b>	<b>Leibovich, Aaron;</b> 14-03NES, A passive EM antenna for an electronic device no.4, 02 Sep 2014	<b>14374/2014</b>
<b>Kennedy, Michael John;</b> 19-08, Bendy steel (dolometal), 26 Aug 2014	<b>14404/2014</b>	<b>Lite Guard Safety Solutions Pty Ltd;</b> 25-01K, An extrusion, 05 Sep 2014	<b>14470/2014</b>
<b>Kilian, Martin;Tocev, Ivan;</b> 25-02NES, Prefabricated or pre-assembled building part, (EM, 14 Mar 2014) 09 Sep 2014	<b>14524/2014</b>	<b>Logue, Anthony Thomas;</b> 10-04, Measuring cup, (EM, 25 Mar 2014) 12 Sep 2014	<b>14622/2014</b>
<b>Kilian, Martin;Tocev, Ivan;</b> 25-02NES, Prefabricated or pre-assembled building part, (EM, 14 Mar 2014) 09 Sep 2014	<b>14523/2014</b>	<b>Logue, Anthony Thomas;</b> 10-04, Measuring cup, (EM, 25 Mar 2014) 12 Sep 2014	<b>14620/2014</b>
<b>Kilian, Martin;Tocev, Ivan;</b> 25-02NES, Prefabricated or pre-assembled building part, (EM, 14 Mar 2014) 09 Sep 2014	<b>14525/2014</b>	<b>Logue, Anthony Thomas;</b> 10-04, Measuring cup, (EM, 25 Mar 2014) 12 Sep 2014	<b>14621/2014</b>
<b>King Furniture Australia Pty Ltd;</b> 26-05B, A lamp, 10 Sep 2014	<b>14574/2014</b>	<b>Logue, Anthony Thomas;</b> 10-04, Measuring cup, (EM, 25 Mar 2014) 12 Sep 2014	<b>14618/2014</b>
<b>Knew Pod Systems Pty Ltd;</b> 25-01D, A building element, 04 Sep 2014	<b>14434/2014</b>	<b>Logue, Anthony Thomas;</b> 10-04, Measuring cup, (EM, 25 Mar 2014) 12 Sep 2014	<b>14619/2014</b>
<b>Knew Pod Systems Pty Ltd;</b> 25-02G, A building element, 04 Sep 2014	<b>14433/2014</b>	<b>Logue, Anthony Thomas;</b> 10-04, Measuring cup, (EM, 25 Mar 2014) 12 Sep 2014	<b>14617/2014</b>
		<b>Lord, Tyson Dene;</b> 21-02A, AFL shaped football, a soccer ball, 06 Sep 2014	<b>14488/2014</b>
		<b>Lorna Jane Pty Ltd;</b> 02-02C, Clothing, 10 Sep 2014	<b>14575/2014</b>
		<b>Lorna Jane Pty Ltd;</b> 02-02C, 02-02NES, Clothing, 29 Aug 2014	<b>14349/2014</b>

<b>Luxottica S.R.L.;</b> 16-06, Part of a spectacle frame, (EM, 03 Mar 2014) 02 Sep 2014	<b>14350/2014</b>	<b>MCDOWALL STREET PROPERTIES PTY. LTD.;</b> 02-02NES, A shirt, 01 Sep 2014	<b>14337/2014</b>
<b>LAMRITE WEST INC.;</b> 26-05D, Novelty chandelier sconce base, (US, 11 Mar 2014) 10 Sep 2014	<b>14543/2014</b>	<b>MCDOWALL STREET PROPERTIES PTY. LTD.;</b> 02-02NES, A shirt, 01 Sep 2014	<b>14338/2014</b>
<b>LAMRITE WEST INC.;</b> 26-05C, Novelty sconce, (US, 11 Mar 2014) 10 Sep 2014	<b>14536/2014</b>	<b>Nicoventures Holdings Limited;</b> 27-01, Electronic cigarette, (EM, 13 Mar 2014) 11 Sep 2014	<b>14606/2014</b>
<b>LAMRITE WEST INC.;</b> 26-05D, Novelty chandelier sconce, (US, 11 Mar 2014) 10 Sep 2014	<b>14534/2014</b>	<b>Nicoventures Holdings Limited;</b> 27-99, Electronic cigarette, (EM, 13 Mar 2014) 11 Sep 2014	<b>14604/2014</b>
<b>LAMRITE WEST INC.;</b> 06-04NES, Shelf for a locker, (US, 13 Mar 2014) 10 Sep 2014	<b>14540/2014</b>	<b>Ningbo Mentoriend International Trading Co., Ltd.;</b> 06-01NES, Hammock, 04 Sep 2014	<b>14408/2014</b>
<b>LSI Industries, Inc.;</b> 26-05C, Lighting, (Divisional of 13607/2014) 01 Sep 2014	<b>14333/2014</b>	<b>NFR Investments Pty Limited;</b> 30-99, A toy, 29 Aug 2014	<b>14305/2014</b>
<b>LSI Industries, Inc.;</b> 26-05A, Lighting, (Divisional of 13607/2014) 01 Sep 2014	<b>14330/2014</b>	<b>NINGBO MENTORIEND INTERNATIONAL TRADING CO., LTD.;</b> 06-02, Hammock, 04 Sep 2014	<b>14431/2014</b>
<b>LSI Industries, Inc.;</b> 26-05C, Lighting, (Divisional of 13607/2014) 01 Sep 2014	<b>14329/2014</b>	<b>NINGBO MENTORIEND INTERNATIONAL TRADING CO., LTD.;</b> 06-02, Hammock, 04 Sep 2014	<b>14423/2014</b>
<b>LSI Industries, Inc.;</b> 26-05C, Lighting, (Divisional of 13607/2014) 01 Sep 2014	<b>14327/2014</b>	<b>NU-D LIMITED;</b> 08-07, Shackle pin, 01 Sep 2014	<b>14320/2014</b>
<b>LSI Industries, Inc.;</b> 26-05D, Lighting, (Divisional of 13607/2014) 01 Sep 2014	<b>14341/2014</b>	<b>Ocean Vision Environmental Research Pty Ltd;</b> 14-03NES, i-Submerge GPS, 12 Sep 2014	<b>14643/2014</b>
<b>LSI Industries, Inc.;</b> 26-05C, Lighting, (Divisional of 13607/2014) 01 Sep 2014	<b>14326/2014</b>	<b>Orora Limited;</b> 09-03K, Container and blanks therefore, 11 Sep 2014	<b>14608/2014</b>
<b>LSI Industries, Inc.;</b> 26-05D, Lighting, (Divisional of 13607/2014) 01 Sep 2014	<b>14340/2014</b>	<b>Pai, Lucas;</b> 07-02E, Barbecue grill, 11 Sep 2014	<b>14609/2014</b>
<b>Macnaught Pty Limited;</b> 08-99, Power tool, 10 Sep 2014	<b>14583/2014</b>	<b>Panasonic Corporation;</b> 08-05N, Portable electric grinder, 12 Sep 2014	<b>14639/2014</b>
<b>Marley New Zealand Limited;</b> 08-08NES, Pipe clip assembly, 05 Sep 2014	<b>14471/2014</b>	<b>Percy, Thomas;</b> 11-02F, 19-07, 3D Contour Map of Moreton Bay, Queensland, 14 Sep 2014	<b>14646/2014</b>
<b>Mckie, Richard;CTS CREATIVE TRAFFIC SOLUTIONS PTY LTD.;</b> 10-06, Traffic calming device, 02 Sep 2014	<b>14365/2014</b>	<b>Phoenix Industries Pty Ltd;</b> 23-01H, Spout, 08 Sep 2014	<b>14522/2014</b>
<b>McDowall Street Properties Pty. Ltd.;</b> 02-02NES, A shirt, 01 Sep 2014	<b>14336/2014</b>	<b>Phoenix Industries Pty Ltd;</b> 23-01H, Mixer tap, 10 Sep 2014	<b>14539/2014</b>
<b>Microsoft Mobile OY.;</b> 14-03E, Handset, (US, 13 Mar 2014) 12 Sep 2014	<b>14623/2014</b>	<b>Phoenix Industries Pty Ltd;</b> 23-01H, Mixer tap, 10 Sep 2014	<b>14542/2014</b>
<b>Miskovich, Joseph Steve;</b> 25-01NES, Construction conduit unit, (US, 12 Mar 2014) 11 Sep 2014	<b>14596/2014</b>	<b>Phoenix Industries Pty Ltd;</b> 23-01H, Mixer set, 10 Sep 2014	<b>14541/2014</b>
<b>Molins, Michael;</b> 12-16H, Mirror housing, 28 Aug 2014	<b>14283/2014</b>	<b>Phoenix Industries Pty Ltd;</b> 23-01H, Spout, 10 Sep 2014	<b>14537/2014</b>
<b>Molins, Michael;</b> 12-16H, Mirror housing, 28 Aug 2014	<b>14282/2014</b>	<b>Prociuk, Andrzej Stefan;</b> 26-03, Camping/wetherproof/field lighting, 04 Sep 2014	<b>14435/2014</b>
		<b>Railblaza Limited;</b> 07-06A, A cup holder, (NZ, 26 Mar 2014) 08 Sep 2014	<b>14497/2014</b>

<b>Reckitt Benckiser (Brands) Limited;</b> 09-01NES, Bottle with cap, (EM, 07 Apr 2014) 04 Sep 2014	<b>14397/2014</b>	<b>Remodeez LLC;</b> 28-99, Deodorizer, (US, 14 Mar 2014) 10 Sep 2014	<b>14584/2014</b>
<b>Reckitt Benckiser (Brands) Limited;</b> 09-01NES, Bottle with cap, (EM, 07 Apr 2014) 04 Sep 2014	<b>14395/2014</b>	<b>Riad, Romola Alice;</b> 32-03, T-shirts, singlets, business cards, letter heads, 14 Sep 2014	<b>14647/2014</b>
<b>Reckitt Benckiser (Brands) Limited;</b> 09-07C, Cap, (EM, 07 Apr 2014) 04 Sep 2014	<b>14400/2014</b>	<b>Rossi Automotive Limited;</b> 12-10, Deck tipping arm, (NZ, 18 Mar 2014) 10 Sep 2014	<b>14570/2014</b>
<b>Reckitt Benckiser (Brands) Limited;</b> 09-01NES, Bottle with cap, (EM, 07 Apr 2014) 04 Sep 2014	<b>14393/2014</b>	<b>Roy Gripske &amp; Sons Pty Ltd;</b> 08-03, A blade for a brush cutter, 05 Sep 2014	<b>14461/2014</b>
<b>Reckitt Benckiser (Brands) Limited;</b> 09-07C, Cap, (EM, 07 Apr 2014) 04 Sep 2014	<b>14403/2014</b>	<b>Royalty Bugaboo GmbH;</b> 06-99, A stand for a seat or bassinet, (EM, 05 Sep 2014) 09 Sep 2014	<b>14527/2014</b>
<b>Reckitt Benckiser (Brands) Limited;</b> 09-01NES, Bottle with cap, (EM, 07 Apr 2014) 04 Sep 2014	<b>14392/2014</b>	<b>Royalty Bugaboo GmbH;</b> 12-12, Stroller, (EM, 05 Sep 2014) 09 Sep 2014	<b>14531/2014</b>
<b>Reckitt Benckiser (Brands) Limited;</b> 07-05NES, Capsules containing washing products, (EM, 19 Mar 2014) 04 Sep 2014	<b>14409/2014</b>	<b>RPC Superfos A/S;</b> 09-03M, Container, (EP, 11 Mar 2014) 10 Sep 2014	<b>14577/2014</b>
<b>Reckitt Benckiser (Brands) Limited;</b> 07-05NES, Capsules containing washing products, (EM, 19 Mar 2014) 04 Sep 2014	<b>14410/2014</b>	<b>RPC Superfos A/S;</b> 09-03M, Container, (EP, 11 Mar 2014) 10 Sep 2014	<b>14578/2014</b>
<b>Regeneron Pharmaceuticals, Inc.;Sanofi;</b> 24-01, Medicament injection device with cap, (EP, 03 Mar 2014) 03 Sep 2014	<b>14384/2014</b>	<b>Sagidox Australia Pty Ltd;</b> 21-04, Tent peg, 11 Sep 2014	<b>14586/2014</b>
<b>Regeneron Pharmaceuticals, Inc.;Sanofi;</b> 24-01, Medicament injection device with cap, (EP, 03 Mar 2014) 03 Sep 2014	<b>14385/2014</b>	<b>Sagidox Australia Pty Ltd;</b> 21-04, Tent peg, 11 Sep 2014	<b>14587/2014</b>
<b>Regeneron Pharmaceuticals, Inc.;Sanofi;</b> 24-01, Medicament Injection Device with cap, (EP, 03 Mar 2014) 03 Sep 2014	<b>14388/2014</b>	<b>Sanofi;Regeneron Pharmaceuticals, Inc.;</b> 24-01, Medicament injection device with cap, (EP, 03 Mar 2014) 03 Sep 2014	<b>14385/2014</b>
<b>Regeneron Pharmaceuticals, Inc.;Sanofi;</b> 24-01, Medicament injection device, (EP, 03 Mar 2014) 03 Sep 2014	<b>14387/2014</b>	<b>Sanofi;Regeneron Pharmaceuticals, Inc.;</b> 24-01, Medicament injection device with cap, (EP, 03 Mar 2014) 03 Sep 2014	<b>14384/2014</b>
<b>Regeneron Pharmaceuticals, Inc.;Sanofi;</b> 24-01, Medicament injection device with cap, (EP, 03 Mar 2014) 03 Sep 2014	<b>14386/2014</b>	<b>Sanofi;Regeneron Pharmaceuticals, Inc.;</b> 24-01, Medicament Injection Device with cap, (EP, 03 Mar 2014) 03 Sep 2014	<b>14388/2014</b>
<b>Remington Designs, LLC;</b> 07-02L, Coffee brewer, (US, 05 Mar 2014) 05 Sep 2014	<b>14477/2014</b>	<b>Sanofi;Regeneron Pharmaceuticals, Inc.;</b> 24-01, Medicament injection device, (EP, 03 Mar 2014) 03 Sep 2014	<b>14387/2014</b>
<b>Remington Designs, LLC;</b> 07-02L, Coffee brewer, (US, 13 Mar 2014) 11 Sep 2014	<b>14611/2014</b>	<b>Sanofi;Regeneron Pharmaceuticals, Inc.;</b> 24-01, Medicament injection device with cap, (EP, 03 Mar 2014) 03 Sep 2014	<b>14386/2014</b>
<b>Remington Designs, LLC;</b> 07-02L, Coffee brewer, (US, 13 Mar 2014) 11 Sep 2014	<b>14612/2014</b>	<b>Savage, Mike;</b> 12-16B, Automotive bonnet scoop design, 04 Sep 2014	<b>14430/2014</b>
<b>Remodeez LLC;</b> 28-99, Deodorizer, (US, 14 Mar 2014) 10 Sep 2014	<b>14581/2014</b>	<b>Scarcella, Lauren Alexandra;</b> 07-05C, Peg; fastener; clip;, 04 Sep 2014	<b>14405/2014</b>
<b>Remodeez LLC;</b> 09-01A, Deodorizer, (US, 14 Mar 2014) 10 Sep 2014	<b>14576/2014</b>	<b>Schneider Electric (Australia) Pty Limited;</b> 13-03D, Electrical outlet, 04 Sep 2014	<b>14428/2014</b>
		<b>Schneider Electric (Australia) Pty Limited;</b> 08-08NES, Support for electrical device, 04 Sep 2014	<b>14416/2014</b>
		<b>Schneider Electric (Australia) Pty Limited;</b> 13-03D, Electrical outlet, 04 Sep 2014	<b>14429/2014</b>

<b>Schneider Electric (Australia) Pty Limited;</b> 08-08NES, Support for electrical device, 04 Sep 2014	<b>14426/2014</b>	<b>Societe des Produits Nestle S.A.;</b> 19-08, Chocolate tablet label, (CH, 05 Mar 2014) 05 Sep 2014	<b>14485/2014</b>
<b>Schneider Electric (Australia) Pty Limited;</b> 08-08NES, Support for electric device, 04 Sep 2014	<b>14413/2014</b>	<b>Societe des Produits Nestle S.A.;</b> 19-08, Chocolate tablet label, (CH, 05 Mar 2014) 05 Sep 2014	<b>14486/2014</b>
<b>Schneider Electric (Australia) Pty Limited;</b> 13-03E, Switch component, 04 Sep 2014	<b>14424/2014</b>	<b>Societe des Produits Nestle S.A.;</b> 19-08, Chocolate tablet label, (CH, 05 Mar 2014) 05 Sep 2014	<b>14483/2014</b>
<b>Schneider Electric (Australia) Pty Limited;</b> 08-01, Rotary switch component, 04 Sep 2014	<b>14422/2014</b>	<b>Societe des Produits Nestle S.A.;</b> 19-08, Chocolate tablet label, (CH, 05 Mar 2014) 05 Sep 2014	<b>14484/2014</b>
<b>Schneider Electric (Australia) Pty Limited;</b> 08-01, Rotary switch component, 04 Sep 2014	<b>14419/2014</b>	<b>Societe des Produits Nestle S.A.;</b> 19-08, Chocolate tablet label, (CH, 05 Mar 2014) 05 Sep 2014	<b>14482/2014</b>
<b>Seven Dreamers Laboratories, Inc.;</b> 24-04, Nasal airway tube, (JP, 07 Mar 2014) 04 Sep 2014	<b>14406/2014</b>	<b>Sony Computer Entertainment Inc.;</b> 14-01, Head mounted display, (JP, 14 Mar 2014) 08 Sep 2014	<b>14500/2014</b>
<b>Seven Dreamers Laboratories, Inc.;</b> 24-04, Nasal airway tube, (JP, 07 Mar 2014) 04 Sep 2014	<b>14402/2014</b>	<b>StyleRide Pty Ltd;</b> 06-01D, Bus seat frame, 12 Sep 2014	<b>14629/2014</b>
<b>Sherlock, Neville;THE LATTICE UNIT TRUST;Turnour, Edward;Turnour, Rita;</b> 25-02C, Gate frame, (Divisional of 12658/2014) 08 Sep 2014	<b>14495/2014</b>	<b>StyleRide Pty Ltd;</b> 06-01D, Bus seat frame, 12 Sep 2014	<b>14630/2014</b>
<b>Simplicity, LLC;</b> 24-02, Nasal dilator, (Divisional of 12698/2014) 05 Sep 2014	<b>14458/2014</b>	<b>Sullivan, John;Armstrong, Nadia Genevieve;</b> 06-13B, A bedspread for a caravan mattress, 11 Sep 2014	<b>14614/2014</b>
<b>Simplicity, LLC;</b> 24-99, , 05 Sep 2014	<b>14473/2014</b>	<b>SMA Solar Technology AG;</b> 13-02, Inverter, (EM, 31 Mar 2014) 09 Sep 2014	<b>14528/2014</b>
<b>Simplicity, LLC;</b> 24-99, Nasal dilator, (Divisional of 12698/2014) 05 Sep 2014	<b>14454/2014</b>	<b>SMA Solar Technology AG;</b> 13-02, Inverter, (EM, 31 Mar 2014) 09 Sep 2014	<b>14526/2014</b>
<b>Simplicity, LLC;</b> 24-02, Nasal dilator, (Divisional of 12698/2014) 05 Sep 2014	<b>14467/2014</b>	<b>T-Max Australia Pty Ltd;</b> 09-06, Reinforced rope, 04 Sep 2014	<b>14421/2014</b>
<b>Simplicity, LLC;</b> 24-02, Nasal dilator, (Divisional of 12698/2014) 05 Sep 2014	<b>14463/2014</b>	<b>Takasho Co., Ltd.;</b> 30-02, Bird house and feeder, 04 Sep 2014	<b>14420/2014</b>
<b>Simplicity, LLC;</b> 24-02, Nasal dilator, (Divisional of 12698/2014) 05 Sep 2014	<b>14460/2014</b>	<b>Takasho Co., Ltd.;</b> 30-03, Bird feeder, 04 Sep 2014	<b>14418/2014</b>
<b>Simplicity, LLC;</b> 24-99, Nasal dilator, (Divisional of 12698/2014) 05 Sep 2014	<b>14456/2014</b>	<b>Thales Air Systems SAS;</b> 06-03C, Computer terminals, (EM, 03 Mar 2014) 02 Sep 2014	<b>14366/2014</b>
<b>Skeehan Pty Ltd;</b> 06-01E, Furniture article. 3 leg stool. small and tall, 03 Sep 2014	<b>14378/2014</b>	<b>The Gillette Company;</b> 04-02, Toothbrush handle, (WO, 11 Mar 2014) 09 Sep 2014	<b>14518/2014</b>
<b>Sleep Innovations Pty Ltd;</b> 24-02, Device for sleep apnoea treatment, 09 Sep 2014	<b>14532/2014</b>	<b>The Gillette Company;</b> 04-02, Toothbrush, (WO, 11 Mar 2014) 09 Sep 2014	<b>14519/2014</b>
<b>Smith, Alfred;</b> 12-06NES, Ballast, (Divisional of 15584/2012) 29 Aug 2014	<b>14312/2014</b>	<b>The Gillette Company;</b> 04-02, Toothbrush handle, (WO, 11 Mar 2014) 09 Sep 2014	<b>14520/2014</b>
<b>Societe des Produits Nestle S.A.;</b> 19-08, Chocolate tablet label, (CH, 05 Mar 2014) 05 Sep 2014	<b>14487/2014</b>	<b>The Janger Limited;</b> 06-08, Clothes hanger, (EM, 11 Mar 2014) 11 Sep 2014	<b>14602/2014</b>

<b>Theobald, Brendan Ewart;</b> 02-04NES, Carpet over sole for flip flop, 12 Sep 2014	<b>14635/2014</b>	<b>Vorwerk &amp; Co. Interholding GmbH;</b> 31-00, Appliance for preparation of food, 02 Sep 2014	<b>14347/2014</b>
<b>Tocev, Ivan;Kilian, Martin;</b> 25-02NES, Prefabricated or pre-assembled building part, (EM, 14 Mar 2014) 09 Sep 2014	<b>14525/2014</b>	<b>Vorwerk &amp; Co. Interholding GmbH;</b> 31-00, Insert for appliance lid, 01 Sep 2014	<b>14334/2014</b>
<b>Tocev, Ivan;Kilian, Martin;</b> 25-02NES, Prefabricated or pre-assembled building part, (EM, 14 Mar 2014) 09 Sep 2014	<b>14523/2014</b>	<b>Vorwerk &amp; Co. Interholding GmbH;</b> 31-00, Appliance for preparation of food, 01 Sep 2014	<b>14328/2014</b>
<b>Tocev, Ivan;Kilian, Martin;</b> 25-02NES, Prefabricated or pre-assembled building part, (EM, 14 Mar 2014) 09 Sep 2014	<b>14524/2014</b>	<b>Vorwerk &amp; Co. Interholding GmbH;</b> 31-00, Appliance for preparation of food, 01 Sep 2014	<b>14321/2014</b>
<b>Turnour, Rita;THE LATTICE UNIT TRUST;Turnour, Edward;Sherlock, Neville;</b> 25-02C, Gate frame, (Divisional of 12658/2014) 08 Sep 2014	<b>14495/2014</b>	<b>Vorwerk &amp; Co. Interholding GmbH;</b> 31-00, Appliance for preparation of food, 01 Sep 2014	<b>14317/2014</b>
<b>Turnour, Edward;THE LATTICE UNIT TRUST;Sherlock, Neville;Turnour, Rita;</b> 25-02C, Gate frame, (Divisional of 12658/2014) 08 Sep 2014	<b>14495/2014</b>	<b>Vorwerk &amp; Co. Interholding GmbH;</b> 31-00, Appliance for preparation of food, 01 Sep 2014	<b>14316/2014</b>
<b>Tussy, Kevin Alan;</b> 09-01NES, Bottle, (US, 12 Mar 2014) 12 Sep 2014	<b>14625/2014</b>	<b>Vorwerk &amp; Co. Interholding GmbH;</b> 31-00, Appliance for preparation of food, 01 Sep 2014	<b>14322/2014</b>
<b>THE LATTICE UNIT TRUST;Turnour, Edward;Sherlock, Neville;Turnour, Rita;</b> 25-02C, Gate frame, (Divisional of 12658/2014) 08 Sep 2014	<b>14495/2014</b>	<b>Vorwerk &amp; Co. Interholding GmbH;</b> 31-00, Lid for an appliance for preparation of food, 01 Sep 2014	<b>14325/2014</b>
<b>TIC Group Pty Ltd;</b> 10-04, Sizing indicator, 04 Sep 2014	<b>14432/2014</b>	<b>Vorwerk &amp; Co. Interholding GmbH;</b> 31-00, Mixing vessel for preparation of food, 01 Sep 2014	<b>14323/2014</b>
<b>TIC Group Pty Ltd;</b> 06-08, Garment Hanger, 04 Sep 2014	<b>14414/2014</b>	<b>Vorwerk &amp; Co. Interholding GmbH;</b> 31-00, Appliance for preparation of food, 01 Sep 2014	<b>14318/2014</b>
<b>TIC Group Pty Ltd;</b> 06-99, Sizing indicator, 04 Sep 2014	<b>14417/2014</b>	<b>Vorwerk &amp; Co. Interholding GmbH;</b> 09-03M, Package for data medium, (EM, 23 Apr 2014) 01 Sep 2014	<b>14319/2014</b>
<b>TIC Group Pty Ltd;</b> 06-99, Sizing Indicator, 04 Sep 2014	<b>14415/2014</b>	<b>Vorwerk &amp; Co. Interholding GmbH;</b> 31-00, Appliance for preparation of food, 01 Sep 2014	<b>14331/2014</b>
<b>Vast Corporation Pty Ltd;</b> 07-01C, 09-01NES, Hexagon, hexagonal prism can; cup, 12 Sep 2014	<b>14644/2014</b>	<b>Walters, Tracy Michelle;</b> 02-02C, Pants with 2 full length zippers, 31 Aug 2014	<b>14313/2014</b>
<b>ViaCyte, Inc.;</b> 24-01, 3-D large capacity cell encapsulation device, (US, 07 Mar 2014) 06 Sep 2014	<b>14489/2014</b>	<b>Weeding, James Michael;</b> 08-05NES, Decking, 02 Sep 2014	<b>14372/2014</b>
<b>ViaCyte, Inc.;</b> 24-01, 3-D large capacity cell encapsulation device, (US, 07 Mar 2014) 08 Sep 2014	<b>14501/2014</b>	<b>Whirlpool Corporation;</b> 07-02L, Infuser, (Divisional of 13809/2014) 02 Sep 2014	<b>14360/2014</b>
<b>ViaCyte, Inc.;</b> 24-01, 3-D large capacity cell encapsulation device, (US, 07 Mar 2014) 08 Sep 2014	<b>14505/2014</b>	<b>Whirlpool Corporation;</b> 07-02L, Infuser, (Divisional of 13809/2014) 02 Sep 2014	<b>14361/2014</b>
<b>Vorwerk &amp; Co. Interholding GmbH;</b> 31-00, Mixing vessel for preparation of food, 01 Sep 2014	<b>14324/2014</b>	<b>Whirlpool Corporation;</b> 31-00, Multi cooker and stir tower with docking station, (Divisional of 13813/2014) 02 Sep 2014	<b>14358/2014</b>
		<b>Whirlpool Corporation;</b> 31-00, Blending appliance, (Divisional of 13807/2014) 02 Sep 2014	<b>14362/2014</b>

<b>Whirlpool Corporation;</b> 31-00, Blending appliance, (Divisional of 13807/2014) 02 Sep 2014	<b>14363/2014</b>	<b>Wong, Hiu Yu;</b> 19-02, 07-01D, 02-02C, 02-02NES, 21-01B, Stationary, cup, clothes, doll and standing model, 05 Sep 2014	<b>14474/2014</b>
<b>Whirlpool Corporation;</b> 31-00, Multi cooker and stir tower with docking station, (Divisional of 13813/2014) 02 Sep 2014	<b>14359/2014</b>	<b>WARRIE SHEARING PRODUCTS PTY. LTD.;</b> 06-13B, Bed linen (top sheet), 01 Sep 2014	<b>14332/2014</b>
<b>Whirlpool Corporation;</b> 31-00, Multicooker, (Divisional of 13811/2014) 02 Sep 2014	<b>14355/2014</b>	<b>Zero Japan Inc.;</b> 07-01G, Tea pot, (JP, 07 Mar 2014) 05 Sep 2014	<b>14457/2014</b>
<b>Whirlpool Corporation;</b> 31-00, Multicooker, (Divisional of 13811/2014) 02 Sep 2014	<b>14356/2014</b>	<b>Zipz, Inc.;</b> 09-01D, Beverage container, (US, 24 Mar 2014) 08 Sep 2014	<b>14493/2014</b>
<b>Whirlpool Corporation;</b> 31-00, Multi cooker and stir tower with docking station, (Divisional of 13813/2014) 02 Sep 2014	<b>14357/2014</b>	<b>Zipz, Inc.;</b> 07-01F, A beverage container, (US, 28 Mar 2014) 12 Sep 2014	<b>14624/2014</b>
<b>Whirlpool Corporation;</b> 31-00, Mixer attachment, (US, 14 Mar 2014) 29 Aug 2014	<b>14306/2014</b>	<b>3M Innovative Properties Company;</b> 14-01, Decorative display, (US, 06 Mar 2014) 05 Sep 2014	<b>14451/2014</b>
<b>Whirlpool Corporation;</b> 31-00, Appliance base, (US, 14 Mar 2014) 29 Aug 2014	<b>14307/2014</b>	<b>3M Innovative Properties Company;</b> 24-01, Powered air purifying respirator unit having a control panel, (US, 14 Mar 2014) 08 Sep 2014	<b>14507/2014</b>
<b>Whirlpool Corporation;</b> 31-00, Juicer attachment, (US, 14 Mar 2014) 29 Aug 2014	<b>14308/2014</b>	<b>3M Innovative Properties Company;</b> 24-01, 23-04, Powered air purifying respirator unit, (US, 14 Mar 2014) 08 Sep 2014	<b>14508/2014</b>
<b>White, Greg John;</b> 24-01, Patient IV fluids pole, 02 Sep 2014	<b>14364/2014</b>	<b>3M Innovative Properties Company;</b> 14-01, Decorative display, (US, 06 Mar 2014) 05 Sep 2014	<b>14452/2014</b>
<b>Wong, Hiu Yu;</b> 03-01B, Women's bag, 02 Sep 2014	<b>14346/2014</b>	<b>3M Innovative Properties Company;</b> 14-01, Decorative display base, (US, 06 Mar 2014) 05 Sep 2014	<b>14453/2014</b>

**Applications Lapsed**

12621 / 2014 (25-01F)	12658 / 2014 (25-02C)
12664 / 2014 (06-03NES)	12669 / 2014 (08-08NES)
12715 / 2014 (32-02)	12720 / 2014 (32-03)
12721 / 2014 (32-03)	12794 / 2014 (25-01G)
12805 / 2014 (06-01G)	12812 / 2014 (01-01)



**Extension of Period of Registration of Designs**

323081	324779	327243
327533	327619	327706
327792	327810	327811
327812	327813	327816
327817	327819	327820
327821	327835	327841
327849	327865	327883
327902	327907	327928
327929	327941	327942
327943	327945	327948
327949	327950	327952
327953	327954	327955
327956	327974	327976
327984	327989	327990
327991	327992	327994
327995	328091	328097
328125	328137	328157
328158	328159	328181
328189	328190	328203
328204	328205	328214
328215	328216	328217
328218	328219	328231
328258	328259	328276
328348	328351	328353
328361	328404	328485
328511	328513	328514
328515	328516	328523
328524	328643	328679
328768	328776	328777
328785	328786	328787
328788	328789	328790
328811	328833	328834
328859	328892	328917
328918	328978	329196
330028	331185	332770

**Revocation of Design Registrations**

The following Design Registration(s) have been revoked and are taken never to have been registered:

356489 12-08

**Registrations Ceased**

300553	300554	300555
300559	300560	300566
300567	300568	300569
300590	300643	300713
300714	300721	300722

300723	300724	300743
300744	300745	300746
300747	300776	300777
300778	300815	300816
300817	300836	300837
300838	300839	300851
300852	300853	300854
300855	300856	300857
300867	300873	300907
300908	300909	300911
300913	300941	300942
300943	300944	300952
300954	301022	301023
301077	301154	301155
301156	301157	301158
301159	301160	301161
301256	301257	301258
301259	301268	301321
301322	301323	301324
301365	301378	301569
301570	301639	301801
301819	302242	302540
302541	302542	302545
302653	302654	302655
302656	302657	302658
302756	302757	302852
302853	302960	302961
302962	303172	303173
303174	303248	303249
303250	303251	303697
304466	304467	304468
304469	304470	304471
304472	304473	304474
304475	304476	304477
304478	304584	304585
304586	304587	304588
304589	304590	304591
304607	304960	305530
324881	324885	324886
324925	324926	324983
324996	324998	325001
325013	325014	325029
325030	325031	325032
325048	325140	325276
325282	325283	325284
325285	325325	325326
325333	325361	325362
325366	325369	325375
325412	325418	325419
325420	325560	325561
325739	325740	325863
325879	325886	326005
326006	326007	326008
326009	327019	327026

327029            327038            327063  
 327440            327441            327442  
 327443            327444            327445  
 327911            327913            327914  
 327915            327916            333080  
 343828            348537            349570  
 349868            350193            350490  
 350536            350537

**Extensions of time granted under Section 137**

Applications lodged under section 137 for extension of time have been granted.

341445 **Ryan Paik**  
 13868/2013 **Linea Interiors Pty Ltd**  
 10765/2014 **Andrew James Parsons**  
 10766/2014 **Andrew James Parsons**  
 10999/2014 **Forever New Clothing Pty Ltd**  
 11000/2014 **Forever New Clothing Pty Ltd**  
 357265 **Simplicity, LLC**

**Subsequent Owners Registered**

(The name in parentheses is that of the subsequent owner)

334272    **( Schneider Electric (Australia) Pty Ltd )** Clipsal Australia Pty Ltd  
 334273    **( Schneider Electric (Australia) Pty Ltd )** Clipsal Australia Pty Ltd  
 335731    **( ARB Corporation Ltd )** Team Poly Pty Ltd  
 335730    **( ARB Corporation Ltd )** Team Poly Pty Ltd  
 335106    **( ARB Corporation Ltd )** Team Poly Pty Ltd  
 333399    **( ARB Corporation Ltd )** Team Poly Pty Ltd  
 331261    **( ARB Corporation Ltd )** Team Poly Pty Ltd  
 329891    **( ARB Corporation Ltd )** Team Poly Pty Ltd  
 327980    **( ARB Corporation Ltd )** Team Poly Pty Ltd  
 318940    **( ARB Corporation Ltd )** Team Poly Pty Ltd  
 318431    **( ARB Corporation Ltd )** Team Poly Pty Ltd  
 315398    **( ARB Corporation Ltd )** Team Poly Pty Ltd  
 314869    **( PLAYGROUND CENTRE LIMITED )** Denys Lloyd Filleul Trading as Playground Centre; Marcia Ann Filleul Trading as Playground Centre  
 314871    **( PLAYGROUND CENTRE LIMITED )** Denys Lloyd Filleul Trading as Playground Centre; Marcia Ann Filleul Trading as Playground Centre  
 314872    **( PLAYGROUND CENTRE LIMITED )** Denys Lloyd Filleul Trading as Playground Centre; Marcia Ann Filleul Trading as Playground Centre  
 327241    **( PLAYGROUND CENTRE LIMITED )** Denys Lloyd Filleul Trading as Playground Centre; Marcia Ann Filleul Trading as Playground Centre  
 329233    **( PLAYGROUND CENTRE LIMITED )** Denys Lloyd Filleul Trading as Playground Centre; Marcia Ann Filleul Trading as Playground Centre  
 315565    **( Capral Limited; Dowell Windows Pty Ltd )** Capral Aluminium Limited  
 315561    **( Capral Limited; Dowell Windows Pty Ltd )** Capral Aluminium Limited

315564    **( Capral Limited; Dowell Windows Pty Ltd )** Capral Aluminium Limited  
 315563    **( Capral Limited; Dowell Windows Pty Ltd )** Capral Aluminium Limited  
 315562    **( Capral Limited; Dowell Windows Pty Ltd )** Capral Aluminium Limited  
 315560    **( Capral Limited; Dowell Windows Pty Ltd )** Capral Aluminium Limited  
 315634    **( Capral Limited; Dowell Windows Pty Ltd )** Capral Aluminium Limited  
 316224    **( Capral Limited; Dowell Windows Pty Ltd )** Capral Aluminium Limited  
 316223    **( Capral Limited; Dowell Windows Pty Ltd )** Capral Aluminium Limited  
 315582    **( Capral Limited; Dowell Windows Pty Ltd )** Capral Aluminium Limited  
 321930    **( Waste-Mate (Aust) Pty Ltd )** Anthony Axisa  
 321931    **( Waste-Mate (Aust) Pty Ltd )** Anthony Axisa  
 321932    **( Waste-Mate (Aust) Pty Ltd )** Anthony Axisa  
 324597    **( Waste-Mate (Aust) Pty Ltd )** Anthony Axisa  
 346288    **( Phoenix Products Company, Inc. )** Robert Kenneth Yasuji Fletcher; Erwin W. Greenwaldt  
 348378    **( Phoenix Products Company, Inc. )** Robert Kenneth Yasuji Fletcher; Erwin W. Greenwaldt  
 350245    **( Manuel Sanabria LLanos )** Ozzyform Industries Pty Ltd  
 320224    **( Francesco Antonio Pezzimenti )** Precast Bracing Systems Pty Ltd  
 320225    **( Francesco Antonio Pezzimenti )** Precast Bracing Systems Pty Ltd  
 320226    **( Francesco Antonio Pezzimenti )** Precast Bracing Systems Pty Ltd  
 354533    **( Master Lock Company; Vardr Pty Ltd )** Michael Hoppe; Joshua Morabito; Mark Richards; Geoff Smith; Chad O'Neill  
 355041    **( Chiron Ip Holdco 2 Pty Ltd; Chiron IP Holdco Pty Ltd )** Nedsyp Nominees Pty Ltd; Zatarra Nominees Pty Ltd

**Certificate(s) of Examination**

Examination of the following Design Registration(s) has been completed. Infringement proceedings may now be commenced.

311413	12-16B	09/09/2014	356693	15-05	02/09/2014
344718	26-05D	10/09/2014	356722	02-07D	05/09/2014
347152	14-02	05/09/2014	356737	14-03NES	09/09/2014
350345	12-11	11/09/2014	356769	21-01E	12/09/2014
350346	12-11	11/09/2014	356771	12-10	05/09/2014
352287	02-02NES	15/09/2014	356774	02-02C	15/09/2014
352369	09-05	05/09/2014	356776	02-02C	05/09/2014
353689	08-03	03/09/2014	356781	07-07A	08/09/2014
353934	12-06A	10/09/2014	356788	02-02C	04/09/2014
353935	12-06A	12/09/2014	356789	02-02C	12/09/2014
354360	02-04NES	03/09/2014	356793	02-02NES	15/09/2014
354362	02-04NES	03/09/2014	356818	12-06NES	09/09/2014
354363	02-04NES	03/09/2014	356832	04-02	15/09/2014
354394	26-02	09/09/2014	356837	04-02	15/09/2014
354471	10-05	08/09/2014	356844	08-03	12/09/2014
354711	14-01	05/09/2014	356853	04-02	15/09/2014
354851	01-02	12/09/2014	356854	04-02	15/09/2014
354852	01-02	12/09/2014	356875	02-04C	12/09/2014
354852	01-02	12/09/2014	356878	08-03	12/09/2014
354916	09-03M	12/09/2014	356914	02-07D	08/09/2014
354932	09-03M	12/09/2014	356919	29-01	08/09/2014
354970	09-04	10/09/2014	356920	29-01	08/09/2014
355608	25-02B	10/09/2014	356941	29-01	08/09/2014
355630	01-02	12/09/2014	357191	06-13B	12/09/2014
355713	12-05	03/09/2014	357196	03-01A	11/09/2014
355714	12-05	03/09/2014	357197	03-01A	11/09/2014
355873	06-02	03/09/2014	357214	06-04NES	09/09/2014
356043	07-02L	01/09/2014			
356045	07-02L	01/09/2014			
356085	09-05	04/09/2014			
356094	23-01A	08/09/2014			
356137	09-05	04/09/2014			
356187	12-15B	12/09/2014			
356214	08-07	02/09/2014			
356305	06-07	02/09/2014			
356350	02-02B	09/09/2014			
356356	14-03A	03/09/2014			
356359	14-03A	03/09/2014			
356365	28-03NES	02/09/2014			
356399	19-08	08/09/2014			
356407	12-16A	02/09/2014			
356408	12-16A	02/09/2014			
356409	12-16A	02/09/2014			
356422	05-05NES	08/09/2014			
356423	05-05D	08/09/2014			
356427	05-05B	04/09/2014			
356448	05-05A	04/09/2014			
356465	02-02NES	04/09/2014			
356473	15-07	12/09/2014			
356491	12-02	12/09/2014			
356492	14-03A	03/09/2014			
356498	14-01	09/09/2014			
356527	15-05	02/09/2014			
356643	30-03	01/09/2014			
356673	13-02	15/09/2014			
356676	23-01H	12/09/2014			
356687	15-05	02/09/2014			
356688	26-02	08/09/2014			
356689	15-05	04/09/2014			

**Publication and Registration Proceedings**

**Designs Registered**

This section provides a concordance between design number and registration number of Designs covered in this journal. It also shows the main class and registration date.

This section covers Registration numbers 357226 to 357347 .

The registration number shown below should be used in all future correspondence.

Design Number	Registration Number	International Classification Code (IDC)	Registration Date	Design Number	Registration Number	International Classification Code (IDC)	Registration Date
15616/2013	357256	04-02	09/09/2014	13252/2014	357280	02-02A	09/09/2014
15617/2013	357257	04-02	09/09/2014	13258/2014	357281	06-05	09/09/2014
16829/2013	357312	02-02NES	15/09/2014	13259/2014	357243	26-05D	04/09/2014
10749/2014	357258	08-08B	09/09/2014	13283/2014	357244	11-01A	04/09/2014
10948/2014	357226	10-07	04/09/2014	13329/2014	357304	08-07	11/09/2014
10994/2014	357259	08-08L	09/09/2014	13330/2014	357305	08-07	11/09/2014
11040/2014	357302	25-02NES	11/09/2014	13333/2014	357306	08-07	11/09/2014
11166/2014	357260	06-04B	09/09/2014	13335/2014	357307	08-07	11/09/2014
11167/2014	357261	06-04B	09/09/2014	13336/2014	357308	09-07B	11/09/2014
11905/2014	357262	02-02B	09/09/2014	13337/2014	357309	08-07	11/09/2014
12427/2014	357344	25-04	15/09/2014	13338/2014	357310	08-07	11/09/2014
12501/2014	357263	24-01	09/09/2014	13339/2014	357311	08-07	11/09/2014
12624/2014	357264	12-16NES	09/09/2014	13340/2014	357327	08-07	15/09/2014
12698/2014	357265	24-02	09/09/2014	13341/2014	357328	08-07	15/09/2014
12716/2014	357227	06-03A	04/09/2014	13344/2014	357329	09-07B	15/09/2014
12735/2014	357228	21-02B	04/09/2014	13348/2014	357314	07-02R	15/09/2014
12736/2014	357229	21-02NES	04/09/2014	13374/2014	357245	10-04	04/09/2014
12747/2014	357230	28-03B	04/09/2014	13515/2014	357315	08-08L	15/09/2014
12748/2014	357231	28-03B	04/09/2014	13566/2014	357316	30-02	15/09/2014
12749/2014	357232	28-03B	04/09/2014	13589/2014	357246	09-03C	04/09/2014
12750/2014	357233	28-03B	04/09/2014	13607/2014	357317	26-05C	15/09/2014
12752/2014	357266	02-07A	09/09/2014	13628/2014	357318	07-04	15/09/2014
12771/2014	357267	25-01D	09/09/2014	13651/2014	357330	10-02	15/09/2014
12793/2014	357268	09-03H	09/09/2014	13737/2014	357247	24-01	04/09/2014
12808/2014	357269	02-02NES	09/09/2014	13739/2014	357345	09-03M	15/09/2014
12809/2014	357270	02-02NES	09/09/2014	13740/2014	357248	24-01	04/09/2014
12911/2014	357303	07-05D	11/09/2014	13741/2014	357249	09-01NES	04/09/2014
12930/2014	357241	09-03L	04/09/2014	13742/2014	357250	06-01E	04/09/2014
12951/2014	357234	22-01	04/09/2014	13743/2014	357251	06-03A	04/09/2014
12956/2014	357242	03-01NES	04/09/2014	13744/2014	357252	26-05D	04/09/2014
12977/2014	357235	06-09	04/09/2014	13745/2014	357253	06-01G	04/09/2014
12983/2014	357236	06-09	04/09/2014	13746/2014	357254	06-01G	04/09/2014
12996/2014	357271	25-02NES	09/09/2014	13747/2014	357255	12-15B	04/09/2014
12997/2014	357272	25-02NES	09/09/2014	13750/2014	357346	08-08H	15/09/2014
13006/2014	357323	22-06	15/09/2014	13752/2014	357282	08-08H	11/09/2014
13017/2014	357324	12-16C	15/09/2014	13753/2014	357283	26-04	11/09/2014
13019/2014	357325	26-06	15/09/2014	13754/2014	357284	26-04	11/09/2014
13021/2014	357326	12-16C	15/09/2014	13755/2014	357285	26-04	11/09/2014
13023/2014	357273	06-04NES	09/09/2014	13756/2014	357286	26-04	11/09/2014
13052/2014	357237	22-01	04/09/2014	13757/2014	357287	12-08	11/09/2014
13054/2014	357238	22-01	04/09/2014	13758/2014	357288	12-08	11/09/2014
13088/2014	357274	22-03	09/09/2014	13761/2014	357289	02-01B	11/09/2014
13089/2014	357275	14-01	09/09/2014	13762/2014	357290	03-01NES	11/09/2014
13091/2014	357276	14-01	09/09/2014	13763/2014	357291	07-06NES	11/09/2014
13092/2014	357277	14-01	09/09/2014	13766/2014	357342	12-08	15/09/2014
13094/2014	357239	08-05NES	04/09/2014	13767/2014	357343	12-08	15/09/2014
13121/2014	357240	02-02C	04/09/2014	13768/2014	357347	02-03	15/09/2014
13197/2014	357278	27-05	09/09/2014	13769/2014	357292	02-03	11/09/2014
13219/2014	357313	02-02C	15/09/2014	13773/2014	357293	02-02C	11/09/2014
13227/2014	357279	09-05	09/09/2014	13774/2014	357294	02-02C	11/09/2014

Publication and Registration Proceedings - Designs Registered cont'd

Design Number	Registration Number	International Classification Code (IDC)	Registration Date	Design Number	Registration Number	International Classification Code (IDC)	Registration Date
13775/2014	357295	02-02NES	11/09/2014	13838/2014	357332	21-02E	15/09/2014
13776/2014	357296	02-02NES	11/09/2014	13840/2014	357333	05-05A	15/09/2014
13777/2014	357297	02-02NES	11/09/2014	13841/2014	357334	05-05D	15/09/2014
13778/2014	357298	02-02C	11/09/2014	13842/2014	357335	12-11	15/09/2014
13779/2014	357299	02-02NES	11/09/2014	13843/2014	357336	23-04	15/09/2014
13780/2014	357300	02-02C	11/09/2014	13844/2014	357337	05-05B	15/09/2014
13781/2014	357301	02-02NES	11/09/2014	13845/2014	357338	05-05D	15/09/2014
13807/2014	357319	31-00	15/09/2014	13846/2014	357339	05-05A	15/09/2014
13809/2014	357320	07-02L	15/09/2014	13847/2014	357340	05-05NES	15/09/2014
13811/2014	357321	31-00	15/09/2014	13848/2014	357341	06-01F	15/09/2014
13813/2014	357322	31-00	15/09/2014				
13836/2014	357331	12-11	15/09/2014				

**Publication and Registration Proceedings**

**Class Listing of Designs Published or Registered**

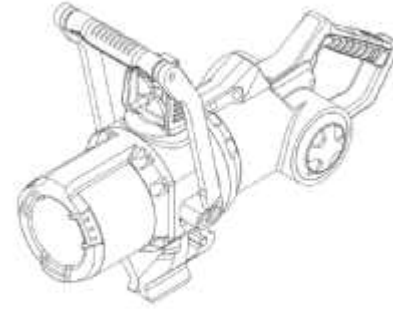
The following section shows an International Classification Code listing of the Registered or Published Designs covered in this supplement.

<b>Classification</b>	<b>Registration Number</b>	<b>Design Number</b>	<b>Classification</b>	<b>Registration Number</b>	<b>Design Number</b>
02-01B	357289	13761/2014	08-07	357305	13330/2014
02-02A	357280	13252/2014	08-07	357306	13333/2014
02-02B	357262	11905/2014	08-07	357307	13335/2014
02-02C	357240	13121/2014	08-07	357309	13337/2014
02-02C	357293	13773/2014	08-07	357310	13338/2014
02-02C	357294	13774/2014	08-07	357311	13339/2014
02-02C	357298	13778/2014	08-07	357327	13340/2014
02-02C	357300	13780/2014	08-07	357328	13341/2014
02-02C	357313	13219/2014	08-08B	357258	10749/2014
02-02NES	357269	12808/2014	08-08H	357282	13752/2014
02-02NES	357270	12809/2014	08-08H	357346	13750/2014
02-02NES	357295	13775/2014	08-08L	357259	10994/2014
02-02NES	357296	13776/2014	08-08L	357315	13515/2014
02-02NES	357297	13777/2014	08-08NES	357315	13515/2014
02-02NES	357299	13779/2014	09-01NES	357249	13741/2014
02-02NES	357301	13781/2014	09-03C	357246	13589/2014
02-02NES	357312	16829/2013	09-03H	357268	12793/2014
02-03	357292	13769/2014	09-03L	357241	12930/2014
02-03	357347	13768/2014	09-03M	357345	13739/2014
02-07A	357266	12752/2014	09-04	357273	13023/2014
03-01NES	357242	12956/2014	09-05	357279	13227/2014
03-01NES	357290	13762/2014	09-07B	357308	13336/2014
04-02	357256	15616/2013	09-07B	357329	13344/2014
04-02	357257	15617/2013	09-07C	357308	13336/2014
05-05A	357333	13840/2014	09-07C	357329	13344/2014
05-05A	357339	13846/2014	10-02	357330	13651/2014
05-05B	357337	13844/2014	10-04	357245	13374/2014
05-05D	357334	13841/2014	10-07	357226	10948/2014
05-05D	357338	13845/2014	11-01A	357244	13283/2014
05-05NES	357340	13847/2014	12-08	357287	13757/2014
06-01E	357250	13742/2014	12-08	357288	13758/2014
06-01E	357281	13258/2014	12-08	357342	13766/2014
06-01F	357341	13848/2014	12-08	357343	13767/2014
06-01G	357253	13745/2014	12-11	357331	13836/2014
06-01G	357254	13746/2014	12-11	357335	13842/2014
06-03A	357227	12716/2014	12-15B	357255	13747/2014
06-03A	357251	13743/2014	12-16C	357324	13017/2014
06-03B	357281	13258/2014	12-16C	357326	13021/2014
06-04B	357260	11166/2014	12-16NES	357264	12624/2014
06-04B	357261	11167/2014	14-01	357275	13089/2014
06-04NES	357273	13023/2014	14-01	357276	13091/2014
06-05	357281	13258/2014	14-01	357277	13092/2014
06-06NES	357271	12996/2014	21-01C	357342	13766/2014
06-06NES	357272	12997/2014	21-01C	357343	13767/2014
06-09	357235	12977/2014	21-02B	357228	12735/2014
06-09	357236	12983/2014	21-02E	357332	13838/2014
07-02L	357320	13809/2014	21-02NES	357229	12736/2014
07-02R	357314	13348/2014	22-01	357234	12951/2014
07-04	357318	13628/2014	22-01	357237	13052/2014
07-05D	357303	12911/2014	22-01	357238	13054/2014
07-06NES	357291	13763/2014	22-03	357274	13088/2014
08-05NES	357239	13094/2014	22-06	357323	13006/2014
08-07	357304	13329/2014	23-04	357336	13843/2014

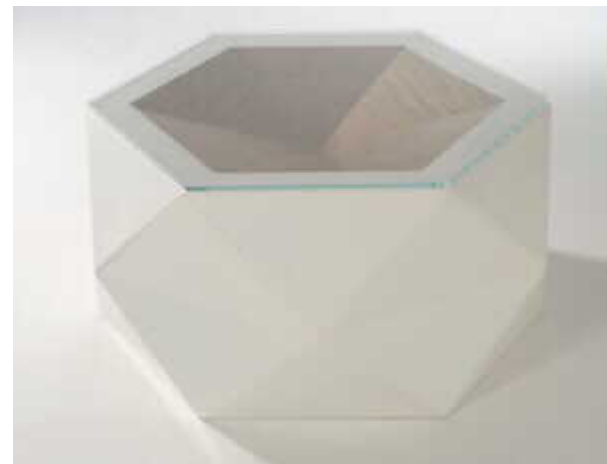
Registration Proceedings - Class Listing of Designs Published or Registered cont'd

Classification	Registration Number	Design Number	Classification	Registration Number	Design Number
24-01	357247	13737/2014	26-05D	357243	13259/2014
24-01	357248	13740/2014	26-05D	357252	13744/2014
24-01	357263	12501/2014	26-06	357325	13019/2014
24-02	357265	12698/2014	27-05	357278	13197/2014
25-01D	357267	12771/2014	28-03B	357230	12747/2014
25-02NES	357271	12996/2014	28-03B	357231	12748/2014
25-02NES	357272	12997/2014	28-03B	357232	12749/2014
25-02NES	357302	11040/2014	28-03B	357233	12750/2014
25-04	357344	12427/2014	30-02	357316	13566/2014
26-04	357283	13753/2014	31-00	357319	13807/2014
26-04	357284	13754/2014	31-00	357321	13811/2014
26-04	357285	13755/2014	31-00	357322	13813/2014
26-04	357286	13756/2014			
26-05C	357317	13607/2014			

- (21) Design Number: **10948/2014**  
(22) Date of Filing Application: **28 February 2014**  
(24) Date from which industrial property rights may have effect: **28 February 2014**  
(54) Product in respect of which the design is registered: **Alignment device**  
(51) International Design Classification: **10-07**  
(74) Name(s) of Attorney(s): **Wrays**  
(71) Name(s) and Address(s) of Applicant(s):  
**Reflex Technology International Pty Ltd**  
**8 Pinto Court OSBORNE PARK WA 6916**  
(72) Name(s) of Designer(s): **Warwick Brown and Andrew Fanning and Elizabeth Christmas and Mario Matkovich and Gurtej Jabbal**  
(45) Registration Date: **04 September 2014**  
(56) Related Art Documents: **Not Applicable**  
(57) Statement of Newness and Distinctiveness: **Newness and distinctiveness is claimed in the features of shape and/or configuration of the Alignment Device depicted in the accompanying representations.**

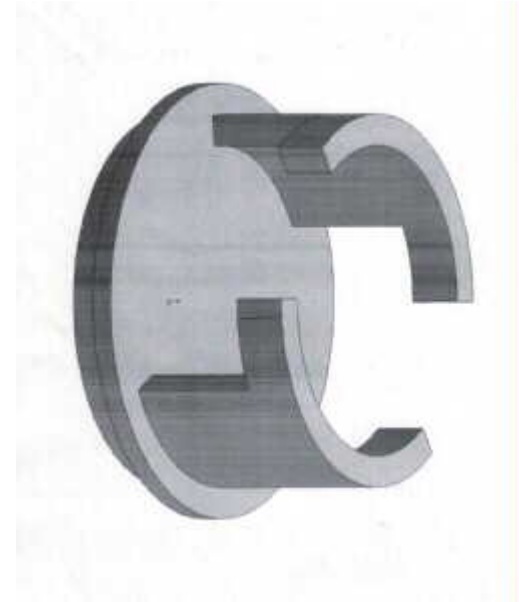


- (21) Design Number: **12716/2014**  
(22) Date of Filing Application: **03 June 2014**  
(24) Date from which industrial property rights may have effect: **03 June 2014**  
(54) Product in respect of which the design is registered: **A coffee table**  
(51) International Design Classification: **06-03A**  
(74) Name(s) of Attorney(s):  
(71) Name(s) and Address(s) of Applicant(s):  
**Alexandra Margaret Tyquin**  
**18a Cross St Brighton VIC 3186 Australia**  
(72) Name(s) of Designer(s): **Alexandra Margaret Tyquin**  
(45) Registration Date: **04 September 2014**  
(56) Related Art Documents: **Not Applicable**  
(57) Statement of Newness and Distinctiveness: **This new design is a faceted coffee table made from mild steel, american oak wood and a glass piece finish. The design is a distinctive and is new due to the overall form and shape, materials used and and the way the the lines meet with the metal. It was influenced by contemporary architecture and rock minerals.**





- (21) Design Number: **12735/2014**  
(22) Date of Filing Application: **03 June 2014**  
(24) Date from which industrial property rights may have effect: **03 June 2014**  
(54) Product in respect of which the design is registered: **Fastening device for sports racquet**  
(51) International Design Classification: **21-02B**  
(74) Name(s) of Attorney(s):  
(71) Name(s) and Address(s) of Applicant(s):  
**Grant Gunn**  
**56a Blenheim St Bondi Junction NSW 2022 Australia**  
(72) Name(s) of Designer(s): **Grant Gunn**  
(45) Registration Date: **04 September 2014**  
(56) Related Art Documents: **Not Applicable**  
(57) Statement of Newness and Distinctiveness: **The features of shape and configuration of a removable fastening device which one end is attached to a tennis/squash racquet to any desired location and which is configured to securely grasp on a belt clip and the other end is configured to securely grasp to pick up a tennis/squash ball.**



- (21) Design Number: **12736/2014**  
(22) Date of Filing Application: **03 June 2014**  
(24) Date from which industrial property rights may have effect: **03 June 2014**  
(54) Product in respect of which the design is registered: **Sports ball retrieval device**  
(51) International Design Classification: **21-02NES**  
(74) Name(s) of Attorney(s):  
(71) Name(s) and Address(s) of Applicant(s):  
**Grant Gunn**  
**56a Blenheim St Bondi Junction NSW 2022 Australia**  
(72) Name(s) of Designer(s): **Grant Gunn**  
(45) Registration Date: **04 September 2014**  
(56) Related Art Documents: **Not Applicable**  
(57) Statement of Newness and Distinctiveness: **The features of shape and configuration of tennis/squash ball retrieval device which is removable and can be attached to any desired location on the racquet and which is configured to securely grasp and pick up a tennis/squash ball and be securely fasten on a belt clip.**



(21) Design Number: **12747/2014**

(22) Date of Filing Application: **04 June 2014**

(24) Date from which industrial property rights may have effect: **04 June 2014**

(54) Product in respect of which the design is registered: **Hair styling apparatus**

(51) International Design Classification: **28-03B**

(74) Name(s) of Attorney(s): **PHILLIPS ORMONDE FITZPATRICK**

(71) Name(s) and Address(s) of Applicant(s):

**Jemella Group Limited**  
**Bridgewater Place Water Lane Leeds LS11 5BZ United Kingdom**

(72) Name(s) of Designer(s): **Stephen Anthony Sayers and Daniel Brady**

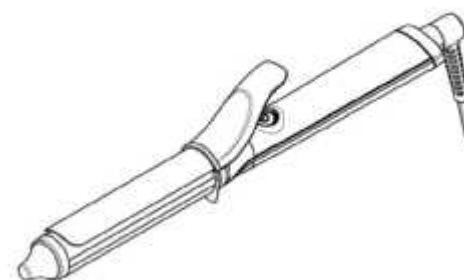
(45) Registration Date: **04 September 2014**

(30) Convention priority data:

(31) Number	(32) Date	(33) Country
<b>001394993</b>	<b>19 Dec 2013</b>	<b>OFFICE FOR HARMONISATION IN THE INTERNAL MARKET (OHIM)</b>

(56) Related Art Documents: **Not Applicable**

(57) Statement of Newness and Distinctiveness: **Those features of the hair styling apparatus depicted in the representations that are new and distinctive are the shape and/or configuration. The cord of the hair styling apparatus is not part of the design and is to be disregarded when considering the overall impression of the design.**



(21) Design Number: **12748/2014**

(22) Date of Filing Application: **04 June 2014**

(24) Date from which industrial property rights may have effect: **04 June 2014**

(54) Product in respect of which the design is registered: **Hair styling apparatus**

(51) International Design Classification: **28-03B**

(74) Name(s) of Attorney(s): **PHILLIPS ORMONDE FITZPATRICK**

(71) Name(s) and Address(s) of Applicant(s):

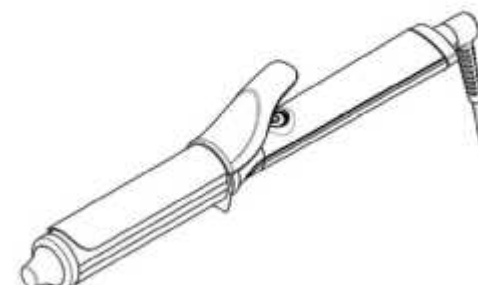
**Jemella Group Limited**  
**Bridgewater Place Water Lane Leeds LS11 5BZ United Kingdom**

(72) Name(s) of Designer(s): **Stephen Anthony Sayers and Daniel Brady**

(45) Registration Date: **04 September 2014**

(56) Related Art Documents: **Not Applicable**

(57) Statement of Newness and Distinctiveness: **Those features of the hair styling apparatus depicted in the representations that are new and distinctive are the shape and/or configuration. The cord of the hair styling apparatus is not part of the design and is to be disregarded when considering the overall impression of the design.**



(21) Design Number: **12749/2014**

(22) Date of Filing Application: **04 June 2014**

(24) Date from which industrial property rights may have effect: **04 June 2014**

(54) Product in respect of which the design is registered: **Hair styling apparatus**

(51) International Design Classification: **28-03B**

(74) Name(s) of Attorney(s): **PHILLIPS ORMONDE FITZPATRICK**

(71) Name(s) and Address(s) of Applicant(s):

**Jemella Group Limited**  
**Bridgewater Place Water Lane Leeds LS11 5BZ United Kingdom**

(72) Name(s) of Designer(s): **Stephen Anthony Sayers and Daniel Brady**

(45) Registration Date: **04 September 2014**

(30) Convention priority data:

(31) Number	(32) Date	(33) Country
<b>001395016</b>	<b>19 Dec 2013</b>	<b>OFFICE FOR HARMONISATION IN THE INTERNAL MARKET (OHIM)</b>

(56) Related Art Documents: **Not Applicable**

(57) Statement of Newness and Distinctiveness: **Those features of the hair styling apparatus depicted in the representations that are new and distinctive are the shape and/or configuration. The cord of the hair styling apparatus is not part of the design and is to be disregarded when considering the overall impression of the design.**



(21) Design Number: **12750/2014**

(22) Date of Filing Application: **04 June 2014**

(24) Date from which industrial property rights may have effect: **04 June 2014**

(54) Product in respect of which the design is registered: **Hair styling apparatus**

(51) International Design Classification: **28-03B**

(74) Name(s) of Attorney(s): **PHILLIPS ORMONDE FITZPATRICK**

(71) Name(s) and Address(s) of Applicant(s):

**Jemella Group Limited**  
**Bridgewater Place Water Lane Leeds LS11 5BZ United Kingdom**

(72) Name(s) of Designer(s): **Stephen Anthony Sayers and Daniel Brady**

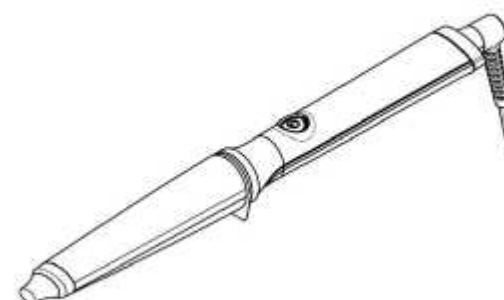
(45) Registration Date: **04 September 2014**

(30) Convention priority data:

(31) Number	(32) Date	(33) Country
<b>001395230</b>	<b>19 Dec 2013</b>	<b>OFFICE FOR HARMONISATION IN THE INTERNAL MARKET (OHIM)</b>

(56) Related Art Documents: **Not Applicable**

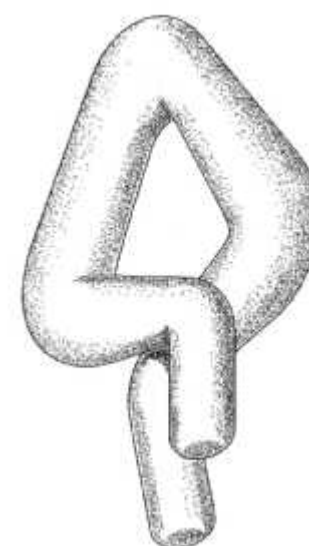
(57) Statement of Newness and Distinctiveness: **Those features of the hair styling apparatus depicted in the representations that are new and distinctive are the shape and/or configuration. The cord of the hair styling apparatus is not part of the design and is to be disregarded when considering the overall impression of the design.**



(21) Design Number: **12951/2014**  
(22) Date of Filing Application: **17 June 2014**  
(24) Date from which industrial property rights may have effect: **17 June 2014**  
(54) Product in respect of which the design is registered: **Snap hook interface for a firearm**  
(51) International Design Classification: **22-01**  
(74) Name(s) of Attorney(s): **Davies Collison Cave**  
(71) Name(s) and Address(s) of Applicant(s):  
**Magpul Industries Corporation**  
**400 Young Court Unit 1 Erie Colorado 80516 United States of America**  
(72) Name(s) of Designer(s): **Tim Roberts and Michael T. Mayberry**  
(45) Registration Date: **04 September 2014**  
(30) Convention priority data:  
(31) Number (32) Date (33) Country  
**29/477,461 23 Dec 2013 UNITED STATES OF AMERICA**  
(56) Related Art Documents: **Not Applicable**  
(57) Statement of Newness and Distinctiveness: **Newness and distinctiveness is claimed in the visual features shown in solid lines in the representations.**



(21) Design Number: **12977/2014**  
(22) Date of Filing Application: **18 June 2014**  
(24) Date from which industrial property rights may have effect: **18 June 2014**  
(54) Product in respect of which the design is registered: **Cushion / Pillow**  
(51) International Design Classification: **06-09**  
(74) Name(s) of Attorney(s): **Davies Collison Cave**  
(71) Name(s) and Address(s) of Applicant(s):  
**Christopher Blay**  
**PO Box 79 Birchwood Warrington WA3 6WT United Kingdom**  
**Gavin Wynne**  
**PO Box 79 Birchwood Warrington WA3 6WT United Kingdom**  
(72) Name(s) of Designer(s): **Christopher Blay and Gavin Wynne**  
(45) Registration Date: **04 September 2014**  
(30) Convention priority data:  
(31) Number (32) Date (33) Country  
**002372714-0001 18 Dec 2013 OFFICE FOR HARMONISATION IN THE INTERNAL MARKET (OHIM)**  
(56) Related Art Documents: **Not Applicable**  
(57) Statement of Newness and Distinctiveness: **Nil**



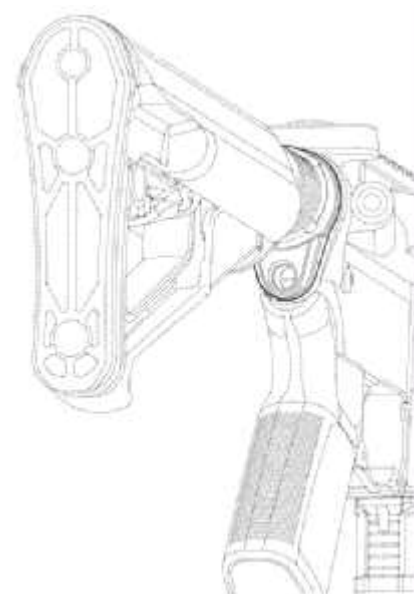
(21) Design Number: **12983/2014**  
(22) Date of Filing Application: **18 June 2014**  
(24) Date from which industrial property rights may have effect: **18 June 2014**  
(54) Product in respect of which the design is registered: **Cushio / Pillow**  
(51) International Design Classification: **06-09**  
(74) Name(s) of Attorney(s): **Davies Collison Cave**  
(71) Name(s) and Address(s) of Applicant(s):  
**Christopher Blay**  
**PO Box 79 Birchwood Warrington WA3 6WT United Kingdom**  
**Gavin Wynne**  
**PO Box 79 Birchwood Warrington WA3 6WT United Kingdom**  
(72) Name(s) of Designer(s): **Christopher Blay and Gavin Wynne**  
(45) Registration Date: **04 September 2014**  
(30) Convention priority data:  
(31) Number (32) Date (33) Country  
**002372714-0002 18 Dec 2013 OFFICE FOR HARMONISATION IN**  
**THE INTERNAL MARKET (OHIM)**  
(56) Related Art Documents: **Not Applicable**  
(57) Statement of Newness and Distinctiveness: **Nil**



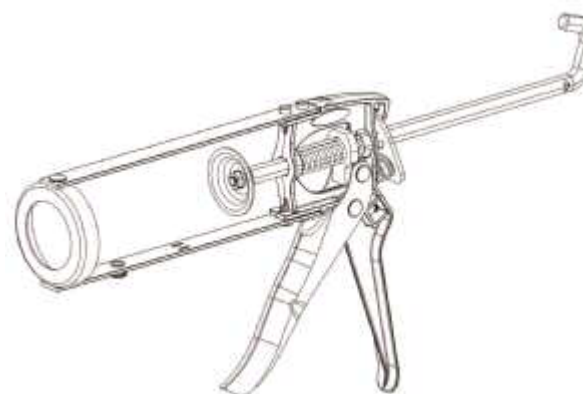
(21) Design Number: **13052/2014**  
(22) Date of Filing Application: **20 June 2014**  
(24) Date from which industrial property rights may have effect: **20 June 2014**  
(54) Product in respect of which the design is registered: **Plate for adapting a firearm**  
(51) International Design Classification: **22-01**  
(74) Name(s) of Attorney(s): **Davies Collison Cave**  
(71) Name(s) and Address(s) of Applicant(s):  
**Magpul Industries Corporation**  
**400 Young Court Unit 1 Erie Colorado 80516 United States of America**  
(72) Name(s) of Designer(s): **Michael T. Mayberry and Brad Bennett and**  
**Yehezken Eitan**  
(45) Registration Date: **04 September 2014**  
(30) Convention priority data:  
(31) Number (32) Date (33) Country  
**29/477,465 23 Dec 2013 UNITED STATES OF AMERICA**  
(56) Related Art Documents: **Not Applicable**  
(57) Statement of Newness and Distinctiveness: **Newness and distinctiveness is**  
**claimed in the visual features shown in solid lines in the representations.**  
**In considering the extent of the design rights, the broken lines shown**  
**in the representations are for illustrative purposes only and do not form**  
**part of the design.**



- (21) Design Number: **13054/2014**  
(22) Date of Filing Application: **20 June 2014**  
(24) Date from which industrial property rights may have effect: **20 June 2014**  
(54) Product in respect of which the design is registered: **Receiver plate for adapting a firearm**  
(51) International Design Classification: **22-01**  
(74) Name(s) of Attorney(s): **Davies Collison Cave**  
(71) Name(s) and Address(s) of Applicant(s):  
**Magpul Industries Corporation**  
**400 Young Court Unit 1 Erie Colorado 80516 United States of America**  
(72) Name(s) of Designer(s): **Michael Mayberry T. and Yehezken Eitan**  
(45) Registration Date: **04 September 2014**  
(30) Convention priority data:  
(31) Number (32) Date (33) Country  
**29/477,462 23 Dec 2013 UNITED STATES OF AMERICA**  
(56) Related Art Documents: **Not Applicable**  
(57) Statement of Newness and Distinctiveness: **Newness and distinctiveness is claimed in the visual features shown in solid lines in the representations. In considering the extent of the design rights, the broken lines shown in the representations are for illustrative purposes only and do not form part of the design.**



- (21) Design Number: **13094/2014**  
(22) Date of Filing Application: **24 June 2014**  
(24) Date from which industrial property rights may have effect: **24 June 2014**  
(54) Product in respect of which the design is registered: **Caulking gun**  
(51) International Design Classification: **08-05NES**  
(74) Name(s) of Attorney(s):  
(71) Name(s) and Address(s) of Applicant(s):  
**AUSTRALIAN BRUSHWARE CORPORATION PTY LTD**  
**20 Council St Hawthorn East VIC 3123 Australia**  
(72) Name(s) of Designer(s): **Matthew Roe**  
(45) Registration Date: **04 September 2014**  
(56) Related Art Documents: **Not Applicable**  
(57) Statement of Newness and Distinctiveness: **Nil**



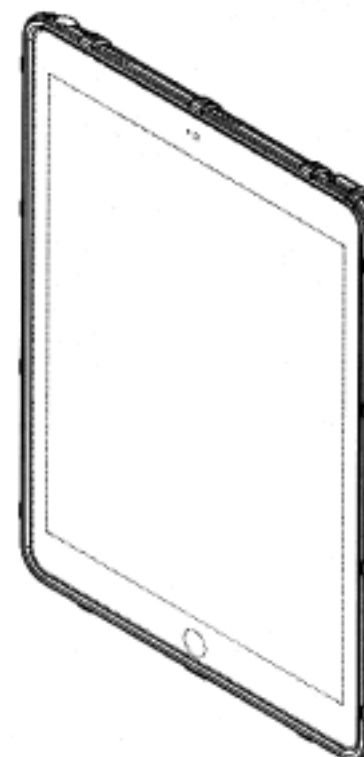
- (21) Design Number: **13121/2014**  
(22) Date of Filing Application: **26 June 2014**  
(24) Date from which industrial property rights may have effect: **03 October 2013**  
(54) Product in respect of which the design is registered: **Article of clothing**  
(51) International Design Classification: **02-02C**  
(74) Name(s) of Attorney(s): **Allens Patent & Trade Mark Attorneys**  
(71) Name(s) and Address(s) of Applicant(s):  
**Forever New Clothing Pty Ltd**  
**714-716 High St Kew East VIC 3102 Australia**  
(72) Name(s) of Designer(s): **Karen Thai**  
(45) Registration Date: **04 September 2014**  
(62) Divisional of: **356384**  
(56) Related Art Documents: **Not Applicable**  
(57) Statement of Newness and Distinctiveness: **Newness and distinctiveness resides in the visual features of shape, configuration, pattern and/or ornamentation of an article of clothing as shown in the accompanying representations.**



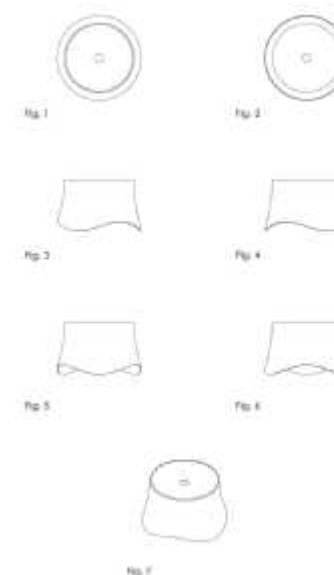
- (21) Design Number: **12930/2014**  
(22) Date of Filing Application: **16 June 2014**  
(24) Date from which industrial property rights may have effect: **16 June 2014**  
(54) Product in respect of which the design is registered: **A can**  
(51) International Design Classification: **09-03L**  
(74) Name(s) of Attorney(s): **Corrs Chambers Westgarth**  
(71) Name(s) and Address(s) of Applicant(s):  
**MBBC Pty Ltd**  
**77-87 Southbank Bvd Southbank VIC 3006 Australia**  
(72) Name(s) of Designer(s): **Stephen Chris**  
(45) Registration Date: **04 September 2014**  
(56) Related Art Documents: **Not Applicable**  
(57) Statement of Newness and Distinctiveness: **The design consists of the pattern or ornamentation of a wood grain effect applied to the surface of a can as shown in the representations. The effect of light reflecting on the can appearing in the representations is included for illustrative purposes and does not form part of the design. The circular top and bottom faces of the can are expressly disclaimed.**



(21) Design Number: **12956/2014**  
(22) Date of Filing Application: **17 June 2014**  
(24) Date from which industrial property rights may have effect: **17 June 2014**  
(54) Product in respect of which the design is registered: **Case for a tablet**  
(51) International Design Classification: **03-01NES**  
(74) Name(s) of Attorney(s): **Davies Collison Cave**  
(71) Name(s) and Address(s) of Applicant(s):  
**Magpul Industries Corporation**  
**400 Young Court Unit 1 Erie Colorado 80516 United States of America**  
(72) Name(s) of Designer(s): **Grady Barfoot and Michael T. Mayberry and Richard Fitzpatrick**  
(45) Registration Date: **04 September 2014**  
(30) Convention priority data:  
(31) Number (32) Date (33) Country  
**29/477,407 20 Dec 2013 UNITED STATES OF AMERICA**  
(56) Related Art Documents: **Not Applicable**  
(57) Statement of Newness and Distinctiveness: **Newness and distinctiveness is claimed in the visual features shown in solid lines in the representations.**

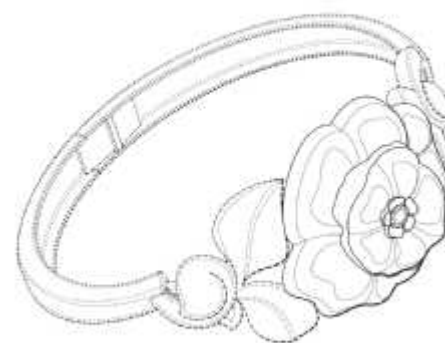


(21) Design Number: **13259/2014**  
(22) Date of Filing Application: **04 July 2014**  
(24) Date from which industrial property rights may have effect: **04 July 2014**  
(54) Product in respect of which the design is registered: **Pendant light**  
(51) International Design Classification: **26-05D**  
(74) Name(s) of Attorney(s):  
(71) Name(s) and Address(s) of Applicant(s):  
**Steendyk Holdings Pty Ltd**  
**27 Isaac St Spring Hill QLD 4000 Australia**  
(72) Name(s) of Designer(s): **Brian John Steendyk**  
(45) Registration Date: **04 September 2014**  
(56) Related Art Documents: **Not Applicable**  
(57) Statement of Newness and Distinctiveness: **Monopoly is claimed in the features of shape and/or configuration of the pendant as illustrated in the representations accompanying the application.**





(21) Design Number: **13283/2014**  
(22) Date of Filing Application: **07 July 2014**  
(24) Date from which industrial property rights may have effect: **07 July 2014**  
(54) Product in respect of which the design is registered: **Bracelet; Ring; Brooch; Stud; Pendant; Item of decorative jewellery**  
(51) International Design Classification: **11-01A**  
(74) Name(s) of Attorney(s): **Shelston IP**  
(71) Name(s) and Address(s) of Applicant(s):  
**Chanel Limited**  
**Queensway Croydon Surrey CR9 4DL United Kingdom**  
(72) Name(s) of Designer(s): **Sarah Francois-Poncet**  
(45) Registration Date: **04 September 2014**  
(30) Convention priority data:  
(31) Number (32) Date (33) Country  
**4033588 07 Jan 2014 UNITED KINGDOM**



(56) Related Art Documents: **Not Applicable**  
(57) Statement of Newness and Distinctiveness: **Newness and distinctiveness reside in the shape and configuration of the design for a Bracelet; Ring; Brooch; Stud; Pendant and/or Item of Decorative Jewellery as shown in solid line. Features shown in broken lines exemplify the design applied to various jewellery items however do not form part of the claimed design. The design shown in solid line may be applied to other items of jewellery and it not intended to limited to the exemplified forms shown.**

(21) Design Number: **13374/2014**  
(22) Date of Filing Application: **14 July 2014**  
(24) Date from which industrial property rights may have effect: **14 July 2014**  
(54) Product in respect of which the design is registered: **Solar tracking device**  
(51) International Design Classification: **10-04**  
(74) Name(s) of Attorney(s):  
(71) Name(s) and Address(s) of Applicant(s):  
**Donald John McPherson**  
**106 McKinnons Rd Lockwood VIC 3539 Australia**  
(72) Name(s) of Designer(s): **Donald John McPherson**  
(45) Registration Date: **04 September 2014**  
(56) Related Art Documents: **Not Applicable**  
(57) Statement of Newness and Distinctiveness: **Magnifisun is a high quality tracking system that uses a computer and a dual axis mechanism on a horizontal arced plane to track the sun in a north-south and east-west directions 24hrs, 7 days a week automatically. Its also affordable and available in a kit form.**



(21) Design Number: **13589/2014**  
(22) Date of Filing Application: **22 July 2014**  
(24) Date from which industrial property rights may have effect: **22 July 2014**  
(54) Product in respect of which the design is registered: **Food tray**  
(51) International Design Classification: **09-03C**  
(74) Name(s) of Attorney(s):  
(71) Name(s) and Address(s) of Applicant(s):

**Todd Krans**  
**4 Farmer Court Noranda Western Australia 6062**

(72) Name(s) of Designer(s): **Todd Krans**  
(45) Registration Date: **04 September 2014**  
(56) Related Art Documents: **Not Applicable**  
(57) Statement of Newness and Distinctiveness: **The newness and distinctiveness of the design resides in the 3D shape and configuration of the food tray resembling a boat. The graphics are irrelevant and are to be disregarded when considering the overall impression of the design.**



(21) Design Number: **13737/2014**  
(22) Date of Filing Application: **01 August 2014**  
(24) Date from which industrial property rights may have effect: **01 August 2014**  
(54) Product in respect of which the design is registered: **Leg lifting device**  
(51) International Design Classification: **24-01**  
(74) Name(s) of Attorney(s): **Cotters Patent & Trade Mark Attorneys**  
(71) Name(s) and Address(s) of Applicant(s):

**ArjoHuntleigh AB**  
**Hans Michelsensgatan 10 Malmo SE-211 20 Sweden**

(72) Name(s) of Designer(s): **Anna Mork and Andreas Thomasson and Bodil Akesson and Daniel Rubin and Maria Warell and Ola Gribbling and Richard Nilsson**

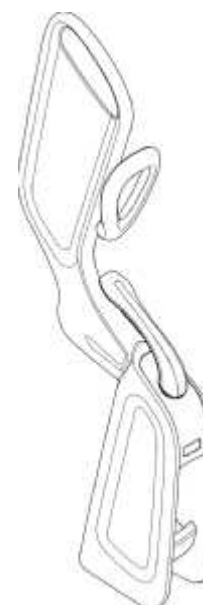
(45) Registration Date: **04 September 2014**

(30) Convention priority data:

(31) Number	(32) Date	(33) Country
<b>002504035</b>	<b>17 Jul 2014</b>	<b>OFFICE FOR HARMONISATION IN THE INTERNAL MARKET (OHIM)</b>

(56) Related Art Documents: **Not Applicable**

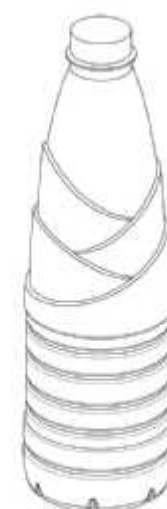
(57) Statement of Newness and Distinctiveness: **Newness and distinctiveness is claimed in the features of shape and/or configuration of a leg lifting device as depicted in the accompanying representations.**



- (21) Design Number: **13740/2014**  
(22) Date of Filing Application: **01 August 2014**  
(24) Date from which industrial property rights may have effect: **01 August 2014**  
(54) Product in respect of which the design is registered: **Leg lifting device**  
(51) International Design Classification: **24-01**  
(74) Name(s) of Attorney(s): **Cotters Patent & Trade Mark Attorneys**  
(71) Name(s) and Address(s) of Applicant(s):  
**ArjoHuntleigh AB**  
**Hans Michelsensgatan 10 Malmo SE-211 20 Sweden**  
(72) Name(s) of Designer(s): **Anna Mork and Andreas Thomasson and Bodil Akesson and Daniel Rubin and Maria Warell and Ola Gribbling and Richard Nilsson**  
(45) Registration Date: **04 September 2014**  
(30) Convention priority data:  
(31) Number (32) Date (33) Country  
**002503664 16 Jul 2014 OFFICE FOR HARMONISATION IN THE INTERNAL MARKET (OHIM)**  
(56) Related Art Documents: **Not Applicable**  
(57) Statement of Newness and Distinctiveness: **Newness and distinctiveness is claimed in the features of shape and/or configuration of a leg lifting device as depicted in the accompanying representations.**



- (21) Design Number: **13741/2014**  
(22) Date of Filing Application: **01 August 2014**  
(24) Date from which industrial property rights may have effect: **01 August 2014**  
(54) Product in respect of which the design is registered: **Beverage bottle**  
(51) International Design Classification: **09-01NES**  
(74) Name(s) of Attorney(s): **A.P.T. Patent and Trade Mark Attorneys**  
(71) Name(s) and Address(s) of Applicant(s):  
**Shenzhen Ganten Food and Drink Co, Ltd**  
**Floor 2-3, No. 3 Factory Gaofa Science and Technology Park Longzhu**  
**Industrial Zone North Ring Road, Nanshan District Shenzhen,**  
**Guangdong Province China**  
(72) Name(s) of Designer(s): **Jing Liang Zhou**  
(45) Registration Date: **04 September 2014**  
(30) Convention priority data:  
(31) Number (32) Date (33) Country  
**201430212982.1 30 Jun 2014 CHINA**  
(56) Related Art Documents: **Not Applicable**  
(57) Statement of Newness and Distinctiveness: **Nil**



(21) Design Number: **13742/2014**

(22) Date of Filing Application: **01 August 2014**

(24) Date from which industrial property rights may have effect: **01 August 2014**

(54) Product in respect of which the design is registered: **Ottoman**

(51) International Design Classification: **06-01E**

(74) Name(s) of Attorney(s):

(71) Name(s) and Address(s) of Applicant(s):

**Kate Stokes**

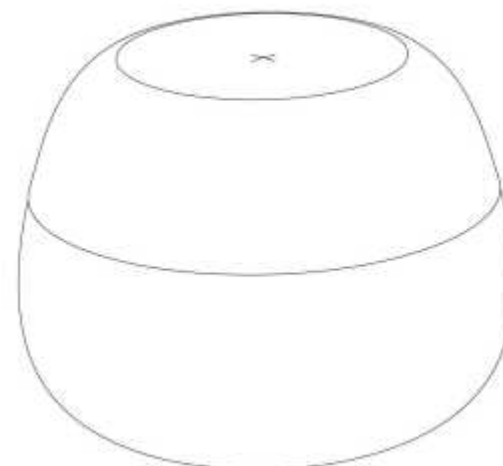
**15-25 Keele St Collingwood VIC 3066 Australia**

(72) Name(s) of Designer(s): **Kate Stokes**

(45) Registration Date: **04 September 2014**

(56) Related Art Documents: **Not Applicable**

(57) Statement of Newness and Distinctiveness: **The newness and distinctiveness of the design resides in the shape of the ottoman as shown in the representations. The broken lines are not part of the design and are to be disregarded when considering the overall impression of the design.**



(21) Design Number: **13743/2014**

(22) Date of Filing Application: **01 August 2014**

(24) Date from which industrial property rights may have effect: **01 August 2014**

(54) Product in respect of which the design is registered: **Table**

(51) International Design Classification: **06-03A**

(74) Name(s) of Attorney(s):

(71) Name(s) and Address(s) of Applicant(s):

**Kate Stokes**

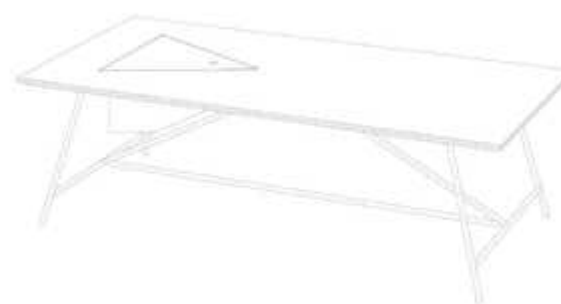
**15-25 Keele St Collingwood VIC 3066 Australia**

(72) Name(s) of Designer(s): **Kate Stokes**

(45) Registration Date: **04 September 2014**

(56) Related Art Documents: **Not Applicable**

(57) Statement of Newness and Distinctiveness: **The newness and distinctiveness of the design resides in the shape of the table as shown in the continuous lines in the accompanying representations. The broken lines are not part of the design and are to be disregarded when considering the overall impression of the design.**



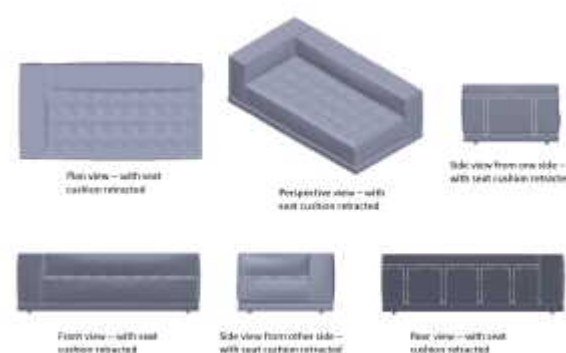
- (21) Design Number: **13744/2014**  
(22) Date of Filing Application: **01 August 2014**  
(24) Date from which industrial property rights may have effect: **01 August 2014**  
(54) Product in respect of which the design is registered: **Light fitting**  
(51) International Design Classification: **26-05D**  
(74) Name(s) of Attorney(s):  
(71) Name(s) and Address(s) of Applicant(s):  
**Kate Stokes**  
**15-25 Keele St Collingwood VIC 3066 Australia**  
(72) Name(s) of Designer(s): **Kate Stokes**  
(45) Registration Date: **04 September 2014**  
(56) Related Art Documents: **Not Applicable**  
(57) Statement of Newness and Distinctiveness: **Newness and distinctiveness is claimed in respect of the shape and/or configuration of the light fitting.**



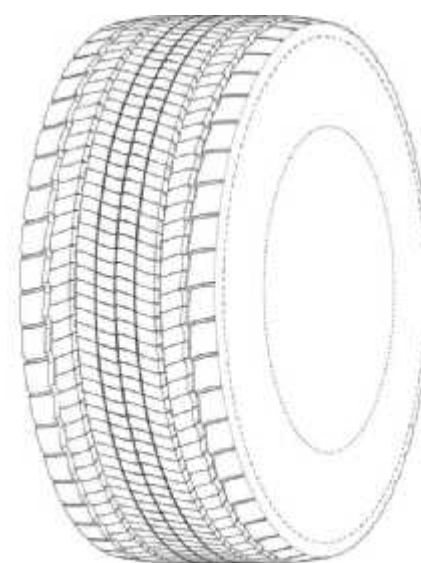
- (21) Design Number: **13745/2014**  
(22) Date of Filing Application: **01 August 2014**  
(24) Date from which industrial property rights may have effect: **01 August 2014**  
(54) Product in respect of which the design is registered: **A chaise**  
(51) International Design Classification: **06-01G**  
(74) Name(s) of Attorney(s): **FB Rice**  
(71) Name(s) and Address(s) of Applicant(s):  
**King Furniture Australia Pty Ltd**  
**123 Turrella St Turrella NSW 2205 Australia**  
(72) Name(s) of Designer(s): **David King and John Levey and Ryan Lawson and Anastasie Panagopoulos and Tanya Rechberger**  
(45) Registration Date: **04 September 2014**  
(56) Related Art Documents: **Not Applicable**  
(57) Statement of Newness and Distinctiveness: **Newness and distinctiveness reside in the features of the shape and configuration of the chaise as shown in the accompanying representations excluding the features as shown in dotted lines and with less weight to be accorded to the contoured surface of the seat cushion of the chaise. It is to be understood that the seat cushion of the chaise can also adopt any position between the illustrated retracted and extended positions.**



- (21) Design Number: **13746/2014**  
(22) Date of Filing Application: **01 August 2014**  
(24) Date from which industrial property rights may have effect: **01 August 2014**  
(54) Product in respect of which the design is registered: **A sofa**  
(51) International Design Classification: **06-01G**  
(74) Name(s) of Attorney(s): **FB Rice**  
(71) Name(s) and Address(s) of Applicant(s):  
**King Furniture Australia Pty Ltd**  
**123 Turrella St Turrella NSW 2205 Australia**  
(72) Name(s) of Designer(s): **David King and John Levey and Ryan Lawson and Anastasie Panagopoulos and Tanya Rechberger**  
(45) Registration Date: **04 September 2014**  
(56) Related Art Documents: **Not Applicable**  
(57) Statement of Newness and Distinctiveness: **Newness and distinctiveness reside in the features of the shape and configuration of the sofa as shown in the accompanying representations excluding the features as shown in dotted lines and with less weight to be accorded to the contoured surface of the seat cushion of the sofa. It is to be understood that the seat cushion of the sofa can also adopt any position between the illustrated retracted and extended positions.**



- (21) Design Number: **13747/2014**  
(22) Date of Filing Application: **01 August 2014**  
(24) Date from which industrial property rights may have effect: **01 August 2014**  
(54) Product in respect of which the design is registered: **A tyre**  
(51) International Design Classification: **12-15B**  
(74) Name(s) of Attorney(s): **WATERMARK PATENT AND TRADE MARKS ATTORNEYS**  
(71) Name(s) and Address(s) of Applicant(s):  
**COMPAGNIE GENERALE DES ETABLISSEMENTS MICHELIN**  
**12 cours Sablon Clermont-Ferrand 63000 France**  
**Michelin Recherche et Technique S.A.**  
**Route Louis-Braille 10 Granges-Paccot 1763 Switzerland**  
(72) Name(s) of Designer(s): **Maxime Rolland and Luz Restrepo and John Anthony Hutz**  
(45) Registration Date: **04 September 2014**  
(30) Convention priority data:  
(31) Number      (32) Date      (33) Country  
**29/481,170      03 Feb 2014      UNITED STATES OF AMERICA**  
(56) Related Art Documents: **Not Applicable**  
(57) Statement of Newness and Distinctiveness: **Nil**



(21) Design Number: **15616/2013**

(22) Date of Filing Application: **31 October 2013**

(24) Date from which industrial property rights may have effect: **31 October 2013**

(54) Product in respect of which the design is registered: **Toothbrush head**

(51) International Design Classification: **04-02**

(74) Name(s) of Attorney(s): **PHILLIPS ORMONDE FITZPATRICK**

(71) Name(s) and Address(s) of Applicant(s):

**Braun GmbH**

**Frankfurter Strasse 145 61476 Kronberg am Taunus Germany**

(72) Name(s) of Designer(s): **Thomas Fritsch and Georges Driesen and Heidrun Schmelcher and Susanne Thurnay and Martin Haas and Alexander Thalheim-Martin**

(45) Registration Date: **09 September 2014**

(56) Related Art Documents: **Not Applicable**

(57) Statement of Newness and Distinctiveness: **Nil**



(21) Design Number: **15617/2013**

(22) Date of Filing Application: **31 October 2013**

(24) Date from which industrial property rights may have effect: **31 October 2013**

(54) Product in respect of which the design is registered: **Toothbrush head**

(51) International Design Classification: **04-02**

(74) Name(s) of Attorney(s): **PHILLIPS ORMONDE FITZPATRICK**

(71) Name(s) and Address(s) of Applicant(s):

**Braun GmbH**

**Frankfurter Strasse 145 61476 Kronberg am Taunus Germany**

(72) Name(s) of Designer(s): **Thomas Fritsch and Georges Driesen and Heidrun Schmelcher and Susanne Thurnay and Martin Haas and Alexander Thalheim-Martin**

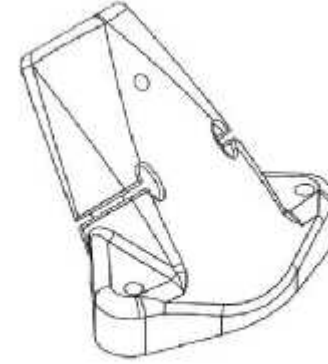
(45) Registration Date: **09 September 2014**

(56) Related Art Documents: **Not Applicable**

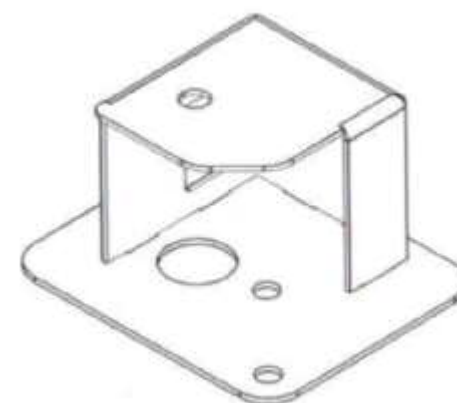
(57) Statement of Newness and Distinctiveness: **Nil**



- (21) Design Number: **10749/2014**  
(22) Date of Filing Application: **17 February 2014**  
(24) Date from which industrial property rights may have effect: **17 February 2014**  
(54) Product in respect of which the design is registered: **Ferrule**  
(51) International Design Classification: **08-08B**  
(74) Name(s) of Attorney(s): **Allens Patent & Trade Mark Attorneys**  
(71) Name(s) and Address(s) of Applicant(s):  
**E.D. Oates Pty Ltd**  
**Maygar Bvd Broadmeadows VIC 3047 Australia**  
(72) Name(s) of Designer(s): **Frankie Ngan**  
(45) Registration Date: **09 September 2014**  
(56) Related Art Documents: **Not Applicable**  
(57) Statement of Newness and Distinctiveness: **Newness and distinctiveness resides in the visual features of shape and/or configuration of a ferrule as illustrated in solid lines in the accompanying representations.**



- (21) Design Number: **10994/2014**  
(22) Date of Filing Application: **04 March 2014**  
(24) Date from which industrial property rights may have effect: **04 March 2014**  
(54) Product in respect of which the design is registered: **Isolator bracket**  
(51) International Design Classification: **08-08L**  
(74) Name(s) of Attorney(s): **Wrays**  
(71) Name(s) and Address(s) of Applicant(s):  
**Gremarnig Investments Pty Ltd**  
**SE1 L1 126 John St Singleton NSW 2330 Australia**  
(72) Name(s) of Designer(s): **Graham Lee and Gareth McMillan and Graeme MacKenzie**  
(45) Registration Date: **09 September 2014**  
(56) Related Art Documents: **Not Applicable**  
(57) Statement of Newness and Distinctiveness: **The newness and distinctiveness of the design is claimed in the features of shape and/or configuration of the isolator bracket as depicted in the accompanying representations.**





(21) Design Number: **11166/2014**

(22) Date of Filing Application: **12 March 2014**

(24) Date from which industrial property rights may have effect: **12 March 2014**

(54) Product in respect of which the design is registered: **Garment locker**

(51) International Design Classification: **06-04B**

(74) Name(s) of Attorney(s): **PATENT ATTORNEY SERVICES**

(71) Name(s) and Address(s) of Applicant(s):

**Digilock Asia Ltd**

**Flat B, 27th Floor Grandion Plaza No. 932 Cheung Sha Wan Road Lai Chi  
Kok, Kowloon Hong Kong**

(72) Name(s) of Designer(s): **Liu Luo**

(45) Registration Date: **09 September 2014**

(56) Related Art Documents: **Not Applicable**

(57) Statement of Newness and Distinctiveness: **Newness and distinctiveness is claimed in the shape and configuration of a garment locker having upper and lower compartments with respective closure doors as shown in the accompanying representations. The height of each compartment is indefinite and so, not being part of the design, is to be disregarded. The side of each locker door at which it is hinged can vary as shown in the accompanying representations where in Figures 1A to 8A the longer side of each of the upper and lower doors is hinged and in Figures 1B and 8B the shorter side of each of the upper and lower doors is hinged. Not being part of the design, the location of the hinges is to be disregarded**



(21) Design Number: **11167/2014**

(22) Date of Filing Application: **12 March 2014**

(24) Date from which industrial property rights may have effect: **12 March 2014**

(54) Product in respect of which the design is registered: **Garment locker**

(51) International Design Classification: **06-04B**

(74) Name(s) of Attorney(s): **PATENT ATTORNEY SERVICES**

(71) Name(s) and Address(s) of Applicant(s):

**Digilock Asia Ltd**

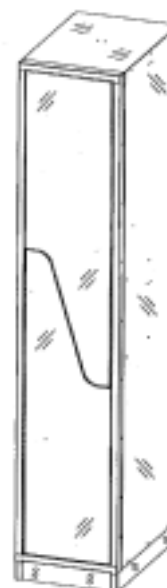
**Flat B, 27th Floor Grandion Plaza No. 932 Cheung Sha Wan Road Lai Chi  
Kok, Kowloon Hong Kong**

(72) Name(s) of Designer(s): **Liu Luo**

(45) Registration Date: **09 September 2014**

(56) Related Art Documents: **Not Applicable**

(57) Statement of Newness and Distinctiveness: **Newness and distinctiveness is claimed in the shape and configuration of a garment locker having upper and lower compartments with respective closure doors as shown in the accompanying representations. The height of each compartment is indefinite and so, not being part of the design, is to be disregarded. The side of each locker door at which it is hinged can vary as shown in the accompanying representations where in Figures 1A to 8A the longer side of each of the upper and lower doors is hinged and in Figures 1B and 8B the shorter side of each of the upper and lower doors is hinged. Not being part of the design, the location of the hinges is to be disregarded.**



- (21) Design Number: **11905/2014**  
(22) Date of Filing Application: **17 April 2014**  
(24) Date from which industrial property rights may have effect: **17 April 2014**  
(54) Product in respect of which the design is registered: **Work shirt**  
(51) International Design Classification: **02-02B**  
(74) Name(s) of Attorney(s): **Ashurst Australia**  
(71) Name(s) and Address(s) of Applicant(s):

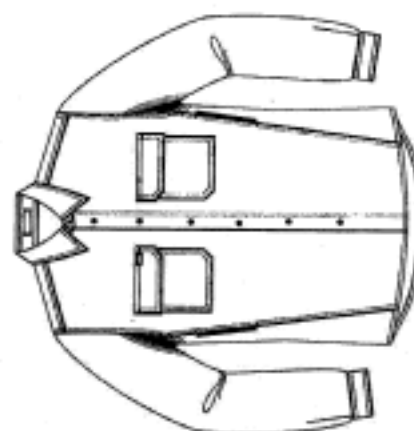
**Gazal Apparel Pty Ltd**  
**3-7 McPherson St Banksmeadow NSW 2019 Australia**

(72) Name(s) of Designer(s): **Gilbert Huynh**

(45) Registration Date: **09 September 2014**

(56) Related Art Documents: **Not Applicable**

(57) Statement of Newness and Distinctiveness: **Newness and distinctiveness resides in the multiple ventilation areas on the shirt. The multiple ventilation areas are specifically positioned at high heat stress areas on the upper body. The cross ventilation boosts air flow from the back through to the front, from upper back to lower back, from one side to the other side and underarm. No other workwear garment in the market offers this 3D cross ventilation concept.**



- (21) Design Number: **12501/2014**  
(22) Date of Filing Application: **20 May 2014**  
(24) Date from which industrial property rights may have effect: **27 November 2013**  
(54) Product in respect of which the design is registered: **Positive airway pressure delivery console**  
(51) International Design Classification: **24-01**  
(74) Name(s) of Attorney(s): **Halfords IP**  
(71) Name(s) and Address(s) of Applicant(s):

**ResMed Limited**  
**1 Elizabeth Macarthur Dr Bella Vista NSW 2153 Australia**

(72) Name(s) of Designer(s): **Justin John Formica and Mark Bertinetti and Henri Spaille and Justin Peter Wagemakers**

(45) Registration Date: **09 September 2014**

(62) Divisional of: **355720**

(56) Related Art Documents: **Not Applicable**

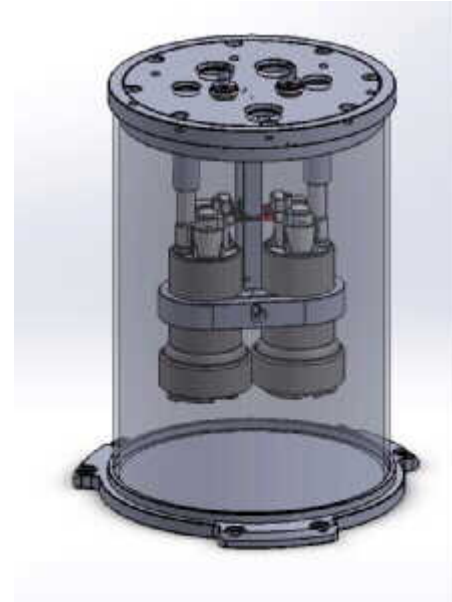
(57) Statement of Newness and Distinctiveness: **Nil**



- (21) Design Number: **12624/2014**  
(22) Date of Filing Application: **28 May 2014**  
(24) Date from which industrial property rights may have effect: **28 May 2014**  
(54) Product in respect of which the design is registered: **Fuel surge tank**  
(51) International Design Classification: **12-16NES**  
(74) Name(s) of Attorney(s):  
(71) Name(s) and Address(s) of Applicant(s):

**TAARKS.COM PTY LTD**  
**PO BOX 519 Elanora QLD 4221 Australia**

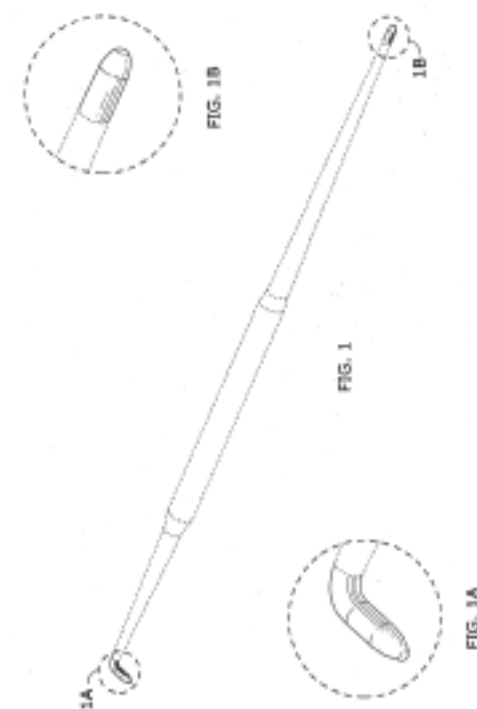
- (72) Name(s) of Designer(s): **Tarrick Marychurch**  
(45) Registration Date: **09 September 2014**  
(56) Related Art Documents: **Not Applicable**  
(57) Statement of Newness and Distinctiveness: **This fuel surge tank design is distinctive and new and includes the following features: 1. Fuel pump adapter tubes with o-ring seals. 2. Slotted bolt holes on top plate for visual confirmation the bolts are seated. 3. Radial mounting points for easy installation. 4. O-ring sealed electrical bulkheads with Teflon inserts. 5. Raised lip on base plate for easy welding.**



- (21) Design Number: **12698/2014**  
(22) Date of Filing Application: **02 June 2014**  
(24) Date from which industrial property rights may have effect: **02 June 2014**  
(54) Product in respect of which the design is registered: **Nasal dilator**  
(51) International Design Classification: **24-02**  
(74) Name(s) of Attorney(s): **Davies Collison Cave**  
(71) Name(s) and Address(s) of Applicant(s):

**Simplicity, LLC**  
**737 South 675 West Springville UT, 84663 United States of America**

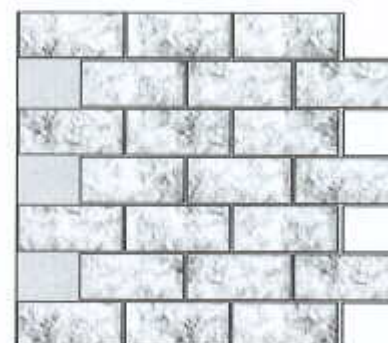
- (72) Name(s) of Designer(s): **Ian J. Alexander and Brian D. Owens**  
(45) Registration Date: **09 September 2014**  
(56) Related Art Documents: **Not Applicable**  
(57) Statement of Newness and Distinctiveness: **Newness and distinctiveness is claimed in the visual features shown in solid lines in the representations.**



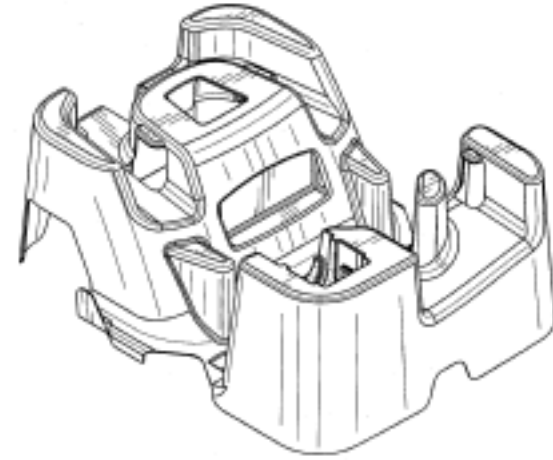
- (21) Design Number: **12752/2014**  
(22) Date of Filing Application: **04 June 2014**  
(24) Date from which industrial property rights may have effect: **04 June 2014**  
(54) Product in respect of which the design is registered: **Buckle**  
(51) International Design Classification: **02-07A**  
(74) Name(s) of Attorney(s):  
(71) Name(s) and Address(s) of Applicant(s):  
**Sydney Sandal Co Pty Ltd**  
**5 Brown St NEWTOWN NSW 2042**  
(72) Name(s) of Designer(s): **Tanya Stevanovic and Ladan Mohadjer Shirvani**  
(45) Registration Date: **09 September 2014**  
(56) Related Art Documents: **Not Applicable**  
(57) Statement of Newness and Distinctiveness: **The buckle is new and unique - this buckle has a hemispherical shape. The buckle has a rounded closed back specifically designed to fit into the grooves of the foot or hand. The buckle is one continuous surface.**



- (21) Design Number: **12771/2014**  
(22) Date of Filing Application: **05 June 2014**  
(24) Date from which industrial property rights may have effect: **05 June 2014**  
(54) Product in respect of which the design is registered: **Building panel**  
(51) International Design Classification: **25-01D**  
(74) Name(s) of Attorney(s):  
(71) Name(s) and Address(s) of Applicant(s):  
**Steven Barnard**  
**79 Warrimoo Ave St Ives NSW 2075 Australia**  
**Lion United Pty Ltd**  
**79 Warrimoo Ave St Ives NSW 2075 Australia**  
(72) Name(s) of Designer(s): **Steven Barnard**  
(45) Registration Date: **09 September 2014**  
(56) Related Art Documents: **Not Applicable**  
(57) Statement of Newness and Distinctiveness: **The newness and distinctiveness of the building panel resides in the profiling of the front surface and the interlocking profiles of the complimentary right and left edges.**



- (21) Design Number: **12793/2014**  
(22) Date of Filing Application: **06 June 2014**  
(24) Date from which industrial property rights may have effect: **06 June 2014**  
(54) Product in respect of which the design is registered: **Packaging**  
(51) International Design Classification: **09-03H**  
(74) Name(s) of Attorney(s): **Halfords IP**  
(71) Name(s) and Address(s) of Applicant(s):  
**ResMed Limited**  
**1 Elizabeth Macarthur Dr Bella Vista NSW 2153 Australia**  
(72) Name(s) of Designer(s): **Paul Waldron and Memduh Guney and Andrew James Bate and Gaetano Caldarola**  
(45) Registration Date: **09 September 2014**  
(56) Related Art Documents: **Not Applicable**  
(57) Statement of Newness and Distinctiveness: **Nil**



- (21) Design Number: **12808/2014**  
(22) Date of Filing Application: **07 June 2014**  
(24) Date from which industrial property rights may have effect: **07 June 2014**  
(54) Product in respect of which the design is registered: **T-shirt**  
(51) International Design Classification: **02-02NES**  
(74) Name(s) of Attorney(s):  
(71) Name(s) and Address(s) of Applicant(s):  
**EAGLE OPERATIONS PTY. LTD.**  
**37A David St Yokine WA 6060 Australia**  
(72) Name(s) of Designer(s): **Bevan Eagle**  
(45) Registration Date: **09 September 2014**  
(56) Related Art Documents: **Not Applicable**  
(57) Statement of Newness and Distinctiveness: **Blue "cue" followed by grey "drive" all lowercase, wording "Paperles business solutions".**



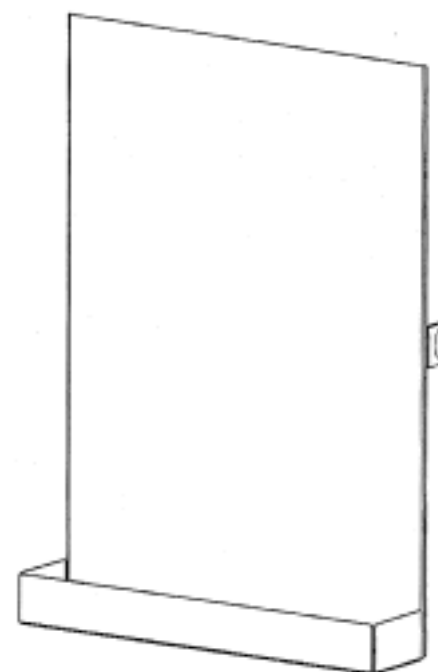
- (21) Design Number: **12809/2014**  
(22) Date of Filing Application: **07 June 2014**  
(24) Date from which industrial property rights may have effect: **07 June 2014**  
(54) Product in respect of which the design is registered: **T-shirt**  
(51) International Design Classification: **02-02NES**  
(74) Name(s) of Attorney(s):  
(71) Name(s) and Address(s) of Applicant(s):  
**EAGLE OPERATIONS PTY. LTD.**  
**37A David St Yokine WA 6060 Australia**  
(72) Name(s) of Designer(s): **Bevan Eagle**  
(45) Registration Date: **09 September 2014**  
(56) Related Art Documents: **Not Applicable**  
(57) Statement of Newness and Distinctiveness: **The Q is blue in colour and has a stroke that looks like it has been folded down from the O section. The design is distinctive and one off.**



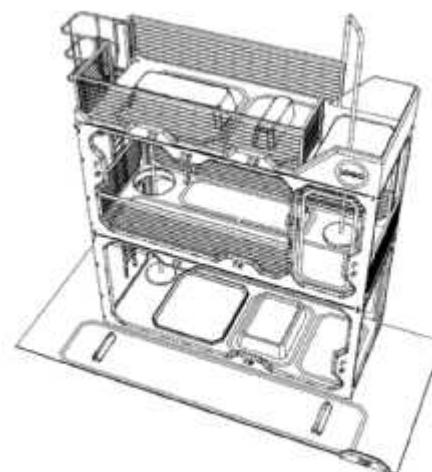
- (21) Design Number: **12996/2014**  
(22) Date of Filing Application: **24 December 2013**  
(24) Date from which industrial property rights may have effect: **24 December 2013**  
(54) Product in respect of which the design is registered: **Organisational element**  
(51) International Design Classification: **25-02NES, 06-06NES**  
(74) Name(s) of Attorney(s): **Griffith Hack**  
(71) Name(s) and Address(s) of Applicant(s):  
**USM Holding AG**  
**Pourtalesstrasse 103 3074 Muri bei Bern Switzerland**  
(72) Name(s) of Designer(s): **Alexander Scharer and Thomas Dienes and Louis Armand**  
(45) Registration Date: **09 September 2014**  
(30) Convention priority data:  
(31) Number      (32) Date      (33) Country  
**32224**          **01 Jul 2013**      **WORLD INTELLECTUAL  
PROPERTY ORGANIZATION  
(WIPO)**  
(56) Related Art Documents: **Not Applicable**  
(57) Statement of Newness and Distinctiveness: **Nil**



(21) Design Number: **12997/2014**  
(22) Date of Filing Application: **24 December 2013**  
(24) Date from which industrial property rights may have effect: **24 December 2013**  
(54) Product in respect of which the design is registered: **Organisational element**  
(51) International Design Classification: **25-02NES, 06-06NES**  
(74) Name(s) of Attorney(s): **Griffith Hack**  
(71) Name(s) and Address(s) of Applicant(s):  
**USM Holding AG**  
**Pourtalesstrasse 103 3074 Muri bei Bern Switzerland**  
(72) Name(s) of Designer(s): **Alexander Scharer and Thomas Dienes and Louis Armand**  
(45) Registration Date: **09 September 2014**  
(30) Convention priority data:  
(31) Number      (32) Date      (33) Country  
**32224            01 Jul 2013      WORLD INTELLECTUAL  
PROPERTY ORGANIZATION  
(WIPO)**  
(56) Related Art Documents: **Not Applicable**  
(57) Statement of Newness and Distinctiveness: **Nil**



(21) Design Number: **13023/2014**  
(22) Date of Filing Application: **20 June 2014**  
(24) Date from which industrial property rights may have effect: **20 June 2014**  
(54) Product in respect of which the design is registered: **A container assembly**  
(51) International Design Classification: **06-04NES, 09-04**  
(74) Name(s) of Attorney(s): **SPRUSON & FERGUSON**  
(71) Name(s) and Address(s) of Applicant(s):  
**Fitness Engineers Pty Ltd**  
**22/8 Jaques Ave Bondi Beach NSW 2026 Australia**  
(72) Name(s) of Designer(s): **Adam Gilchrist**  
(45) Registration Date: **09 September 2014**  
(56) Related Art Documents: **Not Applicable**  
(57) Statement of Newness and Distinctiveness: **Newness and distinctiveness is claimed in the features of shape and/or configuration of a container assembly as illustrated in the accompanying representations.**



(21) Design Number: **13088/2014**  
(22) Date of Filing Application: **24 June 2014**  
(24) Date from which industrial property rights may have effect: **24 June 2014**  
(54) Product in respect of which the design is registered: **Blunt arrow head**  
(51) International Design Classification: **22-03**  
(74) Name(s) of Attorney(s): **SPRUSON & FERGUSON**  
(71) Name(s) and Address(s) of Applicant(s):  
**Brian Rene Severinsen**  
**Hoejgaardvej 19, Saeby DK-9300 Denmark**  
(72) Name(s) of Designer(s): **Brian Rene Severinsen**  
(45) Registration Date: **09 September 2014**  
(30) Convention priority data:  
(31) Number (32) Date (33) Country  
**29/477837 27 Dec 2013 UNITED STATES OF AMERICA**  
(56) Related Art Documents: **Not Applicable**



(57) Statement of Newness and Distinctiveness: **Newness and distinctiveness is claimed in the features of shape and/or configuration of the following elements of a blunt arrow head illustrated in the accompanying representations: a combination of an impact surface with a fully circular sharp forward edge of the cup-shaped body and a protruding point tip extending from the centre of the cup-shaped body to a tip located in front of the sharp forward edge of the cup shaped body; and punches in the bottom of the cup-shaped body around the centre from where the pointed tip extends.**

(21) Design Number: **13089/2014**  
(22) Date of Filing Application: **24 June 2014**  
(24) Date from which industrial property rights may have effect: **24 June 2014**  
(54) Product in respect of which the design is registered: **Jukebox**  
(51) International Design Classification: **14-01**  
(74) Name(s) of Attorney(s): **Fisher Adams Kelly Pty Ltd**  
(71) Name(s) and Address(s) of Applicant(s):  
**Touchtunes Music Corporation**  
**850 3rd Ave Ste 11a New York NY, 10022-7239 United States of America**  
(72) Name(s) of Designer(s): **Michael Tooker and Charles Garneau and Ed Rivera and Eric Saint-Jacques and Benoit Tessier and Jean Gauthier**  
(45) Registration Date: **09 September 2014**  
(30) Convention priority data:  
(31) Number (32) Date (33) Country  
**29/477654 24 Dec 2013 UNITED STATES OF AMERICA**  
(56) Related Art Documents: **Not Applicable**



(57) Statement of Newness and Distinctiveness: **The newness and distinctiveness of the design resides in the shape and/or configuration of the JUKEBOX AND PORTIONS THEREOF shown in the representations. The dotted lines should be disregarded for assessing newness and distinctiveness.**



(21) Design Number: **13091/2014**  
(22) Date of Filing Application: **24 June 2014**  
(24) Date from which industrial property rights may have effect: **24 June 2014**  
(54) Product in respect of which the design is registered: **Jukebox**  
(51) International Design Classification: **14-01**  
(74) Name(s) of Attorney(s): **Fisher Adams Kelly Pty Ltd**  
(71) Name(s) and Address(s) of Applicant(s):  
**Touchtunes Music Corporation**  
**850 3rd Ave Ste 11a New York NY, 10022-7239 United States of America**  
(72) Name(s) of Designer(s): **Michael Tooker and Charles Garneau and Ed Rivera and Eric Saint-Jacques and Benoit Tessier and Jean Gauthier**  
(45) Registration Date: **09 September 2014**  
(30) Convention priority data:  
(31) Number (32) Date (33) Country  
**29/477654 24 Dec 2013 UNITED STATES OF AMERICA**  
(56) Related Art Documents: **Not Applicable**  
(57) Statement of Newness and Distinctiveness: **The newness and distinctiveness of the design resides in the shape and/or configuration of the JUKEBOX AND PORTIONS THEREOF shown in the representations. The dotted lines should be disregarded for assessing newness and distinctiveness.**



(21) Design Number: **13092/2014**  
(22) Date of Filing Application: **24 June 2014**  
(24) Date from which industrial property rights may have effect: **24 June 2014**  
(54) Product in respect of which the design is registered: **Jukebox**  
(51) International Design Classification: **14-01**  
(74) Name(s) of Attorney(s): **Fisher Adams Kelly Pty Ltd**  
(71) Name(s) and Address(s) of Applicant(s):  
**Touchtunes Music Corporation**  
**850 3rd Ave Ste 11a New York NY, 10022-7239 United States of America**  
(72) Name(s) of Designer(s): **Michael Tooker and Ed Rivera and Eric Saint-Jacques and Benoit Tessier and Jean Gauthier and Charles Garneau**  
(45) Registration Date: **09 September 2014**  
(30) Convention priority data:  
(31) Number (32) Date (33) Country  
**29/477654 24 Dec 2013 UNITED STATES OF AMERICA**  
(56) Related Art Documents: **Not Applicable**  
(57) Statement of Newness and Distinctiveness: **The newness and distinctiveness of the design resides in the shape and/or configuration of the JUKEBOX AND PORTIONS THEREOF shown in the representations. The dotted lines should be disregarded for assessing newness and distinctiveness.**



- (21) Design Number: **13197/2014**  
(22) Date of Filing Application: **30 June 2014**  
(24) Date from which industrial property rights may have effect: **30 June 2014**  
(54) Product in respect of which the design is registered: **Lighter case**  
(51) International Design Classification: **27-05**  
(74) Name(s) of Attorney(s):  
(71) Name(s) and Address(s) of Applicant(s):  
**TRIO BROTHERS TRADING PTY LTD**  
**18 Beal St Meadowbrook QLD 4131 Australia**  
(72) Name(s) of Designer(s): **Jack Qin**  
(45) Registration Date: **09 September 2014**  
(56) Related Art Documents: **Not Applicable**  
(57) Statement of Newness and Distinctiveness: **Great Wall joint lighter case, the joint is designed with the inter locking of bricks style of the top of Great Wall.**



- (21) Design Number: **13227/2014**  
(22) Date of Filing Application: **02 July 2014**  
(24) Date from which industrial property rights may have effect: **02 July 2014**  
(54) Product in respect of which the design is registered: **Packaging of our health food products (bags)**  
(51) International Design Classification: **09-05**  
(74) Name(s) of Attorney(s):  
(71) Name(s) and Address(s) of Applicant(s):  
**Pure Lean Pty Ltd**  
**PO Box 2432 CAULFIELD JUNCTION VIC 3161**  
(72) Name(s) of Designer(s): **Richard Judd Feldman**  
(45) Registration Date: **09 September 2014**  
(56) Related Art Documents: **Not Applicable**  
(57) Statement of Newness and Distinctiveness: **The Design is unique as it encompasses a combination of colours, hexagons, the font and style of the word 'PURE' and our logo which represent our brand.**



(21) Design Number: **13252/2014**  
(22) Date of Filing Application: **03 July 2014**  
(24) Date from which industrial property rights may have effect: **03 July 2014**  
(54) Product in respect of which the design is registered: **Swimwear**  
(51) International Design Classification: **02-02A**  
(74) Name(s) of Attorney(s): **K&L Gates**  
(71) Name(s) and Address(s) of Applicant(s):  
**Seafolly Pty Ltd**  
**247 King St Mascot NSW 2020 Australia**  
(72) Name(s) of Designer(s): **Genelle Walkom**  
(45) Registration Date: **09 September 2014**  
(56) Related Art Documents: **Not Applicable**  
(57) Statement of Newness and Distinctiveness: **Nil**



(21) Design Number: **13258/2014**  
(22) Date of Filing Application: **04 July 2014**  
(24) Date from which industrial property rights may have effect: **04 July 2014**  
(54) Product in respect of which the design is registered: **Seat and/or table**  
(51) International Design Classification: **06-05, 06-01E, 06-03B**  
(74) Name(s) of Attorney(s):  
(71) Name(s) and Address(s) of Applicant(s):  
**Steendyk Holdings Pty Ltd**  
**27 Isaac St Spring Hill QLD 4000 Australia**  
(72) Name(s) of Designer(s): **Brian John Steendyk**  
(45) Registration Date: **09 September 2014**  
(56) Related Art Documents: **Not Applicable**  
(57) Statement of Newness and Distinctiveness: **Monopoly is claimed in the features of shape and/or configuration of the seat and/or table as illustrated in the representations accompanying the application.**



(21) Design Number: **13752/2014**  
(22) Date of Filing Application: **01 August 2014**  
(24) Date from which industrial property rights may have effect: **01 August 2014**  
(54) Product in respect of which the design is registered: **Roller blind tensioner**  
(51) International Design Classification: **08-08H**  
(74) Name(s) of Attorney(s): **FB Rice**  
(71) Name(s) and Address(s) of Applicant(s):

**ZMC Metal Coating Inc.**  
**40 Gaudaur Rd, Unit #3 Woodbridge Ontario, L4L 4S6 Canada**

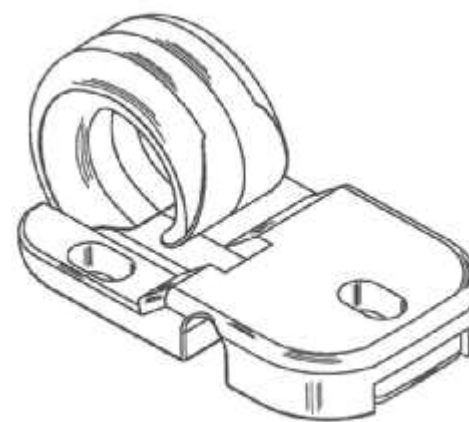
(72) Name(s) of Designer(s): **Philip Ng**  
(45) Registration Date: **11 September 2014**

(30) Convention priority data:

(31) Number	(32) Date	(33) Country
<b>156487</b>	<b>02 May 2014</b>	<b>CANADA</b>

(56) Related Art Documents: **Not Applicable**

(57) Statement of Newness and Distinctiveness: **Newness and distinctiveness reside in the features of shape and configuration of the design as shown in the representations.**



(21) Design Number: **13753/2014**  
(22) Date of Filing Application: **01 August 2014**  
(24) Date from which industrial property rights may have effect: **01 August 2014**  
(54) Product in respect of which the design is registered: **LED lamp**  
(51) International Design Classification: **26-04**  
(74) Name(s) of Attorney(s): **Macpherson + Kelley**  
(71) Name(s) and Address(s) of Applicant(s):

**Primsal Pty Ltd**  
**L1 952 Mount Alexander Rd Essendon VIC 3040 Australia**

(72) Name(s) of Designer(s): **Fan Shuqian**  
(45) Registration Date: **11 September 2014**

(56) Related Art Documents: **Not Applicable**

(57) Statement of Newness and Distinctiveness: **Newness and distinctiveness resides in the features of shape and/or configuration of a LED Lamp as shown in the accompanying representations.**



- (21) Design Number: **13754/2014**  
(22) Date of Filing Application: **01 August 2014**  
(24) Date from which industrial property rights may have effect: **01 August 2014**  
(54) Product in respect of which the design is registered: **LED lamp**  
(51) International Design Classification: **26-04**  
(74) Name(s) of Attorney(s): **Macpherson + Kelley**  
(71) Name(s) and Address(s) of Applicant(s):  
**Primsal Pty Ltd**  
**L1 952 Mount Alexander Rd Essendon VIC 3040 Australia**  
(72) Name(s) of Designer(s): **Fan Shuqian**  
(45) Registration Date: **11 September 2014**  
(56) Related Art Documents: **Not Applicable**  
(57) Statement of Newness and Distinctiveness: **Newness and distinctiveness resides in the features of shape and/or configuration of a LED Lamp as shown in the accompanying representations.**



- (21) Design Number: **13755/2014**  
(22) Date of Filing Application: **01 August 2014**  
(24) Date from which industrial property rights may have effect: **01 August 2014**  
(54) Product in respect of which the design is registered: **LED lamp**  
(51) International Design Classification: **26-04**  
(74) Name(s) of Attorney(s): **Macpherson + Kelley**  
(71) Name(s) and Address(s) of Applicant(s):  
**Primsal Pty Ltd**  
**L1 952 Mount Alexander Rd Essendon VIC 3040 Australia**  
(72) Name(s) of Designer(s): **Fan Shuqian**  
(45) Registration Date: **11 September 2014**  
(56) Related Art Documents: **Not Applicable**  
(57) Statement of Newness and Distinctiveness: **Newness and distinctiveness resides in the features of shape and/or configuration of a LED Lamp as shown in the accompanying representations.**



(21) Design Number: **13756/2014**  
(22) Date of Filing Application: **01 August 2014**  
(24) Date from which industrial property rights may have effect: **01 August 2014**  
(54) Product in respect of which the design is registered: **LED lamp**  
(51) International Design Classification: **26-04**  
(74) Name(s) of Attorney(s): **Macpherson + Kelley**  
(71) Name(s) and Address(s) of Applicant(s):  
**Primsal Pty Ltd**  
**L1 952 Mount Alexander Rd Essendon VIC 3040 Australia**  
(72) Name(s) of Designer(s): **Fan Shuqian**  
(45) Registration Date: **11 September 2014**  
(56) Related Art Documents: **Not Applicable**  
(57) Statement of Newness and Distinctiveness: **Newness and distinctiveness resides in the features of shape and/or configuration of a LED Lamp as shown in the accompanying representations.**



(21) Design Number: **13757/2014**  
(22) Date of Filing Application: **01 August 2014**  
(24) Date from which industrial property rights may have effect: **01 August 2014**  
(54) Product in respect of which the design is registered: **Driver's cab of a vehicle**  
(51) International Design Classification: **12-08**  
(74) Name(s) of Attorney(s): **Wrays**  
(71) Name(s) and Address(s) of Applicant(s):  
**Tata Motors Limited**  
**Bombay House 24 Homi Mody Street Hutatma Chowk Mumbai**  
**Maharashtra, 400 001 India**  
(72) Name(s) of Designer(s): **Jayant Sankrityayana and Rachna Darshan and Ajmal Ahmad**  
(45) Registration Date: **11 September 2014**  
(30) Convention priority data:  
(31) Number (32) Date (33) Country  
**260096 03 Feb 2014 INDIA**  
(56) Related Art Documents: **Not Applicable**  
(57) Statement of Newness and Distinctiveness: **Newness and distinctiveness is claimed in the features of shape, configuration, pattern, and/or ornamentation of the Driver's Cab Of A Vehicle depicted in the accompanying representations.**



(21) Design Number: **13758/2014**  
(22) Date of Filing Application: **01 August 2014**  
(24) Date from which industrial property rights may have effect: **01 August 2014**  
(54) Product in respect of which the design is registered: **Driver's cab of a vehicle**  
(51) International Design Classification: **12-08**  
(74) Name(s) of Attorney(s): **Wrays**  
(71) Name(s) and Address(s) of Applicant(s):

**Tata Motors Limited**  
**Bombay House 24 Homi Mody Street Hutatma Chowk Mumbai**  
**Maharashtra, 400 001 India**

(72) Name(s) of Designer(s): **Jayant Sankrityayana and Rachna Darshan**

(45) Registration Date: **11 September 2014**

(30) Convention priority data:

(31) Number	(32) Date	(33) Country
<b>260097</b>	<b>03 Feb 2014</b>	<b>INDIA</b>

(56) Related Art Documents: **Not Applicable**

(57) Statement of Newness and Distinctiveness: **Newness and distinctiveness is claimed in the features of shape, configuration, pattern, and/or ornamentation of the Driver's Cab Of A Vehicle depicted in the accompanying representations.**



(21) Design Number: **13761/2014**  
(22) Date of Filing Application: **04 August 2014**  
(24) Date from which industrial property rights may have effect: **04 August 2014**  
(54) Product in respect of which the design is registered: **Maternity shorts**  
(51) International Design Classification: **02-01B**  
(74) Name(s) of Attorney(s):  
(71) Name(s) and Address(s) of Applicant(s):

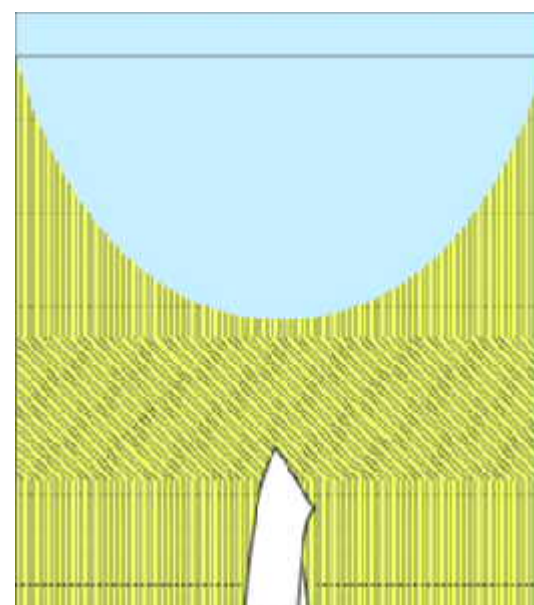
**LM Australasia Pty Ltd**  
**14-24 Easey St Collingwood VIC 3066 Australia**

(72) Name(s) of Designer(s): **Michel Abeysekera**

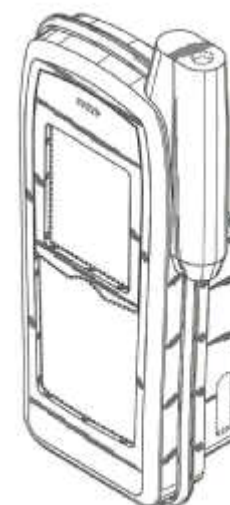
(45) Registration Date: **11 September 2014**

(56) Related Art Documents: **Not Applicable**

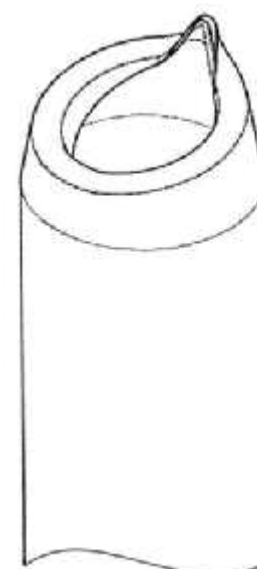
(57) Statement of Newness and Distinctiveness: **The newness and distinctiveness of the design resides in the shape and the seamless knitted area of the short as shown in the continuous lines in the accompanying representations.**



- (21) Design Number: **13762/2014**  
(22) Date of Filing Application: **04 August 2014**  
(24) Date from which industrial property rights may have effect: **04 August 2014**  
(54) Product in respect of which the design is registered: **Case for an electronic device**  
(51) International Design Classification: **03-01NES**  
(74) Name(s) of Attorney(s): **Griffith Hack**  
(71) Name(s) and Address(s) of Applicant(s):  
**Dundee Precious Metals Inc.**  
**Dundee Place, 1 Adelaide Street East Suite 500 P O Box 195 Toronto**  
**Ontario M5C 2V9 Canada**  
(72) Name(s) of Designer(s): **Mark Gelsomini and Richard Coulson**  
(45) Registration Date: **11 September 2014**  
(30) Convention priority data:  
(31) Number (32) Date (33) Country  
**155005 05 Feb 2014 CANADA**  
(56) Related Art Documents: **Not Applicable**  
(57) Statement of Newness and Distinctiveness: **Newness and distinctiveness resides in the visual features, including shape, configuration and ornamentation, of a CASE FOR AN ELECTRONIC DEVICE as shown in solid outline in the accompanying drawings. When determining whether the design is substantially similar in overall impression to another design, no regard is to be had to those features shown in dotted outline in the accompanying drawings, which features are provided for illustrative purposes only.**



- (21) Design Number: **13763/2014**  
(22) Date of Filing Application: **04 August 2014**  
(24) Date from which industrial property rights may have effect: **04 August 2014**  
(54) Product in respect of which the design is registered: **Telescopic straw**  
(51) International Design Classification: **07-06NES**  
(74) Name(s) of Attorney(s): **K&L Gates**  
(71) Name(s) and Address(s) of Applicant(s):  
**Unistraw Holdings Pte. Ltd.**  
**One Raffles Place Level 28-02 Singapore 048616 Singapore**  
(72) Name(s) of Designer(s): **Kendall Norman Palazzi**  
(45) Registration Date: **11 September 2014**  
(30) Convention priority data:  
(31) Number (32) Date (33) Country  
**4034162 07 Feb 2014 UNITED KINGDOM**  
(56) Related Art Documents: **Not Applicable**  
(57) Statement of Newness and Distinctiveness: **Newness and distinctiveness is claimed in the shape and configuration of the telescopic straw shown in solid lines in the representations. The filling shown in broken or thin lines does not form part of the design.**

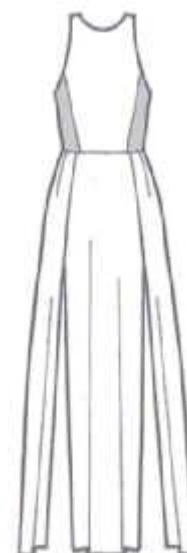




(21) Design Number: **13769/2014**  
(22) Date of Filing Application: **04 August 2014**  
(24) Date from which industrial property rights may have effect: **04 August 2014**  
(54) Product in respect of which the design is registered: **Helmet**  
(51) International Design Classification: **02-03**  
(74) Name(s) of Attorney(s): **PHILLIPS ORMONDE FITZPATRICK**  
(71) Name(s) and Address(s) of Applicant(s):  
**Piaggio & C. S.p.A.**  
**Viale Rinaldo Piaggio 25 56025 Pontedera Pisa Italy**  
(72) Name(s) of Designer(s): **Mirko Incerti**  
(45) Registration Date: **11 September 2014**  
(30) Convention priority data:  
(31) Number      (32) Date      (33) Country  
**002398834      05 Feb 2014      OFFICE FOR HARMONISATION IN  
THE INTERNAL MARKET (OHIM)**  
(56) Related Art Documents: **Not Applicable**  
(57) Statement of Newness and Distinctiveness: **Nil**



(21) Design Number: **13773/2014**  
(22) Date of Filing Application: **04 August 2014**  
(24) Date from which industrial property rights may have effect: **29 November 2013**  
(54) Product in respect of which the design is registered: **Article of clothing**  
(51) International Design Classification: **02-02C**  
(74) Name(s) of Attorney(s): **Allens Patent & Trade Mark Attorneys**  
(71) Name(s) and Address(s) of Applicant(s):  
**Forever New Clothing Pty Ltd**  
**714-716 High St Kew East VIC 3102 Australia**  
(72) Name(s) of Designer(s): **Karen Thai**  
(45) Registration Date: **11 September 2014**  
(62) Divisional of: **356792**  
(56) Related Art Documents: **Not Applicable**  
(57) Statement of Newness and Distinctiveness: **Newness and distinctiveness resides in the visual features of shape, configuration, pattern and/or ornamentation of an article of clothing as shown in the accompanying representations.**



- (21) Design Number: **13774/2014**  
(22) Date of Filing Application: **04 August 2014**  
(24) Date from which industrial property rights may have effect: **29 November 2013**  
(54) Product in respect of which the design is registered: **Article of clothing**  
(51) International Design Classification: **02-02C**  
(74) Name(s) of Attorney(s): **Allens Patent & Trade Mark Attorneys**  
(71) Name(s) and Address(s) of Applicant(s):  
**Forever New Clothing Pty Ltd**  
**714-716 High St Kew East VIC 3102 Australia**  
(72) Name(s) of Designer(s): **Octavia Miller**  
(45) Registration Date: **11 September 2014**  
(62) Divisional of: **356792**  
(57) Statement of Newness and Distinctiveness: **Newness and distinctiveness resides in the visual features of shape, configuration, pattern and/or ornamentation of an article of clothing as shown in the accompanying representations.**



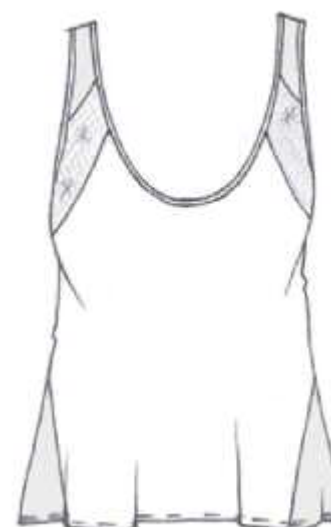
- (21) Design Number: **13775/2014**  
(22) Date of Filing Application: **04 August 2014**  
(24) Date from which industrial property rights may have effect: **29 November 2013**  
(54) Product in respect of which the design is registered: **Article of clothing**  
(51) International Design Classification: **02-02NES**  
(74) Name(s) of Attorney(s): **Allens Patent & Trade Mark Attorneys**  
(71) Name(s) and Address(s) of Applicant(s):  
**Forever New Clothing Pty Ltd**  
**714-716 High St Kew East VIC 3102 Australia**  
(72) Name(s) of Designer(s): **Jennifer Hall**  
(45) Registration Date: **11 September 2014**  
(62) Divisional of: **356792**  
(56) Related Art Documents: **Not Applicable**  
(57) Statement of Newness and Distinctiveness: **Newness and distinctiveness resides in the visual features of shape, configuration, pattern and/or ornamentation of an article of clothing as shown in the accompanying representations.**



- (21) Design Number: **13776/2014**  
(22) Date of Filing Application: **04 August 2014**  
(24) Date from which industrial property rights may have effect: **29 November 2013**  
(54) Product in respect of which the design is registered: **Article of clothing**  
(51) International Design Classification: **02-02NES**  
(74) Name(s) of Attorney(s): **Allens Patent & Trade Mark Attorneys**  
(71) Name(s) and Address(s) of Applicant(s):  
**Forever New Clothing Pty Ltd**  
**714-716 High St Kew East VIC 3102 Australia**  
(72) Name(s) of Designer(s): **Jennifer Hall**  
(45) Registration Date: **11 September 2014**  
(62) Divisional of: **356792**  
(56) Related Art Documents: **Not Applicable**  
(57) Statement of Newness and Distinctiveness: **Newness and distinctiveness resides in the visual features of shape, configuration, pattern and/or ornamentation of an article of clothing as shown in the accompanying representations.**



- (21) Design Number: **13777/2014**  
(22) Date of Filing Application: **04 August 2014**  
(24) Date from which industrial property rights may have effect: **29 November 2013**  
(54) Product in respect of which the design is registered: **Article of clothing**  
(51) International Design Classification: **02-02NES**  
(74) Name(s) of Attorney(s): **Allens Patent & Trade Mark Attorneys**  
(71) Name(s) and Address(s) of Applicant(s):  
**Forever New Clothing Pty Ltd**  
**714-716 High St Kew East VIC 3102 Australia**  
(72) Name(s) of Designer(s): **Jennifer Hall**  
(45) Registration Date: **11 September 2014**  
(62) Divisional of: **356792**  
(56) Related Art Documents: **Not Applicable**  
(57) Statement of Newness and Distinctiveness: **Newness and distinctiveness resides in the visual features of shape, configuration, pattern and/or ornamentation of an article of clothing as shown in the accompanying representations.**



- (21) Design Number: **13778/2014**  
(22) Date of Filing Application: **04 August 2014**  
(24) Date from which industrial property rights may have effect: **29 November 2013**  
(54) Product in respect of which the design is registered: **Article of clothing**  
(51) International Design Classification: **02-02C**  
(74) Name(s) of Attorney(s): **Allens Patent & Trade Mark Attorneys**  
(71) Name(s) and Address(s) of Applicant(s):  
**Forever New Clothing Pty Ltd**  
**714-716 High St Kew East VIC 3102 Australia**  
(72) Name(s) of Designer(s): **Chloe Atkinson**  
(45) Registration Date: **11 September 2014**  
(62) Divisional of: **356792**  
(56) Related Art Documents: **Not Applicable**  
(57) Statement of Newness and Distinctiveness: **Newness and distinctiveness resides in the visual features of shape, configuration, pattern and/or ornamentation of an article of clothing as shown in the accompanying representations.**



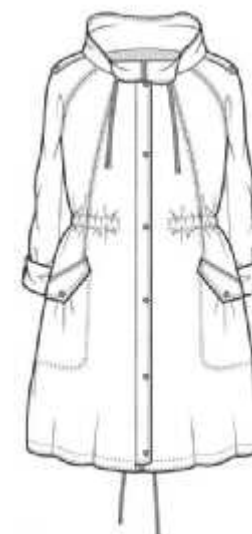
- (21) Design Number: **13779/2014**  
(22) Date of Filing Application: **04 August 2014**  
(24) Date from which industrial property rights may have effect: **29 November 2013**  
(54) Product in respect of which the design is registered: **Article of clothing**  
(51) International Design Classification: **02-02NES**  
(74) Name(s) of Attorney(s): **Allens Patent & Trade Mark Attorneys**  
(71) Name(s) and Address(s) of Applicant(s):  
**Forever New Clothing Pty Ltd**  
**714-716 High St Kew East VIC 3102 Australia**  
(72) Name(s) of Designer(s): **Chloe Atkinson**  
(45) Registration Date: **11 September 2014**  
(62) Divisional of: **356792**  
(56) Related Art Documents: **Not Applicable**  
(57) Statement of Newness and Distinctiveness: **Newness and distinctiveness resides in the visual features of shape, configuration, pattern and/or ornamentation of an article of clothing as shown in the accompanying representations.**



- (21) Design Number: **13780/2014**  
(22) Date of Filing Application: **04 August 2014**  
(24) Date from which industrial property rights may have effect: **29 November 2013**  
(54) Product in respect of which the design is registered: **Article of clothing**  
(51) International Design Classification: **02-02C**  
(74) Name(s) of Attorney(s): **Allens Patent & Trade Mark Attorneys**  
(71) Name(s) and Address(s) of Applicant(s):  
**Forever New Clothing Pty Ltd**  
**714-716 High St Kew East VIC 3102 Australia**  
(72) Name(s) of Designer(s): **Octavia Miller**  
(45) Registration Date: **11 September 2014**  
(62) Divisional of: **356792**  
(56) Related Art Documents: **Not Applicable**  
(57) Statement of Newness and Distinctiveness: **Newness and distinctiveness resides in the visual features of shape, configuration, pattern and/or ornamentation of an article of clothing as shown in the accompanying representations.**



- (21) Design Number: **13781/2014**  
(22) Date of Filing Application: **04 August 2014**  
(24) Date from which industrial property rights may have effect: **29 November 2013**  
(54) Product in respect of which the design is registered: **Article of clothing**  
(51) International Design Classification: **02-02NES**  
(74) Name(s) of Attorney(s): **Allens Patent & Trade Mark Attorneys**  
(71) Name(s) and Address(s) of Applicant(s):  
**Forever New Clothing Pty Ltd**  
**714-716 High St Kew East VIC 3102 Australia**  
(72) Name(s) of Designer(s): **Alice Burrow**  
(45) Registration Date: **11 September 2014**  
(62) Divisional of: **356792**  
(56) Related Art Documents: **Not Applicable**  
(57) Statement of Newness and Distinctiveness: **Newness and distinctiveness resides in the visual features of shape, configuration, pattern and/or ornamentation of an article of clothing as shown in the accompanying representations.**



- (21) Design Number: **11040/2014**  
(22) Date of Filing Application: **06 March 2014**  
(24) Date from which industrial property rights may have effect: **06 March 2014**  
(54) Product in respect of which the design is registered: **Crash barrier element**  
(51) International Design Classification: **25-02NES**  
(74) Name(s) of Attorney(s): **PHILLIPS ORMONDE FITZPATRICK**  
(71) Name(s) and Address(s) of Applicant(s):  
**Gunnar Englund Byggare AB**  
**Box 32 79521 Rattvik Sweden**  
(72) Name(s) of Designer(s): **Gunnar Englund**  
(45) Registration Date: **11 September 2014**  
(56) Related Art Documents: **Not Applicable**  
(57) Statement of Newness and Distinctiveness: **Those features of the crash barrier element depicted in the representations that are new and distinctive are the shape and/or configuration.**



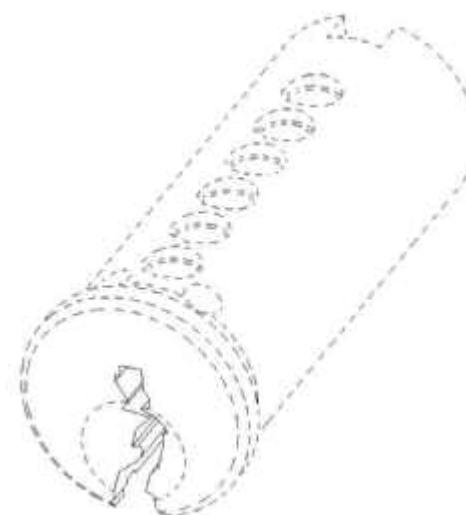
- (21) Design Number: **12911/2014**  
(22) Date of Filing Application: **13 June 2014**  
(24) Date from which industrial property rights may have effect: **13 June 2014**  
(54) Product in respect of which the design is registered: **Washing line with cover**  
(51) International Design Classification: **07-05D**  
(74) Name(s) of Attorney(s): **James & Wells**  
(71) Name(s) and Address(s) of Applicant(s):  
**Cearna Sheree Ann Hudson**  
**5 Meadowbank Court Huntington Hamilton 3210 New Zealand**  
(72) Name(s) of Designer(s): **Brian Norman Hudson**  
(45) Registration Date: **11 September 2014**  
(30) Convention priority data:  

(31) Number	(32) Date	(33) Country
<b>418359</b>	<b>16 Dec 2013</b>	<b>NEW ZEALAND</b>

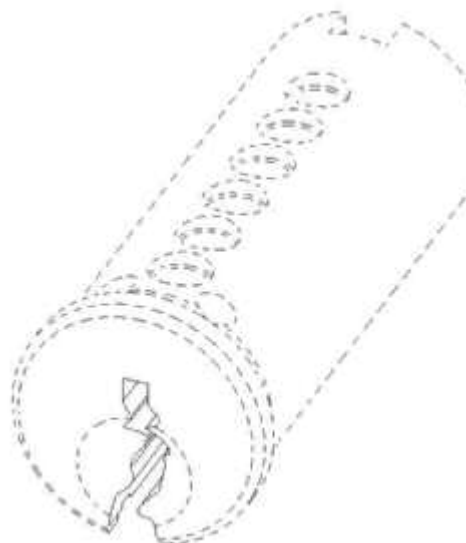
  
(56) Related Art Documents: **Not Applicable**  
(57) Statement of Newness and Distinctiveness: **The design is to be applied to a washing line and washing line cover, and the novelty resides in features of shape and configuration as shown in the accompanying representations. The shape and configuration of the areas highlighted in blue wash are not part of the design in which novelty is claimed.**



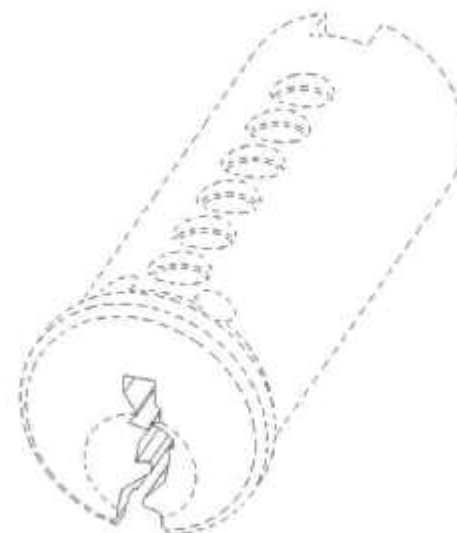
- (21) Design Number: **13329/2014**  
(22) Date of Filing Application: **09 July 2014**  
(24) Date from which industrial property rights may have effect: **09 July 2014**  
(54) Product in respect of which the design is registered: **Lock barrel**  
(51) International Design Classification: **08-07**  
(74) Name(s) of Attorney(s): **Wrays**  
(71) Name(s) and Address(s) of Applicant(s):  
**Centurion International Imports Pty Ltd**  
**U2/115 Excellence Dr Wangara WA 6065 Australia**  
(72) Name(s) of Designer(s): **Tienkao Liu**  
(45) Registration Date: **11 September 2014**  
(56) Related Art Documents: **Not Applicable**  
(57) Statement of Newness and Distinctiveness: **Monopoly is claimed in respect of the cross-sectional shape of the keyway of a lock barrel as depicted in the accompanying representations. The length and other external features of the body of the barrel as shown in broken line in the accompanying representations are to be disregarded for the purpose of determining the scope of the monopoly protection.**



- (21) Design Number: **13330/2014**  
(22) Date of Filing Application: **09 July 2014**  
(24) Date from which industrial property rights may have effect: **09 July 2014**  
(54) Product in respect of which the design is registered: **Lock barrel**  
(51) International Design Classification: **08-07**  
(74) Name(s) of Attorney(s): **Wrays**  
(71) Name(s) and Address(s) of Applicant(s):  
**Centurion International Imports Pty Ltd**  
**U2/115 Excellence Dr Wangara WA 6065 Australia**  
(72) Name(s) of Designer(s): **Tienkao Liu**  
(45) Registration Date: **11 September 2014**  
(56) Related Art Documents: **Not Applicable**  
(57) Statement of Newness and Distinctiveness: **Monopoly is claimed in respect of the cross-sectional shape of the keyway of a lock barrel as depicted in the accompanying representations. The length and other external features of the body of the barrel as shown in broken line in the accompanying representations are to be disregarded for the purpose of determining the scope of the monopoly protection.**



- (21) Design Number: **13333/2014**  
(22) Date of Filing Application: **09 July 2014**  
(24) Date from which industrial property rights may have effect: **09 July 2014**  
(54) Product in respect of which the design is registered: **Lock barrel**  
(51) International Design Classification: **08-07**  
(74) Name(s) of Attorney(s): **Wrays**  
(71) Name(s) and Address(s) of Applicant(s):  
**Centurion International Imports Pty Ltd**  
**U2/115 Excellence Dr Wangara WA 6065 Australia**  
(72) Name(s) of Designer(s): **Tienkao Liu**  
(45) Registration Date: **11 September 2014**  
(56) Related Art Documents: **Not Applicable**  
(57) Statement of Newness and Distinctiveness: **Monopoly is claimed in respect of the cross-sectional shape of the keyway of a lock barrel as depicted in the accompanying representations. The length and other external features of the body of the barrel as shown in broken line in the accompanying representations are to be disregarded for the purpose of determining the scope of the monopoly protection.**



- (21) Design Number: **13335/2014**  
(22) Date of Filing Application: **09 July 2014**  
(24) Date from which industrial property rights may have effect: **09 July 2014**  
(54) Product in respect of which the design is registered: **Lock barrel**  
(51) International Design Classification: **08-07**  
(74) Name(s) of Attorney(s): **Wrays**  
(71) Name(s) and Address(s) of Applicant(s):  
**Centurion International Imports Pty Ltd**  
**U2/115 Excellence Dr Wangara WA 6065 Australia**  
(72) Name(s) of Designer(s): **Tienkao Liu**  
(45) Registration Date: **11 September 2014**  
(56) Related Art Documents: **Not Applicable**  
(57) Statement of Newness and Distinctiveness: **Monopoly is claimed in respect of the cross-sectional shape of the keyway of a lock barrel as depicted in the accompanying representations. The length and other external features of the body of the barrel as shown in broken line in the accompanying representations are to be disregarded for the purpose of determining the scope of the monopoly protection.**





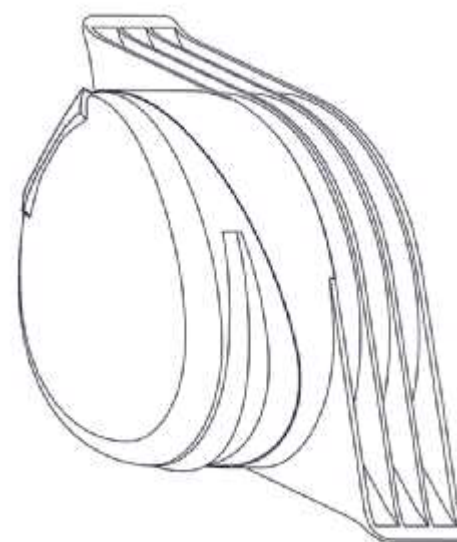
(21) Design Number: **13336/2014**  
(22) Date of Filing Application: **09 July 2014**  
(24) Date from which industrial property rights may have effect: **09 July 2014**  
(54) Product in respect of which the design is registered: **Closure for a container**  
(51) International Design Classification: **09-07B, 09-07C**  
(74) Name(s) of Attorney(s): **SPRUSON & FERGUSON**  
(71) Name(s) and Address(s) of Applicant(s):  
**AptarGroup, Inc.**  
**475 West Terra Cotta Avenue Suite E Crystal Lake Illinois 60014-9695**  
**United States of America**

(72) Name(s) of Designer(s): **Timothy M Mazurkiewicz**  
(45) Registration Date: **11 September 2014**

(30) Convention priority data:  
(31) Number (32) Date (33) Country  
**29/492025 28 May 2014 UNITED STATES OF AMERICA**

(56) Related Art Documents: **Not Applicable**

(57) Statement of Newness and Distinctiveness: **Newness and distinctiveness is claimed in the features of shape and/or configuration of the following elements of a fitment illustrated in the accompanying representations: a generally oval shape as viewed from the top; and a closed lid that has (1) a side wall extending further downwardly in the front than on the sides; (2) a top surface that is slightly convex; and (3) a front projection extending to the sides and tapering to merge with each side.**

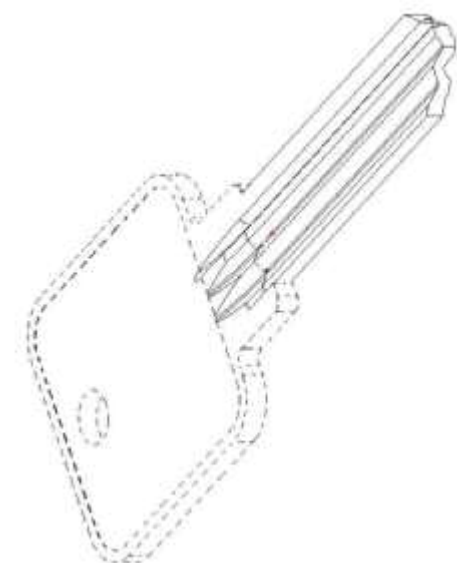


(21) Design Number: **13337/2014**  
(22) Date of Filing Application: **09 July 2014**  
(24) Date from which industrial property rights may have effect: **09 July 2014**  
(54) Product in respect of which the design is registered: **Key**  
(51) International Design Classification: **08-07**  
(74) Name(s) of Attorney(s): **Wrays**  
(71) Name(s) and Address(s) of Applicant(s):  
**Centurion International Imports Pty Ltd**  
**U2/115 Excellence Dr Wangara WA 6065 Australia**

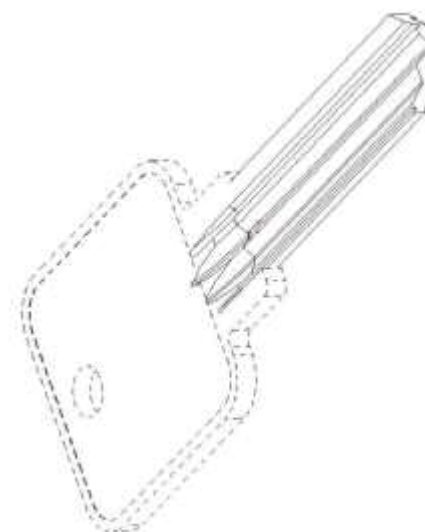
(72) Name(s) of Designer(s): **Tienkao Liu**  
(45) Registration Date: **11 September 2014**

(56) Related Art Documents: **Not Applicable**

(57) Statement of Newness and Distinctiveness: **Monopoly is claimed in respect of the cross-sectional shape of the blade of the key as depicted in the accompanying representations, particular attention is to be paid to the cross-sectional profile of the blade, the shape or configuration of the head portion of the key blank as shown in broken lines is to be disregarded.**



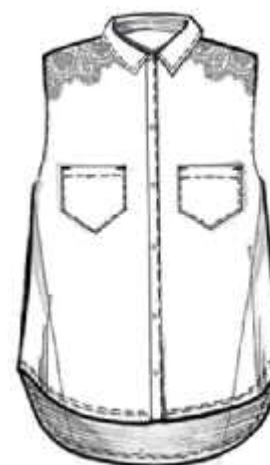
- (21) Design Number: **13338/2014**  
(22) Date of Filing Application: **09 July 2014**  
(24) Date from which industrial property rights may have effect: **09 July 2014**  
(54) Product in respect of which the design is registered: **Key**  
(51) International Design Classification: **08-07**  
(74) Name(s) of Attorney(s): **Wrays**  
(71) Name(s) and Address(s) of Applicant(s):  
**Centurion International Imports Pty Ltd**  
**U2/115 Excellence Dr Wangara WA 6065 Australia**  
(72) Name(s) of Designer(s): **Tienkao Liu**  
(45) Registration Date: **11 September 2014**  
(56) Related Art Documents: **Not Applicable**  
(57) Statement of Newness and Distinctiveness: **Monopoly is claimed in respect of the cross-sectional shape of the blade of the key as depicted in the accompanying representations, particular attention is to be paid to the cross-sectional profile of the blade, the shape or configuration of the head portion of the key blank as shown in broken lines is to be disregarded.**



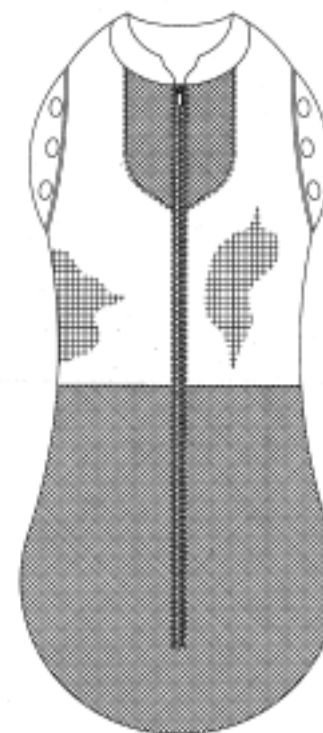
- (21) Design Number: **13339/2014**  
(22) Date of Filing Application: **09 July 2014**  
(24) Date from which industrial property rights may have effect: **09 July 2014**  
(54) Product in respect of which the design is registered: **Key**  
(51) International Design Classification: **08-07**  
(74) Name(s) of Attorney(s): **Wrays**  
(71) Name(s) and Address(s) of Applicant(s):  
**Centurion International Imports Pty Ltd**  
**U2/115 Excellence Dr Wangara WA 6065 Australia**  
(72) Name(s) of Designer(s): **Tienkao Liu**  
(45) Registration Date: **11 September 2014**  
(56) Related Art Documents: **Not Applicable**  
(57) Statement of Newness and Distinctiveness: **Monopoly is claimed in respect of the cross-sectional shape of the blade of the key as depicted in the accompanying representations, particular attention is to be paid to the cross-sectional profile of the blade, the shape or configuration of the head portion of the key blank as shown in broken lines is to be disregarded.**



- (21) Design Number: **16829/2013**  
(22) Date of Filing Application: **24 December 2013**  
(24) Date from which industrial property rights may have effect: **24 December 2013**  
(54) Product in respect of which the design is registered: **Article of clothing**  
(51) International Design Classification: **02-02NES**  
(74) Name(s) of Attorney(s): **Allens Patent & Trade Mark Attorneys**  
(71) Name(s) and Address(s) of Applicant(s):  
**Forever New Clothing Pty Ltd**  
**714-716 High St Kew East VIC 3102 Australia**  
(72) Name(s) of Designer(s): **Anna Pham**  
(45) Registration Date: **15 September 2014**  
(56) Related Art Documents: **Not Applicable**  
(57) Statement of Newness and Distinctiveness: **Newness and distinctiveness resides in the visual features of shape, configuration, pattern and/or ornamentation of an article of clothing as shown in the accompanying representations.**



- (21) Design Number: **13219/2014**  
(22) Date of Filing Application: **01 July 2014**  
(24) Date from which industrial property rights may have effect: **01 July 2014**  
(54) Product in respect of which the design is registered: **Swaddling garment with mesh portion**  
(51) International Design Classification: **02-02C**  
(74) Name(s) of Attorney(s): **Actuate IP**  
(71) Name(s) and Address(s) of Applicant(s):  
**Karen H Barski**  
**205 Lake Avenue Trumbull Connecticut 06611 United States of America**  
(72) Name(s) of Designer(s): **Karen H Barski**  
(45) Registration Date: **15 September 2014**  
(30) Convention priority data:  
(31) Number      (32) Date      (33) Country  
**29/492,356      30 May 2014      UNITED STATES OF AMERICA**  
(56) Related Art Documents: **Not Applicable**  
(57) Statement of Newness and Distinctiveness: **Nil**



(21) Design Number: **13348/2014**

(22) Date of Filing Application: **09 July 2014**

(24) Date from which industrial property rights may have effect: **09 July 2014**

(54) Product in respect of which the design is registered: **A foldable pan handle**

(51) International Design Classification: **07-02R**

(74) Name(s) of Attorney(s): **Allens Patent & Trade Mark Attorneys**

(71) Name(s) and Address(s) of Applicant(s):

**Telebrands Corp.**

**77 Two Bridges Road Fairfield New Jersey 07004 United States of America**

(72) Name(s) of Designer(s): **Rajoo M Shahani**

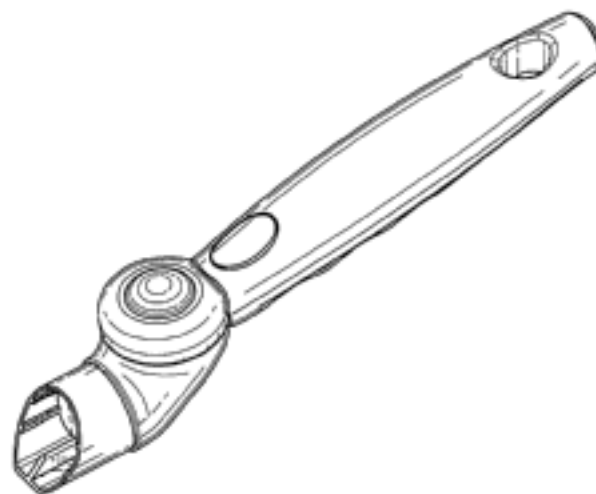
(45) Registration Date: **15 September 2014**

(30) Convention priority data:

(31) Number	(32) Date	(33) Country
<b>29/495,784</b>	<b>03 Jul 2014</b>	<b>UNITED STATES OF AMERICA</b>

(56) Related Art Documents: **Not Applicable**

(57) Statement of Newness and Distinctiveness: **Newness and distinctiveness is claimed in the features of shape and configuration of the foldable pot handle shown in the attached representations. All features of contour shown in broken lines, and the pan shown in broken lines, are for clarity and context only and do not form part of the monopoly claimed.**



(21) Design Number: **13515/2014**

(22) Date of Filing Application: **16 July 2014**

(24) Date from which industrial property rights may have effect: **16 July 2014**

(54) Product in respect of which the design is registered: **Mounting bracket**

(51) International Design Classification: **08-08L, 08-08NES**

(74) Name(s) of Attorney(s):

(71) Name(s) and Address(s) of Applicant(s):

**COLIVIN PTY LTD**

**13A Pitt St Ashburton VIC 3147 Australia**

**COLIVIN PTY LTD t/a TRAIL-LINK**

**17B Yiannis Ct Springvale VIC 3171 Australia**

(72) Name(s) of Designer(s): **Ivan George Collins and Vincent Stanley Collins**

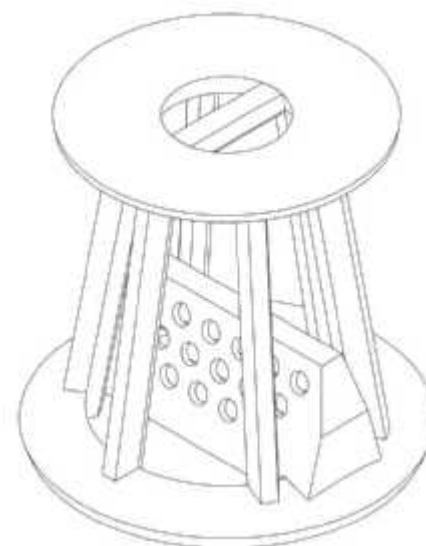
(45) Registration Date: **15 September 2014**

(56) Related Art Documents: **Not Applicable**

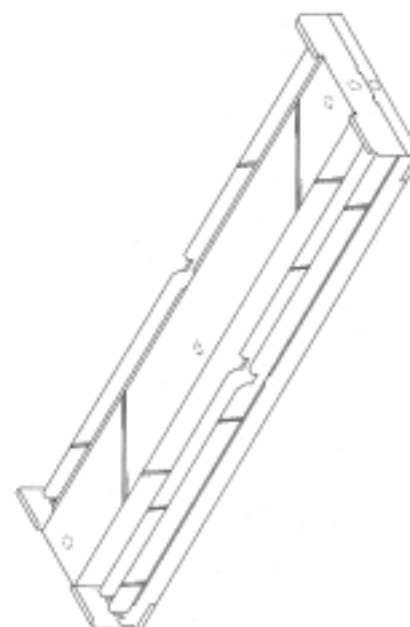
(57) Statement of Newness and Distinctiveness: **Modular Under/Above Chassis Mounting Kit for Prime Movers and Trailers.**



(21) Design Number: **13566/2014**  
(22) Date of Filing Application: **21 July 2014**  
(24) Date from which industrial property rights may have effect: **21 July 2014**  
(54) Product in respect of which the design is registered: **Artificial fish habitat module**  
(51) International Design Classification: **30-02**  
(74) Name(s) of Attorney(s):  
(71) Name(s) and Address(s) of Applicant(s):  
**SAVANNAH GLOBAL PTY LTD**  
**PO BOX 244 Noosa Heads QLD 4567 Australia**  
(72) Name(s) of Designer(s): **David Heckendorf**  
(45) Registration Date: **15 September 2014**  
(56) Related Art Documents: **Not Applicable**  
(57) Statement of Newness and Distinctiveness: **This design is unique and has not been used before in relation to artificial fish habitat or artificial reef establishment.**



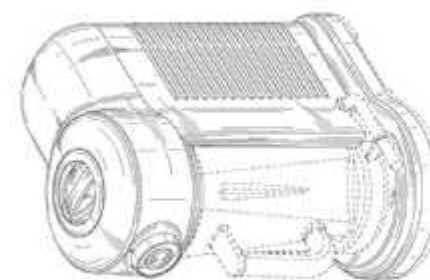
(21) Design Number: **13607/2014**  
(22) Date of Filing Application: **24 July 2014**  
(24) Date from which industrial property rights may have effect: **24 July 2014**  
(54) Product in respect of which the design is registered: **Lighting**  
(51) International Design Classification: **26-05C**  
(74) Name(s) of Attorney(s): **Pizzeys**  
(71) Name(s) and Address(s) of Applicant(s):  
**LSI Industries, Inc.**  
**10000 Alliance Road Cincinnati OH 45242 United States of America**  
(72) Name(s) of Designer(s): **John D Boyer and David Lonneman and Daniel Hutchens and Eric Jon Mooar and Travis Montgomery Wright and Andrew J Bankemper**  
(45) Registration Date: **15 September 2014**  
(30) Convention priority data:  
(31) Number (32) Date (33) Country  
**29/490,065 06 May 2014 UNITED STATES OF AMERICA**  
(56) Related Art Documents: **Not Applicable**  
(57) Statement of Newness and Distinctiveness: **Nil**



(21) Design Number: **13628/2014**  
(22) Date of Filing Application: **28 July 2014**  
(24) Date from which industrial property rights may have effect: **28 July 2014**  
(54) Product in respect of which the design is registered: **Sieve with handle**  
(51) International Design Classification: **07-04**  
(74) Name(s) of Attorney(s): **PHILLIPS ORMONDE FITZPATRICK**  
(71) Name(s) and Address(s) of Applicant(s):  
**Dart Industries Inc.**  
**14901 S. Orange Blossom Trail Orlando Florida, 32837 United States of America**  
(72) Name(s) of Designer(s): **Judicael Cornu**  
(45) Registration Date: **15 September 2014**  
(30) Convention priority data:  
(31) Number (32) Date (33) Country  
**29/485,265 18 Mar 2014 UNITED STATES OF AMERICA**  
(56) Related Art Documents: **Not Applicable**  
(57) Statement of Newness and Distinctiveness: **Nil**



(21) Design Number: **13807/2014**  
(22) Date of Filing Application: **05 August 2014**  
(24) Date from which industrial property rights may have effect: **05 August 2014**  
(54) Product in respect of which the design is registered: **Blending appliance**  
(51) International Design Classification: **31-00**  
(74) Name(s) of Attorney(s): **PHILLIPS ORMONDE FITZPATRICK**  
(71) Name(s) and Address(s) of Applicant(s):  
**Whirlpool Corporation**  
**2000 North M-63 MD3601 Benton Harbor Michigan 49022 United States of America**  
(72) Name(s) of Designer(s): **Zachary A Lownds and Brandon T Mock**  
(45) Registration Date: **15 September 2014**  
(30) Convention priority data:  
(31) Number (32) Date (33) Country  
**29/484,921 14 Mar 2014 UNITED STATES OF AMERICA**  
(56) Related Art Documents: **Not Applicable**  
(57) Statement of Newness and Distinctiveness: **Those features of the blending appliance depicted in the representations that are new and distinctive are the shape and/or configuration. The features shown in broken lines are not part of the design and are to be disregarded when considering the overall impression of the design.**



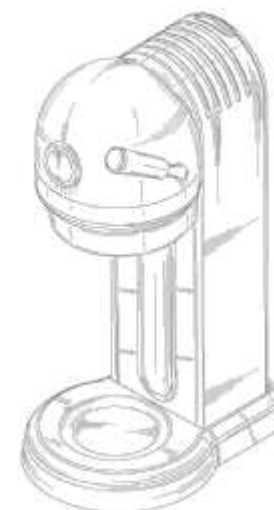
(21) Design Number: **13809/2014**  
(22) Date of Filing Application: **05 August 2014**  
(24) Date from which industrial property rights may have effect: **05 August 2014**  
(54) Product in respect of which the design is registered: **Infuser**  
(51) International Design Classification: **07-02L**  
(74) Name(s) of Attorney(s): **PHILLIPS ORMONDE FITZPATRICK**  
(71) Name(s) and Address(s) of Applicant(s):  
**Whirlpool Corporation**  
**2000 North M-63 MD3601 Benton Harbor Michigan 49022 United States of America**

(72) Name(s) of Designer(s): **Ben C Shao**  
(45) Registration Date: **15 September 2014**

(30) Convention priority data:  
(31) Number (32) Date (33) Country  
**29/484,859 13 Mar 2014 UNITED STATES OF AMERICA**

(56) Related Art Documents: **Not Applicable**

(57) Statement of Newness and Distinctiveness: **Those features of the infuser depicted in the representations that are new and distinctive are the shape and/or configuration. The features shown in broken lines are not part of the design and are to be disregarded when considering the overall impression of the design.**



(21) Design Number: **13811/2014**  
(22) Date of Filing Application: **05 August 2014**  
(24) Date from which industrial property rights may have effect: **05 August 2014**  
(54) Product in respect of which the design is registered: **Multicooker**  
(51) International Design Classification: **31-00**  
(74) Name(s) of Attorney(s): **PHILLIPS ORMONDE FITZPATRICK**  
(71) Name(s) and Address(s) of Applicant(s):  
**Whirlpool Corporation**  
**2000 North M-63 MD3601 Benton Harbor Michigan, 49022 United States of America**

(72) Name(s) of Designer(s): **Christopher L Carpenter and Christopher A Gregory**

(45) Registration Date: **15 September 2014**

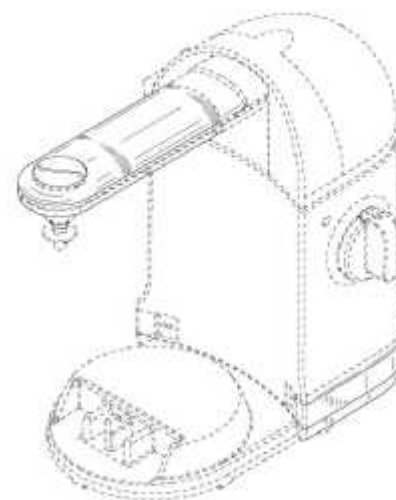
(30) Convention priority data:  
(31) Number (32) Date (33) Country  
**29/484,713 12 Mar 2014 UNITED STATES OF AMERICA**

(56) Related Art Documents: **Not Applicable**

(57) Statement of Newness and Distinctiveness: **Those features of the multicooker depicted in the representations that are new and distinctive are the shape and/or configuration. The features shown in broken lines are not part of the design and are to be disregarded when considering the overall impression of the design.**



(21) Design Number: **13813/2014**  
(22) Date of Filing Application: **05 August 2014**  
(24) Date from which industrial property rights may have effect: **05 August 2014**  
(54) Product in respect of which the design is registered: **Multi cooker and stir tower with docking station**  
(51) International Design Classification: **31-00**  
(74) Name(s) of Attorney(s): **PHILLIPS ORMONDE FITZPATRICK**  
(71) Name(s) and Address(s) of Applicant(s):  
**Whirlpool Corporation**  
**2000 North M-63 MD3601 Benton Harbor Michigan, 49022 United States of America**  
(72) Name(s) of Designer(s): **Christopher L Carpenter and Christopher A Gregory**  
(45) Registration Date: **15 September 2014**  
(30) Convention priority data:  
(31) Number (32) Date (33) Country  
**29/484,711 12 Mar 2014 UNITED STATES OF AMERICA**  
(56) Related Art Documents: **Not Applicable**  
(57) Statement of Newness and Distinctiveness: **Those features of the multi cooker and stir tower with docking station depicted in the representations that are new and distinctive are the shape and/or configuration. The features shown in broken lines are not part of the design and are to be disregarded when considering the overall impression of the design.**



(21) Design Number: **13006/2014**  
(22) Date of Filing Application: **19 June 2014**  
(24) Date from which industrial property rights may have effect: **19 June 2014**  
(54) Product in respect of which the design is registered: **Volatile material dispenser**  
(51) International Design Classification: **22-06**  
(74) Name(s) of Attorney(s): **SPRUSON & FERGUSON**  
(71) Name(s) and Address(s) of Applicant(s):  
**S. C. Johnson & Son, Inc.**  
**1525 Howe Street Racine Wisconsin 53403-2236 United States of America**  
(72) Name(s) of Designer(s): **Joel E. Adair and Brian T. Davis and Jesse Richard and Kamran Faterioun and Joao Paulo Possidonio Miguens and Shigeru G. Natsume and Eric Ping Pang Chan and Alan Laursen and Jonathan Kroeger**  
(45) Registration Date: **15 September 2014**  
(30) Convention priority data:  
(31) Number (32) Date (33) Country  
**29/477368 20 Dec 2013 UNITED STATES OF AMERICA**  
(56) Related Art Documents: **Not Applicable**  
(57) Statement of Newness and Distinctiveness: **Newness and distinctiveness is claimed in those features of shape and/or configuration of a volatile material dispenser illustrated in continuous lines in the accompanying representations.**





- (21) Design Number: **13017/2014**  
(22) Date of Filing Application: **20 June 2014**  
(24) Date from which industrial property rights may have effect: **20 June 2014**  
(54) Product in respect of which the design is registered: **Front bumper for automobile**  
(51) International Design Classification: **12-16C**  
(74) Name(s) of Attorney(s): **Griffith Hack**  
(71) Name(s) and Address(s) of Applicant(s):  
**Nissan Jidosha Kabushiki Kaisha**  
**No. 2 Takaracho Kanagawa-ku Yokohama-shi KANAGAWA-KEN**  
**220-0045 Japan**  
(72) Name(s) of Designer(s): **Tadayoshi Iida**  
(45) Registration Date: **15 September 2014**  
(56) Related Art Documents: **Not Applicable**  
(57) Statement of Newness and Distinctiveness: **Newness and distinctiveness resides in the visual features, including shape and configuration, of a FRONT BUMPER FOR AUTOMOBILE as shown in the representations.**



- (21) Design Number: **13019/2014**  
(22) Date of Filing Application: **20 June 2014**  
(24) Date from which industrial property rights may have effect: **20 June 2014**  
(54) Product in respect of which the design is registered: **Headlight for automobile**  
(51) International Design Classification: **26-06**  
(74) Name(s) of Attorney(s): **Griffith Hack**  
(71) Name(s) and Address(s) of Applicant(s):  
**Nissan Jidosha Kabushiki Kaisha**  
**No. 2 Takaracho Kanagawa-ku Yokohama-shi KANAGAWA-KEN**  
**220-0045 Japan**  
(72) Name(s) of Designer(s): **Tadayoshi Iida**  
(45) Registration Date: **15 September 2014**  
(56) Related Art Documents: **Not Applicable**  
(57) Statement of Newness and Distinctiveness: **Newness and distinctiveness resides in the visual features, including shape and configuration, of a HEADLIGHT FOR AUTOMOBILE as shown in the representations.**



- (21) Design Number: **13021/2014**  
(22) Date of Filing Application: **20 June 2014**  
(24) Date from which industrial property rights may have effect: **20 June 2014**  
(54) Product in respect of which the design is registered: **Front bumper for automobile**  
(51) International Design Classification: **12-16C**  
(74) Name(s) of Attorney(s): **Griffith Hack**  
(71) Name(s) and Address(s) of Applicant(s):  
**Nissan Jidosha Kabushiki Kaisha**  
**No. 2 Takaracho Kanagawa-ku Yokohama-shi KANAGAWA-KEN**  
**220-0045 Japan**  
(72) Name(s) of Designer(s): **Kenji Kawasaki**  
(45) Registration Date: **15 September 2014**  
(56) Related Art Documents: **Not Applicable**  
(57) Statement of Newness and Distinctiveness: **Newness and distinctiveness resides in the visual features, including shape and configuration, of a FRONT BUMPER FOR AUTOMOBILE as shown in the representations.**



- (21) Design Number: **13340/2014**  
(22) Date of Filing Application: **09 July 2014**  
(24) Date from which industrial property rights may have effect: **09 July 2014**  
(54) Product in respect of which the design is registered: **Key**  
(51) International Design Classification: **08-07**  
(74) Name(s) of Attorney(s): **Wrays**  
(71) Name(s) and Address(s) of Applicant(s):  
**Centurion International Imports Pty Ltd**  
**U2/115 Excellence Dr Wangara WA 6065 Australia**  
(72) Name(s) of Designer(s): **Tienkao Liu**  
(45) Registration Date: **15 September 2014**  
(56) Related Art Documents: **Not Applicable**  
(57) Statement of Newness and Distinctiveness: **Monopoly is claimed in respect of the cross-sectional shape of the blade of the key as depicted in the accompanying representations, particular attention is to be paid to the cross-sectional profile of the blade, the shape or configuration of the head portion of the key blank as shown in broken lines is to be disregarded.**



- (21) Design Number: **13341/2014**  
(22) Date of Filing Application: **09 July 2014**  
(24) Date from which industrial property rights may have effect: **09 July 2014**  
(54) Product in respect of which the design is registered: **Key**  
(51) International Design Classification: **08-07**  
(74) Name(s) of Attorney(s): **Wrays**  
(71) Name(s) and Address(s) of Applicant(s):  
**Centurion International Imports Pty Ltd**  
**U2/115 Excellence Dr Wangara WA 6065 Australia**  
(72) Name(s) of Designer(s): **Tienkao Liu**  
(45) Registration Date: **15 September 2014**  
(56) Related Art Documents: **Not Applicable**  
(57) Statement of Newness and Distinctiveness: **Monopoly is claimed in respect of the cross-sectional shape of the blade of the key as depicted in the accompanying representations, particular attention is to be paid to the cross-sectional profile of the blade, the shape or configuration of the head portion of the key blank as shown in broken lines is to be disregarded.**



- (21) Design Number: **13344/2014**  
(22) Date of Filing Application: **09 July 2014**  
(24) Date from which industrial property rights may have effect: **09 July 2014**  
(54) Product in respect of which the design is registered: **Closure for a container**  
(51) International Design Classification: **09-07B, 09-07C**  
(74) Name(s) of Attorney(s): **SPRUSON & FERGUSON**  
(71) Name(s) and Address(s) of Applicant(s):  
**AptarGroup, Inc.**  
**475 West Terra Cotta Avenue Suite E Crystal Lake Illinois 60014-9695**  
**United States of America**  
(72) Name(s) of Designer(s): **Timothy M Mazurkiewicz**  
(45) Registration Date: **15 September 2014**  
(30) Convention priority data:  
(31) Number      (32) Date      (33) Country  
**29/492024      28 May 2014      UNITED STATES OF AMERICA**  
(56) Related Art Documents: **Not Applicable**  
(57) Statement of Newness and Distinctiveness: **Newness and distinctiveness is claimed in the features of shape and/or configuration of the following elements of a fitment illustrated in the accompanying representations: an upwardly-projecting wall with a generally oval shape as viewed from the top; and a flared spout with curved pouring lip that projects upwardly from a top end of the wall as viewed from the side.**



(21) Design Number: **13651/2014**  
(22) Date of Filing Application: **29 July 2014**  
(24) Date from which industrial property rights may have effect: **29 July 2014**  
(54) Product in respect of which the design is registered: **Watch**  
(51) International Design Classification: **10-02**  
(74) Name(s) of Attorney(s): **Shelston IP**  
(71) Name(s) and Address(s) of Applicant(s):

**Chanel Limited**  
**Queensway Croydon Surrey CR9 4DL United Kingdom**

(72) Name(s) of Designer(s): **Marianna Nitsch**

(45) Registration Date: **15 September 2014**

(30) Convention priority data:

(31) Number	(32) Date	(33) Country
<b>4034179</b>	<b>07 Feb 2014</b>	<b>UNITED KINGDOM</b>

(56) Related Art Documents: **Not Applicable**

(57) Statement of Newness and Distinctiveness: **Newness and distinctiveness reside in the features of shape and/or configuration of a WATCH as illustrated in the accompanying representations.**



(21) Design Number: **13836/2014**  
(22) Date of Filing Application: **06 August 2014**  
(24) Date from which industrial property rights may have effect: **06 August 2014**  
(54) Product in respect of which the design is registered: **Motor scooter**  
(51) International Design Classification: **12-11**  
(74) Name(s) of Attorney(s): **SPRUSON & FERGUSON**  
(71) Name(s) and Address(s) of Applicant(s):

**Honda Motor Co., Ltd.**  
**1-1, Minami-Aoyama 2-chome, Minato-ku Tokyo 107-8556 Japan**

(72) Name(s) of Designer(s): **Keiko Kataoka and Hiroshi Nitta**

(45) Registration Date: **15 September 2014**

(30) Convention priority data:

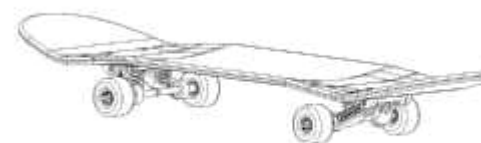
(31) Number	(32) Date	(33) Country
<b>2014-003048</b>	<b>14 Feb 2014</b>	<b>JAPAN</b>

(56) Related Art Documents: **Not Applicable**

(57) Statement of Newness and Distinctiveness: **Newness and distinctiveness is claimed in the features of shape and/or configuration of a motor scooter as illustrated in the accompanying representations.**



- (21) Design Number: **13838/2014**  
(22) Date of Filing Application: **06 August 2014**  
(24) Date from which industrial property rights may have effect: **06 August 2014**  
(54) Product in respect of which the design is registered: **Skateboards**  
(51) International Design Classification: **21-02E**  
(74) Name(s) of Attorney(s):  
(71) Name(s) and Address(s) of Applicant(s):



**Martin Poljansek**  
**43 Buena Vista Dr Montmorency VIC 3094 Australia**

- (72) Name(s) of Designer(s): **Martin Poljansek**  
(45) Registration Date: **15 September 2014**  
(56) Related Art Documents: **Not Applicable**  
(57) Statement of Newness and Distinctiveness: **The springer skateboard designed with a unique swing arm suspension mechanism that is commercially acceptable in terms of function and aesthetic design allows conventional steering and suspension. Swing arms curved shaped, lightweight, uniquely angled with the base being close together and spreading apart where the rotating swivel bearings are located. Compact suspension and steering mechanism and comprising of few parts, with uniquely angled spring location mounts on truck that have raised location mounts to aid spring retention. Swings arms have intergral holes for opposing spring retention mounts. Unique truck designed with screws positions slightly within axle to aid axle retention. Unique swivel bearing enclosed circular mounts, allows compactness aiding ground clearance. Trucks have integral finger protectors. Unique axles with spanner flats to aid with wheel changeover. Suspension absorbs impact, allows lighter board. Design lightweight, cheap, minimal parts & complexity.**

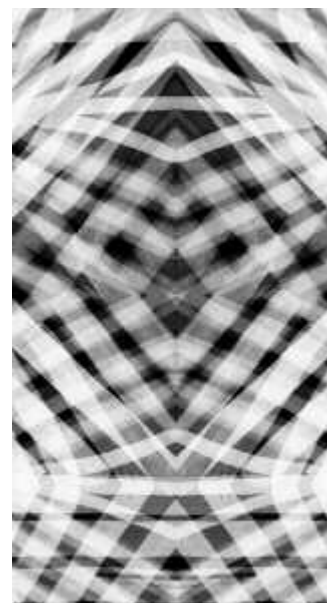
- (21) Design Number: **13840/2014**  
(22) Date of Filing Application: **07 August 2014**  
(24) Date from which industrial property rights may have effect: **07 August 2014**  
(54) Product in respect of which the design is registered: **A textile print**  
(51) International Design Classification: **05-05A**  
(74) Name(s) of Attorney(s):  
(71) Name(s) and Address(s) of Applicant(s):



**AUSTRALIAN FASHION LABELS PTY LTD**  
**106 Currie St Adelaide SA 5000 Australia**

- (72) Name(s) of Designer(s): **Siham Elmawey**  
(45) Registration Date: **15 September 2014**  
(56) Related Art Documents: **Not Applicable**  
(57) Statement of Newness and Distinctiveness: **Newness and distinctiveness resides in the features of pattern and ornamentation of a textile print as shown in the accompanying representations.**

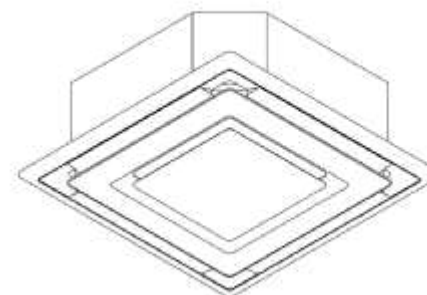
- (21) Design Number: **13841/2014**  
(22) Date of Filing Application: **07 August 2014**  
(24) Date from which industrial property rights may have effect: **07 August 2014**  
(54) Product in respect of which the design is registered: **A textile print**  
(51) International Design Classification: **05-05D**  
(74) Name(s) of Attorney(s):  
(71) Name(s) and Address(s) of Applicant(s):  
**AUSTRALIAN FASHION LABELS PTY LTD**  
**106 Currie St Adelaide SA 5000 Australia**  
(72) Name(s) of Designer(s): **Siham Elmawey**  
(45) Registration Date: **15 September 2014**  
(56) Related Art Documents: **Not Applicable**  
(57) Statement of Newness and Distinctiveness: **Newness and distinctiveness resides in the features of pattern and ornamentation of a textile print as shown in the accompanying representations.**



- (21) Design Number: **13842/2014**  
(22) Date of Filing Application: **06 August 2014**  
(24) Date from which industrial property rights may have effect: **06 August 2014**  
(54) Product in respect of which the design is registered: **Rear cover for motorcycle**  
(51) International Design Classification: **12-11**  
(74) Name(s) of Attorney(s): **SPRUSON & FERGUSON**  
(71) Name(s) and Address(s) of Applicant(s):  
**Honda Motor Co., Ltd.**  
**1-1 Minami-Aoyama 2-chome Minato-ku Tokyo 107-8556 Japan**  
(72) Name(s) of Designer(s): **Keiko Kataoka and Hiroshi Nitta**  
(45) Registration Date: **15 September 2014**  
(30) Convention priority data:  
(31) Number      (32) Date      (33) Country  
**2014-003049      14 Feb 2014      JAPAN**  
(56) Related Art Documents: **Not Applicable**  
(57) Statement of Newness and Distinctiveness: **Newness and distinctiveness is claimed in the features of shape and/or configuration of a rear cover for motorcycle as illustrated in the accompanying representations.**

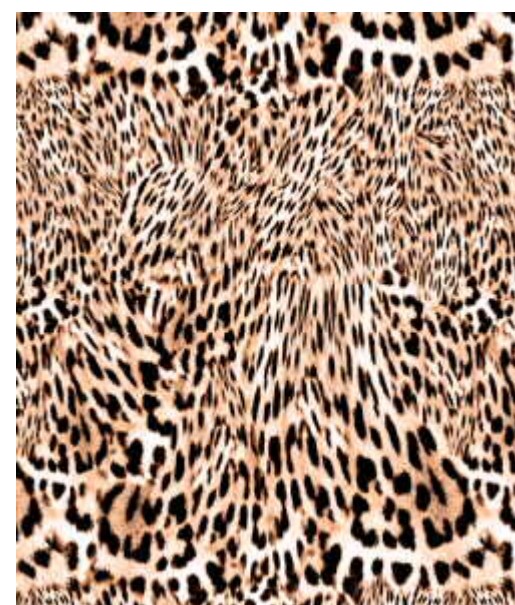


(21) Design Number: **13843/2014**  
(22) Date of Filing Application: **07 August 2014**  
(24) Date from which industrial property rights may have effect: **07 August 2014**  
(54) Product in respect of which the design is registered: **Air conditioner**  
(51) International Design Classification: **23-04**  
(74) Name(s) of Attorney(s): **Freehills Patent Attorneys**  
(71) Name(s) and Address(s) of Applicant(s):  
**Daikin Industries Ltd.**  
**Umeda Center Building 4-12 Nakazaki-Nishi 2-chome Kita-ku Osaka-shi**  
**Osaka-fu 530-8323 Japan**

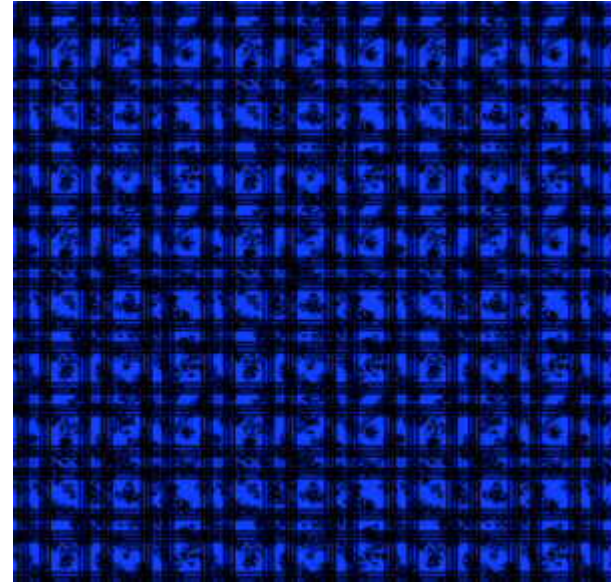


(72) Name(s) of Designer(s): **Hiroyasu Kosuge**  
(45) Registration Date: **15 September 2014**  
(30) Convention priority data:  
(31) Number      (32) Date      (33) Country  
**2014-003438      20 Feb 2014      JAPAN**  
(56) Related Art Documents: **Not Applicable**  
(57) Statement of Newness and Distinctiveness: **The newness and distinctiveness of the design resides in the features of shape and configuration of the air conditioner as shown in the accompanying representations.**

(21) Design Number: **13844/2014**  
(22) Date of Filing Application: **07 August 2014**  
(24) Date from which industrial property rights may have effect: **07 August 2014**  
(54) Product in respect of which the design is registered: **A textile print**  
(51) International Design Classification: **05-05B**  
(74) Name(s) of Attorney(s):  
(71) Name(s) and Address(s) of Applicant(s):  
**AUSTRALIAN FASHION LABELS PTY LTD**  
**106 Currie St Adelaide SA 5000 Australia**  
(72) Name(s) of Designer(s): **Kate Anderson and Hannah Virgo-Colbey**  
(45) Registration Date: **15 September 2014**  
(56) Related Art Documents: **Not Applicable**  
(57) Statement of Newness and Distinctiveness: **Newness and distinctiveness resides in the features of pattern and ornamentation of a textile print as shown in the accompanying representations.**



- (21) Design Number: **13845/2014**  
(22) Date of Filing Application: **07 August 2014**  
(24) Date from which industrial property rights may have effect: **07 August 2014**  
(54) Product in respect of which the design is registered: **A textile print**  
(51) International Design Classification: **05-05D**  
(74) Name(s) of Attorney(s):  
(71) Name(s) and Address(s) of Applicant(s):  
**AUSTRALIAN FASHION LABELS PTY LTD**  
**106 Currie St Adelaide SA 5000 Australia**  
(72) Name(s) of Designer(s): **Kate Anderson and Hannah Virgo-Colbey**  
(45) Registration Date: **15 September 2014**  
(56) Related Art Documents: **Not Applicable**  
(57) Statement of Newness and Distinctiveness: **Newness and distinctiveness resides in the features of pattern and ornamentation of a textile print as shown in the accompanying representations.**

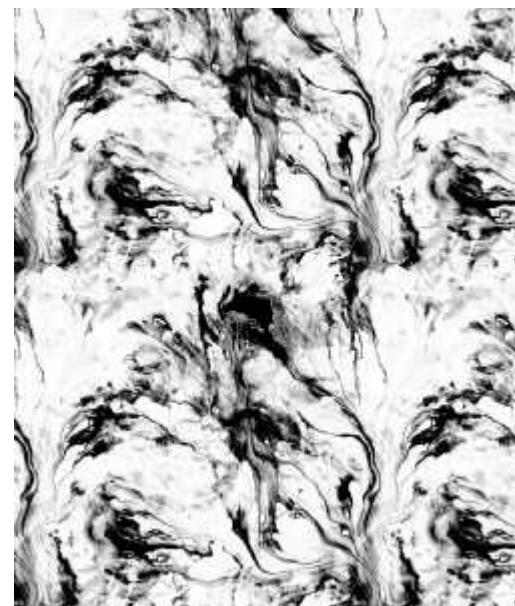


- (21) Design Number: **13846/2014**  
(22) Date of Filing Application: **07 August 2014**  
(24) Date from which industrial property rights may have effect: **07 August 2014**  
(54) Product in respect of which the design is registered: **A textile print**  
(51) International Design Classification: **05-05A**  
(74) Name(s) of Attorney(s):  
(71) Name(s) and Address(s) of Applicant(s):  
**AUSTRALIAN FASHION LABELS PTY LTD**  
**106 Currie St Adelaide SA 5000 Australia**  
(72) Name(s) of Designer(s): **Carmen Dugan**  
(45) Registration Date: **15 September 2014**  
(56) Related Art Documents: **Not Applicable**  
(57) Statement of Newness and Distinctiveness: **Newness and distinctiveness resides in the features of pattern and ornamentation of a textile print as shown in the accompanying representations.**





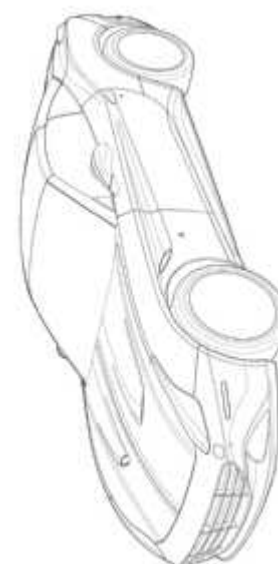
- (21) Design Number: **13847/2014**  
(22) Date of Filing Application: **07 August 2014**  
(24) Date from which industrial property rights may have effect: **07 August 2014**  
(54) Product in respect of which the design is registered: **A textile print**  
(51) International Design Classification: **05-05NES**  
(74) Name(s) of Attorney(s):  
(71) Name(s) and Address(s) of Applicant(s):  
**AUSTRALIAN FASHION LABELS PTY LTD**  
**106 Currie St Adelaide SA 5000 Australia**  
(72) Name(s) of Designer(s): **Carmen Dugan**  
(45) Registration Date: **15 September 2014**  
(56) Related Art Documents: **Not Applicable**  
(57) Statement of Newness and Distinctiveness: **Newness and distinctiveness resides in the features of pattern and ornamentation of a textile print as shown in the accompanying representations.**



- (21) Design Number: **13848/2014**  
(22) Date of Filing Application: **07 August 2014**  
(24) Date from which industrial property rights may have effect: **07 August 2014**  
(54) Product in respect of which the design is registered: **Chair**  
(51) International Design Classification: **06-01F**  
(74) Name(s) of Attorney(s): **Wynnes Patent & Trade Mark Attorneys**  
(71) Name(s) and Address(s) of Applicant(s):  
**U:Thentic Pty Ltd**  
**U4/27 Godwin St Bulimba QLD 4171 Australia**  
(72) Name(s) of Designer(s): **Mark Roland**  
(45) Registration Date: **15 September 2014**  
(56) Related Art Documents: **Not Applicable**  
(57) Statement of Newness and Distinctiveness: **Newness and distinctiveness resides in the features of the shape and configuration of a chair as illustrated in the accompanying representations. Any wording, letters or symbols on the chair in the representations are to be disregarded.**



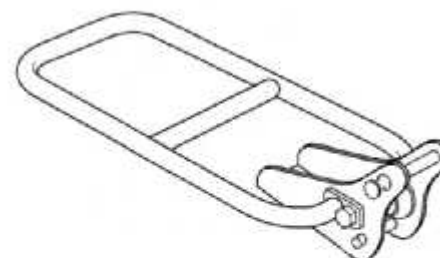
(21) Design Number: **13766/2014**  
(22) Date of Filing Application: **04 August 2014**  
(24) Date from which industrial property rights may have effect: **04 August 2014**  
(54) Product in respect of which the design is registered: **Car; toy-car**  
(51) International Design Classification: **12-08, 21-01C**  
(74) Name(s) of Attorney(s): **PHILLIPS ORMONDE FITZPATRICK**  
(71) Name(s) and Address(s) of Applicant(s):  
**Ferrari S.p.A.**  
**Via Emilia Est 1163 I-41100 Modena Italy**  
(72) Name(s) of Designer(s): **Flavio Manzoni**  
(45) Registration Date: **15 September 2014**  
(30) Convention priority data:  
(31) Number (32) Date (33) Country  
**002402040 10 Feb 2014 OFFICE FOR HARMONISATION IN  
THE INTERNAL MARKET (OHIM)**  
(56) Related Art Documents: **Not Applicable**  
(57) Statement of Newness and Distinctiveness: **Those features of the car and toy-car depicted in the representations that are new and distinctive are the shape and/or configuration. The wheels of the car and toy-car are not part of the design and are to be disregarded when considering the overall impression of the design.**



(21) Design Number: **13767/2014**  
(22) Date of Filing Application: **04 August 2014**  
(24) Date from which industrial property rights may have effect: **04 August 2014**  
(54) Product in respect of which the design is registered: **Car; toy-car**  
(51) International Design Classification: **12-08, 21-01C**  
(74) Name(s) of Attorney(s): **PHILLIPS ORMONDE FITZPATRICK**  
(71) Name(s) and Address(s) of Applicant(s):  
**Maserati S.p.A.**  
**Viale Ciro Menotti 322 I-41100 Modena Italy**  
(72) Name(s) of Designer(s): **Lorenzo Ramaciotti**  
(45) Registration Date: **15 September 2014**  
(30) Convention priority data:  
(31) Number (32) Date (33) Country  
**794760401 19 Feb 2014 WORLD INTELLECTUAL  
PROPERTY ORGANIZATION  
(WIPO)**  
(56) Related Art Documents: **Not Applicable**  
(57) Statement of Newness and Distinctiveness: **Those features of the car and toy-car depicted in the representations that are new and distinctive are the shape and/or configuration. The wheels and tyres of the car and toy-car do not form part of the design and are to be disregarded when considering the overall impression of the design.**



- (21) Design Number: **12427/2014**  
(22) Date of Filing Application: **19 May 2014**  
(24) Date from which industrial property rights may have effect: **19 May 2014**  
(54) Product in respect of which the design is registered: **A stowable bow ladder**  
(51) International Design Classification: **25-04**  
(74) Name(s) of Attorney(s):  
(71) Name(s) and Address(s) of Applicant(s):  
**John Frederick Canaris**  
**22 Hawthorn St Heritage Park QLD 4118 Australia**  
(72) Name(s) of Designer(s): **John Frederick Canaris**  
(45) Registration Date: **15 September 2014**  
(56) Related Art Documents: **Not Applicable**  
(57) Statement of Newness and Distinctiveness: **Newness and distinctiveness is claimed in the features of shape and configuration of a stowable bow ladder assembly having a deck mounting supporting a ladder part which is pivotable from a rear stowed attitude to a lowered forward position at which the ladder part inclines forwardly away from the vertical, as illustrated in the accompanying representations.**



- (21) Design Number: **13739/2014**  
(22) Date of Filing Application: **01 August 2014**  
(24) Date from which industrial property rights may have effect: **12 May 2014**  
(54) Product in respect of which the design is registered: **Package**  
(51) International Design Classification: **09-03M**  
(74) Name(s) of Attorney(s): **Davies Collison Cave**  
(71) Name(s) and Address(s) of Applicant(s):  
**GlaxoSmithKline LLC**  
**2711 Centerville Rd Ste 400 Wilmington DE 19808-1645 United States of America**  
(72) Name(s) of Designer(s): **JEFFREY SCOTT BRUNNER and LEONARD JOSEPH DICHIARA and James Andrew Holt and Peter Kay and David Michael Lutness**  
(45) Registration Date: **15 September 2014**  
(30) Convention priority data:  
(31) Number      (32) Date      (33) Country  
**29/472343      12 Nov 2013      UNITED STATES OF AMERICA**  
(62) Divisional of: **356808**  
(56) Related Art Documents: **Not Applicable**  
(57) Statement of Newness and Distinctiveness: **Newness and distinctiveness is claimed in the visual features shown in solid lines in the representations. In considering the extent of the design rights, the broken lines shown in the representations are for illustrative purposes only and do not form part of the design.**



(21) Design Number: **13750/2014**  
(22) Date of Filing Application: **01 August 2014**  
(24) Date from which industrial property rights may have effect: **01 August 2014**  
(54) Product in respect of which the design is registered: **Roller blind tensioner**  
(51) International Design Classification: **08-08H**  
(74) Name(s) of Attorney(s): **FB Rice**  
(71) Name(s) and Address(s) of Applicant(s):

**ZMC Metal Coating Inc.**  
**40 Gaudaur Rd, Unit #3 Woodbridge Ontario, L4L 4S6 Canada**

(72) Name(s) of Designer(s): **Philip Ng**  
(45) Registration Date: **15 September 2014**

(30) Convention priority data:

(31) Number	(32) Date	(33) Country
<b>156488</b>	<b>02 May 2014</b>	<b>CANADA</b>

(56) Related Art Documents: **Not Applicable**

(57) Statement of Newness and Distinctiveness: **Newness and distinctiveness reside in the features of shape and configuration of the design as shown in the representations.**



(21) Design Number: **13768/2014**  
(22) Date of Filing Application: **04 August 2014**  
(24) Date from which industrial property rights may have effect: **04 August 2014**  
(54) Product in respect of which the design is registered: **Helmet**  
(51) International Design Classification: **02-03**  
(74) Name(s) of Attorney(s): **PHILLIPS ORMONDE FITZPATRICK**  
(71) Name(s) and Address(s) of Applicant(s):

**Piaggio & C. S.p.A.**  
**Viale Rinaldo Piaggio 25 56025 Pontedera Pisa Italy**

(72) Name(s) of Designer(s): **Mirko Incerti**  
(45) Registration Date: **15 September 2014**

(30) Convention priority data:

(31) Number	(32) Date	(33) Country
<b>002398834</b>	<b>05 Feb 2014</b>	<b>OFFICE FOR HARMONISATION IN THE INTERNAL MARKET (OHIM)</b>

(56) Related Art Documents: **Not Applicable**

(57) Statement of Newness and Distinctiveness: **Nil**

