



Australian Government

IP Australia

AUSTRALIAN OFFICIAL JOURNAL

OF

DESIGNS

Did you know a searchable version of this journal is now available online?

It's FREE and EASY to SEARCH.

Find it on our website (www.ipaustralia.gov.au)

by using the "Journals" link on the home page.

This Page Left Intentionally Blank

Contents

General Information & Notices

**Proceedings Under the Designs Act 1906 preserved as a result of the provisions of Chapter 12
Part 2 of the Designs Act 2003**

Extension of Period of Registration of Designs	3006
Extensions of Time Granted	3006
Registrations Ceased	3006
Subsequent Owners Registered	3006

Proceedings Under the Designs Act 2003

Applications Lapsed	3018
Applications Lodged	3010
Applications Withdrawn	3018
Certificate of Examination	3021
Extension of Period of Registration of Design	3019
Extension of Time Granted Under Section 137	3019
Names Registered - Alterations and Amendments	3020
Publication and Registration Proceedings	
Designs Registered 357882 to 358152.....	3022
Registrations Ceased	3019
Subsequent Owners Registered	3020

This Page Left Intentionally Blank

For information on the following please see our website www.ipaustralia.gov.au or contact our Customer Service Network on 1300651010

[Editorial enquiries](#)

[Contact information](#)

[Freedom of Information ACT](#)

[Professional Standards Board](#)

[Sales](#)

[Requests for Information under Section 194 \(c\)](#)

[Country Codes](#)

[Trade Mark and Designs Hearing Sessions](#)

[INID \(Internationally agreed Numbers for the Identification of Data\)](#)

“INID” NUMBERS in use on Australian Design Documents

“INID” is an acronym for “Internationally agreed Numbers for the Identification of Data”.

(10) Data concerning the registration/renewal

- (11) Serial number of the registration and/or number of the design document
- (12) Plain language designation of the kind of published document
- (19) Identification, using the two-letter code according to WIPO Standard ST.3, of the authority publishing or registering the industrial design

(20) Data concerning the application

- (21) Serial number of the application
- (22) Date of filing of the application
- (24) Date from which the industrial design right has effect

(30) Data relating to priority under the Paris Convention

- (31) Serial number assigned to the priority application
- (32) Date of filing of the priority application
- (33) Two-letter code, according to WIPO Standard ST.3, identifying the authority with which the priority application was made

(40) Date(s) of making information available to the public

- (45) Date of publication of the registered industrial design by printing or similar process, or making it available to the public by any other means

(50) Miscellaneous Information

- (51) International Classification for Industrial Designs (class and subclass of the Locarno Classification)
- (54) Designation of article(s) or product(s) covered by the industrial design or title of the industrial design
- (55) Reproduction of the industrial design (e.g., drawing, photograph) and explanations relating to the reproduction
- (56) List of prior art documents, if separate from descriptive text
- (57) Description of characteristic features of the industrial design including indication of colours

(60) References to other legally related application(s) and registration(s)

- (62) Serial number(s) and, if available, filing date(s) of application(s), registration(s) or document(s) related by division
- (66) Serial number(s) of the application, or the registration, of the design(s) which is (are) a variant(s) of the present one

(70) Identification of parties concerned with the application or registration

- (71) Name(s) and address(es) of the applicant(s)
- (72) Name(s) of the creator(s) if known to be such
- (74) Name(s) and address(es) of the representative(s)

This Page Left Intentionally Blank

Nil notices for this journal issue.

Proceedings under the Designs Act 1906 preserved as a result of the provisions of Chapter 12 Part 2 of the Designs Act 2003.

This Page Left Intentionally Blank

Applications Lapsed

There were no Applications Lapsed under this section

Extension of Period of Registration of Designs

1st Period (Section 27A(8))

2nd Period (Section 27A(12))

3rd Period (Section 27A(13))

153396	153397	153398
154069	154098	154162
154241	154242	154267
154396	154433	154451
154647	154865	154866
154867	154868	154967
155087	155123	155124
155125	155126	155127
155129	155159	155160
155213	155282	155344
155345	155675	155676
155800	155820	155824
155842	156090	156091
156150	156904	157097
157098	157113	157660
157685	157686	157687
157688	157902	158151
158152	158557	158558
158559	158560	

139014	139085	139507
139649	139650	139856
139857	140005	140124
140125	140264	140265
140266	140447	140488
140873	141416	141923
146124	146125	151561
151888	152045	152073
152108	152109	152190
152191	152488	152534
152763	152875	152996
153060	153227	154351
154375	155896	155897
155898	155899	156761
156802	157982	157983

Extensions of time granted

Applications lodged for extension of time have been granted.

155025 **Rolf Brand** An An Extension of time to extend a registration has been granted to 14/10/2014

Subsequent Owners Registered

(The name in parentheses is that of the subsequent owner)

139681	(JOMA HOLDINGS PTY LTD) Margaret Anne McDonald; Peter Ernest McDonald
140179	(Honeywell Safety Products USA, Inc.) Sperian Hearing Protection, LLC
147194	(Electrolux Contracting AB) Woodland Home Products Pty Limited

Registrations Ceased

Note: Some of the following Registrations may have been previously advertised as ceased. In this instance, the previous advertisement still prevails.

135449	135510	135570
135688	135689	136189
136360	136815	136834
136835	136836	136845
136846	136847	136848
136849	136850	136851
136852	136853	136854
136855	136856	136857
136870	136871	136960
136963	137052	137094
137095	137096	137097
137098	137099	137118
137171	137172	137193
137213	137303	137320
137374	137457	137458
137505	137564	137637
137736	137737	137818
137953	137990	138029
138598	138599	139013

This Page Left Intentionally Blank

Proceedings under the Designs Act 2003.

This Page Left Intentionally Blank

Applications Lodged

Lodgement information is in the following order: **Applicant's Name**; International Classification, Name of Product, Lodgement Date and **Design Number**. If the applicant claims an earlier priority date under an International Convention, the Convention Country and the associated filing date are shown in parentheses before the Lodgement Date. Divisional information will also appear in parentheses before the Lodgement Date.

Actervis GmbH; 02-02C, Pants, (EM, 30 Sep 2014) 03 Oct 2014	15086/2014	Apple Inc.; 14-03A, Housing for a device, (US, 05 May 2014) 30 Sep 2014	15015/2014
Alver Pty Ltd; 23-04, Fascia for a ventilation unit, 01 Oct 2014	15052/2014	Apple Inc.; 14-03E, Electronic device, (US, 05 May 2014) 30 Sep 2014	15013/2014
Alver Pty Ltd; 23-03A, Fascia for a heating unit, 01 Oct 2014	15050/2014	Apple Inc.; 14-03A, Electronic device, (US, 05 May 2014) 30 Sep 2014	15020/2014
Alver Pty Ltd; 23-04, 26-05NES, Fascia for a ventilation and lighting unit, 01 Oct 2014	15049/2014	Apple Inc.; 14-03A, Display for electronic device, (US, 08 Sep 2014) 30 Sep 2014	15017/2014
American Greetings Corporation; 09-05, Gift bag with candy dispenser, (US, 31 Mar 2014) 26 Sep 2014	14935/2014	Apple Inc.; 14-01, Electronic device, (US, 05 May 2014) 30 Sep 2014	14991/2014
Antonio Puig, S.A.; 09-01G, Flask for perfumes, (EP, 07 Apr 2014) 06 Oct 2014	15119/2014	Arlec Australia Pty Ltd; 13-03D, Electrical switch button, 03 Oct 2014	15087/2014
Apple Inc.; 14-03E, Electronic device, (US, 05 May 2014) 30 Sep 2014	15005/2014	Atturo Tire Corp.; 12-15B, Tire, (US, 07 May 2014) 10 Oct 2014	15185/2014
Apple Inc.; 14-03E, Electronic device, (US, 05 May 2014) 30 Sep 2014	15006/2014	Atturo Tire Corp.; 12-15NES, Tire, (US, 29 May 2014) 10 Oct 2014	15187/2014
Apple Inc.; 14-03E, Electronic device, (US, 05 May 2014) 30 Sep 2014	15007/2014	Atturo Tire Corp.; 12-15C, Tire, (US, 29 May 2014) 10 Oct 2014	15186/2014
Apple Inc.; 14-03E, Electronic device, (US, 05 May 2014) 30 Sep 2014	15008/2014	Atturo Tire Corp.; 12-15B, Tire, (US, 07 May 2014) 10 Oct 2014	15184/2014
Apple Inc.; 14-03E, Electronic device, (US, 05 May 2014) 30 Sep 2014	15009/2014	Australian Performance Development Pty Ltd; 12-16NES, Air intake snorkel for a vehicle, 09 Oct 2014	15172/2014
Apple Inc.; 14-03E, Electronic device, (US, 05 May 2014) 30 Sep 2014	15010/2014	APS Innovations Pty Ltd; 23-01A, A tamper proof seal, 06 Oct 2014	15118/2014
Apple Inc.; 14-03E, Electronic device, (US, 05 May 2014) 30 Sep 2014	15011/2014	ARB Corporation Limited; 08-08D, Tube clamp, 02 Oct 2014	15072/2014
Apple Inc.; 14-03E, Electronic device, (US, 05 May 2014) 30 Sep 2014	15014/2014	AUSTRALIAN CONTRACT MINING PTY LTD; 08-01, Drill bit and drill rod combination unit, 02 Oct 2014	15061/2014
Apple Inc.; 14-03A, Electronic device, (US, 05 May 2014) 30 Sep 2014	15019/2014	AUSTRALIAN FASHION LABELS PTY LTD; 05-05D, A textile print, 03 Oct 2014	15100/2014
Apple Inc.; 14-03A, Display for electronic device, (US, 08 Sep 2014) 30 Sep 2014	15016/2014	AUSTRALIAN FASHION LABELS PTY LTD; 05-05A, A textile print, 03 Oct 2014	15084/2014
		AUSTRALIAN FASHION LABELS PTY LTD; 02-02NES, A top, 07 Oct 2014	15128/2014

AUSTRALIAN FASHION LABELS PTY LTD; 05-05A, A textile print, 07 Oct 2014	15138/2014	Bouwman, Pieter;Botten, Hilde; 06-99, Wind mobile, 02 Oct 2014	15055/2014
AUSTRALIAN FASHION LABELS PTY LTD; 02-02C, A dress, 03 Oct 2014	15105/2014	Bridgestone Americas Tire Operations, LLC; 12-15A, Tire, (US, 13 Apr 2014) 02 Oct 2014	15060/2014
AUSTRALIAN FASHION LABELS PTY LTD; 05-05A, A textile print, 07 Oct 2014	15123/2014	Calcino Corporation Pty Ltd; 15-99, A sprocket, 25 Sep 2014	14885/2014
AUSTRALIAN FASHION LABELS PTY LTD; 05-05A, A textile print, 07 Oct 2014	15104/2014	Carl Freudenberg KG; 07-05E, Window cleaner, (EM, 18 Jul 2014) 01 Oct 2014	15039/2014
AUSTRALIAN FASHION LABELS PTY LTD; 05-05NES, A textile print, 03 Oct 2014	15125/2014	Caroma Industries Limited; 23-02B, A bath, 26 Sep 2014	14928/2014
AUSTRALIAN FASHION LABELS PTY LTD; 05-05C, A textile print, 07 Oct 2014	15085/2014	Caroma Industries Limited; 23-02C, A rimless toilet pan, 08 Oct 2014	15145/2014
AUSTRALIAN FASHION LABELS PTY LTD; 05-05D, A textile print, 03 Oct 2014	15101/2014	Caroma Industries Limited; 23-02B, A basin, 26 Sep 2014	14929/2014
AUSTRALIAN FASHION LABELS PTY LTD; 05-05A, A textile print, 03 Oct 2014	15137/2014	Caroma Industries Limited; 23-02C, A rimless toilet pan, 30 Sep 2014	14992/2014
AUSTRALIAN FASHION LABELS PTY LTD; 02-02C, A dress, 07 Oct 2014	15098/2014	Caroma Industries Limited; 23-02C, A rimless toilet pan, 30 Sep 2014	14993/2014
AUSTRALIAN FASHION LABELS PTY LTD; 05-05A, A textile print, 03 Oct 2014	15099/2014	Caterpillar Inc.; 26-06, 12-16E, Lamp, (US, 01 Apr 2014) 26 Sep 2014	14942/2014
AUSTRALIAN FASHION LABELS PTY LTD; 05-05B, A textile print, 03 Oct 2014	15120/2014	Caterpillar Inc.; 12-16C, Bumper, (US, 04 Apr 2014) 26 Sep 2014	14955/2014
AUSTRALIAN SAFETY WHOLESALERS PTY LTD; 02-03, Head gear grip, 06 Oct 2014	15136/2014	Caterpillar Inc.; 12-16C, Hood, (US, 04 Apr 2014) 26 Sep 2014	14956/2014
B&B Italia S.p.A.; 06-01G, Furniture, (IT, 04 Apr 2014) 07 Oct 2014	15079/2014	Caterpillar Inc.; 26-06, 12-16E, Headlight, (US, 04 Apr 2014) 26 Sep 2014	14938/2014
Barker, Julie Verne; 02-03, Helmet cover resembling a fashion hat, 02 Oct 2014	15041/2014	Caterpillar Inc.; 12-16B, Fender flare, (US, 04 Apr 2014) 26 Sep 2014	14940/2014
Bartlett Transport Improvements Pty Ltd; 12-16L, Towbar, 01 Oct 2014	15135/2014	Caterpillar Inc.; 26-06, 12-16E, Lamp, (US, 04 Apr 2014) 26 Sep 2014	14943/2014
Belkin International, Inc.; 14-99, Overlay, (Divisional of 13616/2014) 07 Oct 2014	15096/2014	Caterpillar Inc.; 12-16B, Mud guard, (US, 04 Apr 2014) 26 Sep 2014	14946/2014
Bend-tech Investments 1 Pty Ltd; 23-01B, Pipe, 03 Oct 2014	15097/2014	Caterpillar Inc.; 12-16B, Truck grille and surround, (US, 04 Apr 2014) 26 Sep 2014	14951/2014
Bend-tech Investments 1 Pty Ltd; 23-01B, Pipe, 03 Oct 2014	15154/2014	Caterpillar Inc.; 12-16B, Surround for a truck grille, (US, 04 Apr 2014) 26 Sep 2014	14952/2014
Besim, Sener; 16-06, Sunglasses, 08 Oct 2014	15174/2014	Caterpillar Inc.; 12-16B, Hood, (US, 04 Apr 2014) 26 Sep 2014	14937/2014
Bose Corporation; 14-01, Portable audio system, (US, 30 Jun 2014) 09 Oct 2014	15055/2014	Caterpillar Inc.; 12-16B, Surround for a truck grille, (US, 04 Apr 2014) 26 Sep 2014	14948/2014
Botten, Hilde;Bouwman, Pieter; 06-99, Wind mobile, 02 Oct 2014			

Caterpillar Inc.; 12-16B, Modesty panel, (US, 04 Apr 2014) 26 Sep 2014	14945/2014	Euro-Pro Operating LLC; 15-05, Handle and head, (US, 09 Apr 2014) 09 Oct 2014	15173/2014
Caterpillar Inc.; 12-16B, Truck grille, (US, 04 Apr 2014) 26 Sep 2014	14953/2014	Fiechtner, Kingsley William James;Fiechtner, Gary Allan;Fiechtner, Ronald Gary-Allan;Fiechtner, Annalisa Samantha; 15-03B, An attachment for a grain harvester or hay mower, 05 Oct 2014	15108/2014
Caterpillar Inc.; 12-16B, Fender flare, (US, 04 Apr 2014) 26 Sep 2014	14944/2014	Fiechtner, Gary Allan;Fiechtner, Ronald Gary-Allan;Fiechtner, Annalisa Samantha;Fiechtner, Kingsley William James; 15-03B, An attachment for a grain harvester or hay mower, 05 Oct 2014	15108/2014
Caterpillar Inc.; 12-16B, Truck grille and surround, (US, 04 Apr 2014) 26 Sep 2014	14947/2014	Fiechtner, Ronald Gary-Allan;Fiechtner, Gary Allan;Fiechtner, Annalisa Samantha;Fiechtner, Kingsley William James; 15-03B, An attachment for a grain harvester or hay mower, 05 Oct 2014	15108/2014
Caterpillar Inc.; 12-16B, Hood, (US, 04 Apr 2014) 26 Sep 2014	14939/2014	Fiechtner, Annalisa Samantha;Fiechtner, Gary Allan;Fiechtner, Ronald Gary- Allan;Fiechtner, Kingsley William James; 15-03B, An attachment for a grain harvester or hay mower, 05 Oct 2014	15108/2014
Caterpillar Inc.; 12-16B, Truck grille, (US, 04 Apr 2014) 26 Sep 2014	14949/2014	Fitness Engineers Pty Ltd; 21-02F, A fitness assembly, 07 Oct 2014	15132/2014
Caterpillar Inc.; 26-06, 12-16E, Lamp, (US, 04 Apr 2014) 26 Sep 2014	14941/2014	Flowers, Joshua James; 07-01C, 07-01NES, Container, 03 Oct 2014	15091/2014
Clarence J. Venne, LLC; 09-01NES, Container with helical sides, (US, 04 Sep 2014) 08 Oct 2014	15139/2014	Flowers, Joshua James; 06-01L, Chair, 03 Oct 2014	15090/2014
Constantia Flexibles International GmbH; 09-03NES, Container, 08 Oct 2014	15146/2014	Footy Hoodie Pty. Ltd.; 02-02B, Spectator cape, 03 Oct 2014	15080/2014
Constantia Flexibles International GmbH; 09-03NES, Container, 08 Oct 2014	15147/2014	Forever New Clothing Pty Ltd; 02-02NES, Article of clothing, (Divisional of 10408/2014) 26 Sep 2014	14925/2014
Cyberkart Pty Ltd; 08-05F, 12-02, Clamp trolley, 01 Oct 2014	15033/2014	Forever New Clothing Pty Ltd; 02-02C, Article of clothing, (Divisional of 10408/2014) 26 Sep 2014	14908/2014
CSR Building Products Limited; 08-08L, Bracket, 09 Oct 2014	15170/2014	Forever New Clothing Pty Ltd; 02-02NES, Article of clothing, (Divisional of 10408/2014) 26 Sep 2014	14909/2014
DuluxGroup (Australia) Pty Ltd; 09-01NES, Bottle, 30 Sep 2014	14994/2014	Forever New Clothing Pty Ltd; 02-02C, Article of clothing, (Divisional of 10408/2014) 26 Sep 2014	14906/2014
DuluxGroup (Australia) Pty Ltd; 09-01NES, Bottle, 30 Sep 2014	15001/2014	Forever New Clothing Pty Ltd; 02-02C, Article of clothing, (Divisional of 10408/2014) 26 Sep 2014	14907/2014
DESIGNERSCOPE LIMITED; 06-06C, A foot, (NZ, 28 Mar 2014) 26 Sep 2014	14931/2014	Forever New Clothing Pty Ltd; 02-02C, Article of clothing, (Divisional of 10408/2014) 26 Sep 2014	14920/2014
DESIGNERSCOPE LIMITED; 08-05NES, A tool, (NZ, 28 Mar 2014) 26 Sep 2014	14933/2014	Forever New Clothing Pty Ltd; 02-02NES, Article of clothing, (Divisional of 10408/2014) 26 Sep 2014	14921/2014
DOMETIC SEITZ GMBH; 12-10, 12-16C, Stone guard for covering a caravan window, 01 Oct 2014	15054/2014		
Ethicon, Inc.; 09-03M, Dispensing package, (Divisional of 14533/2014) 30 Sep 2014	15004/2014		
Ethicon, Inc.; 09-03M, Dispensing package, (Divisional of 14533/2014) 30 Sep 2014	15003/2014		
Euro-Pro Operating LLC; 15-05, Caddy with pod, (US, 09 Apr 2014) 09 Oct 2014	15169/2014		

Forever New Clothing Pty Ltd; 02-02C, Article of clothing, (Divisional of 10408/2014) 26 Sep 2014	14914/2014	GENIUS GmbH; 07-02N, Pans, 07 Oct 2014	15130/2014
Forever New Clothing Pty Ltd; 02-02C, Article of clothing, (Divisional of 10408/2014) 26 Sep 2014	14910/2014	GENIUS GmbH; 07-02N, Pans, (EM, 16 Apr 2014) 07 Oct 2014	15134/2014
Forever New Clothing Pty Ltd; 02-02NES, Article of clothing, (Divisional of 10408/2014) 26 Sep 2014	14924/2014	GENIUS GmbH; 07-02N, Pans, (EM, 16 Apr 2014) 07 Oct 2014	15131/2014
Forever New Clothing Pty Ltd; 02-02NES, Article of clothing, (Divisional of 10408/2014) 26 Sep 2014	14927/2014	GENIUS GmbH; 07-04, Slicers, (EM, 08 Apr 2014) 02 Oct 2014	15058/2014
Forever New Clothing Pty Ltd; 02-02NES, Article of clothing, (Divisional of 10408/2014) 26 Sep 2014	14918/2014	GENIUS GmbH; 07-04, Slicers, (EM, 08 Apr 2014) 02 Oct 2014	15056/2014
Forever New Clothing Pty Ltd; 02-02NES, Article of clothing, (Divisional of 10408/2014) 26 Sep 2014	14916/2014	GI PLAST SRL; 25-01G, Plate, (EM, 09 Apr 2014) 09 Oct 2014	15164/2014
Forever New Clothing Pty Ltd; 02-02NES, Article of clothing, (Divisional of 10408/2014) 26 Sep 2014	14917/2014	GI PLAST SRL; 25-01G, Plate, (EM, 09 Apr 2014) 09 Oct 2014	15166/2014
Forever New Clothing Pty Ltd; 02-02C, Article of clothing, (Divisional of 10408/2014) 26 Sep 2014	14911/2014	GI PLAST SRL; 25-01G, Plate, (EM, 09 Apr 2014) 09 Oct 2014	15165/2014
Forever New Clothing Pty Ltd; 02-02C, 02-02NES, Article of clothing, 25 Sep 2014	14890/2014	GI PLAST SRL; 25-01G, Plate, (EM, 09 Apr 2014) 09 Oct 2014	15160/2014
Forever New Clothing Pty Ltd; 02-02NES, Article of clothing, (Divisional of 10408/2014) 26 Sep 2014	14919/2014	Harnischfeger Technologies, Inc.; 02-04NES, Crawler track shoe, (US, 22 May 2014) 08 Oct 2014	15153/2014
Forever New Clothing Pty Ltd; 02-02NES, Article of clothing, (Divisional of 10408/2014) 26 Sep 2014	14922/2014	Harnischfeger Technologies, Inc.; 02-04NES, Crawler track shoe, (US, 22 May 2014) 08 Oct 2014	15155/2014
Forever New Clothing Pty Ltd; 02-02NES, Article of clothing, (Divisional of 10408/2014) 26 Sep 2014	14923/2014	Hilton, Garry; 29-02, Hilton sling gauge, 28 Sep 2014	15028/2014
Forever New Clothing Pty Ltd; 02-02C, Article of clothing, (Divisional of 10408/2014) 26 Sep 2014	14912/2014	Hodgkins, Ian Leonard; 12-16M, Brakes and clutches, 01 Oct 2014	15043/2014
Forever New Clothing Pty Ltd; 02-02NES, Article of clothing, (Divisional of 10408/2014) 26 Sep 2014	14926/2014	I-nvention B.V.; 27-99, Electronic cigarette, (WO, 29 Jul 2014) 03 Oct 2014	15095/2014
Forever New Clothing Pty Ltd; 02-02C, Article of clothing, (Divisional of 10408/2014) 26 Sep 2014	14915/2014	Iconic Worldwide Gaming Limited; 21-01L, Playthings, toys, (Divisional of 13748/2014) 07 Oct 2014	15129/2014
Forever New Clothing Pty Ltd; 02-02C, Article of clothing, (Divisional of 10408/2014) 26 Sep 2014	14913/2014	Intrepid Tag Solutions Pty Ltd;Machin, Maree; 19-08, Label / tag, 08 Oct 2014	15144/2014
Fulcrum Designs Pty Ltd; 07-05D, Clothing line stand, 10 Oct 2014	15178/2014	Inventio AG; 14-03NES, Operating panel, (CH, 01 Apr 2014) 30 Sep 2014	14997/2014
Gold Rythmn Pty Ltd; 30-09, Animal lifting device, 06 Oct 2014	15116/2014	Inventio AG; 14-03NES, Operating panel, (CH, 01 Apr 2014) 30 Sep 2014	14999/2014
GENIUS GmbH; 07-02N, Pans, (EM, 16 Apr 2014) 07 Oct 2014	15133/2014	InFirst Healthcare Limited; 28-01, Pharmaceutical capsule, (EM, 20 Aug 2014) (Divisional of 14263/2014) 09 Oct 2014	15175/2014

James Hardie Technology Limited; 25-01K, Jointer base strip and snap-in cover strip, 08 Oct 2014	15150/2014	KYOCERA Document Solutions Inc.; 14-02, Toner cartridge, (JP, 10 Apr 2014) 07 Oct 2014	15121/2014
Jaric, Jovanka; 02-02NES, The product is manufactured and relates to shoes, 08 Oct 2014	15141/2014	KYOCERA Document Solutions Inc.; 14-02, Toner cartridge, (JP, 10 Apr 2014) 07 Oct 2014	15124/2014
JS Industries Pty Ltd; 21-02D, Surfboard, 29 Sep 2014	14979/2014	Lam, Lok Ying; 25-01K, 06-06NES, Slat for barrier, 03 Oct 2014	15106/2014
Karsten Manufacturing Corporation; 21-02C, Golf club head, (US, 29 May 2014) 02 Oct 2014	15065/2014	Lam, Lok Ying; 25-02C, Slat for a barrier, 02 Oct 2014	15078/2014
Karsten Manufacturing Corporation; 21-02C, Golf club head, (US, 25 Apr 2014) 01 Oct 2014	15031/2014	Lorna Jane Pty Ltd; 02-07A, Belts, 08 Oct 2014	15152/2014
Kirwan, Paul; 23-01K, Water valve, 05 Oct 2014	15111/2014	Lyson Trading Pty Ltd; 07-07NES, Square cake dome, 30 Sep 2014	15000/2014
Konecranes Plc; 12-05, Gantry crane, (EM, 04 Apr 2014) 30 Sep 2014	15023/2014	LUMENAUS PTY LTD; 13-01, Vertical wind turbine, 03 Oct 2014	15107/2014
Konecranes Plc; 12-05, Gantry crane, (EM, 04 Apr 2014) 30 Sep 2014	15025/2014	Machin, Maree;Intrepid Tag Solutions Pty Ltd; 19-08, Label / tag, 08 Oct 2014	15144/2014
Konecranes Plc; 12-05, Gantry crane, (EM, 04 Apr 2014) 30 Sep 2014	15026/2014	Mackay, Darren George; 26-05D, Light shade, paper, cardboard, metal, plastic, 05 Oct 2014	15110/2014
Konecranes Plc; 12-05, Gantry crane, (EM, 04 Apr 2014) 30 Sep 2014	15024/2014	Mackay, Darren George; 26-05D, Light, lamp, lamp shade, light shade, 05 Oct 2014	15109/2014
Koninklijke Philips Electronics N.V.; 31-00, Kitchen machine, (EM, 31 Mar 2014) 30 Sep 2014	14995/2014	Magpul Industries Corporation; 22-01, Firearm grip, (US, 31 Jul 2014) 06 Oct 2014	15114/2014
Koninklijke Philips N.V.; 07-01E, Drinking cup, (EM, 09 Apr 2014) 09 Oct 2014	15158/2014	Magpul Industries Corporation; 08-05P, Firearm wrench, (US, 09 Apr 2014) 30 Sep 2014	14996/2014
Koninklijke Philips N.V.; 07-01E, Drinking cup, (EM, 09 Apr 2014) 09 Oct 2014	15157/2014	Magpul Industries Corporation; 03-01NES, Case for a smart phone, (US, 21 May 2014) 03 Oct 2014	15081/2014
Koninklijke Philips N.V.; 07-01E, Drinking cup, (EM, 09 Apr 2014) 08 Oct 2014	15143/2014	Magpul Industries Corporation; 22-01, Grip for a firearm, (US, 30 May 2014) 06 Oct 2014	15112/2014
Koninklijke Philips N.V.; 07-01E, Drinking cup, (EM, 09 Apr 2014) 08 Oct 2014	15142/2014	Magpul Industries Corporation; 03-01NES, Case for a smart phone, (US, 24 Jun 2014) 06 Oct 2014	15113/2014
KENU, INC.; 14-03A, Dashboard vent mount for an electronic device, (US, 20 Jun 2014) 30 Sep 2014	14987/2014	Magpul Industries Corporation; 22-01, Accessory attachment loop for a firearm, (US, 11 Apr 2014) 30 Sep 2014	15012/2014
KMA Concepts Limited; 21-01H, Elastic band toy launcher with bow configuration, (US, 01 May 2014) 09 Oct 2014	15168/2014	Magpul Industries Corporation; 22-01, Hand guard for a firearm, (US, 14 Apr 2014) 01 Oct 2014	15042/2014
KMA Concepts Limited; 21-01C, Swept wing airplane projectile, (US, 29 Apr 2014) 09 Oct 2014	15167/2014	Magpul Industries Corporation; 22-01, Armorer block, (US, 15 Apr 2014) 01 Oct 2014	15045/2014
		Magpul Industries Corporation; 22-01, Firearm magazine, (US, 01 Apr 2014) 29 Sep 2014	14967/2014

Magpul Industries Corporation; 22-01, Firearm stock, (US, 27 Mar 2014) 26 Sep 2014	14897/2014	MAN Truck & Bus AG; 06-01D, Seat, (EM, 27 Mar 2014) 26 Sep 2014	14900/2014
Martec Pty Ltd; 26-05NES, Ceiling fan light, (Divisional of 13725/2014) 25 Sep 2014	14889/2014	MAN Truck & Bus AG; 06-03NES, Table for a seat, (EM, 27 Mar 2014) 26 Sep 2014	14904/2014
Mayo Hardware Pty Ltd; 07-04, Spatula, 26 Sep 2014	14958/2014	MAN Truck & Bus AG; 06-01D, Seat, (EM, 27 Mar 2014) 26 Sep 2014	14905/2014
Mayo Hardware Pty Ltd; 07-04, Scraper, 26 Sep 2014	14961/2014	MAN Truck & Bus AG; 06-01D, Seat rest, (EM, 27 Mar 2014) 26 Sep 2014	14902/2014
Mayo Hardware Pty Ltd; 07-04, Basting brush, 26 Sep 2014	14962/2014	MAN Truck & Bus AG; 06-13NES, Seat cover, (EM, 27 Mar 2014) 26 Sep 2014	14903/2014
Mayo Hardware Pty Ltd; 07-04, Tongs, 26 Sep 2014	14959/2014	MAN Truck & Bus AG; 06-01D, Seat, (EM, 27 Mar 2014) 26 Sep 2014	14901/2014
Mayo Hardware Pty Ltd; 10-04, Thermometer, 26 Sep 2014	14963/2014	MAN Truck & Bus AG; 06-01D, Seat, (EM, 27 Mar 2014) 26 Sep 2014	14899/2014
Mayo Hardware Pty Ltd; 07-04, T brush, 26 Sep 2014	14960/2014	MAN Truck & Bus AG; 06-01D, Seat, (EM, 27 Mar 2014) 26 Sep 2014	14899/2014
McPherson's Limited; 07-99NES, Knife block, 02 Oct 2014	15070/2014	Nice-Pak Products, Inc.; 09-07NES, Closure for a package, (US, 16 Apr 2014) 01 Oct 2014	15032/2014
McPherson's Limited; 07-99NES, Knife block, 02 Oct 2014	15071/2014	Nicholson, Shane Jay;Nicholson, Shane; 24-01, Incubator, 11 Oct 2014	15205/2014
Medline Industries, Inc.; 02-02NES, Medical gown, (US, 29 Mar 2014) 29 Sep 2014	15029/2014	Nicholson, Shane;Nicholson, Shane Jay; 24-01, Incubator, 11 Oct 2014	15205/2014
Medline Industries, Inc.; 02-02NES, Medical gown, (US, 29 Mar 2014) 29 Sep 2014	15030/2014	Noakes, Kodi Lea; 03-01B, Skull shaped plastic hand bag shell, 09 Oct 2014	15159/2014
Melro Distributors Pty Ltd; 02-02C, 02-02NES, Ladies clothing, 02 Oct 2014	15083/2014	Noller, Caroline;Tyson, Deborrah; 02-02NES, Waterproof coat, 25 Sep 2014	14891/2014
Miles, Shane Robert; 08-08NES, A clamp component, (Divisional of 13319/2014) 10 Oct 2014	15182/2014	Northwood Medical Innovation Limited; 24-01, Ear tie, (EP, 14 Apr 2014) 09 Oct 2014	15176/2014
Miles, Shane Robert; 08-08NES, A clamp component, (Divisional of 13319/2014) 10 Oct 2014	15183/2014	Panasonic Corporation; 07-02B, Microwave oven, 26 Sep 2014	14898/2014
Moddex Group Pty Ltd; 25-02NES, Barrier rail, 02 Oct 2014	15059/2014	Peddieson, Alexander Ian; 32-03, Telecommunications, 11 Oct 2014	15204/2014
Moeschinger, Daniel; 07-01C, A sealable mini-cup, 30 Sep 2014	15018/2014	Plumridge, Ian James; 07-02E, Portable fire pit or barbecue, 25 Sep 2014	14892/2014
Mugavin, Anthony; 13-03B, Battery terminal connector, 06 Oct 2014	15117/2014	QuinTron Instrument Company, Inc.; 10-04, Breath test ventilation apparatus, (US, 10 Apr 2014) 06 Oct 2014	15115/2014
MAN Truck & Bus AG; 06-06G, 06-01D, Seat base, (EM, 27 Mar 2014) 26 Sep 2014	14934/2014	Raines Carpets Pty Ltd; 06-11, Carpet, 30 Sep 2014	15027/2014
MAN Truck & Bus AG; 06-06G, 06-01D, Seat frame, (EM, 27 Mar 2014) 26 Sep 2014	14936/2014	ResMed Limited; 24-02, 24-01, Patient interface and/or components thereof, (Divisional of 13212/2014) 03 Oct 2014	15127/2014
MAN Truck & Bus AG; 06-06G, 06-01D, Headrest, (EM, 27 Mar 2014) 26 Sep 2014	14932/2014		

ResMed Limited; 24-02, Patient interface and/or components thereof, (Divisional of 13245/2014) 25 Sep 2014	14886/2014	Smeg S.p.A.; 07-02C, Burner for cooking hob, (EM, 04 Apr 2014) 01 Oct 2014	15037/2014
Revlon Consumer Products Corporation; 26-05NES, Nail lamp, 02 Oct 2014	15064/2014	Smeg S.p.A.; 07-02A, Cooking hob, (EM, 04 Apr 2014) 01 Oct 2014	15038/2014
Riri, Eva;Shopsmart Marketing Pty Ltd; 32-03, Marketing bottled water, 30 Sep 2014	14990/2014	Snowball Australia Pty Ltd; 02-07A, Men's leather belt, 02 Oct 2014	15063/2014
Roberts, Patricia Alida; 07-05D, A latch element for a clothesline, 26 Sep 2014	14965/2014	Stramit Corporation Pty Limited; 08-09, Roller door track, 26 Sep 2014	14950/2014
Roberts, Patricia Alida; 07-05D, A retainer element for a clothesline, 26 Sep 2014	14966/2014	Stramit Corporation Pty Limited; 08-09, Roller door track, 26 Sep 2014	14954/2014
Roberts, Patricia Alida; 07-05D, A latch element for a clothesline, 26 Sep 2014	14964/2014	Swivelpole Patent Pty Ltd; 25-99, Swiveling joint, 01 Oct 2014	15036/2014
Robinson, Liza J; 32-03, Logo for TV show, 08 Oct 2014	15149/2014	SAVERGLASS; 09-01NES, Bottle, (EM, 10 Jul 2014) 02 Oct 2014	15066/2014
Ruthven, Peter; 21-02F, Lineout lifting bag, 08 Oct 2014	15148/2014	SEGAT FINANCIAL PTY LTD;Segat, Craig; 32-03, Website,service vehicle, socia media, uniforms, 12 Oct 2014	15206/2014
RANDL Industries, Inc.; 13-03C, Junction box with cable keepers, (US, 23 May 2014) 03 Oct 2014	15102/2014	SMEG S.p.A.; 07-02K, Kettle, (EM, 02 Apr 2014) 01 Oct 2014	15051/2014
RANDL Industries, Inc.; 13-03C, Junction box with cable keepers, (US, 23 May 2014) 03 Oct 2014	15103/2014	SMEG S.p.A.; 07-02K, Kettle, (EM, 02 Apr 2014) 01 Oct 2014	15053/2014
RF Surgical Systems, Inc.; 24-02, Hand held antenna system, (US, 31 Mar 2014) 26 Sep 2014	14930/2014	SMEG S.p.A.; 31-00, Blender, (EM, 02 Apr 2014) 01 Oct 2014	15046/2014
Scholtz, Henk; 09-02A, Tank, (ZA, 02 Apr 2014) 29 Sep 2014	14980/2014	Tan, Jason; 23-03B, Large rectangular burner, 30 Sep 2014	14981/2014
Segat, Craig;SEGAT FINANCIAL PTY LTD; 32-03, Website,service vehicle, socia media, uniforms, 12 Oct 2014	15206/2014	Tan, Jason; 23-03B, Large double-sided rectangular wall insert, 30 Sep 2014	14983/2014
Segway Inc.; 12-14, Human transporter, (Divisional of 13960/2014) 01 Oct 2014	15044/2014	Tan, Jason; 23-03B, Small rectangular burner, 30 Sep 2014	14984/2014
Segway, Inc.; 12-11, Vehicle body, (US, 10 Apr 2014) 09 Oct 2014	15171/2014	Tan, Jason; 23-03B, Small single-sided rectangular wall insert, 30 Sep 2014	14985/2014
Sharp Kabushiki Kaisha; 14-03B, Television, (JP, 17 Apr 2014) 02 Oct 2014	15069/2014	Tan, Jason; 23-03B, Small double-sided rectangular wall insert, 30 Sep 2014	14986/2014
Shopsmart Marketing Pty Ltd; 32-03, Bottled water not for medical purpose, 29 Sep 2014	14968/2014	Tan, Jason; 23-03B, Large single-sided rectangular wall insert, 30 Sep 2014	14982/2014
Shopsmart Marketing Pty Ltd;Riri, Eva; 32-03, Marketing bottled water, 30 Sep 2014	14990/2014	Tenacious Holdings, Inc.; 02-03, Brim and neck shade with straps, (US, 24 Jul 2014) 03 Oct 2014	15088/2014
Simpro Handling Equipment Ltd; 09-09, A brake and a foot guard device for a machine, 07 Oct 2014	15122/2014	Tenacious Holdings, Inc.; 08-08NES, Ring connector, (US, 06 Apr 2014) 03 Oct 2014	15089/2014
		Teva UK Limited; 24-04, Respiratory apparatus, 02 Oct 2014	15077/2014

The Ames Companies, Inc.; 08-03, Cross hatch on tool head planar surface, (US, 16 Jul 2014) 02 Oct 2014	15067/2014	Tyson, Deborrah;Noller, Caroline; 02-02NES, Waterproof coat, 25 Sep 2014	14891/2014
The Trustee for JANTHONY FAMILY TRUST; 07-07A, Bottle cooler bag, 02 Oct 2014	15062/2014	Unilever PLC; 07-01NES, Cap for bottle, (EM, 11 Apr 2014) 02 Oct 2014	15073/2014
Thermos L.L.C.; 07-01NES, Lid, (US, 21 Apr 2014) 02 Oct 2014	15076/2014	Unilever PLC; 09-01A, Bottle, (EM, 11 Apr 2014) 02 Oct 2014	15075/2014
Thermos L.L.C.; 07-01NES, Dual chamber food jar, (US, 02 Apr 2014) 29 Sep 2014	14971/2014	Unilever PLC; 09-07C, Cap for bottle, (EM, 11 Apr 2014) 02 Oct 2014	15074/2014
Thermos L.L.C.; 09-07C, Lid, (US, 31 Mar 2014) 29 Sep 2014	14972/2014	Vanruse Pty Ltd; 06-03C, Height-adjustable desk, 08 Oct 2014	15140/2014
Thermos L.L.C.; 09-07C, Lid for a bottle, (US, 31 Mar 2014) 29 Sep 2014	14969/2014	Vermeer Manufacturing Company; 08-08NES, 15-03NES, Mounting block For reducing elements, (US, 11 Apr 2014) 10 Oct 2014	15189/2014
Thermos L.L.C.; 07-01NES, Dual chamber food jar, (US, 02 Apr 2014) 29 Sep 2014	14970/2014	Vermeer Manufacturing Company; 08-08NES, 15-03NES, Mounting block for reducing elements, (US, 11 Apr 2014) 10 Oct 2014	15190/2014
Thompson, Stewart; 23-01F, Fuel tank larger than the original, 07 Oct 2014	15126/2014	ViaCyte, Inc.; 24-01, Deployment tool for an encapsulation device, (US, 16 Apr 2014) 10 Oct 2014	15181/2014
Thorn Europhane S.A.; 26-03, Luminaire for street lighting, (EM, 01 Apr 2014) 29 Sep 2014	14975/2014	ViaCyte, Inc.; 24-01, Fill pouch assembly for encapsulation device, (US, 16 Apr 2014) 10 Oct 2014	15179/2014
Thorn Europhane S.A.; 26-03, Luminaire for street lighting, (EM, 01 Apr 2014) 29 Sep 2014	15022/2014	Walker, Garry John; 08-05NES, To simulate specific internal or external angles to corresponding angles, by way of manufactured guides, 02 Oct 2014	15082/2014
Thorn Europhane S.A.; 26-03, Luminaire for street lighting, (EM, 01 Apr 2014) 29 Sep 2014	14977/2014	Wheel Pros, LLC; 12-16A, Wheel, (US, 05 Oct 2014) 09 Oct 2014	15177/2014
Thorn Europhane S.A.; 26-03, Luminaire for street lighting, (EM, 01 Apr 2014) 29 Sep 2014	14978/2014	WAAK BW V.Z.W.; 07-05E, Handle for a cleaning product, (EM, 14 Apr 2014) 10 Oct 2014	15188/2014
Thorn Europhane S.A.; 26-03, Luminaire for street lighting, (EM, 01 Apr 2014) 29 Sep 2014	14976/2014	WENCO S.A.; 09-09, Bin, (CL, 08 Apr 2014) 08 Oct 2014	15151/2014
Thorn Europhane S.A.; 26-03, Luminaire for street lighting, (EM, 01 Apr 2014) 29 Sep 2014	14973/2014	Y Outdoor Pty Ltd; 09-09, Modular bin enclosure with integrated advertising, 30 Sep 2014	14998/2014
Thorn Europhane S.A.; 26-03, Luminaire for street lighting, (EM, 01 Apr 2014) 29 Sep 2014	14974/2014	Zevex, Inc.; 24-02, Enteral feeding pump interface, (US, 15 Apr 2014) 30 Sep 2014	14988/2014
Toesox, Inc.; 02-04C, Sock, (US, 31 Mar 2014) 30 Sep 2014	14989/2014	ZHEJIANG GKO ALUMINIUM CO., LTD.; 12-16A, Alloy wheel, 09 Oct 2014	15162/2014
Toesox, Inc.; 02-04C, Sock, (US, 23 Apr 2014) 02 Oct 2014	15057/2014	ZHEJIANG GKO ALUMINIUM CO., LTD.; 12-16A, Alloy wheel, 09 Oct 2014	15163/2014
Trends UK Limited; 15-01, Engine block, (EM, 29 Sep 2014) 30 Sep 2014	15021/2014	ZHEJIANG GKO ALUMINIUM CO., LTD.; 12-16A, Alloy wheel, 09 Oct 2014	15161/2014
Tube Home (M) Sdn Bhd; 06-01F, Chair, (MY, 26 Sep 2014) 01 Oct 2014	15040/2014	ZHEJIANG GKO ALUMINIUM CO., LTD.; 12-16A, Wheel rim, (CN, 09 Jul 2014) 09 Oct 2014	15156/2014

3M Innovative Properties Company; 03-01NES, Dispenser case, (JP, 31 Mar 2014) 30 Sep 2014	15002/2014	3M Innovative Properties Company; 07-99C, Holder, (US, 04 Apr 2014) 25 Sep 2014	14887/2014
3M Innovative Properties Company; 08-08G, Hook, (US, 04 Apr 2014) 01 Oct 2014	15047/2014	3M Innovative Properties Company; 08-08G, 07-99NES, Holder, (US, 04 Apr 2014) 03 Oct 2014	15094/2014
3M Innovative Properties Company; 08-08G, Hook, (US, 04 Apr 2014) 01 Oct 2014	15035/2014	3M Innovative Properties Company; 08-08G, Hook, (US, 04 Apr 2014) 03 Oct 2014	15092/2014
3M Innovative Properties Company; 07-99NES, Holder, (US, 04 Apr 2014) 02 Oct 2014	15068/2014	3M Innovative Properties Company; 08-08G, Hook, (US, 04 Apr 2014) 03 Oct 2014	15093/2014
3M Innovative Properties Company; 08-08G, Hook, (US, 04 Apr 2014) 01 Oct 2014	15048/2014	3M Innovative Properties Company; 07-99C, Holder, (US, 04 Apr 2014) 25 Sep 2014	14888/2014
3M Innovative Properties Company; 08-08G, Hook, (US, 04 Apr 2014) 01 Oct 2014	15034/2014		

Applications Withdrawn

14709 / 2014 (25-01F)	14990 / 2014 (32-03)
15078 / 2014 (25-02C)	

Applications Lapsed

10400 / 2014 (08-08L)	10401 / 2014 (08-08L)
10402 / 2014 (13-03NES)	10407 / 2014 (02-05)
11449 / 2014 (02-04A)	11676 / 2014 (02-02C)
11767 / 2014 (25-01D)	13016 / 2014 (25-01D)
13093 / 2014 (14-01)	13109 / 2014 (12-06A)
13116 / 2014 (06-02)	13117 / 2014 (06-02)
13135 / 2014 (20-02E)	13241 / 2014 (15-04)
13247 / 2014 (23-03D)	13248 / 2014 (06-03NES)
13249 / 2014 (26-99)	13294 / 2014 (29-02)

Extension of Period of Registration of Designs

326306	326946	327024
327180	327181	327182
327183	327430	327431
327877	327946	327980
328132	328133	328134
328135	328152	328153
328154	328155	328185
328192	328193	328194
328195	328196	328220
328221	328243	328244
328246	328257	328261
328273	328277	328321
328322	328325	328332
328341	328342	328343
328390	328401	328402
328411	328412	328416
328417	328492	328574
328575	328579	328684
328687	328688	328698
328699	328728	328740
328743	328841	328842
328843	328844	328845
328846	328847	328848
328849	329020	329037
329041	329042	329043
329045	329046	329047
329048	329080	329082
329083	329141	329142
329143	329150	329162
329182	329188	329204
329243	329329	329330
329331	329332	329342
329343	329344	329502
329650	329651	329728
329751	329752	329753
329754	329755	330027
330139	330140	330230
330231	330232	330233
331647		

Registrations Ceased

300710	300767	300770
300916	300921	300922
300923	300926	300930
300933	300935	300936
300937	300947	300948
300949	300966	300970
300981	300982	300985
300986	300987	300988

300993	300994	300995
300996	300998	300999
301000	301003	301004
301005	301006	301008
301027	301029	301085
301088	301091	301092
301093	301095	301096
301097	301099	301100
301101	301102	301103
301104	301105	301106
301107	301109	301110
301111	301112	301113
301114	301121	301123
301420	301663	301664
301665	301667	301671
301821	301822	301823
301824	302173	302174
302216	302365	302511
302543	302584	302673
302674	302759	303242
303244	303245	303352
304433	304624	304698
305073	305074	311724
325223	325246	325257
325277	325278	325279
325280	325281	325288
325310	325318	325336
325337	325338	325340
325359	325364	325372
325380	325382	325417
325421	325422	325423
325424	325425	325426
325427	325433	325434
325435	325436	325449
325450	325451	325457
325458	325459	325460
325462	325463	325464
325465	325466	325467
325487	325488	325514
325534	325550	325585
325629	325693	325694
325695	325757	325839
325851	325887	325908
325909	325916	325923
325990	326076	326078
326079	326105	326267
326524	326824	327512
328005	328006	328007
328008	328009	328010
328914	328919	349323
351024	351764	351980

Extensions of time granted under Section 137

Applications lodged under section 137 for extension of time have been granted.

341445 **Ryan Paik**

13854/2014 **TRADE BOX, LLC**

358092 **Sagidox Australia Pty Ltd**

358093 **Sagidox Australia Pty Ltd**

331866 (**Heller Tools GmbH**) ITW Heller GmbH
 335636 (**Keurig Green Mountain, Inc.**) Keurig, Incorporated
 335638 (**Keurig Green Mountain, Inc.**) Keurig, Incorporated
 351747 (**Keurig Green Mountain, Inc.**) Keurig, Incorporated
 353757 (**Keurig Green Mountain, Inc.**) Keurig, Incorporated
 353680 (**Keurig Green Mountain, Inc.**) Keurig, Incorporated
 354335 (**Keurig Green Mountain, Inc.**) Keurig, Incorporated
 354259 (**Keurig Green Mountain, Inc.**) Keurig, Incorporated
 354337 (**Keurig Green Mountain, Inc.**) Keurig, Incorporated
 354840 (**Keurig Green Mountain, Inc.**) Keurig, Incorporated

Subsequent Owners Registered

(The name in parentheses is that of the subsequent owner)

325828 (**ITW Heller GmbH**) Illinois Tool Works, Inc.
 331866 (**ITW Heller GmbH**) Illinois Tool Works Inc.
 351935 (**Keurig Green Mountain, Inc.**) Keurig, Incorporated
 355734 (**Knauf Plasterboard Pty Ltd**) Peer Intellectual Properties Pty Ltd
 353936 (**Gumboots Nominees Pty Limited**) Allan Sydney McKeon
 306172 (**Honeywell Safety Products USA, Inc.**) Sperian Hearing Protection,LLC
 330862 (**Honeywell Safety Products USA, Inc.**) Sperian Hearing Protection, LLC
 330863 (**Honeywell Safety Products USA, Inc.**) Sperian Hearing Protection, LLC
 344248 (**Electrolux Contracting AB**) Woodland Homes Products Pty Ltd
 344249 (**Electrolux Contracting AB**) Woodland Homes Products Pty Ltd
 320224 (**Shore Assets Pty Limited**) Francesco Antonio Pezzimenti
 320225 (**Shore Assets Pty Limited**) Francesco Antonio Pezzimenti
 320226 (**Shore Assets Pty Limited**) Francesco Antonio Pezzimenti
 343839 (**ITW Heller GmbH**) Illinois Tool Works Inc.
 343840 (**ITW Heller GmbH**) Illinois Tool Works Inc.
 343841 (**ITW Heller GmbH**) Illinois Tool Works Inc.
 326800 (**Fuego Living LLC**) Fuego North America LLC
 337143 (**Fuego Living LLC**) Fuego North America LLC
 339173 (**KNCR Sharma Family Nominees Pty Ltd as trustee for KNCR Sharma Family Trust**) Spartan Sports Holdings Pty Ltd
 339174 (**KNCR Sharma Family Nominees Pty Ltd as trustee for KNCR Sharma Family Trust**) Spartan Sports Holdings Pty Ltd
 342606 (**KNCR Sharma Family Nominees Pty Ltd as trustee for KNCR Sharma Family Trust**) Spartan Sports Holdings Pty Ltd
 342607 (**KNCR Sharma Family Nominees Pty Ltd as trustee for KNCR Sharma Family Trust**) Spartan Sports Holdings Pty Ltd
 342608 (**KNCR Sharma Family Nominees Pty Ltd as trustee for KNCR Sharma Family Trust**) Spartan Sports Holdings Pty Ltd
 335637 (**Keurig Green Mountain, Inc.**) Keurig, Incorporated

Names Registered - Alterations and Amendments

(The name in parentheses is that of the subsequent applicant)

325828 (**Heller Tools GmbH**) ITW Heller GmbH

Certificate(s) of Examination

Examination of the following Design Registration(s) has been completed. Infringement proceedings may now be commenced.

311300	12-16C	03/10/2014
311323	12-16E	07/10/2014
331233	09-01G	03/10/2014
333688	12-16C	03/10/2014
336200	09-03M	30/09/2014
336227	09-03F	30/09/2014
340945	06-06NES	08/10/2014
340946	06-06NES	08/10/2014
340947	06-06NES	08/10/2014
340948	06-06NES	08/10/2014
340949	06-06NES	08/10/2014
341424	25-04	26/09/2014
342318	02-02C	08/10/2014
344509	09-01K	03/10/2014
346685	06-01G	10/10/2014
346687	06-01G	10/10/2014
346688	06-01G	10/10/2014
346720	06-01G	10/10/2014
349451	09-03F	30/09/2014
352044	31-00	10/10/2014
354960	07-02A	30/09/2014
355101	07-02A	30/09/2014
355566	26-05C	01/10/2014
355592	14-01	21/08/2014
355622	26-05D	01/10/2014
355628	26-05C	01/10/2014
355683	26-05C	01/10/2014
355684	26-05D	01/10/2014
355685	26-05D	01/10/2014
355686	26-05D	01/10/2014
355687	26-05D	01/10/2014
355740	26-05C	01/10/2014
355741	26-05C	01/10/2014
355742	26-05C	01/10/2014
355743	26-05C	01/10/2014
355808	15-05	10/10/2014
355876	14-02	30/09/2014
356429	05-05NES	08/10/2014
356699	10-04	01/10/2014
356719	10-04	01/10/2014
356825	07-04	08/10/2014
356829	07-04	08/10/2014
356848	03-01NES	02/10/2014
356849	03-01NES	02/10/2014
357266	02-07A	26/09/2014
357282	08-08H	08/10/2014
357332	21-02E	10/10/2014
357334	05-05D	13/10/2014
357346	08-08H	08/10/2014
357361	08-08H	08/10/2014
357422	08-03	03/10/2014
357424	08-03	03/10/2014
357439	26-05B	10/10/2014
357440	26-05B	10/10/2014
357442	26-05B	10/10/2014
357493	02-02C	11/10/2014
357554	07-01F	11/10/2014
357791	05-05A	13/10/2014

Publication and Registration Proceedings

Designs Registered

This section provides a concordance between design number and registration number of Designs covered in this journal. It also shows the main class and registration date.

This section covers Registration numbers 357882 to 358152 .

The registration number shown below should be used in all future correspondence.

Design Number	Registration Number	International Classification Code (IDC)	Registration Date	Design Number	Registration Number	International Classification Code (IDC)	Registration Date
16754/2013	357882	14-02	30/09/2014	13770/2014	357976	10-02	01/10/2014
10141/2014	357963	26-05NES	01/10/2014	13795/2014	358101	10-04	08/10/2014
10212/2014	357964	12-05	01/10/2014	13819/2014	357910	25-03	30/09/2014
10213/2014	357965	12-05	01/10/2014	13930/2014	358026	03-01D	03/10/2014
10214/2014	357972	12-05	01/10/2014	14004/2014	358027	25-02C	03/10/2014
10215/2014	357973	12-05	01/10/2014	14020/2014	358075	07-02N	07/10/2014
10216/2014	357974	12-05	01/10/2014	14024/2014	357968	09-03M	01/10/2014
10408/2014	358115	02-02C	13/10/2014	14053/2014	358028	11-02NES	03/10/2014
11373/2014	358036	12-16NES	07/10/2014	14071/2014	358102	06-03A	08/10/2014
12297/2014	357905	09-01H	30/09/2014	14072/2014	358103	06-03A	08/10/2014
12669/2014	357975	08-08NES	01/10/2014	14167/2014	357977	21-02F	01/10/2014
12958/2014	357906	09-03NES	30/09/2014	14268/2014	357885	21-02D	30/09/2014
12959/2014	357907	09-03L	30/09/2014	14288/2014	357911	25-01F	30/09/2014
12960/2014	357908	09-03L	30/09/2014	14289/2014	357912	25-01F	30/09/2014
13078/2014	358024	19-01	03/10/2014	14290/2014	357913	25-01F	30/09/2014
13083/2014	358037	14-01	07/10/2014	14291/2014	357936	25-03	30/09/2014
13096/2014	358008	11-03	02/10/2014	14309/2014	357978	08-09	01/10/2014
13097/2014	358009	11-03	02/10/2014	14318/2014	357886	31-00	30/09/2014
13120/2014	357934	25-03	30/09/2014	14319/2014	357887	31-00	30/09/2014
13124/2014	358010	08-08B	02/10/2014	14321/2014	357888	31-00	30/09/2014
13140/2014	357966	26-05D	01/10/2014	14330/2014	357889	26-05A	30/09/2014
13240/2014	358099	23-03A	08/10/2014	14374/2014	358085	14-03NES	07/10/2014
13243/2014	358100	23-03A	08/10/2014	14405/2014	357969	07-05C	01/10/2014
13245/2014	357992	24-01	01/10/2014	14409/2014	357979	07-05NES	01/10/2014
13257/2014	358025	24-01	03/10/2014	14410/2014	357980	07-05NES	01/10/2014
13272/2014	358056	23-02B	07/10/2014	14411/2014	358011	06-01E	02/10/2014
13273/2014	358057	23-02B	07/10/2014	14412/2014	358012	06-01E	02/10/2014
13274/2014	358038	23-02B	07/10/2014	14522/2014	357890	23-01H	30/09/2014
13287/2014	358104	02-04A	08/10/2014	14533/2014	358029	09-05	03/10/2014
13288/2014	358094	02-04A	08/10/2014	14565/2014	357891	02-02C	30/09/2014
13293/2014	357967	25-01K	01/10/2014	14586/2014	358092	21-04	08/10/2014
13369/2014	357935	04-02	30/09/2014	14587/2014	358093	21-04	08/10/2014
13540/2014	358071	09-03NES	07/10/2014	14611/2014	357892	07-02L	30/09/2014
13546/2014	358095	14-01	08/10/2014	14612/2014	357893	07-02L	30/09/2014
13592/2014	357909	09-02C	30/09/2014	14615/2014	357894	31-00	30/09/2014
13614/2014	358072	06-07	07/10/2014	14617/2014	357937	10-04	30/09/2014
13645/2014	358039	06-04NES	07/10/2014	14618/2014	357895	10-04	30/09/2014
13646/2014	358040	06-04NES	07/10/2014	14619/2014	357914	10-04	30/09/2014
13647/2014	358041	06-04NES	07/10/2014	14620/2014	357896	10-04	30/09/2014
13648/2014	358042	06-04NES	07/10/2014	14621/2014	357897	10-04	30/09/2014
13649/2014	358043	06-04NES	07/10/2014	14622/2014	357898	10-04	30/09/2014
13650/2014	358073	06-04NES	07/10/2014	14623/2014	357899	14-03E	30/09/2014
13668/2014	358096	25-01D	08/10/2014	14624/2014	357915	07-01F	30/09/2014
13669/2014	358097	25-01D	08/10/2014	14625/2014	357900	09-01NES	30/09/2014
13675/2014	358044	24-01	07/10/2014	14626/2014	357901	24-03	30/09/2014
13678/2014	358045	24-01	07/10/2014	14627/2014	358014	10-06	02/10/2014
13692/2014	358046	24-01	07/10/2014	14628/2014	357902	24-03	30/09/2014
13702/2014	358047	24-01	07/10/2014	14629/2014	357903	06-01D	30/09/2014
13705/2014	358074	24-01	07/10/2014	14630/2014	357904	06-01D	30/09/2014
13725/2014	358098	26-05NES	08/10/2014	14631/2014	357938	24-03	30/09/2014

Publication and Registration Proceedings - Designs Registered cont'd

Design Number	Registration Number	International Classification Code (IDC)	Registration Date	Design Number	Registration Number	International Classification Code (IDC)	Registration Date
14633/2014	357939	24-03	30/09/2014	14722/2014	357923	06-01G	30/09/2014
14634/2014	357940	24-03	30/09/2014	14723/2014	357924	06-01F	30/09/2014
14635/2014	357941	02-04NES	30/09/2014	14724/2014	357925	06-01G	30/09/2014
14636/2014	357942	24-03	30/09/2014	14725/2014	357926	06-01G	30/09/2014
14637/2014	357916	24-03	30/09/2014	14726/2014	357927	06-01G	30/09/2014
14639/2014	357943	08-05N	30/09/2014	14727/2014	357928	08-07	30/09/2014
14648/2014	357944	12-15B	30/09/2014	14728/2014	357929	24-03	30/09/2014
14649/2014	357945	06-04E	30/09/2014	14729/2014	357930	10-02	30/09/2014
14650/2014	357970	06-03A	01/10/2014	14730/2014	357931	09-05	30/09/2014
14651/2014	357971	06-03A	01/10/2014	14731/2014	357932	09-05	30/09/2014
14652/2014	357946	07-02E	30/09/2014	14733/2014	357933	12-15A	30/09/2014
14653/2014	357947	02-04NES	30/09/2014	14737/2014	358048	06-03A	07/10/2014
14654/2014	357948	02-04NES	30/09/2014	14740/2014	358049	08-08D	07/10/2014
14655/2014	357949	02-04NES	30/09/2014	14741/2014	358050	08-08D	07/10/2014
14656/2014	357950	02-04NES	30/09/2014	14758/2014	358058	26-05C	07/10/2014
14657/2014	357951	02-04NES	30/09/2014	14761/2014	358059	25-01F	07/10/2014
14658/2014	357952	14-01	30/09/2014	14762/2014	358060	23-02A	07/10/2014
14659/2014	357883	14-02	30/09/2014	14765/2014	358015	12-15B	02/10/2014
14660/2014	357884	14-02	30/09/2014	14766/2014	358016	12-15B	02/10/2014
14662/2014	357953	25-01K	30/09/2014	14768/2014	358017	12-15B	02/10/2014
14663/2014	357917	25-01K	30/09/2014	14774/2014	358051	02-06	07/10/2014
14664/2014	357918	25-01K	30/09/2014	14775/2014	358018	30-01	02/10/2014
14665/2014	357919	25-01K	30/09/2014	14776/2014	358019	07-01B	02/10/2014
14668/2014	357981	14-03NES	01/10/2014	14778/2014	358052	06-13C	07/10/2014
14682/2014	357982	11-02A	01/10/2014	14780/2014	358020	26-03	02/10/2014
14683/2014	357983	14-02	01/10/2014	14781/2014	358021	26-03	02/10/2014
14684/2014	357954	08-05L	30/09/2014	14782/2014	358022	10-05	02/10/2014
14686/2014	357955	19-06	30/09/2014	14783/2014	358030	10-05	03/10/2014
14687/2014	357956	01-01	30/09/2014	14784/2014	358031	06-02	03/10/2014
14688/2014	357957	01-01	30/09/2014	14785/2014	358053	23-01B	07/10/2014
14689/2014	357958	01-01	30/09/2014	14786/2014	358032	02-02NES	03/10/2014
14690/2014	357959	01-01	30/09/2014	14787/2014	358033	26-03	03/10/2014
14691/2014	357960	01-01	30/09/2014	14788/2014	358034	26-03	03/10/2014
14692/2014	357961	01-01	30/09/2014	14795/2014	358054	02-01B	07/10/2014
14693/2014	357962	01-01	30/09/2014	14803/2014	358055	10-04	07/10/2014
14695/2014	357984	01-01	01/10/2014	14804/2014	358023	12-16A	02/10/2014
14696/2014	357985	01-01	01/10/2014	14805/2014	358086	07-02E	07/10/2014
14697/2014	357986	24-02	01/10/2014	14812/2014	358035	23-01K	03/10/2014
14698/2014	357987	01-01	01/10/2014	14813/2014	358013	15-05	02/10/2014
14701/2014	357988	31-00	01/10/2014	14815/2014	358061	14-99	07/10/2014
14702/2014	357989	06-06NES	01/10/2014	14816/2014	358062	14-99	07/10/2014
14703/2014	357990	06-06NES	01/10/2014	14817/2014	358063	23-03A	07/10/2014
14704/2014	357991	06-06NES	01/10/2014	14822/2014	358065	12-07	07/10/2014
14710/2014	357993	12-15B	01/10/2014	14823/2014	358066	06-06D	07/10/2014
14711/2014	357994	09-03F	01/10/2014	14825/2014	358067	07-99C	07/10/2014
14712/2014	357995	09-03F	01/10/2014	14826/2014	358068	23-04	07/10/2014
14713/2014	357996	12-15B	01/10/2014	14827/2014	358064	23-04	07/10/2014
14714/2014	357997	09-03F	01/10/2014	14828/2014	358069	23-04	07/10/2014
14715/2014	357998	09-03F	01/10/2014	14829/2014	358070	12-07	07/10/2014
14716/2014	357999	12-15B	01/10/2014	14830/2014	358002	12-05	01/10/2014
14717/2014	358000	12-16C	01/10/2014	14831/2014	358003	12-05	01/10/2014
14718/2014	358001	12-16C	01/10/2014	14832/2014	358004	12-05	01/10/2014
14719/2014	357920	12-16C	30/09/2014	14833/2014	358005	12-05	01/10/2014
14720/2014	357921	12-16C	30/09/2014	14836/2014	358087	07-02L	07/10/2014
14721/2014	357922	12-16C	30/09/2014	14837/2014	358076	23-02B	07/10/2014

Publication and Registration Proceedings - Designs Registered cont'd

Design Number	Registration Number	International Classification Code (IDC)	Registration Date	Design Number	Registration Number	International Classification Code (IDC)	Registration Date
14838/2014	358077	23-02B	07/10/2014	14903/2014	358135	06-13NES	13/10/2014
14841/2014	358088	06-02	07/10/2014	14905/2014	358136	06-01D	13/10/2014
14845/2014	358089	28-03B	07/10/2014	14906/2014	358122	02-02C	13/10/2014
14846/2014	358105	14-02	08/10/2014	14907/2014	358123	02-02C	13/10/2014
14847/2014	358006	26-05NES	01/10/2014	14908/2014	358124	02-02C	13/10/2014
14848/2014	358090	14-03NES	07/10/2014	14910/2014	358125	02-02C	13/10/2014
14849/2014	358091	14-03B	07/10/2014	14911/2014	358126	02-02C	13/10/2014
14850/2014	358116	12-15A	13/10/2014	14912/2014	358127	02-02C	13/10/2014
14851/2014	358078	12-15A	07/10/2014	14913/2014	358128	02-02C	13/10/2014
14852/2014	358079	12-15C	07/10/2014	14914/2014	358129	02-02C	13/10/2014
14857/2014	358080	03-01C	07/10/2014	14915/2014	358130	02-02C	13/10/2014
14858/2014	358081	01-01	07/10/2014	14916/2014	358131	02-02NES	13/10/2014
14859/2014	358082	01-01	07/10/2014	14917/2014	358132	02-02NES	13/10/2014
14860/2014	358083	01-01	07/10/2014	14919/2014	358137	02-02NES	13/10/2014
14862/2014	358084	01-01	07/10/2014	14920/2014	358138	02-02NES	13/10/2014
14864/2014	358106	03-01A	08/10/2014	14921/2014	358139	02-02NES	13/10/2014
14865/2014	358107	03-01C	08/10/2014	14922/2014	358140	02-02NES	13/10/2014
14866/2014	358108	24-01	08/10/2014	14923/2014	358141	02-02NES	13/10/2014
14867/2014	358109	07-01F	08/10/2014	14924/2014	358142	02-02NES	13/10/2014
14868/2014	358110	13-03C	08/10/2014	14925/2014	358143	02-02NES	13/10/2014
14876/2014	358111	12-15C	08/10/2014	14926/2014	358144	02-02NES	13/10/2014
14877/2014	358112	12-15A	08/10/2014	14927/2014	358145	02-02NES	13/10/2014
14878/2014	358113	12-15A	08/10/2014	14928/2014	358146	23-02B	13/10/2014
14879/2014	358114	12-15B	08/10/2014	14929/2014	358147	23-02B	13/10/2014
14881/2014	358007	25-01K	01/10/2014	14955/2014	358148	12-16C	13/10/2014
14884/2014	358117	26-03	13/10/2014	14956/2014	358149	12-16C	13/10/2014
14885/2014	358118	15-99	13/10/2014	14958/2014	358150	07-04	13/10/2014
14889/2014	358119	26-05NES	13/10/2014	14959/2014	358151	07-04	13/10/2014
14898/2014	358120	07-02B	13/10/2014	14965/2014	358152	07-05D	13/10/2014
14900/2014	358121	06-01D	13/10/2014				
14901/2014	358133	06-01D	13/10/2014				
14902/2014	358134	06-01D	13/10/2014				

Publication and Registration Proceedings

Class Listing of Designs Published or Registered

The following section shows an International Classification Code listing of the Registered or Published Designs covered in this supplement.

Classification	Registration Number	Design Number	Classification	Registration Number	Design Number
01-01	357956	14687/2014	03-01D	358026	13930/2014
01-01	357957	14688/2014	03-01NES	358026	13930/2014
01-01	357958	14689/2014	04-02	357935	13369/2014
01-01	357959	14690/2014	06-01D	357903	14629/2014
01-01	357960	14691/2014	06-01D	357904	14630/2014
01-01	357961	14692/2014	06-01D	358121	14900/2014
01-01	357962	14693/2014	06-01D	358133	14901/2014
01-01	357984	14695/2014	06-01D	358134	14902/2014
01-01	357985	14696/2014	06-01D	358136	14905/2014
01-01	357987	14698/2014	06-01E	358011	14411/2014
01-01	358081	14858/2014	06-01E	358012	14412/2014
01-01	358082	14859/2014	06-01F	357924	14723/2014
01-01	358083	14860/2014	06-01G	357923	14722/2014
01-01	358084	14862/2014	06-01G	357925	14724/2014
02-01B	358054	14795/2014	06-01G	357926	14725/2014
02-02C	357891	14565/2014	06-01G	357927	14726/2014
02-02C	358115	10408/2014	06-01NES	358031	14784/2014
02-02C	358122	14906/2014	06-02	358031	14784/2014
02-02C	358123	14907/2014	06-02	358088	14841/2014
02-02C	358124	14908/2014	06-03A	357970	14650/2014
02-02C	358125	14910/2014	06-03A	357971	14651/2014
02-02C	358126	14911/2014	06-03A	358048	14737/2014
02-02C	358127	14912/2014	06-03A	358102	14071/2014
02-02C	358128	14913/2014	06-03A	358103	14072/2014
02-02C	358129	14914/2014	06-04E	357945	14649/2014
02-02C	358130	14915/2014	06-04NES	358039	13645/2014
02-02NES	358032	14786/2014	06-04NES	358040	13646/2014
02-02NES	358115	10408/2014	06-04NES	358041	13647/2014
02-02NES	358131	14916/2014	06-04NES	358042	13648/2014
02-02NES	358132	14917/2014	06-04NES	358043	13649/2014
02-02NES	358137	14919/2014	06-04NES	358073	13650/2014
02-02NES	358138	14920/2014	06-06D	358066	14823/2014
02-02NES	358139	14921/2014	06-06E	358102	14071/2014
02-02NES	358140	14922/2014	06-06E	358103	14072/2014
02-02NES	358141	14923/2014	06-06NES	357989	14702/2014
02-02NES	358142	14924/2014	06-06NES	357990	14703/2014
02-02NES	358143	14925/2014	06-06NES	357991	14704/2014
02-02NES	358144	14926/2014	06-07	358072	13614/2014
02-02NES	358145	14927/2014	06-13C	358052	14778/2014
02-04A	358094	13288/2014	06-13NES	358135	14903/2014
02-04A	358104	13287/2014	07-01B	358019	14776/2014
02-04B	358094	13288/2014	07-01F	357915	14624/2014
02-04NES	357941	14635/2014	07-01F	358109	14867/2014
02-04NES	357947	14653/2014	07-02B	358120	14898/2014
02-04NES	357948	14654/2014	07-02E	357946	14652/2014
02-04NES	357949	14655/2014	07-02E	358086	14805/2014
02-04NES	357950	14656/2014	07-02L	357892	14611/2014
02-04NES	357951	14657/2014	07-02L	357893	14612/2014
02-04NES	358115	10408/2014	07-02L	358087	14836/2014
02-06	358051	14774/2014	07-02N	358075	14020/2014
03-01A	358106	14864/2014	07-04	358150	14958/2014
03-01C	358080	14857/2014	07-04	358151	14959/2014
03-01C	358107	14865/2014	07-05C	357969	14405/2014

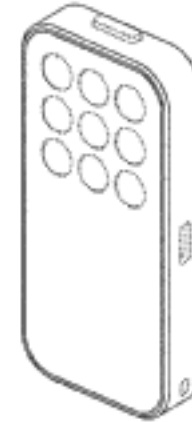
Registration Proceedings - Class Listing of Designs Published or Registered cont'd

Classification	Registration Number	Design Number	Classification	Registration Number	Design Number
07-05D	358152	14965/2014	12-05	358005	14833/2014
07-05NES	357979	14409/2014	12-07	358065	14822/2014
07-05NES	357980	14410/2014	12-07	358070	14829/2014
07-99C	358067	14825/2014	12-15A	357933	14733/2014
08-05K	358010	13124/2014	12-15A	358078	14851/2014
08-05L	357954	14684/2014	12-15A	358112	14877/2014
08-05N	357943	14639/2014	12-15A	358113	14878/2014
08-07	357928	14727/2014	12-15A	358116	14850/2014
08-08B	358010	13124/2014	12-15B	357944	14648/2014
08-08D	358049	14740/2014	12-15B	357993	14710/2014
08-08D	358050	14741/2014	12-15B	357996	14713/2014
08-08G	357975	12669/2014	12-15B	357999	14716/2014
08-08NES	357975	12669/2014	12-15B	358015	14765/2014
08-09	357978	14309/2014	12-15B	358016	14766/2014
09-01H	357905	12297/2014	12-15B	358017	14768/2014
09-01NES	357900	14625/2014	12-15B	358114	14879/2014
09-02C	357909	13592/2014	12-15C	358079	14852/2014
09-03F	357994	14711/2014	12-15C	358111	14876/2014
09-03F	357995	14712/2014	12-16A	358023	14804/2014
09-03F	357997	14714/2014	12-16C	357920	14719/2014
09-03F	357998	14715/2014	12-16C	357921	14720/2014
09-03K	357997	14714/2014	12-16C	357922	14721/2014
09-03K	357998	14715/2014	12-16C	358000	14717/2014
09-03L	357907	12959/2014	12-16C	358001	14718/2014
09-03L	357908	12960/2014	12-16C	358148	14955/2014
09-03M	357968	14024/2014	12-16C	358149	14956/2014
09-03NES	357906	12958/2014	12-16NES	358036	11373/2014
09-03NES	358071	13540/2014	13-03C	358110	14868/2014
09-05	357931	14730/2014	14-01	357952	14658/2014
09-05	357932	14731/2014	14-01	358037	13083/2014
09-05	358029	14533/2014	14-01	358095	13546/2014
10-02	357930	14729/2014	14-02	357882	16754/2013
10-02	357976	13770/2014	14-02	357883	14659/2014
10-04	357895	14618/2014	14-02	357884	14660/2014
10-04	357896	14620/2014	14-02	357983	14683/2014
10-04	357897	14621/2014	14-02	358105	14846/2014
10-04	357898	14622/2014	14-03B	358091	14849/2014
10-04	357914	14619/2014	14-03E	357899	14623/2014
10-04	357937	14617/2014	14-03NES	357981	14668/2014
10-04	358055	14803/2014	14-03NES	357989	14702/2014
10-04	358101	13795/2014	14-03NES	357990	14703/2014
10-05	358022	14782/2014	14-03NES	357991	14704/2014
10-05	358030	14783/2014	14-03NES	358085	14374/2014
10-06	358014	14627/2014	14-03NES	358090	14848/2014
11-02A	357982	14682/2014	14-99	358061	14815/2014
11-02NES	358028	14053/2014	14-99	358062	14816/2014
11-03	358008	13096/2014	15-05	358013	14813/2014
11-03	358009	13097/2014	15-99	358118	14885/2014
12-05	357964	10212/2014	19-01	358024	13078/2014
12-05	357965	10213/2014	19-06	357955	14686/2014
12-05	357972	10214/2014	21-02D	357885	14268/2014
12-05	357973	10215/2014	21-02F	357977	14167/2014
12-05	357974	10216/2014	21-04	358092	14586/2014
12-05	358002	14830/2014	21-04	358093	14587/2014
12-05	358003	14831/2014	23-01B	358053	14785/2014
12-05	358004	14832/2014	23-01H	357890	14522/2014

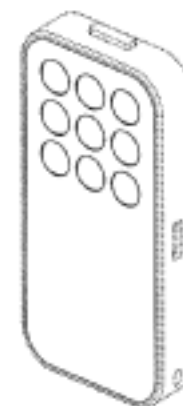
Registration Proceedings - Class Listing of Designs Published or Registered cont'd

Classification	Registration Number	Design Number	Classification	Registration Number	Design Number
23-01K	358035	14812/2014	25-01F	357913	14290/2014
23-02A	358060	14762/2014	25-01F	358059	14761/2014
23-02B	358038	13274/2014	25-01K	357917	14663/2014
23-02B	358056	13272/2014	25-01K	357918	14664/2014
23-02B	358057	13273/2014	25-01K	357919	14665/2014
23-02B	358076	14837/2014	25-01K	357953	14662/2014
23-02B	358077	14838/2014	25-01K	357967	13293/2014
23-02B	358146	14928/2014	25-01K	358007	14881/2014
23-02B	358147	14929/2014	25-02C	358027	14004/2014
23-03A	358063	14817/2014	25-03	357910	13819/2014
23-03A	358099	13240/2014	25-03	357934	13120/2014
23-03A	358100	13243/2014	25-03	357936	14291/2014
23-04	358064	14827/2014	26-02	357882	16754/2013
23-04	358068	14826/2014	26-02	357883	14659/2014
23-04	358069	14828/2014	26-02	357884	14660/2014
23-04	358098	13725/2014	26-02	358105	14846/2014
24-01	357992	13245/2014	26-03	358020	14780/2014
24-01	358025	13257/2014	26-03	358021	14781/2014
24-01	358044	13675/2014	26-03	358033	14787/2014
24-01	358045	13678/2014	26-03	358034	14788/2014
24-01	358046	13692/2014	26-03	358117	14884/2014
24-01	358047	13702/2014	26-05A	357889	14330/2014
24-01	358074	13705/2014	26-05C	358058	14758/2014
24-01	358108	14866/2014	26-05D	357966	13140/2014
24-02	357986	14697/2014	26-05NES	357963	10141/2014
24-02	357992	13245/2014	26-05NES	358006	14847/2014
24-03	357901	14626/2014	26-05NES	358098	13725/2014
24-03	357902	14628/2014	26-05NES	358119	14889/2014
24-03	357916	14637/2014	28-03B	358089	14845/2014
24-03	357929	14728/2014	30-01	358018	14775/2014
24-03	357938	14631/2014	31-00	357886	14318/2014
24-03	357939	14633/2014	31-00	357887	14319/2014
24-03	357940	14634/2014	31-00	357888	14321/2014
24-03	357942	14636/2014	31-00	357894	14615/2014
25-01D	358096	13668/2014	31-00	357988	14701/2014
25-01D	358097	13669/2014			
25-01F	357911	14288/2014			
25-01F	357912	14289/2014			

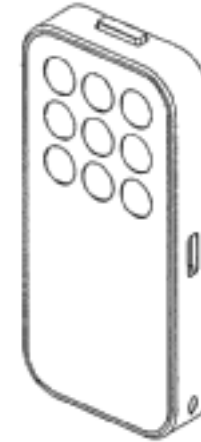
- (21) Design Number: **16754/2013**
(22) Date of Filing Application: **18 December 2013**
(24) Date from which industrial property rights may have effect: **18 December 2013**
(54) Product in respect of which the design is registered: **Lighting accessory for a portable electronic device**
(51) International Design Classification: **14-02, 26-02**
(74) Name(s) of Attorney(s): **Freehills Patent Attorneys**
(71) Name(s) and Address(s) of Applicant(s):
Knog Pty Ltd
453 Church St Richmond VIC 3121 Australia
(72) Name(s) of Designer(s): **Tim Besley and Jonathan Chan and Hugo Davidson and Malcolm McKechnie**
(45) Registration Date: **30 September 2014**
(56) Related Art Documents: **Not Applicable**
(57) Statement of Newness and Distinctiveness: **Newness and distinctiveness of the design resides in the features of shape and configuration of the product as shown in solid lines in the accompanying representations.**



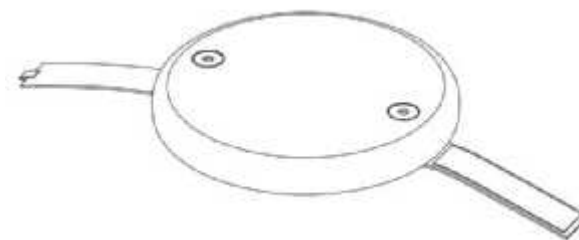
- (21) Design Number: **14659/2014**
(22) Date of Filing Application: **18 December 2013**
(24) Date from which industrial property rights may have effect: **18 December 2013**
(54) Product in respect of which the design is registered: **Lighting accessory for a portable electronic device**
(51) International Design Classification: **14-02, 26-02**
(74) Name(s) of Attorney(s): **Freehills Patent Attorneys**
(71) Name(s) and Address(s) of Applicant(s):
Knog Pty Ltd
453 Church St Richmond VIC 3121 Australia
(72) Name(s) of Designer(s): **Tim Besley and Jonathan Chan and Hugo Davidson and Malcolm McKechnie**
(45) Registration Date: **30 September 2014**
(56) Related Art Documents: **Not Applicable**
(57) Statement of Newness and Distinctiveness: **Newness and distinctiveness of the design resides in the features of shape and configuration of the product as shown in solid lines in the accompanying representations.**



- (21) Design Number: **14660/2014**
(22) Date of Filing Application: **18 December 2013**
(24) Date from which industrial property rights may have effect: **18 December 2013**
(54) Product in respect of which the design is registered: **Lighting accessory for a portable electronic device**
(51) International Design Classification: **14-02, 26-02**
(74) Name(s) of Attorney(s): **Freehills Patent Attorneys**
(71) Name(s) and Address(s) of Applicant(s):
Knog Pty Ltd
453 Church St Richmond VIC 3121 Australia
(72) Name(s) of Designer(s): **Tim Besley and Jonathan Chan and Hugo Davidson and Malcolm McKechnie**
(45) Registration Date: **30 September 2014**
(56) Related Art Documents: **Not Applicable**
(57) Statement of Newness and Distinctiveness: **Newness and distinctiveness of the design resides in the features of shape and configuration of the product as shown in solid lines in the accompanying representations.**



- (21) Design Number: **14268/2014**
(22) Date of Filing Application: **28 August 2014**
(24) Date from which industrial property rights may have effect: **28 August 2014**
(54) Product in respect of which the design is registered: **Surf hand board**
(51) International Design Classification: **21-02D**
(74) Name(s) of Attorney(s):
(71) Name(s) and Address(s) of Applicant(s):
Donald McCredie
32 Central Rd Avalon Beach NSW 2107 Australia
(72) Name(s) of Designer(s): **Donald McCredie**
(45) Registration Date: **30 September 2014**
(56) Related Art Documents: **Not Applicable**
(57) Statement of Newness and Distinctiveness: **The newness and distinctiveness of the design resides in the shape of the hand board as shown in the continuous lines in the accompanying representations.**



- (21) Design Number: **14318/2014**
(22) Date of Filing Application: **01 September 2014**
(24) Date from which industrial property rights may have effect: **01 September 2014**
(54) Product in respect of which the design is registered: **Appliance for preparation of food**
(51) International Design Classification: **31-00**
(74) Name(s) of Attorney(s): **PIZZEYS**
(71) Name(s) and Address(s) of Applicant(s):
Vorwerk & Co. Interholding GmbH
Muehlenweg 17-37 Wuppertal 42275 Germany
(72) Name(s) of Designer(s): **Uwe Kemker and Felix Thies**
(45) Registration Date: **30 September 2014**
(56) Related Art Documents: **Not Applicable**
(57) Statement of Newness and Distinctiveness: **The newness and distinctiveness of the design resides in the features of shape and/or configuration shown in unbroken lines in the accompanying representations.**



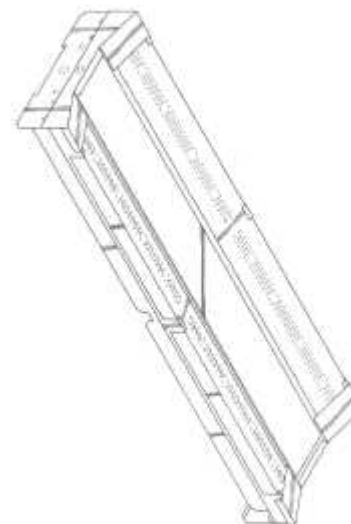
- (21) Design Number: **14319/2014**
(22) Date of Filing Application: **01 September 2014**
(24) Date from which industrial property rights may have effect: **01 September 2014**
(54) Product in respect of which the design is registered: **Appliance for preparation of food**
(51) International Design Classification: **31-00**
(74) Name(s) of Attorney(s): **PIZZEYS**
(71) Name(s) and Address(s) of Applicant(s):
Vorwerk & Co. Interholding GmbH
Muehlenweg 17-37 Wuppertal 42275 Germany
(72) Name(s) of Designer(s): **Uwe Kemker and Felix Thies**
(45) Registration Date: **30 September 2014**
(56) Related Art Documents: **Not Applicable**
(57) Statement of Newness and Distinctiveness: **The newness and distinctiveness of the design resides in the features of shape and/or configuration shown in unbroken lines in the accompanying representations.**



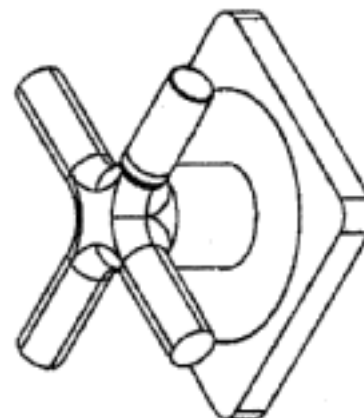
- (21) Design Number: **14321/2014**
(22) Date of Filing Application: **01 September 2014**
(24) Date from which industrial property rights may have effect: **01 September 2014**
(54) Product in respect of which the design is registered: **Appliance for preparation of food**
(51) International Design Classification: **31-00**
(74) Name(s) of Attorney(s): **PIZZEYS**
(71) Name(s) and Address(s) of Applicant(s):
Vorwerk & Co. Interholding GmbH
Muehlenweg 17-37 Wuppertal 42275 Germany
(72) Name(s) of Designer(s): **Uwe Kemker and Felix Thies**
(45) Registration Date: **30 September 2014**
(56) Related Art Documents: **Not Applicable**
(57) Statement of Newness and Distinctiveness: **The newness and distinctiveness of the design resides in the features of shape and/or configuration shown in unbroken lines in the accompanying representations.**



- (21) Design Number: **14330/2014**
(22) Date of Filing Application: **01 September 2014**
(24) Date from which industrial property rights may have effect: **24 July 2014**
(54) Product in respect of which the design is registered: **Lighting**
(51) International Design Classification: **26-05A**
(74) Name(s) of Attorney(s): **Pizzeys**
(71) Name(s) and Address(s) of Applicant(s):
LSI Industries, Inc.
10000 Alliance Road Cincinnati OH 45242 United States of America
(72) Name(s) of Designer(s): **John D Boyer and Daniel Hutchens and Eric Jon Moor and Travis Montgomery Wright and Andrew J Bankemper and David Lonneman**
(45) Registration Date: **30 September 2014**
(62) Divisional of: **357317**
(56) Related Art Documents: **Not Applicable**
(57) Statement of Newness and Distinctiveness: **Nil**



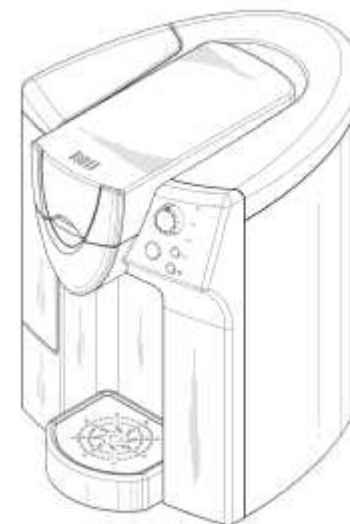
- (21) Design Number: **14522/2014**
(22) Date of Filing Application: **01 July 2014**
(24) Date from which industrial property rights may have effect: **01 July 2014**
(54) Product in respect of which the design is registered: **Tap**
(51) International Design Classification: **23-01H**
(74) Name(s) of Attorney(s): **Freehills Patent Attorneys**
(71) Name(s) and Address(s) of Applicant(s):
Phoenix Industries Pty Ltd
926 Mountain Hwy Bayswater VIC 3153 Australia
(72) Name(s) of Designer(s): **Ban Hsi Liu**
(45) Registration Date: **30 September 2014**
(56) Related Art Documents: **Not Applicable**
(57) Statement of Newness and Distinctiveness: **Newness and distinctiveness of the design resides in the shape and configuration of the tap as shown in the accompanying representations.**



- (21) Design Number: **14565/2014**
(22) Date of Filing Application: **10 September 2014**
(24) Date from which industrial property rights may have effect: **24 December 2013**
(54) Product in respect of which the design is registered: **Article of clothing**
(51) International Design Classification: **02-02C**
(74) Name(s) of Attorney(s): **Allens Patent & Trade Mark Attorneys**
(71) Name(s) and Address(s) of Applicant(s):
Forever New Clothing Pty Ltd
714-716 High St Kew East VIC 3102 Australia
(72) Name(s) of Designer(s): **Chloe Atkinson**
(45) Registration Date: **30 September 2014**
(62) Divisional of: **357312**
(56) Related Art Documents: **Not Applicable**
(57) Statement of Newness and Distinctiveness: **Newness and distinctiveness resides in the visual features of shape, configuration, pattern and/or ornamentation of an article of clothing as shown in the accompanying representations.**



(21) Design Number: **14611/2014**
(22) Date of Filing Application: **11 September 2014**
(24) Date from which industrial property rights may have effect: **11 September 2014**
(54) Product in respect of which the design is registered: **Coffee brewer**
(51) International Design Classification: **07-02L**
(74) Name(s) of Attorney(s): **Murray Trento & Associates**
(71) Name(s) and Address(s) of Applicant(s):
Remington Designs, LLC
28165 Avenue Crocker VALENCIA CA, 91355 United States of America
(72) Name(s) of Designer(s): **Bruce D Burrows**
(45) Registration Date: **30 September 2014**
(30) Convention priority data:
(31) Number (32) Date (33) Country
29/484,897 13 Mar 2014 UNITED STATES OF AMERICA
(56) Related Art Documents: **Not Applicable**
(57) Statement of Newness and Distinctiveness: **Newness and distinctiveness resides in the shape and/or configuration of a Coffee Brewer as represented in the accompanying drawings in full lines. The features represented in broken lines do not form part of the design.**



(21) Design Number: **14612/2014**
(22) Date of Filing Application: **11 September 2014**
(24) Date from which industrial property rights may have effect: **11 September 2014**
(54) Product in respect of which the design is registered: **Coffee brewer**
(51) International Design Classification: **07-02L**
(74) Name(s) of Attorney(s): **Murray Trento & Associates**
(71) Name(s) and Address(s) of Applicant(s):
Remington Designs, LLC
28165 Avenue Crocker VALENCIA CALIFORNIA, 91355 United States of America
(72) Name(s) of Designer(s): **Bruce D Burrows**
(45) Registration Date: **30 September 2014**
(30) Convention priority data:
(31) Number (32) Date (33) Country
29/484,895 13 Mar 2014 UNITED STATES OF AMERICA
(56) Related Art Documents: **Not Applicable**
(57) Statement of Newness and Distinctiveness: **Newness and distinctiveness resides in the shape and/or configuration of a Coffee Brewer as represented in the accompanying drawings in full lines. The features represented in broken lines do not form part of the design.**



(21) Design Number: **14615/2014**
(22) Date of Filing Application: **12 September 2014**
(24) Date from which industrial property rights may have effect: **12 September 2014**
(54) Product in respect of which the design is registered: **Mixer**
(51) International Design Classification: **31-00**
(74) Name(s) of Attorney(s): **Griffith Hack**
(71) Name(s) and Address(s) of Applicant(s):
KENWOOD LIMITED
New Lane Havant Hampshire PO9 2NH United Kingdom
(72) Name(s) of Designer(s): **Jamie Weaden**
(45) Registration Date: **30 September 2014**
(30) Convention priority data:
(31) Number (32) Date (33) Country
002425397 14 Mar 2014 OFFICE FOR HARMONISATION IN
THE INTERNAL MARKET (OHIM)
(56) Related Art Documents: **Not Applicable**
(57) Statement of Newness and Distinctiveness: **Nil**



(21) Design Number: **14618/2014**
(22) Date of Filing Application: **12 September 2014**
(24) Date from which industrial property rights may have effect: **12 September 2014**
(54) Product in respect of which the design is registered: **Measuring cup**
(51) International Design Classification: **10-04**
(74) Name(s) of Attorney(s):
(71) Name(s) and Address(s) of Applicant(s):
Anthony Thomas Logue
199 Kiora Rd Yowie Bay NSW 2228 Australia
(72) Name(s) of Designer(s): **Anthony Thomas Logue**
(45) Registration Date: **30 September 2014**
(30) Convention priority data:
(31) Number (32) Date (33) Country
002431692-0004 25 Mar 2014 OFFICE FOR HARMONISATION IN
THE INTERNAL MARKET (OHIM)
(56) Related Art Documents: **Not Applicable**
(57) Statement of Newness and Distinctiveness: **Newness and distinctiveness is claimed in the features of shape and/ or configuration of a measuring cup as depicted in the accompanying drawings.**



(21) Design Number: **14620/2014**
(22) Date of Filing Application: **12 September 2014**
(24) Date from which industrial property rights may have effect: **12 September 2014**
(54) Product in respect of which the design is registered: **Measuring cup**
(51) International Design Classification: **10-04**
(74) Name(s) of Attorney(s):
(71) Name(s) and Address(s) of Applicant(s):
Anthony Thomas Logue
199 Kiora Rd Yowie Bay NSW 2228 Australia
(72) Name(s) of Designer(s): **Anthony Thomas Logue**
(45) Registration Date: **30 September 2014**
(30) Convention priority data:
(31) Number (32) Date (33) Country
002431692-0006 25 Mar 2014 OFFICE FOR HARMONISATION IN
THE INTERNAL MARKET (OHIM)
(56) Related Art Documents: **Not Applicable**
(57) Statement of Newness and Distinctiveness: **Newness and distinctiveness**
is claimed in the features of shape and/ or configuration of a measuring
cup as depicted in the accompanying drawings.



(21) Design Number: **14621/2014**
(22) Date of Filing Application: **12 September 2014**
(24) Date from which industrial property rights may have effect: **12 September 2014**
(54) Product in respect of which the design is registered: **Measuring cup**
(51) International Design Classification: **10-04**
(74) Name(s) of Attorney(s):
(71) Name(s) and Address(s) of Applicant(s):
Anthony Thomas Logue
199 Kiora Rd Yowie Bay NSW 2228 Australia
(72) Name(s) of Designer(s): **Anthony Thomas Logue**
(45) Registration Date: **30 September 2014**
(30) Convention priority data:
(31) Number (32) Date (33) Country
002431692-0007 25 Mar 2014 OFFICE FOR HARMONISATION IN
THE INTERNAL MARKET (OHIM)
(56) Related Art Documents: **Not Applicable**
(57) Statement of Newness and Distinctiveness: **Newness and distinctiveness**
is claimed in the features of shape and/ or configuration of a measuring
cup as depicted in the accompanying drawings.



- (21) Design Number: **14622/2014**
(22) Date of Filing Application: **12 September 2014**
(24) Date from which industrial property rights may have effect: **12 September 2014**
(54) Product in respect of which the design is registered: **Measuring cup**
(51) International Design Classification: **10-04**
(74) Name(s) of Attorney(s):
(71) Name(s) and Address(s) of Applicant(s):

Anthony Thomas Logue
199 Kiara Rd Yowie Bay NSW 2228 Australia

(72) Name(s) of Designer(s): **Anthony Thomas Logue**

(45) Registration Date: **30 September 2014**

(30) Convention priority data:

(31) Number	(32) Date	(33) Country
002431692-0008	25 Mar 2014	OFFICE FOR HARMONISATION IN THE INTERNAL MARKET (OHIM)

(56) Related Art Documents: **Not Applicable**

(57) Statement of Newness and Distinctiveness: **Newness and distinctiveness is claimed in the features of shape and/ or configuration of a measuring cup as depicted in the accompanying drawings.**



- (21) Design Number: **14623/2014**
(22) Date of Filing Application: **12 September 2014**
(24) Date from which industrial property rights may have effect: **12 September 2014**
(54) Product in respect of which the design is registered: **Handset**
(51) International Design Classification: **14-03E**
(74) Name(s) of Attorney(s): **SPRUSON & FERGUSON**
(71) Name(s) and Address(s) of Applicant(s):

Microsoft Mobile OY
Keilalahdentie 2-4, Espoo 02150 Finland

(72) Name(s) of Designer(s): **Yan Lin and Wei Wang and Saemee Yoon**

(45) Registration Date: **30 September 2014**

(30) Convention priority data:

(31) Number	(32) Date	(33) Country
29/484858	13 Mar 2014	UNITED STATES OF AMERICA

(56) Related Art Documents: **Not Applicable**

(57) Statement of Newness and Distinctiveness: **Newness and distinctiveness is claimed in the features of shape and/or configuration of a handset as illustrated in continuous lines in the accompanying representations.**



(21) Design Number: **14625/2014**
(22) Date of Filing Application: **12 September 2014**
(24) Date from which industrial property rights may have effect: **12 September 2014**
(54) Product in respect of which the design is registered: **Bottle**
(51) International Design Classification: **09-01NES**
(74) Name(s) of Attorney(s): **Davies Collison Cave**
(71) Name(s) and Address(s) of Applicant(s):

Kevin Alan Tussy
1707 Village Center Circle Suite 200 Las Vegas Nevada, 89134 United States of America

(72) Name(s) of Designer(s): **Kevin Alan Tussy**

(45) Registration Date: **30 September 2014**

(30) Convention priority data:

(31) Number	(32) Date	(33) Country
29/484,766	12 Mar 2014	UNITED STATES OF AMERICA

(56) Related Art Documents: **Not Applicable**

(57) Statement of Newness and Distinctiveness: **Newness and distinctiveness is claimed in the visual features of the bottle as shown in solid lines in the representations.**



(21) Design Number: **14626/2014**
(22) Date of Filing Application: **12 September 2014**
(24) Date from which industrial property rights may have effect: **12 September 2014**
(54) Product in respect of which the design is registered: **Surgical implant**
(51) International Design Classification: **24-03**
(74) Name(s) of Attorney(s): **Callinans**
(71) Name(s) and Address(s) of Applicant(s):

Johnson & Johnson Medical GMBH
Robert-Koch-Strasse1 Norderstedt, 22851 Denmark

(72) Name(s) of Designer(s): **Volker Harms and Susan Cooper and Dajana Kaiser and Cristoph Walther**

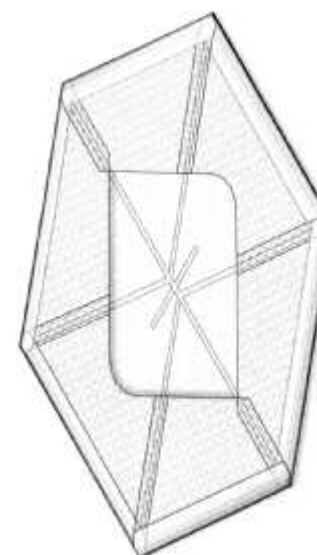
(45) Registration Date: **30 September 2014**

(30) Convention priority data:

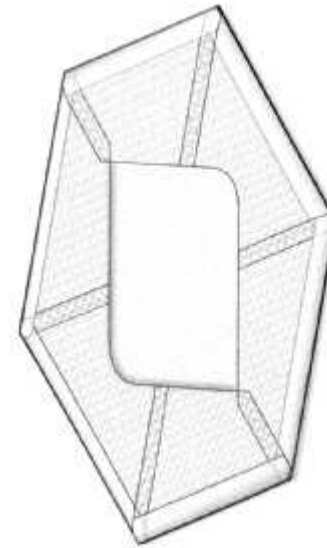
(31) Number	(32) Date	(33) Country
001405716	13 Mar 2014	OFFICE FOR HARMONISATION IN THE INTERNAL MARKET (OHIM)

(56) Related Art Documents: **Not Applicable**

(57) Statement of Newness and Distinctiveness: **Nil**



(21) Design Number: **14628/2014**
(22) Date of Filing Application: **12 September 2014**
(24) Date from which industrial property rights may have effect: **12 September 2014**
(54) Product in respect of which the design is registered: **Surgical mesh implant**
(51) International Design Classification: **24-03**
(74) Name(s) of Attorney(s): **Callinans**
(71) Name(s) and Address(s) of Applicant(s):
Johnson & Johnson Medical GMBH
Robert-Koch-Strasse1 Norderstedt, 22851 Denmark
(72) Name(s) of Designer(s): **Volker Harms and Susan Cooper and Dajana Kaiser and Cristoph Walther**
(45) Registration Date: **30 September 2014**
(30) Convention priority data:
(31) Number (32) Date (33) Country
001405716 13 Mar 2014 GERMANY
(56) Related Art Documents: **Not Applicable**
(57) Statement of Newness and Distinctiveness: **Nil**



(21) Design Number: **14629/2014**
(22) Date of Filing Application: **12 September 2014**
(24) Date from which industrial property rights may have effect: **12 September 2014**
(54) Product in respect of which the design is registered: **Bus seat frame**
(51) International Design Classification: **06-01D**
(74) Name(s) of Attorney(s): **Cullens Patent and Trade Mark Attorneys**
(71) Name(s) and Address(s) of Applicant(s):
StyleRide Pty Ltd
9 Success St Acacia Ridge QLD 4110 Australia
(72) Name(s) of Designer(s): **Mathew Lukan**
(45) Registration Date: **30 September 2014**
(56) Related Art Documents: **Not Applicable**
(57) Statement of Newness and Distinctiveness: **Nil**



(21) Design Number: **14630/2014**
(22) Date of Filing Application: **12 September 2014**
(24) Date from which industrial property rights may have effect: **12 September 2014**
(54) Product in respect of which the design is registered: **Bus seat frame**
(51) International Design Classification: **06-01D**
(74) Name(s) of Attorney(s): **Cullens Patent and Trade Mark Attorneys**
(71) Name(s) and Address(s) of Applicant(s):
StyleRide Pty Ltd
9 Success St Acacia Ridge QLD 4110 Australia
(72) Name(s) of Designer(s): **Matthew Lukan**
(45) Registration Date: **30 September 2014**
(56) Related Art Documents: **Not Applicable**
(57) Statement of Newness and Distinctiveness: **Nil**



(21) Design Number: **12297/2014**
(22) Date of Filing Application: **13 May 2014**
(24) Date from which industrial property rights may have effect: **13 May 2014**
(54) Product in respect of which the design is registered: **Bottle**
(51) International Design Classification: **09-01H**
(74) Name(s) of Attorney(s): **Callinans**
(71) Name(s) and Address(s) of Applicant(s):
DAYLESFORD AND HEPBURN MINERAL SPRINGS CO. PTY. LTD.
9 Leggatt St Daylesford VIC 3460 Australia
(72) Name(s) of Designer(s): **Michael Gilbert and Alex West and Mitchel Watson**
(45) Registration Date: **30 September 2014**
(56) Related Art Documents: **Not Applicable**
(57) Statement of Newness and Distinctiveness: **Newness and distinctiveness resides in the features of pattern and/or ornamentation as applied to a Bottle or Container for liquid, as shown in the accompanying representations. The shape and/or configuration of the Bottle or Container for liquids as appearing in the representations do not form part of the design**



(21) Design Number: **12958/2014**
(22) Date of Filing Application: **17 June 2014**
(24) Date from which industrial property rights may have effect: **17 June 2014**
(54) Product in respect of which the design is registered: **Container**
(51) International Design Classification: **09-03NES**
(74) Name(s) of Attorney(s): **Davies Collison Cave**
(71) Name(s) and Address(s) of Applicant(s):
Cryovac Australia Pty Ltd
90 Keilor Park Dr Tullamarine VIC 3043 Australia
(72) Name(s) of Designer(s): **Bryan Terry**
(45) Registration Date: **30 September 2014**
(56) Related Art Documents: **Not Applicable**
(57) Statement of Newness and Distinctiveness: **Nil**



(21) Design Number: **12959/2014**
(22) Date of Filing Application: **17 June 2014**
(24) Date from which industrial property rights may have effect: **17 June 2014**
(54) Product in respect of which the design is registered: **Container**
(51) International Design Classification: **09-03L**
(74) Name(s) of Attorney(s): **Davies Collison Cave**
(71) Name(s) and Address(s) of Applicant(s):
Cryovac Australia Pty Ltd
90 Keilor Park Dr Tullamarine VIC 3043 Australia
(72) Name(s) of Designer(s): **Bryan Terry**
(45) Registration Date: **30 September 2014**
(56) Related Art Documents: **Not Applicable**
(57) Statement of Newness and Distinctiveness: **Nil**



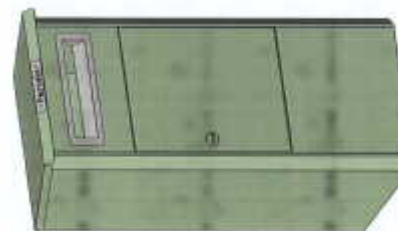
- (21) Design Number: **12960/2014**
(22) Date of Filing Application: **17 June 2014**
(24) Date from which industrial property rights may have effect: **17 June 2014**
(54) Product in respect of which the design is registered: **Container**
(51) International Design Classification: **09-03L**
(74) Name(s) of Attorney(s): **Davies Collison Cave**
(71) Name(s) and Address(s) of Applicant(s):
Cryovac Australia Pty Ltd
90 Keilor Park Dr Tullamarine VIC 3043 Australia
(72) Name(s) of Designer(s): **Bryan Terry**
(45) Registration Date: **30 September 2014**
(56) Related Art Documents: **Not Applicable**
(57) Statement of Newness and Distinctiveness: **Nil**



- (21) Design Number: **13592/2014**
(22) Date of Filing Application: **23 July 2014**
(24) Date from which industrial property rights may have effect: **23 July 2014**
(54) Product in respect of which the design is registered: **20 litre tinplate closed head drum**
(51) International Design Classification: **09-02C**
(74) Name(s) of Attorney(s):
(71) Name(s) and Address(s) of Applicant(s):
DIVERSIPAK PTY LTD
1A/10 Allen PI Wetherill Park NSW 2164 Australia
(72) Name(s) of Designer(s): **Zhi Min Chen**
(45) Registration Date: **30 September 2014**
(56) Related Art Documents: **Not Applicable**
(57) Statement of Newness and Distinctiveness: **The design of our 20L Closed Head Drum ("CHD") is new and distinctive for the following reasons: 1. It is 'slightly' narrower on the bottom (i.e. 275mm) and wider on the top (i.e. 293mm). There is 2 degree difference between the top and bottom of CHD. It is a conical design. The common 20L CHD in the market is cylindrical. 2.From the side view, the CHD body has two steps in the top third of drum which makes this deisn further new and distict comparing to the common closed head drums in the market.**



- (21) Design Number: **13819/2014**
(22) Date of Filing Application: **05 August 2014**
(24) Date from which industrial property rights may have effect: **05 August 2014**
(54) Product in respect of which the design is registered: **Letterbox**
(51) International Design Classification: **25-03**
(74) Name(s) of Attorney(s):
(71) Name(s) and Address(s) of Applicant(s):
GREAT GRAB PTY LTD
3 Timbertop Dr Mount Helen VIC 3350 Australia
(72) Name(s) of Designer(s): **Joel Macklin**
(45) Registration Date: **30 September 2014**
(56) Related Art Documents: **Not Applicable**
(57) Statement of Newness and Distinctiveness: **A Letterbox that allows for the secure delivery of parcels. Top of the letterbox opens up with a secure flap to allow parcels to be dropped inside the letterbox. Letterbox is fitted with a secure lock so owner can unlock and collect their parcel.**



- (21) Design Number: **14288/2014**
(22) Date of Filing Application: **29 August 2014**
(24) Date from which industrial property rights may have effect: **29 August 2014**
(54) Product in respect of which the design is registered: **Relief pattern tile**
(51) International Design Classification: **25-01F**
(74) Name(s) of Attorney(s):
(71) Name(s) and Address(s) of Applicant(s):
Everstone International Pty Limited
20 Princes Rd E Auburn NSW 2144 Australia
(72) Name(s) of Designer(s): **John Zeng**
(45) Registration Date: **30 September 2014**
(56) Related Art Documents: **Not Applicable**
(57) Statement of Newness and Distinctiveness: **Newness and distinctiveness is claimed in the design of a relief tile as shown in the attached representations.**



- (21) Design Number: **14289/2014**
(22) Date of Filing Application: **29 August 2014**
(24) Date from which industrial property rights may have effect: **29 August 2014**
(54) Product in respect of which the design is registered: **Relief pattern tile**
(51) International Design Classification: **25-01F**
(74) Name(s) of Attorney(s):
(71) Name(s) and Address(s) of Applicant(s):
Everstone International Pty Limited
20 Princes Rd E Auburn NSW 2144 Australia
(72) Name(s) of Designer(s): **John Zeng**
(45) Registration Date: **30 September 2014**
(56) Related Art Documents: **Not Applicable**
(57) Statement of Newness and Distinctiveness: **Newness and distinctiveness is claimed in the design of a relief tile as shown in the attached representations. It is to be understood that representation of a single component of this tile design is also proprietary of this design.**



- (21) Design Number: **14290/2014**
(22) Date of Filing Application: **29 August 2014**
(24) Date from which industrial property rights may have effect: **29 August 2014**
(54) Product in respect of which the design is registered: **Relief patter tile**
(51) International Design Classification: **25-01F**
(74) Name(s) of Attorney(s):
(71) Name(s) and Address(s) of Applicant(s):
Everstone International Pty Limited
20 Princes Rd E Auburn NSW 2144 Australia
(72) Name(s) of Designer(s): **John Zeng**
(45) Registration Date: **30 September 2014**
(56) Related Art Documents: **Not Applicable**
(57) Statement of Newness and Distinctiveness: **Newness and distinctiveness is claimed in the design of a relief tile as shown in the attached representations.**



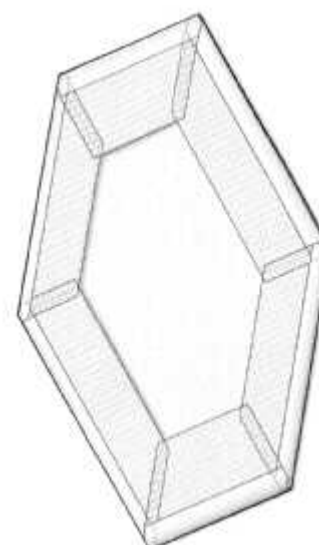
(21) Design Number: **14619/2014**
(22) Date of Filing Application: **12 September 2014**
(24) Date from which industrial property rights may have effect: **12 September 2014**
(54) Product in respect of which the design is registered: **Measuring cup**
(51) International Design Classification: **10-04**
(74) Name(s) of Attorney(s):
(71) Name(s) and Address(s) of Applicant(s):
Anthony Thomas Logue
199 Kiora Rd Yowie Bay NSW 2228 Australia
(72) Name(s) of Designer(s): **Anthony Thomas Logue**
(45) Registration Date: **30 September 2014**
(30) Convention priority data:
(31) Number (32) Date (33) Country
002431692-0005 25 Mar 2014 OFFICE FOR HARMONISATION IN
THE INTERNAL MARKET (OHIM)
(56) Related Art Documents: **Not Applicable**
(57) Statement of Newness and Distinctiveness: **Newness and distinctiveness**
is claimed in the features of shape and/ or configuration of a measuring
cup as depicted in the accompanying drawings.



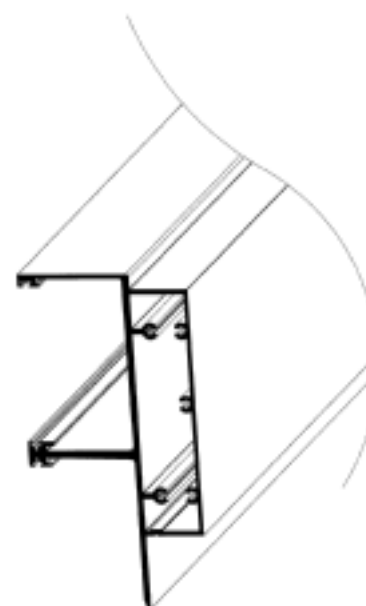
(21) Design Number: **14624/2014**
(22) Date of Filing Application: **12 September 2014**
(24) Date from which industrial property rights may have effect: **12 September 2014**
(54) Product in respect of which the design is registered: **A beverage container**
(51) International Design Classification: **07-01F**
(74) Name(s) of Attorney(s): **Pegasus IP**
(71) Name(s) and Address(s) of Applicant(s):
Zipz, Inc.
303 George Street, Suite 400 New Brunswick NJ, 08901 United States of
America
(72) Name(s) of Designer(s): **J Henry Scott**
(45) Registration Date: **30 September 2014**
(30) Convention priority data:
(31) Number (32) Date (33) Country
29/486,370 28 Mar 2014 UNITED STATES OF AMERICA
(56) Related Art Documents: **Not Applicable**
(57) Statement of Newness and Distinctiveness: **Newness and distinctiveness**
resides in the features of the design as shown in the representations.



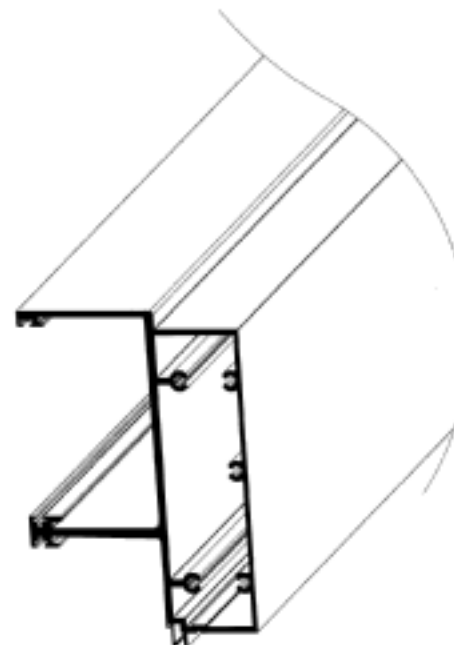
(21) Design Number: **14637/2014**
(22) Date of Filing Application: **12 September 2014**
(24) Date from which industrial property rights may have effect: **12 September 2014**
(54) Product in respect of which the design is registered: **Surgical mesh implant**
(51) International Design Classification: **24-03**
(74) Name(s) of Attorney(s): **Callinans**
(71) Name(s) and Address(s) of Applicant(s):
Johnson & Johnson Medical GMBH
Robert-Koch-Strasse1 Norderstedt, 22851 Denmark
(72) Name(s) of Designer(s): **Volker Harms and Susan Cooper and Dajana Kaiser and Christoph Walther**
(45) Registration Date: **30 September 2014**
(30) Convention priority data:
(31) Number (32) Date (33) Country
001405716 12 Mar 2014 OFFICE FOR HARMONISATION IN THE INTERNAL MARKET (OHIM)
(56) Related Art Documents: **Not Applicable**
(57) Statement of Newness and Distinctiveness: **Nil**



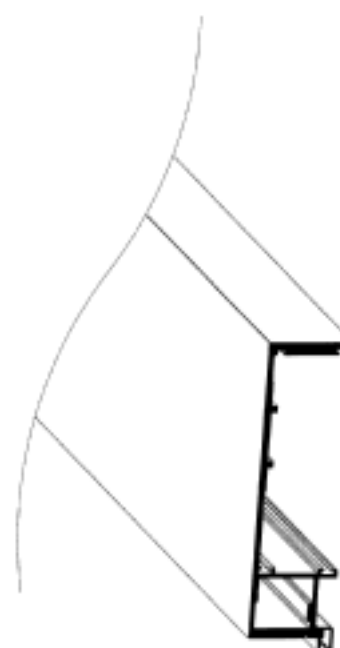
(21) Design Number: **14663/2014**
(22) Date of Filing Application: **15 September 2014**
(24) Date from which industrial property rights may have effect: **15 September 2014**
(54) Product in respect of which the design is registered: **An extrusion**
(51) International Design Classification: **25-01K**
(74) Name(s) of Attorney(s): **SPRUSON & FERGUSON**
(71) Name(s) and Address(s) of Applicant(s):
Architectural Window Systems Pty Ltd
76-78 Jemma Rd Prestons NSW 2170 Australia
(72) Name(s) of Designer(s): **David McCleary and Michael Glover**
(45) Registration Date: **30 September 2014**
(56) Related Art Documents: **Not Applicable**
(57) Statement of Newness and Distinctiveness: **Newness and distinctiveness is claimed in the features of shape and configuration of the cross-section of an extrusion as illustrated in the accompanying representation where the cross-section is constant along its length.**



- (21) Design Number: **14664/2014**
(22) Date of Filing Application: **15 September 2014**
(24) Date from which industrial property rights may have effect: **15 September 2014**
(54) Product in respect of which the design is registered: **An extrusion**
(51) International Design Classification: **25-01K**
(74) Name(s) of Attorney(s): **SPRUSON & FERGUSON**
(71) Name(s) and Address(s) of Applicant(s):
Architectural Window Systems Pty Ltd
76-78 Jedda Rd Prestons NSW 2170 Australia
(72) Name(s) of Designer(s): **David McCleary and Michael Glover**
(45) Registration Date: **30 September 2014**
(56) Related Art Documents: **Not Applicable**
(57) Statement of Newness and Distinctiveness: **Newness and distinctiveness is claimed in the features of shape and/or configuration of the cross-section of an extrusion as illustrated in the accompanying representation where the cross-section is constant along its length.**



- (21) Design Number: **14665/2014**
(22) Date of Filing Application: **15 September 2014**
(24) Date from which industrial property rights may have effect: **15 September 2014**
(54) Product in respect of which the design is registered: **An extrusion**
(51) International Design Classification: **25-01K**
(74) Name(s) of Attorney(s): **SPRUSON & FERGUSON**
(71) Name(s) and Address(s) of Applicant(s):
Architectural Window Systems Pty Ltd
76-78 Jedda Rd Prestons NSW 2170 Australia
(72) Name(s) of Designer(s): **David McCleary and Michael Glover**
(45) Registration Date: **30 September 2014**
(56) Related Art Documents: **Not Applicable**
(57) Statement of Newness and Distinctiveness: **Newness and distinctiveness is claimed in the features of shape and/or configuration of the cross-section of an extrusion as illustrated in the accompanying representation where the cross-section is constant along its length.**



- (21) Design Number: **14719/2014**
(22) Date of Filing Application: **16 September 2014**
(24) Date from which industrial property rights may have effect: **16 September 2014**
(54) Product in respect of which the design is registered: **Vehicle bull bar**
(51) International Design Classification: **12-16C**
(74) Name(s) of Attorney(s): **HODGKINSON McINNES PATENTS**
(71) Name(s) and Address(s) of Applicant(s):
ARB Corporation Limited
42-44 Garden St Kilsyth VIC 3137 Australia
(72) Name(s) of Designer(s): **Ivan Clencie**
(45) Registration Date: **30 September 2014**
(56) Related Art Documents: **Not Applicable**
(57) Statement of Newness and Distinctiveness: **Newness and distinctiveness is claimed in the shape and configuration of the upright tubing supports of a vehicle bull bar as shown in the representations.**



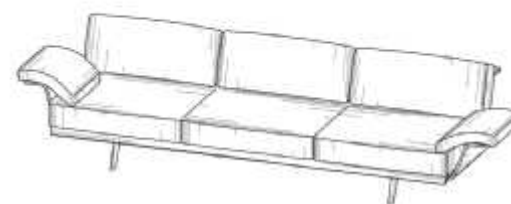
- (21) Design Number: **14720/2014**
(22) Date of Filing Application: **16 September 2014**
(24) Date from which industrial property rights may have effect: **16 September 2014**
(54) Product in respect of which the design is registered: **Vehicle bull bar**
(51) International Design Classification: **12-16C**
(74) Name(s) of Attorney(s): **HODGKINSON McINNES PATENTS**
(71) Name(s) and Address(s) of Applicant(s):
ARB Corporation Limited
42-44 Garden St Kilsyth VIC 3137 Australia
(72) Name(s) of Designer(s): **Ivan Clencie**
(45) Registration Date: **30 September 2014**
(56) Related Art Documents: **Not Applicable**
(57) Statement of Newness and Distinctiveness: **Newness and distinctiveness is claimed in the shape and configuration of the hatch in the grill of a vehicle bull bar as shown in the representations. The hatch is configured to be opened and closed to allow access to a vehicle winch (not shown).**



(21) Design Number: **14721/2014**
(22) Date of Filing Application: **16 September 2014**
(24) Date from which industrial property rights may have effect: **16 September 2014**
(54) Product in respect of which the design is registered: **Vehicle bull bar**
(51) International Design Classification: **12-16C**
(74) Name(s) of Attorney(s): **HODGKINSON McINNES PATENTS**
(71) Name(s) and Address(s) of Applicant(s):
ARB Corporation Limited
42-44 Garden St Kilsyth VIC 3137 Australia
(72) Name(s) of Designer(s): **Ivan Clencie**
(45) Registration Date: **30 September 2014**
(56) Related Art Documents: **Not Applicable**
(57) Statement of Newness and Distinctiveness: **Newness and distinctiveness is claimed in the shape and configuration of the tubing of a vehicle bull bar as shown in the representations.**



(21) Design Number: **14722/2014**
(22) Date of Filing Application: **17 September 2014**
(24) Date from which industrial property rights may have effect: **17 September 2014**
(54) Product in respect of which the design is registered: **Sofa**
(51) International Design Classification: **06-01G**
(74) Name(s) of Attorney(s): **PHILLIPS ORMONDE FITZPATRICK**
(71) Name(s) and Address(s) of Applicant(s):
Arper S.p.A.
Via Lombardia, 16 I-31050 Monastier di Treviso Treviso Italy
(72) Name(s) of Designer(s): **Alberto Lievore and Jeannette Altherr and Manuel Molina**
(45) Registration Date: **30 September 2014**
(30) Convention priority data:
(31) Number (32) Date (33) Country
**801813901 21 Mar 2014 WORLD INTELLECTUAL
PROPERTY ORGANIZATION
(WIPO)**
(56) Related Art Documents: **Not Applicable**
(57) Statement of Newness and Distinctiveness: **Nil**



(21) Design Number: **14723/2014**
(22) Date of Filing Application: **17 September 2014**
(24) Date from which industrial property rights may have effect: **17 September 2014**
(54) Product in respect of which the design is registered: **Armchair**
(51) International Design Classification: **06-01F**
(74) Name(s) of Attorney(s): **PHILLIPS ORMONDE FITZPATRICK**
(71) Name(s) and Address(s) of Applicant(s):



Arper S.p.A.
Via Lombardia, 16 I-31050 Monastier di Treviso Treviso Italy
(72) Name(s) of Designer(s): **Alberto Lievore and Jeannette Altherr and Manuel Molina**

(45) Registration Date: **30 September 2014**

(30) Convention priority data:

(31) Number	(32) Date	(33) Country
801813901	21 Mar 2014	WORLD INTELLECTUAL PROPERTY ORGANIZATION (WIPO)

(56) Related Art Documents: **Not Applicable**

(57) Statement of Newness and Distinctiveness: **Nil**

(21) Design Number: **14724/2014**
(22) Date of Filing Application: **17 September 2014**
(24) Date from which industrial property rights may have effect: **17 September 2014**
(54) Product in respect of which the design is registered: **Armchair**
(51) International Design Classification: **06-01G**
(74) Name(s) of Attorney(s): **PHILLIPS ORMONDE FITZPATRICK**
(71) Name(s) and Address(s) of Applicant(s):



Arper S.p.A.
Via Lombardia, 16 I-31050 Monastier di Treviso Treviso Italy
(72) Name(s) of Designer(s): **Alberto Lievore and Jeannette Altherr and Manuel Molina**

(45) Registration Date: **30 September 2014**

(30) Convention priority data:

(31) Number	(32) Date	(33) Country
801813901	21 Mar 2014	WORLD INTELLECTUAL PROPERTY ORGANIZATION (WIPO)

(56) Related Art Documents: **Not Applicable**

(57) Statement of Newness and Distinctiveness: **Nil**

(21) Design Number: **14725/2014**
(22) Date of Filing Application: **17 September 2014**
(24) Date from which industrial property rights may have effect: **17 September 2014**
(54) Product in respect of which the design is registered: **Armchair**
(51) International Design Classification: **06-01G**
(74) Name(s) of Attorney(s): **PHILLIPS ORMONDE FITZPATRICK**
(71) Name(s) and Address(s) of Applicant(s):

Arper S.p.A.
Via Lombardia 16 Monastier di Treviso Treviso I-31050 Italy

(72) Name(s) of Designer(s): **Alberto Lievore and Jeannette Altherr and Manuel Molina**

(45) Registration Date: **30 September 2014**

(30) Convention priority data:

(31) Number	(32) Date	(33) Country
801813901	21 Mar 2014	WORLD INTELLECTUAL PROPERTY ORGANIZATION (WIPO)



(56) Related Art Documents: **Not Applicable**

(57) Statement of Newness and Distinctiveness: **Nil**

(21) Design Number: **14726/2014**
(22) Date of Filing Application: **17 September 2014**
(24) Date from which industrial property rights may have effect: **17 September 2014**
(54) Product in respect of which the design is registered: **Sofa**
(51) International Design Classification: **06-01G**
(74) Name(s) of Attorney(s): **PHILLIPS ORMONDE FITZPATRICK**
(71) Name(s) and Address(s) of Applicant(s):

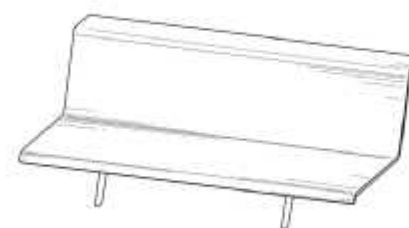
Arper S.p.A.
Via Lombardia 16 Monastier di Treviso Treviso I-31050 Italy

(72) Name(s) of Designer(s): **Alberto Lievore and Jeannette Altherr and Manuel Molina**

(45) Registration Date: **30 September 2014**

(30) Convention priority data:

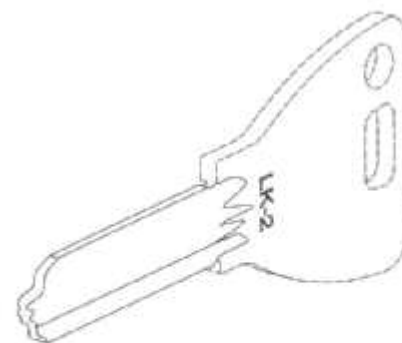
(31) Number	(32) Date	(33) Country
801813901	21 Mar 2014	WORLD INTELLECTUAL PROPERTY ORGANIZATION (WIPO)



(56) Related Art Documents: **Not Applicable**

(57) Statement of Newness and Distinctiveness: **Nil**

- (21) Design Number: **14727/2014**
(22) Date of Filing Application: **17 September 2014**
(24) Date from which industrial property rights may have effect: **17 September 2014**
(54) Product in respect of which the design is registered: **A key blank**
(51) International Design Classification: **08-07**
(74) Name(s) of Attorney(s):
(71) Name(s) and Address(s) of Applicant(s):
TNBT Holdings Pty Limited
UB1/2-6 Greenhills Ave Moorebank NSW 2170 Australia
(72) Name(s) of Designer(s): **Chandrashekar Thippasandra Gangappa and Zsolt Szarka-Kovacs and David John Evans**
(45) Registration Date: **30 September 2014**
(56) Related Art Documents: **Not Applicable**
(57) Statement of Newness and Distinctiveness: **The design is to be applied to a key blank and the newness and distinctiveness resides in the features of the shape and/or configuration of the shank of the article as shown in the accompanying representations. In considering the scope of monopoly, the portion defined by broken lines are to be ignored.**



- (21) Design Number: **14728/2014**
(22) Date of Filing Application: **17 September 2014**
(24) Date from which industrial property rights may have effect: **17 September 2014**
(54) Product in respect of which the design is registered: **Dental prosthesis**
(51) International Design Classification: **24-03**
(74) Name(s) of Attorney(s): **SPRUSON & FERGUSON**
(71) Name(s) and Address(s) of Applicant(s):
Implant Direct Sybron International L.L.C.
27030 Malibu Hills Road, Calabasas Hills California 91301 United States of America
(72) Name(s) of Designer(s): **Ines Aravena and Robin Reck**
(45) Registration Date: **30 September 2014**
(30) Convention priority data:
(31) Number (32) Date (33) Country
29/485217 17 Mar 2014 UNITED STATES OF AMERICA
(56) Related Art Documents: **Not Applicable**
(57) Statement of Newness and Distinctiveness: **Newness and distinctiveness is claimed in the features of a dental prosthesis illustrated in continuous lines in the accompanying representations.**



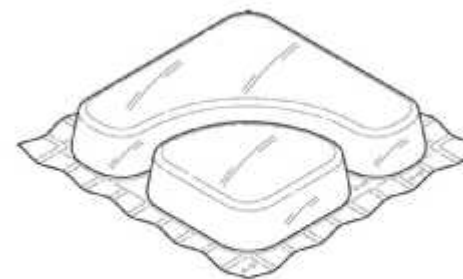
(21) Design Number: **14729/2014**
(22) Date of Filing Application: **17 September 2014**
(24) Date from which industrial property rights may have effect: **17 September 2014**
(54) Product in respect of which the design is registered: **Wristwatch**
(51) International Design Classification: **10-02**
(74) Name(s) of Attorney(s): **WATERMARK PATENT AND TRADE MARKS ATTORNEYS**
(71) Name(s) and Address(s) of Applicant(s):
OMEGA SA (OMEGA AG) (OMEGA LTD.)
Jakob-Stampfli-Strasse 96 Biel/Bienne 2502 Switzerland
(72) Name(s) of Designer(s): **Jean-Claude Monachon**
(45) Registration Date: **30 September 2014**
(30) Convention priority data:
(31) Number (32) Date (33) Country
DM/083 174 17 Mar 2014 WORLD INTELLECTUAL PROPERTY ORGANIZATION (WIPO)
(56) Related Art Documents: **Not Applicable**
(57) Statement of Newness and Distinctiveness: **Nil**



(21) Design Number: **14730/2014**
(22) Date of Filing Application: **17 September 2014**
(24) Date from which industrial property rights may have effect: **17 September 2014**
(54) Product in respect of which the design is registered: **Capsule containing washing product**
(51) International Design Classification: **09-05**
(74) Name(s) of Attorney(s): **Shelston IP**
(71) Name(s) and Address(s) of Applicant(s):
Reckitt Benckiser (Brands) Limited
103-105 Bath Road Slough Berkshire SL1 3UH United Kingdom
(72) Name(s) of Designer(s): **Steven Sarb**
(45) Registration Date: **30 September 2014**
(30) Convention priority data:
(31) Number (32) Date (33) Country
001407050-0004 25 Mar 2014 OFFICE FOR HARMONISATION IN THE INTERNAL MARKET (OHIM)
(56) Related Art Documents: **Not Applicable**
(57) Statement of Newness and Distinctiveness: **Newness and distinctiveness resides in the features of shape and configuration of a capsule containing washing product as illustrated in the accompanying representations.**



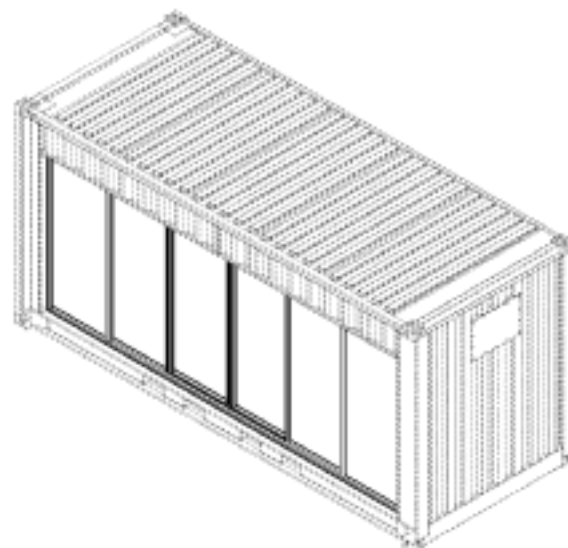
- (21) Design Number: **14731/2014**
(22) Date of Filing Application: **17 September 2014**
(24) Date from which industrial property rights may have effect: **17 September 2014**
(54) Product in respect of which the design is registered: **Capsule containing washing product**
(51) International Design Classification: **09-05**
(74) Name(s) of Attorney(s): **Shelston IP**
(71) Name(s) and Address(s) of Applicant(s):
Reckitt Benckiser (Brands) Limited
103-105 Bath Road Slough Berkshire SL1 3UH United Kingdom
(72) Name(s) of Designer(s): **Steven Sarb**
(45) Registration Date: **30 September 2014**
(30) Convention priority data:
(31) Number (32) Date (33) Country
001407050-0009 25 Mar 2014 OFFICE FOR HARMONISATION IN THE INTERNAL MARKET (OHIM)
(56) Related Art Documents: **Not Applicable**
(57) Statement of Newness and Distinctiveness: **Newness and distinctiveness resides in the features of shape and configuration of a capsule containing washing product as illustrated in the accompanying representations.**



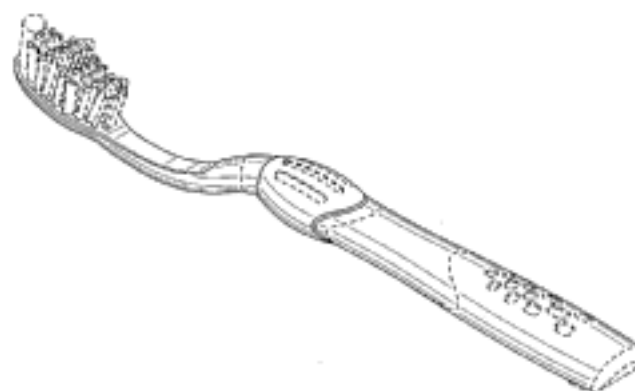
- (21) Design Number: **14733/2014**
(22) Date of Filing Application: **17 September 2014**
(24) Date from which industrial property rights may have effect: **17 September 2014**
(54) Product in respect of which the design is registered: **Tire for a car**
(51) International Design Classification: **12-15A**
(74) Name(s) of Attorney(s): **WATERMARK PATENT AND TRADE MARKS ATTORNEYS**
(71) Name(s) and Address(s) of Applicant(s):
Kumho Tire Co., Inc.
555 Sochon-dong Gwangsan-gu Gwangju 506-711 Republic of Korea
(72) Name(s) of Designer(s): **Jin-Gyu Kim**
(45) Registration Date: **30 September 2014**
(30) Convention priority data:
(31) Number (32) Date (33) Country
30-2014-0013465 18 Mar 2014 REPUBLIC OF KOREA
(56) Related Art Documents: **Not Applicable**
(57) Statement of Newness and Distinctiveness: **The newness and distinctiveness resides in the shape and configuration and/or pattern and ornamentation of the tread pattern of a tire as shown in the accompanying representations.**



(21) Design Number: **13120/2014**
(22) Date of Filing Application: **26 June 2014**
(24) Date from which industrial property rights may have effect: **26 June 2014**
(54) Product in respect of which the design is registered: **Modular room**
(51) International Design Classification: **25-03**
(74) Name(s) of Attorney(s): **Davies Collison Cave**
(71) Name(s) and Address(s) of Applicant(s):
Royal Wolf Trading Australia Pty Limited
SE202 L2 22-28 Edgeworth David Ave Hornsby NSW 2007 Australia
(72) Name(s) of Designer(s): **Dino John Conti**
(45) Registration Date: **30 September 2014**
(56) Related Art Documents: **Not Applicable**
(57) Statement of Newness and Distinctiveness: **Newness and Distinctiveness is claimed in the visual features of shape and configuration of the modular room shown in the representations.**



(21) Design Number: **13369/2014**
(22) Date of Filing Application: **11 July 2014**
(24) Date from which industrial property rights may have effect: **11 July 2014**
(54) Product in respect of which the design is registered: **Toothbrush**
(51) International Design Classification: **04-02**
(74) Name(s) of Attorney(s): **Davies Collison Cave**
(71) Name(s) and Address(s) of Applicant(s):
Dr. Fresh, LLC
6645 Caballero Boulevard Buena Park CA, 90620 United States of America
(72) Name(s) of Designer(s): **Doug Corbett and Geoff Carroll and Huy Kha Nguyen**
(45) Registration Date: **30 September 2014**
(30) Convention priority data:
(31) Number (32) Date (33) Country
29/480860 30 Jan 2014 UNITED STATES OF AMERICA
(56) Related Art Documents: **Not Applicable**
(57) Statement of Newness and Distinctiveness: **Newness and distinctiveness is claimed in the visual features shown in solid lines in the representations. In considering the extent of the design rights, the broken lines shown in the representations are for illustrative purposes only and do not form part of the design.**



(21) Design Number: **14291/2014**
(22) Date of Filing Application: **29 August 2014**
(24) Date from which industrial property rights may have effect: **29 August 2014**
(54) Product in respect of which the design is registered: **Building**
(51) International Design Classification: **25-03**
(74) Name(s) of Attorney(s): **PIPERS Melbourne**
(71) Name(s) and Address(s) of Applicant(s):
Waterbox Oy
c/o Businessconnect Oy Mariankatu 8 A 9, 5.krs 15110 Lahti Finland
(72) Name(s) of Designer(s): **Birgitta Hjelm-Luotola**
(45) Registration Date: **30 September 2014**
(30) Convention priority data:
(31) Number (32) Date (33) Country
002418780-0001 06 Mar 2014 EUROPEAN PATENT OFFICE (EPO)



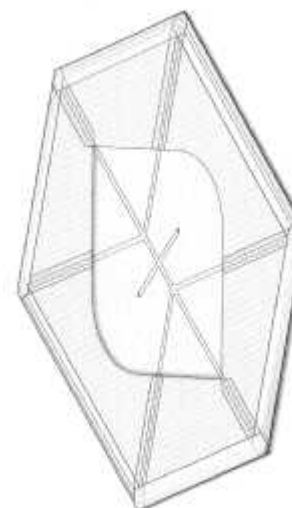
(56) Related Art Documents: **Not Applicable**
(57) Statement of Newness and Distinctiveness: **The design is to be applied to a Building and the novelty resides in the features of shape and configuration of the Building as shown in the accompanying representations. No novelty is claimed for the features shown in broken lines - those are for illustrative purposes and depict the environment of the design.**

(21) Design Number: **14617/2014**
(22) Date of Filing Application: **12 September 2014**
(24) Date from which industrial property rights may have effect: **12 September 2014**
(54) Product in respect of which the design is registered: **Measuring cup**
(51) International Design Classification: **10-04**
(74) Name(s) of Attorney(s):
(71) Name(s) and Address(s) of Applicant(s):
Anthony Thomas Logue
199 Kiora Rd Yowie Bay NSW 2228 Australia
(72) Name(s) of Designer(s): **Anthony Thomas Logue**
(45) Registration Date: **30 September 2014**
(30) Convention priority data:
(31) Number (32) Date (33) Country
002431692-0003 25 Mar 2014 OFFICE FOR HARMONISATION IN THE INTERNAL MARKET (OHIM)

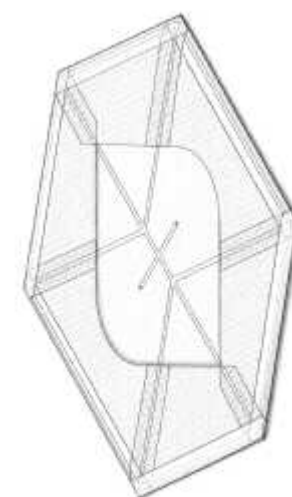


(56) Related Art Documents: **Not Applicable**
(57) Statement of Newness and Distinctiveness: **Newness and distinctiveness is claimed in the features of shape and/ or configuration of a measuring cup as depicted in the accompanying drawings.**

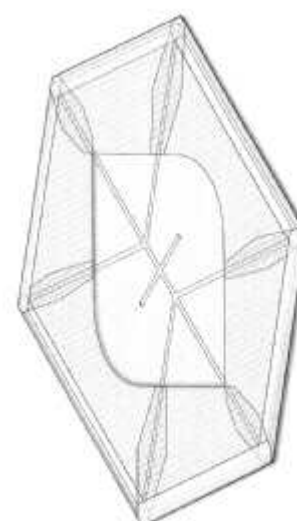
(21) Design Number: **14631/2014**
(22) Date of Filing Application: **12 September 2014**
(24) Date from which industrial property rights may have effect: **12 September 2014**
(54) Product in respect of which the design is registered: **Surgical mesh implant**
(51) International Design Classification: **24-03**
(74) Name(s) of Attorney(s): **Callinans**
(71) Name(s) and Address(s) of Applicant(s):
Johnson & Johnson Medical GMBH
Robert-Koch-Strasse1 Norderstedt, 22851 Denmark
(72) Name(s) of Designer(s): **Volker Harms and Susan Cooper and Dajana Kaiser and Cristoph Walther**
(45) Registration Date: **30 September 2014**
(30) Convention priority data:
(31) Number (32) Date (33) Country
001405716 13 Mar 2014 UNITED STATES OF AMERICA
(56) Related Art Documents: **Not Applicable**
(57) Statement of Newness and Distinctiveness: **Nil**



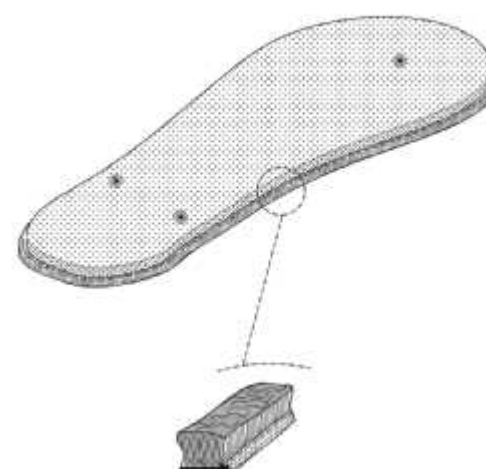
(21) Design Number: **14633/2014**
(22) Date of Filing Application: **12 September 2014**
(24) Date from which industrial property rights may have effect: **12 September 2014**
(54) Product in respect of which the design is registered: **Surgical mesh implant**
(51) International Design Classification: **24-03**
(74) Name(s) of Attorney(s): **Callinans**
(71) Name(s) and Address(s) of Applicant(s):
Johnson & Johnson Medical GMBH
Robert-Koch-Strasse1 Norderstedt, 22851 Denmark
(72) Name(s) of Designer(s): **Volker Harms and Susan Cooper and Dajana Kaiser and Christoph Walther**
(45) Registration Date: **30 September 2014**
(30) Convention priority data:
(31) Number (32) Date (33) Country
001405716 12 Mar 2014 OFFICE FOR HARMONISATION IN THE INTERNAL MARKET (OHIM)
(56) Related Art Documents: **Not Applicable**
(57) Statement of Newness and Distinctiveness: **Nil**



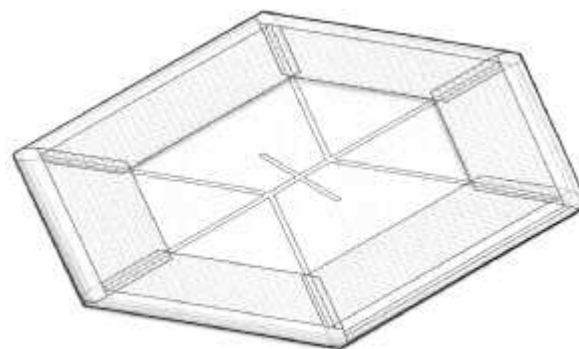
(21) Design Number: **14634/2014**
(22) Date of Filing Application: **12 September 2014**
(24) Date from which industrial property rights may have effect: **12 September 2014**
(54) Product in respect of which the design is registered: **Surgical mesh implant**
(51) International Design Classification: **24-03**
(74) Name(s) of Attorney(s): **Callinans**
(71) Name(s) and Address(s) of Applicant(s):
Johnson & Johnson Medical GMBH
Robert-Koch-Strasse1 Norderstedt, 22851 Denmark
(72) Name(s) of Designer(s): **Volker Harms and Susan Cooper and Dajana Kaiser and Christoph Walther**
(45) Registration Date: **30 September 2014**
(30) Convention priority data:
(31) Number (32) Date (33) Country
001405716-0005 12 Mar 2014 OFFICE FOR HARMONISATION IN THE INTERNAL MARKET (OHIM)
(56) Related Art Documents: **Not Applicable**
(57) Statement of Newness and Distinctiveness: **Nil**



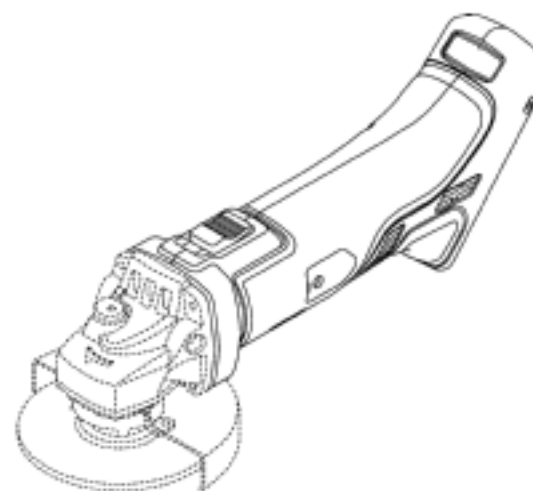
(21) Design Number: **14635/2014**
(22) Date of Filing Application: **12 September 2014**
(24) Date from which industrial property rights may have effect: **12 September 2014**
(54) Product in respect of which the design is registered: **Carpet over sole for flip flop**
(51) International Design Classification: **02-04NES**
(74) Name(s) of Attorney(s): **Sandercock & Cowie**
(71) Name(s) and Address(s) of Applicant(s):
Brendan Ewart Theobald
11 Chetwyn Ct Frankston South VIC 3199 Australia
(72) Name(s) of Designer(s): **Brendan Ewart Theobald**
(45) Registration Date: **30 September 2014**
(56) Related Art Documents: **Not Applicable**
(57) Statement of Newness and Distinctiveness: **Newness and distinctiveness reside in the shape and configuration of the carpet over sole for flip flop as shown in the accompanying representations.**



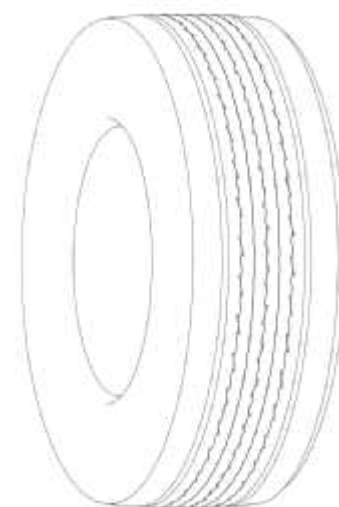
(21) Design Number: **14636/2014**
(22) Date of Filing Application: **12 September 2014**
(24) Date from which industrial property rights may have effect: **12 September 2014**
(54) Product in respect of which the design is registered: **Surgical mesh implant**
(51) International Design Classification: **24-03**
(74) Name(s) of Attorney(s): **Callinans**
(71) Name(s) and Address(s) of Applicant(s):
Johnson & Johnson Medical GMBH
Robert-Koch-Strasse1 Norderstedt, 22851 Denmark
(72) Name(s) of Designer(s): **Volker Harms and Susan Cooper and Dajana Kaiser and Christoph Walther**
(45) Registration Date: **30 September 2014**
(30) Convention priority data:
(31) Number (32) Date (33) Country
001405716 12 Mar 2014 OFFICE FOR HARMONISATION IN THE INTERNAL MARKET (OHIM)
(56) Related Art Documents: **Not Applicable**
(57) Statement of Newness and Distinctiveness: **Nil**



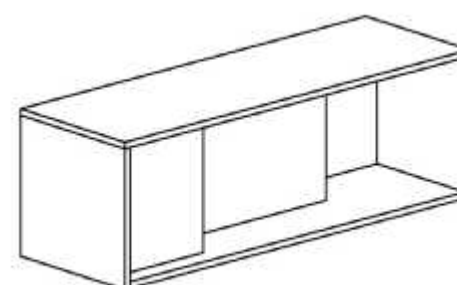
(21) Design Number: **14639/2014**
(22) Date of Filing Application: **12 September 2014**
(24) Date from which industrial property rights may have effect: **12 September 2014**
(54) Product in respect of which the design is registered: **Portable electric grinder**
(51) International Design Classification: **08-05N**
(74) Name(s) of Attorney(s): **SPRUSON & FERGUSON**
(71) Name(s) and Address(s) of Applicant(s):
Panasonic Corporation
1006 Oaza Kadoma Kadoma-shi Osaka 571-8501 Japan
(72) Name(s) of Designer(s): **Kazuma Uematsu**
(45) Registration Date: **30 September 2014**
(56) Related Art Documents: **Not Applicable**
(57) Statement of Newness and Distinctiveness: **Newness and distinctiveness is claimed in those features of shape and/or configuration of a portable electric grinder as illustrated in continuous lines in the accompanying representations.**



(21) Design Number: **14648/2014**
(22) Date of Filing Application: **15 September 2014**
(24) Date from which industrial property rights may have effect: **15 September 2014**
(54) Product in respect of which the design is registered: **Automobile tyre**
(51) International Design Classification: **12-15B**
(74) Name(s) of Attorney(s): **Griffith Hack**
(71) Name(s) and Address(s) of Applicant(s):
BRIDGESTONE CORPORATION
1-1, Kyobashi 3-chome Chuo-ku Tokyo 104-8340 Japan
(72) Name(s) of Designer(s): **Shimpei Kojima**
(45) Registration Date: **30 September 2014**
(30) Convention priority data:
(31) Number (32) Date (33) Country
2014-005266 13 Mar 2014 JAPAN
(56) Related Art Documents: **Not Applicable**
(57) Statement of Newness and Distinctiveness: **The shape and configuration of the tread portion of the product is new and distinctive.**



(21) Design Number: **14649/2014**
(22) Date of Filing Application: **15 September 2014**
(24) Date from which industrial property rights may have effect: **15 September 2014**
(54) Product in respect of which the design is registered: **Storage cabinet**
(51) International Design Classification: **06-04E**
(74) Name(s) of Attorney(s): **Griffith Hack**
(71) Name(s) and Address(s) of Applicant(s):
Steelcase Inc.
901 - 44th Street, S.E. Grand Rapids Michigan 49508 United States of America
(72) Name(s) of Designer(s): **Michael Held and Siu Cho Ho**
(45) Registration Date: **30 September 2014**
(30) Convention priority data:
(31) Number (32) Date (33) Country
29/498,109 31 Jul 2014 UNITED STATES OF AMERICA
(56) Related Art Documents: **Not Applicable**
(57) Statement of Newness and Distinctiveness: **Newness and distinctiveness resides in the visual features, including shape and configuration of the product as shown in the accompanying representations.**



(21) Design Number: **14652/2014**

(22) Date of Filing Application: **15 September 2014**

(24) Date from which industrial property rights may have effect: **15 September 2014**

(54) Product in respect of which the design is registered: **Portable gas grill**

(51) International Design Classification: **07-02E**

(74) Name(s) of Attorney(s): **Baxter Patent Attorneys Pty Ltd**

(71) Name(s) and Address(s) of Applicant(s):

**JIANGMEN CADERO HARDWARE PRODUCTS MFG. CO., LTD.
Xinglong Industrial Zone Long Kou Town Heshan City Guangdong China**

(72) Name(s) of Designer(s): **Jian Ying Yang**

(45) Registration Date: **30 September 2014**

(30) Convention priority data:

(31) Number	(32) Date	(33) Country
201430071871.3	31 Mar 2014	CHINA

(56) Related Art Documents: **Not Applicable**

(57) Statement of Newness and Distinctiveness: **Monopoly is claimed in the features of shape and configuration applied to a PORTABLE GAS GRILL as illustrated in the attached representations. In considering the extent of the monopoly, no claim is made to the lettering CADERO seen in top views of the PORTABLE GAS GRILL, nor to the colouring of the PORTABLE GAS GRILL.**



(21) Design Number: **14653/2014**

(22) Date of Filing Application: **15 September 2014**

(24) Date from which industrial property rights may have effect: **15 September 2014**

(54) Product in respect of which the design is registered: **Sport shoe**

(51) International Design Classification: **02-04NES**

(74) Name(s) of Attorney(s):

(71) Name(s) and Address(s) of Applicant(s):

**NOVESTA, a. s.
Nitrianska 503/60 958 01 Partizanske Slovakia**

(72) Name(s) of Designer(s): **Stefan Kolumber**

(45) Registration Date: **30 September 2014**

(30) Convention priority data:

(31) Number	(32) Date	(33) Country
DM/083826	12 Jun 2014	WORLD INTELLECTUAL PROPERTY ORGANIZATION (WIPO)

(56) Related Art Documents: **Not Applicable**

(57) Statement of Newness and Distinctiveness: **Nil**



(21) Design Number: **14654/2014**
(22) Date of Filing Application: **15 September 2014**
(24) Date from which industrial property rights may have effect: **15 September 2014**
(54) Product in respect of which the design is registered: **Sport shoe**
(51) International Design Classification: **02-04NES**
(74) Name(s) of Attorney(s):
(71) Name(s) and Address(s) of Applicant(s):
NOVESTA, a. s.
Nitrianska 503/60 958 01 Partizanske Slovakia
(72) Name(s) of Designer(s): **Stefan Kolumber**
(45) Registration Date: **30 September 2014**
(30) Convention priority data:
(31) Number (32) Date (33) Country
**DM/083826 12 Jun 2014 WORLD INTELLECTUAL
PROPERTY ORGANIZATION
(WIPO)**
(56) Related Art Documents: **Not Applicable**
(57) Statement of Newness and Distinctiveness: **Nil**



(21) Design Number: **14655/2014**
(22) Date of Filing Application: **15 September 2014**
(24) Date from which industrial property rights may have effect: **15 September 2014**
(54) Product in respect of which the design is registered: **Sport shoe**
(51) International Design Classification: **02-04NES**
(74) Name(s) of Attorney(s):
(71) Name(s) and Address(s) of Applicant(s):
NOVESTA, a. s.
Nitrianska 503/60 958 01 Partizanske Slovakia
(72) Name(s) of Designer(s): **Stefan Kolumber**
(45) Registration Date: **30 September 2014**
(30) Convention priority data:
(31) Number (32) Date (33) Country
**DM/083826 12 Jun 2014 WORLD INTELLECTUAL
PROPERTY ORGANIZATION
(WIPO)**
(56) Related Art Documents: **Not Applicable**
(57) Statement of Newness and Distinctiveness: **Nil**



(21) Design Number: **14656/2014**
(22) Date of Filing Application: **15 September 2014**
(24) Date from which industrial property rights may have effect: **15 September 2014**
(54) Product in respect of which the design is registered: **Sport shoe**
(51) International Design Classification: **02-04NES**
(74) Name(s) of Attorney(s):
(71) Name(s) and Address(s) of Applicant(s):
NOVESTA, a. s.
Nitrianska 503/60 958 01 Partizanske Slovakia
(72) Name(s) of Designer(s): **Stefan Kolumber**
(45) Registration Date: **30 September 2014**
(30) Convention priority data:
(31) Number (32) Date (33) Country
**DM/083826 12 Jun 2014 WORLD INTELLECTUAL
PROPERTY ORGANIZATION
(WIPO)**
(56) Related Art Documents: **Not Applicable**
(57) Statement of Newness and Distinctiveness: **Nil**



(21) Design Number: **14657/2014**
(22) Date of Filing Application: **15 September 2014**
(24) Date from which industrial property rights may have effect: **15 September 2014**
(54) Product in respect of which the design is registered: **Sport shoe**
(51) International Design Classification: **02-04NES**
(74) Name(s) of Attorney(s):
(71) Name(s) and Address(s) of Applicant(s):
NOVESTA, a. s.
Nitrianska 503/60 958 01 Partizanske Slovakia
(72) Name(s) of Designer(s): **Stefan Kolumber**
(45) Registration Date: **30 September 2014**
(30) Convention priority data:
(31) Number (32) Date (33) Country
**DM/083826 12 Jun 2014 WORLD INTELLECTUAL
PROPERTY ORGANIZATION
(WIPO)**
(56) Related Art Documents: **Not Applicable**
(57) Statement of Newness and Distinctiveness: **Nil**



(21) Design Number: **14658/2014**
(22) Date of Filing Application: **15 September 2014**
(24) Date from which industrial property rights may have effect: **15 September 2014**
(54) Product in respect of which the design is registered: **Waterproof speaker**
(51) International Design Classification: **14-01**
(74) Name(s) of Attorney(s): **Callinans**
(71) Name(s) and Address(s) of Applicant(s):

ATAKE DIGITAL TECHNOLOGY (SHENZHEN) CO., LTD.
2-4 Fl., 15th Bldg, Changxing Ind. Zone Changzhen Village, Gongming
Office Guangming New District Shenzhen City, Guangdong Province,
518106, China

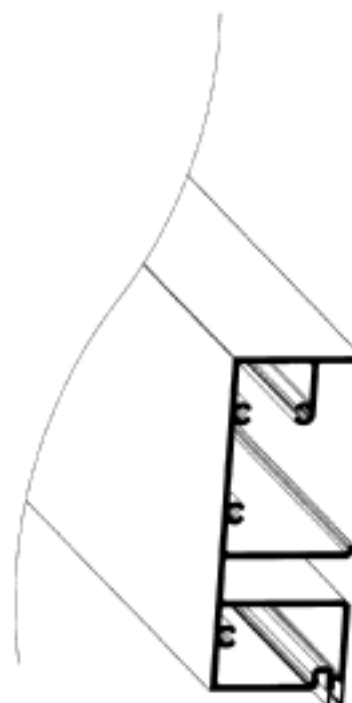
(72) Name(s) of Designer(s): **Kuo Tsai Lee and Senxiao Zhang**
(45) Registration Date: **30 September 2014**
(56) Related Art Documents: **Not Applicable**
(57) Statement of Newness and Distinctiveness: **Newness and distinctiveness resides in the features of shape and/or configuration of the design as shown in the accompanying representations. The controls, indicators and hatch shown in the rear and left side views in the representations are for illustrative purposes only and should not be considered when construing visual features of the design.**



(21) Design Number: **14662/2014**
(22) Date of Filing Application: **15 September 2014**
(24) Date from which industrial property rights may have effect: **15 September 2014**
(54) Product in respect of which the design is registered: **An extrusion**
(51) International Design Classification: **25-01K**
(74) Name(s) of Attorney(s): **SPRUSON & FERGUSON**
(71) Name(s) and Address(s) of Applicant(s):

Architectural Window Systems Pty Ltd
76-78 Jemma Rd Prestons NSW 2170 Australia

(72) Name(s) of Designer(s): **David McCleary and Michael Glover**
(45) Registration Date: **30 September 2014**
(56) Related Art Documents: **Not Applicable**
(57) Statement of Newness and Distinctiveness: **Newness and distinctiveness is claimed in the features of shape and configuration of the cross-section of an extrusion as illustrated in the accompanying representation where the cross-section is constant along its length.**



- (21) Design Number: **14684/2014**
(22) Date of Filing Application: **15 September 2014**
(24) Date from which industrial property rights may have effect: **15 September 2014**
(54) Product in respect of which the design is registered: **Paint roller frame**
(51) International Design Classification: **08-05L**
(74) Name(s) of Attorney(s): **Adrian M Trioli**
(71) Name(s) and Address(s) of Applicant(s):

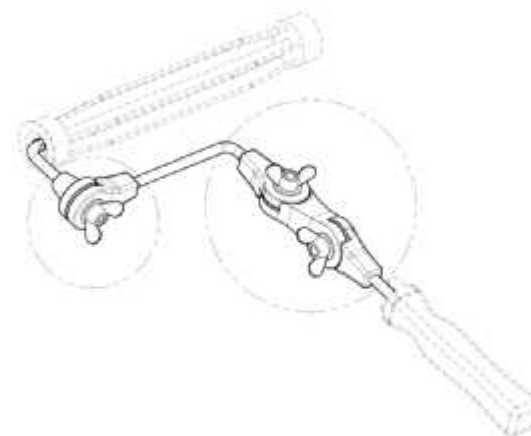
Gregory Giovanoglou
92 E Boundary Rd Bentleigh VIC 3165 Australia

- (72) Name(s) of Designer(s): **Gregory Giovanoglou**

(45) Registration Date: **30 September 2014**

(56) Related Art Documents: **Not Applicable**

- (57) Statement of Newness and Distinctiveness: **Newness and distinctiveness resides in the features of shape and/or configuration of the Paint Roller Frame as shown in continuous solid lines in the accompanying representations. Features shown in broken lines, being the handle and the roller cage, are for illustrative purposes and do not form part of the claimed design. In particular, in considering the scope of the design, regard should be given to the features of the design shown in detailed perspective view 1 and detailed perspective view 2.**



- (21) Design Number: **14686/2014**
(22) Date of Filing Application: **16 September 2014**
(24) Date from which industrial property rights may have effect: **16 September 2014**
(54) Product in respect of which the design is registered: **Marking pen**
(51) International Design Classification: **19-06**
(74) Name(s) of Attorney(s): **SPRUSON & FERGUSON**
(71) Name(s) and Address(s) of Applicant(s):

Kabushiki Kaisha Pilot Corporation (also trading as Pilot Corporation)
6-21, Kyobashi 2-chome, Chuo-ku Tokyo 104-8304 Japan

- (72) Name(s) of Designer(s): **Naomi Matsumura**

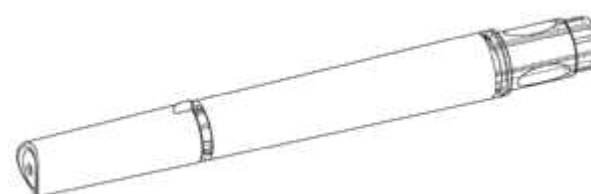
(45) Registration Date: **30 September 2014**

(30) Convention priority data:

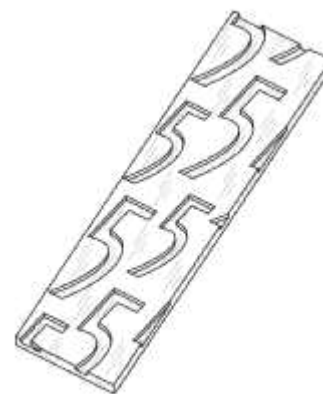
(31) Number	(32) Date	(33) Country
2014-006864	28 Mar 2014	JAPAN

(56) Related Art Documents: **Not Applicable**

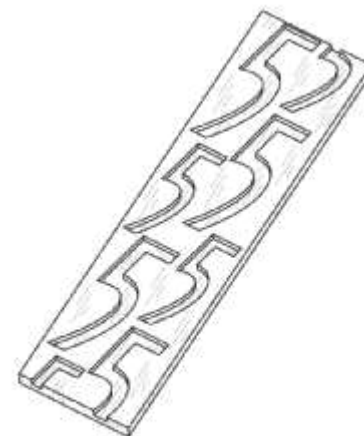
- (57) Statement of Newness and Distinctiveness: **Newness and distinctiveness is claimed in the features of shape and/or configuration of a marking pen as illustrated in the accompanying representations.**



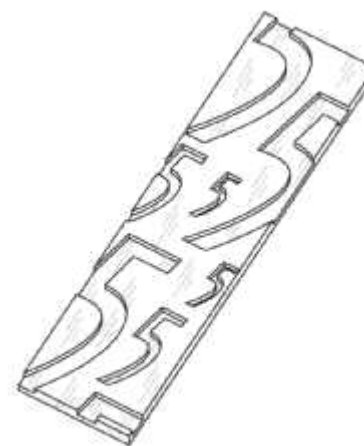
(21) Design Number: **14687/2014**
(22) Date of Filing Application: **16 September 2014**
(24) Date from which industrial property rights may have effect: **16 September 2014**
(54) Product in respect of which the design is registered: **Debossed chewing gum stick**
(51) International Design Classification: **01-01**
(74) Name(s) of Attorney(s): **SPRUSON & FERGUSON**
(71) Name(s) and Address(s) of Applicant(s):
Wm. Wrigley Jr. Company
1132 W. Backhawk Street, Chicago Illinois, 60642 United States of America
(72) Name(s) of Designer(s): **Steven Leder and Shane Jallick**
(45) Registration Date: **30 September 2014**
(30) Convention priority data:
(31) Number (32) Date (33) Country
29/486188 27 Mar 2014 UNITED STATES OF AMERICA
(56) Related Art Documents: **Not Applicable**
(57) Statement of Newness and Distinctiveness: **Newness and distinctiveness is claimed in the features of shape and/or configuration of a debossed chewing gum stick as illustrated in the accompanying representations.**



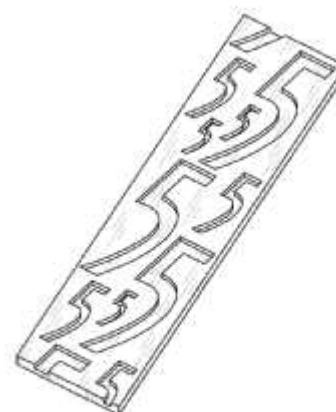
(21) Design Number: **14688/2014**
(22) Date of Filing Application: **16 September 2014**
(24) Date from which industrial property rights may have effect: **16 September 2014**
(54) Product in respect of which the design is registered: **Debossed chewing gum stick**
(51) International Design Classification: **01-01**
(74) Name(s) of Attorney(s): **SPRUSON & FERGUSON**
(71) Name(s) and Address(s) of Applicant(s):
Wm. Wrigley Jr. Company
1132 W. Backhawk Street, Chicago Illinois, 60642 United States of America
(72) Name(s) of Designer(s): **Steven Leder and Shane Jallick**
(45) Registration Date: **30 September 2014**
(30) Convention priority data:
(31) Number (32) Date (33) Country
29/486189 27 Mar 2014 UNITED STATES OF AMERICA
(56) Related Art Documents: **Not Applicable**
(57) Statement of Newness and Distinctiveness: **Newness and distinctiveness is claimed in the features of shape and/or configuration of a debossed chewing gum stick as illustrated in the accompanying representations.**



- (21) Design Number: **14689/2014**
(22) Date of Filing Application: **16 September 2014**
(24) Date from which industrial property rights may have effect: **16 September 2014**
(54) Product in respect of which the design is registered: **Debossed chewing gum stick**
(51) International Design Classification: **01-01**
(74) Name(s) of Attorney(s): **SPRUSON & FERGUSON**
(71) Name(s) and Address(s) of Applicant(s):
Wm. Wrigley Jr. Company
1132 W. Backhawk Street, Chicago Illinois, 60642 United States of America
(72) Name(s) of Designer(s): **Steven Leder and Shane Jallick**
(45) Registration Date: **30 September 2014**
(30) Convention priority data:
(31) Number (32) Date (33) Country
29/486190 27 Mar 2014 UNITED STATES OF AMERICA
(56) Related Art Documents: **Not Applicable**
(57) Statement of Newness and Distinctiveness: **Newness and distinctiveness is claimed in the features of shape and/or configuration of a debossed chewing gum stick as illustrated in the accompanying representations.**



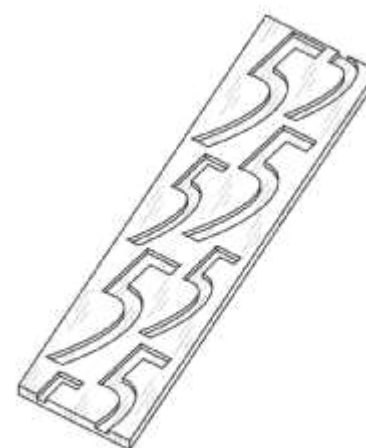
- (21) Design Number: **14690/2014**
(22) Date of Filing Application: **16 September 2014**
(24) Date from which industrial property rights may have effect: **16 September 2014**
(54) Product in respect of which the design is registered: **Debossed chewing gum stick**
(51) International Design Classification: **01-01**
(74) Name(s) of Attorney(s): **SPRUSON & FERGUSON**
(71) Name(s) and Address(s) of Applicant(s):
Wm. Wrigley Jr. Company
1132 W. Backhawk Street, Chicago Illinois, 60642 United States of America
(72) Name(s) of Designer(s): **Steven Leder and Shane Jallick**
(45) Registration Date: **30 September 2014**
(30) Convention priority data:
(31) Number (32) Date (33) Country
29/486194 27 Mar 2014 UNITED STATES OF AMERICA
(56) Related Art Documents: **Not Applicable**
(57) Statement of Newness and Distinctiveness: **Newness and distinctiveness is claimed in the features of shape and/or configuration of a debossed chewing gum stick as illustrated in the accompanying representations.**



- (21) Design Number: **14691/2014**
(22) Date of Filing Application: **16 September 2014**
(24) Date from which industrial property rights may have effect: **16 September 2014**
(54) Product in respect of which the design is registered: **Debossed chewing gum stick**
(51) International Design Classification: **01-01**
(74) Name(s) of Attorney(s): **SPRUSON & FERGUSON**
(71) Name(s) and Address(s) of Applicant(s):
Wm. Wrigley Jr. Company
410 N. Michigan Ave., Chicago Illinois, 60611 United States of America
(72) Name(s) of Designer(s): **Steven Leder and Shane Jallick**
(45) Registration Date: **30 September 2014**
(30) Convention priority data:
(31) Number (32) Date (33) Country
29/486211 27 Mar 2014 UNITED STATES OF AMERICA
(56) Related Art Documents: **Not Applicable**
(57) Statement of Newness and Distinctiveness: **Newness and distinctiveness is claimed in the features of shape and/or configuration of a debossed chewing gum stick as illustrated in the accompanying representations.**



- (21) Design Number: **14692/2014**
(22) Date of Filing Application: **16 September 2014**
(24) Date from which industrial property rights may have effect: **16 September 2014**
(54) Product in respect of which the design is registered: **Debossed chewing gum stick**
(51) International Design Classification: **01-01**
(74) Name(s) of Attorney(s): **SPRUSON & FERGUSON**
(71) Name(s) and Address(s) of Applicant(s):
Wm. Wrigley Jr. Company
1132 W. Backhawk Street, Chicago Illinois, 60642 United States of America
(72) Name(s) of Designer(s): **Steven Leder and Shane Jallick**
(45) Registration Date: **30 September 2014**
(30) Convention priority data:
(31) Number (32) Date (33) Country
29/486216 27 Mar 2014 UNITED STATES OF AMERICA
(56) Related Art Documents: **Not Applicable**
(57) Statement of Newness and Distinctiveness: **Newness and distinctiveness is claimed in the features of shape and/or configuration of a debossed chewing gum stick as illustrated in the accompanying representations.**



- (21) Design Number: **14693/2014**
(22) Date of Filing Application: **16 September 2014**
(24) Date from which industrial property rights may have effect: **16 September 2014**
(54) Product in respect of which the design is registered: **Debossed chewing gum stick**
(51) International Design Classification: **01-01**
(74) Name(s) of Attorney(s): **SPRUSON & FERGUSON**
(71) Name(s) and Address(s) of Applicant(s):
Wm. Wrigley Jr. Company
1132 W. Backhawk Street, Chicago Illinois, 60642 United States of America
(72) Name(s) of Designer(s): **Steven Leder and Shane Jallick**
(45) Registration Date: **30 September 2014**
(30) Convention priority data:
(31) Number (32) Date (33) Country
29/486204 27 Mar 2014 UNITED STATES OF AMERICA
(56) Related Art Documents: **Not Applicable**
(57) Statement of Newness and Distinctiveness: **Newness and distinctiveness is claimed in the features of shape and/or configuration of a debossed chewing gum stick as illustrated in the accompanying representations.**



- (21) Design Number: **10141/2014**
(22) Date of Filing Application: **10 January 2014**
(24) Date from which industrial property rights may have effect: **10 January 2014**
(54) Product in respect of which the design is registered: **Lighting accessory for a portable electronic device**
(51) International Design Classification: **26-05NES**
(74) Name(s) of Attorney(s): **Freehills Patent Attorneys**
(71) Name(s) and Address(s) of Applicant(s):
Knog Pty Ltd
453 Church St Richmond VIC 3121 Australia
(72) Name(s) of Designer(s): **Kynan Taylor and Chris Bilanenko and Jonathan Chan and Hugo Davidson and Malcolm McKechnie**
(45) Registration Date: **01 October 2014**
(56) Related Art Documents: **Not Applicable**
(57) Statement of Newness and Distinctiveness: **Newness and distinctiveness of the design resides in the features of shape and configuration of the product as shown in solid lines in the accompanying representations.**



(21) Design Number: **10212/2014**

(22) Date of Filing Application: **18 January 2014**

(24) Date from which industrial property rights may have effect: **18 January 2014**

(54) Product in respect of which the design is registered: **Gridmesh lifting device**

(51) International Design Classification: **12-05**

(74) Name(s) of Attorney(s):

(71) Name(s) and Address(s) of Applicant(s):

MESHLIFT PTY LTD

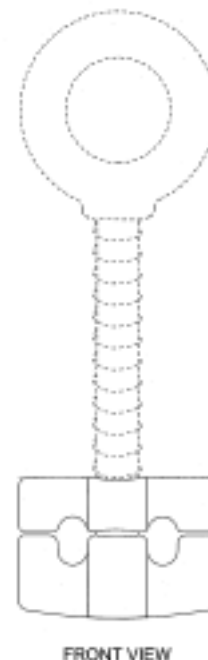
20 Laredo Bend Port Kennedy WA 6172 Australia

(72) Name(s) of Designer(s): **Paul Hibbert and Nicholas Hibbert and Santhosh Kumar**

(45) Registration Date: **01 October 2014**

(56) Related Art Documents: **Not Applicable**

(57) Statement of Newness and Distinctiveness: **Newness and distinctiveness is claimed in the visual features of the lower portion shown in solid lines. In considering the newness and distinctiveness of the design, the visual features of the upper portion shown in dotted or dashed lines are to be disregarded.**



(21) Design Number: **10213/2014**

(22) Date of Filing Application: **18 January 2014**

(24) Date from which industrial property rights may have effect: **18 January 2014**

(54) Product in respect of which the design is registered: **Gridmesh lifting device**

(51) International Design Classification: **12-05**

(74) Name(s) of Attorney(s):

(71) Name(s) and Address(s) of Applicant(s):

MESHLIFT PTY LTD

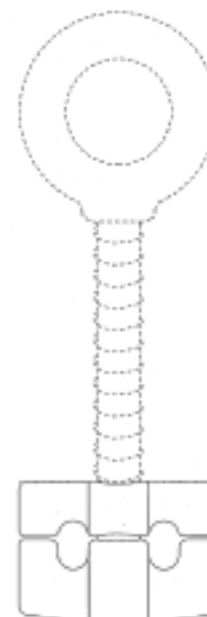
20 Laredo Bend Port Kennedy WA 6172 Australia

(72) Name(s) of Designer(s): **Paul Hibbert and Nicholas Hibbert and Santhosh Kumar**

(45) Registration Date: **01 October 2014**

(56) Related Art Documents: **Not Applicable**

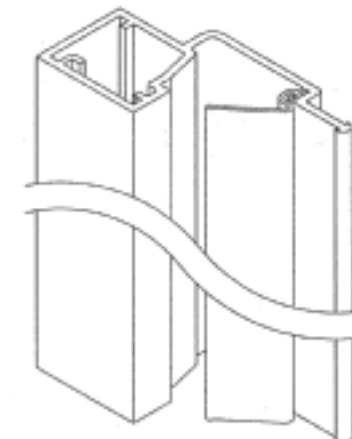
(57) Statement of Newness and Distinctiveness: **Newness and distinctiveness is claimed in the visual features of the lower portion shown in solid lines. In considering the newness and distinctiveness of the design, the visual features of the upper portion shown in dotted or dashed lines are to be disregarded.**



- (21) Design Number: **13140/2014**
(22) Date of Filing Application: **27 June 2014**
(24) Date from which industrial property rights may have effect: **27 June 2014**
(54) Product in respect of which the design is registered: **Lighting fixture**
(51) International Design Classification: **26-05D**
(74) Name(s) of Attorney(s): **AJ Park**
(71) Name(s) and Address(s) of Applicant(s):
Jackson Electrical Industries Limited
18 Gloucester Park Road Onehunga Auckland 1061 New Zealand
(72) Name(s) of Designer(s): **James William Jackson and Russell John Donovan**
(45) Registration Date: **01 October 2014**
(56) Related Art Documents: **Not Applicable**
(57) Statement of Newness and Distinctiveness: **The novelty in the design as applied to a lighting fixture resides in the features of shape and/or configuration as shown in the representations, but excluding the features shown in dotted lines, which form no part of the design.**



- (21) Design Number: **13293/2014**
(22) Date of Filing Application: **07 July 2014**
(24) Date from which industrial property rights may have effect: **07 July 2014**
(54) Product in respect of which the design is registered: **Extrusion**
(51) International Design Classification: **25-01K**
(74) Name(s) of Attorney(s): **IP Wealth Pty Ltd**
(71) Name(s) and Address(s) of Applicant(s):
Naaman Veerasawmy
102 School Rd Wynnum West QLD 4178 Australia
(72) Name(s) of Designer(s): **Naaman Veerasawmy**
(45) Registration Date: **01 October 2014**
(56) Related Art Documents: **Not Applicable**
(57) Statement of Newness and Distinctiveness: **Nil**



(21) Design Number: **14024/2014**
(22) Date of Filing Application: **14 August 2014**
(24) Date from which industrial property rights may have effect: **14 August 2014**
(54) Product in respect of which the design is registered: **Package**
(51) International Design Classification: **09-03M**
(74) Name(s) of Attorney(s): **Pizzeys**
(71) Name(s) and Address(s) of Applicant(s):
CLEAR LAM PACKAGING, INC.
1950 Pratt Boulevard Elk Grove Village Illinois 60007 United States of America

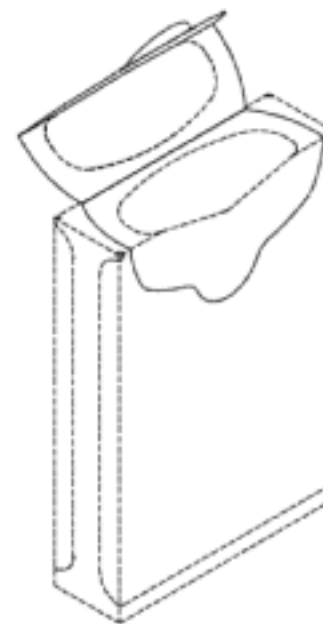
(72) Name(s) of Designer(s): **James J Sanfilippo and Milorad Radenovic**
(45) Registration Date: **01 October 2014**

(30) Convention priority data:

(31) Number	(32) Date	(33) Country
29/482201	14 Feb 2014	UNITED STATES OF AMERICA

(56) Related Art Documents: **Not Applicable**

(57) Statement of Newness and Distinctiveness: **The newness and distinctiveness of the design resides in the shape and/or configuration of the package as shown in the accompanying representations. The broken lines are not part of the design and are to be disregarded when considering the overall impression of the design. Any portion(s) of the package that are not clearly disclosed in the representations do not form part of the design.**



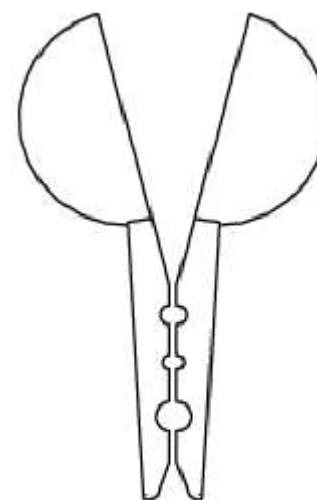
(21) Design Number: **14405/2014**
(22) Date of Filing Application: **04 September 2014**
(24) Date from which industrial property rights may have effect: **04 September 2014**
(54) Product in respect of which the design is registered: **Peg**
(51) International Design Classification: **07-05C**
(74) Name(s) of Attorney(s):
(71) Name(s) and Address(s) of Applicant(s):
Lauren Alexandra Scarcella
4 Argyle Place West Pennant Hills NSW 2125 Australia

(72) Name(s) of Designer(s): **Lauren Alexandra Scarcella**

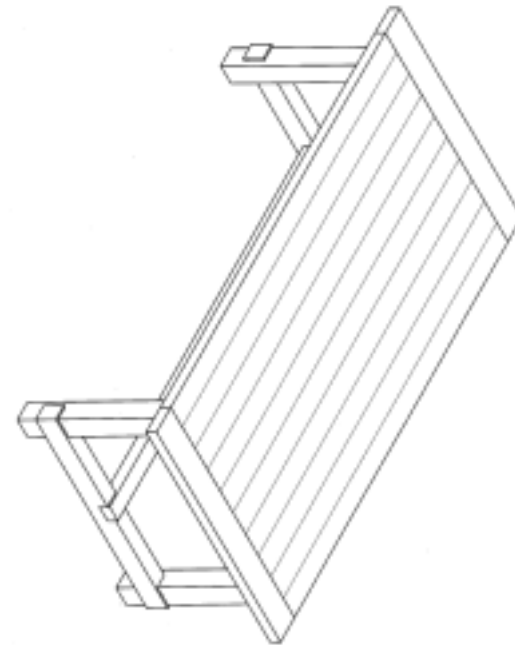
(45) Registration Date: **01 October 2014**

(56) Related Art Documents: **Not Applicable**

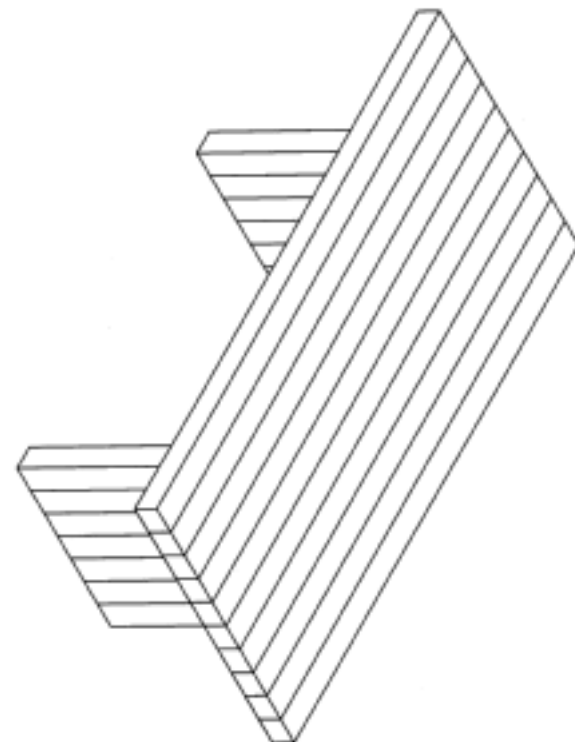
(57) Statement of Newness and Distinctiveness: **Newness and distinctiveness in the design is present in the ball grip, allowing people with limited hand mobility or hand usage to grip the peg and open it without requiring them to use a pinch movement. The newness and distinctiveness is in the look, feel and functionality of the peg.**



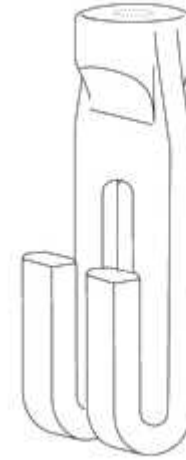
(21) Design Number: **14650/2014**
(22) Date of Filing Application: **11 September 2014**
(24) Date from which industrial property rights may have effect: **11 September 2014**
(54) Product in respect of which the design is registered: **Furnishing**
(51) International Design Classification: **06-03A**
(74) Name(s) of Attorney(s):
(71) Name(s) and Address(s) of Applicant(s):
BURDEN FURNITURE (INTERNATIONAL) LIMITED
3RD FLOOR, JAC BUILDING, WICKHAMS CAY 1, ROAD TOWN,
TORTOLA VG 1110 British Virgin Islands
(72) Name(s) of Designer(s): **Lindsay John Burden**
(45) Registration Date: **01 October 2014**
(56) Related Art Documents: **Not Applicable**
(57) Statement of Newness and Distinctiveness: **Nil**



(21) Design Number: **14651/2014**
(22) Date of Filing Application: **11 September 2014**
(24) Date from which industrial property rights may have effect: **11 September 2014**
(54) Product in respect of which the design is registered: **Furnishing**
(51) International Design Classification: **06-03A**
(74) Name(s) of Attorney(s):
(71) Name(s) and Address(s) of Applicant(s):
BURDEN FURNITURE (INTERNATIONAL) LIMITED
3RD FLOOR, JAC BUILDING, WICKHAMS CAY 1, ROAD TOWN,
TORTOLA VG 1110 British Virgin Islands
(72) Name(s) of Designer(s): **Lindsay John Burden**
(45) Registration Date: **01 October 2014**
(56) Related Art Documents: **Not Applicable**
(57) Statement of Newness and Distinctiveness: **Nil**



- (21) Design Number: **10214/2014**
(22) Date of Filing Application: **18 January 2014**
(24) Date from which industrial property rights may have effect: **18 January 2014**
(54) Product in respect of which the design is registered: **Gridmesh lifting device**
(51) International Design Classification: **12-05**
(74) Name(s) of Attorney(s):
(71) Name(s) and Address(s) of Applicant(s):
MESHLIFT PTY LTD
20 Laredo Bend Port Kennedy WA 6172 Australia
(72) Name(s) of Designer(s): **Paul Hibbert and Nicholas Hibbert and Santhosh Kumar**
(45) Registration Date: **01 October 2014**
(56) Related Art Documents: **Not Applicable**
(57) Statement of Newness and Distinctiveness: **Newness and distinctiveness is claimed in the visual features shown in solid lines. In considering the the newness and distinctiveness of the design, the visual features in dotted or dashed lines are to be disregarded.**



- (21) Design Number: **10215/2014**
(22) Date of Filing Application: **18 January 2014**
(24) Date from which industrial property rights may have effect: **18 January 2014**
(54) Product in respect of which the design is registered: **Gridmesh lifting device**
(51) International Design Classification: **12-05**
(74) Name(s) of Attorney(s):
(71) Name(s) and Address(s) of Applicant(s):
MESHLIFT PTY LTD
20 Laredo Bend Port Kennedy WA 6172 Australia
(72) Name(s) of Designer(s): **Paul Hibbert and Nicholas Hibbert and Santhosh Kumar**
(45) Registration Date: **01 October 2014**
(56) Related Art Documents: **Not Applicable**
(57) Statement of Newness and Distinctiveness: **Nil**



(21) Design Number: **10216/2014**
(22) Date of Filing Application: **18 January 2014**
(24) Date from which industrial property rights may have effect: **18 January 2014**
(54) Product in respect of which the design is registered: **Gridmesh lifting device**
(51) International Design Classification: **12-05**
(74) Name(s) of Attorney(s):
(71) Name(s) and Address(s) of Applicant(s):
MESHLIFT PTY LTD
20 Laredo Bend Port Kennedy WA 6172 Australia
(72) Name(s) of Designer(s): **Paul Hibbert and Nicholas Hibbert and Santhosh Kumar**
(45) Registration Date: **01 October 2014**
(56) Related Art Documents: **Not Applicable**
(57) Statement of Newness and Distinctiveness: **Nil**



(21) Design Number: **12669/2014**
(22) Date of Filing Application: **30 May 2014**
(24) Date from which industrial property rights may have effect: **30 May 2014**
(54) Product in respect of which the design is registered: **Mounting device for hanging items**
(51) International Design Classification: **08-08NES, 08-08G**
(74) Name(s) of Attorney(s): **Davies Collison Cave**
(71) Name(s) and Address(s) of Applicant(s):
3M Innovative Properties Company
3M Center Saint Paul Minnesota, 55133-3427 United States of America
(72) Name(s) of Designer(s): **Angela Lilun Pan**
(45) Registration Date: **01 October 2014**
(30) Convention priority data:
(31) Number (32) Date (33) Country
29/475494 03 Dec 2013 UNITED STATES OF AMERICA
(56) Related Art Documents: **Not Applicable**
(57) Statement of Newness and Distinctiveness: **Newness and distinctiveness is claimed in the visual features shown in the solid lines. In considering the extent of the design rights, the broken lines shown in the representations are for illustrative purposes only and do not form part of the design.**



(21) Design Number: **13770/2014**
(22) Date of Filing Application: **04 August 2014**
(24) Date from which industrial property rights may have effect: **04 August 2014**
(54) Product in respect of which the design is registered: **Watch**
(51) International Design Classification: **10-02**
(74) Name(s) of Attorney(s): **Shelston IP**
(71) Name(s) and Address(s) of Applicant(s):

Chanel Limited
Queensway Croydon Surrey CR9 4DL United Kingdom

(72) Name(s) of Designer(s): **Marianna Nitsch**

(45) Registration Date: **01 October 2014**

(30) Convention priority data:

(31) Number	(32) Date	(33) Country
4034178	07 Feb 2014	UNITED KINGDOM

(56) Related Art Documents: **Not Applicable**

(57) Statement of Newness and Distinctiveness: **Newness and distinctiveness reside in the small circular dial with gemstones on the face of a WATCH as illustrated in solid lines in the accompanying representations. The features shown in broken lines are illustrative only and do not form part of the design.**



(21) Design Number: **14167/2014**
(22) Date of Filing Application: **21 August 2014**
(24) Date from which industrial property rights may have effect: **21 August 2014**
(54) Product in respect of which the design is registered: **Trampolines**
(51) International Design Classification: **21-02F**
(74) Name(s) of Attorney(s):
(71) Name(s) and Address(s) of Applicant(s):

Hany Aly
11 Burham Road Kenwick WA 6107 Australia

(72) Name(s) of Designer(s): **Hany Aly**

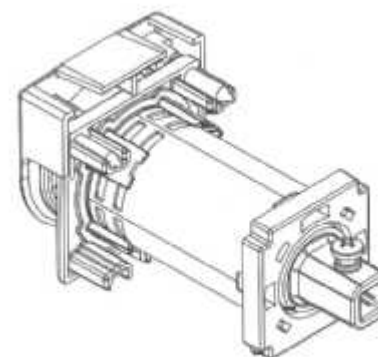
(45) Registration Date: **01 October 2014**

(56) Related Art Documents: **Not Applicable**

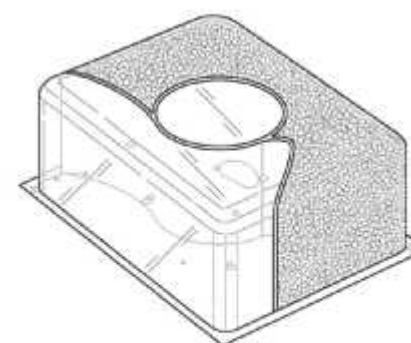
(57) Statement of Newness and Distinctiveness: **The newness and distinctiveness of the design resides in the shape of the Enclosure Poles of the Trampoline as shown in the Curved lines in the accompanying representations and also in the distinctive way the Enclosure Net is connected to the top of the Enclosure Poles.**



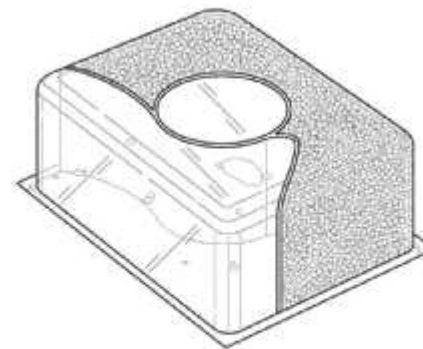
(21) Design Number: **14309/2014**
(22) Date of Filing Application: **29 August 2014**
(24) Date from which industrial property rights may have effect: **29 August 2014**
(54) Product in respect of which the design is registered: **Winder assembly**
(51) International Design Classification: **08-09**
(74) Name(s) of Attorney(s): **MINTER ELLISON**
(71) Name(s) and Address(s) of Applicant(s):
Carmelo Joseph Licciardi di Stefano
110 Northcorp Bvd Thomastown VIC 3047 Australia
(72) Name(s) of Designer(s): **Carmelo Joseph Licciardi di Stefano**
(45) Registration Date: **01 October 2014**
(56) Related Art Documents: **Not Applicable**
(57) Statement of Newness and Distinctiveness: **The following visual features of the design are new and distinctive: The shape and configuration of an improved winder assembly as shown in the accompanying drawings.**



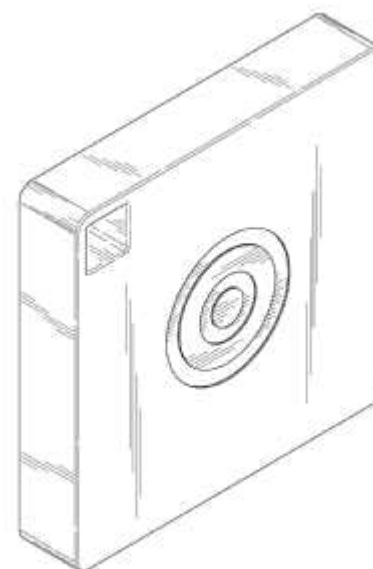
(21) Design Number: **14409/2014**
(22) Date of Filing Application: **04 September 2014**
(24) Date from which industrial property rights may have effect: **04 September 2014**
(54) Product in respect of which the design is registered: **Capsule containing washing products**
(51) International Design Classification: **07-05NES**
(74) Name(s) of Attorney(s): **Shelston IP**
(71) Name(s) and Address(s) of Applicant(s):
Reckitt Benckiser (Brands) Limited
103-105 Bath Road Slough Berkshire SL1 3UH United Kingdom
(72) Name(s) of Designer(s): **Pavlinka Roy and Claudia Schmaelzle**
(45) Registration Date: **01 October 2014**
(30) Convention priority data:
(31) Number (32) Date (33) Country
002428086-0001 19 Mar 2014 OFFICE FOR HARMONISATION IN THE INTERNAL MARKET (OHIM)
(56) Related Art Documents: **Not Applicable**
(57) Statement of Newness and Distinctiveness: **Nil**



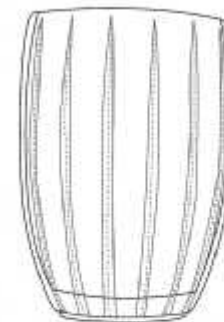
(21) Design Number: **14410/2014**
(22) Date of Filing Application: **04 September 2014**
(24) Date from which industrial property rights may have effect: **04 September 2014**
(54) Product in respect of which the design is registered: **Capsule containing washing products**
(51) International Design Classification: **07-05NES**
(74) Name(s) of Attorney(s): **Shelston IP**
(71) Name(s) and Address(s) of Applicant(s):
Reckitt Benckiser (Brands) Limited
103-105 Bath Road Slough Berkshire SL1 3UH United Kingdom
(72) Name(s) of Designer(s): **Pavlinka Roy and Claudia Schmaelzle**
(45) Registration Date: **01 October 2014**
(30) Convention priority data:
(31) Number (32) Date (33) Country
002428086-0002 19 Mar 2014 OFFICE FOR HARMONISATION IN THE INTERNAL MARKET (OHIM)
(56) Related Art Documents: **Not Applicable**
(57) Statement of Newness and Distinctiveness: **Nil**



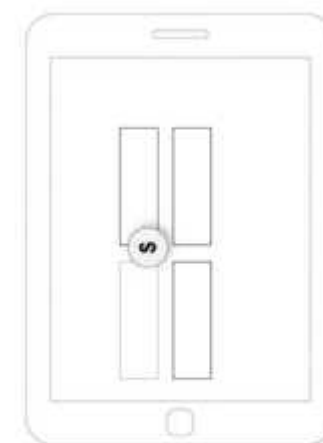
(21) Design Number: **14668/2014**
(22) Date of Filing Application: **15 September 2014**
(24) Date from which industrial property rights may have effect: **15 September 2014**
(54) Product in respect of which the design is registered: **Wireless signal sensor**
(51) International Design Classification: **14-03NES**
(74) Name(s) of Attorney(s): **SPRUSON & FERGUSON**
(71) Name(s) and Address(s) of Applicant(s):
Microsoft Mobile OY
Keilalahdentie 2-4, Espoo 02150 Finland
(72) Name(s) of Designer(s): **Jose Perez**
(45) Registration Date: **01 October 2014**
(30) Convention priority data:
(31) Number (32) Date (33) Country
29/484861 13 Mar 2014 UNITED STATES OF AMERICA
(56) Related Art Documents: **Not Applicable**
(57) Statement of Newness and Distinctiveness: **Newness and distinctiveness is claimed in the features of shape and/or configuration of a wireless signal sensor as illustrated in the accompanying representations in solid lines**



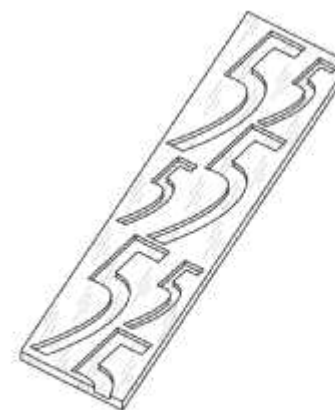
- (21) Design Number: **14682/2014**
(22) Date of Filing Application: **15 September 2014**
(24) Date from which industrial property rights may have effect: **15 September 2014**
(54) Product in respect of which the design is registered: **A glass receptacle**
(51) International Design Classification: **11-02A**
(74) Name(s) of Attorney(s): **Adams Pluck**
(71) Name(s) and Address(s) of Applicant(s):
Peppermint Grove Australia Pty Limited
Se2 20 Bungan St Monavale NSW 2103 Australia
(72) Name(s) of Designer(s): **Zhang Yong**
(45) Registration Date: **01 October 2014**
(56) Related Art Documents: **Not Applicable**
(57) Statement of Newness and Distinctiveness: **Nil**



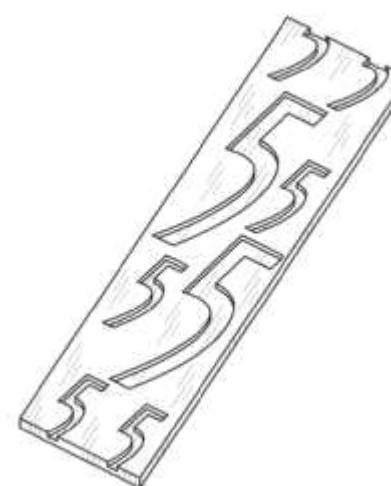
- (21) Design Number: **14683/2014**
(22) Date of Filing Application: **15 September 2014**
(24) Date from which industrial property rights may have effect: **15 September 2014**
(54) Product in respect of which the design is registered: **A display screen with graphical user interface**
(51) International Design Classification: **14-02**
(74) Name(s) of Attorney(s): **Allens Patent & Trade Mark Attorneys**
(71) Name(s) and Address(s) of Applicant(s):
Westpac Banking Corporation
275 Kent St Sydney NSW 2000 Australia
(72) Name(s) of Designer(s): **Ian David Muir and Maria Fernanda Christley**
(45) Registration Date: **01 October 2014**
(56) Related Art Documents: **Not Applicable**
(57) Statement of Newness and Distinctiveness: **Newness and distinctiveness resides in the features of pattern or ornamentation of a display screen having a graphical user interface shown in solid lines in the accompanying representation. The rectangular icons represent asset accounts and may be substituted by icons in greater or lesser numbers and other relative arrangements. It is also to be understood that the position of the token relative to the rectangular icons is representative only of one position representing a transfer between one account and a second account, and is movable about the screen so as to facilitate a transfer of assets between tiles in a drag and drop fashion.**



- (21) Design Number: **14695/2014**
(22) Date of Filing Application: **16 September 2014**
(24) Date from which industrial property rights may have effect: **16 September 2014**
(54) Product in respect of which the design is registered: **Debossed chewing gum stick**
(51) International Design Classification: **01-01**
(74) Name(s) of Attorney(s): **SPRUSON & FERGUSON**
(71) Name(s) and Address(s) of Applicant(s):
Wm. Wrigley Jr. Company
1132 W. Backhawk Street, Chicago Illinois, 60642 United States of America
(72) Name(s) of Designer(s): **Steven Leder and Shane Jallick**
(45) Registration Date: **01 October 2014**
(30) Convention priority data:
(31) Number (32) Date (33) Country
29/486197 27 Mar 2014 UNITED STATES OF AMERICA
(56) Related Art Documents: **Not Applicable**
(57) Statement of Newness and Distinctiveness: **Newness and distinctiveness is claimed in the features of shape and/or configuration of a debossed chewing gum stick as illustrated in the accompanying representations.**



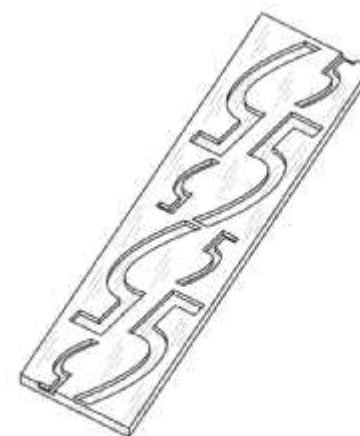
- (21) Design Number: **14696/2014**
(22) Date of Filing Application: **16 September 2014**
(24) Date from which industrial property rights may have effect: **16 September 2014**
(54) Product in respect of which the design is registered: **Debossed chewing gum stick**
(51) International Design Classification: **01-01**
(74) Name(s) of Attorney(s): **SPRUSON & FERGUSON**
(71) Name(s) and Address(s) of Applicant(s):
Wm. Wrigley Jr. Company
1132 W. Backhawk Street, Chicago Illinois, 60642 United States of America
(72) Name(s) of Designer(s): **Steven Leder and Shane Jallick**
(45) Registration Date: **01 October 2014**
(30) Convention priority data:
(31) Number (32) Date (33) Country
29/486200 27 Mar 2014 UNITED STATES OF AMERICA
(56) Related Art Documents: **Not Applicable**
(57) Statement of Newness and Distinctiveness: **Newness and distinctiveness is claimed in the features of shape and/or configuration of a debossed chewing gum stick as illustrated in the accompanying representations.**



- (21) Design Number: **14697/2014**
(22) Date of Filing Application: **16 September 2014**
(24) Date from which industrial property rights may have effect: **16 September 2014**
(54) Product in respect of which the design is registered: **Pedicle screw**
(51) International Design Classification: **24-02**
(74) Name(s) of Attorney(s):
(71) Name(s) and Address(s) of Applicant(s):
Prism Surgical Designs Pty Ltd
15/43 Lang Pde Milton QLD 4064 Australia
(72) Name(s) of Designer(s): **Brett Spence and Robert Labrom and Declan Brazil**
(45) Registration Date: **01 October 2014**
(56) Related Art Documents: **Not Applicable**
(57) Statement of Newness and Distinctiveness: **A low profile pedicle screw design which overcomes one or more of the common disadvantages of impinging on adjacent spinal structures such as the facet joints. The new and distinctive features of this design lie within the tulip design. The tulip features two medial cut-outs of material within the tulip on the medial side only to avoid interacting with adjacent structures. The lateral side of the tulip is an even convex shape.**



- (21) Design Number: **14698/2014**
(22) Date of Filing Application: **16 September 2014**
(24) Date from which industrial property rights may have effect: **16 September 2014**
(54) Product in respect of which the design is registered: **Debossed chewing gum stick**
(51) International Design Classification: **01-01**
(74) Name(s) of Attorney(s): **SPRUSON & FERGUSON**
(71) Name(s) and Address(s) of Applicant(s):
Wm. Wrigley Jr. Company
1132 W. Backhawk Street, Chicago Illinois, 60642 United States of America
(72) Name(s) of Designer(s): **Steven Leder and Shane Jallick**
(45) Registration Date: **01 October 2014**
(30) Convention priority data:
(31) Number (32) Date (33) Country
29/486209 27 Mar 2014 UNITED STATES OF AMERICA
(56) Related Art Documents: **Not Applicable**
(57) Statement of Newness and Distinctiveness: **Newness and distinctiveness is claimed in the features of shape and/or configuration of a debossed chewing gum stick as illustrated in the accompanying representations.**



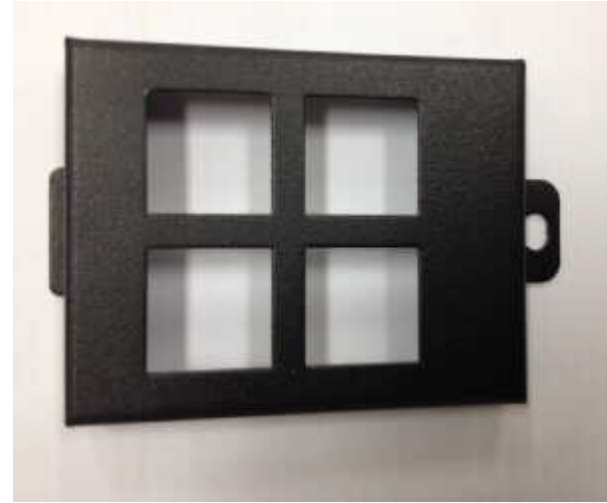
(21) Design Number: **14701/2014**
(22) Date of Filing Application: **16 September 2014**
(24) Date from which industrial property rights may have effect: **16 September 2014**
(54) Product in respect of which the design is registered: **Food processor**
(51) International Design Classification: **31-00**
(74) Name(s) of Attorney(s): **Griffith Hack**
(71) Name(s) and Address(s) of Applicant(s):
KENWOOD LIMITED
1 Kenwood Business Park New Lane Havant Hampshire, PO9 2NH
United Kingdom
(72) Name(s) of Designer(s): **Darren Mullen**
(45) Registration Date: **01 October 2014**
(30) Convention priority data:
(31) Number (32) Date (33) Country
002426411-0001 17 Mar 2014 OFFICE FOR HARMONISATION IN
THE INTERNAL MARKET (OHIM)
(56) Related Art Documents: **Not Applicable**
(57) Statement of Newness and Distinctiveness: **Nil**



(21) Design Number: **14702/2014**
(22) Date of Filing Application: **16 September 2014**
(24) Date from which industrial property rights may have effect: **16 September 2014**
(54) Product in respect of which the design is registered: **Coupler panel**
(51) International Design Classification: **06-06NES, 14-03NES**
(74) Name(s) of Attorney(s):
(71) Name(s) and Address(s) of Applicant(s):
Multisystem Communications Pty Limited
PO BOX 627 Mitchell ACT 2911 Australia
(72) Name(s) of Designer(s): **Adrian Whittaker**
(45) Registration Date: **01 October 2014**
(56) Related Art Documents: **Not Applicable**
(57) Statement of Newness and Distinctiveness: **Distinctive design allows the elimination of Cabling from the Horizontal and integrates it within the vertical plan. Product is designed in a way that it can accept a variety of existing communications Industry Media Couplers. for Copper and Fiber optic uses.**



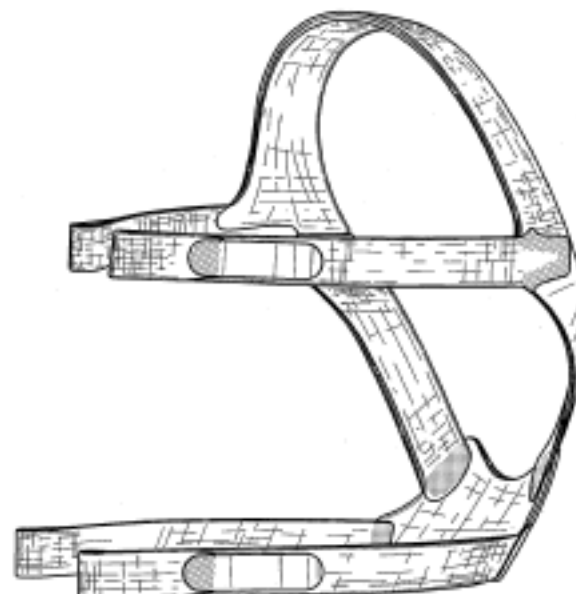
- (21) Design Number: **14703/2014**
(22) Date of Filing Application: **16 September 2014**
(24) Date from which industrial property rights may have effect: **16 September 2014**
(54) Product in respect of which the design is registered: **Coupler panel**
(51) International Design Classification: **06-06NES, 14-03NES**
(74) Name(s) of Attorney(s):
(71) Name(s) and Address(s) of Applicant(s):
Multisystem Communications Pty Limited
PO BOX 627 Mitchell ACT 2911 Australia
(72) Name(s) of Designer(s): **Adrian Whittaker**
(45) Registration Date: **01 October 2014**
(56) Related Art Documents: **Not Applicable**
(57) Statement of Newness and Distinctiveness: **Design eliminates the need for Copper Patch panels to be located on the Horizontal and allows up to four RJ45 connectors to be used on the vertical within an APC Enclosure.**



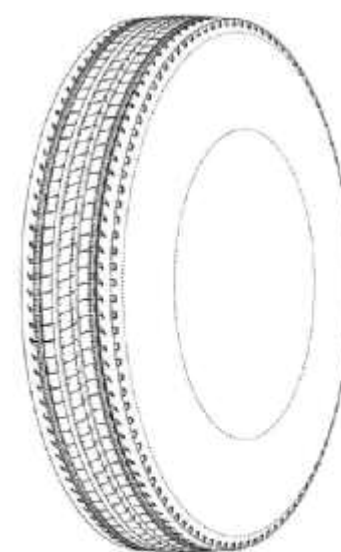
- (21) Design Number: **14704/2014**
(22) Date of Filing Application: **16 September 2014**
(24) Date from which industrial property rights may have effect: **16 September 2014**
(54) Product in respect of which the design is registered: **Coupler panel**
(51) International Design Classification: **06-06NES, 14-03NES**
(74) Name(s) of Attorney(s):
(71) Name(s) and Address(s) of Applicant(s):
Multisystem Communications Pty Limited
PO BOX 627 Mitchell ACT 2911 Australia
(72) Name(s) of Designer(s): **Adrian Whittaker**
(45) Registration Date: **01 October 2014**
(56) Related Art Documents: **Not Applicable**
(57) Statement of Newness and Distinctiveness: **Designed to remove cabling from the horizontal and locate it within the vertical space of a communications cabinet, designed in a way that allows the use of industry standard fiber optic Couplers.**



- (21) Design Number: **13245/2014**
(22) Date of Filing Application: **03 July 2014**
(24) Date from which industrial property rights may have effect: **26 September 2013**
(54) Product in respect of which the design is registered: **Headgear for a patient interface**
(51) International Design Classification: **24-01, 24-02**
(74) Name(s) of Attorney(s): **Halfords IP**
(71) Name(s) and Address(s) of Applicant(s):
ResMed Limited
1 Elizabeth Macarthur Dr Bella Vista NSW 2153 Australia
(72) Name(s) of Designer(s): **Christopher Scott Skipper and Amal Shirley Amarasinghe and Justin John Formica and Jessica Lea Dunn**
(45) Registration Date: **01 October 2014**
(62) Divisional of: **356303**
(56) Related Art Documents: **Not Applicable**
(57) Statement of Newness and Distinctiveness: **Nil**



- (21) Design Number: **14710/2014**
(22) Date of Filing Application: **16 September 2014**
(24) Date from which industrial property rights may have effect: **16 September 2014**
(54) Product in respect of which the design is registered: **A tyre**
(51) International Design Classification: **12-15B**
(74) Name(s) of Attorney(s): **WATERMARK PATENT AND TRADE MARKS ATTORNEYS**
(71) Name(s) and Address(s) of Applicant(s):
Compagnie Generale Des Etablissements Michelin
12 cours Sablon Clermont-Ferrand 63000 France
Michelin Recherche et Technique, S.A.
Route Lous-Braille 10, Granges-Paccot 1763 Switzerland
(72) Name(s) of Designer(s): **John A Hutz and Joseph Stain and Brad Weaver and Kai Chun Yang and David Pressley**
(45) Registration Date: **01 October 2014**
(30) Convention priority data:
(31) Number (32) Date (33) Country
29/485,137 17 Mar 2014 UNITED STATES OF AMERICA
(56) Related Art Documents: **Not Applicable**
(57) Statement of Newness and Distinctiveness: **Newness and distinctiveness resides in the shape and configuration of the tread region of the tire, the remainder of the tire shown in dashed outline forms no part of the design and should be disregarded when considering the scope of monopoly of the design.**



- (21) Design Number: **14711/2014**
(22) Date of Filing Application: **16 September 2014**
(24) Date from which industrial property rights may have effect: **16 September 2014**
(54) Product in respect of which the design is registered: **A produce container**
(51) International Design Classification: **09-03F**
(74) Name(s) of Attorney(s): **Cullens Patent and Trade Mark Attorneys**
(71) Name(s) and Address(s) of Applicant(s):

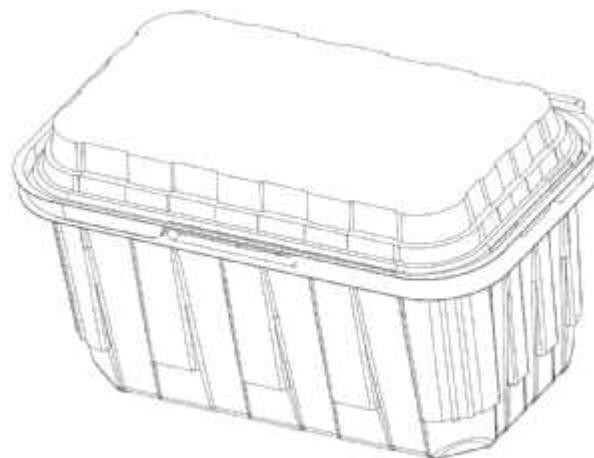
Novopak Pty Ltd
62-64 Kabi Cct Deception Bay QLD 4508 Australia

(72) Name(s) of Designer(s): **Athena Hsiao**

(45) Registration Date: **01 October 2014**

(56) Related Art Documents: **Not Applicable**

(57) Statement of Newness and Distinctiveness: **Newness and distinctiveness reside in the visual features of shape and configuration of the produce container as shown in the representations. When considering the newness and distinctiveness, weight is to be given to the side fluting or ridges shown in all representations other than the representations labelled "TOP PLAN" and "BOTTOM PLAN".**



- (21) Design Number: **14712/2014**
(22) Date of Filing Application: **16 September 2014**
(24) Date from which industrial property rights may have effect: **16 September 2014**
(54) Product in respect of which the design is registered: **A produce container**
(51) International Design Classification: **09-03F**
(74) Name(s) of Attorney(s): **Cullens Patent and Trade Mark Attorneys**
(71) Name(s) and Address(s) of Applicant(s):

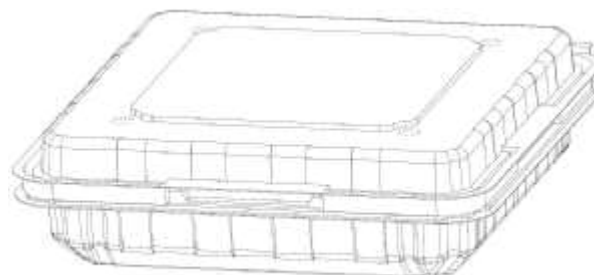
Novopak Pty Ltd
62-64 Kabi Cct Deception Bay QLD 4508 Australia

(72) Name(s) of Designer(s): **Athena Hsiao**

(45) Registration Date: **01 October 2014**

(56) Related Art Documents: **Not Applicable**

(57) Statement of Newness and Distinctiveness: **Newness and distinctiveness reside in the visual features of shape and configuration of the produce container as shown in the representations. When considering the newness and distinctiveness, weight is to be given to the side fluting or ridges shown in all representations other than the representations labelled "TOP PLAN" and "BOTTOM PLAN", and little or no weight is to be given to the holes represented in dashed lines.**



- (21) Design Number: **14713/2014**
(22) Date of Filing Application: **16 September 2014**
(24) Date from which industrial property rights may have effect: **16 September 2014**
(54) Product in respect of which the design is registered: **A tyre**
(51) International Design Classification: **12-15B**
(74) Name(s) of Attorney(s): **WATERMARK PATENT AND TRADE MARKS ATTORNEYS**
(71) Name(s) and Address(s) of Applicant(s):
Compagnie Generale Des Etablissements Michelin
12 Cours Sablo Clermont-Ferrand 63000 France
Michelin Recherche et Technique, S.A.
Route Lous-Braille 10, Granges-Paccot 1763 Switzerland
(72) Name(s) of Designer(s): **John A Hutz and Scott Cothran and William Hudek and David Pressley and Brad Weaver and Kai Chun Yang**
(45) Registration Date: **01 October 2014**
(30) Convention priority data:
(31) Number (32) Date (33) Country
29/485,138 17 Mar 2014 UNITED STATES OF AMERICA
(56) Related Art Documents: **Not Applicable**
(57) Statement of Newness and Distinctiveness: **Newness and distinctiveness resides in the shape and configuration of the tread region of the tire, the remainder of the tire shown in dashed outline forms no part of the design and should be disregarded when considering the scope of monopoly of the design.**



- (21) Design Number: **14714/2014**
(22) Date of Filing Application: **16 September 2014**
(24) Date from which industrial property rights may have effect: **16 September 2014**
(54) Product in respect of which the design is registered: **A produce container**
(51) International Design Classification: **09-03F, 09-03K**
(74) Name(s) of Attorney(s): **Cullens Patent and Trade Mark Attorneys**
(71) Name(s) and Address(s) of Applicant(s):
Novopak Pty Ltd
62-64 Kabi Cct Deception Bay QLD 4508 Australia
(72) Name(s) of Designer(s): **Athena Hsiao**
(45) Registration Date: **01 October 2014**
(56) Related Art Documents: **Not Applicable**
(57) Statement of Newness and Distinctiveness: **Newness and distinctiveness reside in the visual features of shape and configuration of the produce container as shown in the representations. When considering the newness and distinctiveness, weight is to be given to the side fluting or ridges shown in all representations other than the representations labelled "TOP PLAN" and "BOTTOM PLAN", and little or no weight is to be given to the holes represented in dashed lines.**



- (21) Design Number: **14715/2014**
(22) Date of Filing Application: **16 September 2014**
(24) Date from which industrial property rights may have effect: **16 September 2014**
(54) Product in respect of which the design is registered: **A produce container**
(51) International Design Classification: **09-03F, 09-03K**
(74) Name(s) of Attorney(s): **Cullens Patent and Trade Mark Attorneys**
(71) Name(s) and Address(s) of Applicant(s):

Novopak Pty Ltd
62-64 Kabi Cct Deception Bay QLD 4508 Australia

(72) Name(s) of Designer(s): **Athena Hsiao**

(45) Registration Date: **01 October 2014**

(56) Related Art Documents: **Not Applicable**

(57) Statement of Newness and Distinctiveness: **Newness and distinctiveness reside in the visual features of shape and configuration of the produce container as shown in the representations. When considering the newness and distinctiveness, weight is to be given to the side fluting or ridges shown in all representations other than the representations labelled "TOP PLAN" and "BOTTOM PLAN", and little or no weight is to be given to the holes represented in dashed lines.**



- (21) Design Number: **14716/2014**
(22) Date of Filing Application: **16 September 2014**
(24) Date from which industrial property rights may have effect: **16 September 2014**
(54) Product in respect of which the design is registered: **A tyre**
(51) International Design Classification: **12-15B**
(74) Name(s) of Attorney(s): **WATERMARK PATENT AND TRADE MARKS ATTORNEYS**
(71) Name(s) and Address(s) of Applicant(s):

Compagnie Generale Des Establisements Michelin
12 cours Sablon Clermont-Ferrand 63000 France
Michelin Recherche et Technique, S.A.
Route Lous-Braille 10, Granges-Paccot 1763 Switzerland

(72) Name(s) of Designer(s): **John A Hutz and Scott Cothran and Lee Montgomery and David Pressley and Brad Weaver and Kai Chun Yang**

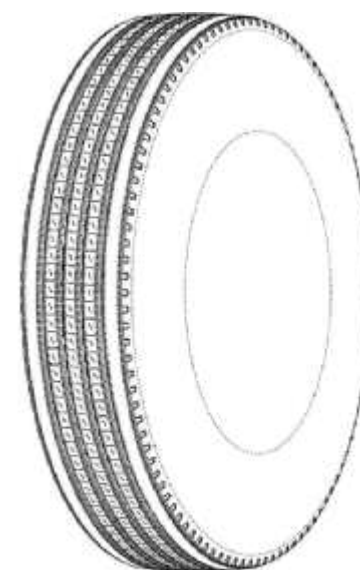
(45) Registration Date: **01 October 2014**

(30) Convention priority data:

(31) Number	(32) Date	(33) Country
29/485,139	17 Mar 2014	UNITED STATES OF AMERICA

(56) Related Art Documents: **Not Applicable**

(57) Statement of Newness and Distinctiveness: **Newness and distinctiveness resides in the shape and configuration of the tread region of the tire, the remainder of the tire shown in dashed outline forms no part of the design and should be disregarded when considering the scope of monopoly of the design.**



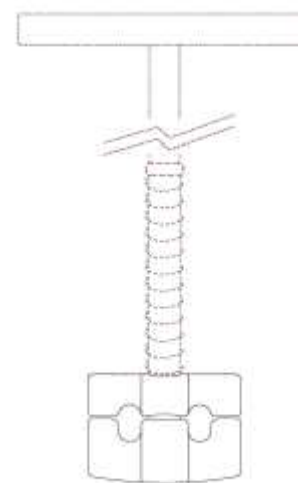
- (21) Design Number: **14717/2014**
(22) Date of Filing Application: **16 September 2014**
(24) Date from which industrial property rights may have effect: **16 September 2014**
(54) Product in respect of which the design is registered: **Vehicle bull bar**
(51) International Design Classification: **12-16C**
(74) Name(s) of Attorney(s): **HODGKINSON McINNES PATENTS**
(71) Name(s) and Address(s) of Applicant(s):
ARB Corporation Limited
42-44 Garden St Kilsyth VIC 3137 Australia
(72) Name(s) of Designer(s): **Ivan Clencie**
(45) Registration Date: **01 October 2014**
(56) Related Art Documents: **Not Applicable**
(57) Statement of Newness and Distinctiveness: **Newness and distinctiveness is claimed in the shape and configuration of a vehicle bull bar as shown in the representations.**



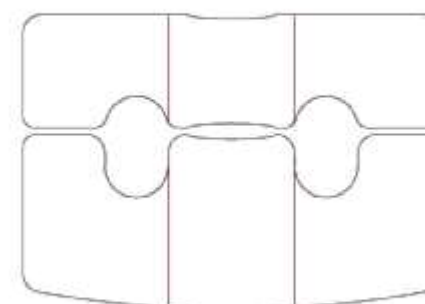
- (21) Design Number: **14718/2014**
(22) Date of Filing Application: **16 September 2014**
(24) Date from which industrial property rights may have effect: **16 September 2014**
(54) Product in respect of which the design is registered: **Vehicle bull bar**
(51) International Design Classification: **12-16C**
(74) Name(s) of Attorney(s): **HODGKINSON McINNES PATENTS**
(71) Name(s) and Address(s) of Applicant(s):
ARB Corporation Limited
42-44 Garden St Kilsyth VIC 3137 Australia
(72) Name(s) of Designer(s): **Ivan Clencie**
(45) Registration Date: **01 October 2014**
(56) Related Art Documents: **Not Applicable**
(57) Statement of Newness and Distinctiveness: **Newness and distinctiveness is claimed in the shape and configuration of the wing section of a vehicle bull bar as shown in the representations. In particular, newness and distinctiveness is claimed in the angle formed between the tubing and the wing section of the vehicle bull bar.**



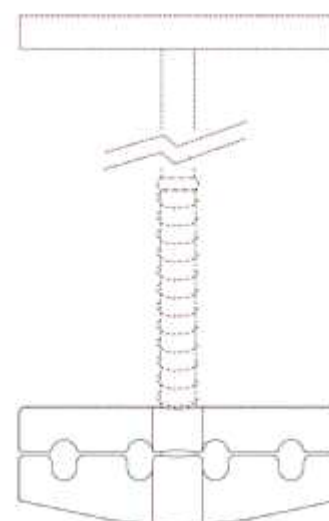
- (21) Design Number: **14830/2014**
(22) Date of Filing Application: **18 January 2014**
(24) Date from which industrial property rights may have effect: **18 January 2014**
(54) Product in respect of which the design is registered: **Gridmesh lifting device**
(51) International Design Classification: **12-05**
(74) Name(s) of Attorney(s):
(71) Name(s) and Address(s) of Applicant(s):
MESHLIFT PTY LTD
20 Laredo Bend Port Kennedy WA 6172 Australia
(72) Name(s) of Designer(s): **Paul Hibbert and Nicholas Hibbert and Santhosh Kumar**
(45) Registration Date: **01 October 2014**
(56) Related Art Documents: **Not Applicable**
(57) Statement of Newness and Distinctiveness: **Newness and distinctiveness is claimed in the visual features shown in solid lines. In considering the newness and distinctiveness of the design, the visual features shown in dotted or dashed lines are to be disregarded. Newness and distinctiveness is not claimed in the features of the handle.**



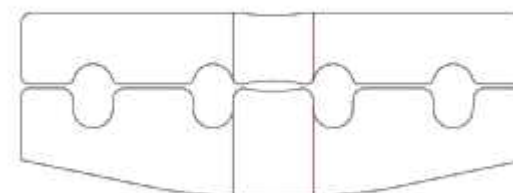
- (21) Design Number: **14831/2014**
(22) Date of Filing Application: **18 January 2014**
(24) Date from which industrial property rights may have effect: **18 January 2014**
(54) Product in respect of which the design is registered: **Gridmesh lifting device**
(51) International Design Classification: **12-05**
(74) Name(s) of Attorney(s):
(71) Name(s) and Address(s) of Applicant(s):
MESHLIFT PTY LTD
20 Laredo Bend Port Kennedy WA 6172 Australia
(72) Name(s) of Designer(s): **Paul Hibbert and Nicholas Hibbert and Santhosh Kumar**
(45) Registration Date: **01 October 2014**
(56) Related Art Documents: **Not Applicable**
(57) Statement of Newness and Distinctiveness: **Nil**



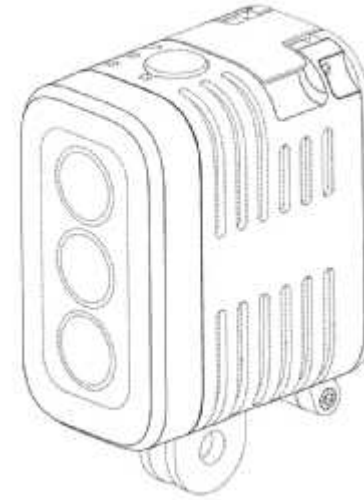
- (21) Design Number: **14832/2014**
(22) Date of Filing Application: **18 January 2014**
(24) Date from which industrial property rights may have effect: **18 January 2014**
(54) Product in respect of which the design is registered: **Gridmesh lifting device**
(51) International Design Classification: **12-05**
(74) Name(s) of Attorney(s):
(71) Name(s) and Address(s) of Applicant(s):
MESHLIFT PTY LTD
20 Laredo Bend Port Kennedy WA 6172 Australia
(72) Name(s) of Designer(s): **Paul Hibbert and Nicholas Hibbert and Santhosh Kumar**
(45) Registration Date: **01 October 2014**
(56) Related Art Documents: **Not Applicable**
(57) Statement of Newness and Distinctiveness: **Newness and distinctiveness is claimed in the visual features shown in solid lines. In considering the newness and distinctiveness of the design, the visual features shown in dotted or dashed lines are to be disregarded. Newness and distinctiveness is not claimed in the features of the handle.**



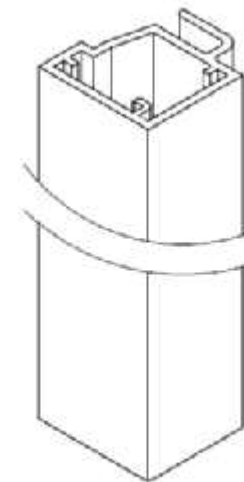
- (21) Design Number: **14833/2014**
(22) Date of Filing Application: **18 January 2014**
(24) Date from which industrial property rights may have effect: **18 January 2014**
(54) Product in respect of which the design is registered: **Gridmesh lifting device**
(51) International Design Classification: **12-05**
(74) Name(s) of Attorney(s):
(71) Name(s) and Address(s) of Applicant(s):
MESHLIFT PTY LTD
20 Laredo Bend Port Kennedy WA 6172 Australia
(72) Name(s) of Designer(s): **Paul Hibbert and Nicholas Hibbert and Santhosh Kumar**
(45) Registration Date: **01 October 2014**
(56) Related Art Documents: **Not Applicable**
(57) Statement of Newness and Distinctiveness: **Nil**



- (21) Design Number: **14847/2014**
(22) Date of Filing Application: **23 September 2014**
(24) Date from which industrial property rights may have effect: **10 January 2014**
(54) Product in respect of which the design is registered: **Lighting accessory for portable electronic device**
(51) International Design Classification: **26-05NES**
(74) Name(s) of Attorney(s): **Freehills Patent Attorneys**
(71) Name(s) and Address(s) of Applicant(s):
Knog Pty Ltd
453 Church St Richmond VIC 3121 Australia
(72) Name(s) of Designer(s): **Kynan Taylor and Chris Bilanenko and Jonathan Chan and Hugo Davidson and Malcolm McKechnie**
(45) Registration Date: **01 October 2014**
(62) Divisional of: **357963**
(56) Related Art Documents: **Not Applicable**
(57) Statement of Newness and Distinctiveness: **Newness and distinctiveness of the design resides in the features of shape and configuration of the product as shown in solid lines in the accompanying representations.**



- (21) Design Number: **14881/2014**
(22) Date of Filing Application: **25 September 2014**
(24) Date from which industrial property rights may have effect: **07 July 2014**
(54) Product in respect of which the design is registered: **Extrusion**
(51) International Design Classification: **25-01K**
(74) Name(s) of Attorney(s): **IP Wealth Pty Ltd**
(71) Name(s) and Address(s) of Applicant(s):
Naaman Veerasawmy
102 School Rd Wynnum West QLD 4178 Australia
(72) Name(s) of Designer(s): **Naaman Veerasawmy**
(45) Registration Date: **01 October 2014**
(62) Divisional of: **357967**
(56) Related Art Documents: **Not Applicable**
(57) Statement of Newness and Distinctiveness: **Nil**



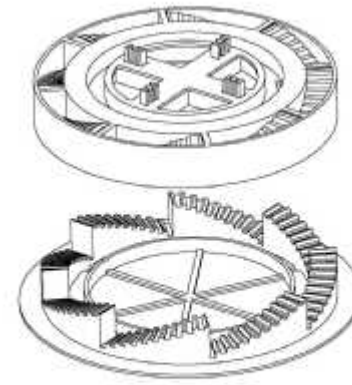
- (21) Design Number: **13096/2014**
(22) Date of Filing Application: **25 June 2014**
(24) Date from which industrial property rights may have effect: **25 June 2014**
(54) Product in respect of which the design is registered: **Lapel badge**
(51) International Design Classification: **11-03**
(74) Name(s) of Attorney(s):
(71) Name(s) and Address(s) of Applicant(s):
ANZAC DAY COMMEMORATION COMMITTEE (QUEENSLAND) INC
PO BOX 3426 Stafford DC QLD 4053 Australia
(72) Name(s) of Designer(s): **Gregory Faux**
(45) Registration Date: **02 October 2014**
(56) Related Art Documents: **Not Applicable**
(57) Statement of Newness and Distinctiveness: **The newness and distinctiveness of the design resides in the shape and/or configuration of the Simpson and Donkey Centenary Badge as shown in the representation.**



- (21) Design Number: **13097/2014**
(22) Date of Filing Application: **25 June 2014**
(24) Date from which industrial property rights may have effect: **25 June 2014**
(54) Product in respect of which the design is registered: **Lapel badge**
(51) International Design Classification: **11-03**
(74) Name(s) of Attorney(s):
(71) Name(s) and Address(s) of Applicant(s):
ANZAC DAY COMMEMORATION COMMITTEE (QUEENSLAND) INC
PO BOX 3426 Stafford DC QLD 4053 Australia
(72) Name(s) of Designer(s): **Gregory Faux**
(45) Registration Date: **02 October 2014**
(56) Related Art Documents: **Not Applicable**
(57) Statement of Newness and Distinctiveness: **The newness and distinctiveness of the design resides in the shape and/or configuration of the Slouch Hat with Emu Plumes as shown in the representation.**



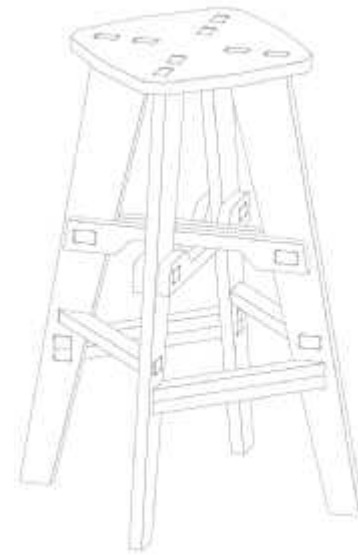
(21) Design Number: **13124/2014**
(22) Date of Filing Application: **26 June 2014**
(24) Date from which industrial property rights may have effect: **26 June 2014**
(54) Product in respect of which the design is registered: **Height adjustable tile spacer cap**
(51) International Design Classification: **08-08B, 08-05K**
(74) Name(s) of Attorney(s):
(71) Name(s) and Address(s) of Applicant(s):
Prominent Developments Pty Ltd
1 Riddell St Lower Templestowe VIC 3107 Australia
(72) Name(s) of Designer(s): **Arthur Oliveira**
(45) Registration Date: **02 October 2014**
(56) Related Art Documents: **Not Applicable**
(57) Statement of Newness and Distinctiveness: **Nil**



(21) Design Number: **14411/2014**
(22) Date of Filing Application: **04 September 2014**
(24) Date from which industrial property rights may have effect: **04 September 2014**
(54) Product in respect of which the design is registered: **Short stool**
(51) International Design Classification: **06-01E**
(74) Name(s) of Attorney(s):
(71) Name(s) and Address(s) of Applicant(s):
Matthew David Cornell
PO BOX 442 Clayfield QLD 4011 Australia
(72) Name(s) of Designer(s): **Matthew David Cornell**
(45) Registration Date: **02 October 2014**
(56) Related Art Documents: **Not Applicable**
(57) Statement of Newness and Distinctiveness: **Nil**



(21) Design Number: **14412/2014**
(22) Date of Filing Application: **04 September 2014**
(24) Date from which industrial property rights may have effect: **04 September 2014**
(54) Product in respect of which the design is registered: **Tall stool**
(51) International Design Classification: **06-01E**
(74) Name(s) of Attorney(s):
(71) Name(s) and Address(s) of Applicant(s):
Matthew David Cornell
PO BOX 442 Clayfield QLD 4011 Australia
(72) Name(s) of Designer(s): **Matthew David Cornell**
(45) Registration Date: **02 October 2014**
(56) Related Art Documents: **Not Applicable**
(57) Statement of Newness and Distinctiveness: **Nil**



(21) Design Number: **14813/2014**
(22) Date of Filing Application: **22 September 2014**
(24) Date from which industrial property rights may have effect: **22 September 2014**
(54) Product in respect of which the design is registered: **Vacuum cleaner**
(51) International Design Classification: **15-05**
(74) Name(s) of Attorney(s): **PIZZEYS**
(71) Name(s) and Address(s) of Applicant(s):
Euro-Pro Operating LLC
180 Wells Avenue Suite 200 Newton Massachusetts 02459 United States of America
(72) Name(s) of Designer(s): **Christopher Gidwell**
(45) Registration Date: **02 October 2014**
(30) Convention priority data:
(31) Number (32) Date (33) Country
29/485,713 21 Mar 2014 UNITED STATES OF AMERICA
(56) Related Art Documents: **Not Applicable**
(57) Statement of Newness and Distinctiveness: **Nil**



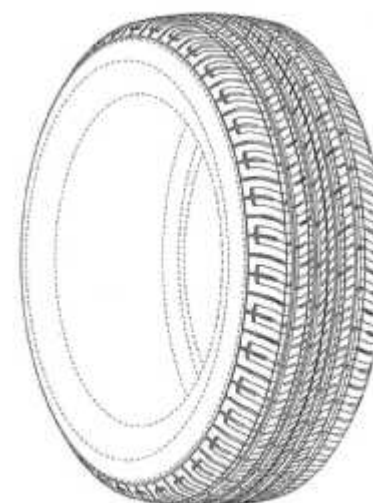
(21) Design Number: **14627/2014**
(22) Date of Filing Application: **12 September 2014**
(24) Date from which industrial property rights may have effect: **12 September 2014**
(54) Product in respect of which the design is registered: **Horn**
(51) International Design Classification: **10-06**
(74) Name(s) of Attorney(s): **AJ Park**
(71) Name(s) and Address(s) of Applicant(s):
DUAL INVENTIVE HOLDING B.V.
Belgiestraat 5 Oisterwijk 5061 KG The Netherlands
(72) Name(s) of Designer(s): **Lex van der Poel**
(45) Registration Date: **02 October 2014**
(30) Convention priority data:
(31) Number (32) Date (33) Country
**002424275-0002 13 Mar 2014 OFFICE FOR HARMONISATION IN
THE INTERNAL MARKET (OHIM)**
(56) Related Art Documents: **Not Applicable**
(57) Statement of Newness and Distinctiveness: **Newness and distinctiveness
reside in the features of shape and/or configuration of the horn as shown
in the representations.**



(21) Design Number: **14765/2014**
(22) Date of Filing Application: **18 September 2014**
(24) Date from which industrial property rights may have effect: **18 September 2014**
(54) Product in respect of which the design is registered: **Tire**
(51) International Design Classification: **12-15B**
(74) Name(s) of Attorney(s): **PHILLIPS ORMONDE FITZPATRICK**
(71) Name(s) and Address(s) of Applicant(s):
Cooper Tire & Rubber Company
701 Lima Avenue Findlay Ohio 45840 United States of America
(72) Name(s) of Designer(s): **Kitty F Chen**
(45) Registration Date: **02 October 2014**
(30) Convention priority data:
(31) Number (32) Date (33) Country
29/491,752 23 May 2014 UNITED STATES OF AMERICA
(56) Related Art Documents: **Not Applicable**
(57) Statement of Newness and Distinctiveness: **Those features of the tire
depicted in the representations that are new and distinctive are the shape
and/or configuration of the tread of the tire. The sidewall, inner bead,
shoulder tread, and the peripheral boundary between the tire tread and
the sidewall shown in broken line are not part of the design and are to
be disregarded when considering the overall impression of the design.**



(21) Design Number: **14766/2014**
(22) Date of Filing Application: **18 September 2014**
(24) Date from which industrial property rights may have effect: **18 September 2014**
(54) Product in respect of which the design is registered: **Tire**
(51) International Design Classification: **12-15B**
(74) Name(s) of Attorney(s): **PHILLIPS ORMONDE FITZPATRICK**
(71) Name(s) and Address(s) of Applicant(s):
Cooper Tire & Rubber Company
701 Lima Avenue Findlay Ohio 45840 United States of America
(72) Name(s) of Designer(s): **Chelsea L Schuessler**
(45) Registration Date: **02 October 2014**
(30) Convention priority data:
(31) Number (32) Date (33) Country
29/491,808 23 May 2014 UNITED STATES OF AMERICA



(56) Related Art Documents: **Not Applicable**
(57) Statement of Newness and Distinctiveness: **Those features of the tire depicted in the representations that are new and distinctive are the shape and/or configuration of the tread of the tire. The remaining three-fourths of the side views are a repetition of the illustrated one-fourth portion. The sidewall, inner bead, shoulder tread, and the peripheral boundary between the tire tread and the sidewall shown in broken line are not part of the design and are to be disregarded when considering the overall impression of the design.**

(21) Design Number: **14768/2014**
(22) Date of Filing Application: **18 September 2014**
(24) Date from which industrial property rights may have effect: **18 September 2014**
(54) Product in respect of which the design is registered: **Tire**
(51) International Design Classification: **12-15B**
(74) Name(s) of Attorney(s): **PHILLIPS ORMONDE FITZPATRICK**
(71) Name(s) and Address(s) of Applicant(s):
Cooper Tire & Rubber Company
701 Lima Avenue Findlay Ohio 45840 United States of America
(72) Name(s) of Designer(s): **Kitty F Chen**
(45) Registration Date: **02 October 2014**
(30) Convention priority data:
(31) Number (32) Date (33) Country
29/491,810 23 May 2014 UNITED STATES OF AMERICA

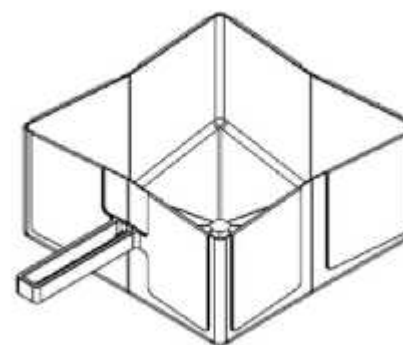


(56) Related Art Documents: **Not Applicable**
(57) Statement of Newness and Distinctiveness: **Those features of the tire depicted in the representations that are new and distinctive are the shape and/or configuration of the tread of the tire. The sidewall, inner bead, shoulder tread, and the peripheral boundary between the tire tread and the sidewall shown in broken line are not part of the design and are to be disregarded when considering the overall impression of the design.**

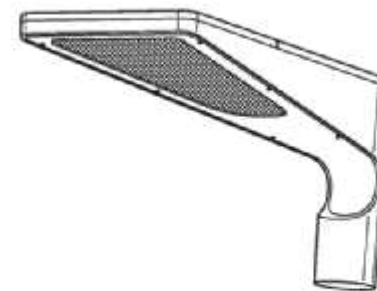
- (21) Design Number: **14775/2014**
(22) Date of Filing Application: **18 September 2014**
(24) Date from which industrial property rights may have effect: **18 September 2014**
(54) Product in respect of which the design is registered: **A sleeve for an animal limb**
(51) International Design Classification: **30-01**
(74) Name(s) of Attorney(s): **Chrysiliou IP**
(71) Name(s) and Address(s) of Applicant(s):
Hidez Pty Limited
100 Argyle St South Windsor NSW 2756 Australia
(72) Name(s) of Designer(s): **Elwyn McCabe**
(45) Registration Date: **02 October 2014**
(56) Related Art Documents: **Not Applicable**
(57) Statement of Newness and Distinctiveness: **Newness and distinctiveness reside in the features of the shape and configuration of the product to which the design is applied. In assessing infringement, the portion depicted in dashed outline is to be disregarded.**



- (21) Design Number: **14776/2014**
(22) Date of Filing Application: **19 September 2014**
(24) Date from which industrial property rights may have effect: **19 September 2014**
(54) Product in respect of which the design is registered: **A folding bowl**
(51) International Design Classification: **07-01B**
(74) Name(s) of Attorney(s): **James & Wells**
(71) Name(s) and Address(s) of Applicant(s):
Martin Haydon
24 Pukerangi Crescent Ellerslie Auckland, 1051 New Zealand
(72) Name(s) of Designer(s): **Martin Haydon**
(45) Registration Date: **02 October 2014**
(30) Convention priority data:
(31) Number (32) Date (33) Country
418725 10 Apr 2014 NEW ZEALAND
(56) Related Art Documents: **Not Applicable**
(57) Statement of Newness and Distinctiveness: **The design is to be applied to a folding bowl, and the novelty resides in features of shape and configuration as shown in the accompanying representations.**

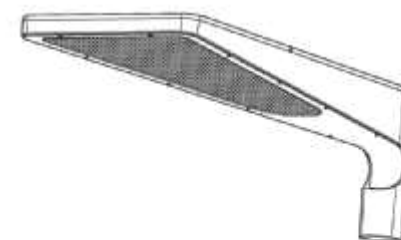


(21) Design Number: **14780/2014**
(22) Date of Filing Application: **19 September 2014**
(24) Date from which industrial property rights may have effect: **19 September 2014**
(54) Product in respect of which the design is registered: **Luminaire for street lighting**
(51) International Design Classification: **26-03**
(74) Name(s) of Attorney(s): **SPRUSON & FERGUSON**
(71) Name(s) and Address(s) of Applicant(s):
Thorn Europhane S.A.
Route de Paix - BP 504, Les Andelys 27700 France
(72) Name(s) of Designer(s): **Jean-Michel Wilmotte**
(45) Registration Date: **02 October 2014**
(30) Convention priority data:
(31) Number (32) Date (33) Country
**001 407 340 28 Mar 2014 OFFICE FOR HARMONISATION IN
THE INTERNAL MARKET (OHIM)**



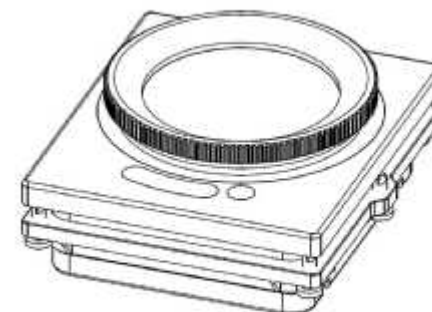
(56) Related Art Documents: **Not Applicable**
(57) Statement of Newness and Distinctiveness: **Newness and distinctiveness is claimed in the features of shape and/or configuration of a luminaire for street lighting as illustrated in the accompanying representations.**

(21) Design Number: **14781/2014**
(22) Date of Filing Application: **19 September 2014**
(24) Date from which industrial property rights may have effect: **19 September 2014**
(54) Product in respect of which the design is registered: **Luminaire for street lighting**
(51) International Design Classification: **26-03**
(74) Name(s) of Attorney(s): **SPRUSON & FERGUSON**
(71) Name(s) and Address(s) of Applicant(s):
Thorn Europhane S.A.
Route de Paix - BP 504 Les Andelys 27700 France
(72) Name(s) of Designer(s): **Jean-Michel Wilmotte**
(45) Registration Date: **02 October 2014**
(30) Convention priority data:
(31) Number (32) Date (33) Country
**001 407 340 28 Mar 2014 OFFICE FOR HARMONISATION IN
THE INTERNAL MARKET (OHIM)**



(56) Related Art Documents: **Not Applicable**
(57) Statement of Newness and Distinctiveness: **Newness and distinctiveness is claimed in the features of shape and/or configuration of a luminaire for street lighting as illustrated in the accompanying representations.**

(21) Design Number: **14782/2014**
(22) Date of Filing Application: **19 September 2014**
(24) Date from which industrial property rights may have effect: **19 September 2014**
(54) Product in respect of which the design is registered: **A light sensor**
(51) International Design Classification: **10-05**
(74) Name(s) of Attorney(s): **SPRUSON & FERGUSON**
(71) Name(s) and Address(s) of Applicant(s):



Tridonic GmbH & Co. KG
Farbergasse 15 Dornbirn 6851 Austria
(72) Name(s) of Designer(s): **Ennio Muller**
(45) Registration Date: **02 October 2014**
(30) Convention priority data:
(31) Number (32) Date (33) Country
**002 429 969 21 Mar 2014 OFFICE FOR HARMONISATION IN
THE INTERNAL MARKET (OHIM)**

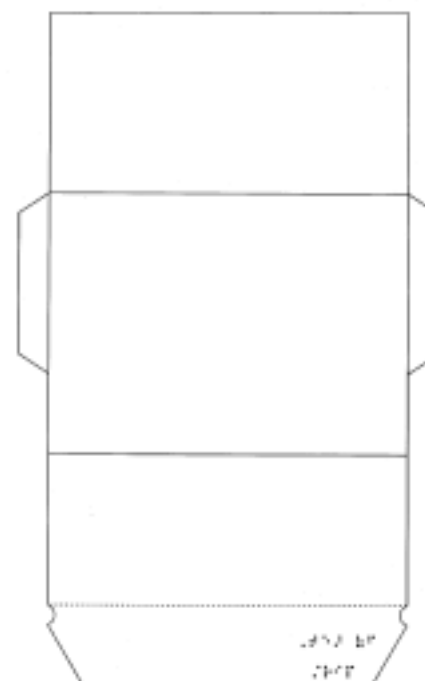
(56) Related Art Documents: **Not Applicable**
(57) Statement of Newness and Distinctiveness: **Newness and distinctiveness is claimed in the features of shape and/or configuration of a light sensor as illustrated in the accompanying representations.**

(21) Design Number: **14804/2014**
(22) Date of Filing Application: **19 September 2014**
(24) Date from which industrial property rights may have effect: **19 September 2014**
(54) Product in respect of which the design is registered: **Wheel**
(51) International Design Classification: **12-16A**
(74) Name(s) of Attorney(s): **Allens Patent & Trade Mark Attorneys**
(71) Name(s) and Address(s) of Applicant(s):



Wheel Pros, LLC
44 Union Blvd Suite 620S Lakewood CO 80228 United States of America
(72) Name(s) of Designer(s): **Yee Wan Kong**
(45) Registration Date: **02 October 2014**
(56) Related Art Documents: **Not Applicable**
(57) Statement of Newness and Distinctiveness: **Newness and distinctiveness resides in the visual features of shape and/or configuration of a front portion of a wheel as illustrated in the accompanying representations. The front portion of the wheel shown in the perspective view, which includes the spokes of the wheel, is denoted by the arrows. The shape and/or configuration of the logo in the centre of the wheel, as shown in the perspective view, does not form part of the design, and is to be disregarded when considering whether the design is identical or substantially similar in overall impression to another design.**

- (21) Design Number: **13078/2014**
(22) Date of Filing Application: **23 June 2014**
(24) Date from which industrial property rights may have effect: **23 June 2014**
(54) Product in respect of which the design is registered: **A blank for a mailer wallet**
(51) International Design Classification: **19-01**
(74) Name(s) of Attorney(s): **PHILLIPS ORMONDE FITZPATRICK**
(71) Name(s) and Address(s) of Applicant(s):
Fats Digital Services Pty Ltd
Unit 1B 372 Eastern Valley Way Chatswood NSW 2067 Australia
(72) Name(s) of Designer(s): **Robert Angell and Richard Lebusque and Jack Neill**
(45) Registration Date: **03 October 2014**
(56) Related Art Documents: **Not Applicable**
(57) Statement of Newness and Distinctiveness: **Newness and distinctiveness of the design resides in the shape and configuration of the blank shown in the front and rear views in addition to the location of a tactile message on the blank as identified at locations A and B as shown in the representations. However, the content of the tactile message does not itself form part of the registration and is shown in the figures for illustration purposes only.**



- (21) Design Number: **13257/2014**
(22) Date of Filing Application: **04 July 2014**
(24) Date from which industrial property rights may have effect: **04 July 2014**
(54) Product in respect of which the design is registered: **End cap for positive airway pressure delivery console**
(51) International Design Classification: **24-01**
(74) Name(s) of Attorney(s): **Halfords IP**
(71) Name(s) and Address(s) of Applicant(s):
ResMed Limited
1 Elizabeth Macarthur Dr Bella Vista NSW 2153 Australia
(72) Name(s) of Designer(s): **Clementine Desvoyes and Barton John Kenyon and Dimitri Marco Maurer and Chengwei Zhu**
(45) Registration Date: **03 October 2014**
(30) Convention priority data:
(31) Number (32) Date (33) Country
29/480,971 31 Jan 2014 UNITED STATES OF AMERICA
(56) Related Art Documents: **Not Applicable**
(57) Statement of Newness and Distinctiveness: **Nil**



(21) Design Number: **13930/2014**

(22) Date of Filing Application: **08 August 2014**

(24) Date from which industrial property rights may have effect: **08 August 2014**

(54) Product in respect of which the design is registered: **The food storage board**

(51) International Design Classification: **03-01D, 03-01NES**

(74) Name(s) of Attorney(s):

(71) Name(s) and Address(s) of Applicant(s):

Kyung Hwan Kang

4F, A-dong, Mapodaero11dagil 11-5 Mapo-gu (Yeomri-dong, Hyowan-villa), Seoul Republic of Korea

(72) Name(s) of Designer(s): **Kyung Hwan Kang**

(45) Registration Date: **03 October 2014**

(30) Convention priority data:

(31) Number	(32) Date	(33) Country
30-2014-0034826	16 Jul 2014	REPUBLIC OF KOREA

(56) Related Art Documents: **Not Applicable**

(57) Statement of Newness and Distinctiveness: **Novelty resides in the ornamental design for the food storage board as shown in the drawing.**



(21) Design Number: **14004/2014**

(22) Date of Filing Application: **14 August 2014**

(24) Date from which industrial property rights may have effect: **14 August 2014**

(54) Product in respect of which the design is registered: **Metal gate**

(51) International Design Classification: **25-02C**

(74) Name(s) of Attorney(s):

(71) Name(s) and Address(s) of Applicant(s):

Gerald James Hicks

1386 Grafton St Nana Glen NSW 2450 Australia

(72) Name(s) of Designer(s): **Gerald James Hicks**

(45) Registration Date: **03 October 2014**

(56) Related Art Documents: **Not Applicable**

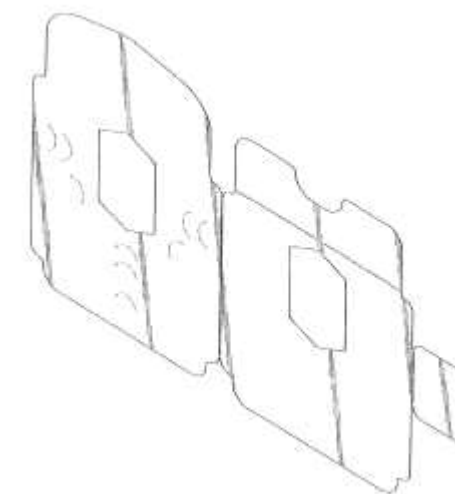
(57) Statement of Newness and Distinctiveness: **The design has not been used publicly in or outside of Australia or published in a document in or outside of Australia. The design is distinctive and is not substantially similar in overall impression to any other design that has been publicly used in or outside of Australia or published in a document within or without of Australia.**



(21) Design Number: **14053/2014**
(22) Date of Filing Application: **18 August 2014**
(24) Date from which industrial property rights may have effect: **18 August 2014**
(54) Product in respect of which the design is registered: **Trophy**
(51) International Design Classification: **11-02NES**
(74) Name(s) of Attorney(s):
(71) Name(s) and Address(s) of Applicant(s):
Willem Denheld
52 Alto Avenue Croydon Victoria 3136 Australia
(72) Name(s) of Designer(s): **Willem Denheld**
(45) Registration Date: **03 October 2014**
(56) Related Art Documents: **Not Applicable**
(57) Statement of Newness and Distinctiveness: **Monopoly is claimed in the features, shape and configuration, of abstract designs on each of four sides of the trophy as shown in the accompanying photographs.**



(21) Design Number: **14533/2014**
(22) Date of Filing Application: **09 September 2014**
(24) Date from which industrial property rights may have effect: **09 September 2014**
(54) Product in respect of which the design is registered: **Dispensing package**
(51) International Design Classification: **09-05**
(74) Name(s) of Attorney(s): **Callinans**
(71) Name(s) and Address(s) of Applicant(s):
Ethicon, Inc.
US Route 22 Somerville New Jersey 08876 United States of America
(72) Name(s) of Designer(s): **Denise Griffiths and Manfred Vollmer and Romont Jones**
(45) Registration Date: **03 October 2014**
(30) Convention priority data:
(31) Number (32) Date (33) Country
29/485326 18 Mar 2014 UNITED STATES OF AMERICA
(56) Related Art Documents: **Not Applicable**
(57) Statement of Newness and Distinctiveness: **Nil**



(21) Design Number: **14783/2014**
(22) Date of Filing Application: **19 September 2014**
(24) Date from which industrial property rights may have effect: **19 September 2014**
(54) Product in respect of which the design is registered: **A light sensor**
(51) International Design Classification: **10-05**
(74) Name(s) of Attorney(s): **SPRUSON & FERGUSON**
(71) Name(s) and Address(s) of Applicant(s):

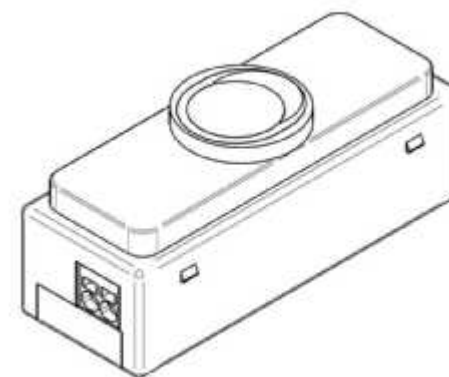
Tridonic GmbH & Co. KG
Farbergasse 15 Dornbirn 6851 Austria

(72) Name(s) of Designer(s): **Ennio Muller**

(45) Registration Date: **03 October 2014**

(30) Convention priority data:

(31) Number	(32) Date	(33) Country
002 429 969	21 Mar 2014	OFFICE FOR HARMONISATION IN THE INTERNAL MARKET (OHIM)



(56) Related Art Documents: **Not Applicable**

(57) Statement of Newness and Distinctiveness: **Newness and distinctiveness is claimed in the features of shape and/or configuration of a light sensor as illustrated in the accompanying representations.**

(21) Design Number: **14784/2014**
(22) Date of Filing Application: **19 September 2014**
(24) Date from which industrial property rights may have effect: **19 September 2014**
(54) Product in respect of which the design is registered: **Hammock**
(51) International Design Classification: **06-02, 06-01NES**
(74) Name(s) of Attorney(s):

(71) Name(s) and Address(s) of Applicant(s):
NINGBO MENTORIEND INTERNATIONAL TRADING CO., LTD.
ROOM 1101, QIAOSHANG BUILDING SOUTH BUSINESS DISTRICT
YINZHOU DISTRICT NINGBO 315040 China

(72) Name(s) of Designer(s): **Frank Fang**

(45) Registration Date: **03 October 2014**

(56) Related Art Documents: **Not Applicable**

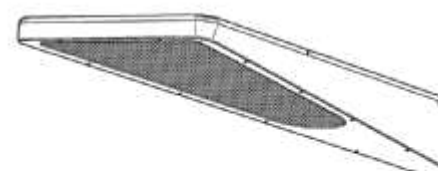
(57) Statement of Newness and Distinctiveness: **Nil**



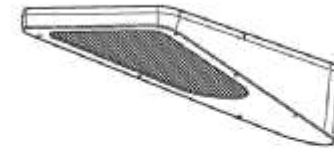
- (21) Design Number: **14786/2014**
(22) Date of Filing Application: **19 September 2014**
(24) Date from which industrial property rights may have effect: **19 September 2014**
(54) Product in respect of which the design is registered: **Polo shirt**
(51) International Design Classification: **02-02NES**
(74) Name(s) of Attorney(s):
(71) Name(s) and Address(s) of Applicant(s):
PINK DAY IN THE VALLEY INC
PO BOX 959 Mackay QLD 4740 Australia
(72) Name(s) of Designer(s): **Lisa Zarb**
(45) Registration Date: **03 October 2014**
(56) Related Art Documents: **Not Applicable**
(57) Statement of Newness and Distinctiveness: **The newness & distinctiveness of the design is the watermark ribbon with smaller cancer ribbons representing all cancers and our company logo.**



- (21) Design Number: **14787/2014**
(22) Date of Filing Application: **19 September 2014**
(24) Date from which industrial property rights may have effect: **19 September 2014**
(54) Product in respect of which the design is registered: **Luminaire for street lighting**
(51) International Design Classification: **26-03**
(74) Name(s) of Attorney(s): **SPRUSON & FERGUSON**
(71) Name(s) and Address(s) of Applicant(s):
Thorn Europhane S.A.
Route de Paix - BP 504, Les Andelys 27700 France
(72) Name(s) of Designer(s): **Jean-Michel Wilmotte**
(45) Registration Date: **03 October 2014**
(30) Convention priority data:
(31) Number (32) Date (33) Country
001 407 340 28 Mar 2014 OFFICE FOR HARMONISATION IN THE INTERNAL MARKET (OHIM)
(56) Related Art Documents: **Not Applicable**
(57) Statement of Newness and Distinctiveness: **Newness and distinctiveness is claimed in the features of shape and/or configuration of a luminaire for street lighting as illustrated in the accompanying representations.**



(21) Design Number: **14788/2014**
(22) Date of Filing Application: **19 September 2014**
(24) Date from which industrial property rights may have effect: **19 September 2014**
(54) Product in respect of which the design is registered: **Luminaire for street lighting**
(51) International Design Classification: **26-03**
(74) Name(s) of Attorney(s): **SPRUSON & FERGUSON**
(71) Name(s) and Address(s) of Applicant(s):



Thorn Europhane S.A.
Route de Paix - BP 504, Les Andelys 27700 France

(72) Name(s) of Designer(s): **Jean-Michel Wilmotte**

(45) Registration Date: **03 October 2014**

(30) Convention priority data:

(31) Number	(32) Date	(33) Country
001 407 340	28 Mar 2014	OFFICE FOR HARMONISATION IN THE INTERNAL MARKET (OHIM)

(56) Related Art Documents: **Not Applicable**

(57) Statement of Newness and Distinctiveness: **Newness and distinctiveness is claimed in the features of shape and/or configuration of a luminaire for street lighting as illustrated in the accompanying representations.**

(21) Design Number: **14812/2014**
(22) Date of Filing Application: **22 September 2014**
(24) Date from which industrial property rights may have effect: **22 September 2014**
(54) Product in respect of which the design is registered: **Valve**
(51) International Design Classification: **23-01K**
(74) Name(s) of Attorney(s): **Callinans**
(71) Name(s) and Address(s) of Applicant(s):



GSA Industries (Aust.) Pty Ltd
L54 Rialto Towers 525 Collins St Melbourne VIC 3000 Australia

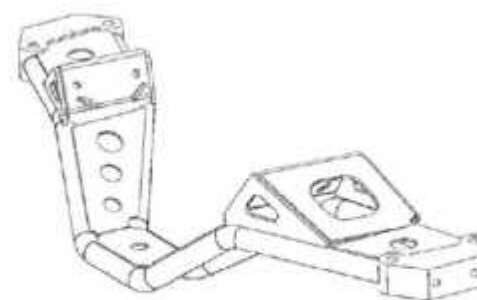
(72) Name(s) of Designer(s): **Alexander Neal Rycroft**

(45) Registration Date: **03 October 2014**

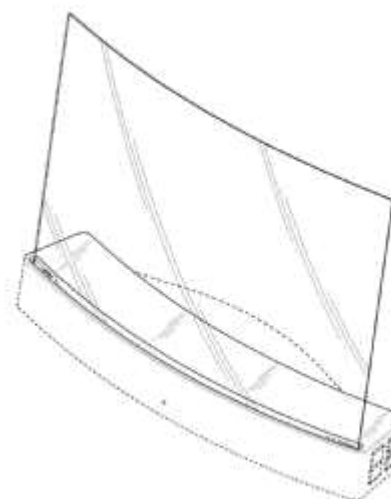
(56) Related Art Documents: **Not Applicable**

(57) Statement of Newness and Distinctiveness: **Newness and distinctiveness lies in the visual features of the valve as illustrated by the solid lines in the accompanying representations.**

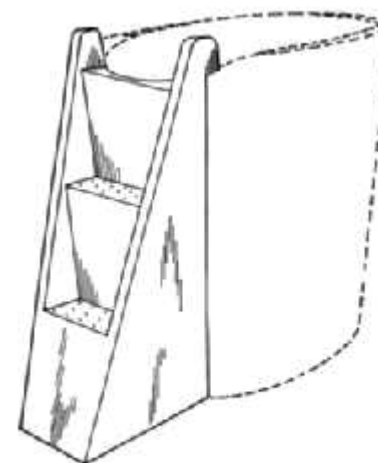
(21) Design Number: **11373/2014**
(22) Date of Filing Application: **24 March 2014**
(24) Date from which industrial property rights may have effect: **24 March 2014**
(54) Product in respect of which the design is registered: **Sub-frame member for supporting an engine**
(51) International Design Classification: **12-16NES**
(74) Name(s) of Attorney(s): **Davies Collison Cave**
(71) Name(s) and Address(s) of Applicant(s):
Enduroco Pty Ltd
2/152 Woodlands Dr Braeside VIC 3195 Australia
(72) Name(s) of Designer(s): **John Ellis and Danny Milton**
(45) Registration Date: **07 October 2014**
(56) Related Art Documents: **Not Applicable**
(57) Statement of Newness and Distinctiveness: **Newness and distinctiveness is claimed in the shape and configuration of a sub-frame member for supporting an engine from a vehicle chassis as shown in the accompanying representations.**



(21) Design Number: **13083/2014**
(22) Date of Filing Application: **24 June 2014**
(24) Date from which industrial property rights may have effect: **24 June 2014**
(54) Product in respect of which the design is registered: **Base, membrane, and slot for an audio speaker**
(51) International Design Classification: **14-01**
(74) Name(s) of Attorney(s): **Davies Collison Cave**
(71) Name(s) and Address(s) of Applicant(s):
Emo Labs, Inc.
186 3rd Ave Waltham MA 02451-7525 United States of America
(72) Name(s) of Designer(s): **John David Gundlach and Daniel Hedges and Stefan Bokaemper and Terrence Keith Jones and David Logvin**
(45) Registration Date: **07 October 2014**
(30) Convention priority data:
(31) Number (32) Date (33) Country
29/477,792 27 Dec 2013 UNITED STATES OF AMERICA
(56) Related Art Documents: **Not Applicable**
(57) Statement of Newness and Distinctiveness: **Newness and distinctiveness is claimed in the visual features shown in solid lines in the representation. In considering the extent of the design rights, the broken lines shown in the representations are for illustrative purposes only and do not form part of the design.**



- (21) Design Number: **13274/2014**
(22) Date of Filing Application: **04 July 2014**
(24) Date from which industrial property rights may have effect: **04 July 2014**
(54) Product in respect of which the design is registered: **A bath with ladder**
(51) International Design Classification: **23-02B**
(74) Name(s) of Attorney(s): **Australian Patent & TradeMark Services Pty Ltd**
(71) Name(s) and Address(s) of Applicant(s):
Pride On The Line Pty Ltd
4 Paul St Hectorville SA 5073 Australia
(72) Name(s) of Designer(s): **Danielle Kuzman**
(45) Registration Date: **07 October 2014**
(56) Related Art Documents: **Not Applicable**
(57) Statement of Newness and Distinctiveness: **Newness and distinctiveness is claimed in the shape and/or configuration of a bath with ladder, as illustrated in the accompanying representations. The features shown in dotted lines are to be disregarded.**



- (21) Design Number: **13645/2014**
(22) Date of Filing Application: **29 July 2014**
(24) Date from which industrial property rights may have effect: **29 July 2014**
(54) Product in respect of which the design is registered: **Rack shelf**
(51) International Design Classification: **06-04NES**
(74) Name(s) of Attorney(s): **Davies Collison Cave**
(71) Name(s) and Address(s) of Applicant(s):
Tegometall International AG
Industriestrasse 7 Lengwil 8574 Switzerland
(72) Name(s) of Designer(s): **Ulrich Bohnacker**
(45) Registration Date: **07 October 2014**
(30) Convention priority data:
(31) Number (32) Date (33) Country
**001401350 29 Jan 2014 OFFICE FOR HARMONISATION IN
THE INTERNAL MARKET (OHIM)**
(56) Related Art Documents: **Not Applicable**
(57) Statement of Newness and Distinctiveness: **Nil**



(21) Design Number: **13646/2014**
(22) Date of Filing Application: **29 July 2014**
(24) Date from which industrial property rights may have effect: **29 July 2014**
(54) Product in respect of which the design is registered: **Rack rear wall**
(51) International Design Classification: **06-04NES**
(74) Name(s) of Attorney(s): **Davies Collison Cave**
(71) Name(s) and Address(s) of Applicant(s):



Tegometall International AG
Industriestrasse 7 Lengwil 8574 Switzerland

(72) Name(s) of Designer(s): **Ulrich Bohnacker**

(45) Registration Date: **07 October 2014**

(30) Convention priority data:

(31) Number	(32) Date	(33) Country
001402523	10 Feb 2014	OFFICE FOR HARMONISATION IN THE INTERNAL MARKET (OHIM)

(56) Related Art Documents: **Not Applicable**

(57) Statement of Newness and Distinctiveness: **Nil**

(21) Design Number: **13647/2014**
(22) Date of Filing Application: **29 July 2014**
(24) Date from which industrial property rights may have effect: **29 July 2014**
(54) Product in respect of which the design is registered: **Rack rear wall**
(51) International Design Classification: **06-04NES**
(74) Name(s) of Attorney(s): **Davies Collison Cave**
(71) Name(s) and Address(s) of Applicant(s):



Tegometall International AG
Industriestrasse 7 Lengwil 8574 Switzerland

(72) Name(s) of Designer(s): **Ulrich Bohnacker**

(45) Registration Date: **07 October 2014**

(30) Convention priority data:

(31) Number	(32) Date	(33) Country
001402523	10 Feb 2014	OFFICE FOR HARMONISATION IN THE INTERNAL MARKET (OHIM)

(56) Related Art Documents: **Not Applicable**

(57) Statement of Newness and Distinctiveness: **Nil**

(21) Design Number: **13648/2014**
(22) Date of Filing Application: **29 July 2014**
(24) Date from which industrial property rights may have effect: **29 July 2014**
(54) Product in respect of which the design is registered: **Rack rear wall**
(51) International Design Classification: **06-04NES**
(74) Name(s) of Attorney(s): **Davies Collison Cave**
(71) Name(s) and Address(s) of Applicant(s):

Tegometall International AG
Industriestrasse 7 Lengwil 8574 Switzerland

(72) Name(s) of Designer(s): **Ulrich Bohnacker**

(45) Registration Date: **07 October 2014**

(30) Convention priority data:

(31) Number	(32) Date	(33) Country
001402523	10 Feb 2014	OFFICE FOR HARMONISATION IN THE INTERNAL MARKET (OHIM)

(56) Related Art Documents: **Not Applicable**

(57) Statement of Newness and Distinctiveness: **Nil**



(21) Design Number: **13649/2014**
(22) Date of Filing Application: **29 July 2014**
(24) Date from which industrial property rights may have effect: **29 July 2014**
(54) Product in respect of which the design is registered: **Rack rear wall**
(51) International Design Classification: **06-04NES**
(74) Name(s) of Attorney(s): **Davies Collison Cave**
(71) Name(s) and Address(s) of Applicant(s):

Tegometall International AG
Industriestrasse 7 Lengwil 8574 Switzerland

(72) Name(s) of Designer(s): **Ulrich Bohnacker**

(45) Registration Date: **07 October 2014**

(30) Convention priority data:

(31) Number	(32) Date	(33) Country
001402523	10 Feb 2014	OFFICE FOR HARMONISATION IN THE INTERNAL MARKET (OHIM)

(56) Related Art Documents: **Not Applicable**

(57) Statement of Newness and Distinctiveness: **Nil**



(21) Design Number: **13675/2014**
(22) Date of Filing Application: **30 July 2014**
(24) Date from which industrial property rights may have effect: **30 July 2014**
(54) Product in respect of which the design is registered: **Blood reservoir**
(51) International Design Classification: **24-01**
(74) Name(s) of Attorney(s): **Davies Collison Cave**
(71) Name(s) and Address(s) of Applicant(s):

Nipro Corporation
9-3, Honjonishi 3-chome Kita-ku, Osaka-shi Osaka, 531-0073 Japan

(72) Name(s) of Designer(s): **Susumu Kobayashi and Kazuhisa Ishihara and Yuji Kuwahara and Keisuke Hiramata and Eiichi Koiso and Shunsuke Kikumoto and Yukinori Ebara and Naoaki Yasumura**

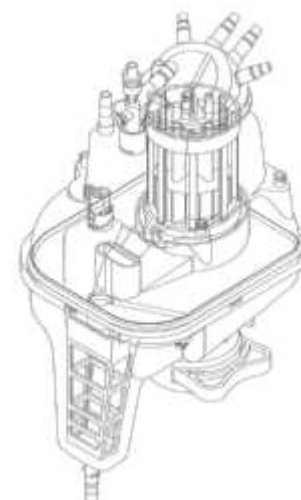
(45) Registration Date: **07 October 2014**

(30) Convention priority data:

(31) Number	(32) Date	(33) Country
D2014-002009	31 Jan 2014	JAPAN

(56) Related Art Documents: **Not Applicable**

(57) Statement of Newness and Distinctiveness: **Nil**



(21) Design Number: **13678/2014**
(22) Date of Filing Application: **30 July 2014**
(24) Date from which industrial property rights may have effect: **30 July 2014**
(54) Product in respect of which the design is registered: **Blood reservoir with oxygenator**
(51) International Design Classification: **24-01**
(74) Name(s) of Attorney(s): **Davies Collison Cave**
(71) Name(s) and Address(s) of Applicant(s):

Nipro Corporation
9-3, Honjonishi 3-chome Kita-ku, Osaka-shi Osaka, 531-0073 Japan

(72) Name(s) of Designer(s): **Susumu Kobayashi and Kazuhisa Ishihara and Yuji Kuwahara and Keisuke Hiramata and Eiichi Koiso and Shunsuke Kikumoto and Yukinori Ebara and Naoaki Yasumura**

(45) Registration Date: **07 October 2014**

(30) Convention priority data:

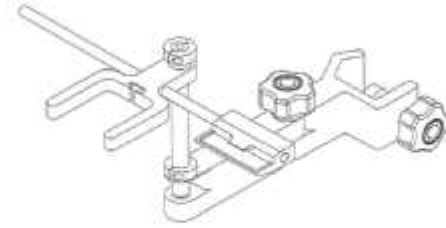
(31) Number	(32) Date	(33) Country
D2014-002010	31 Jan 2014	JAPAN

(56) Related Art Documents: **Not Applicable**

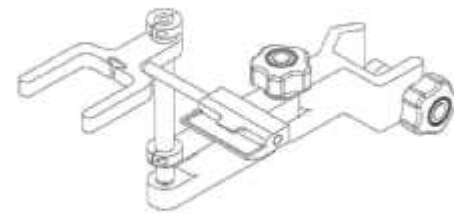
(57) Statement of Newness and Distinctiveness: **Nil**



(21) Design Number: **13692/2014**
(22) Date of Filing Application: **30 July 2014**
(24) Date from which industrial property rights may have effect: **30 July 2014**
(54) Product in respect of which the design is registered: **Holder for blood reservoir**
(51) International Design Classification: **24-01**
(74) Name(s) of Attorney(s): **Davies Collison Cave**
(71) Name(s) and Address(s) of Applicant(s):
Nipro Corporation
9-3, Honjonishi 3-chome Kita-ku, Osaka-shi Osaka, 531-0073 Japan
(72) Name(s) of Designer(s): **Susumu Kobayashi and Kazuhisa Ishihara and Yuji Kuwahara and Keisuke Hiramata and Eiichi Koiso and Shunsuke Kikumoto and Yukinori Ebara and Naoaki Yasumura**
(45) Registration Date: **07 October 2014**
(30) Convention priority data:
(31) Number (32) Date (33) Country
D2014-002018 31 Jan 2014 JAPAN
(56) Related Art Documents: **Not Applicable**
(57) Statement of Newness and Distinctiveness: **Nil**



(21) Design Number: **13702/2014**
(22) Date of Filing Application: **31 July 2014**
(24) Date from which industrial property rights may have effect: **31 July 2014**
(54) Product in respect of which the design is registered: **Holder for blood reservoir**
(51) International Design Classification: **24-01**
(74) Name(s) of Attorney(s): **Davies Collison Cave**
(71) Name(s) and Address(s) of Applicant(s):
Nipro Corporation
9-3, Honjonishi 3-chome Kita-ku, Osaka-shi Osaka, 531-0073 Japan
(72) Name(s) of Designer(s): **Susumu Kobayashi and Kazuhisa Ishihara and Yuji Kuwahara and Keisuke Hiramata and Eiichi Koiso and Shunsuke Kikumoto and Yukinori Ebara and Naoaki Yasumura**
(45) Registration Date: **07 October 2014**
(30) Convention priority data:
(31) Number (32) Date (33) Country
D2014-002033 31 Jan 2014 JAPAN
(56) Related Art Documents: **Not Applicable**
(57) Statement of Newness and Distinctiveness: **Nil**



- (21) Design Number: **14737/2014**
(22) Date of Filing Application: **17 September 2014**
(24) Date from which industrial property rights may have effect: **17 September 2014**
(54) Product in respect of which the design is registered: **Table**
(51) International Design Classification: **06-03A**
(74) Name(s) of Attorney(s): **Churchill Attorneys**
(71) Name(s) and Address(s) of Applicant(s):
Matthew Kelly
3/29 Coolangatta Rd Coolangatta QLD 4225 Australia
(72) Name(s) of Designer(s): **Matthew Kelly**
(45) Registration Date: **07 October 2014**
(56) Related Art Documents: **Not Applicable**
(57) Statement of Newness and Distinctiveness: **The newness and distinctiveness of the design resides in the shape of the table as shown in the accompanying representations.**



- (21) Design Number: **14740/2014**
(22) Date of Filing Application: **17 September 2014**
(24) Date from which industrial property rights may have effect: **17 September 2014**
(54) Product in respect of which the design is registered: **Clamp for vehicle light bar**
(51) International Design Classification: **08-08D**
(74) Name(s) of Attorney(s):
(71) Name(s) and Address(s) of Applicant(s):
ARB CORPORATION LIMITED
42-44 Garden St Kilsyth VIC 3137 Australia
(72) Name(s) of Designer(s): **Gavin Smith**
(45) Registration Date: **07 October 2014**
(56) Related Art Documents: **Not Applicable**
(57) Statement of Newness and Distinctiveness: **Newness and distinctiveness is claimed in the shape and configuration of a clamp for a light bar for vehicles as shown in the representations**



(21) Design Number: **14741/2014**
(22) Date of Filing Application: **17 September 2014**
(24) Date from which industrial property rights may have effect: **17 September 2014**
(54) Product in respect of which the design is registered: **Clamp for a vehicle light bar**
(51) International Design Classification: **08-08D**
(74) Name(s) of Attorney(s):
(71) Name(s) and Address(s) of Applicant(s):
ARB CORPORATION LIMITED
42-44 Garden St Kilsyth VIC 3137 Australia
(72) Name(s) of Designer(s): **Gavin Smith**
(45) Registration Date: **07 October 2014**
(56) Related Art Documents: **Not Applicable**
(57) Statement of Newness and Distinctiveness: **Newness and distinctiveness is claimed in the shape and configuration of a clamp for a light bar for vehicles as shown in the representations**



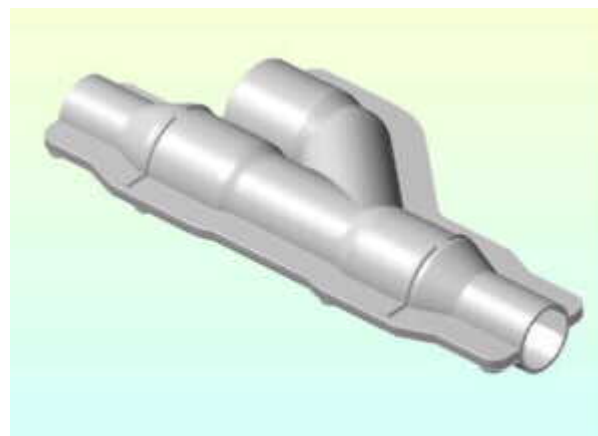
(21) Design Number: **14774/2014**
(22) Date of Filing Application: **18 September 2014**
(24) Date from which industrial property rights may have effect: **18 September 2014**
(54) Product in respect of which the design is registered: **Protective glove**
(51) International Design Classification: **02-06**
(74) Name(s) of Attorney(s): **FB Rice**
(71) Name(s) and Address(s) of Applicant(s):
Banom, Inc.
3103 Phoenixville Pike Malvern Pennsylvania, 19355 United States of America
(72) Name(s) of Designer(s): **Griffith W Hughes and Jon C Hughes**
(45) Registration Date: **07 October 2014**
(30) Convention priority data:
(31) Number (32) Date (33) Country
29/485322 18 Mar 2014 UNITED STATES OF AMERICA
(56) Related Art Documents: **Not Applicable**
(57) Statement of Newness and Distinctiveness: **Newness and distinctiveness reside in the arrangement of pads on the glove shown in the representations.**



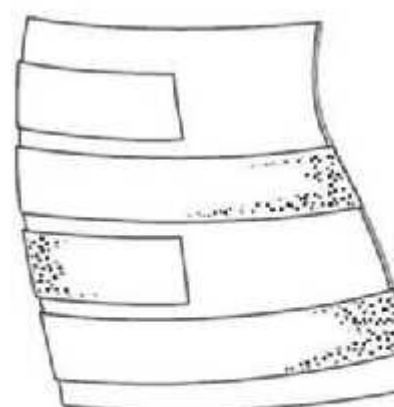
- (21) Design Number: **14778/2014**
(22) Date of Filing Application: **19 September 2014**
(24) Date from which industrial property rights may have effect: **19 September 2014**
(54) Product in respect of which the design is registered: **Hair drying cloth**
(51) International Design Classification: **06-13C**
(74) Name(s) of Attorney(s): **Ahearn Fox**
(71) Name(s) and Address(s) of Applicant(s):
Nicole Bruce
12 Lois PI Redland Bay QLD 4165 Australia
Sheree Bruce
12 Lois PI Redland Bay QLD 4165 Australia
(72) Name(s) of Designer(s): **Nicole Bruce and Sheree Bruce**
(45) Registration Date: **07 October 2014**
(56) Related Art Documents: **Not Applicable**
(57) Statement of Newness and Distinctiveness: **Newness and distinctiveness reside in the shape, configuration, pattern and ornamentation of a hair drying cloth having an embossed side and an opposing smooth side as illustrated in the accompanying representations. Fig 1 - is a view from above of the embossed side. Fig 2 - is a view from above of the smooth side. Fig 3 - is a close up showing the smooth side. Fig 4 - is a close up showing the pattern and ornamentation of the embossed side. Fig 5 - is an end view.**



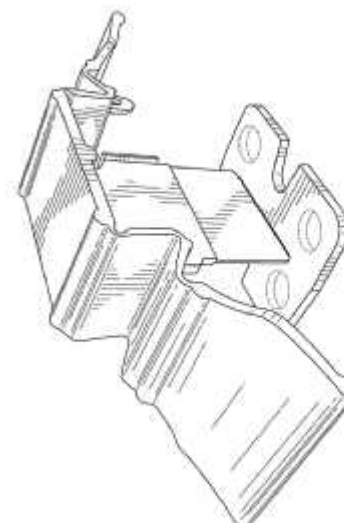
- (21) Design Number: **14785/2014**
(22) Date of Filing Application: **19 September 2014**
(24) Date from which industrial property rights may have effect: **19 September 2014**
(54) Product in respect of which the design is registered: **Split Y-piece conduit connector**
(51) International Design Classification: **23-01B**
(74) Name(s) of Attorney(s): **WATERMARK PATENT AND TRADE MARKS ATTORNEYS**
(71) Name(s) and Address(s) of Applicant(s):
PS & Associates Pty Ltd
49-51 Rodeo Dr Dandenong South VIC 3175 Australia
(72) Name(s) of Designer(s): **Peter Spinosa**
(45) Registration Date: **07 October 2014**
(56) Related Art Documents: **Not Applicable**
(57) Statement of Newness and Distinctiveness: **Newness and distinctiveness resides in the features of shape and/or configuration of a split Y-piece conduit connector as shown in the accompanying representations. The text appearing on the connector does not form part of the design and is to be disregarded.**



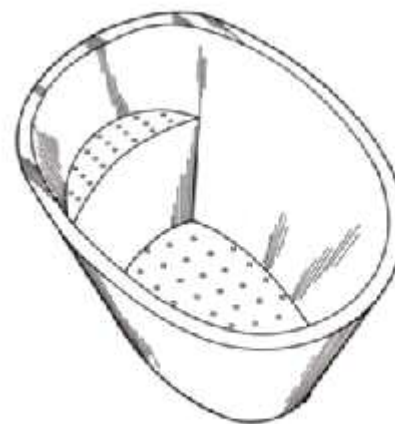
- (21) Design Number: **14795/2014**
(22) Date of Filing Application: **19 September 2014**
(24) Date from which industrial property rights may have effect: **19 September 2014**
(54) Product in respect of which the design is registered: **Postpartum abdominal support**
(51) International Design Classification: **02-01B**
(74) Name(s) of Attorney(s): **WATERMARK PATENT AND TRADE MARKS ATTORNEYS**
(71) Name(s) and Address(s) of Applicant(s):
Thinking Tiger, LLC
Suite 102, 3500 Quakerbridge Road Hamilton New Jersey, 08619 United States of America
(72) Name(s) of Designer(s): **Gia Fruscione-Loizides**
(45) Registration Date: **07 October 2014**
(30) Convention priority data:
(31) Number (32) Date (33) Country
29/495,556 02 Jul 2014 UNITED STATES OF AMERICA
(56) Related Art Documents: **Not Applicable**
(57) Statement of Newness and Distinctiveness: **Newness and Distinctiveness is claimed in the shape and configuration of a postpartum abdominal support as shown in the accompanying representations solus and in use**



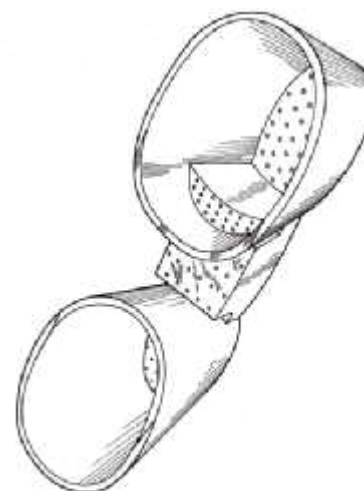
- (21) Design Number: **14803/2014**
(22) Date of Filing Application: **19 September 2014**
(24) Date from which industrial property rights may have effect: **19 September 2014**
(54) Product in respect of which the design is registered: **Tile alignment and leveling device**
(51) International Design Classification: **10-04**
(74) Name(s) of Attorney(s): **Freehills Patent Attorneys**
(71) Name(s) and Address(s) of Applicant(s):
Davinci Italia/USA Group, LLC
100 W. Burlington Avenue Fairfield Iowa 52556 United States of America
(72) Name(s) of Designer(s): **Edward A Kufner and Ralph Burgin**
(45) Registration Date: **07 October 2014**
(30) Convention priority data:
(31) Number (32) Date (33) Country
29/486415 28 Mar 2014 UNITED STATES OF AMERICA
(56) Related Art Documents: **Not Applicable**
(57) Statement of Newness and Distinctiveness: **Newness and distinctiveness of the design resides in the features of shape and configuration of the tile alignment and leveling device as shown in solid outline in the accompanying representations.**



- (21) Design Number: **13272/2014**
(22) Date of Filing Application: **04 July 2014**
(24) Date from which industrial property rights may have effect: **04 July 2014**
(54) Product in respect of which the design is registered: **A bath**
(51) International Design Classification: **23-02B**
(74) Name(s) of Attorney(s): **Australian Patent & TradeMark Services Pty Ltd**
(71) Name(s) and Address(s) of Applicant(s):
Pride On The Line Pty Ltd
4 Paul St Hectorville SA 5073 Australia
(72) Name(s) of Designer(s): **Danielle Kuzman**
(45) Registration Date: **07 October 2014**
(56) Related Art Documents: **Not Applicable**
(57) Statement of Newness and Distinctiveness: **Newness and distinctiveness is claimed in the shape and/or configuration of a bath, as illustrated in the accompanying representations.**



- (21) Design Number: **13273/2014**
(22) Date of Filing Application: **04 July 2014**
(24) Date from which industrial property rights may have effect: **04 July 2014**
(54) Product in respect of which the design is registered: **A double bath**
(51) International Design Classification: **23-02B**
(74) Name(s) of Attorney(s): **Australian Patent & TradeMark Services Pty Ltd**
(71) Name(s) and Address(s) of Applicant(s):
Pride On The Line Pty Ltd
4 Paul St Hectorville SA 5073 Australia
(72) Name(s) of Designer(s): **Danielle Kuzman**
(45) Registration Date: **07 October 2014**
(56) Related Art Documents: **Not Applicable**
(57) Statement of Newness and Distinctiveness: **Newness and distinctiveness is claimed in the shape and/or configuration of a combination of a double bath as illustrated in the accompanying representation**



(21) Design Number: **14758/2014**
(22) Date of Filing Application: **18 September 2014**
(24) Date from which industrial property rights may have effect: **18 September 2014**
(54) Product in respect of which the design is registered: **Light fixture**
(51) International Design Classification: **26-05C**
(74) Name(s) of Attorney(s): **SPRUSON & FERGUSON**
(71) Name(s) and Address(s) of Applicant(s):

Phoenix Products Company, Inc.
8711 West Port Avenue Milwaukee Wisconsin 53224 United States of America

(72) Name(s) of Designer(s): **Robert Kenneth Yasuji Fletcher and Scott P Malmsten**

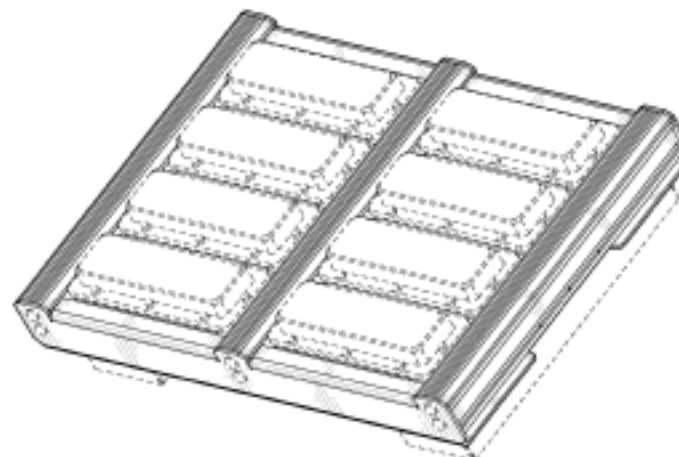
(45) Registration Date: **07 October 2014**

(30) Convention priority data:

(31) Number	(32) Date	(33) Country
29/487340	08 Apr 2014	UNITED STATES OF AMERICA

(56) Related Art Documents: **Not Applicable**

(57) Statement of Newness and Distinctiveness: **Newness and distinctiveness is claimed in those features of shape and/or configuration of a light fixture illustrated in continuous lines in the accompanying representations.**



(21) Design Number: **14761/2014**
(22) Date of Filing Application: **18 September 2014**
(24) Date from which industrial property rights may have effect: **18 September 2014**
(54) Product in respect of which the design is registered: **A composite tile**
(51) International Design Classification: **25-01F**
(74) Name(s) of Attorney(s):
(71) Name(s) and Address(s) of Applicant(s):

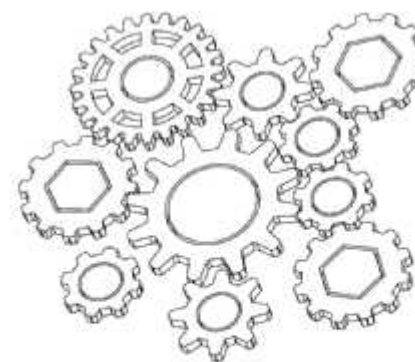
Everstone International Pty Limited
20 Princes Rd E Auburn NSW 2144 Australia

(72) Name(s) of Designer(s): **John Zeng**

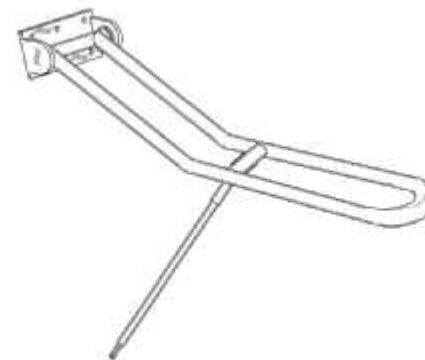
(45) Registration Date: **07 October 2014**

(56) Related Art Documents: **Not Applicable**

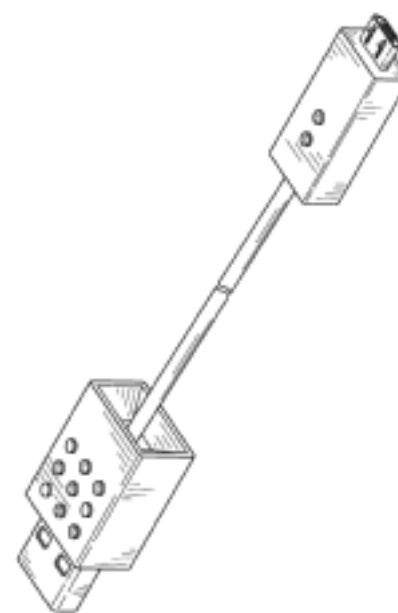
(57) Statement of Newness and Distinctiveness: **Newness and distinctiveness is claimed in the design of a composite tile as shown in the attached representations.**



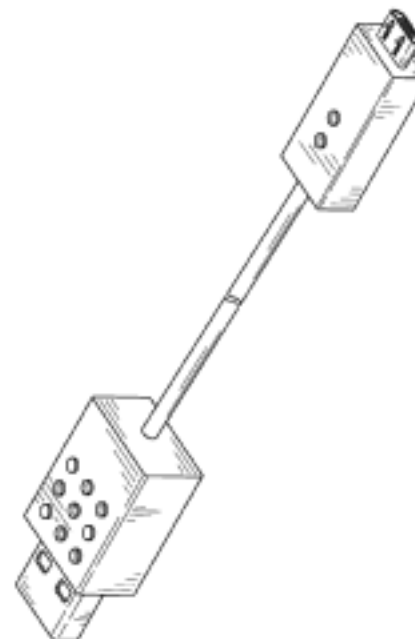
- (21) Design Number: **14762/2014**
(22) Date of Filing Application: **18 September 2014**
(24) Date from which industrial property rights may have effect: **18 September 2014**
(54) Product in respect of which the design is registered: **Folding grab rail**
(51) International Design Classification: **23-02A**
(74) Name(s) of Attorney(s): **Fisher Adams Kelly Pty Ltd**
(71) Name(s) and Address(s) of Applicant(s):
Steelmore Holdings Pty Ltd
7 Barrinia St SLACKS CREEK QLD 4127 Australia
(72) Name(s) of Designer(s): **Jason Robert Cerezo**
(45) Registration Date: **07 October 2014**
(56) Related Art Documents: **Not Applicable**
(57) Statement of Newness and Distinctiveness: **The newness and distinctiveness of the design resides in the shape and/or configuration of the FOLDING GRAB RAIL shown in the representations. When considering the newness and distinctiveness of the design, the design is variable between an extended position and a retracted position. In addition, the lines shown as dashed lines should be disregarded.**



- (21) Design Number: **14815/2014**
(22) Date of Filing Application: **22 September 2014**
(24) Date from which industrial property rights may have effect: **22 September 2014**
(54) Product in respect of which the design is registered: **Connection cable**
(51) International Design Classification: **14-99**
(74) Name(s) of Attorney(s): **PIZZEYS**
(71) Name(s) and Address(s) of Applicant(s):
Google Inc.
1600 Amphitheatre Parkway Mountain View CA 94043 United States of America
(72) Name(s) of Designer(s): **Phan Thao Dang and Vincent Claudepierre and Stephen Theodore Schooley and Maaïke Louise Evers and Michael Simonian**
(45) Registration Date: **07 October 2014**
(30) Convention priority data:
(31) Number (32) Date (33) Country
29/492,347 30 May 2014 UNITED STATES OF AMERICA
(56) Related Art Documents: **Not Applicable**
(57) Statement of Newness and Distinctiveness: **Nil**



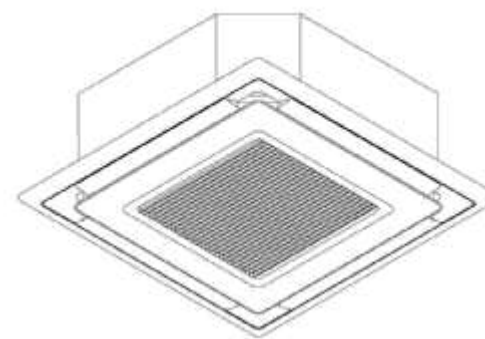
- (21) Design Number: **14816/2014**
(22) Date of Filing Application: **22 September 2014**
(24) Date from which industrial property rights may have effect: **22 September 2014**
(54) Product in respect of which the design is registered: **Connection cable**
(51) International Design Classification: **14-99**
(74) Name(s) of Attorney(s): **PIZZEYS**
(71) Name(s) and Address(s) of Applicant(s):
Google Inc.
1600 Amphitheatre Parkway Mountain View CA 94043 United States of America
(72) Name(s) of Designer(s): **Phan Thao Dang and Vincent Claudepierre and Stephen Theodore Schooley and Maaik Louise Evers and Michael Simonian**
(45) Registration Date: **07 October 2014**
(30) Convention priority data:
(31) Number (32) Date (33) Country
29/486,587 31 Mar 2014 UNITED STATES OF AMERICA
(56) Related Art Documents: **Not Applicable**
(57) Statement of Newness and Distinctiveness: **Nil**



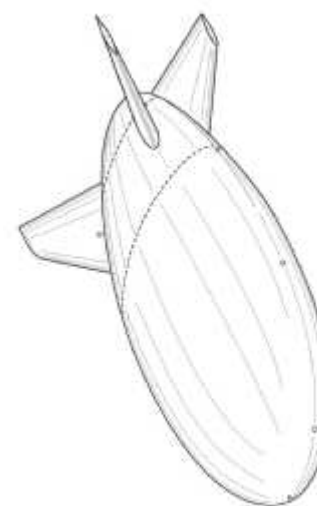
- (21) Design Number: **14817/2014**
(22) Date of Filing Application: **22 September 2014**
(24) Date from which industrial property rights may have effect: **22 September 2014**
(54) Product in respect of which the design is registered: **Electric heater**
(51) International Design Classification: **23-03A**
(74) Name(s) of Attorney(s): **A.P.T. Patent and Trade Mark Attorneys**
(71) Name(s) and Address(s) of Applicant(s):
Ryco Electrical Co., Ltd.
No.778 Haitong Road Cixi-Foreign-Trade Industrial Zone Cixi Ningbo China
(72) Name(s) of Designer(s): **Yang Tao**
(45) Registration Date: **07 October 2014**
(56) Related Art Documents: **Not Applicable**
(57) Statement of Newness and Distinctiveness: **Nil**



(21) Design Number: **14827/2014**
(22) Date of Filing Application: **22 September 2014**
(24) Date from which industrial property rights may have effect: **22 September 2014**
(54) Product in respect of which the design is registered: **Air conditioner**
(51) International Design Classification: **23-04**
(74) Name(s) of Attorney(s): **Freehills Patent Attorneys**
(71) Name(s) and Address(s) of Applicant(s):
Daikin Industries Ltd.
Umeda Center Building 4-12 Nakazaki-Nishi 2-chome Kita-ku Osaka-shi
Osaka-fu 530-8323 Japan
(72) Name(s) of Designer(s): **Hiroyasu Kosuge**
(45) Registration Date: **07 October 2014**
(56) Related Art Documents: **Not Applicable**
(57) Statement of Newness and Distinctiveness: **Newness and distinctiveness of the design resides in the features of shape and configuration of the air conditioner as shown in the accompanying representations.**



(21) Design Number: **14822/2014**
(22) Date of Filing Application: **22 September 2014**
(24) Date from which industrial property rights may have effect: **22 September 2014**
(54) Product in respect of which the design is registered: **Airship**
(51) International Design Classification: **12-07**
(74) Name(s) of Attorney(s): **Pizzeys**
(71) Name(s) and Address(s) of Applicant(s):
LTA Corporation
C/- Goelet Llc 425 Park Ave New York NY 10022 United States of
America
(72) Name(s) of Designer(s): **Loginn Kapitan and Ron Hochstetler**
(45) Registration Date: **07 October 2014**
(30) Convention priority data:
(31) Number (32) Date (33) Country
29/489,938 05 May 2014 UNITED STATES OF AMERICA
(56) Related Art Documents: **Not Applicable**
(57) Statement of Newness and Distinctiveness: **Nil**



(21) Design Number: **14823/2014**
(22) Date of Filing Application: **22 September 2014**
(24) Date from which industrial property rights may have effect: **22 September 2014**
(54) Product in respect of which the design is registered: **Part of a drawer**
(51) International Design Classification: **06-06D**
(74) Name(s) of Attorney(s): **Callinans**
(71) Name(s) and Address(s) of Applicant(s):
Julius Blum GmbH
Industriestrasse 1 A-6973 Hochst Austria
(72) Name(s) of Designer(s): **Wolfgang Held**
(45) Registration Date: **07 October 2014**
(30) Convention priority data:
(31) Number (32) Date (33) Country
2436873/0039 31 Mar 2014 OFFICE FOR HARMONISATION IN
THE INTERNAL MARKET (OHIM)
(56) Related Art Documents: **Not Applicable**
(57) Statement of Newness and Distinctiveness: **Nil**



(21) Design Number: **14825/2014**
(22) Date of Filing Application: **22 September 2014**
(24) Date from which industrial property rights may have effect: **22 September 2014**
(54) Product in respect of which the design is registered: **Dispenser for kitchen foils**
(51) International Design Classification: **07-99C**
(74) Name(s) of Attorney(s): **Callinans**
(71) Name(s) and Address(s) of Applicant(s):
Julius Blum GmbH
Industriestrasse 1 A-6973 Hochst Austria
(72) Name(s) of Designer(s): **Wolfgang Held**
(45) Registration Date: **07 October 2014**
(30) Convention priority data:
(31) Number (32) Date (33) Country
1409114 31 Mar 2014 OFFICE FOR HARMONISATION IN
THE INTERNAL MARKET (OHIM)
(56) Related Art Documents: **Not Applicable**
(57) Statement of Newness and Distinctiveness: **Nil**



(21) Design Number: **14826/2014**

(22) Date of Filing Application: **22 September 2014**

(24) Date from which industrial property rights may have effect: **22 September 2014**

(54) Product in respect of which the design is registered: **Air conditioner**

(51) International Design Classification: **23-04**

(74) Name(s) of Attorney(s): **Freehills Patent Attorneys**

(71) Name(s) and Address(s) of Applicant(s):

Daikin Industries Ltd.

**Umeda Center Building 4-12 Nakazaki-Nishi 2-chome Kita-ku Osaka-shi
Osaka-fu 530-8323 Japan**

(72) Name(s) of Designer(s): **Hiroyasu Kosuge**

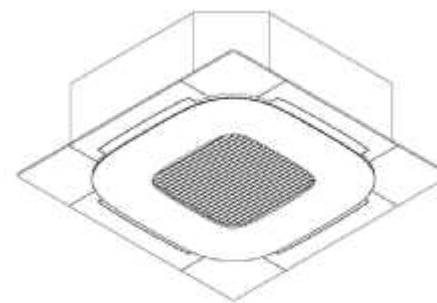
(45) Registration Date: **07 October 2014**

(30) Convention priority data:

(31) Number	(32) Date	(33) Country
2014-012314	06 Jun 2014	JAPAN

(56) Related Art Documents: **Not Applicable**

(57) Statement of Newness and Distinctiveness: **Newness and distinctiveness of the design resides in the features of shape and configuration of the air conditioner as shown in the accompanying representations.**



(21) Design Number: **14828/2014**

(22) Date of Filing Application: **22 September 2014**

(24) Date from which industrial property rights may have effect: **22 September 2014**

(54) Product in respect of which the design is registered: **Air conditioner**

(51) International Design Classification: **23-04**

(74) Name(s) of Attorney(s): **Freehills Patent Attorneys**

(71) Name(s) and Address(s) of Applicant(s):

Daikin Industries Ltd.

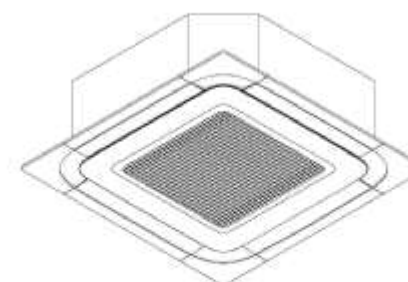
**Umeda Center Building 4-12 Nakazaki-Nishi 2-chome Kita-ku Osaka-shi
Osaka-fu 530-8323 Japan**

(72) Name(s) of Designer(s): **Hiroyasu Kosuge**

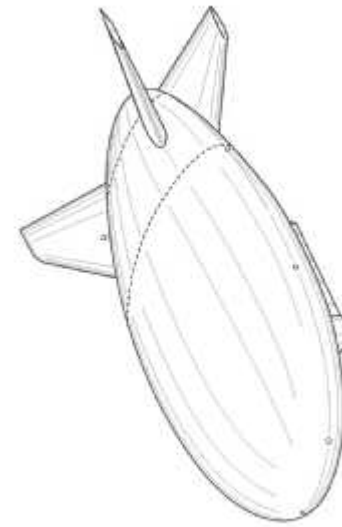
(45) Registration Date: **07 October 2014**

(56) Related Art Documents: **Not Applicable**

(57) Statement of Newness and Distinctiveness: **Newness and distinctiveness of the design resides in the features of shape and configuration of the air conditioner as shown in the accompanying representations.**



(21) Design Number: **14829/2014**
(22) Date of Filing Application: **22 September 2014**
(24) Date from which industrial property rights may have effect: **22 September 2014**
(54) Product in respect of which the design is registered: **Airship**
(51) International Design Classification: **12-07**
(74) Name(s) of Attorney(s): **Pizzeys**
(71) Name(s) and Address(s) of Applicant(s):
LTA Corporation
C/- Goelet LLC 425 Park Ave New York NY 10022 United States of America
(72) Name(s) of Designer(s): **Ron Hochstetler**
(45) Registration Date: **07 October 2014**
(30) Convention priority data:
(31) Number (32) Date (33) Country
29/489,939 05 May 2014 UNITED STATES OF AMERICA
(56) Related Art Documents: **Not Applicable**
(57) Statement of Newness and Distinctiveness: **Nil**



(21) Design Number: **13540/2014**
(22) Date of Filing Application: **17 July 2014**
(24) Date from which industrial property rights may have effect: **17 July 2014**
(54) Product in respect of which the design is registered: **Tub**
(51) International Design Classification: **09-03NES**
(74) Name(s) of Attorney(s): **Davies Collison Cave**
(71) Name(s) and Address(s) of Applicant(s):
Cryovac Australia Pty Ltd
90 Keilor Park Dr Tullamarine VIC 3043 Australia
(72) Name(s) of Designer(s): **Glenn Drake**
(45) Registration Date: **07 October 2014**
(56) Related Art Documents: **Not Applicable**
(57) Statement of Newness and Distinctiveness: **Nil**



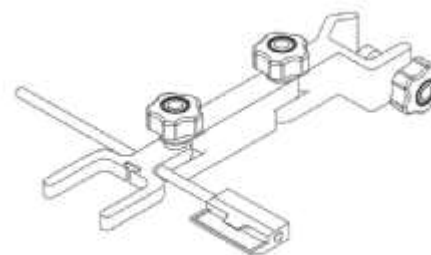
(21) Design Number: **13614/2014**
(22) Date of Filing Application: **25 July 2014**
(24) Date from which industrial property rights may have effect: **25 July 2014**
(54) Product in respect of which the design is registered: **Vanity mirror**
(51) International Design Classification: **06-07**
(74) Name(s) of Attorney(s): **Davies Collison Cave**
(71) Name(s) and Address(s) of Applicant(s):
Simplehuman, LLC
19850 Magellan Drive Torrance California 90502 United States of America
(72) Name(s) of Designer(s): **Frank Yang and Tzu-Hao Wei and Daniel Ballou**
(45) Registration Date: **07 October 2014**
(30) Convention priority data:
(31) Number (32) Date (33) Country
29/480,510 27 Jan 2014 UNITED STATES OF AMERICA
(56) Related Art Documents: **Not Applicable**
(57) Statement of Newness and Distinctiveness: **Nil**



(21) Design Number: **13650/2014**
(22) Date of Filing Application: **29 July 2014**
(24) Date from which industrial property rights may have effect: **29 July 2014**
(54) Product in respect of which the design is registered: **Rack rear wall**
(51) International Design Classification: **06-04NES**
(74) Name(s) of Attorney(s): **Davies Collison Cave**
(71) Name(s) and Address(s) of Applicant(s):
Tegometall International AG
Industriestrasse 7 Lengwil 8574 Switzerland
(72) Name(s) of Designer(s): **Ulrich Bohnacker**
(45) Registration Date: **07 October 2014**
(30) Convention priority data:
(31) Number (32) Date (33) Country
001402523 10 Feb 2014 OFFICE FOR HARMONISATION IN THE INTERNAL MARKET (OHIM)
(56) Related Art Documents: **Not Applicable**
(57) Statement of Newness and Distinctiveness: **Nil**



(21) Design Number: **13705/2014**
(22) Date of Filing Application: **31 July 2014**
(24) Date from which industrial property rights may have effect: **31 July 2014**
(54) Product in respect of which the design is registered: **Holder for blood reservoir**
(51) International Design Classification: **24-01**
(74) Name(s) of Attorney(s): **Davies Collison Cave**
(71) Name(s) and Address(s) of Applicant(s):
Nipro Corporation
9-3, Honjonishi 3-chome Kita-ku, Osaka-shi Osaka, 531-0073 Japan
(72) Name(s) of Designer(s): **Susumu Kobayashi and Kazuhisa Ishihara and Yuji Kuwahara and Keisuke Hiram and Eiichi Koiso and Shunsuke Kikumoto and Yukinori Ebara and Naoaki Yasumura**
(45) Registration Date: **07 October 2014**
(30) Convention priority data:
(31) Number (32) Date (33) Country
D2014-002032 31 Jan 2014 JAPAN
(56) Related Art Documents: **Not Applicable**
(57) Statement of Newness and Distinctiveness: **Nil**



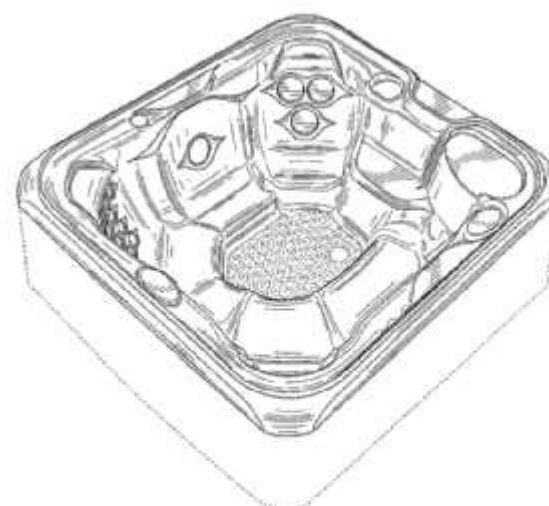
(21) Design Number: **14020/2014**
(22) Date of Filing Application: **14 August 2014**
(24) Date from which industrial property rights may have effect: **14 August 2014**
(54) Product in respect of which the design is registered: **Frying pan**
(51) International Design Classification: **07-02N**
(74) Name(s) of Attorney(s): **Davies Collison Cave**
(71) Name(s) and Address(s) of Applicant(s):
Harald Moehl
Stuelbergring 15 Luedenscheid 58515 Germany
(72) Name(s) of Designer(s): **Harald Moehl**
(45) Registration Date: **07 October 2014**
(30) Convention priority data:
(31) Number (32) Date (33) Country
002424721-0001 13 Mar 2014 OFFICE FOR HARMONISATION IN THE INTERNAL MARKET (OHIM)
(56) Related Art Documents: **Not Applicable**
(57) Statement of Newness and Distinctiveness: **Newness and distinctiveness is claimed in the visual features shown in solid lines in the representations.**



(21) Design Number: **14837/2014**
(22) Date of Filing Application: **23 September 2014**
(24) Date from which industrial property rights may have effect: **23 September 2014**
(54) Product in respect of which the design is registered: **Spa shell**
(51) International Design Classification: **23-02B**
(74) Name(s) of Attorney(s): **Baldwins Intellectual Property**
(71) Name(s) and Address(s) of Applicant(s):
Watkins Manufacturing Corporation
1280 Park Center Drive Vista California 92081 United States of America
(72) Name(s) of Designer(s): **Christopher Carl Larsen and Sage Nathan Baker**
(45) Registration Date: **07 October 2014**
(30) Convention priority data:
(31) Number (32) Date (33) Country
29/492,898 04 Jun 2014 UNITED STATES OF AMERICA
(56) Related Art Documents: **Not Applicable**
(57) Statement of Newness and Distinctiveness: **Newness and distinctiveness resides in the features of shape and/or configuration of the spa shell, excluding those portions shown in broken line.**



(21) Design Number: **14838/2014**
(22) Date of Filing Application: **23 September 2014**
(24) Date from which industrial property rights may have effect: **23 September 2014**
(54) Product in respect of which the design is registered: **Spa shell**
(51) International Design Classification: **23-02B**
(74) Name(s) of Attorney(s): **Baldwins Intellectual Property**
(71) Name(s) and Address(s) of Applicant(s):
Watkins Manufacturing Corporation
1280 Park Center Drive Vista California 92081 United States of America
(72) Name(s) of Designer(s): **Christopher Carl Larsen and Sage Nathan Baker**
(45) Registration Date: **07 October 2014**
(30) Convention priority data:
(31) Number (32) Date (33) Country
29/488,601 22 Apr 2014 UNITED STATES OF AMERICA
(56) Related Art Documents: **Not Applicable**
(57) Statement of Newness and Distinctiveness: **Newness and distinctiveness resides in the features of shape and/or configuration of the spa shell, excluding those portions shown in broken line.**



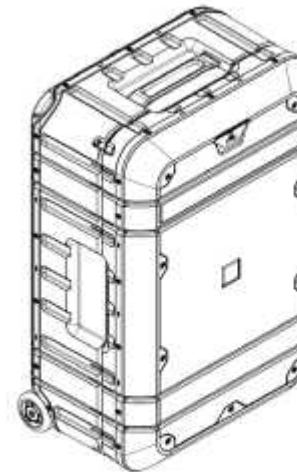
- (21) Design Number: **14851/2014**
(22) Date of Filing Application: **23 September 2014**
(24) Date from which industrial property rights may have effect: **23 September 2014**
(54) Product in respect of which the design is registered: **A tyre**
(51) International Design Classification: **12-15A**
(74) Name(s) of Attorney(s): **WATERMARK PATENT AND TRADE MARKS ATTORNEYS**
(71) Name(s) and Address(s) of Applicant(s):
Compagnie Generale Des Etablissements Michelin
12 cours Sablon Clermont-Ferrand 63000 France
Michelin Recherche et Technique, S.A.
Route Lous-Braille 10, Granges-Paccot 1763 Switzerland
(72) Name(s) of Designer(s): **John A Hutz and Lyle James and Mhamed Louzri and Lee Montgomery and David Pressley and Brad Weaver**
(45) Registration Date: **07 October 2014**
(30) Convention priority data:
(31) Number (32) Date (33) Country
29/485,810 24 Mar 2014 UNITED STATES OF AMERICA
(56) Related Art Documents: **Not Applicable**
(57) Statement of Newness and Distinctiveness: **Newness and distinctiveness resides in the shape and configuration of the tread region of the tire, the remainder of the tire shown in dashed outline forms no part of the design and should be disregarded when considering the scope of monopoly of the design.**



- (21) Design Number: **14852/2014**
(22) Date of Filing Application: **23 September 2014**
(24) Date from which industrial property rights may have effect: **23 September 2014**
(54) Product in respect of which the design is registered: **A tyre**
(51) International Design Classification: **12-15C**
(74) Name(s) of Attorney(s): **WATERMARK PATENT AND TRADE MARKS ATTORNEYS**
(71) Name(s) and Address(s) of Applicant(s):
Compagnie Generale Des Etablissements Michelin
12 cours Sablon Clermont-Ferrand 63000 France
Michelin Recherche et Technique, S.A.
Route Lous-Braille 10, Granges-Paccot 1763 Switzerland
(72) Name(s) of Designer(s): **John A Hutz and Lyle James and Mhamed Louzri and Scott Norville and David Pressley and Brad Weaver**
(45) Registration Date: **07 October 2014**
(30) Convention priority data:
(31) Number (32) Date (33) Country
29/485,813 24 Mar 2014 UNITED STATES OF AMERICA
(56) Related Art Documents: **Not Applicable**
(57) Statement of Newness and Distinctiveness: **Newness and distinctiveness resides in the shape and configuration of the tread region of the tire, the remainder of the tire shown in dashed outline forms no part of the design and should be disregarded when considering the scope of monopoly of the design.**



(21) Design Number: **14857/2014**
(22) Date of Filing Application: **24 September 2014**
(24) Date from which industrial property rights may have effect: **24 September 2014**
(54) Product in respect of which the design is registered: **Case**
(51) International Design Classification: **03-01C**
(74) Name(s) of Attorney(s): **SPRUSON & FERGUSON**
(71) Name(s) and Address(s) of Applicant(s):
Pelican Products, Inc.
23215 Early Avenue, Torrance California 90505 United States of America
(72) Name(s) of Designer(s): **Martin Riddiford and Robert Butterworth and Andrew Clift**
(45) Registration Date: **07 October 2014**
(30) Convention priority data:
(31) Number (32) Date (33) Country
29/487016 04 Apr 2014 UNITED STATES OF AMERICA
(56) Related Art Documents: **Not Applicable**
(57) Statement of Newness and Distinctiveness: **Newness and distinctiveness is claimed in the features of shape and/or configuration of a case as illustrated in the accompanying representations.**



(21) Design Number: **14858/2014**
(22) Date of Filing Application: **24 September 2014**
(24) Date from which industrial property rights may have effect: **24 September 2014**
(54) Product in respect of which the design is registered: **Biscuit**
(51) International Design Classification: **01-01**
(74) Name(s) of Attorney(s): **Griffith Hack**
(71) Name(s) and Address(s) of Applicant(s):
Intercontinental Great Brands LLC
100 Deforest Avenue East Hanover NJ 07936 United States of America
(72) Name(s) of Designer(s): **Dongxu Wang and Yong Shi and Weibing Qian and Guoqiang Xue and Manhu Gu**
(45) Registration Date: **07 October 2014**
(30) Convention priority data:
(31) Number (32) Date (33) Country
201430070448 30 Mar 2014 CHINA
(56) Related Art Documents: **Not Applicable**
(57) Statement of Newness and Distinctiveness: **The shape and configuration of the product as shown in the accompanying representations is new and distinctive.**



- (21) Design Number: **14859/2014**
(22) Date of Filing Application: **24 September 2014**
(24) Date from which industrial property rights may have effect: **24 September 2014**
(54) Product in respect of which the design is registered: **Biscuit**
(51) International Design Classification: **01-01**
(74) Name(s) of Attorney(s): **Griffith Hack**
(71) Name(s) and Address(s) of Applicant(s):
Intercontinental Great Brands LLC
100 Deforest Avenue East Hanover NJ 07936 United States of America
(72) Name(s) of Designer(s): **Dongxu Wang and Yong Shi and Weibing Qian**
and Guoqiang Xue and Manhu Gu
(45) Registration Date: **07 October 2014**
(30) Convention priority data:
(31) Number (32) Date (33) Country
201430070448 30 Mar 2014 CHINA
(56) Related Art Documents: **Not Applicable**
(57) Statement of Newness and Distinctiveness: **The shape and configuration of the product as shown in the accompanying representations is new and distinctive.**



- (21) Design Number: **14860/2014**
(22) Date of Filing Application: **24 September 2014**
(24) Date from which industrial property rights may have effect: **24 September 2014**
(54) Product in respect of which the design is registered: **Biscuit**
(51) International Design Classification: **01-01**
(74) Name(s) of Attorney(s): **Griffith Hack**
(71) Name(s) and Address(s) of Applicant(s):
Intercontinental Great Brands LLC
100 Deforest Avenue East Hanover NJ 07936 United States of America
(72) Name(s) of Designer(s): **Dongxu Wang and Yong Shi and Weibing Qian**
and Guoqiang Xue and Manhu Gu
(45) Registration Date: **07 October 2014**
(30) Convention priority data:
(31) Number (32) Date (33) Country
201430070448 30 Mar 2014 CHINA
(56) Related Art Documents: **Not Applicable**
(57) Statement of Newness and Distinctiveness: **The shape, configuration and ornamentation of the product as shown in the accompanying representations is new and distinctive.**



- (21) Design Number: **14862/2014**
(22) Date of Filing Application: **24 September 2014**
(24) Date from which industrial property rights may have effect: **24 September 2014**
(54) Product in respect of which the design is registered: **Biscuit**
(51) International Design Classification: **01-01**
(74) Name(s) of Attorney(s): **Griffith Hack**
(71) Name(s) and Address(s) of Applicant(s):
Intercontinental Great Brands LLC
100 Deforest Avenue East Hanover NJ 07936 United States of America
(72) Name(s) of Designer(s): **Dongxu Wang and Yong Shi and Weibing Qian**
and Guoqiang Xue and Manhu Gu
(45) Registration Date: **07 October 2014**
(30) Convention priority data:
(31) Number (32) Date (33) Country
201430070448 30 Mar 2014 CHINA
(56) Related Art Documents: **Not Applicable**
(57) Statement of Newness and Distinctiveness: **The shape, configuration and ornamentation of the product as shown in the accompanying representations is new and distinctive.**



- (21) Design Number: **14374/2014**
(22) Date of Filing Application: **02 September 2014**
(24) Date from which industrial property rights may have effect: **02 September 2014**
(54) Product in respect of which the design is registered: **A passive EM antenna for an electronic device**
(51) International Design Classification: **14-03NES**
(74) Name(s) of Attorney(s): **Murray Trento & Associates**
(71) Name(s) and Address(s) of Applicant(s):
Aaron Leibovich
5 Leaburn Ave Caulfield North VIC 3161 Australia
(72) Name(s) of Designer(s): **Aaron Leibovich**
(45) Registration Date: **07 October 2014**
(56) Related Art Documents: **Not Applicable**
(57) Statement of Newness and Distinctiveness: **Newness and distinctiveness relates to the pattern of strips, rectangles and other objects visible in the representation.**



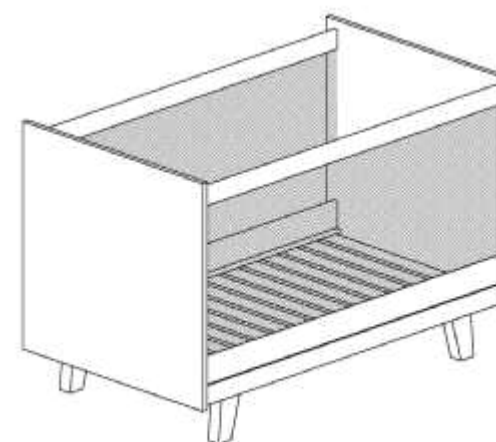
(21) Design Number: **14805/2014**
(22) Date of Filing Application: **19 September 2014**
(24) Date from which industrial property rights may have effect: **19 September 2014**
(54) Product in respect of which the design is registered: **Barbeque oven**
(51) International Design Classification: **07-02E**
(74) Name(s) of Attorney(s): **Baxter Patent Attorneys Pty Ltd**
(71) Name(s) and Address(s) of Applicant(s):
Xianxing Yu
Suite 603, Building 4, Mingxiangxuan Fenghua Road, Ronggui Street
Shunde District Foshan City Guangdong Province China
(72) Name(s) of Designer(s): **Xianxing Yu**
(45) Registration Date: **07 October 2014**
(56) Related Art Documents: **Not Applicable**
(57) Statement of Newness and Distinctiveness: **Newness and distinctiveness**
reside in the features of shape and/or configuration of a Barbeque Oven
as illustrated in the accompanying representations.



(21) Design Number: **14836/2014**
(22) Date of Filing Application: **23 September 2014**
(24) Date from which industrial property rights may have effect: **23 September 2014**
(54) Product in respect of which the design is registered: **Coffee capsule**
(51) International Design Classification: **07-02L**
(74) Name(s) of Attorney(s): **Callinans**
(71) Name(s) and Address(s) of Applicant(s):
Espressocap S.p.A.
Via Magenta, 41/43 1-20010 Bareggio (MI) Italy
(72) Name(s) of Designer(s): **Alessandro Doria**
(45) Registration Date: **07 October 2014**
(30) Convention priority data:
(31) Number (32) Date (33) Country
002433284-0005 26 Mar 2014 OFFICE FOR HARMONISATION IN
THE INTERNAL MARKET (OHIM)
(56) Related Art Documents: **Not Applicable**
(57) Statement of Newness and Distinctiveness: **Nil**



(21) Design Number: **14841/2014**
(22) Date of Filing Application: **23 September 2014**
(24) Date from which industrial property rights may have effect: **23 September 2014**
(54) Product in respect of which the design is registered: **Cot**
(51) International Design Classification: **06-02**
(74) Name(s) of Attorney(s): **AJ Park**
(71) Name(s) and Address(s) of Applicant(s):



Urban Lynch
17a Sutherland Crescent Melrose Wellington 6023 New Zealand

(72) Name(s) of Designer(s): **Urban Lynch**

(45) Registration Date: **07 October 2014**

(30) Convention priority data:

(31) Number	(32) Date	(33) Country
418662	26 Mar 2014	NEW ZEALAND

(56) Related Art Documents: **Not Applicable**

(57) Statement of Newness and Distinctiveness: **Newness and distinctiveness resides in the features of shape and/or configuration of the COT, including the mesh side panels, all as shown in the representations.**

(21) Design Number: **14845/2014**
(22) Date of Filing Application: **23 September 2014**
(24) Date from which industrial property rights may have effect: **23 September 2014**
(54) Product in respect of which the design is registered: **Hair styler**
(51) International Design Classification: **28-03B**
(74) Name(s) of Attorney(s): **FB Rice**
(71) Name(s) and Address(s) of Applicant(s):



Koninklijke Philips N.V.
High Tech Campus 5 Eindhoven 5656 AE The Netherlands

(72) Name(s) of Designer(s): **Suzette Van Maanen**

(45) Registration Date: **07 October 2014**

(30) Convention priority data:

(31) Number	(32) Date	(33) Country
002430603-0001	24 Mar 2014	OFFICE FOR HARMONISATION IN THE INTERNAL MARKET (OHIM)

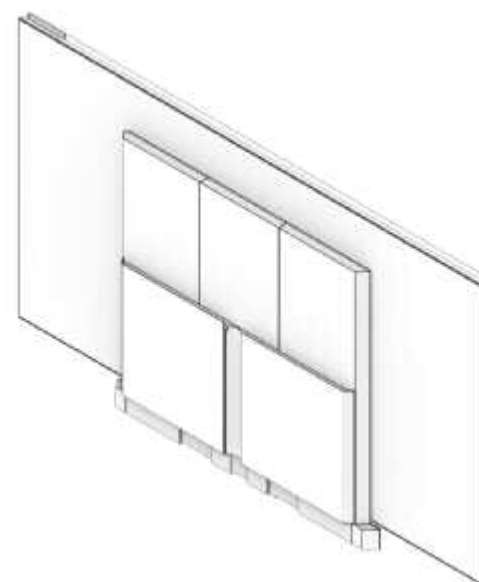
(56) Related Art Documents: **Not Applicable**

(57) Statement of Newness and Distinctiveness: **Newness and distinctiveness reside in the features of shape and configuration of the design as shown in the representations.**

(21) Design Number: **14848/2014**
(22) Date of Filing Application: **23 September 2014**
(24) Date from which industrial property rights may have effect: **23 September 2014**
(54) Product in respect of which the design is registered: **A remote control**
(51) International Design Classification: **14-03NES**
(74) Name(s) of Attorney(s): **K&L Gates**
(71) Name(s) and Address(s) of Applicant(s):
Bang & Olufsen A/S
Peter Bangs Vej 15 7600 Struer Denmark
(72) Name(s) of Designer(s): **Torsten Valeur**
(45) Registration Date: **07 October 2014**
(30) Convention priority data:
(31) Number (32) Date (33) Country
002431155-0001 24 Mar 2014 OFFICE FOR HARMONISATION IN
THE INTERNAL MARKET (OHIM)
(56) Related Art Documents: **Not Applicable**
(57) Statement of Newness and Distinctiveness: **Nil**



(21) Design Number: **14849/2014**
(22) Date of Filing Application: **23 September 2014**
(24) Date from which industrial property rights may have effect: **23 September 2014**
(54) Product in respect of which the design is registered: **Television with sliding speakers**
(51) International Design Classification: **14-03B**
(74) Name(s) of Attorney(s): **K&L Gates**
(71) Name(s) and Address(s) of Applicant(s):
Bang & Olufsen A/S
Peter Bangs Vej 15 7600 Struer Denmark
(72) Name(s) of Designer(s): **Torsten Valeur**
(45) Registration Date: **07 October 2014**
(30) Convention priority data:
(31) Number (32) Date (33) Country
DA 2014 00030 24 Mar 2014 DENMARK
(56) Related Art Documents: **Not Applicable**
(57) Statement of Newness and Distinctiveness: **Nil**



- (21) Design Number: **14586/2014**
(22) Date of Filing Application: **11 September 2014**
(24) Date from which industrial property rights may have effect: **11 September 2014**
(54) Product in respect of which the design is registered: **Tent peg**
(51) International Design Classification: **21-04**
(74) Name(s) of Attorney(s): **Acacia Law**
(71) Name(s) and Address(s) of Applicant(s):
Sagidox Australia Pty Ltd
15 Daphne PI Wakerley QLD 4154 Australia
(72) Name(s) of Designer(s): **Cornelius Aalwyn Johannes Kruger**
(45) Registration Date: **08 October 2014**
(30) Convention priority data:
(31) Number (32) Date (33) Country
F2014/00446 10 Mar 2014 SOUTH AFRICA
(56) Related Art Documents: **Not Applicable**
(57) Statement of Newness and Distinctiveness: **Novelty lies in the shape and configuration of a tent peg, particularly the bent head thereof. The elongated tent peg shaft may be of indefinite length.**



- (21) Design Number: **14587/2014**
(22) Date of Filing Application: **11 September 2014**
(24) Date from which industrial property rights may have effect: **11 September 2014**
(54) Product in respect of which the design is registered: **Tent peg**
(51) International Design Classification: **21-04**
(74) Name(s) of Attorney(s): **Acacia Law**
(71) Name(s) and Address(s) of Applicant(s):
Sagidox Australia Pty Ltd
15 Daphne PI Wakerley QLD 4154 Australia
(72) Name(s) of Designer(s): **Cornelius Aalwyn Johannes Kruger**
(45) Registration Date: **08 October 2014**
(30) Convention priority data:
(31) Number (32) Date (33) Country
F2014/00446 10 Mar 2014 SOUTH AFRICA
(56) Related Art Documents: **Not Applicable**
(57) Statement of Newness and Distinctiveness: **Novelty lies in the shape and configuration of a tent peg, particularly the bent head thereof. The elongated tent peg shaft may be of indefinite length. The joint angle between the tent peg and the spring is not material to the design.**



(21) Design Number: **13288/2014**
(22) Date of Filing Application: **07 July 2014**
(24) Date from which industrial property rights may have effect: **07 July 2014**
(54) Product in respect of which the design is registered: **Insole for a shoe**
(51) International Design Classification: **02-04A, 02-04B**
(74) Name(s) of Attorney(s): **SPRUSON & FERGUSON**
(71) Name(s) and Address(s) of Applicant(s):
S. C. Johnson & Son, Inc.
1525 Howe Street Racine Wisconsin 53403-2236 United States of America
(72) Name(s) of Designer(s): **Caroline M.J. Fischer and Ryan P. Kane and Arnoldus Johannes Claassen**
(45) Registration Date: **08 October 2014**
(30) Convention priority data:
(31) Number (32) Date (33) Country
29/478887 09 Jan 2014 UNITED STATES OF AMERICA
(56) Related Art Documents: **Not Applicable**
(57) Statement of Newness and Distinctiveness: **Newness and distinctiveness is claimed in those features of an insole for a shoe illustrated in continuous in the accompanying representations.**



(21) Design Number: **13546/2014**
(22) Date of Filing Application: **18 July 2014**
(24) Date from which industrial property rights may have effect: **18 July 2014**
(54) Product in respect of which the design is registered: **Speaker**
(51) International Design Classification: **14-01**
(74) Name(s) of Attorney(s): **FB Rice**
(71) Name(s) and Address(s) of Applicant(s):
WOOX Innovations Belgium NV
Tweestationsstraat 80 Anderlecht B-1070 Belgium
(72) Name(s) of Designer(s): **Wai Chung Lee**
(45) Registration Date: **08 October 2014**
(30) Convention priority data:
(31) Number (32) Date (33) Country
2387449 20 Jan 2014 OFFICE FOR HARMONISATION IN THE INTERNAL MARKET (OHIM)
(56) Related Art Documents: **Not Applicable**
(57) Statement of Newness and Distinctiveness: **Newness and distinctiveness reside in the features of shape and configuration of the design as shown in the representations.**



(21) Design Number: **13668/2014**

(22) Date of Filing Application: **30 July 2014**

(24) Date from which industrial property rights may have effect: **30 July 2014**

(54) Product in respect of which the design is registered: **High visibility sheet material**

(51) International Design Classification: **25-01D**

(74) Name(s) of Attorney(s):

(71) Name(s) and Address(s) of Applicant(s):

NKR (Cheshire) Limited
Vision House Unit 4, Marshfield Bank Crewe Cheshire CW2 8UY United Kingdom

(72) Name(s) of Designer(s): **Nicholas James Rowbottom**

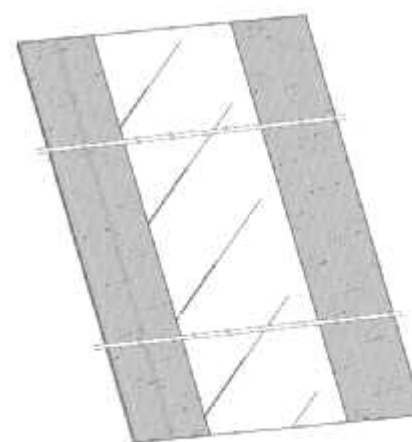
(45) Registration Date: **08 October 2014**

(30) Convention priority data:

(31) Number	(32) Date	(33) Country
002400606-0001	07 Feb 2014	OFFICE FOR HARMONISATION IN THE INTERNAL MARKET (OHIM)

(56) Related Art Documents: **Not Applicable**

(57) Statement of Newness and Distinctiveness: **The design is to be applied to A HIGH VISIBILITY SHEET MATERIAL, of indefinite length, which is a laminate of retroreflective and photoluminescent materials, primarily in the form of tapes, and the novelty resides in the features of shape and / or configuration as shown in the accompanying representations.**



(21) Design Number: **13669/2014**

(22) Date of Filing Application: **30 July 2014**

(24) Date from which industrial property rights may have effect: **30 July 2014**

(54) Product in respect of which the design is registered: **High visibility sheet material**

(51) International Design Classification: **25-01D**

(74) Name(s) of Attorney(s):

(71) Name(s) and Address(s) of Applicant(s):

NKR (Cheshire) Limited
Vision House Unit 4, Marshfield Bank Crewe Cheshire CW2 8UY United Kingdom

(72) Name(s) of Designer(s): **Nicholas James Rowbottom**

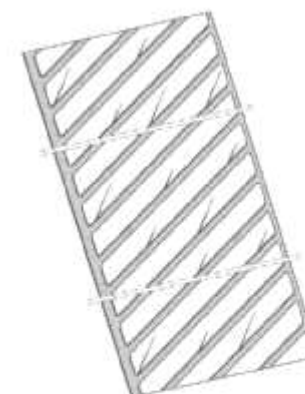
(45) Registration Date: **08 October 2014**

(30) Convention priority data:

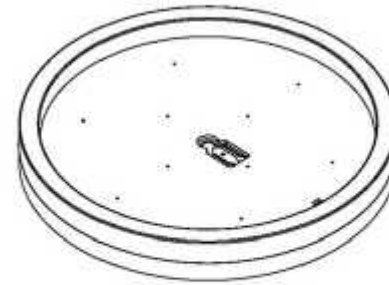
(31) Number	(32) Date	(33) Country
002400606-002	07 Feb 2014	OFFICE FOR HARMONISATION IN THE INTERNAL MARKET (OHIM)

(56) Related Art Documents: **Not Applicable**

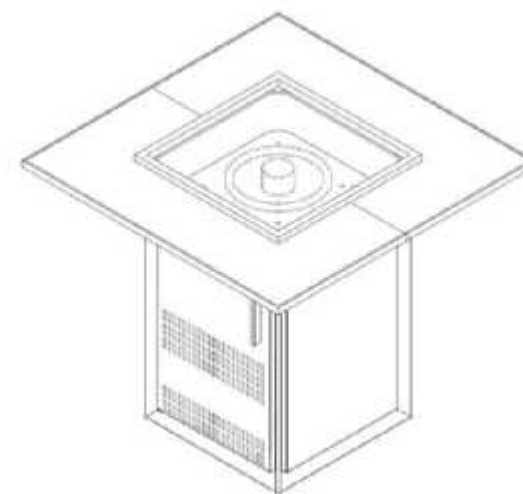
(57) Statement of Newness and Distinctiveness: **The design is to be applied to A HIGH VISIBILITY SHEET MATERIAL, of indefinite length, which is a laminate of retroreflective and photoluminescent materials, primarily in the form of tapes, and the novelty resides in the features of shape and / or configuration as shown in the accompanying representations.**



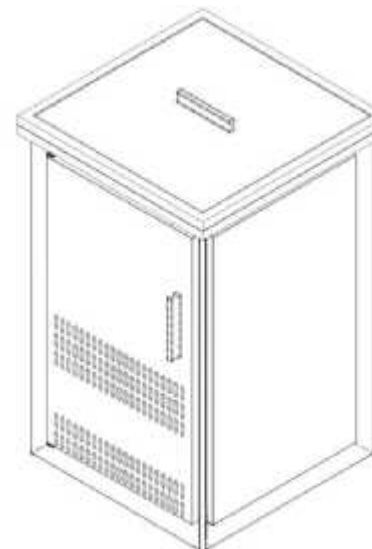
- (21) Design Number: **13725/2014**
(22) Date of Filing Application: **31 July 2014**
(24) Date from which industrial property rights may have effect: **31 July 2014**
(54) Product in respect of which the design is registered: **Ceiling fan light**
(51) International Design Classification: **26-05NES, 23-04**
(74) Name(s) of Attorney(s): **Griffith Hack**
(71) Name(s) and Address(s) of Applicant(s):
Martec Pty Ltd
U1/6 Church Rd Moorebank NSW 2170 Australia
(72) Name(s) of Designer(s): **Cristian Care**
(45) Registration Date: **08 October 2014**
(56) Related Art Documents: **Not Applicable**
(57) Statement of Newness and Distinctiveness: **The shape and configuration of the product as shown by solid lines in the accompanying representations is new and distinctive.**



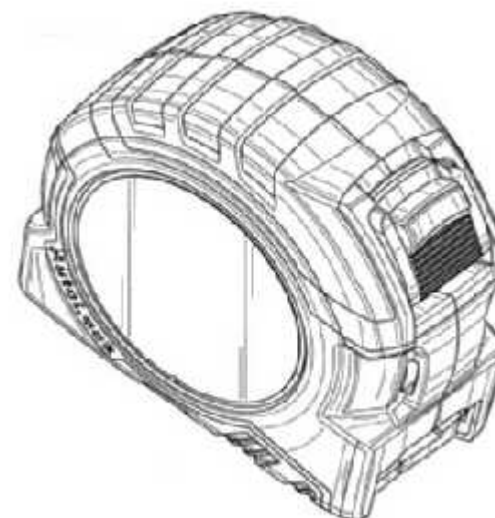
- (21) Design Number: **13240/2014**
(22) Date of Filing Application: **03 July 2014**
(24) Date from which industrial property rights may have effect: **03 July 2014**
(54) Product in respect of which the design is registered: **A heater with removable lid**
(51) International Design Classification: **23-03A**
(74) Name(s) of Attorney(s): **WATERMARK PATENT AND TRADE MARKS ATTORNEYS**
(71) Name(s) and Address(s) of Applicant(s):
Pacific Trends International Pty Ltd
U8 19-23 Clarinda Rd Oakleigh South VIC 3167 Australia
(72) Name(s) of Designer(s): **Colin Bourke**
(45) Registration Date: **08 October 2014**
(56) Related Art Documents: **Not Applicable**
(57) Statement of Newness and Distinctiveness: **The newness and distinctiveness of the design application resides in the shape and configuration of the heater shown in the accompanying representations; in considering the newness and distinctiveness, the parts shown in broken lines are to be disregarded.**



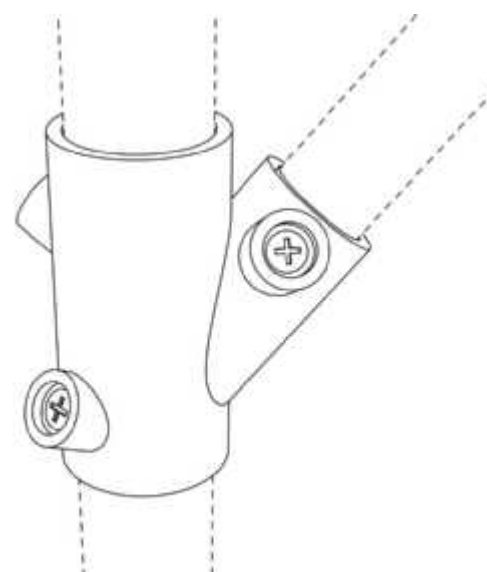
(21) Design Number: **13243/2014**
 (22) Date of Filing Application: **03 July 2014**
 (24) Date from which industrial property rights may have effect: **03 July 2014**
 (54) Product in respect of which the design is registered: **A heater with removable lid**
 (51) International Design Classification: **23-03A**
 (74) Name(s) of Attorney(s): **WATERMARK PATENT AND TRADE MARKS ATTORNEYS**
 (71) Name(s) and Address(s) of Applicant(s):
Pacific Trends International Pty Ltd
U8 19-23 Clarinda Rd Oakleigh South VIC 3167 Australia
 (72) Name(s) of Designer(s): **Colin Bourke**
 (45) Registration Date: **08 October 2014**
 (56) Related Art Documents: **Not Applicable**
 (57) Statement of Newness and Distinctiveness: **The newness and distinctiveness of the design application resides in the shape and configuration of the heater shown in the accompanying representations; in considering the newness and distinctiveness, the parts shown in broken lines are to be disregarded.**



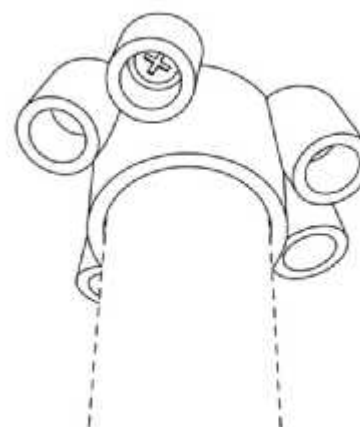
(21) Design Number: **13795/2014**
 (22) Date of Filing Application: **05 August 2014**
 (24) Date from which industrial property rights may have effect: **05 August 2014**
 (54) Product in respect of which the design is registered: **Tape measure**
 (51) International Design Classification: **10-04**
 (74) Name(s) of Attorney(s): **Davies Collison Cave**
 (71) Name(s) and Address(s) of Applicant(s):
Stanley Black & Decker, Inc.
1000 Stanley Drive Connecticut New Britain 06053 United States of America
 (72) Name(s) of Designer(s): **Vincent Cook and Eric Ranieri**
 (45) Registration Date: **08 October 2014**
 (30) Convention priority data:
 (31) Number (32) Date (33) Country
29/481,491 06 Feb 2014 UNITED STATES OF AMERICA
 (56) Related Art Documents: **Not Applicable**
 (57) Statement of Newness and Distinctiveness: **Nil**



- (21) Design Number: **14071/2014**
(22) Date of Filing Application: **18 August 2014**
(24) Date from which industrial property rights may have effect: **18 August 2014**
(54) Product in respect of which the design is registered: **Joint for furniture**
(51) International Design Classification: **06-03A, 06-06E**
(74) Name(s) of Attorney(s):
(71) Name(s) and Address(s) of Applicant(s):
Jack Andrew Dodgson
10/8 Doris St West End QLD 4101 Australia
(72) Name(s) of Designer(s): **Jack Andrew Dodgson**
(45) Registration Date: **08 October 2014**
(56) Related Art Documents: **Not Applicable**
(57) Statement of Newness and Distinctiveness: **Newness and distinctiveness resides in the 'branching', or 'plant' like aesthetic of the jointing system. The table leg system is assembled using screw fixings which have pilot holes expressed as a branch 'stubs'. The overall representation of an assembled table leg system is of a twig or tree.**



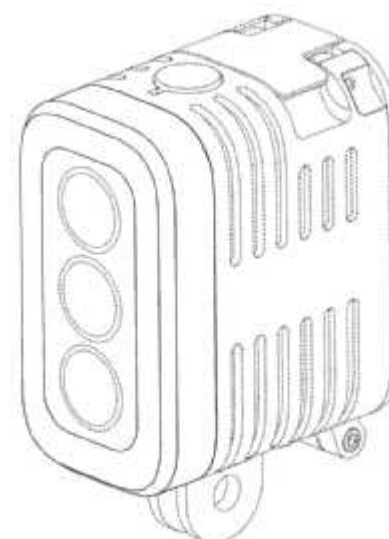
- (21) Design Number: **14072/2014**
(22) Date of Filing Application: **18 August 2014**
(24) Date from which industrial property rights may have effect: **18 August 2014**
(54) Product in respect of which the design is registered: **Joint for furniture**
(51) International Design Classification: **06-03A, 06-06E**
(74) Name(s) of Attorney(s):
(71) Name(s) and Address(s) of Applicant(s):
Jack Andrew Dodgson
10/8 Doris St West End QLD 4101 Australia
(72) Name(s) of Designer(s): **Jack Andrew Dodgson**
(45) Registration Date: **08 October 2014**
(56) Related Art Documents: **Not Applicable**
(57) Statement of Newness and Distinctiveness: **Newness and distinctiveness resides in the 'branching', or 'plant' like aesthetic of the jointing system. The table leg system is assembled using screw fixings which have pilot holes expressed as a branch 'stubs'. The overall representation of an assembled table leg system is of a twig or tree.**



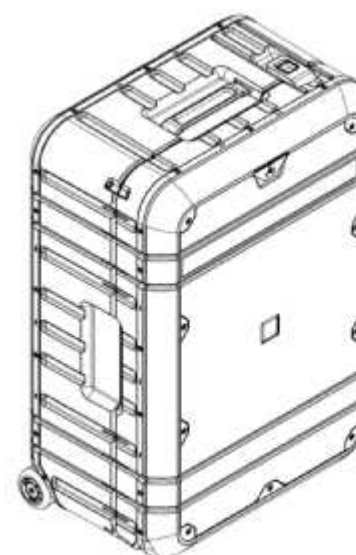
- (21) Design Number: **13287/2014**
(22) Date of Filing Application: **07 July 2014**
(24) Date from which industrial property rights may have effect: **07 July 2014**
(54) Product in respect of which the design is registered: **Insole for a shoe**
(51) International Design Classification: **02-04A**
(74) Name(s) of Attorney(s): **SPRUSON & FERGUSON**
(71) Name(s) and Address(s) of Applicant(s):
S. C. Johnson & Son, Inc.
1525 Howe Street Racine Wisconsin 53403-2236 United States of America
(72) Name(s) of Designer(s): **Caroline M.J. Fischer and Ryan P. Kane and Arnoldus Johannes Claassen**
(45) Registration Date: **08 October 2014**
(30) Convention priority data:
(31) Number (32) Date (33) Country
29/478887 09 Jan 2014 UNITED STATES OF AMERICA
(56) Related Art Documents: **Not Applicable**
(57) Statement of Newness and Distinctiveness: **Newness and distinctiveness is claimed in those features of an insole for a shoe illustrated in continuous in the accompanying representations.**



- (21) Design Number: **14846/2014**
(22) Date of Filing Application: **23 September 2014**
(24) Date from which industrial property rights may have effect: **10 January 2014**
(54) Product in respect of which the design is registered: **Lighting accessory for portable electronic device**
(51) International Design Classification: **14-02, 26-02**
(74) Name(s) of Attorney(s): **Freehills Patent Attorneys**
(71) Name(s) and Address(s) of Applicant(s):
Knog Pty Ltd
453 Church St Richmond VIC 3121 Australia
(72) Name(s) of Designer(s): **Kynan Taylor and Chris Bilanenko and Jonathan Chan and Hugo Davidson and Malcolm McKechnie**
(45) Registration Date: **08 October 2014**
(62) Divisional of: **357963**
(56) Related Art Documents: **Not Applicable**
(57) Statement of Newness and Distinctiveness: **Newness and distinctiveness of the design resides in the features of shape and configuration of the product as shown in solid lines in the accompanying representations.**



(21) Design Number: **14864/2014**
(22) Date of Filing Application: **24 September 2014**
(24) Date from which industrial property rights may have effect: **24 September 2014**
(54) Product in respect of which the design is registered: **Case**
(51) International Design Classification: **03-01A**
(74) Name(s) of Attorney(s): **SPRUSON & FERGUSON**
(71) Name(s) and Address(s) of Applicant(s):
Pelican Products, Inc.
23215 Early Avenue Torrance California 90505 United States of America
(72) Name(s) of Designer(s): **Martin Riddiford and Robert Butterworth and Andrew Clift**
(45) Registration Date: **08 October 2014**
(30) Convention priority data:
(31) Number (32) Date (33) Country
29/487016 04 Apr 2014 UNITED STATES OF AMERICA
(56) Related Art Documents: **Not Applicable**
(57) Statement of Newness and Distinctiveness: **Newness and distinctiveness is claimed in the features of shape and/or configuration of a case as illustrated in the accompanying representations.**



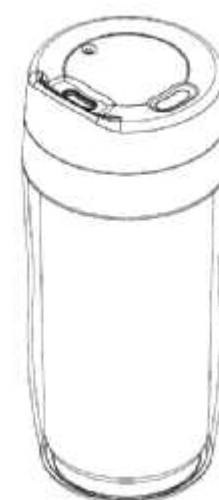
(21) Design Number: **14865/2014**
(22) Date of Filing Application: **24 September 2014**
(24) Date from which industrial property rights may have effect: **24 September 2014**
(54) Product in respect of which the design is registered: **Case**
(51) International Design Classification: **03-01C**
(74) Name(s) of Attorney(s): **SPRUSON & FERGUSON**
(71) Name(s) and Address(s) of Applicant(s):
Pelican Products, Inc.
23215 Early Avenue Torrance California 90505 United States of America
(72) Name(s) of Designer(s): **Martin Riddiford and Robert Butterworth and Andrew Clift**
(45) Registration Date: **08 October 2014**
(30) Convention priority data:
(31) Number (32) Date (33) Country
29/487016 04 Apr 2014 UNITED STATES OF AMERICA
(56) Related Art Documents: **Not Applicable**
(57) Statement of Newness and Distinctiveness: **Newness and distinctiveness is claimed in the features of shape and/or configuration of a case as illustrated in the accompanying representations.**



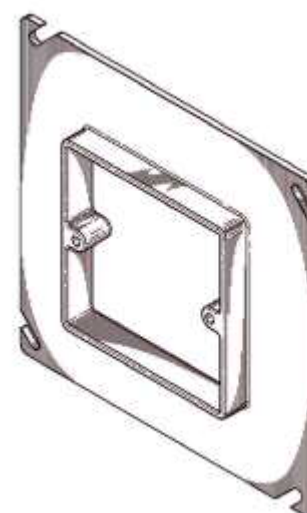
- (21) Design Number: **14866/2014**
(22) Date of Filing Application: **24 September 2014**
(24) Date from which industrial property rights may have effect: **24 September 2014**
(54) Product in respect of which the design is registered: **Incubator lid**
(51) International Design Classification: **24-01**
(74) Name(s) of Attorney(s):
(71) Name(s) and Address(s) of Applicant(s):
Shane Jay Nicholson
PO BOX 3085 West Ipswich QLD 4305 Australia
(72) Name(s) of Designer(s): **Shane Jay Nicholson**
(45) Registration Date: **08 October 2014**
(56) Related Art Documents: **Not Applicable**
(57) Statement of Newness and Distinctiveness: **Newness and distinctiveness resides in the visual features of shape and/or configuration of a incubator lid as illustrated in the accompanying representations.**



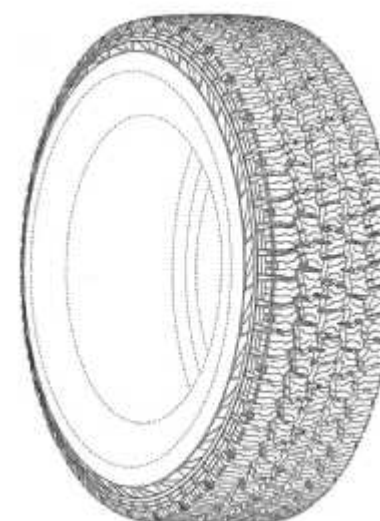
- (21) Design Number: **14867/2014**
(22) Date of Filing Application: **24 September 2014**
(24) Date from which industrial property rights may have effect: **24 September 2014**
(54) Product in respect of which the design is registered: **A beverage container**
(51) International Design Classification: **07-01F**
(74) Name(s) of Attorney(s): **AJ Park**
(71) Name(s) and Address(s) of Applicant(s):
Sistema Plastics Limited
80 Hugo Johnston Drive Penrose Auckland 1061 New Zealand
(72) Name(s) of Designer(s): **Brendan Jon Lindsay and Saleh Ghiyath**
(45) Registration Date: **08 October 2014**
(30) Convention priority data:
(31) Number (32) Date (33) Country
419029 30 Jun 2014 NEW ZEALAND
(56) Related Art Documents: **Not Applicable**
(57) Statement of Newness and Distinctiveness: **The newness and distinctiveness resides in the features of shape and/or configuration of A BEVERAGE CONTAINER all as illustrated in the representations.**



(21) Design Number: **14868/2014**
(22) Date of Filing Application: **24 September 2014**
(24) Date from which industrial property rights may have effect: **24 September 2014**
(54) Product in respect of which the design is registered: **Plaster ring with center bosses**
(51) International Design Classification: **13-03C**
(74) Name(s) of Attorney(s): **Freehills Patent Attorneys**
(71) Name(s) and Address(s) of Applicant(s):
RANDL Industries, Inc.
3808 North Sullivan Road Building 10 Suite P Spokane Valley
Washington 99216 United States of America
(72) Name(s) of Designer(s): **Robert J Hagarty**
(45) Registration Date: **08 October 2014**
(30) Convention priority data:
(31) Number (32) Date (33) Country
29/486883 03 Apr 2014 UNITED STATES OF AMERICA
(56) Related Art Documents: **Not Applicable**
(57) Statement of Newness and Distinctiveness: **Newness and distinctiveness of the design resides in the features of shape and configuration of the plaster ring with center bosses as shown in the accompanying representations.**



(21) Design Number: **14876/2014**
(22) Date of Filing Application: **25 September 2014**
(24) Date from which industrial property rights may have effect: **25 September 2014**
(54) Product in respect of which the design is registered: **Tire**
(51) International Design Classification: **12-15C**
(74) Name(s) of Attorney(s): **PHILLIPS ORMONDE FITZPATRICK**
(71) Name(s) and Address(s) of Applicant(s):
Cooper Tire & Rubber Company
701 Lima Avenue Findlay Ohio 45840 United States of America
(72) Name(s) of Designer(s): **Chelsea L Schuessler**
(45) Registration Date: **08 October 2014**
(30) Convention priority data:
(31) Number (32) Date (33) Country
29/492,140 28 May 2014 UNITED STATES OF AMERICA
(56) Related Art Documents: **Not Applicable**
(57) Statement of Newness and Distinctiveness: **Those features of the tire depicted in the representations that are new and distinctive are the shape and/or configuration of the tread of the tire. The remaining three-fourths of the side view are a repetition of the illustrated one-fourth portion. The sidewall, inner bead, shoulder tread, and the peripheral boundary between the tire tread and the sidewall shown in broken line are not part of the design and are to be disregarded when considering the overall impression of the design.**

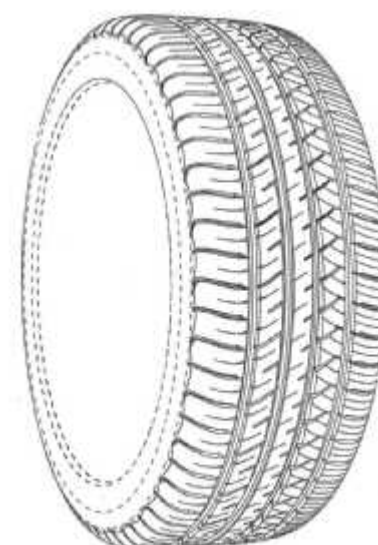


(21) Design Number: **14877/2014**
(22) Date of Filing Application: **25 September 2014**
(24) Date from which industrial property rights may have effect: **25 September 2014**
(54) Product in respect of which the design is registered: **Tire**
(51) International Design Classification: **12-15A**
(74) Name(s) of Attorney(s): **PHILLIPS ORMONDE FITZPATRICK**
(71) Name(s) and Address(s) of Applicant(s):
Cooper Tire & Rubber Company
701 Lima Avenue Findlay Ohio 45840 United States of America
(72) Name(s) of Designer(s): **Chelsea L Schuessler**
(45) Registration Date: **08 October 2014**
(30) Convention priority data:
(31) Number (32) Date (33) Country
29/492,139 28 May 2014 UNITED STATES OF AMERICA



(56) Related Art Documents: **Not Applicable**
(57) Statement of Newness and Distinctiveness: **Those features of the tire depicted in the representations that are new and distinctive are the shape and/or configuration of the tread of the tire. The remaining three-fourths of the side views are a repetition of the illustrated one-fourth portion. The sidewall, inner bead, shoulder tread, and the peripheral boundary between the tire tread and the sidewall shown in broken line are not part of the design and are to be disregarded when considering the overall impression of the design.**

(21) Design Number: **14878/2014**
(22) Date of Filing Application: **25 September 2014**
(24) Date from which industrial property rights may have effect: **25 September 2014**
(54) Product in respect of which the design is registered: **Tire**
(51) International Design Classification: **12-15A**
(74) Name(s) of Attorney(s): **PHILLIPS ORMONDE FITZPATRICK**
(71) Name(s) and Address(s) of Applicant(s):
Cooper Tire & Rubber Company
701 Lima Avenue Findlay Ohio 45840 United States of America
(72) Name(s) of Designer(s): **Patrick J Bonifas**
(45) Registration Date: **08 October 2014**
(30) Convention priority data:
(31) Number (32) Date (33) Country
29/492,137 28 May 2014 UNITED STATES OF AMERICA



(56) Related Art Documents: **Not Applicable**
(57) Statement of Newness and Distinctiveness: **Those features of the tire depicted in the representations that are new and distinctive are the shape and/or configuration of the tread of the tire. The remaining three-fourths of the side views are a repetition of the illustrated one-fourth portion. The sidewall, inner bead, shoulder tread, and the peripheral boundary between the tire tread and the sidewall shown in broken line are not part of the design and are to be disregarded when considering the overall impression of the design.**

(21) Design Number: **14879/2014**
(22) Date of Filing Application: **25 September 2014**
(24) Date from which industrial property rights may have effect: **25 September 2014**
(54) Product in respect of which the design is registered: **Tire**
(51) International Design Classification: **12-15B**
(74) Name(s) of Attorney(s): **PHILLIPS ORMONDE FITZPATRICK**
(71) Name(s) and Address(s) of Applicant(s):

Cooper Tire & Rubber Company
701 Lima Avenue Findlay Ohio 45840 United States of America

(72) Name(s) of Designer(s): **Ryan J Schimmoeller**

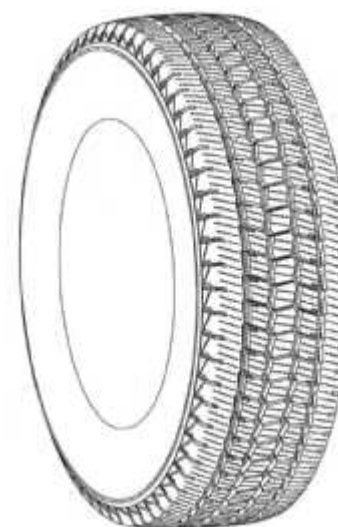
(45) Registration Date: **08 October 2014**

(30) Convention priority data:

(31) Number	(32) Date	(33) Country
29/492,141	28 May 2014	UNITED STATES OF AMERICA

(56) Related Art Documents: **Not Applicable**

(57) Statement of Newness and Distinctiveness: **Those features of the tire depicted in the representations that are new and distinctive are the shape and/or configuration of the tread of the tire. The remaining three-fourths of the side view are a repetition of the illustrated one-fourth portion. The sidewall, inner bead, shoulder tread, and the peripheral boundary between the tire tread and the sidewall shown in broken line are not part of the design and are to be disregarded when considering the overall impression of the design.**



(21) Design Number: **10408/2014**
(22) Date of Filing Application: **28 January 2014**
(24) Date from which industrial property rights may have effect: **28 January 2014**
(54) Product in respect of which the design is registered: **Article of clothing**
(51) International Design Classification: **02-02C, 02-02NES, 02-04NES**
(74) Name(s) of Attorney(s): **Allens Patent & Trade Mark Attorneys**
(71) Name(s) and Address(s) of Applicant(s):

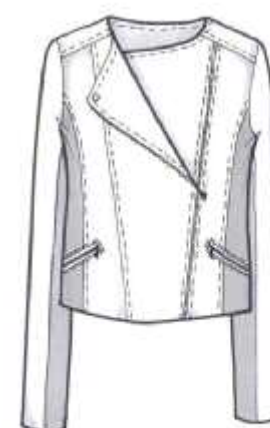
Forever New Clothing Pty Ltd
714-716 High St Kew East VIC 3102 Australia

(72) Name(s) of Designer(s): **Anna Pham**

(45) Registration Date: **13 October 2014**

(56) Related Art Documents: **Not Applicable**

(57) Statement of Newness and Distinctiveness: **Newness and distinctiveness resides in the visual features of shape, configuration, pattern and/or ornamentation of an article of clothing as shown in the accompanying representations.**



- (21) Design Number: **14850/2014**
(22) Date of Filing Application: **23 September 2014**
(24) Date from which industrial property rights may have effect: **23 September 2014**
(54) Product in respect of which the design is registered: **A tyre**
(51) International Design Classification: **12-15A**
(74) Name(s) of Attorney(s): **WATERMARK PATENT AND TRADE MARKS ATTORNEYS**
(71) Name(s) and Address(s) of Applicant(s):
Compagnie Generale Des Etablissements Michelin
12 cours Sablon Clermont-Ferrand 63000 France
Michelin Recherche et Technique, S.A.
Route Lous-Braille 10, Granges-Paccot 1763 Switzerland
(72) Name(s) of Designer(s): **John A Hutz and Lyle James and Scott Norville and David Pressley and Ed Ware and Brad Weaver**
(45) Registration Date: **13 October 2014**
(30) Convention priority data:
(31) Number (32) Date (33) Country
29/485,809 24 Mar 2014 UNITED STATES OF AMERICA
(56) Related Art Documents: **Not Applicable**
(57) Statement of Newness and Distinctiveness: **Newness and distinctiveness resides in the shape and configuration of the tread region of the tire, the remainder of the tire shown in dashed outline forms no part of the design and should be disregarded when considering the scope of monopoly of the design.**



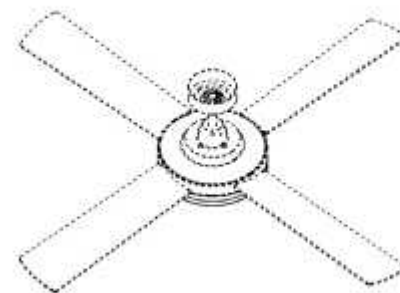
- (21) Design Number: **14884/2014**
(22) Date of Filing Application: **25 September 2014**
(24) Date from which industrial property rights may have effect: **25 September 2014**
(54) Product in respect of which the design is registered: **Streetlight**
(51) International Design Classification: **26-03**
(74) Name(s) of Attorney(s): **Collison & Co**
(71) Name(s) and Address(s) of Applicant(s):
TOSHIBA LIGHTING & TECHNOLOGY CORPORATION
1-201-1 Funakoshi-cho Yokosuka-shi Kanagawa 237-8510 Japan
(72) Name(s) of Designer(s): **Jun Oshima and Ryuichi Koga and Hiroyuki Kuramochi**
(45) Registration Date: **13 October 2014**
(30) Convention priority data:
(31) Number (32) Date (33) Country
2014-017485 11 Aug 2014 JAPAN
(56) Related Art Documents: **Not Applicable**
(57) Statement of Newness and Distinctiveness: **Nil**



- (21) Design Number: **14885/2014**
(22) Date of Filing Application: **25 September 2014**
(24) Date from which industrial property rights may have effect: **25 September 2014**
(54) Product in respect of which the design is registered: **A sprocket**
(51) International Design Classification: **15-99**
(74) Name(s) of Attorney(s): **Fisher Adams Kelly Pty Ltd**
(71) Name(s) and Address(s) of Applicant(s):
Calcino Corporation Pty Ltd
311 Bancroft Rd Myrtle town QLD 4008 Australia
(72) Name(s) of Designer(s): **Paul Calcino**
(45) Registration Date: **13 October 2014**
(56) Related Art Documents: **Not Applicable**
(57) Statement of Newness and Distinctiveness: **The newness and distinctiveness of the design resides in the shape and/or configuration of the SPROCKET shown in the representations. The portions of the design shown in dotted lines are applied for illustrative purpose and should be disregarded.**



- (21) Design Number: **14889/2014**
(22) Date of Filing Application: **25 September 2014**
(24) Date from which industrial property rights may have effect: **31 July 2014**
(54) Product in respect of which the design is registered: **Ceiling fan light**
(51) International Design Classification: **26-05NES**
(74) Name(s) of Attorney(s): **Griffith Hack**
(71) Name(s) and Address(s) of Applicant(s):
Martec Pty Ltd
24 York Rd Ingleburn NSW 2565 Australia
(72) Name(s) of Designer(s): **Cristian Care**
(45) Registration Date: **13 October 2014**
(62) Divisional of: **358098**
(56) Related Art Documents: **Not Applicable**
(57) Statement of Newness and Distinctiveness: **The shape and configuration of the product as shown by solid lines in the accompanying representations is new and distinctive.**



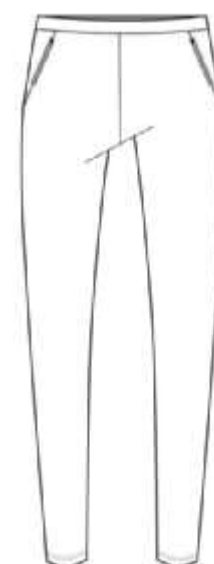
- (21) Design Number: **14898/2014**
(22) Date of Filing Application: **26 September 2014**
(24) Date from which industrial property rights may have effect: **26 September 2014**
(54) Product in respect of which the design is registered: **Microwave oven**
(51) International Design Classification: **07-02B**
(74) Name(s) of Attorney(s): **SPRUSON & FERGUSON**
(71) Name(s) and Address(s) of Applicant(s):
Panasonic Corporation
1006 Oaza Kadoma Kadoma-shi Osaka 571-8501 Japan
(72) Name(s) of Designer(s): **Enrico Bergese**
(45) Registration Date: **13 October 2014**
(56) Related Art Documents: **Not Applicable**
(57) Statement of Newness and Distinctiveness: **Newness and distinctiveness is claimed in the features of shape and/or configuration of a microwave oven as illustrated in the accompanying representations.**



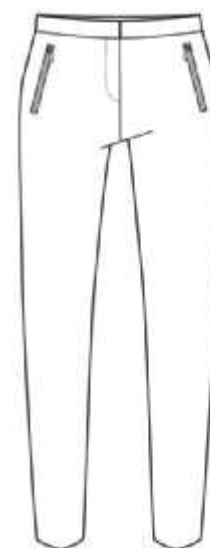
- (21) Design Number: **14900/2014**
(22) Date of Filing Application: **26 September 2014**
(24) Date from which industrial property rights may have effect: **26 September 2014**
(54) Product in respect of which the design is registered: **Seat**
(51) International Design Classification: **06-01D**
(74) Name(s) of Attorney(s): **SPRUSON & FERGUSON**
(71) Name(s) and Address(s) of Applicant(s):
MAN Truck & Bus AG
Dachauer Strasse 667, Munchen 80995 Germany
(72) Name(s) of Designer(s): **Achim Burmeister and Moritz Menacher and Thorsten Bergmaier-Trede and Stephan Schoherr**
(45) Registration Date: **13 October 2014**
(30) Convention priority data:
(31) Number (32) Date (33) Country
002434571 27 Mar 2014 OFFICE FOR HARMONISATION IN THE INTERNAL MARKET (OHIM)
(56) Related Art Documents: **Not Applicable**
(57) Statement of Newness and Distinctiveness: **Newness and distinctiveness is claimed in the features of shape and/or configuration of a seat as illustrated in the accompanying representations.**



- (21) Design Number: **14906/2014**
(22) Date of Filing Application: **26 September 2014**
(24) Date from which industrial property rights may have effect: **28 January 2014**
(54) Product in respect of which the design is registered: **Article of clothing**
(51) International Design Classification: **02-02C**
(74) Name(s) of Attorney(s): **Allens Patent & Trade Mark Attorneys**
(71) Name(s) and Address(s) of Applicant(s):
Forever New Clothing Pty Ltd
714-716 High St Kew East VIC 3102 Australia
(72) Name(s) of Designer(s): **Mantra Ahrendt**
(45) Registration Date: **13 October 2014**
(62) Divisional of: **358115**
(56) Related Art Documents: **Not Applicable**
(57) Statement of Newness and Distinctiveness: **Newness and distinctiveness resides in the visual features of shape, configuration, pattern and/or ornamentation of an article of clothing as shown in the accompanying representations.**



- (21) Design Number: **14907/2014**
(22) Date of Filing Application: **26 September 2014**
(24) Date from which industrial property rights may have effect: **28 January 2014**
(54) Product in respect of which the design is registered: **Article of clothing**
(51) International Design Classification: **02-02C**
(74) Name(s) of Attorney(s): **Allens Patent & Trade Mark Attorneys**
(71) Name(s) and Address(s) of Applicant(s):
Forever New Clothing Pty Ltd
714-716 High St Kew East VIC 3102 Australia
(72) Name(s) of Designer(s): **Mantra Ahrendt**
(45) Registration Date: **13 October 2014**
(62) Divisional of: **358115**
(56) Related Art Documents: **Not Applicable**
(57) Statement of Newness and Distinctiveness: **Newness and distinctiveness resides in the visual features of shape, configuration, pattern and/or ornamentation of an article of clothing as shown in the accompanying representations.**



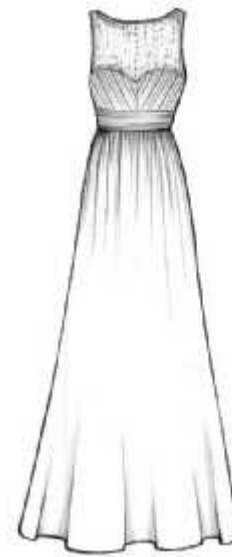
- (21) Design Number: **14908/2014**
(22) Date of Filing Application: **26 September 2014**
(24) Date from which industrial property rights may have effect: **28 January 2014**
(54) Product in respect of which the design is registered: **Article of clothing**
(51) International Design Classification: **02-02C**
(74) Name(s) of Attorney(s): **Allens Patent & Trade Mark Attorneys**
(71) Name(s) and Address(s) of Applicant(s):
Forever New Clothing Pty Ltd
714-716 High St Kew East VIC 3102 Australia
(72) Name(s) of Designer(s): **Octavia Miller**
(45) Registration Date: **13 October 2014**
(62) Divisional of: **358115**
(56) Related Art Documents: **Not Applicable**
(57) Statement of Newness and Distinctiveness: **Newness and distinctiveness resides in the visual features of shape, configuration, pattern and/or ornamentation of an article of clothing as shown in the accompanying representations.**



- (21) Design Number: **14910/2014**
(22) Date of Filing Application: **26 September 2014**
(24) Date from which industrial property rights may have effect: **28 January 2014**
(54) Product in respect of which the design is registered: **Article of clothing**
(51) International Design Classification: **02-02C**
(74) Name(s) of Attorney(s): **Allens Patent & Trade Mark Attorneys**
(71) Name(s) and Address(s) of Applicant(s):
Forever New Clothing Pty Ltd
714-716 High St Kew East VIC 3102 Australia
(72) Name(s) of Designer(s): **Karen Thai**
(45) Registration Date: **13 October 2014**
(62) Divisional of: **358115**
(56) Related Art Documents: **Not Applicable**
(57) Statement of Newness and Distinctiveness: **Newness and distinctiveness resides in the visual features of shape, configuration, pattern and/or ornamentation of an article of clothing as shown in the accompanying representations.**



- (21) Design Number: **14911/2014**
(22) Date of Filing Application: **26 September 2014**
(24) Date from which industrial property rights may have effect: **28 January 2014**
(54) Product in respect of which the design is registered: **Article of clothing**
(51) International Design Classification: **02-02C**
(74) Name(s) of Attorney(s): **Allens Patent & Trade Mark Attorneys**
(71) Name(s) and Address(s) of Applicant(s):
Forever New Clothing Pty Ltd
714-716 High St Kew East Victoria 3102 Australia
(72) Name(s) of Designer(s): **Karen Thai**
(45) Registration Date: **13 October 2014**
(62) Divisional of: **358115**
(56) Related Art Documents: **Not Applicable**
(57) Statement of Newness and Distinctiveness: **Newness and distinctiveness resides in the visual features of shape, configuration, pattern and/or ornamentation of an article of clothing as shown in the accompanying representations.**



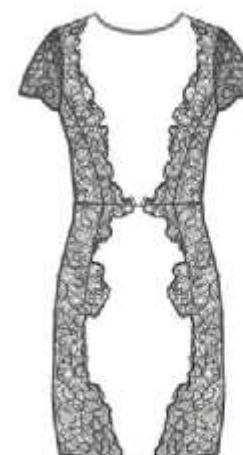
- (21) Design Number: **14912/2014**
(22) Date of Filing Application: **26 September 2014**
(24) Date from which industrial property rights may have effect: **28 January 2014**
(54) Product in respect of which the design is registered: **Article of clothing**
(51) International Design Classification: **02-02C**
(74) Name(s) of Attorney(s): **Allens Patent & Trade Mark Attorneys**
(71) Name(s) and Address(s) of Applicant(s):
Forever New Clothing Pty Ltd
714-716 High St Kew East VIC 3102 Australia
(72) Name(s) of Designer(s): **Karen Thai**
(45) Registration Date: **13 October 2014**
(62) Divisional of: **358115**
(56) Related Art Documents: **Not Applicable**
(57) Statement of Newness and Distinctiveness: **Newness and distinctiveness resides in the visual features of shape, configuration, pattern and/or ornamentation of an article of clothing as shown in the accompanying representations.**



- (21) Design Number: **14913/2014**
(22) Date of Filing Application: **26 September 2014**
(24) Date from which industrial property rights may have effect: **28 January 2014**
(54) Product in respect of which the design is registered: **Article of clothing**
(51) International Design Classification: **02-02C**
(74) Name(s) of Attorney(s): **Allens Patent & Trade Mark Attorneys**
(71) Name(s) and Address(s) of Applicant(s):
Forever New Clothing Pty Ltd
714-716 High St Kew East VIC 3102 Australia
(72) Name(s) of Designer(s): **Karen Thai**
(45) Registration Date: **13 October 2014**
(62) Divisional of: **358115**
(56) Related Art Documents: **Not Applicable**
(57) Statement of Newness and Distinctiveness: **Newness and distinctiveness resides in the visual features of shape, configuration, pattern and/or ornamentation of an article of clothing as shown in the accompanying representations.**



- (21) Design Number: **14914/2014**
(22) Date of Filing Application: **26 September 2014**
(24) Date from which industrial property rights may have effect: **28 January 2014**
(54) Product in respect of which the design is registered: **Article of clothing**
(51) International Design Classification: **02-02C**
(74) Name(s) of Attorney(s): **Allens Patent & Trade Mark Attorneys**
(71) Name(s) and Address(s) of Applicant(s):
Forever New Clothing Pty Ltd
714-716 High St Kew East VIC 3102 Australia
(72) Name(s) of Designer(s): **Karen Thai**
(45) Registration Date: **13 October 2014**
(62) Divisional of: **358115**
(56) Related Art Documents: **Not Applicable**
(57) Statement of Newness and Distinctiveness: **Newness and distinctiveness resides in the visual features of shape, configuration, pattern and/or ornamentation of an article of clothing as shown in the accompanying representations.**



- (21) Design Number: **14915/2014**
(22) Date of Filing Application: **26 September 2014**
(24) Date from which industrial property rights may have effect: **28 January 2014**
(54) Product in respect of which the design is registered: **Article of clothing**
(51) International Design Classification: **02-02C**
(74) Name(s) of Attorney(s): **Allens Patent & Trade Mark Attorneys**
(71) Name(s) and Address(s) of Applicant(s):
Forever New Clothing Pty Ltd
714-716 High St Kew East VIC 3102 Australia
(72) Name(s) of Designer(s): **Karen Thai**
(45) Registration Date: **13 October 2014**
(62) Divisional of: **358115**
(56) Related Art Documents: **Not Applicable**
(57) Statement of Newness and Distinctiveness: **Newness and distinctiveness resides in the visual features of shape, configuration, pattern and/or ornamentation of an article of clothing as shown in the accompanying representations.**



- (21) Design Number: **14916/2014**
(22) Date of Filing Application: **26 September 2014**
(24) Date from which industrial property rights may have effect: **28 January 2014**
(54) Product in respect of which the design is registered: **Article of clothing**
(51) International Design Classification: **02-02NES**
(74) Name(s) of Attorney(s): **Allens Patent & Trade Mark Attorneys**
(71) Name(s) and Address(s) of Applicant(s):
Forever New Clothing Pty Ltd
714-716 High St Kew East VIC 3102 Australia
(72) Name(s) of Designer(s): **Jennifer Hall**
(45) Registration Date: **13 October 2014**
(62) Divisional of: **358115**
(56) Related Art Documents: **Not Applicable**
(57) Statement of Newness and Distinctiveness: **Newness and distinctiveness resides in the visual features of shape, configuration, pattern and/or ornamentation of an article of clothing as shown in the accompanying representations.**



- (21) Design Number: **14917/2014**
(22) Date of Filing Application: **26 September 2014**
(24) Date from which industrial property rights may have effect: **28 January 2014**
(54) Product in respect of which the design is registered: **Article of clothing**
(51) International Design Classification: **02-02NES**
(74) Name(s) of Attorney(s): **Allens Patent & Trade Mark Attorneys**
(71) Name(s) and Address(s) of Applicant(s):
Forever New Clothing Pty Ltd
714-716 High St Kew East VIC 3102 Australia
(72) Name(s) of Designer(s): **Jennifer Hall**
(45) Registration Date: **13 October 2014**
(62) Divisional of: **358115**
(56) Related Art Documents: **Not Applicable**
(57) Statement of Newness and Distinctiveness: **Newness and distinctiveness resides in the visual features of shape, configuration, pattern and/or ornamentation of an article of clothing as shown in the accompanying representations.**



- (21) Design Number: **14901/2014**
(22) Date of Filing Application: **26 September 2014**
(24) Date from which industrial property rights may have effect: **26 September 2014**
(54) Product in respect of which the design is registered: **Seat**
(51) International Design Classification: **06-01D**
(74) Name(s) of Attorney(s): **SPRUSON & FERGUSON**
(71) Name(s) and Address(s) of Applicant(s):
MAN Truck & Bus AG
Dachauer Strasse 667, Munchen 80995 Germany
(72) Name(s) of Designer(s): **Achim Burmeister and Moritz Menacher and Thorsten Bergmaier-Trede and Stephan Schoherr**
(45) Registration Date: **13 October 2014**
(30) Convention priority data:
(31) Number (32) Date (33) Country
002434571 27 Mar 2014 OFFICE FOR HARMONISATION IN THE INTERNAL MARKET (OHIM)
(56) Related Art Documents: **Not Applicable**
(57) Statement of Newness and Distinctiveness: **Newness and distinctiveness is claimed in the features of shape and/or configuration of a seat as illustrated in the accompanying representations.**



(21) Design Number: **14902/2014**
(22) Date of Filing Application: **26 September 2014**
(24) Date from which industrial property rights may have effect: **26 September 2014**
(54) Product in respect of which the design is registered: **Seat rest**
(51) International Design Classification: **06-01D**
(74) Name(s) of Attorney(s): **SPRUSON & FERGUSON**
(71) Name(s) and Address(s) of Applicant(s):



MAN Truck & Bus AG
Dachauer Strasse 667, Munchen 80995 Germany

(72) Name(s) of Designer(s): **Achim Burmeister and Moritz Menacher and Thorsten Bergmaier-Trede and Stephan Schonherr**

(45) Registration Date: **13 October 2014**

(30) Convention priority data:

(31) Number	(32) Date	(33) Country
002434571	27 Mar 2014	OFFICE FOR HARMONISATION IN THE INTERNAL MARKET (OHIM)

(56) Related Art Documents: **Not Applicable**

(57) Statement of Newness and Distinctiveness: **Newness and distinctiveness is claimed in the features of shape and/or configuration of a seat rest as illustrated in the accompanying representations.**

(21) Design Number: **14903/2014**
(22) Date of Filing Application: **26 September 2014**
(24) Date from which industrial property rights may have effect: **26 September 2014**
(54) Product in respect of which the design is registered: **Seat cover**
(51) International Design Classification: **06-13NES**
(74) Name(s) of Attorney(s): **SPRUSON & FERGUSON**
(71) Name(s) and Address(s) of Applicant(s):



MAN Truck & Bus AG
Dachauer Strasse 667, Munchen 80995 Germany

(72) Name(s) of Designer(s): **Achim Burmeister and Moritz Menacher and Thorsten Bergmaier-Trede and Stephan Schonherr**

(45) Registration Date: **13 October 2014**

(30) Convention priority data:

(31) Number	(32) Date	(33) Country
002434571	27 Mar 2014	OFFICE FOR HARMONISATION IN THE INTERNAL MARKET (OHIM)

(56) Related Art Documents: **Not Applicable**

(57) Statement of Newness and Distinctiveness: **Newness and distinctiveness is claimed in the features of shape and/or configuration of a seat cover as illustrated in the accompanying representations.**

(21) Design Number: **14905/2014**
(22) Date of Filing Application: **26 September 2014**
(24) Date from which industrial property rights may have effect: **26 September 2014**
(54) Product in respect of which the design is registered: **Seat**
(51) International Design Classification: **06-01D**
(74) Name(s) of Attorney(s): **SPRUSON & FERGUSON**
(71) Name(s) and Address(s) of Applicant(s):

MAN Truck & Bus AG
Dachauer Strasse 667, Munchen 80995 Germany

(72) Name(s) of Designer(s): **Achim Burmeister and Moritz Menacher and Thorsten Bergmaier-Trede and Stephan Schonherr**

(45) Registration Date: **13 October 2014**

(30) Convention priority data:

(31) Number	(32) Date	(33) Country
002434571	27 Mar 2014	OFFICE FOR HARMONISATION IN THE INTERNAL MARKET (OHIM)

(56) Related Art Documents: **Not Applicable**

(57) Statement of Newness and Distinctiveness: **Newness and distinctiveness is claimed in the features of shape and/or configuration of a seat as illustrated in the accompanying representations.**



(21) Design Number: **14919/2014**
(22) Date of Filing Application: **26 September 2014**
(24) Date from which industrial property rights may have effect: **28 January 2014**
(54) Product in respect of which the design is registered: **Article of clothing**
(51) International Design Classification: **02-02NES**
(74) Name(s) of Attorney(s): **Allens Patent & Trade Mark Attorneys**
(71) Name(s) and Address(s) of Applicant(s):

Forever New Clothing Pty Ltd
714-716 High St Kew East VIC 3102 Australia

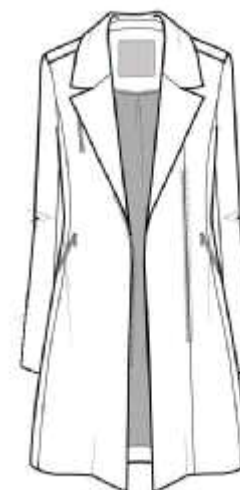
(72) Name(s) of Designer(s): **Alice Burrow**

(45) Registration Date: **13 October 2014**

(62) Divisional of: **358115**

(56) Related Art Documents: **Not Applicable**

(57) Statement of Newness and Distinctiveness: **Newness and distinctiveness resides in the visual features of shape, configuration, pattern and/or ornamentation of an article of clothing as shown in the accompanying representations.**



- (21) Design Number: **14920/2014**
(22) Date of Filing Application: **26 September 2014**
(24) Date from which industrial property rights may have effect: **28 January 2014**
(54) Product in respect of which the design is registered: **Article of clothing**
(51) International Design Classification: **02-02NES**
(74) Name(s) of Attorney(s): **Allens Patent & Trade Mark Attorneys**
(71) Name(s) and Address(s) of Applicant(s):
Forever New Clothing Pty Ltd
714-716 High St Kew East VIC 3102 Australia
(72) Name(s) of Designer(s): **Mantra Ahrendt**
(45) Registration Date: **13 October 2014**
(62) Divisional of: **358115**
(56) Related Art Documents: **Not Applicable**
(57) Statement of Newness and Distinctiveness: **Newness and distinctiveness resides in the visual features of shape, configuration, pattern and/or ornamentation of an article of clothing as shown in the accompanying representations.**



- (21) Design Number: **14921/2014**
(22) Date of Filing Application: **26 September 2014**
(24) Date from which industrial property rights may have effect: **28 January 2014**
(54) Product in respect of which the design is registered: **Article of clothing**
(51) International Design Classification: **02-02NES**
(74) Name(s) of Attorney(s): **Allens Patent & Trade Mark Attorneys**
(71) Name(s) and Address(s) of Applicant(s):
Forever New Clothing Pty Ltd
714-716 High St Kew East VIC 3102 Australia
(72) Name(s) of Designer(s): **Alice Burrow**
(45) Registration Date: **13 October 2014**
(62) Divisional of: **358115**
(56) Related Art Documents: **Not Applicable**
(57) Statement of Newness and Distinctiveness: **Newness and distinctiveness resides in the visual features of shape, configuration, pattern and/or ornamentation of an article of clothing as shown in the accompanying representations.**



- (21) Design Number: **14922/2014**
(22) Date of Filing Application: **26 September 2014**
(24) Date from which industrial property rights may have effect: **28 January 2014**
(54) Product in respect of which the design is registered: **Article of clothing**
(51) International Design Classification: **02-02NES**
(74) Name(s) of Attorney(s): **Allens Patent & Trade Mark Attorneys**
(71) Name(s) and Address(s) of Applicant(s):
Forever New Clothing Pty Ltd
714-716 High St Kew East VIC 3102 Australia
(72) Name(s) of Designer(s): **Alice Burrow**
(45) Registration Date: **13 October 2014**
(62) Divisional of: **358115**
(56) Related Art Documents: **Not Applicable**
(57) Statement of Newness and Distinctiveness: **Newness and distinctiveness resides in the visual features of shape, configuration, pattern and/or ornamentation of an article of clothing as shown in the accompanying representations.**



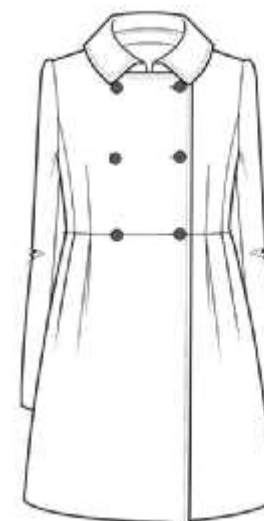
- (21) Design Number: **14923/2014**
(22) Date of Filing Application: **26 September 2014**
(24) Date from which industrial property rights may have effect: **28 January 2014**
(54) Product in respect of which the design is registered: **Article of clothing**
(51) International Design Classification: **02-02NES**
(74) Name(s) of Attorney(s): **Allens Patent & Trade Mark Attorneys**
(71) Name(s) and Address(s) of Applicant(s):
Forever New Clothing Pty Ltd
714-716 High St Kew East VIC 3102 Australia
(72) Name(s) of Designer(s): **Alice Burrow**
(45) Registration Date: **13 October 2014**
(62) Divisional of: **358115**
(56) Related Art Documents: **Not Applicable**
(57) Statement of Newness and Distinctiveness: **Newness and distinctiveness resides in the visual features of shape, configuration, pattern and/or ornamentation of an article of clothing as shown in the accompanying representations.**



- (21) Design Number: **14924/2014**
(22) Date of Filing Application: **26 September 2014**
(24) Date from which industrial property rights may have effect: **28 January 2014**
(54) Product in respect of which the design is registered: **Article of clothing**
(51) International Design Classification: **02-02NES**
(74) Name(s) of Attorney(s): **Allens Patent & Trade Mark Attorneys**
(71) Name(s) and Address(s) of Applicant(s):
Forever New Clothing Pty Ltd
714-716 High St Kew East VIC 3102 Australia
(72) Name(s) of Designer(s): **Mantra Ahrendt**
(45) Registration Date: **13 October 2014**
(62) Divisional of: **358115**
(56) Related Art Documents: **Not Applicable**
(57) Statement of Newness and Distinctiveness: **Newness and distinctiveness resides in the visual features of shape, configuration, pattern and/or ornamentation of an article of clothing as shown in the accompanying representations.**



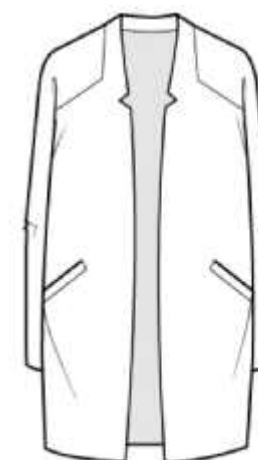
- (21) Design Number: **14925/2014**
(22) Date of Filing Application: **26 September 2014**
(24) Date from which industrial property rights may have effect: **28 January 2014**
(54) Product in respect of which the design is registered: **Article of clothing**
(51) International Design Classification: **02-02NES**
(74) Name(s) of Attorney(s): **Allens Patent & Trade Mark Attorneys**
(71) Name(s) and Address(s) of Applicant(s):
Forever New Clothing Pty Ltd
714-716 High St Kew East VIC 3102 Australia
(72) Name(s) of Designer(s): **Alice Burrow**
(45) Registration Date: **13 October 2014**
(62) Divisional of: **358115**
(56) Related Art Documents: **Not Applicable**
(57) Statement of Newness and Distinctiveness: **Newness and distinctiveness resides in the visual features of shape, configuration, pattern and/or ornamentation of an article of clothing as shown in the accompanying representations.**



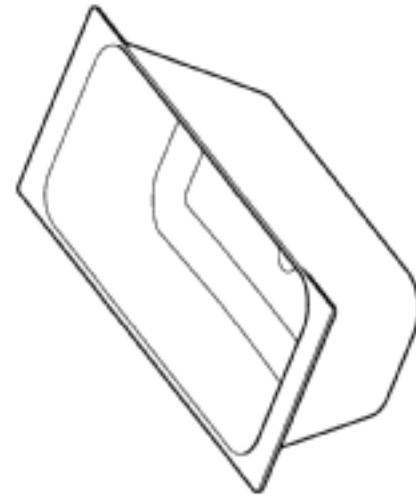
- (21) Design Number: **14926/2014**
(22) Date of Filing Application: **26 September 2014**
(24) Date from which industrial property rights may have effect: **28 January 2014**
(54) Product in respect of which the design is registered: **Article of clothing**
(51) International Design Classification: **02-02NES**
(74) Name(s) of Attorney(s): **Allens Patent & Trade Mark Attorneys**
(71) Name(s) and Address(s) of Applicant(s):
Forever New Clothing Pty Ltd
714-716 High St Kew East VIC 3102 Australia
(72) Name(s) of Designer(s): **Alice Burrow**
(45) Registration Date: **13 October 2014**
(62) Divisional of: **358115**
(56) Related Art Documents: **Not Applicable**
(57) Statement of Newness and Distinctiveness: **Newness and distinctiveness resides in the visual features of shape, configuration, pattern and/or ornamentation of an article of clothing as shown in the accompanying representations.**



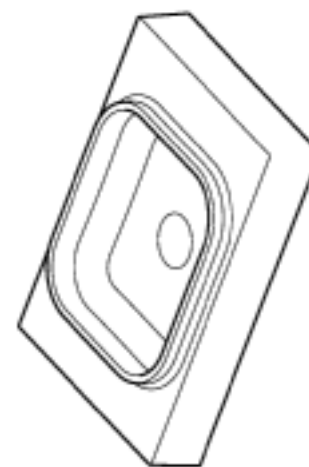
- (21) Design Number: **14927/2014**
(22) Date of Filing Application: **26 September 2014**
(24) Date from which industrial property rights may have effect: **28 January 2014**
(54) Product in respect of which the design is registered: **Article of clothing**
(51) International Design Classification: **02-02NES**
(74) Name(s) of Attorney(s): **Allens Patent & Trade Mark Attorneys**
(71) Name(s) and Address(s) of Applicant(s):
Forever New Clothing Pty Ltd
714-716 High St Kew East VIC 3102 Australia
(72) Name(s) of Designer(s): **Alice Burrow**
(45) Registration Date: **13 October 2014**
(62) Divisional of: **358115**
(56) Related Art Documents: **Not Applicable**
(57) Statement of Newness and Distinctiveness: **Newness and distinctiveness resides in the visual features of shape, configuration, pattern and/or ornamentation of an article of clothing as shown in the accompanying representations.**



- (21) Design Number: **14928/2014**
(22) Date of Filing Application: **26 September 2014**
(24) Date from which industrial property rights may have effect: **26 September 2014**
(54) Product in respect of which the design is registered: **A bath**
(51) International Design Classification: **23-02B**
(74) Name(s) of Attorney(s): **SPRUSON & FERGUSON**
(71) Name(s) and Address(s) of Applicant(s):
Caroma Industries Limited
L2 HQ South Tower 520 Wickham St Fortitude Valley QLD 4006 Australia
(72) Name(s) of Designer(s): **David Giorgio and Leonie Carolyn Brickwood**
(45) Registration Date: **13 October 2014**
(56) Related Art Documents: **Not Applicable**
(57) Statement of Newness and Distinctiveness: **Newness and distinctiveness is claimed in the features of shape and/or configuration of a bath as illustrated in the accompanying representations.**



- (21) Design Number: **14929/2014**
(22) Date of Filing Application: **26 September 2014**
(24) Date from which industrial property rights may have effect: **26 September 2014**
(54) Product in respect of which the design is registered: **A basin**
(51) International Design Classification: **23-02B**
(74) Name(s) of Attorney(s): **SPRUSON & FERGUSON**
(71) Name(s) and Address(s) of Applicant(s):
Caroma Industries Limited
L2 HQ South Tower 520 Wickham St Fortitude Valley QLD 4006 Australia
(72) Name(s) of Designer(s): **David Giorgio and Leonie Carolyn Brickwood**
(45) Registration Date: **13 October 2014**
(56) Related Art Documents: **Not Applicable**
(57) Statement of Newness and Distinctiveness: **Newness and distinctiveness is claimed in the features of shape and/or configuration of a basin as illustrated in the accompanying representations.**



(21) Design Number: **14955/2014**
(22) Date of Filing Application: **26 September 2014**
(24) Date from which industrial property rights may have effect: **26 September 2014**
(54) Product in respect of which the design is registered: **Bumper**
(51) International Design Classification: **12-16C**
(74) Name(s) of Attorney(s): **Freehills Patent Attorneys**
(71) Name(s) and Address(s) of Applicant(s):
Caterpillar Inc.
100 N.E. Adams Street Peoria Illinois 61629 United States of America
(72) Name(s) of Designer(s): **Eric Hanson and G L Pabst and Curt Wilson**
(45) Registration Date: **13 October 2014**
(30) Convention priority data:
(31) Number (32) Date (33) Country
29/486954 04 Apr 2014 UNITED STATES OF AMERICA
(56) Related Art Documents: **Not Applicable**
(57) Statement of Newness and Distinctiveness: **Newness and distinctiveness of the design resides in the features of shape and configuration of the bumper as shown in heavy solid lines in the accompanying representations.**



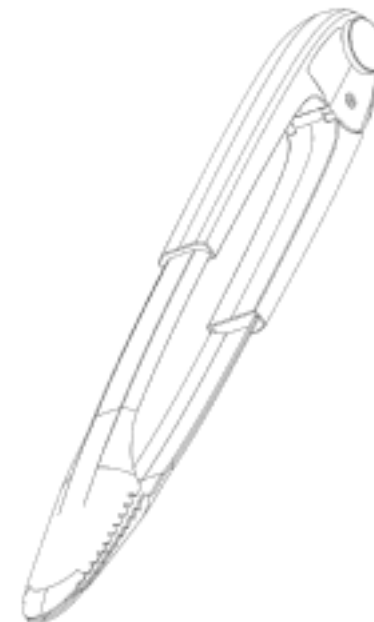
(21) Design Number: **14956/2014**
(22) Date of Filing Application: **26 September 2014**
(24) Date from which industrial property rights may have effect: **26 September 2014**
(54) Product in respect of which the design is registered: **Hood**
(51) International Design Classification: **12-16C**
(74) Name(s) of Attorney(s): **Freehills Patent Attorneys**
(71) Name(s) and Address(s) of Applicant(s):
Caterpillar Inc.
100 N.E. Adams Street Peoria Illinois 61629 United States of America
(72) Name(s) of Designer(s): **Eric Hanson and G L Pabst and Curt Wilson**
(45) Registration Date: **13 October 2014**
(30) Convention priority data:
(31) Number (32) Date (33) Country
29/486944 04 Apr 2014 UNITED STATES OF AMERICA
(56) Related Art Documents: **Not Applicable**
(57) Statement of Newness and Distinctiveness: **Newness and distinctiveness of the design resides in the features of shape and configuration of the hood as shown in heavy solid lines in the accompanying representations.**



-
- (21) Design Number: **14958/2014**
(22) Date of Filing Application: **26 September 2014**
(24) Date from which industrial property rights may have effect: **26 September 2014**
(54) Product in respect of which the design is registered: **Spatula**
(51) International Design Classification: **07-04**
(74) Name(s) of Attorney(s):
(71) Name(s) and Address(s) of Applicant(s):
 Mayo Hardware Pty Ltd
 4 Secombe PI Moorebank NSW 2170 Australia
(72) Name(s) of Designer(s): **Benny Su**
(45) Registration Date: **13 October 2014**
(56) Related Art Documents: **Not Applicable**
(57) Statement of Newness and Distinctiveness: **The design is to be applied to a spatula. The novelty of the design resides in the features of shape and/or configuration of the spatula, as shown in the accompanying representations.**



-
- (21) Design Number: **14959/2014**
(22) Date of Filing Application: **26 September 2014**
(24) Date from which industrial property rights may have effect: **26 September 2014**
(54) Product in respect of which the design is registered: **Tongs**
(51) International Design Classification: **07-04**
(74) Name(s) of Attorney(s):
(71) Name(s) and Address(s) of Applicant(s):
 Mayo Hardware Pty Ltd
 4 Secombe PI Moorebank NSW 2170 Australia
(72) Name(s) of Designer(s): **Benny Su**
(45) Registration Date: **13 October 2014**
(56) Related Art Documents: **Not Applicable**
(57) Statement of Newness and Distinctiveness: **The design is to be applied to a tong. The novelty of the design resides in the features of shape and/or configuration of the tong, as shown in the accompanying representations.**



- (21) Design Number: **14965/2014**
(22) Date of Filing Application: **26 September 2014**
(24) Date from which industrial property rights may have effect: **26 September 2014**
(54) Product in respect of which the design is registered: **A latch element for a clothesline**
(51) International Design Classification: **07-05D**
(74) Name(s) of Attorney(s): **Collison & Co**
(71) Name(s) and Address(s) of Applicant(s):
Patricia Alida Roberts
9 Auburn Ave Myrtle Bank SA 5064 Australia
(72) Name(s) of Designer(s): **Andrew William Whittaker**
(45) Registration Date: **13 October 2014**
(56) Related Art Documents: **Not Applicable**
(57) Statement of Newness and Distinctiveness: **Nil**

