



**Australian Government**

---

**IP Australia**

**AUSTRALIAN OFFICIAL JOURNAL**

**OF**

**DESIGNS**

Did you know a searchable version of this journal is now available online?

It's FREE and EASY to SEARCH.

Find it on our website ([www.ipaustralia.gov.au](http://www.ipaustralia.gov.au))

by using the "Journals" link on the home page.

This Page Left Intentionally Blank

**Contents**

**General Information & Notices**

**Proceedings Under the Designs Act 1906 preserved as a result of the provisions of Chapter 12  
Part 2 of the Designs Act 2003**

<b>Extension of Period of Registration of Designs .....</b>	<b>3166</b>
<b>Registrations Ceased .....</b>	<b>3166</b>
<b>Subsequent Owners Registered .....</b>	<b>3166</b>

**Proceedings Under the Designs Act 2003**

<b>Applications for Extension of Time Under Section 137 .....</b>	<b>3177</b>
<b>Applications Assigned .....</b>	<b>3177</b>
<b>Applications Lapsed .....</b>	<b>3175</b>
<b>Applications Lodged .....</b>	<b>3170</b>
<b>Applications Withdrawn .....</b>	<b>3175</b>
<b>Certificate of Examination .....</b>	<b>3178</b>
<b>Extension of Period of Registration of Design .....</b>	<b>3176</b>
<b>Extension of Time Granted Under Section 137 .....</b>	<b>3177</b>
<b>Names Registered - Alterations and Amendments .....</b>	<b>3177</b>
<b>Publication and Registration Proceedings</b>	
<b>Designs Registered 358153 to 358470.....</b>	<b>3179</b>
<b>Registrations Ceased .....</b>	<b>3176</b>
<b>Subsequent Owners Registered .....</b>	<b>3177</b>

This Page Left Intentionally Blank

For information on the following please see our website [www.ipaustralia.gov.au](http://www.ipaustralia.gov.au) or contact our Customer Service Network on 1300651010

[Editorial enquiries](#)

[Contact information](#)

[Freedom of Information ACT](#)

[Professional Standards Board](#)

[Sales](#)

[Requests for Information under Section 194 \(c\)](#)

[Country Codes](#)

[Trade Mark and Designs Hearing Sessions](#)

[INID \(Internationally agreed Numbers for the Identification of Data\)](#)

## “INID” NUMBERS in use on Australian Design Documents

“INID” is an acronym for “Internationally agreed Numbers for the Identification of Data”.

### (10) Data concerning the registration/renewal

- (11) Serial number of the registration and/or number of the design document
- (12) Plain language designation of the kind of published document
- (19) Identification, using the two-letter code according to WIPO Standard ST.3, of the authority publishing or registering the industrial design

### (20) Data concerning the application

- (21) Serial number of the application
- (22) Date of filing of the application
- (24) Date from which the industrial design right has effect

### (30) Data relating to priority under the Paris Convention

- (31) Serial number assigned to the priority application
- (32) Date of filing of the priority application
- (33) Two-letter code, according to WIPO Standard ST.3, identifying the authority with which the priority application was made

### (40) Date(s) of making information available to the public

- (45) Date of publication of the registered industrial design by printing or similar process, or making it available to the public by any other means

### (50) Miscellaneous Information

- (51) International Classification for Industrial Designs (class and subclass of the Locarno Classification)
- (54) Designation of article(s) or product(s) covered by the industrial design or title of the industrial design
- (55) Reproduction of the industrial design (e.g., drawing, photograph) and explanations relating to the reproduction
- (56) List of prior art documents, if separate from descriptive text
- (57) Description of characteristic features of the industrial design including indication of colours

### (60) References to other legally related application(s) and registration(s)

- (62) Serial number(s) and, if available, filing date(s) of application(s), registration(s) or document(s) related by division
- (66) Serial number(s) of the application, or the registration, of the design(s) which is (are) a variant(s) of the present one

### (70) Identification of parties concerned with the application or registration

- (71) Name(s) and address(es) of the applicant(s)
- (72) Name(s) of the creator(s) if known to be such
- (74) Name(s) and address(es) of the representative(s)

This Page Left Intentionally Blank

**Nil notices for this journal issue.**

**Proceedings under the Designs Act 1906 preserved as a result of the provisions of Chapter 12 Part 2 of the Designs Act 2003.**



This Page Left Intentionally Blank

**Applications Lapsed**

There were no Applications Lapsed under this section

**Extension of Period of Registration of Designs**

**1st Period (Section 27A(8))**

**2nd Period (Section 27A(12))**

**3rd Period (Section 27A(13))**

154219	154220	154638
154691	154720	154721
155025	155048	155090
155314	155315	155316
155317	155540	155598
155923	155993	156410
156748	156995	157039
157346	157421	157913
158257		

**Registrations Ceased**

Note: Some of the following Registrations may have been previously advertised as ceased. In this instance, the previous advertisement still prevails.

135611	137054	137055
137066	137067	137068
137069	137070	137071
137119	137231	137232
137519	137520	137521
137572	137617	137618
137619	137638	137681
137682	137785	137788
137844	137845	137893
138279	138376	138377
138821	139352	139353
139508	140206	140489
140573	140634	142258
142259	151752	152078
152115	152116	152156
152192	152358	152359
152415	152489	152596
153118	153119	153120
153121	153122	153290
154090	154958	155061
155273	155274	155275
155278	155279	155280
155290	155294	155702
155818	155964	156199
156200	156508	

**Subsequent Owners Registered**

151813	( <b>Steeline Members Pty Ltd</b> ) Steeline Pty Ltd; Steeline Members Pty Ltd
152587	( <b>Steeline Members Pty Ltd</b> ) Steeline Pty Ltd
155190	( <b>Steeline Members Pty Ltd</b> ) Steeline Pty Ltd
152019	( <b>Ramp Systems Pty Ltd</b> ) Trevor Ross Suggate
148479	( <b>The French's Food Company LLC a Delaware limited liability company</b> ) Reckitt Benckiser Inc.
150634	( <b>The French's Food Company LLC a Delaware limited liability company</b> ) Reckitt Benckiser Inc.
151841	( <b>The French's Food Company LLC a Delaware limited liability company</b> ) Reckitt Benckiser Inc.
151840	( <b>The French's Food Company LLC a Delaware limited liability company</b> ) Reckitt Benckiser Inc.
151839	( <b>The French's Food Company LLC a Delaware limited liability company</b> ) Reckitt Benckiser Inc.
151838	( <b>The French's Food Company LLC a Delaware limited liability company</b> ) Reckitt Benckiser Inc.
151837	( <b>The French's Food Company LLC a Delaware limited liability company</b> ) Reckitt Benckiser Inc.
148396	( <b>The French's Food Company LLC a Delaware limited liability company</b> ) Reckitt Benckiser Inc.
151021	( <b>The French's Food Company LLC a Delaware limited liability company</b> ) Reckitt Benckiser Inc.
152129	( <b>The French's Food Company LLC a Delaware limited liability company</b> ) Reckitt Benckiser Inc.
152130	( <b>The French's Food Company LLC a Delaware limited liability company</b> ) Reckitt Benckiser Inc.
151616	( <b>The French's Food Company LLC a Delaware limited liability company</b> ) Reckitt Benckiser Inc.

**Subsequent Owners Registered**

(The name in parentheses is that of the subsequent owner)

This Page Left Intentionally Blank

**Proceedings under the Designs Act 2003.**

This Page Left Intentionally Blank

**Applications Lodged**

Lodgement information is in the following order: **Applicant's Name**; International Classification, Name of Product, Lodgement Date and **Design Number**. If the applicant claims an earlier priority date under an International Convention, the Convention Country and the associated filing date are shown in parentheses before the Lodgement Date. Divisional information will also appear in parentheses before the Lodgement Date.

<b>A &amp; J Australia Pty Ltd;</b> 09-02C, Plastic drum, 23 Oct 2014	<b>15350/2014</b>	<b>AUTOCOACH PTY. LTD.;</b> 14-01, Headworn electronic device, 20 Oct 2014	<b>15311/2014</b>
<b>Actervis GmbH;</b> 02-02C, Pants, (EM, 30 Sep 2014) 03 Oct 2014	<b>15213/2014</b>	<b>B&amp;D Doors &amp; Openers;</b> 25-02B, Roller for an overhead door, 24 Oct 2014	<b>15378/2014</b>
<b>Actervis GmbH;</b> 02-02C, Pants, (EM, 30 Sep 2014) 03 Oct 2014	<b>15212/2014</b>	<b>Baker, Tanya;</b> 19-01, Greeting card, 22 Oct 2014	<b>15346/2014</b>
<b>Adams, Tamara;Aston, Jeremy David;</b> 30-03, Water Dispenser, 16 Oct 2014	<b>15266/2014</b>	<b>Baker, Tanya;</b> 19-01, Greeting card, 22 Oct 2014	<b>15345/2014</b>
<b>Alver Pty Ltd;</b> 11-02B, Planter, 20 Oct 2014	<b>15302/2014</b>	<b>Barak, Alexander Baguma;</b> 08-05P, Credit card folding plier multi-tool, 24 Oct 2014	<b>15366/2014</b>
<b>Ampfibian Holdings Pty LTD;</b> 13-03D, Power adaptor, 15 Oct 2014	<b>15258/2014</b>	<b>Beats Electronics, LLC;</b> 14-01, Audio listening system, (US, 25 Apr 2014) 16 Oct 2014	<b>15268/2014</b>
<b>Anderson, Mark L;Boyle, Andrew;</b> 24-04, Applicator, (US, 23 Apr 2014) 23 Oct 2014	<b>15352/2014</b>	<b>Bekaert (Australia) Pty Limited;</b> 05-05NES, Textile, 16 Oct 2014	<b>15271/2014</b>
<b>Aston, Jeremy David;Adams, Tamara;</b> 30-03, Water Dispenser, 16 Oct 2014	<b>15266/2014</b>	<b>Bekaert (Australia) Pty Limited;</b> 05-05NES, Textile, 16 Oct 2014	<b>15279/2014</b>
<b>Australian Performance Development Pty Ltd;</b> 12-16NES, Air intake snorkel for a vehicle, 17 Oct 2014	<b>15287/2014</b>	<b>Bekaert (Australia) Pty Limited;</b> 05-05NES, Textile, 16 Oct 2014	<b>15269/2014</b>
<b>Automatic Technology (Australia) Pty Ltd;</b> 14-04, 14-02, Display screen with graphical user interface, 10 Oct 2014	<b>15202/2014</b>	<b>Belvac Production Machinery, Inc.;</b> 07-01C, Container for a beverage or the like, (US, 23 Apr 2014) 22 Oct 2014	<b>15344/2014</b>
<b>Auxocell Laboratories, Inc.;</b> 24-01, Tissue mincing tool, (US, 18 Apr 2014) 15 Oct 2014	<b>15254/2014</b>	<b>Benriner Co., Ltd.;</b> 07-04, Vegetable cooking utensil, (JP, 22 Sep 2014) 23 Oct 2014	<b>15360/2014</b>
<b>Avigilon Corporation;</b> 16-05, Trim ring and dome, (CA, 25 Apr 2014) 24 Oct 2014	<b>15371/2014</b>	<b>Benriner Co., Ltd.;</b> 07-04, Vegetable retainer for a vegetable cooking utensil, (JP, 18 Sep 2014) 23 Oct 2014	<b>15363/2014</b>
<b>ASSA ABLOY Australia Pty Limited;</b> 08-07, Key blank, 24 Oct 2014	<b>15386/2014</b>	<b>Benriner Co., Ltd.;</b> 07-04, Vegetable cooking utensil, (JP, 22 Sep 2014) 23 Oct 2014	<b>15361/2014</b>
<b>ASSA ABLOY Australia Pty Limited;</b> 08-07, Key blank, 24 Oct 2014	<b>15381/2014</b>	<b>Boxall, Charles;</b> 21-02F, Fold up weight resistance exercise trainer for the use of disabled people, 24 Oct 2014	<b>15368/2014</b>
<b>ASSA ABLOY Australia Pty Limited;</b> 08-07, Key blank, 24 Oct 2014	<b>15388/2014</b>	<b>Boyle, Andrew;Anderson, Mark L;</b> 24-04, Applicator, (US, 23 Apr 2014) 23 Oct 2014	<b>15352/2014</b>
<b>ASSA ABLOY Australia Pty Limited;</b> 08-07, Key blank, 24 Oct 2014	<b>15389/2014</b>	<b>Boyle, Steven Warner;</b> 21-02D, Fin for water based craft and/ or equipment, 23 Oct 2014	<b>15347/2014</b>
<b>ASSA ABLOY Australia Pty Limited;</b> 08-07, Key blank, 24 Oct 2014	<b>15387/2014</b>	<b>Braun GmbH;</b> 28-03NES, 04-02, Electric toothbrush, (WO, 24 Apr 2014) 24 Oct 2014	<b>15376/2014</b>
<b>ASSA ABLOY Australia Pty Limited;</b> 08-07, Key blank, 24 Oct 2014	<b>15384/2014</b>		
<b>ASSA ABLOY Australia Pty Limited;</b> 08-07, Key blank, 24 Oct 2014	<b>15385/2014</b>		
<b>ASSA ABLOY Australia Pty Limited;</b> 16-99, A cam for a cylinder lock, 20 Oct 2014	<b>15312/2014</b>		

<b>BRIDGESTONE CORPORATION;</b> 12-15C, Motorcycle tyre, (JP, 10 Apr 2014) 10 Oct 2014	<b>15192/2014</b>	<b>CNH Industrial America LLC;</b> 08-08B, 08-03, Knife fastener, (US, 25 Apr 2014) 20 Oct 2014	<b>15306/2014</b>
<b>Carl Freudenberg KG;</b> 15-05, Floor cleaning apparatus, (EM, 24 Apr 2014) 14 Oct 2014	<b>15245/2014</b>	<b>COMPAGNIE GENERALE DES ETABLISSEMENTS MICHELIN; Michelin Recherche et Technique SA;</b> 12-15A, A tyre, (US, 25 Apr 2014) 20 Oct 2014	<b>15303/2014</b>
<b>Carl Freudenberg KG;</b> 15-05, Floor cleaning apparatus, (EM, 17 Apr 2014) 14 Oct 2014	<b>15244/2014</b>	<b>Darth Industries Pty Ltd;</b> 08-05K, Tile spacer, 17 Oct 2014	<b>15288/2014</b>
<b>Cavlovic, Anthony;</b> 25-02A, Base arrangement for a railing, 23 Oct 2014	<b>15362/2014</b>	<b>Dresser, Inc;</b> 23-01NES, Restrictor device, (US, 01 May 2014) 21 Oct 2014	<b>15330/2014</b>
<b>Cemoi;</b> 01-01, Food product, (EM, 18 Apr 2014) 17 Oct 2014	<b>15281/2014</b>	<b>DEFINITION (WA) PTY LTD;</b> 14-02, Software application for mobile devices, 23 Oct 2014	<b>15357/2014</b>
<b>Cemoi;</b> 01-01, Food product, (EM, 18 Apr 2014) 17 Oct 2014	<b>15282/2014</b>	<b>DREAMBIZ LIMITED;</b> 07-02N, Frying pan, 17 Oct 2014	<b>15290/2014</b>
<b>Charles Parsons (Holdings) Pty Limited;</b> 21-04, A fly for a tent, (Divisional of 13331/2014) 15 Oct 2014	<b>15253/2014</b>	<b>E.D. Oates Pty Ltd;</b> 04-01, Mop head, 14 Oct 2014	<b>15247/2014</b>
<b>Charles Parsons (Holdings) Pty Limited;</b> 21-04, A tent, (Divisional of 13332/2014) 15 Oct 2014	<b>15255/2014</b>	<b>Erdmanis, Dianne;</b> 07-02NES, Egg poacher, 16 Oct 2014	<b>15274/2014</b>
<b>Charles Parsons (Holdings) Pty Limited;</b> 21-04, A fly for a tent, (Divisional of 13332/2014) 15 Oct 2014	<b>15256/2014</b>	<b>Estwing Manufacturing Co., Inc.;</b> 08-02, Hammer, (US, 14 Mar 2014) 15 Sep 2014	<b>15317/2014</b>
<b>Charles Parsons (Holdings) Pty Limited;</b> 21-04, A tent, (Divisional of 13331/2014) 15 Oct 2014	<b>15252/2014</b>	<b>Euro Packaging UK Ltd;</b> 09-03E, Bottle carrier, 20 Oct 2014	<b>15314/2014</b>
<b>Coe, Christopher;</b> 28-03NES, Ear cleaner, 21 Oct 2014	<b>15334/2014</b>	<b>Euro-Pro Operating LLC;</b> 31-00, Blender container, (Divisional of 14390/2014) 20 Oct 2014	<b>15304/2014</b>
<b>Colgate-Palmolive Company; Omron Healthcare Co., Ltd.;</b> 13-02, Charger for electric toothbrush, (JP, 25 Apr 2014) 23 Oct 2014	<b>15349/2014</b>	<b>Euro-Pro Operating LLC;</b> 31-00, Blender container, (Divisional of 14390/2014) 20 Oct 2014	<b>15310/2014</b>
<b>Colgate-Palmolive Company; Omron Healthcare Co., Ltd.;</b> 13-02, Charger for electric toothbrush, (JP, 25 Apr 2014) 23 Oct 2014	<b>15365/2014</b>	<b>Euro-Pro Operating LLC;</b> 31-00, Blender container, (Divisional of 14390/2014) 20 Oct 2014	<b>15305/2014</b>
<b>Colgate-Palmolive Company; Omron Healthcare Co., Ltd.;</b> 04-02, Electric toothbrush, (US, 25 Apr 2014) 22 Oct 2014	<b>15335/2014</b>	<b>Eveready Battery Company, Inc.;</b> 26-02, Lighting device, (US, 21 May 2014) 13 Oct 2014	<b>15215/2014</b>
<b>Corrective Massage (Aust) Pty Ltd;</b> 19-07, Anatomy posters, 10 Oct 2014	<b>15203/2014</b>	<b>Eveready Battery Company, Inc.;</b> 26-02, Lighting device, (US, 21 May 2014) 13 Oct 2014	<b>15216/2014</b>
<b>Cryovac Australia Pty Ltd;</b> 09-03F, Tray, 15 Oct 2014	<b>15257/2014</b>	<b>ELC Management LLC;</b> 09-01G, Mascara package, (US, 14 Aug 2014) 13 Oct 2014	<b>15217/2014</b>
<b>CLEAR LAM PACKAGING, INC.;</b> 09-03M, Package, (US, 24 Apr 2014) 24 Oct 2014	<b>15370/2014</b>	<b>F.V. Bilotto Nominees Pty Ltd;</b> 06-06H, Frame for chair, (EM, 05 May 2014) 14 Oct 2014	<b>15240/2014</b>
<b>CLEAR LAM PACKAGING, INC.;</b> 09-03NES, Package, (US, 24 Apr 2014) 24 Oct 2014	<b>15373/2014</b>	<b>Ferguson, Emma;</b> 11-01C, Jewellery, 15 Oct 2014	<b>15249/2014</b>
		<b>Giant Swan;</b> 21-02NES, Inflatable pool toy, 25 Oct 2014	<b>15395/2014</b>
		<b>Great Wall Motor Company Limited;</b> 12-08, Vehicle, (CN, 15 Apr 2014) 13 Oct 2014	<b>15207/2014</b>



<b>Hankook Tire Co., Ltd.;</b> 12-15A, Tire tread, (KR, 01 May 2014) 24 Oct 2014	<b>15367/2014</b>	<b>KRAFT FOODS R&amp;D, INC.;</b> 09-03NES, Packaging, (EM, 29 Apr 2014) 21 Oct 2014	<b>15332/2014</b>
<b>Hansen Developments Limited;</b> 23-01K, A float valve, (NZ, 09 Jun 2014) 22 Oct 2014	<b>15337/2014</b>	<b>KRAFT FOODS R&amp;D, INC.;</b> 09-03NES, Packaging blank, (EM, 29 Apr 2014) 21 Oct 2014	<b>15333/2014</b>
<b>Haysom, Robert Henry;</b> 25-01E, Garden edging strip, 15 Oct 2014	<b>15263/2014</b>	<b>Liang, ZiJun;</b> 16-06, Clothes such as T-Shirt, polo shirt, 16 Oct 2014	<b>15273/2014</b>
<b>Haysom, Robert Henry;</b> 25-01E, A connector for a garden edging strip, 15 Oct 2014	<b>15265/2014</b>	<b>Link, Lisa Anne;</b> 02-01B, Womens underwear, 15 Oct 2014	<b>15248/2014</b>
<b>Haysom, Robert Henry;</b> 25-01E, A connector for a garden edging strip, 15 Oct 2014	<b>15264/2014</b>	<b>Lorna Jane Pty Ltd;</b> 02-02NES, Clothing, 16 Oct 2014	<b>15280/2014</b>
<b>Haysom, Robert Henry;</b> 08-08D, A fastening guide for a garden edging strip, 15 Oct 2014	<b>15262/2014</b>	<b>Lorna Jane Pty Ltd;</b> 02-02NES, Clothing, 10 Oct 2014	<b>15211/2014</b>
<b>Hussain, Asril Nayyar;</b> 24-02, Stethoscope, 14 Oct 2014	<b>15238/2014</b>	<b>Lovell, Emma;</b> 03-03, Baby canopy, 14 Oct 2014	<b>15246/2014</b>
<b>IN-HONG KO;VISION X ASIA CO., LTD.;</b> 26-06, Lighting equipment for vehicles, (KR, 25 Aug 2014) 23 Oct 2014	<b>15351/2014</b>	<b>Lucas, Kain;UTE AUSTRALIA PTY. LTD.;</b> 25-03, Letterbox, 19 Oct 2014	<b>15293/2014</b>
<b>IN-HONG KO;Vision X Asia Co., Ltd.;</b> 26-06, Lighting equipment for vehicles, (KR, 25 Aug 2014) 23 Oct 2014	<b>15356/2014</b>	<b>Macernis, Audrius;</b> 08-07, Soft closing gate device, 13 Oct 2014	<b>15221/2014</b>
<b>Jensen, Philip Alan;</b> 24-04, Inhaler, 16 Oct 2014	<b>15278/2014</b>	<b>Mahanga, Janice;</b> 03-01B, Key chain, 20 Oct 2014	<b>15307/2014</b>
<b>Joyvino Limited;</b> 03-01NES, Container for alcoholic beverages, (HK, 22 May 2014) 20 Oct 2014	<b>15299/2014</b>	<b>Mahanga, Janice;</b> 19-99, Decal, 20 Oct 2014	<b>15308/2014</b>
<b>King Furniture Australia Pty Ltd;</b> 08-08L, A bracket, 14 Oct 2014	<b>15243/2014</b>	<b>Mahanga, Janice;</b> 19-99, Decal, 20 Oct 2014	<b>15309/2014</b>
<b>Ko, In-Hong;VISION X ASIA CO., LTD.;</b> 26-06, Lighting equipment for vehicles, (KR, 15 May 2014) 22 Oct 2014	<b>15341/2014</b>	<b>Manning, Heidi Louise;</b> 19-04, A6 colour children's dental tooth passport, 22 Oct 2014	<b>15338/2014</b>
<b>Koehn, Ekkehard;</b> 03-03, Side post umbrella with adjustable table, (Divisional of 12116/2014) 16 Oct 2014	<b>15270/2014</b>	<b>Mark One Lifestyle, Inc.;</b> 07-01C, Vessel, (US, 18 Apr 2014) 17 Oct 2014	<b>15289/2014</b>
<b>Koninklijke Asscher Diamant Maatschappij B.V.;</b> 11-01NES, A diamond, (EM, 18 Mar 2014) 20 Oct 2014	<b>15301/2014</b>	<b>Mark One Lifestyle, Inc.;</b> 07-01C, Vessel, (US, 18 Apr 2014) 17 Oct 2014	<b>15291/2014</b>
<b>KENU, INC.;</b> 16-05, Tripod for an electronic device, 17 Oct 2014	<b>15284/2014</b>	<b>Mark One Lifestyle, Inc.;</b> 07-01NES, Lid, (US, 18 Apr 2014) 16 Oct 2014	<b>15277/2014</b>
<b>KENWOOD LIMITED;</b> 31-00, Blender, (EM, 25 Apr 2014) 24 Oct 2014	<b>15374/2014</b>	<b>Mark One Lifestyle, Inc.;</b> 07-01NES, Lid, (US, 18 Apr 2014) 16 Oct 2014	<b>15275/2014</b>
<b>KENWOOD LIMITED;</b> 31-00, Blender, (EM, 25 Apr 2014) 24 Oct 2014	<b>15375/2014</b>	<b>Medline Industries, Inc.;</b> 24-04, Embossed absorbent article, (US, 23 Apr 2014) 23 Oct 2014	<b>15348/2014</b>
<b>KRAFT FOODS R &amp; D, INC.;</b> 09-05, Packaging, (EM, 29 Apr 2014) 21 Oct 2014	<b>15331/2014</b>	<b>Merck Sharp &amp; Dohme Corp.;</b> 24-02, Autoinjector device, (US, 10 Apr 2014) 10 Oct 2014	<b>15198/2014</b>
		<b>Merck Sharp &amp; Dohme Corp.;</b> 24-02, Autoinjector device, (US, 10 Apr 2014) 10 Oct 2014	<b>15194/2014</b>
		<b>Merck Sharp &amp; Dohme Corp.;</b> 24-02, Autoinjector device, (US, 10 Apr 2014) 10 Oct 2014	<b>15191/2014</b>

<b>Metal Technics Limited;</b> 12-02, 12-10, Barrow, trailer and convertible trailer-barrow, (NZ, 20 Feb 2014) 07 Aug 2014	<b>15369/2014</b>	<b>PRODUCT OF AUSTRALIA TRADE PTY. LTD.;</b> 09-05, Alpaca lavender bag, 21 Oct 2014	<b>15327/2014</b>
<b>Michelin Recherche et Technique SA;COMPAGNIE GENERALE DES ETABLISSEMENTS MICHELIN;</b> 12-15A, A tyre, (US, 25 Apr 2014) 20 Oct 2014	<b>15303/2014</b>	<b>Qingdao Sentury Tire Co., Ltd.;</b> 12-15B, Tire (light truck), 24 Oct 2014	<b>15394/2014</b>
<b>Milmeq Limited;</b> 12-05, Conveyor pan, (NZ, 17 Oct 2014) 17 Oct 2014	<b>15283/2014</b>	<b>Qingdao Sentury Tire Co., Ltd.;</b> 12-15B, Tire (prosport), 24 Oct 2014	<b>15393/2014</b>
<b>Molnar, Andrew;</b> 12-12, 06-06NES, MMP-WC, 21 Oct 2014	<b>15328/2014</b>	<b>Rasheed, Nizar;</b> 32-04, Headstone, 15 Oct 2014	<b>15261/2014</b>
<b>MSA (Suzhou) Safety Equipment R&amp;D Co., Ltd;</b> 02-03, Helmet, (CN, 14 Apr 2014) 14 Oct 2014	<b>15239/2014</b>	<b>Ratu, Tania;</b> 25-03, Dwelling, 13 Oct 2014	<b>15224/2014</b>
<b>MSA (Suzhou) Safety Equipment R&amp;D Co., Ltd;</b> 02-03, Helmet, (CN, 14 Apr 2014) 13 Oct 2014	<b>15219/2014</b>	<b>Reckitt Benckiser (Brands) Limited;</b> 02-04A, Insoles, (EM, 23 Apr 2014) 23 Oct 2014	<b>15354/2014</b>
<b>Nelson, Cameron David;</b> 25-01K, Extrusion, 05 Aug 2014	<b>15316/2014</b>	<b>Reckitt Benckiser (Brands) Limited;</b> 02-04A, Insoles, (EM, 23 Apr 2014) 23 Oct 2014	<b>15353/2014</b>
<b>Nguyen, Jonathan Duy Khac;</b> 13-99, Solar panel with integrated camera and braket, 16 Oct 2014	<b>15276/2014</b>	<b>Reckitt Benckiser (Brands) Limited;</b> 02-04A, Insoles, (EM, 23 Apr 2014) 23 Oct 2014	<b>15355/2014</b>
<b>Nicol, David William;</b> 21-99, Aid for holding striking implement in the fingers, 23 Oct 2014	<b>15364/2014</b>	<b>ResMed Limited;</b> 24-02, , (Divisional of 14165/2014) 22 Oct 2014	<b>15336/2014</b>
<b>Oculeve, Inc.;</b> 24-04, Nasal stimulator device, (US, 18 Apr 2014) 15 Oct 2014	<b>15250/2014</b>	<b>ResMed Limited;</b> 24-02, Headgear for patient interface, (Divisional of 13671/2014) 17 Oct 2014	<b>15285/2014</b>
<b>Omron Healthcare Co., Ltd.;Colgate-Palmolive Company;</b> 13-02, Charger for electric toothbrush, (JP, 25 Apr 2014) 23 Oct 2014	<b>15365/2014</b>	<b>ResMed Limited;</b> 24-02, Headgear connector for patient interface, (Divisional of 13671/2014) 17 Oct 2014	<b>15286/2014</b>
<b>Omron Healthcare Co., Ltd.;Colgate-Palmolive Company;</b> 13-02, Charger for electric toothbrush, (JP, 25 Apr 2014) 23 Oct 2014	<b>15349/2014</b>	<b>Revill, Joanna;</b> 09-01D, The design is to be applied to a bottle, (NZ, 19 Aug 2014) 18 Oct 2014	<b>15292/2014</b>
<b>Omron Healthcare Co., Ltd.;Colgate-Palmolive Company;</b> 04-02, Electric toothbrush, (US, 25 Apr 2014) 22 Oct 2014	<b>15335/2014</b>	<b>Rockhouse International Pty Ltd;</b> 25-02NES, A structural member for building framework, 24 Oct 2014	<b>15390/2014</b>
<b>OCEAN SURF SPORTS PTY. LTD.;</b> 12-06C, Surf ski, ocean racing ski, kayak, 14 Oct 2014	<b>15223/2014</b>	<b>Rockhouse International Pty Ltd;</b> 25-02NES, A structural member for building framework, 24 Oct 2014	<b>15392/2014</b>
<b>Paton, Ross David;</b> 14-04, 14-02, ipad, iphone, tablet, smartphone PC application, 16 Oct 2014	<b>15272/2014</b>	<b>Roobuck Pty Ltd;</b> 26-05E, LED strap, 13 Oct 2014	<b>15218/2014</b>
<b>Pi-Design AG;</b> 07-01C, A tumbler, (WO, 08 May 2014) 13 Oct 2014	<b>15209/2014</b>	<b>Ryan, Tina;</b> 07-05D, Clothesline, 15 Oct 2014	<b>15259/2014</b>
<b>Pi-Design AG;</b> 07-01B, A sugar dispenser, (WO, 08 May 2014) 13 Oct 2014	<b>15208/2014</b>	<b>Ryan, Tina;</b> 07-05D, Clothesline, 15 Oct 2014	<b>15260/2014</b>
		<b>Samsung Electronics Co., Ltd.;</b> 23-04, Air conditioner, (KR, 21 Apr 2014) 21 Oct 2014	<b>15320/2014</b>
		<b>Samsung Electronics Co., Ltd.;</b> 23-04, Air conditioner, (KR, 21 Apr 2014) 21 Oct 2014	<b>15321/2014</b>
		<b>Samsung Electronics Co., Ltd.;</b> 23-04, Air conditioner, (KR, 21 Apr 2014) 21 Oct 2014	<b>15319/2014</b>

<b>Sandvik Mining and Construction Oy;</b> 08-01, Drill part, (ZA, 13 May 2014) 14 Oct 2014	<b>15237/2014</b>	<b>Sunset Skateboard Company;</b> 21-02E, Skateboard with transparent wheel with inner core, 13 Oct 2014	<b>15220/2014</b>
<b>Sashman Pty Ltd;</b> 08-08NES, Frame mounting plate, 21 Oct 2014	<b>15329/2014</b>	<b>SINGAPORE TECHNOLOGIES DYNAMICS PTE LTD;</b> 29-02, Disposable respirator with active venting system, (SG, 08 May 2014) 22 Oct 2014	<b>15343/2014</b>
<b>Savage, Christopher Gerald;</b> 25-01G, Wall panelling, 20 Oct 2014	<b>15315/2014</b>	<b>SINGAPORE TECHNOLOGIES DYNAMICS PTE LTD;</b> 29-02, Unidirectional valve on face mask, (SG, 08 May 2014) 22 Oct 2014	<b>15342/2014</b>
<b>Schuette &amp; Co. Far East Limited;</b> 06-06G, Furniture component, 24 Oct 2014	<b>15377/2014</b>	<b>Takeya USA Corporation;</b> 07-01F, Pitcher, (US, 23 Apr 2014) 10 Oct 2014	<b>15196/2014</b>
<b>Schuette &amp; Co. Far East Limited;</b> 06-01H, Furniture, 24 Oct 2014	<b>15380/2014</b>	<b>Takeya USA Corporation;</b> 07-01F, Pitcher, (US, 23 Apr 2014) 10 Oct 2014	<b>15201/2014</b>
<b>Seafolly Pty Ltd;</b> 02-02A, Swimwear, 05 May 2014	<b>15233/2014</b>	<b>Talley Group Limited;</b> 24-04, Negative pressure wound therapy pump, (EM, 30 Apr 2014) 21 Oct 2014	<b>15318/2014</b>
<b>Seafolly Pty Ltd;</b> 02-02A, Swimwear, 05 May 2014	<b>15234/2014</b>	<b>Taylor, John Victor;</b> 22-05, A personal fishing rod holder/holster apparatus, 10 Oct 2014	<b>15210/2014</b>
<b>Seafolly Pty Ltd;</b> 02-02A, Swimwear, 05 May 2014	<b>15235/2014</b>	<b>Tentsile Ltd;</b> 21-04, Treet tent, (US, 23 Jun 2014) 10 Oct 2014	<b>15200/2014</b>
<b>Seafolly Pty Ltd;</b> 02-02A, Swimwear, 05 May 2014	<b>15236/2014</b>	<b>The Ames Companies, Inc.;</b> 08-05A, Leaf rake, (US, 18 Jul 2014) 21 Oct 2014	<b>15326/2014</b>
<b>Seafolly Pty Ltd;</b> 02-02A, Swimwear, 05 May 2014	<b>15225/2014</b>	<b>The Ames Companies, Inc.;</b> 08-01, Cross hatch on cylindrical surface, (US, 16 Jul 2014) 21 Oct 2014	<b>15322/2014</b>
<b>Seafolly Pty Ltd;</b> 02-02A, Swimwear, 05 May 2014	<b>15231/2014</b>	<b>The Ames Companies, Inc.;</b> 08-03, TT hatch on tool head planar surface, (US, 16 Jul 2014) 21 Oct 2014	<b>15324/2014</b>
<b>Seafolly Pty Ltd;</b> 02-02A, Swimwear, 05 May 2014	<b>15232/2014</b>	<b>The Ames Companies, Inc.;</b> 08-01, TT hatch on cylindrical surface, (US, 16 Jul 2014) 21 Oct 2014	<b>15325/2014</b>
<b>Seafolly Pty Ltd;</b> 02-02A, Swimwear, 05 May 2014	<b>15229/2014</b>	<b>The Ames Companies, Inc.;</b> 08-01, TT hatch on tool head socket, (US, 16 Jul 2014) 21 Oct 2014	<b>15323/2014</b>
<b>Seafolly Pty Ltd;</b> 02-02A, Swimwear, 05 May 2014	<b>15230/2014</b>	<b>The Ames Companies, Inc.;</b> 08-01, Cross hatch on tool head socket, (US, 16 Jul 2014) 16 Oct 2014	<b>15267/2014</b>
<b>Seafolly Pty Ltd;</b> 02-02A, Swimwear, 05 May 2014	<b>15227/2014</b>	<b>The Glad Products Company;</b> 20-02D, Roll dispenser, (US, 23 Apr 2014) 13 Oct 2014	<b>15222/2014</b>
<b>Seafolly Pty Ltd;</b> 02-02A, Swimwear, 05 May 2014	<b>15228/2014</b>	<b>The Kind Group LLC;</b> 28-03NES, Cosmetic product container, (Divisional of 13445/2014) 20 Oct 2014	<b>15297/2014</b>
<b>Seafolly Pty Ltd;</b> 02-02A, Swimwear, 05 May 2014	<b>15226/2014</b>	<b>The Kind Group LLC;</b> 28-03NES, Cosmetic product container, (Divisional of 13445/2014) 20 Oct 2014	<b>15298/2014</b>
<b>Skarf Pets Pty Limited;</b> 02-05, A scarf, 10 Oct 2014	<b>15193/2014</b>		
<b>Snappyscreen, Inc.;</b> 28-03NES, Fluid cartridge having connector, (US, 14 Apr 2014) 10 Oct 2014	<b>15199/2014</b>		
<b>Snappyscreen, Inc.;</b> 23-01NES, Fluid application apparatus, (US, 14 Apr 2014) 10 Oct 2014	<b>15197/2014</b>		
<b>Steelcase Inc.;</b> 06-01E, Stool, (US, 03 Jun 2014) 20 Oct 2014	<b>15294/2014</b>		
<b>Steelcase Inc.;</b> 06-01F, Chair, (US, 03 Jun 2014) 20 Oct 2014	<b>15295/2014</b>		
<b>Steelcase Inc.;</b> 06-01F, Chair, (US, 03 Jun 2014) 20 Oct 2014	<b>15296/2014</b>		

<b>Toesox, Inc;</b> 02-04C, A pair of socks, (US, 25 Apr 2014) 20 Oct 2014	<b>15300/2014</b>	<b>Victory Industrial Corporation;</b> 13-01, Combined stator and rotor, (TW, 01 Jul 2014) 14 Oct 2014	<b>15241/2014</b>
<b>Total Range Design Pty Ltd;</b> 20-03C, Digital signage, 24 Oct 2014	<b>15372/2014</b>	<b>Victory Industrial Corporation;</b> 13-01, Stator, (TW, 01 Jul 2014) 14 Oct 2014	<b>15242/2014</b>
<b>Turner, John Charles;</b> 02-07A, Clothing accessory in the form of a clip, 13 Oct 2014	<b>15214/2014</b>	<b>Vision X Asia Co., Ltd.;IN-HONG KO;</b> 26-06, Lighting equipment for vehicles, (KR, 25 Aug 2014) 23 Oct 2014	<b>15356/2014</b>
<b>TRA Company Ltd.;</b> 13-03NES, AC/DC converter, (JP, 28 Jul 2014) 10 Oct 2014	<b>15195/2014</b>	<b>VISION X ASIA CO., LTD.;Ko, In-Hong;</b> 26-06, Lighting equipment for vehicles, (KR, 15 May 2014) 22 Oct 2014	<b>15341/2014</b>
<b>TRADE BOX, LLC;</b> 28-03B, Automatic hair styling device, (Divisional of 13854/2014) 24 Oct 2014	<b>15379/2014</b>	<b>VISION X ASIA CO., LTD.;IN-HONG KO;</b> 26-06, Lighting equipment for vehicles, (KR, 25 Aug 2014) 23 Oct 2014	<b>15351/2014</b>
<b>UTE AUSTRALIA PTY. LTD.;Lucas, Kain;</b> 25-03, Letterbox, 19 Oct 2014	<b>15293/2014</b>	<b>X H AUSTAR PTY LTD;</b> 02-04B, Shoe outsole, 20 Oct 2014	<b>15313/2014</b>
<b>ViaCyte, Inc.;</b> 24-01, Sizing tool for an encapsulation device, (US, 16 Apr 2014) 10 Oct 2014	<b>15180/2014</b>	<b>Yoshida Metal Industry Co., Ltd.;</b> 08-03, 07-03, Cutlery handle, (JP, 16 Apr 2014) 15 Oct 2014	<b>15251/2014</b>

**Applications Withdrawn**

14038 / 2014 (14-02)	15141 / 2014 (02-02NES)
15158 / 2014 (07-01E)	15219 / 2014 (02-03)

**Applications Lapsed**

10683 / 2014 (26-05E)	10683 / 2014 (26-05E)
10765 / 2014 (09-99)	10766 / 2014 (09-99)
11926 / 2014 (02-04NES)	13279 / 2014 (15-03B)
13279 / 2014 (15-03B)	13312 / 2014 (02-02B)
13312 / 2014 (02-02B)	13321 / 2014 (32-03)
13321 / 2014 (32-03)	13322 / 2014 (32-03)
13322 / 2014 (32-03)	13465 / 2014 (11-99)

**Extension of Period of Registration of Designs**

328103	328362	328391
328392	328393	328394
328439	328444	328449
328450	328451	328452
328465	328466	328478
328536	328537	328539
328555	328556	328557
328558	328564	328565
328567	328570	328571
328572	328573	328576
328578	328584	328585
328606	328607	328608
328609	328627	328628
328629	328630	328640
328663	328678	328682
328683	328689	328690
328696	328797	328814
328826	328832	328866
328867	328869	328891
328927	328934	328963
328964	328965	328968
328972	328973	328987
328988	328990	329017
329018	329021	329028
329032	329033	329034
329097	329098	329159
329166	329186	329207
329235	329236	329237
329238	329239	329333
329334	329340	329368
329369	329370	329371
329372	329373	329374
329375	329493	329507
329799	329800	329801
329930	329932	330283
330570	330571	330572
330573	330574	330575
330576	331099	331100
331891	331892	355969
355970		

**Registrations Ceased**

300392	300393	300394
300395	300396	300397
300398	300399	301115
301116	301117	301125
301130	301131	301132
301134	301135	301137
301138	301139	301140

301141	301142	301144
301147	301148	301149
301150	301151	301153
301167	301168	301170
301171	301172	301173
301174	301175	301176
301177	301178	301179
301180	301181	301183
301184	301185	301186
301189	301201	301202
301203	301208	301209
301210	301211	301213
301215	301216	301217
301220	301221	301222
301224	301226	301229
301230	301232	301236
301237	301238	301240
301241	301242	301243
301244	301246	301247
301248	301249	301251
301271	301279	301311
301541	301553	301554
301588	301589	301603
301672	301674	301675
301678	301829	302243
302488	302512	302513
302514	302515	302516
302641	302642	302800
302857	303193	303450
303451	305641	305642
314170	325489	325490
325491	325505	325506
325568	325573	325578
325579	325580	325581
325642	325643	325644
325645	325646	325647
325648	325662	325663
325664	325665	325666
325667	325668	325669
325672	325673	325674
325675	325676	325677
325678	325681	325682
325683	325684	325696
325699	325702	325711
325712	325733	325734
325736	325761	325781
325827	325829	325856
325857	325858	325865
325866	325867	325875
325876	325877	325888
325904	325914	325917
325918	325924	325936
325948	325954	326088
326404	326485	326486

326566 326720 327365  
 327366 327367 327758  
 350020 350429 350430  
 351516 351557 352176  
 352181 352337

**Applications for Extension of time under Section 137**

Applications under section 137 for extension of time have been lodged. Objections must be lodged within 1 month from the date of this journal.

320688 **Nicola Gail Junkeer** Address for Service: WADESON GPO Box 98 MELBOURNE VIC 3001

358292 **Teva UK Limited** Address for Service: Griffith Hack GPO Box 4164 SYDNEY NSW 2001

**Extensions of time granted under Section 137**

Applications lodged under section 137 for extension of time have been granted.

358427 **JANE, S.A.**

11767/2014 **Gary Frencham Pty Ltd**

**Applications Assigned**

(The name in parentheses is that of the subsequent applicant)

14839/2014 (**Arrow Fastener Co., LLC**) Arrow Fastener Co., Inc.  
 14840/2014 (**Arrow Fastener Co., LLC**) Arrow Fastener Co., Inc.

**Subsequent Owners Registered**

(The name in parentheses is that of the subsequent owner)

302376 (**Steeline Members Pty Ltd**) Steeline Pty Ltd  
 302377 (**Steeline Members Pty Ltd**) Steeline Pty Ltd  
 302378 (**Steeline Members Pty Ltd**) Steeline Pty Ltd  
 341729 (**OMS Investments, Inc.**) SMG BRANDS, INC.  
 341730 (**OMS Investments, Inc.**) SMG BRANDS, INC.  
 341731 (**OMS Investments, Inc.**) SMG BRANDS, INC.  
 341732 (**OMS Investments, Inc.**) SMG BRANDS, INC.  
 341733 (**OMS Investments, Inc.**) SMG BRANDS, INC.  
 341734 (**OMS Investments, Inc.**) SMG BRANDS, INC.  
 322377 (**OMS Investments, Inc.**) SMG Brands, Inc  
 322378 (**OMS Investments, Inc.**) SMG Brands, Inc  
 325599 (**OMS Investments, Inc.**) SMG Brands, Inc  
 325600 (**OMS Investments, Inc.**) SMG Brands, Inc  
 325601 (**OMS Investments, Inc.**) SMG Brands, Inc  
 325602 (**OMS Investments, Inc.**) SMG Brands, Inc  
 325603 (**OMS Investments, Inc.**) SMG Brands, Inc  
 335410 (**OMS Investments, Inc.**) SMG Brands, Inc  
 322380 (**OMS Investments, Inc.**) SMG Brands, Inc  
 324404 (**Biamp Systems Corporation (BSC)**) DEV-AUDIO Pty Ltd  
 345464 (**Larktale Pty Ltd**) Modern Star International Pty Ltd  
 346388 (**Larktale Pty Ltd**) Modern Star International Pty Ltd

350613 (**William Donald Townsend**) William Donald Townsend;Norman Carl Skennar  
 350614 (**William Donald Townsend**) William Donald Townsend;Norman Carl Skennar  
 338304 (**Yashin Radhakrishnan;Vault-R Pty Ltd**) Yashin Radhakrishnan;Yashin Inc  
 322379 (**OMS Investments, Inc.**) SMG Brands, Inc  
 309353 (**Premier Nutrition Corporation**) Societe Des Produits Nestle S.A.  
 323403 (**Premier Nutrition Corporation**) Societe des Produits Nestle S.A.  
 323402 (**Premier Nutrition Corporation**) Societe des Produits Nestle S.A.  
 323401 (**Premier Nutrition Corporation**) Societe des Produits Nestle S.A.  
 323400 (**Premier Nutrition Corporation**) Societe des Produits Nestle S.A.  
 353090 (**Nicoventures Holdings Limited**) British American Tobacco (Holdings) Limited  
 353091 (**Nicoventures Holdings Limited**) British American Tobacco (Holdings) Limited  
 347966 (**The French's Food Company LLC a Delaware limited liability company**) Reckitt Benckiser LLC  
 348053 (**The French's Food Company LLC a Delaware limited liability company**) Reckitt Benckiser LLC

**Names Registered - Alterations and Amendments**

(The name in parentheses is that of the subsequent applicant)

354455 (**Polaris Industries Inc.**) Indian Motorcycle International, LLC  
 341297 (**ION FORGE PTY LTD**) Inbiz International Pty Ltd  
 341298 (**ION FORGE PTY LTD**) Inbiz International Pty Ltd  
 345934 (**Fix8 Systems Pty. Ltd.**) Reutlinger Australia Pty Ltd  
 345947 (**Fix8 Systems Pty. Ltd.**) Reutlinger Australia Pty Ltd

**Certificate(s) of Examination**

Examination of the following Design Registration(s) has been completed. Infringement proceedings may now be commenced.

317019	09-01K	14/10/2014	357542	23-01H	24/10/2014
320904	12-16L	15/10/2014	357546	07-01F	16/10/2014
325159	12-16C	14/10/2014	357573	26-05B	20/10/2014
334709	23-01NES	17/10/2014	357575	26-05B	20/10/2014
337781	23-01H	14/10/2014	357694	31-00	22/10/2014
338392	07-01NES	17/10/2014	357735	05-05NES	14/10/2014
339092	23-01H	14/10/2014	357737	05-05NES	24/10/2014
339093	23-01H	16/10/2014	357740	31-00	24/10/2014
346678	06-01E	14/10/2014	357741	31-00	24/10/2014
346679	06-06G	14/10/2014	357751	05-05NES	14/10/2014
346680	06-06G	14/10/2014	357752	05-05A	14/10/2014
346682	06-06H	14/10/2014	357800	19-08	22/10/2014
350531	10-04	20/10/2014	357801	19-08	22/10/2014
351273	23-01H	20/10/2014	357802	19-08	22/10/2014
351275	23-01H	21/10/2014	357803	19-08	22/10/2014
352156	23-01H	21/10/2014	357804	19-08	22/10/2014
353616	24-01	20/10/2014	357805	19-08	22/10/2014
354355	09-01G	21/10/2014	357807	21-02D	21/10/2014
354357	09-01G	21/10/2014	357839	23-01H	23/10/2014
354358	09-01G	21/10/2014	357840	23-01H	27/10/2014
354359	09-01G	21/10/2014	357843	23-01H	27/10/2014
354563	21-01C	21/10/2014	357863	23-04	22/10/2014
354564	21-01C	21/10/2014	357863	23-04	22/10/2014
354565	21-01C	21/10/2014	357886	31-00	22/10/2014
355328	14-03A	21/10/2014	358023	12-16A	22/10/2014
356251	09-01NES	22/10/2014	358065	12-07	22/10/2014
356376	15-07	27/10/2014	358070	12-07	22/10/2014
356377	15-07	27/10/2014	358249	05-05A	17/10/2014
356557	15-07	27/10/2014	358268	05-05A	17/10/2014
356720	26-05C	24/10/2014	358273	05-05NES	17/10/2014
356721	26-05C	24/10/2014			
356727	04-02	20/10/2014			
356752	20-02E	21/10/2014			
356782	15-07	27/10/2014			
356784	15-07	27/10/2014			
356823	15-07	27/10/2014			
356910	15-05	22/10/2014			
356911	15-05	22/10/2014			
356912	15-05	22/10/2014			
356913	15-05	22/10/2014			
356915	15-05	22/10/2014			
356917	15-05	22/10/2014			
357003	25-01B	15/10/2014			
357014	14-01	23/10/2014			
357097	09-03M	17/10/2014			
357102	05-05A	17/10/2014			
357124	16-01	17/10/2014			
357193	03-01A	17/10/2014			
357193	03-01A	17/10/2014			
357337	05-05B	17/10/2014			
357380	25-01E	27/10/2014			
357456	12-15B	17/10/2014			
357457	12-15B	17/10/2014			
357469	05-06NES	22/10/2014			
357476	15-05	14/10/2014			
357477	15-05	14/10/2014			
357478	05-06NES	22/10/2014			
357499	24-02	17/10/2014			
357518	25-02C	22/10/2014			

**Publication and Registration Proceedings**

**Designs Registered**

This section provides a concordance between design number and registration number of Designs covered in this journal. It also shows the main class and registration date.

This section covers Registration numbers 358153 to 358470 .

The registration number shown below should be used in all future correspondence.

<b>Design Number</b>	<b>Registration Number</b>	<b>International Classification Code (IDC)</b>	<b>Registration Date</b>	<b>Design Number</b>	<b>Registration Number</b>	<b>International Classification Code (IDC)</b>	<b>Registration Date</b>
10924/2014	358276	09-03M	16/10/2014	13962/2014	358349	10-02	21/10/2014
11238/2014	358427	06-01D	23/10/2014	14016/2014	358350	09-03M	21/10/2014
11342/2014	358461	09-02A	27/10/2014	14037/2014	358173	12-16NES	14/10/2014
11649/2014	358153	12-08	13/10/2014	14094/2014	358213	05-05NES	14/10/2014
11989/2014	358233	03-03	15/10/2014	14106/2014	358467	12-10	27/10/2014
12225/2014	358415	02-02A	22/10/2014	14147/2014	358351	12-16NES	21/10/2014
13087/2014	358277	14-99	16/10/2014	14148/2014	358352	12-16NES	21/10/2014
13138/2014	358256	12-16F	16/10/2014	14149/2014	358386	22-01	22/10/2014
13212/2014	358341	24-01	21/10/2014	14156/2014	358174	03-01B	14/10/2014
13218/2014	358370	27-99	21/10/2014	14165/2014	358463	24-02	27/10/2014
13228/2014	358257	26-03	16/10/2014	14166/2014	358193	03-01B	14/10/2014
13319/2014	358342	08-08NES	21/10/2014	14186/2014	358286	26-05A	16/10/2014
13320/2014	358278	25-01NES	16/10/2014	14201/2014	358313	14-03D	20/10/2014
13323/2014	358279	25-01NES	16/10/2014	14205/2014	358314	12-10	20/10/2014
13331/2014	358371	21-04	21/10/2014	14231/2014	358194	15-03A	14/10/2014
13332/2014	358372	21-04	21/10/2014	14232/2014	358195	15-03A	14/10/2014
13334/2014	358385	08-07	22/10/2014	14261/2014	358353	08-08NES	21/10/2014
13356/2014	358373	09-03NES	21/10/2014	14263/2014	358377	28-01	21/10/2014
13387/2014	358280	09-01G	16/10/2014	14274/2014	358318	24-01	20/10/2014
13388/2014	358281	09-07B	16/10/2014	14296/2014	358337	28-03D	20/10/2014
13389/2014	358282	09-01G	16/10/2014	14297/2014	358287	12-08	16/10/2014
13390/2014	358283	09-07B	16/10/2014	14299/2014	358288	12-08	16/10/2014
13391/2014	358311	09-01G	20/10/2014	14310/2014	358418	07-06D	22/10/2014
13445/2014	358428	28-03NES	23/10/2014	14373/2014	358258	02-01NES	16/10/2014
13521/2014	358343	13-03A	21/10/2014	14377/2014	358196	03-01B	14/10/2014
13526/2014	358437	09-02C	23/10/2014	14390/2014	358431	31-00	23/10/2014
13544/2014	358361	02-05	21/10/2014	14454/2014	358197	24-99	14/10/2014
13545/2014	358438	14-01	23/10/2014	14456/2014	358339	24-99	20/10/2014
13591/2014	358429	19-01	23/10/2014	14458/2014	358198	24-02	14/10/2014
13604/2014	358430	09-03M	23/10/2014	14459/2014	358340	09-03NES	20/10/2014
13616/2014	358344	14-99	21/10/2014	14460/2014	358199	24-02	14/10/2014
13617/2014	358450	27-02	24/10/2014	14463/2014	358200	24-02	14/10/2014
13618/2014	358416	06-04NES	22/10/2014	14467/2014	358201	24-02	14/10/2014
13626/2014	358336	09-05	20/10/2014	14472/2014	358202	21-02D	14/10/2014
13670/2014	358316	13-03D	20/10/2014	14494/2014	358432	12-16NES	23/10/2014
13671/2014	358462	24-02	27/10/2014	14495/2014	358289	25-02C	16/10/2014
13672/2014	358317	13-03D	20/10/2014	14510/2014	358319	21-01B	20/10/2014
13676/2014	358284	23-01L	16/10/2014	14536/2014	358315	26-05C	20/10/2014
13683/2014	358285	23-01L	16/10/2014	14579/2014	358214	02-02NES	14/10/2014
13698/2014	358345	02-03	21/10/2014	14580/2014	358215	02-02NES	14/10/2014
13699/2014	358346	02-03	21/10/2014	14596/2014	358362	25-01NES	21/10/2014
13700/2014	358347	02-03	21/10/2014	14613/2014	358354	06-13B	21/10/2014
13701/2014	358348	02-03	21/10/2014	14616/2014	358464	07-06C	27/10/2014
13706/2014	358439	27-01	23/10/2014	14644/2014	358451	09-01NES	24/10/2014
13707/2014	358440	27-01	23/10/2014	14667/2014	358419	14-01	22/10/2014
13708/2014	358417	09-01H	22/10/2014	14671/2014	358290	12-03	16/10/2014
13748/2014	358312	21-01L	20/10/2014	14681/2014	358420	08-02	22/10/2014
13956/2014	358374	13-01	21/10/2014	14685/2014	358378	12-06NES	21/10/2014
13957/2014	358375	13-01	21/10/2014	14699/2014	358216	11-01NES	14/10/2014
13960/2014	358376	12-14	21/10/2014	14706/2014	358355	25-01F	21/10/2014



Publication and Registration Proceedings - Designs Registered cont'd

Design Number	Registration Number	International Classification Code (IDC)	Registration Date	Design Number	Registration Number	International Classification Code (IDC)	Registration Date
14708/2014	358356	25-01F	21/10/2014	14972/2014	358167	09-07C	13/10/2014
14738/2014	358357	26-06	21/10/2014	14973/2014	358168	26-03	13/10/2014
14739/2014	358358	26-06	21/10/2014	14974/2014	358169	26-03	13/10/2014
14743/2014	358379	12-16A	21/10/2014	14975/2014	358203	26-03	14/10/2014
14769/2014	358433	28-03A	23/10/2014	14976/2014	358204	26-03	14/10/2014
14772/2014	358175	23-02C	14/10/2014	14977/2014	358205	26-03	14/10/2014
14773/2014	358176	23-02C	14/10/2014	14978/2014	358206	26-03	14/10/2014
14806/2014	358359	02-02B	21/10/2014	14979/2014	358207	21-02D	14/10/2014
14807/2014	358259	02-02B	16/10/2014	14981/2014	358192	23-03B	14/10/2014
14808/2014	358360	02-02B	21/10/2014	14982/2014	358219	23-03B	14/10/2014
14809/2014	358320	02-02B	20/10/2014	14983/2014	358208	23-03B	14/10/2014
14810/2014	358321	02-02B	20/10/2014	14984/2014	358209	23-03B	14/10/2014
14824/2014	358421	12-16NES	22/10/2014	14985/2014	358210	23-03B	14/10/2014
14839/2014	358459	08-05NES	24/10/2014	14986/2014	358211	23-03B	14/10/2014
14840/2014	358460	08-05NES	24/10/2014	14987/2014	358212	14-03A	14/10/2014
14843/2014	358434	23-03G	23/10/2014	14988/2014	358220	24-02	14/10/2014
14844/2014	358435	23-03G	23/10/2014	14991/2014	358221	14-01	14/10/2014
14854/2014	358468	16-01	27/10/2014	14992/2014	358170	23-02C	13/10/2014
14863/2014	358154	26-05D	13/10/2014	14993/2014	358171	23-02C	13/10/2014
14870/2014	358260	12-02	16/10/2014	14995/2014	358172	31-00	13/10/2014
14882/2014	358177	26-03	14/10/2014	14998/2014	358222	09-09	14/10/2014
14883/2014	358178	26-03	14/10/2014	15000/2014	358223	07-07NES	14/10/2014
14896/2014	358217	08-09	14/10/2014	15002/2014	358224	03-01NES	14/10/2014
14897/2014	358465	22-01	27/10/2014	15003/2014	358225	09-03M	14/10/2014
14899/2014	358322	06-01D	20/10/2014	15004/2014	358226	09-03M	14/10/2014
14909/2014	358218	02-02NES	14/10/2014	15005/2014	358227	14-03E	14/10/2014
14918/2014	358234	02-02NES	15/10/2014	15006/2014	358228	14-03E	14/10/2014
14932/2014	358155	06-06G	13/10/2014	15007/2014	358229	14-03E	14/10/2014
14934/2014	358156	06-06G	13/10/2014	15008/2014	358230	14-03E	14/10/2014
14935/2014	358157	09-05	13/10/2014	15009/2014	358231	14-03E	14/10/2014
14936/2014	358158	06-06G	13/10/2014	15010/2014	358232	14-03E	14/10/2014
14937/2014	358179	12-16B	14/10/2014	15011/2014	358235	14-03E	15/10/2014
14938/2014	358180	26-06	14/10/2014	15013/2014	358236	14-03E	15/10/2014
14939/2014	358181	12-16B	14/10/2014	15014/2014	358237	14-03E	15/10/2014
14940/2014	358182	12-16B	14/10/2014	15018/2014	358238	07-01C	15/10/2014
14941/2014	358183	26-06	14/10/2014	15021/2014	358326	15-01	20/10/2014
14942/2014	358184	26-06	14/10/2014	15022/2014	358239	26-03	15/10/2014
14943/2014	358185	26-06	14/10/2014	15023/2014	358240	12-05	15/10/2014
14944/2014	358186	12-16B	14/10/2014	15024/2014	358241	12-05	15/10/2014
14945/2014	358187	12-16B	14/10/2014	15025/2014	358242	12-05	15/10/2014
14946/2014	358188	12-16B	14/10/2014	15026/2014	358243	12-05	15/10/2014
14947/2014	358323	12-16B	20/10/2014	15031/2014	358261	21-02C	16/10/2014
14948/2014	358324	12-16B	20/10/2014	15033/2014	358436	08-05F	23/10/2014
14949/2014	358325	12-16B	20/10/2014	15036/2014	358422	25-99	22/10/2014
14951/2014	358189	12-16B	14/10/2014	15046/2014	358291	31-00	20/10/2014
14952/2014	358190	12-16B	14/10/2014	15051/2014	358262	07-02K	16/10/2014
14953/2014	358191	12-16B	14/10/2014	15053/2014	358263	07-02K	16/10/2014
14961/2014	358159	07-04	13/10/2014	15055/2014	358264	06-99	16/10/2014
14962/2014	358160	07-04	13/10/2014	15056/2014	358265	07-04	16/10/2014
14963/2014	358161	10-04	13/10/2014	15058/2014	358266	07-04	16/10/2014
14964/2014	358162	07-05D	13/10/2014	15061/2014	358466	08-01	27/10/2014
14966/2014	358163	07-05D	13/10/2014	15064/2014	358380	26-05NES	21/10/2014
14969/2014	358164	09-07C	13/10/2014	15065/2014	358255	21-02C	15/10/2014
14970/2014	358165	07-01NES	13/10/2014	15066/2014	358381	09-01NES	21/10/2014
14971/2014	358166	07-01NES	13/10/2014	15070/2014	358244	07-99NES	15/10/2014

Publication and Registration Proceedings - Designs Registered cont'd

Design Number	Registration Number	International Classification Code (IDC)	Registration Date	Design Number	Registration Number	International Classification Code (IDC)	Registration Date
15071/2014	358245	07-99NES	15/10/2014	15163/2014	358367	12-16A	21/10/2014
15072/2014	358246	08-08D	15/10/2014	15167/2014	358368	21-01C	21/10/2014
15076/2014	358247	07-01NES	15/10/2014	15168/2014	358369	21-01H	21/10/2014
15077/2014	358292	24-04	20/10/2014	15172/2014	358387	12-16NES	22/10/2014
15079/2014	358327	02-03	20/10/2014	15174/2014	358388	14-01	22/10/2014
15080/2014	358248	02-02B	15/10/2014	15175/2014	358389	28-01	22/10/2014
15084/2014	358249	05-05A	15/10/2014	15177/2014	358390	12-16A	22/10/2014
15085/2014	358250	05-05D	15/10/2014	15178/2014	358391	07-05D	22/10/2014
15086/2014	358328	02-02C	20/10/2014	15179/2014	358392	24-01	22/10/2014
15088/2014	358251	02-03	15/10/2014	15180/2014	358393	24-01	22/10/2014
15089/2014	358252	08-08NES	15/10/2014	15181/2014	358394	24-01	22/10/2014
15090/2014	358253	06-01L	15/10/2014	15182/2014	358395	08-08NES	22/10/2014
15091/2014	358254	07-01C	15/10/2014	15183/2014	358396	08-08NES	22/10/2014
15095/2014	358363	27-99	21/10/2014	15184/2014	358397	12-15B	22/10/2014
15096/2014	358469	23-01B	27/10/2014	15185/2014	358398	12-15B	22/10/2014
15097/2014	358267	23-01B	16/10/2014	15186/2014	358399	12-15C	22/10/2014
15098/2014	358268	05-05A	16/10/2014	15187/2014	358400	12-15NES	22/10/2014
15099/2014	358269	05-05B	16/10/2014	15188/2014	358401	07-05E	22/10/2014
15100/2014	358270	05-05D	16/10/2014	15192/2014	358402	12-15C	22/10/2014
15101/2014	358293	05-05A	20/10/2014	15196/2014	358403	07-01F	22/10/2014
15102/2014	358271	13-03C	16/10/2014	15200/2014	358423	21-04	22/10/2014
15103/2014	358272	13-03C	16/10/2014	15201/2014	358404	07-01F	22/10/2014
15104/2014	358273	05-05NES	16/10/2014	15205/2014	358405	24-01	22/10/2014
15105/2014	358274	02-02C	16/10/2014	15208/2014	358406	07-01B	22/10/2014
15106/2014	358275	25-01K	16/10/2014	15209/2014	358407	07-01C	22/10/2014
15108/2014	358294	15-03B	20/10/2014	15212/2014	358334	02-02C	20/10/2014
15110/2014	358470	26-05D	27/10/2014	15213/2014	358335	02-02C	20/10/2014
15111/2014	358329	23-01K	20/10/2014	15214/2014	358408	02-07A	22/10/2014
15117/2014	358364	13-03B	21/10/2014	15215/2014	358409	26-02	22/10/2014
15121/2014	358382	14-02	21/10/2014	15216/2014	358410	26-02	22/10/2014
15123/2014	358295	05-05A	20/10/2014	15217/2014	358424	09-01G	22/10/2014
15124/2014	358296	14-02	20/10/2014	15220/2014	358411	21-02E	22/10/2014
15125/2014	358297	05-05C	20/10/2014	15221/2014	358425	08-07	22/10/2014
15128/2014	358330	02-02NES	20/10/2014	15225/2014	358441	02-02A	23/10/2014
15132/2014	358298	21-02F	20/10/2014	15226/2014	358442	02-02A	23/10/2014
15135/2014	358452	14-99	24/10/2014	15227/2014	358455	02-02A	24/10/2014
15136/2014	358453	06-01G	24/10/2014	15228/2014	358443	02-02A	23/10/2014
15137/2014	358299	02-02C	20/10/2014	15229/2014	358444	02-02A	23/10/2014
15138/2014	358300	05-05A	20/10/2014	15230/2014	358445	02-02A	23/10/2014
15139/2014	358301	09-01NES	20/10/2014	15231/2014	358446	02-02A	23/10/2014
15142/2014	358302	07-01E	20/10/2014	15232/2014	358447	02-02A	23/10/2014
15143/2014	358303	07-01E	20/10/2014	15233/2014	358456	02-02A	24/10/2014
15145/2014	358304	23-02C	20/10/2014	15234/2014	358448	02-02A	23/10/2014
15146/2014	358305	09-03NES	20/10/2014	15235/2014	358449	02-02A	23/10/2014
15147/2014	358331	09-03NES	20/10/2014	15236/2014	358457	02-02A	24/10/2014
15148/2014	358332	21-02F	20/10/2014	15237/2014	358412	08-01	22/10/2014
15150/2014	358333	25-01K	20/10/2014	15239/2014	358413	02-03	22/10/2014
15151/2014	358306	09-09	20/10/2014	15240/2014	358414	06-06H	22/10/2014
15153/2014	358307	02-04NES	20/10/2014	15241/2014	358383	13-01	21/10/2014
15155/2014	358308	02-04NES	20/10/2014	15242/2014	358384	13-01	21/10/2014
15156/2014	358309	12-16A	20/10/2014	15243/2014	358458	08-08L	24/10/2014
15157/2014	358310	07-01E	20/10/2014	15317/2014	358426	08-02	22/10/2014
15159/2014	358454	03-01B	24/10/2014				
15161/2014	358365	12-16A	21/10/2014				
15162/2014	358366	12-16A	21/10/2014				

**Publication and Registration Proceedings - Designs Registered cont'd**

**Publication and Registration Proceedings**

**Class Listing of Designs Published or Registered**

The following section shows an International Classification Code listing of the Registered or Published Designs covered in this supplement.

<b>Classification</b>	<b>Registration Number</b>	<b>Design Number</b>	<b>Classification</b>	<b>Registration Number</b>	<b>Design Number</b>
02-01NES	358258	14373/2014	05-05C	358297	15125/2014
02-02A	358415	12225/2014	05-05D	358250	15085/2014
02-02A	358441	15225/2014	05-05D	358270	15100/2014
02-02A	358442	15226/2014	05-05NES	358213	14094/2014
02-02A	358443	15228/2014	05-05NES	358273	15104/2014
02-02A	358444	15229/2014	06-01D	358155	14932/2014
02-02A	358445	15230/2014	06-01D	358156	14934/2014
02-02A	358446	15231/2014	06-01D	358158	14936/2014
02-02A	358447	15232/2014	06-01D	358322	14899/2014
02-02A	358448	15234/2014	06-01D	358427	11238/2014
02-02A	358449	15235/2014	06-01G	358453	15136/2014
02-02A	358455	15227/2014	06-01L	358253	15090/2014
02-02A	358456	15233/2014	06-04NES	358416	13618/2014
02-02A	358457	15236/2014	06-06G	358155	14932/2014
02-02B	358248	15080/2014	06-06G	358156	14934/2014
02-02B	358259	14807/2014	06-06G	358158	14936/2014
02-02B	358320	14809/2014	06-06H	358414	15240/2014
02-02B	358321	14810/2014	06-06NES	358275	15106/2014
02-02B	358359	14806/2014	06-13B	358354	14613/2014
02-02B	358360	14808/2014	06-99	358264	15055/2014
02-02C	358274	15105/2014	07-01B	358406	15208/2014
02-02C	358299	15137/2014	07-01C	358238	15018/2014
02-02C	358328	15086/2014	07-01C	358254	15091/2014
02-02C	358334	15212/2014	07-01C	358407	15209/2014
02-02C	358335	15213/2014	07-01E	358302	15142/2014
02-02NES	358214	14579/2014	07-01E	358303	15143/2014
02-02NES	358215	14580/2014	07-01E	358310	15157/2014
02-02NES	358218	14909/2014	07-01F	358403	15196/2014
02-02NES	358234	14918/2014	07-01F	358404	15201/2014
02-02NES	358330	15128/2014	07-01NES	358165	14970/2014
02-03	358251	15088/2014	07-01NES	358166	14971/2014
02-03	358327	15079/2014	07-01NES	358247	15076/2014
02-03	358345	13698/2014	07-01NES	358254	15091/2014
02-03	358346	13699/2014	07-02K	358262	15051/2014
02-03	358347	13700/2014	07-02K	358263	15053/2014
02-03	358348	13701/2014	07-04	358159	14961/2014
02-03	358413	15239/2014	07-04	358160	14962/2014
02-04NES	358307	15153/2014	07-04	358265	15056/2014
02-04NES	358308	15155/2014	07-04	358266	15058/2014
02-05	358361	13544/2014	07-05D	358162	14964/2014
02-07A	358408	15214/2014	07-05D	358163	14966/2014
03-01B	358174	14156/2014	07-05D	358391	15178/2014
03-01B	358193	14166/2014	07-05E	358401	15188/2014
03-01B	358196	14377/2014	07-06C	358464	14616/2014
03-01B	358454	15159/2014	07-06D	358418	14310/2014
03-01NES	358224	15002/2014	07-07NES	358223	15000/2014
03-03	358233	11989/2014	07-99NES	358244	15070/2014
05-05A	358249	15084/2014	07-99NES	358245	15071/2014
05-05A	358268	15098/2014	08-01	358412	15237/2014
05-05A	358293	15101/2014	08-01	358466	15061/2014
05-05A	358295	15123/2014	08-02	358420	14681/2014
05-05A	358300	15138/2014	08-02	358426	15317/2014
05-05B	358269	15099/2014	08-05F	358436	15033/2014

Registration Proceedings - Class Listing of Designs Published or Registered cont'd

Classification	Registration Number	Design Number	Classification	Registration Number	Design Number
08-05NES	358459	14839/2014	12-10	358467	14106/2014
08-05NES	358460	14840/2014	12-14	358233	11989/2014
08-07	358385	13334/2014	12-14	358376	13960/2014
08-07	358425	15221/2014	12-15B	358397	15184/2014
08-08D	358246	15072/2014	12-15B	358398	15185/2014
08-08L	358458	15243/2014	12-15C	358399	15186/2014
08-08NES	358252	15089/2014	12-15C	358402	15192/2014
08-08NES	358342	13319/2014	12-15NES	358400	15187/2014
08-08NES	358353	14261/2014	12-16A	358309	15156/2014
08-08NES	358395	15182/2014	12-16A	358365	15161/2014
08-08NES	358396	15183/2014	12-16A	358366	15162/2014
08-09	358217	14896/2014	12-16A	358367	15163/2014
09-01G	358280	13387/2014	12-16A	358379	14743/2014
09-01G	358282	13389/2014	12-16A	358390	15177/2014
09-01G	358311	13391/2014	12-16B	358179	14937/2014
09-01G	358424	15217/2014	12-16B	358181	14939/2014
09-01H	358417	13708/2014	12-16B	358182	14940/2014
09-01NES	358301	15139/2014	12-16B	358186	14944/2014
09-01NES	358381	15066/2014	12-16B	358187	14945/2014
09-01NES	358417	13708/2014	12-16B	358188	14946/2014
09-01NES	358451	14644/2014	12-16B	358189	14951/2014
09-02A	358461	11342/2014	12-16B	358190	14952/2014
09-02C	358437	13526/2014	12-16B	358191	14953/2014
09-03M	358225	15003/2014	12-16B	358323	14947/2014
09-03M	358226	15004/2014	12-16B	358324	14948/2014
09-03M	358276	10924/2014	12-16B	358325	14949/2014
09-03M	358350	14016/2014	12-16E	358180	14938/2014
09-03M	358430	13604/2014	12-16E	358183	14941/2014
09-03NES	358305	15146/2014	12-16E	358184	14942/2014
09-03NES	358331	15147/2014	12-16E	358185	14943/2014
09-03NES	358340	14459/2014	12-16F	358256	13138/2014
09-03NES	358373	13356/2014	12-16NES	358173	14037/2014
09-05	358157	14935/2014	12-16NES	358351	14147/2014
09-05	358336	13626/2014	12-16NES	358352	14148/2014
09-07B	358281	13388/2014	12-16NES	358387	15172/2014
09-07B	358283	13390/2014	12-16NES	358421	14824/2014
09-07C	358164	14969/2014	12-16NES	358432	14494/2014
09-07C	358167	14972/2014	13-01	358374	13956/2014
09-09	358222	14998/2014	13-01	358375	13957/2014
09-09	358306	15151/2014	13-01	358383	15241/2014
10-02	358349	13962/2014	13-01	358384	15242/2014
10-04	358161	14963/2014	13-03A	358343	13521/2014
11-01NES	358216	14699/2014	13-03B	358364	15117/2014
12-02	358260	14870/2014	13-03C	358271	15102/2014
12-02	358436	15033/2014	13-03C	358272	15103/2014
12-03	358290	14671/2014	13-03D	358316	13670/2014
12-05	358240	15023/2014	13-03D	358317	13672/2014
12-05	358241	15024/2014	13-03NES	358316	13670/2014
12-05	358242	15025/2014	14-01	358221	14991/2014
12-05	358243	15026/2014	14-01	358388	15174/2014
12-06NES	358378	14685/2014	14-01	358419	14667/2014
12-08	358153	11649/2014	14-01	358438	13545/2014
12-08	358287	14297/2014	14-02	358296	15124/2014
12-08	358288	14299/2014	14-02	358382	15121/2014
12-10	358314	14205/2014	14-03A	358212	14987/2014
12-10	358432	14494/2014	14-03D	358313	14201/2014

Registration Proceedings - Class Listing of Designs Published or Registered cont'd

Classification	Registration Number	Design Number	Classification	Registration Number	Design Number
14-03E	358227	15005/2014	24-01	358393	15180/2014
14-03E	358228	15006/2014	24-01	358394	15181/2014
14-03E	358229	15007/2014	24-01	358405	15205/2014
14-03E	358230	15008/2014	24-02	358198	14458/2014
14-03E	358231	15009/2014	24-02	358199	14460/2014
14-03E	358232	15010/2014	24-02	358200	14463/2014
14-03E	358235	15011/2014	24-02	358201	14467/2014
14-03E	358236	15013/2014	24-02	358220	14988/2014
14-03E	358237	15014/2014	24-02	358462	13671/2014
14-99	358277	13087/2014	24-02	358463	14165/2014
14-99	358344	13616/2014	24-04	358292	15077/2014
14-99	358452	15135/2014	24-04	358336	13626/2014
15-01	358326	15021/2014	24-99	358197	14454/2014
15-03A	358194	14231/2014	24-99	358339	14456/2014
15-03A	358195	14232/2014	25-01F	358355	14706/2014
15-03B	358294	15108/2014	25-01F	358356	14708/2014
16-01	358468	14854/2014	25-01K	358275	15106/2014
19-01	358429	13591/2014	25-01K	358333	15150/2014
21-01B	358319	14510/2014	25-01NES	358278	13320/2014
21-01C	358368	15167/2014	25-01NES	358279	13323/2014
21-01H	358369	15168/2014	25-01NES	358362	14596/2014
21-01L	358312	13748/2014	25-02C	358289	14495/2014
21-02C	358255	15065/2014	25-99	358422	15036/2014
21-02C	358261	15031/2014	26-02	358409	15215/2014
21-02D	358202	14472/2014	26-02	358410	15216/2014
21-02D	358207	14979/2014	26-03	358168	14973/2014
21-02E	358411	15220/2014	26-03	358169	14974/2014
21-02F	358298	15132/2014	26-03	358177	14882/2014
21-02F	358332	15148/2014	26-03	358178	14883/2014
21-04	358371	13331/2014	26-03	358203	14975/2014
21-04	358372	13332/2014	26-03	358204	14976/2014
21-04	358423	15200/2014	26-03	358205	14977/2014
22-01	358386	14149/2014	26-03	358206	14978/2014
22-01	358465	14897/2014	26-03	358239	15022/2014
23-01B	358267	15097/2014	26-03	358257	13228/2014
23-01B	358469	15096/2014	26-05A	358286	14186/2014
23-01F	358461	11342/2014	26-05C	358315	14536/2014
23-01K	358329	15111/2014	26-05D	358154	14863/2014
23-01L	358284	13676/2014	26-05D	358286	14186/2014
23-01L	358285	13683/2014	26-05D	358470	15110/2014
23-02C	358170	14992/2014	26-05NES	358380	15064/2014
23-02C	358171	14993/2014	26-06	358180	14938/2014
23-02C	358175	14772/2014	26-06	358183	14941/2014
23-02C	358176	14773/2014	26-06	358184	14942/2014
23-02C	358304	15145/2014	26-06	358185	14943/2014
23-03B	358192	14981/2014	26-06	358357	14738/2014
23-03B	358208	14983/2014	26-06	358358	14739/2014
23-03B	358209	14984/2014	27-01	358439	13706/2014
23-03B	358210	14985/2014	27-01	358440	13707/2014
23-03B	358211	14986/2014	27-02	358450	13617/2014
23-03B	358219	14982/2014	27-99	358363	15095/2014
23-03G	358434	14843/2014	27-99	358370	13218/2014
23-03G	358435	14844/2014	27-99	358439	13706/2014
24-01	358318	14274/2014	28-01	358377	14263/2014
24-01	358341	13212/2014	28-01	358389	15175/2014
24-01	358392	15179/2014	28-03A	358433	14769/2014

**Registration Proceedings - Class Listing of Designs Published or Registered cont'd**

<b>Classification</b>	<b>Registration Number</b>	<b>Design Number</b>	<b>Classification</b>	<b>Registration Number</b>	<b>Design Number</b>
28-03D	358337	14296/2014	31-00	358431	14390/2014
28-03NES	358428	13445/2014			
31-00	358172	14995/2014			
31-00	358291	15046/2014			

- (21) Design Number: **11649/2014**  
(22) Date of Filing Application: **02 April 2014**  
(24) Date from which industrial property rights may have effect: **02 April 2014**  
(54) Product in respect of which the design is registered: **Automobile**  
(51) International Design Classification: **12-08**  
(74) Name(s) of Attorney(s): **Wrays**  
(71) Name(s) and Address(s) of Applicant(s):  
**Suzuki Motor Corporation**  
**300 Takatsuka-cho Minami-ku Hamamatsu-shi Shizuoka-ken 432-8611**  
**Japan**  
(72) Name(s) of Designer(s): **Kosei Iwasaki and Toshinobu Ishida and Kanae Ito and Kazuhisa Takayanagi and Yoshitaka Uchiyama**  
(45) Registration Date: **13 October 2014**  
(56) Related Art Documents: **Not Applicable**  
(57) Statement of Newness and Distinctiveness: **Newness and distinctiveness is claimed in the features of shape and/or configuration of the Automobile depicted in the accompanying representations.**



- (21) Design Number: **14863/2014**  
(22) Date of Filing Application: **24 September 2014**  
(24) Date from which industrial property rights may have effect: **27 June 2014**  
(54) Product in respect of which the design is registered: **Lighting fixture**  
(51) International Design Classification: **26-05D**  
(74) Name(s) of Attorney(s): **AJ Park**  
(71) Name(s) and Address(s) of Applicant(s):  
**Jackson Electrical Industries Limited**  
**18 Gloucester Park Road Onehunga Auckland 1061 New Zealand**  
(72) Name(s) of Designer(s): **James William Jackson and Russell John Donovan**  
(45) Registration Date: **13 October 2014**  
(62) Divisional of: **357966**  
(56) Related Art Documents: **Not Applicable**  
(57) Statement of Newness and Distinctiveness: **The novelty in the design as applied to a lighting fixture resides in the features of shape and/or configuration as shown in the representations, but excluding the features shown in dotted lines, which form no part of the design.**





(21) Design Number: **14932/2014**  
(22) Date of Filing Application: **26 September 2014**  
(24) Date from which industrial property rights may have effect: **26 September 2014**  
(54) Product in respect of which the design is registered: **Headrest**  
(51) International Design Classification: **06-06G, 06-01D**  
(74) Name(s) of Attorney(s): **SPRUSON & FERGUSON**  
(71) Name(s) and Address(s) of Applicant(s):



**MAN Truck & Bus AG**  
**Dachauer Strasse 667, Munchen 80995 Germany**

(72) Name(s) of Designer(s): **Achim Burmeister and Moritz Menacher and Thorsten Bergmaier-Trede and Stephan Schonherr**

(45) Registration Date: **13 October 2014**

(30) Convention priority data:

(31) Number	(32) Date	(33) Country
<b>002434571</b>	<b>27 Mar 2014</b>	<b>OFFICE FOR HARMONISATION IN THE INTERNAL MARKET (OHIM)</b>

(56) Related Art Documents: **Not Applicable**

(57) Statement of Newness and Distinctiveness: **Newness and distinctiveness is claimed in the features of shape and/or configuration of a headrest as illustrated in the accompanying representations.**

(21) Design Number: **14934/2014**  
(22) Date of Filing Application: **26 September 2014**  
(24) Date from which industrial property rights may have effect: **26 September 2014**  
(54) Product in respect of which the design is registered: **Seat base**  
(51) International Design Classification: **06-06G, 06-01D**  
(74) Name(s) of Attorney(s): **SPRUSON & FERGUSON**  
(71) Name(s) and Address(s) of Applicant(s):



**MAN Truck & Bus AG**  
**Dachauer Strasse 667, Munchen 80995 Germany**

(72) Name(s) of Designer(s): **Achim Burmeister and Moritz Menacher and Thorsten Bergmaier-Trede and Stephan Schonherr**

(45) Registration Date: **13 October 2014**

(30) Convention priority data:

(31) Number	(32) Date	(33) Country
<b>002434571</b>	<b>27 Mar 2014</b>	<b>OFFICE FOR HARMONISATION IN THE INTERNAL MARKET (OHIM)</b>

(56) Related Art Documents: **Not Applicable**

(57) Statement of Newness and Distinctiveness: **Newness and distinctiveness is claimed in the features of shape and/or configuration of a seat base as illustrated in the accompanying representations.**

(21) Design Number: **14935/2014**  
(22) Date of Filing Application: **26 September 2014**  
(24) Date from which industrial property rights may have effect: **26 September 2014**  
(54) Product in respect of which the design is registered: **Gift bag with candy dispenser**  
(51) International Design Classification: **09-05**  
(74) Name(s) of Attorney(s): **Callinans**  
(71) Name(s) and Address(s) of Applicant(s):  
**American Greetings Corporation**  
**One American Road Cleveland Ohio 44144 United States of America**  
(72) Name(s) of Designer(s): **Anthony Begin and Beth Dinvald**  
(45) Registration Date: **13 October 2014**  
(30) Convention priority data:  
(31) Number (32) Date (33) Country  
**29/486,499 31 Mar 2014 UNITED STATES OF AMERICA**  
(56) Related Art Documents: **Not Applicable**  
(57) Statement of Newness and Distinctiveness: **Nil**



(21) Design Number: **14936/2014**  
(22) Date of Filing Application: **26 September 2014**  
(24) Date from which industrial property rights may have effect: **26 September 2014**  
(54) Product in respect of which the design is registered: **Seat frame**  
(51) International Design Classification: **06-06G, 06-01D**  
(74) Name(s) of Attorney(s): **SPRUSON & FERGUSON**  
(71) Name(s) and Address(s) of Applicant(s):  
**MAN Truck & Bus AG**  
**Dachauer Strasse 667, Munchen 80995 Germany**  
(72) Name(s) of Designer(s): **Achim Burmeister and Moritz Menacher and Thorsten Bergmaier-Trede and Stephan Schonherr**  
(45) Registration Date: **13 October 2014**  
(30) Convention priority data:  
(31) Number (32) Date (33) Country  
**002434571 27 Mar 2014 OFFICE FOR HARMONISATION IN THE INTERNAL MARKET (OHIM)**  
(56) Related Art Documents: **Not Applicable**  
(57) Statement of Newness and Distinctiveness: **Newness and distinctiveness is claimed in the features of shape and/or configuration of a seat frame as illustrated in the accompanying representations.**



- (21) Design Number: **14961/2014**  
(22) Date of Filing Application: **26 September 2014**  
(24) Date from which industrial property rights may have effect: **26 September 2014**  
(54) Product in respect of which the design is registered: **Scraper**  
(51) International Design Classification: **07-04**  
(74) Name(s) of Attorney(s):  
(71) Name(s) and Address(s) of Applicant(s):  
**Mayo Hardware Pty Ltd**  
**4 Secombe PI Moorebank NSW 2170 Australia**  
(72) Name(s) of Designer(s): **Benny Su**  
(45) Registration Date: **13 October 2014**  
(56) Related Art Documents: **Not Applicable**  
(57) Statement of Newness and Distinctiveness: **The design is to be applied to a scraper. The novelty of the design resides in the features of shape and/or configuration of the scraper, as shown in the accompanying representations.**



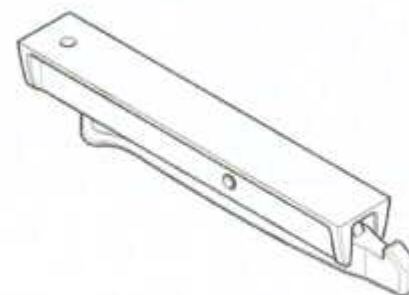
- (21) Design Number: **14962/2014**  
(22) Date of Filing Application: **26 September 2014**  
(24) Date from which industrial property rights may have effect: **26 September 2014**  
(54) Product in respect of which the design is registered: **Basting brush**  
(51) International Design Classification: **07-04**  
(74) Name(s) of Attorney(s):  
(71) Name(s) and Address(s) of Applicant(s):  
**Mayo Hardware Pty Ltd**  
**4 Secombe PI Moorebank NSW 2170 Australia**  
(72) Name(s) of Designer(s): **Benny Su**  
(45) Registration Date: **13 October 2014**  
(56) Related Art Documents: **Not Applicable**  
(57) Statement of Newness and Distinctiveness: **The design is to be applied to a Basting Brush. the novelty of the design resides in the features of shape and/or configuration of the basting brush, as shown in the accompanying representations.**



- (21) Design Number: **14963/2014**  
(22) Date of Filing Application: **26 September 2014**  
(24) Date from which industrial property rights may have effect: **26 September 2014**  
(54) Product in respect of which the design is registered: **Thermometer**  
(51) International Design Classification: **10-04**  
(74) Name(s) of Attorney(s):  
(71) Name(s) and Address(s) of Applicant(s):  
**Mayo Hardware Pty Ltd**  
**4 Secombe PI Moorebank NSW 2170 Australia**  
(72) Name(s) of Designer(s): **Benny Su**  
(45) Registration Date: **13 October 2014**  
(56) Related Art Documents: **Not Applicable**  
(57) Statement of Newness and Distinctiveness: **The design is to be applied to a thermometer. The novelty of the design resides in the features of shape and/or configuration of the thermometer, as shown in the accompanying representations.**



- (21) Design Number: **14964/2014**  
(22) Date of Filing Application: **26 September 2014**  
(24) Date from which industrial property rights may have effect: **26 September 2014**  
(54) Product in respect of which the design is registered: **A latch element for a clothesline**  
(51) International Design Classification: **07-05D**  
(74) Name(s) of Attorney(s): **Collison & Co**  
(71) Name(s) and Address(s) of Applicant(s):  
**Patricia Alida Roberts**  
**9 Auburn Ave Myrtle Bank SA 5064 Australia**  
(72) Name(s) of Designer(s): **Andrew William Whittaker**  
(45) Registration Date: **13 October 2014**  
(56) Related Art Documents: **Not Applicable**  
(57) Statement of Newness and Distinctiveness: **Nil**



(21) Design Number: **14966/2014**  
(22) Date of Filing Application: **26 September 2014**  
(24) Date from which industrial property rights may have effect: **26 September 2014**  
(54) Product in respect of which the design is registered: **A retainer element for a clothesline**  
(51) International Design Classification: **07-05D**  
(74) Name(s) of Attorney(s): **Collison & Co**  
(71) Name(s) and Address(s) of Applicant(s):  
**Patricia Alida Roberts**  
**9 Auburn Ave Myrtle Bank SA 5064 Australia**  
(72) Name(s) of Designer(s): **Andrew William Whittaker**  
(45) Registration Date: **13 October 2014**  
(56) Related Art Documents: **Not Applicable**  
(57) Statement of Newness and Distinctiveness: **Nil**



(21) Design Number: **14969/2014**  
(22) Date of Filing Application: **29 September 2014**  
(24) Date from which industrial property rights may have effect: **29 September 2014**  
(54) Product in respect of which the design is registered: **Lid for a bottle**  
(51) International Design Classification: **09-07C**  
(74) Name(s) of Attorney(s): **Macpherson + Kelley**  
(71) Name(s) and Address(s) of Applicant(s):  
**Thermos L.L.C.**  
**475 N. Martingale Road, Suite 1100 Schaumburg IL, 60173 United States of America**  
(72) Name(s) of Designer(s): **Marvin Lane**  
(45) Registration Date: **13 October 2014**  
(30) Convention priority data:  
(31) Number      (32) Date      (33) Country  
**29/486,574      31 Mar 2014      UNITED STATES OF AMERICA**  
(56) Related Art Documents: **Not Applicable**  
(57) Statement of Newness and Distinctiveness: **Newness and distinctiveness resides in the features of shape and/or configuration of a lid for a bottle illustrated in continuous lines in the accompanying representations.**



(21) Design Number: **14970/2014**  
(22) Date of Filing Application: **29 September 2014**  
(24) Date from which industrial property rights may have effect: **29 September 2014**  
(54) Product in respect of which the design is registered: **Dual chamber food jar**  
(51) International Design Classification: **07-01NES**  
(74) Name(s) of Attorney(s): **Macpherson + Kelley**  
(71) Name(s) and Address(s) of Applicant(s):  
**Thermos L.L.C.**  
**475 N. Martingale Road, Suite 1100 Schaumburg IL, 60173 United States of America**

(72) Name(s) of Designer(s): **Marvin Lane and Dwayne Boroski**

(45) Registration Date: **13 October 2014**

(30) Convention priority data:

(31) Number	(32) Date	(33) Country
<b>29/486,794</b>	<b>02 Apr 2014</b>	<b>UNITED STATES OF AMERICA</b>

(56) Related Art Documents: **Not Applicable**

(57) Statement of Newness and Distinctiveness: **Newness and distinctiveness resides in the features of shape and/or configuration of a dual chamber food jar illustrated in the continuous lines in the accompanying representations.**



(21) Design Number: **14971/2014**  
(22) Date of Filing Application: **29 September 2014**  
(24) Date from which industrial property rights may have effect: **29 September 2014**  
(54) Product in respect of which the design is registered: **Dual chamber food jar**  
(51) International Design Classification: **07-01NES**  
(74) Name(s) of Attorney(s): **Macpherson + Kelley**  
(71) Name(s) and Address(s) of Applicant(s):  
**Thermos L.L.C.**  
**475 N. Martingale Road, Suite 1100 Schaumburg IL, 60173 United States of America**

(72) Name(s) of Designer(s): **Marvin Lane and Dwayne Boroski**

(45) Registration Date: **13 October 2014**

(30) Convention priority data:

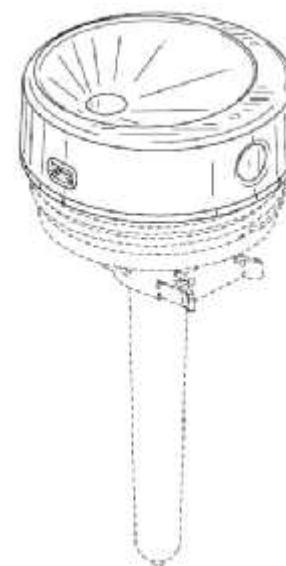
(31) Number	(32) Date	(33) Country
<b>29/486,794</b>	<b>02 Apr 2014</b>	<b>UNITED STATES OF AMERICA</b>

(56) Related Art Documents: **Not Applicable**

(57) Statement of Newness and Distinctiveness: **Newness and distinctiveness resides in the features of shape and/or configuration of a dual chamber food jar illustrated in the continuous lines in the accompanying representations.**

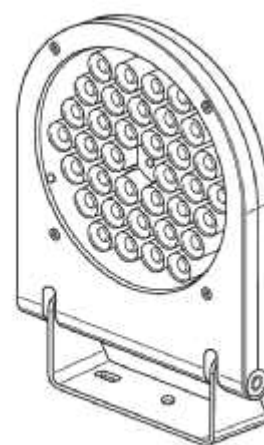


(21) Design Number: **14972/2014**  
(22) Date of Filing Application: **29 September 2014**  
(24) Date from which industrial property rights may have effect: **29 September 2014**  
(54) Product in respect of which the design is registered: **Lid**  
(51) International Design Classification: **09-07C**  
(74) Name(s) of Attorney(s): **Macpherson + Kelley**  
(71) Name(s) and Address(s) of Applicant(s):  
**Thermos L.L.C.**  
**475 N. Martingale Road, Suite 1100 Schaumburg IL, 60173 United States of America**



(72) Name(s) of Designer(s): **Marvin Lane**  
(45) Registration Date: **13 October 2014**  
(30) Convention priority data:  
(31) Number (32) Date (33) Country  
**29/486,563 31 Mar 2014 UNITED STATES OF AMERICA**  
(56) Related Art Documents: **Not Applicable**  
(57) Statement of Newness and Distinctiveness: **Newness and distinctiveness resides in the features of shape and/or configuration of a lid illustrated in continuous lines in the accompanying representations.**

(21) Design Number: **14973/2014**  
(22) Date of Filing Application: **29 September 2014**  
(24) Date from which industrial property rights may have effect: **29 September 2014**  
(54) Product in respect of which the design is registered: **Luminaire for street lighting**  
(51) International Design Classification: **26-03**  
(74) Name(s) of Attorney(s): **SPRUSON & FERGUSON**  
(71) Name(s) and Address(s) of Applicant(s):  
**Thorn Europhane S.A.**  
**Route de Paix - BP 504, Les Andelys 27700 France**



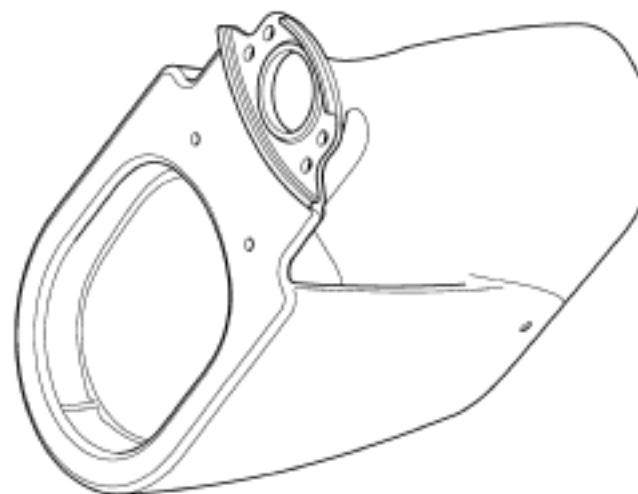
(72) Name(s) of Designer(s): **Sven Von Boetticher**  
(45) Registration Date: **13 October 2014**  
(30) Convention priority data:  
(31) Number (32) Date (33) Country  
**001 407 779 01 Apr 2014 OFFICE FOR HARMONISATION IN THE INTERNAL MARKET (OHIM)**  
(56) Related Art Documents: **Not Applicable**  
(57) Statement of Newness and Distinctiveness: **Newness and distinctiveness is claimed in the features of shape and/or configuration of a luminaire for street lighting as illustrated in the accompanying representations.**

(21) Design Number: **14974/2014**  
(22) Date of Filing Application: **29 September 2014**  
(24) Date from which industrial property rights may have effect: **29 September 2014**  
(54) Product in respect of which the design is registered: **Luminaire for street lighting**  
(51) International Design Classification: **26-03**  
(74) Name(s) of Attorney(s): **SPRUSON & FERGUSON**  
(71) Name(s) and Address(s) of Applicant(s):  
**Thorn Europhane S.A.**  
**Route de Paix - BP 504 Les Andelys 27700 France**  
(72) Name(s) of Designer(s): **Sven Von Boetticher**  
(45) Registration Date: **13 October 2014**  
(30) Convention priority data:  
(31) Number      (32) Date      (33) Country  
**001 407 779      01 Apr 2014      OFFICE FOR HARMONISATION IN  
THE INTERNAL MARKET (OHIM)**



(56) Related Art Documents: **Not Applicable**  
(57) Statement of Newness and Distinctiveness: **Newness and distinctiveness is claimed in the features of shape and/or configuration of a luminaire for street lighting as illustrated in the accompanying representations.**

(21) Design Number: **14992/2014**  
(22) Date of Filing Application: **30 September 2014**  
(24) Date from which industrial property rights may have effect: **30 September 2014**  
(54) Product in respect of which the design is registered: **A rimless toilet pan**  
(51) International Design Classification: **23-02C**  
(74) Name(s) of Attorney(s): **SPRUSON & FERGUSON**  
(71) Name(s) and Address(s) of Applicant(s):  
**Caroma Industries Limited**  
**L2 HQ South Tower 520 Wickham St Fortitude Valley QLD 4006 Australia**  
(72) Name(s) of Designer(s): **Stephen John Cummings**  
(45) Registration Date: **13 October 2014**  
(56) Related Art Documents: **Not Applicable**  
(57) Statement of Newness and Distinctiveness: **Newness and distinctiveness is claimed in the features of shape and/or configuration of a rimless toilet pan as illustrated in the accompanying representations.**





(21) Design Number: **14993/2014**

(22) Date of Filing Application: **30 September 2014**

(24) Date from which industrial property rights may have effect: **30 September 2014**

(54) Product in respect of which the design is registered: **A rimless toilet pan**

(51) International Design Classification: **23-02C**

(74) Name(s) of Attorney(s): **SPRUSON & FERGUSON**

(71) Name(s) and Address(s) of Applicant(s):

**Caroma Industries Limited**

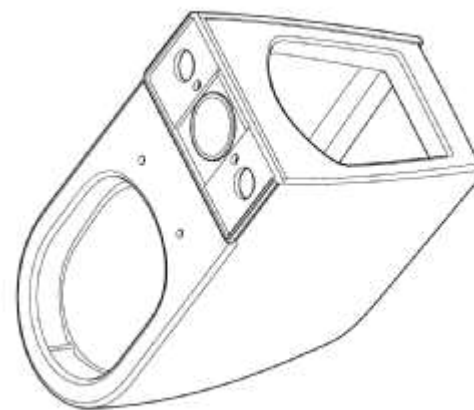
**L2 HQ South Tower 520 Wickham St Fortitude Valley QLD 4006 Australia**

(72) Name(s) of Designer(s): **Stephen John Cummings**

(45) Registration Date: **13 October 2014**

(56) Related Art Documents: **Not Applicable**

(57) Statement of Newness and Distinctiveness: **Newness and distinctiveness is claimed in the features of shape and/or configuration of a rimless toilet pan as illustrated in the accompanying representations.**



(21) Design Number: **14995/2014**

(22) Date of Filing Application: **30 September 2014**

(24) Date from which industrial property rights may have effect: **30 September 2014**

(54) Product in respect of which the design is registered: **Kitchen machine**

(51) International Design Classification: **31-00**

(74) Name(s) of Attorney(s): **FB Rice**

(71) Name(s) and Address(s) of Applicant(s):

**Koninklijke Philips Electronics N.V.**

**High Tech Campus 5 Eindhoven 5656 AE The Netherlands**

(72) Name(s) of Designer(s): **Chun Pong Yuan**

(45) Registration Date: **13 October 2014**

(30) Convention priority data:

(31) Number (32) Date  
**002436303-0001 31 Mar 2014**

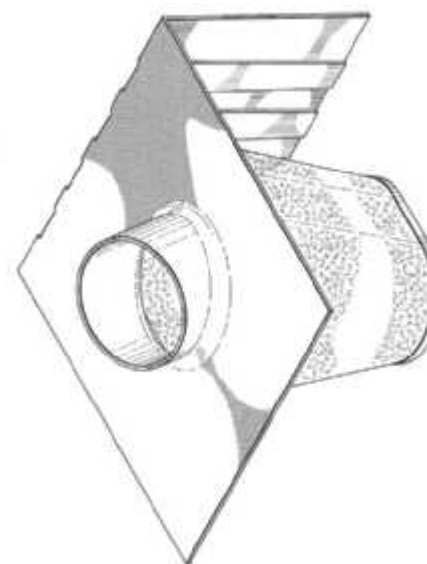
(33) Country  
**OFFICE FOR HARMONISATION IN  
THE INTERNAL MARKET (OHIM)**

(56) Related Art Documents: **Not Applicable**

(57) Statement of Newness and Distinctiveness: **Newness and distinctiveness reside in the features of shape and configuration of the design as shown in the representations.**



(21) Design Number: **14037/2014**  
(22) Date of Filing Application: **15 August 2014**  
(24) Date from which industrial property rights may have effect: **15 August 2014**  
(54) Product in respect of which the design is registered: **Integrated airbox and filter**  
(51) International Design Classification: **12-16NES**  
(74) Name(s) of Attorney(s): **Davies Collison Cave**  
(71) Name(s) and Address(s) of Applicant(s):  
**K&N Engineering, Inc.**  
**1455 Citrus Street Riverside California 92507 United States of America**  
(72) Name(s) of Designer(s): **Kevin McClelland and Steve E. Williams and Colin Arthur Cranstone**  
(45) Registration Date: **14 October 2014**  
(30) Convention priority data:  
(31) Number (32) Date (33) Country  
**29/482,230 16 Feb 2014 UNITED STATES OF AMERICA**  
(56) Related Art Documents: **Not Applicable**  
(57) Statement of Newness and Distinctiveness: **Nil**



(21) Design Number: **14156/2014**  
(22) Date of Filing Application: **21 August 2014**  
(24) Date from which industrial property rights may have effect: **21 August 2014**  
(54) Product in respect of which the design is registered: **Bag**  
(51) International Design Classification: **03-01B**  
(74) Name(s) of Attorney(s): **Davies Collison Cave**  
(71) Name(s) and Address(s) of Applicant(s):  
**Hermes Sellier (Societe Par Actions Simplifiee)**  
**24, rue du Faubourg Saint Honore Paris 75008 France**  
(72) Name(s) of Designer(s): **Pierre-Alexis Dumas**  
(45) Registration Date: **14 October 2014**  
(30) Convention priority data:  
(31) Number (32) Date (33) Country  
**795994701 25 Feb 2014 INTERNATIONAL BUREAU (WIPO)**  
(56) Related Art Documents: **Not Applicable**  
(57) Statement of Newness and Distinctiveness: **Nil**



(21) Design Number: **14772/2014**

(22) Date of Filing Application: **18 September 2014**

(24) Date from which industrial property rights may have effect: **18 September 2014**

(54) Product in respect of which the design is registered: **A toilet pan**

(51) International Design Classification: **23-02C**

(74) Name(s) of Attorney(s): **SPRUSON & FERGUSON**

(71) Name(s) and Address(s) of Applicant(s):

**Caroma Industries Limited**

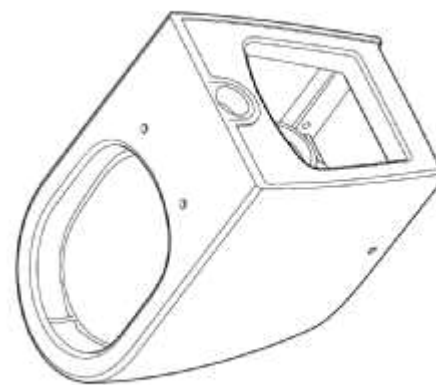
**L2 HQ South Tower 520 Wickham St Fortitude Valley QLD 4006 Australia**

(72) Name(s) of Designer(s): **Stephen John Cummings**

(45) Registration Date: **14 October 2014**

(56) Related Art Documents: **Not Applicable**

(57) Statement of Newness and Distinctiveness: **Newness and distinctiveness is claimed in the features of shape and/or configuration of a toilet pan as illustrated in the accompanying representations.**



(21) Design Number: **14773/2014**

(22) Date of Filing Application: **18 September 2014**

(24) Date from which industrial property rights may have effect: **18 September 2014**

(54) Product in respect of which the design is registered: **A toilet pan**

(51) International Design Classification: **23-02C**

(74) Name(s) of Attorney(s): **SPRUSON & FERGUSON**

(71) Name(s) and Address(s) of Applicant(s):

**Caroma Industries Limited**

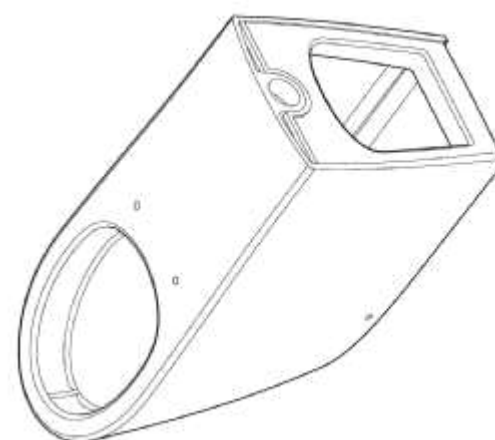
**L2 HQ South Tower 520 Wickham St Fortitude Valley QLD 4006 Australia**

(72) Name(s) of Designer(s): **Stephen John Cummings**

(45) Registration Date: **14 October 2014**

(56) Related Art Documents: **Not Applicable**

(57) Statement of Newness and Distinctiveness: **Newness and distinctiveness is claimed in the features of shape and/or configuration of a toilet pan as illustrated in the accompanying representations.**



(21) Design Number: **14882/2014**  
(22) Date of Filing Application: **25 September 2014**  
(24) Date from which industrial property rights may have effect: **25 September 2014**  
(54) Product in respect of which the design is registered: **Streetlight**  
(51) International Design Classification: **26-03**  
(74) Name(s) of Attorney(s): **Collison & Co**  
(71) Name(s) and Address(s) of Applicant(s):  
**TOSHIBA LIGHTING & TECHNOLOGY CORPORATION**  
**1-201-1 Funakoshi-cho Yokosuka-shi Kanagawa 237-8510 Japan**  
(72) Name(s) of Designer(s): **Jun Oshima**  
(45) Registration Date: **14 October 2014**  
(30) Convention priority data:  
(31) Number      (32) Date      (33) Country  
**2014-006370      26 Mar 2014      JAPAN**  
(56) Related Art Documents: **Not Applicable**  
(57) Statement of Newness and Distinctiveness: **Nil**



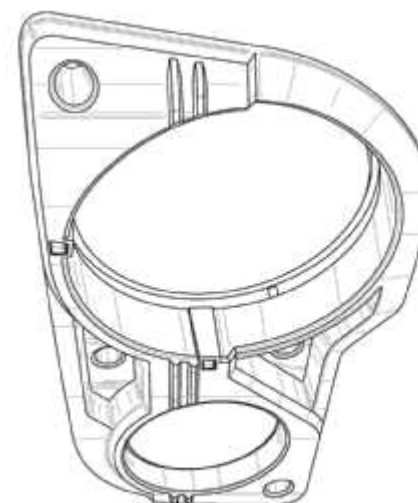
(21) Design Number: **14883/2014**  
(22) Date of Filing Application: **25 September 2014**  
(24) Date from which industrial property rights may have effect: **25 September 2014**  
(54) Product in respect of which the design is registered: **Streetlight**  
(51) International Design Classification: **26-03**  
(74) Name(s) of Attorney(s): **Collison & Co**  
(71) Name(s) and Address(s) of Applicant(s):  
**TOSHIBA LIGHTING & TECHNOLOGY CORPORATION**  
**1-201-1 Funakoshi-cho Yokosuka-shi Kanagawa 237-8510 Japan**  
(72) Name(s) of Designer(s): **Jun Oshima**  
(45) Registration Date: **14 October 2014**  
(30) Convention priority data:  
(31) Number      (32) Date      (33) Country  
**2014-016583      30 Jul 2014      JAPAN**  
(56) Related Art Documents: **Not Applicable**  
(57) Statement of Newness and Distinctiveness: **Nil**



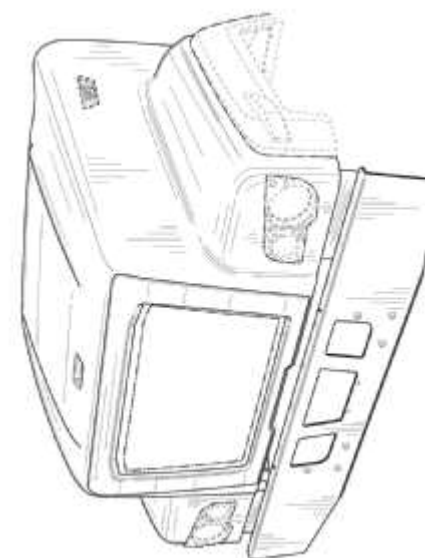
(21) Design Number: **14937/2014**  
(22) Date of Filing Application: **26 September 2014**  
(24) Date from which industrial property rights may have effect: **26 September 2014**  
(54) Product in respect of which the design is registered: **Hood**  
(51) International Design Classification: **12-16B**  
(74) Name(s) of Attorney(s): **Freehills Patent Attorneys**  
(71) Name(s) and Address(s) of Applicant(s):  
**Caterpillar Inc.**  
**100 N.E. Adams Street Peoria Illinois 61629 United States of America**  
(72) Name(s) of Designer(s): **Eric Hanson and G L Pabst and Curt Wilson**  
(45) Registration Date: **14 October 2014**  
(30) Convention priority data:  
(31) Number (32) Date (33) Country  
**29/486943 04 Apr 2014 UNITED STATES OF AMERICA**  
(56) Related Art Documents: **Not Applicable**  
(57) Statement of Newness and Distinctiveness: **Newness and distinctiveness of the design resides in the features of shape and configuration of the hood as shown in heavy solid lines in the accompanying representations.**



(21) Design Number: **14938/2014**  
(22) Date of Filing Application: **26 September 2014**  
(24) Date from which industrial property rights may have effect: **26 September 2014**  
(54) Product in respect of which the design is registered: **Headlight**  
(51) International Design Classification: **26-06, 12-16E**  
(74) Name(s) of Attorney(s): **Freehills Patent Attorneys**  
(71) Name(s) and Address(s) of Applicant(s):  
**Caterpillar Inc.**  
**100 N.E. Adams Street Peoria Illinois 61629 United States of America**  
(72) Name(s) of Designer(s): **Eric Hanson and Christian Hardin and Peter Vurpillat**  
(45) Registration Date: **14 October 2014**  
(30) Convention priority data:  
(31) Number (32) Date (33) Country  
**29/486953 04 Apr 2014 UNITED STATES OF AMERICA**  
(56) Related Art Documents: **Not Applicable**  
(57) Statement of Newness and Distinctiveness: **Newness and distinctiveness of the design resides in the features of shape and configuration of the headlight as shown in heavy solid lines in the accompanying representations.**



(21) Design Number: **14939/2014**  
(22) Date of Filing Application: **26 September 2014**  
(24) Date from which industrial property rights may have effect: **26 September 2014**  
(54) Product in respect of which the design is registered: **Hood**  
(51) International Design Classification: **12-16B**  
(74) Name(s) of Attorney(s): **Freehills Patent Attorneys**  
(71) Name(s) and Address(s) of Applicant(s):  
**Caterpillar Inc.**  
**100 N.E. Adams Street Peoria Illinois 61629 United States of America**  
(72) Name(s) of Designer(s): **Eric Hanson**  
(45) Registration Date: **14 October 2014**  
(30) Convention priority data:  
(31) Number (32) Date (33) Country  
**29/486941 04 Apr 2014 UNITED STATES OF AMERICA**  
(56) Related Art Documents: **Not Applicable**  
(57) Statement of Newness and Distinctiveness: **Newness and distinctiveness of the design resides in the features of shape and configuration of the hood as shown in heavy solid lines in the accompanying representations.**

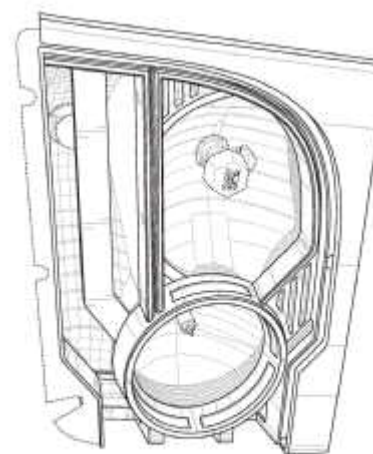


(21) Design Number: **14940/2014**  
(22) Date of Filing Application: **26 September 2014**  
(24) Date from which industrial property rights may have effect: **26 September 2014**  
(54) Product in respect of which the design is registered: **Fender flare**  
(51) International Design Classification: **12-16B**  
(74) Name(s) of Attorney(s): **Freehills Patent Attorneys**  
(71) Name(s) and Address(s) of Applicant(s):  
**Caterpillar Inc.**  
**100 N.E. Adams Street Peoria Illinois 61629 United States of America**  
(72) Name(s) of Designer(s): **Eric Hanson and Jonathan Wicks**  
(45) Registration Date: **14 October 2014**  
(30) Convention priority data:  
(31) Number (32) Date (33) Country  
**29/486940 04 Apr 2014 UNITED STATES OF AMERICA**  
(56) Related Art Documents: **Not Applicable**  
(57) Statement of Newness and Distinctiveness: **Newness and distinctiveness of the design resides in the features of shape and configuration of the fender flare as shown in heavy solid lines in the accompanying representations.**

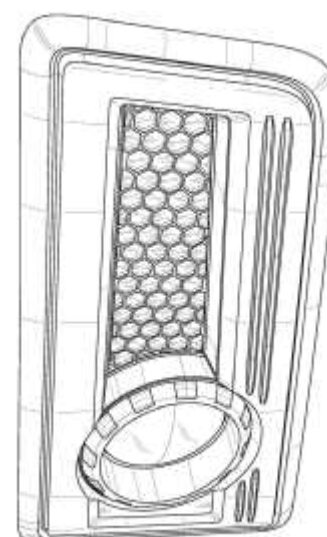




(21) Design Number: **14941/2014**  
(22) Date of Filing Application: **26 September 2014**  
(24) Date from which industrial property rights may have effect: **26 September 2014**  
(54) Product in respect of which the design is registered: **Lamp**  
(51) International Design Classification: **26-06, 12-16E**  
(74) Name(s) of Attorney(s): **Freehills Patent Attorneys**  
(71) Name(s) and Address(s) of Applicant(s):  
**Caterpillar Inc.**  
**100 N.E. Adams Street Peoria Illinois 61629 United States of America**  
(72) Name(s) of Designer(s): **Eric Hanson and Christian Hardin and Peter Vurpillat**  
(45) Registration Date: **14 October 2014**  
(30) Convention priority data:  
(31) Number (32) Date (33) Country  
**29/486949 04 Apr 2014 UNITED STATES OF AMERICA**  
(56) Related Art Documents: **Not Applicable**  
(57) Statement of Newness and Distinctiveness: **Newness and distinctiveness of the design resides in the features of shape and configuration of the lamp as shown in heavy solid lines in the accompanying representations.**



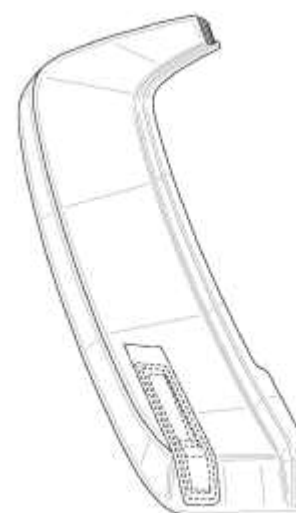
(21) Design Number: **14942/2014**  
(22) Date of Filing Application: **26 September 2014**  
(24) Date from which industrial property rights may have effect: **26 September 2014**  
(54) Product in respect of which the design is registered: **Lamp**  
(51) International Design Classification: **26-06, 12-16E**  
(74) Name(s) of Attorney(s): **Freehills Patent Attorneys**  
(71) Name(s) and Address(s) of Applicant(s):  
**Caterpillar Inc.**  
**100 N.E. Adams Street Peoria Illinois 61629 United States of America**  
(72) Name(s) of Designer(s): **Eric Hanson and Christian Hardin and Peter Vurpillat**  
(45) Registration Date: **14 October 2014**  
(30) Convention priority data:  
(31) Number (32) Date (33) Country  
**29/486949 01 Apr 2014 UNITED STATES OF AMERICA**  
(56) Related Art Documents: **Not Applicable**  
(57) Statement of Newness and Distinctiveness: **Newness and distinctiveness of the design resides in the features of shape and configuration of the lamp as shown in heavy solid lines in the accompanying representations.**



(21) Design Number: **14943/2014**  
(22) Date of Filing Application: **26 September 2014**  
(24) Date from which industrial property rights may have effect: **26 September 2014**  
(54) Product in respect of which the design is registered: **Lamp**  
(51) International Design Classification: **26-06, 12-16E**  
(74) Name(s) of Attorney(s): **Freehills Patent Attorneys**  
(71) Name(s) and Address(s) of Applicant(s):  
**Caterpillar Inc.**  
**100 N.E. Adams Street Peoria Illinois 61629 United States of America**  
(72) Name(s) of Designer(s): **Eric Hanson and Christian Hardin and Peter Vurpillat**  
(45) Registration Date: **14 October 2014**  
(30) Convention priority data:  
(31) Number (32) Date (33) Country  
**29/486949 04 Apr 2014 UNITED STATES OF AMERICA**  
(56) Related Art Documents: **Not Applicable**  
(57) Statement of Newness and Distinctiveness: **Newness and distinctiveness of the design resides in the features of shape and configuration of the lamp as shown in heavy solid lines in the accompanying representations.**

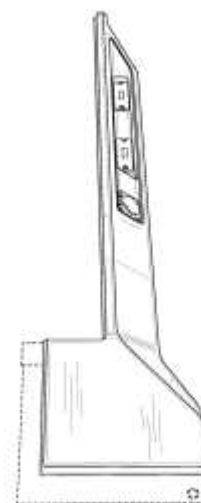


(21) Design Number: **14944/2014**  
(22) Date of Filing Application: **26 September 2014**  
(24) Date from which industrial property rights may have effect: **26 September 2014**  
(54) Product in respect of which the design is registered: **Fender flare**  
(51) International Design Classification: **12-16B**  
(74) Name(s) of Attorney(s): **Freehills Patent Attorneys**  
(71) Name(s) and Address(s) of Applicant(s):  
**Caterpillar Inc.**  
**100 N.E. Adams Street Peoria Illinois 61629 United States of America**  
(72) Name(s) of Designer(s): **Eric Hanson and G L Pabst and Curt Wilson and Christian Hardin**  
(45) Registration Date: **14 October 2014**  
(30) Convention priority data:  
(31) Number (32) Date (33) Country  
**29/486947 04 Apr 2014 UNITED STATES OF AMERICA**  
(56) Related Art Documents: **Not Applicable**  
(57) Statement of Newness and Distinctiveness: **Newness and distinctiveness of the design resides in the features of shape and configuration of the fender flare as shown in heavy solid lines in the accompanying representations.**

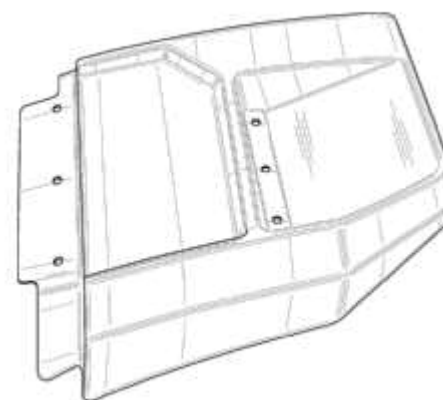




- (21) Design Number: **14945/2014**  
(22) Date of Filing Application: **26 September 2014**  
(24) Date from which industrial property rights may have effect: **26 September 2014**  
(54) Product in respect of which the design is registered: **Modesty panel**  
(51) International Design Classification: **12-16B**  
(74) Name(s) of Attorney(s): **Freehills Patent Attorneys**  
(71) Name(s) and Address(s) of Applicant(s):  
**Caterpillar Inc.**  
**100 N.E. Adams Street Peoria Illinois 61629 United States of America**  
(72) Name(s) of Designer(s): **Eric Hanson and G L Pabst and Curt Wilson and Christian Hardin**  
(45) Registration Date: **14 October 2014**  
(30) Convention priority data:  
(31) Number (32) Date (33) Country  
**29/486947 04 Apr 2014 UNITED STATES OF AMERICA**  
(56) Related Art Documents: **Not Applicable**  
(57) Statement of Newness and Distinctiveness: **Newness and distinctiveness of the design resides in the features of shape and configuration of the modesty panel as shown in heavy solid lines in the accompanying representations.**



- (21) Design Number: **14946/2014**  
(22) Date of Filing Application: **26 September 2014**  
(24) Date from which industrial property rights may have effect: **26 September 2014**  
(54) Product in respect of which the design is registered: **Mud guard**  
(51) International Design Classification: **12-16B**  
(74) Name(s) of Attorney(s): **Freehills Patent Attorneys**  
(71) Name(s) and Address(s) of Applicant(s):  
**Caterpillar Inc.**  
**100 N.E. Adams Street Peoria Illinois 61629 United States of America**  
(72) Name(s) of Designer(s): **Eric Hanson and G L Pabst and Curt Wilson and Christian Hardin**  
(45) Registration Date: **14 October 2014**  
(30) Convention priority data:  
(31) Number (32) Date (33) Country  
**29/486947 04 Apr 2014 UNITED STATES OF AMERICA**  
(56) Related Art Documents: **Not Applicable**  
(57) Statement of Newness and Distinctiveness: **Newness and distinctiveness of the design resides in the features of shape and configuration of the mud guard as shown in heavy solid lines in the accompanying representations.**



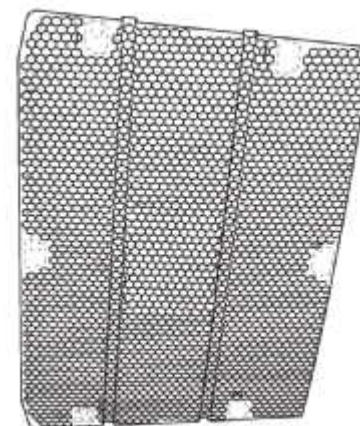
- (21) Design Number: **14951/2014**  
(22) Date of Filing Application: **26 September 2014**  
(24) Date from which industrial property rights may have effect: **26 September 2014**  
(54) Product in respect of which the design is registered: **Truck grille and surround**  
(51) International Design Classification: **12-16B**  
(74) Name(s) of Attorney(s): **Freehills Patent Attorneys**  
(71) Name(s) and Address(s) of Applicant(s):  
**Caterpillar Inc.**  
**100 N.E. Adams Street Peoria Illinois 61629 United States of America**  
(72) Name(s) of Designer(s): **Eric Hanson and Curt Wilson**  
(45) Registration Date: **14 October 2014**  
(30) Convention priority data:  
(31) Number (32) Date (33) Country  
**29/486945 04 Apr 2014 UNITED STATES OF AMERICA**  
(56) Related Art Documents: **Not Applicable**  
(57) Statement of Newness and Distinctiveness: **Newness and distinctiveness of the design resides in the features of shape and configuration of the truck grille and surround as shown in heavy solid lines in the accompanying representations.**



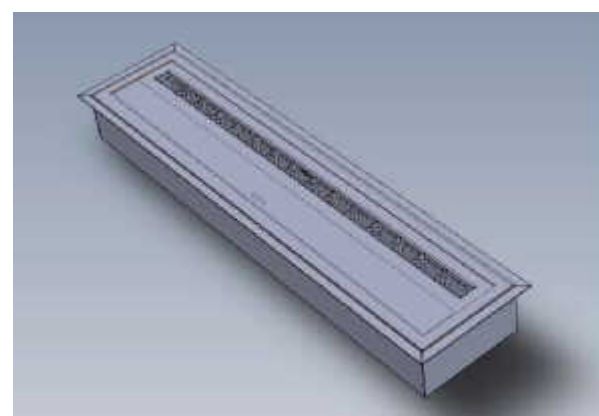
- (21) Design Number: **14952/2014**  
(22) Date of Filing Application: **26 September 2014**  
(24) Date from which industrial property rights may have effect: **26 September 2014**  
(54) Product in respect of which the design is registered: **Surround for a truck grille**  
(51) International Design Classification: **12-16B**  
(74) Name(s) of Attorney(s): **Freehills Patent Attorneys**  
(71) Name(s) and Address(s) of Applicant(s):  
**Caterpillar Inc.**  
**100 N.E. Adams Street Peoria Illinois 61629 United States of America**  
(72) Name(s) of Designer(s): **Eric Hanson and Curt Wilson**  
(45) Registration Date: **14 October 2014**  
(30) Convention priority data:  
(31) Number (32) Date (33) Country  
**29/486945 04 Apr 2014 UNITED STATES OF AMERICA**  
(56) Related Art Documents: **Not Applicable**  
(57) Statement of Newness and Distinctiveness: **Newness and distinctiveness of the design resides in the features of shape and configuration of the surround for a truck grille as shown in heavy solid lines in the accompanying representations**



- (21) Design Number: **14953/2014**  
(22) Date of Filing Application: **26 September 2014**  
(24) Date from which industrial property rights may have effect: **26 September 2014**  
(54) Product in respect of which the design is registered: **Truck grille**  
(51) International Design Classification: **12-16B**  
(74) Name(s) of Attorney(s): **Freehills Patent Attorneys**  
(71) Name(s) and Address(s) of Applicant(s):  
**Caterpillar Inc.**  
**100 N.E. Adams Street Peoria Illinois 61629 United States of America**  
(72) Name(s) of Designer(s): **Eric Hanson and Curt Wilson**  
(45) Registration Date: **14 October 2014**  
(30) Convention priority data:  
(31) Number (32) Date (33) Country  
**29/486945 04 Apr 2014 UNITED STATES OF AMERICA**  
(56) Related Art Documents: **Not Applicable**  
(57) Statement of Newness and Distinctiveness: **Newness and distinctiveness of the design resides in the features of shape and configuration of the truck grille as shown in heavy solid lines in the accompanying representations.**



- (21) Design Number: **14981/2014**  
(22) Date of Filing Application: **30 September 2014**  
(24) Date from which industrial property rights may have effect: **30 September 2014**  
(54) Product in respect of which the design is registered: **Large rectangular burner**  
(51) International Design Classification: **23-03B**  
(74) Name(s) of Attorney(s):  
(71) Name(s) and Address(s) of Applicant(s):  
**Jason Tan**  
**43 McGregors Dr Keilor Park VIC 3042 Australia**  
(72) Name(s) of Designer(s): **Jason Tan**  
(45) Registration Date: **14 October 2014**  
(56) Related Art Documents: **Not Applicable**  
(57) Statement of Newness and Distinctiveness: **Large rectangular burner comprised of an outer layer box, an inner layer box and perforated internal chamber walls. There are perforated steel dampeners and absorbent ceramic fibre cloth on all sides. The burner mouth is skewed towards the back of the burner, and the shut-off mechanism is a unique removable sliding lid.**



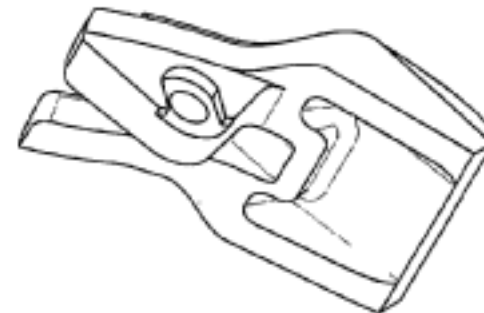
(21) Design Number: **14166/2014**  
(22) Date of Filing Application: **21 August 2014**  
(24) Date from which industrial property rights may have effect: **21 August 2014**  
(54) Product in respect of which the design is registered: **Bag**  
(51) International Design Classification: **03-01B**  
(74) Name(s) of Attorney(s): **Davies Collison Cave**  
(71) Name(s) and Address(s) of Applicant(s):  
**Hermes Sellier (Societe Par Actions Simplifiee)**  
**24 rue du Faubourg Saint Honore Paris 75008 France**  
(72) Name(s) of Designer(s): **Frederick Vidal**  
(45) Registration Date: **14 October 2014**  
(30) Convention priority data:  
(31) Number      (32) Date      (33) Country  
**795994701      25 Feb 2014      WORLD INTELLECTUAL  
PROPERTY ORGANIZATION  
(WIPO)**  
(56) Related Art Documents: **Not Applicable**  
(57) Statement of Newness and Distinctiveness: **Nil**



(21) Design Number: **14231/2014**  
(22) Date of Filing Application: **27 August 2014**  
(24) Date from which industrial property rights may have effect: **27 August 2014**  
(54) Product in respect of which the design is registered: **An adaptor**  
(51) International Design Classification: **15-03A**  
(74) Name(s) of Attorney(s): **SPRUSON & FERGUSON**  
(71) Name(s) and Address(s) of Applicant(s):  
**Ausplow Pty Ltd**  
**2 Davison Rd Jandakot WA 6164 Australia**  
(72) Name(s) of Designer(s): **John William Ryan and Richard Alec Woode and  
Carl Bernard Vance**  
(45) Registration Date: **14 October 2014**  
(56) Related Art Documents: **Not Applicable**  
(57) Statement of Newness and Distinctiveness: **Newness and distinctiveness  
is claimed in the features of shape and/or configuration of an adaptor as  
illustrated in the accompanying representations.**



(21) Design Number: **14232/2014**  
(22) Date of Filing Application: **27 August 2014**  
(24) Date from which industrial property rights may have effect: **27 August 2014**  
(54) Product in respect of which the design is registered: **A closing tool tip**  
(51) International Design Classification: **15-03A**  
(74) Name(s) of Attorney(s): **SPRUSON & FERGUSON**  
(71) Name(s) and Address(s) of Applicant(s):  
**Ausplow Pty Ltd**  
**2 Davison Rd Jandakot WA 6164 Australia**  
(72) Name(s) of Designer(s): **John William Ryan and Richard Alec Woode and Carl Bernard Vance**  
(45) Registration Date: **14 October 2014**  
(56) Related Art Documents: **Not Applicable**  
(57) Statement of Newness and Distinctiveness: **Newness and distinctiveness is claimed in the features of shape and/or configuration of a closing tool tip as illustrated in the accompanying representations.**



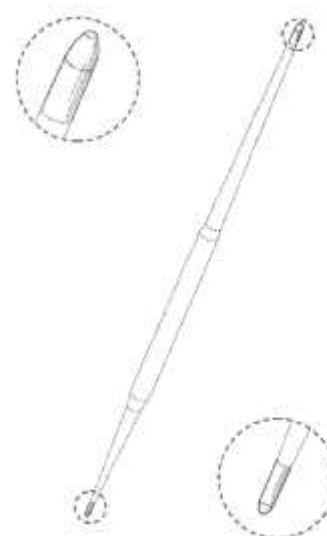
(21) Design Number: **14377/2014**  
(22) Date of Filing Application: **03 September 2014**  
(24) Date from which industrial property rights may have effect: **03 September 2014**  
(54) Product in respect of which the design is registered: **Bag**  
(51) International Design Classification: **03-01B**  
(74) Name(s) of Attorney(s): **Davies Collison Cave**  
(71) Name(s) and Address(s) of Applicant(s):  
**Hermes Sellier (Societe Par Actions Simplifiee)**  
**24 rue du Faubourg Saint Honore Paris 75008 France**  
(72) Name(s) of Designer(s): **Pierre-Alexis Dumas**  
(45) Registration Date: **14 October 2014**  
(30) Convention priority data:  
(31) Number      (32) Date      (33) Country  
**797505401      03 Mar 2014      WORLD INTELLECTUAL  
PROPERTY ORGANIZATION  
(WIPO)**  
(56) Related Art Documents: **Not Applicable**  
(57) Statement of Newness and Distinctiveness: **Nil**



- (21) Design Number: **14454/2014**  
(22) Date of Filing Application: **05 September 2014**  
(24) Date from which industrial property rights may have effect: **02 June 2014**  
(54) Product in respect of which the design is registered: **Nasal dilator**  
(51) International Design Classification: **24-99**  
(74) Name(s) of Attorney(s): **Davies Collison Cave**  
(71) Name(s) and Address(s) of Applicant(s):  
**Simplicity, LLC**  
**737 S 675 W Springville UT, 84663-5756 United States of America**  
(72) Name(s) of Designer(s): **Ian J. Alexander and Brian D. Owens**  
(45) Registration Date: **14 October 2014**  
(62) Divisional of: **357265**  
(56) Related Art Documents: **Not Applicable**  
(57) Statement of Newness and Distinctiveness: **Newness and distinctiveness is claimed in the visual features shown in solid lines in the representations.**

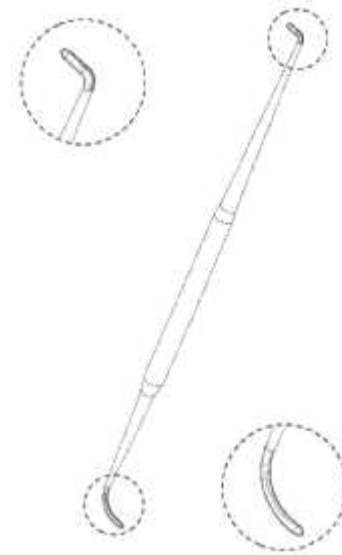


- (21) Design Number: **14458/2014**  
(22) Date of Filing Application: **05 September 2014**  
(24) Date from which industrial property rights may have effect: **02 June 2014**  
(54) Product in respect of which the design is registered: **Nasal dilator**  
(51) International Design Classification: **24-02**  
(74) Name(s) of Attorney(s): **Davies Collison Cave**  
(71) Name(s) and Address(s) of Applicant(s):  
**Simplicity, LLC**  
**737 S 675 W Springville UT, 84663-5756 United States of America**  
(72) Name(s) of Designer(s): **Ian J. Alexander and Brian D. Owens**  
(45) Registration Date: **14 October 2014**  
(62) Divisional of: **357265**  
(56) Related Art Documents: **Not Applicable**  
(57) Statement of Newness and Distinctiveness: **Newness and distinctiveness is claimed in the visual features shown in solid lines in the representations.**

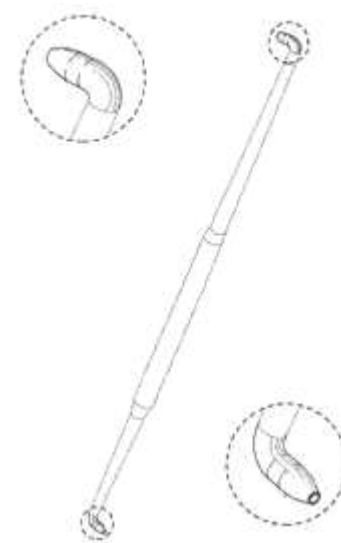




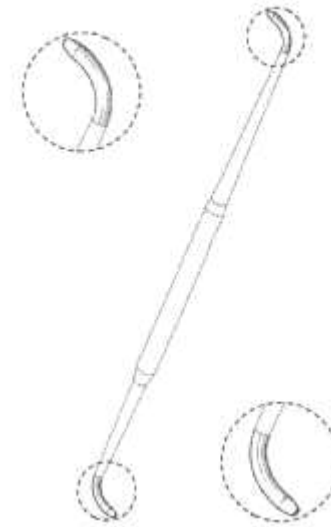
- (21) Design Number: **14460/2014**  
(22) Date of Filing Application: **05 September 2014**  
(24) Date from which industrial property rights may have effect: **02 June 2014**  
(54) Product in respect of which the design is registered: **Nasal dilator**  
(51) International Design Classification: **24-02**  
(74) Name(s) of Attorney(s): **Davies Collison Cave**  
(71) Name(s) and Address(s) of Applicant(s):  
**Simplicity, LLC**  
**737 S 675 W Springville UT, 84663-5756 United States of America**  
(72) Name(s) of Designer(s): **Ian J. Alexander and Brian D. Owens**  
(45) Registration Date: **14 October 2014**  
(62) Divisional of: **357265**  
(56) Related Art Documents: **Not Applicable**  
(57) Statement of Newness and Distinctiveness: **Newness and distinctiveness is claimed in the visual features shown in solid lines in the representations.**



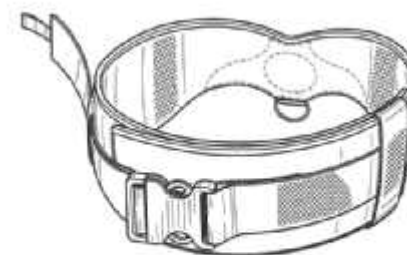
- (21) Design Number: **14463/2014**  
(22) Date of Filing Application: **05 September 2014**  
(24) Date from which industrial property rights may have effect: **02 June 2014**  
(54) Product in respect of which the design is registered: **Nasal dilator**  
(51) International Design Classification: **24-02**  
(74) Name(s) of Attorney(s): **Davies Collison Cave**  
(71) Name(s) and Address(s) of Applicant(s):  
**Simplicity, LLC**  
**737 S 675 W Springville UT, 84663-5756 United States of America**  
(72) Name(s) of Designer(s): **Ian J. Alexander and Brian D. Owens**  
(45) Registration Date: **14 October 2014**  
(62) Divisional of: **357265**  
(56) Related Art Documents: **Not Applicable**  
(57) Statement of Newness and Distinctiveness: **Newness and distinctiveness is claimed in the visual features shown in solid lines in the representations.**



(21) Design Number: **14467/2014**  
(22) Date of Filing Application: **05 September 2014**  
(24) Date from which industrial property rights may have effect: **02 June 2014**  
(54) Product in respect of which the design is registered: **Nasal dilator**  
(51) International Design Classification: **24-02**  
(74) Name(s) of Attorney(s): **Davies Collison Cave**  
(71) Name(s) and Address(s) of Applicant(s):  
**Simplicity, LLC**  
**737 S 675 W Springville UT, 84663-5756 United States of America**  
(72) Name(s) of Designer(s): **Ian J. Alexander and Brian D. Owens**  
(45) Registration Date: **14 October 2014**  
(62) Divisional of: **357265**  
(56) Related Art Documents: **Not Applicable**  
(57) Statement of Newness and Distinctiveness: **Newness and distinctiveness is claimed in the visual features shown in solid lines in the representations.**



(21) Design Number: **14472/2014**  
(22) Date of Filing Application: **05 September 2014**  
(24) Date from which industrial property rights may have effect: **05 September 2014**  
(54) Product in respect of which the design is registered: **Swimming belt**  
(51) International Design Classification: **21-02D**  
(74) Name(s) of Attorney(s): **FB Rice**  
(71) Name(s) and Address(s) of Applicant(s):  
**Didier Cottin**  
**81 Avenue Emmanuel Maignan Toulouse 31200 France**  
(72) Name(s) of Designer(s): **Didier Cottin**  
(45) Registration Date: **14 October 2014**  
(56) Related Art Documents: **Not Applicable**  
(57) Statement of Newness and Distinctiveness: **Newness and distinctiveness reside in the features of the design as shown in the representations.**



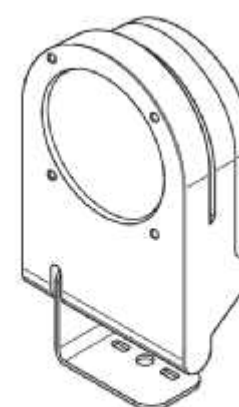


(21) Design Number: **14975/2014**  
(22) Date of Filing Application: **29 September 2014**  
(24) Date from which industrial property rights may have effect: **29 September 2014**  
(54) Product in respect of which the design is registered: **Luminaire for street lighting**  
(51) International Design Classification: **26-03**  
(74) Name(s) of Attorney(s): **SPRUSON & FERGUSON**  
(71) Name(s) and Address(s) of Applicant(s):  
**Thorn Europhane S.A.**  
**Route de Paix - BP 504 Les Andelys 27700 France**  
(72) Name(s) of Designer(s): **Sven Von Boetticher**  
(45) Registration Date: **14 October 2014**  
(30) Convention priority data:  
(31) Number      (32) Date      (33) Country  
**001 407 779      01 Apr 2014      OFFICE FOR HARMONISATION IN  
THE INTERNAL MARKET (OHIM)**



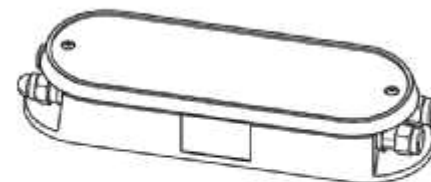
(56) Related Art Documents: **Not Applicable**  
(57) Statement of Newness and Distinctiveness: **Newness and distinctiveness is claimed in the features of shape and/or configuration of a luminaire for street lighting as illustrated in the accompanying representations.**

(21) Design Number: **14976/2014**  
(22) Date of Filing Application: **29 September 2014**  
(24) Date from which industrial property rights may have effect: **29 September 2014**  
(54) Product in respect of which the design is registered: **Luminaire for street lighting**  
(51) International Design Classification: **26-03**  
(74) Name(s) of Attorney(s): **SPRUSON & FERGUSON**  
(71) Name(s) and Address(s) of Applicant(s):  
**Thorn Europhane S.A.**  
**Route de Paix - BP 504 Les Andelys 27700 France**  
(72) Name(s) of Designer(s): **Sven Von Boetticher**  
(45) Registration Date: **14 October 2014**  
(30) Convention priority data:  
(31) Number      (32) Date      (33) Country  
**001 407 779      01 Apr 2014      OFFICE FOR HARMONISATION IN  
THE INTERNAL MARKET (OHIM)**



(56) Related Art Documents: **Not Applicable**  
(57) Statement of Newness and Distinctiveness: **Newness and distinctiveness is claimed in the features of shape and/or configuration of a luminaire for street lighting as illustrated in the accompanying representations.**

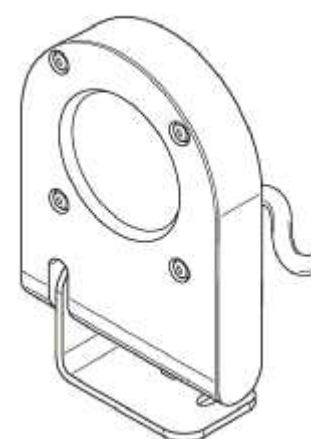
(21) Design Number: **14977/2014**  
(22) Date of Filing Application: **29 September 2014**  
(24) Date from which industrial property rights may have effect: **29 September 2014**  
(54) Product in respect of which the design is registered: **Luminaire for street lighting**  
(51) International Design Classification: **26-03**  
(74) Name(s) of Attorney(s): **SPRUSON & FERGUSON**  
(71) Name(s) and Address(s) of Applicant(s):



**Thorn Europhane S.A.**  
**Route de Paix - BP 504 Les Andelys 27700 France**  
(72) Name(s) of Designer(s): **Sven Von Boetticher**  
(45) Registration Date: **14 October 2014**  
(30) Convention priority data:  
(31) Number      (32) Date      (33) Country  
**001 407 779      01 Apr 2014      OFFICE FOR HARMONISATION IN  
THE INTERNAL MARKET (OHIM)**

(56) Related Art Documents: **Not Applicable**  
(57) Statement of Newness and Distinctiveness: **Newness and distinctiveness is claimed in the features of shape and/or configuration of a luminaire for street lighting as illustrated in the accompanying representations.**

(21) Design Number: **14978/2014**  
(22) Date of Filing Application: **29 September 2014**  
(24) Date from which industrial property rights may have effect: **29 September 2014**  
(54) Product in respect of which the design is registered: **Luminaire for street lighting**  
(51) International Design Classification: **26-03**  
(74) Name(s) of Attorney(s): **SPRUSON & FERGUSON**  
(71) Name(s) and Address(s) of Applicant(s):



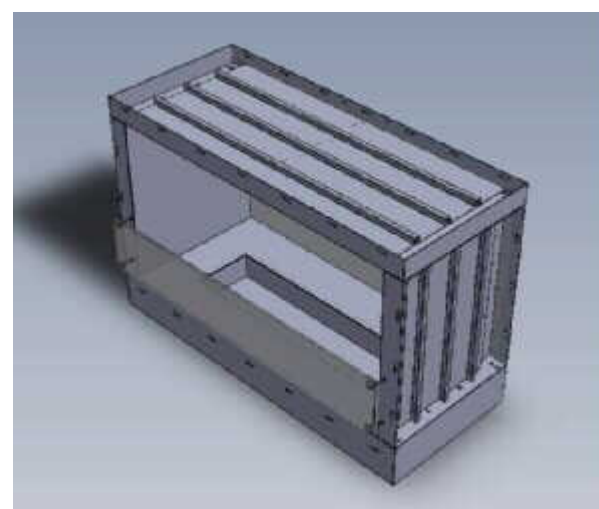
**Thorn Europhane S.A.**  
**Route de Paix - BP 504 Les Andelys 27700 France**  
(72) Name(s) of Designer(s): **Sven Von Boetticher**  
(45) Registration Date: **14 October 2014**  
(30) Convention priority data:  
(31) Number      (32) Date      (33) Country  
**001 407 779      01 Apr 2014      OFFICE FOR HARMONISATION IN  
THE INTERNAL MARKET (OHIM)**

(56) Related Art Documents: **Not Applicable**  
(57) Statement of Newness and Distinctiveness: **Newness and distinctiveness is claimed in the features of shape and/or configuration of a luminaire for street lighting as illustrated in the accompanying representations.**

- (21) Design Number: **14979/2014**  
(22) Date of Filing Application: **29 September 2014**  
(24) Date from which industrial property rights may have effect: **29 September 2014**  
(54) Product in respect of which the design is registered: **Surfboard**  
(51) International Design Classification: **21-02D**  
(74) Name(s) of Attorney(s): **Fisher Adams Kelly Pty Ltd**  
(71) Name(s) and Address(s) of Applicant(s):  
**JS Industries Pty Ltd**  
**4/61 Ourimbah Rd Tweed Heads NSW 2485 Australia**  
(72) Name(s) of Designer(s): **Jason Stevenson and Paul Stacey**  
(45) Registration Date: **14 October 2014**  
(56) Related Art Documents: **Not Applicable**  
(57) Statement of Newness and Distinctiveness: **Newness and distinctiveness of the design resides in the ornamentation of a surfboard as shown in the representations. Particular regard is to be given to white diamond pattern. The features shown in broken lines are for example only, and illustrate how optional feature strips could be used in conjunction with the design.**



- (21) Design Number: **14983/2014**  
(22) Date of Filing Application: **30 September 2014**  
(24) Date from which industrial property rights may have effect: **30 September 2014**  
(54) Product in respect of which the design is registered: **Large double-sided rectangular wall insert**  
(51) International Design Classification: **23-03B**  
(74) Name(s) of Attorney(s):  
(71) Name(s) and Address(s) of Applicant(s):  
**Jason Tan**  
**43 McGregors Dr Keilor Park VIC 3042 Australia**  
(72) Name(s) of Designer(s): **Jason Tan**  
(45) Registration Date: **14 October 2014**  
(56) Related Art Documents: **Not Applicable**  
(57) Statement of Newness and Distinctiveness: **Large double-sided rectangular wall insert with a tempered glass backing and a front glass panel. There are three horizontal steel square hollow sections on the top and three vertical steel hollow sections on both sides of the unit, and a burner cut-out to house our large rectangular burner. The outline of the wall insert is a perfectly symmetrical rectangle in shape, across both a vertical and horizontal plane.**

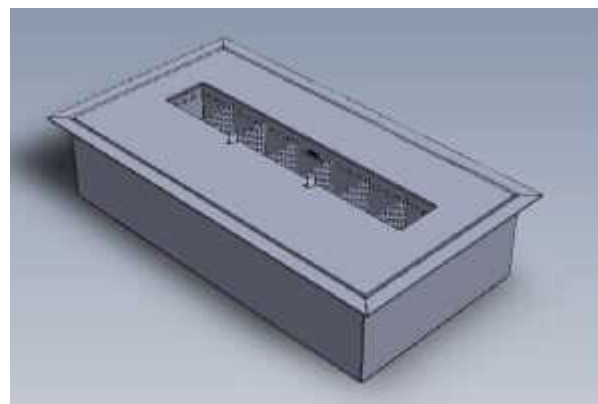


- (21) Design Number: **14984/2014**  
(22) Date of Filing Application: **30 September 2014**  
(24) Date from which industrial property rights may have effect: **30 September 2014**  
(54) Product in respect of which the design is registered: **Small rectangular burner**  
(51) International Design Classification: **23-03B**  
(74) Name(s) of Attorney(s):  
(71) Name(s) and Address(s) of Applicant(s):

**Jason Tan**  
**43 McGregors Dr Keilor Park VIC 3042 Australia**

- (72) Name(s) of Designer(s): **Jason Tan**  
(45) Registration Date: **14 October 2014**  
(56) Related Art Documents: **Not Applicable**

- (57) Statement of Newness and Distinctiveness: **Small rectangular burner comprised of an outer layer box, an inner layer box and perforated internal chamber walls. There are perforated steel dampeners and absorbent ceramic fibre cloth on all sides. The burner mouth is skewed towards the back of the burner, and the shut-off mechanism is a sliding lid that sits and moves along tracks on the sides of the internal chamber.**

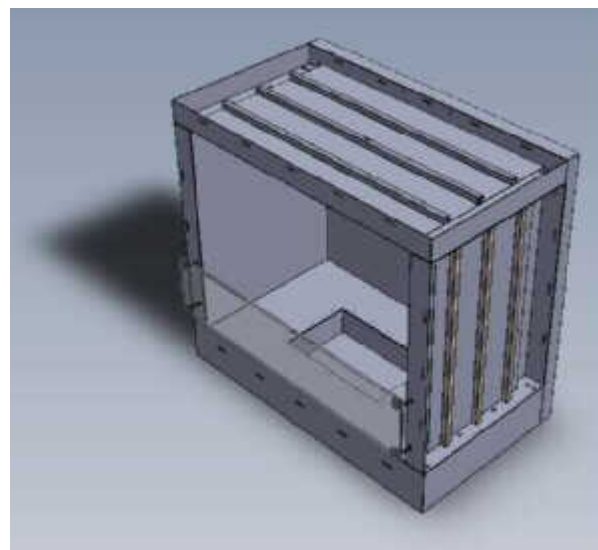


- (21) Design Number: **14985/2014**  
(22) Date of Filing Application: **30 September 2014**  
(24) Date from which industrial property rights may have effect: **30 September 2014**  
(54) Product in respect of which the design is registered: **Small single-sided rectangular wall insert**  
(51) International Design Classification: **23-03B**  
(74) Name(s) of Attorney(s):  
(71) Name(s) and Address(s) of Applicant(s):

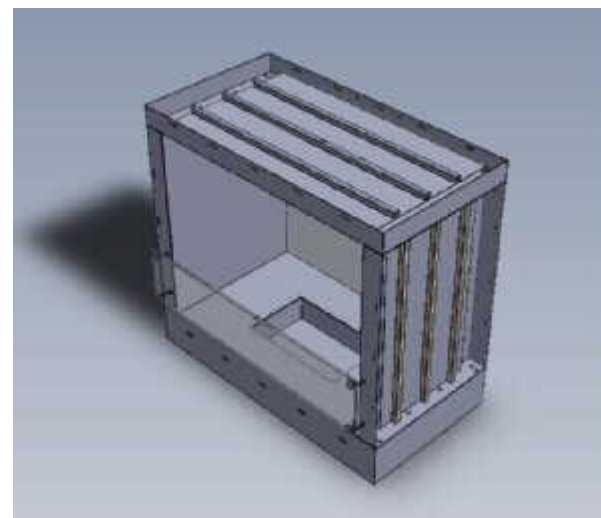
**Jason Tan**  
**43 McGregors Dr Keilor Park VIC 3042 Australia**

- (72) Name(s) of Designer(s): **Jason Tan**  
(45) Registration Date: **14 October 2014**  
(56) Related Art Documents: **Not Applicable**

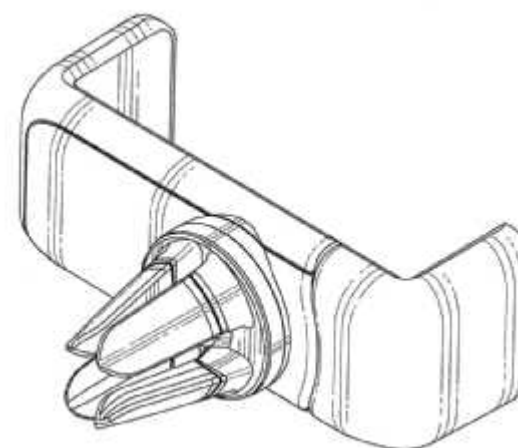
- (57) Statement of Newness and Distinctiveness: **Small single-sided rectangular wall insert with a stainless steel backing and a front glass panel. There are three horizontal steel square hollow sections on the top and three vertical steel hollow sections on both sides of the unit, and a burner cut-out to house our small rectangular burner. The outline of the wall insert is a perfectly symmetrical rectangle in shape, across both a vertical and horizontal plane.**



- (21) Design Number: **14986/2014**  
(22) Date of Filing Application: **30 September 2014**  
(24) Date from which industrial property rights may have effect: **30 September 2014**  
(54) Product in respect of which the design is registered: **Small double-sided rectangular wall insert**  
(51) International Design Classification: **23-03B**  
(74) Name(s) of Attorney(s):  
(71) Name(s) and Address(s) of Applicant(s):  
**Jason Tan**  
**43 McGregors Dr Keilor Park VIC 3042 Australia**  
(72) Name(s) of Designer(s): **Jason Tan**  
(45) Registration Date: **14 October 2014**  
(56) Related Art Documents: **Not Applicable**  
(57) Statement of Newness and Distinctiveness: **Small double-sided rectangular wall insert with a tempered glass backing and a front glass panel. There are three horizontal steel square hollow sections on the top and three vertical steel hollow sections on both sides of the unit, and a burner cut-out to house our small rectangular burner. The outline of the wall insert is a perfectly symmetrical rectangle in shape, across both a vertical and horizontal plane.**



- (21) Design Number: **14987/2014**  
(22) Date of Filing Application: **30 September 2014**  
(24) Date from which industrial property rights may have effect: **30 September 2014**  
(54) Product in respect of which the design is registered: **Dashboard vent mount for an electronic device**  
(51) International Design Classification: **14-03A**  
(74) Name(s) of Attorney(s): **PIPERS Melbourne**  
(71) Name(s) and Address(s) of Applicant(s):  
**KENU, INC.**  
**236 8th Street Suite A San Francisco, 94103 United States of America**  
(72) Name(s) of Designer(s): **Kenneth Y Minn and David E Yao and Leonard John Duran**  
(45) Registration Date: **14 October 2014**  
(30) Convention priority data:  
(31) Number      (32) Date      (33) Country  
**29/494,462      20 Jun 2014      UNITED STATES OF AMERICA**  
(56) Related Art Documents: **Not Applicable**  
(57) Statement of Newness and Distinctiveness: **The design is to be applied to a Dashboard Vent Mount for an Electronic Device and the novelty resides in the features of shape and configuration of the Dashboard Vent Mount for an Electronic Device as shown in the accompanying representations. No novelty is claimed for the features shown in broken lines - those are for illustrative purposes and depict the environment of the design.**





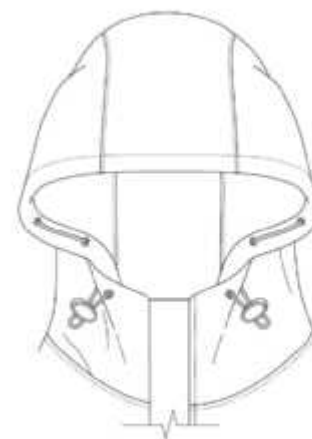
- (21) Design Number: **14094/2014**  
(22) Date of Filing Application: **19 August 2014**  
(24) Date from which industrial property rights may have effect: **19 August 2014**  
(54) Product in respect of which the design is registered: **Nonwoven material with a surface pattern**  
(51) International Design Classification: **05-05NES**  
(74) Name(s) of Attorney(s): **Davies Collison Cave**  
(71) Name(s) and Address(s) of Applicant(s):  
**Nice-Pak Products, Inc.**  
**Two Nice-Pak Park Orangeburg New York 10962-1376 United States of America**  
(72) Name(s) of Designer(s): **Jeffery Scott Hurley and Robert P. Julius and Lucienne DePonte**  
(45) Registration Date: **14 October 2014**  
(30) Convention priority data:  
(31) Number (32) Date (33) Country  
**29/482,728 21 Feb 2014 UNITED STATES OF AMERICA**  
(56) Related Art Documents: **Not Applicable**  
(57) Statement of Newness and Distinctiveness: **Newness and distinctiveness is claimed in the visual features shown in solid lines in the representations. The thickness of the material forms no part of the design. The broken line shown along the perimeter line of the surface pattern for a nonwoven of Figure 1 and Figure 2 contain a repeating unit of the claimed design which may continue indeterminately in one or more directions. The broken line forms no part of the claimed design. In considering the extent of the design rights, the broken lines shown in the representations are for illustrative purposes only and do not form part of the design.**



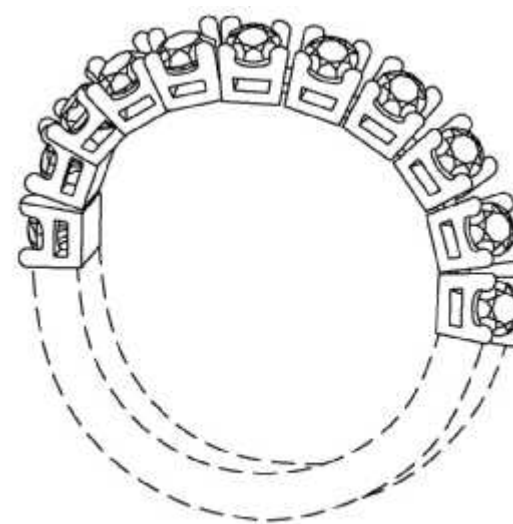
- (21) Design Number: **14579/2014**  
(22) Date of Filing Application: **10 September 2014**  
(24) Date from which industrial property rights may have effect: **10 September 2014**  
(54) Product in respect of which the design is registered: **A jacket**  
(51) International Design Classification: **02-02NES**  
(74) Name(s) of Attorney(s): **Adams Pluck**  
(71) Name(s) and Address(s) of Applicant(s):  
**DKH RETAIL LIMITED**  
**Unit 60 The Runnings Cheltenham Gloucestershire GL 51 9NW United Kingdom**  
(72) Name(s) of Designer(s): **James Holder**  
(45) Registration Date: **14 October 2014**  
(30) Convention priority data:  
(31) Number (32) Date (33) Country  
**002520171-0001 14 Aug 2014 OFFICE FOR HARMONISATION IN THE INTERNAL MARKET (OHIM)**  
(56) Related Art Documents: **Not Applicable**  
(57) Statement of Newness and Distinctiveness: **Nil**



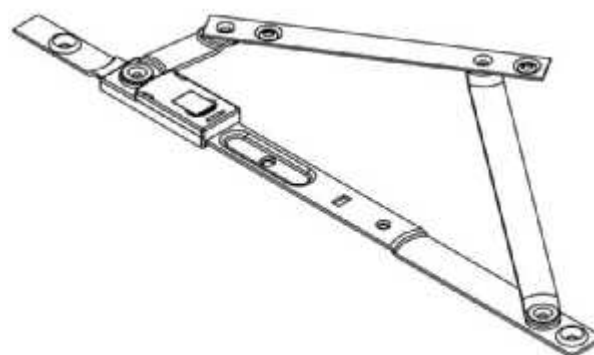
(21) Design Number: **14580/2014**  
(22) Date of Filing Application: **10 September 2014**  
(24) Date from which industrial property rights may have effect: **10 September 2014**  
(54) Product in respect of which the design is registered: **A hood for a jacket**  
(51) International Design Classification: **02-02NES**  
(74) Name(s) of Attorney(s): **Adams Pluck**  
(71) Name(s) and Address(s) of Applicant(s):  
**DKH RETAIL LIMITED**  
**Unit 60 The Runnings Cheltenham Gloucestershire GL 51 9NW United Kingdom**  
(72) Name(s) of Designer(s): **James Holder**  
(45) Registration Date: **14 October 2014**  
(30) Convention priority data:  
(31) Number (32) Date (33) Country  
**002520171-0002 14 Aug 2014 OFFICE FOR HARMONISATION IN THE INTERNAL MARKET (OHIM)**  
(56) Related Art Documents: **Not Applicable**  
(57) Statement of Newness and Distinctiveness: **Nil**



(21) Design Number: **14699/2014**  
(22) Date of Filing Application: **16 September 2014**  
(24) Date from which industrial property rights may have effect: **16 September 2014**  
(54) Product in respect of which the design is registered: **A flexible gemstone setting**  
(51) International Design Classification: **11-01NES**  
(74) Name(s) of Attorney(s):  
(71) Name(s) and Address(s) of Applicant(s):  
**Hasmukh Dholakiya**  
**151 West 46th Street 12th Floor New York NY, 10036 United States of America**  
(72) Name(s) of Designer(s): **Hasmukh Dholakiya**  
(45) Registration Date: **14 October 2014**  
(30) Convention priority data:  
(31) Number (32) Date (33) Country  
**29/486,878 03 Apr 2014 UNITED STATES OF AMERICA**  
(56) Related Art Documents: **Not Applicable**  
(57) Statement of Newness and Distinctiveness: **The shape and configuration of a flexible gemstone setting as shown in the representations without regard to portions shown in dashed lines.**



(21) Design Number: **14896/2014**  
(22) Date of Filing Application: **26 September 2014**  
(24) Date from which industrial property rights may have effect: **26 September 2014**  
(54) Product in respect of which the design is registered: **A window stay**  
(51) International Design Classification: **08-09**  
(74) Name(s) of Attorney(s): **Ellis Terry**  
(71) Name(s) and Address(s) of Applicant(s):  
**ASSA ABLOY New Zealand Limited**  
**6 Armstrong Road North Harbour Industrial Estate Albany 0632 New Zealand**  
(72) Name(s) of Designer(s): **Robert Efstratiou**  
(45) Registration Date: **14 October 2014**  
(30) Convention priority data:  
(31) Number (32) Date (33) Country  
**418685 28 Mar 2014 NEW ZEALAND**  
(56) Related Art Documents: **Not Applicable**  
(57) Statement of Newness and Distinctiveness: **Nil**

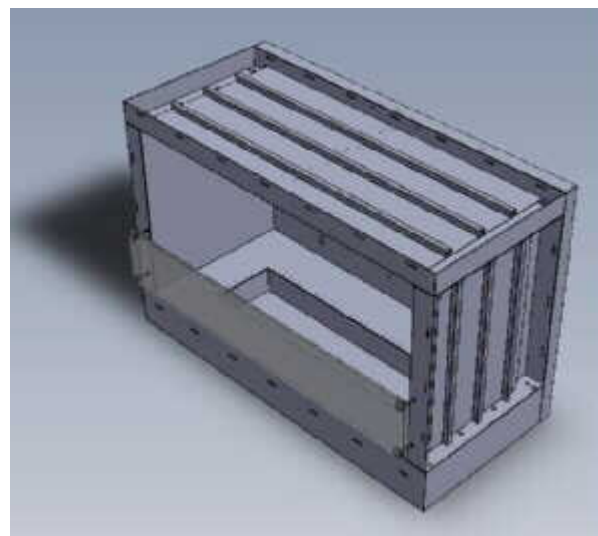


(21) Design Number: **14909/2014**  
(22) Date of Filing Application: **26 September 2014**  
(24) Date from which industrial property rights may have effect: **28 January 2014**  
(54) Product in respect of which the design is registered: **Article of clothing**  
(51) International Design Classification: **02-02NES**  
(74) Name(s) of Attorney(s): **Allens Patent & Trade Mark Attorneys**  
(71) Name(s) and Address(s) of Applicant(s):  
**Forever New Clothing Pty Ltd**  
**714-716 High St Kew East VIC 3102 Australia**  
(72) Name(s) of Designer(s): **Chloe Atkinson**  
(45) Registration Date: **14 October 2014**  
(62) Divisional of: **358115**  
(56) Related Art Documents: **Not Applicable**  
(57) Statement of Newness and Distinctiveness: **Newness and distinctiveness resides in the visual features of shape, configuration, pattern and/or ornamentation of an article of clothing as shown in the accompanying representations.**





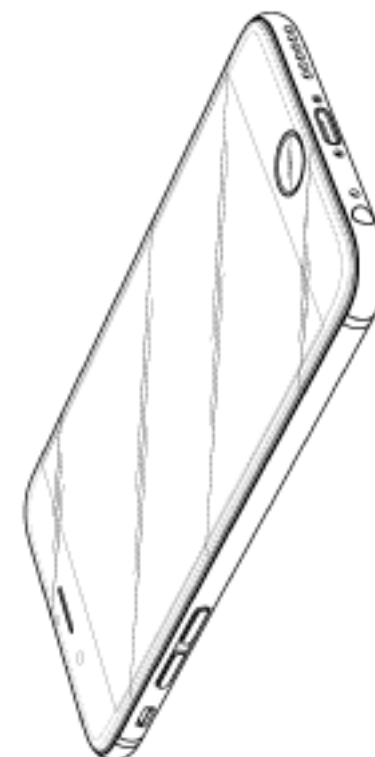
- (21) Design Number: **14982/2014**  
(22) Date of Filing Application: **30 September 2014**  
(24) Date from which industrial property rights may have effect: **30 September 2014**  
(54) Product in respect of which the design is registered: **Large single-sided rectangular wall insert**  
(51) International Design Classification: **23-03B**  
(74) Name(s) of Attorney(s):  
(71) Name(s) and Address(s) of Applicant(s):  
**Jason Tan**  
**43 McGregors Dr Keilor Park VIC 3042 Australia**  
(72) Name(s) of Designer(s): **Jason Tan**  
(45) Registration Date: **14 October 2014**  
(56) Related Art Documents: **Not Applicable**  
(57) Statement of Newness and Distinctiveness: **Large single-sided rectangular wall insert with a stainless steel backing and a front glass panel. There are three horizontal steel square hollow sections on the top and three vertical steel hollow sections on both sides of the unit, and a burner cut-out to house our large rectangular burner. The outline of the wall insert is a perfectly symmetrical rectangle in shape, across both a vertical and horizontal plane.**



- (21) Design Number: **14988/2014**  
(22) Date of Filing Application: **30 September 2014**  
(24) Date from which industrial property rights may have effect: **30 September 2014**  
(54) Product in respect of which the design is registered: **Enteral feeding pump interface**  
(51) International Design Classification: **24-02**  
(74) Name(s) of Attorney(s): **Fisher Adams Kelly Pty Ltd**  
(71) Name(s) and Address(s) of Applicant(s):  
**Zevex, Inc.**  
**4314 Zevex Park Lane Salt Lake City Utah, 84123 United States of America**  
(72) Name(s) of Designer(s): **Michael Marshall**  
(45) Registration Date: **14 October 2014**  
(30) Convention priority data:  
(31) Number      (32) Date      (33) Country  
**29/488027      15 Apr 2014      UNITED STATES OF AMERICA**  
(56) Related Art Documents: **Not Applicable**  
(57) Statement of Newness and Distinctiveness: **The newness and distinctiveness of the design resides in the shape and/or configuration of the ENTERAL FEEDING PUMP INTERFACE shown in the representations. The broken lines show features that should not be considered in assessing the newness and distinctiveness.**

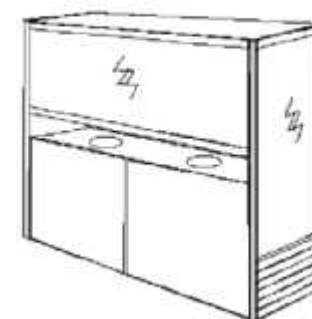


- (21) Design Number: **14991/2014**  
(22) Date of Filing Application: **30 September 2014**  
(24) Date from which industrial property rights may have effect: **30 September 2014**  
(54) Product in respect of which the design is registered: **Electronic device**  
(51) International Design Classification: **14-01**  
(74) Name(s) of Attorney(s): **Freehills Patent Attorneys**  
(71) Name(s) and Address(s) of Applicant(s):



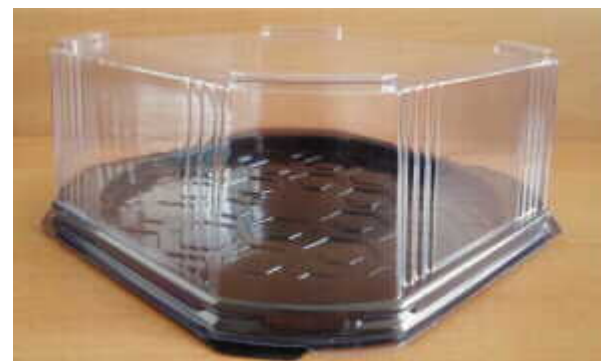
- Apple Inc.**  
**1 Infinite Loop Cupertino California 95014 United States of America**  
(72) Name(s) of Designer(s): **Jody Akana and Bartley K Andre and Shota Aoyagi and Anthony Michael Ashcroft and Jeremy Bataillou and Daniel J Coster and Daniele De Iuliis and Evans Hankey and Julian Hoenig and Richard P Howarth and Jonathan P Ive and Duncan Robert Kerr and Matthew Dean Rohrbach and Peter Russell-Clarke and Benjamin Andrew Shaffer and Mikael Silvano and Christopher J Stringer and Eugene Antony Whang and Rico Zorkendorfer**  
(45) Registration Date: **14 October 2014**  
(30) Convention priority data:  
(31) Number (32) Date (33) Country  
**29/489981 05 May 2014 UNITED STATES OF AMERICA**  
(56) Related Art Documents: **Not Applicable**  
(57) Statement of Newness and Distinctiveness: **Newness and distinctiveness resides in the features of shape and configuration shown in the accompanying representations.**

- (21) Design Number: **14998/2014**  
(22) Date of Filing Application: **30 September 2014**  
(24) Date from which industrial property rights may have effect: **30 September 2014**  
(54) Product in respect of which the design is registered: **Modular bin enclosure with integrated advertising**  
(51) International Design Classification: **09-09**  
(74) Name(s) of Attorney(s):  
(71) Name(s) and Address(s) of Applicant(s):



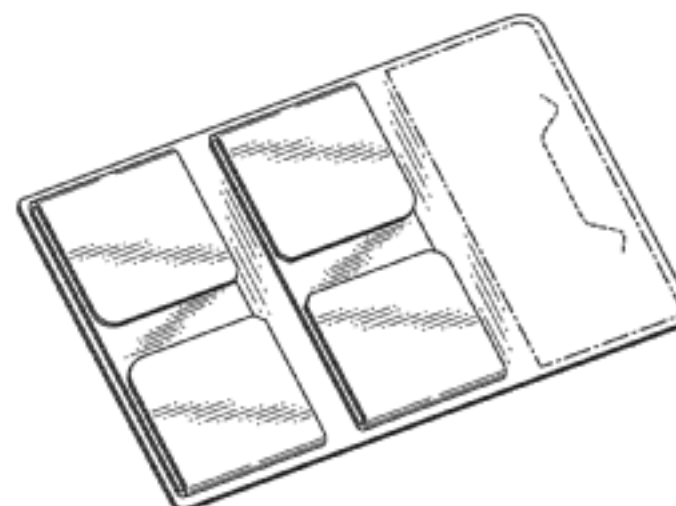
- Y Outdoor Pty Ltd**  
**15 Sharni Ct Heritage Park QLD 4118 Australia**  
(72) Name(s) of Designer(s): **Alan Tame and Bruce Parr**  
(45) Registration Date: **14 October 2014**  
(56) Related Art Documents: **Not Applicable**  
(57) Statement of Newness and Distinctiveness: **Monopoly is claimed in the features of shape or configuration of rubbish bin enclosure with integrated 4 sided advertising structure as illustrated in the representations. No newness and distinctiveness is claimed in respect of the pattern which is shown on the advertising panels. They are for information only.**

(21) Design Number: **15000/2014**  
(22) Date of Filing Application: **30 September 2014**  
(24) Date from which industrial property rights may have effect: **30 September 2014**  
(54) Product in respect of which the design is registered: **Square cake dome**  
(51) International Design Classification: **07-07NES**  
(74) Name(s) of Attorney(s):  
(71) Name(s) and Address(s) of Applicant(s):  
**Lyson Trading Pty Ltd**  
**U11 25-33 Alfred Rd Chipping Norton NSW 2170 Australia**  
(72) Name(s) of Designer(s): **Ly Khai**  
(45) Registration Date: **14 October 2014**  
(56) Related Art Documents: **Not Applicable**



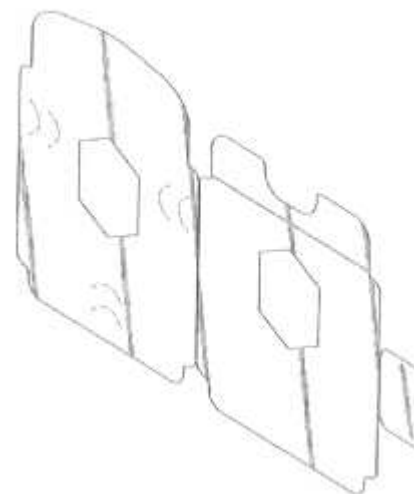
(57) Statement of Newness and Distinctiveness: **Statement of distinctiveness Lid What makes the lid distinctive is the design of the corners of the lid in that: 1. The plastic lid is in a square like octagonal shape 2. The length of the corners is small than the sides 3. On each side of the corners, there are four grooves to provide additional strength 4. On top of each corner is an elongated block to stop a stacked cake from slipping off Base 1. The plastic lid is in a square like octagonal shape similar to the lid. 2. The length of the corners is small than the sides 3. The outer part of the base is elevated to hold the cake in place 4. The area in the middle which the cake sits on top of has a hexagonal/honeycomb pattern. 5. On each corner there are two plastic tabs which create additional support for the cake so as to prevent the cake moving inside the container. Therefore apart from aesthetic looks the features on both the lid and base are functional.**

(21) Design Number: **15002/2014**  
(22) Date of Filing Application: **30 September 2014**  
(24) Date from which industrial property rights may have effect: **30 September 2014**  
(54) Product in respect of which the design is registered: **Dispenser case**  
(51) International Design Classification: **03-01NES**  
(74) Name(s) of Attorney(s): **Freehills Patent Attorneys**  
(71) Name(s) and Address(s) of Applicant(s):  
**3M Innovative Properties Company**  
**3M Center Post Office Box 33427 Saint Paul Minnesota 55133-3427**  
**United States of America**  
(72) Name(s) of Designer(s): **Naohito Sugai**  
(45) Registration Date: **14 October 2014**  
(30) Convention priority data:  
(31) Number      (32) Date      (33) Country  
**2014-007101      31 Mar 2014      JAPAN**  
(56) Related Art Documents: **Not Applicable**

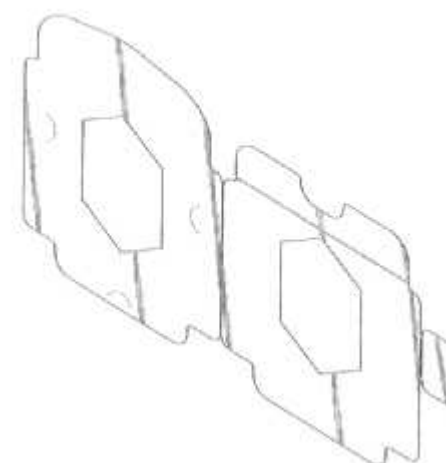


(57) Statement of Newness and Distinctiveness: **Newness and distinctiveness resides in the features of shape and configuration shown in the solid outline in the accompanying drawings.**

(21) Design Number: **15003/2014**  
(22) Date of Filing Application: **30 September 2014**  
(24) Date from which industrial property rights may have effect: **09 September 2014**  
(54) Product in respect of which the design is registered: **Dispensing package**  
(51) International Design Classification: **09-03M**  
(74) Name(s) of Attorney(s): **Callinans**  
(71) Name(s) and Address(s) of Applicant(s):  
**Ethicon, Inc.**  
**US Route 22 Somerville New Jersey 08876 United States of America**  
(72) Name(s) of Designer(s): **Denise Griffiths and Manfred Vollmer and Romont Jones**  
(45) Registration Date: **14 October 2014**  
(62) Divisional of: **358029**  
(56) Related Art Documents: **Not Applicable**  
(57) Statement of Newness and Distinctiveness: **Nil**



(21) Design Number: **15004/2014**  
(22) Date of Filing Application: **30 September 2014**  
(24) Date from which industrial property rights may have effect: **09 September 2014**  
(54) Product in respect of which the design is registered: **Dispensing package**  
(51) International Design Classification: **09-03M**  
(74) Name(s) of Attorney(s): **Callinans**  
(71) Name(s) and Address(s) of Applicant(s):  
**Ethicon, Inc.**  
**US Route 22 Somerville New Jersey 08876 United States of America**  
(72) Name(s) of Designer(s): **Denise Griffiths and Manfred Vollmer and Romont Jones**  
(45) Registration Date: **14 October 2014**  
(62) Divisional of: **358029**  
(56) Related Art Documents: **Not Applicable**  
(57) Statement of Newness and Distinctiveness: **Nil**



- (21) Design Number: **15005/2014**  
(22) Date of Filing Application: **30 September 2014**  
(24) Date from which industrial property rights may have effect: **30 September 2014**  
(54) Product in respect of which the design is registered: **Electronic device**  
(51) International Design Classification: **14-03E**  
(74) Name(s) of Attorney(s): **Freehills Patent Attorneys**  
(71) Name(s) and Address(s) of Applicant(s):

**Apple Inc.**

**1 Infinite Loop Cupertino California 95014 United States of America**

- (72) Name(s) of Designer(s): **Jody Akana and Bartley K Andre and Shota Aoyagi and Anthony Michael Ashcroft and Jeremy Bataillou and Daniel J Coster and Daniele De Iuliis and M Evans Hankey and Julian Hoenig and Richard P Howarth and Jonathan P Ive and Duncan Robert Kerr and Matthew Dean Rohrbach and Peter Russell-Clarke and Benjamin Andrew Shaffer and Mikael Silvano and Christopher J Stringer and Eugene Antony Whang and Rico Zorkendorfer**

- (45) Registration Date: **14 October 2014**

- (30) Convention priority data:

(31) Number	(32) Date	(33) Country
<b>29/489981</b>	<b>05 May 2014</b>	<b>UNITED STATES OF AMERICA</b>

- (56) Related Art Documents: **Not Applicable**

- (57) Statement of Newness and Distinctiveness: **Newness and distinctiveness resides in the features of shape and configuration shown in the solid outline in the accompanying representations.**



- (21) Design Number: **15006/2014**  
(22) Date of Filing Application: **30 September 2014**  
(24) Date from which industrial property rights may have effect: **30 September 2014**  
(54) Product in respect of which the design is registered: **Electronic device**  
(51) International Design Classification: **14-03E**  
(74) Name(s) of Attorney(s): **Freehills Patent Attorneys**  
(71) Name(s) and Address(s) of Applicant(s):

**Apple Inc.**

**1 Infinite Loop Cupertino California 95014 United States of America**

- (72) Name(s) of Designer(s): **Jody Akana and Bartley K Andre and Shota Aoyagi and Anthony Michael Ashcroft and Jeremy Bataillou and Daniel J Coster and Daniele De Iuliis and M Evans Hankey and Julian Hoenig and Richard P Howarth and Jonathan P Ive and Duncan Robert Kerr and Matthew Dean Rohrbach and Peter Russell-Clarke and Benjamin Andrew Shaffer and Mikael Silvano and Christopher J Stringer and Eugene Antony Whang and Rico Zorkendorfer**

- (45) Registration Date: **14 October 2014**

- (30) Convention priority data:

(31) Number	(32) Date	(33) Country
<b>29/489981</b>	<b>05 May 2014</b>	<b>UNITED STATES OF AMERICA</b>

- (56) Related Art Documents: **Not Applicable**

- (57) Statement of Newness and Distinctiveness: **Newness and distinctiveness resides in the features of shape and configuration shown in the solid outline in the accompanying representations.**



- (21) Design Number: **15007/2014**  
(22) Date of Filing Application: **30 September 2014**  
(24) Date from which industrial property rights may have effect: **30 September 2014**  
(54) Product in respect of which the design is registered: **Electronic device**  
(51) International Design Classification: **14-03E**  
(74) Name(s) of Attorney(s): **Freehills Patent Attorneys**  
(71) Name(s) and Address(s) of Applicant(s):

**Apple Inc.**

**1 Infinite Loop Cupertino California 95014 United States of America**

- (72) Name(s) of Designer(s): **Jody Akana and Bartley K Andre and Shota Aoyagi and Anthony Michael Ashcroft and Jeremy Bataillou and Daniel J Coster and Daniele De Iuliis and M Evans Hankey and Julian Hoenig and Richard P Howarth and Jonathan P Ive and Duncan Robert Kerr and Matthew Dean Rohrbach and Peter Russell-Clarke and Benjamin Andrew Shaffer and Mikael Silvanto and Christopher J Stringer and Eugene Antony Whang and Rico Zorkendorfer**

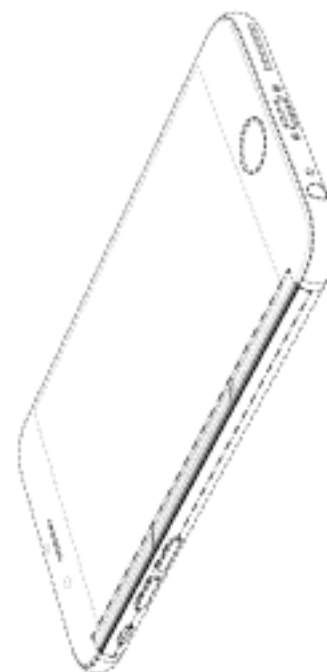
- (45) Registration Date: **14 October 2014**

- (30) Convention priority data:

(31) Number	(32) Date	(33) Country
<b>29/489981</b>	<b>05 May 2014</b>	<b>UNITED STATES OF AMERICA</b>

- (56) Related Art Documents: **Not Applicable**

- (57) Statement of Newness and Distinctiveness: **Newness and distinctiveness resides in the features of shape and configuration shown in the solid outline within the dot-dash lines in the accompanying representations.**



- (21) Design Number: **15008/2014**  
(22) Date of Filing Application: **30 September 2014**  
(24) Date from which industrial property rights may have effect: **30 September 2014**  
(54) Product in respect of which the design is registered: **Electronic device**  
(51) International Design Classification: **14-03E**  
(74) Name(s) of Attorney(s): **Freehills Patent Attorneys**  
(71) Name(s) and Address(s) of Applicant(s):

**Apple Inc.**

**1 Infinite Loop Cupertino California 95014 United States of America**

- (72) Name(s) of Designer(s): **Jody Akana and Bartley K Andre and Shota Aoyagi and Anthony Michael Ashcroft and Jeremy Bataillou and Daniel J Coster and Daniele De Iuliis and M Evans Hankey and Julian Hoenig and Richard P Howarth and Jonathan P Ive and Duncan Robert Kerr and Matthew Dean Rohrbach and Peter Russell-Clarke and Benjamin Andrew Shaffer and Mikael Silvanto and Christopher J Stringer and Eugene Antony Whang and Rico Zorkendorfer**

- (45) Registration Date: **14 October 2014**

- (30) Convention priority data:

(31) Number	(32) Date	(33) Country
<b>29/489981</b>	<b>05 May 2014</b>	<b>UNITED STATES OF AMERICA</b>

- (56) Related Art Documents: **Not Applicable**

- (57) Statement of Newness and Distinctiveness: **Newness and distinctiveness resides in the features of shape shown in the solid outline within the dot-dash lines in the accompanying representations.**





- (21) Design Number: **15009/2014**  
(22) Date of Filing Application: **30 September 2014**  
(24) Date from which industrial property rights may have effect: **30 September 2014**  
(54) Product in respect of which the design is registered: **Electronic device**  
(51) International Design Classification: **14-03E**  
(74) Name(s) of Attorney(s): **Freehills Patent Attorneys**  
(71) Name(s) and Address(s) of Applicant(s):

**Apple Inc.**

**1 Infinite Loop Cupertino California 95014 United States of America**

- (72) Name(s) of Designer(s): **Jody Akana and Bartley K Andre and Shota Aoyagi and Anthony Michael Ashcroft and Jeremy Bataillou and Daniel J Coster and Daniele De Iuliis and M Evans Hankey and Julian Hoenig and Richard P Howarth and Jonathan P Ive and Duncan Robert Kerr and Matthew Dean Rohrbach and Peter Russell-Clarke and Benjamin Andrew Shaffer and Mikael Silvano and Christopher J Stringer and Eugene Antony Whang and Rico Zorkendorfer**

- (45) Registration Date: **14 October 2014**

- (30) Convention priority data:

(31) Number	(32) Date	(33) Country
<b>29/489981</b>	<b>05 May 2014</b>	<b>UNITED STATES OF AMERICA</b>

- (56) Related Art Documents: **Not Applicable**

- (57) Statement of Newness and Distinctiveness: **Newness and distinctiveness resides in the features of shape and configuration shown in the solid outline in the accompanying representations.**



- (21) Design Number: **15010/2014**  
(22) Date of Filing Application: **30 September 2014**  
(24) Date from which industrial property rights may have effect: **30 September 2014**  
(54) Product in respect of which the design is registered: **Electronic device**  
(51) International Design Classification: **14-03E**  
(74) Name(s) of Attorney(s): **Freehills Patent Attorneys**  
(71) Name(s) and Address(s) of Applicant(s):

**Apple Inc.**

**1 Infinite Loop Cupertino California 95014 United States of America**

- (72) Name(s) of Designer(s): **Jody Akana and Bartley K Andre and Shota Aoyagi and Anthony Michael Ashcroft and Jeremy Bataillou and Daniel J Coster and Daniele De Iuliis and M Evans Hankey and Julian Hoenig and Richard P Howarth and Jonathan P Ive and Duncan Robert Kerr and Matthew Dean Rohrbach and Peter Russell-Clarke and Benjamin Andrew Shaffer and Mikael Silvano and Christopher J Stringer and Eugene Antony Whang and Rico Zorkendorfer**

- (45) Registration Date: **14 October 2014**

- (30) Convention priority data:

(31) Number	(32) Date	(33) Country
<b>29/489981</b>	<b>05 May 2014</b>	<b>UNITED STATES OF AMERICA</b>

- (56) Related Art Documents: **Not Applicable**

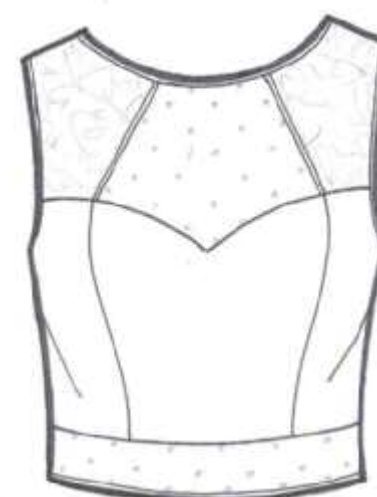
- (57) Statement of Newness and Distinctiveness: **Nil**



- (21) Design Number: **11989/2014**  
(22) Date of Filing Application: **24 April 2014**  
(24) Date from which industrial property rights may have effect: **24 April 2014**  
(54) Product in respect of which the design is registered: **Mobility scooter sun canopy**  
(51) International Design Classification: **03-03, 12-14**  
(74) Name(s) of Attorney(s): **Lord & Company**  
(71) Name(s) and Address(s) of Applicant(s):  
**Shoprider Pty Ltd**  
**1 Business Way Malaga Western Australia 6090 Australia**  
(72) Name(s) of Designer(s): **Kerry John Ford**  
(45) Registration Date: **15 October 2014**  
(56) Related Art Documents: **Not Applicable**  
(57) Statement of Newness and Distinctiveness: **Nil**



- (21) Design Number: **14918/2014**  
(22) Date of Filing Application: **26 September 2014**  
(24) Date from which industrial property rights may have effect: **28 January 2014**  
(54) Product in respect of which the design is registered: **Article of clothing**  
(51) International Design Classification: **02-02NES**  
(74) Name(s) of Attorney(s): **Allens Patent & Trade Mark Attorneys**  
(71) Name(s) and Address(s) of Applicant(s):  
**Forever New Clothing Pty Ltd**  
**714-716 High St Kew East VIC 3102 Australia**  
(72) Name(s) of Designer(s): **Jennifer Hall**  
(45) Registration Date: **15 October 2014**  
(62) Divisional of: **358115**  
(56) Related Art Documents: **Not Applicable**  
(57) Statement of Newness and Distinctiveness: **Newness and distinctiveness resides in the visual features of shape, configuration, pattern and/or ornamentation of an article of clothing as shown in the accompanying representations.**





(21) Design Number: **15011/2014**  
(22) Date of Filing Application: **30 September 2014**  
(24) Date from which industrial property rights may have effect: **30 September 2014**  
(54) Product in respect of which the design is registered: **Electronic device**  
(51) International Design Classification: **14-03E**  
(74) Name(s) of Attorney(s): **Freehills Patent Attorneys**  
(71) Name(s) and Address(s) of Applicant(s):  
**Apple Inc.**  
**1 Infinite Loop Cupertino California 95014 United States of America**  
(72) Name(s) of Designer(s): **Jody Akana and Bartley K Andre and Shota Aoyagi and Anthony Michael Ashcroft and Jeremy Bataillou and Daniel J Coster and Daniele De Iuliis and M Evans Hankey and Julian Hoenig and Richard P Howarth and Jonathan P Ive and Duncan Robert Kerr and Matthew Dean Rohrbach and Peter Russell-Clarke and Benjamin Andrew Shaffer and Mikael Silvanto and Christopher J Stringer and Eugene Antony Whang and Rico Zorkendorfer**  
(45) Registration Date: **15 October 2014**  
(30) Convention priority data:  
(31) Number (32) Date (33) Country  
**29/489981 05 May 2014 UNITED STATES OF AMERICA**  
(56) Related Art Documents: **Not Applicable**  
(57) Statement of Newness and Distinctiveness: **Nil**



(21) Design Number: **15013/2014**  
(22) Date of Filing Application: **30 September 2014**  
(24) Date from which industrial property rights may have effect: **30 September 2014**  
(54) Product in respect of which the design is registered: **Electronic device**  
(51) International Design Classification: **14-03E**  
(74) Name(s) of Attorney(s): **Freehills Patent Attorneys**  
(71) Name(s) and Address(s) of Applicant(s):  
**Apple Inc.**  
**1 Infinite Loop Cupertino California 95014 United States of America**  
(72) Name(s) of Designer(s): **Jody Akana and Bartley K Andre and Shota Aoyagi and Anthony Michael Ashcroft and Jeremy Bataillou and Daniel J Coster and Daniele De Iuliis and M Evans Hankey and Julian Hoenig and Richard P Howarth and Jonathan P Ive and Duncan Robert Kerr and Matthew Dean Rohrbach and Peter Russell-Clarke and Benjamin Andrew Shaffer and Mikael Silvanto and Christopher J Stringer and Eugene Antony Whang and Rico Zorkendorfer**  
(45) Registration Date: **15 October 2014**  
(30) Convention priority data:  
(31) Number (32) Date (33) Country  
**29/489981 05 May 2014 UNITED STATES OF AMERICA**  
(56) Related Art Documents: **Not Applicable**  
(57) Statement of Newness and Distinctiveness: **Nil**



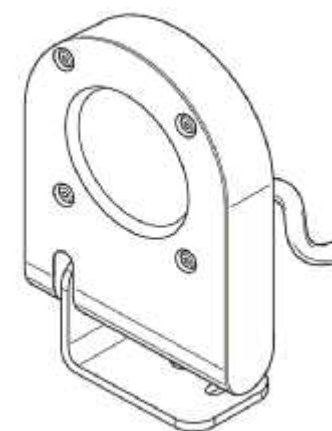
(21) Design Number: **15014/2014**  
(22) Date of Filing Application: **30 September 2014**  
(24) Date from which industrial property rights may have effect: **30 September 2014**  
(54) Product in respect of which the design is registered: **Electronic device**  
(51) International Design Classification: **14-03E**  
(74) Name(s) of Attorney(s): **Freehills Patent Attorneys**  
(71) Name(s) and Address(s) of Applicant(s):  
**Apple Inc.**  
**1 Infinite Loop Cupertino California 95014 United States of America**  
(72) Name(s) of Designer(s): **Jody Akana and Bartley K Andre and Shota Aoyagi and Anthony Michael Ashcroft and Jeremy Bataillou and Daniel J Coster and Daniele De Iuliis and M Evans Hankey and Julian Hoenig and Richard P Howarth and Jonathan P Ive and Duncan Robert Kerr and Matthew Dean Rohrbach and Peter Russell-Clarke and Benjamin Andrew Shaffer and Mikael Silvano and Christopher J Stringer and Eugene Antony Whang and Rico Zorkendorfer**  
(45) Registration Date: **15 October 2014**  
(30) Convention priority data:  
(31) Number (32) Date (33) Country  
**29/489981 05 May 2014 UNITED STATES OF AMERICA**  
(56) Related Art Documents: **Not Applicable**  
(57) Statement of Newness and Distinctiveness: **Nil**



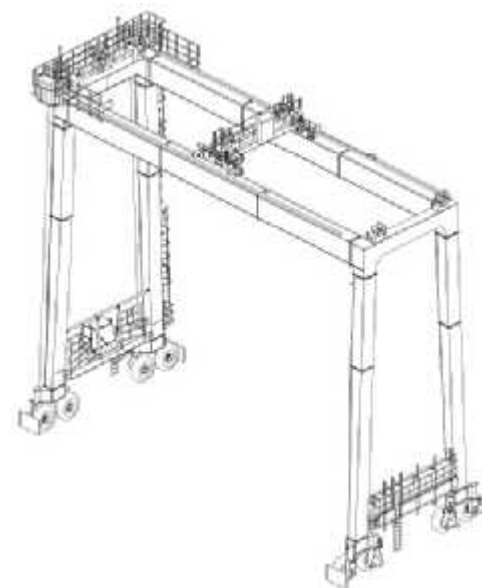
(21) Design Number: **15018/2014**  
(22) Date of Filing Application: **30 September 2014**  
(24) Date from which industrial property rights may have effect: **30 September 2014**  
(54) Product in respect of which the design is registered: **A sealable mini-cup**  
(51) International Design Classification: **07-01C**  
(74) Name(s) of Attorney(s):  
(71) Name(s) and Address(s) of Applicant(s):  
**Daniel Moeschinger**  
**PO BOX 604 Port Melbourne VIC 3207 Australia**  
(72) Name(s) of Designer(s): **Daniel Moeschinger**  
(45) Registration Date: **15 October 2014**  
(56) Related Art Documents: **Not Applicable**  
(57) Statement of Newness and Distinctiveness: **Newness and distinctiveness resides in the features of the shape and configuration of a cup as illustrated in the accompanying representations.**



(21) Design Number: **15022/2014**  
(22) Date of Filing Application: **29 September 2014**  
(24) Date from which industrial property rights may have effect: **29 September 2014**  
(54) Product in respect of which the design is registered: **Luminaire for street lighting**  
(51) International Design Classification: **26-03**  
(74) Name(s) of Attorney(s): **SPRUSON & FERGUSON**  
(71) Name(s) and Address(s) of Applicant(s):  
**Thorn Europhane S.A.**  
**Route de Paix - BP 504, Les Andelys 27700 France**  
(72) Name(s) of Designer(s): **Sven Von Boetticher**  
(45) Registration Date: **15 October 2014**  
(30) Convention priority data:  
(31) Number (32) Date (33) Country  
**001 407 779 01 Apr 2014 OFFICE FOR HARMONISATION IN THE INTERNAL MARKET (OHIM)**  
(56) Related Art Documents: **Not Applicable**  
(57) Statement of Newness and Distinctiveness: **Newness and distinctiveness is claimed in the features of shape and/or configuration of a luminaire for street lighting as illustrated in the accompanying representations.**



(21) Design Number: **15023/2014**  
(22) Date of Filing Application: **30 September 2014**  
(24) Date from which industrial property rights may have effect: **30 September 2014**  
(54) Product in respect of which the design is registered: **Gantry crane**  
(51) International Design Classification: **12-05**  
(74) Name(s) of Attorney(s): **Ashurst Australia**  
(71) Name(s) and Address(s) of Applicant(s):  
**Konecranes Plc**  
**Koneenkatu 8 05830 Hyvinkaa Finland**  
(72) Name(s) of Designer(s): **Esa Ojapalo and Juha Santala and Hannu Oja**  
(45) Registration Date: **15 October 2014**  
(30) Convention priority data:  
(31) Number (32) Date (33) Country  
**002440057-0001 04 Apr 2014 OFFICE FOR HARMONISATION IN THE INTERNAL MARKET (OHIM)**  
(56) Related Art Documents: **Not Applicable**  
(57) Statement of Newness and Distinctiveness: **Nil**



(21) Design Number: **15024/2014**  
(22) Date of Filing Application: **30 September 2014**  
(24) Date from which industrial property rights may have effect: **30 September 2014**  
(54) Product in respect of which the design is registered: **Gantry crane**  
(51) International Design Classification: **12-05**  
(74) Name(s) of Attorney(s): **Ashurst Australia**  
(71) Name(s) and Address(s) of Applicant(s):

**Konecranes Plc**  
**Koneenkatu 8 05830 Hyvinkaa Finland**

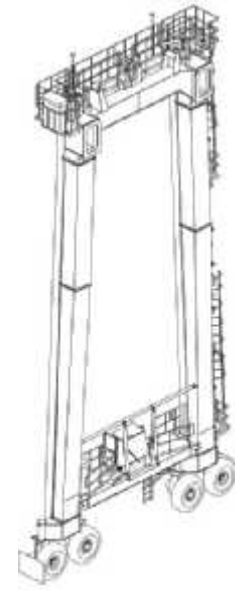
(72) Name(s) of Designer(s): **Esa Ojapalo and Juha Santala and Hannu Oja**  
(45) Registration Date: **15 October 2014**

(30) Convention priority data:

(31) Number	(32) Date	(33) Country
<b>002440057-0002</b>	<b>04 Apr 2014</b>	<b>OFFICE FOR HARMONISATION IN THE INTERNAL MARKET (OHIM)</b>

(56) Related Art Documents: **Not Applicable**

(57) Statement of Newness and Distinctiveness: **Nil**



(21) Design Number: **15025/2014**  
(22) Date of Filing Application: **30 September 2014**  
(24) Date from which industrial property rights may have effect: **30 September 2014**  
(54) Product in respect of which the design is registered: **Gantry crane**  
(51) International Design Classification: **12-05**  
(74) Name(s) of Attorney(s): **Ashurst Australia**  
(71) Name(s) and Address(s) of Applicant(s):

**Konecranes Plc**  
**Koneenkatu 8 05830 Hyvinkaa Finland**

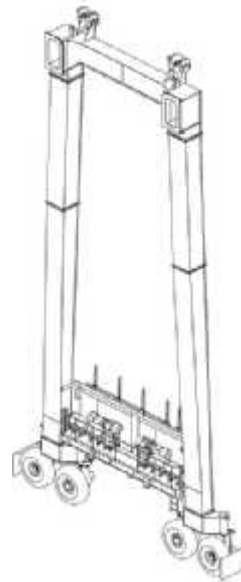
(72) Name(s) of Designer(s): **Esa Ojapalo and Juha Santala and Hannu Oja**  
(45) Registration Date: **15 October 2014**

(30) Convention priority data:

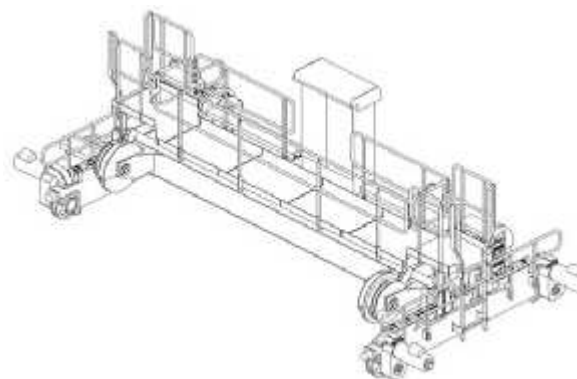
(31) Number	(32) Date	(33) Country
<b>002440057-0003</b>	<b>04 Apr 2014</b>	<b>OFFICE FOR HARMONISATION IN THE INTERNAL MARKET (OHIM)</b>

(56) Related Art Documents: **Not Applicable**

(57) Statement of Newness and Distinctiveness: **Nil**



(21) Design Number: **15026/2014**  
(22) Date of Filing Application: **30 September 2014**  
(24) Date from which industrial property rights may have effect: **30 September 2014**  
(54) Product in respect of which the design is registered: **Gantry crane**  
(51) International Design Classification: **12-05**  
(74) Name(s) of Attorney(s): **Ashurst Australia**  
(71) Name(s) and Address(s) of Applicant(s):



**Konecranes Plc**  
**Koneenkatu 8 05830 Hyvinkaa Finland**

(72) Name(s) of Designer(s): **Esa Ojapalo and Juha Santala and Hannu Oja**

(45) Registration Date: **15 October 2014**

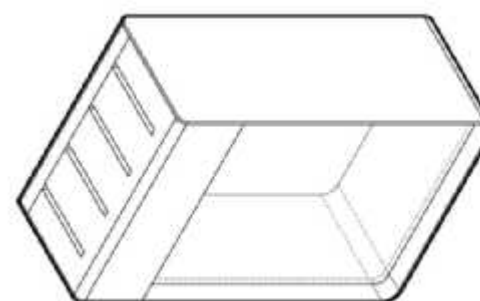
(30) Convention priority data:

(31) Number	(32) Date	(33) Country
<b>002440057-0004</b>	<b>04 Apr 2014</b>	<b>OFFICE FOR HARMONISATION IN THE INTERNAL MARKET (OHIM)</b>

(56) Related Art Documents: **Not Applicable**

(57) Statement of Newness and Distinctiveness: **Nil**

(21) Design Number: **15070/2014**  
(22) Date of Filing Application: **02 October 2014**  
(24) Date from which industrial property rights may have effect: **02 October 2014**  
(54) Product in respect of which the design is registered: **Knife block**  
(51) International Design Classification: **07-99NES**  
(74) Name(s) of Attorney(s): **PHILLIPS ORMONDE FITZPATRICK**  
(71) Name(s) and Address(s) of Applicant(s):



**McPherson's Limited**  
**105 Vanessa St Kingsgrove NSW 2208 Australia**

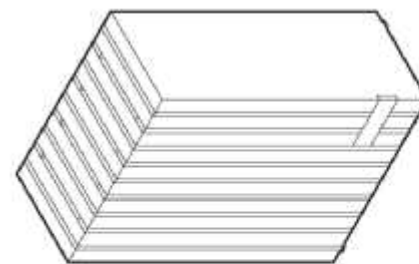
(72) Name(s) of Designer(s): **Annette Plant**

(45) Registration Date: **15 October 2014**

(56) Related Art Documents: **Not Applicable**

(57) Statement of Newness and Distinctiveness: **Those features of the knife block depicted in the representations that are new and distinctive are the shape and/or configuration. The feet of the knife block shown in the representations are not part of the design and are to be disregarded when considering the overall impression of the design.**

- (21) Design Number: **15071/2014**  
(22) Date of Filing Application: **02 October 2014**  
(24) Date from which industrial property rights may have effect: **02 October 2014**  
(54) Product in respect of which the design is registered: **Knife block**  
(51) International Design Classification: **07-99NES**  
(74) Name(s) of Attorney(s): **PHILLIPS ORMONDE FITZPATRICK**  
(71) Name(s) and Address(s) of Applicant(s):  
**McPherson's Limited**  
**105 Vanessa St Kingsgrove NSW 2208 Australia**  
(72) Name(s) of Designer(s): **Annette Plant**  
(45) Registration Date: **15 October 2014**  
(56) Related Art Documents: **Not Applicable**  
(57) Statement of Newness and Distinctiveness: **Those features of the knife block depicted in the representations that are new and distinctive are the shape and/or configuration. The feet of the knife block shown in the representations are not part of the design and are to be disregarded when considering the overall impression of the design.**



- (21) Design Number: **15072/2014**  
(22) Date of Filing Application: **02 October 2014**  
(24) Date from which industrial property rights may have effect: **02 October 2014**  
(54) Product in respect of which the design is registered: **Tube clamp**  
(51) International Design Classification: **08-08D**  
(74) Name(s) of Attorney(s):  
(71) Name(s) and Address(s) of Applicant(s):  
**ARB Corporation Limited**  
**42-44 Garden St Kilsyth VIC 3137 Australia**  
(72) Name(s) of Designer(s): **Ivan Clencie**  
(45) Registration Date: **15 October 2014**  
(56) Related Art Documents: **Not Applicable**  
(57) Statement of Newness and Distinctiveness: **Nil**

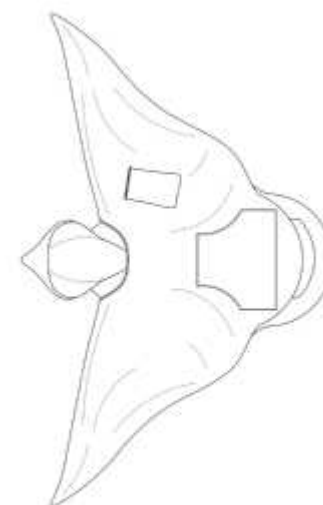


(21) Design Number: **15076/2014**  
(22) Date of Filing Application: **02 October 2014**  
(24) Date from which industrial property rights may have effect: **02 October 2014**  
(54) Product in respect of which the design is registered: **Lid**  
(51) International Design Classification: **07-01NES**  
(74) Name(s) of Attorney(s): **Macpherson + Kelley**  
(71) Name(s) and Address(s) of Applicant(s):  
**Thermos L.L.C.**  
**475 N. Martingale Road, Suite 1100 Schaumburg IL, 60173 United States of America**



(72) Name(s) of Designer(s): **Marvin Lane and Dwayne Boroski**  
(45) Registration Date: **15 October 2014**  
(30) Convention priority data:  
(31) Number (32) Date (33) Country  
**29/488,573 21 Apr 2014 UNITED STATES OF AMERICA**  
(56) Related Art Documents: **Not Applicable**  
(57) Statement of Newness and Distinctiveness: **Newness and distinctiveness resides in the features of shape and/or configuration of a lid illustrated in continuous lines in the accompanying representations.**

(21) Design Number: **15080/2014**  
(22) Date of Filing Application: **03 October 2014**  
(24) Date from which industrial property rights may have effect: **03 October 2014**  
(54) Product in respect of which the design is registered: **Spectator cape**  
(51) International Design Classification: **02-02B**  
(74) Name(s) of Attorney(s): **Sandercock & Cowie**  
(71) Name(s) and Address(s) of Applicant(s):  
**Footy Hoodie Pty. Ltd.**  
**104 Pink Lake Rd Sinclair WA 6450 Australia**



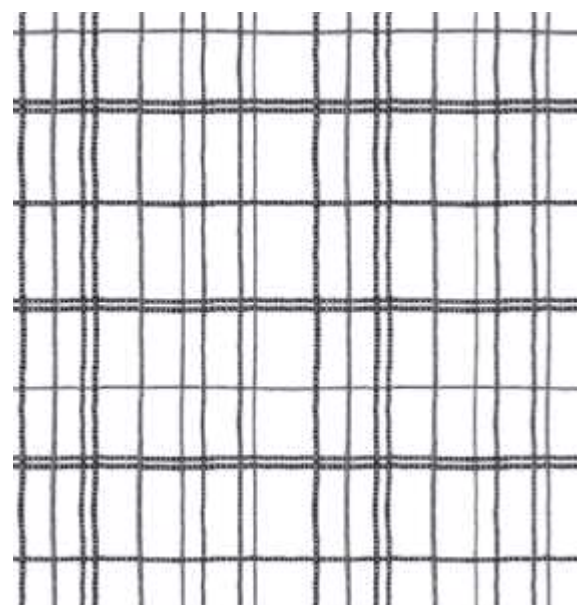
(72) Name(s) of Designer(s): **Adam Shawn Congreve**  
(45) Registration Date: **15 October 2014**  
(56) Related Art Documents: **Not Applicable**  
(57) Statement of Newness and Distinctiveness: **Newness and distinctiveness reside in the shape and configuration of the spectator cape as shown in the accompanying representations.**



- (21) Design Number: **15084/2014**  
(22) Date of Filing Application: **03 October 2014**  
(24) Date from which industrial property rights may have effect: **03 October 2014**  
(54) Product in respect of which the design is registered: **A textile print**  
(51) International Design Classification: **05-05A**  
(74) Name(s) of Attorney(s):  
(71) Name(s) and Address(s) of Applicant(s):  
**AUSTRALIAN FASHION LABELS PTY LTD**  
**106 Currie St Adelaide SA 5000 Australia**  
(72) Name(s) of Designer(s): **Siham Elmawey**  
(45) Registration Date: **15 October 2014**  
(56) Related Art Documents: **Not Applicable**  
(57) Statement of Newness and Distinctiveness: **Newness and distinctiveness resides in the features of pattern and ornamentation of a textile print as shown in the accompanying representations.**

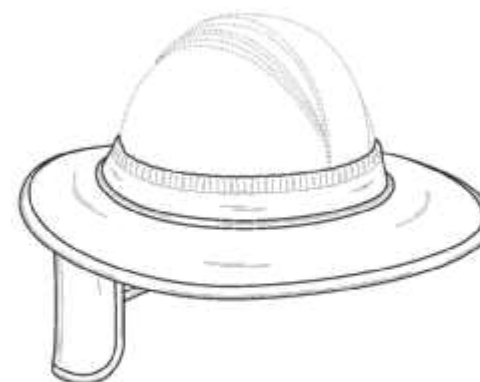


- (21) Design Number: **15085/2014**  
(22) Date of Filing Application: **03 October 2014**  
(24) Date from which industrial property rights may have effect: **03 October 2014**  
(54) Product in respect of which the design is registered: **A textile print**  
(51) International Design Classification: **05-05D**  
(74) Name(s) of Attorney(s):  
(71) Name(s) and Address(s) of Applicant(s):  
**AUSTRALIAN FASHION LABELS PTY LTD**  
**106 Currie St Adelaide SA 5000 Australia**  
(72) Name(s) of Designer(s): **Siham Elmawey**  
(45) Registration Date: **15 October 2014**  
(56) Related Art Documents: **Not Applicable**  
(57) Statement of Newness and Distinctiveness: **Newness and distinctiveness resides in the features of pattern and ornamentation of a textile print as shown in the accompanying representations.**





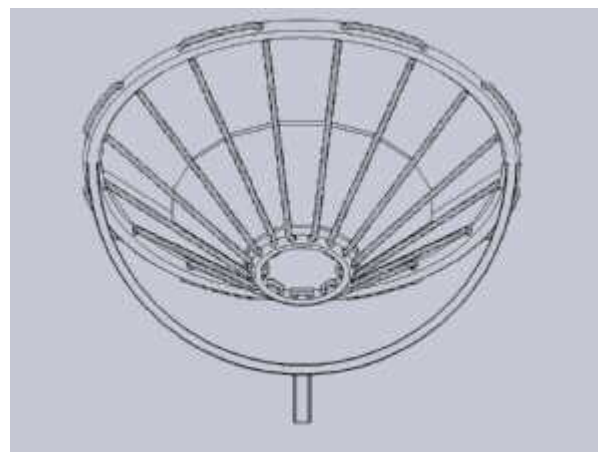
(21) Design Number: **15088/2014**  
(22) Date of Filing Application: **03 October 2014**  
(24) Date from which industrial property rights may have effect: **03 October 2014**  
(54) Product in respect of which the design is registered: **Brim and neck shade with straps**  
(51) International Design Classification: **02-03**  
(74) Name(s) of Attorney(s): **PHILLIPS ORMONDE FITZPATRICK**  
(71) Name(s) and Address(s) of Applicant(s):  
**Tenacious Holdings, Inc.**  
**1021 Bandana Boulevard East Suite 220 St. Paul Minnesota 55108 United States of America**  
(72) Name(s) of Designer(s): **Thomas F Votel and Chelsea Votel**  
(45) Registration Date: **15 October 2014**  
(30) Convention priority data:  
(31) Number (32) Date (33) Country  
**29/497,400 24 Jul 2014 UNITED STATES OF AMERICA**  
(56) Related Art Documents: **Not Applicable**  
(57) Statement of Newness and Distinctiveness: **Those features of the brim and neck shade with straps depicted in the representations that are new and distinctive are the shape and/or configuration. The features shown in broken lines are not part of the design and are to be disregarded when considering the overall impression of the design.**



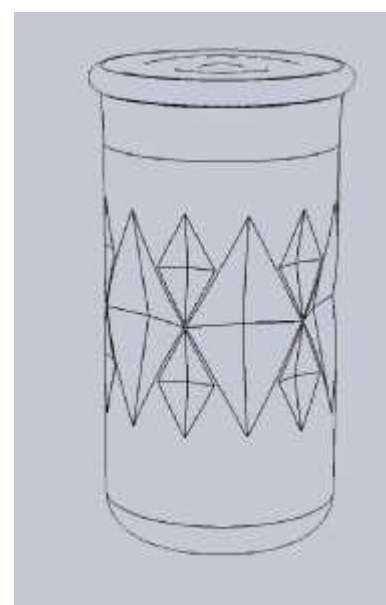
(21) Design Number: **15089/2014**  
(22) Date of Filing Application: **03 October 2014**  
(24) Date from which industrial property rights may have effect: **03 October 2014**  
(54) Product in respect of which the design is registered: **Ring connector**  
(51) International Design Classification: **08-08NES**  
(74) Name(s) of Attorney(s): **PHILLIPS ORMONDE FITZPATRICK**  
(71) Name(s) and Address(s) of Applicant(s):  
**Tenacious Holdings, Inc.**  
**1021 Bandana Boulevard East Suite 220 St. Paul Minnesota 55108 United States of America**  
(72) Name(s) of Designer(s): **Thomas F Votel and Nathan Bohmbach**  
(45) Registration Date: **15 October 2014**  
(30) Convention priority data:  
(31) Number (32) Date (33) Country  
**29/487,166 06 Apr 2014 UNITED STATES OF AMERICA**  
(56) Related Art Documents: **Not Applicable**  
(57) Statement of Newness and Distinctiveness: **Those features of the ring connector depicted in the representations that are new and distinctive are the shape and/or configuration. The features shown in broken lines are not part of the design and are to be disregarded when considering the overall impression of the design.**



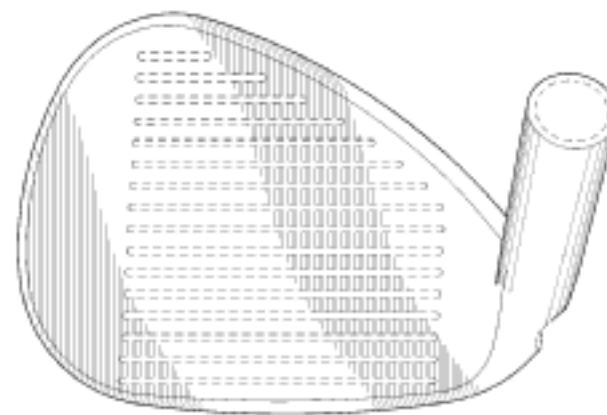
- (21) Design Number: **15090/2014**  
(22) Date of Filing Application: **03 October 2014**  
(24) Date from which industrial property rights may have effect: **03 October 2014**  
(54) Product in respect of which the design is registered: **Chair**  
(51) International Design Classification: **06-01L**  
(74) Name(s) of Attorney(s):  
(71) Name(s) and Address(s) of Applicant(s):  
**Joshua James Flowers**  
**31 Napier St Paddington NSW 2021 Australia**  
(72) Name(s) of Designer(s): **Joshua James Flowers**  
(45) Registration Date: **15 October 2014**  
(56) Related Art Documents: **Not Applicable**  
(57) Statement of Newness and Distinctiveness: **Circular frame with rope suspension system; circular frame with rope converging on central circular frame on which seating cushion is positioned or fastened; polygonal rubber seating cushion suspended by multiple cables; elasticity of suspension system for seating.**



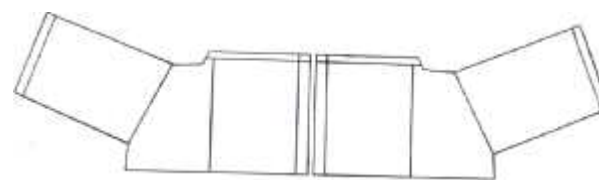
- (21) Design Number: **15091/2014**  
(22) Date of Filing Application: **03 October 2014**  
(24) Date from which industrial property rights may have effect: **03 October 2014**  
(54) Product in respect of which the design is registered: **Container**  
(51) International Design Classification: **07-01C, 07-01NES**  
(74) Name(s) of Attorney(s):  
(71) Name(s) and Address(s) of Applicant(s):  
**Joshua James Flowers**  
**31 Napier St Paddington NSW 2021 Australia**  
(72) Name(s) of Designer(s): **Joshua James Flowers**  
(45) Registration Date: **15 October 2014**  
(56) Related Art Documents: **Not Applicable**  
(57) Statement of Newness and Distinctiveness: **Diamond shape pattern on outside of container. Contours and corrugation in lid combined with silicon band.**



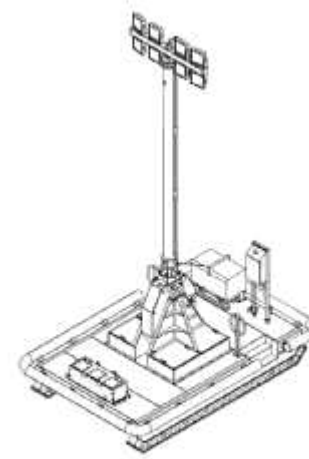
(21) Design Number: **15065/2014**  
(22) Date of Filing Application: **02 October 2014**  
(24) Date from which industrial property rights may have effect: **02 October 2014**  
(54) Product in respect of which the design is registered: **Golf club head**  
(51) International Design Classification: **21-02C**  
(74) Name(s) of Attorney(s): **Davies Collison Cave**  
(71) Name(s) and Address(s) of Applicant(s):  
**Karsten Manufacturing Corporation**  
**2201 West Desert Cove Phoenix Arizona 85029 United States of America**  
(72) Name(s) of Designer(s): **Ryan M Stokke and Xiaojian Chen and Martin R Jertson and Cory S Bacon**  
(45) Registration Date: **15 October 2014**  
(30) Convention priority data:  
(31) Number (32) Date (33) Country  
**29/492280 29 May 2014 UNITED STATES OF AMERICA**  
(56) Related Art Documents: **Not Applicable**  
(57) Statement of Newness and Distinctiveness: **Newness and distinctiveness is claimed in the visual features shown in solid lines in the representations. In considering the extent of the design rights, the broken lines shown in the representations are for illustrative purposes only and do not form part of the design.**



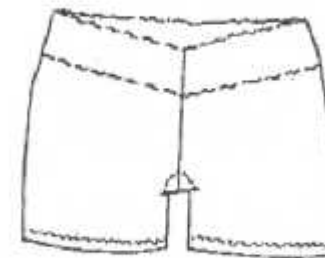
(21) Design Number: **13138/2014**  
(22) Date of Filing Application: **27 June 2014**  
(24) Date from which industrial property rights may have effect: **27 June 2014**  
(54) Product in respect of which the design is registered: **Vehicle curtain**  
(51) International Design Classification: **12-16F**  
(74) Name(s) of Attorney(s):  
(71) Name(s) and Address(s) of Applicant(s):  
**Andrew L Gooden**  
**14 Wireless Rd E MT GAMBIER SA 5290**  
(72) Name(s) of Designer(s): **Andrew Gooden**  
(45) Registration Date: **16 October 2014**  
(56) Related Art Documents: **Not Applicable**  
(57) Statement of Newness and Distinctiveness: **Nil**



- (21) Design Number: **13228/2014**  
(22) Date of Filing Application: **02 July 2014**  
(24) Date from which industrial property rights may have effect: **02 July 2014**  
(54) Product in respect of which the design is registered: **Lighting plant**  
(51) International Design Classification: **26-03**  
(74) Name(s) of Attorney(s):  
(71) Name(s) and Address(s) of Applicant(s):  
**Dog Watch Lighting Pty Ltd**  
**23 Lauren Ave Lake Munmorah NSW 2259 Australia**  
(72) Name(s) of Designer(s): **David John Nicholls**  
(45) Registration Date: **16 October 2014**  
(56) Related Art Documents: **Not Applicable**  
(57) Statement of Newness and Distinctiveness: **Newness and distinctiveness resides in the overall shape and configuration of the visual features shown in solid lines in the representations.**



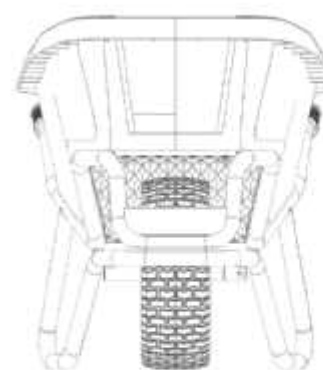
- (21) Design Number: **14373/2014**  
(22) Date of Filing Application: **02 September 2014**  
(24) Date from which industrial property rights may have effect: **02 September 2014**  
(54) Product in respect of which the design is registered: **Underwear**  
(51) International Design Classification: **02-01NES**  
(74) Name(s) of Attorney(s):  
(71) Name(s) and Address(s) of Applicant(s):  
**Robin Lorene Hort**  
**17 Tempest Pl Waikiki WA 6169 Australia**  
(72) Name(s) of Designer(s): **Robin Lorene Hort**  
(45) Registration Date: **16 October 2014**  
(56) Related Art Documents: **Not Applicable**  
(57) Statement of Newness and Distinctiveness: **This relates to Design No. 328727. The design is based on a drop waist design that is 25mm below the navel. The leg length is approximately 100mm. I have stated this because it might not be apparent from the design submitted to the IP database.**



- (21) Design Number: **14807/2014**  
(22) Date of Filing Application: **20 September 2014**  
(24) Date from which industrial property rights may have effect: **20 September 2014**  
(54) Product in respect of which the design is registered: **Hi visibility safety vest for motorbike riders**  
(51) International Design Classification: **02-02B**  
(74) Name(s) of Attorney(s):  
(71) Name(s) and Address(s) of Applicant(s):  
**Mercedez Lekka**  
**24 Dewar Cres Maddingley VIC 3340 Australia**  
(72) Name(s) of Designer(s): **Mercedez Lekka**  
(45) Registration Date: **16 October 2014**  
(56) Related Art Documents: **Not Applicable**  
(57) Statement of Newness and Distinctiveness: **The vest is a new product to the Australian Market designed on the request of VicRoads Authority to accommodate the new Law for Leaner Motorbike Riders as on the 1st October 2014, who will be required to wear hi visibility safety vests for day and night wear, the vest design meets the required safety standards for hi visibility materials used to suit the new Law. The vest has stretch panel fabrics, mesh lining, ykk zippers, fluorescent fabrics and retro reflective silver safety tapes applied as required by Australian, New Zealand and American Safety Standards for Hi Visibility vests worn on roads.**



- (21) Design Number: **14870/2014**  
(22) Date of Filing Application: **24 September 2014**  
(24) Date from which industrial property rights may have effect: **24 September 2014**  
(54) Product in respect of which the design is registered: **Wheelbarrow**  
(51) International Design Classification: **12-02**  
(74) Name(s) of Attorney(s): **Wrays**  
(71) Name(s) and Address(s) of Applicant(s):  
**Philip John Dumas**  
**30 Sylvan St Sylvania NSW 2224 Australia**  
**Benjamin Mark Green**  
**30 Snowgum Dr Bilambil Heights NSW 2486 Australia**  
(72) Name(s) of Designer(s): **Philip John Dumas and Benjamin Mark Green**  
(45) Registration Date: **16 October 2014**  
(56) Related Art Documents: **Not Applicable**  
(57) Statement of Newness and Distinctiveness: **Newness and distinctiveness is claimed in the features of shape and/or configuration of the Wheelbarrow depicted in the accompanying representations.**



(21) Design Number: **15031/2014**

(22) Date of Filing Application: **01 October 2014**

(24) Date from which industrial property rights may have effect: **01 October 2014**

(54) Product in respect of which the design is registered: **Golf club head**

(51) International Design Classification: **21-02C**

(74) Name(s) of Attorney(s): **Davies Collison Cave**

(71) Name(s) and Address(s) of Applicant(s):

**Karsten Manufacturing Corporation**

**2201 West Desert Cove Phoenix Arizona 85029 United States of America**

(72) Name(s) of Designer(s): **Daniel K Lee and Cory S Bacon**

(45) Registration Date: **16 October 2014**

(30) Convention priority data:

(31) Number

(32) Date

(33) Country

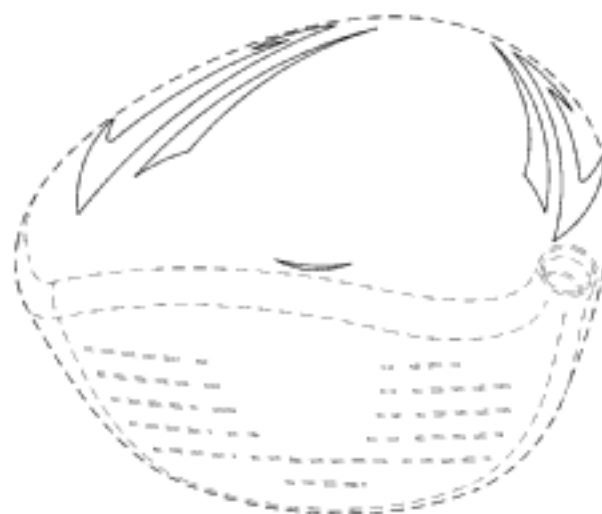
**29/489026**

**25 Apr 2014**

**UNITED STATES OF AMERICA**

(56) Related Art Documents: **Not Applicable**

(57) Statement of Newness and Distinctiveness: **Newness and distinctiveness is claimed in the visual features shown in solid lines in the representations. In considering the extent of the design rights, the broken lines shown in the representations are for illustrative purposes only and do not form part of the design.**



(21) Design Number: **15051/2014**

(22) Date of Filing Application: **01 October 2014**

(24) Date from which industrial property rights may have effect: **01 October 2014**

(54) Product in respect of which the design is registered: **Kettle**

(51) International Design Classification: **07-02K**

(74) Name(s) of Attorney(s): **Freehills Patent Attorneys**

(71) Name(s) and Address(s) of Applicant(s):

**SMEG S.p.A.**

**Via Leonardo da Vinci, 4 Guastalla 42016 Italy**

(72) Name(s) of Designer(s): **Leopoldo Bazzicalupo and Raffaella Mangiarotti**

(45) Registration Date: **16 October 2014**

(30) Convention priority data:

(31) Number

(32) Date

(33) Country

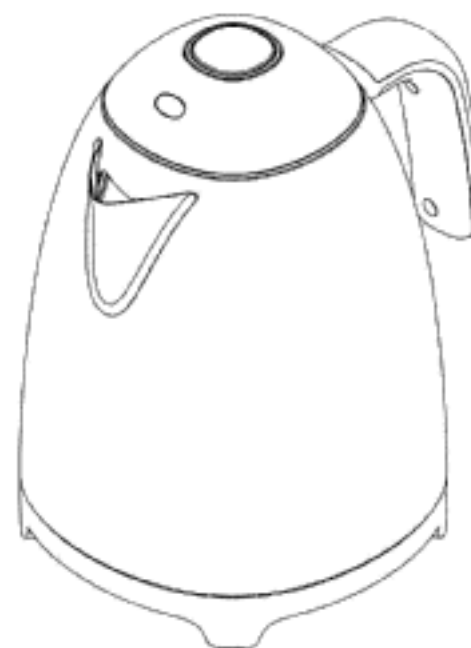
**002438473**

**02 Apr 2014**

**OFFICE FOR HARMONISATION IN  
THE INTERNAL MARKET (OHIM)**

(56) Related Art Documents: **Not Applicable**

(57) Statement of Newness and Distinctiveness: **Newness and distinctiveness of the design resides in the features of shape and configuration of the kettle as shown in the accompanying representations.**





(21) Design Number: **15053/2014**

(22) Date of Filing Application: **01 October 2014**

(24) Date from which industrial property rights may have effect: **01 October 2014**

(54) Product in respect of which the design is registered: **Kettle**

(51) International Design Classification: **07-02K**

(74) Name(s) of Attorney(s): **Freehills Patent Attorneys**

(71) Name(s) and Address(s) of Applicant(s):

**SMEG S.p.A.**

**Via Leonardo da Vinci, 4 Guastalla 42016 Italy**

(72) Name(s) of Designer(s): **Leopoldo Bazzicalupo and Raffaella Mangiarotti**

(45) Registration Date: **16 October 2014**

(30) Convention priority data:

(31) Number  
**002438473**

(32) Date  
**02 Apr 2014**

(33) Country  
**OFFICE FOR HARMONISATION IN  
THE INTERNAL MARKET (OHIM)**

(56) Related Art Documents: **Not Applicable**

(57) Statement of Newness and Distinctiveness: **Newness and distinctiveness of the design resides in the features of shape and configuration of the kettle as shown in the accompanying representations.**



(21) Design Number: **15055/2014**

(22) Date of Filing Application: **02 October 2014**

(24) Date from which industrial property rights may have effect: **02 October 2014**

(54) Product in respect of which the design is registered: **Wind mobile**

(51) International Design Classification: **06-99**

(74) Name(s) of Attorney(s):

(71) Name(s) and Address(s) of Applicant(s):

**Hilde Botten**

**PO BOX 622 Five Dock NSW 2046 Australia**

**Pieter Bouwman**

**PO BOX 622 Five Dock NSW 2046 Australia**

(72) Name(s) of Designer(s): **Pieter Bouwman and Hilde Botten**

(45) Registration Date: **16 October 2014**

(56) Related Art Documents: **Not Applicable**

(57) Statement of Newness and Distinctiveness: **The newness and distinctiveness is in the shape and configuration of the wind mobile as illustrated in the representations.**



(21) Design Number: **15056/2014**  
(22) Date of Filing Application: **02 October 2014**  
(24) Date from which industrial property rights may have effect: **02 October 2014**  
(54) Product in respect of which the design is registered: **Slicers**  
(51) International Design Classification: **07-04**  
(74) Name(s) of Attorney(s): **PIPERS Melbourne**  
(71) Name(s) and Address(s) of Applicant(s):  
**GENIUS GmbH**  
**Im Dachsstuck 8 Limburg 65549 Germany**  
(72) Name(s) of Designer(s): **Cedomir Repac**  
(45) Registration Date: **16 October 2014**  
(30) Convention priority data:  
(31) Number (32) Date (33) Country  
**002442400-0008 08 Apr 2014 OFFICE FOR HARMONISATION IN**  
**THE INTERNAL MARKET (OHIM)**  
(56) Related Art Documents: **Not Applicable**  
(57) Statement of Newness and Distinctiveness: **The design is to be applied to Slicers and the novelty resides in the features of shape and configuration of the Slicers as shown in the accompanying representations.**

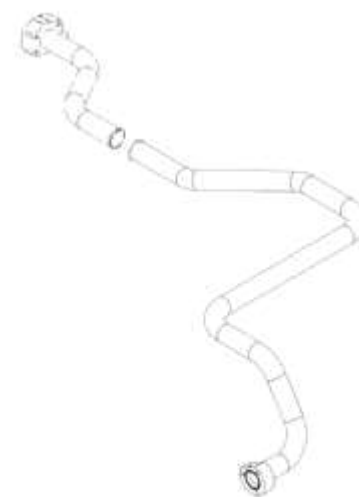


(21) Design Number: **15058/2014**  
(22) Date of Filing Application: **02 October 2014**  
(24) Date from which industrial property rights may have effect: **02 October 2014**  
(54) Product in respect of which the design is registered: **Slicers**  
(51) International Design Classification: **07-04**  
(74) Name(s) of Attorney(s): **PIPERS Melbourne**  
(71) Name(s) and Address(s) of Applicant(s):  
**GENIUS GmbH**  
**Im Dachsstuck 8 Limburg 65549 Germany**  
(72) Name(s) of Designer(s): **Cedomir Repac**  
(45) Registration Date: **16 October 2014**  
(30) Convention priority data:  
(31) Number (32) Date (33) Country  
**002442400-0015 08 Apr 2014 OFFICE FOR HARMONISATION IN**  
**THE INTERNAL MARKET (OHIM)**  
(56) Related Art Documents: **Not Applicable**  
(57) Statement of Newness and Distinctiveness: **The design is to be applied to the Slicers and the novelty resides in the features of shape and configuration of the Slicers as shown in the accompanying representations.**





- (21) Design Number: **15097/2014**  
(22) Date of Filing Application: **03 October 2014**  
(24) Date from which industrial property rights may have effect: **03 October 2014**  
(54) Product in respect of which the design is registered: **Pipe**  
(51) International Design Classification: **23-01B**  
(74) Name(s) of Attorney(s): **Armour IP**  
(71) Name(s) and Address(s) of Applicant(s):  
**Bend-tech Investments 1 Pty Ltd**  
**573 Bickley Rd Maddington WA 6109 Australia**  
(72) Name(s) of Designer(s): **Kelvin Dowell**  
(45) Registration Date: **16 October 2014**  
(56) Related Art Documents: **Not Applicable**  
(57) Statement of Newness and Distinctiveness: **Newness and distinctiveness lies in the shape of a pipe portion as shown in the accompanying representations. The shape of the connecting pipe portion, shown in phantom lines, does not form part of the design.**



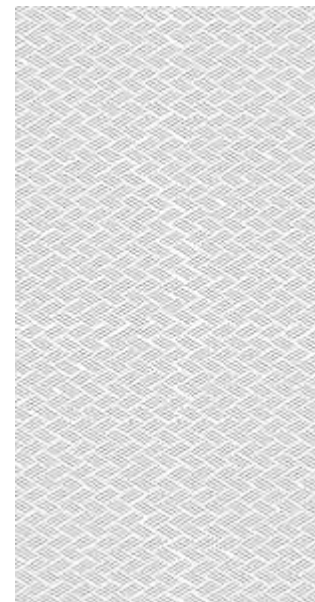
- (21) Design Number: **15098/2014**  
(22) Date of Filing Application: **03 October 2014**  
(24) Date from which industrial property rights may have effect: **03 October 2014**  
(54) Product in respect of which the design is registered: **A textile print**  
(51) International Design Classification: **05-05A**  
(74) Name(s) of Attorney(s):  
(71) Name(s) and Address(s) of Applicant(s):  
**AUSTRALIAN FASHION LABELS PTY LTD**  
**106 Currie St Adelaide SA 5000 Australia**  
(72) Name(s) of Designer(s): **Carmen Dugan and Cyd Beard**  
(45) Registration Date: **16 October 2014**  
(56) Related Art Documents: **Not Applicable**  
(57) Statement of Newness and Distinctiveness: **Newness and distinctiveness resides in the features of pattern and ornamentation of a textile print as shown in the accompanying representations.**



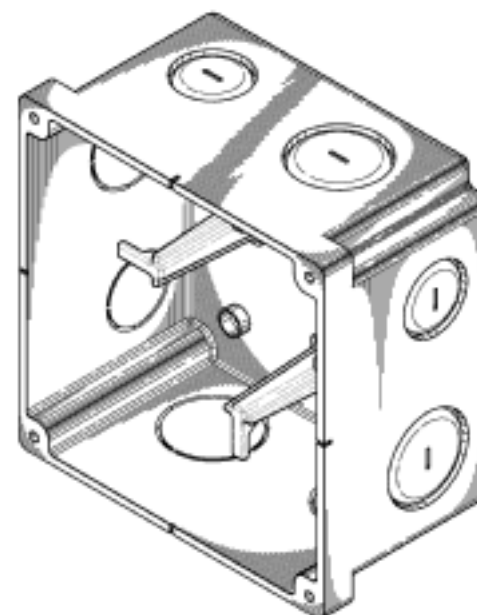
- (21) Design Number: **15099/2014**  
(22) Date of Filing Application: **03 October 2014**  
(24) Date from which industrial property rights may have effect: **03 October 2014**  
(54) Product in respect of which the design is registered: **A textile print**  
(51) International Design Classification: **05-05B**  
(74) Name(s) of Attorney(s):  
(71) Name(s) and Address(s) of Applicant(s):  
**AUSTRALIAN FASHION LABELS PTY LTD**  
**106 Currie St Adelaide SA 5000 Australia**  
(72) Name(s) of Designer(s): **Carmen Dugan and Cyd Beard**  
(45) Registration Date: **16 October 2014**  
(56) Related Art Documents: **Not Applicable**  
(57) Statement of Newness and Distinctiveness: **Newness and distinctiveness resides in the features of pattern and ornamentation of a textile print as shown in the accompanying representations.**



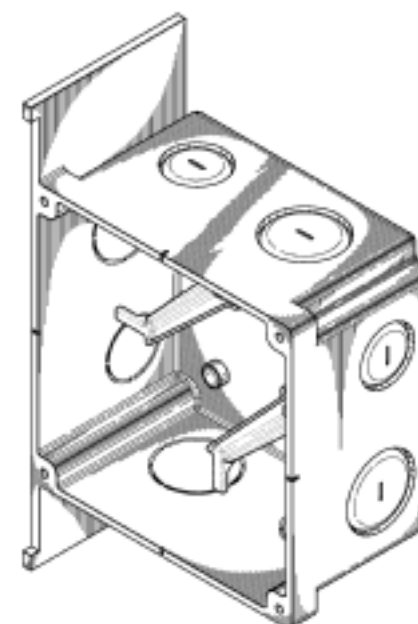
- (21) Design Number: **15100/2014**  
(22) Date of Filing Application: **03 October 2014**  
(24) Date from which industrial property rights may have effect: **03 October 2014**  
(54) Product in respect of which the design is registered: **A textile print**  
(51) International Design Classification: **05-05D**  
(74) Name(s) of Attorney(s):  
(71) Name(s) and Address(s) of Applicant(s):  
**AUSTRALIAN FASHION LABELS PTY LTD**  
**106 Currie St Adelaide SA 5000 Australia**  
(72) Name(s) of Designer(s): **Carmen Dugan and Cyd Beard**  
(45) Registration Date: **16 October 2014**  
(56) Related Art Documents: **Not Applicable**  
(57) Statement of Newness and Distinctiveness: **Newness and distinctiveness resides in the features of pattern and ornamentation of a textile print as shown in the accompanying representations.**



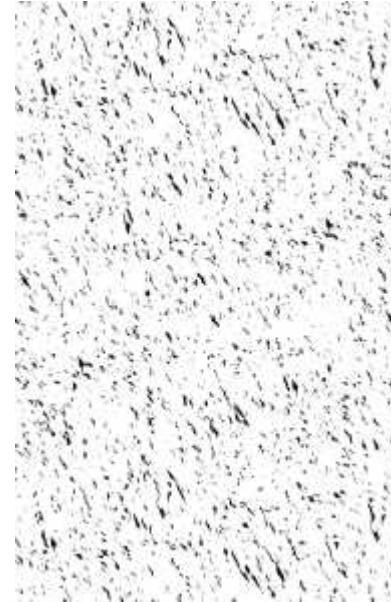
- (21) Design Number: **15102/2014**  
(22) Date of Filing Application: **03 October 2014**  
(24) Date from which industrial property rights may have effect: **03 October 2014**  
(54) Product in respect of which the design is registered: **Junction box with cable keepers**  
(51) International Design Classification: **13-03C**  
(74) Name(s) of Attorney(s): **Freehills Patent Attorneys**  
(71) Name(s) and Address(s) of Applicant(s):  
**RANDL Industries, Inc.**  
**3808 North Sullivan Road Building 10 Suite P Spokane Valley**  
**Washington 99216 United States of America**  
(72) Name(s) of Designer(s): **Robert J Hagarty**  
(45) Registration Date: **16 October 2014**  
(30) Convention priority data:  
(31) Number (32) Date (33) Country  
**29/491788 23 May 2014 UNITED STATES OF AMERICA**  
(56) Related Art Documents: **Not Applicable**  
(57) Statement of Newness and Distinctiveness: **Newness and distinctiveness of the design resides in the features of shape and configuration of the junction box with cable keepers as shown in the accompanying representations.**



- (21) Design Number: **15103/2014**  
(22) Date of Filing Application: **03 October 2014**  
(24) Date from which industrial property rights may have effect: **03 October 2014**  
(54) Product in respect of which the design is registered: **Junction box with cable keepers**  
(51) International Design Classification: **13-03C**  
(74) Name(s) of Attorney(s): **Freehills Patent Attorneys**  
(71) Name(s) and Address(s) of Applicant(s):  
**RANDL Industries, Inc.**  
**3808 North Sullivan Road Building 10 Suite P Spokane Valley**  
**Washington 99216 United States of America**  
(72) Name(s) of Designer(s): **Robert J Hagarty**  
(45) Registration Date: **16 October 2014**  
(30) Convention priority data:  
(31) Number (32) Date (33) Country  
**29/491788 23 May 2014 UNITED STATES OF AMERICA**  
(56) Related Art Documents: **Not Applicable**  
(57) Statement of Newness and Distinctiveness: **Newness and distinctiveness of the design resides in the features of shape and configuration of the junction box with cable keepers as shown in the accompanying representations.**



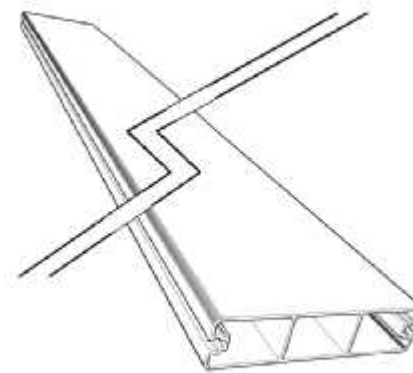
- (21) Design Number: **15104/2014**  
(22) Date of Filing Application: **03 October 2014**  
(24) Date from which industrial property rights may have effect: **03 October 2014**  
(54) Product in respect of which the design is registered: **A textile print**  
(51) International Design Classification: **05-05NES**  
(74) Name(s) of Attorney(s):  
(71) Name(s) and Address(s) of Applicant(s):  
**AUSTRALIAN FASHION LABELS PTY LTD**  
**106 Currie St Adelaide SA 5000 Australia**  
(72) Name(s) of Designer(s): **Amy Hicks and Zoey Vink**  
(45) Registration Date: **16 October 2014**  
(56) Related Art Documents: **Not Applicable**  
(57) Statement of Newness and Distinctiveness: **Newness and distinctiveness resides in the features of pattern and ornamentation of a textile print as shown in the accompanying representations.**



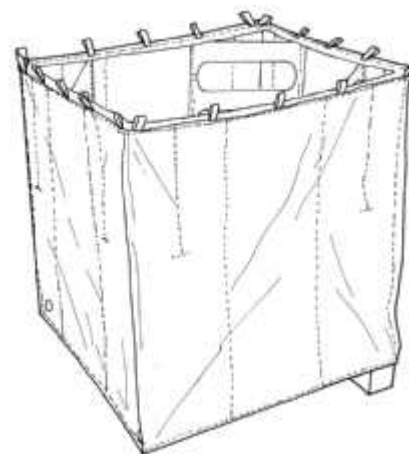
- (21) Design Number: **15105/2014**  
(22) Date of Filing Application: **03 October 2014**  
(24) Date from which industrial property rights may have effect: **03 October 2014**  
(54) Product in respect of which the design is registered: **A dress**  
(51) International Design Classification: **02-02C**  
(74) Name(s) of Attorney(s):  
(71) Name(s) and Address(s) of Applicant(s):  
**AUSTRALIAN FASHION LABELS PTY LTD**  
**106 Currie St Adelaide SA 5000 Australia**  
(72) Name(s) of Designer(s): **Amy Hicks and Zoey Vink**  
(45) Registration Date: **16 October 2014**  
(56) Related Art Documents: **Not Applicable**  
(57) Statement of Newness and Distinctiveness: **Newness and distinctiveness resides in the features of shape and configuration of a dress as shown in the accompanying representations.**



- (21) Design Number: **15106/2014**  
(22) Date of Filing Application: **03 October 2014**  
(24) Date from which industrial property rights may have effect: **03 October 2014**  
(54) Product in respect of which the design is registered: **Slat for barrier**  
(51) International Design Classification: **25-01K, 06-06NES**  
(74) Name(s) of Attorney(s): **Baxter Patent Attorneys Pty Ltd**  
(71) Name(s) and Address(s) of Applicant(s):  
**Lok Ying Lam**  
**2/7 Cullen PI Smithfield NSW 2164 Australia**  
(72) Name(s) of Designer(s): **Lok Ying Lam**  
(45) Registration Date: **16 October 2014**  
(56) Related Art Documents: **Not Applicable**  
(57) Statement of Newness and Distinctiveness: **Novelty resides in the features of shape and/or configuration of a slat for a barrier as shown in the accompanying representations. The slat is of indefinite length.**



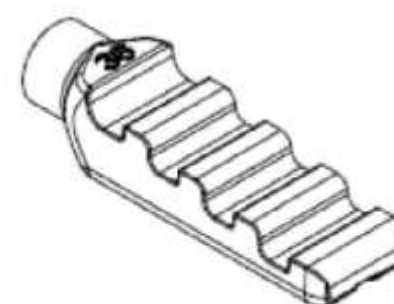
- (21) Design Number: **10924/2014**  
(22) Date of Filing Application: **28 February 2014**  
(24) Date from which industrial property rights may have effect: **28 February 2014**  
(54) Product in respect of which the design is registered: **Bag for concrete blocks**  
(51) International Design Classification: **09-03M**  
(74) Name(s) of Attorney(s): **Intellepro Patent & Trade Mark Attorneys**  
(71) Name(s) and Address(s) of Applicant(s):  
**The Spacer Co Pty Ltd**  
**PO BOX 279 Sumner Park QLD 4074 Australia**  
(72) Name(s) of Designer(s): **Dennis John Mee**  
(45) Registration Date: **16 October 2014**  
(56) Related Art Documents: **Not Applicable**  
(57) Statement of Newness and Distinctiveness: **Nil**



(21) Design Number: **13087/2014**  
(22) Date of Filing Application: **24 June 2014**  
(24) Date from which industrial property rights may have effect: **24 June 2014**  
(54) Product in respect of which the design is registered: **Stand for a jukebox**  
(51) International Design Classification: **14-99**  
(74) Name(s) of Attorney(s): **Fisher Adams Kelly Pty Ltd**  
(71) Name(s) and Address(s) of Applicant(s):  
**Touchtunes Music Corporation**  
**850 3rd Ave Ste 11a New York NY, 10022-7239 United States of America**  
(72) Name(s) of Designer(s): **Michael Tooker and Charles Garneau and Ed Riveara and Eric Saint-Jacques and Benoit Tessier and Jean Gauthier**  
(45) Registration Date: **16 October 2014**  
(30) Convention priority data:  
(31) Number (32) Date (33) Country  
**29/485933 25 Mar 2014 UNITED STATES OF AMERICA**  
(56) Related Art Documents: **Not Applicable**  
(57) Statement of Newness and Distinctiveness: **The newness and distinctiveness of the design resides in the shape and/or configuration of the JUKEBOX STAND WITH OPTIONAL JUKEBOX shown in the representations. The dotted lines should be disregarded for assessing newness and distinctiveness.**

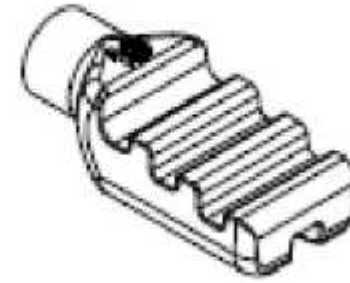


(21) Design Number: **13320/2014**  
(22) Date of Filing Application: **08 July 2014**  
(24) Date from which industrial property rights may have effect: **08 July 2014**  
(54) Product in respect of which the design is registered: **Termination for reinforcing bar**  
(51) International Design Classification: **25-01NES**  
(74) Name(s) of Attorney(s): **Griffith Hack**  
(71) Name(s) and Address(s) of Applicant(s):  
**Monkey Bar Couplers Pty Ltd**  
**14 North Dr 236 East Boundary Rd Bentleigh East VIC 3165 Australia**  
(72) Name(s) of Designer(s): **Tony Mandile and Norbert Schauer**  
(45) Registration Date: **16 October 2014**  
(56) Related Art Documents: **Not Applicable**  
(57) Statement of Newness and Distinctiveness: **Nil**





(21) Design Number: **13323/2014**  
(22) Date of Filing Application: **08 July 2014**  
(24) Date from which industrial property rights may have effect: **08 July 2014**  
(54) Product in respect of which the design is registered: **Termination for reinforcing bar**  
(51) International Design Classification: **25-01NES**  
(74) Name(s) of Attorney(s): **Griffith Hack**  
(71) Name(s) and Address(s) of Applicant(s):  
**Monkey Bar Couplers Pty Ltd**  
**14 North Dr 236 East Boundary Rd Bentleigh East VIC 3165 Australia**  
(72) Name(s) of Designer(s): **Tony Mandile and Norbert Schauer**  
(45) Registration Date: **16 October 2014**  
(56) Related Art Documents: **Not Applicable**  
(57) Statement of Newness and Distinctiveness: **Nil**



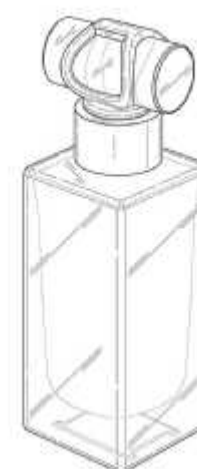
(21) Design Number: **13387/2014**  
(22) Date of Filing Application: **14 July 2014**  
(24) Date from which industrial property rights may have effect: **14 July 2014**  
(54) Product in respect of which the design is registered: **Bottle for perfume**  
(51) International Design Classification: **09-01G**  
(74) Name(s) of Attorney(s): **PHILLIPS ORMONDE FITZPATRICK**  
(71) Name(s) and Address(s) of Applicant(s):  
**Procter & Gamble International Operations S.A.**  
**Route de Saint-Georges 47 CH-1213 Petit-Lancy Switzerland**  
(72) Name(s) of Designer(s): **Suzanne Dalton**  
(45) Registration Date: **16 October 2014**  
(30) Convention priority data:  
(31) Number (32) Date (33) Country  
**DM/082 824 05 Feb 2014 WORLD INTELLECTUAL  
PROPERTY ORGANIZATION  
(WIPO)**  
(56) Related Art Documents: **Not Applicable**  
(57) Statement of Newness and Distinctiveness: **Nil**



(21) Design Number: **13388/2014**  
(22) Date of Filing Application: **14 July 2014**  
(24) Date from which industrial property rights may have effect: **14 July 2014**  
(54) Product in respect of which the design is registered: **Cap for perfume bottle**  
(51) International Design Classification: **09-07B**  
(74) Name(s) of Attorney(s): **PHILLIPS ORMONDE FITZPATRICK**  
(71) Name(s) and Address(s) of Applicant(s):  
**Procter & Gamble International Operations S.A.**  
**Route de Saint-Georges 47 CH-1213 Petit-Lancy Switzerland**  
(72) Name(s) of Designer(s): **Suzanne Dalton**  
(45) Registration Date: **16 October 2014**  
(30) Convention priority data:  
(31) Number (32) Date (33) Country  
**DM/082 824 05 Feb 2014 WORLD INTELLECTUAL  
PROPERTY ORGANIZATION  
(WIPO)**  
(56) Related Art Documents: **Not Applicable**  
(57) Statement of Newness and Distinctiveness: **Nil**

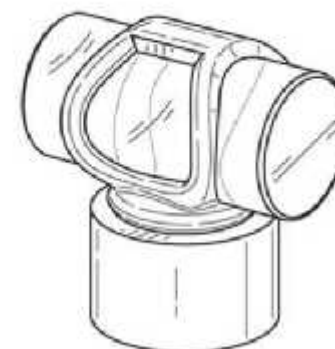


(21) Design Number: **13389/2014**  
(22) Date of Filing Application: **14 July 2014**  
(24) Date from which industrial property rights may have effect: **14 July 2014**  
(54) Product in respect of which the design is registered: **Bottle for perfume**  
(51) International Design Classification: **09-01G**  
(74) Name(s) of Attorney(s): **PHILLIPS ORMONDE FITZPATRICK**  
(71) Name(s) and Address(s) of Applicant(s):  
**Procter & Gamble International Operations S.A.**  
**Route de Saint-Georges 47 CH-1213 Petit-Lancy Switzerland**  
(72) Name(s) of Designer(s): **Suzanne Dalton**  
(45) Registration Date: **16 October 2014**  
(30) Convention priority data:  
(31) Number (32) Date (33) Country  
**DM/082 824 05 Feb 2014 WORLD INTELLECTUAL  
PROPERTY ORGANIZATION  
(WIPO)**  
(56) Related Art Documents: **Not Applicable**  
(57) Statement of Newness and Distinctiveness: **Nil**

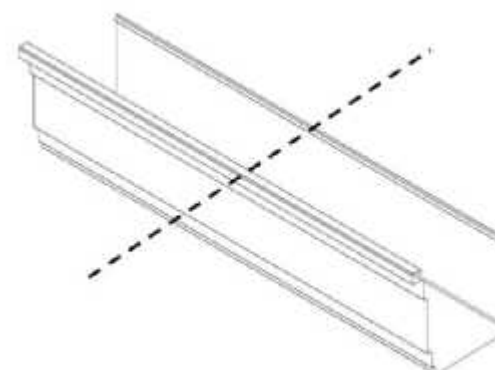




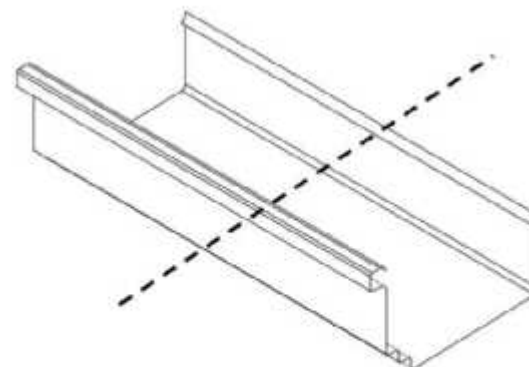
(21) Design Number: **13390/2014**  
(22) Date of Filing Application: **14 July 2014**  
(24) Date from which industrial property rights may have effect: **14 July 2014**  
(54) Product in respect of which the design is registered: **Cap for perfume bottle**  
(51) International Design Classification: **09-07B**  
(74) Name(s) of Attorney(s): **PHILLIPS ORMONDE FITZPATRICK**  
(71) Name(s) and Address(s) of Applicant(s):  
**Procter & Gamble International Operations S.A.**  
**Route de Saint-Georges 47 CH-1213 Petit-Lancy Switzerland**  
(72) Name(s) of Designer(s): **Suzanne Dalton**  
(45) Registration Date: **16 October 2014**  
(30) Convention priority data:  
(31) Number (32) Date (33) Country  
**DM/082 824 05 Feb 2014 WORLD INTELLECTUAL  
PROPERTY ORGANIZATION  
(WIPO)**  
(56) Related Art Documents: **Not Applicable**  
(57) Statement of Newness and Distinctiveness: **Nil**



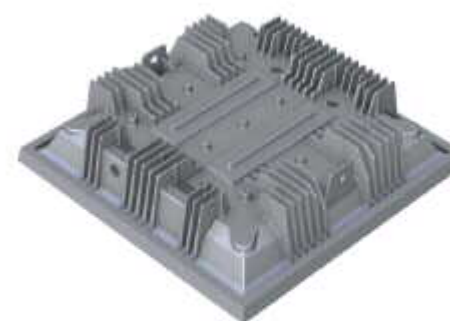
(21) Design Number: **13676/2014**  
(22) Date of Filing Application: **30 July 2014**  
(24) Date from which industrial property rights may have effect: **30 July 2014**  
(54) Product in respect of which the design is registered: **A gutter component**  
(51) International Design Classification: **23-01L**  
(74) Name(s) of Attorney(s): **Griffith Hack**  
(71) Name(s) and Address(s) of Applicant(s):  
**Bluescope Steel Limited**  
**L11 120 Collins St Melbourne VIC 3000 Australia**  
(72) Name(s) of Designer(s): **Rodney John Gallaty**  
(45) Registration Date: **16 October 2014**  
(56) Related Art Documents: **Not Applicable**  
(57) Statement of Newness and Distinctiveness: **Newness and distinctiveness resides in the visual features, including the shape and configuration of the product shown in the accompanying representations. The dashed line passing through the product shown in Figures 3 to 7 indicates that the product may be of any length.**



- (21) Design Number: **13683/2014**  
(22) Date of Filing Application: **30 July 2014**  
(24) Date from which industrial property rights may have effect: **30 July 2014**  
(54) Product in respect of which the design is registered: **A gutter component**  
(51) International Design Classification: **23-01L**  
(74) Name(s) of Attorney(s): **Griffith Hack**  
(71) Name(s) and Address(s) of Applicant(s):  
**BLUESCOPE STEEL LIMITED**  
**L11 120 Collins St Melbourne VIC 3000 Australia**  
(72) Name(s) of Designer(s): **Rodney John Gallaty**  
(45) Registration Date: **16 October 2014**  
(56) Related Art Documents: **Not Applicable**  
(57) Statement of Newness and Distinctiveness: **Newness and distinctiveness resides in the visual features, including the shape and configuration of the product shown in the accompanying representations. The dashed line passing through the product shown in Figures 3 to 7 indicates that the product may be of any length.**



- (21) Design Number: **14186/2014**  
(22) Date of Filing Application: **25 August 2014**  
(24) Date from which industrial property rights may have effect: **25 August 2014**  
(54) Product in respect of which the design is registered: **Luminaire**  
(51) International Design Classification: **26-05A, 26-05D**  
(74) Name(s) of Attorney(s): **FB Rice**  
(71) Name(s) and Address(s) of Applicant(s):  
**NORKA Norddeutsche Kunststoff-und Elektrogesellschaft Staecker mbH & Co. KG**  
**Lange Strasse 1 Doerverden 27313 Germany**  
(72) Name(s) of Designer(s): **Anusch von Rudkowski and Martin Lorenz and Jurgen Schoene and Joerg Gluesing and Volker Blache**  
(45) Registration Date: **16 October 2014**  
(30) Convention priority data:  
(31) Number      (32) Date      (33) Country  
**002426999      18 Mar 2014      OFFICE FOR HARMONISATION IN THE INTERNAL MARKET (OHIM)**  
(56) Related Art Documents: **Not Applicable**  
(57) Statement of Newness and Distinctiveness: **Newness and distinctiveness particularly reside in the rib-like structures and their arrangement, shape and configuration shown on all four sides of the design.**



(21) Design Number: **14297/2014**

(22) Date of Filing Application: **29 August 2014**

(24) Date from which industrial property rights may have effect: **29 August 2014**

(54) Product in respect of which the design is registered: **Motor vehicle**

(51) International Design Classification: **12-08**

(74) Name(s) of Attorney(s): **SPRUSON & FERGUSON**

(71) Name(s) and Address(s) of Applicant(s):

**Volkswagen Aktiengesellschaft  
38436 Wolfsburg Germany**

(72) Name(s) of Designer(s): **Klaus Bischoff and Oliver Stefani and Marco Antonio Pavone and Tilo Klumpp**

(45) Registration Date: **16 October 2014**

(56) Related Art Documents: **Not Applicable**

(57) Statement of Newness and Distinctiveness: **Newness and distinctiveness is claimed in the features of shape and/or configuration of the front, rear and side portions of a motor vehicle as illustrated in the accompanying representations.**



(21) Design Number: **14299/2014**

(22) Date of Filing Application: **29 August 2014**

(24) Date from which industrial property rights may have effect: **29 August 2014**

(54) Product in respect of which the design is registered: **Motor vehicle**

(51) International Design Classification: **12-08**

(74) Name(s) of Attorney(s): **SPRUSON & FERGUSON**

(71) Name(s) and Address(s) of Applicant(s):

**Volkswagen Aktiengesellschaft  
38436 Wolfsburg Germany**

(72) Name(s) of Designer(s): **Klaus Bischoff and Oliver Stefani and Marco Antonio Pavone and Tilo Klumpp**

(45) Registration Date: **16 October 2014**

(56) Related Art Documents: **Not Applicable**

(57) Statement of Newness and Distinctiveness: **Newness and distinctiveness is claimed in the features of shape and/or configuration of the front, rear and side portions of a motor vehicle as illustrated in the accompanying representations.**



(21) Design Number: **14495/2014**  
(22) Date of Filing Application: **08 September 2014**  
(24) Date from which industrial property rights may have effect: **29 May 2014**  
(54) Product in respect of which the design is registered: **Gate frame**  
(51) International Design Classification: **25-02C**  
(74) Name(s) of Attorney(s):  
(71) Name(s) and Address(s) of Applicant(s):

**Edward Turnour**  
**14 Parooaba Ave Camp Hill QLD 4152 Australia**

**Neville Sherlock**  
**56 Wills St Coorparoo QLD 4151 Australia**

**Rita Turnour**  
**14 Parooaba Ave Camp Hill QLD 4152 Australia**

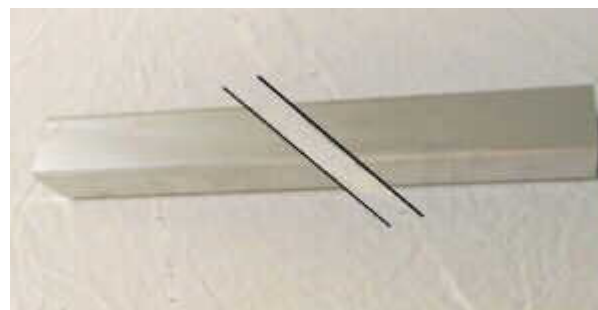
(72) Name(s) of Designer(s): **Edward Turnour and Neville Sherlock**

(45) Registration Date: **16 October 2014**

(62) Divisional of: **357518**

(56) Related Art Documents: **Not Applicable**

(57) Statement of Newness and Distinctiveness: **The newness and distinctiveness resides in the shape and configuration of the internal grooved design of the hollow section which is of indeterminate length and variable size and may be rectangular or square.**



(21) Design Number: **14671/2014**  
(22) Date of Filing Application: **15 September 2014**  
(24) Date from which industrial property rights may have effect: **15 September 2014**  
(54) Product in respect of which the design is registered: **Rail vehicle**  
(51) International Design Classification: **12-03**  
(74) Name(s) of Attorney(s): **PHILLIPS ORMONDE FITZPATRICK**  
(71) Name(s) and Address(s) of Applicant(s):

**ALSTOM Transport Technologies**  
**3 av Andre Malraux LEVALLOIS PERRET 92300 France**

(72) Name(s) of Designer(s): **Frederic Battle and Mathieu Pommier and Jerome Corbe**

(45) Registration Date: **16 October 2014**

(30) Convention priority data:

(31) Number (32) Date  
**002424390-0001 13 Mar 2014**

(33) Country  
**OFFICE FOR HARMONISATION IN  
THE INTERNAL MARKET (OHIM)**

(56) Related Art Documents: **Not Applicable**

(57) Statement of Newness and Distinctiveness: **Nil**



(21) Design Number: **15046/2014**  
(22) Date of Filing Application: **01 October 2014**  
(24) Date from which industrial property rights may have effect: **01 October 2014**  
(54) Product in respect of which the design is registered: **Blender**  
(51) International Design Classification: **31-00**  
(74) Name(s) of Attorney(s): **Freehills Patent Attorneys**  
(71) Name(s) and Address(s) of Applicant(s):  
**SMEG S.p.A.**  
**Via Leonardo da Vinci, 4 Guastalla 42016 Italy**  
(72) Name(s) of Designer(s): **Leopoldo Bazzicalupo and Raffaella Mangiarotti**  
(45) Registration Date: **20 October 2014**  
(30) Convention priority data:  
(31) Number (32) Date (33) Country  
**002438473 02 Apr 2014 OFFICE FOR HARMONISATION IN  
THE INTERNAL MARKET (OHIM)**  
(56) Related Art Documents: **Not Applicable**  
(57) Statement of Newness and Distinctiveness: **Newness and distinctiveness  
of the design resides in the features of shape and configuration of the  
blender as shown in the accompanying representations.**



(21) Design Number: **15077/2014**  
(22) Date of Filing Application: **02 October 2014**  
(24) Date from which industrial property rights may have effect: **02 October 2014**  
(54) Product in respect of which the design is registered: **Respiratory apparatus**  
(51) International Design Classification: **24-04**  
(74) Name(s) of Attorney(s): **Griffith Hack**  
(71) Name(s) and Address(s) of Applicant(s):  
**Teva UK Limited**  
**Ridings Point Whistler Drive Castleford West Yorkshire WF10 5HX**  
**United Kingdom**  
(72) Name(s) of Designer(s): **David Cottam**  
(45) Registration Date: **20 October 2014**  
(56) Related Art Documents: **Not Applicable**  
(57) Statement of Newness and Distinctiveness: **Newness and distinctiveness  
resides in the visual features, including shape and configuration, of a  
RESPIRATORY APPARATUS as shown in the accompanying drawings.**



- (21) Design Number: **15101/2014**  
(22) Date of Filing Application: **03 October 2014**  
(24) Date from which industrial property rights may have effect: **03 October 2014**  
(54) Product in respect of which the design is registered: **A textile print**  
(51) International Design Classification: **05-05A**  
(74) Name(s) of Attorney(s):  
(71) Name(s) and Address(s) of Applicant(s):  
**AUSTRALIAN FASHION LABELS PTY LTD**  
**106 Currie St Adelaide SA 5000 Australia**  
(72) Name(s) of Designer(s): **Amy Hicks and Zoey Vink**  
(45) Registration Date: **20 October 2014**  
(56) Related Art Documents: **Not Applicable**  
(57) Statement of Newness and Distinctiveness: **Newness and distinctiveness resides in the features of pattern and ornamentation of a textile print as shown in the accompanying representations.**



- (21) Design Number: **15108/2014**  
(22) Date of Filing Application: **05 October 2014**  
(24) Date from which industrial property rights may have effect: **05 October 2014**  
(54) Product in respect of which the design is registered: **An attachment for a grain harvester or hay mower**  
(51) International Design Classification: **15-03B**  
(74) Name(s) of Attorney(s):  
(71) Name(s) and Address(s) of Applicant(s):  
**Gary Allan Fiechtner**  
**80 Fiechtner Lane Ascot QLD 4359 Australia**  
**Ronald Gary-Allan Fiechtner**  
**80 Fiechtner Lane Ascot QLD 4359 Australia**  
**Annalisa Samantha Fiechtner**  
**80 Fiechtner Lane Ascot QLD 4359 Australia**  
**Kingsley William James Fiechtner**  
**80 Fiechtner Lane Ascot QLD 4359 Australia**  
(72) Name(s) of Designer(s): **Gary Allan Fiechtner**  
(45) Registration Date: **20 October 2014**  
(56) Related Art Documents: **Not Applicable**  
(57) Statement of Newness and Distinctiveness: **Through my thirty years of observations while farming and attending field days I have never seen anything like it, apart from the one that I have recently had registered, that is slightly different.**

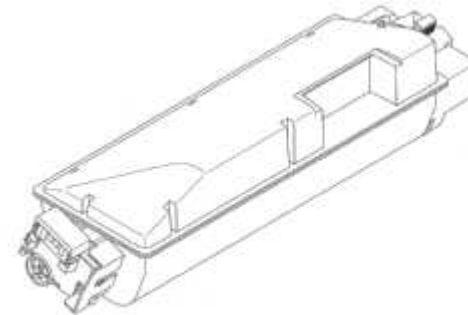




- (21) Design Number: **15123/2014**  
(22) Date of Filing Application: **07 October 2014**  
(24) Date from which industrial property rights may have effect: **07 October 2014**  
(54) Product in respect of which the design is registered: **A textile print**  
(51) International Design Classification: **05-05A**  
(74) Name(s) of Attorney(s):  
(71) Name(s) and Address(s) of Applicant(s):  
**AUSTRALIAN FASHION LABELS PTY LTD**  
**106 Currie St Adelaide SA 5000 Australia**  
(72) Name(s) of Designer(s): **Kate Anderson and Hannah Virgo-Colbey**  
(45) Registration Date: **20 October 2014**  
(56) Related Art Documents: **Not Applicable**  
(57) Statement of Newness and Distinctiveness: **Newness and distinctiveness resides in the features of pattern and ornamentation of a textile print as shown in the accompanying representations.**



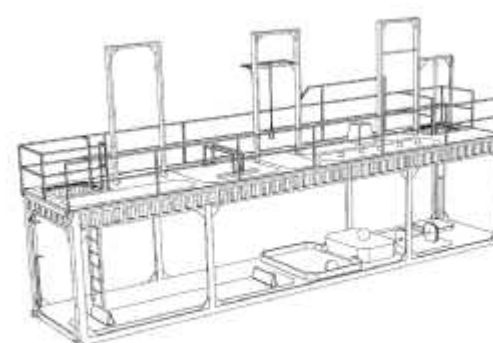
- (21) Design Number: **15124/2014**  
(22) Date of Filing Application: **07 October 2014**  
(24) Date from which industrial property rights may have effect: **07 October 2014**  
(54) Product in respect of which the design is registered: **Toner cartridge**  
(51) International Design Classification: **14-02**  
(74) Name(s) of Attorney(s): **PIZZEYS**  
(71) Name(s) and Address(s) of Applicant(s):  
**KYOCERA Document Solutions Inc.**  
**1-2-28 Tamatsukuri Chuo-ku Osaka-shi Osaka 540-8585 Japan**  
(72) Name(s) of Designer(s): **Hiroaki Kitagawa and Takashi Morita**  
(45) Registration Date: **20 October 2014**  
(30) Convention priority data:  
(31) Number      (32) Date      (33) Country  
**2014-007891      10 Apr 2014      JAPAN**  
(56) Related Art Documents: **Not Applicable**  
(57) Statement of Newness and Distinctiveness: **Nil**



- (21) Design Number: **15125/2014**  
(22) Date of Filing Application: **07 October 2014**  
(24) Date from which industrial property rights may have effect: **07 October 2014**  
(54) Product in respect of which the design is registered: **A textile print**  
(51) International Design Classification: **05-05C**  
(74) Name(s) of Attorney(s):  
(71) Name(s) and Address(s) of Applicant(s):  
**AUSTRALIAN FASHION LABELS PTY LTD**  
**106 Currie St Adelaide SA 5000 Australia**  
(72) Name(s) of Designer(s): **Kate Anderson and Hannah Virgo-Colbey**  
(45) Registration Date: **20 October 2014**  
(56) Related Art Documents: **Not Applicable**  
(57) Statement of Newness and Distinctiveness: **Newness and distinctiveness resides in the features of pattern and ornamentation of a textile print as shown in the accompanying representations.**



- (21) Design Number: **15132/2014**  
(22) Date of Filing Application: **07 October 2014**  
(24) Date from which industrial property rights may have effect: **07 October 2014**  
(54) Product in respect of which the design is registered: **A fitness assembly**  
(51) International Design Classification: **21-02F**  
(74) Name(s) of Attorney(s): **SPRUSON & FERGUSON**  
(71) Name(s) and Address(s) of Applicant(s):  
**Fitness Engineers Pty Ltd**  
**22/8 Jaques Ave Bondi Beach NSW 2026 Australia**  
(72) Name(s) of Designer(s): **Adam Gilchrist**  
(45) Registration Date: **20 October 2014**  
(56) Related Art Documents: **Not Applicable**  
(57) Statement of Newness and Distinctiveness: **Newness and distinctiveness is claimed in the features of shape and/or configuration of a fitness assembly as illustrated in the accompanying representations apart from the balls and weights shown.**





- (21) Design Number: **15137/2014**  
(22) Date of Filing Application: **07 October 2014**  
(24) Date from which industrial property rights may have effect: **07 October 2014**  
(54) Product in respect of which the design is registered: **A dress**  
(51) International Design Classification: **02-02C**  
(74) Name(s) of Attorney(s):  
(71) Name(s) and Address(s) of Applicant(s):  
**AUSTRALIAN FASHION LABELS PTY LTD**  
**106 Currie St Adelaide SA 5000 Australia**  
(72) Name(s) of Designer(s): **Kate Anderson and Hannah Virgo-Colbey**  
(45) Registration Date: **20 October 2014**  
(56) Related Art Documents: **Not Applicable**  
(57) Statement of Newness and Distinctiveness: **Newness and distinctiveness resides in the features of shape and configuration of a dress as shown in the accompanying representations.**



- (21) Design Number: **15138/2014**  
(22) Date of Filing Application: **07 October 2014**  
(24) Date from which industrial property rights may have effect: **07 October 2014**  
(54) Product in respect of which the design is registered: **A textile print**  
(51) International Design Classification: **05-05A**  
(74) Name(s) of Attorney(s):  
(71) Name(s) and Address(s) of Applicant(s):  
**AUSTRALIAN FASHION LABELS PTY LTD**  
**106 Currie St Adelaide SA 5000 Australia**  
(72) Name(s) of Designer(s): **Kate Anderson and Hannah Virgo-Colbey**  
(45) Registration Date: **20 October 2014**  
(56) Related Art Documents: **Not Applicable**  
(57) Statement of Newness and Distinctiveness: **Newness and distinctiveness resides in the features of pattern and ornamentation of a textile print as shown in the accompanying representations.**



(21) Design Number: **15139/2014**  
(22) Date of Filing Application: **08 October 2014**  
(24) Date from which industrial property rights may have effect: **08 October 2014**  
(54) Product in respect of which the design is registered: **Container with helical sides**  
(51) International Design Classification: **09-01NES**  
(74) Name(s) of Attorney(s): **Griffith Hack**  
(71) Name(s) and Address(s) of Applicant(s):  
**Clarence J. Venne, LLC**  
**7900 North Radcliffe Street Bristol Pennsylvania 19006 United States of America**  
(72) Name(s) of Designer(s): **Jeffrey H Fischer**  
(45) Registration Date: **20 October 2014**  
(30) Convention priority data:  
(31) Number (32) Date (33) Country  
**29/501,484 04 Sep 2014 UNITED STATES OF AMERICA**  
(56) Related Art Documents: **Not Applicable**  
(57) Statement of Newness and Distinctiveness: **Newness and distinctiveness resides in the visual features, including the shape and configuration of those parts of the product shown by means of solid lines in the representations. Those parts shown by dashed lines have been included for illustrative purposes.**



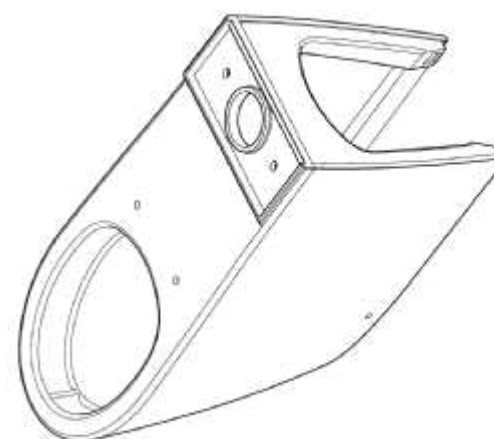
(21) Design Number: **15142/2014**  
(22) Date of Filing Application: **08 October 2014**  
(24) Date from which industrial property rights may have effect: **08 October 2014**  
(54) Product in respect of which the design is registered: **Drinking cup**  
(51) International Design Classification: **07-01E**  
(74) Name(s) of Attorney(s): **FB Rice**  
(71) Name(s) and Address(s) of Applicant(s):  
**Koninklijke Philips N.V.**  
**High Tech Campus 5 5656 AE Eindhoven The Netherlands**  
(72) Name(s) of Designer(s): **Cecile Thalmann and Elodie Jeanne Claudine Thomas**  
(45) Registration Date: **20 October 2014**  
(30) Convention priority data:  
(31) Number (32) Date (33) Country  
**002443408-0002 09 Apr 2014 OFFICE FOR HARMONISATION IN THE INTERNAL MARKET (OHIM)**  
(56) Related Art Documents: **Not Applicable**  
(57) Statement of Newness and Distinctiveness: **Newness and distinctiveness reside in the features of shape and configuration of the design as shown in the representations.**



(21) Design Number: **15143/2014**  
(22) Date of Filing Application: **08 October 2014**  
(24) Date from which industrial property rights may have effect: **08 October 2014**  
(54) Product in respect of which the design is registered: **Drinking cup**  
(51) International Design Classification: **07-01E**  
(74) Name(s) of Attorney(s): **FB Rice**  
(71) Name(s) and Address(s) of Applicant(s):  
**Koninklijke Philips N.V.**  
**High Tech Campus 5 5656 AE Eindhoven The Netherlands**  
(72) Name(s) of Designer(s): **Cecile Thalmann and Elodie Jeanne Claudine Thomas**  
(45) Registration Date: **20 October 2014**  
(30) Convention priority data:  
(31) Number (32) Date (33) Country  
**002443408-0001 09 Apr 2014 OFFICE FOR HARMONISATION IN THE INTERNAL MARKET (OHIM)**  
(56) Related Art Documents: **Not Applicable**  
(57) Statement of Newness and Distinctiveness: **Newness and distinctiveness reside in the features of shape and configuration of the design as shown in the representations.**



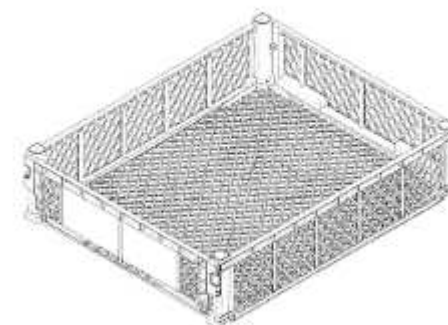
(21) Design Number: **15145/2014**  
(22) Date of Filing Application: **08 October 2014**  
(24) Date from which industrial property rights may have effect: **08 October 2014**  
(54) Product in respect of which the design is registered: **A rimless toilet pan**  
(51) International Design Classification: **23-02C**  
(74) Name(s) of Attorney(s): **SPRUSON & FERGUSON**  
(71) Name(s) and Address(s) of Applicant(s):  
**Caroma Industries Limited**  
**L2 HQ South Tower 520 Wickham St Fortitude Valley QLD 4006 Australia**  
(72) Name(s) of Designer(s): **Stephen John Cummings**  
(45) Registration Date: **20 October 2014**  
(56) Related Art Documents: **Not Applicable**  
(57) Statement of Newness and Distinctiveness: **Newness and distinctiveness is claimed in the features of shape and/or configuration of a rimless toilet pan as illustrated in the accompanying representations.**



- (21) Design Number: **15146/2014**  
(22) Date of Filing Application: **08 October 2014**  
(24) Date from which industrial property rights may have effect: **08 October 2014**  
(54) Product in respect of which the design is registered: **Container**  
(51) International Design Classification: **09-03NES**  
(74) Name(s) of Attorney(s): **SPRUSON & FERGUSON**  
(71) Name(s) and Address(s) of Applicant(s):  
**Constantia Flexibles International GmbH**  
**Rivergate, Handelskai 92, 1200 Wien Austria**  
(72) Name(s) of Designer(s): **Planer Franz**  
(45) Registration Date: **20 October 2014**  
(56) Related Art Documents: **Not Applicable**  
(57) Statement of Newness and Distinctiveness: **Newness and distinctiveness is claimed in the features of shape and/or configuration of a container as illustrated in the accompanying representations.**



- (21) Design Number: **15151/2014**  
(22) Date of Filing Application: **08 October 2014**  
(24) Date from which industrial property rights may have effect: **08 October 2014**  
(54) Product in respect of which the design is registered: **Bin**  
(51) International Design Classification: **09-09**  
(74) Name(s) of Attorney(s): **Griffith Hack**  
(71) Name(s) and Address(s) of Applicant(s):  
**WENCO S.A.**  
**Av. Americo Vespucio Norte 1125 Huechuraba Santiago 8580000 Chile**  
(72) Name(s) of Designer(s): **Pedro Chinni Vergottini and Francisco Sahli Costabal**  
(45) Registration Date: **20 October 2014**  
(30) Convention priority data:  
(31) Number      (32) Date      (33) Country  
**2014-00878      08 Apr 2014      CHILE**  
(56) Related Art Documents: **Not Applicable**  
(57) Statement of Newness and Distinctiveness: **Nil**



(21) Design Number: **15153/2014**

(22) Date of Filing Application: **08 October 2014**

(24) Date from which industrial property rights may have effect: **08 October 2014**

(54) Product in respect of which the design is registered: **Crawler track shoe**

(51) International Design Classification: **02-04NES**

(74) Name(s) of Attorney(s): **Griffith Hack**

(71) Name(s) and Address(s) of Applicant(s):

**Harnischfeger Technologies, Inc.**

**2751 Centerville Road Suite 342 Wilmington Delaware, 19808 United States of America**

(72) Name(s) of Designer(s): **Joseph J Colwell and Ken Wheeler**

(45) Registration Date: **20 October 2014**

(30) Convention priority data:

(31) Number	(32) Date	(33) Country
<b>29/491,637</b>	<b>22 May 2014</b>	<b>UNITED STATES OF AMERICA</b>

(56) Related Art Documents: **Not Applicable**

(57) Statement of Newness and Distinctiveness: **Newness and distinctiveness resides in the visual features, including the shape and configuration of those parts shown by solid lines in the representations. Those parts shown by dashed lines in Figure 1 do not form part of the product and those parts shown by dashed lines in Figures 2 to 9 have been included for illustrative purposes only.**



(21) Design Number: **15155/2014**

(22) Date of Filing Application: **08 October 2014**

(24) Date from which industrial property rights may have effect: **08 October 2014**

(54) Product in respect of which the design is registered: **Crawler track shoe**

(51) International Design Classification: **02-04NES**

(74) Name(s) of Attorney(s): **Griffith Hack**

(71) Name(s) and Address(s) of Applicant(s):

**Harnischfeger Technologies, Inc.**

**2751 Centerville Road Suite 342 Wilmington Delaware, 19808 United States of America**

(72) Name(s) of Designer(s): **Joseph J Colwell and Ken Wheeler**

(45) Registration Date: **20 October 2014**

(30) Convention priority data:

(31) Number	(32) Date	(33) Country
<b>29/491,637</b>	<b>22 May 2014</b>	<b>UNITED STATES OF AMERICA</b>

(56) Related Art Documents: **Not Applicable**

(57) Statement of Newness and Distinctiveness: **Newness and distinctiveness resides in the visual features, including the shape and configuration of those parts shown in solid lines in the representations.**



(21) Design Number: **15156/2014**  
(22) Date of Filing Application: **09 October 2014**  
(24) Date from which industrial property rights may have effect: **09 October 2014**  
(54) Product in respect of which the design is registered: **Wheel rim**  
(51) International Design Classification: **12-16A**  
(74) Name(s) of Attorney(s): **Ellis Terry**  
(71) Name(s) and Address(s) of Applicant(s):  
**ZHEJIANG GKO ALUMINIUM CO., LTD.**  
**Zhongbu Industrial Zone Luqiao Taizhou Zhejiang China**  
(72) Name(s) of Designer(s): **Shu-Lai Li and Hsin-Chun Wang and Jin-Fa Pu and Qi-Zhu Zhu**  
(45) Registration Date: **20 October 2014**  
(30) Convention priority data:  
(31) Number (32) Date (33) Country  
**201430228363.1 09 Jul 2014 CHINA**  
(56) Related Art Documents: **Not Applicable**  
(57) Statement of Newness and Distinctiveness: **Nil**



(21) Design Number: **15157/2014**  
(22) Date of Filing Application: **09 October 2014**  
(24) Date from which industrial property rights may have effect: **09 October 2014**  
(54) Product in respect of which the design is registered: **Drinking cup**  
(51) International Design Classification: **07-01E**  
(74) Name(s) of Attorney(s): **FB Rice**  
(71) Name(s) and Address(s) of Applicant(s):  
**Koninklijke Philips N.V.**  
**High Tech Campus 5 5656 AE Eindhoven The Netherlands**  
(72) Name(s) of Designer(s): **Cecile Thalmann and Elodie Jeanne Claudine Thomas**  
(45) Registration Date: **20 October 2014**  
(30) Convention priority data:  
(31) Number (32) Date (33) Country  
**002443408-0001 09 Apr 2014 OFFICE FOR HARMONISATION IN THE INTERNAL MARKET (OHIM)**  
(56) Related Art Documents: **Not Applicable**  
(57) Statement of Newness and Distinctiveness: **Newness and distinctiveness reside in the features of shape and configuration of the design as shown in the representations.**



(21) Design Number: **13391/2014**  
(22) Date of Filing Application: **14 July 2014**  
(24) Date from which industrial property rights may have effect: **14 July 2014**  
(54) Product in respect of which the design is registered: **Bottle for perfume**  
(51) International Design Classification: **09-01G**  
(74) Name(s) of Attorney(s): **PHILLIPS ORMONDE FITZPATRICK**  
(71) Name(s) and Address(s) of Applicant(s):

**Procter & Gamble International Operations S.A.**  
**Route de Saint-Georges 47 CH-1213 Petit-Lancy Switzerland**

(72) Name(s) of Designer(s): **Suzanne Dalton**

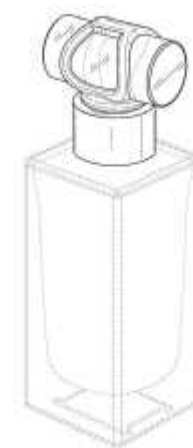
(45) Registration Date: **20 October 2014**

(30) Convention priority data:

(31) Number	(32) Date	(33) Country
<b>DM/082 824</b>	<b>05 Feb 2014</b>	<b>WORLD INTELLECTUAL PROPERTY ORGANIZATION (WIPO)</b>

(56) Related Art Documents: **Not Applicable**

(57) Statement of Newness and Distinctiveness: **Those features of the bottle for perfume depicted in the representations that are new and distinctive are the shape and/or configuration. The features shown in broken lines are not part of the design and are to be disregarded when considering the overall impression of the design.**



(21) Design Number: **13748/2014**  
(22) Date of Filing Application: **01 August 2014**  
(24) Date from which industrial property rights may have effect: **14 February 2014**  
(54) Product in respect of which the design is registered: **Plaything and toy**  
(51) International Design Classification: **21-01L**  
(74) Name(s) of Attorney(s): **Freehills Patent Attorneys**  
(71) Name(s) and Address(s) of Applicant(s):

**Iconic Worldwide Gaming Limited**  
**Lock 90 Deansgate Locks Trumpet Street Manchester M1 5LW United  
Kingdom**

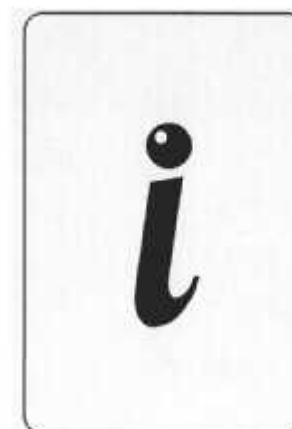
(72) Name(s) of Designer(s): **Patrick Damien O'Brien**

(45) Registration Date: **20 October 2014**

(62) Divisional of: **356767**

(56) Related Art Documents: **Not Applicable**

(57) Statement of Newness and Distinctiveness: **Newness and distinctiveness resides in the features of ornamentation shown in solid lines in the representations.**



- (21) Design Number: **14201/2014**  
(22) Date of Filing Application: **25 August 2014**  
(24) Date from which industrial property rights may have effect: **25 August 2014**  
(54) Product in respect of which the design is registered: **Portable radio**  
(51) International Design Classification: **14-03D**  
(74) Name(s) of Attorney(s): **PHILLIPS ORMONDE FITZPATRICK**  
(71) Name(s) and Address(s) of Applicant(s):  
**Motorola Solutions, Inc.**  
**1303 East Algonquin Road Schaumburg Illinois 60196 United States of America**  
(72) Name(s) of Designer(s): **Mohd Wardi Iswali Aihsan and Michael J Page and Scott H Richards and Lee Huang Ng**  
(45) Registration Date: **20 October 2014**  
(30) Convention priority data:  
(31) Number (32) Date (33) Country  
**29/485,686 31 Mar 2014 UNITED STATES OF AMERICA**  
(56) Related Art Documents: **Not Applicable**  
(57) Statement of Newness and Distinctiveness: **Those features of the portable radio depicted in the representations that are new and distinctive are the shape and/or configuration. The features shown in broken lines are not part of the design and are to be disregarded when considering the overall impression of the design.**



- (21) Design Number: **14205/2014**  
(22) Date of Filing Application: **26 August 2014**  
(24) Date from which industrial property rights may have effect: **26 August 2014**  
(54) Product in respect of which the design is registered: **Mobile home**  
(51) International Design Classification: **12-10**  
(74) Name(s) of Attorney(s):  
(71) Name(s) and Address(s) of Applicant(s):  
**BOZCROME INDUSTRIES PTY LTD**  
**PO BOX 2057 Southport BC QLD 4215 Australia**  
(72) Name(s) of Designer(s): **Warwick Boswerger**  
(45) Registration Date: **20 October 2014**  
(56) Related Art Documents: **Not Applicable**  
(57) Statement of Newness and Distinctiveness: **The rear spare tyre hatch design is new and distinctive in its form and function. The rear spare tyres on the mobile home are recessed/mounted into the rear of the vehicle and are enclosed by a hatch door - sealing them from the outside elements. The lifting door also creates a roof in its open position suitable for shelter or attaching an awning enclosure.**

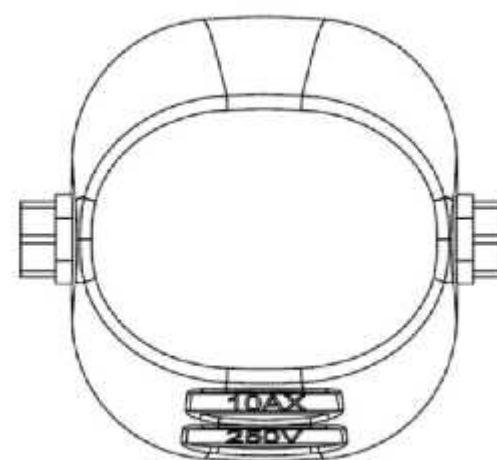




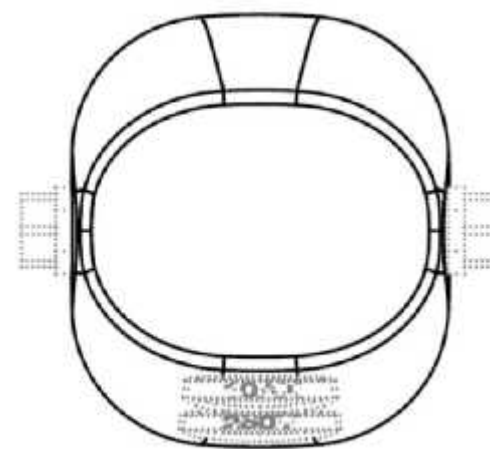
(21) Design Number: **14536/2014**  
(22) Date of Filing Application: **10 September 2014**  
(24) Date from which industrial property rights may have effect: **10 September 2014**  
(54) Product in respect of which the design is registered: **Novelty sconce**  
(51) International Design Classification: **26-05C**  
(74) Name(s) of Attorney(s): **Adams Pluck**  
(71) Name(s) and Address(s) of Applicant(s):  
**LAMRITE WEST INC.**  
**13000 Darice Parkway Strongsville Ohio, 44149 United States of America**  
(72) Name(s) of Designer(s): **Julie Derby**  
(45) Registration Date: **20 October 2014**  
(30) Convention priority data:  
(31) Number (32) Date (33) Country  
**29/484,595 11 Mar 2014 UNITED STATES OF AMERICA**  
(56) Related Art Documents: **Not Applicable**  
(57) Statement of Newness and Distinctiveness: **The broken lines are not part of the design and are to be disregarded when considering the overall impression of the design.**



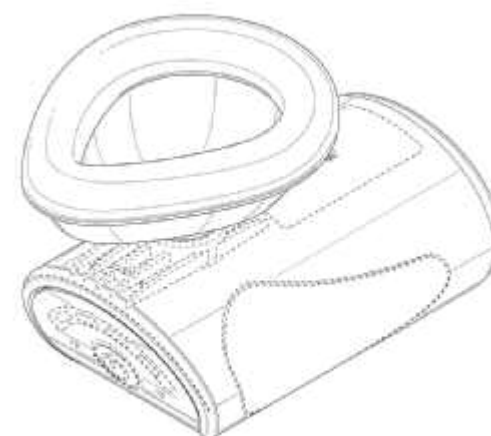
(21) Design Number: **13670/2014**  
(22) Date of Filing Application: **30 July 2014**  
(24) Date from which industrial property rights may have effect: **30 July 2014**  
(54) Product in respect of which the design is registered: **Switch button**  
(51) International Design Classification: **13-03D, 13-03NES**  
(74) Name(s) of Attorney(s): **Davies Collison Cave**  
(71) Name(s) and Address(s) of Applicant(s):  
**Arlec Australia Pty Ltd**  
**Building 3 31-41 Joseph St Blackburn North VIC 3130 Australia**  
(72) Name(s) of Designer(s): **Murray Johnson and Kar Lun Tam**  
(45) Registration Date: **20 October 2014**  
(56) Related Art Documents: **Not Applicable**  
(57) Statement of Newness and Distinctiveness: **Nil**



(21) Design Number: **13672/2014**  
(22) Date of Filing Application: **30 July 2014**  
(24) Date from which industrial property rights may have effect: **30 July 2014**  
(54) Product in respect of which the design is registered: **Switch button**  
(51) International Design Classification: **13-03D**  
(74) Name(s) of Attorney(s): **Davies Collison Cave**  
(71) Name(s) and Address(s) of Applicant(s):  
**Arlec Australia Pty Ltd**  
**Building 3 31-41 Joseph St Blackburn North VIC 3130 Australia**  
(72) Name(s) of Designer(s): **Kar Lun Tam and Murray Johnson**  
(45) Registration Date: **20 October 2014**  
(56) Related Art Documents: **Not Applicable**  
(57) Statement of Newness and Distinctiveness: **Newness and distinctiveness is claimed in the features shown in solid lines in the representations.**



(21) Design Number: **14274/2014**  
(22) Date of Filing Application: **28 August 2014**  
(24) Date from which industrial property rights may have effect: **28 August 2014**  
(54) Product in respect of which the design is registered: **Dry powder nebulizer device**  
(51) International Design Classification: **24-01**  
(74) Name(s) of Attorney(s): **Griffith Hack**  
(71) Name(s) and Address(s) of Applicant(s):  
**Microdose Therapeutx, Inc.**  
**4262 US Route 1 Monmouth Junction NJ 08852 United States of America**  
(72) Name(s) of Designer(s): **Dan Genord and Jeff DeBoer**  
(45) Registration Date: **20 October 2014**  
(30) Convention priority data:  
(31) Number      (32) Date      (33) Country  
**29/500,220      22 Aug 2014      UNITED STATES OF AMERICA**  
(56) Related Art Documents: **Not Applicable**  
(57) Statement of Newness and Distinctiveness: **Newness and distinctiveness resides in the visual features, including shape and configuration, of a DRY POWDER NEBULIZER DEVICE as shown in solid outline in the accompanying drawings. When determining whether the design is substantially similar in overall impression to another design, no regard is to be had to those features shown in dotted outline in the accompanying drawings, which features are provided for illustrative purposes only.**



(21) Design Number: **14510/2014**  
(22) Date of Filing Application: **08 September 2014**  
(24) Date from which industrial property rights may have effect: **08 September 2014**  
(54) Product in respect of which the design is registered: **Toy figure**  
(51) International Design Classification: **21-01B**  
(74) Name(s) of Attorney(s): **PHILLIPS ORMONDE FITZPATRICK**  
(71) Name(s) and Address(s) of Applicant(s):  
**Geobra Brandstatter GmbH & Co. KG.**  
**Brandstatterstrasse 2-10 Zirndorf 90513 Germany**  
(72) Name(s) of Designer(s): **Peter Jaensch**  
(45) Registration Date: **20 October 2014**  
(30) Convention priority data:  
(31) Number      (32) Date      (33) Country  
**002425082      14 Mar 2014      OFFICE FOR HARMONISATION IN  
THE INTERNAL MARKET (OHIM)**



(56) Related Art Documents: **Not Applicable**  
(57) Statement of Newness and Distinctiveness: **Those features of the toy figure depicted in the representations that are new and distinctive are the shape and/or configuration.**

(21) Design Number: **14809/2014**  
(22) Date of Filing Application: **20 September 2014**  
(24) Date from which industrial property rights may have effect: **20 September 2014**  
(54) Product in respect of which the design is registered: **Hi visibility safety vest for motorbike riders**  
(51) International Design Classification: **02-02B**  
(74) Name(s) of Attorney(s):  
(71) Name(s) and Address(s) of Applicant(s):  
**Mercedez Lekka**  
**24 Dewar Cres Maddingley VIC 3340 Australia**  
(72) Name(s) of Designer(s): **Mercedez Lekka**  
(45) Registration Date: **20 October 2014**  
(56) Related Art Documents: **Not Applicable**  
(57) Statement of Newness and Distinctiveness: **The vest is a new product to the Australian Market designed on the request of VicRoads Authority to accommodate the new Law for Leaner Motorbike Riders as on the 1st October 2014, who will be required to wear hi visibility safety vests for day and night wear, the vest design meets the required safety standards for hi visibility materials used to suit the new Law. The vest has stretch panel fabrics, mesh lining, ykk zippers, fluorescent fabrics and retro reflective silver safety tapes applied as required by Australian, New Zealand and American Safety Standards for Hi Visibility vests worn on roads.**



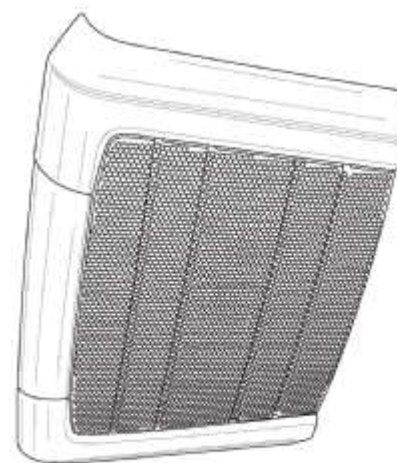
- (21) Design Number: **14810/2014**  
(22) Date of Filing Application: **20 September 2014**  
(24) Date from which industrial property rights may have effect: **20 September 2014**  
(54) Product in respect of which the design is registered: **Hi visibility safety vest for motorbike riders**  
(51) International Design Classification: **02-02B**  
(74) Name(s) of Attorney(s):  
(71) Name(s) and Address(s) of Applicant(s):  
**Mercedez Lekka**  
**24 Dewar Cres Maddingley VIC 3340 Australia**  
(72) Name(s) of Designer(s): **Mercedez Lekka**  
(45) Registration Date: **20 October 2014**  
(56) Related Art Documents: **Not Applicable**  
(57) Statement of Newness and Distinctiveness: **The vest is a new product to the Australian Market designed on the request of VicRoads Authority to accommodate the new Law for Leaner Motorbike Riders as on the 1st October 2014, who will be required to wear hi visibility safety vests for day and night wear, the vest design meets the required safety standards for hi visibility materials used to suit the new Law. The vest has stretch panel fabrics, mesh lining, ykk zippers, fluorescent fabrics and retro reflective silver safety tapes applied as required by Australian, New Zealand and American Safety Standards for Hi Visibility vests worn on roads.**



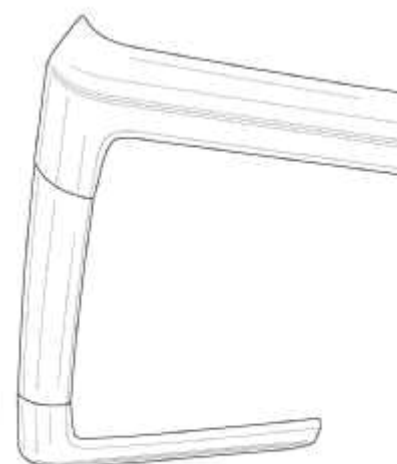
- (21) Design Number: **14899/2014**  
(22) Date of Filing Application: **26 September 2014**  
(24) Date from which industrial property rights may have effect: **26 September 2014**  
(54) Product in respect of which the design is registered: **Seat**  
(51) International Design Classification: **06-01D**  
(74) Name(s) of Attorney(s): **SPRUSON & FERGUSON**  
(71) Name(s) and Address(s) of Applicant(s):  
**MAN Truck & Bus AG**  
**Dachauer Strasse 667, Munchen 80995 Germany**  
(72) Name(s) of Designer(s): **Achim Burmeister and Moritz Menacher and Thorsten Bergmaier-Trede and Stephan Schoherr**  
(45) Registration Date: **20 October 2014**  
(30) Convention priority data:  
(31) Number (32) Date (33) Country  
**002434571 27 Mar 2014 OFFICE FOR HARMONISATION IN THE INTERNAL MARKET (OHIM)**  
(56) Related Art Documents: **Not Applicable**  
(57) Statement of Newness and Distinctiveness: **Newness and distinctiveness is claimed in the features of shape and/or configuration of a seat as illustrated in the accompanying representations.**



(21) Design Number: **14947/2014**  
(22) Date of Filing Application: **26 September 2014**  
(24) Date from which industrial property rights may have effect: **26 September 2014**  
(54) Product in respect of which the design is registered: **Truck grille and surround**  
(51) International Design Classification: **12-16B**  
(74) Name(s) of Attorney(s): **Freehills Patent Attorneys**  
(71) Name(s) and Address(s) of Applicant(s):  
**Caterpillar Inc.**  
**100 N.E. Adams Street Peoria Illinois 61629 United States of America**  
(72) Name(s) of Designer(s): **Eric Hanson and Curt Wilson**  
(45) Registration Date: **20 October 2014**  
(30) Convention priority data:  
(31) Number (32) Date (33) Country  
**29/486942 04 Apr 2014 UNITED STATES OF AMERICA**  
(56) Related Art Documents: **Not Applicable**  
(57) Statement of Newness and Distinctiveness: **Newness and distinctiveness of the design resides in the features of shape and configuration of the truck grille and surround as shown in heavy solid lines in the accompanying representations.**



(21) Design Number: **14948/2014**  
(22) Date of Filing Application: **26 September 2014**  
(24) Date from which industrial property rights may have effect: **26 September 2014**  
(54) Product in respect of which the design is registered: **Surround for a truck grille**  
(51) International Design Classification: **12-16B**  
(74) Name(s) of Attorney(s): **Freehills Patent Attorneys**  
(71) Name(s) and Address(s) of Applicant(s):  
**Caterpillar Inc.**  
**100 N.E. Adams Street Peoria Illinois 61629 United States of America**  
(72) Name(s) of Designer(s): **Eric Hanson and Curt Wilson**  
(45) Registration Date: **20 October 2014**  
(30) Convention priority data:  
(31) Number (32) Date (33) Country  
**29/486942 04 Apr 2014 UNITED STATES OF AMERICA**  
(56) Related Art Documents: **Not Applicable**  
(57) Statement of Newness and Distinctiveness: **Newness and distinctiveness of the design resides in the features of shape and configuration of the surround for a truck grille as shown in heavy solid lines in the accompanying representations.**





(21) Design Number: **14949/2014**  
(22) Date of Filing Application: **26 September 2014**  
(24) Date from which industrial property rights may have effect: **26 September 2014**  
(54) Product in respect of which the design is registered: **Truck grille**  
(51) International Design Classification: **12-16B**  
(74) Name(s) of Attorney(s): **Freehills Patent Attorneys**  
(71) Name(s) and Address(s) of Applicant(s):

**Caterpillar Inc.**  
**100 N.E. Adams Street Peoria Illinois 61629 United States of America**

(72) Name(s) of Designer(s): **Eric Hanson and Curt Wilson**

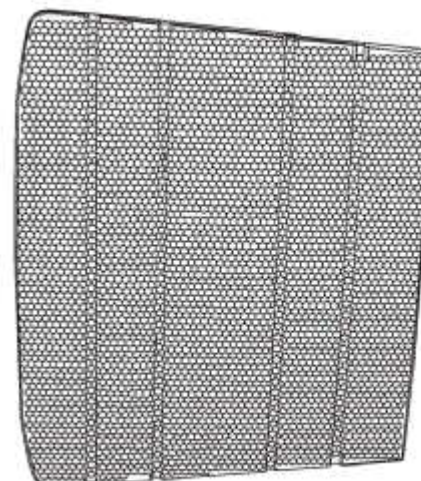
(45) Registration Date: **20 October 2014**

(30) Convention priority data:

(31) Number	(32) Date	(33) Country
<b>29/486942</b>	<b>04 Apr 2014</b>	<b>UNITED STATES OF AMERICA</b>

(56) Related Art Documents: **Not Applicable**

(57) Statement of Newness and Distinctiveness: **Newness and distinctiveness of the design resides in the features of shape and configuration of the truck grille as shown in heavy solid lines in the accompanying representations.**



(21) Design Number: **15021/2014**  
(22) Date of Filing Application: **30 September 2014**  
(24) Date from which industrial property rights may have effect: **30 September 2014**  
(54) Product in respect of which the design is registered: **Engine block**  
(51) International Design Classification: **15-01**  
(74) Name(s) of Attorney(s): **PIZZEYS**  
(71) Name(s) and Address(s) of Applicant(s):

**Trends UK Limited**  
**The Firs Greatworth Hall Greatworth Banbury OX17 2DH United Kingdom**

(72) Name(s) of Designer(s): **John Anson**

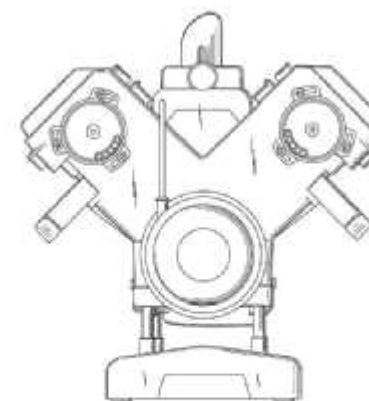
(45) Registration Date: **20 October 2014**

(30) Convention priority data:

(31) Number	(32) Date	(33) Country
<b>002547695</b>	<b>29 Sep 2014</b>	<b>OFFICE FOR HARMONISATION IN THE INTERNAL MARKET (OHIM)</b>

(56) Related Art Documents: **Not Applicable**

(57) Statement of Newness and Distinctiveness: **Nil**



(21) Design Number: **15079/2014**  
(22) Date of Filing Application: **02 October 2014**  
(24) Date from which industrial property rights may have effect: **02 October 2014**  
(54) Product in respect of which the design is registered: **Helmet cover resembling a fashion hat**  
(51) International Design Classification: **02-03**  
(74) Name(s) of Attorney(s):  
(71) Name(s) and Address(s) of Applicant(s):  
**Julie Verne Barker**  
**34 Servetus St Swanbourne WA 6010 Australia**  
(72) Name(s) of Designer(s): **Julie Verne Barker**  
(45) Registration Date: **20 October 2014**  
(56) Related Art Documents: **Not Applicable**  
(57) Statement of Newness and Distinctiveness: **Cover for sporting helmets which resembles a cloche sun-hat style fashion hat making helmets more attractive and fashionable whilst also providing sun protection. Secured to helmet by means of an adjustable elasticised casing with toggle which fits over the lip of the helmet. (Other similar products that I am aware of are secured by various different means). Can be worn over multiple helmet styles and shapes. (Other similar products that I am aware of are designed to fit specifically to one helmet shape (helmet usually sold with the cover), whereas this is sold as cover only without the need to buy a helmet).**



(21) Design Number: **15086/2014**  
(22) Date of Filing Application: **03 October 2014**  
(24) Date from which industrial property rights may have effect: **03 October 2014**  
(54) Product in respect of which the design is registered: **Pants**  
(51) International Design Classification: **02-02C**  
(74) Name(s) of Attorney(s): **PHILLIPS ORMONDE FITZPATRICK**  
(71) Name(s) and Address(s) of Applicant(s):  
**Actervis GmbH**  
**c/o Prv Provides Treuhandgesellschaft Lindenhof Dorfstr.38 CH-6341**  
**Baar (Zug) Switzerland**  
(72) Name(s) of Designer(s): **Juan Ramon Torres Martin**  
(45) Registration Date: **20 October 2014**  
(30) Convention priority data:  
(31) Number      (32) Date      (33) Country  
**002548222      30 Sep 2014      OFFICE FOR HARMONISATION IN**  
**THE INTERNAL MARKET (OHIM)**  
(56) Related Art Documents: **Not Applicable**  
(57) Statement of Newness and Distinctiveness: **Nil**



- (21) Design Number: **15111/2014**  
(22) Date of Filing Application: **05 October 2014**  
(24) Date from which industrial property rights may have effect: **05 October 2014**  
(54) Product in respect of which the design is registered: **Water valve**  
(51) International Design Classification: **23-01K**  
(74) Name(s) of Attorney(s):  
(71) Name(s) and Address(s) of Applicant(s):  
**Paul Kirwan**  
**PO BOX 101 Wilmington SA 5485 Australia**  
(72) Name(s) of Designer(s): **Paul Kirwan and Andrew Rogers**  
(45) Registration Date: **20 October 2014**  
(56) Related Art Documents: **Not Applicable**  
(57) Statement of Newness and Distinctiveness: **The design is unique and easy to understand how it operates from bellow, the green valve tab gives a clear and obvious indication that it is open or closed, the unique curved valve surface gives a unique visual appearance to the product.**

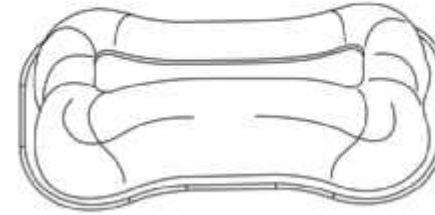


- (21) Design Number: **15128/2014**  
(22) Date of Filing Application: **07 October 2014**  
(24) Date from which industrial property rights may have effect: **07 October 2014**  
(54) Product in respect of which the design is registered: **A top**  
(51) International Design Classification: **02-02NES**  
(74) Name(s) of Attorney(s):  
(71) Name(s) and Address(s) of Applicant(s):  
**AUSTRALIAN FASHION LABELS PTY LTD**  
**106 Currie St Adelaide SA 5000 Australia**  
(72) Name(s) of Designer(s): **Kate Anderson and Hannah Virgo-Colbey**  
(45) Registration Date: **20 October 2014**  
(56) Related Art Documents: **Not Applicable**  
(57) Statement of Newness and Distinctiveness: **Newness and distinctiveness resides in the features of shape and configuration of a top as shown in the accompanying representations.**





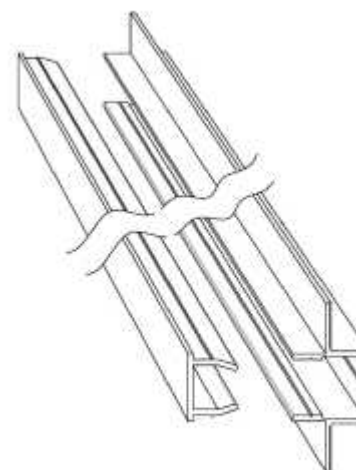
- (21) Design Number: **15147/2014**  
(22) Date of Filing Application: **08 October 2014**  
(24) Date from which industrial property rights may have effect: **08 October 2014**  
(54) Product in respect of which the design is registered: **Container**  
(51) International Design Classification: **09-03NES**  
(74) Name(s) of Attorney(s): **SPRUSON & FERGUSON**  
(71) Name(s) and Address(s) of Applicant(s):  
**Constantia Flexibles International GmbH**  
**Rivergate, Handelskai 92, 1200 Wien Austria**  
(72) Name(s) of Designer(s): **Planer Franz**  
(45) Registration Date: **20 October 2014**  
(56) Related Art Documents: **Not Applicable**  
(57) Statement of Newness and Distinctiveness: **Newness and distinctiveness is claimed in the features of shape and/or configuration of a container as illustrated in the accompanying representations.**



- (21) Design Number: **15148/2014**  
(22) Date of Filing Application: **08 October 2014**  
(24) Date from which industrial property rights may have effect: **08 October 2014**  
(54) Product in respect of which the design is registered: **Lineout lifting bag**  
(51) International Design Classification: **21-02F**  
(74) Name(s) of Attorney(s): **Baker & McKenzie**  
(71) Name(s) and Address(s) of Applicant(s):  
**Peter Ruthven**  
**5/1145 Pittwater Rd Collaroy NSW 2097 Australia**  
(72) Name(s) of Designer(s): **Peter Ruthven**  
(45) Registration Date: **20 October 2014**  
(56) Related Art Documents: **Not Applicable**  
(57) Statement of Newness and Distinctiveness: **Nil**



(21) Design Number: **15150/2014**  
(22) Date of Filing Application: **08 October 2014**  
(24) Date from which industrial property rights may have effect: **08 October 2014**  
(54) Product in respect of which the design is registered: **Jointer base strip and snap-in cover strip**  
(51) International Design Classification: **25-01K**  
(74) Name(s) of Attorney(s): **Shelston IP**  
(71) Name(s) and Address(s) of Applicant(s):  
**James Hardie Technology Limited**  
**Europa House Second Floor Harcourt Centre Harcourt Street Dublin 2**  
**Ireland**  
(72) Name(s) of Designer(s): **John Cottier**  
(45) Registration Date: **20 October 2014**  
(56) Related Art Documents: **Not Applicable**  
(57) Statement of Newness and Distinctiveness: **Newness and distinctiveness of the jointer strip base B resides in the features of shape and configuration of the grooves in the underside of the lateral arms, internal grooves and rounding of top inner edges of the vertical arms, and for the snap-in cover strip A in the features of shape and configuration of the locking ridges along outer surface of each arm, the inwardly angled bend in each arm, and the rounded lower edges of each arm, as illustrated in the accompanying representations.**



(21) Design Number: **15212/2014**  
(22) Date of Filing Application: **03 October 2014**  
(24) Date from which industrial property rights may have effect: **03 October 2014**  
(54) Product in respect of which the design is registered: **Pants**  
(51) International Design Classification: **02-02C**  
(74) Name(s) of Attorney(s): **PHILLIPS ORMONDE FITZPATRICK**  
(71) Name(s) and Address(s) of Applicant(s):  
**Actervis GmbH**  
**c/o Prv Provides Treuhandgesellschaft Lindenhof Dorfstr.38 CH-6341**  
**Baar (Zug) Switzerland**  
(72) Name(s) of Designer(s): **Juan Ramon Torres Martin**  
(45) Registration Date: **20 October 2014**  
(30) Convention priority data:  
(31) Number (32) Date (33) Country  
**002548222 30 Sep 2014 OFFICE FOR HARMONISATION IN**  
**THE INTERNAL MARKET (OHIM)**  
(56) Related Art Documents: **Not Applicable**  
(57) Statement of Newness and Distinctiveness: **Nil**



(21) Design Number: **15213/2014**

(22) Date of Filing Application: **03 October 2014**

(24) Date from which industrial property rights may have effect: **03 October 2014**

(54) Product in respect of which the design is registered: **Pants**

(51) International Design Classification: **02-02C**

(74) Name(s) of Attorney(s): **PHILLIPS ORMONDE FITZPATRICK**

(71) Name(s) and Address(s) of Applicant(s):

**Actervis GmbH**

**c/o Prv Provides Treuhandgesellschaft Lindenhof Dorfstr.38 CH-6341  
Baar (Zug) Switzerland**

(72) Name(s) of Designer(s): **Juan Ramon Torres Martin**

(45) Registration Date: **20 October 2014**

(30) Convention priority data:

(31) Number  
**002548222**

(32) Date  
**30 Sep 2014**

(33) Country  
**OFFICE FOR HARMONISATION IN  
THE INTERNAL MARKET (OHIM)**

(56) Related Art Documents: **Not Applicable**

(57) Statement of Newness and Distinctiveness: **Nil**



(21) Design Number: **13626/2014**

(22) Date of Filing Application: **28 July 2014**

(24) Date from which industrial property rights may have effect: **28 July 2014**

(54) Product in respect of which the design is registered: **Plastic tube with application nozzle**

(51) International Design Classification: **09-05, 24-04**

(74) Name(s) of Attorney(s): **Davies Collison Cave**

(71) Name(s) and Address(s) of Applicant(s):

**Bayer Animal Health GmbH**

**Leverkusen 51368 Germany**

(72) Name(s) of Designer(s): **Jorg Habig and Sebastian Kuzmierczyk and Wilfred Hinxlage**

(45) Registration Date: **20 October 2014**

(30) Convention priority data:

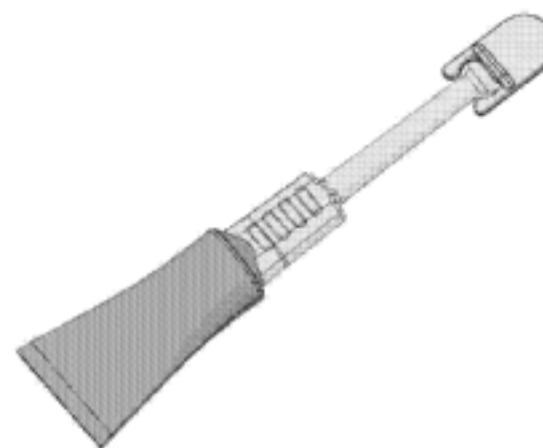
(31) Number  
**002406967**

(32) Date  
**18 Feb 2014**

(33) Country  
**OFFICE FOR HARMONISATION IN  
THE INTERNAL MARKET (OHIM)**

(56) Related Art Documents: **Not Applicable**

(57) Statement of Newness and Distinctiveness: **Newness and distinctiveness is claimed in the visual features shown in solid lines in the representations including the elongated application tip with gripping means and closure mounted to the opening of the application tip.**



(21) Design Number: **14296/2014**

(22) Date of Filing Application: **29 August 2014**

(24) Date from which industrial property rights may have effect: **29 August 2014**

(54) Product in respect of which the design is registered: **Hair clipper attachment comb with clip**

(51) International Design Classification: **28-03D**

(74) Name(s) of Attorney(s): **Cullens Patent and Trade Mark Attorneys**

(71) Name(s) and Address(s) of Applicant(s):

**Wahl Clipper Corporation**  
**2900 North Locust Street Sterling Illinois 61081-0578 United States of America**

(72) Name(s) of Designer(s): **Chad Aulwes and James E McCambridge and George W Gassman and Matthew Whittaker and Reagan Budden**

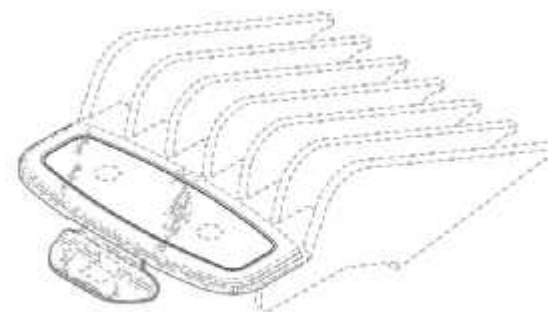
(45) Registration Date: **20 October 2014**

(30) Convention priority data:

(31) Number	(32) Date	(33) Country
<b>29/484,797</b>	<b>13 Mar 2014</b>	<b>UNITED STATES OF AMERICA</b>

(56) Related Art Documents: **Not Applicable**

(57) Statement of Newness and Distinctiveness: **The new and distinctive features are the features of shape and configuration of the hair clipper attachment comb as shown in the representations. The features shown in dashed outline should be disregarded in determining the new and distinctive features of the design.**



(21) Design Number: **14456/2014**

(22) Date of Filing Application: **05 September 2014**

(24) Date from which industrial property rights may have effect: **02 June 2014**

(54) Product in respect of which the design is registered: **Nasal dilator**

(51) International Design Classification: **24-99**

(74) Name(s) of Attorney(s): **Davies Collison Cave**

(71) Name(s) and Address(s) of Applicant(s):

**Simplicity, LLC**  
**737 S 675 W Springville UT, 84663-5756 United States of America**

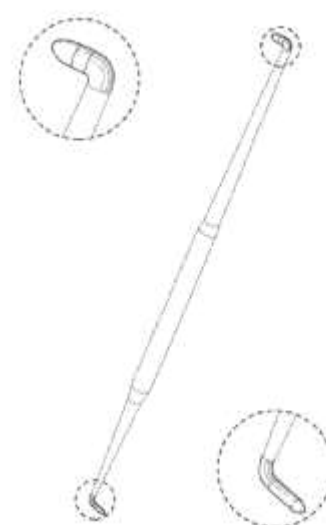
(72) Name(s) of Designer(s): **Ian J. Alexander and Brian D. Owens**

(45) Registration Date: **20 October 2014**

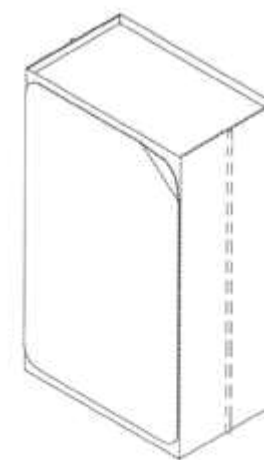
(62) Divisional of: **357265**

(56) Related Art Documents: **Not Applicable**

(57) Statement of Newness and Distinctiveness: **Newness and distinctiveness is claimed in the visual features shown in solid lines in the representations.**



(21) Design Number: **14459/2014**  
(22) Date of Filing Application: **05 September 2014**  
(24) Date from which industrial property rights may have effect: **05 September 2014**  
(54) Product in respect of which the design is registered: **Package**  
(51) International Design Classification: **09-03NES**  
(74) Name(s) of Attorney(s): **Griffith Hack**  
(71) Name(s) and Address(s) of Applicant(s):  
**CLEAR LAM PACKAGING, INC.**  
**1950 Pratt Boulevard Elk Grove Village Illinois 60007 United States of America**  
(72) Name(s) of Designer(s): **James J Sanfilippo and Milorad Radenovic**  
(45) Registration Date: **20 October 2014**  
(30) Convention priority data:  
(31) Number (32) Date (33) Country  
**29/484,311 07 Mar 2014 UNITED STATES OF AMERICA**

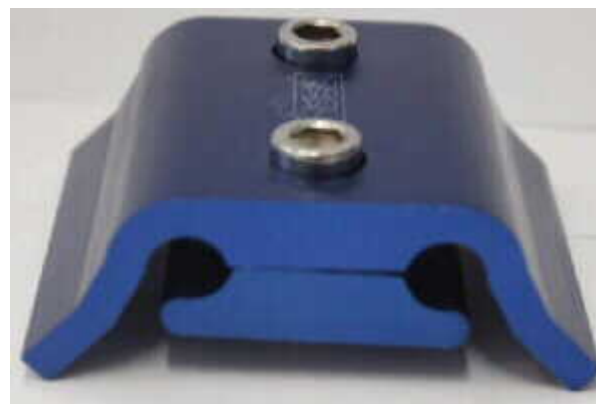


(56) Related Art Documents: **Not Applicable**  
(57) Statement of Newness and Distinctiveness: **Newness and distinctiveness resides in the visual features, including shape and configuration, of a PACKAGE as shown in solid outline in the accompanying drawings. When determining whether the design is substantially similar in overall impression to another design, no regard is to be had to those features shown in dotted outline in the accompanying drawings, which features are provided for illustrative purposes only.**

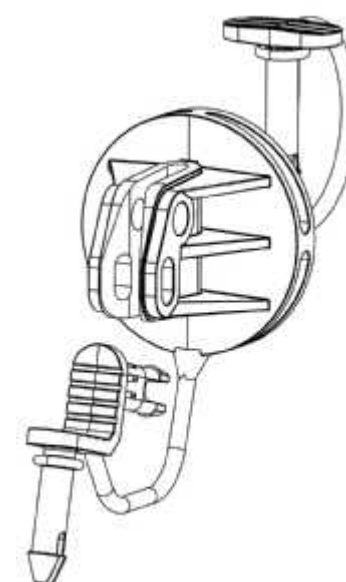
(21) Design Number: **13212/2014**  
(22) Date of Filing Application: **01 July 2014**  
(24) Date from which industrial property rights may have effect: **13 November 2013**  
(54) Product in respect of which the design is registered: **Clip for a patient interface**  
(51) International Design Classification: **24-01**  
(74) Name(s) of Attorney(s): **Halfords IP**  
(71) Name(s) and Address(s) of Applicant(s):  
**ResMed Limited**  
**1 Elizabeth Macarthur Dr Bella Vista NSW 2153 Australia**  
(72) Name(s) of Designer(s): **Craig David Edwards**  
(45) Registration Date: **21 October 2014**  
(62) Divisional of: **356347**  
(56) Related Art Documents: **Not Applicable**  
(57) Statement of Newness and Distinctiveness: **Nil**



- (21) Design Number: **13319/2014**  
(22) Date of Filing Application: **08 July 2014**  
(24) Date from which industrial property rights may have effect: **08 July 2014**  
(54) Product in respect of which the design is registered: **A clamp**  
(51) International Design Classification: **08-08NES**  
(74) Name(s) of Attorney(s): **Ahearn Fox**  
(71) Name(s) and Address(s) of Applicant(s):  
**Shane Miles**  
**43 Harrington St Arundel QLD 4214 Australia**  
(72) Name(s) of Designer(s): **Shane Miles**  
(45) Registration Date: **21 October 2014**  
(56) Related Art Documents: **Not Applicable**  
(57) Statement of Newness and Distinctiveness: **Newness and distinctiveness reside in the features of shape and configuration of the clamp and components as shown in the accompanying photographs.**

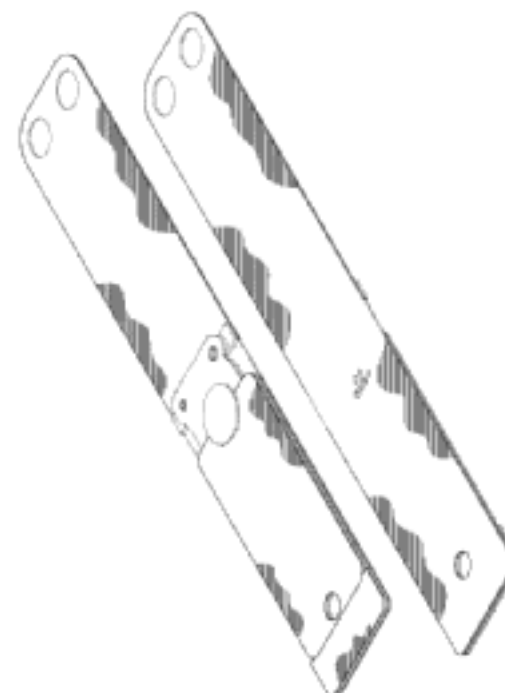


- (21) Design Number: **13521/2014**  
(22) Date of Filing Application: **16 July 2014**  
(24) Date from which industrial property rights may have effect: **16 July 2014**  
(54) Product in respect of which the design is registered: **An insulator with pin**  
(51) International Design Classification: **13-03A**  
(74) Name(s) of Attorney(s): **Ellis Terry**  
(71) Name(s) and Address(s) of Applicant(s):  
**TRU-TEST LIMITED**  
**25 Carbine Road Mt. Wellington Auckland New Zealand**  
(72) Name(s) of Designer(s): **Ashif Iqbal Memon and Gordon Douglas Irving and Simon Gerard Hall**  
(45) Registration Date: **21 October 2014**  
(30) Convention priority data:  
(31) Number      (32) Date      (33) Country  
**418429      24 Jan 2014      NEW ZEALAND**  
(56) Related Art Documents: **Not Applicable**  
(57) Statement of Newness and Distinctiveness: **This design is to be applied to an insulator and pin and the novelty of the design resides in the shape and/or configuration of the article as shown in the accompanying representations.**





(21) Design Number: **13616/2014**  
(22) Date of Filing Application: **25 July 2014**  
(24) Date from which industrial property rights may have effect: **25 July 2014**  
(54) Product in respect of which the design is registered: **Overlay**  
(51) International Design Classification: **14-99**  
(74) Name(s) of Attorney(s): **SPRUSON & FERGUSON**  
(71) Name(s) and Address(s) of Applicant(s):  
**Belkin International, Inc.**  
**12045 East Waterfront Drive, Playa Vista California 90094-2536 United States of America**  
(72) Name(s) of Designer(s): **Eric Beaupre and John F Wadsworth**  
(45) Registration Date: **21 October 2014**  
(30) Convention priority data:  
(31) Number (32) Date (33) Country  
**29/480546 27 Jan 2014 UNITED STATES OF AMERICA**  
(56) Related Art Documents: **Not Applicable**  
(57) Statement of Newness and Distinctiveness: **Newness and distinctiveness is claimed in the features of shape and/or configuration of an overlay as illustrated in continuous lines in the accompanying representations.**



(21) Design Number: **13698/2014**  
(22) Date of Filing Application: **30 July 2014**  
(24) Date from which industrial property rights may have effect: **30 July 2014**  
(54) Product in respect of which the design is registered: **Helmet cover resembling a fashion hat**  
(51) International Design Classification: **02-03**  
(74) Name(s) of Attorney(s):  
(71) Name(s) and Address(s) of Applicant(s):  
**Julie Verne Barker**  
**34 Servetus St Swanbourne WA 6010 Australia**  
(72) Name(s) of Designer(s): **Julie Verne Barker**  
(45) Registration Date: **21 October 2014**  
(56) Related Art Documents: **Not Applicable**  
(57) Statement of Newness and Distinctiveness: **Cover for sporting helmets which resembles a fedora style fashion hat making helmets more attractive and fashionable whilst also providing sun protection. Secured to helmet by means of an adjustable elasticised casing with toggle which fits over the lip of the helmet. (Other similar products that I am aware of are secured by various different means). Can be worn over multiple helmet styles and shapes. (Other similar products that I am aware of are designed to fit specifically to one helmet shape (helmet usually sold with the cover), whereas this is sold as cover only without the need to buy a particular style of helmet). It will be made in a range of colours and fabrics.**



(21) Design Number: **13699/2014**  
(22) Date of Filing Application: **30 July 2014**  
(24) Date from which industrial property rights may have effect: **30 July 2014**  
(54) Product in respect of which the design is registered: **Helmet cover resembling a fashion hat**  
(51) International Design Classification: **02-03**  
(74) Name(s) of Attorney(s):  
(71) Name(s) and Address(s) of Applicant(s):  
**Julie Verne Barker**  
**34 Servetus St Swanbourne WA 6010 Australia**  
(72) Name(s) of Designer(s): **Julie Verne Barker**  
(45) Registration Date: **21 October 2014**  
(56) Related Art Documents: **Not Applicable**



(57) Statement of Newness and Distinctiveness: **Cover for sporting helmets which resembles an Asymmetric 1920's cloche style fashion hat, making helmets more attractive and fashionable whilst also providing sun protection. Secured to helmet by means of an adjustable elasticised casing which fits over the lip of the helmet. (Other similar products that I am aware of are secured by various different means). Can be worn over multiple helmet styles and shapes. (Other similar products that I am aware of are designed to fit specifically to one helmet shape (helmet usually sold with the cover), whereas this is sold as cover only without the need to buy a particular helmet style). It will be sold with a complementary flower.**

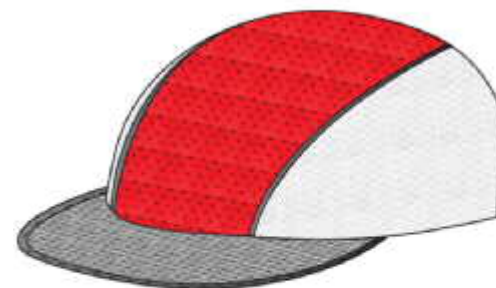
(21) Design Number: **13700/2014**  
(22) Date of Filing Application: **30 July 2014**  
(24) Date from which industrial property rights may have effect: **30 July 2014**  
(54) Product in respect of which the design is registered: **Helmet cover resembling a fashion hat**  
(51) International Design Classification: **02-03**  
(74) Name(s) of Attorney(s):  
(71) Name(s) and Address(s) of Applicant(s):  
**Julie Verne Barker**  
**34 Servetus St Swanbourne WA 6010 Australia**  
(72) Name(s) of Designer(s): **Julie Verne Barker**  
(45) Registration Date: **21 October 2014**  
(56) Related Art Documents: **Not Applicable**



(57) Statement of Newness and Distinctiveness: **Cover for sporting helmets which resembles a wide brim sun hat style fashion hat making helmets more attractive and fashionable whilst also providing sun protection. Secured to helmet by means of an adjustable elasticised casing with toggle which fits over the lip of the helmet. (Other similar products that I am aware of are secured by various different means). Can be worn over multiple helmet styles and shapes. (Other similar products that I am aware of are designed to fit specifically to one helmet shape (helmet usually sold with the cover), whereas this is sold as cover only without the need to buy a particular helmet style).**



(21) Design Number: **13701/2014**  
(22) Date of Filing Application: **30 July 2014**  
(24) Date from which industrial property rights may have effect: **30 July 2014**  
(54) Product in respect of which the design is registered: **Helmet cover resembling a fashion cap**  
(51) International Design Classification: **02-03**  
(74) Name(s) of Attorney(s):  
(71) Name(s) and Address(s) of Applicant(s):  
**Julie Verne Barker**  
**34 Servetus St Swanbourne WA 6010 Australia**  
(72) Name(s) of Designer(s): **Julie Verne Barker**  
(45) Registration Date: **21 October 2014**  
(56) Related Art Documents: **Not Applicable**



(57) Statement of Newness and Distinctiveness: **Cover for sporting helmets which resembles a cap style fashion hat making helmets more attractive and fashionable whilst also providing sun protection. This cap also has reflective piping and binding which assists with safety if used in the dark and is made from mesh to assist with ventilation. Secured to helmet by means of an adjustable elasticised casing which fits over the lip of the helmet. (Other similar products that I am aware of are secured by various different means). Can be worn over multiple helmet styles and shapes. (Other similar products that I am aware of are designed to fit specifically to one helmet shape (helmet usually sold with the cover), whereas this is sold as cover only without the need to buy a particular helmet style).**

(21) Design Number: **13962/2014**  
(22) Date of Filing Application: **12 August 2014**  
(24) Date from which industrial property rights may have effect: **12 August 2014**  
(54) Product in respect of which the design is registered: **Wristwatch**  
(51) International Design Classification: **10-02**  
(74) Name(s) of Attorney(s): **Callinans**  
(71) Name(s) and Address(s) of Applicant(s):  
**Bulgari Horlogerie S.A.**  
**34 rue de Monruz Neuchatel CH - 2000 Switzerland**  
(72) Name(s) of Designer(s): **Fabrizio Buonamassa Stigliani**  
(45) Registration Date: **21 October 2014**  
(30) Convention priority data:  
(31) Number      (32) Date      (33) Country  
**798981801      07 Mar 2014      OFFICE FOR HARMONISATION IN  
THE INTERNAL MARKET (OHIM)**



(56) Related Art Documents: **Not Applicable**  
(57) Statement of Newness and Distinctiveness: **Newness and distinctiveness lies in the shape and configuration of the wristwatch and wristband as shown in the representations accompanying the application.**

(21) Design Number: **14016/2014**

(22) Date of Filing Application: **14 August 2014**

(24) Date from which industrial property rights may have effect: **14 August 2014**

(54) Product in respect of which the design is registered: **Package**

(51) International Design Classification: **09-03M**

(74) Name(s) of Attorney(s): **Pizzeys**

(71) Name(s) and Address(s) of Applicant(s):

**CLEAR LAM PACKAGING, INC.**

**1950 Pratt Boulevard Elk Grove Village Illinois 60007 United States of America**

(72) Name(s) of Designer(s): **James J Sanfilippo and Milorad Radenovic**

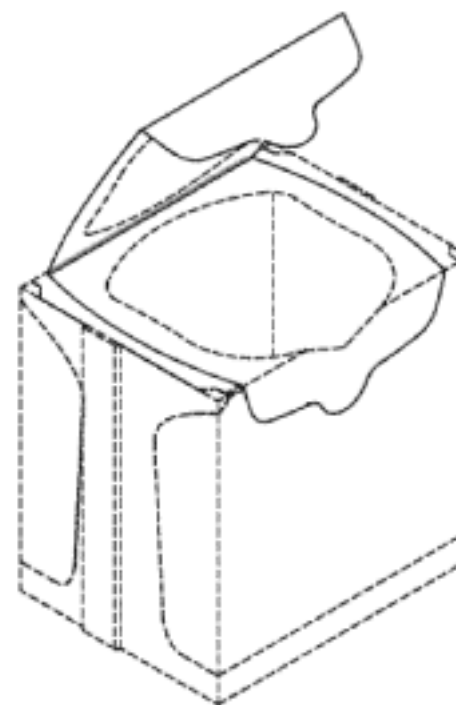
(45) Registration Date: **21 October 2014**

(30) Convention priority data:

(31) Number	(32) Date	(33) Country
<b>29/482191</b>	<b>14 Feb 2014</b>	<b>UNITED STATES OF AMERICA</b>

(56) Related Art Documents: **Not Applicable**

(57) Statement of Newness and Distinctiveness: **The newness and distinctiveness of the design resides in the shape and/or configuration of the package as shown in the accompanying representations. The broken lines are not part of the design and are to be disregarded when considering the overall impression of the design. Any portion(s) of the package that are not clearly disclosed in the representations do not form part of the design.**



(21) Design Number: **14147/2014**

(22) Date of Filing Application: **14 August 2014**

(24) Date from which industrial property rights may have effect: **14 August 2014**

(54) Product in respect of which the design is registered: **Fixed freight strap winder**

(51) International Design Classification: **12-16NES**

(74) Name(s) of Attorney(s):

(71) Name(s) and Address(s) of Applicant(s):

**Albert Charles Manoni**

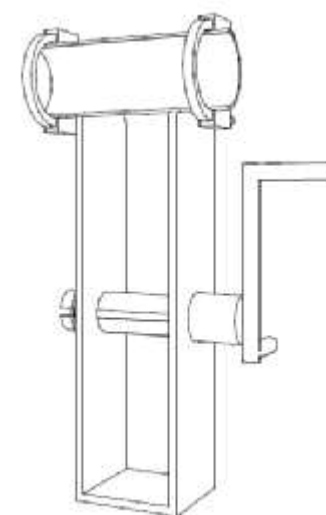
**PO BOX 383 Albany WA 6331 Australia**

(72) Name(s) of Designer(s): **Albert Charles Manoni**

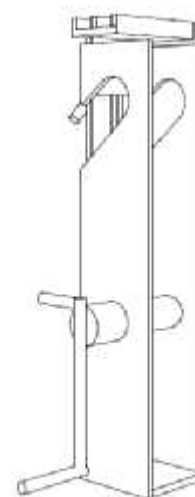
(45) Registration Date: **21 October 2014**

(56) Related Art Documents: **Not Applicable**

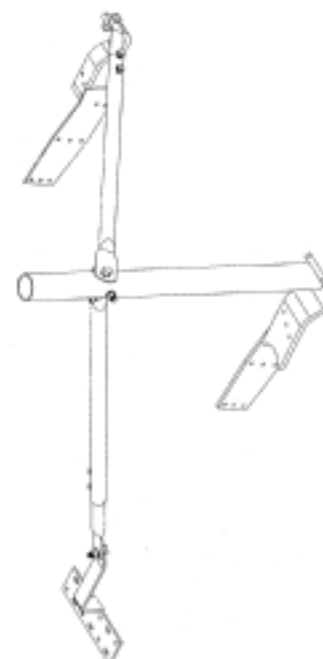
(57) Statement of Newness and Distinctiveness: **Nil**



- (21) Design Number: **14148/2014**  
(22) Date of Filing Application: **14 August 2014**  
(24) Date from which industrial property rights may have effect: **14 August 2014**  
(54) Product in respect of which the design is registered: **Portable freight strap winder**  
(51) International Design Classification: **12-16NES**  
(74) Name(s) of Attorney(s):  
(71) Name(s) and Address(s) of Applicant(s):  
**Albert Charles Manoni**  
**PO BOX 383 Albany WA 6331 Australia**  
(72) Name(s) of Designer(s): **Albert Charles Manoni**  
(45) Registration Date: **21 October 2014**  
(56) Related Art Documents: **Not Applicable**  
(57) Statement of Newness and Distinctiveness: **Easy to use - easy to attach (visual-neat and simple) with a slide up and lock on attachment makes it possible to use on most truck trailers.**



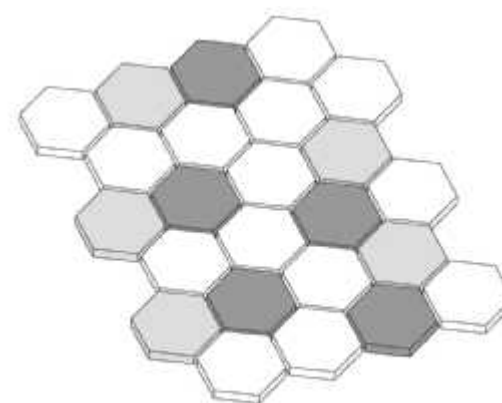
- (21) Design Number: **14261/2014**  
(22) Date of Filing Application: **28 August 2014**  
(24) Date from which industrial property rights may have effect: **28 August 2014**  
(54) Product in respect of which the design is registered: **Gutter mount for satellite dish or TV antenna.**  
(51) International Design Classification: **08-08NES**  
(74) Name(s) of Attorney(s):  
(71) Name(s) and Address(s) of Applicant(s):  
**Jian Min Tang**  
**37 Aitchison Av Ashburton VIC 3147**  
(72) Name(s) of Designer(s): **Jian Min Tang**  
(45) Registration Date: **21 October 2014**  
(56) Related Art Documents: **Not Applicable**  
(57) Statement of Newness and Distinctiveness: **New design of two leg tile roof gutter mount for satellite dish, TV antenna or other purpose, it is easy to carry and install compare to existing's on Australia market. in , it also can provide extra kit (optional) to support the dish or antenna more stronger if needed.**



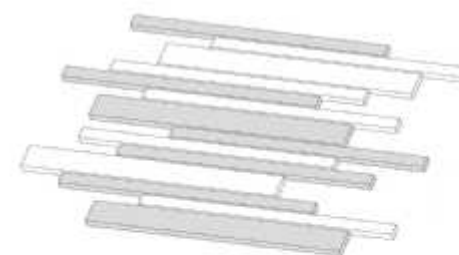
- (21) Design Number: **14613/2014**  
(22) Date of Filing Application: **11 September 2014**  
(24) Date from which industrial property rights may have effect: **11 September 2014**  
(54) Product in respect of which the design is registered: **Bed sheet**  
(51) International Design Classification: **06-13B**  
(74) Name(s) of Attorney(s):  
(71) Name(s) and Address(s) of Applicant(s):  
**Vicki Ronnell Brown**  
**1 Rainforest Sanctuary Dr Buderim QLD 4556 Australia**  
(72) Name(s) of Designer(s): **Vicki Ronnell Brown**  
(45) Registration Date: **21 October 2014**  
(56) Related Art Documents: **Not Applicable**  
(57) Statement of Newness and Distinctiveness: **My design is for the wording Top Left Corner to be embroidered on the top left corner of each fitted sheet so that making the bed is quicker and the embroidery is for the visually impaired.**



- (21) Design Number: **14706/2014**  
(22) Date of Filing Application: **16 September 2014**  
(24) Date from which industrial property rights may have effect: **16 September 2014**  
(54) Product in respect of which the design is registered: **A new composite tile design**  
(51) International Design Classification: **25-01F**  
(74) Name(s) of Attorney(s):  
(71) Name(s) and Address(s) of Applicant(s):  
**Everstone International Pty Limited**  
**20 Princes Rd E Auburn NSW 2144 Australia**  
(72) Name(s) of Designer(s): **John Zeng**  
(45) Registration Date: **21 October 2014**  
(56) Related Art Documents: **Not Applicable**  
(57) Statement of Newness and Distinctiveness: **Newness and distinctiveness is claimed in the design of a composite tile as shown in the attached representations.**



- (21) Design Number: **14708/2014**  
(22) Date of Filing Application: **16 September 2014**  
(24) Date from which industrial property rights may have effect: **16 September 2014**  
(54) Product in respect of which the design is registered: **A new composite tile design**  
(51) International Design Classification: **25-01F**  
(74) Name(s) of Attorney(s):  
(71) Name(s) and Address(s) of Applicant(s):  
**Everstone International Pty Limited**  
**20 Princes Rd E Auburn NSW 2144 Australia**  
(72) Name(s) of Designer(s): **John Zeng**  
(45) Registration Date: **21 October 2014**  
(56) Related Art Documents: **Not Applicable**  
(57) Statement of Newness and Distinctiveness: **Newness and distinctiveness is claimed in the design of a composite tile as shown in the attached representations.**



- (21) Design Number: **14738/2014**  
(22) Date of Filing Application: **17 September 2014**  
(24) Date from which industrial property rights may have effect: **17 September 2014**  
(54) Product in respect of which the design is registered: **Light bar for vehicles**  
(51) International Design Classification: **26-06**  
(74) Name(s) of Attorney(s):  
(71) Name(s) and Address(s) of Applicant(s):  
**ARB CORPORATION LIMITED**  
**42-44 Garden St Kilsyth VIC 3137 Australia**  
(72) Name(s) of Designer(s): **Gavin Smith**  
(45) Registration Date: **21 October 2014**  
(56) Related Art Documents: **Not Applicable**  
(57) Statement of Newness and Distinctiveness: **Newness and distinctiveness is claimed in the shape and configuration of a light bar for vehicles as shown in the representations**



- (21) Design Number: **14739/2014**  
(22) Date of Filing Application: **17 September 2014**  
(24) Date from which industrial property rights may have effect: **17 September 2014**  
(54) Product in respect of which the design is registered: **Light bar for vehicle**  
(51) International Design Classification: **26-06**  
(74) Name(s) of Attorney(s):  
(71) Name(s) and Address(s) of Applicant(s):  
**ARB CORPORATION LIMITED**  
**42-44 Garden St Kilsyth VIC 3137 Australia**  
(72) Name(s) of Designer(s): **Gavin Smith**  
(45) Registration Date: **21 October 2014**  
(56) Related Art Documents: **Not Applicable**  
(57) Statement of Newness and Distinctiveness: **Newness and distinctiveness is claimed in the shape and configuration of a light bar for vehicles as shown in the representations**



- (21) Design Number: **14806/2014**  
(22) Date of Filing Application: **20 September 2014**  
(24) Date from which industrial property rights may have effect: **20 September 2014**  
(54) Product in respect of which the design is registered: **Hi vis safety vests for motorbike riders**  
(51) International Design Classification: **02-02B**  
(74) Name(s) of Attorney(s):  
(71) Name(s) and Address(s) of Applicant(s):  
**Mercedez Lekka**  
**24 Dewar Cres Maddingley VIC 3340 Australia**  
(72) Name(s) of Designer(s): **Mercedez Lekka**  
(45) Registration Date: **21 October 2014**  
(56) Related Art Documents: **Not Applicable**  
(57) Statement of Newness and Distinctiveness: **The vest is a new product to the Australian Market designed on the request of VicRoads Authority to accommodate the new Law for Leaner Motorbike Riders as on the 1st October 2014, who will be required to wear hi visibility safety vests for day and night wear, the vest design meets the required safety standards for hi visibility materials used to suit the new Law. The vest has stretch panel fabrics, mesh lining, ykk zippers, fluorescent fabrics and retro reflective silver safety tapes applied as required by Australian, New Zealand and American Safety Standards for Hi Visibility vests worn on roads.**

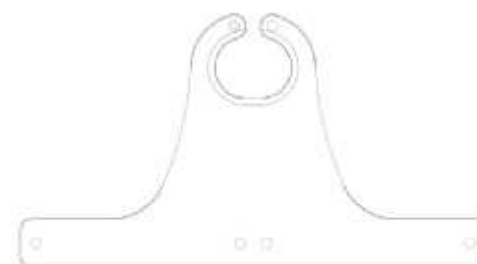




- (21) Design Number: **14808/2014**  
(22) Date of Filing Application: **20 September 2014**  
(24) Date from which industrial property rights may have effect: **20 September 2014**  
(54) Product in respect of which the design is registered: **Hi visibility safety vests for motorbike riders**  
(51) International Design Classification: **02-02B**  
(74) Name(s) of Attorney(s):  
(71) Name(s) and Address(s) of Applicant(s):  
**Mercedez Lekka**  
**24 Dewar Cres Maddingley VIC 3340 Australia**  
(72) Name(s) of Designer(s): **Mercedez Lekka**  
(45) Registration Date: **21 October 2014**  
(56) Related Art Documents: **Not Applicable**  
(57) Statement of Newness and Distinctiveness: **The vest is a new product to the Australian Market designed on the request of VicRoads Authority to accommodate the new Law for Leaner Motorbike Riders as on the 1st October 2014, who will be required to wear hi visibility safety vests for day and night wear, the vest design meets the required safety standards for hi visibility materials used to suit the new Law. The vest has stretch panel fabrics, mesh lining, ykk zippers, fluorescent fabrics and retro reflective silver safety tapes applied as required by Australian, New Zealand and American Safety Standards for Hi Visibility vests worn on roads.**



- (21) Design Number: **13544/2014**  
(22) Date of Filing Application: **18 July 2014**  
(24) Date from which industrial property rights may have effect: **18 July 2014**  
(54) Product in respect of which the design is registered: **Bib**  
(51) International Design Classification: **02-05**  
(74) Name(s) of Attorney(s): **Davies Collison Cave**  
(71) Name(s) and Address(s) of Applicant(s):  
**Buffering Pty Ltd**  
**C/- Davies Collison Cave L10 301 Coronation Dr Milton QLD 4064**  
**Australia**  
(72) Name(s) of Designer(s): **Steven James Garnett Butler and Madeleine Leigh Butler**  
(45) Registration Date: **21 October 2014**  
(56) Related Art Documents: **Not Applicable**  
(57) Statement of Newness and Distinctiveness: **Newness and distinctiveness is claimed in the shape and configuration of the bib as shown in the solid lines in the accompanying representations. In considering the extent of the design rights, the broken lines shown in the representations, which indicate examples of fasteners, are for illustrative purposes only and do not form part of the design.**





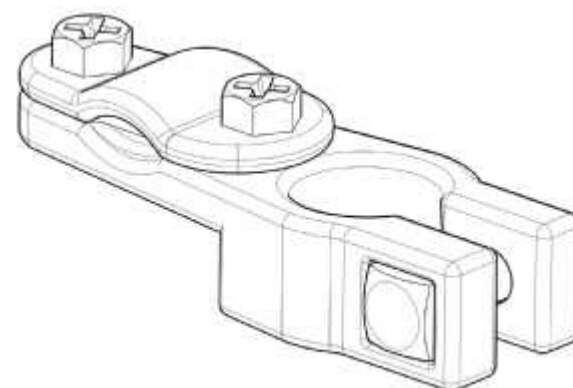
(21) Design Number: **14596/2014**  
(22) Date of Filing Application: **11 September 2014**  
(24) Date from which industrial property rights may have effect: **11 September 2014**  
(54) Product in respect of which the design is registered: **Construction conduit unit**  
(51) International Design Classification: **25-01NES**  
(74) Name(s) of Attorney(s): **Griffith Hack**  
(71) Name(s) and Address(s) of Applicant(s):  
**Joseph Steve Miskovich**  
**Suite 195 7600 Grand River Avenue Brighton MI 48114 United States of America**  
(72) Name(s) of Designer(s): **Joseph Steve Miskovich**  
(45) Registration Date: **21 October 2014**  
(30) Convention priority data:  
(31) Number (32) Date (33) Country  
**29/484,710 12 Mar 2014 UNITED STATES OF AMERICA**  
(56) Related Art Documents: **Not Applicable**  
(57) Statement of Newness and Distinctiveness: **Nil**



(21) Design Number: **15095/2014**  
(22) Date of Filing Application: **03 October 2014**  
(24) Date from which industrial property rights may have effect: **03 October 2014**  
(54) Product in respect of which the design is registered: **Electronic cigarette**  
(51) International Design Classification: **27-99**  
(74) Name(s) of Attorney(s): **Complete IP Pty Limited**  
(71) Name(s) and Address(s) of Applicant(s):  
**I-vention B.V.**  
**Schieweg 83 Delft Zuid-Holland, 2627 AT The Netherlands**  
(72) Name(s) of Designer(s): **Michel Johannes Hendrikus Schlarmann**  
(45) Registration Date: **21 October 2014**  
(30) Convention priority data:  
(31) Number (32) Date (33) Country  
**WIPO38495 29 Jul 2014 WORLD INTELLECTUAL PROPERTY ORGANIZATION (WIPO)**  
(56) Related Art Documents: **Not Applicable**  
(57) Statement of Newness and Distinctiveness: **Nil**



- (21) Design Number: **15117/2014**  
(22) Date of Filing Application: **06 October 2014**  
(24) Date from which industrial property rights may have effect: **06 October 2014**  
(54) Product in respect of which the design is registered: **Battery terminal connector**  
(51) International Design Classification: **13-03B**  
(74) Name(s) of Attorney(s): **Davies Collison Cave**  
(71) Name(s) and Address(s) of Applicant(s):  
**Anthony Mugavin**  
**191 Mortlake Rd Warrnambool VIC 3280 Australia**  
(72) Name(s) of Designer(s): **Anthony Mugavin**  
(45) Registration Date: **21 October 2014**  
(56) Related Art Documents: **Not Applicable**  
(57) Statement of Newness and Distinctiveness: **The shape and configuration of the battery terminal connector shown in the representations is new and distinctive. When considering the newness and distinctiveness of the design, the following parts do not form part of the design and are to be disregarded: CAD lines indicating surface contour (and not surface decoration).**



- (21) Design Number: **15161/2014**  
(22) Date of Filing Application: **09 October 2014**  
(24) Date from which industrial property rights may have effect: **09 October 2014**  
(54) Product in respect of which the design is registered: **Alloy wheel**  
(51) International Design Classification: **12-16A**  
(74) Name(s) of Attorney(s): **Ellis Terry**  
(71) Name(s) and Address(s) of Applicant(s):  
**ZHEJIANG GKO ALUMINIUM CO., LTD.**  
**Zhongbu Industrial Zone Luqiao Taizhou Zhejiang China**  
(72) Name(s) of Designer(s): **Shu-Lai Li and Hsin-Chun Wang and Jin-Fa Pu and Qi-Zhu Zhu**  
(45) Registration Date: **21 October 2014**  
(56) Related Art Documents: **Not Applicable**  
(57) Statement of Newness and Distinctiveness: **Nil**



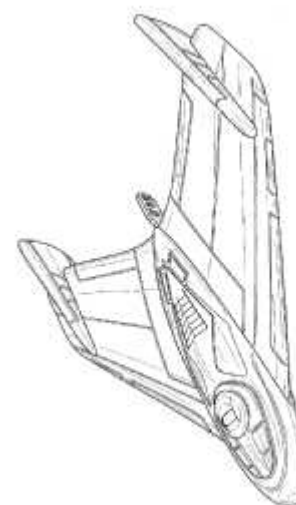
- (21) Design Number: **15162/2014**  
(22) Date of Filing Application: **09 October 2014**  
(24) Date from which industrial property rights may have effect: **09 October 2014**  
(54) Product in respect of which the design is registered: **Alloy wheel**  
(51) International Design Classification: **12-16A**  
(74) Name(s) of Attorney(s): **Ellis Terry**  
(71) Name(s) and Address(s) of Applicant(s):  
**ZHEJIANG GKO ALUMINIUM CO., LTD.**  
**Zhongbu Industrial Zone Luqiao Taizhou Zhejiang China**  
(72) Name(s) of Designer(s): **Shu-Lai Li and Hsin-Chun Wang and Jin-Fa Pu and Qi-Zhu Zhu**  
(45) Registration Date: **21 October 2014**  
(56) Related Art Documents: **Not Applicable**  
(57) Statement of Newness and Distinctiveness: **Nil**



- (21) Design Number: **15163/2014**  
(22) Date of Filing Application: **09 October 2014**  
(24) Date from which industrial property rights may have effect: **09 October 2014**  
(54) Product in respect of which the design is registered: **Alloy wheel**  
(51) International Design Classification: **12-16A**  
(74) Name(s) of Attorney(s): **Ellis Terry**  
(71) Name(s) and Address(s) of Applicant(s):  
**ZHEJIANG GKO ALUMINIUM CO., LTD.**  
**Zhongbu Industrial Zone Luqiao Taizhou Zhejiang China**  
(72) Name(s) of Designer(s): **Shu-Lai Li and Hsin-Chun Wang and Jin-Fa Pu and Qi-Zhu Zhu**  
(45) Registration Date: **21 October 2014**  
(56) Related Art Documents: **Not Applicable**  
(57) Statement of Newness and Distinctiveness: **Nil**



(21) Design Number: **15167/2014**  
(22) Date of Filing Application: **09 October 2014**  
(24) Date from which industrial property rights may have effect: **09 October 2014**  
(54) Product in respect of which the design is registered: **Swept wing airplane projectile**  
(51) International Design Classification: **21-01C**  
(74) Name(s) of Attorney(s): **Fisher Adams Kelly Pty Ltd**  
(71) Name(s) and Address(s) of Applicant(s):  
**KMA Concepts Limited**  
**Suite 1003 Silvercord Tower 1 30 Canton Road Tsim Sha Tsui**  
**KOWLOON Hong Kong**  
(72) Name(s) of Designer(s): **Peter Cummings**  
(45) Registration Date: **21 October 2014**  
(30) Convention priority data:  
(31) Number (32) Date (33) Country  
**29/489404 29 Apr 2014 UNITED STATES OF AMERICA**  
(56) Related Art Documents: **Not Applicable**  
(57) Statement of Newness and Distinctiveness: **The newness and distinctiveness of the design resides in the shape and/or configuration of the Swept Wing Airplane Projectile shown in the representations.**



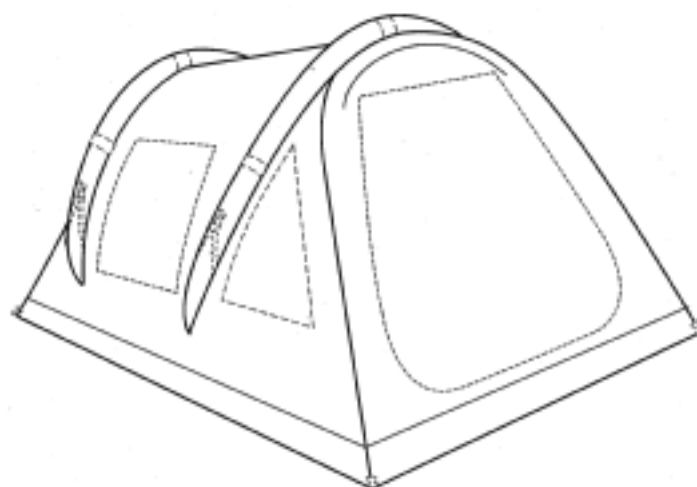
(21) Design Number: **15168/2014**  
(22) Date of Filing Application: **09 October 2014**  
(24) Date from which industrial property rights may have effect: **09 October 2014**  
(54) Product in respect of which the design is registered: **Elastic band toy launcher with bow configuration**  
(51) International Design Classification: **21-01H**  
(74) Name(s) of Attorney(s): **Fisher Adams Kelly Pty Ltd**  
(71) Name(s) and Address(s) of Applicant(s):  
**KMA Concepts Limited**  
**Suite 1003 Silvercord Tower 1 30 Canton Road Tsim Sha Tsui**  
**KOWLOON Hong Kong**  
(72) Name(s) of Designer(s): **Peter Cummings**  
(45) Registration Date: **21 October 2014**  
(30) Convention priority data:  
(31) Number (32) Date (33) Country  
**29/489626 01 May 2014 UNITED STATES OF AMERICA**  
(56) Related Art Documents: **Not Applicable**  
(57) Statement of Newness and Distinctiveness: **The newness and distinctiveness of the design resides in the shape and/or configuration of the Elastic Band Toy Launcher with Bow Configuration shown in the representations.**



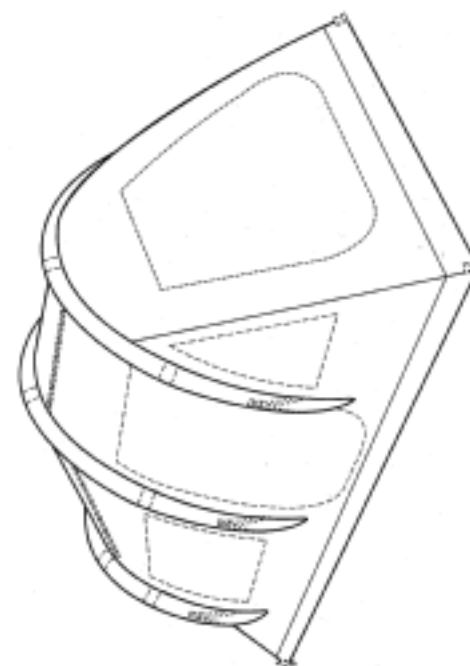
- (21) Design Number: **13218/2014**  
(22) Date of Filing Application: **01 July 2014**  
(24) Date from which industrial property rights may have effect: **01 July 2014**  
(54) Product in respect of which the design is registered: **Cigarette lighter case**  
(51) International Design Classification: **27-99**  
(74) Name(s) of Attorney(s):  
(71) Name(s) and Address(s) of Applicant(s):  
**Trio Brothers Trading Pty Ltd**  
**18 Beal St Meadowbrook QLD 4131 Australia**  
(72) Name(s) of Designer(s): **Jack Qin**  
(45) Registration Date: **21 October 2014**  
(56) Related Art Documents: **Not Applicable**  
(57) Statement of Newness and Distinctiveness: **Indented body design suitable for any material that gives the case different look such as leather look or animal skin look etc. Ring on the said for lanyards or lighter leash. Holes for pushing lighter out once run out of fuel.**



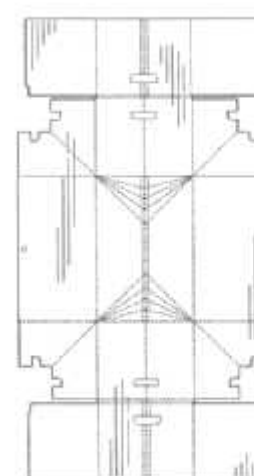
- (21) Design Number: **13331/2014**  
(22) Date of Filing Application: **09 July 2014**  
(24) Date from which industrial property rights may have effect: **09 July 2014**  
(54) Product in respect of which the design is registered: **A tent**  
(51) International Design Classification: **21-04**  
(74) Name(s) of Attorney(s): **AJ Park**  
(71) Name(s) and Address(s) of Applicant(s):  
**Charles Parsons (Holdings) Pty Limited**  
**191-193 Cleveland St Redfern NSW 2016 Australia**  
(72) Name(s) of Designer(s): **Lee Alan Spouse and Salvatore Anthony Rizza**  
(45) Registration Date: **21 October 2014**  
(56) Related Art Documents: **Not Applicable**  
(57) Statement of Newness and Distinctiveness: **Newness and distinctiveness reside in the features of shape and/or configuration of the tent as shown in the representations, the features shown in broken lines form no part of the claimed design.**



- (21) Design Number: **13332/2014**  
(22) Date of Filing Application: **09 July 2014**  
(24) Date from which industrial property rights may have effect: **09 July 2014**  
(54) Product in respect of which the design is registered: **A tent**  
(51) International Design Classification: **21-04**  
(74) Name(s) of Attorney(s): **AJ Park**  
(71) Name(s) and Address(s) of Applicant(s):  
**Charles Parsons (Holdings) Pty Limited**  
**191-193 Cleveland St Redfern NSW 2016 Australia**  
(72) Name(s) of Designer(s): **Lee Alan Spouse and Salvatore Anthony Rizza**  
(45) Registration Date: **21 October 2014**  
(56) Related Art Documents: **Not Applicable**  
(57) Statement of Newness and Distinctiveness: **Newness and distinctiveness reside in the features of shape and/or configuration of the tent as shown in the representations, the features shown in broken lines form no part of the claimed design.**



- (21) Design Number: **13356/2014**  
(22) Date of Filing Application: **10 July 2014**  
(24) Date from which industrial property rights may have effect: **10 July 2014**  
(54) Product in respect of which the design is registered: **Packaging blank**  
(51) International Design Classification: **09-03NES**  
(74) Name(s) of Attorney(s): **IP Gateway Patent & Trademark Attorneys Pty Ltd**  
(71) Name(s) and Address(s) of Applicant(s):  
**Medline Industries, INC.**  
**One Medline Place Mundelein Illinois, 60060 United States of America**  
(72) Name(s) of Designer(s): **Alan Genender and Yogesh Wadhera**  
(45) Registration Date: **21 October 2014**  
(30) Convention priority data:  
(31) Number      (32) Date      (33) Country  
**29/479,057      10 Jan 2014      UNITED STATES OF AMERICA**  
(56) Related Art Documents: **Not Applicable**  
(57) Statement of Newness and Distinctiveness: **Newness and distinctiveness reside in the shape and configuration of the product as shown in the accompanying representations. The broken lines with longer dashes in the representations represent fold lines and do form part of the design: this use of broken lines should not be taken as indicating that the features so represented are excluded from what is stated to be new and distinctive. The broken lines with shorter dashes in the representations indicate features which are included for environmental purposes only and these features do not form part of the design. The light weight shade lines are used to show that the surface is substantially planar and should not be interpreted as surface ornamentation.**





(21) Design Number: **13956/2014**  
(22) Date of Filing Application: **12 August 2014**  
(24) Date from which industrial property rights may have effect: **12 August 2014**  
(54) Product in respect of which the design is registered: **Combined stator and rotor**  
(51) International Design Classification: **13-01**  
(74) Name(s) of Attorney(s): **Baldwins**  
(71) Name(s) and Address(s) of Applicant(s):  
**Victory Industrial Corporation**  
**No. 20 Lane 421 Fude 1st Road Xizhi District New Taipei City 22149**  
**Taiwan**  
(72) Name(s) of Designer(s): **Chun-Yuan Wang and Ming-Laang Liou**  
(45) Registration Date: **21 October 2014**  
(30) Convention priority data:  
(31) Number (32) Date (33) Country  
**103303886 01 Jul 2014 TAIWAN**  
(56) Related Art Documents: **Not Applicable**  
(57) Statement of Newness and Distinctiveness: **Newness and distinctiveness is claimed in the features of shape and/or configuration of the article as shown in the accompanying representations.**



(21) Design Number: **13957/2014**  
(22) Date of Filing Application: **12 August 2014**  
(24) Date from which industrial property rights may have effect: **12 August 2014**  
(54) Product in respect of which the design is registered: **Stator**  
(51) International Design Classification: **13-01**  
(74) Name(s) of Attorney(s): **Baldwins**  
(71) Name(s) and Address(s) of Applicant(s):  
**Victory Industrial Corporation**  
**No. 20 Lane 421 Fude 1st Road Xizhi District New Taipei City 22149**  
**Taiwan**  
(72) Name(s) of Designer(s): **Chun-Yuan Wang and Ming-Laang Liou**  
(45) Registration Date: **21 October 2014**  
(30) Convention priority data:  
(31) Number (32) Date (33) Country  
**103303885 01 Jul 2014 TAIWAN**  
(56) Related Art Documents: **Not Applicable**  
(57) Statement of Newness and Distinctiveness: **Newness and distinctiveness is claimed in the features of shape and/or configuration of the article as shown in the accompanying representations.**

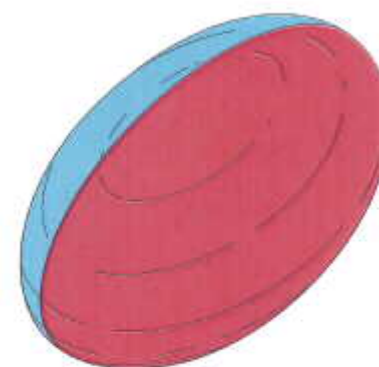




(21) Design Number: **13960/2014**  
(22) Date of Filing Application: **12 August 2014**  
(24) Date from which industrial property rights may have effect: **12 August 2014**  
(54) Product in respect of which the design is registered: **Human transporter**  
(51) International Design Classification: **12-14**  
(74) Name(s) of Attorney(s): **Davies Collison Cave**  
(71) Name(s) and Address(s) of Applicant(s):  
**Segway Inc.**  
**14 Technology Drive Bedford New Hampshire, 03110 United States of America**  
(72) Name(s) of Designer(s): **Brendan Collins and Joseph A. Hoell Jr and Michael Casey and Robert M. Bowman**  
(45) Registration Date: **21 October 2014**  
(30) Convention priority data:  
(31) Number (32) Date (33) Country  
**29/481973 12 Feb 2014 UNITED STATES OF AMERICA**  
(56) Related Art Documents: **Not Applicable**  
(57) Statement of Newness and Distinctiveness: **Newness and distinctiveness is claimed in the visual features shown in solid lines in the representations.**



(21) Design Number: **14263/2014**  
(22) Date of Filing Application: **28 August 2014**  
(24) Date from which industrial property rights may have effect: **28 August 2014**  
(54) Product in respect of which the design is registered: **Pharmaceutical capsule**  
(51) International Design Classification: **28-01**  
(74) Name(s) of Attorney(s): **Pizzey's**  
(71) Name(s) and Address(s) of Applicant(s):  
**InFirst Healthcare Limited**  
**Central Point 45 Beech Street London EC2Y 8AD United Kingdom**  
(72) Name(s) of Designer(s): **Manfred Scheske**  
(45) Registration Date: **21 October 2014**  
(30) Convention priority data:  
(31) Number (32) Date (33) Country  
**002522482 20 Aug 2014 OFFICE FOR HARMONISATION IN THE INTERNAL MARKET (OHIM)**  
(56) Related Art Documents: **Not Applicable**  
(57) Statement of Newness and Distinctiveness: **Nil**



(21) Design Number: **14685/2014**  
(22) Date of Filing Application: **15 September 2014**  
(24) Date from which industrial property rights may have effect: **15 September 2014**  
(54) Product in respect of which the design is registered: **Boat berthing aid**  
(51) International Design Classification: **12-06NES**  
(74) Name(s) of Attorney(s):  
(71) Name(s) and Address(s) of Applicant(s):

**Douglas Courtney Inall**  
**PO BOX 385 Sandgate QLD 4017 Australia**

(72) Name(s) of Designer(s): **Douglas Courtney Inall**

(45) Registration Date: **21 October 2014**

(56) Related Art Documents: **Not Applicable**

(57) Statement of Newness and Distinctiveness: **Rope thimbles have been in use for several hundred years, my device makes use of the thimble in such a way that it becomes a means of passing a noose of rope over a mooring cleat, bollard, pile or floating mooring buoy. Eliminating the usual need for a person to jump on to a marina pontoon or a jetty or similar docking facility, reducing the chance of injury or even missing and falling in the water. The use of a long handle enables the capture of a cleat or bollard at a reasonable distance from the vessel, avoiding the chance of damaging the vessel due to an un-handly operator, in all the years that we have had rope thimbles this is the first time the thimble has been made use of in this fashion and this purpose.**



(21) Design Number: **14743/2014**  
(22) Date of Filing Application: **17 September 2014**  
(24) Date from which industrial property rights may have effect: **17 September 2014**  
(54) Product in respect of which the design is registered: **Wheel**  
(51) International Design Classification: **12-16A**  
(74) Name(s) of Attorney(s): **Allens Patent & Trade Mark Attorneys**  
(71) Name(s) and Address(s) of Applicant(s):

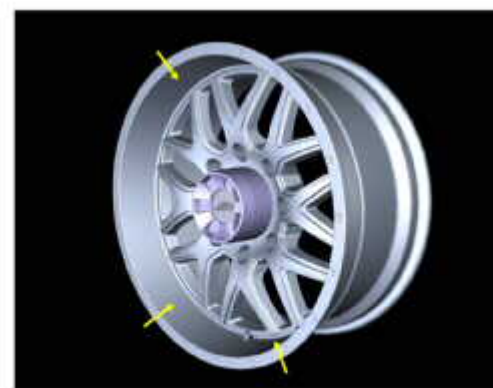
**Wheel Pros, LLC**  
**44 Union Blvd Suite 620S Lakewood CO 80228 United States of America**

(72) Name(s) of Designer(s): **Suny Chung**

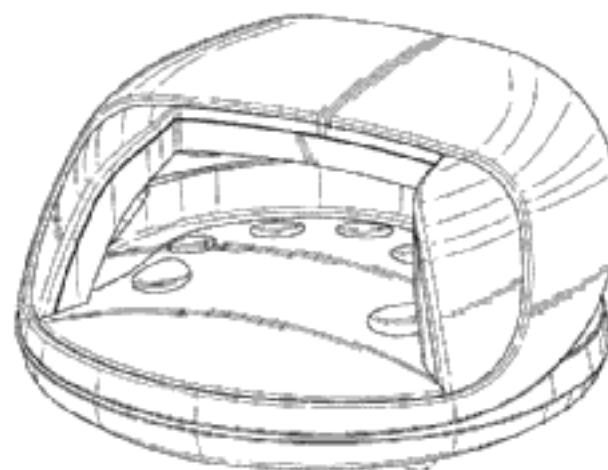
(45) Registration Date: **21 October 2014**

(56) Related Art Documents: **Not Applicable**

(57) Statement of Newness and Distinctiveness: **Newness and distinctiveness resides in the visual features of shape and/or configuration of a front portion of a wheel as illustrated in the accompanying representations. The front portion of the wheel shown in the perspective view, which includes the spokes of the wheel, is denoted by the arrows. The shape and/or configuration of the logo in the centre of the wheel does not form part of the design, and is to be disregarded in considering whether the design is identical or substantially similar in overall impression to another design.**



- (21) Design Number: **15064/2014**  
(22) Date of Filing Application: **02 October 2014**  
(24) Date from which industrial property rights may have effect: **02 October 2014**  
(54) Product in respect of which the design is registered: **Nail lamp**  
(51) International Design Classification: **26-05NES**  
(74) Name(s) of Attorney(s): **SPRUSON & FERGUSON**  
(71) Name(s) and Address(s) of Applicant(s):  
**Revlon Consumer Products Corporation**  
**1 New York Plaza, New York New York, 10004 United States of America**  
(72) Name(s) of Designer(s): **Thong Wu and David Valia and Daniel Moore and Juan Luis Heredia Ferrer and Sergio Garcia Panos and Carlos Tarres Hernan and Guido Charosky and Ignacio Rocchetti and Diane M Larson**  
(45) Registration Date: **21 October 2014**  
(56) Related Art Documents: **Not Applicable**  
(57) Statement of Newness and Distinctiveness: **Newness and distinctiveness is claimed in the features of shape and/or configuration of a nail lamp as illustrated in the accompanying representations, in which particular regard is to be given to features illustrated in continuous lines and lesser regard is to be given to features illustrated in broken lines.**

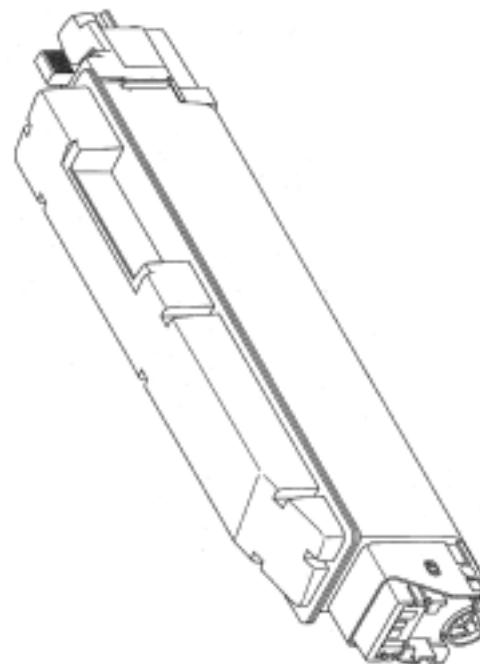


- (21) Design Number: **15066/2014**  
(22) Date of Filing Application: **02 October 2014**  
(24) Date from which industrial property rights may have effect: **02 October 2014**  
(54) Product in respect of which the design is registered: **Bottle**  
(51) International Design Classification: **09-01NES**  
(74) Name(s) of Attorney(s): **FB Rice**  
(71) Name(s) and Address(s) of Applicant(s):  
**SAVERGLASS**  
**3 rue de la Gare Feuquieres 60960 France**  
(72) Name(s) of Designer(s): **Regis Maillet and Christophe Blond**  
(45) Registration Date: **21 October 2014**  
(30) Convention priority data:  
(31) Number (32) Date (33) Country  
**002500165-0001 10 Jul 2014 OFFICE FOR HARMONISATION IN THE INTERNAL MARKET (OHIM)**



- (56) Related Art Documents: **Not Applicable**  
(57) Statement of Newness and Distinctiveness: **Newness and distinctiveness reside in the features of the bottle shown in solid lines in the representations, excluding those features shown in dashed lines, and in particular in the short bottle having a quadrilateral section, the front surface, rear face and side faces being flat and of the same width, and in the neck protruding upwardly from the upper part of the body, and joining the upper surface at a radiussed curve, the upper surface including a pair of symmetrical rounded areas joining the front and rear faces, having lateral straight ribs which extend towards the bottom of the bottle and merge into the base through symmetrical horizontal edges, and a pair of symmetrical horizontal edges joining the side faces, having lateral straight ribs which extend towards the bottom and merge into the base, through symmetrical rounding areas.**

(21) Design Number: **15121/2014**  
(22) Date of Filing Application: **07 October 2014**  
(24) Date from which industrial property rights may have effect: **07 October 2014**  
(54) Product in respect of which the design is registered: **Toner cartridge**  
(51) International Design Classification: **14-02**  
(74) Name(s) of Attorney(s): **PIZZEYS**  
(71) Name(s) and Address(s) of Applicant(s):  
**KYOCERA Document Solutions Inc.**  
**1-2-28 Tamatsukuri Chuo-ku Osaka-shi Osaka 540-8585 Japan**  
(72) Name(s) of Designer(s): **Hiroaki Kitagawa and Takashi Morita**  
(45) Registration Date: **21 October 2014**  
(30) Convention priority data:  
(31) Number (32) Date (33) Country  
**2014-007887 10 Apr 2014 JAPAN**  
(56) Related Art Documents: **Not Applicable**  
(57) Statement of Newness and Distinctiveness: **Nil**



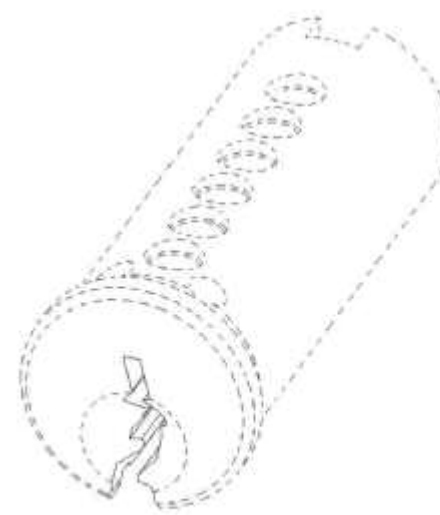
(21) Design Number: **15241/2014**  
(22) Date of Filing Application: **14 October 2014**  
(24) Date from which industrial property rights may have effect: **14 October 2014**  
(54) Product in respect of which the design is registered: **Combined stator and rotor**  
(51) International Design Classification: **13-01**  
(74) Name(s) of Attorney(s): **Baldwins**  
(71) Name(s) and Address(s) of Applicant(s):  
**Victory Industrial Corporation**  
**No. 20 Lane 421 Fude 1st Road Xizhi District New Taipei City 22149 Taiwan**  
(72) Name(s) of Designer(s): **Chun-Yuan Wang and Ming-Laang Liou**  
(45) Registration Date: **21 October 2014**  
(30) Convention priority data:  
(31) Number (32) Date (33) Country  
**103303886 01 Jul 2014 TAIWAN**  
(56) Related Art Documents: **Not Applicable**  
(57) Statement of Newness and Distinctiveness: **Newness and distinctiveness is claimed in the features of shape and/or configuration of the article as shown in the accompanying representations.**



(21) Design Number: **15242/2014**  
(22) Date of Filing Application: **14 October 2014**  
(24) Date from which industrial property rights may have effect: **14 October 2014**  
(54) Product in respect of which the design is registered: **Stator**  
(51) International Design Classification: **13-01**  
(74) Name(s) of Attorney(s): **Baldwins**  
(71) Name(s) and Address(s) of Applicant(s):  
**Victory Industrial Corporation**  
**No. 20 Lane 421 Fude 1st Road Xizhi District New Taipei City 22149**  
**Taiwan**  
(72) Name(s) of Designer(s): **Chun-Yuan Wang and Ming-Laang Liou**  
(45) Registration Date: **21 October 2014**  
(30) Convention priority data:  
(31) Number (32) Date (33) Country  
**103303885 01 Jul 2014 TAIWAN**  
(56) Related Art Documents: **Not Applicable**  
(57) Statement of Newness and Distinctiveness: **Newness and distinctiveness is claimed in the features of shape and/or configuration of the article as shown in the accompanying representations.**

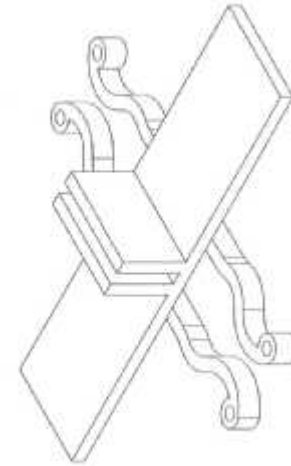


(21) Design Number: **13334/2014**  
(22) Date of Filing Application: **09 July 2014**  
(24) Date from which industrial property rights may have effect: **09 July 2014**  
(54) Product in respect of which the design is registered: **Lock barrel**  
(51) International Design Classification: **08-07**  
(74) Name(s) of Attorney(s): **Wrays**  
(71) Name(s) and Address(s) of Applicant(s):  
**Centurion International Imports Pty Ltd**  
**U2/115 Excellence Dr Wangara WA 6065 Australia**  
(72) Name(s) of Designer(s): **Tienkao Liu**  
(45) Registration Date: **22 October 2014**  
(56) Related Art Documents: **Not Applicable**  
(57) Statement of Newness and Distinctiveness: **Monopoly is claimed in respect of the cross-sectional shape of the keyway of a lock barrel as depicted in the accompanying representations. The length and other external features of the body of the barrel as shown in broken line in the accompanying representations are to be disregarded for the purpose of determining the scope of the monopoly protection.**





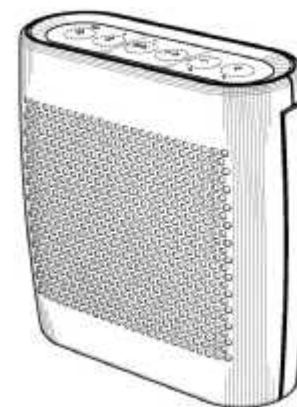
- (21) Design Number: **14149/2014**  
(22) Date of Filing Application: **21 August 2014**  
(24) Date from which industrial property rights may have effect: **21 August 2014**  
(54) Product in respect of which the design is registered: **A weapon sight**  
(51) International Design Classification: **22-01**  
(74) Name(s) of Attorney(s): **PHILLIPS ORMONDE FITZPATRICK**  
(71) Name(s) and Address(s) of Applicant(s):  
**John Patrick Monaghan**  
**5 Brookside Rd Athelstone SA 5076 Australia**  
(72) Name(s) of Designer(s): **John Patrick Monaghan and Nicholas Barson Mebberson**  
(45) Registration Date: **22 October 2014**  
(56) Related Art Documents: **Not Applicable**  
(57) Statement of Newness and Distinctiveness: **Nil**



- (21) Design Number: **15172/2014**  
(22) Date of Filing Application: **09 October 2014**  
(24) Date from which industrial property rights may have effect: **09 October 2014**  
(54) Product in respect of which the design is registered: **Air intake snorkel for a vehicle**  
(51) International Design Classification: **12-16NES**  
(74) Name(s) of Attorney(s): **HODGKINSON McINNES PATENTS**  
(71) Name(s) and Address(s) of Applicant(s):  
**Australian Performance Development Pty Ltd**  
**73 Merrindale Dr South Croydon VIC 3136 Australia**  
(72) Name(s) of Designer(s): **Andrew Berry**  
(45) Registration Date: **22 October 2014**  
(56) Related Art Documents: **Not Applicable**  
(57) Statement of Newness and Distinctiveness: **Newness and distinctiveness is claimed in the shape and configuration of an Air Intake Snorkel for a Vehicle as shown in the representations.**

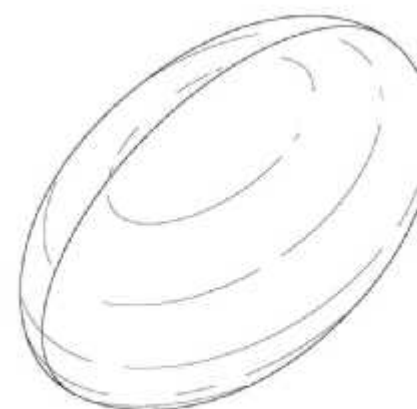


(21) Design Number: **15174/2014**  
(22) Date of Filing Application: **09 October 2014**  
(24) Date from which industrial property rights may have effect: **09 October 2014**  
(54) Product in respect of which the design is registered: **Portable audio system**  
(51) International Design Classification: **14-01**  
(74) Name(s) of Attorney(s): **PHILLIPS ORMONDE FITZPATRICK**  
(71) Name(s) and Address(s) of Applicant(s):  
**Bose Corporation**  
**The Mountain, MS 3B1 Framingham Massachusetts, 01701-9168 United States of America**



(72) Name(s) of Designer(s): **Seth N Green**  
(45) Registration Date: **22 October 2014**  
(30) Convention priority data:  
(31) Number      (32) Date      (33) Country  
**29/495,361      30 Jun 2014      UNITED STATES OF AMERICA**  
(56) Related Art Documents: **Not Applicable**  
(57) Statement of Newness and Distinctiveness: **Those features of the portable audio system depicted in the representations that are new and distinctive are the shape and/or configuration. The features shown in dotted lines represent environmental structure only and form no part of the claimed design. The numbers, words and symbols shown in broken lines are not part of the design and are to be disregarded when considering the overall impression of the design.**

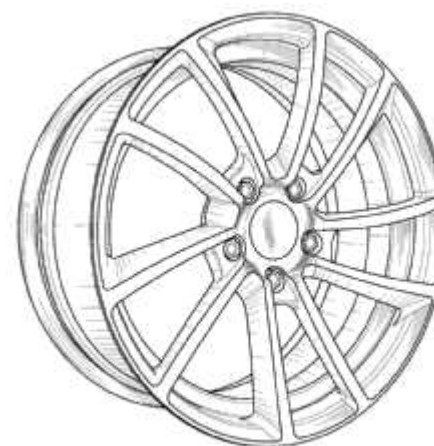
(21) Design Number: **15175/2014**  
(22) Date of Filing Application: **09 October 2014**  
(24) Date from which industrial property rights may have effect: **28 August 2014**  
(54) Product in respect of which the design is registered: **Pharmaceutical capsule**  
(51) International Design Classification: **28-01**  
(74) Name(s) of Attorney(s): **Pizzeys**  
(71) Name(s) and Address(s) of Applicant(s):  
**InFirst Healthcare Limited**  
**Central Point 45 Beech Street London EC2Y 8AD United Kingdom**



(72) Name(s) of Designer(s): **Manfred Scheske**  
(45) Registration Date: **22 October 2014**  
(30) Convention priority data:  
(31) Number      (32) Date      (33) Country  
**002522482      20 Aug 2014      OFFICE FOR HARMONISATION IN THE INTERNAL MARKET (OHIM)**  
(62) Divisional of: **358377**  
(56) Related Art Documents: **Not Applicable**  
(57) Statement of Newness and Distinctiveness: **Nil**



(21) Design Number: **15177/2014**  
(22) Date of Filing Application: **09 October 2014**  
(24) Date from which industrial property rights may have effect: **09 October 2014**  
(54) Product in respect of which the design is registered: **Wheel**  
(51) International Design Classification: **12-16A**  
(74) Name(s) of Attorney(s): **Allens Patent & Trade Mark Attorneys**  
(71) Name(s) and Address(s) of Applicant(s):  
**Wheel Pros, LLC**  
**44 Union Blvd Suite 620S Lakewood CO 80228 United States of America**  
(72) Name(s) of Designer(s): **Yee Wan Kong**  
(45) Registration Date: **22 October 2014**  
(30) Convention priority data:  
(31) Number (32) Date (33) Country  
**29/504,355 05 Oct 2014 UNITED STATES OF AMERICA**  
(56) Related Art Documents: **Not Applicable**  
(57) Statement of Newness and Distinctiveness: **Newness and distinctiveness resides in the visual features of shape and/or configuration of a wheel as illustrated in the accompanying representations.**



(21) Design Number: **15178/2014**  
(22) Date of Filing Application: **10 October 2014**  
(24) Date from which industrial property rights may have effect: **10 October 2014**  
(54) Product in respect of which the design is registered: **Clothing line stand**  
(51) International Design Classification: **07-05D**  
(74) Name(s) of Attorney(s):  
(71) Name(s) and Address(s) of Applicant(s):  
**Fulcrum Designs Pty Ltd**  
**32 Angler Way Sorrento WA 6020 Australia**  
(72) Name(s) of Designer(s): **David Michael Jessett**  
(45) Registration Date: **22 October 2014**  
(56) Related Art Documents: **Not Applicable**  
(57) Statement of Newness and Distinctiveness: **The newness and distinctiveness of the design resides in the shape and/or configuration of the clothing line stand as shown in the accompanying representations.**



(21) Design Number: **15179/2014**  
(22) Date of Filing Application: **10 October 2014**  
(24) Date from which industrial property rights may have effect: **10 October 2014**  
(54) Product in respect of which the design is registered: **Fill pouch assembly for encapsulation device**  
(51) International Design Classification: **24-01**  
(74) Name(s) of Attorney(s): **PIZZEYS**  
(71) Name(s) and Address(s) of Applicant(s):  
**ViaCyte, Inc.**  
**3550 General Atomics Court San Diego CA 92121 United States of America**  
(72) Name(s) of Designer(s): **Erik Olson and Michael Scott and Donald Koenig**  
(45) Registration Date: **22 October 2014**  
(30) Convention priority data:  
(31) Number (32) Date (33) Country  
**29/488,217 16 Apr 2014 UNITED STATES OF AMERICA**  
(56) Related Art Documents: **Not Applicable**  
(57) Statement of Newness and Distinctiveness: **Nil**



(21) Design Number: **15180/2014**  
(22) Date of Filing Application: **10 October 2014**  
(24) Date from which industrial property rights may have effect: **10 October 2014**  
(54) Product in respect of which the design is registered: **Sizing tool for an encapsulation device**  
(51) International Design Classification: **24-01**  
(74) Name(s) of Attorney(s): **PIZZEYS**  
(71) Name(s) and Address(s) of Applicant(s):  
**ViaCyte, Inc.**  
**3550 General Atomics Court San Diego CA 92121 United States of America**  
(72) Name(s) of Designer(s): **Vincent So and Michael Scott and Gustavo Prado**  
(45) Registration Date: **22 October 2014**  
(30) Convention priority data:  
(31) Number (32) Date (33) Country  
**29/488,191 16 Apr 2014 UNITED STATES OF AMERICA**  
(56) Related Art Documents: **Not Applicable**  
(57) Statement of Newness and Distinctiveness: **Nil**



- (21) Design Number: **15181/2014**  
(22) Date of Filing Application: **10 October 2014**  
(24) Date from which industrial property rights may have effect: **10 October 2014**  
(54) Product in respect of which the design is registered: **Deployment tool for an encapsulation device**  
(51) International Design Classification: **24-01**  
(74) Name(s) of Attorney(s): **PIZZEYS**  
(71) Name(s) and Address(s) of Applicant(s):  
**ViaCyte, Inc.**  
**3550 General Atomics Court San Diego CA 92121 United States of America**  
(72) Name(s) of Designer(s): **Vincent So and Michael Scott and Chad Green and Gustavo Prado and Laura Martinson**  
(45) Registration Date: **22 October 2014**  
(30) Convention priority data:  
(31) Number (32) Date (33) Country  
**29/488,204 16 Apr 2014 UNITED STATES OF AMERICA**  
(56) Related Art Documents: **Not Applicable**  
(57) Statement of Newness and Distinctiveness: **Nil**



- (21) Design Number: **15182/2014**  
(22) Date of Filing Application: **10 October 2014**  
(24) Date from which industrial property rights may have effect: **08 July 2014**  
(54) Product in respect of which the design is registered: **A clamp component**  
(51) International Design Classification: **08-08NES**  
(74) Name(s) of Attorney(s): **Ahearn Fox**  
(71) Name(s) and Address(s) of Applicant(s):  
**Shane Robert Miles**  
**43 Harrington St Arundel QLD 4214 Australia**  
(72) Name(s) of Designer(s): **Shane Robert Miles**  
(45) Registration Date: **22 October 2014**  
(62) Divisional of: **358342**  
(56) Related Art Documents: **Not Applicable**  
(57) Statement of Newness and Distinctiveness: **Newness and distinctiveness reside in the features of shape and configuration of the component as shown in the accompanying photographs.**



(21) Design Number: **15183/2014**  
(22) Date of Filing Application: **10 October 2014**  
(24) Date from which industrial property rights may have effect: **08 July 2014**  
(54) Product in respect of which the design is registered: **A clamp component**  
(51) International Design Classification: **08-08NES**  
(74) Name(s) of Attorney(s): **Ahearn Fox**  
(71) Name(s) and Address(s) of Applicant(s):  
**Shane Robert Miles**  
**43 Harrington St Arundel QLD 4214 Australia**  
(72) Name(s) of Designer(s): **Shane Robert Miles**  
(45) Registration Date: **22 October 2014**  
(62) Divisional of: **358342**  
(56) Related Art Documents: **Not Applicable**  
(57) Statement of Newness and Distinctiveness: **Newness and distinctiveness reside in the features of shape and configuration of the component as shown in the accompanying photographs.**



(21) Design Number: **15184/2014**  
(22) Date of Filing Application: **10 October 2014**  
(24) Date from which industrial property rights may have effect: **10 October 2014**  
(54) Product in respect of which the design is registered: **Tire**  
(51) International Design Classification: **12-15B**  
(74) Name(s) of Attorney(s): **Collison & Co**  
(71) Name(s) and Address(s) of Applicant(s):  
**Atturo Tire Corp.**  
**P.O. Box 302 Lake Villa Illinois 60046 United States of America**  
(72) Name(s) of Designer(s): **Michael Mathis**  
(45) Registration Date: **22 October 2014**  
(30) Convention priority data:  
(31) Number      (32) Date      (33) Country  
**29/490,199      07 May 2014      UNITED STATES OF AMERICA**  
(56) Related Art Documents: **Not Applicable**  
(57) Statement of Newness and Distinctiveness: **Newness and distinctiveness resides in the shape and/or configuration of the tread of the tire as illustrated in the accompanying representations but excluding the features shown in broken lines, which are shown for illustrative purposes only and form no part of the design.**



(21) Design Number: **15185/2014**  
(22) Date of Filing Application: **10 October 2014**  
(24) Date from which industrial property rights may have effect: **10 October 2014**  
(54) Product in respect of which the design is registered: **Tire**  
(51) International Design Classification: **12-15B**  
(74) Name(s) of Attorney(s): **Collison & Co**  
(71) Name(s) and Address(s) of Applicant(s):

**Atturo Tire Corp.**  
**P.O. Box 302 Lake Villa Illinois 60046 United States of America**

(72) Name(s) of Designer(s): **Michael Mathis**

(45) Registration Date: **22 October 2014**

(30) Convention priority data:

(31) Number	(32) Date	(33) Country
<b>29/490,203</b>	<b>07 May 2014</b>	<b>UNITED STATES OF AMERICA</b>

(56) Related Art Documents: **Not Applicable**

(57) Statement of Newness and Distinctiveness: **Newness and distinctiveness resides in the shape and/or configuration of the tread of the tire as illustrated in the accompanying representations but excluding the features shown in broken lines, which are shown for illustrative purposes only and form no part of the design.**



(21) Design Number: **15186/2014**  
(22) Date of Filing Application: **10 October 2014**  
(24) Date from which industrial property rights may have effect: **10 October 2014**  
(54) Product in respect of which the design is registered: **Tire**  
(51) International Design Classification: **12-15C**  
(74) Name(s) of Attorney(s): **Collison & Co**  
(71) Name(s) and Address(s) of Applicant(s):

**Atturo Tire Corp.**  
**P.O. Box 302 Lake Villa Illinois 60046 United States of America**

(72) Name(s) of Designer(s): **Michael Mathis**

(45) Registration Date: **22 October 2014**

(30) Convention priority data:

(31) Number	(32) Date	(33) Country
<b>29/492,195</b>	<b>29 May 2014</b>	<b>UNITED STATES OF AMERICA</b>

(56) Related Art Documents: **Not Applicable**

(57) Statement of Newness and Distinctiveness: **Newness and distinctiveness resides in the shape and/or configuration of the tread of the tire as illustrated in the accompanying representations but excluding the features shown in broken lines, which are shown for illustrative purposes only and form no part of the design.**



(21) Design Number: **15187/2014**  
(22) Date of Filing Application: **10 October 2014**  
(24) Date from which industrial property rights may have effect: **10 October 2014**  
(54) Product in respect of which the design is registered: **Tire**  
(51) International Design Classification: **12-15NES**  
(74) Name(s) of Attorney(s): **Collison & Co**  
(71) Name(s) and Address(s) of Applicant(s):

**Atturo Tire Corp.**  
**P.O. Box 302 Lake Villa Illinois 60046 United States of America**

(72) Name(s) of Designer(s): **Michael Mathis**

(45) Registration Date: **22 October 2014**

(30) Convention priority data:

(31) Number	(32) Date	(33) Country
<b>29/492,194</b>	<b>29 May 2014</b>	<b>UNITED STATES OF AMERICA</b>

(56) Related Art Documents: **Not Applicable**

(57) Statement of Newness and Distinctiveness: **Newness and distinctiveness resides in the shape and/or configuration of the tire as illustrated in the accompanying representations but excluding the features shown in broken lines, which are shown for illustrative purposes only and form no part of the design.**



(21) Design Number: **15188/2014**  
(22) Date of Filing Application: **10 October 2014**  
(24) Date from which industrial property rights may have effect: **10 October 2014**  
(54) Product in respect of which the design is registered: **Handle for a cleaning product**  
(51) International Design Classification: **07-05E**  
(74) Name(s) of Attorney(s): **Cotters Patent & Trade Mark Attorneys**  
(71) Name(s) and Address(s) of Applicant(s):

**WAAK BW V.Z.W.**  
**Heirweg 125 Kuurne 8520 Belgium**

(72) Name(s) of Designer(s): **Kris Vandembroucke**

(45) Registration Date: **22 October 2014**

(30) Convention priority data:

(31) Number	(32) Date	(33) Country
<b>002446732-0001</b>	<b>14 Apr 2014</b>	<b>OFFICE FOR HARMONISATION IN THE INTERNAL MARKET (OHIM)</b>

(56) Related Art Documents: **Not Applicable**

(57) Statement of Newness and Distinctiveness: **Newness and distinctiveness is claimed is the features of shape and/or configuration of a handle for a cleaning product as illustrated in continuous lines in the accompanying representations.**

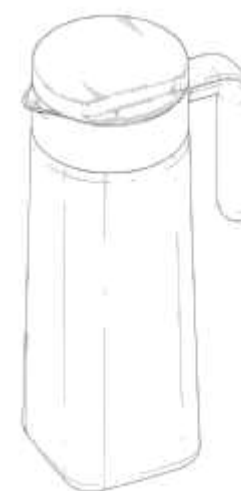




(21) Design Number: **15192/2014**  
(22) Date of Filing Application: **10 October 2014**  
(24) Date from which industrial property rights may have effect: **10 October 2014**  
(54) Product in respect of which the design is registered: **Motorcycle tyre**  
(51) International Design Classification: **12-15C**  
(74) Name(s) of Attorney(s): **Griffith Hack**  
(71) Name(s) and Address(s) of Applicant(s):  
**BRIDGESTONE CORPORATION**  
**1-1, Kyobashi 3-chome Chuo-ku Tokyo 104-8340 Japan**  
(72) Name(s) of Designer(s): **Oba Hirofumi**  
(45) Registration Date: **22 October 2014**  
(30) Convention priority data:  
(31) Number      (32) Date      (33) Country  
**2014-007912      10 Apr 2014      JAPAN**  
(56) Related Art Documents: **Not Applicable**  
(57) Statement of Newness and Distinctiveness: **The shape and configuration of the tread portion of the product is new and distinctive. Figure 9 has been included for illustrative purposes and does not form part of the design.**



(21) Design Number: **15196/2014**  
(22) Date of Filing Application: **10 October 2014**  
(24) Date from which industrial property rights may have effect: **10 October 2014**  
(54) Product in respect of which the design is registered: **Pitcher**  
(51) International Design Classification: **07-01F**  
(74) Name(s) of Attorney(s): **FB Rice**  
(71) Name(s) and Address(s) of Applicant(s):  
**Takeya USA Corporation**  
**214 5th Street Suite #204 Huntington Beach California 92648 United States of America**  
(72) Name(s) of Designer(s): **Yukio Bann and Sumitra Israchanpanich**  
(45) Registration Date: **22 October 2014**  
(30) Convention priority data:  
(31) Number      (32) Date      (33) Country  
**29/488781      23 Apr 2014      UNITED STATES OF AMERICA**  
(56) Related Art Documents: **Not Applicable**  
(57) Statement of Newness and Distinctiveness: **Newness and distinctiveness reside in the features of shape and/or configuration of the design as shown in the representations.**





(21) Design Number: **15201/2014**

(22) Date of Filing Application: **10 October 2014**

(24) Date from which industrial property rights may have effect: **10 October 2014**

(54) Product in respect of which the design is registered: **Pitcher**

(51) International Design Classification: **07-01F**

(74) Name(s) of Attorney(s): **FB Rice**

(71) Name(s) and Address(s) of Applicant(s):

**Takeya USA Corporation**

**214 5th Street, #204 Huntington Beach California 92648 United States of America**

(72) Name(s) of Designer(s): **Yukio Bann and Sumitra Israchanpanich**

(45) Registration Date: **22 October 2014**

(30) Convention priority data:

(31) Number

(32) Date

(33) Country

**29/488781**

**23 Apr 2014**

**UNITED STATES OF AMERICA**

(56) Related Art Documents: **Not Applicable**

(57) Statement of Newness and Distinctiveness: **Newness and distinctiveness reside in the features of shape and/or configuration of the design shown in solid lines in the representations, excluding those features shown in broken lines.**



(21) Design Number: **15205/2014**

(22) Date of Filing Application: **11 October 2014**

(24) Date from which industrial property rights may have effect: **11 October 2014**

(54) Product in respect of which the design is registered: **Incubator**

(51) International Design Classification: **24-01**

(74) Name(s) of Attorney(s):

(71) Name(s) and Address(s) of Applicant(s):

**Shane Jay Nicholson**

**PO BOX 3085 West Ipswich QLD 4305 Australia**

**Shane Nicholson**

**4 Morwick St Casino NSW 2470 Australia**

(72) Name(s) of Designer(s): **Shane Jay Nicholson**

(45) Registration Date: **22 October 2014**

(56) Related Art Documents: **Not Applicable**

(57) Statement of Newness and Distinctiveness: **Newness and distinctiveness resides in the visual features of shape and/or configuration of a incubator as illustrated in the accompanying representations.**



(21) Design Number: **15208/2014**  
(22) Date of Filing Application: **13 October 2014**  
(24) Date from which industrial property rights may have effect: **13 October 2014**  
(54) Product in respect of which the design is registered: **A sugar dispenser**  
(51) International Design Classification: **07-01B**  
(74) Name(s) of Attorney(s): **Banki Haddock Fiora**  
(71) Name(s) and Address(s) of Applicant(s):

**Pi-Design AG**  
**Kantonsstrasse 100 Triengen CH - 6234 Switzerland**

(72) Name(s) of Designer(s): **Jorgen Bodum**

(45) Registration Date: **22 October 2014**

(30) Convention priority data:

(31) Number	(32) Date	(33) Country
<b>DM/083 530</b>	<b>08 May 2014</b>	<b>WORLD INTELLECTUAL PROPERTY ORGANIZATION (WIPO)</b>

(56) Related Art Documents: **Not Applicable**

(57) Statement of Newness and Distinctiveness: **The visual features of the sugar dispenser depicted in the representations that are new and distinctive are the shape and/or configuration.**



(21) Design Number: **15209/2014**  
(22) Date of Filing Application: **13 October 2014**  
(24) Date from which industrial property rights may have effect: **13 October 2014**  
(54) Product in respect of which the design is registered: **A tumbler**  
(51) International Design Classification: **07-01C**  
(74) Name(s) of Attorney(s): **Banki Haddock Fiora**  
(71) Name(s) and Address(s) of Applicant(s):

**Pi-Design AG**  
**Kantonsstrasse 100 Triengen CH - 6234 Switzerland**

(72) Name(s) of Designer(s): **Jorgen Bodum**

(45) Registration Date: **22 October 2014**

(30) Convention priority data:

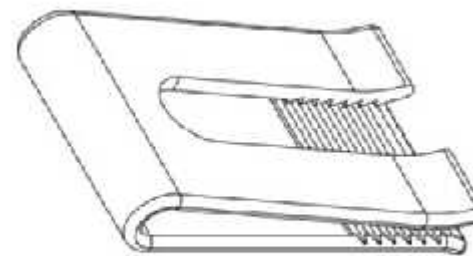
(31) Number	(32) Date	(33) Country
<b>DM/083 524</b>	<b>08 May 2014</b>	<b>WORLD INTELLECTUAL PROPERTY ORGANIZATION (WIPO)</b>

(56) Related Art Documents: **Not Applicable**

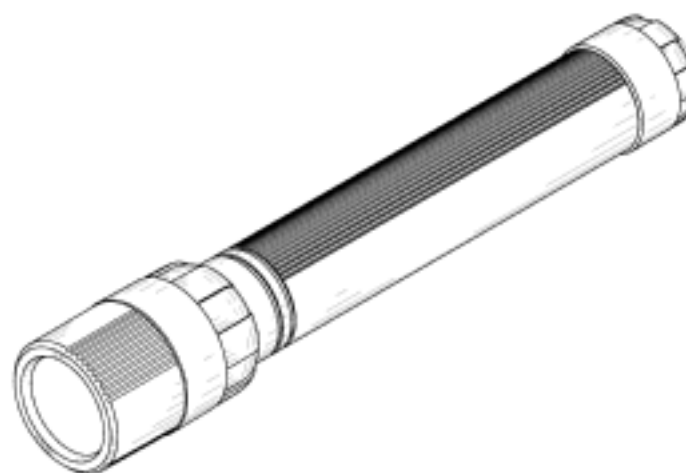
(57) Statement of Newness and Distinctiveness: **The visual features of the tumbler depicted in the representations that are new and distinctive are the shape and/or configuration.**



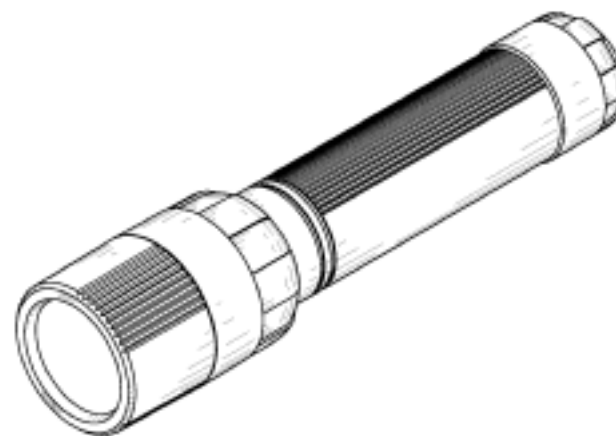
- (21) Design Number: **15214/2014**  
(22) Date of Filing Application: **13 October 2014**  
(24) Date from which industrial property rights may have effect: **13 October 2014**  
(54) Product in respect of which the design is registered: **Clothing accessory in the form of a clip**  
(51) International Design Classification: **02-07A**  
(74) Name(s) of Attorney(s):  
(71) Name(s) and Address(s) of Applicant(s):  
**John Charles Turner**  
**71 Waterview St Putney NSW 2112 Australia**  
(72) Name(s) of Designer(s): **John Charles Turner**  
(45) Registration Date: **22 October 2014**  
(56) Related Art Documents: **Not Applicable**  
(57) Statement of Newness and Distinctiveness: **The newness and distinctiveness of the design resides in the overall shape of the clip that allows the clip to slide over and fully cover, with the front element of the clip, the face of a metal stud on the belt line in jeans whilst the shank of the stud slots between the two back elements of the clip.**



- (21) Design Number: **15215/2014**  
(22) Date of Filing Application: **13 October 2014**  
(24) Date from which industrial property rights may have effect: **13 October 2014**  
(54) Product in respect of which the design is registered: **Lighting device**  
(51) International Design Classification: **26-02**  
(74) Name(s) of Attorney(s): **Halfords IP**  
(71) Name(s) and Address(s) of Applicant(s):  
**Eveready Battery Company, Inc.**  
**533 Maryville University Drive St Louis Missouri 63141 United States of America**  
(72) Name(s) of Designer(s): **Lai King Ma**  
(45) Registration Date: **22 October 2014**  
(30) Convention priority data:  
(31) Number      (32) Date      (33) Country  
**29/491461      21 May 2014      UNITED STATES OF AMERICA**  
(56) Related Art Documents: **Not Applicable**  
(57) Statement of Newness and Distinctiveness: **Newness and distinctiveness resides in those features of shape and or configuration of a Lighting Device as depicted in the representations. Shading lines and features shown in broken lines do not form part of the design.**

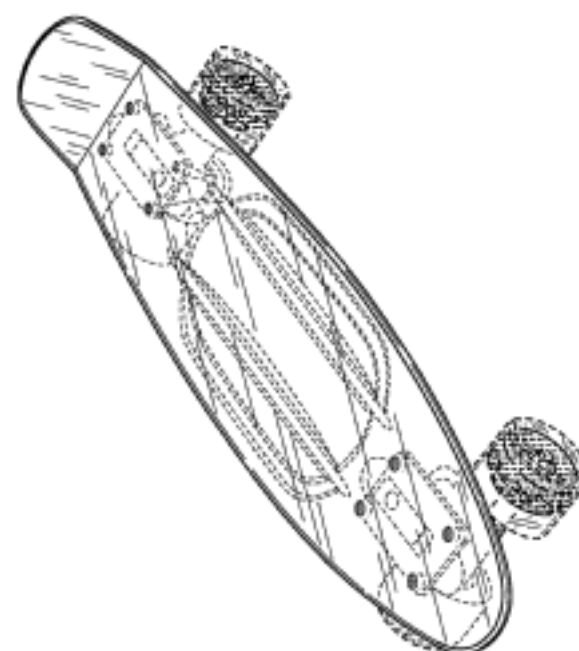


(21) Design Number: **15216/2014**  
(22) Date of Filing Application: **13 October 2014**  
(24) Date from which industrial property rights may have effect: **13 October 2014**  
(54) Product in respect of which the design is registered: **Lighting device**  
(51) International Design Classification: **26-02**  
(74) Name(s) of Attorney(s): **Halfords IP**  
(71) Name(s) and Address(s) of Applicant(s):  
**Eveready Battery Company, Inc.**  
**533 Maryville University Drive St Louis Missouri 63141 United States of America**

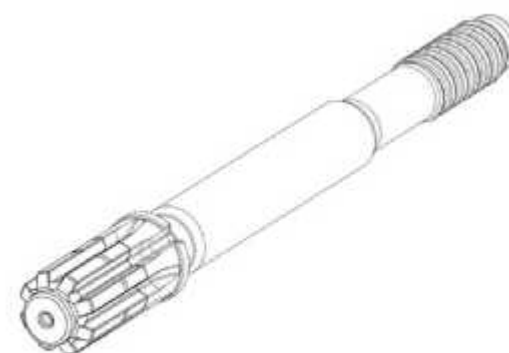


(72) Name(s) of Designer(s): **Lai King Ma**  
(45) Registration Date: **22 October 2014**  
(30) Convention priority data:  
(31) Number      (32) Date      (33) Country  
**29/491465      21 May 2014      UNITED STATES OF AMERICA**  
(56) Related Art Documents: **Not Applicable**  
(57) Statement of Newness and Distinctiveness: **Newness and distinctiveness resides in those features of shape and or configuration of a Lighting Device as depicted in the representations. Shading lines and features shown in broken lines do not form part of the design.**

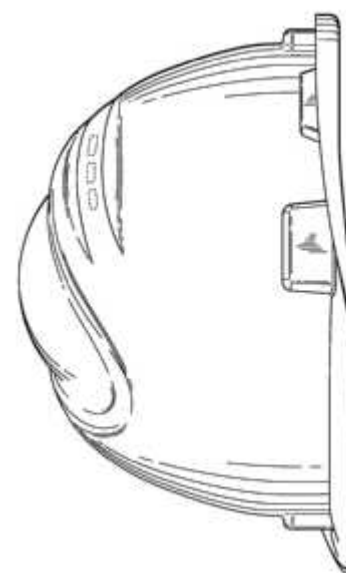
(21) Design Number: **15220/2014**  
(22) Date of Filing Application: **13 October 2014**  
(24) Date from which industrial property rights may have effect: **13 October 2014**  
(54) Product in respect of which the design is registered: **Skateboard with transparent wheel with inner core**  
(51) International Design Classification: **21-02E**  
(74) Name(s) of Attorney(s): **PIZZEYS**  
(71) Name(s) and Address(s) of Applicant(s):  
**Sunset Skateboard Company**  
**1942 Port Seabourne Newport Beach CA 92660 United States of America**  
(72) Name(s) of Designer(s): **Jeremy Fissell**  
(45) Registration Date: **22 October 2014**  
(56) Related Art Documents: **Not Applicable**  
(57) Statement of Newness and Distinctiveness: **Nil**



- (21) Design Number: **15237/2014**  
(22) Date of Filing Application: **14 October 2014**  
(24) Date from which industrial property rights may have effect: **14 October 2014**  
(54) Product in respect of which the design is registered: **Drill part**  
(51) International Design Classification: **08-01**  
(74) Name(s) of Attorney(s): **Griffith Hack**  
(71) Name(s) and Address(s) of Applicant(s):  
**Sandvik Mining and Construction Oy**  
**Pihtisulunkatu 9 Tampere 33330 Finland**  
(72) Name(s) of Designer(s): **Juha Hedlund and Timo Muuttonen and Pauli Lemmetty**  
(45) Registration Date: **22 October 2014**  
(30) Convention priority data:  
(31) Number (32) Date (33) Country  
**A2014/00773 13 May 2014 SOUTH AFRICA**  
(56) Related Art Documents: **Not Applicable**  
(57) Statement of Newness and Distinctiveness: **Newness and distinctive resides in the visual feature, including the shape and configuration of those parts shown in solid lines in the representations.**



- (21) Design Number: **15239/2014**  
(22) Date of Filing Application: **14 October 2014**  
(24) Date from which industrial property rights may have effect: **14 October 2014**  
(54) Product in respect of which the design is registered: **Helmet**  
(51) International Design Classification: **02-03**  
(74) Name(s) of Attorney(s): **MINTER ELLISON**  
(71) Name(s) and Address(s) of Applicant(s):  
**MSA (Suzhou) Safety Equipment R&D Co., Ltd**  
**No. 8 Rui En Lane Xingpu Road, Suzhou Industrial Park Suzhou**  
**JiangSu, 215126 China**  
(72) Name(s) of Designer(s): **Yan Yang and Yizheng Pu and Chunmei Wu**  
(45) Registration Date: **22 October 2014**  
(30) Convention priority data:  
(31) Number (32) Date (33) Country  
**201430088006.X 14 Apr 2014 CHINA**  
(56) Related Art Documents: **Not Applicable**  
(57) Statement of Newness and Distinctiveness: **The newness and distinctiveness of the design resides in the external shape of the helmet as shown in the accompanying representations.**



(21) Design Number: **15240/2014**  
(22) Date of Filing Application: **14 October 2014**  
(24) Date from which industrial property rights may have effect: **14 October 2014**  
(54) Product in respect of which the design is registered: **Frame for chair**  
(51) International Design Classification: **06-06H**  
(74) Name(s) of Attorney(s): **Corrs Chambers Westgarth**  
(71) Name(s) and Address(s) of Applicant(s):

**F.V. Bilotto Nominees Pty Ltd**  
**Oude Terborgseweg 208 NL-7004 KA Doetinchem The Netherlands**

(72) Name(s) of Designer(s): **David Nadal Berlinches**

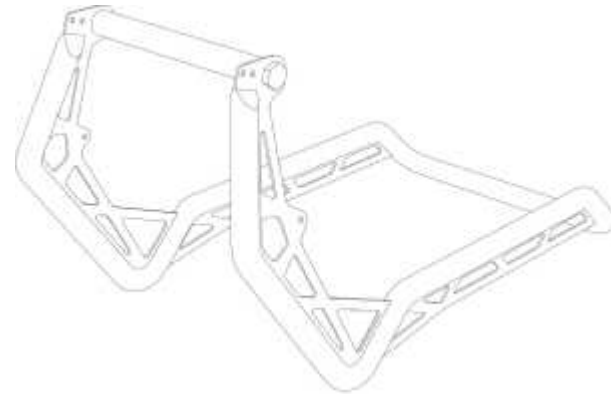
(45) Registration Date: **22 October 2014**

(30) Convention priority data:

(31) Number	(32) Date	(33) Country
<b>002458091-001</b>	<b>05 May 2014</b>	<b>OFFICE FOR HARMONISATION IN THE INTERNAL MARKET (OHIM)</b>

(56) Related Art Documents: **Not Applicable**

(57) Statement of Newness and Distinctiveness: **Nil**



(21) Design Number: **12225/2014**  
(22) Date of Filing Application: **05 May 2014**  
(24) Date from which industrial property rights may have effect: **05 May 2014**  
(54) Product in respect of which the design is registered: **Swimwear**  
(51) International Design Classification: **02-02A**  
(74) Name(s) of Attorney(s):  
(71) Name(s) and Address(s) of Applicant(s):

**Seafolly Pty Ltd**  
**247 King St Mascot NSW 2020 Australia**

(72) Name(s) of Designer(s): **Genelle Walkom**

(45) Registration Date: **22 October 2014**

(56) Related Art Documents: **Not Applicable**

(57) Statement of Newness and Distinctiveness: **Nil**



(21) Design Number: **13618/2014**  
(22) Date of Filing Application: **25 July 2014**  
(24) Date from which industrial property rights may have effect: **25 July 2014**  
(54) Product in respect of which the design is registered: **Rack rear wall**  
(51) International Design Classification: **06-04NES**  
(74) Name(s) of Attorney(s): **Davies Collison Cave**  
(71) Name(s) and Address(s) of Applicant(s):

**Tegometall International AG**  
**Industriestrasse 7 Lengwil 8574 Switzerland**

(72) Name(s) of Designer(s): **Ulrich Bohnacker**

(45) Registration Date: **22 October 2014**

(30) Convention priority data:

(31) Number	(32) Date	(33) Country
<b>001402523</b>	<b>10 Feb 2014</b>	<b>OFFICE FOR HARMONISATION IN THE INTERNAL MARKET (OHIM)</b>

(56) Related Art Documents: **Not Applicable**

(57) Statement of Newness and Distinctiveness: **Nil**



(21) Design Number: **13708/2014**  
(22) Date of Filing Application: **31 July 2014**  
(24) Date from which industrial property rights may have effect: **31 July 2014**  
(54) Product in respect of which the design is registered: **Bottle**  
(51) International Design Classification: **09-01H, 09-01NES**  
(74) Name(s) of Attorney(s): **Davies Collison Cave**  
(71) Name(s) and Address(s) of Applicant(s):

**Ecover Co-Ordination Center**  
**Steenovenstraat 1A Malle 2390 Belgium**

(72) Name(s) of Designer(s): **Francis J. Handy**

(45) Registration Date: **22 October 2014**

(30) Convention priority data:

(31) Number	(32) Date	(33) Country
<b>29/481,108</b>	<b>31 Jan 2014</b>	<b>UNITED STATES OF AMERICA</b>

(56) Related Art Documents: **Not Applicable**

(57) Statement of Newness and Distinctiveness: **Nil**





- (21) Design Number: **14310/2014**  
(22) Date of Filing Application: **29 August 2014**  
(24) Date from which industrial property rights may have effect: **29 August 2014**  
(54) Product in respect of which the design is registered: **A bottle opener**  
(51) International Design Classification: **07-06D**  
(74) Name(s) of Attorney(s): **Cullens Patent and Trade Mark Attorneys**  
(71) Name(s) and Address(s) of Applicant(s):  
**John Antony Arie Kreuger**  
**c/o - 15 Patrick St Aitkenvale QLD 4814 Australia**  
(72) Name(s) of Designer(s): **John Antony Arie Kreuger**  
(45) Registration Date: **22 October 2014**  
(56) Related Art Documents: **Not Applicable**  
(57) Statement of Newness and Distinctiveness: **Nil**



- (21) Design Number: **14667/2014**  
(22) Date of Filing Application: **15 September 2014**  
(24) Date from which industrial property rights may have effect: **15 September 2014**  
(54) Product in respect of which the design is registered: **Sensoric light and sound system**  
(51) International Design Classification: **14-01**  
(74) Name(s) of Attorney(s): **IP Service International**  
(71) Name(s) and Address(s) of Applicant(s):  
**Andrew Bellety**  
**210/60 Cook Rd Centennial Park NSW 2021 Australia**  
(72) Name(s) of Designer(s): **Andrew Bellety**  
(45) Registration Date: **22 October 2014**  
(56) Related Art Documents: **Not Applicable**  
(57) Statement of Newness and Distinctiveness: **The arrangement of speakers and ball-shaped fixture for the eyes is the distinctive feature of the design. The design is cordless installation, including a green button on the front.**



(21) Design Number: **14681/2014**  
(22) Date of Filing Application: **15 September 2014**  
(24) Date from which industrial property rights may have effect: **15 September 2014**  
(54) Product in respect of which the design is registered: **Hammer**  
(51) International Design Classification: **08-02**  
(74) Name(s) of Attorney(s): **PHILLIPS ORMONDE FITZPATRICK**  
(71) Name(s) and Address(s) of Applicant(s):

**Estwing Manufacturing Co., Inc.**  
**2647 Eighth Street Rockford Illinois 61109 United States of America**

(72) Name(s) of Designer(s): **Joshua D West and John W Ryan Jr and Robert H Youngren**

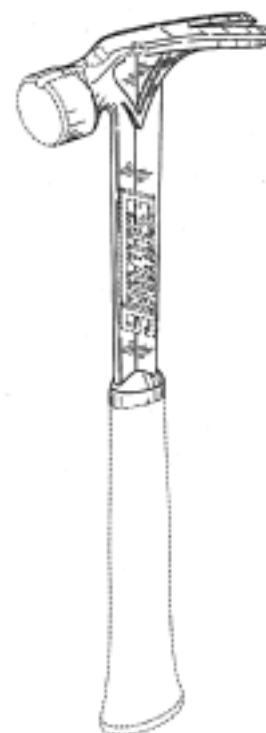
(45) Registration Date: **22 October 2014**

(30) Convention priority data:

(31) Number	(32) Date	(33) Country
<b>29/485,019</b>	<b>14 Mar 2014</b>	<b>UNITED STATES OF AMERICA</b>

(56) Related Art Documents: **Not Applicable**

(57) Statement of Newness and Distinctiveness: **Newness and distinctiveness resides in the shape and/or configuration of the hammer shown in the continuous lines in the accompanying representations. The dash-dash-dash lines shown in the representations are for the purpose of illustrating environmental structure and form no part of the design and are to be disregarded when considering the overall impression of the design. The dot-dash-dot-dash lines shown in the representations are for the purpose of illustrating the boundaries of the design.**



(21) Design Number: **14824/2014**  
(22) Date of Filing Application: **22 September 2014**  
(24) Date from which industrial property rights may have effect: **22 September 2014**  
(54) Product in respect of which the design is registered: **Hat for Car**  
(51) International Design Classification: **12-16NES**  
(74) Name(s) of Attorney(s): **IP Service International**  
(71) Name(s) and Address(s) of Applicant(s):

**Geoffrey David Ellis**  
**3b Cassia CI Wickham WA 6720 Australia**

(72) Name(s) of Designer(s): **Geoffrey David Ellis**

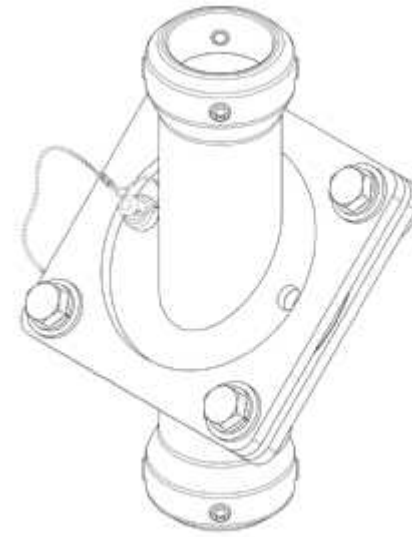
(45) Registration Date: **22 October 2014**

(56) Related Art Documents: **Not Applicable**

(57) Statement of Newness and Distinctiveness: **A car with hat on its roof is a distinctive design that is new and innovative.**



(21) Design Number: **15036/2014**  
(22) Date of Filing Application: **01 October 2014**  
(24) Date from which industrial property rights may have effect: **01 October 2014**  
(54) Product in respect of which the design is registered: **Swiveling joint**  
(51) International Design Classification: **25-99**  
(74) Name(s) of Attorney(s): **Armour IP**  
(71) Name(s) and Address(s) of Applicant(s):  
**Swivelpole Patent Pty Ltd**  
**PO BOX 2330 Mandurah DC WA 6210 Australia**  
(72) Name(s) of Designer(s): **Robert John Pannekoek and Peter Pannekoek**  
(45) Registration Date: **22 October 2014**  
(56) Related Art Documents: **Not Applicable**  
(57) Statement of Newness and Distinctiveness: **Nil**



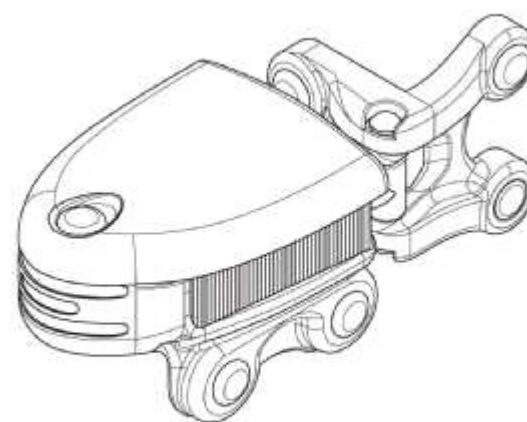
(21) Design Number: **15200/2014**  
(22) Date of Filing Application: **10 October 2014**  
(24) Date from which industrial property rights may have effect: **10 October 2014**  
(54) Product in respect of which the design is registered: **Treet tent**  
(51) International Design Classification: **21-04**  
(74) Name(s) of Attorney(s): **Cotters Patent & Trade Mark Attorneys**  
(71) Name(s) and Address(s) of Applicant(s):  
**Tentsile Ltd**  
**129 Higham Road London N17 6NU United Kingdom**  
(72) Name(s) of Designer(s): **Alex Shirley-Smith**  
(45) Registration Date: **22 October 2014**  
(30) Convention priority data:  
(31) Number      (32) Date      (33) Country  
**29/494,570      23 Jun 2014      UNITED STATES OF AMERICA**  
(56) Related Art Documents: **Not Applicable**  
(57) Statement of Newness and Distinctiveness: **Newness and distinctiveness is claimed is the features of shape and/or configuration of a tree tent as illustrated in the accompanying representations.**



(21) Design Number: **15217/2014**  
(22) Date of Filing Application: **13 October 2014**  
(24) Date from which industrial property rights may have effect: **13 October 2014**  
(54) Product in respect of which the design is registered: **Mascara package**  
(51) International Design Classification: **09-01G**  
(74) Name(s) of Attorney(s): **PHILLIPS ORMONDE FITZPATRICK**  
(71) Name(s) and Address(s) of Applicant(s):  
**ELC Management LLC**  
**155 Pinelawn Road Suite 345 South Melville New York 11747 United States of America**  
(72) Name(s) of Designer(s): **Angela Eberhardt**  
(45) Registration Date: **22 October 2014**  
(30) Convention priority data:  
(31) Number (32) Date (33) Country  
**29/499,341 14 Aug 2014 UNITED STATES OF AMERICA**  
(56) Related Art Documents: **Not Applicable**  
(57) Statement of Newness and Distinctiveness: **Nil**



(21) Design Number: **15221/2014**  
(22) Date of Filing Application: **13 October 2014**  
(24) Date from which industrial property rights may have effect: **13 October 2014**  
(54) Product in respect of which the design is registered: **Soft closing gate device**  
(51) International Design Classification: **08-07**  
(74) Name(s) of Attorney(s):  
(71) Name(s) and Address(s) of Applicant(s):  
**Audrius Macernis**  
**PO BOX 2241 Seaford VIC 3198 Australia**  
(72) Name(s) of Designer(s): **Audrius Macernis**  
(45) Registration Date: **22 October 2014**  
(56) Related Art Documents: **Not Applicable**  
(57) Statement of Newness and Distinctiveness: **Newness and distinctiveness resides in the shape and/or configuration of the Soft Closing Gate Device**  
**The product is used on exterior gates to eliminate gates slamming.**



(21) Design Number: **15317/2014**  
(22) Date of Filing Application: **15 September 2014**  
(24) Date from which industrial property rights may have effect: **15 September 2014**  
(54) Product in respect of which the design is registered: **Hammer**  
(51) International Design Classification: **08-02**  
(74) Name(s) of Attorney(s): **PHILLIPS ORMONDE FITZPATRICK**  
(71) Name(s) and Address(s) of Applicant(s):

**Estwing Manufacturing Co., Inc.**  
**2647 Eighth Street Rockford Illinois 61109 United States of America**

(72) Name(s) of Designer(s): **Joshua D West and John W Ryan Jr and Robert H Youngren**

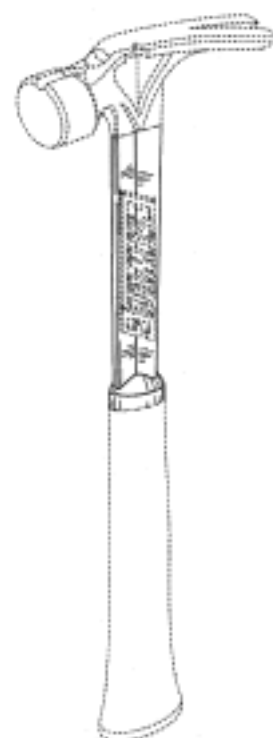
(45) Registration Date: **22 October 2014**

(30) Convention priority data:

(31) Number	(32) Date	(33) Country
<b>29/485,019</b>	<b>14 Mar 2014</b>	<b>UNITED STATES OF AMERICA</b>

(56) Related Art Documents: **Not Applicable**

(57) Statement of Newness and Distinctiveness: **Newness and distinctiveness resides in the shape and/or configuration of the hammer shown in the continuous lines in the accompanying representations. The dash-dash-dash lines shown in the representations are for the purpose of illustrating environmental structure and form no part of the design and are to be disregarded when considering the overall impression of the design. The dot-dash-dot-dash lines shown in the representations are for the purpose of illustrating the boundaries of the design.**



(21) Design Number: **11238/2014**  
(22) Date of Filing Application: **18 March 2014**  
(24) Date from which industrial property rights may have effect: **18 March 2014**  
(54) Product in respect of which the design is registered: **Infant chairs for vehicles**  
(51) International Design Classification: **06-01D**  
(74) Name(s) of Attorney(s): **Callinans**  
(71) Name(s) and Address(s) of Applicant(s):

**JANE, S.A.**  
**Mercaders 34-Pol,Ind. Riera de Caldes PALAU DE PLEGAMANS**  
**Barcelona 08184 Spain**

(72) Name(s) of Designer(s): **Manuel Jane Santamaria**

(45) Registration Date: **23 October 2014**

(30) Convention priority data:

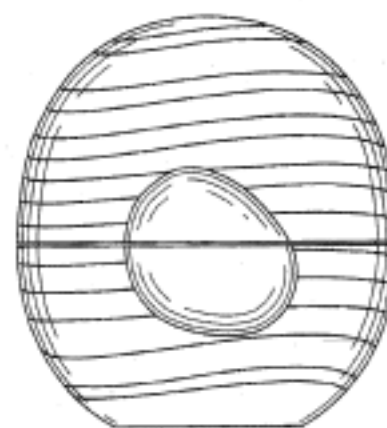
(31) Number	(32) Date	(33) Country
<b>2312033</b>	<b>18 Sep 2013</b>	<b>OFFICE FOR HARMONISATION IN THE INTERNAL MARKET (OHIM)</b>

(56) Related Art Documents: **Not Applicable**

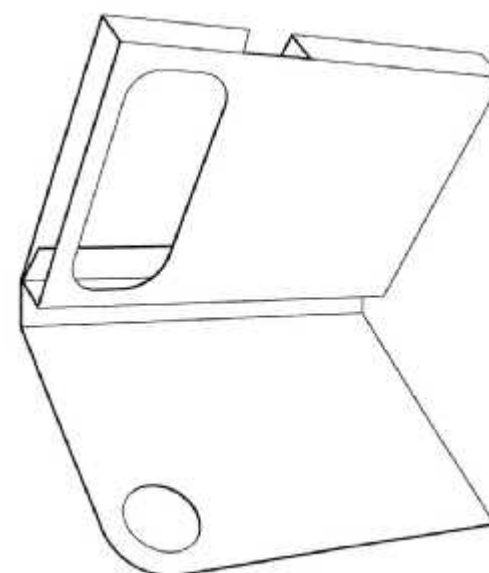
(57) Statement of Newness and Distinctiveness: **Nil**



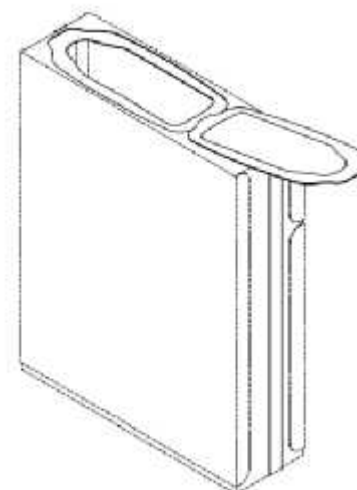
(21) Design Number: **13445/2014**  
(22) Date of Filing Application: **14 July 2014**  
(24) Date from which industrial property rights may have effect: **14 July 2014**  
(54) Product in respect of which the design is registered: **Cosmetic product container**  
(51) International Design Classification: **28-03NES**  
(74) Name(s) of Attorney(s): **SPRUSON & FERGUSON**  
(71) Name(s) and Address(s) of Applicant(s):  
**The Kind Group LLC**  
**19 West 44th Street, Suite 811, New York New York 10036 United States of America**  
(72) Name(s) of Designer(s): **Jonathan Teller**  
(45) Registration Date: **23 October 2014**  
(30) Convention priority data:  
(31) Number (32) Date (33) Country  
**29/479116 13 Jan 2014 UNITED STATES OF AMERICA**  
(56) Related Art Documents: **Not Applicable**  
(57) Statement of Newness and Distinctiveness: **Newness and distinctiveness is claimed in those features of a cosmetic product container illustrated in continuous lines in the accompanying representations.**



(21) Design Number: **13591/2014**  
(22) Date of Filing Application: **23 July 2014**  
(24) Date from which industrial property rights may have effect: **23 July 2014**  
(54) Product in respect of which the design is registered: **A card**  
(51) International Design Classification: **19-01**  
(74) Name(s) of Attorney(s): **Davies Collison Cave**  
(71) Name(s) and Address(s) of Applicant(s):  
**Mallow Tree Limited**  
**61 Beaufort Park London NW11 6BT United Kingdom**  
(72) Name(s) of Designer(s): **Ed Watson**  
(45) Registration Date: **23 October 2014**  
(30) Convention priority data:  
(31) Number (32) Date (33) Country  
**001400485-0001 23 Jan 2014 OFFICE FOR HARMONISATION IN THE INTERNAL MARKET (OHIM)**  
(56) Related Art Documents: **Not Applicable**  
(57) Statement of Newness and Distinctiveness: **Nil**



(21) Design Number: **13604/2014**  
(22) Date of Filing Application: **24 July 2014**  
(24) Date from which industrial property rights may have effect: **24 July 2014**  
(54) Product in respect of which the design is registered: **Package**  
(51) International Design Classification: **09-03M**  
(74) Name(s) of Attorney(s): **Pizzeys**  
(71) Name(s) and Address(s) of Applicant(s):  
**CLEAR LAM PACKAGING, INC.**  
**1950 Pratt Boulevard Elk Grove Village Illinois 60007 United States of America**  
(72) Name(s) of Designer(s): **James J Sanfilippo and Milorad Radenovic**  
(45) Registration Date: **23 October 2014**  
(30) Convention priority data:  
(31) Number (32) Date (33) Country  
**29/480678 28 Jan 2014 UNITED STATES OF AMERICA**  
(56) Related Art Documents: **Not Applicable**  
(57) Statement of Newness and Distinctiveness: **The newness and distinctiveness of the design resides in the shape of the package as shown in the accompanying representations. The broken lines are not part of the design and are to be disregarded when considering the overall impression of the design.**



(21) Design Number: **14390/2014**  
(22) Date of Filing Application: **03 September 2014**  
(24) Date from which industrial property rights may have effect: **03 September 2014**  
(54) Product in respect of which the design is registered: **Blender container**  
(51) International Design Classification: **31-00**  
(74) Name(s) of Attorney(s): **PIZZEYS**  
(71) Name(s) and Address(s) of Applicant(s):  
**Euro-Pro Operating LLC**  
**180 Wells Avenue, Suite 200 Newton Massachusetts, 02459 United States of America**  
(72) Name(s) of Designer(s): **Cory Smith**  
(45) Registration Date: **23 October 2014**  
(30) Convention priority data:  
(31) Number (32) Date (33) Country  
**29/484,128 06 Mar 2014 UNITED STATES OF AMERICA**  
(56) Related Art Documents: **Not Applicable**  
(57) Statement of Newness and Distinctiveness: **Nil**





- (21) Design Number: **14494/2014**  
(22) Date of Filing Application: **08 September 2014**  
(24) Date from which industrial property rights may have effect: **08 September 2014**  
(54) Product in respect of which the design is registered: **Aluminium chassis no weld**  
(51) International Design Classification: **12-16NES, 12-10**  
(74) Name(s) of Attorney(s):  
(71) Name(s) and Address(s) of Applicant(s):  
**Aero Design and Development Pty Ltd**  
**92 Okinja Rd Alexandra Headland QLD 4572 Australia**  
(72) Name(s) of Designer(s): **Ralf Brosch**  
(45) Registration Date: **23 October 2014**  
(56) Related Art Documents: **Not Applicable**  
(57) Statement of Newness and Distinctiveness: **A one piece aluminium chassis, no A frame weld, with further water carrying storage capacity.**



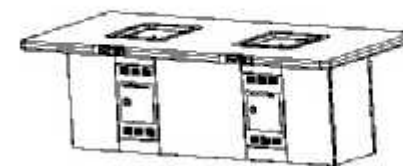
- (21) Design Number: **14769/2014**  
(22) Date of Filing Application: **18 September 2014**  
(24) Date from which industrial property rights may have effect: **18 September 2014**  
(54) Product in respect of which the design is registered: **Razor holder**  
(51) International Design Classification: **28-03A**  
(74) Name(s) of Attorney(s):  
(71) Name(s) and Address(s) of Applicant(s):  
**Crothead Pty Ltd**  
**255 Aumuller St Westcourt QLD 4870 Australia**  
(72) Name(s) of Designer(s): **Dennis Victor Pryor**  
(45) Registration Date: **23 October 2014**  
(56) Related Art Documents: **Not Applicable**  
(57) Statement of Newness and Distinctiveness: **a stainless steel clip designed to attach to any existing shower stand that holds a razor and/or shaver a flat clip with a hook at one end that attaches to the existing shower stand and a wider triangle end which holds the razor and/or shaver in place**



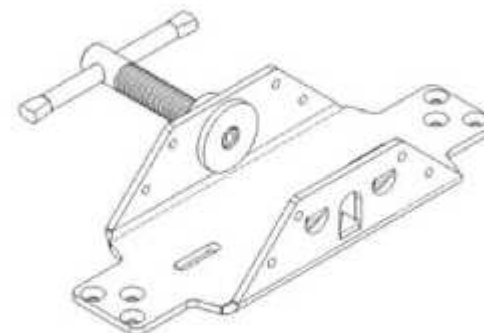
(21) Design Number: **14843/2014**  
(22) Date of Filing Application: **23 September 2014**  
(24) Date from which industrial property rights may have effect: **23 September 2014**  
(54) Product in respect of which the design is registered: **BBQ cabinet**  
(51) International Design Classification: **23-03G**  
(74) Name(s) of Attorney(s): **Jogias**  
(71) Name(s) and Address(s) of Applicant(s):  
**Cosmos Solar Pty Ltd**  
**U2/15 Natasha St Capalaba QLD 4157 Australia**  
(72) Name(s) of Designer(s): **Peter Hurley and Jaswinder Singh**  
(45) Registration Date: **23 October 2014**  
(56) Related Art Documents: **Not Applicable**  
(57) Statement of Newness and Distinctiveness: **Nil**



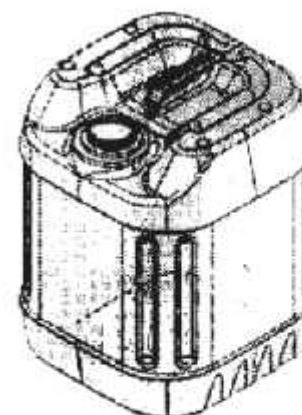
(21) Design Number: **14844/2014**  
(22) Date of Filing Application: **23 September 2014**  
(24) Date from which industrial property rights may have effect: **23 September 2014**  
(54) Product in respect of which the design is registered: **BBQ cabinet double bench**  
(51) International Design Classification: **23-03G**  
(74) Name(s) of Attorney(s): **Jogias**  
(71) Name(s) and Address(s) of Applicant(s):  
**Cosmos Solar Pty Ltd**  
**U2/15 Natasha St Capalaba QLD 4157 Australia**  
(72) Name(s) of Designer(s): **Peter Hurley and Jaswinder Singh**  
(45) Registration Date: **23 October 2014**  
(56) Related Art Documents: **Not Applicable**  
(57) Statement of Newness and Distinctiveness: **Nil**



- (21) Design Number: **15033/2014**  
(22) Date of Filing Application: **01 October 2014**  
(24) Date from which industrial property rights may have effect: **01 October 2014**  
(54) Product in respect of which the design is registered: **Clamp trolley**  
(51) International Design Classification: **08-05F, 12-02**  
(74) Name(s) of Attorney(s): **SPRUSON & FERGUSON**  
(71) Name(s) and Address(s) of Applicant(s):  
**Cyberkart Pty Ltd**  
**U85/75 Spofforth St Mosman NSW 2088 Australia**  
(72) Name(s) of Designer(s): **Kim Alexander Miller and Thomas Luscher**  
(45) Registration Date: **23 October 2014**  
(56) Related Art Documents: **Not Applicable**  
(57) Statement of Newness and Distinctiveness: **Newness and distinctiveness is claimed in those features of shape and/or configuration of a clamp trolley as illustrated in continuous lines in the accompanying representations.**



- (21) Design Number: **13526/2014**  
(22) Date of Filing Application: **17 July 2014**  
(24) Date from which industrial property rights may have effect: **17 July 2014**  
(54) Product in respect of which the design is registered: **Plastic cube drum**  
(51) International Design Classification: **09-02C**  
(74) Name(s) of Attorney(s):  
(71) Name(s) and Address(s) of Applicant(s):  
**A & J Australia Pty Ltd**  
**8 Westside Dr Laverton North VIC 3026 Australia**  
(72) Name(s) of Designer(s): **bernhard schulte**  
(45) Registration Date: **23 October 2014**  
(56) Related Art Documents: **Not Applicable**  
(57) Statement of Newness and Distinctiveness: **The new design has a distinctive feature where there are 4 indented ripples on the 2 bottom sides. On each side panel there is 2 thin rectangular indents on the corners of the drum. Most importantly when stacking the drums our design has an interlocking feature with the 4 circles on the top of the drum. This helps the drums interlock safely and stack securely.**



(21) Design Number: **13545/2014**  
(22) Date of Filing Application: **18 July 2014**  
(24) Date from which industrial property rights may have effect: **18 July 2014**  
(54) Product in respect of which the design is registered: **Speaker**  
(51) International Design Classification: **14-01**  
(74) Name(s) of Attorney(s): **FB Rice**  
(71) Name(s) and Address(s) of Applicant(s):

**WOOX Innovations Belgium NV**  
**Tweestationsstraat 80 Anderlecht B-1070 Belgium**

(72) Name(s) of Designer(s): **Wai Chung Lee**

(45) Registration Date: **23 October 2014**

(30) Convention priority data:

(31) Number	(32) Date	(33) Country
<b>2387449</b>	<b>20 Jan 2014</b>	<b>OFFICE FOR HARMONISATION IN THE INTERNAL MARKET (OHIM)</b>

(56) Related Art Documents: **Not Applicable**

(57) Statement of Newness and Distinctiveness: **Newness and distinctiveness reside in the features of shape and configuration of the design as shown in the representations.**



(21) Design Number: **13706/2014**  
(22) Date of Filing Application: **31 July 2014**  
(24) Date from which industrial property rights may have effect: **31 July 2014**  
(54) Product in respect of which the design is registered: **Plastic insert for a smokeless cigarette**  
(51) International Design Classification: **27-01, 27-99**  
(74) Name(s) of Attorney(s): **SPRUSON & FERGUSON**  
(71) Name(s) and Address(s) of Applicant(s):

**Datomar Sporri-Treuhand AG**  
**Holzhausernstr. 1, Rotkreuz 6343 Switzerland**

(72) Name(s) of Designer(s): **Patrik Scheiber**

(45) Registration Date: **23 October 2014**

(30) Convention priority data:

(31) Number	(32) Date	(33) Country
<b>002396739</b>	<b>31 Jan 2014</b>	<b>OFFICE FOR HARMONISATION IN THE INTERNAL MARKET (OHIM)</b>

(56) Related Art Documents: **Not Applicable**

(57) Statement of Newness and Distinctiveness: **Newness and distinctiveness is claimed in the features of shape and/or configuration of a plastic insert for a smokeless cigarette as illustrated in the accompanying representations.**



(21) Design Number: **13707/2014**

(22) Date of Filing Application: **31 July 2014**

(24) Date from which industrial property rights may have effect: **31 July 2014**

(54) Product in respect of which the design is registered: **Smokeless cigarette**

(51) International Design Classification: **27-01**

(74) Name(s) of Attorney(s): **SPRUSON & FERGUSON**

(71) Name(s) and Address(s) of Applicant(s):

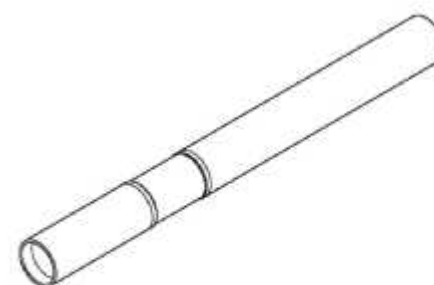
**Datomar Sporri-Treuhand AG**  
**Holzhausenstr. 1, Rotkreuz 6343 Switzerland**

(72) Name(s) of Designer(s): **Patrik Scheiber**

(45) Registration Date: **23 October 2014**

(30) Convention priority data:

(31) Number	(32) Date	(33) Country
<b>002396739</b>	<b>31 Jan 2014</b>	<b>OFFICE FOR HARMONISATION IN THE INTERNAL MARKET (OHIM)</b>



(56) Related Art Documents: **Not Applicable**

(57) Statement of Newness and Distinctiveness: **Newness and distinctiveness is claimed in the features of shape and/or configuration of a smokeless cigarette as illustrated in the accompanying representations.**

(21) Design Number: **15225/2014**

(22) Date of Filing Application: **05 May 2014**

(24) Date from which industrial property rights may have effect: **05 May 2014**

(54) Product in respect of which the design is registered: **Swimwear**

(51) International Design Classification: **02-02A**

(74) Name(s) of Attorney(s): **K&L Gates**

(71) Name(s) and Address(s) of Applicant(s):

**Seafolly Pty Ltd**  
**247 King St Mascot NSW 2020 Australia**

(72) Name(s) of Designer(s): **Genelle Walkom**

(45) Registration Date: **23 October 2014**

(56) Related Art Documents: **Not Applicable**

(57) Statement of Newness and Distinctiveness: **Nil**



(21) Design Number: **15226/2014**  
(22) Date of Filing Application: **05 May 2014**  
(24) Date from which industrial property rights may have effect: **05 May 2014**  
(54) Product in respect of which the design is registered: **Swimwear**  
(51) International Design Classification: **02-02A**  
(74) Name(s) of Attorney(s): **K&L Gates**  
(71) Name(s) and Address(s) of Applicant(s):  
**Seafolly Pty Ltd**  
**247 King St Mascot NSW 2020 Australia**  
(72) Name(s) of Designer(s): **Genelle Walkom**  
(45) Registration Date: **23 October 2014**  
(56) Related Art Documents: **Not Applicable**  
(57) Statement of Newness and Distinctiveness: **Nil**



(21) Design Number: **15228/2014**  
(22) Date of Filing Application: **05 May 2014**  
(24) Date from which industrial property rights may have effect: **05 May 2014**  
(54) Product in respect of which the design is registered: **Swimwear**  
(51) International Design Classification: **02-02A**  
(74) Name(s) of Attorney(s): **K&L Gates**  
(71) Name(s) and Address(s) of Applicant(s):  
**Seafolly Pty Ltd**  
**247 King St Mascot NSW 2020 Australia**  
(72) Name(s) of Designer(s): **Genelle Walkom**  
(45) Registration Date: **23 October 2014**  
(56) Related Art Documents: **Not Applicable**  
(57) Statement of Newness and Distinctiveness: **Nil**



(21) Design Number: **15229/2014**  
(22) Date of Filing Application: **05 May 2014**  
(24) Date from which industrial property rights may have effect: **05 May 2014**  
(54) Product in respect of which the design is registered: **Swimwear**  
(51) International Design Classification: **02-02A**  
(74) Name(s) of Attorney(s): **K&L Gates**  
(71) Name(s) and Address(s) of Applicant(s):  
**Seafolly Pty Ltd**  
**247 King St Mascot NSW 2020 Australia**  
(72) Name(s) of Designer(s): **Genelle Walkom**  
(45) Registration Date: **23 October 2014**  
(56) Related Art Documents: **Not Applicable**  
(57) Statement of Newness and Distinctiveness: **Nil**



(21) Design Number: **15230/2014**  
(22) Date of Filing Application: **05 May 2014**  
(24) Date from which industrial property rights may have effect: **05 May 2014**  
(54) Product in respect of which the design is registered: **Swimwear**  
(51) International Design Classification: **02-02A**  
(74) Name(s) of Attorney(s): **K&L Gates**  
(71) Name(s) and Address(s) of Applicant(s):  
**Seafolly Pty Ltd**  
**247 King St Mascot NSW 2020 Australia**  
(72) Name(s) of Designer(s): **Genelle Walkom**  
(45) Registration Date: **23 October 2014**  
(56) Related Art Documents: **Not Applicable**  
(57) Statement of Newness and Distinctiveness: **Nil**





(21) Design Number: **15231/2014**  
(22) Date of Filing Application: **05 May 2014**  
(24) Date from which industrial property rights may have effect: **05 May 2014**  
(54) Product in respect of which the design is registered: **Swimwear**  
(51) International Design Classification: **02-02A**  
(74) Name(s) of Attorney(s): **K&L Gates**  
(71) Name(s) and Address(s) of Applicant(s):  
**Seafolly Pty Ltd**  
**247 King St Mascot NSW 2020 Australia**  
(72) Name(s) of Designer(s): **Genelle Walkom**  
(45) Registration Date: **23 October 2014**  
(56) Related Art Documents: **Not Applicable**  
(57) Statement of Newness and Distinctiveness: **Nil**



(21) Design Number: **15232/2014**  
(22) Date of Filing Application: **05 May 2014**  
(24) Date from which industrial property rights may have effect: **05 May 2014**  
(54) Product in respect of which the design is registered: **Swimwear**  
(51) International Design Classification: **02-02A**  
(74) Name(s) of Attorney(s): **K&L Gates**  
(71) Name(s) and Address(s) of Applicant(s):  
**Seafolly Pty Ltd**  
**247 King St Mascot NSW 2020 Australia**  
(72) Name(s) of Designer(s): **Genelle Walkom**  
(45) Registration Date: **23 October 2014**  
(56) Related Art Documents: **Not Applicable**  
(57) Statement of Newness and Distinctiveness: **Nil**



(21) Design Number: **15234/2014**  
(22) Date of Filing Application: **05 May 2014**  
(24) Date from which industrial property rights may have effect: **05 May 2014**  
(54) Product in respect of which the design is registered: **Swimwear**  
(51) International Design Classification: **02-02A**  
(74) Name(s) of Attorney(s): **K&L Gates**  
(71) Name(s) and Address(s) of Applicant(s):  
**Seafolly Pty Ltd**  
**247 King St Mascot NSW 2020 Australia**  
(72) Name(s) of Designer(s): **Genelle Walkom**  
(45) Registration Date: **23 October 2014**  
(56) Related Art Documents: **Not Applicable**  
(57) Statement of Newness and Distinctiveness: **Nil**



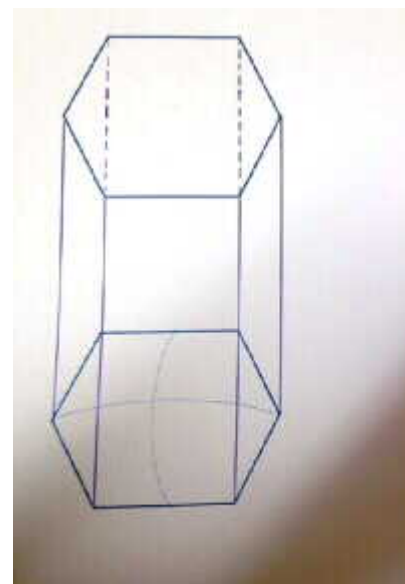
(21) Design Number: **15235/2014**  
(22) Date of Filing Application: **05 May 2014**  
(24) Date from which industrial property rights may have effect: **05 May 2014**  
(54) Product in respect of which the design is registered: **Swimwear**  
(51) International Design Classification: **02-02A**  
(74) Name(s) of Attorney(s): **K&L Gates**  
(71) Name(s) and Address(s) of Applicant(s):  
**Seafolly Pty Ltd**  
**247 King St Mascot NSW 2020 Australia**  
(72) Name(s) of Designer(s): **Genelle Walkom**  
(45) Registration Date: **23 October 2014**  
(56) Related Art Documents: **Not Applicable**  
(57) Statement of Newness and Distinctiveness: **Nil**



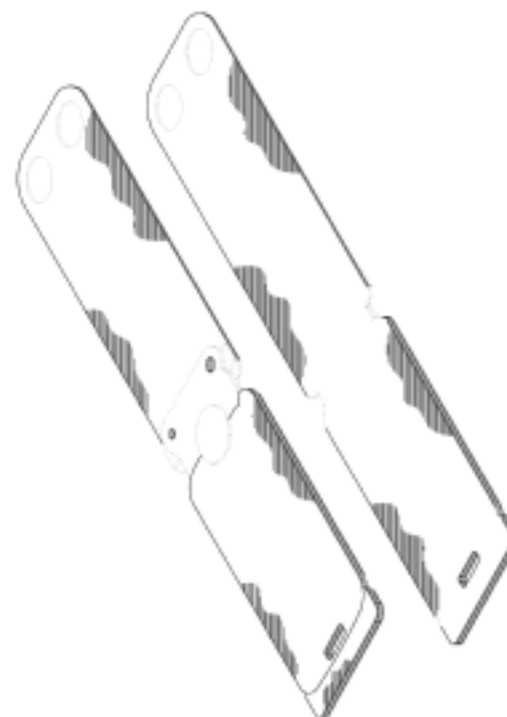
- (21) Design Number: **13617/2014**  
(22) Date of Filing Application: **25 July 2014**  
(24) Date from which industrial property rights may have effect: **25 July 2014**  
(54) Product in respect of which the design is registered: **Mini portable glass hookah**  
(51) International Design Classification: **27-02**  
(74) Name(s) of Attorney(s):  
(71) Name(s) and Address(s) of Applicant(s):  
**TRIO BROTHERS TRADING PTY LTD**  
**18 Beal St Meadowbrook QLD 4131 Australia**  
(72) Name(s) of Designer(s): **Jack Qin**  
(45) Registration Date: **24 October 2014**  
(56) Related Art Documents: **Not Applicable**  
(57) Statement of Newness and Distinctiveness: **1.Glass stem design to prevent any toxic fumes from traditional metal stems. 2. Mini compact designs for easy carry and store. Good for traveling. 3.Suitable for 2 people to use on the run.**



- (21) Design Number: **14644/2014**  
(22) Date of Filing Application: **12 September 2014**  
(24) Date from which industrial property rights may have effect: **12 September 2014**  
(54) Product in respect of which the design is registered: **Hexagon can**  
(51) International Design Classification: **09-01NES**  
(74) Name(s) of Attorney(s):  
(71) Name(s) and Address(s) of Applicant(s):  
**Vast Corporation Pty Ltd**  
**95 Hudson Dr Dudley Park WA 6210 Australia**  
(72) Name(s) of Designer(s): **Cale Branch**  
(45) Registration Date: **24 October 2014**  
(56) Related Art Documents: **Not Applicable**  
(57) Statement of Newness and Distinctiveness: **VAST 1 (Bolt On) is a Hexagon, hexagonal prism can; cup, which represents as a bolt shaped type beverage.**



(21) Design Number: **15135/2014**  
(22) Date of Filing Application: **07 October 2014**  
(24) Date from which industrial property rights may have effect: **25 July 2014**  
(54) Product in respect of which the design is registered: **Overlay**  
(51) International Design Classification: **14-99**  
(74) Name(s) of Attorney(s): **SPRUSON & FERGUSON**  
(71) Name(s) and Address(s) of Applicant(s):  
**Belkin International, Inc.**  
**12045 East Waterfront Drive, Playa Vista California 90094-2536 United States of America**  
(72) Name(s) of Designer(s): **Eric Beaupre and John F Wadsworth**  
(45) Registration Date: **24 October 2014**  
(62) Divisional of: **358344**  
(56) Related Art Documents: **Not Applicable**  
(57) Statement of Newness and Distinctiveness: **Newness and distinctiveness is claimed in the features of shape and/or configuration of an overlay as illustrated in continuous lines in the accompanying representations.**



(21) Design Number: **15136/2014**  
(22) Date of Filing Application: **07 October 2014**  
(24) Date from which industrial property rights may have effect: **07 October 2014**  
(54) Product in respect of which the design is registered: **Furniture**  
(51) International Design Classification: **06-01G**  
(74) Name(s) of Attorney(s): **PHILLIPS ORMONDE FITZPATRICK**  
(71) Name(s) and Address(s) of Applicant(s):  
**B&B Italia S.p.A.**  
**Via Durini, 14 Milano I-20122 Italy**  
(72) Name(s) of Designer(s): **Patricia Urquiola**  
(45) Registration Date: **24 October 2014**  
(30) Convention priority data:  
(31) Number (32) Date (33) Country  
**MI2014O000056 04 Apr 2014 ITALY**  
(56) Related Art Documents: **Not Applicable**  
(57) Statement of Newness and Distinctiveness: **Nil**



- (21) Design Number: **15159/2014**  
(22) Date of Filing Application: **09 October 2014**  
(24) Date from which industrial property rights may have effect: **09 October 2014**  
(54) Product in respect of which the design is registered: **Skull shaped plastic hand bag shell**  
(51) International Design Classification: **03-01B**  
(74) Name(s) of Attorney(s):  
(71) Name(s) and Address(s) of Applicant(s):  
**Kodi Lea Noakes**  
**36 Hughie Edwards Dr Merriwa WA 6030 Australia**  
(72) Name(s) of Designer(s): **Kodi Lea Noakes**  
(45) Registration Date: **24 October 2014**  
(56) Related Art Documents: **Not Applicable**  
(57) Statement of Newness and Distinctiveness: **The newness and distinctiveness of the design resides in the hand made Plastic 3 piece skull shape of the plastic handbag shell shown in the accompanying representations. The design is intended to be covered with cloth and or stretched leather and other bag hardware (buckles handles etc... To form a completed handbag. The cranium is intended to open at the front and hinged at the back.**



- (21) Design Number: **15227/2014**  
(22) Date of Filing Application: **05 May 2014**  
(24) Date from which industrial property rights may have effect: **05 May 2014**  
(54) Product in respect of which the design is registered: **Swimwear**  
(51) International Design Classification: **02-02A**  
(74) Name(s) of Attorney(s): **K&L Gates**  
(71) Name(s) and Address(s) of Applicant(s):  
**Seafolly Pty Ltd**  
**247 King St Mascot NSW 2020 Australia**  
(72) Name(s) of Designer(s): **Genelle Walkom**  
(45) Registration Date: **24 October 2014**  
(56) Related Art Documents: **Not Applicable**  
(57) Statement of Newness and Distinctiveness: **Nil**





(21) Design Number: **15233/2014**  
(22) Date of Filing Application: **05 May 2014**  
(24) Date from which industrial property rights may have effect: **05 May 2014**  
(54) Product in respect of which the design is registered: **Swimwear**  
(51) International Design Classification: **02-02A**  
(74) Name(s) of Attorney(s): **K&L Gates**  
(71) Name(s) and Address(s) of Applicant(s):  
**Seafolly Pty Ltd**  
**247 King St Mascot NSW 2020 Australia**  
(72) Name(s) of Designer(s): **Genelle Walkom**  
(45) Registration Date: **24 October 2014**  
(56) Related Art Documents: **Not Applicable**  
(57) Statement of Newness and Distinctiveness: **Nil**



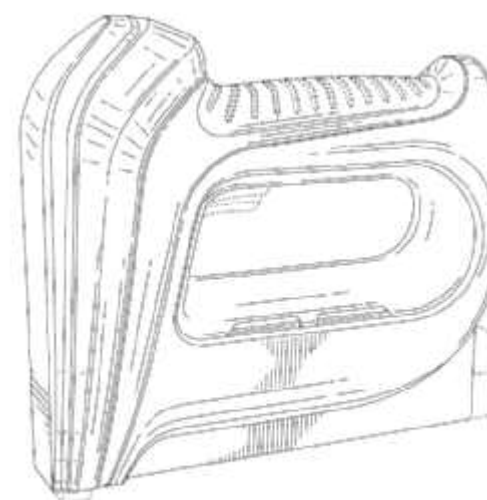
(21) Design Number: **15236/2014**  
(22) Date of Filing Application: **05 May 2014**  
(24) Date from which industrial property rights may have effect: **05 May 2014**  
(54) Product in respect of which the design is registered: **Swimwear**  
(51) International Design Classification: **02-02A**  
(74) Name(s) of Attorney(s): **K&L Gates**  
(71) Name(s) and Address(s) of Applicant(s):  
**Seafolly Pty Ltd**  
**247 King St Mascot NSW 2020 Australia**  
(72) Name(s) of Designer(s): **Genelle Walkom**  
(45) Registration Date: **24 October 2014**  
(56) Related Art Documents: **Not Applicable**  
(57) Statement of Newness and Distinctiveness: **Nil**



- (21) Design Number: **15243/2014**  
(22) Date of Filing Application: **14 October 2014**  
(24) Date from which industrial property rights may have effect: **14 October 2014**  
(54) Product in respect of which the design is registered: **A bracket**  
(51) International Design Classification: **08-08L**  
(74) Name(s) of Attorney(s): **FB Rice**  
(71) Name(s) and Address(s) of Applicant(s):  
**King Furniture Australia Pty Ltd**  
**123 Turrella St Turrella NSW 2205 Australia**  
(72) Name(s) of Designer(s): **David King and John Levey and Ryan Lawson and Anastasie Panagopoulos and Tanya Rechberger**  
(45) Registration Date: **24 October 2014**  
(56) Related Art Documents: **Not Applicable**  
(57) Statement of Newness and Distinctiveness: **Newness and distinctiveness reside in the features of the design as shown in the representations.**

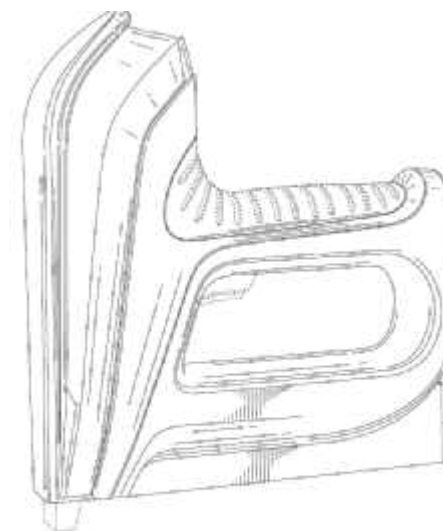


- (21) Design Number: **14839/2014**  
(22) Date of Filing Application: **23 September 2014**  
(24) Date from which industrial property rights may have effect: **23 September 2014**  
(54) Product in respect of which the design is registered: **Fastening tool**  
(51) International Design Classification: **08-05NES**  
(74) Name(s) of Attorney(s): **Baldwins**  
(71) Name(s) and Address(s) of Applicant(s):  
**Arrow Fastener Co., LLC**  
**271 Mayhill Street Saddle Brook NJ 07663 United States of America**  
(72) Name(s) of Designer(s): **David Rubin and Daniel Genord and Grey Parker**  
(45) Registration Date: **24 October 2014**  
(30) Convention priority data:  
(31) Number      (32) Date      (33) Country  
**29/488,644      22 Apr 2014      UNITED STATES OF AMERICA**  
(56) Related Art Documents: **Not Applicable**  
(57) Statement of Newness and Distinctiveness: **Newness and distinctiveness resides in the features of shape and/or configuration of the fastening tool, excluding those portions shown in broken line.**

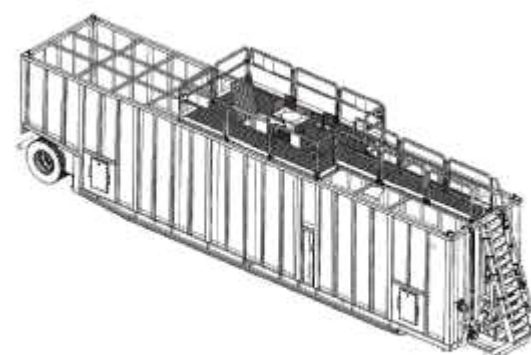




(21) Design Number: **14840/2014**  
(22) Date of Filing Application: **23 September 2014**  
(24) Date from which industrial property rights may have effect: **23 September 2014**  
(54) Product in respect of which the design is registered: **Fastening tool**  
(51) International Design Classification: **08-05NES**  
(74) Name(s) of Attorney(s): **Baldwins**  
(71) Name(s) and Address(s) of Applicant(s):  
**Arrow Fastener Co., LLC**  
**271 Mayhill Street Saddle Brook NJ 07663 United States of America**  
(72) Name(s) of Designer(s): **David Rubin and Daniel Genord and Grey Parker**  
(45) Registration Date: **24 October 2014**  
(30) Convention priority data:  
(31) Number (32) Date (33) Country  
**29/488,648 22 Apr 2014 UNITED STATES OF AMERICA**  
(56) Related Art Documents: **Not Applicable**  
(57) Statement of Newness and Distinctiveness: **Newness and distinctiveness resides in the features of shape and/or configuration of the fastening tool, excluding those portions shown in broken line.**



(21) Design Number: **11342/2014**  
(22) Date of Filing Application: **21 March 2014**  
(24) Date from which industrial property rights may have effect: **21 March 2014**  
(54) Product in respect of which the design is registered: **A frac tank**  
(51) International Design Classification: **09-02A, 23-01F**  
(74) Name(s) of Attorney(s): **Madderns**  
(71) Name(s) and Address(s) of Applicant(s):  
**SCF Group Pty Ltd**  
**134 Richmond Rd Marleston SA 5033 Australia**  
(72) Name(s) of Designer(s): **Richard Sykes and Jamie Driscoll and Alex Wallis and Liam Cashen**  
(45) Registration Date: **27 October 2014**  
(56) Related Art Documents: **Not Applicable**  
(57) Statement of Newness and Distinctiveness: **Nil**



(21) Design Number: **13671/2014**  
(22) Date of Filing Application: **30 July 2014**  
(24) Date from which industrial property rights may have effect: **30 July 2014**  
(54) Product in respect of which the design is registered: **Patient interface and/or components thereof**  
(51) International Design Classification: **24-02**  
(74) Name(s) of Attorney(s): **Halfords IP**  
(71) Name(s) and Address(s) of Applicant(s):  
**ResMed Limited**  
**1 Elizabeth Macarthur Dr Bella Vista NSW 2153 Australia**  
(72) Name(s) of Designer(s): **Christopher James Smith and Emily Elizabeth Blanch and Thomas Kirby**  
(45) Registration Date: **27 October 2014**  
(30) Convention priority data:  
(31) Number (32) Date (33) Country  
**29/480,985 31 Jan 2014 UNITED STATES OF AMERICA**  
(56) Related Art Documents: **Not Applicable**  
(57) Statement of Newness and Distinctiveness: **Nil**



(21) Design Number: **14165/2014**  
(22) Date of Filing Application: **21 August 2014**  
(24) Date from which industrial property rights may have effect: **23 May 2014**  
(54) Product in respect of which the design is registered: **Patient interface and/or components thereof**  
(51) International Design Classification: **24-02**  
(74) Name(s) of Attorney(s): **Halfords IP**  
(71) Name(s) and Address(s) of Applicant(s):  
**ResMed Limited**  
**1 Elizabeth Macarthur Dr Bella Vista NSW 2153 Australia**  
(72) Name(s) of Designer(s): **Christopher Samuel Cullen and Matthew Eves and Memduh Guney and Michael Charles La Guzza and Lochlan von Moger and Rupert Christian Scheiner**  
(45) Registration Date: **27 October 2014**  
(30) Convention priority data:  
(31) Number (32) Date (33) Country  
**29/476,296 12 Dec 2013 UNITED STATES OF AMERICA**  
(62) Divisional of: **357122**  
(56) Related Art Documents: **Not Applicable**  
(57) Statement of Newness and Distinctiveness: **Nil**



(21) Design Number: **14616/2014**  
(22) Date of Filing Application: **12 September 2014**  
(24) Date from which industrial property rights may have effect: **12 September 2014**  
(54) Product in respect of which the design is registered: **Grinder**  
(51) International Design Classification: **07-06C**  
(74) Name(s) of Attorney(s): **Davies Collison Cave**  
(71) Name(s) and Address(s) of Applicant(s):

**Chef'n Corporation**  
**1525 4th Avenue Suite 700 Seattle Washington 98101 United States of America**

(72) Name(s) of Designer(s): **Adam A. Jossem**

(45) Registration Date: **27 October 2014**

(30) Convention priority data:

(31) Number	(32) Date	(33) Country
<b>29/484,909</b>	<b>13 Mar 2014</b>	<b>UNITED STATES OF AMERICA</b>

(56) Related Art Documents: **Not Applicable**

(57) Statement of Newness and Distinctiveness: **Newness and distinctiveness is claimed in the visual features shown in solid lines in the representations. In considering the extent of the design rights, the broken lines shown in the representations are for illustrative purposes only and do not form part of the claimed design.**



(21) Design Number: **14897/2014**  
(22) Date of Filing Application: **26 September 2014**  
(24) Date from which industrial property rights may have effect: **26 September 2014**  
(54) Product in respect of which the design is registered: **Firearm stock**  
(51) International Design Classification: **22-01**  
(74) Name(s) of Attorney(s): **Davies Collison Cave**  
(71) Name(s) and Address(s) of Applicant(s):

**Magpul Industries Corporation**  
**400 Young Court Unit 1 Erie Colorado 80516 United States of America**

(72) Name(s) of Designer(s): **Michael Mayberry T. and Richard Fitzpatrick and Nick Kielsmeier**

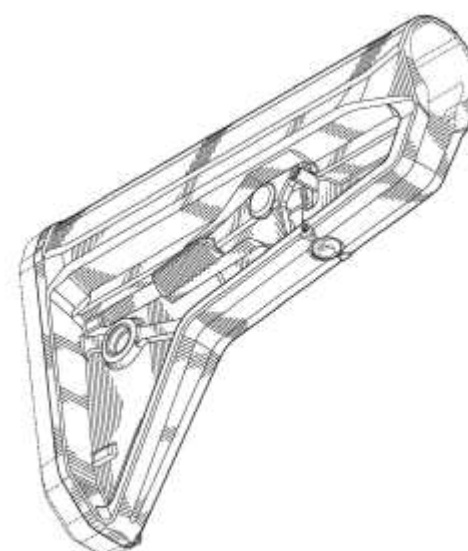
(45) Registration Date: **27 October 2014**

(30) Convention priority data:

(31) Number	(32) Date	(33) Country
<b>29/486,193</b>	<b>27 Mar 2014</b>	<b>UNITED STATES OF AMERICA</b>

(56) Related Art Documents: **Not Applicable**

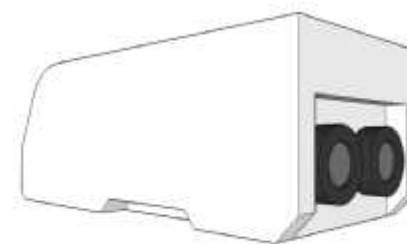
(57) Statement of Newness and Distinctiveness: **Newness and distinctiveness is claimed in the visual features shown in solid lines in the representations. The firearm itself shown in the reference view of Figure 1 does not form part of the design.**



- (21) Design Number: **15061/2014**  
(22) Date of Filing Application: **02 October 2014**  
(24) Date from which industrial property rights may have effect: **02 October 2014**  
(54) Product in respect of which the design is registered: **A drill bit combination unit with rod**  
(51) International Design Classification: **08-01**  
(74) Name(s) of Attorney(s):  
(71) Name(s) and Address(s) of Applicant(s):  
**AUSTRALIAN CONTRACT MINING PTY LTD**  
**66 Ord St West Perth WA 6005 Australia**  
(72) Name(s) of Designer(s): **Brian Bernard Rodan**  
(45) Registration Date: **27 October 2014**  
(56) Related Art Documents: **Not Applicable**  
(57) Statement of Newness and Distinctiveness: **The drill bit and drill rod combination unit developed incorporates a number of specialised components with unique and novel features. These include: - Development of a cone shaped bit to replace the existing standard dome like shaped bit; - changes to the drill bit to go faster than conventional bits resulting in faster penetration rates; - changes of angle of drill bit itself to make improved penetration rates; - addition of the flushing hole in the middle of the drill bit which importantly washes the produced cuttings back above the bit itself. By adding more water, as the revised prototype now has three holes, the outcome has been for the development of a new bit, which goes faster, and consequently increases the penetration rate of cutting of rock. The previous drill bit was an entry-level bit which continuously ground material to dust, whereas the revised prototype flushes out the cuttings so as not to replicate the continuous cutting of material already produced.**



- (21) Design Number: **14106/2014**  
(22) Date of Filing Application: **20 August 2014**  
(24) Date from which industrial property rights may have effect: **20 August 2014**  
(54) Product in respect of which the design is registered: **Mobile home**  
(51) International Design Classification: **12-10**  
(74) Name(s) of Attorney(s):  
(71) Name(s) and Address(s) of Applicant(s):  
**Bozcrome Industries Pty Ltd**  
**PO BOX 2057 Southport BC QLD 4215 Australia**  
(72) Name(s) of Designer(s): **Warwick Boswerger**  
(45) Registration Date: **27 October 2014**  
(56) Related Art Documents: **Not Applicable**  
(57) Statement of Newness and Distinctiveness: **The newness and distinctiveness resides in the shape of the rear of the vehicle and the position and mounting of the spare tyres. The spare tyres are recessed and mounted into the back of the vehicle and surrounded by the body. This is distinctive from conventional caravan and motorhome designs that have a flat rear wall with protruding spare tyres generally mounted on a rear bumper bar or frame connected to the chassis.**



(21) Design Number: **14854/2014**

(22) Date of Filing Application: **24 September 2014**

(24) Date from which industrial property rights may have effect: **24 September 2014**

(54) Product in respect of which the design is registered: **Pendant enclosure for spherical camera**

(51) International Design Classification: **16-01**

(74) Name(s) of Attorney(s): **Davies Collison Cave**

(71) Name(s) and Address(s) of Applicant(s):

**Avigilon Corporation**

**Box 378 #101-1001 West Broadway Vancouver British Columbia V6H 4E4  
Canada**

(72) Name(s) of Designer(s): **Andrew J. Stark**

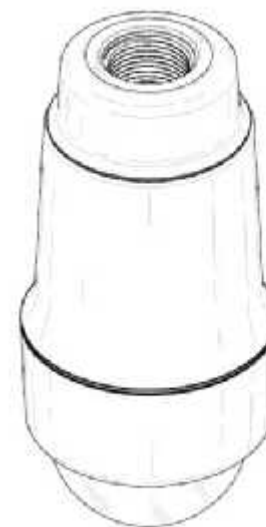
(45) Registration Date: **27 October 2014**

(30) Convention priority data:

(31) Number	(32) Date	(33) Country
<b>29/500843</b>	<b>28 Aug 2014</b>	<b>UNITED STATES OF AMERICA</b>

(56) Related Art Documents: **Not Applicable**

(57) Statement of Newness and Distinctiveness: **Newness and distinctiveness is claimed in the visual features of a pendant enclosure for a spherical camera shown in solid lines in the representations. In considering the extent of the design rights, the broken lines shown in the representations are for illustrative purposes only and do not form part of the design.**



(21) Design Number: **15096/2014**

(22) Date of Filing Application: **03 October 2014**

(24) Date from which industrial property rights may have effect: **03 October 2014**

(54) Product in respect of which the design is registered: **Pipe**

(51) International Design Classification: **23-01B**

(74) Name(s) of Attorney(s): **Armour IP**

(71) Name(s) and Address(s) of Applicant(s):

**Bend-tech Investments 1 Pty Ltd**

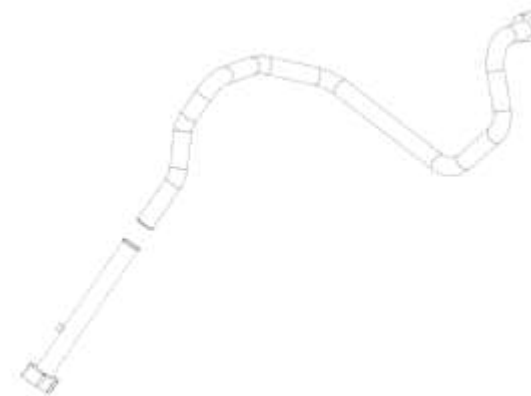
**573 Bickley Rd Maddington WA 6109 Australia**

(72) Name(s) of Designer(s): **Kelvin Dowell**

(45) Registration Date: **27 October 2014**

(56) Related Art Documents: **Not Applicable**

(57) Statement of Newness and Distinctiveness: **Newness and distinctiveness lies in the shape of a pipe portion as shown in the accompanying representations. The shape of the connecting pipe portion, shown in phantom lines, does not form part of the design.**



(21) Design Number: **15110/2014**

(22) Date of Filing Application: **05 October 2014**

(24) Date from which industrial property rights may have effect: **05 October 2014**

(54) Product in respect of which the design is registered: **A lamp shade**

(51) International Design Classification: **26-05D**

(74) Name(s) of Attorney(s):

(71) Name(s) and Address(s) of Applicant(s):

**Darren George Mackay  
62-64 Main St Upwey VIC 3158 Australia**

(72) Name(s) of Designer(s): **Darren George Mackay and David Lugton**

(45) Registration Date: **27 October 2014**

(56) Related Art Documents: **Not Applicable**

(57) Statement of Newness and Distinctiveness: **The dove tail 'fingers are spaced apart so that the fingers on the opposite side in an off-set position interlock when fitted creating a cylindrical shroud or simply a glueless paper join. Only the fingers interlock without the need for additional overlapping of the left and right sides.**

