



Australian Government

IP Australia

AUSTRALIAN OFFICIAL JOURNAL

OF

DESIGNS

Did you know a searchable version of this journal is now available online?

It's FREE and EASY to SEARCH.

Find it on our website (www.ipaustralia.gov.au)

by using the "Journals" link on the home page.

This Page Left Intentionally Blank

Contents

General Information & Notices

Proceedings Under the Designs Act 1906 preserved as a result of the provisions of Chapter 12 Part 2 of the Designs Act 2003

Applications for Extension of Time 3348
Extension of Period of Registration of Designs 3348
Registrations Ceased 3348
Subsequent Owners Registered 3348

Proceedings Under the Designs Act 2003

Applications Lapsed 3360
Applications Lodged 3352
Certificate of Examination 3363
Extension of Period of Registration of Design 3361
Extension of Time Granted Under Section 137 3362
Names Registered - Alterations and Amendments 3362
Publication and Registration Proceedings
 Designs Registered 358471 to 358615..... 3364
Registrations Ceased 3361
Revocation of Design Registrations 3361
Subsequent Owners Registered 3362

This Page Left Intentionally Blank

For information on the following please see our website www.ipaustralia.gov.au or contact our Customer Service Network on 1300651010

[Editorial enquiries](#)

[Contact information](#)

[Freedom of Information ACT](#)

[Professional Standards Board](#)

[Sales](#)

[Requests for Information under Section 194 \(c\)](#)

[Country Codes](#)

[Trade Mark and Designs Hearing Sessions](#)

[INID \(Internationally agreed Numbers for the Identification of Data\)](#)

“INID” NUMBERS in use on Australian Design Documents

“INID” is an acronym for “Internationally agreed Numbers for the Identification of Data”.

(10) Data concerning the registration/renewal

- (11) Serial number of the registration and/or number of the design document
- (12) Plain language designation of the kind of published document
- (19) Identification, using the two-letter code according to WIPO Standard ST.3, of the authority publishing or registering the industrial design

(20) Data concerning the application

- (21) Serial number of the application
- (22) Date of filing of the application
- (24) Date from which the industrial design right has effect

(30) Data relating to priority under the Paris Convention

- (31) Serial number assigned to the priority application
- (32) Date of filing of the priority application
- (33) Two-letter code, according to WIPO Standard ST.3, identifying the authority with which the priority application was made

(40) Date(s) of making information available to the public

- (45) Date of publication of the registered industrial design by printing or similar process, or making it available to the public by any other means

(50) Miscellaneous Information

- (51) International Classification for Industrial Designs (class and subclass of the Locarno Classification)
- (54) Designation of article(s) or product(s) covered by the industrial design or title of the industrial design
- (55) Reproduction of the industrial design (e.g., drawing, photograph) and explanations relating to the reproduction
- (56) List of prior art documents, if separate from descriptive text
- (57) Description of characteristic features of the industrial design including indication of colours

(60) References to other legally related application(s) and registration(s)

- (62) Serial number(s) and, if available, filing date(s) of application(s), registration(s) or document(s) related by division
- (66) Serial number(s) of the application, or the registration, of the design(s) which is (are) a variant(s) of the present one

(70) Identification of parties concerned with the application or registration

- (71) Name(s) and address(es) of the applicant(s)
- (72) Name(s) of the creator(s) if known to be such
- (74) Name(s) and address(es) of the representative(s)

This Page Left Intentionally Blank

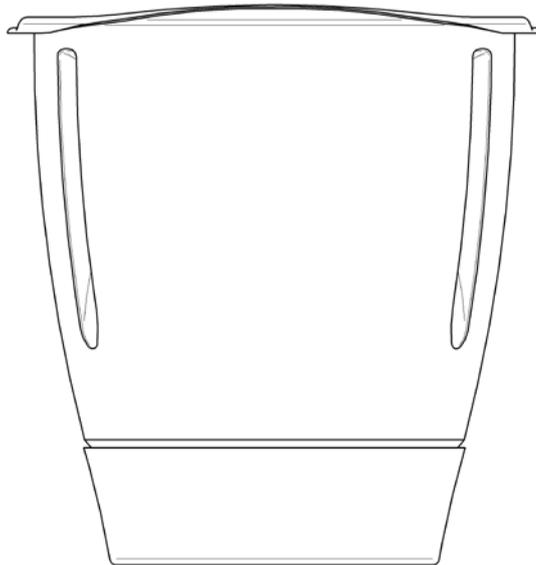
Official Notice

Design Registration 357699

Proposed amendment to the Representations.

The following proposed amendment has been requested by the owner in relation to the above designs. The Representations are to be amended to:

Fig. 1



In accordance with Regulation 9.05(5) any person may oppose the amendment by filing a notice of opposition in an approved form, within one month from the publication of the notice.

Proceedings under the Designs Act 1906 preserved as a result of the provisions of Chapter 12 Part 2 of the Designs Act 2003.

This Page Left Intentionally Blank

Applications Lapsed

There were no Applications Lapsed under this section

Extension of Period of Registration of Designs

1st Period (Section 27A(8))

2nd Period (Section 27A(12))

3rd Period (Section 27A(13))

151906	151907	151908
151909	153394	153715
153884	154320	154617
154618	154639	154640
154641	154652	154724
154725	154729	154847
154856	154906	154907
154935	154940	155091
155105	155301	155678
155746	155747	155748
155750	155751	155768
155846	155918	155919
155926	156167	156278
156331	156763	157031
157032	157641	157764
157839	157872	157903
157904	157905	157933
157996	158115	158129
158130		

Subsequent Owners Registered

(The name in parentheses is that of the subsequent owner)

144226	(R & B FOODS, INC.) Unilever PLC
148459	(K & M TRADING PTY LTD) John Antony Arie Kreuger

Registrations Ceased

Note: Some of the following Registrations may have been previously advertised as ceased. In this instance, the previous advertisement still prevails.

137102	137103	137123
137154	137159	137160
137235	137236	137476
137789	137847	137895
137896	137897	137898
138136	138378	138852
139255	140521	141034
141845	151753	152654
153277	153486	153512
153513	154116	

Applications for Extension of time

Applications for extension of time have been lodged. Objections must be lodged within 1 month from the date of this journal.

137424 **Bucam Pty Ltd** Extension of time to extend a registration. Address for Service: Bucam Pty Ltd 38 Activity Cres MOLENDINAR QLD 4214

This Page Left Intentionally Blank

Proceedings under the Designs Act 2003.

This Page Left Intentionally Blank

Applications Lodged

Lodgement information is in the following order: **Applicant's Name**; International Classification, Name of Product, Lodgement Date and **Design Number**. If the applicant claims an earlier priority date under an International Convention, the Convention Country and the associated filing date are shown in parentheses before the Lodgement Date. Divisional information will also appear in parentheses before the Lodgement Date.

Alex and Ani, LLC; 11-01C, Band, (US, 06 May 2014) 06 Nov 2014	15681/2014	Broan-NuTone LLC; 22-06, Repellent fixture, (US, 06 May 2014) 05 Nov 2014	15634/2014
Ampcontrol Pty Ltd; 14-03A, Telephone housing, 04 Nov 2014	15570/2014	Broan-NuTone LLC; 26-05B, Light fixture, (US, 06 May 2014) 05 Nov 2014	15637/2014
Aquarush Pty Ltd; 09-01D, Bottle, 30 Oct 2014	15463/2014	BEMIS MANUFACTURING COMPANY; 12-02, Cart for shopping, (Divisional of 14700/2014) 05 Nov 2014	15641/2014
Aquarush PTY LTD; 09-01D, Bottle, 29 Oct 2014	15439/2014	BOMI FURNITURE PTY. LTD.; 06-03NES, Bedside table, 28 Oct 2014	15416/2014
Arrow Fastener Co., LLC; 08-05NES, Fastening tool, (US, 02 May 2014) 30 Oct 2014	15469/2014	BSB Pacific Pty Ltd; 28-03NES, Spray tanning equipment, 03 Nov 2014	15558/2014
Arrow Fastener Co., LLC; 08-05NES, Fastening tool, (US, 02 May 2014) 30 Oct 2014	15471/2014	Caffey, Sean;Schleicher, Brett Daniel;Jelisavcic, Nenad;Jiang, Fukang;Purvis, Rick;Harbers, Greg;Shih, Jason;Humayun, Mark;Cruz-Uribe, Octavio;Tsang, Evan; 24-01, Implantable drug-delivery pump, (US, 02 May 2014) 03 Nov 2014	15543/2014
Auto Xcel Pty Limited; 03-01A, Backpack, 28 Oct 2014	15435/2014	Cahejo Pty Ltd, trading as Duraquip; 08-06, Hinge assembly, 15 May 2014	15461/2014
ASSA ABLOY Australia Pty Limited; 08-07, Key blank, 24 Oct 2014	15382/2014	Carol Cole Company; 28-03NES, Skin clearing and toning device, (US, 12 May 2014) 05 Nov 2014	15647/2014
ASSA ABLOY Australia Pty Limited; 08-07, Key blank, 24 Oct 2014	15383/2014	Caroma Industries Limited; 23-02C, A rimless toilet pan, 06 Nov 2014	15666/2014
B&D Doors & Openers; 08-09, Roll formed guide, 23 Oct 2014	15359/2014	Chidiac, Rachele; 02-04B, Stiletto shoe, 30 Oct 2014	15465/2014
Barak, Alexander Baguma; 08-05P, Credit card multi-tool knife, 29 Oct 2014	15462/2014	Cool Gear International, LLC; 09-01H, Resealable container with detachable base, (US, 13 May 2014) 06 Nov 2014	15690/2014
Bayer Animal Health GmbH; 24-01, Transfer device, (EM, 29 Apr 2014) 28 Oct 2014	15412/2014	Cool Gear International, LLC; 09-01K, Squeeze pouch, (US, 13 May 2014) 06 Nov 2014	15692/2014
Beats Music, LLC; 14-04, 14-02, Display screen with graphical user interface, (Divisional of 13539/2014) 30 Oct 2014	15466/2014	Cool Gear International, LLC; 09-07C, Lid for container with rotatable reclosable spout, (US, 13 May 2014) 06 Nov 2014	15693/2014
Beats Music, LLC; 14-04, 14-02, Display screen with graphical user interface, (Divisional of 13533/2014) 30 Oct 2014	15467/2014	Cool Gear International, LLC; 09-01H, Resealable container with detachable base, (US, 13 May 2014) 06 Nov 2014	15691/2014
Benriner Co., Ltd.; 07-04, Vegetable cooking utensil, (JP, 22 Sep 2014) 23 Oct 2014	15358/2014	Cool Gear International, LLC; 09-07C, Splash cap, (US, 13 May 2014) 06 Nov 2014	15686/2014
Berry, Michael Richard; 19-08, a QR sticker generally mounted on a car, 29 Oct 2014	15450/2014		
Biosense Webster (Israel) Ltd.; 14-04, 14-02, Display screen with icon, (US, 15 May 2014) 29 Oct 2014	15436/2014		
Bish, Joanna; 32-03, Australiana & fairy greeting cards, 30 Oct 2014	15464/2014		

Cool Gear International, LLC; 09-01NES, Bottle with double wall and removable straw mixer, (US, 13 May 2014) 06 Nov 2014	15688/2014	Dart Industries Inc.; 07-01NES, Lid for container, (US, 18 Jul 2014) 29 Oct 2014	15453/2014
Cool Gear International, LLC; 07-01F, 23-01G, Pitcher with two-stage water filtration, (US, 13 May 2014) 06 Nov 2014	15689/2014	DM and TM Pty Limited; 09-05, Bread packaging, 06 Nov 2014	15659/2014
Cool Gear International, LLC; 09-01NES, 09-03H, Bottle with outer cage, (US, 13 May 2014) 06 Nov 2014	15687/2014	E Motion Pty Ltd; 24-01, Electric pill crusher plate, 28 Oct 2014	15434/2014
Cool Gear International, LLC; 07-02NES, Fruit infuser, (US, 13 May 2014) 06 Nov 2014	15685/2014	East Coast Innovations Pty Ltd; 13-03NES, Cover, 03 Nov 2014	15562/2014
Crothead Pty Ltd; 08-08D, Toothpaste, 06 Nov 2014	15663/2014	Elite Pool Covers Pty Ltd; 25-99, Swimming pool cover system, 03 Nov 2014	15554/2014
Crothead Pty Ltd; 08-08D, Clip, 06 Nov 2014	15664/2014	Elms, David Robert;Major, Gilbert John; 25-01F, Deck tile edging, 02 Nov 2014	15534/2014
Crothead Pty Ltd; 23-02A, Shower caddy, 05 Nov 2014	15633/2014	Euro-Pro Operating LLC; 31-00, Blender base, (US, 09 May 2014) 05 Nov 2014	15656/2014
Crumpler TM Pty Ltd; 03-01A, Suitcase, 30 Oct 2014	15479/2014	ELITE TO BE S.r.l.; 07-06A, Bottle stands, (EM, 16 May 2014) 05 Nov 2014	15636/2014
Cruz-Uribe, Octavio;Schleicher, Brett Daniel;Jelisavcic, Nenad;Jiang, Fukang;Purvis, Rick;Harbers, Greg;Shih, Jason;Caffey, Sean;Humayun, Mark;Tsang, Evan; 24-01, Implantable drug-delivery pump, (US, 02 May 2014) 03 Nov 2014	15543/2014	Fifty-Fourth Rischell Pty Ltd; 02-02NES, A shirt, 30 Apr 2014	15480/2014
Cui, Zhi Gang; 08-05K, Trowel, 03 Nov 2014	15565/2014	Fifty-Fourth Rischell Pty Ltd; 02-02NES, A polo shirt, 30 Apr 2014	15481/2014
CARECLIA PTY. LTD.; 25-01K, An extruded curtain track, 03 Nov 2014	15566/2014	Fonewear Pty Ltd; 02-02B, Pocket for a garment, 05 Nov 2014	15654/2014
CLIPSO ELECTRICAL PTY LTD; 13-03D, Electrical wall switch, 02 Nov 2014	15531/2014	Fonewear Pty Ltd; 02-02B, Pocket for a garment, 05 Nov 2014	15655/2014
Dart Industries Inc.; 09-03M, Container with lid, (US, 18 Jul 2014) 29 Oct 2014	15451/2014	Fonewear Pty Ltd; 06-13B, Pillowcase, 05 Nov 2014	15652/2014
Dart Industries Inc.; 07-01NES, Container with lid, (US, 18 Jul 2014) 29 Oct 2014	15459/2014	Fonewear Pty Ltd; 02-02B, Pocket for a garment, 05 Nov 2014	15653/2014
Dart Industries Inc.; 07-01NES, Container with lid, (US, 18 Jul 2014) 29 Oct 2014	15454/2014	Forever New Clothing Pty Ltd; 03-01B, Accessory item, 03 Nov 2014	15561/2014
Dart Industries Inc.; 31-00, Kitchen food extruder, (US, 10 Jul 2014) 29 Oct 2014	15455/2014	Forever New Clothing Pty Ltd; 02-02C, 02-02NES, Article of clothing, 03 Nov 2014	15545/2014
Dart Industries Inc.; 31-00, Kitchen food extruder, (US, 10 Jul 2014) 29 Oct 2014	15452/2014	Forstar Limited; 09-01G, Cosmetic device, (Divisional of 14171/2014) 28 Oct 2014	15425/2014
Dart Industries Inc.; 07-01NES, Container with lid, (US, 18 Jul 2014) 29 Oct 2014	15456/2014	Forstar Limited; 09-01G, Cosmetic device, (Divisional of 14171/2014) 28 Oct 2014	15420/2014
		Forstar Limited; 09-01G, Cosmetic device, (Divisional of 14171/2014) 28 Oct 2014	15424/2014
		Forstar Limited; 09-01G, Cosmetic device, (Divisional of 14171/2014) 28 Oct 2014	15427/2014
		Forstar Limited; 09-01G, Cosmetic device, (Divisional of 14171/2014) 28 Oct 2014	15430/2014
		Freedman Electronics Pty Limited; 14-01, A microphone, 31 Oct 2014	15508/2014

French Accent Limited; 02-03, Headwear, (NZ, 12 Feb 2014) (Divisional of 13963/2014) 03 Nov 2014	15555/2014	Humayun, Mark;Schleicher, Brett Daniel;Jelisavcic, Nenad;Jiang, Fukang;Purvis, Rick;Harbers, Greg;Shih, Jason;Caffey, Sean;Cruz-Uribe, Octavio;Tsang, Evan; 24-01, Implantable drug-delivery pump, (US, 02 May 2014) 03 Nov 2014	15543/2014
French Accent Limited; 02-03, Headwear, (NZ, 12 Feb 2014) (Divisional of 13963/2014) 03 Nov 2014	15556/2014	Hunter Douglas Inc.; 06-10, Covering for an opening having vane with a pattern, (US, 02 May 2014) 31 Oct 2014	15518/2014
Gellatly, Alan William Roy; 02-02NES, 07-01D, 20-03NES, T shirts, mugs, jumpers, signs, 03 Nov 2014	15568/2014	Hunter Douglas Inc.; 06-10, Covering for an opening having vane with a pattern, (US, 02 May 2014) 31 Oct 2014	15515/2014
Global Tech China Limited; 26-05E, LED light module - verticle, 27 Oct 2014	15410/2014	Hunter Douglas Inc.; 06-10, Covering for an opening having vane with a pattern, (US, 02 May 2014) 31 Oct 2014	15512/2014
Global Tech China Limited; 26-05E, LED light module - horizontal, 27 Oct 2014	15411/2014	Hunter Douglas Inc.; 06-10, Covering for an opening having vane with a pattern, (US, 02 May 2014) 31 Oct 2014	15514/2014
GM Global Technology Operations LLC; 12-16B, Vehicle spoiler, 29 Oct 2014	15458/2014	Intelligent Inventions Limited; 30-04, Stirrup, 30 Oct 2014	15468/2014
GM Global Technology Operations LLC; 12-16A, Vehicle wheel, 29 Oct 2014	15457/2014	Ioncescu, Ilie; 07-01B, A bowl, (US, 25 Apr 2014) 27 Oct 2014	15409/2014
GT Systems Pty Ltd; 14-02, Network appliance, 04 Nov 2014	15624/2014	Jelisavcic, Nenad;Schleicher, Brett Daniel;Jiang, Fukang;Purvis, Rick;Harbers, Greg;Shih, Jason;Caffey, Sean;Humayun, Mark;Cruz-Uribe, Octavio;Tsang, Evan; 24-01, Implantable drug-delivery pump, (US, 02 May 2014) 03 Nov 2014	15543/2014
Haemonetics Corporation; 24-01, Blood processing device, (US, 23 May 2014) 06 Nov 2014	15667/2014	Jenkins, Steve;Jenkins, Natalie; 02-03, Hat accessory to be branded as a souvenir or gift, 05 Nov 2014	15646/2014
Hall, Russell;Ripple Iron Pty Ltd; 06-01C, Seat with backrest, 31 Oct 2014	15529/2014	Jenkins, Natalie;Jenkins, Steve; 02-03, Hat accessory to be branded as a souvenir or gift, 05 Nov 2014	15646/2014
Hall, Russell;Ripple Iron Pty Ltd; 06-01C, Seat - bench, 31 Oct 2014	15528/2014	Jiang, Fukang;Schleicher, Brett Daniel;Jelisavcic, Nenad;Purvis, Rick;Harbers, Greg;Shih, Jason;Caffey, Sean;Humayun, Mark;Cruz-Uribe, Octavio;Tsang, Evan; 24-01, Implantable drug-delivery pump, (US, 02 May 2014) 03 Nov 2014	15543/2014
Halo Trademarks Limited; 06-01G, Sofa, (Divisional of 14592/2014) 05 Nov 2014	15648/2014	Jiangsu Midea Chunhua Electric Appliance Co., Ltd.; 15-05, Vacuum cleaner, (CN, 22 May 2014) 27 Oct 2014	15401/2014
Harbers, Greg;Schleicher, Brett Daniel;Jelisavcic, Nenad;Jiang, Fukang;Purvis, Rick;Shih, Jason;Caffey, Sean;Humayun, Mark;Cruz-Uribe, Octavio;Tsang, Evan; 24-01, Implantable drug-delivery pump, (US, 02 May 2014) 03 Nov 2014	15543/2014	JAB DISTRIBUTORS, LLC; 07-01NES, Jar package; container, (US, 28 Apr 2014) 28 Oct 2014	15429/2014
Honda Motor Co., Ltd.; 12-08, All-terrain vehicle, (US, 13 May 2014) 07 Nov 2014	15698/2014	JETS Swimwear Pty Limited; 02-02A, Swimwear garment, 31 Oct 2014	15497/2014
Honey-Bee Adventures Limited; 21-03, Climbing frames [play equipment], (EM, 07 May 2014) 28 Oct 2014	15431/2014		
Honey-Bee Adventures Limited; 21-03, Climbing frames [play equipment], (EM, 07 May 2014) 28 Oct 2014	15432/2014		
Honey-Bee Adventures Limited; 21-03, Climbing frames [play equipment], (EM, 07 May 2014) 28 Oct 2014	15433/2014		

JETS Swimwear Pty Ltd; 02-02A, Swimwear garment, 31 Oct 2014	15498/2014	Lord, Tyson Dene; 21-02A, Soccer ball, (Divisional of 14488/2014) 02 Nov 2014	15532/2014
JETS Swimwear Pty Ltd; 02-02A, Swimwear garment, 31 Oct 2014	15501/2014	Lorna Jane Pty Ltd; 03-01A, Bag, 06 Nov 2014	15660/2014
JETS Swimwear Pty Ltd; 02-02A, Swimwear garment, 31 Oct 2014	15502/2014	Lorna Jane Pty Ltd; 02-02NES, Clothing, 24 Oct 2014	15397/2014
JETS Swimwear Pty Ltd; 02-02A, Swimwear garment, 31 Oct 2014	15499/2014	LG Electronics Inc.; 15-05, Vacuum cleaner, (KR, 19 May 2014) 31 Oct 2014	15519/2014
JETS Swimwear Pty Ltd; 02-02A, Swimwear garment, 31 Oct 2014	15505/2014	LG Electronics Inc.; 15-05, Vacuum cleaner, (KR, 19 May 2014) 31 Oct 2014	15520/2014
JETS Swimwear Pty Ltd; 02-02A, Swimwear garment, 31 Oct 2014	15506/2014	LSI Industries, Inc.; 26-05E, Lighting, (US, 20 May 2014) 04 Nov 2014	15573/2014
JETS Swimwear Pty Ltd; 02-02A, Swimwear garment, 31 Oct 2014	15503/2014	LSI Industries, Inc.; 26-05E, Lighting, (US, 22 May 2014) 04 Nov 2014	15572/2014
JETS Swimwear Pty Ltd; 02-02A, Swimwear garment, 31 Oct 2014	15504/2014	Madad Pty Ltd; 08-08C, Spring module for bedding foundation, 29 Oct 2014	15445/2014
JETS Swimwear Pty Ltd; 02-02A, Swimwear garment, 31 Oct 2014	15500/2014	Major, Gilbert John;Elms, David Robert; 25-01F, Deck tile edging, 02 Nov 2014	15534/2014
JETS Swimwear Pty Ltd; 02-02A, Swimwear garment, 31 Oct 2014	15513/2014	Marine Safety Innovations Pty Ltd; 12-02, 06-04NES, Fishing rod holders, hand rails, esky with wheels, 03 Nov 2014	15560/2014
JETS Swimwear Pty Ltd; 02-02A, Swimwear garment, 31 Oct 2014	15507/2014	Mars, Incorporated; 09-03F, Tray, (US, 21 Feb 2014) (Divisional of 14153/2014) 04 Nov 2014	15586/2014
Karsten Manufacturing Corporation; 21-02C, Golf club head, (US, 28 May 2014) 29 Oct 2014	15441/2014	Mars, Incorporated; 09-03F, Tray, (US, 21 Feb 2014) (Divisional of 14152/2014) 04 Nov 2014	15575/2014
Knipe, Christine; 28-03C, 02-07NES, A clip, 29 Oct 2014	15460/2014	Mars, Incorporated; 09-03F, Tray, (US, 21 Feb 2014) (Divisional of 14153/2014) 04 Nov 2014	15587/2014
Konecranes Plc; 12-08, Lift truck cabin, (EM, 13 May 2014) 06 Nov 2014	15669/2014	Mars, Incorporated; 09-03F, Tray, (US, 21 Feb 2014) (Divisional of 14153/2014) 04 Nov 2014	15588/2014
Koninklijke Philips N.V.; 28-03D, Facial styler, (EM, 06 May 2014) 06 Nov 2014	15657/2014	Mars, Incorporated; 09-03F, Tray, (US, 21 Feb 2014) (Divisional of 14153/2014) 04 Nov 2014	15584/2014
Kreuger, John Anthony Arie; 09-01NES, A bottle, 31 Oct 2014	15521/2014	Mars, Incorporated; 09-03F, Tray, (US, 21 Feb 2014) (Divisional of 14153/2014) 04 Nov 2014	15585/2014
KRAFT FOODS R & D, INC.; 09-03L, Packaging, (EM, 29 Apr 2014) 29 Oct 2014	15444/2014	Mars, Incorporated; 09-03F, Tray, (US, 21 Feb 2014) (Divisional of 14152/2014) 04 Nov 2014	15580/2014
KRAFT FOODS R & D, INC.; 09-03L, Packaging, (EM, 29 Apr 2014) 29 Oct 2014	15446/2014	Mars, Incorporated; 09-03F, Tray, (US, 21 Feb 2014) (Divisional of 14153/2014) 04 Nov 2014	15581/2014
KRAFT FOODS R & D, INC.; 09-03M, Packaging, (EM, 29 Apr 2014) 29 Oct 2014	15442/2014	Mars, Incorporated; 09-03F, Tray, (US, 21 Feb 2014) (Divisional of 14153/2014) 04 Nov 2014	15582/2014
KRAFT FOODS R & D, INC.; 09-03L, Packaging, (EM, 29 Apr 2014) 29 Oct 2014	15443/2014		
KRAFT FOODS R & D, INC.; 09-03M, Packaging, (EM, 29 Apr 2014) 29 Oct 2014	15440/2014		
KRAFT FOODS R & D, INC.; 09-03M, Packaging, (EM, 29 Apr 2014) 29 Oct 2014	15438/2014		

Mars, Incorporated; 09-03F, Tray, (US, 21 Feb 2014) (Divisional of 14163/2014) 04 Nov 2014	15628/2014	Melpaint Products Pty Ltd; 08-05NES, Cornice guide, (Divisional of 15082/2014) 03 Nov 2014	15548/2014
Mars, Incorporated; 09-03F, Tray, (US, 21 Feb 2014) (Divisional of 14157/2014) 04 Nov 2014	15600/2014	Melpaint Products Pty Ltd; 08-05NES, Cornice guide, (Divisional of 15082/2014) 03 Nov 2014	15549/2014
Mars, Incorporated; 09-03F, Tray, (US, 21 Feb 2014) (Divisional of 14157/2014) 04 Nov 2014	15601/2014	Melpaint Products Pty Ltd; 08-05NES, Cornice guide, (Divisional of 15082/2014) 03 Nov 2014	15547/2014
Mars, Incorporated; 09-03F, Tray, (US, 21 Feb 2014) (Divisional of 14163/2014) 04 Nov 2014	15626/2014	Milmeq Limited; 25-01K, Extrusion, 31 Oct 2014	15509/2014
Mars, Incorporated; 09-03F, Tray, (US, 21 Feb 2014) (Divisional of 14163/2014) 04 Nov 2014	15625/2014	Mitsubishi Electric Corporation; 23-04, Air conditioner, (JP, 07 May 2014) 05 Nov 2014	15642/2014
Mars, Incorporated; 09-03F, Tray, (US, 21 Feb 2014) (Divisional of 14157/2014) 04 Nov 2014	15602/2014	MAD APPAREL, INC.; 02-02B, A pocket, (US, 01 May 2014) 03 Nov 2014	15535/2014
Mars, Incorporated; 09-03F, Tray, (US, 21 Feb 2014) (Divisional of 14163/2014) 04 Nov 2014	15627/2014	MCT Brattberg AB; 23-01A, Pressure sealing means for cable transit, (EM, 07 May 2014) 05 Nov 2014	15651/2014
Mars, Incorporated; 09-03F, Tray, (US, 21 Feb 2014) (Divisional of 14157/2014) 04 Nov 2014	15599/2014	MITSUBISHI ELECTRIC CORPORATION; 23-04, Air conditioner, (JP, 07 May 2014) 05 Nov 2014	15643/2014
Mars, Incorporated; 09-03F, Tray, (US, 21 Feb 2014) (Divisional of 14164/2014) 04 Nov 2014	15632/2014	MYCOT PTY LTD; 06-02, Baby cot, 04 Nov 2014	15574/2014
Mars, Incorporated; 09-03F, Tray, (US, 21 Feb 2014) (Divisional of 14164/2014) 04 Nov 2014	15630/2014	Noble, Mark;Noble, Carol; 07-06A, Outdoor drink holder, 27 Oct 2014	15413/2014
Mars, Incorporated; 09-03F, Tray, (US, 21 Feb 2014) (Divisional of 14164/2014) 04 Nov 2014	15629/2014	Noble, Carol;Noble, Mark; 07-06A, Outdoor drink holder, 27 Oct 2014	15413/2014
Mars, Incorporated; 09-03F, Tray, (US, 21 Feb 2014) (Divisional of 14163/2014) 04 Nov 2014	15603/2014	Ocean Vision Environmental Research Pty Ltd; 14-03NES, iBX Capsule (iBX), 31 Oct 2014	15530/2014
Mars, Incorporated; 09-03F, Tray, (US, 21 Feb 2014) (Divisional of 14158/2014) 04 Nov 2014	15571/2014	Olympus (Beijing) Sales & Service Co., Ltd.; 24-01, Endoscope system workstation, (CN, 19 May 2014) 30 Oct 2014	15483/2014
McKinley, Kirsten; 32-03, Boys clothing, toys, merchandise, prints,, 04 Nov 2014	15546/2014	Orica International Pte Ltd; 13-03NES, Connector, 05 Nov 2014	15645/2014
Melpaint Products Pty Ltd; 08-05NES, Cornice guide, (Divisional of 15082/2014) 03 Nov 2014	15552/2014	Peppermint Grove Australia Pty Limited; 09-01NES, A glass bottle, 06 Nov 2014	15683/2014
Melpaint Products Pty Ltd; 08-05NES, Cornice guide, (Divisional of 15082/2014) 03 Nov 2014	15553/2014	Perlick Corporation; 23-01H, Faucet, (US, 08 May 2014) 06 Nov 2014	15665/2014
Melpaint Products Pty Ltd; 08-05NES, Cornice guide, (Divisional of 15082/2014) 03 Nov 2014	15550/2014	Plumridge, Christopher; 07-01D, Cup, 28 Oct 2014	15417/2014
Melpaint Products Pty Ltd; 08-05NES, Cornice guide, (Divisional of 15082/2014) 03 Nov 2014	15551/2014	Procson Pty Ltd; 06-06NES, Lectern, 05 Nov 2014	15640/2014
		Purvis, Rick;Schleicher, Brett Daniel;Jelisavcic, Nenad;Jiang, Fukang;Harbers, Greg;Shih, Jason;Caffey, Sean;Humayun, Mark;Cruz-Uribe, Octavio;Tsang, Evan; 24-01, Implantable drug-delivery pump, (US, 02 May 2014) 03 Nov 2014	15543/2014

R.V. Electronics Pty Ltd; 12-16M, Notched brake drum, 06 Nov 2014	15662/2014	Sandvik Intellectual Property AB; 08-03, Cutting tools, (EM, 08 May 2014) 06 Nov 2014	15679/2014
Randall, Lisa; 26-05B, Table lamp, 02 Nov 2014	15533/2014	Sandvik Intellectual Property AB; 08-03, Cutting tools, (EM, 08 May 2014) 06 Nov 2014	15680/2014
Reckitt Benckiser LLC; 07-05NES, Dispenser containing cleaning product, (EM, 16 Jun 2014) 27 Oct 2014	15403/2014	Satake Corporation; 15-99, Belt type optical sorter, (JP, 09 May 2014) 27 Oct 2014	15404/2014
Reckitt Benckiser LLC; 07-05NES, Dispenser, (EM, 16 Jun 2014) 27 Oct 2014	15402/2014	Schleicher, Brett Daniel;Jelisavcic, Nenad;Jiang, Fukang;Purvis, Rick;Harbers, Greg;Shih, Jason;Caffey, Sean;Humayun, Mark;Cruz-Uribe, Octavio;Tsang, Evan; 24-01, Implantable drug-delivery pump, (US, 02 May 2014) 03 Nov 2014	15543/2014
Republic Tobacco L.P.; 27-99, Horizontal cigarette-making machine, (US, 15 May 2014) 04 Nov 2014	15569/2014	Schuette & Co. Far East Limited; 06-99, Furniture component, 24 Oct 2014	15391/2014
ResMed Limited; 24-01, Reservoir base for humidifier reservoir for positi, (Divisional of 14093/2014) 05 Nov 2014	15649/2014	Seven Dreamers Laboratories, Inc.; 24-04, Nasal airway tube, (JP, 07 Mar 2014) (Divisional of 14406/2014) 30 Oct 2014	15473/2014
Revlon Consumer Products Corporation; 28-02, Cosmetic applicator, (US, 11 Jul 2014) 27 Oct 2014	15400/2014	Seven Dreamers Laboratories, Inc.; 24-04, Nasal airway tube, (JP, 07 Mar 2014) (Divisional of 14406/2014) 30 Oct 2014	15472/2014
Ripple Iron Pty Ltd;Hall, Russell; 06-01C, Seat - bench, 31 Oct 2014	15528/2014	Seven Dreamers Laboratories, Inc.; 24-04, Nasal airway tube, (JP, 07 Mar 2014) (Divisional of 14406/2014) 30 Oct 2014	15470/2014
Ripple Iron Pty Ltd;Hall, Russell; 06-01C, Seat with backrest, 31 Oct 2014	15529/2014	Seven Dreamers Laboratories, Inc.; 24-04, Nasal airway tube, (JP, 07 Mar 2014) (Divisional of 14406/2014) 30 Oct 2014	15484/2014
Rolling Stone Cleaning Co Limited; 11-02C, 25-01E, A plant support, (NZ, 02 May 2014) 31 Oct 2014	15511/2014	Seven Dreamers Laboratories, Inc.; 24-04, Nasal airway tube, (JP, 07 Mar 2014) (Divisional of 14406/2014) 30 Oct 2014	15478/2014
Roxtec AB; 25-02NES, HD frame, (EM, 25 Apr 2014) 22 Oct 2014	15340/2014	Seven Dreamers Laboratories, Inc.; 24-04, Nasal airway tube, (JP, 07 Mar 2014) (Divisional of 14406/2014) 30 Oct 2014	15486/2014
Royal Transport NSW Pty Ltd; 09-08, Pallet, 29 Oct 2014	15449/2014	Seven Dreamers Laboratories, Inc.; 24-04, Nasal airway tube, (JP, 07 Mar 2014) (Divisional of 14406/2014) 30 Oct 2014	15488/2014
ROCK CHIC EGGS PTY LTD; 30-03, Supplies container, 22 Oct 2014	15339/2014	Seven Dreamers Laboratories, Inc.; 24-04, Nasal airway tube, (JP, 07 Mar 2014) (Divisional of 14406/2014) 30 Oct 2014	15487/2014
Samsonite IP Holdings S.a r.l.; 03-01A, Luggage, (HK, 28 Apr 2014) 28 Oct 2014	15418/2014	Sherborne Pty Ltd; 28-03NES, Folding neck exerciser, 06 Nov 2014	15658/2014
Samsonite IP Holdings S.a r.l.; 03-01A, Luggage, (EM, 28 Apr 2014) 28 Oct 2014	15419/2014	Shih, Jason;Schleicher, Brett Daniel;Jelisavcic, Nenad;Jiang, Fukang;Purvis, Rick;Harbers, Greg;Caffey, Sean;Humayun, Mark;Cruz-Uribe, Octavio;Tsang, Evan; 24-01, Implantable drug-delivery pump, (US, 02 May 2014) 03 Nov 2014	15543/2014
Sandvik Intellectual Property AB; 08-03, Cutting tools, (EM, 08 May 2014) 06 Nov 2014	15676/2014	Spice, Anna; 30-01, Performance/active horse suit, 31 Oct 2014	15491/2014
Sandvik Intellectual Property AB; 08-03, Cutting tools, (EM, 08 May 2014) 06 Nov 2014	15677/2014		
Sandvik Intellectual Property AB; 08-03, Cutting tools, (EM, 08 May 2014) 06 Nov 2014	15675/2014		
Sandvik Intellectual Property AB; 08-03, Cutting tools, (EM, 08 May 2014) 06 Nov 2014	15674/2014		
Sandvik Intellectual Property AB; 08-03, Cutting tools, (EM, 08 May 2014) 06 Nov 2014	15678/2014		

Spice, Anna; 30-01, Travel & recovery horse suit, 31 Oct 2014	15490/2014	The Trustee for The Planet Ecologica Unit Trust; 07-01B, Serving container, 06 Nov 2014	15668/2014
Starway International Home-Living Co., Ltd.; 06-01F, Chair, (CN, 30 May 2014) 28 Oct 2014	15426/2014	Thompson, Emmanuel; 09-01D, A bottle, 03 Nov 2014	15542/2014
Starway International Home-Living Co., Ltd.; 06-01F, Chair, (CN, 30 May 2014) 28 Oct 2014	15423/2014	Triangl International Ltd.; 02-02A, Swimwear, 03 Nov 2014	15557/2014
SI Aust Group Pty Ltd; 23-02C, Toilet, 31 Oct 2014	15492/2014	Tsang, Evan;Schleicher, Brett Daniel;Jelisavcic, Nenad;Jiang, Fukang;Purvis, Rick;Harbers, Greg;Shih, Jason;Caffey, Sean;Humayun, Mark;Cruz-Uribe, Octavio; 24-01, Implantable drug-delivery pump, (US, 02 May 2014) 03 Nov 2014	15543/2014
SKEBBSYS TOY BOX PTY LTD; 21-01NES, Baby teething toy, cool pack, games, book, 05 Nov 2014	15644/2014	Tussy, Kevin Alan; 09-01NES, Football shaped bottle, (US, 08 May 2014) 05 Nov 2014	15650/2014
SVVET PTY LTD; 02-04C, Tights, 06 Nov 2014	15682/2014	Tyco Fire Products LP; 23-01B, Pipe fitting, (Divisional of 13805/2014) 29 Oct 2014	15448/2014
Thalamic Labs Inc.; 11-01C, Expandable armband, (US, 15 May 2014) 05 Nov 2014	15639/2014	Vorwerk & Co. Interholding GmbH; 09-03M, Package for data medium, (EP, 23 Apr 2014) (Divisional of 14315/2014) 29 Oct 2014	15447/2014
The Ames Companies, Inc.; 08-05A, Attachable shrub rake, (US, 18 Jul 2014) 27 Oct 2014	15396/2014	Vorwerk & Co. Interholding GmbH; 07-02L, Data medium, (EP, 10 Mar 2014) (Divisional of 14254/2014) 05 Nov 2014	15635/2014
The Ames Companies, Inc.; 08-05A, Rake with attached shrub rake, (US, 18 Jun 2014) 27 Oct 2014	15399/2014	Vorwerk & Co. Interholding GmbH; 07-04, Spatula, (EP, 03 Sep 2014) 30 Oct 2014	15477/2014
The Coca-Cola Company; 31-00, Beverage dispenser, (US, 12 May 2014) 07 Nov 2014	15699/2014	Vorwerk & Co. Interholding GmbH; 07-03, Spoon, (EP, 03 Sep 2014) 03 Nov 2014	15563/2014
The Coca-Cola Company; 14-04, 14-02, Display screen or portion thereof with a graphical user interface, (US, 12 May 2014) 06 Nov 2014	15670/2014	Vorwerk & Co. Interholding GmbH; 07-04, Stirrer, (EP, 03 Sep 2014) 03 Nov 2014	15540/2014
The Coca-Cola Company; 31-00, Beverage Dispenser, (US, 02 May 2014) 30 Oct 2014	15475/2014	Vorwerk & Co. Interholding GmbH; 07-04, Stirrer, (EP, 03 Sep 2014) 03 Nov 2014	15541/2014
The Coca-Cola Company; 31-00, Beverage dispenser, (US, 02 May 2014) 31 Oct 2014	15527/2014	Vorwerk & Co. Interholding GmbH; 07-03, Spoon, (EP, 03 Sep 2014) 03 Nov 2014	15564/2014
The Coca-Cola Company; 31-00, Beverage dispenser, (US, 02 May 2014) 30 Oct 2014	15476/2014	Vorwerk & Co. Interholding GmbH; 13-03D, Rotatable knob, (EP, 03 Sep 2014) 30 Oct 2014	15485/2014
The Sherwin-Williams Company; 04-04, Paint brush handle, (US, 01 May 2014) 31 Oct 2014	15496/2014	Vorwerk & Co. Interholding GmbH; 07-03, Spoon, (EP, 03 Sep 2014) 03 Nov 2014	15559/2014
The Sherwin-Williams Company; 04-04, Paint brush handle, (US, 01 May 2014) 31 Oct 2014	15495/2014	Vorwerk & Co. Interholding GmbH; 07-04, Stirrer, (EP, 03 Sep 2014) 03 Nov 2014	15537/2014
The Sherwin-Williams Company; 04-04, Paint brush handle, (US, 01 May 2014) 31 Oct 2014	15494/2014	Vorwerk & Co. Interholding GmbH; 07-01C, Lid, (EP, 03 Sep 2014) 03 Nov 2014	15536/2014
The Sherwin-Williams Company; 04-04, Paint brush handle, (US, 01 May 2014) 31 Oct 2014	15493/2014	Vorwerk & Co. Interholding GmbH; 07-04, Spatula, (EP, 03 Sep 2014) 30 Oct 2014	15482/2014

Vorwerk & Co. Interholding GmbH; 14-02, Data medium, (EP, 10 Mar 2014) (Divisional of 14254/2014) 05 Nov 2014	15638/2014	Whirlpool Corporation; 31-00, Juicer attachment, (US, 14 Mar 2014) (Divisional of 14308/2014) 28 Oct 2014	15422/2014
Vorwerk & Co. Interholding GmbH; 07-04, Spatula, (EP, 03 Sep 2014) 30 Oct 2014	15474/2014	Whirlpool Corporation; 31-00, Mixer attachment, (US, 14 Mar 2014) (Divisional of 14306/2014) 27 Oct 2014	15407/2014
Vorwerk & Co. Interholding GmbH; 09-03M, Package for data medium, (EP, 23 Apr 2014) (Divisional of 14315/2014) 28 Oct 2014	15428/2014	Whirlpool Corporation; 07-02N, Bowl, (US, 14 Mar 2014) (Divisional of 13806/2014) 27 Oct 2014	15408/2014
Waldemar Link GmbH & Co. KG; 24-03, Prosthetic, (EM, 29 Apr 2014) 29 Oct 2014	15437/2014	Yazaki Corporation; 13-03E, Electrical connector housing, (JP, 16 Jun 2014) 06 Nov 2014	15661/2014
Whirlpool Corporation; 07-02NES, 31-00, Stirring and flipping blade, (US, 26 Feb 2014) (Divisional of 13812/2014) 31 Oct 2014	15524/2014	Yobrush LLC; 03-01NES, Phone cover accessory, (US, 30 Apr 2014) 30 Oct 2014	15489/2014
Whirlpool Corporation; 31-00, Stirring and flipping blade, (US, 26 Feb 2014) (Divisional of 13812/2014) 31 Oct 2014	15522/2014	Zhejiang CFMOTO Power Co., Ltd; 12-08, All-terrain vehicle, (CN, 31 Oct 2014) 03 Nov 2014	15544/2014
Whirlpool Corporation; 31-00, Food processor attachment, (Divisional of 13814/2014) 31 Oct 2014	15523/2014	Zhejiang Shenghui Lighting Co., Ltd.; 26-04, A light globe, (CN, 23 Jul 2014) 31 Oct 2014	15510/2014
Whirlpool Corporation; 31-00, Food processor attachment, (US, 14 Mar 2014) (Divisional of 13814/2014) 31 Oct 2014	15525/2014	Zhejiang Shenghui Lighting Co., Ltd.; 26-04, A light globe, (CN, 08 May 2014) 31 Oct 2014	15516/2014
Whirlpool Corporation; 07-02L, Coffee brewer, (US, 26 Feb 2014) (Divisional of 13810/2014) 31 Oct 2014	15526/2014	Zhejiang Shenghui Lighting Co., Ltd.; 26-04, A light globe, (CN, 08 May 2014) 31 Oct 2014	15517/2014
Whirlpool Corporation; 31-00, Juicer attachment, (US, 14 Mar 2014) (Divisional of 14308/2014) 28 Oct 2014	15421/2014	3M Innovative Properties Company; 02-03, Earmuff attachment arm, (US, 02 May 2014) 03 Nov 2014	15538/2014
		3M Innovative Properties Company; 02-03, Earmuff attachment housing, (US, 02 May 2014) 03 Nov 2014	15539/2014

Applications Lapsed

12047 / 2014 (12-16A)	12048 / 2014 (12-16B)
12061 / 2014 (06-04NES)	13541 / 2014 (32-02)
13598 / 2014 (12-05)	13611 / 2014 (11-01G)
13674 / 2014 (31-00)	13710 / 2014 (26-05D)
13711 / 2014 (26-05D)	13712 / 2014 (26-05D)
13713 / 2014 (06-03A)	13726 / 2014 (09-03NES)
13727 / 2014 (09-03NES)	13728 / 2014 (09-03NES)
13816 / 2014 (30-99)	13817 / 2014 (30-99)
13818 / 2014 (30-99)	

Extension of Period of Registration of Designs

324824	326140	326160
326243	326506	326514
326686	326811	327536
327724	327725	328434
328435	328436	328437
328531	328532	328604
328634	328635	328636
328637	328666	328667
328691	328697	328700
328709	328712	328721
328722	328731	328732
328733	328734	328736
328737	328738	328739
328748	328749	328755
328756	328757	328758
328759	328760	328761
328771	328795	328799
328800	328818	328819
328821	328827	328883
328884	328885	328886
328894	328895	328896
328961	328969	328970
328971	328992	328993
329039	329040	329085
329086	329106	329109
329118	329119	329121
329136	329145	329173
329213	329214	329226
329227	329228	329241
329242	329263	329281
329313	329314	329315
329316	329317	329359
329366	329367	329376
329377	329389	329416
329417	329420	329421
329453	329454	329471
329481	329482	329500
329501	329599	329600
329729	329974	329975
329976	329977	330016
330164	332180	332221

Registrations Ceased

301281	301282	301295
301298	301299	301300
301301	301302	301303
301304	301305	301307
301316	301330	301331
301334	301336	301339
301340	301341	301342
301343	301348	301349
301350	301356	301357
301358	301370	301383
301389	301391	301392
301393	301394	301395
301396	301401	301402
301403	301404	301405
301406	301424	301425
301426	301427	301428
301429	301430	301431
301432	301433	301434
301435	301436	301442
301443	301444	301450
301540	301604	301605
301756	301757	301867
302198	302199	302249
302367	302491	302493
302585	302662	302675
302802	302824	303195
303269	303270	303271
303272	303273	303274
303589	304230	304935
305468	306750	325742
325752	325754	325769
325770	325783	325785
325786	325791	325798
325806	325814	325816
325822	325832	325833
325834	325841	325842
325843	325844	325845
325846	325878	325880
325883	325884	325899
325902	325937	325938
325939	325940	325941
325971	325979	325983
326003	326004	326011
326017	326018	326026
326037	326050	326089
326137	326161	326165
326166	326278	326279
326280	326281	326282
326283	326321	326322
326323	326324	326325
326327	326351	326352
326353	326354	326355

Revocation of Design Registrations

The following Design Registration(s) have been revoked and are taken never to have been registered:

353758 28-03NES

326381	326382	326383	354478	(Keurig Green Mountain, Inc.) Green Mountain Coffee Roasters, Inc.
326384	326385	326386	351935	(Keurig Green Mountain, Inc.) Keurig, Incorporated
326405	326409	326410		
326411	326434	326435		
326436	326437	326438		
326444	326487	326489		
326557	326568	326569		
326570	326571	326934		
327771	327772	327773		
328645	336432	345653		
351058	352523			

Extensions of time granted under Section 137

Applications lodged under section 137 for extension of time have been granted.

324824 **Apple Inc.**

12048/2014 **GM Global Technology Operations LLC**

12116/2014 **Ekkehard Koehn**

358488 **iCreate Retail Solutions Pty Ltd**

358489 **iCreate Retail Solutions Pty Ltd**

358490 **iCreate Retail Solutions Pty Ltd**

Subsequent Owners Registered

(The name in parentheses is that of the subsequent owner)

341424	(TRED Design Pty Ltd) Geesje Donker
338528	(ITW Australia Pty Ltd) Illinois Tool Works Inc.
323204	(Helen of Troy Limited) Pur Water Purification Products, Inc.
323205	(Helen of Troy Limited) Pur Water Purification Products, Inc.
323206	(Helen of Troy Limited) Pur Water Purification Products, Inc.
323203	(Helen of Troy Limited) Pur Water Purification Products, Inc.
323199	(Helen of Troy Limited) Pur Water Purification Products, Inc.
323200	(Helen of Troy Limited) Pur Water Purification Products, Inc.
323201	(Helen of Troy Limited) Pur Water Purification Products, Inc.
323202	(Helen of Troy Limited) Pur Water Purification Products, Inc.
323198	(Helen of Troy Limited) Pur Water Purification Products, Inc.
358207	(Madluc Pty Ltd) JS Industries Pty Ltd

Names Registered - Alterations and Amendments

(The name in parentheses is that of the subsequent applicant)

354251	(Keurig Green Mountain, Inc.) Green Mountain Coffee Roasters, Inc.
354761	(Keurig Green Mountain, Inc.) Green Mountain Coffee Roasters, Inc.

Certificate(s) of Examination

Examination of the following Design Registration(s) has been completed. Infringement proceedings may now be commenced.

348412	01-01	27/10/2014
349892	09-03F	28/10/2014
350114	09-03F	28/10/2014
351716	09-01NES	28/10/2014
353175	02-02C	04/11/2014
353531	02-02C	04/11/2014
353532	02-02C	04/11/2014
355385	12-16B	31/10/2014
355878	09-01NES	29/10/2014
356264	09-03M	29/10/2014
356373	09-09	03/11/2014
356375	09-09	03/11/2014
356615	13-03E	31/10/2014
356617	13-03E	31/10/2014
356783	09-09	03/11/2014
356821	09-09	03/11/2014
356949	31-00	28/10/2014
357383	15-07	29/10/2014
357451	26-06	04/11/2014
357454	26-06	04/11/2014
357486	13-03A	31/10/2014
357589	25-03	30/10/2014
357676	15-03A	03/11/2014
357678	15-03A	03/11/2014
357679	12-16NES	27/10/2014
357695	31-00	31/10/2014
357697	31-00	31/10/2014
357698	31-00	31/10/2014
357700	31-00	31/10/2014
357703	31-00	31/10/2014
357706	31-00	31/10/2014
357728	31-00	31/10/2014
357842	23-01H	27/10/2014
357887	31-00	31/10/2014
357888	31-00	29/10/2014
357890	23-01H	30/10/2014
358013	15-05	31/10/2014
358222	09-09	03/11/2014
358250	05-05D	07/11/2014
358274	02-02C	04/11/2014
358295	05-05A	04/11/2014
358385	08-07	04/11/2014

Publication and Registration Proceedings**Designs Registered**

This section provides a concordance between design number and registration number of Designs covered in this journal. It also shows the main class and registration date.

This section covers Registration numbers 358471 to 358615 .

The registration number shown below should be used in all future correspondence.

Design Number	Registration Number	International Classification Code (IDC)	Registration Date	Design Number	Registration Number	International Classification Code (IDC)	Registration Date
10967/2014	358524	21-02F	03/11/2014	14134/2014	358486	15-05	29/10/2014
12374/2014	358563	08-06	05/11/2014	14135/2014	358491	15-05	29/10/2014
12375/2014	358488	20-02E	29/10/2014	14152/2014	358586	09-03F	07/11/2014
12376/2014	358489	20-02E	29/10/2014	14153/2014	358609	09-03F	07/11/2014
12377/2014	358490	20-02E	29/10/2014	14155/2014	358610	09-03F	07/11/2014
12643/2014	358565	12-16NES	06/11/2014	14171/2014	358521	09-01G	31/10/2014
13093/2014	358525	14-01	03/11/2014	14306/2014	358505	31-00	30/10/2014
13195/2014	358566	07-02B	06/11/2014	14308/2014	358506	31-00	30/10/2014
13447/2014	358526	28-03NES	03/11/2014	14315/2014	358507	09-03M	30/10/2014
13448/2014	358527	28-03NES	03/11/2014	14332/2014	358478	06-13B	28/10/2014
13450/2014	358528	28-03NES	03/11/2014	14371/2014	358508	06-06F	30/10/2014
13530/2014	358543	14-02	03/11/2014	14406/2014	358557	24-04	05/11/2014
13531/2014	358544	14-02	03/11/2014	14475/2014	358493	10-04	30/10/2014
13532/2014	358545	14-04	03/11/2014	14478/2014	358494	10-04	30/10/2014
13533/2014	358546	14-04	03/11/2014	14661/2014	358473	12-02	28/10/2014
13534/2014	358499	28-03D	30/10/2014	14678/2014	358511	12-03	31/10/2014
13535/2014	358500	28-03D	30/10/2014	14814/2014	358611	14-99	10/11/2014
13536/2014	358501	28-03D	30/10/2014	14835/2014	358479	22-01	28/10/2014
13537/2014	358547	14-04	03/11/2014	14861/2014	358487	09-03NES	29/10/2014
13538/2014	358548	14-04	03/11/2014	14874/2014	358512	16-06	31/10/2014
13539/2014	358549	14-04	03/11/2014	14875/2014	358513	16-06	31/10/2014
13557/2014	358471	09-01G	28/10/2014	14892/2014	358530	07-02D	03/11/2014
13558/2014	358474	09-07B	28/10/2014	14930/2014	358552	24-02	04/11/2014
13561/2014	358556	08-08NES	05/11/2014	14999/2014	358562	14-03NES	05/11/2014
13565/2014	358475	28-03NES	28/10/2014	15054/2014	358553	12-10	04/11/2014
13623/2014	358482	06-02	29/10/2014	15060/2014	358509	12-15A	30/10/2014
13624/2014	358483	06-02	29/10/2014	15062/2014	358523	07-07A	31/10/2014
13765/2014	358502	07-01F	30/10/2014	15115/2014	358531	10-04	03/11/2014
13786/2014	358503	23-01G	30/10/2014	15120/2014	358510	02-03	30/10/2014
13793/2014	358492	12-12	30/10/2014	15160/2014	358612	25-01G	10/11/2014
13794/2014	358476	25-01K	28/10/2014	15165/2014	358613	25-01G	10/11/2014
13805/2014	358529	23-01B	03/11/2014	15223/2014	358558	12-06C	05/11/2014
13806/2014	358550	07-02H	04/11/2014	15238/2014	358495	24-02	30/10/2014
13812/2014	358551	07-02NES	04/11/2014	15249/2014	358514	11-01C	31/10/2014
13854/2014	358477	28-03B	28/10/2014	15250/2014	358535	24-04	03/11/2014
13866/2014	358559	03-01A	05/11/2014	15252/2014	358567	21-04	06/11/2014
13867/2014	358560	03-01A	05/11/2014	15253/2014	358568	21-04	06/11/2014
13961/2014	358484	15-07	29/10/2014	15254/2014	358569	24-01	06/11/2014
13963/2014	358561	02-03	05/11/2014	15255/2014	358570	21-04	06/11/2014
13992/2014	358504	03-01A	30/10/2014	15256/2014	358571	21-04	06/11/2014
14015/2014	358472	24-01	28/10/2014	15258/2014	358572	13-03D	06/11/2014
14035/2014	358585	26-05E	07/11/2014	15259/2014	358573	07-05D	06/11/2014
14036/2014	358522	12-15C	31/10/2014	15260/2014	358574	07-05D	06/11/2014
14073/2014	358603	06-01H	07/11/2014	15262/2014	358515	08-08D	31/10/2014
14074/2014	358604	06-01H	07/11/2014	15263/2014	358516	25-01E	31/10/2014
14075/2014	358605	06-01H	07/11/2014	15264/2014	358517	25-01E	31/10/2014
14076/2014	358606	06-01G	07/11/2014	15265/2014	358518	25-01E	31/10/2014
14077/2014	358607	06-01G	07/11/2014	15268/2014	358536	14-01	03/11/2014
14078/2014	358608	06-01G	07/11/2014	15269/2014	358537	05-05D	03/11/2014
14133/2014	358485	15-05	29/10/2014	15271/2014	358575	05-05NES	06/11/2014

Publication and Registration Proceedings - Designs Registered cont'd

Design Number	Registration Number	International Classification Code (IDC)	Registration Date	Design Number	Registration Number	International Classification Code (IDC)	Registration Date
15275/2014	358576	07-01NES	06/11/2014	15310/2014	358601	31-00	07/11/2014
15276/2014	358577	13-99	06/11/2014	15312/2014	358538	08-07	03/11/2014
15277/2014	358578	07-01NES	06/11/2014	15315/2014	358539	25-01G	03/11/2014
15278/2014	358579	24-04	06/11/2014	15316/2014	358480	25-01K	28/10/2014
15281/2014	358580	01-01	06/11/2014	15319/2014	358540	23-04	03/11/2014
15282/2014	358581	01-01	06/11/2014	15320/2014	358541	23-04	03/11/2014
15283/2014	358582	12-05	06/11/2014	15321/2014	358542	23-04	03/11/2014
15284/2014	358583	16-05	06/11/2014	15329/2014	358554	25-02H	04/11/2014
15285/2014	358584	24-02	06/11/2014	15333/2014	358555	09-05	04/11/2014
15286/2014	358587	24-02	07/11/2014	15341/2014	358602	26-06	07/11/2014
15289/2014	358588	07-01C	07/11/2014	15379/2014	358481	28-03B	28/10/2014
15290/2014	358589	07-02N	07/11/2014	15407/2014	358496	31-00	30/10/2014
15293/2014	358590	25-03	07/11/2014	15420/2014	358519	09-01G	31/10/2014
15294/2014	358591	06-01E	07/11/2014	15421/2014	358497	31-00	30/10/2014
15295/2014	358592	06-01F	07/11/2014	15422/2014	358498	31-00	30/10/2014
15296/2014	358593	06-01F	07/11/2014	15424/2014	358520	09-01G	31/10/2014
15297/2014	358594	28-03NES	07/11/2014	15425/2014	358532	09-01G	03/11/2014
15298/2014	358595	28-03NES	07/11/2014	15427/2014	358533	09-01G	03/11/2014
15299/2014	358596	09-03NES	07/11/2014	15430/2014	358534	09-01G	03/11/2014
15301/2014	358597	11-01NES	07/11/2014	15461/2014	358564	08-06	05/11/2014
15303/2014	358598	12-15A	07/11/2014	15648/2014	358615	06-01G	10/11/2014
15304/2014	358599	31-00	07/11/2014				
15305/2014	358600	31-00	07/11/2014				
15306/2014	358614	15-03B	10/11/2014				

Publication and Registration Proceedings

Class Listing of Designs Published or Registered

The following section shows an International Classification Code listing of the Registered or Published Designs covered in this supplement.

Classification	Registration Number	Design Number	Classification	Registration Number	Design Number
01-01	358580	15281/2014	09-03F	358609	14153/2014
01-01	358581	15282/2014	09-03F	358610	14155/2014
02-03	358510	15120/2014	09-03M	358507	14315/2014
02-03	358561	13963/2014	09-03NES	358487	14861/2014
03-01A	358504	13992/2014	09-03NES	358596	15299/2014
03-01A	358559	13866/2014	09-05	358555	15333/2014
03-01A	358560	13867/2014	09-07B	358474	13558/2014
05-05D	358537	15269/2014	09-07B	358576	15275/2014
05-05NES	358575	15271/2014	09-07B	358578	15277/2014
06-01E	358591	15294/2014	10-04	358493	14475/2014
06-01F	358592	15295/2014	10-04	358494	14478/2014
06-01F	358593	15296/2014	10-04	358531	15115/2014
06-01G	358606	14076/2014	11-01C	358514	15249/2014
06-01G	358607	14077/2014	11-01NES	358597	15301/2014
06-01G	358608	14078/2014	12-02	358473	14661/2014
06-01G	358615	15648/2014	12-03	358511	14678/2014
06-01H	358603	14073/2014	12-05	358582	15283/2014
06-01H	358604	14074/2014	12-06C	358558	15223/2014
06-01H	358605	14075/2014	12-10	358553	15054/2014
06-02	358482	13623/2014	12-12	358492	13793/2014
06-02	358483	13624/2014	12-15A	358509	15060/2014
06-03NES	358488	12375/2014	12-15A	358598	15303/2014
06-03NES	358489	12376/2014	12-15C	358522	14036/2014
06-03NES	358490	12377/2014	12-16C	358553	15054/2014
06-06F	358508	14371/2014	12-16NES	358565	12643/2014
06-13B	358478	14332/2014	13-03D	358572	15258/2014
07-01C	358588	15289/2014	13-99	358577	15276/2014
07-01F	358502	13765/2014	14-01	358525	13093/2014
07-01F	358503	13786/2014	14-01	358536	15268/2014
07-01NES	358576	15275/2014	14-02	358543	13530/2014
07-01NES	358578	15277/2014	14-02	358544	13531/2014
07-02B	358566	13195/2014	14-02	358545	13532/2014
07-02D	358530	14892/2014	14-02	358546	13533/2014
07-02H	358550	13806/2014	14-02	358547	13537/2014
07-02N	358589	15290/2014	14-02	358548	13538/2014
07-02NES	358551	13812/2014	14-02	358549	13539/2014
07-05D	358573	15259/2014	14-03NES	358562	14999/2014
07-05D	358574	15260/2014	14-04	358543	13530/2014
07-07A	358523	15062/2014	14-04	358544	13531/2014
08-06	358563	12374/2014	14-04	358545	13532/2014
08-06	358564	15461/2014	14-04	358546	13533/2014
08-07	358538	15312/2014	14-04	358547	13537/2014
08-08D	358515	15262/2014	14-04	358548	13538/2014
08-08NES	358556	13561/2014	14-04	358549	13539/2014
09-01G	358471	13557/2014	14-99	358611	14814/2014
09-01G	358519	15420/2014	15-03B	358614	15306/2014
09-01G	358520	15424/2014	15-05	358485	14133/2014
09-01G	358521	14171/2014	15-05	358486	14134/2014
09-01G	358527	13448/2014	15-05	358491	14135/2014
09-01G	358532	15425/2014	15-07	358484	13961/2014
09-01G	358533	15427/2014	16-05	358583	15284/2014
09-01G	358534	15430/2014	16-06	358512	14874/2014
09-03F	358586	14152/2014	16-06	358513	14875/2014

Registration Proceedings - Class Listing of Designs Published or Registered cont'd

Classification	Registration Number	Design Number	Classification	Registration Number	Design Number
20-02E	358488	12375/2014	25-01G	358613	15165/2014
20-02E	358489	12376/2014	25-01K	358476	13794/2014
20-02E	358490	12377/2014	25-01K	358480	15316/2014
21-02F	358524	10967/2014	25-02H	358554	15329/2014
21-04	358567	15252/2014	25-03	358590	15293/2014
21-04	358568	15253/2014	26-05E	358585	14035/2014
21-04	358570	15255/2014	26-06	358602	15341/2014
21-04	358571	15256/2014	28-03B	358477	13854/2014
22-01	358479	14835/2014	28-03B	358481	15379/2014
23-01B	358529	13805/2014	28-03D	358499	13534/2014
23-01G	358502	13765/2014	28-03D	358500	13535/2014
23-01G	358503	13786/2014	28-03D	358501	13536/2014
23-04	358540	15319/2014	28-03NES	358475	13565/2014
23-04	358541	15320/2014	28-03NES	358526	13447/2014
23-04	358542	15321/2014	28-03NES	358527	13448/2014
24-01	358472	14015/2014	28-03NES	358528	13450/2014
24-01	358569	15254/2014	28-03NES	358594	15297/2014
24-02	358495	15238/2014	28-03NES	358595	15298/2014
24-02	358552	14930/2014	31-00	358496	15407/2014
24-02	358584	15285/2014	31-00	358497	15421/2014
24-02	358587	15286/2014	31-00	358498	15422/2014
24-04	358535	15250/2014	31-00	358505	14306/2014
24-04	358557	14406/2014	31-00	358506	14308/2014
24-04	358579	15278/2014	31-00	358551	13812/2014
25-01E	358511	14678/2014	31-00	358599	15304/2014
25-01E	358516	15263/2014	31-00	358600	15305/2014
25-01E	358517	15264/2014	31-00	358601	15310/2014
25-01E	358518	15265/2014			
25-01G	358539	15315/2014			
25-01G	358612	15160/2014			

(21) Design Number: **13557/2014**
(22) Date of Filing Application: **18 July 2014**
(24) Date from which industrial property rights may have effect: **18 July 2014**
(54) Product in respect of which the design is registered: **Perfume bottle**
(51) International Design Classification: **09-01G**
(74) Name(s) of Attorney(s): **PHILLIPS ORMONDE FITZPATRICK**
(71) Name(s) and Address(s) of Applicant(s):



Procter & Gamble International Operations SA
Route de Saint-Georges 47 CH-1213 Petit-Lancy Switzerland

(72) Name(s) of Designer(s): **Suzanne Dalton**

(45) Registration Date: **28 October 2014**

(30) Convention priority data:

(31) Number	(32) Date	(33) Country
DM/082 820	05 Feb 2014	WORLD INTELLECTUAL PROPERTY ORGANIZATION (WIPO)

(56) Related Art Documents: **Not Applicable**

(57) Statement of Newness and Distinctiveness: **Nil**

(21) Design Number: **14015/2014**
(22) Date of Filing Application: **14 August 2014**
(24) Date from which industrial property rights may have effect: **14 August 2014**
(54) Product in respect of which the design is registered: **A catheter**
(51) International Design Classification: **24-01**
(74) Name(s) of Attorney(s): **Allens Patent & Trade Mark Attorneys**
(71) Name(s) and Address(s) of Applicant(s):



Chiesi Farmaceutici S.p.A.
Via Palermo 26/A Parma 43122 Italy

(72) Name(s) of Designer(s): **Mats Blennow and Kajsa Bolhin and Peter
Anderson Dargaville**

(45) Registration Date: **28 October 2014**

(30) Convention priority data:

(31) Number	(32) Date	(33) Country
002407569	19 Feb 2014	OFFICE FOR HARMONISATION IN THE INTERNAL MARKET (OHIM)

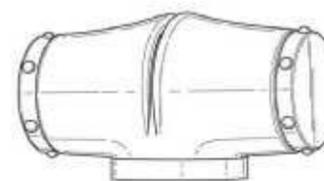
(56) Related Art Documents: **Not Applicable**

(57) Statement of Newness and Distinctiveness: **Newness and distinctiveness
resides in the visual features of shape and/or configuration of a catheter
as illustrated in the accompanying representations.**

(21) Design Number: **14661/2014**
(22) Date of Filing Application: **15 September 2014**
(24) Date from which industrial property rights may have effect: **15 September 2014**
(54) Product in respect of which the design is registered: **Trolley**
(51) International Design Classification: **12-02**
(74) Name(s) of Attorney(s): **Davies Collison Cave**
(71) Name(s) and Address(s) of Applicant(s):
The Stanley Works Israel Ltd.
19 Ha'Melacha Street New Industrial Zone Rosh Ha'ayin 48091 Israel
(72) Name(s) of Designer(s): **Elad Hay Shitrit and Danny Baruch**
(45) Registration Date: **28 October 2014**
(30) Convention priority data:
(31) Number (32) Date (33) Country
201430055650.7 19 Mar 2014 CHINA
(56) Related Art Documents: **Not Applicable**
(57) Statement of Newness and Distinctiveness: **Nil**

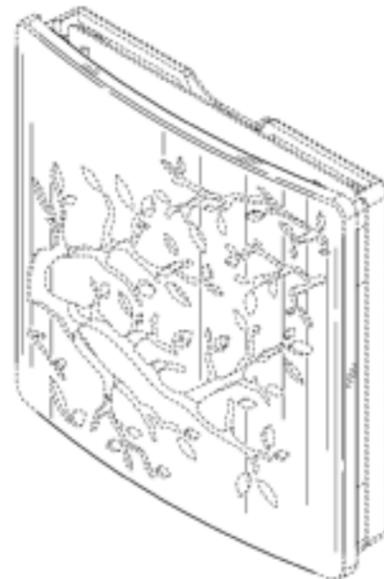


(21) Design Number: **13558/2014**
(22) Date of Filing Application: **18 July 2014**
(24) Date from which industrial property rights may have effect: **18 July 2014**
(54) Product in respect of which the design is registered: **Cap for perfume bottle**
(51) International Design Classification: **09-07B**
(74) Name(s) of Attorney(s): **PHILLIPS ORMONDE FITZPATRICK**
(71) Name(s) and Address(s) of Applicant(s):
Procter & Gamble International Operations SA
47-route de Saint-Georges 1213 Petit-Lancy 1 Geneva Switzerland
(72) Name(s) of Designer(s): **Suzanne Dalton**
(45) Registration Date: **28 October 2014**
(30) Convention priority data:
(31) Number (32) Date (33) Country
**DM/082 820 05 Feb 2014 WORLD INTELLECTUAL
PROPERTY ORGANIZATION
(WIPO)**
(56) Related Art Documents: **Not Applicable**
(57) Statement of Newness and Distinctiveness: **Nil**



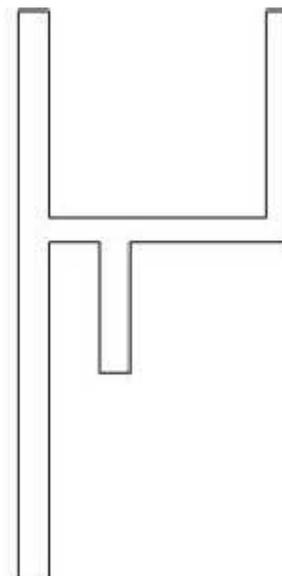
(19) AU

(21) Design Number: **13565/2014**
(22) Date of Filing Application: **21 July 2014**
(24) Date from which industrial property rights may have effect: **21 July 2014**
(54) Product in respect of which the design is registered: **Faceplate for a dispenser**
(51) International Design Classification: **28-03NES**
(74) Name(s) of Attorney(s): **SPRUSON & FERGUSON**
(71) Name(s) and Address(s) of Applicant(s):
S.C. Johnson & Son, Inc.
1525 Howe Street Racine Wisconsin 53403-2236 United States of America
(72) Name(s) of Designer(s): **Alex Mecker**
(45) Registration Date: **28 October 2014**
(30) Convention priority data:
(31) Number (32) Date (33) Country
29/480365 24 Jan 2014 UNITED STATES OF AMERICA
(56) Related Art Documents: **Not Applicable**
(57) Statement of Newness and Distinctiveness: **Newness and distinctiveness is claimed in those features of shape and/or configuration of a faceplate for a dispenser illustrated in continuous lines in the accompanying representations.**



(19) AU

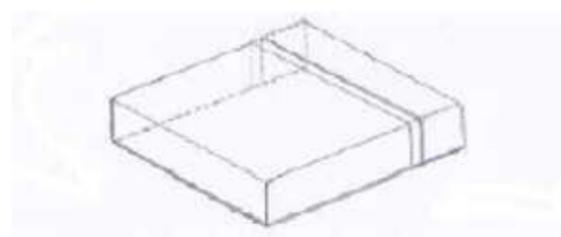
(21) Design Number: **13794/2014**
(22) Date of Filing Application: **05 August 2014**
(24) Date from which industrial property rights may have effect: **05 August 2014**
(54) Product in respect of which the design is registered: **Extrusion**
(51) International Design Classification: **25-01K**
(74) Name(s) of Attorney(s): **Ellis Terry**
(71) Name(s) and Address(s) of Applicant(s):
Cameron David Nelson
18 Trevelyan St Cronulla NSW 2230 Australia
(72) Name(s) of Designer(s): **Cameron David Nelson**
(45) Registration Date: **28 October 2014**
(56) Related Art Documents: **Not Applicable**
(57) Statement of Newness and Distinctiveness: **Nil**



- (21) Design Number: **13854/2014**
(22) Date of Filing Application: **07 August 2014**
(24) Date from which industrial property rights may have effect: **07 August 2014**
(54) Product in respect of which the design is registered: **Automatic hair styling device**
(51) International Design Classification: **28-03B**
(74) Name(s) of Attorney(s): **Griffith Hack**
(71) Name(s) and Address(s) of Applicant(s):
TRADE BOX, LLC
5826 Uplander Way Culver City California 90230 United States of America
(72) Name(s) of Designer(s): **Rentong Wang and Zhiyong Yu**
(45) Registration Date: **28 October 2014**
(30) Convention priority data:
(31) Number (32) Date (33) Country
201330566656.6 21 Nov 2013 CHINA
(56) Related Art Documents: **Not Applicable**
(57) Statement of Newness and Distinctiveness: **Newness and distinctiveness resides in the visual features of the design shown in solid outline. When determining whether the design is substantially similar in overall impression to another design, no regard is to be had to those features shown in dotted outline in the accompanying drawings, which features are provided for illustrative purposes only.**



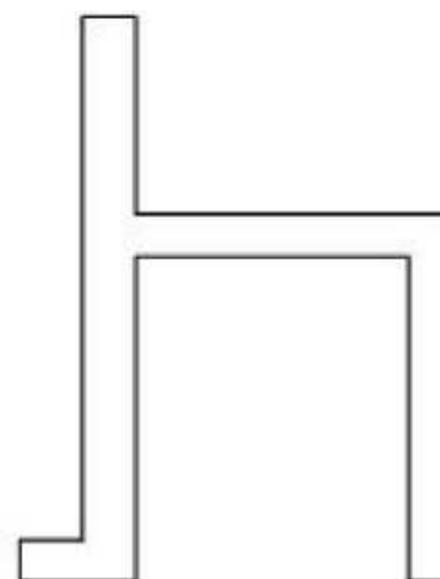
- (21) Design Number: **14332/2014**
(22) Date of Filing Application: **01 September 2014**
(24) Date from which industrial property rights may have effect: **01 September 2014**
(54) Product in respect of which the design is registered: **Bed linen (top sheet)**
(51) International Design Classification: **06-13B**
(74) Name(s) of Attorney(s):
(71) Name(s) and Address(s) of Applicant(s):
WARRIE SHEARING PRODUCTS PTY. LTD.
4 Lowood Rd Mount Baker WA 6324 Australia
(72) Name(s) of Designer(s): **Warren Dudley Hambley**
(45) Registration Date: **28 October 2014**
(56) Related Art Documents: **Not Applicable**
(57) Statement of Newness and Distinctiveness: **666 SHEET ZX DESCRIPTION**
The 666 SHEET ZX is an innovative new idea for bed linen. It is a top bed sheet only. It has fitted corners at the foot end of bed. The Box will come in various sizes to suit the users mattress. The sheet will continue on to the head end of the bed, with a sew line to keep crease in place 1cm. from crease. The sheet will finish 10cm. short of the fitted bottom sheet ,at the head end ,the fold over will be 50 cm. long and hemmed and attached back along the bottom given you an envelope finish. The 666 SHEET ZX will be designed to accommodate all standard mattress sizes .



- (21) Design Number: **14835/2014**
(22) Date of Filing Application: **23 September 2014**
(24) Date from which industrial property rights may have effect: **23 September 2014**
(54) Product in respect of which the design is registered: **Stock butt pad**
(51) International Design Classification: **22-01**
(74) Name(s) of Attorney(s): **Davies Collison Cave**
(71) Name(s) and Address(s) of Applicant(s):
Magpul Industries Corporation
400 Young Court Unit 1 Erie Colorado 80516 United States of America
(72) Name(s) of Designer(s): **Michael T. Mayberry and Nicholas Kielsmeier and Brian Nakayama and Jeremy Fiester and Richard Fitzpatrick and William B. Bennett**
(45) Registration Date: **28 October 2014**
(30) Convention priority data:
(31) Number (32) Date (33) Country
29/486201 27 Mar 2014 UNITED STATES OF AMERICA
(56) Related Art Documents: **Not Applicable**
(57) Statement of Newness and Distinctiveness: **Newness and distinctiveness is claimed in the visual features shown in solid lines in the representations. The firearm itself shown in the reference view of Figure 1 does not form part of the design.**



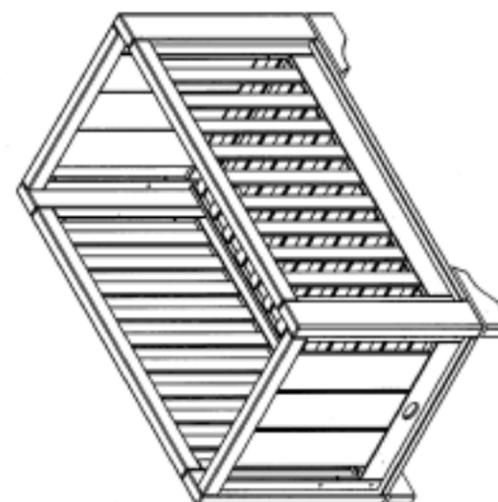
- (21) Design Number: **15316/2014**
(22) Date of Filing Application: **05 August 2014**
(24) Date from which industrial property rights may have effect: **05 August 2014**
(54) Product in respect of which the design is registered: **Extrusion**
(51) International Design Classification: **25-01K**
(74) Name(s) of Attorney(s): **Ellis Terry**
(71) Name(s) and Address(s) of Applicant(s):
Cameron David Nelson
18 Trevelyan St Cronulla NSW 2230 Australia
(72) Name(s) of Designer(s): **Cameron David Nelson**
(45) Registration Date: **28 October 2014**
(56) Related Art Documents: **Not Applicable**
(57) Statement of Newness and Distinctiveness: **Nil**



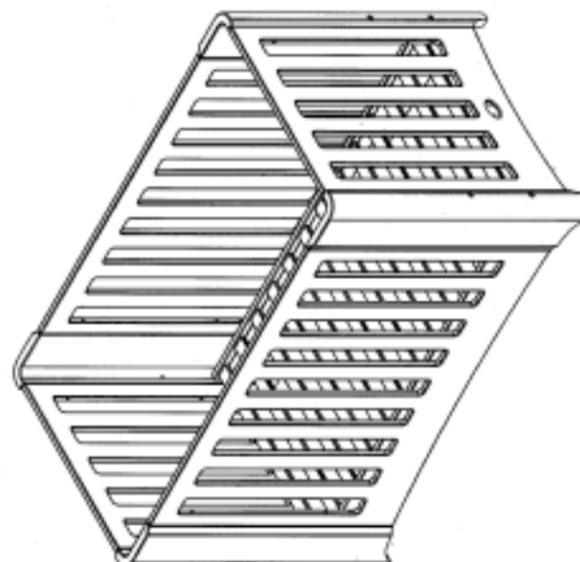
- (21) Design Number: **15379/2014**
(22) Date of Filing Application: **24 October 2014**
(24) Date from which industrial property rights may have effect: **07 August 2014**
(54) Product in respect of which the design is registered: **Automatic hair styling device**
(51) International Design Classification: **28-03B**
(74) Name(s) of Attorney(s): **Griffith Hack**
(71) Name(s) and Address(s) of Applicant(s):
TRADE BOX, LLC
5826 Uplander Way Culver City CA 90230 United States of America
(72) Name(s) of Designer(s): **Rentong Wang and Zhiyong Yu**
(45) Registration Date: **28 October 2014**
(62) Divisional of: **358477**
(56) Related Art Documents: **Not Applicable**
(57) Statement of Newness and Distinctiveness: **Newness and distinctiveness resides in the shape and configuration of the exterior profile of the handle as shown in the accompanying drawings. Other features of the hair styling device are shown for the purpose of context only.**



- (21) Design Number: **13623/2014**
(22) Date of Filing Application: **28 July 2014**
(24) Date from which industrial property rights may have effect: **28 July 2014**
(54) Product in respect of which the design is registered: **Reconfigurable furniture**
(51) International Design Classification: **06-02**
(74) Name(s) of Attorney(s): **WATERMARK PATENT AND TRADE MARKS ATTORNEYS**
(71) Name(s) and Address(s) of Applicant(s):
Orion Holdings (Overseas) Limited
13/F Pico Tower 66 Gloucester Rd Wan Chai Hong Kong Island Hong Kong
(72) Name(s) of Designer(s): **Justin Chui**
(45) Registration Date: **29 October 2014**
(56) Related Art Documents: **Not Applicable**
(57) Statement of Newness and Distinctiveness: **Newness and distinctiveness is claimed in the features of shape and configuration of reconfigurable furniture, which can be reconfigured into three different forms, as shown in the accompanying representations.**



- (21) Design Number: **13624/2014**
(22) Date of Filing Application: **28 July 2014**
(24) Date from which industrial property rights may have effect: **28 July 2014**
(54) Product in respect of which the design is registered: **Reconfigurable furniture**
(51) International Design Classification: **06-02**
(74) Name(s) of Attorney(s): **WATERMARK PATENT AND TRADE MARKS ATTORNEYS**
(71) Name(s) and Address(s) of Applicant(s):
Orion Holdings (Overseas) Limited
13/F Pico Tower 66 Gloucester Rd Wan Chai Hong Kong Island Hong Kong
(72) Name(s) of Designer(s): **Justin Chui**
(45) Registration Date: **29 October 2014**
(56) Related Art Documents: **Not Applicable**
(57) Statement of Newness and Distinctiveness: **Newness and distinctiveness is claimed in the features of shape and configuration of reconfigurable furniture, which can be reconfigured into three different forms, as shown in the accompanying representations.**



- (21) Design Number: **13961/2014**
(22) Date of Filing Application: **12 August 2014**
(24) Date from which industrial property rights may have effect: **12 August 2014**
(54) Product in respect of which the design is registered: **Commodity shelf in fridge**
(51) International Design Classification: **15-07**
(74) Name(s) of Attorney(s):
(71) Name(s) and Address(s) of Applicant(s):
Foshan Pioneer Enterprise
4/F, Wealth Associations Buliding Nanhai Avenue, Nanhai District Foshan City, Guangdong Province, China
(72) Name(s) of Designer(s): **Weibiao Huang**
(45) Registration Date: **29 October 2014**
(30) Convention priority data:
(31) Number (32) Date (33) Country
201430266758.0 31 Jul 2014 CHINA
(56) Related Art Documents: **Not Applicable**
(57) Statement of Newness and Distinctiveness: **Nil**



- (21) Design Number: **14133/2014**
(22) Date of Filing Application: **21 August 2014**
(24) Date from which industrial property rights may have effect: **21 August 2014**
(54) Product in respect of which the design is registered: **Part for vacuum cleaner**
(51) International Design Classification: **15-05**
(74) Name(s) of Attorney(s): **Shelston IP**
(71) Name(s) and Address(s) of Applicant(s):



- Dyson Technology Limited**
Tetbury Hill Malmesbury Wiltshire SN16 0RP United Kingdom
(72) Name(s) of Designer(s): **Stephen Benjamin Courtney and Peter David Gammack and Jonathan George Marsh and Donald James McIntosh and Louis Peter Richard Garner and Alexander Stuart Knox and Stephen Robert Dimbylow and Heidi Williamson**
(45) Registration Date: **29 October 2014**
(30) Convention priority data:
(31) Number (32) Date (33) Country
002409656-0001 21 Feb 2014 OFFICE FOR HARMONISATION IN THE INTERNAL MARKET (OHIM)
(56) Related Art Documents: **Not Applicable**
(57) Statement of Newness and Distinctiveness: **Newness and distinctiveness reside in the features of shape and/or configuration of a PART FOR VACUUM CLEANER as illustrated in the accompanying representations.**

- (21) Design Number: **14134/2014**
(22) Date of Filing Application: **21 August 2014**
(24) Date from which industrial property rights may have effect: **21 August 2014**
(54) Product in respect of which the design is registered: **Part for vacuum cleaner**
(51) International Design Classification: **15-05**
(74) Name(s) of Attorney(s): **Shelston IP**
(71) Name(s) and Address(s) of Applicant(s):

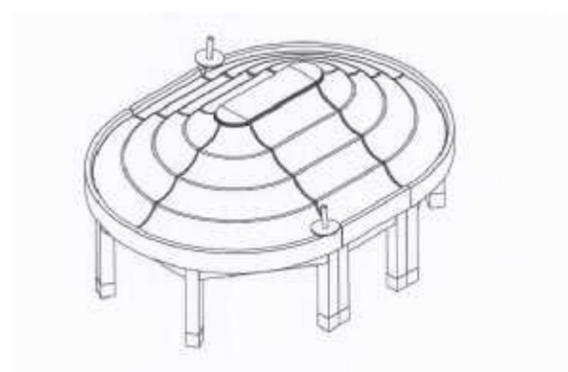


- Dyson Technology Limited**
Tetbury Hill Malmesbury Wiltshire SN16 0RP United Kingdom
(72) Name(s) of Designer(s): **Stephen Benjamin Courtney and Peter David Gammack and Jonathan George Marsh and Donald James McIntosh and Louis Peter Richard Garner and Alexander Stuart Knox and Stephen Robert Dimbylow and Heidi Williamson**
(45) Registration Date: **29 October 2014**
(30) Convention priority data:
(31) Number (32) Date (33) Country
002409656-0003 21 Feb 2014 OFFICE FOR HARMONISATION IN THE INTERNAL MARKET (OHIM)
(56) Related Art Documents: **Not Applicable**
(57) Statement of Newness and Distinctiveness: **Newness and distinctiveness reside in the features of shape and/or configuration and the transparent upper cover of a PART FOR VACUUM CLEANER as illustrated in the accompanying representations.**

- (21) Design Number: **14861/2014**
(22) Date of Filing Application: **24 September 2014**
(24) Date from which industrial property rights may have effect: **24 September 2014**
(54) Product in respect of which the design is registered: **Packaging**
(51) International Design Classification: **09-03NES**
(74) Name(s) of Attorney(s):
(71) Name(s) and Address(s) of Applicant(s):
Chadi Youssef Hawchar
29 Henson St Merrylands NSW 2160 Australia
(72) Name(s) of Designer(s): **Chadi Youssef Hawchar**
(45) Registration Date: **29 October 2014**
(56) Related Art Documents: **Not Applicable**
(57) Statement of Newness and Distinctiveness: **Coconut shell charcoal brequette.**



- (21) Design Number: **12375/2014**
(22) Date of Filing Application: **15 May 2014**
(24) Date from which industrial property rights may have effect: **15 May 2014**
(54) Product in respect of which the design is registered: **Table**
(51) International Design Classification: **20-02E, 06-03NES**
(74) Name(s) of Attorney(s):
(71) Name(s) and Address(s) of Applicant(s):
iCreate Retail Solutions Pty Ltd
31 Gilbert Park Dr Knoxfield VIC 3180 Australia
(72) Name(s) of Designer(s): **Anthony Draper**
(45) Registration Date: **29 October 2014**
(56) Related Art Documents: **Not Applicable**
(57) Statement of Newness and Distinctiveness: **The newness and distinctiveness of the design resides in the shape and configuration of the table as shown in the accompanying representations. The design should not be limited to the colours shown in the representations.**



(21) Design Number: **12376/2014**
(22) Date of Filing Application: **15 May 2014**
(24) Date from which industrial property rights may have effect: **15 May 2014**

(54) Product in respect of which the design is registered: **Table**

(51) International Design Classification: **20-02E, 06-03NES**

(74) Name(s) of Attorney(s):

(71) Name(s) and Address(s) of Applicant(s):

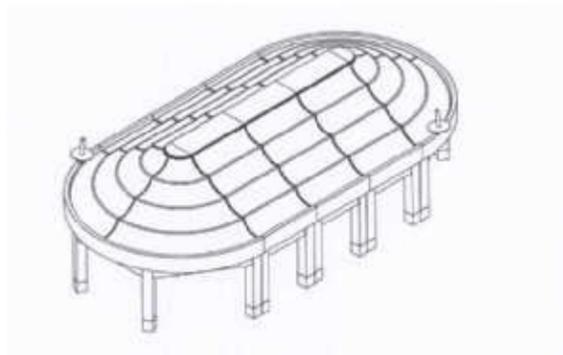
iCreate Retail Solutions Pty Ltd
31 Gilbert Park Dr Knoxfield VIC 3180 Australia

(72) Name(s) of Designer(s): **Anthony Draper**

(45) Registration Date: **29 October 2014**

(56) Related Art Documents: **Not Applicable**

(57) Statement of Newness and Distinctiveness: **The newness and distinctiveness of the design resides in the shape and configuration of the table as shown in the accompanying representations. The design is not limited to the colours shown in the representations.**



(21) Design Number: **12377/2014**
(22) Date of Filing Application: **15 May 2014**
(24) Date from which industrial property rights may have effect: **15 May 2014**

(54) Product in respect of which the design is registered: **Table**

(51) International Design Classification: **20-02E, 06-03NES**

(74) Name(s) of Attorney(s):

(71) Name(s) and Address(s) of Applicant(s):

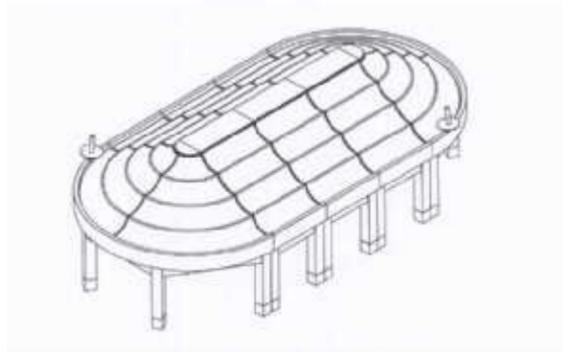
iCreate Retail Solutions Pty Ltd
31 Gilbert Park Dr Knoxfield VIC 3180 Australia

(72) Name(s) of Designer(s): **Anthony Draper**

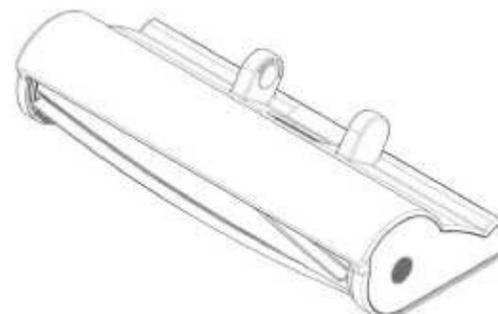
(45) Registration Date: **29 October 2014**

(56) Related Art Documents: **Not Applicable**

(57) Statement of Newness and Distinctiveness: **The newness and distinctiveness of the design resides in the shape and configuration of the table as shown in the accompanying representations. The design is not limited to the colours shown in the representations.**



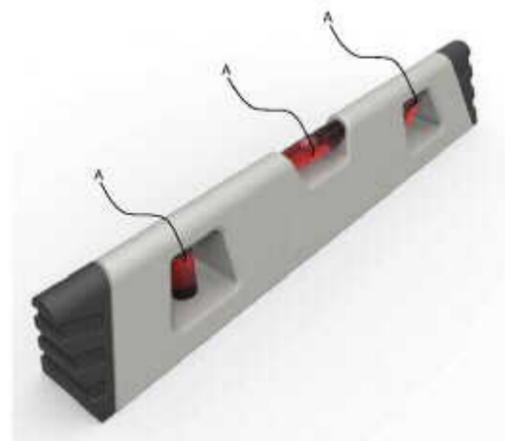
- (21) Design Number: **14135/2014**
(22) Date of Filing Application: **21 August 2014**
(24) Date from which industrial property rights may have effect: **21 August 2014**
(54) Product in respect of which the design is registered: **Part for vacuum cleaner**
(51) International Design Classification: **15-05**
(74) Name(s) of Attorney(s): **Shelston IP**
(71) Name(s) and Address(s) of Applicant(s):
Dyson Technology Limited
Tetbury Hill Malmesbury Wiltshire SN16 0RP United Kingdom
(72) Name(s) of Designer(s): **Stephen Benjamin Courtney and Peter David Gammack and Jonathan George Marsh and Donald James McIntosh and Louis Peter Richard Garner and Alexander Stuart Knox and Stephen Robert Dimbylow and Heidi Williamson**
(45) Registration Date: **29 October 2014**
(30) Convention priority data:
(31) Number (32) Date (33) Country
002409656-0002 21 Feb 2014 OFFICE FOR HARMONISATION IN THE INTERNAL MARKET (OHIM)
(56) Related Art Documents: **Not Applicable**
(57) Statement of Newness and Distinctiveness: **Newness and distinctiveness reside in the features of shape and/or configuration of a PART FOR VACUUM CLEANER as illustrated in the accompanying representations.**



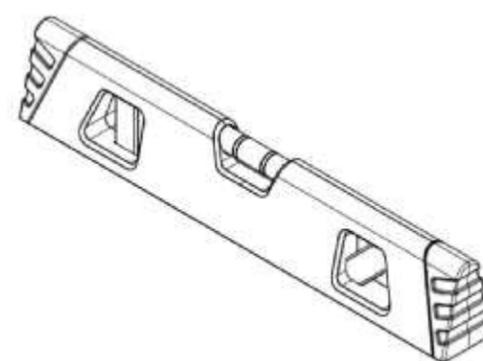
- (21) Design Number: **13793/2014**
(22) Date of Filing Application: **05 August 2014**
(24) Date from which industrial property rights may have effect: **05 August 2014**
(54) Product in respect of which the design is registered: **Perambulator**
(51) International Design Classification: **12-12**
(74) Name(s) of Attorney(s): **SPRUSON & FERGUSON**
(71) Name(s) and Address(s) of Applicant(s):
Stokke AS
Parkgata 6, ALESUND 6003 Norway
(72) Name(s) of Designer(s): **Angelfoss Hilde and Slotteroy Hans-Cato and Fjelland Alf Vegard and Halseth Eivind and Johansen Oscar**
(45) Registration Date: **30 October 2014**
(30) Convention priority data:
(31) Number (32) Date (33) Country
20140111 06 Feb 2014 NORWAY
(56) Related Art Documents: **Not Applicable**
(57) Statement of Newness and Distinctiveness: **Newness and distinctiveness is claimed in the features of shape and/or configuration of a perambulator as illustrated in the accompanying representations.**



- (21) Design Number: **14475/2014**
(22) Date of Filing Application: **05 September 2014**
(24) Date from which industrial property rights may have effect: **05 September 2014**
(54) Product in respect of which the design is registered: **Level**
(51) International Design Classification: **10-04**
(74) Name(s) of Attorney(s): **Davies Collison Cave**
(71) Name(s) and Address(s) of Applicant(s):
Cyclone Tools Pty Ltd
317-323 Abbots Rd Dandenong South VIC 3175 Australia
(72) Name(s) of Designer(s): **Bryan Marshall and Tasman Wallworth**
(45) Registration Date: **30 October 2014**
(56) Related Art Documents: **Not Applicable**
(57) Statement of Newness and Distinctiveness: **Newness and distinctiveness is claimed in the visual features of shape, configuration and/or colour of the portions of a level labelled "A" in the representations.**



- (21) Design Number: **14478/2014**
(22) Date of Filing Application: **05 September 2014**
(24) Date from which industrial property rights may have effect: **05 September 2014**
(54) Product in respect of which the design is registered: **Level**
(51) International Design Classification: **10-04**
(74) Name(s) of Attorney(s): **Davies Collison Cave**
(71) Name(s) and Address(s) of Applicant(s):
Cyclone Tools Pty Ltd
317-323 Abbots Rd Dandenong South VIC 3175 Australia
(72) Name(s) of Designer(s): **Bryan Marshall and Tasman Wallworth**
(45) Registration Date: **30 October 2014**
(56) Related Art Documents: **Not Applicable**
(57) Statement of Newness and Distinctiveness: **Newness and distinctiveness is claimed in the visual features of shape and configuration shown in the representations.**



- (21) Design Number: **15238/2014**
(22) Date of Filing Application: **14 October 2014**
(24) Date from which industrial property rights may have effect: **14 October 2014**
(54) Product in respect of which the design is registered: **Stethoscope**
(51) International Design Classification: **24-02**
(74) Name(s) of Attorney(s): **Wrays**
(71) Name(s) and Address(s) of Applicant(s):
Arsil Nayyar Hussain
86 The Parkway Stretton QLD 4116 Australia
(72) Name(s) of Designer(s): **Arsil Nayyar Hussain**
(45) Registration Date: **30 October 2014**
(56) Related Art Documents: **Not Applicable**
(57) Statement of Newness and Distinctiveness: **Newness and distinctiveness are claimed in respect of the shape and configuration of the stethoscope depicted in the accompanying representations.**



- (21) Design Number: **15407/2014**
(22) Date of Filing Application: **27 October 2014**
(24) Date from which industrial property rights may have effect: **29 August 2014**
(54) Product in respect of which the design is registered: **Mixer attachment**
(51) International Design Classification: **31-00**
(74) Name(s) of Attorney(s): **PHILLIPS ORMONDE FITZPATRICK**
(71) Name(s) and Address(s) of Applicant(s):
Whirlpool Corporation
2000 North M-63 MD3601 Benton Harbor Michigan, 49022 United States of America
(72) Name(s) of Designer(s): **Kaitlyn M Benoit and Leif A Norland**
(45) Registration Date: **30 October 2014**
(30) Convention priority data:
(31) Number (32) Date (33) Country
29/485,032 14 Mar 2014 UNITED STATES OF AMERICA
(62) Divisional of: **358505**
(56) Related Art Documents: **Not Applicable**
(57) Statement of Newness and Distinctiveness: **Those features of the mixer attachment depicted in the representations that are new and distinctive are the shape and/or configuration. The features shown in broken line are not part of the design and are to be disregarded when considering the overall impression of the design.**



(21) Design Number: **15421/2014**
(22) Date of Filing Application: **28 October 2014**
(24) Date from which industrial property rights may have effect: **29 August 2014**
(54) Product in respect of which the design is registered: **Juicer attachment**
(51) International Design Classification: **31-00**
(74) Name(s) of Attorney(s): **PHILLIPS ORMONDE FITZPATRICK**
(71) Name(s) and Address(s) of Applicant(s):
Whirlpool Corporation
2000 North M-63 MD3601 Benton Harbor Michigan, 49022 United States of America



(72) Name(s) of Designer(s): **Kaitlyn M Benoit and Leif A Norland**
(45) Registration Date: **30 October 2014**
(30) Convention priority data:
(31) Number (32) Date (33) Country
29/485,014 14 Mar 2014 UNITED STATES OF AMERICA

(62) Divisional of: **358506**
(56) Related Art Documents: **Not Applicable**
(57) Statement of Newness and Distinctiveness: **Those features of the juicer attachment depicted in the representations that are new and distinctive are the shape and/or configuration. The features shown in broken line are not part of the design and are to be disregarded when considering the overall impression of the design.**

(21) Design Number: **15422/2014**
(22) Date of Filing Application: **28 October 2014**
(24) Date from which industrial property rights may have effect: **29 August 2014**
(54) Product in respect of which the design is registered: **Juicer attachment**
(51) International Design Classification: **31-00**
(74) Name(s) of Attorney(s): **PHILLIPS ORMONDE FITZPATRICK**
(71) Name(s) and Address(s) of Applicant(s):
Whirlpool Corporation
2000 North M-63 MD3601 Benton Harbor Michigan, 49022 United States of America



(72) Name(s) of Designer(s): **Kaitlyn M Benoit and Leif A Norland**
(45) Registration Date: **30 October 2014**
(30) Convention priority data:
(31) Number (32) Date (33) Country
29/485,014 14 Mar 2014 UNITED STATES OF AMERICA

(62) Divisional of: **358506**
(56) Related Art Documents: **Not Applicable**
(57) Statement of Newness and Distinctiveness: **Those features of the juicer attachment depicted in the representations that are new and distinctive are the shape and/or configuration. The features shown in broken line are not part of the design and are to be disregarded when considering the overall impression of the design.**

(21) Design Number: **13534/2014**

(22) Date of Filing Application: **17 July 2014**

(24) Date from which industrial property rights may have effect: **17 July 2014**

(54) Product in respect of which the design is registered: **Hair clipper housing lid**

(51) International Design Classification: **28-03D**

(74) Name(s) of Attorney(s): **Cullens Patent and Trade Mark Attorneys**

(71) Name(s) and Address(s) of Applicant(s):

Wahl Clipper Corporation

2900 North Locust Street Sterling Illinois 61081 United States of America

(72) Name(s) of Designer(s): **Gary Erickson and Chad Aulwes and George W Gassman and Stacey Hummel and Clifford Krapfl and Jongho Nho**

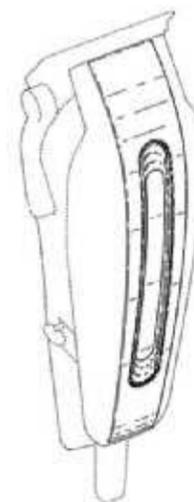
(45) Registration Date: **30 October 2014**

(30) Convention priority data:

(31) Number	(32) Date	(33) Country
29/479,867	21 Jan 2014	UNITED STATES OF AMERICA

(56) Related Art Documents: **Not Applicable**

(57) Statement of Newness and Distinctiveness: **The new and distinct features are the features of shape and configuration of the hair clipper housing as shown in the representations. The features shown in dashed outline should be disregarded in determining the new and distinct features of the design.**



(21) Design Number: **13535/2014**

(22) Date of Filing Application: **17 July 2014**

(24) Date from which industrial property rights may have effect: **17 July 2014**

(54) Product in respect of which the design is registered: **Hair clipper housing lid**

(51) International Design Classification: **28-03D**

(74) Name(s) of Attorney(s): **Cullens Patent and Trade Mark Attorneys**

(71) Name(s) and Address(s) of Applicant(s):

Wahl Clipper Corporation

2900 North Locust Street Sterling Illinois 61081 United States of America

(72) Name(s) of Designer(s): **Gary Erickson and Chad Aulwes and George W Gassman and Stacey Hummel and Clifford Krapfl and Jongho Nho**

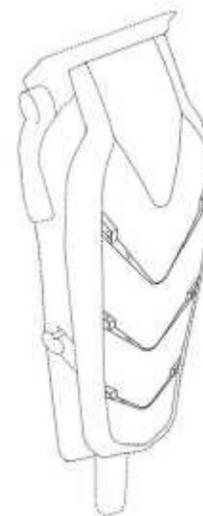
(45) Registration Date: **30 October 2014**

(30) Convention priority data:

(31) Number	(32) Date	(33) Country
29/481,031	31 Jan 2014	UNITED STATES OF AMERICA

(56) Related Art Documents: **Not Applicable**

(57) Statement of Newness and Distinctiveness: **The new and distinct features are the features of shape and configuration of the hair clipper housing as shown in the representations. The features shown in dashed outline should be disregarded in determining the new and distinct features of the design.**



(21) Design Number: **13536/2014**

(22) Date of Filing Application: **17 July 2014**

(24) Date from which industrial property rights may have effect: **17 July 2014**

(54) Product in respect of which the design is registered: **Hair clipper housing lid**

(51) International Design Classification: **28-03D**

(74) Name(s) of Attorney(s): **Cullens Patent and Trade Mark Attorneys**

(71) Name(s) and Address(s) of Applicant(s):

Wahl Clipper Corporation

2900 North Locust Street Sterling Illinois 61081 United States of America

(72) Name(s) of Designer(s): **Gary Erickson and Chad Aulwes and George W Gassman and Stacey Hummel and Clifford Krapfl and Jongho Nho**

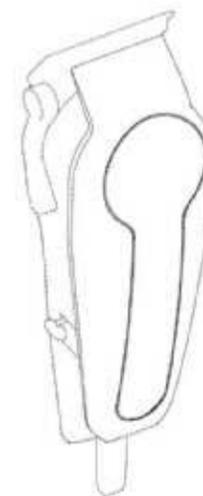
(45) Registration Date: **30 October 2014**

(30) Convention priority data:

(31) Number	(32) Date	(33) Country
29/479,863	21 Jan 2014	UNITED STATES OF AMERICA

(56) Related Art Documents: **Not Applicable**

(57) Statement of Newness and Distinctiveness: **The new and distinct features are the features of shape and configuration of the hair clipper housing as shown in the representations. The features shown in dashed outline should be disregarded in determining the new and distinct features of the design.**



(21) Design Number: **13765/2014**

(22) Date of Filing Application: **04 August 2014**

(24) Date from which industrial property rights may have effect: **04 August 2014**

(54) Product in respect of which the design is registered: **Main body for a water purifier**

(51) International Design Classification: **07-01F, 23-01G**

(74) Name(s) of Attorney(s): **Davies Collison Cave**

(71) Name(s) and Address(s) of Applicant(s):

Mitsubishi Rayon Co., Ltd.

1-1, Marunouchi 1-chome Chiyoda-ku Tokyo 100-8253 Japan

(72) Name(s) of Designer(s): **Tsuyoshi Doi and Takeshi Ishikawa and Hatsumi Takeda and Gianni Romandini and Stefano Paccamiccio**

(45) Registration Date: **30 October 2014**

(30) Convention priority data:

(31) Number	(32) Date	(33) Country
2014-002396	05 Feb 2014	JAPAN

(56) Related Art Documents: **Not Applicable**

(57) Statement of Newness and Distinctiveness: **Newness and distinctiveness is claimed in the shape and configuration of the main body as shown in the representations but not including the part thereof shown in red in the representations and which does not form part of the design.**



- (21) Design Number: **13786/2014**
(22) Date of Filing Application: **04 August 2014**
(24) Date from which industrial property rights may have effect: **04 August 2014**
(54) Product in respect of which the design is registered: **Water purifier**
(51) International Design Classification: **23-01G, 07-01F**
(74) Name(s) of Attorney(s): **Davies Collison Cave**
(71) Name(s) and Address(s) of Applicant(s):
Mitsubishi Rayon Co., Ltd.
1-1, Marunouchi 1-chome Chiyoda-ku Tokyo 100-8253 Japan
(72) Name(s) of Designer(s): **Tsuyoshi Doi and Takeshi Ishikawa and Hatsumi Takeda and Gianni Romandini and Stefano Paccamiccio**
(45) Registration Date: **30 October 2014**
(30) Convention priority data:
(31) Number (32) Date (33) Country
2014-002401 05 Feb 2014 JAPAN
(56) Related Art Documents: **Not Applicable**
(57) Statement of Newness and Distinctiveness: **Newness and distinctiveness is claimed in the shape and configuration of the water purifier as shown in the representations but not including the part thereof shown in red in the representations and which does not form part of the design.**



- (21) Design Number: **13992/2014**
(22) Date of Filing Application: **13 August 2014**
(24) Date from which industrial property rights may have effect: **13 August 2014**
(54) Product in respect of which the design is registered: **Hand basket**
(51) International Design Classification: **03-01A**
(74) Name(s) of Attorney(s): **Griffith Hack**
(71) Name(s) and Address(s) of Applicant(s):
Bemis Manufacturing Company
300 Mill Street Sheboygan Falls Wisconsin 53085 United States of America
(72) Name(s) of Designer(s): **Steven Kolste and Gary Vande Berg and Roy Watson and Richard Stauff**
(45) Registration Date: **30 October 2014**
(30) Convention priority data:
(31) Number (32) Date (33) Country
29/482,156 14 Feb 2014 UNITED STATES OF AMERICA
(56) Related Art Documents: **Not Applicable**
(57) Statement of Newness and Distinctiveness: **Newness and distinctiveness resides in the visual features, including the shape and configuration of those parts shown by means of solid lines in the representations. Those parts shown by means of dashed lines have been included for illustrative purposes and do not form part of the design.**



(21) Design Number: **14306/2014**
(22) Date of Filing Application: **29 August 2014**
(24) Date from which industrial property rights may have effect: **29 August 2014**
(54) Product in respect of which the design is registered: **Mixer attachment**
(51) International Design Classification: **31-00**
(74) Name(s) of Attorney(s): **PHILLIPS ORMONDE FITZPATRICK**
(71) Name(s) and Address(s) of Applicant(s):
Whirlpool Corporation
2000 North M-63 MD3601 Benton Harbor Michigan, 49022 United States of America

(72) Name(s) of Designer(s): **Kaitlyn M Benoit and Leif A Norland**
(45) Registration Date: **30 October 2014**

(30) Convention priority data:
(31) Number (32) Date (33) Country
29/485,032 14 Mar 2014 UNITED STATES OF AMERICA

(56) Related Art Documents: **Not Applicable**

(57) Statement of Newness and Distinctiveness: **Those features of the mixer attachment depicted in the representations that are new and distinctive are the shape and/or configuration. The features shown in broken line are not part of the design and are to be disregarded when considering the overall impression of the design.**



(21) Design Number: **14308/2014**
(22) Date of Filing Application: **29 August 2014**
(24) Date from which industrial property rights may have effect: **29 August 2014**
(54) Product in respect of which the design is registered: **Juicer attachment**
(51) International Design Classification: **31-00**
(74) Name(s) of Attorney(s): **PHILLIPS ORMONDE FITZPATRICK**
(71) Name(s) and Address(s) of Applicant(s):
Whirlpool Corporation
2000 North M-63 MD3601 Benton Harbor Michigan, 49022 United States of America

(72) Name(s) of Designer(s): **Kaitlyn M Benoit and Leif A Norland**
(45) Registration Date: **30 October 2014**

(30) Convention priority data:
(31) Number (32) Date (33) Country
29/485,014 14 Mar 2014 UNITED STATES OF AMERICA

(56) Related Art Documents: **Not Applicable**

(57) Statement of Newness and Distinctiveness: **Those features of the juicer attachment depicted in the representations that are new and distinctive are the shape and/or configuration. The features shown in broken line are not part of the design and are to be disregarded when considering the overall impression of the design.**



(21) Design Number: **14315/2014**
(22) Date of Filing Application: **01 September 2014**
(24) Date from which industrial property rights may have effect: **01 September 2014**
(54) Product in respect of which the design is registered: **Package for data medium**
(51) International Design Classification: **09-03M**
(74) Name(s) of Attorney(s): **PIZZEYS**
(71) Name(s) and Address(s) of Applicant(s):
Vorwerk & Co. Interholding GmbH
Muehlenweg 17-37 Wuppertal 42275 Germany
(72) Name(s) of Designer(s): **Uwe Kemker and Michael Brandt**
(45) Registration Date: **30 October 2014**
(30) Convention priority data:
(31) Number (32) Date (33) Country
001409536 23 Apr 2014 OFFICE FOR HARMONISATION IN
THE INTERNAL MARKET (OHIM)

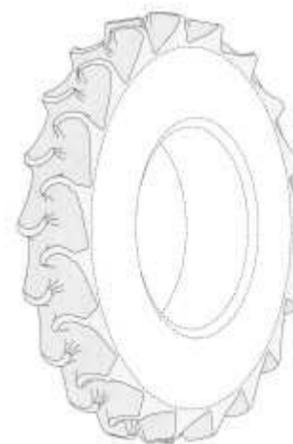


(56) Related Art Documents: **Not Applicable**
(57) Statement of Newness and Distinctiveness: **The newness and distinctiveness of the design resides in the features of shape and/or configuration shown in unbroken lines in the accompanying representations. (if required, see Convention document).**

(21) Design Number: **14371/2014**
(22) Date of Filing Application: **02 September 2014**
(24) Date from which industrial property rights may have effect: **02 September 2014**
(54) Product in respect of which the design is registered: **Bedhead**
(51) International Design Classification: **06-06F**
(74) Name(s) of Attorney(s):
(71) Name(s) and Address(s) of Applicant(s):
BOMI FURNITURE PTY. LTD.
11-17 Sages Rd Glenroy VIC 3046 Australia
(72) Name(s) of Designer(s): **Simon Bowler and Damir Tankovic**
(45) Registration Date: **30 October 2014**
(56) Related Art Documents: **Not Applicable**
(57) Statement of Newness and Distinctiveness: **Nil**



(21) Design Number: **15060/2014**
(22) Date of Filing Application: **02 October 2014**
(24) Date from which industrial property rights may have effect: **02 October 2014**
(54) Product in respect of which the design is registered: **Tire**
(51) International Design Classification: **12-15A**
(74) Name(s) of Attorney(s): **PHILLIPS ORMONDE FITZPATRICK**
(71) Name(s) and Address(s) of Applicant(s):
Bridgestone Americas Tire Operations, LLC
535 Marriott Drive Nashville Tennessee 37214 United States of America
(72) Name(s) of Designer(s): **Kevin J. Kosmac and Dennis W. Snyder and Andrew T. Miklic and Richard S Parr and Edward L. Smeltzer**
(45) Registration Date: **30 October 2014**
(30) Convention priority data:
(31) Number (32) Date (33) Country
29/487,857 13 Apr 2014 UNITED STATES OF AMERICA
(56) Related Art Documents: **Not Applicable**
(57) Statement of Newness and Distinctiveness: **Those features of the tire depicted in the representations that are new and distinctive are the shape and/or configuration of the tread of the tire. The sidewall, inner bead, and the peripheral boundary between the claimed tire tread and sidewall shown in broken lines are not form part of the design and are to be disregarded when considering the overall impression of the design.**



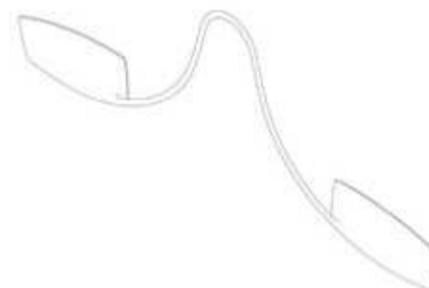
(21) Design Number: **15120/2014**
(22) Date of Filing Application: **06 October 2014**
(24) Date from which industrial property rights may have effect: **06 October 2014**
(54) Product in respect of which the design is registered: **Head gear grip**
(51) International Design Classification: **02-03**
(74) Name(s) of Attorney(s):
(71) Name(s) and Address(s) of Applicant(s):
AUSTRALIAN SAFETY WHOLESALERS PTY LTD
PO BOX 483 MORLEY WA 6943 Australia
(72) Name(s) of Designer(s): **Lorraine Sullivan**
(45) Registration Date: **30 October 2014**
(56) Related Art Documents: **Not Applicable**
(57) Statement of Newness and Distinctiveness: **Newness and distinctiveness is claimed in the shape and/or configuration of the head gear grip as illustrated in the accompanying representations. In considering the newness and distinctiveness, and the scope of the design, no regard is to be had to features depicted by the broken lines representing different affixing methods to head gear.**



(21) Design Number: **14678/2014**
(22) Date of Filing Application: **15 September 2014**
(24) Date from which industrial property rights may have effect: **15 September 2014**
(54) Product in respect of which the design is registered: **A ceiling for a rail vehicle**
(51) International Design Classification: **12-03, 25-01E**
(74) Name(s) of Attorney(s): **PHILLIPS ORMONDE FITZPATRICK**
(71) Name(s) and Address(s) of Applicant(s):
ALSTOM Transport Technologies
3 av Andre Malraux LEVALLOIS PERRET 92300 France
(72) Name(s) of Designer(s): **Frederic Battle and Mathieu Pommier and Jerome Corbe**
(45) Registration Date: **31 October 2014**
(30) Convention priority data:
(31) Number (32) Date (33) Country
002424481-0001 13 Mar 2014 OFFICE FOR HARMONISATION IN THE INTERNAL MARKET (OHIM)
(56) Related Art Documents: **Not Applicable**
(57) Statement of Newness and Distinctiveness: **Nil**



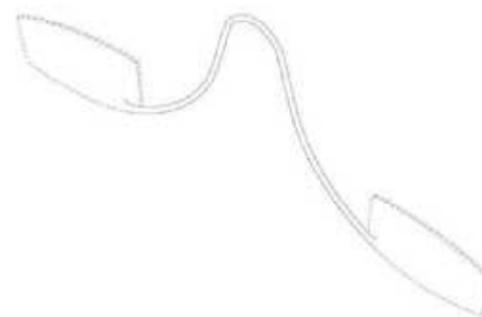
(21) Design Number: **14874/2014**
(22) Date of Filing Application: **25 September 2014**
(24) Date from which industrial property rights may have effect: **25 September 2014**
(54) Product in respect of which the design is registered: **Reading glasses**
(51) International Design Classification: **16-06**
(74) Name(s) of Attorney(s): **PHILLIPS ORMONDE FITZPATRICK**
(71) Name(s) and Address(s) of Applicant(s):
Odasho OU
Tartu mnt 10-23 Tallinn 10145 Estonia
(72) Name(s) of Designer(s): **Andrei Astapenko**
(45) Registration Date: **31 October 2014**
(56) Related Art Documents: **Not Applicable**
(57) Statement of Newness and Distinctiveness: **Nil**



- (21) Design Number: **14875/2014**
(22) Date of Filing Application: **25 September 2014**
(24) Date from which industrial property rights may have effect: **25 September 2014**
(54) Product in respect of which the design is registered: **Reading glasses**
(51) International Design Classification: **16-06**
(74) Name(s) of Attorney(s): **PHILLIPS ORMONDE FITZPATRICK**
(71) Name(s) and Address(s) of Applicant(s):

Odasho OU
Tartu mnt 10-23 Tallinn 10145 Estonia

- (72) Name(s) of Designer(s): **Andrei Astapenko**
(45) Registration Date: **31 October 2014**
(56) Related Art Documents: **Not Applicable**
(57) Statement of Newness and Distinctiveness: **Those features of the reading glasses depicted in the representations that are new and distinctive are the shape and/or configuration. The features shown in broken line are not part of the design and are to be disregarded when considering the overall impression of the design.**



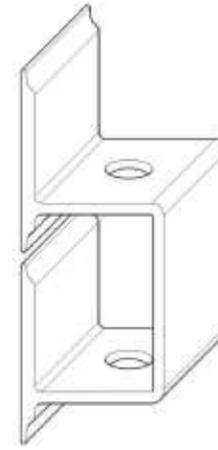
- (21) Design Number: **15249/2014**
(22) Date of Filing Application: **15 October 2014**
(24) Date from which industrial property rights may have effect: **15 October 2014**
(54) Product in respect of which the design is registered: **Jewellery**
(51) International Design Classification: **11-01C**
(74) Name(s) of Attorney(s):
(71) Name(s) and Address(s) of Applicant(s):

Emma Ferguson
PO BOX 1069 Ulladulla NSW 2539 Australia

- (72) Name(s) of Designer(s): **Emma Ferguson**
(45) Registration Date: **31 October 2014**
(56) Related Art Documents: **Not Applicable**
(57) Statement of Newness and Distinctiveness: **The newness and distinctiveness resides in the double chain and double clasp that holds interchangeable pendants, the pendants have a hole at each end that allows them to slide on and off the the chains, the pendants are unique as the majority of them have words and sayings on them also adding to the newness.**



- (21) Design Number: **15262/2014**
(22) Date of Filing Application: **15 October 2014**
(24) Date from which industrial property rights may have effect: **15 October 2014**
(54) Product in respect of which the design is registered: **A fastening guide for a garden edging strip**
(51) International Design Classification: **08-08D**
(74) Name(s) of Attorney(s): **Collison & Co**
(71) Name(s) and Address(s) of Applicant(s):
Robert Henry Haysom
31 Duffield St Gawler East SA 5118 Australia
(72) Name(s) of Designer(s): **Robert Henry Haysom**
(45) Registration Date: **31 October 2014**
(56) Related Art Documents: **Not Applicable**
(57) Statement of Newness and Distinctiveness: **Newness and distinctiveness resides in the shape and/or configuration of the fastening guide for a garden edging strip as shown in the accompanying drawings.**



- (21) Design Number: **15263/2014**
(22) Date of Filing Application: **15 October 2014**
(24) Date from which industrial property rights may have effect: **15 October 2014**
(54) Product in respect of which the design is registered: **Garden edging strip**
(51) International Design Classification: **25-01E**
(74) Name(s) of Attorney(s): **Collison & Co**
(71) Name(s) and Address(s) of Applicant(s):
Robert Henry Haysom
31 Duffield St Gawler East SA 5118 Australia
(72) Name(s) of Designer(s): **Robert Henry Haysom**
(45) Registration Date: **31 October 2014**
(56) Related Art Documents: **Not Applicable**
(57) Statement of Newness and Distinctiveness: **Newness and distinctiveness resides in the shape and/or configuration of the garden edging strip of indefinite length, as shown in the accompanying drawings.**



- (21) Design Number: **15264/2014**
(22) Date of Filing Application: **15 October 2014**
(24) Date from which industrial property rights may have effect: **15 October 2014**
(54) Product in respect of which the design is registered: **A connector for a garden edging strip**
(51) International Design Classification: **25-01E**
(74) Name(s) of Attorney(s): **Collison & Co**
(71) Name(s) and Address(s) of Applicant(s):
Robert Henry Haysom
31 Duffield St Gawler East SA 5118 Australia
(72) Name(s) of Designer(s): **Robert Henry Haysom**
(45) Registration Date: **31 October 2014**
(56) Related Art Documents: **Not Applicable**
(57) Statement of Newness and Distinctiveness: **Newness and distinctiveness resides in the shape and/or configuration of the connector for a garden edging strip of indefinite length, as shown in the accompanying drawings.**



- (21) Design Number: **15265/2014**
(22) Date of Filing Application: **15 October 2014**
(24) Date from which industrial property rights may have effect: **15 October 2014**
(54) Product in respect of which the design is registered: **A connector for a garden edging strip**
(51) International Design Classification: **25-01E**
(74) Name(s) of Attorney(s): **Collison & Co**
(71) Name(s) and Address(s) of Applicant(s):
Robert Henry Haysom
31 Duffield St Gawler East SA 5118 Australia
(72) Name(s) of Designer(s): **Robert Henry Haysom**
(45) Registration Date: **31 October 2014**
(56) Related Art Documents: **Not Applicable**
(57) Statement of Newness and Distinctiveness: **Newness and distinctiveness resides in the shape and/or configuration of the connector for a garden edging strip of indefinite length, as shown in the accompanying drawings.**



(21) Design Number: **15420/2014**
(22) Date of Filing Application: **28 October 2014**
(24) Date from which industrial property rights may have effect: **22 August 2014**
(54) Product in respect of which the design is registered: **Cosmetic device**
(51) International Design Classification: **09-01G**
(74) Name(s) of Attorney(s): **Pizzeys**
(71) Name(s) and Address(s) of Applicant(s):
Forstar Limited
2208 Metropolis Tower 10 Metropolis Drive Hunghom Hong Kong
(72) Name(s) of Designer(s): **Wai Wah Yiu**
(45) Registration Date: **31 October 2014**
(62) Divisional of: **358521**
(56) Related Art Documents: **Not Applicable**
(57) Statement of Newness and Distinctiveness: **Nil**



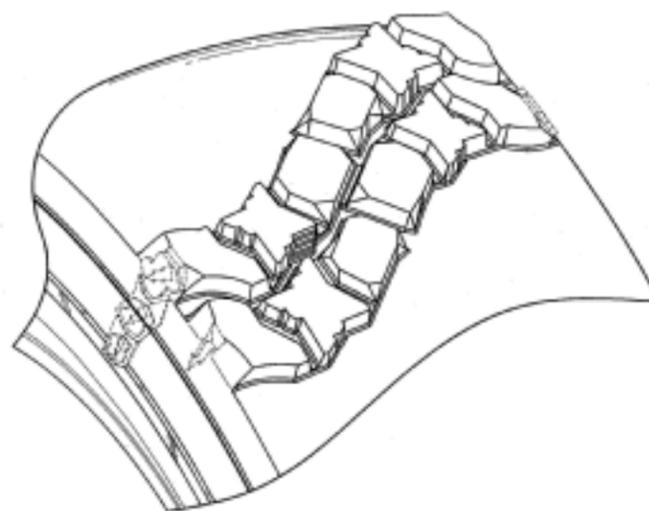
(21) Design Number: **15424/2014**
(22) Date of Filing Application: **28 October 2014**
(24) Date from which industrial property rights may have effect: **22 August 2014**
(54) Product in respect of which the design is registered: **Cosmetic device**
(51) International Design Classification: **09-01G**
(74) Name(s) of Attorney(s): **Pizzeys**
(71) Name(s) and Address(s) of Applicant(s):
Forstar Limited
2208 Metropolis Tower 10 Metropolis Drive Hunghom Hong Kong
(72) Name(s) of Designer(s): **Wai Wah Yiu**
(45) Registration Date: **31 October 2014**
(62) Divisional of: **358521**
(56) Related Art Documents: **Not Applicable**
(57) Statement of Newness and Distinctiveness: **Nil**



(21) Design Number: **14171/2014**
(22) Date of Filing Application: **22 August 2014**
(24) Date from which industrial property rights may have effect: **22 August 2014**
(54) Product in respect of which the design is registered: **Cosmetic device**
(51) International Design Classification: **09-01G**
(74) Name(s) of Attorney(s): **Pizzeys**
(71) Name(s) and Address(s) of Applicant(s):
Forstar Limited
2208 Metropolis Tower 10 Metropolis Drive Hunghom Hong Kong
(72) Name(s) of Designer(s): **Wai Wah Yiu**
(45) Registration Date: **31 October 2014**
(30) Convention priority data:
(31) Number (32) Date (33) Country
29/483,626 28 Feb 2014 UNITED STATES OF AMERICA
(56) Related Art Documents: **Not Applicable**
(57) Statement of Newness and Distinctiveness: **Nil**



(21) Design Number: **14036/2014**
(22) Date of Filing Application: **15 August 2014**
(24) Date from which industrial property rights may have effect: **15 August 2014**
(54) Product in respect of which the design is registered: **Tyre tread**
(51) International Design Classification: **12-15C**
(74) Name(s) of Attorney(s): **SPRUSON & FERGUSON**
(71) Name(s) and Address(s) of Applicant(s):
Tire Mart, Inc.
1815 Locust Street, St. Louis Missouri 63103 United States of America
(72) Name(s) of Designer(s): **Michael L Green**
(45) Registration Date: **31 October 2014**
(30) Convention priority data:
(31) Number (32) Date (33) Country
29/482292 17 Feb 2014 UNITED STATES OF AMERICA
(56) Related Art Documents: **Not Applicable**
(57) Statement of Newness and Distinctiveness: **Newness and distinctiveness is claimed in the features of shape and/or configuration of a tyre tread as illustrated in the accompanying representations, wherein the shape and/or configuration of the tyre tread is repeated throughout the circumference of a tyre.**



- (21) Design Number: **15062/2014**
(22) Date of Filing Application: **02 October 2014**
(24) Date from which industrial property rights may have effect: **02 October 2014**
(54) Product in respect of which the design is registered: **Bottle cooler bag**
(51) International Design Classification: **07-07A**
(74) Name(s) of Attorney(s):
(71) Name(s) and Address(s) of Applicant(s):
Broplenty Pty Ltd
PO BOX 1927 Sunshine Plaza QLD 4558 Australia
(72) Name(s) of Designer(s): **Jane Brown**
(45) Registration Date: **31 October 2014**
(56) Related Art Documents: **Not Applicable**
(57) Statement of Newness and Distinctiveness: **Neoprene bottle cooler bag covered in 4 different sized diamantes front and back. The diamantes stop at the bottle cooler bag opening, which is at the top end of both side seams. A mixed design of all 4 sized diamantes in pattern. Bottle bag made to fit most wine and sparkling wine bottles. Various colours of neoprene.**



- (21) Design Number: **10967/2014**
(22) Date of Filing Application: **03 March 2014**
(24) Date from which industrial property rights may have effect: **03 March 2014**
(54) Product in respect of which the design is registered: **Trampoline mat**
(51) International Design Classification: **21-02F**
(74) Name(s) of Attorney(s): **Davies Collison Cave**
(71) Name(s) and Address(s) of Applicant(s):
Associated Retailers Ltd
169 Burnley St Richmond VIC 3121 Australia
(72) Name(s) of Designer(s): **Maria Dounaeva**
(45) Registration Date: **03 November 2014**
(56) Related Art Documents: **Not Applicable**
(57) Statement of Newness and Distinctiveness: **Newness and distinctiveness is claimed in the pattern and ornamentation applied to the upper surface of a trampoline mat as shown in the accompanying representations.**



(21) Design Number: **13093/2014**
(22) Date of Filing Application: **24 June 2014**
(24) Date from which industrial property rights may have effect: **24 June 2014**
(54) Product in respect of which the design is registered: **A jukebox on stand**
(51) International Design Classification: **14-01**
(74) Name(s) of Attorney(s): **Fisher Adams Kelly Pty Ltd**
(71) Name(s) and Address(s) of Applicant(s):
Touchtunes Music Corporation
850 3rd Ave Ste 11a New York NY, 10022-7239 United States of America
(72) Name(s) of Designer(s): **Michael Tooker and Ed Rivera and Eric Saint-Jacques and Benoit Tessier and Jean Gauthier and Charles Garneau**
(45) Registration Date: **03 November 2014**
(30) Convention priority data:
(31) Number (32) Date (33) Country
29/485933 25 Mar 2014 UNITED STATES OF AMERICA
(56) Related Art Documents: **Not Applicable**
(57) Statement of Newness and Distinctiveness: **The newness and distinctiveness of the design resides in the shape and/or configuration of the JUKEBOX STAND WITH OPTIONAL JUKEBOX shown in the representations. The dotted lines should be disregarded for assessing newness and distinctiveness.**



(21) Design Number: **13447/2014**
(22) Date of Filing Application: **14 July 2014**
(24) Date from which industrial property rights may have effect: **14 July 2014**
(54) Product in respect of which the design is registered: **Cosmetic product container**
(51) International Design Classification: **28-03NES**
(74) Name(s) of Attorney(s): **SPRUSON & FERGUSON**
(71) Name(s) and Address(s) of Applicant(s):
The Kind Group LLC
19 West 44th Street, Suite 811, New York New York 10036 United States of America
(72) Name(s) of Designer(s): **Jonathan Teller**
(45) Registration Date: **03 November 2014**
(30) Convention priority data:
(31) Number (32) Date (33) Country
29/488846 23 Apr 2014 UNITED STATES OF AMERICA
(56) Related Art Documents: **Not Applicable**
(57) Statement of Newness and Distinctiveness: **Newness and distinctiveness is claimed in the features of a cosmetic product container as illustrated in the accompanying representations.**



(21) Design Number: **13448/2014**
(22) Date of Filing Application: **14 July 2014**
(24) Date from which industrial property rights may have effect: **14 July 2014**
(54) Product in respect of which the design is registered: **Cosmetic product container**
(51) International Design Classification: **28-03NES, 09-01G**
(74) Name(s) of Attorney(s): **SPRUSON & FERGUSON**
(71) Name(s) and Address(s) of Applicant(s):
The Kind Group LLC
27 W 24th Street # 10A, New York New York, 10010 United States of America
(72) Name(s) of Designer(s): **Jonathan Teller**
(45) Registration Date: **03 November 2014**
(30) Convention priority data:
(31) Number (32) Date (33) Country
29/488847 23 Apr 2014 UNITED STATES OF AMERICA
(56) Related Art Documents: **Not Applicable**
(57) Statement of Newness and Distinctiveness: **Newness and distinctiveness is claimed in the features of a cosmetic product container as illustrated in the accompanying representations.**



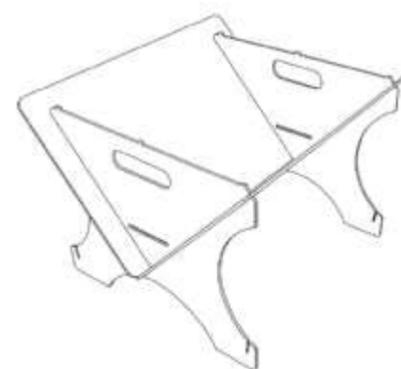
(21) Design Number: **13450/2014**
(22) Date of Filing Application: **14 July 2014**
(24) Date from which industrial property rights may have effect: **14 July 2014**
(54) Product in respect of which the design is registered: **Cosmetic product container**
(51) International Design Classification: **28-03NES**
(74) Name(s) of Attorney(s): **SPRUSON & FERGUSON**
(71) Name(s) and Address(s) of Applicant(s):
The Kind Group LLC
19 West 44th Street, Suite 811, New York New York 10036 United States of America
(72) Name(s) of Designer(s): **Jonathan Teller**
(45) Registration Date: **03 November 2014**
(30) Convention priority data:
(31) Number (32) Date (33) Country
29/488848 23 Apr 2014 UNITED STATES OF AMERICA
(56) Related Art Documents: **Not Applicable**
(57) Statement of Newness and Distinctiveness: **Newness and distinctiveness is claimed in the features of a cosmetic product container as illustrated in the accompanying representations.**



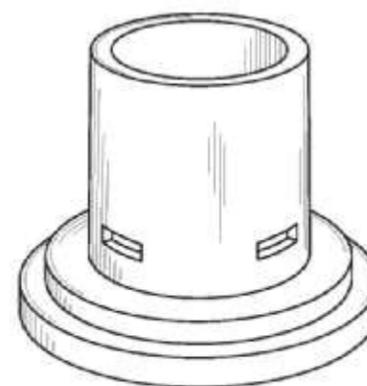
- (21) Design Number: **13805/2014**
(22) Date of Filing Application: **05 August 2014**
(24) Date from which industrial property rights may have effect: **12 April 2013**
(54) Product in respect of which the design is registered: **Pipe fitting**
(51) International Design Classification: **23-01B**
(74) Name(s) of Attorney(s): **Griffith Hack**
(71) Name(s) and Address(s) of Applicant(s):
Tyco Fire Products LP
1400 Pennbrook Parkway Lansdale PA 19446 United States of America
(72) Name(s) of Designer(s): **Anthony Gary Bednarz and Robert R Smith and Larry E Hall and Donald Eugene Griggs III**
(45) Registration Date: **03 November 2014**
(62) Divisional of: **356786**
(56) Related Art Documents: **Not Applicable**
(57) Statement of Newness and Distinctiveness: **Newness and distinctiveness resides in the visual features, including shape, configuration and ornamentation of the PRODUCT as shown in the accompanying representations.**



- (21) Design Number: **14892/2014**
(22) Date of Filing Application: **25 September 2014**
(24) Date from which industrial property rights may have effect: **25 September 2014**
(54) Product in respect of which the design is registered: **Portable fire pit**
(51) International Design Classification: **07-02D**
(74) Name(s) of Attorney(s):
(71) Name(s) and Address(s) of Applicant(s):
Ian James Plumridge
126 Lemon Tree Passage Rd Salt Ash NSW 2318 Australia
(72) Name(s) of Designer(s): **Ian James Plumridge**
(45) Registration Date: **03 November 2014**
(56) Related Art Documents: **Not Applicable**
(57) Statement of Newness and Distinctiveness: **Newness and distinctiveness resides in the overall shape and configuration of the visual features shown in solid lines in the representations.**



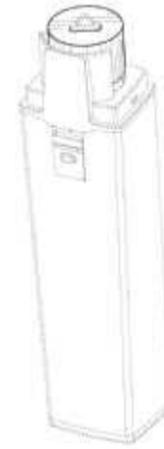
(21) Design Number: **15115/2014**
(22) Date of Filing Application: **06 October 2014**
(24) Date from which industrial property rights may have effect: **06 October 2014**
(54) Product in respect of which the design is registered: **Breath test ventilation apparatus**
(51) International Design Classification: **10-04**
(74) Name(s) of Attorney(s): **Griffith Hack**
(71) Name(s) and Address(s) of Applicant(s):
QuinTron Instrument Company, Inc.
2208 S. 38 Street Milwaukee Wisconsin, 53215 United States of America
(72) Name(s) of Designer(s): **Steven D Hamilton**
(45) Registration Date: **03 November 2014**
(30) Convention priority data:
(31) Number (32) Date (33) Country
29/487,641 10 Apr 2014 UNITED STATES OF AMERICA
(56) Related Art Documents: **Not Applicable**
(57) Statement of Newness and Distinctiveness: **Newness and distinctiveness resides in the visual features, including the shape and configuration of the product shown in the representations. FIG. 2 illustrates the product fitted to another apparatus, as if in use, which has been illustrated in dashed lines and does not form of the product.**



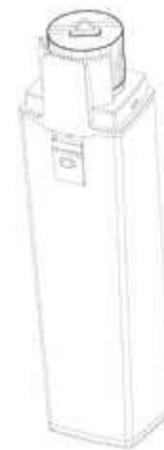
(21) Design Number: **15425/2014**
(22) Date of Filing Application: **28 October 2014**
(24) Date from which industrial property rights may have effect: **22 August 2014**
(54) Product in respect of which the design is registered: **Cosmetic device**
(51) International Design Classification: **09-01G**
(74) Name(s) of Attorney(s): **Pizzeys**
(71) Name(s) and Address(s) of Applicant(s):
Forstar Limited
2208 Metropolis Tower 10 Metropolis Drive Hung Hom Hong Kong
(72) Name(s) of Designer(s): **Wai Wah Yiu**
(45) Registration Date: **03 November 2014**
(62) Divisional of: **358521**
(56) Related Art Documents: **Not Applicable**
(57) Statement of Newness and Distinctiveness: **Nil**



(21) Design Number: **15427/2014**
(22) Date of Filing Application: **28 October 2014**
(24) Date from which industrial property rights may have effect: **22 August 2014**
(54) Product in respect of which the design is registered: **Cosmetic device**
(51) International Design Classification: **09-01G**
(74) Name(s) of Attorney(s): **Pizzeys**
(71) Name(s) and Address(s) of Applicant(s):
Forstar Limited
2208 Metropolis Tower 10 Metropolis Drive Hunghom Hong Kong
(72) Name(s) of Designer(s): **Wai Wah Yiu**
(45) Registration Date: **03 November 2014**
(62) Divisional of: **358521**
(56) Related Art Documents: **Not Applicable**
(57) Statement of Newness and Distinctiveness: **Nil**



(21) Design Number: **15430/2014**
(22) Date of Filing Application: **28 October 2014**
(24) Date from which industrial property rights may have effect: **22 August 2014**
(54) Product in respect of which the design is registered: **Cosmetic device**
(51) International Design Classification: **09-01G**
(74) Name(s) of Attorney(s): **Pizzeys**
(71) Name(s) and Address(s) of Applicant(s):
Forstar Limited
2208 Metropolis Tower 10 Metropolis Drive Hunghom Hong Kong
(72) Name(s) of Designer(s): **Wai Wah Yiu**
(45) Registration Date: **03 November 2014**
(62) Divisional of: **358521**
(56) Related Art Documents: **Not Applicable**
(57) Statement of Newness and Distinctiveness: **Nil**



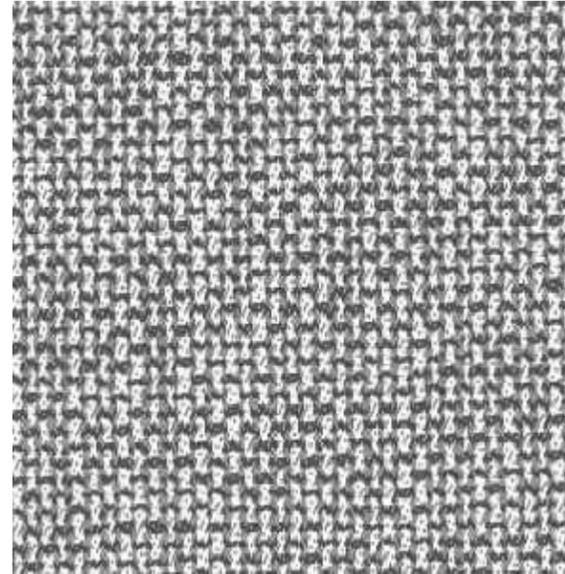
(21) Design Number: **15250/2014**
(22) Date of Filing Application: **15 October 2014**
(24) Date from which industrial property rights may have effect: **15 October 2014**
(54) Product in respect of which the design is registered: **Nasal stimulator device**
(51) International Design Classification: **24-04**
(74) Name(s) of Attorney(s): **PIZZEYS**
(71) Name(s) and Address(s) of Applicant(s):
Oculeve, Inc.
395 Oyster Point Boulevard, Suite 501 South San Francisco CA 94080
United States of America
(72) Name(s) of Designer(s): **Douglas Michael Ackermann and James Donald Loudin and John Wardle and John W Lai and Natalie Catherine Vanns**
(45) Registration Date: **03 November 2014**
(30) Convention priority data:
(31) Number (32) Date (33) Country
29/488,488 18 Apr 2014 UNITED STATES OF AMERICA
(56) Related Art Documents: **Not Applicable**
(57) Statement of Newness and Distinctiveness: **Nil**



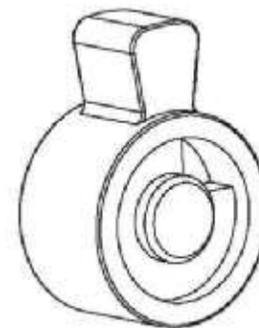
(21) Design Number: **15268/2014**
(22) Date of Filing Application: **16 October 2014**
(24) Date from which industrial property rights may have effect: **16 October 2014**
(54) Product in respect of which the design is registered: **Audio listening system**
(51) International Design Classification: **14-01**
(74) Name(s) of Attorney(s): **SPRUSON & FERGUSON**
(71) Name(s) and Address(s) of Applicant(s):
Beats Electronics, LLC
8600 Hayden Place, Culver City California 90232 United States of America
(72) Name(s) of Designer(s): **Robert Brunner and Rhys Bonahoom and Gregoire Vandenbussche and Nivay Anandarajah and Christopher Fruhauf**
(45) Registration Date: **03 November 2014**
(30) Convention priority data:
(31) Number (32) Date (33) Country
29/489127 25 Apr 2014 UNITED STATES OF AMERICA
(56) Related Art Documents: **Not Applicable**
(57) Statement of Newness and Distinctiveness: **Newness and distinctiveness is claimed in those features of shape and/or configuration of an audio listening system illustrated in continuous lines in the accompanying representations.**



- (21) Design Number: **15269/2014**
(22) Date of Filing Application: **16 October 2014**
(24) Date from which industrial property rights may have effect: **16 October 2014**
(54) Product in respect of which the design is registered: **Textile**
(51) International Design Classification: **05-05D**
(74) Name(s) of Attorney(s): **Sharon Givoni Consulting**
(71) Name(s) and Address(s) of Applicant(s):
Bekaert (Australia) Pty Limited
195 Abbots Rd Dandenong South VIC 3175 Australia
(72) Name(s) of Designer(s): **Jacqueline Zimmerman**
(45) Registration Date: **03 November 2014**
(56) Related Art Documents: **Not Applicable**
(57) Statement of Newness and Distinctiveness: **Newness and distinctiveness is claimed in the features of pattern and/or ornamentation of a textile as shown in the representations but not limited to any colours or colour combination. The textile is of indefinite length and breadth and the pattern and/or ornamentation is represented throughout the surface.**



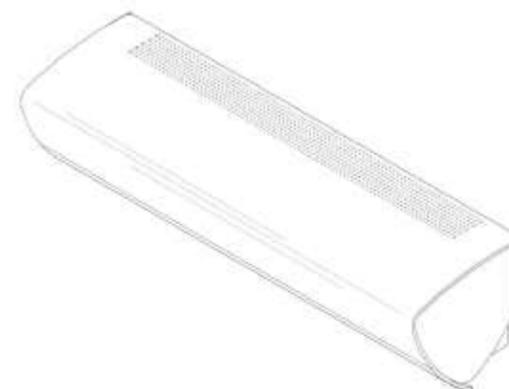
- (21) Design Number: **15312/2014**
(22) Date of Filing Application: **20 October 2014**
(24) Date from which industrial property rights may have effect: **20 October 2014**
(54) Product in respect of which the design is registered: **A cam for a cylinder lock**
(51) International Design Classification: **08-07**
(74) Name(s) of Attorney(s): **PHILLIPS ORMONDE FITZPATRICK**
(71) Name(s) and Address(s) of Applicant(s):
ASSA ABLOY Australia Pty Limited
235 Huntingdale Rd Oakleigh VIC 3166 Australia
(72) Name(s) of Designer(s): **Peter Loukeris**
(45) Registration Date: **03 November 2014**
(56) Related Art Documents: **Not Applicable**
(57) Statement of Newness and Distinctiveness: **Those features of the cam for a cylinder lock depicted in the representations that are new and distinctive are the shape and/or configuration.**



- (21) Design Number: **15315/2014**
(22) Date of Filing Application: **20 October 2014**
(24) Date from which industrial property rights may have effect: **20 October 2014**
(54) Product in respect of which the design is registered: **Wall panelling**
(51) International Design Classification: **25-01G**
(74) Name(s) of Attorney(s):
(71) Name(s) and Address(s) of Applicant(s):
Christopher Gerald Savage
16 Juniper Bank Way Subiaco WA 6008 Australia
(72) Name(s) of Designer(s): **Christopher Gerald Savage**
(45) Registration Date: **03 November 2014**
(56) Related Art Documents: **Not Applicable**
(57) Statement of Newness and Distinctiveness: **Designed from scratch to perform a specific job.**



- (21) Design Number: **15319/2014**
(22) Date of Filing Application: **21 October 2014**
(24) Date from which industrial property rights may have effect: **21 October 2014**
(54) Product in respect of which the design is registered: **Air conditioner**
(51) International Design Classification: **23-04**
(74) Name(s) of Attorney(s): **IP Gateway Patent & Trademark Attorneys Pty Ltd**
(71) Name(s) and Address(s) of Applicant(s):
Samsung Electronics Co., Ltd.
129 Samsung-ro Yeongtong-gu Suwon-si Gyeonggi-do 443-742 Republic of Korea
(72) Name(s) of Designer(s): **Dae Kyun Lee and Jin Sook Park and Hee Jae Jeong**
(45) Registration Date: **03 November 2014**
(30) Convention priority data:
(31) Number (32) Date (33) Country
30-2014-0020124 21 Apr 2014 REPUBLIC OF KOREA
(56) Related Art Documents: **Not Applicable**
(57) Statement of Newness and Distinctiveness: **Newness and distinctiveness resides in the visual features of shape and/or configuration of an air conditioner as shown in solid lines in the accompanying representations.**



- (21) Design Number: **15320/2014**
(22) Date of Filing Application: **21 October 2014**
(24) Date from which industrial property rights may have effect: **21 October 2014**
(54) Product in respect of which the design is registered: **Air conditioner**
(51) International Design Classification: **23-04**
(74) Name(s) of Attorney(s): **IP Gateway Patent & Trademark Attorneys Pty Ltd**
(71) Name(s) and Address(s) of Applicant(s):
Samsung Electronics Co., Ltd.
129 Samsung-ro Yeongtong-gu Suwon-si Gyeonggi-do 443-742 Republic of Korea
(72) Name(s) of Designer(s): **Dae Kyun Lee and Jin Sook Park and Hee Jae Jeong**
(45) Registration Date: **03 November 2014**
(30) Convention priority data:
(31) Number (32) Date (33) Country
30-2014-0020121 21 Apr 2014 REPUBLIC OF KOREA
(56) Related Art Documents: **Not Applicable**
(57) Statement of Newness and Distinctiveness: **Newness and distinctiveness resides in the visual features of shape and/or configuration of an air conditioner as shown in solid lines in the accompanying representations.**



- (21) Design Number: **15321/2014**
(22) Date of Filing Application: **21 October 2014**
(24) Date from which industrial property rights may have effect: **21 October 2014**
(54) Product in respect of which the design is registered: **Air conditioner**
(51) International Design Classification: **23-04**
(74) Name(s) of Attorney(s): **IP Gateway Patent & Trademark Attorneys Pty Ltd**
(71) Name(s) and Address(s) of Applicant(s):
Samsung Electronics Co., Ltd.
129 Samsung-ro Yeongtong-gu Suwon-si Gyeonggi-do 443-742 Republic of Korea
(72) Name(s) of Designer(s): **Dae Kyun Lee and Jin Sook Park and Hee Jae Jeong**
(45) Registration Date: **03 November 2014**
(30) Convention priority data:
(31) Number (32) Date (33) Country
30-2014-0020120 21 Apr 2014 REPUBLIC OF KOREA
(56) Related Art Documents: **Not Applicable**
(57) Statement of Newness and Distinctiveness: **Newness and distinctiveness resides in the visual features of shape and/or configuration of an air conditioner as shown in solid lines in the accompanying representations.**



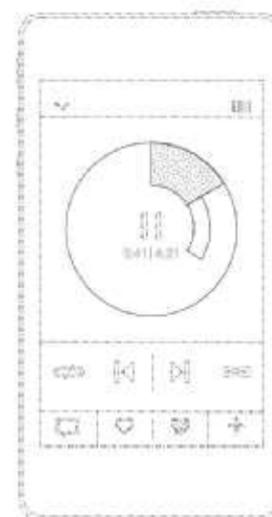
- (21) Design Number: **13530/2014**
(22) Date of Filing Application: **17 July 2014**
(24) Date from which industrial property rights may have effect: **17 July 2014**
(54) Product in respect of which the design is registered: **Display screen with graphical user interface**
(51) International Design Classification: **14-02, 14-04**
(74) Name(s) of Attorney(s): **SPRUSON & FERGUSON**
(71) Name(s) and Address(s) of Applicant(s):
Beats Music, LLC
555 19th Street, San Francisco California, 94107 United States of America
(72) Name(s) of Designer(s): **Rob Sheridan and Michael Trent Reznor and James Temple and Scott Elliot Shaw and Lucio Moreno Rufo and Fredric Vinna**
(45) Registration Date: **03 November 2014**
(30) Convention priority data:
(31) Number (32) Date (33) Country
29/479720 17 Jan 2014 UNITED STATES OF AMERICA
(56) Related Art Documents: **Not Applicable**
(57) Statement of Newness and Distinctiveness: **Newness and distinctiveness is claimed in the features of pattern and/or ornamentation of a display screen with graphical user interface as illustrated in continuous lines in the accompanying representations.**



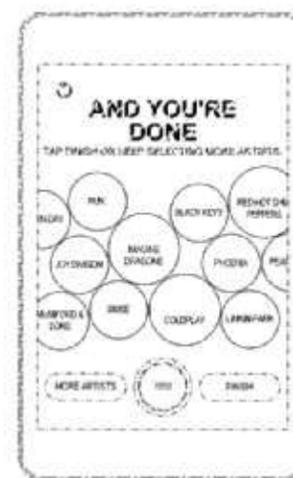
- (21) Design Number: **13531/2014**
(22) Date of Filing Application: **17 July 2014**
(24) Date from which industrial property rights may have effect: **17 July 2014**
(54) Product in respect of which the design is registered: **Display screen with graphical user interface**
(51) International Design Classification: **14-02, 14-04**
(74) Name(s) of Attorney(s): **SPRUSON & FERGUSON**
(71) Name(s) and Address(s) of Applicant(s):
Beats Music, LLC
555 19th Street, San Francisco California, 94107 United States of America
(72) Name(s) of Designer(s): **Fredric Vinna and Rob Sheridan and Michael Trent Reznor and James Temple and Scott Elliot Shaw and Lucio Moreno Rufo**
(45) Registration Date: **03 November 2014**
(30) Convention priority data:
(31) Number (32) Date (33) Country
29/479722 17 Jan 2014 UNITED STATES OF AMERICA
(56) Related Art Documents: **Not Applicable**
(57) Statement of Newness and Distinctiveness: **Newness and distinctiveness is claimed in the features of pattern and/or ornamentation of a display screen with graphical user interface as illustrated in continuous lines in the accompanying representations.**



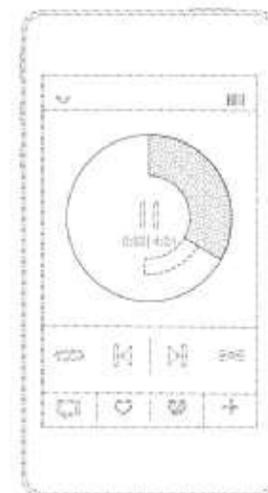
- (21) Design Number: **13532/2014**
(22) Date of Filing Application: **17 July 2014**
(24) Date from which industrial property rights may have effect: **17 July 2014**
(54) Product in respect of which the design is registered: **Display screen with graphical user interface**
(51) International Design Classification: **14-04, 14-02**
(74) Name(s) of Attorney(s): **SPRUSON & FERGUSON**
(71) Name(s) and Address(s) of Applicant(s):
Beats Music, LLC
555 19th Street, San Francisco California, 94107 United States of America
(72) Name(s) of Designer(s): **Fredric Vinna and Rob Sheridan and Michael Trent Reznor and James Temple and Scott Elliot Shaw and Lucio Moreno Rufo**
(45) Registration Date: **03 November 2014**
(30) Convention priority data:
(31) Number (32) Date (33) Country
29/479720 17 Jan 2014 UNITED STATES OF AMERICA
(56) Related Art Documents: **Not Applicable**
(57) Statement of Newness and Distinctiveness: **Newness and distinctiveness is claimed in the features of pattern and/or ornamentation of a display screen with graphical user interface as illustrated in continuous lines in the accompanying representations.**



- (21) Design Number: **13533/2014**
(22) Date of Filing Application: **17 July 2014**
(24) Date from which industrial property rights may have effect: **17 July 2014**
(54) Product in respect of which the design is registered: **Display screen with graphical user interface**
(51) International Design Classification: **14-04, 14-02**
(74) Name(s) of Attorney(s): **SPRUSON & FERGUSON**
(71) Name(s) and Address(s) of Applicant(s):
Beats Music, LLC
555 19th Street, San Francisco California, 94107 United States of America
(72) Name(s) of Designer(s): **Fredric Vinna and Rob Sheridan and Michael Trent Reznor and Ayse Kulahci and Stephen Garcia and James Temple and Scott Elliot Shaw and Lucio Moreno Rufo**
(45) Registration Date: **03 November 2014**
(30) Convention priority data:
(31) Number (32) Date (33) Country
29/479711 17 Jan 2014 UNITED STATES OF AMERICA
(56) Related Art Documents: **Not Applicable**
(57) Statement of Newness and Distinctiveness: **Newness and distinctiveness is claimed in the features of pattern and/or ornamentation of a display screen with graphical user interface as illustrated in continuous lines in the accompanying representations.**



- (21) Design Number: **13537/2014**
(22) Date of Filing Application: **17 July 2014**
(24) Date from which industrial property rights may have effect: **17 July 2014**
(54) Product in respect of which the design is registered: **Display screen with graphical user interface**
(51) International Design Classification: **14-04, 14-02**
(74) Name(s) of Attorney(s): **SPRUSON & FERGUSON**
(71) Name(s) and Address(s) of Applicant(s):
Beats Music, LLC
555 19th Street, San Francisco California, 94107 United States of America
(72) Name(s) of Designer(s): **Fredric Vinna and Rob Sheridan and Michael Trent Reznor and James Temple and Scott Elliot Shaw and Lucio Moreno Rufo**
(45) Registration Date: **03 November 2014**
(30) Convention priority data:
(31) Number (32) Date (33) Country
29/479720 17 Jan 2014 UNITED STATES OF AMERICA
(56) Related Art Documents: **Not Applicable**
(57) Statement of Newness and Distinctiveness: **Newness and distinctiveness is claimed in the features of pattern and/or ornamentation of a display screen with graphical user interface as illustrated in continuous lines in the accompanying representations.**



- (21) Design Number: **13538/2014**
(22) Date of Filing Application: **17 July 2014**
(24) Date from which industrial property rights may have effect: **17 July 2014**
(54) Product in respect of which the design is registered: **Display screen with graphical user interface**
(51) International Design Classification: **14-04, 14-02**
(74) Name(s) of Attorney(s): **SPRUSON & FERGUSON**
(71) Name(s) and Address(s) of Applicant(s):
Beats Music, LLC
555 19th Street, San Francisco California, 94107 United States of America
(72) Name(s) of Designer(s): **Fredric Vinna and Rob Sheridan and Michael Trent Reznor and James Temple and Scott Elliot Shaw and Lucio Moreno Rufo**
(45) Registration Date: **03 November 2014**
(30) Convention priority data:
(31) Number (32) Date (33) Country
29/479722 17 Jan 2014 UNITED STATES OF AMERICA
(56) Related Art Documents: **Not Applicable**
(57) Statement of Newness and Distinctiveness: **Newness and distinctiveness is claimed in the features of pattern and/or ornamentation of a display screen with graphical user interface as illustrated in continuous lines in the accompanying representations.**



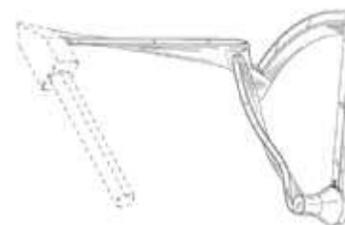
- (21) Design Number: **13539/2014**
(22) Date of Filing Application: **17 July 2014**
(24) Date from which industrial property rights may have effect: **17 July 2014**
(54) Product in respect of which the design is registered: **Display screen with graphical user interface**
(51) International Design Classification: **14-04, 14-02**
(74) Name(s) of Attorney(s): **SPRUSON & FERGUSON**
(71) Name(s) and Address(s) of Applicant(s):
Beats Music, LLC
555 19th Street, San Francisco California, 94107 United States of America
(72) Name(s) of Designer(s): **Fredric Vinna and Rob Sheridan and Michael Trent Reznor and Ayse Kulahci and Stephen Garcia and James Temple and Scott Elliot Shaw and Lucio Moreno Rufo**
(45) Registration Date: **03 November 2014**
(30) Convention priority data:
(31) Number (32) Date (33) Country
29/479711 17 Jan 2014 UNITED STATES OF AMERICA
(56) Related Art Documents: **Not Applicable**
(57) Statement of Newness and Distinctiveness: **Newness and distinctiveness is claimed in the features of pattern and/or ornamentation of a display screen with graphical user interface as illustrated in continuous lines in the accompanying representations.**



- (21) Design Number: **13806/2014**
(22) Date of Filing Application: **05 August 2014**
(24) Date from which industrial property rights may have effect: **05 August 2014**
(54) Product in respect of which the design is registered: **Bowl**
(51) International Design Classification: **07-02H**
(74) Name(s) of Attorney(s): **PHILLIPS ORMONDE FITZPATRICK**
(71) Name(s) and Address(s) of Applicant(s):
Whirlpool Corporation
2000 North M-63 MD3601 Benton Harbor Michigan, 49022 United States of America
(72) Name(s) of Designer(s): **Kaitlyn M Benoit**
(45) Registration Date: **04 November 2014**
(30) Convention priority data:
(31) Number (32) Date (33) Country
29/484,956 14 Mar 2014 UNITED STATES OF AMERICA
(56) Related Art Documents: **Not Applicable**
(57) Statement of Newness and Distinctiveness: **Those features of the bowl depicted in the representations that are new and distinctive are the shape and/or configuration. The features shown in broken lines are not part of the design and are to be disregarded when considering the overall impression of the design. The bottom views of the bowl shown in Fig. 8 and Fig. 16 may or may not form part of the design.**



(21) Design Number: **13812/2014**
(22) Date of Filing Application: **05 August 2014**
(24) Date from which industrial property rights may have effect: **05 August 2014**
(54) Product in respect of which the design is registered: **Stirring and flipping blade**
(51) International Design Classification: **07-02NES, 31-00**
(74) Name(s) of Attorney(s): **PHILLIPS ORMONDE FITZPATRICK**
(71) Name(s) and Address(s) of Applicant(s):
Whirlpool Corporation
2000 North M-63 MD3601 Benton Harbor Michigan, 49022 United States of America



(72) Name(s) of Designer(s): **Michael P Conti**
(45) Registration Date: **04 November 2014**
(30) Convention priority data:
(31) Number (32) Date (33) Country
29/483,201 26 Feb 2014 UNITED STATES OF AMERICA
(56) Related Art Documents: **Not Applicable**
(57) Statement of Newness and Distinctiveness: **Those features of the stirring and flipping blade depicted in the representations that are new and distinctive are the shape and/or configuration. The features shown in broken lines are not part of the design and are to be disregarded when considering the overall impression of the design.**

(21) Design Number: **14930/2014**
(22) Date of Filing Application: **26 September 2014**
(24) Date from which industrial property rights may have effect: **26 September 2014**
(54) Product in respect of which the design is registered: **Hand held antenna system**
(51) International Design Classification: **24-02**
(74) Name(s) of Attorney(s): **Shelston IP**
(71) Name(s) and Address(s) of Applicant(s):
RF Surgical Systems, Inc.
5927 Landau Ct. Carlsbad California 92008 United States of America
(72) Name(s) of Designer(s): **John T Buhler and William Blair and David A Poirier and Curtis Crump**
(45) Registration Date: **04 November 2014**
(30) Convention priority data:
(31) Number (32) Date (33) Country
29/486548 31 Mar 2014 UNITED STATES OF AMERICA
(56) Related Art Documents: **Not Applicable**

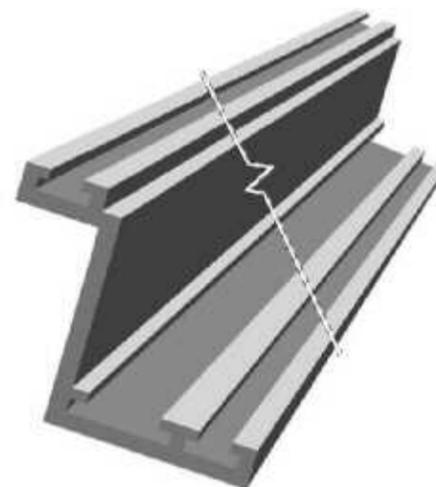


(57) Statement of Newness and Distinctiveness: **Newness and distinctiveness resides in features of ornamental design, shape and/or configuration of a hand-held antenna system illustrated in the accompanying representations. Stippling and contour lines shown in the illustrations are intended to represent approximate three-dimensional contours, and is not intended to indicate surface decoration. Features shown by broken lines are for illustrative purposes only and form no part of the design.**

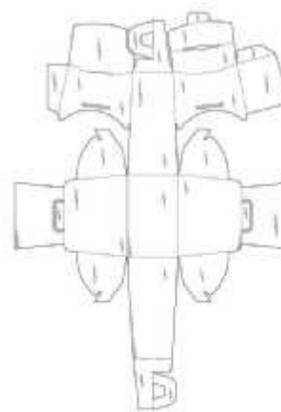
- (21) Design Number: **15054/2014**
(22) Date of Filing Application: **01 October 2014**
(24) Date from which industrial property rights may have effect: **01 October 2014**
(54) Product in respect of which the design is registered: **Stone guard for covering a caravan window**
(51) International Design Classification: **12-10, 12-16C**
(74) Name(s) of Attorney(s):
(71) Name(s) and Address(s) of Applicant(s):
DOMETIC SEITZ GMBH
Altkrautheimer Strasse 28 Krautheim 74238 Germany
(72) Name(s) of Designer(s): **Reinhard Neubauer**
(45) Registration Date: **04 November 2014**
(56) Related Art Documents: **Not Applicable**
(57) Statement of Newness and Distinctiveness: **The newness and distinctiveness of the design resides in the shape and/or configuration of the stone guard for covering a caravan window, shown in the accompanying representations. Particular attention is drawn to the side trim on at least the left and right sides which provides, together with the hinged cover, a neat appearance concealing the hinge and caravan window when viewed from left or right when the hinged cover is in the closed position. The inward folding lid on the lower edge of the hinged cover and the locks or handles on the lower outside surface of the cover are to be disregarded when considering the overall impression of the design.**



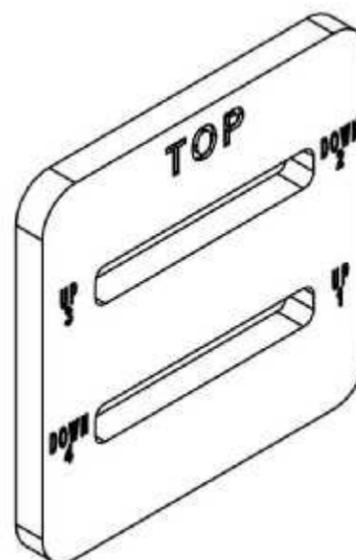
- (21) Design Number: **15329/2014**
(22) Date of Filing Application: **21 October 2014**
(24) Date from which industrial property rights may have effect: **21 October 2014**
(54) Product in respect of which the design is registered: **Frame mounting plate**
(51) International Design Classification: **25-02H**
(74) Name(s) of Attorney(s): **WATERMARK PATENT AND TRADE MARKS ATTORNEYS**
(71) Name(s) and Address(s) of Applicant(s):
Sashman Pty Ltd
128 Kangaroo Rd Hughesdale VIC 3166 Australia
(72) Name(s) of Designer(s): **Adam Downie and Luke Watson**
(45) Registration Date: **04 November 2014**
(56) Related Art Documents: **Not Applicable**
(57) Statement of Newness and Distinctiveness: **Newness and distinctiveness resides in the shape and configuration of the cross-sectional shape of the mounting plate, the mounting plate being of indefinite length; colours and shading should be disregarded.**



- (21) Design Number: **15333/2014**
(22) Date of Filing Application: **21 October 2014**
(24) Date from which industrial property rights may have effect: **21 October 2014**
(54) Product in respect of which the design is registered: **Packaging blank**
(51) International Design Classification: **09-05**
(74) Name(s) of Attorney(s): **Griffith Hack**
(71) Name(s) and Address(s) of Applicant(s):
KRAFT FOODS R&D, INC.
Three Parkway North Deerfield IL 60015 United States of America
(72) Name(s) of Designer(s): **Rosie Brown and Julian Sellers and Glen Dutton**
(45) Registration Date: **04 November 2014**
(30) Convention priority data:
(31) Number (32) Date (33) Country
**002455378-0006 29 Apr 2014 OFFICE FOR HARMONISATION IN
THE INTERNAL MARKET (OHIM)**
(56) Related Art Documents: **Not Applicable**
(57) Statement of Newness and Distinctiveness: **The shape and configuration
of those parts of the product shown in solid lines in the representation
are new and distinctive.**



- (21) Design Number: **13561/2014**
(22) Date of Filing Application: **20 July 2014**
(24) Date from which industrial property rights may have effect: **20 July 2014**
(54) Product in respect of which the design is registered: **Strap fastener**
(51) International Design Classification: **08-08NES**
(74) Name(s) of Attorney(s):
(71) Name(s) and Address(s) of Applicant(s):
Adma Sargood
PO Box 74 Rosewood Queensland 4340 Australia
Scott Sargood
PO Box 74 Rosewood Queensland 4340 Australia
(72) Name(s) of Designer(s): **Adma Sargood and Scott Sargood**
(45) Registration Date: **05 November 2014**
(56) Related Art Documents: **Not Applicable**
(57) Statement of Newness and Distinctiveness: **Strap fastener have the
features as shown.**



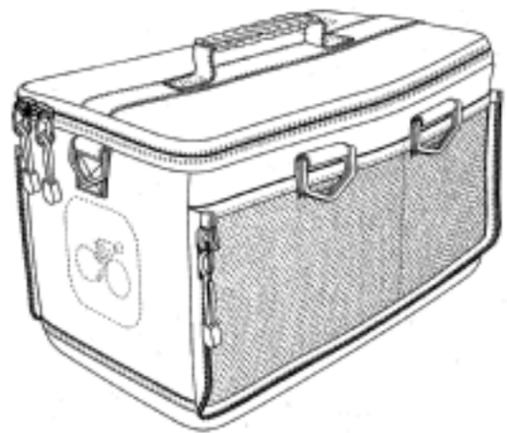
- (21) Design Number: **14406/2014**
(22) Date of Filing Application: **04 September 2014**
(24) Date from which industrial property rights may have effect: **04 September 2014**
(54) Product in respect of which the design is registered: **Nasal airway tube**
(51) International Design Classification: **24-04**
(74) Name(s) of Attorney(s): **Marks & Clerk Australia**
(71) Name(s) and Address(s) of Applicant(s):
Seven Dreamers Laboratories, Inc.
3-14-4 Shiba Minato-ku Tokyo 105-0014 Japan
(72) Name(s) of Designer(s): **Hiroshi Yamada and Kanta Kurauchi and Hiromichi Matsui and Kenichi Tamura**
(45) Registration Date: **05 November 2014**
(30) Convention priority data:
(31) Number (32) Date (33) Country
2014-004823 07 Mar 2014 JAPAN
(56) Related Art Documents: **Not Applicable**
(57) Statement of Newness and Distinctiveness: **Newness and distinctiveness resides in the features of shape and configuration of a nasal airway tube as shown in the accompanying representations.**



- (21) Design Number: **15223/2014**
(22) Date of Filing Application: **14 October 2014**
(24) Date from which industrial property rights may have effect: **14 October 2014**
(54) Product in respect of which the design is registered: **Surf ski**
(51) International Design Classification: **12-06C**
(74) Name(s) of Attorney(s):
(71) Name(s) and Address(s) of Applicant(s):
OCEAN SURF SPORTS PTY. LTD.
7 Lauff Rd Smiths Lake NSW 2428 Australia
(72) Name(s) of Designer(s): **Umberto Felci**
(45) Registration Date: **05 November 2014**
(56) Related Art Documents: **Not Applicable**
(57) Statement of Newness and Distinctiveness: **A combination of a tradition bow hull of a surf ski, kayak, ocean racing ski and the "reverse" of a traditional bow hull. The lower part has a traditional "v" shape , the upper part is reversed which reduces the volume of a bow compared to a traditional bow. The V lower part of the bow hull provides smooth penetration of water in small waves and the reverse wave piercing higher part provides advantages in higher waves. The main different is that in a traditional bow the volume increase vertically in a linear way, so as much as the bow is pushed down and as much the volume increase as an answer. In a reverse bow the major part of the volume is in the lower part (a sort of bulb), so it is harder to push this bow down initially but if you have the force to do it, once the bulb is down, the volume will increase and be less vertically. This geometry allows the bow to enter water more easily in waves with the result of passing through instead of going up and down.**

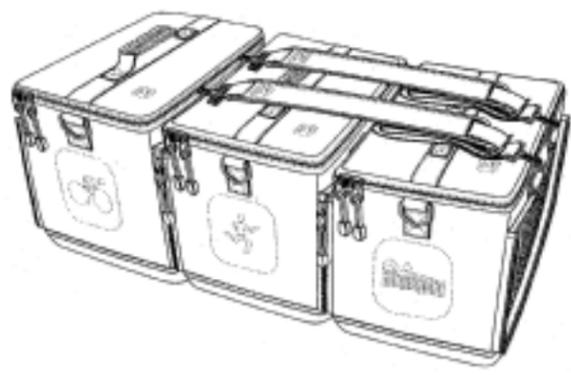


(21) Design Number: **13866/2014**
 (22) Date of Filing Application: **07 August 2014**
 (24) Date from which industrial property rights may have effect: **07 August 2014**
 (54) Product in respect of which the design is registered: **Sports bag**
 (51) International Design Classification: **03-01A**
 (74) Name(s) of Attorney(s): **Fisher Adams Kelly Pty Ltd**
 (71) Name(s) and Address(s) of Applicant(s):
Kitbrix Ltd.
46B Cloudesdale Road LONDON SW17 8ES United Kingdom
 (72) Name(s) of Designer(s): **Robert Aldous**
 (45) Registration Date: **05 November 2014**
 (30) Convention priority data:
 (31) Number (32) Date (33) Country
002400630-0003 07 Feb 2014 OFFICE FOR HARMONISATION IN
THE INTERNAL MARKET (OHIM)



(56) Related Art Documents: **Not Applicable**
 (57) Statement of Newness and Distinctiveness: **Newness and distinctiveness of the design resides in the shape and/or configuration of a SPORTS BAG as shown in the representations.**

(21) Design Number: **13867/2014**
 (22) Date of Filing Application: **07 August 2014**
 (24) Date from which industrial property rights may have effect: **07 August 2014**
 (54) Product in respect of which the design is registered: **Sports bags**
 (51) International Design Classification: **03-01A**
 (74) Name(s) of Attorney(s): **Fisher Adams Kelly Pty Ltd**
 (71) Name(s) and Address(s) of Applicant(s):
Kitbrix Ltd.
46B Cloudesdale Road LONDON SW17 8ES United Kingdom
 (72) Name(s) of Designer(s): **Robert Aldous**
 (45) Registration Date: **05 November 2014**
 (30) Convention priority data:
 (31) Number (32) Date (33) Country
002400630-0002 07 Feb 2014 OFFICE FOR HARMONISATION IN
THE INTERNAL MARKET (OHIM)

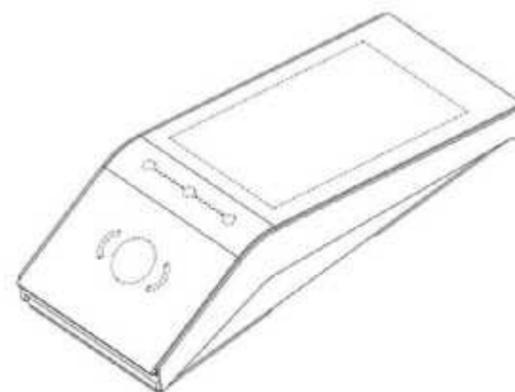


(56) Related Art Documents: **Not Applicable**
 (57) Statement of Newness and Distinctiveness: **Newness and distinctiveness of the design resides in the shape and/or configuration of SPORT BAGS as shown in the representations.**

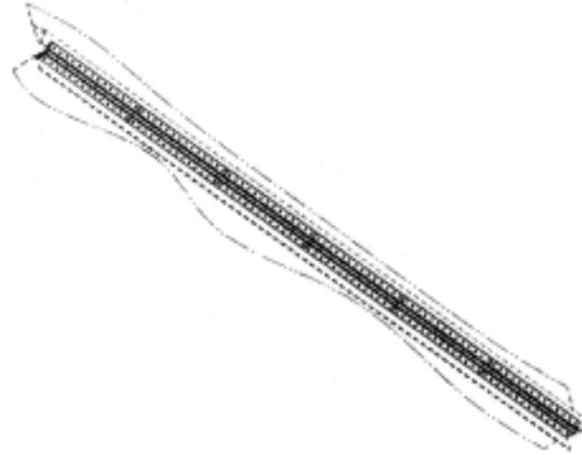
- (21) Design Number: **13963/2014**
(22) Date of Filing Application: **12 August 2014**
(24) Date from which industrial property rights may have effect: **12 August 2014**
(54) Product in respect of which the design is registered: **Headwear**
(51) International Design Classification: **02-03**
(74) Name(s) of Attorney(s): **AJ Park**
(71) Name(s) and Address(s) of Applicant(s):
French Accent Limited
61 Verbena Road Birkdale Auckland 0626 New Zealand
(72) Name(s) of Designer(s): **Alan Donald Yardley and Claude Marthe Clemence Routier**
(45) Registration Date: **05 November 2014**
(30) Convention priority data:
(31) Number (32) Date (33) Country
418516 12 Feb 2014 NEW ZEALAND
(56) Related Art Documents: **Not Applicable**
(57) Statement of Newness and Distinctiveness: **Newness and distinctiveness resides in the features of shape and/or configuration of the headwear as shown in the accompanying drawings.**



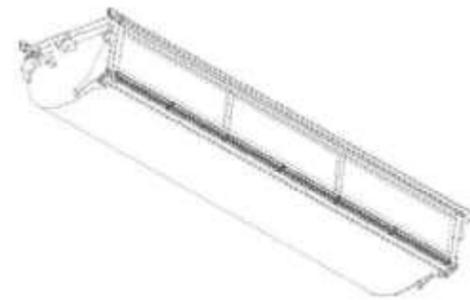
- (21) Design Number: **14999/2014**
(22) Date of Filing Application: **30 September 2014**
(24) Date from which industrial property rights may have effect: **30 September 2014**
(54) Product in respect of which the design is registered: **Operating panel**
(51) International Design Classification: **14-03NES**
(74) Name(s) of Attorney(s): **WATERMARK PATENT AND TRADE MARKS ATTORNEYS**
(71) Name(s) and Address(s) of Applicant(s):
Inventio AG
Postfach Hergiswil 6052 Switzerland
(72) Name(s) of Designer(s): **Paul Friedli**
(45) Registration Date: **05 November 2014**
(30) Convention priority data:
(31) Number (32) Date (33) Country
140651 01 Apr 2014 SWITZERLAND
(56) Related Art Documents: **Not Applicable**
(57) Statement of Newness and Distinctiveness: **Newness and distinctiveness resides in the shape and configuration and/or pattern and ornamentation of the operating panel, the remainder of the operating panel shown in dashed outline forms no part of the design and should be disregarded when considering the scope of monopoly of the design.**



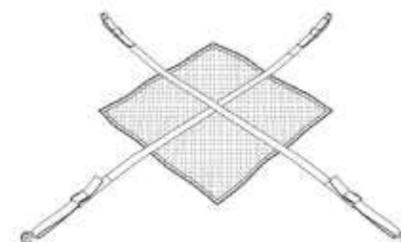
- (21) Design Number: **12374/2014**
(22) Date of Filing Application: **15 May 2014**
(24) Date from which industrial property rights may have effect: **15 May 2014**
(54) Product in respect of which the design is registered: **Hinge assembly**
(51) International Design Classification: **08-06**
(74) Name(s) of Attorney(s): **Wrays**
(71) Name(s) and Address(s) of Applicant(s):
Cahejo Pty Ltd trading as Duraquip
102 Cecil St Gnowangerup WA 6335 Australia
(72) Name(s) of Designer(s): **Anthony Garth Richardson**
(45) Registration Date: **05 November 2014**
(56) Related Art Documents: **Not Applicable**
(57) Statement of Newness and Distinctiveness: **Newness and distinctiveness resides in the shape and configuration of the hinge arrangement as illustrated in the accompanying representations.**



- (21) Design Number: **15461/2014**
(22) Date of Filing Application: **15 May 2014**
(24) Date from which industrial property rights may have effect: **15 May 2014**
(54) Product in respect of which the design is registered: **Hinge assembly**
(51) International Design Classification: **08-06**
(74) Name(s) of Attorney(s): **Wrays**
(71) Name(s) and Address(s) of Applicant(s):
Cahejo Pty Ltd trading as Duraquip
102 Cecil St Gnowangerup WA 6335 Australia
(72) Name(s) of Designer(s): **Anthony Garth Richardson**
(45) Registration Date: **05 November 2014**
(56) Related Art Documents: **Not Applicable**
(57) Statement of Newness and Distinctiveness: **Newness and distinctiveness resides in the shape and configuration of the hinge arrangement as illustrated in the accompanying representations.**



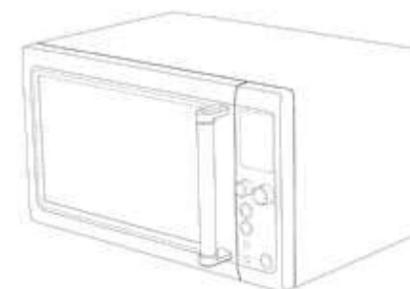
- (21) Design Number: **12643/2014**
(22) Date of Filing Application: **29 May 2014**
(24) Date from which industrial property rights may have effect: **29 May 2014**
(54) Product in respect of which the design is registered: **Load cover**
(51) International Design Classification: **12-16NES**
(74) Name(s) of Attorney(s):
(71) Name(s) and Address(s) of Applicant(s):



Neil Alexander Mounsdon Eaton
trustees for The Eaton Property Trust 17 Roe St Bridgetown WA 6255
Australia
Simon Alexander Mounsdon Eaton
Trustees for The Eaton Property Trust 17 Roe St BRIDGETOWN WA 6255

- (72) Name(s) of Designer(s): **Neil Alexander Mounsdon Eaton**
(45) Registration Date: **06 November 2014**
(56) Related Art Documents: **Not Applicable**
(57) Statement of Newness and Distinctiveness: **Newness and distinctiveness are claimed in respect of the shape and configuration of the load cover depicted in the accompanying representations.**

- (21) Design Number: **13195/2014**
(22) Date of Filing Application: **30 June 2014**
(24) Date from which industrial property rights may have effect: **30 June 2014**
(54) Product in respect of which the design is registered: **Microwave oven**
(51) International Design Classification: **07-02B**
(74) Name(s) of Attorney(s): **Molins & Co Pty Ltd**
(71) Name(s) and Address(s) of Applicant(s):



- Breville Pty Limited**
Building 2 Port Air Industrial Est 1A Hale St Botany NSW 2019 Australia
(72) Name(s) of Designer(s): **Pierce James Bernard**
(45) Registration Date: **06 November 2014**
(56) Related Art Documents: **Not Applicable**
(57) Statement of Newness and Distinctiveness: **Newness is claimed in the features of shape and configuration of the Microwave Oven as shown in the accompanying representations. Elements shown in dashed lines form no part of the design.**

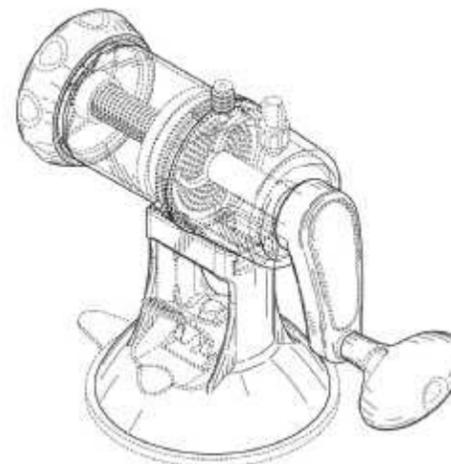
- (21) Design Number: **15252/2014**
(22) Date of Filing Application: **15 October 2014**
(24) Date from which industrial property rights may have effect: **09 July 2014**
(54) Product in respect of which the design is registered: **A tent**
(51) International Design Classification: **21-04**
(74) Name(s) of Attorney(s): **AJ Park**
(71) Name(s) and Address(s) of Applicant(s):
Charles Parsons (Holdings) Pty Limited
191-193 Cleveland St Redfern NSW 2016 Australia
(72) Name(s) of Designer(s): **Lee Alan Spouse and Salvatore Anthony Rizza**
(45) Registration Date: **06 November 2014**
(62) Divisional of: **358371**
(56) Related Art Documents: **Not Applicable**
(57) Statement of Newness and Distinctiveness: **Newness and distinctiveness resides in the features of shape and/or configuration of the tent as shown in the representations, the features shown in broken lines form no part of the claimed design.**



- (21) Design Number: **15253/2014**
(22) Date of Filing Application: **15 October 2014**
(24) Date from which industrial property rights may have effect: **09 July 2014**
(54) Product in respect of which the design is registered: **A fly for a tent**
(51) International Design Classification: **21-04**
(74) Name(s) of Attorney(s): **AJ Park**
(71) Name(s) and Address(s) of Applicant(s):
Charles Parsons (Holdings) Pty Limited
191-193 Cleveland St Redfern NSW 2016 Australia
(72) Name(s) of Designer(s): **Lee Alan Spouse and Salvatore Anthony Rizza**
(45) Registration Date: **06 November 2014**
(62) Divisional of: **358371**
(56) Related Art Documents: **Not Applicable**
(57) Statement of Newness and Distinctiveness: **Newness and distinctiveness resides in the features of shape and/or configuration of A FLY FOR A TENT as shown in the representations, the features shown in broken lines form no part of the claimed design.**



(21) Design Number: **15254/2014**
(22) Date of Filing Application: **15 October 2014**
(24) Date from which industrial property rights may have effect: **15 October 2014**
(54) Product in respect of which the design is registered: **Tissue mincing tool**
(51) International Design Classification: **24-01**
(74) Name(s) of Attorney(s): **PIZZEYS**
(71) Name(s) and Address(s) of Applicant(s):
Auxocell Laboratories, Inc.
245 First Street, Suite 1800 Cambridge MA 02142 United States of America
(72) Name(s) of Designer(s): **Rouzbeh R Taghizadeh and Matthew C Carpenter and David J Copeland and Matthew J Perry and Paul A Puniello**
(45) Registration Date: **06 November 2014**
(30) Convention priority data:
(31) Number (32) Date (33) Country
29/488,458 18 Apr 2014 UNITED STATES OF AMERICA
(56) Related Art Documents: **Not Applicable**
(57) Statement of Newness and Distinctiveness: **Nil**



(21) Design Number: **15255/2014**
(22) Date of Filing Application: **15 October 2014**
(24) Date from which industrial property rights may have effect: **09 July 2014**
(54) Product in respect of which the design is registered: **A tent**
(51) International Design Classification: **21-04**
(74) Name(s) of Attorney(s): **AJ Park**
(71) Name(s) and Address(s) of Applicant(s):
Charles Parsons (Holdings) Pty Limited
191-193 Cleveland St Redfern NSW 2016 Australia
(72) Name(s) of Designer(s): **Lee Alan Spouse and Salvatore Anthony Rizza**
(45) Registration Date: **06 November 2014**
(62) Divisional of: **358372**
(56) Related Art Documents: **Not Applicable**
(57) Statement of Newness and Distinctiveness: **Newness and distinctiveness resides in the features of shape and/or configuration of the tent as shown in the representations, the features shown in broken lines form no part of the claimed design.**



- (21) Design Number: **15256/2014**
(22) Date of Filing Application: **15 October 2014**
(24) Date from which industrial property rights may have effect: **09 July 2014**
(54) Product in respect of which the design is registered: **A fly for a tent**
(51) International Design Classification: **21-04**
(74) Name(s) of Attorney(s): **AJ Park**
(71) Name(s) and Address(s) of Applicant(s):
Charles Parsons (Holdings) Pty Limited
191-193 Cleveland St Redfern NSW 2016 Australia
(72) Name(s) of Designer(s): **Lee Alan Spouse and Salvatore Anthony Rizza**
(45) Registration Date: **06 November 2014**
(62) Divisional of: **358372**
(56) Related Art Documents: **Not Applicable**
(57) Statement of Newness and Distinctiveness: **Newness and distinctiveness resides in the features of shape and/or configuration of A FLY FOR A TENT as shown in the representations, the features shown in broken lines form no part of the claimed design.**



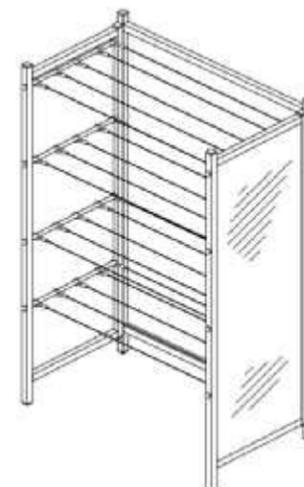
- (21) Design Number: **15258/2014**
(22) Date of Filing Application: **15 October 2014**
(24) Date from which industrial property rights may have effect: **15 October 2014**
(54) Product in respect of which the design is registered: **Power adaptor**
(51) International Design Classification: **13-03D**
(74) Name(s) of Attorney(s):
(71) Name(s) and Address(s) of Applicant(s):
Ampfibian Holdings Pty LTD
35 Gap Rd Woodburn NSW 2472 Australia
(72) Name(s) of Designer(s): **Oliver Clemens Robert Kratzer**
(45) Registration Date: **06 November 2014**
(56) Related Art Documents: **Not Applicable**
(57) Statement of Newness and Distinctiveness: **Newness and distinctiveness resides in the external appearance of a power adaptor as shown in the drawings. the electrical cables form no part of the design.**



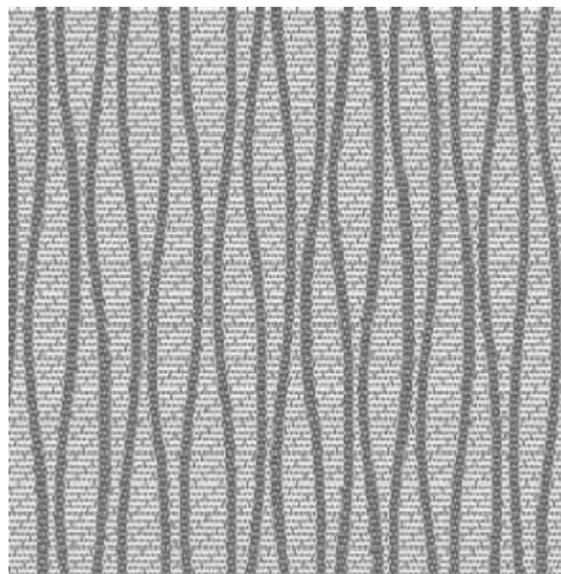
- (21) Design Number: **15259/2014**
(22) Date of Filing Application: **15 October 2014**
(24) Date from which industrial property rights may have effect: **15 October 2014**
(54) Product in respect of which the design is registered: **Clothesline**
(51) International Design Classification: **07-05D**
(74) Name(s) of Attorney(s):
(71) Name(s) and Address(s) of Applicant(s):
Tina Ryan
Unit 4/40 Pulteney St Taree NSW 2430 Australia
(72) Name(s) of Designer(s): **Tina Ryan**
(45) Registration Date: **06 November 2014**
(56) Related Art Documents: **Not Applicable**
(57) Statement of Newness and Distinctiveness: **Newness and Distinctiveness resides in the overall shape and configuration of the visual features as shown in solid lines in the representations.**



- (21) Design Number: **15260/2014**
(22) Date of Filing Application: **15 October 2014**
(24) Date from which industrial property rights may have effect: **15 October 2014**
(54) Product in respect of which the design is registered: **Clothesline**
(51) International Design Classification: **07-05D**
(74) Name(s) of Attorney(s):
(71) Name(s) and Address(s) of Applicant(s):
Tina Ryan
Unit 4/40 Pulteney St Taree NSW 2430 Australia
(72) Name(s) of Designer(s): **Tina Ryan**
(45) Registration Date: **06 November 2014**
(56) Related Art Documents: **Not Applicable**
(57) Statement of Newness and Distinctiveness: **Newness and Distinctiveness resides in the overall shape and configuration of the visual features as shown in solid lines in the representations.**



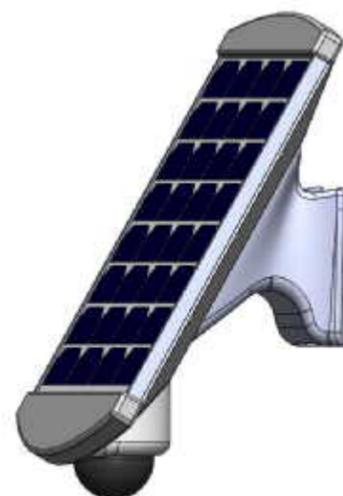
- (21) Design Number: **15271/2014**
(22) Date of Filing Application: **16 October 2014**
(24) Date from which industrial property rights may have effect: **16 October 2014**
(54) Product in respect of which the design is registered: **Textile**
(51) International Design Classification: **05-05NES**
(74) Name(s) of Attorney(s): **Sharon Givoni Consulting**
(71) Name(s) and Address(s) of Applicant(s):
Bekaert (Australia) Pty Limited
195 Abbots Rd Dandenong South VIC 3175 Australia
(72) Name(s) of Designer(s): **Jacqueline Zimmerman**
(45) Registration Date: **06 November 2014**
(56) Related Art Documents: **Not Applicable**
(57) Statement of Newness and Distinctiveness: **Newness and distinctiveness is claimed in the features of pattern and/or ornamentation of a textile as shown in the representations but not limited to any colours or colour combination. The textile is of indefinite length and breadth and the pattern and/or ornamentation is represented throughout the surface.**



- (21) Design Number: **15275/2014**
(22) Date of Filing Application: **16 October 2014**
(24) Date from which industrial property rights may have effect: **16 October 2014**
(54) Product in respect of which the design is registered: **Lid**
(51) International Design Classification: **07-01NES, 09-07B**
(74) Name(s) of Attorney(s): **PIZZEYS**
(71) Name(s) and Address(s) of Applicant(s):
Mark One Lifestyle, Inc.
599 3rd Street, Unit 101 San Francisco CA 94107 United States of America
(72) Name(s) of Designer(s): **Erik Kreider and Mirko Ihrig and Eunice Joung and Justin Lee and Nicholas Barnes and Yves Behar**
(45) Registration Date: **06 November 2014**
(30) Convention priority data:
(31) Number (32) Date (33) Country
29/488,463 18 Apr 2014 UNITED STATES OF AMERICA
(56) Related Art Documents: **Not Applicable**
(57) Statement of Newness and Distinctiveness: **Nil**



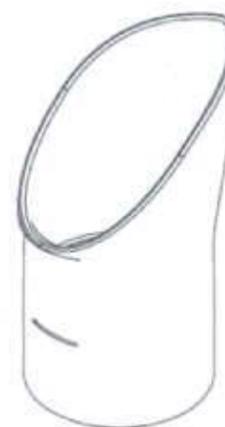
(21) Design Number: **15276/2014**
(22) Date of Filing Application: **16 October 2014**
(24) Date from which industrial property rights may have effect: **16 October 2014**
(54) Product in respect of which the design is registered: **Solar panel with integrated camera and bracket**
(51) International Design Classification: **13-99**
(74) Name(s) of Attorney(s):
(71) Name(s) and Address(s) of Applicant(s):
Jonathan Duy Khac Nguyen
115 Hollywood Dr Lansvale NSW 2166 Australia
(72) Name(s) of Designer(s): **Jonathan Duy Khac Nguyen**
(45) Registration Date: **06 November 2014**
(56) Related Art Documents: **Not Applicable**
(57) Statement of Newness and Distinctiveness: **Solar panel with slightly curved top and more accentuated curve on bottom. Backing plate of solar panel with angled faces leading to bracket attachment. Bracket with cutouts such that when viewed from any angle, the lines follow the angle of the solar backing plate. Bracket with vertical slots cut for pole mounting. Camera mounted on lower part of solar panel. Camera is curved to match the shape of lower part of solar panel. Camera semi-recessed into the backing plate and curved lower section of solar panel.**



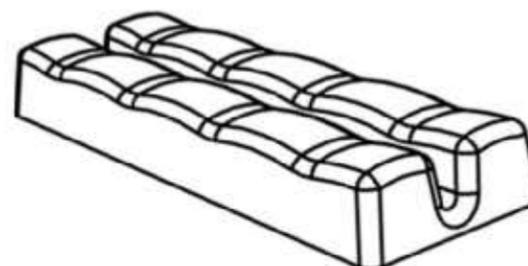
(21) Design Number: **15277/2014**
(22) Date of Filing Application: **16 October 2014**
(24) Date from which industrial property rights may have effect: **16 October 2014**
(54) Product in respect of which the design is registered: **Lid**
(51) International Design Classification: **07-01NES, 09-07B**
(74) Name(s) of Attorney(s): **PIZZEYS**
(71) Name(s) and Address(s) of Applicant(s):
Mark One Lifestyle, Inc.
599 3rd Street, Unit 101 San Francisco CA 94107 United States of America
(72) Name(s) of Designer(s): **Erik Kreider and Mirko Ihrig and Eunice Joung and Justin Lee and Nicholas Barnes and Yves Behar**
(45) Registration Date: **06 November 2014**
(30) Convention priority data:
(31) Number (32) Date (33) Country
29/488,464 18 Apr 2014 UNITED STATES OF AMERICA
(56) Related Art Documents: **Not Applicable**
(57) Statement of Newness and Distinctiveness: **Nil**



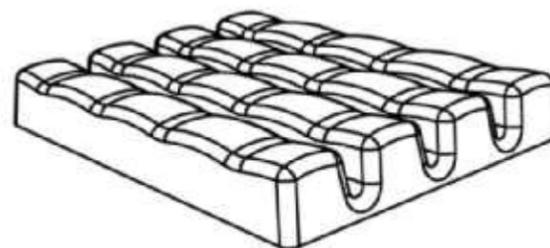
(21) Design Number: **15278/2014**
(22) Date of Filing Application: **16 October 2014**
(24) Date from which industrial property rights may have effect: **16 October 2014**
(54) Product in respect of which the design is registered: **Inhaler**
(51) International Design Classification: **24-04**
(74) Name(s) of Attorney(s):
(71) Name(s) and Address(s) of Applicant(s):
Philip Alan Jensen
PO BOX 7180 New England MC NSW 2348 Australia
(72) Name(s) of Designer(s): **Philip Alan Jensen**
(45) Registration Date: **06 November 2014**
(56) Related Art Documents: **Not Applicable**
(57) Statement of Newness and Distinctiveness: **Nil**



(21) Design Number: **15281/2014**
(22) Date of Filing Application: **17 October 2014**
(24) Date from which industrial property rights may have effect: **17 October 2014**
(54) Product in respect of which the design is registered: **Food product**
(51) International Design Classification: **01-01**
(74) Name(s) of Attorney(s): **Baldwins**
(71) Name(s) and Address(s) of Applicant(s):
Cemoi
2980 Avenue Julien Panchot Perpignan 66000 France
(72) Name(s) of Designer(s): **Alan Baker and Peter Smith and Bruce Tomlison**
(45) Registration Date: **06 November 2014**
(30) Convention priority data:
(31) Number (32) Date (33) Country
**002540080-0007 18 Apr 2014 OFFICE FOR HARMONISATION IN
THE INTERNAL MARKET (OHIM)**
(56) Related Art Documents: **Not Applicable**
(57) Statement of Newness and Distinctiveness: **Newness and distinctiveness
resides in the features of shape and/or configuration of the food product.**



(21) Design Number: **15282/2014**
(22) Date of Filing Application: **17 October 2014**
(24) Date from which industrial property rights may have effect: **17 October 2014**
(54) Product in respect of which the design is registered: **Food product**
(51) International Design Classification: **01-01**
(74) Name(s) of Attorney(s): **Baldwins**
(71) Name(s) and Address(s) of Applicant(s):



Cemoi

2980 Avenue Julien Panchot Perpignan 66000 France

(72) Name(s) of Designer(s): **Alan Baker and Peter Smith and Bruce Tomlison**

(45) Registration Date: **06 November 2014**

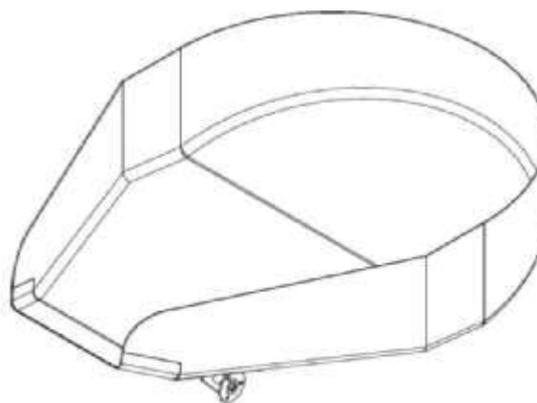
(30) Convention priority data:

(31) Number	(32) Date	(33) Country
002450080-0008	18 Apr 2014	OFFICE FOR HARMONISATION IN THE INTERNAL MARKET (OHIM)

(56) Related Art Documents: **Not Applicable**

(57) Statement of Newness and Distinctiveness: **Newness and distinctiveness resides in the features of shape and/or configuration of the food product.**

(21) Design Number: **15283/2014**
(22) Date of Filing Application: **17 October 2014**
(24) Date from which industrial property rights may have effect: **17 October 2014**
(54) Product in respect of which the design is registered: **Conveyor pan**
(51) International Design Classification: **12-05**
(74) Name(s) of Attorney(s): **James & Wells**
(71) Name(s) and Address(s) of Applicant(s):



Milmeq Limited

8 Penrose Road Penrose Auckland 1061 New Zealand

(72) Name(s) of Designer(s): **Brent Maitland Walker**

(45) Registration Date: **06 November 2014**

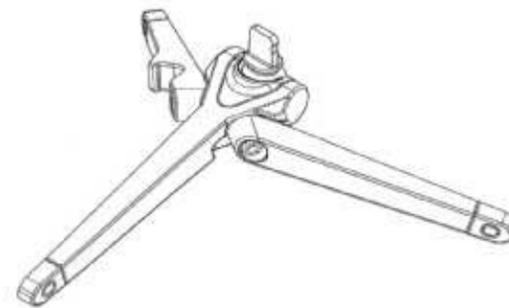
(30) Convention priority data:

(31) Number	(32) Date	(33) Country
419462	17 Oct 2014	NEW ZEALAND

(56) Related Art Documents: **Not Applicable**

(57) Statement of Newness and Distinctiveness: **This design is to be applied to a Conveyor Pan and the novelty resides in features of shape and configuration as shown in the accompanying representations. The pattern or ornament of the Conveyor Pan is not part of the design in which novelty is claimed.**

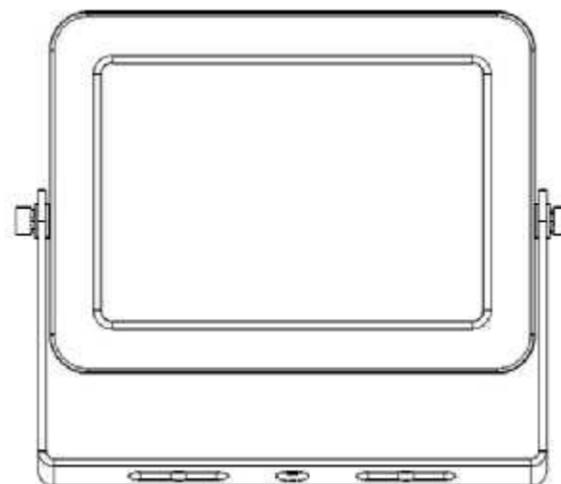
- (21) Design Number: **15284/2014**
(22) Date of Filing Application: **17 October 2014**
(24) Date from which industrial property rights may have effect: **17 October 2014**
(54) Product in respect of which the design is registered: **Tripod for an electronic device**
(51) International Design Classification: **16-05**
(74) Name(s) of Attorney(s): **PIPERS Melbourne**
(71) Name(s) and Address(s) of Applicant(s):
KENU, INC.
236 8th Street Suite A San Francisco CA 94103 United States of America
(72) Name(s) of Designer(s): **Kenneth Y Minn and David E Yao and Leonard John Duran**
(45) Registration Date: **06 November 2014**
(56) Related Art Documents: **Not Applicable**
(57) Statement of Newness and Distinctiveness: **The design is to be applied to a TRIPOD FOR AN ELECTRONIC DEVICE and the novelty resides in the features of shape and configuration of the TRIPOD FOR AN ELECTRONIC DEVICE as shown in the accompanying representations. No novelty is claimed for the features shown in broken lines - those are for illustrative purposes and depict the environment of the design.**



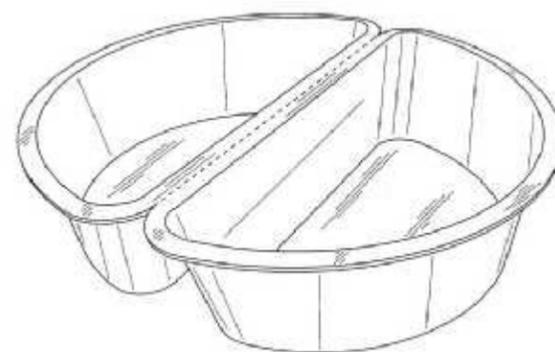
- (21) Design Number: **15285/2014**
(22) Date of Filing Application: **17 October 2014**
(24) Date from which industrial property rights may have effect: **30 July 2014**
(54) Product in respect of which the design is registered: **Headgear for patient interface**
(51) International Design Classification: **24-02**
(74) Name(s) of Attorney(s): **Halfords IP**
(71) Name(s) and Address(s) of Applicant(s):
ResMed Limited
1 Elizabeth Macarthur Dr Bella Vista NSW 2153 Australia
(72) Name(s) of Designer(s): **Emily Elizabeth Blanch and Christopher James Smith and Thomas Kirby**
(45) Registration Date: **06 November 2014**
(62) Divisional of: **358462**
(56) Related Art Documents: **Not Applicable**
(57) Statement of Newness and Distinctiveness: **Nil**



(21) Design Number: **14035/2014**
(22) Date of Filing Application: **15 August 2014**
(24) Date from which industrial property rights may have effect: **15 August 2014**
(54) Product in respect of which the design is registered: **LED flood light**
(51) International Design Classification: **26-05E**
(74) Name(s) of Attorney(s):
(71) Name(s) and Address(s) of Applicant(s):
GL Lighting Pty Ltd
2/74 Merri Con Campbellfield VIC 3061 Australia
(72) Name(s) of Designer(s): **Haiming Zhu and Chen Wang**
(45) Registration Date: **07 November 2014**
(56) Related Art Documents: **Not Applicable**
(57) Statement of Newness and Distinctiveness: **Special compact structure design, baking varnish finished front cover, plastic powder coating finished back cover. Ultrathin design light body, the thinnest part of the light only 28mm. The entire light weight only 440g. LED temperature rise<35#. Glass cover design as the clear glass combine with the central frosted glass to reduce the impact of dazzle effectively. Unique mounting bracket design more easier to operate. Special design reflector made the light beam angle as 60 degrees x 90 degrees, more light efficiency and higher luminous flux.**



(21) Design Number: **14152/2014**
(22) Date of Filing Application: **21 August 2014**
(24) Date from which industrial property rights may have effect: **21 August 2014**
(54) Product in respect of which the design is registered: **Tray**
(51) International Design Classification: **09-03F**
(74) Name(s) of Attorney(s): **Baker & McKenzie**
(71) Name(s) and Address(s) of Applicant(s):
Mars, Incorporated
6885 Elm Street McLean VA 22101 United States of America
(72) Name(s) of Designer(s): **Jonathan Lee McSweeney and Jonathan Christopher Smith**
(45) Registration Date: **07 November 2014**
(30) Convention priority data:
(31) Number (32) Date (33) Country
29/463739 21 Feb 2014 UNITED STATES OF AMERICA
(56) Related Art Documents: **Not Applicable**
(57) Statement of Newness and Distinctiveness: **Nil**



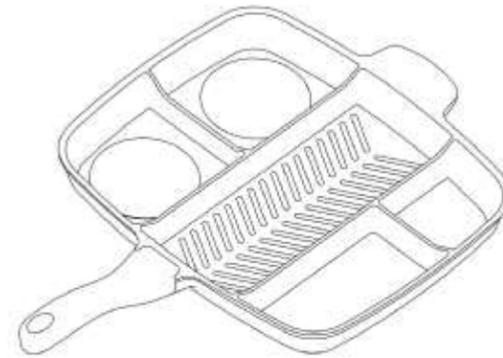
(21) Design Number: **15286/2014**
(22) Date of Filing Application: **17 October 2014**
(24) Date from which industrial property rights may have effect: **30 July 2014**
(54) Product in respect of which the design is registered: **Headgear connector for patient interface**
(51) International Design Classification: **24-02**
(74) Name(s) of Attorney(s): **Halfords IP**
(71) Name(s) and Address(s) of Applicant(s):
ResMed Limited
1 Elizabeth Macarthur Dr Bella Vista NSW 2153 Australia
(72) Name(s) of Designer(s): **Emily Elizabeth Blanch and Christopher James Smith and Thomas Kirby**
(45) Registration Date: **07 November 2014**
(62) Divisional of: **358462**
(56) Related Art Documents: **Not Applicable**
(57) Statement of Newness and Distinctiveness: **Nil**



(21) Design Number: **15289/2014**
(22) Date of Filing Application: **17 October 2014**
(24) Date from which industrial property rights may have effect: **17 October 2014**
(54) Product in respect of which the design is registered: **Vessel**
(51) International Design Classification: **07-01C**
(74) Name(s) of Attorney(s): **PIZZEYS**
(71) Name(s) and Address(s) of Applicant(s):
Mark One Lifestyle, Inc.
599 3rd Street, Unit 101 San Francisco CA 94107 United States of America
(72) Name(s) of Designer(s): **Justin Lee and Yves Behar and Eunice Joung and Erik Kreider and Mirko Ihrig and Mark A Berman and Nicholas Barnes and Michael Brand**
(45) Registration Date: **07 November 2014**
(30) Convention priority data:
(31) Number (32) Date (33) Country
29/488,462 18 Apr 2014 UNITED STATES OF AMERICA
(56) Related Art Documents: **Not Applicable**
(57) Statement of Newness and Distinctiveness: **Nil**



- (21) Design Number: **15290/2014**
(22) Date of Filing Application: **17 October 2014**
(24) Date from which industrial property rights may have effect: **17 October 2014**
(54) Product in respect of which the design is registered: **Frying pan**
(51) International Design Classification: **07-02N**
(74) Name(s) of Attorney(s):
(71) Name(s) and Address(s) of Applicant(s):
DREAMBIZ LIMITED
BLK A, 8/F, NEW MANDARIN PLAZA 14 SCIENCE MUSEUM ROAD TSIM
SHA TSUI EAST KOWLOON Hong Kong
(72) Name(s) of Designer(s): **Rajendra Sobha Nagrani**
(45) Registration Date: **07 November 2014**
(56) Related Art Documents: **Not Applicable**
(57) Statement of Newness and Distinctiveness: **Nil**



- (21) Design Number: **15293/2014**
(22) Date of Filing Application: **19 October 2014**
(24) Date from which industrial property rights may have effect: **19 October 2014**
(54) Product in respect of which the design is registered: **Letterbox**
(51) International Design Classification: **25-03**
(74) Name(s) of Attorney(s):
(71) Name(s) and Address(s) of Applicant(s):
UTE AUSTRALIA PTY. LTD.
7 Dalgety Dr Ascot Vale VIC 3032 Australia
Kain Lucas
Apt 8 122 Maribyrnong Rd Moonee Ponds VIC 3039 Australia
(72) Name(s) of Designer(s): **Kain Lucas**
(45) Registration Date: **07 November 2014**
(56) Related Art Documents: **Not Applicable**
(57) Statement of Newness and Distinctiveness: **Newness and distinctiveness is claimed in respect of the shape and/or configuration of the product illustrated in the accompanying representations.**



(21) Design Number: **15294/2014**
(22) Date of Filing Application: **20 October 2014**
(24) Date from which industrial property rights may have effect: **20 October 2014**
(54) Product in respect of which the design is registered: **Stool**
(51) International Design Classification: **06-01E**
(74) Name(s) of Attorney(s): **Griffith Hack**
(71) Name(s) and Address(s) of Applicant(s):
Steelcase Inc.
901 44th Street SE Grand Rapids Michigan 49508 United States of America
(72) Name(s) of Designer(s): **Alberto Lievore and Manuel Molina and Victor Carrasco Berlanga and John Hamilton and Jeannette Altherr**
(45) Registration Date: **07 November 2014**
(30) Convention priority data:
(31) Number (32) Date (33) Country
29/492,764 03 Jun 2014 UNITED STATES OF AMERICA
(56) Related Art Documents: **Not Applicable**
(57) Statement of Newness and Distinctiveness: **Newness and distinctiveness resides in the visual features, including the shape and configuration of the product shown in the representations.**



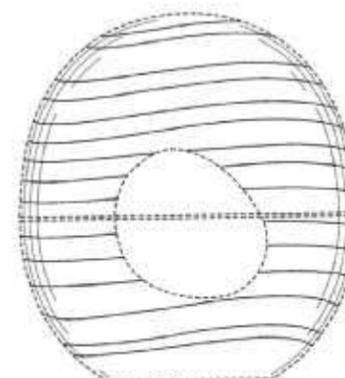
(21) Design Number: **15295/2014**
(22) Date of Filing Application: **20 October 2014**
(24) Date from which industrial property rights may have effect: **20 October 2014**
(54) Product in respect of which the design is registered: **Chair**
(51) International Design Classification: **06-01F**
(74) Name(s) of Attorney(s): **Griffith Hack**
(71) Name(s) and Address(s) of Applicant(s):
Steelcase Inc.
901 44th Street SE Grand Rapids Michigan 49508 United States of America
(72) Name(s) of Designer(s): **Alberto Lievore and Jeannette Altherr and Manuel Molina and Victor Carrasco Berlanga and John Hamilton**
(45) Registration Date: **07 November 2014**
(30) Convention priority data:
(31) Number (32) Date (33) Country
29/492,762 03 Jun 2014 UNITED STATES OF AMERICA
(56) Related Art Documents: **Not Applicable**
(57) Statement of Newness and Distinctiveness: **Newness and distinctiveness resides in the visual features, including the shape and configuration of the product shown in the representations.**



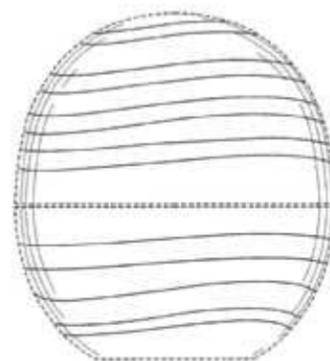
- (21) Design Number: **15296/2014**
(22) Date of Filing Application: **20 October 2014**
(24) Date from which industrial property rights may have effect: **20 October 2014**
(54) Product in respect of which the design is registered: **Chair**
(51) International Design Classification: **06-01F**
(74) Name(s) of Attorney(s): **Griffith Hack**
(71) Name(s) and Address(s) of Applicant(s):
Steelcase Inc.
901 44th Street SE Grand Rapids Michigan 49508 United States of America
(72) Name(s) of Designer(s): **Alberto Lievore and Jeannette Altherr and Manuel Molina and Victor Carrasco Berlanga and John Hamilton**
(45) Registration Date: **07 November 2014**
(30) Convention priority data:
(31) Number (32) Date (33) Country
29/492,758 03 Jun 2014 UNITED STATES OF AMERICA
(56) Related Art Documents: **Not Applicable**
(57) Statement of Newness and Distinctiveness: **Newness and distinctiveness resides in the visual features, including the shape and configuration of the product shown in the representations.**



- (21) Design Number: **15297/2014**
(22) Date of Filing Application: **20 October 2014**
(24) Date from which industrial property rights may have effect: **14 July 2014**
(54) Product in respect of which the design is registered: **Cosmetic product container**
(51) International Design Classification: **28-03NES**
(74) Name(s) of Attorney(s): **SPRUSON & FERGUSON**
(71) Name(s) and Address(s) of Applicant(s):
The Kind Group LLC
19 West 44th Street, Suite 811, New York New York 10036 United States of America
(72) Name(s) of Designer(s): **Jonathan Teller**
(45) Registration Date: **07 November 2014**
(62) Divisional of: **358428**
(56) Related Art Documents: **Not Applicable**
(57) Statement of Newness and Distinctiveness: **Newness and distinctiveness is claimed in those features of pattern and/or ornamentation of a cosmetic product container illustrated in continuous lines in the accompanying representations.**



- (21) Design Number: **15298/2014**
(22) Date of Filing Application: **20 October 2014**
(24) Date from which industrial property rights may have effect: **14 July 2014**
(54) Product in respect of which the design is registered: **Cosmetic product container**
(51) International Design Classification: **28-03NES**
(74) Name(s) of Attorney(s): **SPRUSON & FERGUSON**
(71) Name(s) and Address(s) of Applicant(s):
The Kind Group LLC
19 West 44th Street, Suite 811, New York New York 10036 United States of America
(72) Name(s) of Designer(s): **Jonathan Teller**
(45) Registration Date: **07 November 2014**
(62) Divisional of: **358428**
(56) Related Art Documents: **Not Applicable**
(57) Statement of Newness and Distinctiveness: **Newness and distinctiveness is claimed in those features of pattern and/or ornamentation of a cosmetic product container illustrated in continuous lines in the accompanying representations.**



- (21) Design Number: **15299/2014**
(22) Date of Filing Application: **20 October 2014**
(24) Date from which industrial property rights may have effect: **20 October 2014**
(54) Product in respect of which the design is registered: **Container for alcoholic beverages**
(51) International Design Classification: **09-03NES**
(74) Name(s) of Attorney(s): **Marks & Clerk Australia**
(71) Name(s) and Address(s) of Applicant(s):
Joyvino Limited
11/F, Block A, Yip Win Factory Building 10 Tsun Yip Lane Kwun Tong Kowloon Hong Kong
(72) Name(s) of Designer(s): **Christen Halter**
(45) Registration Date: **07 November 2014**
(30) Convention priority data:
(31) Number (32) Date (33) Country
1400943.5 22 May 2014 HONG KONG
(56) Related Art Documents: **Not Applicable**
(57) Statement of Newness and Distinctiveness: **In considering the newness and distinctiveness of the present design, regard is to be given to the overall shape and configuration of the container for alcoholic beverages as shown in the accompanying representations.**



(21) Design Number: **15301/2014**

(22) Date of Filing Application: **20 October 2014**

(24) Date from which industrial property rights may have effect: **20 October 2014**

(54) Product in respect of which the design is registered: **A diamond**

(51) International Design Classification: **11-01NES**

(74) Name(s) of Attorney(s): **SPRUSON & FERGUSON**

(71) Name(s) and Address(s) of Applicant(s):

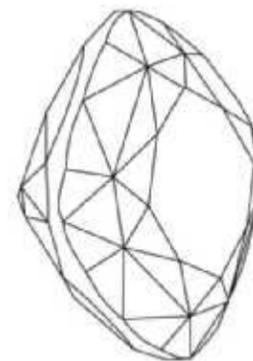
**Koninklijke Asscher Diamant Maatschappij B.V.
Tolstraat 127, Amsterdam 1074 VJ The Netherlands**

(72) Name(s) of Designer(s): **Mike Edward Asscher and Lita Natascha Asscher**

(45) Registration Date: **07 November 2014**

(30) Convention priority data:

(31) Number	(32) Date	(33) Country
002427476-0001	18 Mar 2014	OFFICE FOR HARMONISATION IN THE INTERNAL MARKET (OHIM)



(56) Related Art Documents: **Not Applicable**

(57) Statement of Newness and Distinctiveness: **Newness and distinctiveness is claimed in the features of shape and/or configuration of a diamond as illustrated in the accompanying representations.**

(21) Design Number: **15303/2014**

(22) Date of Filing Application: **20 October 2014**

(24) Date from which industrial property rights may have effect: **20 October 2014**

(54) Product in respect of which the design is registered: **A tyre**

(51) International Design Classification: **12-15A**

(74) Name(s) of Attorney(s): **WATERMARK PATENT AND TRADE MARKS ATTORNEYS**

(71) Name(s) and Address(s) of Applicant(s):

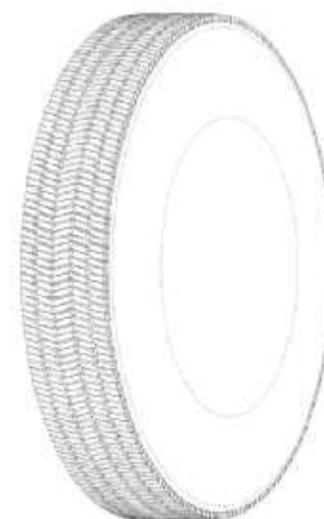
**COMPAGNIE GENERALE DES ETABLISSEMENTS MICHELIN
12 cours Sablon Clermont-Ferrand 63000 France
Michelin Recherche et Technique SA
Route Louis Braille 10 et 12 Granges-Paccot 1763 Switzerland**

(72) Name(s) of Designer(s): **Robert Flynn and Brian Agner**

(45) Registration Date: **07 November 2014**

(30) Convention priority data:

(31) Number	(32) Date	(33) Country
29/488,987	25 Apr 2014	UNITED STATES OF AMERICA



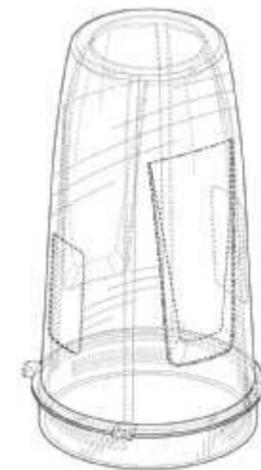
(56) Related Art Documents: **Not Applicable**

(57) Statement of Newness and Distinctiveness: **Newness and Distinctiveness resides in the appearance of the tread region of tyre, no monopoly being claimed in the appearance of the remainder of the tyre.**

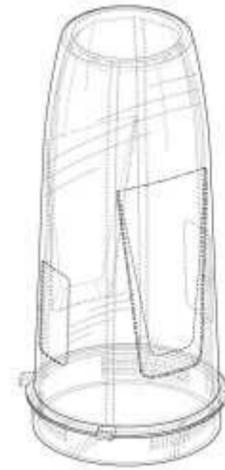
(21) Design Number: **15304/2014**
(22) Date of Filing Application: **20 October 2014**
(24) Date from which industrial property rights may have effect: **03 September 2014**
(54) Product in respect of which the design is registered: **Blender container**
(51) International Design Classification: **31-00**
(74) Name(s) of Attorney(s): **PIZZEYS**
(71) Name(s) and Address(s) of Applicant(s):
Euro-Pro Operating LLC
180 Wells Avenue, Suite 200 Newton MA, 02459 United States of America
(72) Name(s) of Designer(s): **Cory Smith**
(45) Registration Date: **07 November 2014**
(62) Divisional of: **358431**
(56) Related Art Documents: **Not Applicable**
(57) Statement of Newness and Distinctiveness: **Nil**



(21) Design Number: **15305/2014**
(22) Date of Filing Application: **20 October 2014**
(24) Date from which industrial property rights may have effect: **03 September 2014**
(54) Product in respect of which the design is registered: **Blender container**
(51) International Design Classification: **31-00**
(74) Name(s) of Attorney(s): **PIZZEYS**
(71) Name(s) and Address(s) of Applicant(s):
Euro-Pro Operating LLC
180 Wells Avenue, Suite 200 Newton MA, 02459 United States of America
(72) Name(s) of Designer(s): **Cory Smith**
(45) Registration Date: **07 November 2014**
(62) Divisional of: **358431**
(56) Related Art Documents: **Not Applicable**
(57) Statement of Newness and Distinctiveness: **Nil**



(21) Design Number: **15310/2014**
(22) Date of Filing Application: **20 October 2014**
(24) Date from which industrial property rights may have effect: **03 September 2014**
(54) Product in respect of which the design is registered: **Blender container**
(51) International Design Classification: **31-00**
(74) Name(s) of Attorney(s): **PIZZEYS**
(71) Name(s) and Address(s) of Applicant(s):
Euro-Pro Operating LLC
180 Wells Avenue, Suite 200 Newton MA, 02459 United States of America
(72) Name(s) of Designer(s): **Cory Smith**
(45) Registration Date: **07 November 2014**
(62) Divisional of: **358431**
(56) Related Art Documents: **Not Applicable**
(57) Statement of Newness and Distinctiveness: **Nil**



(21) Design Number: **15341/2014**
(22) Date of Filing Application: **22 October 2014**
(24) Date from which industrial property rights may have effect: **22 October 2014**
(54) Product in respect of which the design is registered: **Lighting equipment for vehicles**
(51) International Design Classification: **26-06**
(74) Name(s) of Attorney(s): **Acacia Law**
(71) Name(s) and Address(s) of Applicant(s):
VISION X ASIA CO., LTD.
Chungchun-Dong 92 Chungjung-Ro Bupyeong-ku Incheon-shi 403-853
Republic of Korea
In-Hong Ko
No. A-2803, Daelim Acrovill 13, Eonju-Ro 30-Gil Gangnam-Ku Seoul
135-856 Republic of Korea
(72) Name(s) of Designer(s): **In-Hong Ko**
(45) Registration Date: **07 November 2014**
(30) Convention priority data:
(31) Number (32) Date (33) Country
30-2014-0023976 **15 May 2014** **REPUBLIC OF KOREA**
(56) Related Art Documents: **Not Applicable**
(57) Statement of Newness and Distinctiveness: **Novelty lies in the combination of shape and configuration of the body and lens cover for lighting equipment for vehicles, particularly the shape of the radiation fins formed in the body and the shape of the lens cover.**



(21) Design Number: **14073/2014**

(22) Date of Filing Application: **18 August 2014**

(24) Date from which industrial property rights may have effect: **18 August 2014**

(54) Product in respect of which the design is registered: **Alu sofa**

(51) International Design Classification: **06-01H**

(74) Name(s) of Attorney(s):

(71) Name(s) and Address(s) of Applicant(s):

Xuan Zhou

**Tianhe District Guangzhou Unit 704 Xin Chuang Ju Building No.123
China**

Guangzhou Gardenart Furniture Co. Ltd

**Unit 704, Xin Chuang Ju Building No.123 Ti Yu Xi Road Tianhe District
Guangzhou 510620 China**

(72) Name(s) of Designer(s): **Jianhui Cao**

(45) Registration Date: **07 November 2014**

(56) Related Art Documents: **Not Applicable**

(57) Statement of Newness and Distinctiveness: **Nil**



(21) Design Number: **14074/2014**

(22) Date of Filing Application: **18 August 2014**

(24) Date from which industrial property rights may have effect: **18 August 2014**

(54) Product in respect of which the design is registered: **Alu sofa**

(51) International Design Classification: **06-01H**

(74) Name(s) of Attorney(s):

(71) Name(s) and Address(s) of Applicant(s):

Xuan Zhou

**Tianhe District Guangzhou Unit 704 Xin Chuang Ju Building No.123
China**

Guangzhou Gardenart Furniture Co. Ltd

**Unit 704, Xin Chuang Ju Building No.123 Ti Yu Xi Road Tianhe District
Guangzhou 510620 China**

(72) Name(s) of Designer(s): **Jianhui Cao**

(45) Registration Date: **07 November 2014**

(56) Related Art Documents: **Not Applicable**

(57) Statement of Newness and Distinctiveness: **Nil**



(21) Design Number: **14075/2014**

(22) Date of Filing Application: **18 August 2014**

(24) Date from which industrial property rights may have effect: **18 August 2014**

(54) Product in respect of which the design is registered: **Alu sofa**

(51) International Design Classification: **06-01H**

(74) Name(s) of Attorney(s):

(71) Name(s) and Address(s) of Applicant(s):

Xuan Zhou

**Tianhe District Guangzhou Unit 704 Xin Chuang Ju Building No.123
China**

Guangzhou Gardenart Furniture Co. Ltd

**Unit 704, Xin Chuang Ju Building No.123 Ti Yu Xi Road Tianhe District
Guangzhou 510620 China**

(72) Name(s) of Designer(s): **Jianhui Cao**

(45) Registration Date: **07 November 2014**

(56) Related Art Documents: **Not Applicable**

(57) Statement of Newness and Distinctiveness: **Nil**



(21) Design Number: **14076/2014**

(22) Date of Filing Application: **18 August 2014**

(24) Date from which industrial property rights may have effect: **18 August 2014**

(54) Product in respect of which the design is registered: **Alu sofa**

(51) International Design Classification: **06-01G**

(74) Name(s) of Attorney(s):

(71) Name(s) and Address(s) of Applicant(s):

Xuan Zhou

Tianhe District, Guangzhou Unit 704, Xin Chuang Ju Building, China

GUANGZHOU GARDENART FURNITURE CO.LTD

**Unit 704, Xin Chuang Ju Building, No.123 Ti Yu Xi Road Tianhe District
Guangzhou 510620 China**

(72) Name(s) of Designer(s): **Jianhui Cao**

(45) Registration Date: **07 November 2014**

(56) Related Art Documents: **Not Applicable**

(57) Statement of Newness and Distinctiveness: **Nil**



(21) Design Number: **14077/2014**

(22) Date of Filing Application: **18 August 2014**

(24) Date from which industrial property rights may have effect: **18 August 2014**

(54) Product in respect of which the design is registered: **Alu sofa**

(51) International Design Classification: **06-01G**

(74) Name(s) of Attorney(s):

(71) Name(s) and Address(s) of Applicant(s):

Xuan Zhou

**Tianhe District, Guangzhou Unit 704, Xin Chuang Ju Building, No.123
China**

GUANGZHOU GARDENART FURNITURE CO.LTD

**Unit 704, Xin Chuang Ju Building, No.123 Ti Yu Xi Road Tianhe District
Guangzhou 510620 China**

(72) Name(s) of Designer(s): **Jianhui Cao**

(45) Registration Date: **07 November 2014**

(56) Related Art Documents: **Not Applicable**

(57) Statement of Newness and Distinctiveness: **Nil**



(21) Design Number: **14078/2014**

(22) Date of Filing Application: **18 August 2014**

(24) Date from which industrial property rights may have effect: **18 August 2014**

(54) Product in respect of which the design is registered: **Alu sofa**

(51) International Design Classification: **06-01G**

(74) Name(s) of Attorney(s):

(71) Name(s) and Address(s) of Applicant(s):

Xuan Zhou

Tianhe District, Guangzhou Unit 704, Xin Chuang Ju Building, China

GUANGZHOU GARDENART FURNITURE CO.LTD

**Unit 704, Xin Chuang Ju Building, No.123 Ti Yu Xi Road Tianhe District
Guangzhou 510620 China**

(72) Name(s) of Designer(s): **Jianhui Cao**

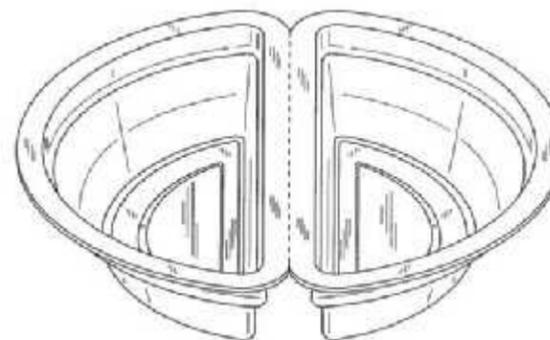
(45) Registration Date: **07 November 2014**

(56) Related Art Documents: **Not Applicable**

(57) Statement of Newness and Distinctiveness: **Nil**



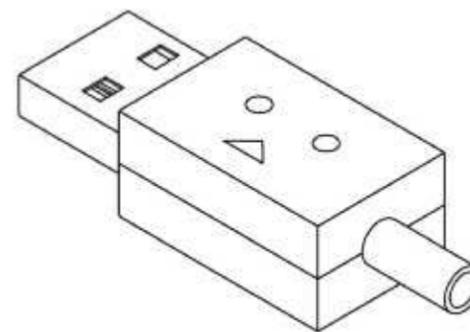
(21) Design Number: **14153/2014**
(22) Date of Filing Application: **21 August 2014**
(24) Date from which industrial property rights may have effect: **21 August 2014**
(54) Product in respect of which the design is registered: **Tray**
(51) International Design Classification: **09-03F**
(74) Name(s) of Attorney(s): **Baker & McKenzie**
(71) Name(s) and Address(s) of Applicant(s):
Mars, Incorporated
6885 Elm Street McLean VA 22101 United States of America
(72) Name(s) of Designer(s): **Jonathan Lee McSweeney and Jonathan Christopher Smith**
(45) Registration Date: **07 November 2014**
(30) Convention priority data:
(31) Number (32) Date (33) Country
29/463739 21 Feb 2014 UNITED STATES OF AMERICA
(56) Related Art Documents: **Not Applicable**
(57) Statement of Newness and Distinctiveness: **Nil**



(21) Design Number: **14155/2014**
(22) Date of Filing Application: **21 August 2014**
(24) Date from which industrial property rights may have effect: **21 August 2014**
(54) Product in respect of which the design is registered: **Tray**
(51) International Design Classification: **09-03F**
(74) Name(s) of Attorney(s): **Baker & McKenzie**
(71) Name(s) and Address(s) of Applicant(s):
Mars, Incorporated
6885 Elm Street McLean VA 22101 United States of America
(72) Name(s) of Designer(s): **Jonathan Lee McSweeney and Jonathan Christopher Smith**
(45) Registration Date: **07 November 2014**
(30) Convention priority data:
(31) Number (32) Date (33) Country
29/463739 21 Feb 2014 UNITED STATES OF AMERICA
(56) Related Art Documents: **Not Applicable**
(57) Statement of Newness and Distinctiveness: **Nil**



(21) Design Number: **14814/2014**
(22) Date of Filing Application: **22 September 2014**
(24) Date from which industrial property rights may have effect: **22 September 2014**
(54) Product in respect of which the design is registered: **Electric connector**
(51) International Design Classification: **14-99**
(74) Name(s) of Attorney(s): **Davies Collison Cave**
(71) Name(s) and Address(s) of Applicant(s):
TRA Company Ltd.
6-6 Kitahama Higashi Chuo-ku Osaka-shi Osaka 540-0012 Japan
(72) Name(s) of Designer(s): **Ryo Higashi**
(45) Registration Date: **10 November 2014**
(30) Convention priority data:
(31) Number (32) Date (33) Country
2014-013854 25 Jun 2014 JAPAN
(56) Related Art Documents: **Not Applicable**
(57) Statement of Newness and Distinctiveness: **Nil**



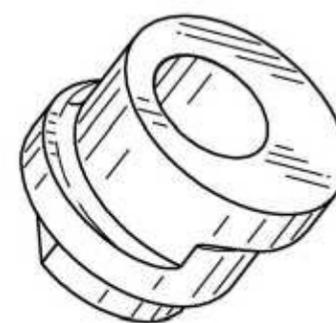
(21) Design Number: **15160/2014**
(22) Date of Filing Application: **09 October 2014**
(24) Date from which industrial property rights may have effect: **09 October 2014**
(54) Product in respect of which the design is registered: **Roofing plates**
(51) International Design Classification: **25-01G**
(74) Name(s) of Attorney(s): **FB Rice**
(71) Name(s) and Address(s) of Applicant(s):
GI PLAST SRL
Via B. Franklin 6 Lonate Ceppino (VA) Italy
(72) Name(s) of Designer(s): **Enrico Ghidi**
(45) Registration Date: **10 November 2014**
(30) Convention priority data:
(31) Number (32) Date (33) Country
**002444091-0001 09 Apr 2014 OFFICE FOR HARMONISATION IN
THE INTERNAL MARKET (OHIM)**
(56) Related Art Documents: **Not Applicable**
(57) Statement of Newness and Distinctiveness: **Newness and distinctiveness
reside in the features of the design as shown in the representations.**



(21) Design Number: **15165/2014**
(22) Date of Filing Application: **09 October 2014**
(24) Date from which industrial property rights may have effect: **09 October 2014**
(54) Product in respect of which the design is registered: **Roofing plates**
(51) International Design Classification: **25-01G**
(74) Name(s) of Attorney(s): **FB Rice**
(71) Name(s) and Address(s) of Applicant(s):
GI PLAST SRL
Via B. Franklin 6 Lonate Ceppino (VA) Italy
(72) Name(s) of Designer(s): **Enrico Ghidi**
(45) Registration Date: **10 November 2014**
(30) Convention priority data:
(31) Number (32) Date (33) Country
002444091-0002 09 Apr 2014 OFFICE FOR HARMONISATION IN
THE INTERNAL MARKET (OHIM)
(56) Related Art Documents: **Not Applicable**
(57) Statement of Newness and Distinctiveness: **Newness and distinctiveness**
reside in the features of the design as shown in the representations.



(21) Design Number: **15306/2014**
(22) Date of Filing Application: **20 October 2014**
(24) Date from which industrial property rights may have effect: **20 October 2014**
(54) Product in respect of which the design is registered: **Knife fastener**
(51) International Design Classification: **15-03B**
(74) Name(s) of Attorney(s): **WATERMARK PATENT AND TRADE MARKS**
ATTORNEYS
(71) Name(s) and Address(s) of Applicant(s):
CNH Industrial America LLC
500 Diller Avenue New Holland PA 17557-0903 United States of America
(72) Name(s) of Designer(s): **Jeffrey B Fay II**
(45) Registration Date: **10 November 2014**
(30) Convention priority data:
(31) Number (32) Date (33) Country
29/489,093 25 Apr 2014 UNITED STATES OF AMERICA
(56) Related Art Documents: **Not Applicable**
(57) Statement of Newness and Distinctiveness: **Newness and distinctiveness**
resides in the features of shape and/or configuration of the product
shown in the drawings.



- (21) Design Number: **15648/2014**
(22) Date of Filing Application: **05 November 2014**
(24) Date from which industrial property rights may have effect: **11 September 2014**
(54) Product in respect of which the design is registered: **Sofa**
(51) International Design Classification: **06-01G**
(74) Name(s) of Attorney(s): **Ashurst Australia**
(71) Name(s) and Address(s) of Applicant(s):
Halo Trademarks Limited
G/F 17 Gough Street Central Hong Kong
(72) Name(s) of Designer(s): **Bastien Tallard**
(45) Registration Date: **10 November 2014**
(62) Divisional of: **358626**
(56) Related Art Documents: **Not Applicable**
(57) Statement of Newness and Distinctiveness: **Nil**

