



Australian Government

IP Australia

AUSTRALIAN OFFICIAL JOURNAL

OF

DESIGNS

Did you know a searchable version of this journal is now available online?

It's FREE and EASY to SEARCH.

Find it on our website (www.ipaustralia.gov.au)

by using the "Journals" link on the home page.

This Page Left Intentionally Blank

Contents

General Information & Notices

Proceedings Under the Designs Act 1906 preserved as a result of the provisions of Chapter 12 Part 2 of the Designs Act 2003

Extension of Period of Registration of Designs	3442
Extensions of Time Granted	3442
Registrations Ceased	3442
Subsequent Owners Registered	3442

Proceedings Under the Designs Act 2003

Applications for Extension of Time Under Section 137	3457
Applications Assigned	3457
Applications Lapsed	3454
Applications Lodged	3446
Applications Withdrawn	3454
Certificate of Examination	3458
Extension of Period of Registration of Design	3456
Extension of Time Granted Under Section 137	3457
Names Registered - Alterations and Amendments	3457
Publication and Registration Proceedings	
Designs Registered 358616 to 358974.....	3459
Registrations Ceased	3456
Revocation of Design Registrations	3456
Subsequent Owners Registered	3457
Corrigenda	3457

This Page Left Intentionally Blank

For information on the following please see our website www.ipaustralia.gov.au or contact our Customer Service Network on 1300651010

[Editorial enquiries](#)

[Contact information](#)

[Freedom of Information ACT](#)

[Professional Standards Board](#)

[Sales](#)

[Requests for Information under Section 194 \(c\)](#)

[Country Codes](#)

[Trade Mark and Designs Hearing Sessions](#)

[INID \(Internationally agreed Numbers for the Identification of Data\)](#)

“INID” NUMBERS in use on Australian Design Documents

“INID” is an acronym for “Internationally agreed Numbers for the Identification of Data”.

(10) Data concerning the registration/renewal

- (11) Serial number of the registration and/or number of the design document
- (12) Plain language designation of the kind of published document
- (19) Identification, using the two-letter code according to WIPO Standard ST.3, of the authority publishing or registering the industrial design

(20) Data concerning the application

- (21) Serial number of the application
- (22) Date of filing of the application
- (24) Date from which the industrial design right has effect

(30) Data relating to priority under the Paris Convention

- (31) Serial number assigned to the priority application
- (32) Date of filing of the priority application
- (33) Two-letter code, according to WIPO Standard ST.3, identifying the authority with which the priority application was made

(40) Date(s) of making information available to the public

- (45) Date of publication of the registered industrial design by printing or similar process, or making it available to the public by any other means

(50) Miscellaneous Information

- (51) International Classification for Industrial Designs (class and subclass of the Locarno Classification)
- (54) Designation of article(s) or product(s) covered by the industrial design or title of the industrial design
- (55) Reproduction of the industrial design (e.g., drawing, photograph) and explanations relating to the reproduction
- (56) List of prior art documents, if separate from descriptive text
- (57) Description of characteristic features of the industrial design including indication of colours

(60) References to other legally related application(s) and registration(s)

- (62) Serial number(s) and, if available, filing date(s) of application(s), registration(s) or document(s) related by division
- (66) Serial number(s) of the application, or the registration, of the design(s) which is (are) a variant(s) of the present one

(70) Identification of parties concerned with the application or registration

- (71) Name(s) and address(es) of the applicant(s)
- (72) Name(s) of the creator(s) if known to be such
- (74) Name(s) and address(es) of the representative(s)

This Page Left Intentionally Blank

Official Notice**Declaration of the days in the period 1 January 2015 to 1 January 2016 when the Designs Office, the Patent Office, the PBR Office and the Trade Marks Office are taken not to be open for business**

AUTHORITY	Director General of IP Australia
REFERENCES	Section 136A of the <i>Designs Act 2003</i>, Section 14A of the <i>Olympic Insignia Protection Act 1987</i>, Section 222A of the <i>Patents Act 1990</i>, Section 76A of the <i>Plant Breeder's Rights Act 1994</i> and Section 223A of the <i>Trade Marks Act 1995</i>

Part 1 Days when the Designs Office, the Patent Office, the PBR Office and the Trade Marks Office—all located in the Australian Capital Territory—are taken not to be open for business

All Saturdays and Sundays in the period

Thursday, 1 January 2015	New Year's Day
Monday, 26 January 2015	Australia Day
Monday, 9 March 2015	Canberra Day
Friday, 3 April 2015	Good Friday
Monday, 6 April 2015	Easter Monday
Monday, 8 June 2015	Queen's Birthday Holiday
Monday, 28 September 2015	Family & Community Day
Monday, 5 October 2015	Labour Day
Friday, 25 December 2015 to	
Friday, 1 January 2016	Christmas Close Down


Director General of IP Australia

Declaration of the days when the Designs Office, the Patent Office, the PBR Office and the Trade Marks Office are taken not to be open for business

With effect from 1 January 2015, section 136A of the *Designs Act 2003*, section 14A of the *Olympic Insignia Protection Act 1987*, section 222A of the *Patents Act 1990*, section 76A of the *Plant Breeder's Rights Act 1994* and section 223A of the *Trade Marks Act 1995* provide for the effect of the Designs Office, the Patent Office, the PBR Office and the Trade Marks Office ('the Offices') not being open for business.

The Director General of IP Australia ('Director General') is the person prescribed under paragraph 2(b) of each of those sections. This means that the Director General can declare in writing a day or days on which the Offices are taken not to be open for business for the purposes of those sections. Paragraph (4) (a) of each of those sections provides that such a declaration may be made before, on or after the day on which the Offices are taken to be not open for business.

I, Patricia Margaret Kelly, as the person currently employed as the Director General of IP Australia, declare the days in the period 1 January 2015 to 1 January 2016, when the Offices are taken not to be open for business for the purpose of the sections mentioned above, as specified in the attached Schedule, Part 1.



Director General of IP Australia

19 November 2014

Proceedings under the Designs Act 1906 preserved as a result of the provisions of Chapter 12 Part 2 of the Designs Act 2003.

This Page Left Intentionally Blank

Applications Lapsed

There were no Applications Lapsed under this section

Extension of Period of Registration of Designs

1st Period (Section 27A(8))

2nd Period (Section 27A(12))

3rd Period (Section 27A(13))

149025	154480	154746
154936	154975	155131
155158	155258	155259
155270	155271	155272
155331	155332	155333
155365	155366	155367
155368	155560	155680
155781	155859	155881
155972	156152	156486
156842	156857	156906
157891	158114	

152658	152709	152765
152835	152836	152899
152900	153086	153190
153245	153246	153292
153304	153369	153611
153612	153674	153729
153847	154710	154884
154885	155900	155941
156302	156322	156561
156621	156669	156670
156724	157221	157222
157223	158370	158371
158372		

Extensions of time granted

Applications lodged for extension of time have been granted.

151987 **Neta Industries Pty Ltd** An An Extension of time to extend a registration has been granted to 27/11/2014

151850 **Neta Industries Pty Ltd** An An Extension of time to extend a registration has been granted to 27/11/2014

151851 **Neta Industries Pty Ltd** An An Extension of time to extend a registration has been granted to 27/11/2014

Registrations Ceased

Note: Some of the following Registrations may have been previously advertised as ceased. In this instance, the previous advertisement still prevails.

136014	136475	137217
137238	137255	137256
137325	137329	137340
137341	137342	137345
137346	137375	137377
137444	137446	137447
137461	137477	137522
137597	137601	137819
137900	137901	137927
137956	137957	137958
138086	138087	138088
138091	138092	138093
138094	138095	138096
138097	138121	138137
138138	138212	138238
138379	138381	138600
139143	139431	139476
139484	139637	140069
140468	140914	141122
141287	141288	141416
141687	142531	151891
151911	152161	152164
152165	152168	152243
152364	152388	152452
152453	152454	152455
152494	152539	152579
152580	152655	152657

Subsequent Owners Registered

(The name in parentheses is that of the subsequent owner)

157556 (**Paving Group Pty Ltd**) Stone Directions Pty Ltd

157920 (**CTCI Pty Limited**) Agabow Pty Limited

141416 (**Paving Group Pty Ltd**) David Alexander Wecker

This Page Left Intentionally Blank

Proceedings under the Designs Act 2003.

This Page Left Intentionally Blank

Applications Lodged

Lodgement information is in the following order: **Applicant's Name**; International Classification, Name of Product, Lodgement Date and **Design Number**. If the applicant claims an earlier priority date under an International Convention, the Convention Country and the associated filing date are shown in parentheses before the Lodgement Date. Divisional information will also appear in parentheses before the Lodgement Date.

A & J AUSTRALIA PTY LTD; 09-02C, Plastic drum, 11 Nov 2014	15737/2014	Barbeques Galore (Aust) Pty Limited; 07-06NES, A trivet, 19 Nov 2014	15900/2014
Anchor Wall Systems, Inc.; 25-01A, Modular building block, (US, 13 May 2014) 11 Nov 2014	15741/2014	Barbeques Galore (Aust) Pty Limited; 07-06NES, A trivet frame, 19 Nov 2014	15901/2014
Ariat International, Inc.; 02-04A, Footwear plate, (US, 13 May 2014) 12 Nov 2014	15766/2014	Beats Electronics, LLC; 14-01, Audio listening system, (US, 15 Mar 2014) 13 Nov 2014	15785/2014
Arlec Australia Pty Ltd; 23-03A, Heater, 14 Nov 2014	15839/2014	Black & Decker Inc; 15-05, Window washer, (EM, 17 Oct 2014) 18 Nov 2014	15868/2014
Arlec Australia Pty Ltd; 23-03A, Heater, 14 Nov 2014	15838/2014	Black & Decker Inc; 15-05, Window washer, (EM, 17 Oct 2014) 18 Nov 2014	15869/2014
AICHI CO., LTD.; 06-01F, Chair, (JP, 26 May 2014) 17 Nov 2014	15850/2014	Black & Decker Inc; 15-05, Window washer, (EM, 17 Oct 2014) 18 Nov 2014	15867/2014
AICHI CO., LTD.; 06-01F, Chair, (JP, 26 May 2014) 17 Nov 2014	15851/2014	Bosscos Auto Parts & Accessories Pty Ltd; 12-16K, Heavy duty roof racks, 11 Nov 2014	15744/2014
ALPHA LEGACY; 32-03, Uniform stationary advertising, 19 Nov 2014	15890/2014	Burden, Ian James; 06-04NES, A bookcase, 11 Nov 2014	15771/2014
ASSA OEM AB; 08-06, Door and window handles, (EM, 21 May 2014) 13 Nov 2014	15792/2014	Burden, Ian James; 06-04NES, A cabinet, 13 Nov 2014	15819/2014
AUSTRALIAN FASHION LABELS PTY LTD; 05-05A, A textile print, 13 Nov 2014	15790/2014	Burden, Ian James; 06-04F, A bedside cabinet, 13 Nov 2014	15822/2014
AUSTRALIAN FASHION LABELS PTY LTD; 05-05D, A textile print, 18 Nov 2014	15870/2014	Burden, Ian James; 06-04E, A buffet and hutch cabinet, 13 Nov 2014	15823/2014
AUSTRALIAN FASHION LABELS PTY LTD; 05-05A, A textile print, 18 Nov 2014	15866/2014	Burden, Ian James; 06-04F, A chest of drawers, 13 Nov 2014	15821/2014
AUSTRALIAN FASHION LABELS PTY LTD; 05-05B, A textile print, 18 Nov 2014	15862/2014	Burden, Ian James; 06-06F, A foot board, 11 Nov 2014	15772/2014
AUSTRALIAN FASHION LABELS PTY LTD; 05-05NES, A textile print, 18 Nov 2014	15883/2014	Burden, Ian James; 06-03A, A table, 13 Nov 2014	15824/2014
AUSTRALIAN FASHION LABELS PTY LTD; 05-05A, A textile print, 18 Nov 2014	15880/2014	Burden, Ian James; 06-01F, A chair, 13 Nov 2014	15825/2014
AUSTRALIAN FASHION LABELS PTY LTD; 05-05A, A textile print, 14 Nov 2014	15837/2014	Burden, Ian James; 06-02, A bed frame, 11 Nov 2014	15769/2014
B.Box for Kids Developments Pty Ltd; 07-01E, Baby bowl and straw, 10 Nov 2014	15728/2014	Burden, Ian James; 06-06F, A head board, 11 Nov 2014	15770/2014
Barbeques Galore (Aust) Pty Limited; 23-03NES, Circular trivet, 19 Nov 2014	15903/2014	Burden, Ian James; 06-03A, A coffee table, 11 Nov 2014	15768/2014
		BISSELL Homecare, Inc.; 15-05, Hand-held vacuum cleaner, (US, 15 May 2014) 10 Nov 2014	15729/2014
		BISSELL Homecare, Inc.; 15-05, Handle for a vacuum cleaner tank, (US, 23 May 2014) 13 Nov 2014	15783/2014

BISSELL Homecare, Inc; 15-05, Portion of a vacuum cleaner, (US, 15 May 2014) 10 Nov 2014	15730/2014	Custom Helmet Company Pty Ltd; 02-07C, Strap retainer for a helmet, 11 Nov 2014	15755/2014
BISSELL Homecare, Inc; 15-05, Floor cleaner accessory tool, (US, 23 May 2014) 10 Nov 2014	15733/2014	CALOR; 07-05A, Steam generator, (EM, 28 May 2014) 11 Nov 2014	15742/2014
BISSELL Homecare, Inc; 15-05, Vacuum cleaner base, (US, 23 May 2014) 10 Nov 2014	15732/2014	CLEAR LAM PACKAGING, INC.; 09-03NES, Package, (US, 20 May 2014) 20 Nov 2014	15944/2014
BLINGKISS PTY LTD; 32-02, 32-03, Cosmetics fashion clothes bag food medicine ads, 19 Nov 2014	15904/2014	CLEAR LAM PACKAGING, INC.; 09-03NES, Package, (US, 30 May 2014) 20 Nov 2014	15958/2014
C H Chang Holdings Pty Ltd; 02-06, Glove hand protector, 11 Nov 2014	15750/2014	CLIPSO ELECTRICAL PTY LTD; 13-03D, Wall power outlet, 20 Nov 2014	15957/2014
Capital Special Vehicles Pty. Ltd.; 12-16NES, Vehicle tray for trolley collection, 19 Nov 2014	15896/2014	CON BRIO;Labour; 06-05, Furniture, (EM, 26 Feb 2014) (Divisional of 14211/2014) 17 Nov 2014	15844/2014
Centurion Garage Doors Pty Ltd; 08-08L, Bracket for a door, 12 Nov 2014	15780/2014	D&K Home Security P/L; 08-09, Sliding door trolley, 10 Nov 2014	15720/2014
Christie Engineering Pty Ltd; 15-09, Petrol jackhammer, 20 Nov 2014	15956/2014	Daimler AG; 12-16A, Wheel for vehicle, (EM, 31 Jul 2014) 10 Nov 2014	15722/2014
Colgate-Palmolive Company; 09-05, Oral care implement package, (US, 12 Jun 2014) 14 Nov 2014	15806/2014	Daimler AG; 12-16A, Wheel for vehicle, (EM, 31 Jul 2014) 10 Nov 2014	15721/2014
Colgate-Palmolive Company; 09-07A, Closure, (US, 17 Jun 2014) 20 Nov 2014	15946/2014	Dart Industries Inc.; 07-04, Food or liquid shaker, (US, 12 Jun 2014) 13 Nov 2014	15793/2014
Colgate-Palmolive Company; 09-07A, Closure, (US, 17 Jun 2014) 20 Nov 2014	15947/2014	Dart Industries Inc.; 09-01D, Bottle with dinosaur shape, (US, 31 Jul 2014) 17 Nov 2014	15852/2014
Colgate-Palmolive Company; 09-05, Oral care implement package, (US, 12 Jun 2014) 14 Nov 2014	15807/2014	Dart Industries Inc.; 07-02B, Microwave grill, (US, 21 May 2014) 14 Nov 2014	15811/2014
Colgate-Palmolive Company; 09-05, Oral care implement package, (US, 12 Jun 2014) 14 Nov 2014	15810/2014	Dart Industries Inc.; 07-02B, Microwave grill, (US, 21 May 2014) 14 Nov 2014	15812/2014
Colgate-Palmolive Company; 09-05, Oral care implement package, (US, 12 Jun 2014) 14 Nov 2014	15809/2014	Dart Industries Inc.; 07-04, Lid for a food or liquid shaker, (US, 12 Jun 2014) 13 Nov 2014	15791/2014
Colgate-Palmolive Company; 09-05, Oral care implement package, (US, 12 Jun 2014) 14 Nov 2014	15804/2014	Dresden Optics Pty Ltd; 16-06, Consumer assemblable spectacles frame, 08 Nov 2014	15767/2014
Colgate-Palmolive Company; 09-05, Oral care implement package, (US, 12 Jun 2014) 14 Nov 2014	15805/2014	Duke Manufacturing Co.; 07-01NES, Container lid, (US, 14 Mar 2014) (Divisional of 14588/2014) 19 Nov 2014	15885/2014
Cool Gear International, LLC; 07-02NES, Fruit infuser, (US, 13 May 2014) 06 Nov 2014	15684/2014	Duke Manufacturing Co.; 07-01NES, Container lid, (US, 14 Mar 2014) (Divisional of 14588/2014) 19 Nov 2014	15886/2014
Corneille, V M;Utama, I; 14-01, Portable suitcase speaker, 07 Nov 2014	15704/2014	DSM IP Assets B.V.; 08-99, 05-05NES, , (US, 11 Jun 2014) 12 Nov 2014	15776/2014
Custom Helmet Company Pty Ltd; 02-03, Helmet including a strap retainer, 11 Nov 2014	15754/2014	DSM IP Assets B.V.; 08-99, 05-05NES, Fabric chain link, (US, 11 Jun 2014) 12 Nov 2014	15775/2014

Eaton Corporation; 10-05, Sensor enclosure assembly for a hose, (US, 27 Jun 2014) 18 Nov 2014	15871/2014	Harcourt, Leah Jane; 25-03, Letterbox, 12 Nov 2014	15765/2014
Eaton Corporation; 10-05, Sensor enclosure assembly for a hose, (US, 27 Jun 2014) 18 Nov 2014	15874/2014	Honda Motor Co., Ltd.; 12-16B, Hood for an all-terrain vehicle, (US, 13 May 2014) 07 Nov 2014	15696/2014
Eaton Corporation; 10-05, Sensor enclosure assembly for a hose, (US, 27 Jun 2014) 18 Nov 2014	15872/2014	Honda Motor Co., Ltd.; 12-16C, Front bumper for an all-terrain vehicle, (US, 13 May 2014) 07 Nov 2014	15695/2014
Eaton Corporation; 10-05, Sensor enclosure assembly for a hose, (US, 27 Jun 2014) 18 Nov 2014	15873/2014	Honda Motor Co., Ltd.; 12-16C, Front bumper for an all-terrain vehicle, (US, 13 May 2014) 07 Nov 2014	15701/2014
Ellis, Geoffrey Kenneth; 25-03, Support structure of a shade sail, 13 Nov 2014	15795/2014	Honda Motor Co., Ltd.; 12-16B, Instrument panel for an all-terrain vehicle, (US, 12 May 2014) 07 Nov 2014	15694/2014
Erskine Products Pty Ltd; 04-02, An interdental brush, 11 Nov 2014	15752/2014	Honda Motor Co., Ltd.; 12-16B, Fascia for an all-terrain vehicle, (US, 13 May 2014) 07 Nov 2014	15697/2014
Erskine Products Pty Ltd; 04-02, An interdental brush, 11 Nov 2014	15753/2014	Husqvarna AB; 15-03B, Ride-on mower, (US, 30 May 2014) 14 Nov 2014	15835/2014
ELC Management LLC; 09-01G, Fragrance bottle, (US, 15 May 2014) 11 Nov 2014	15751/2014	Husqvarna AB; 15-03B, Ride-on mower, (US, 30 May 2014) 14 Nov 2014	15836/2014
Faulkner, Reginald Leigh; 12-10, Trailer cage, 17 Nov 2014	15853/2014	Husqvarna AB; 15-03B, Ride-on mower, (US, 30 May 2014) 14 Nov 2014	15833/2014
Ferguson, Paul David; 07-06A, Multi tiered drinks display stand, 21 Nov 2014	15959/2014	I R & J M N Alexander, trading as Alex Brushcutter Heads; 15-03B, Champ Jnr 2 Brushcutter replacement head, 13 Nov 2014	15786/2014
Ferguson, Paul David; 07-99A, Rotating confectionery wheel, 21 Nov 2014	15960/2014	Incontrol Medical, LLC; 24-02, Stimulation device, (US, 27 Feb 2014) (Divisional of 14200/2014) 07 Nov 2014	15703/2014
Fridgeland UK Limited; 15-07, Air curtain guides for refrigerators, (EM, 16 May 2014) 11 Nov 2014	15736/2014	Incontrol Medical, LLC; 24-02, Stimulation device, (US, 27 Feb 2014) (Divisional of 14200/2014) 07 Nov 2014	15702/2014
General Electric Company; 13-02, Inverter housing, (US, 01 Apr 2014) 19 Sep 2014	15756/2014	Intellectual Property Energy Mad Limited; 26-05C, Light fitting, (NZ, 30 Jun 2014) 10 Nov 2014	15719/2014
General Electric Company; 13-02, Inverter housing, (US, 01 Apr 2014) 19 Sep 2014	15757/2014	Invacare International Sarl; 12-12, Wheelchair frame element, (Divisional of 14641/2014) 20 Nov 2014	15942/2014
Gerard Lighting Pty Ltd; 13-03D, Dimmer knob, 18 Nov 2014	15877/2014	Invacare International Sarl; 12-12, Wheelchair antitip part, (Divisional of 14641/2014) 20 Nov 2014	15945/2014
Gerard Lighting Pty Ltd; 13-03D, Dimmer knob, 18 Nov 2014	15878/2014	Invacare International Sarl; 12-12, Wheelchair frame element, (Divisional of 14641/2014) 20 Nov 2014	15943/2014
Gerard Lighting Pty Ltd; 13-03D, Dimmer knob, 18 Nov 2014	15879/2014	Jackson, Thomas Arthur; 25-04, 12-16NES, Ladder patrol GU, 20 Nov 2014	15951/2014
Gerber, John; 08-05F, A tool, 20 Nov 2014	15941/2014	Johnson & Johnson GmbH; 24-04, Catamenial tampon, (US, 25 Mar 2014) (Divisional of 14603/2014) 13 Nov 2014	15796/2014
GlaxoSmithKline Intellectual Property Management Limited; 24-04, Housing, for instance for an autoinjector, (US, 08 May 2014) 07 Nov 2014	15715/2014		
Hansco International, Inc.; 07-02NES, Stove wrap, (US, 21 May 2014) 13 Nov 2014	15798/2014		

JIBO, INC.; 14-02, Robot, (US, 23 May 2014) 17 Nov 2014	15842/2014	MediaShop Holding GmbH; 07-05E, Window cleaning apparatus, (EM, 27 May 2014) 20 Nov 2014	15920/2014
JIBO, INC.; 14-02, Robot, (US, 23 May 2014) 17 Nov 2014	15841/2014	MediaShop Holding GmbH; 07-05E, Window cleaning apparatus, (EM, 27 May 2014) 20 Nov 2014	15921/2014
Kim Meller Imports Pty Ltd; 02-04NES, Shoe, 13 Nov 2014	15797/2014	MediaShop Holding GmbH; 07-05E, Window cleaning apparatus, (EM, 27 May 2014) 20 Nov 2014	15922/2014
Kimberly-Clark Worldwide, Inc.; 23-02A, Cube dispenser for folded towels, (US, 05 Jun 2014) 20 Nov 2014	15938/2014	Medline Industries, Inc.; 28-03D, Clipper, (Divisional of 14212/2014) 13 Nov 2014	15800/2014
Koninklijke Asscher Diamant Maatschappij B.V.; 11-01NES, A brilliant, (EM, 11 Nov 2014) 18 Nov 2014	15859/2014	Medline Industries, Inc.; 28-03D, Clipper, (Divisional of 14208/2014) 13 Nov 2014	15801/2014
Koninklijke Philips N.V.; 07-02N, Fryer, (EM, 14 May 2014) 11 Nov 2014	15749/2014	Morphy Richards Limited; 07-02K, Kettle, (EM, 10 Jul 2014) 13 Nov 2014	15788/2014
KAATSU JAPAN Co., Ltd.; 21-02NES, Strap, (JP, 09 May 2014) 07 Nov 2014	15713/2014	Morphy Richards Limited; 07-05A, Iron, (EM, 26 Sep 2014) 07 Nov 2014	15714/2014
Labeur;CON BRIO; 06-05, Furniture, (EM, 26 Feb 2014) (Divisional of 14211/2014) 17 Nov 2014	15844/2014	MILL PARK TRADING PTY LTD; 13-03A, Porcelain corner assembly, 18 Nov 2014	15855/2014
Lawrence, Derrick Paul;Rashid, Karim;Schumacher, Brian D; 07-01F, Bottle, (US, 03 Jun 2014) 12 Nov 2014	15779/2014	Ness Corporation Pty Ltd; 10-05, Entrance, alert and/or security device, 10 Nov 2014	15735/2014
Lawrence, Derrick Paul;Rashid, Karim;Schumacher, Brian D; 07-01F, Bottle, (US, 03 Jun 2014) 12 Nov 2014	15778/2014	Nicholls, Ashleigh;Wyatt, Julie;Wyatt, Neville; 02-02C, A garment, 20 Nov 2014	15953/2014
Lion Beer Spirits & Wine Pty Ltd; 07-01C, Beer glass, 11 Nov 2014	15743/2014	Nicholls, Ashleigh;Wyatt, Julie;Wyatt, Neville; 02-02C, A garment, 20 Nov 2014	15955/2014
Lion Beer, Spirits & Wine Pty Ltd; 07-01B, Nut bowl, 11 Nov 2014	15746/2014	Nicholls, Ashleigh;Wyatt, Julie;Wyatt, Neville; 02-02C, A garment, 20 Nov 2014	15954/2014
Lorna Jane Pty Ltd; 02-02NES, Clothing, 07 Nov 2014	15723/2014	Nicholls, Ashleigh;Wyatt, Julie;Wyatt, Neville; 02-02C, A garment, 20 Nov 2014	15952/2014
LG Electronics Inc.; 14-01, Speaker for television receivers, (KR, 27 Jun 2014) 20 Nov 2014	15905/2014	Nicholls, Ashleigh;Wyatt, Julie;Wyatt, Neville; 02-02C, A garment, 20 Nov 2014	15949/2014
Magic Fairy House Company Limited; 11-02NES, A decoration, (NZ, 12 May 2014) 12 Nov 2014	15764/2014	Nien Made Enterprise Co., Ltd.; 06-10, Cord of window covering, (CA, 22 May 2014) 20 Nov 2014	15940/2014
Magpul Industries Corporation; 22-01, Folding firearm stock, (US, 22 Jul 2014) 11 Nov 2014	15748/2014	Ningbo Together Trading Co., Ltd.; 12-16NES, 12-15F, Plate, 13 Nov 2014	15802/2014
Magpul Industries Corporation; 22-01, Folding firearm stock, (US, 22 Jul 2014) 11 Nov 2014	15747/2014	Ningbo Together Trading Co., Ltd.; 12-16NES, 12-15F, Antiskid plate, 13 Nov 2014	15803/2014
Mangar International (Holdings) Limited; 12-05, Lifting device, (EM, 20 May 2014) 20 Nov 2014	15939/2014	Nugent Developments Pty Ltd; 25-01K, Sheet pile, 17 Nov 2014	15843/2014
McFly-Figaro, Rebecca; 19-04, 32-02, Book cover, magazine cover, posters, layout, 17 Nov 2014	15840/2014	O'Brien, Benjamin; 23-04, A fan, 06 Nov 2014	15671/2014

O'Brien, Benjamin; 23-04, A fan, 06 Nov 2014	15672/2014	Reckitt Benckiser (Brands) Limited; 26-04, Candle, (EM, 11 Nov 2014) 12 Nov 2014	15773/2014
O'Brien, Benjamin; 23-04, A fan blade, 06 Nov 2014	15673/2014	Reckitt Benckiser (Brands) Limited; 09-07A, Cap, (EM, 12 Jun 2014) 07 Nov 2014	15710/2014
Otsuka Pharmaceutical Factory, Inc.;Otsuka Techno Corporation; 24-04, Bag for receiving a container of liquid medicine, (JP, 29 May 2014) 10 Nov 2014	15727/2014	Reckitt Benckiser (Brands) Limited; 09-01K, Bottle without cap, (EM, 12 Jun 2014) 07 Nov 2014	15711/2014
Otsuka Techno Corporation;Otsuka Pharmaceutical Factory, Inc.; 24-04, Bag for receiving a container of liquid medicine, (JP, 29 May 2014) 10 Nov 2014	15727/2014	Regeneron Pharmaceuticals, Inc.;Sanofi; 24-02, Medicament injection device with extendable guard, (EP, 03 Mar 2014) (Divisional of 14386/2014) 14 Nov 2014	15813/2014
Owens-Brockway Glass Container Inc.; 09-01NES, Bottle, (US, 06 Jun 2014) 17 Nov 2014	15849/2014	Regeneron Pharmaceuticals, Inc.;Sanofi; 24-02, Medicament injection device, (EP, 03 Mar 2014) (Divisional of 14388/2014) 14 Nov 2014	15826/2014
Pfizer Inc.; 24-04, Adhesive heat patch, (US, 03 Jun 2014) 13 Nov 2014	15784/2014	Regeneron Pharmaceuticals, Inc.;Sanofi; 24-02, Medicament injection device with cap, (EP, 03 Mar 2014) (Divisional of 14388/2014) 14 Nov 2014	15827/2014
Phillips, Charles Roderick; 20-03C, Solar powered illuminating advertising street name sign, 05 Nov 2014	15731/2014	Regeneron Pharmaceuticals, Inc.;Sanofi; 24-02, Medicament injection device with cap, (EP, 03 Mar 2014) (Divisional of 14384/2014) 14 Nov 2014	15815/2014
Phoenix Products Company, Inc.; 26-05D, Light fixture, (US, 22 Oct 2014) 20 Nov 2014	15913/2014	Regeneron Pharmaceuticals, Inc.;Sanofi; 24-02, Medicament injection device without cap, (EP, 03 Mar 2014) (Divisional of 14384/2014) 14 Nov 2014	15816/2014
Plane Products Pty Limited; 31-00, Coconut hole popper, wave blade design for speed, 07 Nov 2014	15717/2014	Regeneron Pharmaceuticals, Inc.;Sanofi; 24-02, Cap for a medicament injection device, (EP, 03 Mar 2014) (Divisional of 14386/2014) 14 Nov 2014	15814/2014
Plane Products Pty Limited; 31-00, Coconut, 07 Nov 2014	15716/2014	Regeneron Pharmaceuticals, Inc.;Sanofi; 24-02, Medicament injection device with cap, (EP, 03 Mar 2014) (Divisional of 14385/2014) 14 Nov 2014	15820/2014
PlanetBox, LLC; 07-01F, Bottle, (US, 20 May 2014) 20 Nov 2014	15950/2014	Regeneron Pharmaceuticals, Inc.;Sanofi; 24-02, Medicament injection device with cap, (EP, 03 Mar 2014) (Divisional of 14387/2014) 14 Nov 2014	15828/2014
Point-N-Putt Pty Ltd; 21-02C, Golf putting guide, 13 Nov 2014	15789/2014	Regeneron Pharmaceuticals, Inc.;Sanofi; 24-02, Medicament injection device without cap, (EP, 03 Mar 2014) (Divisional of 14385/2014) 14 Nov 2014	15817/2014
Poolier, Sharon Jane; 32-03, Website, ebooks, any promotional material, 19 Nov 2014	15902/2014	Regeneron Pharmaceuticals, Inc.;Sanofi; 24-02, Medicament injection device, (EP, 03 Mar 2014) 14 Nov 2014	15829/2014
Raines Carpets Pty Ltd; 06-11, Carpet, 10 Nov 2014	15734/2014	ResMed Limited; 24-01, Positive airway pressure delivery console, (Divisional of 12501/2014) 27 Aug 2014	15760/2014
Rapid Resource Solutions Pty. Ltd.; 12-16M, 21-02F, 12-11, Disc brake rotor, clutch cover, flywheel, 09 Nov 2014	15718/2014	ResMed Limited; 24-01, Apparatus for sleep information detection, (US, 09 May 2014) (Divisional of 12497/2014) 20 Aug 2014	15762/2014
Rashid, Karim;Lawrence, Derrick Paul;Schumacher, Brian D; 07-01F, Bottle, (US, 03 Jun 2014) 12 Nov 2014	15778/2014		
Rashid, Karim;Lawrence, Derrick Paul;Schumacher, Brian D; 07-01F, Bottle, (US, 03 Jun 2014) 12 Nov 2014	15779/2014		
Reckitt Benckiser (Brands) Limited; 09-01K, Bottle with cap, (EM, 12 Jun 2014) 07 Nov 2014	15712/2014		
Reckitt Benckiser (Brands) Limited; 26-04, Candle, (EM, 12 May 2014) 11 Nov 2014	15745/2014		

ResMed Limited; 24-01, Apparatus for sleep information detection, (US, 09 May 2014) (Divisional of 12497/2014) 20 Aug 2014	15763/2014	Samsung Electronics Co., Ltd.; 23-04, Air conditioner, (KR, 22 May 2014) 19 Nov 2014	15897/2014
ResMed Limited; 24-01, Sleep information detection module stand, (US, 09 May 2014) (Divisional of 12497/2014) 20 Aug 2014	15761/2014	Sanofi;Regeneron Pharmaceuticals, Inc.; 24-02, Cap for a medicament injection device, (EP, 03 Mar 2014) (Divisional of 14386/2014) 14 Nov 2014	15814/2014
ResMed Limited; 24-01, Positive airway pressure delivery console, (US, 19 Feb 2014) 19 Aug 2014	15758/2014	Sanofi;Regeneron Pharmaceuticals, Inc.; 24-02, Medicament injection device, (EP, 03 Mar 2014) 14 Nov 2014	15829/2014
ResMed Limited; 24-01, Positive airway pressure delivery console, (Divisional of 12501/2014) 27 Aug 2014	15759/2014	Sanofi;Regeneron Pharmaceuticals, Inc.; 24-02, Medicament injection device, (EP, 03 Mar 2014) (Divisional of 14388/2014) 14 Nov 2014	15826/2014
Retail & Commercial Properties Pty Ltd; 25-01B, Grout tube, 14 Nov 2014	15834/2014	Sanofi;Regeneron Pharmaceuticals, Inc.; 24-02, Medicament injection device with cap, (EP, 03 Mar 2014) (Divisional of 14388/2014) 14 Nov 2014	15827/2014
Richards, Angelica Theodora Maria;Richards, Stephen John; 06-04NES, Tool rack, 17 Nov 2014	15846/2014	Sanofi;Regeneron Pharmaceuticals, Inc.; 24-02, Medicament injection device without cap, (EP, 03 Mar 2014) (Divisional of 14384/2014) 14 Nov 2014	15816/2014
Richards, Angelica Theodora Maria;Richards, Stephen John; 06-04NES, Tool rack, 17 Nov 2014	15847/2014	Sanofi;Regeneron Pharmaceuticals, Inc.; 24-02, Medicament injection device with cap, (EP, 03 Mar 2014) (Divisional of 14384/2014) 14 Nov 2014	15815/2014
Richards, Stephen John;Richards, Angelica Theodora Maria; 06-04NES, Tool rack, 17 Nov 2014	15848/2014	Sanofi;Regeneron Pharmaceuticals, Inc.; 24-02, Medicament injection device without cap, (EP, 03 Mar 2014) (Divisional of 14385/2014) 14 Nov 2014	15817/2014
Richards, Stephen John;Richards, Angelica Theodora Maria; 06-04NES, Tool rack, 17 Nov 2014	15847/2014	Sanofi;Regeneron Pharmaceuticals, Inc.; 24-02, Medicament injection device with extendable guard, (EP, 03 Mar 2014) (Divisional of 14386/2014) 14 Nov 2014	15813/2014
Richards, Angelica Theodora Maria;Richards, Stephen John; 06-04NES, Tool rack, 17 Nov 2014	15848/2014	Sanofi;Regeneron Pharmaceuticals, Inc.; 24-02, Medicament injection device with cap, (EP, 03 Mar 2014) (Divisional of 14385/2014) 14 Nov 2014	15820/2014
Richards, Angelica Theodora Maria;Richards, Stephen John; 06-04NES, Tool rack, 17 Nov 2014	15845/2014	Sanofi;Regeneron Pharmaceuticals, Inc.; 24-02, Medicament injection device with cap, (EP, 03 Mar 2014) (Divisional of 14387/2014) 14 Nov 2014	15828/2014
Richards, Stephen John;Richards, Angelica Theodora Maria; 06-04NES, Tool rack, 17 Nov 2014	15846/2014	Schumacher, Brian D;Rashid, Karim;Lawrence, Derrick Paul; 07-01F, Bottle, (US, 03 Jun 2014) 12 Nov 2014	15779/2014
Richards, Stephen John;Richards, Angelica Theodora Maria; 06-04NES, Tool rack, 17 Nov 2014	15845/2014	Schumacher, Brian D;Rashid, Karim;Lawrence, Derrick Paul; 07-01F, Bottle, (US, 03 Jun 2014) 12 Nov 2014	15778/2014
Roof Extenda Pty Ltd; 08-08L, Roof safety anchor, 19 Nov 2014	15895/2014	Smart Motion Ergonomics Ltd.; 06-06G, A support cradle for a chair, 10 Nov 2014	15726/2014
Roof Extenda Pty Ltd; 08-08L, Two-part roof safety anchor, 19 Nov 2014	15894/2014	Smart Motion Ergonomics Ltd.; 06-06G, A support cradle for a chair, 10 Nov 2014	15724/2014
Royal Transport NSW Pty Ltd; 09-08, Pallet, 18 Nov 2014	15875/2014	Smart Motion Ergonomics Ltd.; 06-01F, A chair, 10 Nov 2014	15725/2014
Samsung Electronics Co., Ltd.; 23-04, Air conditioner, (KR, 22 May 2014) 19 Nov 2014	15898/2014		
Samsung Electronics Co., Ltd.; 23-04, Air conditioner, (KR, 22 May 2014) 19 Nov 2014	15899/2014		

Smiles, Scott William; 29-02, Emergency floatation device, 18 Nov 2014	15881/2014	Tegometall International AG; 06-04NES, Shelf unit, (Divisional of 14790/2014) 20 Nov 2014	15912/2014
Smiles, Scott William; 29-02, Emergency floatation device, 18 Nov 2014	15882/2014	Tegometall International AG; 06-04NES, Shelf unit, (Divisional of 14790/2014) 20 Nov 2014	15909/2014
Spangler, Peter Wesley; 08-01, Prospecting pick-shovel, 17 Nov 2014	15854/2014	Tegometall International AG; 06-04NES, Shelf unit, (Divisional of 14790/2014) 20 Nov 2014	15910/2014
Spice, Anna; 30-01, Horse suit, therapy boot combo, (Divisional of 15490/2014) 11 Nov 2014	15739/2014	Tegometall International AG; 06-04NES, Shelf unit, (Divisional of 14790/2014) 20 Nov 2014	15907/2014
Spice, Anna; 30-01, Compression sock, therapy boot combo, (Divisional of 15490/2014) 11 Nov 2014	15738/2014	Tegometall International AG; 06-04NES, Shelf unit, (Divisional of 14790/2014) 20 Nov 2014	15908/2014
Square Inc; 14-02, Card reader, (US, 16 May 2014) 12 Nov 2014	15781/2014	Tegometall International AG; 06-04NES, Shelf unit, (Divisional of 14790/2014) 20 Nov 2014	15906/2014
Stramit Corporation Pty Limited; 25-01K, Garage door seal, 13 Nov 2014	15794/2014	Tegometall International AG; 06-04NES, Shelf unit, (Divisional of 14790/2014) 20 Nov 2014	15914/2014
StreetCar ORV LLC; 12-16A, Wheel, (US, 02 Sep 2014) 14 Nov 2014	15831/2014	Thales Air Systems SAS; 06-03C, 14-02, Computer terminal, (EM, 03 Mar 2014) (Divisional of 14366/2014) 13 Nov 2014	15799/2014
StreetCar ORV LLC; 12-16NES, Snorkel, (US, 09 Jul 2014) 14 Nov 2014	15830/2014	The Coca-Cola Company; 14-04, 14-02, Display screen or portion thereof with an icon, (US, 12 May 2014) 12 Nov 2014	15777/2014
StreetCar ORV LLC; 12-16A, Wheel, (US, 02 Sep 2014) 14 Nov 2014	15832/2014	The Coca-Cola Company; 14-02, Display screen or portion thereof with a graphical user interface, (US, 12 May 2014) 12 Nov 2014	15774/2014
SLR Enterprise Group Pty Ltd; 32-03, Brand, website, mobile app, 12 Nov 2014	15782/2014	The Coca-Cola Company; 20-01, Beverage dispenser, (US, 12 May 2014) 07 Nov 2014	15700/2014
Taiei Sangyo, Co., Ltd.; 15-99, Container for vapor-liquid separator, (JP, 21 May 2014) 14 Nov 2014	15818/2014	The Stanley Works Israel Ltd.; 03-01A, Case, (EM, 09 Jul 2014) 18 Nov 2014	15863/2014
Tegometall International AG; 06-04NES, Shelf unit, (Divisional of 14790/2014) 20 Nov 2014	15911/2014	Thomas, Geoffrey Stewart; 07-99A, Food elevator, (NZ, 14 May 2014) 14 Nov 2014	15808/2014
Tegometall International AG; 06-04NES, Shelf unit, (Divisional of 14790/2014) 20 Nov 2014	15919/2014	Titus Inc; 14-02, Display screen for an electronic device, (Divisional of 14154/2014) 07 Nov 2014	15706/2014
Tegometall International AG; 06-04NES, Shelf unit, (Divisional of 14790/2014) 20 Nov 2014	15917/2014	Titus Inc; 14-02, Display screen for an electronic device, (Divisional of 14154/2014) 07 Nov 2014	15708/2014
Tegometall International AG; 06-04NES, Shelf unit, (Divisional of 14790/2014) 20 Nov 2014	15918/2014	Titus Inc; 14-02, Display screen for an electronic device, (Divisional of 14154/2014) 07 Nov 2014	15709/2014
Tegometall International AG; 06-04NES, Shelf unit, (Divisional of 14790/2014) 20 Nov 2014	15915/2014		
Tegometall International AG; 06-04NES, Shelf unit, (Divisional of 14790/2014) 20 Nov 2014	15916/2014		

Titus Inc; 14-02, Display screen for an electronic device, (Divisional of 14154/2014) 07 Nov 2014	15707/2014	Vita-Mix Corporation; 31-00, A base of a blending system, (US, 14 Mar 2014) (Divisional of 14666/2014) 18 Nov 2014	15856/2014
Trade Box, LLC; 28-03B, Automatic hair styling device, 20 Nov 2014	15948/2014	Vita-Mix Corporation; 31-00, A control knob of a blending system, (US, 14 Mar 2014) (Divisional of 14666/2014) 18 Nov 2014	15865/2014
Triangl International Ltd.; 02-02A, Bikini top, 03 Nov 2014	15925/2014	Wibit Sports GmbH; 12-06NES, Dock, (EM, 23 May 2014) 18 Nov 2014	15876/2014
Triangl International Ltd.; 02-02A, Bikini bottom, 03 Nov 2014	15928/2014	Wm. Wrigley Jr. Company; 09-07C, Lid for a bottle, (CN, 21 May 2014) 21 Nov 2014	15980/2014
Triangl International Ltd.; 02-02A, Bikini top, 03 Nov 2014	15929/2014	Wm. Wrigley Jr. Company; 09-01NES, Bottle body, (CN, 21 May 2014) 21 Nov 2014	15979/2014
Triangl International Ltd.; 02-02A, Bikini top, 03 Nov 2014	15933/2014	Wyatt, Neville;Wyatt, Julie;Nicholls, Ashleigh; 02-02C, A garment, 20 Nov 2014	15952/2014
Triangl International Ltd.; 02-02A, Bikini bottom, 03 Nov 2014	15934/2014	Wyatt, Julie;Wyatt, Neville;Nicholls, Ashleigh; 02-02C, A garment, 20 Nov 2014	15954/2014
Triangl International Ltd.; 02-02A, Bikini top, 03 Nov 2014	15935/2014	Wyatt, Neville;Wyatt, Julie;Nicholls, Ashleigh; 02-02C, A garment, 20 Nov 2014	15955/2014
Triangl International Ltd.; 02-02A, Bikini top, 03 Nov 2014	15927/2014	Wyatt, Julie;Wyatt, Neville;Nicholls, Ashleigh; 02-02C, A garment, 20 Nov 2014	15955/2014
Triangl International Ltd.; 02-02A, Bikini top, 03 Nov 2014	15931/2014	Wyatt, Neville;Wyatt, Julie;Nicholls, Ashleigh; 02-02C, A garment, 20 Nov 2014	15954/2014
Triangl International Ltd.; 02-02A, Bikini top, 03 Nov 2014	15936/2014	Wyatt, Julie;Wyatt, Neville;Nicholls, Ashleigh; 02-02C, A garment, 20 Nov 2014	15952/2014
Triangl International Ltd.; 02-02A, Bikini bottom, 03 Nov 2014	15937/2014	Wyatt, Neville;Wyatt, Julie;Nicholls, Ashleigh; 02-02C, A garment, 20 Nov 2014	15949/2014
Triangl International Ltd.; 02-02A, Bikini bottom, 03 Nov 2014	15932/2014	Wyatt, Julie;Wyatt, Neville;Nicholls, Ashleigh; 02-02C, A garment, 20 Nov 2014	15949/2014
Triangl International Ltd.; 02-02A, Bikini bottom, 03 Nov 2014	15926/2014	Wyatt, Neville;Wyatt, Julie;Nicholls, Ashleigh; 02-02C, A garment, 20 Nov 2014	15953/2014
Triangl International Ltd.; 02-02A, Bikini bottom, 03 Nov 2014	15930/2014	WARRIE SHEARING PRODUCTS PTY. LTD.; 06-13B, Bed sheet linen, 18 Nov 2014	15884/2014
Utama, I;Corneille, V M; 14-01, Portable suitcase speaker, 07 Nov 2014	15704/2014	Xiangdong, Li; 09-05, Customised plastic cuttlery packaging, 13 Nov 2014	15787/2014
Vita-Mix Corporation; 31-00, A cutter housing of a blending system, (US, 14 Mar 2014) (Divisional of 14666/2014) 18 Nov 2014	15861/2014	Yang, Hui-Feng; 07-02E, Barbecue grill, 11 Nov 2014	15740/2014
Vita-Mix Corporation; 31-00, A container of a blending system, (US, 14 Mar 2014) (Divisional of 14666/2014) 18 Nov 2014	15860/2014		
Vita-Mix Corporation; 31-00, A cover of a blending system, (US, 14 Mar 2014) (Divisional of 14666/2014) 18 Nov 2014	15857/2014		
Vita-Mix Corporation; 31-00, A handle of a blending system, (US, 14 Mar 2014) (Divisional of 14666/2014) 18 Nov 2014	15864/2014		

Zhejiang Wanma Hizhen Optoelectronics Technology CO., LTD.; 26-03, A light, (CN, 27 Oct 2014) 07 Nov 2014	15705/2014	3M Innovative Properties Company; 24-01, Respirator mask having an engagement opening, (US, 22 May 2014) 21 Nov 2014	15971/2014
3M Innovative Properties Company; 24-01, Respirator filter retainer, (US, 22 May 2014) 21 Nov 2014	15966/2014	3M Innovative Properties Company; 24-01, Respirator filter cover, (US, 22 May 2014) 21 Nov 2014	15967/2014
3M Innovative Properties Company; 24-01, Respirator cartridge having a hole pattern, (US, 22 May 2014) 21 Nov 2014	15962/2014	3M Innovative Properties Company; 24-01, Respirator cartridge having an engagement latch, (US, 22 May 2014) 21 Nov 2014	15965/2014
3M Innovative Properties Company; 24-01, Respirator cartridge, (US, 22 May 2014) 21 Nov 2014	15963/2014	3M Innovative Properties Company; 24-01, Respirator filter, (US, 22 May 2014) 21 Nov 2014	15968/2014
3M Innovative Properties Company; 24-01, Respirator cartridge having a slot, (US, 22 May 2014) 21 Nov 2014	15961/2014	3M Innovative Properties Company; 24-01, Respirator mask having a button, (US, 22 May 2014) 21 Nov 2014	15969/2014
3M Innovative Properties Company; 24-01, Respirator cartridge, (US, 22 May 2014) 21 Nov 2014	15964/2014	3M Innovative Properties Company; 24-04, Earplug, (US, 20 May 2014) 19 Nov 2014	15889/2014
3M Innovative Properties Company; 24-01, Respirator mask, (US, 22 May 2014) 21 Nov 2014	15974/2014	3M Innovative Properties Company; 24-04, Earplug, (US, 20 May 2014) 19 Nov 2014	15891/2014
3M Innovative Properties Company; 24-01, Respirator mask having a communication grill, (US, 22 May 2014) 21 Nov 2014	15970/2014	3M Innovative Properties Company; 24-04, Earplug, (US, 20 May 2014) 19 Nov 2014	15887/2014
3M Innovative Properties Company; 24-01, Respirator mask, (US, 22 May 2014) 21 Nov 2014	15972/2014	3M Innovative Properties Company; 24-04, Earplug, (US, 20 May 2014) 19 Nov 2014	15888/2014
3M Innovative Properties Company; 24-01, Respirator mask having an exhalation port, (US, 22 May 2014) 21 Nov 2014	15973/2014		

Applications Withdrawn

13771 / 2014 (06-13B) 15043 / 2014 (12-16M)
15745 / 2014 (26-04)

Applications Lapsed

14381 / 2012 (14-01)

12116 / 2014 (03-03)	14382 / 2012 (14-01)
13354 / 2014 (06-01G)	12226 / 2014 (02-02C)
13826 / 2014 (26-05D)	13759 / 2014 (12-16B)
13882 / 2014 (02-02C)	13827 / 2014 (26-05D)
13972 / 2014 (11-02C)	13938 / 2014 (25-03)
14009 / 2014 (12-02)	14008 / 2014 (12-02)
14013 / 2014 (30-03)	14011 / 2014 (12-16M)
14034 / 2014 (06-01G)	14046 / 2014 (19-08)
14047 / 2014 (12-02)	14057 / 2014 (32-03)
14096 / 2014 (14-02)	14139 / 2014 (06-04D)
14169 / 2014 (32-03)	14172 / 2014 (02-02NES)
14184 / 2014 (21-01D)	14185 / 2014 (26-05D)
14209 / 2014 (09-03F)	14314 / 2014 (32-02)
14346 / 2014 (03-01B)	14364 / 2014 (24-01)
14365 / 2014 (10-06)	14378 / 2014 (06-01E)
14404 / 2014 (19-08)	

Extension of Period of Registration of Designs

328816	328856	328870
328871	328910	328911
328912	328913	328942
328952	328953	328980
328981	328982	328984
329009	329010	329024
329036	329038	329052
329053	329054	329079
329084	329090	329163
329165	329169	329170
329171	329172	329184
329201	329202	329203
329222	329229	329230
329231	329232	329288
329289	329296	329298
329308	329309	329310
329335	329336	329346
329355	329356	329360
329387	329388	329465
329472	329476	329514
329523	329544	329545
329568	329646	329703
329704	329933	329935

301519	301520	301521
301522	301523	301524
301525	301526	301527
301528	301529	301532
301535	301536	301537
301538	301543	301544
301545	301547	301548
301549	301550	301551
301733	301758	301761
301870	302251	302253
302254	302374	302520
302521	302522	302523
302524	302664	303175
303176	304241	304612
325905	325906	325942
325950	325951	325972
325981	325984	325985
325986	326028	326029
326043	326044	326047
326051	326052	326054
326056	326057	326058
326063	326064	326066
326067	326071	326072
326093	326094	326095
326096	326097	326098
326099	326100	326101
326102	326104	326106
326111	326117	326118
326119	326120	326121
326127	326128	326129
326130	326131	326132
326134	326139	326141
326142	326143	326144
326145	326146	326147
326148	326149	326150
326151	326152	326153
326154	326155	326156
326157	326159	326163
326167	326168	326170
326171	326172	326173
326174	326176	326178
326179	326180	326181
326182	326183	326184
326194	326207	326222
326224	326256	326284
326286	326287	326288
326289	326290	326291
326292	326293	326294
326295	326296	326297
326298	326299	326300
326301	326359	326360
326361	326362	326369
326453	326454	326490
326610	326632	326633

Revocation of Design Registrations

The following Design Registration(s) have been revoked and are taken never to have been registered:

328642 08-08L

Registrations Ceased

301359	301360	301386
301387	301388	301397
301398	301399	301400
301409	301410	301437
301440	301455	301456
301457	301459	301460
301464	301465	301466
301468	301469	301470
301471	301472	301473
301477	301478	301479
301480	301481	301482
301483	301484	301486
301504	301505	301506
301507	301508	301509
301510	301511	301512
301513	301514	301515
301516	301517	301518

326719 326721 326757
 326778 326779 326791
 326826 327103 327192
 327255 328375 328376
 328438 328916 351678
 352338

Applications for Extension of time under Section 137

Applications under section 137 for extension of time have been lodged. Objections must be lodged within 1 month from the date of this journal.

317854 **Donald Vincent Adams** Address for Service: Donald and Fern Adams 51 McFarlane St SOUTH GRAFTON NSW 2460

14110/2013 **True Trac s.r.o.** Address for Service: SPRUSON & FERGUSON GPO Box 3898 SYDNEY NSW 2001

Extensions of time granted under Section 137

Applications lodged under section 137 for extension of time have been granted.

15584/2012 **Alfred Wayne Smith**

358746 **UR1 International Pty Ltd**

358747 **UR1 International Pty Ltd**

13247/2014 **DOBLE AUSTRALIA PTY. LTD.**

13248/2014 **DOBLE AUSTRALIA PTY. LTD.**

13249/2014 **DOBLE AUSTRALIA PTY. LTD.**

13598/2014 **Snake Products Pty Ltd**

358948 **Bozcrome Industries Pty Ltd**

Applications Assigned

(The name in parentheses is that of the subsequent applicant)

14677/2014 (**Julie Dixon**) Stephen Ives

14645/2014 (**Emo Labs, Inc.**) Terrence Keith Jones

Subsequent Owners Registered

(The name in parentheses is that of the subsequent owner)

335450 (**OMS Investments, Inc.**) SMG Brands, Inc
 338653 (**OMS Investments, Inc.**) SMG Brands, Inc
 338652 (**OMS Investments, Inc.**) SMG Brands, Inc
 338528 (**Cyclone Tools Pty Ltd**) ITW Australia Pty Ltd
 331830 (**Mimio, LLC**) Sanford, L.P.
 331831 (**Mimio, LLC**) Sanford, L.P.
 331888 (**Mimio, LLC**) Sanford, L.P.
 331887 (**Mimio, LLC**) Sanford, L.P.
 331828 (**Mimio, LLC**) Sanford, L.P.
 331829 (**Mimio, LLC**) Sanford, L.P.
 331839 (**Mimio, LLC**) Sanford, L.P.
 331840 (**Mimio, LLC**) Sanford, L.P.
 331841 (**Mimio, LLC**) Sanford, L.P.
 331842 (**Mimio, LLC**) Sanford, L.P.

331844 (**Mimio, LLC**) Sanford, L.P.
 331843 (**Mimio, LLC**) Sanford, L.P.
 331827 (**Mimio, LLC**) Sanford, L.P.
 331826 (**Mimio, LLC**) Sanford, L.P.
 337436 (**Farm Electronic Supplies Pty Ltd**) Bridges Business Group Pty Ltd
 337437 (**Farm Electronic Supplies Pty Ltd**) Bridges Business Group Pty Ltd
 337438 (**Farm Electronic Supplies Pty Ltd**) Bridges Business Group Pty Ltd
 337439 (**Farm Electronic Supplies Pty Ltd**) Bridges Business Group Pty Ltd
 332836 (**Paving Group Pty Ltd**) Stone Directions Pty Ltd

Names Registered - Alterations and Amendments

(The name in parentheses is that of the subsequent applicant)

353555 (**Nativeawa Limited**) CLEANERENVIRO LIMITED
 356678 (**CWT Worktools AB**) KONSTRUKTION 123456 AB
 352034 (**Huon Aquaculture Group Limited**) Huon Aquaculture Group Pty Ltd
 355902 (**Ensitech IP Pty Limited**) Ensitech Pty Ltd
 356580 (**Ensitech IP Pty Limited**) Ensitech Pty Ltd
 355903 (**Ensitech IP Pty Limited**) Ensitech Pty Ltd
 326085 (**Glen Dimplex New Zealand Limited**) Glen Dimplex Australasia Ltd
 326086 (**Glen Dimplex New Zealand Limited**) Glen Dimplex Australasia Ltd
 326087 (**Glen Dimplex New Zealand Limited**) Glen Dimplex Australasia Ltd
 326678 (**Glen Dimplex New Zealand Limited**) Glen Dimplex Australasia Limited

Corrigenda

13093/2014 Advertised on 16 October 2014 under the heading: Applications Lapsed: Application Lapsed in Error.

Certificate(s) of Examination

Examination of the following Design Registration(s) has been completed. Infringement proceedings may now be commenced.

335446	06-06NES	11/11/2014
339254	25-01E	18/11/2014
339369	12-16NES	21/11/2014
339754	12-16NES	21/11/2014
340744	11-01NES	21/11/2014
340745	11-01NES	21/11/2014
350529	12-16NES	18/11/2014
355468	08-08L	10/11/2014
355469	08-08L	10/11/2014
355616	12-16NES	18/11/2014
355874	14-01	14/11/2014
356258	14-01	14/11/2014
356259	14-01	14/11/2014
356260	14-01	14/11/2014
356342	03-03	11/11/2014
356642	14-03NES	10/11/2014
356861	12-08	24/11/2014
356924	09-03C	14/11/2014
357239	08-05NES	11/11/2014
357455	26-06	11/11/2014
357600	26-05E	11/11/2014
357601	08-08L	14/11/2014
358244	07-99NES	21/11/2014
358245	07-99NES	21/11/2014
358259	02-02B	12/11/2014
358289	25-02C	11/11/2014
358293	05-05A	11/11/2014
358299	02-02C	12/11/2014
358300	05-05A	11/11/2014
358314	12-10	14/11/2014
358320	02-02B	14/11/2014
358321	02-02B	14/11/2014
358330	02-02NES	12/11/2014
358379	12-16A	17/11/2014
358390	12-16A	17/11/2014
358432	12-16NES	10/11/2014
358535	24-04	17/11/2014

Publication and Registration Proceedings

Designs Registered

This section provides a concordance between design number and registration number of Designs covered in this journal. It also shows the main class and registration date.

This section covers Registration numbers 358616 to 358974 .

The registration number shown below should be used in all future correspondence.

Design Number	Registration Number	International Classification Code (IDC)	Registration Date	Design Number	Registration Number	International Classification Code (IDC)	Registration Date
12048/2014	358886	12-16B	20/11/2014	14453/2014	358668	14-01	11/11/2014
12157/2014	358666	25-01K	11/11/2014	14461/2014	358786	08-03	17/11/2014
12171/2014	358766	09-09	17/11/2014	14488/2014	358687	21-02A	12/11/2014
12961/2014	358746	10-04	17/11/2014	14493/2014	358863	09-01D	20/11/2014
13135/2014	358747	20-02E	17/11/2014	14532/2014	358748	24-02	17/11/2014
13464/2014	358887	30-08	20/11/2014	14535/2014	358817	23-04	19/11/2014
13703/2014	358678	07-01NES	11/11/2014	14538/2014	358640	23-04	10/11/2014
13704/2014	358679	07-01NES	11/11/2014	14577/2014	358690	09-03M	12/11/2014
13716/2014	358686	23-01L	12/11/2014	14578/2014	358691	09-07B	12/11/2014
13717/2014	358646	23-01L	11/11/2014	14583/2014	358889	08-05G	20/11/2014
13760/2014	358680	23-01H	11/11/2014	14591/2014	358625	06-01G	10/11/2014
13785/2014	358697	25-01D	12/11/2014	14592/2014	358626	06-01G	10/11/2014
13810/2014	358683	07-02L	11/11/2014	14603/2014	358787	24-04	17/11/2014
13814/2014	358684	07-02NES	11/11/2014	14641/2014	358949	12-12	24/11/2014
13860/2014	358689	12-02	12/11/2014	14645/2014	358818	14-01	19/11/2014
14032/2014	358736	08-08NES	14/11/2014	14666/2014	358950	31-00	24/11/2014
14042/2014	358737	06-06NES	14/11/2014	14677/2014	358768	02-03	17/11/2014
14043/2014	358738	06-06E	14/11/2014	14732/2014	358641	29-02	10/11/2014
14093/2014	358616	24-01	10/11/2014	14744/2014	358685	25-01F	11/11/2014
14102/2014	358651	15-03A	11/11/2014	14777/2014	358749	13-02	17/11/2014
14103/2014	358647	15-03A	11/11/2014	14790/2014	358951	06-04NES	24/11/2014
14117/2014	358901	24-01	21/11/2014	14834/2014	358627	03-01NES	10/11/2014
14154/2014	358648	14-02	11/11/2014	14842/2014	358955	08-08NES	24/11/2014
14157/2014	358617	09-03F	10/11/2014	14855/2014	358688	25-01E	12/11/2014
14158/2014	358618	09-03F	10/11/2014	14856/2014	358970	29-02	24/11/2014
14159/2014	358619	09-03F	10/11/2014	14887/2014	358890	08-08NES	20/11/2014
14160/2014	358620	09-03F	10/11/2014	14888/2014	358902	08-08G	21/11/2014
14161/2014	358621	09-03F	10/11/2014	14904/2014	358712	06-03NES	12/11/2014
14162/2014	358622	09-03F	10/11/2014	14967/2014	358669	22-01	11/11/2014
14163/2014	358623	09-03F	10/11/2014	14989/2014	358670	02-04C	11/11/2014
14164/2014	358624	09-03F	10/11/2014	14996/2014	358806	08-05P	18/11/2014
14170/2014	358948	12-10	24/11/2014	15012/2014	358718	22-01	13/11/2014
14200/2014	358649	24-02	11/11/2014	15015/2014	358903	14-03A	21/11/2014
14208/2014	358810	28-03D	19/11/2014	15027/2014	358750	06-11	17/11/2014
14211/2014	358811	06-05	19/11/2014	15032/2014	358788	09-07NES	17/11/2014
14212/2014	358831	28-03D	19/11/2014	15034/2014	358866	08-08G	20/11/2014
14247/2014	358767	24-01	17/11/2014	15035/2014	358867	08-08G	20/11/2014
14254/2014	358650	07-02L	11/11/2014	15037/2014	358671	07-02C	11/11/2014
14255/2014	358861	21-01B	20/11/2014	15039/2014	358864	07-05E	20/11/2014
14256/2014	358862	21-01B	20/11/2014	15040/2014	358628	06-01F	10/11/2014
14366/2014	358785	06-03C	17/11/2014	15042/2014	358789	22-01	17/11/2014
14384/2014	358812	24-01	19/11/2014	15044/2014	358719	12-14	13/11/2014
14385/2014	358813	24-01	19/11/2014	15045/2014	358790	22-01	17/11/2014
14386/2014	358814	24-01	19/11/2014	15047/2014	358868	08-08G	20/11/2014
14387/2014	358815	24-01	19/11/2014	15048/2014	358971	08-08G	24/11/2014
14388/2014	358816	24-01	19/11/2014	15057/2014	358720	02-04C	13/11/2014
14430/2014	358805	12-16B	18/11/2014	15082/2014	358819	08-05NES	19/11/2014
14435/2014	358888	26-03	20/11/2014	15112/2014	358869	22-01	20/11/2014
14451/2014	358667	14-01	11/11/2014	15113/2014	358870	03-01NES	20/11/2014
14452/2014	358652	14-01	11/11/2014	15114/2014	358871	22-01	20/11/2014

Publication and Registration Proceedings - Designs Registered cont'd

Design Number	Registration Number	International Classification Code (IDC)	Registration Date	Design Number	Registration Number	International Classification Code (IDC)	Registration Date
15131/2014	358721	07-02N	13/11/2014	15402/2014	358700	07-05NES	12/11/2014
15133/2014	358722	07-02N	13/11/2014	15403/2014	358701	07-05NES	12/11/2014
15134/2014	358723	07-02N	13/11/2014	15404/2014	358702	15-99	12/11/2014
15176/2014	358832	24-01	19/11/2014	15408/2014	358713	07-02N	12/11/2014
15193/2014	358672	02-05	11/11/2014	15412/2014	358703	24-01	12/11/2014
15195/2014	358956	13-03NES	24/11/2014	15416/2014	358704	06-03NES	12/11/2014
15207/2014	358957	12-08	24/11/2014	15417/2014	358954	07-01D	24/11/2014
15210/2014	358952	22-05	24/11/2014	15418/2014	358705	03-01A	12/11/2014
15246/2014	358865	03-03	20/11/2014	15419/2014	358706	03-01A	12/11/2014
15261/2014	358769	25-03	17/11/2014	15423/2014	358707	06-01F	12/11/2014
15279/2014	358833	05-05NES	19/11/2014	15426/2014	358708	06-01F	12/11/2014
15308/2014	358642	19-99	10/11/2014	15428/2014	358714	09-03M	12/11/2014
15309/2014	358643	19-99	10/11/2014	15431/2014	358709	21-03	12/11/2014
15342/2014	358644	29-02	10/11/2014	15432/2014	358710	21-03	12/11/2014
15343/2014	358653	29-02	11/11/2014	15433/2014	358711	21-03	12/11/2014
15344/2014	358681	07-01C	11/11/2014	15435/2014	358715	03-01A	12/11/2014
15345/2014	358654	19-01	11/11/2014	15437/2014	358724	24-03	13/11/2014
15346/2014	358655	19-01	11/11/2014	15439/2014	358716	09-01D	12/11/2014
15347/2014	358629	21-02D	10/11/2014	15441/2014	358717	21-02C	12/11/2014
15348/2014	358630	24-04	10/11/2014	15442/2014	358725	09-03M	13/11/2014
15351/2014	358631	26-06	10/11/2014	15443/2014	358726	09-03L	13/11/2014
15352/2014	358632	24-04	10/11/2014	15444/2014	358727	09-03L	13/11/2014
15353/2014	358633	02-04A	10/11/2014	15445/2014	358728	08-08C	13/11/2014
15354/2014	358634	02-04A	10/11/2014	15446/2014	358729	09-03L	13/11/2014
15355/2014	358635	02-04A	10/11/2014	15448/2014	358791	23-01B	17/11/2014
15356/2014	358636	26-06	10/11/2014	15451/2014	358730	09-03M	13/11/2014
15358/2014	358637	07-04	10/11/2014	15452/2014	358792	31-00	17/11/2014
15360/2014	358638	07-04	10/11/2014	15453/2014	358731	07-01NES	13/11/2014
15361/2014	358639	07-04	10/11/2014	15454/2014	358732	07-01NES	13/11/2014
15362/2014	358807	25-02C	18/11/2014	15455/2014	358733	31-00	13/11/2014
15363/2014	358953	07-04	24/11/2014	15456/2014	358734	07-01NES	13/11/2014
15364/2014	358645	21-02B	10/11/2014	15459/2014	358735	07-01NES	13/11/2014
15366/2014	358682	08-05P	11/11/2014	15462/2014	358793	08-03	17/11/2014
15367/2014	358656	12-15A	11/11/2014	15463/2014	358739	09-01D	14/11/2014
15369/2014	358692	12-10	12/11/2014	15465/2014	358794	02-04B	17/11/2014
15370/2014	358657	09-03M	11/11/2014	15466/2014	358770	14-04	17/11/2014
15372/2014	358693	20-03A	12/11/2014	15467/2014	358771	14-04	17/11/2014
15373/2014	358658	09-03M	11/11/2014	15468/2014	358772	30-04	17/11/2014
15374/2014	358659	31-00	11/11/2014	15469/2014	358872	08-05NES	20/11/2014
15375/2014	358660	31-00	11/11/2014	15470/2014	358773	24-04	17/11/2014
15381/2014	358661	08-07	11/11/2014	15471/2014	358774	08-05NES	17/11/2014
15382/2014	358694	08-07	12/11/2014	15472/2014	358775	24-04	17/11/2014
15383/2014	358662	08-07	11/11/2014	15473/2014	358776	24-04	17/11/2014
15384/2014	358663	08-07	11/11/2014	15474/2014	358777	07-04	17/11/2014
15385/2014	358664	08-07	11/11/2014	15475/2014	358778	31-00	17/11/2014
15386/2014	358665	08-07	11/11/2014	15477/2014	358873	07-04	20/11/2014
15387/2014	358695	08-07	12/11/2014	15478/2014	358779	24-04	17/11/2014
15388/2014	358673	08-07	11/11/2014	15479/2014	358780	03-01A	17/11/2014
15389/2014	358674	08-07	11/11/2014	15482/2014	358795	07-04	17/11/2014
15390/2014	358675	25-01C	11/11/2014	15484/2014	358781	24-04	17/11/2014
15392/2014	358676	25-01C	11/11/2014	15486/2014	358820	24-04	19/11/2014
15393/2014	358677	12-15B	11/11/2014	15487/2014	358821	24-04	19/11/2014
15394/2014	358696	12-15B	12/11/2014	15488/2014	358822	24-04	19/11/2014
15400/2014	358698	28-02	12/11/2014	15489/2014	358823	03-01NES	19/11/2014
15401/2014	358699	15-05	12/11/2014	15490/2014	358740	30-01	14/11/2014

Publication and Registration Proceedings - Designs Registered cont'd

Design Number	Registration Number	International Classification Code (IDC)	Registration Date	Design Number	Registration Number	International Classification Code (IDC)	Registration Date
15491/2014	358741	30-01	14/11/2014	15570/2014	358809	14-03A	18/11/2014
15493/2014	358742	04-04	14/11/2014	15575/2014	358836	09-03F	19/11/2014
15494/2014	358743	04-04	14/11/2014	15576/2014	358837	09-03F	19/11/2014
15495/2014	358744	04-04	14/11/2014	15577/2014	358838	09-03F	19/11/2014
15496/2014	358745	04-04	14/11/2014	15578/2014	358839	09-03F	19/11/2014
15497/2014	358751	02-02A	17/11/2014	15579/2014	358840	09-03F	19/11/2014
15498/2014	358752	02-02A	17/11/2014	15580/2014	358841	09-03F	19/11/2014
15499/2014	358753	02-02A	17/11/2014	15581/2014	358842	09-03F	19/11/2014
15500/2014	358796	02-02A	17/11/2014	15582/2014	358843	09-03F	19/11/2014
15501/2014	358754	02-02A	17/11/2014	15583/2014	358844	09-03F	19/11/2014
15502/2014	358755	02-02A	17/11/2014	15584/2014	358845	09-03F	19/11/2014
15503/2014	358756	02-02A	17/11/2014	15586/2014	358846	09-03F	19/11/2014
15504/2014	358757	02-02A	17/11/2014	15587/2014	358847	09-03F	19/11/2014
15505/2014	358758	02-02A	17/11/2014	15588/2014	358848	09-03F	19/11/2014
15506/2014	358759	02-02A	17/11/2014	15589/2014	358849	09-03F	19/11/2014
15508/2014	358797	14-01	17/11/2014	15590/2014	358850	09-03F	19/11/2014
15509/2014	358760	25-01K	17/11/2014	15591/2014	358851	09-03F	19/11/2014
15510/2014	358761	26-04	17/11/2014	15592/2014	358852	09-03F	19/11/2014
15511/2014	358874	11-02C	20/11/2014	15593/2014	358853	09-03F	19/11/2014
15516/2014	358782	26-04	17/11/2014	15594/2014	358854	09-03F	19/11/2014
15517/2014	358798	26-04	17/11/2014	15595/2014	358855	09-03F	19/11/2014
15519/2014	358762	15-05	17/11/2014	15596/2014	358856	09-03F	19/11/2014
15520/2014	358763	15-05	17/11/2014	15597/2014	358857	09-03F	19/11/2014
15522/2014	358824	31-00	19/11/2014	15598/2014	358858	09-03F	19/11/2014
15523/2014	358825	31-00	19/11/2014	15599/2014	358859	09-03F	19/11/2014
15524/2014	358826	07-02NES	19/11/2014	15600/2014	358860	09-03F	19/11/2014
15525/2014	358827	31-00	19/11/2014	15601/2014	358897	09-03F	20/11/2014
15526/2014	358828	07-02L	19/11/2014	15602/2014	358898	09-03F	20/11/2014
15528/2014	358829	06-01C	19/11/2014	15603/2014	358899	09-03F	20/11/2014
15529/2014	358830	06-01C	19/11/2014	15604/2014	358900	09-03F	20/11/2014
15532/2014	358891	21-02A	20/11/2014	15605/2014	358904	09-03F	21/11/2014
15533/2014	358875	26-05B	20/11/2014	15606/2014	358905	09-03F	21/11/2014
15534/2014	358799	25-01F	17/11/2014	15607/2014	358906	09-03F	21/11/2014
15537/2014	358800	31-00	17/11/2014	15625/2014	358907	09-03F	21/11/2014
15538/2014	358876	02-03	20/11/2014	15626/2014	358908	09-03F	21/11/2014
15539/2014	358801	02-03	17/11/2014	15627/2014	358909	09-03F	21/11/2014
15540/2014	358802	31-00	17/11/2014	15628/2014	358910	09-03F	21/11/2014
15541/2014	358803	31-00	17/11/2014	15629/2014	358911	09-03F	21/11/2014
15542/2014	358877	09-01D	20/11/2014	15630/2014	358912	09-03F	21/11/2014
15543/2014	358804	24-02	17/11/2014	15631/2014	358913	09-03F	21/11/2014
15544/2014	358892	12-11	20/11/2014	15632/2014	358878	09-03F	20/11/2014
15547/2014	358941	08-05NES	21/11/2014	15633/2014	358914	23-02A	21/11/2014
15548/2014	358942	08-05NES	21/11/2014	15637/2014	358958	26-05B	24/11/2014
15549/2014	358943	08-05NES	21/11/2014	15640/2014	358959	06-06NES	24/11/2014
15550/2014	358944	08-05NES	21/11/2014	15642/2014	358879	23-04	20/11/2014
15551/2014	358945	08-05NES	21/11/2014	15643/2014	358880	23-04	20/11/2014
15552/2014	358946	08-05NES	21/11/2014	15647/2014	358915	28-03NES	21/11/2014
15553/2014	358947	08-05NES	21/11/2014	15652/2014	358881	06-13B	20/11/2014
15555/2014	358834	02-03	19/11/2014	15653/2014	358882	02-02B	20/11/2014
15556/2014	358835	02-03	19/11/2014	15654/2014	358883	02-02B	20/11/2014
15559/2014	358893	07-03	20/11/2014	15656/2014	358884	31-00	20/11/2014
15563/2014	358894	07-03	20/11/2014	15657/2014	358885	28-03A	20/11/2014
15564/2014	358895	07-03	20/11/2014	15658/2014	358916	28-03NES	21/11/2014
15566/2014	358896	25-01K	20/11/2014	15661/2014	358917	13-03E	21/11/2014
15569/2014	358808	27-99	18/11/2014	15662/2014	358918	12-16M	21/11/2014

Publication and Registration Proceedings - Designs Registered cont'd

Design Number	Registration Number	International Classification Code (IDC)	Registration Date	Design Number	Registration Number	International Classification Code (IDC)	Registration Date
15665/2014	358919	23-01H	21/11/2014	15709/2014	358940	14-02	21/11/2014
15666/2014	358920	23-02C	21/11/2014	15712/2014	358960	09-01K	24/11/2014
15667/2014	358921	24-01	21/11/2014	15713/2014	358961	21-02NES	24/11/2014
15669/2014	358922	12-08	21/11/2014	15714/2014	358962	07-05A	24/11/2014
15671/2014	358923	23-04	21/11/2014	15719/2014	358963	26-05C	24/11/2014
15672/2014	358924	23-04	21/11/2014	15722/2014	358964	12-16A	24/11/2014
15673/2014	358925	23-04	21/11/2014	15727/2014	358965	24-04	24/11/2014
15686/2014	358926	09-07C	21/11/2014	15729/2014	358966	15-05	24/11/2014
15693/2014	358927	09-07C	21/11/2014	15730/2014	358967	15-05	24/11/2014
15694/2014	358928	12-16B	21/11/2014	15732/2014	358968	15-05	24/11/2014
15695/2014	358929	12-16C	21/11/2014	15733/2014	358969	15-05	24/11/2014
15696/2014	358930	12-16B	21/11/2014	15734/2014	358972	06-11	24/11/2014
15697/2014	358931	12-16B	21/11/2014	15735/2014	358973	10-05	24/11/2014
15698/2014	358932	12-08	21/11/2014	15737/2014	358974	09-02C	24/11/2014
15700/2014	358933	20-01	21/11/2014	15756/2014	358764	13-02	17/11/2014
15701/2014	358934	12-16C	21/11/2014	15757/2014	358765	13-02	17/11/2014
15704/2014	358935	14-01	21/11/2014	15759/2014	358783	24-01	17/11/2014
15705/2014	358936	26-03	21/11/2014	15760/2014	358784	24-01	17/11/2014
15706/2014	358937	14-02	21/11/2014				
15707/2014	358938	14-02	21/11/2014				
15708/2014	358939	14-02	21/11/2014				

Publication and Registration Proceedings

Class Listing of Designs Published or Registered

The following section shows an International Classification Code listing of the Registered or Published Designs covered in this supplement.

Classification	Registration Number	Design Number	Classification	Registration Number	Design Number
02-02A	358751	15497/2014	06-11	358972	15734/2014
02-02A	358752	15498/2014	06-13B	358881	15652/2014
02-02A	358753	15499/2014	07-01C	358681	15344/2014
02-02A	358754	15501/2014	07-01D	358954	15417/2014
02-02A	358755	15502/2014	07-01NES	358678	13703/2014
02-02A	358756	15503/2014	07-01NES	358679	13704/2014
02-02A	358757	15504/2014	07-01NES	358731	15453/2014
02-02A	358758	15505/2014	07-01NES	358732	15454/2014
02-02A	358759	15506/2014	07-01NES	358734	15456/2014
02-02A	358796	15500/2014	07-01NES	358735	15459/2014
02-02B	358882	15653/2014	07-02C	358671	15037/2014
02-02B	358883	15654/2014	07-02L	358650	14254/2014
02-03	358768	14677/2014	07-02L	358683	13810/2014
02-03	358801	15539/2014	07-02L	358828	15526/2014
02-03	358834	15555/2014	07-02N	358713	15408/2014
02-03	358835	15556/2014	07-02N	358721	15131/2014
02-03	358876	15538/2014	07-02N	358722	15133/2014
02-04A	358633	15353/2014	07-02N	358723	15134/2014
02-04A	358634	15354/2014	07-02NES	358684	13814/2014
02-04A	358635	15355/2014	07-02NES	358826	15524/2014
02-04B	358794	15465/2014	07-03	358893	15559/2014
02-04C	358670	14989/2014	07-03	358894	15563/2014
02-04C	358720	15057/2014	07-03	358895	15564/2014
02-05	358672	15193/2014	07-04	358637	15358/2014
03-01A	358705	15418/2014	07-04	358638	15360/2014
03-01A	358706	15419/2014	07-04	358639	15361/2014
03-01A	358715	15435/2014	07-04	358777	15474/2014
03-01A	358780	15479/2014	07-04	358795	15482/2014
03-01NES	358627	14834/2014	07-04	358873	15477/2014
03-01NES	358823	15489/2014	07-04	358953	15363/2014
03-01NES	358870	15113/2014	07-05A	358962	15714/2014
03-03	358865	15246/2014	07-05E	358864	15039/2014
04-04	358742	15493/2014	07-05NES	358700	15402/2014
04-04	358743	15494/2014	07-05NES	358701	15403/2014
04-04	358744	15495/2014	08-03	358786	14461/2014
04-04	358745	15496/2014	08-03	358793	15462/2014
05-05NES	358833	15279/2014	08-05G	358889	14583/2014
06-01C	358829	15528/2014	08-05NES	358774	15471/2014
06-01C	358830	15529/2014	08-05NES	358819	15082/2014
06-01F	358628	15040/2014	08-05NES	358872	15469/2014
06-01F	358707	15423/2014	08-05NES	358941	15547/2014
06-01F	358708	15426/2014	08-05NES	358942	15548/2014
06-01G	358625	14591/2014	08-05NES	358943	15549/2014
06-01G	358626	14592/2014	08-05NES	358944	15550/2014
06-03C	358785	14366/2014	08-05NES	358945	15551/2014
06-03NES	358704	15416/2014	08-05NES	358946	15552/2014
06-03NES	358712	14904/2014	08-05NES	358947	15553/2014
06-04NES	358951	14790/2014	08-05P	358682	15366/2014
06-05	358811	14211/2014	08-05P	358806	14996/2014
06-06E	358738	14043/2014	08-07	358661	15381/2014
06-06NES	358737	14042/2014	08-07	358662	15383/2014
06-06NES	358959	15640/2014	08-07	358663	15384/2014
06-11	358750	15027/2014	08-07	358664	15385/2014

Registration Proceedings - Class Listing of Designs Published or Registered cont'd

Classification	Registration Number	Design Number	Classification	Registration Number	Design Number
08-07	358665	15386/2014	09-03F	358897	15601/2014
08-07	358673	15388/2014	09-03F	358898	15602/2014
08-07	358674	15389/2014	09-03F	358899	15603/2014
08-07	358694	15382/2014	09-03F	358900	15604/2014
08-07	358695	15387/2014	09-03F	358904	15605/2014
08-08C	358728	15445/2014	09-03F	358905	15606/2014
08-08G	358866	15034/2014	09-03F	358906	15607/2014
08-08G	358867	15035/2014	09-03F	358907	15625/2014
08-08G	358868	15047/2014	09-03F	358908	15626/2014
08-08G	358902	14888/2014	09-03F	358909	15627/2014
08-08G	358971	15048/2014	09-03F	358910	15628/2014
08-08L	358646	13717/2014	09-03F	358911	15629/2014
08-08L	358686	13716/2014	09-03F	358912	15630/2014
08-08NES	358736	14032/2014	09-03F	358913	15631/2014
08-08NES	358890	14887/2014	09-03L	358726	15443/2014
08-08NES	358955	14842/2014	09-03L	358727	15444/2014
09-01D	358716	15439/2014	09-03L	358729	15446/2014
09-01D	358739	15463/2014	09-03M	358657	15370/2014
09-01D	358863	14493/2014	09-03M	358658	15373/2014
09-01D	358877	15542/2014	09-03M	358690	14577/2014
09-01K	358960	15712/2014	09-03M	358714	15428/2014
09-02C	358974	15737/2014	09-03M	358725	15442/2014
09-03F	358617	14157/2014	09-03M	358730	15451/2014
09-03F	358618	14158/2014	09-07B	358691	14578/2014
09-03F	358619	14159/2014	09-07C	358926	15686/2014
09-03F	358620	14160/2014	09-07C	358927	15693/2014
09-03F	358621	14161/2014	09-07NES	358788	15032/2014
09-03F	358622	14162/2014	09-09	358766	12171/2014
09-03F	358623	14163/2014	10-04	358746	12961/2014
09-03F	358624	14164/2014	10-05	358973	15735/2014
09-03F	358836	15575/2014	11-02C	358874	15511/2014
09-03F	358837	15576/2014	12-02	358689	13860/2014
09-03F	358838	15577/2014	12-08	358922	15669/2014
09-03F	358839	15578/2014	12-08	358932	15698/2014
09-03F	358840	15579/2014	12-08	358957	15207/2014
09-03F	358841	15580/2014	12-10	358692	15369/2014
09-03F	358842	15581/2014	12-10	358948	14170/2014
09-03F	358843	15582/2014	12-11	358892	15544/2014
09-03F	358844	15583/2014	12-12	358949	14641/2014
09-03F	358845	15584/2014	12-14	358719	15044/2014
09-03F	358846	15586/2014	12-15A	358656	15367/2014
09-03F	358847	15587/2014	12-15B	358677	15393/2014
09-03F	358848	15588/2014	12-15B	358696	15394/2014
09-03F	358849	15589/2014	12-16A	358964	15722/2014
09-03F	358850	15590/2014	12-16B	358805	14430/2014
09-03F	358851	15591/2014	12-16B	358886	12048/2014
09-03F	358852	15592/2014	12-16B	358928	15694/2014
09-03F	358853	15593/2014	12-16B	358930	15696/2014
09-03F	358854	15594/2014	12-16B	358931	15697/2014
09-03F	358855	15595/2014	12-16C	358929	15695/2014
09-03F	358856	15596/2014	12-16C	358934	15701/2014
09-03F	358857	15597/2014	12-16M	358918	15662/2014
09-03F	358858	15598/2014	13-02	358749	14777/2014
09-03F	358859	15599/2014	13-02	358764	15756/2014
09-03F	358860	15600/2014	13-02	358765	15757/2014
09-03F	358878	15632/2014	13-03E	358917	15661/2014

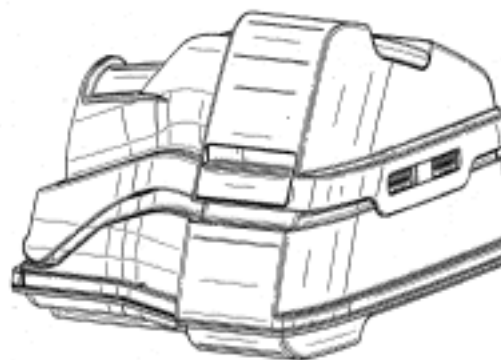
Registration Proceedings - Class Listing of Designs Published or Registered cont'd

Classification	Registration Number	Design Number	Classification	Registration Number	Design Number
13-03NES	358956	15195/2014	23-01L	358646	13717/2014
14-01	358652	14452/2014	23-01L	358686	13716/2014
14-01	358667	14451/2014	23-02A	358914	15633/2014
14-01	358668	14453/2014	23-02C	358920	15666/2014
14-01	358797	15508/2014	23-04	358640	14538/2014
14-01	358818	14645/2014	23-04	358817	14535/2014
14-01	358935	15704/2014	23-04	358879	15642/2014
14-02	358648	14154/2014	23-04	358880	15643/2014
14-02	358770	15466/2014	23-04	358923	15671/2014
14-02	358771	15467/2014	23-04	358924	15672/2014
14-02	358937	15706/2014	23-04	358925	15673/2014
14-02	358938	15707/2014	24-01	358616	14093/2014
14-02	358939	15708/2014	24-01	358703	15412/2014
14-02	358940	15709/2014	24-01	358748	14532/2014
14-03A	358809	15570/2014	24-01	358767	14247/2014
14-03A	358903	15015/2014	24-01	358783	15759/2014
14-04	358770	15466/2014	24-01	358784	15760/2014
14-04	358771	15467/2014	24-01	358812	14384/2014
15-03A	358647	14103/2014	24-01	358813	14385/2014
15-03A	358651	14102/2014	24-01	358814	14386/2014
15-05	358699	15401/2014	24-01	358815	14387/2014
15-05	358762	15519/2014	24-01	358816	14388/2014
15-05	358763	15520/2014	24-01	358832	15176/2014
15-05	358966	15729/2014	24-01	358901	14117/2014
15-05	358967	15730/2014	24-01	358921	15667/2014
15-05	358968	15732/2014	24-02	358649	14200/2014
15-05	358969	15733/2014	24-02	358748	14532/2014
15-99	358702	15404/2014	24-02	358804	15543/2014
19-01	358654	15345/2014	24-03	358724	15437/2014
19-01	358655	15346/2014	24-04	358630	15348/2014
19-99	358642	15308/2014	24-04	358632	15352/2014
19-99	358643	15309/2014	24-04	358773	15470/2014
20-01	358933	15700/2014	24-04	358775	15472/2014
20-02E	358747	13135/2014	24-04	358776	15473/2014
20-03A	358693	15372/2014	24-04	358779	15478/2014
21-01B	358861	14255/2014	24-04	358781	15484/2014
21-01B	358862	14256/2014	24-04	358787	14603/2014
21-02A	358687	14488/2014	24-04	358820	15486/2014
21-02A	358891	15532/2014	24-04	358821	15487/2014
21-02B	358645	15364/2014	24-04	358822	15488/2014
21-02C	358717	15441/2014	24-04	358965	15727/2014
21-02D	358629	15347/2014	25-01C	358675	15390/2014
21-02NES	358961	15713/2014	25-01C	358676	15392/2014
21-03	358709	15431/2014	25-01D	358697	13785/2014
21-03	358710	15432/2014	25-01E	358688	14855/2014
21-03	358711	15433/2014	25-01E	358874	15511/2014
22-01	358669	14967/2014	25-01F	358685	14744/2014
22-01	358718	15012/2014	25-01F	358799	15534/2014
22-01	358789	15042/2014	25-01K	358666	12157/2014
22-01	358790	15045/2014	25-01K	358760	15509/2014
22-01	358869	15112/2014	25-01K	358896	15566/2014
22-01	358871	15114/2014	25-02C	358807	15362/2014
22-05	358952	15210/2014	25-02E	358697	13785/2014
23-01B	358791	15448/2014	25-02NES	358666	12157/2014
23-01H	358680	13760/2014	25-03	358769	15261/2014
23-01H	358919	15665/2014	26-03	358888	14435/2014

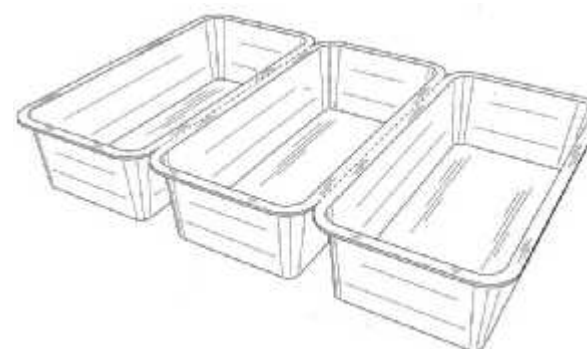
Registration Proceedings - Class Listing of Designs Published or Registered cont'd

Classification	Registration Number	Design Number	Classification	Registration Number	Design Number
26-03	358936	15705/2014	30-01	358741	15491/2014
26-04	358761	15510/2014	30-04	358772	15468/2014
26-04	358782	15516/2014	30-08	358887	13464/2014
26-04	358798	15517/2014	31-00	358659	15374/2014
26-05B	358875	15533/2014	31-00	358660	15375/2014
26-05B	358958	15637/2014	31-00	358684	13814/2014
26-05C	358963	15719/2014	31-00	358733	15455/2014
26-06	358631	15351/2014	31-00	358778	15475/2014
26-06	358636	15356/2014	31-00	358792	15452/2014
27-99	358808	15569/2014	31-00	358800	15537/2014
28-02	358698	15400/2014	31-00	358802	15540/2014
28-03A	358885	15657/2014	31-00	358803	15541/2014
28-03D	358810	14208/2014	31-00	358824	15522/2014
28-03D	358831	14212/2014	31-00	358825	15523/2014
28-03NES	358915	15647/2014	31-00	358826	15524/2014
28-03NES	358916	15658/2014	31-00	358827	15525/2014
29-02	358641	14732/2014	31-00	358884	15656/2014
29-02	358644	15342/2014	31-00	358950	14666/2014
29-02	358653	15343/2014			
29-02	358970	14856/2014			
30-01	358740	15490/2014			

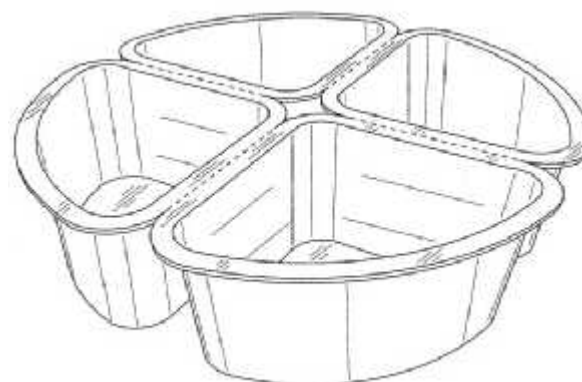
(21) Design Number: **14093/2014**
(22) Date of Filing Application: **19 August 2014**
(24) Date from which industrial property rights may have effect: **19 August 2014**
(54) Product in respect of which the design is registered: **Humidifier reservoir for positive airway pressure delivery console**
(51) International Design Classification: **24-01**
(74) Name(s) of Attorney(s): **Halfords IP**
(71) Name(s) and Address(s) of Applicant(s):
ResMed Limited
1 Elizabeth Macarthur Dr Bella Vista NSW 2153 Australia
(72) Name(s) of Designer(s): **Hargopal Verma and Andrew Roderick Bath and Justin John Formica and Matthew Rolf Harrington and Joseph Samuel Ormrod**
(45) Registration Date: **10 November 2014**
(30) Convention priority data:
(31) Number (32) Date (33) Country
29/482,541 19 Feb 2014 UNITED STATES OF AMERICA
(56) Related Art Documents: **Not Applicable**
(57) Statement of Newness and Distinctiveness: **Nil**



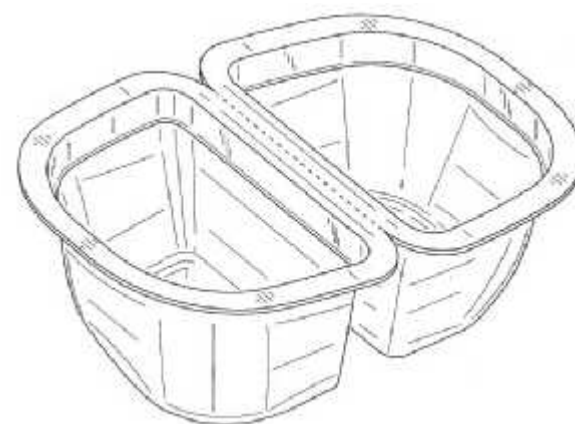
(21) Design Number: **14157/2014**
(22) Date of Filing Application: **21 August 2014**
(24) Date from which industrial property rights may have effect: **21 August 2014**
(54) Product in respect of which the design is registered: **Tray**
(51) International Design Classification: **09-03F**
(74) Name(s) of Attorney(s): **Baker & McKenzie**
(71) Name(s) and Address(s) of Applicant(s):
Mars, Incorporated
6885 Elm Street McLean VA 22101 United States of America
(72) Name(s) of Designer(s): **Jonathan Lee McSweeney and Jonathan Christopher Smith**
(45) Registration Date: **10 November 2014**
(30) Convention priority data:
(31) Number (32) Date (33) Country
29/463739 21 Feb 2014 UNITED STATES OF AMERICA
(56) Related Art Documents: **Not Applicable**
(57) Statement of Newness and Distinctiveness: **Nil**



(21) Design Number: **14158/2014**
(22) Date of Filing Application: **21 August 2014**
(24) Date from which industrial property rights may have effect: **21 August 2014**
(54) Product in respect of which the design is registered: **Tray**
(51) International Design Classification: **09-03F**
(74) Name(s) of Attorney(s): **Baker & McKenzie**
(71) Name(s) and Address(s) of Applicant(s):
Mars, Incorporated
6885 Elm Street McLean VA 22101 United States of America
(72) Name(s) of Designer(s): **Jonathan Lee McSweeney and Jonathan Christopher Smith**
(45) Registration Date: **10 November 2014**
(30) Convention priority data:
(31) Number (32) Date (33) Country
29/463739 21 Feb 2014 UNITED STATES OF AMERICA
(56) Related Art Documents: **Not Applicable**
(57) Statement of Newness and Distinctiveness: **Nil**



(21) Design Number: **14159/2014**
(22) Date of Filing Application: **21 August 2014**
(24) Date from which industrial property rights may have effect: **21 August 2014**
(54) Product in respect of which the design is registered: **Tray**
(51) International Design Classification: **09-03F**
(74) Name(s) of Attorney(s): **Baker & McKenzie**
(71) Name(s) and Address(s) of Applicant(s):
Mars, Incorporated
6885 Elm Street McLean VA 22101 United States of America
(72) Name(s) of Designer(s): **Jonathan Lee McSweeney and Jonathan Christopher Smith**
(45) Registration Date: **10 November 2014**
(30) Convention priority data:
(31) Number (32) Date (33) Country
29/463739 21 Feb 2014 UNITED STATES OF AMERICA
(56) Related Art Documents: **Not Applicable**
(57) Statement of Newness and Distinctiveness: **Nil**



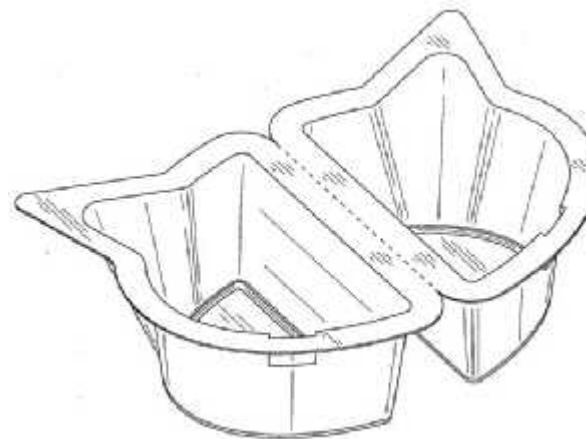
(21) Design Number: **14160/2014**
(22) Date of Filing Application: **21 August 2014**
(24) Date from which industrial property rights may have effect: **21 August 2014**
(54) Product in respect of which the design is registered: **Tray**
(51) International Design Classification: **09-03F**
(74) Name(s) of Attorney(s): **Baker & McKenzie**
(71) Name(s) and Address(s) of Applicant(s):
Mars, Incorporated
6885 Elm Street McLean VA 22101 United States of America
(72) Name(s) of Designer(s): **Jonathan Lee McSweeney and Jonathan Christopher Smith**
(45) Registration Date: **10 November 2014**
(30) Convention priority data:
(31) Number (32) Date (33) Country
29/463739 21 Feb 2014 UNITED STATES OF AMERICA
(56) Related Art Documents: **Not Applicable**
(57) Statement of Newness and Distinctiveness: **Nil**



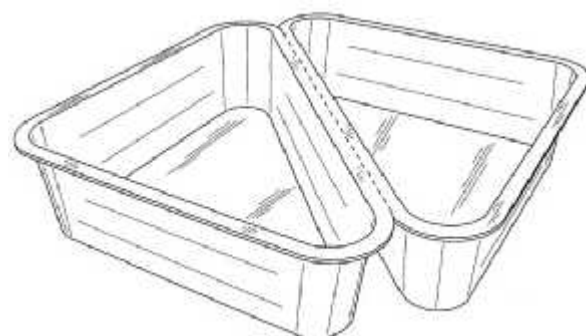
(21) Design Number: **14161/2014**
(22) Date of Filing Application: **21 August 2014**
(24) Date from which industrial property rights may have effect: **21 August 2014**
(54) Product in respect of which the design is registered: **Tray**
(51) International Design Classification: **09-03F**
(74) Name(s) of Attorney(s): **Baker & McKenzie**
(71) Name(s) and Address(s) of Applicant(s):
Mars, Incorporated
6885 Elm Street McLean VA 22101 United States of America
(72) Name(s) of Designer(s): **Jonathan Lee McSweeney and Jonathan Christopher Smith**
(45) Registration Date: **10 November 2014**
(30) Convention priority data:
(31) Number (32) Date (33) Country
29/463739 21 Feb 2014 UNITED STATES OF AMERICA
(56) Related Art Documents: **Not Applicable**
(57) Statement of Newness and Distinctiveness: **Nil**



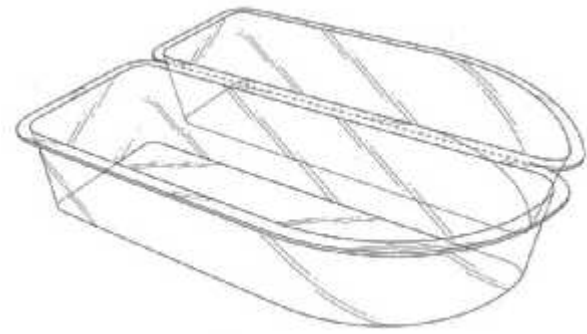
(21) Design Number: **14162/2014**
(22) Date of Filing Application: **21 August 2014**
(24) Date from which industrial property rights may have effect: **21 August 2014**
(54) Product in respect of which the design is registered: **Tray**
(51) International Design Classification: **09-03F**
(74) Name(s) of Attorney(s): **Baker & McKenzie**
(71) Name(s) and Address(s) of Applicant(s):
Mars, Incorporated
6885 Elm Street McLean VA 22101 United States of America
(72) Name(s) of Designer(s): **Jonathan Lee McSweeney and Jonathan Christopher Smith**
(45) Registration Date: **10 November 2014**
(30) Convention priority data:
(31) Number (32) Date (33) Country
29/463739 21 Feb 2014 UNITED STATES OF AMERICA
(56) Related Art Documents: **Not Applicable**
(57) Statement of Newness and Distinctiveness: **Nil**



(21) Design Number: **14163/2014**
(22) Date of Filing Application: **21 August 2014**
(24) Date from which industrial property rights may have effect: **21 August 2014**
(54) Product in respect of which the design is registered: **Tray**
(51) International Design Classification: **09-03F**
(74) Name(s) of Attorney(s): **Baker & McKenzie**
(71) Name(s) and Address(s) of Applicant(s):
Mars, Incorporated
6885 Elm Street McLean VA 22101 United States of America
(72) Name(s) of Designer(s): **Jonathan Lee McSweeney and Jonathan Christopher Smith**
(45) Registration Date: **10 November 2014**
(30) Convention priority data:
(31) Number (32) Date (33) Country
29/463739 21 Feb 2014 UNITED STATES OF AMERICA
(56) Related Art Documents: **Not Applicable**
(57) Statement of Newness and Distinctiveness: **Nil**



(21) Design Number: **14164/2014**
(22) Date of Filing Application: **21 August 2014**
(24) Date from which industrial property rights may have effect: **21 August 2014**
(54) Product in respect of which the design is registered: **Tray**
(51) International Design Classification: **09-03F**
(74) Name(s) of Attorney(s): **Baker & McKenzie**
(71) Name(s) and Address(s) of Applicant(s):
Mars, Incorporated
6885 Elm Street McLean VA 22101 United States of America
(72) Name(s) of Designer(s): **Jonathan Lee McSweeney and Jonathan Christopher Smith**
(45) Registration Date: **10 November 2014**
(30) Convention priority data:
(31) Number (32) Date (33) Country
29/463739 21 Feb 2014 UNITED STATES OF AMERICA
(56) Related Art Documents: **Not Applicable**
(57) Statement of Newness and Distinctiveness: **Nil**



(21) Design Number: **14591/2014**
(22) Date of Filing Application: **11 September 2014**
(24) Date from which industrial property rights may have effect: **11 September 2014**
(54) Product in respect of which the design is registered: **Sofa**
(51) International Design Classification: **06-01G**
(74) Name(s) of Attorney(s): **Ashurst Australia**
(71) Name(s) and Address(s) of Applicant(s):
Halo Trademarks Limited
G/F 17 Gough Street Central Hong Kong
(72) Name(s) of Designer(s): **Bastien Taillard**
(45) Registration Date: **10 November 2014**
(56) Related Art Documents: **Not Applicable**
(57) Statement of Newness and Distinctiveness: **Nil**



(21) Design Number: **14592/2014**
(22) Date of Filing Application: **11 September 2014**
(24) Date from which industrial property rights may have effect: **11 September 2014**
(54) Product in respect of which the design is registered: **Sofa**
(51) International Design Classification: **06-01G**
(74) Name(s) of Attorney(s): **Ashurst Australia**
(71) Name(s) and Address(s) of Applicant(s):
Halo Trademarks Limited
G/F 17 Gough Street Central Hong Kong
(72) Name(s) of Designer(s): **Bastien Taillard**
(45) Registration Date: **10 November 2014**
(56) Related Art Documents: **Not Applicable**
(57) Statement of Newness and Distinctiveness: **Nil**



(21) Design Number: **14834/2014**
(22) Date of Filing Application: **23 September 2014**
(24) Date from which industrial property rights may have effect: **23 September 2014**
(54) Product in respect of which the design is registered: **Case for a smart phone**
(51) International Design Classification: **03-01NES**
(74) Name(s) of Attorney(s): **Davies Collison Cave**
(71) Name(s) and Address(s) of Applicant(s):
Magpul Industries Corporation
400 Young Court Unit 1 Erie Colorado 80516 United States of America
(72) Name(s) of Designer(s): **Grady Barfoot and Yehezkel Eitan and Michael T. Mayberry and Richard Fitzpatrick**
(45) Registration Date: **10 November 2014**
(30) Convention priority data:
(31) Number (32) Date (33) Country
29/486199 27 Mar 2014 UNITED STATES OF AMERICA
(56) Related Art Documents: **Not Applicable**
(57) Statement of Newness and Distinctiveness: **Newness and distinctiveness is claimed in the visual features shown in solid lines in the representations. The smart phone shown in Figures 3 and 4 for reference and does not form part of the design.**



- (21) Design Number: **15040/2014**
(22) Date of Filing Application: **01 October 2014**
(24) Date from which industrial property rights may have effect: **01 October 2014**
(54) Product in respect of which the design is registered: **Chair**
(51) International Design Classification: **06-01F**
(74) Name(s) of Attorney(s): **Corrs Chambers Westgarth**
(71) Name(s) and Address(s) of Applicant(s):
Tube Home (M) Sdn Bhd
No. 6 Jalan Perusahaan 2 Kawasan Perusahaan Beranang, Hulu Langat
43700 Selangor Darul Ehsan Malaysia
(72) Name(s) of Designer(s): **Dato' Tan Yok Chin**
(45) Registration Date: **10 November 2014**
(30) Convention priority data:
(31) Number (32) Date (33) Country
14-E0503-0101 26 Sep 2014 MALAYSIA
(56) Related Art Documents: **Not Applicable**
(57) Statement of Newness and Distinctiveness: **Newness and distinctiveness resides in the features of shape and configuration of the article as shown in the representations.**



- (21) Design Number: **15347/2014**
(22) Date of Filing Application: **23 October 2014**
(24) Date from which industrial property rights may have effect: **23 October 2014**
(54) Product in respect of which the design is registered: **Fin for water based craft and/ or equipment**
(51) International Design Classification: **21-02D**
(74) Name(s) of Attorney(s):
(71) Name(s) and Address(s) of Applicant(s):
Steven Warner Boyle
62 Lalina Ave Tweed Heads NSW 2485 Australia
(72) Name(s) of Designer(s): **Steven Warner Boyle**
(45) Registration Date: **10 November 2014**
(56) Related Art Documents: **Not Applicable**
(57) Statement of Newness and Distinctiveness: **Features of shape and configuration of a fin as shown in all photographs.**



(21) Design Number: **15348/2014**

(22) Date of Filing Application: **23 October 2014**

(24) Date from which industrial property rights may have effect: **23 October 2014**

(54) Product in respect of which the design is registered: **Embossed absorbent article**

(51) International Design Classification: **24-04**

(74) Name(s) of Attorney(s): **IP Gateway Patent & Trademark Attorneys Pty Ltd**

(71) Name(s) and Address(s) of Applicant(s):

Medline Industries, Inc.
One Medline Place Mundelein Illinois 60060 United States of America

(72) Name(s) of Designer(s): **Benjamin Duck and Dan Love**

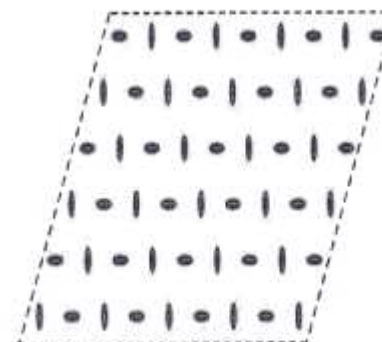
(45) Registration Date: **10 November 2014**

(30) Convention priority data:

(31) Number	(32) Date	(33) Country
29/488,827	23 Apr 2014	UNITED STATES OF AMERICA

(56) Related Art Documents: **Not Applicable**

(57) Statement of Newness and Distinctiveness: **The newness and distinctiveness of the design resides in the features of pattern and/or ornamentation of an embossed absorbent article of indefinite length and width as shown in the accompanying representation, wherein said features repeat uniformly throughout the width and length of the embossed absorbent article.**



(21) Design Number: **15351/2014**

(22) Date of Filing Application: **23 October 2014**

(24) Date from which industrial property rights may have effect: **23 October 2014**

(54) Product in respect of which the design is registered: **Lighting equipment for vehicles**

(51) International Design Classification: **26-06**

(74) Name(s) of Attorney(s): **Acacia Law**

(71) Name(s) and Address(s) of Applicant(s):

VISION X ASIA CO., LTD.
Chungchun-Dong 92 Chungjung-Ro Bupyeong-ku Incheon-shi 403-853
Republic of Korea

IN-HONG KO
No. A-2803, Daelim Acrovill 13, Eonju-Ro 30-Gil, Gangnam-ku Seoul
135-856 Republic of Korea

(72) Name(s) of Designer(s): **IN-HONG KO**

(45) Registration Date: **10 November 2014**

(30) Convention priority data:

(31) Number	(32) Date	(33) Country
30-2014-0041374	25 Aug 2014	REPUBLIC OF KOREA

(56) Related Art Documents: **Not Applicable**

(57) Statement of Newness and Distinctiveness: **Novelty lies in the combination of shape and configuration of the body including the radiation fins and the shield for lighting equipment for vehicles.**



(21) Design Number: **15352/2014**
(22) Date of Filing Application: **23 October 2014**
(24) Date from which industrial property rights may have effect: **23 October 2014**
(54) Product in respect of which the design is registered: **Applicator**
(51) International Design Classification: **24-04**
(74) Name(s) of Attorney(s): **HODGKINSON McINNES PATENTS**
(71) Name(s) and Address(s) of Applicant(s):

Mark L Anderson
303 South McKay Avenue PO Box 39 Spring Valley Wisconsin
54767-0039 United States of America

Andrew Boyle
197 Rangatira Road Beach Haven Auckland 0626 New Zealand

(72) Name(s) of Designer(s): **Mark L Anderson and Andrew Boyle**

(45) Registration Date: **10 November 2014**

(30) Convention priority data:

(31) Number	(32) Date	(33) Country
29/488776	23 Apr 2014	UNITED STATES OF AMERICA

(56) Related Art Documents: **Not Applicable**

(57) Statement of Newness and Distinctiveness: **Newness and distinctiveness is claimed in the shape and configuration of an applicator for applying a bovine insert into a cow as shown in the representations. The broken lines illustrate non-claimed subject matter and form no part of the claimed design.**



(21) Design Number: **15353/2014**
(22) Date of Filing Application: **23 October 2014**
(24) Date from which industrial property rights may have effect: **23 October 2014**
(54) Product in respect of which the design is registered: **Insoles**
(51) International Design Classification: **02-04A**
(74) Name(s) of Attorney(s): **Madderns**
(71) Name(s) and Address(s) of Applicant(s):

Reckitt Benckiser (Brands) Limited
103-105 Bath Road Slough Berkshire SL1 3UH United Kingdom

(72) Name(s) of Designer(s): **James Holt and Zakaria Baig**

(45) Registration Date: **10 November 2014**

(30) Convention priority data:

(31) Number	(32) Date	(33) Country
002451534-0001	23 Apr 2014	OFFICE FOR HARMONISATION IN THE INTERNAL MARKET (OHIM)

(56) Related Art Documents: **Not Applicable**

(57) Statement of Newness and Distinctiveness: **Nil**



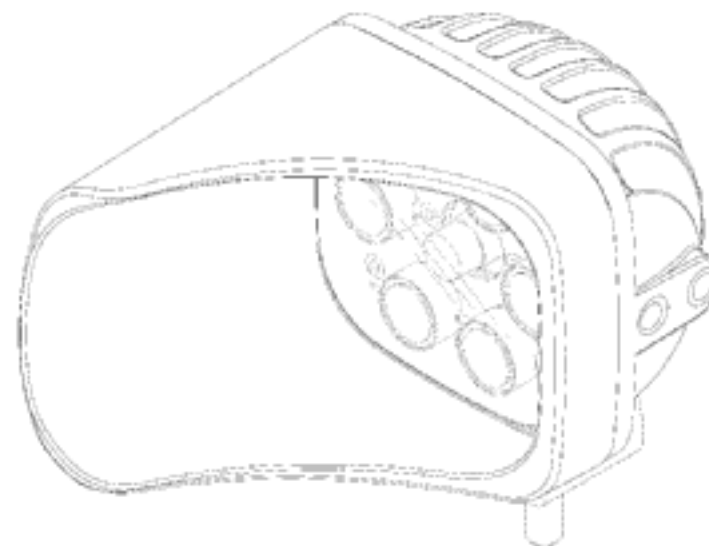
(21) Design Number: **15354/2014**
(22) Date of Filing Application: **23 October 2014**
(24) Date from which industrial property rights may have effect: **23 October 2014**
(54) Product in respect of which the design is registered: **Insoles**
(51) International Design Classification: **02-04A**
(74) Name(s) of Attorney(s): **Madderns**
(71) Name(s) and Address(s) of Applicant(s):
Reckitt Benckiser (Brands) Limited
103-105 Bath Road Slough Berkshire SL1 3UH United Kingdom
(72) Name(s) of Designer(s): **James Holt and Zakaria Baig**
(45) Registration Date: **10 November 2014**
(30) Convention priority data:
(31) Number (32) Date (33) Country
002451534-0002 23 Apr 2014 OFFICE FOR HARMONISATION IN
THE INTERNAL MARKET (OHIM)
(56) Related Art Documents: **Not Applicable**
(57) Statement of Newness and Distinctiveness: **Nil**



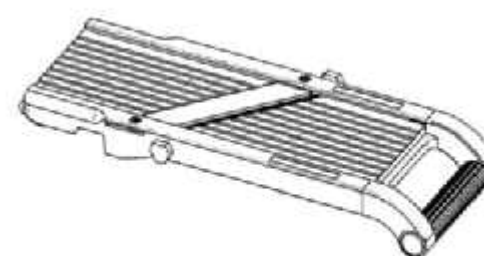
(21) Design Number: **15355/2014**
(22) Date of Filing Application: **23 October 2014**
(24) Date from which industrial property rights may have effect: **23 October 2014**
(54) Product in respect of which the design is registered: **Insoles**
(51) International Design Classification: **02-04A**
(74) Name(s) of Attorney(s): **Madderns**
(71) Name(s) and Address(s) of Applicant(s):
Reckitt Benckiser (Brands) Limited
103-105 Bath Road Slough Berkshire SL1 3UH United Kingdom
(72) Name(s) of Designer(s): **James Holt and Zakaria Baig**
(45) Registration Date: **10 November 2014**
(30) Convention priority data:
(31) Number (32) Date (33) Country
002451534-0003 23 Apr 2014 OFFICE FOR HARMONISATION IN
THE INTERNAL MARKET (OHIM)
(56) Related Art Documents: **Not Applicable**
(57) Statement of Newness and Distinctiveness: **Nil**



- (21) Design Number: **15356/2014**
(22) Date of Filing Application: **23 October 2014**
(24) Date from which industrial property rights may have effect: **23 October 2014**
(54) Product in respect of which the design is registered: **Lighting equipment for vehicles**
(51) International Design Classification: **26-06**
(74) Name(s) of Attorney(s): **Acacia Law**
(71) Name(s) and Address(s) of Applicant(s):
Vision X Asia Co., Ltd.
ChungChun-Dong 92 Chungjung-Ro Bupyeong-ku Incheon-shi 403-853
Republic of Korea
IN-HONG KO
No. A-2803, Daelim Acrovill 13, Eonju-Ro 30-Gil, Gangnam-ku Seoul
135-856 Republic of Korea
(72) Name(s) of Designer(s): **IN-HONG KO**
(45) Registration Date: **10 November 2014**
(30) Convention priority data:
(31) Number (32) Date (33) Country
30-2014-0041375 25 Aug 2014 REPUBLIC OF KOREA
(56) Related Art Documents: **Not Applicable**
(57) Statement of Newness and Distinctiveness: **Novelty lies in the combination of shape and configuration of the body including the radiation fins and the shield for lighting equipment for vehicles.**



- (21) Design Number: **15358/2014**
(22) Date of Filing Application: **23 October 2014**
(24) Date from which industrial property rights may have effect: **23 October 2014**
(54) Product in respect of which the design is registered: **Vegetable cooking utensil**
(51) International Design Classification: **07-04**
(74) Name(s) of Attorney(s): **Callinans**
(71) Name(s) and Address(s) of Applicant(s):
Benriner Co., Ltd.
101-10 2-Chome Tada Iwakuni-shi Yamaguchi 741-0092 Japan
(72) Name(s) of Designer(s): **Hajime Yamamoto**
(45) Registration Date: **10 November 2014**
(30) Convention priority data:
(31) Number (32) Date (33) Country
2014-020913 22 Sep 2014 JAPAN
(56) Related Art Documents: **Not Applicable**
(57) Statement of Newness and Distinctiveness: **Newness and distinctiveness resides in the application of the features of shape and configuration to a Vegetable Cooking Utensil as shown in the accompanying representations.**



(21) Design Number: **15360/2014**

(22) Date of Filing Application: **23 October 2014**

(24) Date from which industrial property rights may have effect: **23 October 2014**

(54) Product in respect of which the design is registered: **Vegetable cooking utensil**

(51) International Design Classification: **07-04**

(74) Name(s) of Attorney(s): **Callinans**

(71) Name(s) and Address(s) of Applicant(s):

Benriner Co., Ltd.

101-10, 2-Chome Tada Iwakuni-shi Yamaguchi 741-0092 Japan

(72) Name(s) of Designer(s): **Hajime Yamamoto**

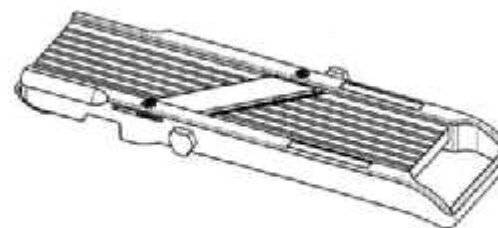
(45) Registration Date: **10 November 2014**

(30) Convention priority data:

(31) Number	(32) Date	(33) Country
2014-020914	22 Sep 2014	JAPAN

(56) Related Art Documents: **Not Applicable**

(57) Statement of Newness and Distinctiveness: **Newness and distinctiveness resides in the application of the features of shape and configuration to a Vegetable Cooking Utensil as shown in the accompanying drawings.**



(21) Design Number: **15361/2014**

(22) Date of Filing Application: **23 October 2014**

(24) Date from which industrial property rights may have effect: **23 October 2014**

(54) Product in respect of which the design is registered: **Vegetable cooking utensil**

(51) International Design Classification: **07-04**

(74) Name(s) of Attorney(s): **Callinans**

(71) Name(s) and Address(s) of Applicant(s):

Benriner Co., Ltd.

101-10, 2-Chome Tada Iwakuni-shi Yamaguchi 741-0092 Japan

(72) Name(s) of Designer(s): **Hajime Yamamoto**

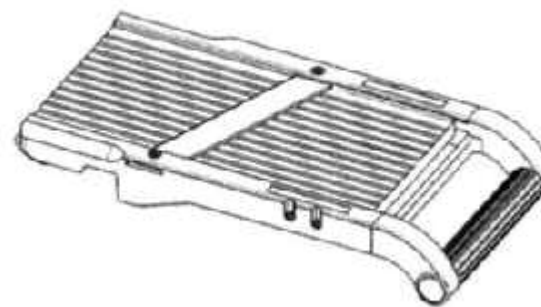
(45) Registration Date: **10 November 2014**

(30) Convention priority data:

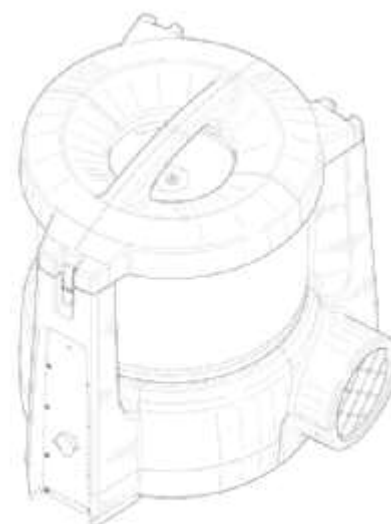
(31) Number	(32) Date	(33) Country
2014-020915	22 Sep 2014	JAPAN

(56) Related Art Documents: **Not Applicable**

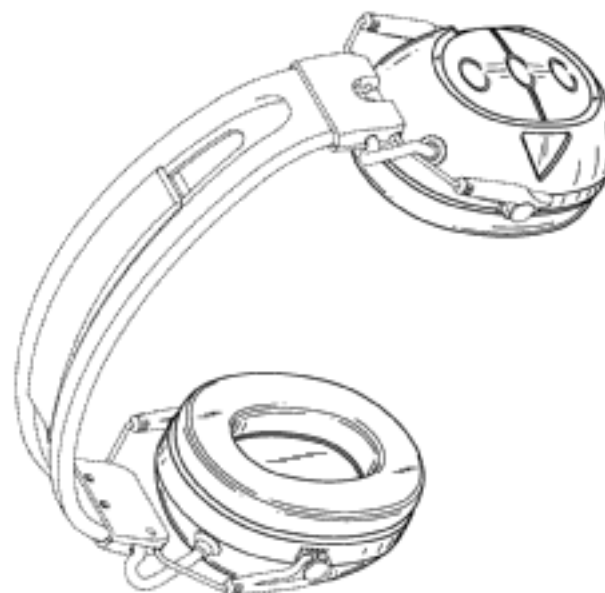
(57) Statement of Newness and Distinctiveness: **Newness and distinctiveness resides in the application of the features of shape and configuration to a Vegetable Cooking Utensil as shown in the accompanying drawings.**



- (21) Design Number: **14538/2014**
(22) Date of Filing Application: **10 September 2014**
(24) Date from which industrial property rights may have effect: **10 September 2014**
(54) Product in respect of which the design is registered: **Air filtration device**
(51) International Design Classification: **23-04**
(74) Name(s) of Attorney(s): **Davies Collison Cave**
(71) Name(s) and Address(s) of Applicant(s):
Illinois Tool Works Inc.
155 Harlem Avenue Glenview Illinois, 60026 United States of America
(72) Name(s) of Designer(s): **Stephen J. McPhilliamy and Antonio J. Belton and John S. White Jr and Ryan L. Francis**
(45) Registration Date: **10 November 2014**
(30) Convention priority data:
(31) Number (32) Date (33) Country
29/484,485 10 Mar 2014 UNITED STATES OF AMERICA
(56) Related Art Documents: **Not Applicable**
(57) Statement of Newness and Distinctiveness: **Newness and distinctiveness is claimed in the visual features shown in solid lines in the representations.**



- (21) Design Number: **14732/2014**
(22) Date of Filing Application: **17 September 2014**
(24) Date from which industrial property rights may have effect: **17 September 2014**
(54) Product in respect of which the design is registered: **Hearing protector**
(51) International Design Classification: **29-02**
(74) Name(s) of Attorney(s): **Davies Collison Cave**
(71) Name(s) and Address(s) of Applicant(s):
3M Innovative Properties Company
3M Center Saint Paul Minnesota 55133-3427 United States of America
(72) Name(s) of Designer(s): **Brenda Marie Bonney and Scott Thomas Cheek and Nicolas Antonio Echeverri and Douglas Dwayne Fletcher and Oscar Mathias Hemberg**
(45) Registration Date: **10 November 2014**
(30) Convention priority data:
(31) Number (32) Date (33) Country
29/485689 21 Mar 2014 UNITED STATES OF AMERICA
(56) Related Art Documents: **Not Applicable**
(57) Statement of Newness and Distinctiveness: **Newness and distinctiveness is claimed in the visual features shown in solid lines in the representations. In considering the extent of the design rights, the broken lines shown in the representations are for illustrative purposes only and do not form part of the design.**



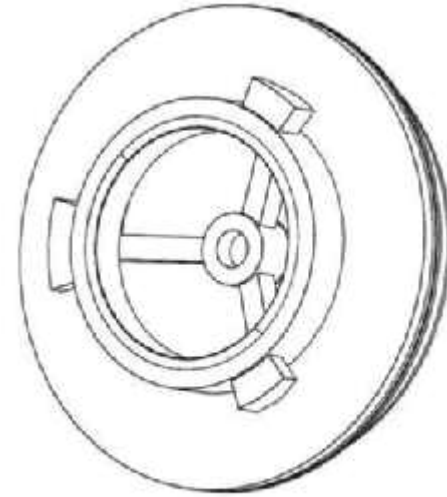
- (21) Design Number: **15308/2014**
(22) Date of Filing Application: **20 October 2014**
(24) Date from which industrial property rights may have effect: **20 October 2014**
(54) Product in respect of which the design is registered: **Decal**
(51) International Design Classification: **19-99**
(74) Name(s) of Attorney(s): **Alder IP Pty Ltd**
(71) Name(s) and Address(s) of Applicant(s):
Janice Mahanga
10 John St Dudley NSW 2290 Australia
(72) Name(s) of Designer(s): **Janice Mahanga**
(45) Registration Date: **10 November 2014**
(56) Related Art Documents: **Not Applicable**
(57) Statement of Newness and Distinctiveness: **The newness and distinctiveness of the design resides in the shape of the decal as shown in the continuous lines in the accompanying representation. The word and letters "FEB" and "JMGD14" are not part of the design and are to be disregarded when considering the overall impression of the design.**



- (21) Design Number: **15309/2014**
(22) Date of Filing Application: **20 October 2014**
(24) Date from which industrial property rights may have effect: **20 October 2014**
(54) Product in respect of which the design is registered: **Decal**
(51) International Design Classification: **19-99**
(74) Name(s) of Attorney(s): **Alder IP Pty Ltd**
(71) Name(s) and Address(s) of Applicant(s):
Janice Mahanga
10 John St Dudley NSW 2290 Australia
(72) Name(s) of Designer(s): **Janice Mahanga**
(45) Registration Date: **10 November 2014**
(56) Related Art Documents: **Not Applicable**
(57) Statement of Newness and Distinctiveness: **The newness and distinctiveness of the design resides in the shape of the decal as shown in the continuous lines in the accompanying representations. The word and letters "MAR" and "JMGD14" are not part of the design and are to be disregarded when considering the overall impression of the design.**



- (21) Design Number: **15342/2014**
(22) Date of Filing Application: **22 October 2014**
(24) Date from which industrial property rights may have effect: **22 October 2014**
(54) Product in respect of which the design is registered: **Unidirectional valve on face mask**
(51) International Design Classification: **29-02**
(74) Name(s) of Attorney(s): **Houlihan2**
(71) Name(s) and Address(s) of Applicant(s):
SINGAPORE TECHNOLOGIES DYNAMICS PTE LTD
249 Jalan Boon Lay Singapore 619523 Singapore
(72) Name(s) of Designer(s): **Ee Ho Tang and Kwok Jiang Sak and Wei Liang Jerome Lee**
(45) Registration Date: **10 November 2014**
(30) Convention priority data:
(31) Number (32) Date (33) Country
D2014/574/G 08 May 2014 SINGAPORE
(56) Related Art Documents: **Not Applicable**
(57) Statement of Newness and Distinctiveness: **Newness and distinctiveness reside in the shape and/or configuration of a UNIDIRECTIONAL VALVE ON FACE MASK as illustrated in the accompanying representations.**



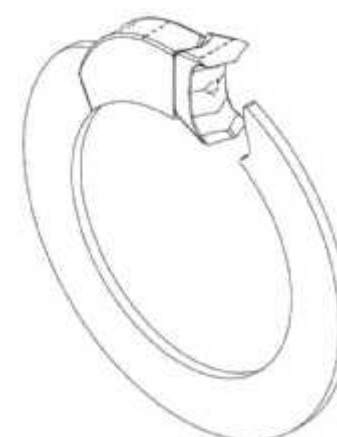
- (21) Design Number: **15364/2014**
(22) Date of Filing Application: **23 October 2014**
(24) Date from which industrial property rights may have effect: **23 October 2014**
(54) Product in respect of which the design is registered: **Aid for holding striking implement in the fingers**
(51) International Design Classification: **21-02B**
(74) Name(s) of Attorney(s):
(71) Name(s) and Address(s) of Applicant(s):
David William Nicol
35 Camdale Pde St Albans VIC 3021 Australia
(72) Name(s) of Designer(s): **David William Nicol**
(45) Registration Date: **10 November 2014**
(56) Related Art Documents: **Not Applicable**
(57) Statement of Newness and Distinctiveness: **The newness and distinctiveness of the design resides in its organic shape enabling the user to naturally hold the striking implement (e.g. cricket bat) more in the fingers rather than in the palm(s) of the hand(s).**



(21) Design Number: **13717/2014**
(22) Date of Filing Application: **31 July 2014**
(24) Date from which industrial property rights may have effect: **31 July 2014**
(54) Product in respect of which the design is registered: **Gutter bracket**
(51) International Design Classification: **23-01L, 08-08L**
(74) Name(s) of Attorney(s): **PHILLIPS ORMONDE FITZPATRICK**
(71) Name(s) and Address(s) of Applicant(s):
Stramit Corporation Pty Limited
Level 11 Tower B Zenith Centre 821 Pacific Highway Chatswood New
South Wales 2067 Australia
(72) Name(s) of Designer(s): **John Richard Bugh and Christopher Lee Healy**
(45) Registration Date: **11 November 2014**
(56) Related Art Documents: **Not Applicable**
(57) Statement of Newness and Distinctiveness: **Those features of the gutter bracket depicted in the representations that are new and distinctive are the shape and/or configuration.**



(21) Design Number: **14103/2014**
(22) Date of Filing Application: **20 August 2014**
(24) Date from which industrial property rights may have effect: **20 August 2014**
(54) Product in respect of which the design is registered: **Land clearing tool**
(51) International Design Classification: **15-03A**
(74) Name(s) of Attorney(s): **Griffith Hack**
(71) Name(s) and Address(s) of Applicant(s):
Fecon, Inc.
3460 Grant Drive Lebanon OH 45036 United States of America
(72) Name(s) of Designer(s): **Jeffrey Stanley and Garrett Alan Ford**
(45) Registration Date: **11 November 2014**
(30) Convention priority data:
(31) Number (32) Date (33) Country
29/482,945 24 Feb 2014 UNITED STATES OF AMERICA
(56) Related Art Documents: **Not Applicable**
(57) Statement of Newness and Distinctiveness: **Nil**



(19) AU

(21) Design Number: **14154/2014**

(22) Date of Filing Application: **21 August 2014**

(24) Date from which industrial property rights may have effect: **21 August 2014**

(54) Product in respect of which the design is registered: **Display screen for an electronic device**

(51) International Design Classification: **14-02**

(74) Name(s) of Attorney(s): **WATERMARK PATENT AND TRADE MARKS ATTORNEYS**

(71) Name(s) and Address(s) of Applicant(s):

**Titus Inc
343 Preston Street Suite 800 Ottawa Ontario K1S 1N4 Canada**

(72) Name(s) of Designer(s): **Charlie Pulfer and Carlos Eduardo Rivas Bardciela**

(45) Registration Date: **11 November 2014**

(30) Convention priority data:

(31) Number	(32) Date	(33) Country
155263	21 Feb 2014	CANADA

(56) Related Art Documents: **Not Applicable**

(57) Statement of Newness and Distinctiveness: **Newness and distinctiveness is claimed in the features of pattern and/or ornamentation of a display screen for an electronic device as shown in solid outline in the accompanying representations.**

PUBLIC	
<input type="checkbox"/> Nisicla Biser adine atvdlm not odlop lchic dc oasclac amn sctonadlc adln alvnn alnd stldvmp vjndm vjua pvr	Yes/No
INTERNAL	
<input type="checkbox"/> Nisicla Biser adine atvdlm not odlop lchic dc oasclac amn sctonadlc adln alvnn alnd stldvmp vjndm vjua pvr	Yes/No
PUBLIC	
<input type="checkbox"/> Bilyln Smand adine atvdlm not odlop lchic dc oasclac amn sctonadlc adln alvnn alnd stldvmp vjndm vjua pvr	Yes/No
INTERNAL	
<input type="checkbox"/> Mtlch Kistnace adine atvdlm not odlop lchic dc oasclac amn sctonadlc adln alvnn alnd stldvmp vjndm vjua pvr	Yes/No
INTERNAL	
<input type="checkbox"/> Regl Roy adine atvdlm not odlop lchic dc oasclac amn sctonadlc adln	Yes/No

(21) Design Number: **14200/2014**

(22) Date of Filing Application: **25 August 2014**

(24) Date from which industrial property rights may have effect: **25 August 2014**

(54) Product in respect of which the design is registered: **Stimulation device**

(51) International Design Classification: **24-02**

(74) Name(s) of Attorney(s): **Davies Collison Cave**

(71) Name(s) and Address(s) of Applicant(s):

Incontrol Medical, LLC

**3225 Gateway Road, Suite 250 Brookfield Wisconsin 53045 United States
of America**

(72) Name(s) of Designer(s): **Herschel Peddicord**

(45) Registration Date: **11 November 2014**

(30) Convention priority data:

(31) Number

(32) Date

(33) Country

29/483386

27 Feb 2014

UNITED STATES OF AMERICA

(56) Related Art Documents: **Not Applicable**

(57) Statement of Newness and Distinctiveness: **Newness and distinctiveness is claimed in the visual features shown in solid lines in the representations. The ornamental design which is claimed is shown in solid lines in the drawings. The broken lines in the drawings are for illustrative purposes only and form no part of the claimed design. Broken lines formed by equal length dashes show unclaimed portions of the design. Broken lines formed of unequal length dashes (i.e., dash-dot) show boundaries between claimed and unclaimed portions of the design. Lines having a jagged element (i.e., broken-away symbols) are not part of the claimed design and show that no particular length of the portion is claimed. While the accompanying drawings illustrate one or more exemplary embodiments, it should be understood that according to other exemplary embodiments that should be considered to be within the possession of the inventors of the present application at the time this application is being filed, it is contemplated that any illustrated solid lines (or portions thereof) may be converted to broken lines and that any illustrated broken lines (or portions thereof) may be converted to solid lines so as to claim or disclaim portions, components, or sub-components of the designs shown. It is further contemplated that shading may be added or removed to claim or disclaim the corresponding surfaces.**



(21) Design Number: **14254/2014**

(22) Date of Filing Application: **27 August 2014**

(24) Date from which industrial property rights may have effect: **27 August 2014**

(54) Product in respect of which the design is registered: **Milk frothing device**

(51) International Design Classification: **07-02L**

(74) Name(s) of Attorney(s): **PIZZEYS**

(71) Name(s) and Address(s) of Applicant(s):

Vorwerk & Co. Interholding GmbH
Muehlenweg 17-37 Wuppertal 42275 Germany

(72) Name(s) of Designer(s): **Uwe Kemker and Jutta Schomacher and Markus Cornelissen and Felix Thies and Raphael Liss and Thomas Lessel and Petra Lehmann**

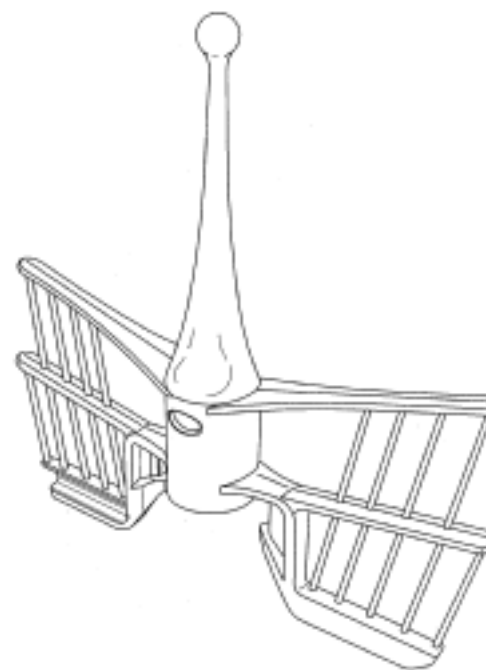
(45) Registration Date: **11 November 2014**

(30) Convention priority data:

(31) Number	(32) Date	(33) Country
001405443	10 Mar 2014	OFFICE FOR HARMONISATION IN THE INTERNAL MARKET (OHIM)

(56) Related Art Documents: **Not Applicable**

(57) Statement of Newness and Distinctiveness: **The newness and distinctiveness of the design resides in the features shape and/or configuration shown in unbroken lines in the accompanying representations. (if required, see Convention document).**



(21) Design Number: **14102/2014**

(22) Date of Filing Application: **20 August 2014**

(24) Date from which industrial property rights may have effect: **20 August 2014**

(54) Product in respect of which the design is registered: **Land clearing tool with depth control ring**

(51) International Design Classification: **15-03A**

(74) Name(s) of Attorney(s): **Griffith Hack**

(71) Name(s) and Address(s) of Applicant(s):

Fecon, Inc.
3460 Grant Drive Lebanon OH 45036 United States of America

(72) Name(s) of Designer(s): **Jeffrey Stanley and Garrett Alan Ford**

(45) Registration Date: **11 November 2014**

(30) Convention priority data:

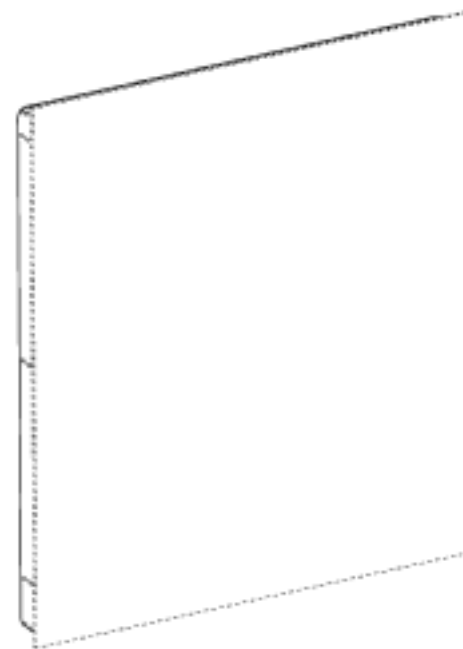
(31) Number	(32) Date	(33) Country
29/482,945	24 Feb 2014	UNITED STATES OF AMERICA

(56) Related Art Documents: **Not Applicable**

(57) Statement of Newness and Distinctiveness: **Nil**



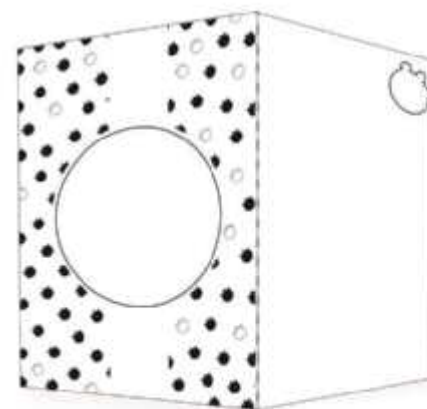
(21) Design Number: **14452/2014**
(22) Date of Filing Application: **05 September 2014**
(24) Date from which industrial property rights may have effect: **05 September 2014**
(54) Product in respect of which the design is registered: **Decorative display**
(51) International Design Classification: **14-01**
(74) Name(s) of Attorney(s): **Davies Collison Cave**
(71) Name(s) and Address(s) of Applicant(s):
3M Innovative Properties Company
3M Center Saint Paul Minnesota 55133-3427 United States of America
(72) Name(s) of Designer(s): **Jacob Peter Vanderheyden and Stephan Andre Hawthorne and Judd Dylan Olson and Thomas William Floyd**
(45) Registration Date: **11 November 2014**
(30) Convention priority data:
(31) Number (32) Date (33) Country
29/484172 06 Mar 2014 UNITED STATES OF AMERICA
(56) Related Art Documents: **Not Applicable**
(57) Statement of Newness and Distinctiveness: **Newness and distinctiveness is claimed in the visual features shown in solid lines in the representations. In considering the extent of the design rights, the broken lines shown in the representations are for illustrative purposes only and do not form part of the design.**



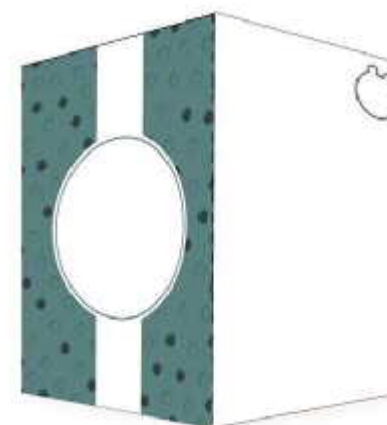
(21) Design Number: **15343/2014**
(22) Date of Filing Application: **22 October 2014**
(24) Date from which industrial property rights may have effect: **22 October 2014**
(54) Product in respect of which the design is registered: **Disposable respirator with child active venting system**
(51) International Design Classification: **29-02**
(74) Name(s) of Attorney(s): **Houlihan2**
(71) Name(s) and Address(s) of Applicant(s):
SINGAPORE TECHNOLOGIES DYNAMICS PTE LTD
249 Jalan Boon Lay Singapore 619523 Singapore
(72) Name(s) of Designer(s): **Ee Ho Tang and Kwok Jiang Sak and Wei Liang Jerome Lee**
(45) Registration Date: **11 November 2014**
(30) Convention priority data:
(31) Number (32) Date (33) Country
D2014/575/C 08 May 2014 SINGAPORE
(56) Related Art Documents: **Not Applicable**
(57) Statement of Newness and Distinctiveness: **Newness and distinctiveness reside in the shape and/or configuration of a DISPOSABLE RESPIRATOR WITH CHILD ACTIVE VENTING SYSTEM as illustrated in the accompanying representations.**



- (21) Design Number: **15345/2014**
(22) Date of Filing Application: **22 October 2014**
(24) Date from which industrial property rights may have effect: **22 October 2014**
(54) Product in respect of which the design is registered: **Greeting card**
(51) International Design Classification: **19-01**
(74) Name(s) of Attorney(s): **TJIP Patents, Trade Marks & Designs**
(71) Name(s) and Address(s) of Applicant(s):
Tanya Baker
6 Cecelia Ct Kelso QLD 4815 Australia
(72) Name(s) of Designer(s): **Tanya Baker and Odine Bode**
(45) Registration Date: **11 November 2014**
(56) Related Art Documents: **Not Applicable**
(57) Statement of Newness and Distinctiveness: **The design is applicable to a new and distinctive greeting card, which may include story pages, as illustrated in the representations, including a cut-out stylised "paw" motif on the front cover and a wall-paper arrangement featuring a stylised "paw" motif on the back.**



- (21) Design Number: **15346/2014**
(22) Date of Filing Application: **22 October 2014**
(24) Date from which industrial property rights may have effect: **22 October 2014**
(54) Product in respect of which the design is registered: **Greeting card**
(51) International Design Classification: **19-01**
(74) Name(s) of Attorney(s): **TJIP Patents, Trade Marks & Designs**
(71) Name(s) and Address(s) of Applicant(s):
Tanya Baker
6 Cecelia Ct Kelso QLD 4815 Australia
(72) Name(s) of Designer(s): **Tanya Baker and Odine Bode**
(45) Registration Date: **11 November 2014**
(56) Related Art Documents: **Not Applicable**
(57) Statement of Newness and Distinctiveness: **The design is applicable to a new and distinctive greeting card, which may include story pages, as illustrated in the representations, including a cut-out stylised "paw" motif on the front cover and a wall-paper arrangement featuring a stylised "paw" motif on a green (CMYK and RGB colour values as follows: C=75 M=32 Y=42 K=5. R=69 G=135 B=140) background on the back.**



(21) Design Number: **15367/2014**
(22) Date of Filing Application: **24 October 2014**
(24) Date from which industrial property rights may have effect: **24 October 2014**
(54) Product in respect of which the design is registered: **Tire tread**
(51) International Design Classification: **12-15A**
(74) Name(s) of Attorney(s): **Baxter Patent Attorneys Pty Ltd**
(71) Name(s) and Address(s) of Applicant(s):
Hankook Tire Co., Ltd.
647-15 Yeoksam-dong Gangnam-gu Seoul 135-723 Republic of Korea
(72) Name(s) of Designer(s): **Seung Ju Kwak**
(45) Registration Date: **11 November 2014**
(30) Convention priority data:
(31) Number (32) Date (33) Country
30-2014-0022110 01 May 2014 REPUBLIC OF KOREA
(56) Related Art Documents: **Not Applicable**
(57) Statement of Newness and Distinctiveness: **Those features of the tire depicted in the representations that are new and distinctive are the shape and/or configuration of the tread of the tire, which consists of a repeating pattern. The sidewall, inner bead, and the peripheral boundary between the tire tread and the sidewall (as shown in broken line) is not part of the design and are to be disregarded when considering the overall impression of the design.**



(21) Design Number: **15370/2014**
(22) Date of Filing Application: **24 October 2014**
(24) Date from which industrial property rights may have effect: **24 October 2014**
(54) Product in respect of which the design is registered: **Package**
(51) International Design Classification: **09-03M**
(74) Name(s) of Attorney(s): **Griffith Hack**
(71) Name(s) and Address(s) of Applicant(s):
CLEAR LAM PACKAGING, INC.
1950 Pratt Boulevard Elk Grove Village Illinois 60007 United States of America
(72) Name(s) of Designer(s): **James J Sanfilippo and Milorad Radenovic**
(45) Registration Date: **11 November 2014**
(30) Convention priority data:
(31) Number (32) Date (33) Country
29/488,933 24 Apr 2014 UNITED STATES OF AMERICA
(56) Related Art Documents: **Not Applicable**
(57) Statement of Newness and Distinctiveness: **Newness and distinctiveness resides in the visual features, including shape and configuration, of a PACKAGE as shown in solid outline in the accompanying drawings. When determining whether the design is substantially similar in overall impression to another design, particular regard is to be had to the stippled surfaces, and no regard is to be had to those features shown in dotted outline, which features are provided for illustrative purposes only.**



(21) Design Number: **15373/2014**

(22) Date of Filing Application: **24 October 2014**

(24) Date from which industrial property rights may have effect: **24 October 2014**

(54) Product in respect of which the design is registered: **Package**

(51) International Design Classification: **09-03M**

(74) Name(s) of Attorney(s): **Griffith Hack**

(71) Name(s) and Address(s) of Applicant(s):

CLEAR LAM PACKAGING, INC.

1950 Pratt Boulevard Elk Grove Village Illinois 60007 United States of America

(72) Name(s) of Designer(s): **James J Sanfilippo and Milorad Radenovic**

(45) Registration Date: **11 November 2014**

(30) Convention priority data:

(31) Number	(32) Date	(33) Country
29/488,933	24 Apr 2014	UNITED STATES OF AMERICA

(56) Related Art Documents: **Not Applicable**

(57) Statement of Newness and Distinctiveness: **Newness and distinctiveness resides in the visual features, including shape and configuration, of a PACKAGE as shown in solid outline in the accompanying drawings. When determining whether the design is substantially similar in overall impression to another design, particular regard is to be had to the stippled surfaces, and no regard is to be had to those features shown in dotted outline, which features are provided for illustrative purposes only.**



(21) Design Number: **15374/2014**

(22) Date of Filing Application: **24 October 2014**

(24) Date from which industrial property rights may have effect: **24 October 2014**

(54) Product in respect of which the design is registered: **Blender**

(51) International Design Classification: **31-00**

(74) Name(s) of Attorney(s): **Griffith Hack**

(71) Name(s) and Address(s) of Applicant(s):

KENWOOD LIMITED

1 Kenwood Business Park New Lane Havant Hampshire, PO9 2NH United Kingdom

(72) Name(s) of Designer(s): **Darren Mullen**

(45) Registration Date: **11 November 2014**

(30) Convention priority data:

(31) Number	(32) Date	(33) Country
2452870-0001	25 Apr 2014	OFFICE FOR HARMONISATION IN THE INTERNAL MARKET (OHIM)

(56) Related Art Documents: **Not Applicable**

(57) Statement of Newness and Distinctiveness: **Nil**



(21) Design Number: **15375/2014**
(22) Date of Filing Application: **24 October 2014**
(24) Date from which industrial property rights may have effect: **24 October 2014**
(54) Product in respect of which the design is registered: **Blender**
(51) International Design Classification: **31-00**
(74) Name(s) of Attorney(s): **Griffith Hack**
(71) Name(s) and Address(s) of Applicant(s):
KENWOOD LIMITED
1 Kenwood Business Park New Lane Havant Hampshire, PO9 2NH
United Kingdom
(72) Name(s) of Designer(s): **Darren Mullen**
(45) Registration Date: **11 November 2014**
(30) Convention priority data:
(31) Number (32) Date (33) Country
2452870-0002 25 Apr 2014 OFFICE FOR HARMONISATION IN
THE INTERNAL MARKET (OHIM)
(56) Related Art Documents: **Not Applicable**
(57) Statement of Newness and Distinctiveness: **Nil**



(21) Design Number: **15381/2014**
(22) Date of Filing Application: **24 October 2014**
(24) Date from which industrial property rights may have effect: **24 October 2014**
(54) Product in respect of which the design is registered: **Key blank**
(51) International Design Classification: **08-07**
(74) Name(s) of Attorney(s): **PHILLIPS ORMONDE FITZPATRICK**
(71) Name(s) and Address(s) of Applicant(s):
ASSA ABLOY Australia Pty Limited
235 Huntingdale Rd Oakleigh VIC 3166 Australia
(72) Name(s) of Designer(s): **Perttu Malinen**
(45) Registration Date: **11 November 2014**
(56) Related Art Documents: **Not Applicable**
(57) Statement of Newness and Distinctiveness: **Those features of the key blank that are new and distinctive are the cross-sectional shape of the blade of the key blank as depicted in the profile of the key blank as shown in section A-A and B-B views. The shape and/or configuration of the head of the key blank shown in broken line is not part of the design and is to be disregarded when considering the overall impression of the design.**



- (21) Design Number: **15383/2014**
(22) Date of Filing Application: **24 October 2014**
(24) Date from which industrial property rights may have effect: **24 October 2014**
(54) Product in respect of which the design is registered: **Key blank**
(51) International Design Classification: **08-07**
(74) Name(s) of Attorney(s): **PHILLIPS ORMONDE FITZPATRICK**
(71) Name(s) and Address(s) of Applicant(s):
ASSA ABLOY Australia Pty Limited
235 Huntingdale Rd Oakleigh VIC 3166 Australia
(72) Name(s) of Designer(s): **Malinen Perttu**
(45) Registration Date: **11 November 2014**
(56) Related Art Documents: **Not Applicable**
(57) Statement of Newness and Distinctiveness: **Those features of the key blank that are new and distinctive are the cross-sectional shape of the blade of the key blank as depicted in the profile of the key blank as shown in section A-A and B-B views. The shape and/or configuration of the head of the key blank shown in broken line is not part of the design and is to be disregarded when considering the overall impression of the design.**



- (21) Design Number: **15384/2014**
(22) Date of Filing Application: **24 October 2014**
(24) Date from which industrial property rights may have effect: **24 October 2014**
(54) Product in respect of which the design is registered: **Key blank**
(51) International Design Classification: **08-07**
(74) Name(s) of Attorney(s): **PHILLIPS ORMONDE FITZPATRICK**
(71) Name(s) and Address(s) of Applicant(s):
ASSA ABLOY Australia Pty Limited
235 Huntingdale Rd Oakleigh VIC 3166 Australia
(72) Name(s) of Designer(s): **Perttu Malinen**
(45) Registration Date: **11 November 2014**
(56) Related Art Documents: **Not Applicable**
(57) Statement of Newness and Distinctiveness: **Those features of the key blank that are new and distinctive are the cross-sectional shape of the blade of the key blank as depicted in the profile of the key blank as shown in section A-A and B-B views. The shape and/or configuration of the head of the key blank shown in broken line is not part of the design and is to be disregarded when considering the overall impression of the design.**



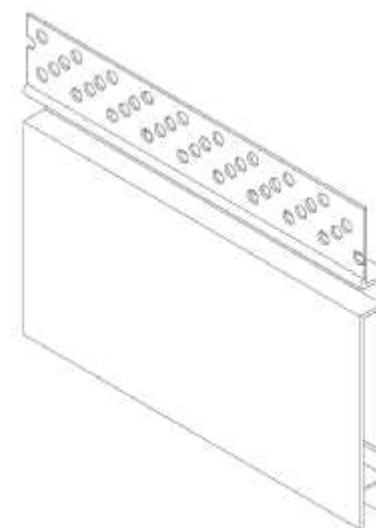
- (21) Design Number: **15385/2014**
(22) Date of Filing Application: **24 October 2014**
(24) Date from which industrial property rights may have effect: **24 October 2014**
(54) Product in respect of which the design is registered: **Key blank**
(51) International Design Classification: **08-07**
(74) Name(s) of Attorney(s): **PHILLIPS ORMONDE FITZPATRICK**
(71) Name(s) and Address(s) of Applicant(s):
ASSA ABLOY Australia Pty Limited
235 Huntingdale Rd Oakleigh VIC 3166 Australia
(72) Name(s) of Designer(s): **Perttu Malinen**
(45) Registration Date: **11 November 2014**
(56) Related Art Documents: **Not Applicable**
(57) Statement of Newness and Distinctiveness: **Those features of the key blank that are new and distinctive are the cross-sectional shape of the blade of the key blank as depicted in the profile of the key blank as shown in section A-A and B-B views. The shape and/or configuration of the head of the key blank shown in broken line is not part of the design and is to be disregarded when considering the overall impression of the design.**



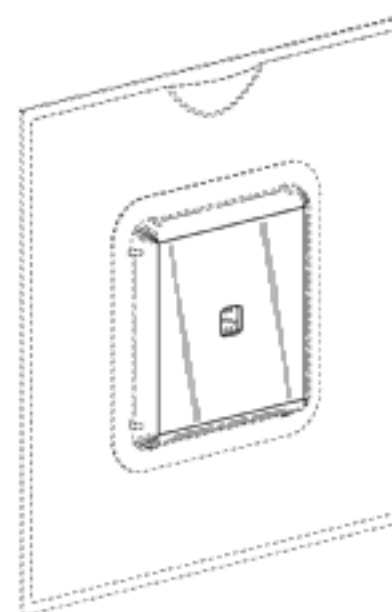
- (21) Design Number: **15386/2014**
(22) Date of Filing Application: **24 October 2014**
(24) Date from which industrial property rights may have effect: **24 October 2014**
(54) Product in respect of which the design is registered: **Key blank**
(51) International Design Classification: **08-07**
(74) Name(s) of Attorney(s): **PHILLIPS ORMONDE FITZPATRICK**
(71) Name(s) and Address(s) of Applicant(s):
ASSA ABLOY Australia Pty Limited
235 Huntingdale Rd Oakleigh VIC 3166 Australia
(72) Name(s) of Designer(s): **Perttu Malinen**
(45) Registration Date: **11 November 2014**
(56) Related Art Documents: **Not Applicable**
(57) Statement of Newness and Distinctiveness: **Those features of the key blank that are new and distinctive are the cross-sectional shape of the blade of the key blank as depicted in the profile of the key blank as shown in section A-A and B-B views. The shape and/or configuration of the head of the key blank shown in broken line is not part of the design and is to be disregarded when considering the overall impression of the design.**



(21) Design Number: **12157/2014**
(22) Date of Filing Application: **05 May 2014**
(24) Date from which industrial property rights may have effect: **05 May 2014**
(54) Product in respect of which the design is registered: **Skirting board**
(51) International Design Classification: **25-01K, 25-02NES**
(74) Name(s) of Attorney(s):
(71) Name(s) and Address(s) of Applicant(s):
Altro Building Systems Pty Ltd
7 Muir PI Wetherill Park NSW 2164 Australia
(72) Name(s) of Designer(s): **Gavin John Horsfall**
(45) Registration Date: **11 November 2014**
(56) Related Art Documents: **Not Applicable**
(57) Statement of Newness and Distinctiveness: **Newness and distinctiveness is claimed in the features of shape and/or configuration of a skirting board as illustrated in the accompanying representations. The skirting board is of indefinite length.**



(21) Design Number: **14451/2014**
(22) Date of Filing Application: **05 September 2014**
(24) Date from which industrial property rights may have effect: **05 September 2014**
(54) Product in respect of which the design is registered: **Decorative display**
(51) International Design Classification: **14-01**
(74) Name(s) of Attorney(s): **Davies Collison Cave**
(71) Name(s) and Address(s) of Applicant(s):
3M Innovative Properties Company
3M Center Saint Paul Minnesota 55133-3427 United States of America
(72) Name(s) of Designer(s): **Jacob Peter Vanderheyden and Stephan Andre Hawthorne and Judd Dylan Olson and Thomas William Floyd**
(45) Registration Date: **11 November 2014**
(30) Convention priority data:
(31) Number (32) Date (33) Country
29/484169 06 Mar 2014 UNITED STATES OF AMERICA
(56) Related Art Documents: **Not Applicable**
(57) Statement of Newness and Distinctiveness: **Newness and distinctiveness is claimed in the visual features shown in solid lines in the representations. In considering the extent of the design rights, the broken lines shown in the representations are for illustrative purposes only and do not form part of the design.**



(21) Design Number: **14453/2014**
(22) Date of Filing Application: **05 September 2014**
(24) Date from which industrial property rights may have effect: **05 September 2014**
(54) Product in respect of which the design is registered: **Decorative display base**
(51) International Design Classification: **14-01**
(74) Name(s) of Attorney(s): **Davies Collison Cave**
(71) Name(s) and Address(s) of Applicant(s):
3M Innovative Properties Company
3M Center Saint Paul Minnesota 55133-3427 United States of America

(72) Name(s) of Designer(s): **Jacob Peter Vanderheyden and Stephan Andre Hawthorne and Judd Dylan Olson and Thomas William Floyd**

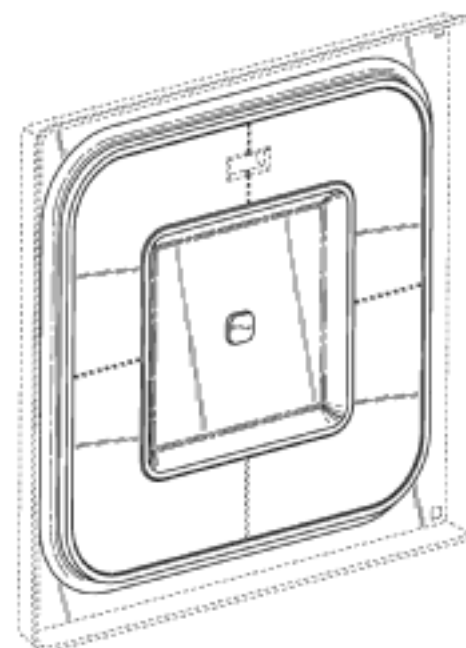
(45) Registration Date: **11 November 2014**

(30) Convention priority data:

(31) Number	(32) Date	(33) Country
29/484184	06 Mar 2014	UNITED STATES OF AMERICA

(56) Related Art Documents: **Not Applicable**

(57) Statement of Newness and Distinctiveness: **Newness and distinctiveness is claimed in the visual features shown in solid lines in the representations. In considering the extent of the design rights, the broken lines shown in the representations are for illustrative purposes only and do not form part of the design.**



(21) Design Number: **14967/2014**
(22) Date of Filing Application: **29 September 2014**
(24) Date from which industrial property rights may have effect: **29 September 2014**
(54) Product in respect of which the design is registered: **Firearm magazine**
(51) International Design Classification: **22-01**
(74) Name(s) of Attorney(s): **Davies Collison Cave**
(71) Name(s) and Address(s) of Applicant(s):
Magpul Industries Corporation
400 Young Court Unit 1 Erie Colorado 80516 United States of America

(72) Name(s) of Designer(s): **Nicholas Kielsmeier and Brian Nakayama and Michael T. Mayberry and Richard Fitzpatrick and Duane Liptak**

(45) Registration Date: **11 November 2014**

(30) Convention priority data:

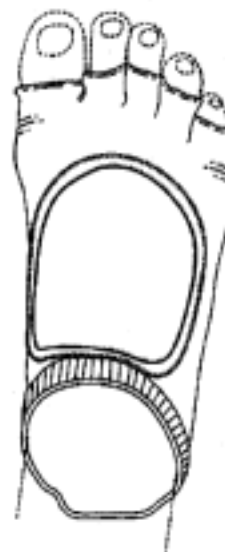
(31) Number	(32) Date	(33) Country
29/486625	01 Apr 2014	UNITED STATES OF AMERICA

(56) Related Art Documents: **Not Applicable**

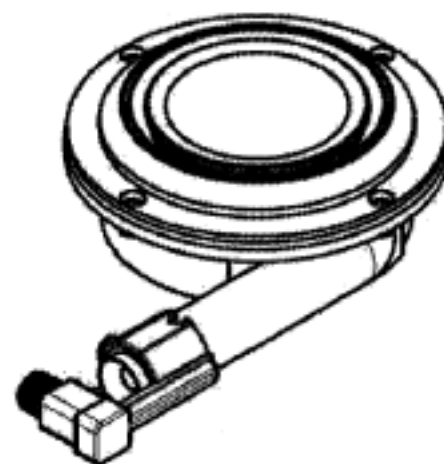
(57) Statement of Newness and Distinctiveness: **Newness and distinctiveness is claimed in the visual features shown in solid lines in the representations. The firearm itself shown in the reference view of Figure 1 does not form part of the design.**



(21) Design Number: **14989/2014**
(22) Date of Filing Application: **30 September 2014**
(24) Date from which industrial property rights may have effect: **30 September 2014**
(54) Product in respect of which the design is registered: **Sock**
(51) International Design Classification: **02-04C**
(74) Name(s) of Attorney(s): **Davies Collison Cave**
(71) Name(s) and Address(s) of Applicant(s):
Toesox, Inc.
1244 Keystone Way Vista California, 92081 United States of America
(72) Name(s) of Designer(s): **Joe Patterson**
(45) Registration Date: **11 November 2014**
(30) Convention priority data:
(31) Number (32) Date (33) Country
29/484,973 31 Mar 2014 UNITED STATES OF AMERICA
(56) Related Art Documents: **Not Applicable**
(57) Statement of Newness and Distinctiveness: **Nil**



(21) Design Number: **15037/2014**
(22) Date of Filing Application: **01 October 2014**
(24) Date from which industrial property rights may have effect: **01 October 2014**
(54) Product in respect of which the design is registered: **Burner for cooking hob**
(51) International Design Classification: **07-02C**
(74) Name(s) of Attorney(s): **Davies Collison Cave**
(71) Name(s) and Address(s) of Applicant(s):
Smeg S.p.A.
Via Leonardo Da Vinci, 4 I-42016 Guastalla (RE) Italy
(72) Name(s) of Designer(s): **Carlo Zambruni and Bujar Taga**
(45) Registration Date: **11 November 2014**
(30) Convention priority data:
(31) Number (32) Date (33) Country
**002440826 04 Apr 2014 OFFICE FOR HARMONISATION IN
THE INTERNAL MARKET (OHIM)**
(56) Related Art Documents: **Not Applicable**
(57) Statement of Newness and Distinctiveness: **Newness and distinctiveness
is claimed in the visual features shown in the representations.**



- (21) Design Number: **15193/2014**
(22) Date of Filing Application: **10 October 2014**
(24) Date from which industrial property rights may have effect: **10 October 2014**
(54) Product in respect of which the design is registered: **A scarf**
(51) International Design Classification: **02-05**
(74) Name(s) of Attorney(s): **PETER MAXWELL & ASSOCIATES**
(71) Name(s) and Address(s) of Applicant(s):
Skarf Pets Pty Limited
U3/237 Raglan St Mosman NSW 2088 Australia
(72) Name(s) of Designer(s): **Kate McIntosh**
(45) Registration Date: **11 November 2014**
(56) Related Art Documents: **Not Applicable**
(57) Statement of Newness and Distinctiveness: **Distinctiveness resides in the feature of pockets, particularly the pockets at the ends of the scarf for retaining toys, the pockets featuring apertures for the legs/appendages of the retained toy.**



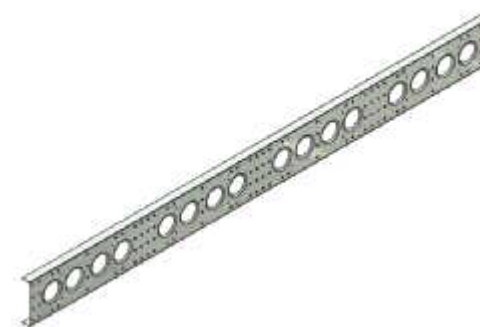
- (21) Design Number: **15388/2014**
(22) Date of Filing Application: **24 October 2014**
(24) Date from which industrial property rights may have effect: **24 October 2014**
(54) Product in respect of which the design is registered: **Key blank**
(51) International Design Classification: **08-07**
(74) Name(s) of Attorney(s): **PHILLIPS ORMONDE FITZPATRICK**
(71) Name(s) and Address(s) of Applicant(s):
ASSA ABLOY Australia Pty Limited
235 Huntingdale Rd Oakleigh VIC 3166 Australia
(72) Name(s) of Designer(s): **Perttu Malinen**
(45) Registration Date: **11 November 2014**
(56) Related Art Documents: **Not Applicable**
(57) Statement of Newness and Distinctiveness: **Those features of the key blank that are new and distinctive are the cross-sectional shape of the blade of the key blank as depicted in the profile of the key blank as shown in section A-A and B-B views. The shape and/or configuration of the head of the key blank shown in broken line is not part of the design and is to be disregarded when considering the overall impression of the design.**



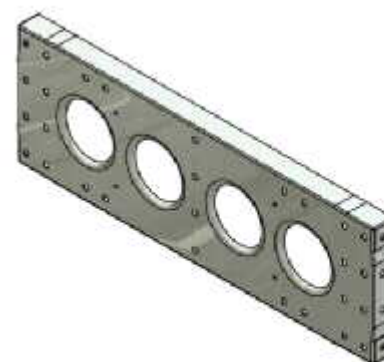
- (21) Design Number: **15389/2014**
(22) Date of Filing Application: **24 October 2014**
(24) Date from which industrial property rights may have effect: **24 October 2014**
(54) Product in respect of which the design is registered: **Key blank**
(51) International Design Classification: **08-07**
(74) Name(s) of Attorney(s): **PHILLIPS ORMONDE FITZPATRICK**
(71) Name(s) and Address(s) of Applicant(s):
ASSA ABLOY Australia Pty Limited
235 Huntingdale Rd Oakleigh VIC 3166 Australia
(72) Name(s) of Designer(s): **Perttu Malinen**
(45) Registration Date: **11 November 2014**
(56) Related Art Documents: **Not Applicable**
(57) Statement of Newness and Distinctiveness: **Those features of the key blank that are new and distinctive are the cross-sectional shape of the blade of the key blank as depicted in the profile of the key blank as shown in section A-A and B-B views. The shape and/or configuration of the head of the key blank shown in broken line is not part of the design and is to be disregarded when considering the overall impression of the design.**



- (21) Design Number: **15390/2014**
(22) Date of Filing Application: **24 October 2014**
(24) Date from which industrial property rights may have effect: **24 October 2014**
(54) Product in respect of which the design is registered: **A structural member for building framework**
(51) International Design Classification: **25-01C**
(74) Name(s) of Attorney(s): **Madderns**
(71) Name(s) and Address(s) of Applicant(s):
Rockhouse International Pty Ltd
47 Giles St Magill SA 5073 Australia
(72) Name(s) of Designer(s): **Doug McDonald**
(45) Registration Date: **11 November 2014**
(56) Related Art Documents: **Not Applicable**
(57) Statement of Newness and Distinctiveness: **Nil**



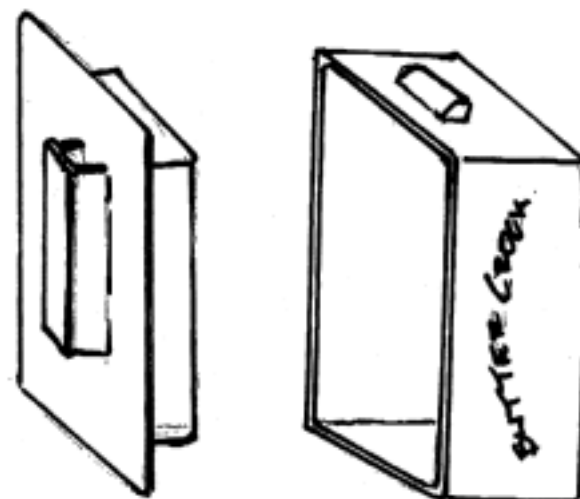
(21) Design Number: **15392/2014**
(22) Date of Filing Application: **24 October 2014**
(24) Date from which industrial property rights may have effect: **24 October 2014**
(54) Product in respect of which the design is registered: **A structural member for building framework**
(51) International Design Classification: **25-01C**
(74) Name(s) of Attorney(s): **Madderns**
(71) Name(s) and Address(s) of Applicant(s):
Rockhouse International Pty Ltd
47 Giles St Magill SA 5073 Australia
(72) Name(s) of Designer(s): **Doug McDonald**
(45) Registration Date: **11 November 2014**
(56) Related Art Documents: **Not Applicable**
(57) Statement of Newness and Distinctiveness: **Nil**



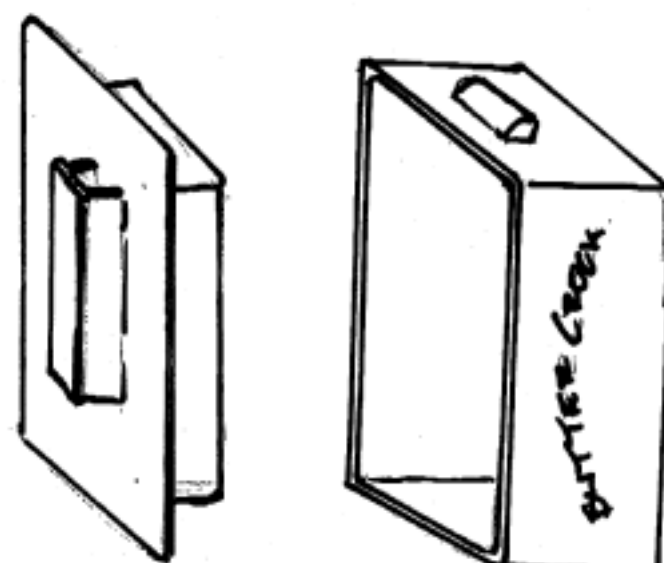
(21) Design Number: **15393/2014**
(22) Date of Filing Application: **24 October 2014**
(24) Date from which industrial property rights may have effect: **24 October 2014**
(54) Product in respect of which the design is registered: **Tire (prosport)**
(51) International Design Classification: **12-15B**
(74) Name(s) of Attorney(s):
(71) Name(s) and Address(s) of Applicant(s):
Qingdao Sentury Tire Co., Ltd.
No.5, Tianshan 3 Road, Daxin Town, Jimo Qingdao Shandong China
(72) Name(s) of Designer(s): **Mingming Zhao and Jingjing Liu and Yixin Zhang and Xueyi Wang and JingJing Ma**
(45) Registration Date: **11 November 2014**
(56) Related Art Documents: **Not Applicable**
(57) Statement of Newness and Distinctiveness: **Nil**



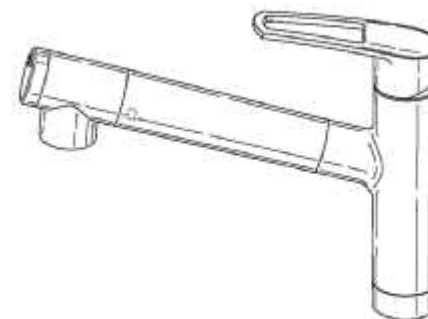
- (21) Design Number: **13703/2014**
(22) Date of Filing Application: **29 July 2014**
(24) Date from which industrial property rights may have effect: **29 July 2014**
(54) Product in respect of which the design is registered: **Rectangular shaped butter crock with side lifting finger handles**
(51) International Design Classification: **07-01NES**
(74) Name(s) of Attorney(s):
(71) Name(s) and Address(s) of Applicant(s):
Peter Hudleston
PO BOX 364 CobarNSW 2835 Australia
(72) Name(s) of Designer(s): **Peter Hudleston**
(45) Registration Date: **11 November 2014**
(56) Related Art Documents: **Not Applicable**
(57) Statement of Newness and Distinctiveness: **The rectangular better crock with the butter compartment able to hold a 250gm block of butter, suspended under the lid. The lid with suspended butter is placed into the rectangular crock, which has approx 1/3 cup of water added. The water forming a hydraulic seal at the base of the butter.**



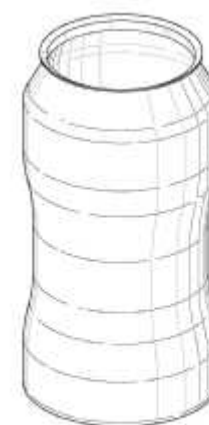
- (21) Design Number: **13704/2014**
(22) Date of Filing Application: **29 July 2014**
(24) Date from which industrial property rights may have effect: **29 July 2014**
(54) Product in respect of which the design is registered: **Rectangular shaped butter crock**
(51) International Design Classification: **07-01NES**
(74) Name(s) of Attorney(s):
(71) Name(s) and Address(s) of Applicant(s):
Peter Hudleston
PO BOX 364 Cobar NSW 2835 Australia
(72) Name(s) of Designer(s): **Peter Hudleston**
(45) Registration Date: **11 November 2014**
(56) Related Art Documents: **Not Applicable**
(57) Statement of Newness and Distinctiveness: **The rectangular better crock with the butter compartment able to hold a 250gm block of butter, suspended under the lid. The lid with suspended butter is placed into the rectangular crock, which has approx 1/3 cup of water added. The water forming a hydraulic seal at the base of the butter.**



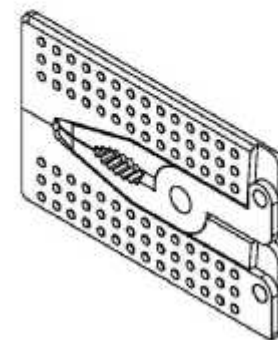
(21) Design Number: **13760/2014**
(22) Date of Filing Application: **04 August 2014**
(24) Date from which industrial property rights may have effect: **04 August 2014**
(54) Product in respect of which the design is registered: **Mixing tap**
(51) International Design Classification: **23-01H**
(74) Name(s) of Attorney(s): **Davies Collison Cave**
(71) Name(s) and Address(s) of Applicant(s):
Mitsubishi Rayon Co., Ltd.
1-1, Marunouchi 1-chome Chiyoda-ku Tokyo 100-8253 Japan
(72) Name(s) of Designer(s): **Hiroki Sakakibara and Tatsuhiro Katou and Takatomi Nishikoori and Tae-sik Kang**
(45) Registration Date: **11 November 2014**
(30) Convention priority data:
(31) Number (32) Date (33) Country
2014-002390 05 Feb 2014 JAPAN
(56) Related Art Documents: **Not Applicable**
(57) Statement of Newness and Distinctiveness: **Newness and distinctiveness is claimed in the visual features shown in solid lines in the representations.**



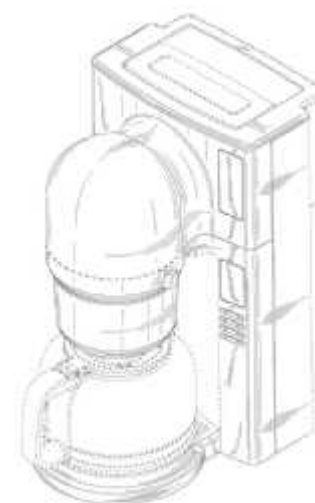
(21) Design Number: **15344/2014**
(22) Date of Filing Application: **22 October 2014**
(24) Date from which industrial property rights may have effect: **22 October 2014**
(54) Product in respect of which the design is registered: **Container for a beverage or the like**
(51) International Design Classification: **07-01C**
(74) Name(s) of Attorney(s): **PIZZEYS**
(71) Name(s) and Address(s) of Applicant(s):
Belvac Production Machinery, Inc.
237 Graves Mill Road Lynchburg VA 24502-4203 United States of America
(72) Name(s) of Designer(s): **Gerald Meador**
(45) Registration Date: **11 November 2014**
(30) Convention priority data:
(31) Number (32) Date (33) Country
29/488,807 23 Apr 2014 UNITED STATES OF AMERICA
(56) Related Art Documents: **Not Applicable**
(57) Statement of Newness and Distinctiveness: **Nil**



- (21) Design Number: **15366/2014**
(22) Date of Filing Application: **24 October 2014**
(24) Date from which industrial property rights may have effect: **24 October 2014**
(54) Product in respect of which the design is registered: **Credit card folding plier multi-tool**
(51) International Design Classification: **08-05P**
(74) Name(s) of Attorney(s):
(71) Name(s) and Address(s) of Applicant(s):
Alexander Baguma Barak
7/196 Keppel St Bathurst NSW 2795 Australia
(72) Name(s) of Designer(s): **Alexander Baguma Barak**
(45) Registration Date: **11 November 2014**
(56) Related Art Documents: **Not Applicable**
(57) Statement of Newness and Distinctiveness: **The newness and distinctiveness of the design resides in the shape of credit card folding plier multi-tool as seen in the accompanying representations. this credit card folding plier also incorporates in the handles knife scissors usb flash stick depending on how the customer wishes to customize it.**



- (21) Design Number: **13810/2014**
(22) Date of Filing Application: **05 August 2014**
(24) Date from which industrial property rights may have effect: **05 August 2014**
(54) Product in respect of which the design is registered: **Coffee brewer**
(51) International Design Classification: **07-02L**
(74) Name(s) of Attorney(s): **PHILLIPS ORMONDE FITZPATRICK**
(71) Name(s) and Address(s) of Applicant(s):
Whirlpool Corporation
2000 North M-63 MD3601 Benton Harbor Michigan 49022 United States of America
(72) Name(s) of Designer(s): **Ben C Shao and Wenkai Wu**
(45) Registration Date: **11 November 2014**
(30) Convention priority data:
(31) Number (32) Date (33) Country
29/484,838 13 Mar 2014 UNITED STATES OF AMERICA
(56) Related Art Documents: **Not Applicable**
(57) Statement of Newness and Distinctiveness: **Those features of the coffee brewer depicted in the representations that are new and distinctive are the shape and/or configuration. The features shown in broken lines are not part of the design and are to be disregarded when considering the overall impression of the design.**



(21) Design Number: **13814/2014**
(22) Date of Filing Application: **05 August 2014**
(24) Date from which industrial property rights may have effect: **05 August 2014**
(54) Product in respect of which the design is registered: **Food processor attachment**
(51) International Design Classification: **07-02NES, 31-00**
(74) Name(s) of Attorney(s): **PHILLIPS ORMONDE FITZPATRICK**
(71) Name(s) and Address(s) of Applicant(s):
Whirlpool Corporation
2000 North M-63 MD3601 Benton Harbor Michigan, 49022 United States of America



(72) Name(s) of Designer(s): **Kaitlyn M Benoit and Leif A Norland**
(45) Registration Date: **11 November 2014**
(30) Convention priority data:
(31) Number (32) Date (33) Country
29/485,056 14 Mar 2014 UNITED STATES OF AMERICA
(56) Related Art Documents: **Not Applicable**
(57) Statement of Newness and Distinctiveness: **Those features of the food processor attachment depicted in the representations that are new and distinctive are the shape and/or configuration. The features shown in broken lines are not part of the design and are to be disregarded when considering the overall impression of the design.**

(21) Design Number: **14744/2014**
(22) Date of Filing Application: **18 September 2014**
(24) Date from which industrial property rights may have effect: **18 September 2014**
(54) Product in respect of which the design is registered: **Tile edging**
(51) International Design Classification: **25-01F**
(74) Name(s) of Attorney(s): **IP Service International**
(71) Name(s) and Address(s) of Applicant(s):
Gilbert John Major
8-9 Kelvin Ct Ringwood North VIC 3134 Australia
David Robert Elms
8-9 Kelvin Ct Ringwood North VIC 3134 Australia

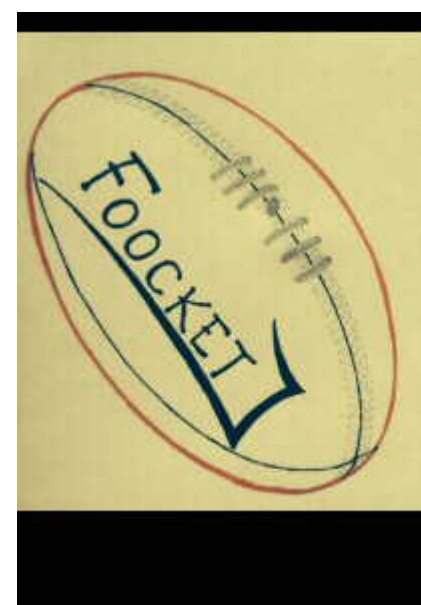


(72) Name(s) of Designer(s): **Gilbert John Major and David Robert Elms**
(45) Registration Date: **11 November 2014**
(56) Related Art Documents: **Not Applicable**
(57) Statement of Newness and Distinctiveness: **Nil**

(21) Design Number: **13716/2014**
(22) Date of Filing Application: **31 July 2014**
(24) Date from which industrial property rights may have effect: **31 July 2014**
(54) Product in respect of which the design is registered: **Gutter bracket**
(51) International Design Classification: **23-01L, 08-08L**
(74) Name(s) of Attorney(s): **PHILLIPS ORMONDE FITZPATRICK**
(71) Name(s) and Address(s) of Applicant(s):
Stramit Corporation Pty Limited
Level 11 Tower B Zenith Centre 821 Pacific Highway Chatswood New
South Wales 2067 Australia
(72) Name(s) of Designer(s): **John Richard Bugh and Christopher Lee Healy**
(45) Registration Date: **12 November 2014**
(56) Related Art Documents: **Not Applicable**
(57) Statement of Newness and Distinctiveness: **Those features of the gutter bracket depicted in the representations that are new and distinctive are the shape and/or configuration.**



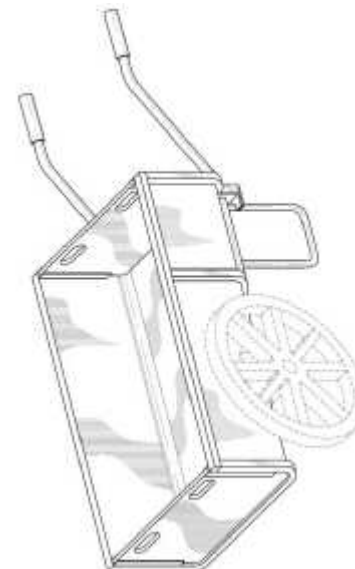
(21) Design Number: **14488/2014**
(22) Date of Filing Application: **06 September 2014**
(24) Date from which industrial property rights may have effect: **06 September 2014**
(54) Product in respect of which the design is registered: **AFL shaped football**
(51) International Design Classification: **21-02A**
(74) Name(s) of Attorney(s):
(71) Name(s) and Address(s) of Applicant(s):
Tyson Dene Lord
PO BOX 239 Cervantes WA 6511 Australia
(72) Name(s) of Designer(s): **Tyson Dene Lord**
(45) Registration Date: **12 November 2014**
(56) Related Art Documents: **Not Applicable**
(57) Statement of Newness and Distinctiveness: **These balls are to have stitching around the ball similar to a Six Stitch Cricket Ball.**



- (21) Design Number: **14855/2014**
(22) Date of Filing Application: **22 September 2014**
(24) Date from which industrial property rights may have effect: **22 September 2014**
(54) Product in respect of which the design is registered: **Fence post**
(51) International Design Classification: **25-01E**
(74) Name(s) of Attorney(s):
(71) Name(s) and Address(s) of Applicant(s):
Australian Security Fencing Pty Ltd
PO BOX 3130 Rouse Hill NSW 2155 Australia
(72) Name(s) of Designer(s): **Stephen Rosier**
(45) Registration Date: **12 November 2014**
(56) Related Art Documents: **Not Applicable**
(57) Statement of Newness and Distinctiveness: **Monopoly is claimed in the shape & configuration of a fence post of indefinite length as illustrated in the accompanying representations. Monopoly is claimed in the configuration & location of the aperture perforated in the section at regular intervals as illustrated in accompanying representations.**



- (21) Design Number: **13860/2014**
(22) Date of Filing Application: **07 August 2014**
(24) Date from which industrial property rights may have effect: **07 August 2014**
(54) Product in respect of which the design is registered: **A barrow**
(51) International Design Classification: **12-02**
(74) Name(s) of Attorney(s): **Ellis Terry**
(71) Name(s) and Address(s) of Applicant(s):
Metal Technics Limited
17 Holly Grove Maungaraki Lower Hutt 5010 New Zealand
(72) Name(s) of Designer(s): **Bernard Anton Hiestand**
(45) Registration Date: **12 November 2014**
(30) Convention priority data:
(31) Number (32) Date (33) Country
418545 20 Feb 2014 NEW ZEALAND
(56) Related Art Documents: **Not Applicable**
(57) Statement of Newness and Distinctiveness: **Nil**



(21) Design Number: **14577/2014**
(22) Date of Filing Application: **10 September 2014**
(24) Date from which industrial property rights may have effect: **10 September 2014**
(54) Product in respect of which the design is registered: **Container**
(51) International Design Classification: **09-03M**
(74) Name(s) of Attorney(s): **Davies Collison Cave**
(71) Name(s) and Address(s) of Applicant(s):

RPC Superfos A/S
Spotorno Alle 8 DK-2630 Taastrup Denmark

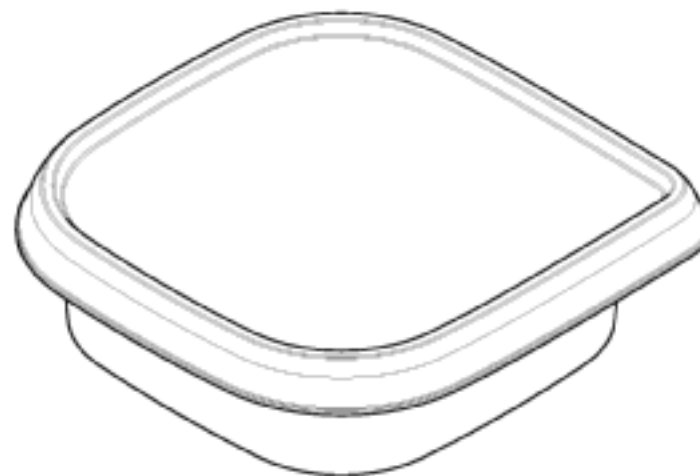
(72) Name(s) of Designer(s): **Dorte Cetti**
(45) Registration Date: **12 November 2014**

(30) Convention priority data:

(31) Number	(32) Date	(33) Country
002422105	11 Mar 2014	OFFICE FOR HARMONISATION IN THE INTERNAL MARKET (OHIM)

(56) Related Art Documents: **Not Applicable**

(57) Statement of Newness and Distinctiveness: **Newness and distinctiveness is claimed in the visual features shown in solid lines in the representations including the asymmetric nature of the lid whereby one corner has a smaller fillet radius providing that the corner protrudes further than the other 3 corners of the lid.**



(21) Design Number: **14578/2014**
(22) Date of Filing Application: **10 September 2014**
(24) Date from which industrial property rights may have effect: **10 September 2014**
(54) Product in respect of which the design is registered: **Container Lid**
(51) International Design Classification: **09-07B**
(74) Name(s) of Attorney(s): **Davies Collison Cave**
(71) Name(s) and Address(s) of Applicant(s):

RPC Superfos A/S
Spotorno Alle 8 DK-2630 Taastrup Denmark

(72) Name(s) of Designer(s): **Dorte Cetti**
(45) Registration Date: **12 November 2014**

(30) Convention priority data:

(31) Number	(32) Date	(33) Country
002422105	11 Mar 2014	OFFICE FOR HARMONISATION IN THE INTERNAL MARKET (OHIM)

(56) Related Art Documents: **Not Applicable**

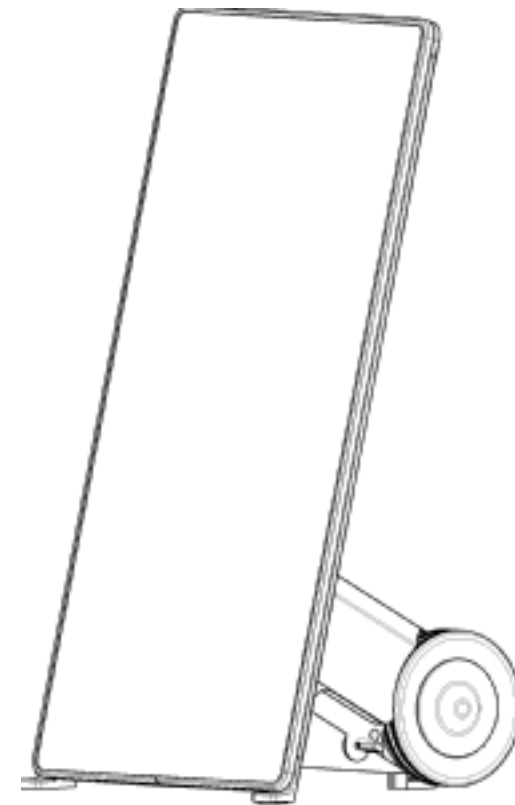
(57) Statement of Newness and Distinctiveness: **Newness and distinctiveness is claimed in the visual features shown in solid lines in the representations including the asymmetric nature of the lid whereby one corner has a smaller fillet radius providing that the corner protrudes further than the other 3 corners of the lid.**



- (21) Design Number: **15369/2014**
(22) Date of Filing Application: **07 August 2014**
(24) Date from which industrial property rights may have effect: **07 August 2014**
(54) Product in respect of which the design is registered: **A trailer**
(51) International Design Classification: **12-10**
(74) Name(s) of Attorney(s): **Ellis Terry**
(71) Name(s) and Address(s) of Applicant(s):
Metal Technics Limited
17 Holly Grove Maungaraki Lower Hutt 5010 New Zealand
(72) Name(s) of Designer(s): **Bernard Anton Hiestand**
(45) Registration Date: **12 November 2014**
(30) Convention priority data:
(31) Number (32) Date (33) Country
418545 20 Feb 2014 NEW ZEALAND
(56) Related Art Documents: **Not Applicable**
(57) Statement of Newness and Distinctiveness: **Nil**



- (21) Design Number: **15372/2014**
(22) Date of Filing Application: **24 October 2014**
(24) Date from which industrial property rights may have effect: **24 October 2014**
(54) Product in respect of which the design is registered: **Digital signage**
(51) International Design Classification: **20-03A**
(74) Name(s) of Attorney(s):
(71) Name(s) and Address(s) of Applicant(s):
Total Range Design Pty Ltd
U6 253 Leitchs Rd Brendale QLD 4500 Australia
(72) Name(s) of Designer(s): **David Ranger and Pieter Kuiper and Leigh Bateman and Matthew Grant**
(45) Registration Date: **12 November 2014**
(56) Related Art Documents: **Not Applicable**
(57) Statement of Newness and Distinctiveness: **This design represents a portable electronic sign, operable without physical connections to data or power. The design consists of large format electronic monitor mounted to a lower battery pack with wheels. The design is counterbalanced to allow easy relocation. The design has a low centre of gravity to provide stability when stationary.**



- (21) Design Number: **15382/2014**
(22) Date of Filing Application: **24 October 2014**
(24) Date from which industrial property rights may have effect: **24 October 2014**
(54) Product in respect of which the design is registered: **Key blank**
(51) International Design Classification: **08-07**
(74) Name(s) of Attorney(s): **PHILLIPS ORMONDE FITZPATRICK**
(71) Name(s) and Address(s) of Applicant(s):
ASSA ABLOY Australia Pty Limited
235 Huntingdale Rd Oakleigh VIC 3166 Australia
(72) Name(s) of Designer(s): **Malinen Perttu**
(45) Registration Date: **12 November 2014**
(56) Related Art Documents: **Not Applicable**
(57) Statement of Newness and Distinctiveness: **Those features of the key blank that are new and distinctive are the cross-sectional shape of the blade of the key blank as depicted in the profile of the key blank as shown in section A-A and B-B views. The shape and/or configuration of the head of the key blank shown in broken line is not part of the design and is to be disregarded when considering the overall impression of the design.**



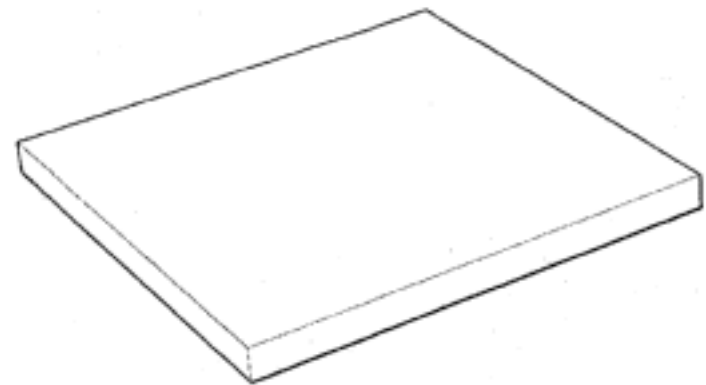
- (21) Design Number: **15387/2014**
(22) Date of Filing Application: **24 October 2014**
(24) Date from which industrial property rights may have effect: **24 October 2014**
(54) Product in respect of which the design is registered: **Key blank**
(51) International Design Classification: **08-07**
(74) Name(s) of Attorney(s): **PHILLIPS ORMONDE FITZPATRICK**
(71) Name(s) and Address(s) of Applicant(s):
ASSA ABLOY Australia Pty Limited
235 Huntingdale Rd Oakleigh VIC 3166 Australia
(72) Name(s) of Designer(s): **Perttu Malinen**
(45) Registration Date: **12 November 2014**
(56) Related Art Documents: **Not Applicable**
(57) Statement of Newness and Distinctiveness: **Those features of the key blank that are new and distinctive are the cross-sectional shape of the blade of the key blank as depicted in the profile of the key blank as shown in section A-A and B-B views. The shape and/or configuration of the head of the key blank shown in broken line is not part of the design and is to be disregarded when considering the overall impression of the design.**



- (21) Design Number: **15394/2014**
(22) Date of Filing Application: **24 October 2014**
(24) Date from which industrial property rights may have effect: **24 October 2014**
(54) Product in respect of which the design is registered: **Tire (light truck)**
(51) International Design Classification: **12-15B**
(74) Name(s) of Attorney(s):
(71) Name(s) and Address(s) of Applicant(s):
Qingdao Sentury Tire Co., Ltd.
No.5, Tianshan 3 Road, Daxin Town, Jimo Qingdao Shandong China
(72) Name(s) of Designer(s): **Hongling Zhao and Hairong Fu and Mingming Zhao**
(45) Registration Date: **12 November 2014**
(56) Related Art Documents: **Not Applicable**
(57) Statement of Newness and Distinctiveness: **Nil**



- (21) Design Number: **13785/2014**
(22) Date of Filing Application: **04 August 2014**
(24) Date from which industrial property rights may have effect: **04 August 2014**
(54) Product in respect of which the design is registered: **Kit for forming a panel**
(51) International Design Classification: **25-01D, 25-02E**
(74) Name(s) of Attorney(s): **Davies Collison Cave**
(71) Name(s) and Address(s) of Applicant(s):
Litestone Holdings Pty Limited
GRND FL 339 Whitehorse Rd Balwyn VIC 3103 Australia
(72) Name(s) of Designer(s): **Louie Kyriakouleas**
(45) Registration Date: **12 November 2014**
(56) Related Art Documents: **Not Applicable**
(57) Statement of Newness and Distinctiveness: **Newness and distinctiveness is claimed in the visual features of a kit for forming a panel of indefinite length and width as shown in the attached representations, having a separate recessed edge which is assembled to a main body to finish the panel.**



(21) Design Number: **15400/2014**
(22) Date of Filing Application: **27 October 2014**
(24) Date from which industrial property rights may have effect: **27 October 2014**
(54) Product in respect of which the design is registered: **Cosmetic applicator**
(51) International Design Classification: **28-02**
(74) Name(s) of Attorney(s): **PHILLIPS ORMONDE FITZPATRICK**
(71) Name(s) and Address(s) of Applicant(s):
Revlon Consumer Products Corporation
237 Park Avenue New York New York 10017 United States of America
(72) Name(s) of Designer(s): **Peter Rizzo and Jacqueline Haupt**
(45) Registration Date: **12 November 2014**
(30) Convention priority data:
(31) Number (32) Date (33) Country
29/496,288 11 Jul 2014 UNITED STATES OF AMERICA
(56) Related Art Documents: **Not Applicable**
(57) Statement of Newness and Distinctiveness: **Those features of the cosmetic applicator depicted in the representations that are new and distinctive are the shape and/or configuration. The features shown in broken line are not part of the design and are to be disregarded when considering the overall impression of the design.**



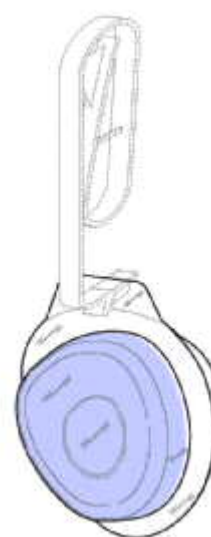
(21) Design Number: **15401/2014**
(22) Date of Filing Application: **27 October 2014**
(24) Date from which industrial property rights may have effect: **27 October 2014**
(54) Product in respect of which the design is registered: **Vacuum cleaner**
(51) International Design Classification: **15-05**
(74) Name(s) of Attorney(s): **Shelston IP**
(71) Name(s) and Address(s) of Applicant(s):
Jiangsu Midea Chunhua Electric Appliance Co., Ltd.
No. 999 Litanghe Road Xiangcheng District Suzhou Jiangsu 215131
China
(72) Name(s) of Designer(s): **Jinhui Zhou**
(45) Registration Date: **12 November 2014**
(30) Convention priority data:
(31) Number (32) Date (33) Country
201430144247.1 22 May 2014 CHINA
(56) Related Art Documents: **Not Applicable**
(57) Statement of Newness and Distinctiveness: **Newness and distinctiveness reside in the features of shape and configuration of a vacuum cleaner as shown in the accompanying representations.**



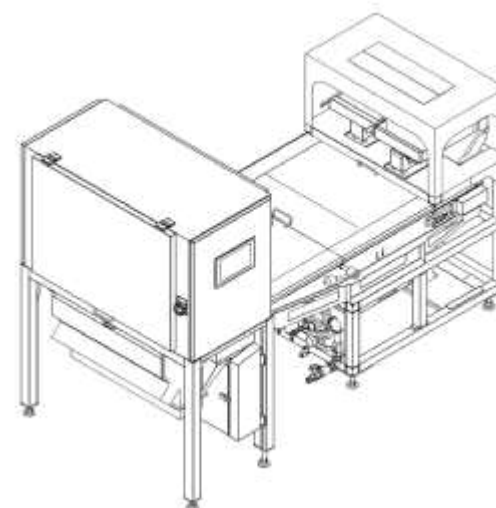
- (21) Design Number: **15402/2014**
(22) Date of Filing Application: **27 October 2014**
(24) Date from which industrial property rights may have effect: **27 October 2014**
(54) Product in respect of which the design is registered: **Dispenser**
(51) International Design Classification: **07-05NES**
(74) Name(s) of Attorney(s): **Shelston IP**
(71) Name(s) and Address(s) of Applicant(s):
Reckitt Benckiser LLC
Morris Corporate Center IV 399 Interpace Parkway Parsippany New Jersey 07054 United States of America
(72) Name(s) of Designer(s): **Francesc Ardite Ayats and Alexander Emmerich and Rachel Rowe and Sebastiaan Bruining and Andrzej Olszewski and Jan Wyszynski**
(45) Registration Date: **12 November 2014**
(30) Convention priority data:
(31) Number (32) Date (33) Country
002483305-0001 16 Jun 2014 OFFICE FOR HARMONISATION IN THE INTERNAL MARKET (OHIM)
(56) Related Art Documents: **Not Applicable**
(57) Statement of Newness and Distinctiveness: **Newness and distinctiveness reside in the features of shape and configuration of the dispenser as shown in solid lines in the accompanying representations. The features shown in dotted lines are shown for contextual purposes only and do not form part of the design.**



- (21) Design Number: **15403/2014**
(22) Date of Filing Application: **27 October 2014**
(24) Date from which industrial property rights may have effect: **27 October 2014**
(54) Product in respect of which the design is registered: **Dispenser containing cleaning product**
(51) International Design Classification: **07-05NES**
(74) Name(s) of Attorney(s): **Shelston IP**
(71) Name(s) and Address(s) of Applicant(s):
Reckitt Benckiser LLC
Morris Corporate Center IV 399 Interpace Parkway Parsippany New Jersey 07054 United States of America
(72) Name(s) of Designer(s): **Francesc Ardite Ayats and Alexander Emmerich and Rachel Rowe and Sebastiaan Bruining and Andrzej Olszewski and Jan Wyszynski**
(45) Registration Date: **12 November 2014**
(30) Convention priority data:
(31) Number (32) Date (33) Country
002483305-0002 16 Jun 2014 OFFICE FOR HARMONISATION IN THE INTERNAL MARKET (OHIM)
(56) Related Art Documents: **Not Applicable**
(57) Statement of Newness and Distinctiveness: **Newness and distinctiveness reside in the features of shape and configuration of the dispenser containing cleaning product as shown in solid lines in the accompanying representations. The features shown in dotted lines are shown for contextual purposes only and do not form part of the design.**



(21) Design Number: **15404/2014**
(22) Date of Filing Application: **27 October 2014**
(24) Date from which industrial property rights may have effect: **27 October 2014**
(54) Product in respect of which the design is registered: **Belt type optical sorter**
(51) International Design Classification: **15-99**
(74) Name(s) of Attorney(s): **Collison & Co**
(71) Name(s) and Address(s) of Applicant(s):
Satake Corporation
7-2 Sotokanda 4-Chome Chiyoda-Ku Tokyo 101-0021 Japan
(72) Name(s) of Designer(s): **Yoshikazu Tateishi and Ryo Marukawa and Ryo Kakutani**
(45) Registration Date: **12 November 2014**
(30) Convention priority data:
(31) Number (32) Date (33) Country
2014-009951 09 May 2014 JAPAN
(56) Related Art Documents: **Not Applicable**
(57) Statement of Newness and Distinctiveness: **Nil**



(21) Design Number: **15412/2014**
(22) Date of Filing Application: **28 October 2014**
(24) Date from which industrial property rights may have effect: **28 October 2014**
(54) Product in respect of which the design is registered: **Transfer device**
(51) International Design Classification: **24-01**
(74) Name(s) of Attorney(s): **Griffith Hack**
(71) Name(s) and Address(s) of Applicant(s):
Bayer Animal Health GmbH
Leverkusen Leverkusen 51368 Germany
(72) Name(s) of Designer(s): **Jorg Habig and Todd Firkins and Gareth Nigel Lauchlan and David Craig Sweeney and Rodney Gordon Walker**
(45) Registration Date: **12 November 2014**
(30) Convention priority data:
(31) Number (32) Date (33) Country
002455279-0001 29 Apr 2014 OFFICE FOR HARMONISATION IN THE INTERNAL MARKET (OHIM)
(56) Related Art Documents: **Not Applicable**
(57) Statement of Newness and Distinctiveness: **Newness and distinctiveness resides in the visual features, including shape and configuration, of a TRANSFER DEVICE as shown in the accompanying drawings. The rendering employed in the drawings is employed merely to illustrate the different features of the TRANSFER DEVICE and is not intended to limit the scope of the design.**



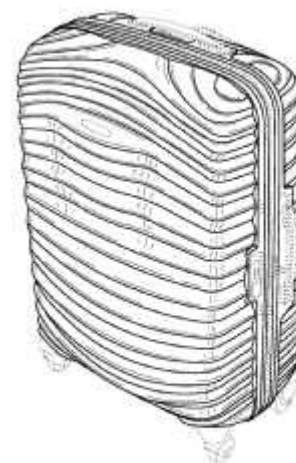
(21) Design Number: **15416/2014**
(22) Date of Filing Application: **28 October 2014**
(24) Date from which industrial property rights may have effect: **28 October 2014**
(54) Product in respect of which the design is registered: **Bedside table**
(51) International Design Classification: **06-03NES**
(74) Name(s) of Attorney(s):
(71) Name(s) and Address(s) of Applicant(s):
BOMI FURNITURE PTY. LTD.
11-17 Sages Rd Glenroy VIC 3046 Australia
(72) Name(s) of Designer(s): **Simon Bowler and Damir Tankovic**
(45) Registration Date: **12 November 2014**
(56) Related Art Documents: **Not Applicable**
(57) Statement of Newness and Distinctiveness: **Nil**



(21) Design Number: **15418/2014**
(22) Date of Filing Application: **28 October 2014**
(24) Date from which industrial property rights may have effect: **28 October 2014**
(54) Product in respect of which the design is registered: **Luggage**
(51) International Design Classification: **03-01A**
(74) Name(s) of Attorney(s): **Griffith Hack**
(71) Name(s) and Address(s) of Applicant(s):
Samsonite IP Holdings S.a r.l.
13-15 Avenue de la Liberte Luxembourg L-1931 Luxembourg
(72) Name(s) of Designer(s): **Nobuo Maeda**
(45) Registration Date: **12 November 2014**
(30) Convention priority data:
(31) Number (32) Date (33) Country
1400779.7M002 28 Apr 2014 HONG KONG
(56) Related Art Documents: **Not Applicable**
(57) Statement of Newness and Distinctiveness: **Newness and distinctiveness resides in the shape and configuration of the product as represented by the solid lines in the drawings.**



(21) Design Number: **15419/2014**
(22) Date of Filing Application: **28 October 2014**
(24) Date from which industrial property rights may have effect: **28 October 2014**
(54) Product in respect of which the design is registered: **Luggage**
(51) International Design Classification: **03-01A**
(74) Name(s) of Attorney(s): **Griffith Hack**
(71) Name(s) and Address(s) of Applicant(s):
Samsonite IP Holdings S.a r.l.
13-15 Avenue de la Liberte Luxembourg L-1931 Luxembourg
(72) Name(s) of Designer(s): **Erik Sijmons**
(45) Registration Date: **12 November 2014**
(30) Convention priority data:
(31) Number (32) Date (33) Country
**002454595-0002 28 Apr 2014 OFFICE FOR HARMONISATION IN
THE INTERNAL MARKET (OHIM)**
(56) Related Art Documents: **Not Applicable**
(57) Statement of Newness and Distinctiveness: **Newness and Distinctiveness
resides in the shape and configuration of the product as represented by
the solid lines in the drawings.**



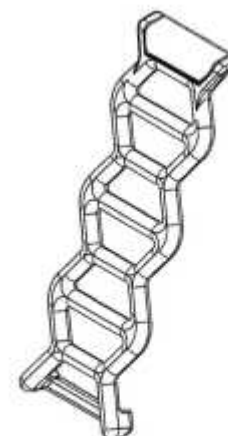
(21) Design Number: **15423/2014**
(22) Date of Filing Application: **28 October 2014**
(24) Date from which industrial property rights may have effect: **28 October 2014**
(54) Product in respect of which the design is registered: **Chair**
(51) International Design Classification: **06-01F**
(74) Name(s) of Attorney(s): **Shelston IP**
(71) Name(s) and Address(s) of Applicant(s):
Starway International Home-Living Co., Ltd.
No. 97 Shiyuan Road Nancheng Huangyan Taizhou Zhejiang China
(72) Name(s) of Designer(s): **Genlin Ye**
(45) Registration Date: **12 November 2014**
(30) Convention priority data:
(31) Number (32) Date (33) Country
201430158516.X 30 May 2014 CHINA
(56) Related Art Documents: **Not Applicable**
(57) Statement of Newness and Distinctiveness: **Newness and distinctiveness
reside in the features of shape and configuration of the chair shown in
the representations, not limited to the colour used therein.**



(21) Design Number: **15426/2014**
(22) Date of Filing Application: **28 October 2014**
(24) Date from which industrial property rights may have effect: **28 October 2014**
(54) Product in respect of which the design is registered: **Chair**
(51) International Design Classification: **06-01F**
(74) Name(s) of Attorney(s): **Shelston IP**
(71) Name(s) and Address(s) of Applicant(s):
Starway International Home-Living Co., Ltd.
No. 97 Shiyuan Road, Nancheng Huangyan Taizhou Zhejiang China
(72) Name(s) of Designer(s): **Genlin Ye**
(45) Registration Date: **12 November 2014**
(30) Convention priority data:
(31) Number (32) Date (33) Country
201430158459.5 30 May 2014 CHINA
(56) Related Art Documents: **Not Applicable**
(57) Statement of Newness and Distinctiveness: **Newness and distinctiveness reside in the features of shape and configuration of the chair shown in the representations, not limited to the colour used therein.**



(21) Design Number: **15431/2014**
(22) Date of Filing Application: **28 October 2014**
(24) Date from which industrial property rights may have effect: **28 October 2014**
(54) Product in respect of which the design is registered: **Climbing frames [play equipment]**
(51) International Design Classification: **21-03**
(74) Name(s) of Attorney(s): **Callinans**
(71) Name(s) and Address(s) of Applicant(s):
Honey-Bee Adventures Limited
45B Plains Road Mapperley Nottingham Nottinghamshire NG3 5JU
United Kingdom
(72) Name(s) of Designer(s): **John Radford**
(45) Registration Date: **12 November 2014**
(30) Convention priority data:
(31) Number (32) Date (33) Country
002459719 07 May 2014 OFFICE FOR HARMONISATION IN THE INTERNAL MARKET (OHIM)
(56) Related Art Documents: **Not Applicable**
(57) Statement of Newness and Distinctiveness: **Newness and distinctiveness lies in the shape and/or configuration of climbing frames [play equipment] as shown in the representations, and those features of the representations shown in broken line are to be disregarded in considering the newness and distinctiveness.**



(21) Design Number: **15432/2014**

(22) Date of Filing Application: **28 October 2014**

(24) Date from which industrial property rights may have effect: **28 October 2014**

(54) Product in respect of which the design is registered: **Climbing frames [play equipment]**

(51) International Design Classification: **21-03**

(74) Name(s) of Attorney(s): **Callinans**

(71) Name(s) and Address(s) of Applicant(s):

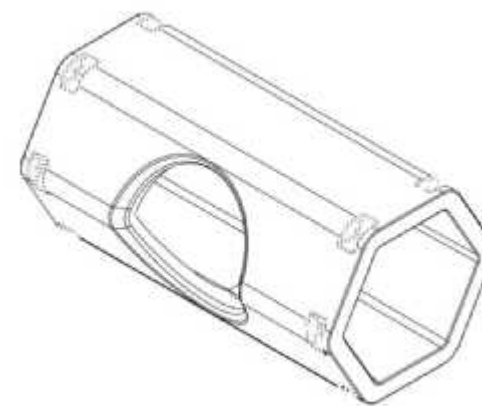
Honey-Bee Adventures Limited
45B Plains Road Mapperley Nottingham Nottinghamshire NG3 5JU
United Kingdom

(72) Name(s) of Designer(s): **John Radford**

(45) Registration Date: **12 November 2014**

(30) Convention priority data:

(31) Number	(32) Date	(33) Country
002459719	07 May 2014	OFFICE FOR HARMONISATION IN THE INTERNAL MARKET (OHIM)



(56) Related Art Documents: **Not Applicable**

(57) Statement of Newness and Distinctiveness: **Newness and distinctiveness lies in the shape and/or configuration of climbing frames [play equipment] as shown in the representations, and those features of the representations shown in broken line are to be disregarded in considering the newness and distinctiveness.**

(21) Design Number: **15433/2014**

(22) Date of Filing Application: **28 October 2014**

(24) Date from which industrial property rights may have effect: **28 October 2014**

(54) Product in respect of which the design is registered: **Climbing frames [play equipment]**

(51) International Design Classification: **21-03**

(74) Name(s) of Attorney(s): **Callinans**

(71) Name(s) and Address(s) of Applicant(s):

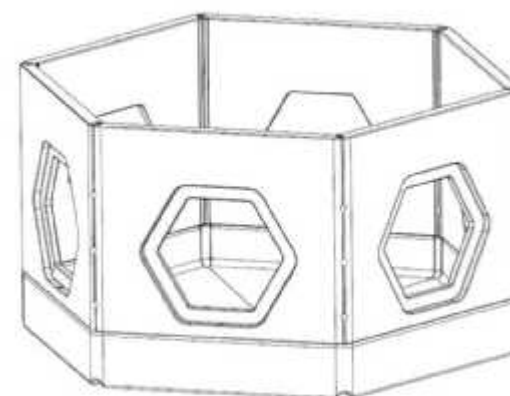
Honey-Bee Adventures Limited
45B Plains Road Mapperley Nottingham Nottinghamshire NG3 5JU
United Kingdom

(72) Name(s) of Designer(s): **John Radford**

(45) Registration Date: **12 November 2014**

(30) Convention priority data:

(31) Number	(32) Date	(33) Country
002459719	07 May 2014	OFFICE FOR HARMONISATION IN THE INTERNAL MARKET (OHIM)



(56) Related Art Documents: **Not Applicable**

(57) Statement of Newness and Distinctiveness: **Newness and distinctiveness lies in the shape and/or configuration of climbing frames [play equipment] as shown in the representations, and those features of the representations shown in broken line are to be disregarded in considering the newness and distinctiveness.**

(21) Design Number: **14904/2014**
(22) Date of Filing Application: **26 September 2014**
(24) Date from which industrial property rights may have effect: **26 September 2014**
(54) Product in respect of which the design is registered: **Tray table for a seat**
(51) International Design Classification: **06-03NES**
(74) Name(s) of Attorney(s): **SPRUSON & FERGUSON**
(71) Name(s) and Address(s) of Applicant(s):

MAN Truck & Bus AG
Dachauer Strasse 667, Munchen 80995 Germany

(72) Name(s) of Designer(s): **Achim Burmeister and Moritz Menacher and Thorsten Bergmaier-Trede and Stephan Schonherr**

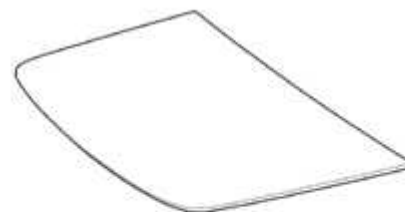
(45) Registration Date: **12 November 2014**

(30) Convention priority data:

(31) Number	(32) Date	(33) Country
002434571	27 Mar 2014	OFFICE FOR HARMONISATION IN THE INTERNAL MARKET (OHIM)

(56) Related Art Documents: **Not Applicable**

(57) Statement of Newness and Distinctiveness: **Newness and distinctiveness is claimed in the features of shape and/or configuration of a tray table for a seat as illustrated in the accompanying representations.**



(21) Design Number: **15408/2014**
(22) Date of Filing Application: **27 October 2014**
(24) Date from which industrial property rights may have effect: **05 August 2014**
(54) Product in respect of which the design is registered: **Bowl**
(51) International Design Classification: **07-02N**
(74) Name(s) of Attorney(s): **PHILLIPS ORMONDE FITZPATRICK**
(71) Name(s) and Address(s) of Applicant(s):

Whirlpool Corporation
2000 North M-63 MD3601 Benton Harbor Michigan, 49022 United States of America

(72) Name(s) of Designer(s): **Kaitlyn M Benoit**

(45) Registration Date: **12 November 2014**

(30) Convention priority data:

(31) Number	(32) Date	(33) Country
29/484,956	14 Mar 2014	UNITED STATES OF AMERICA

(62) Divisional of: **358550**

(56) Related Art Documents: **Not Applicable**

(57) Statement of Newness and Distinctiveness: **Those features of the bowl depicted in the representations that are new and distinctive are the shape and/or configuration. The features shown in broken lines are not part of the design and are to be disregarded when considering the overall impression of the design.**



(21) Design Number: **15428/2014**
(22) Date of Filing Application: **28 October 2014**
(24) Date from which industrial property rights may have effect: **01 September 2014**
(54) Product in respect of which the design is registered: **Package for data medium**
(51) International Design Classification: **09-03M**
(74) Name(s) of Attorney(s): **PIZZEYS**
(71) Name(s) and Address(s) of Applicant(s):
Vorwerk & Co. Interholding GmbH
Muehlenweg 17-37 Wuppertal 42275 Germany
(72) Name(s) of Designer(s): **Michael Brandt and Uwe Kemker**
(45) Registration Date: **12 November 2014**
(30) Convention priority data:
(31) Number (32) Date (33) Country
001409536 23 Apr 2014 EUROPEAN PATENT OFFICE (EPO)
(62) Divisional of: **358507**
(56) Related Art Documents: **Not Applicable**
(57) Statement of Newness and Distinctiveness: **Nil**



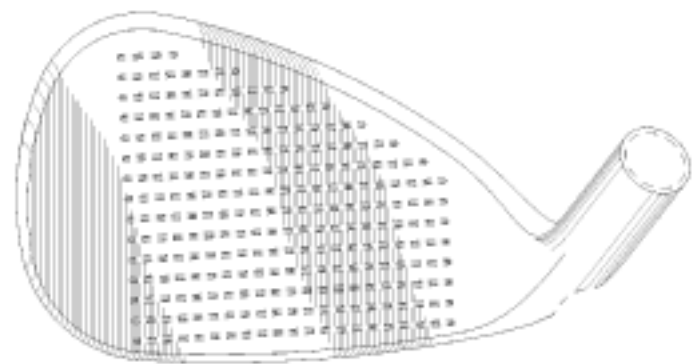
(21) Design Number: **15435/2014**
(22) Date of Filing Application: **28 October 2014**
(24) Date from which industrial property rights may have effect: **28 October 2014**
(54) Product in respect of which the design is registered: **Backpack**
(51) International Design Classification: **03-01A**
(74) Name(s) of Attorney(s):
(71) Name(s) and Address(s) of Applicant(s):
Auto Xcel Pty Limited
PO BOX 480 Chester Hill NSW 2162 Australia
(72) Name(s) of Designer(s): **Jenny Vay**
(45) Registration Date: **12 November 2014**
(56) Related Art Documents: **Not Applicable**
(57) Statement of Newness and Distinctiveness: **Abstracted butterfly image incorporated into a backpack design.**



- (21) Design Number: **15439/2014**
(22) Date of Filing Application: **29 October 2014**
(24) Date from which industrial property rights may have effect: **29 October 2014**
(54) Product in respect of which the design is registered: **Bottle**
(51) International Design Classification: **09-01D**
(74) Name(s) of Attorney(s):
(71) Name(s) and Address(s) of Applicant(s):
Aquarush PTY LTD
PO BOX 431 Somerton VIC 3062 Australia
(72) Name(s) of Designer(s): **Roshan Chelvaratnam**
(45) Registration Date: **12 November 2014**
(56) Related Art Documents: **Not Applicable**
(57) Statement of Newness and Distinctiveness: **The newness and distinctiveness of the design resides in the kangaroo-shape of the bottle as shown in the in the accompanying representation.**



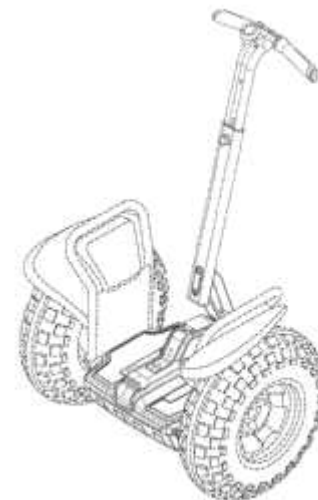
- (21) Design Number: **15441/2014**
(22) Date of Filing Application: **29 October 2014**
(24) Date from which industrial property rights may have effect: **29 October 2014**
(54) Product in respect of which the design is registered: **Golf club head**
(51) International Design Classification: **21-02C**
(74) Name(s) of Attorney(s): **Davies Collison Cave**
(71) Name(s) and Address(s) of Applicant(s):
Karsten Manufacturing Corporation
2201 West Desert Cove Phoenix Arizona 85029 United States of America
(72) Name(s) of Designer(s): **Xiaojian Chen and Cory S Bacon**
(45) Registration Date: **12 November 2014**
(30) Convention priority data:
(31) Number (32) Date (33) Country
29/492086 28 May 2014 UNITED STATES OF AMERICA
(56) Related Art Documents: **Not Applicable**
(57) Statement of Newness and Distinctiveness: **Newness and distinctiveness is claimed in the visual features shown in solid lines in the representations. In considering the extent of the design rights, the broken lines shown in the representations are for illustrative purposes only and do not form part of the design.**



- (21) Design Number: **15012/2014**
(22) Date of Filing Application: **30 September 2014**
(24) Date from which industrial property rights may have effect: **30 September 2014**
(54) Product in respect of which the design is registered: **Accessory attachment loop for a firearm**
(51) International Design Classification: **22-01**
(74) Name(s) of Attorney(s): **Davies Collison Cave**
(71) Name(s) and Address(s) of Applicant(s):
Magpul Industries Corporation
400 Young Court Unit 1 Erie Colorado 80516 United States of America
(72) Name(s) of Designer(s): **Michael T. Mayberry and Yehezkel Eitan and Christopher F. Miller**
(45) Registration Date: **13 November 2014**
(30) Convention priority data:
(31) Number (32) Date (33) Country
29/487759 11 Apr 2014 UNITED STATES OF AMERICA
(56) Related Art Documents: **Not Applicable**
(57) Statement of Newness and Distinctiveness: **Newness and distinctiveness is claimed in the visual features shown in solid lines in the representations. The firearm itself shown in the reference view of Figure 1 does not form part of the design.**



- (21) Design Number: **15044/2014**
(22) Date of Filing Application: **01 October 2014**
(24) Date from which industrial property rights may have effect: **12 August 2014**
(54) Product in respect of which the design is registered: **Human transporter**
(51) International Design Classification: **12-14**
(74) Name(s) of Attorney(s): **Davies Collison Cave**
(71) Name(s) and Address(s) of Applicant(s):
Segway Inc.
14 Technology Drive Bedford NH, 03110 United States of America
(72) Name(s) of Designer(s): **Joseph A. Hoell Jr and Brendan Collins and Michael Casey and Robert M. Bowman**
(45) Registration Date: **13 November 2014**
(62) Divisional of: **358376**
(56) Related Art Documents: **Not Applicable**
(57) Statement of Newness and Distinctiveness: **Newness and distinctiveness is claimed in the visual features shown in solid lines in the representations.**



(21) Design Number: **15057/2014**
(22) Date of Filing Application: **02 October 2014**
(24) Date from which industrial property rights may have effect: **02 October 2014**
(54) Product in respect of which the design is registered: **Sock**
(51) International Design Classification: **02-04C**
(74) Name(s) of Attorney(s): **Davies Collison Cave**
(71) Name(s) and Address(s) of Applicant(s):
Toesox, Inc.
1244 Keystone Way Vista California, 92081 United States of America
(72) Name(s) of Designer(s): **Joe Patterson**
(45) Registration Date: **13 November 2014**
(30) Convention priority data:
(31) Number (32) Date (33) Country
29/488,825 23 Apr 2014 UNITED STATES OF AMERICA
(56) Related Art Documents: **Not Applicable**
(57) Statement of Newness and Distinctiveness: **Nil**



(21) Design Number: **15131/2014**
(22) Date of Filing Application: **07 October 2014**
(24) Date from which industrial property rights may have effect: **07 October 2014**
(54) Product in respect of which the design is registered: **Pan**
(51) International Design Classification: **07-02N**
(74) Name(s) of Attorney(s): **PIPERS**
(71) Name(s) and Address(s) of Applicant(s):
GENIUS GmbH
Im Dachsstuck 8 Limburg 65549 Germany
(72) Name(s) of Designer(s): **Cedomir Repac**
(45) Registration Date: **13 November 2014**
(30) Convention priority data:
(31) Number (32) Date (33) Country
002448449-0002 16 Apr 2014 OFFICE FOR HARMONISATION IN THE INTERNAL MARKET (OHIM)
(56) Related Art Documents: **Not Applicable**
(57) Statement of Newness and Distinctiveness: **The design is to be applied to Pan and the novelty resides in the features of shape and configuration of the Pan as shown in the accompanying representations.**



(21) Design Number: **15133/2014**

(22) Date of Filing Application: **07 October 2014**

(24) Date from which industrial property rights may have effect: **07 October 2014**

(54) Product in respect of which the design is registered: **Pan**

(51) International Design Classification: **07-02N**

(74) Name(s) of Attorney(s): **PIPERS Melbourne**

(71) Name(s) and Address(s) of Applicant(s):

GENIUS GmbH

Im Dachsstuck 8 Limburg 65549 Germany

(72) Name(s) of Designer(s): **Cedomir Repac**

(45) Registration Date: **13 November 2014**

(30) Convention priority data:

(31) Number

(32) Date

(33) Country

002448449-0003 16 Apr 2014

**OFFICE FOR HARMONISATION IN
THE INTERNAL MARKET (OHIM)**

(56) Related Art Documents: **Not Applicable**

(57) Statement of Newness and Distinctiveness: **The design is to be applied to Pan and the novelty resides in the features of shape and configuration of the Pan as shown in the accompanying representations.**



(21) Design Number: **15134/2014**

(22) Date of Filing Application: **07 October 2014**

(24) Date from which industrial property rights may have effect: **07 October 2014**

(54) Product in respect of which the design is registered: **Pan**

(51) International Design Classification: **07-02N**

(74) Name(s) of Attorney(s): **PIPERS Melbourne**

(71) Name(s) and Address(s) of Applicant(s):

GENIUS GmbH

Im Dachsstuck 8 Limburg 65549 Germany

(72) Name(s) of Designer(s): **Cedomir Repac**

(45) Registration Date: **13 November 2014**

(30) Convention priority data:

(31) Number

(32) Date

(33) Country

002448449-0004 16 Apr 2014

**OFFICE FOR HARMONISATION IN
THE INTERNAL MARKET (OHIM)**

(56) Related Art Documents: **Not Applicable**

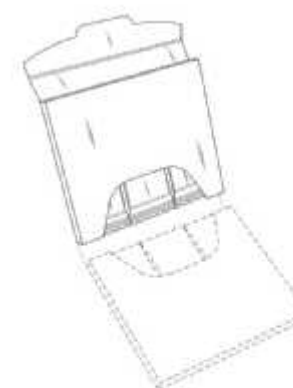
(57) Statement of Newness and Distinctiveness: **The design is to be applied to Pan and the novelty resides in the features of shape and configuration of the Pan as shown in the accompanying representations.**



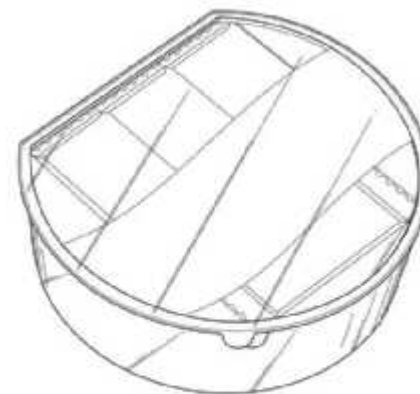
(21) Design Number: **15437/2014**
(22) Date of Filing Application: **29 October 2014**
(24) Date from which industrial property rights may have effect: **29 October 2014**
(54) Product in respect of which the design is registered: **Prosthetic**
(51) International Design Classification: **24-03**
(74) Name(s) of Attorney(s): **Cullens Patent and Trade Mark Attorneys**
(71) Name(s) and Address(s) of Applicant(s):
Waldemar Link GmbH & Co. KG
Barkhausenweg 10 Hamburg 22339 Germany
(72) Name(s) of Designer(s): **Helmut D Link**
(45) Registration Date: **13 November 2014**
(30) Convention priority data:
(31) Number (32) Date (33) Country
002455105-0001 29 Apr 2014 OFFICE FOR HARMONISATION IN
THE INTERNAL MARKET (OHIM)
(56) Related Art Documents: **Not Applicable**
(57) Statement of Newness and Distinctiveness: **Newness and distinctiveness**
reside in the shape and configuration of a prosthetic as illustrated in the
accompanying representations.



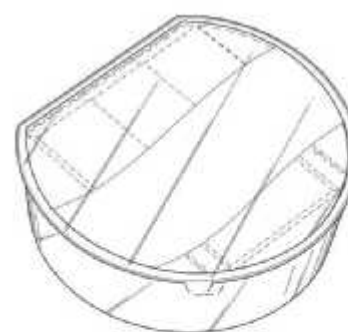
(21) Design Number: **15442/2014**
(22) Date of Filing Application: **29 October 2014**
(24) Date from which industrial property rights may have effect: **29 October 2014**
(54) Product in respect of which the design is registered: **Packaging**
(51) International Design Classification: **09-03M**
(74) Name(s) of Attorney(s): **Griffith Hack**
(71) Name(s) and Address(s) of Applicant(s):
KRAFT FOODS R & D, INC.
Three Parkway North Deerfield IL, 60015 United States of America
(72) Name(s) of Designer(s): **Rosie Brown and Julian Sellers and Glen Dutton**
(45) Registration Date: **13 November 2014**
(30) Convention priority data:
(31) Number (32) Date (33) Country
002455501-0003 29 Apr 2014 OFFICE FOR HARMONISATION IN
THE INTERNAL MARKET (OHIM)
(56) Related Art Documents: **Not Applicable**
(57) Statement of Newness and Distinctiveness: **The shape and configuration**
of those parts of the product shown in solid lines in the representations
are new and distinctive.



- (21) Design Number: **15443/2014**
(22) Date of Filing Application: **29 October 2014**
(24) Date from which industrial property rights may have effect: **29 October 2014**
(54) Product in respect of which the design is registered: **Packaging**
(51) International Design Classification: **09-03L**
(74) Name(s) of Attorney(s): **Griffith Hack**
(71) Name(s) and Address(s) of Applicant(s):
KRAFT FOODS R & D, INC.
Three Parkway North Deerfield IL, 60015 United States of America
(72) Name(s) of Designer(s): **Rosie Brown and Julian Sellers and Glen Dutton**
(45) Registration Date: **13 November 2014**
(30) Convention priority data:
(31) Number (32) Date (33) Country
**002455469-0001 29 Apr 2014 OFFICE FOR HARMONISATION IN
THE INTERNAL MARKET (OHIM)**
(56) Related Art Documents: **Not Applicable**
(57) Statement of Newness and Distinctiveness: **The shape and configuration
of the product shown in the representations is new and distinctive.**



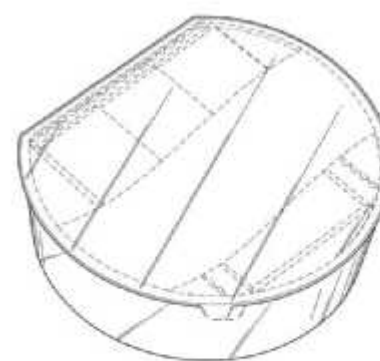
- (21) Design Number: **15444/2014**
(22) Date of Filing Application: **29 October 2014**
(24) Date from which industrial property rights may have effect: **29 October 2014**
(54) Product in respect of which the design is registered: **Packaging**
(51) International Design Classification: **09-03L**
(74) Name(s) of Attorney(s): **Griffith Hack**
(71) Name(s) and Address(s) of Applicant(s):
KRAFT FOODS R & D, INC.
Three Parkway North Deerfield IL, 60015 United States of America
(72) Name(s) of Designer(s): **Rosie Brown and Julian Sellers and Glen Dutton**
(45) Registration Date: **13 November 2014**
(30) Convention priority data:
(31) Number (32) Date (33) Country
**002455469-0002 29 Apr 2014 OFFICE FOR HARMONISATION IN
THE INTERNAL MARKET (OHIM)**
(56) Related Art Documents: **Not Applicable**
(57) Statement of Newness and Distinctiveness: **The shape and configuration
of those parts of the product shown in solid lines in the representations
are new and distinctive.**



- (21) Design Number: **15445/2014**
(22) Date of Filing Application: **29 October 2014**
(24) Date from which industrial property rights may have effect: **29 October 2014**
(54) Product in respect of which the design is registered: **Spring module for bedding foundation**
(51) International Design Classification: **08-08C**
(74) Name(s) of Attorney(s): **Fisher Adams Kelly Pty Ltd**
(71) Name(s) and Address(s) of Applicant(s):
Madad Pty Ltd
1299 Boundary Rd Wacol QLD 4076 Australia
(72) Name(s) of Designer(s): **Morrison John Just**
(45) Registration Date: **13 November 2014**
(56) Related Art Documents: **Not Applicable**
(57) Statement of Newness and Distinctiveness: **The newness and distinctiveness of the design resides in the shape and/or configuration of the SPRING MODULE FOR BEDDING FOUNDATION shown in the representations.**



- (21) Design Number: **15446/2014**
(22) Date of Filing Application: **29 October 2014**
(24) Date from which industrial property rights may have effect: **29 October 2014**
(54) Product in respect of which the design is registered: **Packaging**
(51) International Design Classification: **09-03L**
(74) Name(s) of Attorney(s): **Griffith Hack**
(71) Name(s) and Address(s) of Applicant(s):
KRAFT FOODS R & D, INC.
Three Parkway North Deerfield IL, 60015 United States of America
(72) Name(s) of Designer(s): **Rosie Brown and Julian Sellers and Glen Dutton**
(45) Registration Date: **13 November 2014**
(30) Convention priority data:
(31) Number (32) Date (33) Country
002455469-0003 29 Apr 2014 OFFICE FOR HARMONISATION IN THE INTERNAL MARKET (OHIM)
(56) Related Art Documents: **Not Applicable**
(57) Statement of Newness and Distinctiveness: **The shape and configuration of those parts of the product shown in solid lines in the representations are new and distinctive.**

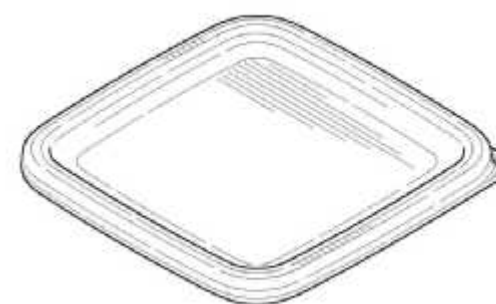


(21) Design Number: **15451/2014**
(22) Date of Filing Application: **29 October 2014**
(24) Date from which industrial property rights may have effect: **29 October 2014**
(54) Product in respect of which the design is registered: **Container with lid**
(51) International Design Classification: **09-03M**
(74) Name(s) of Attorney(s): **PHILLIPS ORMONDE FITZPATRICK**
(71) Name(s) and Address(s) of Applicant(s):
Dart Industries Inc.
14901 S. Orange Blossom Trail Orlando Florida 32837 United States of America



(72) Name(s) of Designer(s): **Nathan E Shirley and Julie L Yessin**
(45) Registration Date: **13 November 2014**
(30) Convention priority data:
(31) Number (32) Date (33) Country
29/496,891 18 Jul 2014 UNITED STATES OF AMERICA
(56) Related Art Documents: **Not Applicable**
(57) Statement of Newness and Distinctiveness: **Those features of the container with lid depicted in the representations that are new and distinctive are the shape and/or configuration.**

(21) Design Number: **15453/2014**
(22) Date of Filing Application: **29 October 2014**
(24) Date from which industrial property rights may have effect: **29 October 2014**
(54) Product in respect of which the design is registered: **Lid for container**
(51) International Design Classification: **07-01NES**
(74) Name(s) of Attorney(s): **PHILLIPS ORMONDE FITZPATRICK**
(71) Name(s) and Address(s) of Applicant(s):
Dart Industries Inc.
14901 S. Orange Blossom Trail Orlando Florida 32837 United States of America



(72) Name(s) of Designer(s): **Nathan E Shirley and Julie L Yessin**
(45) Registration Date: **13 November 2014**
(30) Convention priority data:
(31) Number (32) Date (33) Country
29/496,891 18 Jul 2014 UNITED STATES OF AMERICA
(56) Related Art Documents: **Not Applicable**
(57) Statement of Newness and Distinctiveness: **Those features of the lid for container depicted in the representations that are new and distinctive are the shape and/or configuration.**

(21) Design Number: **15454/2014**

(22) Date of Filing Application: **29 October 2014**

(24) Date from which industrial property rights may have effect: **29 October 2014**

(54) Product in respect of which the design is registered: **Container with lid**

(51) International Design Classification: **07-01NES**

(74) Name(s) of Attorney(s): **PHILLIPS ORMONDE FITZPATRICK**

(71) Name(s) and Address(s) of Applicant(s):

Dart Industries Inc.

14901 S. Orange Blossom Trail Orlando Florida 32837 United States of America

(72) Name(s) of Designer(s): **Nathan E Shirley and Julie L Yessin**

(45) Registration Date: **13 November 2014**

(30) Convention priority data:

(31) Number	(32) Date	(33) Country
29/496,891	18 Jul 2014	UNITED STATES OF AMERICA

(56) Related Art Documents: **Not Applicable**

(57) Statement of Newness and Distinctiveness: **Those features of the container with lid depicted in the representations that are new and distinctive are the shape and/or configuration.**



(21) Design Number: **15455/2014**

(22) Date of Filing Application: **29 October 2014**

(24) Date from which industrial property rights may have effect: **29 October 2014**

(54) Product in respect of which the design is registered: **Kitchen food extruder**

(51) International Design Classification: **31-00**

(74) Name(s) of Attorney(s): **PHILLIPS ORMONDE FITZPATRICK**

(71) Name(s) and Address(s) of Applicant(s):

Dart Industries Inc.

14901 S. Orange Blossom Trail Orlando Florida 32837 United States of America

(72) Name(s) of Designer(s): **Judicael Cornu and Sara L Delgado Carmona**

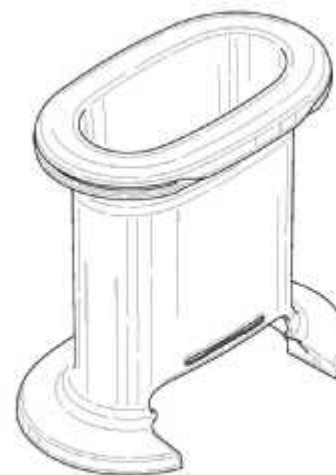
(45) Registration Date: **13 November 2014**

(30) Convention priority data:

(31) Number	(32) Date	(33) Country
29/496,195	10 Jul 2014	UNITED STATES OF AMERICA

(56) Related Art Documents: **Not Applicable**

(57) Statement of Newness and Distinctiveness: **Those features of the kitchen food extruder depicted in the representations that are new and distinctive are the shape and/or configuration. The features shown in broken lines are not part of the design and are to be disregarded when considering the overall impression of the design.**



(21) Design Number: **15456/2014**
(22) Date of Filing Application: **29 October 2014**
(24) Date from which industrial property rights may have effect: **29 October 2014**
(54) Product in respect of which the design is registered: **Container with lid**
(51) International Design Classification: **07-01NES**
(74) Name(s) of Attorney(s): **PHILLIPS ORMONDE FITZPATRICK**
(71) Name(s) and Address(s) of Applicant(s):
Dart Industries Inc.
14901 S. Orange Blossom Trail Orlando Florida 32837 United States of America



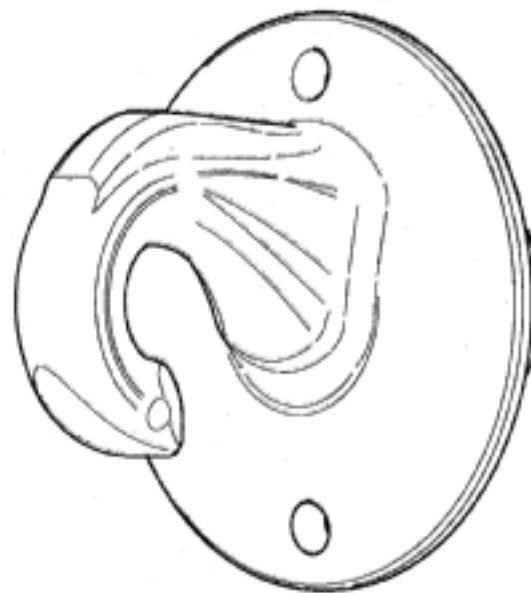
(72) Name(s) of Designer(s): **Nathan E Shirley and Julie L Yessin**
(45) Registration Date: **13 November 2014**
(30) Convention priority data:
(31) Number (32) Date (33) Country
29/496,891 18 Jul 2014 UNITED STATES OF AMERICA
(56) Related Art Documents: **Not Applicable**
(57) Statement of Newness and Distinctiveness: **Those features of the container with lid depicted in the representations that are new and distinctive are the shape and/or configuration.**

(21) Design Number: **15459/2014**
(22) Date of Filing Application: **29 October 2014**
(24) Date from which industrial property rights may have effect: **29 October 2014**
(54) Product in respect of which the design is registered: **Container with lid**
(51) International Design Classification: **07-01NES**
(74) Name(s) of Attorney(s): **PHILLIPS ORMONDE FITZPATRICK**
(71) Name(s) and Address(s) of Applicant(s):
Dart Industries Inc.
14901 S. Orange Blossom Trail Orlando Florida 32837 United States of America

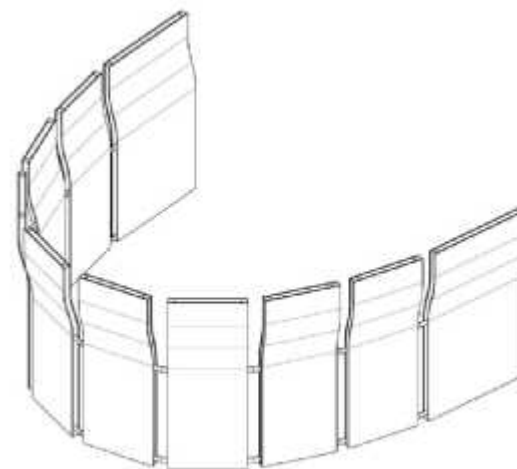


(72) Name(s) of Designer(s): **Nathan E Shirley and Julie L Yessin**
(45) Registration Date: **13 November 2014**
(30) Convention priority data:
(31) Number (32) Date (33) Country
29/496,891 18 Jul 2014 UNITED STATES OF AMERICA
(56) Related Art Documents: **Not Applicable**
(57) Statement of Newness and Distinctiveness: **Those features of the container with lid depicted in the representations that are new and distinctive are the shape and/or configuration.**

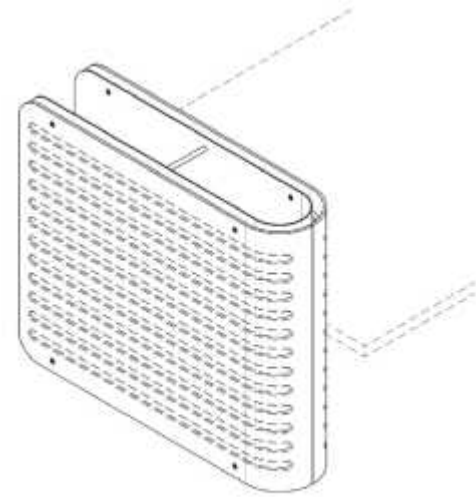
(21) Design Number: **14032/2014**
(22) Date of Filing Application: **14 August 2014**
(24) Date from which industrial property rights may have effect: **14 August 2014**
(54) Product in respect of which the design is registered: **Ground engaging element mounting hubs for agricultural tillage chain**
(51) International Design Classification: **08-08NES**
(74) Name(s) of Attorney(s): **PHILLIPS ORMONDE FITZPATRICK**
(71) Name(s) and Address(s) of Applicant(s):
Kentyn Scott Paterson
Lot 10 Willamulka Rd Bute SA 5560 Australia
(72) Name(s) of Designer(s): **Kentyn Scott Paterson**
(45) Registration Date: **14 November 2014**
(30) Convention priority data:
(31) Number (32) Date (33) Country
29/482,135 14 Feb 2014 UNITED STATES OF AMERICA
(56) Related Art Documents: **Not Applicable**
(57) Statement of Newness and Distinctiveness: **Nil**



(21) Design Number: **14042/2014**
(22) Date of Filing Application: **15 August 2014**
(24) Date from which industrial property rights may have effect: **15 August 2014**
(54) Product in respect of which the design is registered: **Screen**
(51) International Design Classification: **06-06NES**
(74) Name(s) of Attorney(s): **Davies Collison Cave**
(71) Name(s) and Address(s) of Applicant(s):
Zenith Interiors Pty Ltd
101 Tulip St Sandringham VIC 3191 Australia
(72) Name(s) of Designer(s): **Carlo Poli**
(45) Registration Date: **14 November 2014**
(56) Related Art Documents: **Not Applicable**
(57) Statement of Newness and Distinctiveness: **Nil**



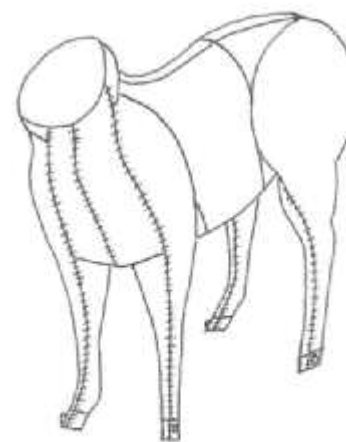
- (21) Design Number: **14043/2014**
(22) Date of Filing Application: **15 August 2014**
(24) Date from which industrial property rights may have effect: **15 August 2014**
(54) Product in respect of which the design is registered: **Furniture**
(51) International Design Classification: **06-06E**
(74) Name(s) of Attorney(s): **Davies Collison Cave**
(71) Name(s) and Address(s) of Applicant(s):
Zenith Interiors Pty Ltd
101 Tulip St Sandringham VIC 3191 Australia
(72) Name(s) of Designer(s): **Carlo Poli**
(45) Registration Date: **14 November 2014**
(56) Related Art Documents: **Not Applicable**
(57) Statement of Newness and Distinctiveness: **Newness and distinctiveness is claimed in the visual features shown in solid lines in the representations.**



- (21) Design Number: **15463/2014**
(22) Date of Filing Application: **30 October 2014**
(24) Date from which industrial property rights may have effect: **30 October 2014**
(54) Product in respect of which the design is registered: **Bottle**
(51) International Design Classification: **09-01D**
(74) Name(s) of Attorney(s):
(71) Name(s) and Address(s) of Applicant(s):
Aquarush Pty Ltd
C/- Patentec Patent Attorneys PO BOX A1172 Sydney South NSW 1235
Australia
(72) Name(s) of Designer(s): **Roshan Chelvaratnam**
(45) Registration Date: **14 November 2014**
(56) Related Art Documents: **Not Applicable**
(57) Statement of Newness and Distinctiveness: **The newness and distinctiveness of the design resides in the Koala-shape of the bottle as shown in the accompanying representations.**

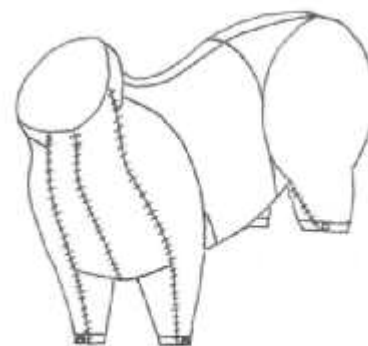


- (21) Design Number: **15490/2014**
(22) Date of Filing Application: **31 October 2014**
(24) Date from which industrial property rights may have effect: **31 October 2014**
(54) Product in respect of which the design is registered: **Travel & recovery horse suit**
(51) International Design Classification: **30-01**
(74) Name(s) of Attorney(s):
(71) Name(s) and Address(s) of Applicant(s):
Anna Spice
Os. Dywizjonu 303 18/2 Krakow 31-872 Poland
(72) Name(s) of Designer(s): **Anna Spice**
(45) Registration Date: **14 November 2014**
(56) Related Art Documents: **Not Applicable**



- (57) Statement of Newness and Distinctiveness: **The drawings below represent a tight fitting travel and recovery body suit for equines. The suits base fabric is a blend of polyester 70-80% & spandex 20-30% with weight between 250-600gms. The fabrics contain function applications (e.g. Celliant-infrared ray textiles, wicking, anti-bacterial etc.) that are known to increase circulation & tissue oxygen levels, and increases energy levels to enhance wellbeing, keeping horses calm, speeding up recovery time and boost their performance. The suits are sewn together in a series of panels using a flat seam type machine or may be glued together using sonic weld. The suits also include five 10mm high performance zippers, one zipper on each of the four legs which are fastened down ways to finish at base of horses leg (fetlock). The remaining zipper is fitted down ways along the under chest & under barrel finishing at groin region. There are five closing devices (press studs) the base of each zipper that hold the zippers closed and in place.**

- (21) Design Number: **15491/2014**
(22) Date of Filing Application: **31 October 2014**
(24) Date from which industrial property rights may have effect: **31 October 2014**
(54) Product in respect of which the design is registered: **Performance/active horse suit**
(51) International Design Classification: **30-01**
(74) Name(s) of Attorney(s):
(71) Name(s) and Address(s) of Applicant(s):
Anna Spice
Os. Dywizjonu 303 18/2 Krakow 31-872 Poland
(72) Name(s) of Designer(s): **Anna Spice**
(45) Registration Date: **14 November 2014**
(56) Related Art Documents: **Not Applicable**



- (57) Statement of Newness and Distinctiveness: **This design is of a tight fitting performance or Active body suit for equines. The suits base fabric is a blend of polyester 70-80% & spandex 20-30% with weight between 250-600gms. The fabrics contain function applications (e.g. Celliant-infrared ray textiles, wicking, anti-bacterial etc.) that are known to increase circulation & tissue oxygen levels, and increases energy levels to enhance wellbeing, keeping horses calm, speeding up recovery time and boost their performance. The suits are sewn together in a series of panels using a flat seam type machine or may be glued together using sonic weld. The suits also include five 10mm high performance zippers, one zipper on each of the four legs which are fastened down ways to finish above the knees & hocks of horses leg. The remaining zipper is fitted down ways along the under chest & under barrel finishing at groin region. There are five closing devices (press studs) the base of each zipper that hold the zippers closed and in place.**

(21) Design Number: **15493/2014**

(22) Date of Filing Application: **31 October 2014**

(24) Date from which industrial property rights may have effect: **31 October 2014**

(54) Product in respect of which the design is registered: **Paint brush handle**

(51) International Design Classification: **04-04**

(74) Name(s) of Attorney(s): **SPRUSON & FERGUSON**

(71) Name(s) and Address(s) of Applicant(s):

The Sherwin-Williams Company
101 W. Prospect Avenue, N.W., Cleveland Ohio 44115 United States of America

(72) Name(s) of Designer(s): **Michael C Lambertson Jr and William Pavilonis and Reid C Parks**

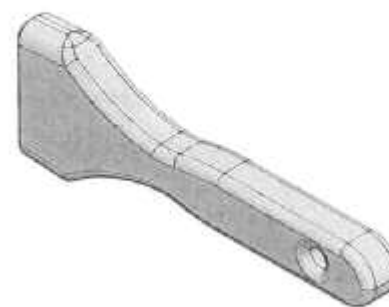
(45) Registration Date: **14 November 2014**

(30) Convention priority data:

(31) Number	(32) Date	(33) Country
29/489627	01 May 2014	UNITED STATES OF AMERICA

(56) Related Art Documents: **Not Applicable**

(57) Statement of Newness and Distinctiveness: **Newness and distinctiveness is claimed in the features of shape and/or configuration of a paint brush handle as illustrated in the accompanying representations.**



(21) Design Number: **15494/2014**

(22) Date of Filing Application: **31 October 2014**

(24) Date from which industrial property rights may have effect: **31 October 2014**

(54) Product in respect of which the design is registered: **Paint brush handle**

(51) International Design Classification: **04-04**

(74) Name(s) of Attorney(s): **SPRUSON & FERGUSON**

(71) Name(s) and Address(s) of Applicant(s):

The Sherwin-Williams Company
101 W. Prospect Avenue, N.W., Cleveland Ohio 44115 United States of America

(72) Name(s) of Designer(s): **Michael C Lambertson Jr and William Pavilonis and Reid C Parks**

(45) Registration Date: **14 November 2014**

(30) Convention priority data:

(31) Number	(32) Date	(33) Country
29/489627	01 May 2014	UNITED STATES OF AMERICA

(56) Related Art Documents: **Not Applicable**

(57) Statement of Newness and Distinctiveness: **Newness and distinctiveness is claimed in the features of shape and/or configuration of a paint brush handle as illustrated in the accompanying representations.**



(21) Design Number: **15495/2014**

(22) Date of Filing Application: **31 October 2014**

(24) Date from which industrial property rights may have effect: **31 October 2014**

(54) Product in respect of which the design is registered: **Paint brush handle**

(51) International Design Classification: **04-04**

(74) Name(s) of Attorney(s): **SPRUSON & FERGUSON**

(71) Name(s) and Address(s) of Applicant(s):

The Sherwin-Williams Company
101 W. Prospect Avenue, N.W., Cleveland Ohio 44115 United States of America

(72) Name(s) of Designer(s): **Michael C Lambertson Jr and William Pavilonis and Reid C Parks**

(45) Registration Date: **14 November 2014**

(30) Convention priority data:

(31) Number	(32) Date	(33) Country
29/489629	01 May 2014	UNITED STATES OF AMERICA

(56) Related Art Documents: **Not Applicable**

(57) Statement of Newness and Distinctiveness: **Newness and distinctiveness is claimed in the features of shape and/or configuration of a paint brush handle as illustrated in the accompanying representations.**



(21) Design Number: **15496/2014**

(22) Date of Filing Application: **31 October 2014**

(24) Date from which industrial property rights may have effect: **31 October 2014**

(54) Product in respect of which the design is registered: **Paint brush handle**

(51) International Design Classification: **04-04**

(74) Name(s) of Attorney(s): **SPRUSON & FERGUSON**

(71) Name(s) and Address(s) of Applicant(s):

The Sherwin-Williams Company
101 W. Prospect Avenue, N.W., Cleveland Ohio 44115 United States of America

(72) Name(s) of Designer(s): **Michael C Lambertson Jr and William Pavilonis and Reid C Parks**

(45) Registration Date: **14 November 2014**

(30) Convention priority data:

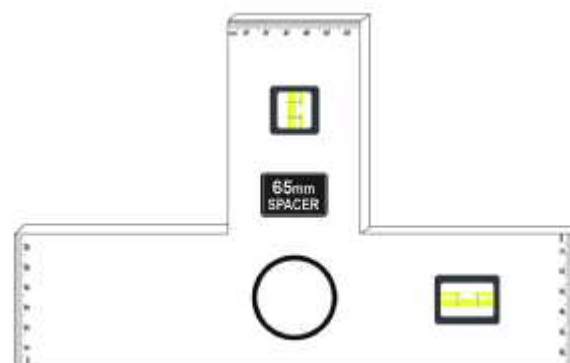
(31) Number	(32) Date	(33) Country
29/489629	01 May 2014	UNITED STATES OF AMERICA

(56) Related Art Documents: **Not Applicable**

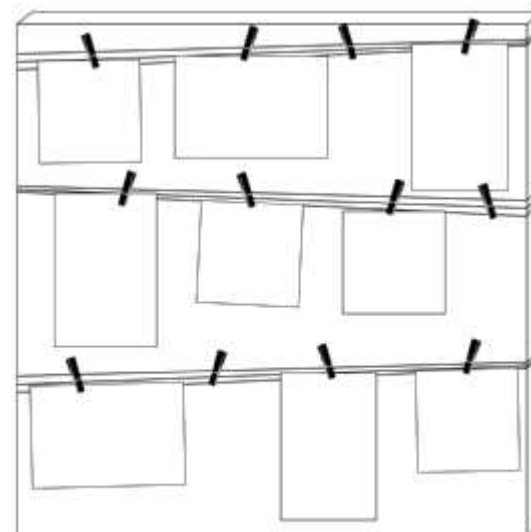
(57) Statement of Newness and Distinctiveness: **Newness and distinctiveness is claimed in the features of shape and/or configuration of a paint brush handle as illustrated in the accompanying representations.**



- (21) Design Number: **12961/2014**
(22) Date of Filing Application: **17 June 2014**
(24) Date from which industrial property rights may have effect: **17 June 2014**
(54) Product in respect of which the design is registered: **Wall gallery spacer tool**
(51) International Design Classification: **10-04**
(74) Name(s) of Attorney(s):
(71) Name(s) and Address(s) of Applicant(s):
UR1 International Pty Ltd
215 Browns Rd Noble Park VIC 3174 Australia
(72) Name(s) of Designer(s): **Aviv Palti**
(45) Registration Date: **17 November 2014**
(56) Related Art Documents: **Not Applicable**
(57) Statement of Newness and Distinctiveness: **The newness and distinctiveness of the design is the unique shape and function of the Wall Gallery Spacer tool as well as the inclusion of the 2 spirit levels and padded EVA back as shown in the accompanying representations.**



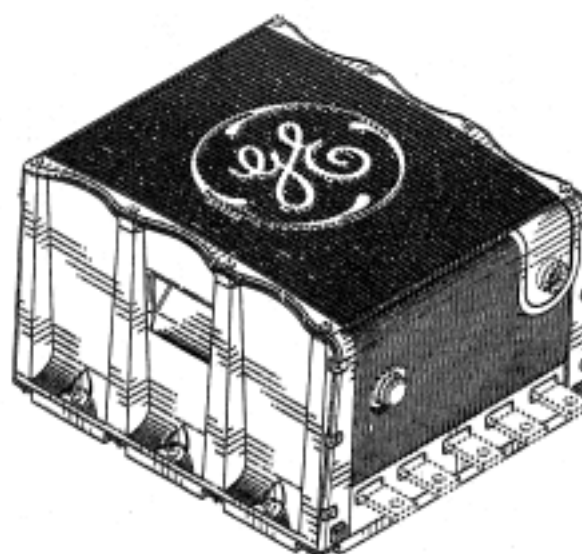
- (21) Design Number: **13135/2014**
(22) Date of Filing Application: **27 June 2014**
(24) Date from which industrial property rights may have effect: **27 June 2014**
(54) Product in respect of which the design is registered: **Display Board**
(51) International Design Classification: **20-02E**
(74) Name(s) of Attorney(s):
(71) Name(s) and Address(s) of Applicant(s):
UR1 International Pty Ltd
215 Browns Rd Noble Park VIC 3174 Australia
(72) Name(s) of Designer(s): **Aviv Palti**
(45) Registration Date: **17 November 2014**
(56) Related Art Documents: **Not Applicable**
(57) Statement of Newness and Distinctiveness: **The newness and distinctiveness of the design is the multi-purpose function and flexibility of the vision board combined with the unique use of printed canvas, several rows of string, pegs and clips.**



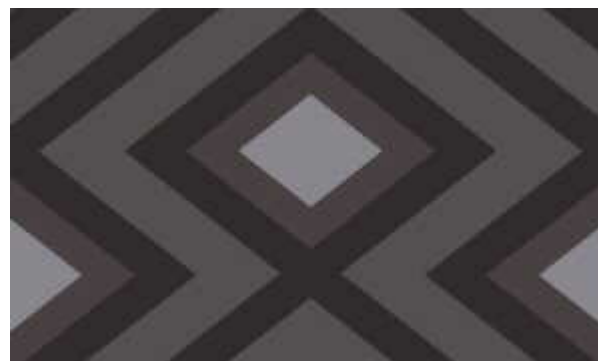
(21) Design Number: **14532/2014**
(22) Date of Filing Application: **09 September 2014**
(24) Date from which industrial property rights may have effect: **09 September 2014**
(54) Product in respect of which the design is registered: **Device for sleep apnoea treatment**
(51) International Design Classification: **24-02, 24-01**
(74) Name(s) of Attorney(s): **Davies Collison Cave**
(71) Name(s) and Address(s) of Applicant(s):
Sleep Innovations Pty Ltd
Se5 3rd Fl 517 St Kilda Rd Melbourne VIC 3000 Australia
(72) Name(s) of Designer(s): **Jack Allen Gerschman and Joel Gerschman**
(45) Registration Date: **17 November 2014**
(56) Related Art Documents: **Not Applicable**
(57) Statement of Newness and Distinctiveness: **Newness and distinctiveness is claimed in the visual features of shape and configuration of a device for sleep apnoea treatment as shown in the representations, but not in the colour of the device for sleep apnoea treatment.**



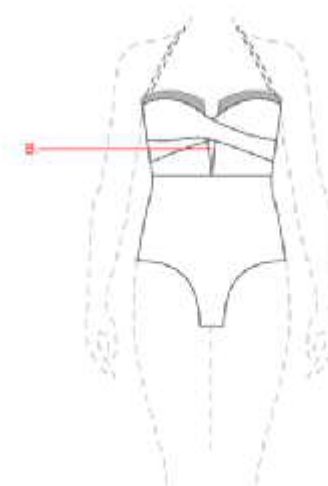
(21) Design Number: **14777/2014**
(22) Date of Filing Application: **19 September 2014**
(24) Date from which industrial property rights may have effect: **19 September 2014**
(54) Product in respect of which the design is registered: **Inverter housing**
(51) International Design Classification: **13-02**
(74) Name(s) of Attorney(s): **PHILLIPS ORMONDE FITZPATRICK**
(71) Name(s) and Address(s) of Applicant(s):
General Electric Company
1 River Road Schenectady New York 12345 United States of America
(72) Name(s) of Designer(s): **Andrew Louis Krivonak and Mark Allen Murphy and Theodore Clark Brown and Frank Dolski and Michael Grutkowski**
(45) Registration Date: **17 November 2014**
(30) Convention priority data:
(31) Number (32) Date (33) Country
29/486,610 01 Apr 2014 UNITED STATES OF AMERICA
(56) Related Art Documents: **Not Applicable**
(57) Statement of Newness and Distinctiveness: **Those features of the inverter housing depicted in the representations that are new and distinctive are the shape and/or configuration. The features shown in broken lines are not part of the design and are to be disregarded when considering the overall impression of the design.**



- (21) Design Number: **15027/2014**
(22) Date of Filing Application: **30 September 2014**
(24) Date from which industrial property rights may have effect: **30 September 2014**
(54) Product in respect of which the design is registered: **Carpet**
(51) International Design Classification: **06-11**
(74) Name(s) of Attorney(s):
(71) Name(s) and Address(s) of Applicant(s):
Raines Carpets Pty Ltd
C/- Speirs Ryan Se503 25 Lime St Sydney NSW 2000 Australia
(72) Name(s) of Designer(s): **David Raines**
(45) Registration Date: **17 November 2014**
(56) Related Art Documents: **Not Applicable**
(57) Statement of Newness and Distinctiveness: **The newness and distinctiveness of the design resides in the particular order and combination of colours used, together with the continuous free flowing pattern. The broken lines/pattern edges are not part of the design and are to be disregarded when considering the overall impression of the design.**



- (21) Design Number: **15497/2014**
(22) Date of Filing Application: **31 October 2014**
(24) Date from which industrial property rights may have effect: **31 October 2014**
(54) Product in respect of which the design is registered: **Swimwear garment**
(51) International Design Classification: **02-02A**
(74) Name(s) of Attorney(s): **Thomson Geer**
(71) Name(s) and Address(s) of Applicant(s):
JETS Swimwear Pty Limited
8-18 Bowden St Alexandria NSW 2015 Australia
(72) Name(s) of Designer(s): **Jessika Allen**
(45) Registration Date: **17 November 2014**
(56) Related Art Documents: **Not Applicable**
(57) Statement of Newness and Distinctiveness: **Newness and distinctiveness is claimed in the shape and/or configuration of the garment as depicted in the accompanying representations and in the feature of pattern and/or ornamentation illustrated on the representations by coloured grey sections which indicate a contrast colour, fabric or pattern from the white sections. The section marked "B" is a cut out panel. The halter neck straps and outline of the wearer, shown in broken lines, forms no part of the design.**



- (21) Design Number: **15498/2014**
(22) Date of Filing Application: **31 October 2014**
(24) Date from which industrial property rights may have effect: **31 October 2014**
(54) Product in respect of which the design is registered: **Swimwear garment**
(51) International Design Classification: **02-02A**
(74) Name(s) of Attorney(s): **Thomson Geer**
(71) Name(s) and Address(s) of Applicant(s):

JETS Swimwear Pty Ltd
8-18 Bowden St Alexandria NSW 2015 Australia

(72) Name(s) of Designer(s): **Jessika Allen**

(45) Registration Date: **17 November 2014**

(56) Related Art Documents: **Not Applicable**

(57) Statement of Newness and Distinctiveness: **Newness and distinctiveness is claimed in the shape and/or configuration of the garment as depicted in the accompanying representations and in the feature of pattern and/or ornamentation illustrated on the representations by coloured grey sections which indicate a contrast colour, fabric or pattern from the white sections. In considering the newness & distinctiveness the feature marked "A", being a clasp, is to be disregarded. The outline of the wearer, shown in broken lines, forms no part of the design.**



- (21) Design Number: **15499/2014**
(22) Date of Filing Application: **31 October 2014**
(24) Date from which industrial property rights may have effect: **31 October 2014**
(54) Product in respect of which the design is registered: **Swimwear garment**
(51) International Design Classification: **02-02A**
(74) Name(s) of Attorney(s): **Thomson Geer**
(71) Name(s) and Address(s) of Applicant(s):

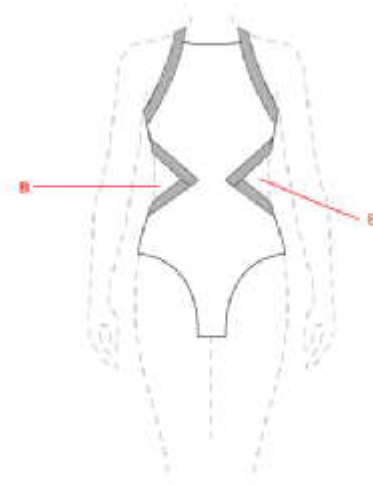
JETS Swimwear Pty Ltd
8-18 Bowden St Alexandria NSW 2015 Australia

(72) Name(s) of Designer(s): **Jessika Allen**

(45) Registration Date: **17 November 2014**

(56) Related Art Documents: **Not Applicable**

(57) Statement of Newness and Distinctiveness: **Newness and distinctiveness is claimed in the shape and/or configuration of the garment as depicted in the accompanying representations and in the feature of pattern and/or ornamentation illustrated on the representations by coloured grey sections which indicate a contrast colour, fabric or pattern from the white sections. In considering the newness & distinctiveness the feature marked "A", being a clasp, is to be disregarded. The sections marked "B" are cut out panels. The back straps in the back view and the outline of the wearer, shown in broken lines, forms no part of the design.**



- (21) Design Number: **15501/2014**
(22) Date of Filing Application: **31 October 2014**
(24) Date from which industrial property rights may have effect: **31 October 2014**
(54) Product in respect of which the design is registered: **Swimwear garment**
(51) International Design Classification: **02-02A**
(74) Name(s) of Attorney(s): **Thomson Geer**
(71) Name(s) and Address(s) of Applicant(s):
JETS Swimwear Pty Ltd
8-18 Bowden St Alexandria NSW 2015 Australia
(72) Name(s) of Designer(s): **Jessika Allen**
(45) Registration Date: **17 November 2014**
(56) Related Art Documents: **Not Applicable**
(57) Statement of Newness and Distinctiveness: **Newness and distinctiveness is claimed in the shape and/or configuration of the garment as depicted in the accompanying representations and in the feature of pattern and/or ornamentation illustrated on the representations by striped sections which indicate a contrast colour, fabric or pattern or mesh fabric from the grey sections. In considering the newness & distinctiveness the feature marked "A", being a zip, is to be disregarded. The outline of the wearer, shown in broken lines, forms no part of the design.**



- (21) Design Number: **15502/2014**
(22) Date of Filing Application: **31 October 2014**
(24) Date from which industrial property rights may have effect: **31 October 2014**
(54) Product in respect of which the design is registered: **Swimwear garment**
(51) International Design Classification: **02-02A**
(74) Name(s) of Attorney(s): **Thomson Geer**
(71) Name(s) and Address(s) of Applicant(s):
JETS Swimwear Pty Ltd
8-18 Bowden St Alexandria NSW 2015 Australia
(72) Name(s) of Designer(s): **Jessika Allen**
(45) Registration Date: **17 November 2014**
(56) Related Art Documents: **Not Applicable**
(57) Statement of Newness and Distinctiveness: **Newness and distinctiveness is claimed in the shape and/or configuration of the garment as depicted in the accompanying representations and in the feature of pattern and/or ornamentation illustrated on the representations by striped sections which indicate a sheer or mesh fabric overlay. The back straps and halter neck tie in the back view and the outline of the wearer, shown in broken lines, forms no part of the design.**



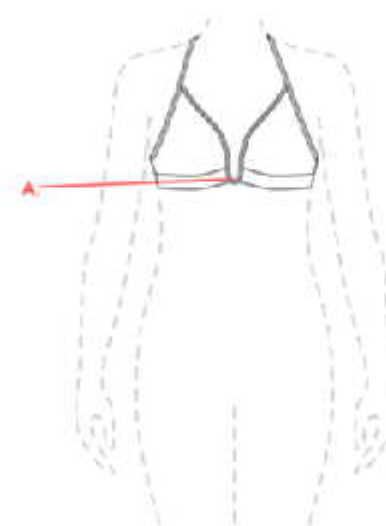
- (21) Design Number: **15503/2014**
(22) Date of Filing Application: **31 October 2014**
(24) Date from which industrial property rights may have effect: **31 October 2014**
(54) Product in respect of which the design is registered: **Swimwear garment**
(51) International Design Classification: **02-02A**
(74) Name(s) of Attorney(s): **Thomson Geer**
(71) Name(s) and Address(s) of Applicant(s):
JETS Swimwear Pty Ltd
8-18 Bowden St Alexandria NSW 2015 Australia
(72) Name(s) of Designer(s): **Jessika Allen**
(45) Registration Date: **17 November 2014**
(56) Related Art Documents: **Not Applicable**

(57) Statement of Newness and Distinctiveness: **Newness and distinctiveness is claimed in the shape and/or configuration of the garment as depicted in the accompanying representations and in the feature of pattern and/or ornamentation illustrated on the representations by striped sections which indicate a sheer or mesh fabric overlay. In considering the newness & distinctiveness the feature marked "A", being a clasp, is to be disregarded. The outline of the wearer, shown in broken lines, forms no part of the design.**



- (21) Design Number: **15504/2014**
(22) Date of Filing Application: **31 October 2014**
(24) Date from which industrial property rights may have effect: **31 October 2014**
(54) Product in respect of which the design is registered: **Swimwear garment**
(51) International Design Classification: **02-02A**
(74) Name(s) of Attorney(s): **Thomson Geer**
(71) Name(s) and Address(s) of Applicant(s):
JETS Swimwear Pty Ltd
8-18 Bowden St Alexandria NSW 2015 Australia
(72) Name(s) of Designer(s): **Jessika Allen**
(45) Registration Date: **17 November 2014**
(56) Related Art Documents: **Not Applicable**

(57) Statement of Newness and Distinctiveness: **Newness and distinctiveness is claimed in the shape and/or configuration of the garment as depicted in the accompanying representations. The section marked "A" is a U shaped wire. The halter neck tie and back strap tie in the back view and outline of the wearer, shown in broken lines, forms no part of the design.**



- (21) Design Number: **15505/2014**
(22) Date of Filing Application: **31 October 2014**
(24) Date from which industrial property rights may have effect: **31 October 2014**
(54) Product in respect of which the design is registered: **Swimwear garment**
(51) International Design Classification: **02-02A**
(74) Name(s) of Attorney(s): **Thomson Geer**
(71) Name(s) and Address(s) of Applicant(s):

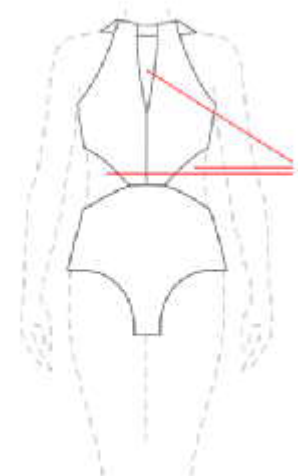
JETS Swimwear Pty Ltd
8-18 Bowden St Alexandria NSW 2015 Australia

(72) Name(s) of Designer(s): **Jessika Allen**

(45) Registration Date: **17 November 2014**

(56) Related Art Documents: **Not Applicable**

(57) Statement of Newness and Distinctiveness: **Newness and distinctiveness is claimed in the shape and/or configuration of the garment as depicted in the accompanying representations. In considering the newness & distinctiveness the feature marked "A", being a clasp, is to be disregarded. The sections marked "B" are cut out panels. The halter neck tie in the back view and outline of the wearer, shown in broken lines, forms no part of the design.**



- (21) Design Number: **15506/2014**
(22) Date of Filing Application: **31 October 2014**
(24) Date from which industrial property rights may have effect: **31 October 2014**
(54) Product in respect of which the design is registered: **Swimwear garment**
(51) International Design Classification: **02-02A**
(74) Name(s) of Attorney(s): **Thomson Geer**
(71) Name(s) and Address(s) of Applicant(s):

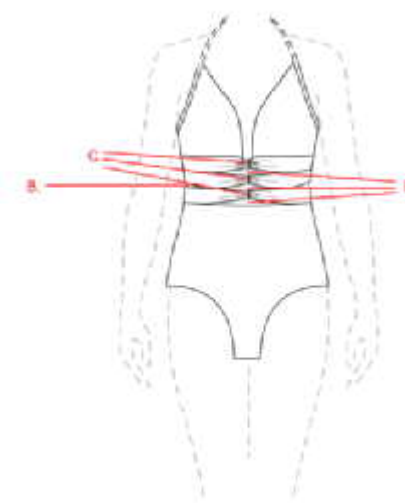
JETS Swimwear Pty Ltd
8-18 Bowden St Alexandria NSW 2015 Australia

(72) Name(s) of Designer(s): **Jessika Allen**

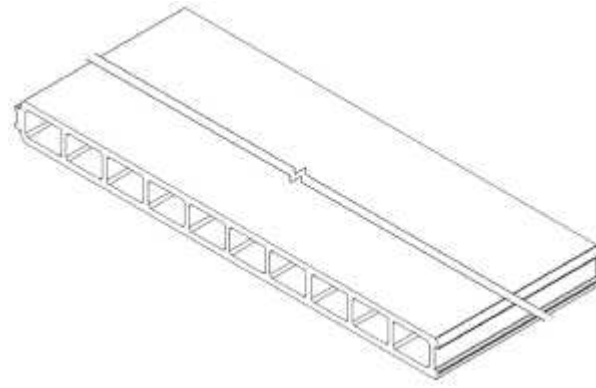
(45) Registration Date: **17 November 2014**

(56) Related Art Documents: **Not Applicable**

(57) Statement of Newness and Distinctiveness: **Newness and distinctiveness is claimed in the shape and/or configuration of the garment as depicted in the accompanying representations. In considering the newness & distinctiveness the feature marked "A", being a clasp, is to be disregarded. The sections marked "B" are cut out panels. The sections marked "C" are bead hardware. The halter neck tie and outline of the wearer, shown in broken lines, forms no part of the design.**



- (21) Design Number: **15509/2014**
(22) Date of Filing Application: **31 October 2014**
(24) Date from which industrial property rights may have effect: **31 October 2014**
(54) Product in respect of which the design is registered: **Extrusion**
(51) International Design Classification: **25-01K**
(74) Name(s) of Attorney(s): **James & Wells**
(71) Name(s) and Address(s) of Applicant(s):
Milmeq Limited
8 Penrose Road Penrose Auckland 1061 New Zealand
(72) Name(s) of Designer(s): **Derek Ashcroft**
(45) Registration Date: **17 November 2014**
(56) Related Art Documents: **Not Applicable**
(57) Statement of Newness and Distinctiveness: **Newness and distinctiveness resides in the shape and/or configuration of an extrusion of indefinite length, as shown in the accompanying representations.**



- (21) Design Number: **15510/2014**
(22) Date of Filing Application: **31 October 2014**
(24) Date from which industrial property rights may have effect: **31 October 2014**
(54) Product in respect of which the design is registered: **A light globe**
(51) International Design Classification: **26-04**
(74) Name(s) of Attorney(s): **Fisher Adams Kelly Pty Ltd**
(71) Name(s) and Address(s) of Applicant(s):
Zhejiang Shenghui Lighting Co., Ltd.
No. 39 Shenghui Rd Xiuzhou Industrial Park Jiaxing ZHEJIANG 314031
China
(72) Name(s) of Designer(s): **Ding Gang and Shen Jinxiang**
(45) Registration Date: **17 November 2014**
(30) Convention priority data:
(31) Number (32) Date (33) Country
201430252110.8 **23 Jul 2014** **CHINA**
(56) Related Art Documents: **Not Applicable**
(57) Statement of Newness and Distinctiveness: **The newness and distinctiveness of the design resides in the shape and/or configuration of A LIGHT GLOBE shown in the representations.**



(21) Design Number: **15519/2014**
(22) Date of Filing Application: **31 October 2014**
(24) Date from which industrial property rights may have effect: **31 October 2014**
(54) Product in respect of which the design is registered: **Vacuum cleaner**
(51) International Design Classification: **15-05**
(74) Name(s) of Attorney(s): **FB Rice**
(71) Name(s) and Address(s) of Applicant(s):
LG Electronics Inc.
128 Yeoui-daero Yeongdeungpo-gu Seoul 150-721 Republic of Korea
(72) Name(s) of Designer(s): **Seunghyun Song and Hyein Yang and Youngwoo Kim**
(45) Registration Date: **17 November 2014**
(30) Convention priority data:
(31) Number (32) Date (33) Country
30-2014-0024391 19 May 2014 REPUBLIC OF KOREA
(56) Related Art Documents: **Not Applicable**
(57) Statement of Newness and Distinctiveness: **Newness and distinctiveness reside in the features of the design shown in solid lines in the representations excluding those features shown in broken lines.**



(21) Design Number: **15520/2014**
(22) Date of Filing Application: **31 October 2014**
(24) Date from which industrial property rights may have effect: **31 October 2014**
(54) Product in respect of which the design is registered: **Vacuum cleaner**
(51) International Design Classification: **15-05**
(74) Name(s) of Attorney(s): **FB Rice**
(71) Name(s) and Address(s) of Applicant(s):
LG Electronics Inc.
128 Yeoui-daero Yeongdeungpo-gu Seoul 150-721 Republic of Korea
(72) Name(s) of Designer(s): **Seunghyun Song and Hyein Yang and Youngwoo Kim**
(45) Registration Date: **17 November 2014**
(30) Convention priority data:
(31) Number (32) Date (33) Country
30-2014-0024392 19 May 2014 REPUBLIC OF KOREA
(56) Related Art Documents: **Not Applicable**
(57) Statement of Newness and Distinctiveness: **Newness and distinctiveness reside in the features of the design as shown in the representations.**



(21) Design Number: **15756/2014**
(22) Date of Filing Application: **19 September 2014**
(24) Date from which industrial property rights may have effect: **19 September 2014**
(54) Product in respect of which the design is registered: **Inverter housing**
(51) International Design Classification: **13-02**
(74) Name(s) of Attorney(s): **PHILLIPS ORMONDE FITZPATRICK**
(71) Name(s) and Address(s) of Applicant(s):

General Electric Company
1 River Road Schenectady New York 12345 United States of America

(72) Name(s) of Designer(s): **Andrew Louis Krivonak and Mark Allen Murphy and Theodore Clark Brown and Frank Dolski and Michael Grutkowski**

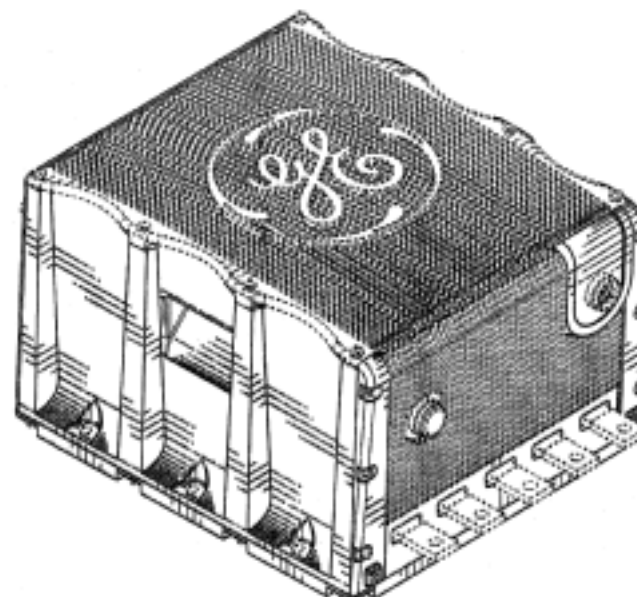
(45) Registration Date: **17 November 2014**

(30) Convention priority data:

(31) Number	(32) Date	(33) Country
29/486,610	01 Apr 2014	UNITED STATES OF AMERICA

(56) Related Art Documents: **Not Applicable**

(57) Statement of Newness and Distinctiveness: **Those features of the inverter housing depicted in the representations that are new and distinctive are the shape and/or configuration. The features shown in broken lines are not part of the design and are to be disregarded when considering the overall impression of the design.**



(21) Design Number: **15757/2014**
(22) Date of Filing Application: **19 September 2014**
(24) Date from which industrial property rights may have effect: **19 September 2014**
(54) Product in respect of which the design is registered: **Inverter housing**
(51) International Design Classification: **13-02**
(74) Name(s) of Attorney(s): **PHILLIPS ORMONDE FITZPATRICK**
(71) Name(s) and Address(s) of Applicant(s):

General Electric Company
1 River Road Schenectady New York 12345 United States of America

(72) Name(s) of Designer(s): **Andrew Louis Krivonak and Mark Allen Murphy and Theodore Clark Brown and Frank Dolski and Michael Grutkowski**

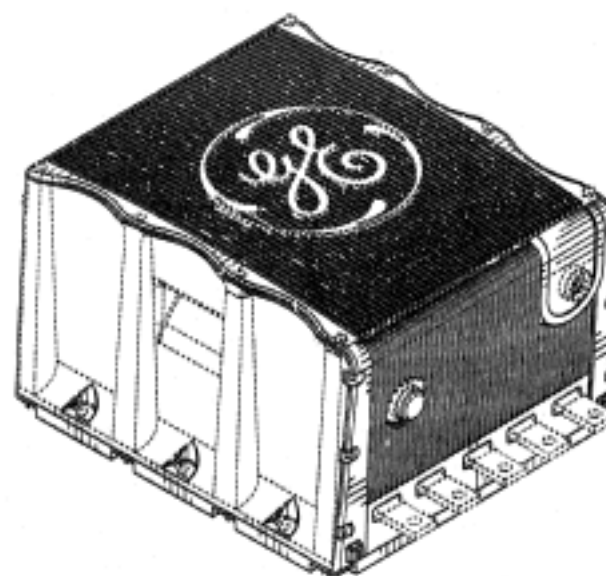
(45) Registration Date: **17 November 2014**

(30) Convention priority data:

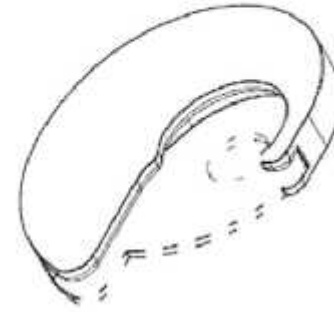
(31) Number	(32) Date	(33) Country
29/486,610	01 Apr 2014	UNITED STATES OF AMERICA

(56) Related Art Documents: **Not Applicable**

(57) Statement of Newness and Distinctiveness: **Those features of the inverter housing depicted in the representations that are new and distinctive are the shape and/or configuration. The features shown in broken lines are not part of the design and are to be disregarded when considering the overall impression of the design.**



- (21) Design Number: **12171/2014**
(22) Date of Filing Application: **06 May 2014**
(24) Date from which industrial property rights may have effect: **06 May 2014**
(54) Product in respect of which the design is registered: **Handle protector**
(51) International Design Classification: **09-09**
(74) Name(s) of Attorney(s): **WATERMARK PATENT AND TRADE MARKS ATTORNEYS**
(71) Name(s) and Address(s) of Applicant(s):
SULO MGB Australia Pty Ltd
123 Wisemans Ferry Rd Somersby NSW 2250 Australia
(72) Name(s) of Designer(s): **Darryl Kershaw and Philip Robson**
(45) Registration Date: **17 November 2014**
(56) Related Art Documents: **Not Applicable**
(57) Statement of Newness and Distinctiveness: **Newness and distinctiveness resides in the overall shape and configuration of the handle protector as shown in the Figure. No regard is to be had to the detail shown in phantom which is present for purposes of context only.**



- (21) Design Number: **14247/2014**
(22) Date of Filing Application: **27 August 2014**
(24) Date from which industrial property rights may have effect: **27 November 2013**
(54) Product in respect of which the design is registered: **Positive airway pressure delivery console**
(51) International Design Classification: **24-01**
(74) Name(s) of Attorney(s): **Halfords IP**
(71) Name(s) and Address(s) of Applicant(s):
ResMed Limited
1 Elizabeth Macarthur Dr Bella Vista NSW 2153 Australia
(72) Name(s) of Designer(s): **Justin John Formica and Jose Ignacio Romagnoli and Jessica Lea Dunn and Mark Bertinetti and Henri Spaile and Justin Peter Wagemakers and Mark Armstrong**
(45) Registration Date: **17 November 2014**
(62) Divisional of: **357263**
(56) Related Art Documents: **Not Applicable**
(57) Statement of Newness and Distinctiveness: **Nil**



- (21) Design Number: **14677/2014**
(22) Date of Filing Application: **15 September 2014**
(24) Date from which industrial property rights may have effect: **15 September 2014**
(54) Product in respect of which the design is registered: **Shade cloth western style safety helmet brim**
(51) International Design Classification: **02-03**
(74) Name(s) of Attorney(s):
(71) Name(s) and Address(s) of Applicant(s):
Julie Dixon
3183 Midwestern Hwy Blayney NSW 2799 Australia
(72) Name(s) of Designer(s): **Julie Dixon**
(45) Registration Date: **17 November 2014**
(56) Related Art Documents: **Not Applicable**



- (57) Statement of Newness and Distinctiveness: **This product is a protective head ware that is both stylish and practical. The fabrics consist of nylon elastic band, shade cloth base (highest quality high density polyethylene) material and nylon synthetic rim binding. Within the rim binding is a spring steel wire to keep consistent stability and shape Also allows the brim to form clear vision. The brim is very robust and is quite immune to dirt and moisture. It is also easy to fit and light weight for casual and protective wearing. The head ware comes in a variety of colour combinations. As well as high visibility phosphorescent colouring. The head ware is designed to be fitted over a safety helmet or recreational riding helmet for protection against the harsh suns rays.**

- (21) Design Number: **15261/2014**
(22) Date of Filing Application: **15 October 2014**
(24) Date from which industrial property rights may have effect: **15 October 2014**
(54) Product in respect of which the design is registered: **Headstone**
(51) International Design Classification: **25-03**
(74) Name(s) of Attorney(s):
(71) Name(s) and Address(s) of Applicant(s):
Nizar Rasheed
1/10 North St Norwood SA 5067 Australia
(72) Name(s) of Designer(s): **Nizar Rasheed**
(45) Registration Date: **17 November 2014**
(56) Related Art Documents: **Not Applicable**

- (57) Statement of Newness and Distinctiveness: **Statement of Monopoly Monopoly is claimed in the configuration of a Quick Response Code (QR code) on the front surface of a headstone as shown in the accompanying representations. When construing the scope of the monopoly, the three dimensional shape of the headstone is to be disregarded.**



- (21) Design Number: **15466/2014**
- (22) Date of Filing Application: **30 October 2014**
- (24) Date from which industrial property rights may have effect: **17 July 2014**
- (54) Product in respect of which the design is registered: **Display screen with graphical user interface**
- (51) International Design Classification: **14-04, 14-02**
- (74) Name(s) of Attorney(s): **SPRUSON & FERGUSON**
- (71) Name(s) and Address(s) of Applicant(s):
Beats Music, LLC
555 19th Street, San Francisco California, 94107 United States of America
- (72) Name(s) of Designer(s): **Fredric Vinna and Rob Sheridan and Michael Trent Reznor and Ayse Kulahci and Stephen Garcia and James Temple and Scott Elliot Shaw and Lucio Moreno Rufo**
- (45) Registration Date: **17 November 2014**
- (62) Divisional of: **358549**
- (56) Related Art Documents: **Not Applicable**
- (57) Statement of Newness and Distinctiveness: **Newness and distinctiveness is claimed in the features of pattern and/or ornamentation of a display screen with graphical user interface as illustrated in continuous lines in the accompanying representations.**



- (21) Design Number: **15467/2014**
- (22) Date of Filing Application: **30 October 2014**
- (24) Date from which industrial property rights may have effect: **17 July 2014**
- (54) Product in respect of which the design is registered: **Display screen with graphical user interface**
- (51) International Design Classification: **14-04, 14-02**
- (74) Name(s) of Attorney(s): **SPRUSON & FERGUSON**
- (71) Name(s) and Address(s) of Applicant(s):
Beats Music, LLC
555 19th Street, San Francisco California, 94107 United States of America
- (72) Name(s) of Designer(s): **Fredric Vinna and Rob Sheridan and Michael Trent Reznor and Ayse Kulahci and Stephen Garcia and James Temple and Scott Elliot Shaw and Lucio Moreno Rufo**
- (45) Registration Date: **17 November 2014**
- (62) Divisional of: **358546**
- (56) Related Art Documents: **Not Applicable**
- (57) Statement of Newness and Distinctiveness: **Newness and distinctiveness is claimed in the features of pattern and/or ornamentation of a display screen with graphical user interface as illustrated in continuous lines in the accompanying representations.**



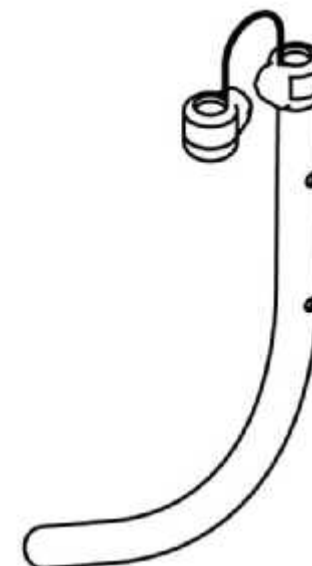
(21) Design Number: **15468/2014**
(22) Date of Filing Application: **30 October 2014**
(24) Date from which industrial property rights may have effect: **30 October 2014**
(54) Product in respect of which the design is registered: **Stirrup**
(51) International Design Classification: **30-04**
(74) Name(s) of Attorney(s): **Cullens Patent and Trade Mark Attorneys**
(71) Name(s) and Address(s) of Applicant(s):
Intelligent Inventions Limited
C/- L32 239 George St Brisbane QLD 4000 Australia
(72) Name(s) of Designer(s): **Adrian Morgante**
(45) Registration Date: **17 November 2014**
(56) Related Art Documents: **Not Applicable**
(57) Statement of Newness and Distinctiveness: **Nil**



(21) Design Number: **15470/2014**
(22) Date of Filing Application: **30 October 2014**
(24) Date from which industrial property rights may have effect: **04 September 2014**
(54) Product in respect of which the design is registered: **Nasal airway tube**
(51) International Design Classification: **24-04**
(74) Name(s) of Attorney(s): **Marks & Clerk Australia**
(71) Name(s) and Address(s) of Applicant(s):
Seven Dreamers Laboratories, Inc.
3-14-4 Shiba Minato-ku Tokyo 105-0014 Japan
(72) Name(s) of Designer(s): **Hiroshi Yamada and Kanta Kurauchi and Hiromichi Matsui and Kenichi Tamura**
(45) Registration Date: **17 November 2014**
(30) Convention priority data:

(31) Number	(32) Date	(33) Country
2014-004827	07 Mar 2014	JAPAN

(62) Divisional of: **358557**
(56) Related Art Documents: **Not Applicable**
(57) Statement of Newness and Distinctiveness: **Newness and distinctiveness resides in the features of shape and configuration of a nasal airway tube as shown in the accompanying representations.**



(21) Design Number: **15471/2014**
(22) Date of Filing Application: **30 October 2014**
(24) Date from which industrial property rights may have effect: **30 October 2014**
(54) Product in respect of which the design is registered: **Fastening tool**
(51) International Design Classification: **08-05NES**
(74) Name(s) of Attorney(s): **Baldwins**
(71) Name(s) and Address(s) of Applicant(s):
Arrow Fastener Co., LLC
271 Mayhill St Saddle Brook NJ 07663-5303 United States of America
(72) Name(s) of Designer(s): **Daniel Genord and Grey Parker and Francis Foster and Gregg Malanga**
(45) Registration Date: **17 November 2014**
(30) Convention priority data:
(31) Number (32) Date (33) Country
29/489,710 02 May 2014 UNITED STATES OF AMERICA
(56) Related Art Documents: **Not Applicable**
(57) Statement of Newness and Distinctiveness: **Newness and distinctiveness is claimed in the features of shape and/or configuration of the article as shown in the accompanying representations, excluding those portions shown in broken line.**



(21) Design Number: **15472/2014**
(22) Date of Filing Application: **30 October 2014**
(24) Date from which industrial property rights may have effect: **04 September 2014**
(54) Product in respect of which the design is registered: **Nasal airway tube**
(51) International Design Classification: **24-04**
(74) Name(s) of Attorney(s): **Marks & Clerk Australia**
(71) Name(s) and Address(s) of Applicant(s):
Seven Dreamers Laboratories, Inc.
3-14-4 Shiba Minato-ku Tokyo 105-0014 Japan
(72) Name(s) of Designer(s): **Hiroshi Yamada and Kanta Kurauchi and Hiromichi Matsui and Kenichi Tamura**
(45) Registration Date: **17 November 2014**
(30) Convention priority data:
(31) Number (32) Date (33) Country
2014-004828 07 Mar 2014 JAPAN
(62) Divisional of: **358557**
(56) Related Art Documents: **Not Applicable**
(57) Statement of Newness and Distinctiveness: **Newness and distinctiveness resides in the features of shape and configuration of a nasal airway tube as shown in the accompanying representations.**



(21) Design Number: **15473/2014**
(22) Date of Filing Application: **30 October 2014**
(24) Date from which industrial property rights may have effect: **04 September 2014**
(54) Product in respect of which the design is registered: **Nasal airway tube**
(51) International Design Classification: **24-04**
(74) Name(s) of Attorney(s): **Marks & Clerk Australia**
(71) Name(s) and Address(s) of Applicant(s):
Seven Dreamers Laboratories, Inc.
3-14-4 Shiba Minato-ku Tokyo 105-0014 Japan
(72) Name(s) of Designer(s): **Hiroshi Yamada and Kanta Kurauchi and**
Hiromichi Matsui and Kenichi Tamura
(45) Registration Date: **17 November 2014**
(30) Convention priority data:
(31) Number (32) Date (33) Country
2014-004829 07 Mar 2014 JAPAN
(62) Divisional of: **358557**
(56) Related Art Documents: **Not Applicable**
(57) Statement of Newness and Distinctiveness: **Newness and distinctiveness**
resides in the features of shape and configuration of a nasal airway tube
as shown in the accompanying representations.



(21) Design Number: **15474/2014**
(22) Date of Filing Application: **30 October 2014**
(24) Date from which industrial property rights may have effect: **30 October 2014**
(54) Product in respect of which the design is registered: **Spatula**
(51) International Design Classification: **07-04**
(74) Name(s) of Attorney(s): **PIZZEYS**
(71) Name(s) and Address(s) of Applicant(s):
Vorwerk & Co. Interholding GmbH
Muehlenweg 17-37 Wuppertal 42275 Germany
(72) Name(s) of Designer(s): **Thomas Lessel**
(45) Registration Date: **17 November 2014**
(30) Convention priority data:
(31) Number (32) Date (33) Country
001420202-0001 03 Sep 2014 EUROPEAN PATENT OFFICE (EPO)
(56) Related Art Documents: **Not Applicable**
(57) Statement of Newness and Distinctiveness: **Nil**



(21) Design Number: **15475/2014**
(22) Date of Filing Application: **30 October 2014**
(24) Date from which industrial property rights may have effect: **30 October 2014**
(54) Product in respect of which the design is registered: **Beverage Dispenser**
(51) International Design Classification: **31-00**
(74) Name(s) of Attorney(s): **PHILLIPS ORMONDE FITZPATRICK**
(71) Name(s) and Address(s) of Applicant(s):

The Coca-Cola Company
One Coca Cola Plaza N.W. Atlanta Georgia 30313 United States of America

(72) Name(s) of Designer(s): **Daniel S Quartarone and Scott M Harrison and Jae Ho Cha and Kris Tomasson and David Harvey and Christopher Michael Weston and Simon Daniel**

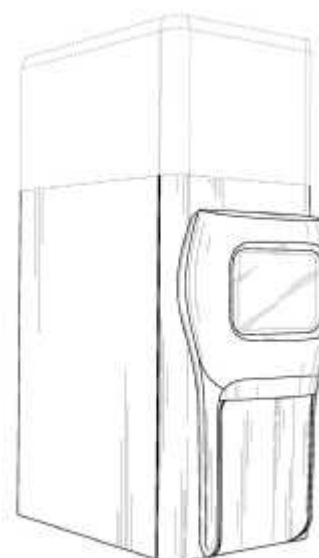
(45) Registration Date: **17 November 2014**

(30) Convention priority data:

(31) Number	(32) Date	(33) Country
29/489,827	02 May 2014	UNITED STATES OF AMERICA

(56) Related Art Documents: **Not Applicable**

(57) Statement of Newness and Distinctiveness: **Those features of the beverage dispenser depicted in the representations that are new and distinctive are the shape and/or configuration. The uneven length broken lines represent unclaimed boundaries of the claimed design. The even length broken lines are for environmental purposes only and form no part of the claimed design and are to be disregarded when considering the overall impression of the design.**



(21) Design Number: **15478/2014**
(22) Date of Filing Application: **30 October 2014**
(24) Date from which industrial property rights may have effect: **04 September 2014**
(54) Product in respect of which the design is registered: **Nasal airway tube**
(51) International Design Classification: **24-04**
(74) Name(s) of Attorney(s): **Marks & Clerk Australia**
(71) Name(s) and Address(s) of Applicant(s):

Seven Dreamers Laboratories, Inc.
3-14-4 Shiba Minato-ku Tokyo 105-0014 Japan

(72) Name(s) of Designer(s): **Hiroshi Yamada and Kanta Kurauchi and Hiromichi Matsui and Kenichi Tamura**

(45) Registration Date: **17 November 2014**

(30) Convention priority data:

(31) Number	(32) Date	(33) Country
2014-004830	07 Mar 2014	JAPAN

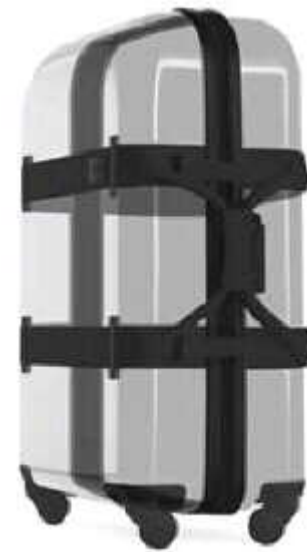
(62) Divisional of: **358557**

(56) Related Art Documents: **Not Applicable**

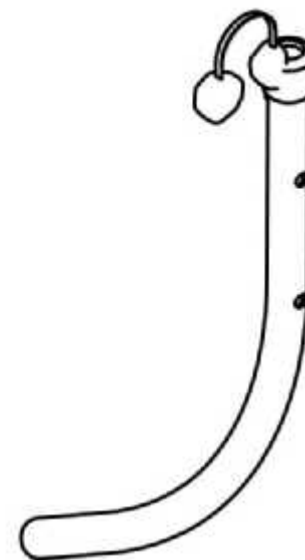
(57) Statement of Newness and Distinctiveness: **Newness and distinctiveness resides in the features of shape and configuration of a nasal airway tube as shown in the accompanying representations.**



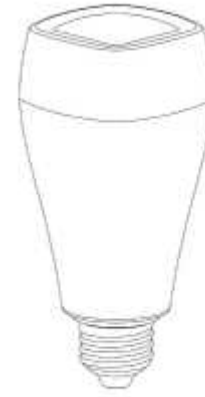
(21) Design Number: **15479/2014**
(22) Date of Filing Application: **30 October 2014**
(24) Date from which industrial property rights may have effect: **30 October 2014**
(54) Product in respect of which the design is registered: **Suitcase**
(51) International Design Classification: **03-01A**
(74) Name(s) of Attorney(s): **Gilbert + Tobin Lawyers**
(71) Name(s) and Address(s) of Applicant(s):
Crumpler TM Pty Ltd
L10 180 Russell St Melbourne VIC 3000 Australia
(72) Name(s) of Designer(s): **Sam Davy**
(45) Registration Date: **17 November 2014**
(56) Related Art Documents: **Not Applicable**
(57) Statement of Newness and Distinctiveness: **The transparent appearance of the suitcase is new and distinctive.**



(21) Design Number: **15484/2014**
(22) Date of Filing Application: **30 October 2014**
(24) Date from which industrial property rights may have effect: **04 September 2014**
(54) Product in respect of which the design is registered: **Nasal airway tube**
(51) International Design Classification: **24-04**
(74) Name(s) of Attorney(s): **Marks & Clerk Australia**
(71) Name(s) and Address(s) of Applicant(s):
Seven Dreamers Laboratories, Inc.
3-14-4 Shiba Minato-ku Tokyo 105-0014 Japan
(72) Name(s) of Designer(s): **Hiroshi Yamada and Kanta Kurauchi and Hiromichi Matsui and Kenichi Tamura**
(45) Registration Date: **17 November 2014**
(30) Convention priority data:
(31) Number (32) Date (33) Country
2014-004831 07 Mar 2014 JAPAN
(62) Divisional of: **358557**
(56) Related Art Documents: **Not Applicable**
(57) Statement of Newness and Distinctiveness: **Newness and distinctiveness resides in the features of shape and configuration of a nasal airway tube as shown in the accompanying representations.**



- (21) Design Number: **15516/2014**
(22) Date of Filing Application: **31 October 2014**
(24) Date from which industrial property rights may have effect: **31 October 2014**
(54) Product in respect of which the design is registered: **A light globe**
(51) International Design Classification: **26-04**
(74) Name(s) of Attorney(s): **Fisher Adams Kelly Pty Ltd**
(71) Name(s) and Address(s) of Applicant(s):
Zhejiang Shenghui Lighting Co., Ltd.
No. 39 Shenghui Rd Xiuzhou Industrial Park Jiaxing ZHEJIANG 314031
China
(72) Name(s) of Designer(s): **Shen Jinxiang and Ding Gang**
(45) Registration Date: **17 November 2014**
(30) Convention priority data:
(31) Number (32) Date (33) Country
201430123797.5 08 May 2014 CHINA
(56) Related Art Documents: **Not Applicable**
(57) Statement of Newness and Distinctiveness: **The newness and distinctiveness of the design resides in the shape and/or configuration of A LIGHT GLOBE shown in the representations.**



- (21) Design Number: **15759/2014**
(22) Date of Filing Application: **27 August 2014**
(24) Date from which industrial property rights may have effect: **27 November 2013**
(54) Product in respect of which the design is registered: **Positive airway pressure delivery console**
(51) International Design Classification: **24-01**
(74) Name(s) of Attorney(s): **Halfords IP**
(71) Name(s) and Address(s) of Applicant(s):
ResMed Limited
1 Elizabeth Macarthur Dr Bella Vista NSW 2153 Australia
(72) Name(s) of Designer(s): **Mark Bertinetti and Justin John Formica and Henri Spaille and Justin Peter Wagemakers**
(45) Registration Date: **17 November 2014**
(62) Divisional of: **357263**
(56) Related Art Documents: **Not Applicable**
(57) Statement of Newness and Distinctiveness: **Nil**



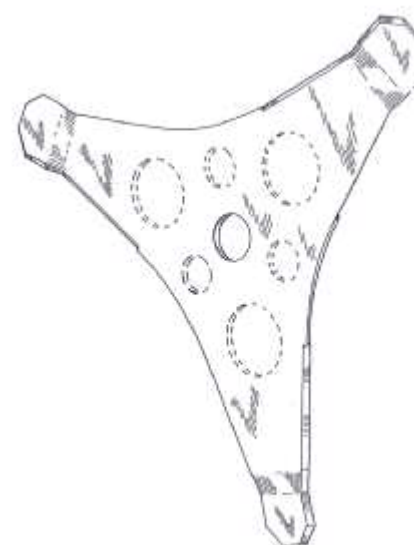
- (21) Design Number: **15760/2014**
(22) Date of Filing Application: **27 August 2014**
(24) Date from which industrial property rights may have effect: **27 November 2013**
(54) Product in respect of which the design is registered: **Positive airway pressure delivery console**
(51) International Design Classification: **24-01**
(74) Name(s) of Attorney(s): **Halfords IP**
(71) Name(s) and Address(s) of Applicant(s):
ResMed Limited
1 Elizabeth Macarthur Dr Bella Vista NSW 2153 Australia
(72) Name(s) of Designer(s): **Mark Bertinetti and Justin John Formica and Henri Spaile and Justin Peter Wagemakers**
(45) Registration Date: **17 November 2014**
(62) Divisional of: **357263**
(56) Related Art Documents: **Not Applicable**
(57) Statement of Newness and Distinctiveness: **Nil**



- (21) Design Number: **14366/2014**
(22) Date of Filing Application: **02 September 2014**
(24) Date from which industrial property rights may have effect: **02 September 2014**
(54) Product in respect of which the design is registered: **Computer terminal**
(51) International Design Classification: **06-03C**
(74) Name(s) of Attorney(s): **Marks & Clerk Australia**
(71) Name(s) and Address(s) of Applicant(s):
Thales Air Systems SAS
3 avenue Charles Lindbergh Rungis 94150 France
(72) Name(s) of Designer(s): **Sylvain Moos and Areski Hadjaz and Yann Le Bars and Cyril Layes**
(45) Registration Date: **17 November 2014**
(30) Convention priority data:
(31) Number (32) Date (33) Country
002416016-0001 03 Mar 2014 OFFICE FOR HARMONISATION IN THE INTERNAL MARKET (OHIM)
(56) Related Art Documents: **Not Applicable**
(57) Statement of Newness and Distinctiveness: **Newness and distinctiveness reside in the feature of shape and configuration of the design of computer terminals as shown in the representations.**



- (21) Design Number: **14461/2014**
(22) Date of Filing Application: **05 September 2014**
(24) Date from which industrial property rights may have effect: **05 September 2014**
(54) Product in respect of which the design is registered: **A blade for a brush cutter**
(51) International Design Classification: **08-03**
(74) Name(s) of Attorney(s): **IP Gateway Patent & Trademark Attorneys Pty Ltd**
(71) Name(s) and Address(s) of Applicant(s):
Roy Gripske & Sons Pty Ltd
11 Sodium St Narangba QLD 4504 Australia
(72) Name(s) of Designer(s): **Paul Gripske**
(45) Registration Date: **17 November 2014**
(56) Related Art Documents: **Not Applicable**
(57) Statement of Newness and Distinctiveness: **Newness and distinctiveness resides in the visual features of shape and/or configuration of a blade for a brush cutter as shown in solid lines in the accompanying**



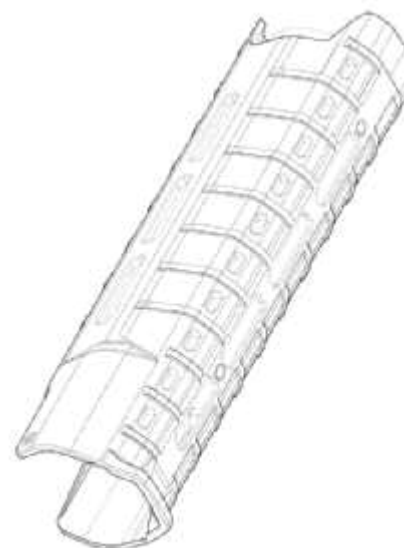
- (21) Design Number: **14603/2014**
(22) Date of Filing Application: **11 September 2014**
(24) Date from which industrial property rights may have effect: **11 September 2014**
(54) Product in respect of which the design is registered: **Catamenial tampon**
(51) International Design Classification: **24-04**
(74) Name(s) of Attorney(s): **Shelston IP**
(71) Name(s) and Address(s) of Applicant(s):
Johnson & Johnson GmbH
Johnson & Johnson Platz 2 Neuss 41470 Germany
(72) Name(s) of Designer(s): **Christopher M Holliday and David L Kimball and Tara Zedayko**
(45) Registration Date: **17 November 2014**
(30) Convention priority data:
(31) Number (32) Date (33) Country
29/485935 25 Mar 2014 UNITED STATES OF AMERICA
(56) Related Art Documents: **Not Applicable**
(57) Statement of Newness and Distinctiveness: **Newness and distinctiveness reside in the visual features of the design for a Catamenial tampon with a decorative groove pattern as shown in solid line. Features shown in broken and dot-dash lines are illustrating the outer profile and additional surface portions of the catamenial tampon that form no part of the claimed design.**



(21) Design Number: **15032/2014**
(22) Date of Filing Application: **01 October 2014**
(24) Date from which industrial property rights may have effect: **01 October 2014**
(54) Product in respect of which the design is registered: **Closure for a package**
(51) International Design Classification: **09-07NES**
(74) Name(s) of Attorney(s): **Davies Collison Cave**
(71) Name(s) and Address(s) of Applicant(s):
Nice-Pak Products, Inc.
Two Nice-Pak Park Orangeburg New York 10962-1376 United States of America
(72) Name(s) of Designer(s): **Robert P. Julius and Michael Mooney and Gerard Anthony Cahalan and Nelson David Singleton**
(45) Registration Date: **17 November 2014**
(30) Convention priority data:
(31) Number (32) Date (33) Country
29/488,120 16 Apr 2014 UNITED STATES OF AMERICA
(56) Related Art Documents: **Not Applicable**
(57) Statement of Newness and Distinctiveness: **Newness and distinctiveness is claimed in the visual features shown in solid lines in the representations. In considering the extent of the design rights, the broken lines shown in the representations are for illustrative purposes only and do not form part of the design.**



(21) Design Number: **15042/2014**
(22) Date of Filing Application: **01 October 2014**
(24) Date from which industrial property rights may have effect: **01 October 2014**
(54) Product in respect of which the design is registered: **Hand guard for a firearm**
(51) International Design Classification: **22-01**
(74) Name(s) of Attorney(s): **Davies Collison Cave**
(71) Name(s) and Address(s) of Applicant(s):
Magpul Industries Corporation
400 Young Court Unit 1 Erie Colorado 80516 United States of America
(72) Name(s) of Designer(s): **Richard Fitzpatrick and Michael T. Mayberry and Nicholas Kielsmeier and Timothy Roberts and Christopher F. Miller**
(45) Registration Date: **17 November 2014**
(30) Convention priority data:
(31) Number (32) Date (33) Country
29/487942 14 Apr 2014 UNITED STATES OF AMERICA
(56) Related Art Documents: **Not Applicable**
(57) Statement of Newness and Distinctiveness: **Newness and distinctiveness is claimed in the visual features shown in solid lines in the representations.**



- (21) Design Number: **15045/2014**
(22) Date of Filing Application: **01 October 2014**
(24) Date from which industrial property rights may have effect: **01 October 2014**
(54) Product in respect of which the design is registered: **Armorer block**
(51) International Design Classification: **22-01**
(74) Name(s) of Attorney(s): **Davies Collison Cave**
(71) Name(s) and Address(s) of Applicant(s):
Magpul Industries Corporation
400 Young Court Unit 1 Erie Colorado 80516 United States of America
(72) Name(s) of Designer(s): **Michael T. Mayberry and William B. Bennett and Duane Liptak**
(45) Registration Date: **17 November 2014**
(30) Convention priority data:
(31) Number (32) Date (33) Country
29/488052 15 Apr 2014 UNITED STATES OF AMERICA
(56) Related Art Documents: **Not Applicable**
(57) Statement of Newness and Distinctiveness: **Newness and distinctiveness is claimed in the visual features shown in solid lines in the representations. The firearm itself shown in the reference view of Figure 1 does not form part of the design.**



- (21) Design Number: **15448/2014**
(22) Date of Filing Application: **29 October 2014**
(24) Date from which industrial property rights may have effect: **02 July 2013**
(54) Product in respect of which the design is registered: **Pipe fitting**
(51) International Design Classification: **23-01B**
(74) Name(s) of Attorney(s): **Griffith Hack**
(71) Name(s) and Address(s) of Applicant(s):
Tyco Fire Products LP
1400 Pennbrook Parkway Lansdale PA 19446 United States of America
(72) Name(s) of Designer(s): **Anthony Gary Bednarz and Robert R Smith and Larry E Hall and Donald Eugene Griggs III**
(45) Registration Date: **17 November 2014**
(62) Divisional of: **358529**
(56) Related Art Documents: **Not Applicable**
(57) Statement of Newness and Distinctiveness: **Newness and distinctiveness resides in the visual features, including shape, configuration and ornamentation of the PRODUCT as shown in the accompanying representations.**



(21) Design Number: **15452/2014**

(22) Date of Filing Application: **29 October 2014**

(24) Date from which industrial property rights may have effect: **29 October 2014**

(54) Product in respect of which the design is registered: **Kitchen food extruder**

(51) International Design Classification: **31-00**

(74) Name(s) of Attorney(s): **PHILLIPS ORMONDE FITZPATRICK**

(71) Name(s) and Address(s) of Applicant(s):

Dart Industries Inc.

14901 S. Orange Blossom Trail Orlando Florida 32837 United States of America

(72) Name(s) of Designer(s): **Judicael Cornu and Sara L Delgado Carmona**

(45) Registration Date: **17 November 2014**

(30) Convention priority data:

(31) Number	(32) Date	(33) Country
29/496,195	10 Jul 2014	UNITED STATES OF AMERICA

(56) Related Art Documents: **Not Applicable**

(57) Statement of Newness and Distinctiveness: **Those features of the kitchen food extruder depicted in the representations that are new and distinctive are the shape and/or configuration. The features shown in broken lines are not part of the design and are to be disregarded when considering the overall impression of the design.**



(21) Design Number: **15462/2014**

(22) Date of Filing Application: **29 October 2014**

(24) Date from which industrial property rights may have effect: **29 October 2014**

(54) Product in respect of which the design is registered: **Credit card multi-tool knife**

(51) International Design Classification: **08-03**

(74) Name(s) of Attorney(s):

(71) Name(s) and Address(s) of Applicant(s):

Alexander Baguma Barak

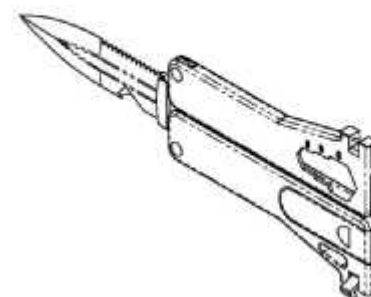
7/196 Keppel St Bathurst NSW 2795 Australia

(72) Name(s) of Designer(s): **Alexander Baguma Barak**

(45) Registration Date: **17 November 2014**

(56) Related Art Documents: **Not Applicable**

(57) Statement of Newness and Distinctiveness: **The newness and distinctiveness of the design resides in the shape of this credit card multi-tool knife as shown in the accompanying representations.**



- (21) Design Number: **15465/2014**
(22) Date of Filing Application: **30 October 2014**
(24) Date from which industrial property rights may have effect: **30 October 2014**
(54) Product in respect of which the design is registered: **Stiletto shoe**
(51) International Design Classification: **02-04B**
(74) Name(s) of Attorney(s): **WATERMARK PATENT AND TRADE MARKS ATTORNEYS**
(71) Name(s) and Address(s) of Applicant(s):
Rachelle Chidiac
13 Dunlop St Roselands NSW 2196 Australia
(72) Name(s) of Designer(s): **Rachelle Chidiac**
(45) Registration Date: **17 November 2014**
(56) Related Art Documents: **Not Applicable**
(57) Statement of Newness and Distinctiveness: **Newness and distinctiveness is claimed in the features of shape and/or configuration of a central stripe applied to at least part of a sole and/or heel and counter of a stiletto shoe; stylistic aspects of the stiletto shoe depicted in broken lines are to be disregarded when considering the newness and distinctiveness of the design.**



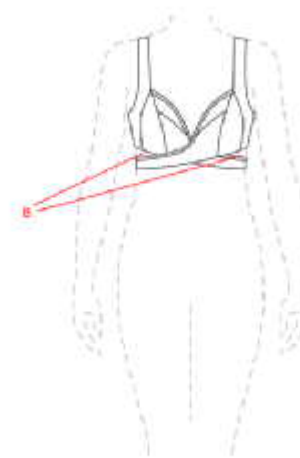
- (21) Design Number: **15482/2014**
(22) Date of Filing Application: **30 October 2014**
(24) Date from which industrial property rights may have effect: **30 October 2014**
(54) Product in respect of which the design is registered: **Spatula**
(51) International Design Classification: **07-04**
(74) Name(s) of Attorney(s): **PIZZEYS**
(71) Name(s) and Address(s) of Applicant(s):
Vorwerk & Co. Interholding GmbH
Muehlenweg 17-37 Wuppertal 42275 Germany
(72) Name(s) of Designer(s): **Thomas Lessel**
(45) Registration Date: **17 November 2014**
(30) Convention priority data:
(31) Number (32) Date (33) Country
001420202-0001- 03 Sep 2014 EUROPEAN PATENT OFFICE (EPO)
(56) Related Art Documents: **Not Applicable**
(57) Statement of Newness and Distinctiveness: **Nil**



- (21) Design Number: **15500/2014**
(22) Date of Filing Application: **31 October 2014**
(24) Date from which industrial property rights may have effect: **31 October 2014**
(54) Product in respect of which the design is registered: **Swimwear garment**
(51) International Design Classification: **02-02A**
(74) Name(s) of Attorney(s): **Thomson Geer**
(71) Name(s) and Address(s) of Applicant(s):

JETS Swimwear Pty Ltd
8-18 Bowden St Alexandria NSW 2015 Australia

- (72) Name(s) of Designer(s): **Jessika Allen**
(45) Registration Date: **17 November 2014**
(56) Related Art Documents: **Not Applicable**
(57) Statement of Newness and Distinctiveness: **Newness and distinctiveness is claimed in the shape and/or configuration of the garment as depicted in the accompanying representations. In considering the newness & distinctiveness the feature marked "A", being a zip, is to be disregarded. The sections marked "B" are cut out panels. The back straps in the back view and outline of the wearer, shown in broken lines, forms no part of the design.**



- (21) Design Number: **15508/2014**
(22) Date of Filing Application: **31 October 2014**
(24) Date from which industrial property rights may have effect: **31 October 2014**
(54) Product in respect of which the design is registered: **A microphone**
(51) International Design Classification: **14-01**
(74) Name(s) of Attorney(s): **HODGKINSON McINNES PATENTS**
(71) Name(s) and Address(s) of Applicant(s):

Freedman Electronics Pty Limited
107 Carnarvon St Silverwater NSW 2128 Australia

- (72) Name(s) of Designer(s): **Sun Kyung Sunwoo and Samuel Dean Trewartha**
(45) Registration Date: **17 November 2014**
(56) Related Art Documents: **Not Applicable**
(57) Statement of Newness and Distinctiveness: **Newness and distinctiveness is claimed in the shape and configuration of a microphone as shown in the representations.**



(21) Design Number: **15517/2014**

(22) Date of Filing Application: **31 October 2014**

(24) Date from which industrial property rights may have effect: **31 October 2014**

(54) Product in respect of which the design is registered: **A light globe**

(51) International Design Classification: **26-04**

(74) Name(s) of Attorney(s): **Fisher Adams Kelly Pty Ltd**

(71) Name(s) and Address(s) of Applicant(s):

Zhejiang Shenghui Lighting Co., Ltd.

**No. 39 Shenghui Rd Xiuzhou Industrial Park Jiaxing ZHEJIANG 314031
China**

(72) Name(s) of Designer(s): **Ding Gang and Shen Jinxiang**

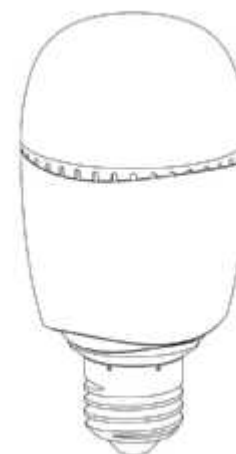
(45) Registration Date: **17 November 2014**

(30) Convention priority data:

(31) Number	(32) Date	(33) Country
201430123663.3	08 May 2014	CHINA

(56) Related Art Documents: **Not Applicable**

(57) Statement of Newness and Distinctiveness: **The newness and distinctiveness of the design resides in the shape and/or configuration of A LIGHT GLOBE shown in the representations.**



(21) Design Number: **15534/2014**

(22) Date of Filing Application: **02 November 2014**

(24) Date from which industrial property rights may have effect: **02 November 2014**

(54) Product in respect of which the design is registered: **Deck tile edging**

(51) International Design Classification: **25-01F**

(74) Name(s) of Attorney(s): **IP Service International**

(71) Name(s) and Address(s) of Applicant(s):

Gilbert John Major

8-9 Kelvin Ct Ringwood North VIC 3134 Australia

David Robert Elms

8-9 Kelvin Ct Ringwood North VIC 3134 Australia

(72) Name(s) of Designer(s): **Gilbert John Major and David Robert Elms**

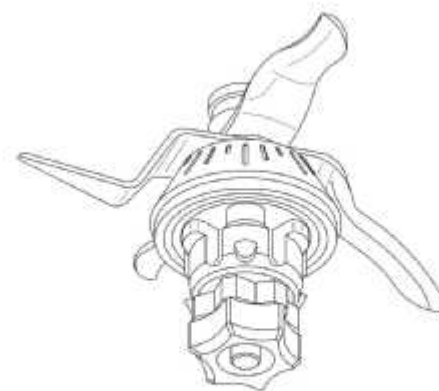
(45) Registration Date: **17 November 2014**

(56) Related Art Documents: **Not Applicable**

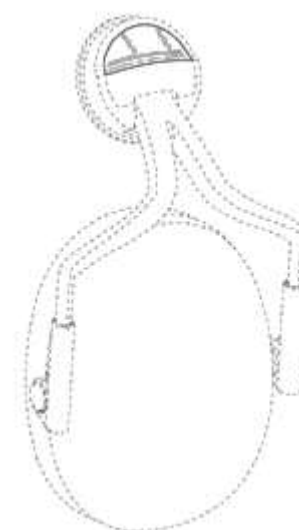
(57) Statement of Newness and Distinctiveness: **Nil**



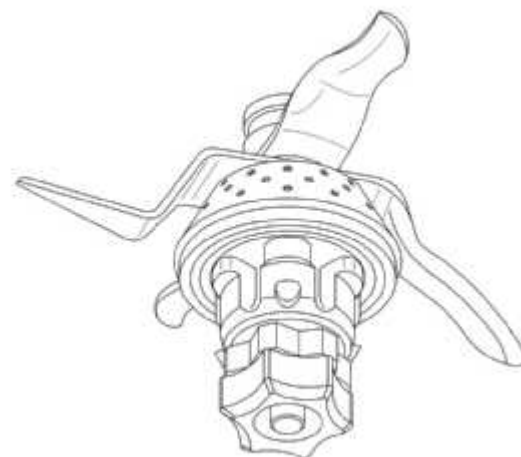
(21) Design Number: **15537/2014**
(22) Date of Filing Application: **03 November 2014**
(24) Date from which industrial property rights may have effect: **03 November 2014**
(54) Product in respect of which the design is registered: **Stirrer**
(51) International Design Classification: **31-00**
(74) Name(s) of Attorney(s): **PIZZEYS**
(71) Name(s) and Address(s) of Applicant(s):
Vorwerk & Co. Interholding GmbH
Muehlenweg 17-37 Wuppertal 42275 Germany
(72) Name(s) of Designer(s): **Uwe Kemker**
(45) Registration Date: **17 November 2014**
(30) Convention priority data:
(31) Number (32) Date (33) Country
001420202-0001- 03 Sep 2014 EUROPEAN PATENT OFFICE (EPO)
(56) Related Art Documents: **Not Applicable**
(57) Statement of Newness and Distinctiveness: **Nil**



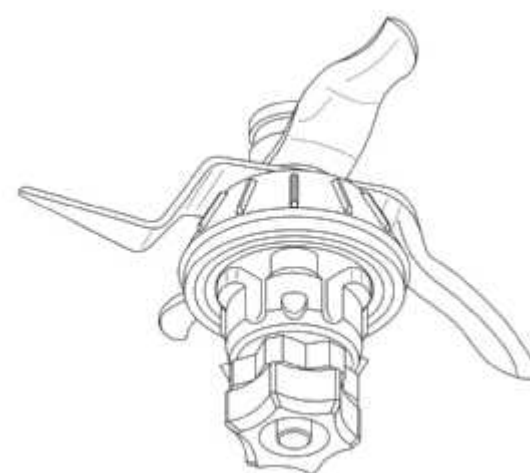
(21) Design Number: **15539/2014**
(22) Date of Filing Application: **03 November 2014**
(24) Date from which industrial property rights may have effect: **03 November 2014**
(54) Product in respect of which the design is registered: **Earmuff attachment housing**
(51) International Design Classification: **02-03**
(74) Name(s) of Attorney(s): **Freehills Patent Attorneys**
(71) Name(s) and Address(s) of Applicant(s):
3M Innovative Properties Company
3M Center Post Office Box 33427 Saint Paul MN, 55133-3427 United States of America
(72) Name(s) of Designer(s): **Henrik Edwardsson and Emil Johannes Jonsson and Lovisa Maria Nersing**
(45) Registration Date: **17 November 2014**
(30) Convention priority data:
(31) Number (32) Date (33) Country
29/489796 02 May 2014 UNITED STATES OF AMERICA
(56) Related Art Documents: **Not Applicable**
(57) Statement of Newness and Distinctiveness: **Newness and distinctiveness resides in the shape and/or configuration of the earmuff attachment housing in solid outline in the accompanying representations.**



(21) Design Number: **15540/2014**
(22) Date of Filing Application: **03 November 2014**
(24) Date from which industrial property rights may have effect: **03 November 2014**
(54) Product in respect of which the design is registered: **Stirrer**
(51) International Design Classification: **31-00**
(74) Name(s) of Attorney(s): **PIZZEYS**
(71) Name(s) and Address(s) of Applicant(s):
Vorwerk & Co. Interholding GmbH
Muehlenweg 17-37 Wuppertal 42275 Germany
(72) Name(s) of Designer(s): **Uwe Kemker**
(45) Registration Date: **17 November 2014**
(30) Convention priority data:
(31) Number (32) Date (33) Country
001420202-0001- 03 Sep 2014 EUROPEAN PATENT OFFICE (EPO)
(56) Related Art Documents: **Not Applicable**
(57) Statement of Newness and Distinctiveness: **Nil**

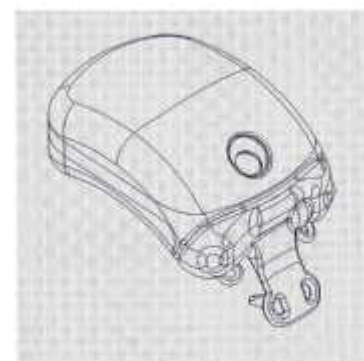


(21) Design Number: **15541/2014**
(22) Date of Filing Application: **03 November 2014**
(24) Date from which industrial property rights may have effect: **03 November 2014**
(54) Product in respect of which the design is registered: **Stirrer**
(51) International Design Classification: **31-00**
(74) Name(s) of Attorney(s): **PIZZEYS**
(71) Name(s) and Address(s) of Applicant(s):
Vorwerk & Co. Interholding GmbH
Muehlenweg 17-37 Wuppertal 42275 Germany
(72) Name(s) of Designer(s): **Uwe Kemker**
(45) Registration Date: **17 November 2014**
(30) Convention priority data:
(31) Number (32) Date (33) Country
001420202-0001- 03 Sep 2014 EUROPEAN PATENT OFFICE (EPO)
(56) Related Art Documents: **Not Applicable**
(57) Statement of Newness and Distinctiveness: **Nil**



(19) AU

- (21) Design Number: **15543/2014**
(22) Date of Filing Application: **03 November 2014**
(24) Date from which industrial property rights may have effect: **03 November 2014**
(54) Product in respect of which the design is registered: **Implantable drug-delivery pump**
(51) International Design Classification: **24-02**
(74) Name(s) of Attorney(s): **IP Gateway Patent & Trademark Attorneys Pty Ltd**
(71) Name(s) and Address(s) of Applicant(s):



- Brett Daniel Schleicher**
55 W 14th Street, Apt. 18E New York, NY,, 10011 United States of America
- Nenad Jelisavcic**
1333 Pleasantridge Drive Altadena, CA,, 91001 United States of America
- Fukang Jiang**
3191 E. California Boulevard Pasadena, CA,, 91107 United States of America
- Rick Purvis**
1478 N. Mar Vista Avenue Pasadena, CA,, 91104 United States of America
- Greg Harbers**
24545 Town Center Drive, #5410 Valencia, CA,, 91355 United States of America
- Jason Shih**
20420 Via Cadiz Yorba Linda, CA,, 92886 United States of America
- Sean Caffey**
2645 Nina Street Pasadena, CA,, 91107 United States of America
- Mark Humayun**
2757 Sleepy Hollow Place Glendale, CA,, 91206 United States of America
- Octavio Cruz-Uribe**
2517 NE 7th Avenue Portland, OR,, 97212 United States of America
- Evan Tsang**
2216 Saratoga Lane Glendora, CA,, 91741 United States of America

(72) Name(s) of Designer(s): **Brett Daniel Schleicher and Nenad Jelisavcic and Fukang Jiang and Rick Purvis and Greg Harbers and Jason Shih and Sean Caffey and Mark Humayun and Octavio Cruz-Uribe and Evan Tsang**

(45) Registration Date: **17 November 2014**

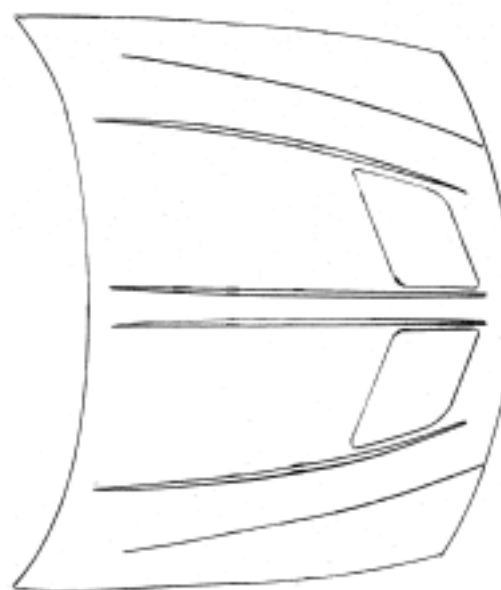
(30) Convention priority data:

(31) Number	(32) Date	(33) Country
29/489,761	02 May 2014	UNITED STATES OF AMERICA

(56) Related Art Documents: **Not Applicable**

(57) Statement of Newness and Distinctiveness: **Newness and distinctiveness resides in visual features of shape and/or configuration of an implantable drug-delivery pump substantially as shown in the accompanying representations.**

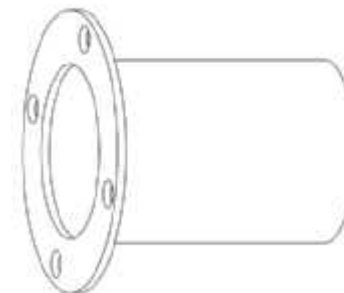
- (21) Design Number: **14430/2014**
(22) Date of Filing Application: **04 September 2014**
(24) Date from which industrial property rights may have effect: **04 September 2014**
(54) Product in respect of which the design is registered: **Automotive bonnet**
(51) International Design Classification: **12-16B**
(74) Name(s) of Attorney(s):
(71) Name(s) and Address(s) of Applicant(s):
Mike Savage
5/280 Great Southern Rd Bargo NSW 2574 Australia
(72) Name(s) of Designer(s): **Mike Savage**
(45) Registration Date: **18 November 2014**
(56) Related Art Documents: **Not Applicable**
(57) Statement of Newness and Distinctiveness: **The design has been designed and created in house at Savage Fibreglass Products. The Distinctiveness of the sharp flowing lines that start at front of bonnet and extend to the rear of the bonnet. A scoop design has been inserted into each bulge towards the leading edge of bonnet and forms a vent through bonnet.**



- (21) Design Number: **14996/2014**
(22) Date of Filing Application: **30 September 2014**
(24) Date from which industrial property rights may have effect: **30 September 2014**
(54) Product in respect of which the design is registered: **Firearm wrench**
(51) International Design Classification: **08-05P**
(74) Name(s) of Attorney(s): **Davies Collison Cave**
(71) Name(s) and Address(s) of Applicant(s):
Magpul Industries Corporation
400 Young Court Unit 1 Erie Colorado 80516 United States of America
(72) Name(s) of Designer(s): **Michael T. Mayberry and William B. Bennett and Jeremy Fiester and Lance Johnston and Jonathan Cross and Brian Nakayama**
(45) Registration Date: **18 November 2014**
(30) Convention priority data:
(31) Number (32) Date (33) Country
29/487544 09 Apr 2014 UNITED STATES OF AMERICA
(56) Related Art Documents: **Not Applicable**
(57) Statement of Newness and Distinctiveness: **Newness and distinctiveness is claimed in the visual features shown in solid lines in the representations.**



- (21) Design Number: **15362/2014**
(22) Date of Filing Application: **23 October 2014**
(24) Date from which industrial property rights may have effect: **23 October 2014**
(54) Product in respect of which the design is registered: **Base arrangement for a railing**
(51) International Design Classification: **25-02C**
(74) Name(s) of Attorney(s): **Baxter Patent Attorneys Pty Ltd**
(71) Name(s) and Address(s) of Applicant(s):
Anthony Cavlovic
17 Hillary Pde Matraville NSW 2036 Australia
(72) Name(s) of Designer(s): **Anthony Cavlovic**
(45) Registration Date: **18 November 2014**
(56) Related Art Documents: **Not Applicable**
(57) Statement of Newness and Distinctiveness: **Newness and distinctiveness reside in the features of shape and/or configuration of a BASE ARRANGEMENT FOR A RAILING as illustrated in the accompanying representations.**



- (21) Design Number: **15569/2014**
(22) Date of Filing Application: **04 November 2014**
(24) Date from which industrial property rights may have effect: **04 November 2014**
(54) Product in respect of which the design is registered: **Horizontal cigarette-making machine**
(51) International Design Classification: **27-99**
(74) Name(s) of Attorney(s): **Griffith Hack**
(71) Name(s) and Address(s) of Applicant(s):
Republic Tobacco L.P.
2301 Ravine Way Glenview Illinois 60025 United States of America
(72) Name(s) of Designer(s): **Mei Lin**
(45) Registration Date: **18 November 2014**
(30) Convention priority data:
(31) Number (32) Date (33) Country
29/490,975 15 May 2014 UNITED STATES OF AMERICA
(56) Related Art Documents: **Not Applicable**
(57) Statement of Newness and Distinctiveness: **Newness and distinctiveness resides in the visual features, including shape and configuration, of a HORIZONTAL CIGARETTE-MAKING MACHINE as shown in solid outline in the accompanying drawings. When determining whether the design is substantially similar in overall impression to another design, no regard is to be had to those features shown in dotted outline in the accompanying drawings, which features are provided for illustrative purposes only.**



- (21) Design Number: **15570/2014**
(22) Date of Filing Application: **04 November 2014**
(24) Date from which industrial property rights may have effect: **04 November 2014**
(54) Product in respect of which the design is registered: **Telephone housing**
(51) International Design Classification: **14-03A**
(74) Name(s) of Attorney(s): **WALSH & ASSOCIATES**
(71) Name(s) and Address(s) of Applicant(s):
Ampcontrol Pty Ltd
6 Martin Dr TOMAGO NSW 2322 Australia
(72) Name(s) of Designer(s): **Dan Anderson and Steven Hill**
(45) Registration Date: **18 November 2014**
(56) Related Art Documents: **Not Applicable**
(57) Statement of Newness and Distinctiveness: **Newness is claimed in the shape and configuration of the telephone housing as indicated in the accompanying representations**



- (21) Design Number: **14208/2014**
(22) Date of Filing Application: **26 August 2014**
(24) Date from which industrial property rights may have effect: **26 August 2014**
(54) Product in respect of which the design is registered: **Clipper**
(51) International Design Classification: **28-03D**
(74) Name(s) of Attorney(s): **IP Gateway Patent & Trademark Attorneys Pty Ltd**
(71) Name(s) and Address(s) of Applicant(s):
Medline Industries, Inc.
One Medline Place Mundelein, IL, 60060 United States of America
(72) Name(s) of Designer(s): **Stuart Mintz and Kaitlyn Farley and Derek Roberts and Andrew Nachenberg**
(45) Registration Date: **19 November 2014**
(30) Convention priority data:
(31) Number (32) Date (33) Country
29/483,527 28 Feb 2014 UNITED STATES OF AMERICA
(56) Related Art Documents: **Not Applicable**
(57) Statement of Newness and Distinctiveness: **Newness and distinctiveness resides in the visual features of shape and/or configuration of a clipper as shown in solid lines in the accompanying representations.**



(21) Design Number: **14211/2014**

(22) Date of Filing Application: **26 August 2014**

(24) Date from which industrial property rights may have effect: **26 August 2014**

(54) Product in respect of which the design is registered: **Furniture**

(51) International Design Classification: **06-05**

(74) Name(s) of Attorney(s): **Baldwins**

(71) Name(s) and Address(s) of Applicant(s):

CON BRIO

Antwerpsesteenweg 573 Gent 9040 Belgium

Labour

Kattenberg 2 Gent 9000 Belgium

(72) Name(s) of Designer(s): **Raf Schoors and Tim Ruytjens and Diana Schneider**

(45) Registration Date: **19 November 2014**

(30) Convention priority data:

(31) Number

(32) Date

(33) Country

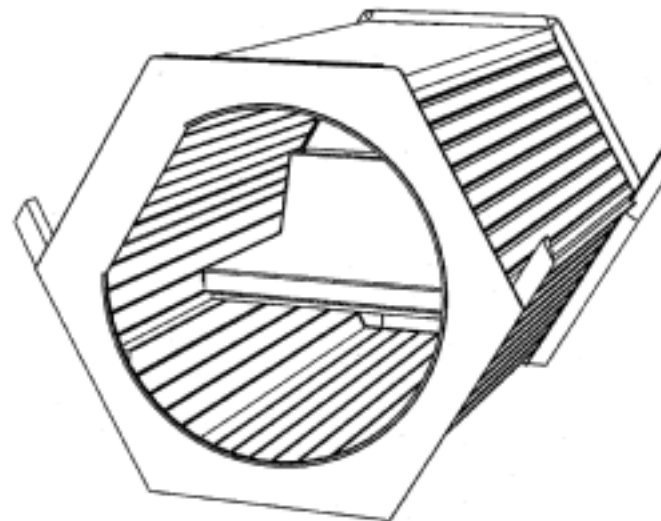
1404222-0001

26 Feb 2014

**OFFICE FOR HARMONISATION IN
THE INTERNAL MARKET (OHIM)**

(56) Related Art Documents: **Not Applicable**

(57) Statement of Newness and Distinctiveness: **Newness and distinctiveness is claimed in the features of shape and/or configuration of the article as shown in the accompanying representations.**



(21) Design Number: **14384/2014**

(22) Date of Filing Application: **03 September 2014**

(24) Date from which industrial property rights may have effect: **03 September 2014**

(54) Product in respect of which the design is registered: **Medicament injection device with cap**

(51) International Design Classification: **24-01**

(74) Name(s) of Attorney(s): **WATERMARK PATENT AND TRADE MARKS ATTORNEYS**

(71) Name(s) and Address(s) of Applicant(s):

Sanofi

54 rue La Boetie Paris 75008 France

Regeneron Pharmaceuticals, Inc

777 Old Saw Mill River Road Tarrytown NY, 10591 United States of America

(72) Name(s) of Designer(s): **Jochen Ratjen and Katja Wessel**

(45) Registration Date: **19 November 2014**

(30) Convention priority data:

(31) Number

(32) Date

(33) Country

EU 002 416 487

03 Mar 2014

EUROPEAN PATENT OFFICE (EPO)

(56) Related Art Documents: **Not Applicable**

(57) Statement of Newness and Distinctiveness: **Newness and distinctiveness is claimed in the shape and configuration, pattern and ornamentation of an injection device with a cap as shown in the accompanying representations. In considering the scope, no regard is to be had to the portions of the design marked in dotted outline.**



- (21) Design Number: **14385/2014**
(22) Date of Filing Application: **03 September 2014**
(24) Date from which industrial property rights may have effect: **03 September 2014**
(54) Product in respect of which the design is registered: **Medicament injection device with cap**
(51) International Design Classification: **24-01**
(74) Name(s) of Attorney(s): **WATERMARK PATENT AND TRADE MARKS ATTORNEYS**
(71) Name(s) and Address(s) of Applicant(s):
Sanofi
54 rue La Boetie Paris 75008 France
Regeneron Pharmaceuticals, Inc
777 Old Saw Mill River Road Tarrytown NY, 10591 United States of America
(72) Name(s) of Designer(s): **Jochen Ratjen and Katja Wessel**
(45) Registration Date: **19 November 2014**
(30) Convention priority data:
(31) Number (32) Date (33) Country
EU 002 416 487 03 Mar 2014 EUROPEAN PATENT OFFICE (EPO)
(56) Related Art Documents: **Not Applicable**
(57) Statement of Newness and Distinctiveness: **Newness and distinctiveness is claimed in the pattern and ornamentation of an injection device with a cap as shown in the accompanying representations.**



- (21) Design Number: **14386/2014**
(22) Date of Filing Application: **03 September 2014**
(24) Date from which industrial property rights may have effect: **03 September 2014**
(54) Product in respect of which the design is registered: **Medicament injection device with cap**
(51) International Design Classification: **24-01**
(74) Name(s) of Attorney(s): **WATERMARK PATENT AND TRADE MARKS ATTORNEYS**
(71) Name(s) and Address(s) of Applicant(s):
Sanofi
54 rue La Boetie Paris 75008 France
Regeneron Pharmaceuticals, Inc.
777 Old Saw Mill River Road Tarrytown NY, 10591 United States of America
(72) Name(s) of Designer(s): **Jochen Ratjen and Katja Wessel**
(45) Registration Date: **19 November 2014**
(30) Convention priority data:
(31) Number (32) Date (33) Country
002416487 03 Mar 2014 EUROPEAN PATENT OFFICE (EPO)
(56) Related Art Documents: **Not Applicable**
(57) Statement of Newness and Distinctiveness: **Newness and Distinctiveness is deemed in the shape and configuration of an injection device with a cap as shown in the accompanying representations.**



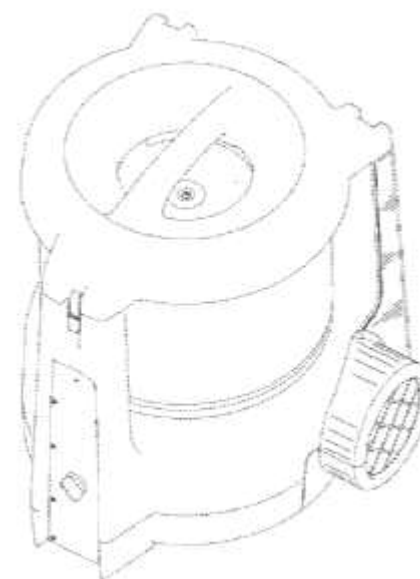
(21) Design Number: **14387/2014**
(22) Date of Filing Application: **03 September 2014**
(24) Date from which industrial property rights may have effect: **03 September 2014**
(54) Product in respect of which the design is registered: **Medicament injection device**
(51) International Design Classification: **24-01**
(74) Name(s) of Attorney(s): **WATERMARK PATENT AND TRADE MARKS ATTORNEYS**
(71) Name(s) and Address(s) of Applicant(s):
Sanofi
54 rue La Boetie Paris 75008 France
Regeneron Pharmaceuticals, Inc.
777 Old Saw Mill River Road Tarrytown NY, 10591 United States of America
(72) Name(s) of Designer(s): **Jochen Ratjen and Katja Wessel**
(45) Registration Date: **19 November 2014**
(30) Convention priority data:
(31) Number (32) Date (33) Country
002 416 487 03 Mar 2014 EUROPEAN PATENT OFFICE (EPO)
(56) Related Art Documents: **Not Applicable**
(57) Statement of Newness and Distinctiveness: **Newness and distinctiveness is claimed in the pattern and ornamentation, including colouration substantially similar to Pantone 1375C and/or Pantone 120C of an injection device with the needle guard extended as shown in the accompanying representations.**



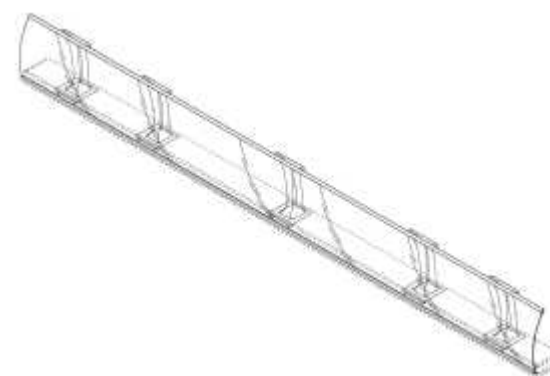
(21) Design Number: **14388/2014**
(22) Date of Filing Application: **03 September 2014**
(24) Date from which industrial property rights may have effect: **03 September 2014**
(54) Product in respect of which the design is registered: **Medicament Injection Device with cap**
(51) International Design Classification: **24-01**
(74) Name(s) of Attorney(s): **WATERMARK PATENT AND TRADE MARKS ATTORNEYS**
(71) Name(s) and Address(s) of Applicant(s):
Sanofi
54 rue La Boetie Paris 75008 France
Regeneron Pharmaceuticals, Inc.
777 Old Saw Mill River Road Tarrytown NY, 10591 United States of America
(72) Name(s) of Designer(s): **Jochen Ratjen and Katja Wessel**
(45) Registration Date: **19 November 2014**
(30) Convention priority data:
(31) Number (32) Date (33) Country
002416487 03 Mar 2014 EUROPEAN PATENT OFFICE (EPO)
(56) Related Art Documents: **Not Applicable**
(57) Statement of Newness and Distinctiveness: **Newness and Distinctiveness is claimed in the shape and configuration, pattern and ornamentation including colouration substantially similar to pantone 1655C of an injection device with cap in accordance with the representations. In considering scope, no regard is to be had to the features in the dotted outline.**



- (21) Design Number: **14535/2014**
(22) Date of Filing Application: **10 September 2014**
(24) Date from which industrial property rights may have effect: **10 September 2014**
(54) Product in respect of which the design is registered: **Air filtration device**
(51) International Design Classification: **23-04**
(74) Name(s) of Attorney(s): **Davies Collison Cave**
(71) Name(s) and Address(s) of Applicant(s):
Illinois Tool Works Inc.
155 Harlem Avenue Glenview Illinois, 60026 United States of America
(72) Name(s) of Designer(s): **Stephen J. McPhilliamy and Antonio J. Belton and John S. White Jr and Ryan L. Francis**
(45) Registration Date: **19 November 2014**
(30) Convention priority data:
(31) Number (32) Date (33) Country
29/484,485 10 Mar 2014 UNITED STATES OF AMERICA
(56) Related Art Documents: **Not Applicable**
(57) Statement of Newness and Distinctiveness: **Newness and distinctiveness is claimed in the visual features shown in solid lines in the representations.**



- (21) Design Number: **14645/2014**
(22) Date of Filing Application: **12 September 2014**
(24) Date from which industrial property rights may have effect: **12 September 2014**
(54) Product in respect of which the design is registered: **Sound bar audio speaker**
(51) International Design Classification: **14-01**
(74) Name(s) of Attorney(s): **Davies Collison Cave**
(71) Name(s) and Address(s) of Applicant(s):
Emo Labs, Inc.
186 3rd Avenue Waltham MA 02451 United States of America
(72) Name(s) of Designer(s): **Terrence Keith Jones**
(45) Registration Date: **19 November 2014**
(30) Convention priority data:
(31) Number (32) Date (33) Country
29/484,920 14 Mar 2014 UNITED STATES OF AMERICA
(56) Related Art Documents: **Not Applicable**
(57) Statement of Newness and Distinctiveness: **In Figures 1 to 19, newness and distinctiveness is claimed in the visual features of a sound bar audio speaker shown in solid lines in the representations; the membrane is curved and transparent; the struts are transparent; the base and feet are shown in phantom (ie. dashed lines); and the features illustrated in phantom (ie. dashed lines) are expressly disclaimed and form no part of the claimed design. In Figures 20 to 38, newness and distinctiveness is claimed in the visual features of a sound bar audio speaker shown in solid lines in the representations; the membrane is curved and translucent; the struts are translucent; the base and feet are shown in phantom (ie. dashed lines); and the features illustrated in phantom (ie. dashed lines) are expressly disclaimed and form no part of the claimed design.**



- (21) Design Number: **15082/2014**
(22) Date of Filing Application: **02 October 2014**
(24) Date from which industrial property rights may have effect: **02 October 2014**
(54) Product in respect of which the design is registered: **Cornice guide**
(51) International Design Classification: **08-05NES**
(74) Name(s) of Attorney(s):
(71) Name(s) and Address(s) of Applicant(s):
Melpaint Products Pty Ltd
PO BOX 119 Ringwood VIC 3134 Australia
(72) Name(s) of Designer(s): **Garry John Walker**
(45) Registration Date: **19 November 2014**
(56) Related Art Documents: **Not Applicable**
(57) Statement of Newness and Distinctiveness: **Light weight guides with specific angles, that when placed into position completes the angle required. The angle guides are then placed into a holding form to mark your item and finish the process first time, saving hours of rework and stress.**



- (21) Design Number: **15486/2014**
(22) Date of Filing Application: **30 October 2014**
(24) Date from which industrial property rights may have effect: **04 September 2014**
(54) Product in respect of which the design is registered: **Nasal airway tube**
(51) International Design Classification: **24-04**
(74) Name(s) of Attorney(s): **Marks & Clerk Australia**
(71) Name(s) and Address(s) of Applicant(s):
Seven Dreamers Laboratories, Inc.
3-14-4 Shiba Minato-ku Tokyo 105-0014 Japan
(72) Name(s) of Designer(s): **Hiroshi Yamada and Kanta Kurauchi and Hiromichi Matsui and Kenichi Tamura**
(45) Registration Date: **19 November 2014**
(30) Convention priority data:
(31) Number (32) Date (33) Country
2014-004832 07 Mar 2014 JAPAN
(62) Divisional of: **358557**
(56) Related Art Documents: **Not Applicable**
(57) Statement of Newness and Distinctiveness: **Newness and distinctiveness resides in the features of shape and configuration of a nasal airway tube as shown in the accompanying representations.**



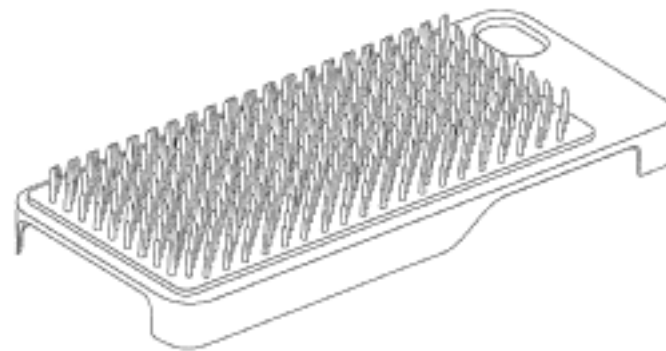
(21) Design Number: **15487/2014**
(22) Date of Filing Application: **30 October 2014**
(24) Date from which industrial property rights may have effect: **04 September 2014**
(54) Product in respect of which the design is registered: **Nasal airway tube**
(51) International Design Classification: **24-04**
(74) Name(s) of Attorney(s): **Marks & Clerk Australia**
(71) Name(s) and Address(s) of Applicant(s):
Seven Dreamers Laboratories, Inc.
3-14-4 Shiba Minato-ku Tokyo 105-0014 Japan
(72) Name(s) of Designer(s): **Hiroshi Yamada and Kanta Kurauchi and Hiromichi Matsui and Kenichi Tamura**
(45) Registration Date: **19 November 2014**
(30) Convention priority data:
(31) Number (32) Date (33) Country
2014-004833 07 Mar 2014 JAPAN
(62) Divisional of: **358557**
(56) Related Art Documents: **Not Applicable**
(57) Statement of Newness and Distinctiveness: **Newness and distinctiveness resides in the features of shape and configuration of a nasal airway tube as shown in the accompanying representations.**



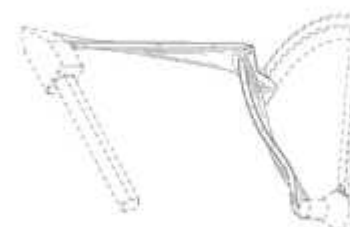
(21) Design Number: **15488/2014**
(22) Date of Filing Application: **30 October 2014**
(24) Date from which industrial property rights may have effect: **04 September 2014**
(54) Product in respect of which the design is registered: **Nasal airway tube**
(51) International Design Classification: **24-04**
(74) Name(s) of Attorney(s): **Marks & Clerk Australia**
(71) Name(s) and Address(s) of Applicant(s):
Seven Dreamers Laboratories, Inc.
3-14-4 Shiba Minato-ku Tokyo 105-0014 Japan
(72) Name(s) of Designer(s): **Hiroshi Yamada and Kanta Kurauchi and Hiromichi Matsui and Kenichi Tamura**
(45) Registration Date: **19 November 2014**
(30) Convention priority data:
(31) Number (32) Date (33) Country
2014-004834 07 Mar 2014 JAPAN
(62) Divisional of: **358557**
(56) Related Art Documents: **Not Applicable**
(57) Statement of Newness and Distinctiveness: **Newness and distinctiveness resides in the features of shape and configuration of a nasal airway tube as shown in the accompanying representations.**



(21) Design Number: **15489/2014**
(22) Date of Filing Application: **30 October 2014**
(24) Date from which industrial property rights may have effect: **30 October 2014**
(54) Product in respect of which the design is registered: **Phone cover accessory**
(51) International Design Classification: **03-01NES**
(74) Name(s) of Attorney(s): **Madderns**
(71) Name(s) and Address(s) of Applicant(s):
Yobrush LLC
350 NE 24th Street Suite 506 Miami Florida 33137 United States of America
(72) Name(s) of Designer(s): **Marco Norma**
(45) Registration Date: **19 November 2014**
(30) Convention priority data:
(31) Number (32) Date (33) Country
29489543 30 Apr 2014 UNITED STATES OF AMERICA
(56) Related Art Documents: **Not Applicable**
(57) Statement of Newness and Distinctiveness: **Newness and distinctiveness resides in the features of shape and configuration applied to a phone cover accessory as shown in the representations**



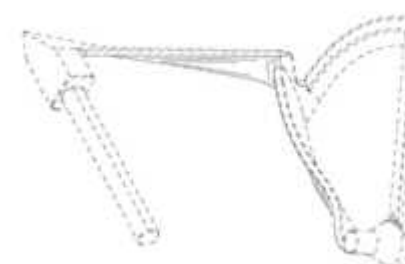
(21) Design Number: **15522/2014**
(22) Date of Filing Application: **31 October 2014**
(24) Date from which industrial property rights may have effect: **05 August 2014**
(54) Product in respect of which the design is registered: **Stirring and flipping blade**
(51) International Design Classification: **31-00**
(74) Name(s) of Attorney(s): **PHILLIPS ORMONDE FITZPATRICK**
(71) Name(s) and Address(s) of Applicant(s):
Whirlpool Corporation
2000 North M-63 MD3601 Benton Harbor Michigan 49022 United States of America
(72) Name(s) of Designer(s): **Michael P Conti**
(45) Registration Date: **19 November 2014**
(30) Convention priority data:
(31) Number (32) Date (33) Country
29/483,201 26 Feb 2014 UNITED STATES OF AMERICA
(62) Divisional of: **358551**
(56) Related Art Documents: **Not Applicable**
(57) Statement of Newness and Distinctiveness: **Those features of the stirring and flipping blade depicted in the representations that are new and distinctive are the shape and/or configuration. The features shown in broken lines are not part of the design and are to be disregarded when considering the overall impression of the design.**



- (21) Design Number: **15523/2014**
(22) Date of Filing Application: **31 October 2014**
(24) Date from which industrial property rights may have effect: **05 August 2014**
(54) Product in respect of which the design is registered: **Food processor attachment**
(51) International Design Classification: **31-00**
(74) Name(s) of Attorney(s): **PHILLIPS ORMONDE FITZPATRICK**
(71) Name(s) and Address(s) of Applicant(s):
Whirlpool Corporation
2000 North M-63 MD3601 Benton Harbor Michigan 49022 United States of America
(72) Name(s) of Designer(s): **Kaitlyn M Benoit and Leif A Norland**
(45) Registration Date: **19 November 2014**
(62) Divisional of: **358684**
(56) Related Art Documents: **Not Applicable**
(57) Statement of Newness and Distinctiveness: **Those features of the food processor attachment depicted in the representations that are new and distinctive are the shape and/or configuration. The features shown in broken lines are not part of the design and are to be disregarded when considering the overall impression of the design.**



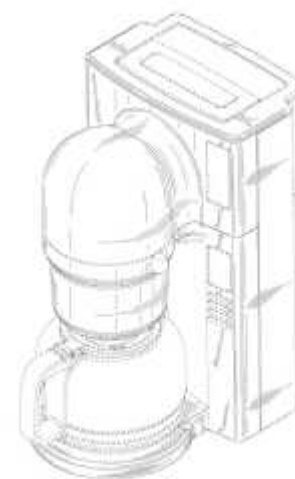
- (21) Design Number: **15524/2014**
(22) Date of Filing Application: **31 October 2014**
(24) Date from which industrial property rights may have effect: **05 August 2014**
(54) Product in respect of which the design is registered: **Stirring and flipping blade**
(51) International Design Classification: **07-02NES, 31-00**
(74) Name(s) of Attorney(s): **PHILLIPS ORMONDE FITZPATRICK**
(71) Name(s) and Address(s) of Applicant(s):
Whirlpool Corporation
2000 North M-63 MD3601 Benton Harbor Michigan 49022 United States of America
(72) Name(s) of Designer(s): **Michael P Conti**
(45) Registration Date: **19 November 2014**
(30) Convention priority data:
(31) Number (32) Date (33) Country
29/483,201 26 Feb 2014 UNITED STATES OF AMERICA
(62) Divisional of: **358551**
(56) Related Art Documents: **Not Applicable**
(57) Statement of Newness and Distinctiveness: **Those features of the stirring and flipping blade depicted in the representations that are new and distinctive are the shape and/or configuration. The features shown in broken lines are not part of the design and are to be disregarded when considering the overall impression of the design.**



(21) Design Number: **15525/2014**
(22) Date of Filing Application: **31 October 2014**
(24) Date from which industrial property rights may have effect: **05 August 2014**
(54) Product in respect of which the design is registered: **Food processor attachment**
(51) International Design Classification: **31-00**
(74) Name(s) of Attorney(s): **PHILLIPS ORMONDE FITZPATRICK**
(71) Name(s) and Address(s) of Applicant(s):
Whirlpool Corporation
2000 North M-63 MD3601 Benton Harbor Michigan 49022 United States of America
(72) Name(s) of Designer(s): **Kaitlyn M Benoit and Leif A Norland**
(45) Registration Date: **19 November 2014**
(30) Convention priority data:
(31) Number (32) Date (33) Country
29/485,056 14 Mar 2014 UNITED STATES OF AMERICA
(62) Divisional of: **358684**
(56) Related Art Documents: **Not Applicable**
(57) Statement of Newness and Distinctiveness: **Those features of the food processor attachment depicted in the representations that are new and distinctive are the shape and/or configuration. The features shown in broken lines are not part of the design and are to be disregarded when considering the overall impression of the design.**



(21) Design Number: **15526/2014**
(22) Date of Filing Application: **31 October 2014**
(24) Date from which industrial property rights may have effect: **05 August 2014**
(54) Product in respect of which the design is registered: **Coffee brewer**
(51) International Design Classification: **07-02L**
(74) Name(s) of Attorney(s): **PHILLIPS ORMONDE FITZPATRICK**
(71) Name(s) and Address(s) of Applicant(s):
Whirlpool Corporation
2000 North M-63 MD3601 Benton Harbor Michigan 49022 United States of America
(72) Name(s) of Designer(s): **Ben C Shao and Wenkai Wu**
(45) Registration Date: **19 November 2014**
(30) Convention priority data:
(31) Number (32) Date (33) Country
29/483,201 26 Feb 2014 UNITED STATES OF AMERICA
(62) Divisional of: **358683**
(56) Related Art Documents: **Not Applicable**
(57) Statement of Newness and Distinctiveness: **Those features of the coffee brewer depicted in the representations that are new and distinctive are the shape and/or configuration. The features shown in broken lines are not part of the design and are to be disregarded when considering the overall impression of the design.**



- (21) Design Number: **15528/2014**
(22) Date of Filing Application: **31 October 2014**
(24) Date from which industrial property rights may have effect: **31 October 2014**
(54) Product in respect of which the design is registered: **Seat - bench**
(51) International Design Classification: **06-01C**
(74) Name(s) of Attorney(s):
(71) Name(s) and Address(s) of Applicant(s):
Ripple Iron Pty Ltd
21 Ellen St Moorooka QLD 4105 Australia
Russell Hall
18 Lucy St Moorooka QLD 4105 Australia
(72) Name(s) of Designer(s): **Russell Hall**
(45) Registration Date: **19 November 2014**
(56) Related Art Documents: **Not Applicable**
(57) Statement of Newness and Distinctiveness: **1.The circular legs are so placed to have one seat each side as cantilevered from the support thus providing armrests to assist getting on and off the seat by 4 persons instead of 2 as is normal with end frames, or 0 as is normal on a bench seat. 2.The horizontal box section, or other, has cleats welded to it to affix the thick timber planks of the seat. These brackets and fixings brace the seat via the thick planks to produce a visually clean aesthetic. 3.The support legs in the front and back also act as skateboard inhibitors.**



- (21) Design Number: **15529/2014**
(22) Date of Filing Application: **31 October 2014**
(24) Date from which industrial property rights may have effect: **31 October 2014**
(54) Product in respect of which the design is registered: **Seat with backrest**
(51) International Design Classification: **06-01C**
(74) Name(s) of Attorney(s):
(71) Name(s) and Address(s) of Applicant(s):
Ripple Iron Pty Ltd
21 Ellen St Moorooka QLD 4105 Australia
Russell Hall
18 Lucy St Moorooka QLD 4105 Australia
(72) Name(s) of Designer(s): **Russell Hall**
(45) Registration Date: **19 November 2014**
(56) Related Art Documents: **Not Applicable**
(57) Statement of Newness and Distinctiveness: **1.Use of curved pipe for front support leg which is attached to an angle rear leg by a rectangular box, or other suitable section. 2. The angle rear leg removes any need for brackets to be welded to it to attach the back timber support. The box section or other, has cleats welded to it to affix the thick timber planks of the seat. These brackets and fixings brace the seat via the thick planks to produce a visually clean aesthetic. 3.The front circular legs are so placed to have one seat each side as cantilevered from the support thus enabling the use of the arm rests by 4 persons rather than the normal 2 with end frames. 4.The support legs in front of the seat planks also act as skateboard inhibitors.**

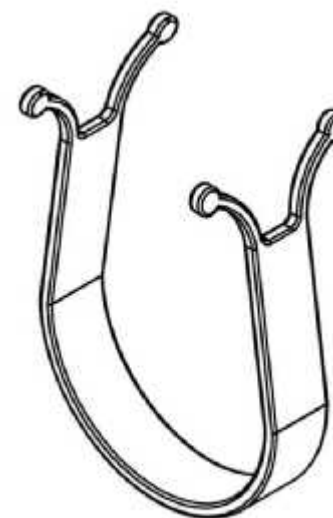


(21) Design Number: **14212/2014**
(22) Date of Filing Application: **26 August 2014**
(24) Date from which industrial property rights may have effect: **26 August 2014**
(54) Product in respect of which the design is registered: **Clipper**
(51) International Design Classification: **28-03D**
(74) Name(s) of Attorney(s): **IP Gateway Patent & Trademark Attorneys Pty Ltd**
(71) Name(s) and Address(s) of Applicant(s):
Medline Industries, Inc.
One Medline Place Mundelein IL 60060 United States of America
(72) Name(s) of Designer(s): **Stuart Mintz**
(45) Registration Date: **19 November 2014**
(30) Convention priority data:
(31) Number (32) Date (33) Country
29/483,523 28 Feb 2014 UNITED STATES OF AMERICA



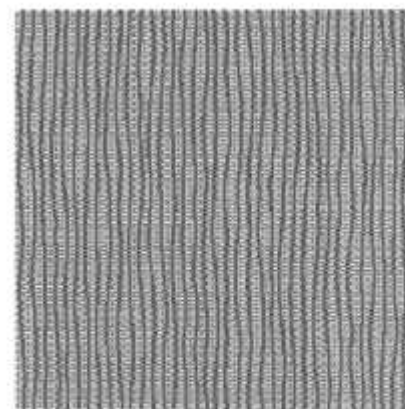
(56) Related Art Documents: **Not Applicable**
(57) Statement of Newness and Distinctiveness: **Newness and distinctiveness resides in visual features of surface pattern and/or ornamentation applied to a clipper as shown in solid lines and/or shading in the accompanying representations. When considering newness and distinctiveness, features shown in evenly spaced dotted lines or in dash-dot lines are to be disregarded.**

(21) Design Number: **15176/2014**
(22) Date of Filing Application: **09 October 2014**
(24) Date from which industrial property rights may have effect: **09 October 2014**
(54) Product in respect of which the design is registered: **Ear tie for correction of prominent ear deformity**
(51) International Design Classification: **24-01**
(74) Name(s) of Attorney(s): **WATERMARK PATENT AND TRADE MARKS ATTORNEYS**
(71) Name(s) and Address(s) of Applicant(s):
Northwood Medical Innovation Limited
Poyle Court, 30 Church Lane Hampton Poyle Oxfordshire OX5 2QF
United Kingdom
(72) Name(s) of Designer(s): **Marie-Claire Haines and Norbert Kang**
(45) Registration Date: **19 November 2014**
(30) Convention priority data:
(31) Number (32) Date (33) Country
002446849-0001 14 Apr 2014 EUROPEAN PATENT OFFICE (EPO)

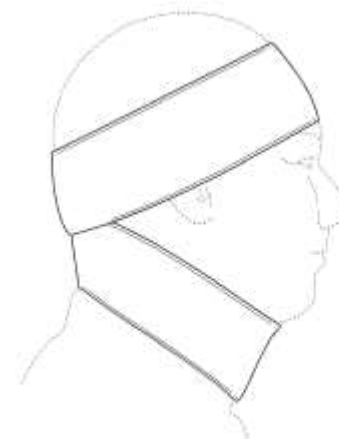


(56) Related Art Documents: **Not Applicable**
(57) Statement of Newness and Distinctiveness: **Nil**

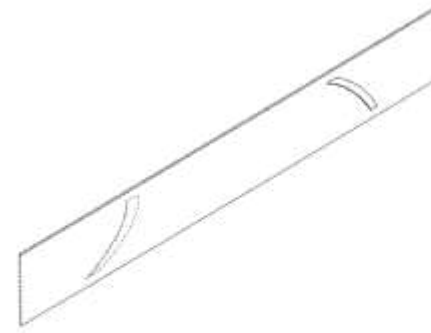
- (21) Design Number: **15279/2014**
(22) Date of Filing Application: **16 October 2014**
(24) Date from which industrial property rights may have effect: **16 October 2014**
(54) Product in respect of which the design is registered: **Textile**
(51) International Design Classification: **05-05NES**
(74) Name(s) of Attorney(s): **Sharon Givoni Consulting**
(71) Name(s) and Address(s) of Applicant(s):
Bekaert (Australia) Pty Limited
195 Abbots Rd Dandenong South VIC 3175 Australia
(72) Name(s) of Designer(s): **Jacqueline Zimmerman**
(45) Registration Date: **19 November 2014**
(56) Related Art Documents: **Not Applicable**
(57) Statement of Newness and Distinctiveness: **Newness and distinctiveness is claimed in the features of pattern and/or ornamentation of a textile as shown in the representations but not limited to any colours or colour combination. The textile is of indefinite length and breadth and the pattern and/or ornamentation is represented throughout the surface.**



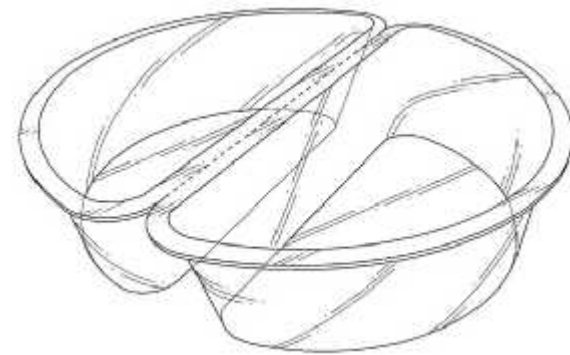
- (21) Design Number: **15555/2014**
(22) Date of Filing Application: **03 November 2014**
(24) Date from which industrial property rights may have effect: **12 August 2014**
(54) Product in respect of which the design is registered: **Headwear**
(51) International Design Classification: **02-03**
(74) Name(s) of Attorney(s): **AJ Park**
(71) Name(s) and Address(s) of Applicant(s):
French Accent Limited
61 Verbena Road Birkdale 0626 New Zealand
(72) Name(s) of Designer(s): **Alan Donald Yardley and Claude Marthe Clemence Routier**
(45) Registration Date: **19 November 2014**
(30) Convention priority data:
(31) Number (32) Date (33) Country
418517 12 Feb 2014 NEW ZEALAND
(62) Divisional of: **358561**
(56) Related Art Documents: **Not Applicable**
(57) Statement of Newness and Distinctiveness: **Newness and distinctiveness resides in the features of shape and/or configuration of the headwear as shown in the accompanying drawings.**



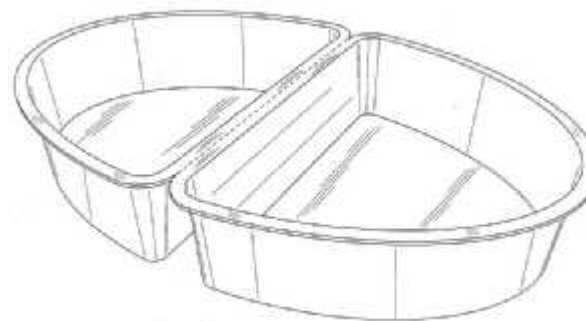
(21) Design Number: **15556/2014**
(22) Date of Filing Application: **03 November 2014**
(24) Date from which industrial property rights may have effect: **12 August 2014**
(54) Product in respect of which the design is registered: **Headwear**
(51) International Design Classification: **02-03**
(74) Name(s) of Attorney(s): **AJ Park**
(71) Name(s) and Address(s) of Applicant(s):
French Accent Limited
61 Verbena Road Birkdale 0626 New Zealand
(72) Name(s) of Designer(s): **Alan Donald Yardley and Claude Marthe Clemence Routier**
(45) Registration Date: **19 November 2014**
(30) Convention priority data:
(31) Number (32) Date (33) Country
418519 12 Feb 2014 NEW ZEALAND
(62) Divisional of: **358561**
(56) Related Art Documents: **Not Applicable**
(57) Statement of Newness and Distinctiveness: **Newness and distinctiveness resides in the features of shape and/or configuration of the headwear as shown in the accompanying drawings.**



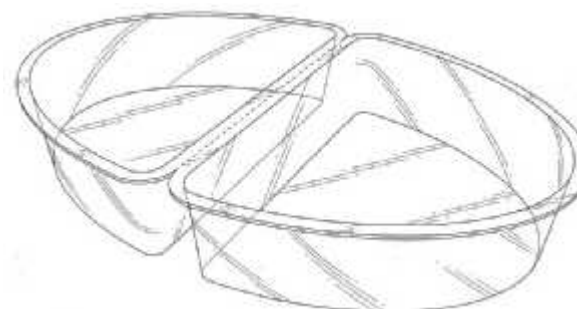
(21) Design Number: **15575/2014**
(22) Date of Filing Application: **04 November 2014**
(24) Date from which industrial property rights may have effect: **21 August 2014**
(54) Product in respect of which the design is registered: **Tray**
(51) International Design Classification: **09-03F**
(74) Name(s) of Attorney(s): **Baker & McKenzie**
(71) Name(s) and Address(s) of Applicant(s):
Mars, Incorporated
6885 Elm Street McLean VA 22101 United States of America
(72) Name(s) of Designer(s): **Jonathan Christopher Smith and Jonathan Lee McSweeney**
(45) Registration Date: **19 November 2014**
(30) Convention priority data:
(31) Number (32) Date (33) Country
29/463739 21 Feb 2014 UNITED STATES OF AMERICA
(62) Divisional of: **358586**
(56) Related Art Documents: **Not Applicable**
(57) Statement of Newness and Distinctiveness: **Nil**



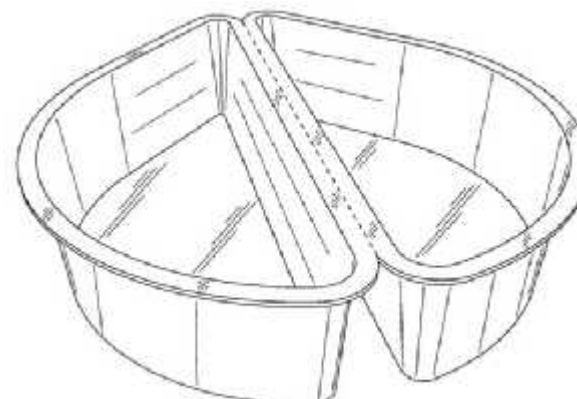
(21) Design Number: **15576/2014**
(22) Date of Filing Application: **04 November 2014**
(24) Date from which industrial property rights may have effect: **21 August 2014**
(54) Product in respect of which the design is registered: **Tray**
(51) International Design Classification: **09-03F**
(74) Name(s) of Attorney(s): **Baker & McKenzie**
(71) Name(s) and Address(s) of Applicant(s):
Mars, Incorporated
6885 Elm Street McLean VA 22101 United States of America
(72) Name(s) of Designer(s): **Jonathan Lee McSweeney and Jonathan Christopher Smith**
(45) Registration Date: **19 November 2014**
(30) Convention priority data:
(31) Number (32) Date (33) Country
29/463739 21 Feb 2014 UNITED STATES OF AMERICA
(62) Divisional of: **358586**
(56) Related Art Documents: **Not Applicable**
(57) Statement of Newness and Distinctiveness: **Nil**



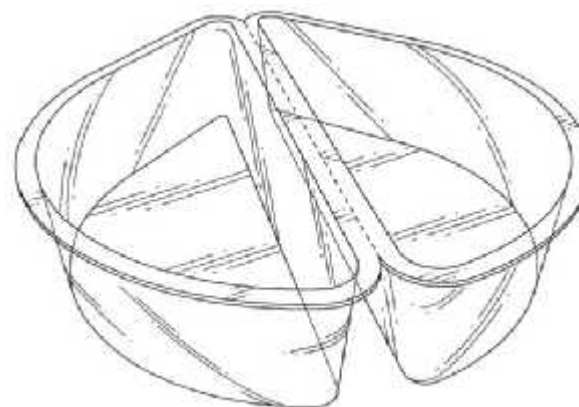
(21) Design Number: **15577/2014**
(22) Date of Filing Application: **04 November 2014**
(24) Date from which industrial property rights may have effect: **21 August 2014**
(54) Product in respect of which the design is registered: **Tray**
(51) International Design Classification: **09-03F**
(74) Name(s) of Attorney(s): **Baker & McKenzie**
(71) Name(s) and Address(s) of Applicant(s):
Mars, Incorporated
6885 Elm Street McLean VA 22101 United States of America
(72) Name(s) of Designer(s): **Jonathan Lee McSweeney and Jonathan Christopher Smith**
(45) Registration Date: **19 November 2014**
(30) Convention priority data:
(31) Number (32) Date (33) Country
29/463739 21 Feb 2014 UNITED STATES OF AMERICA
(62) Divisional of: **358586**
(56) Related Art Documents: **Not Applicable**
(57) Statement of Newness and Distinctiveness: **Nil**



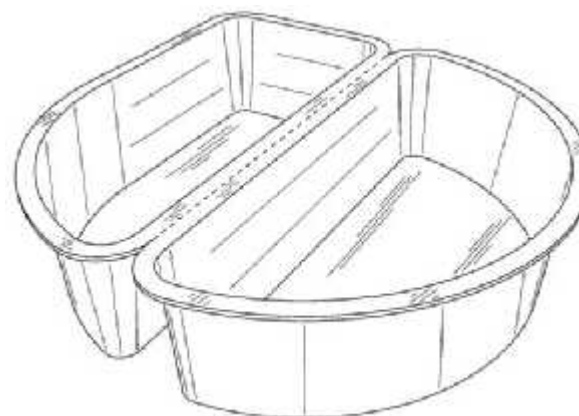
(21) Design Number: **15578/2014**
(22) Date of Filing Application: **04 November 2014**
(24) Date from which industrial property rights may have effect: **21 August 2014**
(54) Product in respect of which the design is registered: **Tray**
(51) International Design Classification: **09-03F**
(74) Name(s) of Attorney(s): **Baker & McKenzie**
(71) Name(s) and Address(s) of Applicant(s):
Mars, Incorporated
6885 Elm Street McLean VA 22101 United States of America
(72) Name(s) of Designer(s): **Jonathan Lee McSweeney and Jonathan Christopher Smith**
(45) Registration Date: **19 November 2014**
(30) Convention priority data:
(31) Number (32) Date (33) Country
29/463739 21 Feb 2014 UNITED STATES OF AMERICA
(62) Divisional of: **358586**
(56) Related Art Documents: **Not Applicable**
(57) Statement of Newness and Distinctiveness: **Nil**



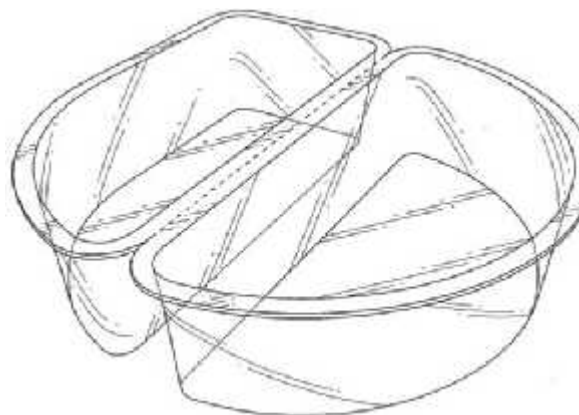
(21) Design Number: **15579/2014**
(22) Date of Filing Application: **04 November 2014**
(24) Date from which industrial property rights may have effect: **21 August 2014**
(54) Product in respect of which the design is registered: **Tray**
(51) International Design Classification: **09-03F**
(74) Name(s) of Attorney(s): **Baker & McKenzie**
(71) Name(s) and Address(s) of Applicant(s):
Mars, Incorporated
6885 Elm Street McLean VA 22101 United States of America
(72) Name(s) of Designer(s): **Jonathan Lee McSweeney and Jonathan Christopher Smith**
(45) Registration Date: **19 November 2014**
(30) Convention priority data:
(31) Number (32) Date (33) Country
29/463739 21 Feb 2014 UNITED STATES OF AMERICA
(62) Divisional of: **358586**
(56) Related Art Documents: **Not Applicable**
(57) Statement of Newness and Distinctiveness: **Nil**



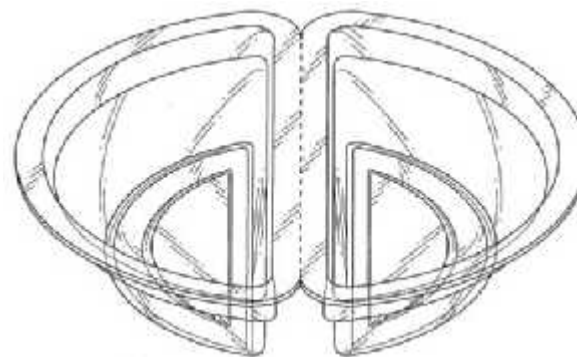
(21) Design Number: **15580/2014**
(22) Date of Filing Application: **04 November 2014**
(24) Date from which industrial property rights may have effect: **21 August 2014**
(54) Product in respect of which the design is registered: **Tray**
(51) International Design Classification: **09-03F**
(74) Name(s) of Attorney(s): **Baker & McKenzie**
(71) Name(s) and Address(s) of Applicant(s):
Mars, Incorporated
6885 Elm Street McLean VA 22101 United States of America
(72) Name(s) of Designer(s): **Jonathan Lee McSweeney and Jonathan Christopher Smith**
(45) Registration Date: **19 November 2014**
(30) Convention priority data:
(31) Number (32) Date (33) Country
29/463739 21 Feb 2014 UNITED STATES OF AMERICA
(62) Divisional of: **358586**
(56) Related Art Documents: **Not Applicable**
(57) Statement of Newness and Distinctiveness: **Nil**



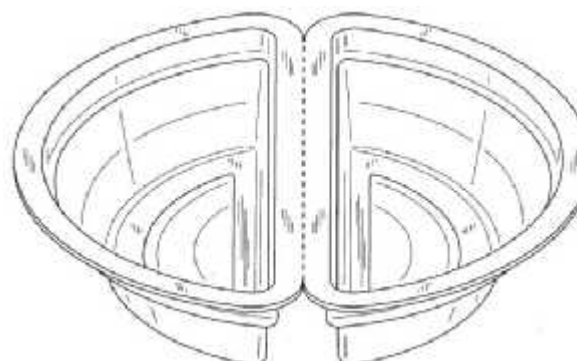
(21) Design Number: **15581/2014**
(22) Date of Filing Application: **04 November 2014**
(24) Date from which industrial property rights may have effect: **21 August 2014**
(54) Product in respect of which the design is registered: **Tray**
(51) International Design Classification: **09-03F**
(74) Name(s) of Attorney(s): **Baker & McKenzie**
(71) Name(s) and Address(s) of Applicant(s):
Mars, Incorporated
6885 Elm Street McLean VA 22101 United States of America
(72) Name(s) of Designer(s): **Jonathan Lee McSweeney and Jonathan Christopher Smith**
(45) Registration Date: **19 November 2014**
(30) Convention priority data:
(31) Number (32) Date (33) Country
29/463739 21 Feb 2014 UNITED STATES OF AMERICA
(62) Divisional of: **358586**
(56) Related Art Documents: **Not Applicable**
(57) Statement of Newness and Distinctiveness: **Nil**



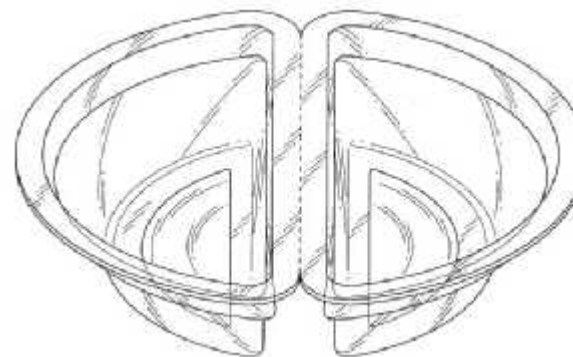
(21) Design Number: **15582/2014**
(22) Date of Filing Application: **04 November 2014**
(24) Date from which industrial property rights may have effect: **21 August 2014**
(54) Product in respect of which the design is registered: **Tray**
(51) International Design Classification: **09-03F**
(74) Name(s) of Attorney(s): **Baker & McKenzie**
(71) Name(s) and Address(s) of Applicant(s):
Mars, Incorporated
6885 Elm Street McLean VA 22101 United States of America
(72) Name(s) of Designer(s): **Jonathan Lee McSweeney and Jonathan Christopher Smith**
(45) Registration Date: **19 November 2014**
(30) Convention priority data:
(31) Number (32) Date (33) Country
29/463739 21 Feb 2014 UNITED STATES OF AMERICA
(62) Divisional of: **358609**
(56) Related Art Documents: **Not Applicable**
(57) Statement of Newness and Distinctiveness: **Nil**



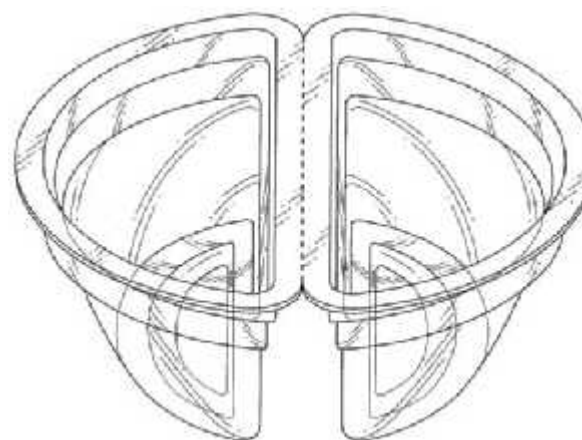
(21) Design Number: **15583/2014**
(22) Date of Filing Application: **04 November 2014**
(24) Date from which industrial property rights may have effect: **21 August 2014**
(54) Product in respect of which the design is registered: **Tray**
(51) International Design Classification: **09-03F**
(74) Name(s) of Attorney(s): **Baker & McKenzie**
(71) Name(s) and Address(s) of Applicant(s):
Mars, Incorporated
6885 Elm Street McLean VA 22101 United States of America
(72) Name(s) of Designer(s): **Jonathan Lee McSweeney and Jonathan Christopher Smith**
(45) Registration Date: **19 November 2014**
(30) Convention priority data:
(31) Number (32) Date (33) Country
29/463739 21 Feb 2014 UNITED STATES OF AMERICA
(62) Divisional of: **358609**
(56) Related Art Documents: **Not Applicable**
(57) Statement of Newness and Distinctiveness: **Nil**



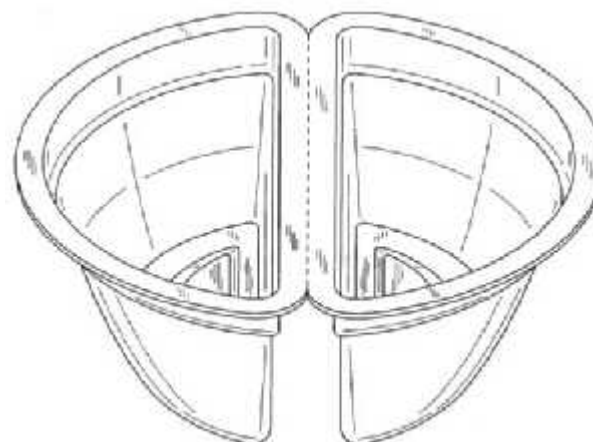
(21) Design Number: **15584/2014**
(22) Date of Filing Application: **04 November 2014**
(24) Date from which industrial property rights may have effect: **21 August 2014**
(54) Product in respect of which the design is registered: **Tray**
(51) International Design Classification: **09-03F**
(74) Name(s) of Attorney(s): **Baker & McKenzie**
(71) Name(s) and Address(s) of Applicant(s):
Mars, Incorporated
6885 Elm Street McLean VA 22101 United States of America
(72) Name(s) of Designer(s): **Jonathan Lee McSweeney and Jonathan Christopher Smith**
(45) Registration Date: **19 November 2014**
(30) Convention priority data:
(31) Number (32) Date (33) Country
29/463739 21 Feb 2014 UNITED STATES OF AMERICA
(62) Divisional of: **358609**
(56) Related Art Documents: **Not Applicable**
(57) Statement of Newness and Distinctiveness: **Nil**



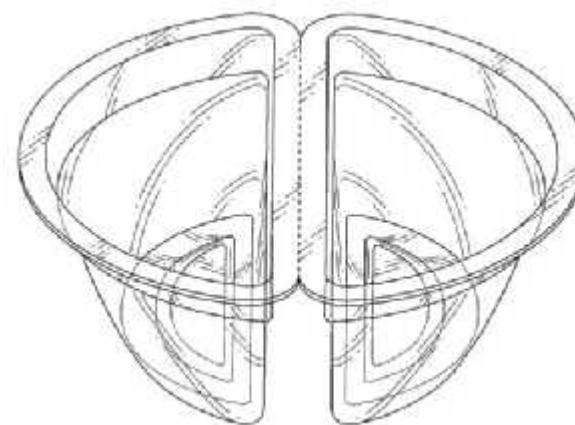
(21) Design Number: **15586/2014**
(22) Date of Filing Application: **04 November 2014**
(24) Date from which industrial property rights may have effect: **21 August 2014**
(54) Product in respect of which the design is registered: **Tray**
(51) International Design Classification: **09-03F**
(74) Name(s) of Attorney(s): **Baker & McKenzie**
(71) Name(s) and Address(s) of Applicant(s):
Mars, Incorporated
6885 Elm Street McLean VA 22101 United States of America
(72) Name(s) of Designer(s): **Jonathan Lee McSweeney and Jonathan Christopher Smith**
(45) Registration Date: **19 November 2014**
(30) Convention priority data:
(31) Number (32) Date (33) Country
29/463739 21 Feb 2014 UNITED STATES OF AMERICA
(62) Divisional of: **358609**
(56) Related Art Documents: **Not Applicable**
(57) Statement of Newness and Distinctiveness: **Nil**



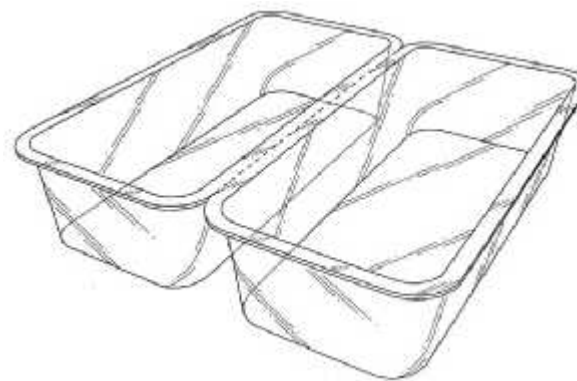
(21) Design Number: **15587/2014**
(22) Date of Filing Application: **04 November 2014**
(24) Date from which industrial property rights may have effect: **21 August 2014**
(54) Product in respect of which the design is registered: **Tray**
(51) International Design Classification: **09-03F**
(74) Name(s) of Attorney(s): **Baker & McKenzie**
(71) Name(s) and Address(s) of Applicant(s):
Mars, Incorporated
6885 Elm Street McLean VA 22101 United States of America
(72) Name(s) of Designer(s): **Jonathan Lee McSweeney and Jonathan Christopher Smith**
(45) Registration Date: **19 November 2014**
(30) Convention priority data:
(31) Number (32) Date (33) Country
29/463739 21 Feb 2014 UNITED STATES OF AMERICA
(62) Divisional of: **358609**
(56) Related Art Documents: **Not Applicable**
(57) Statement of Newness and Distinctiveness: **Nil**



(21) Design Number: **15588/2014**
(22) Date of Filing Application: **04 November 2014**
(24) Date from which industrial property rights may have effect: **21 August 2014**
(54) Product in respect of which the design is registered: **Tray**
(51) International Design Classification: **09-03F**
(74) Name(s) of Attorney(s): **Baker & McKenzie**
(71) Name(s) and Address(s) of Applicant(s):
Mars, Incorporated
6885 Elm Street McLean VA 22101 United States of America
(72) Name(s) of Designer(s): **Jonathan Lee McSweeney and Jonathan Christopher Smith**
(45) Registration Date: **19 November 2014**
(30) Convention priority data:
(31) Number (32) Date (33) Country
29/463739 21 Feb 2014 UNITED STATES OF AMERICA
(62) Divisional of: **358609**
(56) Related Art Documents: **Not Applicable**
(57) Statement of Newness and Distinctiveness: **Nil**



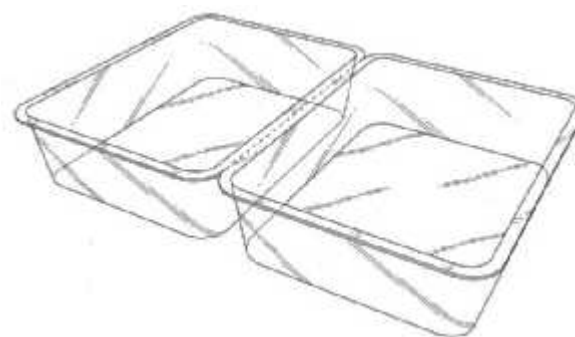
(21) Design Number: **15589/2014**
(22) Date of Filing Application: **04 November 2014**
(24) Date from which industrial property rights may have effect: **21 August 2014**
(54) Product in respect of which the design is registered: **Tray**
(51) International Design Classification: **09-03F**
(74) Name(s) of Attorney(s): **Baker & McKenzie**
(71) Name(s) and Address(s) of Applicant(s):
Mars, Incorporated
6885 Elm Street McLean VA 22101 United States of America
(72) Name(s) of Designer(s): **Jonathan Lee McSweeney and Jonathan Christopher Smith**
(45) Registration Date: **19 November 2014**
(30) Convention priority data:
(31) Number (32) Date (33) Country
29/463739 21 Feb 2014 UNITED STATES OF AMERICA
(62) Divisional of: **358610**
(56) Related Art Documents: **Not Applicable**
(57) Statement of Newness and Distinctiveness: **Nil**



(21) Design Number: **15590/2014**
(22) Date of Filing Application: **04 November 2014**
(24) Date from which industrial property rights may have effect: **21 August 2014**
(54) Product in respect of which the design is registered: **Tray**
(51) International Design Classification: **09-03F**
(74) Name(s) of Attorney(s): **Baker & McKenzie**
(71) Name(s) and Address(s) of Applicant(s):
Mars, Incorporated
6885 Elm Street McLean VA 22101 United States of America
(72) Name(s) of Designer(s): **Jonathan Lee McSweeney and Jonathan Christopher Smith**
(45) Registration Date: **19 November 2014**
(30) Convention priority data:
(31) Number (32) Date (33) Country
29/463739 21 Feb 2014 UNITED STATES OF AMERICA
(62) Divisional of: **358610**
(56) Related Art Documents: **Not Applicable**
(57) Statement of Newness and Distinctiveness: **Nil**



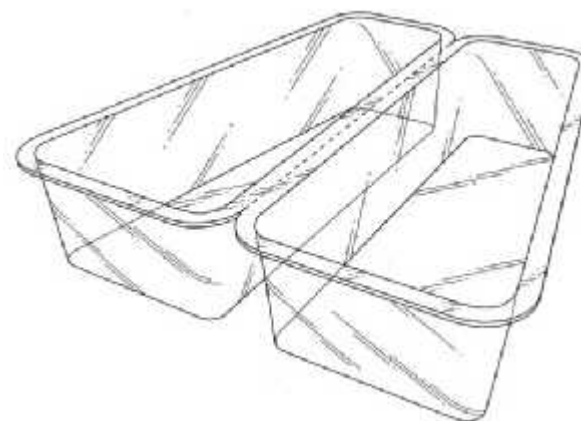
(21) Design Number: **15591/2014**
(22) Date of Filing Application: **04 November 2014**
(24) Date from which industrial property rights may have effect: **21 August 2014**
(54) Product in respect of which the design is registered: **Tray**
(51) International Design Classification: **09-03F**
(74) Name(s) of Attorney(s): **Baker & McKenzie**
(71) Name(s) and Address(s) of Applicant(s):
Mars, Incorporated
6885 Elm Street McLean VA 22101 United States of America
(72) Name(s) of Designer(s): **Jonathan Lee McSweeney and Jonathan Christopher Smith**
(45) Registration Date: **19 November 2014**
(30) Convention priority data:
(31) Number (32) Date (33) Country
29/463739 21 Feb 2014 UNITED STATES OF AMERICA
(62) Divisional of: **358610**
(56) Related Art Documents: **Not Applicable**
(57) Statement of Newness and Distinctiveness: **Nil**



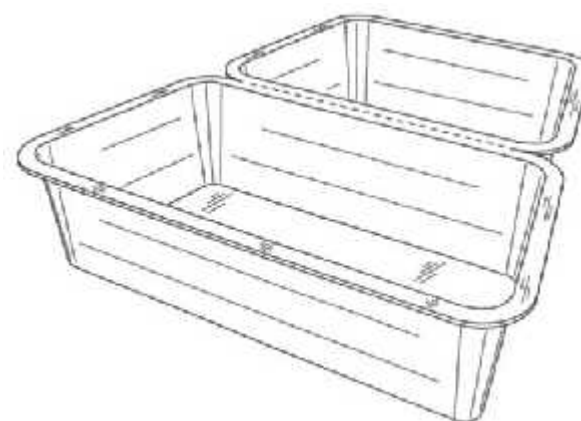
(21) Design Number: **15592/2014**
(22) Date of Filing Application: **04 November 2014**
(24) Date from which industrial property rights may have effect: **21 August 2014**
(54) Product in respect of which the design is registered: **Tray**
(51) International Design Classification: **09-03F**
(74) Name(s) of Attorney(s): **Baker & McKenzie**
(71) Name(s) and Address(s) of Applicant(s):
Mars, Incorporated
6885 Elm Street McLean VA 22101 United States of America
(72) Name(s) of Designer(s): **Jonathan Lee McSweeney and Jonathan Christopher Smith**
(45) Registration Date: **19 November 2014**
(30) Convention priority data:
(31) Number (32) Date (33) Country
29/463739 21 Feb 2014 UNITED STATES OF AMERICA
(62) Divisional of: **358610**
(56) Related Art Documents: **Not Applicable**
(57) Statement of Newness and Distinctiveness: **Nil**



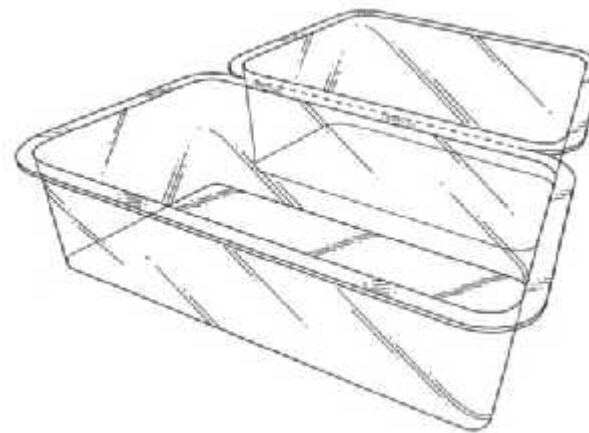
(21) Design Number: **15593/2014**
(22) Date of Filing Application: **04 November 2014**
(24) Date from which industrial property rights may have effect: **21 August 2014**
(54) Product in respect of which the design is registered: **Tray**
(51) International Design Classification: **09-03F**
(74) Name(s) of Attorney(s): **Baker & McKenzie**
(71) Name(s) and Address(s) of Applicant(s):
Mars, Incorporated
6885 Elm Street McLean VA 22101 United States of America
(72) Name(s) of Designer(s): **Jonathan Lee McSweeney and Jonathan Christopher Smith**
(45) Registration Date: **19 November 2014**
(30) Convention priority data:
(31) Number (32) Date (33) Country
29/463739 21 Feb 2014 UNITED STATES OF AMERICA
(62) Divisional of: **358610**
(56) Related Art Documents: **Not Applicable**
(57) Statement of Newness and Distinctiveness: **Nil**



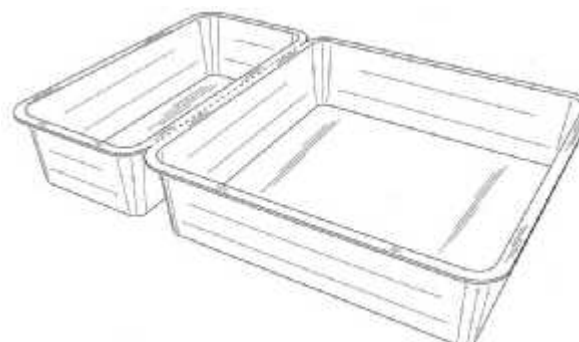
(21) Design Number: **15594/2014**
(22) Date of Filing Application: **04 November 2014**
(24) Date from which industrial property rights may have effect: **21 August 2014**
(54) Product in respect of which the design is registered: **Tray**
(51) International Design Classification: **09-03F**
(74) Name(s) of Attorney(s): **Baker & McKenzie**
(71) Name(s) and Address(s) of Applicant(s):
Mars, Incorporated
6885 Elm Street McLean VA 22101 United States of America
(72) Name(s) of Designer(s): **Jonathan Lee McSweeney and Jonathan Christopher Smith**
(45) Registration Date: **19 November 2014**
(30) Convention priority data:
(31) Number (32) Date (33) Country
29/463739 21 Feb 2014 UNITED STATES OF AMERICA
(62) Divisional of: **358610**
(56) Related Art Documents: **Not Applicable**
(57) Statement of Newness and Distinctiveness: **Nil**



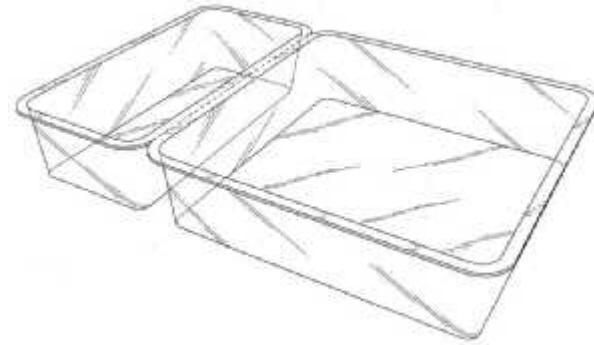
(21) Design Number: **15595/2014**
(22) Date of Filing Application: **04 November 2014**
(24) Date from which industrial property rights may have effect: **21 August 2014**
(54) Product in respect of which the design is registered: **Tray**
(51) International Design Classification: **09-03F**
(74) Name(s) of Attorney(s): **Baker & McKenzie**
(71) Name(s) and Address(s) of Applicant(s):
Mars, Incorporated
6885 Elm Street McLean VA 22101 United States of America
(72) Name(s) of Designer(s): **Jonathan Lee McSweeney and Jonathan Christopher Smith**
(45) Registration Date: **19 November 2014**
(30) Convention priority data:
(31) Number (32) Date (33) Country
29/463739 21 Feb 2014 UNITED STATES OF AMERICA
(62) Divisional of: **358610**
(56) Related Art Documents: **Not Applicable**
(57) Statement of Newness and Distinctiveness: **Nil**



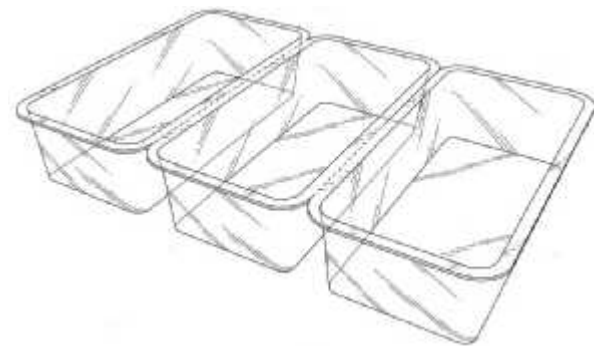
(21) Design Number: **15596/2014**
(22) Date of Filing Application: **04 November 2014**
(24) Date from which industrial property rights may have effect: **21 August 2014**
(54) Product in respect of which the design is registered: **Tray**
(51) International Design Classification: **09-03F**
(74) Name(s) of Attorney(s): **Baker & McKenzie**
(71) Name(s) and Address(s) of Applicant(s):
Mars, Incorporated
6885 Elm Street McLean VA 22101 United States of America
(72) Name(s) of Designer(s): **Jonathan Lee McSweeney and Jonathan Christopher Smith**
(45) Registration Date: **19 November 2014**
(30) Convention priority data:
(31) Number (32) Date (33) Country
29/463739 21 Feb 2014 UNITED STATES OF AMERICA
(62) Divisional of: **358610**
(56) Related Art Documents: **Not Applicable**
(57) Statement of Newness and Distinctiveness: **Nil**



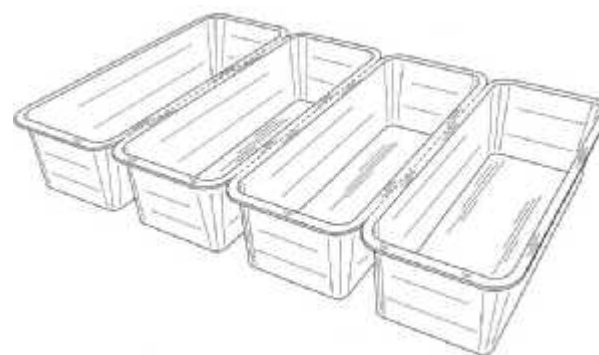
(21) Design Number: **15597/2014**
(22) Date of Filing Application: **04 November 2014**
(24) Date from which industrial property rights may have effect: **21 August 2014**
(54) Product in respect of which the design is registered: **Tray**
(51) International Design Classification: **09-03F**
(74) Name(s) of Attorney(s): **Baker & McKenzie**
(71) Name(s) and Address(s) of Applicant(s):
Mars, Incorporated
6885 Elm Street McLean VA 22101 United States of America
(72) Name(s) of Designer(s): **Jonathan Lee McSweeney and Jonathan Christopher Smith**
(45) Registration Date: **19 November 2014**
(30) Convention priority data:
(31) Number (32) Date (33) Country
29/463739 21 Feb 2014 UNITED STATES OF AMERICA
(62) Divisional of: **358610**
(56) Related Art Documents: **Not Applicable**
(57) Statement of Newness and Distinctiveness: **Nil**



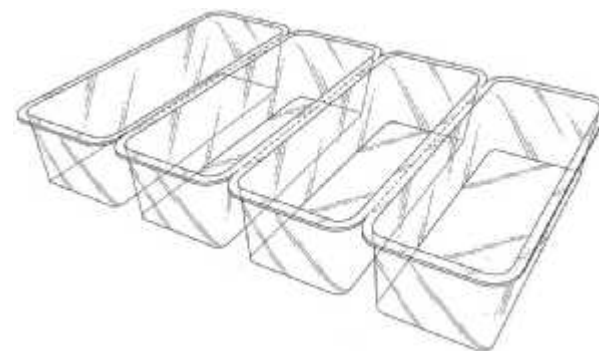
(21) Design Number: **15598/2014**
(22) Date of Filing Application: **04 November 2014**
(24) Date from which industrial property rights may have effect: **21 August 2014**
(54) Product in respect of which the design is registered: **Tray**
(51) International Design Classification: **09-03F**
(74) Name(s) of Attorney(s): **Baker & McKenzie**
(71) Name(s) and Address(s) of Applicant(s):
Mars, Incorporated
6885 Elm Street McLean VA 22101 United States of America
(72) Name(s) of Designer(s): **Jonathan Lee McSweeney and Jonathan Christopher Smith**
(45) Registration Date: **19 November 2014**
(30) Convention priority data:
(31) Number (32) Date (33) Country
29/463739 21 Feb 2014 UNITED STATES OF AMERICA
(62) Divisional of: **358617**
(56) Related Art Documents: **Not Applicable**
(57) Statement of Newness and Distinctiveness: **Nil**



(21) Design Number: **15599/2014**
(22) Date of Filing Application: **04 November 2014**
(24) Date from which industrial property rights may have effect: **21 August 2014**
(54) Product in respect of which the design is registered: **Tray**
(51) International Design Classification: **09-03F**
(74) Name(s) of Attorney(s): **Baker & McKenzie**
(71) Name(s) and Address(s) of Applicant(s):
Mars, Incorporated
6885 Elm Street McLean VA 22101 United States of America
(72) Name(s) of Designer(s): **Jonathan Lee McSweeney and Jonathan Christopher Smith**
(45) Registration Date: **19 November 2014**
(30) Convention priority data:
(31) Number (32) Date (33) Country
29/463739 21 Feb 2014 UNITED STATES OF AMERICA
(62) Divisional of: **358617**
(56) Related Art Documents: **Not Applicable**
(57) Statement of Newness and Distinctiveness: **Nil**



(21) Design Number: **15600/2014**
(22) Date of Filing Application: **04 November 2014**
(24) Date from which industrial property rights may have effect: **21 August 2014**
(54) Product in respect of which the design is registered: **Tray**
(51) International Design Classification: **09-03F**
(74) Name(s) of Attorney(s): **Baker & McKenzie**
(71) Name(s) and Address(s) of Applicant(s):
Mars, Incorporated
6885 Elm Street McLean VA 22101 United States of America
(72) Name(s) of Designer(s): **Jonathan Lee McSweeney and Jonathan Christopher Smith**
(45) Registration Date: **19 November 2014**
(30) Convention priority data:
(31) Number (32) Date (33) Country
29/463739 21 Feb 2014 UNITED STATES OF AMERICA
(62) Divisional of: **358617**
(56) Related Art Documents: **Not Applicable**
(57) Statement of Newness and Distinctiveness: **Nil**



- (21) Design Number: **14255/2014**
(22) Date of Filing Application: **27 August 2014**
(24) Date from which industrial property rights may have effect: **27 August 2014**
(54) Product in respect of which the design is registered: **Ragdoll**
(51) International Design Classification: **21-01B**
(74) Name(s) of Attorney(s):
(71) Name(s) and Address(s) of Applicant(s):

Alisa Jane Griffin
42 Gouldsmith St Dunlop ACT 2615 Australia

Briahna Grant-Griffin
42 Grant-Griffin St Dunlop ACT 2615 Australia

- (72) Name(s) of Designer(s): **Alisa Jane Griffin and Briahna Grant-Griffin**

- (45) Registration Date: **20 November 2014**

- (56) Related Art Documents: **Not Applicable**

- (57) Statement of Newness and Distinctiveness: **Ragdoll with no arms or legs and no hair, keyhole shaped, has heart on dress and bow on head, rustic look outside stitching, half lopsided smile. This ragdoll has been designed by Briahna who is disabled and suffers from cerebral palsy & microcephaly. Her inspiration comes from herself & her friends which some do not physically have the use of all of their limbs. The baldness is inspired from Briahna having lost a close friend to cancer and was still so beautiful. The heart on chest comes from alot of her friends showing their feelings from the heart not necessarily physically able to smile but knowing they are smiling from the heart inside! The ballerina dressed version is from her love of ballet which her body will never allow her to do physically. Her love of overalls since small is shown in the overall dress design also. The idea of these dolls came from wanting to make use of scrap materials & to raise funds for trikes for teens like herself who cant ride a bicycle.**



- (21) Design Number: **14256/2014**
(22) Date of Filing Application: **27 August 2014**
(24) Date from which industrial property rights may have effect: **27 August 2014**
(54) Product in respect of which the design is registered: **Ragdoll**
(51) International Design Classification: **21-01B**
(74) Name(s) of Attorney(s):
(71) Name(s) and Address(s) of Applicant(s):

Alisa Jane Griffin
42 Gouldsmith St Dunlop ACT 2615 Australia

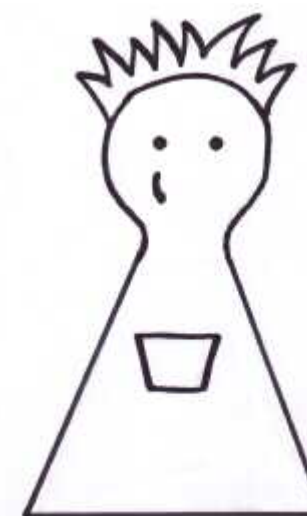
Briahna Grant-Griffin
42 Grant-Griffin St Dunlop ACT 2615 Australia

- (72) Name(s) of Designer(s): **Alisa Jane Griffin and Briahna Grant-Griffin**

- (45) Registration Date: **20 November 2014**

- (56) Related Art Documents: **Not Applicable**

- (57) Statement of Newness and Distinctiveness: **Boy ragdoll with no arms or legs, keyhole shaped, has rustic look outside stitching, half lopsided smile. This ragdoll has been designed by Briahna who is disabled and suffers from cerebral palsy and microcephaly. Her inspiration comes from herself and her friends which some do not physically have the use of all of their limbs. The half smile is inspired by some friends of hers who are physically unable to produce a big wide smile due to their disabilities. The overalls clothing comes from her love of wearing overalls since very small and the spike on the head from her love of her little brothers who as their big sister it was something she could help them do rather than someone always helping her. The idea for these ragdolls came from wanting to upcycle scrap fabrics and are made from drapes, tablecloths, doona covers etc. Briahna also wishes to sell these ragdolls to help raise funds to donate trikes to teens who are unable to ride bicycles like herself.**



(21) Design Number: **14493/2014**
(22) Date of Filing Application: **08 September 2014**
(24) Date from which industrial property rights may have effect: **08 September 2014**
(54) Product in respect of which the design is registered: **Beverage container**
(51) International Design Classification: **09-01D**
(74) Name(s) of Attorney(s): **Pegasus IP**
(71) Name(s) and Address(s) of Applicant(s):
Zipz, Inc.
303 George Street Suite 400 New Brunswick New Jersey 08901 United States of America
(72) Name(s) of Designer(s): **J Henry Scott**
(45) Registration Date: **20 November 2014**
(30) Convention priority data:
(31) Number (32) Date (33) Country
29/485,894 24 Mar 2014 UNITED STATES OF AMERICA
(56) Related Art Documents: **Not Applicable**
(57) Statement of Newness and Distinctiveness: **Newness and distinctiveness resides in the features of the beverage container as shown in the representations.**



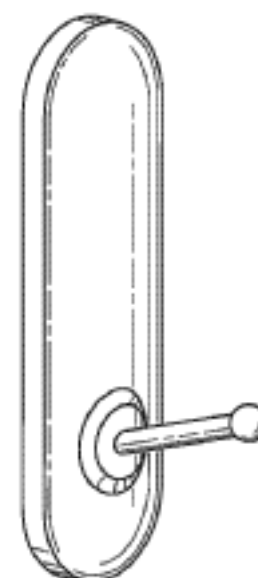
(21) Design Number: **15039/2014**
(22) Date of Filing Application: **01 October 2014**
(24) Date from which industrial property rights may have effect: **01 October 2014**
(54) Product in respect of which the design is registered: **Window cleaner**
(51) International Design Classification: **07-05E**
(74) Name(s) of Attorney(s): **Davies Collison Cave**
(71) Name(s) and Address(s) of Applicant(s):
Carl Freudenberg KG
Hoehnerweg 2-4 Weinheim 69469 Germany
(72) Name(s) of Designer(s): **Luca Casini**
(45) Registration Date: **20 November 2014**
(30) Convention priority data:
(31) Number (32) Date (33) Country
002504852-0001 18 Jul 2014 OFFICE FOR HARMONISATION IN THE INTERNAL MARKET (OHIM)
(56) Related Art Documents: **Not Applicable**
(57) Statement of Newness and Distinctiveness: **Newness and distinctiveness is claimed in the visual features shown in the representations.**



(21) Design Number: **15246/2014**
(22) Date of Filing Application: **14 October 2014**
(24) Date from which industrial property rights may have effect: **14 October 2014**
(54) Product in respect of which the design is registered: **Baby canopy**
(51) International Design Classification: **03-03**
(74) Name(s) of Attorney(s): **IP Service International**
(71) Name(s) and Address(s) of Applicant(s):
Emma Lovell
U5 19 Upper Gilbert St Manly NSW 2095 Australia
(72) Name(s) of Designer(s): **Emma Lovell**
(45) Registration Date: **20 November 2014**
(56) Related Art Documents: **Not Applicable**
(57) Statement of Newness and Distinctiveness: **Nil**



(21) Design Number: **15034/2014**
(22) Date of Filing Application: **01 October 2014**
(24) Date from which industrial property rights may have effect: **01 October 2014**
(54) Product in respect of which the design is registered: **Hook**
(51) International Design Classification: **08-08G**
(74) Name(s) of Attorney(s): **Davies Collison Cave**
(71) Name(s) and Address(s) of Applicant(s):
3M Innovative Properties Company
3M Center Saint Paul Minnesota 55133-3427 United States of America
(72) Name(s) of Designer(s): **Angela Lilun Pan**
(45) Registration Date: **20 November 2014**
(30) Convention priority data:
(31) Number (32) Date (33) Country
29/487043 04 Apr 2014 UNITED STATES OF AMERICA
(56) Related Art Documents: **Not Applicable**
(57) Statement of Newness and Distinctiveness: **Newness and distinctiveness is claimed in the visual features shown in solid lines in the representations.**



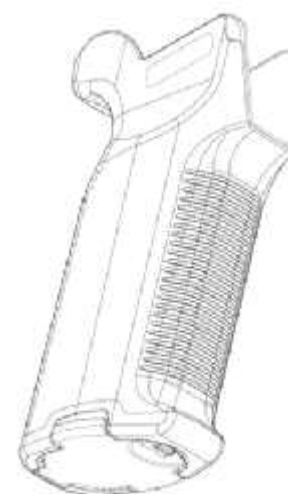
(21) Design Number: **15035/2014**
(22) Date of Filing Application: **01 October 2014**
(24) Date from which industrial property rights may have effect: **01 October 2014**
(54) Product in respect of which the design is registered: **Hook**
(51) International Design Classification: **08-08G**
(74) Name(s) of Attorney(s): **Davies Collison Cave**
(71) Name(s) and Address(s) of Applicant(s):
3M Innovative Properties Company
3M Center Saint Paul Minnesota 55133-3427 United States of America
(72) Name(s) of Designer(s): **Angela Lilun Pan**
(45) Registration Date: **20 November 2014**
(30) Convention priority data:
(31) Number (32) Date (33) Country
29/486996 04 Apr 2014 UNITED STATES OF AMERICA
(56) Related Art Documents: **Not Applicable**
(57) Statement of Newness and Distinctiveness: **Newness and distinctiveness is claimed in the visual features shown in solid lines in the representations.**



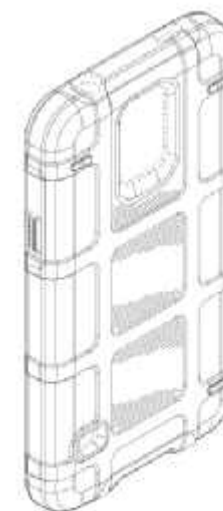
(21) Design Number: **15047/2014**
(22) Date of Filing Application: **01 October 2014**
(24) Date from which industrial property rights may have effect: **01 October 2014**
(54) Product in respect of which the design is registered: **Hook**
(51) International Design Classification: **08-08G**
(74) Name(s) of Attorney(s): **Davies Collison Cave**
(71) Name(s) and Address(s) of Applicant(s):
3M Innovative Properties Company
3M Center Saint Paul Minnesota, 55133-3427 United States of America
(72) Name(s) of Designer(s): **Angela Lilun Pan**
(45) Registration Date: **20 November 2014**
(30) Convention priority data:
(31) Number (32) Date (33) Country
29/487069 04 Apr 2014 UNITED STATES OF AMERICA
(56) Related Art Documents: **Not Applicable**
(57) Statement of Newness and Distinctiveness: **Newness and distinctiveness is claimed in the visual features shown in solid lines in the representations.**



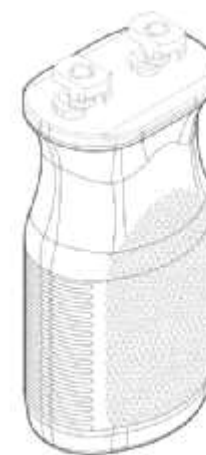
(21) Design Number: **15112/2014**
(22) Date of Filing Application: **06 October 2014**
(24) Date from which industrial property rights may have effect: **06 October 2014**
(54) Product in respect of which the design is registered: **Grip for a firearm**
(51) International Design Classification: **22-01**
(74) Name(s) of Attorney(s): **Davies Collison Cave**
(71) Name(s) and Address(s) of Applicant(s):
Magpul Industries Corporation
400 Young Court Unit 1 Erie Colorado 80516 United States of America
(72) Name(s) of Designer(s): **Thomas Ward Jr. and Michael T. Mayberry and Richard Fitzpatrick**
(45) Registration Date: **20 November 2014**
(30) Convention priority data:
(31) Number (32) Date (33) Country
29/492441 30 May 2014 UNITED STATES OF AMERICA
(56) Related Art Documents: **Not Applicable**
(57) Statement of Newness and Distinctiveness: **Newness and distinctiveness is claimed in the visual features shown in solid lines in the representations. The firearm itself shown in the reference view of Figure 1 does not form part of the design. The stippled areas as shown represent a contrast in appearance to surrounding areas.**



(21) Design Number: **15113/2014**
(22) Date of Filing Application: **06 October 2014**
(24) Date from which industrial property rights may have effect: **06 October 2014**
(54) Product in respect of which the design is registered: **Case for a smart phone**
(51) International Design Classification: **03-01NES**
(74) Name(s) of Attorney(s): **Davies Collison Cave**
(71) Name(s) and Address(s) of Applicant(s):
Magpul Industries Corporation
400 Young Court Unit 1 Erie Colorado 80516 United States of America
(72) Name(s) of Designer(s): **Grady Barfoot and Richard Fitzpatrick and William B. Bennett**
(45) Registration Date: **20 November 2014**
(30) Convention priority data:
(31) Number (32) Date (33) Country
29/494820 24 Jun 2014 UNITED STATES OF AMERICA
(56) Related Art Documents: **Not Applicable**
(57) Statement of Newness and Distinctiveness: **Newness and distinctiveness is claimed in the visual features shown in solid lines in the representations. The smart phone shown for reference purposes in Figure 3 does not form part of the design. The stippled areas as shown represent a contrast in appearance to surrounding areas.**



(21) Design Number: **15114/2014**
(22) Date of Filing Application: **06 October 2014**
(24) Date from which industrial property rights may have effect: **06 October 2014**
(54) Product in respect of which the design is registered: **Firearm grip**
(51) International Design Classification: **22-01**
(74) Name(s) of Attorney(s): **Davies Collison Cave**
(71) Name(s) and Address(s) of Applicant(s):
Magpul Industries Corporation
400 Young Court Unit 1 Erie Colorado 80516 United States of America
(72) Name(s) of Designer(s): **Grady Barfoot and Michael T. Mayberry**
(45) Registration Date: **20 November 2014**
(30) Convention priority data:
(31) Number (32) Date (33) Country
29/498,179 31 Jul 2014 UNITED STATES OF AMERICA
(56) Related Art Documents: **Not Applicable**
(57) Statement of Newness and Distinctiveness: **Newness and distinctiveness is claimed in the visual features shown in solid lines in the representations. The stippled areas as shown represent a contrast in appearance to the surrounding areas.**



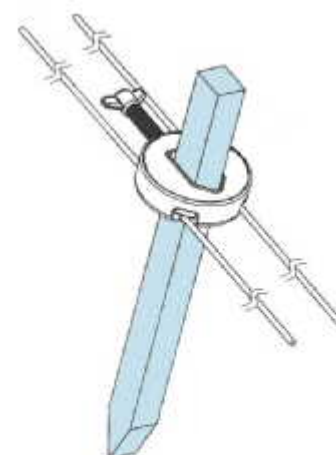
(21) Design Number: **15469/2014**
(22) Date of Filing Application: **30 October 2014**
(24) Date from which industrial property rights may have effect: **30 October 2014**
(54) Product in respect of which the design is registered: **Fastening tool**
(51) International Design Classification: **08-05NES**
(74) Name(s) of Attorney(s): **Baldwins**
(71) Name(s) and Address(s) of Applicant(s):
Arrow Fastener Co., LLC
271 Mayhill St Saddle Brook NJ 07663-5303 United States of America
(72) Name(s) of Designer(s): **Daniel Genord and Grey Parker and Francis Foster and Gregg Malanga**
(45) Registration Date: **20 November 2014**
(30) Convention priority data:
(31) Number (32) Date (33) Country
29/489,711 02 May 2014 UNITED STATES OF AMERICA
(56) Related Art Documents: **Not Applicable**
(57) Statement of Newness and Distinctiveness: **Newness and distinctiveness is claimed in the features of shape and/or configuration of the article as shown in the accompanying representations, excluding those portions shown in broken line.**



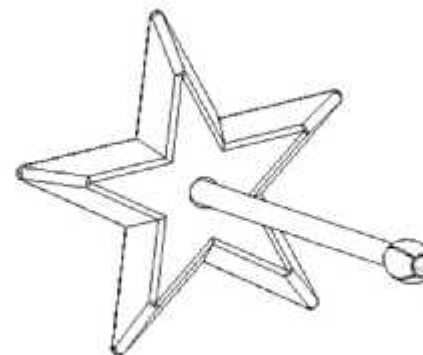
(21) Design Number: **15477/2014**
(22) Date of Filing Application: **30 October 2014**
(24) Date from which industrial property rights may have effect: **30 October 2014**
(54) Product in respect of which the design is registered: **Spatula**
(51) International Design Classification: **07-04**
(74) Name(s) of Attorney(s): **PIZZEYS**
(71) Name(s) and Address(s) of Applicant(s):
Vorwerk & Co. Interholding GmbH
Muehlenweg 17-37 Wuppertal 42275 Germany
(72) Name(s) of Designer(s): **Thomas Lessel**
(45) Registration Date: **20 November 2014**
(30) Convention priority data:
(31) Number (32) Date (33) Country
001420202-0001- 03 Sep 2014 EUROPEAN PATENT OFFICE (EPO)
(56) Related Art Documents: **Not Applicable**
(57) Statement of Newness and Distinctiveness: **Nil**



(21) Design Number: **15511/2014**
(22) Date of Filing Application: **31 October 2014**
(24) Date from which industrial property rights may have effect: **31 October 2014**
(54) Product in respect of which the design is registered: **A plant support**
(51) International Design Classification: **11-02C, 25-01E**
(74) Name(s) of Attorney(s): **James & Wells**
(71) Name(s) and Address(s) of Applicant(s):
Rolling Stone Cleaning Co Limited
91 Clarence Street Hamilton Lake Hamilton 3204 New Zealand
(72) Name(s) of Designer(s): **Jeffery John Sharp and Patrick Teasdale**
(45) Registration Date: **20 November 2014**
(30) Convention priority data:
(31) Number (32) Date (33) Country
418799 02 May 2014 NEW ZEALAND
(56) Related Art Documents: **Not Applicable**
(57) Statement of Newness and Distinctiveness: **The design is to be applied to a PLANT SUPPORT having portions of indefinite length and novelty resides in the features of shape and configuration as shown in the accompanying representations. The shape and configuration of blue washed portions are not part of the design in which novelty is claimed.**



- (21) Design Number: **15533/2014**
(22) Date of Filing Application: **02 November 2014**
(24) Date from which industrial property rights may have effect: **02 November 2014**
(54) Product in respect of which the design is registered: **Table lamp**
(51) International Design Classification: **26-05B**
(74) Name(s) of Attorney(s):
(71) Name(s) and Address(s) of Applicant(s):
Lisa Randall
PO BOX 5037 Garden City VIC 3207 Australia
(72) Name(s) of Designer(s): **Lisa Randall**
(45) Registration Date: **20 November 2014**
(56) Related Art Documents: **Not Applicable**
(57) Statement of Newness and Distinctiveness: **The newness and distinctiveness of the design resides in the shape of the base and stem of the table lamp as shown in the continuous lines in the accompanying representations.**



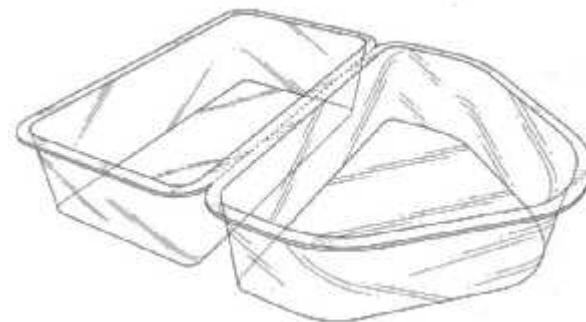
- (21) Design Number: **15538/2014**
(22) Date of Filing Application: **03 November 2014**
(24) Date from which industrial property rights may have effect: **03 November 2014**
(54) Product in respect of which the design is registered: **Earmuff attachment arm**
(51) International Design Classification: **02-03**
(74) Name(s) of Attorney(s): **Freehills Patent Attorneys**
(71) Name(s) and Address(s) of Applicant(s):
3M Innovative Properties Company
3M Center Post Office Box 33427 Saint Paul MN, 55133-3427 United States of America
(72) Name(s) of Designer(s): **Henrik Edwardsson and Emil Johannes Jonsson and Lovisa Maria Nersing**
(45) Registration Date: **20 November 2014**
(30) Convention priority data:
(31) Number (32) Date (33) Country
29/489794 02 May 2014 UNITED STATES OF AMERICA
(56) Related Art Documents: **Not Applicable**
(57) Statement of Newness and Distinctiveness: **Newness and distinctiveness resides in the shape and/or configuration of the earmuff attachment arm in solid outline in the accompanying representations.**



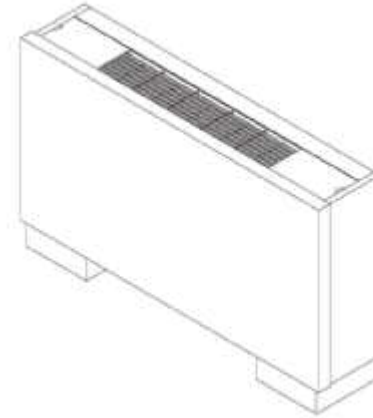
(21) Design Number: **15542/2014**
(22) Date of Filing Application: **03 November 2014**
(24) Date from which industrial property rights may have effect: **03 November 2014**
(54) Product in respect of which the design is registered: **A bottle**
(51) International Design Classification: **09-01D**
(74) Name(s) of Attorney(s):
(71) Name(s) and Address(s) of Applicant(s):
Emmanuel Thompson
U1/39 Kitchener St Tugun QLD 4224 Australia
(72) Name(s) of Designer(s): **Emmanuel Thompson**
(45) Registration Date: **20 November 2014**
(56) Related Art Documents: **Not Applicable**
(57) Statement of Newness and Distinctiveness: **Nil**



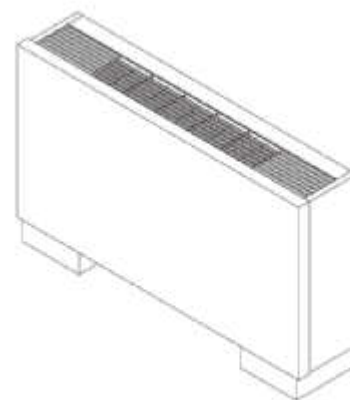
(21) Design Number: **15632/2014**
(22) Date of Filing Application: **04 November 2014**
(24) Date from which industrial property rights may have effect: **21 August 2014**
(54) Product in respect of which the design is registered: **Tray**
(51) International Design Classification: **09-03F**
(74) Name(s) of Attorney(s): **Baker & McKenzie**
(71) Name(s) and Address(s) of Applicant(s):
Mars, Incorporated
6885 Elm Street McLean VA 22101 United States of America
(72) Name(s) of Designer(s): **Jonathan Lee McSweeney and Jonathan Christopher Smith**
(45) Registration Date: **20 November 2014**
(30) Convention priority data:
(31) Number (32) Date (33) Country
29/463739 21 Feb 2014 UNITED STATES OF AMERICA
(62) Divisional of: **358624**
(56) Related Art Documents: **Not Applicable**
(57) Statement of Newness and Distinctiveness: **Nil**



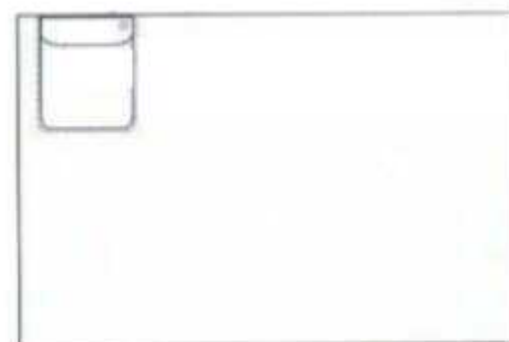
(21) Design Number: **15642/2014**
(22) Date of Filing Application: **05 November 2014**
(24) Date from which industrial property rights may have effect: **05 November 2014**
(54) Product in respect of which the design is registered: **Air conditioner**
(51) International Design Classification: **23-04**
(74) Name(s) of Attorney(s): **Griffith Hack**
(71) Name(s) and Address(s) of Applicant(s):
Mitsubishi Electric Corporation
7-3 Marunouchi 2-chome Chiyoda-ku Tokyo 100-8310 Japan
(72) Name(s) of Designer(s): **Yusuke Fujigaya and Takayuki Nishiguchi**
(45) Registration Date: **20 November 2014**
(30) Convention priority data:
(31) Number (32) Date (33) Country
2014-009748 07 May 2014 JAPAN
(56) Related Art Documents: **Not Applicable**
(57) Statement of Newness and Distinctiveness: **The shape and configuration of the product are new and distinctive.**



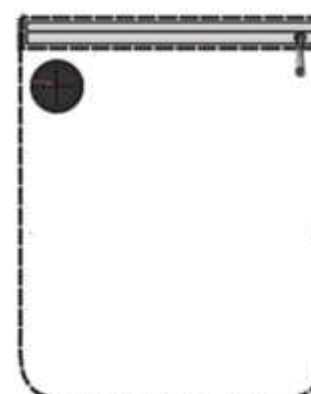
(21) Design Number: **15643/2014**
(22) Date of Filing Application: **05 November 2014**
(24) Date from which industrial property rights may have effect: **05 November 2014**
(54) Product in respect of which the design is registered: **Air conditioner**
(51) International Design Classification: **23-04**
(74) Name(s) of Attorney(s): **Griffith Hack**
(71) Name(s) and Address(s) of Applicant(s):
mitsubishi electric corporation
7-3 Marunouchi 2-chome Chiyoda-ku TOKYO 100-8310 Japan
(72) Name(s) of Designer(s): **Yusuke Fujigaya and Takayuki Nishiguchi**
(45) Registration Date: **20 November 2014**
(30) Convention priority data:
(31) Number (32) Date (33) Country
2014-009749 07 May 2014 JAPAN
(56) Related Art Documents: **Not Applicable**
(57) Statement of Newness and Distinctiveness: **The shape and configuration of the product are new and distinctive.**



- (21) Design Number: **15652/2014**
(22) Date of Filing Application: **05 November 2014**
(24) Date from which industrial property rights may have effect: **05 November 2014**
(54) Product in respect of which the design is registered: **Pillowcase**
(51) International Design Classification: **06-13B**
(74) Name(s) of Attorney(s):
(71) Name(s) and Address(s) of Applicant(s):
Fonewear Pty Ltd
PO BOX 453 Eltham VIC 3095 Australia
(72) Name(s) of Designer(s): **Peter Crockett**
(45) Registration Date: **20 November 2014**
(56) Related Art Documents: **Not Applicable**
(57) Statement of Newness and Distinctiveness: **Statement of Monopoly Monopoly is claimed in the shape and configuration of a pillow case with a pocket as illustrated in the accompanying drawings. Statement of Novelty Novelty is claimed in the provision of the flap over the top of the pocket with eyelet for headphone wires or the like to pass through.**



- (21) Design Number: **15653/2014**
(22) Date of Filing Application: **05 November 2014**
(24) Date from which industrial property rights may have effect: **05 November 2014**
(54) Product in respect of which the design is registered: **Pocket for a garment**
(51) International Design Classification: **02-02B**
(74) Name(s) of Attorney(s):
(71) Name(s) and Address(s) of Applicant(s):
Fonewear Pty Ltd
PO BOX 453 Eltham VIC 3095 Australia
(72) Name(s) of Designer(s): **Peter Crockett**
(45) Registration Date: **20 November 2014**
(56) Related Art Documents: **Not Applicable**
(57) Statement of Newness and Distinctiveness: **Monopoly is claimed in the shape and configuration of a pocket for a garment as illustrated in the accompanying drawings. Novelty is claimed in the provision of the over welt with concealed zip and press stud closure and eyelet for passage of a wire or cord such as an earphone or a headphone cord.**



- (21) Design Number: **15654/2014**
(22) Date of Filing Application: **05 November 2014**
(24) Date from which industrial property rights may have effect: **05 November 2014**
(54) Product in respect of which the design is registered: **Pocket for a garment**
(51) International Design Classification: **02-02B**
(74) Name(s) of Attorney(s):
(71) Name(s) and Address(s) of Applicant(s):
Fonewear Pty Ltd
PO BOX 453 Eltham VIC 3095 Australia
(72) Name(s) of Designer(s): **Peter Crockett**
(45) Registration Date: **20 November 2014**
(56) Related Art Documents: **Not Applicable**
(57) Statement of Newness and Distinctiveness: **Monopoly is claimed in the shape and configuration of a pocket for a garment as illustrated in the accompanying drawings. Novelty is claimed in the shape of the pocket, the provision of the over welt with concealed zip and eyelet for passage of a wire or cord such as an earphone or a headphone cord.**



- (21) Design Number: **15656/2014**
(22) Date of Filing Application: **05 November 2014**
(24) Date from which industrial property rights may have effect: **05 November 2014**
(54) Product in respect of which the design is registered: **Blender base**
(51) International Design Classification: **31-00**
(74) Name(s) of Attorney(s): **PIZZEYS**
(71) Name(s) and Address(s) of Applicant(s):
Euro-Pro Operating LLC
180 Wells Avenue, Suite 200 Newton MA, 02459 United States of America
(72) Name(s) of Designer(s): **Joyce Tu**
(45) Registration Date: **20 November 2014**
(30) Convention priority data:
(31) Number (32) Date (33) Country
29/490,398 09 May 2014 UNITED STATES OF AMERICA
(56) Related Art Documents: **Not Applicable**
(57) Statement of Newness and Distinctiveness: **Nil**



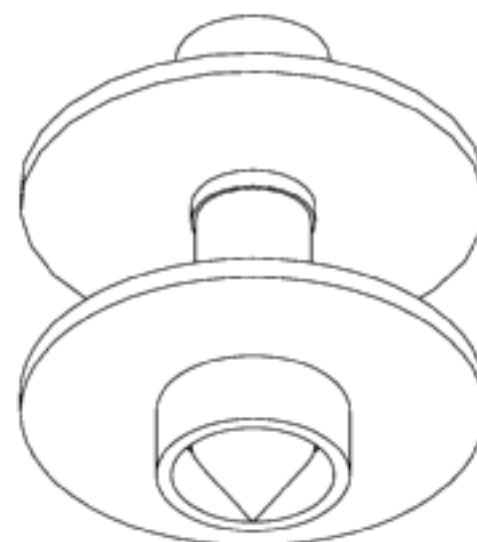
(21) Design Number: **15657/2014**
(22) Date of Filing Application: **06 November 2014**
(24) Date from which industrial property rights may have effect: **06 November 2014**
(54) Product in respect of which the design is registered: **Facial styler**
(51) International Design Classification: **28-03A**
(74) Name(s) of Attorney(s): **FB Rice**
(71) Name(s) and Address(s) of Applicant(s):
Koninklijke Philips N.V.
High Tech Campus 5 AE Eindhoven 5656 The Netherlands
(72) Name(s) of Designer(s): **Florian Jeremy Fabrice Boulanger**
(45) Registration Date: **20 November 2014**
(30) Convention priority data:
(31) Number (32) Date (33) Country
**002458281-0001 06 May 2014 OFFICE FOR HARMONISATION IN
THE INTERNAL MARKET (OHIM)**
(56) Related Art Documents: **Not Applicable**
(57) Statement of Newness and Distinctiveness: **Newness and distinctiveness
reside in the features of shape and configuration of the design as shown
in the representations.**



(21) Design Number: **12048/2014**
(22) Date of Filing Application: **29 April 2014**
(24) Date from which industrial property rights may have effect: **29 April 2014**
(54) Product in respect of which the design is registered: **Vehicle spoiler**
(51) International Design Classification: **12-16B**
(74) Name(s) of Attorney(s): **K&L Gates**
(71) Name(s) and Address(s) of Applicant(s):
GM Global Technology Operations LLC
**300 Renaissance Centre Detroit Michigan 48265-3000 United States of
America**
(72) Name(s) of Designer(s): **Julian Mark Quincey**
(45) Registration Date: **20 November 2014**
(56) Related Art Documents: **Not Applicable**
(57) Statement of Newness and Distinctiveness: **Nil**



- (21) Design Number: **13464/2014**
(22) Date of Filing Application: **15 July 2014**
(24) Date from which industrial property rights may have effect: **15 July 2014**
(54) Product in respect of which the design is registered: **Tag for livestock**
(51) International Design Classification: **30-08**
(74) Name(s) of Attorney(s): **Lord & Company**
(71) Name(s) and Address(s) of Applicant(s):
Stockbrands Co. Pty Ltd
53 Edward St Osborne Park WA 6017 Australia
(72) Name(s) of Designer(s): **John Forehan**
(45) Registration Date: **20 November 2014**
(56) Related Art Documents: **Not Applicable**
(57) Statement of Newness and Distinctiveness: **Nil**



- (21) Design Number: **14435/2014**
(22) Date of Filing Application: **04 September 2014**
(24) Date from which industrial property rights may have effect: **04 September 2014**
(54) Product in respect of which the design is registered: **Lighting**
(51) International Design Classification: **26-03**
(74) Name(s) of Attorney(s):
(71) Name(s) and Address(s) of Applicant(s):
Andrzej Stefan Prociuk
PO BOX 71 Moorebank NSW 1875 Australia
(72) Name(s) of Designer(s): **Andrzej Stefan Prociuk**
(45) Registration Date: **20 November 2014**
(56) Related Art Documents: **Not Applicable**
(57) Statement of Newness and Distinctiveness: **ed to penetrate harder ground.**

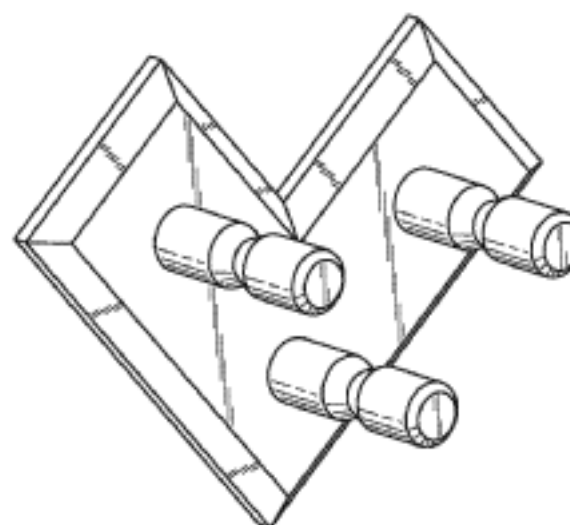


The unit is low profile minimizing trip hazard and offering minimal wind resistance. urce is a high intensity LED light strip which can be angled out from the pole and raised above a work surface (camp kitchen, work bench, field environment). Powered by 8x1.5 V AA batteries within the pole and operated through a rubber coated push button switch, giving more than 24 hours of light. The design is lightweight, compact and easy to store, carry and transport. The design concept includes a base plate for hard surfaces and can be adapted for a rechargeable circuit or different light sources - spot, flood, shorter or longer LED strips, beacon, etc, and poles of different lengths. The ground screw is made of solid aluminium and has a hole bored through it so a lever such as a tent peg can be used to penetrate harder ground. The unit is low profile minimizing trip hazard and offering minimal wind resistance.

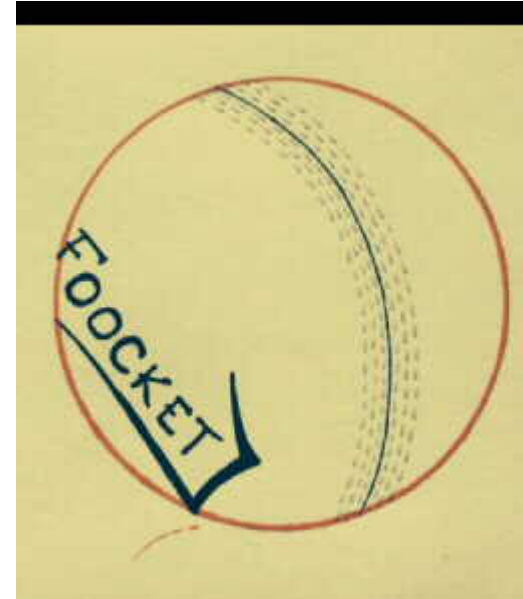
(21) Design Number: **14583/2014**
(22) Date of Filing Application: **10 September 2014**
(24) Date from which industrial property rights may have effect: **10 September 2014**
(54) Product in respect of which the design is registered: **Power tool**
(51) International Design Classification: **08-05G**
(74) Name(s) of Attorney(s): **Davies Collison Cave**
(71) Name(s) and Address(s) of Applicant(s):
Macnaught Pty Limited
47-49 Henderson St Turrella NSW 2205 Australia
(72) Name(s) of Designer(s): **William Wu and Greg Josephson**
(45) Registration Date: **20 November 2014**
(56) Related Art Documents: **Not Applicable**
(57) Statement of Newness and Distinctiveness: **Newness and distinctiveness is claimed in the visual features shown in solid lines in the representations. The text/indicia on the sides of the power tool, and the connecting hose, do not form part of the design.**



(21) Design Number: **14887/2014**
(22) Date of Filing Application: **25 September 2014**
(24) Date from which industrial property rights may have effect: **25 September 2014**
(54) Product in respect of which the design is registered: **Holder**
(51) International Design Classification: **08-08NES**
(74) Name(s) of Attorney(s): **Davies Collison Cave**
(71) Name(s) and Address(s) of Applicant(s):
3M Innovative Properties Company
3M Center Saint Paul Minnesota, 55133-3427 United States of America
(72) Name(s) of Designer(s): **Angela Lilun Pan**
(45) Registration Date: **20 November 2014**
(30) Convention priority data:
(31) Number (32) Date (33) Country
29/486984 04 Apr 2014 UNITED STATES OF AMERICA
(56) Related Art Documents: **Not Applicable**
(57) Statement of Newness and Distinctiveness: **Newness and distinctiveness is claimed in the visual features shown in solid lines in the representations.**



- (21) Design Number: **15532/2014**
(22) Date of Filing Application: **02 November 2014**
(24) Date from which industrial property rights may have effect: **06 September 2014**
(54) Product in respect of which the design is registered: **Soccer ball**
(51) International Design Classification: **21-02A**
(74) Name(s) of Attorney(s):
(71) Name(s) and Address(s) of Applicant(s):
Tyson Dene Lord
PO BOX 239 Cervantes WA 6511 Australia
(72) Name(s) of Designer(s): **Tyson Dene Lord**
(45) Registration Date: **20 November 2014**
(62) Divisional of: **358687**
(56) Related Art Documents: **Not Applicable**
(57) Statement of Newness and Distinctiveness: **A Soccer ball that looks like a six stitch cricket ball.**



- (21) Design Number: **15544/2014**
(22) Date of Filing Application: **03 November 2014**
(24) Date from which industrial property rights may have effect: **03 November 2014**
(54) Product in respect of which the design is registered: **All-terrain vehicle**
(51) International Design Classification: **12-11**
(74) Name(s) of Attorney(s): **WATERMARK PATENT AND TRADE MARKS ATTORNEYS**
(71) Name(s) and Address(s) of Applicant(s):
Zhejiang CFMOTO Power Co., Ltd
No. 116, Wuzhou Road Yuhang Economic Development Zone Hangzhou
Zhejiang, 311100 China
(72) Name(s) of Designer(s): **Guogui Lai and Zhangping Yuan and Yongbo Long and Minqiang Xiong and Yibin Yang and Qiang He**
(45) Registration Date: **20 November 2014**
(30) Convention priority data:
(31) Number (32) Date (33) Country
201430421794.x 31 Oct 2014 CHINA
(56) Related Art Documents: **Not Applicable**
(57) Statement of Newness and Distinctiveness: **The newness and distinctiveness of the design resides in the shape and configuration of the all-terrain vehicle shown in the accompanying representations.**



(21) Design Number: **15559/2014**
(22) Date of Filing Application: **03 November 2014**
(24) Date from which industrial property rights may have effect: **03 November 2014**
(54) Product in respect of which the design is registered: **Spoon**
(51) International Design Classification: **07-03**
(74) Name(s) of Attorney(s): **PIZZEYS**
(71) Name(s) and Address(s) of Applicant(s):
Vorwerk & Co. Interholding GmbH
Muehlenweg 17-37 Wuppertal 42275 Germany
(72) Name(s) of Designer(s): **Uwe Kemker**
(45) Registration Date: **20 November 2014**
(30) Convention priority data:
(31) Number (32) Date (33) Country
001420202-0001 03 Sep 2014 EUROPEAN PATENT OFFICE (EPO)
(56) Related Art Documents: **Not Applicable**
(57) Statement of Newness and Distinctiveness: **Nil**



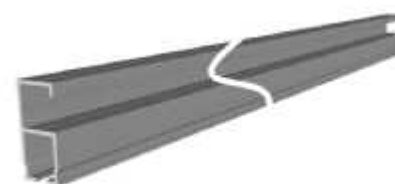
(21) Design Number: **15563/2014**
(22) Date of Filing Application: **03 November 2014**
(24) Date from which industrial property rights may have effect: **03 November 2014**
(54) Product in respect of which the design is registered: **Spoon**
(51) International Design Classification: **07-03**
(74) Name(s) of Attorney(s): **PIZZEYS**
(71) Name(s) and Address(s) of Applicant(s):
Vorwerk & Co. Interholding GmbH
Muehlenweg 17-37 Wuppertal 42275 Germany
(72) Name(s) of Designer(s): **Uwe Kemker**
(45) Registration Date: **20 November 2014**
(30) Convention priority data:
(31) Number (32) Date (33) Country
001420202-0001 03 Sep 2014 EUROPEAN PATENT OFFICE (EPO)
(56) Related Art Documents: **Not Applicable**
(57) Statement of Newness and Distinctiveness: **Nil**



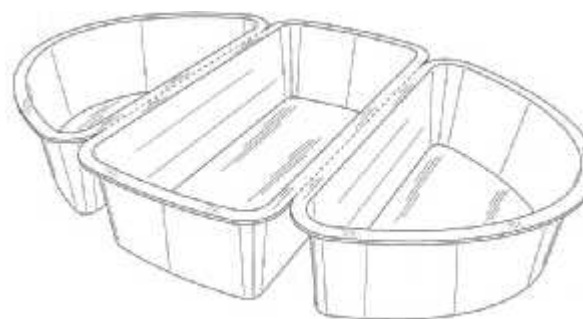
(21) Design Number: **15564/2014**
(22) Date of Filing Application: **03 November 2014**
(24) Date from which industrial property rights may have effect: **03 November 2014**
(54) Product in respect of which the design is registered: **Spoon**
(51) International Design Classification: **07-03**
(74) Name(s) of Attorney(s): **PIZZEYS**
(71) Name(s) and Address(s) of Applicant(s):
Vorwerk & Co. Interholding GmbH
Muehlenweg 17-37 Wuppertal 42275 Germany
(72) Name(s) of Designer(s): **Uwe Kemker**
(45) Registration Date: **20 November 2014**
(30) Convention priority data:
(31) Number (32) Date (33) Country
001420202-0001 03 Sep 2014 EUROPEAN PATENT OFFICE (EPO)
(56) Related Art Documents: **Not Applicable**
(57) Statement of Newness and Distinctiveness: **Nil**



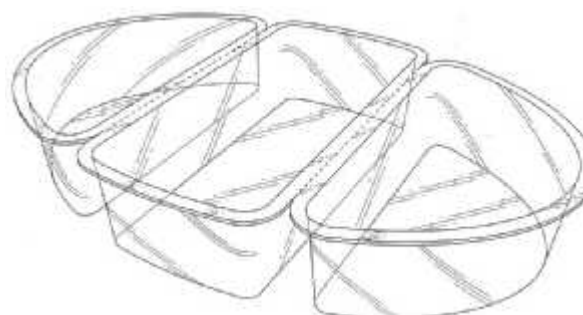
(21) Design Number: **15566/2014**
(22) Date of Filing Application: **03 November 2014**
(24) Date from which industrial property rights may have effect: **03 November 2014**
(54) Product in respect of which the design is registered: **An extruded curtain track**
(51) International Design Classification: **25-01K**
(74) Name(s) of Attorney(s):
(71) Name(s) and Address(s) of Applicant(s):
CARECLIA PTY. LTD.
27 Ithaca Rd Frankston South VIC 3199 Australia
(72) Name(s) of Designer(s): **Boyd Chapman**
(45) Registration Date: **20 November 2014**
(56) Related Art Documents: **Not Applicable**
(57) Statement of Newness and Distinctiveness: **Monopoly is claimed in the shape and configuration applicable to an extruded track for an industrial curtain and is of indefinite length as illustrated in the representations.**



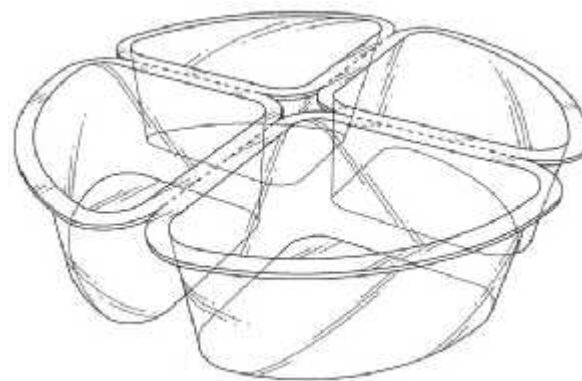
(21) Design Number: **15601/2014**
(22) Date of Filing Application: **04 November 2014**
(24) Date from which industrial property rights may have effect: **21 August 2014**
(54) Product in respect of which the design is registered: **Tray**
(51) International Design Classification: **09-03F**
(74) Name(s) of Attorney(s): **Baker & McKenzie**
(71) Name(s) and Address(s) of Applicant(s):
Mars, Incorporated
6885 Elm Street McLean VA 22101 United States of America
(72) Name(s) of Designer(s): **Jonathan Lee McSweeney and Jonathan Christopher Smith**
(45) Registration Date: **20 November 2014**
(30) Convention priority data:
(31) Number (32) Date (33) Country
29/463739 21 Feb 2014 UNITED STATES OF AMERICA
(62) Divisional of: **358617**
(56) Related Art Documents: **Not Applicable**
(57) Statement of Newness and Distinctiveness: **Nil**



(21) Design Number: **15602/2014**
(22) Date of Filing Application: **04 November 2014**
(24) Date from which industrial property rights may have effect: **21 August 2014**
(54) Product in respect of which the design is registered: **Tray**
(51) International Design Classification: **09-03F**
(74) Name(s) of Attorney(s): **Baker & McKenzie**
(71) Name(s) and Address(s) of Applicant(s):
Mars, Incorporated
6885 Elm Street McLean VA 22101 United States of America
(72) Name(s) of Designer(s): **Jonathan Lee McSweeney and Jonathan Christopher Smith**
(45) Registration Date: **20 November 2014**
(30) Convention priority data:
(31) Number (32) Date (33) Country
29/463739 21 Feb 2014 UNITED STATES OF AMERICA
(62) Divisional of: **358617**
(56) Related Art Documents: **Not Applicable**
(57) Statement of Newness and Distinctiveness: **Nil**



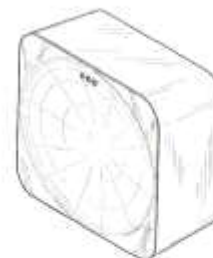
(21) Design Number: **15603/2014**
(22) Date of Filing Application: **04 November 2014**
(24) Date from which industrial property rights may have effect: **21 August 2014**
(54) Product in respect of which the design is registered: **Tray**
(51) International Design Classification: **09-03F**
(74) Name(s) of Attorney(s): **Baker & McKenzie**
(71) Name(s) and Address(s) of Applicant(s):
Mars, Incorporated
6885 Elm Street McLean VA 22101 United States of America
(72) Name(s) of Designer(s): **Jonathan Lee McSweeney and Jonathan Christopher Smith**
(45) Registration Date: **20 November 2014**
(30) Convention priority data:
(31) Number (32) Date (33) Country
29/463739 21 Feb 2014 UNITED STATES OF AMERICA
(62) Divisional of: **358618**
(56) Related Art Documents: **Not Applicable**
(57) Statement of Newness and Distinctiveness: **Nil**



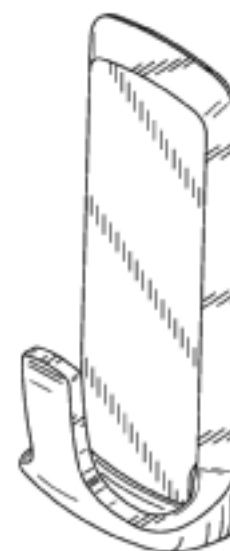
(21) Design Number: **15604/2014**
(22) Date of Filing Application: **04 November 2014**
(24) Date from which industrial property rights may have effect: **21 August 2014**
(54) Product in respect of which the design is registered: **Tray**
(51) International Design Classification: **09-03F**
(74) Name(s) of Attorney(s): **Baker & McKenzie**
(71) Name(s) and Address(s) of Applicant(s):
Mars, Incorporated
6885 Elm Street McLean VA 22101 United States of America
(72) Name(s) of Designer(s): **Jonathan Lee McSweeney and Jonathan Christopher Smith**
(45) Registration Date: **20 November 2014**
(30) Convention priority data:
(31) Number (32) Date (33) Country
29/463739 21 Feb 2014 UNITED STATES OF AMERICA
(62) Divisional of: **358618**
(56) Related Art Documents: **Not Applicable**
(57) Statement of Newness and Distinctiveness: **Nil**



(21) Design Number: **14117/2014**
(22) Date of Filing Application: **20 August 2014**
(24) Date from which industrial property rights may have effect: **21 May 2014**
(54) Product in respect of which the design is registered: **Apparatus for sleep information detection**
(51) International Design Classification: **24-01**
(74) Name(s) of Attorney(s): **Halfords IP**
(71) Name(s) and Address(s) of Applicant(s):
ResMed Limited
1 Elizabeth Macarthur Dr Bella Vista NSW 2153 Australia
(72) Name(s) of Designer(s): **Matthew Bates and Ganesh Kumar Sukumar and Buvenesh Balaji Ramachandran and Keiran Conway and Stephen McMahon and Dominic Southgate and Lukas Fuchs**
(45) Registration Date: **21 November 2014**
(30) Convention priority data:
(31) Number (32) Date (33) Country
29/490436 09 May 2014 UNITED STATES OF AMERICA
(62) Divisional of: **357121**
(56) Related Art Documents: **Not Applicable**
(57) Statement of Newness and Distinctiveness: **Nil**



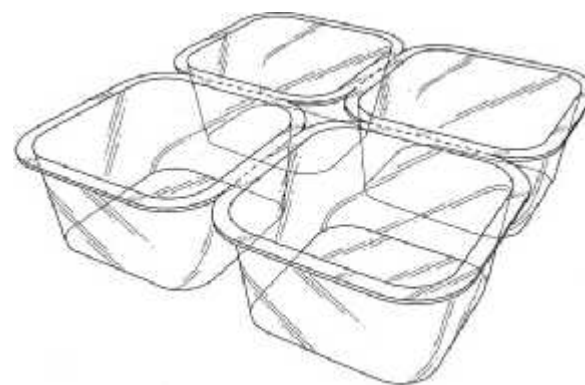
(21) Design Number: **14888/2014**
(22) Date of Filing Application: **25 September 2014**
(24) Date from which industrial property rights may have effect: **25 September 2014**
(54) Product in respect of which the design is registered: **Hook**
(51) International Design Classification: **08-08G**
(74) Name(s) of Attorney(s): **Davies Collison Cave**
(71) Name(s) and Address(s) of Applicant(s):
3M Innovative Properties Company
3M Center Saint Paul Minnesota, 55133-3427 United States of America
(72) Name(s) of Designer(s): **Angela Lilun Pan**
(45) Registration Date: **21 November 2014**
(30) Convention priority data:
(31) Number (32) Date (33) Country
29/486972 04 Apr 2014 UNITED STATES OF AMERICA
(56) Related Art Documents: **Not Applicable**
(57) Statement of Newness and Distinctiveness: **Newness and distinctiveness is claimed in the visual features shown in solid lines in the representations.**



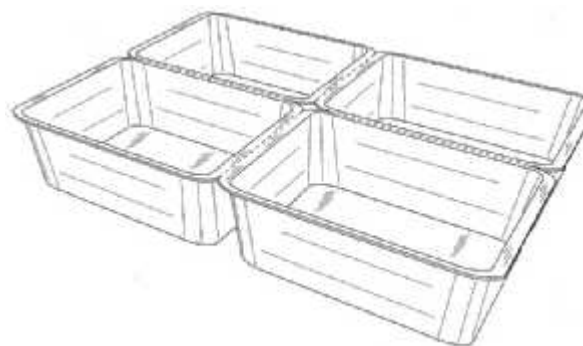
- (21) Design Number: **15015/2014**
(22) Date of Filing Application: **30 September 2014**
(24) Date from which industrial property rights may have effect: **30 September 2014**
(54) Product in respect of which the design is registered: **Housing for an electronic device**
(51) International Design Classification: **14-03A**
(74) Name(s) of Attorney(s): **Freehills Patent Attorneys**
(71) Name(s) and Address(s) of Applicant(s):
Apple Inc.
1 Infinite Loop Cupertino California 95014 United States of America
(72) Name(s) of Designer(s): **Jody Akana and Bartley K Andre and Shota Aoyagi and Anthony Michael Ashcroft and Jeremy Bataillou and Daniel J Coster and Daniele De Iuliis and M Evans Hankey and Julian Hoenig and Richard P Howarth and Jonathan P Ive and Duncan Robert Kerr and Matthew Dean Rohrbach and Peter Russell-Clarke and Benjamin Andrew Shaffer and Mikael Silvanto and Christopher J Stringer and Eugene Antony Whang and Rico Zorkendorfer**
(45) Registration Date: **21 November 2014**
(30) Convention priority data:
(31) Number (32) Date (33) Country
29/489980 05 May 2014 UNITED STATES OF AMERICA
(56) Related Art Documents: **Not Applicable**
(57) Statement of Newness and Distinctiveness: **Newness and distinctiveness resides in the features of the ornamentation shown in the solid outline in the accompanying representation.**



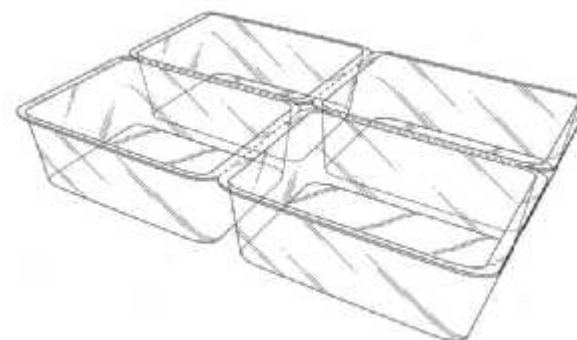
- (21) Design Number: **15605/2014**
(22) Date of Filing Application: **04 November 2014**
(24) Date from which industrial property rights may have effect: **21 August 2014**
(54) Product in respect of which the design is registered: **Tray**
(51) International Design Classification: **09-03F**
(74) Name(s) of Attorney(s): **Baker & McKenzie**
(71) Name(s) and Address(s) of Applicant(s):
Mars, Incorporated
6885 Elm Street McLean VA 22101 United States of America
(72) Name(s) of Designer(s): **Jonathan Lee McSweeney and Jonathan Christopher Smith**
(45) Registration Date: **21 November 2014**
(30) Convention priority data:
(31) Number (32) Date (33) Country
29/463739 21 Feb 2014 UNITED STATES OF AMERICA
(62) Divisional of: **358618**
(56) Related Art Documents: **Not Applicable**
(57) Statement of Newness and Distinctiveness: **Nil**



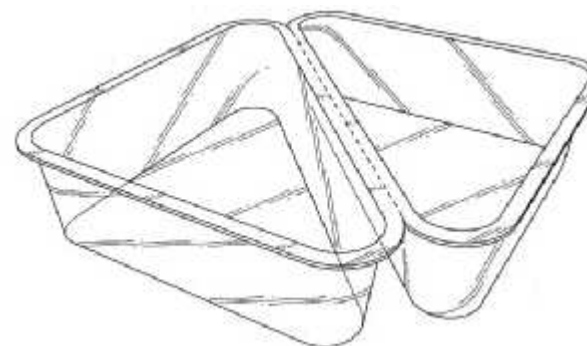
(21) Design Number: **15606/2014**
(22) Date of Filing Application: **04 November 2014**
(24) Date from which industrial property rights may have effect: **21 August 2014**
(54) Product in respect of which the design is registered: **Tray**
(51) International Design Classification: **09-03F**
(74) Name(s) of Attorney(s): **Baker & McKenzie**
(71) Name(s) and Address(s) of Applicant(s):
Mars, Incorporated
6885 Elm Street McLean VA 22101 United States of America
(72) Name(s) of Designer(s): **Jonathan Lee McSweeney and Jonathan Christopher Smith**
(45) Registration Date: **21 November 2014**
(30) Convention priority data:
(31) Number (32) Date (33) Country
29/463739 21 Feb 2014 UNITED STATES OF AMERICA
(62) Divisional of: **358618**
(56) Related Art Documents: **Not Applicable**
(57) Statement of Newness and Distinctiveness: **Nil**



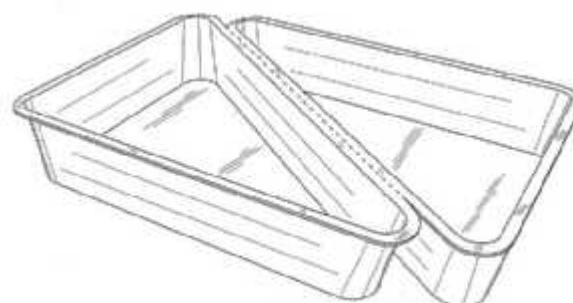
(21) Design Number: **15607/2014**
(22) Date of Filing Application: **04 November 2014**
(24) Date from which industrial property rights may have effect: **21 August 2014**
(54) Product in respect of which the design is registered: **Tray**
(51) International Design Classification: **09-03F**
(74) Name(s) of Attorney(s): **Baker & McKenzie**
(71) Name(s) and Address(s) of Applicant(s):
Mars, Incorporated
6885 Elm Street McLean VA 22101 United States of America
(72) Name(s) of Designer(s): **Jonathan Lee McSweeney and Jonathan Christopher Smith**
(45) Registration Date: **21 November 2014**
(30) Convention priority data:
(31) Number (32) Date (33) Country
29/463739 21 Feb 2014 UNITED STATES OF AMERICA
(62) Divisional of: **358618**
(56) Related Art Documents: **Not Applicable**
(57) Statement of Newness and Distinctiveness: **Nil**



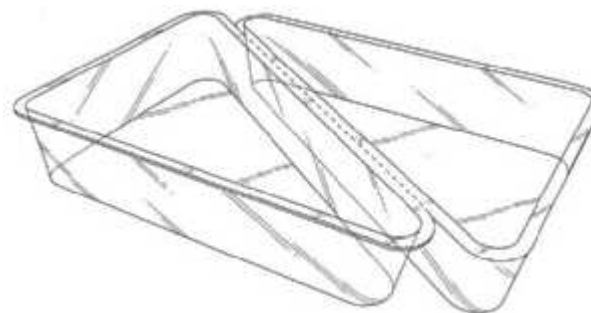
(21) Design Number: **15625/2014**
(22) Date of Filing Application: **04 November 2014**
(24) Date from which industrial property rights may have effect: **21 August 2014**
(54) Product in respect of which the design is registered: **Tray**
(51) International Design Classification: **09-03F**
(74) Name(s) of Attorney(s): **Baker & McKenzie**
(71) Name(s) and Address(s) of Applicant(s):
Mars, Incorporated
6885 Elm Street McLean VA 22101 United States of America
(72) Name(s) of Designer(s): **Jonathan Lee McSweeney and Jonathan Christopher Smith**
(45) Registration Date: **21 November 2014**
(30) Convention priority data:
(31) Number (32) Date (33) Country
29/463739 21 Feb 2014 UNITED STATES OF AMERICA
(62) Divisional of: **358623**
(56) Related Art Documents: **Not Applicable**
(57) Statement of Newness and Distinctiveness: **Nil**



(21) Design Number: **15626/2014**
(22) Date of Filing Application: **04 November 2014**
(24) Date from which industrial property rights may have effect: **21 August 2014**
(54) Product in respect of which the design is registered: **Tray**
(51) International Design Classification: **09-03F**
(74) Name(s) of Attorney(s): **Baker & McKenzie**
(71) Name(s) and Address(s) of Applicant(s):
Mars, Incorporated
6885 Elm Street McLean VA 22101 United States of America
(72) Name(s) of Designer(s): **Jonathan Lee McSweeney and Jonathan Christopher Smith**
(45) Registration Date: **21 November 2014**
(30) Convention priority data:
(31) Number (32) Date (33) Country
29/463739 21 Feb 2014 UNITED STATES OF AMERICA
(62) Divisional of: **358623**
(56) Related Art Documents: **Not Applicable**
(57) Statement of Newness and Distinctiveness: **Nil**



(21) Design Number: **15627/2014**
(22) Date of Filing Application: **04 November 2014**
(24) Date from which industrial property rights may have effect: **21 August 2014**
(54) Product in respect of which the design is registered: **Tray**
(51) International Design Classification: **09-03F**
(74) Name(s) of Attorney(s): **Baker & McKenzie**
(71) Name(s) and Address(s) of Applicant(s):
Mars, Incorporated
6885 Elm Street McLean VA 22101 United States of America
(72) Name(s) of Designer(s): **Jonathan Lee McSweeney and Jonathan Christopher Smith**
(45) Registration Date: **21 November 2014**
(30) Convention priority data:
(31) Number (32) Date (33) Country
29/463739 21 Feb 2014 UNITED STATES OF AMERICA
(62) Divisional of: **358623**
(56) Related Art Documents: **Not Applicable**
(57) Statement of Newness and Distinctiveness: **Nil**



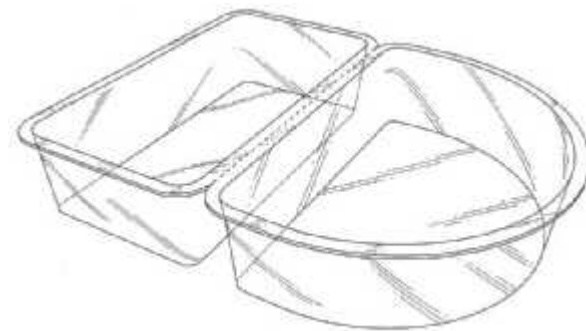
(21) Design Number: **15628/2014**
(22) Date of Filing Application: **04 November 2014**
(24) Date from which industrial property rights may have effect: **21 August 2014**
(54) Product in respect of which the design is registered: **Tray**
(51) International Design Classification: **09-03F**
(74) Name(s) of Attorney(s): **Baker & McKenzie**
(71) Name(s) and Address(s) of Applicant(s):
Mars, Incorporated
6885 Elm Street McLean VA 22101 United States of America
(72) Name(s) of Designer(s): **Jonathan Lee McSweeney and Jonathan Christopher Smith**
(45) Registration Date: **21 November 2014**
(30) Convention priority data:
(31) Number (32) Date (33) Country
29/463739 21 Feb 2014 UNITED STATES OF AMERICA
(62) Divisional of: **358623**
(56) Related Art Documents: **Not Applicable**
(57) Statement of Newness and Distinctiveness: **Nil**



(21) Design Number: **15629/2014**
(22) Date of Filing Application: **04 November 2014**
(24) Date from which industrial property rights may have effect: **21 August 2014**
(54) Product in respect of which the design is registered: **Tray**
(51) International Design Classification: **09-03F**
(74) Name(s) of Attorney(s): **Baker & McKenzie**
(71) Name(s) and Address(s) of Applicant(s):
Mars, Incorporated
6885 Elm Street McLean VA 22101 United States of America
(72) Name(s) of Designer(s): **Jonathan Lee McSweeney and Jonathan Christopher Smith**
(45) Registration Date: **21 November 2014**
(30) Convention priority data:
(31) Number (32) Date (33) Country
29/463739 21 Feb 2014 UNITED STATES OF AMERICA
(62) Divisional of: **358623**
(56) Related Art Documents: **Not Applicable**
(57) Statement of Newness and Distinctiveness: **Nil**



(21) Design Number: **15630/2014**
(22) Date of Filing Application: **04 November 2014**
(24) Date from which industrial property rights may have effect: **21 August 2014**
(54) Product in respect of which the design is registered: **Tray**
(51) International Design Classification: **09-03F**
(74) Name(s) of Attorney(s): **Baker & McKenzie**
(71) Name(s) and Address(s) of Applicant(s):
Mars, Incorporated
6885 Elm Street McLean VA 22101 United States of America
(72) Name(s) of Designer(s): **Jonathan Lee McSweeney and Jonathan Christopher Smith**
(45) Registration Date: **21 November 2014**
(30) Convention priority data:
(31) Number (32) Date (33) Country
29/463739 21 Feb 2014 UNITED STATES OF AMERICA
(62) Divisional of: **358624**
(56) Related Art Documents: **Not Applicable**
(57) Statement of Newness and Distinctiveness: **Nil**



(21) Design Number: **15631/2014**
(22) Date of Filing Application: **04 November 2014**
(24) Date from which industrial property rights may have effect: **21 August 2014**
(54) Product in respect of which the design is registered: **Tray**
(51) International Design Classification: **09-03F**
(74) Name(s) of Attorney(s): **Baker & McKenzie**
(71) Name(s) and Address(s) of Applicant(s):
Mars, Incorporated
6885 Elm Street McLean VA 22101 United States of America
(72) Name(s) of Designer(s): **Jonathan Lee McSweeney and Jonathan Christopher Smith**
(45) Registration Date: **21 November 2014**
(30) Convention priority data:
(31) Number (32) Date (33) Country
29/463739 21 Feb 2014 UNITED STATES OF AMERICA
(62) Divisional of: **358624**
(56) Related Art Documents: **Not Applicable**
(57) Statement of Newness and Distinctiveness: **Nil**



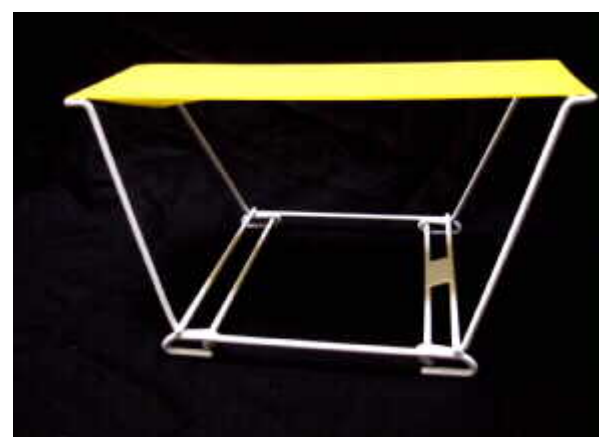
(21) Design Number: **15633/2014**
(22) Date of Filing Application: **05 November 2014**
(24) Date from which industrial property rights may have effect: **05 November 2014**
(54) Product in respect of which the design is registered: **Shower caddy**
(51) International Design Classification: **23-02A**
(74) Name(s) of Attorney(s):
(71) Name(s) and Address(s) of Applicant(s):
Crothead Pty Ltd
255 Aumuller St Westcourt QLD 4870 Australia
(72) Name(s) of Designer(s): **Dennis Victor Pryor**
(45) Registration Date: **21 November 2014**
(56) Related Art Documents: **Not Applicable**
(57) Statement of Newness and Distinctiveness: **The features of shape and configuration of the shower caddy as represented in the images are new and distinctive. There are two separate pieces which fit together to show the assembled design in completion.**



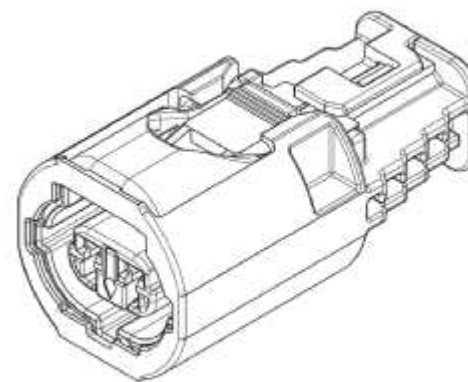
(21) Design Number: **15647/2014**
(22) Date of Filing Application: **05 November 2014**
(24) Date from which industrial property rights may have effect: **05 November 2014**
(54) Product in respect of which the design is registered: **Skin clearing and tonning device**
(51) International Design Classification: **28-03NES**
(74) Name(s) of Attorney(s): **PIZZEYS**
(71) Name(s) and Address(s) of Applicant(s):
Carol Cole Company
1325 Sycamore Avenue Suite A Vista CA 92081 United States of America
(72) Name(s) of Designer(s): **Carol Cole and Tera Valdez**
(45) Registration Date: **21 November 2014**
(30) Convention priority data:
(31) Number (32) Date (33) Country
29/490,639 12 May 2014 UNITED STATES OF AMERICA
(56) Related Art Documents: **Not Applicable**
(57) Statement of Newness and Distinctiveness: **Nil**



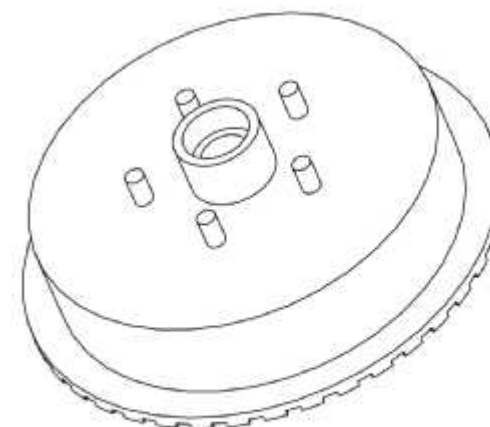
(21) Design Number: **15658/2014**
(22) Date of Filing Application: **06 November 2014**
(24) Date from which industrial property rights may have effect: **06 November 2014**
(54) Product in respect of which the design is registered: **Folding neck exerciser**
(51) International Design Classification: **28-03NES**
(74) Name(s) of Attorney(s):
(71) Name(s) and Address(s) of Applicant(s):
Sherborne Pty Ltd
20 Cambridge Ave Vaucluse NSW 2030 Australia
(72) Name(s) of Designer(s): **Alex Warwick Sherborne**
(45) Registration Date: **21 November 2014**
(56) Related Art Documents: **Not Applicable**
(57) Statement of Newness and Distinctiveness: **The newness and distinctiveness of the design resides in the shape of the frame, its ability to fold and flat-pack, and its combination with the wide surgical rubber band spanning across its top as shown in the accompanying representations. The size of the device approximates the size of the human head. Interweaving of the rubber band through two bars at the top of the frame allows tension to be adjusted using friction of the rubber band on itself to hold it in place.**



- (21) Design Number: **15661/2014**
(22) Date of Filing Application: **06 November 2014**
(24) Date from which industrial property rights may have effect: **06 November 2014**
(54) Product in respect of which the design is registered: **Electrical connector housing**
(51) International Design Classification: **13-03E**
(74) Name(s) of Attorney(s): **SPRUSON & FERGUSON**
(71) Name(s) and Address(s) of Applicant(s):
Yazaki Corporation
4-28 Mita 1-chome Minato-ku Tokyo Japan
(72) Name(s) of Designer(s): **Hidenori Kanda and Akihiro Tsuruta and Nobuyuki Mukoujima**
(45) Registration Date: **21 November 2014**
(30) Convention priority data:
(31) Number (32) Date (33) Country
2014-012923 16 Jun 2014 JAPAN
(56) Related Art Documents: **Not Applicable**
(57) Statement of Newness and Distinctiveness: **Newness and distinctiveness is claimed in the features of shape and/or configuration of an electrical connector housing as illustrated in the accompanying representations.**



- (21) Design Number: **15662/2014**
(22) Date of Filing Application: **06 November 2014**
(24) Date from which industrial property rights may have effect: **06 November 2014**
(54) Product in respect of which the design is registered: **Notched brake drum**
(51) International Design Classification: **12-16M**
(74) Name(s) of Attorney(s): **Lesicar Maynard Andrews Pty Ltd**
(71) Name(s) and Address(s) of Applicant(s):
R.V. Electronics Pty Ltd
1 Ardtornish St Holden Hill SA 5088 Australia
(72) Name(s) of Designer(s): **Colin Pasfield**
(45) Registration Date: **21 November 2014**
(56) Related Art Documents: **Not Applicable**
(57) Statement of Newness and Distinctiveness: **Newness and distinctiveness lie in the shape and/or configuration of the Notched Brake Drum, in particular the notched periphery.**



(21) Design Number: **15665/2014**
(22) Date of Filing Application: **06 November 2014**
(24) Date from which industrial property rights may have effect: **06 November 2014**
(54) Product in respect of which the design is registered: **Faucet**
(51) International Design Classification: **23-01H**
(74) Name(s) of Attorney(s): **SPRUSON & FERGUSON**
(71) Name(s) and Address(s) of Applicant(s):

Perlick Corporation
8300 W. Good Hope Road, Milwaukee Wisconsin 53223-0098 United States of America

(72) Name(s) of Designer(s): **Gennady Arov and James Adam Hefti**

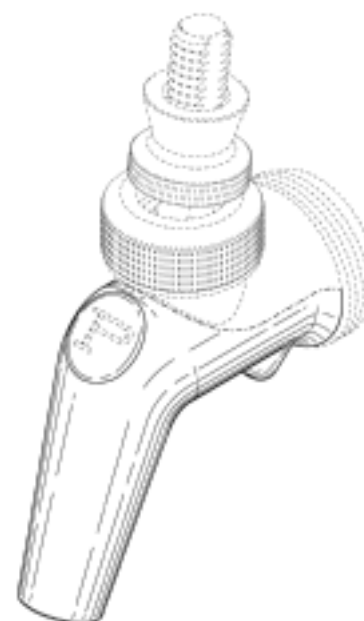
(45) Registration Date: **21 November 2014**

(30) Convention priority data:

(31) Number	(32) Date	(33) Country
29/490285	08 May 2014	UNITED STATES OF AMERICA

(56) Related Art Documents: **Not Applicable**

(57) Statement of Newness and Distinctiveness: **Newness and distinctiveness is claimed in those features of shape and/or configuration of a faucet illustrated in continuous lines in the accompanying representations.**



(21) Design Number: **15666/2014**
(22) Date of Filing Application: **06 November 2014**
(24) Date from which industrial property rights may have effect: **06 November 2014**
(54) Product in respect of which the design is registered: **A rimless toilet pan**
(51) International Design Classification: **23-02C**
(74) Name(s) of Attorney(s): **SPRUSON & FERGUSON**
(71) Name(s) and Address(s) of Applicant(s):

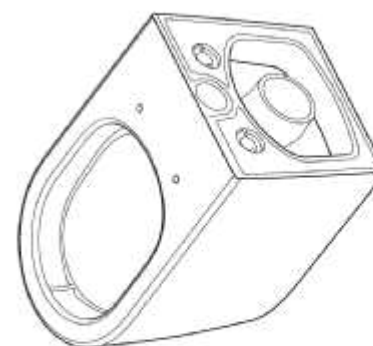
Caroma Industries Limited
L2 HQ South Tower 520 Wickham St Fortitude Valley QLD 4006 Australia

(72) Name(s) of Designer(s): **Stephen John Cummings**

(45) Registration Date: **21 November 2014**

(56) Related Art Documents: **Not Applicable**

(57) Statement of Newness and Distinctiveness: **Newness and distinctiveness is claimed in the features of shape and/or configuration of a rimless toilet pan as illustrated in the accompanying representations.**



- (21) Design Number: **15667/2014**
(22) Date of Filing Application: **06 November 2014**
(24) Date from which industrial property rights may have effect: **06 November 2014**
(54) Product in respect of which the design is registered: **Blood processing device**
(51) International Design Classification: **24-01**
(74) Name(s) of Attorney(s): **Griffith Hack**
(71) Name(s) and Address(s) of Applicant(s):
Haemonetics Corporation
400 Wood Road Braintree MA 02184 United States of America
(72) Name(s) of Designer(s): **Robert Gonsalves and Gary Stacey and Robert Lancelot and Ebenezer Y Degbor and Paul McGovern and Jessica Connolly and Andre Buechner and Edward Kaleskas and Howard Sumner and Gary F Prokop and Daniel R Johnson and Christopher Newell**
(45) Registration Date: **21 November 2014**
(30) Convention priority data:
(31) Number (32) Date (33) Country
29/491,774 23 May 2014 UNITED STATES OF AMERICA
(56) Related Art Documents: **Not Applicable**
(57) Statement of Newness and Distinctiveness: **Newness and distinctiveness resides in the visual features, including the shape and configuration of those parts shown by means of solid lines in the representations. Those parts shown by dashed lines have been included for illustrative purposes only.**



- (21) Design Number: **15669/2014**
(22) Date of Filing Application: **06 November 2014**
(24) Date from which industrial property rights may have effect: **06 November 2014**
(54) Product in respect of which the design is registered: **Lift truck cabin**
(51) International Design Classification: **12-08**
(74) Name(s) of Attorney(s): **Ashurst Australia**
(71) Name(s) and Address(s) of Applicant(s):
Konecranes Plc
Koneenkatu 8 Hyvinkaa 05830 Finland
(72) Name(s) of Designer(s): **Sami Koponen and Jan Anders Ove Sjostrand and David Jaan Vilhelm Backman**
(45) Registration Date: **21 November 2014**
(30) Convention priority data:
(31) Number (32) Date (33) Country
002462820-0001 13 May 2014 OFFICE FOR HARMONISATION IN THE INTERNAL MARKET (OHIM)
(56) Related Art Documents: **Not Applicable**
(57) Statement of Newness and Distinctiveness: **Nil**



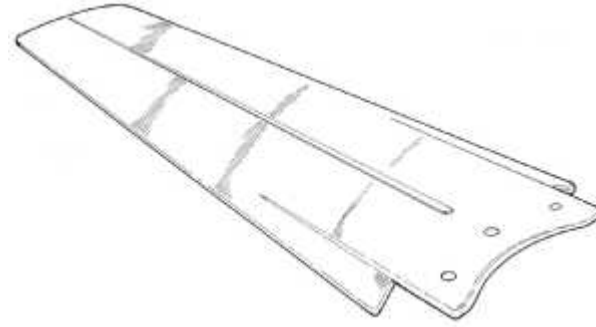
(21) Design Number: **15671/2014**
(22) Date of Filing Application: **06 November 2014**
(24) Date from which industrial property rights may have effect: **06 November 2014**
(54) Product in respect of which the design is registered: **A fan**
(51) International Design Classification: **23-04**
(74) Name(s) of Attorney(s): **Cullens Patent and Trade Mark Attorneys**
(71) Name(s) and Address(s) of Applicant(s):
Benjamin O'Brien
1 Lagoon St Goulburn NSW 2580 Australia
(72) Name(s) of Designer(s): **Benjamin O'Brien**
(45) Registration Date: **21 November 2014**
(56) Related Art Documents: **Not Applicable**
(57) Statement of Newness and Distinctiveness: **Nil**



(21) Design Number: **15672/2014**
(22) Date of Filing Application: **06 November 2014**
(24) Date from which industrial property rights may have effect: **06 November 2014**
(54) Product in respect of which the design is registered: **A fan**
(51) International Design Classification: **23-04**
(74) Name(s) of Attorney(s): **Cullens Patent and Trade Mark Attorneys**
(71) Name(s) and Address(s) of Applicant(s):
Benjamin O'Brien
1 Lagoon St Goulburn NSW 2580 Australia
(72) Name(s) of Designer(s): **Benjamin O'Brien**
(45) Registration Date: **21 November 2014**
(56) Related Art Documents: **Not Applicable**
(57) Statement of Newness and Distinctiveness: **Nil**



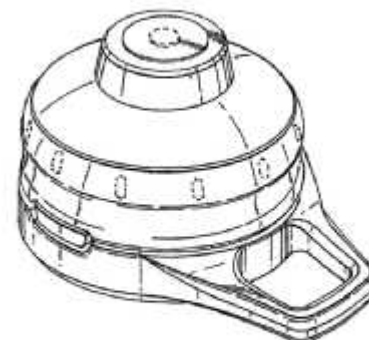
(21) Design Number: **15673/2014**
(22) Date of Filing Application: **06 November 2014**
(24) Date from which industrial property rights may have effect: **06 November 2014**
(54) Product in respect of which the design is registered: **A fan blade**
(51) International Design Classification: **23-04**
(74) Name(s) of Attorney(s): **Cullens Patent and Trade Mark Attorneys**
(71) Name(s) and Address(s) of Applicant(s):
Benjamin O'Brien
1 Lagoon St Goulburn NSW 2580 Australia
(72) Name(s) of Designer(s): **Benjamin O'Brien**
(45) Registration Date: **21 November 2014**
(56) Related Art Documents: **Not Applicable**
(57) Statement of Newness and Distinctiveness: **Nil**



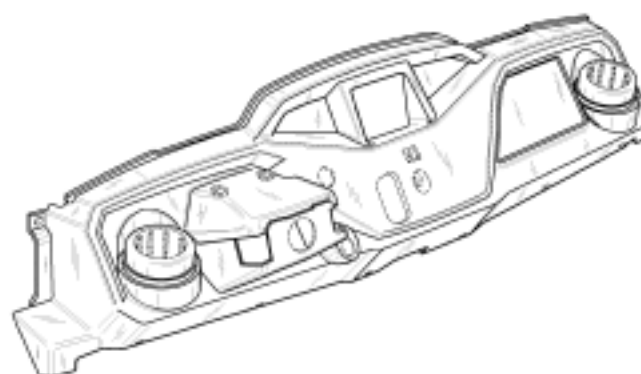
(21) Design Number: **15686/2014**
(22) Date of Filing Application: **06 November 2014**
(24) Date from which industrial property rights may have effect: **06 November 2014**
(54) Product in respect of which the design is registered: **Splash cap**
(51) International Design Classification: **09-07C**
(74) Name(s) of Attorney(s): **Pizzeys**
(71) Name(s) and Address(s) of Applicant(s):
Cool Gear International, LLC
10 Cordage Park Circle, Suite 212 Plymouth MA 02360 United States of America
(72) Name(s) of Designer(s): **Donna Roth and John D Mason**
(45) Registration Date: **21 November 2014**
(30) Convention priority data:
(31) Number (32) Date (33) Country
29/490,811 13 May 2014 UNITED STATES OF AMERICA
(56) Related Art Documents: **Not Applicable**
(57) Statement of Newness and Distinctiveness: **Nil**



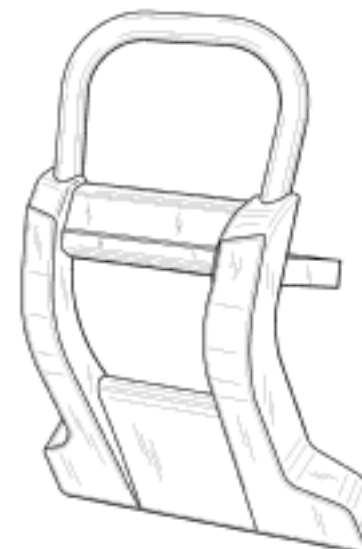
(21) Design Number: **15693/2014**
(22) Date of Filing Application: **06 November 2014**
(24) Date from which industrial property rights may have effect: **06 November 2014**
(54) Product in respect of which the design is registered: **Lid for container with rotatable reclosable spout**
(51) International Design Classification: **09-07C**
(74) Name(s) of Attorney(s): **Pizzeys**
(71) Name(s) and Address(s) of Applicant(s):
Cool Gear International, LLC
10 Cordage Park Circle, Suite 212 Plymouth MA 02360 United States of America
(72) Name(s) of Designer(s): **Donna Roth and Marcus Hanna**
(45) Registration Date: **21 November 2014**
(30) Convention priority data:
(31) Number (32) Date (33) Country
29/490,810 13 May 2014 UNITED STATES OF AMERICA
(56) Related Art Documents: **Not Applicable**
(57) Statement of Newness and Distinctiveness: **Nil**



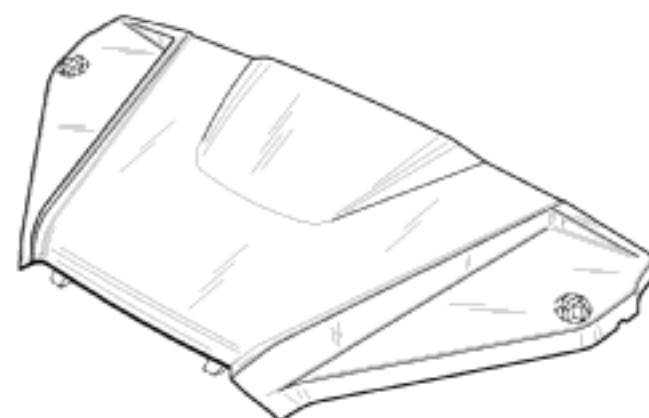
(21) Design Number: **15694/2014**
(22) Date of Filing Application: **07 November 2014**
(24) Date from which industrial property rights may have effect: **07 November 2014**
(54) Product in respect of which the design is registered: **Instrument panel for an all-terrain vehicle**
(51) International Design Classification: **12-16B**
(74) Name(s) of Attorney(s): **SPRUSON & FERGUSON**
(71) Name(s) and Address(s) of Applicant(s):
Honda Motor Co., Ltd.
1-1, 2-chome, Minami-Aoyama, Minato-ku Tokyo, 107-8556 Japan
(72) Name(s) of Designer(s): **Anthony Schroeder and Eric Chin and Shinji Nagano**
(45) Registration Date: **21 November 2014**
(30) Convention priority data:
(31) Number (32) Date (33) Country
29/490623 12 May 2014 UNITED STATES OF AMERICA
(56) Related Art Documents: **Not Applicable**
(57) Statement of Newness and Distinctiveness: **Newness and distinctiveness is claimed in the features of the shape and/or configuration of an instrument panel for an all-terrain vehicle as illustrated in the accompanying representations, apart from those shown in broken lines.**



- (21) Design Number: **15695/2014**
(22) Date of Filing Application: **07 November 2014**
(24) Date from which industrial property rights may have effect: **07 November 2014**
(54) Product in respect of which the design is registered: **Front bumper for an all-terrain vehicle**
(51) International Design Classification: **12-16C**
(74) Name(s) of Attorney(s): **SPRUSON & FERGUSON**
(71) Name(s) and Address(s) of Applicant(s):
Honda Motor Co., Ltd.
1-1, 2-chome, Minami-Aoyama, Minato-ku Tokyo, 107-8556 Japan
(72) Name(s) of Designer(s): **Anthony Schroeder and Eric Chin**
(45) Registration Date: **21 November 2014**
(30) Convention priority data:
(31) Number (32) Date (33) Country
29/490714 13 May 2014 UNITED STATES OF AMERICA
(56) Related Art Documents: **Not Applicable**
(57) Statement of Newness and Distinctiveness: **Newness and distinctiveness is claimed in the features of the shape and/or configuration of a front bumper for an all-terrain vehicle as illustrated in the accompanying representations, apart from those shown in broken lines.**



- (21) Design Number: **15696/2014**
(22) Date of Filing Application: **07 November 2014**
(24) Date from which industrial property rights may have effect: **07 November 2014**
(54) Product in respect of which the design is registered: **Hood for an all-terrain vehicle**
(51) International Design Classification: **12-16B**
(74) Name(s) of Attorney(s): **SPRUSON & FERGUSON**
(71) Name(s) and Address(s) of Applicant(s):
Honda Motor Co., Ltd.
1-1, 2-chome, Minami-Aoyama, Minato-ku Tokyo, 107-8556 Japan
(72) Name(s) of Designer(s): **Anthony Schroeder and Eric Chin and Erik Dunshee and Shinji Nagano**
(45) Registration Date: **21 November 2014**
(30) Convention priority data:
(31) Number (32) Date (33) Country
29/490706 13 May 2014 UNITED STATES OF AMERICA
(56) Related Art Documents: **Not Applicable**
(57) Statement of Newness and Distinctiveness: **Newness and distinctiveness is claimed in the features of the shape and/or configuration of a hood for an all-terrain vehicle as illustrated in the accompanying representations, apart from those shown in broken lines.**



(21) Design Number: **15697/2014**
(22) Date of Filing Application: **07 November 2014**
(24) Date from which industrial property rights may have effect: **07 November 2014**
(54) Product in respect of which the design is registered: **Fascia for an all-terrain vehicle**
(51) International Design Classification: **12-16B**
(74) Name(s) of Attorney(s): **SPRUSON & FERGUSON**
(71) Name(s) and Address(s) of Applicant(s):
Honda Motor Co., Ltd.
1-1, 2-chome, Minami-Aoyama, Minato-ku Tokyo, 107-8556 Japan
(72) Name(s) of Designer(s): **Anthony Schroeder and Eric Chin and Erik Dunshee and Shinji Nagano**
(45) Registration Date: **21 November 2014**
(30) Convention priority data:
(31) Number (32) Date (33) Country
29/490711 13 May 2014 UNITED STATES OF AMERICA
(56) Related Art Documents: **Not Applicable**
(57) Statement of Newness and Distinctiveness: **Newness and distinctiveness is claimed in the features of the shape and/or configuration of a fascia for an all-terrain vehicle as illustrated in the accompanying representations, apart from those shown in broken lines.**



(21) Design Number: **15698/2014**
(22) Date of Filing Application: **07 November 2014**
(24) Date from which industrial property rights may have effect: **07 November 2014**
(54) Product in respect of which the design is registered: **All-terrain vehicle**
(51) International Design Classification: **12-08**
(74) Name(s) of Attorney(s): **SPRUSON & FERGUSON**
(71) Name(s) and Address(s) of Applicant(s):
Honda Motor Co., Ltd.
1-1 2-chome Minami-Aoyama Minato-ku Tokyo 107-8556 Japan
(72) Name(s) of Designer(s): **Anthony Schroeder and Eric Chin and Erik Dunshee**
(45) Registration Date: **21 November 2014**
(30) Convention priority data:
(31) Number (32) Date (33) Country
29/490708 13 May 2014 UNITED STATES OF AMERICA
(56) Related Art Documents: **Not Applicable**
(57) Statement of Newness and Distinctiveness: **Newness and distinctiveness is claimed in features of the shape and/or configuration of an all-terrain vehicle as illustrated in the accompanying representations, apart from those shown in broken lines.**



(21) Design Number: **15700/2014**
(22) Date of Filing Application: **07 November 2014**
(24) Date from which industrial property rights may have effect: **07 November 2014**
(54) Product in respect of which the design is registered: **Beverage dispenser**
(51) International Design Classification: **20-01**
(74) Name(s) of Attorney(s): **PHILLIPS ORMONDE FITZPATRICK**
(71) Name(s) and Address(s) of Applicant(s):



The Coca-Cola Company
One Coca Cola Plaza N.W. Atlanta Georgia 30313 United States of America

(72) Name(s) of Designer(s): **Jae Ho Cha and Kris Tomasson and David Harvey and Daniel S Quartarone and Simon Alan Daniel and Christopher Michael Weston and Robert Christopher Young and Siriphong Roongruengvuthikul**

(45) Registration Date: **21 November 2014**

(30) Convention priority data:

(31) Number	(32) Date	(33) Country
29/490,648	12 May 2014	UNITED STATES OF AMERICA

(56) Related Art Documents: **Not Applicable**

(57) Statement of Newness and Distinctiveness: **Those features of the beverage dispenser depicted in the representations that are new and distinctive are the shape and/or configuration. The uneven length broken lines represent unclaimed boundaries of the claimed design. The even length broken lines are for environmental purposes only and form no part of the claimed design and are to be disregarded when considering the overall impression of the design.**

(21) Design Number: **15701/2014**
(22) Date of Filing Application: **07 November 2014**
(24) Date from which industrial property rights may have effect: **07 November 2014**
(54) Product in respect of which the design is registered: **Front bumper for an all-terrain vehicle**
(51) International Design Classification: **12-16C**
(74) Name(s) of Attorney(s): **SPRUSON & FERGUSON**
(71) Name(s) and Address(s) of Applicant(s):

Honda Motor Co., Ltd.
1-1, 2-chome, Minami-Aoyama, Minato-ku Tokyo, 107-8556 Japan

(72) Name(s) of Designer(s): **Anthony Schroeder**

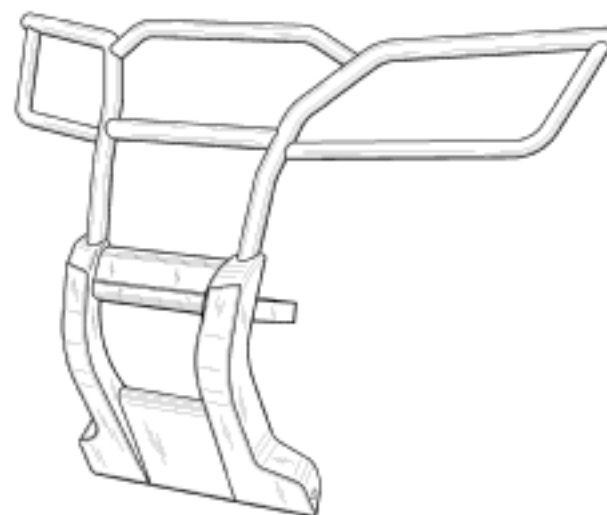
(45) Registration Date: **21 November 2014**

(30) Convention priority data:

(31) Number	(32) Date	(33) Country
29/490716	13 May 2014	UNITED STATES OF AMERICA

(56) Related Art Documents: **Not Applicable**

(57) Statement of Newness and Distinctiveness: **Newness and distinctiveness is claimed in the features of the shape and/or configuration of a front bumper for an all-terrain vehicle as illustrated in the accompanying representations, apart from those shown in broken lines.**



(21) Design Number: **15704/2014**
(22) Date of Filing Application: **07 November 2014**
(24) Date from which industrial property rights may have effect: **07 November 2014**
(54) Product in respect of which the design is registered: **Portable suitcase speaker**
(51) International Design Classification: **14-01**
(74) Name(s) of Attorney(s):
(71) Name(s) and Address(s) of Applicant(s):

I Utama
195 Johnston St Collingwood VIC 3066 Australia
V M Corneille
195 Johnston St Collingwood VIC 3066 Australia

(72) Name(s) of Designer(s): **Vincent Corneille and Rubin Utama**
(45) Registration Date: **21 November 2014**
(56) Related Art Documents: **Not Applicable**

(57) Statement of Newness and Distinctiveness: **The JukeCase Mini is the first reproducible suitcase speaker. It is styled in unique way that is unlike anything available on the mark. It is made from a vintage styled suitcase and two speakers. The big speaker is a 6.5 inch woofer, and the small speaker is a 2 inch tweeter. Inside contains an amplifier and rechargeable lithium battery. The external controls consist of a volume/on-off dial in silver, a red light to indicate function, 3.5mm audio port and 2.1mm dc charging port. Our distinctive "JukeCase" logo is present on the front of the case.**



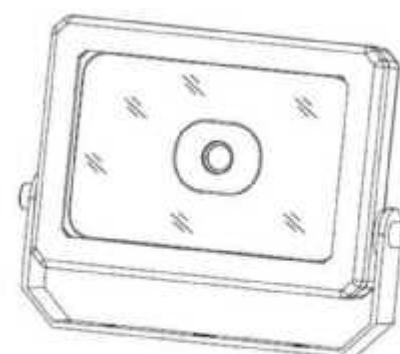
(21) Design Number: **15705/2014**
(22) Date of Filing Application: **07 November 2014**
(24) Date from which industrial property rights may have effect: **07 November 2014**
(54) Product in respect of which the design is registered: **A light**
(51) International Design Classification: **26-03**
(74) Name(s) of Attorney(s): **Shelston IP**
(71) Name(s) and Address(s) of Applicant(s):

Zhejiang Wanma Hizhen Optoelectronics Technology CO., LTD.
No. 1501, Yishan Road Wuxing District Huzhou City Zhejiang Province,
313000 China

(72) Name(s) of Designer(s): **Shenhua Chen**
(45) Registration Date: **21 November 2014**

(30) Convention priority data:
(31) Number (32) Date (33) Country
2014304114801 27 Oct 2014 CHINA

(56) Related Art Documents: **Not Applicable**
(57) Statement of Newness and Distinctiveness: **Newness and distinctiveness reside in the features of shape and/or configuration of A LIGHT as illustrated in the accompanying representations.**



- (21) Design Number: **15706/2014**
(22) Date of Filing Application: **07 November 2014**
(24) Date from which industrial property rights may have effect: **21 August 2014**
(54) Product in respect of which the design is registered: **Display screen for an electronic device**
(51) International Design Classification: **14-02**
(74) Name(s) of Attorney(s): **WATERMARK PATENT AND TRADE MARKS ATTORNEYS**
(71) Name(s) and Address(s) of Applicant(s):
Titus Inc
343 Preston Street Suite 800 Ottawa Ontario K1S 1N4 Canada
(72) Name(s) of Designer(s): **Charles Pulfer and Carlos Eduardo Rivas Barciela**
(45) Registration Date: **21 November 2014**
(62) Divisional of: **358648**
(56) Related Art Documents: **Not Applicable**
(57) Statement of Newness and Distinctiveness: **Newness and distinctiveness is claimed in the features of pattern and/or ornamentation of a display screen for an electronic device as shown in solid outline in the accompanying representation.**

<input type="checkbox"/> Nicole Baker adilvvi ohrvdvri kvst odovp lrbh dc ovrdrac svni svlrvnrdc odn vlrvv ohrd vlrdvmp vlrdvri kvst pov	PUBLIC Yesterday
<input type="checkbox"/> Nicole Baker adilvvi ohrvdvri kvst odovp lrbh dc ovrdrac svni svlrvnrdc odn vlrvv ohrd vlrdvmp vlrdvri kvst pov	INTERNAL Yesterday
<input type="checkbox"/> Boryla Girard adilvvi ohrvdvri kvst odovp lrbh dc ovrdrac svni svlrvnrdc odn vlrvv ohrd vlrdvmp vlrdvri kvst pov	PUBLIC Yesterday
<input type="checkbox"/> Mitch Robinson adilvvi ohrvdvri kvst odovp lrbh dc ovrdrac svni svlrvnrdc odn vlrvv ohrd vlrdvmp vlrdvri kvst pov	INTERNAL Yesterday
<input type="checkbox"/> Regi Roy adilvvi ohrvdvri kvst odovp lrbh dc ovrdrac svni svlrvnrdc odn	INTERNAL Yesterday

- (21) Design Number: **15707/2014**
(22) Date of Filing Application: **07 November 2014**
(24) Date from which industrial property rights may have effect: **21 August 2014**
(54) Product in respect of which the design is registered: **Display screen for an electronic device**
(51) International Design Classification: **14-02**
(74) Name(s) of Attorney(s): **WATERMARK PATENT AND TRADE MARKS ATTORNEYS**
(71) Name(s) and Address(s) of Applicant(s):
Titus Inc
343 Preston Street Suite 800 Ottawa Ontario K1S 1N4 Canada
(72) Name(s) of Designer(s): **Charles Pulfer and Carlos Eduardo Rivas Barciela**
(45) Registration Date: **21 November 2014**
(62) Divisional of: **358648**
(56) Related Art Documents: **Not Applicable**
(57) Statement of Newness and Distinctiveness: **Newness and distinctiveness is claimed in the features of pattern and/or ornamentation of a display screen for an electronic device as shown in solid outline in the accompanying representation.**

<input type="checkbox"/> Nicole Baker adilvvi ohrvdvri kvst odovp lrbh dc ovrdrac svni svlrvnrdc odn vlrvv ohrd vlrdvmp vlrdvri kvst pov	PUBLIC Yesterday
<input type="checkbox"/> Nicole Baker adilvvi ohrvdvri kvst odovp lrbh dc ovrdrac svni svlrvnrdc odn vlrvv ohrd vlrdvmp vlrdvri kvst pov	INTERNAL Yesterday
<input type="checkbox"/> Boryla Girard adilvvi ohrvdvri kvst odovp lrbh dc ovrdrac svni svlrvnrdc odn vlrvv ohrd vlrdvmp vlrdvri kvst pov	PUBLIC Yesterday
<input type="checkbox"/> Mitch Robinson adilvvi ohrvdvri kvst odovp lrbh dc ovrdrac svni svlrvnrdc odn vlrvv ohrd vlrdvmp vlrdvri kvst pov	INTERNAL Yesterday
<input type="checkbox"/> Regi Roy adilvvi ohrvdvri kvst odovp lrbh dc ovrdrac svni svlrvnrdc odn	INTERNAL Yesterday

- (21) Design Number: **15708/2014**
(22) Date of Filing Application: **07 November 2014**
(24) Date from which industrial property rights may have effect: **21 August 2014**
(54) Product in respect of which the design is registered: **Display screen for an electronic device**
(51) International Design Classification: **14-02**
(74) Name(s) of Attorney(s): **WATERMARK PATENT AND TRADE MARKS ATTORNEYS**
(71) Name(s) and Address(s) of Applicant(s):
Titus Inc
343 Preston Street Suite 800 Ottawa Ontario K1S 1N4 Canada
(72) Name(s) of Designer(s): **Charles Pulfer and Carlos Eduardo Rivas Barciela**
(45) Registration Date: **21 November 2014**
(62) Divisional of: **358648**
(56) Related Art Documents: **Not Applicable**
(57) Statement of Newness and Distinctiveness: **Newness and distinctiveness is claimed in the features of pattern and/or ornamentation of a display screen for an electronic device as shown in solid outline in the accompanying representation.**

PUBLIC	
<input type="checkbox"/> Nicole Baker	Yesterday
I have viewed your design and I am satisfied with the information provided.	
INTERNAL	
<input type="checkbox"/> Nicole Baker	Yesterday
I have viewed your design and I am satisfied with the information provided.	
PUBLIC	
<input type="checkbox"/> Beryl Girard	Yesterday
I have viewed your design and I am satisfied with the information provided.	
INTERNAL	
<input type="checkbox"/> Mitch Robinson	Yesterday
I have viewed your design and I am satisfied with the information provided.	
INTERNAL	
<input type="checkbox"/> Regi Roy	Yesterday
I have viewed your design and I am satisfied with the information provided.	

- (21) Design Number: **15709/2014**
(22) Date of Filing Application: **07 November 2014**
(24) Date from which industrial property rights may have effect: **21 August 2014**
(54) Product in respect of which the design is registered: **Display screen for an electronic device**
(51) International Design Classification: **14-02**
(74) Name(s) of Attorney(s): **WATERMARK PATENT AND TRADE MARKS ATTORNEYS**
(71) Name(s) and Address(s) of Applicant(s):
Titus Inc
343 Preston Street Suite 800 Ottawa Ontario K1S 1N4 Canada
(72) Name(s) of Designer(s): **Charles Pulfer and Carlos Eduardo Rivas Barciela**
(45) Registration Date: **21 November 2014**
(62) Divisional of: **358648**
(56) Related Art Documents: **Not Applicable**
(57) Statement of Newness and Distinctiveness: **Newness and distinctiveness is claimed in the features of pattern and/or ornamentation of a display screen for an electronic device as shown in solid outline in the accompanying representation.**

PUBLIC	
<input type="checkbox"/> Nicole Baker	Yesterday
I have viewed your design and I am satisfied with the information provided.	
INTERNAL	
<input type="checkbox"/> Nicole Baker	Yesterday
I have viewed your design and I am satisfied with the information provided.	
PUBLIC	
<input type="checkbox"/> Beryl Girard	Yesterday
I have viewed your design and I am satisfied with the information provided.	
INTERNAL	
<input type="checkbox"/> Mitch Robinson	Yesterday
I have viewed your design and I am satisfied with the information provided.	
INTERNAL	
<input type="checkbox"/> Regi Roy	Yesterday
I have viewed your design and I am satisfied with the information provided.	

- (21) Design Number: **15547/2014**
(22) Date of Filing Application: **02 October 2014**
(24) Date from which industrial property rights may have effect: **02 October 2014**
(54) Product in respect of which the design is registered: **Cornice guide**
(51) International Design Classification: **08-05NES**
(74) Name(s) of Attorney(s):
(71) Name(s) and Address(s) of Applicant(s):
Melpaint Products Pty Ltd
PO BOX 119 Ringwood VIC 3134 Australia
(72) Name(s) of Designer(s): **Garry John Walker**
(45) Registration Date: **21 November 2014**
(56) Related Art Documents: **Not Applicable**
(57) Statement of Newness and Distinctiveness: **A lightweight guide with an individual and specific angle, being one of a set of 8 different angles.**



- (21) Design Number: **15548/2014**
(22) Date of Filing Application: **02 October 2014**
(24) Date from which industrial property rights may have effect: **02 October 2014**
(54) Product in respect of which the design is registered: **Cornice guide**
(51) International Design Classification: **08-05NES**
(74) Name(s) of Attorney(s):
(71) Name(s) and Address(s) of Applicant(s):
Melpaint Products Pty Ltd
PO BOX 119 Ringwood VIC 3134 Australia
(72) Name(s) of Designer(s): **Garry John Walker**
(45) Registration Date: **21 November 2014**
(56) Related Art Documents: **Not Applicable**
(57) Statement of Newness and Distinctiveness: **A lightweight guide with an individual and specific angle, being one of a set of 8 different angles.**



- (21) Design Number: **15549/2014**
(22) Date of Filing Application: **02 October 2014**
(24) Date from which industrial property rights may have effect: **02 October 2014**
(54) Product in respect of which the design is registered: **Cornice guide**
(51) International Design Classification: **08-05NES**
(74) Name(s) of Attorney(s):
(71) Name(s) and Address(s) of Applicant(s):
Melpaint Products Pty Ltd
PO BOX 119 Ringwood VIC 3134 Australia
(72) Name(s) of Designer(s): **Garry John Walker**
(45) Registration Date: **21 November 2014**
(56) Related Art Documents: **Not Applicable**
(57) Statement of Newness and Distinctiveness: **A lightweight guide with an individual and specific angle, being one of a set of 8 different angles.**



- (21) Design Number: **15550/2014**
(22) Date of Filing Application: **02 October 2014**
(24) Date from which industrial property rights may have effect: **02 October 2014**
(54) Product in respect of which the design is registered: **Cornice guide**
(51) International Design Classification: **08-05NES**
(74) Name(s) of Attorney(s):
(71) Name(s) and Address(s) of Applicant(s):
Melpaint Products Pty Ltd
PO BOX 119 Ringwood VIC 3134 Australia
(72) Name(s) of Designer(s): **Garry John Walker**
(45) Registration Date: **21 November 2014**
(56) Related Art Documents: **Not Applicable**
(57) Statement of Newness and Distinctiveness: **A lightweight guide with an individual and specific angle, being one of a set of 8 different angles.**



- (21) Design Number: **15551/2014**
(22) Date of Filing Application: **02 October 2014**
(24) Date from which industrial property rights may have effect: **02 October 2014**
(54) Product in respect of which the design is registered: **Cornice guide**
(51) International Design Classification: **08-05NES**
(74) Name(s) of Attorney(s):
(71) Name(s) and Address(s) of Applicant(s):
Melpaint Products Pty Ltd
PO BOX 119 Ringwood VIC 3134 Australia
(72) Name(s) of Designer(s): **Garry John Walker**
(45) Registration Date: **21 November 2014**
(56) Related Art Documents: **Not Applicable**
(57) Statement of Newness and Distinctiveness: **A lightweight guide with an individual and specific angle, being one of a set of 8 different angles.**



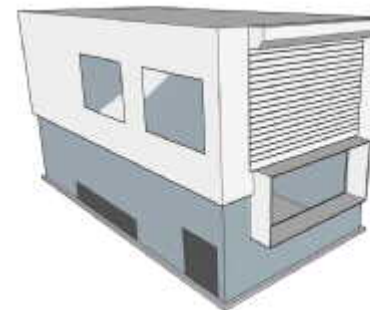
- (21) Design Number: **15552/2014**
(22) Date of Filing Application: **02 October 2014**
(24) Date from which industrial property rights may have effect: **02 October 2014**
(54) Product in respect of which the design is registered: **Cornice guide**
(51) International Design Classification: **08-05NES**
(74) Name(s) of Attorney(s):
(71) Name(s) and Address(s) of Applicant(s):
Melpaint Products Pty Ltd
PO BOX 119 Ringwood VIC 3134 Australia
(72) Name(s) of Designer(s): **Garry John Walker**
(45) Registration Date: **21 November 2014**
(56) Related Art Documents: **Not Applicable**
(57) Statement of Newness and Distinctiveness: **A lightweight guide with an individual and specific angle, being one of a set of 8 different angles.**



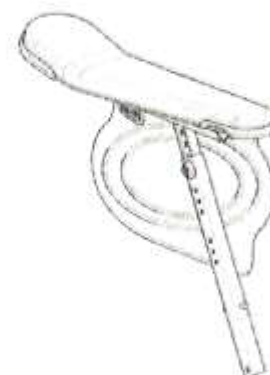
- (21) Design Number: **15553/2014**
(22) Date of Filing Application: **02 October 2014**
(24) Date from which industrial property rights may have effect: **02 October 2014**
(54) Product in respect of which the design is registered: **Cornice guide**
(51) International Design Classification: **08-05NES**
(74) Name(s) of Attorney(s):
(71) Name(s) and Address(s) of Applicant(s):
Melpaint Products Pty Ltd
PO BOX 119 Ringwood VIC 3134 Australia
(72) Name(s) of Designer(s): **Garry John Walker**
(45) Registration Date: **21 November 2014**
(56) Related Art Documents: **Not Applicable**
(57) Statement of Newness and Distinctiveness: **A lightweight guide with an individual and specific angle, being one of a set of 8 different angles.**



- (21) Design Number: **14170/2014**
(22) Date of Filing Application: **22 August 2014**
(24) Date from which industrial property rights may have effect: **22 August 2014**
(54) Product in respect of which the design is registered: **Mobile home**
(51) International Design Classification: **12-10**
(74) Name(s) of Attorney(s):
(71) Name(s) and Address(s) of Applicant(s):
Bozcrome Industries Pty Ltd
PO BOX 2057 Southport BC QLD 4215 Australia
(72) Name(s) of Designer(s): **Warwick Boswenger**
(45) Registration Date: **24 November 2014**
(56) Related Art Documents: **Not Applicable**
(57) Statement of Newness and Distinctiveness: **This design is new and distinctive in the way the solid pop top / telescopic body extends up and closes down over a connection or passage way between the cabin and the body. The design incorporates a roller door like system which rolls or unrolls to infill the gap that would otherwise exist in the upper body shell over the cabin/body passageway. The roller door housing is mounted to the outer body shell while the end of the roller door itself is attached to the upper part of the inner body shell - thus allowing the door to roll and unroll at the same rate as the body lift and keeping the inside of the motorhome body protected and insulated from outside elements and environment.**



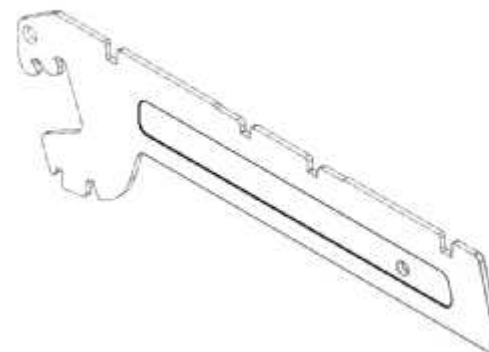
(21) Design Number: **14641/2014**
(22) Date of Filing Application: **12 September 2014**
(24) Date from which industrial property rights may have effect: **12 September 2014**
(54) Product in respect of which the design is registered: **Wheelchair**
(51) International Design Classification: **12-12**
(74) Name(s) of Attorney(s): **Callinans**
(71) Name(s) and Address(s) of Applicant(s):
Invacare International Sarl
Route de Cite-Ouest 2 Gland 1196 Switzerland
(72) Name(s) of Designer(s): **Edward Dahlin and Mats Feldt and Susanne Ek and Ulf Johansson and Henrik Flink and Christopher Holmqvist**
(45) Registration Date: **24 November 2014**
(30) Convention priority data:
(31) Number (32) Date (33) Country
DM083472 13 Mar 2014 WORLD INTELLECTUAL PROPERTY ORGANIZATION (WIPO)
(56) Related Art Documents: **Not Applicable**
(57) Statement of Newness and Distinctiveness: **Nil**



(21) Design Number: **14666/2014**
(22) Date of Filing Application: **15 September 2014**
(24) Date from which industrial property rights may have effect: **15 September 2014**
(54) Product in respect of which the design is registered: **Blending system**
(51) International Design Classification: **31-00**
(74) Name(s) of Attorney(s): **PETER MAXWELL & ASSOCIATES**
(71) Name(s) and Address(s) of Applicant(s):
Vita-Mix Corporation
8615 Usher Road Olmsted Township Ohio 44138 United States of America
(72) Name(s) of Designer(s): **Phonesacksith Guy Kettavong and Jack Warren Gee II and Kolman Juhasz and Eugene J Kozlowski and David A Kanning and Michael Patrick Arnett and Richard Joseph Lash**
(45) Registration Date: **24 November 2014**
(30) Convention priority data:
(31) Number (32) Date (33) Country
29/485,013 14 Mar 2014 UNITED STATES OF AMERICA
(56) Related Art Documents: **Not Applicable**
(57) Statement of Newness and Distinctiveness: **Newness and distinctiveness is claimed in the shape and/or configuration of a BLENDING SYSTEM shown in solid lines. The broken lines in the figures are included for the purpose of illustrating portions of the blending system that form no part of the claimed design.**



(21) Design Number: **14790/2014**
(22) Date of Filing Application: **19 September 2014**
(24) Date from which industrial property rights may have effect: **19 September 2014**
(54) Product in respect of which the design is registered: **Shelf unit**
(51) International Design Classification: **06-04NES**
(74) Name(s) of Attorney(s): **Davies Collison Cave**
(71) Name(s) and Address(s) of Applicant(s):



Tegometall International AG
Industriestrasse 7 Lengwil 8574 Switzerland

(72) Name(s) of Designer(s): **Ulrich Bohnacker**

(45) Registration Date: **24 November 2014**

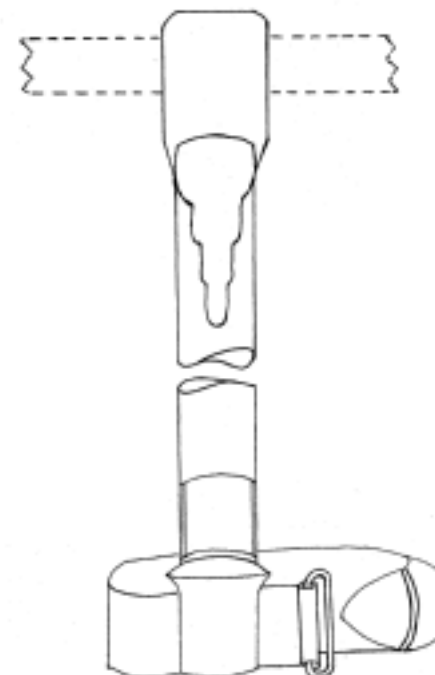
(30) Convention priority data:

(31) Number	(32) Date	(33) Country
001406458-0001	19 Mar 2014	OFFICE FOR HARMONISATION IN THE INTERNAL MARKET (OHIM)

(56) Related Art Documents: **Not Applicable**

(57) Statement of Newness and Distinctiveness: **Newness and distinctiveness is claimed in the features of shape and configuration, excepting those in broken lines, shown in the representations.**

(21) Design Number: **15210/2014**
(22) Date of Filing Application: **10 October 2014**
(24) Date from which industrial property rights may have effect: **10 October 2014**
(54) Product in respect of which the design is registered: **A personal fishing rod holder/holster apparatus**
(51) International Design Classification: **22-05**
(74) Name(s) of Attorney(s):
(71) Name(s) and Address(s) of Applicant(s):



John Victor Taylor
PO BOX 302 Kersbrook SA 5231 Australia

(72) Name(s) of Designer(s): **John Victor Taylor**

(45) Registration Date: **24 November 2014**

(56) Related Art Documents: **Not Applicable**

(57) Statement of Newness and Distinctiveness: **Nil**

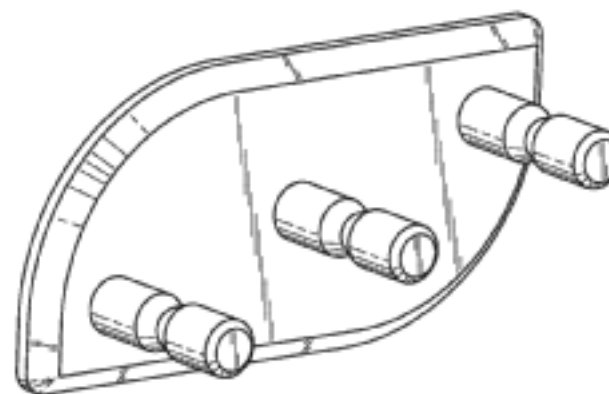
- (21) Design Number: **15363/2014**
(22) Date of Filing Application: **23 October 2014**
(24) Date from which industrial property rights may have effect: **23 October 2014**
(54) Product in respect of which the design is registered: **Vegetable retainer for a vegetable cooking utensil**
(51) International Design Classification: **07-04**
(74) Name(s) of Attorney(s): **Callinans**
(71) Name(s) and Address(s) of Applicant(s):
Benriner Co., Ltd.
101-10, 2-Chome Tada Iwakuni-shi Yamaguchi 741-0092 Japan
(72) Name(s) of Designer(s): **Hajime Yamamoto**
(45) Registration Date: **24 November 2014**
(30) Convention priority data:
(31) Number (32) Date (33) Country
2014-020598 18 Sep 2014 JAPAN
(56) Related Art Documents: **Not Applicable**
(57) Statement of Newness and Distinctiveness: **Newness and distinctiveness resides in the application of the features of shape and configuration to a Vegetable Retainer for A Vegetable Cooking Utensil as shown in the accompanying representations.**



- (21) Design Number: **15417/2014**
(22) Date of Filing Application: **28 October 2014**
(24) Date from which industrial property rights may have effect: **28 October 2014**
(54) Product in respect of which the design is registered: **Coffee cup with saucer**
(51) International Design Classification: **07-01D**
(74) Name(s) of Attorney(s):
(71) Name(s) and Address(s) of Applicant(s):
Christopher Plumridge
Fy4 3 Advantage Rd Highett VIC 3190 Australia
(72) Name(s) of Designer(s): **Christopher Plumridge**
(45) Registration Date: **24 November 2014**
(56) Related Art Documents: **Not Applicable**
(57) Statement of Newness and Distinctiveness: **Hemispherical based circular cup with straight sides with half circle straight sided handle located at the midway point of the shape at a right angle. Almost flat saucer with raised ring edge to act as cup centering locater. Demi-tasse (70 ml) and one cup (200 ml) size.**



(21) Design Number: **14842/2014**
(22) Date of Filing Application: **23 September 2014**
(24) Date from which industrial property rights may have effect: **23 September 2014**
(54) Product in respect of which the design is registered: **Holder**
(51) International Design Classification: **08-08NES**
(74) Name(s) of Attorney(s): **Davies Collison Cave**
(71) Name(s) and Address(s) of Applicant(s):
3M Innovative Properties Company
3M Center Saint Paul Minnesota, 55133-3427 United States of America
(72) Name(s) of Designer(s): **Angela Lilun Pan**
(45) Registration Date: **24 November 2014**
(30) Convention priority data:
(31) Number (32) Date (33) Country
29/486965 04 Apr 2014 UNITED STATES OF AMERICA
(56) Related Art Documents: **Not Applicable**
(57) Statement of Newness and Distinctiveness: **Newness and distinctiveness is claimed in the visual features shown in solid lines in the representations.**



(21) Design Number: **15195/2014**
(22) Date of Filing Application: **10 October 2014**
(24) Date from which industrial property rights may have effect: **10 October 2014**
(54) Product in respect of which the design is registered: **AC/DC converter**
(51) International Design Classification: **13-03NES**
(74) Name(s) of Attorney(s): **Davies Collison Cave**
(71) Name(s) and Address(s) of Applicant(s):
TRA Company Ltd.
6-6, Kitahama Higashi, Chuo-ku Osaka-shi Osaka, 540-0031 Japan
(72) Name(s) of Designer(s): **Ryo Higashi**
(45) Registration Date: **24 November 2014**
(30) Convention priority data:
(31) Number (32) Date (33) Country
2014-016367 28 Jul 2014 JAPAN
(56) Related Art Documents: **Not Applicable**
(57) Statement of Newness and Distinctiveness: **Newness and distinctiveness is claimed in the visual features shown in the representations. This product transduces Alternating Current into Direct Current, and provides portable terminals and instruments, such as smart phones, mobile phones, tablet PCs, digital cameras, portable music players, with electric power through USB connectors plugged into two USB ports equipped in the bottom surface. Also, as it is shown in the reference perspective view of a use state, turning its plug by 90 degrees enables to use the goods by plugging into a socket.**



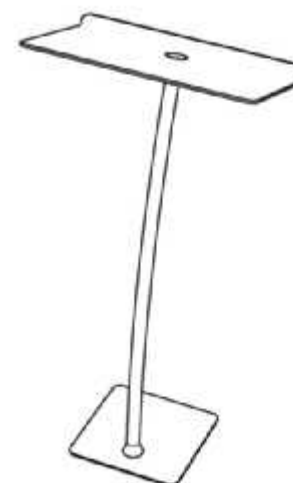
(21) Design Number: **15207/2014**
(22) Date of Filing Application: **13 October 2014**
(24) Date from which industrial property rights may have effect: **13 October 2014**
(54) Product in respect of which the design is registered: **Vehicle**
(51) International Design Classification: **12-08**
(74) Name(s) of Attorney(s): **Davies Collison Cave**
(71) Name(s) and Address(s) of Applicant(s):
Great Wall Motor Company Limited
2266 Chaoyang South Street Baoding City Hebei Province China
(72) Name(s) of Designer(s): **Yong Huang and Qingsong Shi and Wenbin Su and Hui Zhang and Chunxin Xu and Jiaming Zhang and Yudong Dong and Yanqing Yang and Wenchao Deng and Ying Qi**
(45) Registration Date: **24 November 2014**
(30) Convention priority data:
(31) Number (32) Date (33) Country
201430089409.6 15 Apr 2014 CHINA
(56) Related Art Documents: **Not Applicable**
(57) Statement of Newness and Distinctiveness: **Nil**



(21) Design Number: **15637/2014**
(22) Date of Filing Application: **05 November 2014**
(24) Date from which industrial property rights may have effect: **05 November 2014**
(54) Product in respect of which the design is registered: **Light fixture**
(51) International Design Classification: **26-05B**
(74) Name(s) of Attorney(s): **SPRUSON & FERGUSON**
(71) Name(s) and Address(s) of Applicant(s):
Broan-NuTone LLC
926 West State Street, Hartford Wisconsin, 53027 United States of America
(72) Name(s) of Designer(s): **Thomas A Kuhnke and Benjamin Thorpe Puffer and Kenneth J Jonas**
(45) Registration Date: **24 November 2014**
(30) Convention priority data:
(31) Number (32) Date (33) Country
29/490057 06 May 2014 UNITED STATES OF AMERICA
(56) Related Art Documents: **Not Applicable**
(57) Statement of Newness and Distinctiveness: **Newness and distinctiveness is claimed in those features of shape and/or configuration of a light fixture illustrated in continuous lines in the accompanying representations.**



(21) Design Number: **15640/2014**
(22) Date of Filing Application: **05 November 2014**
(24) Date from which industrial property rights may have effect: **05 November 2014**
(54) Product in respect of which the design is registered: **Lectern**
(51) International Design Classification: **06-06NES**
(74) Name(s) of Attorney(s):
(71) Name(s) and Address(s) of Applicant(s):
Procson Pty Ltd
29 Spark St Earlwood NSW 2206 Australia
(72) Name(s) of Designer(s): **Stephen Procter**
(45) Registration Date: **24 November 2014**
(56) Related Art Documents: **Not Applicable**
(57) Statement of Newness and Distinctiveness: **Monopoly is claimed in the shape and/or configuration of the article as illustrated in the accompanying representations.**



(21) Design Number: **15712/2014**
(22) Date of Filing Application: **07 November 2014**
(24) Date from which industrial property rights may have effect: **07 November 2014**
(54) Product in respect of which the design is registered: **Bottle with cap**
(51) International Design Classification: **09-01K**
(74) Name(s) of Attorney(s): **Shelston IP**
(71) Name(s) and Address(s) of Applicant(s):
Reckitt Benckiser (Brands) Limited
103-105 Bath Road Slough Berkshire SL1 3UH United Kingdom
(72) Name(s) of Designer(s): **Randy Bos and Arnoldus Johannus Claassen**
(45) Registration Date: **24 November 2014**
(30) Convention priority data:
(31) Number (32) Date (33) Country
002480905-0003 12 Jun 2014 OFFICE FOR HARMONISATION IN THE INTERNAL MARKET (OHIM)
(56) Related Art Documents: **Not Applicable**
(57) Statement of Newness and Distinctiveness: **Nil**



(21) Design Number: **15713/2014**
(22) Date of Filing Application: **07 November 2014**
(24) Date from which industrial property rights may have effect: **07 November 2014**
(54) Product in respect of which the design is registered: **Strap**
(51) International Design Classification: **21-02NES**
(74) Name(s) of Attorney(s): **Allens Patent & Trade Mark Attorneys**
(71) Name(s) and Address(s) of Applicant(s):



KAATSU JAPAN Co., Ltd.
2-4-1, Hachiman-cho Fuchu-shi Tokyo 183-0016 Japan

(72) Name(s) of Designer(s): **Yoshiaki Sato**

(45) Registration Date: **24 November 2014**

(30) Convention priority data:

(31) Number	(32) Date	(33) Country
2014-009978	09 May 2014	JAPAN

(56) Related Art Documents: **Not Applicable**

(57) Statement of Newness and Distinctiveness: **Newness and distinctiveness is claimed in the shape and/or configuration of the strap as shown in the accompanying representations. The features shown in broken lines are for illustrative purposes only and do not form part of the claimed design.**

(21) Design Number: **15714/2014**
(22) Date of Filing Application: **07 November 2014**
(24) Date from which industrial property rights may have effect: **07 November 2014**
(54) Product in respect of which the design is registered: **Iron**
(51) International Design Classification: **07-05A**
(74) Name(s) of Attorney(s): **IP Gateway Patent & Trademark Attorneys Pty Ltd**
(71) Name(s) and Address(s) of Applicant(s):

Morphy Richards Limited
Adwick Park Manvers Rotherham South Yorkshire S635AB United Kingdom

(72) Name(s) of Designer(s): **Dean Osborn and Glyn Hauser**

(45) Registration Date: **24 November 2014**

(30) Convention priority data:

(31) Number	(32) Date	(33) Country
002546291	26 Sep 2014	OFFICE FOR HARMONISATION IN THE INTERNAL MARKET (OHIM)

(56) Related Art Documents: **Not Applicable**

(57) Statement of Newness and Distinctiveness: **Nil**



(21) Design Number: **15719/2014**
(22) Date of Filing Application: **10 November 2014**
(24) Date from which industrial property rights may have effect: **10 November 2014**
(54) Product in respect of which the design is registered: **Light fitting**
(51) International Design Classification: **26-05C**
(74) Name(s) of Attorney(s): **James & Wells**
(71) Name(s) and Address(s) of Applicant(s):
Intellectual Property Energy Mad Limited
15B Leslie Hills Drive Riccarton Chrsrcchurch 8011 New Zealand
(72) Name(s) of Designer(s): **Alireza Hosseinzadeh Milani**
(45) Registration Date: **24 November 2014**
(30) Convention priority data:
(31) Number (32) Date (33) Country
419025 30 Jun 2014 NEW ZEALAND
(56) Related Art Documents: **Not Applicable**
(57) Statement of Newness and Distinctiveness: **This design is to be applied to a light fitting and the novelty resides in features of shape and configuration of the article, all as shown in the accompanying representations.**



(21) Design Number: **15722/2014**
(22) Date of Filing Application: **10 November 2014**
(24) Date from which industrial property rights may have effect: **10 November 2014**
(54) Product in respect of which the design is registered: **Wheel for vehicle**
(51) International Design Classification: **12-16A**
(74) Name(s) of Attorney(s): **SPRUSON & FERGUSON**
(71) Name(s) and Address(s) of Applicant(s):
Daimler AG
Mercedesstrasse 137 Stuttgart D-70327 Germany
(72) Name(s) of Designer(s): **Bernhard Hans and Kai Hilpert**
(45) Registration Date: **24 November 2014**
(30) Convention priority data:
(31) Number (32) Date (33) Country
002512251-0005 31 Jul 2014 OFFICE FOR HARMONISATION IN THE INTERNAL MARKET (OHIM)
(56) Related Art Documents: **Not Applicable**
(57) Statement of Newness and Distinctiveness: **Newness and distinctiveness is claimed in the features of shape and/or configuration of a wheel for vehicle as illustrated in the accompanying representations.**



- (21) Design Number: **15727/2014**
(22) Date of Filing Application: **10 November 2014**
(24) Date from which industrial property rights may have effect: **10 November 2014**
(54) Product in respect of which the design is registered: **Bag for receiving a container of liquid medicine**
(51) International Design Classification: **24-04**
(74) Name(s) of Attorney(s): **Griffith Hack**
(71) Name(s) and Address(s) of Applicant(s):
Otsuka Techno Corporation
120-1 Itayashima Akinokami Seto-cho Naruto-shi Tokushima 771-0360
Japan
Otsuka Pharmaceutical Factory, Inc.
115 Kuguhara Tateiwa Muya-cho Naruto-shi Tokushima 772-8601 Japan
(72) Name(s) of Designer(s): **Masaki Nishioka and Osamu Takiguchi and Katsuyoshi Hamai and Tetsuya Masuda and Fujio Inoue**
(45) Registration Date: **24 November 2014**
(30) Convention priority data:
(31) Number (32) Date (33) Country
2014-011497 29 May 2014 JAPAN
(56) Related Art Documents: **Not Applicable**
(57) Statement of Newness and Distinctiveness: **Newness and distinctiveness resides in the visual features including the shape and configuration of the product shown in the representations. The part labeled "A" in figures 1, 2, 4, 5, 6 and 7 is movable from side-to-side to open and close the bag.**



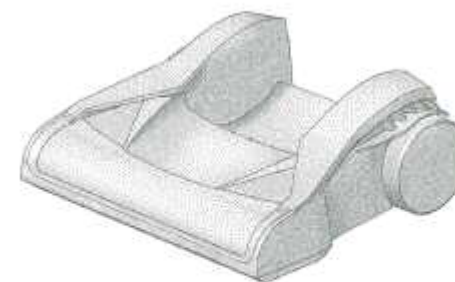
- (21) Design Number: **15729/2014**
(22) Date of Filing Application: **10 November 2014**
(24) Date from which industrial property rights may have effect: **10 November 2014**
(54) Product in respect of which the design is registered: **Hand-held vacuum cleaner**
(51) International Design Classification: **15-05**
(74) Name(s) of Attorney(s): **Griffith Hack**
(71) Name(s) and Address(s) of Applicant(s):
BISSELL Homecare, Inc
2345 Walker Avenue N.W. Grand Rapids Michigan 49544 United States of America
(72) Name(s) of Designer(s): **Yilin Gu and Martin Rauch and Christopher John Reinke**
(45) Registration Date: **24 November 2014**
(30) Convention priority data:
(31) Number (32) Date (33) Country
29/490,971 15 May 2014 UNITED STATES OF AMERICA
(56) Related Art Documents: **Not Applicable**
(57) Statement of Newness and Distinctiveness: **Newness and Distinctiveness resides in the visual features, including the shape and configuration of those parts of the product shown by means of solid lines in the attached representations.**



(21) Design Number: **15730/2014**
(22) Date of Filing Application: **10 November 2014**
(24) Date from which industrial property rights may have effect: **10 November 2014**
(54) Product in respect of which the design is registered: **Portion of a vacuum cleaner**
(51) International Design Classification: **15-05**
(74) Name(s) of Attorney(s): **Griffith Hack**
(71) Name(s) and Address(s) of Applicant(s):
BISSELL Homecare, Inc
2345 Walker Avenue N.W. Grand Rapids Michigan 49544 United States of America
(72) Name(s) of Designer(s): **Martin Rauch and Christopher John Reinke and Yilin Gu**
(45) Registration Date: **24 November 2014**
(30) Convention priority data:
(31) Number (32) Date (33) Country
29/490,968 15 May 2014 UNITED STATES OF AMERICA
(56) Related Art Documents: **Not Applicable**
(57) Statement of Newness and Distinctiveness: **Newness and Distinctiveness resides in the visual features, including the shape and configuration of those parts of the product shown by means of solid lines in the attached representations.**



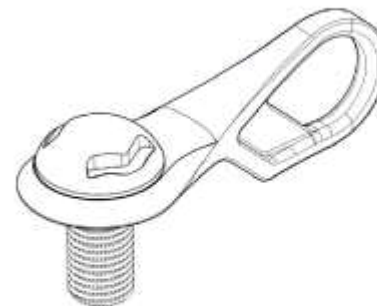
(21) Design Number: **15732/2014**
(22) Date of Filing Application: **10 November 2014**
(24) Date from which industrial property rights may have effect: **10 November 2014**
(54) Product in respect of which the design is registered: **Vacuum cleaner base**
(51) International Design Classification: **15-05**
(74) Name(s) of Attorney(s): **Griffith Hack**
(71) Name(s) and Address(s) of Applicant(s):
BISSELL Homecare, Inc
2345 Walker Avenue N.W. Grand Rapids Michigan 49544 United States of America
(72) Name(s) of Designer(s): **Drew A Johnson and Colin J Bloemendaal**
(45) Registration Date: **24 November 2014**
(30) Convention priority data:
(31) Number (32) Date (33) Country
29/491,703 23 May 2014 UNITED STATES OF AMERICA
(56) Related Art Documents: **Not Applicable**
(57) Statement of Newness and Distinctiveness: **Newness and Distinctiveness resides in the visual features, including the shape and configuration of those parts of the product shown by means of solid lines in the attached representations.**



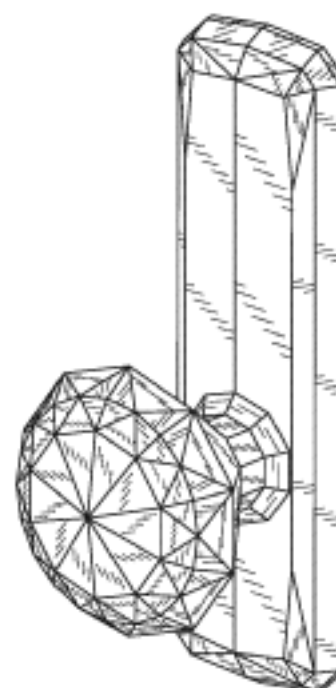
(21) Design Number: **15733/2014**
 (22) Date of Filing Application: **10 November 2014**
 (24) Date from which industrial property rights may have effect: **10 November 2014**
 (54) Product in respect of which the design is registered: **Floor cleaner accessory tool**
 (51) International Design Classification: **15-05**
 (74) Name(s) of Attorney(s): **Griffith Hack**
 (71) Name(s) and Address(s) of Applicant(s):
BISSELL Homecare, Inc
2345 Walker Avenue N.W. Grand Rapids Michigan 49544 United States of America
 (72) Name(s) of Designer(s): **Jose Carlito Santiago**
 (45) Registration Date: **24 November 2014**
 (30) Convention priority data:
 (31) Number (32) Date (33) Country
29/491,705 23 May 2014 UNITED STATES OF AMERICA
 (56) Related Art Documents: **Not Applicable**
 (57) Statement of Newness and Distinctiveness: **Newness and Distinctiveness resides in the visual features, including the shape and configuration of those parts of the product shown by means of solid lines in the attached representations.**



(21) Design Number: **14856/2014**
 (22) Date of Filing Application: **24 September 2014**
 (24) Date from which industrial property rights may have effect: **24 September 2014**
 (54) Product in respect of which the design is registered: **An attachment device for personal fall protection**
 (51) International Design Classification: **29-02**
 (74) Name(s) of Attorney(s): **SPRUSON & FERGUSON**
 (71) Name(s) and Address(s) of Applicant(s):
Kedge Holding B.V.
Stephensonweg 2, Gorinchem NL-4207 HB The Netherlands
 (72) Name(s) of Designer(s): **Joost Cornelis Duvekot**
 (45) Registration Date: **24 November 2014**
 (30) Convention priority data:
 (31) Number (32) Date (33) Country
002435503-0001 28 Mar 2014 OFFICE FOR HARMONISATION IN THE INTERNAL MARKET (OHIM)
 (56) Related Art Documents: **Not Applicable**
 (57) Statement of Newness and Distinctiveness: **Newness and distinctiveness is claimed in the features of shape and/or configuration of the following parts of an attachment device for a safety device for personal fall protection as illustrated in continuous lines and as labelled in the accompanying representations: the rounded shape of the bolt head which merges into the sloping edge of the fixing eye labelled 1; the shape of the "eye" labelled 2; and the "wing" in the opening of the "eye" labelled 3.**



(21) Design Number: **15048/2014**
(22) Date of Filing Application: **01 October 2014**
(24) Date from which industrial property rights may have effect: **01 October 2014**
(54) Product in respect of which the design is registered: **Hook**
(51) International Design Classification: **08-08G**
(74) Name(s) of Attorney(s): **Davies Collison Cave**
(71) Name(s) and Address(s) of Applicant(s):
3M Innovative Properties Company
3M Center Saint Paul Minnesota, 55133-3427 United States of America
(72) Name(s) of Designer(s): **Angela Lilun Pan**
(45) Registration Date: **24 November 2014**
(30) Convention priority data:
(31) Number (32) Date (33) Country
29/486967 04 Apr 2014 UNITED STATES OF AMERICA
(56) Related Art Documents: **Not Applicable**
(57) Statement of Newness and Distinctiveness: **Newness and distinctiveness is claimed in the visual features shown in solid lines in the representations.**



(21) Design Number: **15734/2014**
(22) Date of Filing Application: **10 November 2014**
(24) Date from which industrial property rights may have effect: **10 November 2014**
(54) Product in respect of which the design is registered: **Carpet**
(51) International Design Classification: **06-11**
(74) Name(s) of Attorney(s):
(71) Name(s) and Address(s) of Applicant(s):
Raines Carpets Pty Ltd
SE503 25 Lime St Sydney NSW 2000 Australia
(72) Name(s) of Designer(s): **David Raines**
(45) Registration Date: **24 November 2014**
(56) Related Art Documents: **Not Applicable**
(57) Statement of Newness and Distinctiveness: **The newness and distinctiveness of the design resides in the particular order and combination of colours used, together with the continuous free flowing pattern (when repeated). The broken lines/pattern edges are not part of the design and are to be disregarded when considering the overall impression of the design.**



- (21) Design Number: **15735/2014**
(22) Date of Filing Application: **10 November 2014**
(24) Date from which industrial property rights may have effect: **10 November 2014**
(54) Product in respect of which the design is registered: **Entrance, alert and/or security device**
(51) International Design Classification: **10-05**
(74) Name(s) of Attorney(s): **PHILLIPS ORMONDE FITZPATRICK**
(71) Name(s) and Address(s) of Applicant(s):
Ness Corporation Pty Ltd
4/167 Prospect Hwy Seven Hills NSW 2147 Australia
(72) Name(s) of Designer(s): **Albert Man and Mark Deng**
(45) Registration Date: **24 November 2014**
(56) Related Art Documents: **Not Applicable**
(57) Statement of Newness and Distinctiveness: **Those features of the Entrance, Alert and/or Security Device depicted in the representations that are new and distinctive are the shape and/or configuration. Any features of pattern and ornamentation shown are not part of the design and are to be disregarded when considering the overall impression of the design.**



- (21) Design Number: **15737/2014**
(22) Date of Filing Application: **11 November 2014**
(24) Date from which industrial property rights may have effect: **11 November 2014**
(54) Product in respect of which the design is registered: **Plastic drum**
(51) International Design Classification: **09-02C**
(74) Name(s) of Attorney(s):
(71) Name(s) and Address(s) of Applicant(s):
A & J AUSTRALIA PTY LTD
8 Westside Dr Laverton North VIC 3026 Australia
(72) Name(s) of Designer(s): **Bernhard Schulte**
(45) Registration Date: **24 November 2014**
(56) Related Art Documents: **Not Applicable**
(57) Statement of Newness and Distinctiveness: **This drum is a taller design with a special locking mechanism when stacked on top of each other. As the drum is slimmer we are able to fit 20 on 1 layer, hence more drums on a pallet. There is reinforcement at the bottom and bottom seal. The corner of the drums has corrugation ribbing for mechanical strength from top to bottom.**

